

This document contains proprietary information of Able Computer. It may not be reproduced, published, transferred to other documents, disclosed to others, or used for manufacturing or any other purpose, other than product maintenance, without the prior written permission of an officer of Able Computer.

REVISIONS			
LTR	DESCRIPTION	DATE	APPROVED
A	PROD. REL. PER E.O. 03351	11-27-85	<i>YR</i>

### ATTACHED E.O.

E.O. NO.	INIT'L	DATE
03752	<i>Bu</i>	MAY 28 1986
03805	<i>Bh</i>	JUL 14 1986
04283	<i>mc</i>	8-18-87

**REF. ONLY**

DEC 08 1987

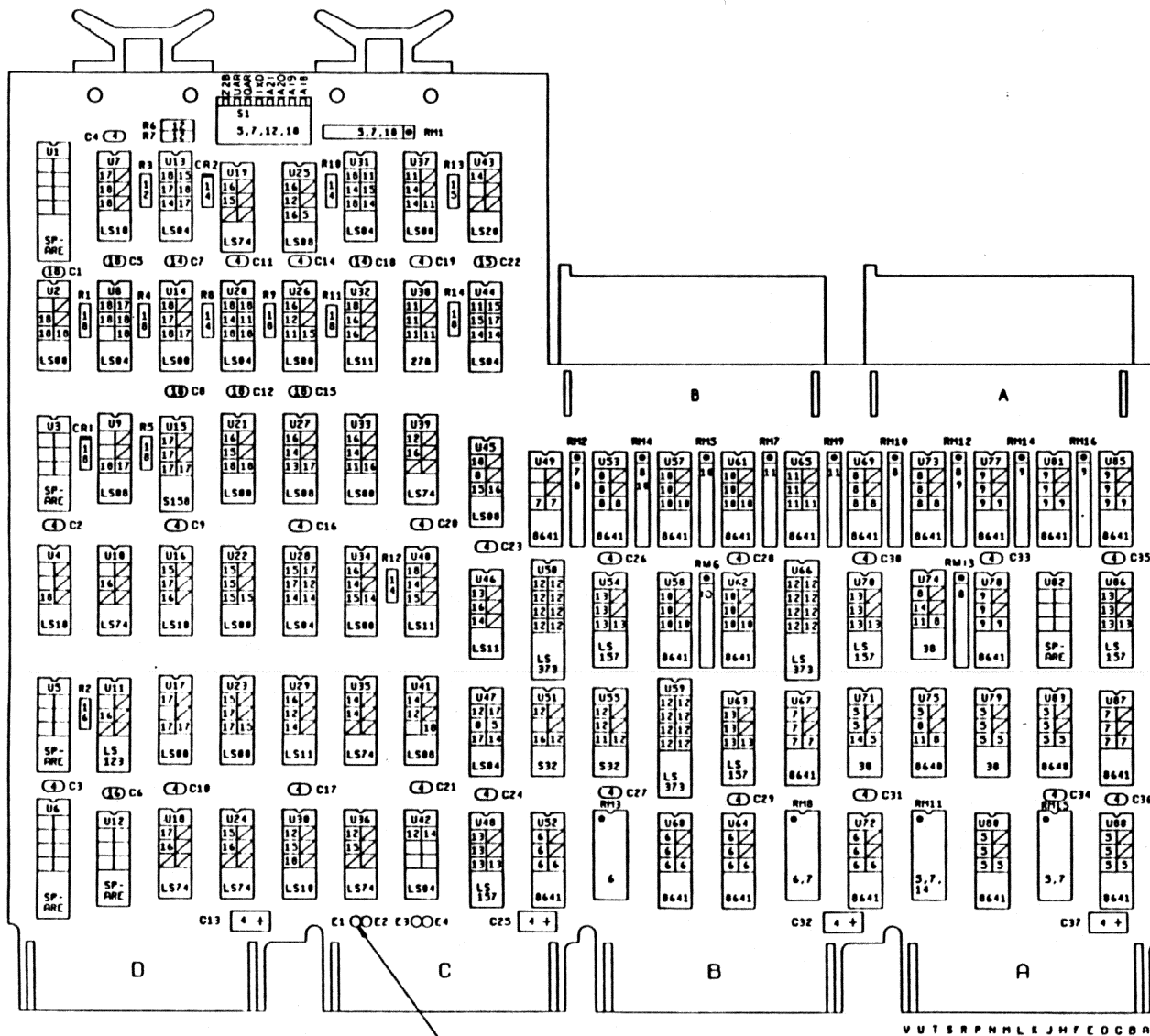
3. CAPACITOR VALUES ARE IN MICROFARADS.
2. RESISTOR VALUES ARE IN OHMS, 1/4W, ±5%; RESISTOR MODULES ARE, 1/8W, ±2%.
- △ OPTIONAL COMPONENT.

NOTES: UNLESS OTHERWISE SPECIFIED.

TOLERANCES UNLESS OTHERWISE SPECIFIED. ALL DIMS ARE IN INCHES.		<b>ABLE COMPUTER</b>	
APPROVALS		DATE	
DRAWN <i>RPW</i>		3-21-85	
CHECKED <i>YR</i>		9/10/85	
DATE <i>11/27/85</i>		SCALE	SIZE
			<b>B</b>
		DRAWING NO.	10412003
DO NOT SCALE DRAWING			SHEET 1 OF 18

This document contains proprietary information of Able Computer. It may not be reproduced, published, transmitted to other documents, or used for manufacturing or any other purpose, other than product maintenance, without the prior written permission of an officer of Able Computer.

REVISIONS			
NO.	DESCRIPTION	DATE	APPROVED
A	SEE SMT 1	1/1/1	



TYPE	LAST USED	NOT USED
I.C.	U80	U1, 3, 5, 6, 12, 56.
CAPACITOR	C37	68, 76, 82, 84
RESISTOR	R14	
RES. MOD.	RM16	
SWITCH	S1	
POINT	E4	

NOTES: UNLESS OTHERWISE SPECIFIED

E1-E4 ( SHEET 14 )

V U T S R P M L K J H F E D C B A

RA1 - COMPONENT SIDE

RA2 - SOLDER SIDE

<b>SCHEMATIC - PWE INVERTER II</b>	
DRAWN BY: <i>[Signature]</i> CHECKED BY: <i>[Signature]</i> DATE: 1/1/1	REV: <b>D</b> PART NO: <b>10412003</b> SHEET: 2 OF 18

THIS DOCUMENT CONTAINS PROPRIETARY INFORMATION OF AEGLE COMPUTER. IT MAY NOT BE REPRODUCED, PUBLISHED, TRANSMITTED TO OTHER MEDIA, OR DISCLOSED TO OTHERS, OR REPRODUCED FOR MANUFACTURING OR ANY OTHER PURPOSE, OTHER THAN PRODUCT MAINTENANCE, WITHOUT THE PRIOR WRITTEN PERMISSION OF AN OFFICER OF AEGLE COMPUTER.

SHT	I	A	2	SHT
5	BIRQ5-L	A	+5V	4
5	BIRQ6-L	B		
7	SCAL16-L	C	GND	4
7	BEAL17-L	D		
		E	BDOUT-L	5
		F	BRPLY-L	7
		H	BDIN-L	5
4	GND	J	BSYNC-L	5
		K	BWTBT-L	5
		L	BIRQ4-L	5
4	GND	M	BIAKI-L	5
5	BDMR-L	N	BIAKO-L	14
7	BHALT-L	P	BBS7-L	7
7	BREF-L	R	BDMGI-L	5
		S	BDMGO-L	5
4	GND	T	BINIT-L	5
		U	BDALOO-L	6
		V	BDALOI-L	6

SHT	I	B	2	SHT
7	BDCOK-H	A	+5V	4
7	BPOCK-H	B		
7	BDAL18-L	C	GND	4
7	BDAL19-L	D		
7	BDAL20-L	E	BDALO2-L	6
7	BDAL21-L	F	BDALO3-L	6
		H	BDALO4-L	6
4	GND	J	BDALO5-L	6
		K	BDALO6-L	6
		L	BDALO7-L	6
4	GND	M	BDALO8-L	6
5	BSACK-L	N	BDALO9-L	6
5	BIRQ7-L	P	BDAL10-L	6
7	BEVNT-L	R	BDAL11-L	6
		S	BDAL12-L	6
4	GND	T	BDAL13-L	6
		U	BDAL14-L	6
4	+5V	V	BDAL15-L	6

SHT	I	C	2	SHT
		A	+5V	4
		B		
		C	GND	4
		D		
		E		
		F		
		H		
4	GND	J		
		K		
		L		
4	GND	M	BIAKI-L	14
		N	BIAKO-L	14
		P		
		R	BDMGI-L	14
		S	BDMGO-L	14
4	GND	T		
		U		
		V		

SHT	I	D	2	SHT
		A	+5V	4
		B		
		C	GND	4
		D		
		E		
		F		
		H		
4	GND	J		
		K		
		L		
4	GND	M		
		N		
		P		
		R		
		S		
4	GND	T		
		U		
4	+5V	V		

Q - BUS CONNECTORS

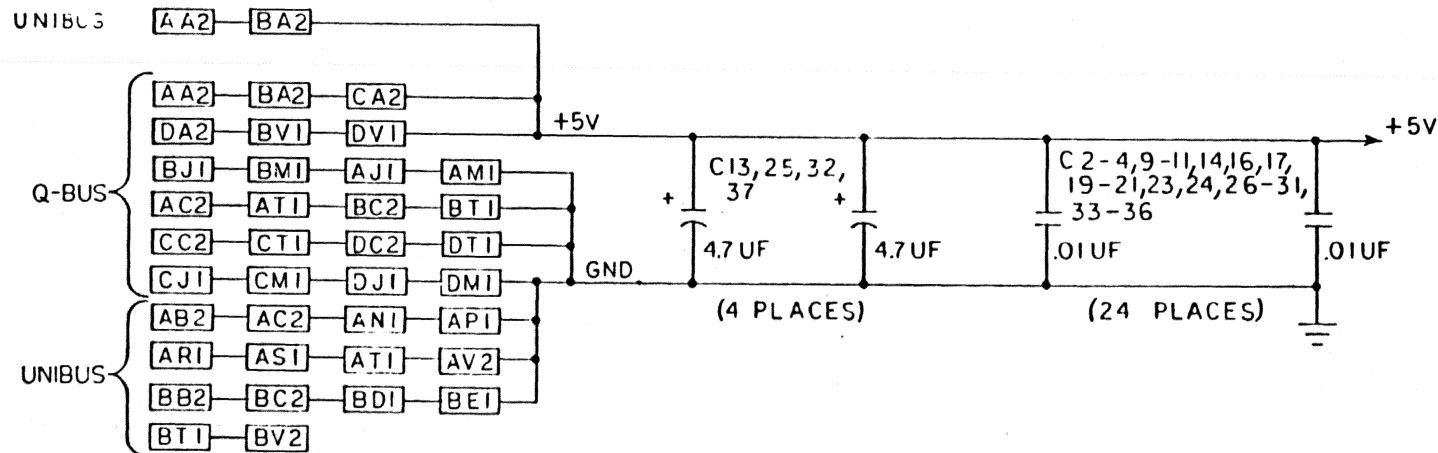
SCALE	SIZE	DRAWING NO
	<b>B</b>	10412003
DO NOT SCALE DRAWING		SHEET 3 OF 18

THIS DOCUMENT CONTAINS PROPRIETARY INFORMATION OF ARLS COMPUTER. IT MAY NOT BE REPRODUCED, PUBLISHED, TRANSMITTED OR OTHERWISE DISCLOSED TO OTHERS, OR USED FOR NAME, PRODUCT OR ANY OTHER PURPOSE, OTHER THAN PRODUCT MAINTENANCE, WITHOUT THE WRITTEN PERMISSION OF AN OFFICER OF ARLS COMPUTER.

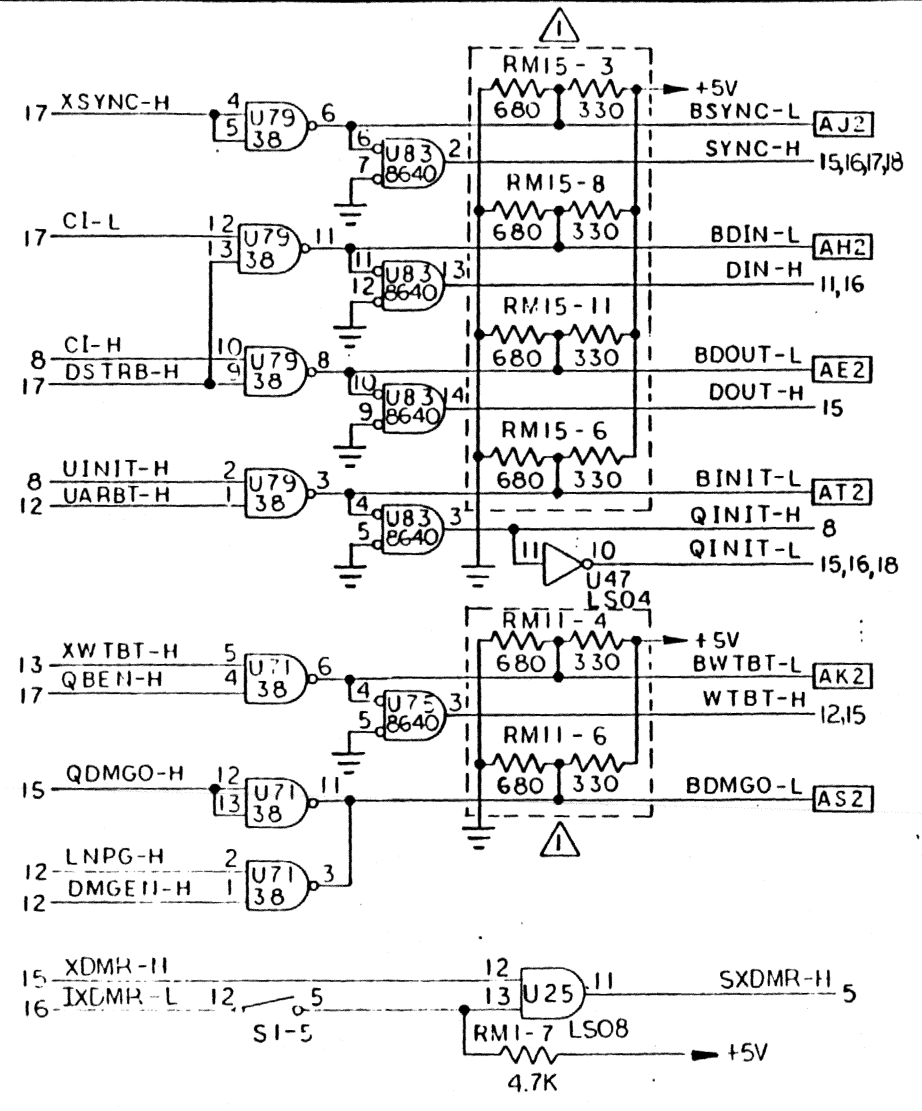
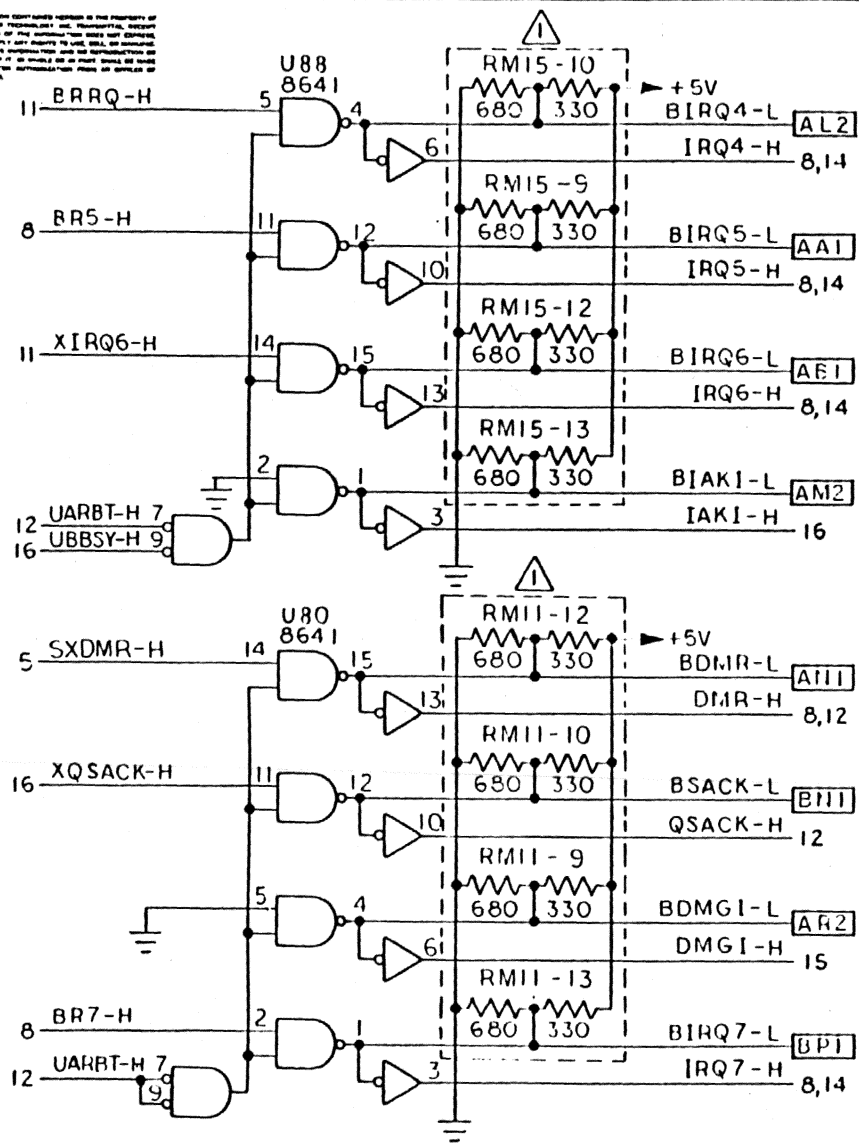
SHT	I	A	2	SHT
8	BUS-INIT-L	A	+5V	4
8	↑ INTR-L	B	GND	4
9	DOO-L	C	GND	4
9	DO2-L	D	BUS-DO1-L	9
9	DO4-L	E	↑ DO3-L	9
9	DO6-L	F	DO5-L	9
9	DO8-L	H	DO7-L	9
9	DIO-L	J	DO9-L	9
9	↓ DI2-L	K	D11-L	9
9	BUS-DI4-L	L	DI3-L	9
		M	DI5-L	9
4	GND	N	PB-L	8
4	GND	P	BBSY-L	8
4	GND	R	SACK-L	8
4	GND	S	NPR-L	8
4	GND	T	↓ BR7-L	8
11	BUS-NPG-H	U	BUS-BR6-L	8
11	BUS-BG7-H	V	GND	4

SHT	I	B	2	SHT
11	BUS-BG6-H	A	+5V	4
11	BUS-BG5-H	B	GND	4
8	BUS-BR5-L	C	GND	4
4	GND	D	BUS-BR4-L	8
4	GND	E	↑ BG4-H	11
7	BUS-ACLO-L	F	DCLO-L	7
10	↑ AC1-L	H	A00-L	10
10	A03-L	J	A02-L	10
10	A05-L	K	A04-L	10
10	A07-L	L	A06-L	10
10	A09-L	M	A08-L	10
10	A11-L	N	A10-L	10
10	A13-L	P	A12-L	10
10	↑ A15-L	R	A14-L	10
7	BUS-A17-L	S	A16-L	7
4	GND	T	↓ CI-L	8
8	BUS-SSYN-L	U	BUS-CO-L	8
8	BUS-MSYN-L	V	GND	4

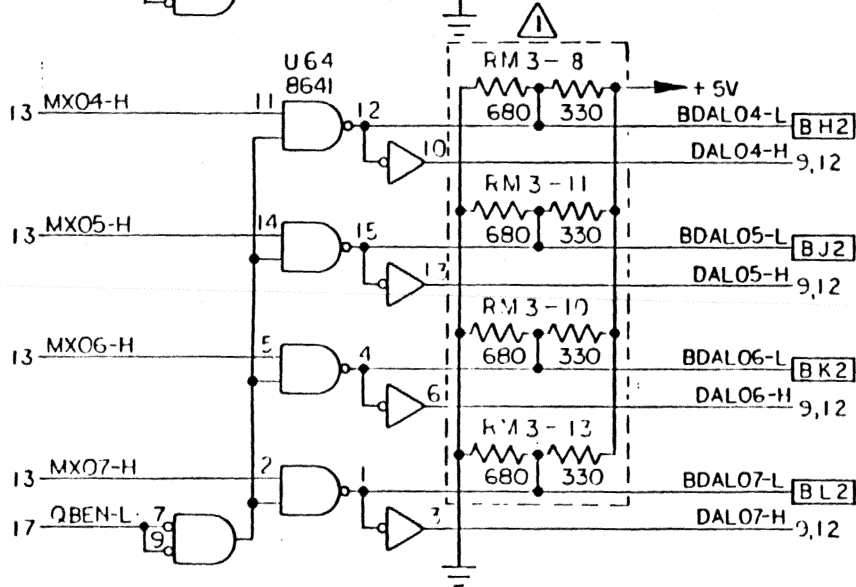
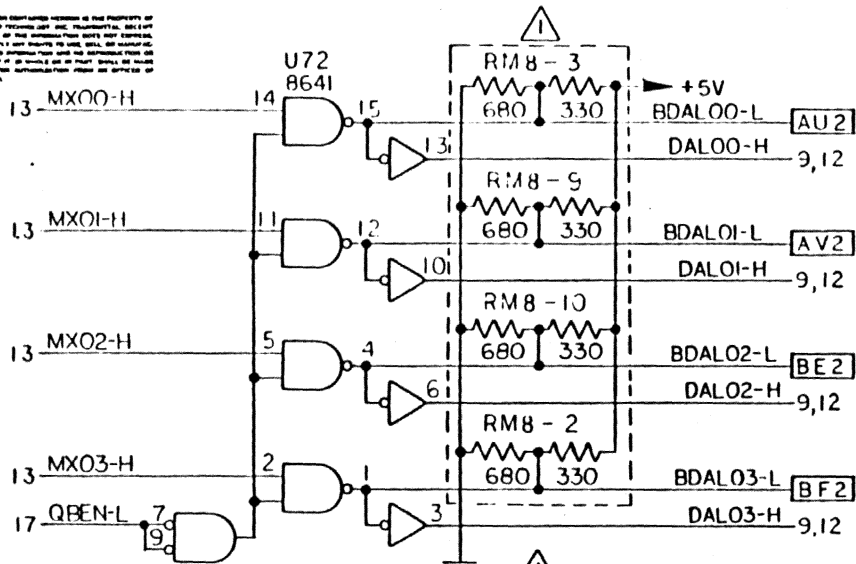
### UNIBUS CONNECTORS



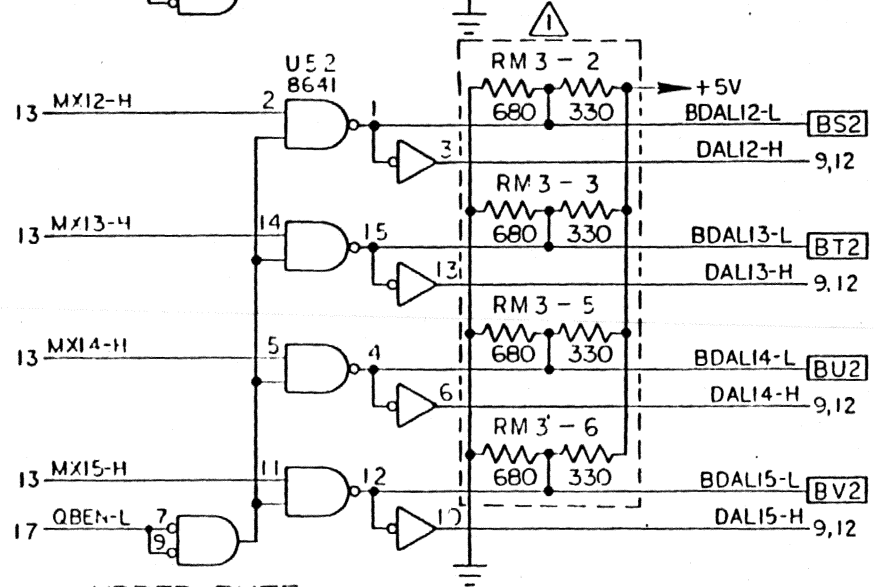
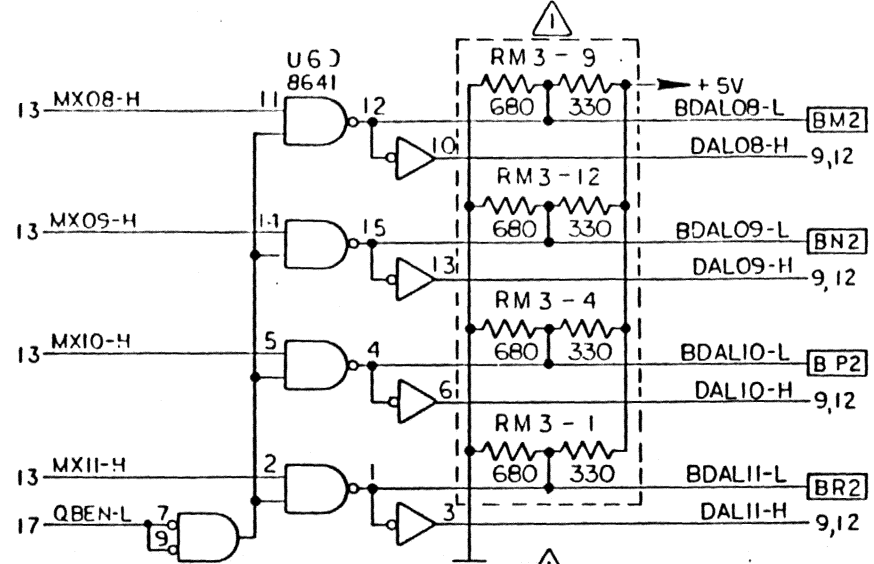
THIS DRAWING IS THE PROPERTY OF  
 IBM CORPORATION. IT IS TO BE USED FOR THE  
 PURPOSES OF THE ORIGINAL ORDER ONLY.  
 IT IS NOT TO BE REPRODUCED OR  
 TRANSMITTED IN ANY FORM OR BY ANY  
 MEANS, ELECTRONIC OR MECHANICAL,  
 INCLUDING PHOTOCOPYING, RECORDING,  
 OR BY ANY INFORMATION STORAGE AND  
 RETRIEVAL SYSTEM, WITHOUT THE  
 WRITTEN PERMISSION OF IBM CORPORATION.



THIS DOCUMENT CONTAINS UNCLASSIFIED INFORMATION AND IS THE PROPERTY OF THE UNITED STATES GOVERNMENT. IT IS TO BE REPRODUCED AND TRANSMITTED IN ANY FORM AND BY ANY MEANS, ELECTRONIC OR MECHANICAL, INCLUDING PHOTOCOPYING, RECORDING, OR BY ANY INFORMATION STORAGE AND RETRIEVAL SYSTEM, WITHOUT PERMISSION FROM THE DIRECTOR, ARPA/AFOSR. THIS DOCUMENT IS UNCLASSIFIED EXCEPT WHERE SHOWN OTHERWISE.



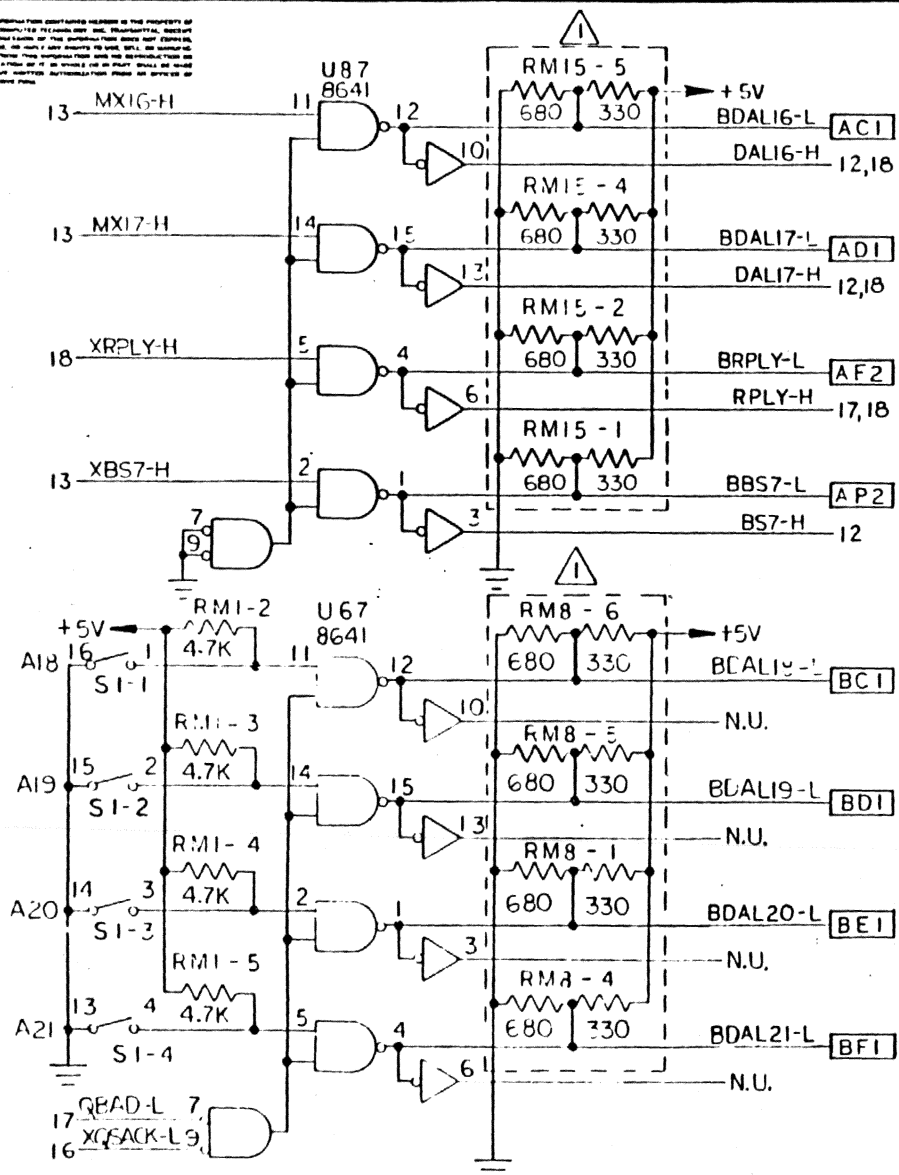
LOW BYTE - Q-BUS TRANSCEIVERS



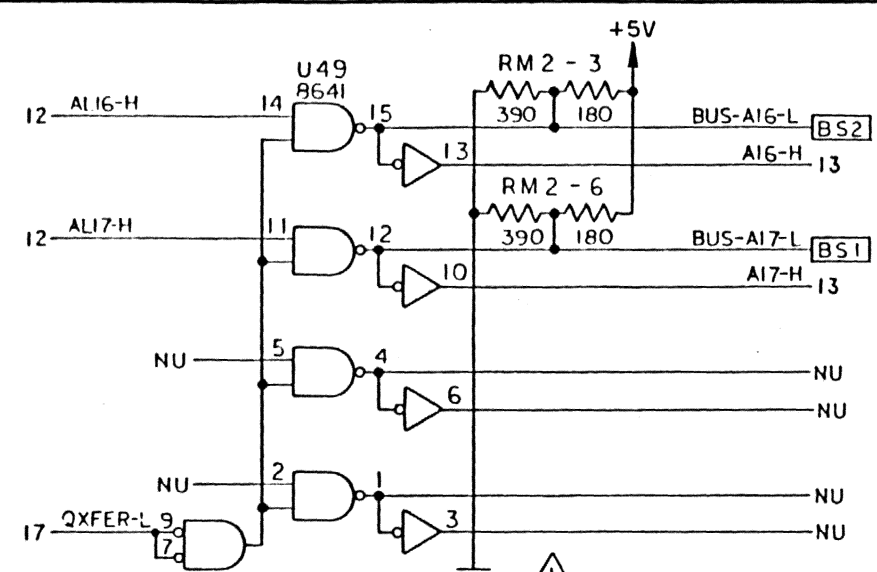
UPPER BYTE -  
Q-BUS TRANSCEIVERS

SCALE	SIZE	DRAWING NO.
	<b>B</b>	10412003
DO NOT SCALE DRAWING		SHEET 6 OF 18

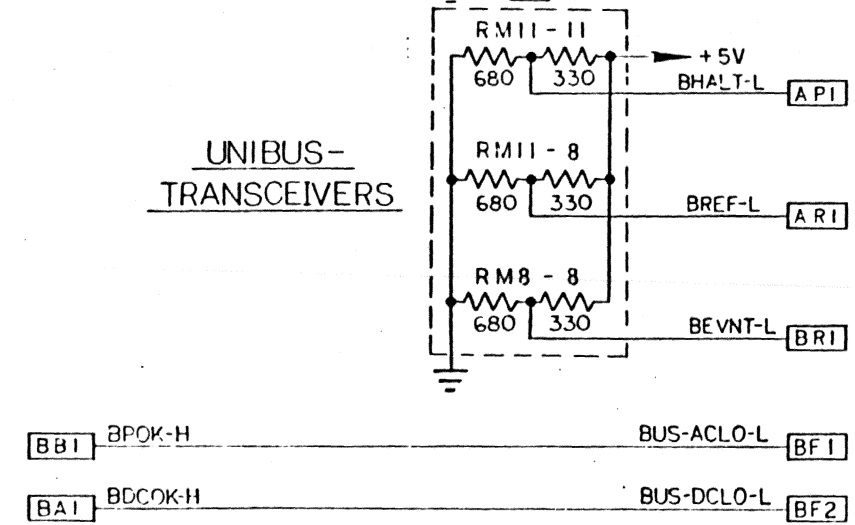
The information contained herein is the property of  
 Intel Corporation and is intended for use only in the  
 design and manufacture of Intel products. It is not to be  
 distributed, copied, or reproduced in any form without  
 the express written permission of Intel Corporation.



Q-BUS TRANSCEIVERS

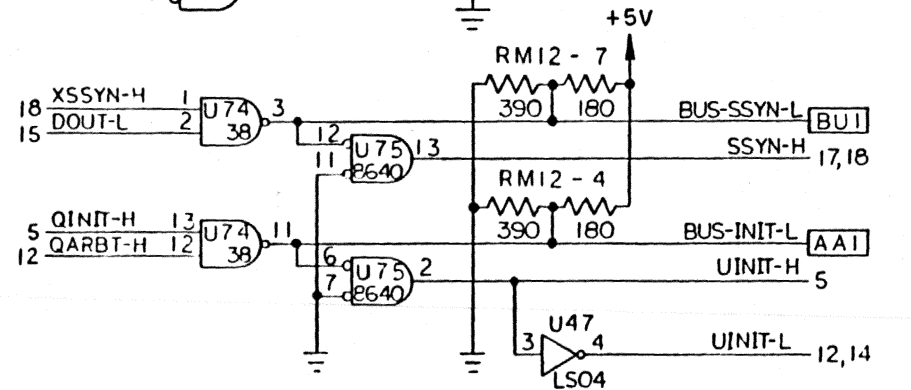
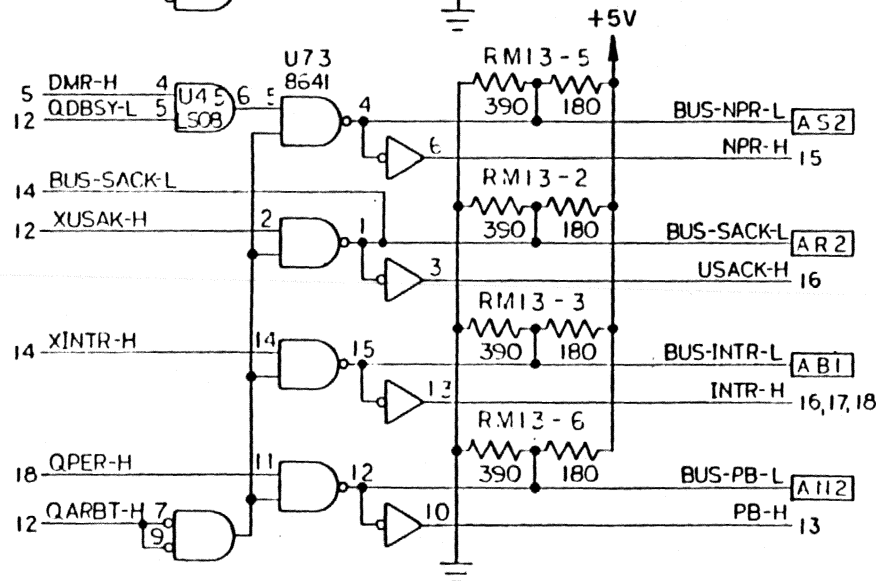
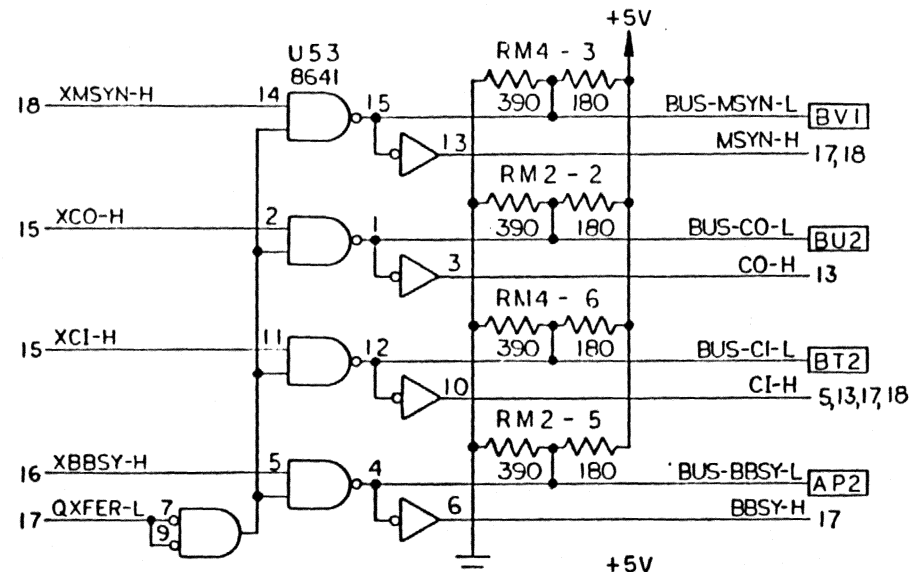
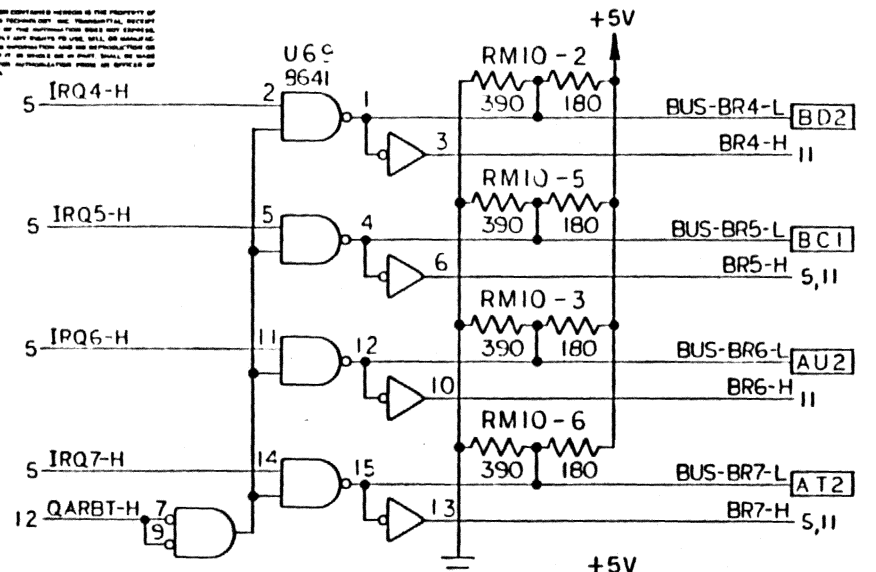


UNIBUS-TRANSCEIVERS



SCALE	SIZE	DRAWING NO.
	<b>B</b>	10412003
DO NOT SCALE DRAWING		SHEET 7 OF 18

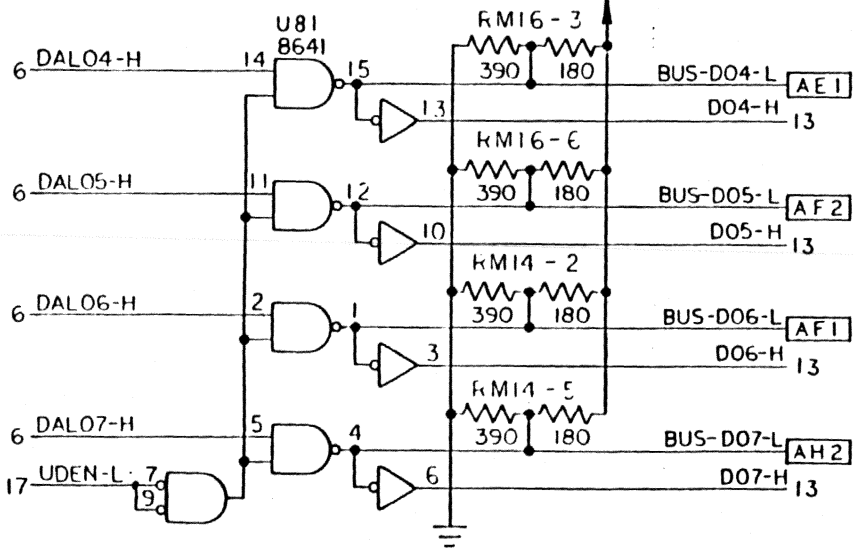
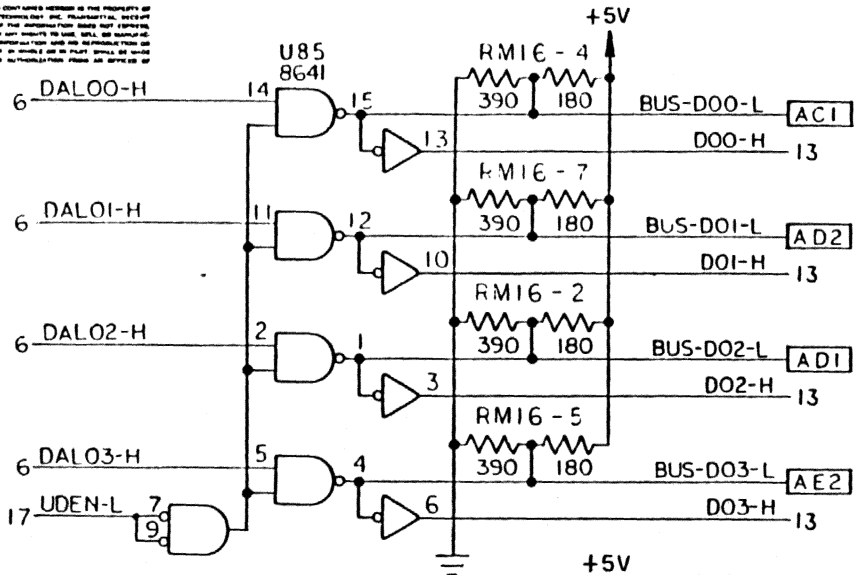
THE INFORMATION CONTAINED HEREIN IS THE PROPERTY OF  
 ALL RIGHTS RESERVED. NO PART OF THIS DOCUMENT  
 MAY BE REPRODUCED OR TRANSMITTED IN ANY FORM OR  
 BY ANY MEANS, ELECTRONIC OR MECHANICAL, INCLUDING  
 PHOTOCOPYING, RECORDING, OR BY ANY INFORMATION  
 STORAGE AND RETRIEVAL SYSTEM, WITHOUT PERMISSION  
 IN WRITING FROM THE UNITED STATES GOVERNMENT.



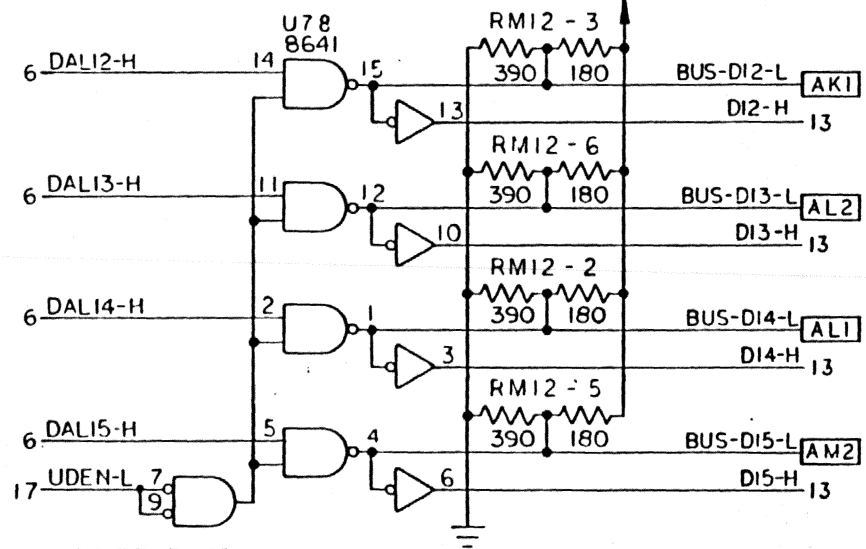
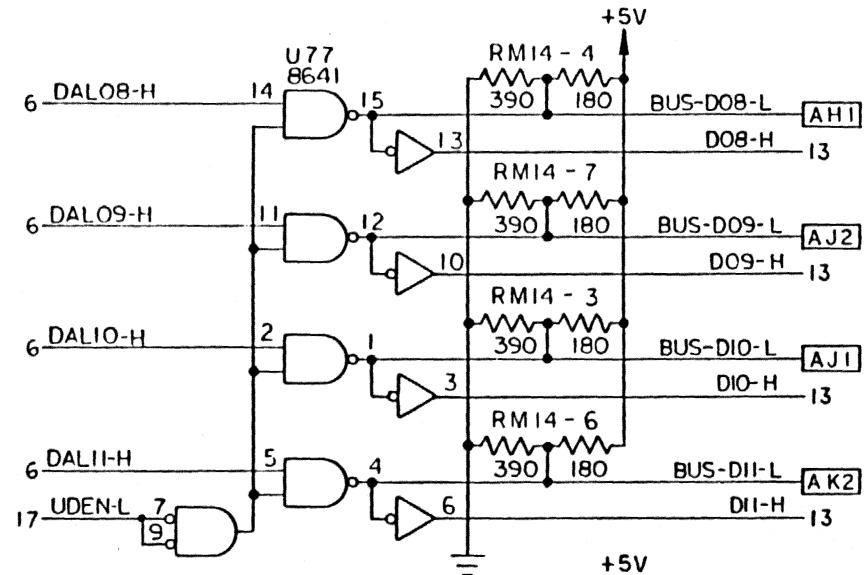
SCALE	SIZE	DRAWING NO.
	<b>B</b>	10412003
DO NOT SCALE DRAWING		SHEET 8 OF 18



THE INFORMATION CONTAINED HEREIN IS THE PROPERTY OF  
 BISHOP GRAPHICS/ACCUPRESS. IT IS TO BE KEPT  
 CONFIDENTIAL AND NOT TO BE REPRODUCED, COPIED,  
 EITHER WHOLLY OR IN PART, OR TRANSMITTED IN ANY  
 MANNER OR BY ANY MEANS, ELECTRONIC, MECHANICAL,  
 PHOTOCOPYING, RECORDING, OR BY ANY INFORMATION  
 STORAGE AND RETRIEVAL SYSTEM, WITHOUT THE  
 WRITTEN PERMISSION OF BISHOP GRAPHICS/ACCUPRESS.

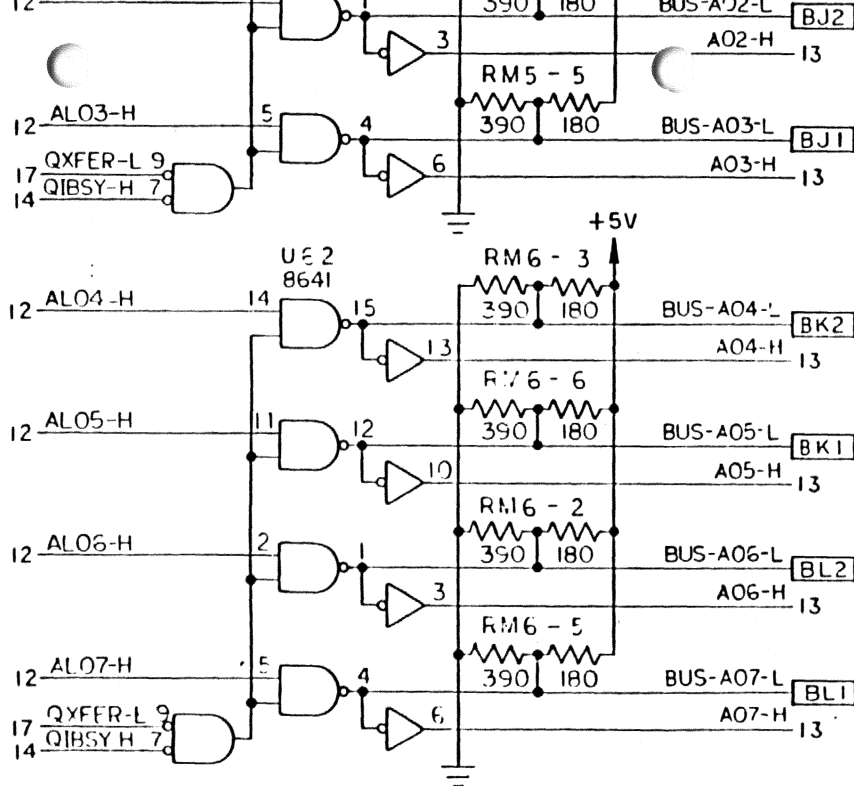


LOW BYTE-UNIBUS DATA TRANSCEIVERS

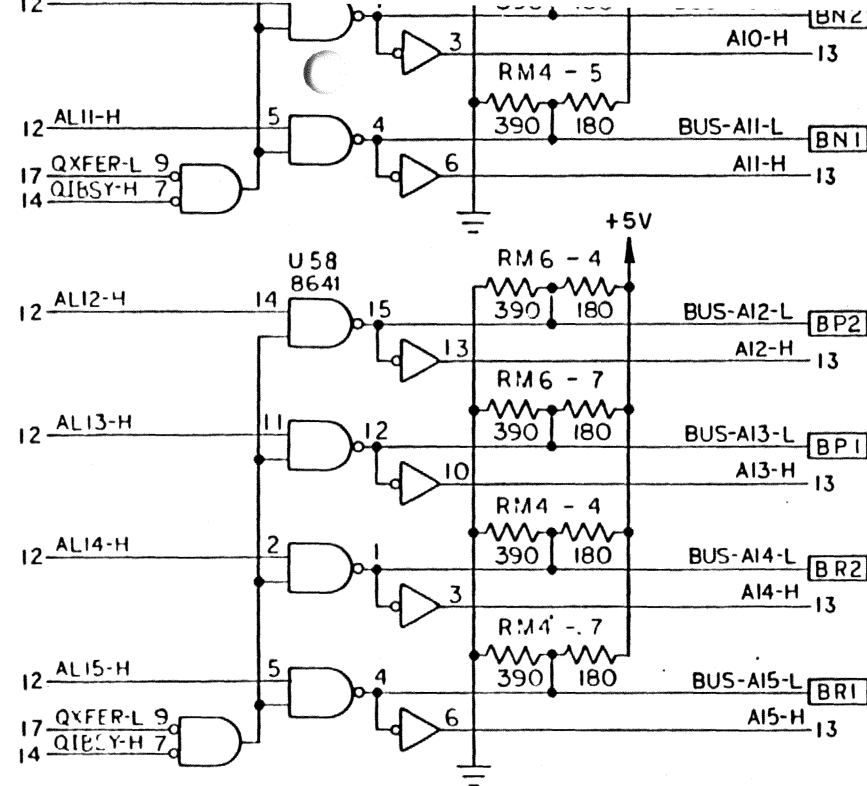


UPPER BYTE  
 UNIBUS DATA TRANSCEIVERS

SCALE	SIZE	DRAWING NO.
	<b>B</b>	10412003
DO NOT SCALE DRAWING		SHEET 9 OF 18



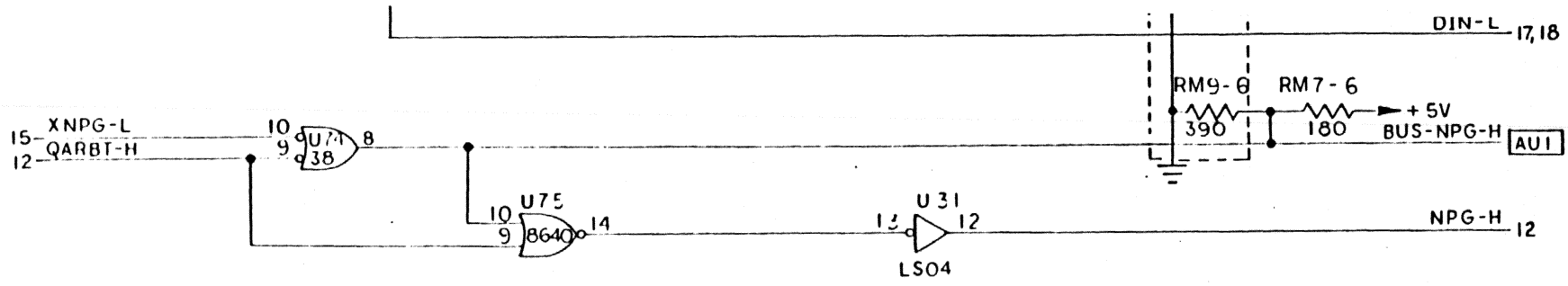
LOW BYTE-UNIBUS ADDRESS TRANSCEIVERS



HIGH BYTE-UNIBUS ADDRESS TRANSCEIVERS

SCALE	SIZE	DRAWING NO.
	<b>B</b>	10412003
DO NOT SCALE DRAWING		SHEET 10 OF 18

BISHOP GRAPHICS/ACCUPRESS  
REORDER NO. A-3751



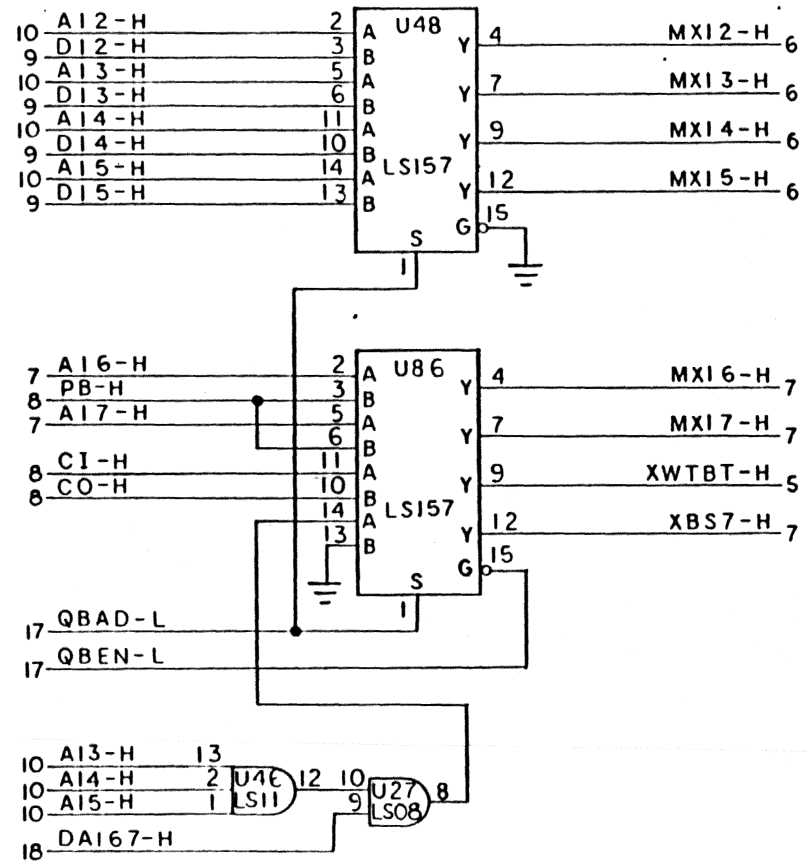
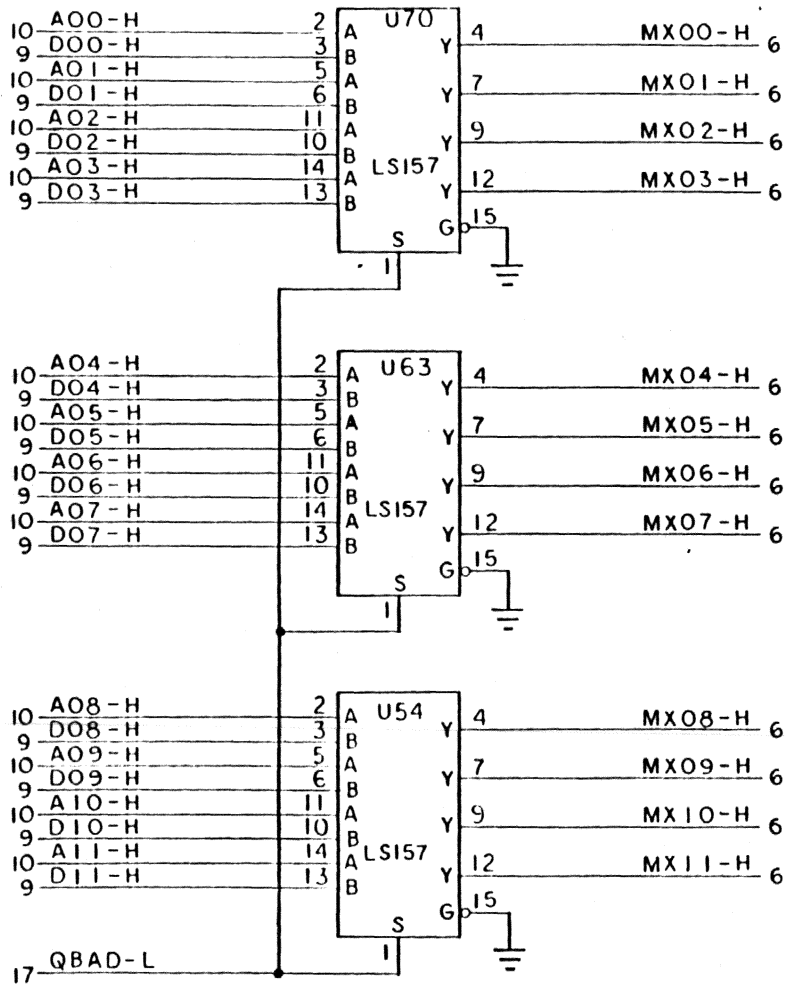
UNIBUS INTERRUPT PRIORITY Q-BUS ARBITRATOR

SCALE	SIZE	DRAWING NO.
	<b>B</b>	10412003
DO NOT SCALE DRAWING		SHEET 11 OF 18

BISHOP GRAPHICS/ACCUPRESS  
REORDER NO. A-2729



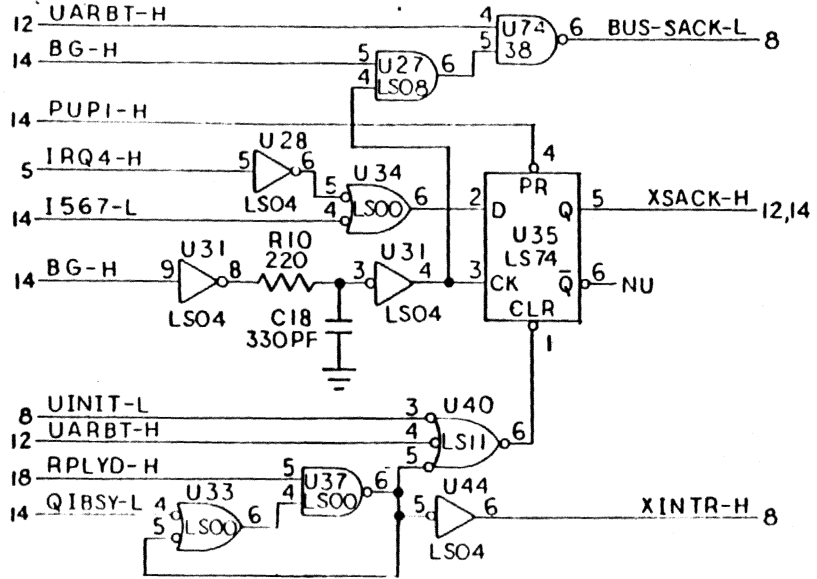
THIS DOCUMENT CONTAINS PROPRIETARY INFORMATION OF ABLE COMPUTER. IT MAY NOT BE REPRODUCED, PHOTOCOPIED, TRANSMITTED TO OTHER DOCUMENTS, OR USED FOR MANUFACTURING OR ANY OTHER PURPOSE, OTHER THAN PRODUCT MAINTENANCE, WITHOUT THE PRIOR WRITTEN PERMISSION OF AN OFFICER OF ABLE COMPUTER.



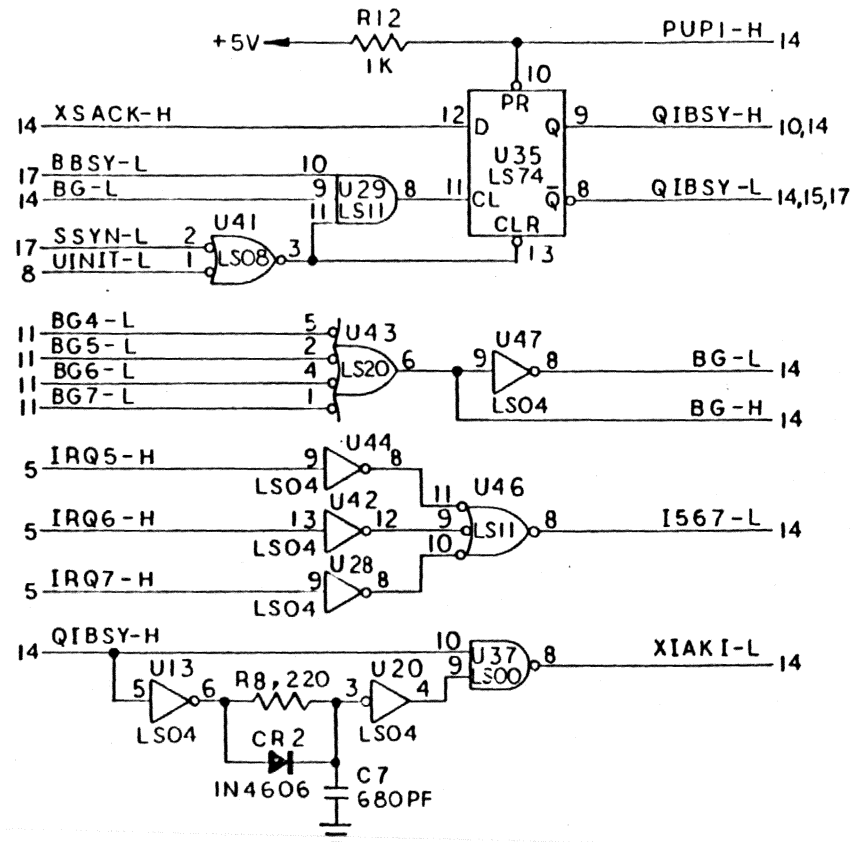
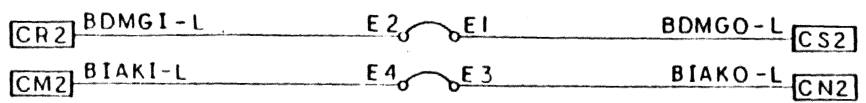
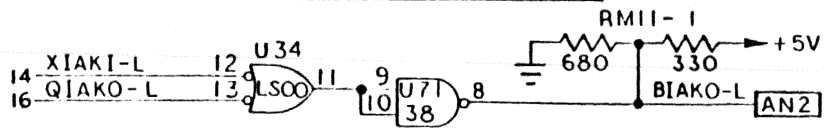
Q-BUS MUX

SCALE	SIZE	DRAWING NO
	<b>B</b>	10412003
DO NOT SCALE DRAWING		SHEET 13 OF 18

THIS DOCUMENT CONTAINS PROPRIETARY INFORMATION OF ARL COMPUTER. IT MAY NOT BE REPRODUCED, IN WHOLE OR IN PART, TRANSMITTED TO OTHER DOCUMENTS, OR DISCLOSED TO OTHERS, OR USED FOR MARKETING OR ANY OTHER PURPOSE, OTHER THAN PROVIDED HEREIN, WITHOUT THE PRIOR WRITTEN PERMISSION OF AN OFFICER OF ARL COMPUTER.



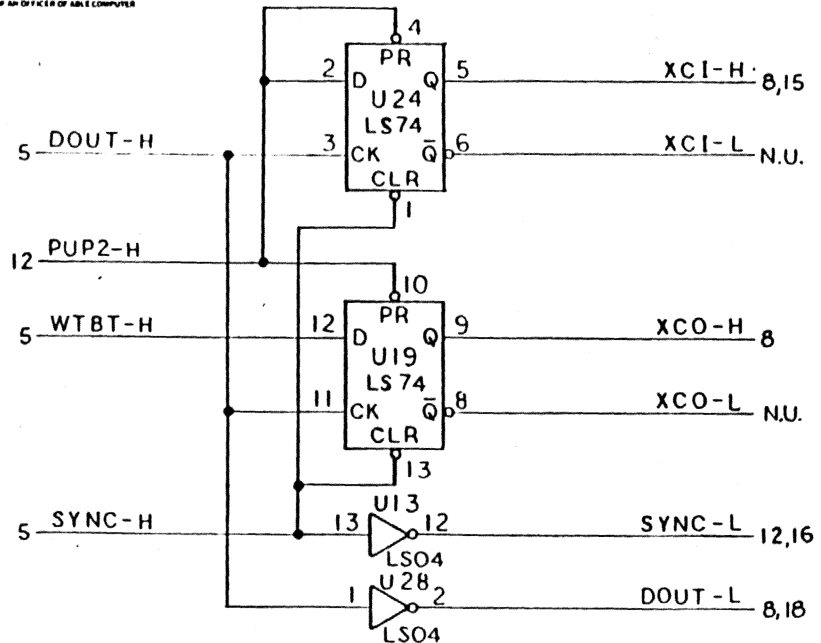
Q-BUS INTERRUPT LOGIC-  
UNIBUS ARBITRATION



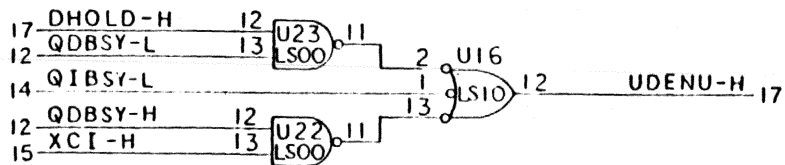
Q-BUS INTERRUPT LOGIC-  
UNIBUS ARBITRATION

SCALE	SIZE	DRAWING NO.
	<b>B</b>	10412003
DO NOT SCALE DRAWING		SHEET 14 OF 18

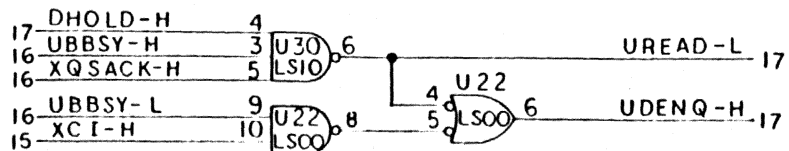
THIS DOCUMENT CONTAINS PROPRIETARY INFORMATION OF ABL COMPUTER. IT MAY NOT BE REPRODUCED, PHOTOCOPIED, TRANSMITTED TO OTHER MEDIA, OR IN ANY MANNER, OR USED FOR MANUFACTURING OR ANY OTHER PURPOSE OTHER THAN PRODUCT MAINTENANCE, WITHOUT THE PRIOR WRITTEN PERMISSION OF AN OFFICER OF ABL COMPUTER.



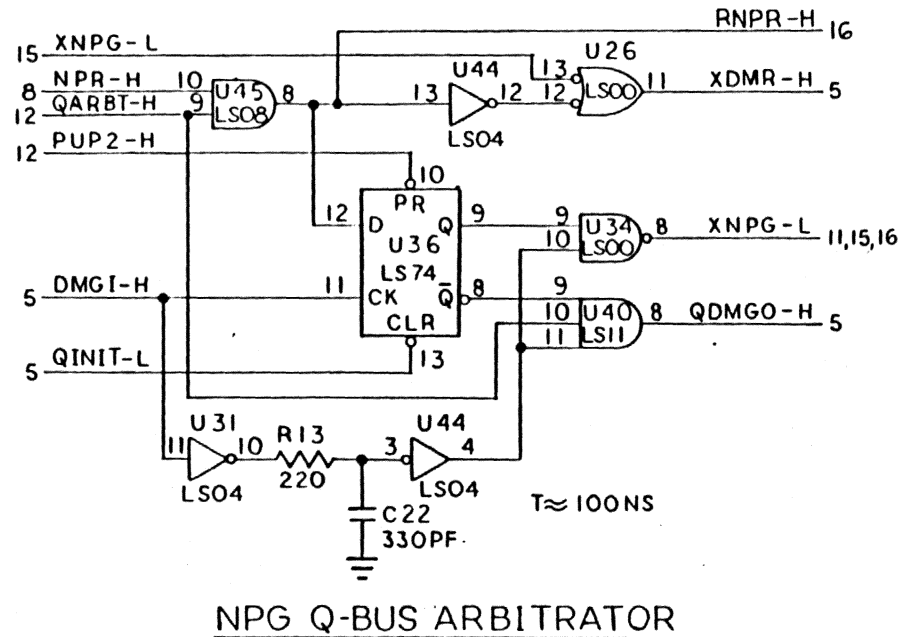
UNIBUS CO AND CI-Q-BUS ARBITRATOR



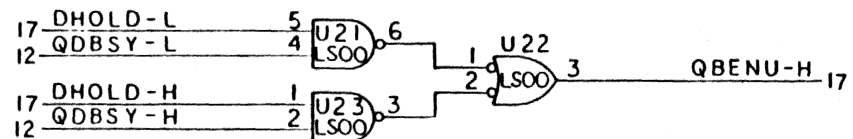
UNIBUS DATA ENABLE-UNIBUS ARBITRATION



UNIBUS DATA ENABLE Q-BUS ARBITRATION



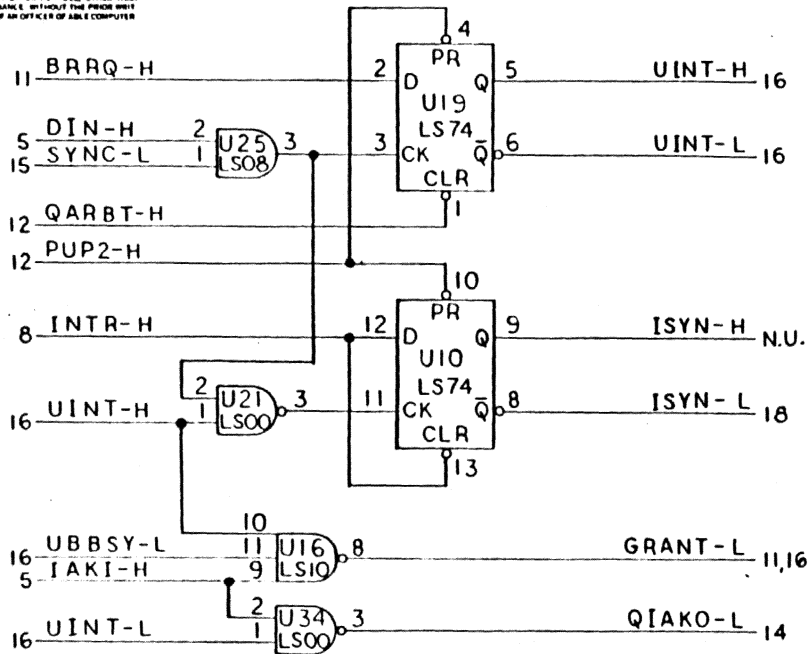
NPG Q-BUS ARBITRATOR



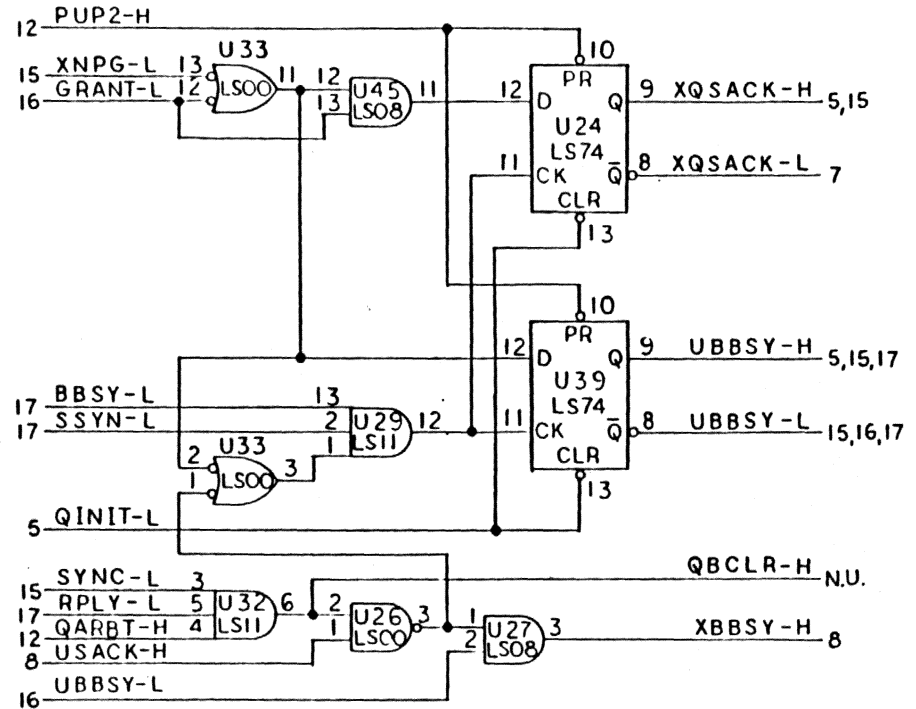
Q-BUS ENABLE UNIBUS ARBITRATION

SCALE	SIZE	DRAWING NO
	<b>B</b>	10412003
DO NOT SCALE DRAWING		SHEET 15 OF 18

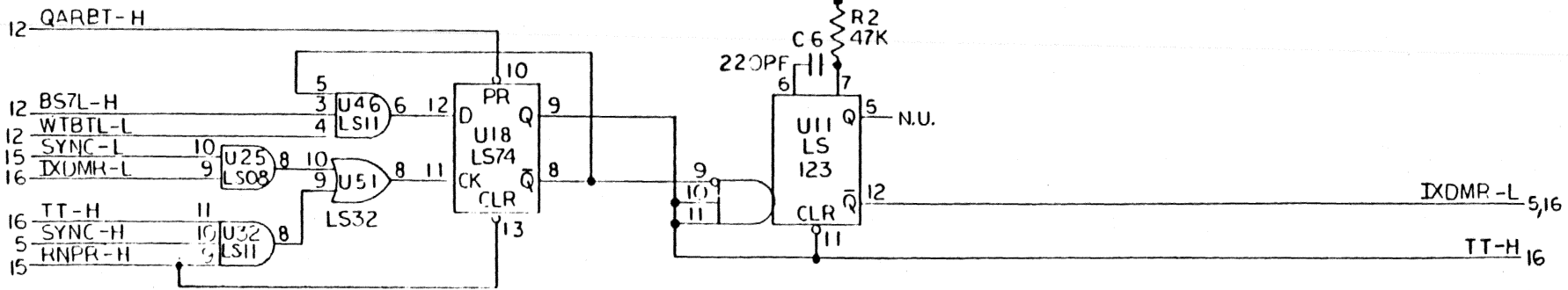
THIS DOCUMENT CONTAINS PROPRIETARY INFORMATION OF ABBE COMPUTER. IT MAY NOT BE REPRODUCED, PUBLISHED, TRANSMITTED TO OTHER DOCUMENTS, DISCLOSED TO OTHERS OR USED FOR MARKETING OR ANY OTHER PURPOSE, OTHER THAN PRODUCT MAINTENANCE, WITHOUT THE PRIOR WRITTEN PERMISSION OF AN OFFICER OF ABBE COMPUTER.



INTERRUPT CONTROL Q-BUS ARBITRATOR



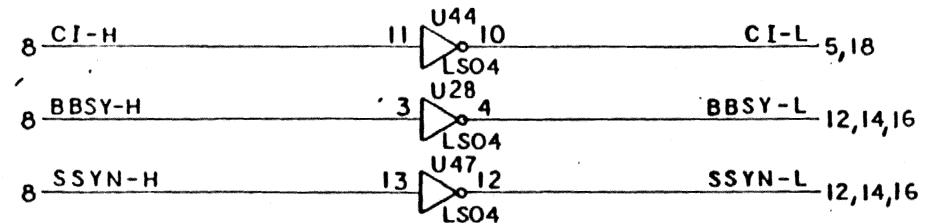
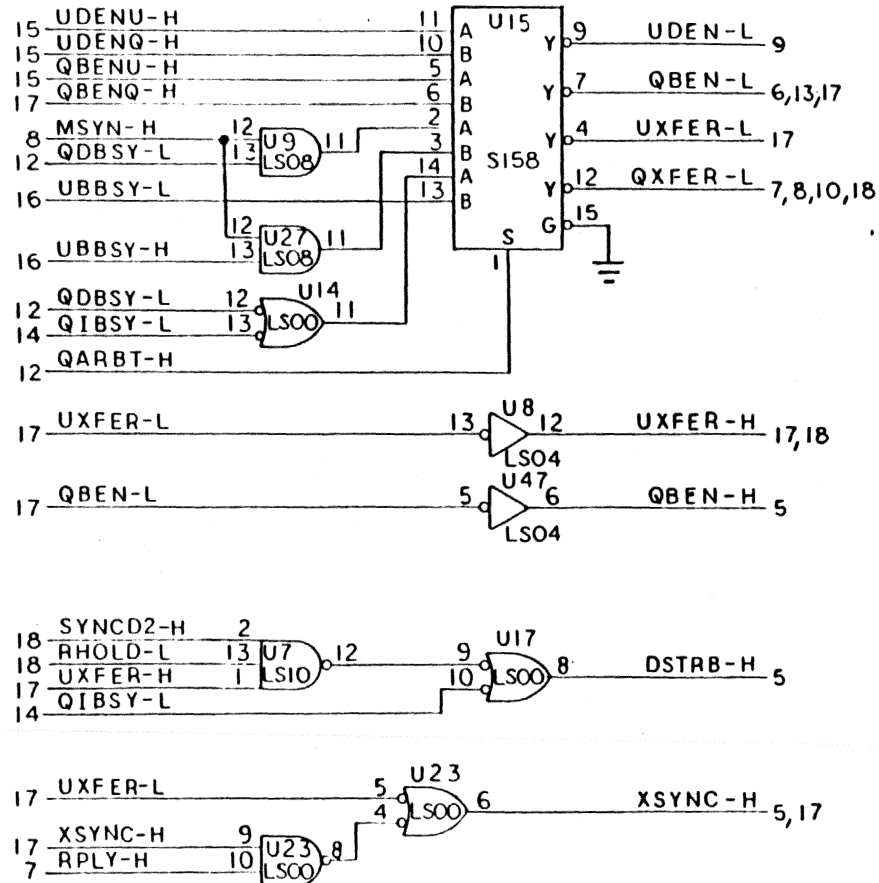
BUS CONTROL Q-BUS ARBITRATOR



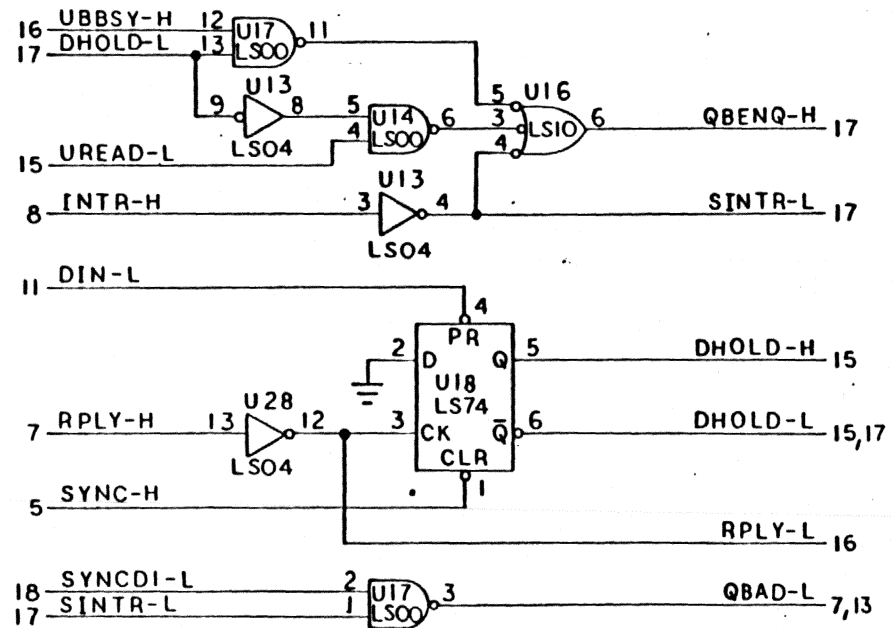
INHIBIT DMR TIMING OPTION

SCALE	SIZE	DRAWING NO
	<b>B</b>	10412003
DO NOT SCALE DRAWING		SHEET 16 OF 18

THIS DOCUMENT CONTAINS PROPRIETARY INFORMATION OF ARBE COMPUTER. IT MAY NOT BE REPRODUCED, TRANSMITTED, OR IN ANY MANNER DISCLOSED TO OTHERS, OR USED FOR MARKETING OR ANY OTHER PURPOSE, OTHER THAN PRODUCT MAINTENANCE, WITHOUT THE PRIOR WRITTEN PERMISSION OF AN OFFICER OF ARBE COMPUTER.



### UNIBUS ADDRESS ENABLE

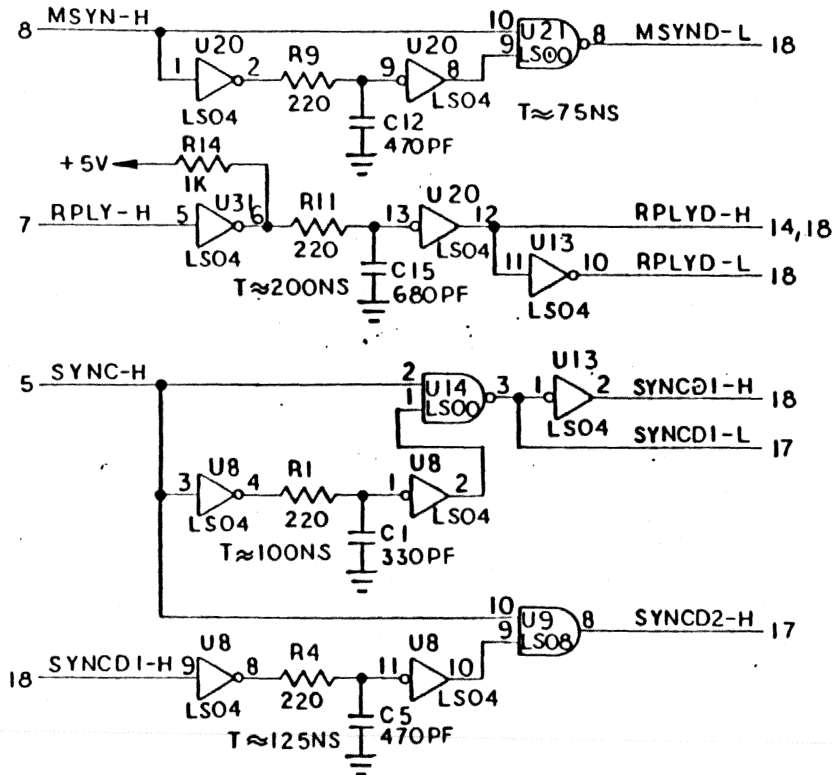


### Q-BUS ENABLE Q-BUS ARBITRATION

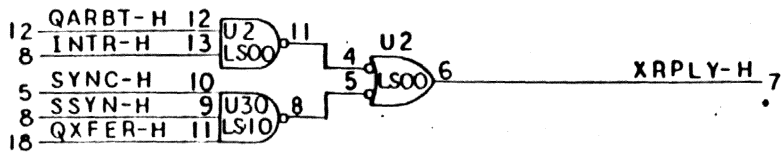
SCALE	SIZE	DRAWING NO
	<b>B</b>	10412003
DO NOT SCALE DRAWING		SHEET 17 OF 18



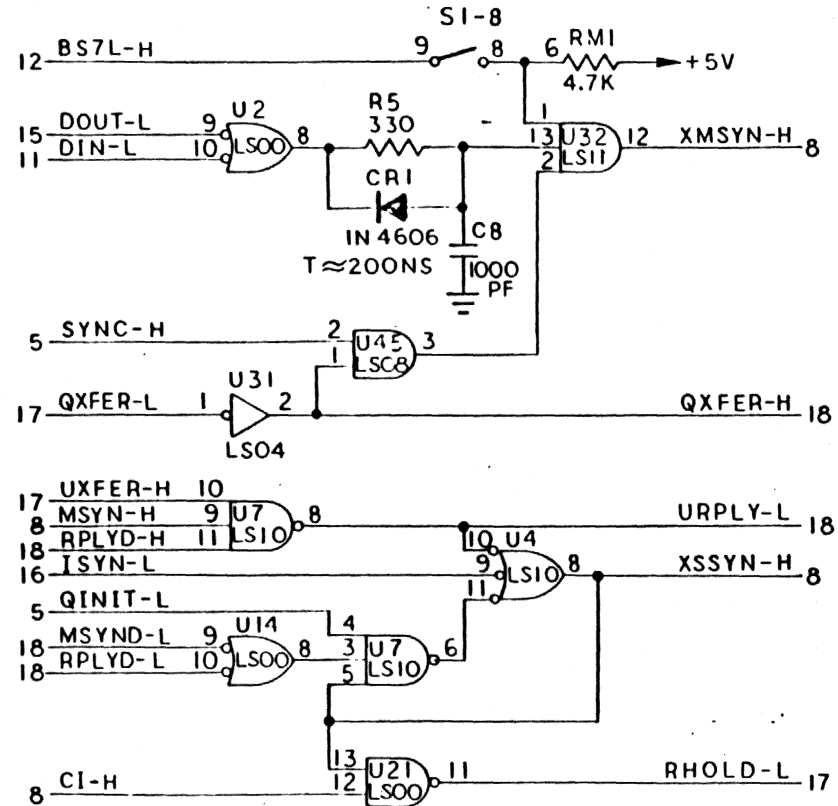
THIS DOCUMENT CONTAINS PROPRIETARY INFORMATION OF ABLE COMPUTER. IT MAY NOT BE REPRODUCED, PUBLISHED, TRANSMITTED TO OTHERS, OR IN ANY MANNER DISCLOSED TO OTHERS, OR REPRODUCED, MANUFACTURED OR ANY OTHER PURPOSE OTHER THAN THAT AUTHORIZED BY ABLE COMPUTER WITHOUT THE PRIOR WRITTEN PERMISSION OF AN OFFICER OF ABLE COMPUTER.



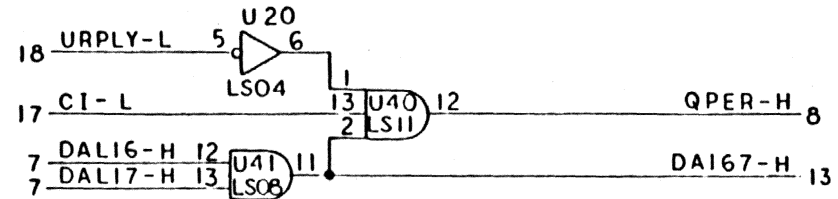
MISCELLANEOUS TIMING CIRCUITS



REPLY



MSYN & SSYN LOGIC



Q-BUS PARITY ERROR DETECT

SCALE	SIZE	DRAWING NO
	<b>B</b>	10412003
DO NOT SCALE DRAWING		SHEET 18 OF 18

DWG. NO.	REV. WAS	REV. IS	DWG. TITLE	SIGNED	DATE	Appd.	Disappd.	SIGNED	DATE	Appd.	Disappd.
10412000	D	E	ASSY.-PWB QNIVERTER II	DRAWN MGD	7/87			ENG. <i>J.M.</i>	8/11/87		✓
10412001	A	A	DET.-PWB QNIVERTER II	CHK'D. MGD	7/87			MFG. <i>J.M.</i>	8/11/87		✓
10412002	A	A	ART.-PWB QNIVERTER II	ENGR. <i>J.M.</i>				Q. A. <i>J.M.</i>			
10412003	C	D	SCHM.-PWB QNIVERTER II	DES. SERV.	8/11/87	✓		SUPT. SERV.			

E.C.R. NO.'S		E.O. TYPE	ATT. <input checked="" type="checkbox"/>	INC. <input type="checkbox"/>	Other Docs. Eff.		Yes <input checked="" type="checkbox"/>	No <input type="checkbox"/>
		Disposition	MAND	AS REQ.	AS AVAIL.	UNAFF.	SCRAP	
		Parts on Order	✓					
		Stock	✓					
		Work in Process	✓					
OTHER ASSYS AFF		Yes <input checked="" type="checkbox"/>	No <input type="checkbox"/>	Fin. Goods	✓			
DEPARTMENTS AFFECTED		Sys. in Proc.				✓		
FINANCE		Yes <input type="checkbox"/>	No <input type="checkbox"/>	Sys. Fin. Goods			✓	
COMMUNICATIONS		Yes <input type="checkbox"/>	No <input type="checkbox"/>	In Field			✓	
PURCHASING		Yes <input type="checkbox"/>	No <input type="checkbox"/>	Support Stock			✓	
TEST		Yes <input type="checkbox"/>	No <input type="checkbox"/>	Field Ret.		✓		

MAT. CONT.	8/11/87	✓		MKTING	8/11/87	✓
EFFECTIVITY	8/15/87			EXC.		

**DRAWING TREE: 10412000 SHT. 1**

```

    graph TD
      A0[A0] --- B1[B1]
      B1 --- C2[C2]
      C2 --- D3[D3]
      D3 --- E4[E4]
  
```

WAS: \_\_\_\_\_

IS: \_\_\_\_\_

REWORK INST. **4**  
BEGIN ON SHT. \_\_\_\_\_

**REASON FOR CHANGE:**

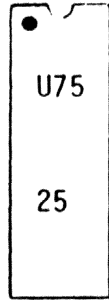
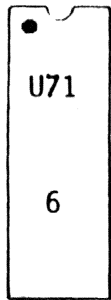
1. TERMINATION FOR BIAKO AND BDMGO SHOULD BE PERMANENTLY FIXED.

GEN. PROD.

Inc. By:	Date:	Chk'd. By:	Date:	Appd. By:	Date:	Sheet 1 of <b>5</b>
----------	-------	------------	-------	-----------	-------	---------------------

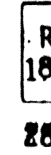
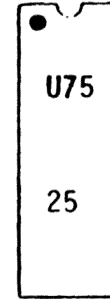
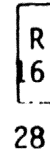
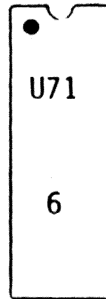
WAS:

IS:



C31 45

R15 29



C31 45

R17 29

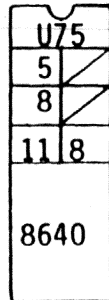
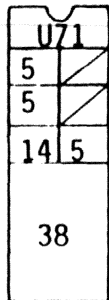
10412000 SHT. 3

ITEM:29	WAS: RES. 5% 1/4W 330 OHMS	CB3315	310-012-331	1	R5	AB
	IS: RES. 5% 1/4W 330 OHMS	CB3315	310-012-331	3	R5,R15,R17	AB
ADD ITEM 28	RES. 5% 1/4W 680 OHMS	CB6815	310-012-681	2	R16,R18	AB

10412003 SHT. 2

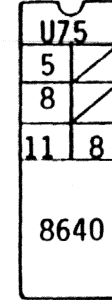
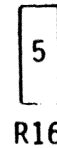
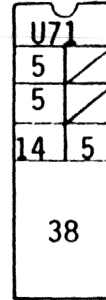
WAS:

IS:



4 C31

5 R15



4 C31

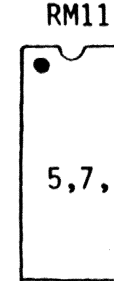
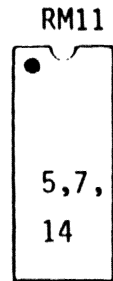
14 R17

WAS:

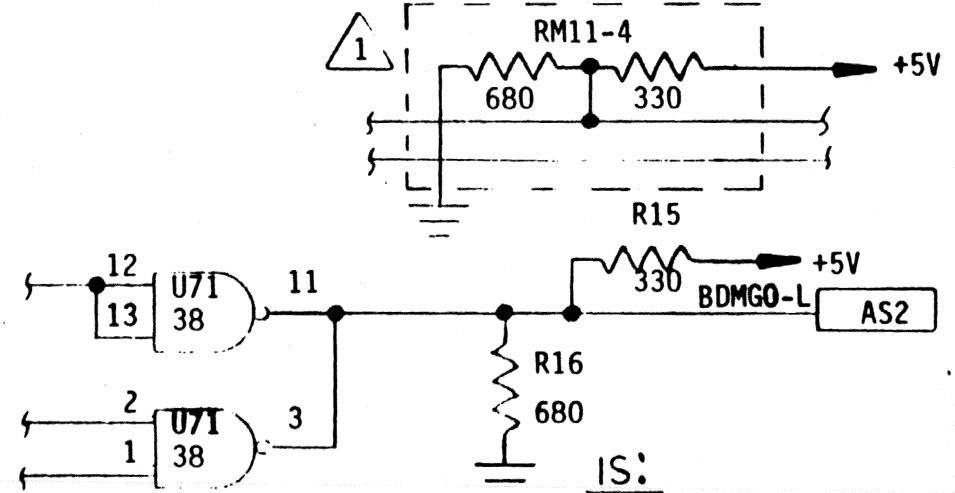
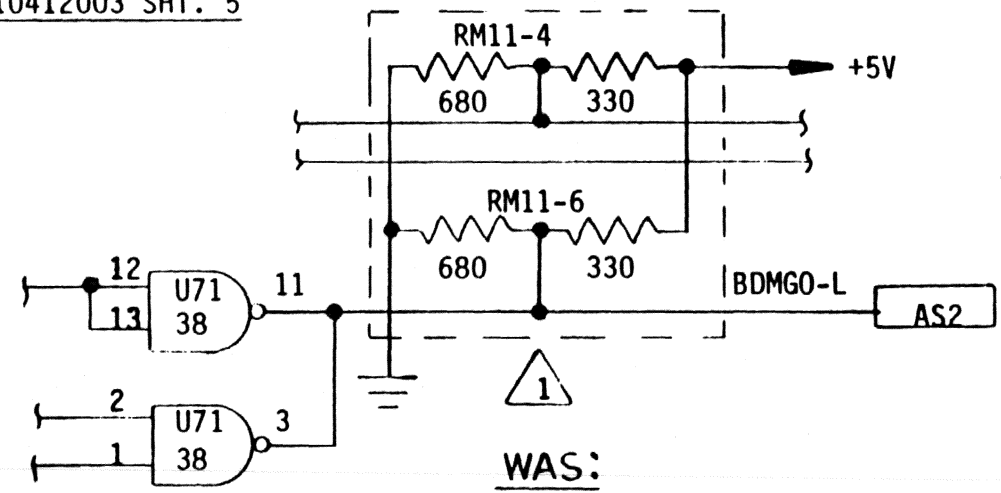
IS:

REFERENCE DESIGNATION CHART		
RESISTOR	R14	

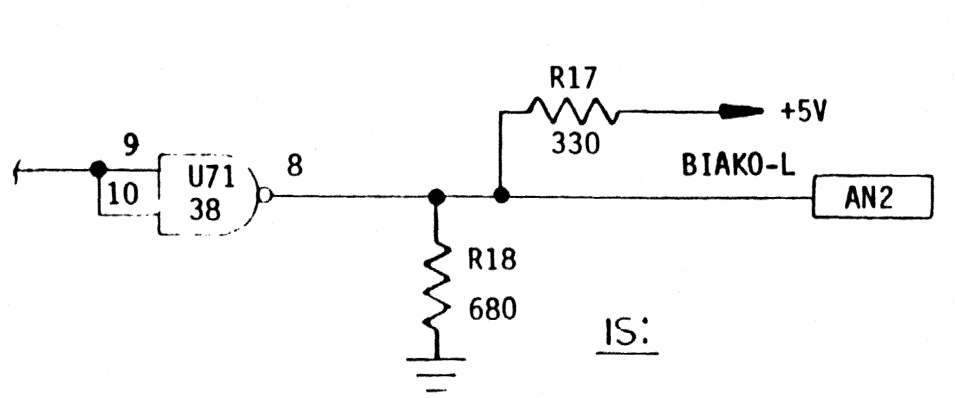
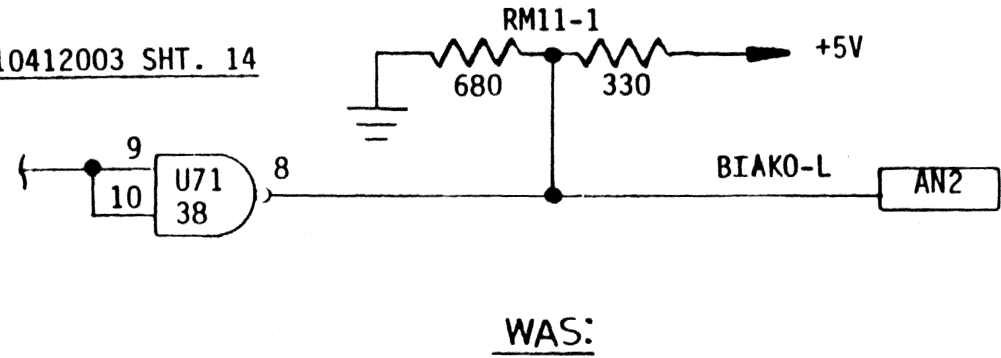
REFERENCE DESIGNATION CHART		
RESISTOR	R18	



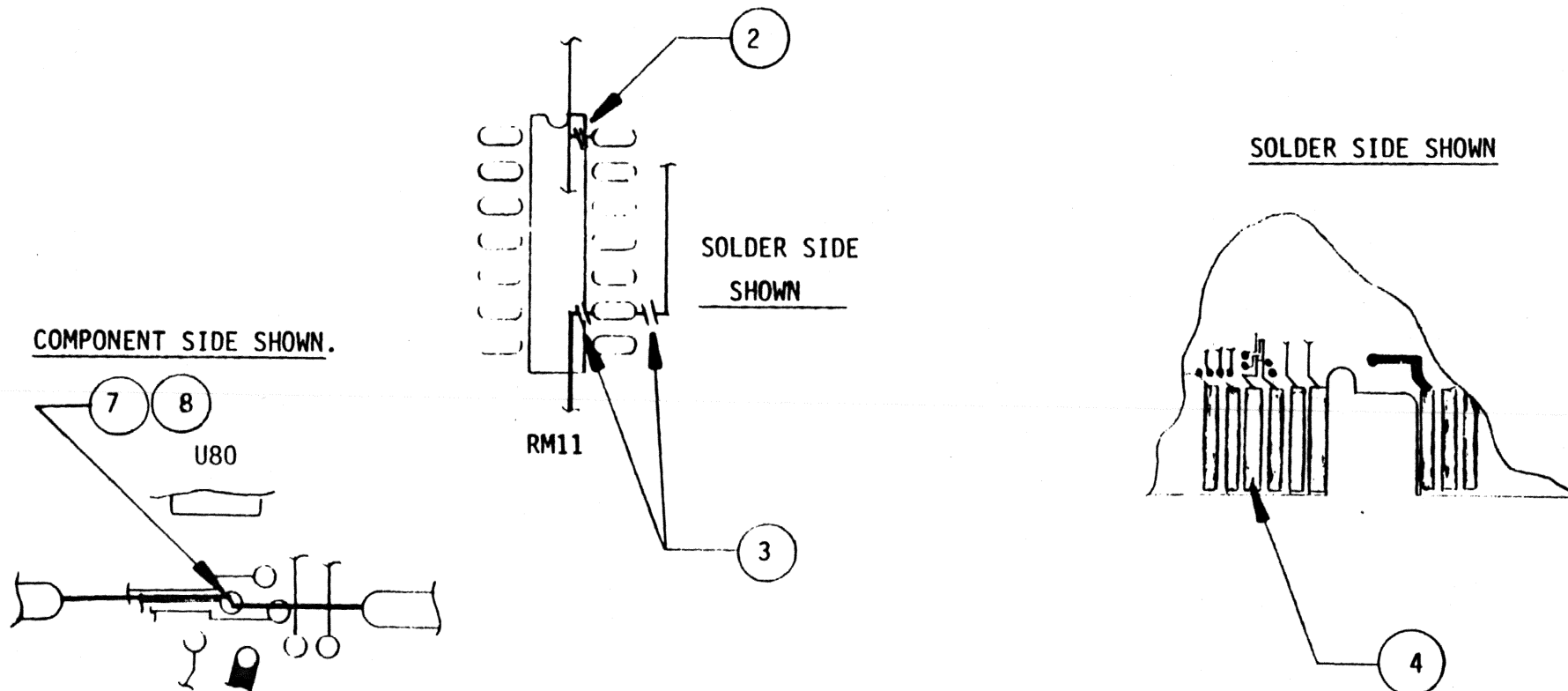
10412003 SHT. 5



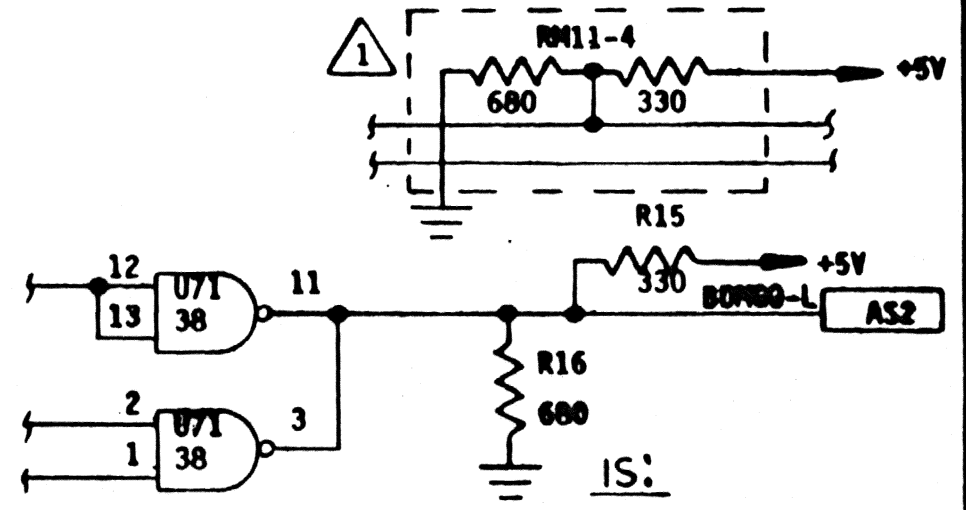
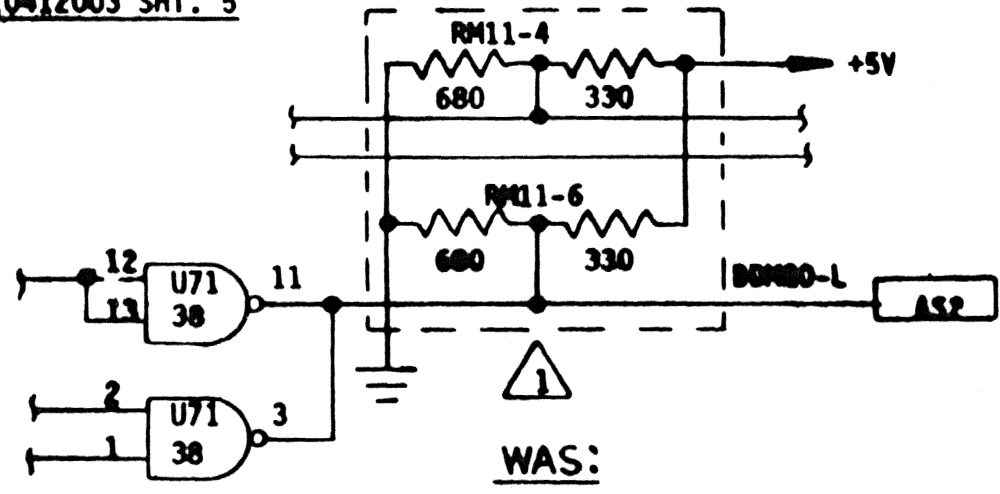
10412003 SHT. 14



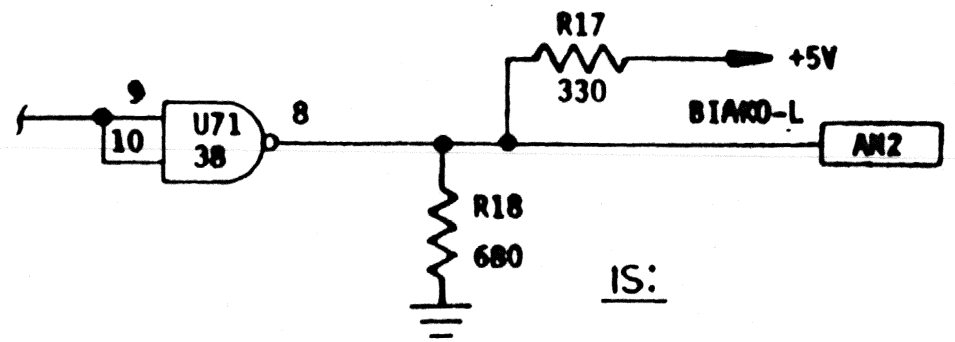
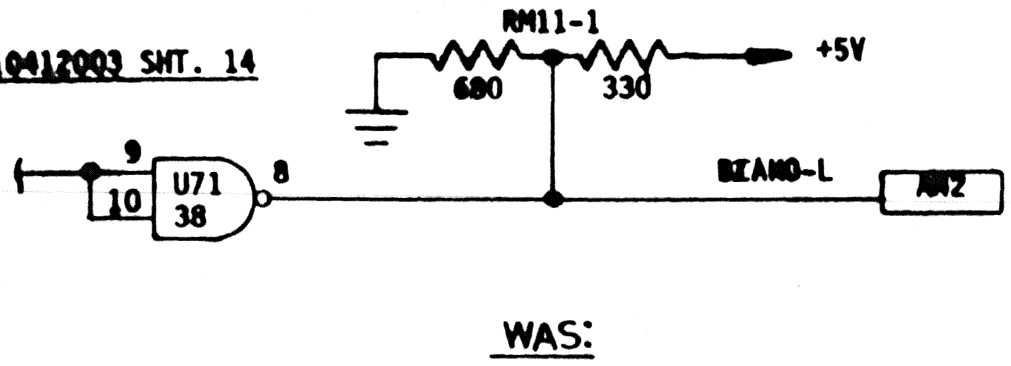
1. ALL JUMPER WIRE IS SOLID GREEN 30 AWG (ABLE P/N 521-303-501)
2. CUT ETCH AT RM11 PIN 1 (SOLDER SIDE) AS SHOWN.
3. CUT ETCH AT RM11 PIN 6 (SOLDER SIDE) AS SHOWN.
4. ADD JUMPER WIRE FROM U71 PIN 11 TO CONNECTOR AS2 (SOLDER SIDE) AS SHOWN.
5. ADD RES. 5% 1/4W 330 OHMS (ABLE P/N 310-012-331)(QTY. 1) FROM U71 PIN 3 TO U63 PIN 16. USING SLEEVING (ABLE P/N 592-800-001) AS REQUIRED.
6. ADD RES. 5% 1/4W 680 OHMS (ABLE P/N 310-012-681)(QTY. 1) FROM U71 PIN 3 TO U71 PIN 7, USING SLEEVING (ABLE P/N 592-800-001) AS REQUIRED.
7. ADD RES. 5% 1/4W 330 OHMS (ABLE P/N 310-012-331)(QTY. 1) FROM C32 (+)(SIDE NEAREST RM11) TO EYELET BELOW U80 USING SLEEVING (ABLE P/N 592-800-001) AS SHOWN.
8. ADD RES. 5% 1/4W 680 OHMS (ABLE P/N 310-012-681)(QTY. 1) FROM C37 (-)(SIDE NEAREST RM11) TO EYELET BELOW U80 USING SLEEVING (ABLE P/N 592-800-001) AS SHOWN.



10412003 SHT. 5



10412003 SHT. 14





# ENGINEERING CHANGE ORDER

E.C.O. NO. 03805

DWG. NO.	REV. WAS	REV. IS	DWG. TITLE	SIGNED	DATE	Appd.	Disappd.	SIGNED	DATE	Appd.	Disappd.
10412000	C	D	ASSY-PWB ONVERTER II	DRAWN RPW	7/86			ENG. <i>[Signature]</i>	7/1/86		✓
10412001	A	A	DET.-PWB ONVERTER II	CHK'D. R. Pw	7/5/86			MFG. <i>[Signature]</i>	7/4/86		X
10412002	A	A	ART -PWB ONVERTER II	ENGR <i>[Signature]</i>	7/8/86			Q. A. <i>[Signature]</i>			
10412003	B	C	SCHEM-PWB ONVERTER II	DES. SERV. <i>[Signature]</i>	7/11/86	✓		SUPT. SERV.			

E.C.R. NO.'S		E.O. TYPE	ATT. X	INC.	Other Docs. Eff.		Yes	No
001407	-	Disposition	MAND	AS REQ.	AS AVAIL.	UNAFF.	SCRAP	
-	-	Parts on Order	✓					
-	-	Stock	✓					
-	-	Work in Process	✓					
OTHER ASSYS AFF		Yes	No	Fin. Goods	✓			
DEPARTMENTS AFFECTED		Sys. In Proc.				✓		
FINANCE	Yes	No	Sys. Fin. Goods			✓		
COMMUNICATIONS	Yes	No	In Field			✓		
PURCHASING	Yes	No	Support Stock			✓		
TEST	Yes	No	Field Rets.		✓			

MAT. CONT.	DATE	MKTING	DATE
WFK	7/11/86		7/5/86
EFFECTIVITY	7/17/86	EXC.	

DRAWING TREE: 10412000 SHT 1

WAS:

- A0
- B1
- C2

IS:

- A0
- B1
- C2
- D3

**REASON FOR CHANGE:**

- LS LOGIC DOES NOT PROVIDE THE DRIVE CAPABILITY NECESSARY TO MAINTAIN CONSISTENT TIME CONSTANCES OF BOARDS DELAY CIRCUITS OVER NEEDED FREQUENCY RANGE .
- DOCUMENTATION ERROR FROM EO 03752.

GENERAL PRODUCTS

REWORK INST. 3  
BEGIN ON SHT. 3

Inc. By:	Date:	Chk'd. By:	Date:	Appd. By:	Date:	Sheet 1 of 3
----------	-------	------------	-------	-----------	-------	--------------

ADD ITEM 5: IC QUAD 2-IN NAND / SN7400N / 349-074-000 / 1 / U2 / T.I.

ADD ITEM 8: IC HEX INVERTER / SN7404N / 349-074-004 / 3 / U8, 20, 31 / T.I.

ITEM 13 WAS: IC QUAD 2-IN NAND / SN74LS00N / 349-274-000 / 10 / U2,14,17,21-23,26,33,34,37 / T.I.

IS: IC QUAD 2-IN NAND / SN74LS00N / 349-274-000 / 9 / U14,17,21-23,26,33,34,37 / T.I.

ITEM 14 WAS: IC HEX INVERTER / SN74LS04N / 349-274-004 / 8 / U8,13,20,28,31,42,44,47 / T.I.

SHT 3 IS: IC HEX INVERTER / SN74LS04N / 349-274-004 / 5 / U13,28,42,44,47 / T.I.

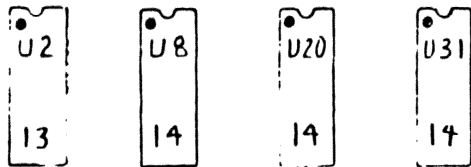
ADD ITEM 39: CAP CER 5% 50V 270PF AXIAL .3 CTR / 292CC0G271J050B / 321-226-271 / 1 / C12 / SPRAGUE

ITEM 43 WAS: CAP CER 5% 50V 470PF AXIAL / 292CC0G471J050B / 321-226-471 / 2 / C5,12 / SPRAGUE

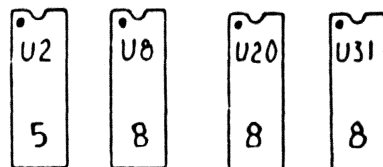
IS: CAP CER 5% 50V 470PF AXIAL / 292CC0G471J050B / 321-226-471 / 1 / C5 / SPRAGUE

10412000 SHT 5: WAS:

IS:



(C12) 43

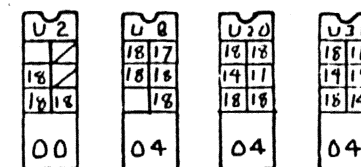
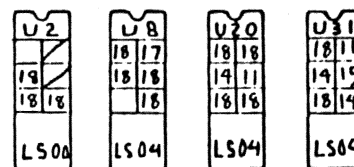


(C12) 39

10412003 SHT 2

WAS:

IS:



10412003 SHT 11

U20 WAS: LS04 IS: 04 (1 PLACE)

U31 WAS: LS04 IS: 04 (1 PLACE)

10412003 SHT 14

U20 WAS: LS04 IS: 04 (1 PLACE)

U31 WAS: LS04 IS: 04 (2 PLACES)

10412003 SHT 15

U31 WAS: LS04 IS: 04 (1 PLACE)

10412003 SHT 17

U8 WAS: LS04 IS: 04 (1 PLACE)

10412003 SHT 18

U2 WAS: LS00 IS: 00 (3 PLACES)

U8 WAS: LS04 IS: 04 (4 PLACES)

U20 WAS: LS04 IS: 04 (4 PLACES)

U31 WAS: LS04 IS: 04 (2 PLACES)

C12 WAS: 470PF IS: 270PF

10412003 SHT 16 (DOC ERROR FROM EO 03752 )

WAS:

IS:

UBBSY-H 5, 15, 17

UBBSY-H 15, 17

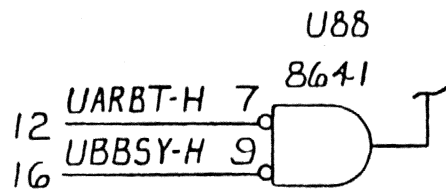


U20 WAS: LS04 IS: 04 (1 PLACE) U31 WAS: LS04 IS: 04 (1 PLACE)	U20 WAS: LS04 IS: 04 (1 PLACE) U31 WAS: LS04 IS: 04 (2 PLACES)	U31 WAS: LS04 IS: 04 (1 PLACE)
10412003 SHT 17 U8 WAS: LS04 IS: 04 (1 PLACE)	10412003 SHT 18 U2 WAS: LS00 IS: 00 (3 PLACES) U8 WAS: LS04 IS: 04 (4 PLACES) U20 WAS: LS04 IS: 04 (4 PLACES) U31 WAS: LS04 IS: 04 (2 PLACES)  C12 WAS: 470PF IS: 270PF	10412003 SHT 16 (DOC. ERROR FROM EO 03752 )  WAS: <u>UBBSY-H</u> 5, 15, 17  IS: <u>UBBSY-H</u> 15,17

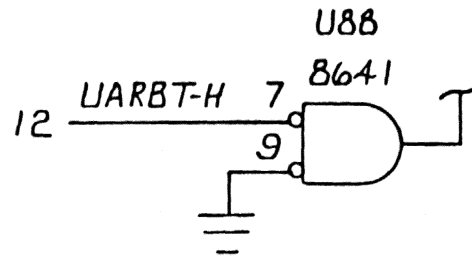
REWORK SHT. | OF |

GENERAL PRODUCTS		REWORK INST. BEGIN ON SHT. <u>3</u>	
------------------	--	-------------------------------------	--

WAS:



IS:



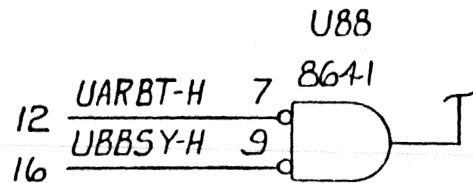
10412000

WAS	B1	IS	C2	SHT.	3	OF	3
-----	----	----	----	------	---	----	---

1. ALL JUMPER WIRE IS SOLID GREEN 30 AWG (ABLE P/N 521-303-501).
2. LIFT U88 PIN 9.
3. ADD JUMPER WIRE FROM U88 PIN 9 (LIFTED) TO U88 PIN 8.

10412003 SHT. 5

WAS:



IS:

