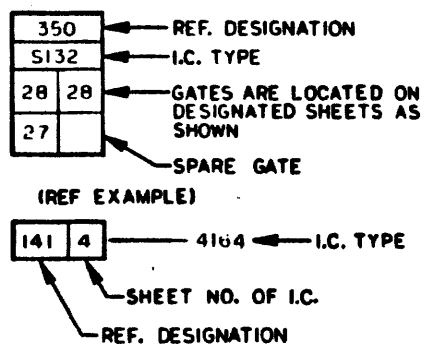


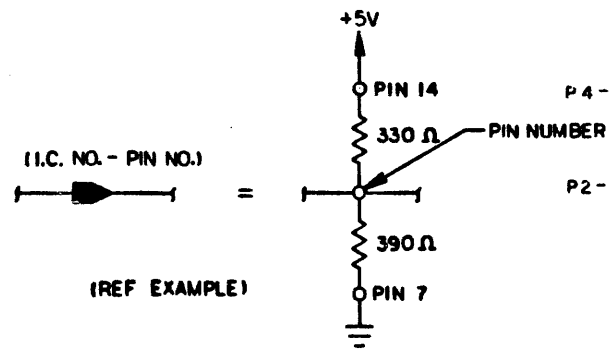
ISSUE	DESCRIPTION	DATE	APPROVED
1	PROTO REL		
2	PCN 425		

NOTES - UNLESS OTHERWISE SPECIFIED:

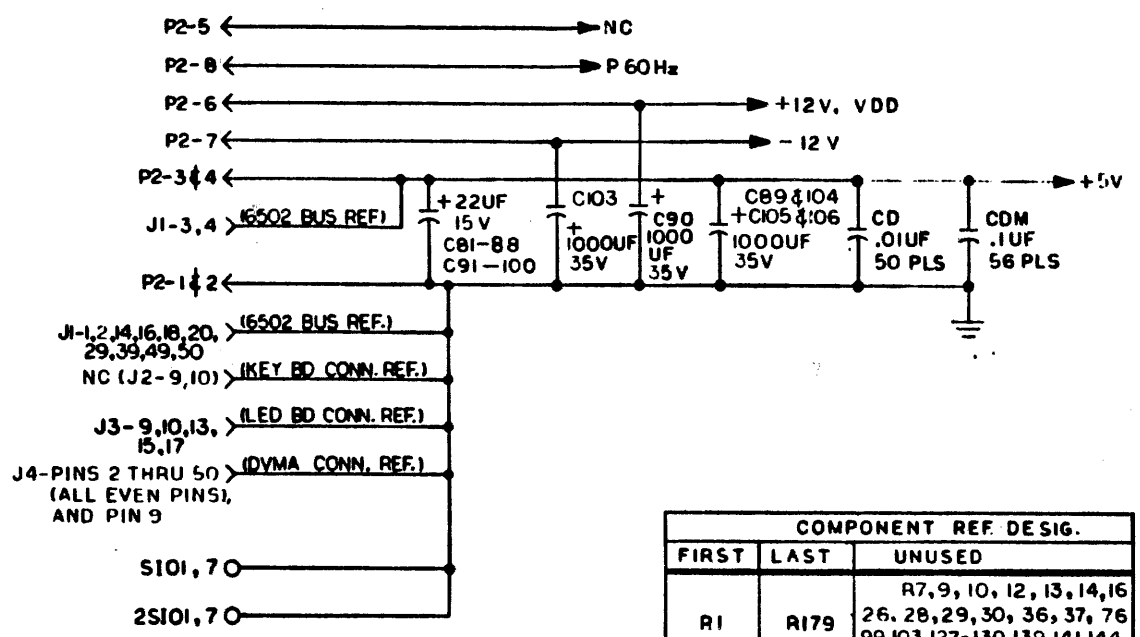
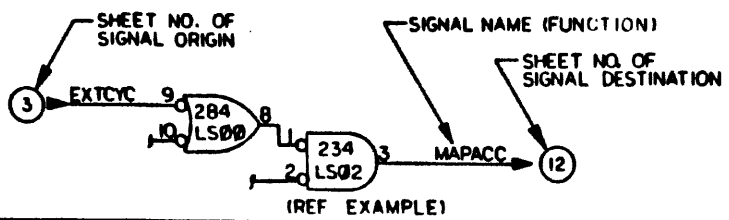
- CONNECTOR PIN DESIGNATIONS ARE PER SILK-SCREENED LED BOARD, NOT J1 CONNECTOR PIN DESIGNATOR.
- ALL RESISTORS ARE IN OHMS AND ARE 1/4 W UNLESS OTHERWISE SPECIFIED.
- FOR MODULE MAP, SEE SHEETS 29, 30 AND 31. GATES ARE IN ORDER OF OUTPUT PIN NUMBERS AND ARE DEPICTED FROM LEFT TO RIGHT, TOP TO BOTTOM ORDER.



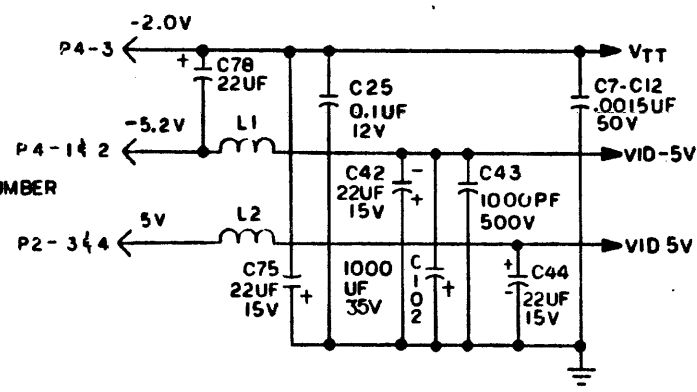
- THIS SYMBOL DENOTES A PULL-UP AND PULL-DOWN RESISTOR, FOR I.C.'S 359 AND 364, THAT ARE LOCATED ON SHEETS 9, 10, 15 AND 21:



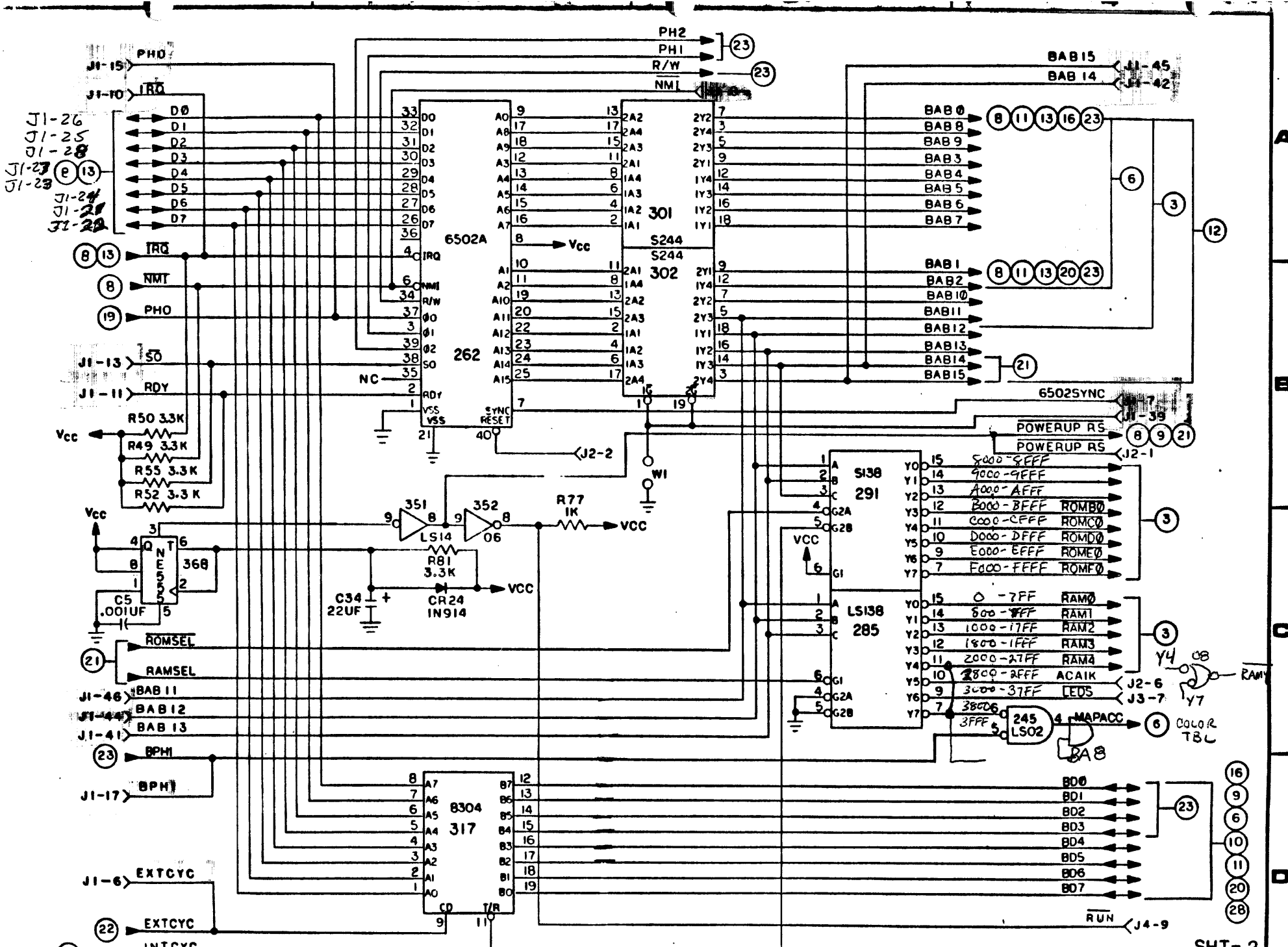
- INPUT AND OUTPUT SIGNALS ARE DEPICTED AS FOLLOWS:



COMPONENT REF. DESIG.		
FIRST	LAST	UNUSED
R1	R179	R7, 9, 10, 12, 13, 14, 16, 26, 28, 29, 30, 36, 37, 76, 99, 103, 127-130, 139, 141, 144, 145, 167, 168, 172
C1	C131	C3, 45-50, 58, 60, 63, 65-69, 71, 101.
ADD	A375	
CR1	CR29	CR15-19
Q1	Q14	Q2, 3, 7.
REG 4	10	REG 1, 2, 3, 5, 6, 7.
P1	F7	
L1	L2	

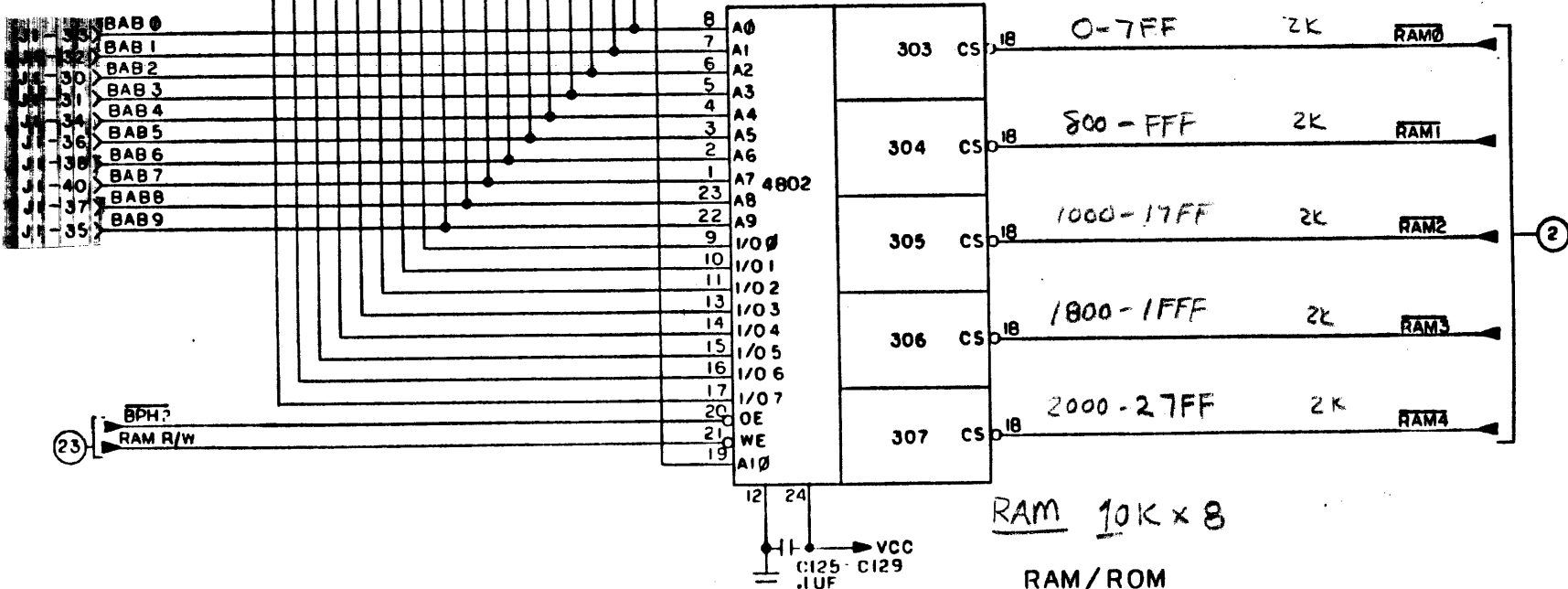
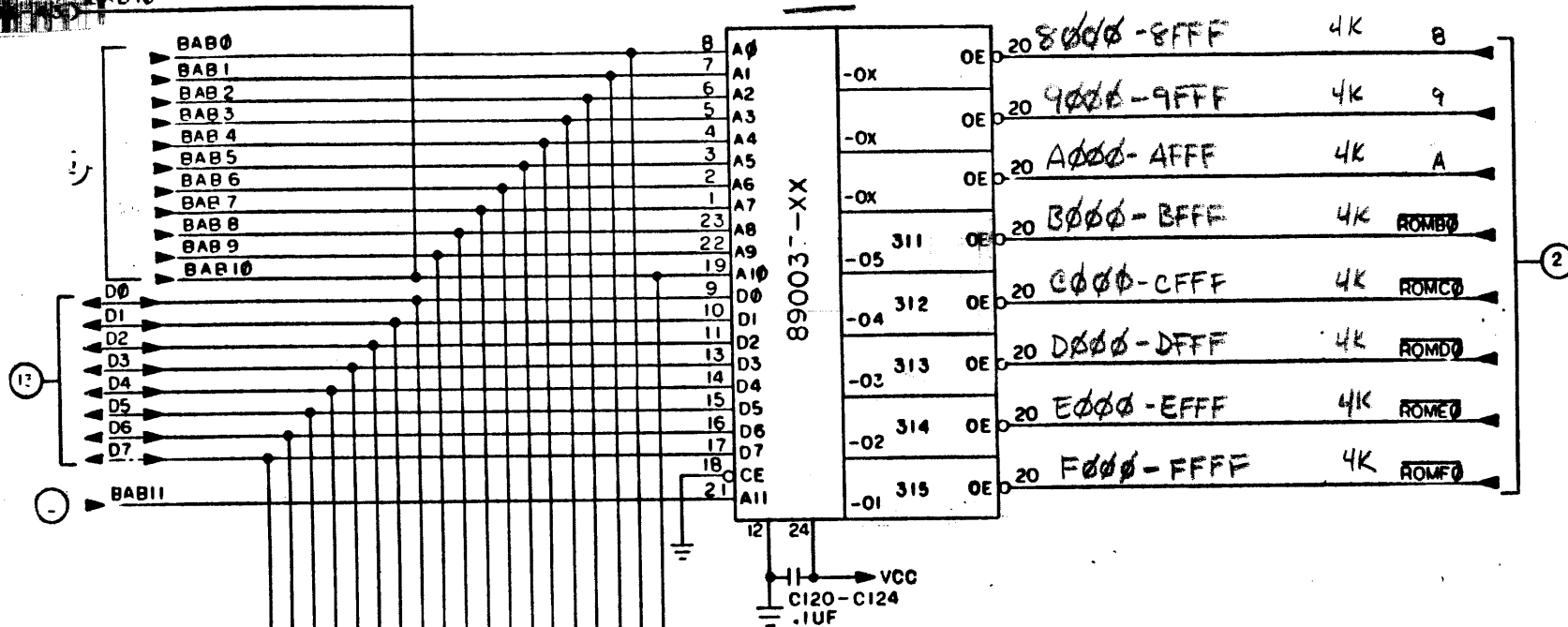


03	08	01	PART NUMBER	CODE IDENT	DESCRIPTION	ITEM NO.
01	120185-XX	1024				
DASH NO.	NEXT ASSY	USED ON	MATERIAL			
			FINISH			
			DRAWING TITLE			
			SCHEMATIC, 1024 BOARD			
			ADVANCED ELECTRONICS DESIGN, INC.	DRAWING NUMBER	REV	
			SUNNYVALE, CALIF. 94088	120186-01	2	



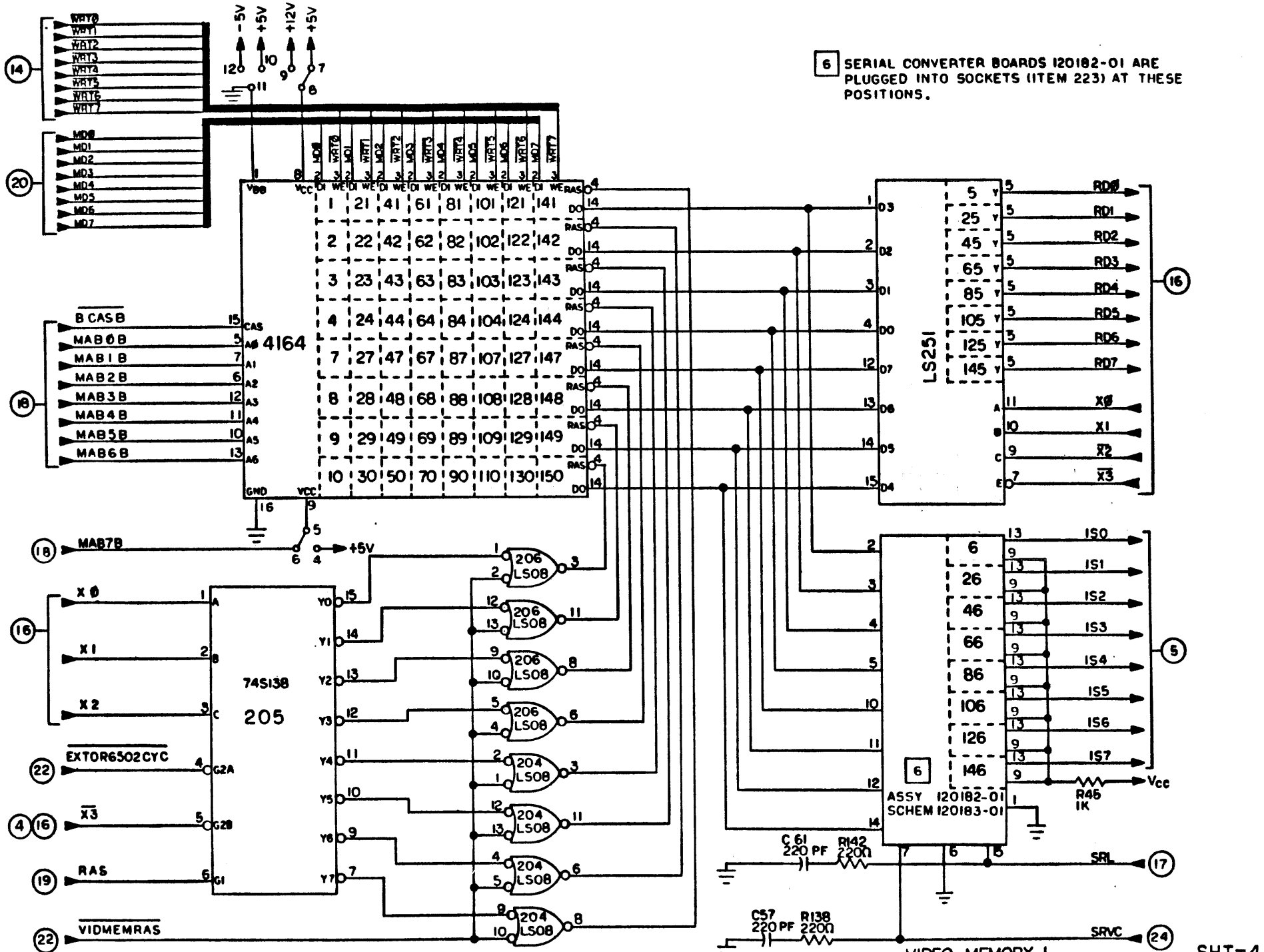
SHT-2

ROM 2732 32Kx8



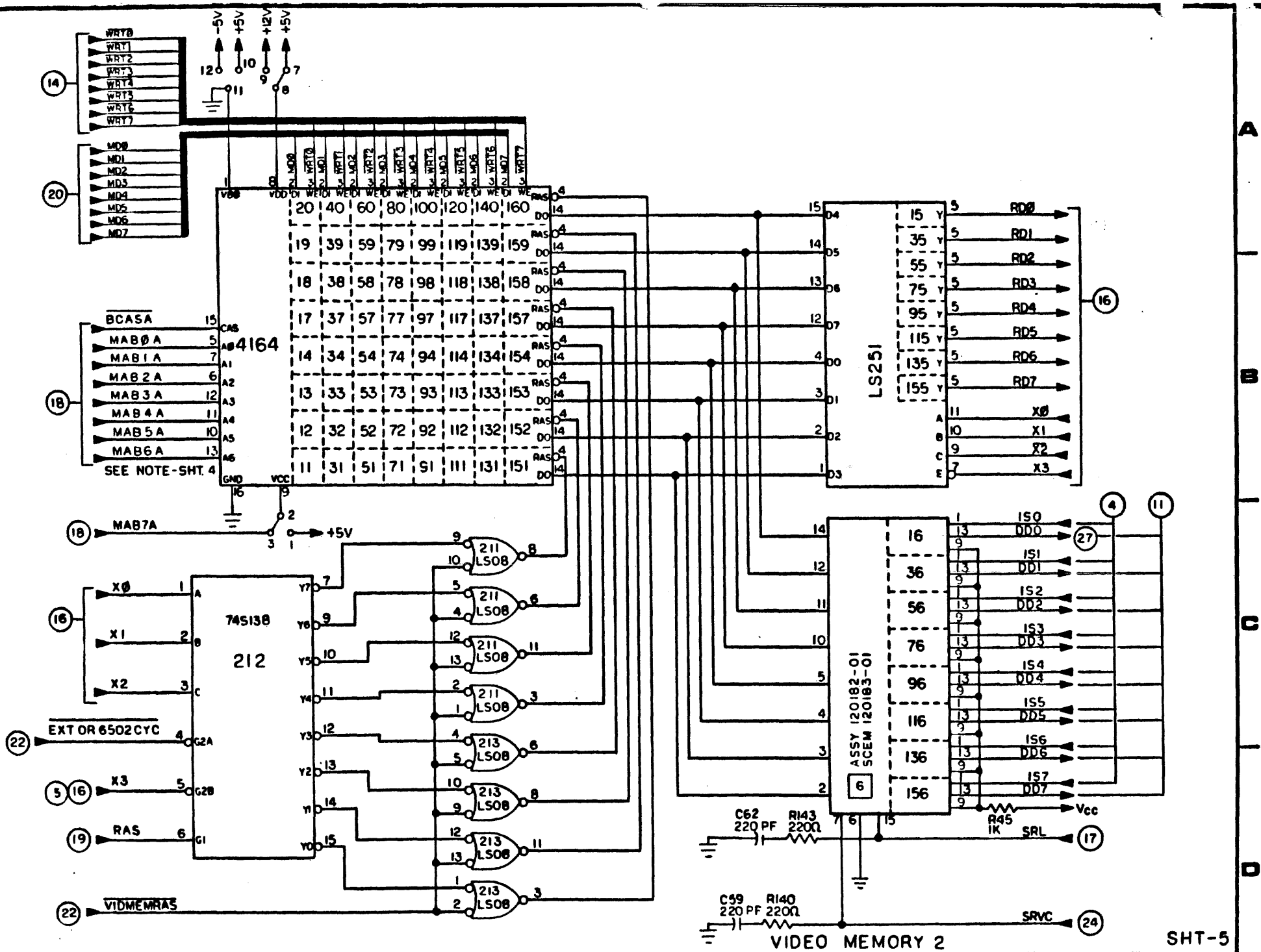
RAM 10Kx8

RAM/ROM



6 SERIAL CONVERTER BOARDS I20182-01 ARE PLUGGED INTO SOCKETS (ITEM 223) AT THESE POSITIONS.

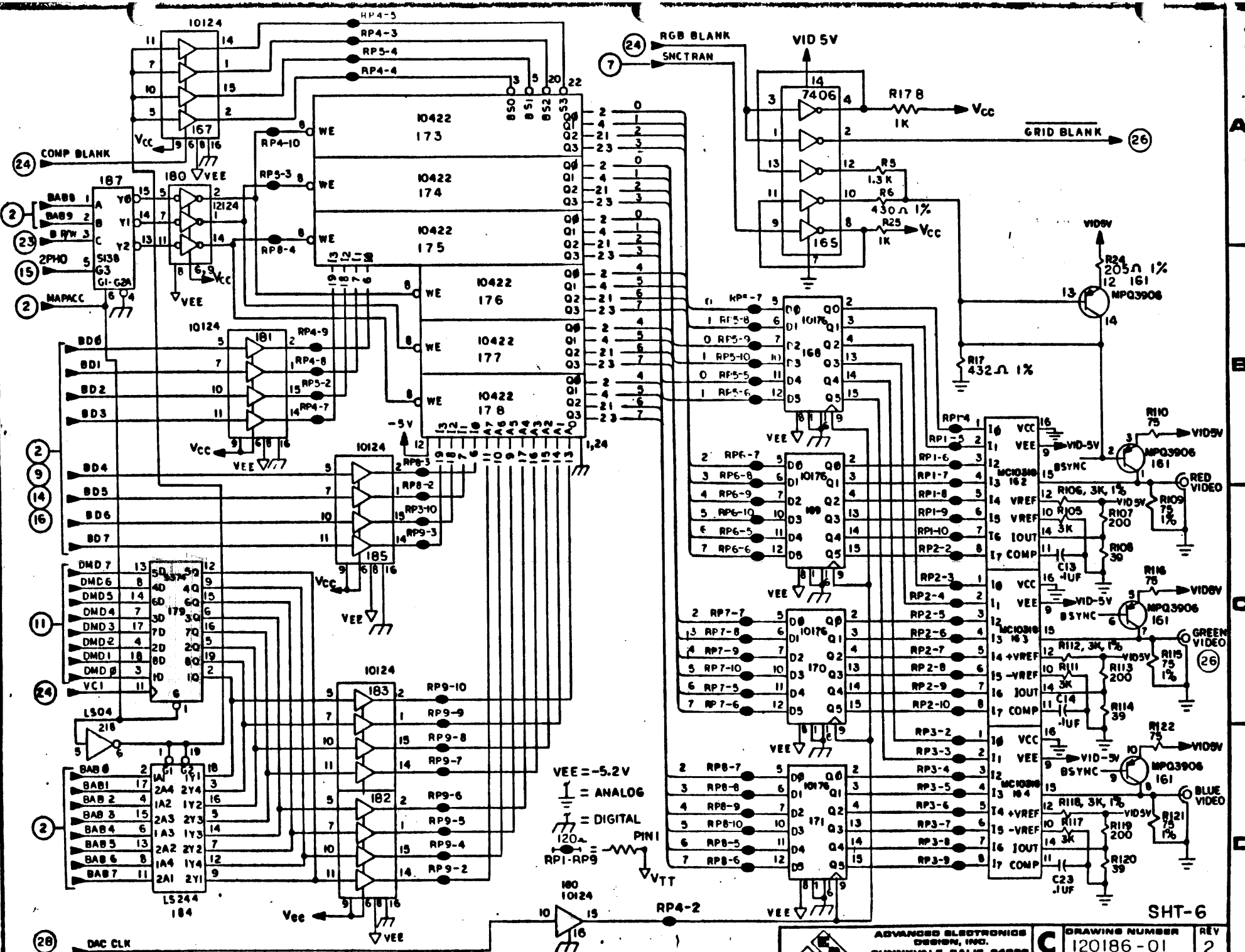
A
B
C
D

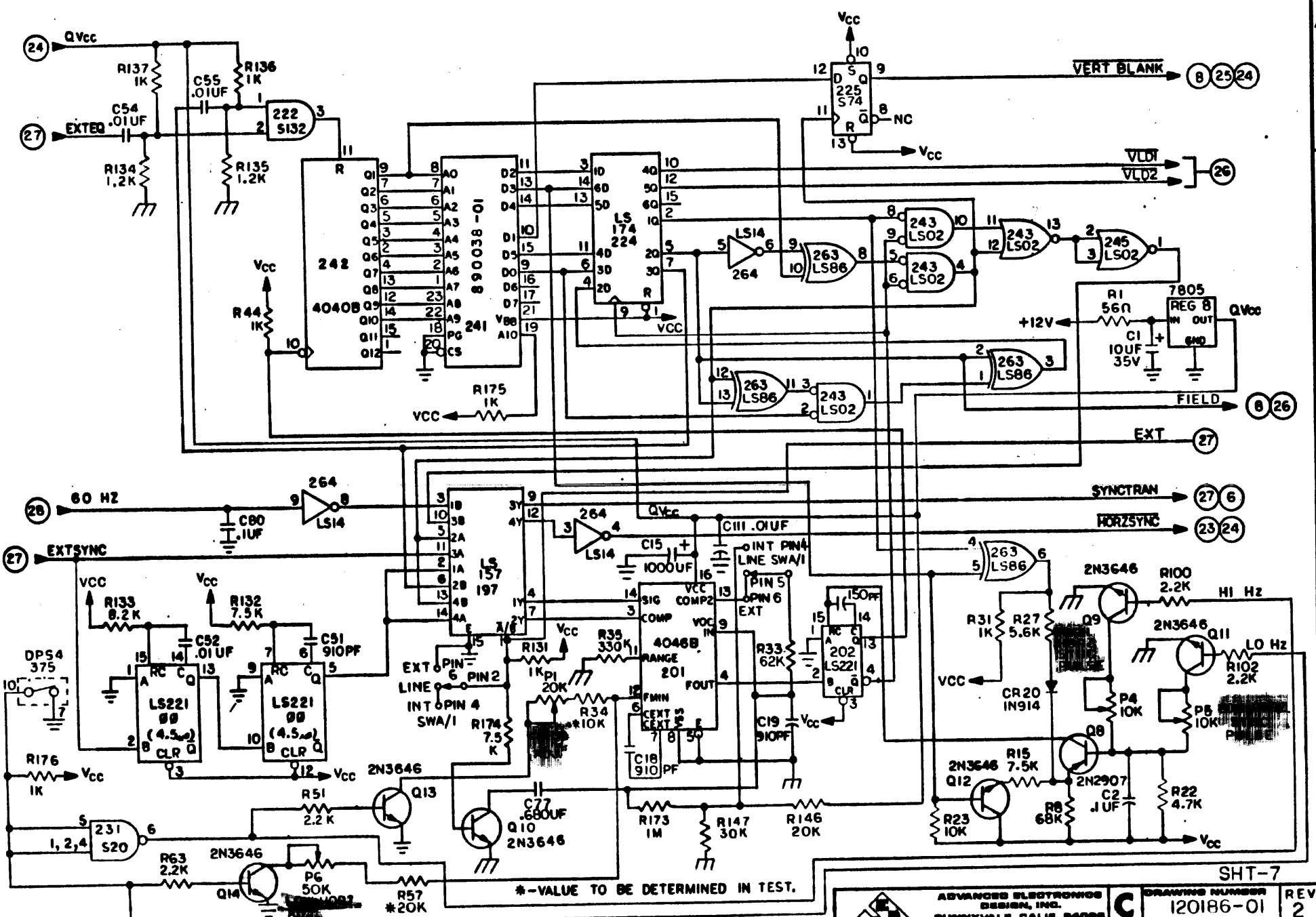


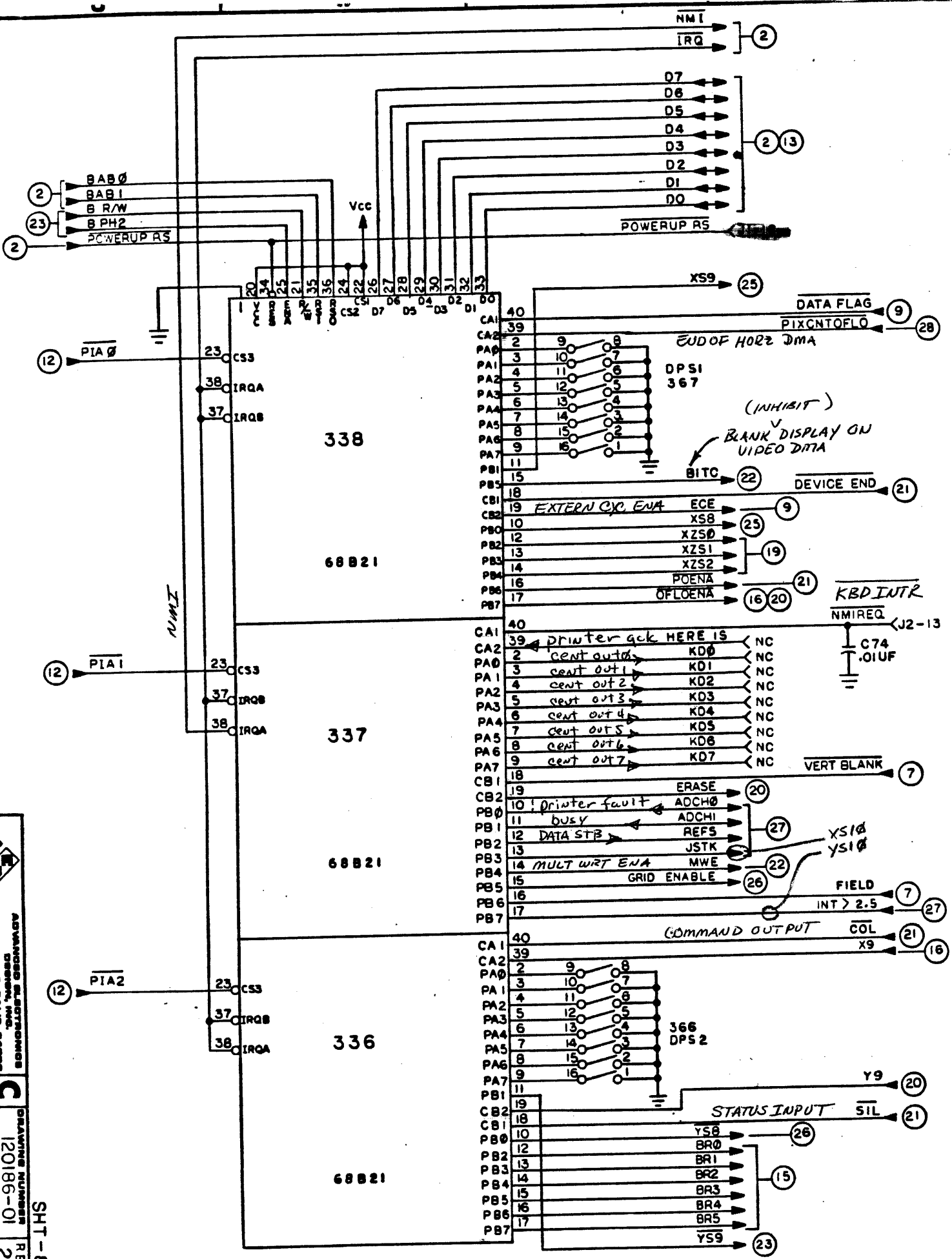
VIDEO MEMORY 2

SHT-5

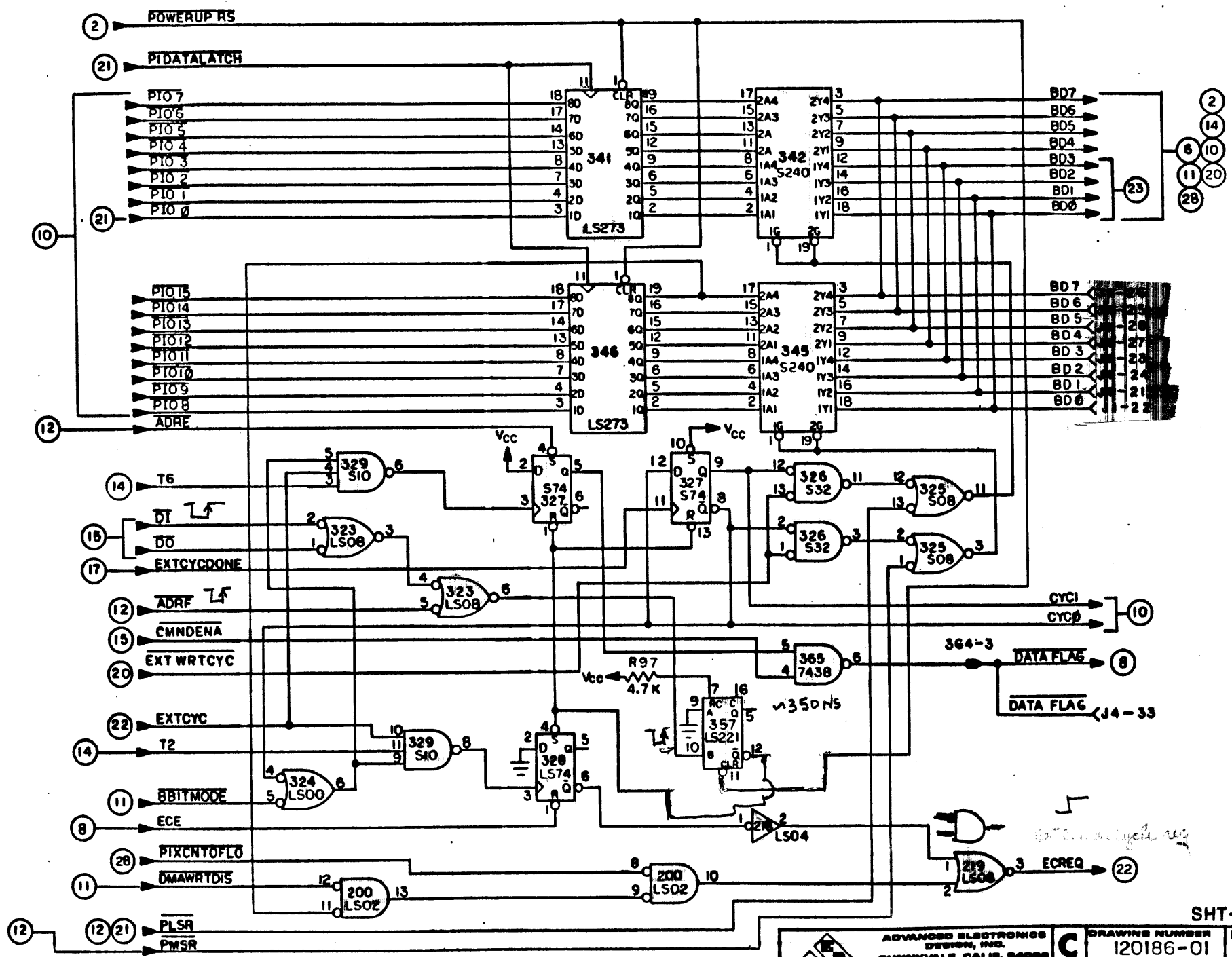
	ADVANCED ELECTRONICS DESIGN, INC. SUNNYVALE, CALIF. 94088		DRAWING NUMBER 120186-01		REV 2
	SURETY 5 0821				







ADVANCED ELECTRONICS
 SUMMITT, ILL. 60088
 DRAWING NUMBER
 120186-01
 REV
 2
 SHEET 8 OF 31
 SHT-8



A

B

C

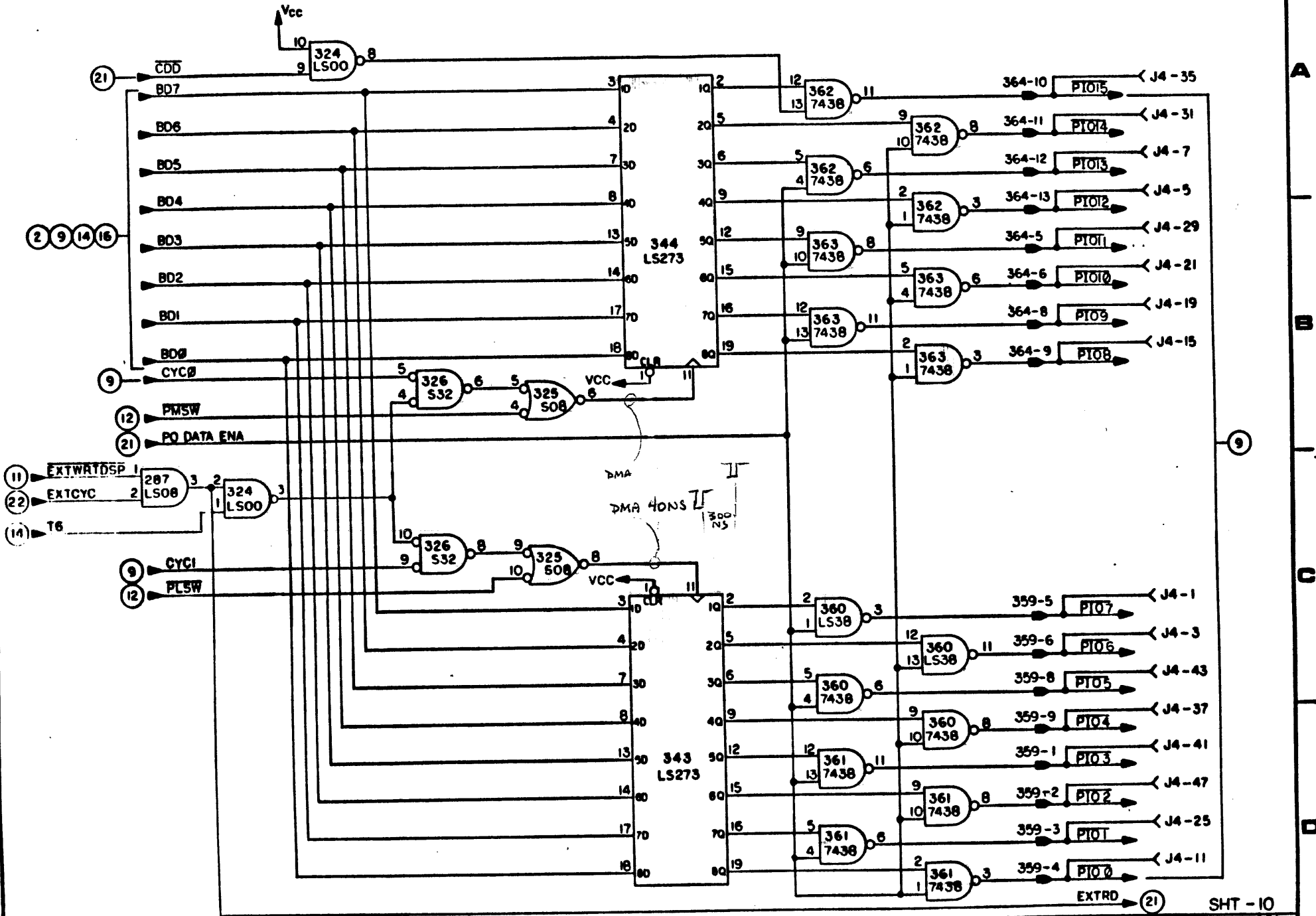
D

SHT-9

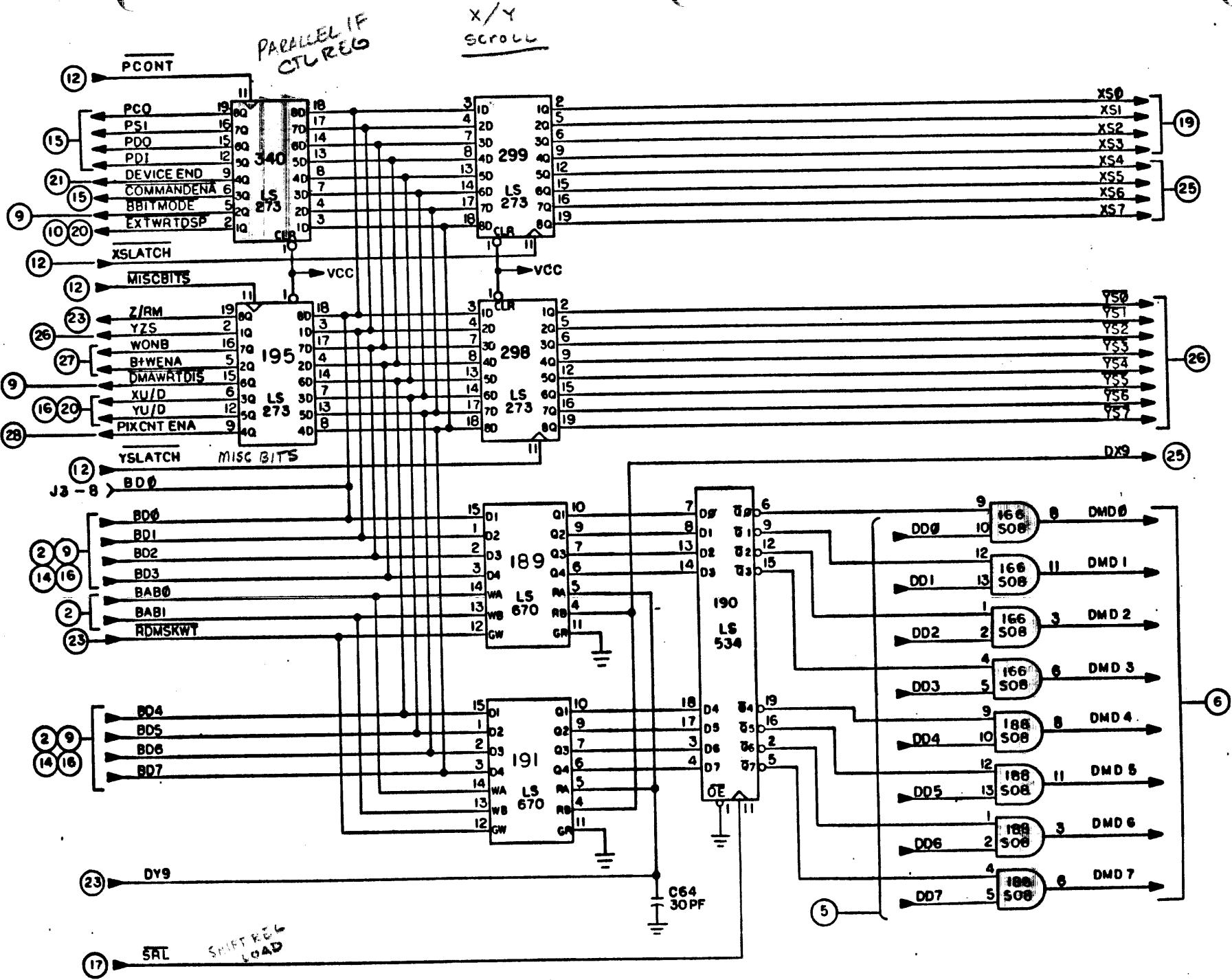
ADVANCED ELECTRONICS
DESIGN, INC.
SUNNYVALE, CALIF. 94086

DRAWING NUMBER
120186-01

REV
2



A
B
C
D



READ MASK

SHT-11

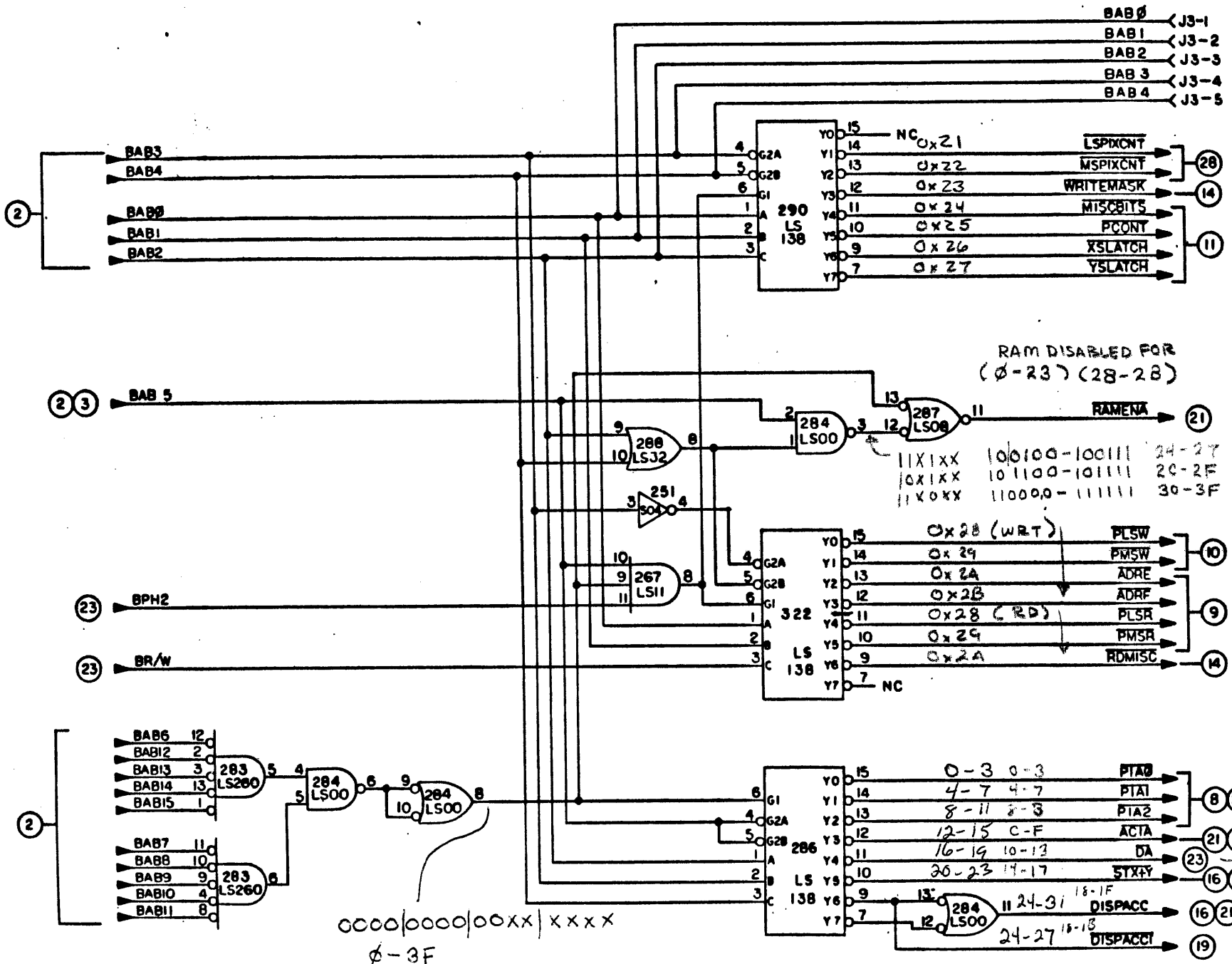
	ADVANCED ELECTRONICS DESIGN, INC. SUNNYVALE, CALIF. 94088	C DRAWING NUMBER 120186-01	REV 2
	SHEET 11 OF 31		

A

B

C

D



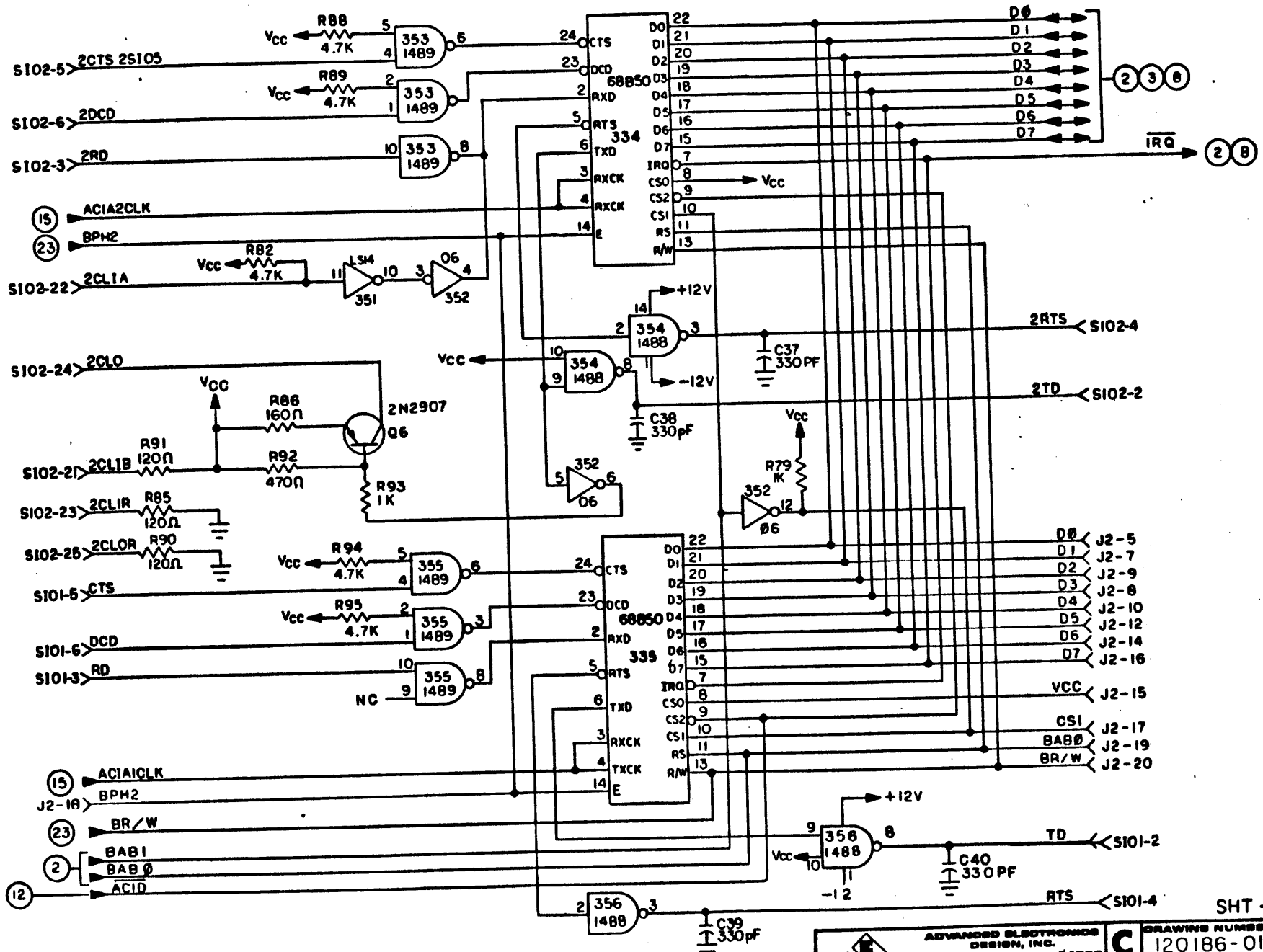
A

B

C

D

SHT-12



A
 B
 C
 D

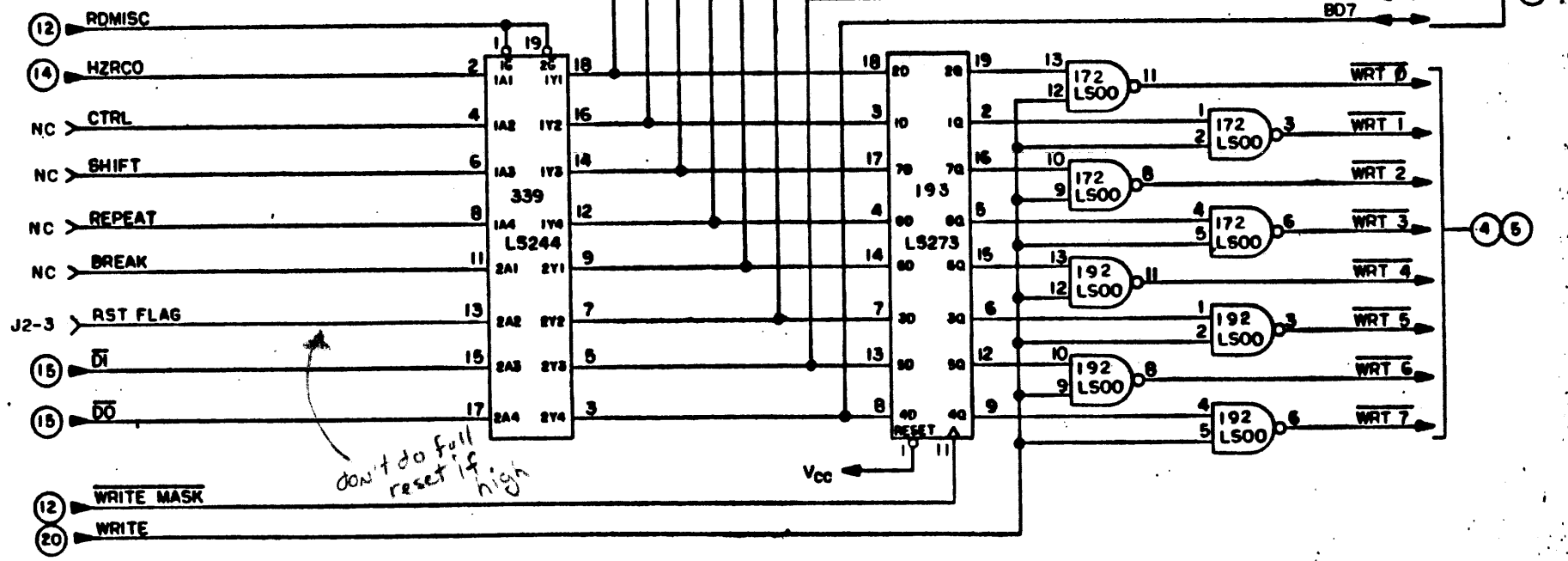
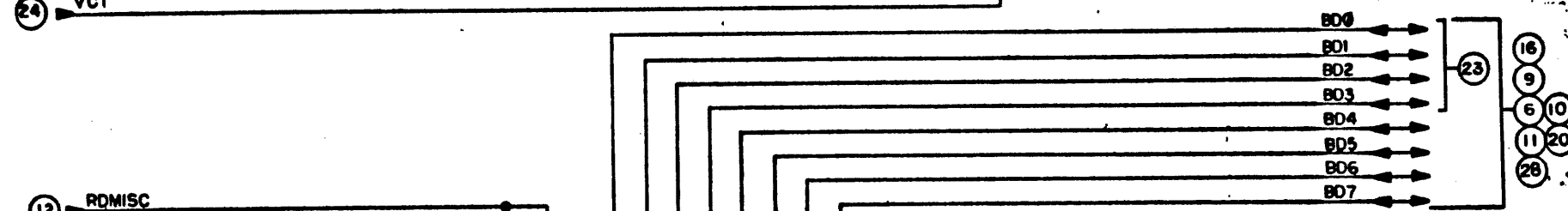
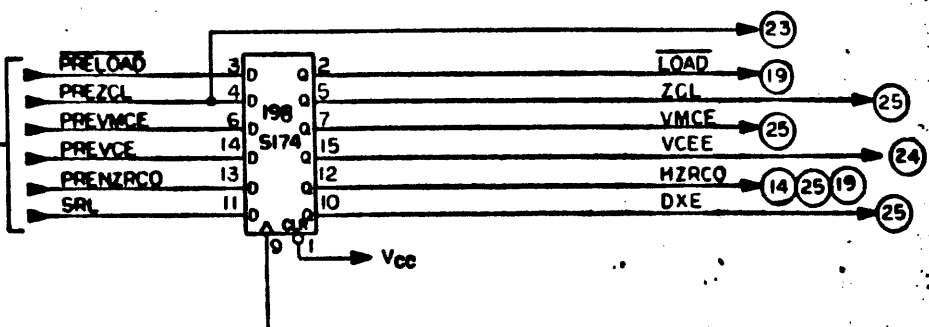
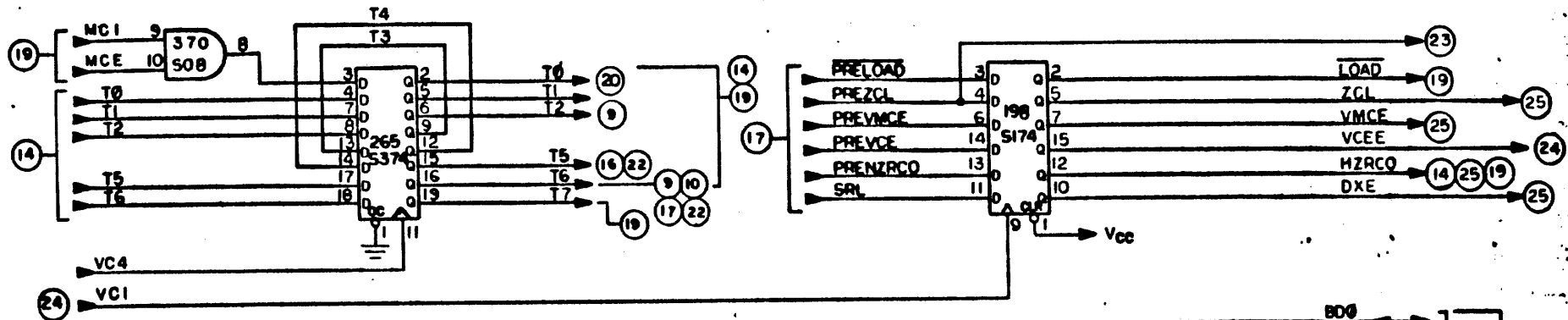
SHT - 13

ADVANCED ELECTRONICS
DESIGN, INC.
SUNNYVALE, CALIF. 94088

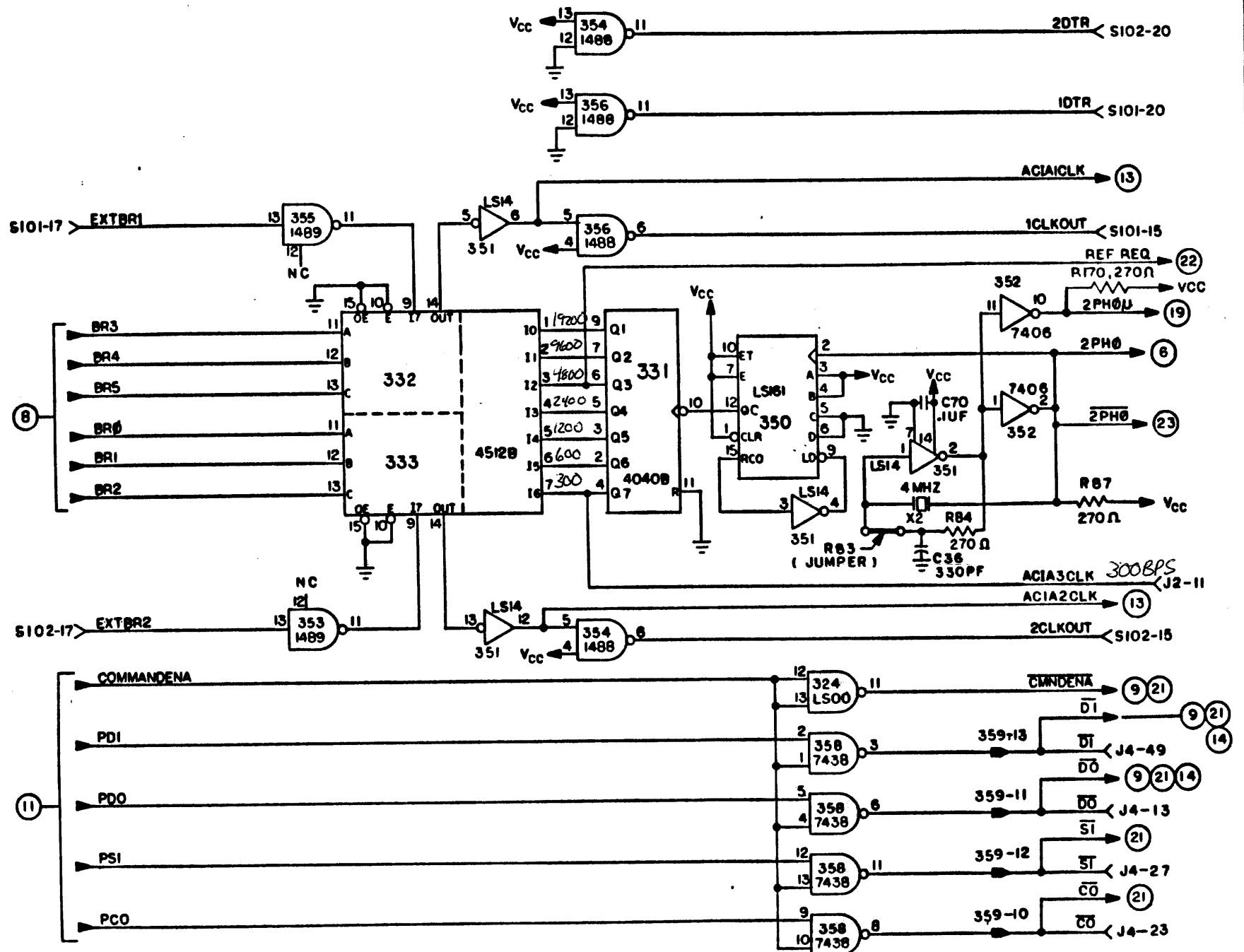
DRAWING NUMBER
120186-01

REV
2

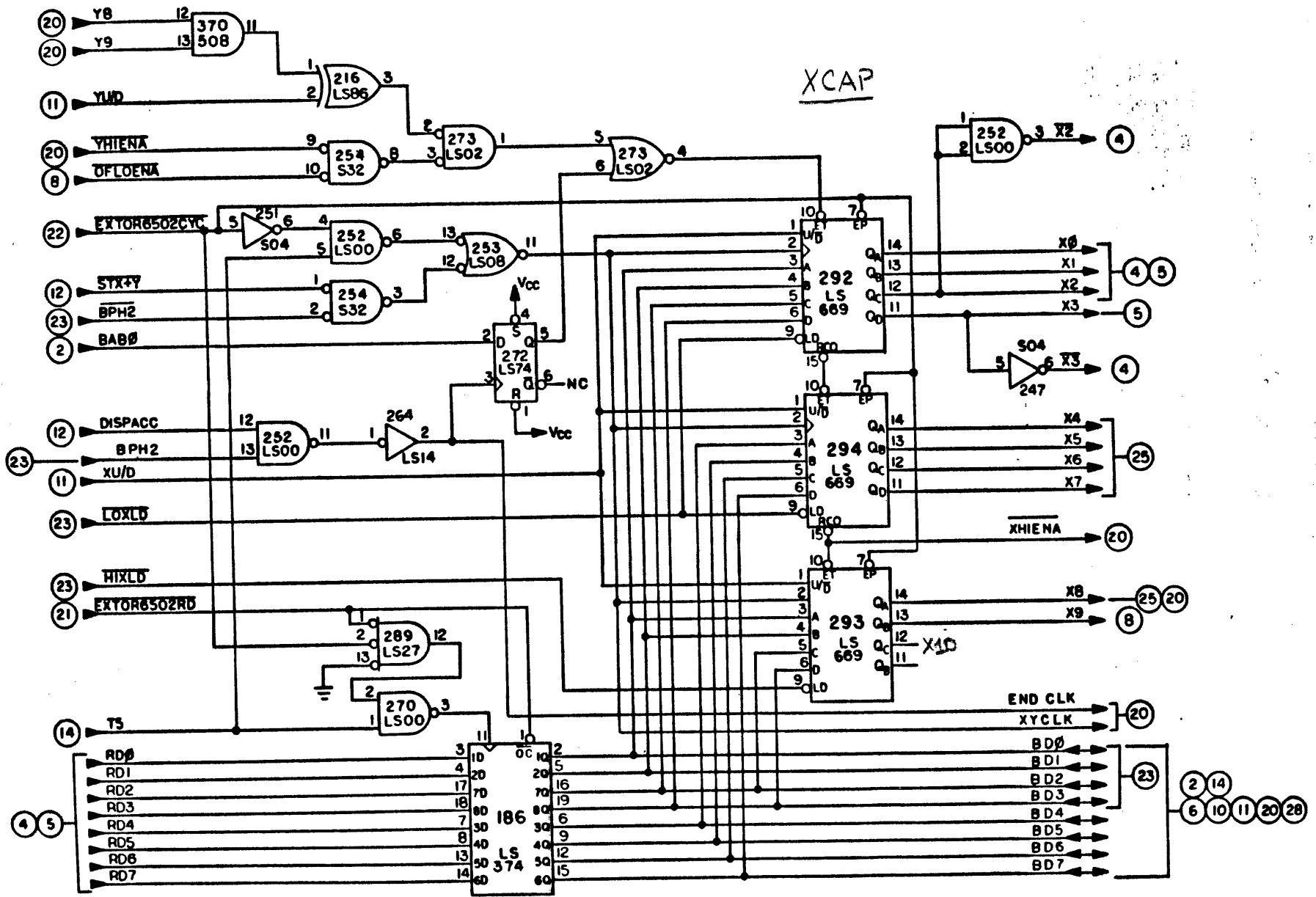
SHEET 12 OF 31



SHT-14



SHT-15

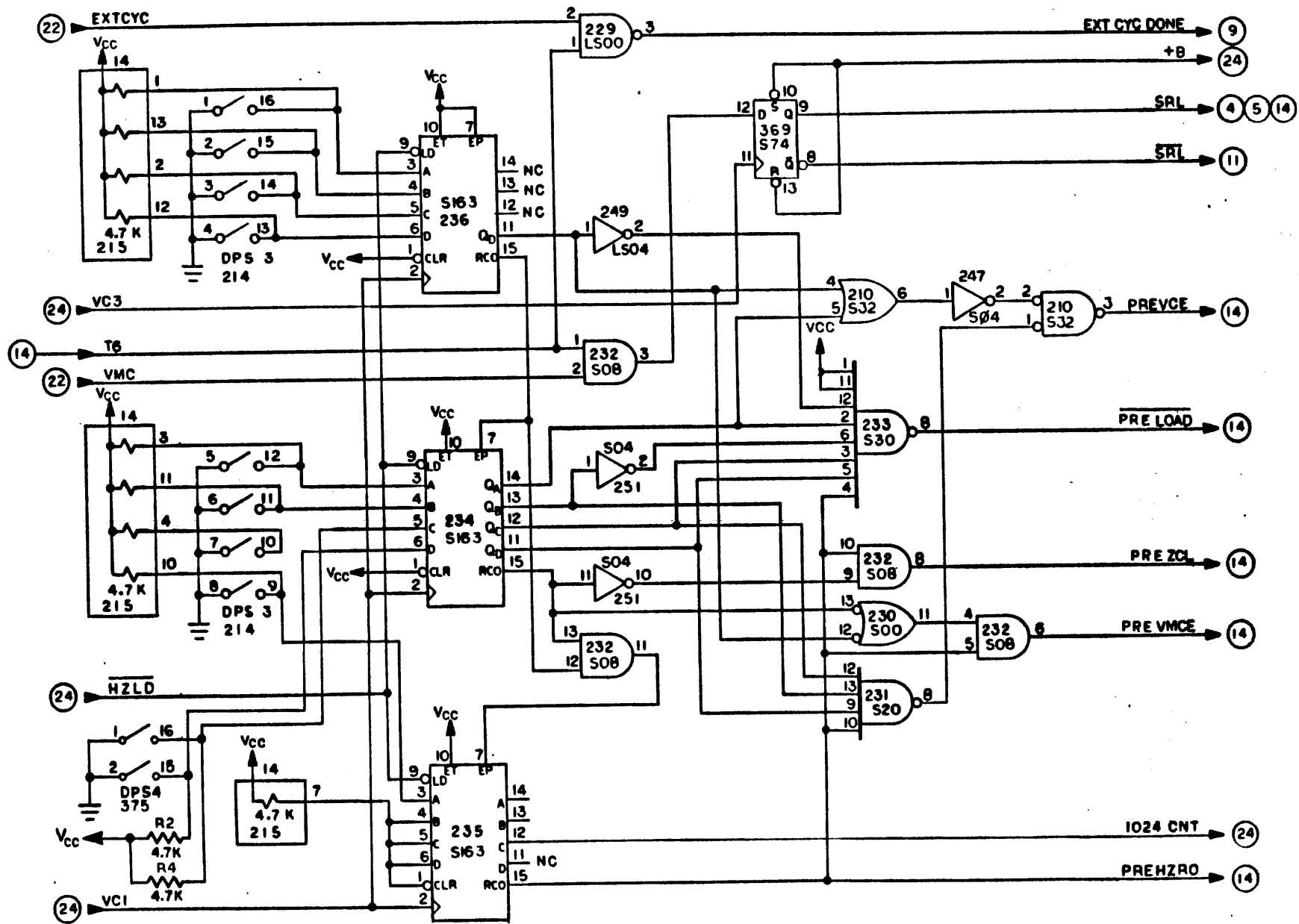


RAM 3 OUT

	ADVANCED ELECTRONICS DESIGN, INC. SUNNYVALE, CALIF. 94088	C DRAWING NUMBER 120186-01	REV 2
	SHEET 16 OF 21		

SHT-16

A
 B
 C
 D



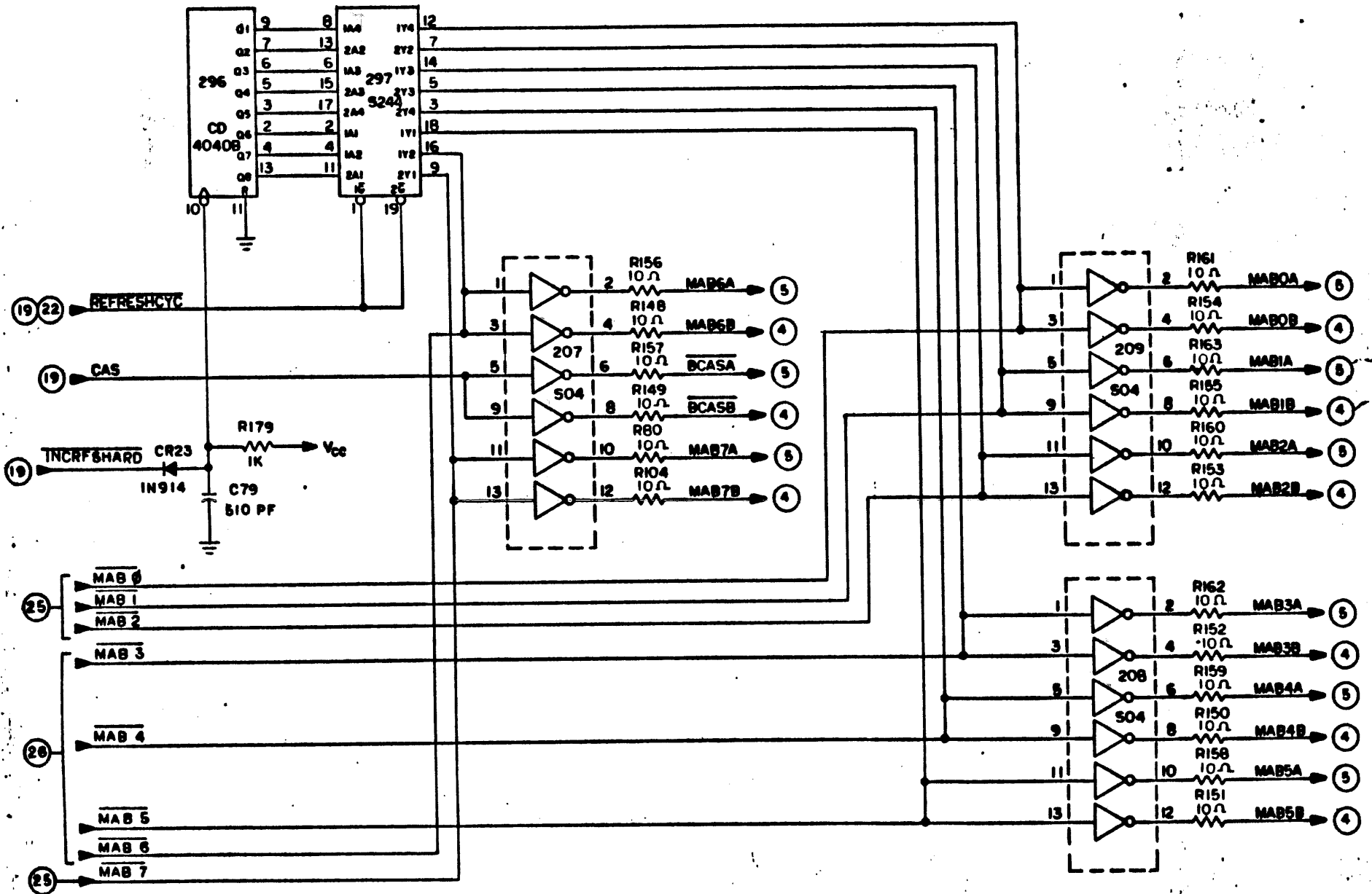
SHT-17



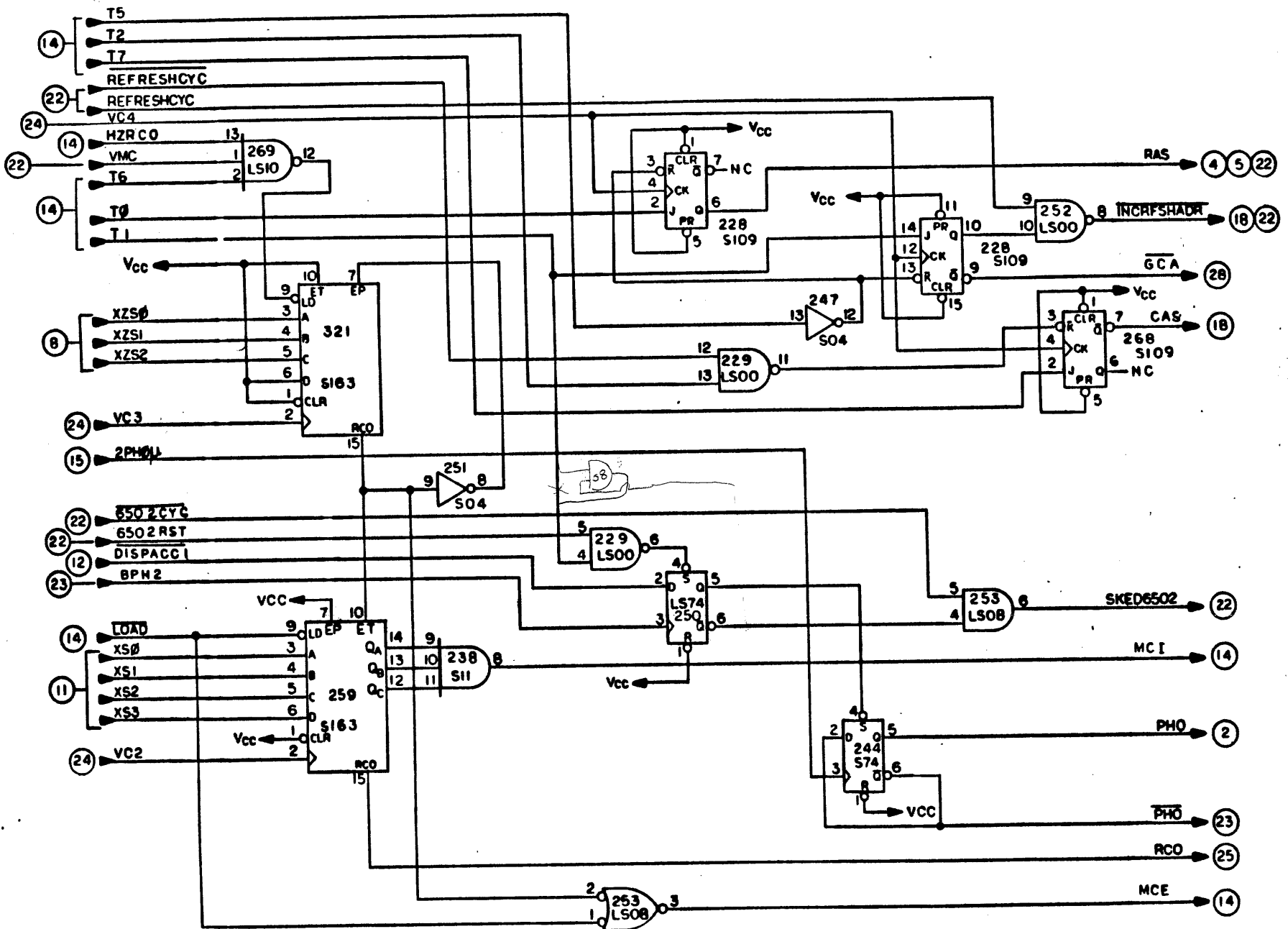
ADVANCED ELECTRONICS
DESIGN, INC.
SUNNYVALE, CALIF. 94088

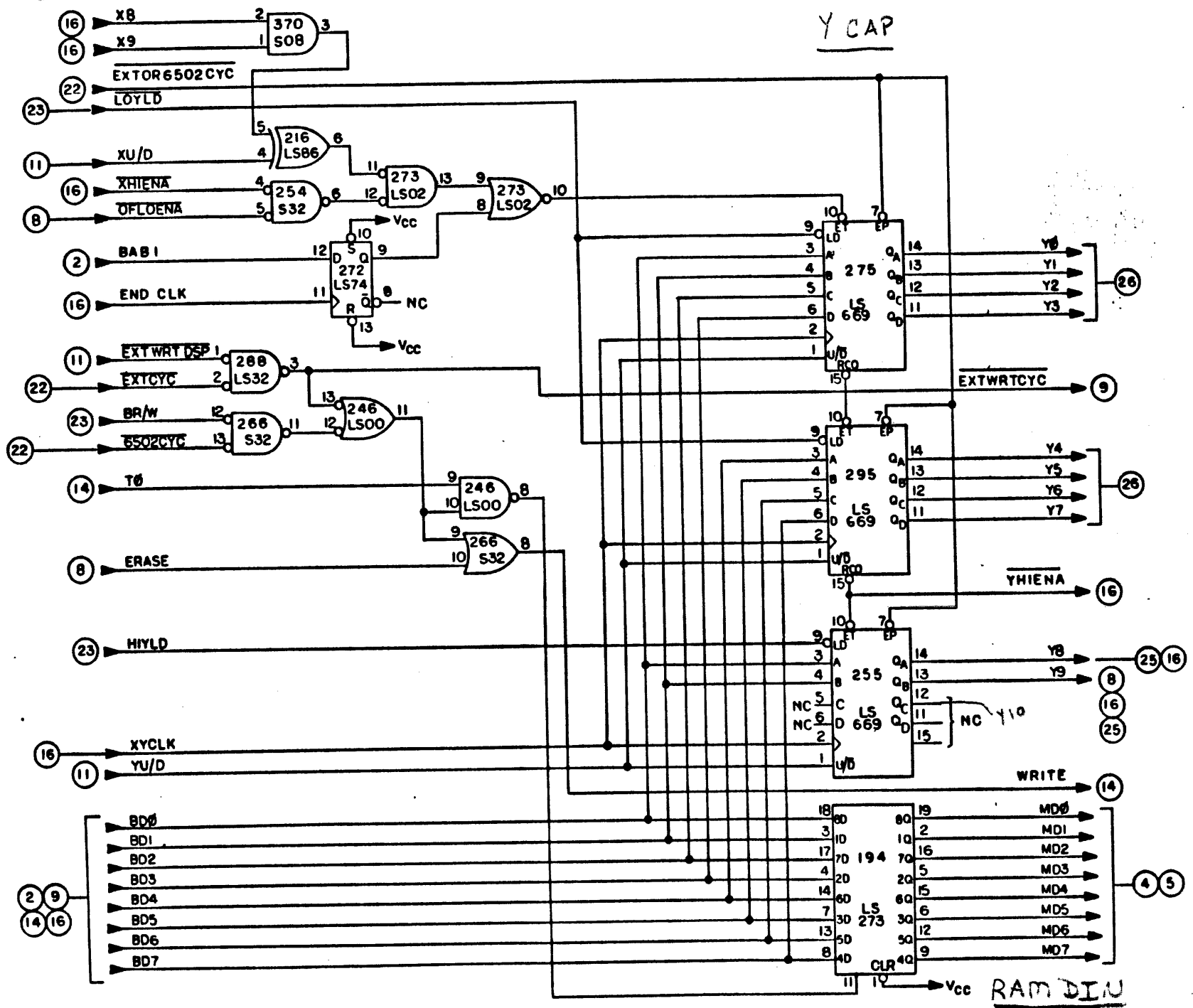
DRAWING NUMBER	120186-01
	2

REFRESH CTR



SHT-18





Y CAP

RAM DIN



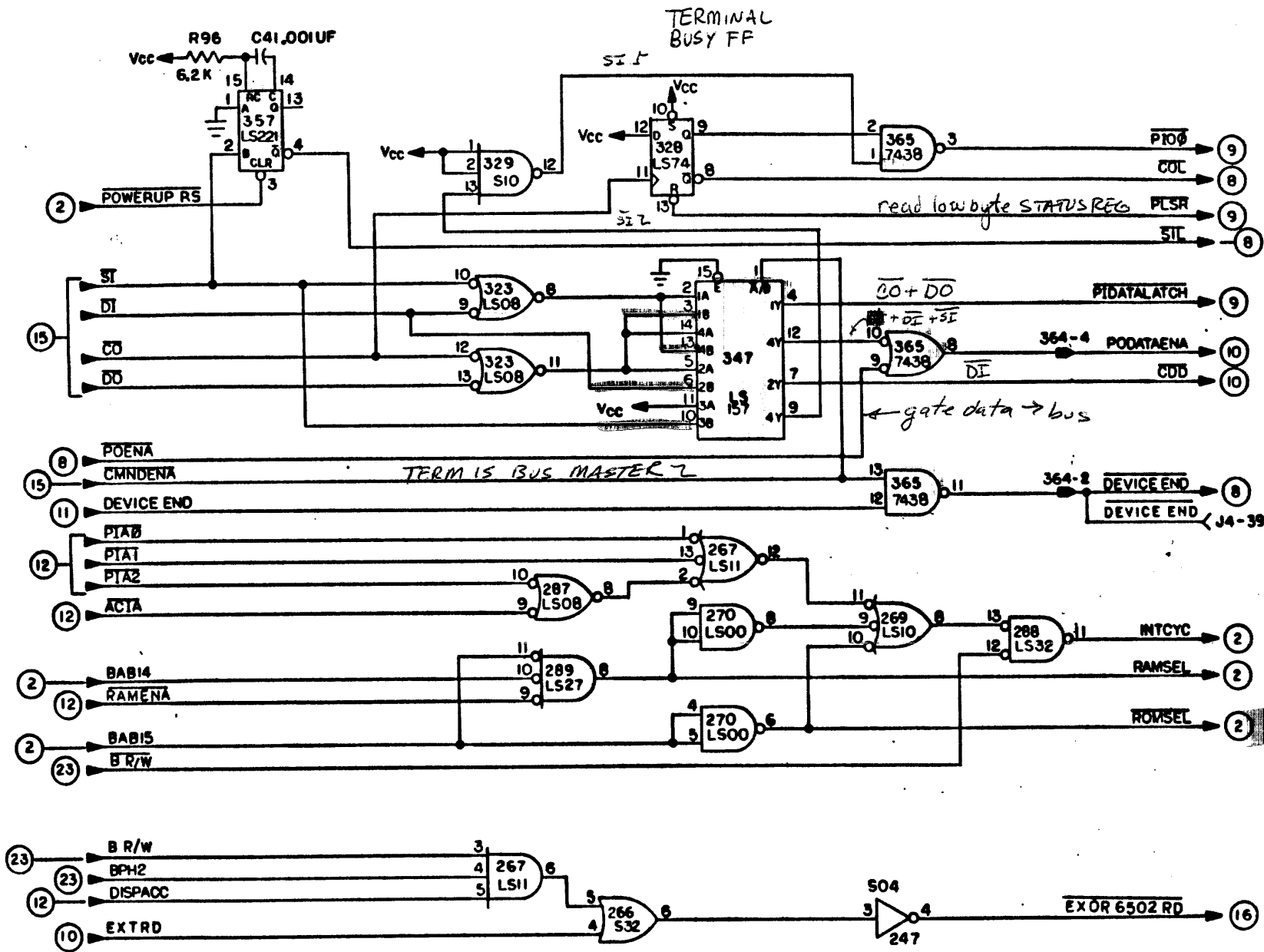
ADVANCED ELECTRONICS
DESIGN, INC.
SUNNYVALE, CALIF. 94088



DRAWING NUMBER
120186-01

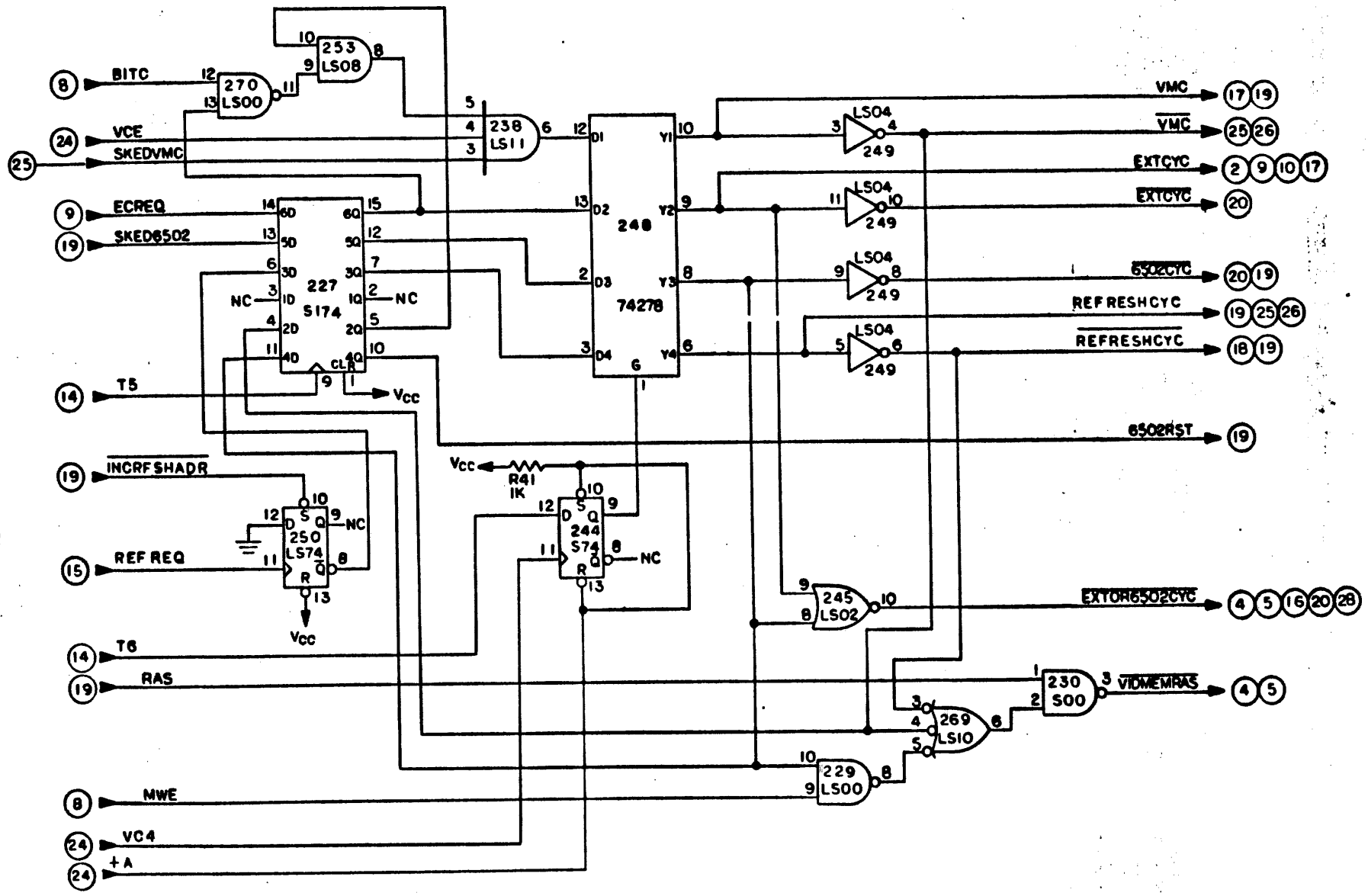
REV
2

SHT-20

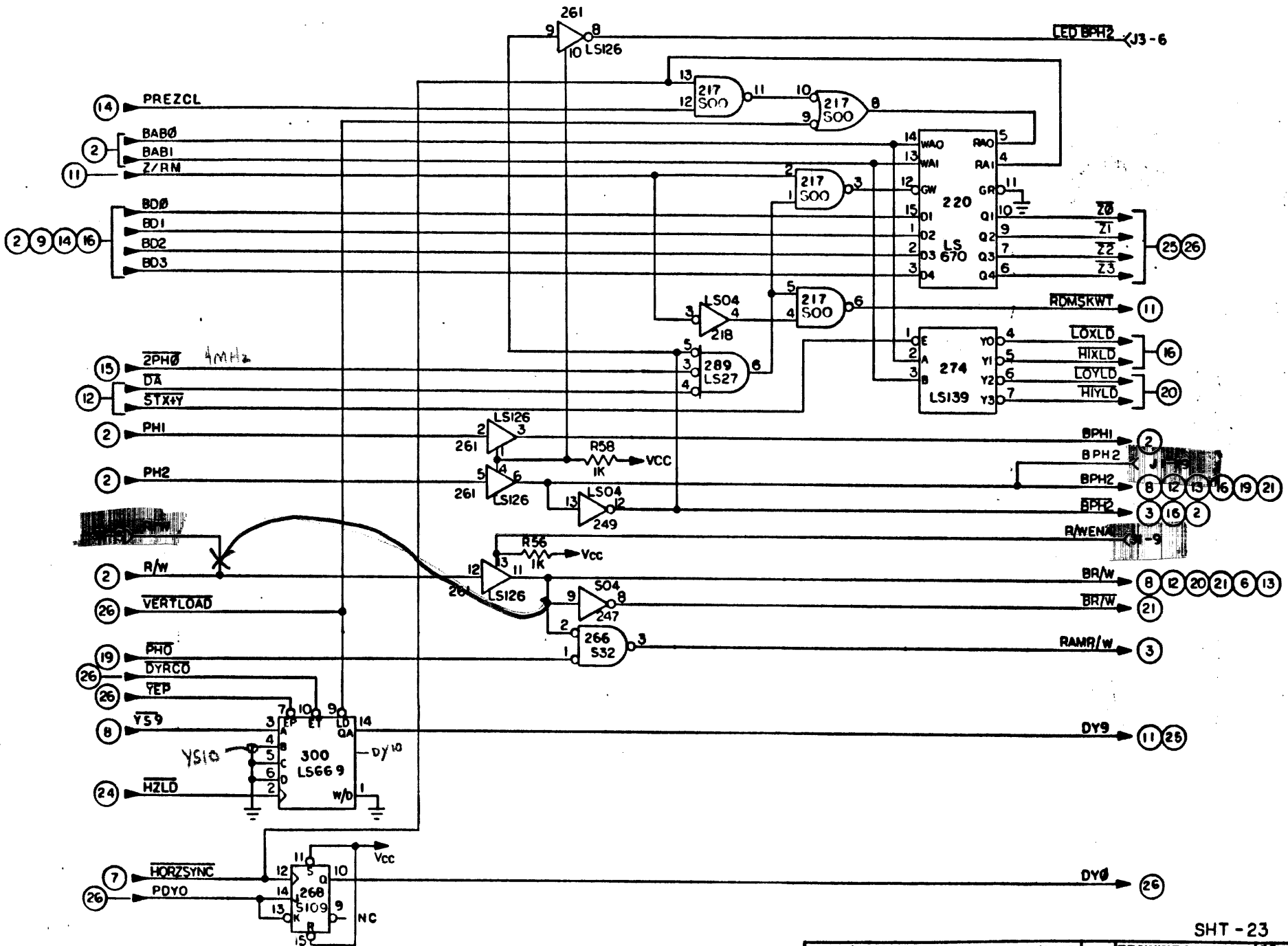


SHT - 21

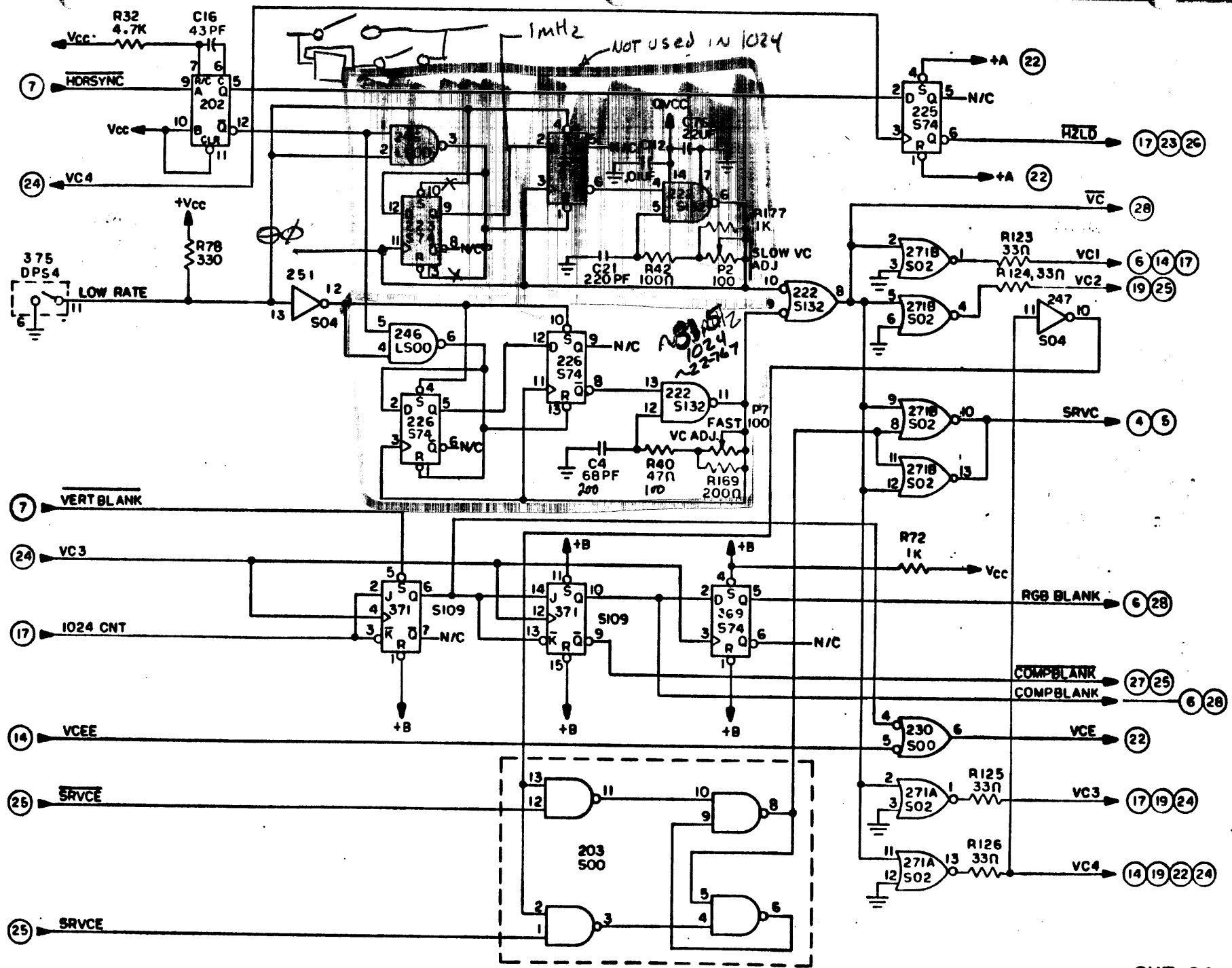
VRAM ACCESS ARBITER



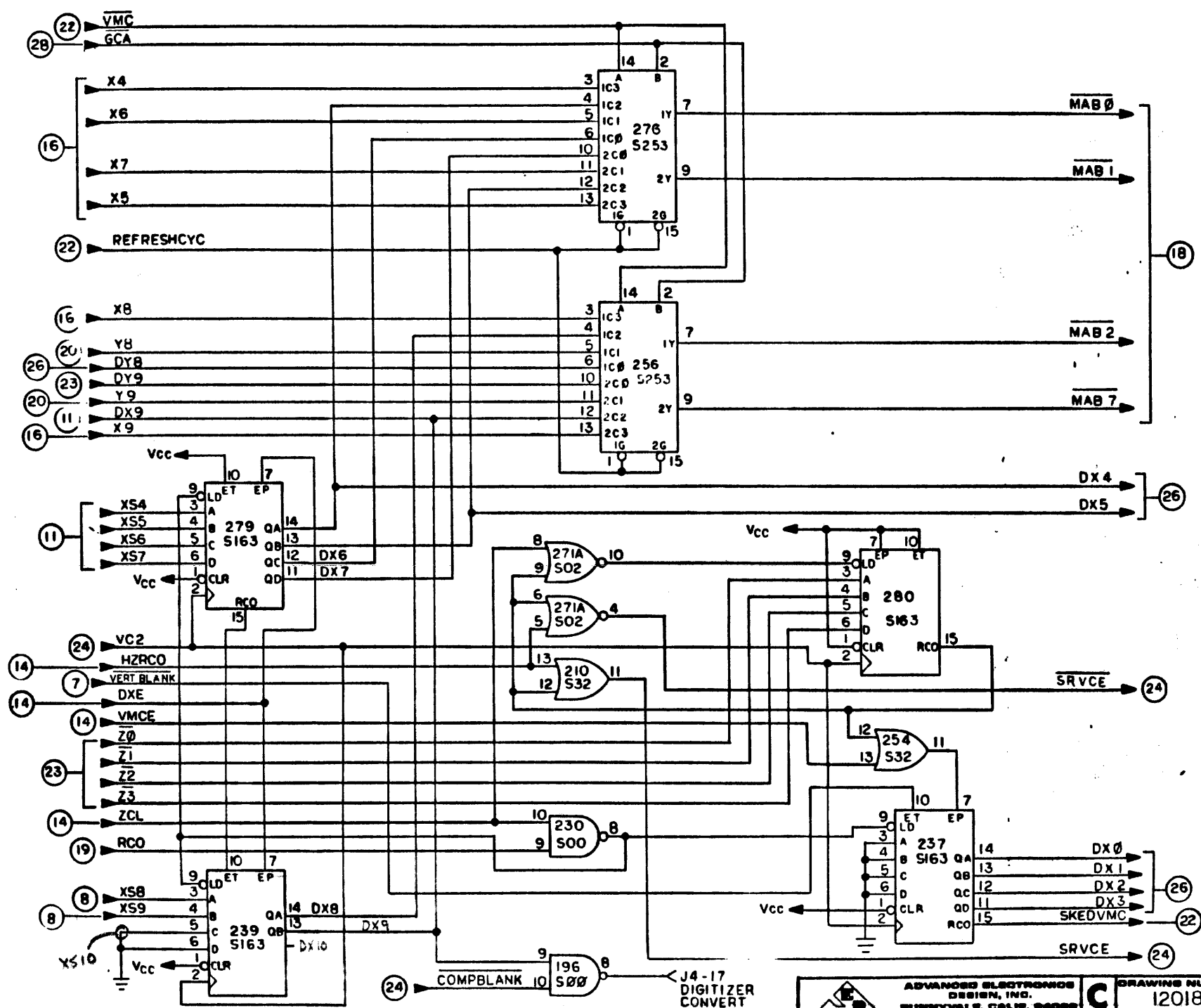
SHT-22



SHT - 23



SHT-24

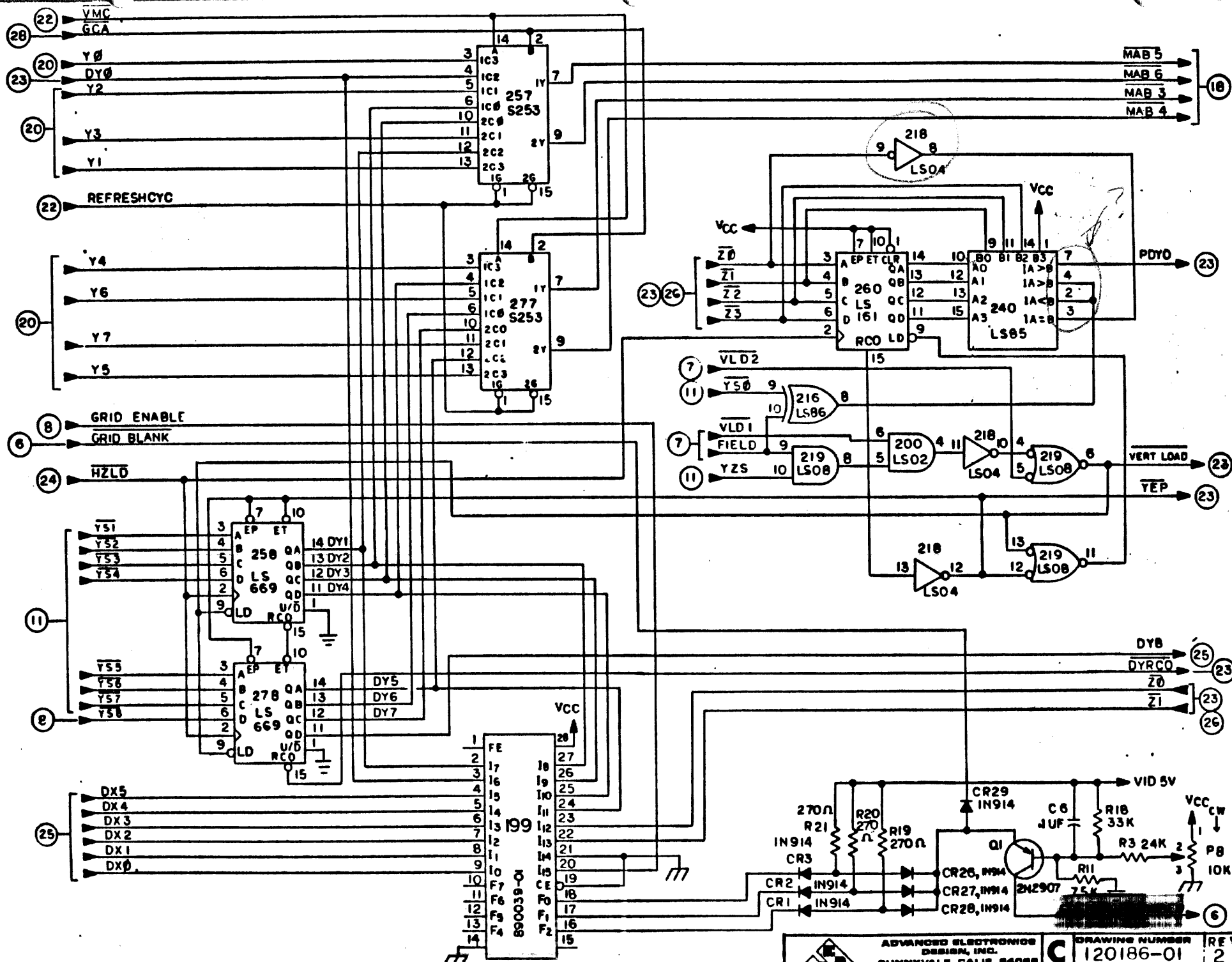


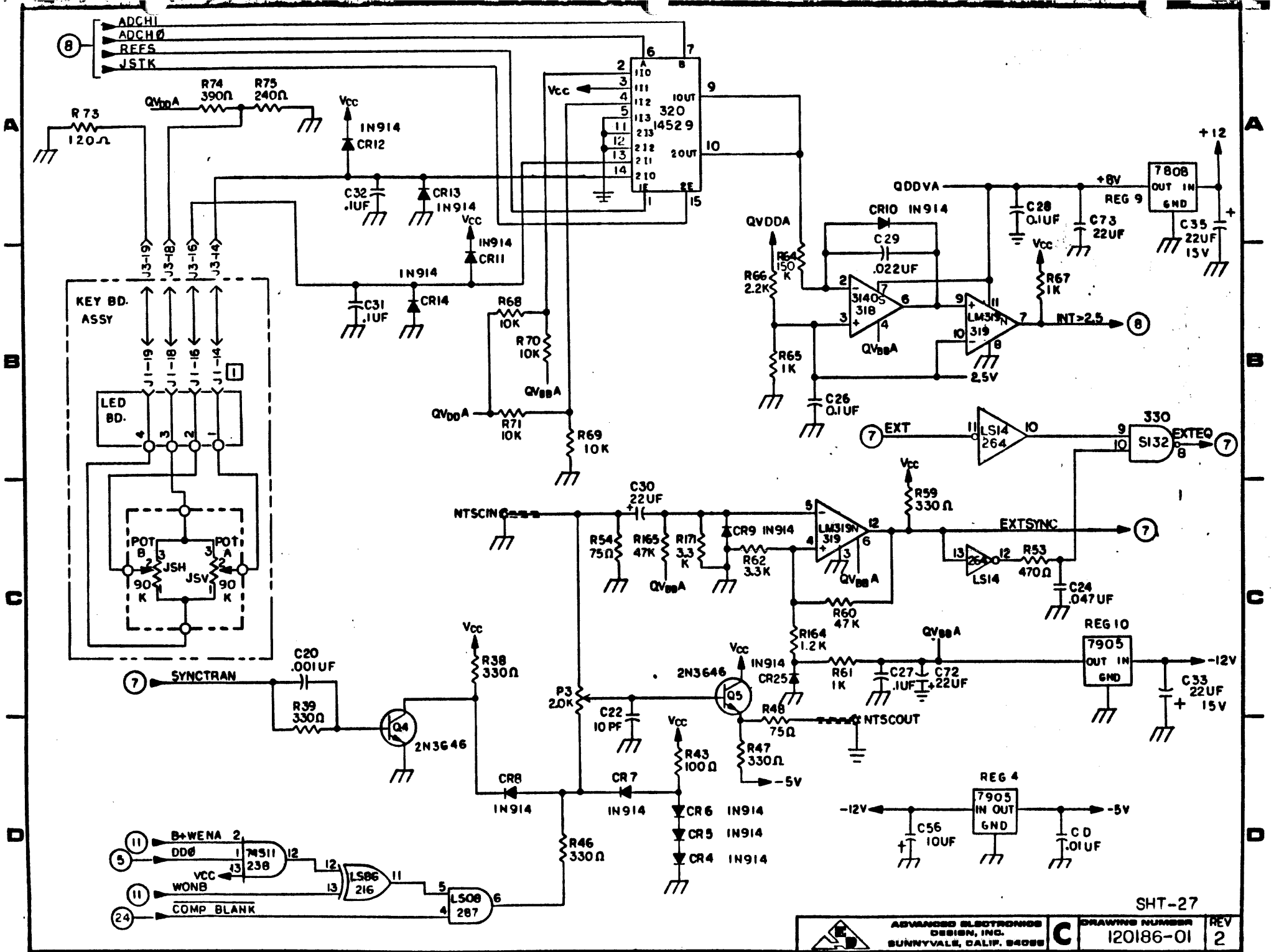
SHT-25

ADVANCED ELECTRONICS
DESIGN, INC.
SUNNYVALE, CALIF. 94089

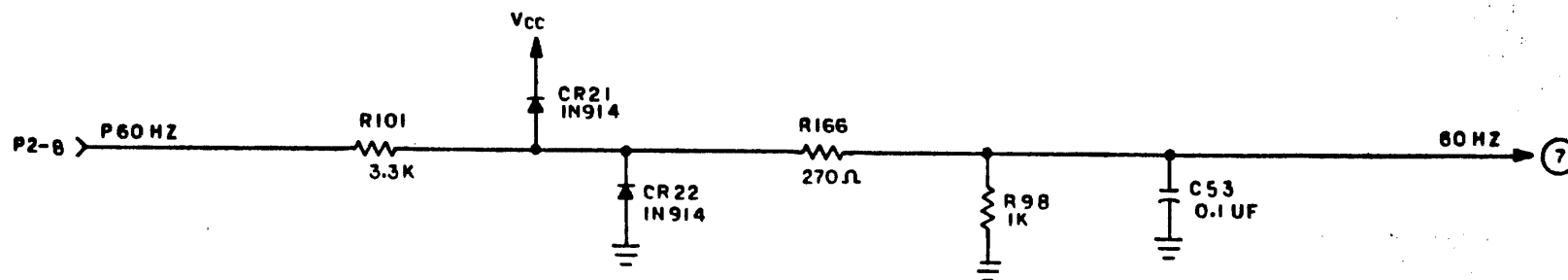
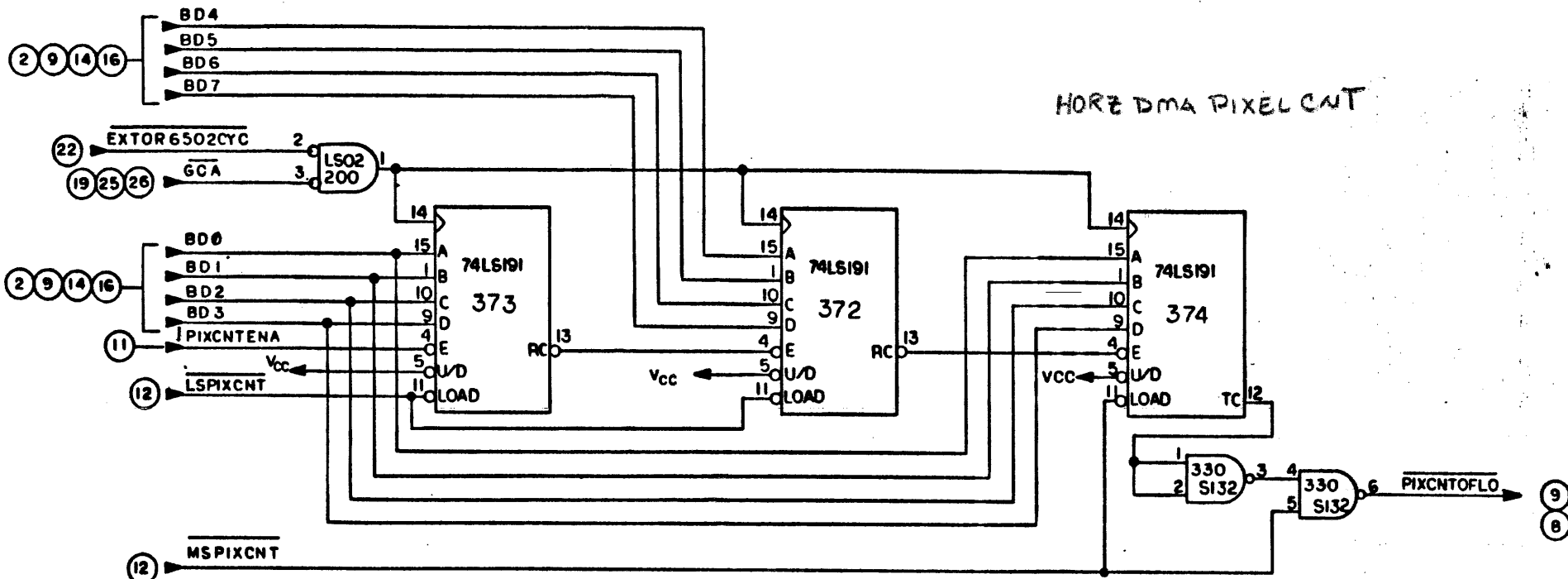
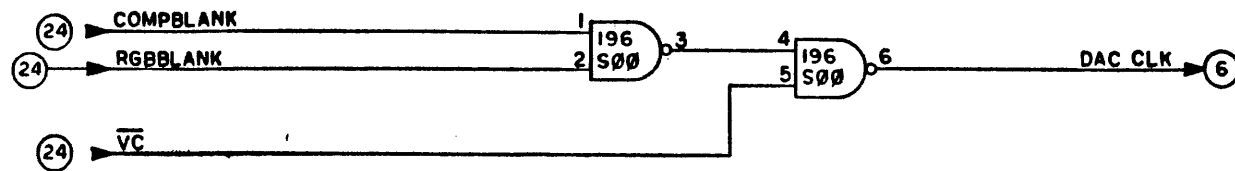
DRAWING NUMBER
120186-01
REV
2

J4-17
DIGITIZER
CONVERT





SHT-27



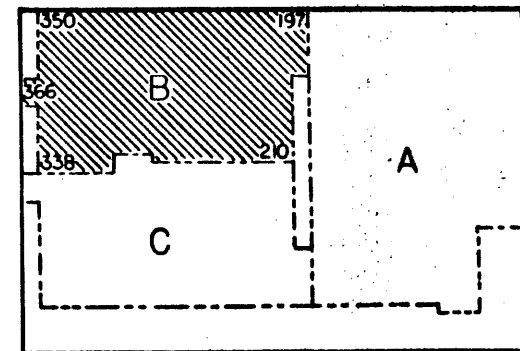
SHT-28

ADVANCED ELECTRONICS
DESIGN, INC.
SUNNYVALE, CALIF. 94088

DRAWING NUMBER
120186-01
REV
2

SHEET 28 OF 31

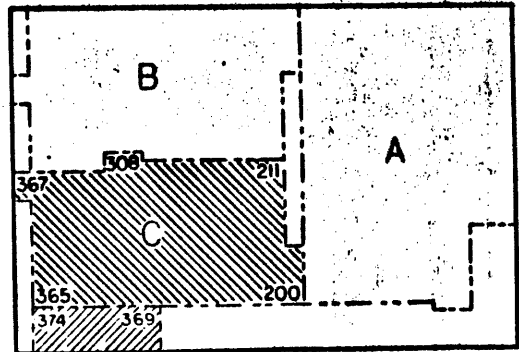
368	350	330			261			201	197
NE555	LS161	S132			LS126			4046B	LS157
2	15	20 28 27			23 23 23 23			7	7
	351	331		262	241	222	202		
	LS14	4040B		6502A	89003a-01	S132	LS221		
	15 15 15 2 13 15	15		2	7	7 24 24 24	7		
	352	332	301	283	263	242	223	203	
	7406	4512B	S244	LS260	LS86	4040B	74574	74500	
	15 13 13 2 15 13	15	2	12 7 7 12 7 7	7	24	24	24	
	353	333	317	302	284	264	243	224	204
	1489	4512B	8304	S244	LS00	LS14	LS02	LS174	LS08
	13 13 13 15	15	2	2	12 12 12 12	16 7 7 7 27 27	7 7 7 7	7	4 4 4 4
	354	334	318	303	285	265	245	225	205
	1488	68B50	3140	4802	LS138	S374	LS02	S74	S138
	13 15 13 15	13	27	3	2	14	7 2 22 19	24 7	4
	366	355	319	304	286	266	246	226	206
	DPS2	1489	LM319	304	LS138	S32	LS00	S74	LS08
8	13 13 13 15	68B50 13	27 27	4802	12	23 21 20 20	24 24 20 20	24	4 4 4 4
	356	336	305	287	267	247	227	207	
	1488	68B21	4802	LS08	LS11	S04	S174	74504	
	13 15 13 15	8	10 27 21 12	21	21	17 21 12 16 23 21 24 19	22	18 18 18 18	
	320	306	288	268	248	228	208		
	14529	4802	LS32	S109	74278	S109	74504		
	337	307	20 21 12 21	19	22	19	18 18 18 18		
	68B21	4802	12 21	23	22	19	16 18		
	338	289	269	249	229	209			
	68B21	LS27	LS10	LS04	LS00	74504			
8		23	22	17 22	17 19	18 18 18 18			
		21	21	22 22	22 19	18 18			
		307	16	19	22 23	22 19	18 18		
		4802	290	270	250	230	210		
		8	LS138	LS00	LS74	S00	74532		
		3	12	16 21 21 22	19	22 24 25 17	17 17 25		



SHT - 30

					291	271A	251	231	211	271B				
					S138	74S02	74S04	S20	LS08	74S02				
				308		24	25	17	12	7	5	5	24	24
					2			16	19					
						25	24	17	24	17	5	5	24	24
367	357	339	321		292	272	252	232	212					
DPS1	LS221	LS244	S163		LS669	LS74	LS00	S08	S138					
8	21	14	19	309	16	16	16	17	17	5				
	9					20	19	16	17	17				
358	340	322			293	273	253	233	213					
7438	LS273	LS138			LS669	LS02	LS08	74S30	LS08					
15	15	11	12		16	16	16	19	19	17	5	5		
15	15			310		20	20	22	16		5	5		
359	341	323			294	274	254	234	214					
330/390	LS273	LS08			LS669	LS139	74S32	S163	DPS3					
10	10	10	9	9			23	16	20	17	17			
10	10	10	9	9	16			16	25					
15	15	15	21	21										
360	342	324	311	295	275	255	235	215						
7438	S240	LS00	89002 7-05	LS669	LS669	LS669	S163	4.7K RN						
10	10	9	10	9	20	20	20	17	17	17	17	17		
10	10		10	15										
10	10													
361	343	325		296	276	256	236	216						
7438	LS273	S08	312	4040B	S253	S253	S163	LS86						
10	10	9	10	890037-04	18	25	25	17	16	20				
10	10	10	9						26	27				
362	344	326		297	277	257	237	217						
7438	LS273	S32		S244	S253	S253	S163	S00						
10	10	9	10	313	18	26	26	25	23	23				
10	10	10	9	890037 05					23	23				
363	345	327		298	278	258	238	218	198					
7438	S240	S74	3	LS273	LS669	LS669	74S11	LS04	S174					
10	10	9						22	9	23				
10	10	9	314	11	26	26		19	6	26	14			
			89002 02					27	26	26				
364	346	328		299	279	259	239	219	199					
330/390	LS273	LS74	3	LS273	S163	S163	S163	LS08	89003 01					
21	9	21						9	26	26				
10	10	10	9		11	25	19	25						
10	10	10	21	315				26	26					
375	365	347	329	89002 01	300	280	260	240	220	200				
DPS4	7438	LS157	S10		LS669	S163	LS161	LS85	LS670	LS02				
			9	3	23	25	26	26	23	28	26			
			9											
24	24	7	21	21						9	9			

374	373	372	371	370	369	
LS191	LS191	LS191	S109	S08	S74	
28	28	28	24	20	24	24
			24	14	16	17



SHT - 31