
**CONTROL DATA®
COMPUTER SYSTEMS
CORDWOOD MODULES**

MODULES A-J

Volume 1 of 3

PRINTED CIRCUIT MANUAL

New features, as well as changes, deletions, and additions to information in this manual, are indicated by bars in the margins or by a dot near the page number if the entire page is affected. A bar by the page number indicates pagination rather than content has changed.

RECORD of REVISIONS	
REVISION	NOTES
A thru F	Affects Volumes 1 and 2 only (60042900).
G	6600 Information and Circuit Module Schematics added as Volume 3.
H	Vol. 3, addition of revised Record of Revisions. Replace the following revised pages: 6600-4, (5-7-65) 6600-5, 6600-8, 6600-14, and add new pages 6600-15, 6600-16 and schematics MK and AC.
J (10-1-65)	Change Order CA11567. Major revision to this manual obsoleting all previous editions.
K	Publication Change Order CA13034. Title changed to Printed Circuit Manual Cordwood Modules.
(3-15-66)	Vol. 1, A-J; Vol. 2, K-U; Vol. 3, V-Z. Introduction revised. Printed circuit card information added and reorganized. This printing obsoletes all previous editions.
L (9-9-66)	Engineering Change Order 13534. Modules XL01 thru XL10 revised.
M	Field Change Order 13812. Module Z07 revised.
N (9-9-66)	Engineering Change Order 13441. Modules V17 and V43 revised.
P (9-9-66)	Publications Change Order 14574. To incorporate corrections and additions.
R (11-22-66)	Publications Change Order 15171. To incorporate corrections and additions.
S (3-2-67)	Publications Change Order 15937. To incorporate corrections and additions.
T (5-12-67)	Publications Change Order 16432. To incorporate corrections and additions.
U (7-21-67)	Publications Change Order 16938. To incorporate corrections and additions.
V (3-13-68)	Publications Change Order 17486. To incorporate corrections and additions.
W (3-13-68)	Publications Change Order 18211. To incorporate corrections and additions.
Y (3-13-68)	Publications Change Order 18883. To incorporate corrections and additions.
Z	Engineering Change Order 21455, publications change only. The following cordwood modules (1-20-69) are added to the manual: AU, DP, DQ, FO, FZ, LX, QX, SN, SP, SQ, ST, SU, SW, SX, YA, Z99.
AA	Engineering Change Order 24619, document change only.
(5-5-70)	
AB	Engineering Change Order 25341, publications change only. To incorporate corrections and (5-5-70) additions.
AC	Engineering Change Order 26839. No change to this manual.
(11-15-71)	
AD	Field Change Order 26792. RDZ and REN Modules added.
(11-15-71)	
AE	Field Change Order 26611. REJ Module added. Also to incorporate corrections and additions.
(11-15-71)	
AF	Engineering Change Order 30954. Pages LX, RCT, TCW, RDS, REM, REX, V17, ZO, ZR, ZS, ZT, (4-10-72) are revised.
AG	Manual revised; includes Engineering Change Order 30804. RFM module is added.
(9-8-72)	
AH	Engineering Change Order 30429. No change to this manual.
(9-8-72)	
AJ	Manual revised; includes Engineering Change Order 32225. CM is revised. RCM, RCX, REY, (9-8-72) REZ, Z45 are added.

FORM CA230 REV. 1-67

REVISION LETTERS I, O, Q AND X ARE NOT USED

Pub No. 60042700
 © 1965, 1966, 1967, 1968, 1969, 1970, 1971, 1972, 1973, 1974, 1975, 1976
 by Control Data Corporation

Printed in United States of America

Address comments concerning this manual to:

Control Data Corporation
 Publications and Graphics Division
 4201 North Lexington Avenue
 St. Paul, Minnesota 55112

or use Comment Sheet in the back of this manual.

PREFACE

The logic schematic diagrams of cordwood modules are entered into these volumes in alpha-numeric sequence. The logic schematic pages in these volumes are updated when the LS page of the engineering document (number at top of each logic schematic) is changed by revision. The revision letter of the engineering document shown at the top of each schematic is not changed in this manual when only parts list pages of the document are revised.



GENERAL CONTENTS

Volume 1	Cordwood Module Logic Schematic Numbers and Revision Levels	vii
	Introduction	1
	Cordwood Module Schematics, A-J	
Volume 2	Cordwood Module Logic Schematic Numbers and Revision Levels	vii
	Cordwood Module Schematics, K-U	
Volume 3	Cordwood Module Logic Schematic Numbers and Revision Levels	vii
	Cordwood Module Schematics, V-Z	

INTRODUCTION

CIRCUITS

The circuits of most CONTROL DATA* cordwood modules use the inversion property of transistors to obtain logical OR and AND configurations. Two inverters may also be cross-connected, input to output, to form flip-flops (FFs) for storing data temporarily. Special circuits drive twisted-pair or coaxial-cable transmission lines, control storage or read out of data in the magnetic core memory, amplify and detect magnetic tape or disk file head signals, and control other functions.

PACKAGING

Circuits are packaged in modules (Figure 1) which use printed circuit wiring. Circuit components are mounted on and between two printed circuit boards in a method referred to as "cordwood packaging". A double-rowed 30-pin connector fastened at one end of the module allows electrical access to the circuits. The module connector mates with a chassis connector; the pins of which are wired to other similar circuits. An anodized aluminum plate with captive screws is fastened to the module at the end opposite the connector. This plate fastens the module to the chassis mechanically and carries the identifying number and/or letter for the module and six test point terminals. The test points are numbered one through six from top to bottom and are connected to various parts of a circuit to allow circuit operation to be viewed on an oscilloscope.

COOLING

Two modes of cooling are used: freon and air. Although the modules are mounted differently in each case, any module currently in production may use either mode simply by changing its face plate. Figure 1(A) shows a freon-cooled module, while 1(B) shows an air-cooled module.

Freon Cooling

Modules are mounted vertically in the chassis in separate compartments. Compartment side walls, the connector (back), and module plate (front) have a black finish. Rows of modules are separated and supported by metal plates which form the top and bottom of the compartments. A copper tube imbedded in each bar is connected to a

*Registered trademark of Control Data Corporation

freon refrigeration system. Component heat from each module is carried to the cold bars and cooling system by convection and by conduction. Blank module locations are covered by a plate but if large sections are unused in the chassis, a heat dissipation module (formerly type XO, now module type WZ) is used about every fourth location (6400 and 6600 Computer Systems use this type of cooling).

Air Cooling

Modules are mounted vertically but without compartment side walls. They are supported at the top and bottom by bars at the front of the chassis. Air is forced up through the modules and may or may not be refrigerated. Blank module locations are covered with a plate.

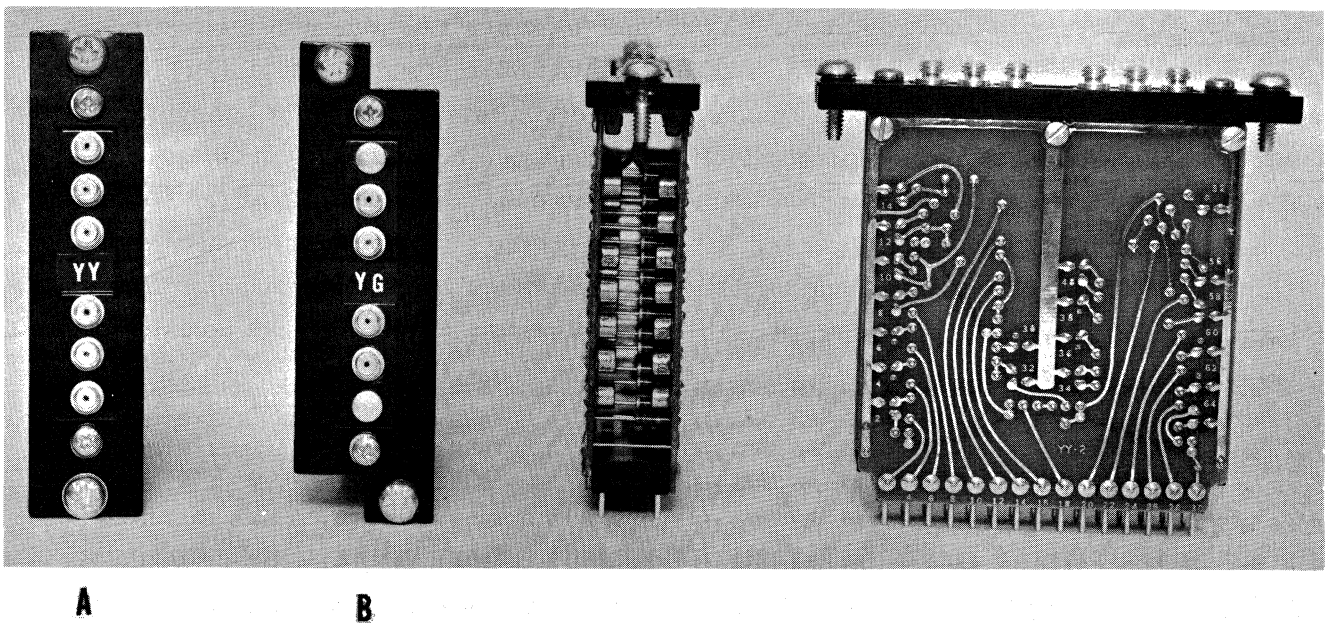


Figure 1. Cordwood Modules

BASIC CIRCUIT ANALYSIS

The basis circuit is a single NPN silicon transistor connected in a grounded emitter amplifier circuit (Figure 2). The transistor operates from a +6 vdc supply. The inherent 180° phase shift of the transistor provides the basic inversion (or NOT) function.

The two signal levels and their logical significance are: +0.2v = "1"
 +1.2v = "0"

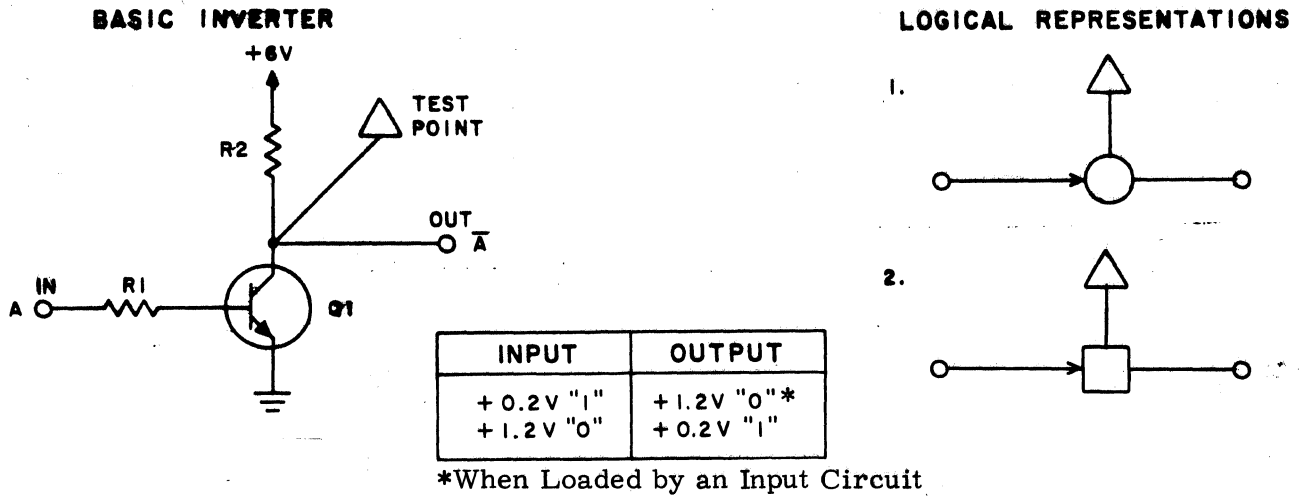


Figure 2. Basic Inverter

A +1.2v input turns on the transistor and drives it to saturation. The output signal is then the drop across the transistor, +0.2v. When a +0.2v input cuts off the transistor the output rises toward +6v but is held to +1.2v by the voltage-dividing effect of the collector resistor and the input resistance of the driven load.

The threshold voltage on the base of the transistor is approximately +0.8v (virtually no conduction below +0.7v) which permits the circuit to reject noise signals up to about +0.5v. Circuit parameters for cutoff and saturation are listed below.

	V _B	V _C	I _B (min)	I _C	Average Switching Time
Cutoff	0.2	1.2	0	0	4 or 5 nsec
Saturation	0.8	0.2	1 ma	10 ma	

AND and OR Combinations

To combine signals from two circuits, the collectors are connected to a common load resistor, as in Figure 3. This provides $\overline{A + B} = \overline{A} \overline{B}$ as the output signal. This method of combining signals is sometimes called NAND logic. (The name derives from NOT

AND since the circuit consists of an AND with phase inversion or negation of the output.) Up to six transistors may be connected to a common collector resistor in this way.

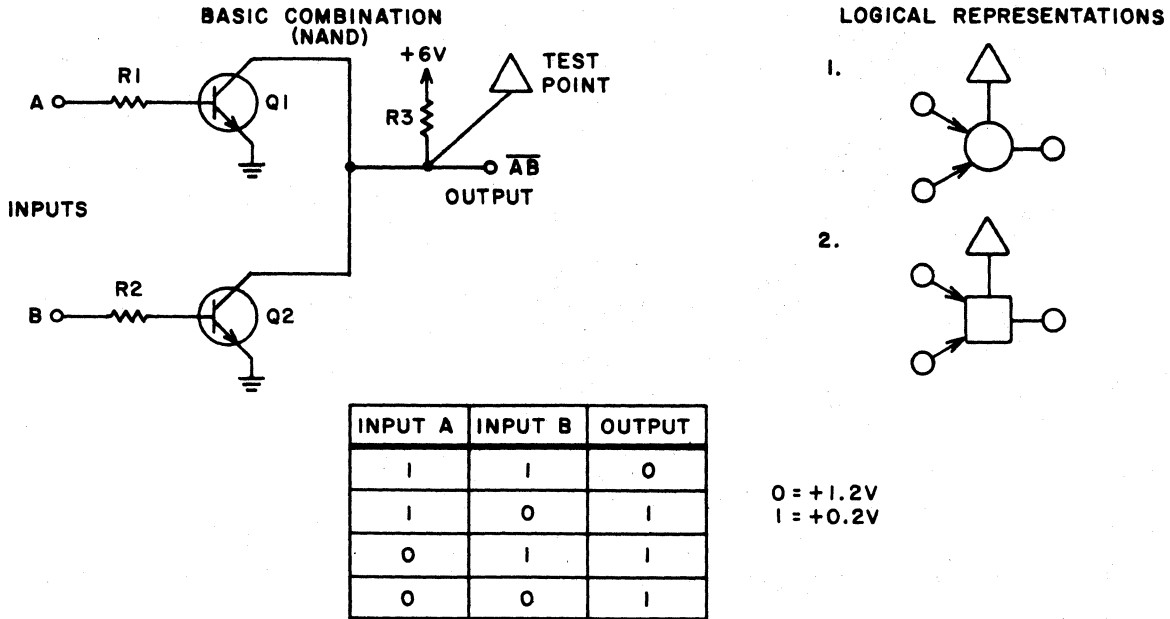


Figure 3. Basic (NAND) Combination

A circuit showing the basic AND combination appears in Figure 4. When either input A or input B is +1.2v, Q1 or Q2 is biased to saturation and the potential at point C is +0.2v. This in turn cuts off Q3 and the output is +1.2v. But when both inputs A and B are +0.2v, both Q1 and Q2 are cut off, and the potential at point C goes to +1.2v*. With point C at +1.2v, Q3 conducts into saturation, forcing the output to +0.2v. Hence, the output is +0.2v only when both inputs A and B are +0.2v.

The circuit of Figure 5 shows the OR combination of two signals A and B, in which a +1.2v at either input A or B results in a +0.2v output.

*It should be noticed that point C is +1.2v only when R4 and Q3 are present as a load to the circuit. Otherwise point C would rise to +6v.

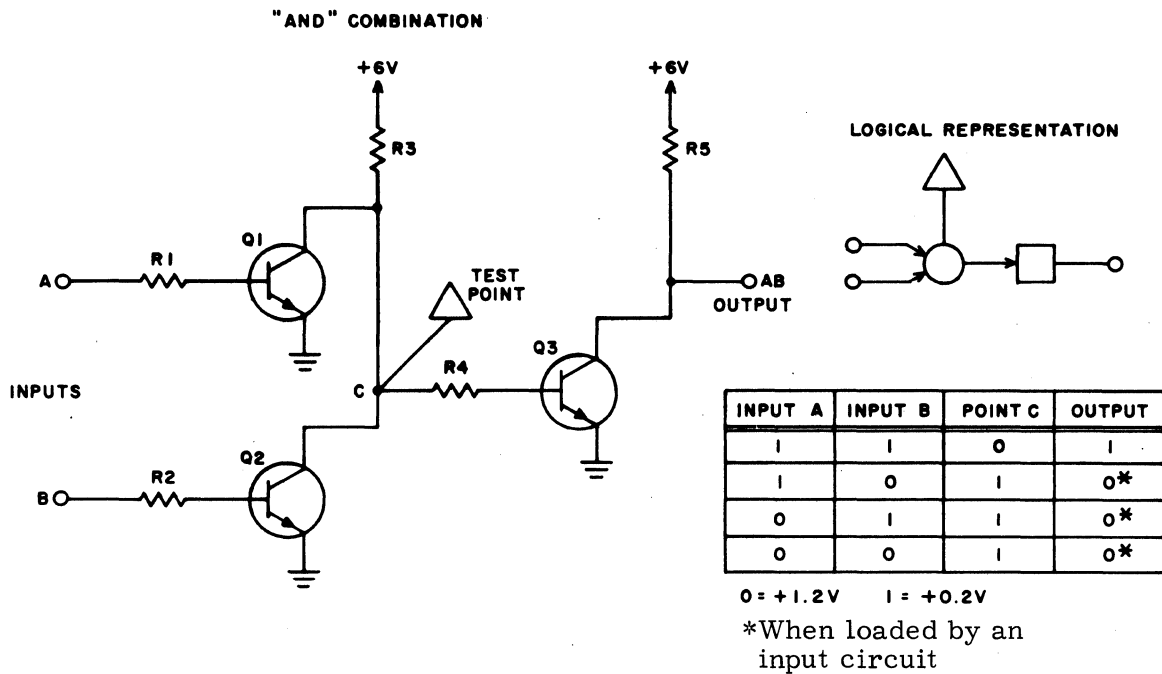


Figure 4. AND Combination

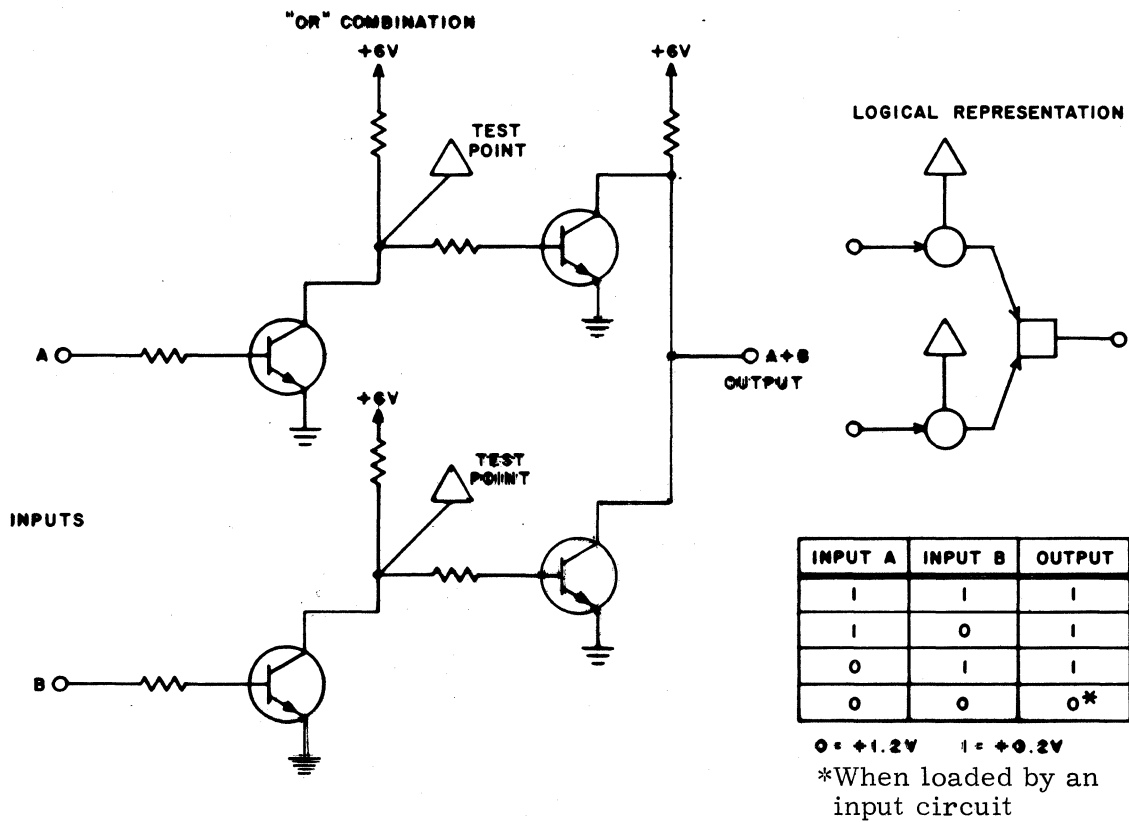


Figure 5. OR Combination

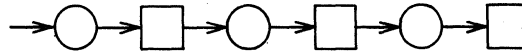
Logic Diagram Symbols

The symbols used to represent circuits on logic diagrams are as follows:

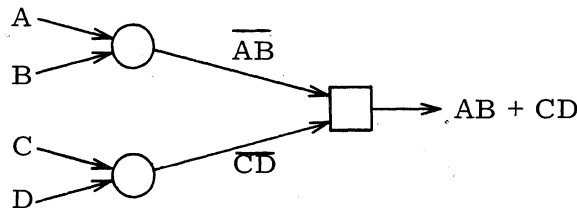
<u>Symbol</u>	<u>Literal Significance</u>
→	transistor (including its base resistor)
□	collector load resistor
○	collector load resistor

The use of two symbols, circle and square, to represent the combining of signals is a convenient way to indicate alternating logical levels. This alternation results from the inversion accompanying each successive combination. Logic is performed by a succession of steps: invert, combine, invert, combine, invert, combine, etc.

A diagram of such a logical string of steps appears as:



Where possible, diagrams have circles and squares appearing in alternation and in such a way as to indicate whether the effect of a combination is an AND or an OR. Consider the logical circuit shown below:



Its output is $\overline{\overline{AB}} \cdot \overline{\overline{CD}}$ which simplifies to $AB + CD$. The square may be thought of as representing an OR.

Flip-Flop with Clear/Set Input

The circuit of a flip-flop and its clear/set input is shown in Figure 6. The basic flip-flop may have up to five set inputs and five clear inputs; in this example only one of each are shown. The set input is fed by a 3-way AND gate, of which one input comes from the clear/set network.

The clear/set network enables the flip-flop to be cleared and reset by the same gating pulse. In many cases, this will be a 25 nanosecond clock pulse. Figure 7 shows the logical representation of this circuit and a timing chart for the clear/set operation.

A +0.2v "1" clear/set input to point 1 results in +0.2v "1" outputs from B and E. This simultaneously clears the flip-flop while enabling AND gate C to reset it, if "1" inputs are present at points 2 and 3. Assuming "1" inputs, the +1.2v "0" output of C drives the output of D to a +0.2v "1". In this state, D and E both are producing "1" outputs and flip-flop is an indeterminate condition. However, when the clear/set pulse drops, the "1" output from A allows E to switch to "0", providing feedback to D which holds the flip-flop in the set condition. Meanwhile, the "0" output of B has forced C to remove the set input from D, but the delay time through B and C will allow the set input to stay up long enough after the clear input drops so that the flip-flop assumes the set state.

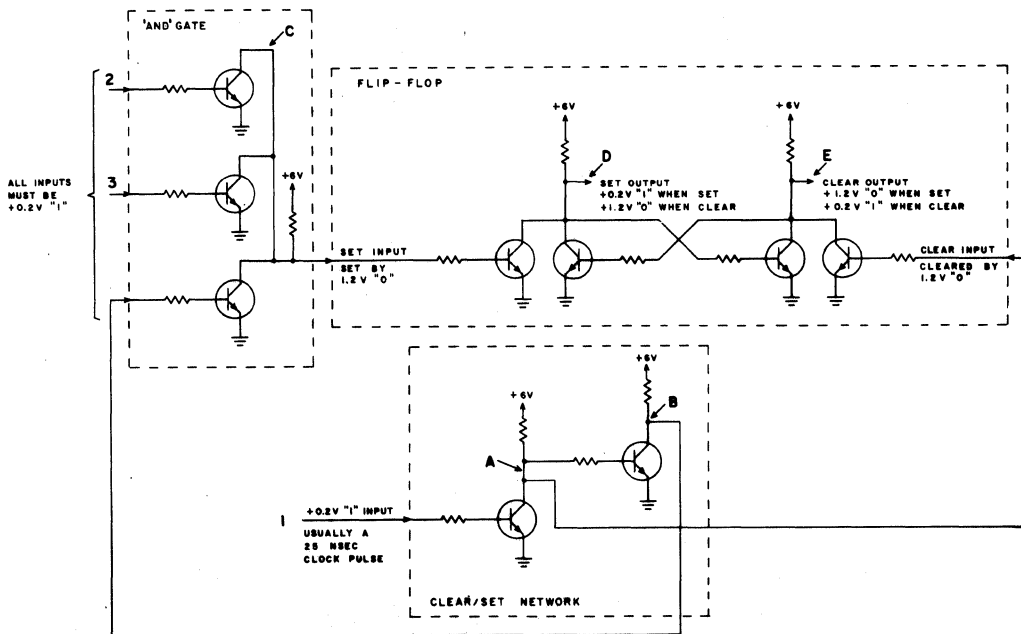
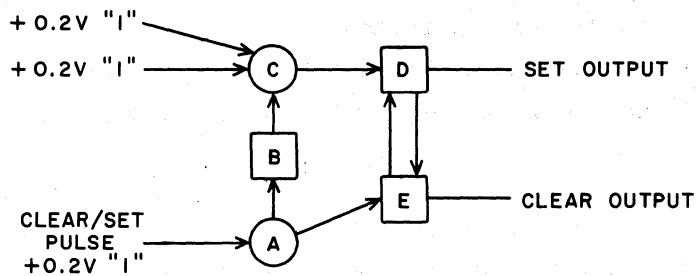


Figure 6. Basic Flip-Flop with Clear/Set Input

LOGICAL REPRESENTATION :



(INVERTER DELAY ASSUMED 5 NANoseconds)

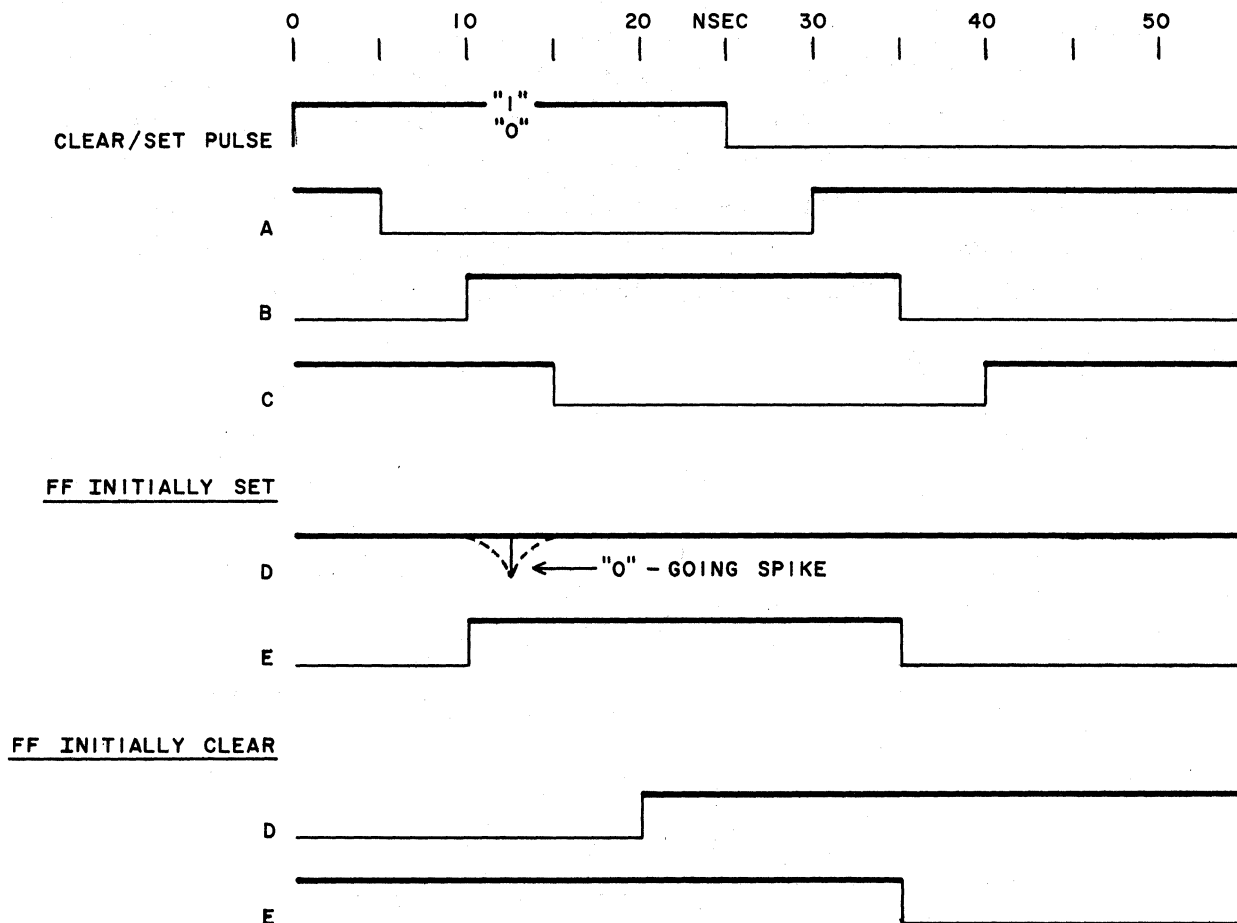


Figure 7. Flip-Flop Logical Representation and Timing Chart

Circuit Loading

One circuit, which may be a common collector connection of several transistors, can drive several other transistors which may be on the same module, on a separate module, or a combination of the two. Figure 8 shows examples of loading.

A circuit may drive up to five transistors when all transistors (including driver) are on the same module. This loading limitation is due to variations in base threshold voltage and corresponding base current demands. For each load configuration, the driver collector resistor and base resistors of the driven transistors are adjusted to balance and limit the base currents. This loading arrangement allows ample slave networks to provide multiple outputs.

The following table lists component variations for circuit loading within a module.

	Driver Collector Resistor	Base Resistor of Driven Transistors
1 Load	680	47
2 Loads	680	100
3 Loads	680	150
4 Loads	560	150
5 Loads	470	150

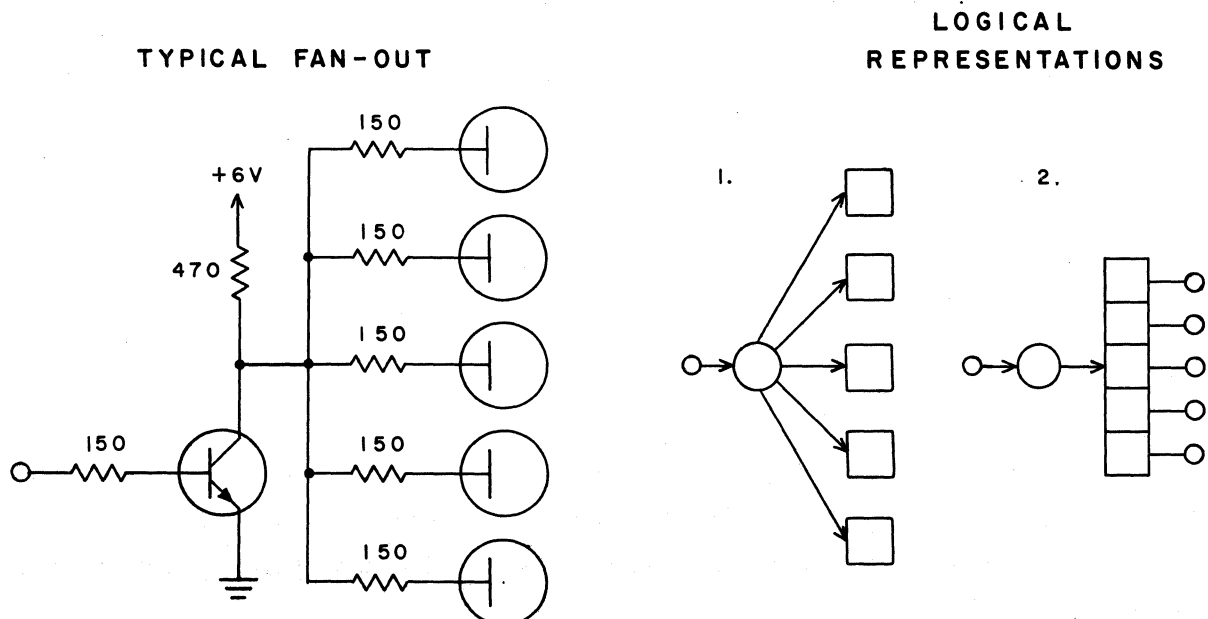


Figure 8. Base Resistor Loading

Other load limits apply when the circuit load is on a separate module. A circuit can simultaneously drive up to two transistors on the same module and up to two transistors on a separate module. Loading in this case accounts for the loss on the transmission line connecting the two modules as well as variations in base threshold voltage noted earlier. The significance of this loading scheme is presented in the discussion on line drivers.

The following table lists component variations for a transistor driving loads within the same module, in addition to the twisted-pair line.

Number of Local Loads	Driver Collector Resistor	Output Line Resistor	Base Resistor of Driven Transistors	Output Shunt to Ground
None	470	56	---	120 plus diode
1	470	56	100	---
2	470	56	220	---

Line Drivers

Modules which are located on the same chassis are connected with twisted pair lines; modules located on separate chassis are connected by coaxial cable. Line driver circuits are provided for each type of transmission line.

Twisted-Pair Driver: The twisted pair driver is shown in Figure 9. Initially, consider Q1 conducting so that its collector is at +0.2v. With Q2 off, the transmission line is terminated in an open circuit.

A +0.2v "1" input causes the collector of Q1 to rise to +1.2v. This voltage is greater than the +0.8v diode threshold, and a part of the resulting current drawn through R2 is diverted through R3 and CR1 to ground. The remaining current passes R4 and is placed on the line.

A finite time later this wavefront reaches the end of the line and appears at the input to R5, the base resistor for Q2. Since, at this instant, the voltage at the base of Q2 is +0.2v, this voltage adds to the incoming wavefront to result in a voltage of approximately +1.2v at the input to R5.

At the next instant, the Q2 threshold is exceeded and base current flows.

Transmission line theory shows that power is reflected back to the source when the line is terminated in a load which does not absorb all of the transmitted power. The reflected current is shunted to ground by diode CR1. In the absence of CR1, the line voltage would rise to the +6v source.

The low base current, resulting from the line mismatch, retards the build-up of ground noise which occurs as a result of large ground currents.

The shunt diode and series resistor R3 are replaced by a transistor and its base resistor when it is necessary to drive a circuit on the same chassis and a circuit on another chassis. The transistor and diode thresholds are nearly alike so that circuit operation follows the same principle.

The time required by the wavefront to travel down the line is a function of the type of line and its length. The twisted pair line provides a delay of 1.3 nsec per foot. The clock system, for example, uses this feature to establish the 25 nsec duration of clock pulses.

The twisted pair driver is represented on the logic diagrams by the standard square or circle. However, the output of the square or circle is connected to a pin of the module in question and wired from there to a pin on another module. The ground wire of the pair is wired to the connector ground bus of each module.

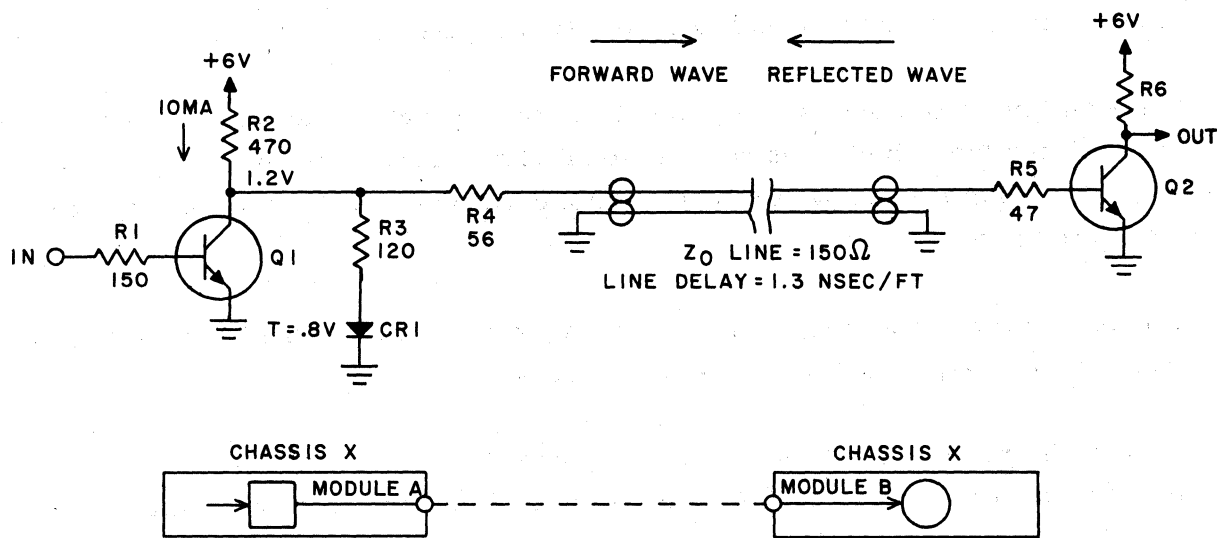
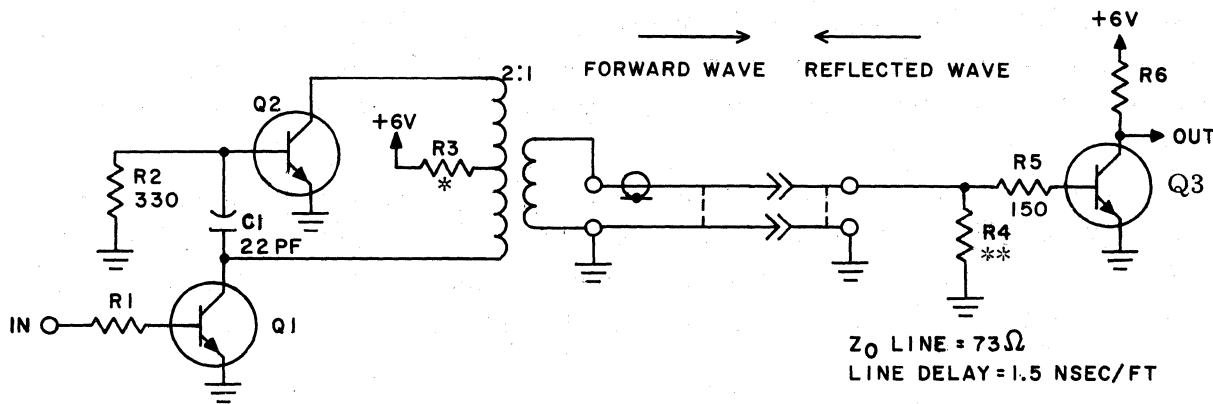


Figure 9. Twisted Pair Driver Circuit



- * R3 is 150 ohms or 120 ohms (120 ohms in newer modules).
- ** R4 is 68 ohms or 82 ohms (82 ohms in newer modules).

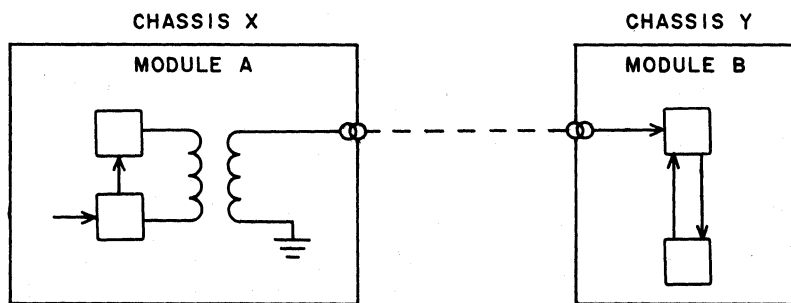


Figure 10. Coaxial Cable Driver Circuit

Coaxial Cable Driver: The coaxial cable driver is shown in Figure 10. All transmissions between chassis are 25 nsec pulses on coaxial cables.

Initially, Q1 and Q2 are off so that their collectors are at the source voltage, +6v. No current flows in either primary winding. When Q1 is turned on, a current flows in the transformer primary winding to which its collector is connected. The voltage drop across R3 and step-down action of the transformer (and transformer loss) produce a voltage pulse on the secondary winding. The pulse duration on the line follows the 25 nsec pulse on the base of Q1. This pulse travels down the coaxial cable and turns transistor Q3 on. Resistor R4 terminates the line in either 68 ohms or 82 ohms.

Capacitor C1 couples the change in Q1 collector voltage to the base of Q2. Capacitor C1, R3, R2, and the base/emitter diode of Q1 will cause Q2 to conduct about 25 nsec later than Q1. When Q2 conducts, current flows in the primary winding to which the Q2 collector is connected. The resulting signal in the transformer secondary is equal to but of opposite polarity from the previous signal and lags by 25 nsec. The net effect of this is to provide an equal and opposite magnetizing force in the transformer for each pulse. This prevents the transformer from building up a bias on the line which could occur under the high switching rates.

The coaxial cable driver circuit is represented on logic diagrams as shown in Figure 10. The time delay on the 75 ohm coaxial cables is 1.5 nsec per foot. All coaxial cable lengths are standardized at 10 feet to allow synchronous timing signals on all chassis. Coaxial cables pass directly through a chassis feed-through connector (without soldering) and connect directly to the transmitting or terminating circuit.

STORAGE MODULE

FUNCTION	PIN
Address	
S ⁰	22
S ¹	20
S ²	8
S ³	10
S ⁸	12
S ⁹	14
S ¹⁰	18
S ¹¹	16
Store	
Z ²	6
Z ³	26
Z ⁶	28
Z ⁷	4
Z ¹⁰	30
Z ¹¹	2
Read	
2 ⁰	1
2 ⁰	3
2 ¹	27
2 ¹	29
2 ⁴	5
2 ⁴	7
2 ⁵	23
2 ⁵	25
2 ⁸	19
2 ⁸	21
2 ⁹	9
2 ⁹	11
Inhibit	
S ¹¹	24
Power	
+5 To Inhibit	13
+5 To Inhibit	17
Ground	15

1			
2			
3			
4			
5			
6			
7			
8			
9			
10			
11			
12			
13			
14			
15			
16			
17			
18			
19			
20			
21			
22			
23			
24			
25			
26			
27			
28			
29			
30			

JACK PIN LG

FUNCTION	PIN
Address	
S ⁴	7
S ⁵	9
S ⁶	13
S ⁷	11
Store	
Z ⁰	29
Z ¹	5
Z ⁴	27
Z ⁵	1
Z ⁸	3
Z ⁹	25
Read	
2 ²	28
2 ²	30
2 ³	2
2 ³	4
2 ⁶	6
2 ⁶	8
2 ⁷	24
2 ⁷	26
2 ¹⁰	10
2 ¹⁰	12
2 ¹¹	20
2 ¹¹	22
Inhibit	
S ⁴	15
S ⁵	17
S ¹⁰	19
Control	
Read Enable	23
Write Enable	21
Power	
+8 To Drive	18
+6 To Drive	14
Ground	16

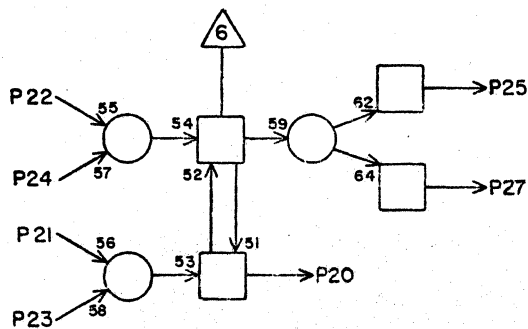
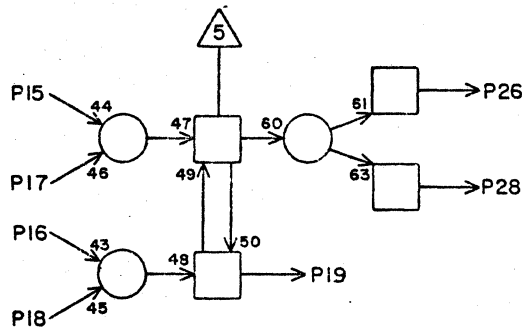
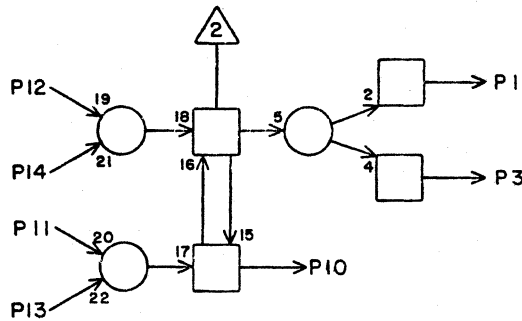
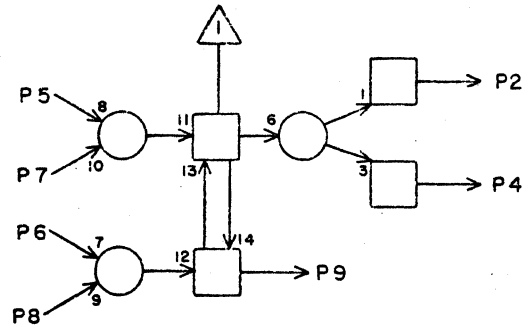
1			
2			
3			
4			
5			
6			
7			
8			
9			
10			
11			
12			
13			
14			
15			
16			
17			
18			
19			
20			
21			
22			
23			
24			
25			
26			
27			
28			
29			
30			

JACK PIN LG
60042700 Rev. J

LS 63040000
ASSY

E
REV

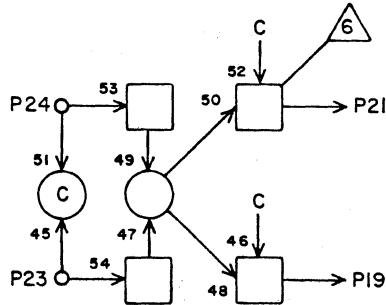
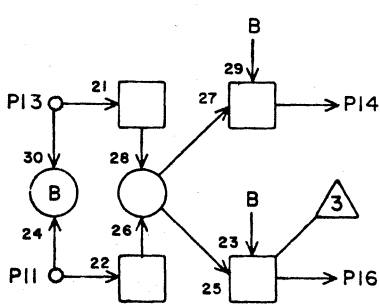
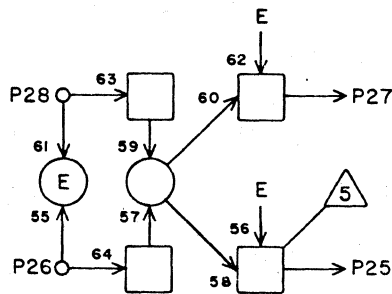
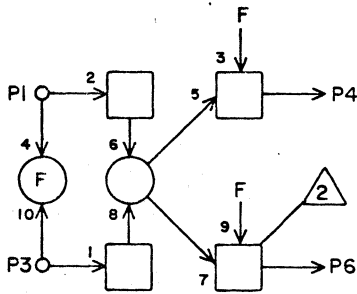
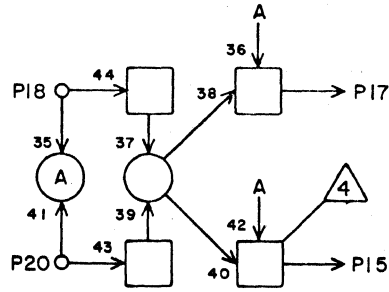
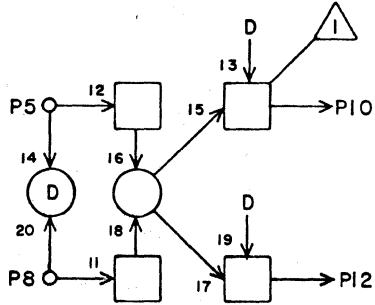
AA



1			
2			
3			
4			
5			
6			
7			
8			
9			
10			
11			
12			
13			
14			
15			
16			
17			
18			
19			
20			
21			
22			
23			
24			
25			
26			
27			
28			

JACK PIN LG

CIRCUIT SPECIFICATION 11827600
60042700 Rev. J

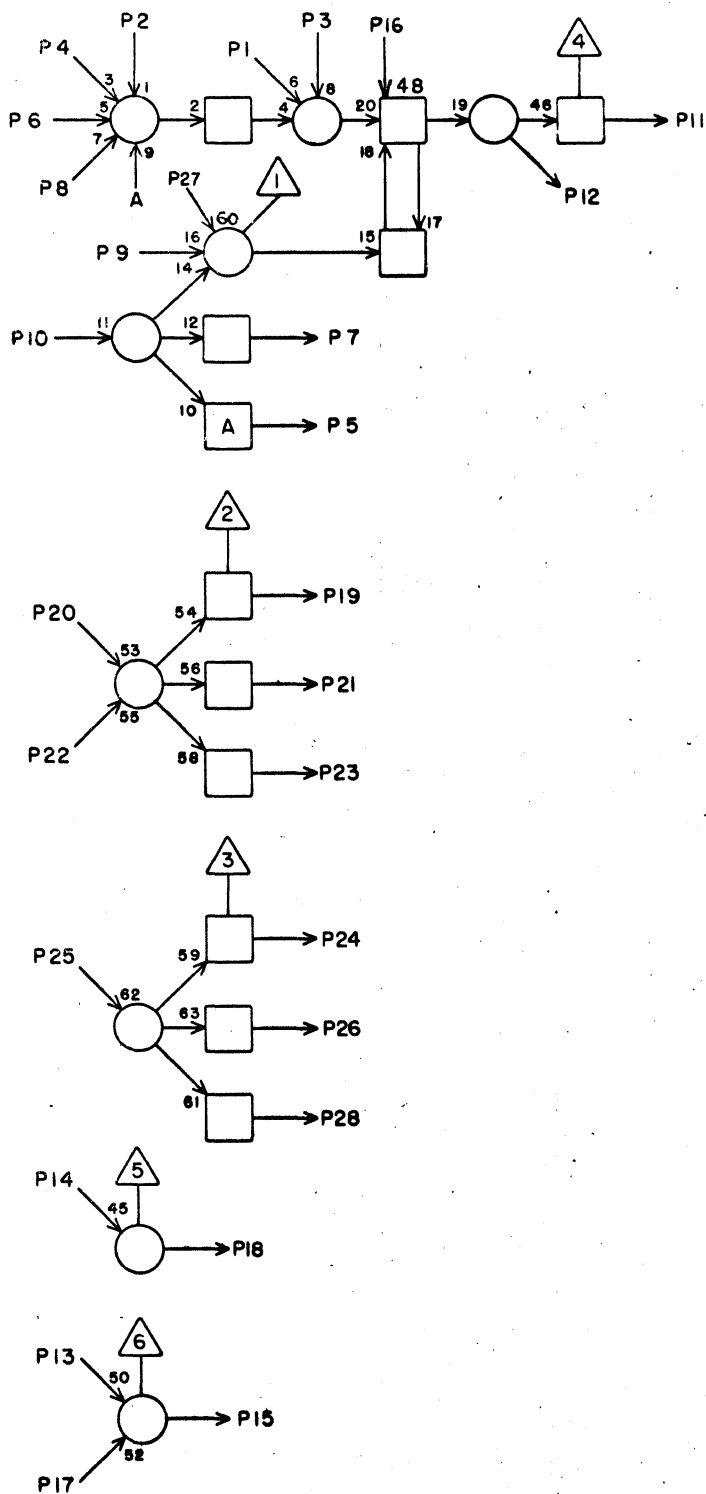


1			
2			
3			
4			
5			
6			
7			
8			
9			
10			
11			
12			
13			
14			
15			
16			
17			
18			
19			
20			
21			
22			
23			
24			
25			
26			
27			
28			

LS 63040200
ASSY

E
REV

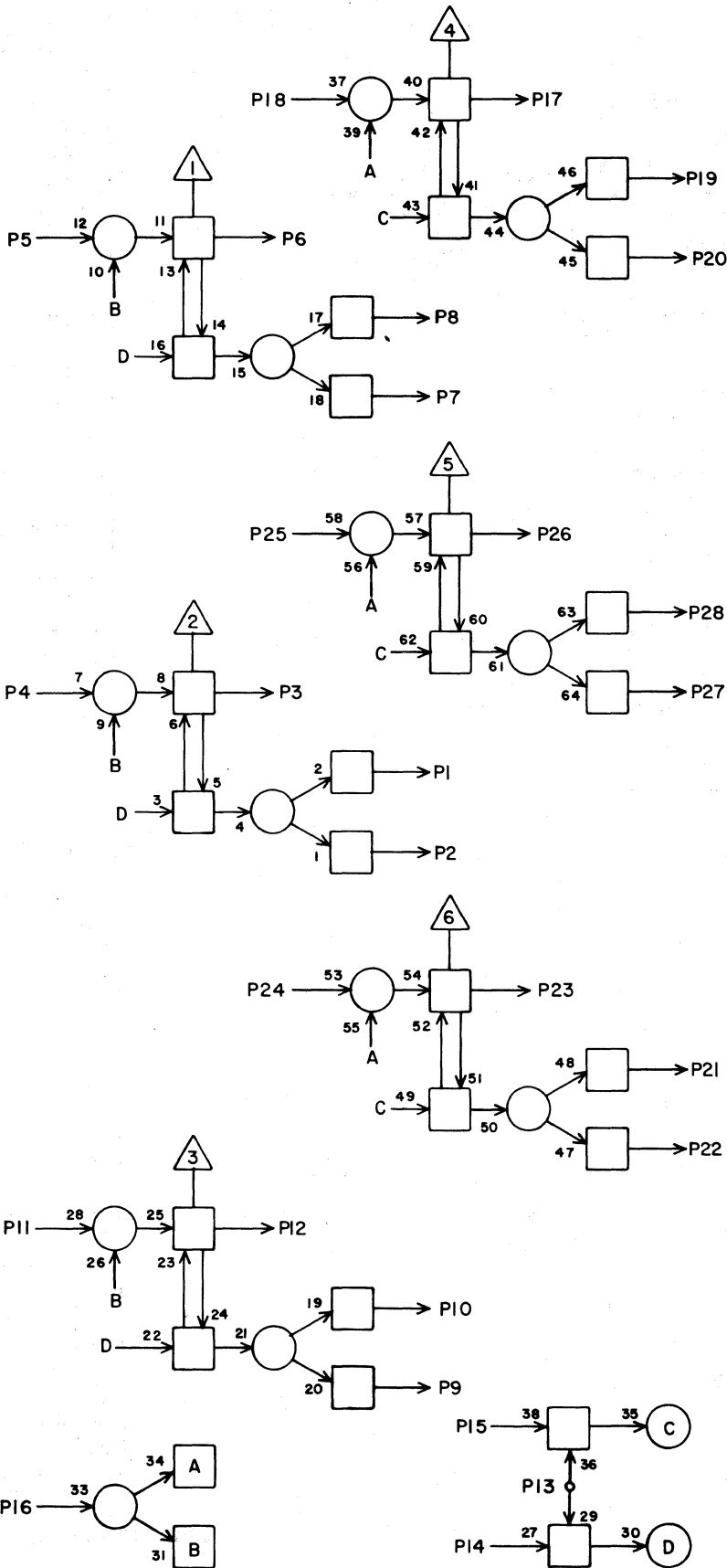
AC



1			
2			
3			
4			
5			
6			
7			
8			
9			
10			
11			
12			
13			
14			
15			
16			
17			
18			
19			
20			
21			
22			
23			
24			
25			
26			
27			
28			

JACK . PIN LG

CIRCUIT SPECIFICATION 11827600
60042700 Rev. P



1			
2			
3			
4			
5			
6			
7			
8			
9			
10			
11			
12			
13			
14			
15			
16			
17			
18			
19			
20			
21			
22			
23			
24			
25			
26			
27			
28			

JACK PIN LG

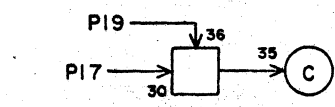
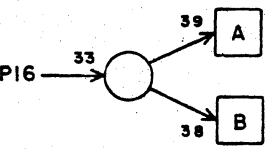
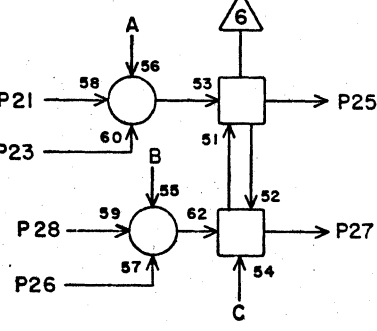
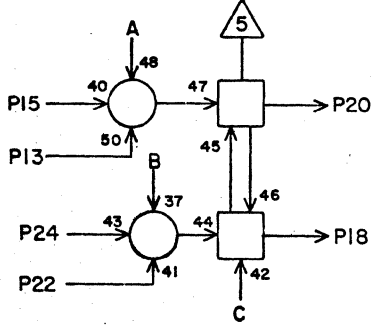
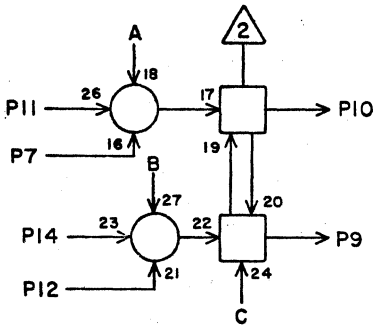
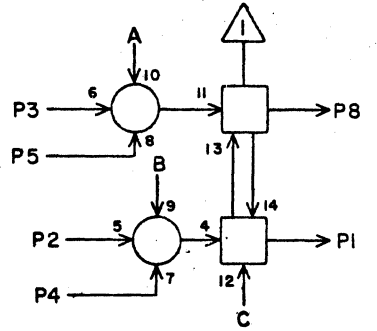
CIRCUIT SPECIFICATION 11827600

60042700 Rev. P

LS 63040400
ASSY

D
REV

AE



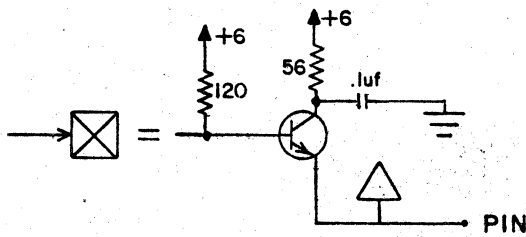
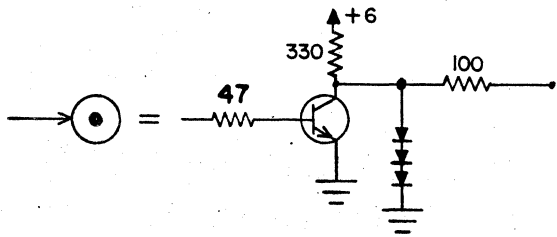
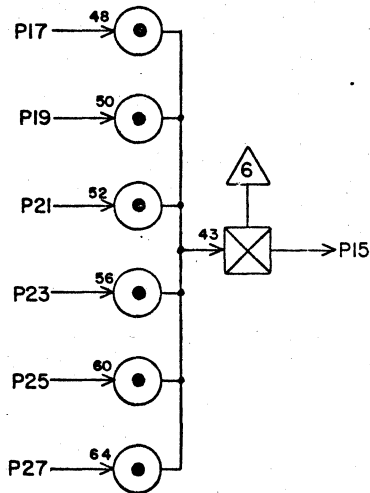
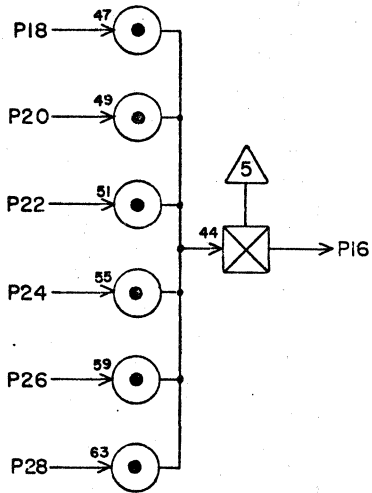
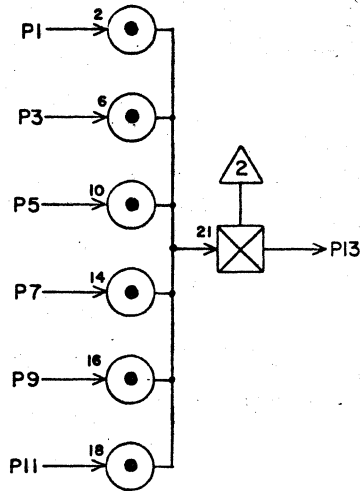
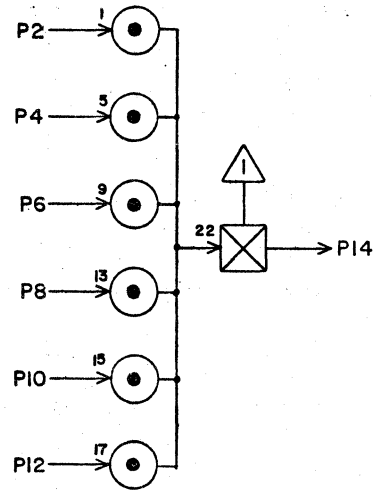
1			
2			
3			
4			
5			
6			
7			
8			
9			
10			
11			
12			
13			
14			
15			
16			
17			
18			
19			
20			
21			
22			
23			
24			
25			
26			
27			
28			

JACK PIN LG

LS 63040500
ASSY

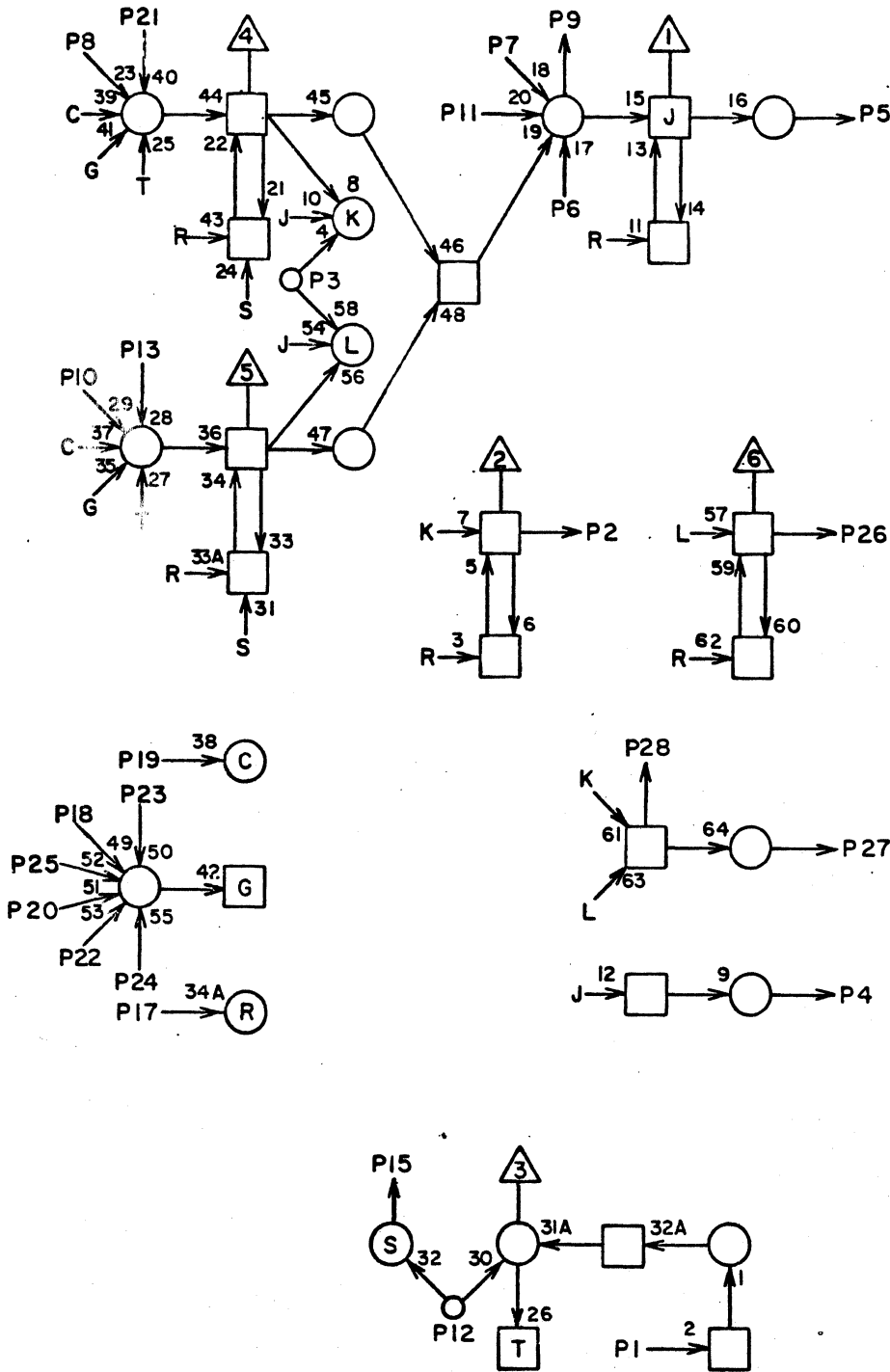
C
REV

AF



1			
2			
3			
4			
5			
6			
7			
8			
9			
10			
11			
12			
13			
14			
15			
16			
17			
18			
19			
20			
21			
22			
23			
24			
25			
26			
27			
28			

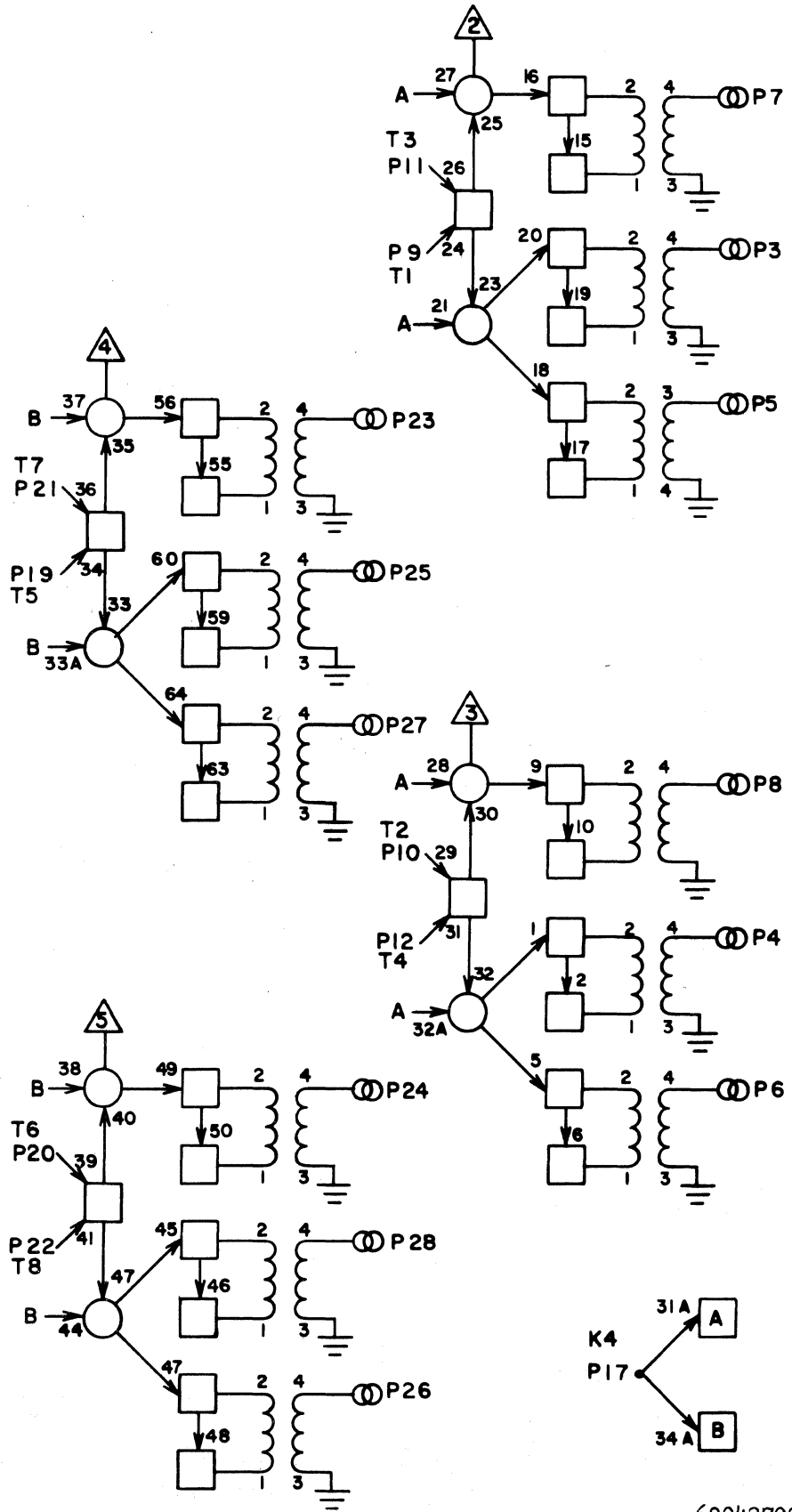
JACK PIN LG



1			
2			
3			
4			
5			
6			
7			
8			
9			
10			
11			
12			
13			
14			
15			
16			
17			
18			
19			
20			
21			
22			
23			
24			
25			
26			
27			
28			

JACK PIN LG

SEE CIRCUIT SPECIFICATION



1			
2			
3			
4			
5			
6			
7			
8			
9			
10			
11			
12			
13			
14			
15			
16			
17			
18			
19			
20			
21			
22			
23			
24			
25			
26			
27			
28			

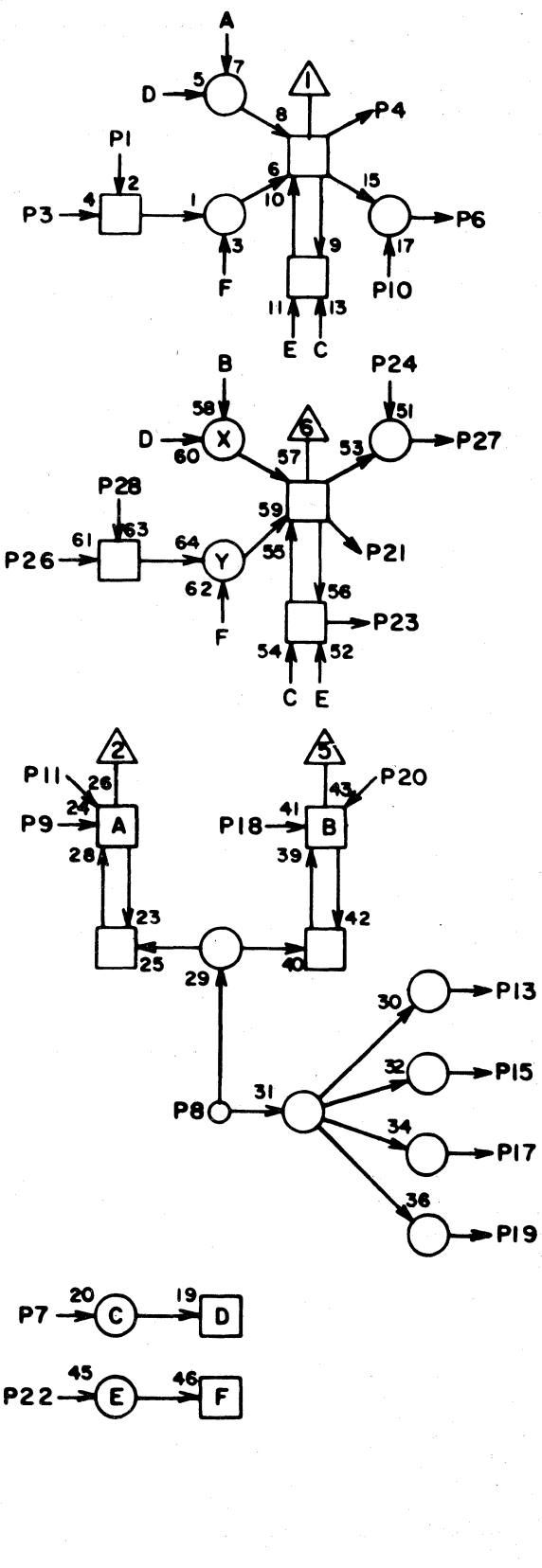
JACK PIN LG

SEE CIRCUIT SPECIFICATION

LS 18057100
ASSY

D
REV

AJ



1			
2			
3			
4			
5			
6			
7			
8			
9			
10			
11			
12			
13			
14			
15			
16			
17			
18			
19			
20			
21			
22			
23			
24			
25			
26			
27			
28			

JACK PIN LG

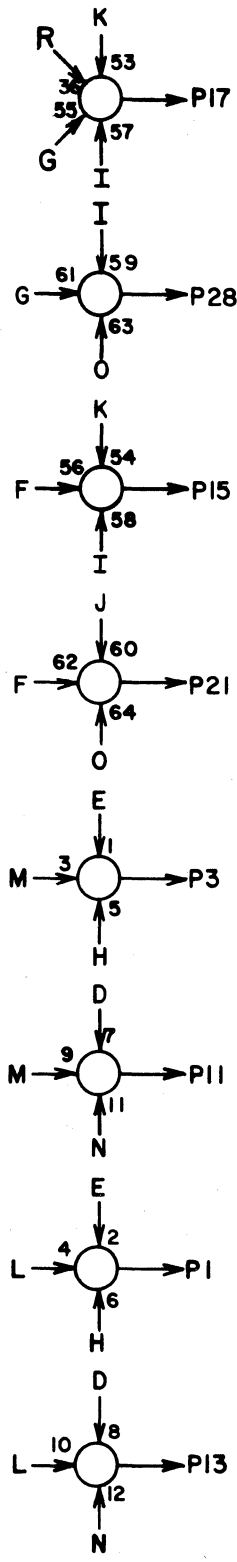
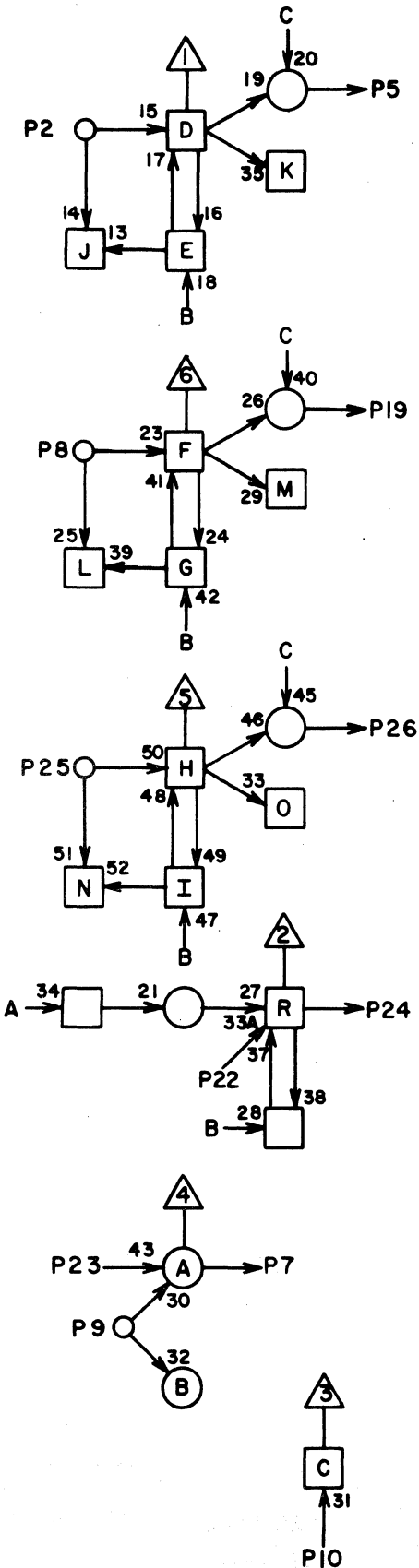
SEE CIRCUIT SPECIFICATION

11827600

60042700 Rev. P

LS 18057300 C
 ASSY REV

AK



1			
2			
3			
4			
5			
6			
7			
8			
9			
10			
11			
12			
13			
14			
15			
16			
17			
18			
19			
20			
21			
22			
23			
24			
25			
26			
27			
28			

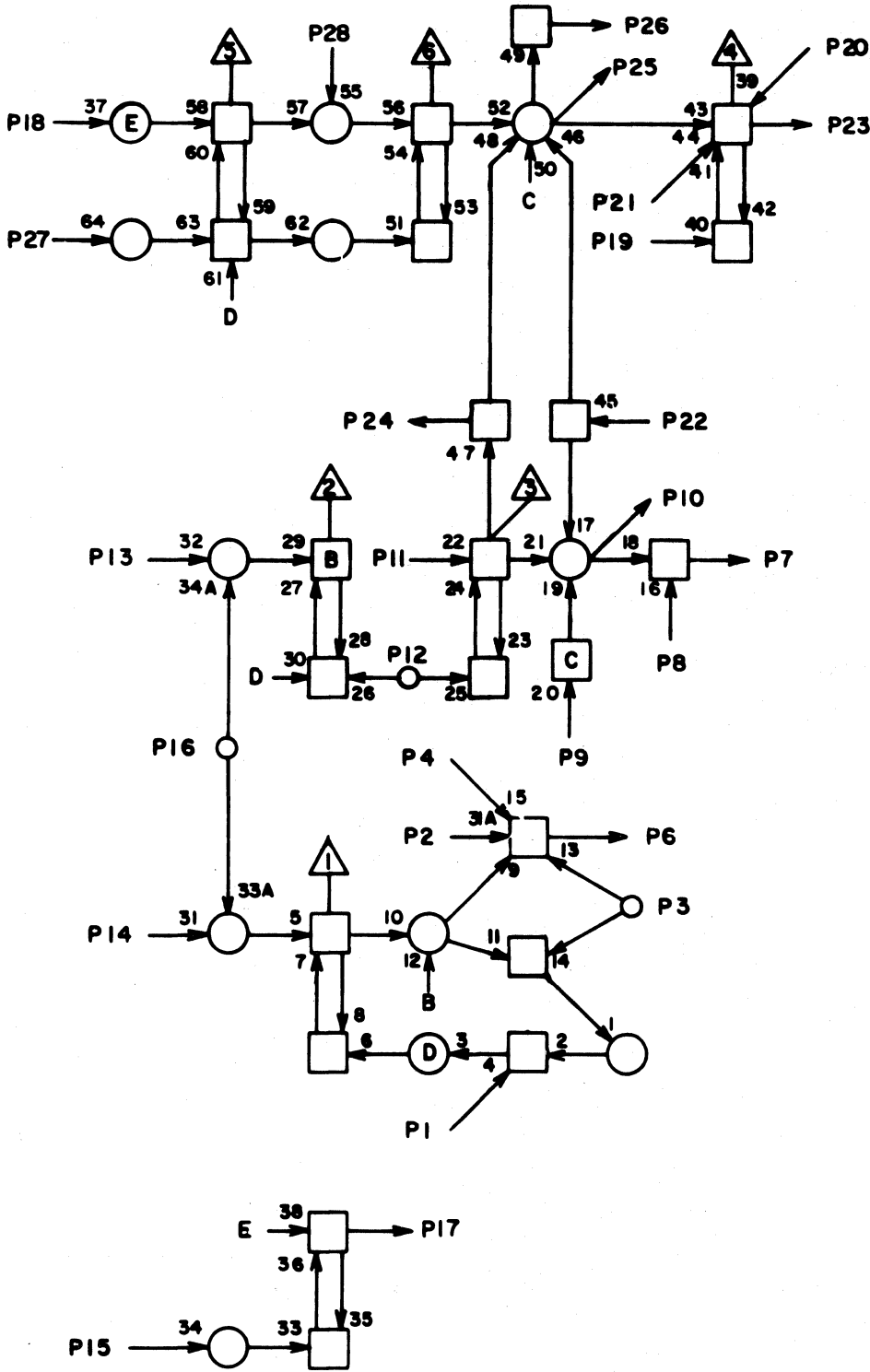
JACK PIN LG

SEE CIRCUIT SPECIFICATION
 11827600
 60042700 Rev. R

LS 18057500
ASSY

C
REV

AL



1			
2			
3			
4			
5			
6			
7			
8			
9			
10			
11			
12			
13			
14			
15			
16			
17			
18			
19			
20			
21			
22			
23			
24			
25			
26			
27			
28			

JACK PIN LG

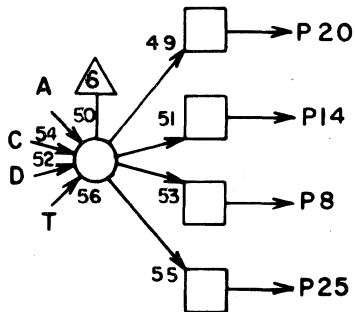
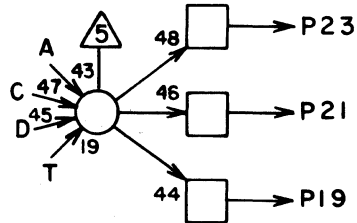
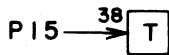
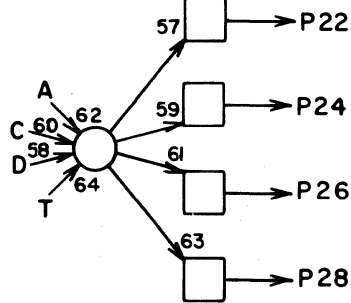
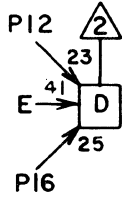
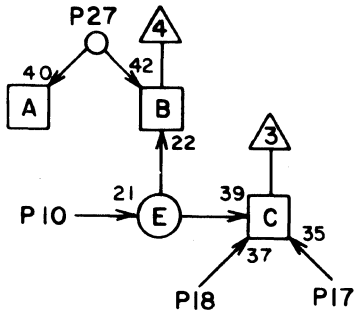
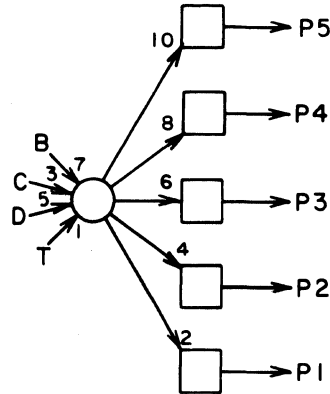
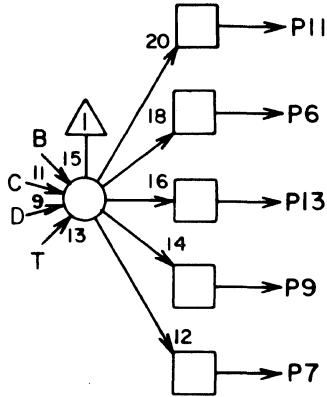
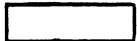
SEE CIRCUIT SPECIFICATION
11827600

60042700 Rev. P

LS 18057700
ASSY

B
REV

AM

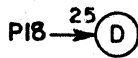
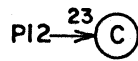
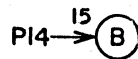
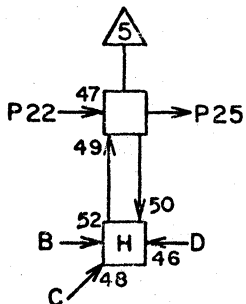
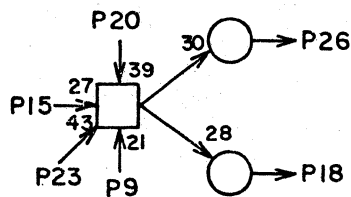
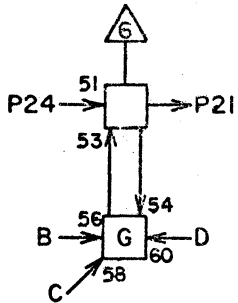
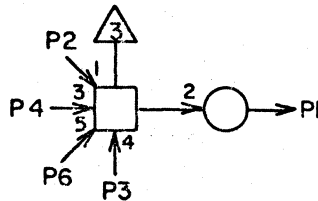
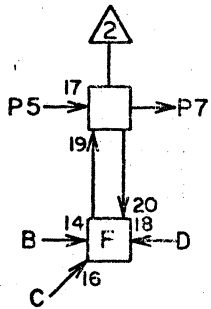
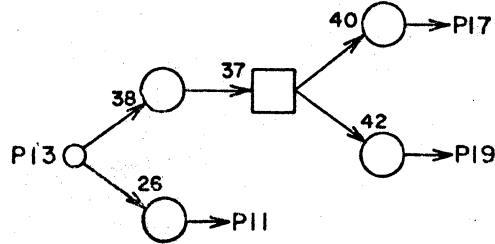
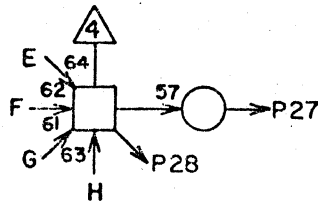
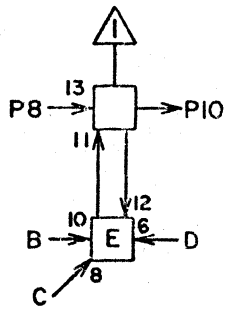


1			
2			
3			
4			
5			
6			
7			
8			
9			
10			
11			
12			
13			
14			
15			
16			
17			
18			
19			
20			
21			
22			
23			
24			
25			
26			
27			
28			

JACK PIN LG

SEE CIRCUIT SPECIFICATION
11827600

60042700 Rev. AB



1			
2			
3			
4			
5			
6			
7			
8			
9			
10			
11			
12			
13			
14			
15			
16			
17			
18			
19			
20			
21			
22			
23			
24			
25			
26			
27			
28			

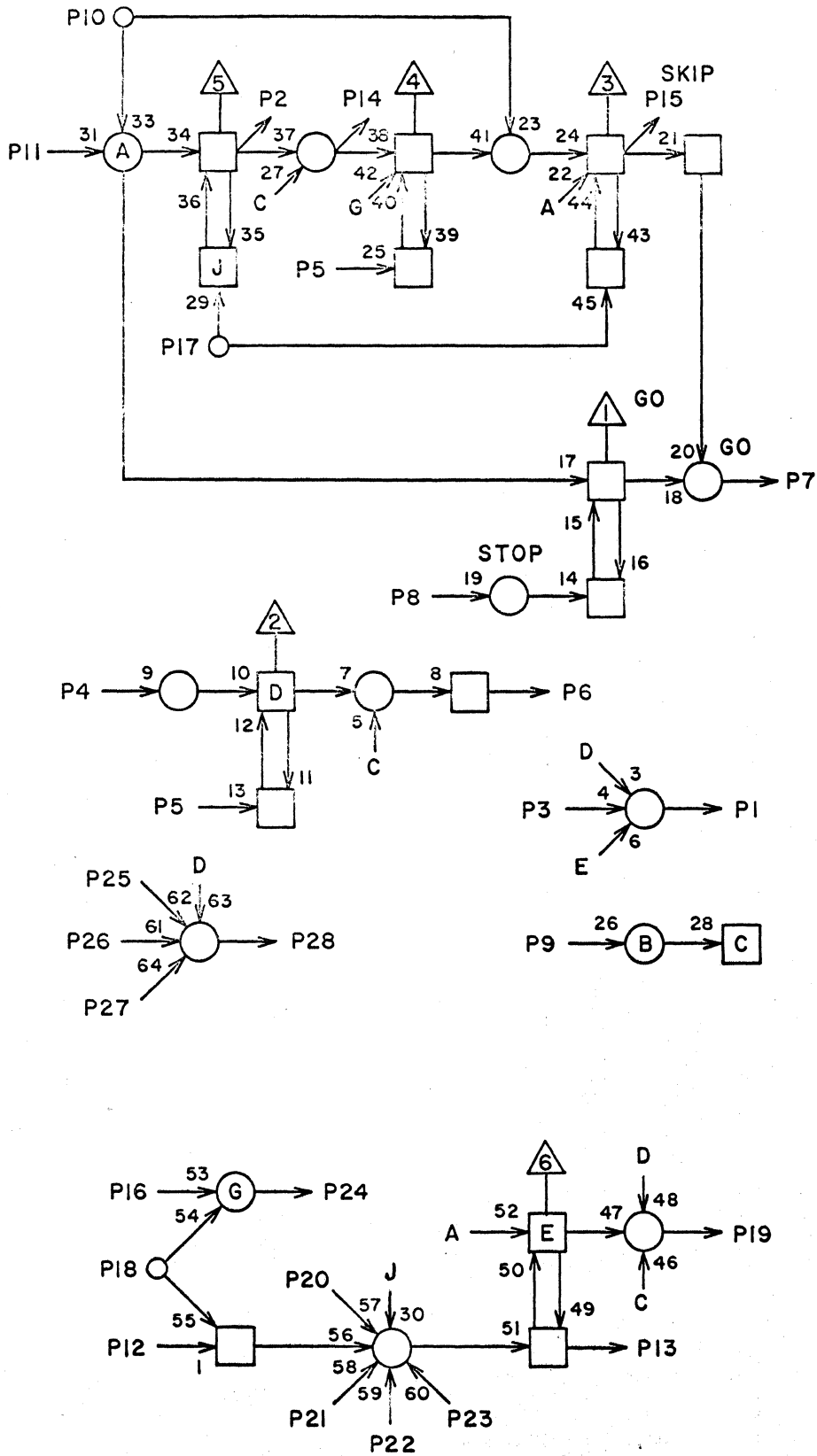
JACK PIN LG

SEE CIRCUIT SPECIFICATION 11827600

LSI8125200
ASSY

B
REV

AO



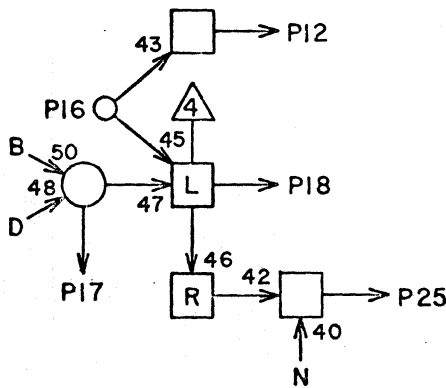
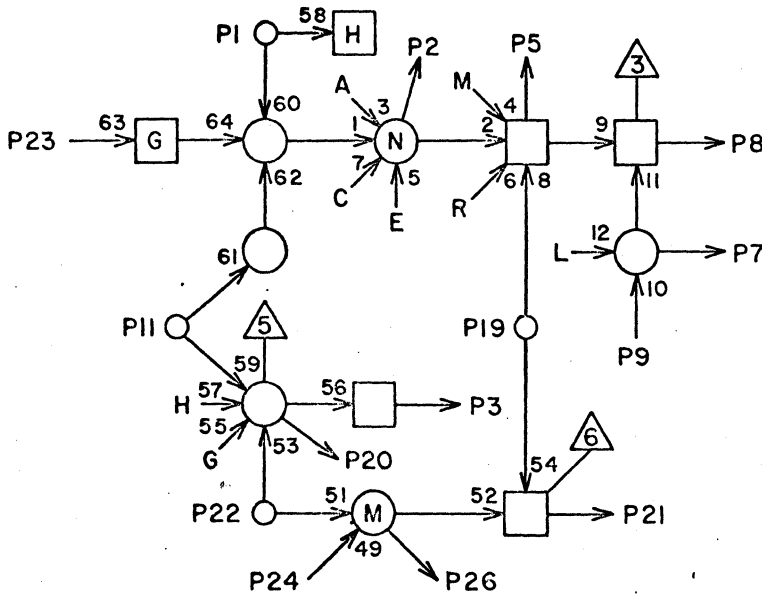
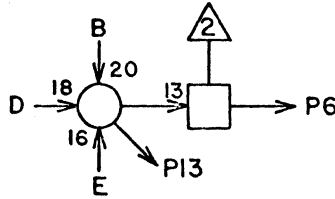
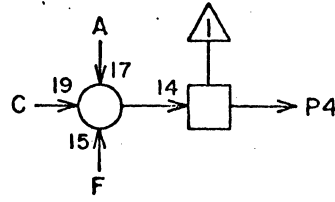
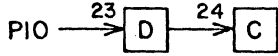
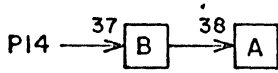
JACK PIN LG

CIRCUIT SPECIFICATION I1827600

60042700 Rev. P

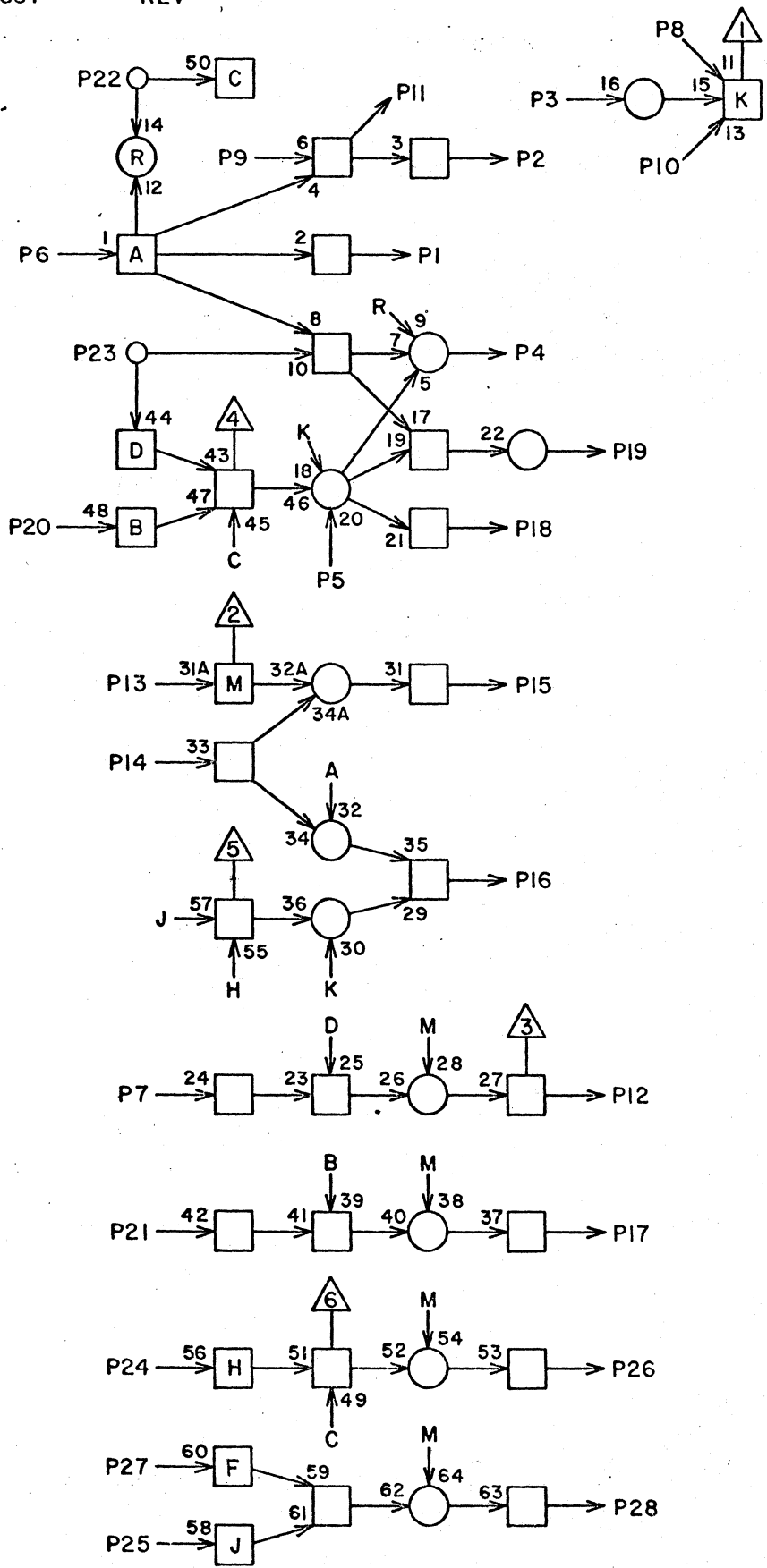
LS 18415500 B
 ASSY REV

AQ



1			
2			
3			
4			
5			
6			
7			
8			
9			
10			
11			
12			
13			
14			
15			
16			
17			
18			
19			
20			
21			
22			
23			
24			
25			
26			
27			
28			

JACK PIN LG
 SEE CIRCUIT SPECIFICATION
 11827600
 60042700 Rev. T

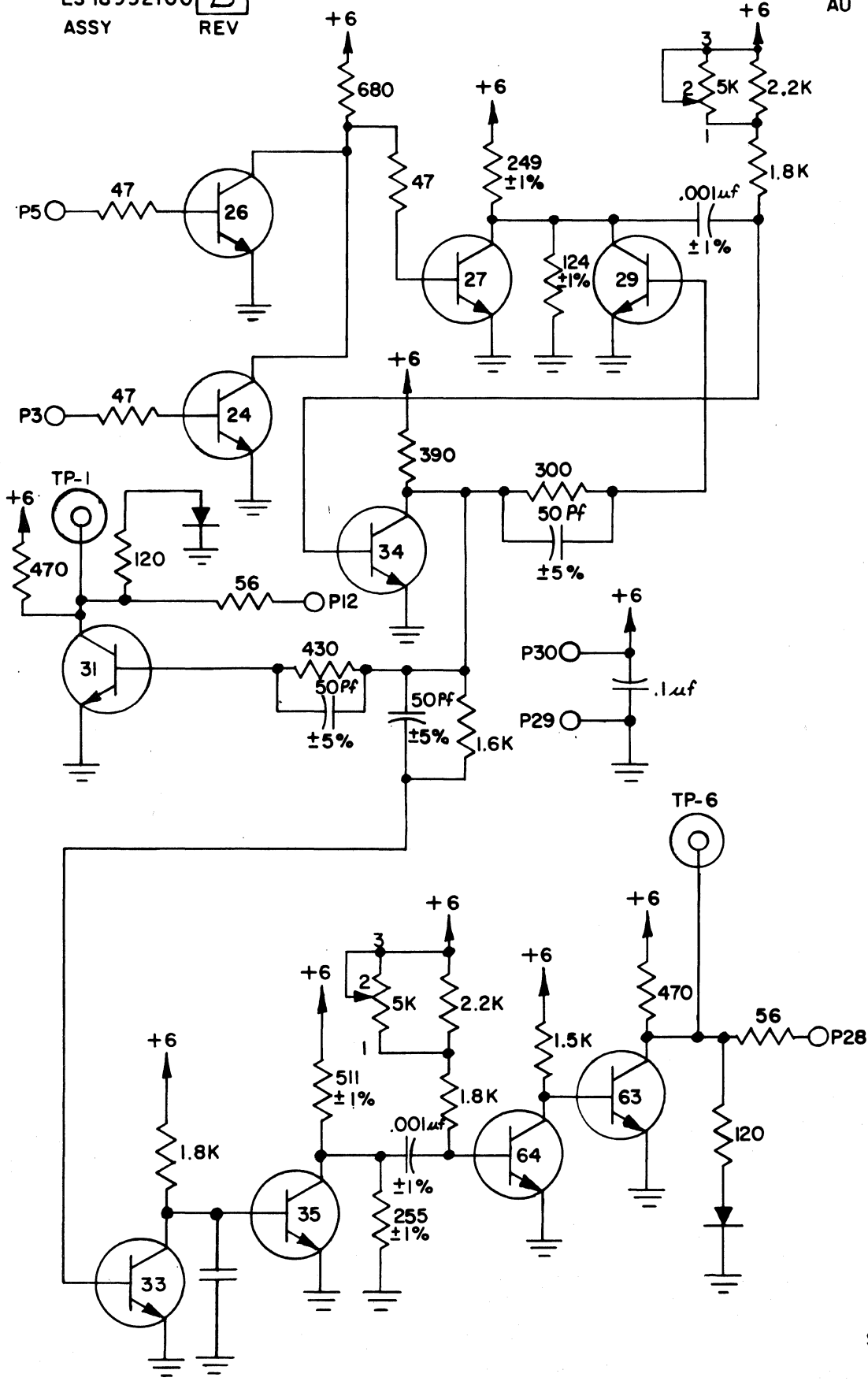


1			
2			
3			
4			
5			
6			
7			
8			
9			
10			
11			
12			
13			
14			
15			
16			
17			
18			
19			
20			
21			
22			
23			
24			
25			
26			
27			
28			

JACK PIN LG
 SEE CIRCUIT SPECIFICATION
 11827600

LS 18932100 **B**
 ASSY REV

AU



1			
2			
3			
4			
5			
6			
7			
8			
9			
10			
11			
12			
13			
14			
15			
16			
17			
18			
19			
20			
21			
22			
23			
24			
25			
26			
27			
28			

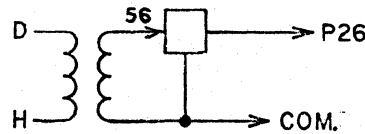
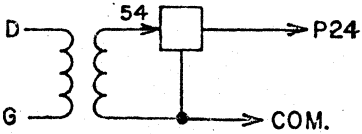
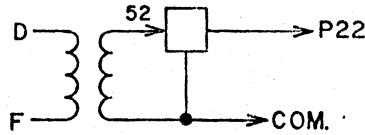
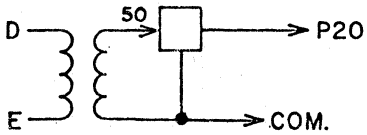
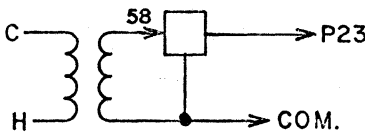
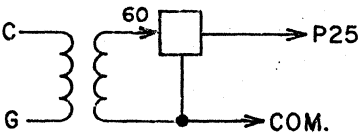
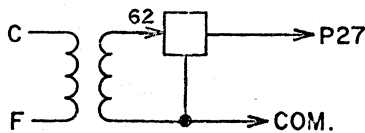
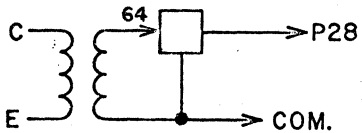
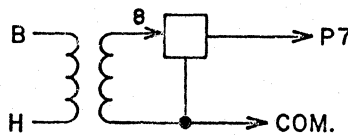
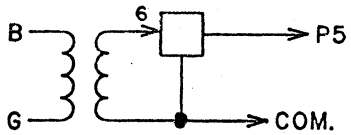
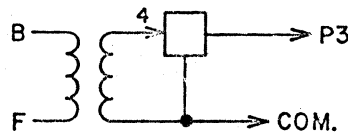
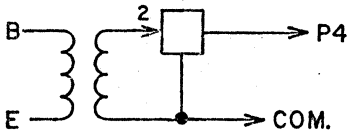
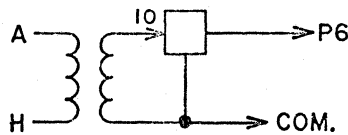
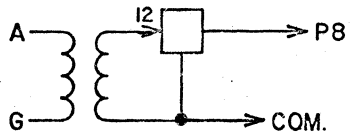
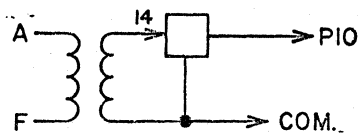
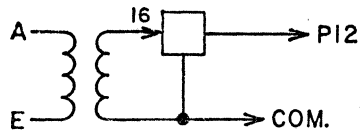
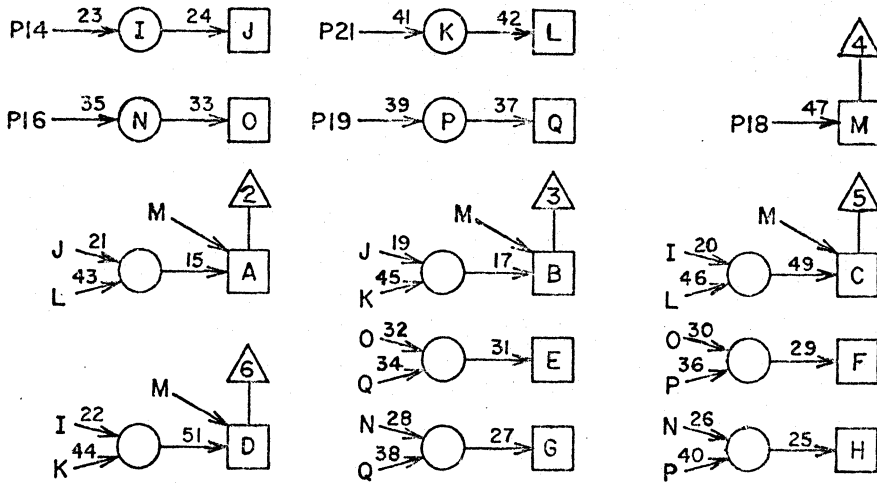
JACK PIN LG
 SEE CIRCUIT SPECIFICATION
 52301600

IS 17985600
ASSY

B
REV

SPECIAL MODULE
SEE PRINTED CIRCUIT MANUAL
PUB. NO. 60042700

BA



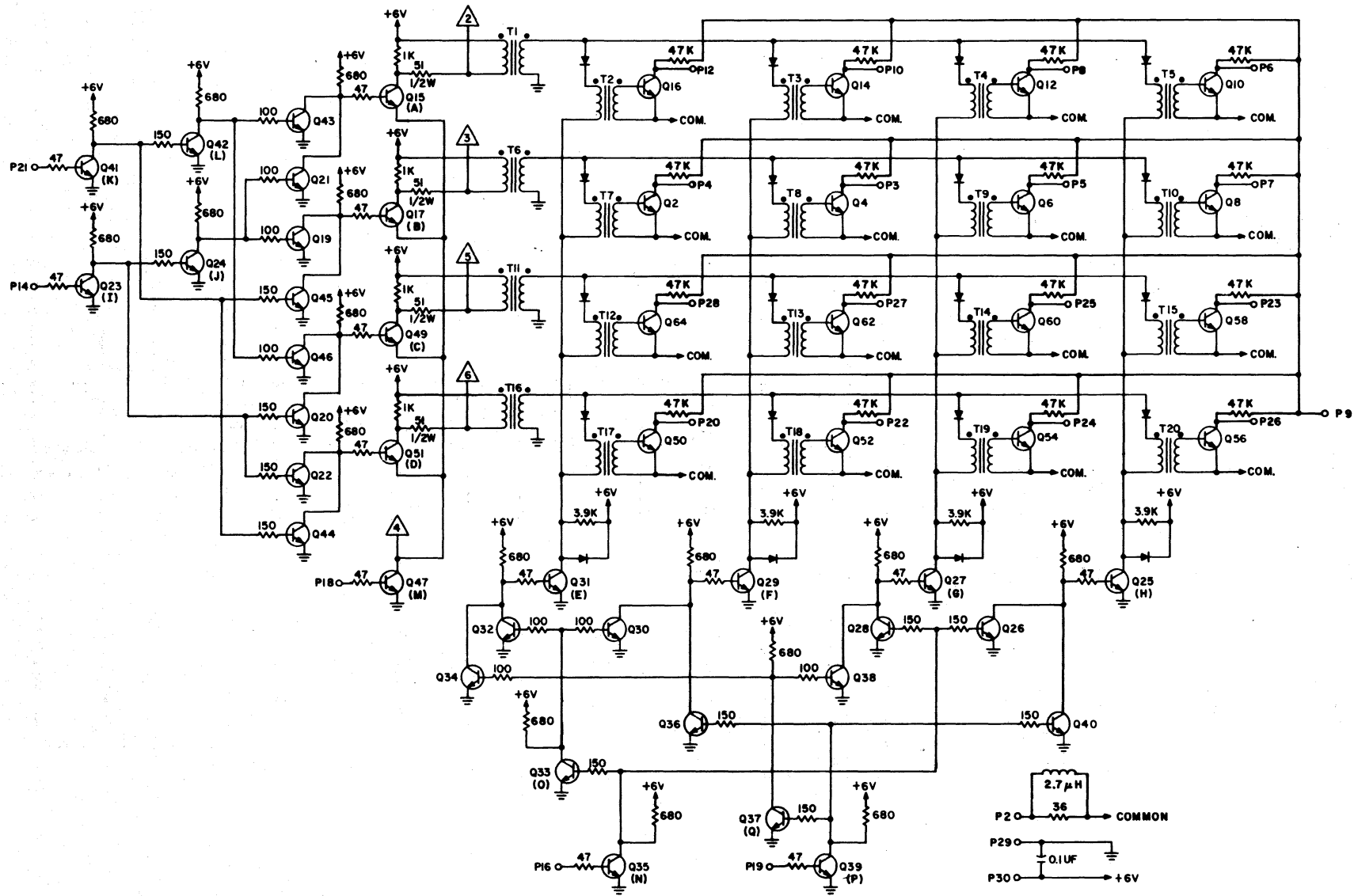
TIE DOWN → 9

COMMON → P2

1			
2			
3			
4			
5			
6			
7			
8			
9			
10			
11			
12			
13			
14			
15			
16			
17			
18			
19			
20			
21			
22			
23			
24			
25			
26			
27			
28			

JACK PIN LG
CIRCUIT SPECIFICATION
11842200

60042700 Rev. U



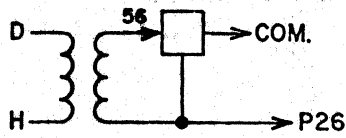
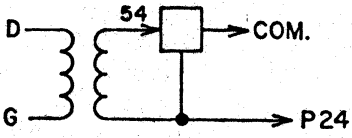
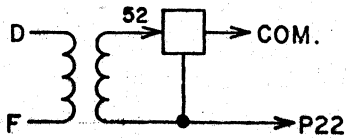
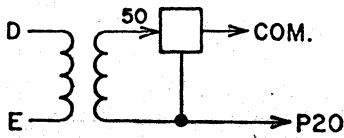
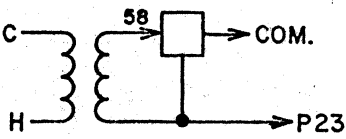
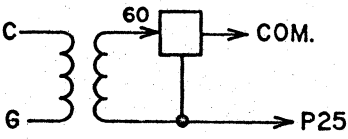
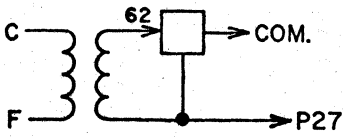
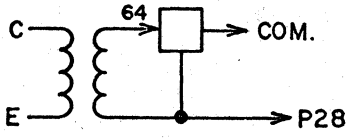
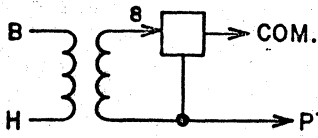
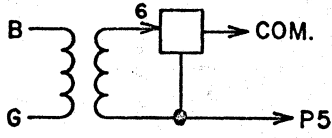
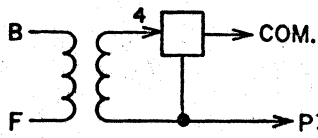
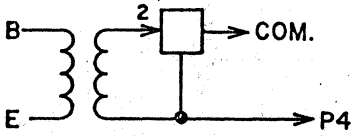
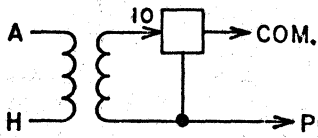
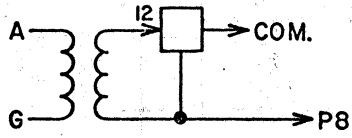
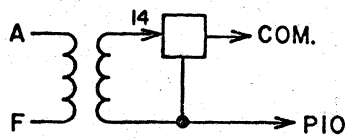
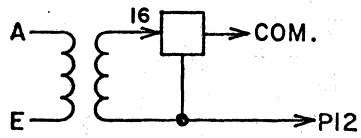
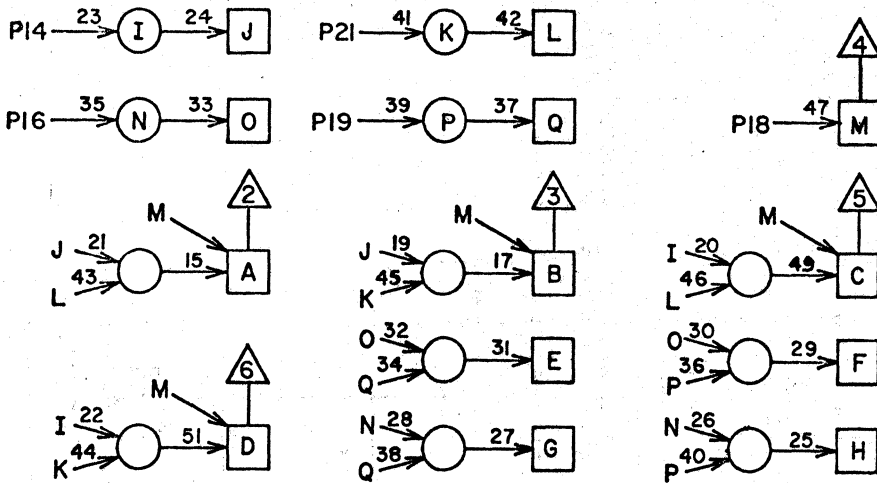
BA MODULE
 ASSY LS17985600

LS 17985700
ASSY

D
REV

SPECIAL MODULE
SEE PRINTED CIRCUIT MANUAL
PUB. NO. 60042700

B B

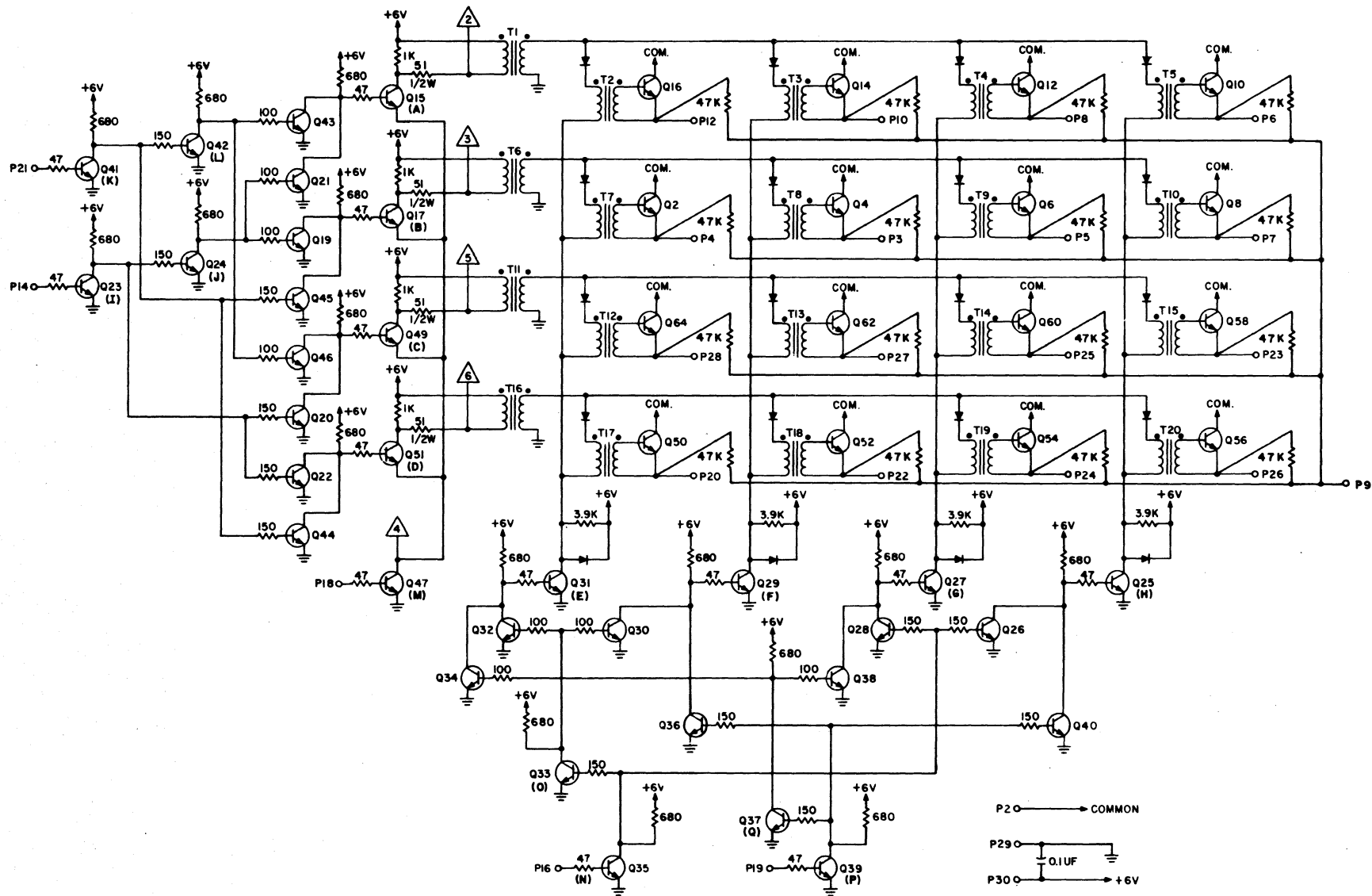


TIE DOWN → 9

COMMON → P2

1			
2			
3			
4			
5			
6			
7			
8			
9			
10			
11			
12			
13			
14			
15			
16			
17			
18			
19			
20			
21			
22			
23			
24			
25			
26			
27			
28			

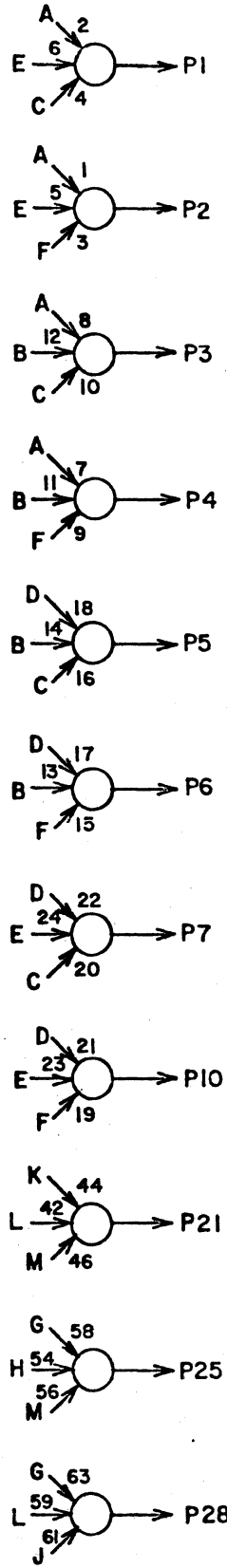
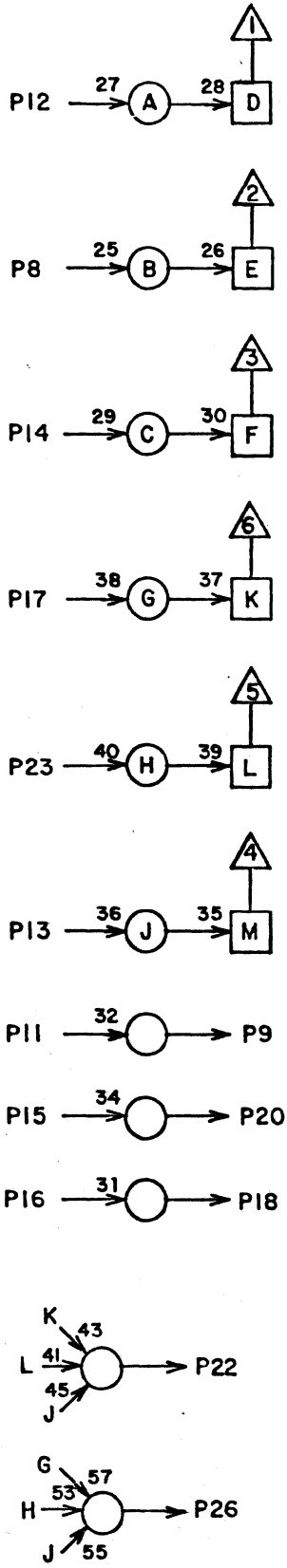
JACK PIN LG
CIRCUIT SPECIFICATION
11842300
60042700 Rev. U



S 17986000
ASSY

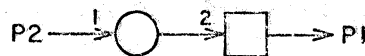
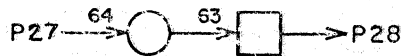
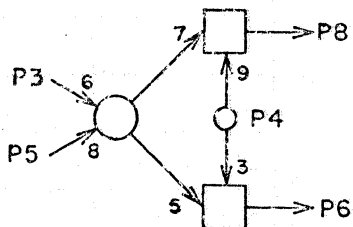
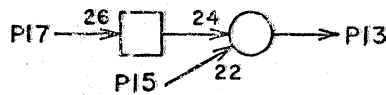
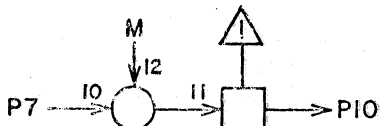
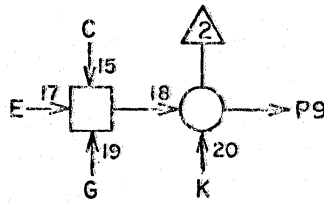
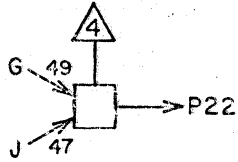
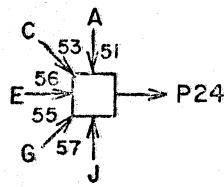
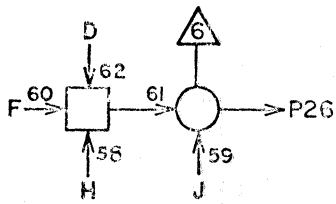
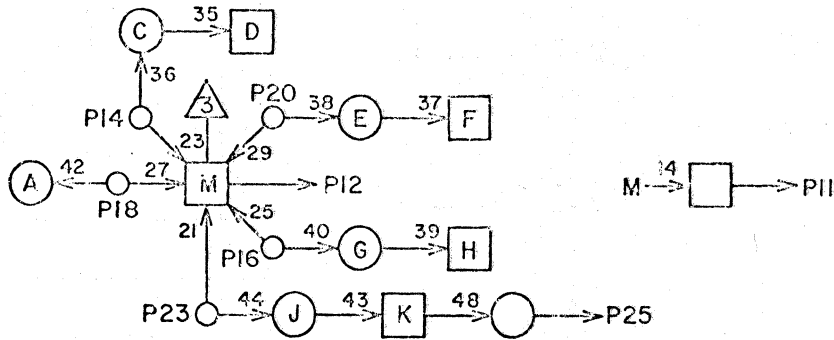
D
REV

BE



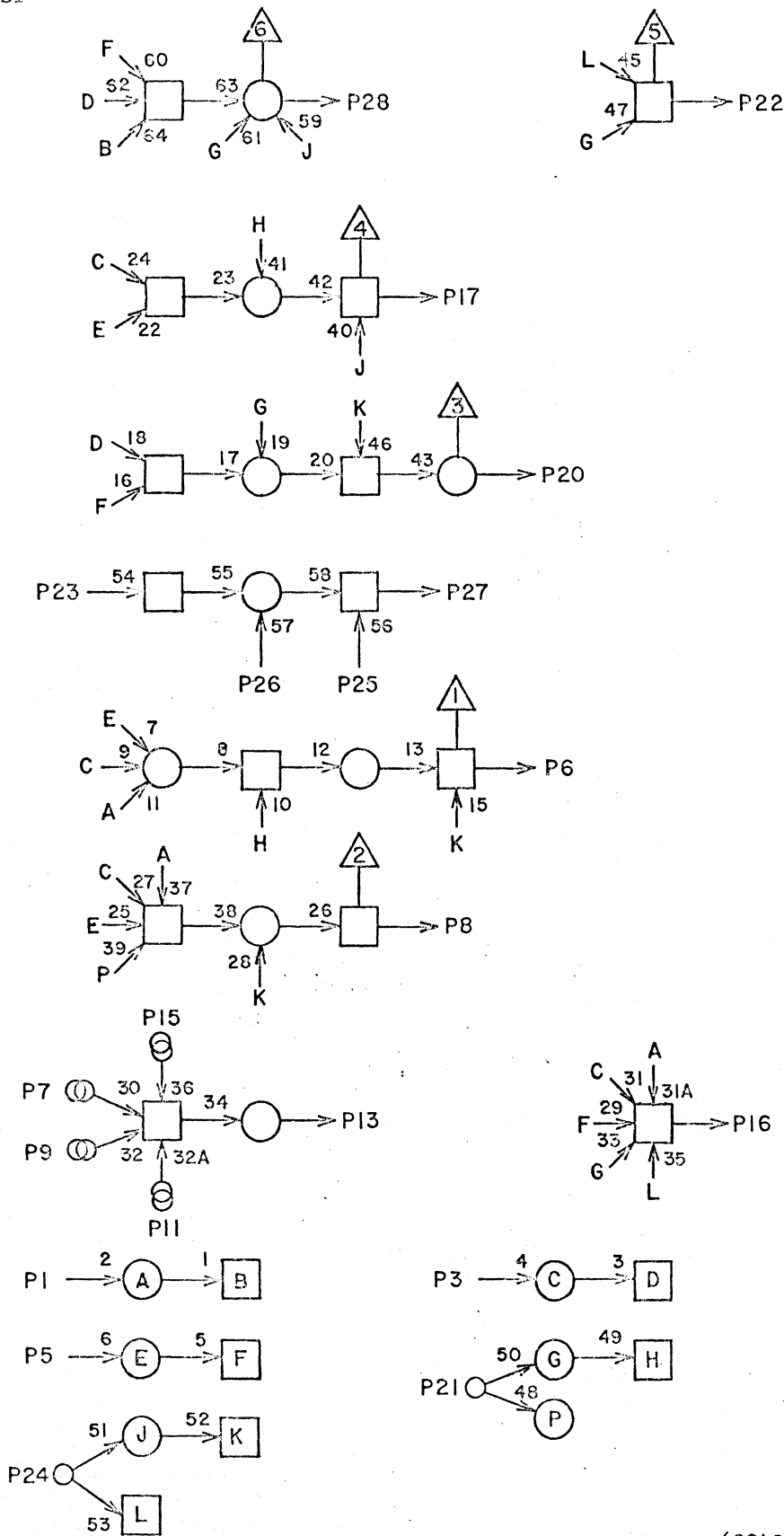
1			
2			
3			
4			
5			
6			
7			
8			
9			
10			
11			
12			
13			
14			
15			
16			
17			
18			
19			
20			
21			
22			
23			
24			
25			
26			
27			
28			

JACK PIN LG
CIRCUIT SPECIFICATION
11827600



1			
2			
3			
4			
5			
6			
7			
8			
9			
10			
11			
12			
13			
14			
15			
16			
17			
18			
19			
20			
21			
22			
23			
24			
25			
26			
27			
28			

JACK PIN LG
CIRCUIT SPECIFICATION



1			
2			
3			
4			
5			
6			
7			
8			
9			
10			
11			
12			
13			
14			
15			
16			
17			
18			
19			
20			
21			
22			
23			
24			
25			
26			
27			
28			

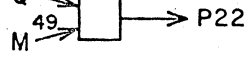
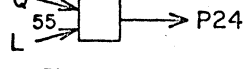
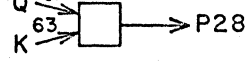
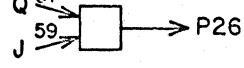
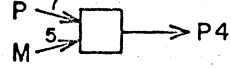
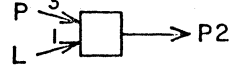
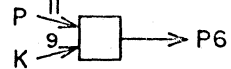
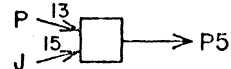
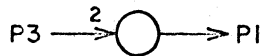
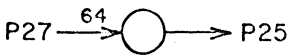
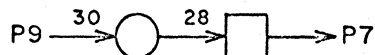
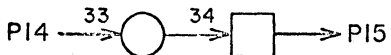
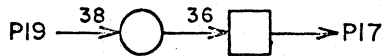
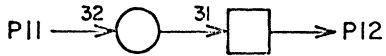
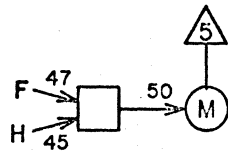
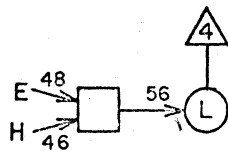
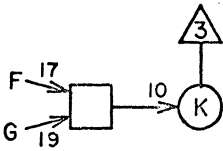
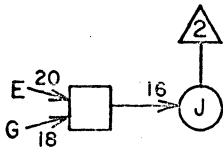
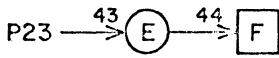
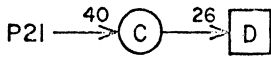
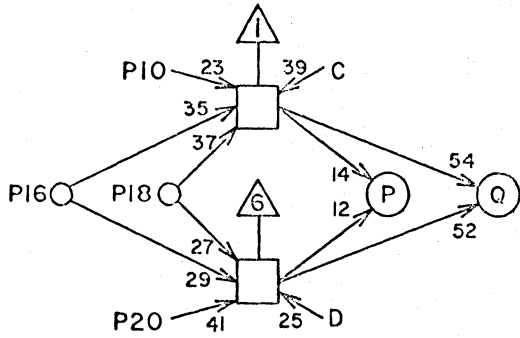
JACK PIN LG
CIRCUIT SPECIFICATION

LS 17986300

B
REV

BH

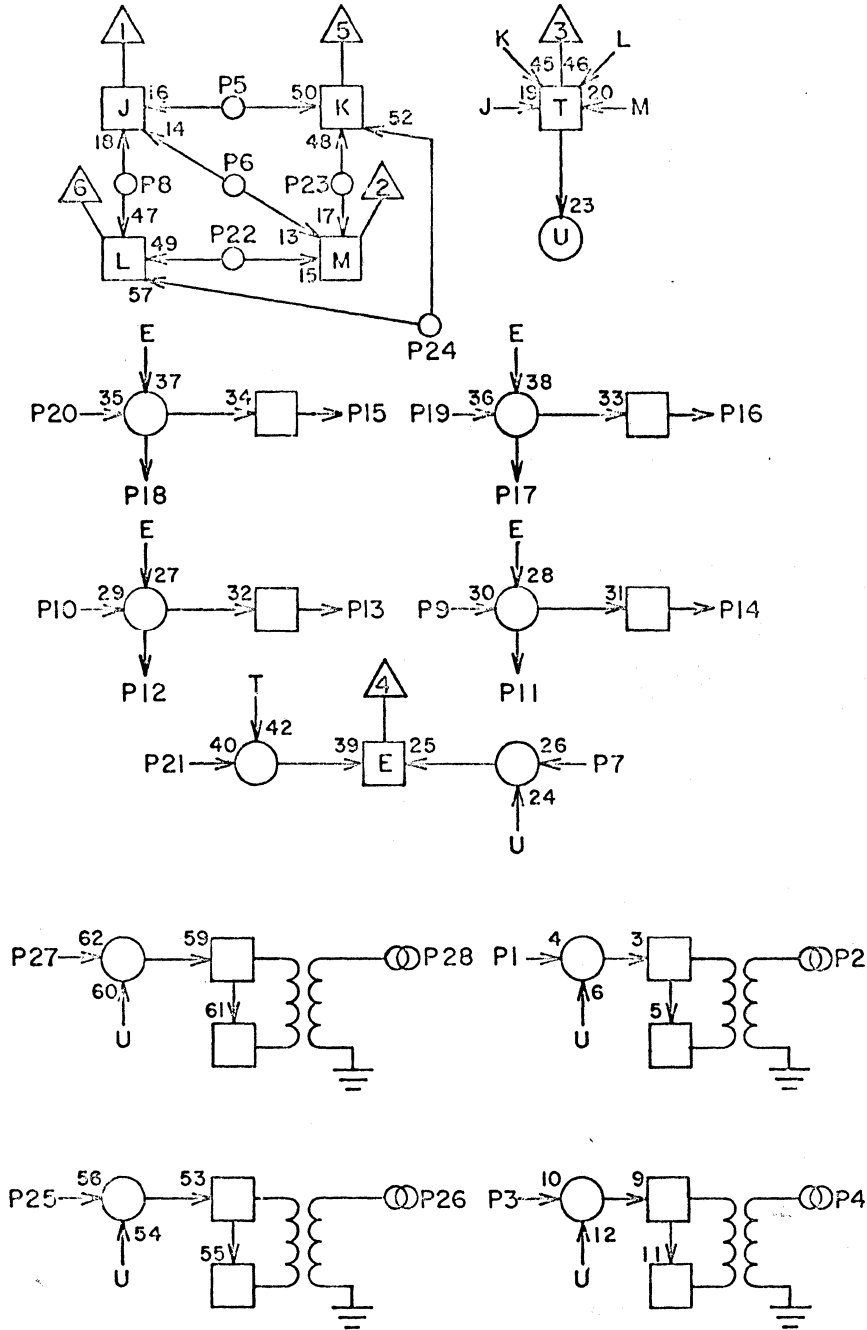
ASSY



1			
2			
3			
4			
5			
6			
7			
8			
9			
10			
11			
12			
13			
14			
15			
16			
17			
18			
19			
20			
21			
22			
23			
24			
25			
26			
27			
28			

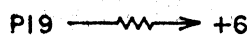
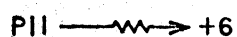
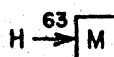
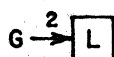
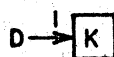
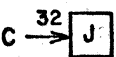
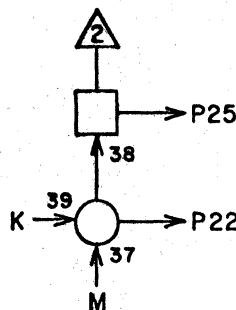
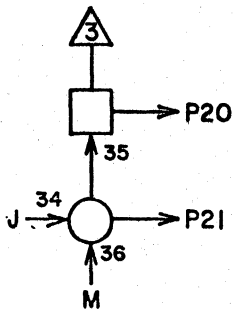
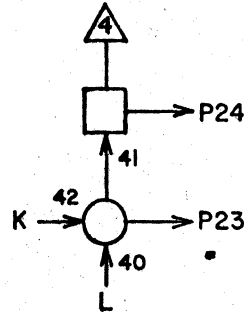
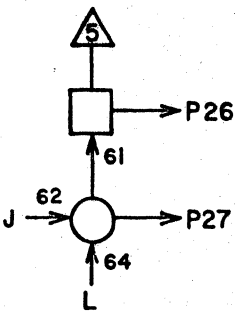
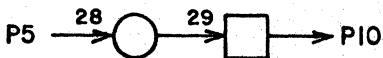
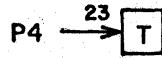
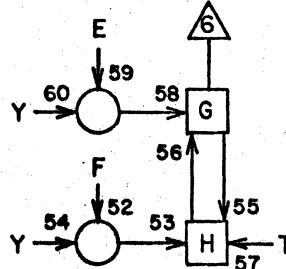
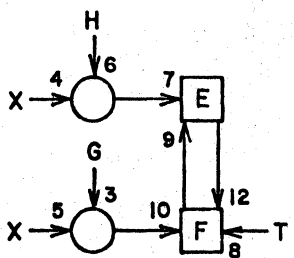
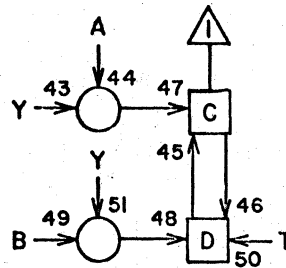
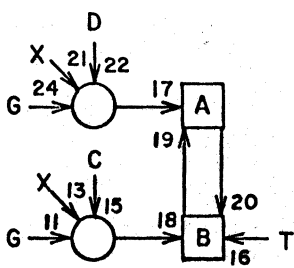
JACK PIN LG
CIRCUIT SPECIFICATION

60042700 Rev. U 11827600



1		
2		
3		
4		
5		
6		
7		
8		
9		
10		
11		
12		
13		
14		
15		
16		
17		
18		
19		
20		
21		
22		
23		
24		
25		
26		
27		
28		

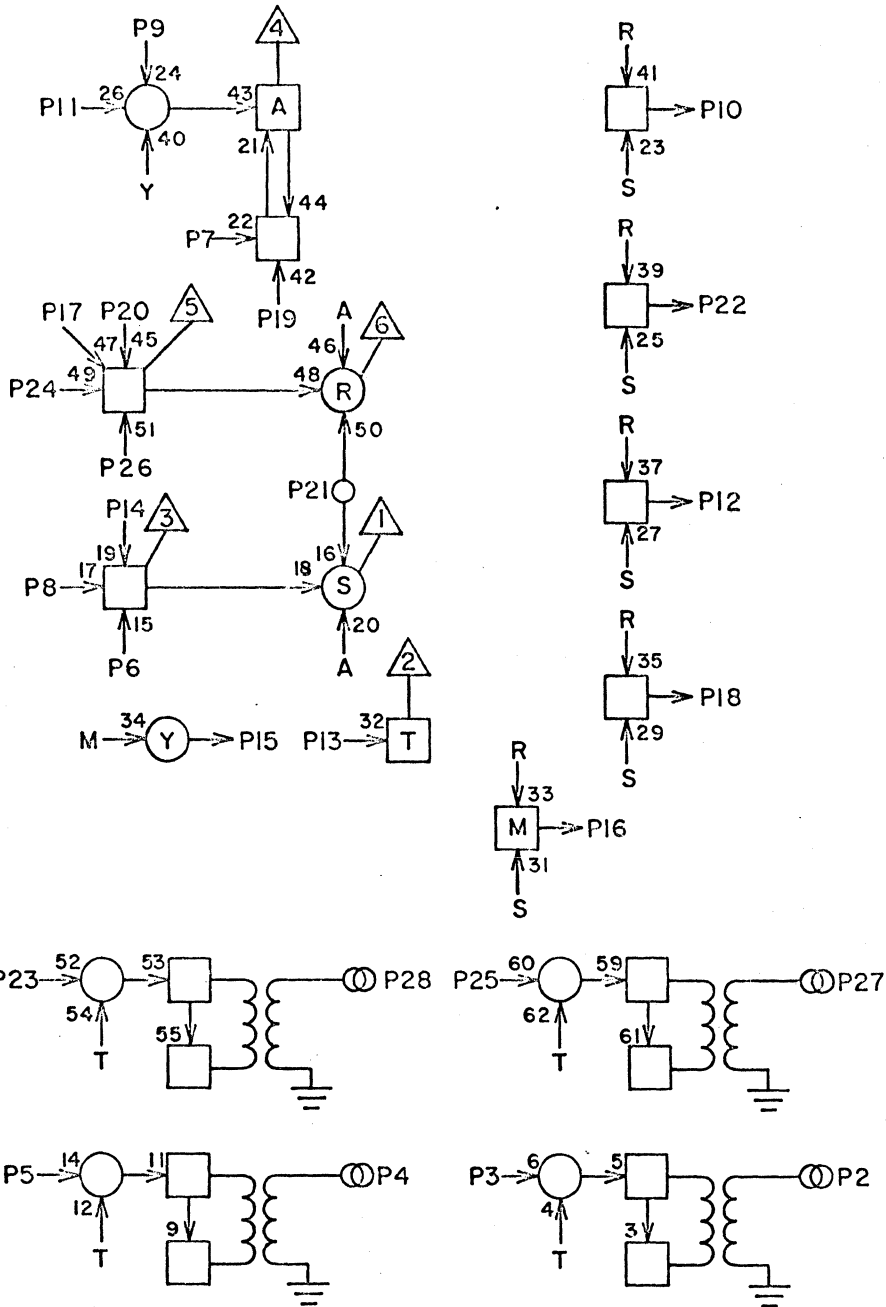
JACK PIN LG
CIRCUIT SPECIFICATION



ALL 680Ω

1			
2			
3			
4			
5			
6			
7			
8			
9			
10			
11			
12			
13			
14			
15			
16			
17			
18			
19			
20			
21			
22			
23			
24			
25			
26			
27			
28			

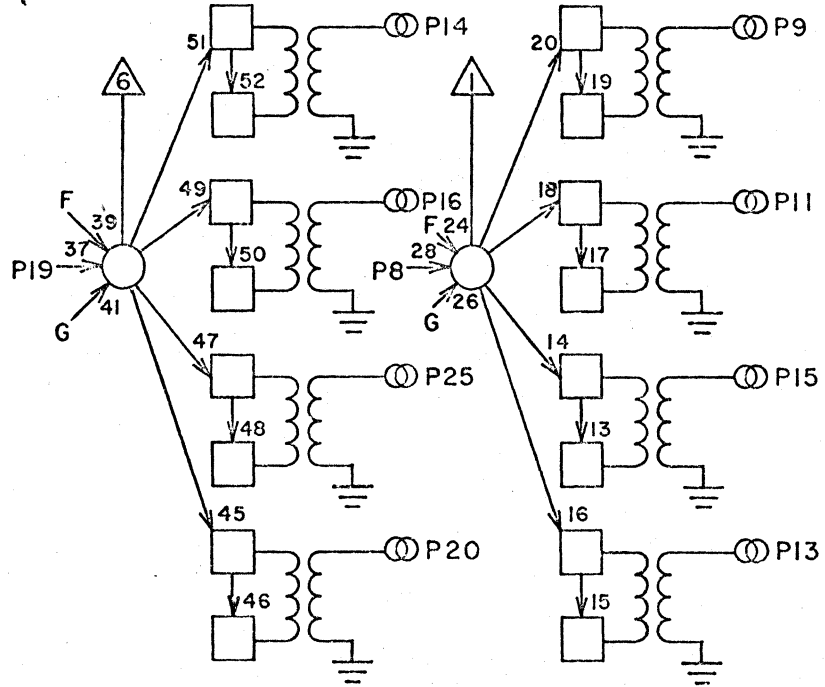
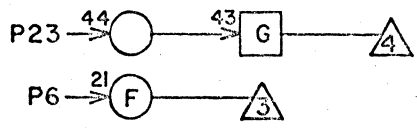
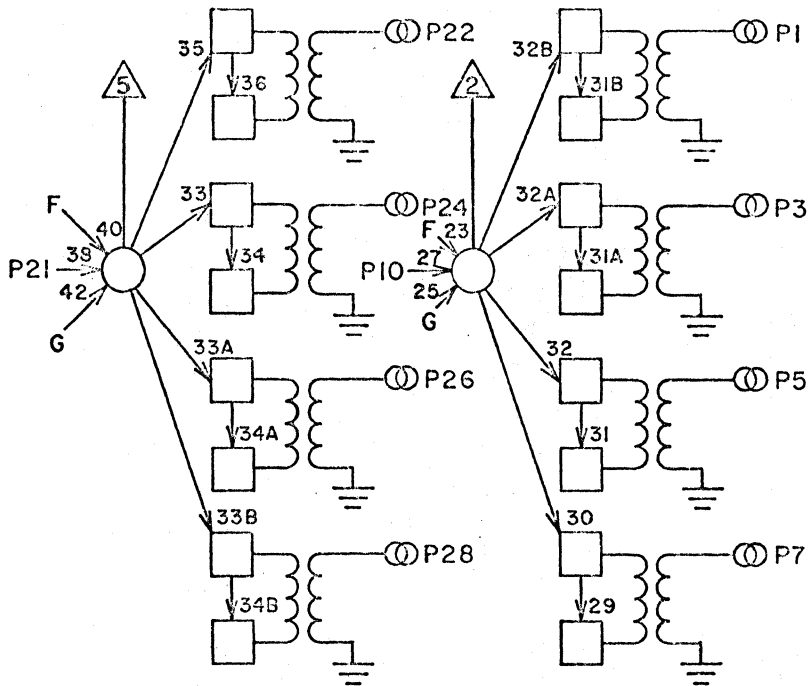
JACK PIN LG
CIRCUIT SPECIFICATION
11827600



1			
2			
3			
4			
5			
6			
7			
8			
9			
10			
11			
12			
13			
14			
15			
16			
17			
18			
19			
20			
21			
22			
23			
24			
25			
26			
27			
28			

JACK PIN LG

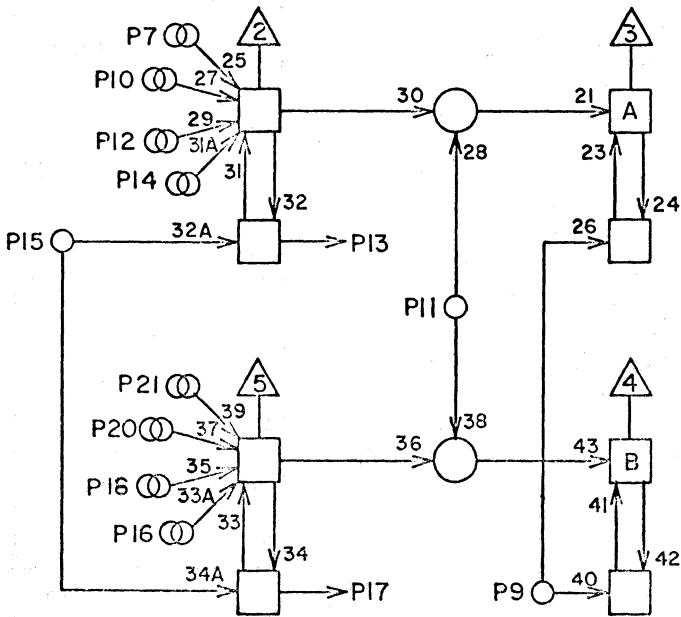
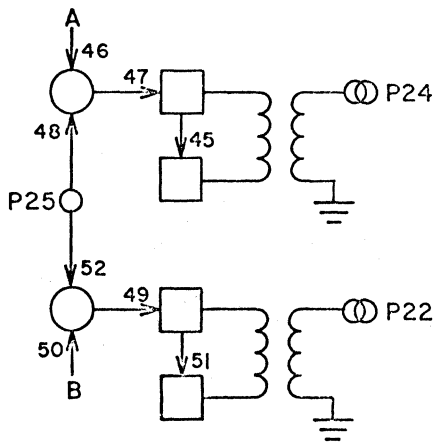
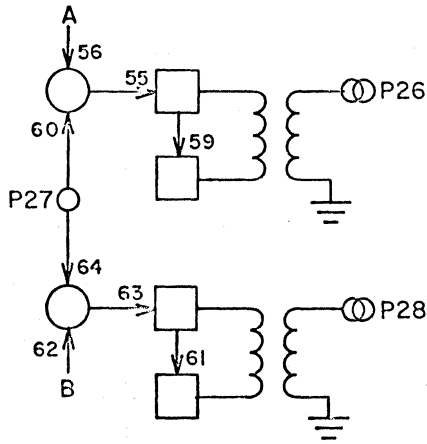
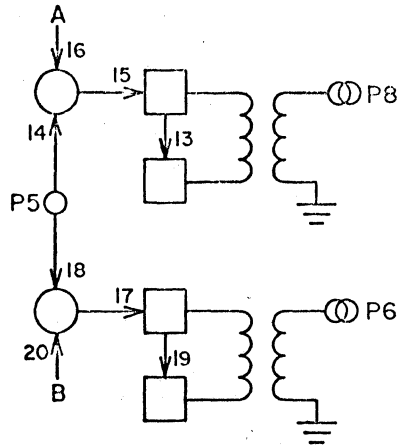
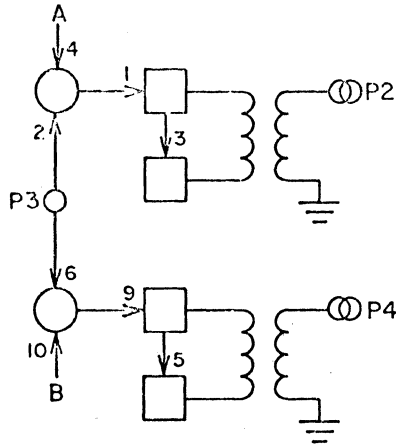
CIRCUIT SPECIFICATION



1			
2			
3			
4			
5			
6			
7			
8			
9			
10			
11			
12			
13			
14			
15			
16			
17			
18			
19			
20			
21			
22			
23			
24			
25			
26			
27			
28			

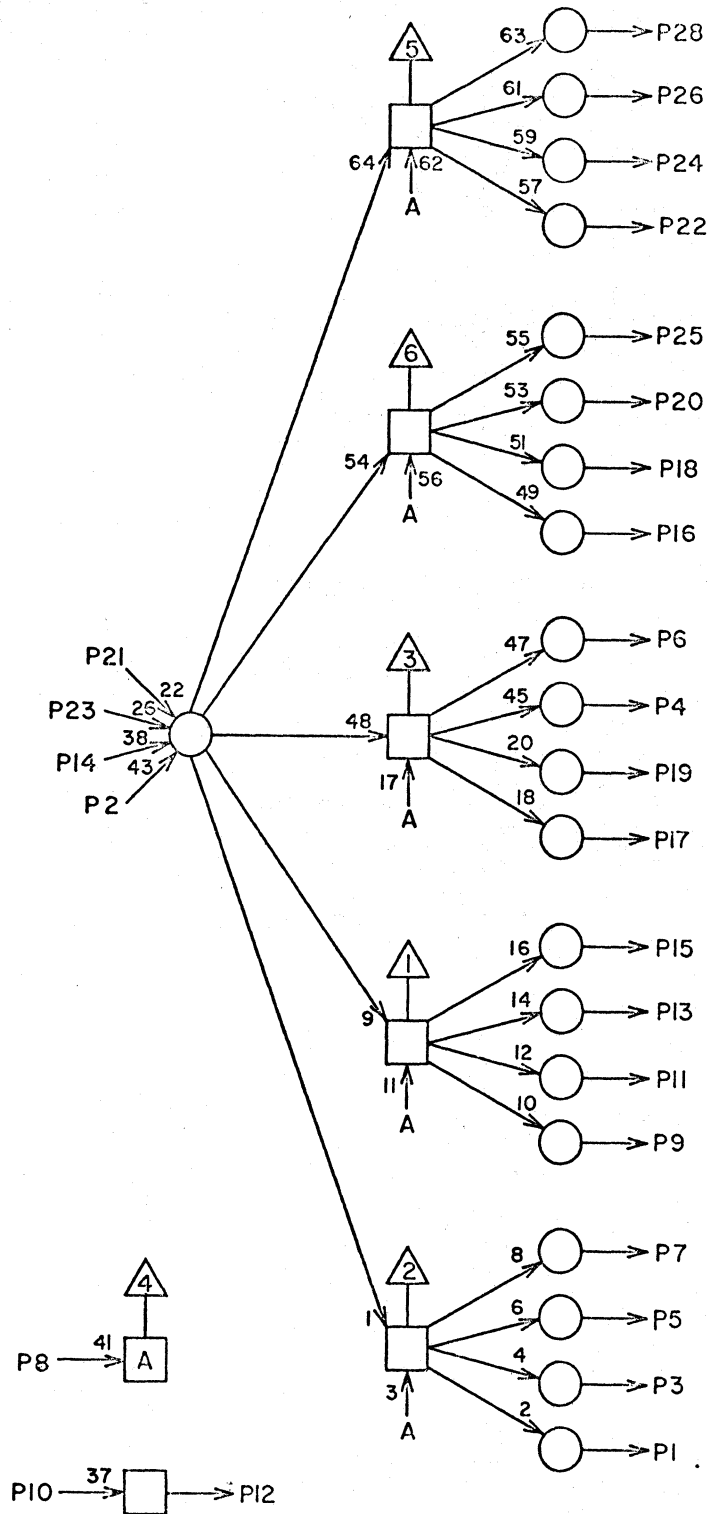
JACK PIN LG

CIRCUIT SPECIFICATION



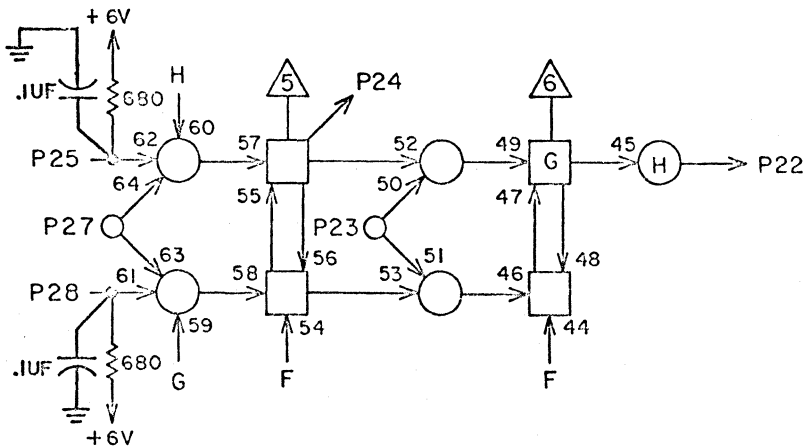
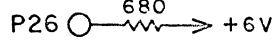
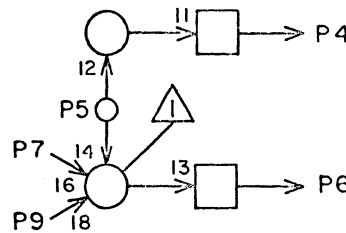
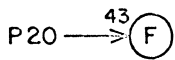
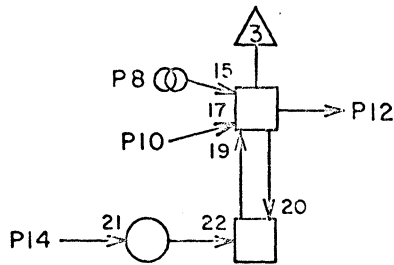
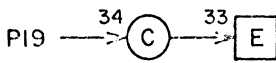
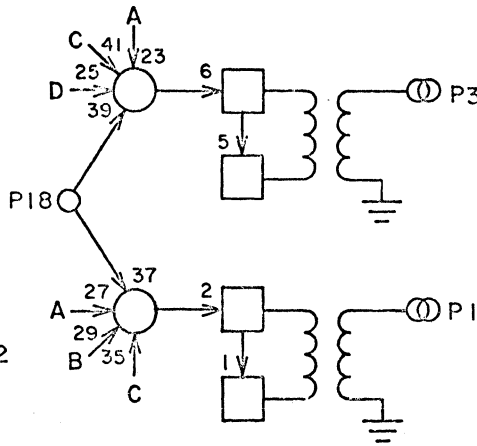
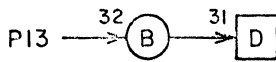
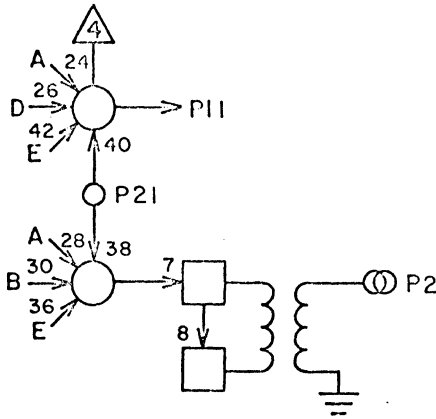
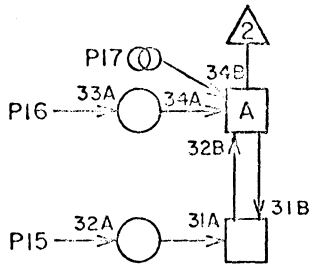
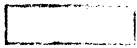
1			
2			
3			
4			
5			
6			
7			
8			
9			
10			
11			
12			
13			
14			
15			
16			
17			
18			
19			
20			
21			
22			
23			
24			
25			
26			
27			
28			

JACK PIN LG
CIRCUIT SPECIFICATION



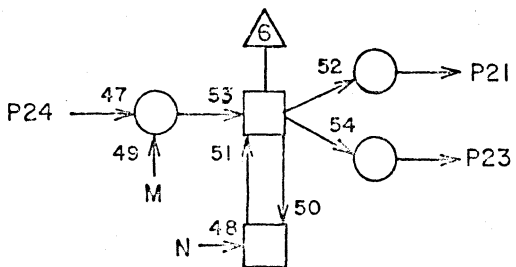
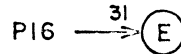
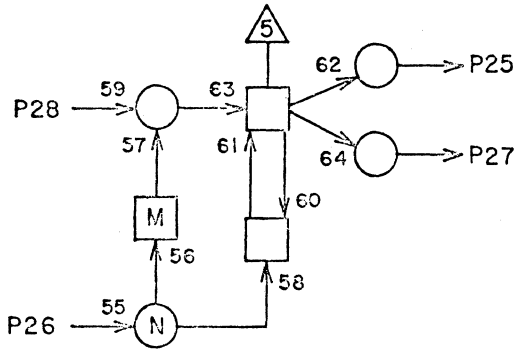
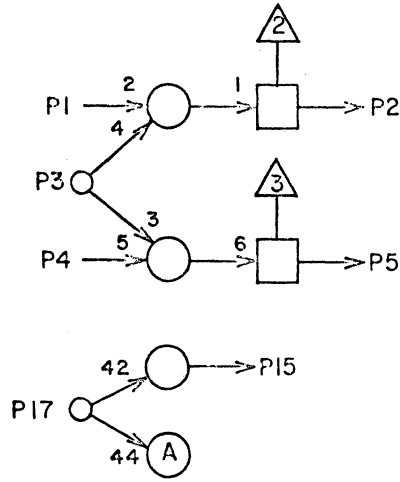
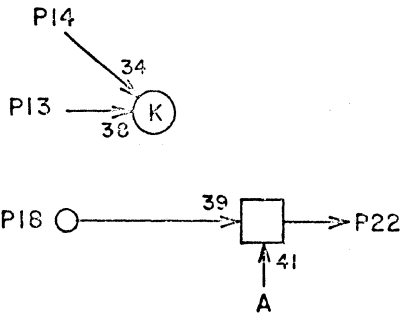
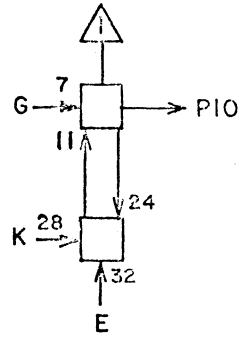
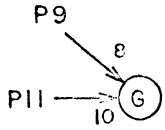
1			
2			
3			
4			
5			
6			
7			
8			
9			
10			
11			
12			
13			
14			
15			
16			
17			
18			
19			
20			
21			
22			
23			
24			
25			
26			
27			
28			

JACK PIN LG
CIRCUIT SPECIFICATION



1		
2		
3		
4		
5		
6		
7		
8		
9		
10		
11		
12		
13		
14		
15		
16		
17		
18		
19		
20		
21		
22		
23		
24		
25		
26		
27		
28		

JACK PIN LG
CIRCUIT SPECIFICATION

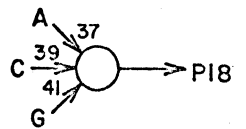
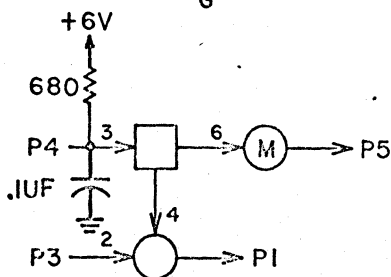
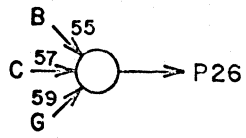
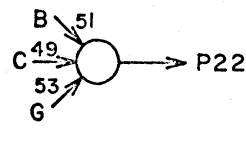
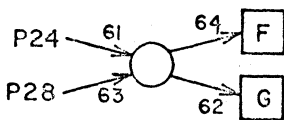
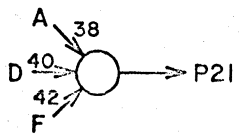
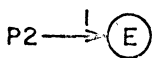
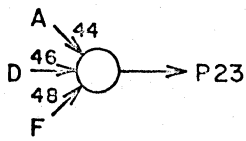
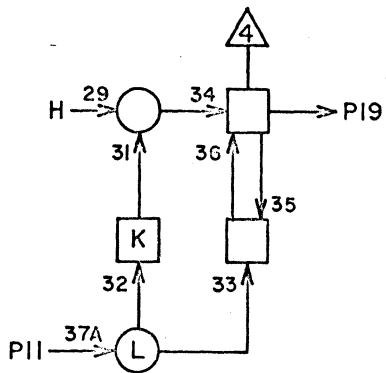
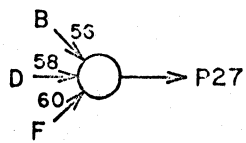
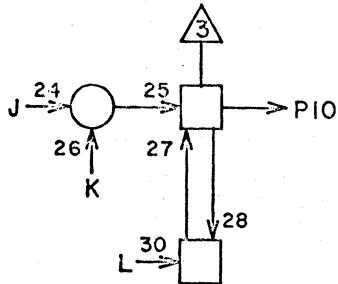
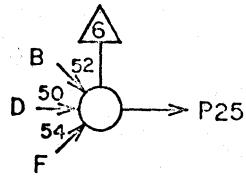
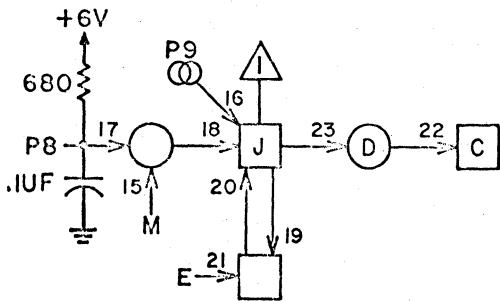
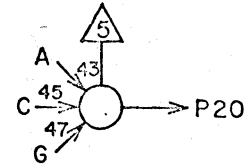
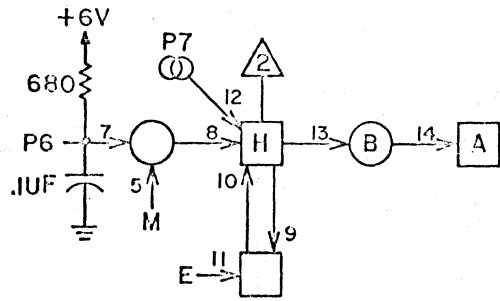


1		
2		
3		
4		
5		
6		
7		
8		
9		
10		
11		
12		
13		
14		
15		
16		
17		
18		
19		
20		
21		
22		
23		
24		
25		
26		
27		
28		

JACK PIN LG

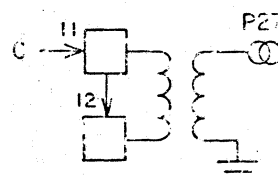
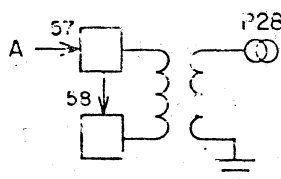
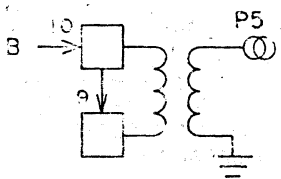
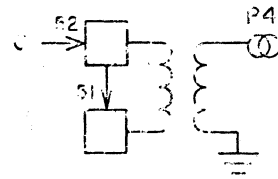
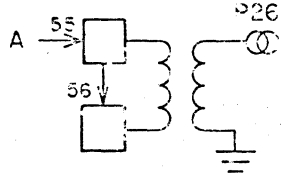
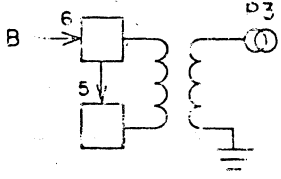
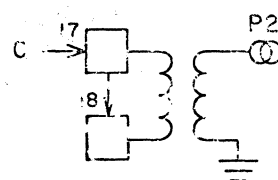
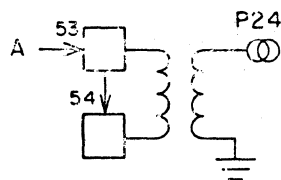
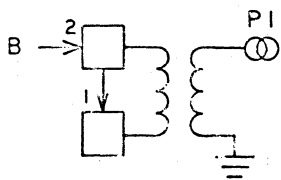
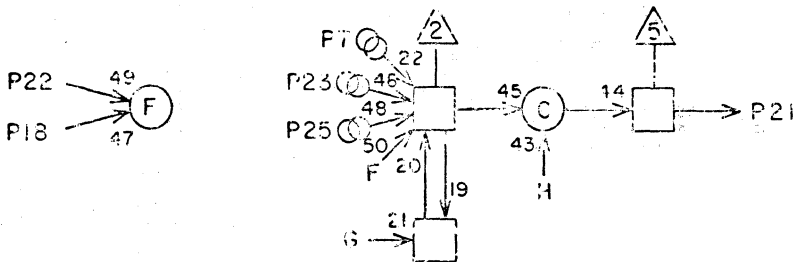
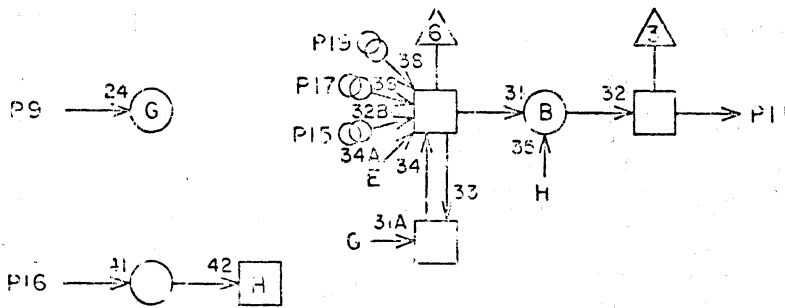
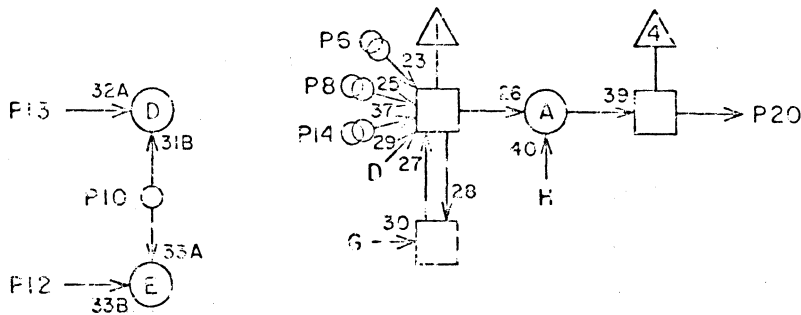
CIRCUIT SPECIFICATION
11827600

60042700 Rev. U



1			
2			
3			
4			
5			
6			
7			
8			
9			
10			
11			
12			
13			
14			
15			
16			
17			
18			
19			
20			
21			
22			
23			
24			
25			
26			
27			
28			

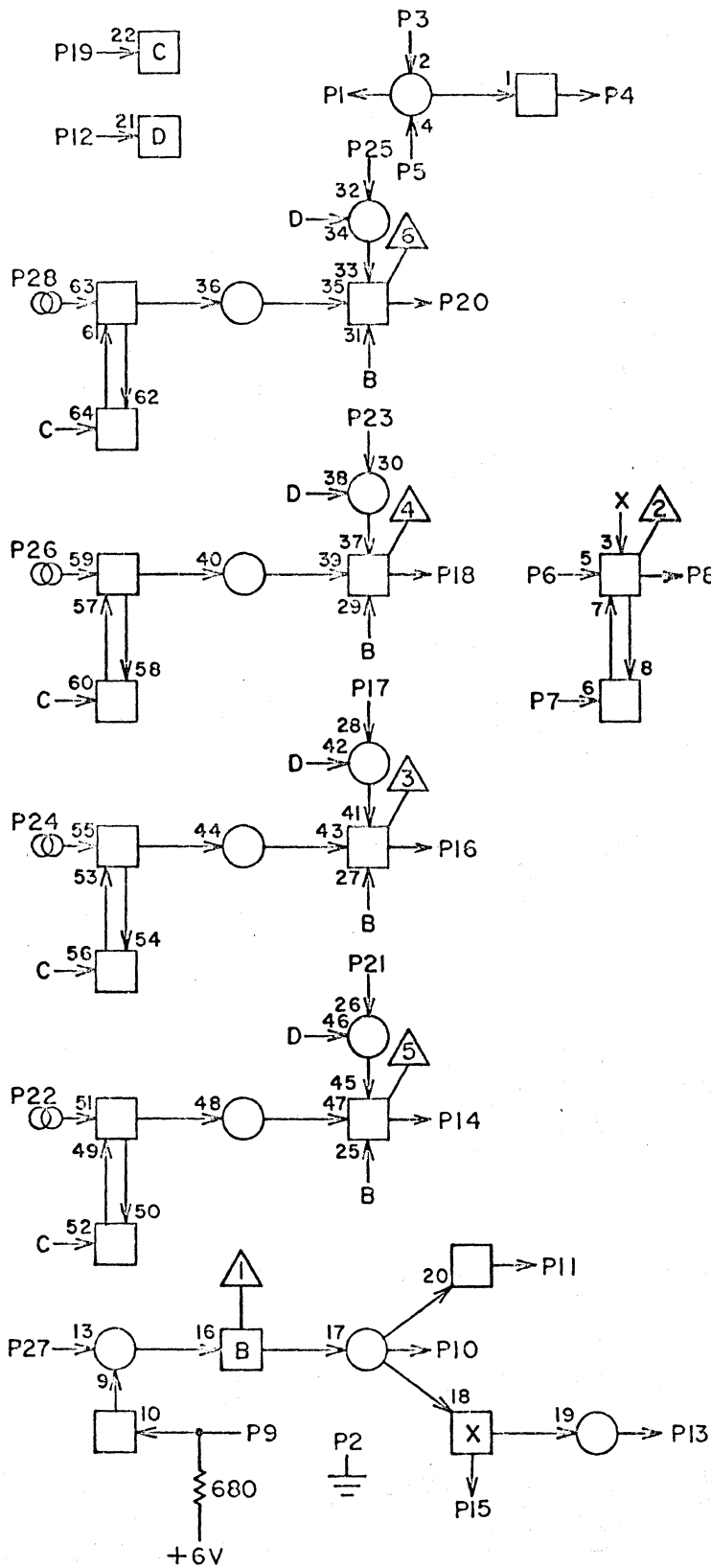
JACK PIN LG
CIRCUIT SPECIFICATION
11827600
60042700 Rev. U



1			
2			
3			
4			
5			
6			
7			
8			
9			
10			
11			
12			
13			
14			
15			
16			
17			
18			
19			
20			
21			
22			
23			
24			
25			
26			
27			
28			

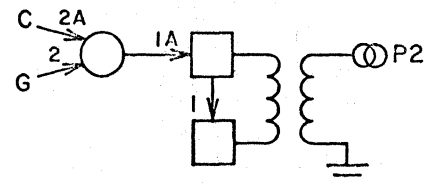
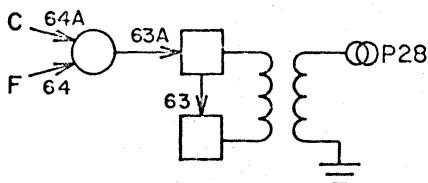
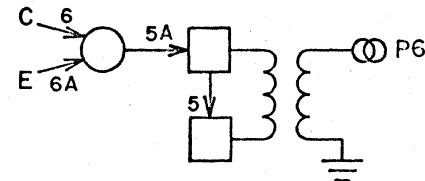
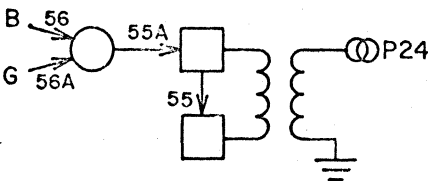
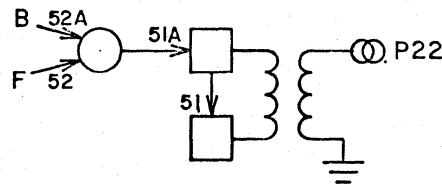
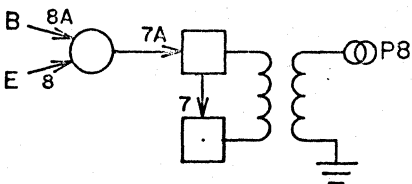
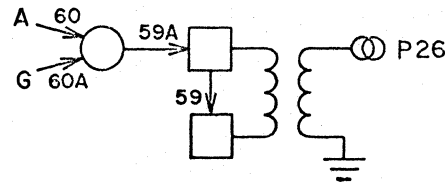
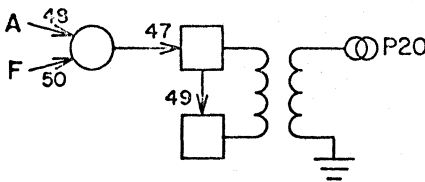
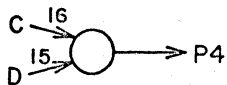
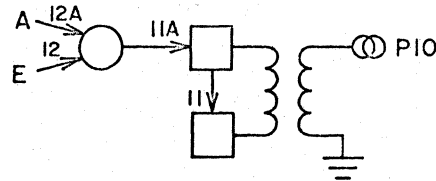
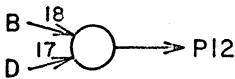
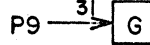
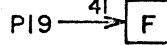
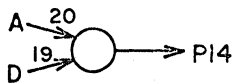
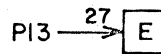
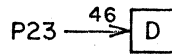
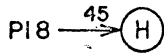
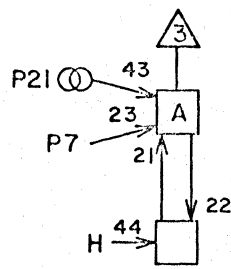
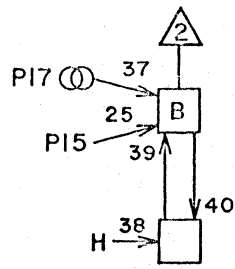
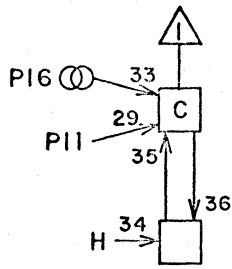
JACK PIN LG

CIRCUIT SPECIFICATION
11827600



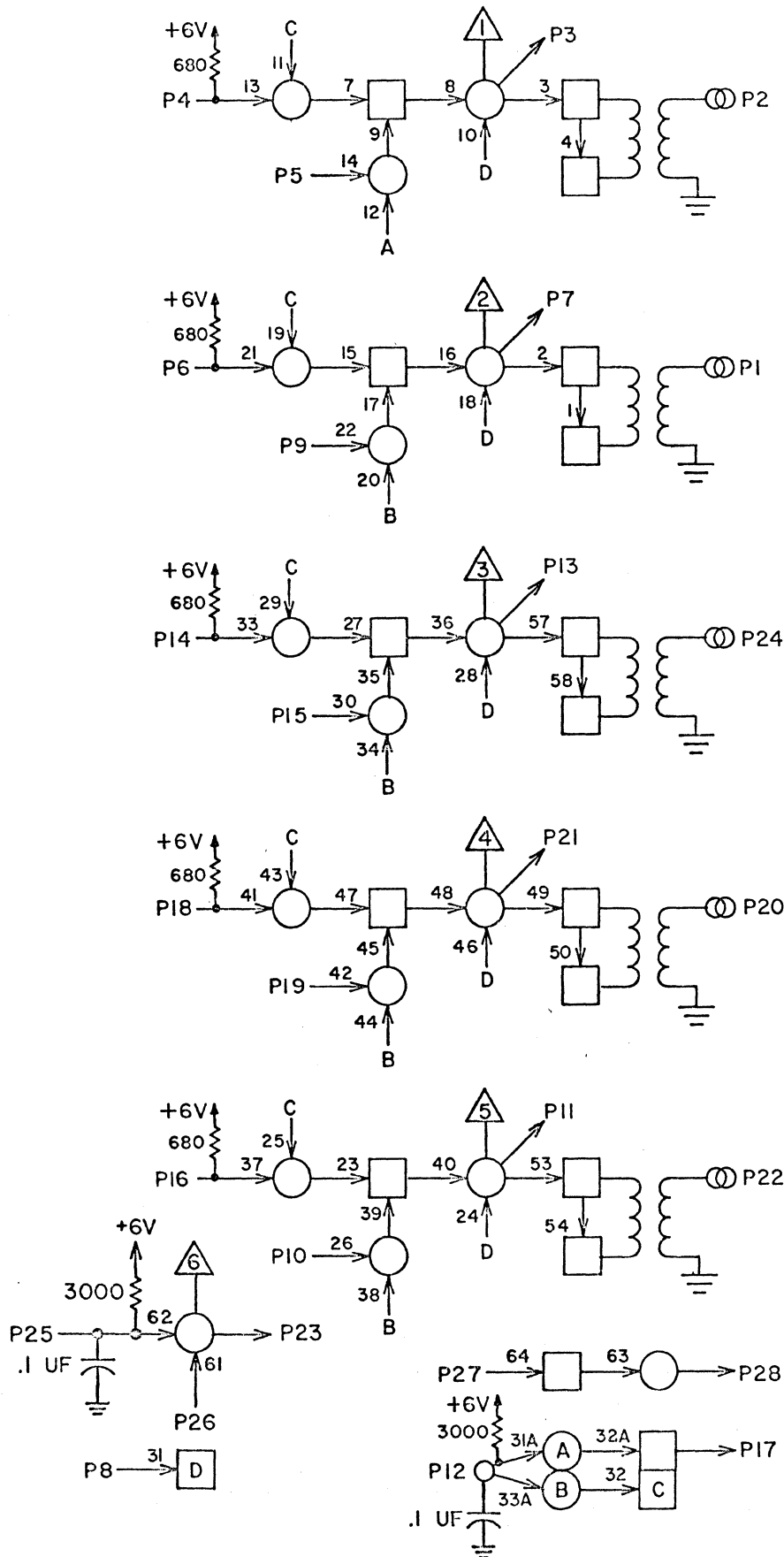
1			
2			
3			
4			
5			
6			
7			
8			
9			
10			
11			
12			
13			
14			
15			
16			
17			
18			
19			
20			
21			
22			
23			
24			
25			
26			
27			
28			

JACK PIN LG
CIRCUIT SPECIFICATION
11827600



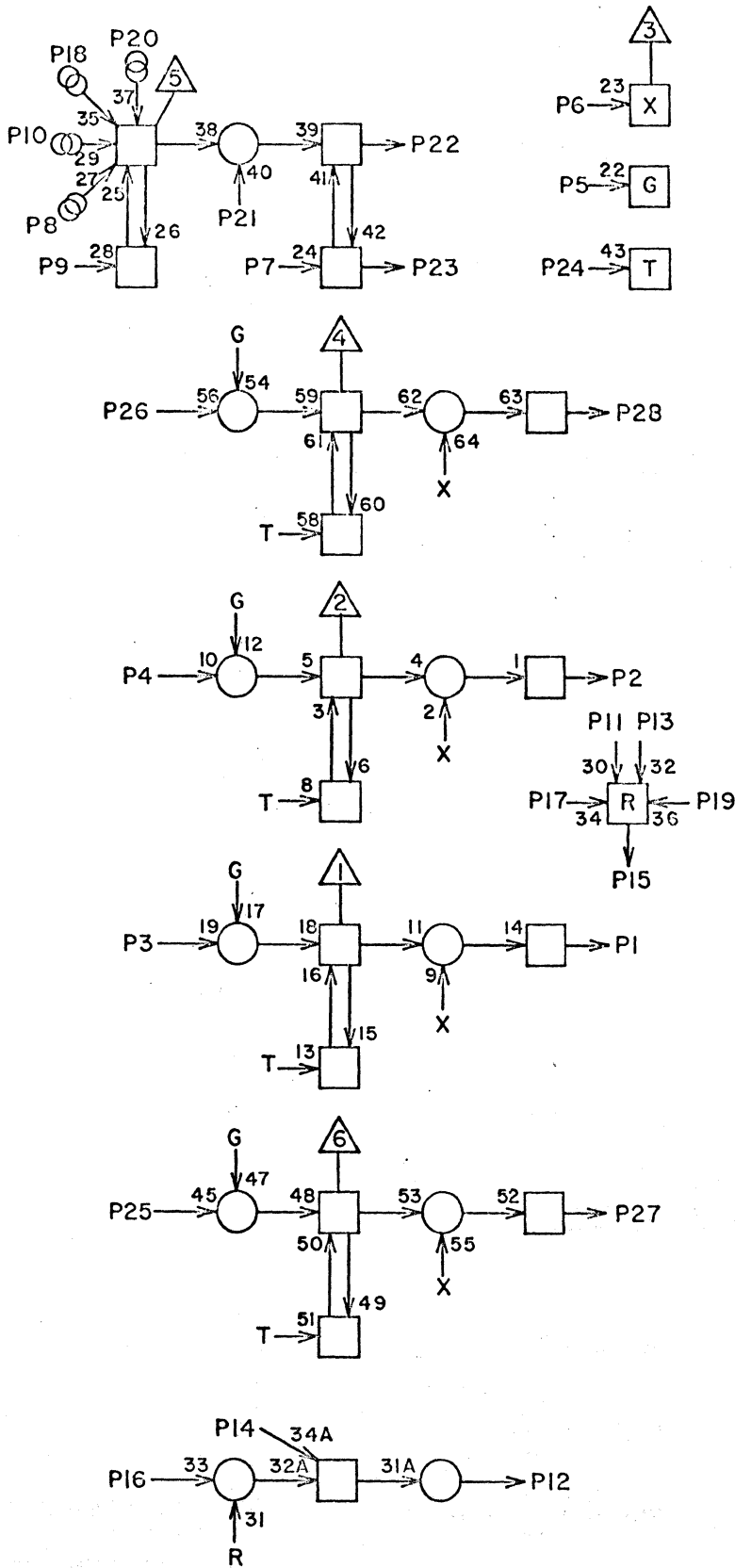
1			
2			
3			
4			
5			
6			
7			
8			
9			
10			
11			
12			
13			
14			
15			
16			
17			
18			
19			
20			
21			
22			
23			
24			
25			
26			
27			
28			

JACK PIN LG
CIRCUIT SPECIFICATION
11827600



1			
2			
3			
4			
5			
6			
7			
8			
9			
10			
11			
12			
13			
14			
15			
16			
17			
18			
19			
20			
21			
22			
23			
24			
25			
26			
27			
28			

JACK PIN LG
CIRCUIT SPECIFICATION
11827600



1			
2			
3			
4			
5			
6			
7			
8			
9			
10			
11			
12			
13			
14			
15			
16			
17			
18			
19			
20			
21			
22			
23			
24			
25			
26			
27			
28			

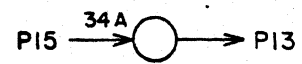
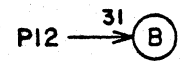
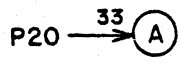
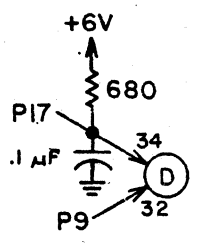
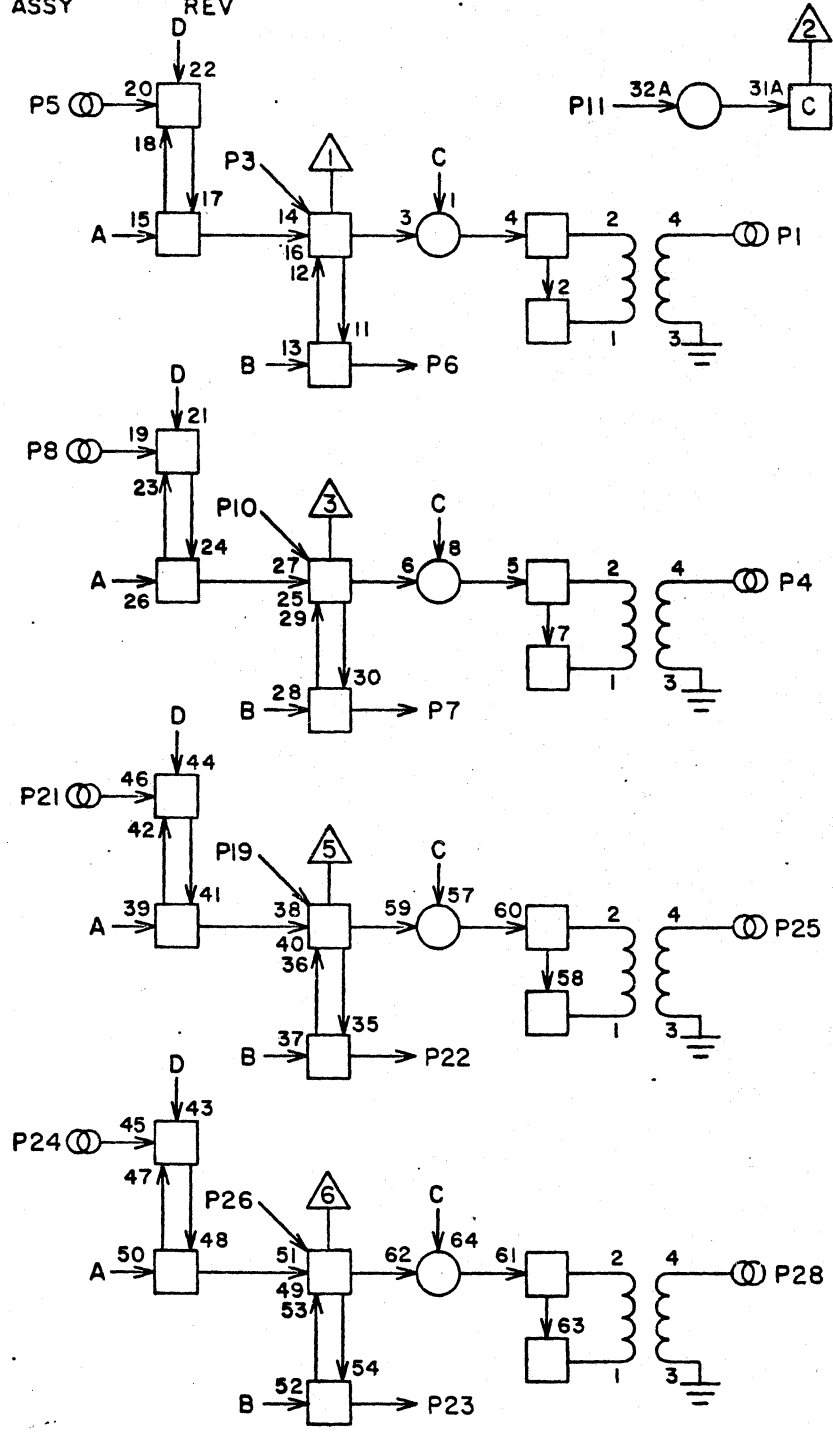
JACK PIN LG
CIRCUIT SPECIFICATION
11827600

LS 17988100
ASSY



REV

BZ



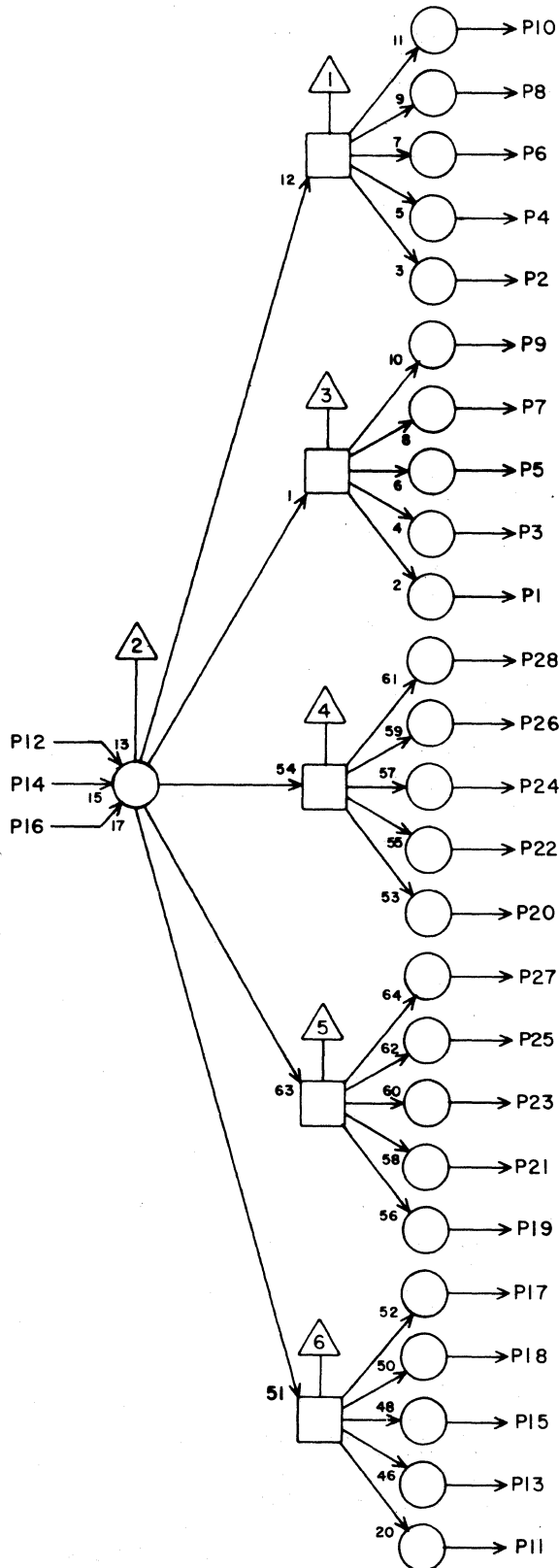
1			
2			
3			
4			
5			
6			
7			
8			
9			
10			
11			
12			
13			
14			
15			
16			
17			
18			
19			
20			
21			
22			
23			
24			
25			
26			
27			
28			

JACK PIN LG
SEE CIRCUIT SPECIFICATION
11827600
60042700 Rev Y

LS 63040600
ASSY

E
REV

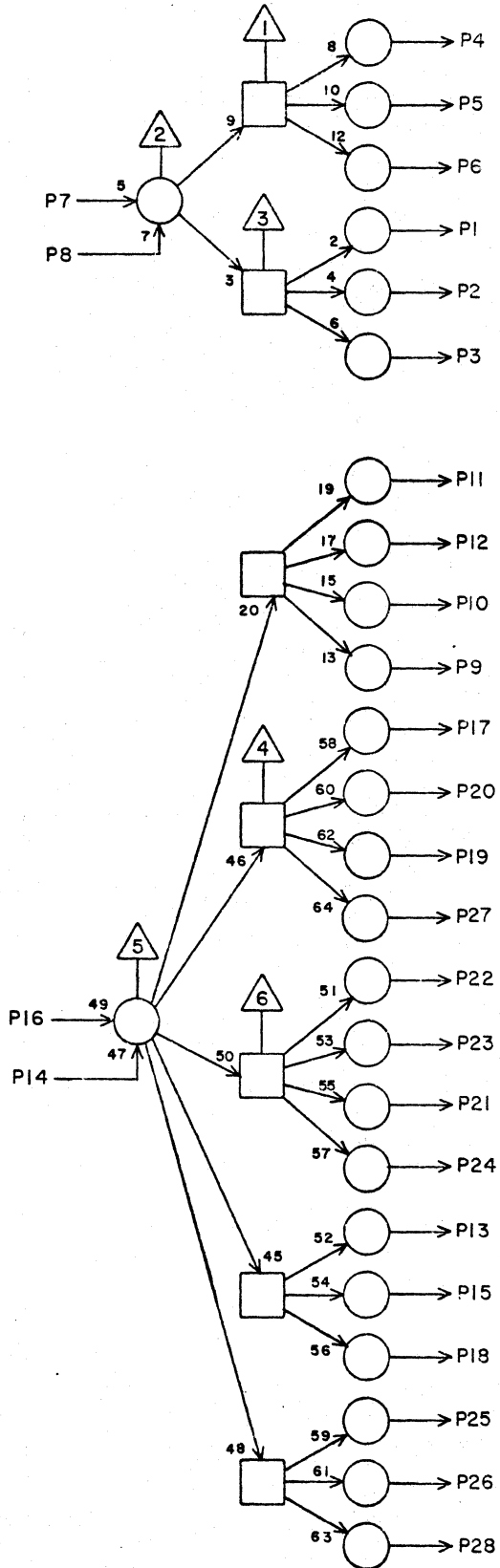
CA



1			
2			
3			
4			
5			
6			
7			
8			
9			
10			
11			
12			
13			
14			
15			
16			
17			
18			
19			
20			
21			
22			
23			
24			
25			
26			
27			
28			

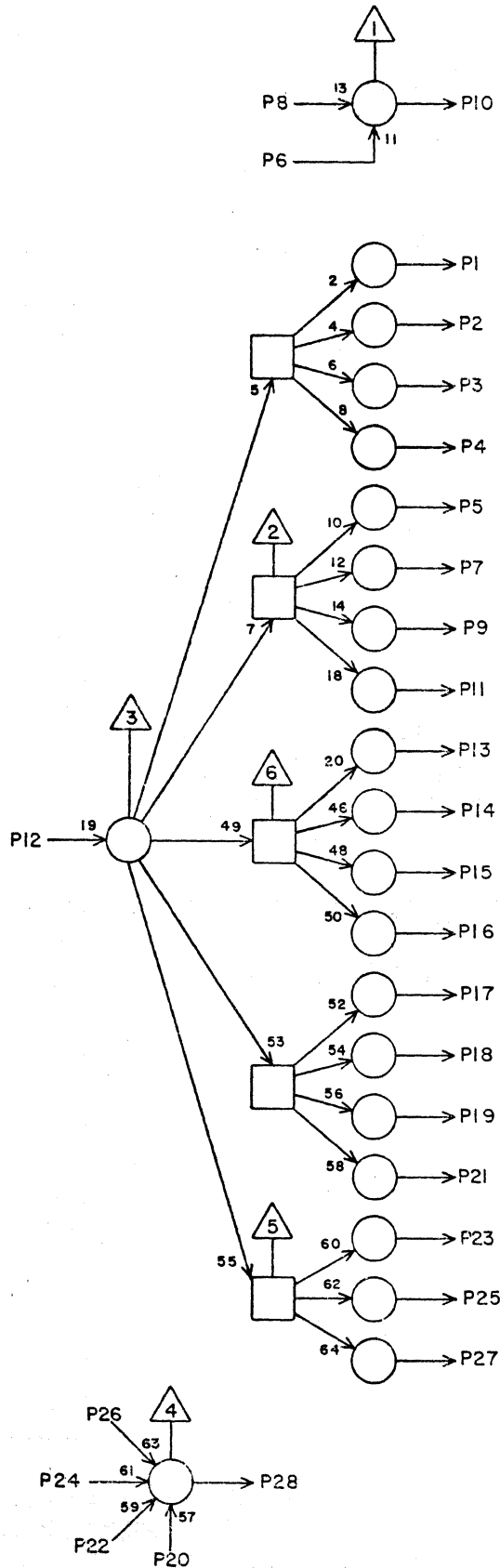
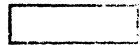
JACK PIN LG
CIRCUIT SPECIFICATION 11827600

60042700 Rev. P



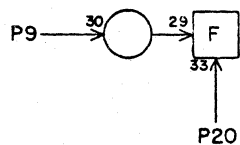
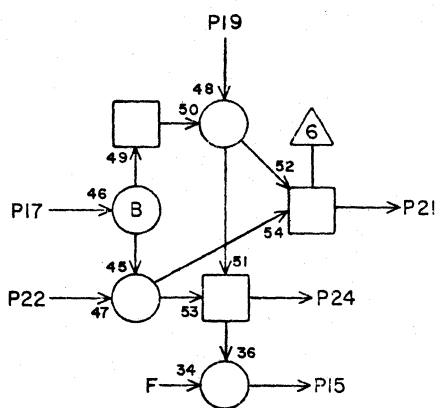
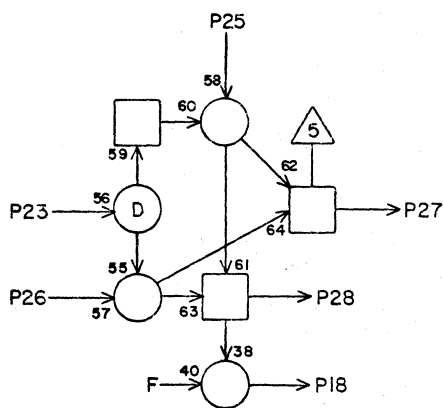
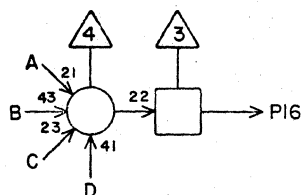
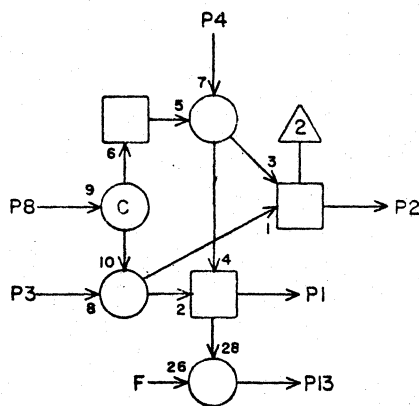
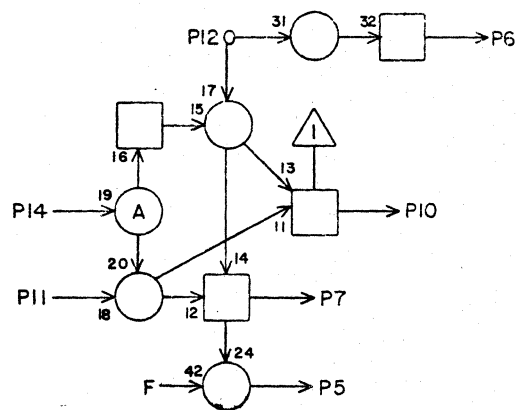
1			
2			
3			
4			
5			
6			
7			
8			
9			
10			
11			
12			
13			
14			
15			
16			
17			
18			
19			
20			
21			
22			
23			
24			
25			
26			
27			
28			

JACK PIN LG



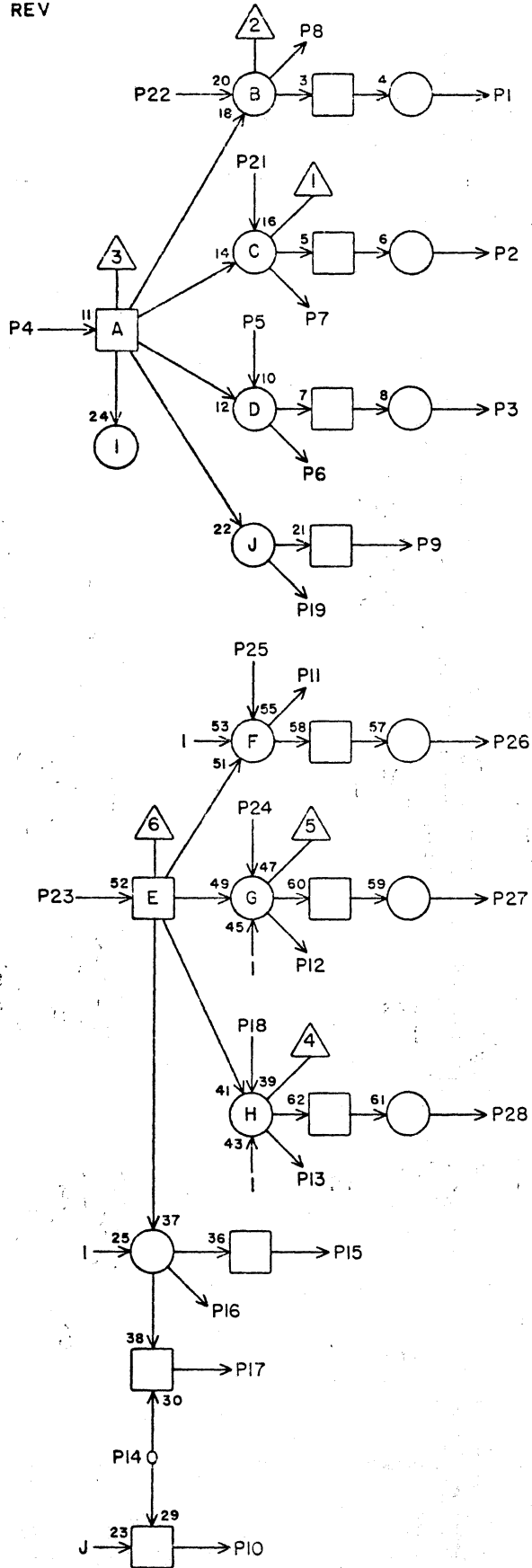
1			
2			
3			
4			
5			
6			
7			
8			
9			
10			
11			
12			
13			
14			
15			
16			
17			
18			
19			
20			
21			
22			
23			
24			
25			
26			
27			
28			

JACK PIN LG



1			
2			
3			
4			
5			
6			
7			
8			
9			
10			
11			
12			
13			
14			
15			
16			
17			
18			
19			
20			
21			
22			
23			
24			
25			
26			
27			
28			

JACK PIN LG



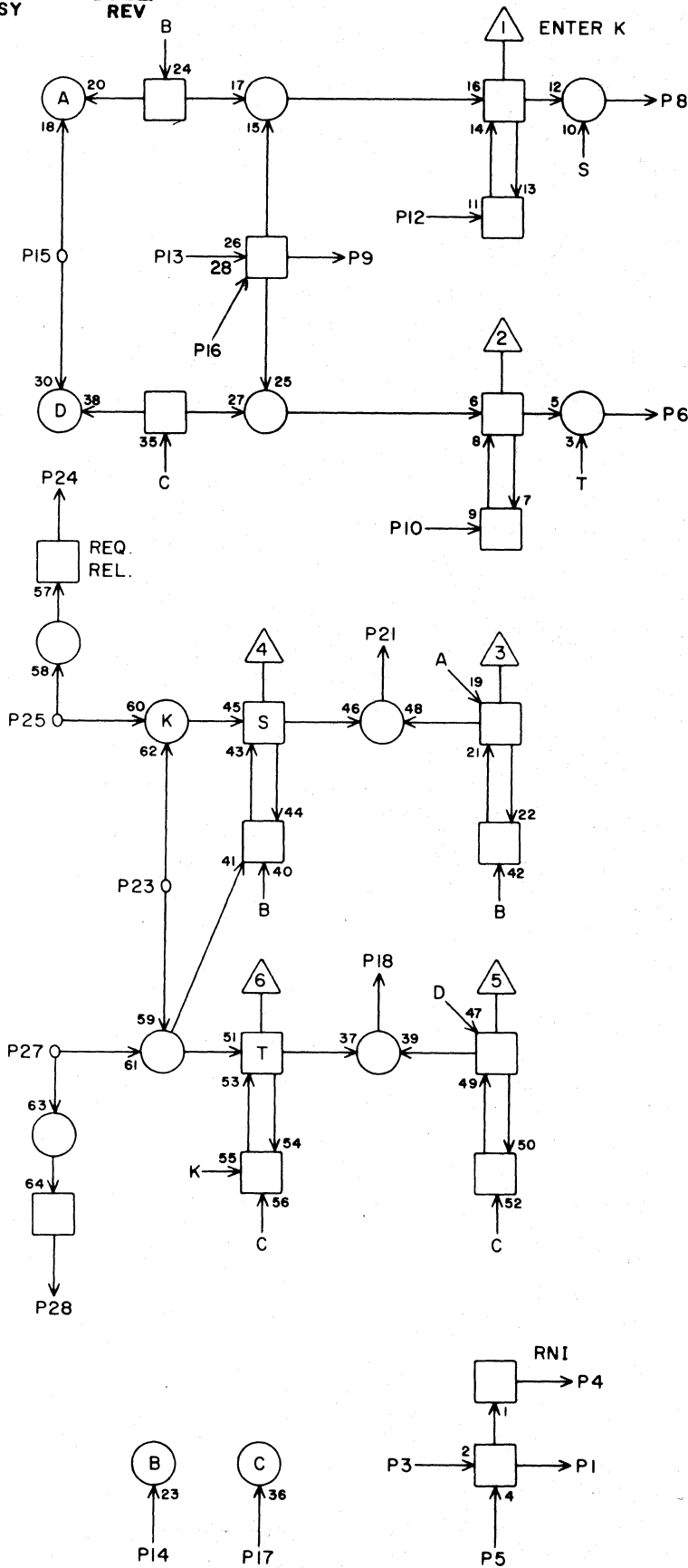
1			
2			
3			
4			
5			
6			
7			
8			
9			
10			
11			
12			
13			
14			
15			
16			
17			
18			
19			
20			
21			
22			
23			
24			
25			
26			
27			
28			

JACK PIN LG

LS 63041100
ASSY

F
REV

CF



1			
2			
3			
4			
5			
6			
7			
8			
9			
10			
11			
12			
13			
14			
15			
16			
17			
18			
19			
20			
21			
22			
23			
24			
25			
26			
27			
28			

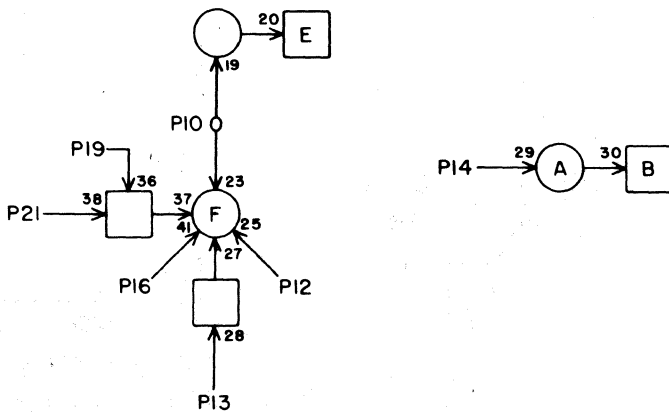
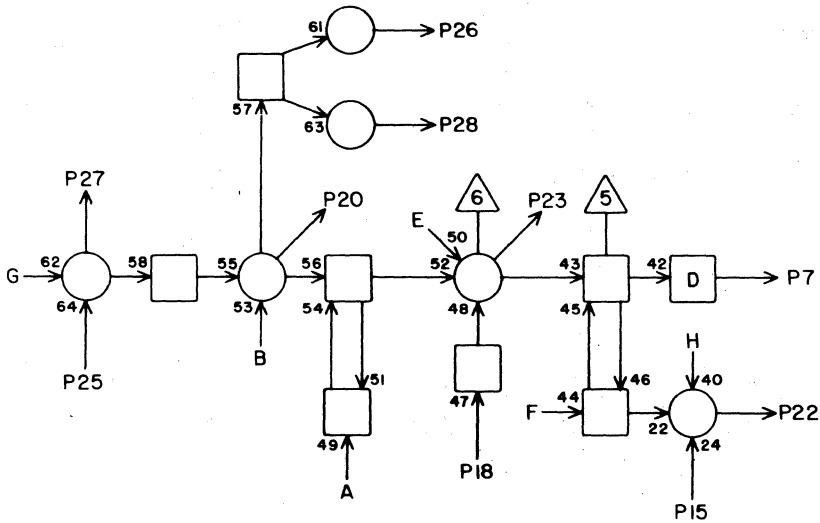
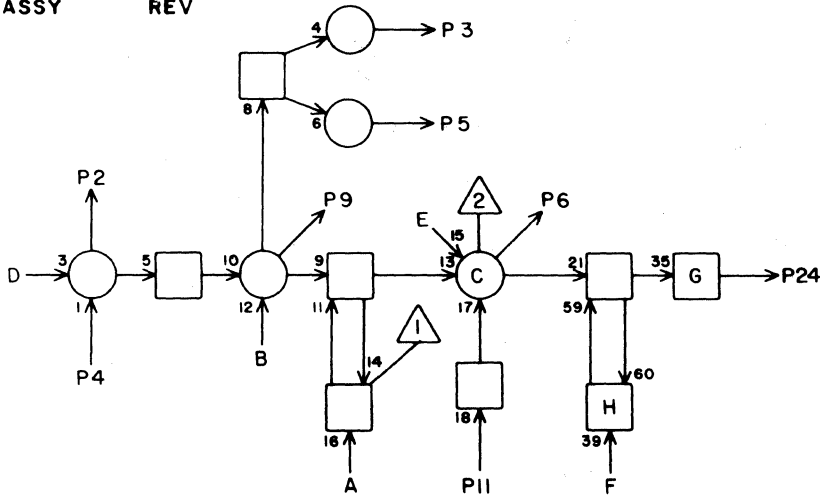
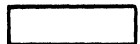
JACK PIN LG
CIRCUIT SPECIFICATION 11827600

60042700 Rev. P

LS 63041200
ASSY



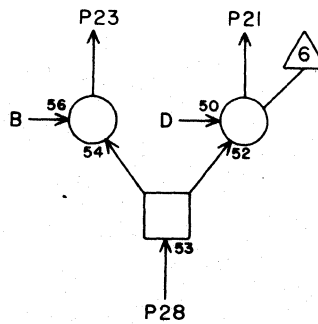
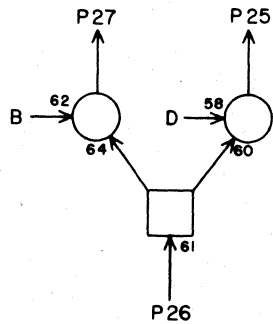
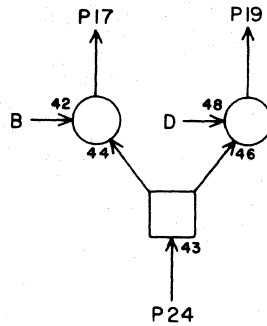
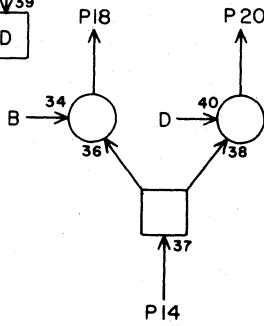
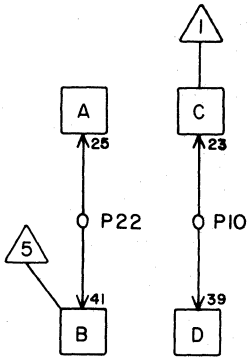
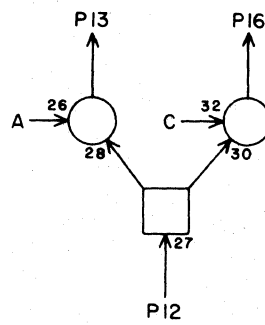
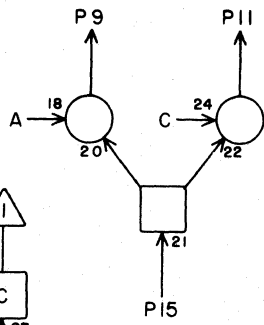
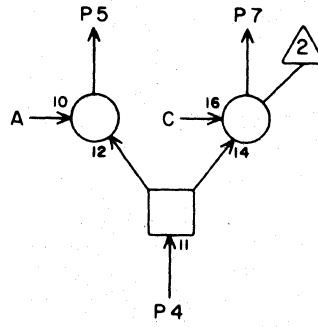
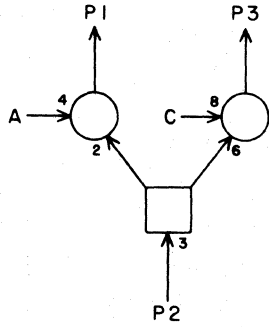
CG



LS 63041300
ASSY

D
REV

CH



1			
2			
3			
4			
5			
6			
7			
8			
9			
10			
11			
12			
13			
14			
15			
16			
17			
18			
19			
20			
21			
22			
23			
24			
25			
26			
27			
28			

JACK PIN LG

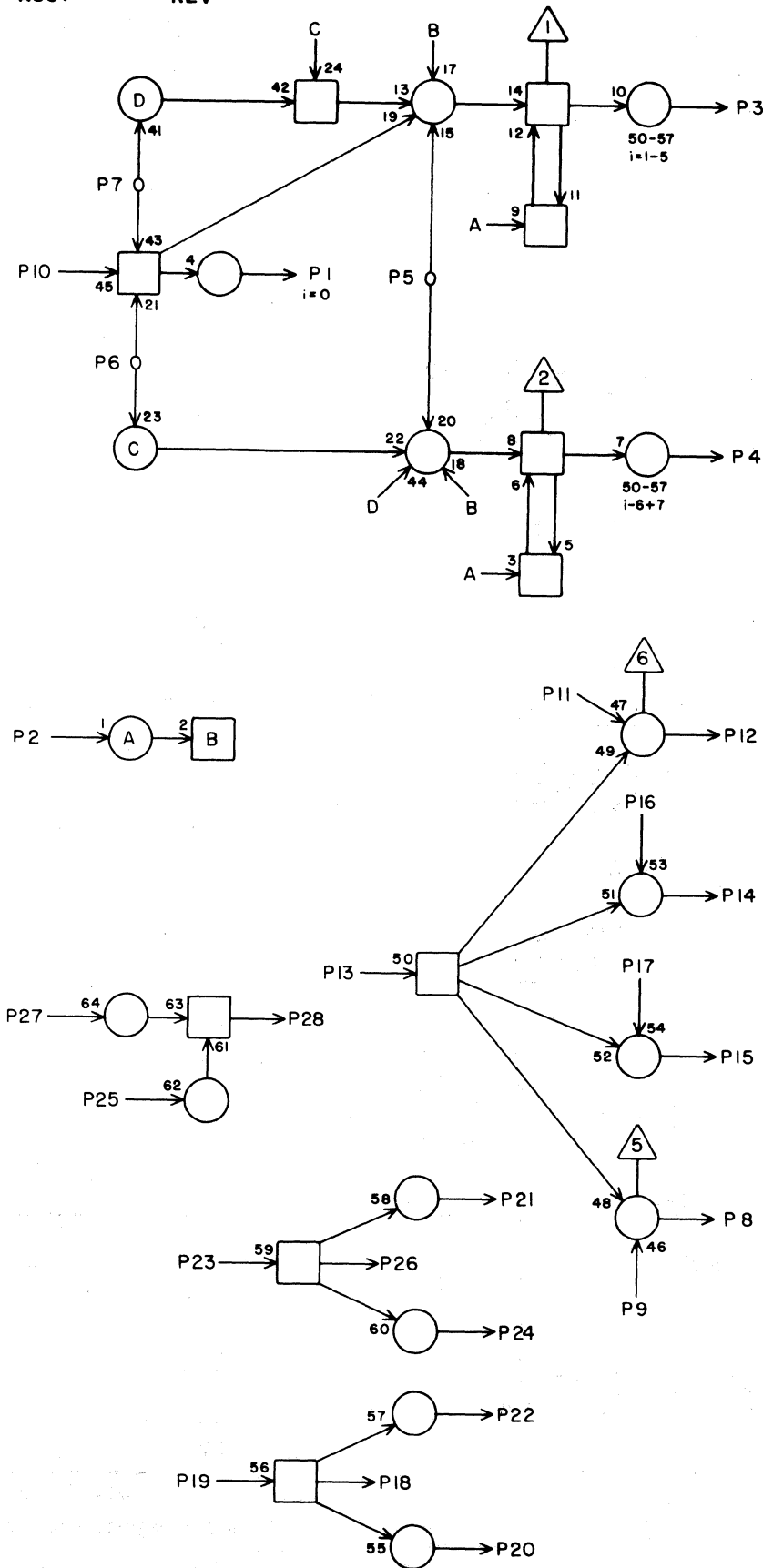
CIRCUIT SPECIFICATION 11827600

60042700 Rev. J

LS 63041400
ASSY

D
REV

CI



1			
2			
3			
4			
5			
6			
7			
8			
9			
10			
11			
12			
13			
14			
15			
16			
17			
18			
19			
20			
21			
22			
23			
24			
25			
26			
27			
28			

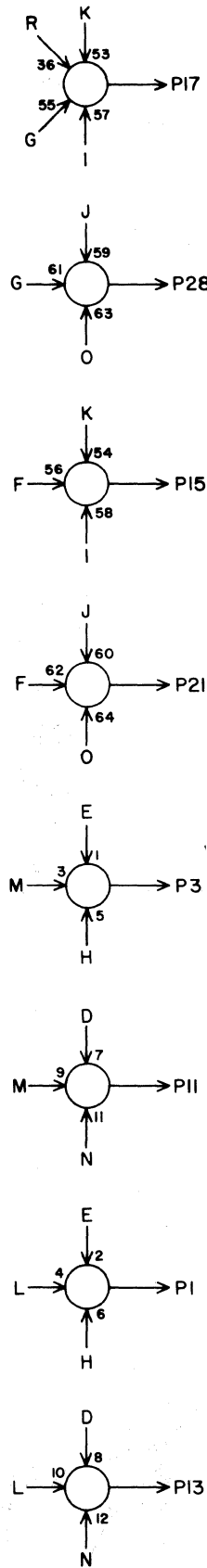
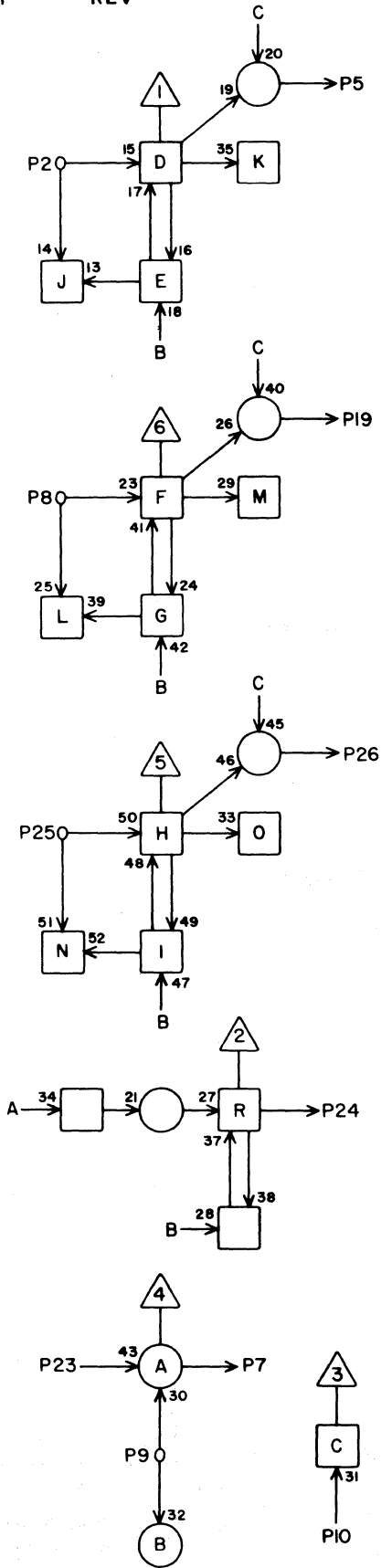
JACK PIN LG

CIRCUIT SPECIFICATION 11827600

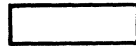
60042700 Rev. J

LS 63041600
ASSY


REV



CK



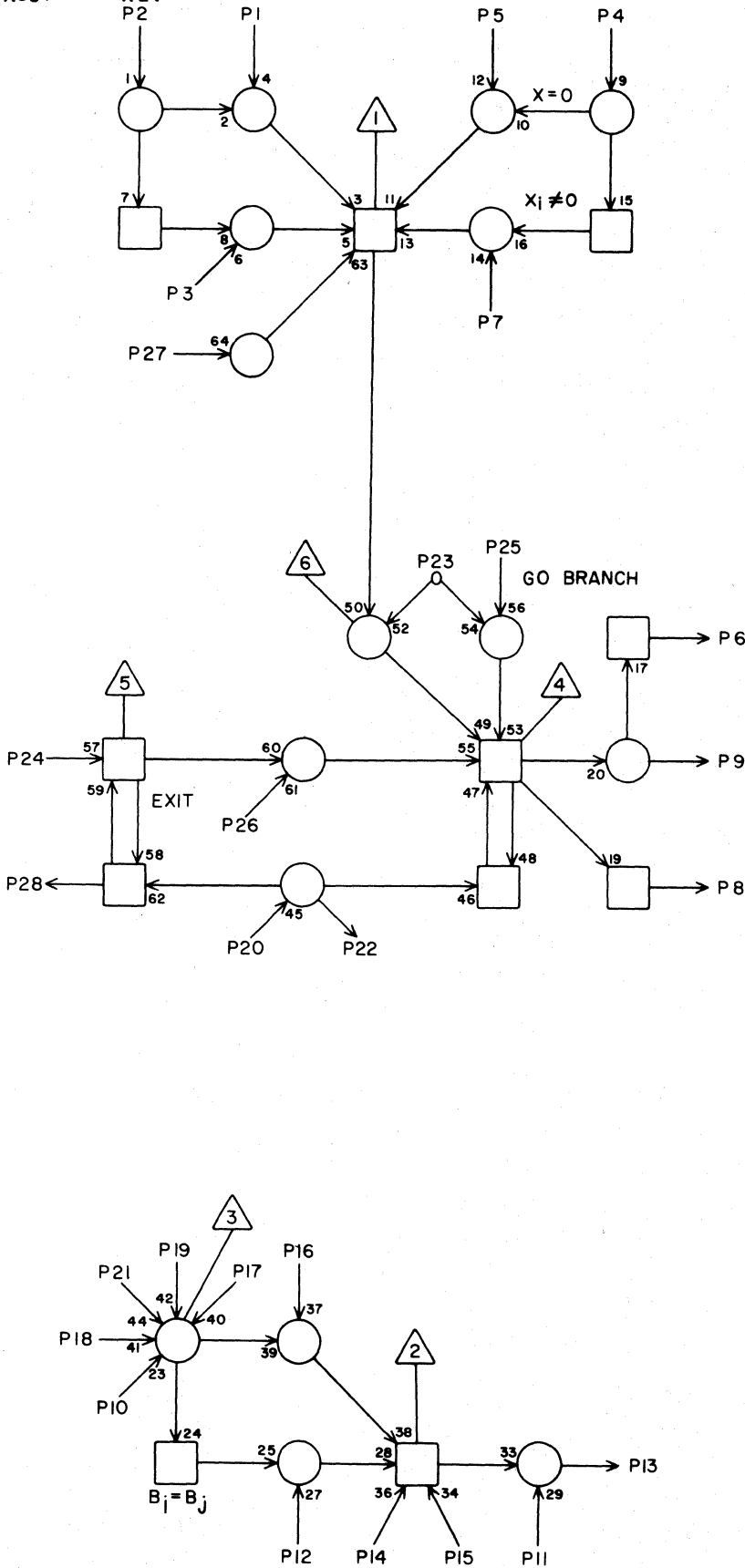
1			
2			
3			
4			
5			
6			
7			
8			
9			
10			
11			
12			
13			
14			
15			
16			
17			
18			
19			
20			
21			
22			
23			
24			
25			
26			
27			
28			

JACK PIN LG
CIRCUIT SPECIFICATION 11827600
60042700 Rev. J

LS 63041700
ASSY

C
REV

CL



1			
2			
3			
4			
5			
6			
7			
8			
9			
10			
11			
12			
13			
14			
15			
16			
17			
18			
19			
20			
21			
22			
23			
24			
25			
26			
27			
28			

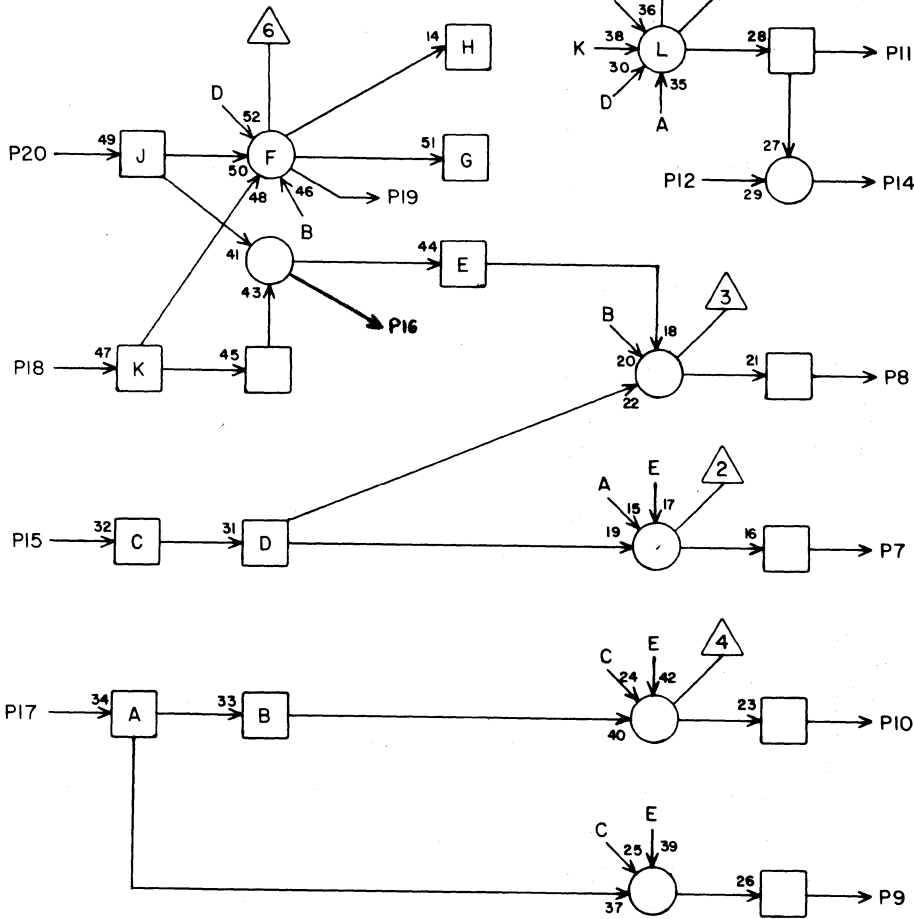
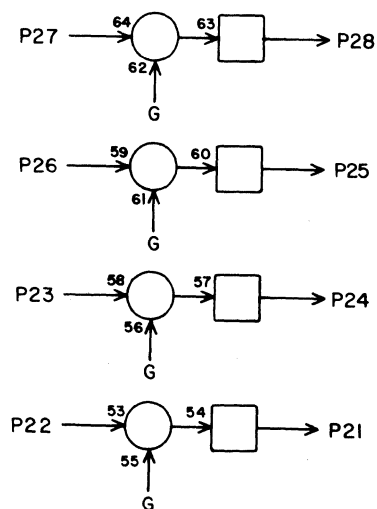
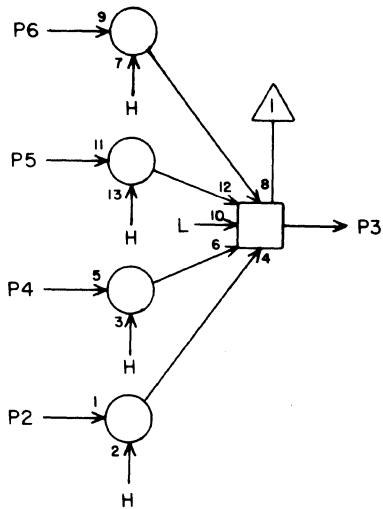
JACK PIN LG

CIRCUIT SPECIFICATION 11827600

60042700 Rev. J

LS 63041800 D
 ASSY REV

CM



1			
2			
3			
4			
5			
6			
7			
8			
9			
10			
11			
12			
13			
14			
15			
16			
17			
18			
19			
20			
21			
22			
23			
24			
25			
26			
27			
28			

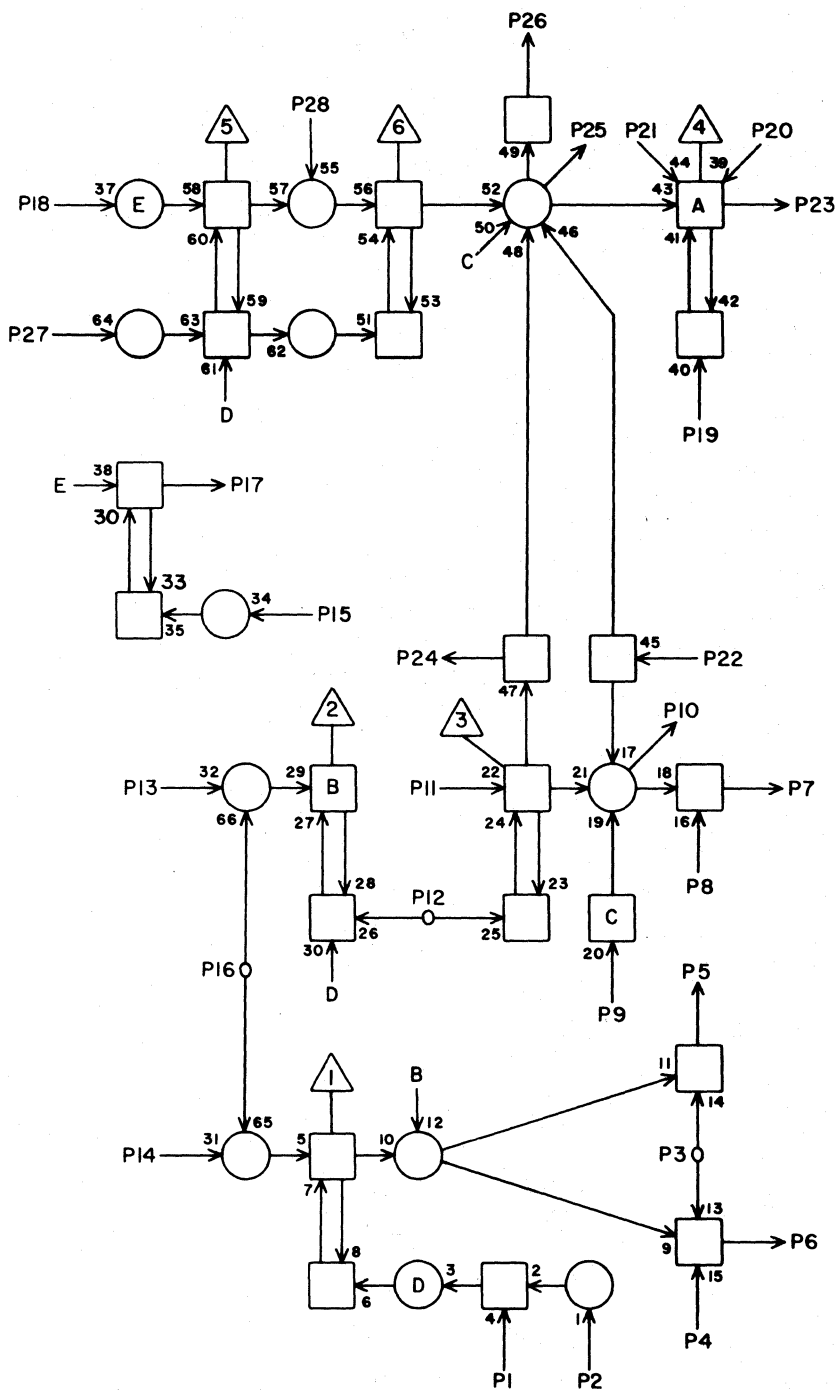
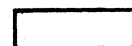
JACK PIN LG

CIRCUIT SPECIFICATION 11827600
 60042700 Rev. AJ

LS 63041900
ASSY



CN



1			
2			
3			
4			
5			
6			
7			
8			
9			
10			
11			
12			
13			
14			
15			
16			
17			
18			
19			
20			
21			
22			
23			
24			
25			
26			
27			
28			

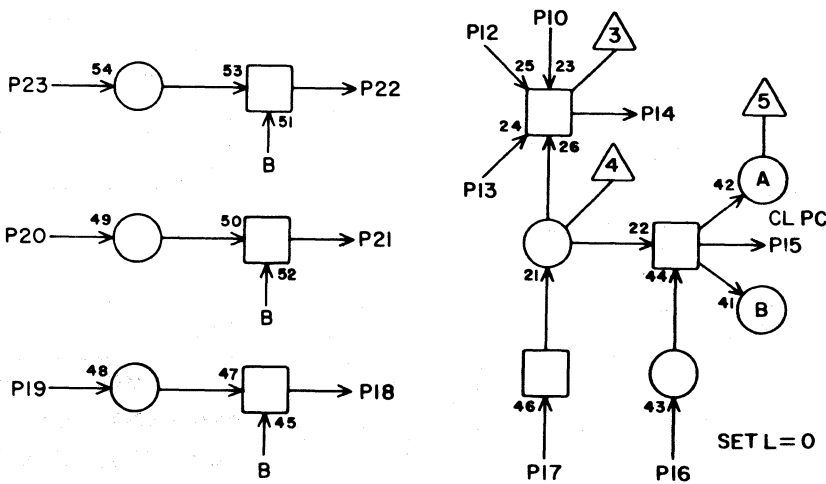
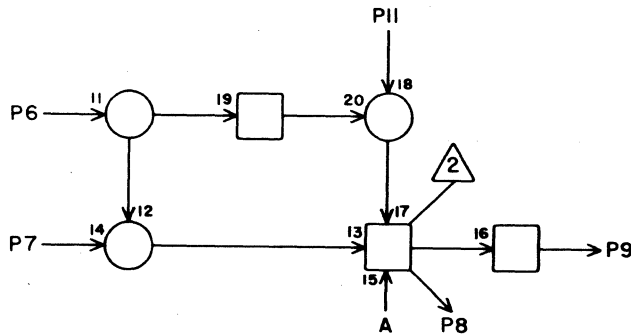
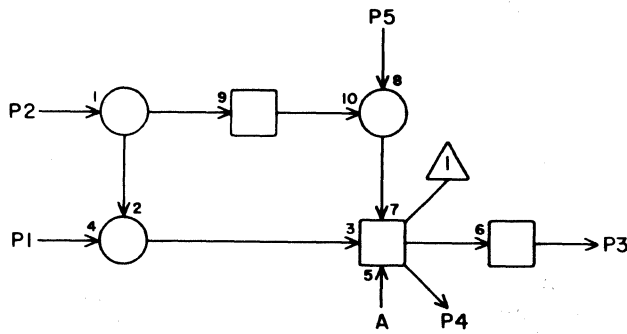
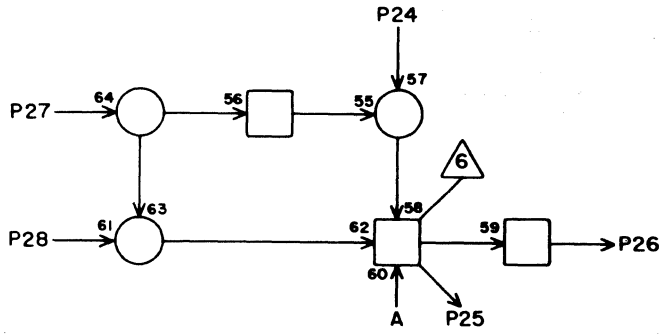
JACK PIN LG

CIRCUIT SPECIFICATION 11827600
60042700 Rev. J

LS 63042000
ASSY

REV

CO



1			
2			
3			
4			
5			
6			
7			
8			
9			
10			
11			
12			
13			
14			
15			
16			
17			
18			
19			
20			
21			
22			
23			
24			
25			
26			
27			
28			

JACK PIN LG

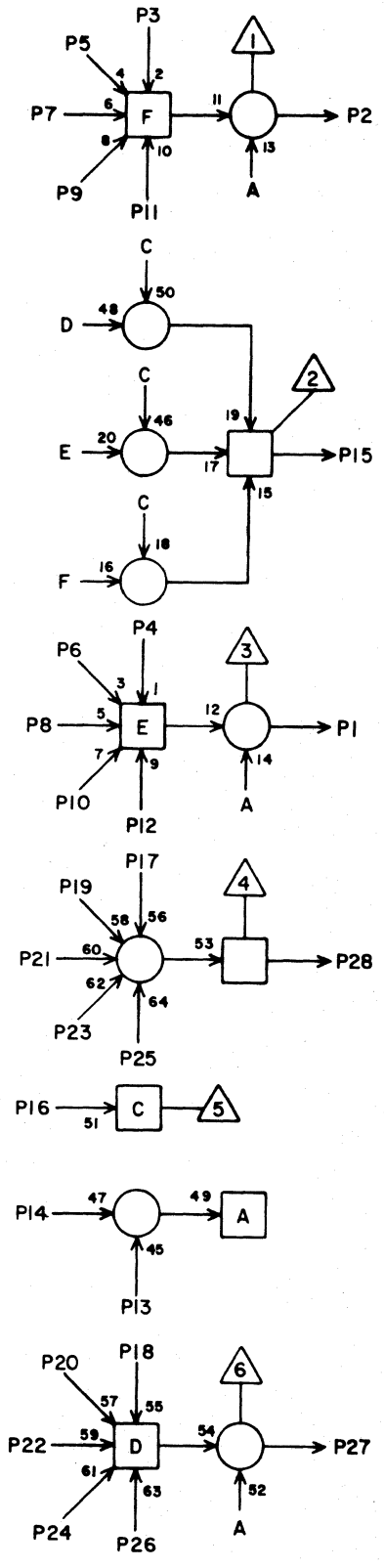
CIRCUIT SPECIFICATION 11827600
60042700 Rev. J

LS 63042100
ASSY

C
REV

CP

[]



1			
2			
3			
4			
5			
6			
7			
8			
9			
10			
11			
12			
13			
14			
15			
16			
17			
18			
19			
20			
21			
22			
23			
24			
25			
26			
27			
28			

JACK PIN LG

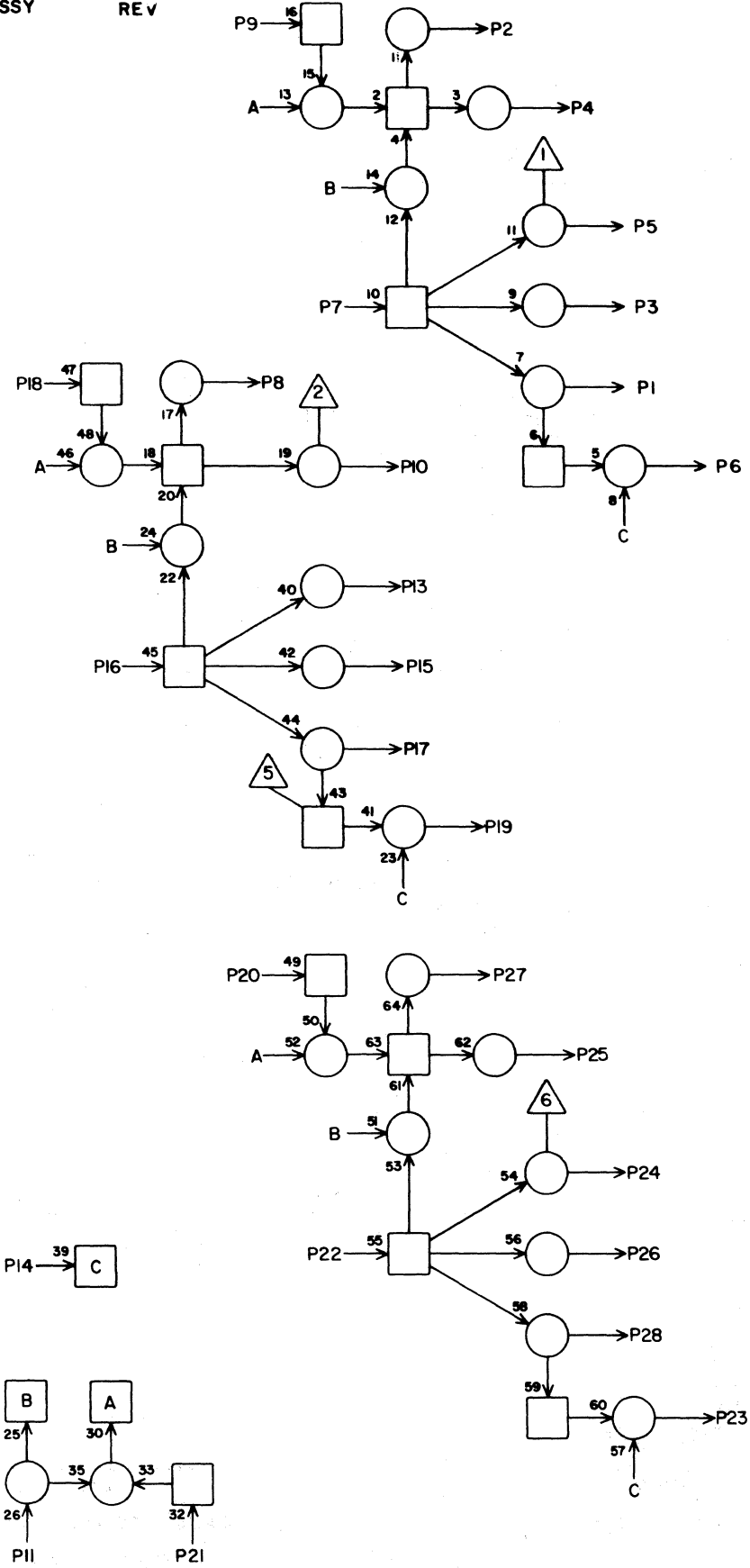
CIRCUIT SPECIFICATION 11827600

60042700 Rev. J

LS 63042200
ASSY

REV

CQ



1			
2			
3			
4			
5			
6			
7			
8			
9			
10			
11			
12			
13			
14			
15			
16			
17			
18			
19			
20			
21			
22			
23			
24			
25			
26			
27			
28			

JACK PIN LG

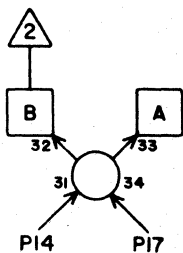
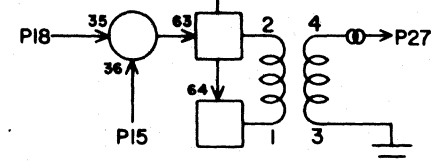
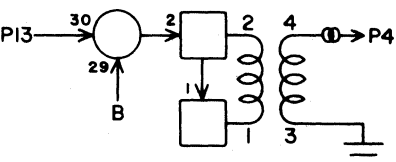
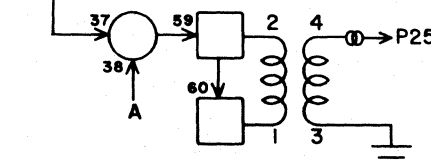
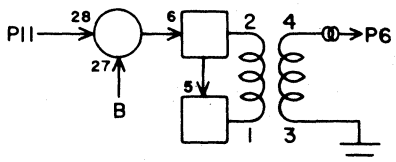
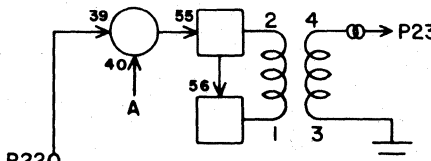
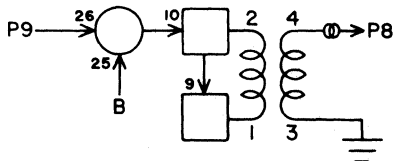
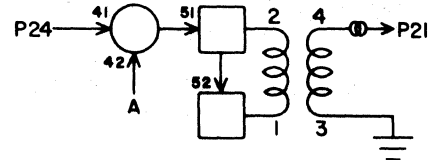
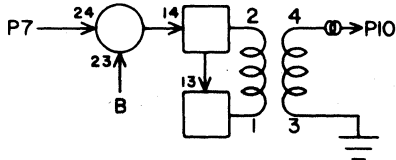
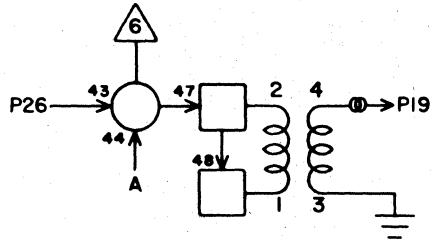
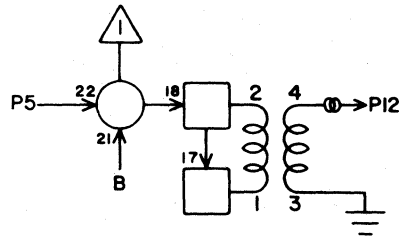
CIRCUIT SPECIFICATION 11827600

60042700 Rev. J

LS 63042300
ASSY

C
REV

CR



1			
2			
3			
4			
5			
6			
7			
8			
9			
10			
11			
12			
13			
14			
15			
16			
17			
18			
19			
20			
21			
22			
23			
24			
25			
26			
27			
28			

JACK PIN LG

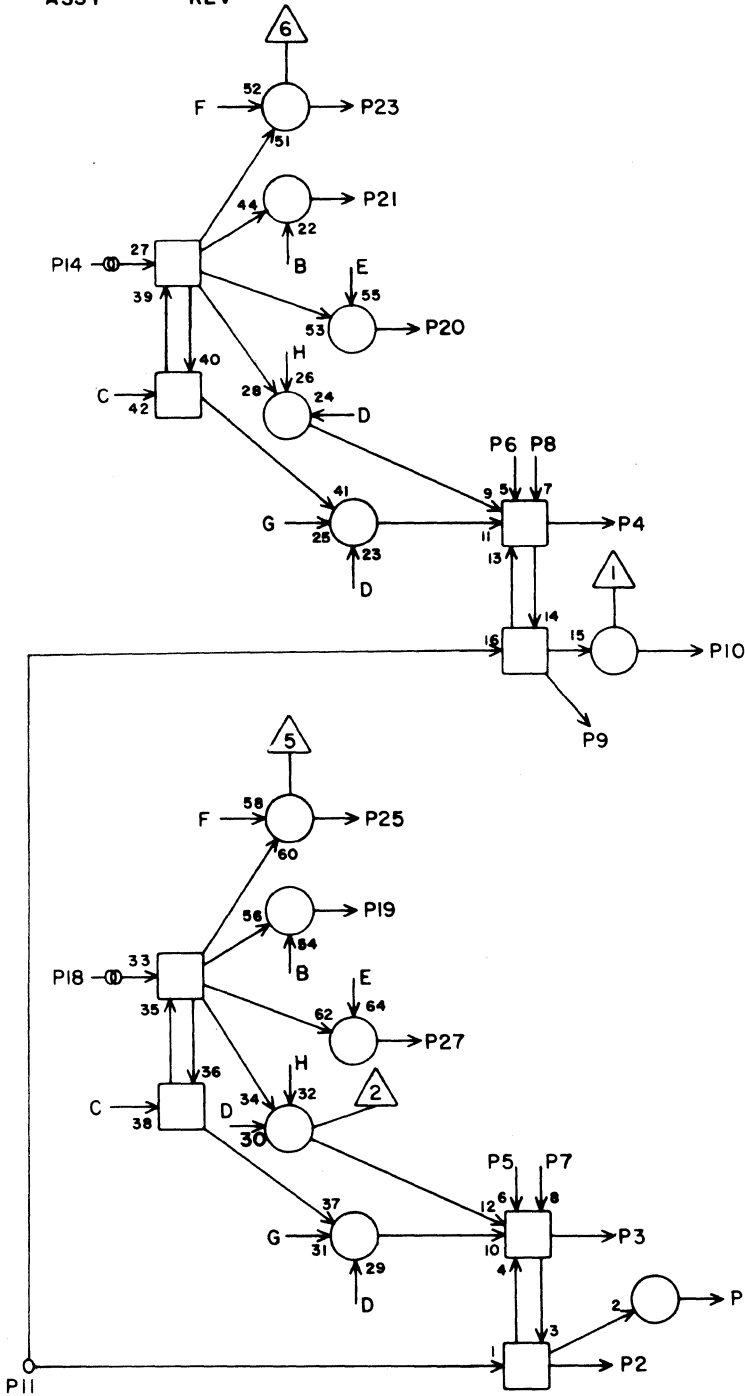
CIRCUIT SPECIFICATION 11827600

60042700 Rev. J

LS 63042400
ASSY

D
REV

CS



PACK
B
↑45
P22

CLEAR
C
↑19
P12

SHIFT
NOM.
D
↑20
P15

ADD
E
↑63
P28

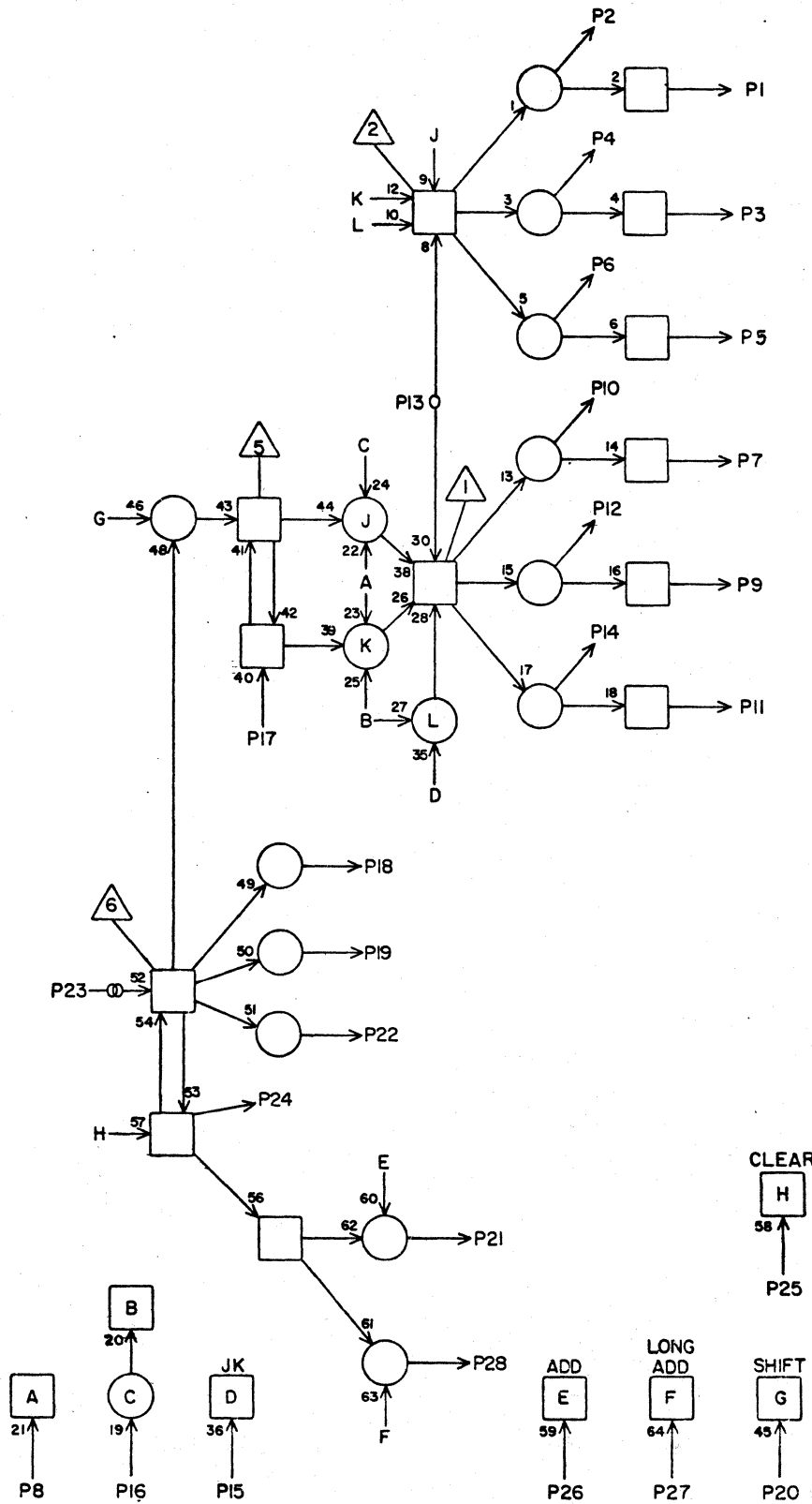
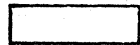
LONG
ADD
F
↑57
P26

SIGN
H
↑17
G
↑18
P13

1			
2			
3			
4			
5			
6			
7			
8			
9			
10			
11			
12			
13			
14			
15			
16			
17			
18			
19			
20			
21			
22			
23			
24			
25			
26			
27			
28			

JACK PIN LG
CIRCUIT SPECIFICATION 11827600

60042700 Rev. J



1			
2			
3			
4			
5			
6			
7			
8			
9			
10			
11			
12			
13			
14			
15			
16			
17			
18			
19			
20			
21			
22			
23			
24			
25			
26			
27			
28			

JACK PIN LG

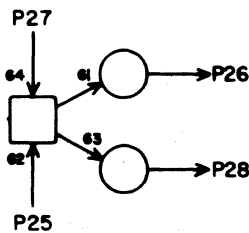
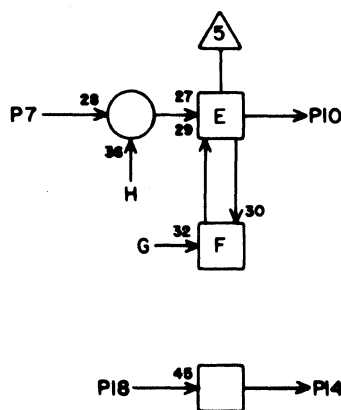
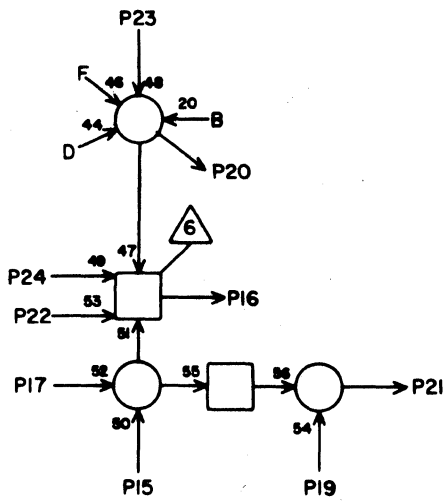
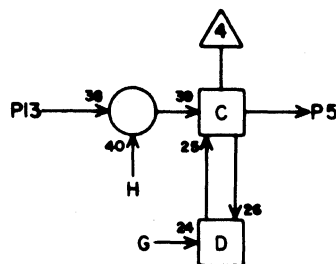
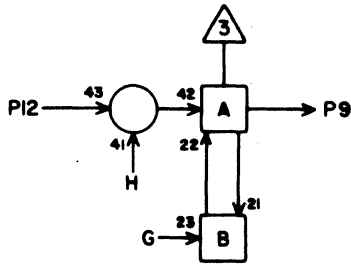
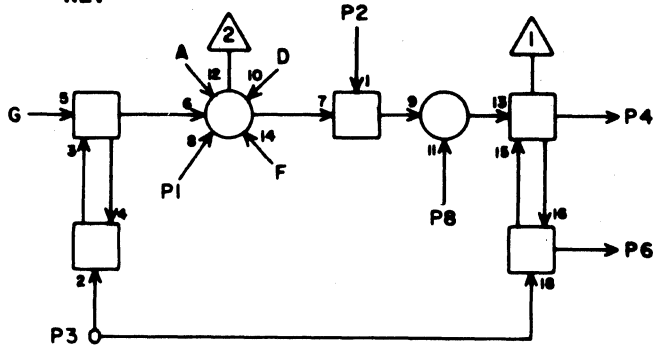
CIRCUIT SPECIFICATION 11827600

60042700 Rev. Y

LS 63042600
ASSY

F
REV

CU



1			
2			
3			
4			
5			
6			
7			
8			
9			
10			
11			
12			
13			
14			
15			
16			
17			
18			
19			
20			
21			
22			
23			
24			
25			
26			
27			
28			

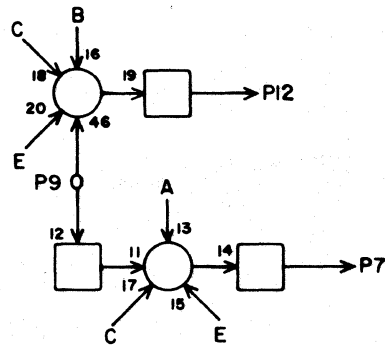
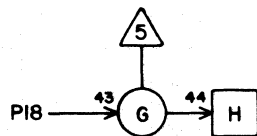
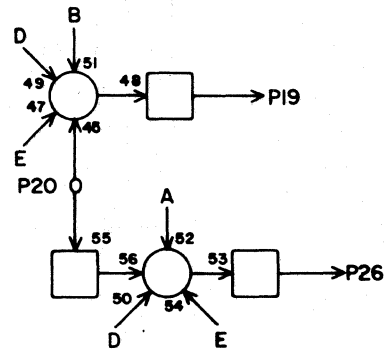
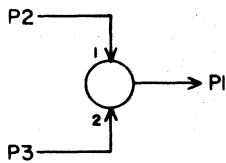
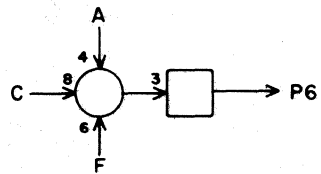
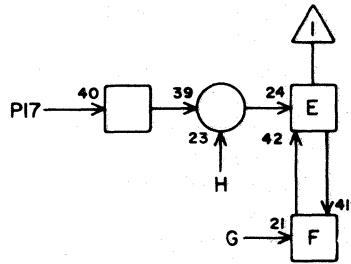
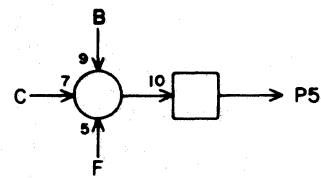
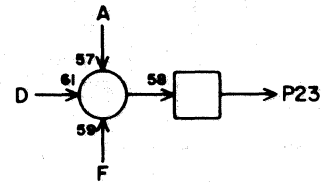
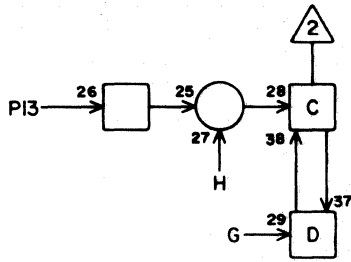
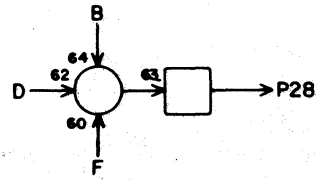
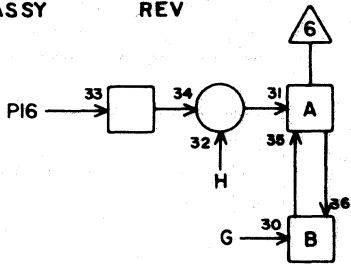
JACK PIN LG
CIRCUIT SPECIFICATION 11827600

60042700 Rev. J

LS 63042700
ASSY

REV

CV



1			
2			
3			
4			
5			
6			
7			
8			
9			
10			
11			
12			
13			
14			
15			
16			
17			
18			
19			
20			
21			
22			
23			
24			
25			
26			
27			
28			

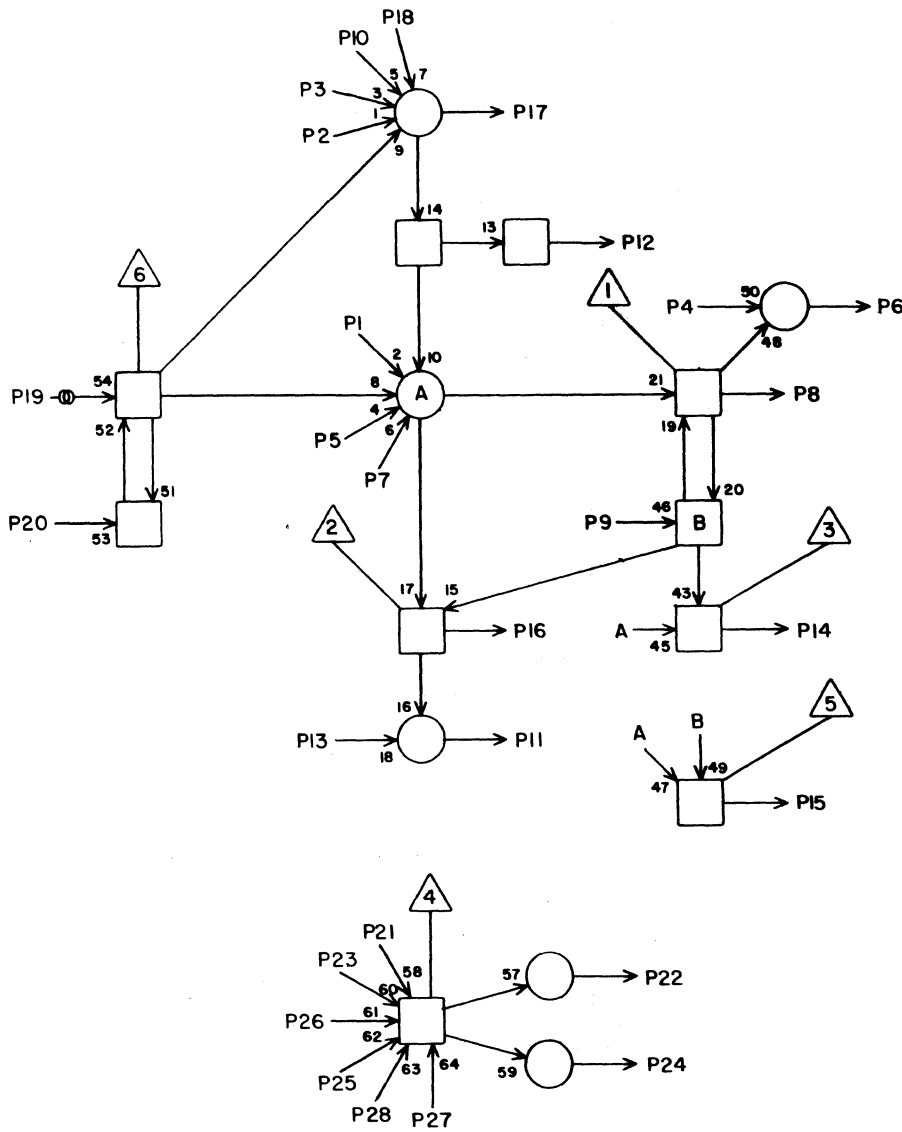
JACK PIN LG
CIRCUIT SPECIFICATION 11827600

60042700 Rev. J

LS 63042800
ASSY

D
REV

CW

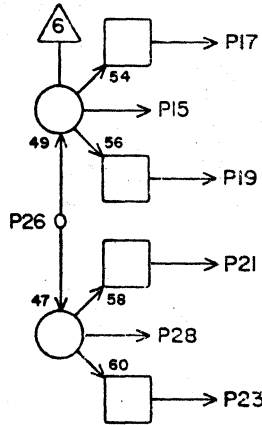
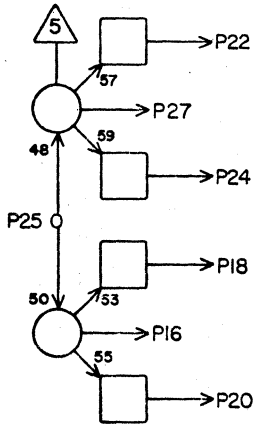
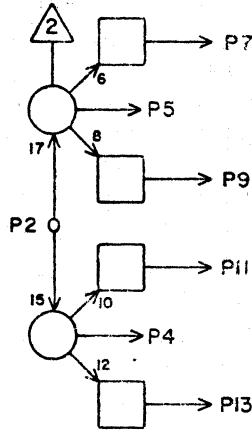
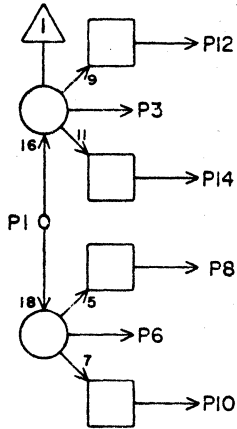
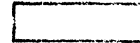


1			
2			
3			
4			
5			
6			
7			
8			
9			
10			
11			
12			
13			
14			
15			
16			
17			
18			
19			
20			
21			
22			
23			
24			
25			
26			
27			
28			

JACK PIN LG

CIRCUIT SPECIFICATION 11827600

60042700 Rev. P



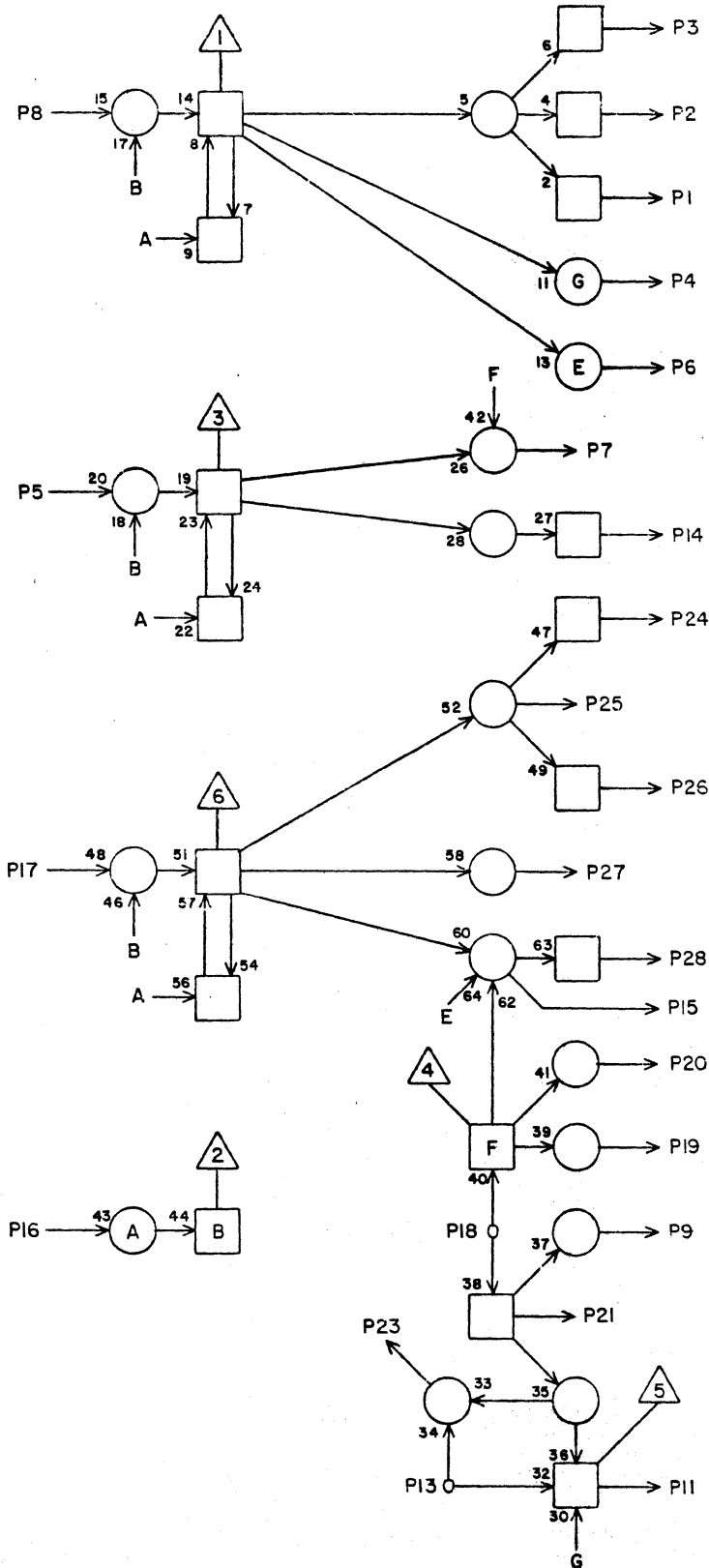
1		
2		
3		
4		
5		
6		
7		
8		
9		
10		
11		
12		
13		
14		
15		
16		
17		
18		
19		
20		
21		
22		
23		
24		
25		
26		
27		
28		

JACK PIN LG

LS 63043000
ASSY

D
REV

CY



1			
2			
3			
4			
5			
6			
7			
8			
9			
10			
11			
12			
13			
14			
15			
16			
17			
18			
19			
20			
21			
22			
23			
24			
25			
26			
27			
28			

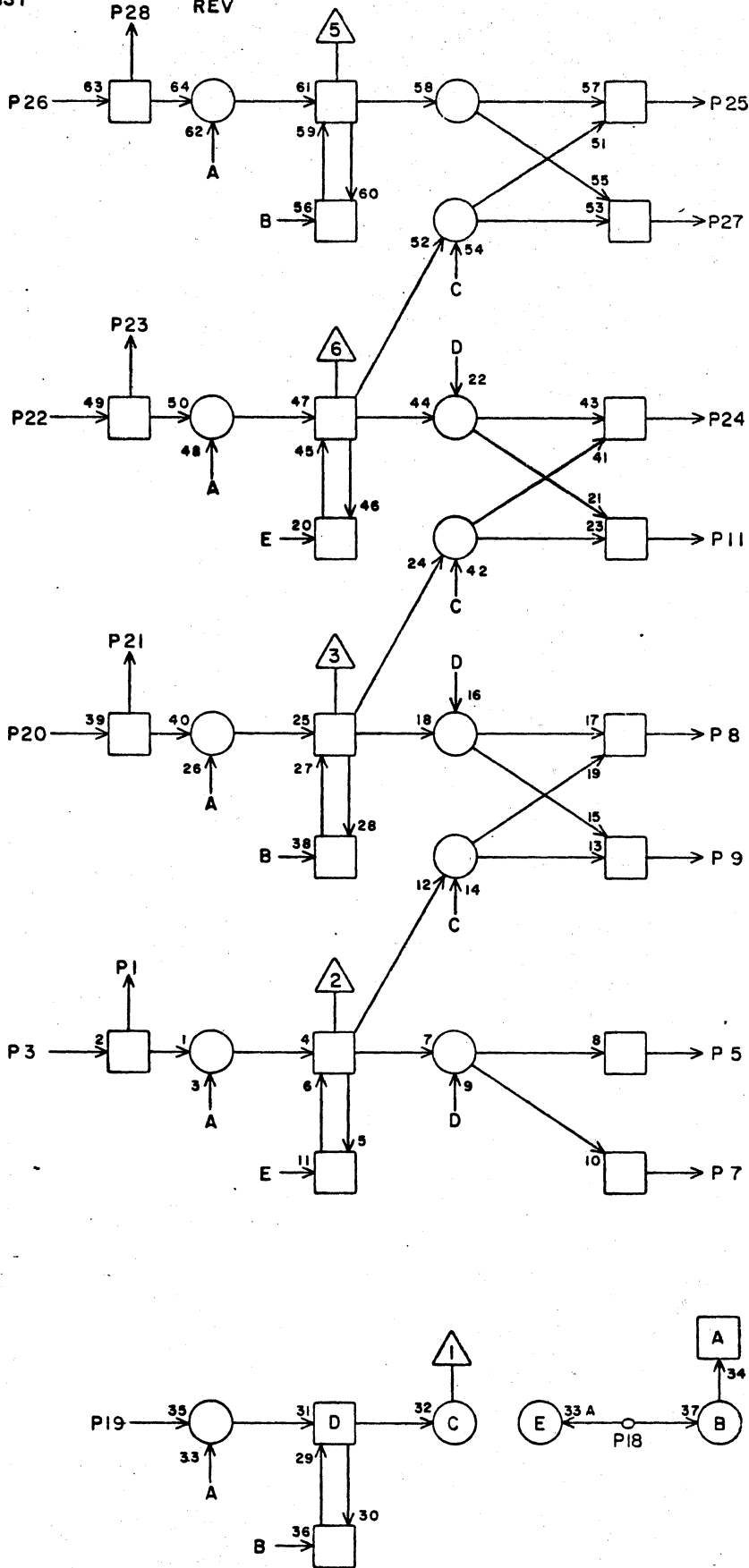
JACK PIN LG

CIRCUIT SPECIFICATION 11827600
60042700 Rev. J

LS 63043100
ASSY

C
REV

CZ



1			
2			
3			
4			
5			
6			
7			
8			
9			
10			
11			
12			
13			
14			
15			
16			
17			
18			
19			
20			
21			
22			
23			
24			
25			
26			
27			
28			

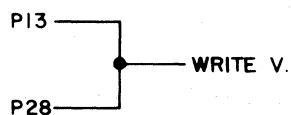
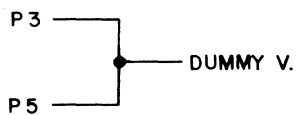
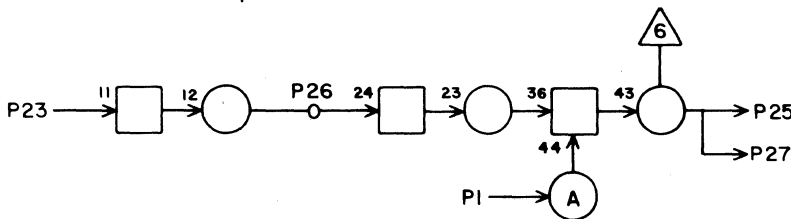
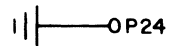
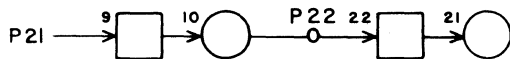
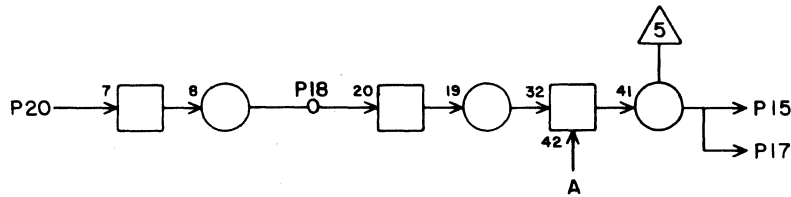
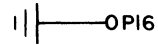
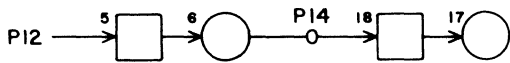
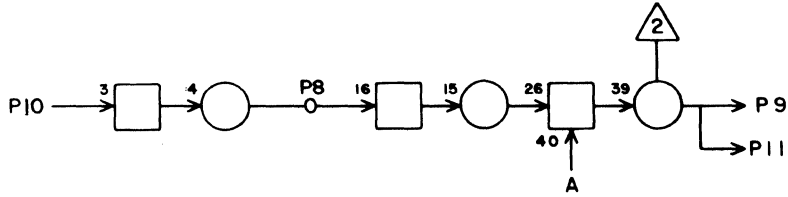
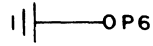
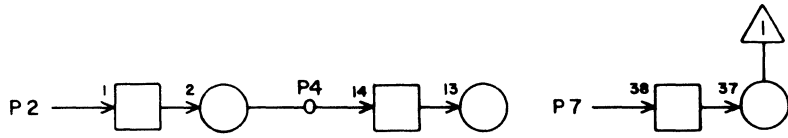
JACK PIN LG

CIRCUIT SPECIFICATION 11827600
60042700 Rev. J

LS 63043200
ASSY

E
REV

DA
SPECIAL
MODULE



1			
2			
3			
4			
5			
6			
7			
8			
9			
10			
11			
12			
13			
14			
15			
16			
17			
18			
19			
20			
21			
22			
23			
24			
25			
26			
27			
28			

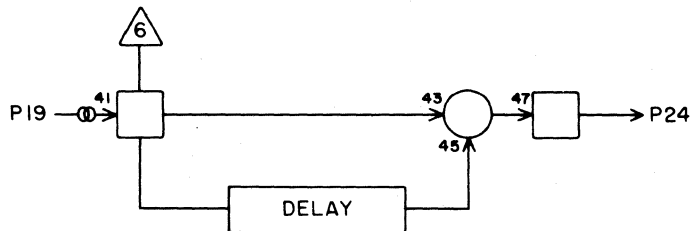
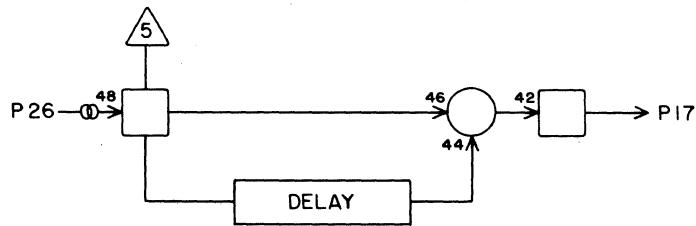
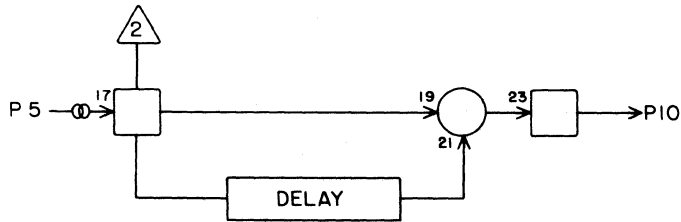
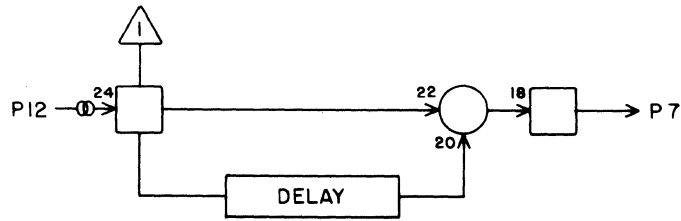
JACK PIN LG
CIRCUIT SPECIFICATION 11827600



LS 63043400
ASSY

D
REV

DC

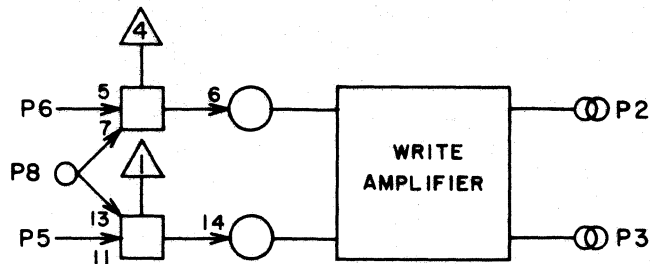
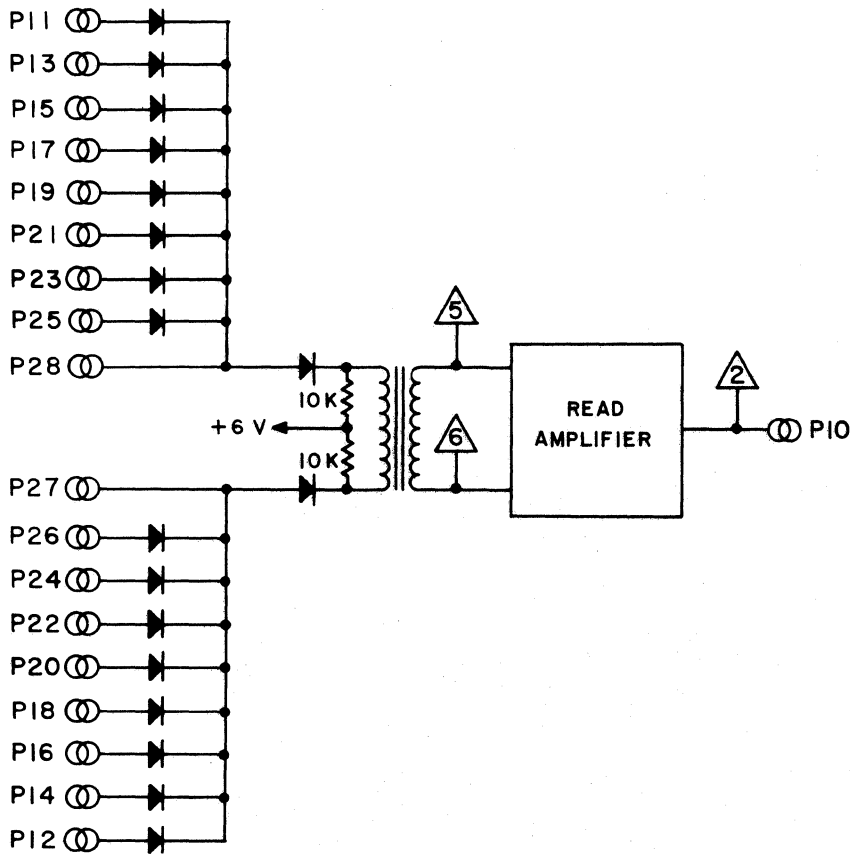


1			
2			
3			
4			
5			
6			
7			
8			
9			
10			
11			
12			
13			
14			
15			
16			
17			
18			
19			
20			
21			
22			
23			
24			
25			
26			
27			
28			

JACK PIN LG

CIRCUIT SPECIFICATION I1827600

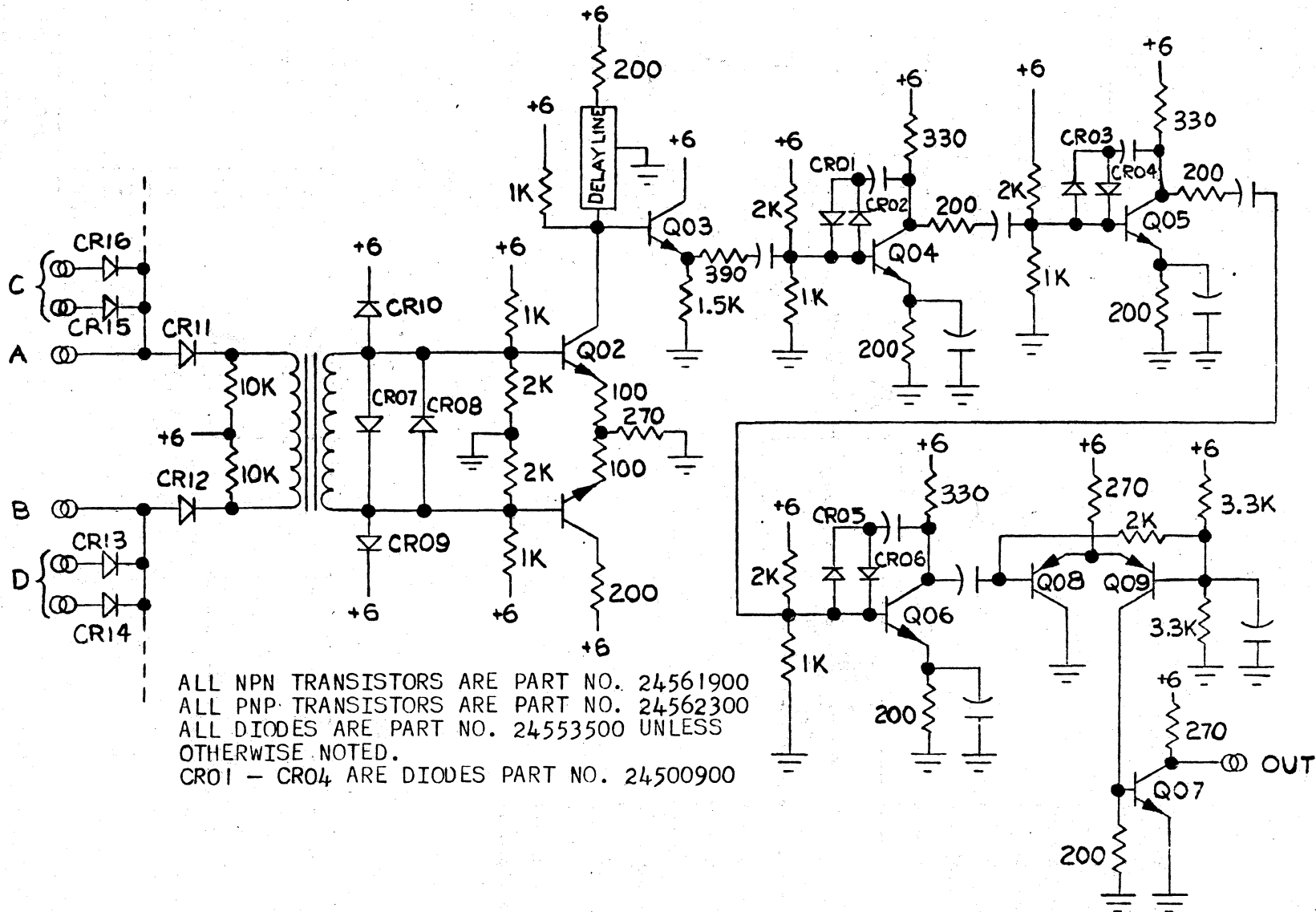
60042700 Rev. J



1			
2			
3			
4			
5			
6			
7			
8			
9			
10			
11			
12			
13			
14			
15			
16			
17			
18			
19			
20			
21			
22			
23			
24			
25			
26			
27			
28			

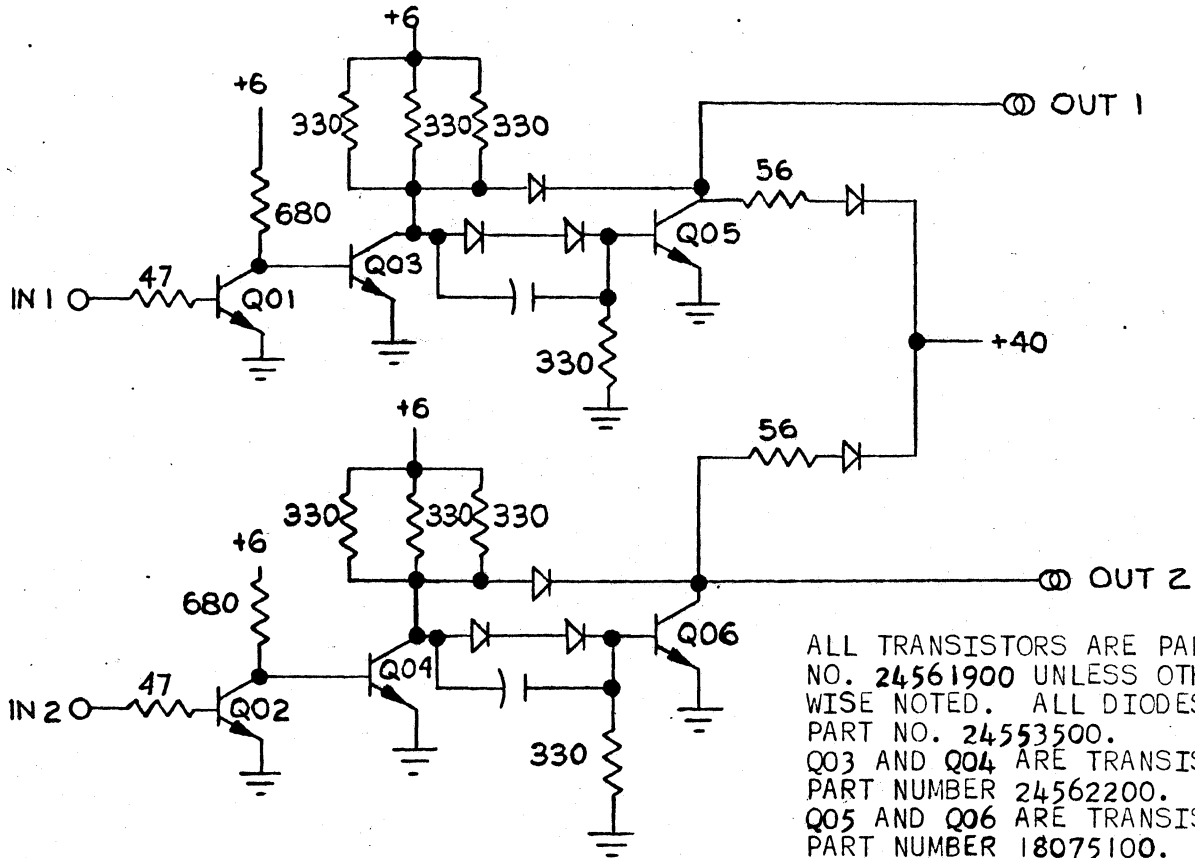
JACK PIN LG

READ AMPLIFIER



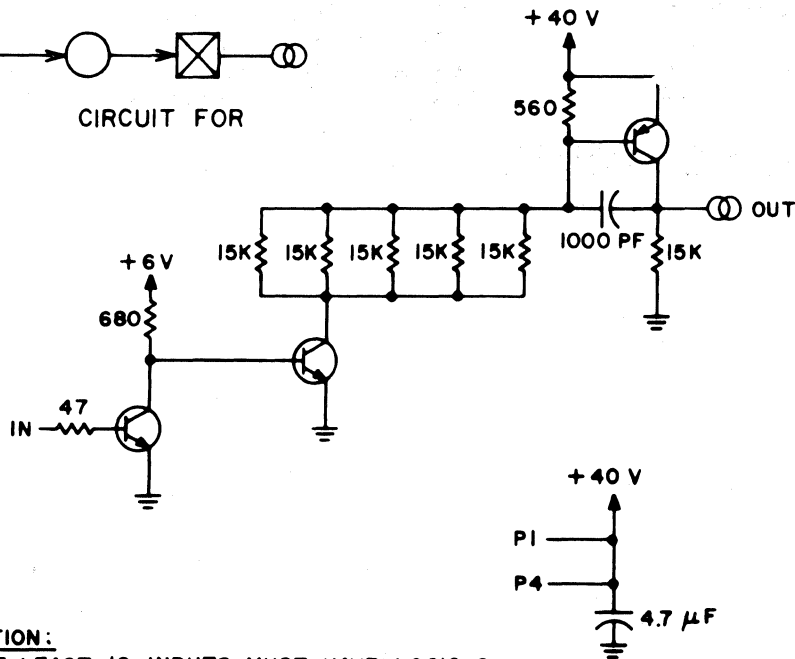
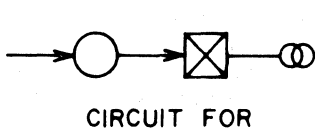
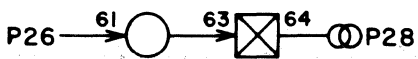
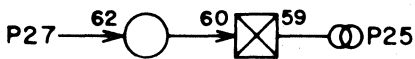
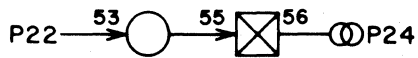
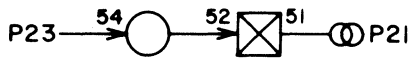
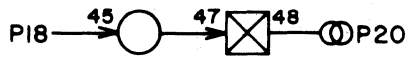
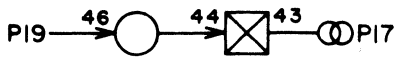
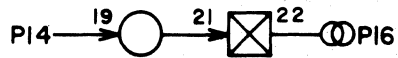
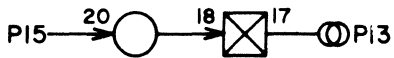
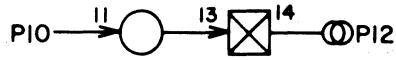
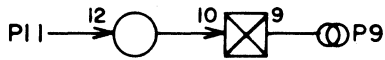
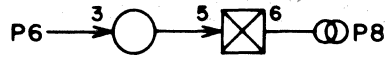
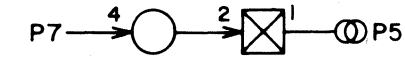
ALL NPN TRANSISTORS ARE PART NO. 24561900
 ALL PNP TRANSISTORS ARE PART NO. 24562300
 ALL DIODES ARE PART NO. 24553500 UNLESS
 OTHERWISE NOTED.
 CR01 - CR04 ARE DIODES PART NO. 24500900

WRITE AMPLIFIER



ALL TRANSISTORS ARE PART NO. 24561900 UNLESS OTHERWISE NOTED. ALL DIODES ARE PART NO. 24553500. Q03 AND Q04 ARE TRANSISTORS PART NUMBER 24562200. Q05 AND Q06 ARE TRANSISTORS PART NUMBER 18075100.

ELECTRICAL SCHEMATIC

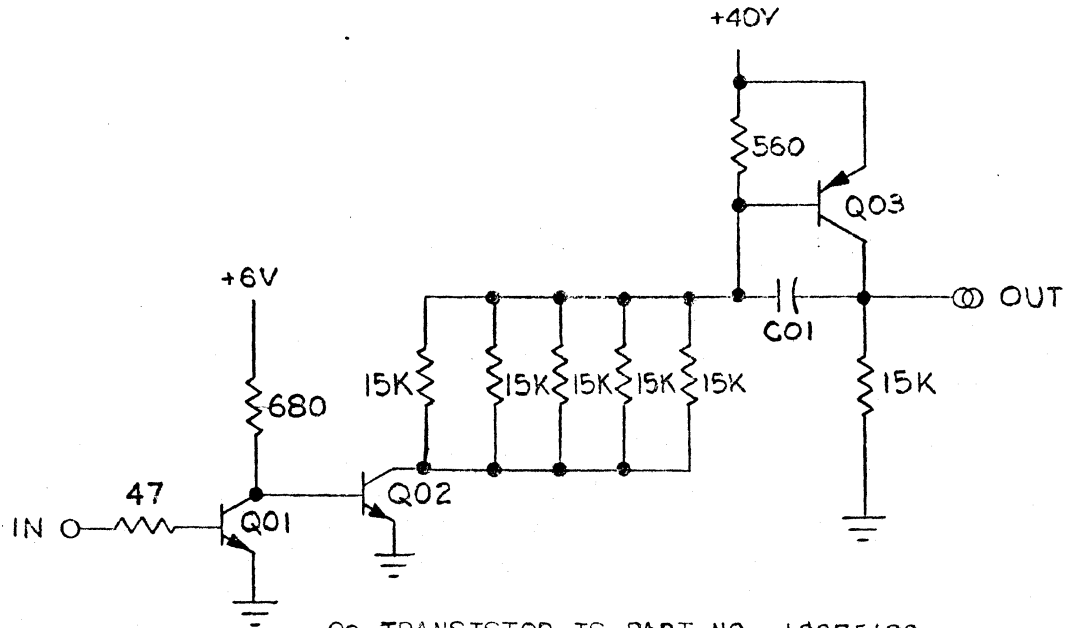


1			
2			
3			
4			
5			
6			
7			
8			
9			
10			
11			
12			
13			
14			
15			
16			
17			
18			
19			
20			
21			
22			
23			
24			
25			
26			
27			
28			

JACK PIN LG

CAUTION:

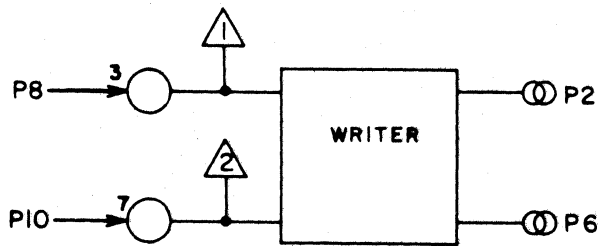
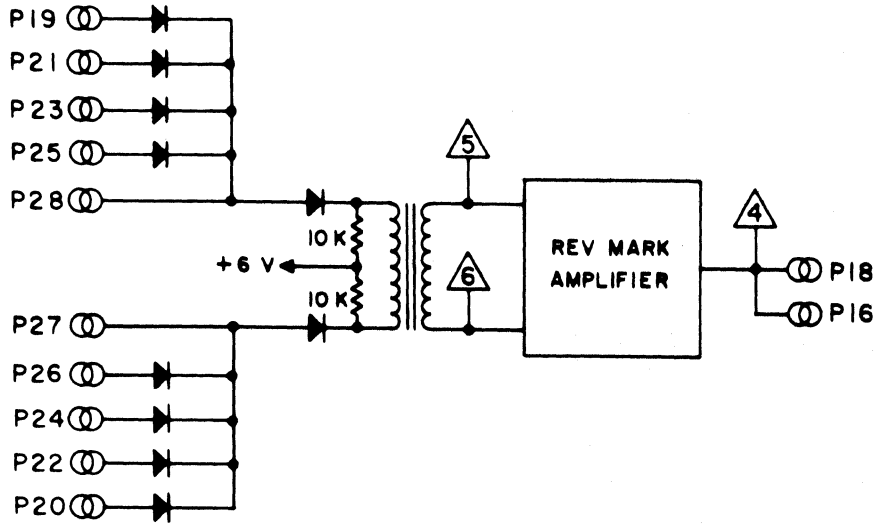
AT LEAST 10 INPUTS MUST HAVE LOGIC 0 AT ANY GIVEN TIME. (OTHERWISE CARD WILL DISSIPATE MORE THAN 4 WATTS).



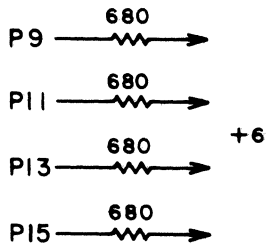
Q2 TRANSISTOR IS PART NO. 18075100
Q3 TRANSISTOR IS PART NO. 17942801

ELECTRICAL SCHEMATIC





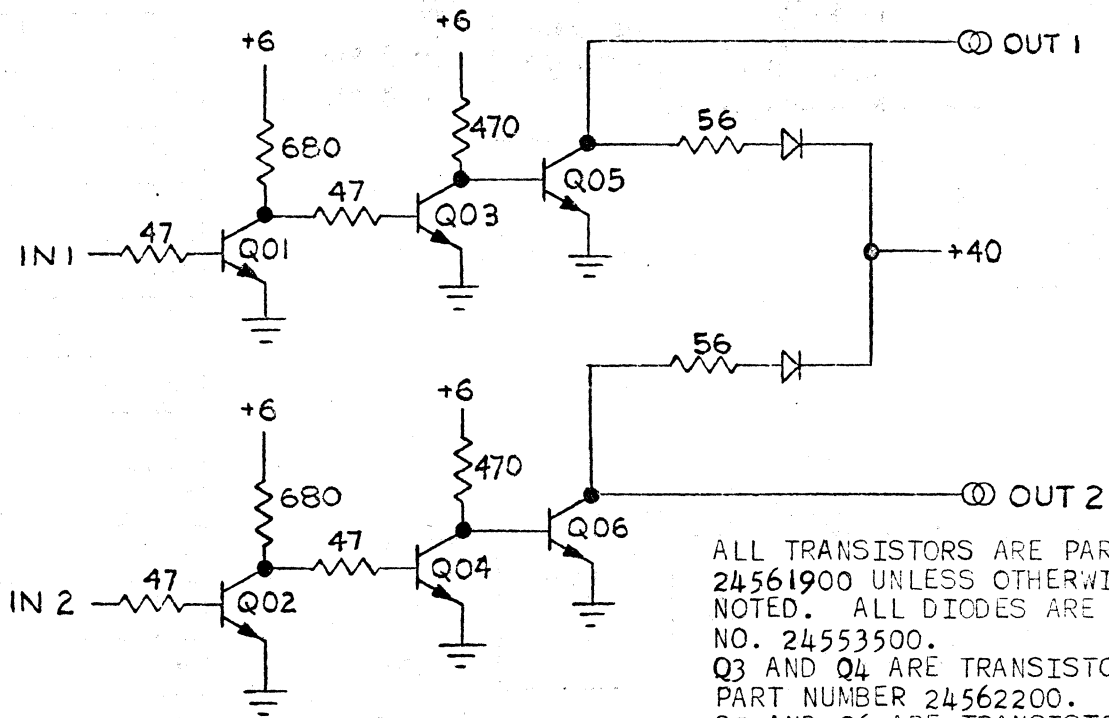
NOTE:
GROUND TEST POINTS 1 & 2
TO WRITE REV MARK.



1			
2			
3			
4			
5			
6			
7			
8			
9			
10			
11			
12			
13			
14			
15			
16			
17			
18			
19			
20			
21			
22			
23			
24			
25			
26			
27			
28			

JACK PIN LG

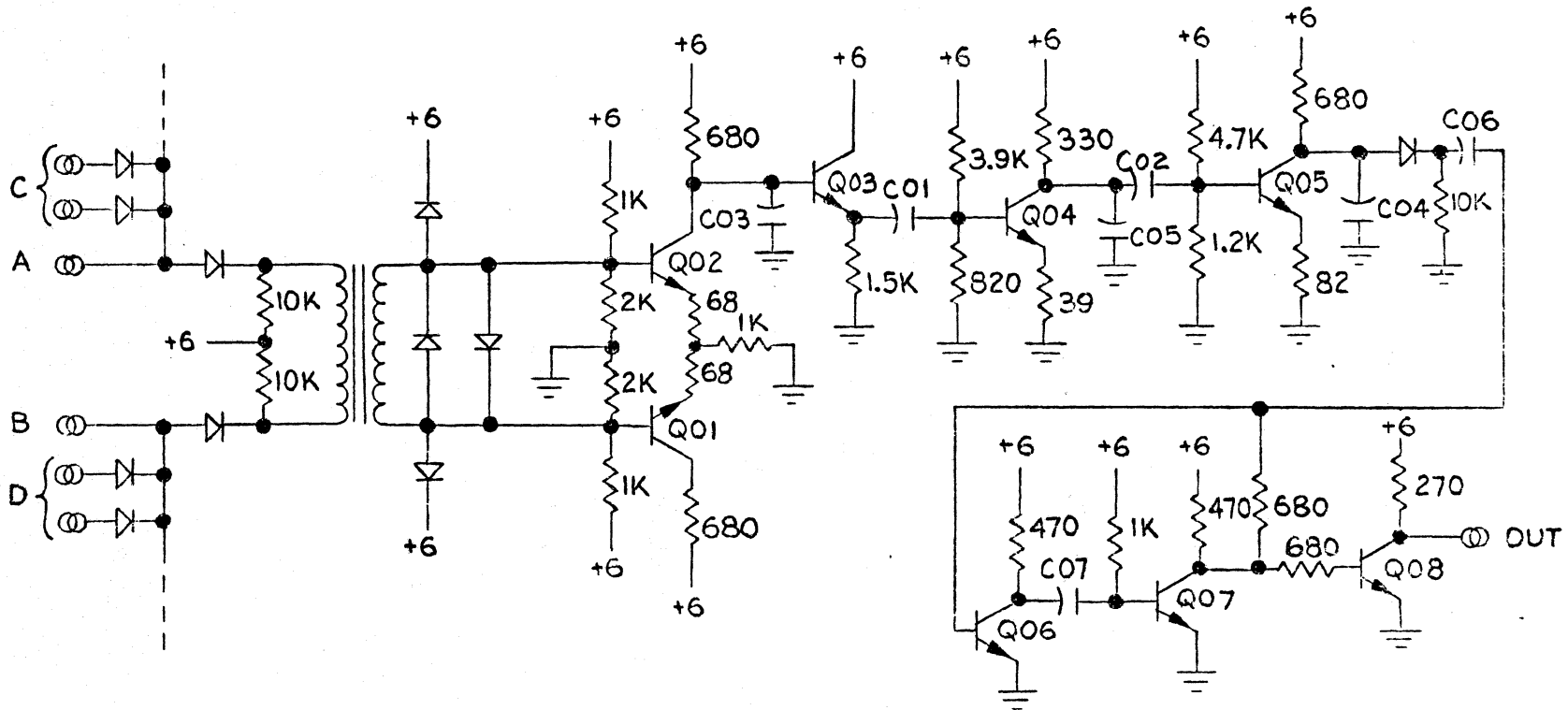
REV. MARK WRITER



ALL TRANSISTORS ARE PART NO.
24561900 UNLESS OTHERWISE
NOTED. ALL DIODES ARE PART
NO. 24553500.
Q3 AND Q4 ARE TRANSISTORS
PART NUMBER 24562200.
Q5 AND Q6 ARE TRANSISTORS
PART NUMBER 18075100.

ELECTRICAL SCHEMATIC

REV, MARK AMPLIFIER



ALL TRANSISTORS ARE PART NO. 24561900
ALL DIODES ARE PART NO. 24553500

ELECTRICAL SCHEMATIC

L.S. 18117700

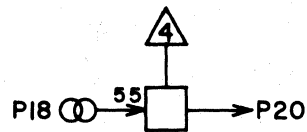
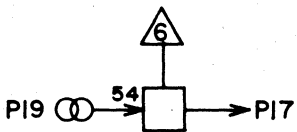
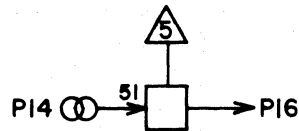
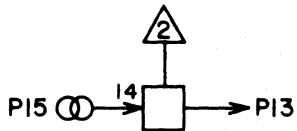
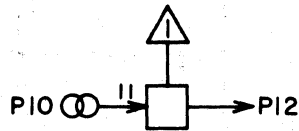
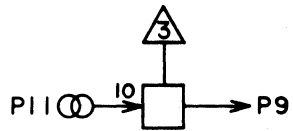
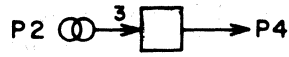
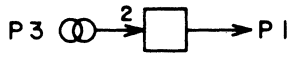
D6
PAGE 3
REV. E

60042700 Rev. W

LS 18117900
ASSY

B
REV

DH



1			
2			
3			
4			
5			
6			
7			
8			
9			
10			
11			
12			
13			
14			
15			
16			
17			
18			
19			
20			
21			
22			
23			
24			
25			
26			
27			
28			

JACK PIN LG

CIRCUIT SPECIFICATION 11827600

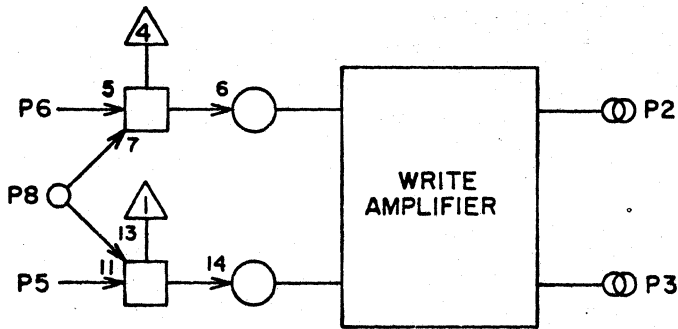
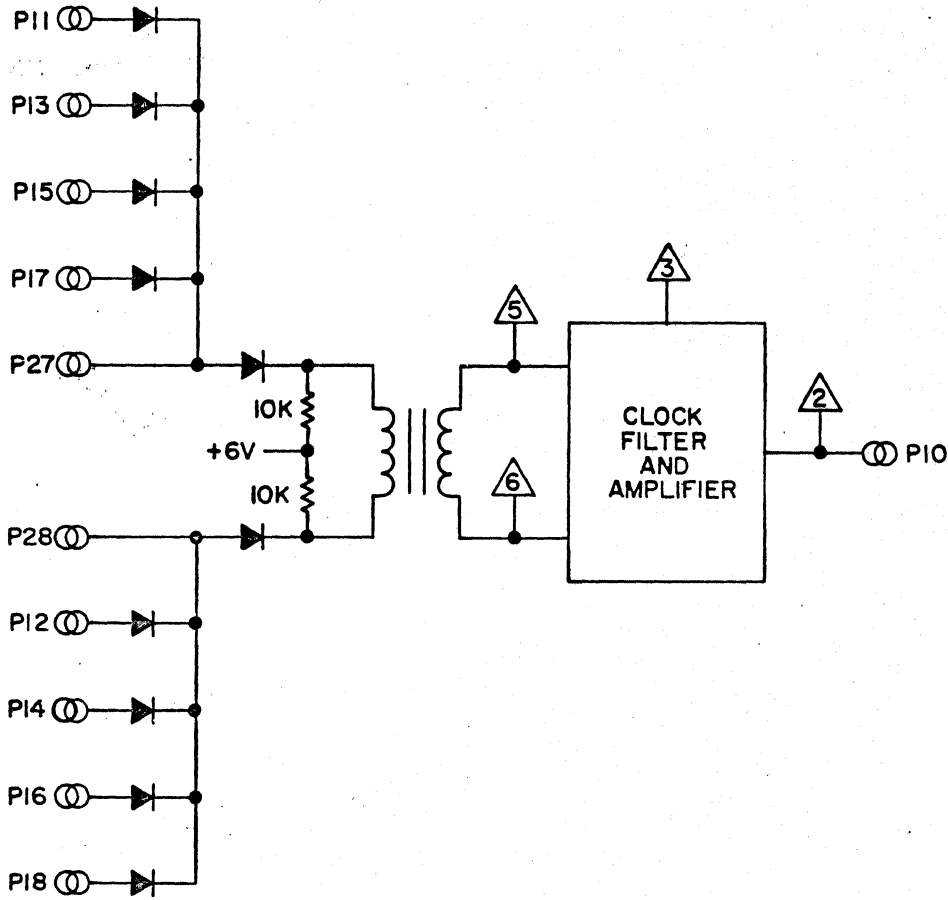
60042700 Rev. K



LS 18762300
ASSY

B
REV

DJ

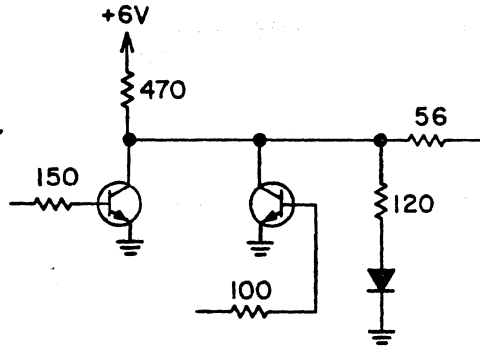
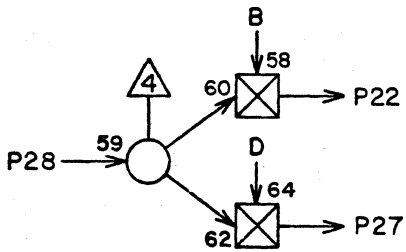
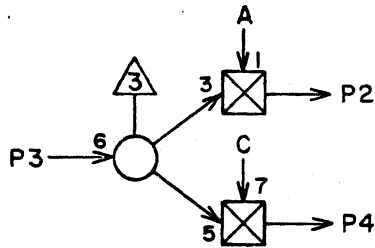
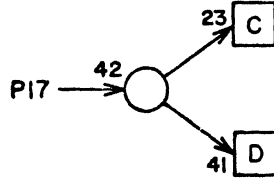
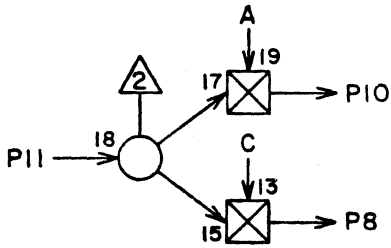
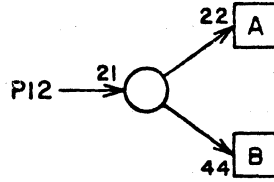
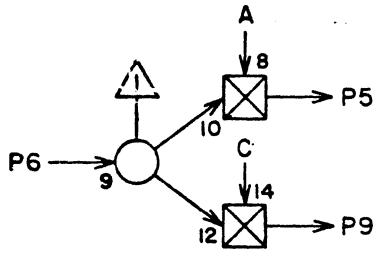
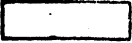


1			
2			
3			
4			
5			
6			
7			
8			
9			
10			
11			
12			
13			
14			
15			
16			
17			
18			
19			
20			
21			
22			
23			
24			
25			
26			
27			
28			

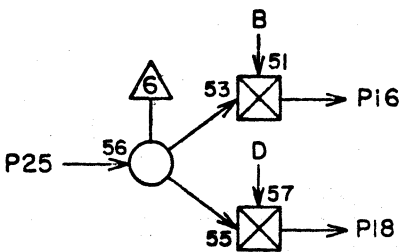
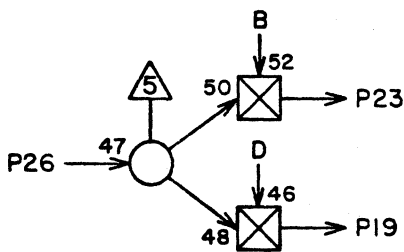
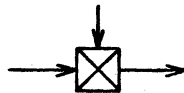
JACK PIN LG
SEE CIRCUIT SPECIFICATION
11827600
60042700 Rev. Y

LS 18453400 **B**
 ASSY REV

DK



CIRCUIT FOR

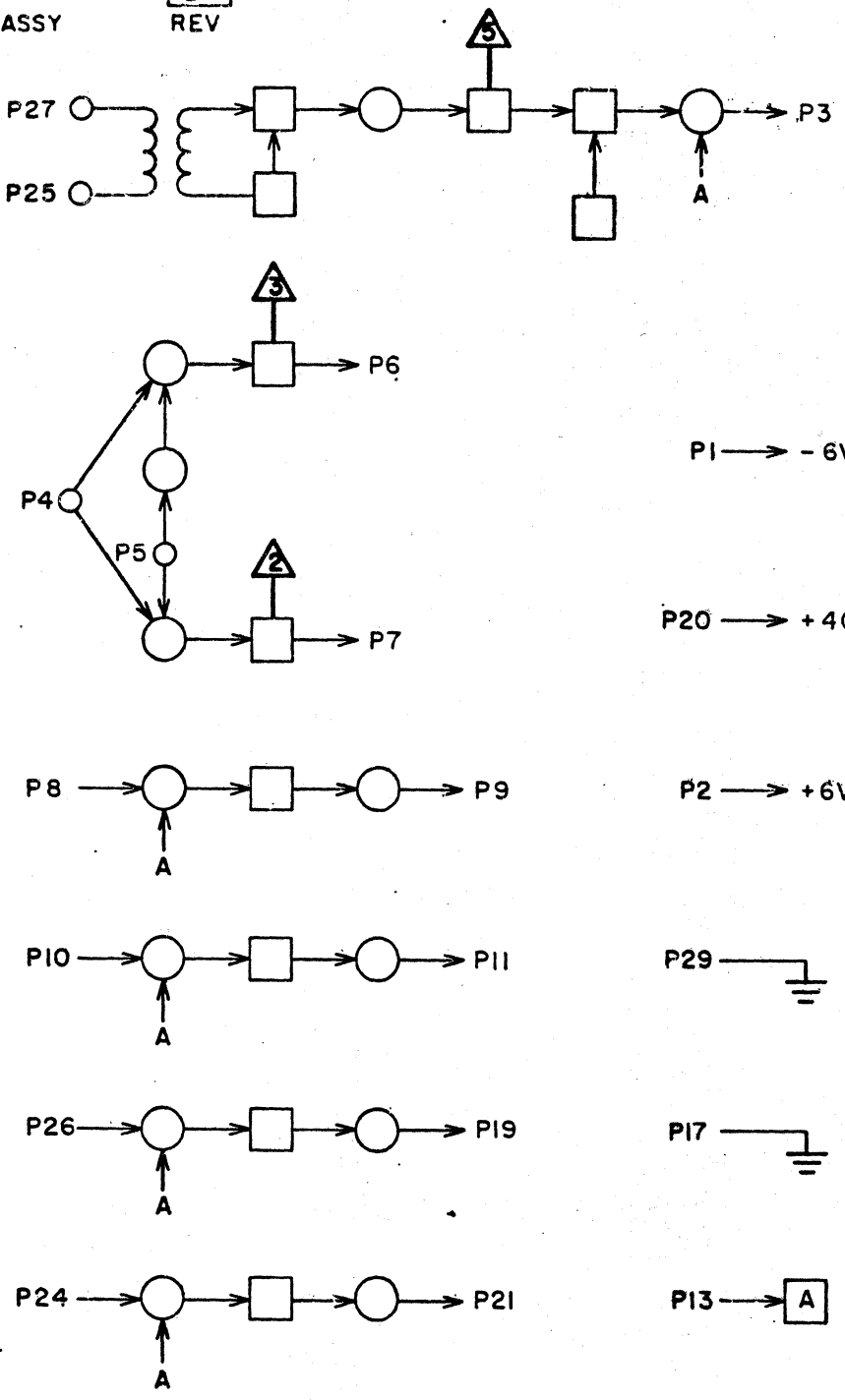


1			
2			
3			
4			
5			
6			
7			
8			
9			
10			
11			
12			
13			
14			
15			
16			
17			
18			
19			
20			
21			
22			
23			
24			
25			
26			
27			
28			

JACK PIN LG
 SEE CIRCUIT SPECIFICATION
 11827600
 60042700 Rev. Y

LS 18453600 B
 ASSY REV

SPECIAL
 DL



FOR CIRCUIT EXPLANATION SEE ELECTRICAL
 SCHEMATIC, DWG NO. 18453900

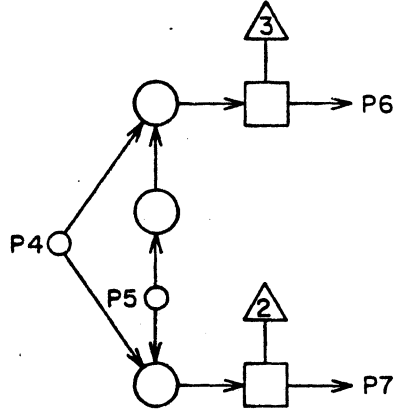
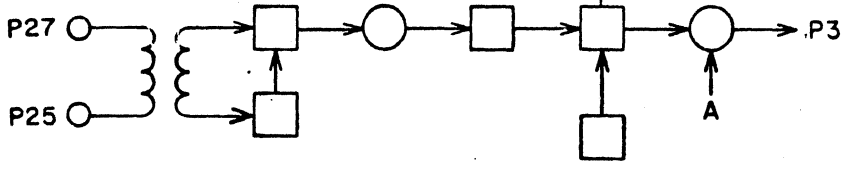
1			
2			
3			
4			
5			
6			
7			
8			
9			
10			
11			
12			
13			
14			
15			
16			
17			
18			
19			
20			
21			
22			
23			
24			
25			
26			
27			
28			

JACK PIN LG
 SEE CIRCUIT SPECIFICATION
 11827600
 60042700 Rev. Y

LS 18453800
ASSY

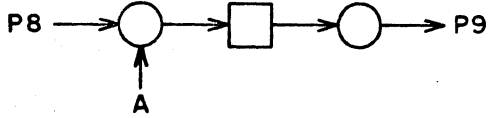


SPECIAL DM

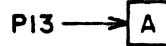
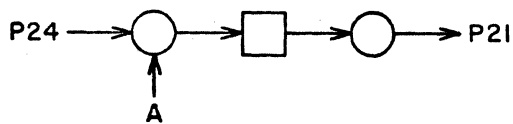
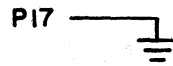
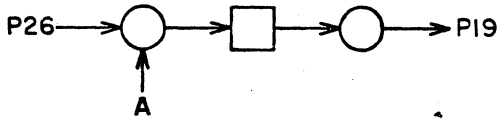
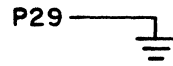
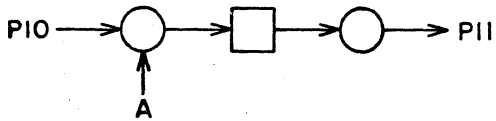


P1 → -6V

P20 → +40V



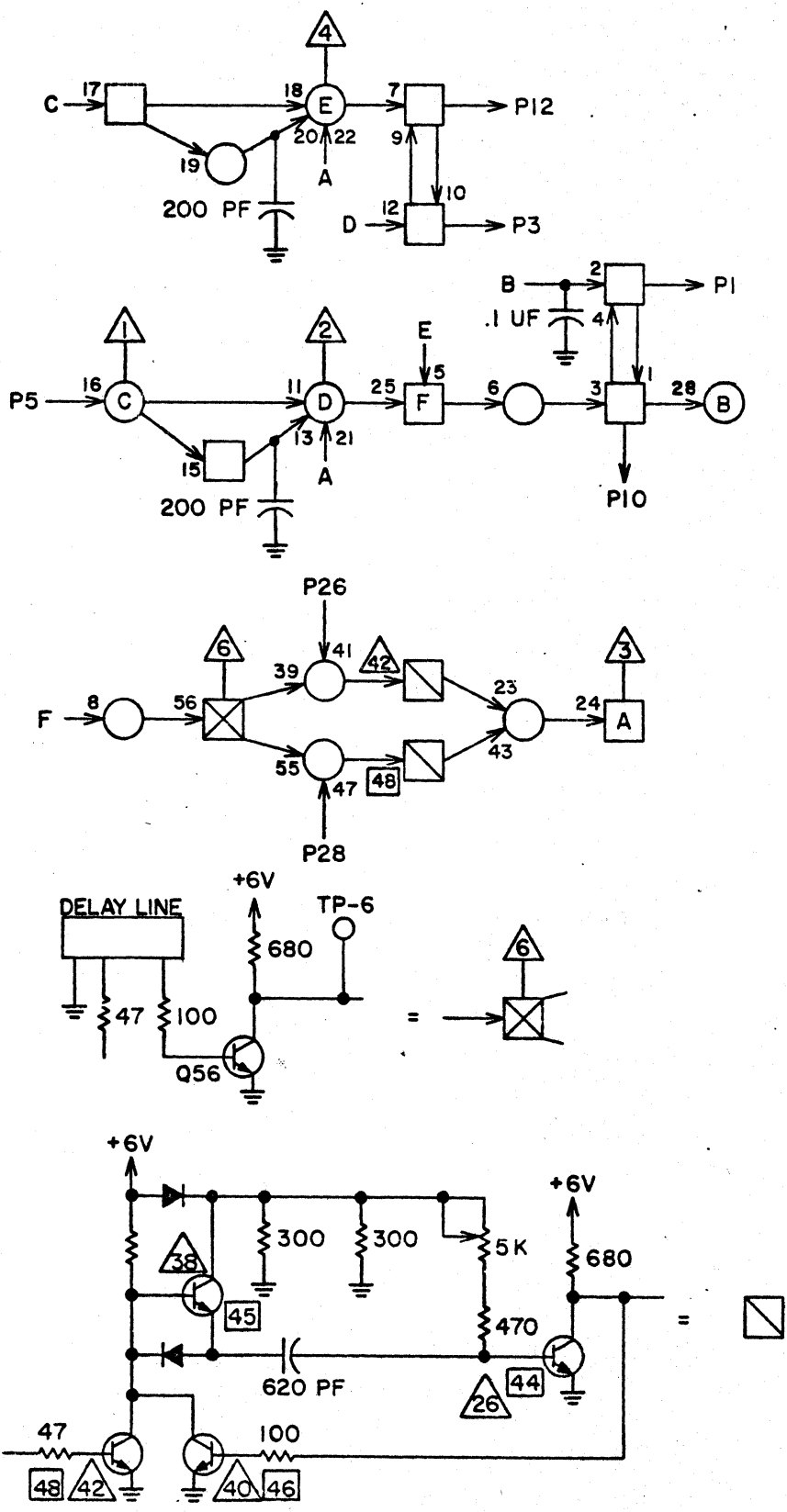
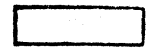
P2 → +6V



FOR CIRCUIT EXPLANATION SEE ELECTRICAL
SCHEMATIC, DWG NO. 18454000

1			
2			
3			
4			
5			
6			
7			
8			
9			
10			
11			
12			
13			
14			
15			
16			
17			
18			
19			
20			
21			
22			
23			
24			
25			
26			
27			
28			

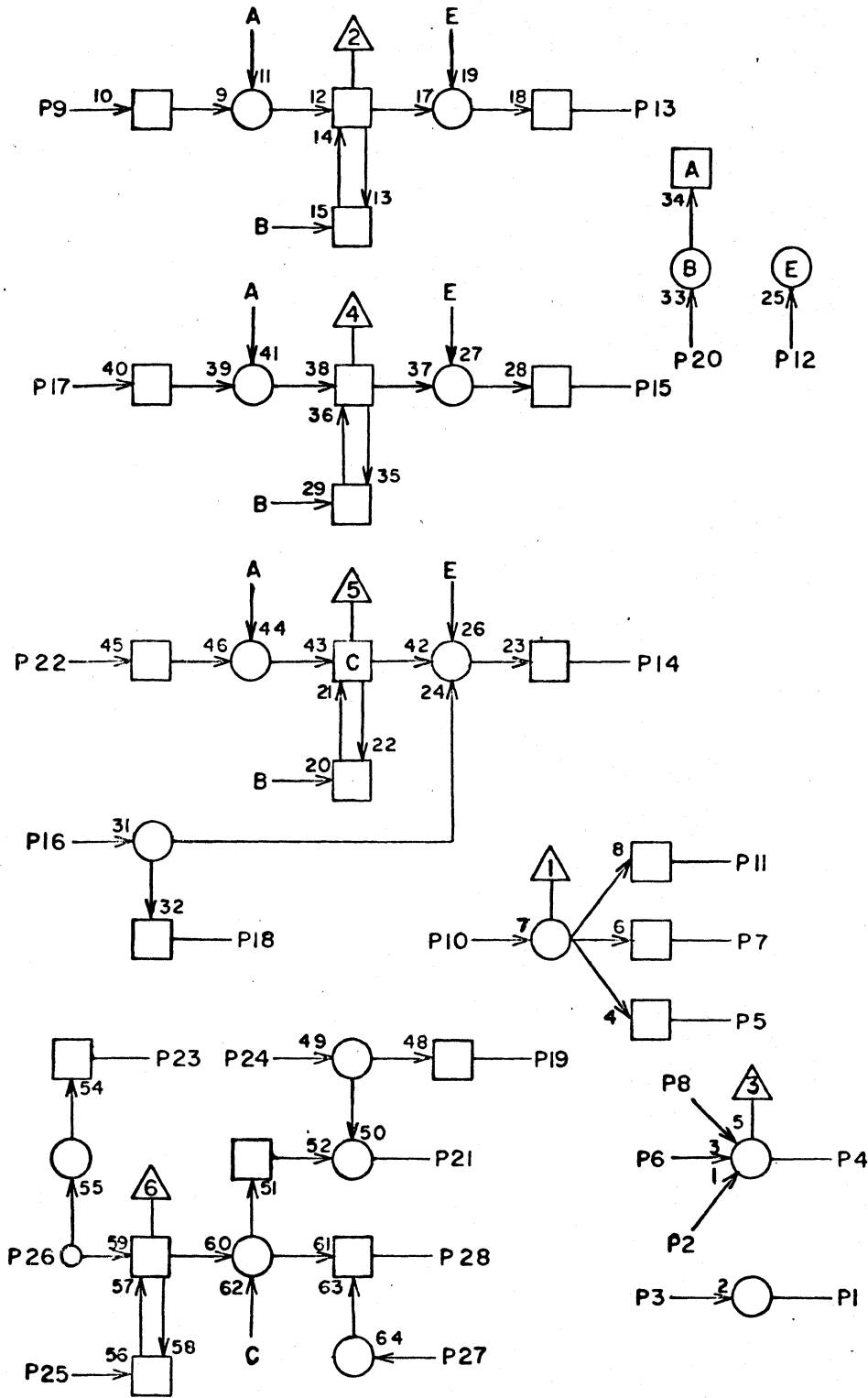
JACK PIN LG
SEE CIRCUIT SPECIFICATION
11827600
60042700 Rev. Y



1			
2			
3			
4			
5			
6			
7			
8			
9			
10			
11			
12			
13			
14			
15			
16			
17			
18			
19			
20			
21			
22			
23			
24			
25			
26			
27			
28			

NOTE
 1. INDICATES ZONE (1)
 INDICATES ZONE (2)

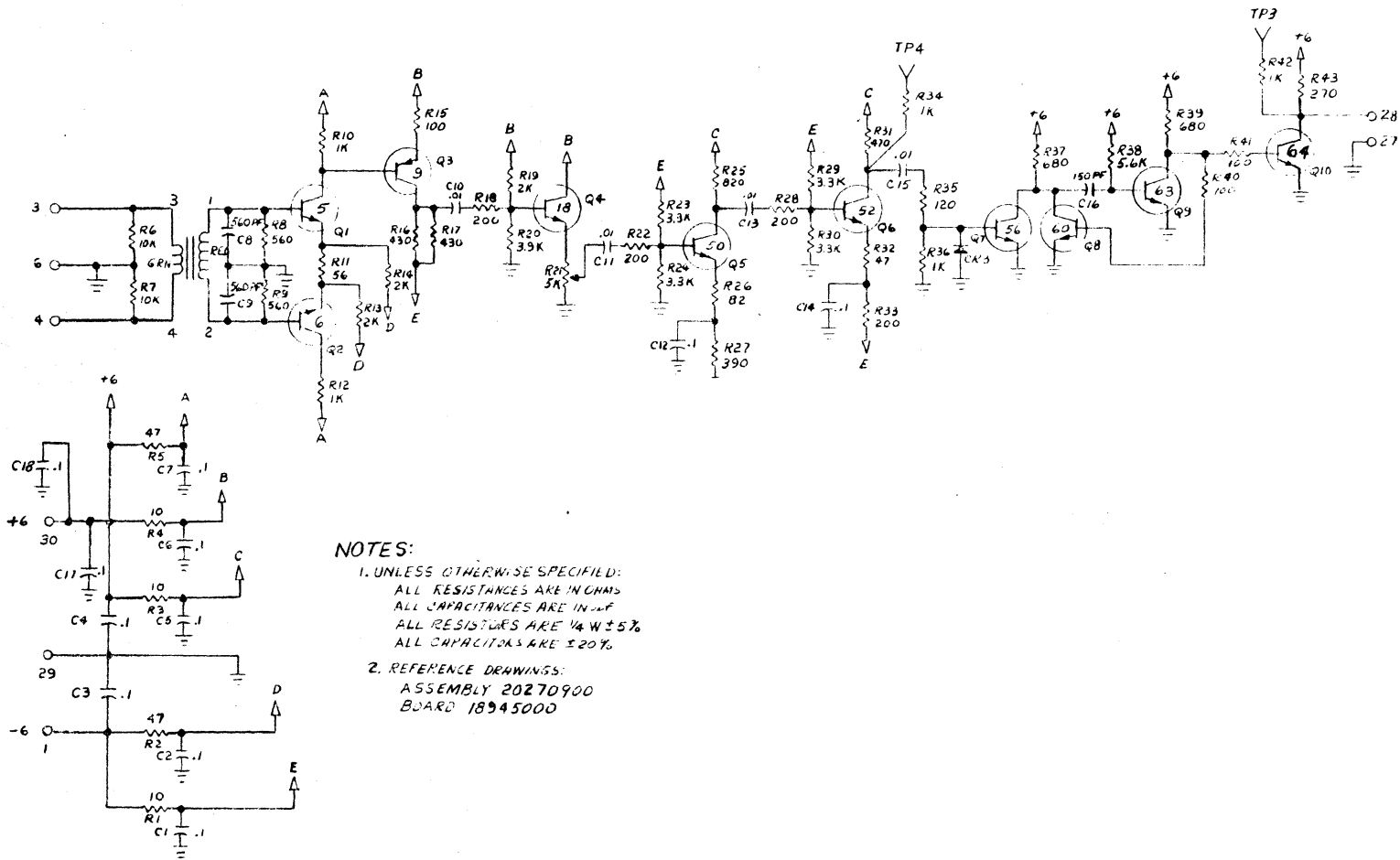
JACK PIN LG
 SEE CIRCUIT SPECIFICATION
 11827600
 60042700 Rev. Y



1			
2			
3			
4			
5			
6			
7			
8			
9			
10			
11			
12			
13			
14			
15			
16			
17			
18			
19			
20			
21			
22			
23			
24			
25			
26			
27			
28			

JACK PIN LG
 SEE CIRCUIT SPECIFICATION
 11827600

DQ
Electrical Schematic

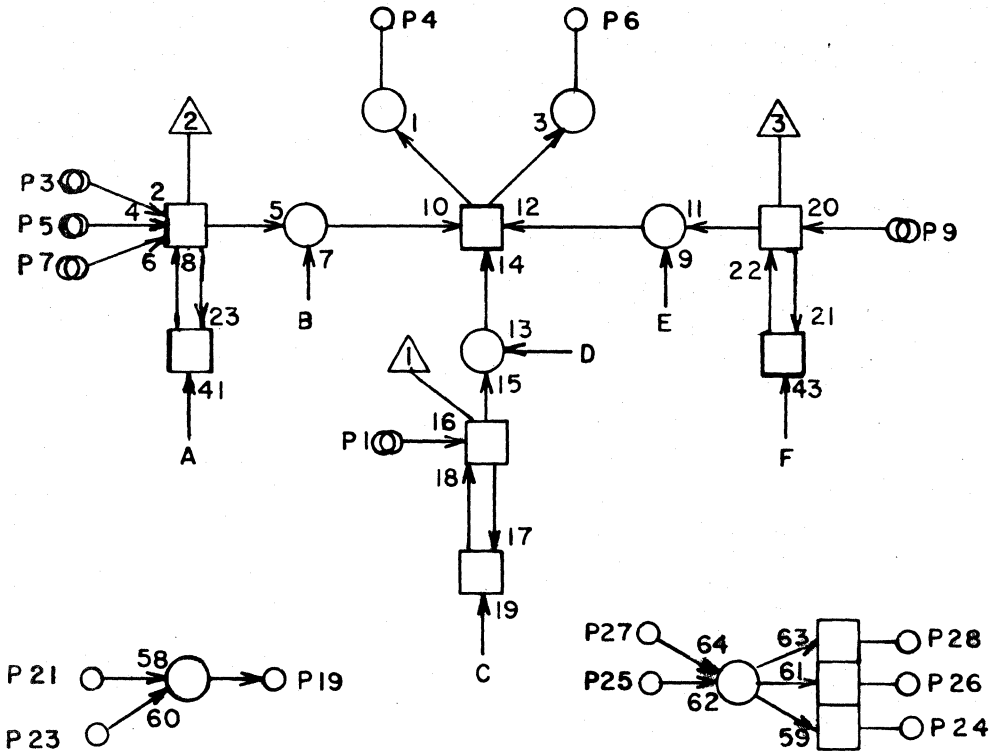


- NOTES:**
1. UNLESS OTHERWISE SPECIFIED:
 ALL RESISTANCES ARE IN OHMS
 ALL CAPACITANCES ARE IN μ F
 ALL RESISTORS ARE $\frac{1}{4}$ W \pm 5%
 ALL CAPACITORS ARE \pm 20%
 2. REFERENCE DRAWINGS:
 ASSEMBLY 20270900
 BOARD 18945000

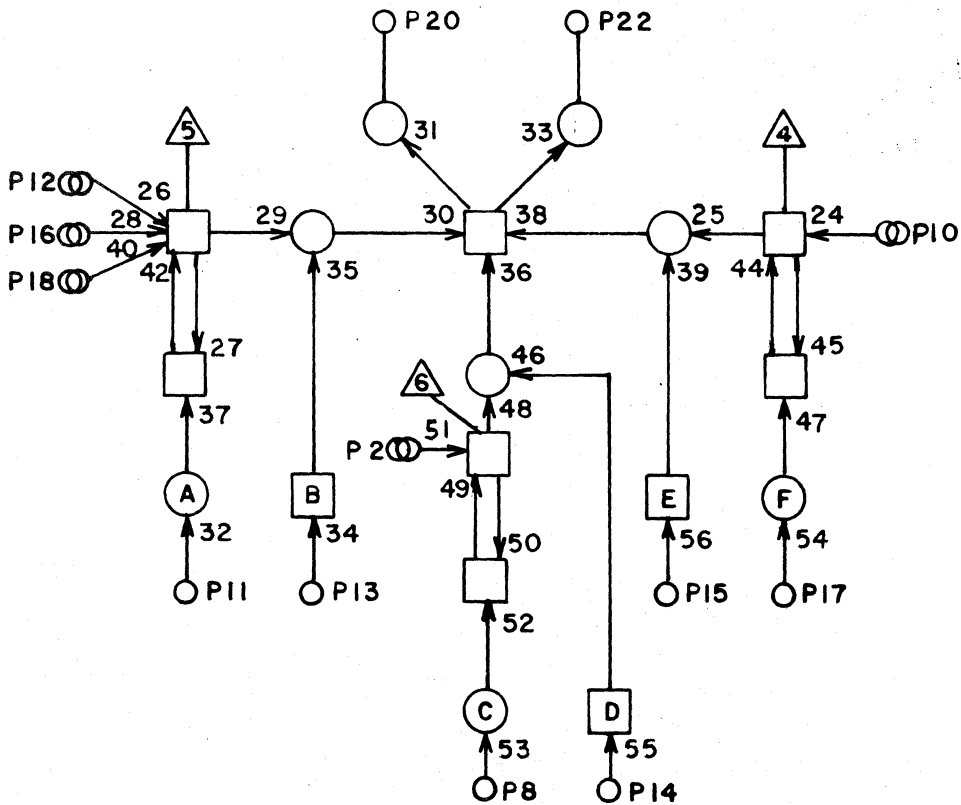
60012700 Rev 2

LS 23235000 **C**
 ASSY REV

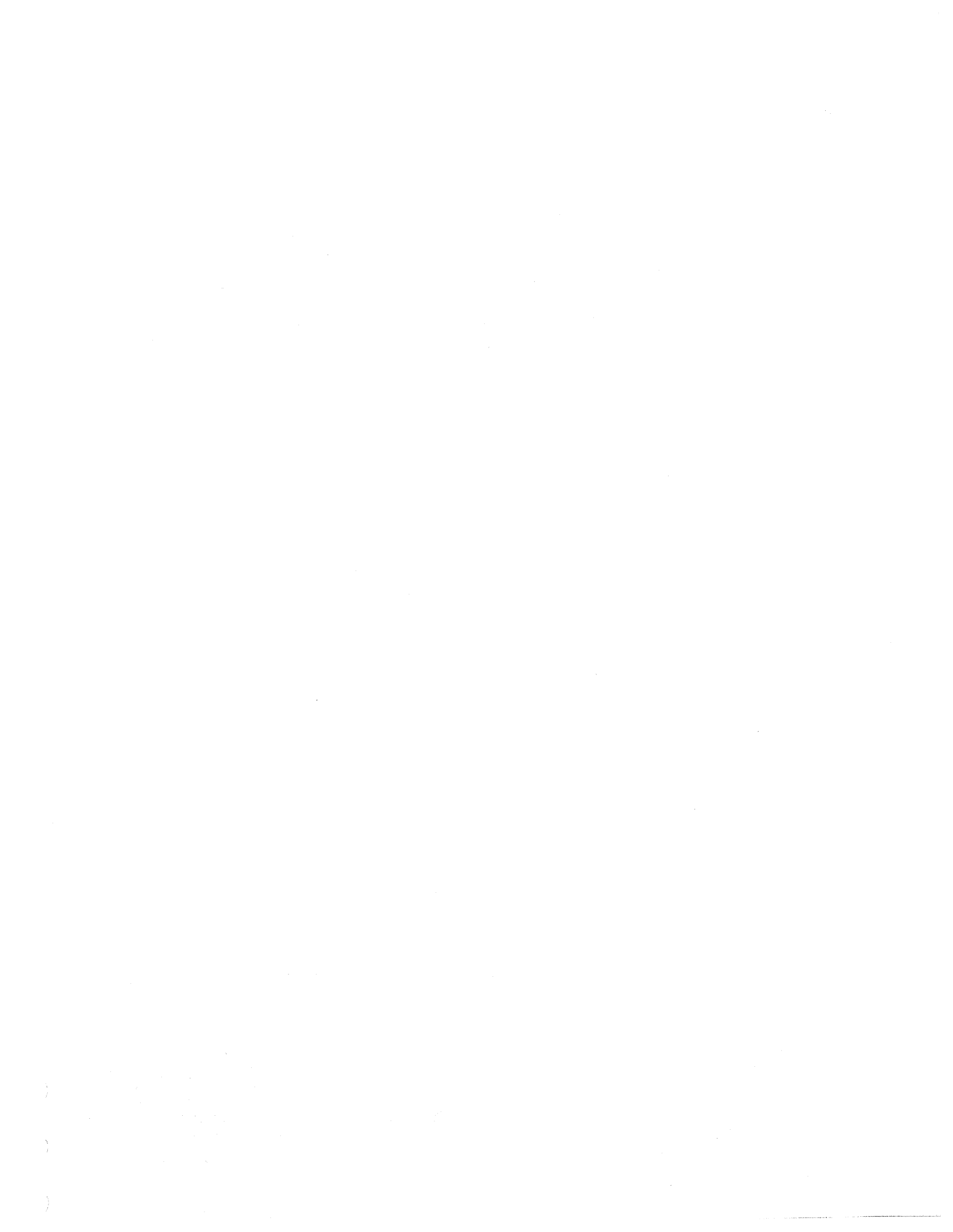
DR



1			
2			
3			
4			
5			
6			
7			
8			
9			
10			
11			
12			
13			
14			
15			
16			
17			
18			
19			
20			
21			
22			
23			
24			
25			
26			
27			
28			

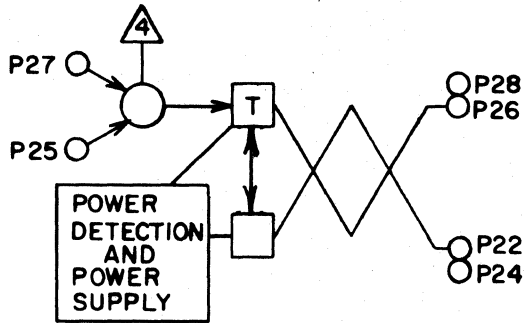
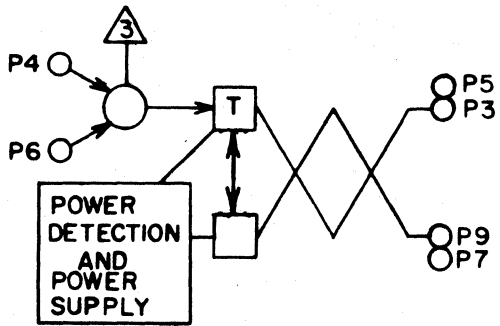


JACK PIN LG
 SEE CIRCUIT SPECIFICATION
 52302100



LS 52518200 **F**
 ASSY REV

D T

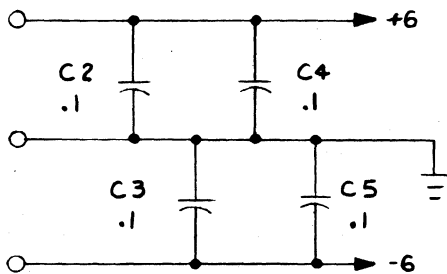
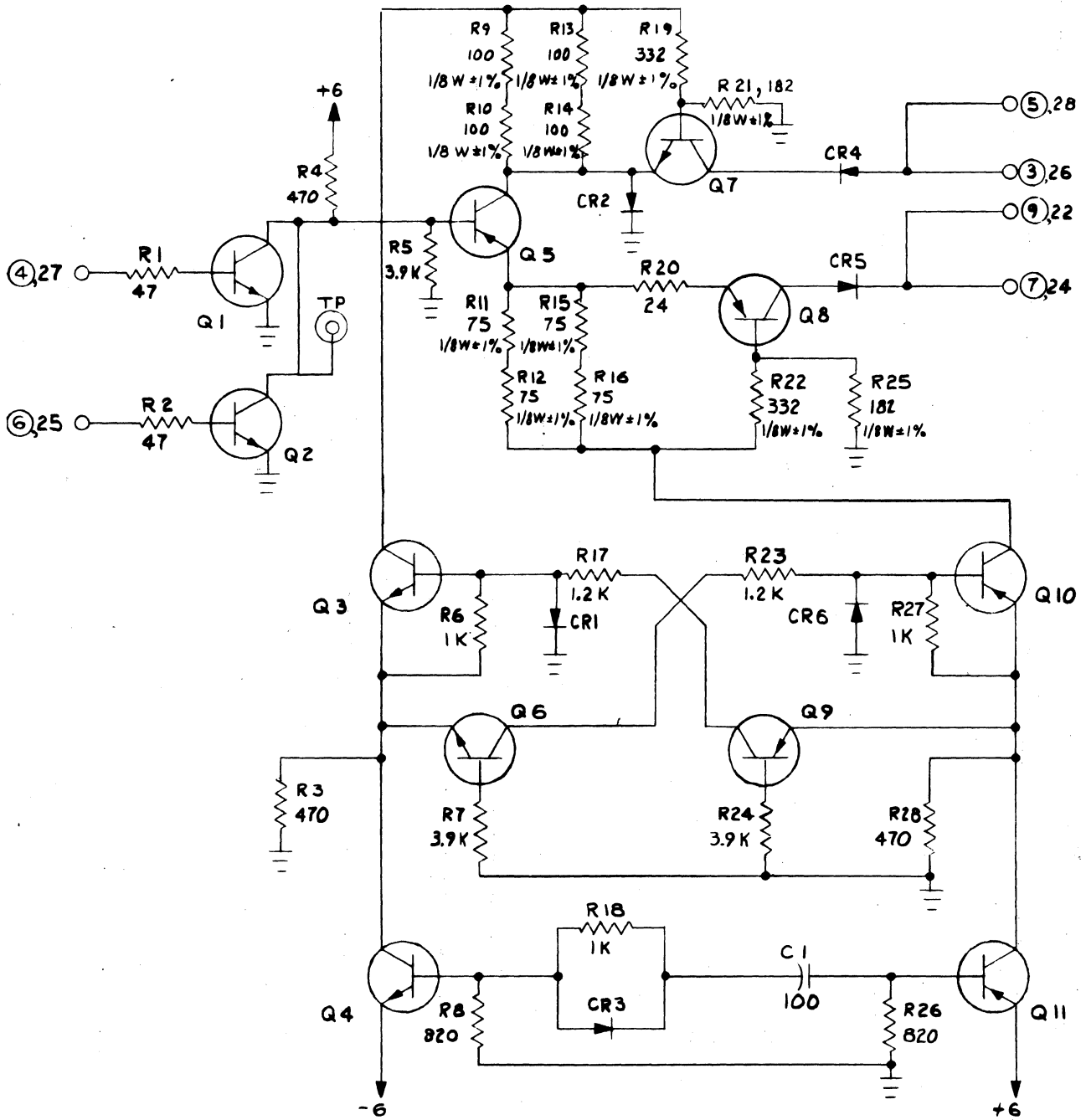


1			
2			
3			
4			
5			
6			
7			
8			
9			
10			
11			
12			
13			
14			
15			
16			
17			
18			
19			
20			
21			
22			
23			
24			
25			
26			
27			
28			

60042700 Rev AB

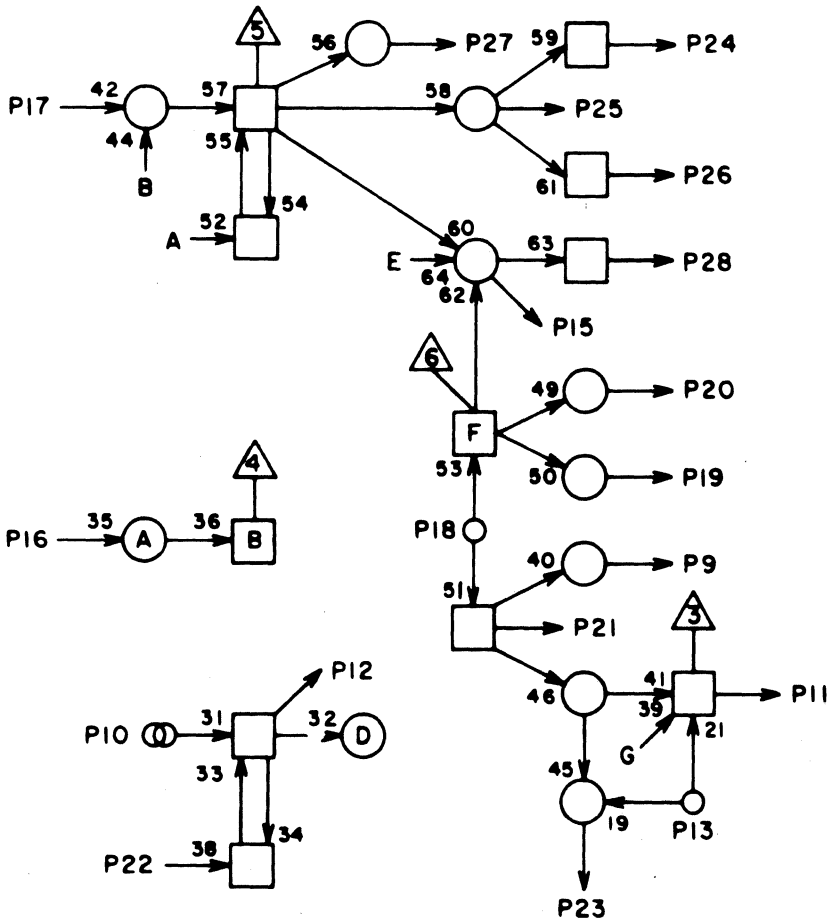
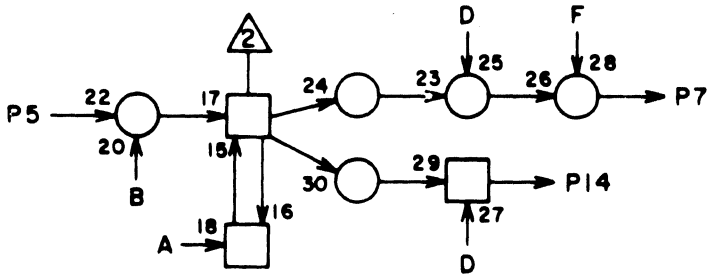
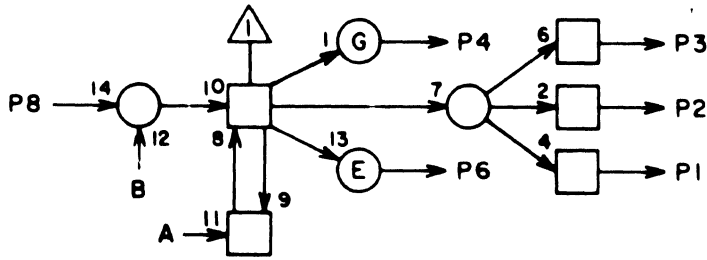
JACK PIN LG
 SEE CIRCUIT SPECIFICATION
 11827600

DT Electrical Schematic



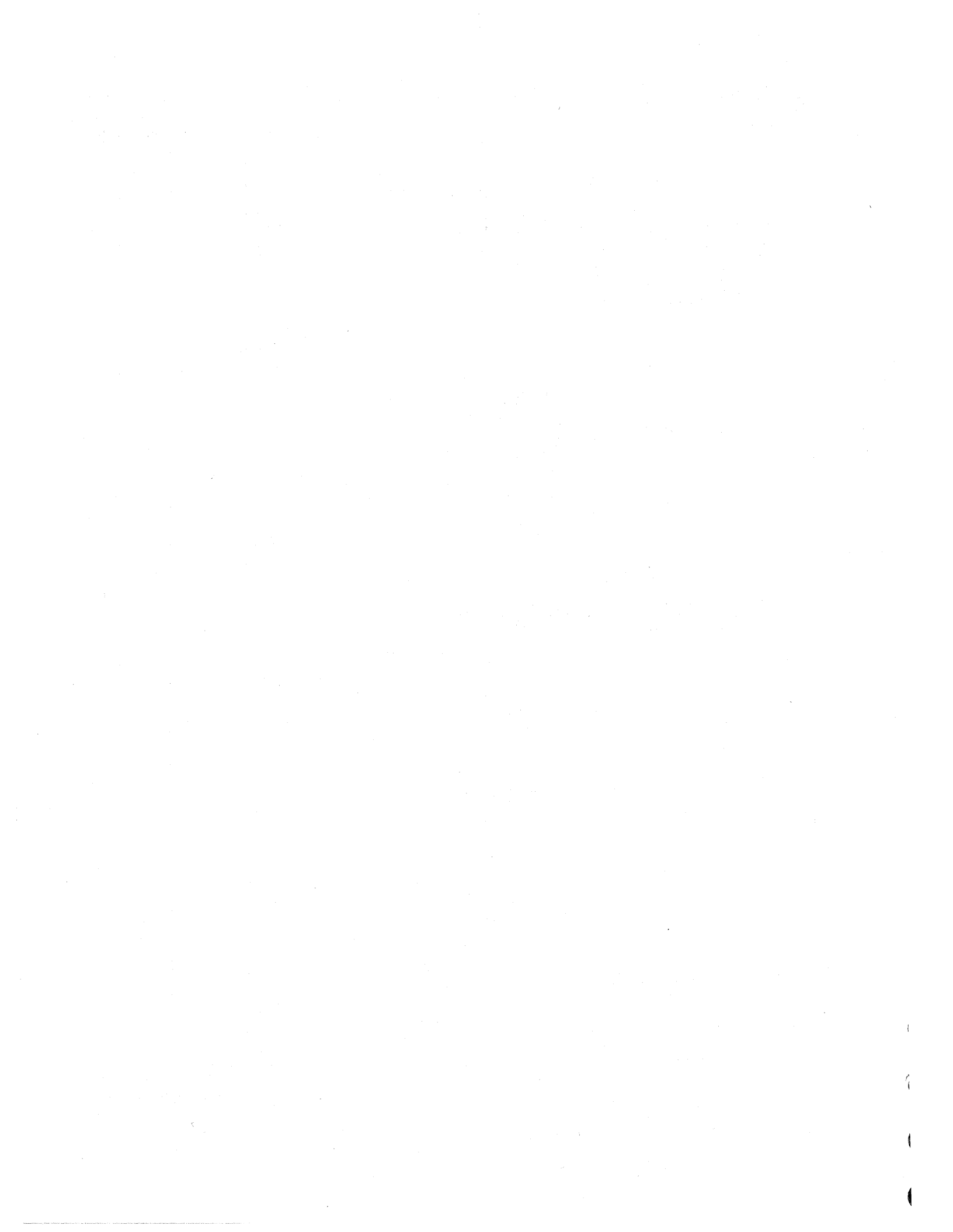
60042700 Rev AB





1			
2			
3			
4			
5			
6			
7			
8			
9			
10			
11			
12			
13			
14			
15			
16			
17			
18			
19			
20			
21			
22			
23			
24			
25			
26			
27			
28			

JACK PIN LG
SEE CIRCUIT SPECIFICATION
11827600
60042700 Rev. P



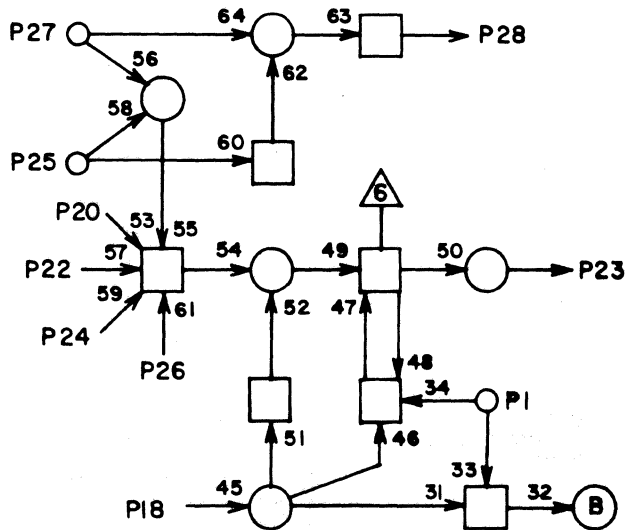
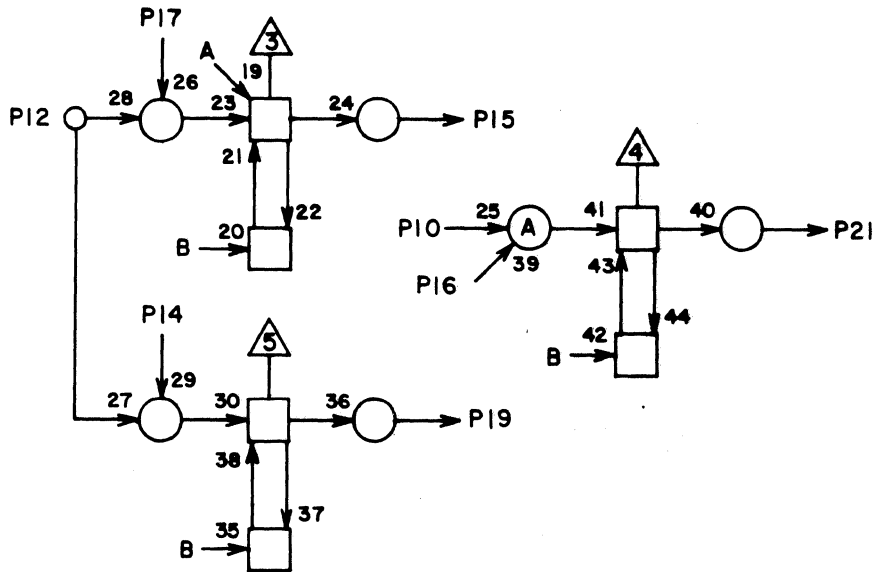
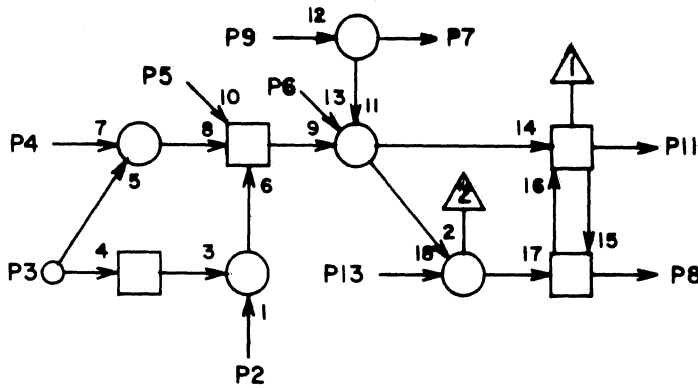
LS 17967600



REV

EA

ASSY



1			
2			
3			
4			
5			
6			
7			
8			
9			
10			
11			
12			
13			
14			
15			
16			
17			
18			
19			
20			
21			
22			
23			
24			
25			
26			
27			
28			

JACK PIN LG

CIRCUIT SPECIFICATION 11827600

60042700 Rev. K

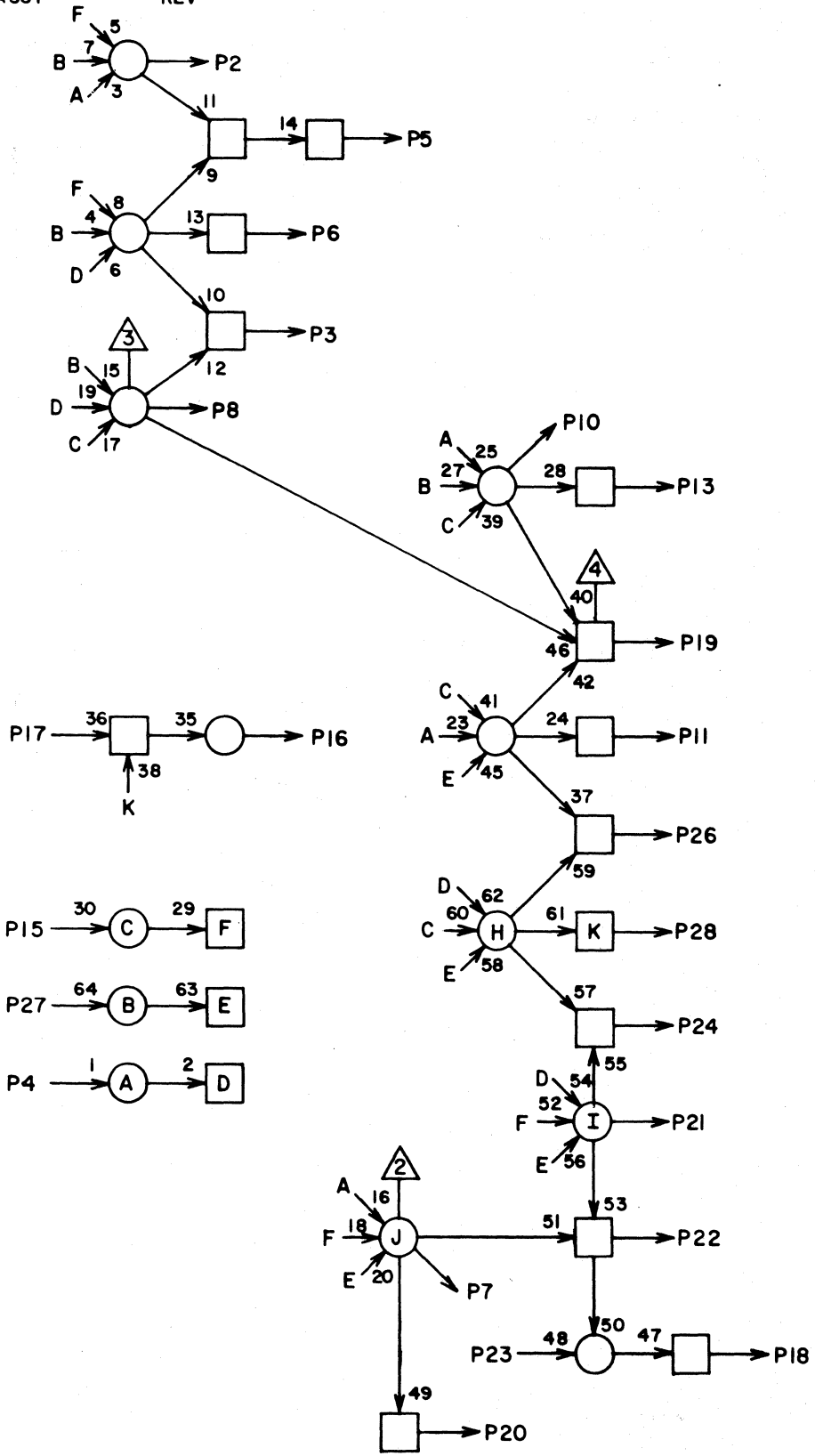
LS17967800

B
REV

ASSY

EB

[]



1			
2			
3			
4			
5			
6			
7			
8			
9			
10			
11			
12			
13			
14			
15			
16			
17			
18			
19			
20			
21			
22			
23			
24			
25			
26			
27			
28			

JACK PIN LG

CIRCUIT SPECIFICATION 11827600

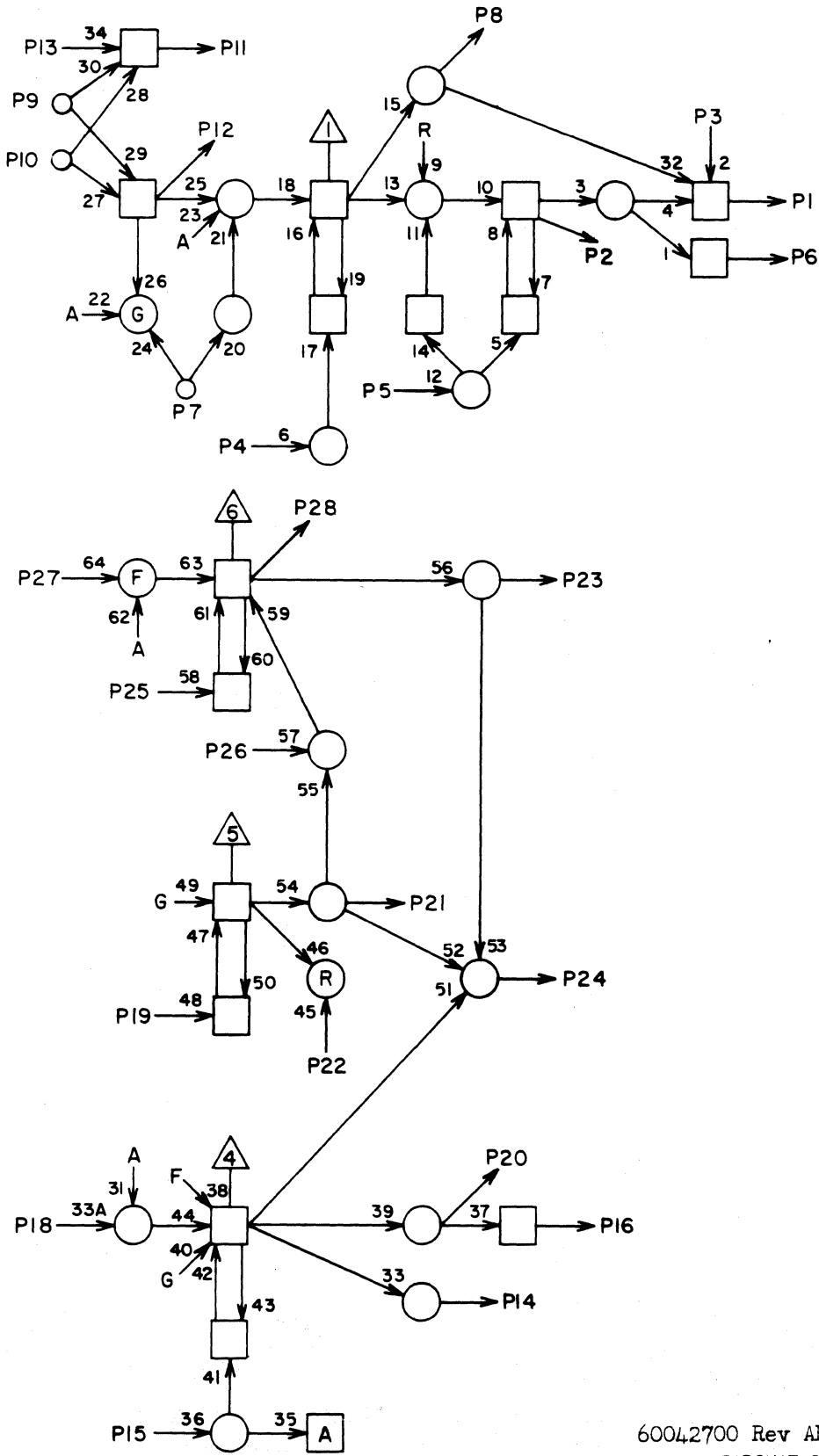
60042700 Rev. K

LS 17968000
ASSY

B
REV

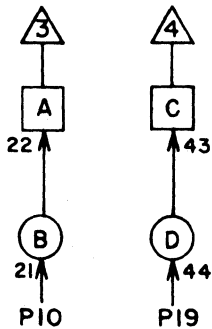
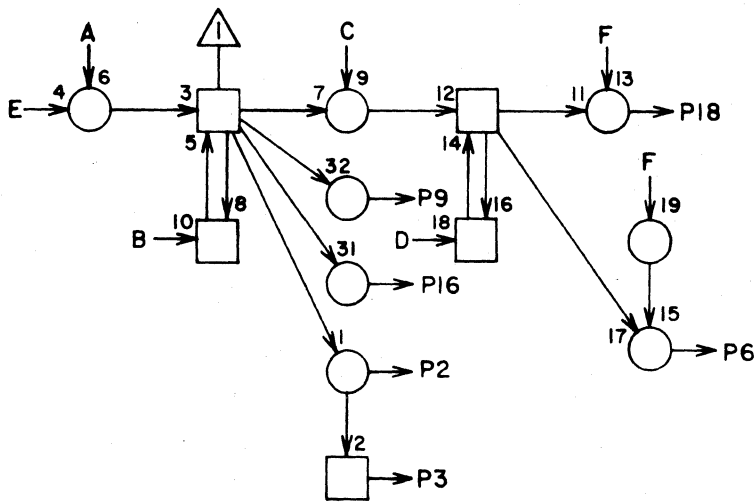
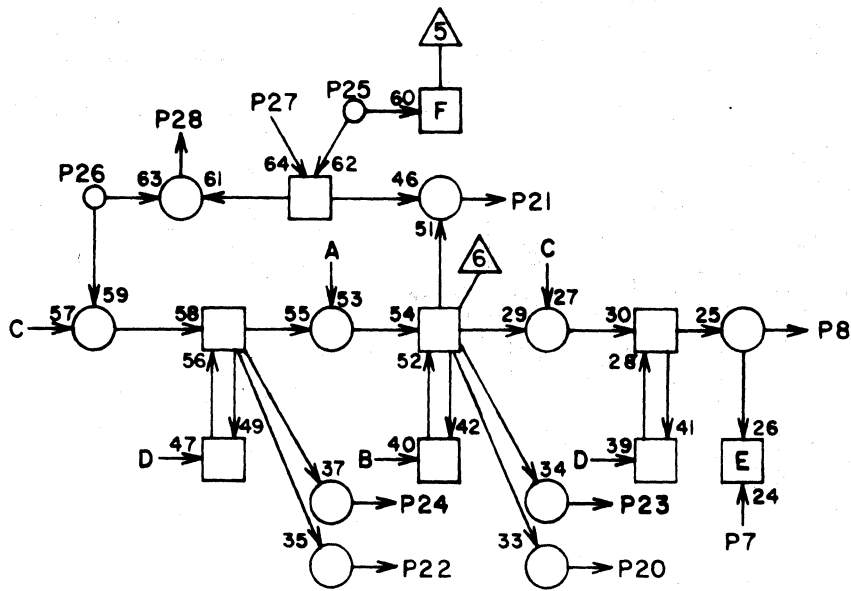
EC

[]

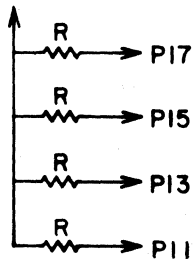


1			
2			
3			
4			
5			
6			
7			
8			
9			
10			
11			
12			
13			
14			
15			
16			
17			
18			
19			
20			
21			
22			
23			
24			
25			
26			
27			
28			

JACK PIN LG



+ 6 VOLTS R = 1.2 K



1			
2			
3			
4			
5			
6			
7			
8			
9			
10			
11			
12			
13			
14			
15			
16			
17			
18			
19			
20			
21			
22			
23			
24			
25			
26			
27			
28			

JACK PIN LG

CIRCUIT SPECIFICATION

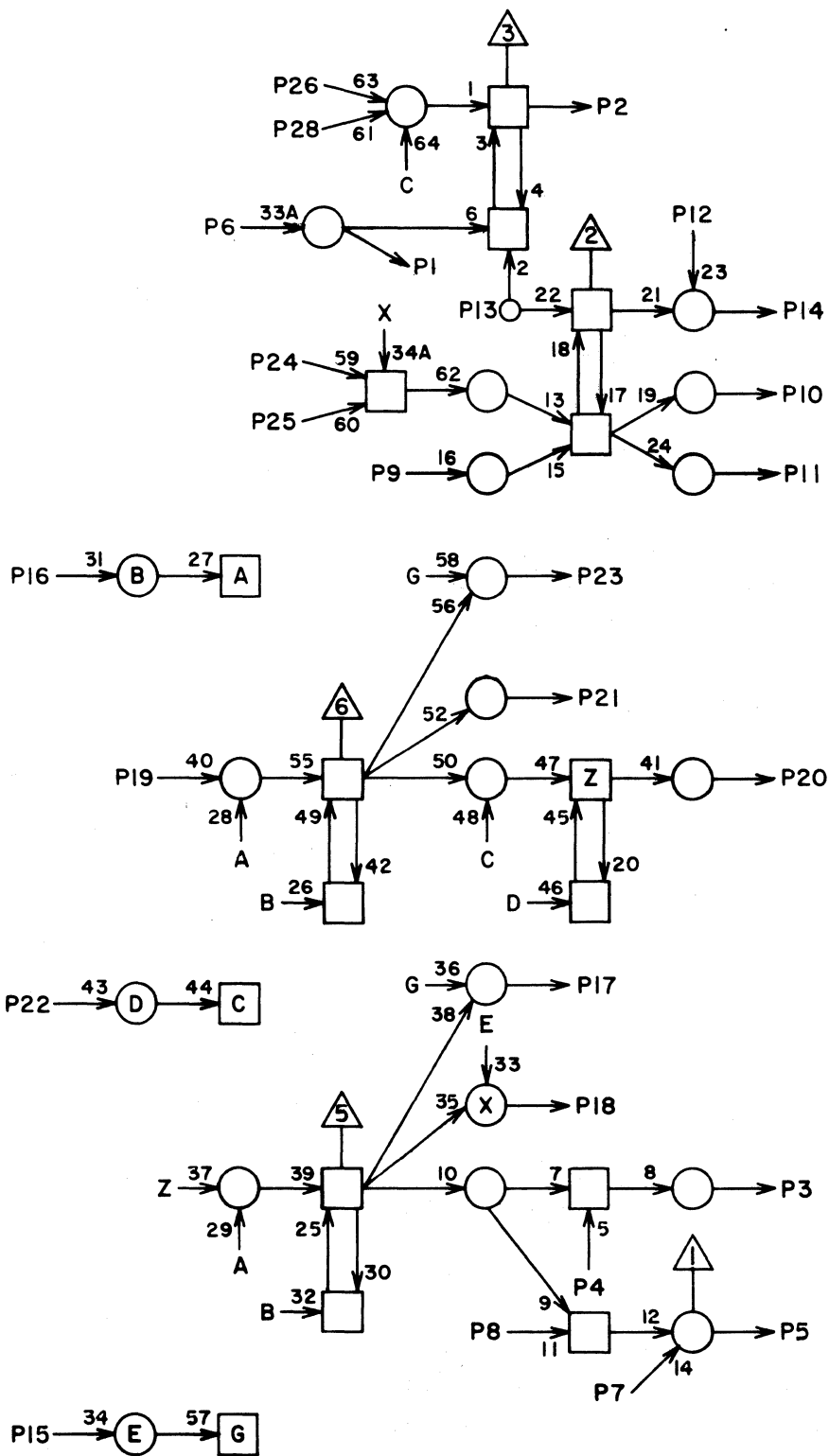
11827600

60042700 Rev. K

LS 17968400
ASSY

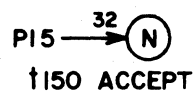
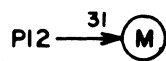
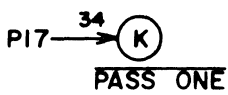
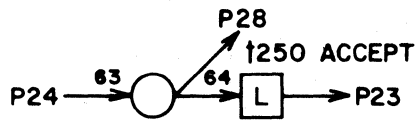
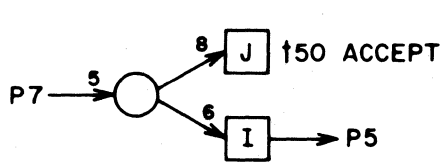
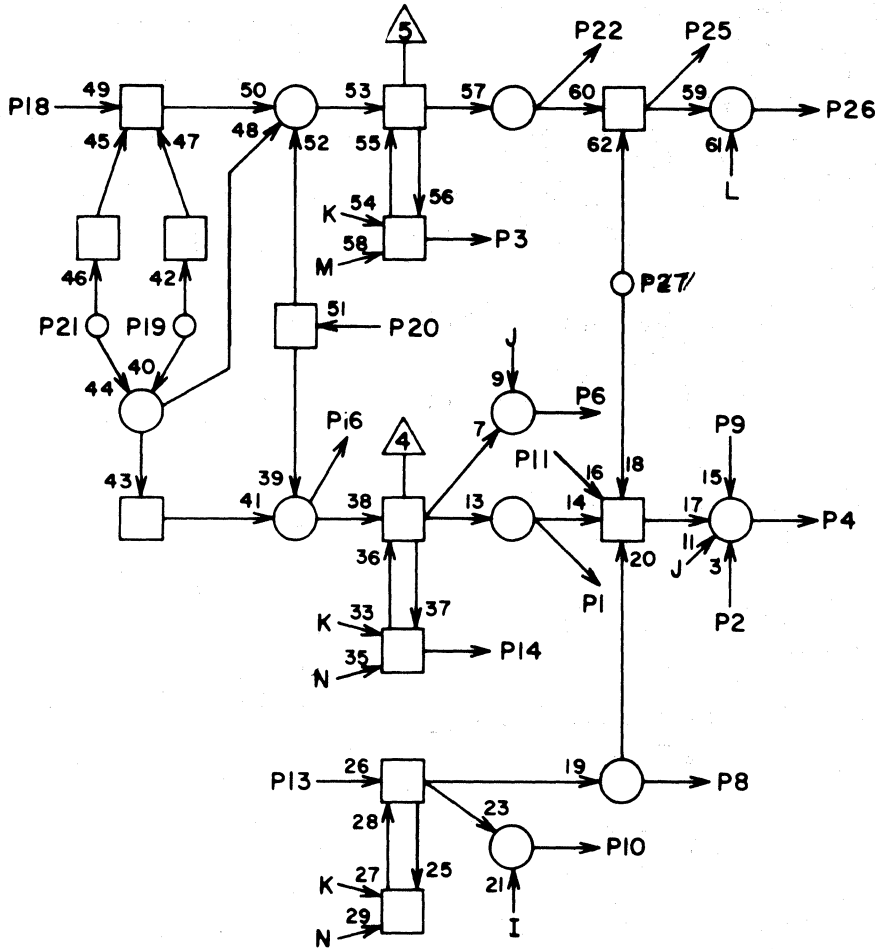
C
REV

EE



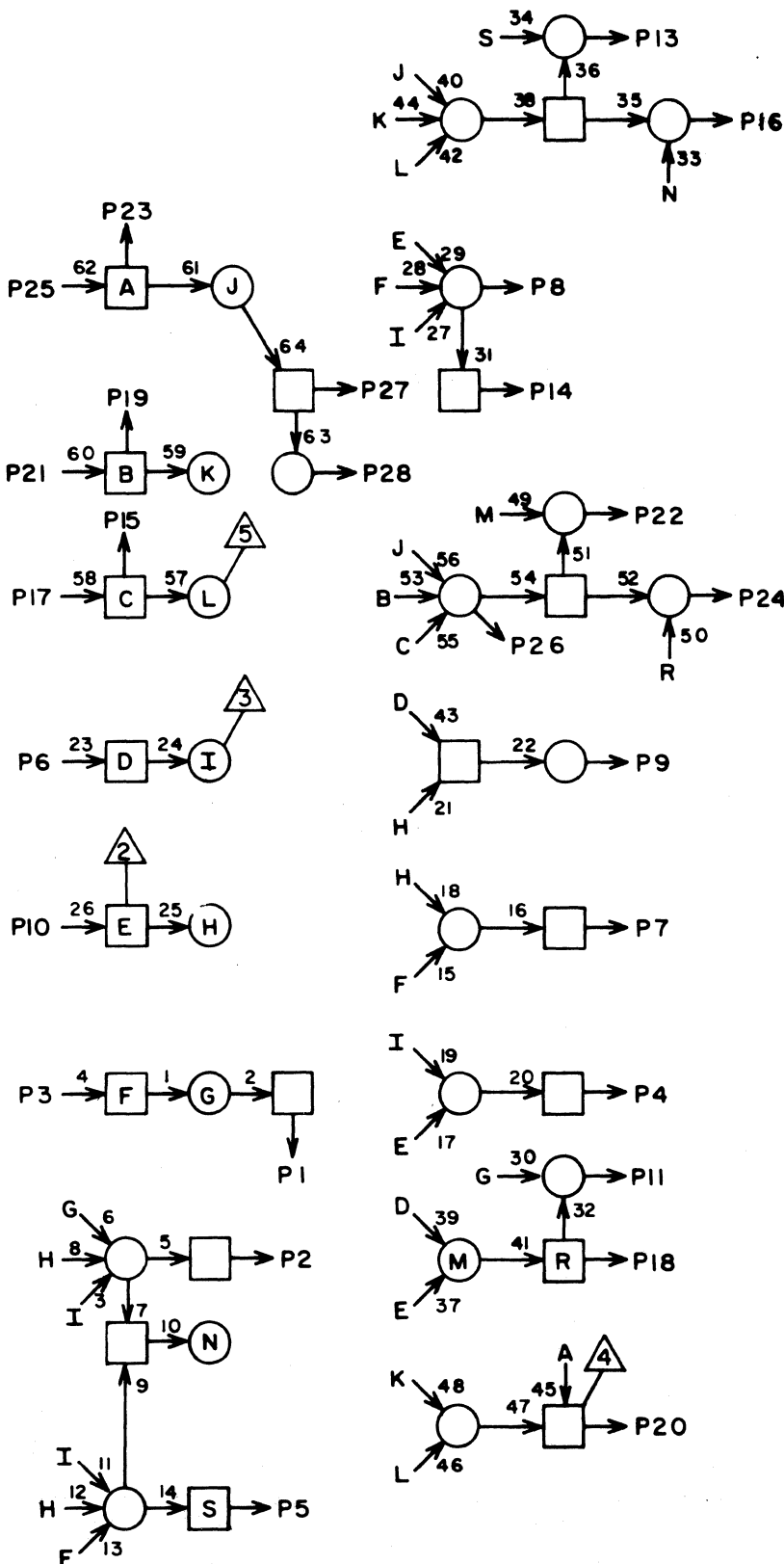
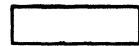
1			
2			
3			
4			
5			
6			
7			
8			
9			
10			
11			
12			
13			
14			
15			
16			
17			
18			
19			
20			
21			
22			
23			
24			
25			
26			
27			
28			

JACK PIN LG
CIRCUIT SPECIFICATION
11827600



1			
2			
3			
4			
5			
6			
7			
8			
9			
10			
11			
12			
13			
14			
15			
16			
17			
18			
19			
20			
21			
22			
23			
24			
25			
26			
27			
28			

JACK PIN LG



1			
2			
3			
4			
5			
6			
7			
8			
9			
10			
11			
12			
13			
14			
15			
16			
17			
18			
19			
20			
21			
22			
23			
24			
25			
26			
27			
28			

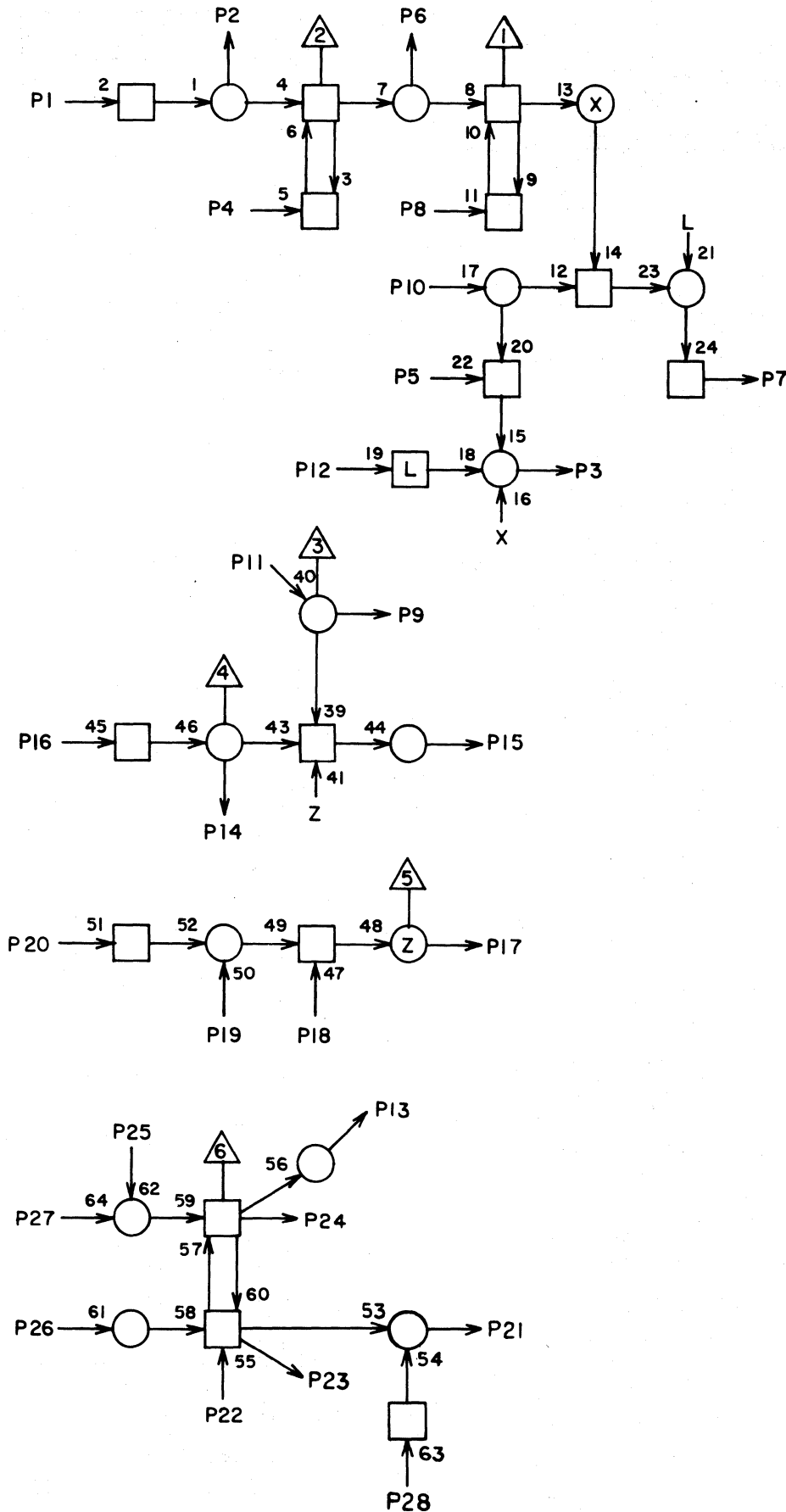
JACK PIN LG

CIRCUIT SPECIFICATION

LSI7969000
ASSY

G
REV

EH



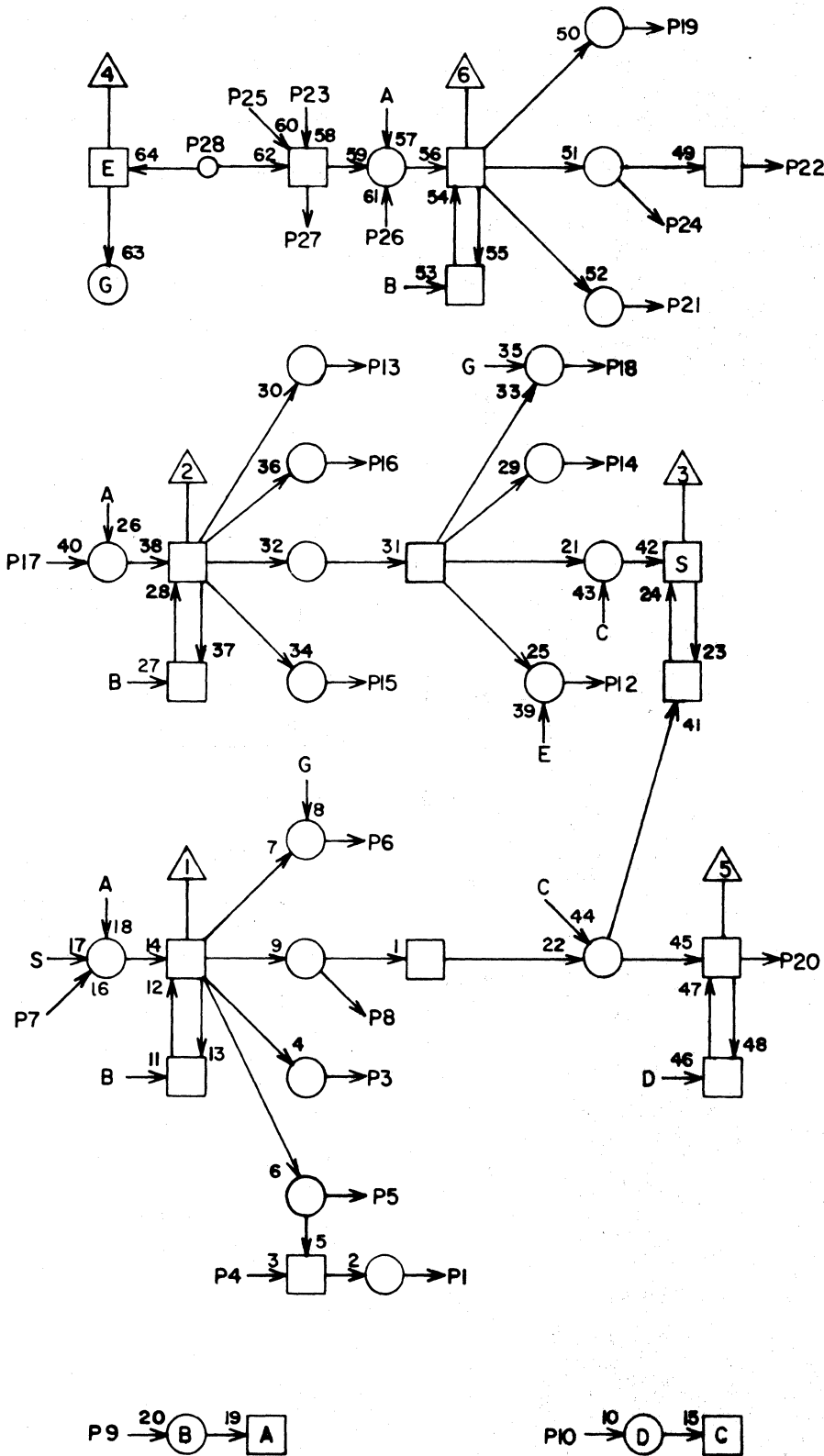
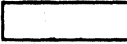
1			
2			
3			
4			
5			
6			
7			
8			
9			
10			
11			
12			
13			
14			
15			
16			
17			
18			
19			
20			
21			
22			
23			
24			
25			
26			
27			
28			

JACK PIN LG

CIRCUIT SPECIFICATION

11827600

60042700 Rev AB



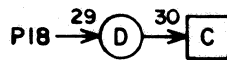
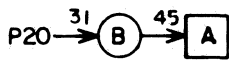
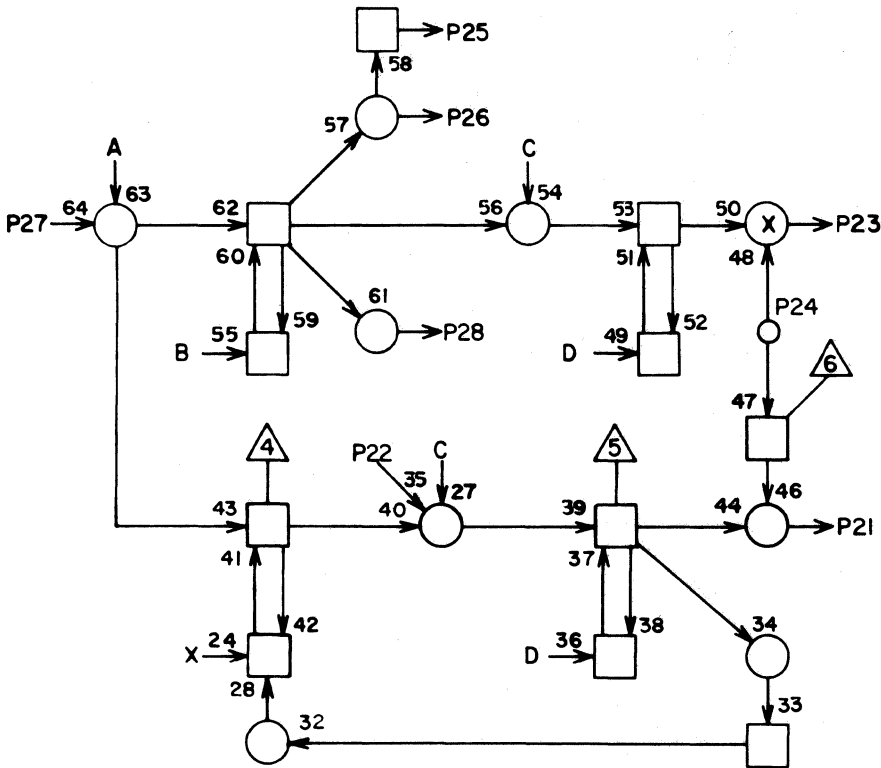
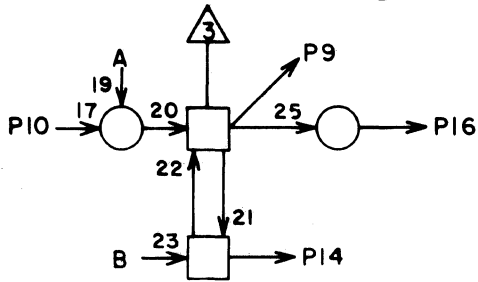
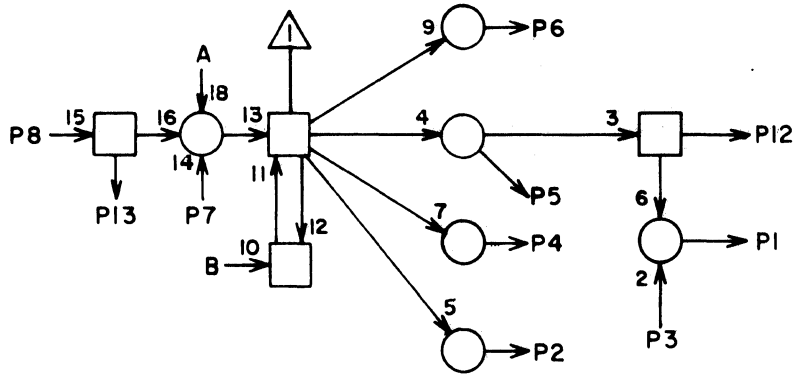
1			
2			
3			
4			
5			
6			
7			
8			
9			
10			
11			
12			
13			
14			
15			
16			
17			
18			
19			
20			
21			
22			
23			
24			
25			
26			
27			
28			

JACK PIN LG
CIRCUIT SPECIFICATION
11827600

LS 17969600
ASSY

F
REV

EK



60042700 Rev AB

CIRCUIT SPECIFICATION 11827600

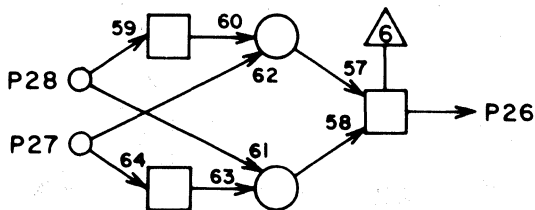
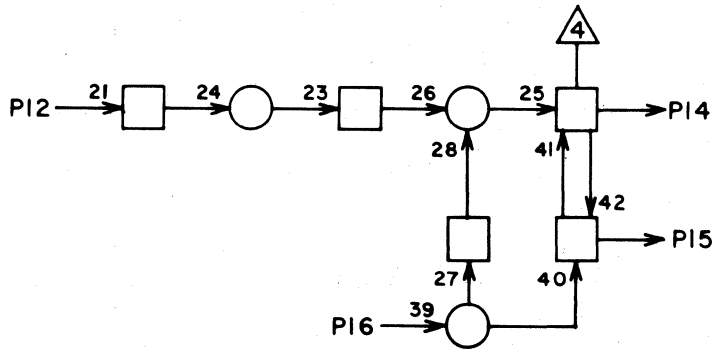
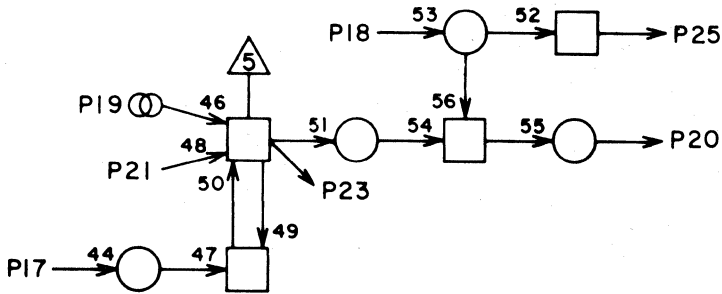
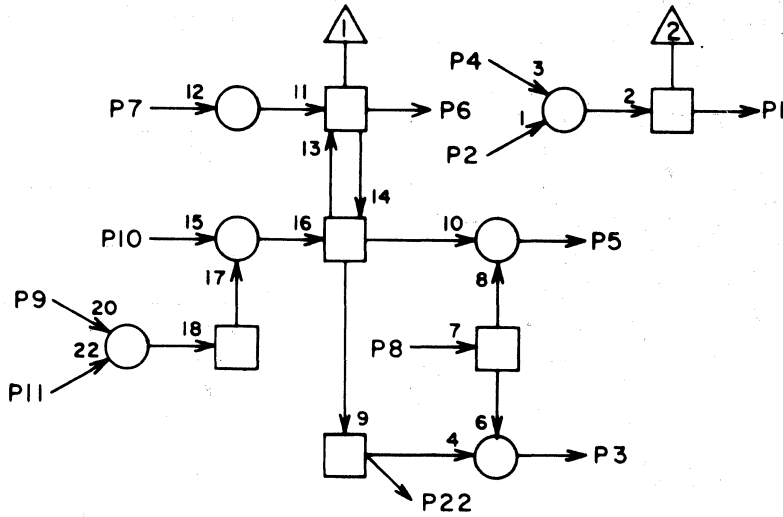
1			
2			
3			
4			
5			
6			
7			
8			
9			
10			
11			
12			
13			
14			
15			
16			
17			
18			
19			
20			
21			
22			
23			
24			
25			
26			
27			
28			

JACK PIN LG

LSI7969800
ASSY

REV

EL

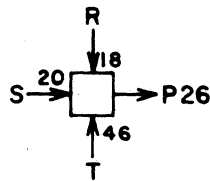
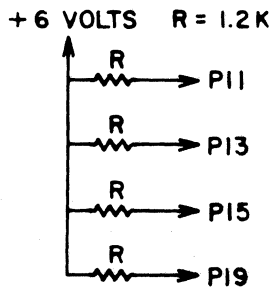
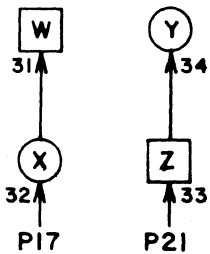
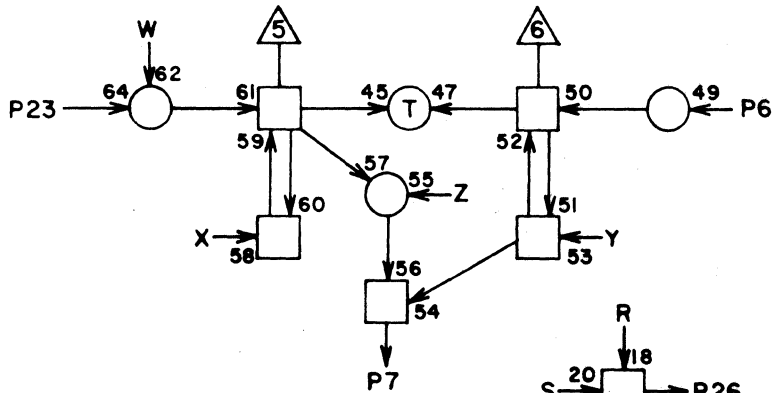
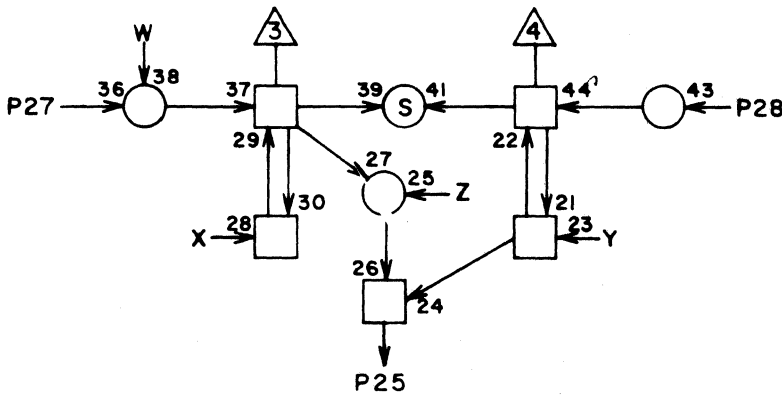
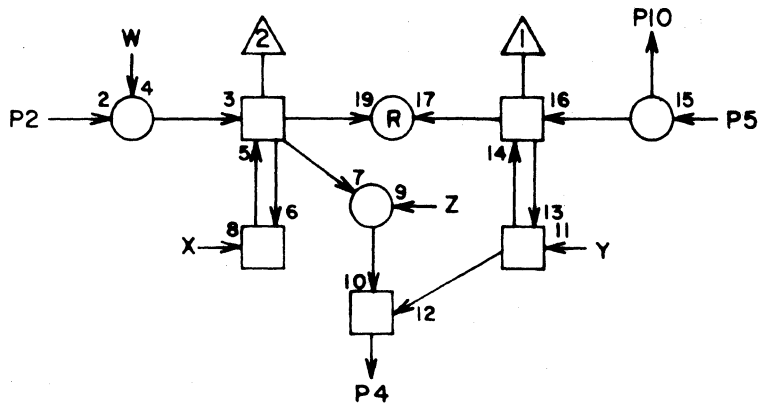
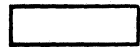


1			
2			
3			
4			
5			
6			
7			
8			
9			
10			
11			
12			
13			
14			
15			
16			
17			
18			
19			
20			
21			
22			
23			
24			
25			
26			
27			
28			

JACK PIN LG

CIRCUIT SPECIFICATION 11827600

60042700 Rev. P



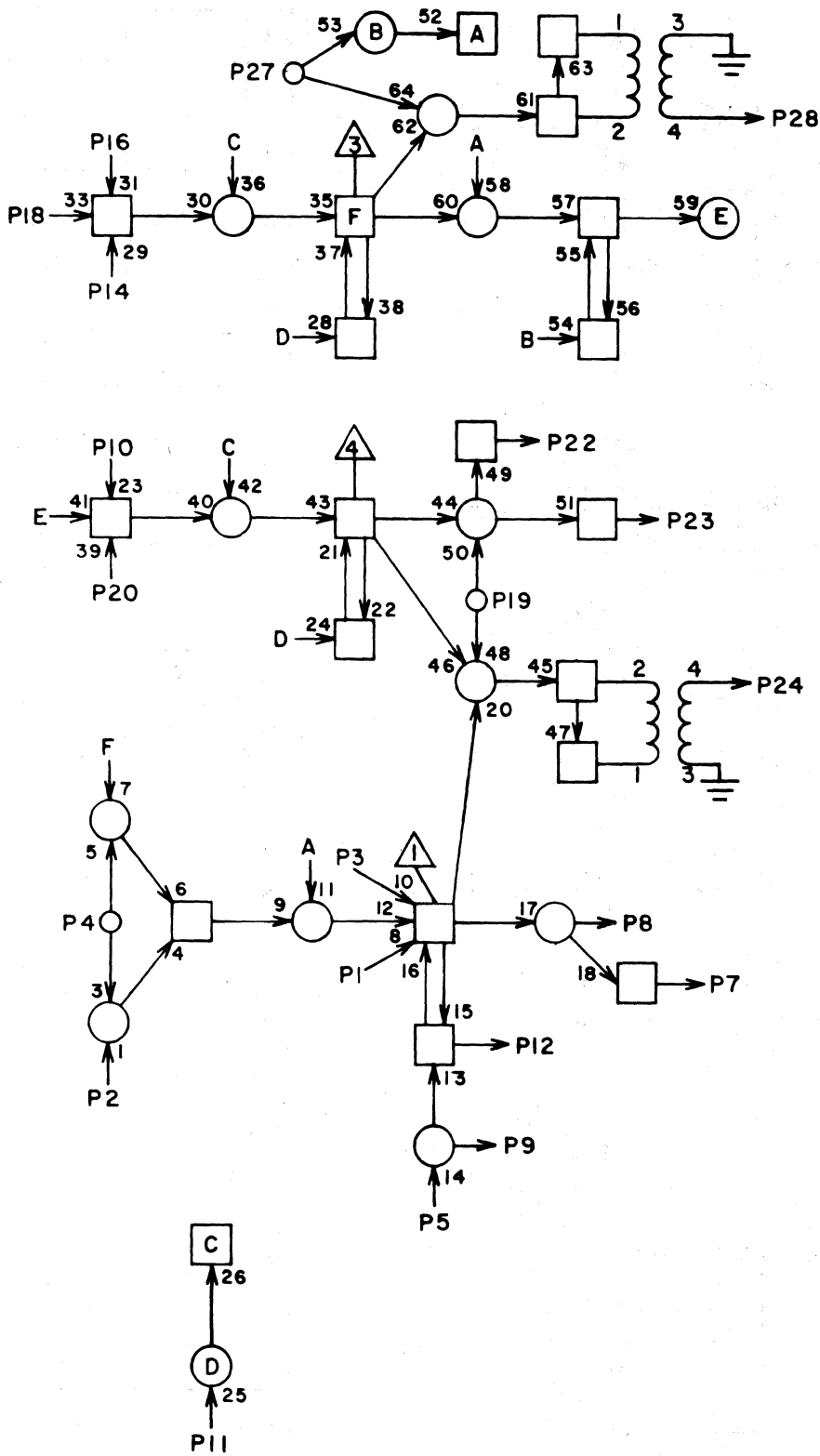
1			
2			
3			
4			
5			
6			
7			
8			
9			
10			
11			
12			
13			
14			
15			
16			
17			
18			
19			
20			
21			
22			
23			
24			
25			
26			
27			
28			

JACK PIN LG

CIRCUIT SPECIFICATION

11827600

60042700 Rev. K



1			
2			
3			
4			
5			
6			
7			
8			
9			
10			
11			
12			
13			
14			
15			
16			
17			
18			
19			
20			
21			
22			
23			
24			
25			
26			
27			
28			

JACK PIN LG

CIRCUIT SPECIFICATION

11827600

60042700 Rev. K

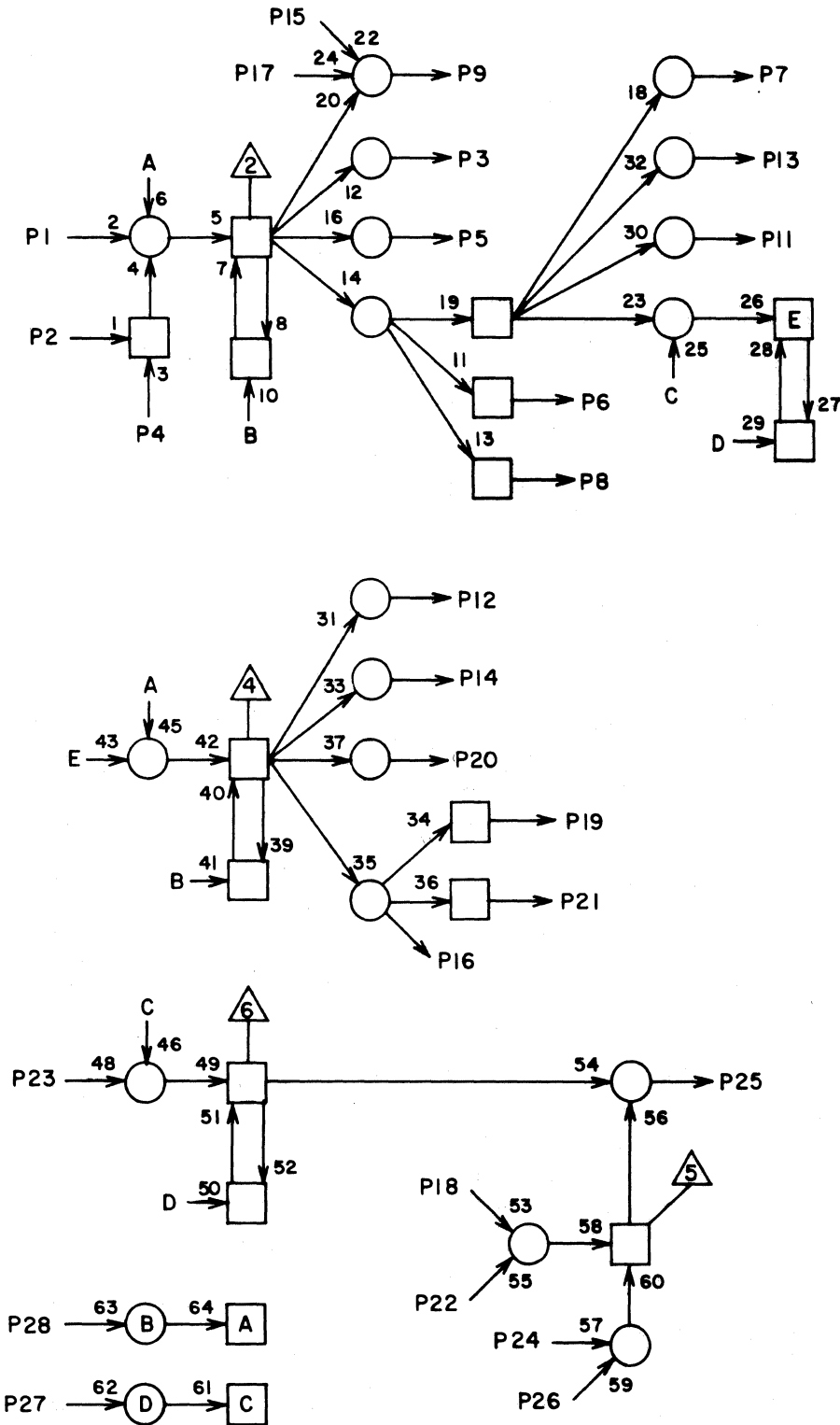
LS17970400

B

ASSY

REV

EO



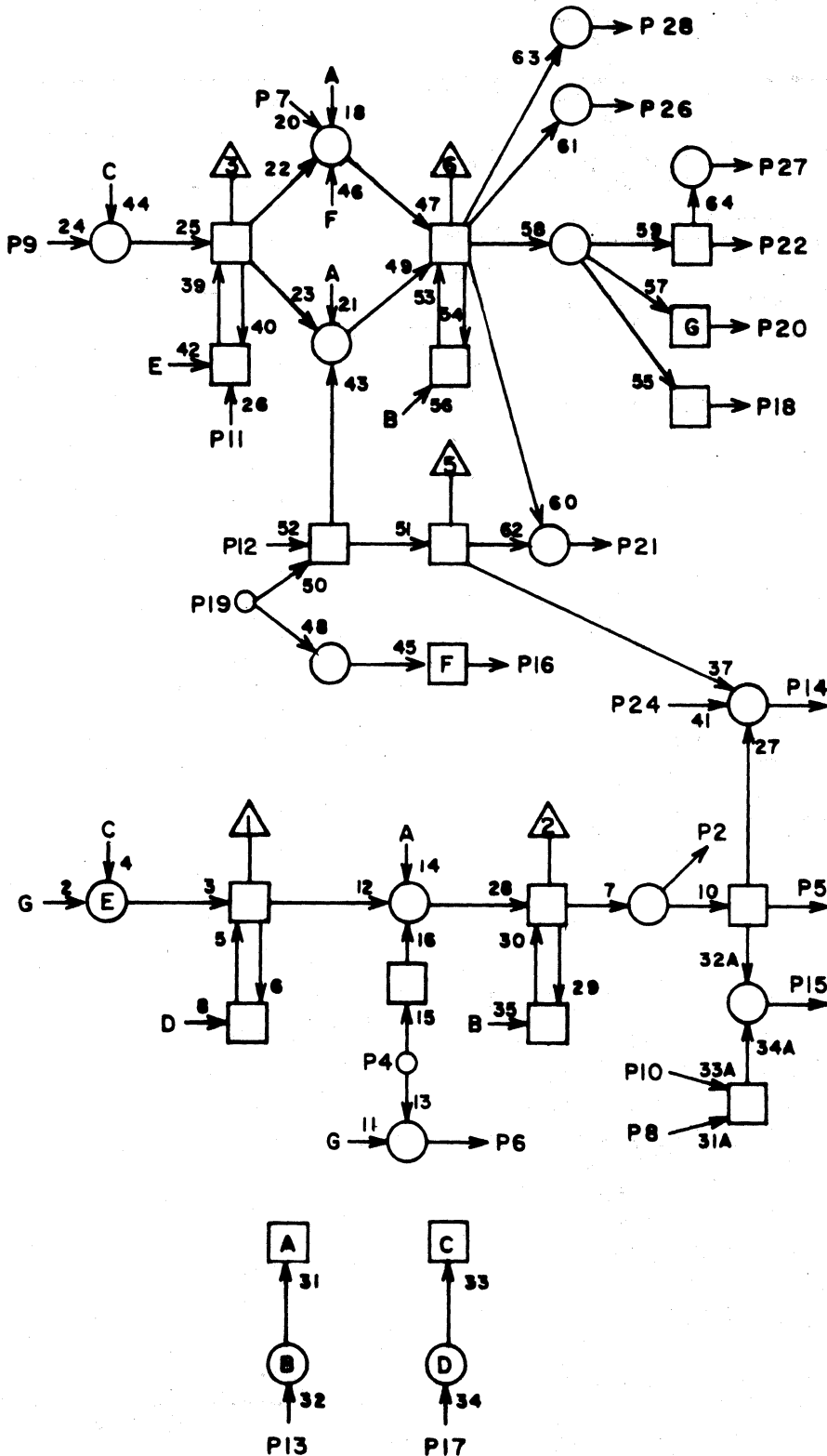
1			
2			
3			
4			
5			
6			
7			
8			
9			
10			
11			
12			
13			
14			
15			
16			
17			
18			
19			
20			
21			
22			
23			
24			
25			
26			
27			
28			

JACK PIN LG

CIRCUIT SPECIFICATION

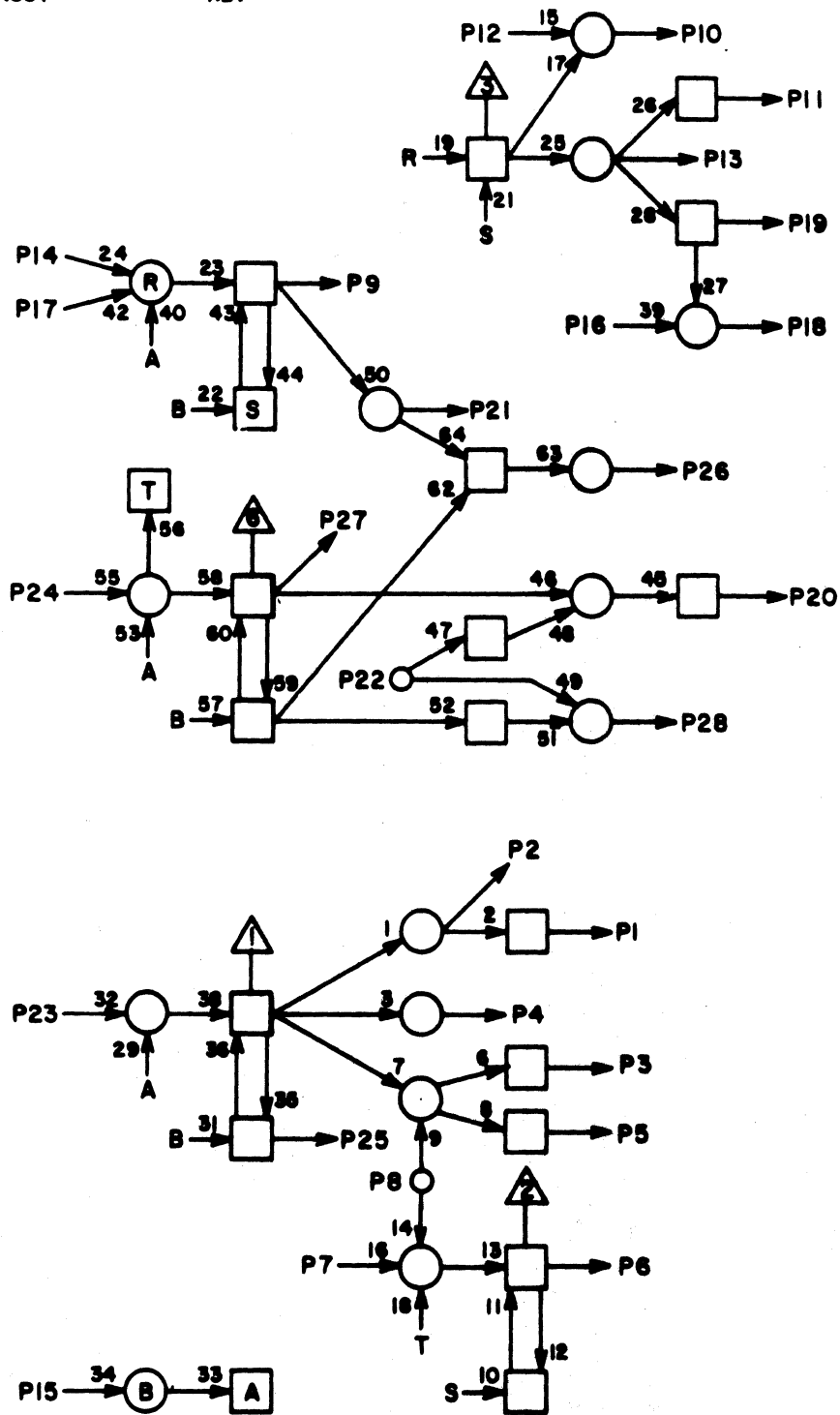
11827600

60042700 Rev. K



1			
2			
3			
4			
5			
6			
7			
8			
9			
10			
11			
12			
13			
14			
15			
16			
17			
18			
19			
20			
21			
22			
23			
24			
25			
26			
27			
28			

JACK PIN LG

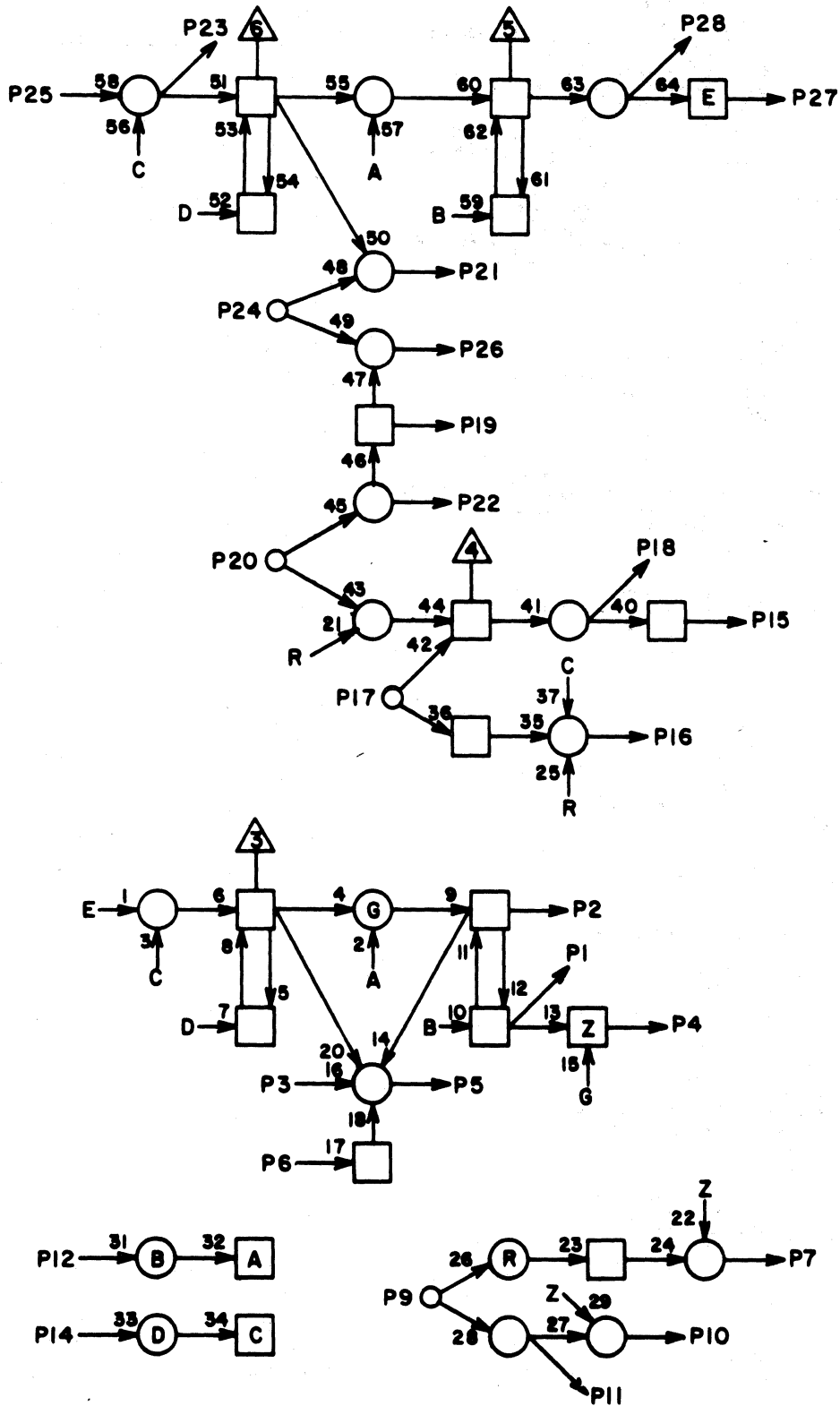


1			
2			
3			
4			
5			
6			
7			
8			
9			
10			
11			
12			
13			
14			
15			
16			
17			
18			
19			
20			
21			
22			
23			
24			
25			
26			
27			
28			

LS 17971000
ASSY

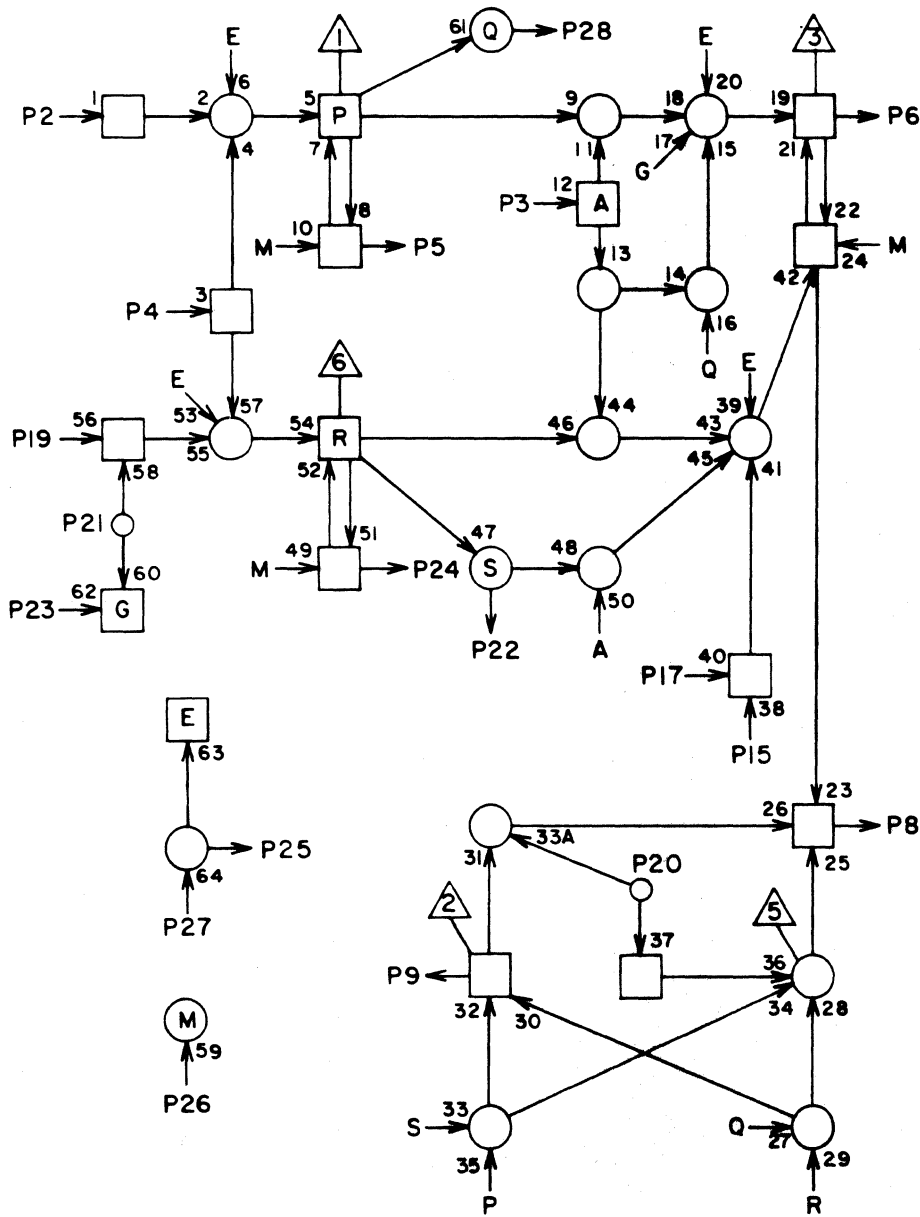
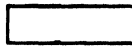


ER



1			
2			
3			
4			
5			
6			
7			
8			
9			
10			
11			
12			
13			
14			
15			
16			
17			
18			
19			
20			
21			
22			
23			
24			
25			
26			
27			
28			

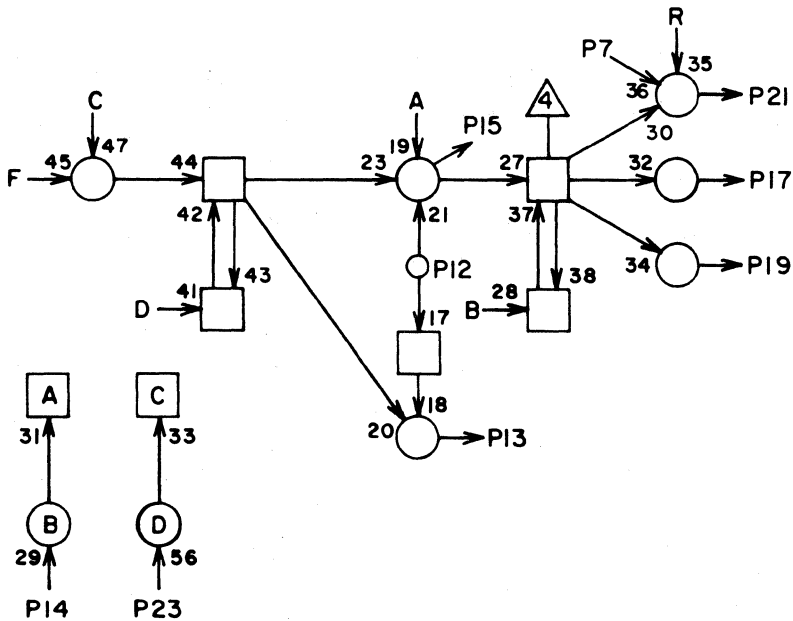
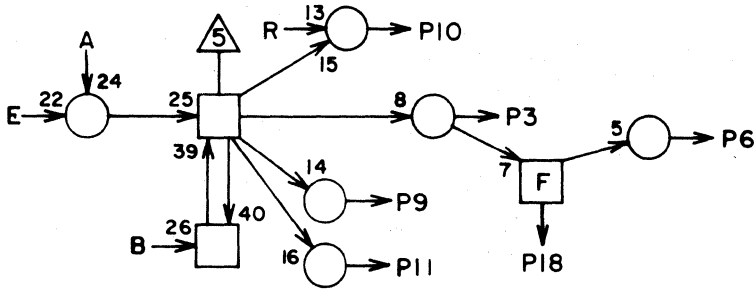
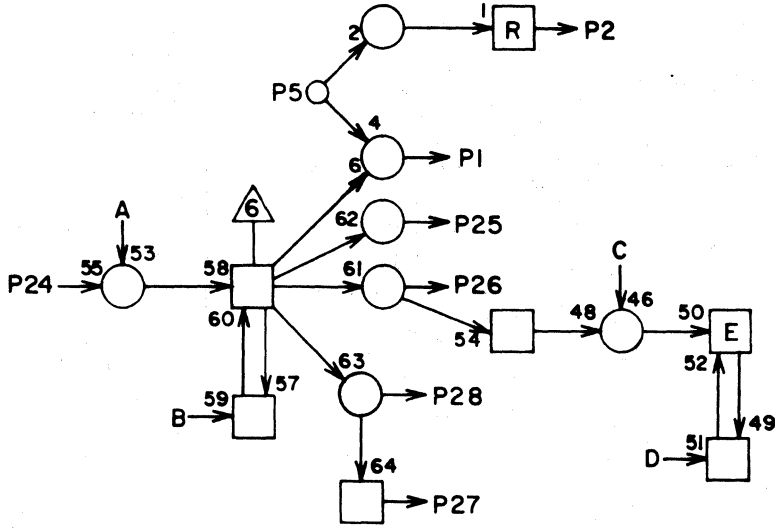
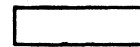
JACK PIN LG
CIRCUIT SPECIFICATION 11827600
60042700 Rev. P



1			
2			
3			
4			
5			
6			
7			
8			
9			
10			
11			
12			
13			
14			
15			
16			
17			
18			
19			
20			
21			
22			
23			
24			
25			
26			
27			
28			

JACK PIN LG

CIRCUIT SPECIFICATION 11827600



1			
2			
3			
4			
5			
6			
7			
8			
9			
10			
11			
12			
13			
14			
15			
16			
17			
18			
19			
20			
21			
22			
23			
24			
25			
26			
27			
28			

JACK PIN LG

CIRCUIT SPECIFICATION

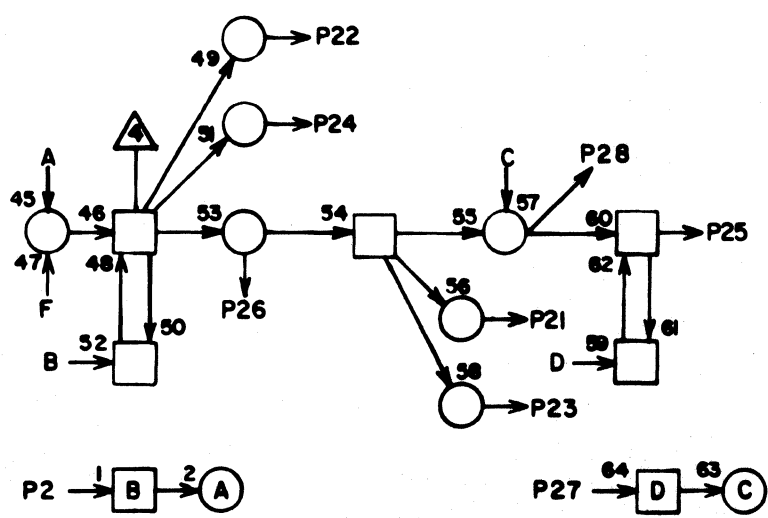
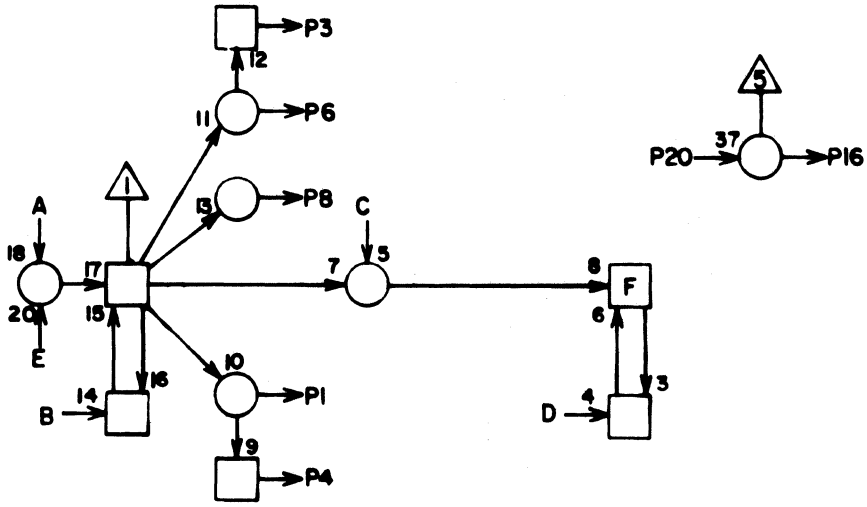
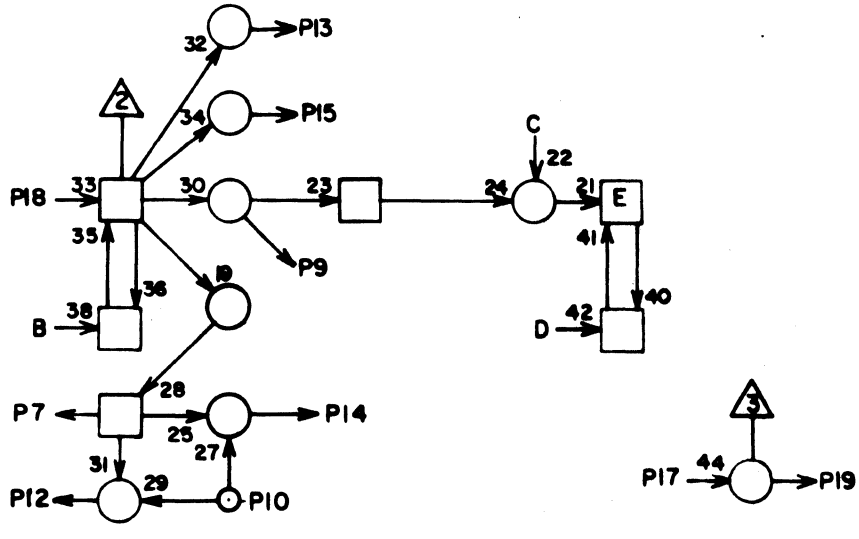
11827600

60042700 Rev. K

LS 17971800
ASSY

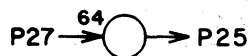
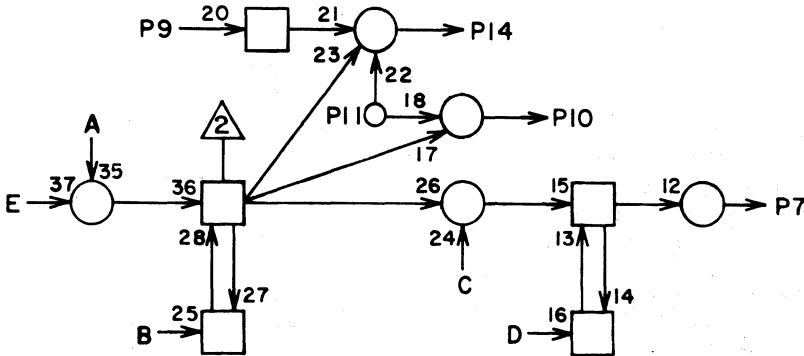
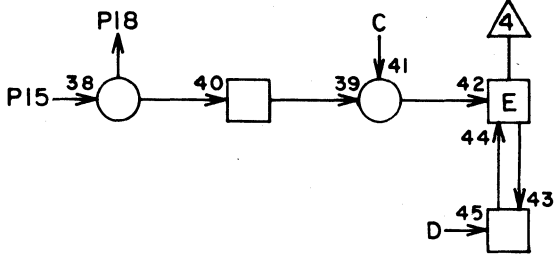
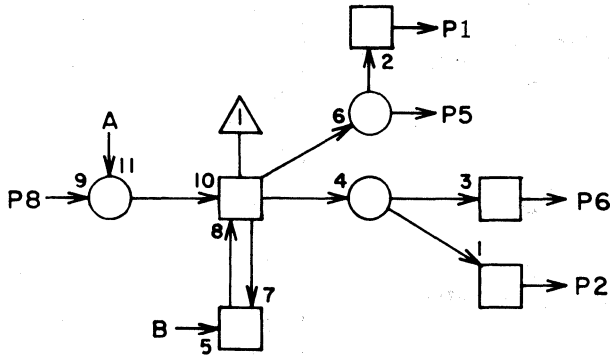
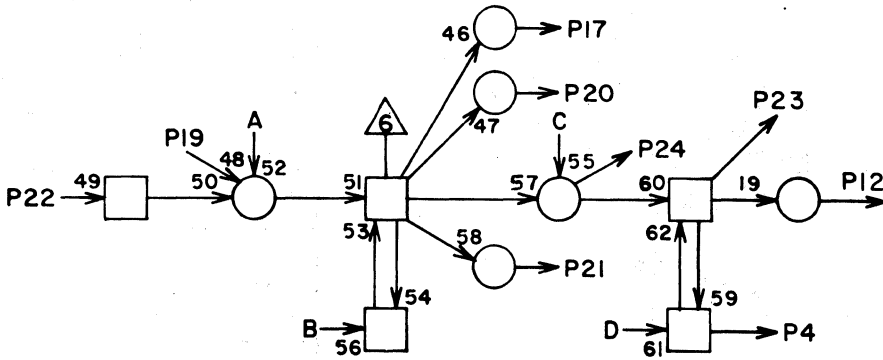
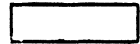


EU



1			
2			
3			
4			
5			
6			
7			
8			
9			
10			
11			
12			
13			
14			
15			
16			
17			
18			
19			
20			
21			
22			
23			
24			
25			
26			
27			
28			

JACK PIN LG
CIRCUIT SPECIFICATION
11827600
60042700 Rev. P



60042700 Rev AP
CIRCUIT SPECIFICATION 11827600

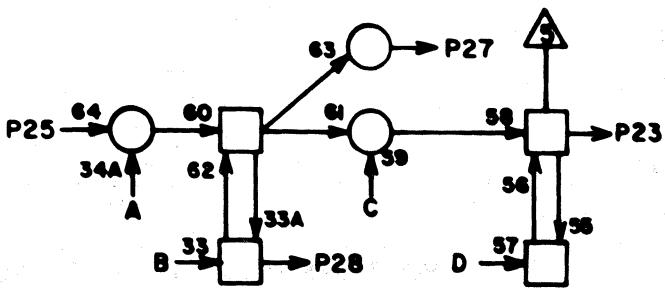
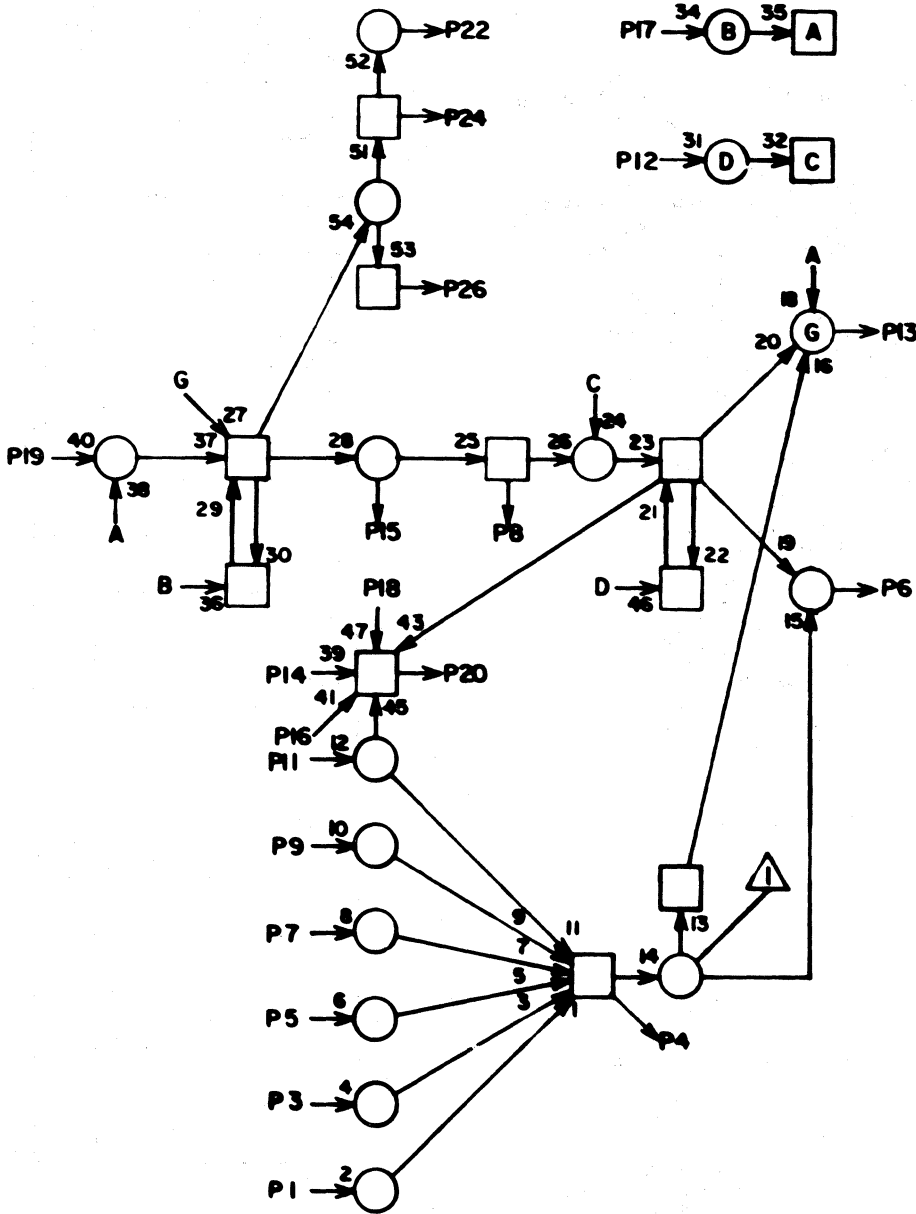
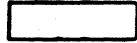
1			
2			
3			
4			
5			
6			
7			
8			
9			
10			
11			
12			
13			
14			
15			
16			
17			
18			
19			
20			
21			
22			
23			
24			
25			
26			
27			
28			

JACK PIN LG

LS 17972200
ASSY



EX



1		
2		
3		
4		
5		
6		
7		
8		
9		
10		
11		
12		
13		
14		
15		
16		
17		
18		
19		
20		
21		
22		
23		
24		
25		
26		
27		
28		

JACK PIN LG

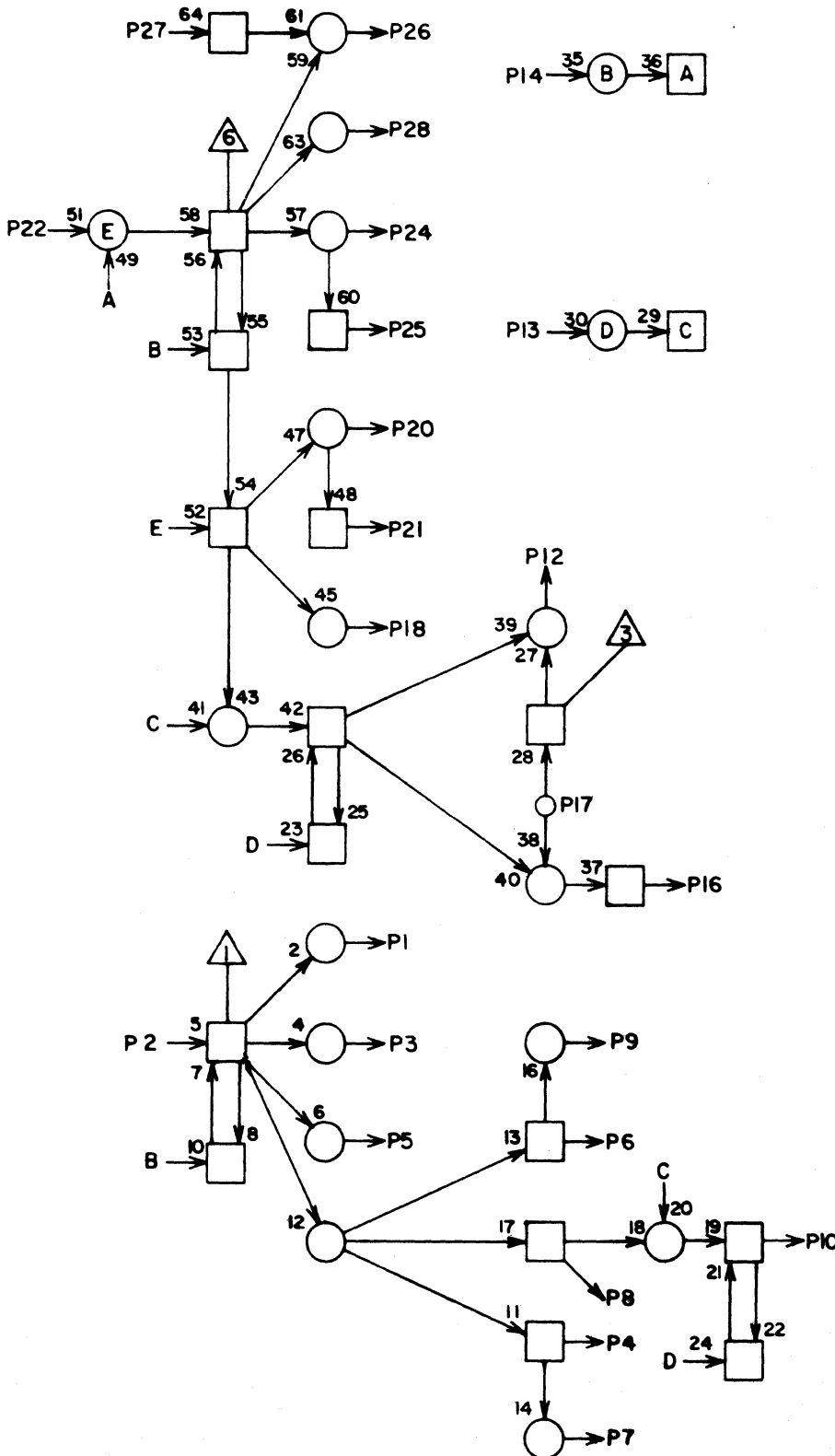
CIRCUIT SPECIFICATION 11627600

60042700 Rev. P

LS 17972400
ASSY

B
REV

EY



1			
2			
3			
4			
5			
6			
7			
8			
9			
10			
11			
12			
13			
14			
15			
16			
17			
18			
19			
20			
21			
22			
23			
24			
25			
26			
27			
28			

JACK PIN LG

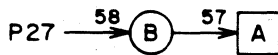
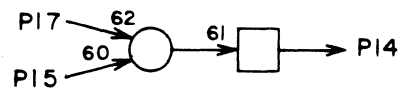
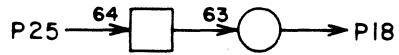
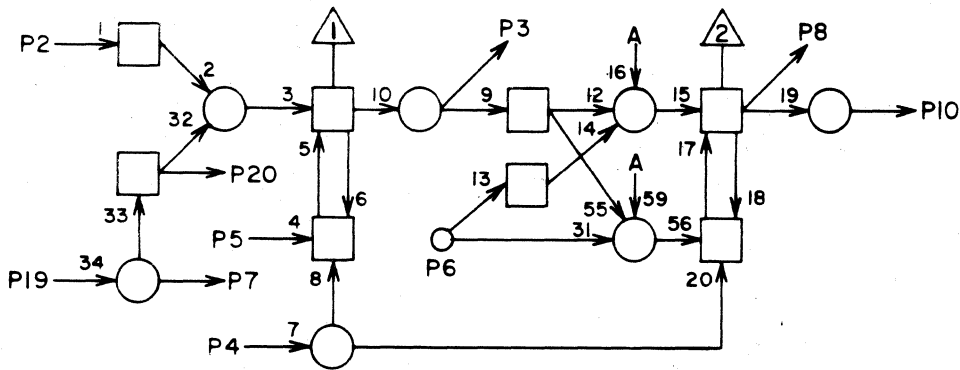
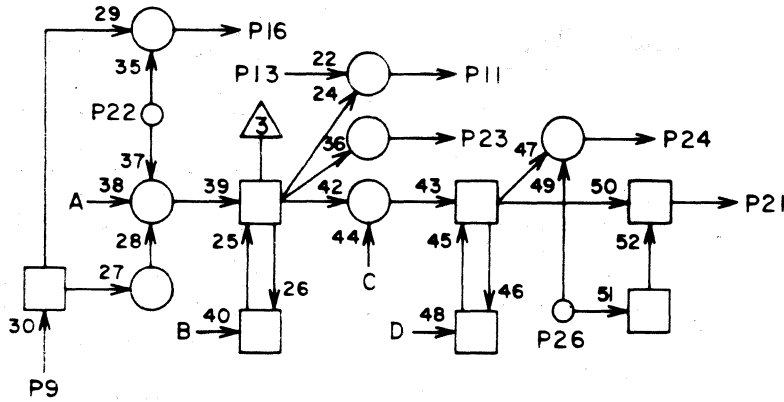
CIRCUIT SPECIFICATION

11827600
60042700 Rev. K

LS 17972600
ASSY

REV

EZ



1			
2			
3			
4			
5			
6			
7			
8			
9			
10			
11			
12			
13			
14			
15			
16			
17			
18			
19			
20			
21			
22			
23			
24			
25			
26			
27			
28			

JACK PIN LG

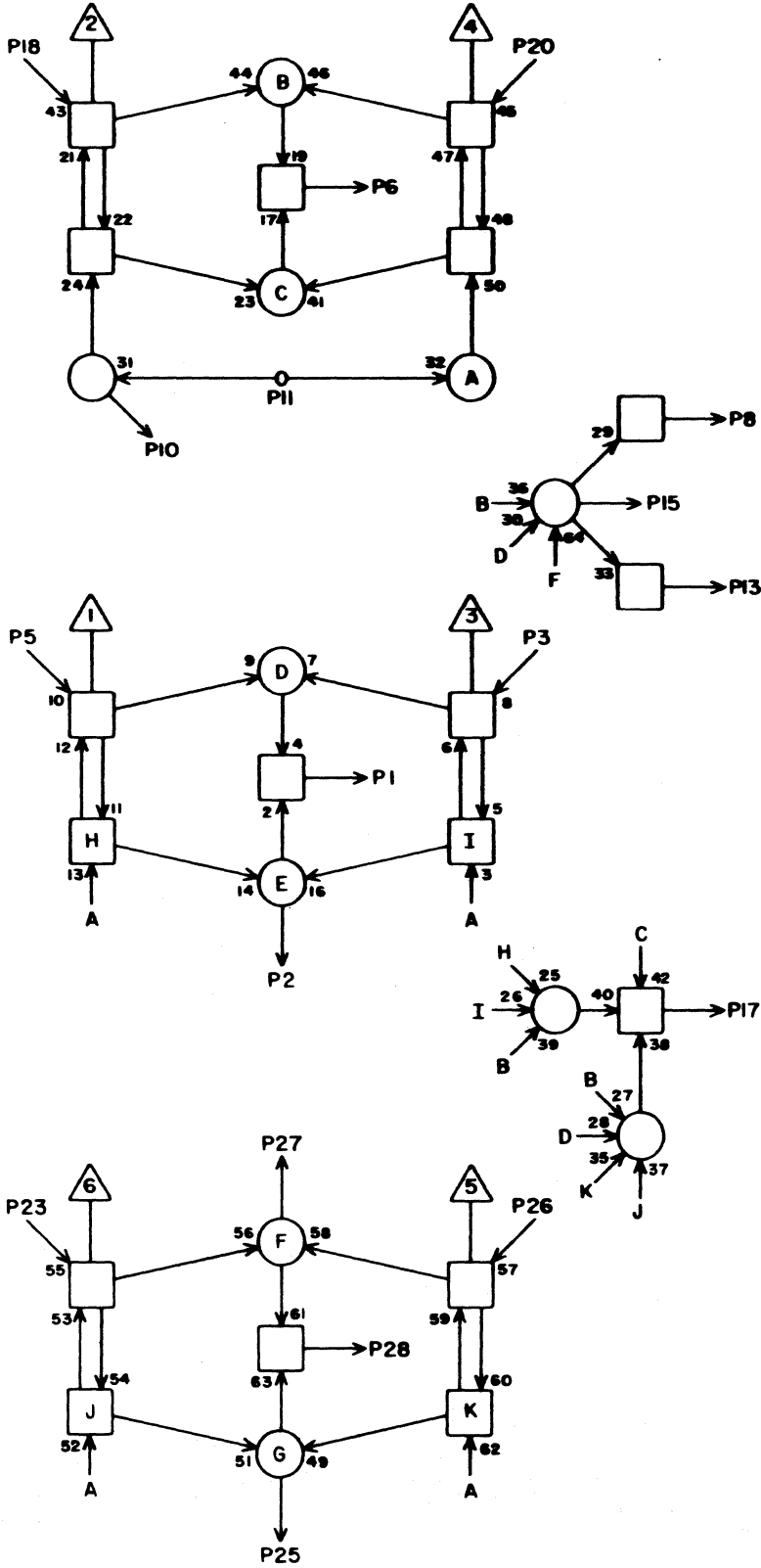
CIRCUIT SPECIFICATION 11827600

60042700 Rev. K

LS 63043500
ASSY

REV D

FA



1			
2			
3			
4			
5			
6			
7			
8			
9			
10			
11			
12			
13			
14			
15			
16			
17			
18			
19			
20			
21			
22			
23			
24			
25			
26			
27			
28			

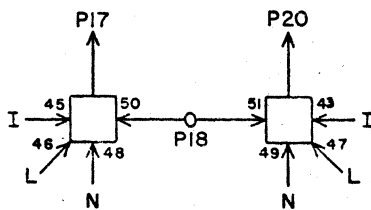
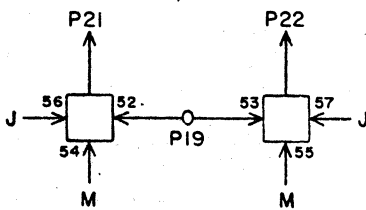
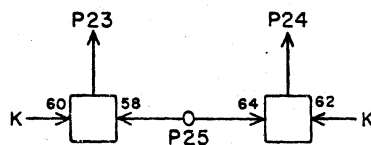
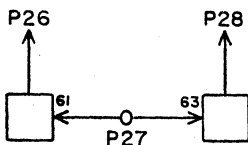
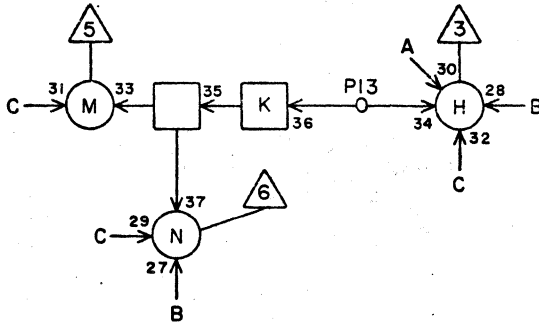
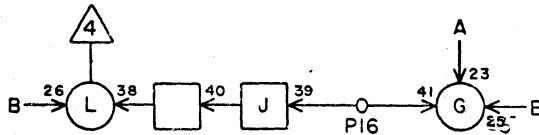
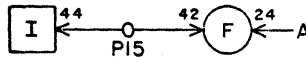
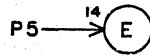
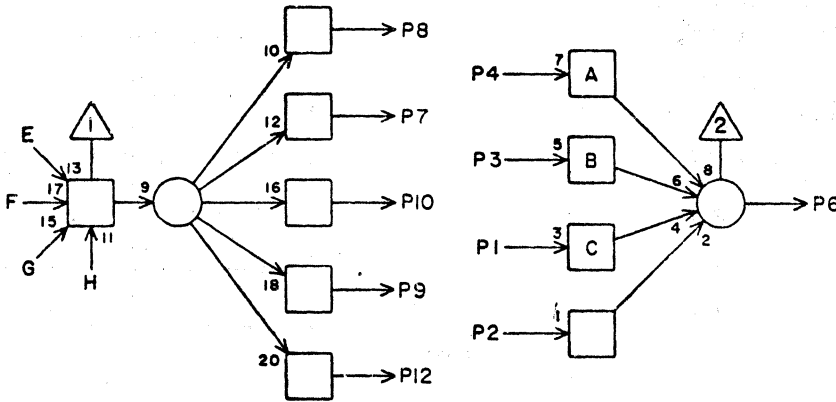
JACK PIN LG

CIRCUIT SPECIFICATION 11827600

LS 63043600
ASSY

F
REV

FB



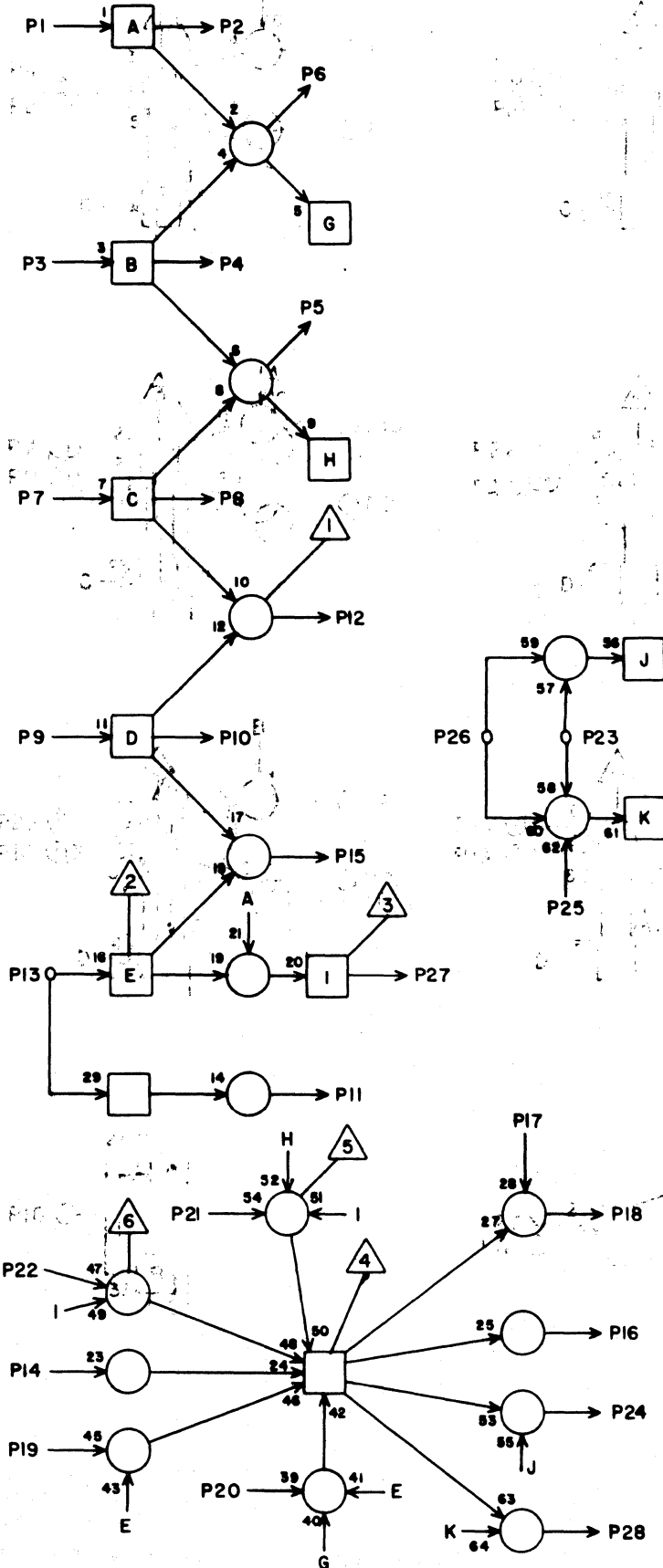
1			
2			
3			
4			
5			
6			
7			
8			
9			
10			
11			
12			
13			
14			
15			
16			
17			
18			
19			
20			
21			
22			
23			
24			
25			
26			
27			
28			

JACK PIN LG

LS 63043700
ASSY

C
REV

FC



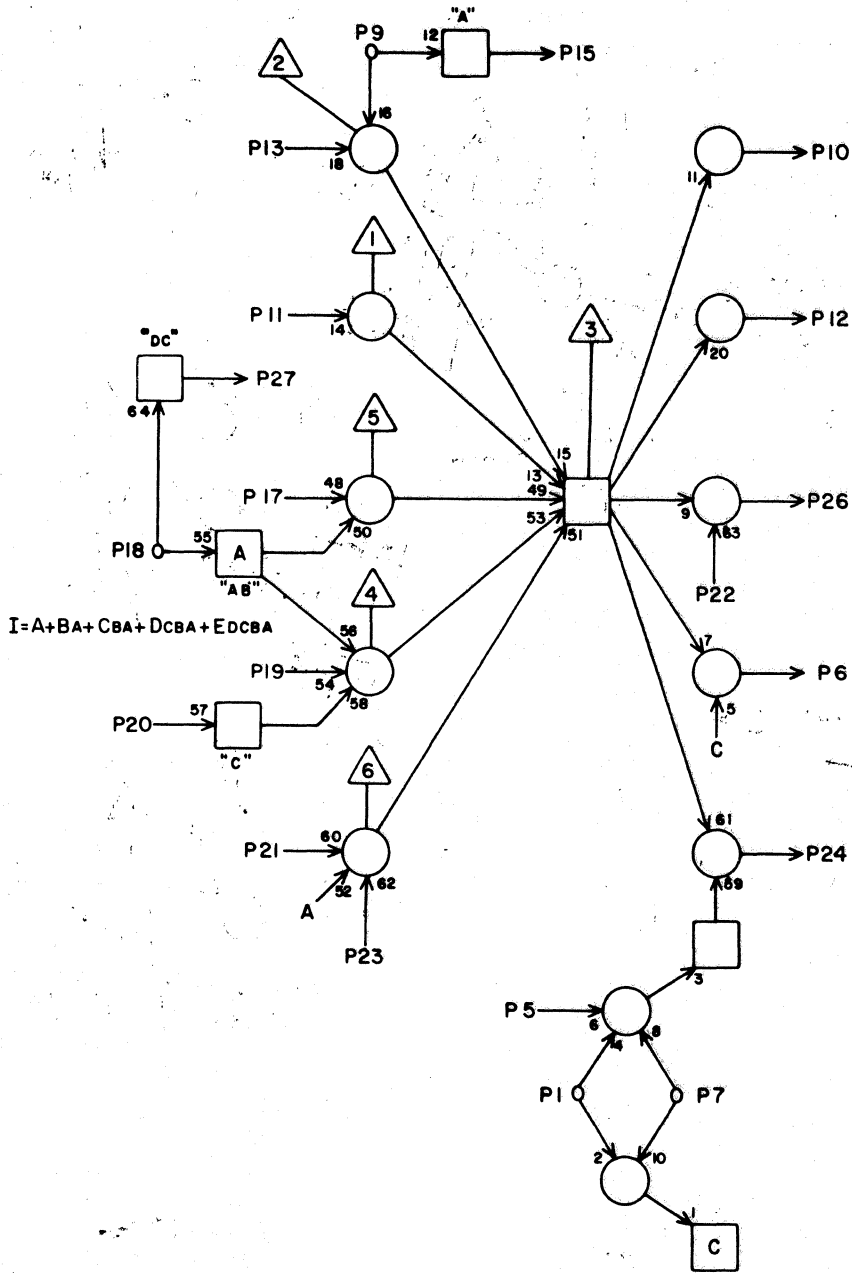
1		
2		
3		
4		
5		
6		
7		
8		
9		
10		
11		
12		
13		
14		
15		
16		
17		
18		
19		
20		
21		
22		
23		
24		
25		
26		
27		
28		

JACK PIN LG
CIRCUIT SPECIFICATION 11027600
60042700 Rev. J

LS 63043800
ASSY

D
REV

FD



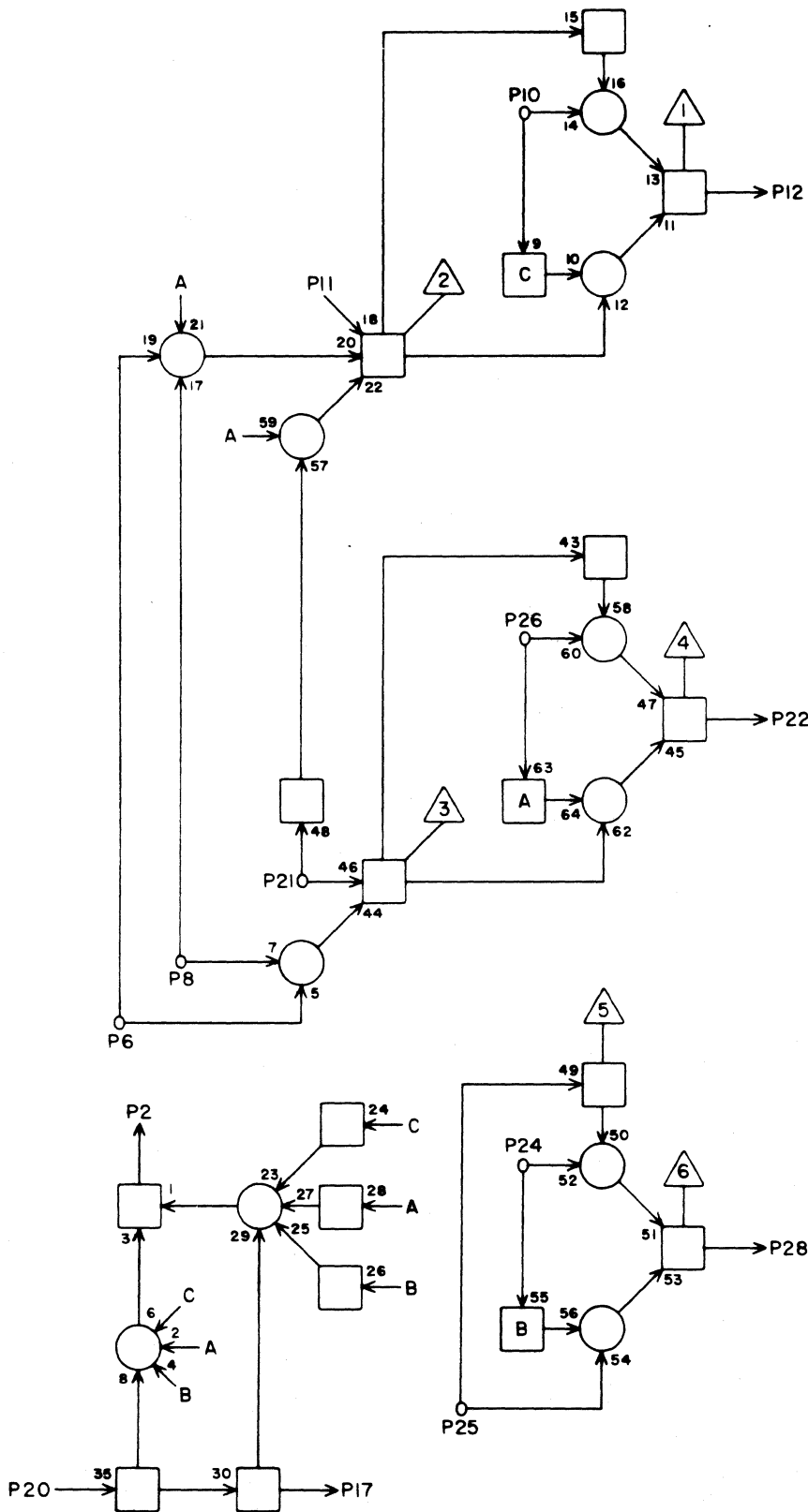
1			
2			
3			
4			
5			
6			
7			
8			
9			
10			
11			
12			
13			
14			
15			
16			
17			
18			
19			
20			
21			
22			
23			
24			
25			
26			
27			
28			

JACK PIN LG

LS 63043900
ASSY

D
REV

FE

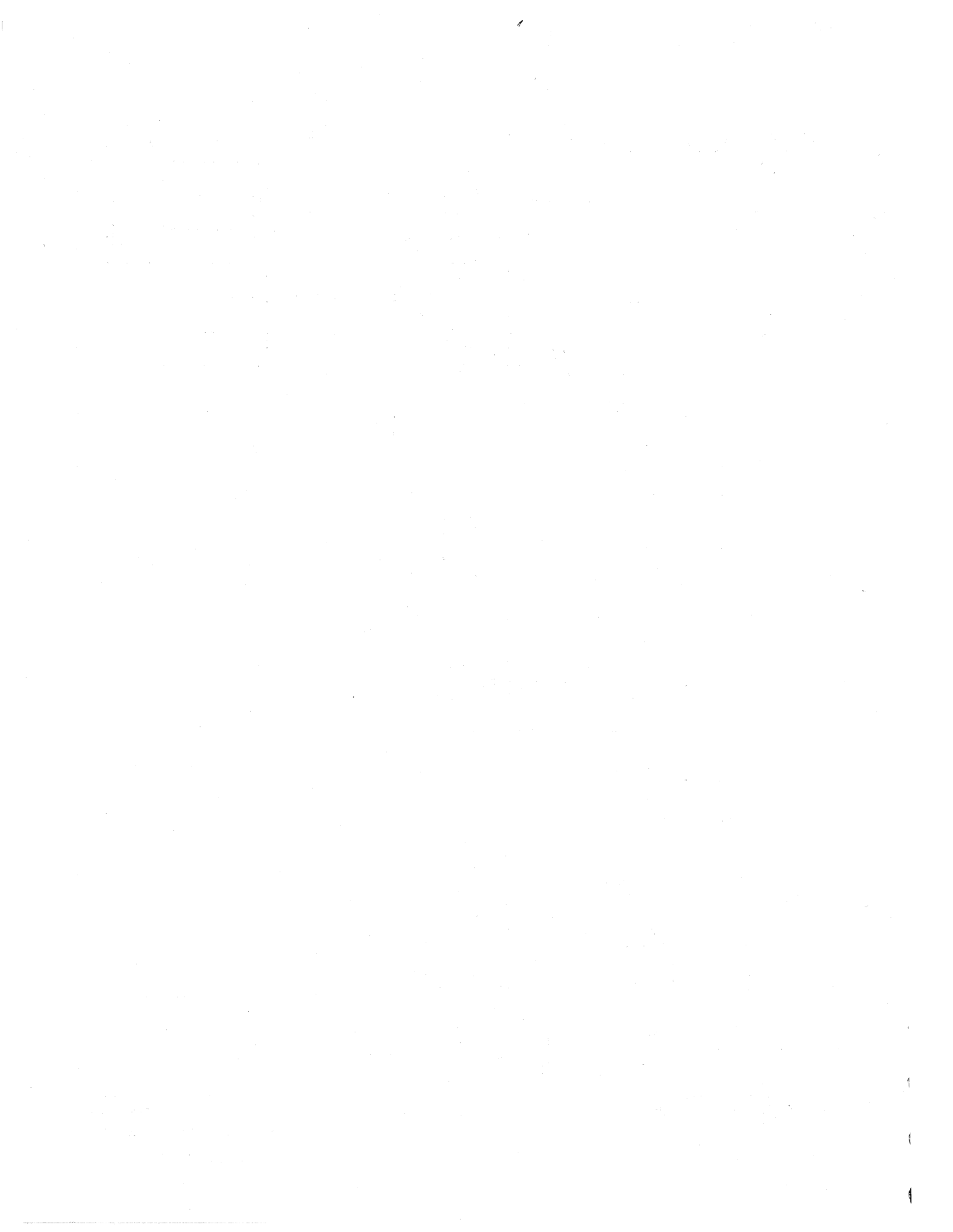


1			
2			
3			
4			
5			
6			
7			
8			
9			
10			
11			
12			
13			
14			
15			
16			
17			
18			
19			
20			
21			
22			
23			
24			
25			
26			
27			
28			

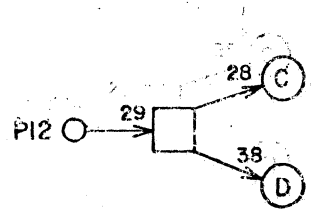
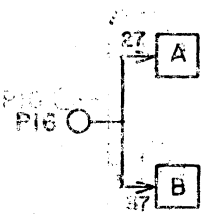
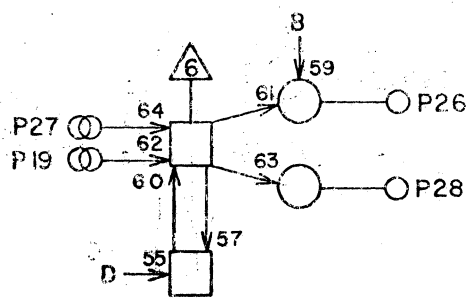
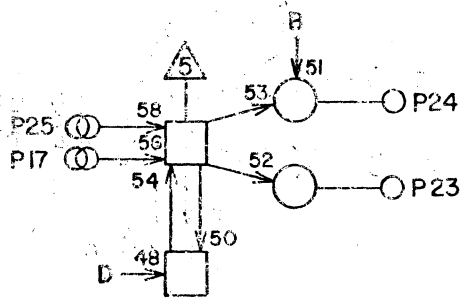
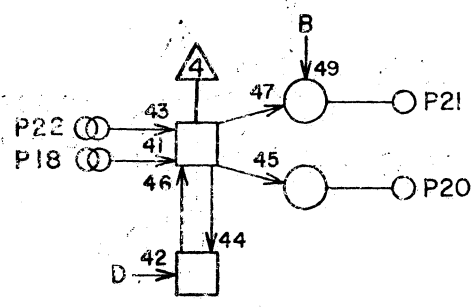
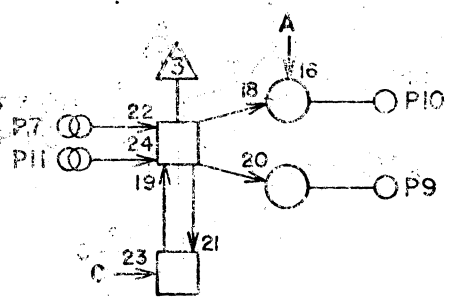
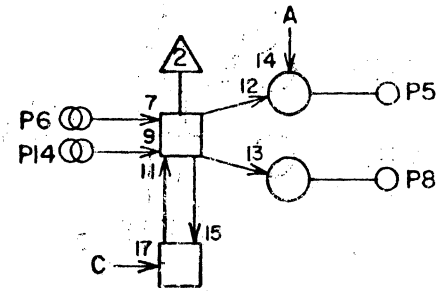
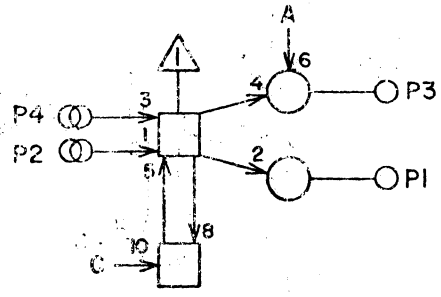
JACK PIN LG

CIRCUIT SPECIFICATION 11827600

60042700 Rev. J



LS 23234800 A
 ASSY REV



F0

1			
2			
3			
4			
5			
6			
7			
8			
9			
10			
11			
12			
13			
14			
15			
16			
17			
18			
19			
20			
21			
22			
23			
24			
25			
26			
27			
28			

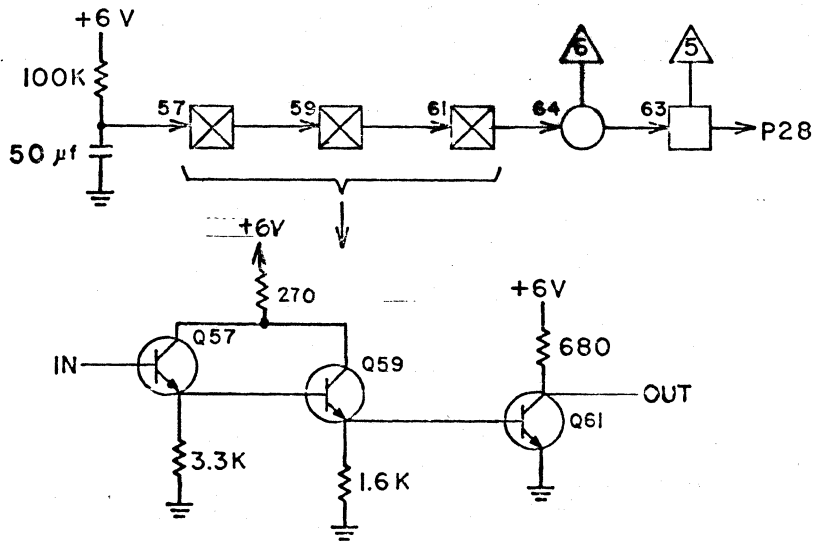
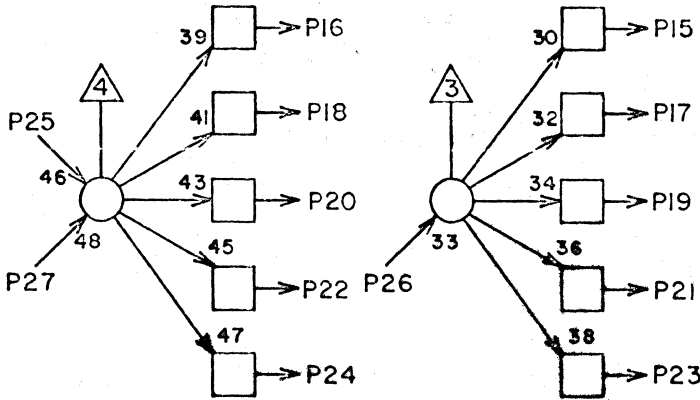
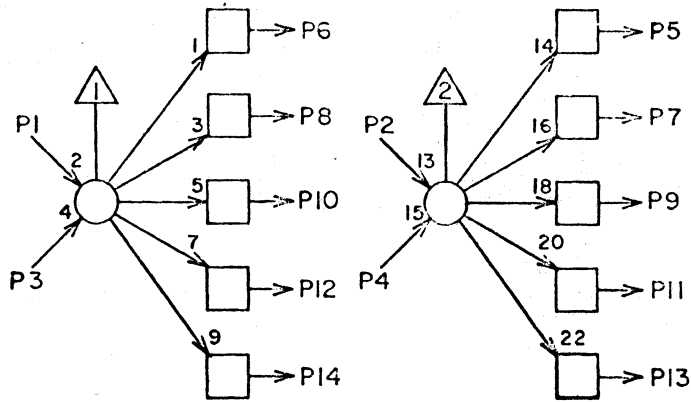
60042700 Rev Z

JACK PIN LG
 SEE CIRCUIT SPECIFICATION
 118276000

LS18901200
ASSY

REV

FZ



1			
2			
3			
4			
5			
6			
7			
8			
9			
10			
11			
12			
13			
14			
15			
16			
17			
18			
19			
20			
21			
22			
23			
24			
25			
26			
27			
28			

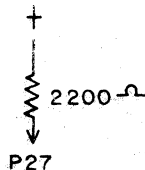
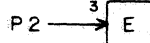
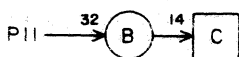
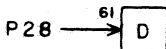
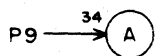
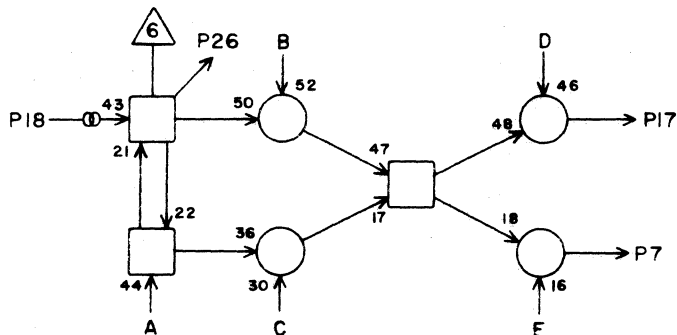
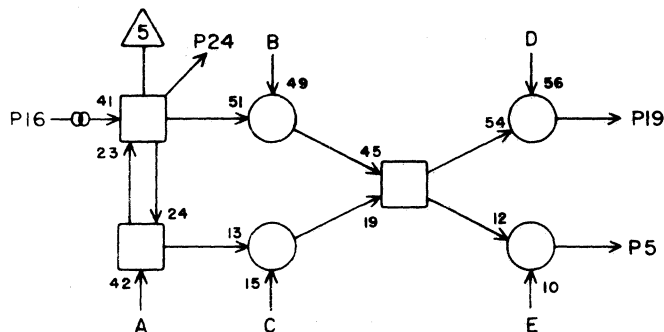
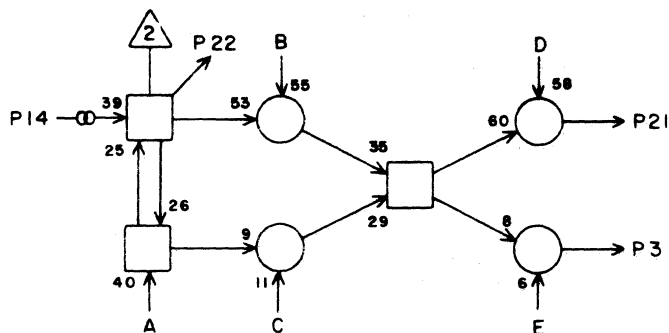
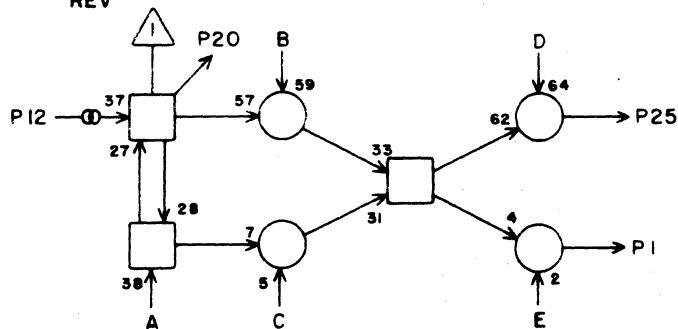
60042700 Rev. Z

JACK PIN LG
SEE CIRCUIT SPECIFICATION
11827600
52000046

LS 63044000
ASSY

REV

GA



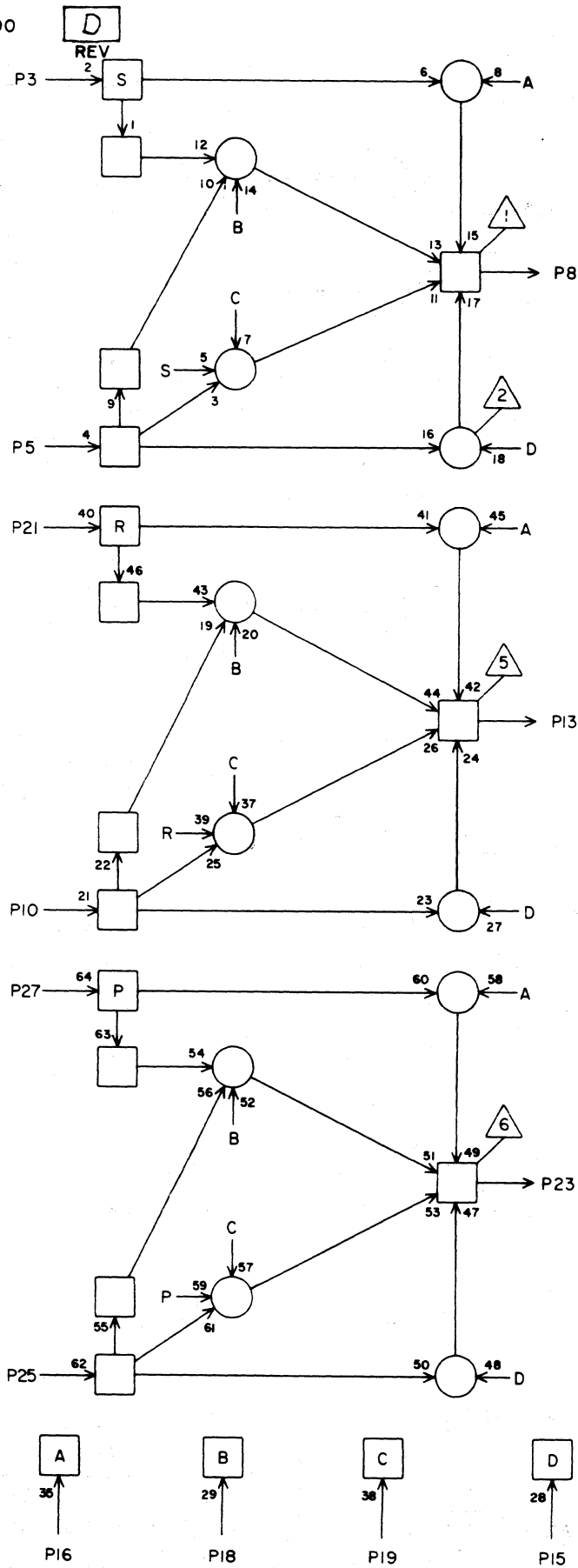
1			
2			
3			
4			
5			
6			
7			
8			
9			
10			
11			
12			
13			
14			
15			
16			
17			
18			
19			
20			
21			
22			
23			
24			
25			
26			
27			
28			

JACK PIN LG
CIRCUIT SPECIFICATION 11827600

60042700 Rev. J

LS 63044100
ASSY

GB



1			
2			
3			
4			
5			
6			
7			
8			
9			
10			
11			
12			
13			
14			
15			
16			
17			
18			
19			
20			
21			
22			
23			
24			
25			
26			
27			
28			

JACK PIN LG
CIRCUIT SPECIFICATION 11827600

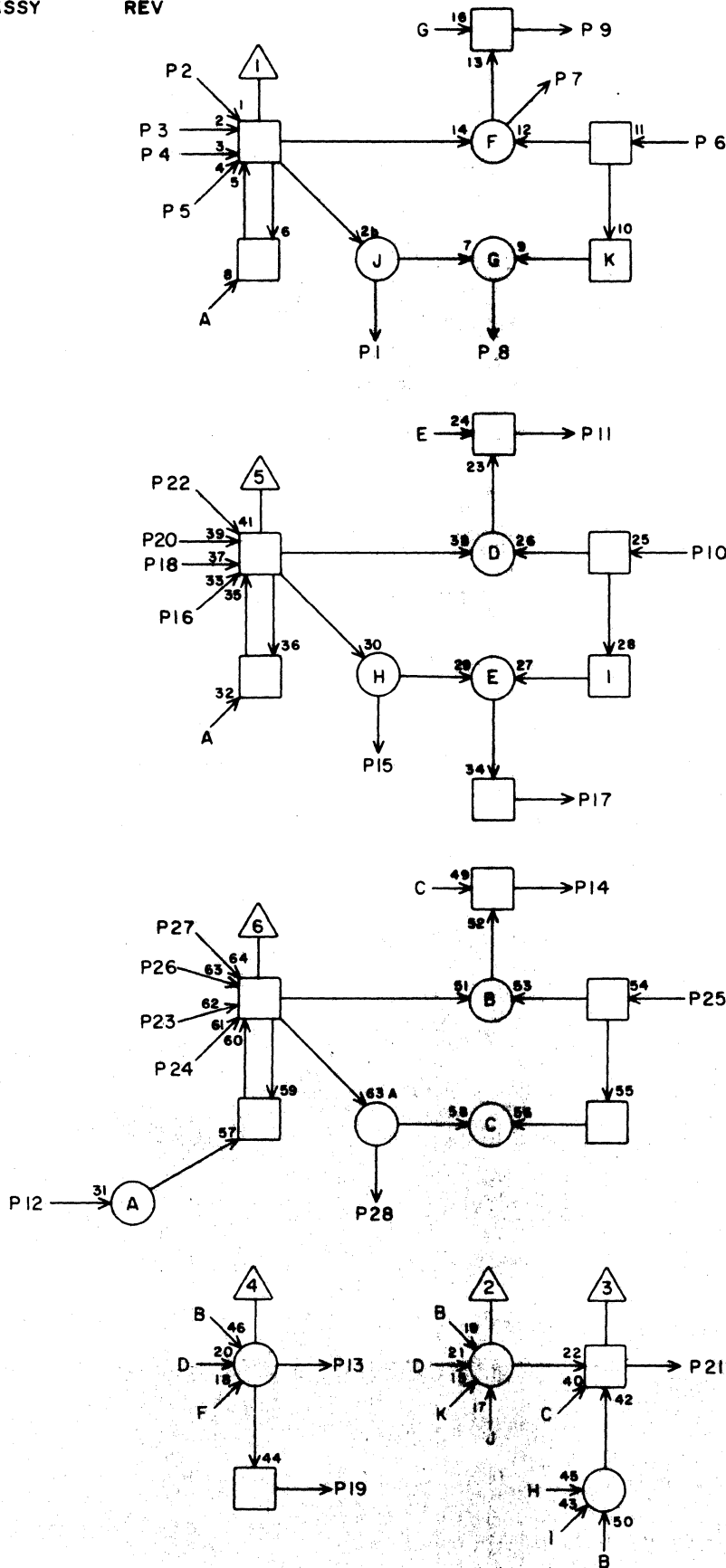
60042700 Rev. J

LS 63044200
ASSY

D
REV

GC

[]



1			
2			
3			
4			
5			
6			
7			
8			
9			
10			
11			
12			
13			
14			
15			
16			
17			
18			
19			
20			
21			
22			
23			
24			
25			
26			
27			
28			

JACK PIN LG

CIRCUIT SPECIFICATION 11827600

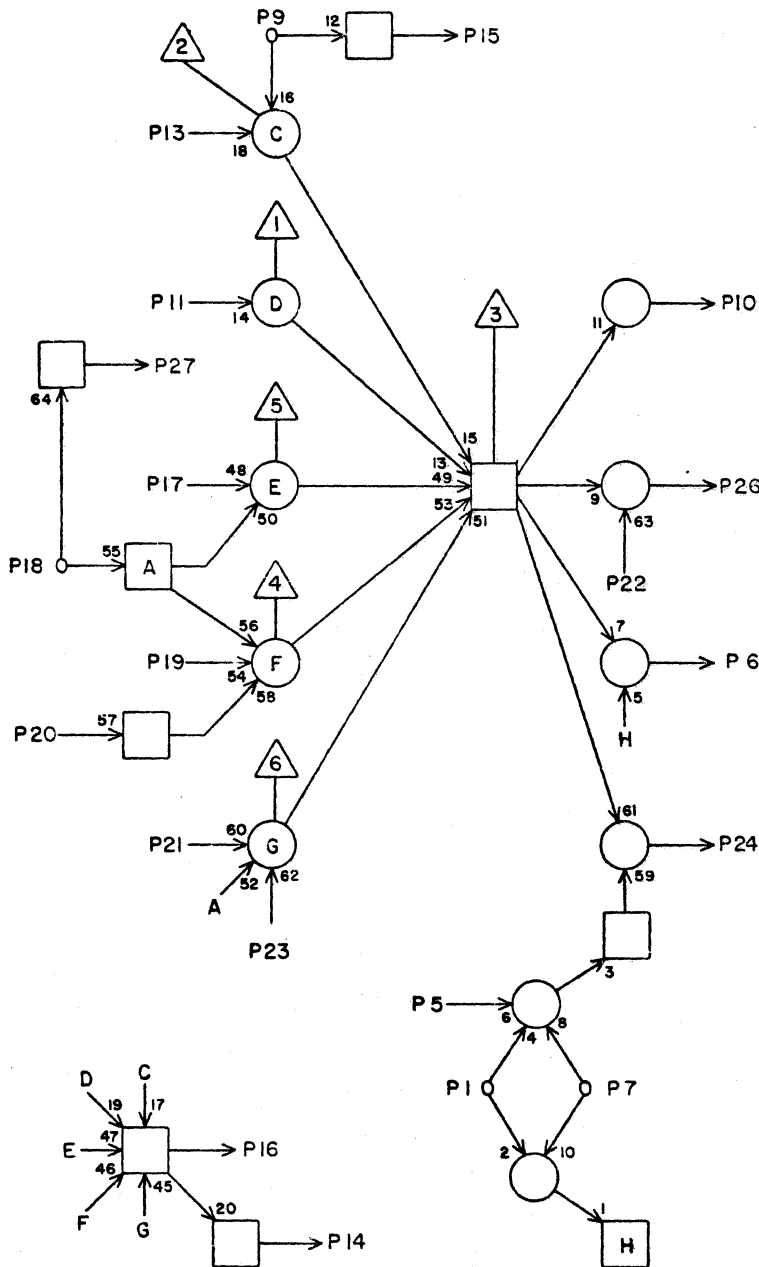
60042700 Rev. J

LS 63044400
ASSY

C
REV

GE

[]



1			
2			
3			
4			
5			
6			
7			
8			
9			
10			
11			
12			
13			
14			
15			
16			
17			
18			
19			
20			
21			
22			
23			
24			
25			
26			
27			
28			

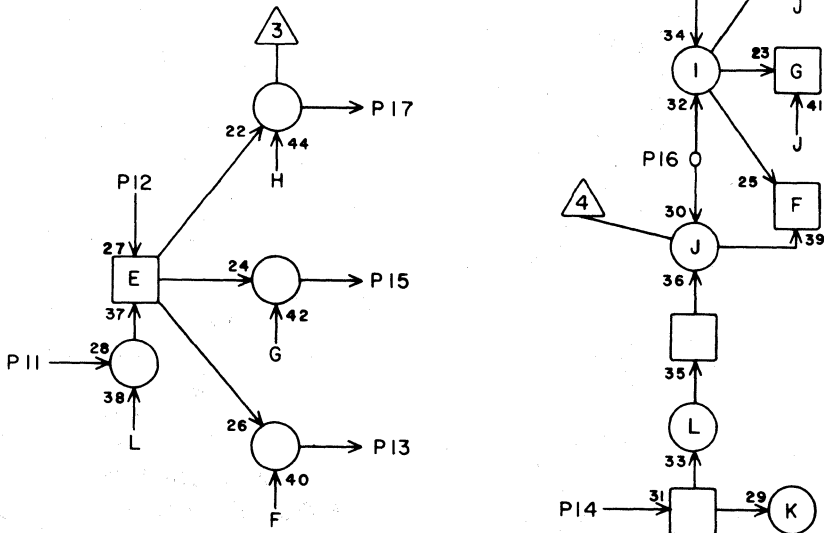
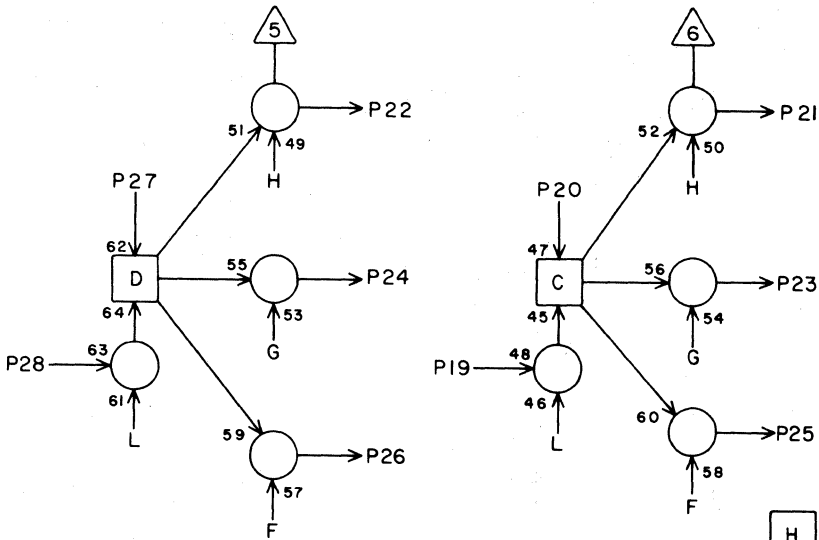
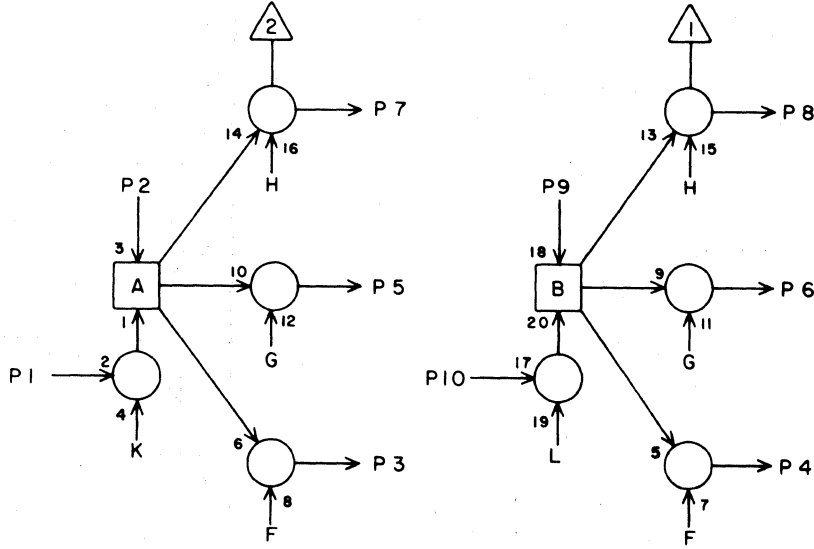
JACK PIN LG

CIRCUIT SPECIFICATION 11827600
60042700 Rev. J

LS 63044500
ASSY

E
REV

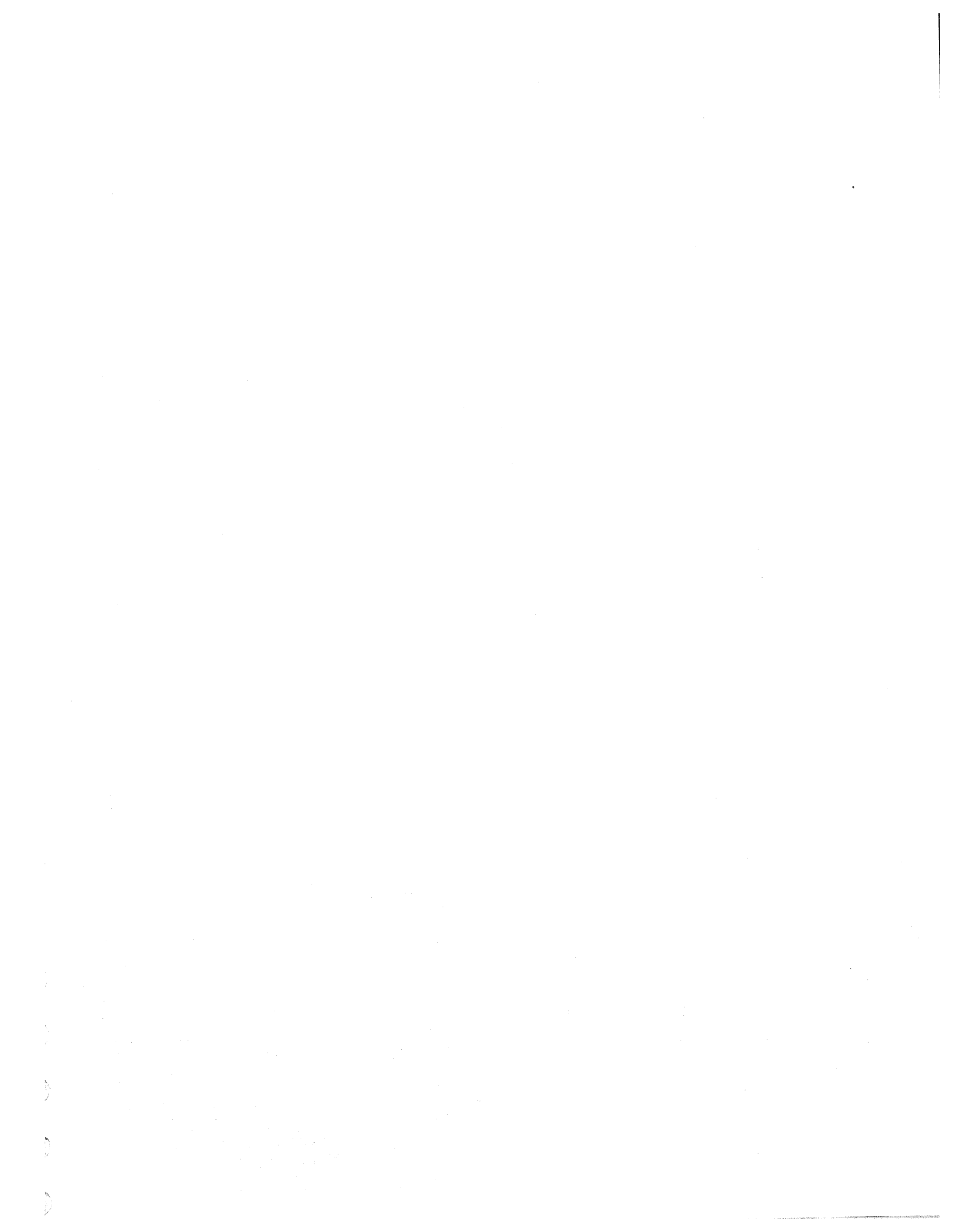
GF



1			
2			
3			
4			
5			
6			
7			
8			
9			
10			
11			
12			
13			
14			
15			
16			
17			
18			
19			
20			
21			
22			
23			
24			
25			
26			
27			
28			

JACK PIN LG
CIRCUIT SPECIFICATION I1827600

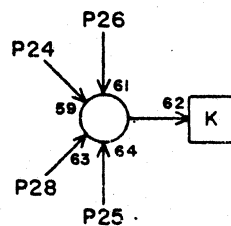
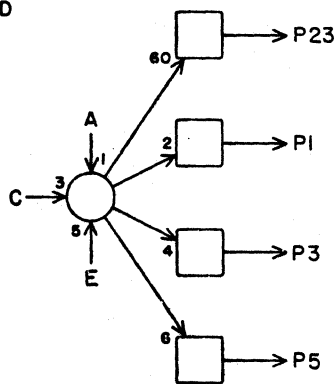
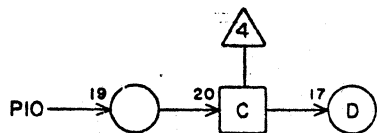
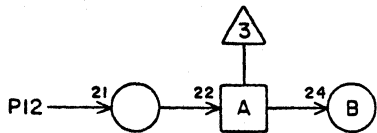
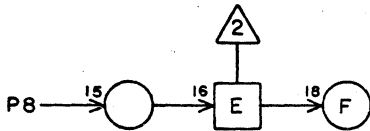
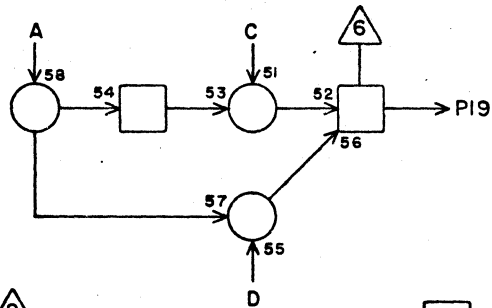
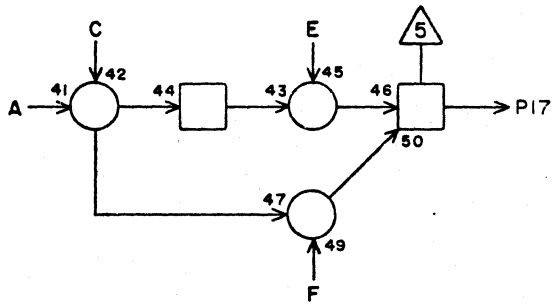
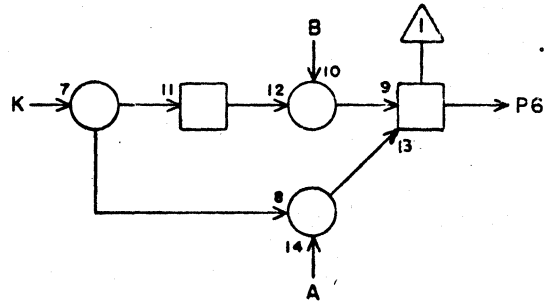
60042700 Rev. P



LS 63066600
ASSY

F
REV

GH



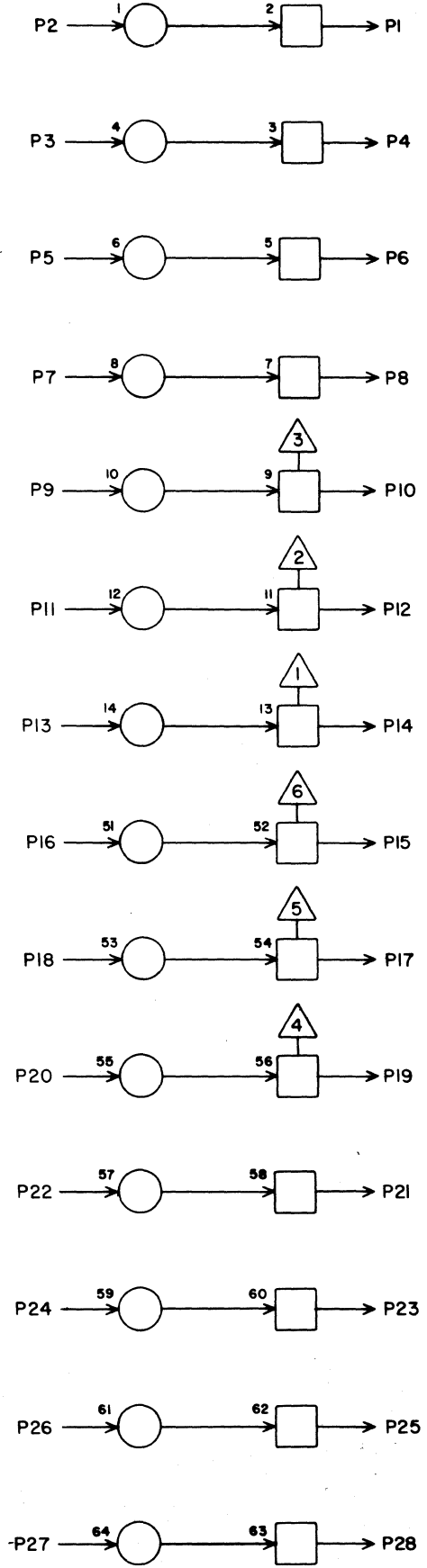
1			
2			
3			
4			
5			
6			
7			
8			
9			
10			
11			
12			
13			
14			
15			
16			
17			
18			
19			
20			
21			
22			
23			
24			
25			
26			
27			
28			

JACK PIN LG

CIRCUIT SPECIFICATION 11827600
60042700 Rev. Y

LS 63068400
ASSY

D
REV



G1

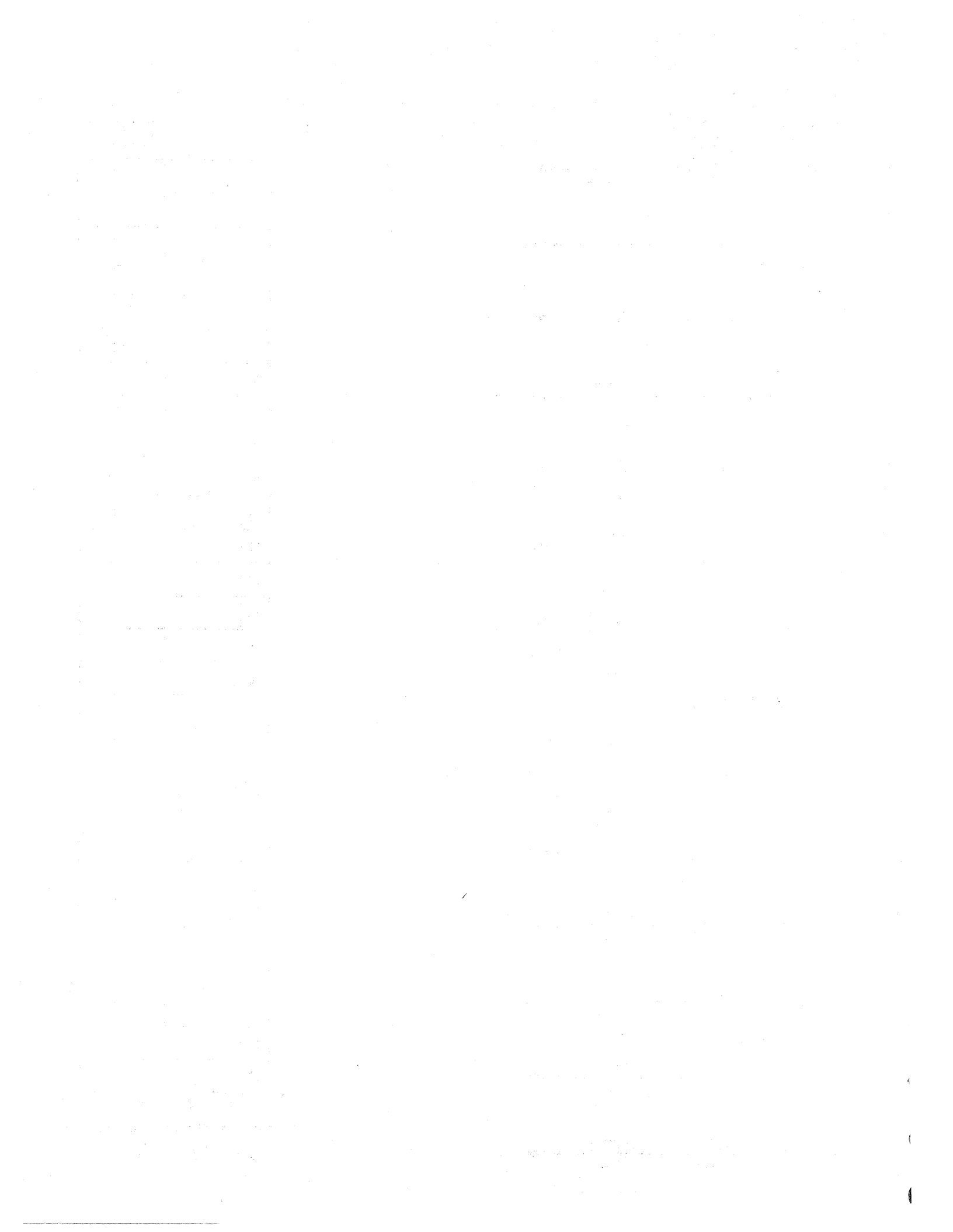
[Empty box]

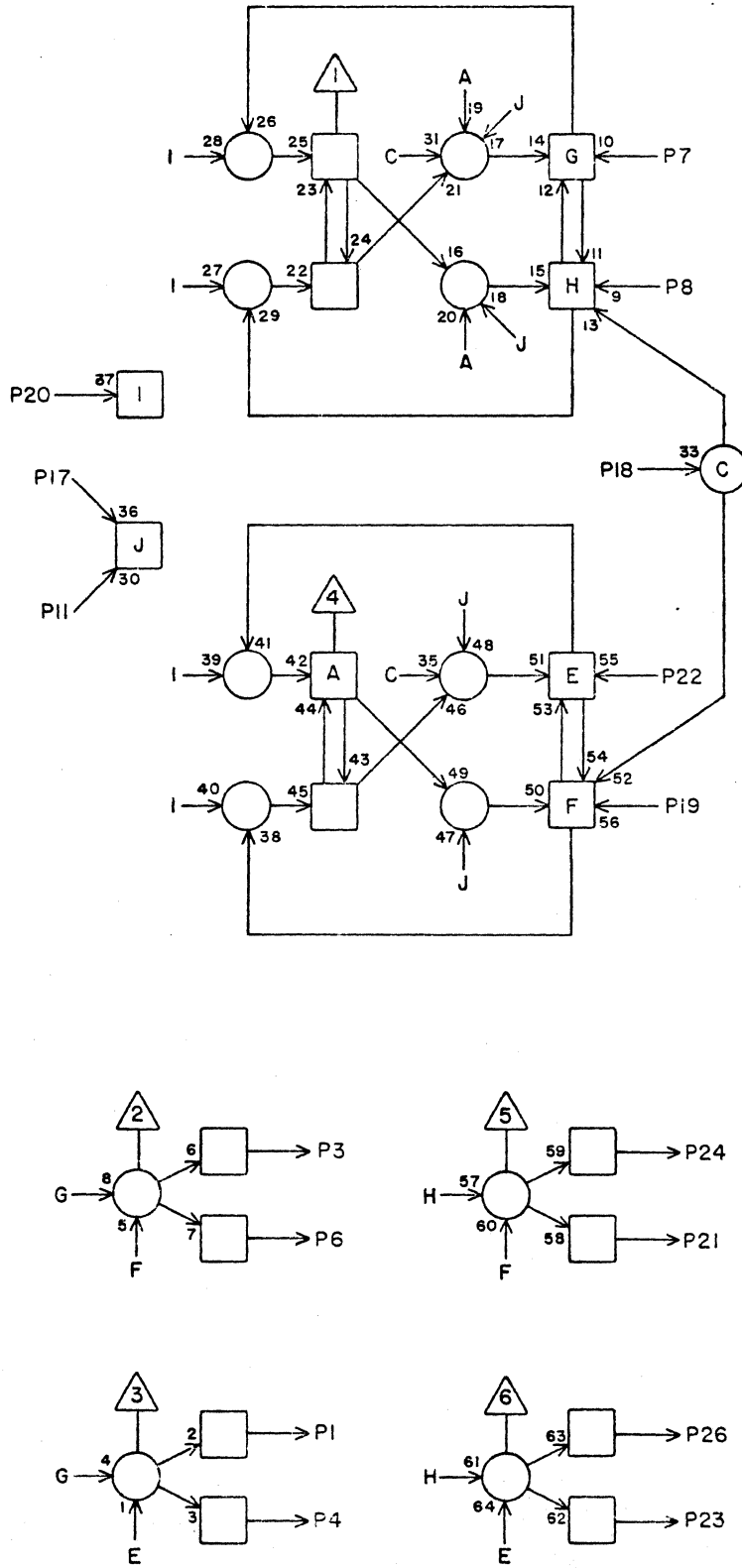
1			
2			
3			
4			
5			
6			
7			
8			
9			
10			
11			
12			
13			
14			
15			
16			
17			
18			
19			
20			
21			
22			
23			
24			
25			
26			
27			
28			

JACK PIN LG

CIRCUIT SPECIFICATION 11827600

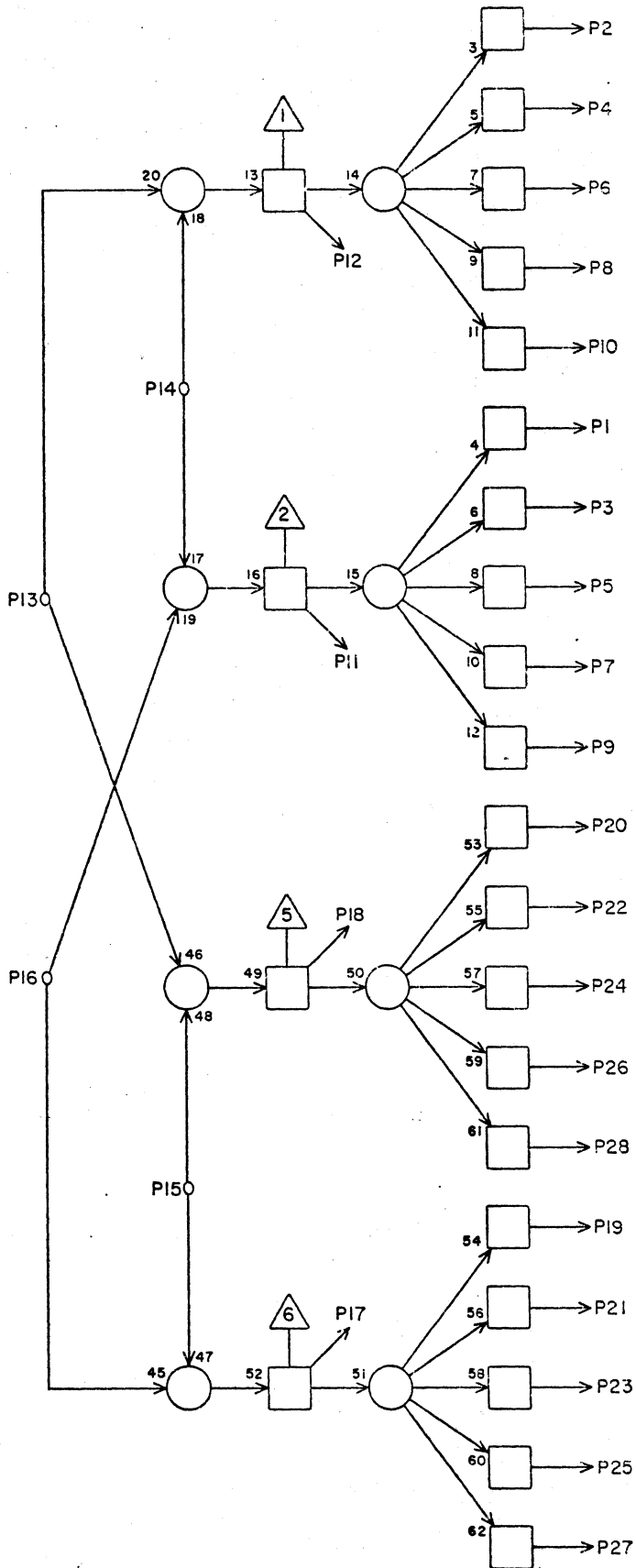
60042700 Rev. J





1			
2			
3			
4			
5			
6			
7			
8			
9			
10			
11			
12			
13			
14			
15			
16			
17			
18			
19			
20			
21			
22			
23			
24			
25			
26			
27			
28			

JACK PIN LG

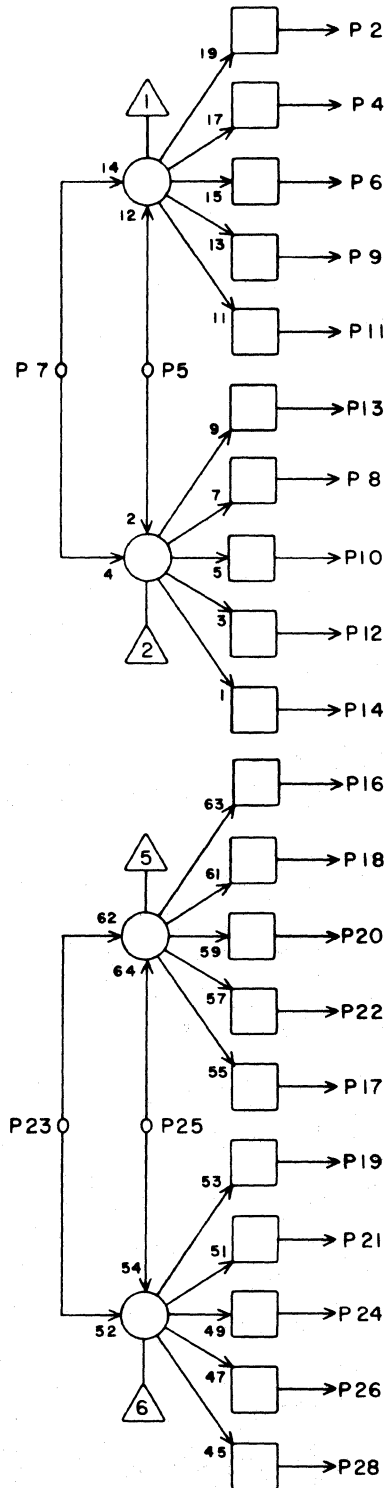


1			
2			
3			
4			
5			
6			
7			
8			
9			
10			
11			
12			
13			
14			
15			
16			
17			
18			
19			
20			
21			
22			
23			
24			
25			
26			
27			
28			

JACK PIN LG

LS 63044800
ASSY

HC



1			
2			
3			
4			
5			
6			
7			
8			
9			
10			
11			
12			
13			
14			
15			
16			
17			
18			
19			
20			
21			
22			
23			
24			
25			
26			
27			
28			

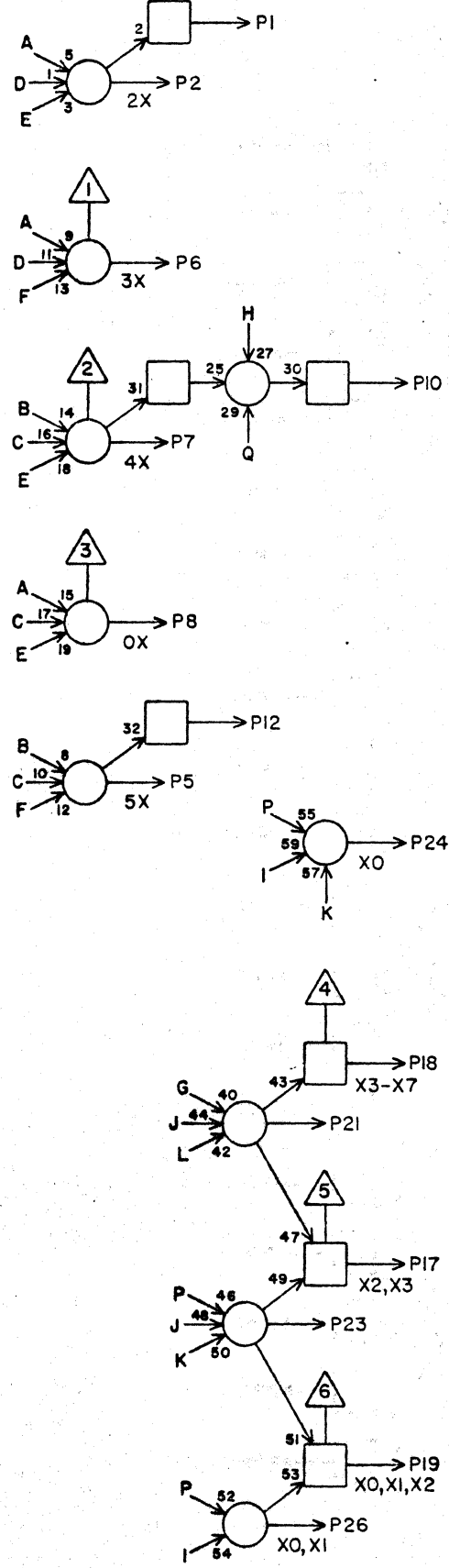
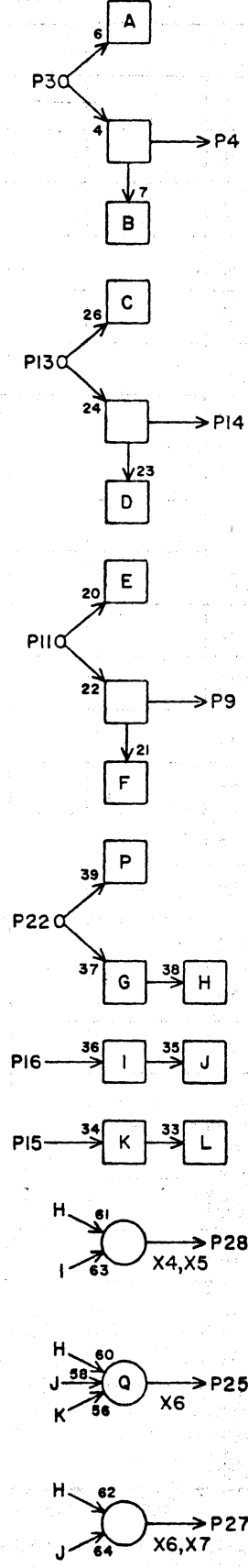
JACK PIN LG

CIRCUIT SPECIFICATION 11827600

60042700 Rev. P

LS 63044900
ASSY

C
REV



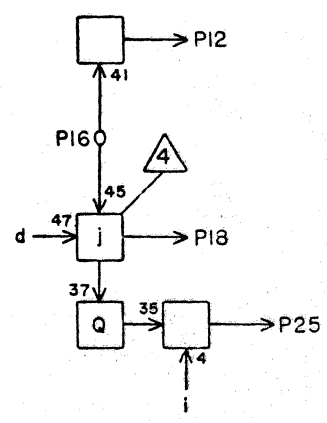
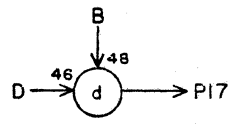
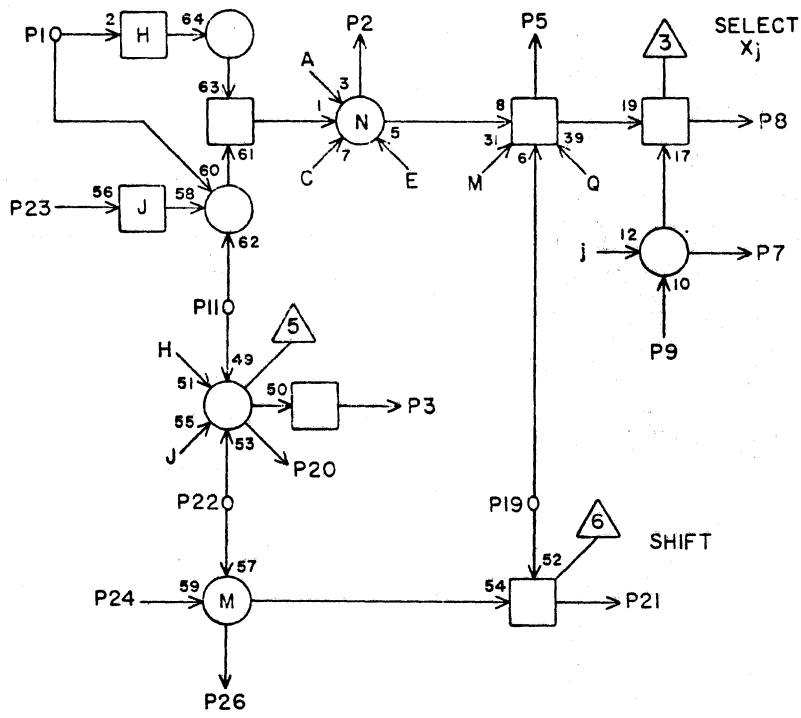
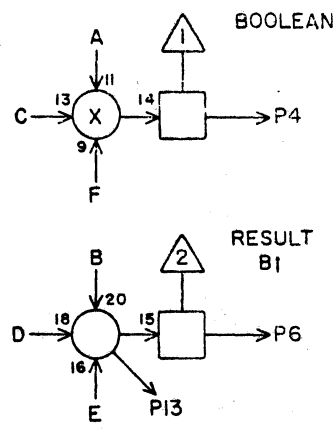
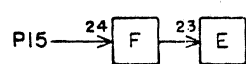
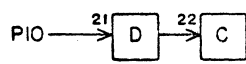
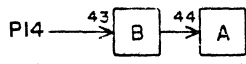
HD

[]

1			
2			
3			
4			
5			
6			
7			
8			
9			
10			
11			
12			
13			
14			
15			
16			
17			
18			
19			
20			
21			
22			
23			
24			
25			
26			
27			
28			

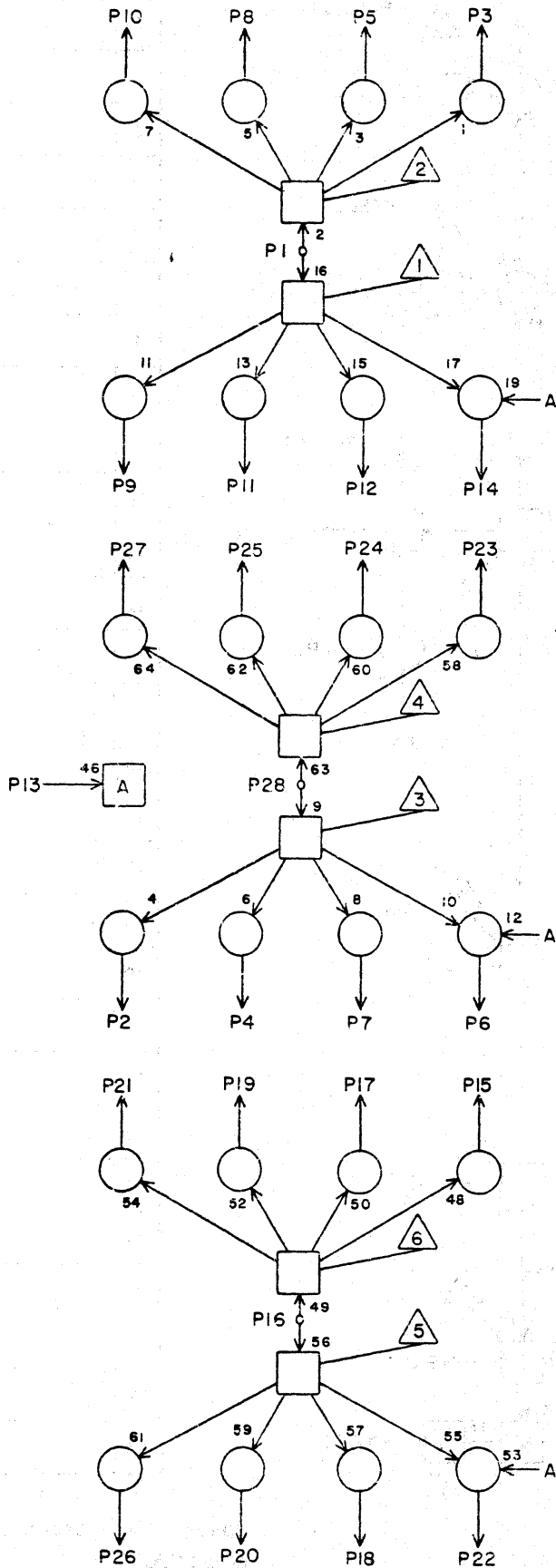
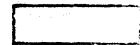
JACK PIN LG

CIRCUIT SPECIFICATION 11827600
60042700 Rev. J



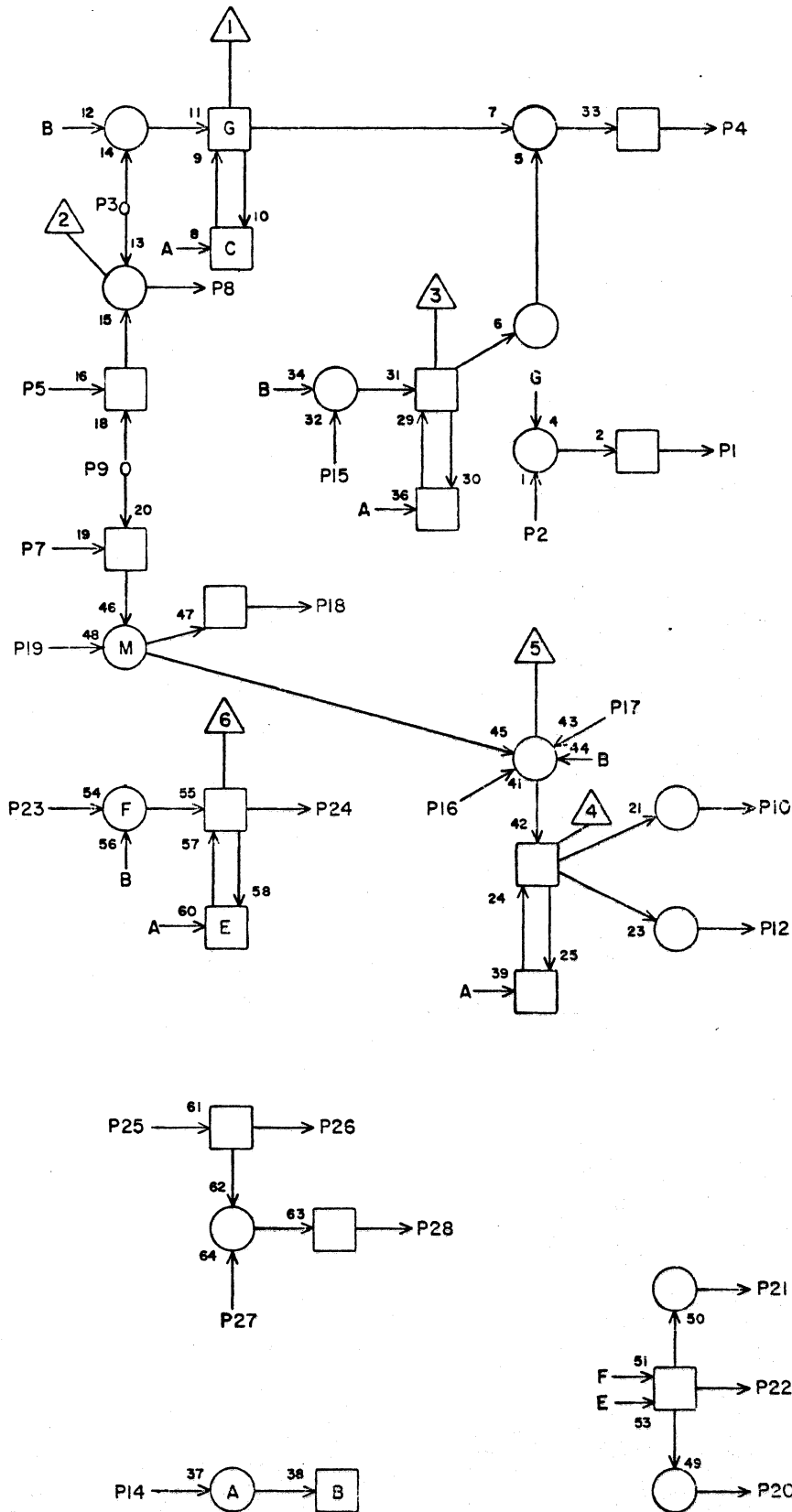
1			
2			
3			
4			
5			
6			
7			
8			
9			
10			
11			
12			
13			
14			
15			
16			
17			
18			
19			
20			
21			
22			
23			
24			
25			
26			
27			
28			

JACK PIN LG



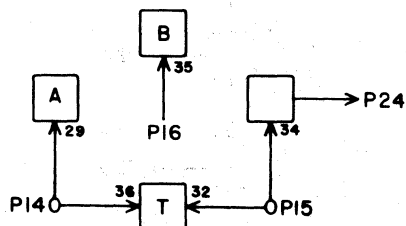
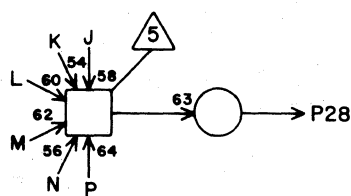
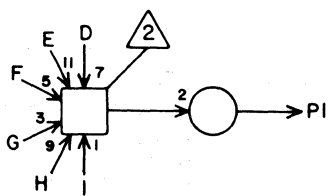
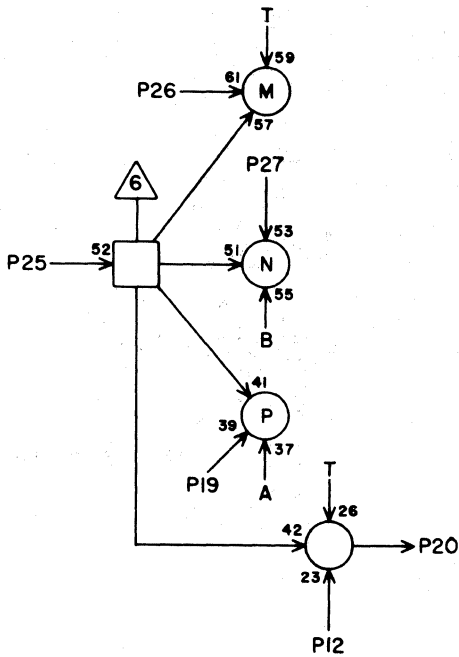
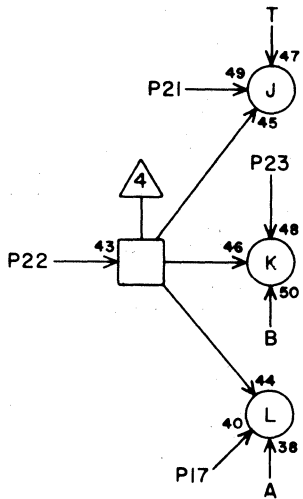
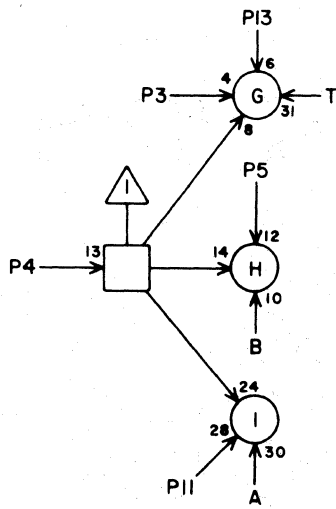
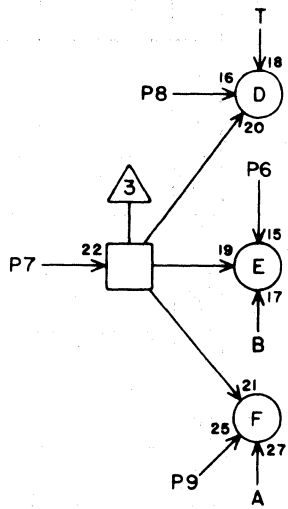
1			
2			
3			
4			
5			
6			
7			
8			
9			
10			
11			
12			
13			
14			
15			
16			
17			
18			
19			
20			
21			
22			
23			
24			
25			
26			
27			
28			

JACK PIN LG



1			
2			
3			
4			
5			
6			
7			
8			
9			
10			
11			
12			
13			
14			
15			
16			
17			
18			
19			
20			
21			
22			
23			
24			
25			
26			
27			
28			

JACK PIN LG



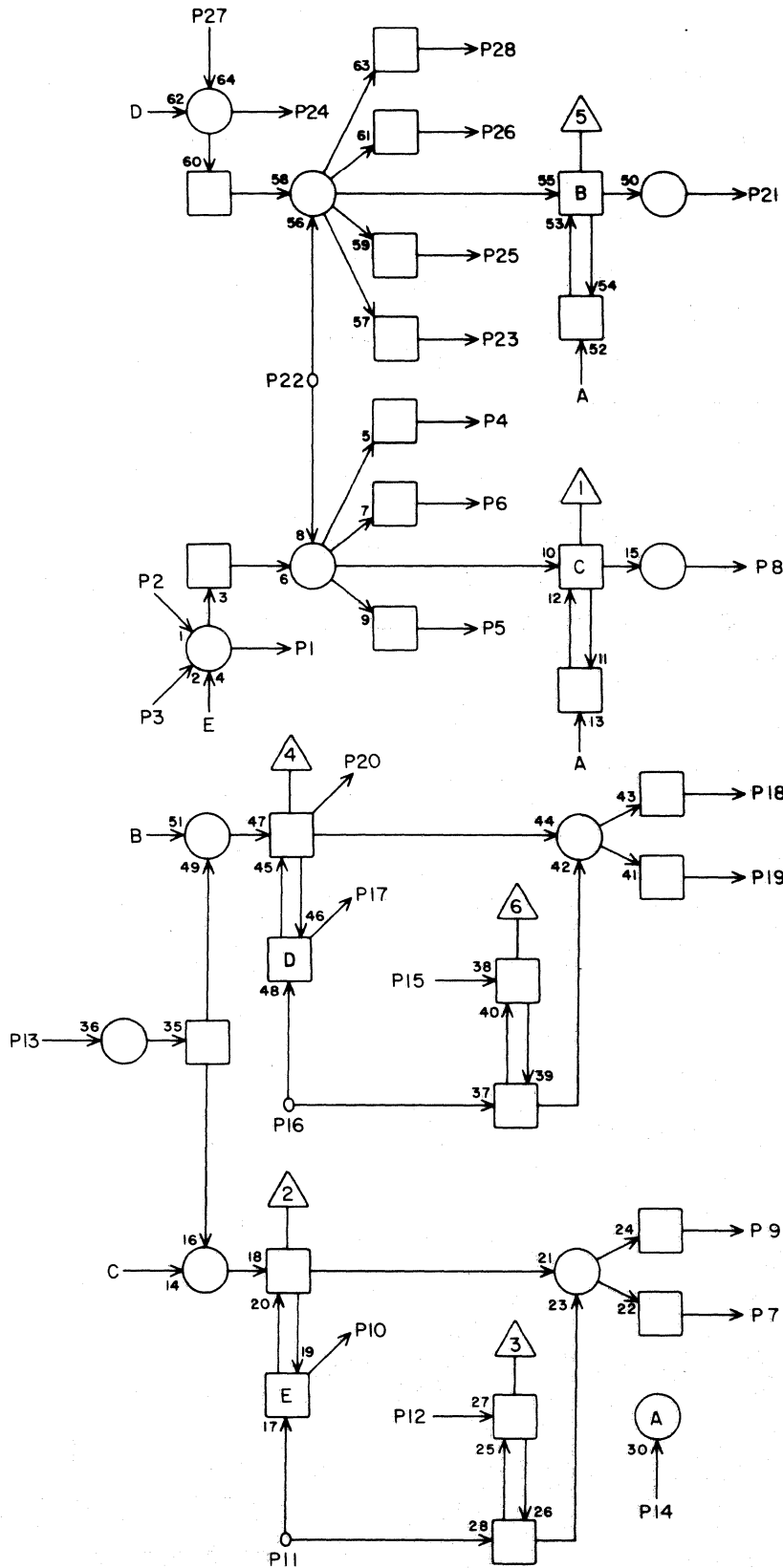
1			
2			
3			
4			
5			
6			
7			
8			
9			
10			
11			
12			
13			
14			
15			
16			
17			
18			
19			
20			
21			
22			
23			
24			
25			
26			
27			
28			

JACK PIN LG

LS 63045400
ASSY

F
REV

HI



1			
2			
3			
4			
5			
6			
7			
8			
9			
10			
11			
12			
13			
14			
15			
16			
17			
18			
19			
20			
21			
22			
23			
24			
25			
26			
27			
28			

JACK PIN LG

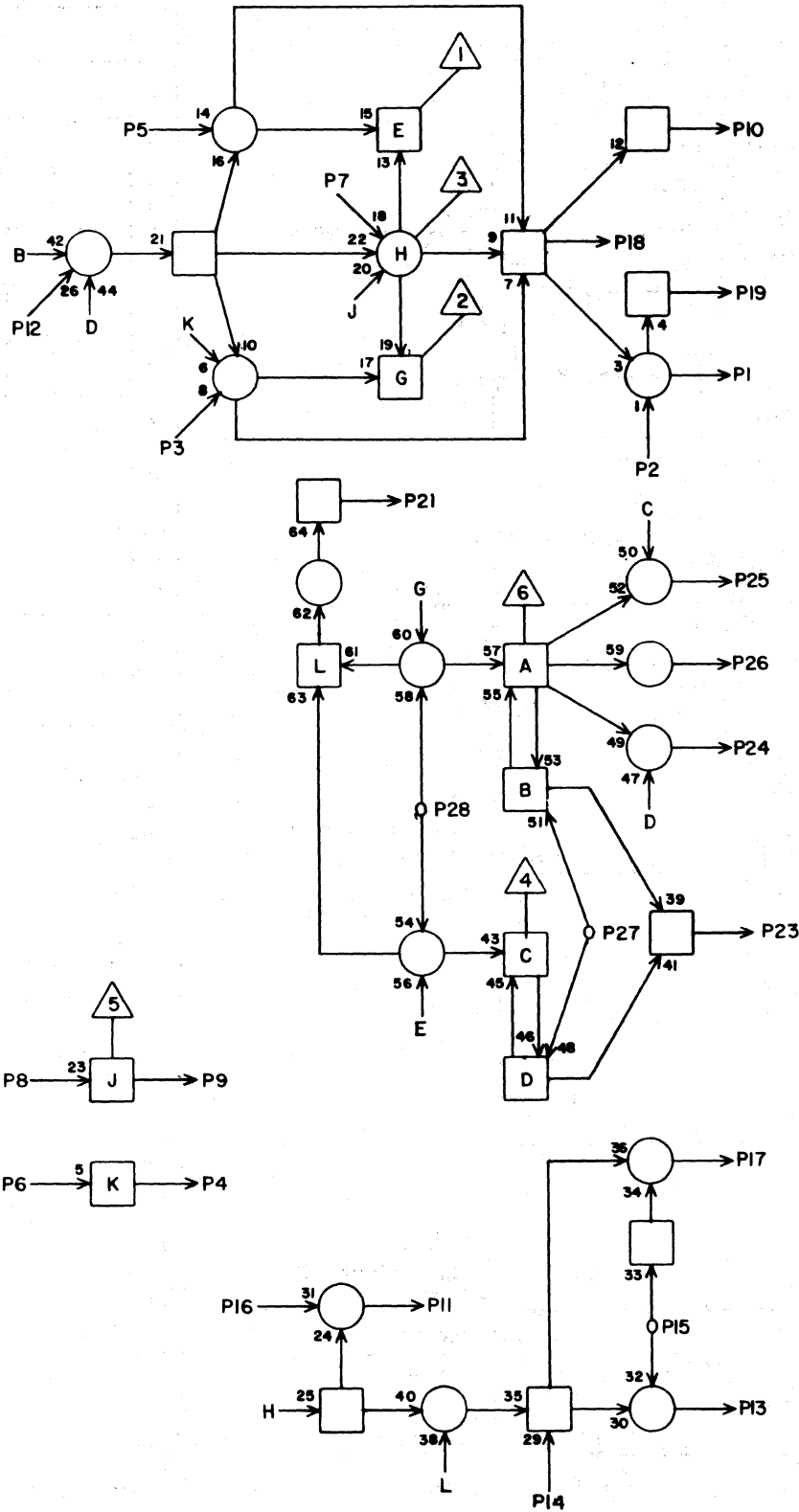
CIRCUIT SPECIFICATION 11827600

60042700 Rev. P

LS 63045500
ASSY

F
REV

HJ



1			
2			
3			
4			
5			
6			
7			
8			
9			
10			
11			
12			
13			
14			
15			
16			
17			
18			
19			
20			
21			
22			
23			
24			
25			
26			
27			
28			

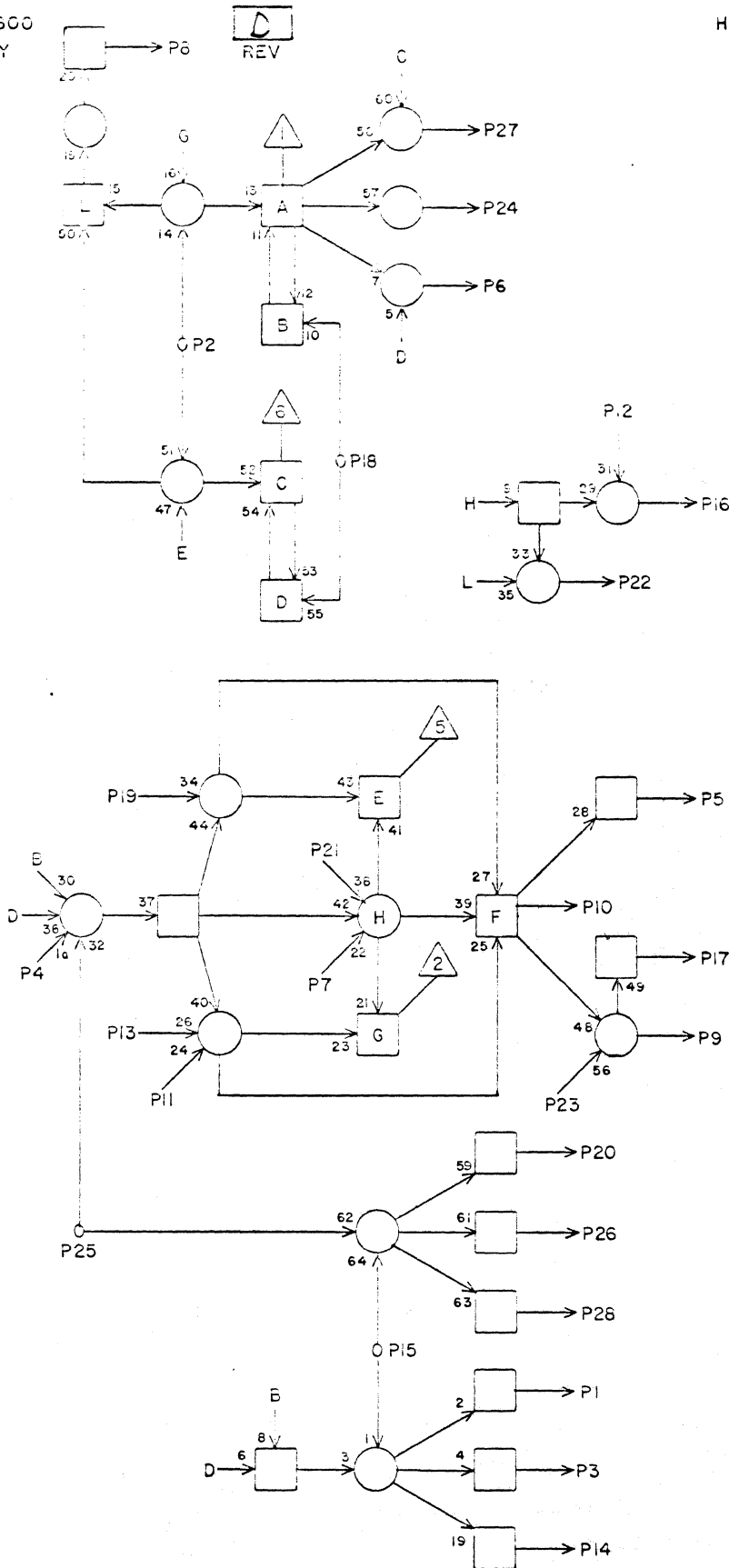
JACK PIN LG

CIRCUIT SPECIFICATION 11827600

60042700 Rev. J

LS 63045600
ASSY

HK

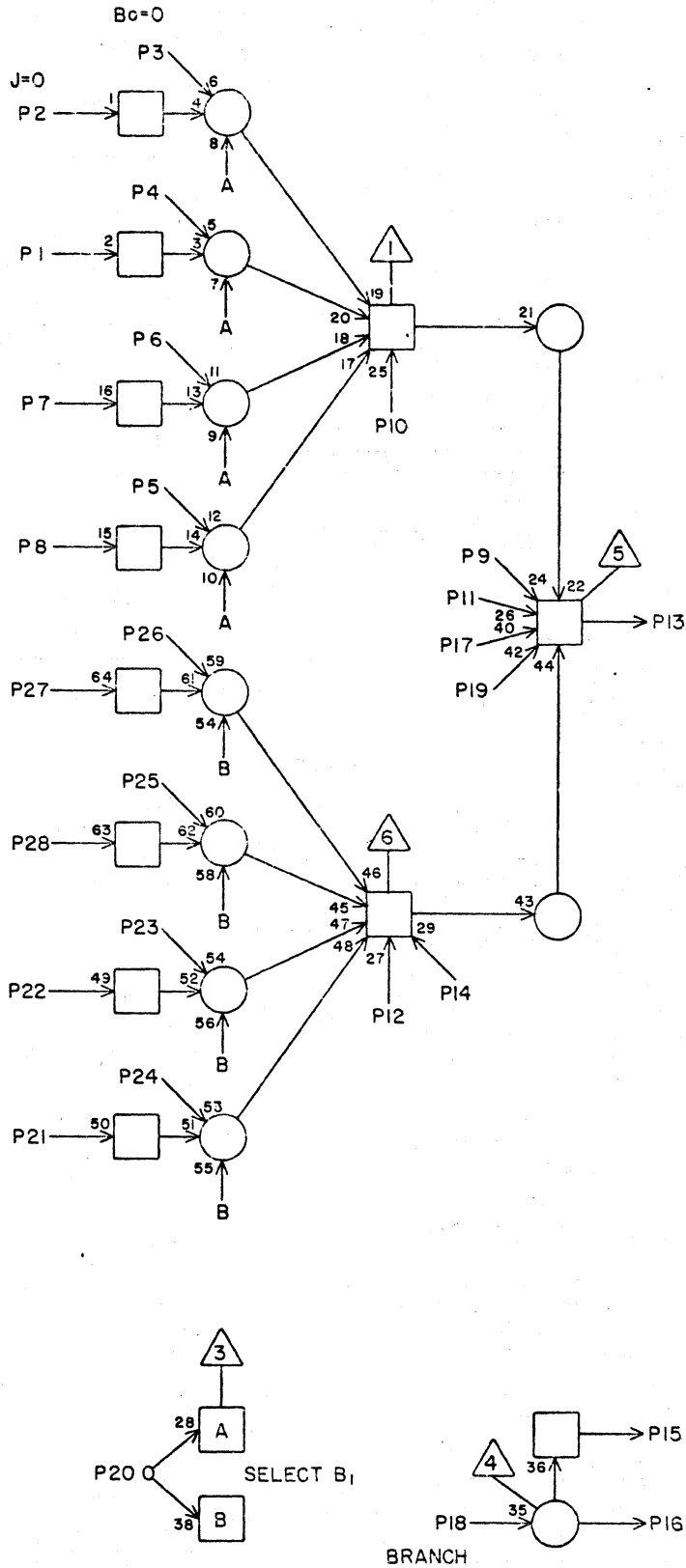


2
3
4
5
6
7
8
9
10
11
12
13
14
15
16
17
18
19
20
21
22
23
24
25
26
27
28

JACK PIN LG

CIRCUIT SPECIFICATION 11827600

30042700 Rev. P



1			
2			
3			
4			
5			
6			
7			
8			
9			
10			
11			
12			
13			
14			
15			
16			
17			
18			
19			
20			
21			
22			
23			
24			
25			
26			
27			
28			

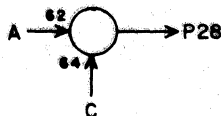
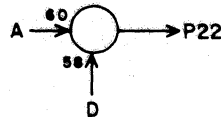
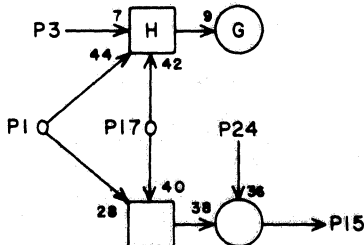
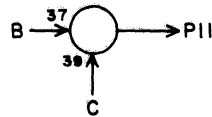
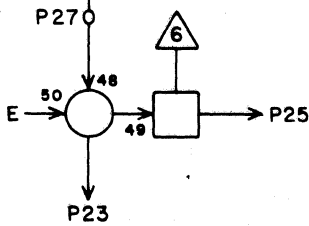
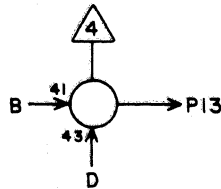
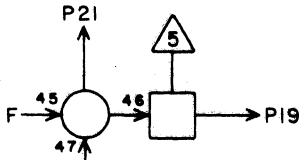
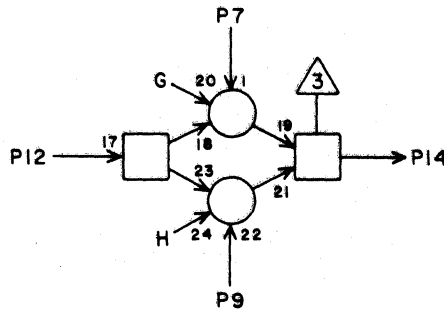
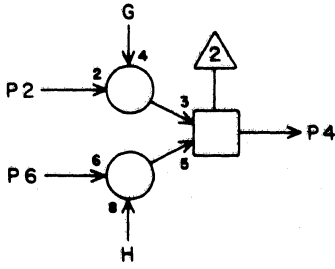
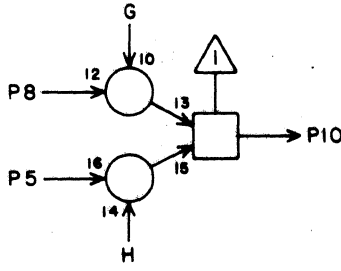
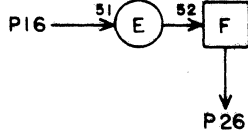
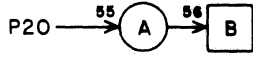
JACK PIN LG

LS 63045800
ASSY

F
REV

HM

[]



1			
2			
3			
4			
5			
6			
7			
8			
9			
10			
11			
12			
13			
14			
15			
16			
17			
18			
19			
20			
21			
22			
23			
24			
25			
26			
27			
28			

JACK PIN LG

CIRCUIT SPECIFICATION 11827600

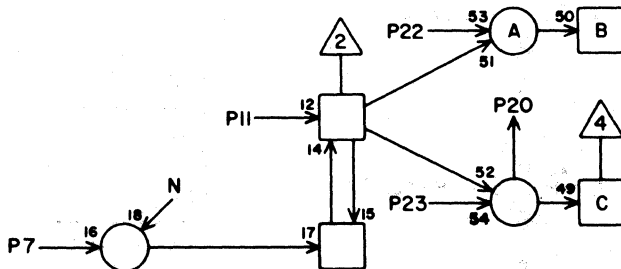
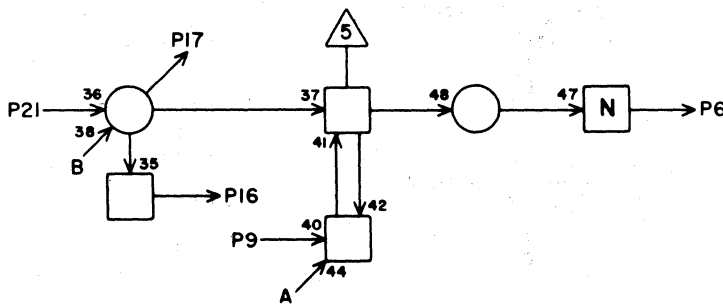
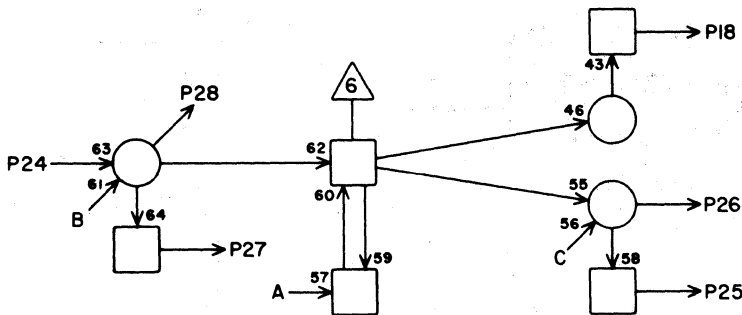
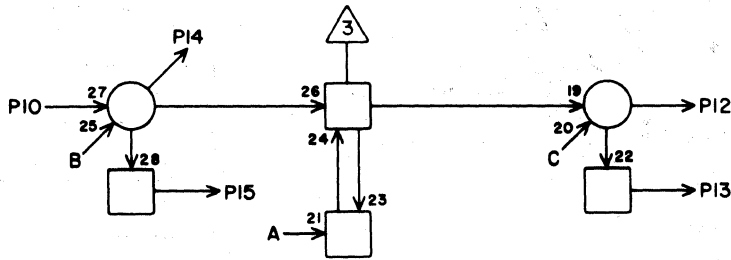
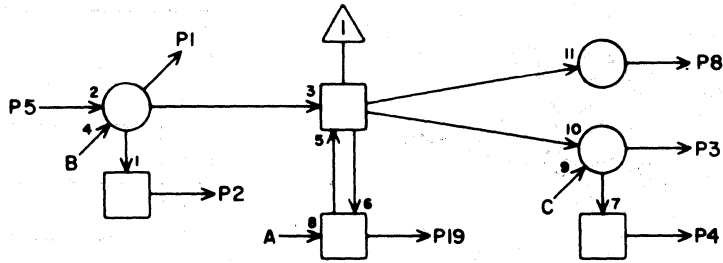
60042700 Rev. K

LS 63045900
ASSY

B
REV

HN

[]

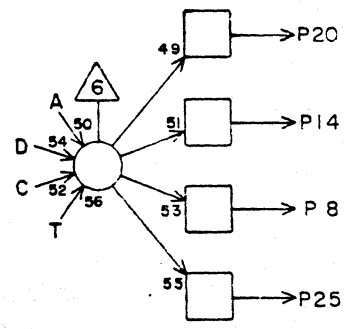
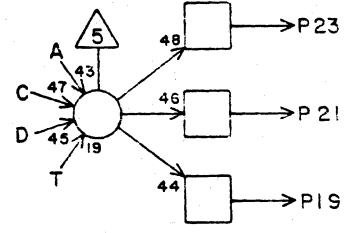
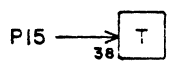
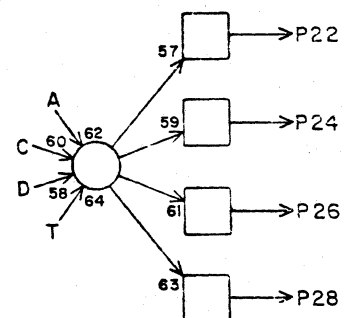
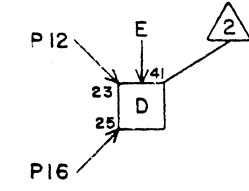
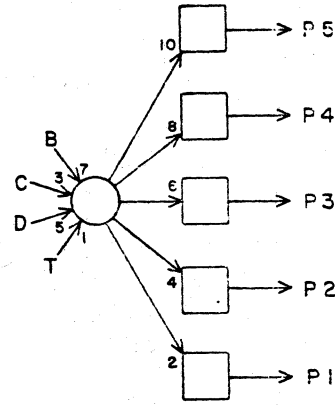
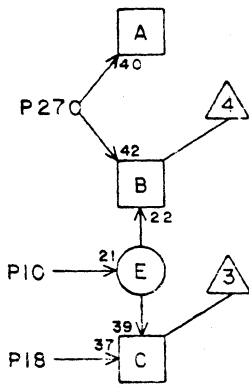
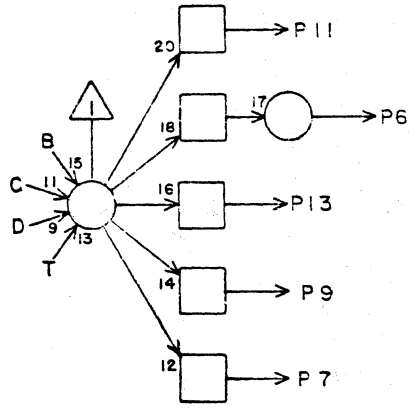


1			
2			
3			
4			
5			
6			
7			
8			
9			
10			
11			
12			
13			
14			
15			
16			
17			
18			
19			
20			
21			
22			
23			
24			
25			
26			
27			
28			

JACK PIN LG

CIRCUIT SPECIFICATION 11827600

60042700 Rev. K



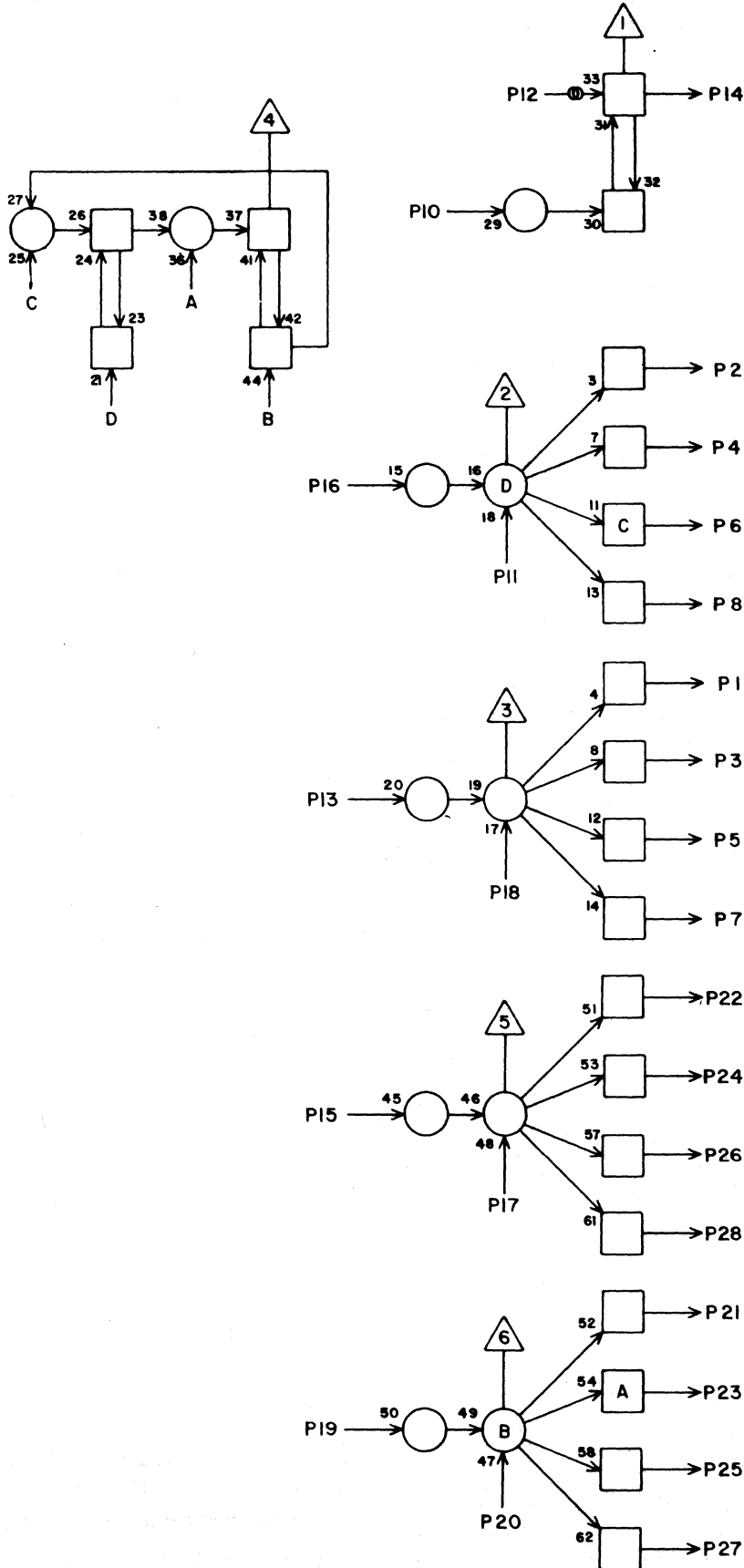
1		
2		
3		
4		
5		
6		
7		
8		
9		
10		
11		
12		
13		
14		
15		
16		
17		
18		
19		
20		
21		
22		
23		
24		
25		
26		
27		
28		

JACK PIN LG

LS 63046200
ASSY

F
REV

HQ



1			
2			
3			
4			
5			
6			
7			
8			
9			
10			
11			
12			
13			
14			
15			
16			
17			
18			
19			
20			
21			
22			
23			
24			
25			
26			
27			
28			

JACK PIN LG
CIRCUIT SPECIFICATION 11827600

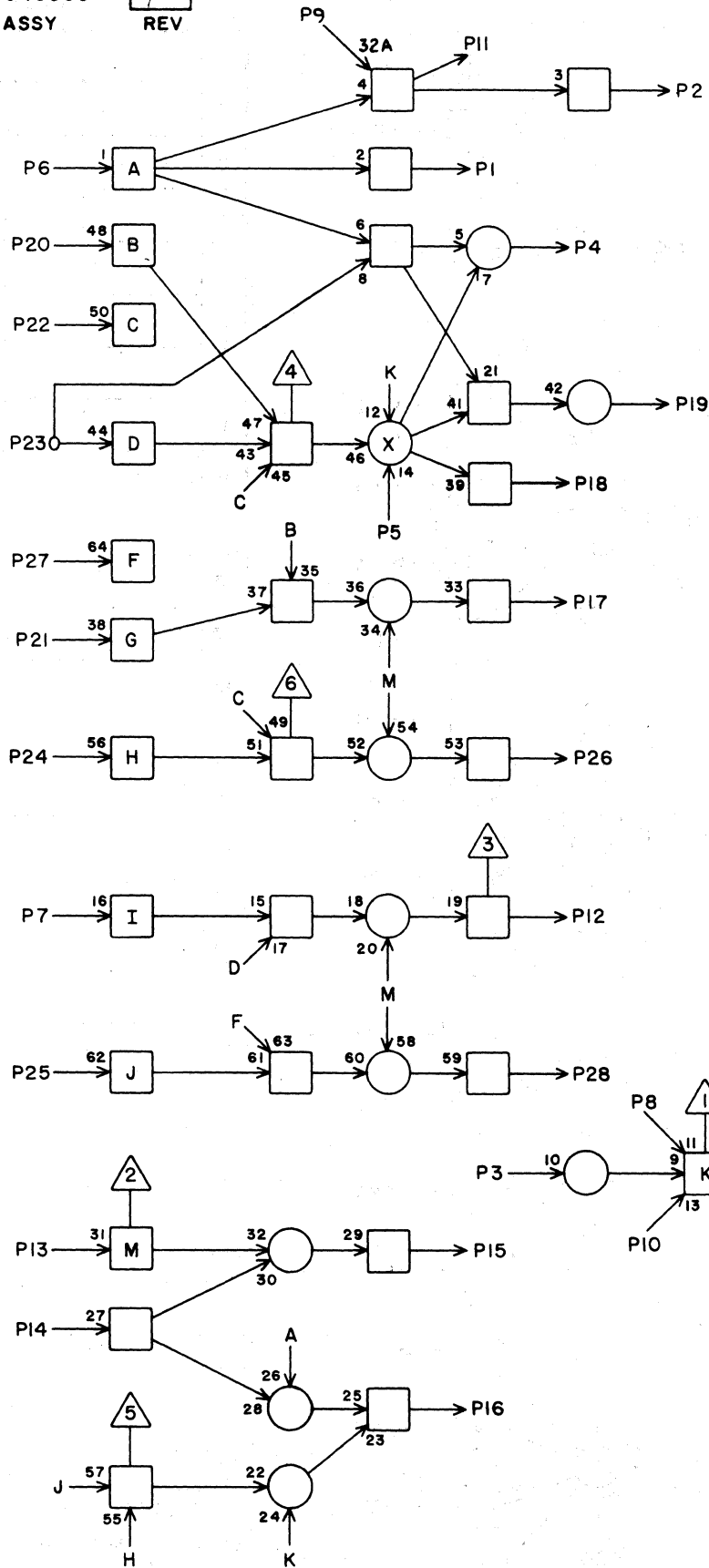
60042700 Rev. J

LS 63046300
ASSY

F
REV

HR

[]

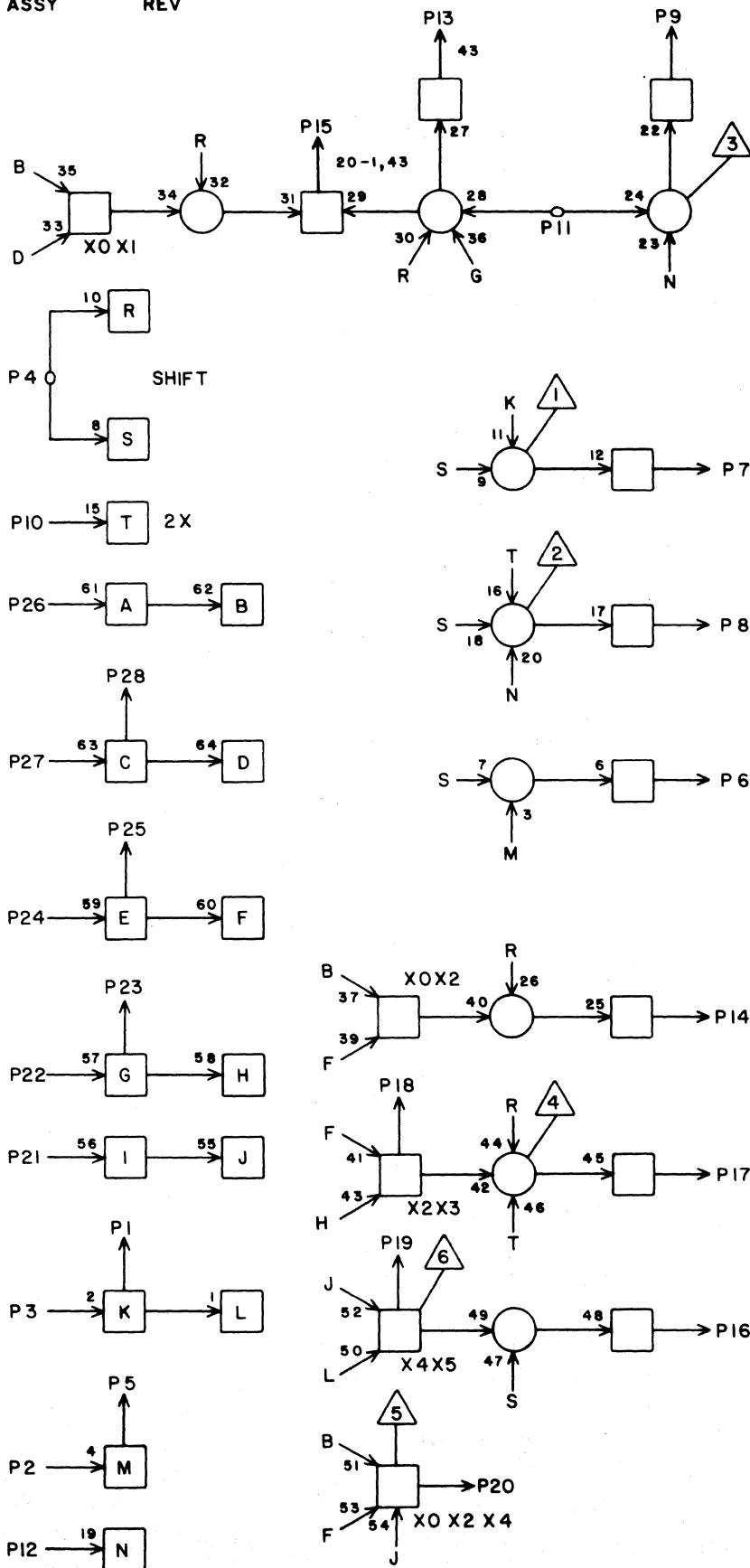
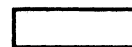


1			
2			
3			
4			
5			
6			
7			
8			
9			
10			
11			
12			
13			
14			
15			
16			
17			
18			
19			
20			
21			
22			
23			
24			
25			
26			
27			
28			

JACK PIN LG

CIRCUIT SPECIFICATION 11827600

60042700 Rev. R



1			
2			
3			
4			
5			
6			
7			
8			
9			
10			
11			
12			
13			
14			
15			
16			
17			
18			
19			
20			
21			
22			
23			
24			
25			
26			
27			
28			

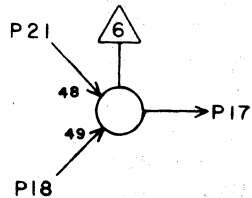
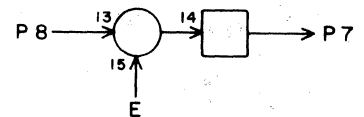
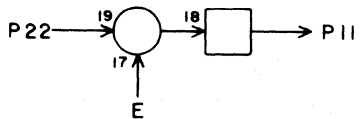
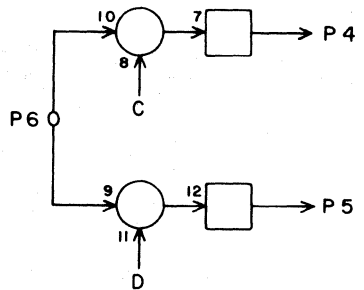
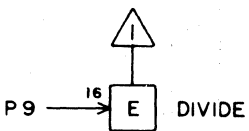
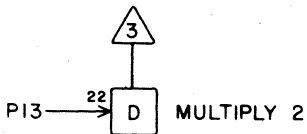
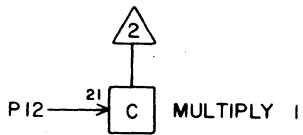
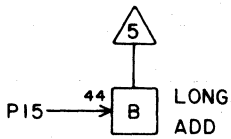
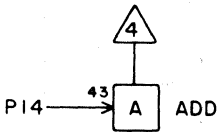
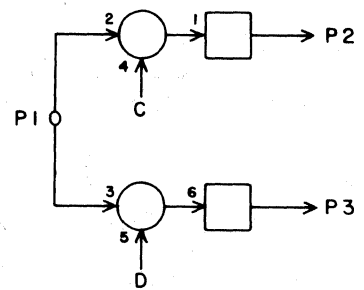
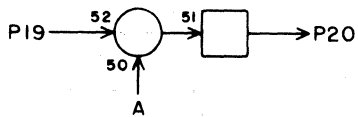
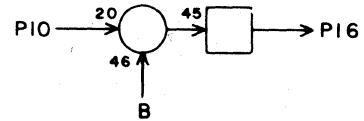
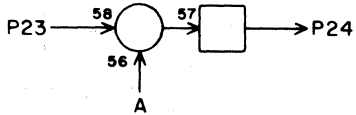
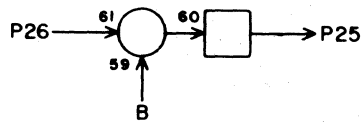
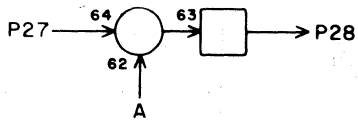
JACK PIN LG
CIRCUIT SPECIFICATION 11827600

LS 63046500
ASSY

E
REV

HT

[]



1			
2			
3			
4			
5			
6			
7			
8			
9			
10			
11			
12			
13			
14			
15			
16			
17			
18			
19			
20			
21			
22			
23			
24			
25			
26			
27			
28			

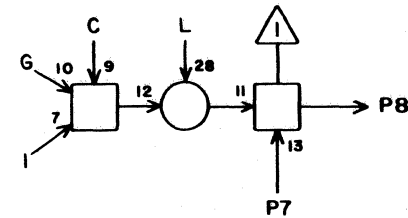
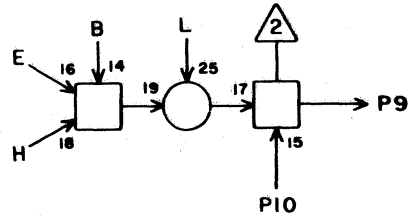
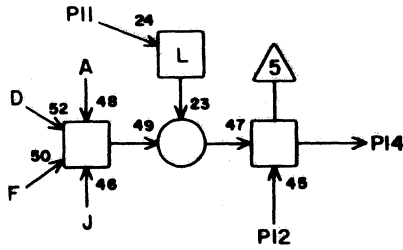
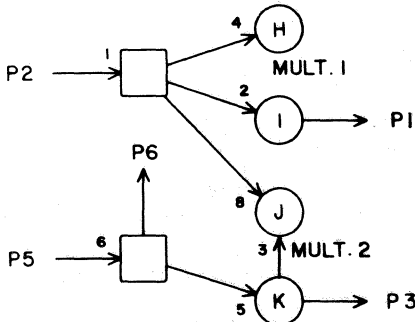
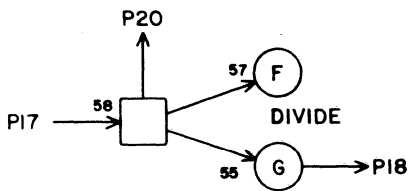
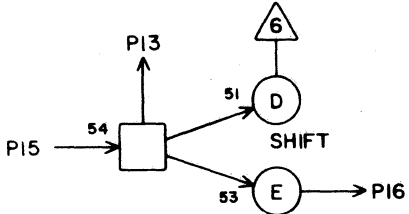
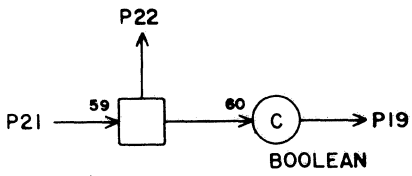
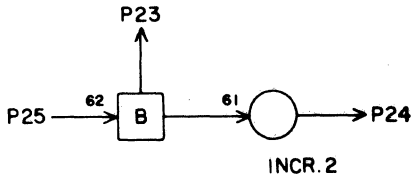
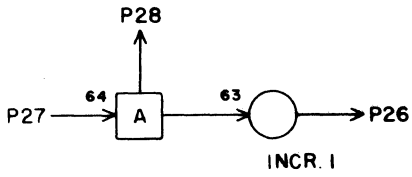
JACK PIN LG

CIRCUIT SPECIFICATION 11827600
60042700 Rev. J

LS 63046600
ASSY

REV

HU



1			
2			
3			
4			
5			
6			
7			
8			
9			
10			
11			
12			
13			
14			
15			
16			
17			
18			
19			
20			
21			
22			
23			
24			
25			
26			
27			
28			

JACK PIN LG
CIRCUIT SPECIFICATION 11827600

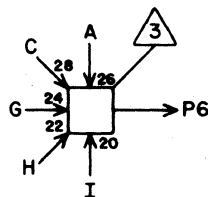
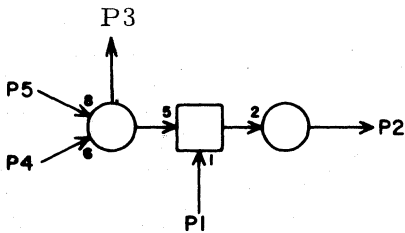
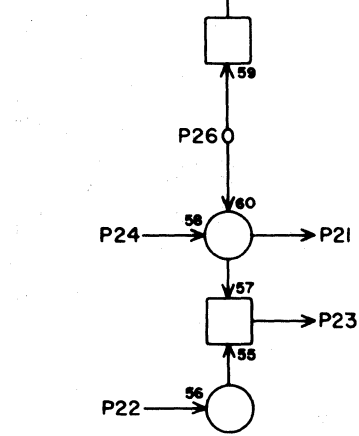
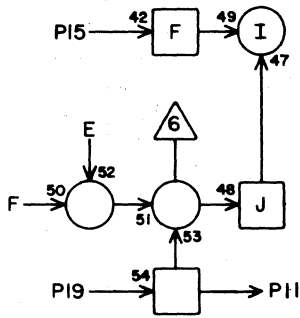
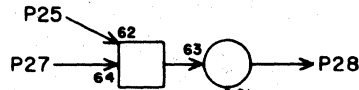
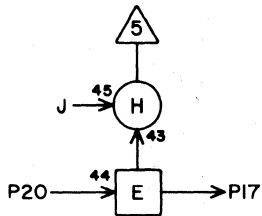
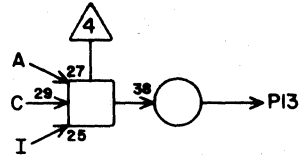
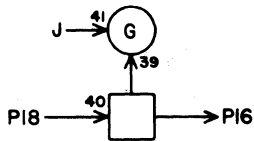
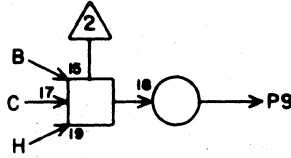
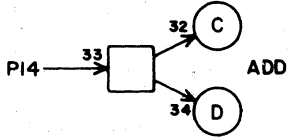
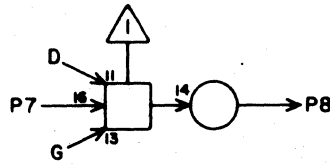
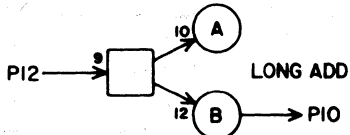
60042700 Rev. J

LS 63046700
ASSY

E
REV

HV

[]

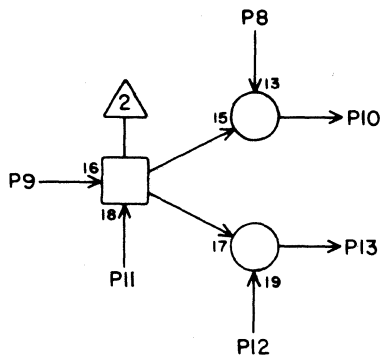
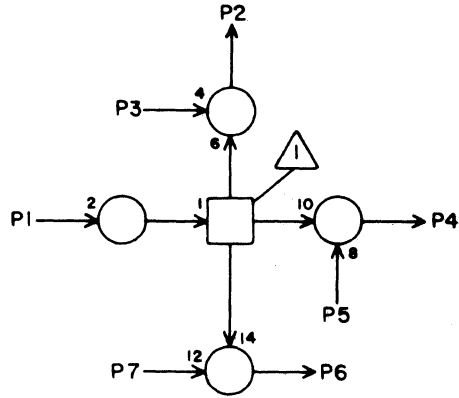
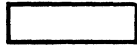


1			
2			
3			
4			
5			
6			
7			
8			
9			
10			
11			
12			
13			
14			
15			
16			
17			
18			
19			
20			
21			
22			
23			
24			
25			
26			
27			
28			

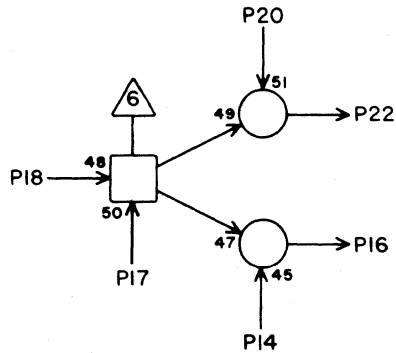
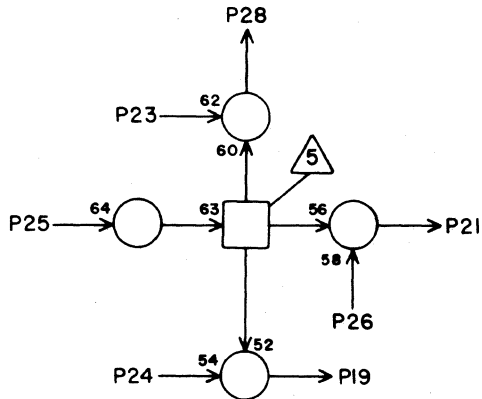
JACK PIN LG

CIRCUIT SPECIFICATION 11827600

60042700 Rev. AV



470Ω
+ 6 P27



1			
2			
3			
4			
5			
6			
7			
8			
9			
10			
11			
12			
13			
14			
15			
16			
17			
18			
19			
20			
21			
22			
23			
24			
25			
26			
27			
28			

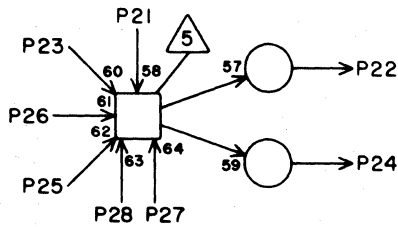
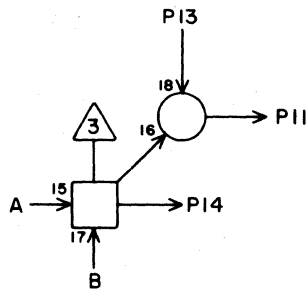
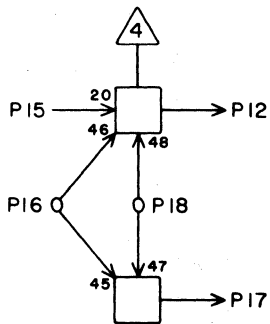
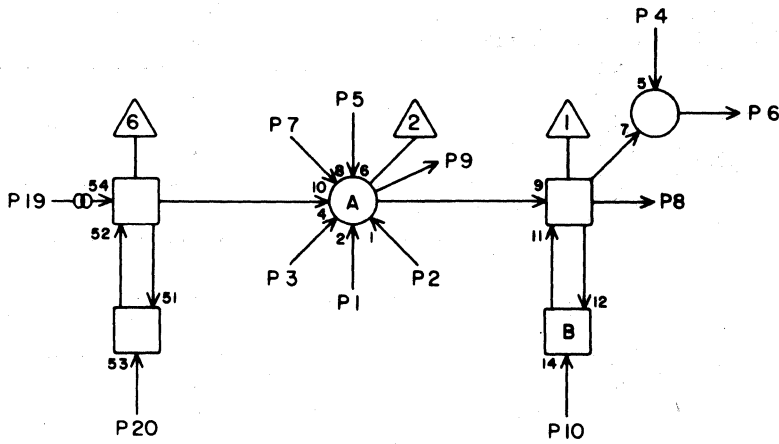
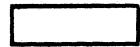
JACK PIN LG

CIRCUIT SPECIFICATION 11827600

LS 63046900
ASSY

D
REV

HX



1			
2			
3			
4			
5			
6			
7			
8			
9			
10			
11			
12			
13			
14			
15			
16			
17			
18			
19			
20			
21			
22			
23			
24			
25			
26			
27			
28			

JACK PIN LG

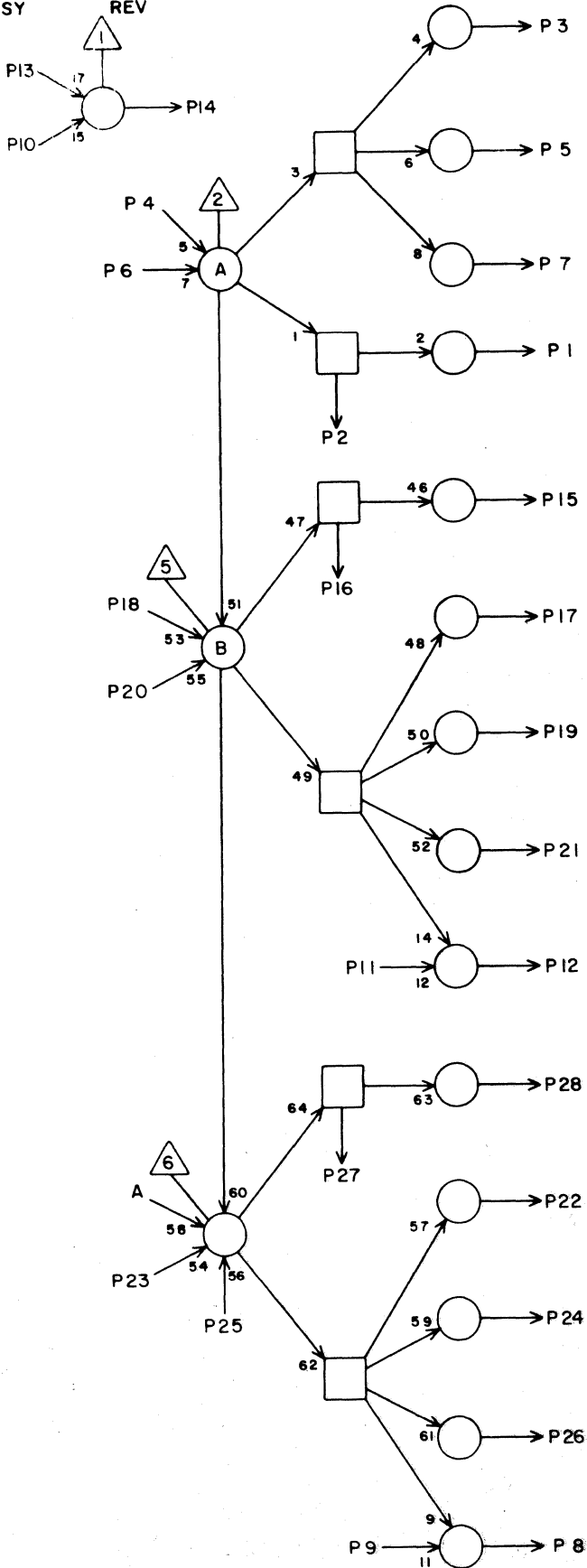
CIRCUIT SPECIFICATION 11827600

60042700 Rev. J

LS 63047000
ASSY

D
REV

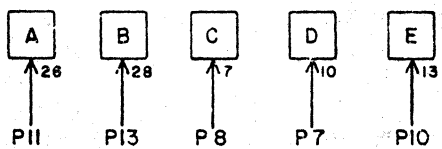
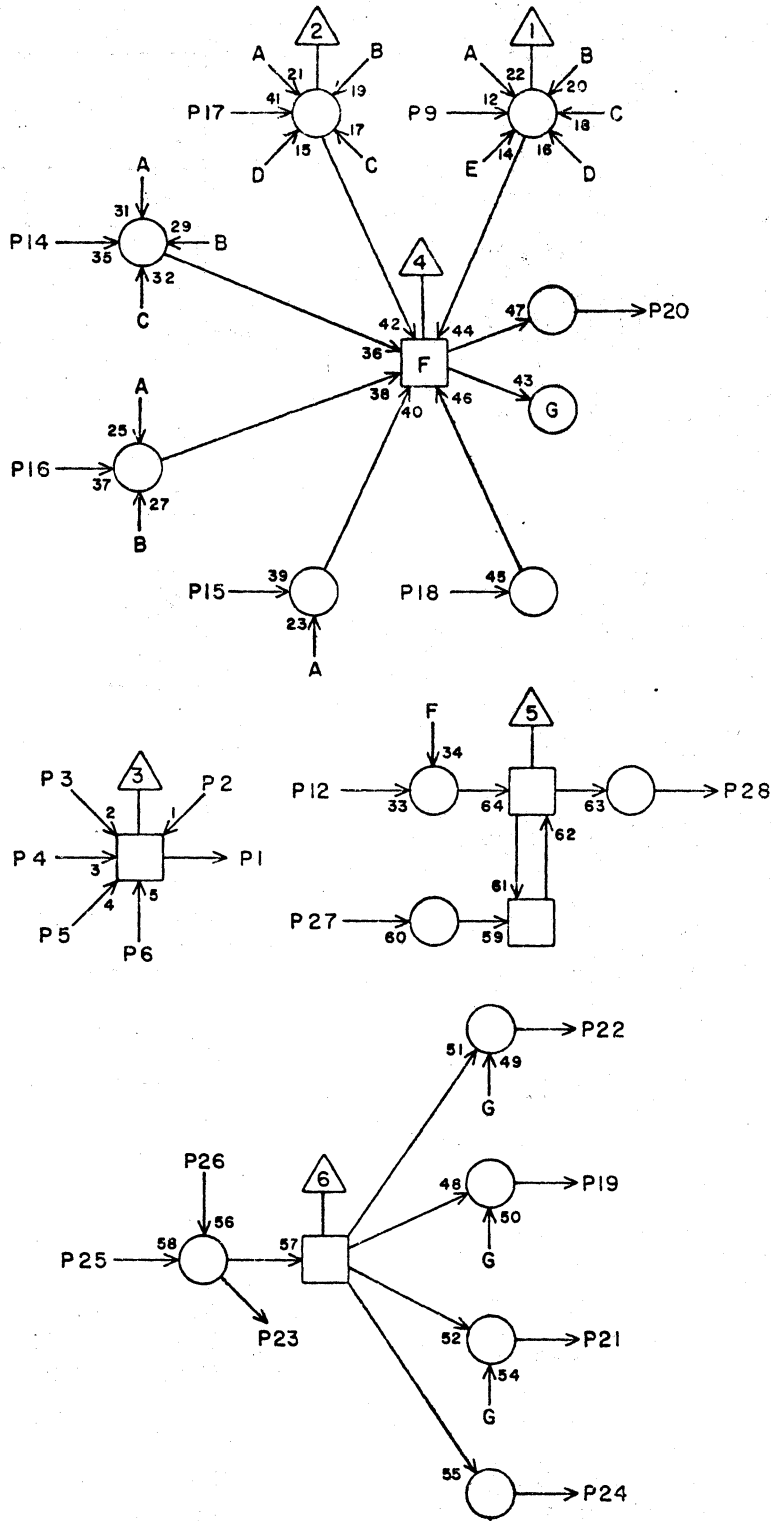
HY



1			
2			
3			
4			
5			
6			
7			
8			
9			
10			
11			
12			
13			
14			
15			
16			
17			
18			
19			
20			
21			
22			
23			
24			
25			
26			
27			
28			

JACK PIN LG

CIRCUIT SPECIFICATION 11827600
60042700 Rev. J



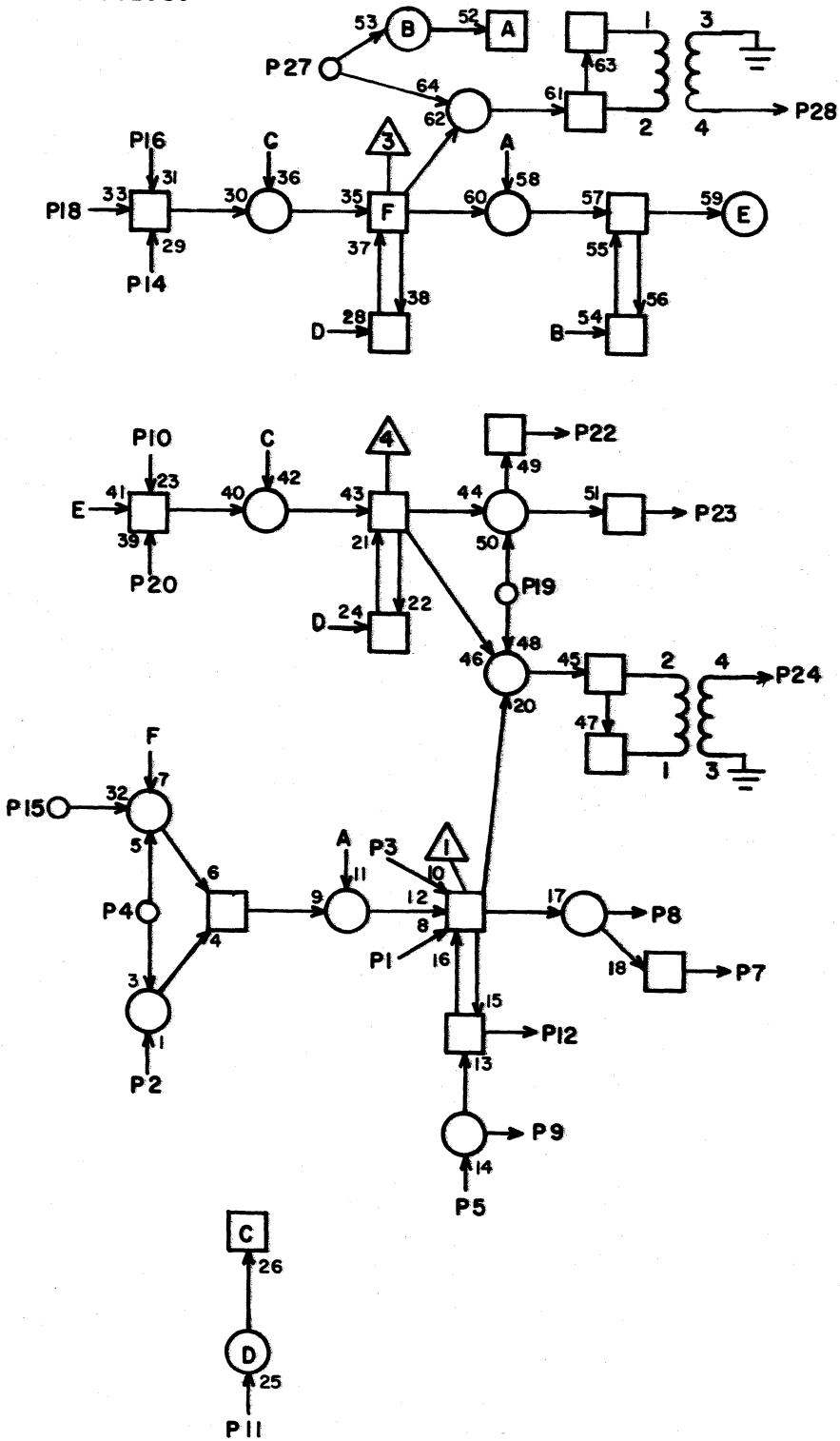
1			
2			
3			
4			
5			
6			
7			
8			
9			
10			
11			
12			
13			
14			
15			
16			
17			
18			
19			
20			
21			
22			
23			
24			
25			
26			
27			
28			

JACK PIN LG

LS
 ASSY
 17362000

A
 REV

IAYS



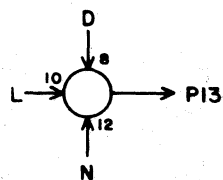
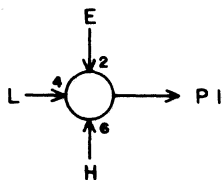
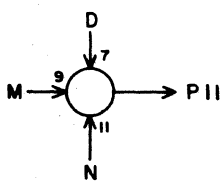
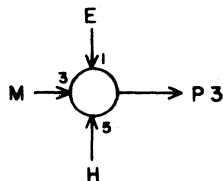
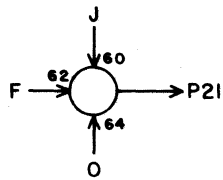
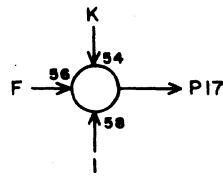
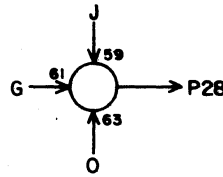
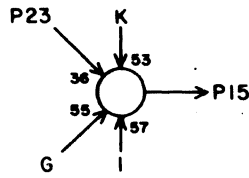
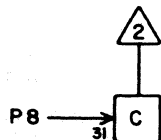
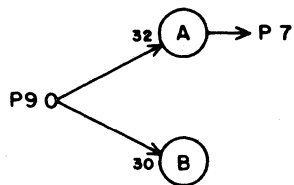
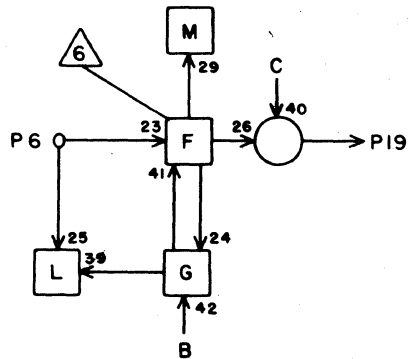
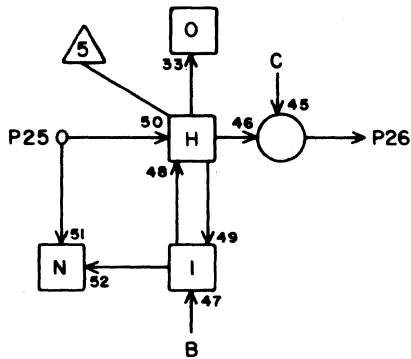
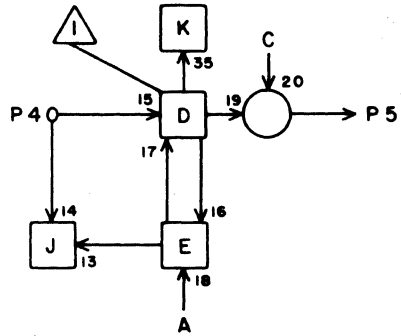
1			
2			
3			
4			
5			
6			
7			
8			
9			
10			
11			
12			
13			
14			
15			
16			
17			
18			
19			
20			
21			
22			
23			
24			
25			
26			
27			
28			

JACK PIN LG
 SEE CIRCUIT SPECIFICATION
 11827600



LS 63047400
ASSY

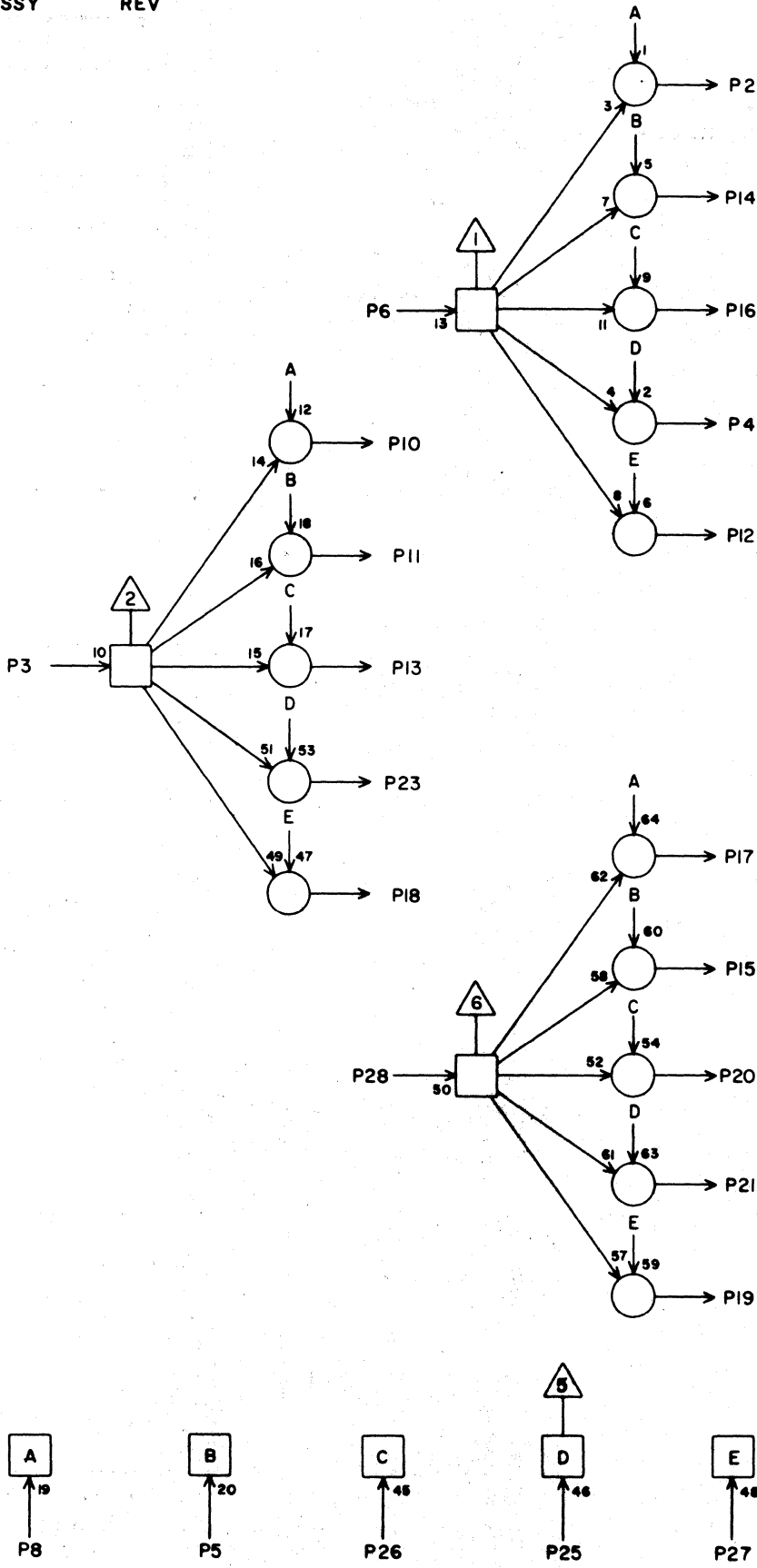
D
REV



IC

1			
2			
3			
4			
5			
6			
7			
8			
9			
10			
11			
12			
13			
14			
15			
16			
17			
18			
19			
20			
21			
22			
23			
24			
25			
26			
27			
28			

JACK PIN LG
CIRCUIT SPECIFICATION 11827600



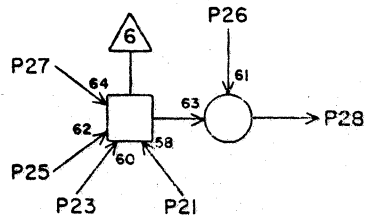
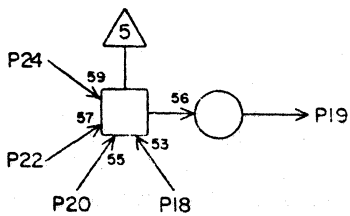
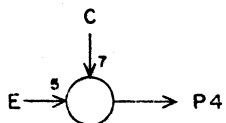
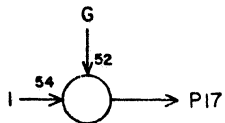
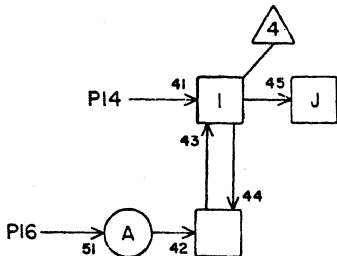
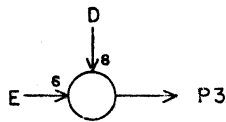
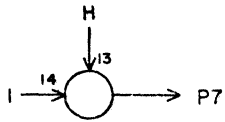
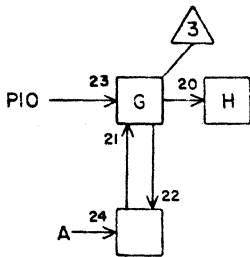
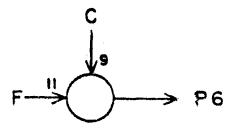
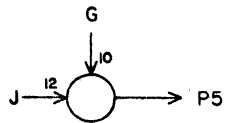
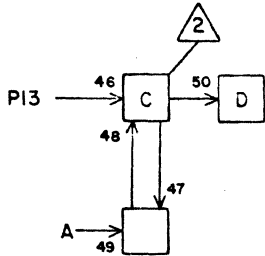
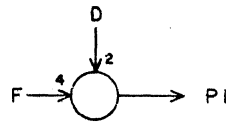
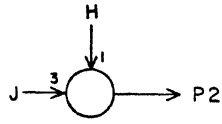
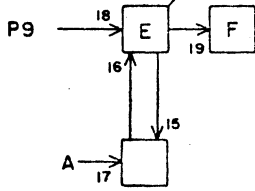
1			
2			
3			
4			
5			
6			
7			
8			
9			
10			
11			
12			
13			
14			
15			
16			
17			
18			
19			
20			
21			
22			
23			
24			
25			
26			
27			
28			

JACK PIN LG
CIRCUIT SPECIFICATION 11827600

LS 63047600
ASSY



IE



1			
2			
3			
4			
5			
6			
7			
8			
9			
10			
11			
12			
13			
14			
15			
16			
17			
18			
19			
20			
21			
22			
23			
24			
25			
26			
27			
28			

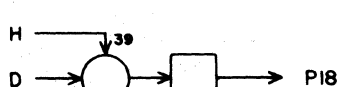
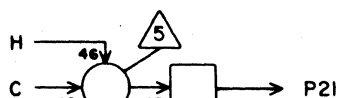
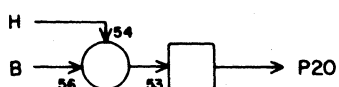
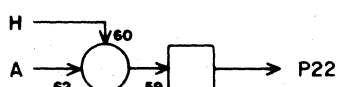
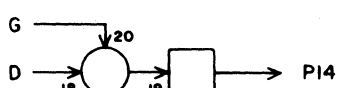
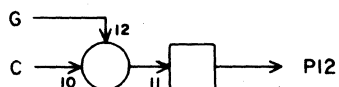
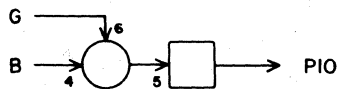
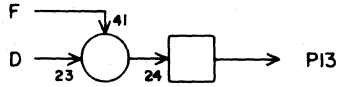
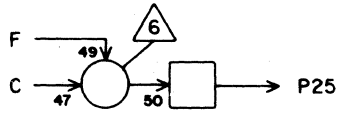
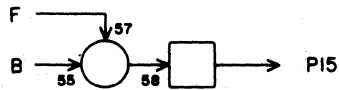
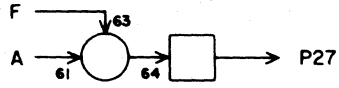
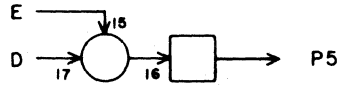
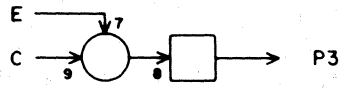
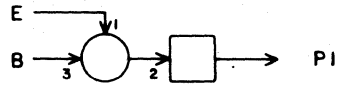
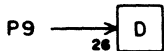
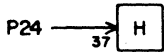
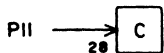
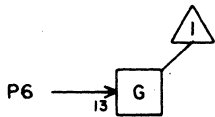
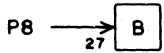
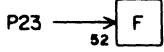
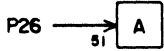
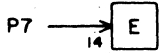
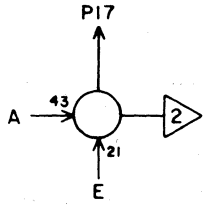
JACK PIN LG

CIRCUIT SPECIFICATION 11827600

60042700 Rev J

LS 63047700
ASSY

D
REV



IF

IF

1			
2			
3			
4			
5			
6			
7			
8			
9			
10			
11			
12			
13			
14			
15			
16			
17			
18			
19			
20			
21			
22			
23			
24			
25			
26			
27			
28			

JACK PIN LG

CIRCUIT SPECIFICATION 11827600

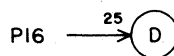
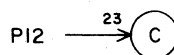
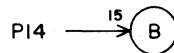
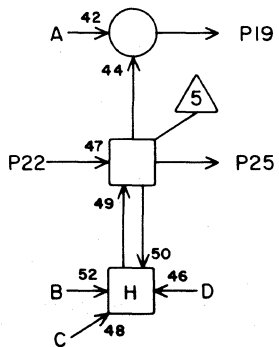
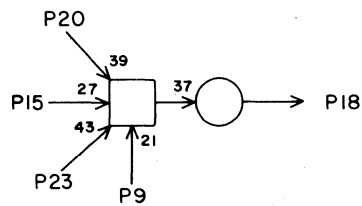
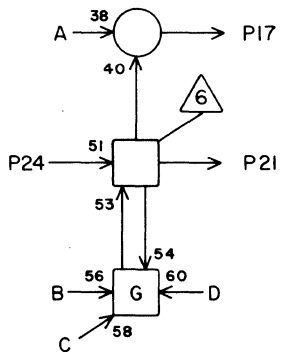
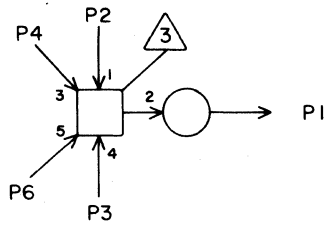
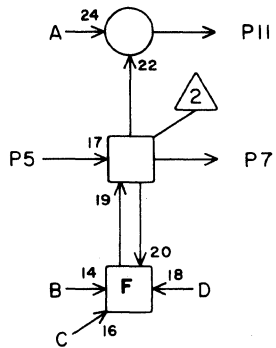
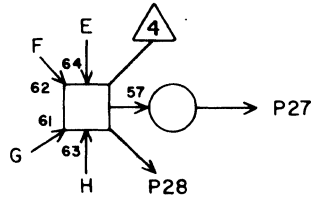
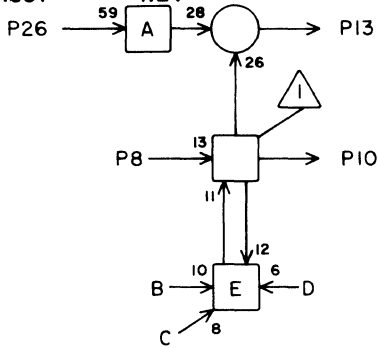
60042700 Rev. J

LS 63047800

ASSY

D
REV

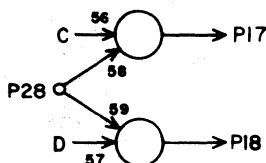
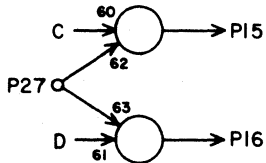
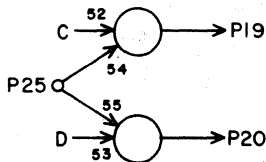
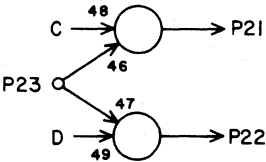
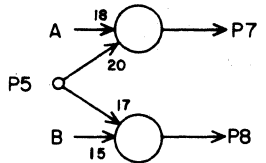
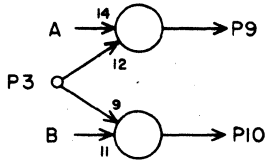
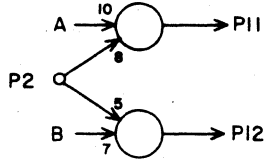
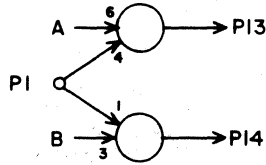
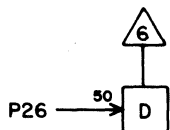
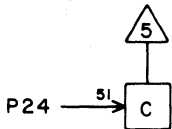
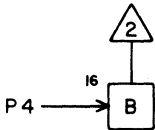
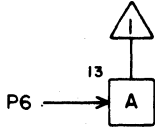
16



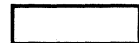
1			
2			
3			
4			
5			
6			
7			
8			
9			
10			
11			
12			
13			
14			
15			
16			
17			
18			
19			
20			
21			
22			
23			
24			
25			
26			
27			
28			

JACK PIN LG
CIRCUIT SPECIFICATION 11827600
60042700 Rev. J

LS 63047900
ASSY



IH



1			
2			
3			
4			
5			
6			
7			
8			
9			
10			
11			
12			
13			
14			
15			
16			
17			
18			
19			
20			
21			
22			
23			
24			
25			
26			
27			
28			

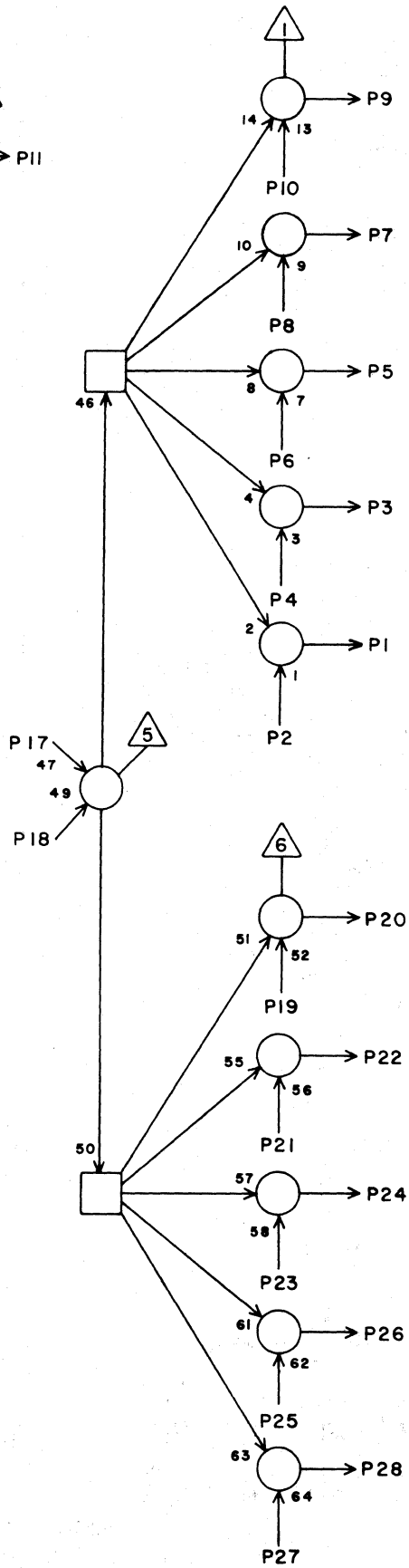
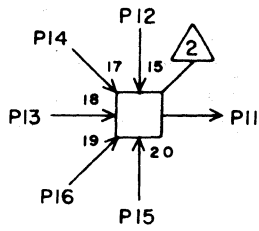
JACK PIN LG

CIRCUIT SPECIFICATION 11827600

60042700 Rev. K

LS 63048100
ASSY

D
REV



J

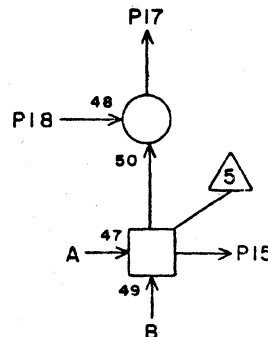
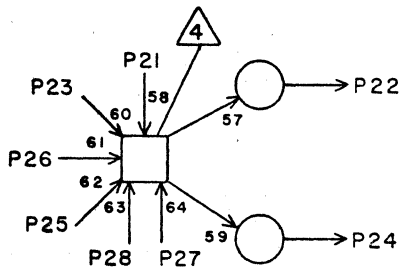
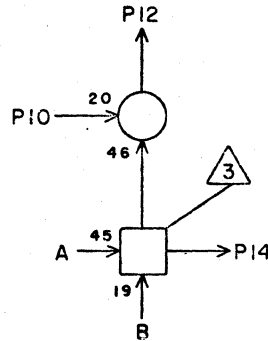
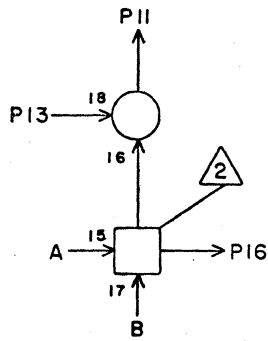
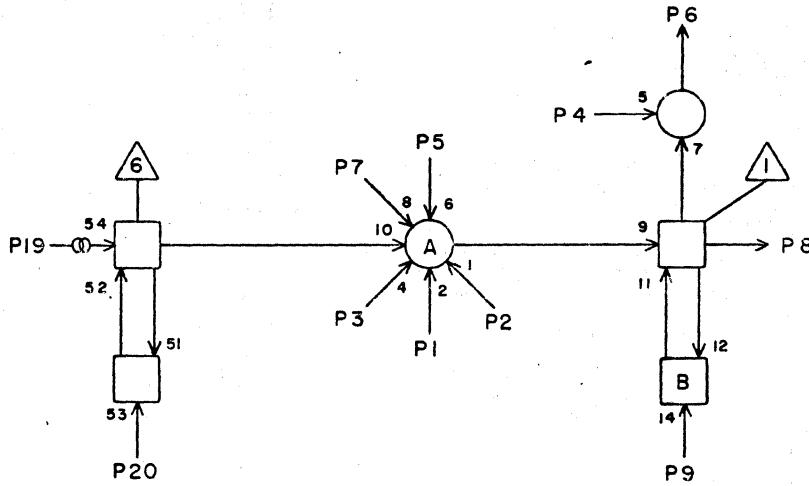
J

1			
2			
3			
4			
5			
6			
7			
8			
9			
10			
11			
12			
13			
14			
15			
16			
17			
18			
19			
20			
21			
22			
23			
24			
25			
26			
27			
28			

JACK PIN LG

CIRCUIT SPECIFICATION 11827600

60042700 Rev. J

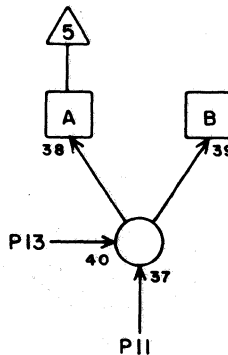
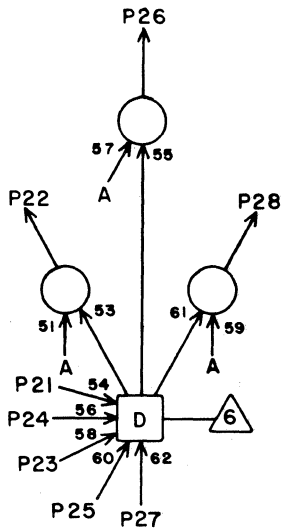
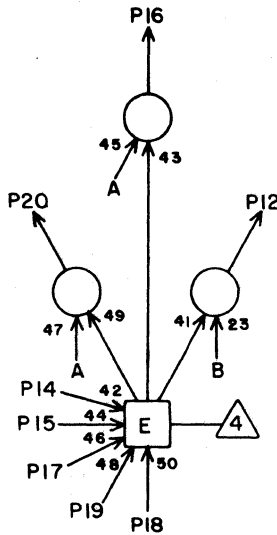
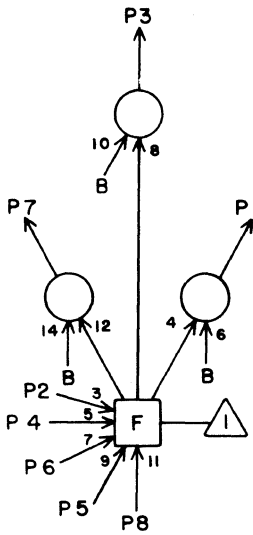
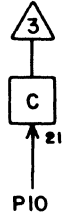
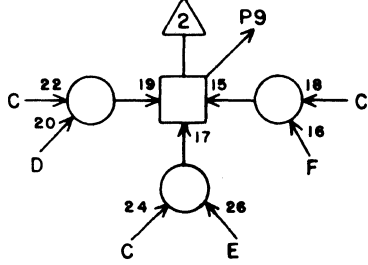


1			
2			
3			
4			
5			
6			
7			
8			
9			
10			
11			
12			
13			
14			
15			
16			
17			
18			
19			
20			
21			
22			
23			
24			
25			
26			
27			
28			

JACK PIN LG

LS 63048400
ASSY

D
REV



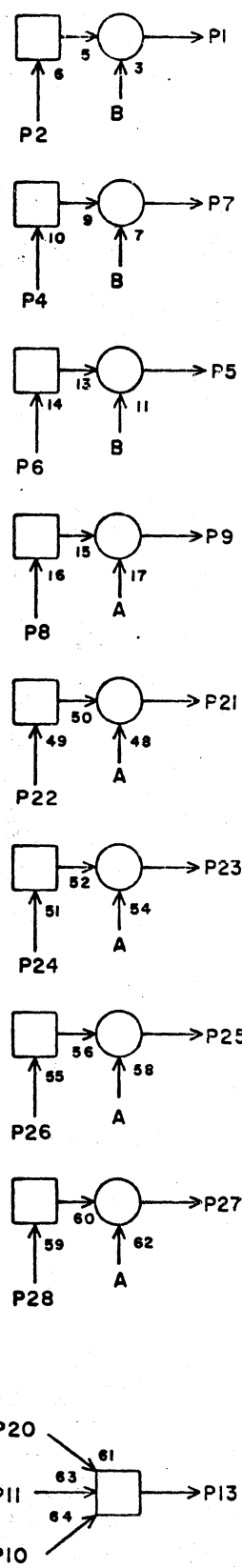
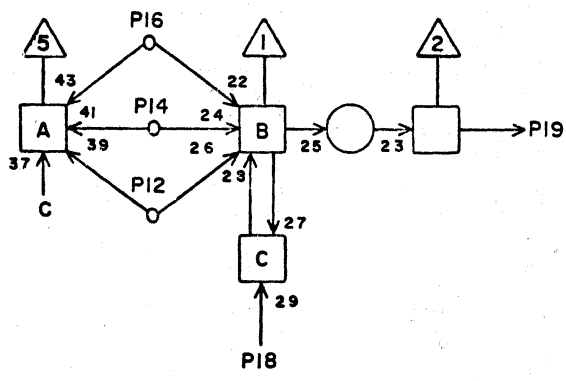
IM

IM

1			
2			
3			
4			
5			
6			
7			
8			
9			
10			
11			
12			
13			
14			
15			
16			
17			
18			
19			
20			
21			
22			
23			
24			
25			
26			
27			
28			

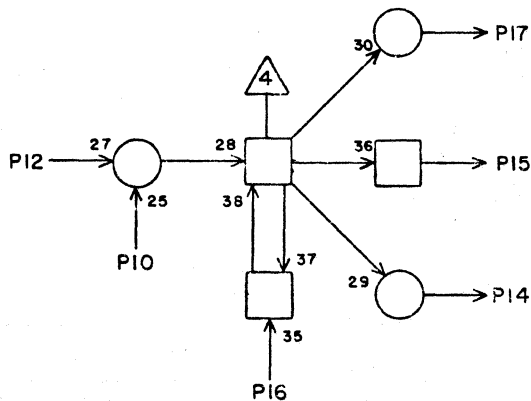
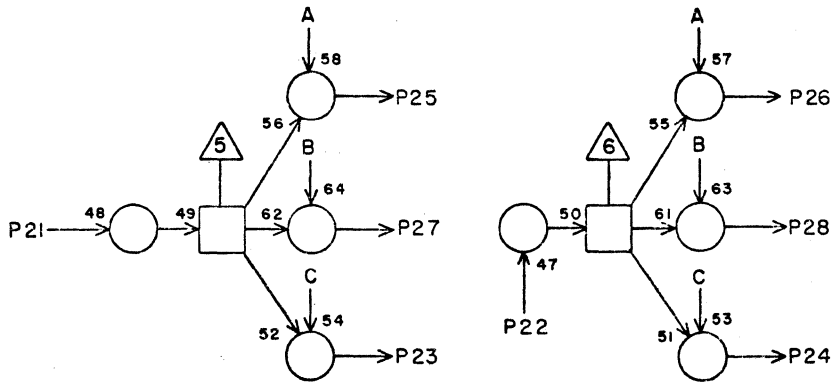
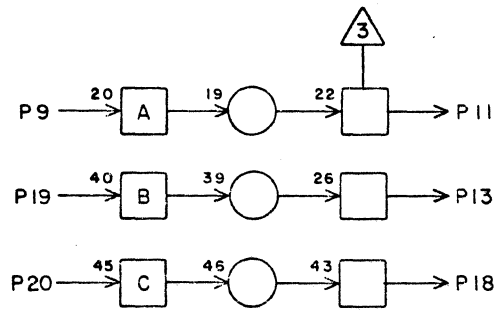
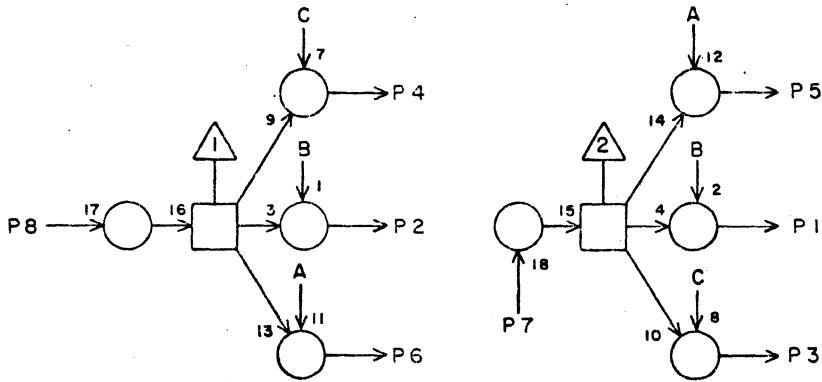
JACK PIN LG

CIRCUIT SPECIFICATION 11827600



1			
2			
3			
4			
5			
6			
7			
8			
9			
10			
11			
12			
13			
14			
15			
16			
17			
18			
19			
20			
21			
22			
23			
24			
25			
26			
27			
28			

JACK PIN LG



1			
2			
3			
4			
5			
6			
7			
8			
9			
10			
11			
12			
13			
14			
15			
16			
17			
18			
19			
20			
21			
22			
23			
24			
25			
26			
27			
28			

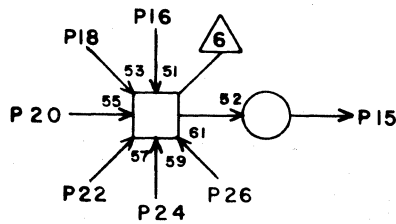
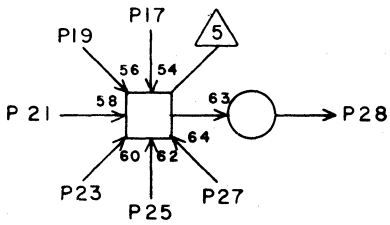
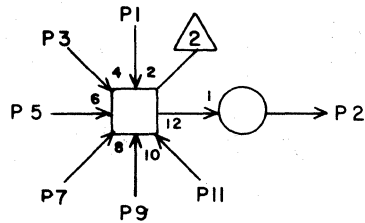
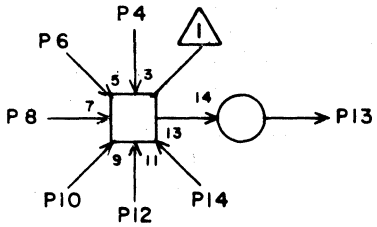
JACK PIN LG

LS 63048700
ASSY

E
REV

IP

[]



1			
2			
3			
4			
5			
6			
7			
8			
9			
10			
11			
12			
13			
14			
15			
16			
17			
18			
19			
20			
21			
22			
23			
24			
25			
26			
27			
28			

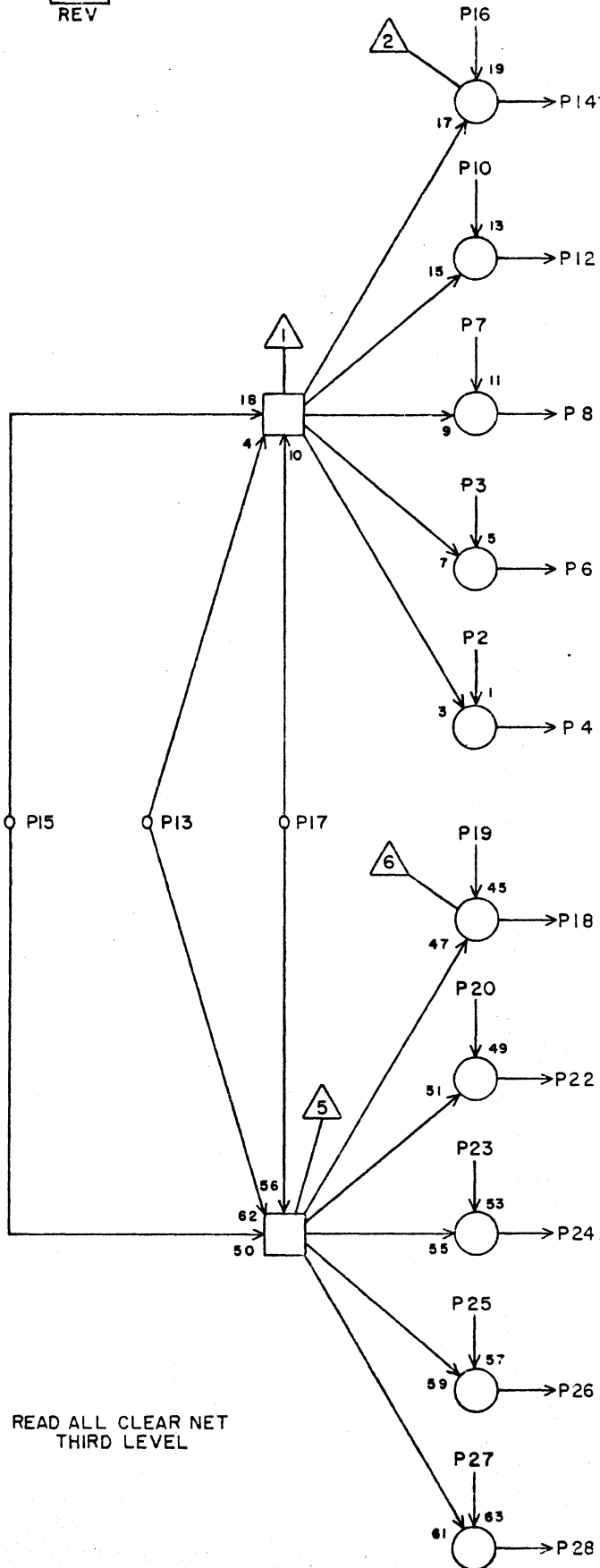
JACK PIN LG

CIRCUIT SPECIFICATION 11827600

LS 63048800
ASSY



1Q



1			
2			
3			
4			
5			
6			
7			
8			
9			
10			
11			
12			
13			
14			
15			
16			
17			
18			
19			
20			
21			
22			
23			
24			
25			
26			
27			
28			

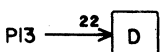
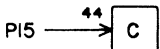
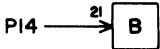
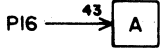
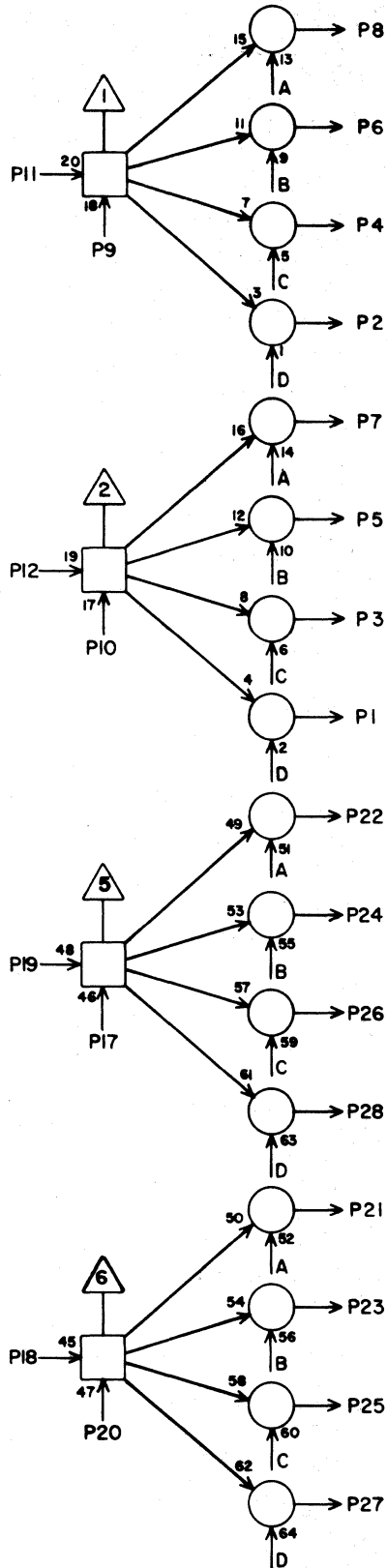
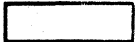
JACK PIN LG

CIRCUIT SPECIFICATION J1827600
60042700 Rev. J

LS 63048900
ASSY



IR



1			
2			
3			
4			
5			
6			
7			
8			
9			
10			
11			
12			
13			
14			
15			
16			
17			
18			
19			
20			
21			
22			
23			
24			
25			
26			
27			
28			

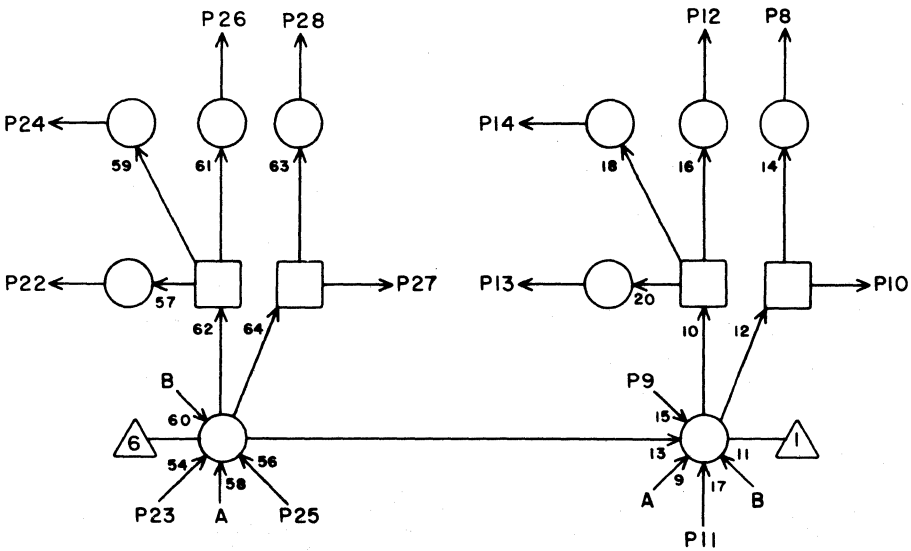
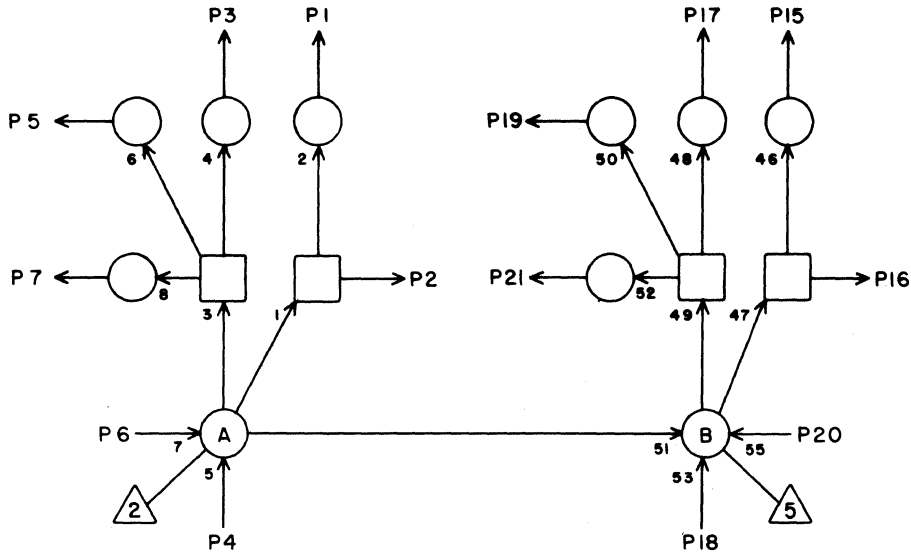
JACK PIN LG

CIRCUIT SPECIFICATION I1827600

LS 63049000
ASSY

C
REV

IS



1			
2			
3			
4			
5			
6			
7			
8			
9			
10			
11			
12			
13			
14			
15			
16			
17			
18			
19			
20			
21			
22			
23			
24			
25			
26			
27			
28			

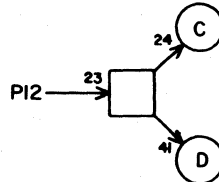
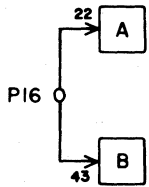
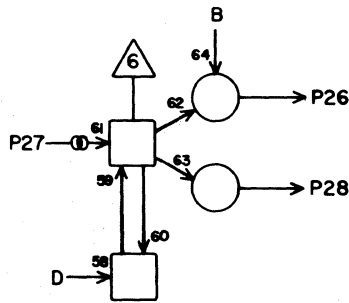
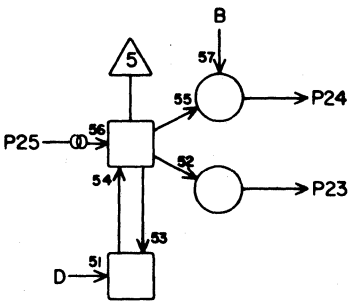
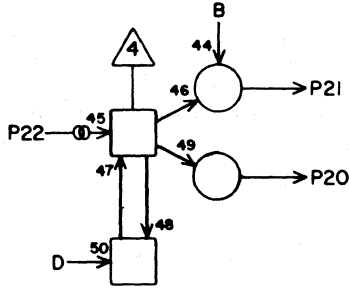
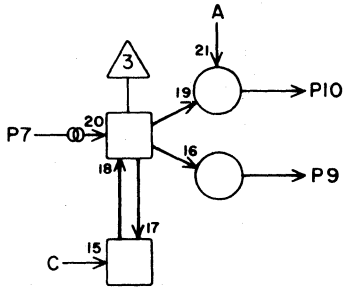
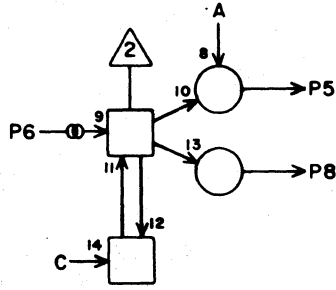
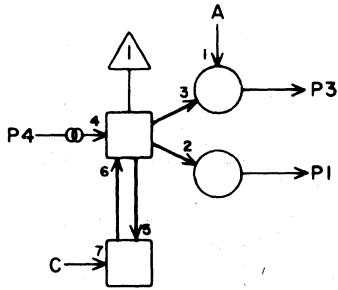
60042700 Rev J

JACK PIN LG
CIRCUIT SPECIFICATION 11827600

LS 63049100
ASSY

D
REV

IT



1			
2			
3			
4			
5			
6			
7			
8			
9			
10			
11			
12			
13			
14			
15			
16			
17			
18			
19			
20			
21			
22			
23			
24			
25			
26			
27			
28			

JACK PIN LG

CIRCUIT SPECIFICATION 11827600

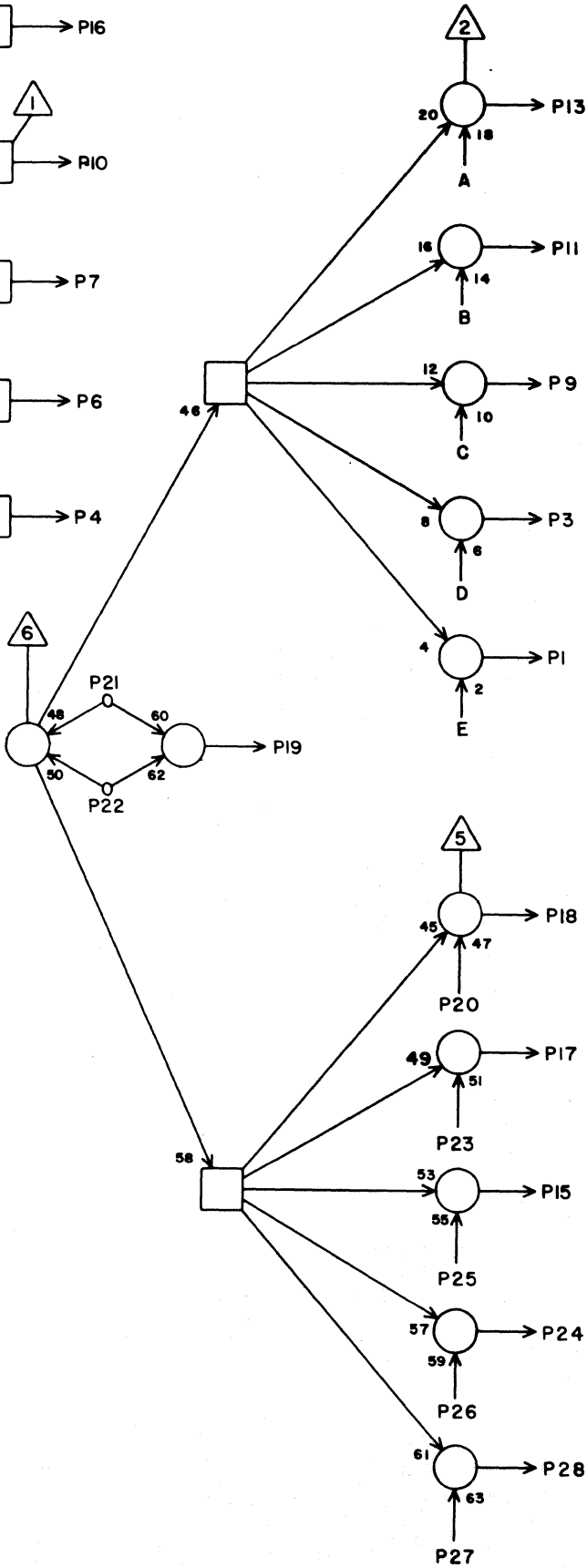
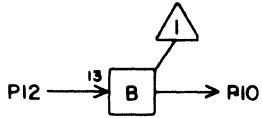
60042700 Rev. J

LS 63049200

E

ASSY

REV



IU

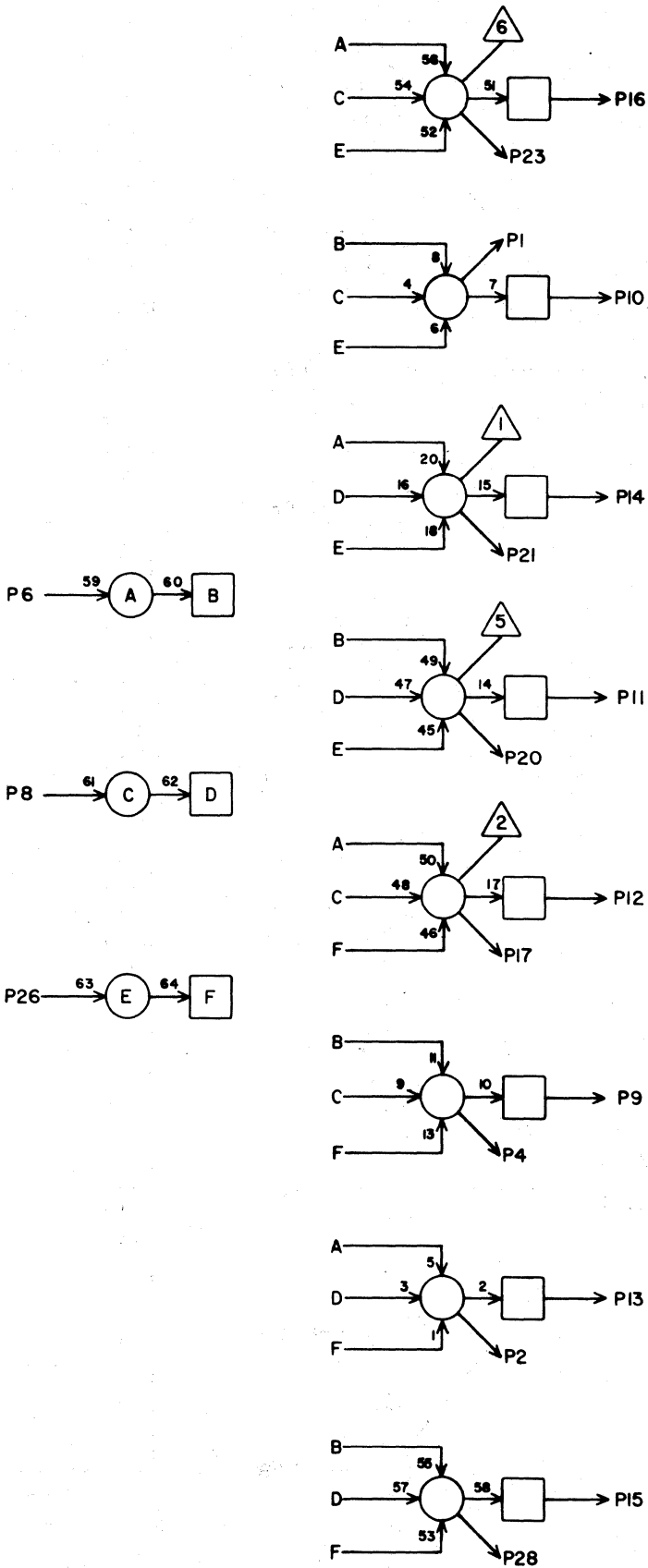
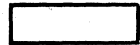
[]

1			
2			
3			
4			
5			
6			
7			
8			
9			
10			
11			
12			
13			
14			
15			
16			
17			
18			
19			
20			
21			
22			
23			
24			
25			
26			
27			
28			

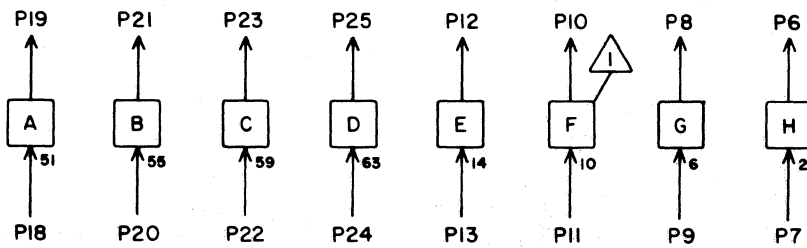
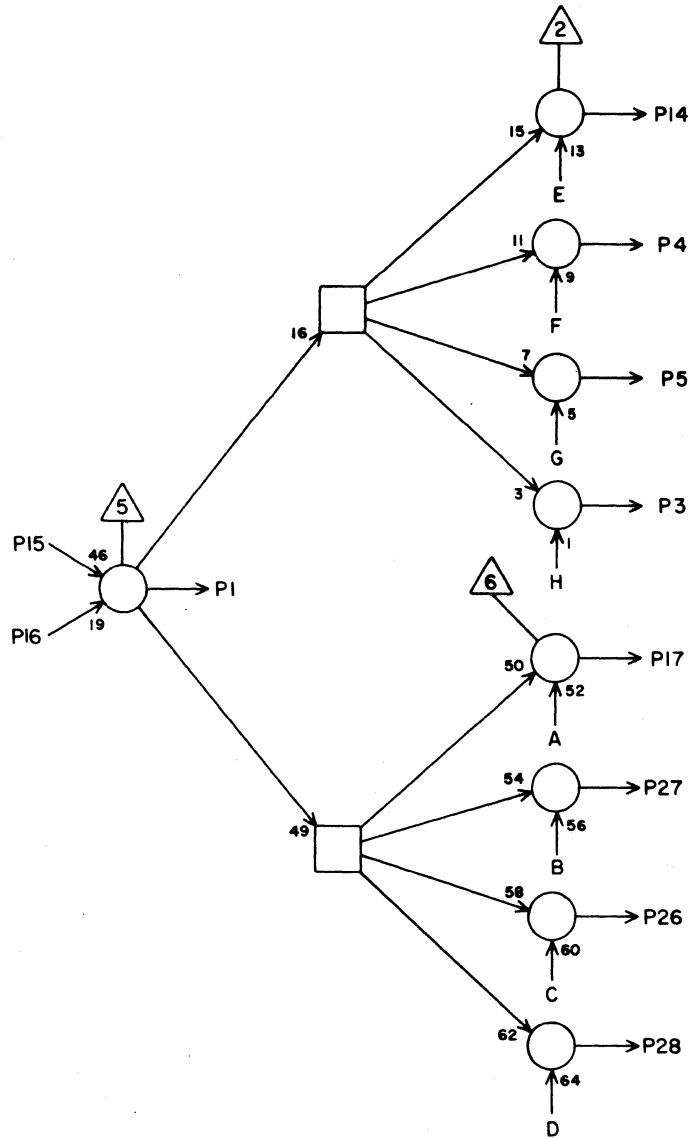
JACK PIN LG

CIRCUIT SPECIFICATION 11827600

60042700 Rev. J



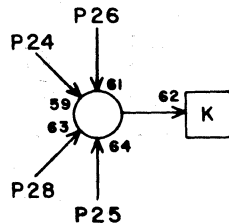
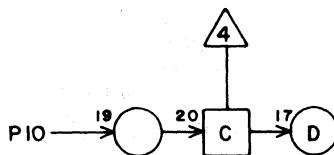
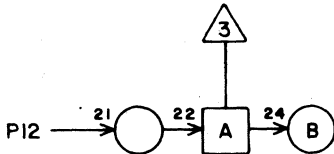
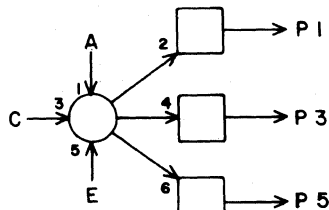
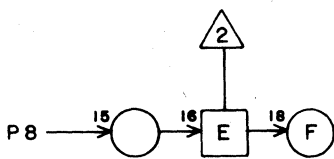
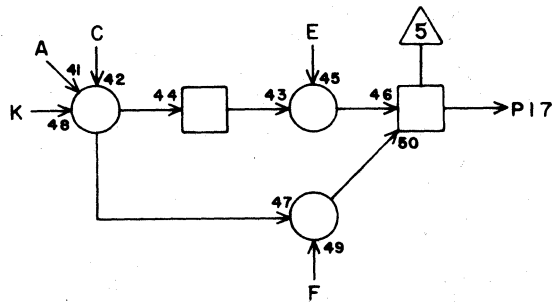
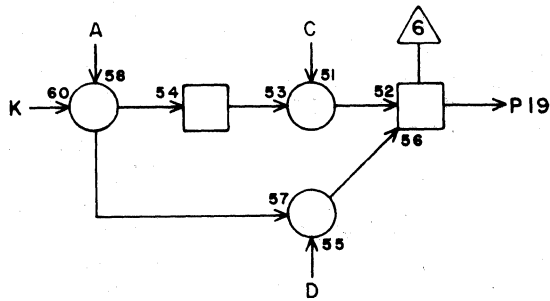
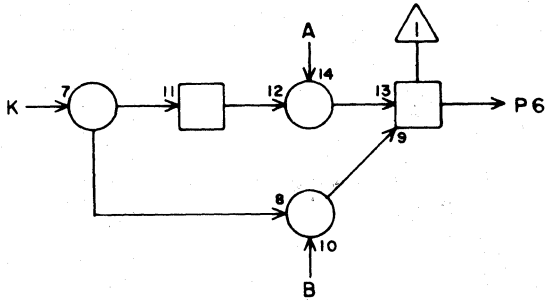
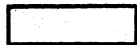
1			
2			
3			
4			
5			
6			
7			
8			
9			
10			
11			
12			
13			
14			
15			
16			
17			
18			
19			
20			
21			
22			
23			
24			
25			
26			
27			
28			



1			
2			
3			
4			
5			
6			
7			
8			
9			
10			
11			
12			
13			
14			
15			
16			
17			
18			
19			
20			
21			
22			
23			
24			
25			
26			
27			
28			

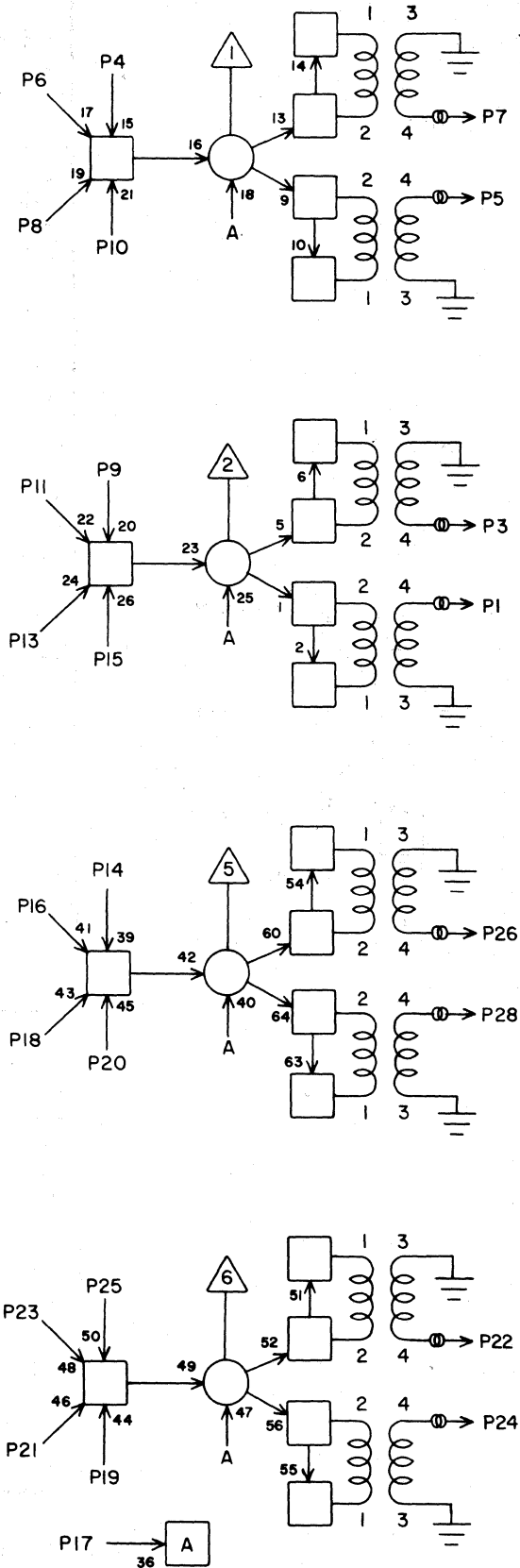
JACK PIN LG

CIRCUIT SPECIFICATION 11827600



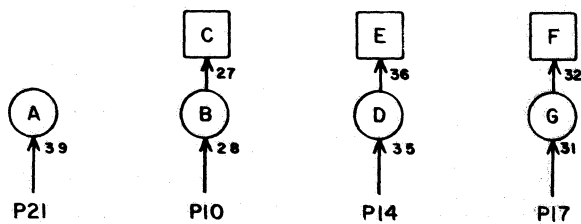
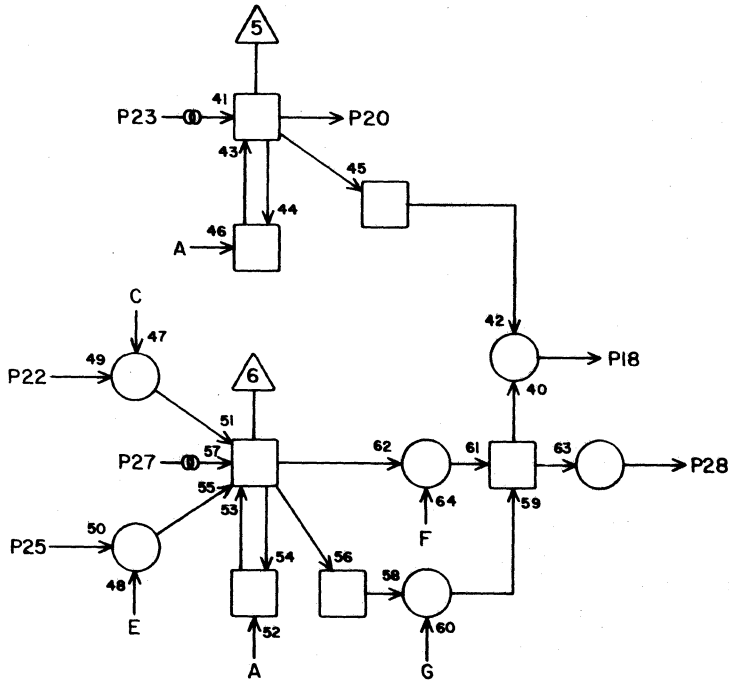
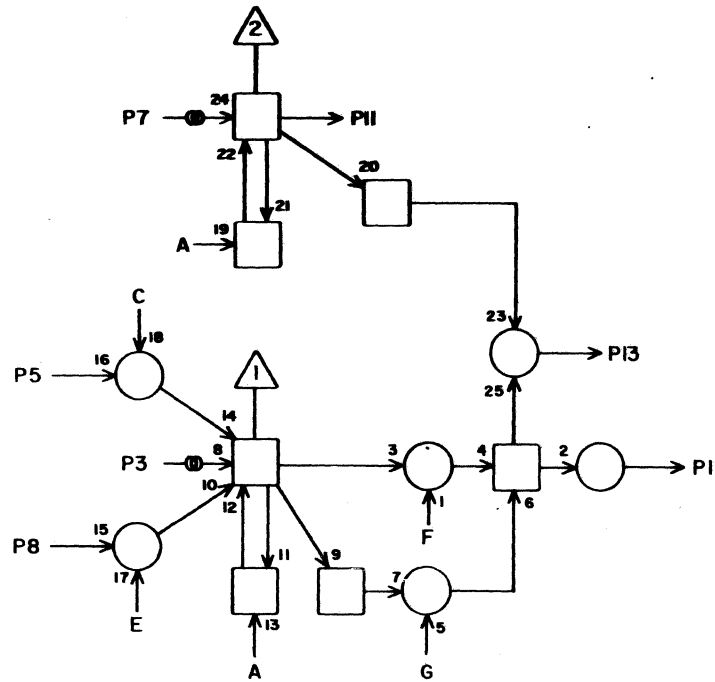
1			
2			
3			
4			
5			
6			
7			
8			
9			
10			
11			
12			
13			
14			
15			
16			
17			
18			
19			
20			
21			
22			
23			
24			
25			
26			
27			
28			

JACK PIN LG
CIRCUIT SPECIFICATION 11827600



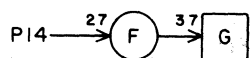
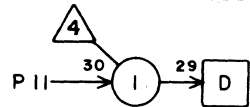
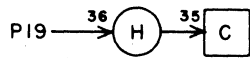
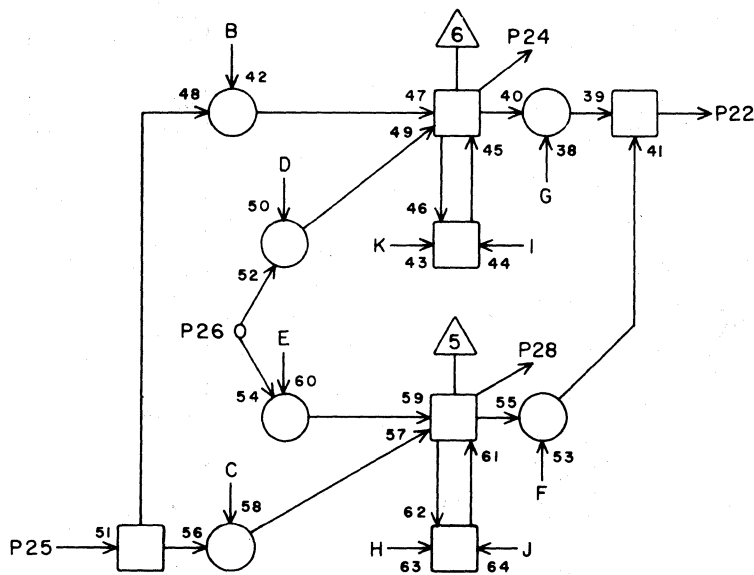
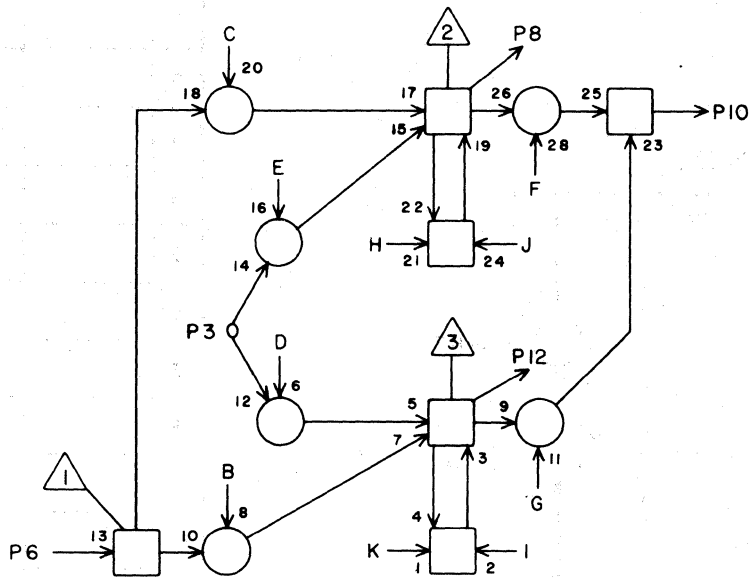
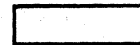
1			
2			
3			
4			
5			
6			
7			
8			
9			
10			
11			
12			
13			
14			
15			
16			
17			
18			
19			
20			
21			
22			
23			
24			
25			
26			
27			
28			

JACK PIN LG
CIRCUIT SPECIFICATION 11827600



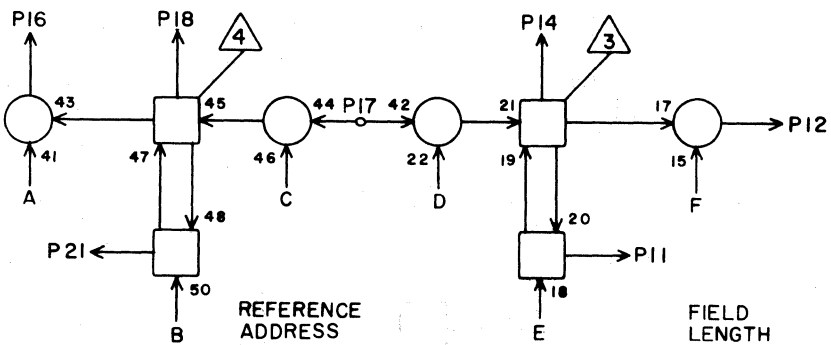
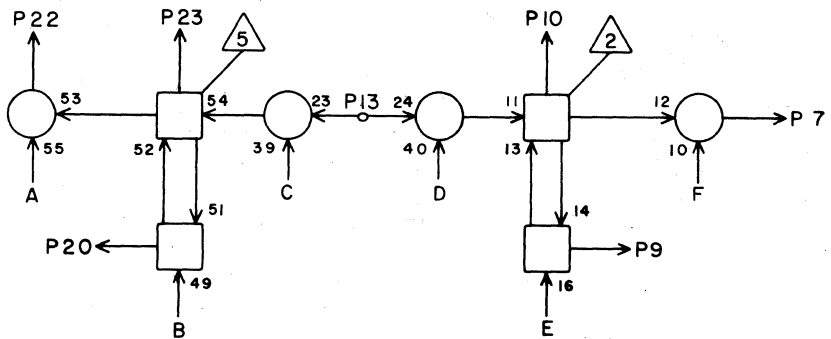
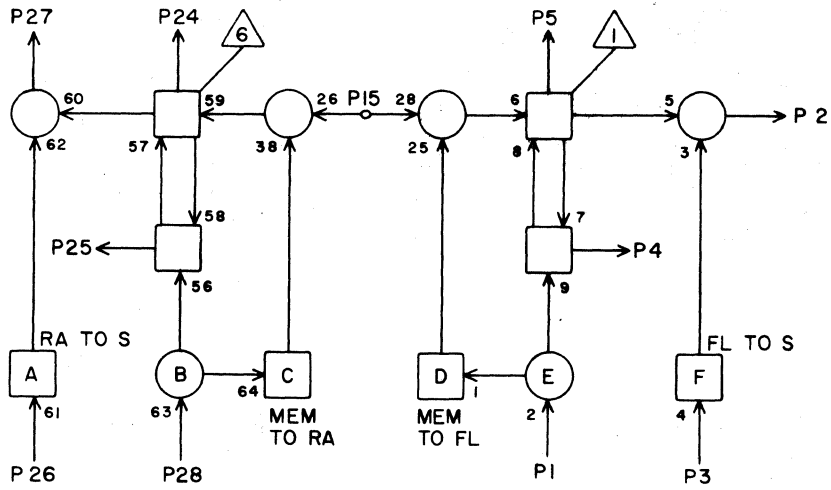
1			
2			
3			
4			
5			
6			
7			
8			
9			
10			
11			
12			
13			
14			
15			
16			
17			
18			
19			
20			
21			
22			
23			
24			
25			
26			
27			
28			

JACK PIN LG
CIRCUIT SPECIFICATION 11827600



1			
2			
3			
4			
5			
6			
7			
8			
9			
10			
11			
12			
13			
14			
15			
16			
17			
18			
19			
20			
21			
22			
23			
24			
25			
26			
27			
28			

JACK PIN LG
CIRCUIT SPECIFICATION 11827600



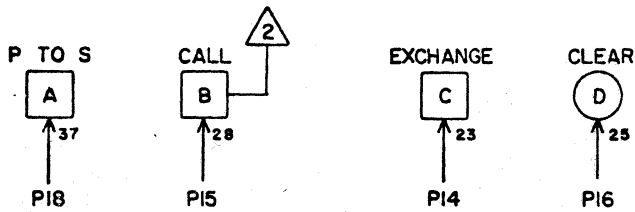
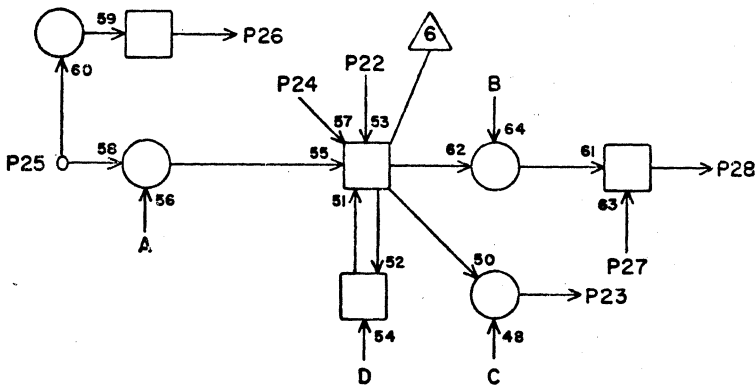
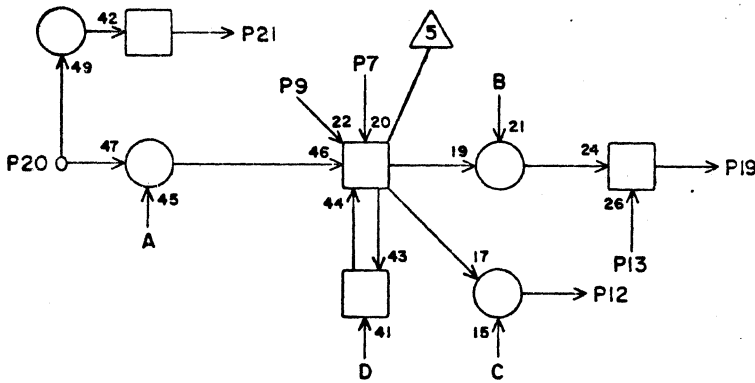
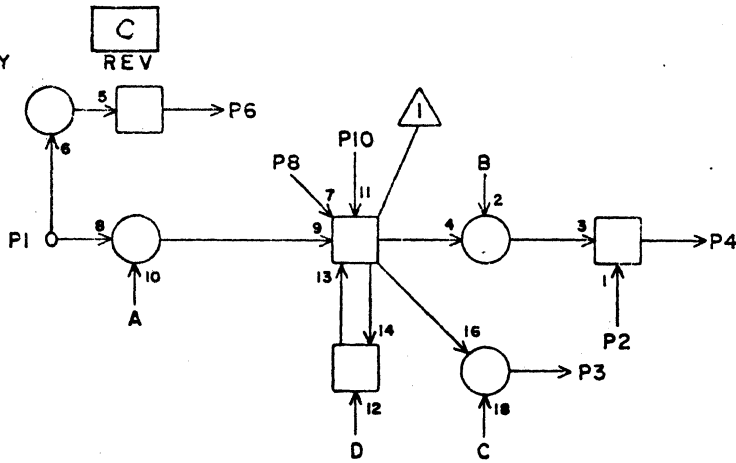
1			
2			
3			
4			
5			
6			
7			
8			
9			
10			
11			
12			
13			
14			
15			
16			
17			
18			
19			
20			
21			
22			
23			
24			
25			
26			
27			
28			

JACK PIN LG

CIRCUIT SPECIFICATION 11827600

IS 63050200
ASSY

JE



1			
2			
3			
4			
5			
6			
7			
8			
9			
10			
11			
12			
13			
14			
15			
16			
17			
18			
19			
20			
21			
22			
23			
24			
25			
26			
27			
28			

JACK PIN LG

CIRCUIT SPECIFICATION 11827600

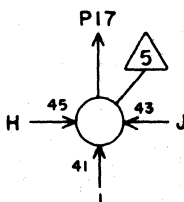
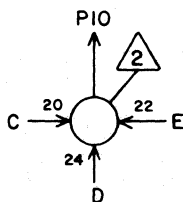
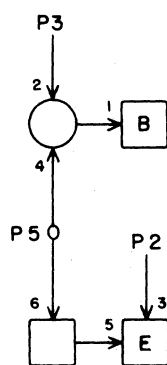
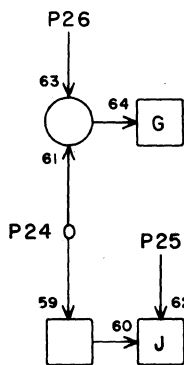
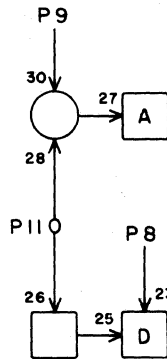
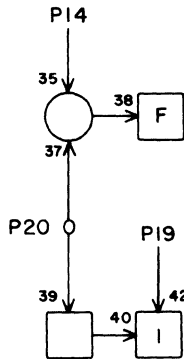
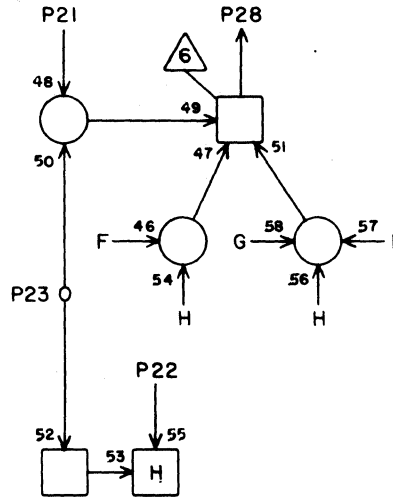
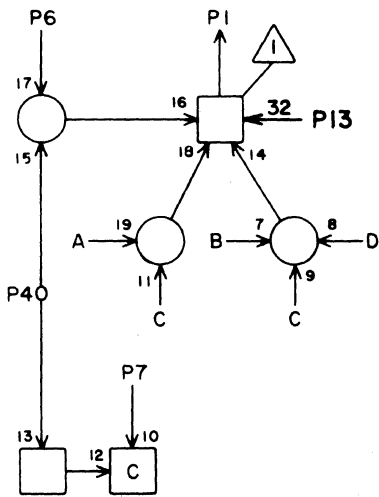
60042700 Rev. J

LS 63050400
ASSY

F
REV

JG

[]



1		
2		
3		
4		
5		
6		
7		
8		
9		
10		
11		
12		
13		
14		
15		
16		
17		
18		
19		
20		
21		
22		
23		
24		
25		
26		
27		
28		

JACK PIN LG

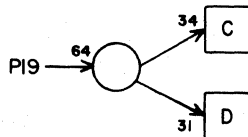
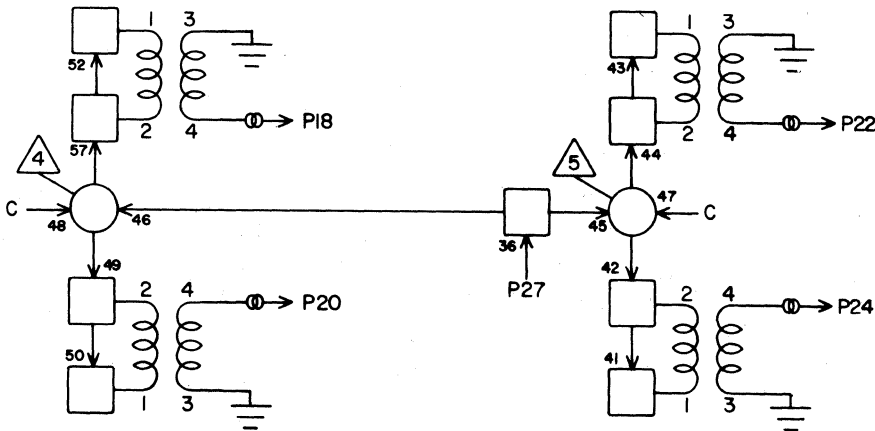
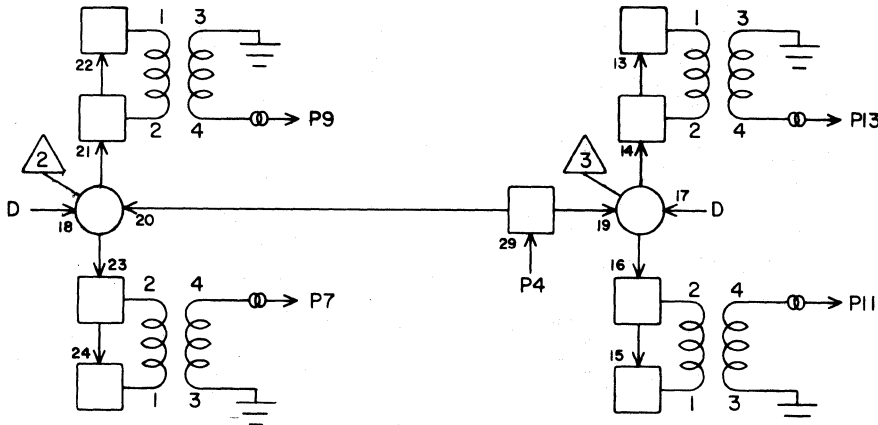
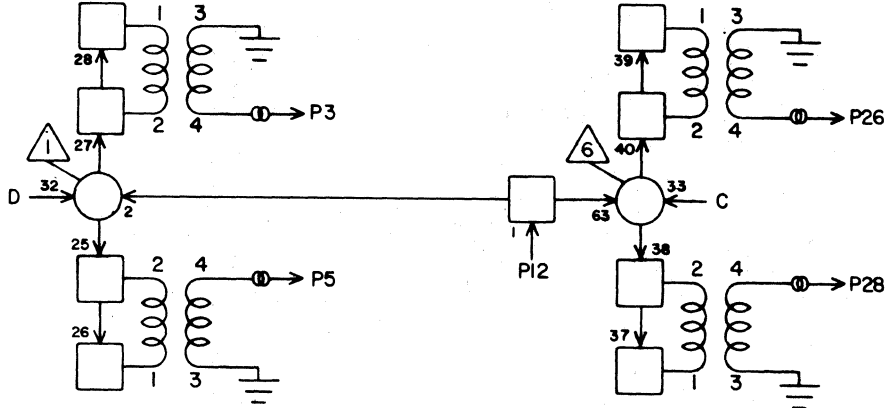
CIRCUIT SPECIFICATION 11827600
60042700 Rev AB

LS 63050500

C
REV

JH

ASSY

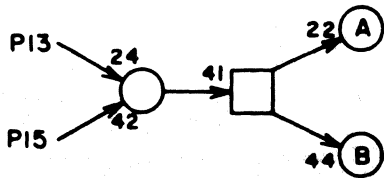
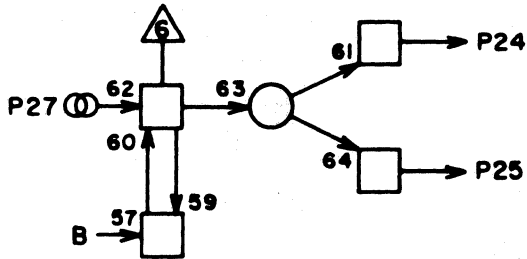
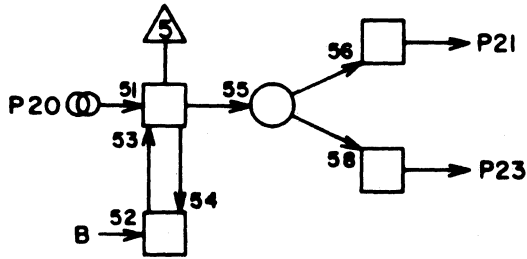
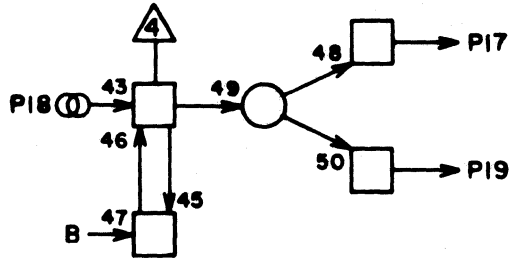
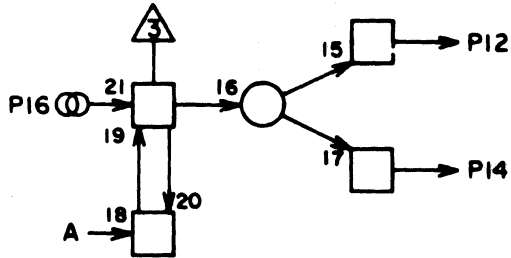
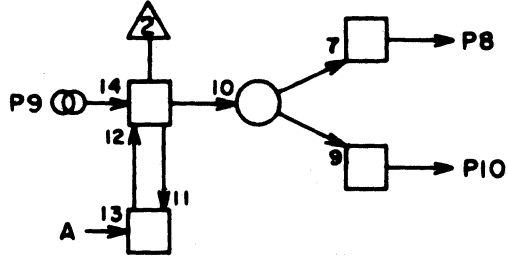
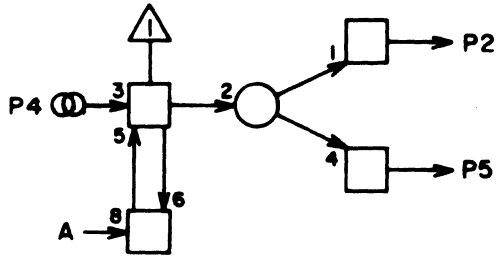
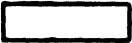


1			
2			
3			
4			
5			
6			
7			
8			
9			
10			
11			
12			
13			
14			
15			
16			
17			
18			
19			
20			
21			
22			
23			
24			
25			
26			
27			
28			

JACK PIN LG

CIRCUIT SPECIFICATION 11827600

60042700 Rev J



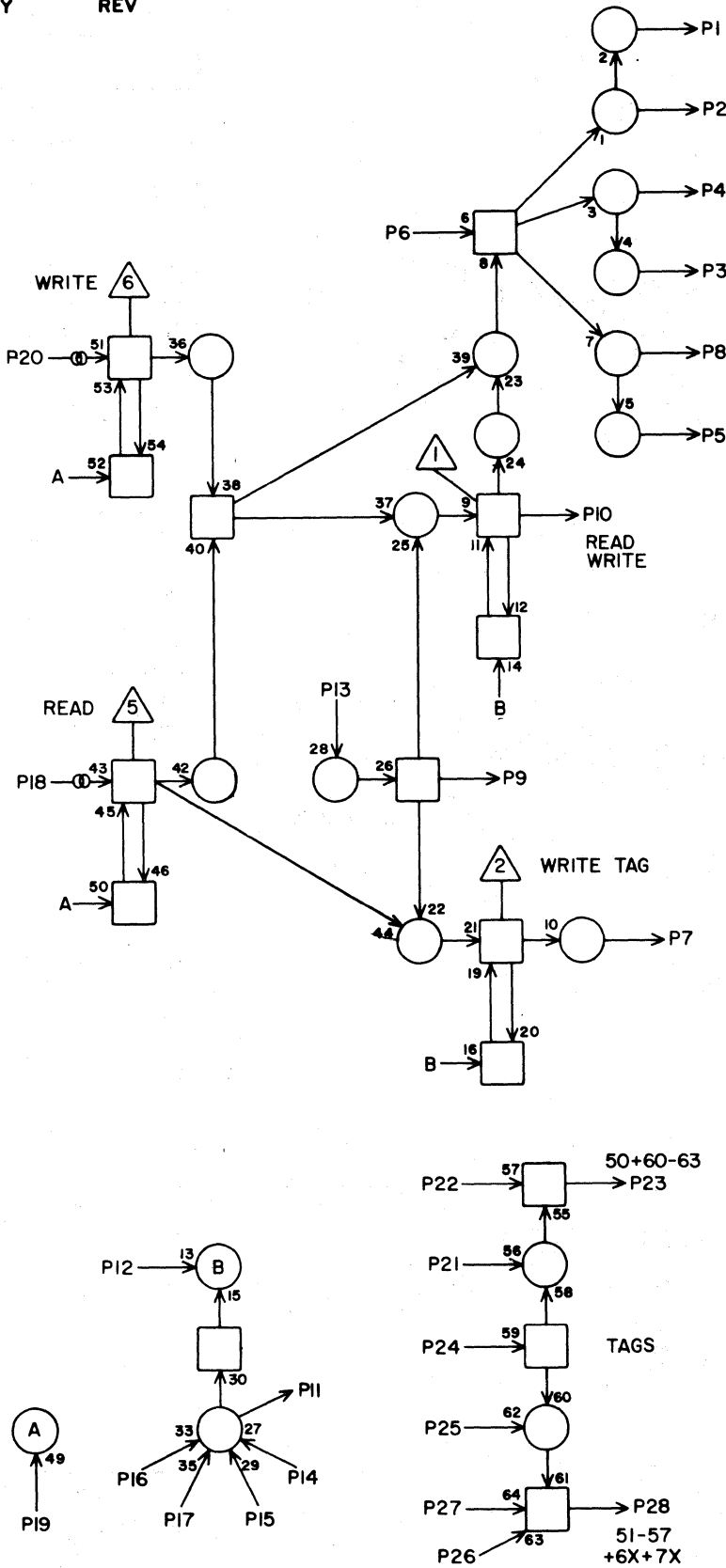
1		
2		
3		
4		
5		
6		
7		
8		
9		
10		
11		
12		
13		
14		
15		
16		
17		
18		
19		
20		
21		
22		
23		
24		
25		
26		
27		
28		

JACK PIN LG
 SEE CIRCUIT SPECIFICATION
 11827600

LS 63050700
ASSY



JJ



1			
2			
3			
4			
5			
6			
7			
8			
9			
10			
11			
12			
13			
14			
15			
16			
17			
18			
19			
20			
21			
22			
23			
24			
25			
26			
27			
28			

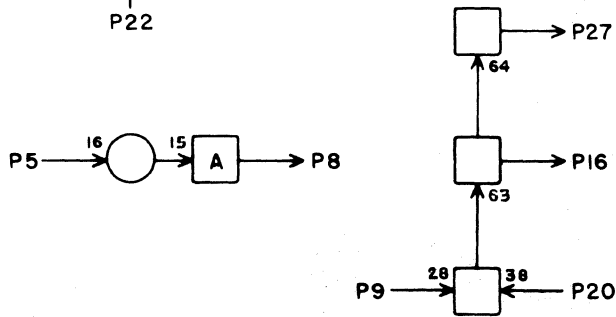
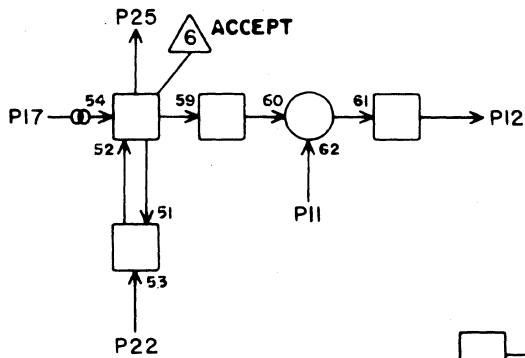
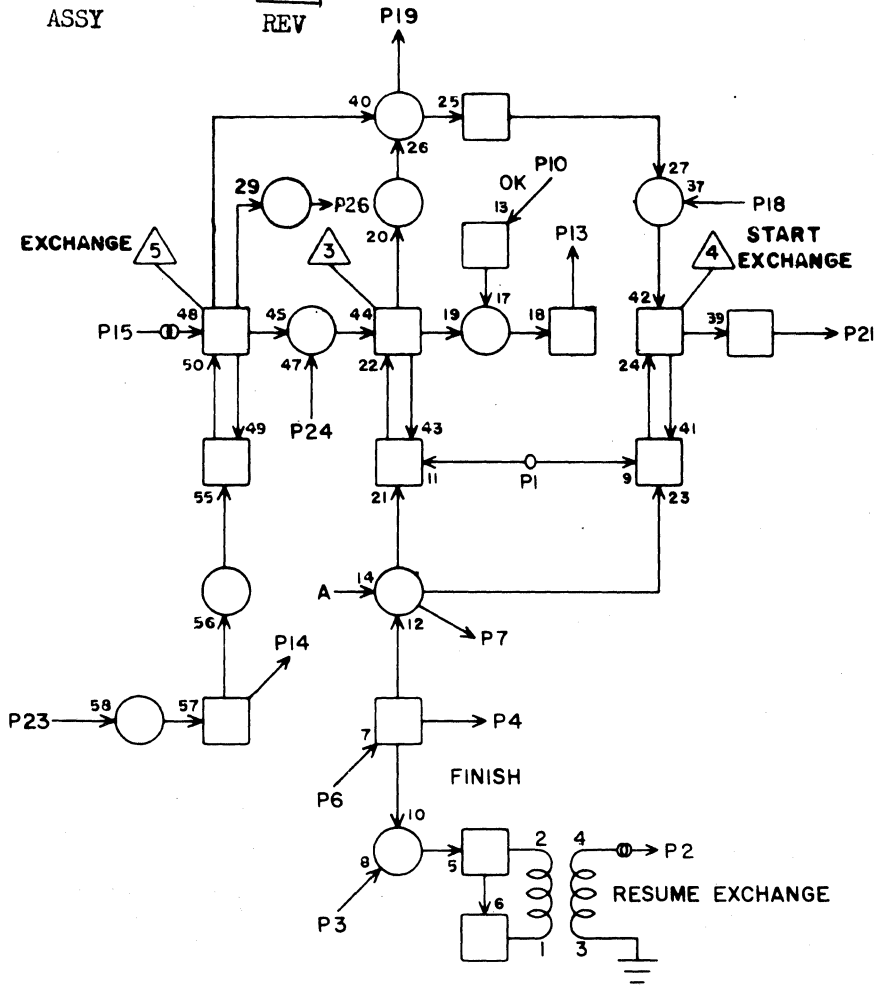
JACK PIN LG
CIRCUIT SPECIFICATION 11827600

60042700 Rev. P

LS 63050800
ASSY

G
REV

JK

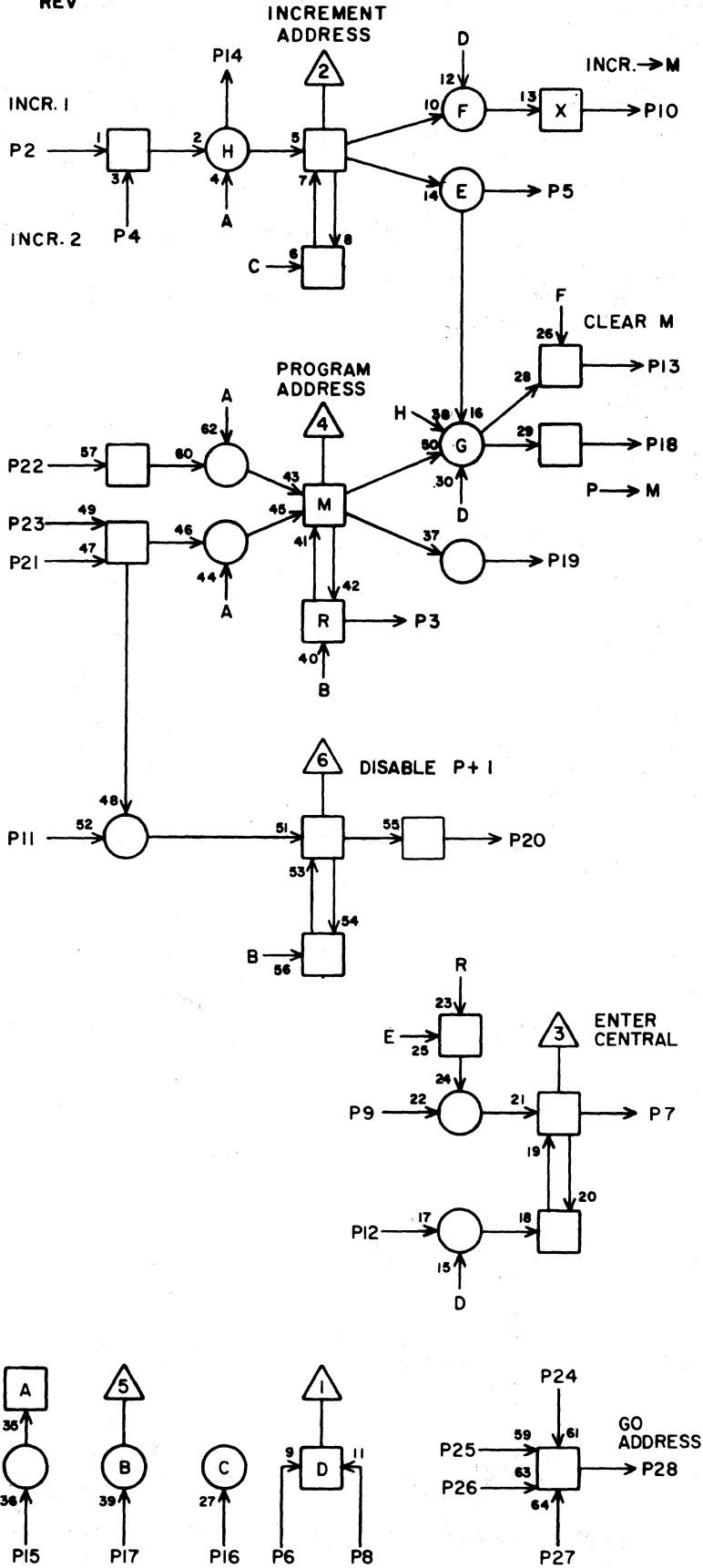


1			
2			
3			
4			
5			
6			
7			
8			
9			
10			
11			
12			
13			
14			
15			
16			
17			
18			
19			
20			
21			
22			
23			
24			
25			
26			
27			
28			

JACK PIN LG

60042700 Rev AB

CIRCUIT SPECIFICATION 11827600



1			
2			
3			
4			
5			
6			
7			
8			
9			
10			
11			
12			
13			
14			
15			
16			
17			
18			
19			
20			
21			
22			
23			
24			
25			
26			
27			
28			

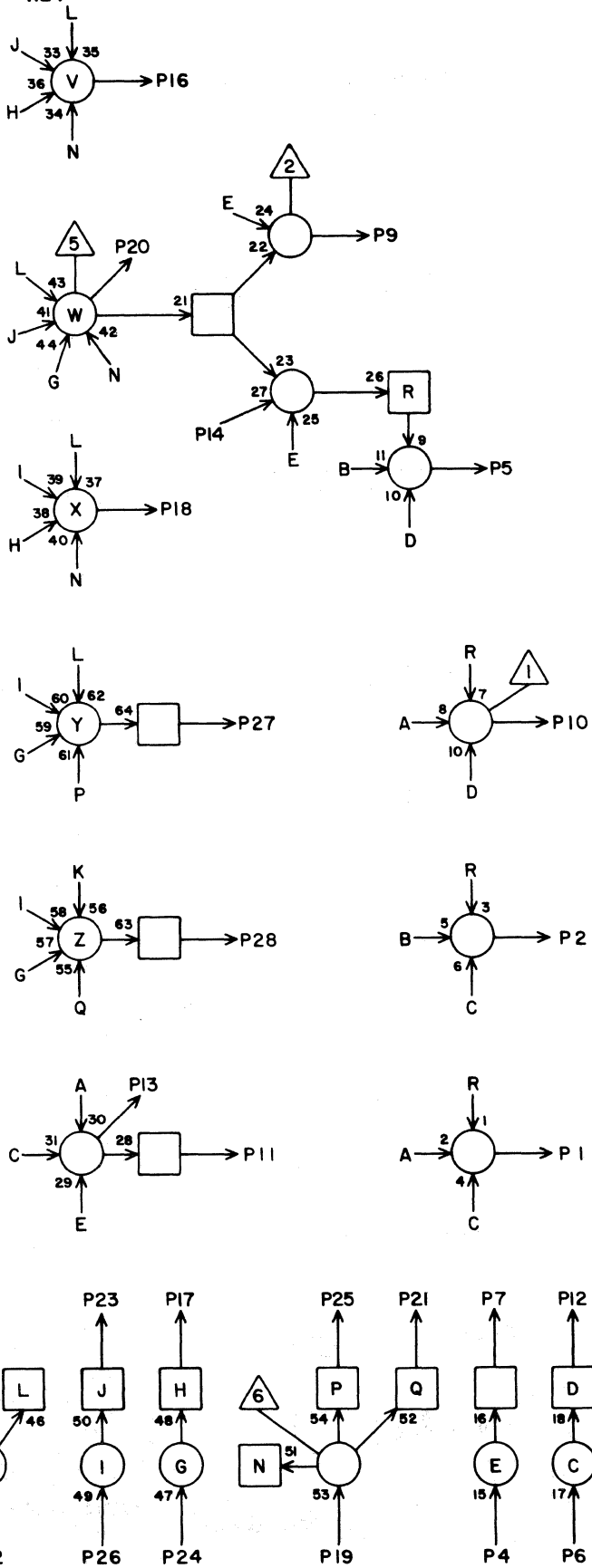
JACK PIN LG
CIRCUIT SPECIFICATION 11827600

LS 63051000
ASSY

D
REV

JM

[]



1			
2			
3			
4			
5			
6			
7			
8			
9			
10			
11			
12			
13			
14			
15			
16			
17			
18			
19			
20			
21			
22			
23			
24			
25			
26			
27			
28			

JACK PIN LG
CIRCUIT SPECIFICATION 11827600

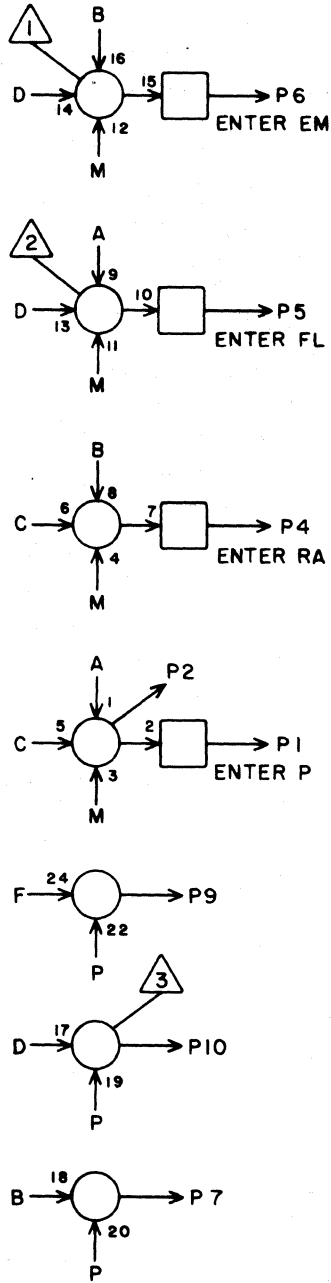
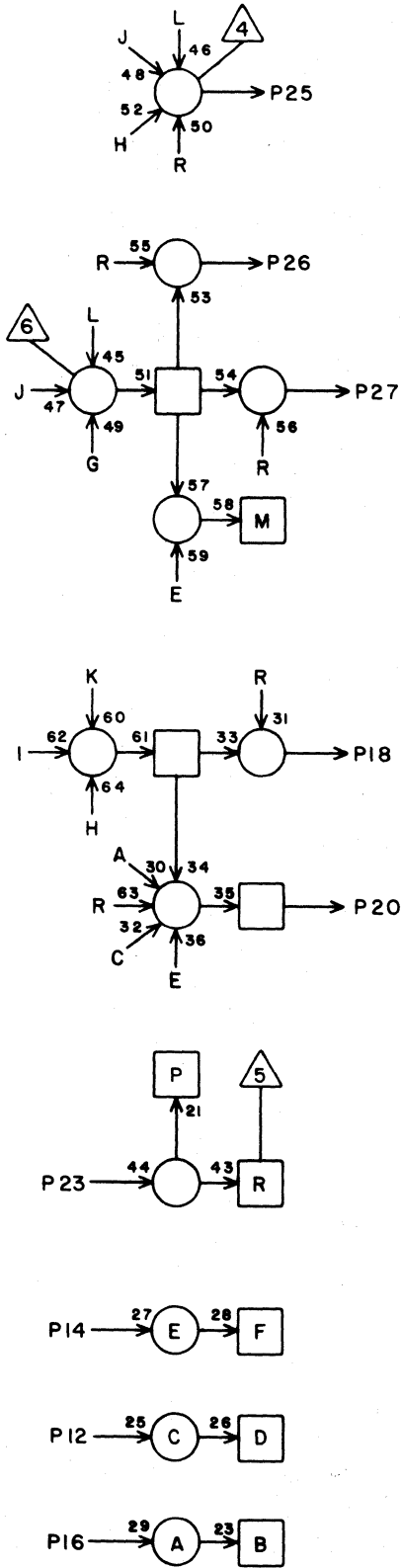
60042700 Rev. J

LS 63051100
ASSY

D
REV

JN

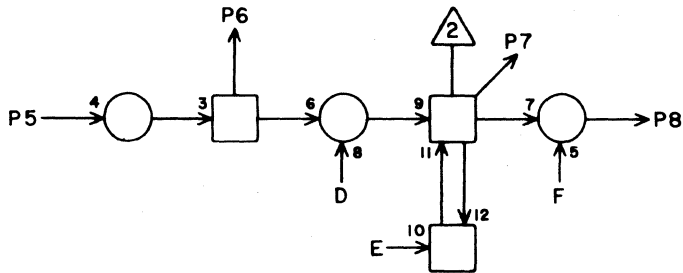
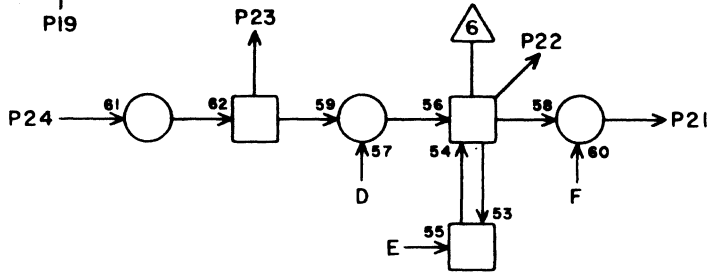
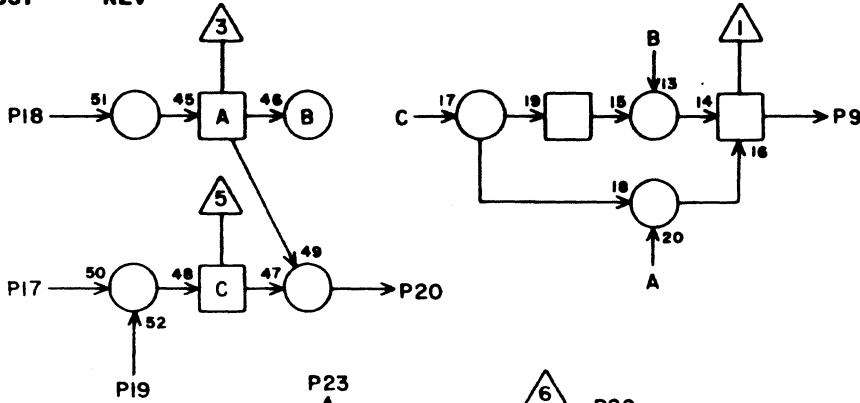
[]



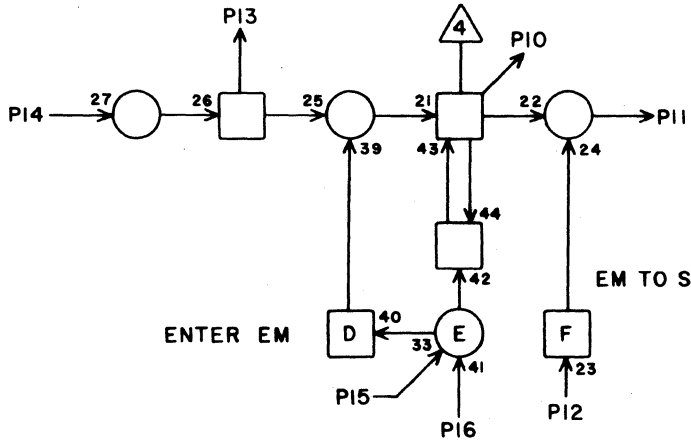
1			
2			
3			
4			
5			
6			
7			
8			
9			
10			
11			
12			
13			
14			
15			
16			
17			
18			
19			
20			
21			
22			
23			
24			
25			
26			
27			
28			

JACK PIN LG

CIRCUIT SPECIFICATION 11827600



ERROR MODE



ENTER EM

EM TO S



1			
2			
3			
4			
5			
6			
7			
8			
9			
10			
11			
12			
13			
14			
15			
16			
17			
18			
19			
20			
21			
22			
23			
24			
25			
26			
27			
28			

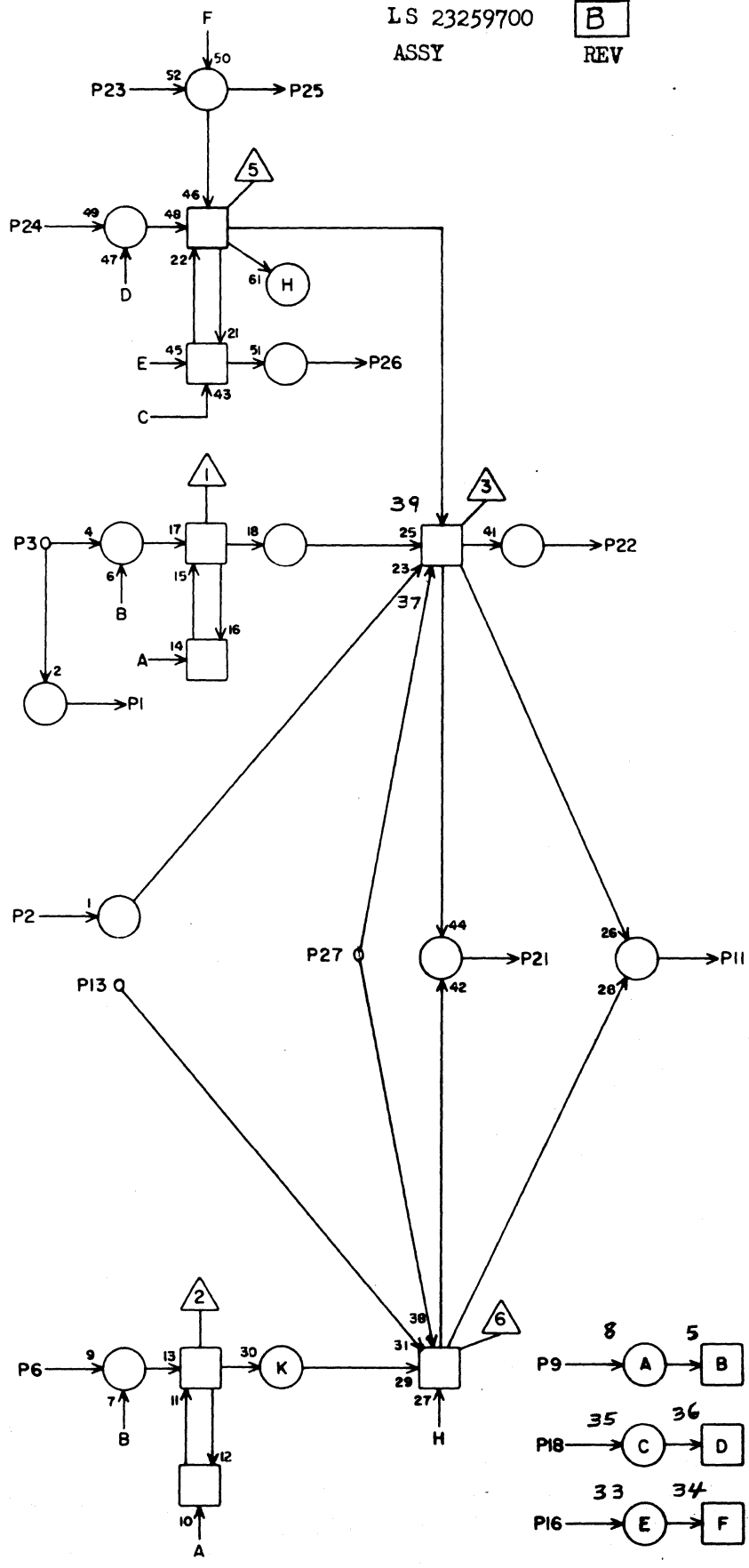
JACK PIN LG

CIRCUIT SPECIFICATION 11827600

JPO1



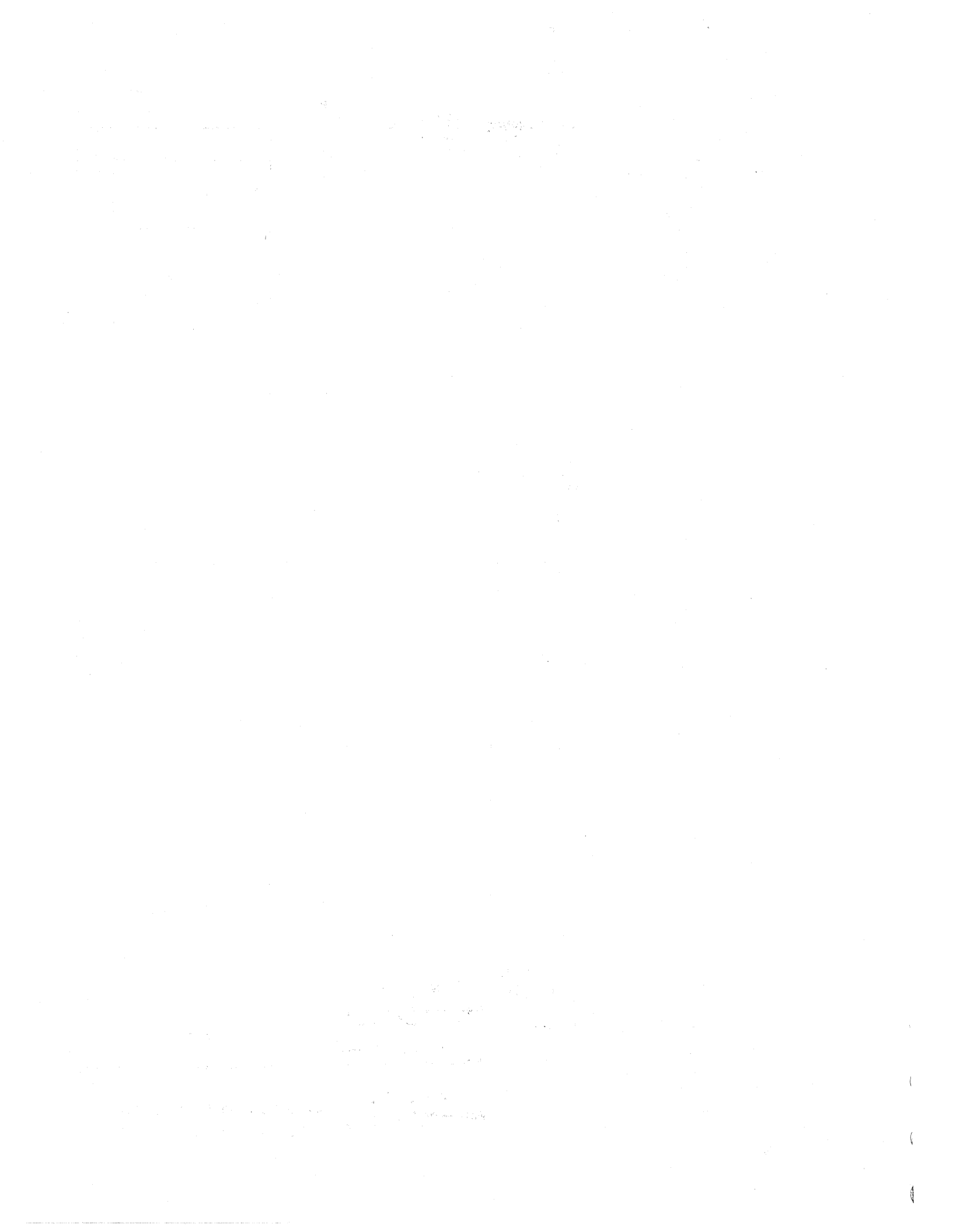
LS 23259700
 ASSY B
 REV



1			
2			
3			
4			
5			
6			
7			
8			
9			
10			
11			
12			
13			
14			
15			
16			
17			
18			
19			
20			
21			
22			
23			
24			
25			
26			
27			
28			

JACK PIN LG

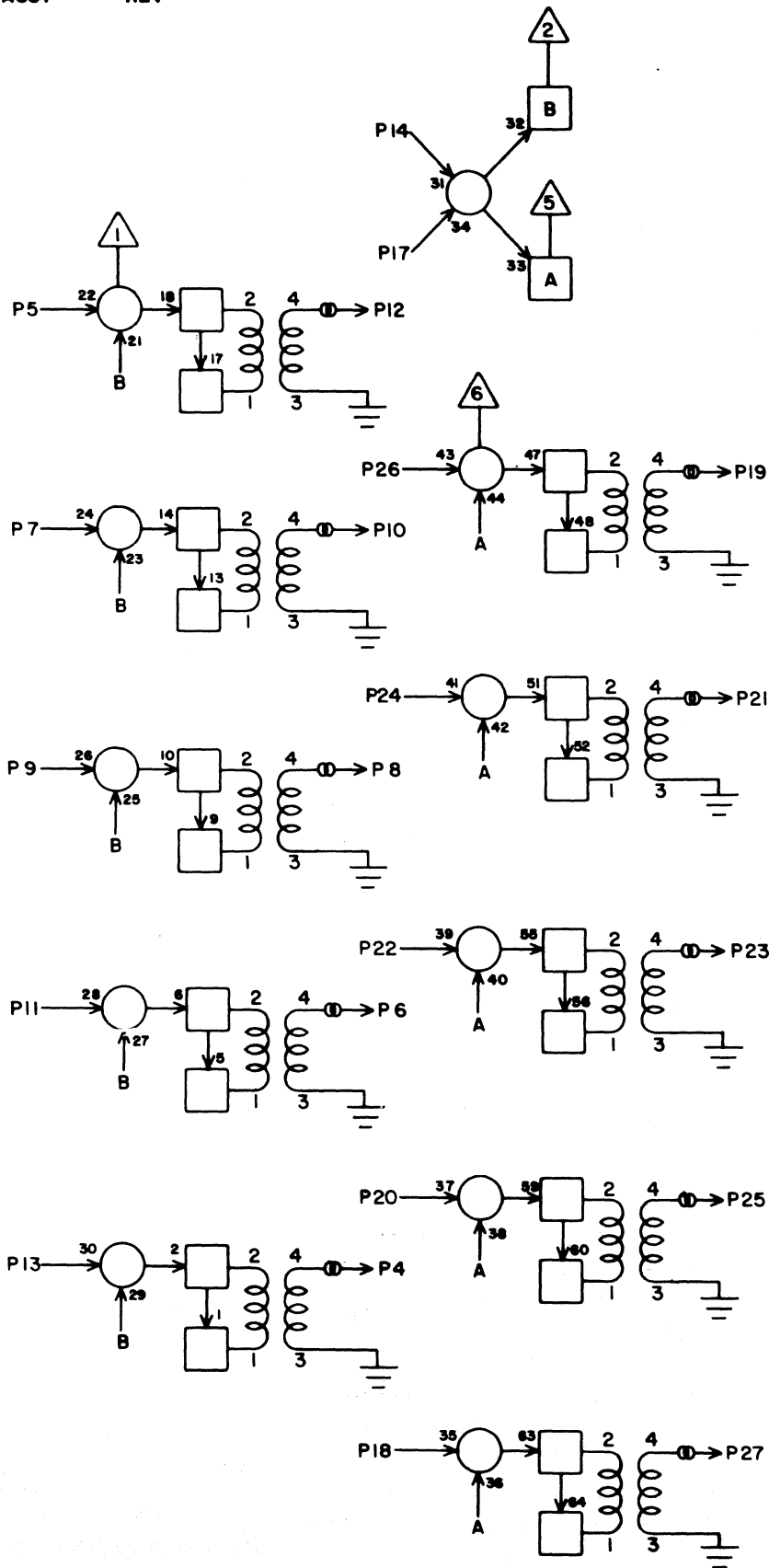
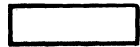
CIRCUIT SPECIFICATION 11827600
 60042700 Rev AB



LS 63051400
ASSY



JQ



1			
2			
3			
4			
5			
6			
7			
8			
9			
10			
11			
12			
13			
14			
15			
16			
17			
18			
19			
20			
21			
22			
23			
24			
25			
26			
27			
28			

JACK PIN LG
CIRCUIT SPECIFICATION 11827600

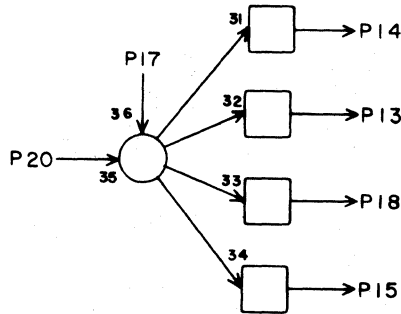
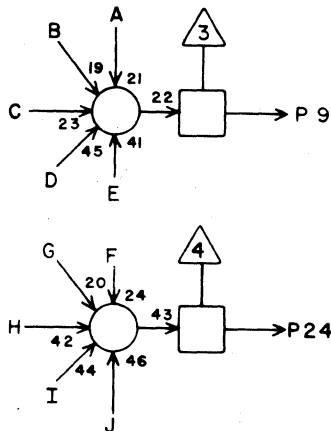
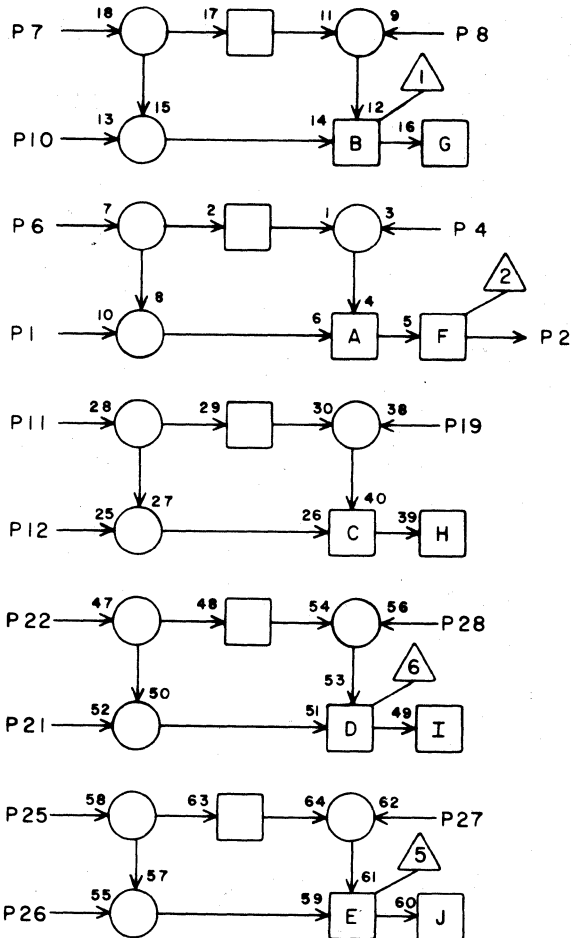
60042700 Rev. J

LS 63051500
ASSY

D
REV

JR

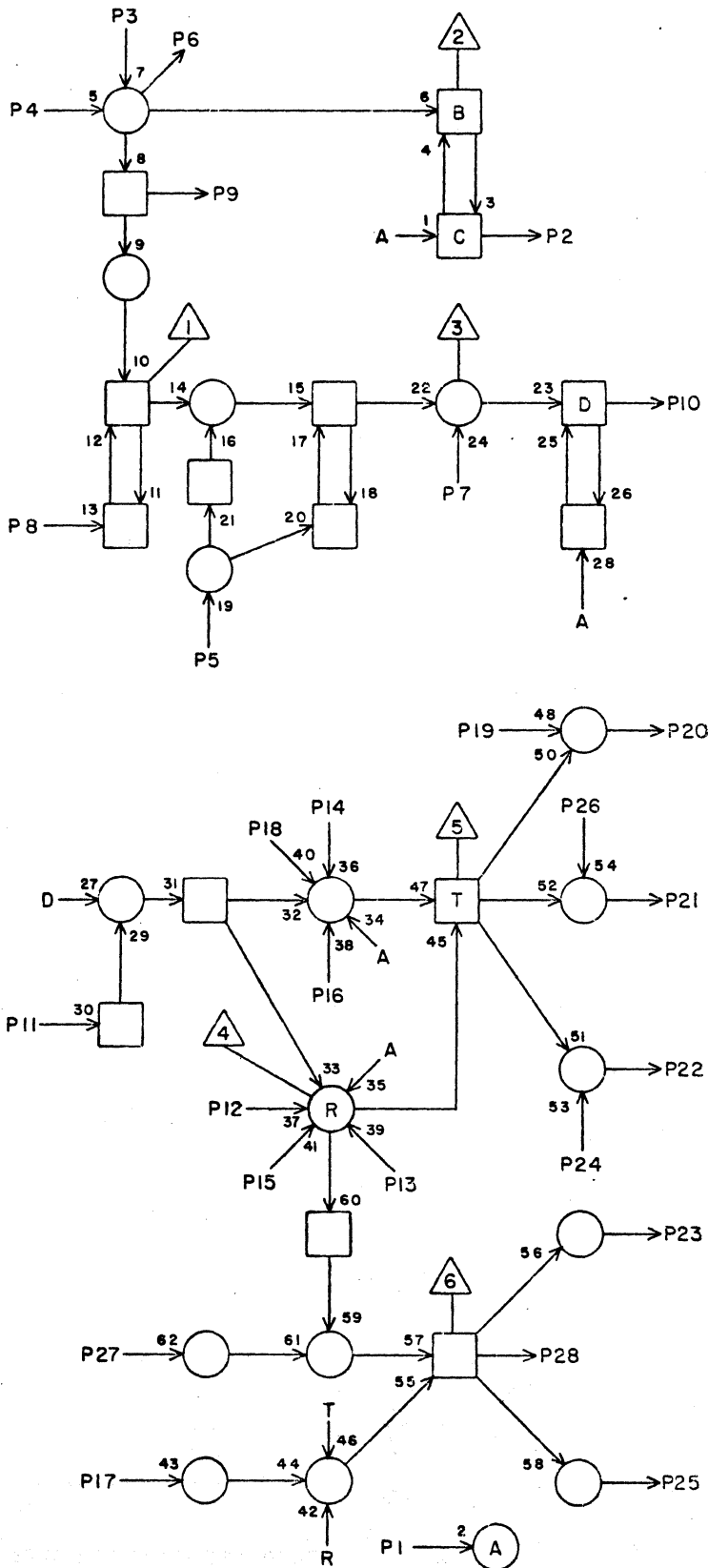
[]



1			
2			
3			
4			
5			
6			
7			
8			
9			
10			
11			
12			
13			
14			
15			
16			
17			
18			
19			
20			
21			
22			
23			
24			
25			
26			
27			
28			

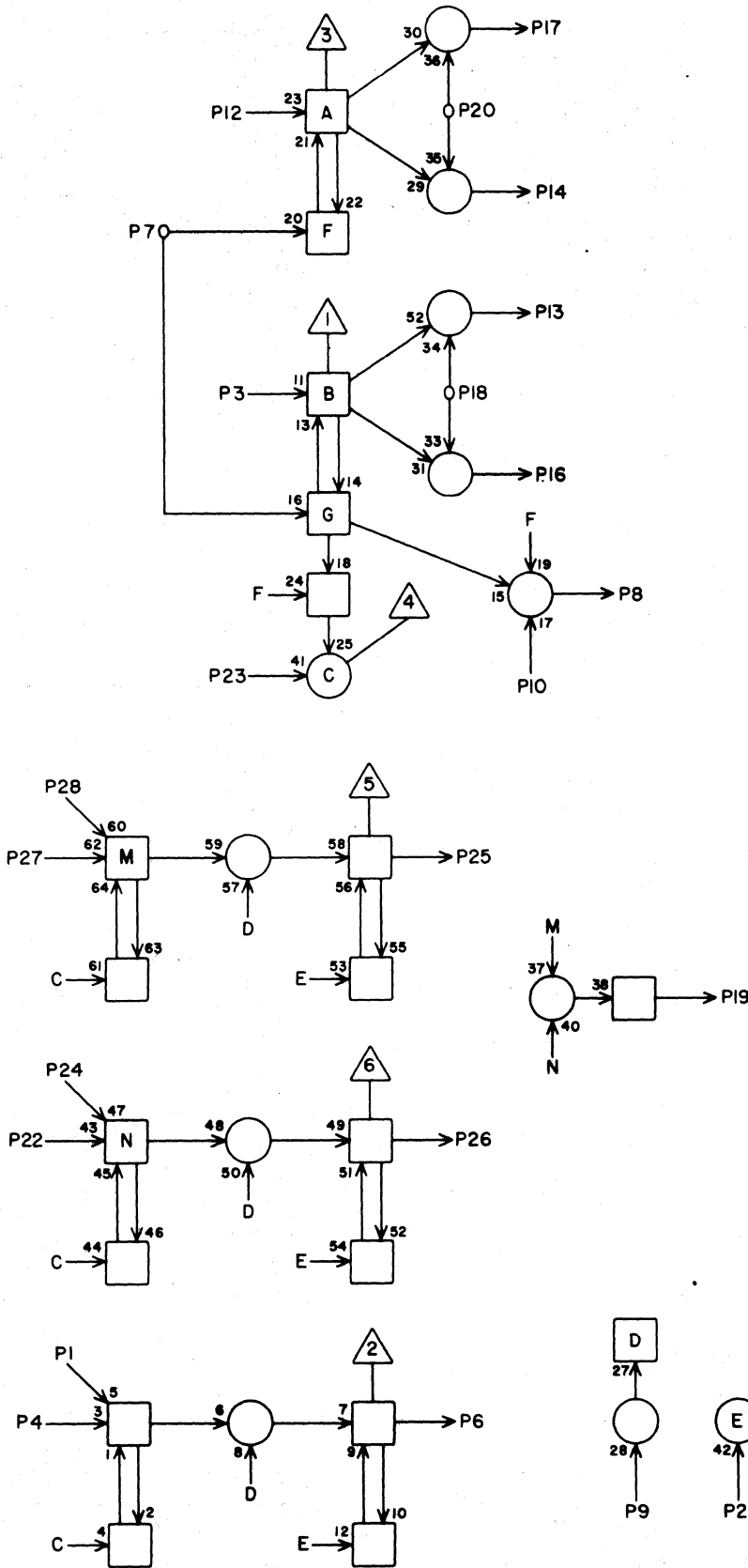
JACK PIN LG
CIRCUIT SPECIFICATION 11827600

60042700 Rev. P



1			
2			
3			
4			
5			
6			
7			
8			
9			
10			
11			
12			
13			
14			
15			
16			
17			
18			
19			
20			
21			
22			
23			
24			
25			
26			
27			
28			

JACK PIN LG



1			
2			
3			
4			
5			
6			
7			
8			
9			
10			
11			
12			
13			
14			
15			
16			
17			
18			
19			
20			
21			
22			
23			
24			
25			
26			
27			
28			

JACK PIN LG

CIRCUIT SPECIFICATION 11827600

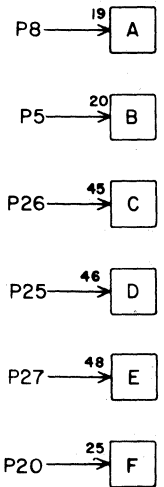
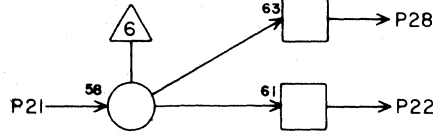
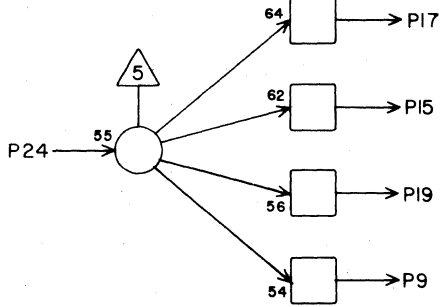
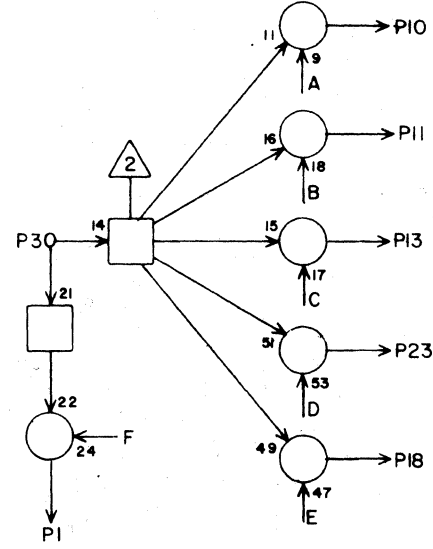
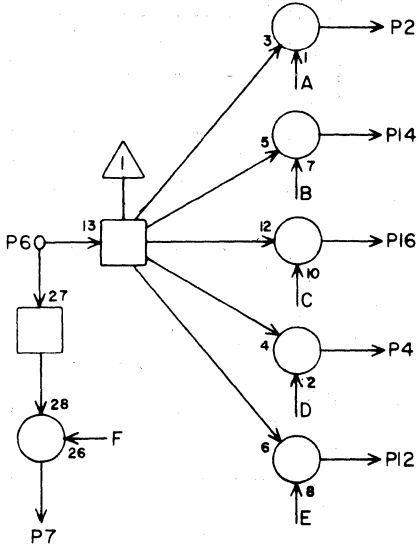
60042700 Rev. K

LS 63051900
ASSY

E
REV

JV

[]



1			
2			
3			
4			
5			
6			
7			
8			
9			
10			
11			
12			
13			
14			
15			
16			
17			
18			
19			
20			
21			
22			
23			
24			
25			
26			
27			
28			

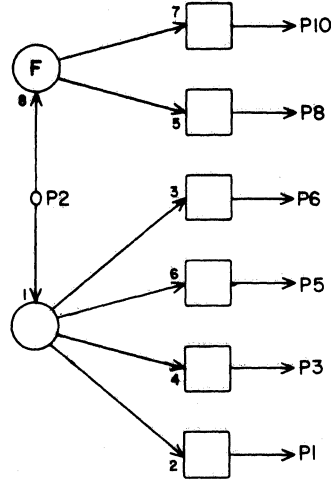
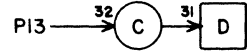
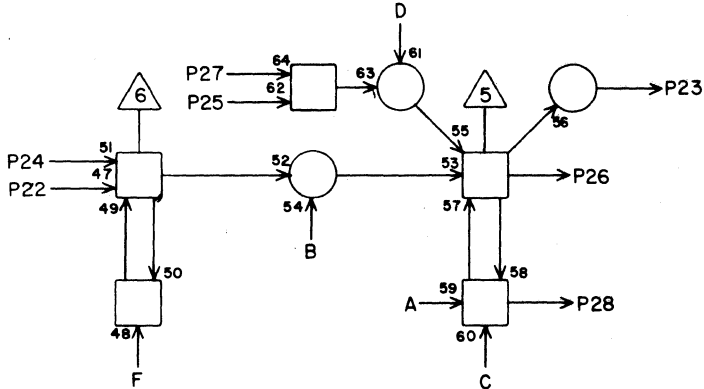
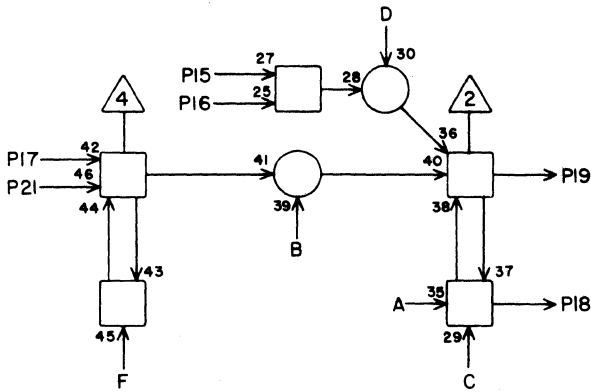
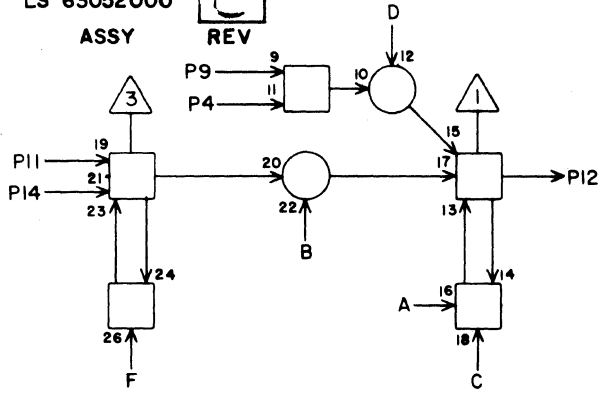
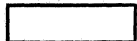
JACK RIN LG
CIRCUIT SPECIFICATION 11827600

LS 63052000

ASSY



JW



1			
2			
3			
4			
5			
6			
7			
8			
9			
10			
11			
12			
13			
14			
15			
16			
17			
18			
19			
20			
21			
22			
23			
24			
25			
26			
27			
28			

JACK PIN LG

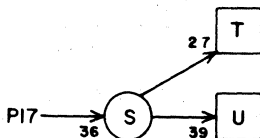
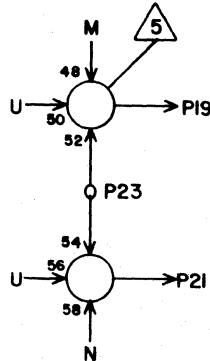
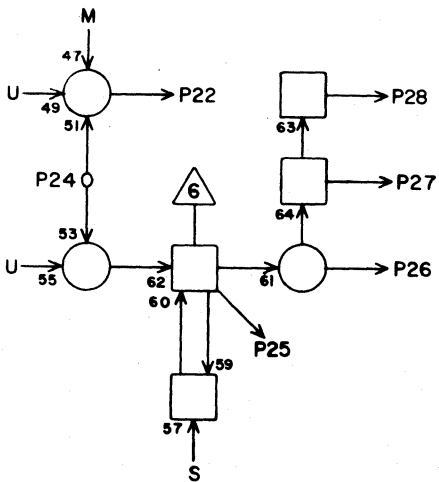
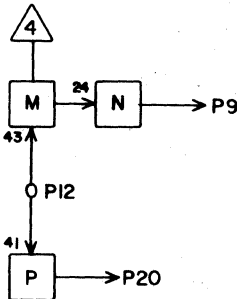
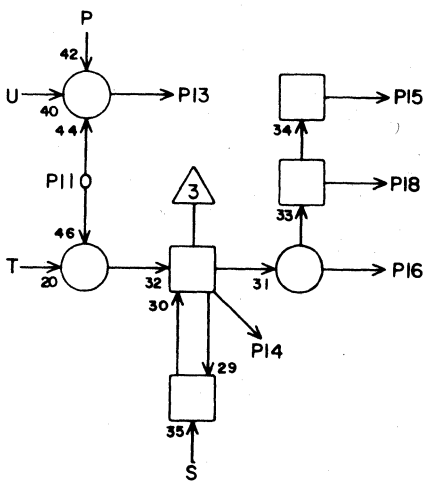
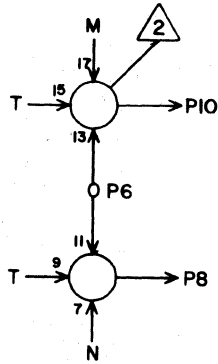
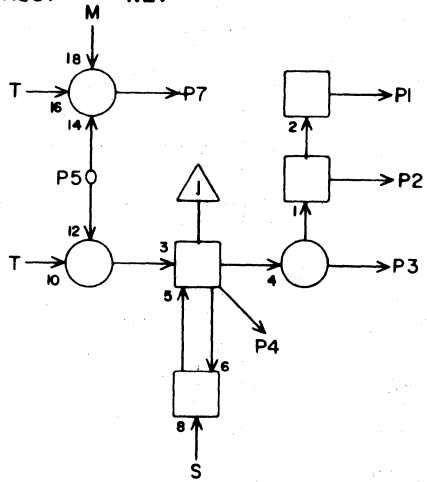
CIRCUIT SPECIFICATION 11827600

60042700 Rev. K

LS 63052100
ASSY



JX



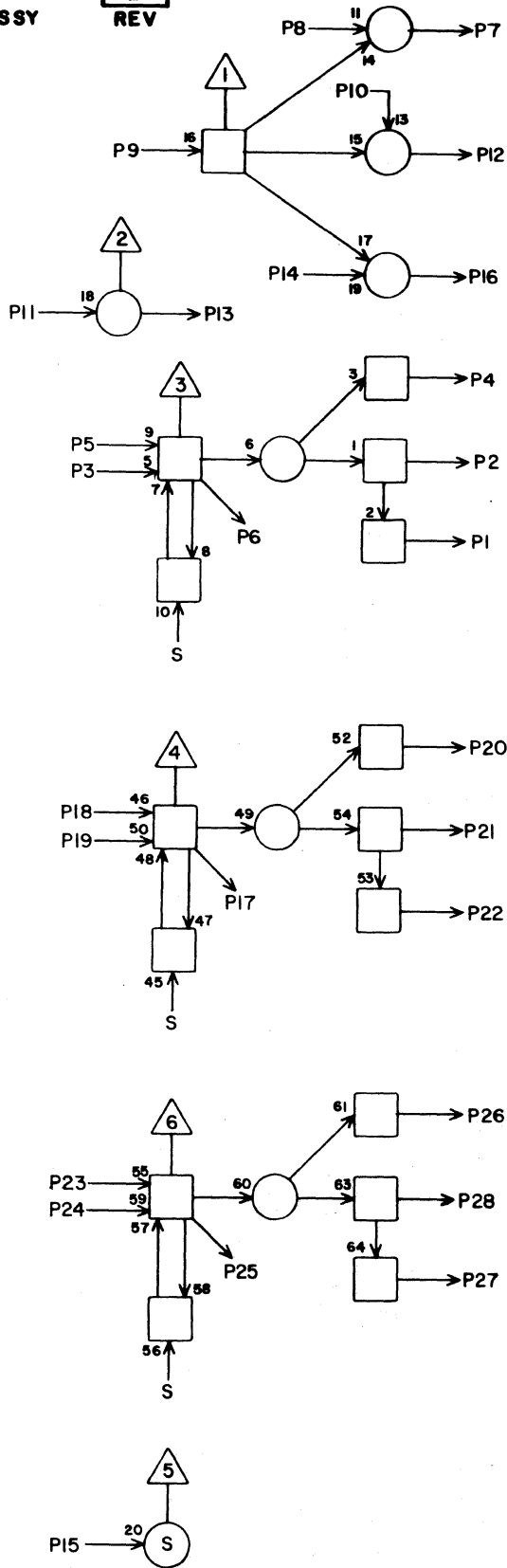
1			
2			
3			
4			
5			
6			
7			
8			
9			
10			
11			
12			
13			
14			
15			
16			
17			
18			
19			
20			
21			
22			
23			
24			
25			
26			
27			
28			

JACK PIN LG
CIRCUIT SPECIFICATION 11827600

60042700 Rev. P

LS 63052200
ASSY

D
REV



JY

1			
2			
3			
4			
5			
6			
7			
8			
9			
10			
11			
12			
13			
14			
15			
16			
17			
18			
19			
20			
21			
22			
23			
24			
25			
26			
27			
28			

JACK PIN LG

CIRCUIT SPECIFICATION 11827600

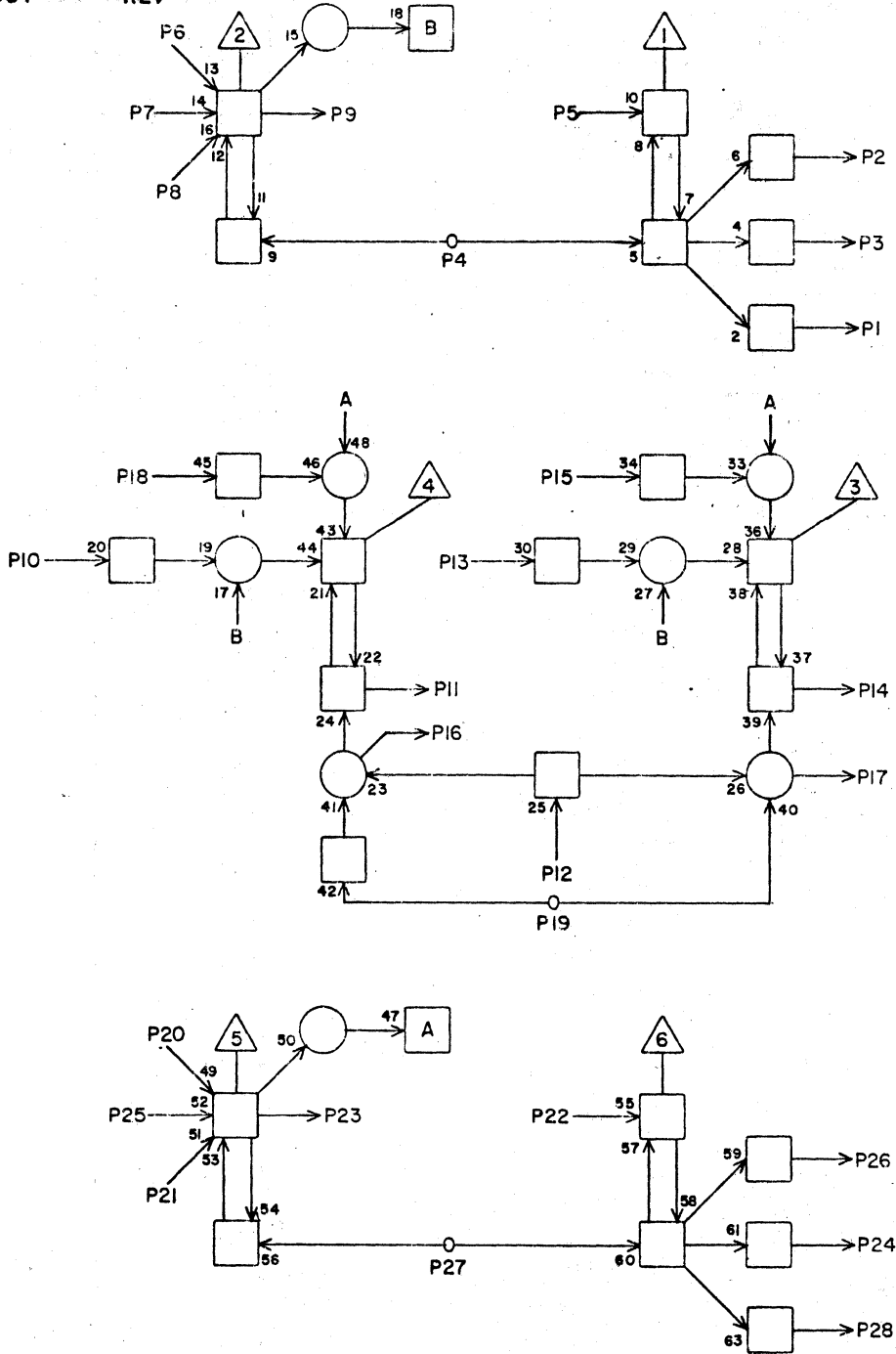
60042700 Rev. J

LS 63052300
ASSY

C
REV

JZ

REV



1			
2			
3			
4			
5			
6			
7			
8			
9			
10			
11			
12			
13			
14			
15			
16			
17			
18			
19			
20			
21			
22			
23			
24			
25			
26			
27			
28			

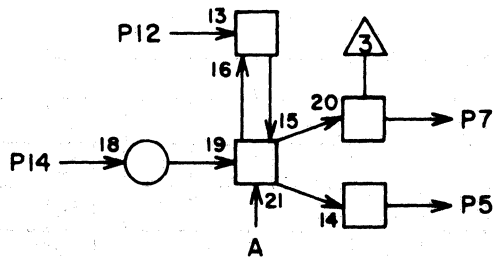
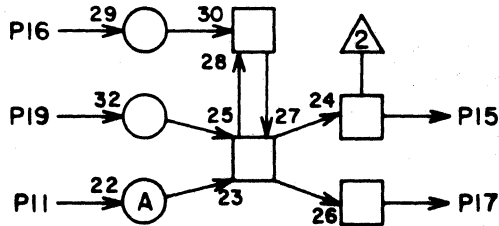
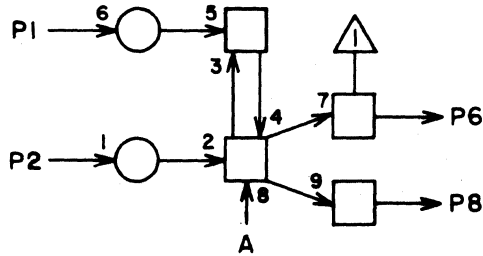
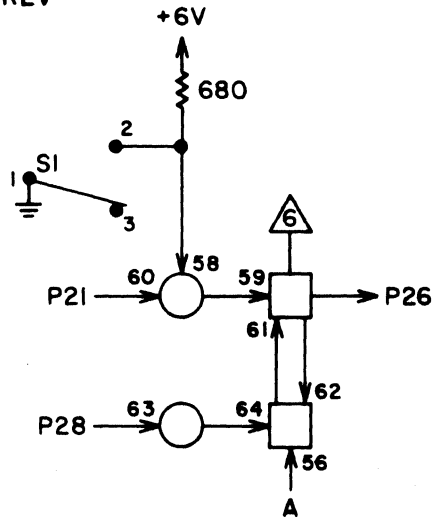
JACK PIN LG

CIRCUIT SPECIFICATION 11827600

60042700 Rev. J

LS 18377800 **C**
 ASSY REV

J00



1			
2			
3			
4			
5			
6			
7			
8			
9			
10			
11			
12			
13			
14			
15			
16			
17			
18			
19			
20			
21			
22			
23			
24			
25			
26			
27			
28			

JACK PIN LG
 SEE CIRCUIT SPECIFICATION
 11827600
 60042700 Rev. R

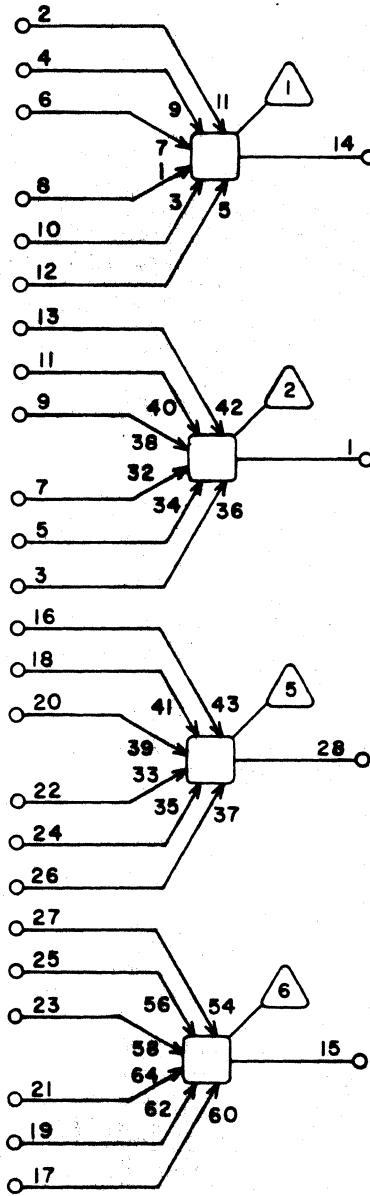
LSI7773900

A
REV

JACK

J01

CIRCUIT SPECIFICATION I1827600



60042700 Rev. K

PIN JACK PIN LG

1			
2			
3			
4			
5			
6			
7			

8			
9			
10			
11			
12			
13			
14			

15			
16			
17			
18			
19			
20			
21			

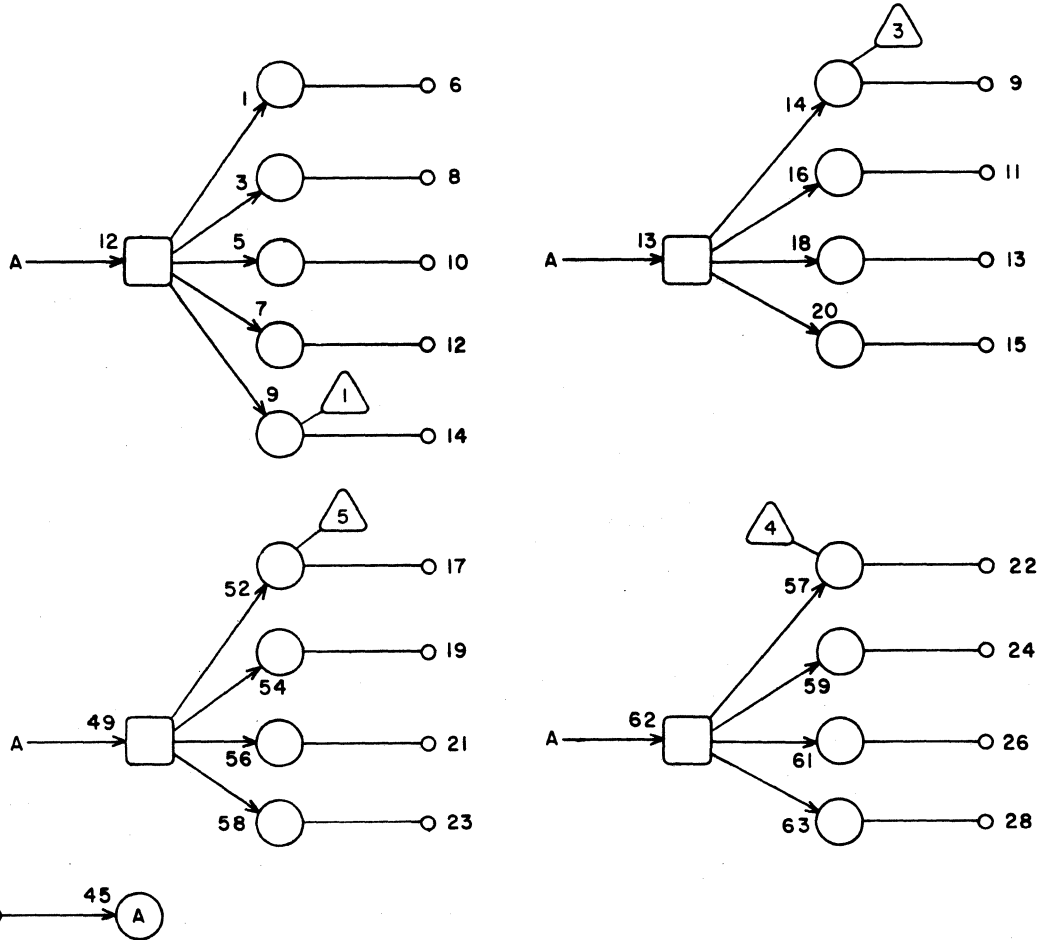
22			
23			
24			
25			
26			
27			
28			

LS 17774000

B
REV

JACK
J02

CIRCUIT SPECIFICATION 11827600



60042700 Rev. K

PIN JACK PIN LG

1			
2			
3			
4			
5			
6			
7			

8			
9			
10			
11			
12			
13			
14			

15			
16			
17			
18			
19			
20			
21			

22			
23			
24			
25			
26			
27			
28			

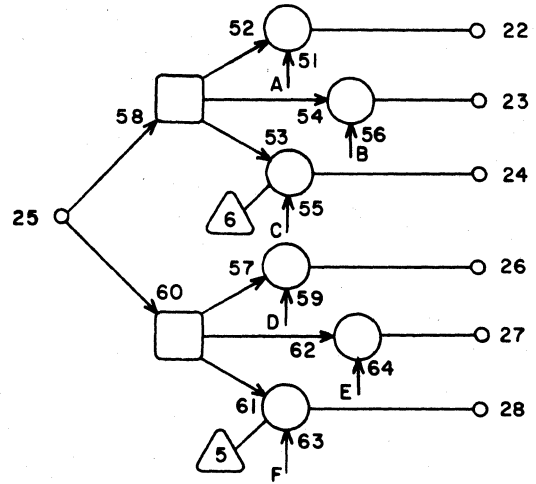
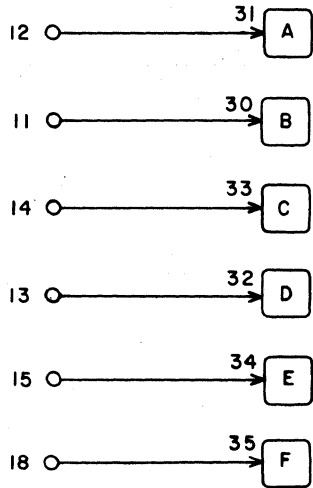
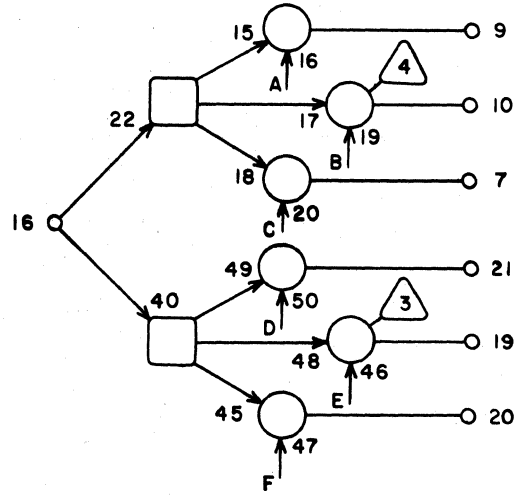
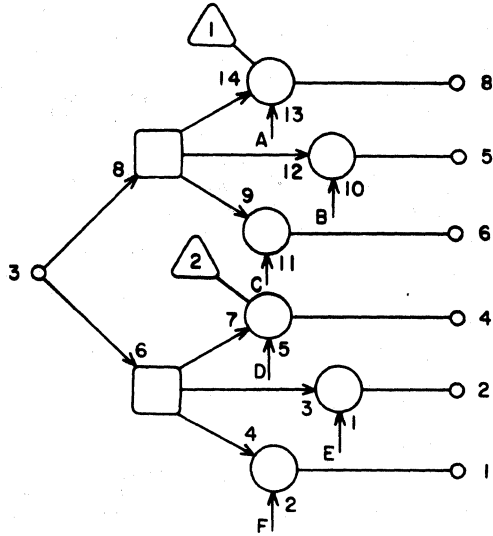
LS 17774100

B
REV

JACK

J03

CIRCUIT SPECIFICATION 11827600



60042700 Rev. K

PIN JACK PIN LG

1			
2			
3			
4			
5			
6			
7			

8			
9			
10			
11			
12			
13			
14			

15			
16			
17			
18			
19			
20			
21			

22			
23			
24			
25			
26			
27			
28			

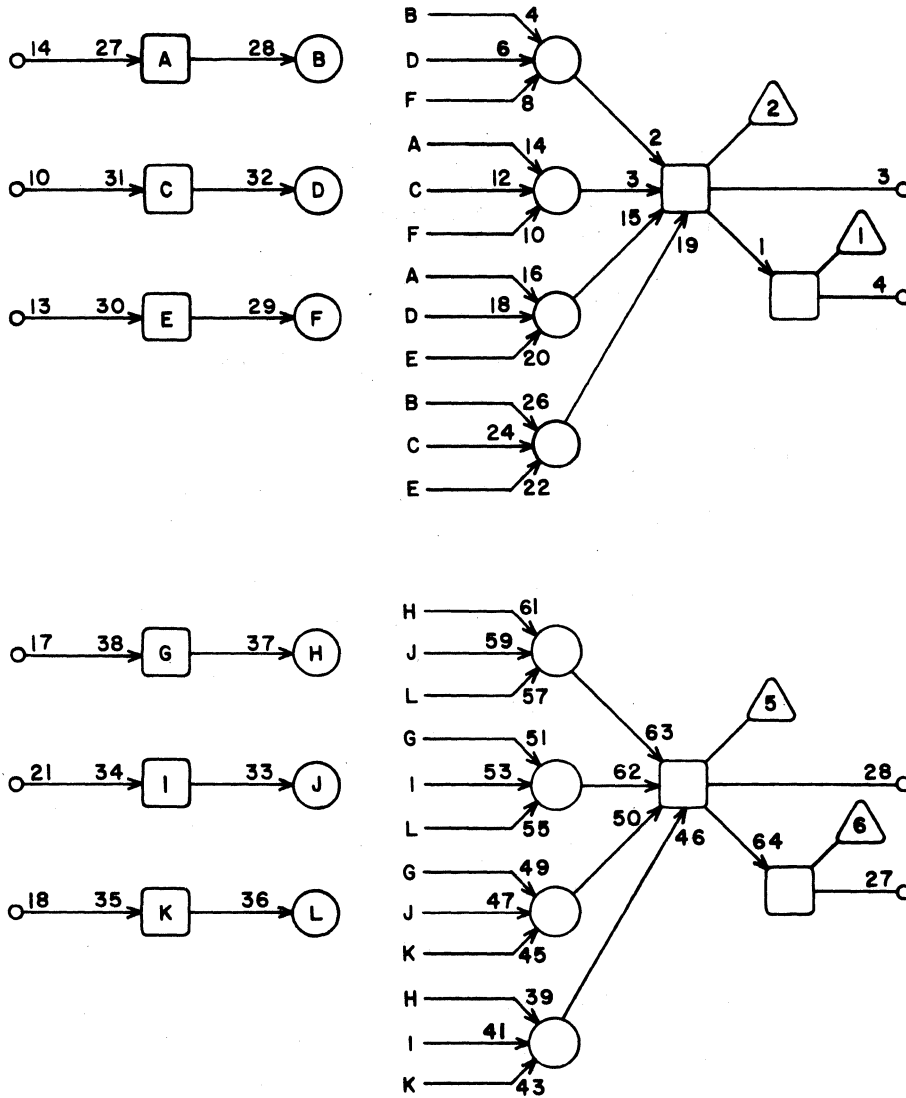
LS 17774200

B
REV

JACK

J04

CIRCUIT SPECIFICATION 11827600



60042700 Rev. K

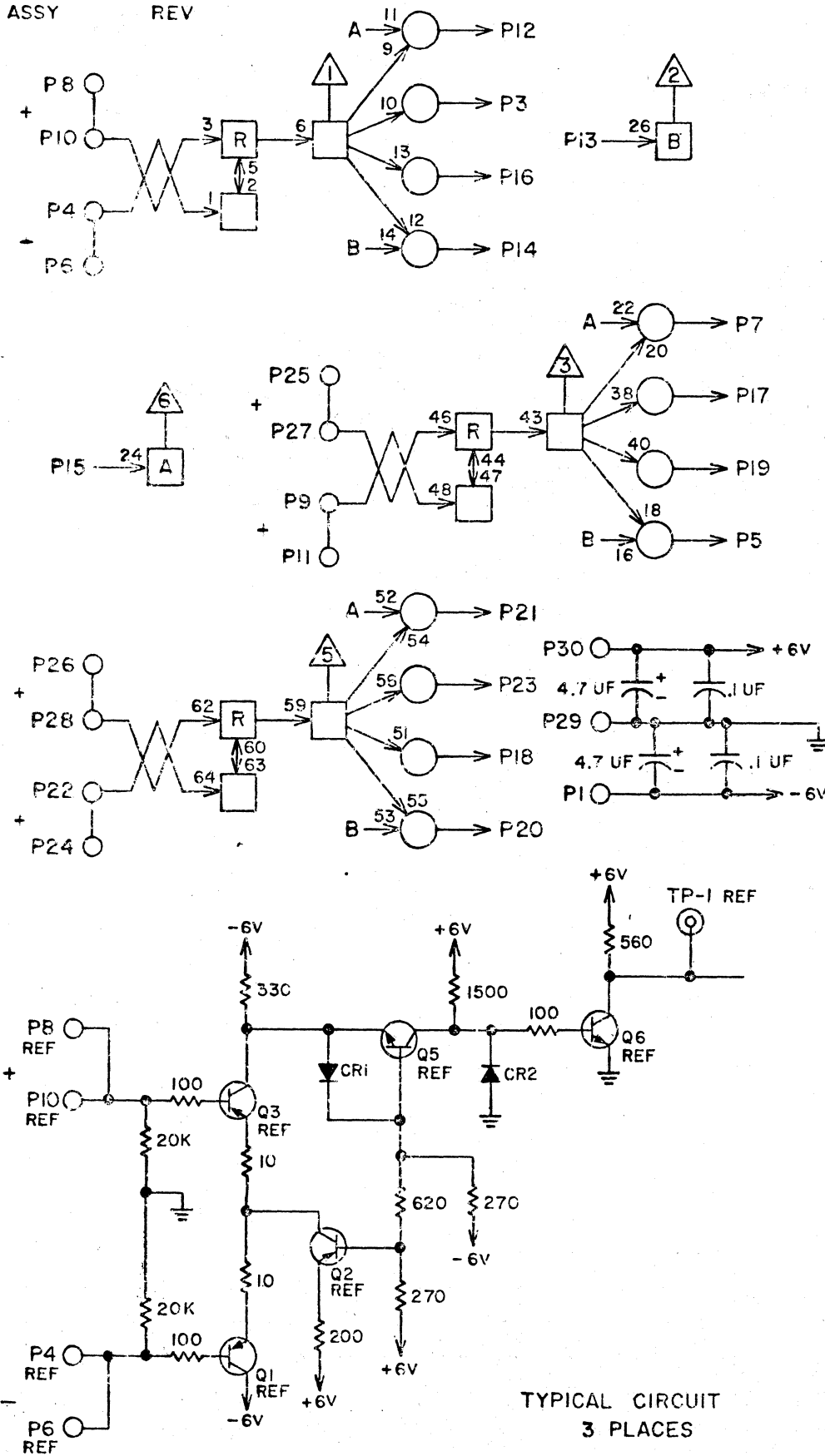
PIN JACK PIN LG

1			
2			
3			
4			
5			
6			
7			

8			
9			
10			
11			
12			
13			
14			

15			
16			
17			
18			
19			
20			
21			

22			
23			
24			
25			
26			
27			
28			



TYPICAL CIRCUIT
3 PLACES

JACK PIN LG
SEE CIRCUIT SPECIFICATION
11827600
52000006

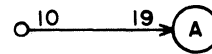
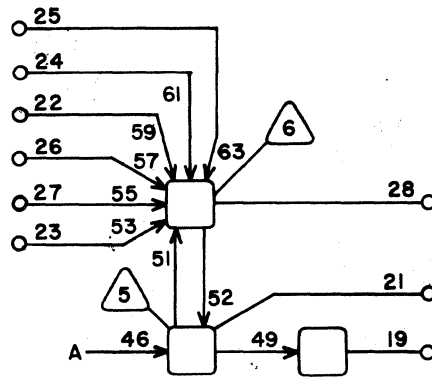
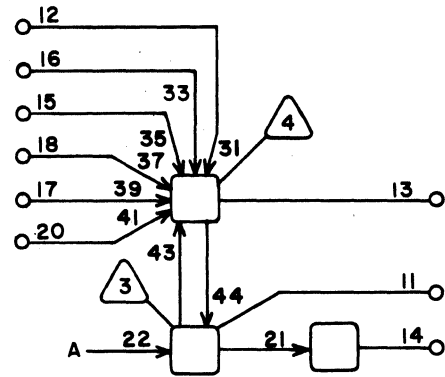
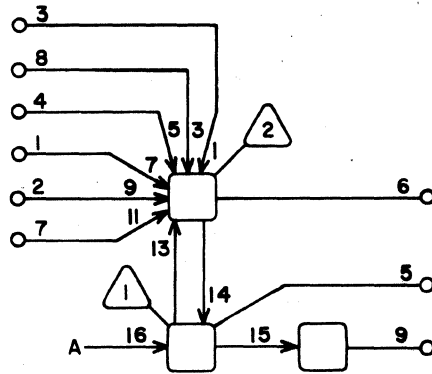
1		
2		
3		
4		
5		
6		
7		
8		
9		
10		
11		
12		
13		
14		
15		
16		
17		
18		
19		
20		
21		
22		
23		
24		
25		
26		
27		
28		

LS 17774400

B
REV

JACK
J06

CIRCUIT SPECIFICATION 11827600



PIN JACK PIN LG

1			
2			
3			
4			
5			
6			
7			

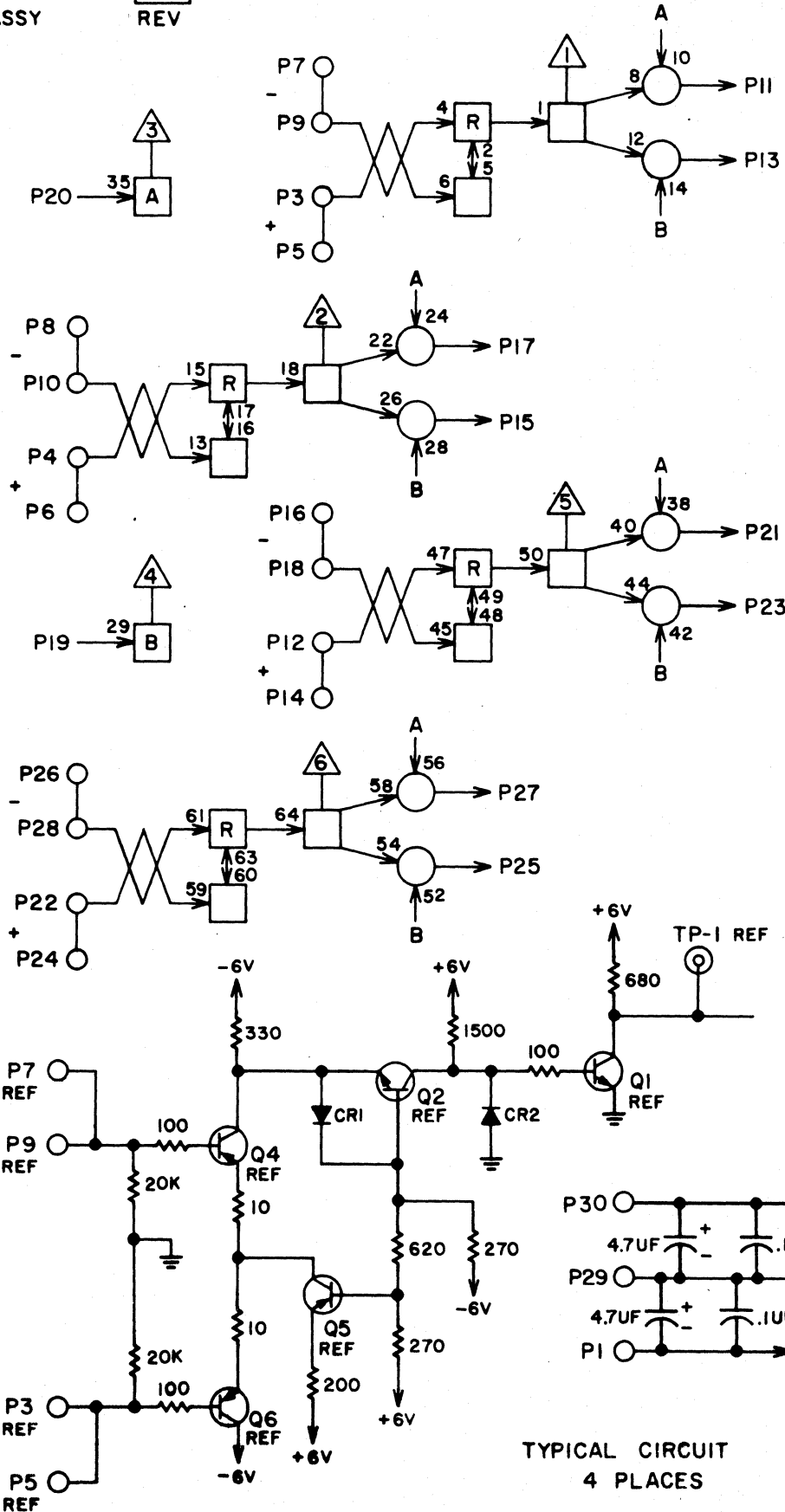
8			
9			
10			
11			
12			
13			
14			

15			
16			
17			
18			
19			
20			
21			

60042700 Rev. K

22			
23			
24			
25			
26			
27			
28			





TYPICAL CIRCUIT
4 PLACES

1			
2			
3			
4			
5			
6			
7			
8			
9			
10			
11			
12			
13			
14			
15			
16			
17			
18			
19			
20			
21			
22			
23			
24			
25			
26			
27			
28			

JACK PIN LG
SEE CIRCUIT SPECIFICATION
11827600
52000006

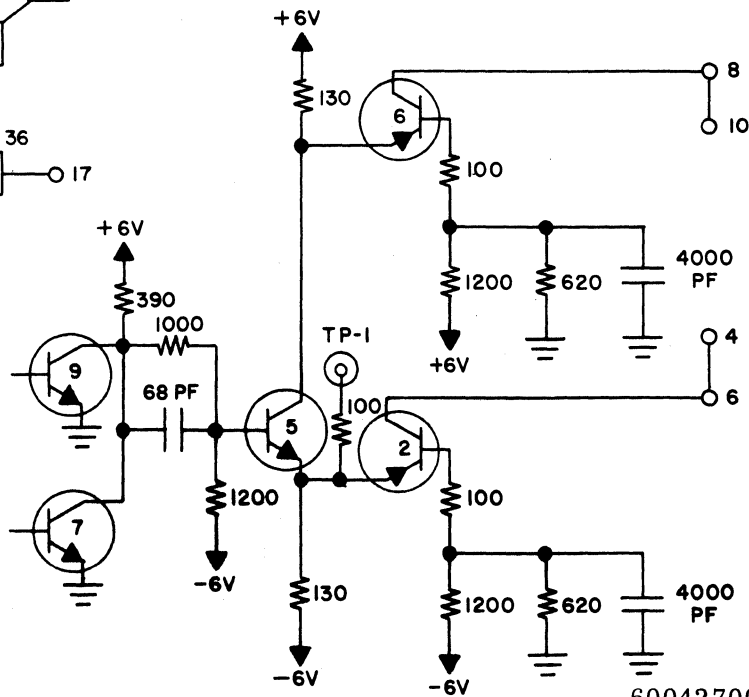
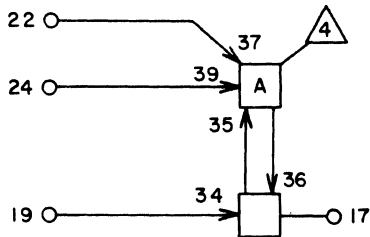
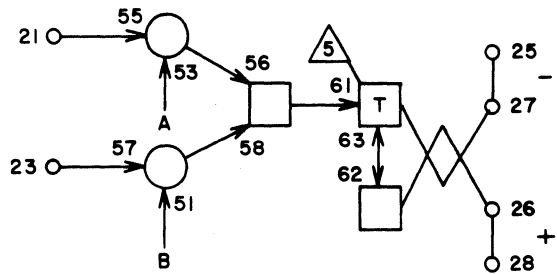
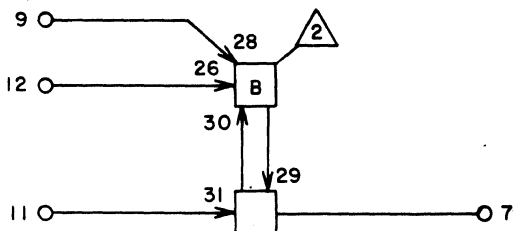
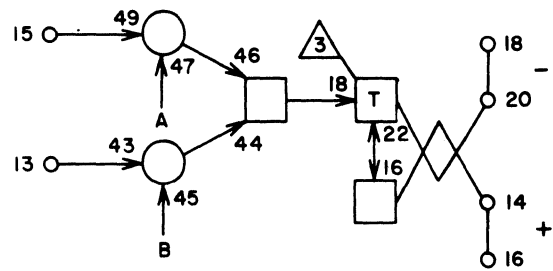
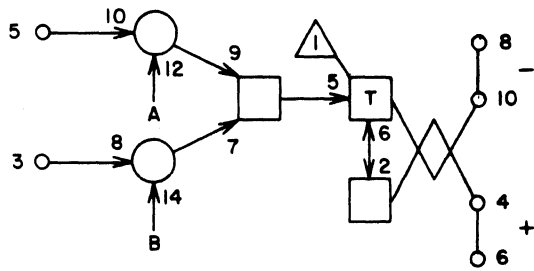
LS 17774700

B
REV

CIRCUIT SPECIFICATION

11827600
52000007

JACK
J10



PIN JACK PIN LG

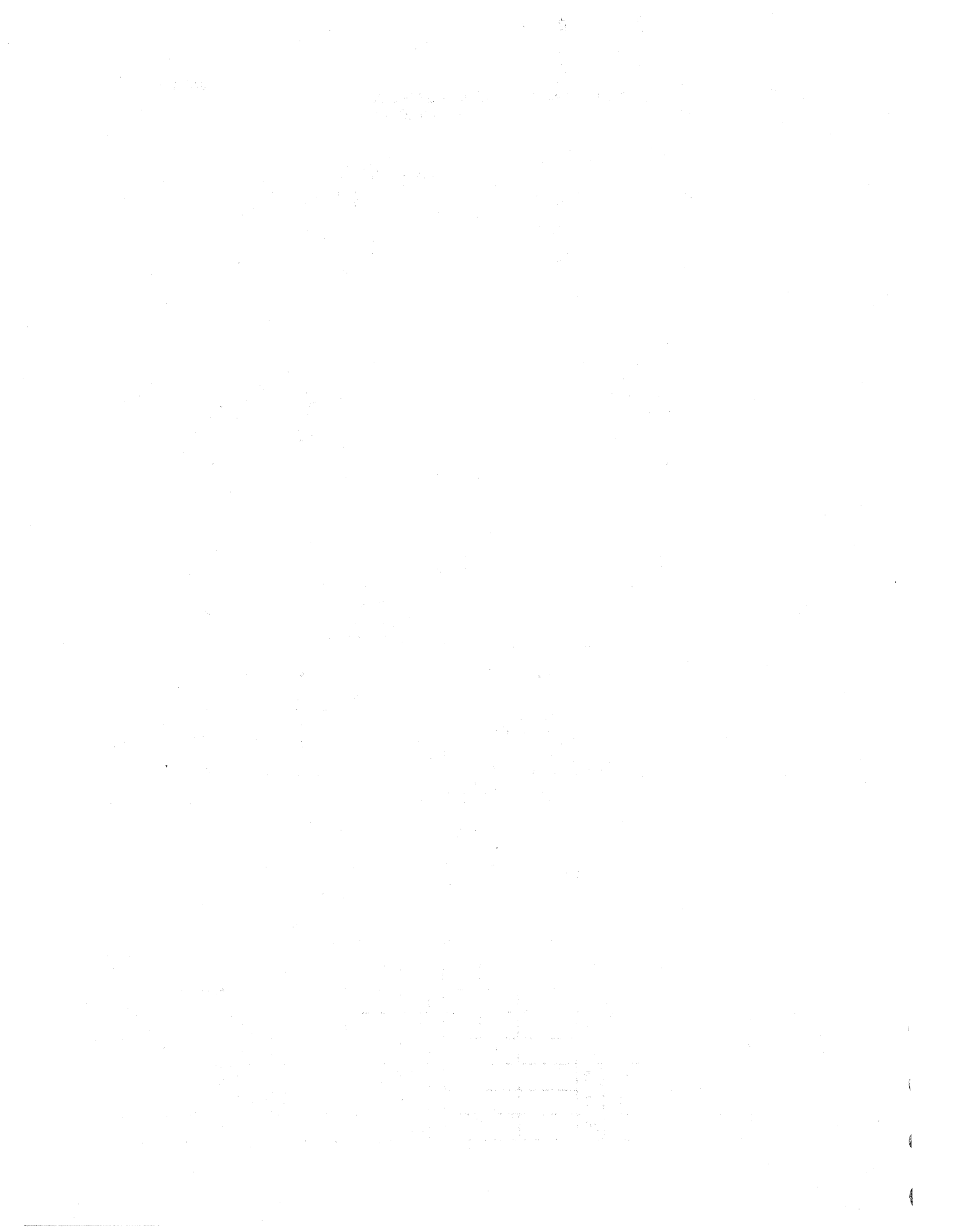
1	-6V		
2	GRD		
3			
4			
5			
6			
7			

8			
9			
10			
11			
12			
13			
14			

15			
16			
17			
18			
19			
20			
21			

22			
23			
24			
25			
26			
27			
28			

60042700 Rev. K

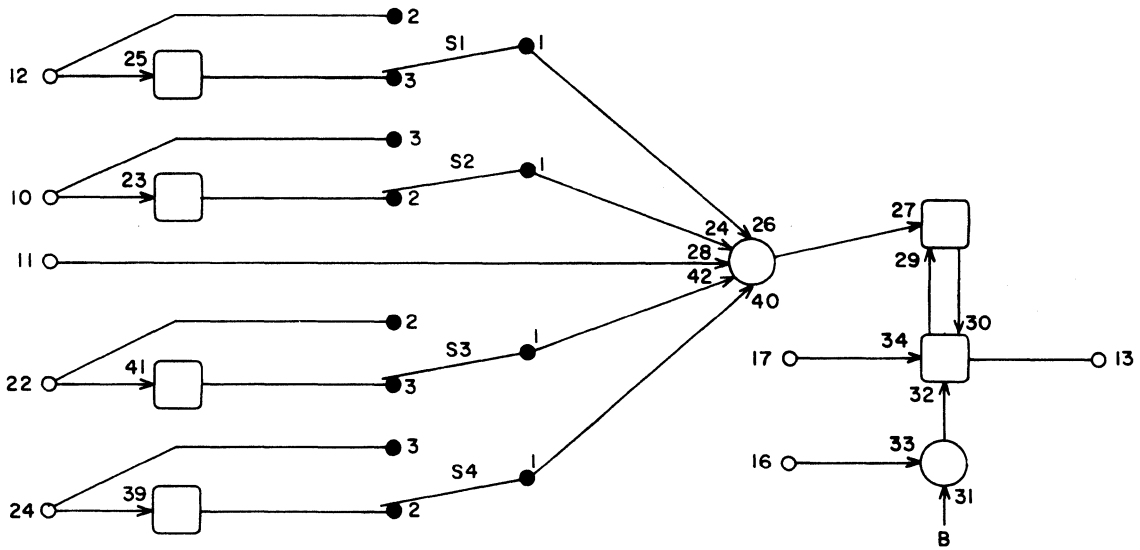
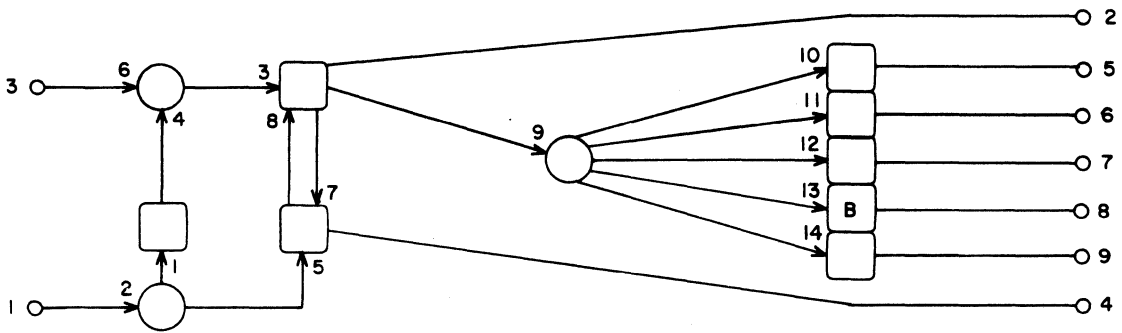
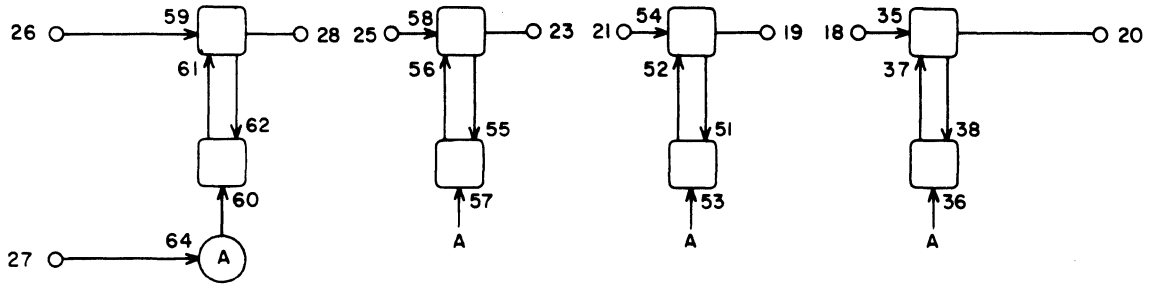


LS 17774900

C
REV

CIRCUIT SPECIFICATION 11827600

JACK
J12



PIN JACK PIN LG

1			
2			
3			
4			
5			
6			
7			

8			
9			
10			
11			
12			
13			
14			

15			
16			
17			
18			
19			
20			
21			

60042700 Rev. K

22			
23			
24			
25			
26			
27			
28			

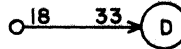
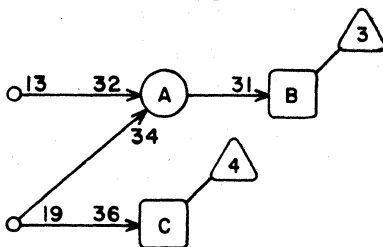
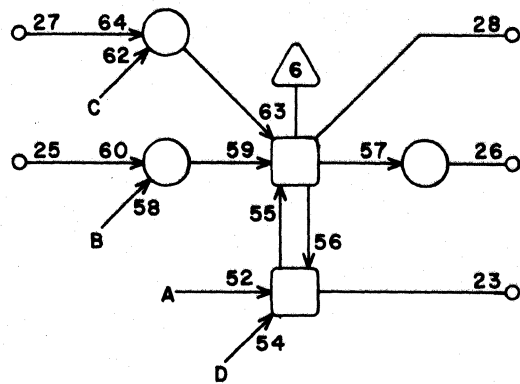
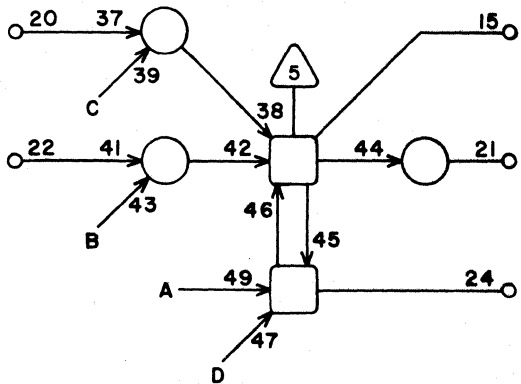
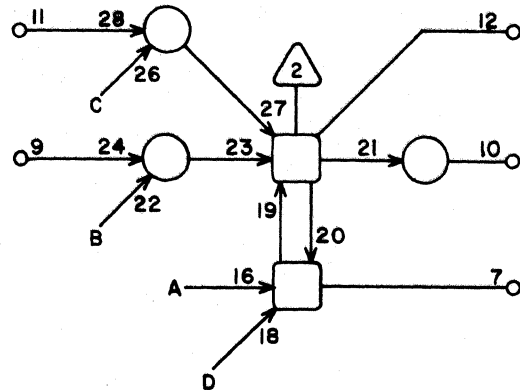
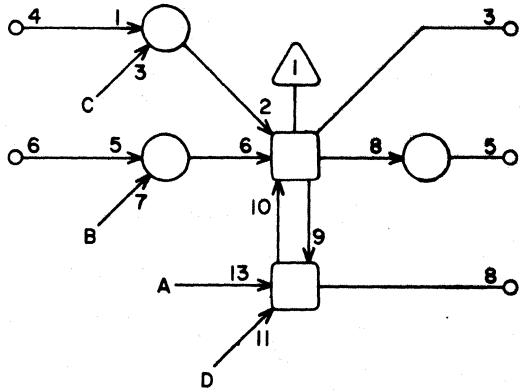
LS 17775000

B
REV

JACK

J13

CIRCUIT SPECIFICATION 11827600



PIN JACK PIN LG

1			
2			
3			
4			
5			
6			
7			

8			
9			
10			
11			
12			
13			
14			

15			
16			
17			
18			
19			
20			
21			

60042700 Rev. K

22			
23			
24			
25			
26			
27			
28			

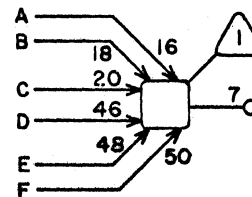
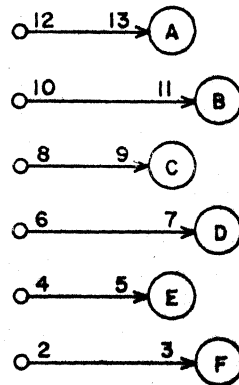
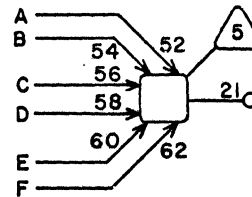
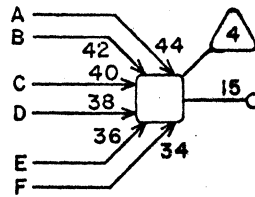
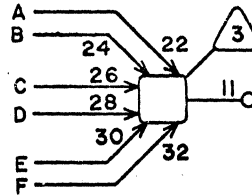
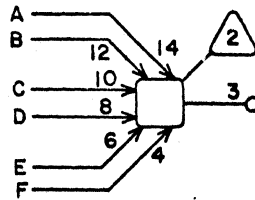


LS 1775200

C
REV

JACK
J15

CIRCUIT SPECIFICATION 11827600



PIN JACK PIN LG

1			
2			
3			
4			
5			
6			
7			

8			
9			
10			
11			
12			
13			
14			

15			
16			
17			
18			
19			
20			
21			

60042700 Rev, P

22			
23			
24			
25			
26			
27			
28			

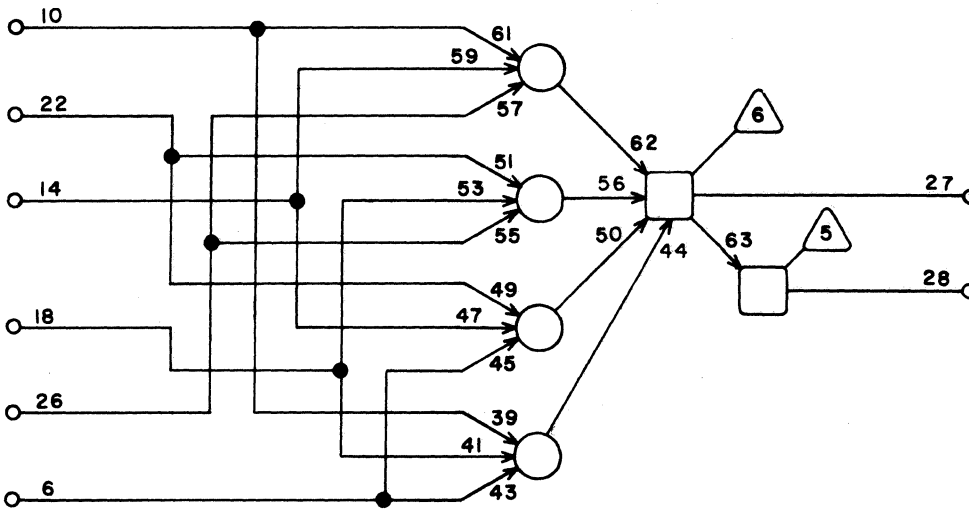
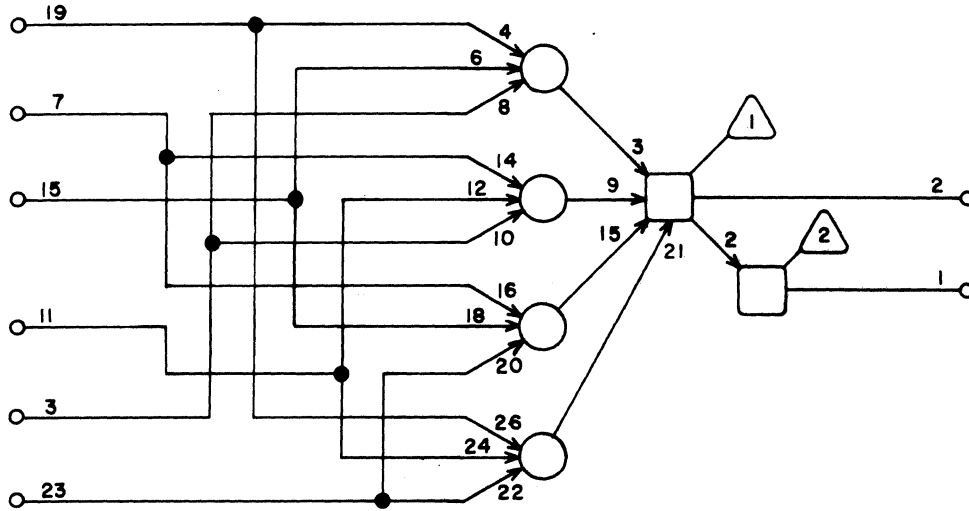
LS 17775300

B
REV

JACK

J16

CIRCUIT SPECIFICATION 11827600



PIN JACK PIN LG

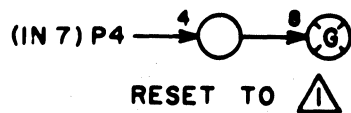
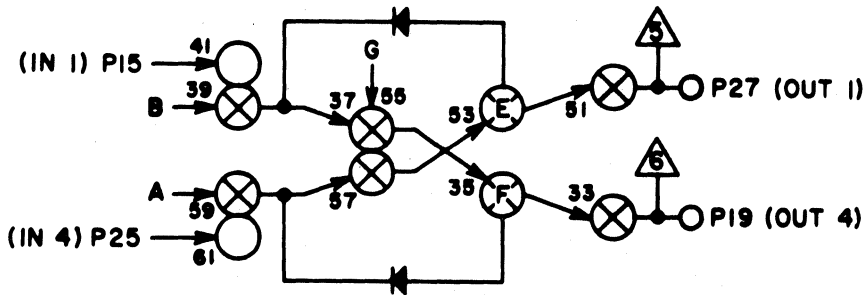
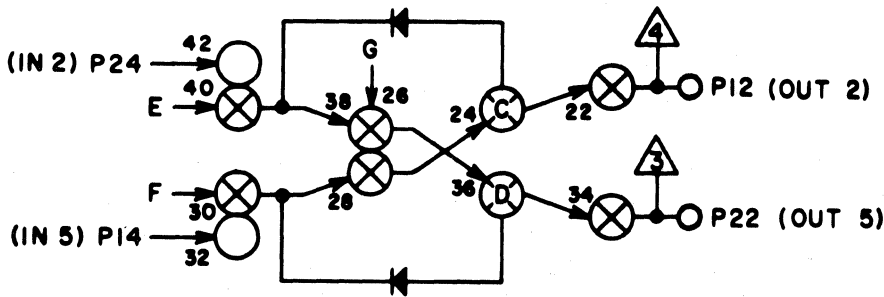
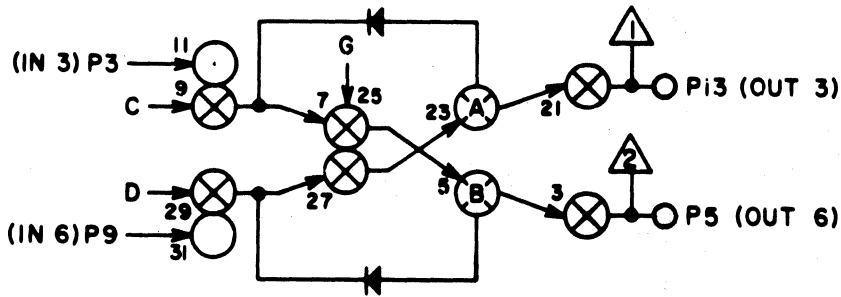
1			
2			
3			
4			
5			
6			
7			

8			
9			
10			
11			
12			
13			
14			

15			
16			
17			
18			
19			
20			
21			

60042700 Rev. K

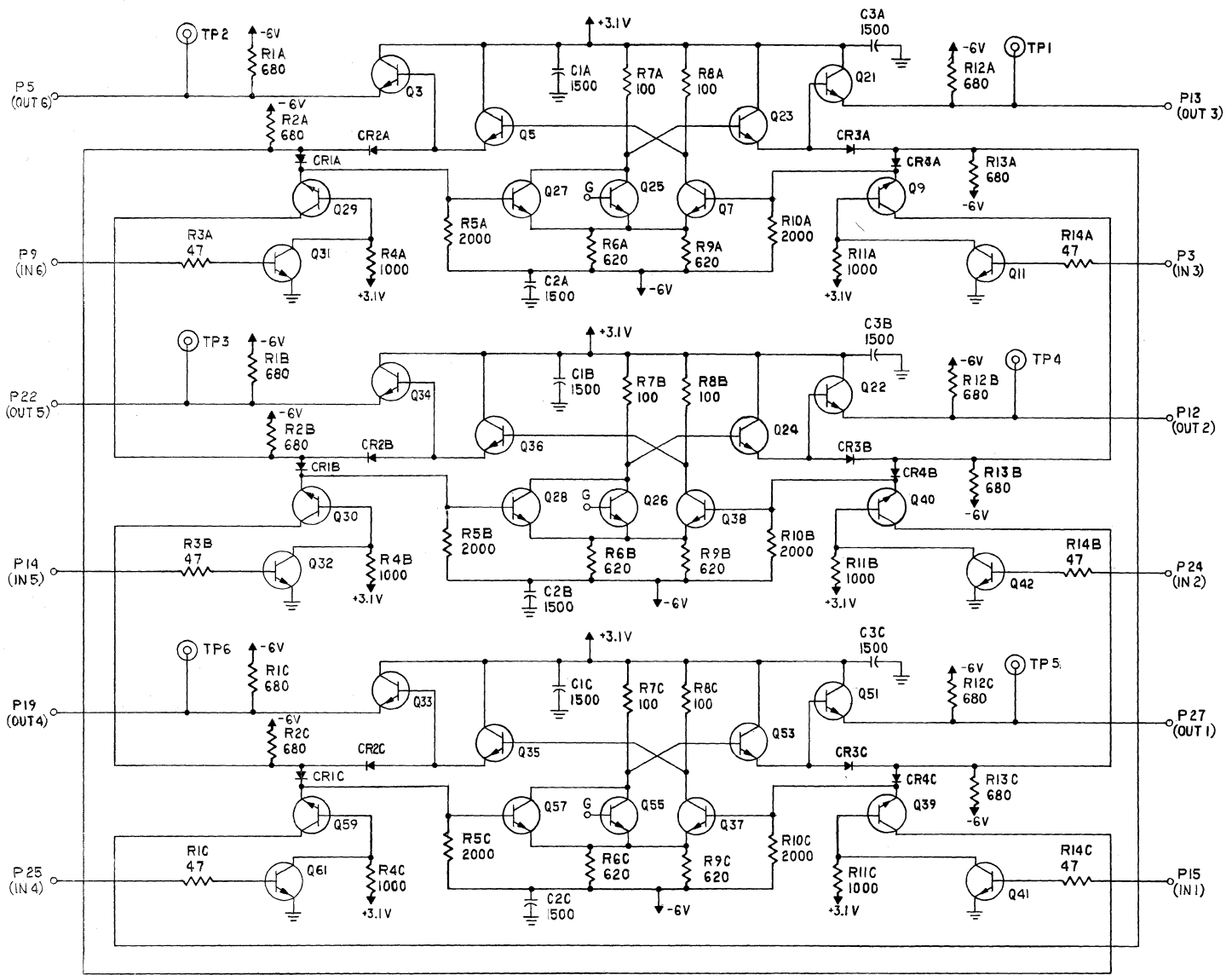
22			
23			
24			
25			
26			
27			
28			



FOR SCHEMATIC SEE DRAWING 18323400

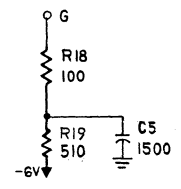
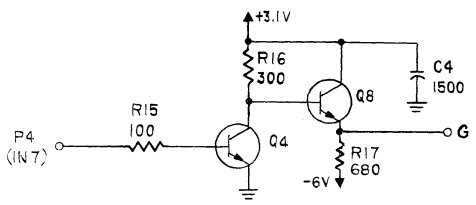
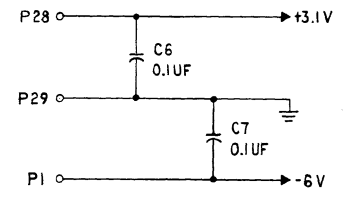
1	-6V		
2			
3			
4			
5			
6			
7			
8			
9			
10			
11			
12			
13			
14			
15			
16			
17			
18			
19			
20			
21			
22			
23			
24			
25			
26			
27			
28	+3.1V		

JACK PIN LG
SEE CIRCUIT SPECIFICATION



NOTES:

- UNLESS OTHERWISE SPECIFIED:
 ALL RESISTANCES ARE IN OHMS.
 ALL CAPACITANCES ARE IN PF.
 ALL RESISTORS ARE 1/8 W, ±5 %.
 ALL CAPACITORS ARE ±25 %.
 ALL TRANSISTORS ARE 24561900.
 ALL DIODES ARE 17814100.
- REFERENCE DRAWINGS:
 ASSEMBLY 18323200.
 BOARD 18323300.



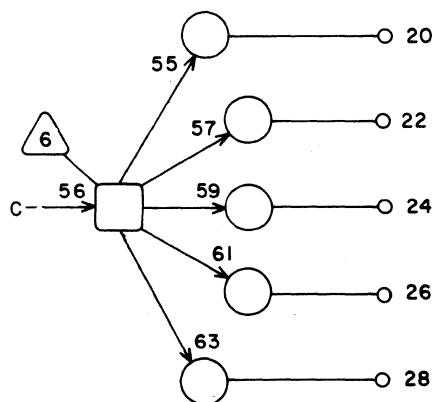
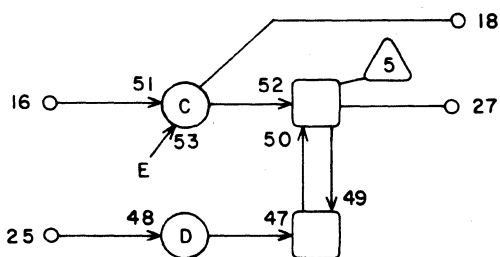
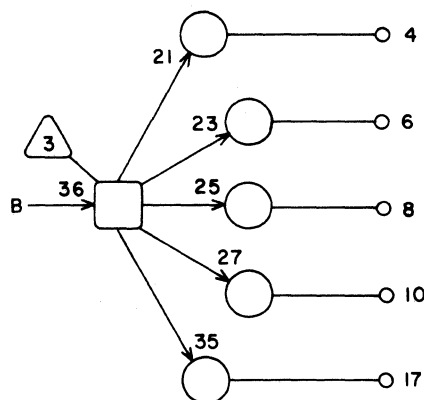
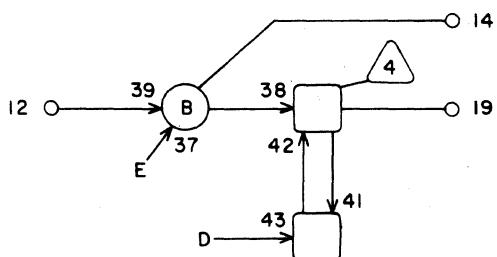
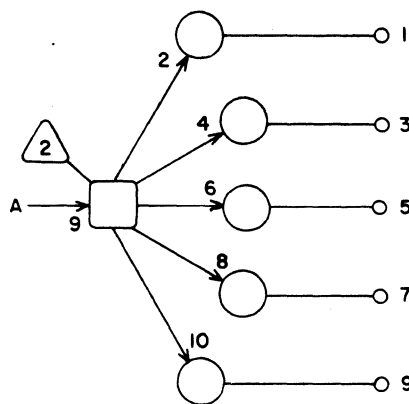
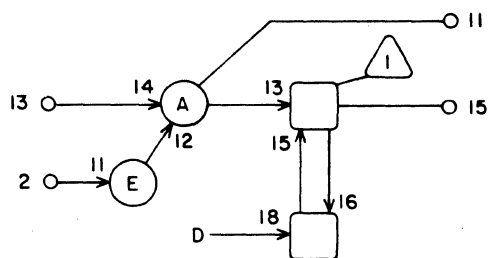


LS 17775500

B
REV

JACK
J18

CIRCUIT SPECIFICATION 11827600



PIN JACK PIN LG

1			
2			
3			
4			
5			
6			
7			

8			
9			
10			
11			
12			
13			
14			

15			
16			
17			
18			
19			
20			
21			

60042700 Rev. K

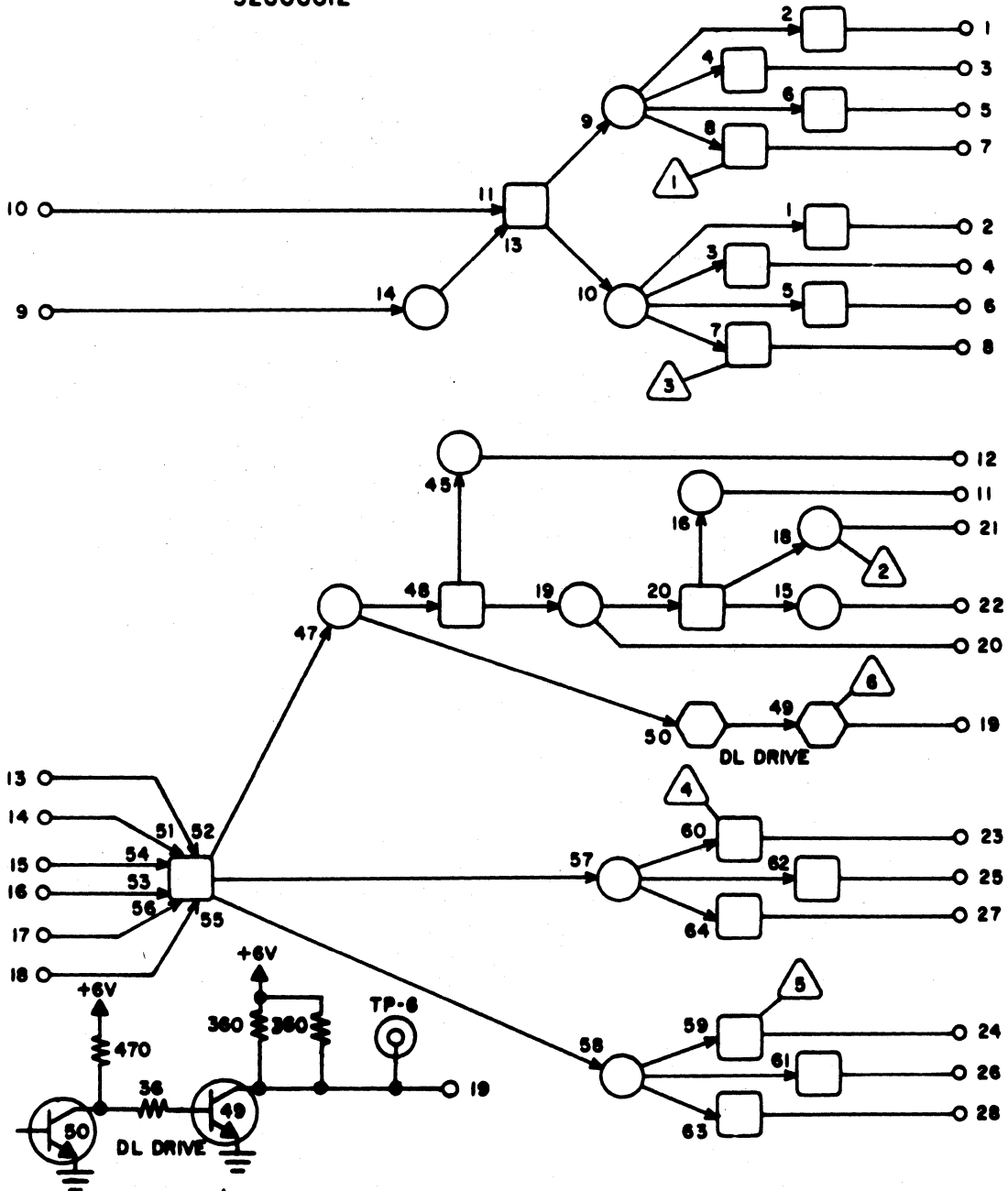
22			
23			
24			
25			
26			
27			
28			

LSI7775600



JACK
J19

**CIRCUIT SPECIFICATION 11827600
52000012**



PIN JACK PIN LG

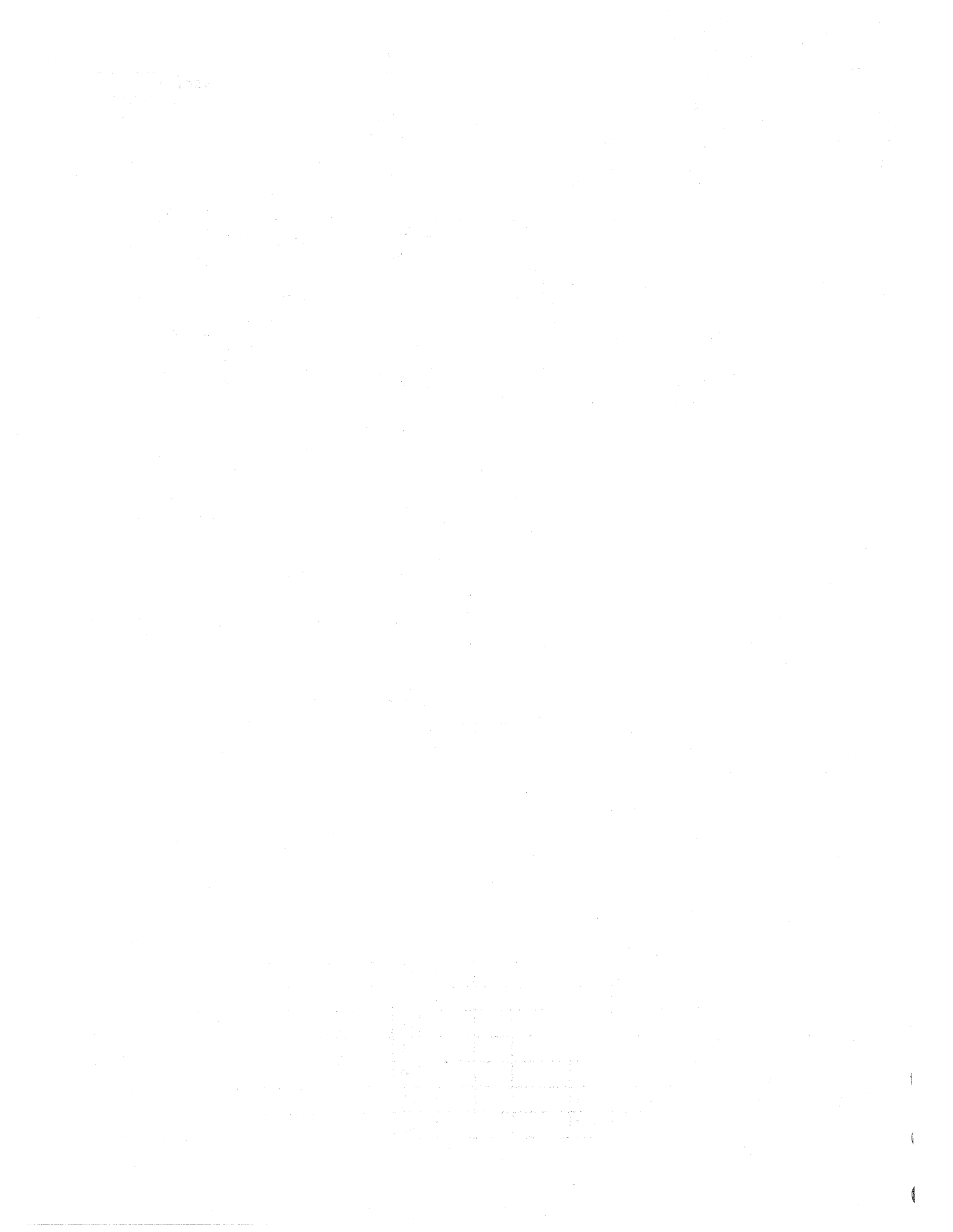
1			
2			
3			
4			
5			
6			
7			

8			
9			
10			
11			
12			
13			
14			

15			
16			
17			
18			
19			
20			
21			

22			
23			
24			
25			
26			
27			
28			

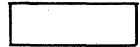
60042700 Rev. P



LS 1775900

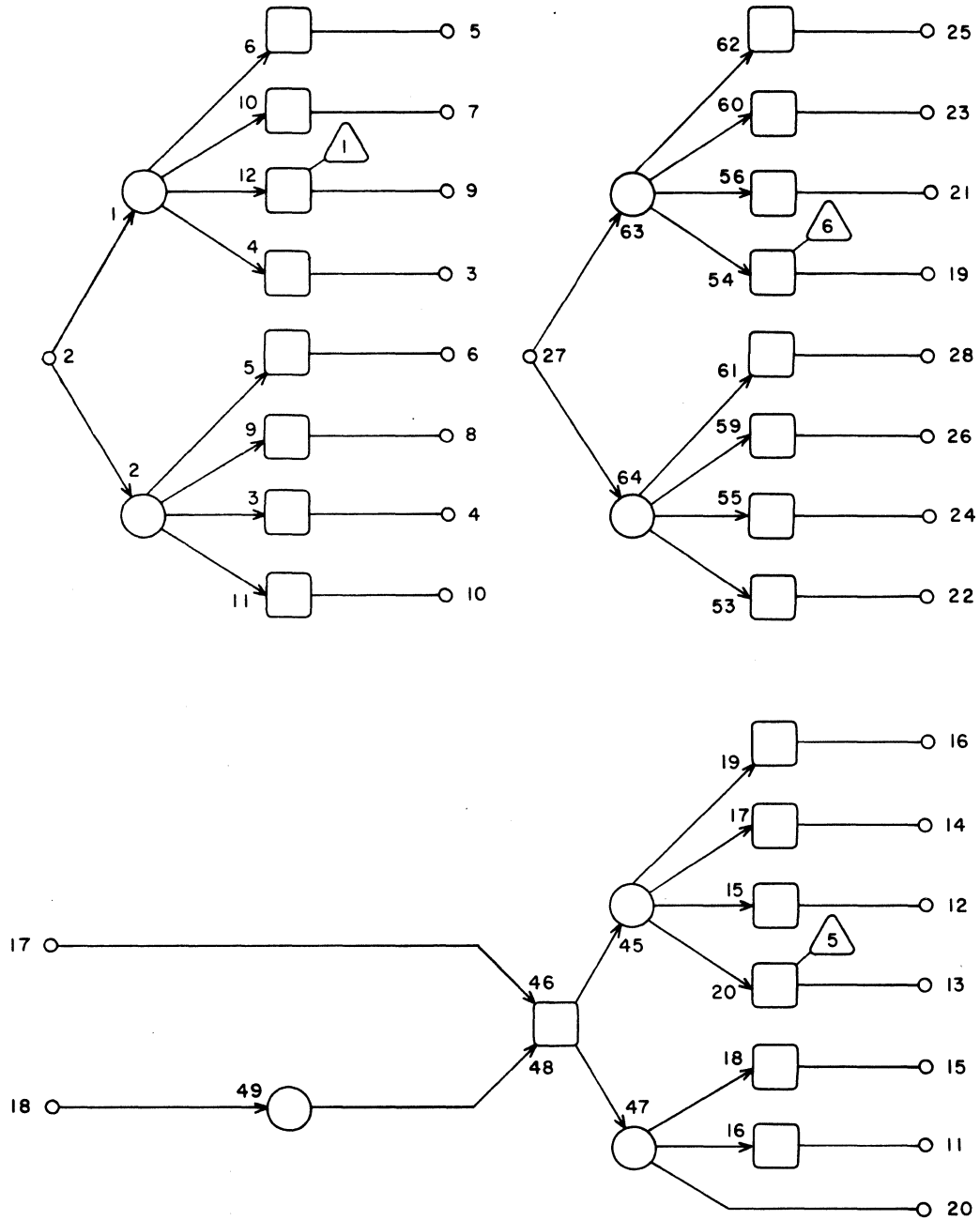
B
REV

JACK



J22

CIRCUIT SPECIFICATION 11827600



PIN JACK PIN LG

1			
2			
3			
4			
5			
6			
7			

8			
9			
10			
11			
12			
13			
14			

15			
16			
17			
18			
19			
20			
21			

60042700 Rev. K

22			
23			
24			
25			
26			
27			
28			

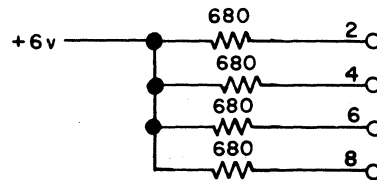
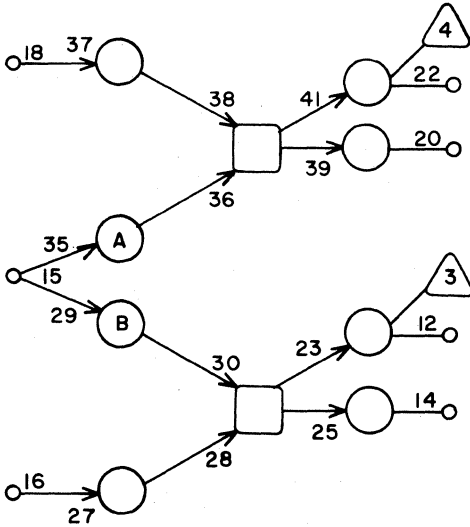
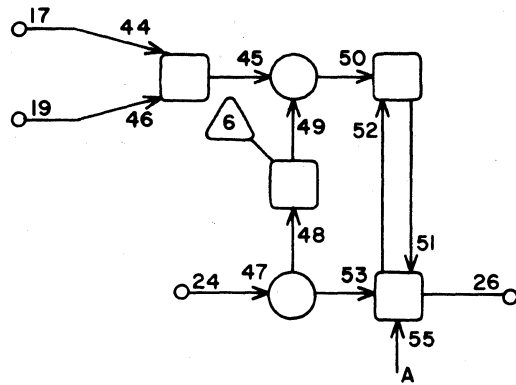
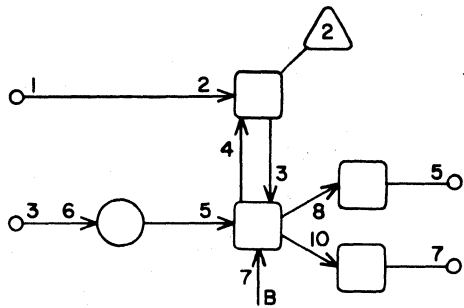
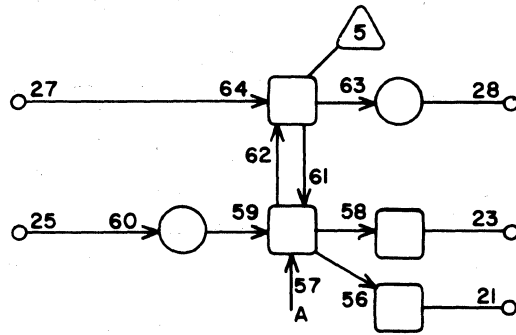
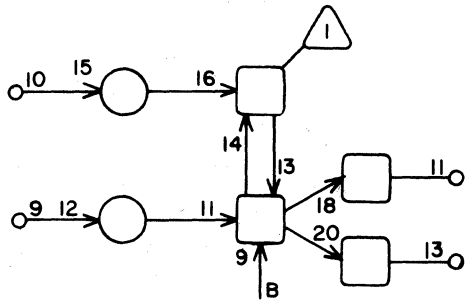
LSI7776000

B
REV

JACK

J23

CIRCUIT SPECIFICATION 11827600



PIN JACK PIN LG

1			
2			
3			
4			
5			
6			
7			

8			
9			
10			
11			
12			
13			
14			

15			
16			
17			
18			
19			
20			
21			

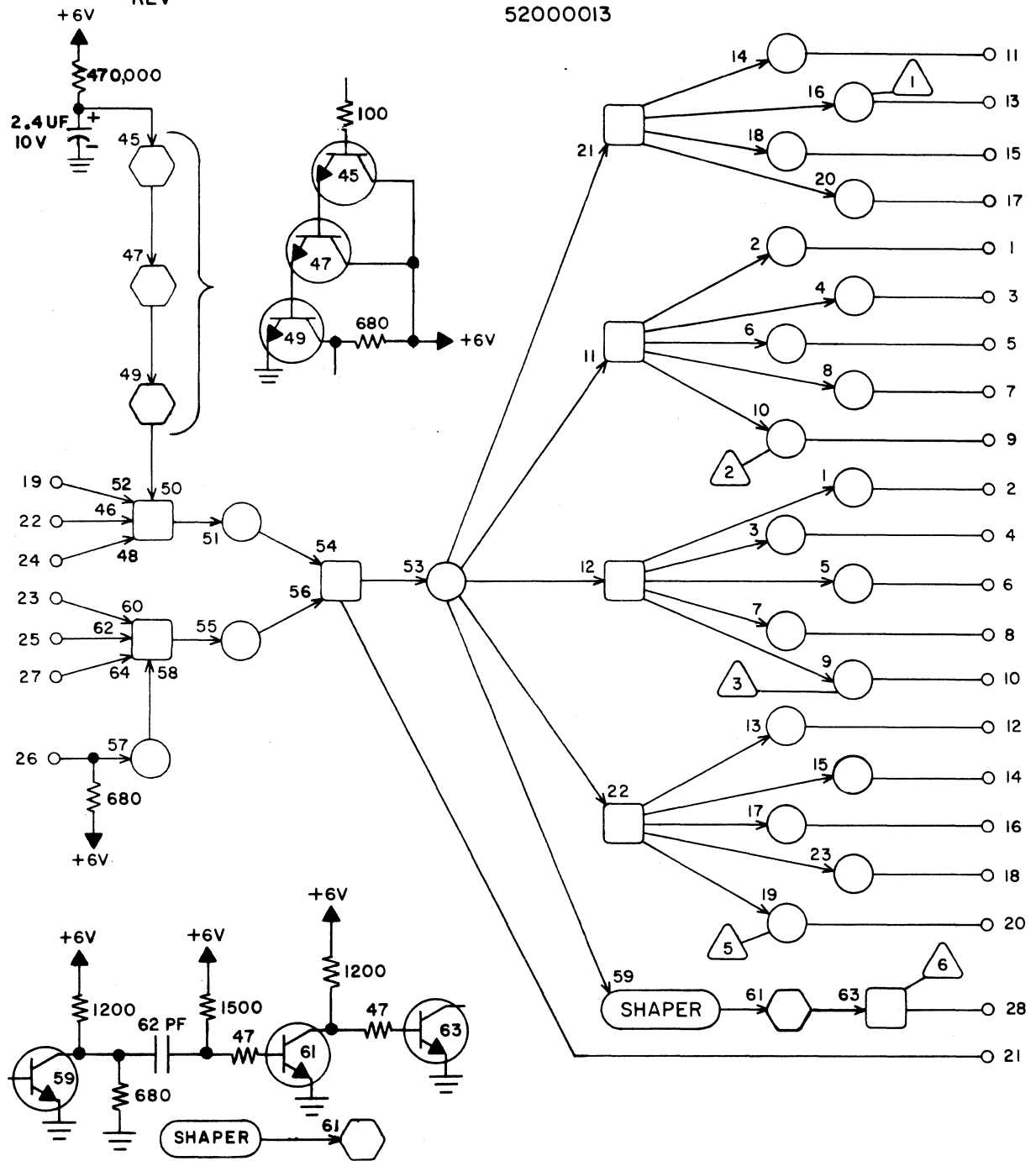
60042700 Rev. K

22			
23			
24			
25			
26			
27			
28			

LS17776100 8 REV

CIRCUIT SPECIFICATION 11827600
52000008
52000013

JACK
J24



60042700 Rev. K

PIN JACK PIN LG

1			
2			
3			
4			
5			
6			
7			

8			
9			
10			
11			
12			
13			
14			

15			
16			
17			
18			
19			
20			
21			

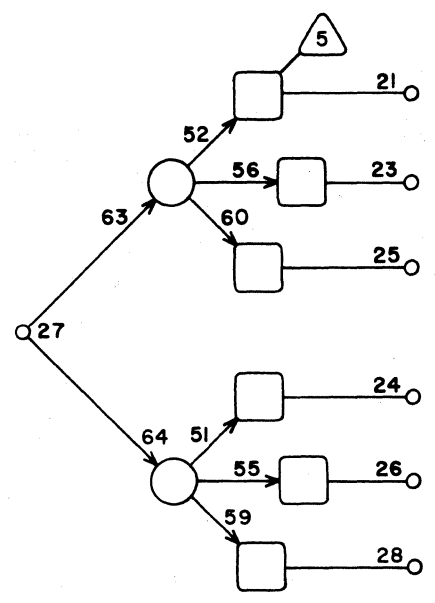
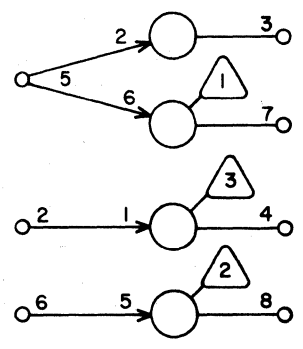
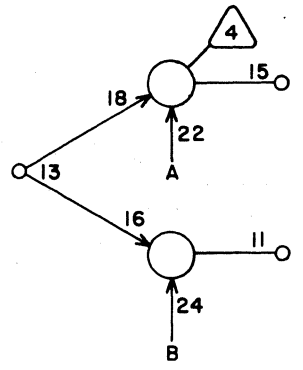
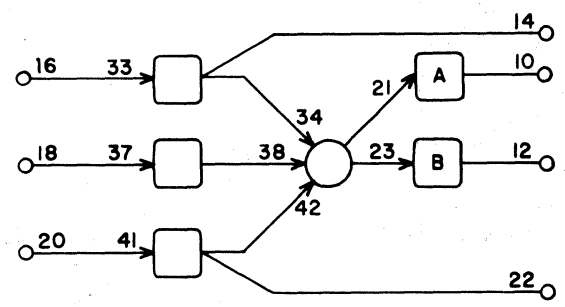
22			
23			
24			
25			
26			
27			
28			

LS 1776200

B
REV

JACK
J25

CIRCUIT SPECIFICATION 11827600



60042700 Rev. K

PIN	JACK	PIN	LG
1			
2			
3			
4			
5			
6			
7			

8			
9			
10			
11			
12			
13			
14			

15			
16			
17			
18			
19			
20			
21			

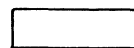
22			
23			
24			
25			
26			
27			
28			

LS 17776300

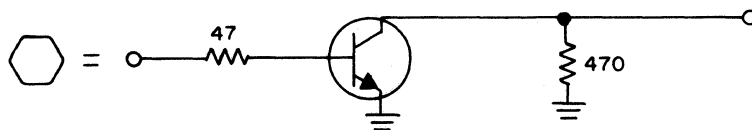
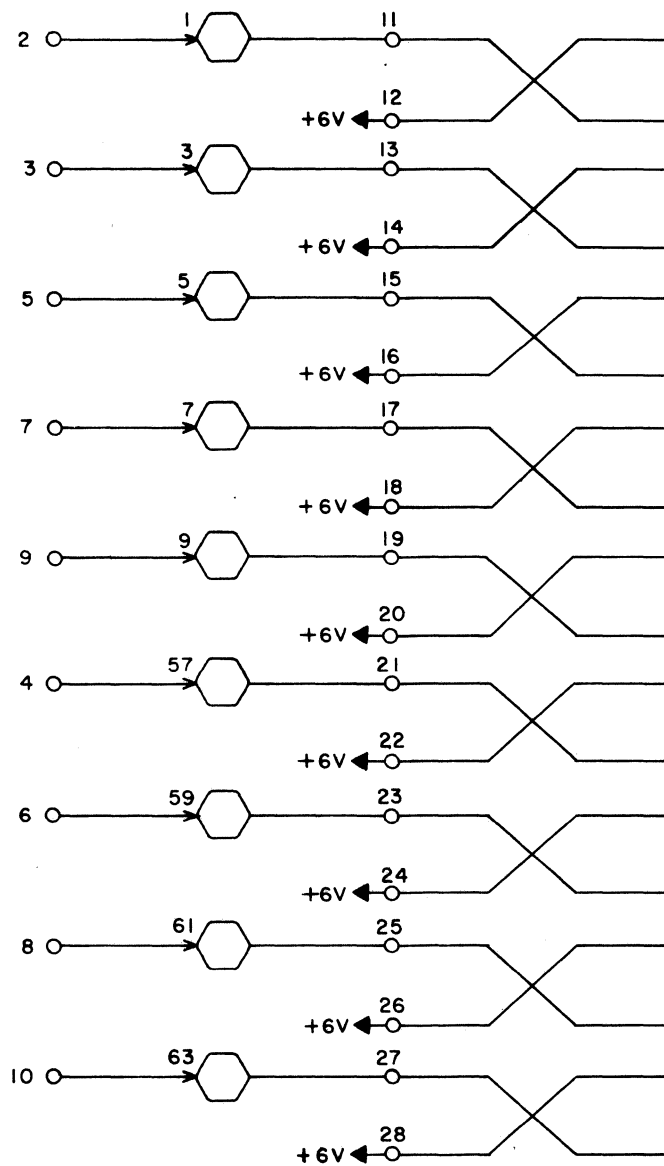
B
REV

CIRCUIT SPECIFICATION 52000009

JACK



J26



PIN JACK PIN LG

1			
2			
3			
4			
5			
6			
7			

8			
9			
10			
11			
12			
13			
14			

15			
16			
17			
18			
19			
20			
21			

60042700 Rev. K

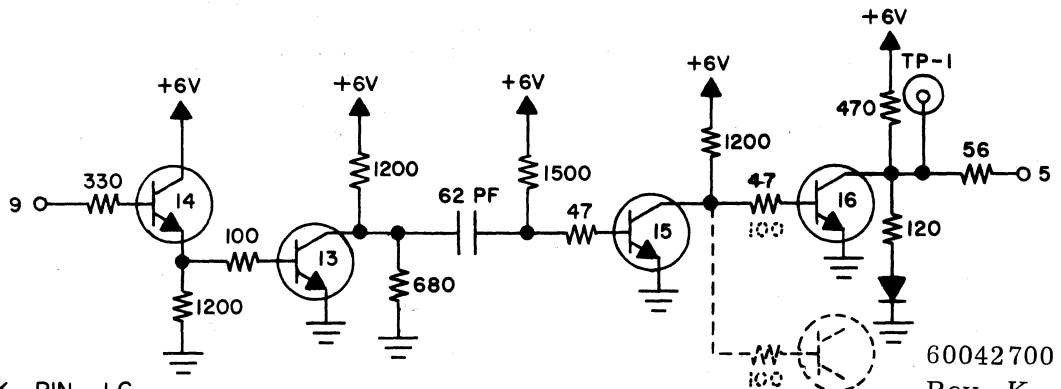
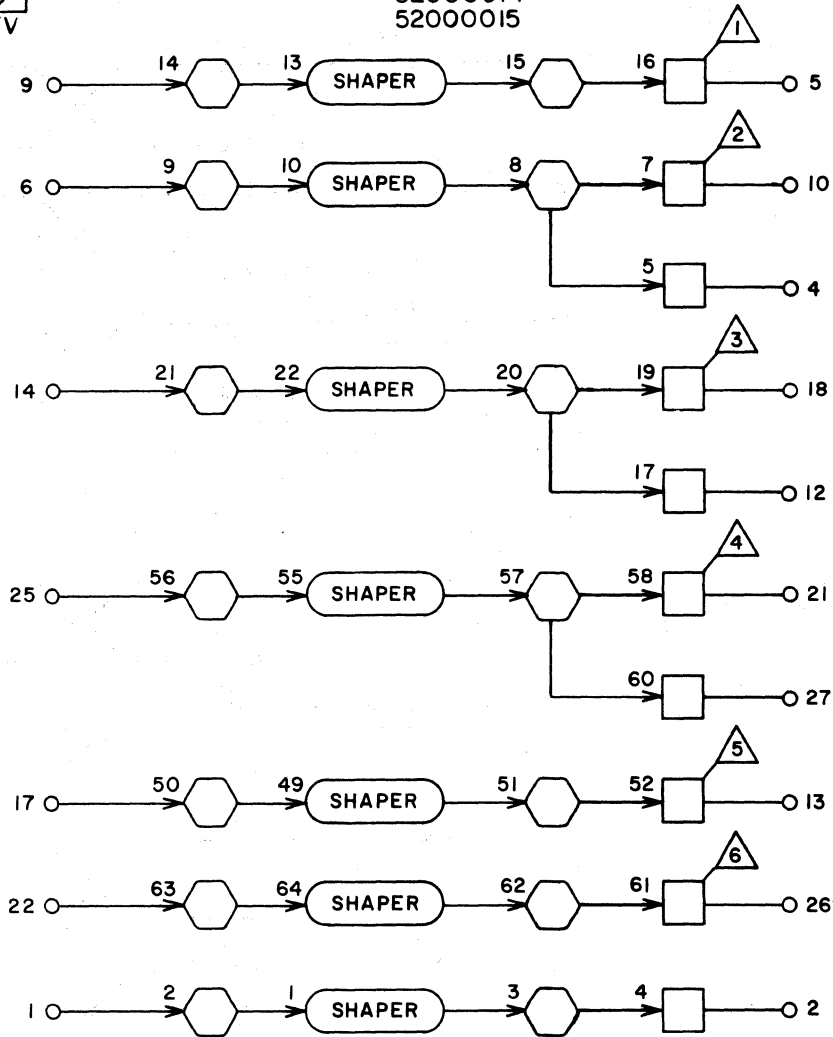
22			
23			
24			
25			
26			
27			
28			

LS17776400

B
REV

CIRCUIT SPECIFICATION 52000008
52000014
52000015

JACK J27



60042700
Rev. K

PIN JACK PIN LG

1			
2			
3			
4			
5			
6			
7			

8			
9			
10			
11			
12			
13			
14			

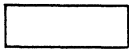
15			
16			
17			
18			
19			
20			
21			

22			
23			
24			
25			
26			
27			
28			

LS 17776500

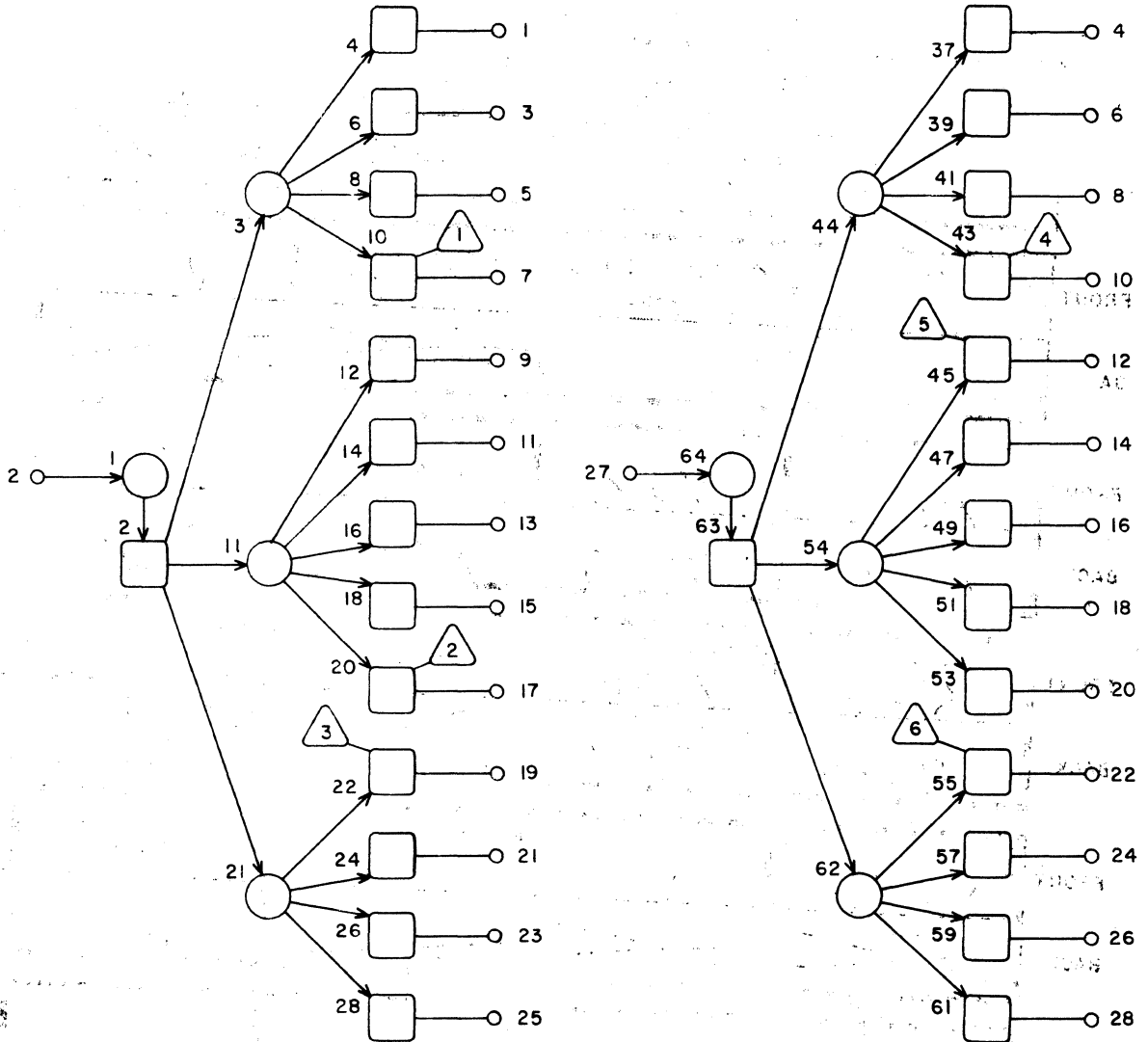
C
REV

JACK



J28

CIRCUIT SPECIFICATION I1827600



60042700 Rev. K

PIN JACK PIN LG

1			
2			
3			
4			
5			
6			
7			

8			
9			
10			
11			
12			
13			
14			

15			
16			
17			
18			
19			
20			
21			

22			
23			
24			
25			
26			
27			
28			

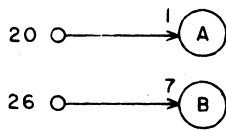
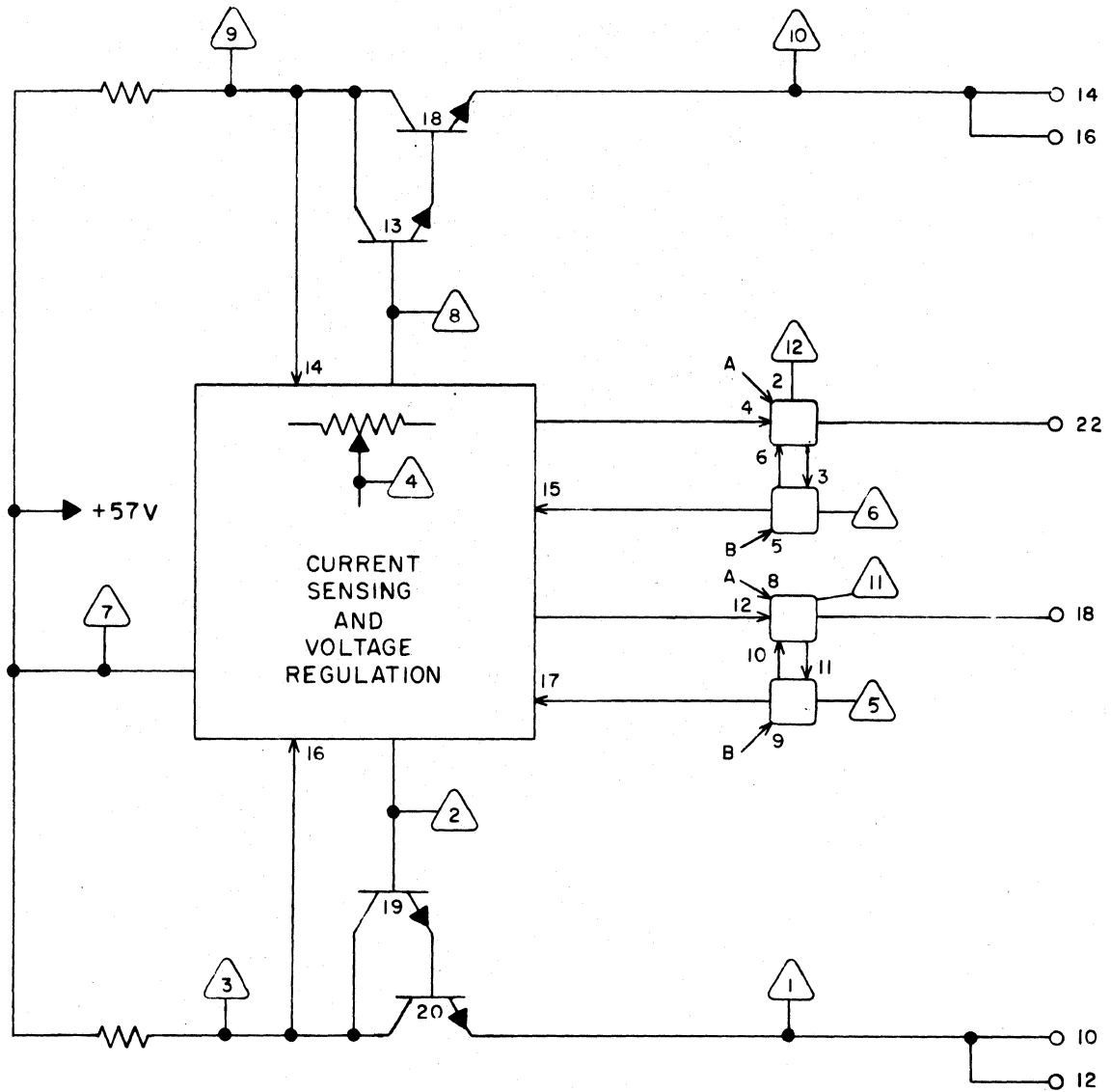
LS 17776800

A
REV

JACK

J51

CIRCUIT SPECIFICATION 52000011



FOR SCHEMATIC SEE DRAWING 17800100
60042700 Rev AB

PIN JACK PIN LG

2	GRD		
4	GRD		
6	+57V		

8	+57V		
10			
12			
14			

16			
18			
20			

22			
24			
26			
28			

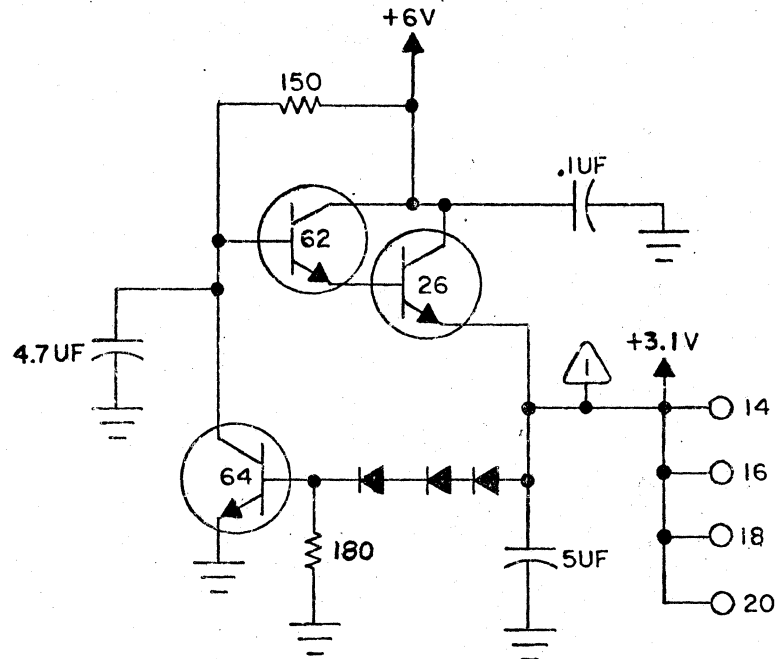


LS17776900

G
REV

JACK
J53

CIRCUIT SPECIFICATION 52000004



60042700 Rev. T

PIN JACK PiN LG

1			
2			
3			
4			
5			
6			
7			

8			
9			
10			
11			
12			
13			
14			

15			
16			
17			
18			
19			
20			
21			

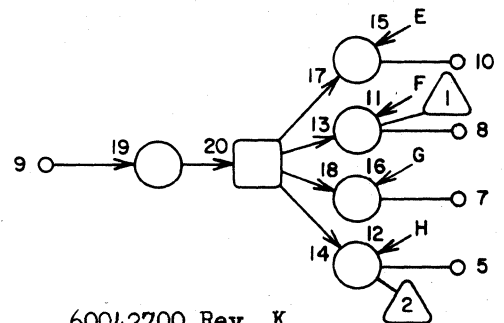
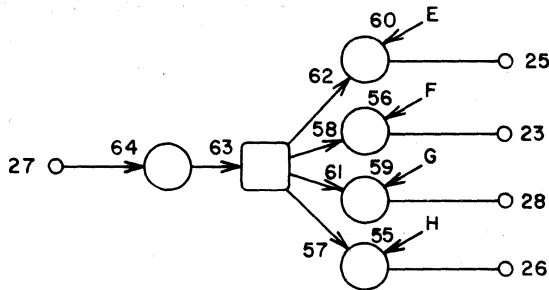
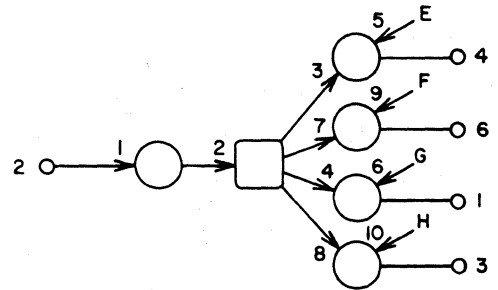
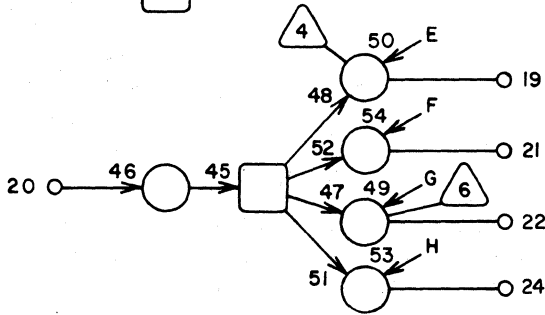
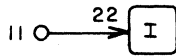
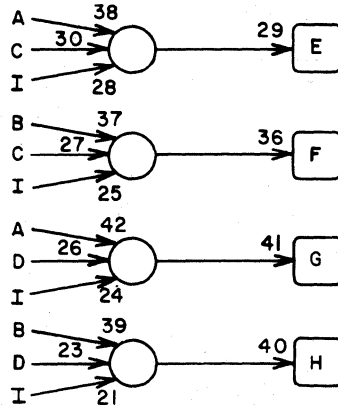
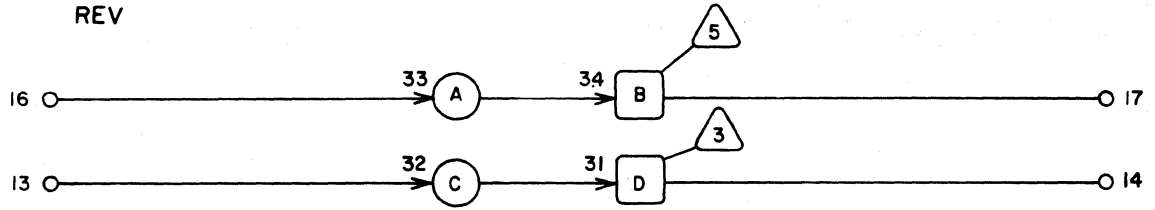
22			
23			
24			
25			
26			
27			
28			

LS 17774800

B
REV

CIRCUIT SPECIFICATION 11827600

JACK
J55



PIN JACK PIN LG

1			
2			
3			
4			
5			
6			
7			

8			
9			
10			
11			
12			
13			
14			

15			
16			
17			
18			
19			
20			
21			

60042700 Rev. K

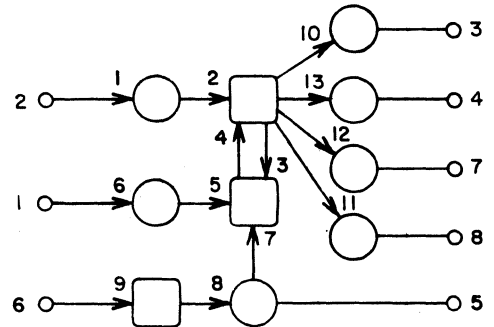
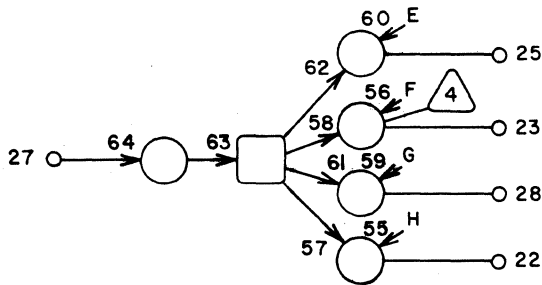
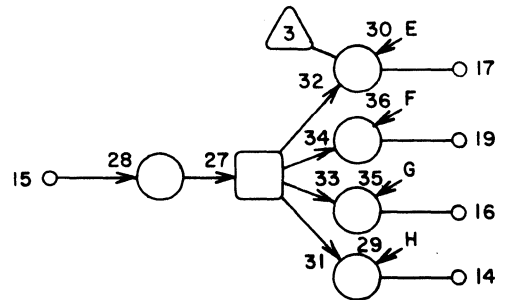
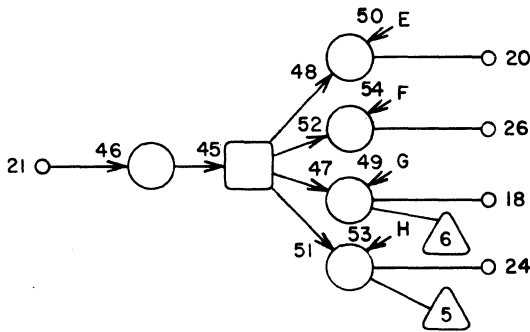
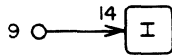
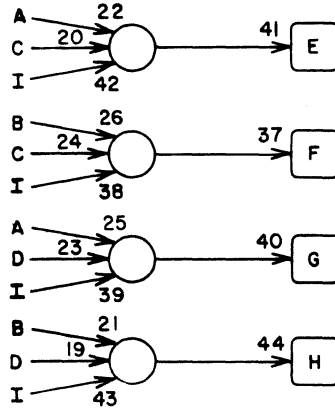
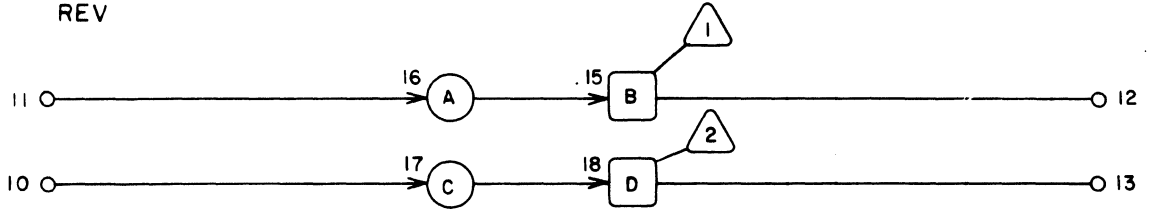
22			
23			
24			
25			
26			
27			
28			

LS 17775100

B
REV

CIRCUIT SPECIFICATION 11827600

JACK J56



PIN JACK PIN LG

60042700 Rev. K

1			
2			
3			
4			
5			
6			
7			

8			
9			
10			
11			
12			
13			
14			

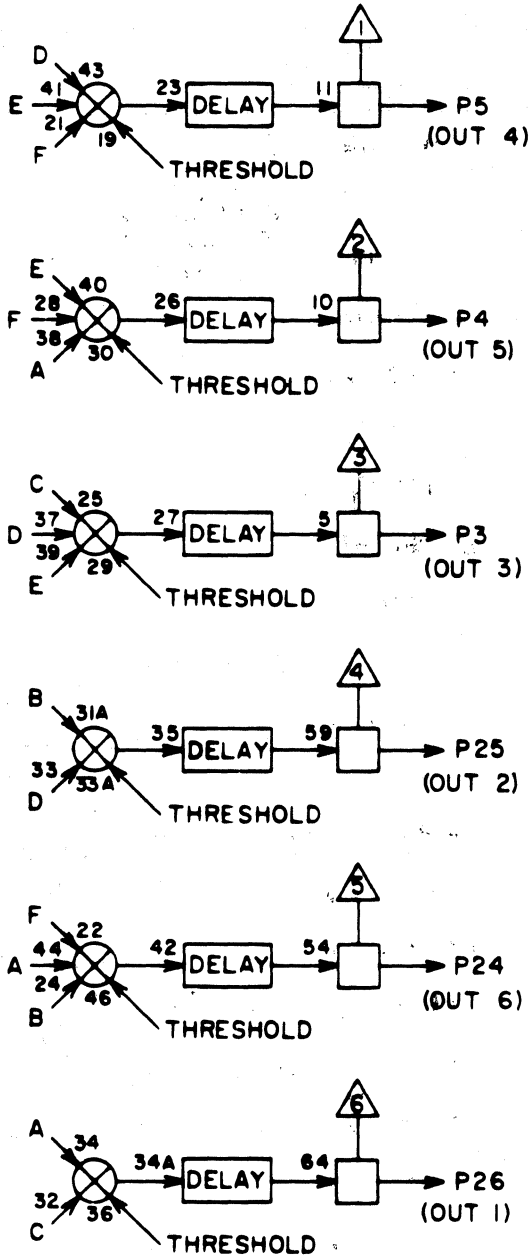
15			
16			
17			
18			
19			
20			
21			

22			
23			
24			
25			
26			
27			
28			

LS 18323500
ASSY

REV 3

J57



P22 ○ → A
(IN 1)

P23 ○ → D
(IN 4)

P7 ○ → B
(IN 2)

P20 ○ → E
(IN 5)

P8 ○ → C
(IN 3)

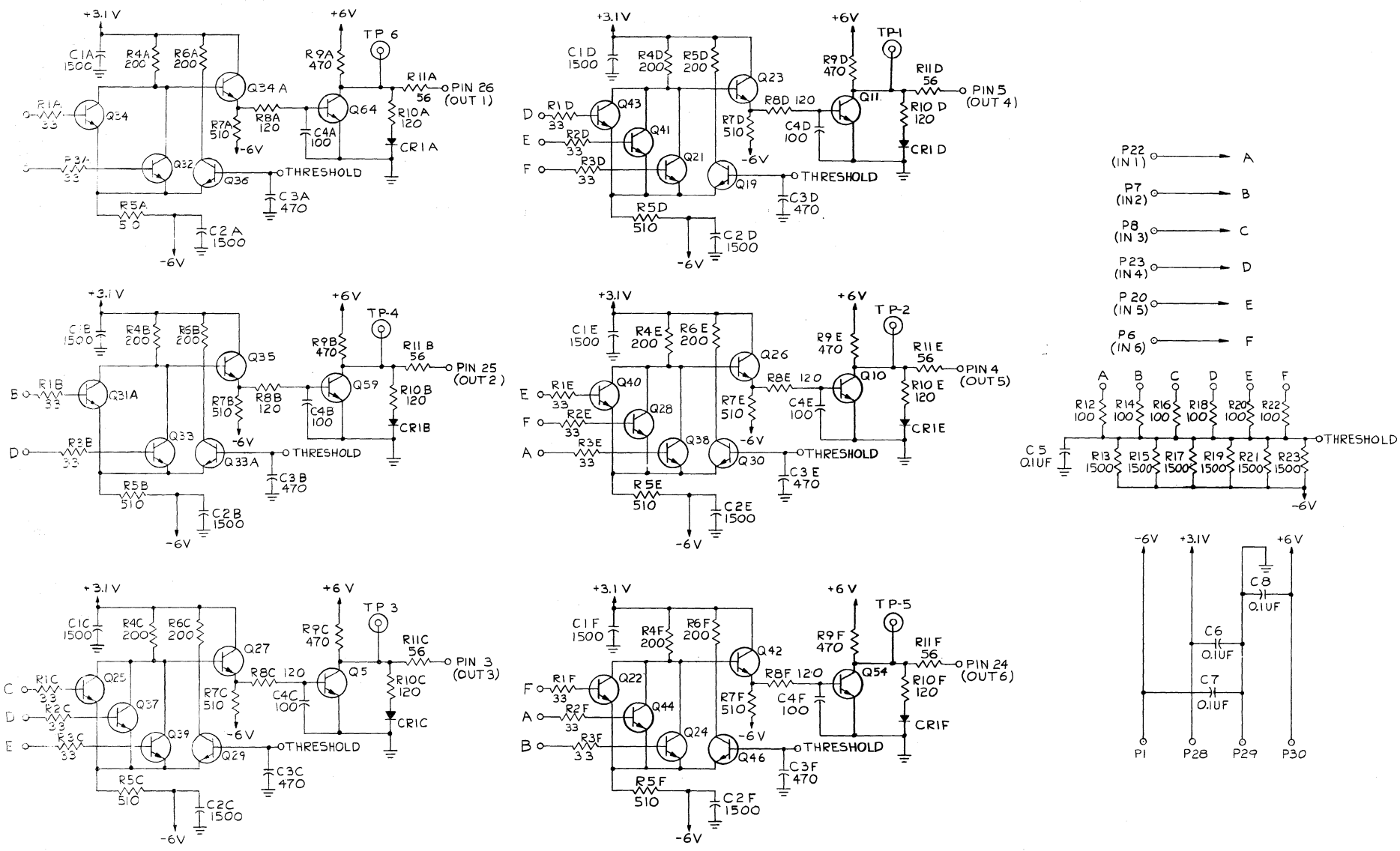
P6 ○ → F
(IN 6)

FOR SCHEMATIC SEE DRAWING
18323700

1	- 6V		
2			
3			
4			
5			
6			
7			
8			
9			
10			
11			
12			
13			
14			
15			
16			
17			
18			
19			
20			
21			
22			
23			
24			
25			
26			
27			
28	+ 3.1V		

JACK PIN LG
SEE CIRCUIT SPECIFICATION
52000032

60042700 Rev. P



NOTES:

1. UNLESS OTHERWISE SPECIFIED:
 ALL RESISTANCES ARE IN OHMS.
 ALL CAPACITANCES ARE IN PF.
 ALL RESISTORS ARE 1/8 W ± 5%.
 ALL CAPACITORS ARE ± 25%.
 ALL TRANSISTORS ARE 24561900

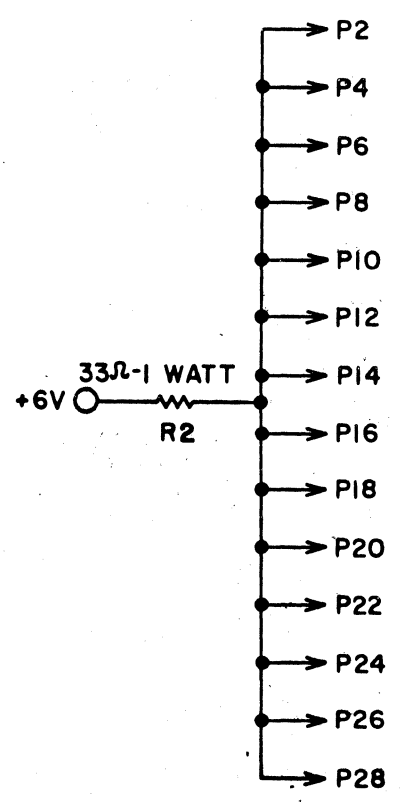
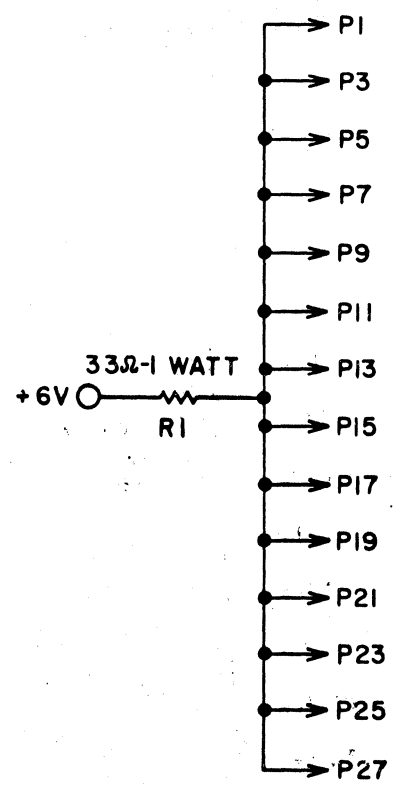
2. REFERENCE DRAWINGS:
 ASSEMBLY 18323500
 BOARD 18323600

3. UNLESS OTHERWISE SPECIFIED ALL
 DIODES ARE CONTROL DATA DRAWING
 NUMBER 17814100 POLARIZED.



LS 18378200 **B**
 ASSY REV

J58



1			
2			
3			
4			
5			
6			
7			
8			
9			
10			
11			
12			
13			
14			
15			
16			
17			
18			
19			
20			
21			
22			
23			
24			
25			
26			
27			
28			

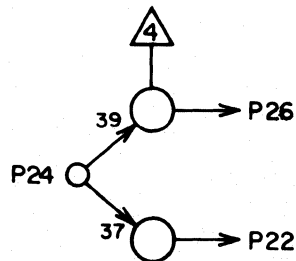
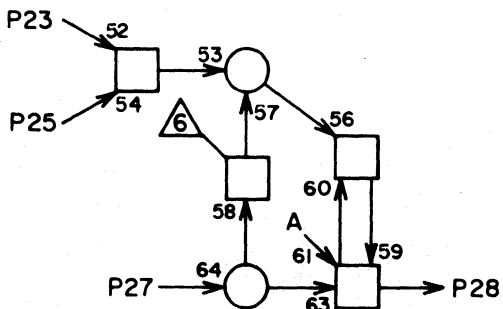
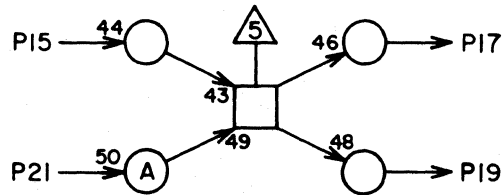
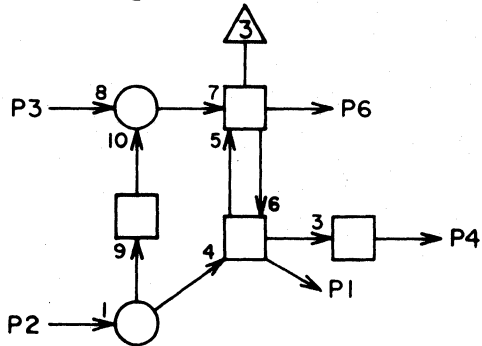
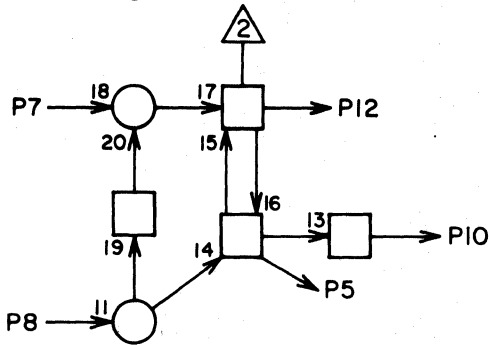
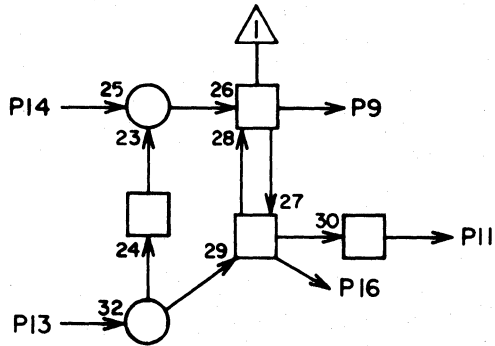
JACK PIN LG



LS 18294700
ASSY

B
REV

J59



1			
2			
3			
4			
5			
6			
7			
8			
9			
10			
11			
12			
13			
14			
15			
16			
17			
18			
19			
20			
21			
22			
23			
24			
25			
26			
27			
28			

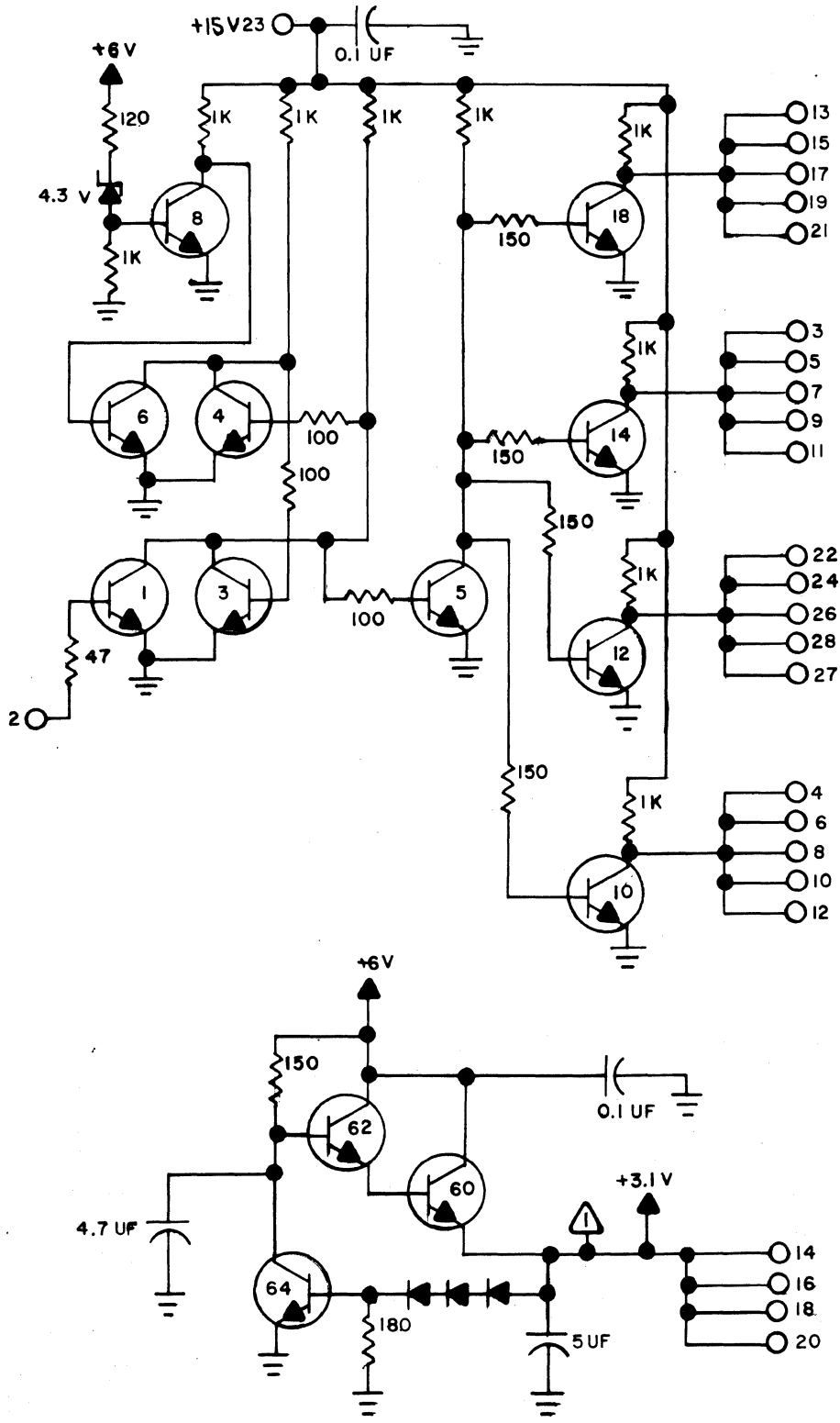
JACK PIN LG
SEE CIRCUIT SPECIFICATION
11827600

60042700 Rev AB

LS 20264000
ASSY

B
REV

J60



1			
2			
3			
4			
5			
6			
7			
8			
9			
10			
11			
12			
13			
14			
15			
16			
17			
18			
19			
20			
21			
22			
23			
24			
25			
26			
27			
28			

JACK PIN LG
SEE CIRCUIT SPECIFICATION
11827600

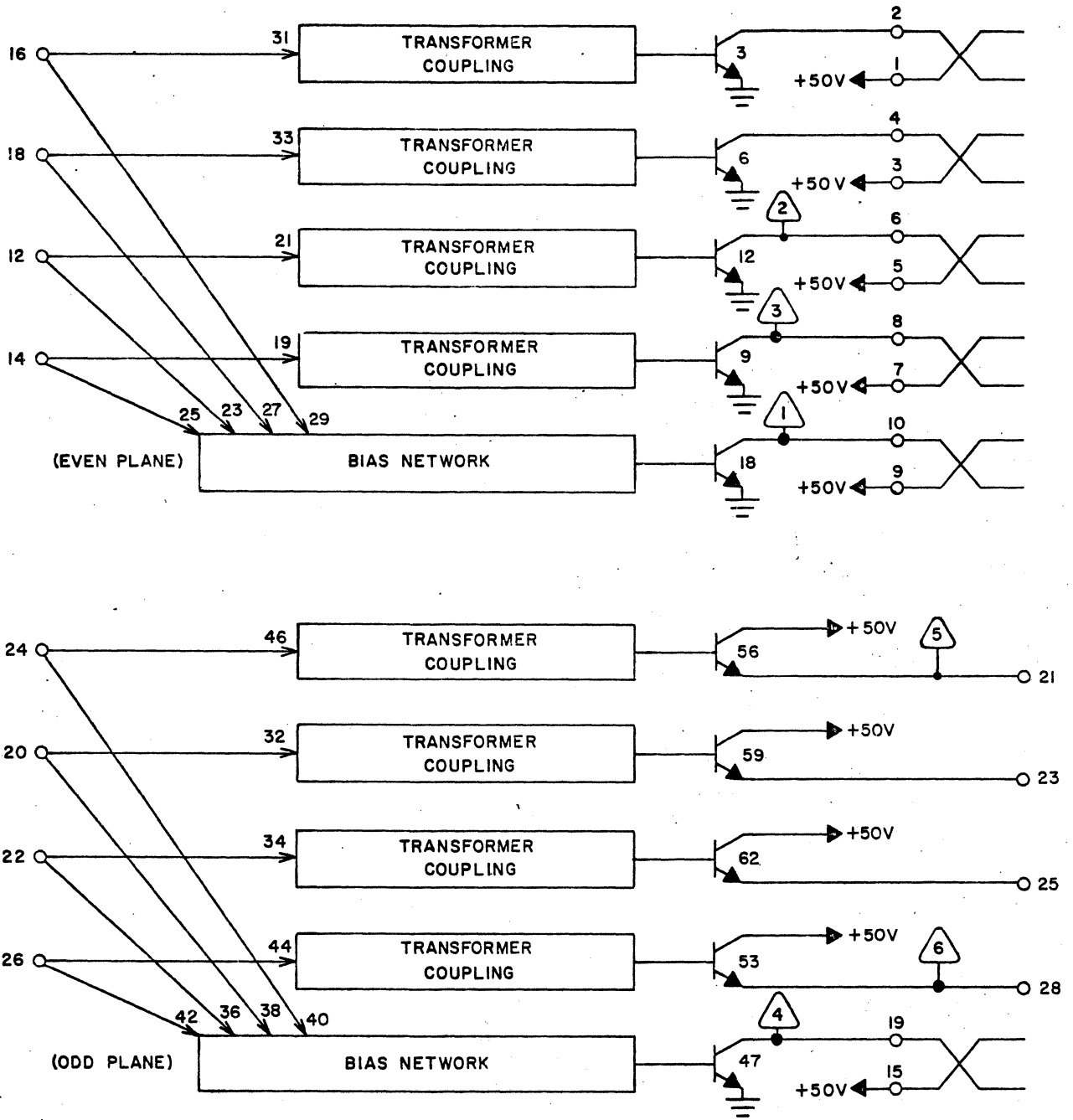


LS 17776600
ASSY

B
REV

CIRCUIT SPECIFICATION 11832500

JACK J80



FOR SCHEMATIC SEE DRAWING 17785800

60042700 Rev. Y

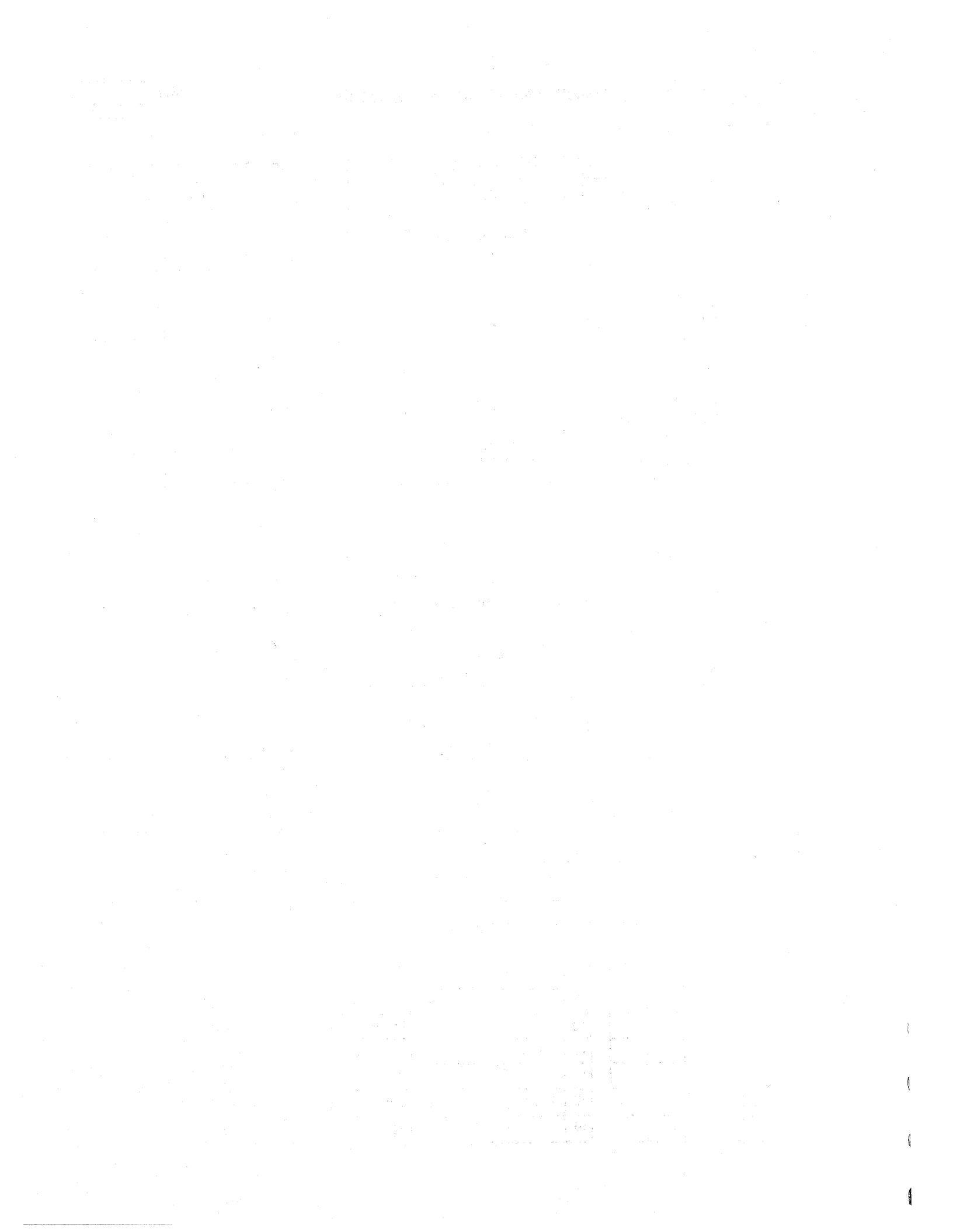
PIN JACK PIN LG

1			
2			
3			
4			
5			
6			
7			

8			
9			
10			
11	+50V		
12			
13	+50V		
14			

15			
16			
17	+20V		
18			
19			
20			
21			

22			
23			
24			
25			
26			
27	GRD		
28			



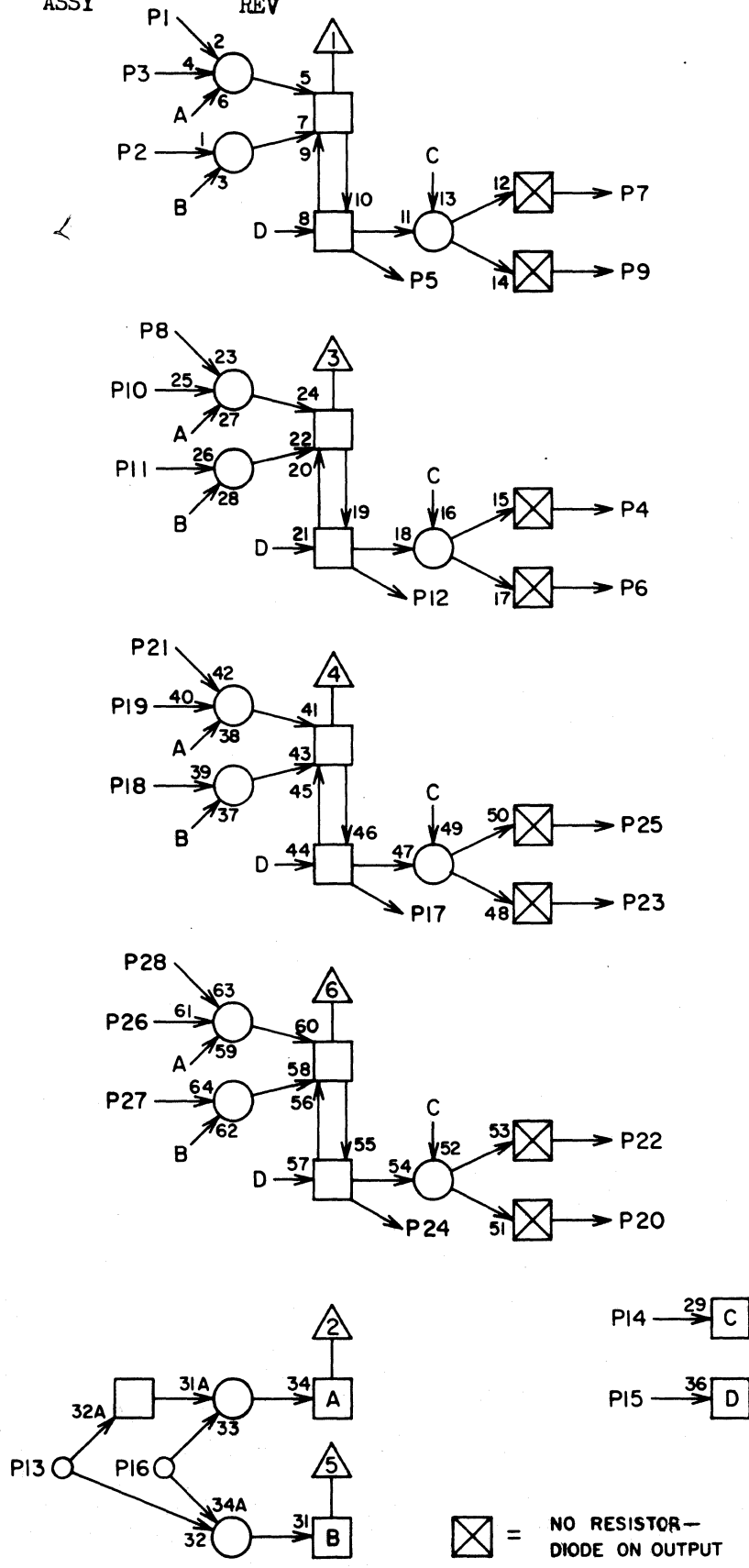
LS 18285900

C

J82

ASSY

REV



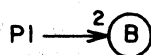
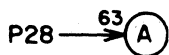
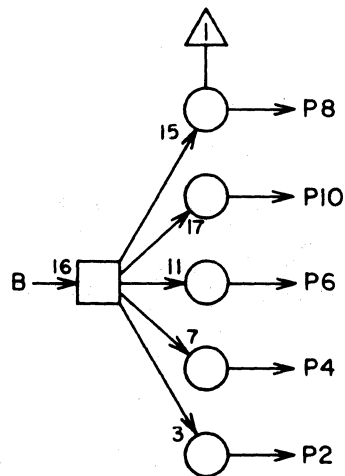
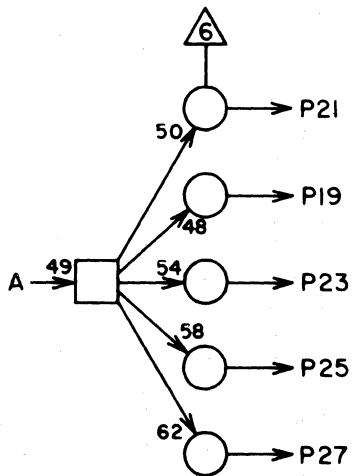
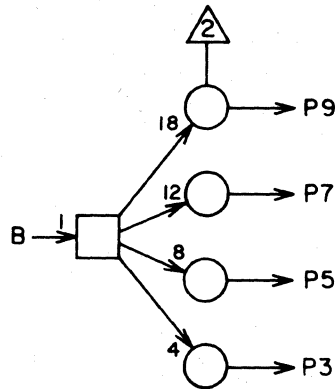
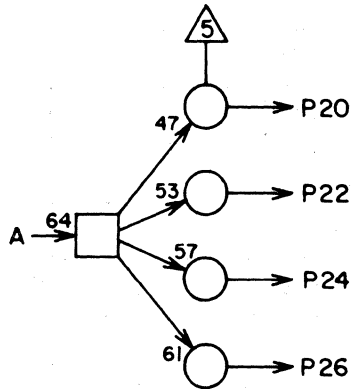
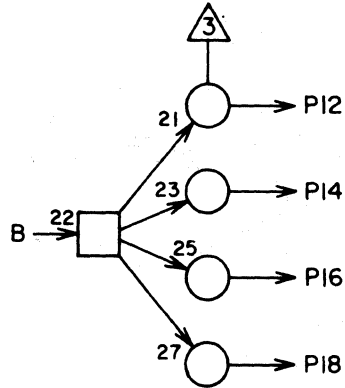
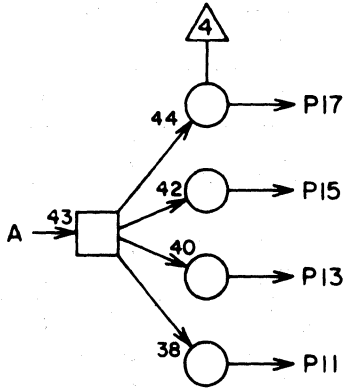
1			
2			
3			
4			
5			
6			
7			
8			
9			
10			
11			
12			
13			
14			
15			
16			
17			
18			
19			
20			
21			
22			
23			
24			
25			
26			
27			
28			

JACK PIN LG
 SEE CIRCUIT SPECIFICATION
 11827600
 60042700 Rev AB

LS 18286200
ASSY

B
REV

J83



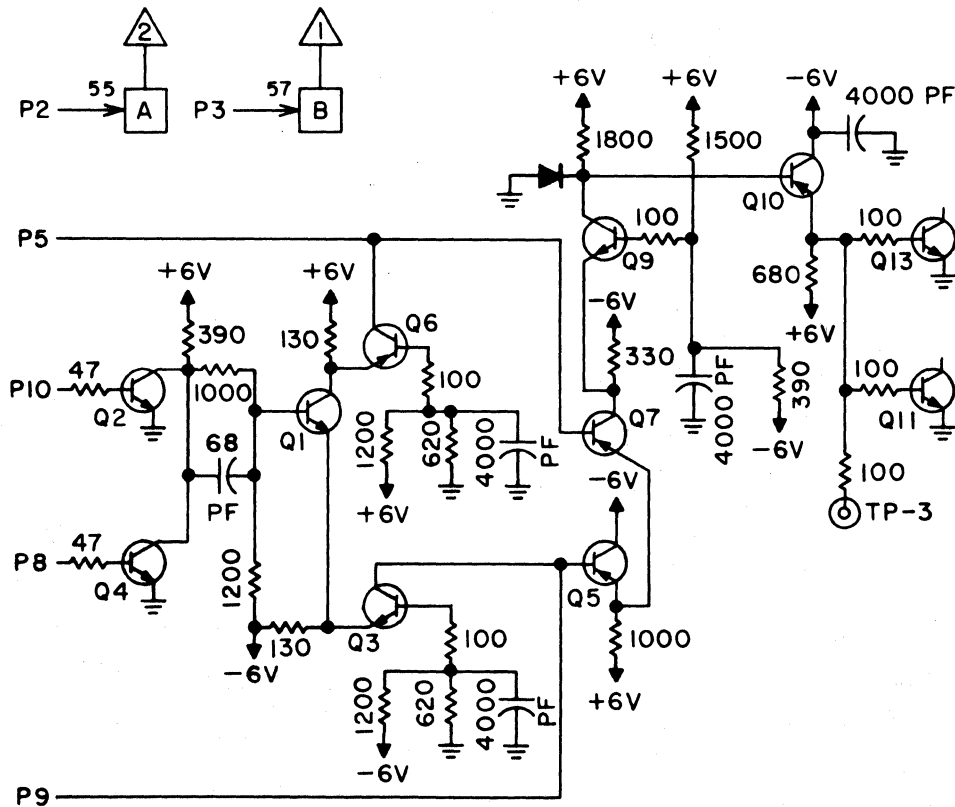
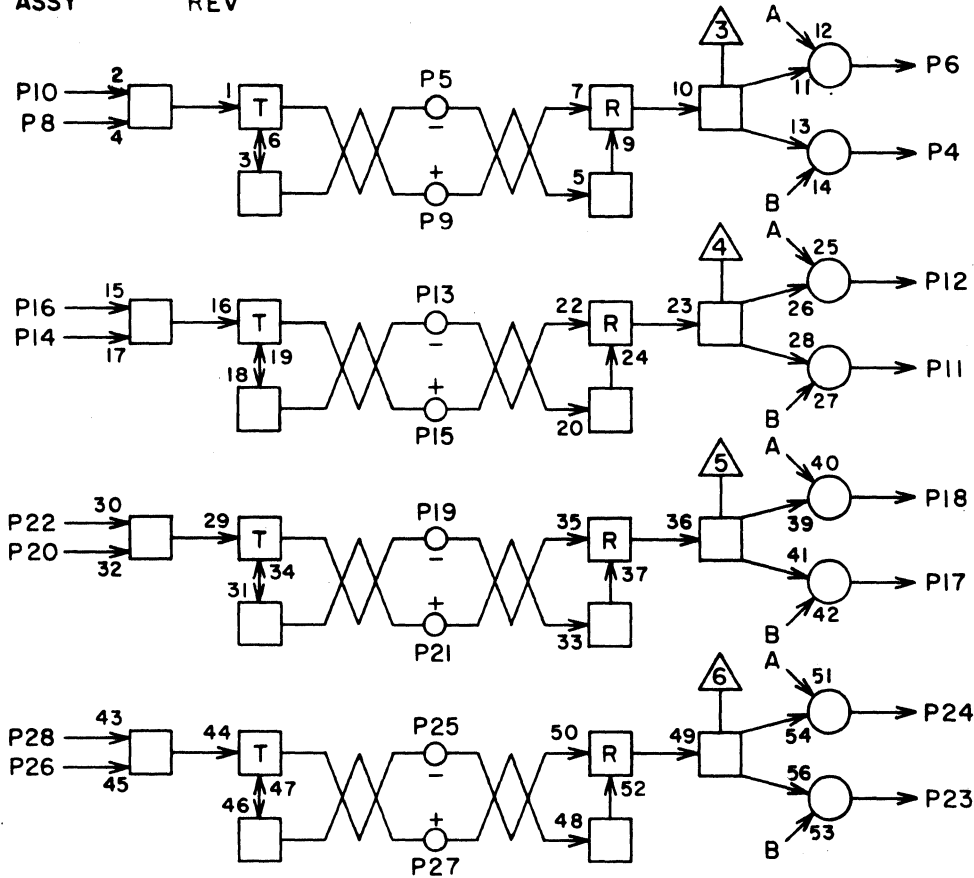
1			
2			
3			
4			
5			
6			
7			
8			
9			
10			
11			
12			
13			
14			
15			
16			
17			
18			
19			
20			
21			
22			
23			
24			
25			
26			
27			
28			

JACK PIN LG
SEE CIRCUIT SPECIFICATION
11827600

60042700 Rev AB

LS18286400 E
 ASSY REV

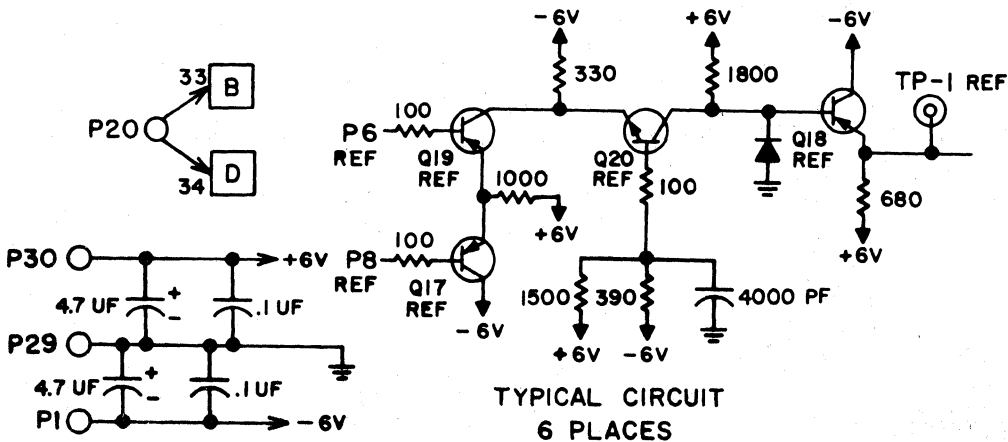
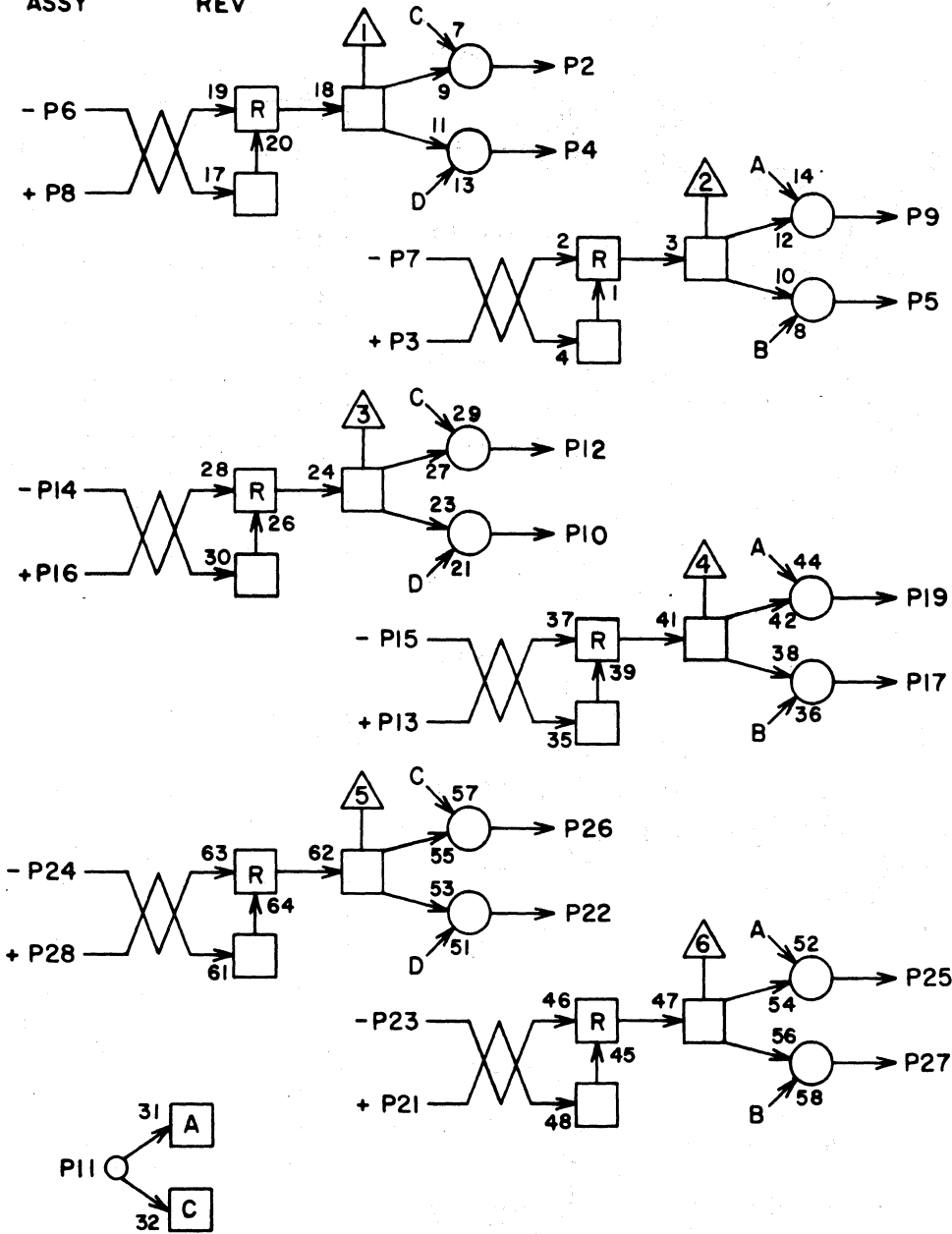
J84



1			
2			
3			
4			
5			
6			
7			
8			
9			
10			
11			
12			
13			
14			
15			
16			
17			
18			
19			
20			
21			
22			
23			
24			
25			
26			
27			
28			

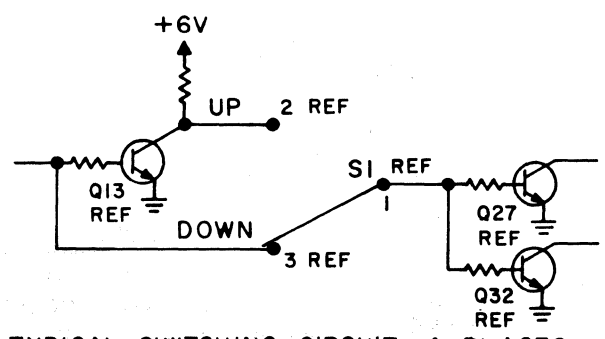
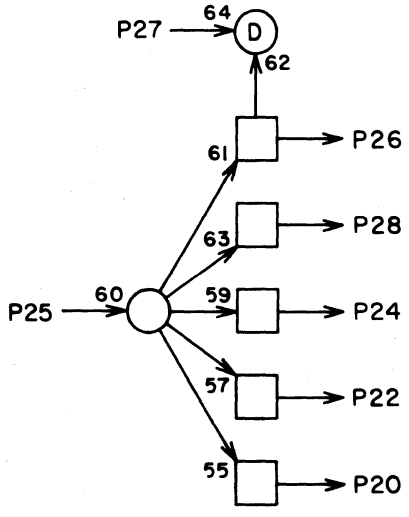
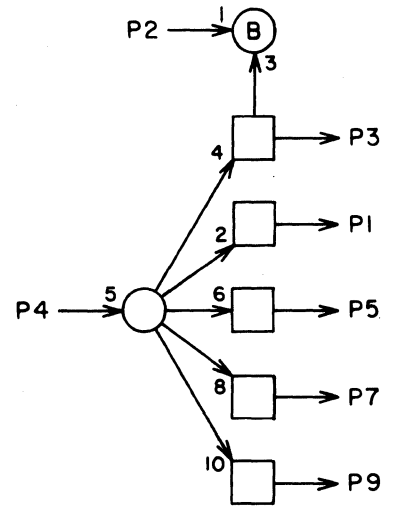
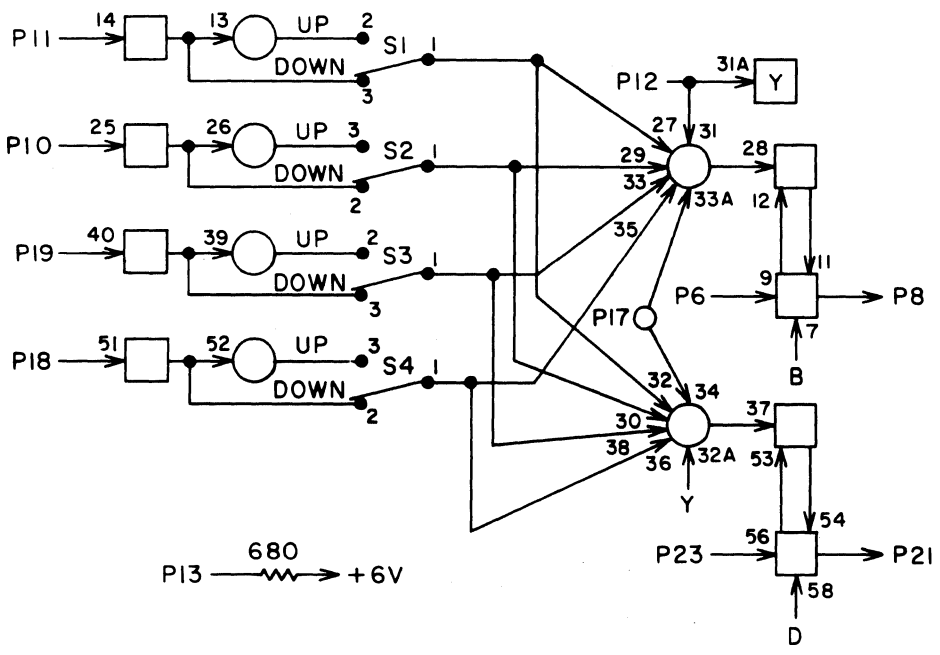
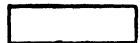
JACK PIN LG
 SEE CIRCUIT SPECIFICATION
 11827600

60042700 Rev AB



1			
2			
3			
4			
5			
6			
7			
8			
9			
10			
11			
12			
13			
14			
15			
16			
17			
18			
19			
20			
21			
22			
23			
24			
25			
26			
27			
28			

JACK PIN LG
 SEE CIRCUIT SPECIFICATION
 11827600
 52000005



TYPICAL SWITCHING CIRCUIT 4 PLACES

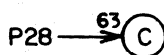
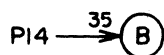
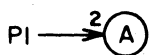
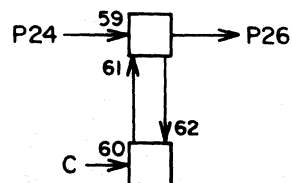
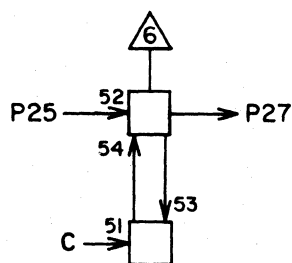
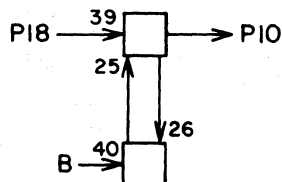
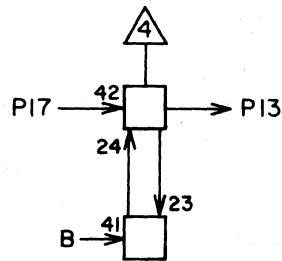
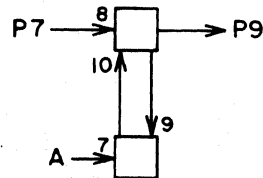
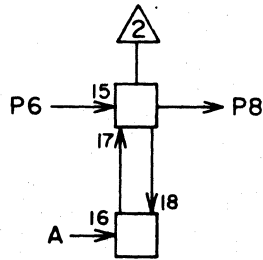
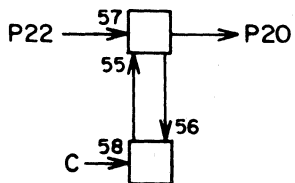
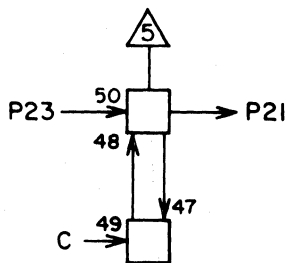
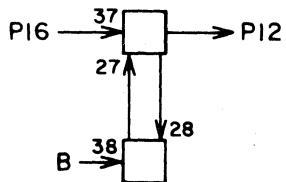
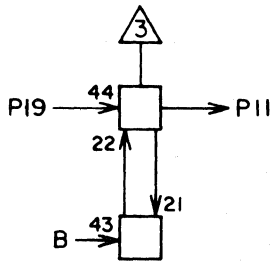
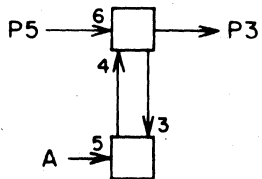
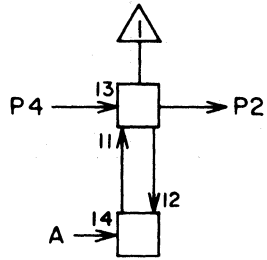
1			
2			
3			
4			
5			
6			
7			
8			
9			
10			
11			
12			
13			
14			
15			
16			
17			
18			
19			
20			
21			
22			
23			
24			
25			
26			
27			
28			

JACK PIN LG
 SEE CIRCUIT SPECIFICATION
 11827600

LS 18291000
ASSY

B
REV

J 87

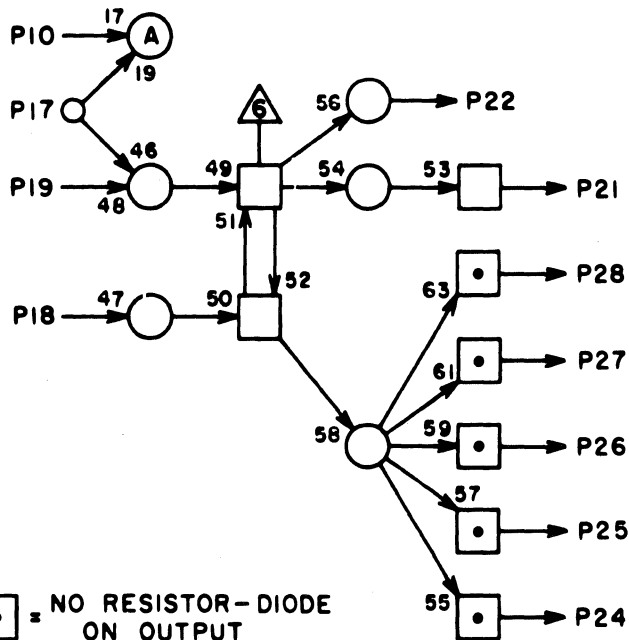
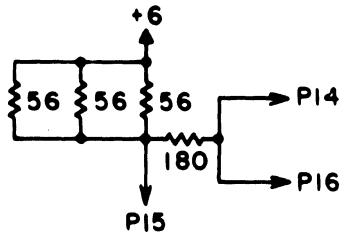
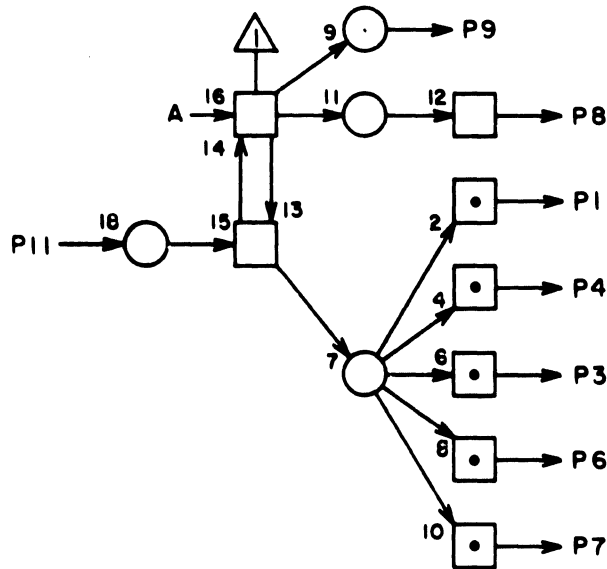


1			
2			
3			
4			
5			
6			
7			
8			
9			
10			
11			
12			
13			
14			
15			
16			
17			
18			
19			
20			
21			
22			
23			
24			
25			
26			
27			
28			

JACK PIN LG

SEE CIRCUIT SPECIFICATION

60042700 Rev AB 11827600



◻ = NO RESISTOR-DIODE
 ON OUTPUT

1			
2			
3			
4			
5			
6			
7			
8			
9			
10			
11			
12			
13			
14			
15			
16			
17			
18			
19			
20			
21			
22			
23			
24			
25			
26			
27			
28			

JACK PIN LG
 SEE CIRCUIT SPECIFICATION
 11827600

COMMENT SHEET

MANUAL TITLE CDC Cordwood Modules Volume 1

Printed Circuit Manual

PUBLICATION NO. 60042700 REVISION BB

FROM: NAME: _____

BUSINESS
ADDRESS: _____

CUT ALONG LINE

PRINTED IN U.S.A.

AA3819 REV. 7/75

NO POSTAGE STAMP NECESSARY IF MAILED IN U. S. A.

FOLD ON DOTTED LINES AND STAPLE

STAPLE

STAPLE

FOLD

FOLD

FIRST CLASS
PERMIT NO. 8241
MINNEAPOLIS, MINN.

BUSINESS REPLY MAIL
NO POSTAGE STAMP NECESSARY IF MAILED IN U.S.A.



POSTAGE WILL BE PAID BY
CONTROL DATA CORPORATION
Publications and Graphics Division
ARH219
4201 North Lexington Avenue
Saint Paul, Minnesota 55112

CUT ALONG LINE

FOLD

FOLD