

Table of Contents

APU/200X Power Box Wiring Diagram (Revision B)
DS30E332 (1 Sheet)

24S Backplane, Schematic (Revision G)
DS21E1102 (4 Sheets)

Bus Repeater Paddle Board, Schematic (Revision C)
DS21E1122 (3 Sheets)

Terminator/Bus Driver A, Schematic (Revision B)
DS30E192 (2 Sheets)

CGP-200X Standard Slot Map (Revision A)
CP30M242 (2 Sheets)

ICP Schematic (Revision C)
DS30E032 (10 Sheets)

EACPU Schematic (Revision Q)
DS30E022 (24 Sheets)

EAMAP Schematic (Revision M)
DS30E042 (28 Sheets)

EAMEM Schematic (Revision G)
DS30E107 (22 Sheets)

Floating Point Unit, Schematic (Revision D)
DS21E117 (7 Sheets)

CADDS Connect, Schematic (Revision A)
BS30E1007 (24 Sheets)

CADDs Connect Schematic

	<u>Sheet No.</u>
DCH Interface	2
I/O Data Lines, DCH MAR, DCH Control	3
Graphic Command Decode	4
PIO Interface	5
I/O Busy/Done	6,7
DCH Mode Control and Decode	8
Serial Opcode Word Output	9
Buffer Input Register	10
Graphic Data Buffer Address Generator	11
Graphic Data Buffer Address Multiplexer	12
Graphics Data Buffer	13
Graphic Data Buffer Address Comparator	14
Output Multiplexer	15
Master Clock Timing Logic	16
Graphic Buffer to UART Control	17,18,19
Baud Rate Generator	20,21
Graphics Data Buffer	22

SHEET	0	1	2	3	4	5	6	7	8	9	10
REV	A	A	A	A	A	A	A	A	A	A	A

SHEET	11	12	13	14	15	16	17	18	19	20
REV	A	A	A	A	A	A	A	A	A	A

SHEET	21	22								
REV	A	A								

SHEET										
REV										

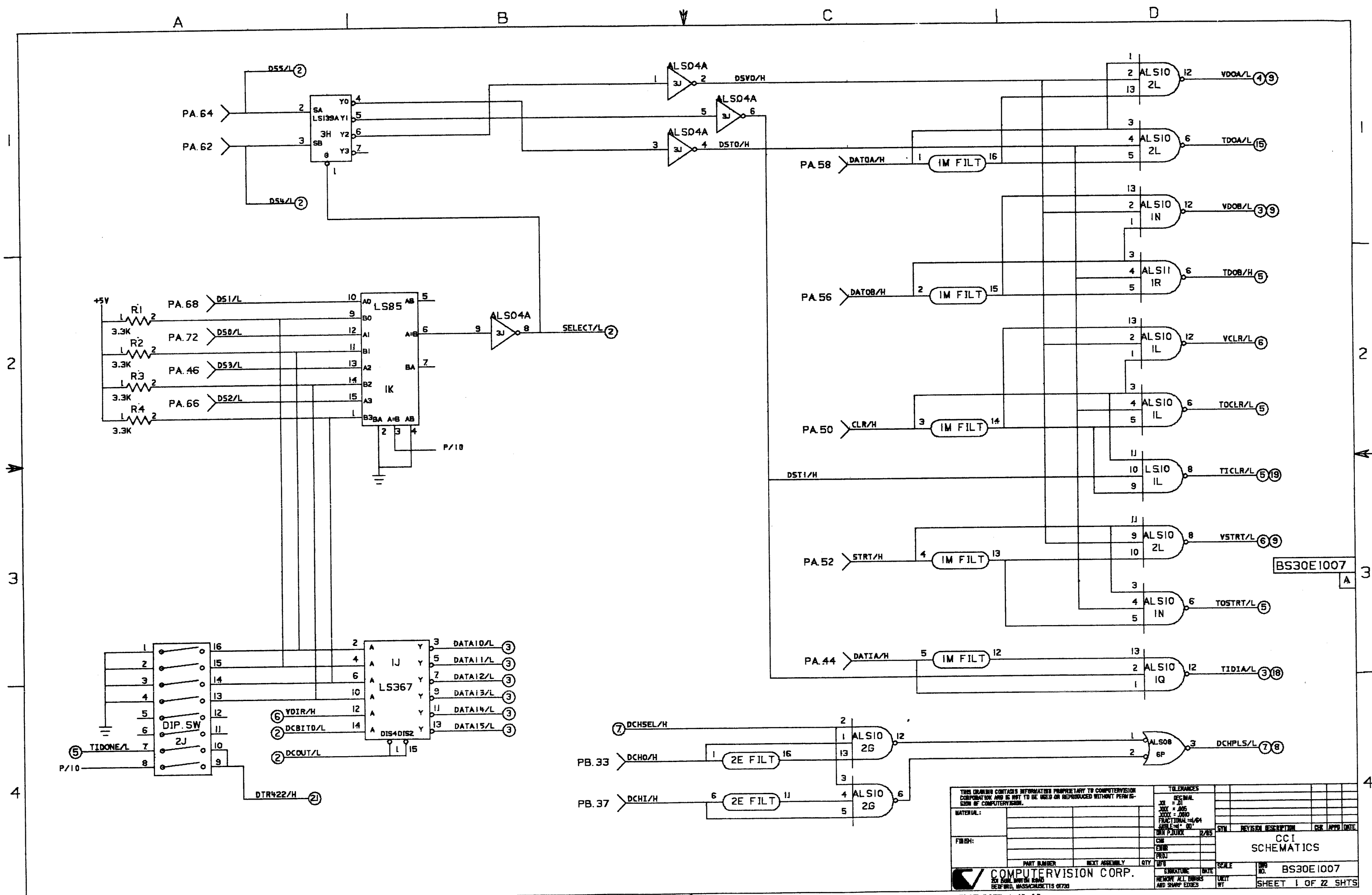
SHEET										
REV										

SHEET										
REV										

BS30E1007
A

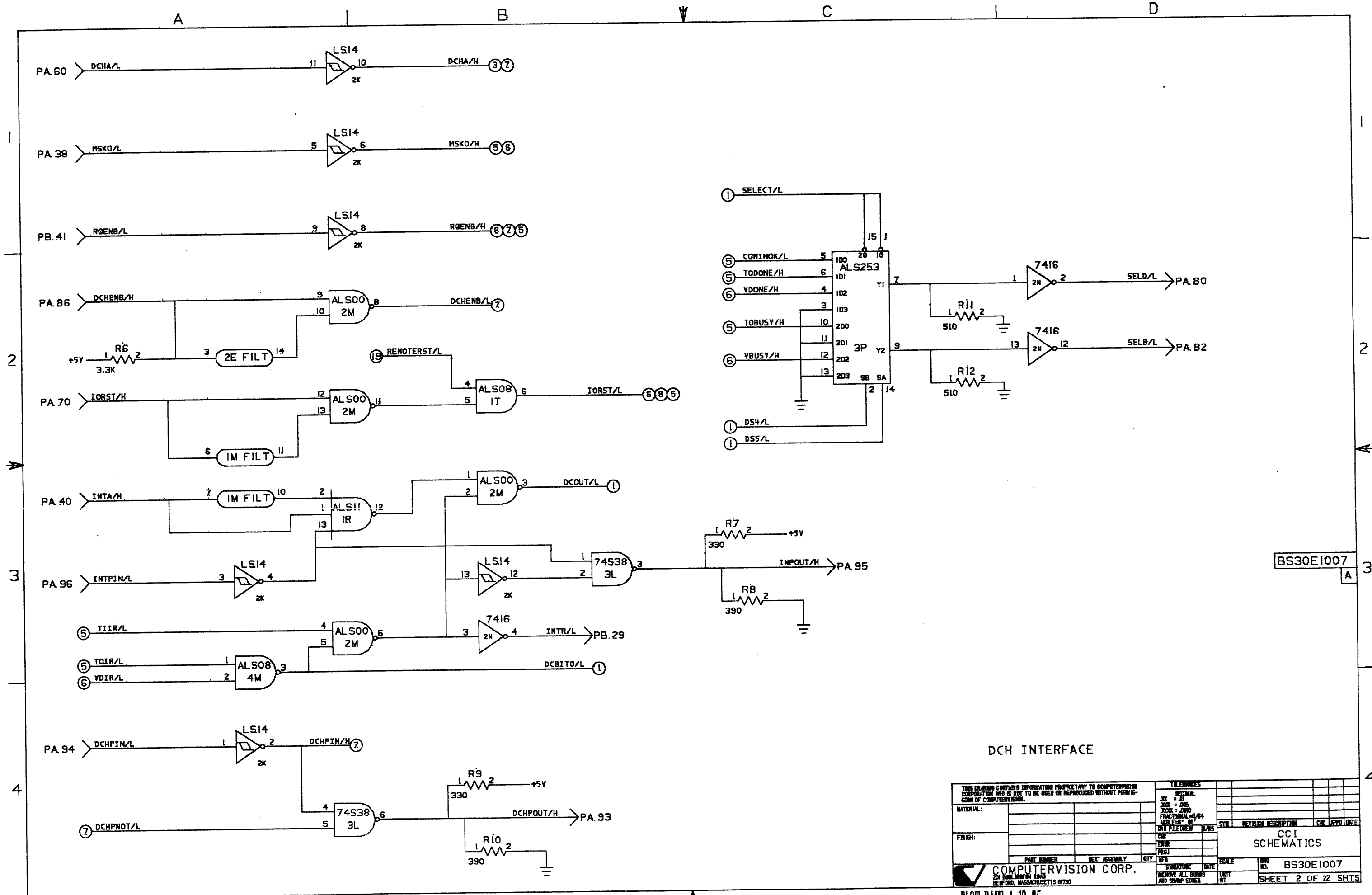
<small>THIS DRAWING CONTAINS INFORMATION PROPRIETARY TO COMPUTERVISION CORPORATION AND IS NOT TO BE USED OR REPRODUCED WITHOUT PERMISSION OF COMPUTERVISION.</small>		<small>TELEVISIONS</small>	
MATERIAL:		<small>DECIMAL IN = 25 MM = 254 FRACTIONAL = 1/16 ANGLE = 90</small>	<small>A REL ECHANGED</small>
FINISH:		<small>MIN RETHROWING CIN 45-20 ENR 45-20 PRN 45-20</small>	<small>W/12C 9/2</small>
		<small>DATE</small>	<small>CHK APPD DATE</small>
		<small>SCALE</small>	<small>BS30E1007</small>
<small>COMPUTERVISION CORP. 20 BURLINGTON ROAD BURLINGTON, MASSACHUSETTS 01790</small>		<small>REMOVE ALL DIMS AND SHARP EDGES</small>	<small>SHEET 0 OF 22 SHTS</small>

PLOT DATE: 4-19-85



THIS DRAWING CONTAINS INFORMATION PROPRIETARY TO COMPUTERVISION CORPORATION AND IS NOT TO BE USED OR REPRODUCED WITHOUT PERMISSION OF COMPUTERVISION.		TOLERANCES DECIMAL .001 ± .001 .005 ± .005 FRACTIONAL ± 1/64 ANGLES ± 30'	
MATERIAL:		DATE	2/85
FINISH:		SCALE	
PART NUMBER	NEXT ASSEMBLY	QTY	UNIT
SIGNATURE REMOVE ALL DIMS AND SHARP EDGES		DATE	NO.
COMPUTERVISION CORP. 200 BOWL WAY RD BURLINGAME, MASSACHUSETTS 01930		NO.	BS30E1007
		SHEET 1 OF 22 SHTS	

PLOT DATE 4-19-85

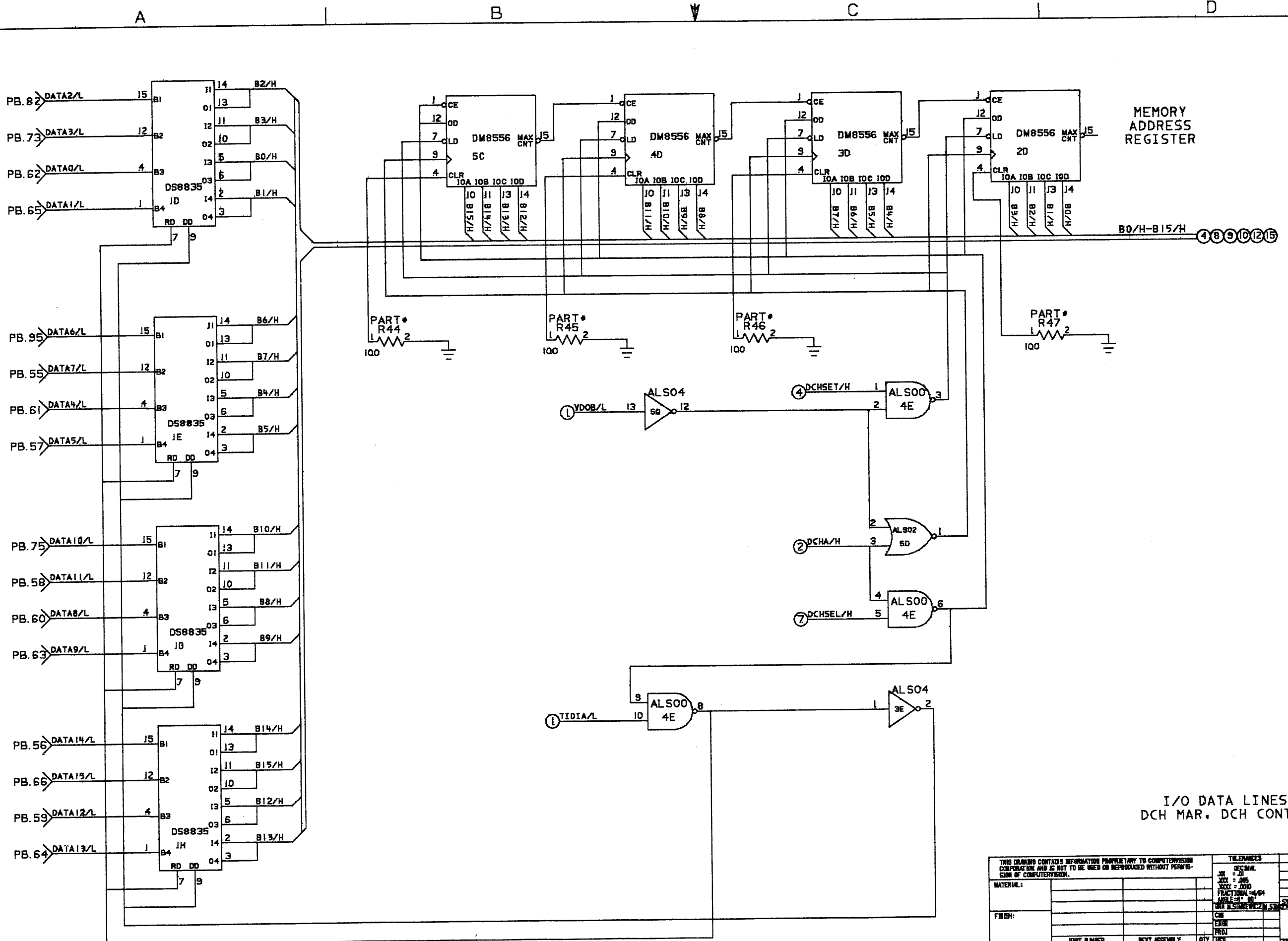


BS30E1007
A

DCH INTERFACE

THIS DRAWING CONTAINS INFORMATION PROPRIETARY TO COMPUTERVISION CORPORATION AND IS NOT TO BE USED OR REPRODUCED WITHOUT PERMISSION OF COMPUTERVISION.		TOLERANCES XX - .25 XXX - .05 XXXX - .010 FRACTIONS - 1/64 DECIMALS - .01					
MATERIAL:		DATE FILED:	REV:	STN:	REVISION DESCRIPTION:	CHK:	APPL. DATE:
FINISH:		CHK:			CC I		
		PRJ:			SCHEMATICS		
		PART NUMBER:	NEXT ASSEMBLY:	QTY:	SCALE:	DRG NO.:	BS30E1007
COMPUTERVISION CORP. 200 BULL. WATSON ROAD BURLINGAME, MASSACHUSETTS 01920		DESIGNED BY:	DATE:	SCALE:	DRG NO.:	SHEET 2 OF 2 SHTS	

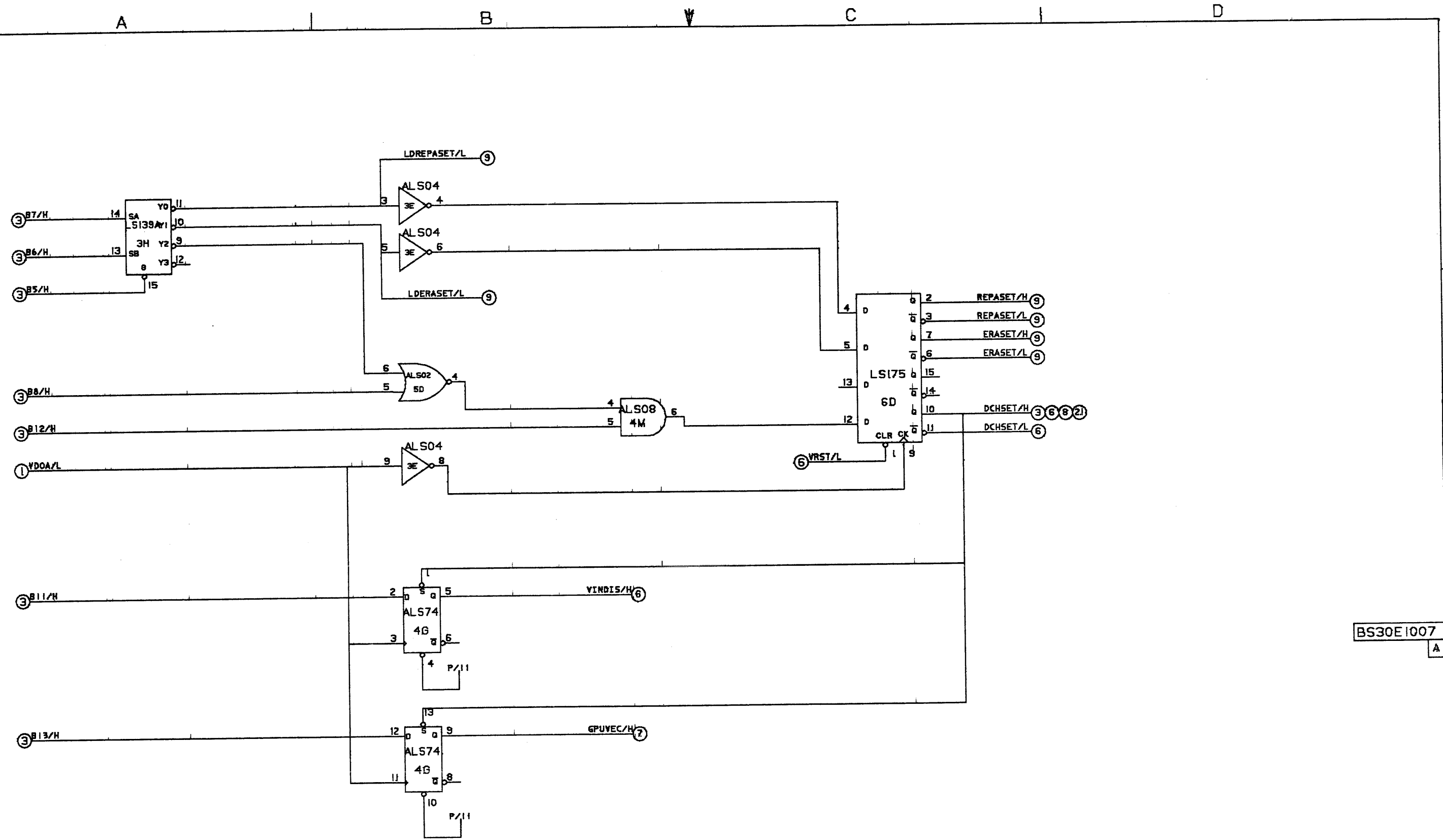
PLOT DATE 4-19-85



BS30E1007
A

I/O DATA LINES.
DCH MAR. DCH CONTROL

THIS DRAWING CONTAINS INFORMATION PROPRIETARY TO COMPUTERVISION CORPORATION AND IS NOT TO BE USED OR REPRODUCED WITHOUT PERMISSION OF COMPUTERVISION.				TOLERANCES			
MATERIAL:				DECIMAL			
				FRACTIONAL			
FINISH:				FRONT SURFACE			
PART NUMBER		NEXT ASSEMBLY	QTY	DATE	SCALE	DWG NO.	BS30E1007
COMPUTERVISION CORP. 20 BURLINGTON ROAD BURLINGTON, MASSACHUSETTS 01730				SIGNATURE	DATE	UNIT WT.	SHEET 3 OF 22 SHTS

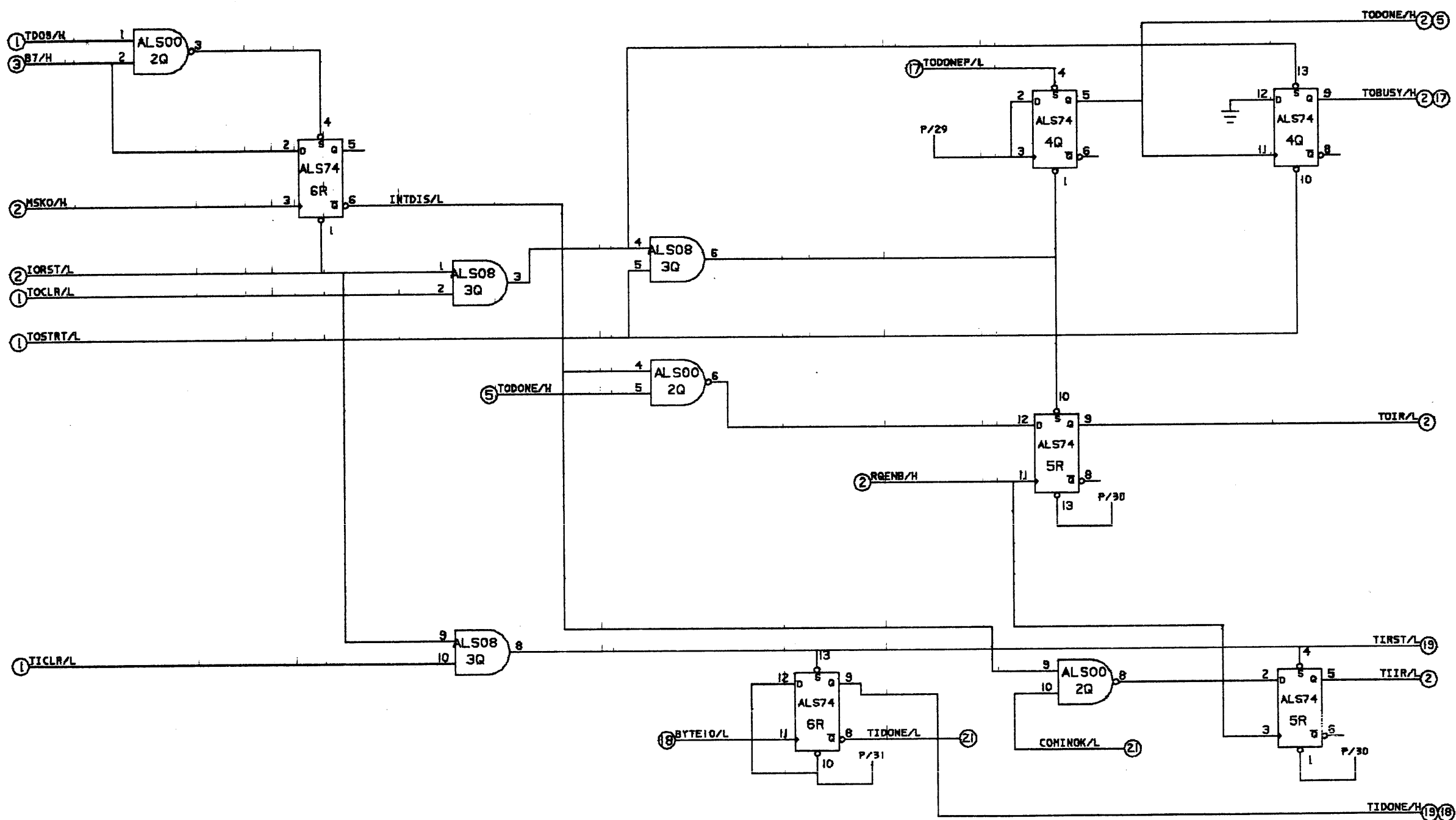


BS30E1007
A

GRAPHIC COMMAND DECODE

THIS DRAWING CONTAINS INFORMATION PROPRIETARY TO COMPUTERVISION CORPORATION AND IS NOT TO BE USED OR REPRODUCED WITHOUT PERMISSION OF COMPUTERVISION.				TOLERANCES DECIMAL XXX = .01 XXX = .005 XXX = .0010 FRACTIONAL X/64 X/32 X/16 X/8 X/4 X/2 X/1			
MATERIAL:				REV	REVISION DESCRIPTION	CHK	APP'D DATE
FINISH:				CCI SCHEMATICS			
PART NUMBER	NEXT ASSEMBLY	QTY	UFB	SCALE	DRW NO.	BS30E1007	
COMPUTERVISION CORP. 200 WASHINGTON ROAD BEDFORD, MASSACHUSETTS 01730				SIGNATURE	DATE	UNIT	SHEET 4 OF 22 SHTS

PLOT DATE 4-19-85

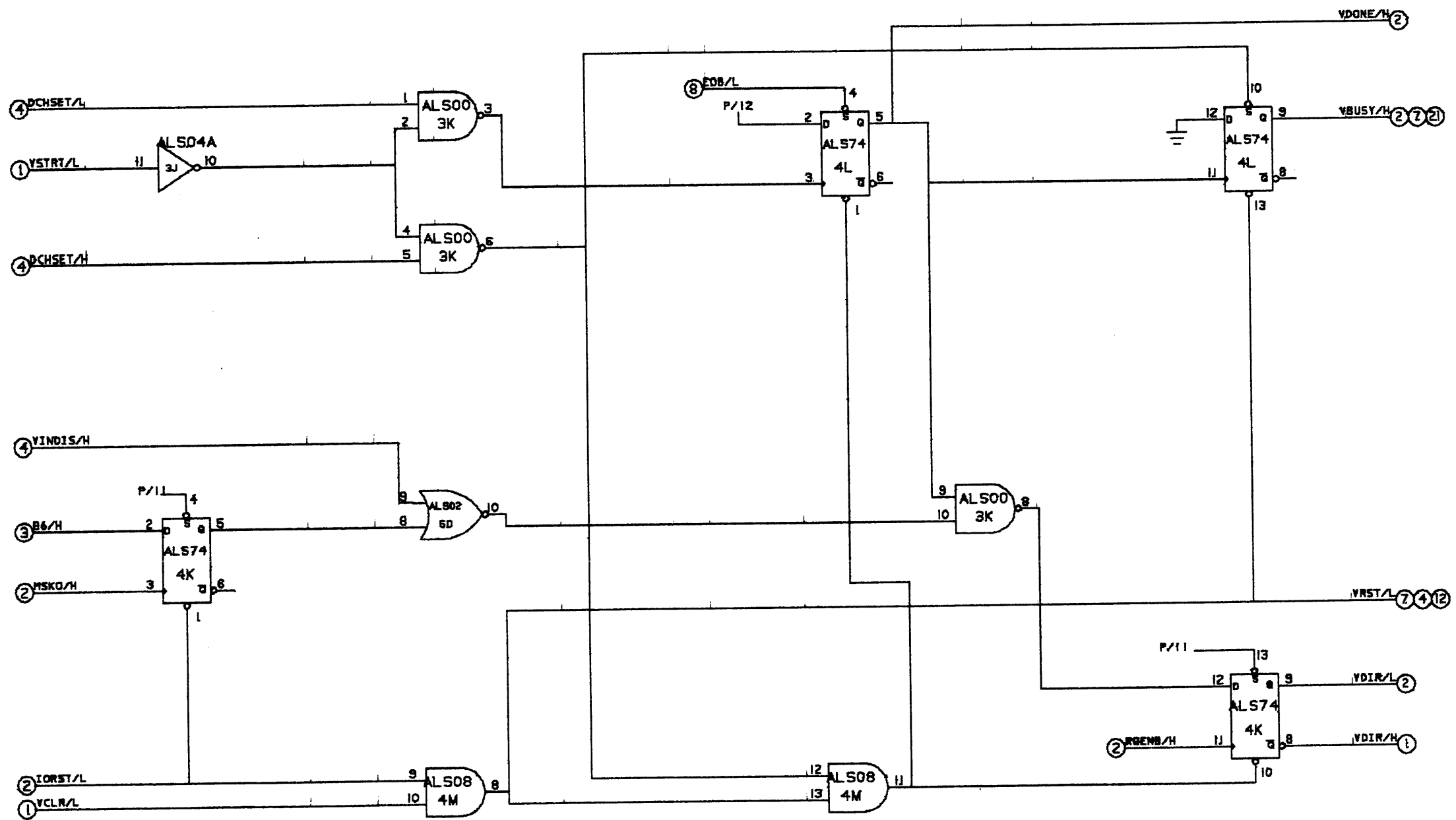


BS30E1007
A

PIO INTERFACE

<small>THIS DRAWING CONTAINS INFORMATION PROPRIETARY TO COMPUTERVISION CORPORATION AND IS NOT TO BE USED OR REPRODUCED WITHOUT PERMISSION OF COMPUTERVISION.</small>		<small>TOLERANCES</small> INCH = 01 DECIMAL = .005 FRACTIONAL = 1/64 UNLESS OTHERWISE SPECIFIED							
MATERIAL:				REV	REVISION DESCRIPTION	CR	APPROVAL		
FINISH:									
COMPUTERVISION CORP. <small>20 BURLINGTON ROAD BURLINGTON, MASSACHUSETTS 01730</small>		DATE	SCALE	DRW. NO.	BS30E1007	UNITS	SHEET 5 OF 22 SHTS		

PLOT DATE 4-19-85

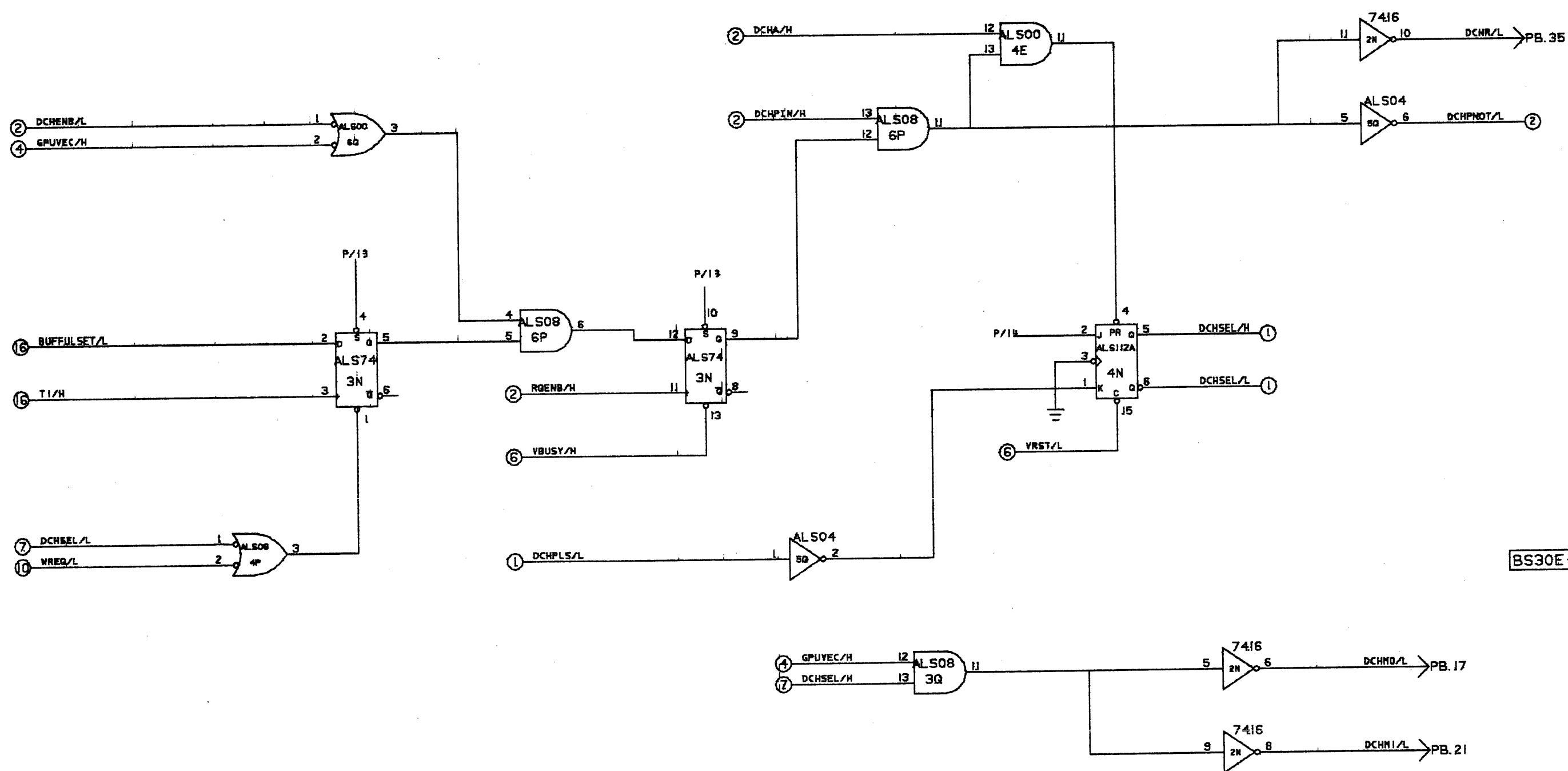


BS30E1007

I/O BUSY/DONE

TITLE BLOCK		TOLERANCES	
THIS DRAWING CONTAINS INFORMATION PROPRIETARY TO COMPUTERVISION CORPORATION AND IS NOT TO BE USED OR REPRODUCED WITHOUT PERMISSION OF COMPUTERVISION.		DECIMAL	
MATERIAL:		ANG	±0.05
FINISH:		STK	±0.05
		FRACTIONAL	±0.04
		ANGLE	±0.01
		MIN	±0.02
		MAX	±0.02
PART NUMBER	NEXT ASSEMBLY	QTY	APP
COMPUTERVISION CORP. 20 BURN WITCH ROAD BERLIN, MASSACHUSETTS 01820		SIGNATURE	DATE
		SCALE	DWG NO.
			BS30E1007
		UNIT	SHEET 6 OF 22 SHTS

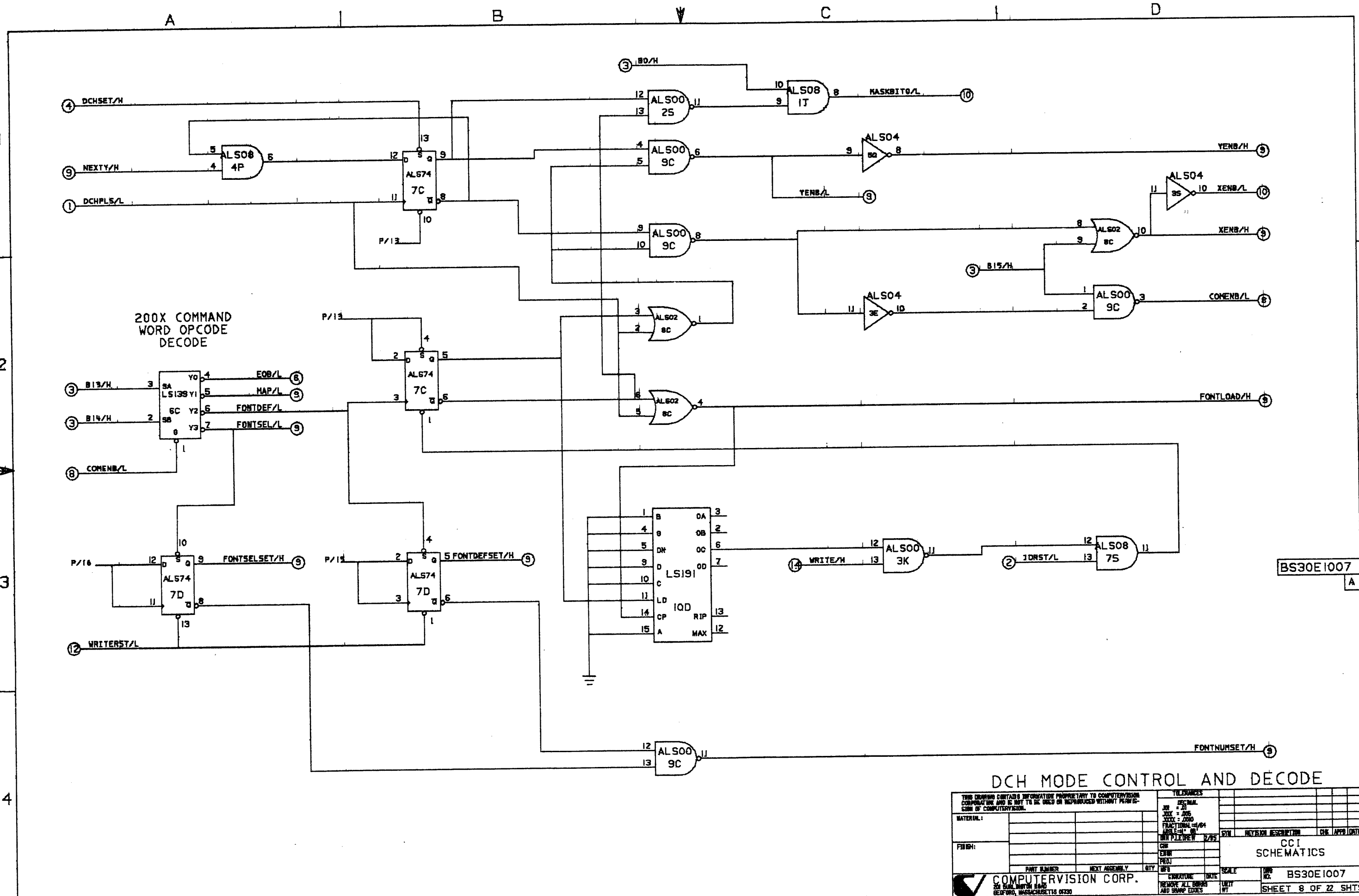
PLOT DATE 4-19-85



BS30E1007

THIS DRAWING CONTAINS INFORMATION PROPRIETARY TO COMPUTERVISION CORPORATION AND IS NOT TO BE USED OR REPRODUCED WITHOUT PERMISSION OF COMPUTERVISION.				TOLERANCES DIM. DECIMAL HOLE ±.01 SLOT ±.01 FRACTIONAL ±.004 UNLESS OTHERWISE SPECIFIED							
MATERIAL:				FINISH:				CCI SCHEMATICS PART NUMBER NEXT ASSEMBLY QTY UFT SIGNATURE DATE REMOVE ALL BURRS AND SHARP EDGES			
								SCALE DWG NO. BS30E1007 SHEET 7 OF 22 SHTS			

PLOT DATE 4-19-85



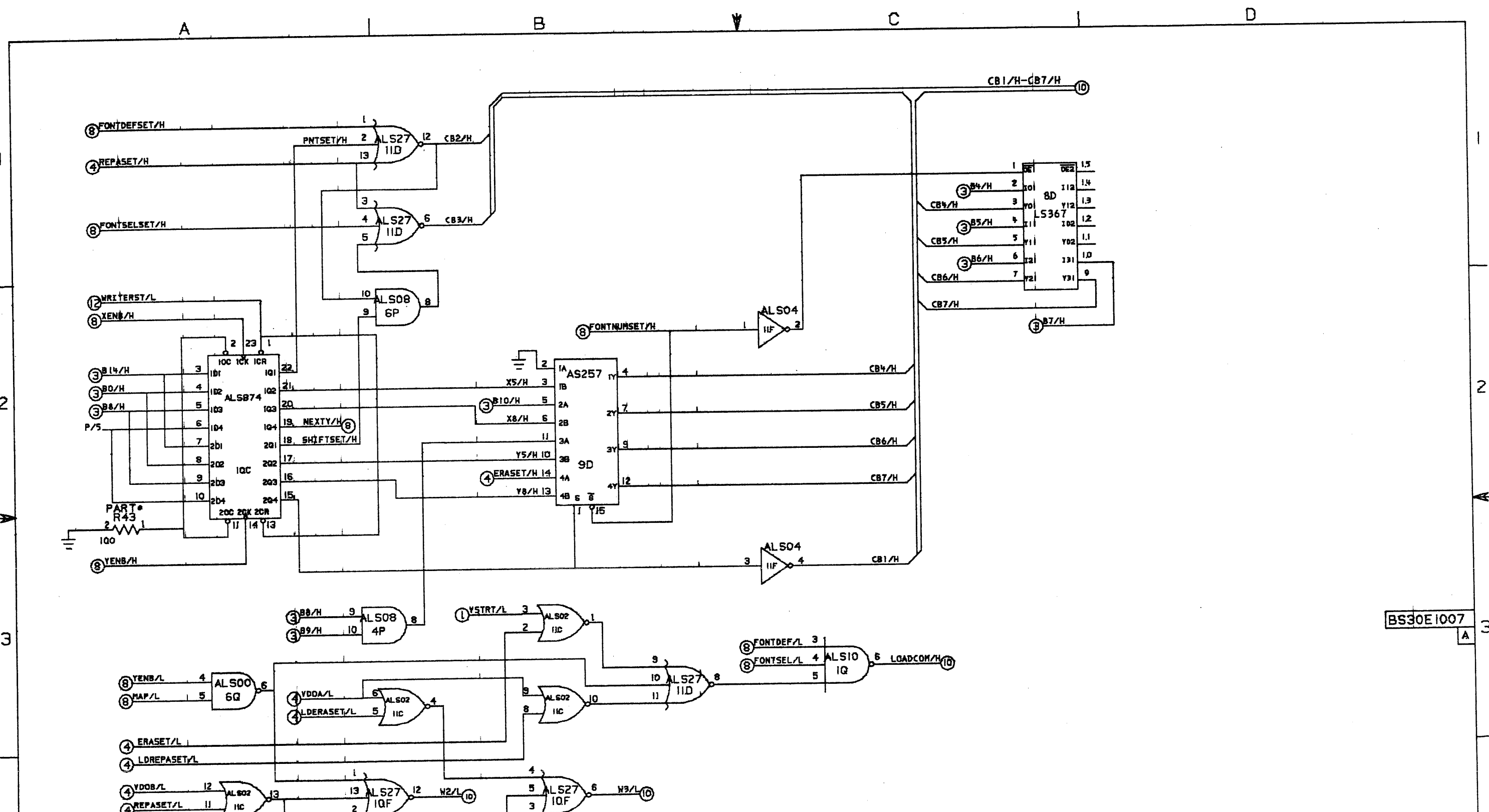
200X COMMAND
WORD OP CODE
DECODE

DCH MODE CONTROL AND DECODE

THIS DRAWING CONTAINS INFORMATION PROPRIETARY TO COMPUTERVISION CORPORATION AND IS NOT TO BE USED OR REPRODUCED WITHOUT PERMISSION OF COMPUTERVISION.		TOLERANCES DECIMAL .001 - .010 .015 - .030 .035 - .050 FRACTIONAL 1/64 ANGLES 1/2° UNLESS OTHERWISE SPECIFIED		DATE: _____ BY: _____ CHECKED: _____ APPROVED: _____
MATERIAL:		JOB NO. _____ DATE: _____ SCALE: _____ SHEET NO. _____	REV. NO. _____ DESCRIPTION _____ CHK. APPRO. DATE _____	
FINISH:		CDR _____ ENGR _____ PROJ _____ DFT _____	CCI SCHEMATICS	
PART NUMBER _____ NEXT ASSEMBLY _____ QTY _____		SIGNATURE _____ DATE _____ REMOV. ALL DIMS AND SHARP EDGES	SCALE _____ DWG. NO. BS30E1007 SHEET 8 OF 22 SHTS	

PLOT DATE 4-19-85

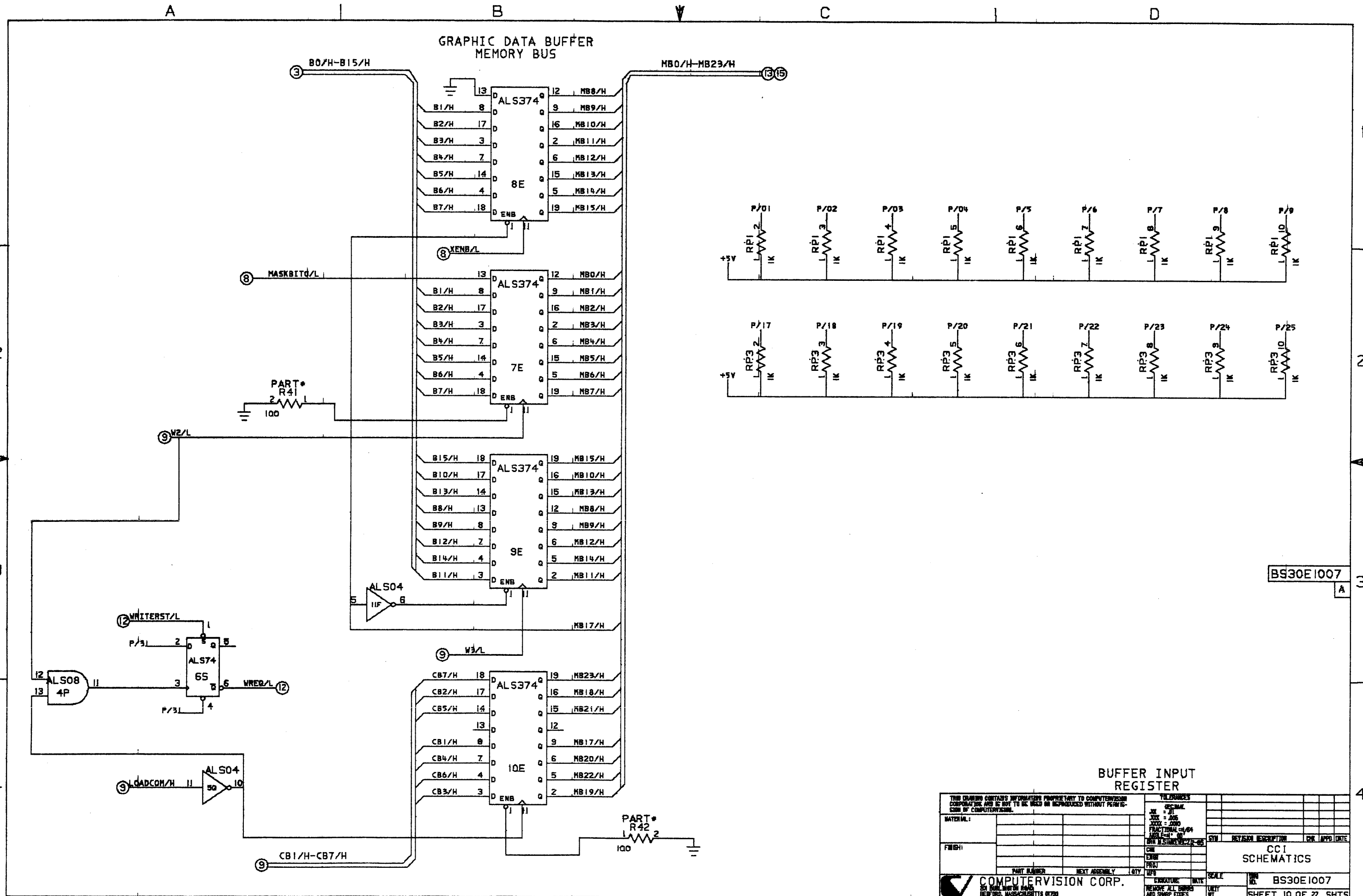
BS30E1007
A



BS30E1007
A

SERIAL OP CODE
WORD OUTPUT

<small>THIS DRAWING CONTAINS INFORMATION PROPRIETARY TO COMPUTERVISION CORPORATION AND IS NOT TO BE USED OR REPRODUCED WITHOUT PERMISSION OF COMPUTERVISION.</small>				<small>REVISIONS</small>	
<small>MATERIAL:</small>		<small>DATE:</small> JUN - 85 JULY - 85 AUGUST - 85 SEPTEMBER - 85 OCTOBER - 85 NOVEMBER - 85 DECEMBER - 85		<small>REVISED DESCRIPTION</small>	
<small>FINISH:</small>		<small>REVISED BY:</small>		<small>CHK APPD DATE</small>	
<small>PART NUMBER</small>		<small>NEXT ASSEMBLY</small>		<small>SCALE</small>	
<small>COMPUTERVISION CORP.</small> 38 BOWLING GREEN BURLINGTON, MASSACHUSETTS 01790		<small>SIGNATURE</small>		<small>DATE</small>	
<small>REMOVE ALL DRUGS AND SHARP EDGES</small>		<small>UNIT</small>		<small>WT</small>	

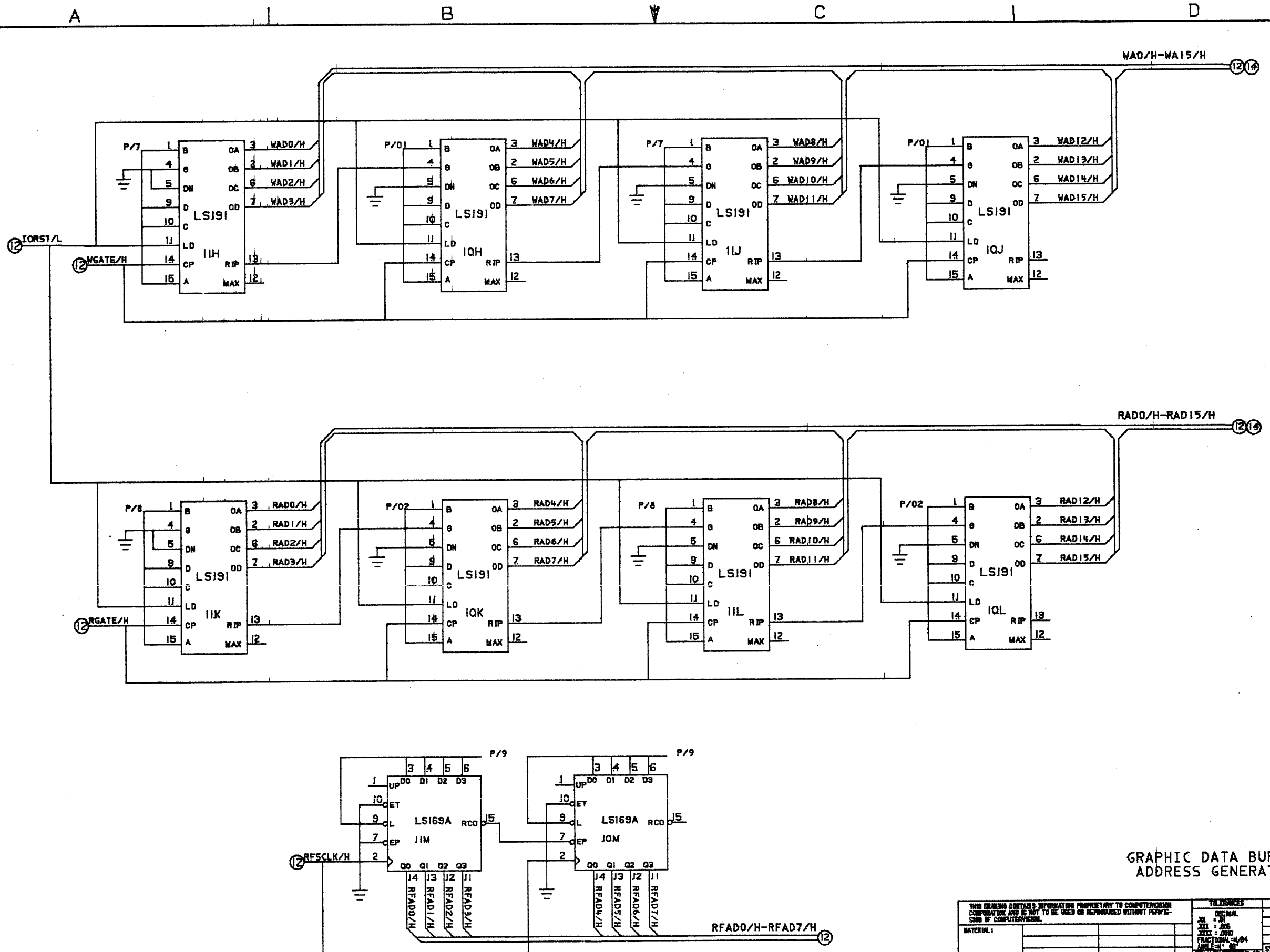


BS30E1007

BUFFER INPUT REGISTER

TOLERANCES			
INCH	DECIMAL		
.001	.005		
.002	.010		
FRACTIONAL	DECIMAL		
1/32"	.003125		
1/16"	.00625		
3/32"	.009375		
1/8"	.0125		
3/16"	.01875		
1/4"	.025		
5/16"	.03125		
3/8"	.0375		
7/16"	.04375		
1/2"	.05		
5/8"	.0625		
3/4"	.075		
7/8"	.0875		
1"	.1		
MATERIAL:			
FINISH:			
PART NUMBER: NEXT ASSEMBLY: QTY: UFG:			
SIGNATURE: DATE: SCALE: UNIT: WT:			
COMPUTERVISION CORP. BURLINGTON, MASSACHUSETTS 01793			
CC I SCHEMATICS			
PART NO. BS30E1007			
SHEET 10 OF 22 SHTS			

PLOT DATE 4-19-85

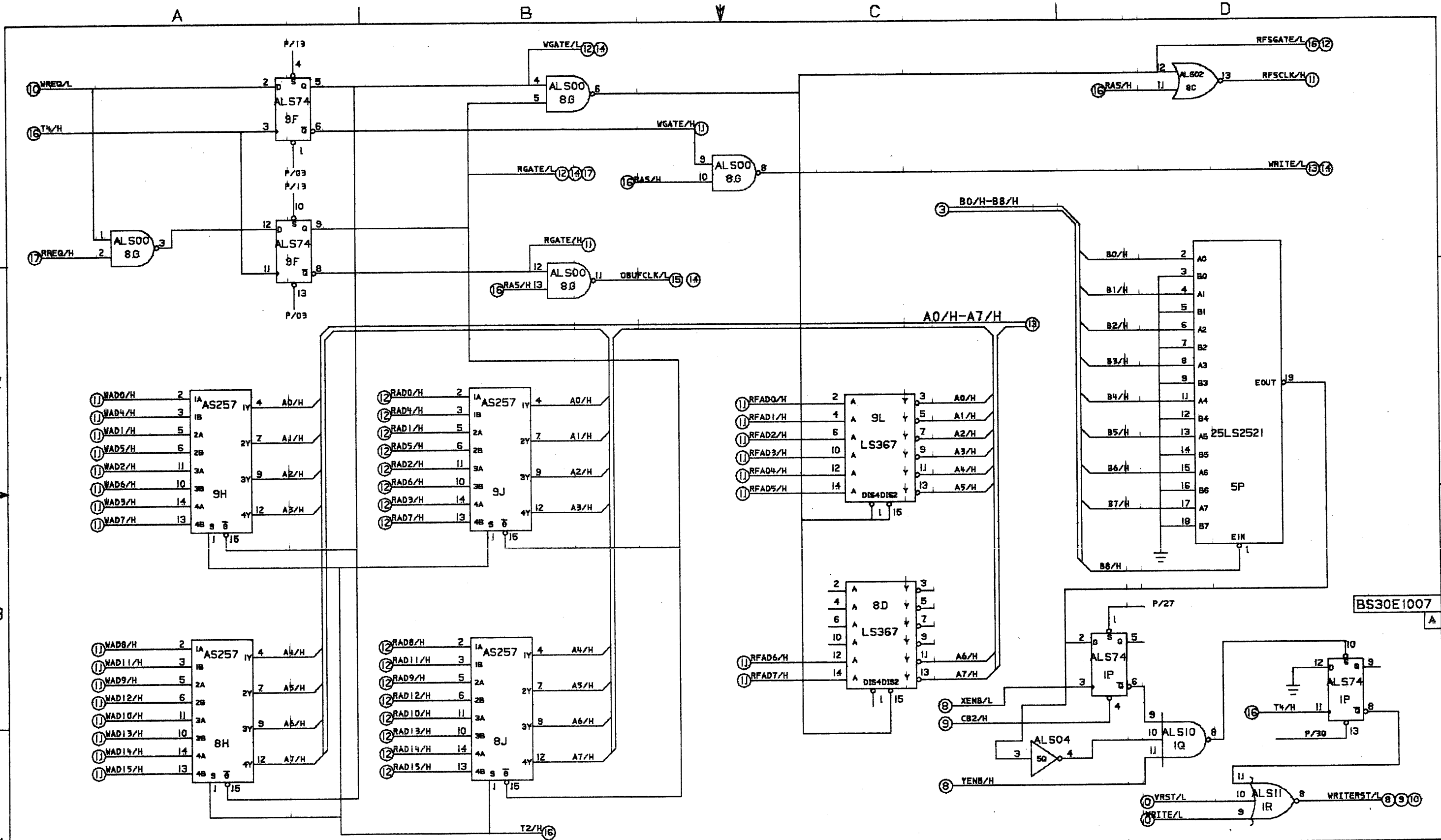


BS30E1007
A

GRAPHIC DATA BUFFER
ADDRESS GENERATOR

THIS DRAWING CONTAINS INFORMATION PROPRIETARY TO COMPUTERVISION CORPORATION AND IS NOT TO BE USED OR REPRODUCED WITHOUT PERMISSION OF COMPUTERVISION.		REVISIONS							
MATERIAL:		REV = 01							
FINISH:		DATE = 005							
		SCALE = 000							
		FRACTIONAL = 0/04							
		MFR = 00							
		MFR M518MEV212-05							
PART NUMBER		NEXT ASSEMBLY		QTY	UFG	SCALE	DRG NO.	BS30E1007	
COMPUTERVISION CORP.		SIGNATURE		DATE	SCALE	DRG NO.	SHEET 11 OF 22 SHTS		
200 BURLINGTON ROAD BEVERLY, MASSACHUSETTS 01703		REMOVE ALL BURRS AND SHARP EDGES		UNIT	WT				

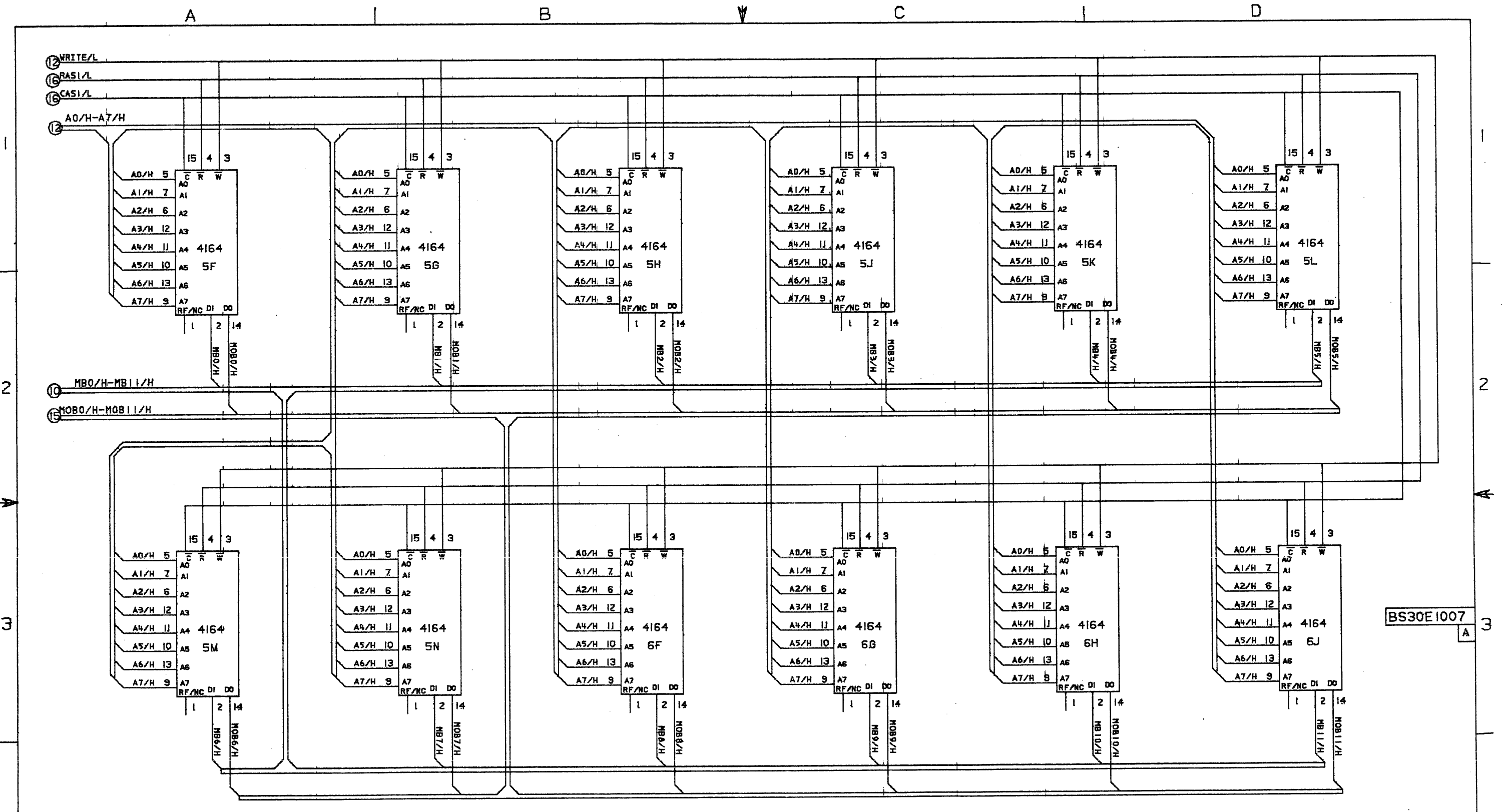
PLOT DATE 4-19-85



GRAPHIC DATA
BUFFER ADDRESS
MULTIPLEXER

THIS DRAWING CONTAINS INFORMATION PROPRIETARY TO COMPUTERVISION CORPORATION AND IS NOT TO BE USED OR REPRODUCED WITHOUT PERMISSION OF COMPUTERVISION.			
MATERIAL:		TOLERANCES: UNLESS NOTED OTHERWISE: DIMENSIONS - .005 ANGLES - .010 HOLE DIA. - .015 HOLE POS. - .015 MOUNTING HOLE DIA. - .015	
FINISH:		SYN. REVIEW DESCRIPTION: CKE APPD. DATE:	
PART NUMBER	NEXT ASSEMBLY	QTY.	SCALE
COMPUTERVISION CORP. 200 BURLINGTON ROAD BURLINGTON, MASSACHUSETTS 01780		DATE	REV. NO. BS30E1007
SIGNATURE		DATE	SCALE
REWORK ALL DIMENSIONS AND SURF EDGES		DATE	SCALE
SHEET 12 OF 22 SHOTS			DATE

PLOT DATE 4-19-85



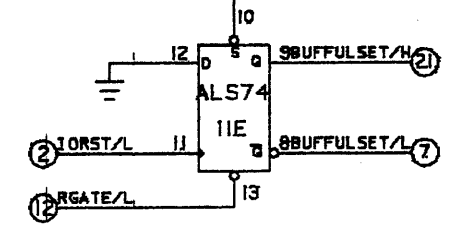
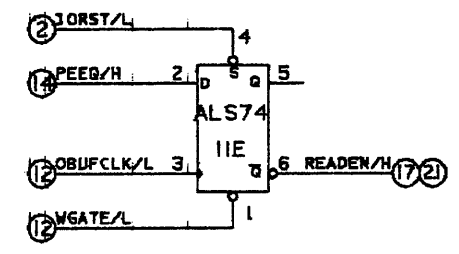
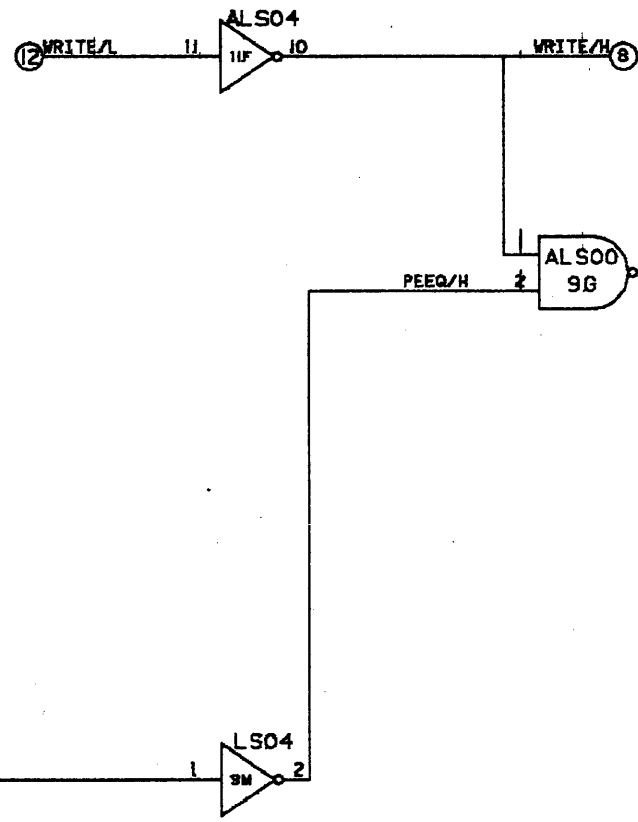
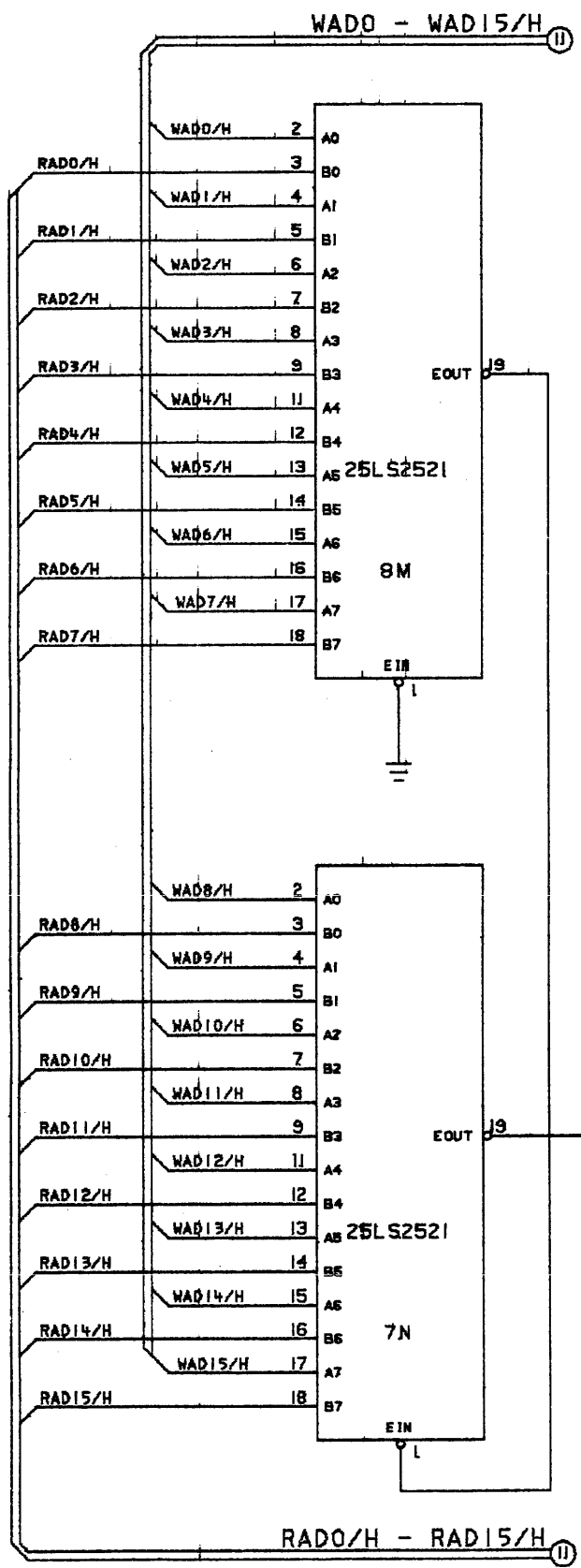
BS30E1007
A

GRAPHICS
DATA BUFFER

THIS DRAWING CONTAINS INFORMATION PROPRIETARY TO COMPUTERVISION CORPORATION AND IS NOT TO BE USED OR REPRODUCED WITHOUT PERMISSION OF COMPUTERVISION.		TOLERANCES	
MATERIAL:		DECIMAL	
FINISH:		XXX ± .005	
		FRACTIONAL ±.004	
		UNLESS OTHERWISE SPECIFIED	
		SEE DRAWING FOR DIMENSIONS	
PART NUMBER	NEXT ASSEMBLY	QTY	DATE
COMPUTERVISION CORP.		SCALE	
20 BURLINGTON ROAD		NO. BS30E1007	
BEVERLY, MASSACHUSETTS 01730		SHEET 13 OF 22 SHOTS	

PLOT DATE 4-19-85

A B C D



BS30E1007
A

GRAPHIC DATA BUFFER
ADDRESS COMPARATOR

<small>THIS DRAWING CONTAINS INFORMATION PROPRIETARY TO COMPUTERVISION CORPORATION AND IS NOT TO BE USED OR REPRODUCED WITHOUT PERMISSION OF COMPUTERVISION.</small>		<small>TELEPHONES</small> 508-532-2000 508-532-2001 508-532-2002 508-532-2003 508-532-2004 508-532-2005 508-532-2006 508-532-2007 508-532-2008 508-532-2009 508-532-2010 508-532-2011 508-532-2012 508-532-2013 508-532-2014 508-532-2015 508-532-2016 508-532-2017 508-532-2018 508-532-2019 508-532-2020 508-532-2021 508-532-2022 508-532-2023 508-532-2024 508-532-2025 508-532-2026 508-532-2027 508-532-2028 508-532-2029 508-532-2030 508-532-2031 508-532-2032 508-532-2033 508-532-2034 508-532-2035 508-532-2036 508-532-2037 508-532-2038 508-532-2039 508-532-2040 508-532-2041 508-532-2042 508-532-2043 508-532-2044 508-532-2045 508-532-2046 508-532-2047 508-532-2048 508-532-2049 508-532-2050 508-532-2051 508-532-2052 508-532-2053 508-532-2054 508-532-2055 508-532-2056 508-532-2057 508-532-2058 508-532-2059 508-532-2060 508-532-2061 508-532-2062 508-532-2063 508-532-2064 508-532-2065 508-532-2066 508-532-2067 508-532-2068 508-532-2069 508-532-2070 508-532-2071 508-532-2072 508-532-2073 508-532-2074 508-532-2075 508-532-2076 508-532-2077 508-532-2078 508-532-2079 508-532-2080 508-532-2081 508-532-2082 508-532-2083 508-532-2084 508-532-2085 508-532-2086 508-532-2087 508-532-2088 508-532-2089 508-532-2090 508-532-2091 508-532-2092 508-532-2093 508-532-2094 508-532-2095 508-532-2096 508-532-2097 508-532-2098 508-532-2099 508-532-2100			
MATERIAL:		REV	DESCRIPTION	CHK	APP'D DATE
FINISH:		CM			
		ENR			
		PRJ			
		UPR			
PART NUMBER NEXT ASSEMBLY QTY		SIGNATURE DATE		SCALE DWG NO.	
COMPUTERVISION CORP. 24 BURLINGTON ROAD BURLINGTON, MASSACHUSETTS 01730		REMOVE ALL DIMS AND SHARP EDGES		BS30E1007 SHEET 14 OF 22 SHTS	

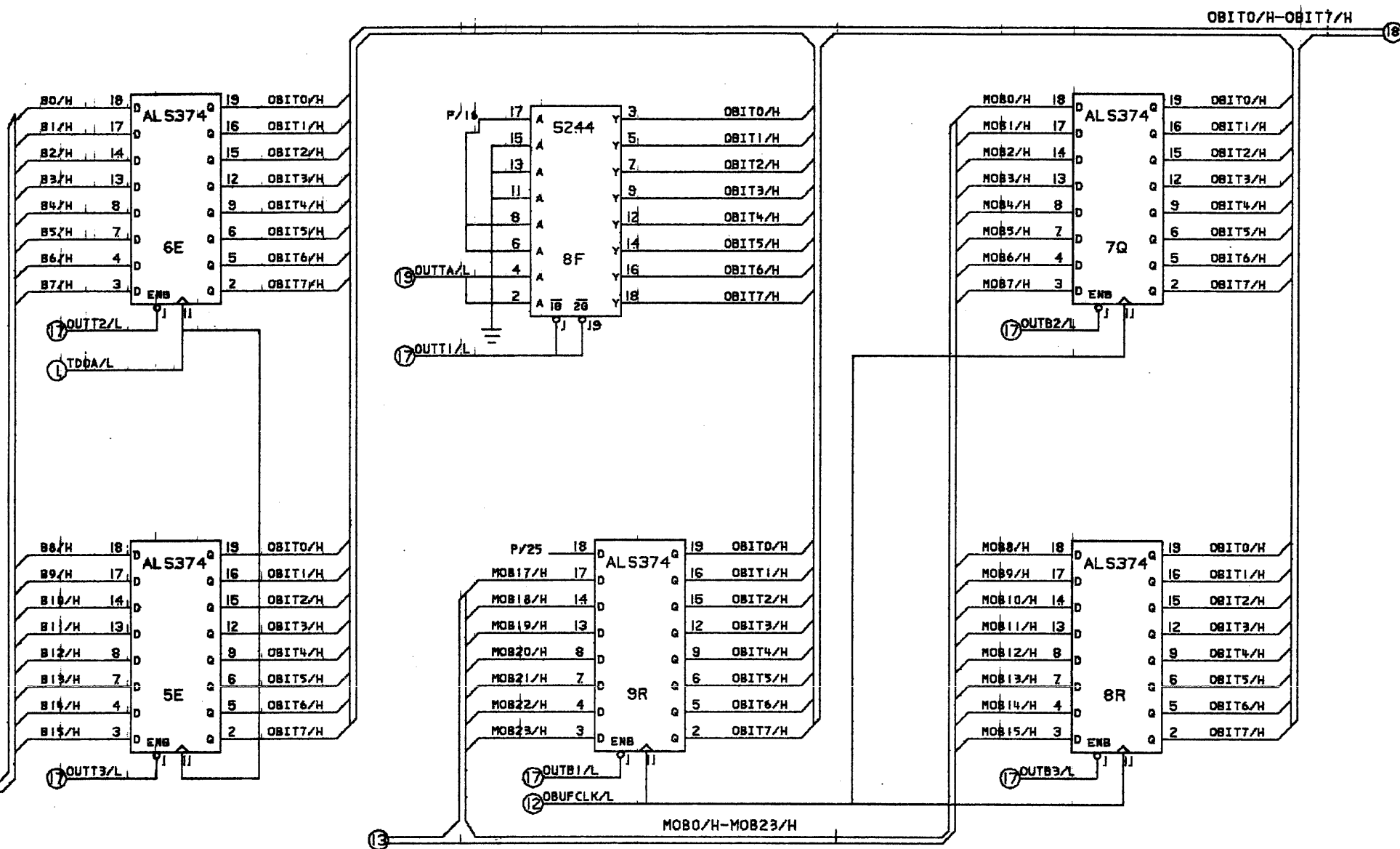
PLOT DATE 4-19-85

A

B

C

D

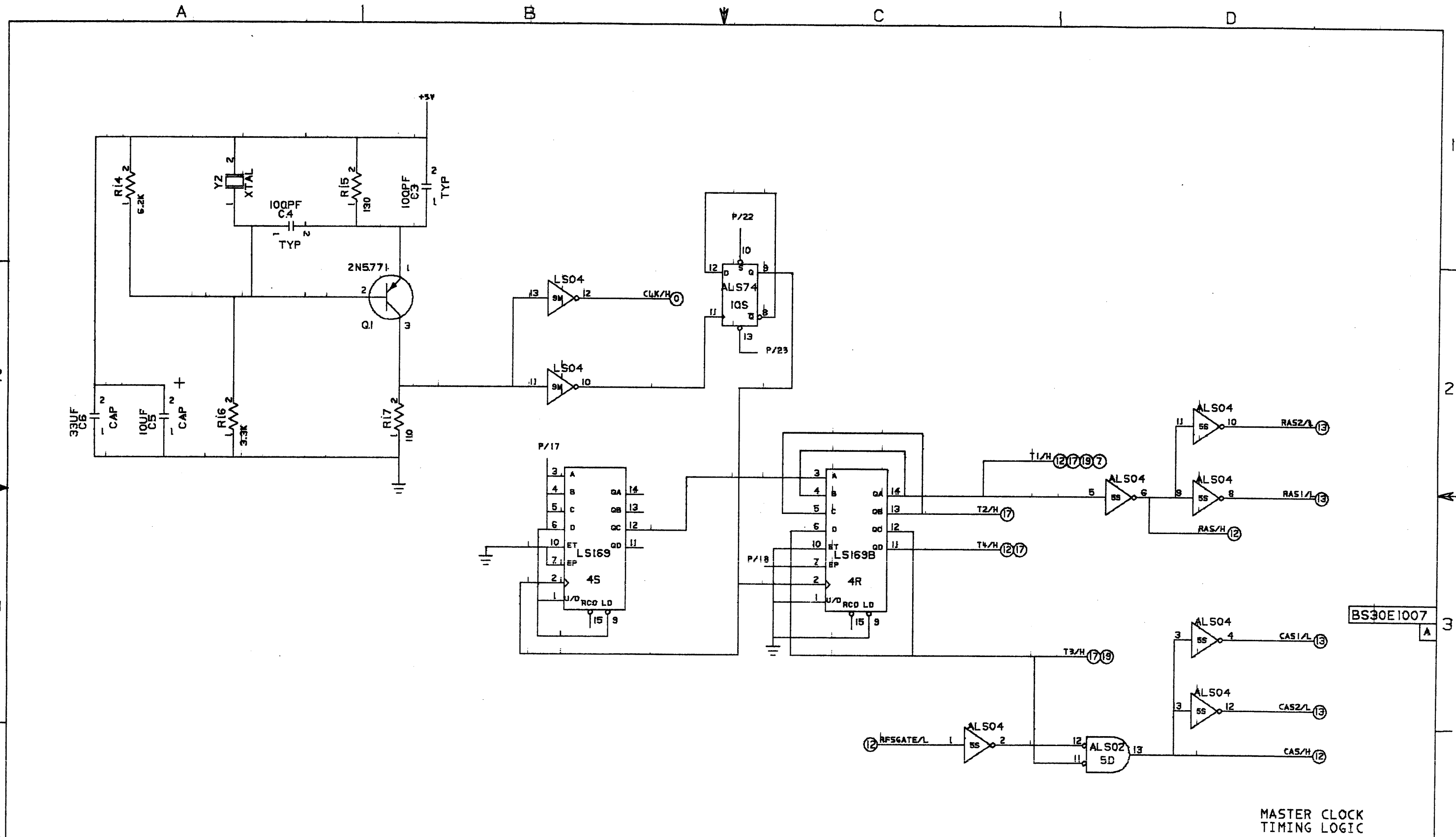


BS30E1007
A

OUTPUT MULTIPLEXER

THIS DRAWING CONTAINS INFORMATION PROPRIETARY TO COMPUTERTVISION CORPORATION AND IS NOT TO BE USED OR REPRODUCED WITHOUT PERMISSION OF COMPUTERTVISION.				TOLERANCES			
				INCHES FRACTIONS			
				DECIMAL			
				XXX = .005			
				XXXX = .0005			
				FUNCTIONAL = 0.004			
				ASSEMBLY = 0.004			
				BY: K.S. MERRILL/2-85			
				DATE: REVISED DESCRIPTION: CCR APP'D DATE:			
				CC1 SCHEMATICS			
PMT NUMBER				NEXT ASSEMBLY			
QTY				DATE			
SCALE				DRAWING DATE			
COMPUTERTVISION CORP. 25 BURLINGTON ROAD BURLINGTON, MASSACHUSETTS 01790				SCALE: 1:1 DATE: 4-19-85 UNIT: INCH			
				DRAWING NO: BS30E1007			
				SHEET 15 OF 22 SHTS			

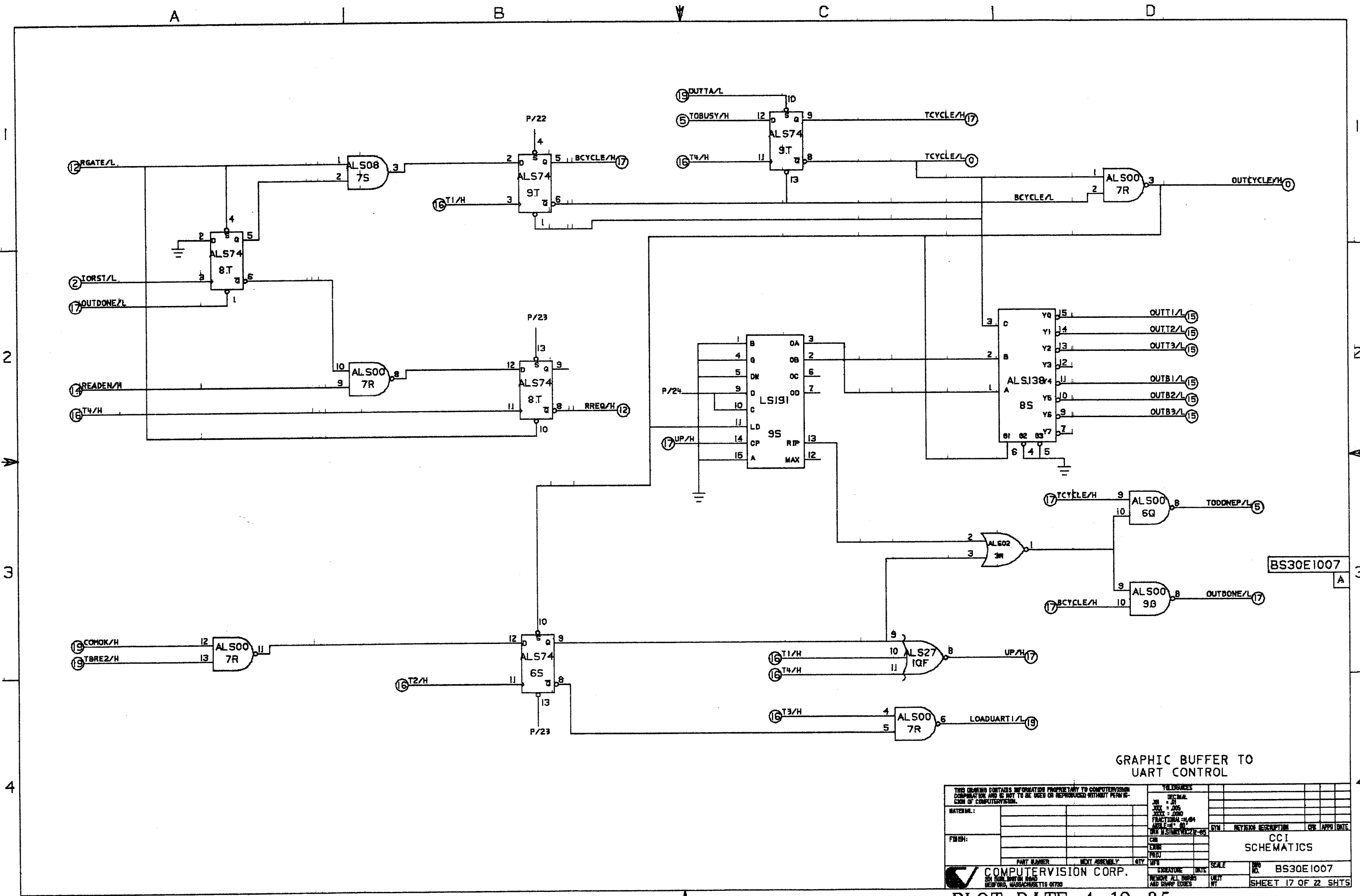
PLOT DATE 4-19-85



MASTER CLOCK
TIMING LOGIC

THIS DRAWING CONTAINS INFORMATION PROPRIETARY TO COMPUTERVISION CORPORATION AND IS NOT TO BE USED OR REPRODUCED WITHOUT PERMISSION OF COMPUTERVISION.		YIELDANCES			
MATERIAL:		DRG. NO.	01		
		REV.	005		
		DATE	02/85		
		FRACTION	1/64		
		SCALE	1:1		
FINISH:		REVISED DESCRIPTION	CC1 SCHEMATICS	CHK APPR DATE	
		CHK			
		ENGR			
		PRJ			
		DATE			
		SCALE			
		UNIT			
		WT			
COMPUTERVISION CORP. 50 BURLINGTON ROAD BURLINGTON, MASSACHUSETTS 01703		SHEET 16 OF 22 SHOTS		BS30E1007	

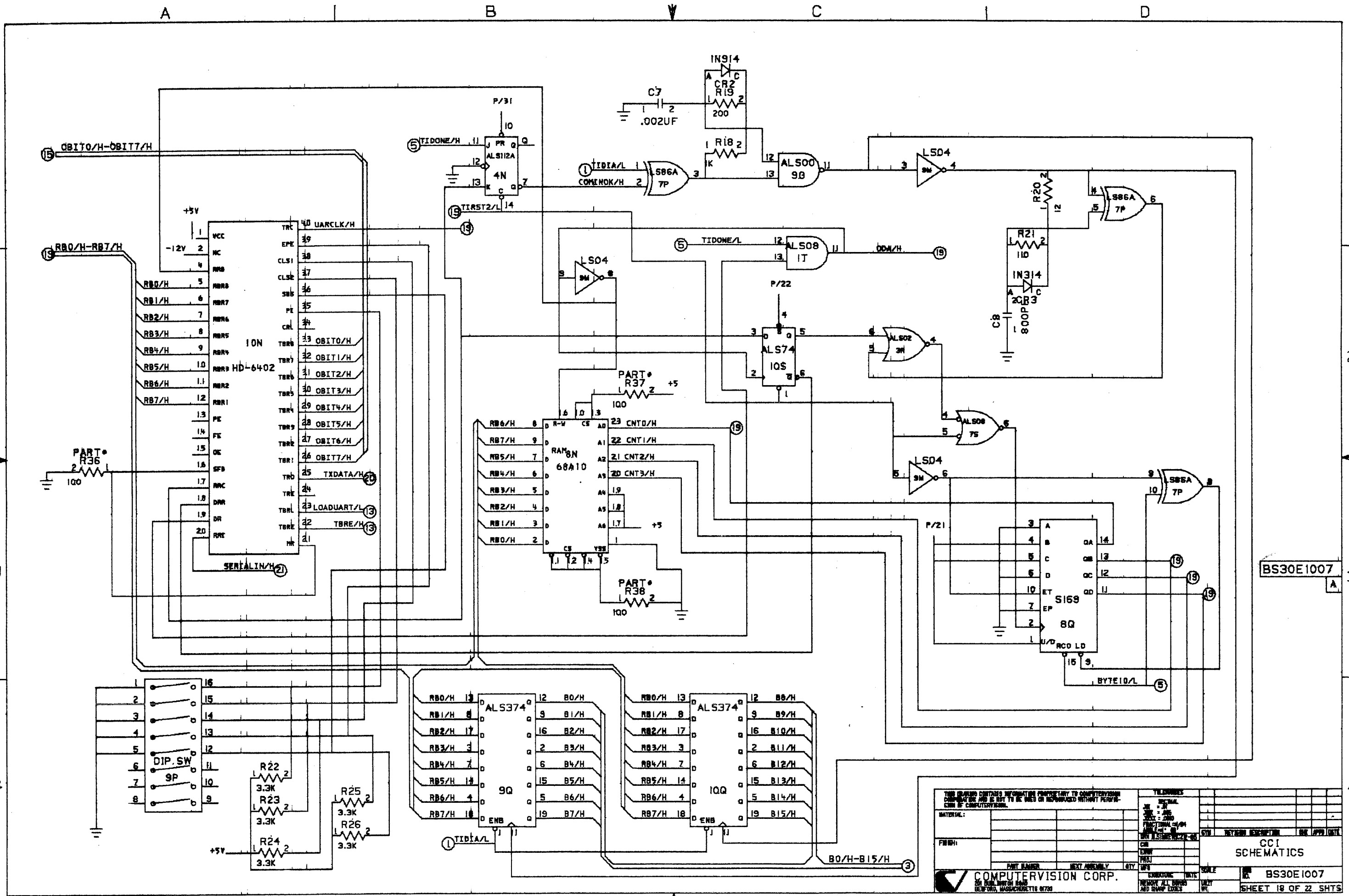
PLOT DATE 4-19-85



GRAPHIC BUFFER TO
UART CONTROL

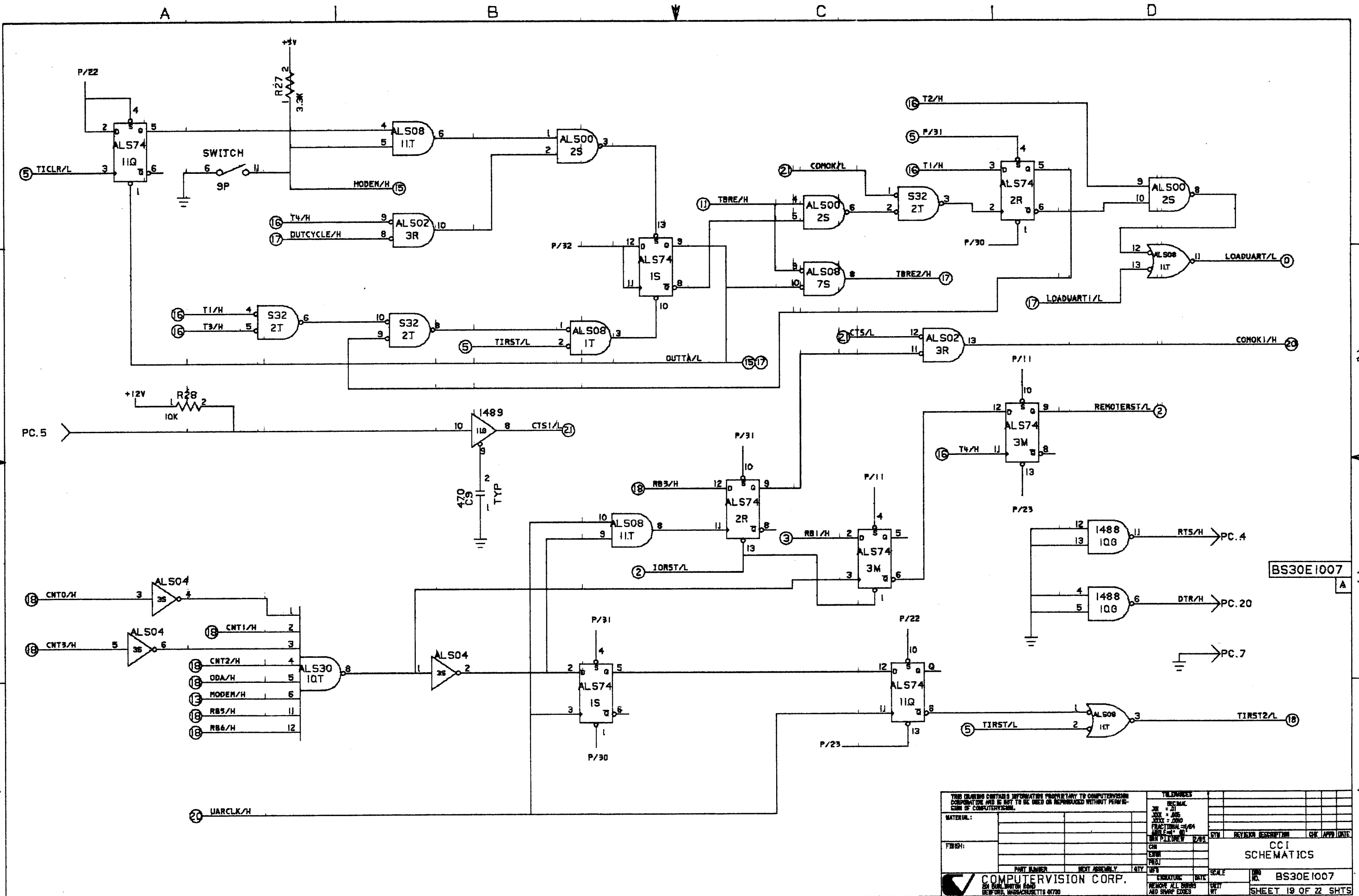
THIS DRAWING CONTAINS INFORMATION PROPRIETARY TO COMPUTERVISION CORPORATION AND IS NOT TO BE USED OR REPRODUCED WITHOUT PERMISSION OF COMPUTERVISION.		TOLERANCES DECIMAL .01 ± .01 .005 ± .005 FRACTIONS 1/16 .001 ± .001 UNLESS OTHERWISE SPECIFIED			
MATERIAL:					
FINISH:					
PART NUMBER	NEXT ASSEMBLY	QTY	UFG	SCALE	DATE
COMPUTERVISION CORP.			SIGNATURE	DATE	
200 BURLINGTON ROAD BURLINGTON, MASSACHUSETTS 01790			REWORK ALL BORDERS AND SHARP EDGES	UNIT WT	
				NO. BS30E1007	
				SHEET 17 OF 22 SHTS	

PLOT DATE 4-19-85



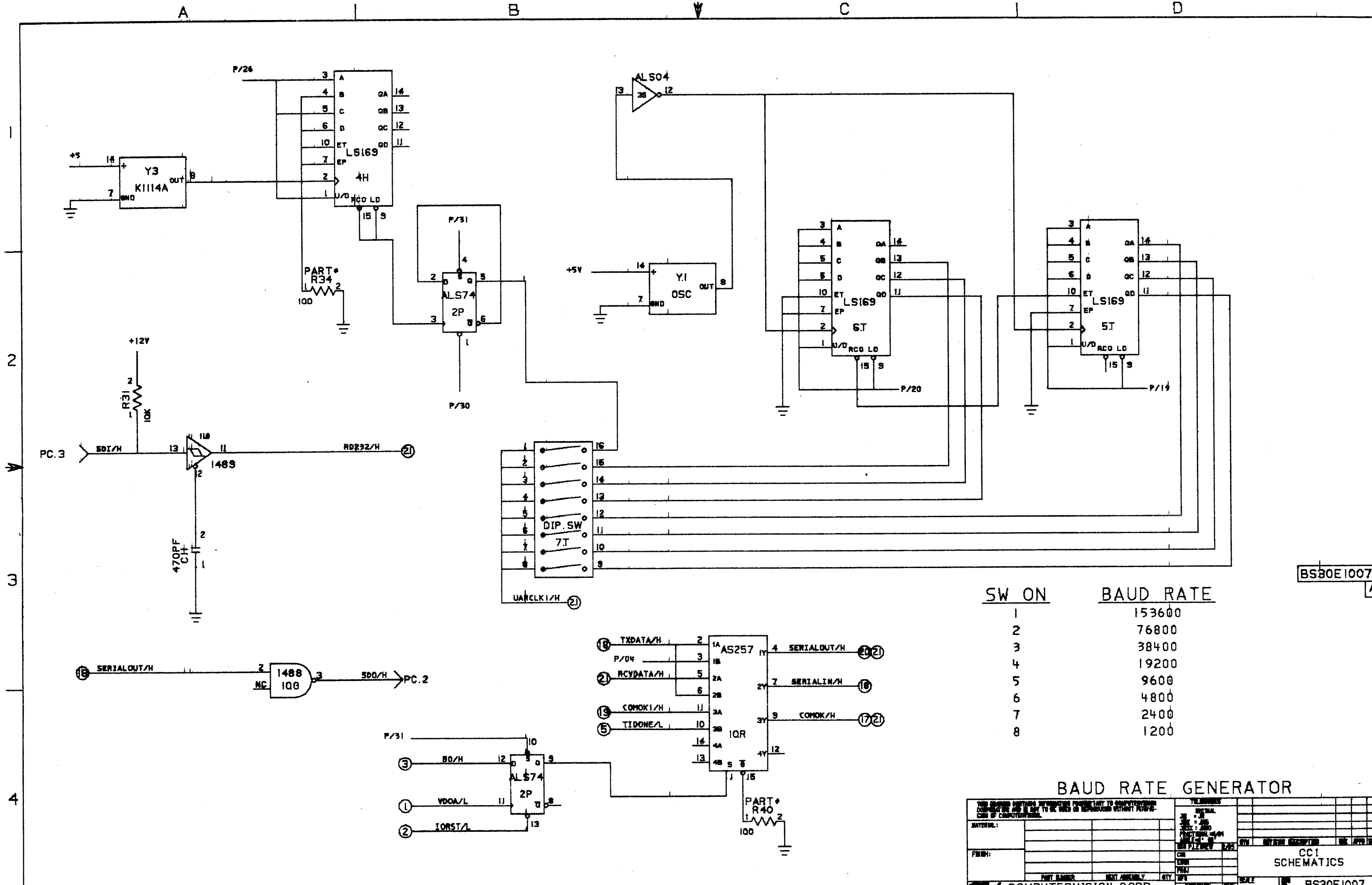
THIS DRAWING CONTAINS INFORMATION PROPRIETARY TO COMPUTERVISION CORPORATION AND IS NOT TO BE USED OR REPRODUCED WITHOUT PERMISSION OF COMPUTERVISION.		TOLERANCES UNLESS OTHERWISE SPECIFIED: RESISTORS: ±1% CAPACITORS: ±5% DIMENSIONS: ±.004" HOLE CIRCLES: ±.004"	
MATERIAL:		DATE:	
FINISH:		SCALE:	
PART NUMBER:		ENVELOPE:	
NEXT ASSEMBLY:		DATE:	
QTY:		UNIT:	
COMPUTERVISION CORP. 50 BURLINGTON ROAD BURLINGTON, MASSACHUSETTS 01703		CC I SCHEMATICS BS30E1007 SHEET 18 OF 22 SHOTS	

PLOT DATE 4-19-85



THIS DRAWING CONTAINS INFORMATION PROPRIETARY TO COMPUTERVISION CORPORATION AND IS NOT TO BE USED OR REPRODUCED WITHOUT PERMISSION OF COMPUTERVISION.				TOLERANCES DECIMAL IN = .01 XXX = .005 XXXX = .0005 FRACTIONS = 1/64 (UNLESS OTHERWISE SPECIFIED)					
MATERIAL:				DATE	REV	DESCRIPTION	CHK	APP'D	DATE
FINISH:									
PMT NUMBER				NEXT ASSEMBLY	QTY	UFS	SCALE		
COMPUTERVISION CORP. 200 BURLINGTON ROAD BURLINGTON, MASSACHUSETTS 01703				SIGNATURE		DATE	DWG NO. BS30E1007		
				REMOVE ALL DIMS AND SWAP EDGES		DATE	SHEET 19 OF 22 SHTS		

PLOT DATE 4-19-85



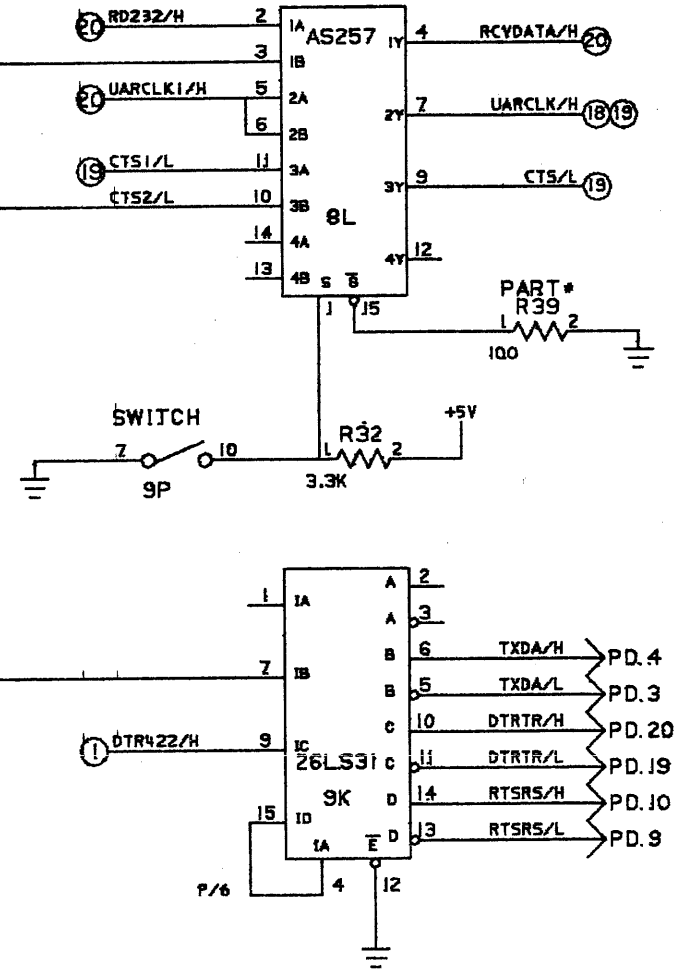
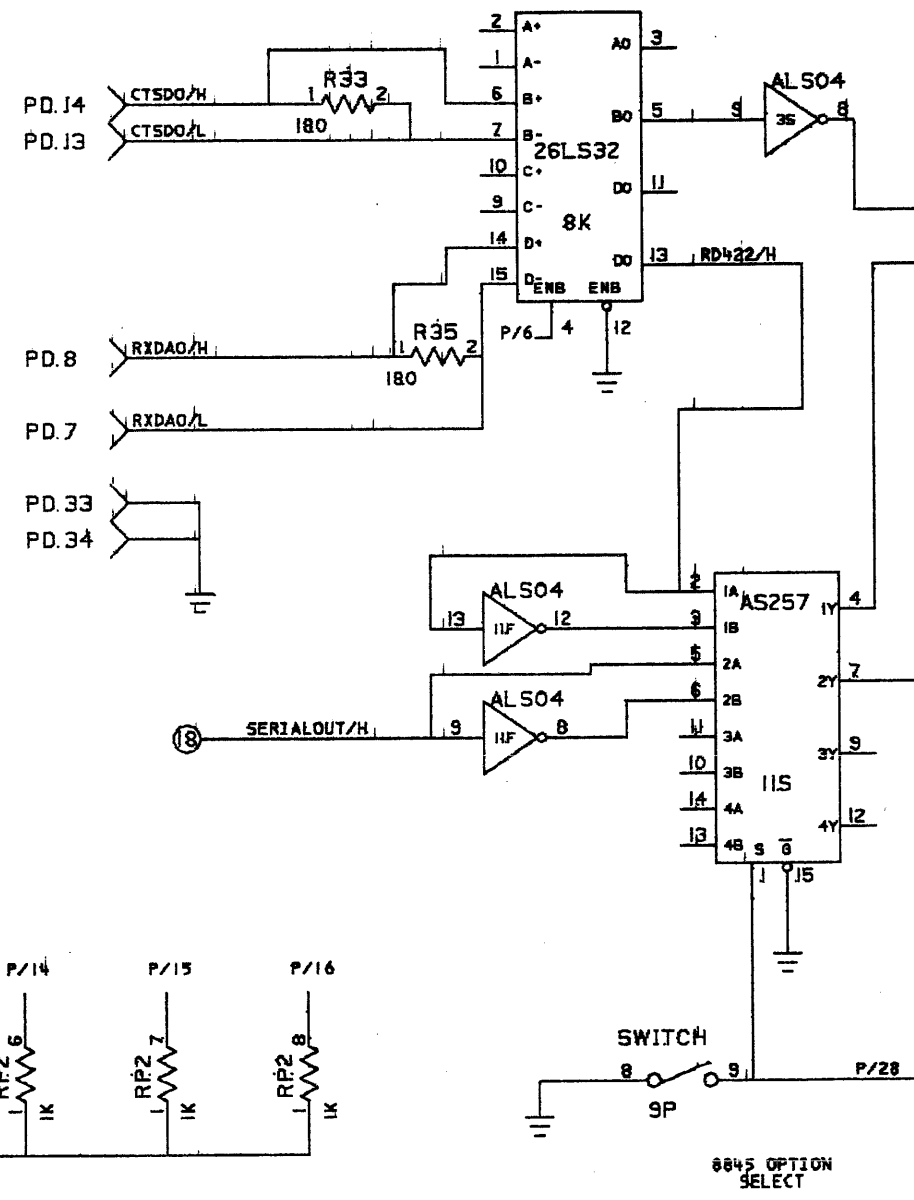
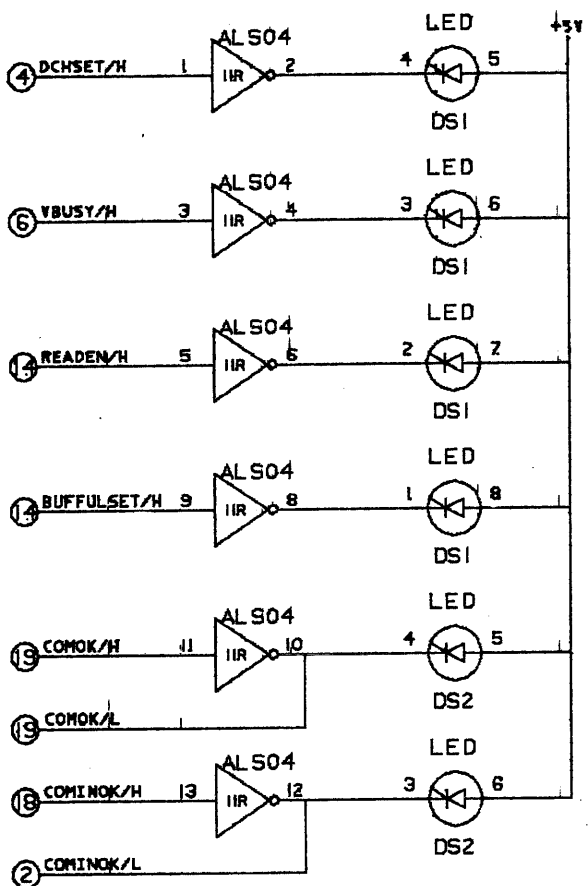
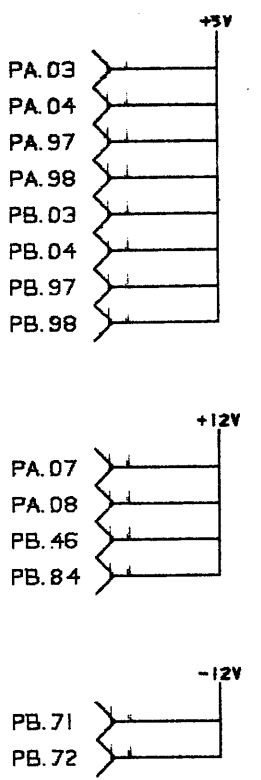
BS30E1007

BAUD RATE GENERATOR

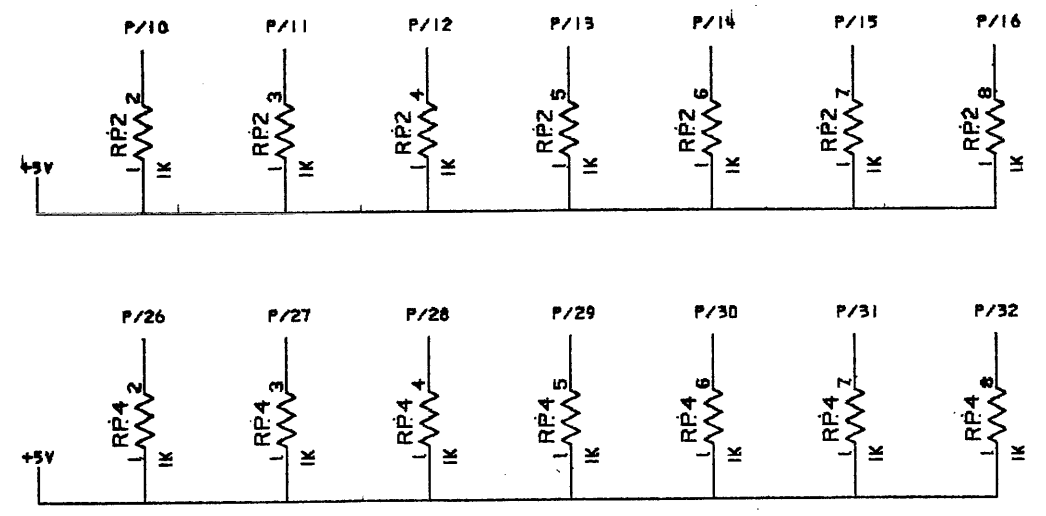
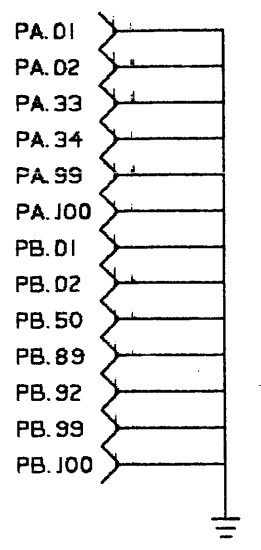
MATERIAL:		FINISH:		PART NUMBER:		NEXT ASSEMBLY:		QTY:		DATE:	
				COMPUTERVISION CORP.		SCALE:		BY:		DATE:	
				CC1 SCHEMATICS		BS30E1007				SHEET 20 OF 22 SHTS	

PLOT DATE 4-19-85

A B C D



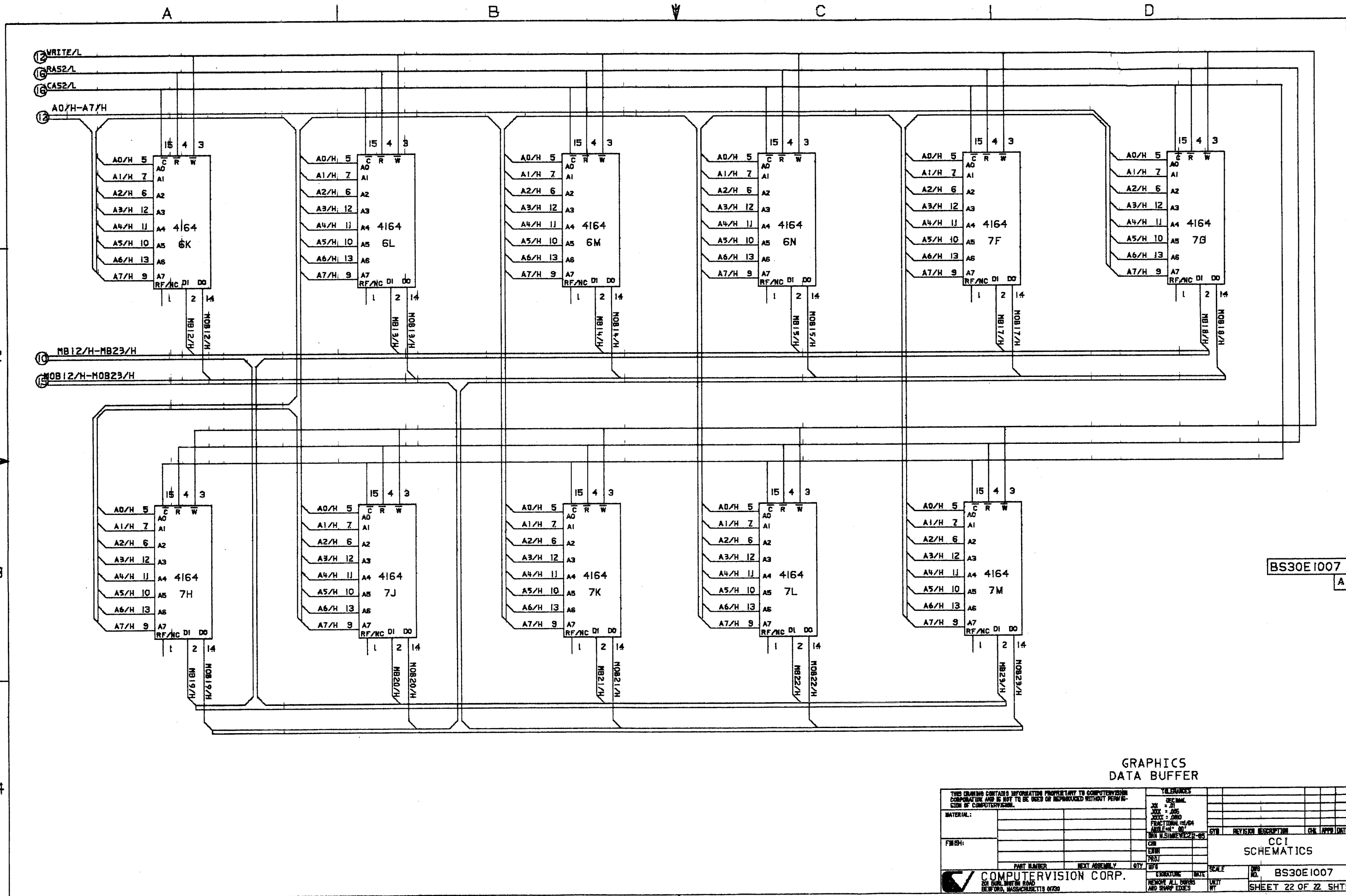
BACKPLANE POWER CONNECTIONS



BS30E1007

THIS DRAWING CONTAINS INFORMATION PROPRIETARY TO COMPUTERVERSION CORPORATION AND IS NOT TO BE USED OR REPRODUCED WITHOUT PERMISSION OF COMPUTERVERSION.		TOLERANCES DIM. - .01 DIM. - .005 DIM. - .002 FRACTIONAL - 1/64 ANGLES - 90°		REV	DESCRIPTION	OR APP. DATE
MATERIAL:						
FINISH:						
PART NUMBER	NEXT ASSEMBLY	QTY	DATE	SCALE		
COMPUTERVERSION CORP. 20 BULLWORTH ROAD BELLFLO, MASSACHUSETTS 01750				SIGNATURE	DATE	DWG NO. BS30E1007
				REMOVE ALL DIMS AND SWAMP EDGES	UNIT IN	SHEET 21 OF 22 SHTS

PLOT DATE 4-19-85



PLOT DATE 4-19-85