

THIS DRAWING AND THE SPECIFICATIONS CONTAINED HEREIN ARE CONFIDENTIAL AND PROPRIETARY. THEY ARE THE PROPERTY OF DIGITAL EQUIPMENT CORPORATION AND SHALL NOT BE REPRODUCED OR COPIED OR USED IN WHOLE OR IN PART AS THE BASIS FOR MANUFACTURE OR SALE OF ITEMS WITHOUT WRITTEN PERMISSION. THIS IS AN UNPUBLISHED WORK PROTECTED UNDER FEDERAL COPYRIGHT LAWS.

K-1C-RAB2-A-DBU4	RAB2 INTERCONNECT	K-AD-7021468-0-DBU	HDA-R/W MODULE ASSEMBLY
E-UA-H7660-0-0	H7660 POWER SUPPLY	K-PL-7021468-0-DBP	HDA-R/W MODULE ASSEMBLY
K-PL-H7660-0-DBP	H7660 POWER SUPPLY	K-1A-7021170-0-DBU	HEAD DISK ASSEMBLY
E-1C-H7660-0-2	H7660 POWER SUPPLY WIRING DIAGRAM	K-PL-7021170-0-DBP	HEAD DISK ASSEMBLY
E-AD-7018914-0-0	H7660 REAR PANEL ASSEMBLY	D-UA-5417760-0-B	HDA PREAMP MODULE
K-PL-7018914-0-DBP	H7660 REAR PANEL ASSEMBLY	K-PL-5417760-0-DBPB	HDA PREAMP MODULE
E-AD-7018919-0-0	H7660 FRONT PANEL ASSEMBLY	K-CS-5417760-0-B	HDA PREAMP MODULE
K-PL-7018919-0-DBP	H7660 FRONT PANEL ASSEMBLY		
E-UA-5414668-0-0	H7660 CONNECTOR BOARD		
K-PL-5414668-0-DBP	H7660 CONNECTOR BOARD		
D-CS-5414668-0-1	H7660 CONNECTOR BOARD		
D-UA-5415092-0-0	H7660 RELAY BOARD		
K-PL-5415092-0-DBP	H7660 RELAY BOARD		
D-CS-5415092-0-1	H7660 RELAY BOARD		
D-UA-5415094-0-0	H7660 CAPACITOR BOARD		
K-PL-5415094-0-DBP	H7660 CAPACITOR BOARD		
D-CS-5415094-0-1	H7660 CAPACITOR BOARD		
D-UA-5415096-0-0	H7660 REGULATOR BOARD		
K-PL-5415096-0-DBP	H7660 REGULATOR BOARD		
K-CS-5415096-0-1	H7660 REGULATOR BOARD		
D-UA-5414927-0-0	OPERATOR CONTROL PANEL		
K-PL-5414927-0-DBP	OPERATOR CONTROL PANEL		
K-CS-5414927-0-1	OPERATOR CONTROL PANEL		
D-UA-5416190-0-E	HYBRID MICROPROCESSOR MODULE		
K-PL-5416190-0-DBPE	HYBRID MICROPROCESSOR MODULE		
K-CS-5416190-0-E	HYBRID MICROPROCESSOR MODULE		
E-UA-5416188-0-D	SERVO CONTROL MODULE		
K-PL-5416188-0-DBPD	SERVO CONTROL MODULE		
K-CS-5416188-0-D	SERVO CONTROL MODULE		
D-UA-5416192-0-B	READ WRITE MODULE		
K-PL-5416192-0-DBPB	READ WRITE MODULE		
K-CS-5416192-0-B	READ WRITE MODULE		

digital

MAG MEDIA FILE NAME:

RAB2-A-TC-DBUS

PLOT SCALE:
1.0

TITLE
RAB2 FIELD MAINTENANCE
PRINT SET

SHEET 2 OF 2

SIZE CODE
K TC

NUMBER
RAB2-A-DBU

REV
B

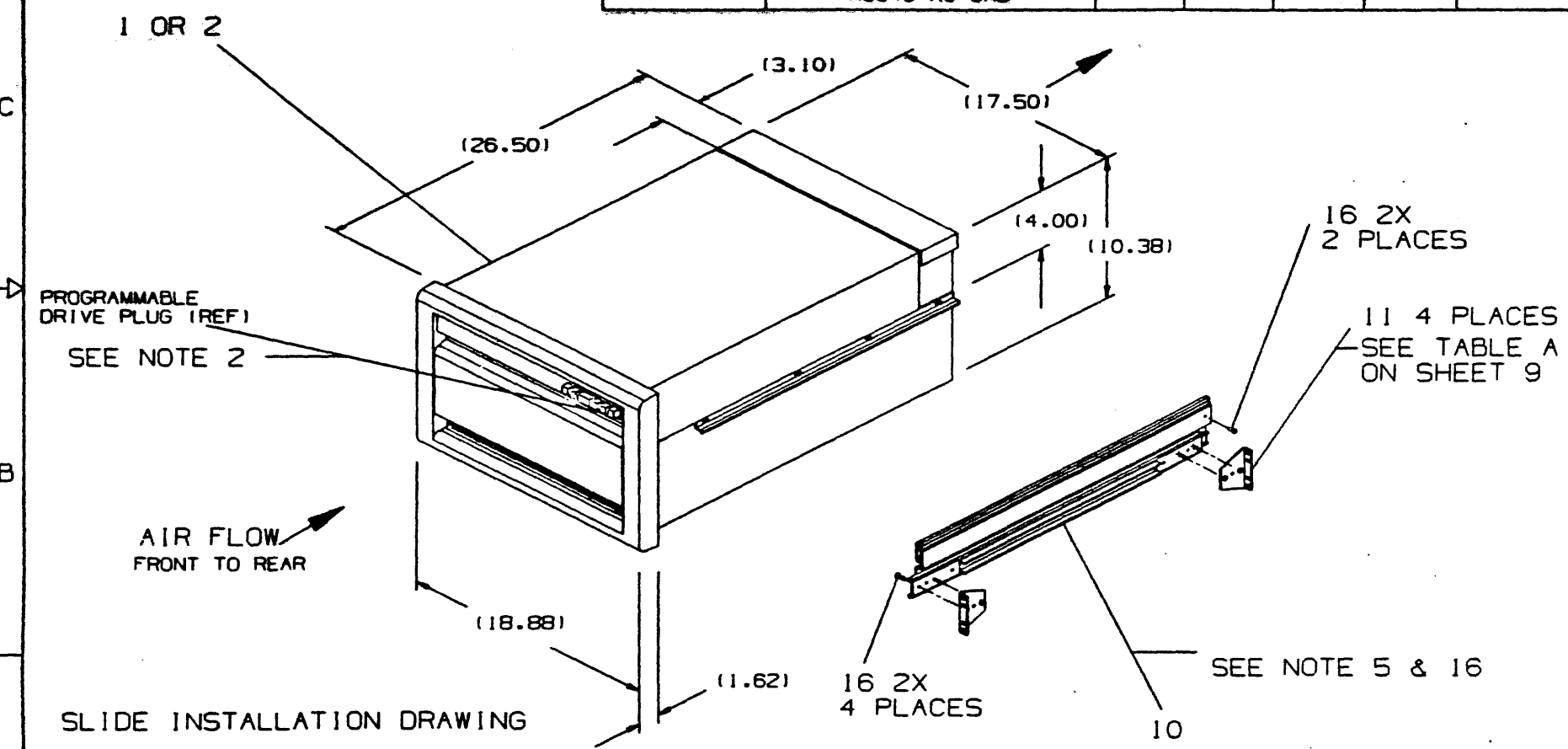
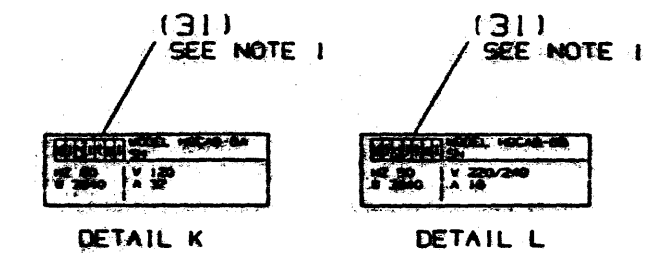
THIS DRAWING AND THE SPECIFICATIONS CONTAINED HEREIN ARE CONFIDENTIAL AND PROPRIETARY. THEY ARE THE PROPERTY OF GORDIAN EQUIPMENT CORPORATION AND SHALL NOT BE REPRODUCED OR COPIED OR USED IN WHOLE OR IN PART AS THE BASIS FOR THE MANUFACTURE OR SALE OF ITEMS WITHOUT WRITTEN PERMISSION. THIS IS AN ISOMETRIC VIEW ENGINEERED UNDER THE FEDERAL GOVERNMENT LABEL.

LEGEND

PART NO.	VARIATION	VOLT	FREQ	AMPS	WATTS	PART REV
RAB2-FA	(1) 16 BIT RAB2 IN H9646-AH CAB	120	60HZ	8	960	BI
RAB2-FD	(1) 16 BIT RAB2 IN H9646-AJ CAB	220/240	50HZ	4	960	BI
RAB2-KA	(2) 16 BIT RAB2 IN H9646-AH CAB	120	60HZ	16	1920	BI
RAB2-KD	(2) 16 BIT RAB2 IN H9646-AJ CAB	220/240	50HZ	8	1920	BI
RAB2-LA	(3) 16 BIT RAB2 IN H9646-AH CAB	120	60HZ	24	2880	BI
RAB2-LD	(3) 16 BIT RAB2 IN H9646-AJ CAB	220/240	50HZ	12	2880	BI
RAB2-JA	(4) 16 BIT RAB2 IN H9646-AH CAB	120	60HZ	32	3840	BI
RAB2-JD	(4) 16 BIT RAB2 IN H9646-AJ CAB	220/240	50HZ	16	3840	BI

NOTES:

1. MANUFACTURING ORGANIZATION TO COMPLETE LABEL INFORMATION ACCORDING TO DETAIL K OR L DEPENDING ON VOLTAGE OF POWER CONTROLLER.
2. REFER TO THE RAB2 DISK DRIVE USERS GUIDE PART NO. EK-ORAB2-UG FOR INSTALLATION OR PROCEDURE.
3. ASSEMBLY CRITERIA PER DEC STD 116 SEC. 5.
4. GENERAL TORQUE REQUIREMENTS PER A-SP-765328-0-0.
5. MOUNTING HOLES PER TABLE A, SHEET 9 MOUNTING INFO PER DETAILS E, AND J, SHEET 8.
6. LOCATE CABLE TIES (ITEM 20) APPROX 6 IN. APART. USE MAXIMUM SETTING ON THOMAS & BETTS TOOL NO. WT193 OR EQUIVALENT.
7. DRIVE SPINDLE SEQUENCE PLUG (ITEM 8) INSTALLS AT 'IN' POSITION.
8. USE EXISTING POWER SUPPLY HARDWARE. ATTACH TO ESD BRACKETS.
9. FOR DRIVE SPINDLE SEQUENCE IN ANOTHER CABINET, USE EXTERNAL DRIVE SEQUENCE CABLE ASSEMBLY, PART NO. 7019690-12. (IF DESIRED CHECK OTHER LENGTHS OFFERED.)
10. AT LEAST ONE BRACKET (ITEM 13) TO REMAIN CONNECTED TO REAR OF DRIVE WHEN DRIVE IS OPERATIONAL. (FUNCTIONAL ELECTROSTATIC DISCHARGE PATH)
11. WITH DRIVE FULLY EXTENDED, FASTEN CABLE TIES (ITEM 20) WITH MINIMUM AMOUNT OF EXCESS CABLE.
12. DRESS CABLES AND/OR EXCESS TO AVOID SNAGGING OR INTERFERENCE WITH SLIDE MOUNTED DISK DRIVES.
13. FOR COMPLETE PARTS LISTS, INSTRUCTIONS, AND ASSOCIATED HARDWARE TO MOUNT THESE PARTS, SEE THEIR ASSOCIATED ASSEMBLY DRAWINGS.
14. ITEM 26 (BC26V-12) TO BE SHIPPED AS LOOSE PIECE.
15. WHEN MOUNTING CHASSIS SLIDES TO FRAME, DO NOT TIGHTEN HARDWARE UNTIL THE RAB2 IS PLACED ON THE SLIDES AND CENTERED, THEN ALLOW SCREWS TO REST AT THE BOTTOM OF THEIR RESPECTIVE HOLES, THEN TIGHTEN. FAILURE TO DO SO MAY RESULT IN INTERLOCK INOPERATION.



REVISION HISTORY

DATE	ECO NUMBER	RELEASE TO	BY
		DOUGLAS G. EASTMAN	

TOLERANCES	
INCHES	ANGLES
.125 ± .01	40° ± 30'
.001 ± .002	
.001 ± .005	

SURFACE QUALITY: 10

CAUTION: OFF-SHEET PARTS LIST EXISTS. SEE K-PL-RAB2-X-DBP (CX3051).
TOP DOC: K-UA-RAB2-X-DBU
MAG MEDIA FILE NAME: RAB2-IX-DBUA
DATA BASE 1/1, PLOT A' .25

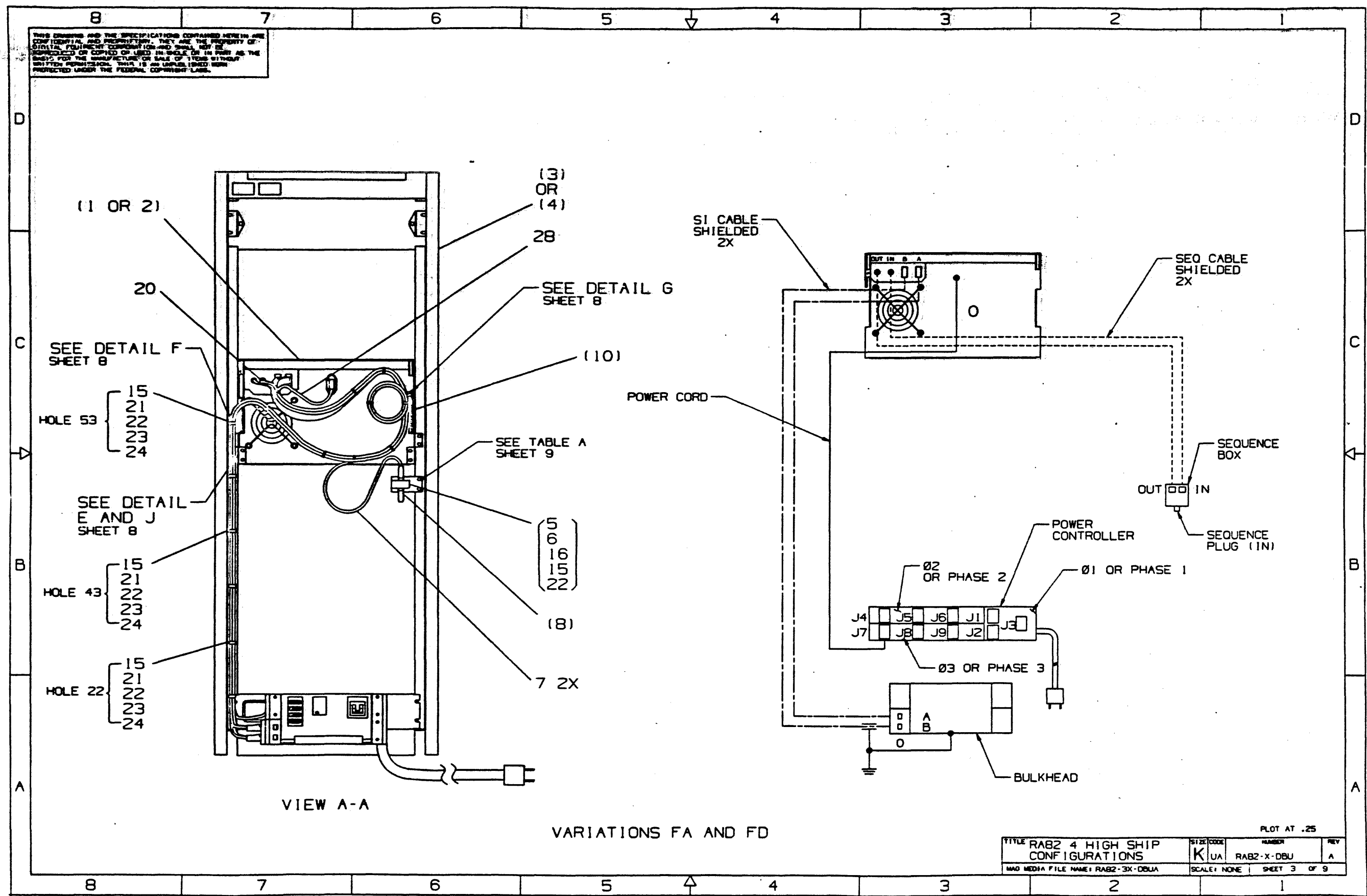
THIRD ANGLE PROJECTION		DO NOT SCALE DRAWING		REMOVE BURRS AND BREAK SHARP CORNERS		MATERIAL SEE PARTS LIST		FINISH NONE	
DRW	M. NORVELL	DATE	SMARBS	DRW	D. MILLER	DATE		DRW	J. NORDBERG
DRW	G. EASTMAN	DATE	5 MAY 66	DRW	H. LAFURES!	DATE		DRW	

TITLE: RAB2 4 HIGH SHIP CONFIGURATIONS

DOCUMENT NUMBER: K UA RAB2-X-DBU A

SCALE: NONE SHEET 1 OF 9

THIS DRAWING AND THE SPECIFICATIONS CONTAINED HEREIN ARE CONFIDENTIAL AND PROPRIETARY. THEY ARE THE PROPERTY OF ORIGINAL EQUIPMENT CORPORATION AND SHALL NOT BE REPRODUCED OR COPIED OR USED IN WHOLE OR IN PART AS THE BASIS FOR THE MANUFACTURE OR SALE OF ITEMS WITHOUT WRITTEN PERMISSION. THIS IS AN UNPUBLISHED DRAWING PROTECTED UNDER THE FEDERAL COPYRIGHT LAWS.



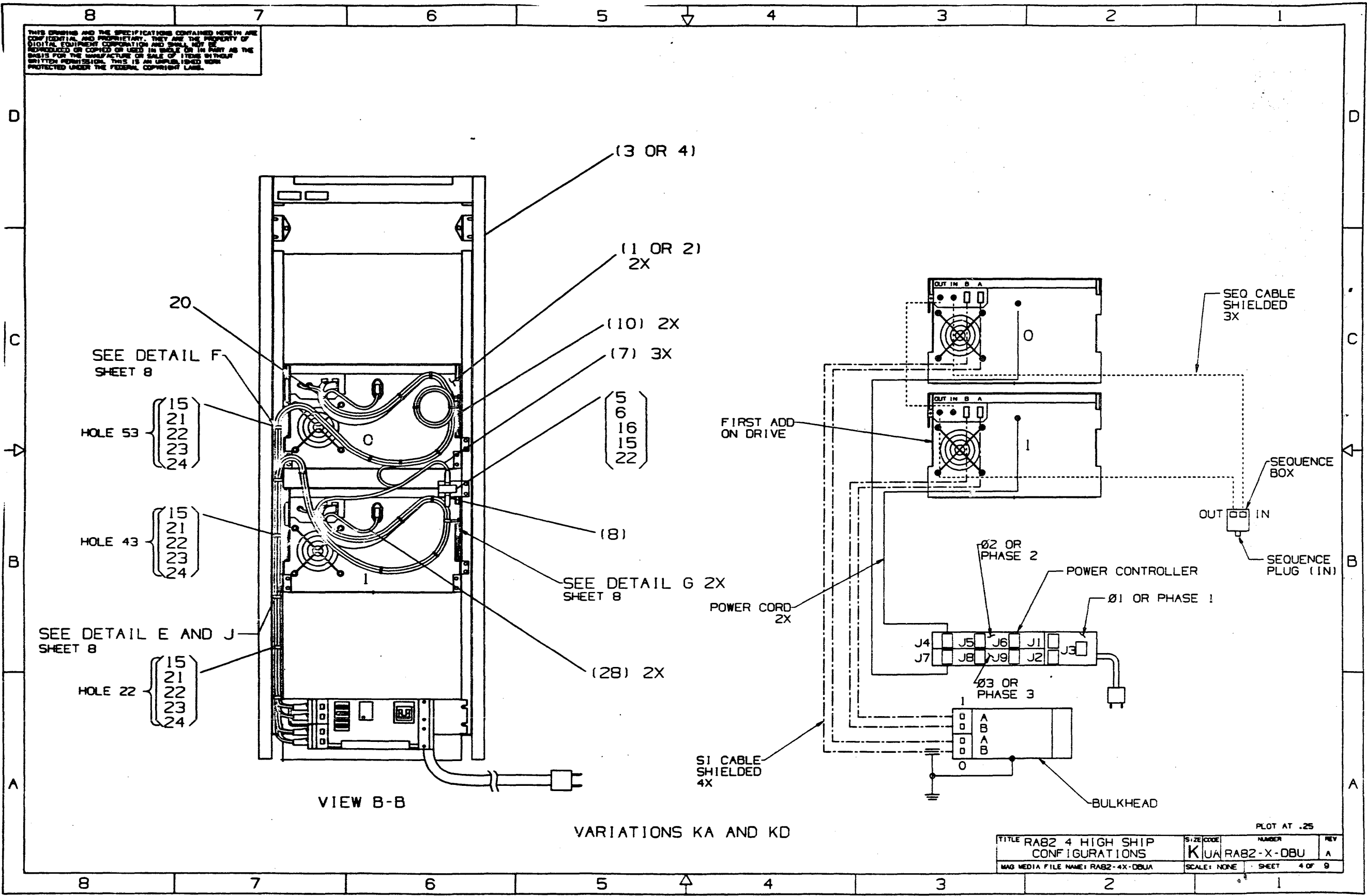
VIEW A-A

VARIATIONS FA AND FD

PLOT AT .25

TITLE RAB2 4 HIGH SHIP CONFIGURATIONS		SIZE CODE K	NUMBER RAB2-X-DBU	REV A
MAG MEDIA FILE NAME RAB2-3X-DBU.A		SCALE NONE	SHEET 3 OF 9	

THIS DRAWING AND THE SPECIFICATIONS CONTAINED HEREIN ARE CONFIDENTIAL AND PROPRIETARY. THEY ARE THE PROPERTY OF DIGITAL EQUIPMENT CORPORATION AND SHALL NOT BE REPRODUCED OR COPIED OR USED IN WHOLE OR IN PART AS THE BASIS FOR THE MANUFACTURE OR SALE OF ITEMS WITHOUT WRITTEN PERMISSION. THIS IS AN UNCLASSIFIED WORK PROTECTED UNDER THE FEDERAL COPYRIGHT LAWS.



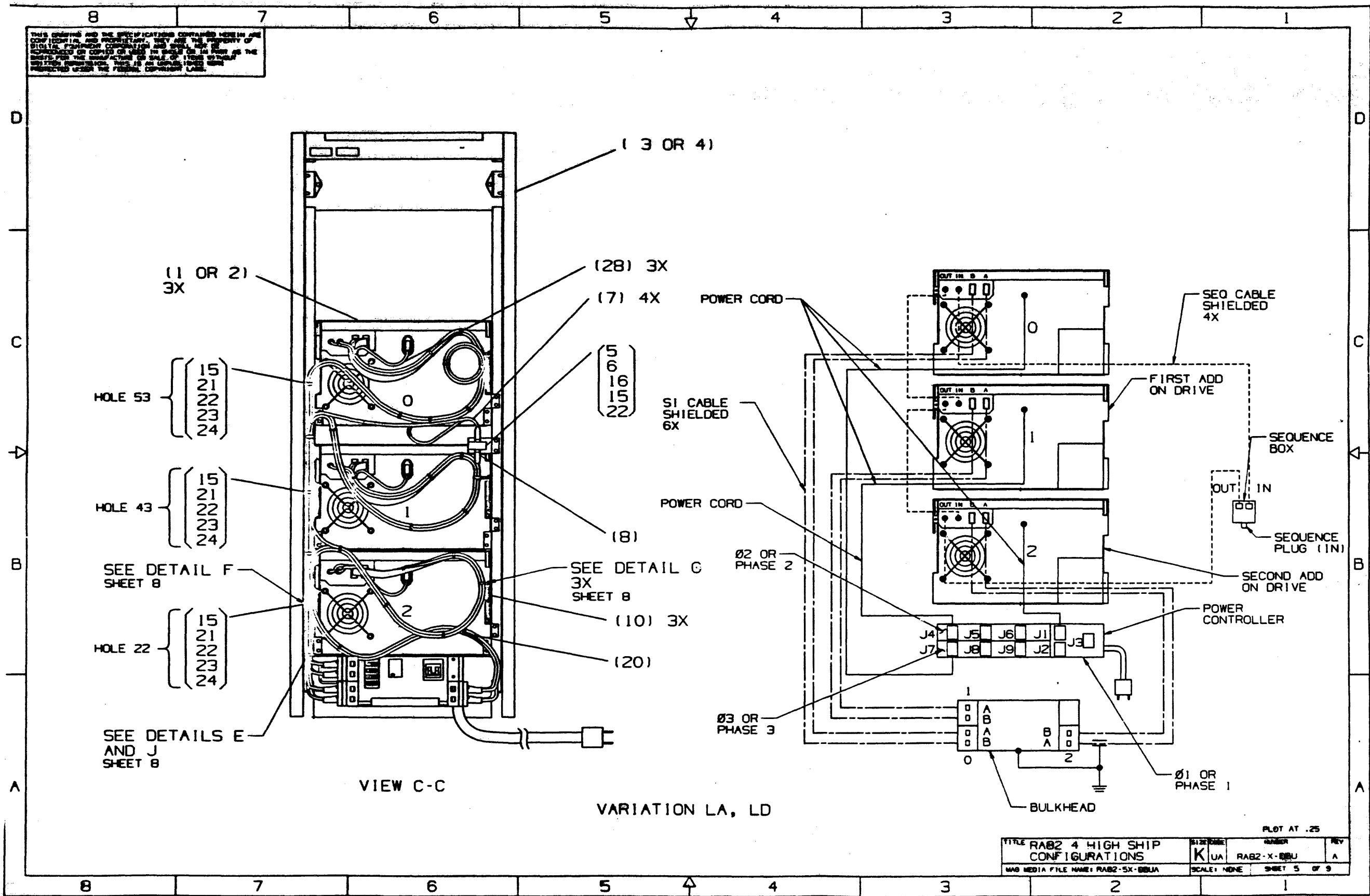
VIEW B-B

VARIATIONS KA AND KD

PLOT AT .25

TITLE	RAB2-4 HIGH SHIP CONFIGURATIONS	SIZE CODE	KUA	NUMBER	RAB2-X-DBU	REV	A
MAG MEDIA FILE NAME	RAB2-4X-DBUA	SCALE	NONE	SHEET	4 OF 9		

THIS DRAWING AND THE SPECIFICATIONS CONTAINED HEREIN ARE CONFIDENTIAL AND PROPRIETARY. THEY ARE THE PROPERTY OF DIGITAL EQUIPMENT CORPORATION AND SHALL NOT BE REPRODUCED OR COPIED IN WHOLE OR IN PART OR IN ANY MANNER FOR THE MANUFACTURE OR SALE OF ITEMS WITHOUT WRITTEN PERMISSION. THIS IS AN UNCLASSIFIED COPY RELEASED UNDER THE FOIA EXEMPTION LAWS.

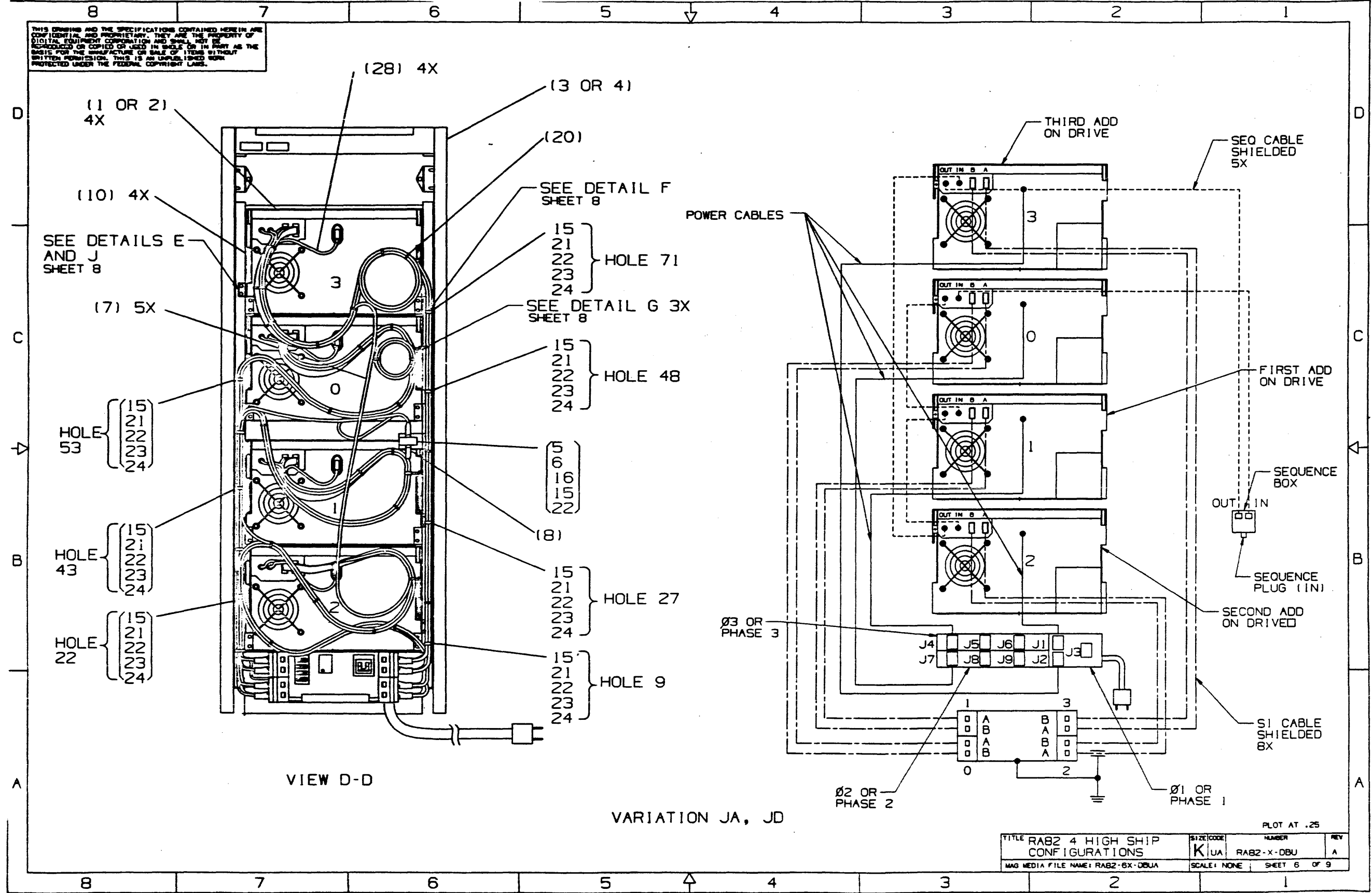


VIEW C-C
VARIATION LA, LD

PLAT AT .25

TITLE	RAB2 4 HIGH SHIP CONFIGURATIONS	SIZE	K	NUMBER	UA	NUMBER	RAB2-X-000	REV	A
WAS MEDIA FILE NAME:	RAB2-5X-000A	SCALE:	NONE	SHEET	5	OF	9		

THIS DRAWING AND THE SPECIFICATIONS CONTAINED HEREIN ARE CONFIDENTIAL AND PROPRIETARY. THEY ARE THE PROPERTY OF DIGITAL EQUIPMENT CORPORATION AND SHALL NOT BE REPRODUCED OR COPIED OR USED IN WHOLE OR IN PART AS THE BASIS FOR THE MANUFACTURE OR SALE OF ITEMS WITHOUT WRITTEN PERMISSION. THIS IS AN UNPUBLISHED WORK PROTECTED UNDER THE FEDERAL COPYRIGHT LAWS.



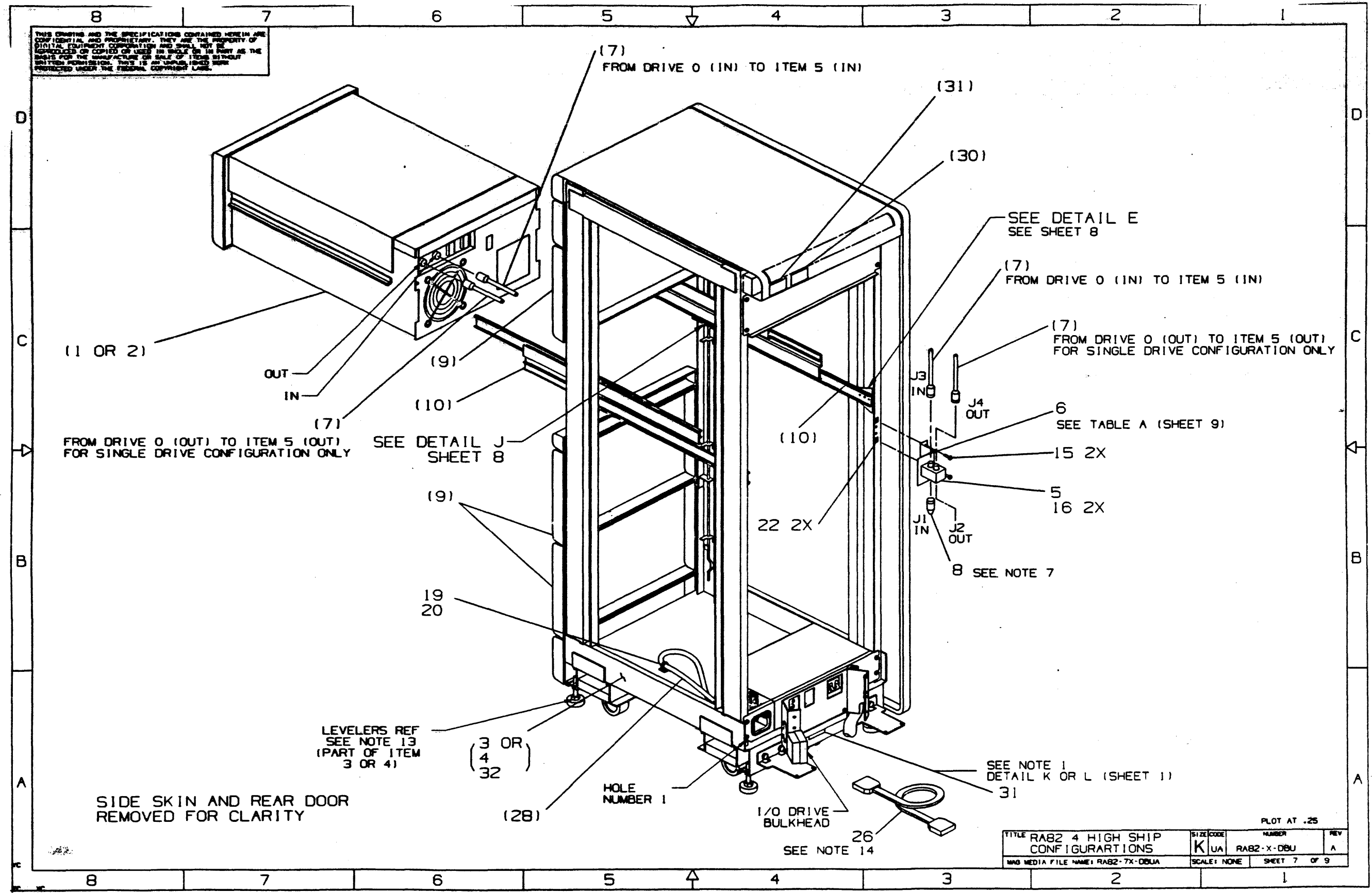
VIEW D-D

VARIATION JA, JD

TITLE RAB2 4 HIGH SHIP CONFIGURATIONS		SIZE CODE KUA	NUMBER RAB2-X-DBU	REV A
MAG MEDIA FILE NAME: RAB2-6X-DBUA		SCALE: NONE	SHEET 6 OF 9	

PLOT AT .25

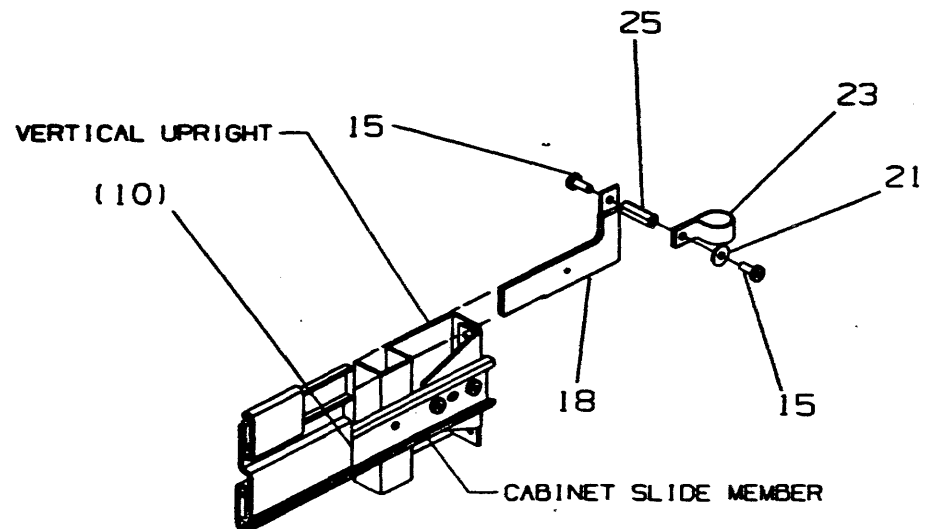
THIS DRAWING AND THE SPECIFICATIONS CONTAINED HEREIN ARE CONFIDENTIAL AND PROPRIETARY. THEY ARE THE PROPERTY OF DIGITAL EQUIPMENT CORPORATION AND SHALL NOT BE REPRODUCED OR COPIED OR USED IN WHOLE OR IN PART AS THE BASIS FOR THE MANUFACTURE OR SALE OF ITEMS WITHOUT WRITTEN PERMISSION. THIS IS AN UNPUBLISHED WORK PROTECTED UNDER THE FEDERAL COPYRIGHT LAWS.



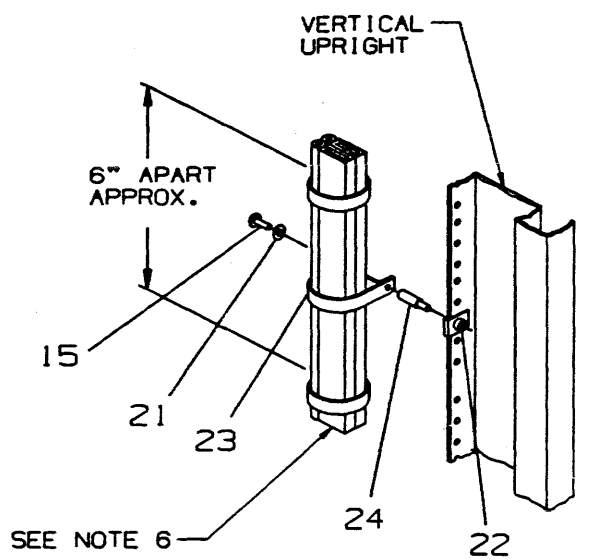
PLOT AT .25

TITLE	RAB2 4 HIGH SHIP CONFIGURATIONS	SIZE CODE	K UA	NUMBER	RAB2-X-DBU	REV	A
W3G MEDIA FILE NAME	RAB2-7X-DBU.A	SCALE	NONE	SHEET 7 OF 9			

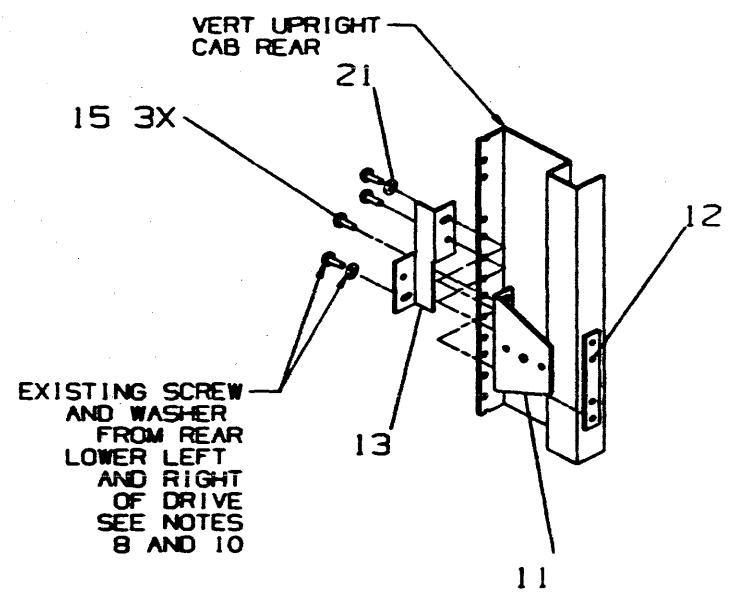
THIS DRAWING AND THE SPECIFICATIONS CONTAINED HEREIN ARE CONFIDENTIAL AND PROPRIETARY. THEY ARE THE PROPERTY OF DIGITAL EQUIPMENT CORPORATION AND SHALL NOT BE REPRODUCED OR COPIED OR USED IN WHOLE OR IN PART AS THE BASIS FOR THE MANUFACTURE OR SALE OF ITEMS WITHOUT WRITTEN PERMISSION. THIS IS AN UNPUBLISHED WORK PROTECTED UNDER THE FEDERAL COPYRIGHT LAWS.



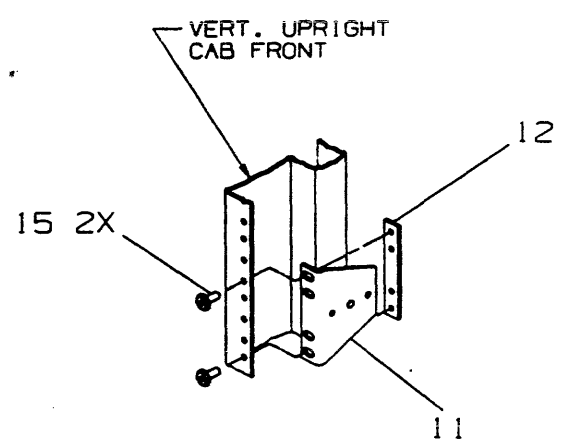
DETAIL G
1 PLACE PER DRIVE
VERTICAL UPRIGHT #2
DRIVES #0, 1 & 2



DETAIL F
TYP POWER & SIGNAL
CABLES



DETAIL E
2 PLACES PER SLIDE
SEE TABLE A SHEET 9
FROM SHEETS 3, 4, 5, 6 OR 7



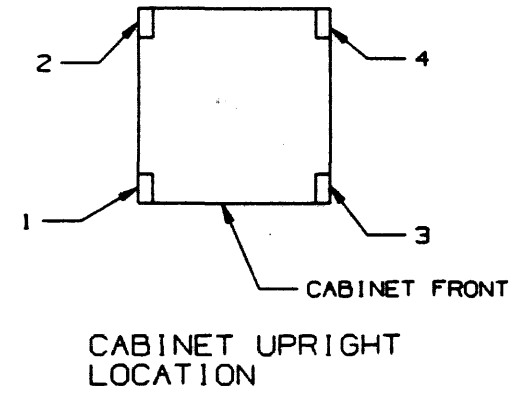
DETAIL J
2 PLACES PER SLIDE
SEE TABLE A SHEET 9
FROM SHEETS 3, 4, 5, 6 OR 7

TITLE RAB2 4 HIGH SHIP CONFIGURATIONS		SIZE CODE K/UA	NUMBER RAB2-X-DBU	REV A
MAG MEDIA FILE NAME: RAB2-BX-DBUA		SCALE: NONE	SHEET 8 OF 9	

PLOT AT .25

CABLE CHARTS				
FIRST RAB2 ADD-ON, LOWER MIDDLE BAY				
ITEM NO.	DESCRIPTION	FROM	TO	REMARKS
	SI CABLE	A-DRIVE 0	A-1/0 BLKHD	PRT OF DRIVE 0
	SI CABLE	B-DRIVE 0	B-1/0 BLKHD	PRT OF DRIVE 0
	SI CABLE	A-DRIVE 1	A-1/0 BLKHD	PRT OF DRIVE 1
	SI CABLE	B-DRIVE 1	B-1/0 BLKHD	PRT OF DRIVE 1
8	PLUG SEQUENCE		SEQ BOX (IN)	
7	DRIVE SEQUENCE	IN-DRIVE 0	IN-SEQ BOX	
7	DRIVE SEQUENCE	OUT-DRIVE 0	IN-DRIVE 1	
7	DRIVE SEQUENCE	OUT-DRIVE 1	OUT-1/0 BLKHD	
28	DRIVE PWR CORD	H7660 PWR SUPPLY DRIVE 0 DRIVE 1	881 PWR CONT	J4 J7
SECOND RAB2 ADD-ON, BOTTOM BAY				
ITEM NO.	DESCRIPTION	FROM	TO	REMARKS
	SI CABLE	A-DRIVE 0	A-1/0 BLKHD	PRT OF DRIVE 0
	SI CABLE	B-DRIVE 0	B-1/0 BLKHD	PRT OF DRIVE 0
	SI CABLE	A-DRIVE 1	A-1/0 BLKHD	PRT OF DRIVE 1
	SI CABLE	B-DRIVE 1	B-1/0 BLKHD	PRT OF DRIVE 1
	SI CABLE	A-DRIVE 2	A-1/0 BLKHD	PRT OF DRIVE 2
	SI CABLE	B-DRIVE 2	B-1/0 BLKHD	PRT OF DRIVE 2
8	PLUG SEQUENCE		SEQ BOX (IN)	
7	DRIVE SEQUENCE	IN-DRIVE 0	IN-SEQ BOX	
7	DRIVE SEQUENCE	OUT-DRIVE 0	IN-DRIVE 1	
7	DRIVE SEQUENCE	OUT-DRIVE 1	IN-DRIVE 2	
7	DRIVE SEQUENCE	OUT-DRIVE 2	OUT-SEQ BOX	
28	DRIVE PWR CORD	H7660 PWR SUPPLY DRIVE 2	881 PWR CONT	J1
THIRD RAB2 ADD-ON, TOP BAY				
ITEM NO.	DESCRIPTION	FROM	TO	REMARKS
	SI CABLE	A-DRIVE 0	A-1/0 BLKHD	PRT OF DRIVE 0
	SI CABLE	B-DRIVE 0	B-1/0 BLKHD	PRT OF DRIVE 0
	SI CABLE	A-DRIVE 1	A-1/0 BLKHD	PRT OF DRIVE 1
	SI CABLE	B-DRIVE 1	B-1/0 BLKHD	PRT OF DRIVE 1
	SI CABLE	A-DRIVE 2	A-1/0 BLKHD	PRT OF DRIVE 2
	SI CABLE	B-DRIVE 2	B-1/0 BLKHD	PRT OF DRIVE 2
	SI CABLE	A-DRIVE 3	A-1/0 BLKHD	PRT OF DRIVE 3
	SI CABLE	B-DRIVE 3	B-1/0 BLKHD	PRT OF DRIVE 3
8	PLUG SEQUENCE		SEQ BOX (IN)	
7	DRIVE SEQUENCE	IN-DRIVE 0	IN-SEQ BOX	
7	DRIVE SEQUENCE	OUT-DRIVE 0	IN-DRIVE 1	
7	DRIVE SEQUENCE	OUT-DRIVE 1	IN-DRIVE 2	
7	DRIVE SEQUENCE	OUT-DRIVE 2	IN-DRIVE 3	
7	DRIVE SEQUENCE	OUT-DRIVE 3	OUT-SEQ BOX	
28	DRIVE PWR CORD	H7660 PWR SUPPLY DRIVE 3	881 PWR CONT	J2

TABLE A				
MOUNTING HOLES				
ITEM NO.	VERTICAL UPRIGHT #4 (RIGHT REAR)	VERTICAL UPRIGHT #2 (LEFT REAR)	VERTICAL UPRIGHTS LEFT AND RIGHT FRONT	CONFIGURATION
6		41, 44		ALL DRIVES
11	52	52	48, 52	DRIVE 0
11	31	31	27, 31	DRIVE 1
11	13	13	9, 13	DRIVE 2
11	70	70	66, 70	DRIVE 3
13	49, 51	49, 51		DRIVE 0
13	28, 30	28, 30		DRIVE 1
13	10, 12	10, 12		DRIVE 2
13	67, 69	67, 69		DRIVE 3



LINE ITEM	TOP DOCUMENT	PART NUMBER	MIN REV	DESCRIPTION	QUANTITY PER VARIATION/REVISION							
					FA B1	FD B1	JA B1	JD B1	KA B1	KD B1	LA B1	LD B1
1	D-AD-7021577-0-0	70-21577-01		DISC DRIVE (50HZ,120V,16 BIT)	1	-	4	-	2	-	3	-
2	D-AD-7021577-0-0	70-21577-02		DISC DRIVE (50HZ,240V,16 BIT)	-	1	-	4	-	2	-	3
3	D-UA-H9646-A-0	H9646-AH		60" MASS STOR CAB,HOLDS 4 10.5" DE	1	-	1	-	1	-	1	-
4	D-UA-H9646-A-0	H9646-AJ		60" MASS STOR CAB,HOLDS 4 10.5" DE	-	1	-	1	-	1	-	1
5	D-AD-7019713-0-0	70-19713-01		SEQUENCE BOX ASSEMBLY	1	1	1	1	1	1	1	1
6	K-IA-7432046-0-DBU	74-32046-01 A		BRACKET,SEQUENCE MTG.	1	1	1	1	1	1	1	1
7	K-IA-7019690-0-0	70-19690-08		CABLE, DRIVE SEQ SHIELDED (8'-0")	2	2	5	5	3	3	4	4
8	C-IA-7019692-0-0	70-19692-01		PLUG	1	1	1	1	1	1	1	1
9	E-MD-7415314-0-0	74-15314-00		CASTING 101/2 SNAP-ON BEZEL	3	3	-	-	2	2	1	1
10		12-13686-00 K		CHASSIS SLIDE SET INCLUDED 1 L.H.	1	1	4	4	2	2	3	3
11	D-MD-7419261-0-0	74-19261-00		BRACKET CHASSIS SLIDE	4	4	16	16	8	8	12	12
12	B-MD-7425168-0-0	74-25168-01		BAR, NUT	4	4	16	16	8	8	12	12
13	C-MD-7428330-0-0	74-28330-01 A		BRACKET,ESD	2	2	8	8	4	4	6	6
14	B-MD-7415711-0-0	74-15711-02		FIN PILOT	12	12	-	-	8	8	4	4
15		90-09700-00 A		SCREW,SEMS TRUSS PHIL 10-32	17	17	55	55	29	29	41	41
16		90-10174-01 C		SCREW,SEMS PAN PHIL 8-32	14	14	50	50	26	26	38	38
17		90-06565-00 C		NUT,HEX EXT TOOTH LCKWSHR 10-32X	12	12	-	-	8	8	4	4
18	D-MD-7425326-0-0	74-25326-01 A		SPRING RETAINER CABLE	1	1	3	3	2	2	3	3
19		90-08264-00 A		MOUNT, CABLE TIE, ADHESIVE BACKED,	1	1	1	1	1	1	1	1
20		90-07032-00 D		TIE,CABLE BUNDL.DIA 0-1-3/4"=101	15	15	50	50	24	24	34	34
21		90-06664-00 B		WASHER,FLAT SST	6	6	18	18	9	9	12	12
22		90-07786-00 F		RETAINER,U-NUT 10-32X	5	5	9	9	5	5	5	5
23		90-07088-00		CLAMP,CABLE,SCREW MTD. 11/16"	4	4	10	10	5	5	6	6
24		90-00001-22 A		STANDOFF,MALE/FEMALE HEX 10-32 X	3	3	7	7	3	3	3	3
25		90-07662-00 A		SPACER,THREADED HEX ALUM 10-32X	1	1	3	3	2	2	3	3
26		BC26V-12		SI CABLE,12FT,4 COAX SHIELDED	1	1	4	4	2	2	3	3
27				*** THIS ITEM IS NOT USED ***	-	-	-	-	-	-	-	-
28		17-00442-19 A		PWR CORD 9 LG 15A	1	1	4	4	2	2	3	3
29				*** THIS ITEM IS NOT USED ***	-	-	-	-	-	-	-	-
30		36-17680-03 E		LABEL,FCC,CLASS A,PERIPHERAL	1	1	1	1	1	1	1	1
31		36-17674-01 E		LABEL,SERIAL/POWER W UL & CSA LC	2	2	2	2	2	2	2	2
32	A-PS-3700588	37-00588-01 A		PKG DISK DRIVE R80 CUSTOMER	1	1	1	1	1	1	1	1

REVISION HISTORY		KPL MATRIX FORMAT SECTION A OF A		DRN: M. NORVELL	DIGITAL	
ENG	ECC NUMBER	REV	SECTION/VARIATION INDEX	DATE: 05-MAR-86	TITLE PARTS LIST	
GE	INITIAL RELEASE	A	[A] FA,FD,JA,JD,KA,KD,LA,LD	CHK'D: D. MILLER	RA82 4 HIGH SHIP CONFIGURATIONS	
			[B]	DATE: 05-MAY-86		
			[C]	DES.ENG: G. EASTMAN	DOCUMENT NUMBER	
			[D]	DATE: 05-MAY-86	SIZE: CODE:	NUMBER REV
			[E]	<i>G. Eastman 5-May-86</i>	K	PL RA82-X-DBP A
			[F]	RESP.ENG.: J. NORDBERG	RELEASE DATE: 06-MAY-86	
			[G]	DATE: 05-MAY-86	RELEASE STATUS: RELEASED	
			[H]	<i>Nordberg 6 MAY 86</i>		
			[J]	MFG.ENG: D. SADJAK		
				DATE: 05-MAY-86		
				<i>R. Sadjak 8 MAY 86</i>		
			BASIC PART NUMBER: RA82	ASSEMBLY NUMBER: K-UA-RA82-X-DBU	TOP DOCUMENT NUMBER: K-UA-RA82-X-DBU	FILE NAME: CX305A.PLS
						EDIT #: 54

"THIS DRAWING AND THE SPECIFICATIONS CONTAINED HEREIN ARE CONFIDENTIAL AND PROPRIETARY. THEY ARE THE PROPERTY OF DIGITAL EQUIPMENT CORPORATION AND SHALL NOT BE REPRODUCED OR COPIED OR USED IN WHOLE OR IN PART AS THE BASIS FOR THE MANUFACTURE OR SALE OF ITEMS WITHOUT WRITTEN PERMISSION. THIS IS AN UNPUBLISHED WORK PROTECTED UNDER THE FEDERAL COPYRIGHT LAWS."

AUTOMATED BY VAAKPL (V1.1)

PARTS LIST

SHEET A2 OF A2

LINE ITEM	TOP DOCUMENT	PART NUMBER	MIN REV	DESCRIPTION	QUANTITY PER VARIATION/REVISION								
					FA	FD	JA	JD	KA	KD	LA	LD	
					B1	B1	B1	B1	B1	B1	B1	B1	B1

- 1 GEN: LEGEND
 2 GEN: PART NUMBER VARIATION
 3 GEN: RA82-FA (1) 16 BIT RA82 IN A H9646-AH CAB 120V 60HZ
 4 GEN: RA82-FB (1) 16 BIT RA82 IN A H9646-AJ CAB 220/240V 50HZ

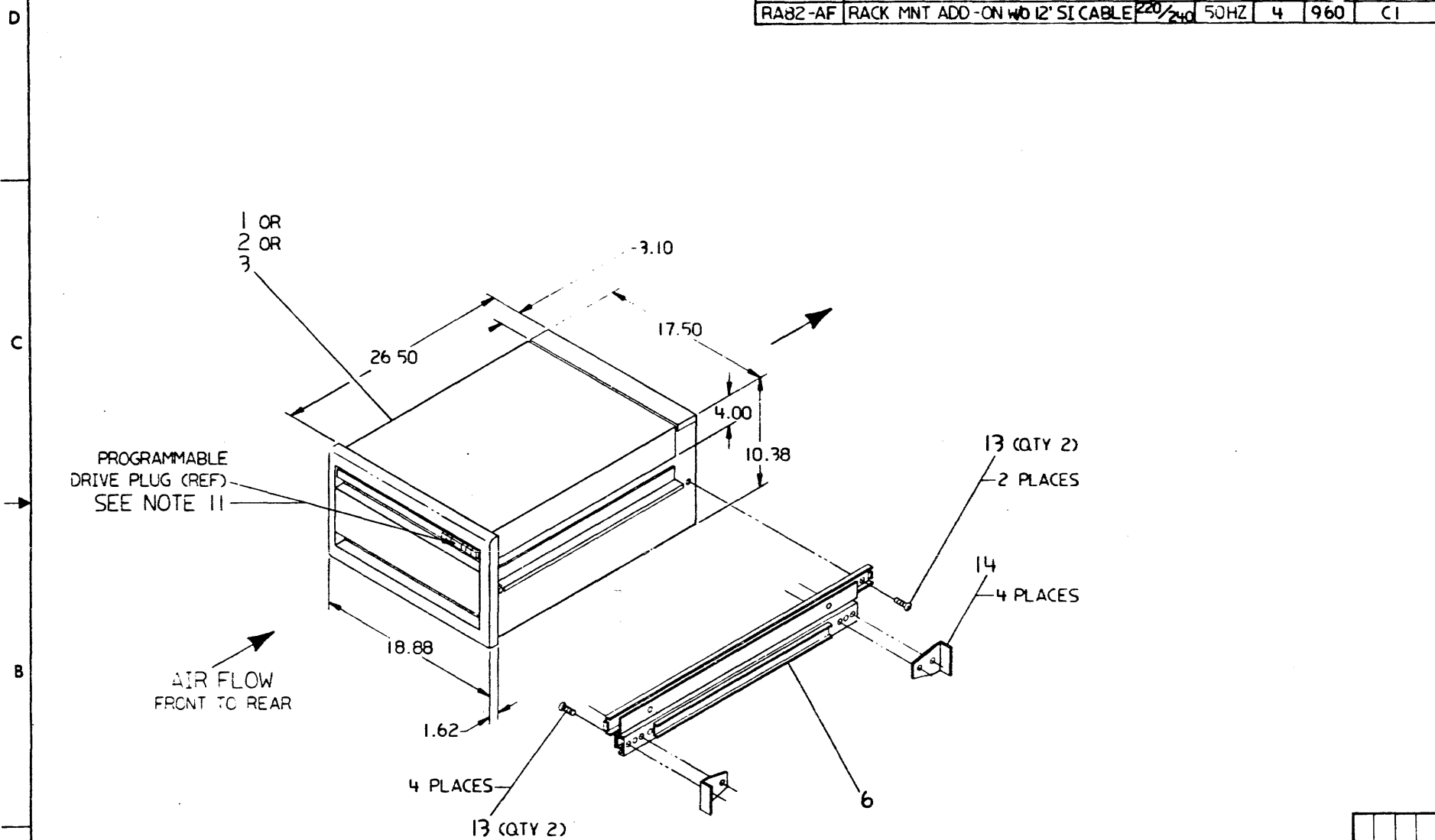
D	I	G	I	T	A	L	TITLE	SECTION A OF A	SIZE	CODE	DOCUMENT NUMBER	REV
							RA82 4 HIGH SHIP CONFIGURATIONS		K	PL	RA82-X-DBP	A

8 7 6 5 4 3 2 1

THIS DRAWING AND THE SPECIFICATIONS CONTAINED HEREIN ARE CONFIDENTIAL AND PROPRIETARY. THEY ARE THE PROPERTY OF DIGITAL CORPORATION. NO PART SHALL NOT BE REPRODUCED OR IN ANY MANNER OR IN PART AS THE BASIS FOR MANUFACTURE OR SALE OF ITEMS WITHOUT WRITTEN PERMISSION. THIS IS AN UNCLASSIFIED DOCUMENT PROTECTED UNDER THE FEDERAL COPYRIGHT LAWS.

LEGEND						
PART NO.	VARIATION	VOLT	FREQ.	AMPS	WATTS	PART REV.
RA82-AA	RACK MNT ADD-ON DRIVE, 16 BIT	120	60HZ	8	960	C1
RA82-AD	RACK MNT ADD-ON DRIVE, 16 BIT	220/240	50HZ	4	960	C1
RA82-AE	RACK MNT ADD-ON W/O 12' SI CABLE	120	60HZ	8	960	C1
RA82-AF	RACK MNT ADD-ON W/O 12' SI CABLE	220/240	50HZ	4	960	C1

- NOTES:
- TO MOUNT AN RA82 DRIVE IN CABINET:
 - MOUNT BRACKETS AND SLIDES TO UPRIGHTS.
 - EXTEND SLIDES AS FAR AS POSSIBLE BY RELEASING LATCHES (SEE DETAIL D, SHEET 5).
 - PLACE DRIVE ON SLIDES AND PUSH BACK UNTIL ENDS OF RAILS FIT UNDER TABS ON SLIDES AND LATCHES ENGAGE.
 - SECURE DRIVE TO SLIDES USING SCREWS SUPPLIED (SEE DETAIL D, SHEET 5).
 - TO REMOVE DRIVE, EXTEND SLIDES FULLY, REMOVE SCREWS, RELEASE LATCHES AND LIFT OFF.
 - ~~OPTIONAL CABLE ROUTING WITHIN CHANNEL UPRIGHTS. USE CAUTION TO PREVENT CATCHING CABLES BETWEEN REAR OF DRIVE AND CABINET COMPONENTS.~~
 - WHEN TWO OR MORE RA82'S ARE MOUNTED IN A CABINET, THE POSITION OF THE SLIDE BRACKETS MUST BE ADJUSTED SO THE BEZELS ARE PARALLEL AND ALIGNED VERTICALLY.
 - ~~SERIAL AND POWER LABEL (ITEM 11) TO BE COMPLETED ACCORDING TO LABEL INFORMATION BLOCK (SHEET 1). LABEL ON SHEET 1 SHOWS MODEL RA82-AA AS AN EXAMPLE ONLY.~~
 - FOR COMPLETE PARTS LISTS, INSTRUCTIONS AND HARDWARE TO MOUNT THESE PARTS, SEE THEIR ASSOCIATED ASSEMBLY DRAWINGS.
- NOTES CONTINUED ON SHEET 2
- CAUTION: OFF-SHEET PARTS LIST EXISTS. SEE K-PL-RA82-A-DBP (Z8156).
- TOP DOCUMENT: K-DD-RA82-A-DBU



SLIDE INSTALLATION DRAWING

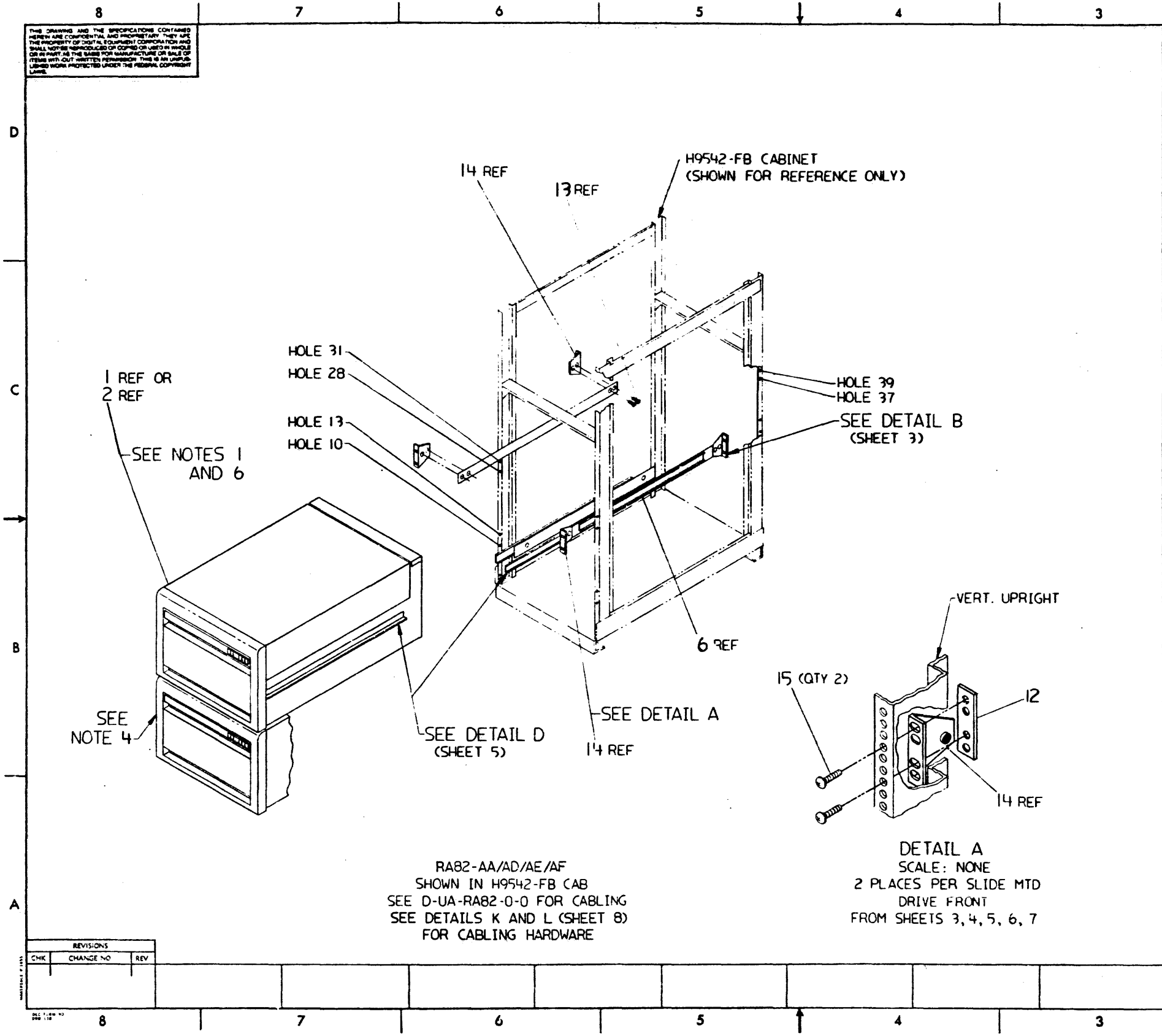
DATE	BY	REV	DESCRIPTION
01/11/84	14	A	RELEASED TO ECO CONTROL
01/11/84	14	B	RA82 ADD-ON DRIVE UPRIGHTS J. HRODBERG

DESCRIPTION	DRAWING NO	PART NO	ITEM NO					
UNLESS OTHERWISE SPECIFIED DIMENSIONS ARE IN INCHES AND THE FOLLOWING TOLERANCES APPLY (PER DEC STD 114)								
HONES TOLERANCES	ANGLES 1 OF 30'	APPLICABLE DIMENSION RANGE	DIMENSION RANGE IN INCHES					
			OVER 02	OVER 10	OVER 12	OVER 120	OVER 400	OVER 800
± .1	± .01	CHECK ONE: <input type="checkbox"/> <input checked="" type="checkbox"/>	± .004	± .008	± .012	± .016	± .024	± .036
QUANTITY & VARIATION	THIRD ANGLE PROJECTION		DATE 7/11/84	TITLE digital				
DO NOT SCALE DRAWING	DESIGNED BY R. Michael	DATE 21 May 86	RA82 ADD-ON INSTALLATION DWG					
REMOVE BURRS AND BREAK SHARP CORNERS	DESIGNED BY R. Michael	DATE 21 May 86	DOCUMENT NUMBER					
MATERIAL	WPG ENG.	DATE 11/17/86	DUA RA82-A-0					
SEE PARTS LIST	WPG ENG.	DATE	SCALE NONE	SHEET 10				
FRESH NONE	NET-HIGH-DOC	DATE						

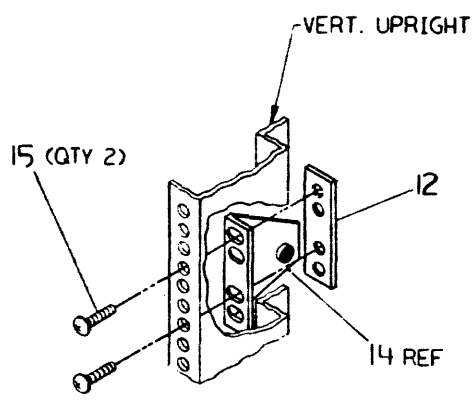
D-UA-RA82-A-0

1 of 10

THE DRAWING AND THE SPECIFICATIONS CONTAINED HEREIN ARE CONFIDENTIAL AND PROPRIETARY. THEY ARE THE PROPERTY OF DIGITAL EQUIPMENT CORPORATION AND SHALL NOT BE REPRODUCED OR COPIED OR USED IN WHOLE OR IN PART AS THE BASIS FOR MANUFACTURE OR SALE OF ITEMS WITHOUT WRITTEN PERMISSION. THIS IS AN UNPUBLISHED WORK PROTECTED UNDER THE FEDERAL COPYRIGHT LAWS.



RAB2-AA/AD/AE/AF
 SHOWN IN H9542-FB CAB
 SEE D-UA-RA82-0-0 FOR CABLING
 SEE DETAILS K AND L (SHEET 8)
 FOR CABLING HARDWARE



NOTES CONTINUED

7. THE FOLLOWING SEQUENCE CABLES ARE AVAILABLE IF REQUIRED:

LENGTH	PART NUMBER
8 FT	7019690-08
12 FT	7019690-12
25 FT	7019690-25
50 FT	7019690-50
80 FT	7019690-80

8. THE FOLLOWING SI CABLES ARE AVAILABLE IF REQUIRED:

LENGTH	PART NUMBER
12 FT	BC26V-12
25 FT	BC26V-25
50 FT	BC26V-50
80 FT	BC26V-80

9. LOCATE CABLE TIES (ITEM 16) APPROXIMATELY SIX INCHES APART. USE MAXIMUM SETTING ON THOMAS & BETTS TOOL NO. WT193 OR EQUIVALENT.

10. USE EXISTING POWER SUPPLY HARDWARE. ATTACH TO ESD BRACKET (ITEM 11).

11. REFER TO THE RAB2 DISK DRIVE USER'S GUIDE (PART NO. EK-ORAB2-UG) FOR INSTALLATION OR PROCEDURE.

12. ASSEMBLY CRITERIA PER DEC STD 116, SEC. 5.

13. GENERAL TORQUE REQUIREMENTS PER A-SP-7665328-0-0.

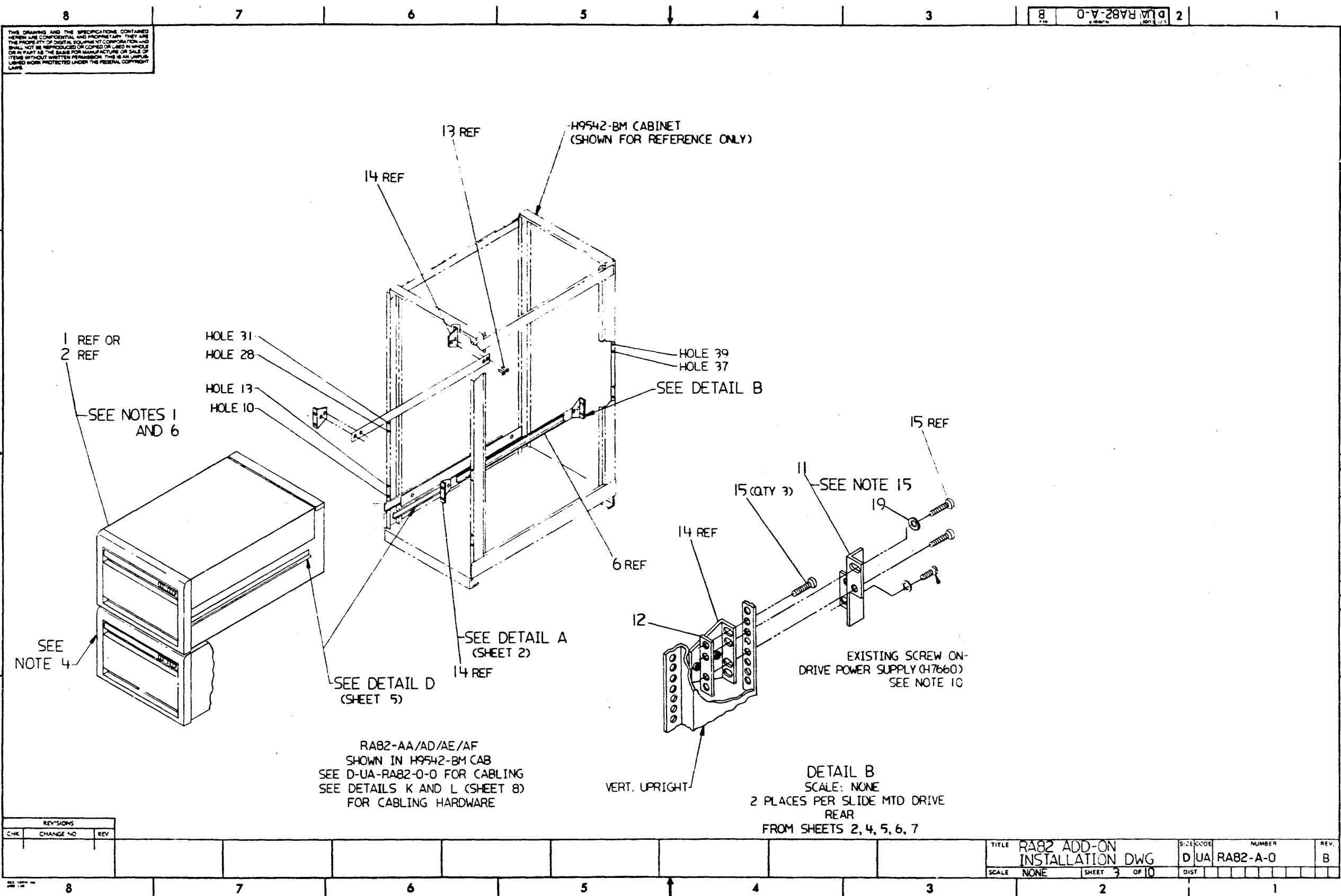
14. DRIVE SPINDLE SEQUENCE PLUG (ITEM 9) INSTALLS AT 'IN' POSITION.

15. AT LEAST ONE (1) BRACKET TO REMAIN CONNECTED TO REAR OF DRIVE WHEN DRIVE IS OPERATIONAL (FUNCTIONAL ELECTROSTATIC DISCHARGE PATH).

REVISIONS		
CHK	CHANGE NO	REV

TITLE	RAB2 ADD-ON INSTALLATION DWG	SIZE CODE	NUMBER	REV.
SCALE	NONE	SHEET	2 OF 10	B

D-UA-RA82-A-0 28



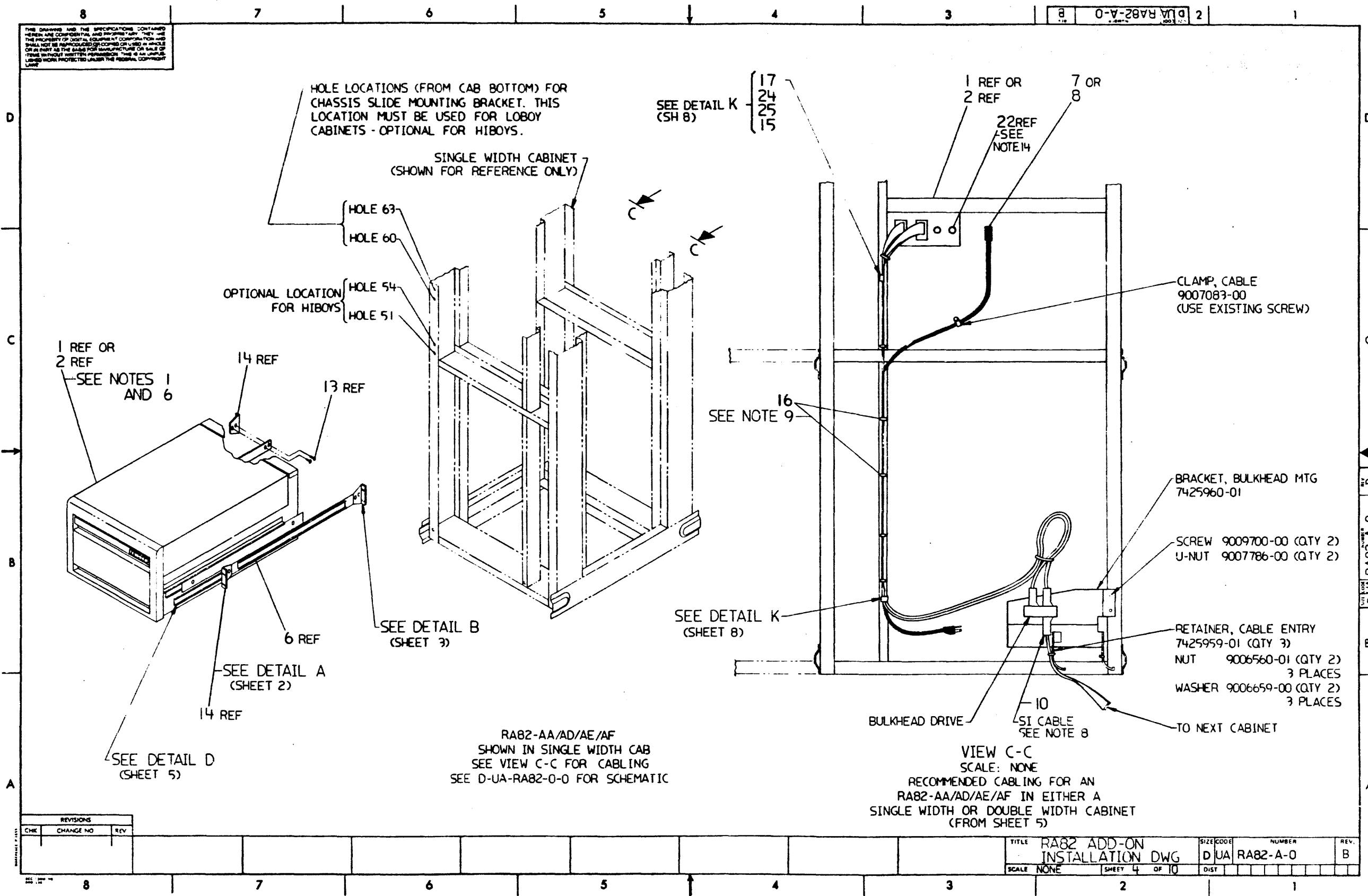
REVISIONS		
CHR	CHANGE NO	REV

TITLE	RAB2 ADD-ON INSTALLATION DWG	SIZE/CODE	D UA RAB2-A-0	NUMBER	B	REV.	B
SCALE	NONE	SHEET	3	OF	10	DIST	

D-UA-RAB2-A-0

3 of 8

THE DRAWING AND THE SPECIFICATIONS CONTAINED HEREIN ARE CONFIDENTIAL AND PROPRIETARY. THEY ARE THE PROPERTY OF DIGITAL EQUIPMENT CORPORATION AND SHALL NOT BE REPRODUCED OR COPIED IN WHOLE OR IN PART AS THE BASIS FOR MANUFACTURE OR SALE OF ITEMS WITHOUT WRITTEN PERMISSION. THIS IS AN UNPUBLISHED WORK PROTECTED UNDER THE FEDERAL COPYRIGHT LAWS.

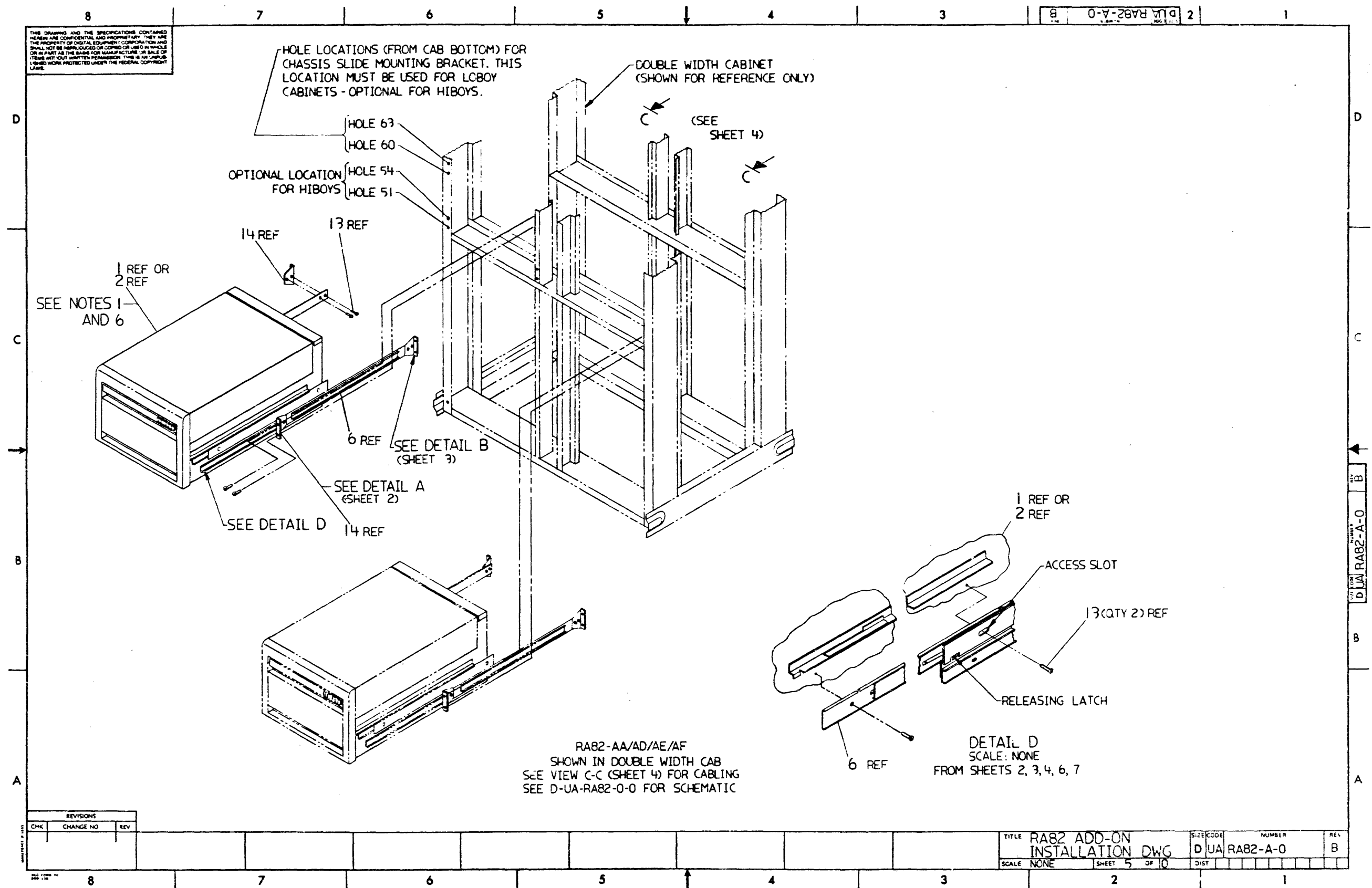


REVISIONS		
CHK	CHANGE NO	REV

TITLE	R82 ADD-ON INSTALLATION DWG	SIZE CODE	D UA	NUMBER	RA82-A-0	REV.	B
SCALE	NONE	SHEET	4	OF	10	DIST	

D-UA-RA82-A-0 4 of 6

THIS DRAWING AND THE SPECIFICATIONS CONTAINED HEREIN ARE CONFIDENTIAL AND PROPRIETARY. THEY ARE THE PROPERTY OF DIGITAL EQUIPMENT CORPORATION AND SHALL NOT BE REPRODUCED OR COPIED IN WHOLE OR IN PART AS THE BASIS FOR MANUFACTURE OR SALE OF ITEMS WITHOUT WRITTEN PERMISSION. THIS IS AN UNCLASSIFIED WORK PROTECTED UNDER THE FEDERAL COPYRIGHT LAWS.

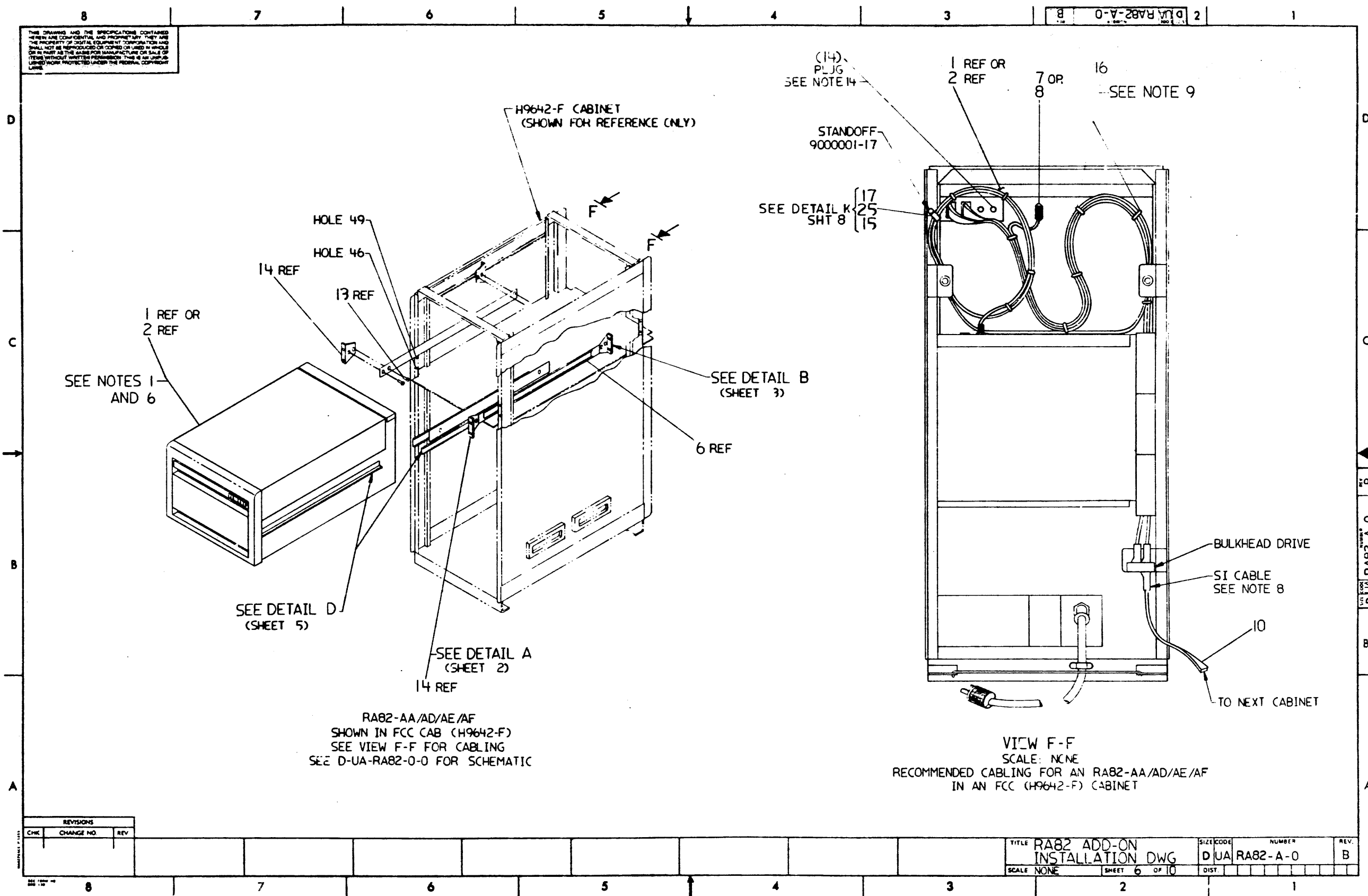


REVISIONS		
CHK	CHANGE NO	REV

TITLE	RAB2 ADD-ON INSTALLATION DWG	SIZE CODE	D UA	NUMBER	RAB2-A-0	REV	B
SCALE	NONE	SHEET	5	OF	10	DIST	

D-UA-RAB2-A-0 52

THIS DRAWING AND THE SPECIFICATIONS CONTAINED HEREIN ARE CONFIDENTIAL AND PROPRIETARY. THEY ARE THE PROPERTY OF DIGITAL EQUIPMENT CORPORATION AND SHALL NOT BE REPRODUCED OR COPIED OR USED IN WHOLE OR IN PART AS THE BASIS FOR MANUFACTURE OR SALE OF ITEMS WITHOUT WRITTEN PERMISSION. THIS IS AN UNPUBLISHED WORK PROTECTED UNDER THE FEDERAL COPYRIGHT LAWS.

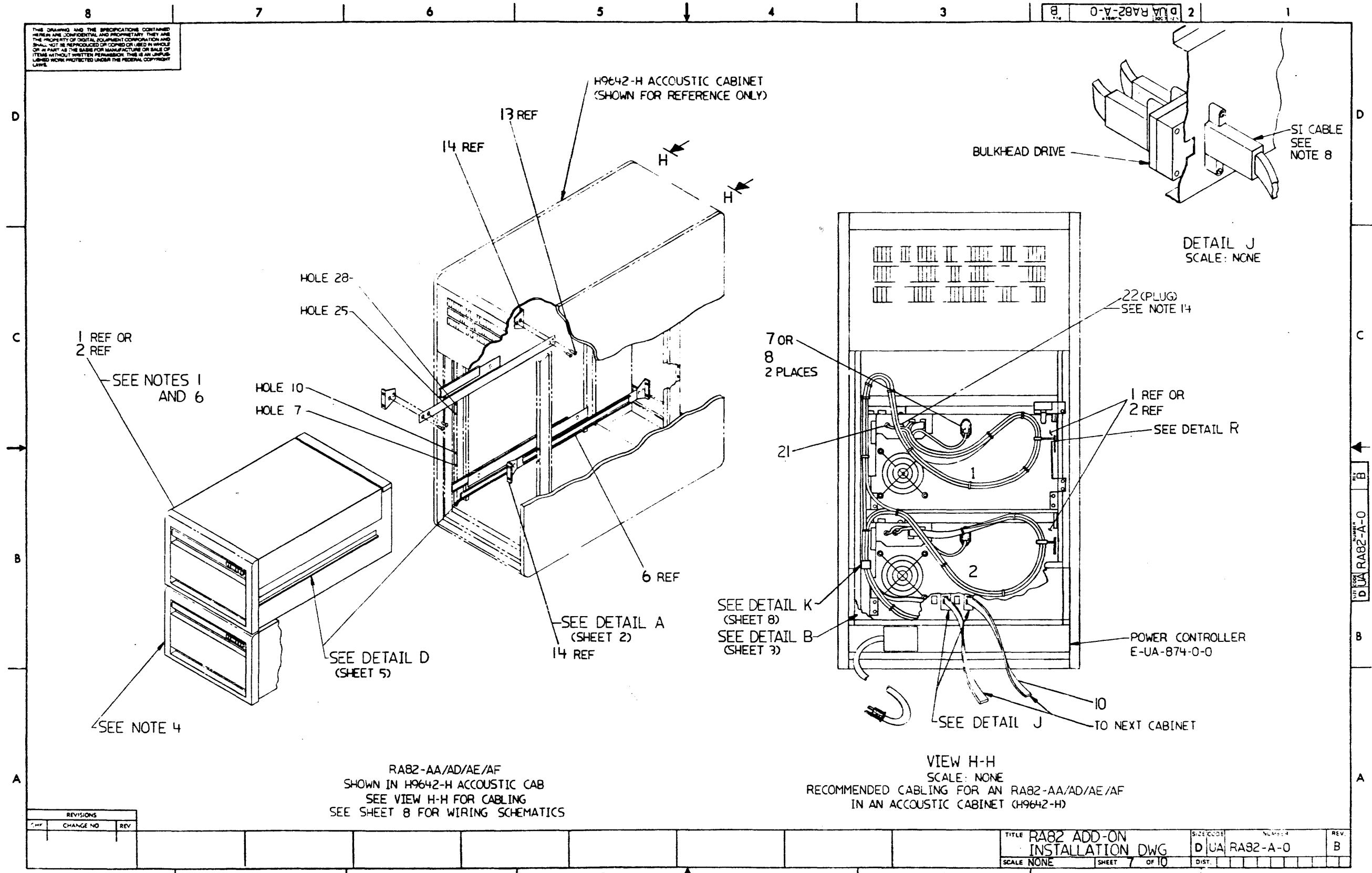


REVISIONS		
CHK	CHANGE NO	REV

TITLE	RAB2 ADD-ON INSTALLATION DWG	SIZE CODE	D UA	NUMBER	RAB2-A-0	REV.	B
SCALE	NONE	SHEET	6	OF	10	DIST.	

D-UA-RAB2-A-0 6 of 8

THIS DRAWING AND THE SPECIFICATIONS CONTAINED HEREIN ARE CONFIDENTIAL AND PROPRIETARY. THEY ARE THE PROPERTY OF DIGITAL EQUIPMENT CORPORATION AND SHALL NOT BE REPRODUCED OR COPIED IN WHOLE OR IN PART AS THE BASIS FOR MANUFACTURE OR SALE OF ITEMS WITHOUT WRITTEN PERMISSION. THIS IS AN UNPUBLISHED WORK PROTECTED UNDER THE FEDERAL COPYRIGHT LAWS.



REVISIONS		
REV	CHANGE NO	REV

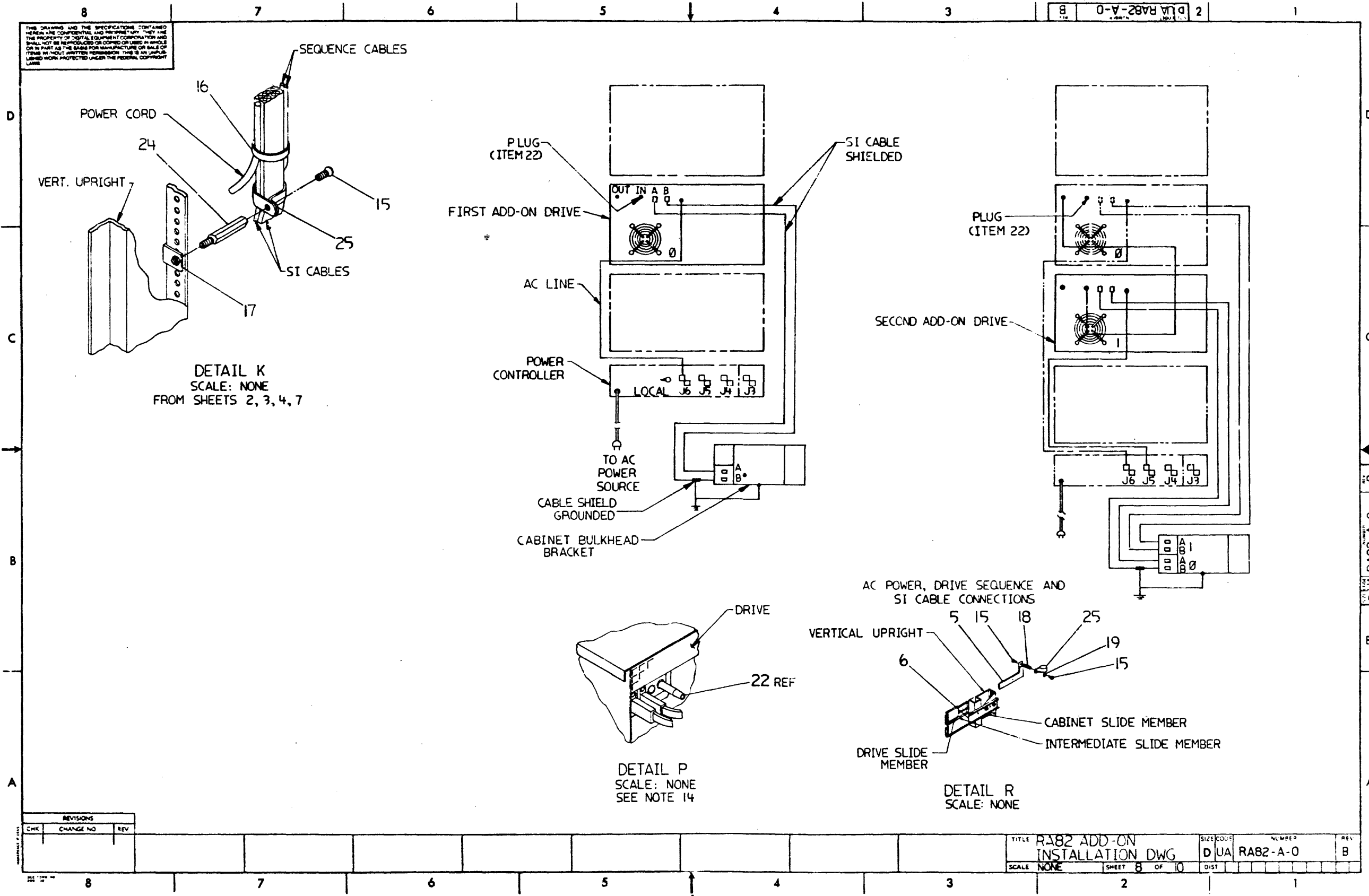
RAB2-AA/AD/AE/AF
 SHOWN IN H9642-H ACCOUSTIC CAB
 SEE VIEW H-H FOR CABLING
 SEE SHEET 8 FOR WIRING SCHEMATICS

VIEW H-H
 SCALE: NONE
 RECOMMENDED CABLING FOR AN RAB2-AA/AD/AE/AF
 IN AN ACCOUSTIC CABINET (H9642-H)

TITLE	RAB2 ADD-ON INSTALLATION DWG	SIZE CODE	D UA RAB2-A-0	REV.	B
SCALE	NONE	SHEET	7 OF 10	DIST.	

D-UA-RAB2-A-0 7 &

THIS DRAWING AND THE SPECIFICATIONS CONTAINED HEREIN ARE CONFIDENTIAL AND PROPRIETARY. THEY ARE THE PROPERTY OF DIGITAL EQUIPMENT CORPORATION AND SHALL NOT BE REPRODUCED OR COPIED OR USED IN WHOLE OR IN PART AS THE BASIS FOR MANUFACTURE OR SALE OF ITEMS WITHOUT WRITTEN PERMISSION. THIS IS AN UNPUBLISHED WORK PROTECTED UNDER THE FEDERAL COPYRIGHT LAWS.



DETAIL K
SCALE: NONE
FROM SHEETS 2, 3, 4, 7

DETAIL P
SCALE: NONE
SEE NOTE 14

DETAIL R
SCALE: NONE

REVISIONS		
CHK	CHANGE NO	REV

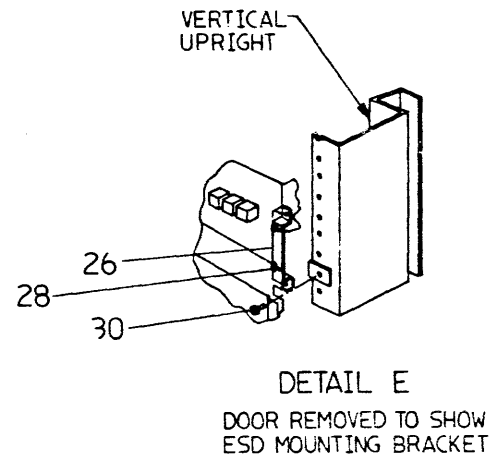
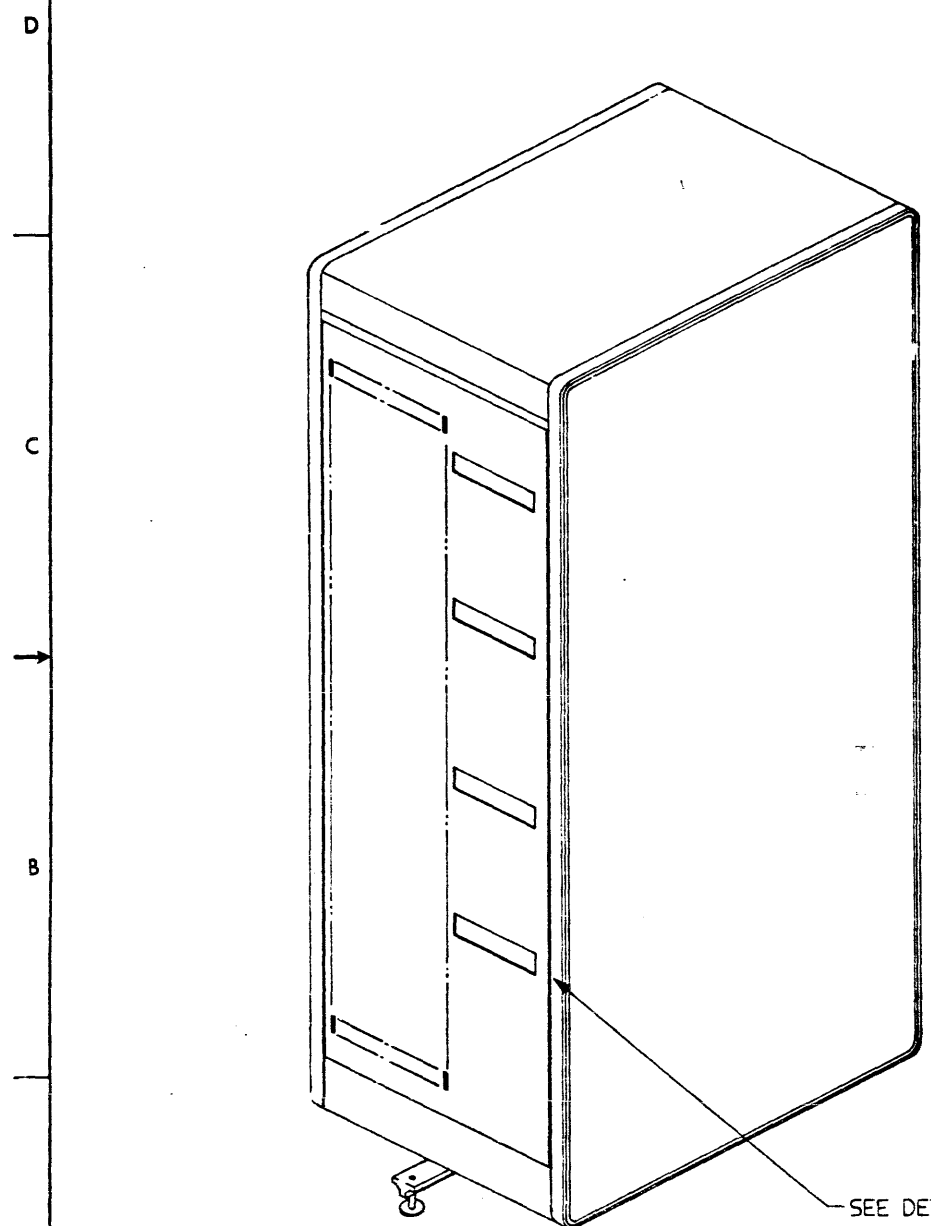
TITLE	RAB2 ADD-ON INSTALLATION DWG	SIZE	COL-F	NUMBER	D UA RAB2-A-0	REV	B
SCALE	NONE	SHEET	8	OF	10	DIST	

D-UA-RAB2-A-0

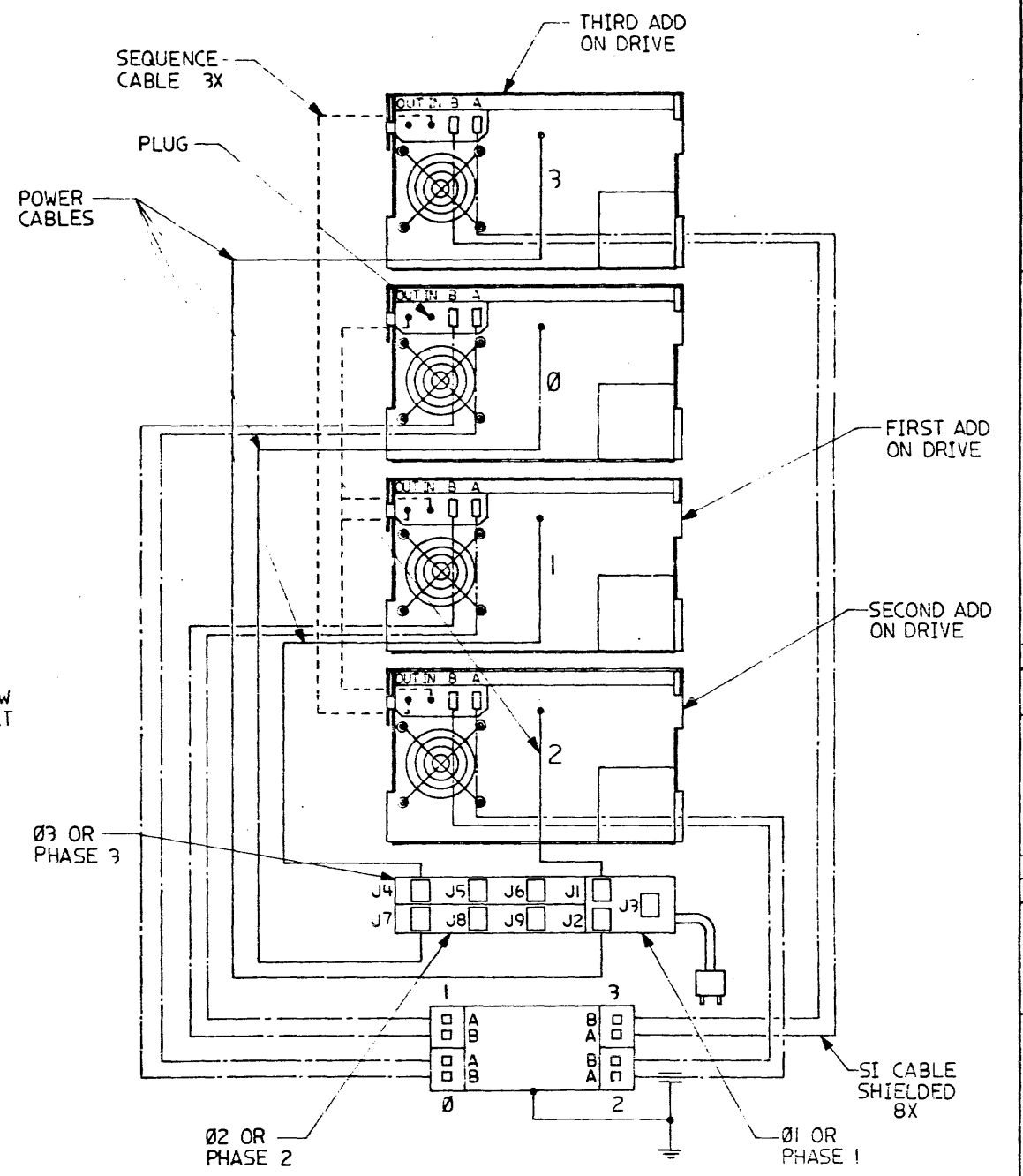
88

8 7 6 5 4 3 2 1

THIS DRAWING AND SPECIFICATIONS HEREIN ARE THE PROPERTY OF DIGITAL EQUIPMENT CORPORATION AND SHALL NOT BE REPRODUCED OR COPIED OR USED IN WHOLE OR IN PART AS THE BASIS FOR THE MANUFACTURE OR SALE OF ITEMS WITHOUT WRITTEN PERMISSION OF DIGITAL EQUIPMENT CORPORATION.



RAB2-AA/AD/AE/AF SHOWN IN H9646 CABINET.
 SEE K-UA-RAB2-X-0 FOR CABLING.
 SEE DETAILS K & L (SH 8) FOR CABLING HARDWARE INFORMATION.
 SEE DETAILS A (SH 2), B (SH 3) & D (SH 5) FOR MORE BASIC MOUNTING DETAILS.
 USE ITEM 9 (17-00442-19 POWER CORD) WITH 4 HIGH CONFIGURATION.



SEE SHEET 8 FOR SCHEMATICS FOR POSITIONS 1 & 2

REVISIONS		
CHK	CHANGE NO	REV

8	7	6	5	4	3	2	1		
TITLE RAB2 ADD-ON INSTALLATION DWG							SIZE CODE D UA	NUMBER RAB2-A-0	REV. 1
SCALE							SHEET 9 OF 10	DIST	

D-UA-RAB2-A-0

9 of 8

THIS DRAWING AND THE SPECIFICATIONS CONTAINED HEREIN ARE CONFIDENTIAL AND PROPRIETARY. THEY ARE THE PROPERTY OF DIGITAL EQUIPMENT CORPORATION AND SHALL NOT BE REPRODUCED OR COPIED, IN WHOLE OR IN PART, AS THE BASIS FOR THE MANUFACTURE OR SALE OF ITEMS WITHOUT WRITTEN PERMISSION. THIS IS AN UNPUBLISHED WORK PROTECTED UNDER THE FEDERAL COPYRIGHT LAWS.

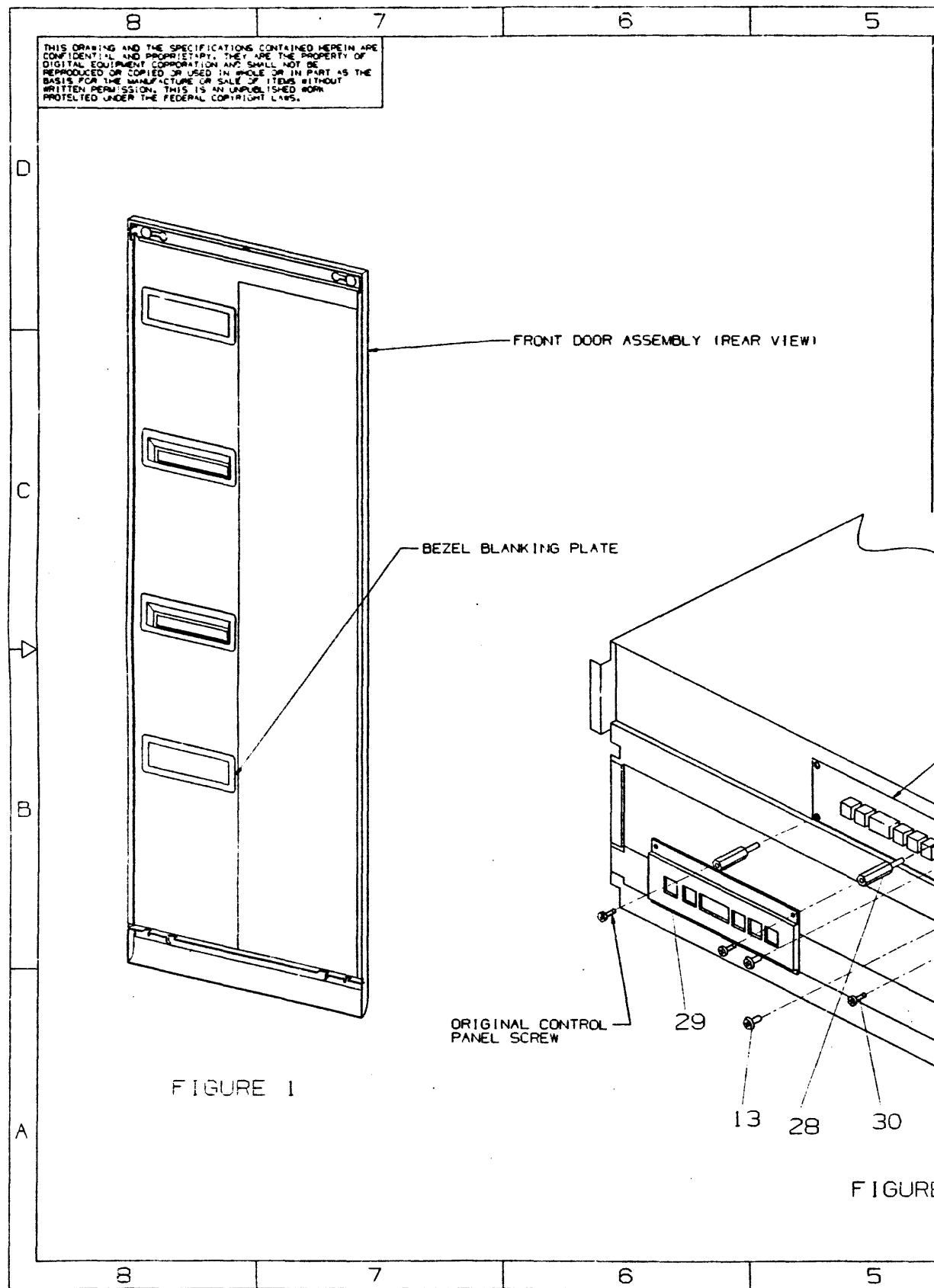


FIGURE 1

FIGURE 2

NOTES: (CONTINUED)

18. RELEASE THE SLIDE LATCHES AND PUSH THE DRIVE ALMOST ALL THE WAY BACK INTO THE CABINET. THE LOWER HOLES ON EACH ESD BRACKET WILL LINE UP WITH A HOLE ON THE CABINET UPRIGHT. INSTALL ITEM 17, "U" NUT, IN EACH OF THESE HOLES. THE THREADED SIDE OF THE "U" NUT GOES TO THE INSIDE OF THE UPRIGHT.
19. PUSH THE DRIVE ALL THE WAY BACK AND ATTACH THE ESD BRACKETS TO THE UPRIGHTS WITH ITEM 30, TRUSS HEAD SCREWS, ONE ON EACH SIDE. TIGHTEN THE ESD BRACKET SCREWS (ITEM 13) LEFT LOOSE IN STEP 17).
20. RETRACT THE STABILIZING FOOT.
21. TURN THE CIRCUIT BREAKER FOR THE CABINET TO THE "ON" POSITION, THEN POWER THE DRIVES.
22. REPLACE THE REAR BUSTLE DOOR.
23. REPLACE FRONT PANEL ASSEMBLY.
24. REFER TO THE SERVICE MANUAL INSTRUCTIONS AND SPIN UP THE DRIVES.

NOTES:

- INSTRUCTIONS FOR INSTALLING AN "ADD ON" DRIVE IN AN SA482
1. REFER TO THE SERVICE MANUAL INSTRUCTIONS AND REMOVE THE RAB2-AA FROM ITS CARTON.
 2. DEPRESS THE "A" AND "B" POPT BUTTONS ON THE OPERATOR CONTROL PANELS (OCP) TO THE "OUT" POSITION ON EACH DRIVE IN THE SA482-XX.
 3. SPIN DOWN THE STORAGE ARRAY BY DEPRESSING THE "RUN/STOP" BUTTONS ON THE OCPs TO THE "OUT" POSITION.
 4. REMOVE THE REAR DOOR FROM THE CABINET.
 5.
 **CAUTION**
 BEFORE PROCEEDING, TURN OFF THE AC CIRCUIT BREAKER FOR EACH DRIVE, AND FOR THE CABINET.

 6. REMOVE THE FRONT PANEL ASSEMBLY FROM THE CABINET.
 7. CAREFULLY PRY OFF THE APPROPRIATE BEZEL BLANKING PLATE(S) (OR REMOVE SCREWS) FROM INSIDE THE FRONT PANEL ASSEMBLY (FIG 1).
 8. PULL OUT THE FRONT STABILIZING BAR AT THE BOTTOM OF THE CABINET TO ITS FULLY EXTENDED POSITION.
 9. REFER TO THE SERVICE MANUAL INSTRUCTIONS, AND INSTALL THE SLIDES AND ADD-ON DRIVE(S) IN THE REQUIRED POSITION(S) IN THE CABINET. DO NOT INSTALL THE ESD BRACKETS AND HARDWARE AT THE REAR.
 10. REFER TO THE SERVICE MANUAL INSTRUCTIONS, OPEN THE LOGIC COVER, AND REMOVE PACKING FOAM ETC, AND PREPARE DRIVE FOR SPIN-UP.
 11. WITH THE LOGIC COVER OPEN, REMOVE AND DISCARD THE SEVEN SCREWS THAT HOLD THE BEZEL IN PLACE.
 12. REMOVE AND DISCARD THE BEZEL AND FILTER FOAM.
 13. CLOSE AND LATCH THE LOGIC HOUSING.
 14. REMOVE THE BOTTOM LEFT AND TOP RIGHT OCP MOUNTING SCREWS. (FIG 2).
 15. INSTALL ITEM 28, STANDOFF, IN PLACE OF THE TWO SCREWS REMOVED IN STEP 14. NOTE: INSTALL STANDOFFS FINGER TIGHT; DO NOT USE WRENCH (FIG 2).
 16. INSTALL ITEM 29, CONTROL PANEL COVER, USING THE TWO SCREWS REMOVED IN STEP 14. THE TEXTURED SURFACE OF THE COVER SHOULD BE TO THE FRONT (FIG 2).
 17. ATTACH ITEM 26, ESD BRACKET, BEHIND THE VERTICAL FLANGE ON THE LOGIC HOUSING USING 8-32 SCREW ITEM 13. TWO BRACKETS (ONE ON EACH SIDE), TWO SCREWS PER BRACKET. DO NOT TIGHTEN THESE SCREWS. NOTE: ESD BRACKETS ALSO SERVE AS DRIVE RETAINER BRACKETS (FIG 2).

PLOT AT: 1:00

TITLE	RAB2 ADD-ON INSTALLATION DWG	SIZE CODE	NUMBER	REV
		D UA	RAB2-A-0	B
MAG MEDIA FILE NAME: UA-RAB2-A-DOB		SCALE: NONE	SHEET 10 OF 10	

LINE	ITEM	TOP DOCUMENT	PART NUMBER	MIN REV	DESCRIPTION	AA C1	AD C1	AE C1	AF C1	QUANTITY PER VARIATION/REVISION
1	1	D-AD-7021577-0-0	70-21577-01		DISK DRIVE 50 HZ	1	-	1	-	
2	2	D-AD-7021577-0-0	70-21577-02		DISC DRIVE (50HZ,240V,16 BIT)	-	1	-	1	
3	3		37-00588-02		PKG DISK DRIVE RA80/81 CUSTOMER	1	1	1	1	
4	4	K-PL-7020194-0-DBP	70-20194-02	H	RA82 HARDWARE MOUNTING KIT	1	1	1	1	
5	5	D-MD-7425326-0-0	74-25326-01	A	SPRING RETAINER CABLE	-	1	1	1	
6	6		12-13686-00		CHASSIS SLIDE SET INCLUDED 1 L.H.	1	1	1	1	
7	7		17-00083-23		PWR CORD,TE M.108IN,14-3,125V 15A	1	-	1	-	
8	8		17-00083-24		PWR CORD,TERM.108IN,14-3,250V 6A	-	1	-	1	
9	9		17-00442-19	B	PWR CORD,TERM 9' LG 15A	1	1	1	1	
10	10		BC26V-12		SI CABLE,12FT,4 COAX SHIELDED	1	1	-	-	
11	11	C-MD-7428330-0-0	74-28330-01	A	BRACKET,ESD	REF	REF	REF	REF	
12	12	B-MD-7425168-0-0	74-25168-01	C	BAR, NUT	REF	REF	REF	REF	
13	13		90-10174-01	C	SCREW,SEMS PAN PHIL 8-32	REF	REF	REF	REF	
14	14	D-MD-7419261-0-0	74-19261-00		BRACKET CHASSIS SLIDE	REF	REF	REF	REF	
15	15		90-00063-39	A	SCREW,THD RL, TRS,SERATD,F/METL	REF	REF	REF	REF	
16	16		90-07032-00	D	TIE,CABLE BUNDL.DIA 0-1-3/4" X 7.3	REF	REF	REF	REF	
17	17		90-17786-00	F	RETAINER,U-NUT 10-32X	REF	REF	REF	REF	
18	18		90-07662-00	A	SPACER,THREADED HEX ALUM 10-32X	REF	REF	REF	REF	
19	19		90-06664-00		WASHER,FLAT SST	REF	REF	REF	REF	
20	20		90-10267-00	A	*** THIS ITEM IS NOT USED ***	-	-	-	-	
21	21		70-19690-08		CABLE, DRIVE SEQ SHIELDED (8'-0")	REF	REF	REF	REF	
22	22	K-MD-7019692-0-DBU	70-19692-01		PLUG	REF	REF	REF	REF	
23	23				*** THIS ITEM IS NOT USED ***	-	-	-	-	
24	24		90-00001-22	A	STANDOFF,MALE/FEMALE HEX 10-32 X	REF	REF	REF	REF	
25	25		90-07088-00		CLAMP,CABLE,SCREW MTD. 11/16"	REF	REF	REF	REF	
26	26	K-MD-7436472-0-DBU	74-36472-01		BRACKET,ESD,0.120 CRS	REF	REF	REF	REF	
27	27		99-07030-02		SHEET,PE ANTISTATIC	A/R	A/R	A/R	A/R	
28	28		90-00001-06		STANDOFF,MALE/FEMALE HEX 6-32 X	REF	REF	REF	REF	
29	29	K-MD-7434388-0-DBU	74-34388-01		COVER,CONTROL PANEL	REF	REF	REF	REF	
30	30		12-21368-02		SCREW,SEMS PAN PHIL 10-32	REF	REF	REF	REF	

REVISION HISTORY		KPL MATRIX FORMAT!SECTION A OF A		DRN: R. GEE	D I G I T A L			
ENG	ECO NUMBER	REV	SECTION/VARIATION INDEX	DATE: 07-MAY-86	TITLE PARTS LIST			
JN	INITIAL RELEASE	A	[A] AA, AD, AE, AF	CHK'D: R. MICHAUD	RA82 ADD-ON INSTALLATION DWG			
JN	RA82-A-CX001	B	[B]	DATE: 07-MAY-86	DOCUMENT NUMBER			
	<i>J Nordberg 10 MAY 88</i>		[C]	DES.ENG: G. EASTMAN	SIZE	CODE	NUMBER	REV
			[D]	DATE: 07-MAY-86	K	PL	RA82-A-DBP	B
			[E]	RESP.ENG.: J. NORDBERG	RELEASE DATE: 05-MAY-88			
			[F]	DATE: 07-MAY-86	RELEASE STATUS: RELEASED			
			[H]	MFG.ENG: D. SAJDAK	BASIC PART NUMBER: RA82			
			[J]	DATE: 07-MAY-86	ASSEMBLY NUMBER: D-UA-RA82-A-0			
					TOP DOCUMENT NUMBER: D-UA-RA82-A-0			
					FILE NAME: Z8156B.PLS			
					EDIT #: 1			
"THIS DRAWING AND THE SPECIFICATIONS CONTAINED HEREIN ARE CONFIDENTIAL AND PROPRIETARY. THEY ARE THE PROPERTY OF DIGITAL EQUIPMENT CORPORATION AND SHALL NOT BE REPRODUCED OR COPIED OR USED IN WHOLE OR IN PART AS THE BASIS FOR THE MANUFACTURE OR SALE OF ITEMS WITHOUT WRITTEN PERMISSION. THIS IS AN UNPUBLISHED WORK PROTECTED UNDER THE FEDERAL COPYRIGHT LAWS."								

6 MAY 88

AUTOMATED BY VAXKPL (V1.3)

P A R T S L I S T

SHEET A2 OF A2

LINE ITEM	TOP DOCUMENT	PART NUMBER	MIN REV	DESCRIPTION	AA	AD	AE	AF	QUANTITY PER VARIATION/REVISION
					C1	C1	C1	C1	

1 GEN:	PART NUMBER	LEGEND	VARIATION
2 GEN:	RA82-AA	RACK MNT ADD-ON DRIVE, 16BIT, 120V, 60HZ	
3 GEN:	RA82-AD	RACK MNT ADD-ON DRIVE, 16 BIT, 220/240V, 50HZ	
4 GEN:	RA82-AE	RACK MNT ADD-ON W/O 12' SI CABLE, 120V, 60HZ	
5 GEN:	RA82-AF	RACK MNT ADD-ON W/O 12' SI CABLE, 220/240V, 50HZ	

D	I	G	I	T	A	L	TITLE	SECTION A OF A	SIZE	CODE	DOCUMENT NUMBER	REV
							RA82 ADD-ON INSTALLATION DWG		K	PL	RA82-A-DBP	B

LINE	ITEM	TOP DOCUMENT	PART NUMBER	MIN REV	DESCRIPTION	01 H3	02 H1	QUANTITY PER VARIATION/REVISION
1	1	D-MD-7425326-0-0	74-25326-01	A	SPRING RETAINER CABLE	1	1	
2	2	D-MD-7419261-0-0	74-19261-00		BRACKET CHASSIS SLIDE	4	4	
3	3	D-IA-7019690-0-0	70-19690-08		CABLE, DRIVE SEQ SHIELDED (8'-0")	1	1	
4	4	C-MD-7428330-0-0	74-28330-01	A	BRACKET,ESD	2	2	
5	5	C-IA-7019692-0-0	70-19692-01		PLUG	1	1	
6	6	B-MD-7425168-0-0	74-25168-01		BAR, NUT	4	4	
7	7		99-06557-28	A	BAG,POLY RECLOSE 4 MIL THK CLEAR	1	1	
8	8				*** THIS ITEM IS NOT USED ***	-	-	
9	9		90-10174-01	C	SCREW,SEMS PAN PHIL 8-32	12	16	
10	10		90-00063-39	A	SCREW,THD RL, TRS,SERATD,F/METL	13	13	
11	11		90-07088-00		CLAMP,CABLE,SCREW MTD. 11/16"	3	3	
12	12		90-07032-00	D	TIE,CABLE BUNDL.DIA 0-1-3/4" X 7.3	25	25	
13	13		90-C6664-00		WASHER,FLAT SST	5	5	
14	14		90-07786-00	F	RETAINER,U-NUT 10-32X	1	5	
15	15		90-00001-22	A	STANDOFF,MALE/FEMALE HEX 10-32 X	3	3	
16	16				*** THIS ITEM IS NOT USED ***	-	-	
17	17				*** THIS ITEM IS NOT USED ***	-	-	
18	18		36-15710-01		LABEL,DESTRUX FORM FEED	1	1	
19	19		90-07662-00		SPACER,THREADED HEX ALUM 10-32X	1	1	
20	20		12-19711-02		WASHER,SHOULDER NYLON	10	10	
21	21	K-MD-7436472-0-DBU	74-36472-01	A	BRACKET,ESD,0.120 CRS	-	2	
22	22		12-21368-02		SCREW,SEMS PAN PHIL 10-32	-	4	
23	23	K-MD-7434388-0-DBU	74-34388-01		COVER,CONTROL PANEL	-	1	
24	24		90-00001-06		STANDOFF,MALE/FEMALE HEX 6-32 X	-	2	

1 GEN: ** NO ASSEMBLY DRAWING EXISTS FOR THIS DOCUMENT **
 2 GEN: LEGEND
 3 GEN: PART NO. VARIATION
 4 GEN: 7020194-01 RA81/RA80 HARDWARE MOUNTING KIT
 5 GEN: 7020194-02 RA82 HARDWARE MTG KIT SLIDE

6 MAY 88
J. Wardell
20 MAY 88

REVISION HISTORY			KPL MATRIX FORMAT SECTION A OF A		DRN: K. DAVIS	D I G I T A L			
ENG	ECO NUMBER	REV	SECTION/VARIATION INDEX		DATE: 10-JAN-83	TITLE PARTS LIST			
JN	RA80-A-CX005	E	[A]	01,02	CHK'D: D. SAJDAK	RA8X HARDWARE MOUNTING KIT			
JN	RA80-CX012	F	[B]		DATE: 11-JAN-83	DOCUMENT NUMBER			
JN	RA81-A-CX007	H	[C]		DES.ENG: J. NORDBERG	SIZE	CODE	NUMBER	REV
JN	RA81-H-CX001	J	[D]		DATE: 10-JAN-83	K	PL	7020194-0-DBP	K
JN	RA82-A-CX001	K	[E]		RESP.ENG.: J. WARDELL	RELEASE DATE: 05-MAY-88			
			[F]		DATE: 10-JAN-83	RELEASE STATUS: RELEASED			
			[H]		MFG.ENG: D. SADJAK				
			[J]		DATE: 11-JAN-83				
			BASIC PART NUMBER:	ASSEMBLY NUMBER:	TOP DOCUMENT NUMBER:	FILE NAME:		EDIT #	
			7020194	D-UA-RA80-0-0	K-DD-RA80-0-DBU	Z6103K.PLS		2	

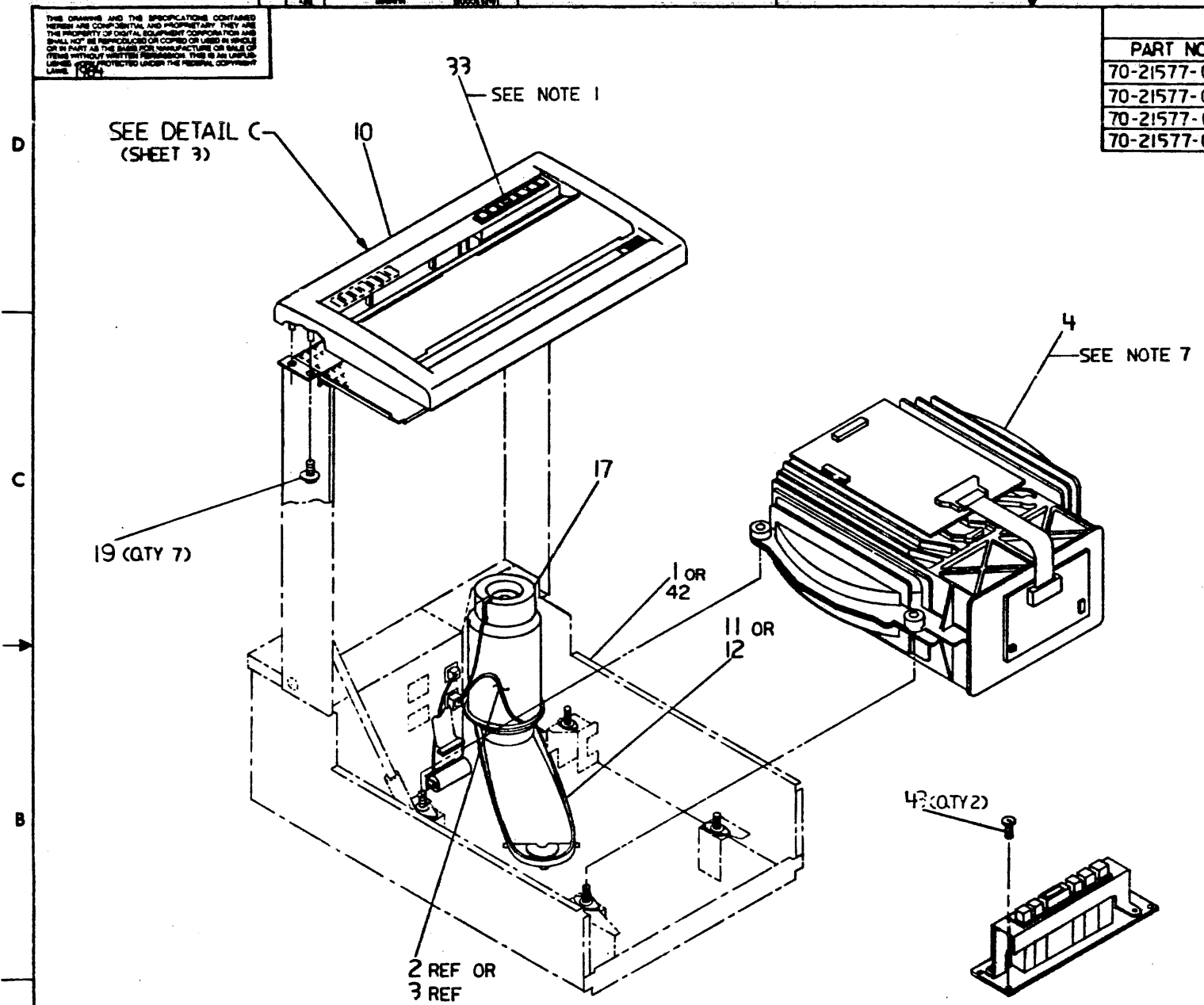
"THIS DRAWING AND THE SPECIFICATIONS CONTAINED HEREIN ARE CONFIDENTIAL AND PROPRIETARY. THEY ARE THE PROPERTY OF DIGITAL EQUIPMENT CORPORATION AND SHALL NOT BE REPRODUCED OR COPIED OR USED IN WHOLE OR IN PART AS THE BASIS FOR THE MANUFACTURE OR SALE OF ITEMS WITHOUT WRITTEN PERMISSION. THIS IS AN UNPUBLISHED WORK PROTECTED UNDER THE FEDERAL COPYRIGHT LAWS."

H 0-0-77021577-0-0

THIS DRAWING AND THE SPECIFICATIONS CONTAINED HEREIN ARE CONFIDENTIAL AND PROPRIETARY. THEY ARE THE PROPERTY OF DIGITAL EQUIPMENT CORPORATION AND SHALL NOT BE REPRODUCED OR COPIED IN WHOLE OR IN PART AS THE BASIS FOR MANUFACTURE OR SALE OF ITEMS WITHOUT WRITTEN PERMISSION FROM DIGITAL EQUIPMENT CORPORATION UNDER THE TERMS OF COMPANY LICENSE 0004.

LEGEND		
PART NO.	VARIATION	PART REV.
70-21577-01	60HZ, 120V, 16 BIT	C5
70-21577-02	50HZ, 240V, 16 BIT	C5
70-21577-03	60HZ, 120V, 16 BIT	A4
70-21577-04	50HZ, 240V, 16 BIT	A4

- NOTES:
- REFER TO THE RA82 USER'S GUIDE (PART NO. EK-ORAB2-UG) FOR INSTALLATION OF APPROPRIATE DRIVE ADDRESS SWITCH MARKER.
 - GENERAL TORQUE REQUIREMENTS PER A-SP-7665328-0-0.
 - ITEMS 22 AND 33 ARE PACKAGED FOR SHIPMENT WITH DRIVE ASSEMBLY.
 - APPLICATION FOR BEST ADHESION:
 - REMOVE BACK PAPER.
 - CLEAN BEZEL SURFACE WITH ISOPROPYL ALCOHOL.
 - USING A DULL, ROUNDED INSTRUMENT, RUB ALL LETTERING BEFORE REMOVING FRONT PAPER FROM DECAL (LOGO).
 - ASSEMBLY CRITERIA PER DEC STD 116, SECTION 5.
 - IDENTIFY PER DEC-STD-031 AND DEC-STD-047 BAR CODE SYMBOLOGY CRITERIA.
 - AFTER INSTALLATION OF ITEM 4 (HDA), THE DISK DRIVE ASSEMBLY MUST BE SUFFICIENTLY PROTECTED AGAINST SHOCK AND VIBRATION TO MEET THE REQUIREMENTS OF DEC ENG. SPECIFICATION NUMBERS A-SP-RA82-0-1 AND A-SP-7021170-0-3.
 - SELECT APPROPRIATE PART NUMBER ACCORDING TO PLANT OF MANUFACTURE. REFER TO K-PL-7021577-0-DBP.



DATE	REV.	BY	CHKD.	APP'D.	DESCRIPTION
11/14/83	1	D. CHAMBERLAIN			INITIAL RELEASE
11/14/83	2	D. CHAMBERLAIN			REVISION 1
11/14/83	3	D. CHAMBERLAIN			REVISION 2
11/14/83	4	D. CHAMBERLAIN			REVISION 3
11/14/83	5	D. CHAMBERLAIN			REVISION 4
11/14/83	6	D. CHAMBERLAIN			REVISION 5
11/14/83	7	D. CHAMBERLAIN			REVISION 6
11/14/83	8	D. CHAMBERLAIN			REVISION 7
11/14/83	9	D. CHAMBERLAIN			REVISION 8
11/14/83	10	D. CHAMBERLAIN			REVISION 9
11/14/83	11	D. CHAMBERLAIN			REVISION 10
11/14/83	12	D. CHAMBERLAIN			REVISION 11
11/14/83	13	D. CHAMBERLAIN			REVISION 12
11/14/83	14	D. CHAMBERLAIN			REVISION 13
11/14/83	15	D. CHAMBERLAIN			REVISION 14
11/14/83	16	D. CHAMBERLAIN			REVISION 15
11/14/83	17	D. CHAMBERLAIN			REVISION 16
11/14/83	18	D. CHAMBERLAIN			REVISION 17
11/14/83	19	D. CHAMBERLAIN			REVISION 18
11/14/83	20	D. CHAMBERLAIN			REVISION 19
11/14/83	21	D. CHAMBERLAIN			REVISION 20
11/14/83	22	D. CHAMBERLAIN			REVISION 21
11/14/83	23	D. CHAMBERLAIN			REVISION 22
11/14/83	24	D. CHAMBERLAIN			REVISION 23
11/14/83	25	D. CHAMBERLAIN			REVISION 24
11/14/83	26	D. CHAMBERLAIN			REVISION 25
11/14/83	27	D. CHAMBERLAIN			REVISION 26
11/14/83	28	D. CHAMBERLAIN			REVISION 27
11/14/83	29	D. CHAMBERLAIN			REVISION 28
11/14/83	30	D. CHAMBERLAIN			REVISION 29
11/14/83	31	D. CHAMBERLAIN			REVISION 30
11/14/83	32	D. CHAMBERLAIN			REVISION 31
11/14/83	33	D. CHAMBERLAIN			REVISION 32
11/14/83	34	D. CHAMBERLAIN			REVISION 33
11/14/83	35	D. CHAMBERLAIN			REVISION 34
11/14/83	36	D. CHAMBERLAIN			REVISION 35
11/14/83	37	D. CHAMBERLAIN			REVISION 36
11/14/83	38	D. CHAMBERLAIN			REVISION 37
11/14/83	39	D. CHAMBERLAIN			REVISION 38
11/14/83	40	D. CHAMBERLAIN			REVISION 39
11/14/83	41	D. CHAMBERLAIN			REVISION 40
11/14/83	42	D. CHAMBERLAIN			REVISION 41
11/14/83	43	D. CHAMBERLAIN			REVISION 42
11/14/83	44	D. CHAMBERLAIN			REVISION 43
11/14/83	45	D. CHAMBERLAIN			REVISION 44
11/14/83	46	D. CHAMBERLAIN			REVISION 45
11/14/83	47	D. CHAMBERLAIN			REVISION 46
11/14/83	48	D. CHAMBERLAIN			REVISION 47
11/14/83	49	D. CHAMBERLAIN			REVISION 48
11/14/83	50	D. CHAMBERLAIN			REVISION 49
11/14/83	51	D. CHAMBERLAIN			REVISION 50

CAUTION: OFF SHEET PARTS LIST EXISTS.
SEE K-PL-7021577-0-DBP (Z8167)
TOP DOCUMENT: D-AD-7021577-0-0

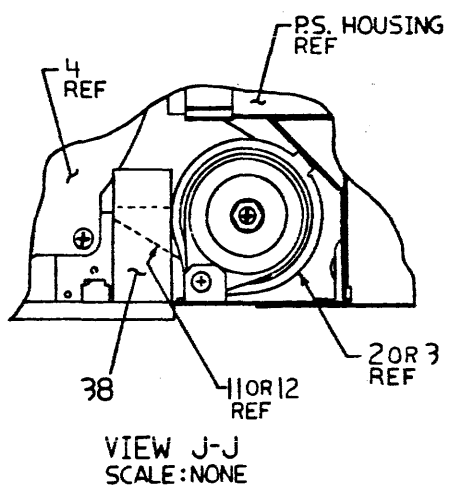
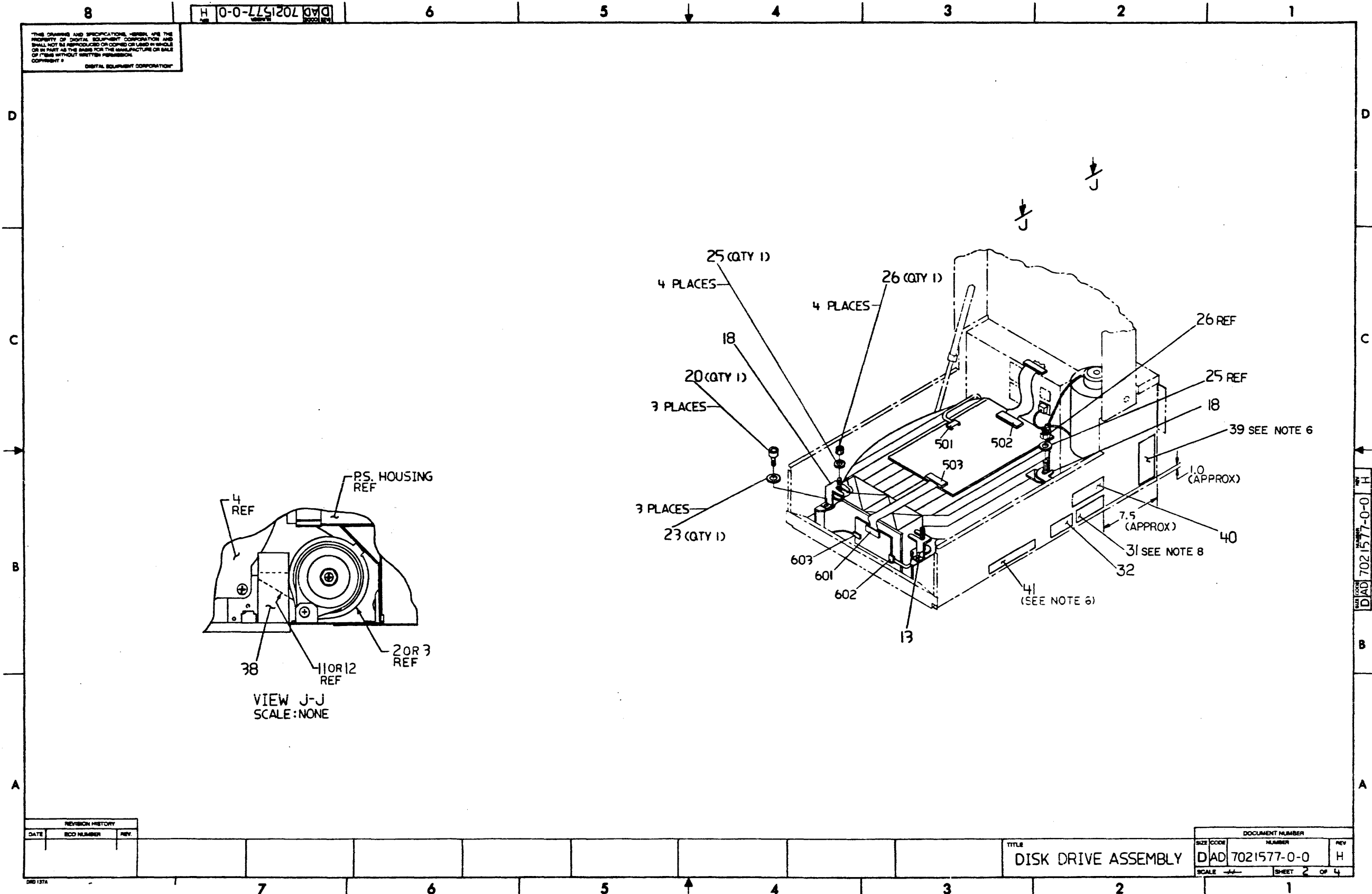
DESCRIPTION	DRAWING NO.	PART NO.	ITEM NO.			
UNLESS OTHERWISE SPECIFIED DIMENSIONS ARE IN INCHES AND THE FOLLOWING TOLERANCES APPLY (PER DEC STD 114)						
INCHES TOLERANCES	ANGLES ±.01	DIMENSION RANGE IN INCHES				
		OVER 0 TO 0.2	OVER 0.2 TO 1.2	OVER 1.2 TO 4.0	OVER 4.0 TO 12.0	OVER 12.0 TO 48.0
X ± .1	SURFACE QUALITY	± .02	± .03	± .04	± .05	± .06
XX ± .02		± .04	± .05	± .06	± .07	± .08
XXX ± .008	✓	± .06	± .07	± .08	± .09	± .10
QUANTITY & VARIATION	THIRD ANGLE PROJECTION	DATE	TITLE			
		9 JAN 84	digital			
	DO NOT SCALE DRAWING	DATE				
		5 JUN 86				
	REMOVE BURRS AND BREAK SHARP CORNERS	DATE				
		APR 86				
	MATERIAL	DATE				
	SEE PARTS LIST	16 APR 86				
	FINISH	DATE				
	NONE	16 APR 86				
			DOCUMENT NUMBER			
			D AD 7021577-0-0			
			SCALE NONE			
			SHEET 1 OF 4			

DAD-7021577-0-0

1 of 4

THIS DRAWING AND SPECIFICATIONS HEREAFTER ARE THE PROPERTY OF DIGITAL EQUIPMENT CORPORATION AND SHALL NOT BE REPRODUCED OR COPIED OR USED IN WHOLE OR IN PART AS THE BASIS FOR THE MANUFACTURE OR SALE OF THIS WITHOUT WRITTEN PERMISSION OF DIGITAL EQUIPMENT CORPORATION.

DAD 7021577-0-0 H

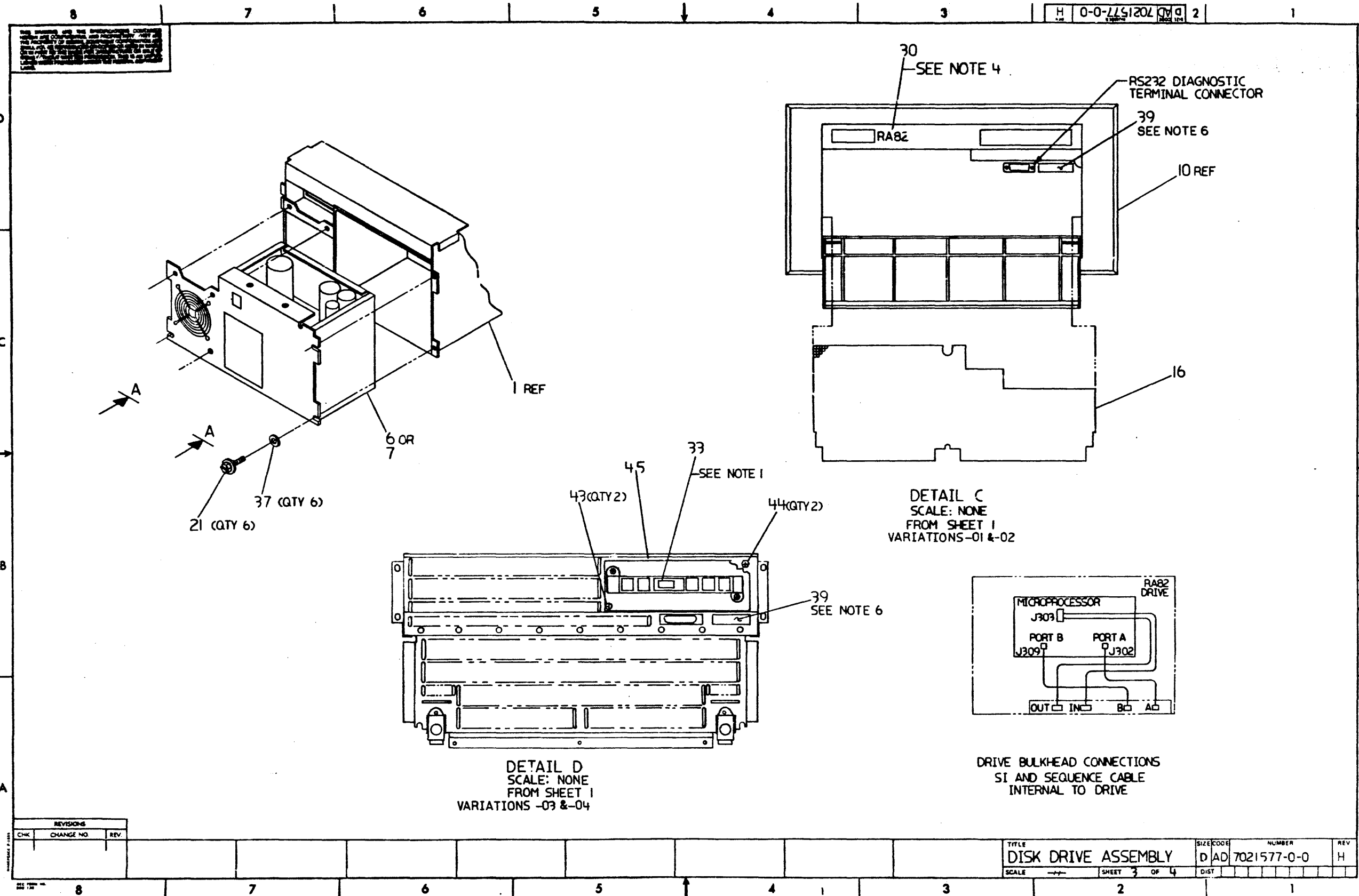


REVISION HISTORY		
DATE	ECO NUMBER	REV

TITLE
DISK DRIVE ASSEMBLY

DOCUMENT NUMBER		
SIZE CODE	NUMBER	REV
DAD	7021577-0-0	H
SCALE	SHEET 2 OF 4	

DAD-7021577-0-0 2 of 4

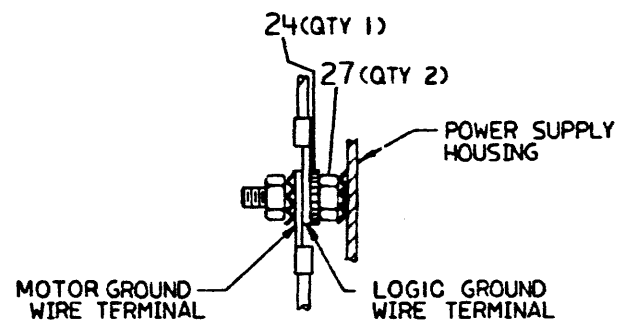


REVISIONS		
CHK	CHANGE NO	REV

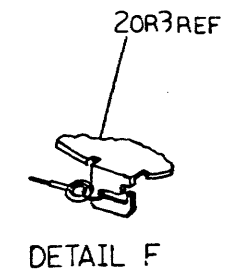
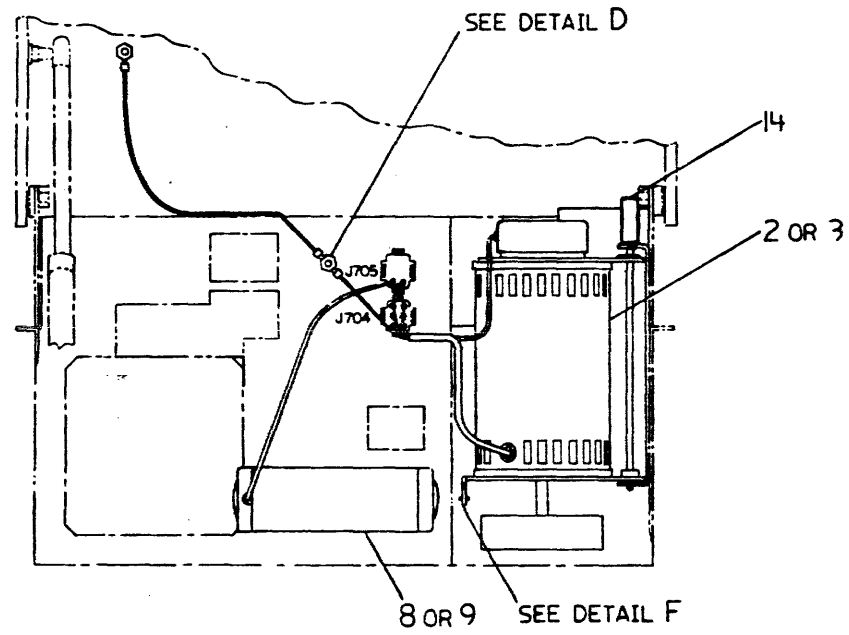
TITLE	SIZE CODE	NUMBER	REV
DISK DRIVE ASSEMBLY	D AD	7021577-0-0	H
SCALE	SHEET	OF	DIST
---	3	4	1

DAD-7021577-0-0
 3 of 4

THIS DRAWING AND THE SPECIFICATIONS CONTAINED HEREIN ARE CONFIDENTIAL AND PROPRIETARY. THEY ARE THE PROPERTY OF CONTROL EQUIPMENT COMPANY AND SHALL NOT BE REPRODUCED OR COPIED IN ANY MANNER OR IN ANY MANNER FOR ANY PURPOSES OR FOR THE PUBLIC WITHOUT THE WRITTEN PERMISSION OF CONTROL EQUIPMENT COMPANY. THIS IS AN UNCLASSIFIED DOCUMENT UNDER THE PROVISIONS OF EXECUTIVE ORDER 11652.



DETAIL D
SCALE: NONE



REVISIONS		
CHK	CHANGE NO.	REV

DAD-7021577-0-0
 4844

LINE	ITEM	TOP DOCUMENT	PART NUMBER	MIN REV	DESCRIPTION	QUANTITY PER VARIATION/REVISION			
						01 C5	02 C5	03 A4	04 A4
1	1	D-AD-7021936-0-0	70-21936-01	C	BASIC DISK DRIVE SUB-ASSEMBLY	1	1	1	1
2	2	D-AD-7021173-0-0	70-21173-01		MOTOR/BRAKE ASSEMBLY (60HZ)	1	-	1	-
3	3	D-AD-7021173-0-0	70-21173-02		MOTOR/BRAKE ASSEMBLY (50HZ)	-	1	-	1
4	4	K-AD-7021468-0-DBU	70-21468-01		HDA-R/W MODULE ASSEMBLY (16 BIT)	1	1	1	1
5	5				*** THIS ITEM IS NOT USED ***	-	-	-	-
6	6	E-UA-H7660-0-0	H7660-C		H7660-A IMPROVED FOR ALL RA- DISK	1	-	1	-
7	7	E-UA-H7660-0-0	H7660-D		H7660-B IMPROVED FOR ALL RA- DISK	-	1	-	1
8	8		10-16924-01		297 TO 324MFD 165V AL EL	1	-	1	-
9	9		10-19003-02	A	53 TO 64 MFD 330V AL EL	-	1	-	1
10	10	K-IA-7021593-0-DBU	70-21593-01		BEZEL ASSEMBLY	1	1	-	-
11	11		12-12635-06		BELT, WOVEN, ENDLESS, .500WX34.96LG	1	-	1	-
12	12		12-12635-07		BELT, WOVEN, ENDLESS, .500WX36.07LG	-	1	-	1
13	13	K-MD-7429716-0-DBU	74-29716-02	A	BRACKET, SHIPPING, R.H.	1	1	1	1
14	14	K-MD-7429709-0-DBU	74-29709-01		ROD, MOTOR PIVOT	1	1	1	1
15	15				*** THIS ITEM IS NOT USED ***	-	-	-	-
16	16	K-MD-7429721-0-DBU	74-29721-01		FILTER, FOAM	1	1	-	-
17	17	K-MD-7429713-0-DBU	74-29713-01		BLOCK, MOTOR SHIPPING	1	1	1	1
18	18	K-MD-7429716-0-DBU	74-29716-01		BRACKET, SHIPPING, L.H.	2	2	2	2
19	19		90-09984-08	A	SCREW, SEMS, PAN PHIL 8-32X	7	7	-	-
20	20	SEE NOTE # 20	90-06346-08	E	SCREW, CAP SOC HEX 10-32	3	3	3	3
21	21		90-09682-01		SCREW, MACH HEXWW SLOT 8-32	6	6	6	6
22	22		70-18340-02		I/O BULKHEAD DRIVE RA81/RA60	1	1	1	1
23	23	SEE NOTE # 23	90-06664-00		WASHER, FLAT SST	3	3	3	3
24	24		90-07651-00		WASHER, LOCK EXTERNAL STEEL	1	1	1	1
25	25		90-07983-00		WASHER, FLAT SST	4	4	4	4
26	26		90-08203-00		NUT, HEX EXT TOOTH LCKWSHR 1/4-20X	4	4	4	4
27	27		90-06565-00		NUT, HEX EXT TOOTH LCKWSHR 10-32X	2	2	2	2
28	28				*** THIS ITEM IS NOT USED ***	-	-	-	-
29	29				*** THIS ITEM IS NOT USED ***	-	-	-	-
30	30		36-17314-03		LABEL, RUB-ON, RA82	1	1	-	-
31	31	SEE NOTE # 31	36-17674-38		LABEL, SERIAL/POWER UNIV, MADE IN U	1	1	1	1
32	32		36-17880-03		LABEL, FCC, CLASS A, PERIPHERAL	1	-	1	-

REVISION HISTORY			KPL MATRIX FORMAT SECTION A OF A		DRN: C. BULLARD	DIGITAL			
ENG	ECC NUMBER	REV	SECTION/VARIATION INDEX		DATE: 31-MAY-85	PARTS LIST			
RD	PCA PET-234	AX03	[A]	01, 02, 03, 04	CHK'D: D. MILLER	DISK DRIVE ASSEMBLY			
RD	PCA PET-335	A	[B]		DATE: 02-APR-86				
MM	7021577-CX01A	B	[C]		DES. ENG: R. DUCHARME				
DC	7021577-CX02A	C	[D]		DATE: 02-APR-86	DOCUMENT NUMBER			
DC	7021577-CX03A	D	[E]			SIZE	CODE	NUMBER	REV
MM	7021577-CX004	E	[F]		RESP. ENG.: J. READ	K	PL	7021577-0-DBP	H
DC	7021577-CX005	F	[H]		DATE: 02-APR-86	RELEASE DATE: 28-MAR-88			
KJ	7021577-CX006	H	[J]		MFG. ENG: D. SAJDAK	RELEASE STATUS: RELEASED			
					DATE: 02-APR-86				
BASIC PART NUMBER:			ASSEMBLY NUMBER:		TOP DOCUMENT NUMBER:		FILE NAME:		EDIT #
7021577			D-AD-7021577-0-0		D-AD-7021577-0-0		Z8167H.PLS		1

"THIS DRAWING AND THE SPECIFICATIONS CONTAINED HEREIN ARE CONFIDENTIAL AND PROPRIETARY. THEY ARE THE PROPERTY OF DIGITAL EQUIPMENT CORPORATION AND SHALL NOT BE REPRODUCED OR COPIED OR USED IN WHOLE OR IN PART AS THE BASIS FOR THE MANUFACTURE OR SALE OF ITEMS WITHOUT WRITTEN PERMISSION. THIS IS AN UNPUBLISHED WORK PROTECTED UNDER THE FEDERAL COPYRIGHT LAWS."

Handwritten: Rm 27-MAR-88

AUTOMATED BY VAXKPL (V1.3)

PARTS LIST

SHEET A2 OF A2

LINE	ITEM	TOP DOCUMENT	PART NUMBER	MIN REV	DESCRIPTION	QUANTITY PER VARIATION/REVISION			
						01 C5	02 C5	03 A4	04 A4
33	33	SEE NOTE 1 ON DWG	36-18940-01	B	LABEL, SWITCH MARKER	1	1	1	1
34	34				*** THIS ITEM IS NOT USED ***	-	-	-	-
35	35				*** THIS ITEM IS NOT USED ***	-	-	-	-
36	36		37-00588-02		PKG DISK DRIVE RA80/81 CUSTOMER	REF	REF	REF	REF
37	37		90-06661-00		WASHER, FLAT SST	6	6	6	6
38	38	K-MD-7431354-0-DBU	74-31354-02		BLOCK, DAMPER, MOTOR	1	1	1	1
39	39	SEE NOTE # 39	36-21711-05		LABEL, BAR CODE .900 X 2.20	2	2	2	2
40	40		36-15710-00		LABEL, PAPER FORM FEED	1	1	1	1
41	41	SEE NOTE 6 ON DWG	36-22963-05		LABEL, BAR CODE, BLANK	1	1	1	1
42	42				*** THIS ITEM IS NOT USED ***	-	-	-	-
43	43		90-09984-00		SCREW, SEMS PAN PHIL 6-32	2	2	2	2
44	44		90-00001-06		STANDOFF, MALE/FEMALE HEX 6-32 X	-	-	2	2
45	45	K-MD-7434388-0-DBU	74-34388-01		COVER, CONTROL PANEL	-	-	1	1

20 NOTE: 90-06346-08, QTY 3, MAY BE SUBSTITUTED BY 90-09988-05, SCREW, SEMS, 10-32, QTY 3.

23 NOTE: 90-06664-00, QTY 3, MAY BE SUBSTITUTED BY 90-09988-05, SCREW, SEMS, 10-32, QTY 3.

31 NOTE: ALTERNATE PART NO. 36-17674-43, LABEL SER/POW W/ UL & CSA, IS REQ'D FOR UNITS MANUFACTURED IN KBO.

39 NOTE: 36-21711-05, TOTAL REQ'T IS QTY 3: 2 ARE AFFIXED TO THE PRODUCT, 1 IS REQ'D FOR PRCS DOCUMENTATION. (SEE NOTE 6 ON DWG.)

1 GEN:	LEGEND	
2 GEN:	PART NO.	VARIATION
3 GEN:	70-21577-01	120V, 60HZ, 16 BIT
4 GEN:	70-21577-02	240V, 50HZ, 16 BIT
5 GEN:	70-21936-03	120V, 60HZ, 16 BIT
6 GEN:	70-21577-04	240V, 50HZ, 16 BIT

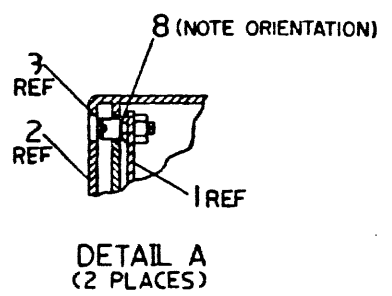
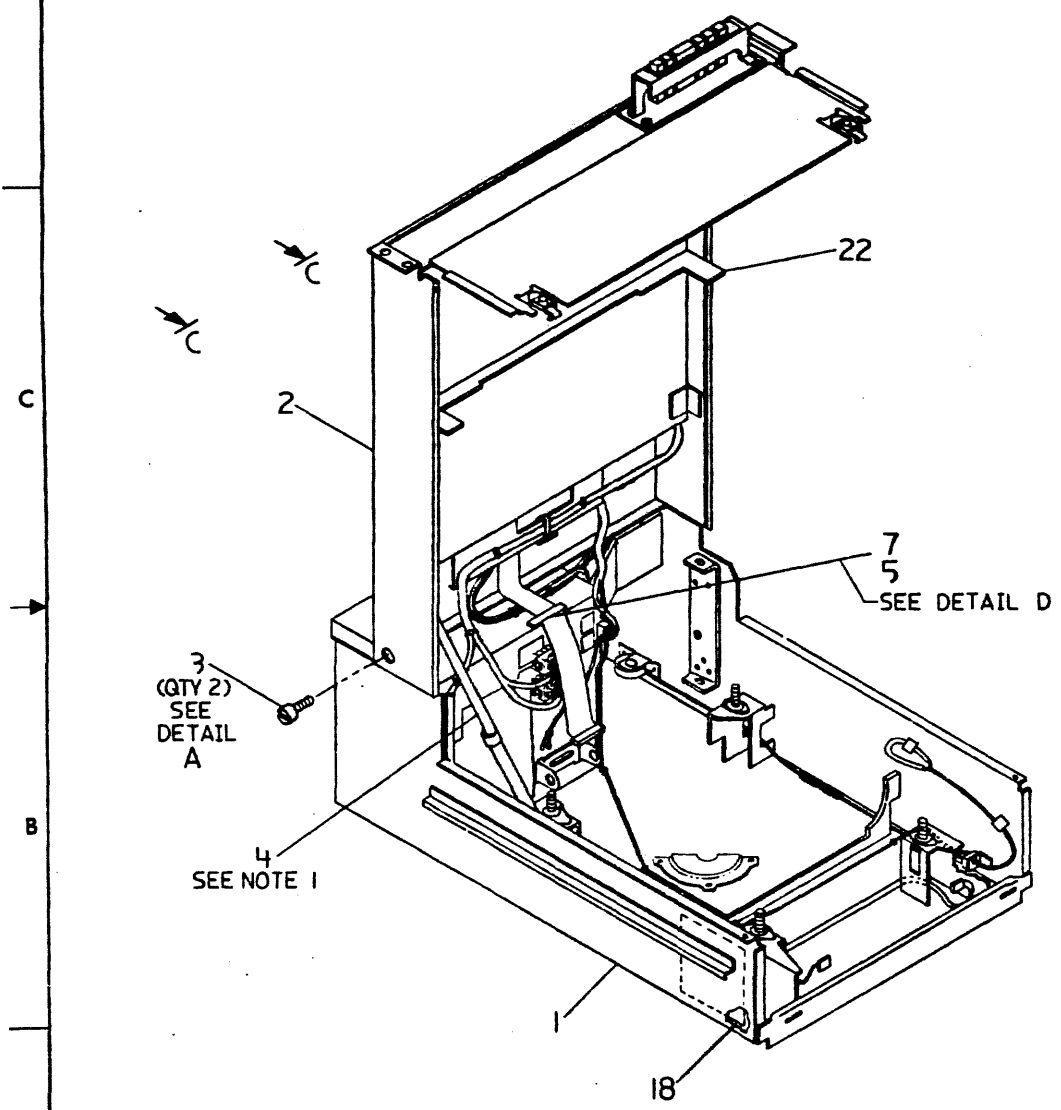
D	I	G	I	T	A	L	TITLE	SECTION A OF A	SIZE	CODE	DOCUMENT NUMBER	REV
							DISK DRIVE ASSEMBLY		K	PL	7021577-0-DBP	H

DAD 7021936-0-0

THIS DRAWING AND THE SPECIFICATIONS CONTAINED HEREIN ARE CONFIDENTIAL AND PROPRIETARY. THEY ARE THE PROPERTY OF DIGITAL EQUIPMENT CORPORATION AND SHALL NOT BE REPRODUCED OR COPIED OR USED IN WHOLE OR IN PART AS THE BASIS FOR MANUFACTURE OR SALE OF ITEMS WITHOUT WRITTEN PERMISSION. THIS IS AN UNPUBLISHED WORK PROTECTED UNDER THE FEDERAL COPYRIGHT LAWS.

LEGEND		
PART NO.	VARIATION	PART REV
70-21936-01	BASIC DISK DRIVE SUB-ASSEMBLY	C6
70-21936-02	BASIC DISK DRIVE SUB-ASSEMBLY	A4 3

NOTES:
 1. ATTACH (ITEM 4) WITH THE LOCKING TUBE IN THE DOWN POSITION, PUSH OVER BALL STUD, 2 PLACES.
 2. POSITION THE D.C. HARNESS FLAT AGAINST THE FAN HOUSING AND SECURE WITH TIE WRAP (ITEM 13). THE TIE WRAP LOCK MUST BE LOCATED AS SHOWN.
3 PART NO. 70-21936-02 INACTIVATED PER ECO 7021577-CX006 (6124).



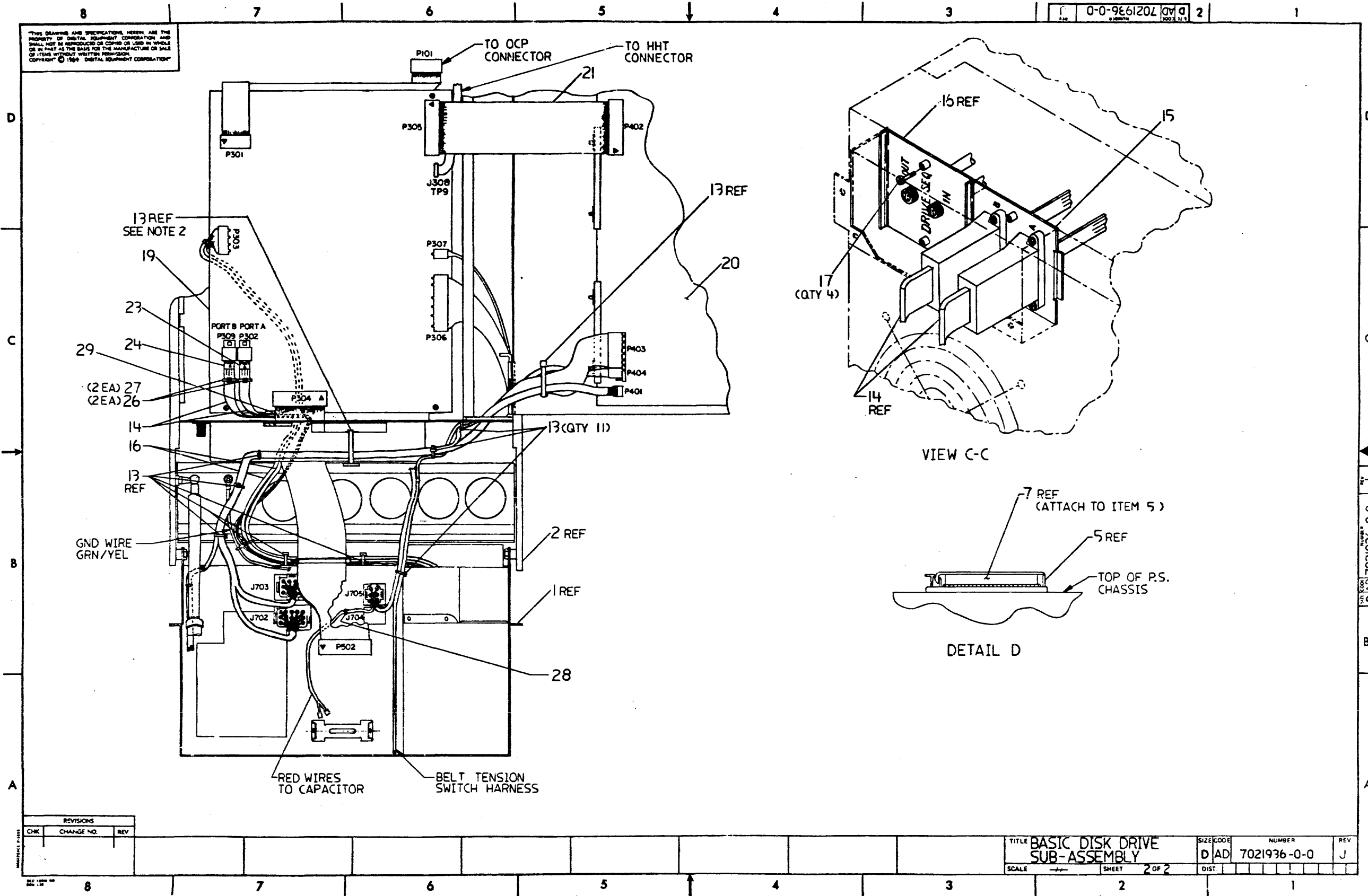
CAUTION: OFF SHEET PARTS LIST EXISTS
 SEE K-PL-7021936-0-DBP (Z9355)
 TOP DOC: D-AD-7021936-0-0

DATE	ECO NUMBER	REV	DOC	PAVT	REV
60	7021577-CX03A	01/C2	D		
61	7021577-CX03B	02/A1	D		
61	7021577-CX001	01/05	E		
61	7021577-CX002	02/05	E		
61	7021577-CX003	01/04	F		
61	7021577-CX004	02/03	F		
61	7021577-CX005	01/03	H		
61	7021577-CX006	02/04	H		
61	7021577-CX007	01/06	J		
61	7021577-CX008	01/06	J		

DESCRIPTION	DRAWING NO	PART NO	ITEM NO		
UNLESS OTHERWISE SPECIFIED DIMENSIONS ARE IN INCHES AND THE FOLLOWING TOLERANCES APPLY (PER DEC STD 114)					
INCHES TOLERANCES	ANGLES ± 0°30'	APPLICABLE DIMENSION RANGE			
		OVER	OVER	OVER	OVER
SURFACE QUALITY	CHECK DIM	TO	TO	TO	TO
		0.2	1.2	12.0	40.0
QUANTITY & VARIATION	XXX ± .006	XXX ± .008	XXX ± .012	XXX ± .016	
THIRD ANGLE PROJECTION	DATE	DATE	DATE	DATE	
DO NOT SCALE DRAWING	C. BULLARD	R. E. MILLER	D. CHAMBERLAIN	D. CHAMBERLAIN	
REMOVE BURRS AND BREAK SHARP CORNERS	7 JUN 84	4 APR 86	16 APR 86	16 APR 86	
MATERIAL	SEE PARTS LIST	R. SAJDAK			
FINISH					
	D-AD-7021577-0-0				
TITLE		DOCUMENT NUMBER			
BASIC DISK DRIVE SUB-ASSEMBLY		D AD 7021936-0-0			
DRAWING NO		SHEET 1 OF 2			

DAD 7021936-0-0 0 10f2

THIS DRAWING AND SPECIFICATIONS HEREIN ARE THE PROPERTY OF DIGITAL EQUIPMENT CORPORATION AND SHALL NOT BE REPRODUCED OR COPIED OR USED IN WHOLE OR IN PART AS THE BASIS FOR THE MANUFACTURE OR SALE OF ITEMS WITHOUT WRITTEN PERMISSION. COPYRIGHT © 1984 DIGITAL EQUIPMENT CORPORATION



REVISIONS		
CHK	CHANGE NO.	REV

TITLE	BASIC DISK DRIVE SUB-ASSEMBLY	SIZE CODE	D AD	NUMBER	7021936-0-0	REV.	J
SCALE	---	SHEET	2 OF 2	DIST.			

DAD-7021936-0 0 2 of 2
 NUMBER D AD 7021936-0-0 J

LINE ITEM	TOP DOCUMENT	PART NUMBER	MIN REV	DESCRIPTION	01 C6
1	1	K-AD-7021575-0-DBU		70-21575-01 CHASSIS ASSEMBLY 60 HZ	1
2	2	K-AD-7021589-0-DBU		70-21589-01 LOGIC ASSEMBLY	1
3	3			90-00042-17 SCREW,HEX SOC HEX 5/16-18	2
4	4			12-24693-01 SPRING,DAMPER	1
5	5			12-13715-00 CLIP,FLAT CABLE W/ADHESIVE BK	1
6	6			*** THIS ITEM IS NOT USED ***	-
7	7	K-MD-7430633-0-DBU		74-30633-01 GASKET,FLAT WIRE CLIP	1
8	8			90-10204-00 WASHER,SPRING BELLEVLE SST	2
9	9			*** THIS ITEM IS NOT USED ***	-
10	10			*** THIS ITEM IS NOT USED ***	-
11	11			*** THIS ITEM IS NOT USED ***	-
12	12			*** THIS ITEM IS NOT USED ***	-
13	13			90-10266-00 TIE,CABLE 7.312L	11
14	14			17-00465-04 A CABLE,COAX,ASSY,SI SHIELDED RIBBON	2
15	15	K-IA-7429005-0-DBU		74-29005-01 PLATE,I/O COMMON	1
16	16	D-IA-7021590-0-0		70-21590-01 SEQUENCE CABLE/PANEL ASSEMBLY	1
17	17			12-19534-02 SCREW,CAPTIV PHIL 4-40	4
18	18			36-18804-01 LABEL,LOCK INFORMATION	1
19	19			54-16190-01 D R82 HYBRID MODULE	1
20	20			54-16188-01 E R82 SERVO CONTROL	1
21	21	C-IA-7021608-0-0		70-21608-01 DATA 40 CABLE ASSEMBLY	1
22	22	K-IA-7021572-0-DBU		70-21572-01 HDA TOP BAFFLE ASSEMBLY	1
23	23			36-16923-40 LABEL,PORT IDENT "A"	1
24	24			36-16923-41 LABEL,PORT IDENT "B"	1
25	25			*** THIS ITEM IS NOT USED ***	-
26	26			12-22992-01 A HOLDER,CABLE TIE	2
27	27			90-07880-00 E TIE,CABLE BUNDL DIA 0-1.14"=101	2
28	28			90-07031-00 B TIE,CABLE BUNDL.DIA 0- 3/4"=101	1
29	29			90-09718-01 GROMMET,STRIP STYRENE	1
30	30	K-AD-7021589-0-DBU		70-21589-03 *** THIS ITEM IS NOT USED ***	-

REVISION HISTORY		KPL MATRIX FORMAT		SECTION A OF A		DRN: C. BULLARD		DIGITAL	
ENG	ECO NUMBER	REV	SECTION/VARIATION INDEX	DATE:	07-JUN-84	DATE:	03-APR-86	TITLE	PARTS LIST
RD	PCA PET-335	A	[A] 01	CHK'D:	D. MILLER	DATE:	03-APR-86	BASIC DISK DRIVE	SUB-ASSEMBLY
MM	7021577-CX01A	B	[B]	DES.ENG:	B. DUCHARME	DATE:	03-APR-86	DOCUMENT NUMBER	
DC	7021577-CX02A	C	[C]	RESP.ENG.:	J. READ	DATE:	03-APR-86	SIZE	CODE
DC	7021577-CX03A	D	[D]	DATE:	03-APR-86	NUMBER		NUMBER	REV
CH	7021936-CX001	E	[E]	MFG.ENG:	D. SAJDAK	RELEASE DATE:	18-MAY-88	K	PL
DC	7021936-CX002	F	[F]	DATE:	03-APR-86	RELEASE STATUS:	RELEASED	7021936-0-DBP	J
DC	7021577-CX005	H	[H]						
KI	7021577-CX006	J	[J]						
BASIC PART NUMBER:		ASSEMBLY NUMBER:		TOP DOCUMENT NUMBER:		FILE NAME:		EDIT #	
7021936		D-AD-7021936-0-0		D-AD-7021936-0-0		Z9355J.PLS		3	

"THIS DRAWING AND THE SPECIFICATIONS CONTAINED HEREIN ARE CONFIDENTIAL AND PROPRIETARY. THEY ARE THE PROPERTY OF DIGITAL EQUIPMENT CORPORATION AND SHALL NOT BE REPRODUCED OR COPIED OR USED IN WHOLE OR IN PART AS THE BASIS FOR THE MANUFACTURE OR SALE OF ITEMS WITHOUT WRITTEN PERMISSION. THIS IS AN UNPUBLISHED WORK PROTECTED UNDER THE FEDERAL COPYRIGHT LAWS."

AUTOMATED BY VAXKPL (V1.3)

PARTS LIST

SHEET A2 OF A2
QUANTITY PER VARIATION/REVISION

LINE ITEM	TOP DOCUMENT	PART NUMBER	MIN REV	DESCRIPTION	01 C6
-----------	--------------	-------------	------------	-------------	----------

1 GEN: L E G E N D
2 GEN: PART NUMBER VARIATION
3 GEN: 70-21936-01 BASIC DISK DRIVE SUB-ASSEMBLY
4 GEN: 70-21936-02 VARIATION -02 NO LONGER USED.

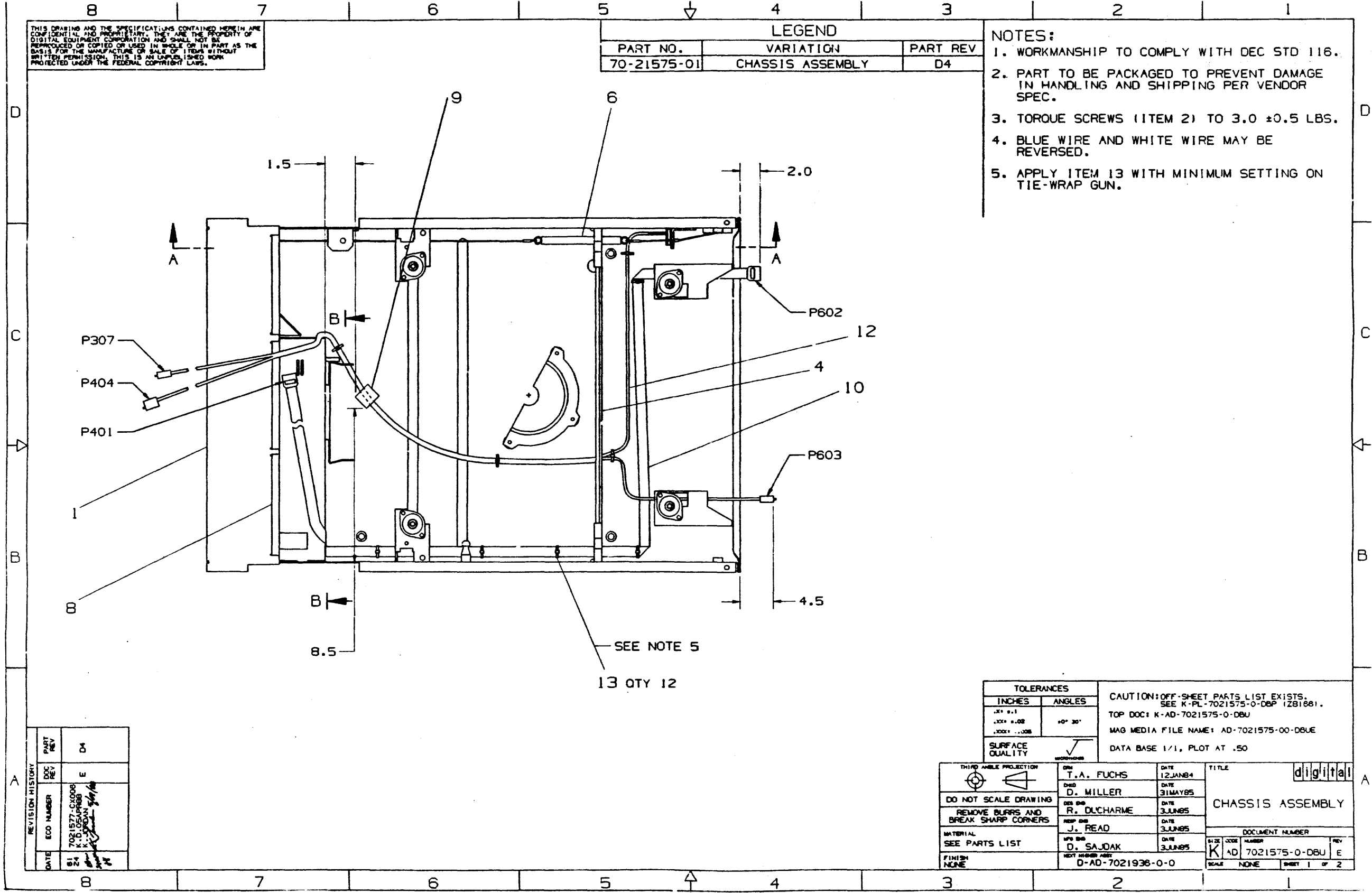
D	I	G	I	T	A	L	TITLE	SECTION A OF A	SIZE	CODE	DOCUMENT NUMBER	REV
							BASIC DISK DRIVE SUB-ASSEMBLY		K	PL	7021936-0-DBP	J

THIS DRAWING AND THE SPECIFICATIONS CONTAINED HEREIN ARE CONFIDENTIAL AND PROPRIETARY. THEY ARE THE PROPERTY OF DIGITAL EQUIPMENT CORPORATION AND SHALL NOT BE REPRODUCED OR COPIED OR USED IN WHOLE OR IN PART AS THE BASIS FOR THE MANUFACTURE OR SALE OF ITEMS WITHOUT WRITTEN PERMISSION. THIS IS AN UNPUBLISHED WORK PROTECTED UNDER THE FEDERAL COPYRIGHT LAWS.

LEGEND		
PART NO.	VARIATION	PART REV
70-21575-01	CHASSIS ASSEMBLY	D4

NOTES:

1. WORKMANSHIP TO COMPLY WITH DEC STD 116.
2. PART TO BE PACKAGED TO PREVENT DAMAGE IN HANDLING AND SHIPPING PER VENDOR SPEC.
3. TORQUE SCREWS (ITEM 2) TO 3.0 ±0.5 LBS.
4. BLUE WIRE AND WHITE WIRE MAY BE REVERSED.
5. APPLY ITEM 13 WITH MINIMUM SETTING ON TIE-WRAP GUN.



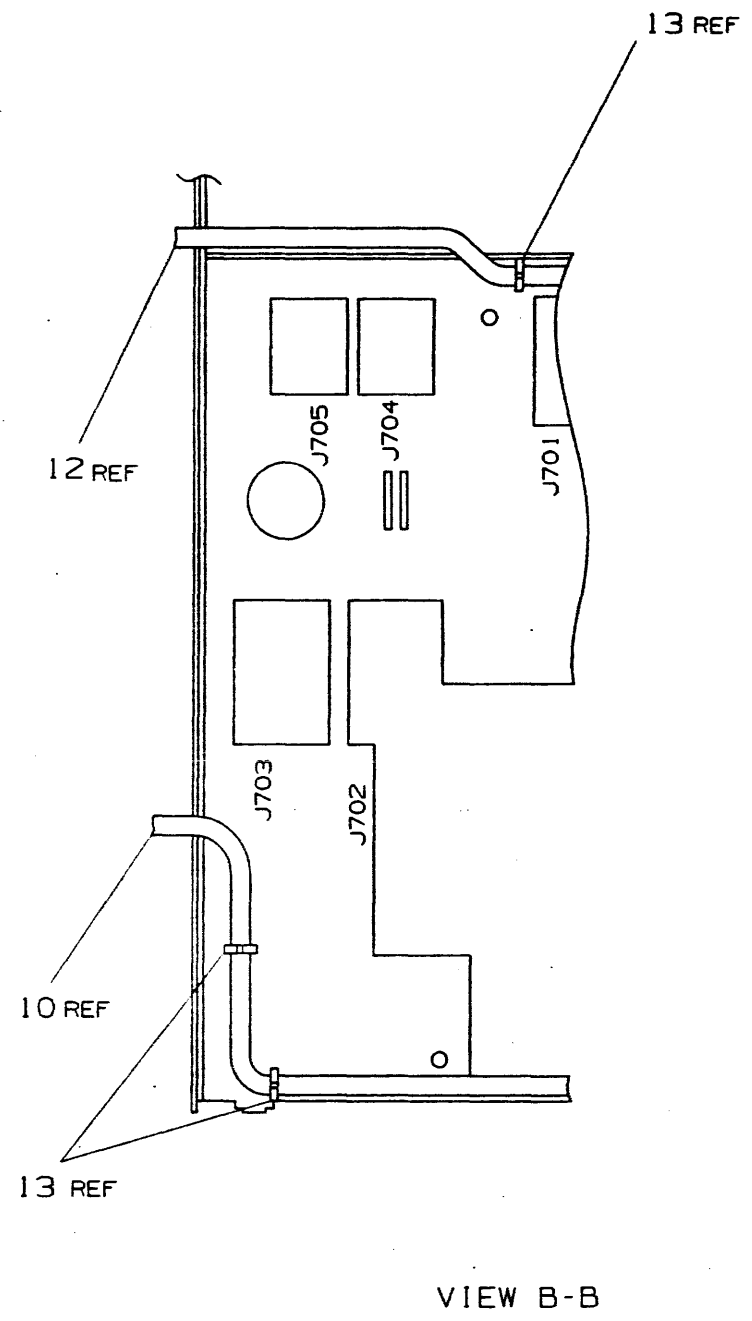
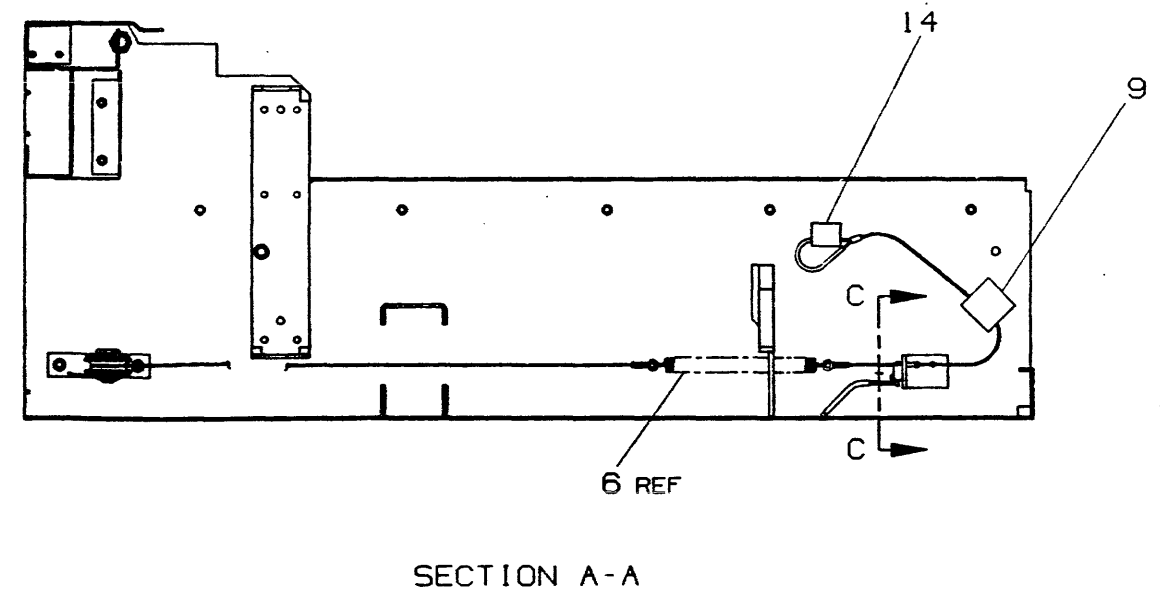
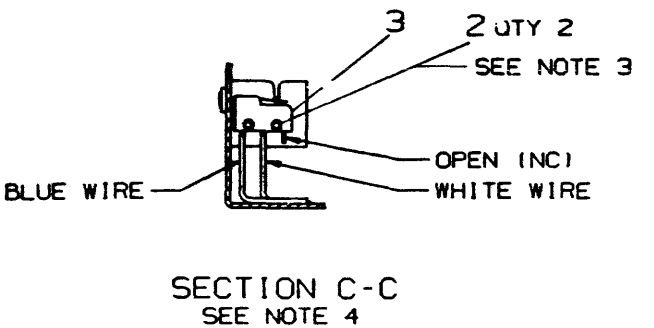
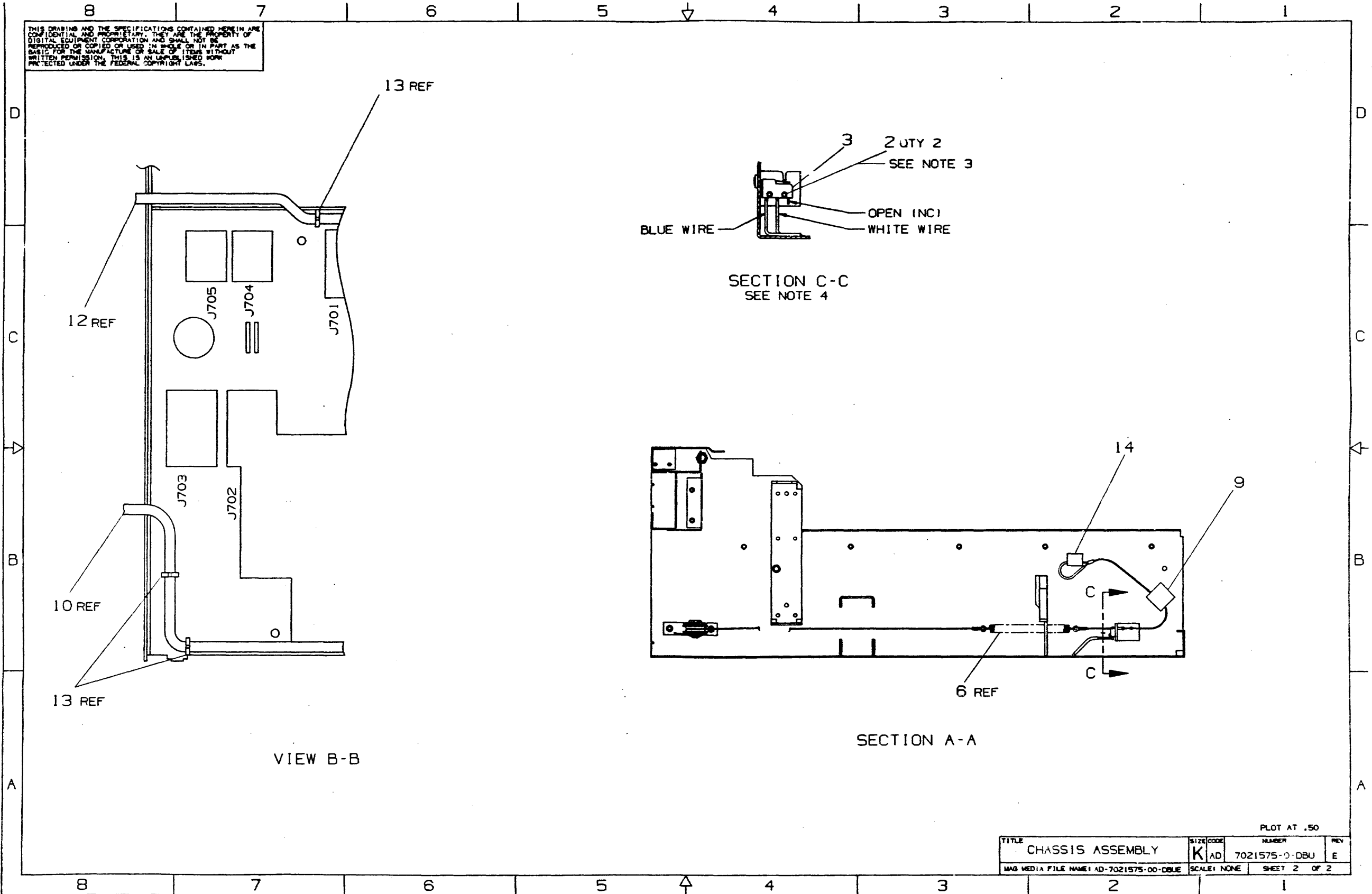
REVISION HISTORY		PART REV
DATE	ECO NUMBER	DOC REV
84	7021577-02006 K. D. JOHNSON K. D. JOHNSON	D4
		E

TOLERANCES	
INCHES	ANGLES
.01 ± .01	± 30°
.001 ± .002	
.002 ± .005	
SURFACE QUALITY	
✓	

CAUTION: OFF-SHEET PARTS LIST EXISTS.
SEE K-PL-7021575-0-D&P (281861).
TOP DOC: K-AD-7021575-0-DBU
MAG MEDIA FILE NAME: AD-7021575-00-DBUE
DATA BASE 1/1, PLOT AT .50

THIRD ANGLE PROJECTION	DESIGNED BY T.A. FUCHS	DATE 12 JAN 84	TITLE CHASSIS ASSEMBLY
DO NOT SCALE DRAWING	DRAWN BY D. MILLER	DATE 31 MAY 85	DOCUMENT NUMBER K AD 7021575-0-DBU E
REMOVE BURRS AND BREAK SHARP CORNERS	DESIGNED BY R. DUCHARME	DATE 3 JUN 85	
MATERIAL SEE PARTS LIST	DESIGNED BY J. READ	DATE 3 JUN 85	SCALE NONE
FINISH NONE	DESIGNED BY D. SAJOAK	DATE 3 JUN 85	SHEET 1 OF 2
	NEXT NUMBER USED D-AD-7021936-0-0		

THIS DRAWING AND THE SPECIFICATIONS CONTAINED HEREIN ARE CONFIDENTIAL AND PROPRIETARY. THEY ARE THE PROPERTY OF DIGITAL EQUIPMENT CORPORATION AND SHALL NOT BE REPRODUCED OR COPIED OR USED IN WHOLE OR IN PART AS THE BASIS FOR THE MANUFACTURE OR SALE OF ITEMS WITHOUT WRITTEN PERMISSION. THIS IS AN UNPUBLISHED WORK PROTECTED UNDER THE FEDERAL COPYRIGHT LAWS.



PLOT AT .50

TITLE	CHASSIS ASSEMBLY	SIZE CODE	K AD	NUMBER	7021575-0-DBU	REV	E
MAG MEDIA FILE NAME	AD-7021575-00-DBU	SCALE	NONE	SHEET 2 OF 2			

LINE	ITEM	TOP DOCUMENT	PART NUMBER	MIN REV	DESCRIPTION	01 D4
1	1	K-IA-7021171-0-DBU	70-21171-01	F	CHASSIS SUB ASSEMBLY	1
2	2		90-00042-15		SCREW,CAP ALLEN 2-56	2
3	3		12-22845-01		SW, SUBMINI, SPDT, LEVER ACTUATOR 0.1	1
4	4	K-IA-7021571-0-DBU	70-21571-01		HDA BOTTOM BAFFLE ASSEMBLY	1
5	5				*** THIS ITEM IS NOT USED ***	-
6	6	K-IA-7021592-0-DBU	70-21592-01		CABLE SPRING ASSEMBLY	1
7	7				*** THIS ITEM IS NOT USED ***	-
8	8	D-IA-7429936-0-0	74-29936-02		GASKET,EMI SEALING,14.8"	1
9	9		90-09636-00		CLAMP,CABLE ADH MNT 1	2
10	10	K-IA-7021469-0-DBU	70-21469-01		SERVO PRE-AMP CABLE ASSEMBLY	1
11	11				*** THIS ITEM IS NOT USED ***	-
12	12	D-IA-7021452-0-0	70-21452-01		BELT TENSION SWITCH HARNESS	1
13	13		90-07031-00		TIE,CABLE BUNDL.DIA 0- 3/4"=101	12
14	14		90-09771-04		CLAMP,CABLE,U CLIP,ADH.BACK 5/16	1

REVISION HISTORY			KPL MATRIX FORMAT			SECTION A OF A			DRN: F. ULUTASH			D I G I T A L		
ENG	ECO NUMBER	REV	SECTION/VARIATION INDEX			DATE: 30-MAY-85			TITLE PARTS LIST					
RD	PCA PET-120	AX00	[A]	01	CHK'D: D. MILLER			CHASSIS ASSEMBLY						
RD	PCA PET-206	AX01	[B]		DATE: 30-MAY-85									
RD	PCA PET-251	AX02	[C]		DES.ENG: R. DUCHARME									
RD	PCA PET-316	A	[D]		DATE: 30-MAY-85			DOCUMENT NUMBER						
DC	7021575-CX001	B	[E]		RESP.ENG.: J. READ			SIZE	CODE	NUMBER	REV			
DC	7021575-CX002	C	[F]		DATE: 30-MAY-85			K	PL	7021575-0-DBP	E			
DC	7021575-CX003	D	[H]		MFG.ENG: D. SAJDAK			RELEASE DATE: 28-MAR-88						
KJ	7021577-CX006	E	[J]		DATE: 30-MAY-85			RELEASE STATUS: RELEASED						
BASIC PART NUMBER:			ASSEMBLY NUMBER:			TOP DOCUMENT NUMBER:			FILE NAME:			EDIT #		
7021575			K-AD-7021575-0-DBU			K-AD-7021575-0-DBU			Z8166E.PLS			4		
<p>"THIS DRAWING AND THE SPECIFICATIONS CONTAINED HEREIN ARE CONFIDENTIAL AND PROPRIETARY. THEY ARE THE PROPERTY OF DIGITAL EQUIPMENT CORPORATION AND SHALL NOT BE REPRODUCED OR COPIED OR USED IN WHOLE OR IN PART AS THE BASIS FOR THE MANUFACTURE OR SALE OF ITEMS WITHOUT WRITTEN PERMISSION. THIS IS AN UNPUBLISHED WORK PROTECTED UNDER THE FEDERAL COPYRIGHT LAWS."</p>														

Rev. 1/1/88

LINE	ITEM	TOP DOCUMENT	PART NUMBER	MIN REV	DESCRIPTION	01 E5	02 A2
1	1	K-IA-7020532-0-DBU	70-20532-01		LOGIC WELDMENT	-	1
2	2	K-MD-7021168-0-DBU	70-21168-01		FAN HOLDER ASSEMBLY	1	-
3	3	K-MD-7429003-0-DBU	74-29003-01		GASKET, FOAM	-	1
4	4		12-22929-04		*** THIS ITEM IS NOT USED ***	-	-
5	5		90-09636-00		CLAMP, CABLE ADH MNT	1	2
6	6	D-IA-7429936-0-0	74-29936-03		GASKET, EMI SEALING, 17.3"	2	-
7	7	K-IA-7021470-0-DBU	70-21470-01		READ/WRITE CABLE ASSEMBLY	1	-
8	8	D-AD-7021456-0-0	70-21456-01		LOGIC DC POWER HARNESS ASSY	1	-
9	9	K-IA-7016740-0-DBU	70-16740-01	A	OCP CABLE ASSY W/GRD SHIELD	1	-
10	10		12-13756-09		GROUND STRAP, 9"LG	1	-
11	11		90-06565-00		NUT, HEX EXT TOOTH LCKWSHR 10-32X	1	-
12	12		90-09546-00		SCREW, SEMS PAN PHIL 4-40	2	-
13	13		90-07651-00		WASHER, LOCK EXTERNAL STEEL	1	-
14	14		90-06655-00		WASHER, FLAT SST	2	-
15	15		90-09932-00		BUMPER, DOME HD SPLIT STM NYLON	-	1
16	16		90-10477-01		STANDOFF, 1/4 TURN NYLATCH	5	-
17	17				*** THIS ITEM IS NOT USED ***	-	-
18	18		90-06557-00		NUT, HEX EXT TOOTH LCKWSHR 4-40X	2	-
19	19		70-21609-01		HHT CABLE	1	-
20	20		90-10266-00		TIE, CABLE 7.312L	1	-
21	21	SEE NOTE # 21	90-00052-01		RJVET, REPETITION CLINCH .125DIA	-	11
22	22	B-DD-5414927-0-0	54-14927-01		OPERATOR CONTROL PANEL	1	-
23	23		90-09984-00		SCREW SEMS PAN PHIL 6-32	2	-
24	24		12-16875-06		FOAM, POLYURETHANE, ADH. BCKD, 16.5X00	-	1
25	25	K-AD-7021589-0-DBU	70-21589-02		LOGIC ASSEMBLY	1	-
26	26	K-IA-7021933-0-DBU	70-21933-01		LOGIC COVER ASSEMBLY	-	1
27	27		12-16875-07		FOAM, POLYURETHANE, ADH. BCKD, 20.0X00	-	1
28	28	K-MD-7429002-0-DBU	74-29002-01		SUPPORT	-	1
29	29	K-AD-7023903-0-DBU	70-23903-01		LOWER FRONT PANEL ASSEMBLY	-	1
30	30		90-09747-01		SUPPORT, C.B. NYLON WHT 1/4	5	-
31	31		90-09718-01		GROMMET, STRIP STYRENE	2	-
32	32	K-MD-7434388-0-DBU	74-34388-01		*** THIS ITEM IS NOT USED ***	-	-

REVISION HISTORY		KPL MATRIX FORMAT		SECTION A OF A		DRN: A. POWELL		DIGITAL	
ENG	ECO NUMBER	REV	SECTION/VARIATION INDEX	DATE	CHK'D	TITLE	DOCUMENT NUMBER	SIZE	CODE
			01,02	09-JAN-84	D. MILLER	PARTS LIST			
RD	PCA PET-212	AX01	[A]			LOGIC ASSEMBLY			
RD	PCA PET-238	AX02	[B]						
RD	PCA PET-251	AX03	[C]						
RD	PCA PET-316	A	[D]						
DC	7021589-CX001	B	[E]						
DC	7021577-CX02A	C	[F]						
DC	7021577-CX03A	D	[H]						
AM	7021589-CX002	E	[J]						
DC	7021575-CX003	F							
KJ	7021577-CX006	H							
BASIC PART NUMBER:		ASSEMBLY NUMBER:		TOP DOCUMENT NUMBER:		FILE NAME:		EDIT #	
7021589		K-AD-7021589-0-DBU		K-AD-7021589-0-DBU		Z8158H.PLS		2	

"THIS DRAWING AND THE SPECIFICATIONS CONTAINED HEREIN ARE CONFIDENTIAL AND PROPRIETARY. THEY ARE THE PROPERTY OF DIGITAL EQUIPMENT CORPORATION AND SHALL NOT BE REPRODUCED OR COPIED OR USED IN WHOLE OR IN PART AS THE BASIS FOR THE MANUFACTURE OR SALE OF ITEMS WITHOUT WRITTEN PERMISSION. THIS IS AN UNPUBLISHED WORK PROTECTED UNDER THE FEDERAL COPYRIGHT LAWS."

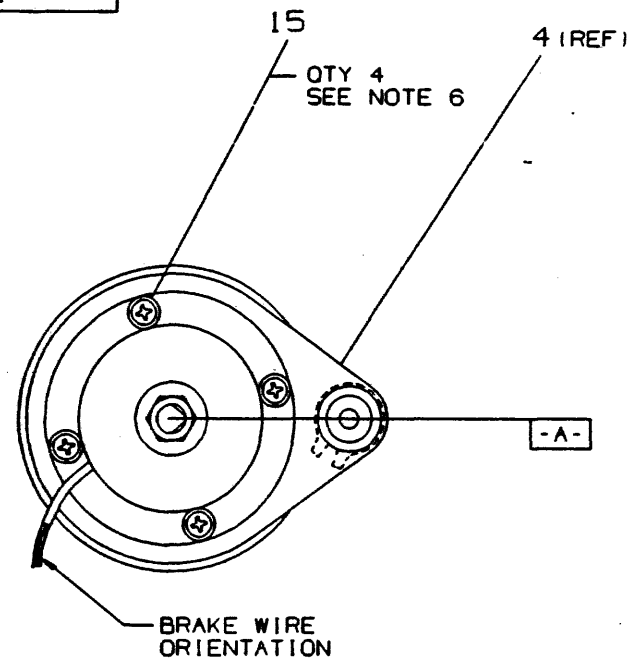
LINE ITEM	TOP DOCUMENT	PART NUMBER	MIN REV	DESCRIPTION	QTY
1	1 K-IA-7021172-0-DBU	70-21172-01		BASE PLATE WELDMENT	1
2	2 K-IA-7429004-0-DBU	74-29004-01 A		STIFFENER, REAR BASE	1
3	3	12-13686-07 A		MOUNTING RAIL, LH+RH W/O INTERLOCK	1
4	4 SEE NOTE # 4	90-00030-05		RIVET, BLIND DOME 0.156DX0.362LG	39
5	5	12-16902-00 C		MOUNT, SHOCK, RUBBER	4
6	6 K-MD-7429706-0-DBU	74-29706-01 A		BRACKET, POWER SUPPLY MOUNTING	1
7	7 K-MD-7429711-0-DBU	74-29711-01		BRACKET, CABLE	1
8	8 K-AD-7021574-0-DBU	70-21574-01		PULLEY BRACKET ASSEMBLY	1
9	9	74-32009-01		BRACKET, MOTOR PIVOT	1
10	10 K-MD-7432541-0-DBU	74-32541-01 A		BRACKET, BELT RAMP	1
11	11 K-MD-7432048-0-DBU	74-32048-02 A		INTERLOCK, DRIVE ACTUATOR	1
12	12	10-16924-02 A		297 TO 324MFD 165V AL EL	1
13	13 SEE NOTE # 13	90-00052-01		RIVET, REPETITION CLINCH .125DIA	2
14	14 K-IA-7021169-0-DBU	70-21169-01		MOTOR BAFFLE ASSEMBLY	1

4 NOTE: ITEM 4, ALTERNATE PART NO. 90-00052-10, RIVET REPETITION .156 X .339, QTY. 39 IS ALLOWABLE.
13 NOTE: ITEM 13, ALTERNATE PART NO. 90-00030-09, RIVET, BLIND, DOME, .125 DIA X .275LG, QTY. 2, IS ALLOWABLE.

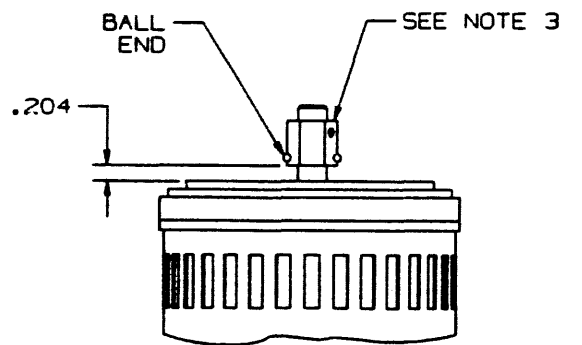
REVISION HISTORY			KPL MATRIX FORMAT		SECTION A OF A		DRN: C. BULLARD		DIGITAL				
ENG	ECO NUMBER	REV	SECTION	VARIATION INDEX	DATE	CHK'D	TITLE	SIZE	CODE	NUMBER	REV	RELEASE DATE	RELEASE STATUS
RD	PCA PET-109	AX01	[A]	01	10-APR-85	D. MILLER	PARTS LIST						
RD	PCA PET-196	AX02	[B]		10-APR-85		CHASSIS SUB ASSEMBLY						
RD	PCA PET-213	AX03	[C]			R. DUCHARME							
RD	PCA PET-311	A	[D]		10-APR-85		DOCUMENT NUMBER						
DC	7021575-CX001	B	[E]										
DC	7021575-CX002	C	[F]			J. READ							
			[H]		10-APR-85		K PL 7021171-0-DBP				C		
			[J]										
						D. SAJDAK	RELEASE DATE: 03-NOV-86						
					10-APR-85		RELEASE STATUS: RELEASED						
BASIC PART NUMBER:			ASSEMBLY NUMBER:		TOP DOCUMENT NUMBER:		FILE NAME:		EDIT #				
7021171			K-IA-7021171-0-DBU		K-IA-7021171-0-DBU		Z8117C.PLS		2				

"THIS DRAWING AND THE SPECIFICATIONS CONTAINED HEREIN ARE CONFIDENTIAL AND PROPRIETARY. THEY ARE THE PROPERTY OF DIGITAL EQUIPMENT CORPORATION AND SHALL NOT BE REPRODUCED OR COPIED OR USED IN WHOLE OR IN PART AS THE BASIS FOR THE MANUFACTURE OR SALE OF ITEMS WITHOUT WRITTEN PERMISSION. THIS IS AN UNPUBLISHED WORK PROTECTED UNDER THE FEDERAL COPYRIGHT LAWS."

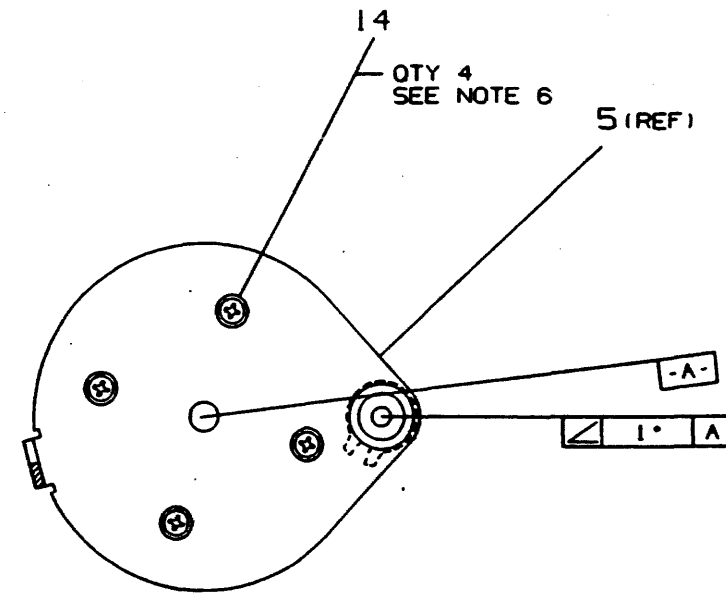
THIS DRAWING AND THE SPECIFICATIONS CONTAINED HEREIN ARE CONFIDENTIAL AND PROPRIETARY. THEY ARE THE PROPERTY OF DIGITAL EQUIPMENT CORPORATION AND SHALL NOT BE REPRODUCED OR COPIED OR USED IN WHOLE OR IN PART AS THE BASIS FOR THE MANUFACTURE OR SALE OF ITEMS WITHOUT WRITTEN PERMISSION. THIS IS AN UNPUBLISHED WORK PROTECTED UNDER THE FEDERAL COPYRIGHT LAWS.



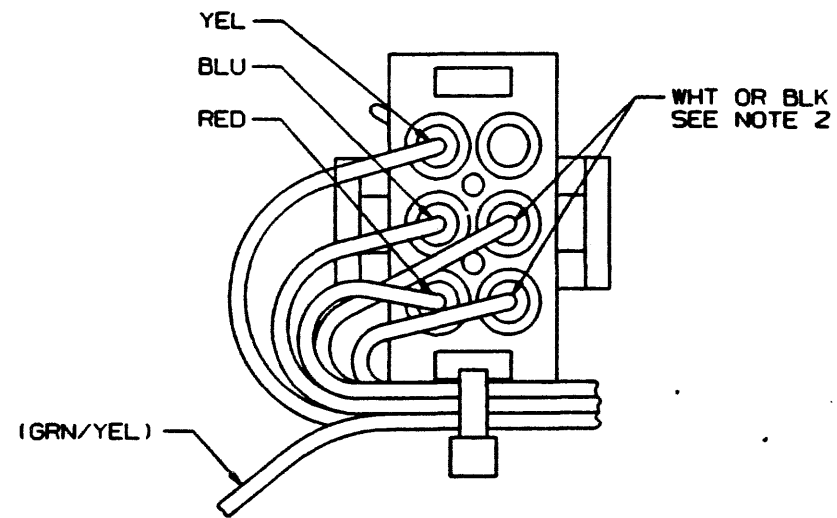
VIEW A-A



DETAIL D
SHOWN WITH BRAKE (ITEM 3) AND
TOP MOTOR BRACKET (ITEM 4) REMOVED



SECTION C-C



DETAIL E
(WIRING DIAGRAM)

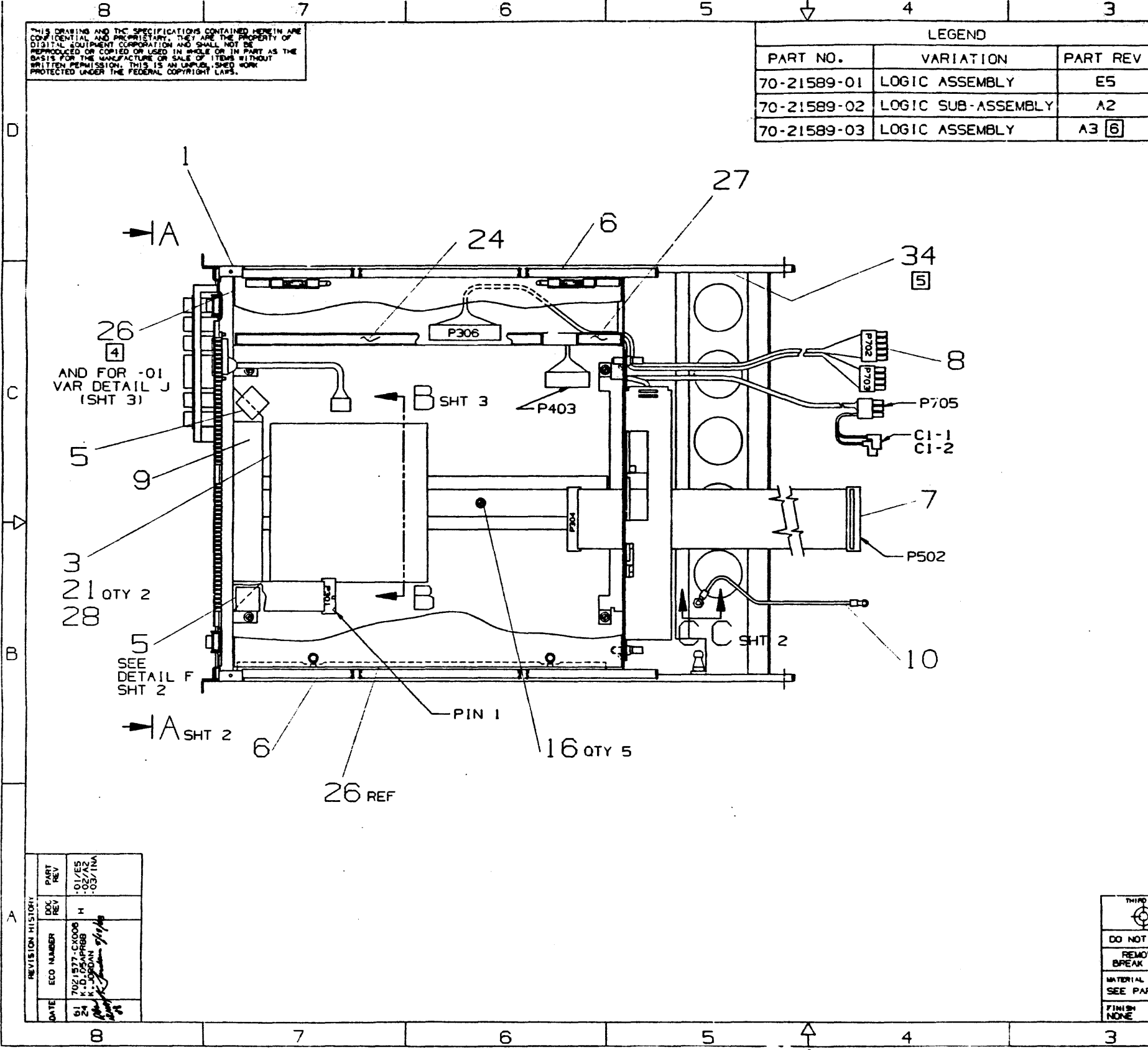
PLOT AT 1.0

TITLE	MOTOR/BRAKE ASSEMBLY	SIZE CODE	KAD	NUMBER	7021173-0-08U	REV	8
WHD MEDIA FILE NAME:	7021173-0-08U	SCALE:	NONE	SHEET	2	OF	2

THIS DRAWING AND THE SPECIFICATIONS CONTAINED HEREIN ARE CONFIDENTIAL AND PROPRIETARY. THEY ARE THE PROPERTY OF DIGITAL EQUIPMENT CORPORATION AND SHALL NOT BE REPRODUCED OR COPIED OR USED IN WHOLE OR IN PART AS THE BASIS FOR THE MANUFACTURE OR SALE OF ITEMS WITHOUT WRITTEN PERMISSION. THIS IS AN UNPUBLISHED WORK PROTECTED UNDER THE FEDERAL COPYRIGHT LAWS.

LEGEND		
PART NO.	VARIATION	PART REV
70-21589-01	LOGIC ASSEMBLY	E5
70-21589-02	LOGIC SUB-ASSEMBLY	A2
70-21589-03	LOGIC ASSEMBLY	A3 [6]

- NOTES:
- WORKMANSHIP TO COMPLY WITH DEC STD 116.
 - DEC PART NO. (70-21589-01), LATEST PART REV AND VENDOR I.D. TO BE MARKED ON SHIPPING CONTAINER. DO NOT MARK PART.
 - PART TO BE PACKAGED TO PREVENT DAMAGE IN HANDLING AND SHIPPING PER VENDOR SPEC.
 - ALL FASTENERS ON ITEM 26 ARE TO BE PROPERLY ENGAGED TO ITEM 1.
 - IDENTIFY PER DEC STD 031 AND DEC STD 047 BAR CODE SYMBOLOGY CRITERIA.
 - 70-21589-03 PART REV A3 INACTIVATED ECO 7021577-CX006 161241.



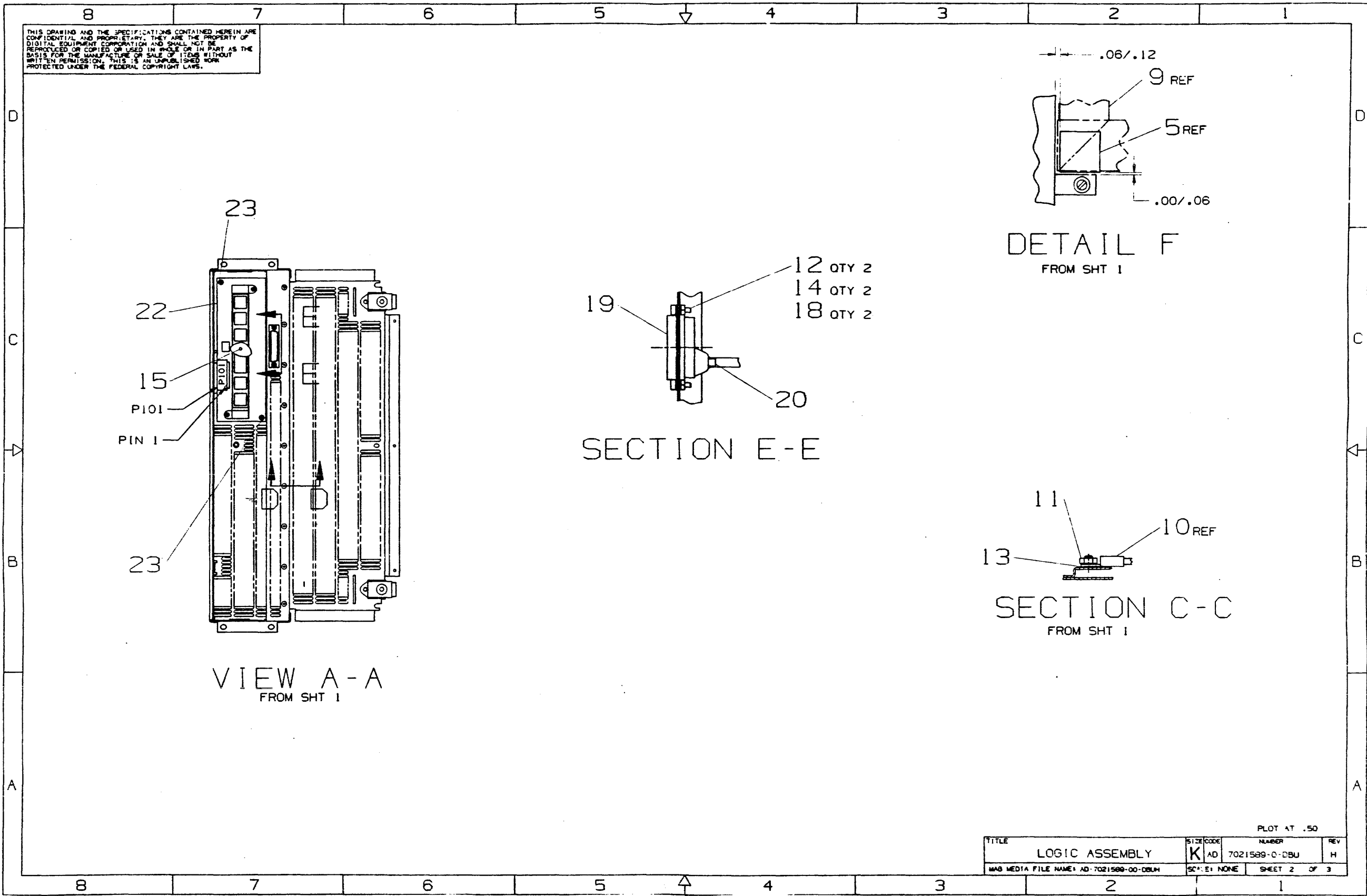
REVISION HISTORY	
DATE	ECO NUMBER
91	7021577-CX006
24	K-010000
	K-010000
	K-010000
	K-010000

TOLERANCES	
INCHES	ANGLES
.XX ±.1	
.XXX ±.02	±0° 30'
.XXXX ±.008	

CAUTION: OFF-SHEET PARTS LIST EXISTS. SEE K-PL-7021589-0-DBP (2815R1).
 TOP DOC: K-AD-7021589-0-DBU
 MAG MEDIA FILE NAME: AD-7021589-00-DBUH
 DATA BASE 1/1, PLOT AT .50

THIRD ANGLE PROJECTION	DESIGNED BY T.A. FUCHS	DATE 28DEC83	TITLE digital
DO NOT SCALE DRAWING	DRAWN BY D. MILLER	DATE 31MAY85	LOGIC ASSEMBLY
REMOVE BURRS AND BREAK SHARP CORNERS	DESIGNED BY R. DUCHARME	DATE 3JUN85	
MATERIAL SEE PARTS LIST	REP BY J. READ	DATE 3JUN85	DOCUMENT NUMBER
FINISH NONE	APPROVED BY D. SAJDAK	DATE 3JUN85	SIZE CODE NUMBER K AD 7021589-0-DBU H
	NEXT NUMBER AD-AD-7021936-0-0		SCALE NONE SHEET 1 OF 3

THIS DRAWING AND THE SPECIFICATIONS CONTAINED HEREIN ARE CONFIDENTIAL AND PROPRIETARY. THEY ARE THE PROPERTY OF DIGITAL EQUIPMENT CORPORATION AND SHALL NOT BE REPRODUCED OR COPIED OR USED IN WHOLE OR IN PART AS THE BASIS FOR THE MANUFACTURE OR SALE OF ITEMS WITHOUT WRITTEN PERMISSION. THIS IS AN UNPUBLISHED WORK PROTECTED UNDER THE FEDERAL COPYRIGHT LAWS.



VIEW A-A
FROM SHT 1

SECTION E-E

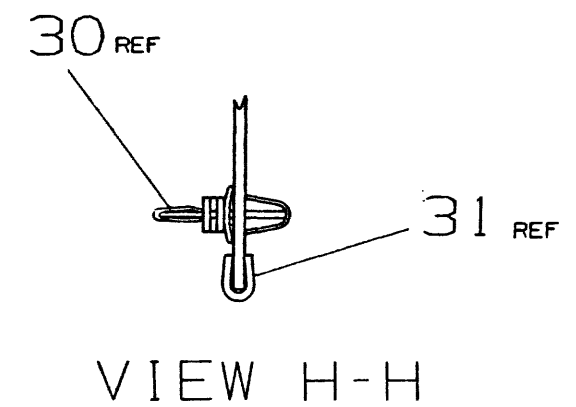
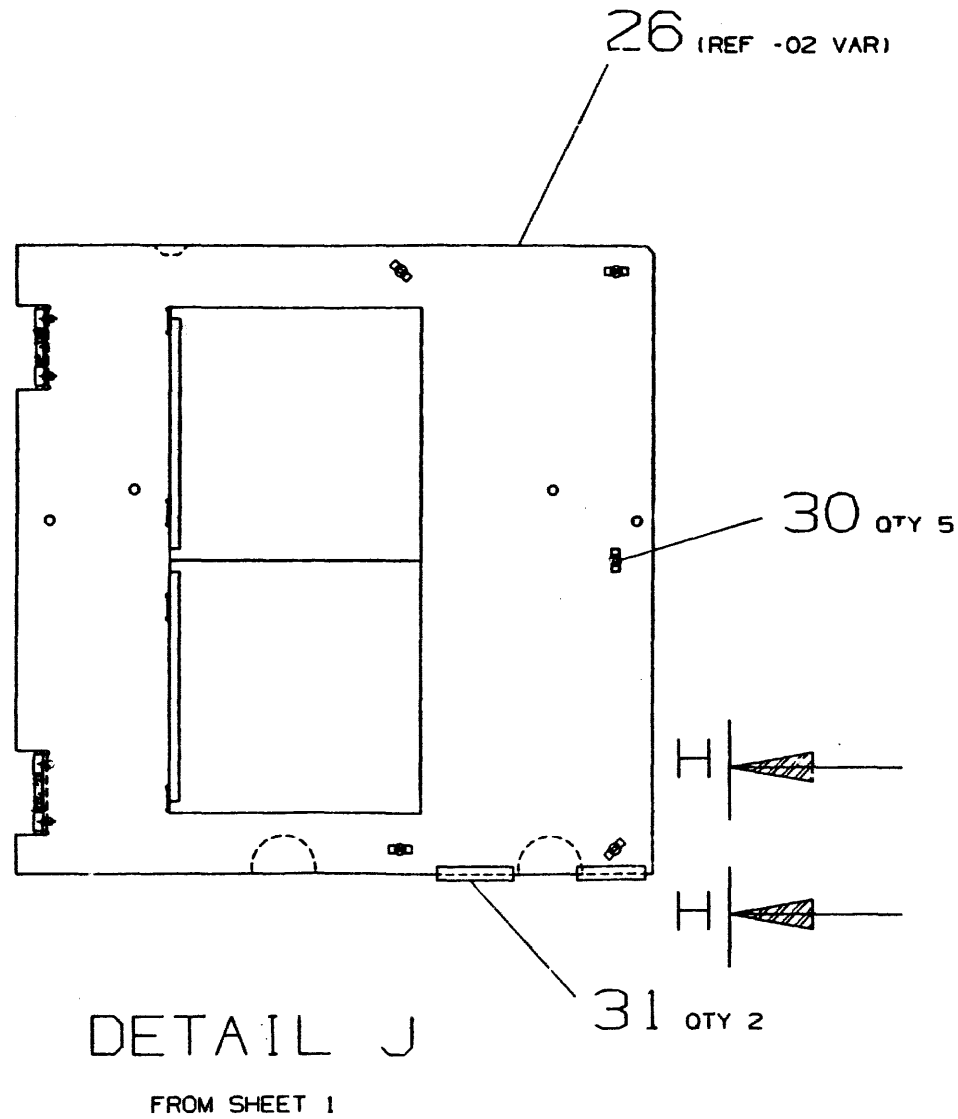
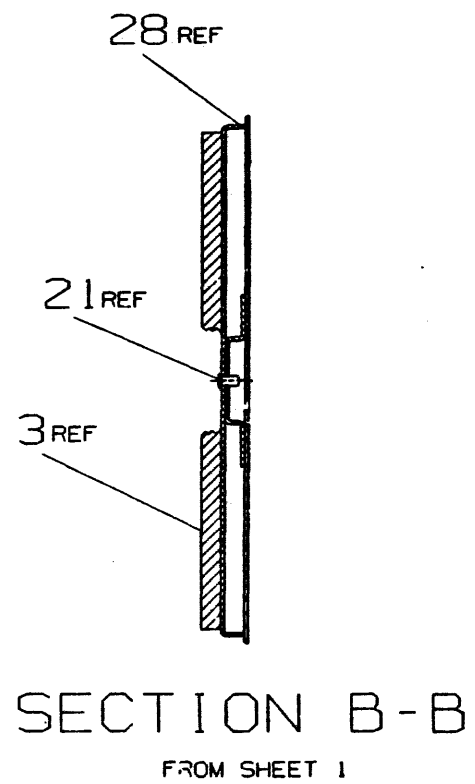
DETAIL F
FROM SHT 1

SECTION C-C
FROM SHT 1

TITLE		SIZE CODE	NUMBER	REV
LOGIC ASSEMBLY		K AD	7021589-0-CBU	H
MAG MEDIA FILE NAME: AD-7021589-00-CBUH		SCALE: NONE	SHEET 2 OF 3	

PLOT AT .50

THIS DRAWING AND THE SPECIFICATIONS CONTAINED HEREIN ARE CONFIDENTIAL AND PROPRIETARY. THEY ARE THE PROPERTY OF DIGITAL EQUIPMENT CORPORATION AND SHALL NOT BE REPRODUCED OR COPIED OR USED IN WHOLE OR IN PART AS THE BASIS FOR THE MANUFACTURE OR SALE OF ITEMS WITHOUT WRITTEN PERMISSION. THIS IS AN UNPUBLISHED WORK PROTECTED UNDER THE FEDERAL COPYRIGHT LAWS.



TITLE		PLOT AT .50	
LOGIC ASSEMBLY	SIZE CODE K AD	NUMBER 7021589-0-CBU	REV H
MAG MEDIA FILE NAME: AD-7021589-00-CBUH		SCALE: NONE	SHEET 3 OF 3

AUTOMATED BY VAXKPL (V1.3)

PARTS LIST

SHEET A2 OF A2

LINE	ITEM	TOP DOCUMENT	PART NUMBER	MIN REV	DESCRIPTION	01	02	QUANTITY PER VARIATION/REVISION
33	33		90-00001-06		*** THIS ITEM IS NOT USED ***	-	-	
34	34		36-22963-05		LABEL, BAR CODE, BLANK	1	-	

21 NOTE: ITEM 21, ALTERNATE PART NUMBER 90-00030-09, RIVET, BLIND, DOME .125 DIA X .275 LG, QTY 11 IS ALLOWABLE. (SEE NOTE 29)
29 NOTE: ITEMS 21,29: FOR OVERSEAS/LONG DISTANCE SHIPPING, IT'S PERMISSIBLE TO DEL ITEM 21 AND SHIP -02 VAR. W/ITEM 29 UNATTACHED

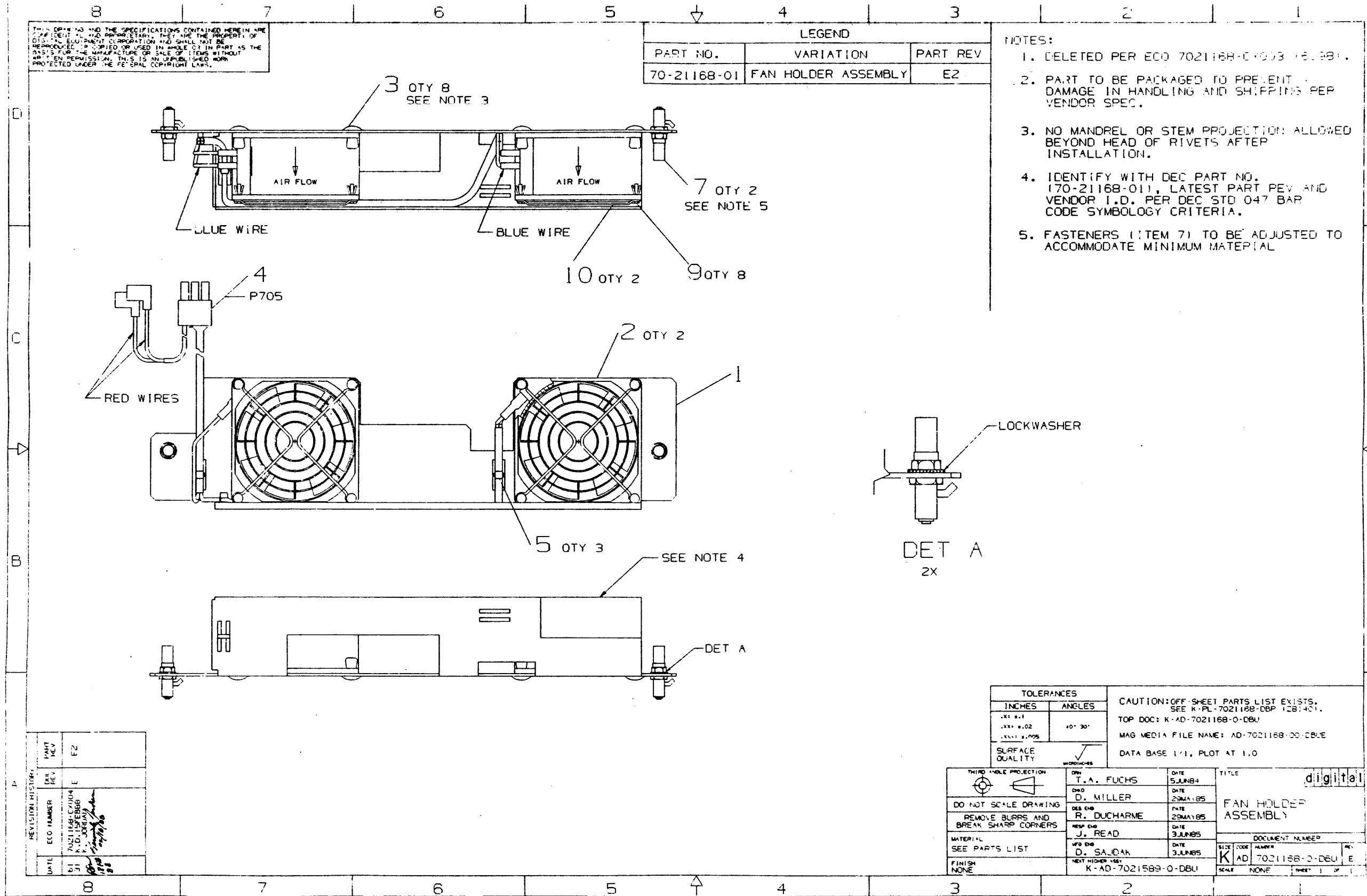
- 1 GEN: LEGEND
2 GEN: PART NO. VARIATION
3 GEN: 70-21589-01 LOGIC ASSEMBLY
4 GEN: 70-21589-02 LOGIC SUB-ASSEMBLY
5 GEN: 70-21589-03 VARIATION -03 NO LONGER USED.

D	I	G	I	T	A	L	TITLE	SECTION A OF A	SIZE	CODE	DOCUMENT NUMBER	REV
							LOGIC ASSEMBLY		K	PL	7021589-0-DBP	H

THIS DRAWING AND THE SPECIFICATIONS CONTAINED HEREIN ARE CONFIDENTIAL AND PROPRIETARY. THEY ARE THE PROPERTY OF DIGITAL EQUIPMENT CORPORATION AND SHALL NOT BE REPRODUCED, COPIED OR USED IN WHOLE OR IN PART AS THE BASIS FOR THE MANUFACTURE OR SALE OF ITEMS WITHOUT WRITTEN PERMISSION. THIS IS AN UNPUBLISHED WORK PROTECTED UNDER THE FEDERAL COPYRIGHT LAWS.

LEGEND		
PART NO.	VARIATION	PART REV
70-21168-01	FAN HOLDER ASSEMBLY	E2

- NOTES:
1. DELETED PER ECO 7021168-0-003 (6-1981).
 2. PART TO BE PACKAGED TO PREVENT DAMAGE IN HANDLING AND SHIPPING PER VENDOR SPEC.
 3. NO MANDREL OR STEM PROJECTION ALLOWED BEYOND HEAD OF RIVETS AFTER INSTALLATION.
 4. IDENTIFY WITH DEC PART NO. (70-21168-01), LATEST PART REV AND VENDOR I.D. PER DEC STD 047 BAR CODE SYMBOLOGY CRITERIA.
 5. FASTENERS (ITEM 7) TO BE ADJUSTED TO ACCOMMODATE MINIMUM MATERIAL



REVISION HISTORY		PART REV
DATE	ECO NUMBER	REV
91	7021168-01	E
91	7021168-01	E2

TOLERANCES	
INCHES	ANGLES
.XX1 ±.1	40° 30'
.XXX ±.02	
.XXX ±.005	
SURFACE QUALITY	
MICROINCHES	

CAUTION: OFF-SHEET PARTS LIST EXISTS. SEE K-PL-7021168-DBP 1281401.
TOP DOC: K-AD-7021168-0-DBU
MAG MEDIA FILE NAME: AD-7021168-00-DBU
DATA BASE 1/1, PLOT AT 1.0

THIRD ANGLE PROJECTION	DRW T.A. FUCHS	DATE 5JUN84	TITLE digital
DO NOT SCALE DRAWING	DES D. MILLER	DATE 29MAY85	FAN HOLDER ASSEMBLY
REMOVE BURRS AND BREAK SHARP CORNERS	DES ENR R. DUCHARME	DATE 29MAY85	
MATERIAL SEE PARTS LIST	RESP ENR J. READ	DATE 3JUN85	DOCUMENT NUMBER
FINISH NONE	WFO ENR D. SAJDAK	DATE 3JUN85	SIZE CODE
	NEXT HIGHEN 1881		K AD 7021168-0-DBU E
	K-AD-7021168-0-DBU		SCALE NONE SHEET 1 OF 1

AUTOMATED BY VAXKPL (V1.3)

P A R T S L I S T

SHEET A1 OF A1
QUANTITY PER VARIATION/REVISION

LINE	ITEM	TOP DOCUMENT	PART NUMBER	MIN REV	DESCRIPTION	QTY
1	1	K-IA-7429657-0-DBU	74-29657-01	H	HOLDER, FAN	1
2	2		12-10719-03		FAN, TUBE AXIAL 3.0" 34CFM 115VAC	2
3	3		90-06511-00		RIVET, BLIND DOME 0.156DX0.425LG	8
4	4	D-IA-7021453-0-0	70-21453-01		LOGIC AC HARNESS	1
5	5		90-07031-00	B	TIE, CABLE BUNDL.DIA 0- 3/4"=101	3
6	6		36-18460-03	B	LABEL, BAR CODE BLANK .90 X2.2	1
7	7		12-12939-05		FASTENER ASSY, HOOKED PAWL RT HAND	2
8	8		49-01344-00		ADHESIVE, SEALANT, LO-STRENGTH, THD L	A/R
9	9		90-10413-01		PIVET, BLIND, BINDER .156DX .312L	8
10	10		12-12580-00		GUARD, FINGER, WIRE, 2.81"MTG CENTERS	2

REVISION HISTORY			KPL MATRIX FORMAT			SECTION A OF A			DRN: A. POWELL			D I G I T A L		
ENG	ECC NUMBER	REV	SECTION/VARIATION INDEX			DATE: 01-DEC-83			TITLE PARTS LIST					
RD	PCA PET-115	AX01	[A]	01	CHK'D: D. MILLER			FAN HOLDER ASSEMBLY						
RD	PCA PET-172	AX02	[B]		DATE: 01-DEC-83									
RD	PCA PET-217	AX03	[C]		DES.ENG: R. DUCHARME			DOCUMENT NUMBER						
RD	PCA PET-251	AX04	[D]		DATE: 01-DEC-83			SIZE	CODE	NUMBER	REV			
RD	PCA PET-316	A	[E]		RESP.ENG.: J. READ			K	PL	7021168-0-DBP	E			
DC	7021168-CX001	B	[F]		DATE: 01-DEC-83			RELEASE DATE: 12-FEB-88						
DC	7021168-CX002	C	[H]		MFG.ENG: D. SAJDAK			RELEASE STATUS: RELEASED						
DC	7021168-CX003	D	[J]		DATE: 01-DEC-83									
KJ	7021168-CX004	E												
			BASIC PART NUMBER:			ASSEMBLY NUMBER:			TOP DOCUMENT NUMBER:			FILE NAME:		
			7021168			K-AD-7021168-0-DBU			K-AD-7021168-0-DBU			Z8140E.PLS		
												EDIT #		
												1		

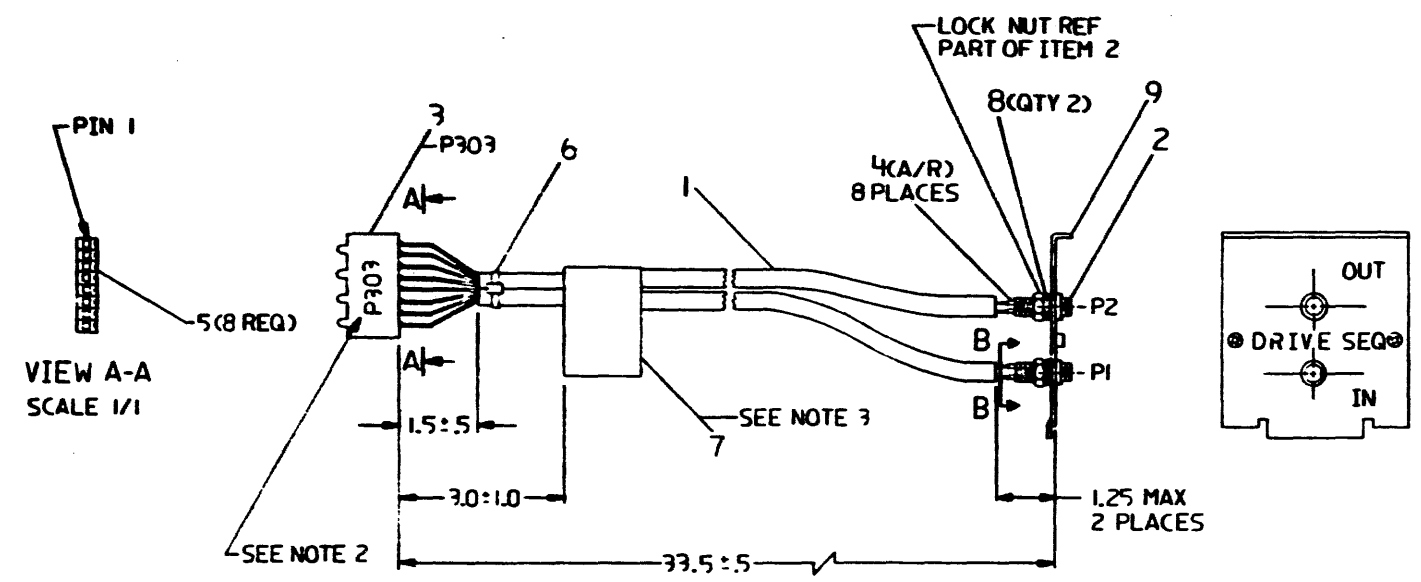
Handwritten notes on the left: *PCA PET-115*, *PCA PET-172*, *PCA PET-217*, *PCA PET-251*, *PCA PET-316*, *DC 7021168-CX001*, *DC 7021168-CX002*, *DC 7021168-CX003*, *KJ 7021168-CX004*, *02/10/88*

Bottom text: "THIS DRAWING AND THE SPECIFICATIONS CONTAINED HEREIN ARE CONFIDENTIAL AND PROPRIETARY. THEY ARE THE PROPERTY OF DIGITAL EQUIPMENT CORPORATION AND SHALL NOT BE REPRODUCED OR COPIED OR USED IN WHOLE OR IN PART AS THE BASIS FOR THE MANUFACTURE OR SALE OF ITEMS WITHOUT WRITTEN PERMISSION. THIS IS AN UNPUBLISHED WORK PROTECTED UNDER THE FEDERAL COPYRIGHT LAWS."

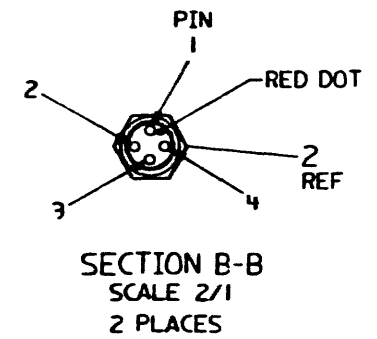
WIRE TABLE							
ITEM NO	DESCRIPTION	FROM	TO	ITEM NO	DESCRIPTION	FROM	TO
1	22	BLK	P303-1	ITEM 5	P1-1	ITEM 2	
		RED	P303-2		P1-2		
		GRN	P303-3		P1-3		
		WHT	P303-4		P1-4		
		GRN	P303-5		P2-3		
		WHT	P303-6		P2-4		
		BLK	P303-7		P2-1		
1	22	RED	P303-8	ITEM 5	P2-2	ITEM 2	

LEGEND		
PART NO.	VARIATION	PART REV
7021590-01	SEQUENCE CABLE/ PANEL ASSEMBLY	C2

- NOTES:
- FABRICATE PER DEC STD-116 SEC. 3.
 - PERMANENTLY MARK .19 HIGH CHARACTERS, WITH BLACK INDELIBLE INK APPROX. WHERE SHOWN.
 - TABLE (ITEM 7) TO BE FILLED IN AS FOLLOWS:
PART NO PART DESCRIPTION
PART REV DATE OF BUILD
MFG (STAMP) TEST (STAMP) INSP (STAMP)
 - CABLE TO BE PACKAGED TO PREVENT DAMAGE IN HANDLING AND SHIPPING PER VENDOR SPEC.



VIEW A-A
SCALE 1/1



TOP DOC: D-IA-7021590-0-0
CAUTION: OFF SHEET PARTS LIST EXISTS. SEE K-PL-7021590-0-DBP (Z8159)

DOC PART	REV	REV
A	C2	
B	C2	

DESCRIPTION	DRAWING NO	PART NO	ITEM NO
UNLESS OTHERWISE SPECIFIED DIMENSIONS ARE IN INCHES AND THE FOLLOWING TOLERANCES APPLY (PER DEC STD 114)			
INCHES TOLERANCES	ANGLES ±0°30'	APPLICABLE DIMENSION RANGE	
		OVER 0.2 TO 1.2	OVER 1.2 TO 4.0
SURFACE QUALITY	✓	□	□
		□	□
QUANTITY & VARIATION	± .001	± .002	± .004
THIRD ANGLE PROJECTION	DATE 10 APR 64	TITLE digital	
DO NOT SCALE DRAWING	DATE 5 JUN 65	SEQUENCE CABLE/ PANEL ASSEMBLY	
REMOVE BURRS AND BREAK SHARP CORNERS	DATE 5 JUN 65	DOCUMENT NUMBER	
MATERIAL SEE PARTS LIST	DATE 5 JUN 65	D IA 7021590-0-0	
FINISH NONE	DATE 5 JUN 65	SCALE 1/1	

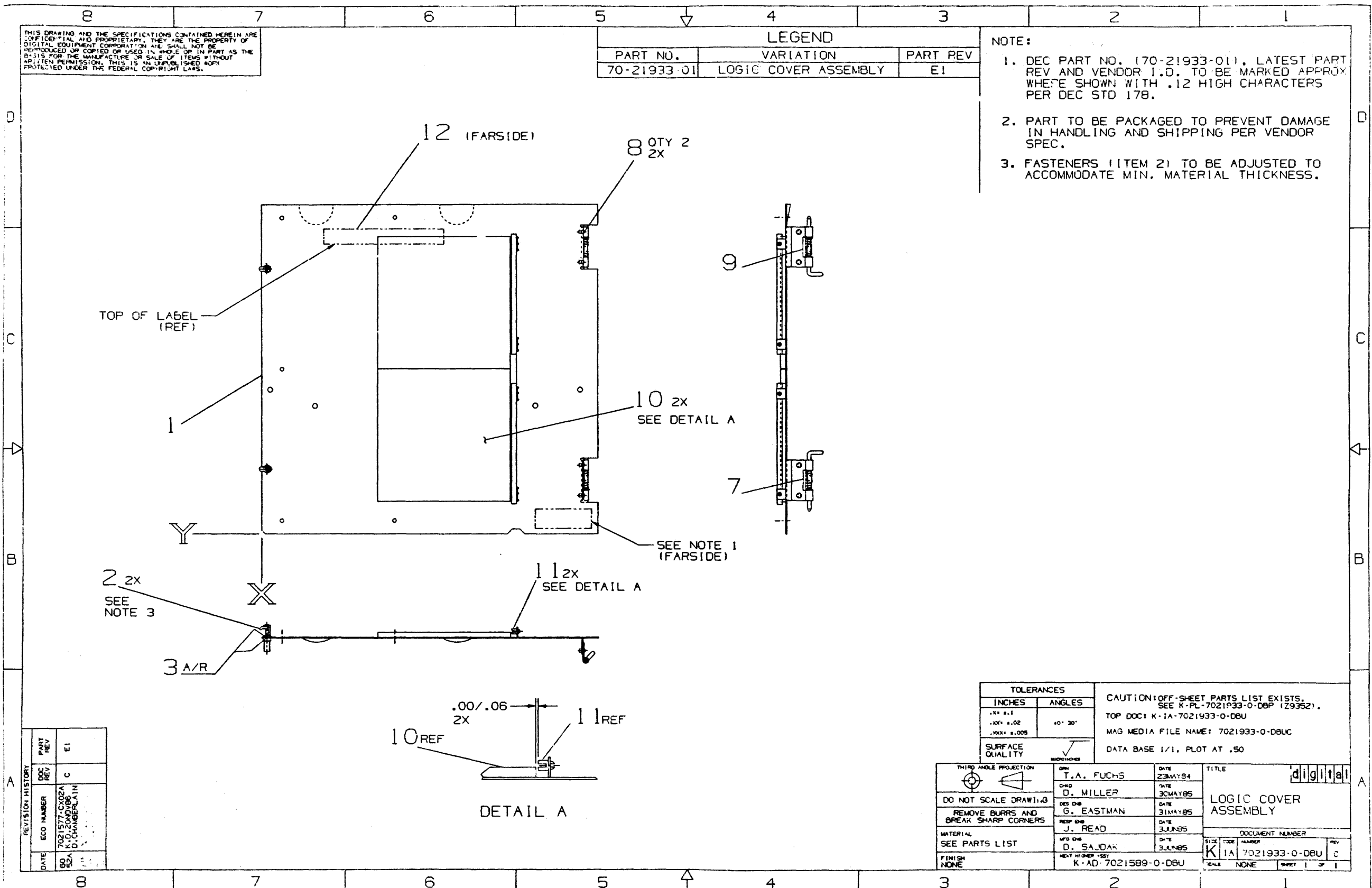
DIA 7021590-0-0
7021590-0
DIA 7021590-0-0

THIS DRAWING AND THE SPECIFICATIONS CONTAINED HEREIN ARE CONFIDENTIAL AND PROPRIETARY. THEY ARE THE PROPERTY OF DIGITAL EQUIPMENT CORPORATION AND SHALL NOT BE REPRODUCED OR COPIED OR USED IN WHOLE OR IN PART AS THE BASIS FOR THE MANUFACTURE OR SALE OF ITEMS WITHOUT WRITTEN PERMISSION. THIS IS AN UNPUBLISHED COPY PROTECTED UNDER THE FEDERAL COPYRIGHT LAWS.

LEGEND		
PART NO.	VARIATION	PART REV
70-21933-01	LOGIC COVER ASSEMBLY	E1

NOTE:

1. DEC PART NO. (70-21933-01), LATEST PART REV AND VENDOR I.D. TO BE MARKED APPROXIMATELY WHERE SHOWN WITH .12 HIGH CHARACTERS PER DEC STD 178.
2. PART TO BE PACKAGED TO PREVENT DAMAGE IN HANDLING AND SHIPPING PER VENDOR SPEC.
3. FASTENERS (ITEM 2) TO BE ADJUSTED TO ACCOMMODATE MIN. MATERIAL THICKNESS.



REVISION HISTORY		PART REV
DOC REV	C	E1
ECO NUMBER	7021577, 7021578, 7021579, 7021580, 7021581, 7021582, 7021583, 7021584, 7021585, 7021586, 7021587, 7021588, 7021589, 7021590, 7021591, 7021592, 7021593, 7021594, 7021595, 7021596, 7021597, 7021598, 7021599, 7021600	
DATE	80, 81, 82, 83, 84, 85, 86, 87, 88, 89, 90	

TOLERANCES	
INCHES	ANGLES
.XX ±.1	
.XXX ±.02	10° 30'
.XXX ±.005	

CAUTION: OFF-SHEET PARTS LIST EXISTS.
SEE K-PL-7021933-0-DBP (293521).
TOP DOC: K-1A-7021933-0-DBU
MAG MEDIA FILE NAME: 7021933-0-DBUC
DATA BASE 1/1, PLOT AT .50

THIRD ANGLE PROJECTION		DRN	DATE	TITLE
		T.A. FUCHS	23MAY84	digital
DO NOT SCALE DRAWING		DRD	DATE	LOGIC COVER ASSEMBLY
REMOVE BURRS AND BREAK SHARP CORNERS		D. MILLER	30MAY85	
MATERIAL SEE PARTS LIST		DES DRW	DATE	DOCUMENT NUMBER
FINISH NONE		G. EASTMAN	31MAY85	
		RESP DRW	DATE	K 1A 7021933-0-DBU C
		J. READ	3JUN85	
		WFO DRW	DATE	SCALE NONE SHEET 1 OF 1
		D. SAJDAK	3JUN85	
		NEXT HIGHERassy		
		K-AD-7021589-0-DBU		

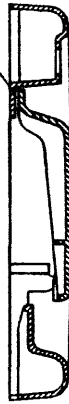
THIS DRAWING AND THE SPECIFICATIONS CONTAINED HEREIN ARE CONFIDENTIAL AND PROPRIETARY. THEY ARE THE PROPERTY OF DIGITAL EQUIPMENT CORPORATION AND SHALL NOT BE REPRODUCED OR COPIED OR USED IN WHOLE OR IN PART AS THE BASIS FOR THE MANUFACTURE OR SALE OF ITEMS WITHOUT WRITTEN PERMISSION. THIS IS AN UNPUBLISHED WORK PROTECTED UNDER THE FEDERAL COPYRIGHT LAWS.

LEGEND		
PART NO.	VARIATION	PART REV
70-21593-01	BEZEL ASSEMBLY	C3

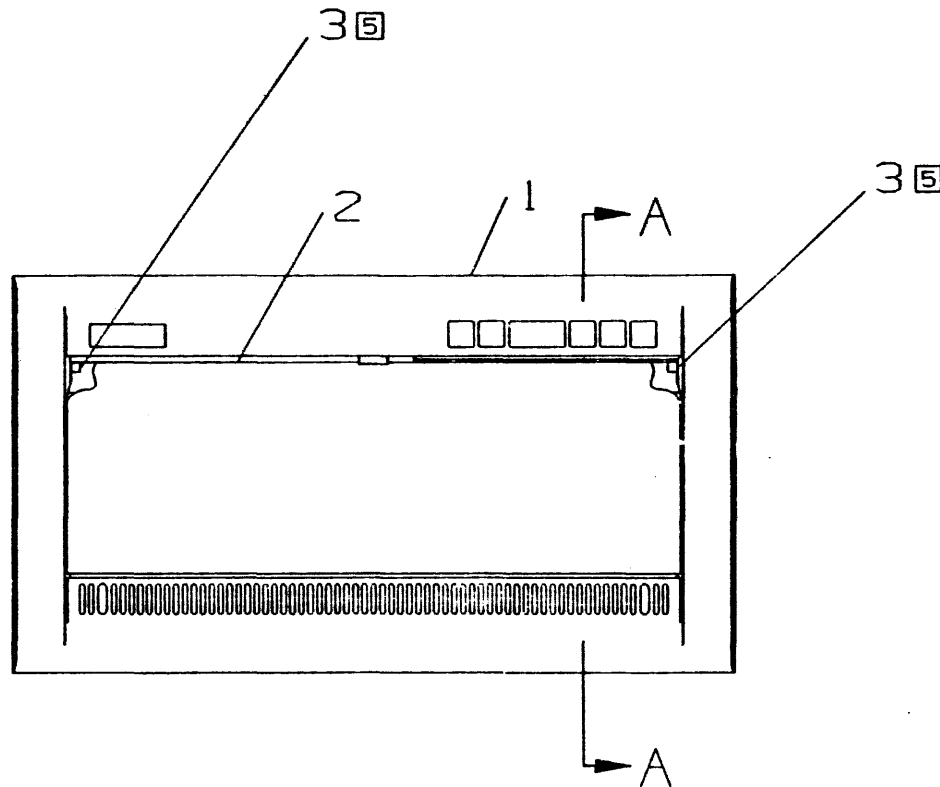
NOTES:

- DEC PART NO. (70-21593-01), LATEST PART REV AND VENDOR I.D. TO BE MARKED ON SHIPPING CONTAINER PER DEC STD 178.
 - WORKMANSHIP TO COMPLY WITH DEC STD 116.
 - SNAP THE ACCESS DOOR (ITEM 2) INTO THE BEZEL (ITEM 1).
 - PART TO BE PACKAGED TO PREVENT DAMAGE IN HANDLING AND SHIPPING PER VENDOR SPEC.
- ⑤ DEC PART NO. (90-09172-01) TO BE TRIMMED TO .25 WIDTH FOR LEFT SIDE OF DOOR STOP INSTALLATION.

3 (REF)



SECTION A-A



REVISION HISTORY		PART REV
DEC REV	D	C3
ECO NUMBER	70-1593-C003	
DATE	01 26 85	

TOLERANCES	
INCHES	ANGLES
.XX ± .01	± 30°
.XX ± .02	
.XXX ± .005	
SURFACE QUALITY	
WORKMANSHIP	

CAUTION: OFF-SHEET PARTS LIST EXISTS.
SEE K-PL-7021593-0-DBP (Z8188).
TOP DOC: K-1A-7021593-0-DBU
MAG MEDIA FILE NAME: 1A-7021593-00-C3UD
DATA BASE 1/1, PLOT AT .50

THIRD ANGLE PROJECTION		DATE	TITLE
DO NOT SCALE DRAWING	DATE	29 DEC 83	BEZEL ASSEMBLY
REMOVE BURRS AND BREAK SHARP CORNERS	DATE	22 MAY 85	
MATERIAL SEE PARTS LIST	DATE	23 MAY 85	DOCUMENT NUMBER
FINISH NONE	DATE	23 MAY 85	
NEXT NUMBER		D-AD-7021577-0-0	SCALE NONE SHEET 1 OF 1

AUTOMATED BY VAXKPL (V2.0)

PARTS LIST

SHEET A1 OF A1
QUANTITY PER VARIATION/REVISION

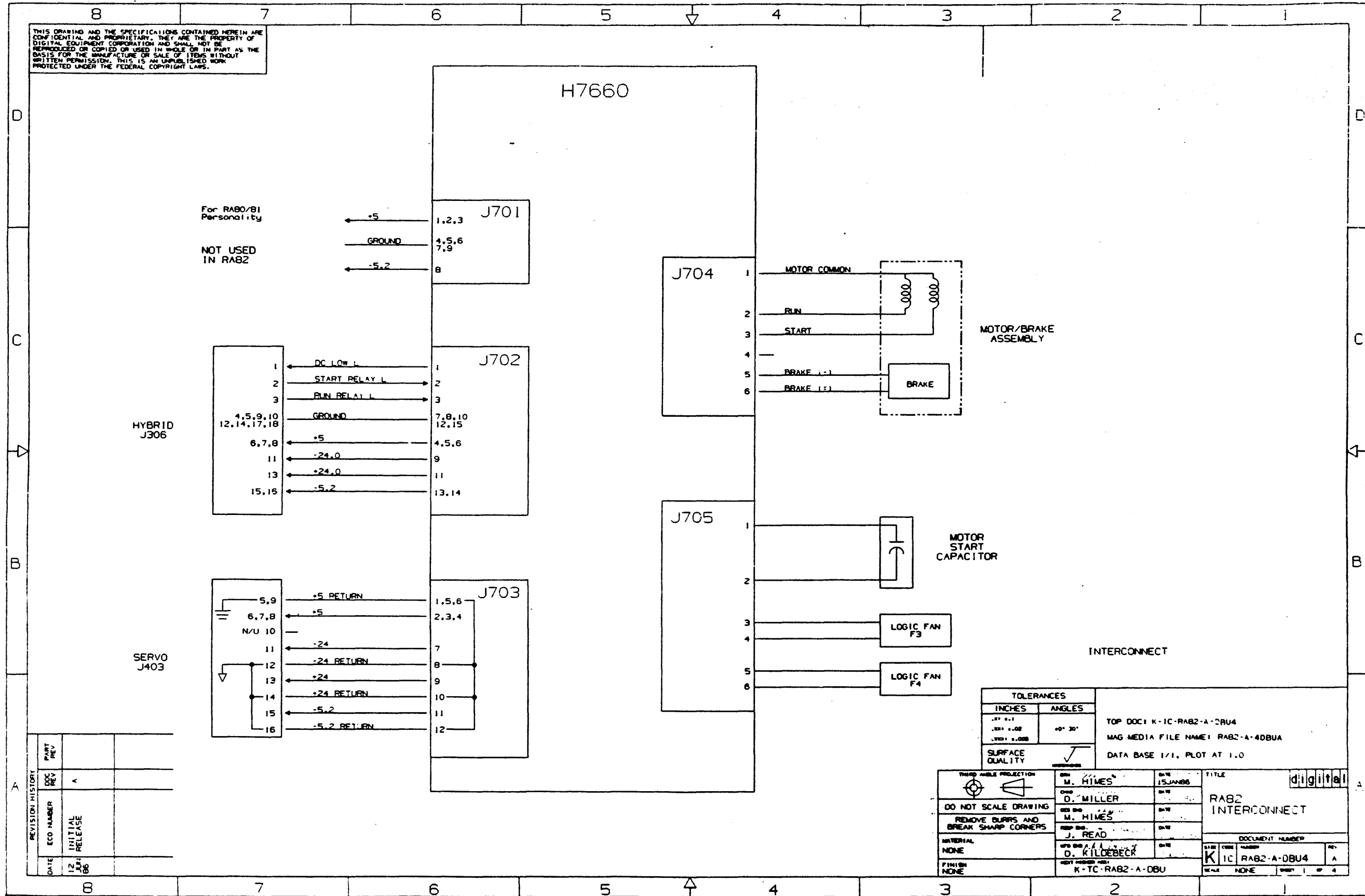
LINE	ITEM	TOP DOCUMENT	PART NUMBER	MIN REV	DESCRIPTION	01 C3
1	1	K-IA-7429658-0-DBU	74-29658-01		BEZEL	1
2	2	K-IA-7429661-0-DBU	74-29661-01		DOOR, ACCESS BEZEL	1
3	3		90-09172-01 B		TAPE, VINYL, BLACK 3/8 X 36YDS X1/	A/R

REVISION HISTORY			KPL MATRIX FORMAT		SECTION A OF A		DRN: F. ULUTAS		DIGITAL	
ENG	ECO NUMBER	REV	SECTION/VARIATION INDEX		DATE: 23-JAN-84	CHK'D: D. MILLER		TITLE PARTS LIST		
RD	PCA PET-120	AX00	[A]	01	DATE: 23-JAN-84	DATE: 23-JAN-84		BEZEL ASSEMBLY		
RD	PCA PET-311	A	[B]		DES.ENG: R. DUCHARME		DOCUMENT NUMBER			
DC	7021593-CX001	B	[C]		DATE: 23-JAN-84	DATE: 23-JAN-84		SIZE	CODE	
JR	7021593-CX002	C	[D]		RESP.ENG.: J. READ		NUMBER		REV	
KJ	7021593-CX003	D	[E]		DATE: 23-JAN-84	DATE: 23-JAN-84		K	PL	
			[F]		MFG.ENG: D. SAJDAK		RELEASE DATE: 21-JUL-88			
			[H]		DATE: 23-JAN-84	DATE: 23-JAN-84		RELEASE STATUS: RELEASED		
			[J]		BASIC PART NUMBER:		ASSEMBLY NUMBER:		TOP DOCUMENT NUMBER:	
					7021593		K-IA-7021593-0-DBU		K-IA-7021593-0-DBU	
					FILE NAME: Z8188D.PLS				EDIT #	
									2	

25 Jul 88 11:51/88

"THIS DRAWING AND THE SPECIFICATIONS CONTAINED HEREIN ARE CONFIDENTIAL AND PROPRIETARY. THEY ARE THE PROPERTY OF DIGITAL EQUIPMENT CORPORATION AND SHALL NOT BE REPRODUCED OR COPIED OR USED IN WHOLE OR IN PART AS THE BASIS FOR THE MANUFACTURE OR SALE OF ITEMS WITHOUT WRITTEN PERMISSION. THIS IS AN UNPUBLISHED WORK PROTECTED UNDER THE FEDERAL COPYRIGHT LAWS."

THIS DRAWING AND THE SPECIFICATIONS CONTAINED HEREIN ARE CONFIDENTIAL AND PROPRIETARY. THEY ARE THE PROPERTY OF DIGITAL EQUIPMENT CORPORATION AND SHALL NOT BE REPRODUCED OR COPIED OR USED IN WHOLE OR IN PART AS THE BASIS FOR THE MANUFACTURE OR SALE OF ITEMS WITHOUT WRITTEN PERMISSION. THIS IS AN UNPUBLISHED WORK PROTECTED UNDER THE FEDERAL COPYRIGHT LAWS.



For RAB0/B1 Personality
NOT USED IN RAB2

HYBRID J306

SERVO J403

H7660

MOTOR/BRAKE ASSEMBLY

MOTOR START CAPACITOR

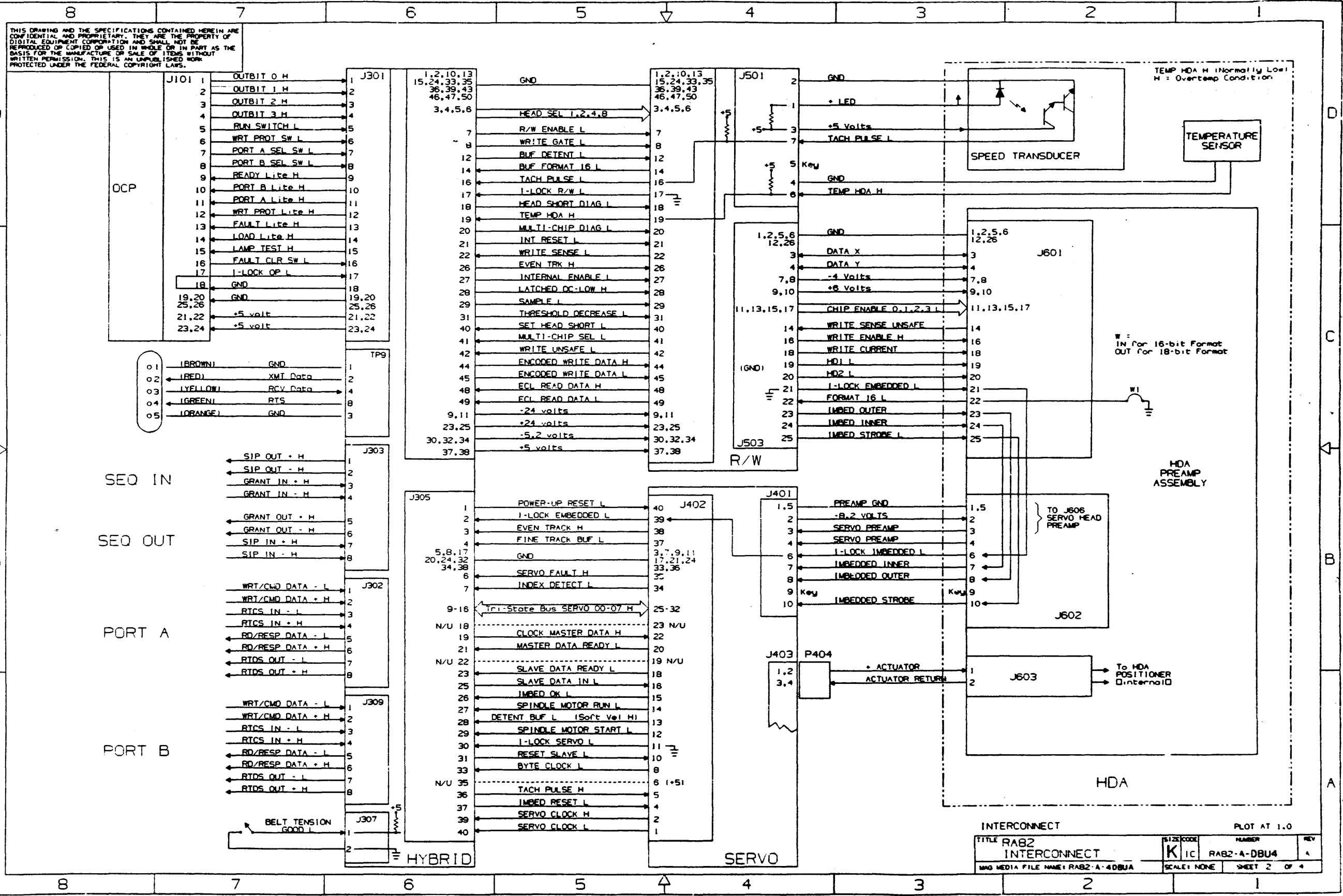
INTERCONNECT

TOLERANCES	
INCHES	ANGLES
.25 ± .01	± 30'
.125 ± .008	
.062 ± .005	
SURFACE QUALITY	
NONE	

TOP DOC: K-IC-RAB2-A-DBU4
MAG MEDIA FILE NAME: RAB2-A-4DBU4
DATA BASE 1/1, PLOT AT 1:0

THIRD ANGLE PROJECTION	DESIGNED BY M. HIMES	DATE 15JUN86	TITLE RAB2 INTERCONNECT
DO NOT SCALE DRAWING	DRAWN BY D. MILLER	DATE	DOCUMENT NUMBER K-IC-RAB2-A-DBU4
REMOVE BURRS AND BREAK SHARP CORNERS	CHECKED BY M. HIMES	DATE	SCALE NONE
MATERIAL NONE	REWORKED BY J. READ	DATE	SHEET 1 OF 4
FINISH NONE	APPROVED BY D. KILDEBECK	DATE	
	PART NUMBER K-TC-RAB2-A-DBU		

REVISION HISTORY		PART REV
DATE	ECD NUMBER	REV
12 JUN 86	INITIAL RELEASE	A

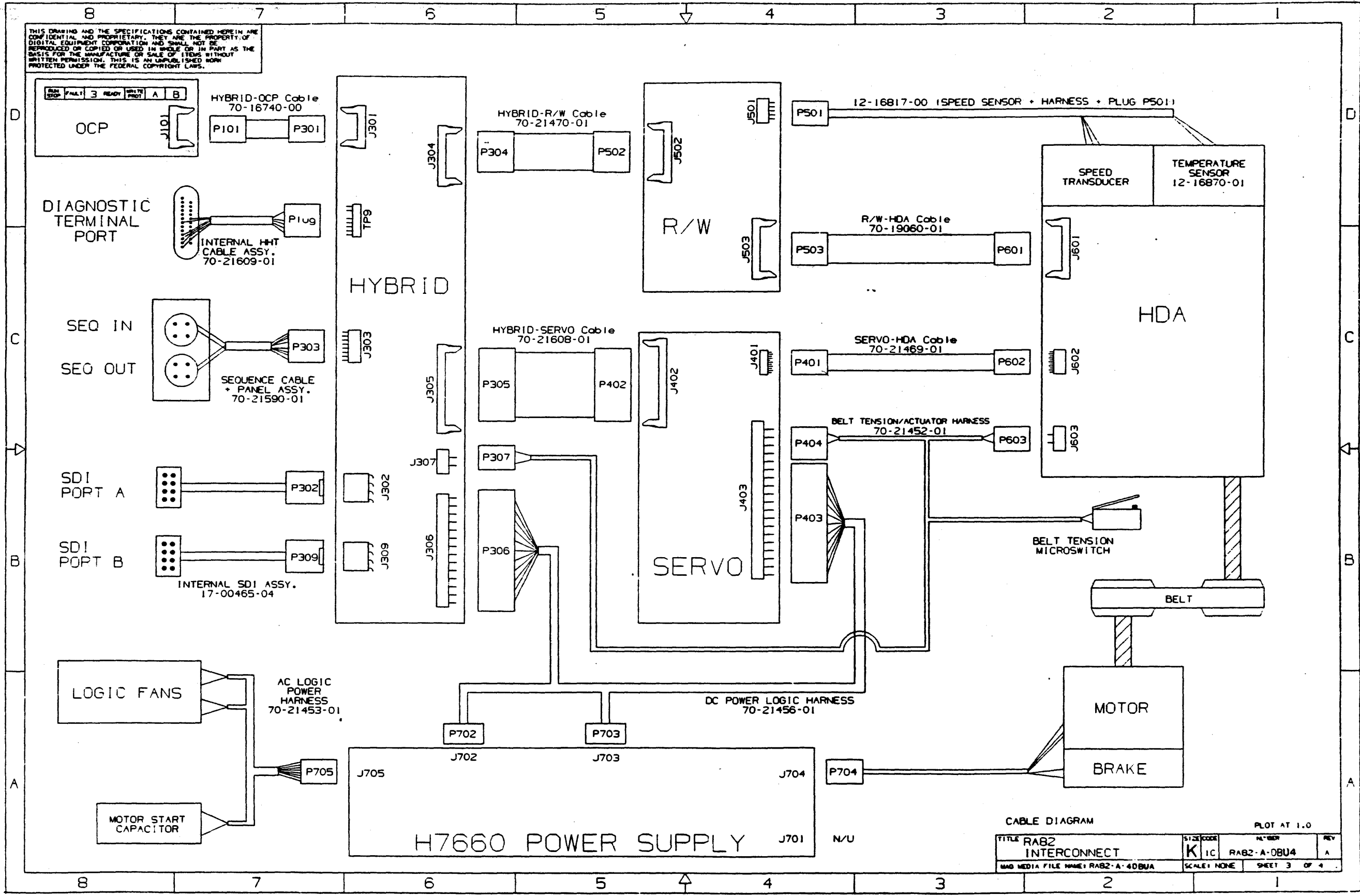


THIS DRAWING AND THE SPECIFICATIONS CONTAINED HEREIN ARE CONFIDENTIAL AND PROPRIETARY. THEY ARE THE PROPERTY OF DIGITAL EQUIPMENT CORPORATION AND SHALL NOT BE REPRODUCED OR COPIED OR USED IN WHOLE OR IN PART AS THE BASIS FOR THE MANUFACTURE OR SALE OF ITEMS WITHOUT WRITTEN PERMISSION. THIS IS AN UNPUBLISHED WORK PROTECTED UNDER THE FEDERAL COPYRIGHT LAWS.

TITLE RAB2 INTERCONNECT		SIZE CODE K1C	NUMBER RAB2-A-DBU4	REV A
MFG MEDIA FILE NAME: RAB2-A-4DBU4		SCALE: NONE	SHEET 2 OF 4	

INTERCONNECT PLOT AT 1.0

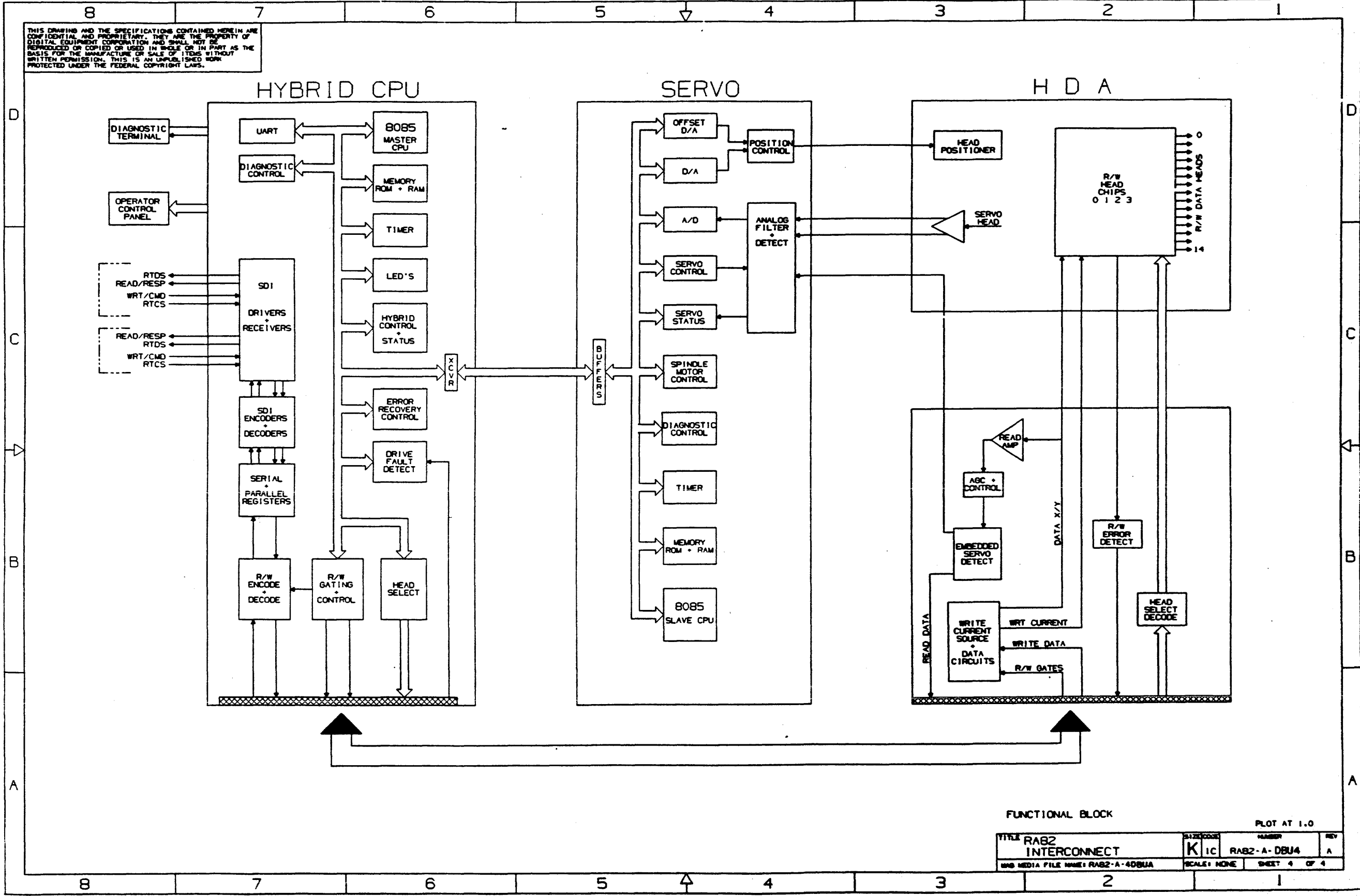
THIS DRAWING AND THE SPECIFICATIONS CONTAINED HEREIN ARE CONFIDENTIAL AND PROPRIETARY. THEY ARE THE PROPERTY OF DIGITAL EQUIPMENT CORPORATION AND SHALL NOT BE REPRODUCED OR COPIED OR USED IN WHOLE OR IN PART AS THE BASIS FOR THE MANUFACTURE OR SALE OF ITEMS WITHOUT WRITTEN PERMISSION. THIS IS AN UNPUBLISHED WORK PROTECTED UNDER THE FEDERAL COPYRIGHT LAWS.



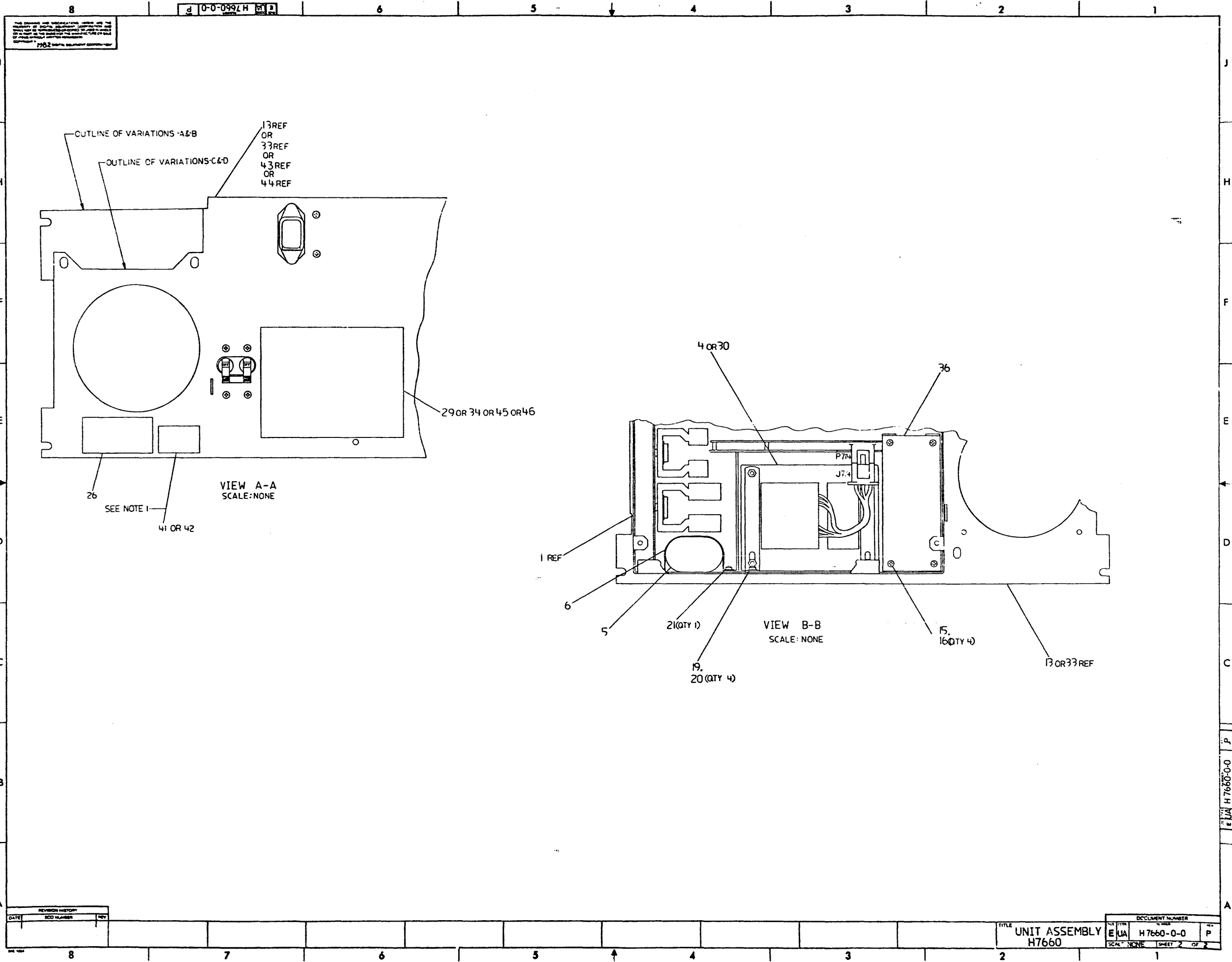
CABLE DIAGRAM PLOT AT 1:0

TITLE	RAB2 INTERCONNECT	SIZE	CODE	NUMBER	REV
		K	IC	RAB2-A-0BU4	A
MEDIA FILE NAME	RAB2-A-40BU4	SCALE	NONE	SHEET	3 OF 4

THIS DRAWING AND THE SPECIFICATIONS CONTAINED HEREIN ARE CONFIDENTIAL AND PROPRIETARY. THEY ARE THE PROPERTY OF DIGITAL EQUIPMENT CORPORATION AND SHALL NOT BE REPRODUCED OR COPIED OR USED IN WHOLE OR IN PART AS THE BASIS FOR THE MANUFACTURE OR SALE OF ITEMS WITHOUT WRITTEN PERMISSION. THIS IS AN UNPUBLISHED WORK PROTECTED UNDER THE FEDERAL COPYRIGHT LAWS.



FUNCTIONAL BLOCK		PLOT AT 1.0	
TITLE	RAB2 INTERCONNECT	SIZE CODE	K1c
NUMBER	RAB2-A-DBU4	REVISION	A
WPS MEDIA FILE NAME	RAB2-A-408UA	SCALE	NONE
		SHEET	4 OF 4

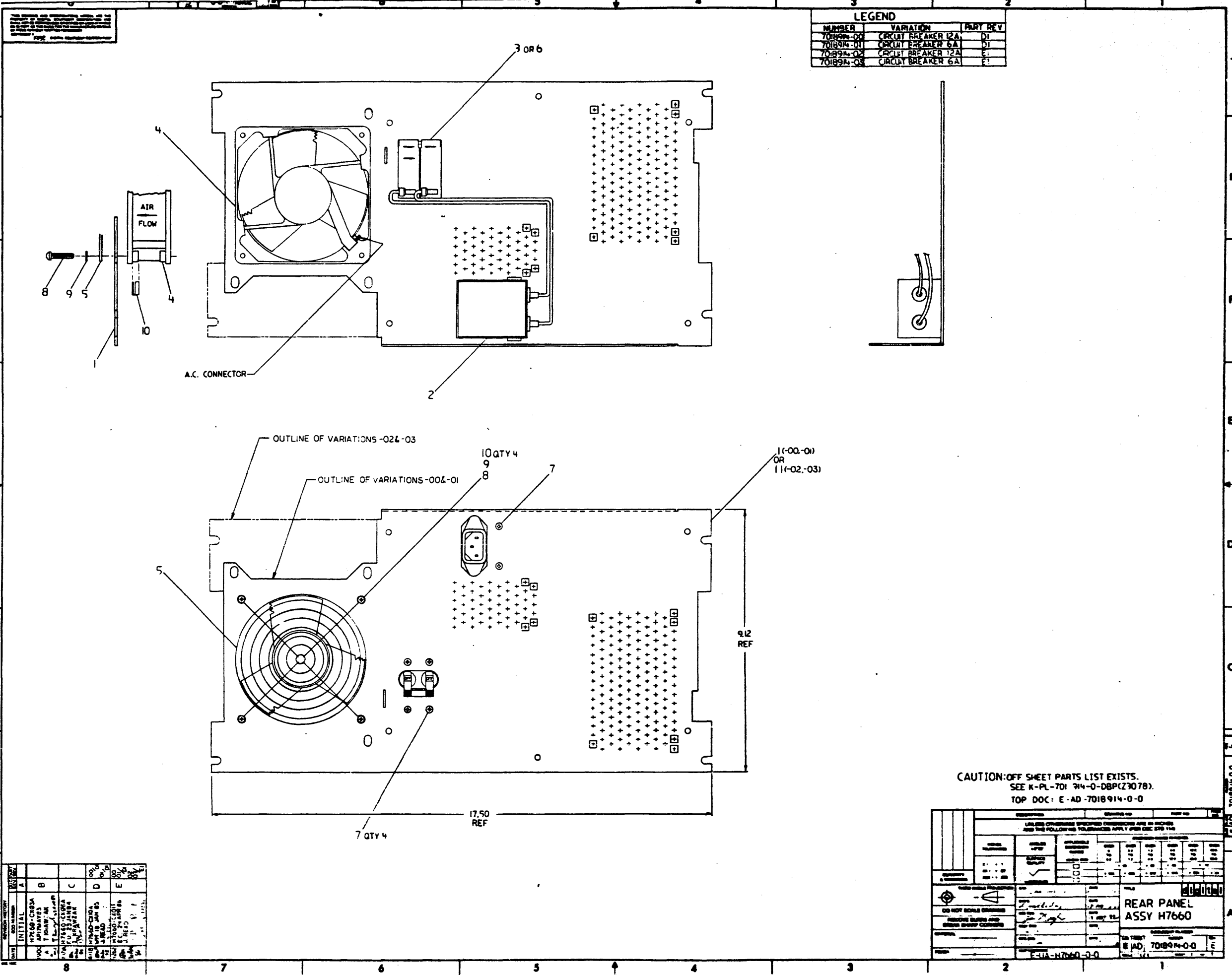


LINE	ITEM	TOP DOCUMENT	PART NUMBER	MIN REV	DESCRIPTION	QUANTITY PER VARIATION/REVISION			
						A H2	B H2	C H2	D H2
1	1	E-IA-7018913-0-0	70-18913-00		CHASSIS ASSY	1	1	1	1
2	2	E-UA-5415094-0-0	54-15094-00		CAPACITOR BOARD H7660	1	1	1	1
3	3	D-UA-5415092-0-0	54-15092-00	D	RELAY BOARD H7660	1	1	1	1
4	4	D-IA-7018913-0-0	70-18913-00		TRANSFORMER ASSY 50HZ	1	-	1	-
5	5		10-18158-01		5.0 MFD 500VAC +/- 5% SAFE	1	1	1	1
6	6	B-ME-7426110-0-0	74-26110-00		CLAMP, CAP	1	1	1	1
7	7	D-IA-7018920-0-0	70-18920-00		HARNESS, D.C. INPUT	1	1	1	1
8	8	D-IA-7018921-0-0	70-18921-00		HARNESS A.C. INPUT 115V	1	-	1	-
9	9	D-IA-7018922-0-0	70-18922-00		HARNESS A.C. DISTRIBUTION	1	1	1	1
10	10	D-IA-7018923-0-0	70-18923-00		HARNESS RELAY D.C.	1	1	1	1
11	11	C-IA-7018924-0-0	70-18924-00		GROUND WIRE 1	1	1	1	1
12	12	C-IA-7018925-0-0	70-18925-00		GROUND WIRE 2	1	1	1	1
13	13	E-AD-7018914-0-0	70-18914-00		REAR PANEL ASSY RA81	-	-	1	-
14	14	E-AD-7018919-0-0	70-18919-00		FRONT PANEL ASSY	1	1	1	1
15	15		90-00049-01	B	SCREW,SEMS PAN PHIL 8-32	4	4	4	4
16	16		90-06669-00		WASHER,FLAT 3/16" X 3/16"	3	3	3	3
17	17		90-00049-23		SCREW,SEMS PAN PHIL 8-32	5	5	5	5
18	18		90-18404-02		SCREW,WASH FLAT PHIL 8-32	4	4	4	4
19	19		90-00049-16	B	SCREW,SEMS PAN PHIL 8-32	4	4	4	4
20	20		90-06660-00		WASHER,FLAT 1/2"	4	4	4	4
21	21		90-00049-25		SCREW,SEMS PAN PHIL 8-32	1	1	1	1
22	22		90-06565-00		NUT,HEX EXT TOOTH LOCKWHR 10-32X	3	3	3	3
23	23		90-07651-00	B	WASHER,LOCK EXTERNAL STEEL	3	3	3	3
24	24		12-13683-01		BOOT,CAPACITOR,RUBBER,HOLES IN SID	1	1	1	1
25	25		90-07016-00		GROMMET,ROUND RUBBER	1	1	1	1
26	26		90-09255-01	B	LABEL, POWER SUPPLY, 2-7/8" LG X 1"	1	1	1	1
27	27		17-00083-23	L	*** THIS ITEM IS NOT USED ***	-	-	-	-
28	28		17-00083-24	L	*** THIS ITEM IS NOT USED ***	-	-	-	-
29	29		36-19223-01	A	LABEL,POWER SUPPLY H7660A	1	-	-	-
30	30	D-IA-7018913-0-0	70-18913-01		TRANSFORMER ASSY 50HZ	-	1	-	1
31	31	D-IA-7019103-0-0	70-19103-00		HARNESS AC INPUT 230V	-	1	-	1
32	32	D-UA-5415096-0-0	54-15096-00		REGULATOR BD H7660	1	1	1	1

REVISION HISTORY		KPL MATRIX FORMAT		SECTION A OF A:DRN:		L. PRICE		DIGITAL	
ENG	ECO NUMBER	REV	SECTION/VARIATION INDEX	DATE:	04-DEC-84				
	INITIAL	A	[A] A , B , C , D	CHK'D:	F. HALLIDAY	TITLE PARTS LIST			
		B	[B]	DATE:	04-DEC-84	UNIT ASSEMBLY H7660			
		C	[C]	DES.ENG:	J. KALAGHER				
		D	[D]	DATE:	04-DEC-84	DOCUMENT NUMBER			
		E	[E]			SIZE	CODE	NUMBER	REV
		F	[F]	RESP.ENG.:	J. CROSS	K	PL	H7660-0-DBP	P
		H	[H]	DATE:	04-DEC-84				
		J	[J]			RELEASE DATE: 19-AUG-87			
		K	[K]	MFG.ENG:	W. EHRMANN	RELEASE STATUS: RELEASED			
		L	[L]	DATE:	04-DEC-84				
		M	[M]						
		N	[N]	BASIC PART NUMBER:	H7660	ASSEMBLY NUMBER:	E-UA-H7660-0-0	TOP DOCUMENT NUMBER:	K-LD-H7660-0-DBU
		P	[P]			FILE NAME:	Z3105P.PLS	EDIT #	1

"THIS DRAWING AND THE SPECIFICATIONS CONTAINED HEREIN ARE CONFIDENTIAL AND PROPRIETARY. THEY ARE THE PROPERTY OF DIGITAL EQUIPMENT CORPORATION AND SHALL NOT BE REPRODUCED OR COPIED OR USED IN WHOLE OR IN PART AS THE BASIS FOR THE MANUFACTURE OR SALE OF ITEMS WITHOUT WRITTEN PERMISSION. THIS IS AN UNPUBLISHED WORK PROTECTED UNDER THE FEDERAL COPYRIGHT LAWS."

REV. 25 AUG 87



NUMBER	VARIATION	PART REV
701894-00	CIRCUIT BREAKER 12A	D1
701894-01	CIRCUIT BREAKER 6A	D1
701894-02	CIRCUIT BREAKER 12A	E1
701894-03	CIRCUIT BREAKER 6A	E1

CAUTION: OFF SHEET PARTS LIST EXISTS.
 SEE K-PL-701 714-0-DBP(23078).
 TOP DOC: E-AD-7018914-0-0

DATE	INITIAL	DESCRIPTION
	A	INITIAL
	B	INITIAL
	C	INITIAL
	D	INITIAL
	E	INITIAL

REAR PANEL ASSY H7660 E-AD-7018914-0-0	
DO NOT SCALE DRAWING REMOVE DIMENSIONS AND OTHER GROUP DIMENSIONS	7018914-0-0

LINE ITEM	TOP DOCUMENT	PART NUMBER	MIN REV	DESCRIPTION	QUANTITY PER VARIATION/REVISION			
					00 D1	01 D1	02 E1	03 E1
1	1 K-MD-7429716-0-DBU	74-29716-01	A	PANEL, POWER SUPPLY REAR	1	1	-	-
2	2 C-IA-7018912-0-0	70-18912-00		FILTER ASSY	1	1	1	1
3		12-19236-00		CKT BKR 12.0 A 120V 2P SERIES TRIP	1	-	1	-
4		12-17715-04		FAN,TUBE AXIAL 4.5" 120CFM 120VAC	1	1	1	1
5		12-10263-00		GUARD,FINGER 4.125 X 4.125 MTG HOL	1	1	1	1
6		12-19236-01		CKT BKR 6.0 A 240V 2P SERIES TRIP	-	1	-	1
7		90-00049-01		SCREW,SEMS PAN PHIL 6-32	6	6	6	6
8		90-06026-01		SCREW,MACH PAN PHIL 6-32	4	4	4	4
9		90-06659-00		WASHER,FLAT S/PAS	4	4	4	4
10		90-09165-00		CLIP, FAN MOUNTING (12-05033 FAN)	4	4	4	4
11	11 E-IA-7426112-0-0	74-26112-00		PANEL, REAR, POWER SUPPLY	-	-	1	1

REVISION HISTORY			KPL MATRIX FORMAT SECTION A OF A DRN:		L. PRICE		D I G I T A L			
ENG	ECO NUMBER	REV	SECTION/VARIATION INDEX		DATE:	08-MAR-84				
---	INITIAL	A	[A]	00,01,02,03	CHK D:	F. HALLIDAY	TITLE PARTS LIST			
TK	H7660-CX03A	B	[B]		DATE:	08-MAR-84	REAR PANEL ASSY H7660			
TK	H7660-CX06A	C	[C]		DES.ENG:	J. KALAGHER				
JR	H7660-CX10A	D	[D]		DATE:	08-MAR-84	DOCUMENT NUMBER			
JR	H7660-CX011	E	[E]		RESP.ENG.:	J. CROSS	SIZE	CODE	NUMBER	REV
			[F]		DATE:	08-MAR-84	K	FL	7018914-0-DBP	E
			[G]		MFG.ENG:	W. EHRMANN	RELEASE DATE: 30-APR-86			
					DATE:	08-MAR-84	RELEASE STATUS: RELEASED			
			BASIC PART NUMBER:	ASSEMBLY NUMBER:	TOP DOCUMENT NUMBER:	FILE NAME:	EDIT #			
			7018914	E-AD-7018914-0-0	E-AD-7018914-0-0	25078E.PLS	1			

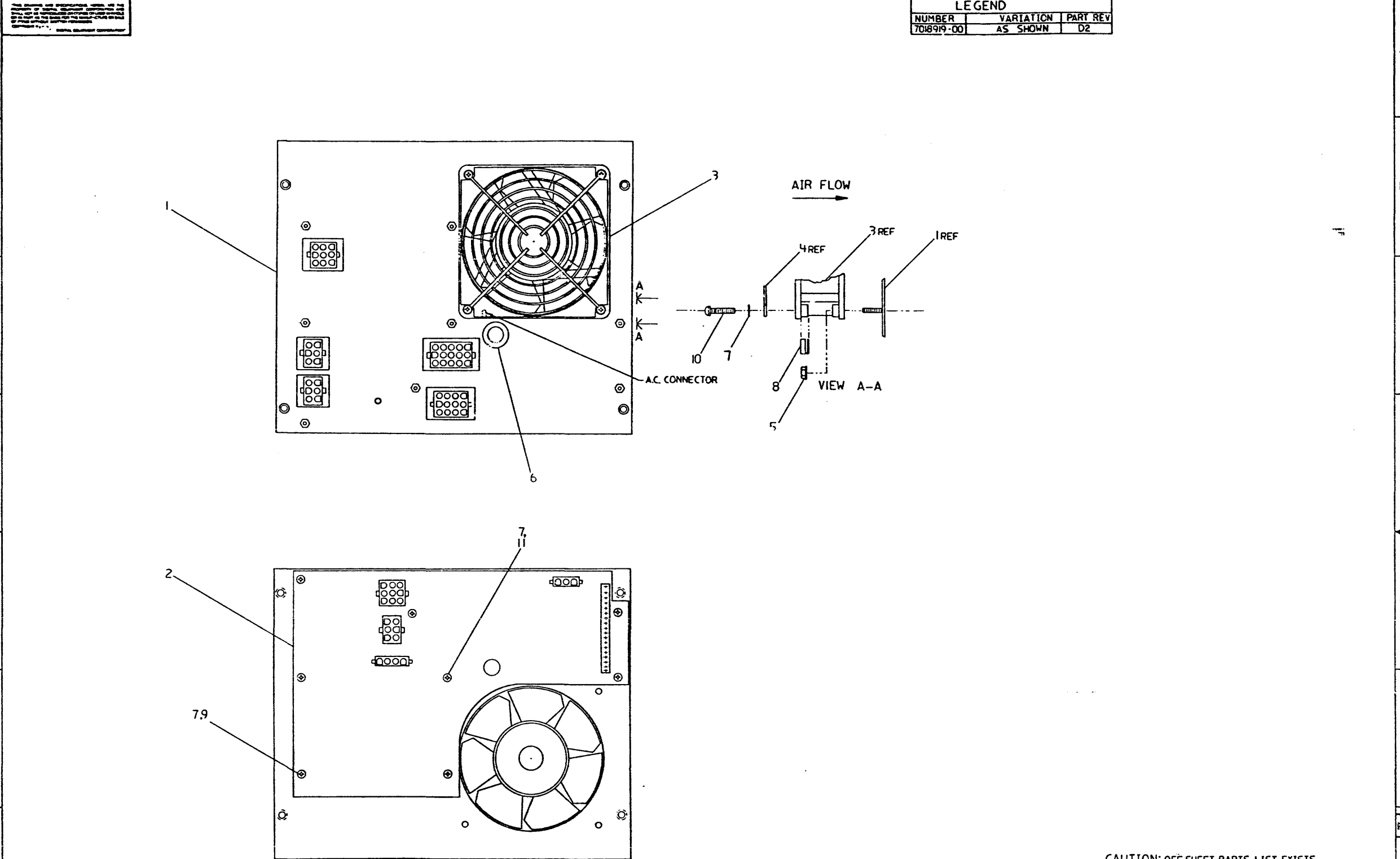
30 MAR 86

John D Read 5 May 86

"THIS DRAWING AND THE SPECIFICATIONS CONTAINED HEREIN ARE CONFIDENTIAL AND PROPRIETARY. THEY ARE THE PROPERTY OF DIGITAL EQUIPMENT CORPORATION AND SHALL NOT BE REPRODUCED OR COPIED OR USED IN WHOLE OR IN PART AS THE BASIS FOR THE MANUFACTURE OR SALE OF ITEMS WITHOUT WRITTEN PERMISSION. THIS IS AN UNPUBLISHED WORK PROTECTED UNDER THE FEDERAL COPYRIGHT LAWS."

8 7 6 5 4 3 2 1

LEGEND		
NUMBER	VARIATION	PART REV
7018919-00	AS SHOWN	D2



INITIAL	A	B	C	D	D2
W7069-CRUSA					
W7069-CHINA					
W7069-CHINA					
W7069-CHINA					
W7069-CHINA					
W7069-CHINA					
W7069-CHINA					
W7069-CHINA					
W7069-CHINA					
W7069-CHINA					

CAUTION: OFF SHEET PARTS LIST EXISTS.
SEE K-PL-7018919-0-D8P(Z3093).
TOP DOC: E-AD-7018919-0-D

DESCRIPTION	DRAWING NO.	PART NO.	REV.
FRONT PANEL ASSEMBLY	7018919-0-0		D2
UNLESS OTHERWISE SPECIFIED DIMENSIONS ARE IN INCHES AND THE FOLLOWING TOLERANCES APPLY (PER ASSTD 114)			
INCHES TOLERANCE	ANGLES ±0°30'	APPLICABLE DIMENSION RANGE	
0.000 - 0.250		OVER 0	OVER 0.250
0.250 - 0.500		0.000	0.000
0.500 - 1.000		0.000	0.000
1.000 - 2.000		0.000	0.000
2.000 - 3.000		0.000	0.000
3.000 - 4.000		0.000	0.000
4.000 - 6.000		0.000	0.000
6.000 - 10.000		0.000	0.000
10.000 - 16.000		0.000	0.000
16.000 - 24.000		0.000	0.000
24.000 - 36.000		0.000	0.000
36.000 - 48.000		0.000	0.000
48.000 - 72.000		0.000	0.000
72.000 - 108.000		0.000	0.000
108.000 - 162.000		0.000	0.000
162.000 - 243.000		0.000	0.000
243.000 - 364.000		0.000	0.000
364.000 - 546.000		0.000	0.000
546.000 - 819.000		0.000	0.000
819.000 - 1228.000		0.000	0.000
1228.000 - 1842.000		0.000	0.000
1842.000 - 2763.000		0.000	0.000
2763.000 - 4144.000		0.000	0.000
4144.000 - 6216.000		0.000	0.000
6216.000 - 9324.000		0.000	0.000
9324.000 - 13986.000		0.000	0.000
13986.000 - 20979.000		0.000	0.000
20979.000 - 31468.000		0.000	0.000
31468.000 - 47202.000		0.000	0.000
47202.000 - 70803.000		0.000	0.000
70803.000 - 106204.000		0.000	0.000
106204.000 - 159306.000		0.000	0.000
159306.000 - 238959.000		0.000	0.000
238959.000 - 358338.000		0.000	0.000
358338.000 - 537507.000		0.000	0.000
537507.000 - 806260.000		0.000	0.000
806260.000 - 1209390.000		0.000	0.000
1209390.000 - 1814085.000		0.000	0.000
1814085.000 - 2721127.000		0.000	0.000
2721127.000 - 4081690.000		0.000	0.000
4081690.000 - 6122535.000		0.000	0.000
6122535.000 - 9183802.000		0.000	0.000
9183802.000 - 13775703.000		0.000	0.000
13775703.000 - 20663554.000		0.000	0.000
20663554.000 - 31095331.000		0.000	0.000
31095331.000 - 46643001.000		0.000	0.000
46643001.000 - 70064501.000		0.000	0.000
70064501.000 - 105136501.000		0.000	0.000
105136501.000 - 157704501.000		0.000	0.000
157704501.000 - 236556751.000		0.000	0.000
236556751.000 - 354835126.000		0.000	0.000
354835126.000 - 532252689.000		0.000	0.000
532252689.000 - 798379034.000		0.000	0.000
798379034.000 - 1197568551.000		0.000	0.000
1197568551.000 - 1796352826.000		0.000	0.000
1796352826.000 - 2700679239.000		0.000	0.000
2700679239.000 - 4051019108.000		0.000	0.000
4051019108.000 - 6076528662.000		0.000	0.000
6076528662.000 - 9113642993.000		0.000	0.000
9113642993.000 - 13670164489.000		0.000	0.000
13670164489.000 - 20505246734.000		0.000	0.000
20505246734.000 - 30757870101.000		0.000	0.000
30757870101.000 - 46136805151.000		0.000	0.000
46136805151.000 - 68801707726.000		0.000	0.000
68801707726.000 - 103201661589.000		0.000	0.000
103201661589.000 - 154802492384.000		0.000	0.000
154802492384.000 - 232203738576.000		0.000	0.000
232203738576.000 - 348305592864.000		0.000	0.000
348305592864.000 - 522458389296.000		0.000	0.000
522458389296.000 - 783687583936.000		0.000	0.000
783687583936.000 - 1175531375904.000		0.000	0.000
1175531375904.000 - 1763307063808.000		0.000	0.000
1763307063808.000 - 2644960595712.000		0.000	0.000
2644960595712.000 - 3967440893568.000		0.000	0.000
3967440893568.000 - 5951161340352.000		0.000	0.000
5951161340352.000 - 8826742010560.000		0.000	0.000
8826742010560.000 - 13240113015840.000		0.000	0.000
13240113015840.000 - 19860169523712.000		0.000	0.000
19860169523712.000 - 29790254285504.000		0.000	0.000
29790254285504.000 - 44730381428224.000		0.000	0.000
44730381428224.000 - 67095570142336.000		0.000	0.000
67095570142336.000 - 100643355213504.000		0.000	0.000
100643355213504.000 - 150965032820224.000		0.000	0.000
150965032820224.000 - 226447549230336.000		0.000	0.000
226447549230336.000 - 340671323845504.000		0.000	0.000
340671323845504.000 - 511011985768256.000		0.000	0.000
511011985768256.000 - 766517978652384.000		0.000	0.000
766517978652384.000 - 1149776967978560.000		0.000	0.000
1149776967978560.000 - 1724665451967808.000		0.000	0.000
1724665451967808.000 - 2586998177951744.000		0.000	0.000
2586998177951744.000 - 3880497266927616.000		0.000	0.000
3880497266927616.000 - 5772745900391424.000		0.000	0.000
5772745900391424.000 - 8611118850587136.000		0.000	0.000
8611118850587136.000 - 12816178275880704.000		0.000	0.000
12816178275880704.000 - 19224267413821056.000		0.000	0.000
19224267413821056.000 - 28836401120731584.000		0.000	0.000
28836401120731584.000 - 43254601681092352.000		0.000	0.000
43254601681092352.000 - 64881902521638528.000		0.000	0.000
64881902521638528.000 - 97323353782457792.000		0.000	0.000
97323353782457792.000 - 145985030673686656.000		0.000	0.000
145985030673686656.000 - 218977546010529920.000		0.000	0.000
218977546010529920.000 - 328466319015794816.000		0.000	0.000
328466319015794816.000 - 492699478523692224.000		0.000	0.000
492699478523692224.000 - 739049217785538304.000		0.000	0.000
739049217785538304.000 - 1108573826678307328.000		0.000	0.000
1108573826678307328.000 - 1662860740017461120.000		0.000	0.000
1662860740017461120.000 - 2494291110026191744.000		0.000	0.000
2494291110026191744.000 - 374143666503928256.000		0.000	0.000
374143666503928256.000 - 555017509755882368.000		0.000	0.000
555017509755882368.000 - 832526264633823744.000		0.000	0.000
832526264633823744.000 - 124878939695073536.000		0.000	0.000
124878939695073536.000 - 187318409542610304.000		0.000	0.000
187318409542610304.000 - 280977614313915456.000		0.000	0.000
280977614313915456.000 - 421466421470873216.000		0.000	0.000
421466421470873216.000 - 632200232206310016.000		0.000	0.000
632200232206310016.000 - 94537634830946560.000		0.000	0.000
94537634830946560.000 - 141806452246419840.000		0.000	0.000
141806452246419840.000 - 212709678369629760.000		0.000	0.000
212709678369629760.000 - 319064517554444736.000		0.000	0.000
319064517554444736.000 - 475596776331667200.000		0.000	0.000
475596776331667200.000 - 706395164497500224.000		0.000	0.000
706395164497500224.000 - 106559274674624000.000		0.000	0.000
106559274674624000.000 - 160338912011936000.000		0.000	0.000
160338912011936000.000 - 240508368017904000.000		0.000	0.000
240508368017904000.000 - 360767552027840000.000		0.000	0.000
360767552027840000.000 - 541151232041760000.000		0.000	0.000
541151232041760000.000 - 811726848062656000.000		0.000	0.000
811726848062656000.000 - 1217590272093984000.000		0.000	0.000
1217590272093984000.000 - 1826385408140928000.000		0.000	0.000
1826385408140928000.000 - 2739578112211392000.000		0.000	0.000
2739578112211392000.000 - 4109367168317088000.000		0.000	0.000
4109367168317088000.000 - 6164050752470400000.000		0.000	0.000
6164050752470400000.000 - 9246076128706560000.000		0.000	0.000
9246076128706560000.000 - 13869114193065600000.000		0.000	0.000
13869114193065600000.000 - 20803671289600000000.000		0.000	0.000
20803671289600000000.000 - 31205506934400000000.000		0.000	0.000
31205506934400000000.000 - 46808260401600000000.000		0.000	0.000
46808260401600000000.000 - 70212390602400000000.000		0.000	0.000
70212390602400000000.000 - 105318585903680000000.000		0.000	0.000
105318585903680000000.000 - 157977878855520000000.000		0.000	0.000
157977878855520000000.000 - 236971818283200000000.000		0.000	0.000
236971818283200000000.000 - 355457727424960000000.000		0.000	0.000
355457727424960000000.000 - 533186591137472000000.000		0.000	0.000
533186591137472000000.000 - 799779886706304000000.000		0.000	0.000
799779886706304000000.000 - 1199679830059456000000.000		0.000	0.000
1199679830059456000000.000 - 1799579773352608000000.000		0.000	0.000
1799579773352608000000.000 - 2699479716645760000000.000		0.000	0.000
2699479716645760000000.000 - 4049379659938912000000.000		0.000	0.000
4049379659938912000000.000 - 6074279603232064000000.000		0.000	0.000
6074279603232064000000.000 - 9113679546525216000			

AUTOMATED BY VAAKPL (V1.3)

PARTS LIST

SHEET 01 OF 01
QUANTITY PER VARIATION REVISION

LINE ITEM	TOP DOCUMENT	PART NUMBER	MIN REV	DESCRIPTION	QTY
1	E-IA-7426115-0-0	74-26115-00		PANEL, FRONT, POWER SUPPLY	1
2	D-UA-5414668-0-0	54-14668-00	E	CONNECTOR BD. H766	1
3		12-17715-04		FAN, TUBE AXIAL 4.5" 120CFM 120VAC	1
4		12-10263-00		GUARD, FINGER 4.125 X 4.125 MFG HOLE	1
5		90-08185-00	A	NUT, HEX EXT TOOTH LOCKSHR 6-32X	4
6		90-07016-00		GROMMET, ROUND RUBBER	1
7		90-06659-00		WASHER, FLAT S/FAS	12
8		90-09165-00		CLIP, FAN MOUNTING (12-05033 FAN)	4
9		90-00049-01		SCREW, SEMS FAN PHIL 6-32	7
10		90-06026-01		SCREW, MACH FAN PHIL 6-32	4
11		90-00049-23		SCREW, SEMS FAN PHIL 6-32	1

REVISION HISTORY			KPL MATRIX FORMAT SECTION A OF A		DATE:	DIGITAL	
ENG	ECO NUMBER	REV	SECTION/VARIATION INDEX		DATE:	TITLE PARTS LIST	
---	INITIAL	A	[A]	00	08-MAR-84	FRONT PANEL ASSEMBLY	
TK	H7660-CX03A	B	[B]		08-MAR-84		
TK	H7660-CX06A	C	[C]				
JR	H7660-CX10A	D	[D]		06-MAR-84	DOCUMENT NUMBER	
AM	H7660-CX004	E	[E]			SIZE CODE	NUMBER REV
			[F]		RESP. ENG.: J. CROSS	K PL	7018919-0-DBF E
			[H]		DATE: 08-MAR-84	RELEASE DATE: 19-AUG-87	
			[J]		MFG. ENG: W. EHRMANN	RELEASE STATUS: RELEASED	
					DATE: 08-MAR-84		
			BASIC PART NUMBER:	ASSEMBLY NUMBER:	TOP DOCUMENT NUMBER:	FILE NAME:	EDIT #
			7018919	E-AD-7018919-0-0	E-AD-7018919-0-0	E3093E.PLS	2

25 AUG. 87

THIS DRAWING AND THE SPECIFICATIONS CONTAINED HEREIN ARE CONFIDENTIAL AND PROPRIETARY. THEY ARE THE PROPERTY OF DIGITAL EQUIPMENT CORPORATION AND SHALL NOT BE REPRODUCED OR COPIED OR USED IN WHOLE OR IN PART AS THE BASIS FOR THE MANUFACTURE OR SALE OF ITEMS WITHOUT WRITTEN PERMISSION. THIS IS AN UNPUBLISHED WORK PROTECTED UNDER THE FEDERAL COPYRIGHT LAWS.

LINE	ITEM	TOP DOCUMENT	PART NUMBER	MIN REV	DESCRIPTION	QTY PER VARIATION	REFERENCE DESIGNATOR
						00	
*	1	D-CS-5414668-0-1				REF	
*	2	E-UA-5414668-0-0				REF	
*	3	D-MD-5014667-0-0				REF	
*	4	D-EC-5014667-0-0				REF	
	5		1001610-00		.01 MFD 50V +80-20% Z5U CER	5	C1,C2,C7,C8,C12
	6		1013393-00		330 MFD 20V+100-10% AL EL	1	C11
	7		1013466-09		1000.0 MMF 50V 10% X7R CER	2	C3,C9
	8		1014430-00		.022 MFD 270V 10% M.POLYPROP	1	C14
	9		1100114-00		PIV= 25 IO=135 MA	3	D3,D8,D9
	10		1105796-00		PIV= 400 IO= 1.00A 1N4004 DO-41	6	D15,D16,D18-D21
	11		1110925-00		VZ= 5.1 2% 400 MW 1N751	1	D22
	12		1113290-00		TRIAC PIV= 600 IO= 8.00A 2N6344	1	D24
	13		1114117-00		PIV= 40 IO= 75 A - 4NS	4	D1,D2,D10,D17
	14		1116474-00		PIV=1000 IO= 1.00A 1N4007 DO-41	4	D11-D14
	15		1117061-00		THYRISTOR, VDRM= 25 MC	2	D6,D7
	16		1212297-01		MATE-N-LOK 04PIN(1X04).250CC HDR	1	J709
	17		1212297-02		MATE-N-LOK 09PIN(2X05).250CC HDR	2	J701,J710
	18		1212297-03		MATE-N-LOK 03PIN(1X03).250CC HDR	1	J706
	19		1212297-04		MATE-N-LOK 15PIN(2X08).250CC HDR	1	J702
	20		1212297-05		MATE-N-LOK 06PIN(2X03).250CC HDR	2	J704,J708
	21		1212297-06		MATE-N-LOK 12PIN(2X06).250CC HDR	1	J703
	22		1215228-00		HEAT SINKS,TO-220 01.25X0.87	2	HS1,HS2
	23		1217485-03		MATE-N-LOK 06SKT(2X03).250CC ASS	1	J705
	24		1218994-01		PCB HEADER 18PIN(1X18).156CC STR	1	J707
	25		1300168-00		10.0 .50 W 5.0 % CF	1	R49
	26		1300202-00		47.0 .25 W 5.0 % CF	2	R20,R22
	27		1300229-00		100.0 .25 W 5.0 % CF	1	R47
	28		1300271-00		220.0 .25 W 5.0 % CF	2	R23,R50
	29		1300316-00		470.0 .25 W 5.0 % CF	2	R27,R28
	30		1300365-00		1.0 K .25 W 5.0 % CF	12	R6,R7,R11,R19,R21,R25,R26,R29,

REVISION HISTORY			BASIC PART NO: 5414668			DRN: MARY BAIROS DATE: 11-FEB-82			DIGITAL		
ENG	ECO NUMBER	REV	SECTION A OF A	CHK'D:	DATE:	TITLE	PARTS LIST				
JC	INITIAL	X05	SECTION VARIATION INDEX	DICK BARRIERE	17-FEB-82	CONNECTOR BOARD H7660					
JC	PCA-MD-029	CX00	[A] 00								
JC	PCA-MD-077	DX00	[B]								
JC	PCA-MD-118	A	[C]	DES.ENG: J. CROSS	07-MAY-82	DOCUMENT NUMBER					
RG	5414668-CX001	B	[D]			SIZE!CODE! NUMBER	REV				
RG	5414668-CX002	C	[E]								
RG	5414668-CX003	D	[F]	RESP.ENG.: J. CROSS	07-MAY-82	K ! PL ! 5414668-0-DBP	D				
			[G]								
			[H]								
			[J]								
			[K]	MFG.ENG.: W. EHRMAN	07-MAY-82	RELEASE DATE:					
			[L]								
			[M]	ASSEMBLY NUMBER:	TOP DOCUMENT NUMBER:	FILE NAME:	EDIT #				
			[N]	E-UA-5414668-0-0	#B-DD-5414668-0	Z1645D.PLS	33				

200
12-15-82

"THIS DRAWING AND THE SPECIFICATIONS CONTAINED HEREIN ARE CONFIDENTIAL AND PROPRIETARY. THEY ARE THE PROPERTY OF DIGITAL EQUIPMENT CORPORATION AND SHALL NOT BE REPRODUCED OR COPIED OR USED IN WHOLE OR IN PART AS THE BASIS FOR THE MANUFACTURE OR SALE OF ITEMS WITHOUT WRITTEN PERMISSION. THIS IS AN UNPUBLISHED WORK PROTECTED UNDER THE FEDERAL COPYRIGHT LAWS."

LINE	ITEM	TOP DOCUMENT	PART NUMBER	MIN REV	DESCRIPTION	QTY	PER VARIATION	REFERENCE DESIGNATOR
								CONT R46,R48,R52,R53
31	31		1300447-00		4.70 K .25 W 5.0 % CF	1		R10
32	32		1300479-00		10.0 K .25 W 5.0 % CF	6		R17,R42,R32,R37,R38,R16
33	33		1300496-00		15.0 K .25 W 5.0 % CF	1		R39
34	34		1301423-00		6.80 K .25 W 5.0 % CF	2		R9,R45
35	35		1302172-00		3.01 K .75 W 1.0 % RN65C-F 5	1		R18
36	36		1302177-00		47.0 K .25 W 5.0 % CF	1		R8
37	37		1316836-00		402.0 .25 W 1.0 % RN55D-F10	2		R51,R44
38	38		1302612-00		1.78 K .25 W 1.0 % RN55D-F10	1		R3
39	39		1302666-00		10.0 M .25 W 5.0 % CF	4		R31,R40,R41,R30
40	40		1304863-00		*** THIS ITEM IS NOT USED ***	-		
41	41		1305108-00		1.47 K .25 W 1.0 % RN55D-F10	1		R5
42	42		1305114-00		3.48 K .25 W 1.0 % RN55D-F10	1		R35
43	43		1305143-00		825.0 .25 W 1.0 % RN55D-F10	2		R14,R15
44	44		1305325-00		8.25 K .25 W 1.0 % RN55D-F10	1		R43
45	45		1309414-00		9.76 K .25 W 1.0 % RN55D-F10	1		R24
46	46		1311996-00		VARISTOR 150VAC VOLT TRANS SUP	1		MDV1
47	47		1314989-00		11.30 K .25 W 1.0 % RN55D-F10	1		R36
48	48		1312546-00		16.50 K .25 W 1.0 % RN55D-F10	1		R13
49	49		1312618-00		16.90 K .25 W 1.0 % RN55D-F10	1		R33
50	50		1313591-00		1.65 K .25 W 1.0 % RN55D-F10	1		R4
51	51		1313840-00		4.53 K .25 W 1.0 % RN55D-F10	1		R2
52	52		1316837-00		412.0 .25 W 1.0 % RN55D-F10	1		R1
53	53		1316842-00		6.34 K .25 W 1.0 % RN55D-F10	1		R12
54	54		1312565-00		13.30 K .25 W 1.0 % RN55D-F10	1		R34
55	55		1510705-00		XA 05 NPN 500MW SI 60 50 P	2		Q3,Q4
56	56		1510706-00		XA 55 PNP 500MW SI 60 50 P	1		Q1
57	57		1510877-00		*** THIS ITEM IS NOT USED ***	-		
58	58		1511686-00		DEC5433 FET N 350MW 10 25 1A	1		Q2
59	59		1512212-00		DEC8098 NPN 350MW SI 60 50	1		Q5
60	60		1911637-00		74132 NAND GATE-QUAD 2 IN	1		E2
61	61		1912108-00		339 VOLT CMPRTR,QUAD	1		E1
62	62		5014667-00		DRILL AND ETCH BD.	1		
63	63		9006011-01		SCREW,MACH PAN PHIL 4-	2		
64	64		9006557-00		NUT,HEX EXT TOOTH LCKWSHR 4-40	2		
65	65		9009217-00		POST, WIRE WRAP	5		TP1,TP2,TP3,TP4,TP5
66	66		9009769-00		WASHER,RECTNGLR STEEL	2		
67	67		9009807-02		STUD,PC MOUNTING 10-32X0.375	1		J1
68	68	SEE NOTE	9107702-09		WIRE,SOLID 14AWG IPVC 300V15	A/R		W1
69	69		1217485-00		MATE-N-LOK 02SKT(1X02).250CC ASS	1		J717
70	70		1503409-01		DEC6534B PNP 310MW SI 40 90 P	3		Q6-Q8
71	71		1010274-02	K	1 MFD 50V +80-20% CER	5		C4-C6,C10,C13
72	72		9107267-00		CR TUBING,TEFLON .034ID	A/R		
73	73		4901090-00		CR TAPE,TEFLON ADH .75 WDX3.5M	A/R		

D	I	G	I	T	A	L	TITLE	SECTION A OF A	SIZE	CODE	DOCUMENT NUMBER	REV
							CONNECTOR BOARD H7660		K	PL	5414668-0-DBP	D

AUTOMATED BY PRTLST.3P(44)

PARTS LIST

SHEET A3 OF A3

LINE ITEM TOP DOCUMENT

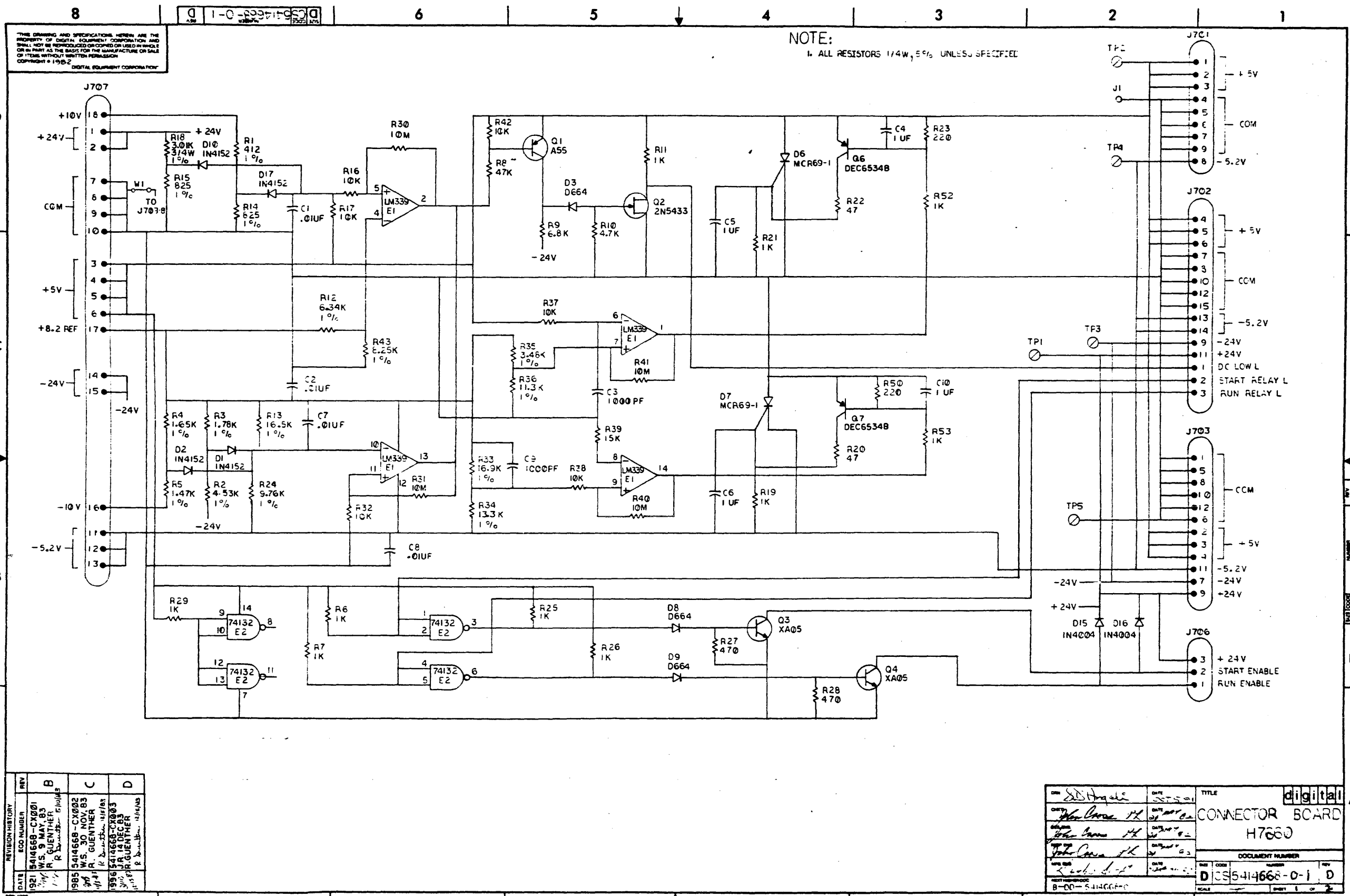
PART NUMBER ^{MIN} REV DESCRIPTION

QTY PER VARIATION
00

REFERENCE DESIGNATOR

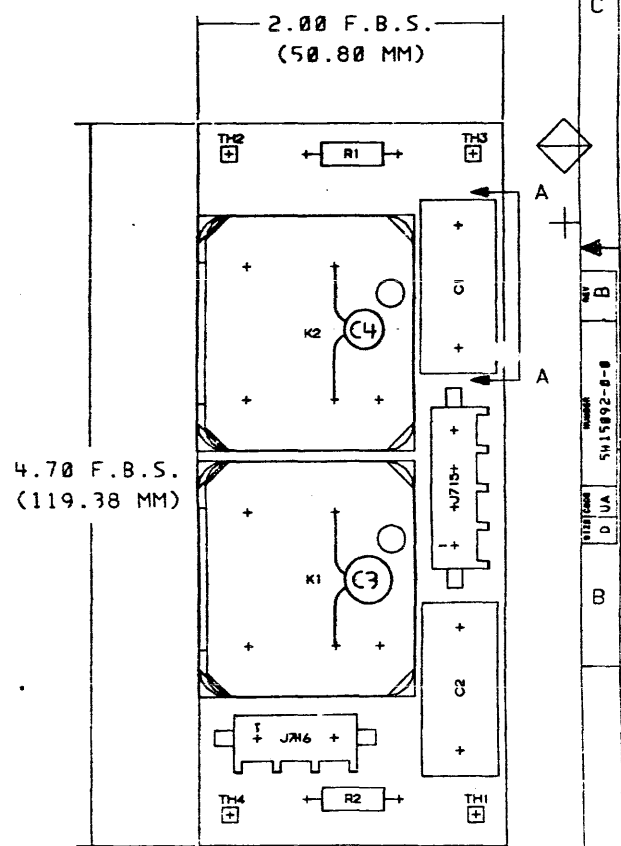
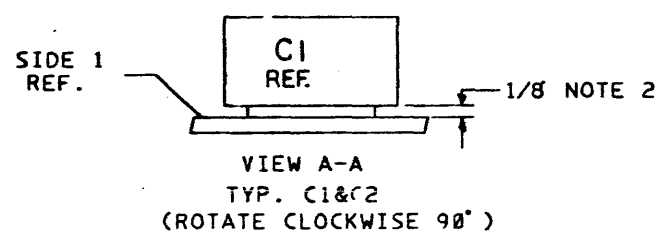
74 NOTE: LENGTH OF W1 IS 5.4 +/- .1".

D	I	G	I	T	A	L	TITLE	SECTION A OF A	SIZE	CODE	DOCUMENT NUMBER	REV
							CONNECTOR BOARD H7660		K	PL	5414668-0-DBP	D



DICS5414668-0-1
1472

THIS DRAWING AND SPECIFICATIONS HEREAFTER ARE THE PROPERTY OF DIGITAL EQUIPMENT CORPORATION AND SHALL NOT BE REPRODUCED OR COPIED OR USED IN WHOLE OR IN PART AS THE BASIS FOR THE MANUFACTURE BY SALE OF ITEMS WITHOUT WRITTEN PERMISSION.
 COPYRIGHT © 1982 DIGITAL EQUIPMENT CORPORATION



NOTES:
 1. THIS BOARD MEETS THE REQUIREMENTS FOR U/L TYPE 1.
 2. IF C1&C2 SUPPLIED AS DIPPED BODY, SPACE OFF ETCH AS SHOWN.

STEP	↑ Y AXIS	STEP	TIMES
REPEAT	→ X AXIS	STEP	TIMES

CHANGE NO	REV
1	B

BY: J. MILLER
 DATE: 2/2/82

ETCH REV. C

SIGNATURES	DATE	TITLE
DRN. JIM MC DONOUGH	22-282	digital
CHK'D	7 May 82	
MECH. ENG.		
PROJ. ENG.		
PROD.		
SCALE 2/1		
SHT. 1 OF 1		
NEXT HIGHER ASSY. B-00-5415892-8		

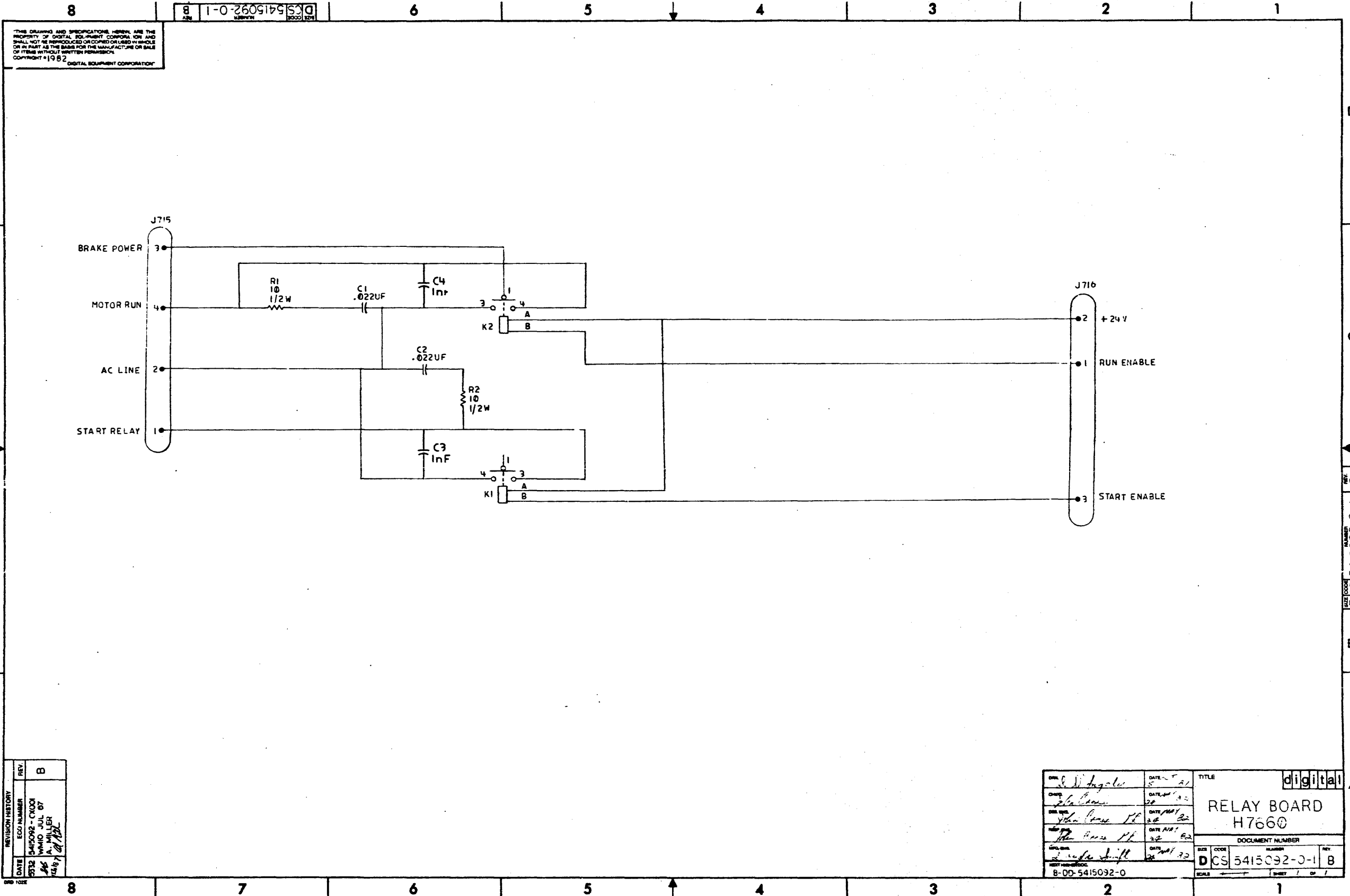
DUA 3415092-0-0

1041

LINE	ITEM	DOCUMENT NUMBER	PART NUMBER	DESCRIPTION	QTY PER VARIATION 00	REFERENCE DESIGNATOR
1	1		1014430-00	.022 MFD 270V 10% M.POLYPROP	2	C1,C2
2	2		1300168-00	10.0 .50 W 5.0 % CC	2	R1,R2
3	3		1219016-01	RLY,PWR, 24V.COIL,SPST,30A	2	K1,K2
4	4		1212297-01	MATE-N-LOK 04PIN(1X04).250CC HDR	1	J715
5	5		1212297-03	MATE-N-LOK 03PIN(1X03).250CC HDR	1	J716
6	6		5015091-00	DRILL AND ETCH BD	1	
7	7	D-CS-5415092-0-1		CIRCUIT SCHEMATIC	REF	
8	8	D-MD-5015091-0-0		DRILL & ETCH DWG.	REF	
9	9	D-EC-5015091-0-0		ETCH CUT DWG.	REF	
10	10	D-UA-5415092-0-0		UNIT ASSY. DWG.	REF	

REVISION HISTORY		BASIC PART NO: 5415092		DRN:	ELLEN MATTON	DATE:	09-SEP-81	D I G I T A L			
ENG	ECO NUMBER	REV	SECTION A OF A	CHK'D:	DICK BARRIERE	DATE:	09-SEP-81	TITLE PARTS LIST			
	PCA MD039	A	SECTION VARIATION INDEX					RELAY BOARD H7660			
			[A] 00								
			[B]								
			[C]	DES.ENG:	J. CROSS	DATE:	17-JUL-81				
			[D]								
			[E]					DOCUMENT NUMBER			
			[F]	RESP.ENG.:	J. CROSS	DATE:	17-JUL-81	SIZE	CODE	NUMBER	REV
			[G]								
			[H]								
			[I]	MFG.ENG.:	W. EHRMAN	DATE:	17-JUL-81	K	PL	5415092-0-DBP	A
			[J]								
			[K]	ASSEMBLY NUMBER:		TOP DOCUMENT NUMBER:		FILE NAME:		EDIT	
			[L]	D-UA-5415092-0-0		#B-DD-5415092-0		Z2528A.PLS		9	
			[M]								
			[N]								

*THIS DRAWING AND SPECIFICATIONS HEREIN, ARE THE PROPERTY OF DIGITAL EQUIPMENT CORPORATION AND SHALL NOT BE REPRODUCED OR COPIED OR USED IN WHOLE OR IN PART AS THE BASIS FOR THE MANUFACTURE OR SALE OF ITEMS WITHOUT WRITTEN PERMISSION. COPYRIGHT (C) 1982. DIGITAL EQUIPMENT CORPORATION *



THIS DRAWING AND SPECIFICATIONS HEREON ARE THE PROPERTY OF DIGITAL EQUIPMENT CORPORATION AND SHALL NOT BE REPRODUCED OR COPIED OR USED IN WHOLE OR IN PART AS THE BASIS FOR THE MANUFACTURE OR SALE OF ITEMS WITHOUT WRITTEN PERMISSION.
 COPYRIGHT © 1962 DIGITAL EQUIPMENT CORPORATION

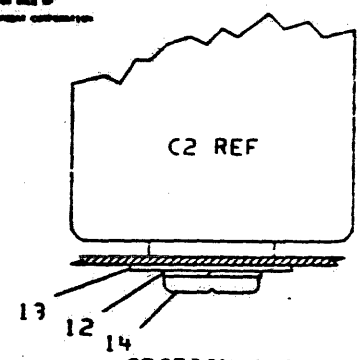
DATE	REV. NUMBER	REV.
0312	5415092-0-1	B
14/87	5415092-0-1	B

DESIGNED BY <i>S. W. Ingels</i>	DATE 5-21-61	TITLE digital
DRAWN BY <i>John Case</i>	DATE 5-22-61	RELAY BOARD H7660
CHECKED BY <i>John Case</i>	DATE 5-22-61	DOCUMENT NUMBER DCS 5415092-0-1 B
APPROVED BY <i>John Case</i>	DATE 5-22-61	SCALE 1/1
DESIGNED BY <i>John Case</i>	DATE 5-22-61	SCALE 1/1
B-00-5415092-0		

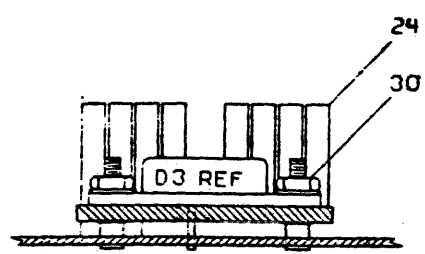
DCS 5415092-0-1

121

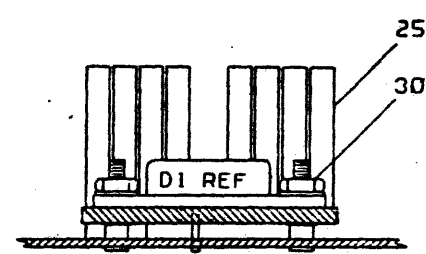
THIS BOARD MUST MEET U.L. REQUIREMENTS FOR U.L. TYPE 1. MOUNT J714 ON SIDE 2 AND HAND SOLDER AFTER WAVE SOLDERING. CUT OR REMOVE PIN 5 OF J712 FOR KEYWAY. CROSS LEADS OVER T1 AND SOLDER 2 PLACES AS SHOWN. POLARITY NOT CRITICAL. STRIP WIRE BACK 1/8 IN. BEFORE CRIMP OF ITEM 22.



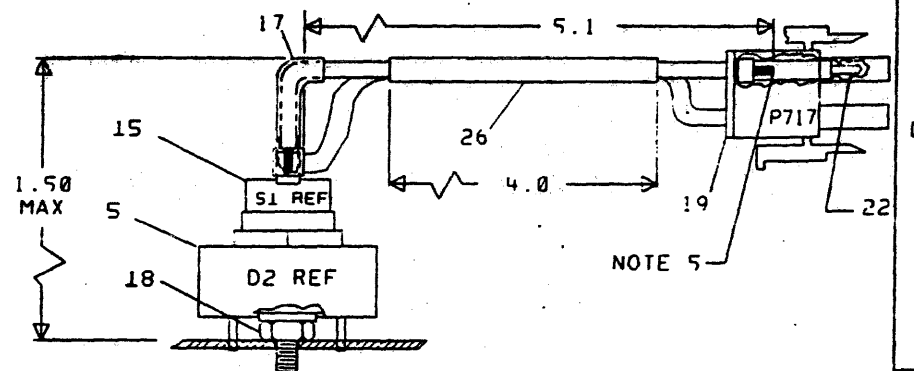
SECTION A-A
TYP. FOR C1 - C4
TORQUE SCREW
16 IN LBS. ± 1



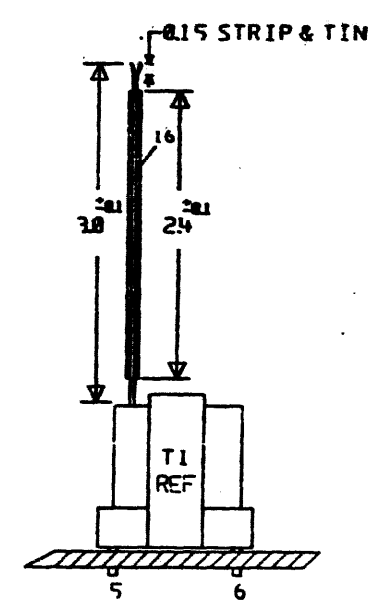
SECTION B-B
TORQUE NUTS
3 IN LBS. ± 1



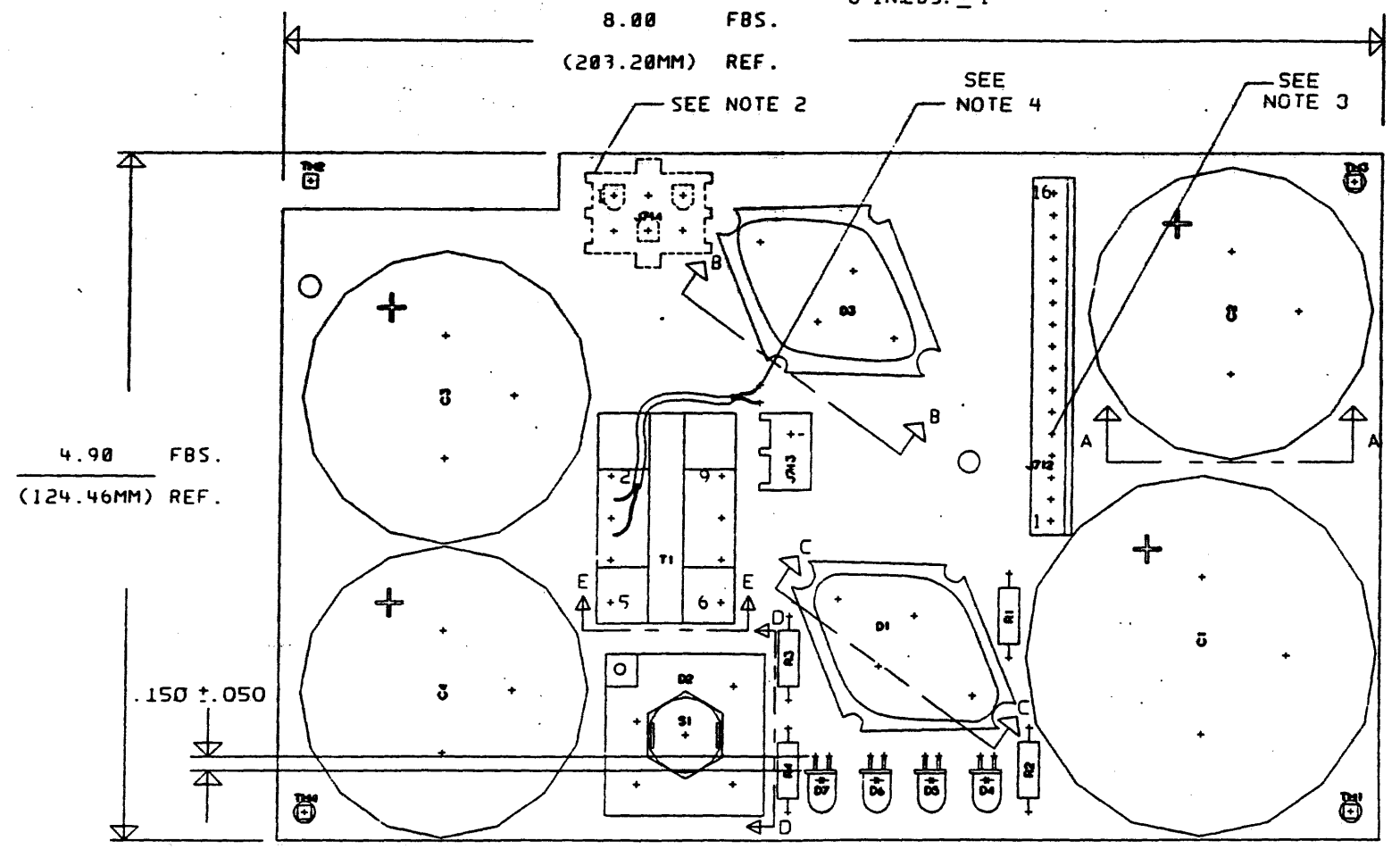
SECTION C-C
TORQUE NUTS
8 IN LBS. ± 1



SECTION D-D
TORQUE NUT
8 IN LBS. ± 1



SECTION E-E



- NOTES:
- THIS BOARD MUST MEET U.L. REQUIREMENTS FOR U.L. TYPE 1.
 - MOUNT J714 ON SIDE 2 AND HAND SOLDER AFTER WAVE SOLDERING.
 - CUT OR REMOVE PIN 5 OF J712 FOR KEYWAY.
 - CROSS LEADS OVER T1 AND SOLDER 2 PLACES AS SHOWN.
 - POLARITY NOT CRITICAL.
 - STRIP WIRE BACK 1/8 IN. BEFORE CRIMP OF ITEM 22.

STEP	AXIS	STEP	TIMES
1	+	1	1
2	-	1	1

CHANGE NO.	REV.

ETCH REV.	REV.
B	

SIGNATURES	DATE	TITLE
DRN. <i>Mary...</i>		digital
CHK. D. <i>...</i>		H7660
MECH. ENG. <i>...</i>		CAPACITOR BOARD
PROJ. ENG. <i>...</i>		
PROD. <i>...</i>		
SCALE 2x	SIZE CODE	NUMBER
SHT. OF	0 UA5415094-0-2 A	REV
NEXT HIGHER ASSY.	3-00-5415094-3	

MS#181415B

AUTOMATED BY PRTLST.3P(44)

PARTS LIST

SHEET A1 OF A1

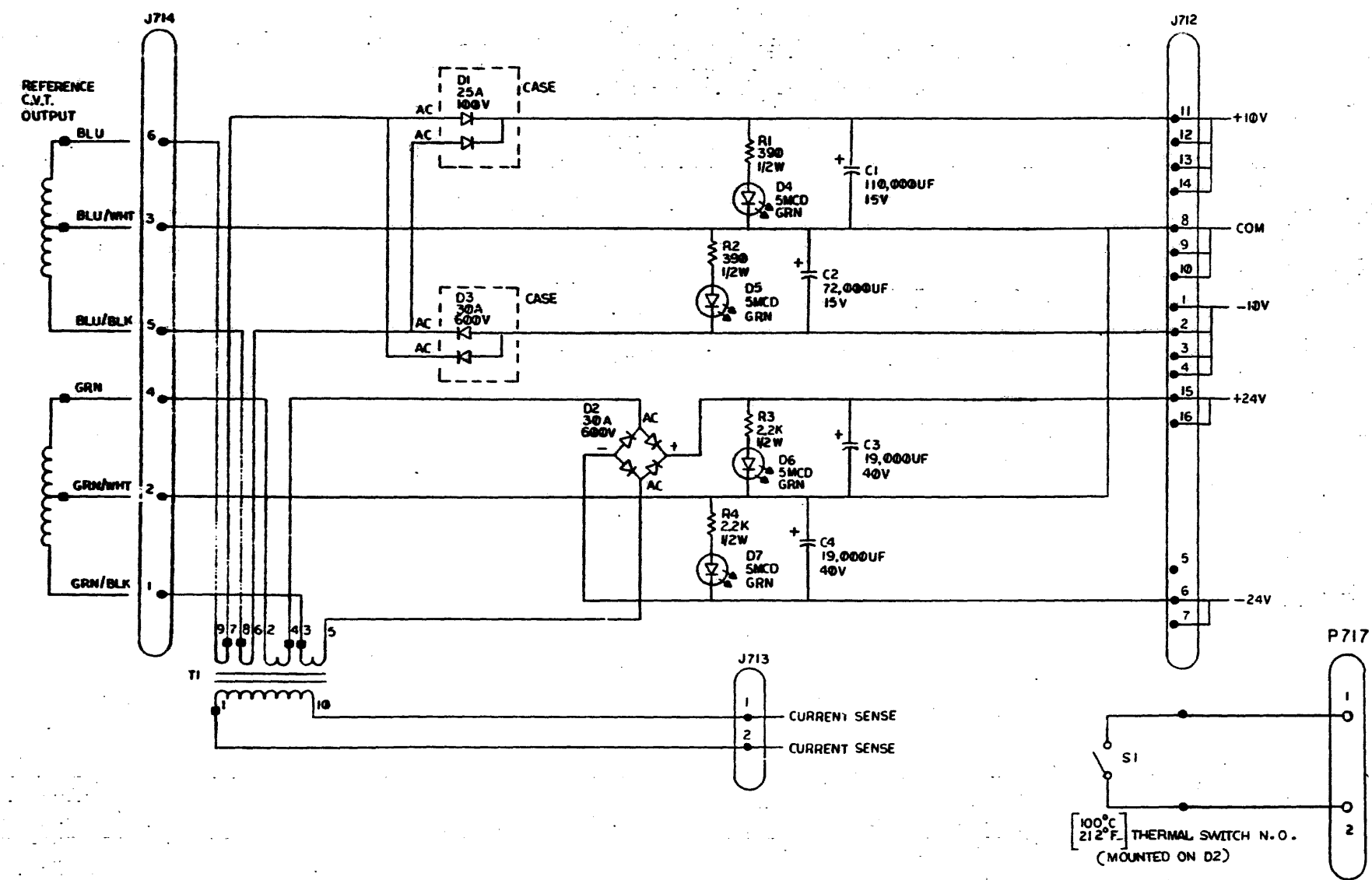
LINE	ITEM	TOP DOCUMENT	PART NUMBER	MIN REV	DESCRIPTION	QTY	PER VARIATION	REFERENCE DESIGNATOR
					VARIATION REVISION LEVEL:	00	A1	
1	1	D-MD-5015093-0-0	5015093-00		DRILL AND ETCH BD	1		
2	2		1018010-01		72,000 MFD 15V +75-10% AL EL	1		C2
3	3		1016239-00		19,000 MFD 40V +75-10% AL EL	2		C3,C4
4	4		1112723-00		RECT. ASSY PIV= 100 IO=25.00A	1		D1
5	5		1114245-00		RECT. ASSY PIV= 600 IO=30.00A	1		D2
6	6		1619286-01		XFMR,CURRENT RATIO 1:1:2:2:2000	1		T1
7	7		1216652-09		PCB,HEADER 16PIN(1X16).156CC STR	1		J712
8	8		1212297-00		MATE-N-LOK 02PIN(1X02).250CC HDR	1		J713
9	9		1212297-05		MATE-N-LOK 06PIN(2X03).250CC HDR	1		J714
10	10		1300308-00		390.0 .50 W 5.0 Z CF	2		R1,R2
11	11		1300415-00		2.20 K .50 W 5.0 Z CF	2		R3,R4
12	12		9007906-00		WASHER,HELICAL SPLIT STEEL	8		
13	13		9009950-01		WASHER,FLAT BRASS	8		
14	14		9000038-13		SCREW,MACH PAN PHIL 10-	8		
15	15	A-PS-1219953-0-0	1219953-01		THERMOSTAT,00177,C0212,NO W/.675	1		S1
16	16		9107303-11		TUBING,TEFLON .133ID	A/R		
17	17		9107255-01		TUBING,SHRINK .125ID EXP	2		
18	18		9010154-00		NUT,HEX EXT TOOTH LCKWSHR 8-32	1		
19	19	A-PS-1212167-0-0	1212167-02		MATE-N-LOK 02SKT(1X02).250CC HSG	1		
20	22	A-PS-1212169-0-0	1212169-00		MATE-N-LOK 01PIN 20-14AWG .0850D	2		
21	23		1114193-01		RECT. ASSY PIV= 600 IO=30.00A	1		D3
22	24		1219050-02		HEAT SINKS,TO-3 1.880X1.40	1		HSD3
23	25		1219050-00		HEAT SINKS,TO-3 1.880X1.40	1		HSD1
24	26		9107254-00		TUBING,SHRINK .187ID EXP	A/R		
25	28		1118196-01		LED 5MCD@20MA 2.1V GREEN	4		D4,D5,D6,D7
26	29		1016238-01		110,000 MFD 15V +75-10% AL EL	1		C1
27	30		9008185-00		NUT,HEX EXT TOOTH LCKWSHR 6-32	4		

REVISION HISTORY		BASIC PART NO: 5415094		DRN:	MIKE MC DONOUGH	DATE:	13-JUL-81	DIGITAL	
ENG	ECD NUMBER	REV	SECTION A OF A	CHK'D:	D. BARRIERE	DATE:	17-JUL-81	TITLE PARTS LIST	
J.C	PCA MD-026	AX04	SECTION VARIATION INDEX	DES.ENG:	J. CROSS	DATE:	17-JUL-81	DOCUMENT NUMBER	
J.C	PCA MD-034	BX00	[A] 00	RESP.ENG.:	J. CROSS	DATE:	17-JUL-81	K	PL
J.C	PCA MD-072	BX01	[B]	MFG.ENG.:	W. EHRMAN	DATE:	17-JUL-81	RELEASE DATE: 07-FEB-85	
J.C	PCA MD-078	BX02	[C]	ASSEMBLY NUMBER:		TOP DOCUMENT NUMBER:		FILE NAME:	EDIT #
J.C	PCA MD-113	BX03	[D]	ID-UA-5415094-0-0		IB-DD-5415094-0-0		Z2529B.PLS	33
J.C	PCA MD-122	A	[E]						
RG	5415094-CX001	B	[F]						
			[G]						
			[H]						
			[I]						
			[J]						
			[K]						
			[L]						
			[M]						
			[N]						

Handwritten:
 2-7-85
 R. Dunaway
 2-7-85

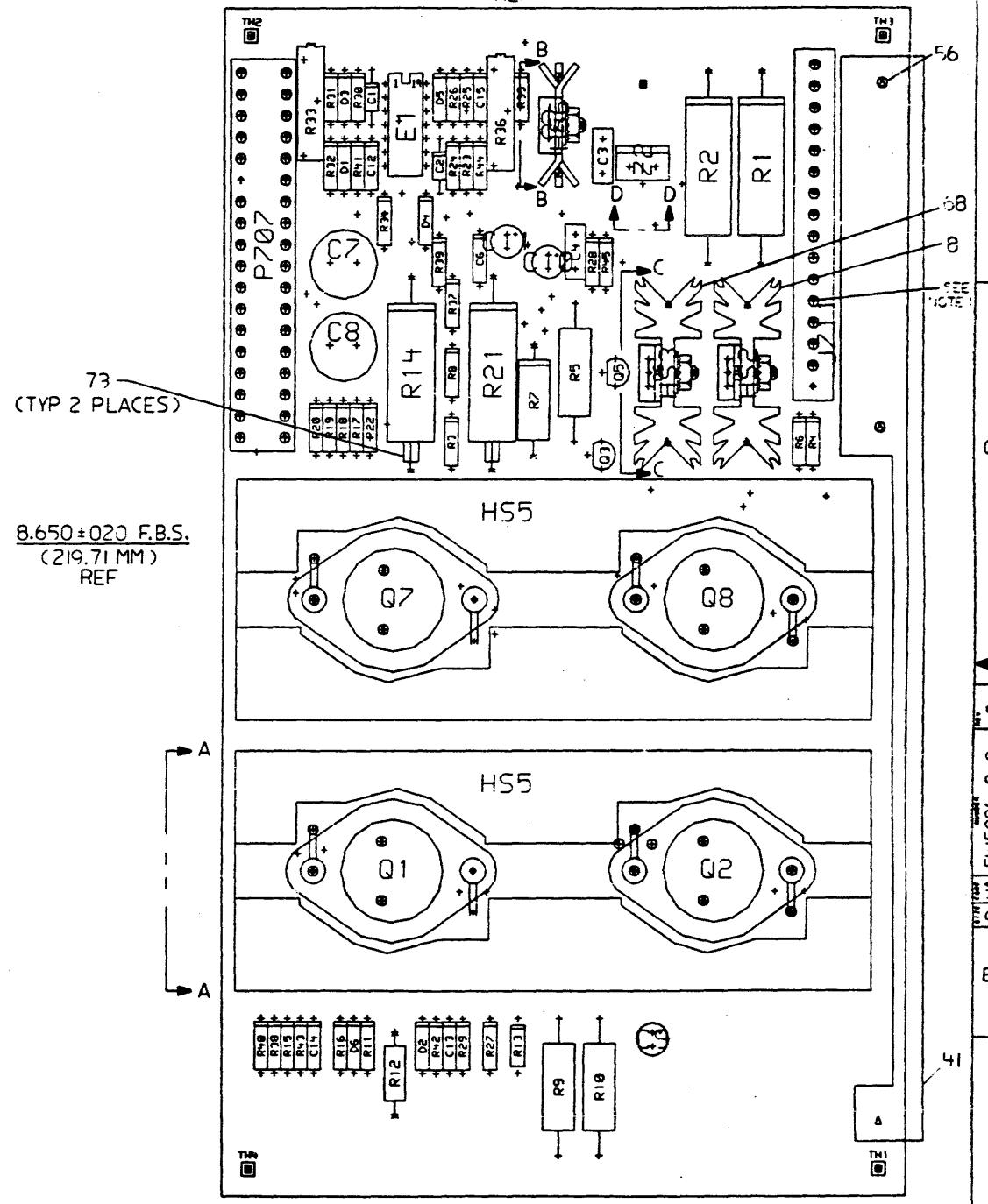
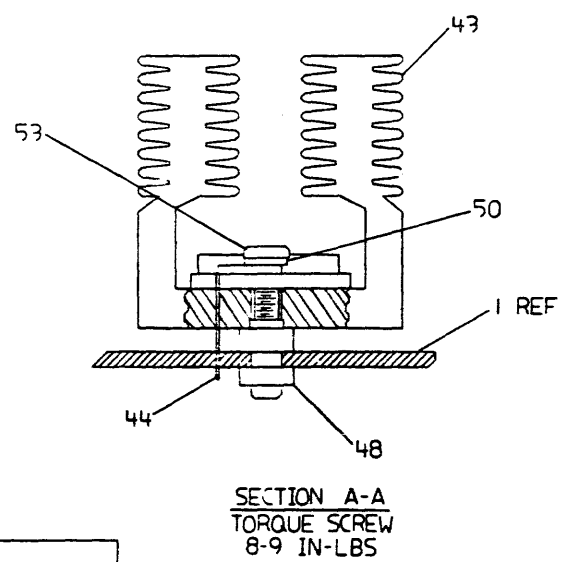
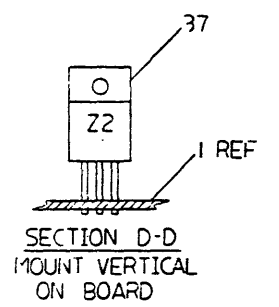
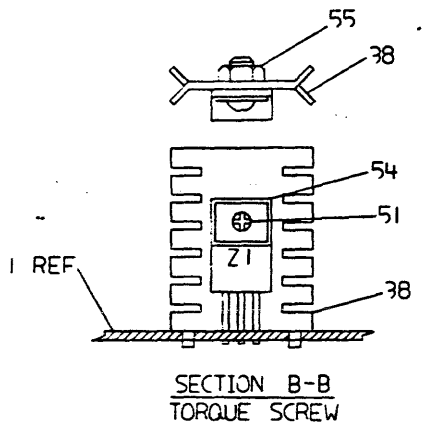
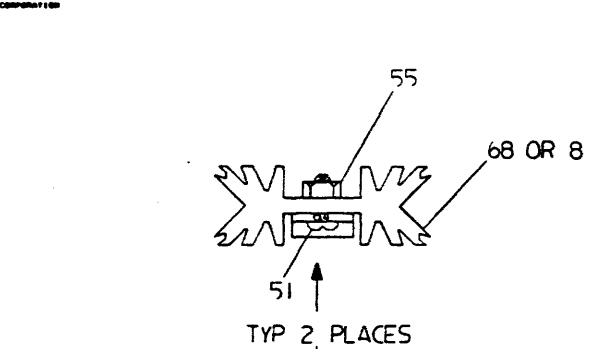
"THIS DRAWING AND THE SPECIFICATIONS CONTAINED HEREIN ARE CONFIDENTIAL AND PROPRIETARY. THEY ARE THE PROPERTY OF DIGITAL EQUIPMENT CORPORATION AND SHALL NOT BE REPRODUCED OR COPIED OR USED IN WHOLE OR IN PART AS THE BASIS FOR THE MANUFACTURE OR SALE OF ITEMS WITHOUT WRITTEN PERMISSION. THIS IS AN UNPUBLISHED WORK PROTECTED UNDER THE FEDERAL COPYRIGHT LAWS."

THIS DRAWING AND ANY INFORMATION CONTAINED HEREIN ARE THE PROPERTY OF DIGITAL EQUIPMENT CORPORATION. IT IS TO BE USED FOR THE SPECIFIC PROJECT AND FOR NO OTHER PURPOSES WITHOUT THE EXPRESS WRITTEN PERMISSION OF DIGITAL EQUIPMENT CORPORATION.



DATE	REV.	DATE	REV.	TITLE	digital
19 AUG 81		19 AUG 81		H766J	
				CAPACITOR BOARD	
DOCUMENT NUMBER				DCS 5415094-0-1	
B-DD-5415094-0				SCALE	
				MLI 1	

THIS DRAWING AND SPECIFICATIONS HEREOF ARE THE PROPERTY OF DIGITAL EQUIPMENT CORPORATION AND SHALL NOT BE REPRODUCED OR COPIED OR USED IN WHOLE OR IN PART AS THE BASIS FOR THE MANUFACTURE OR SALE OF ITEMS WITHOUT WRITTEN PERMISSION.
COPYRIGHT © 1984 DIGITAL EQUIPMENT CORPORATION



NOTES: 1. CUT PIN 12 OF J711 FOR KEY WAY.
2. THIS BOARD MEETS REQUIREMENTS FOR U L TYPE.

STEP	AXIS	STEP	TIMES
1	Y		5
2	X		5

CHANGE NO	REV	DATE	BY	CHK
1	D			
2	5415096			
3	5415096			
4	5415096			
5	5415096			

ETCH REV. C1-P2

SIGNATURES	DATE
DRN. <i>[Signature]</i>	
CHK D. <i>[Signature]</i>	
MECH. ENG. <i>[Signature]</i>	
PROJ. ENG. <i>[Signature]</i>	
PROD. <i>[Signature]</i>	
SCALE 2/1	
SMT. 1 OF 1	
NEXT HIGHER ASSY. K-00-5415096-0-0	

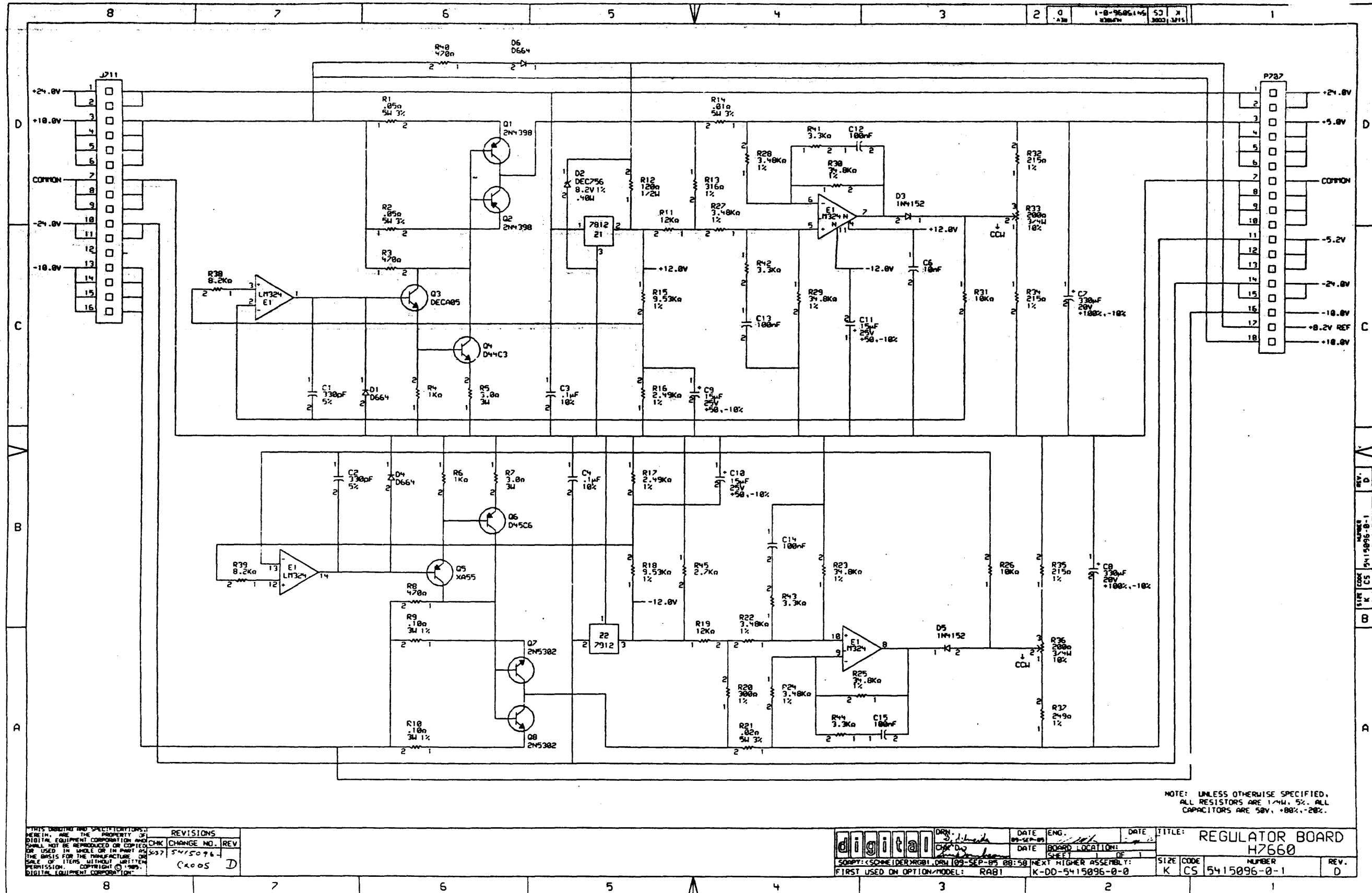
digital	
TITLE REGULATOR BOARD H7660	
SIZE CODE 0	NUMBER 0
0 UA 5415096-0-0	REV 0
1 MS# 62582A	

LINE	ITEM	TOP DOCUMENT	PART NUMBER	MIN REV	DESCRIPTION	QTY PER VARIATION	REFERENCE DESIGNATOR
					VARIATION REVISION LEVEL:	00	
						D1	
1	1	K-DD-5015095-0-0	5015095-00	C	DRILL AND ETCH BD	1	
2	2		1001610-00		.01 MFD 50V +80-20% Z5U CER	1	C6
3	3		1010978-36		.1 MFD 50V 10% CER	2	C3,C4
4	4		1013393-00		330 MFD 20V+100-10% AL EL	2	C7,C8
5	5		1013466-18		330.0 MMF 50V 5% CER	2	C1,C2
6	6		1013466-22		.1 MFD 50V +80-20% Z5U CER	4	C12,C13,C14,C15
7	7		1018000-01		15 MFD 25V +50-10 AL EL	3	C9,C10,C11
8	8		1100114-00		PIV= 25 IO=135 MA	3	D1,D4,D6
9	9		1103441-01		VZ= 3.2 1% 400 MW 1N756A	1	D2
10	10		1114117-00		PIV= 40 IO= 75 A - 4NS	2	D3,D5
11	11		1211987-06	H	HEAT SINK,TO-3 4.750X01.7	1	
12	12		1213921-00	K	HEAT SINK,EXTRUSION 1.380X1.00	1	
13	13		1213921-01	K	HEAT SINK,EXTRUSION 1.380X1.50	1	
14	14		1214255-09		HEAT SINK,TO-3 04.75X01.7	1	
15	15		1214789-00	CR	INSERT,THREAD	8	
16	16		1215228-00	D	HEAT SINKS,TO-220 01.25X0.87	1	
17	17		1216652-09		PCB,HEADER 16PIN(1X16).156CC STR	1	J711
18	18		1217990-07		CONN,P+S 18SKT(1X18).156CC	1	P707
19	19		1300243-00		120.0 .50 W 5.0 % CF	1	R12
20	20		1300316-00		470.0 .25 W 5.0 % CF	3	R3,R8,R40
21	21		1300365-00		1.0 K .25 W 5.0 % CF	2	R4,R6
22	22		1300426-00		2.70 K .25 W 5.0 % CF	1	R45
23	23		1300439-00		3.30 K .25 W 5.0 % CF	4	R41,R42,R43,R44
24	24		1300479-00		10.0 K .25 W 5.0 % CF	2	R26,R31
25	25		1300488-00		12.0 K .25 W 5.0 % CF	2	R11,R19
26	26		1303156-00		34.80 K .25 W 1.0 % RN55D-F10	4	R23,R25,R29,R30
27	27		1303179-00		8.20 K .25 W 5.0 % CF	2	R38,R39
28	28		1304725-00		300.0 .25 W 1.0 % RN55D-F10	1	R20
29	29		1304863-00		316.0 .25 W 1.0 % RN55D-F10	1	R13
30	30		1305114-00		3.48 K .25 W 1.0 % RN55D-F10	4	R22,R24,R27,R28

REVISION HISTORY			BASIC PART NO: 5415096			DRN: SHERI LEHMAN DATE: 17-MAR-83			D I G I T A L		
ENG	ECO NUMBER	REV	SECTION A OF A	CHK'D:	DATE:	TITLE	PARTS LIST	SIZE	CODE	NUMBER	REV
RG	5415096-CX002	B	SECTION VARIATION INDEX	SUE BOUREAU	17-MAR-83	REGULATOR BOARD	H7660				
RG	5415096-CX003	C	[A] 00								
RG	5415096-CX004	D	[B]								
WM	5415096-CX005	E	[C]	BOB GUENTHER	17-MAR-83	DOCUMENT NUMBER					
			[D]								
			[E]								
			[F]	BOB GUENTHER	17-MAR-83	K PL 5415096-0-DBP	E				
			[G]								
			[H]								
			[I]								
			[J]								
			[K]	WARREN EHRMAN	17-MAR-83	RELEASE DATE: 26-AUG-85					
			[L]								
			[M]								
			[N]								
			[O]								
			[P]								
			[Q]								
			[R]								
			[S]								
			[T]								
			[U]								
			[V]								
			[W]								
			[X]								
			[Y]								
			[Z]								
			[AA]								
			[AB]								
			[AC]								
			[AD]								
			[AE]								
			[AF]								
			[AG]								
			[AH]								
			[AI]								
			[AJ]								
			[AK]								
			[AL]								
			[AM]								
			[AN]								
			[AO]								
			[AP]								
			[AQ]								
			[AR]								
			[AS]								
			[AT]								
			[AU]								
			[AV]								
			[AW]								
			[AX]								
			[AY]								
			[AZ]								
			[BA]								
			[BB]								
			[BC]								
			[BD]								
			[BE]								
			[BF]								
			[BG]								
			[BH]								
			[BI]								
			[BJ]								
			[BK]								
			[BL]								
			[BM]								
			[BN]								
			[BO]								
			[BP]								
			[BQ]								
			[BR]								
			[BS]								
			[BT]								
			[BU]								
			[BV]								
			[BW]								
			[BX]								
			[BY]								
			[BZ]								
			[CA]								
			[CB]								
			[CC]								
			[CD]								
			[CE]								
			[CF]								
			[CG]								
			[CH]								
			[CI]								
			[CJ]								
			[CK]								
			[CL]								
			[CM]								
			[CN]								
			[CO]								
			[CP]								
			[CQ]								
			[CR]								
			[CS]								
			[CT]								
			[CU]								
			[CV]								
			[CW]								
			[CX]								
			[CY]								
			[CZ]								
			[DA]								
			[DB]								
			[DC]								
			[DD]								
			[DE]								
			[DF]								
			[DG]								
			[DH]								
			[DI]								
			[DJ]								
			[DK]								
			[DL]								
			[DM]								
			[DN]								
			[DO]								
			[DP]								
			[DQ]								
			[DR]								
			[DS]								
			[DT]								
			[DU]								
			[DV]								
			[DW]								
			[DX]								
			[DY]								

LINE	ITEM	TOP DOCUMENT	PART NUMBER	MIN REV	DESCRIPTION	QTY	PER VARIATION	REFERENCE DESIGNATOR
						00		
						D1		
31	31		1305123-00		215.0 .25 W 1.0 % RN55D-F10	3		R32,R34,R35
32	32		1309143-05		200.0 .75 W10.0 % PUT	2		R33,R36
33	33		1310876-00		.02 5.0 W 3.0 % WW	1		R21
34	34		1310876-03		.05 5.0 W 3.0 % WW	2		R1,R2
35	35		1312626-00		2.49 K .25 W 1.0 % RN55D-F10	1		R16
36	36		1312682-00		3.0 3.0 W 5.0 % WW	2		R5,R7
37	37		1313712-00		.01 5.0 W 3.0 % WW	1		R14
38	38		1314397-00		9.53 K .25 W 1.0 % RN55D-F10	1		R15
39	39		1315240-00		.10 3.0 W 1.0 % WW	2		R9,R10
40	40		1317404-00		249.0 .25 W 1.0 % RN55D-F10	1		R37
41	41		1505870-00		2N 4398 PNF 200WC SI 40 40 Y	2		Q1,Q2
42	42		1510171-00		D 44C3 NFN 30WT SI 30 20 Y	1		Q4
43	43		1510196-00		2N 5302/HSMFN 200WC SI 60 40 M	2		Q7,Q8
44	44		1510414-00		D 45C6 PNF 30WT SI 45 20 Y	1		Q6
45	45		1510705-00		XA 05 NFN 500MW SI 60 50 P	1		Q3
46	46		1510706-00		XA 55 PNF 500MW SI 60 50 P	1		Q5
47	47		1912048-05		7812 VOLT REG, FIX +12V	1		Z1
48	48		1912107-60		LN 324 BURNED-IN OP AMP, QUA	1		E1
49	49		1914517-01		7912 VOLT REG, FIX -12V	1		Z2
50	50		7426111-00		CR HANDLE, REGULATOR BOARD	1		
51	51		9000024-01		CR EYELET, ROLLED 0.1210DX0.192	3		
52	52		9006011-01		CR SCREW, MACH PAN PHIL 4-	3		
53	53		9006557-00		CR NUT, HEX EXT TOOTH LCKWSHR 4-40	3		
54	54		9006632-00		CR WASHER, LOCK INTERNAL STEEL	4		
55	55		9006706-00		CR WASHER, FLAT NYLON	8		
56	56		9007794-01		CR SCREW, MACH PAN PHIL 6-	8		
57	57		9007801-00		CR WASHER, HELICAL SPLIT SST	8		
58	58		9009876-00		A SCREW, TAP PAN PHIL THD CT 4-	4		
59	59		9009676-00		CR TERM, SOLDER BARRIER STR	8		
60	60		9009769-00		CR WASHER, RECTNGLR STEEL	3		
61	61		9107295-11		TUBING, TEFLON .066ID	A/R		
62	62		1304867-00		7.0 K .25 W 1.0 % RN55D-F10	1		R17
63	63		1318546-11		26.70 K .25 W 1.0 % RN55D-F10	1		R18

D	I	G	I	T	A	L	TITLE	SECTION A OF A	SIZE	CODE	DOCUMENT NUMBER	REV
							REGULATOR BOARD		K	PL	5415096-0-DBP	E
							H7660					



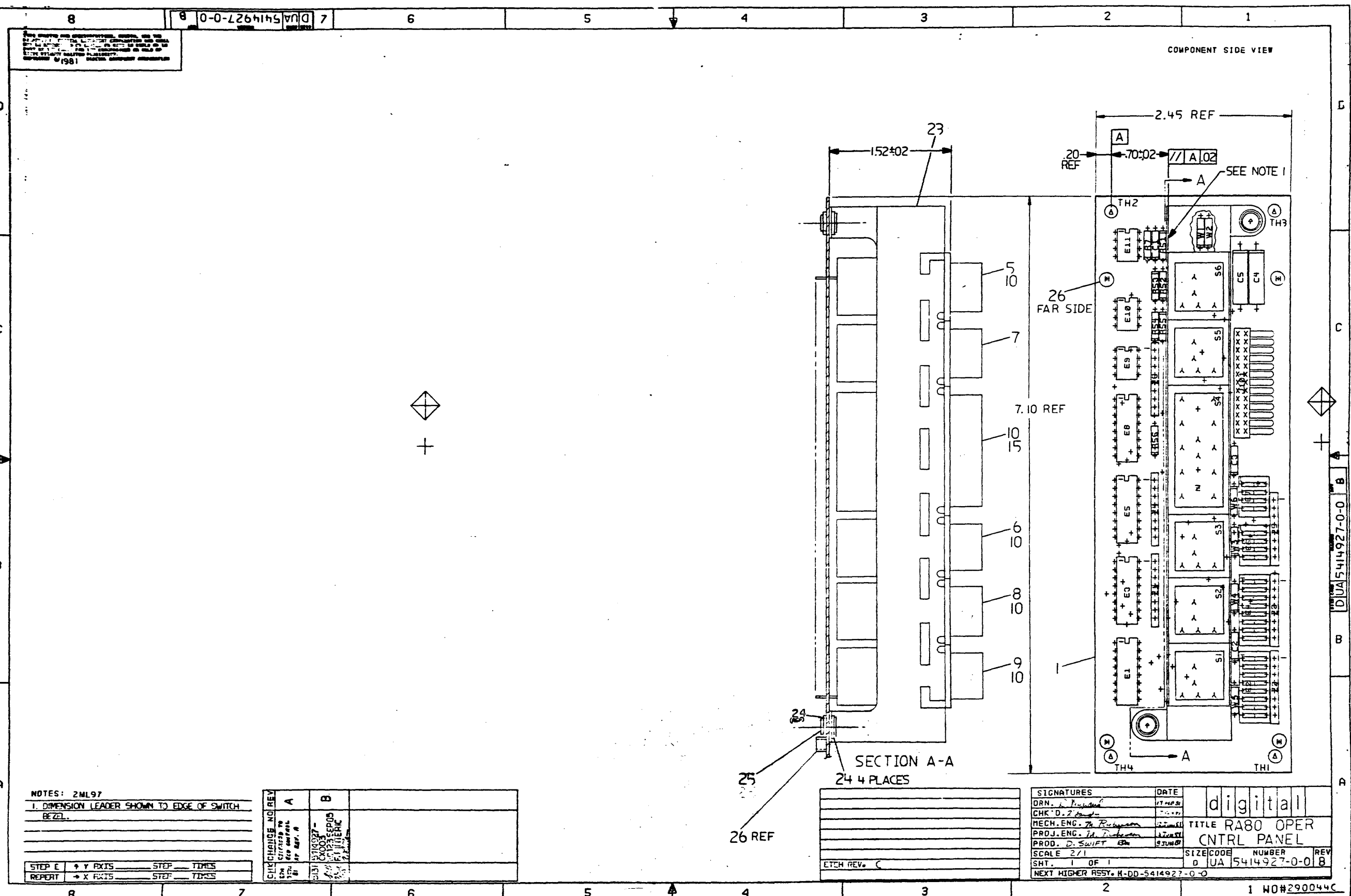
NOTE: UNLESS OTHERWISE SPECIFIED,
ALL RESISTORS ARE 1/4W, 5%. ALL
CAPACITORS ARE 50V, +80%, -20%.

REVISIONS

CHK	CHANGE NO.	REV
537	545096	1

DATE: 5/15/76

	DATE: 05-15-76	ENG.:	DATE:	TITLE: REGULATOR BOARD
	DATE: 05-15-76	BOARD LOCATION:	SHEET: 1	NUMBER: H7660
SCHEMATIC: SCHEIDER RAB1, DRN 109-SEP-65 08:50 FIRST USED ON OPTION/MODEL: RAB1	NEXT HIGHER ASSEMBLY: K-DD-5415096-0-0	SIZE: K CODE: CS	NUMBER: 5415096-0-1	REV.: D



THIS DRAWING AND ALL INFORMATION CONTAINED HEREIN IS UNCLASSIFIED EXCEPT WHERE SHOWN OTHERWISE. DATE 05-11-2011 BY 60322 UCBAW/STW

NOTES: 2ML97
 1. DIMENSION LEADER SHOWN TO EDGE OF SWITCH BEZEL.

CHANGE NO	REV	DESCRIPTION
A		
B		

STEP	E	Y	PKTS	STEP	TIMES
REPORT	X	PKTS	STEP	TIMES	

ETCH REV. C

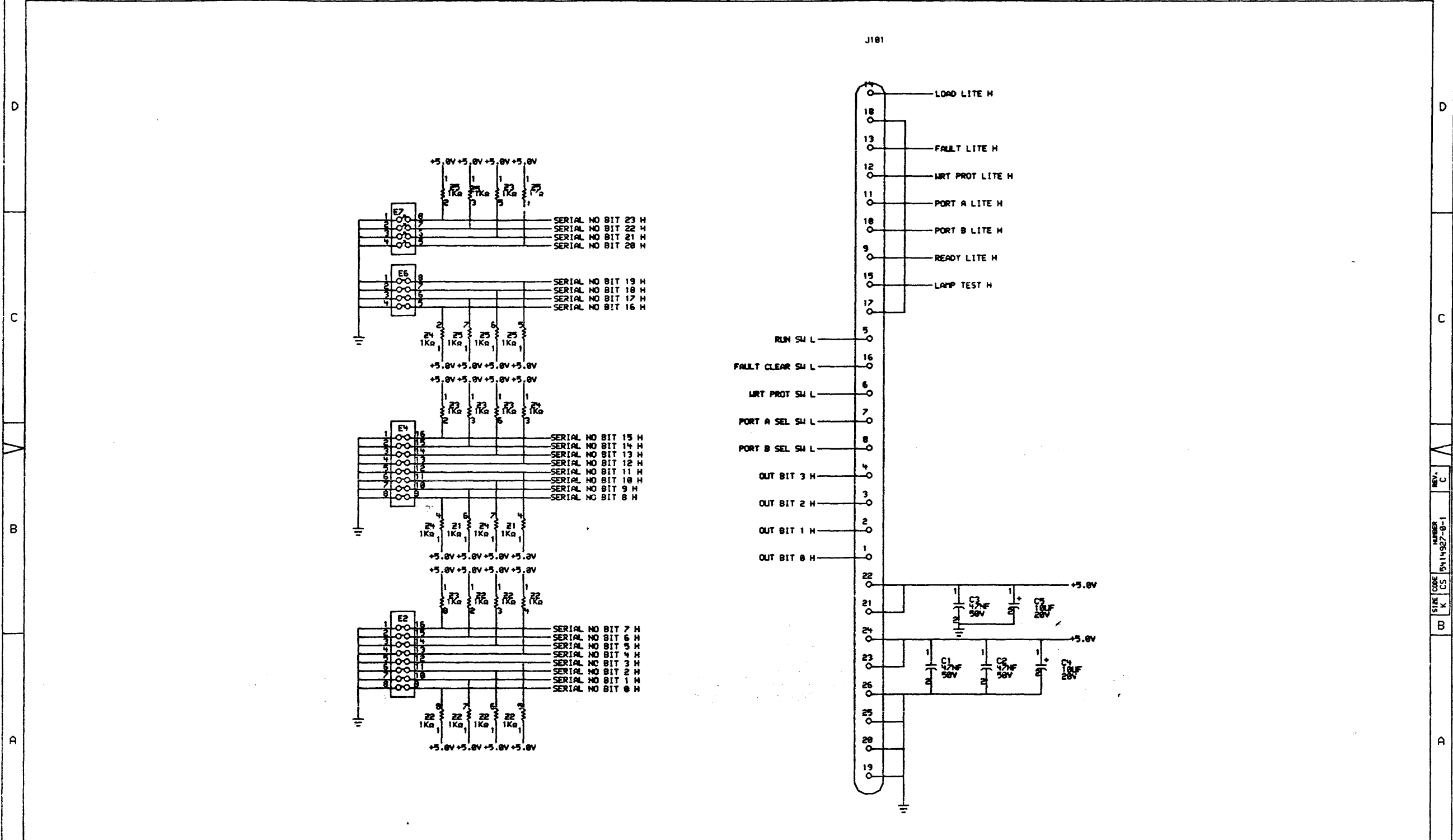
SIGNATURES	DATE	TITLE
DRN. <i>[Signature]</i>	17 APR 68	digital
CHK'D. <i>[Signature]</i>		
MECH. ENG. <i>[Signature]</i>		
PROJ. ENG. <i>[Signature]</i>		
PROD. <i>[Signature]</i>		
SCALE 2/1	SIZE CODE	NUMBER
SHT. 1 OF 1	d UA	5414927-0-0
NEXT HIGHER ASSY. H-DD-5414927-0-0		

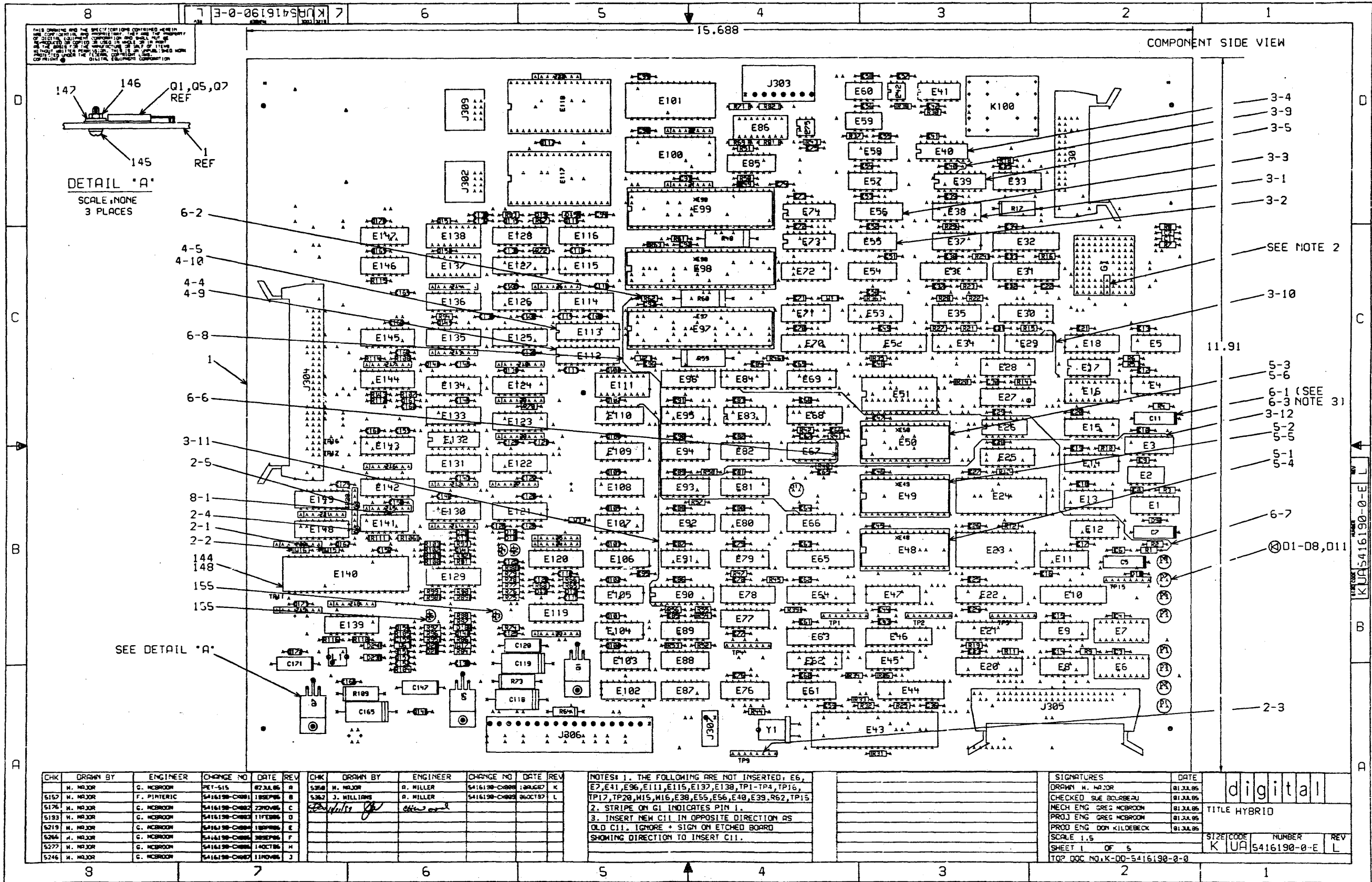
D-UH-5414927-0-0

LINE ITEM	TOP DOCUMENT	PART NUMBER	MIN REV	DESCRIPTION	QTY PER VAR/REV	REFERENCE DESIGNATORS
					00 B2	
1	D-MD-5014926-0-0	50-14926-00		DRILL & ETCH BOARD	1	
2		10-04813-00		10 MFD 20V +/-10% SOL	2	C4,C5
3		10-12784-00		0.047MFD 50V +80/-20% Z5U C	3	C1-C3
4		12-11164-00		SW,DIP 4POS/1PST 5VDC100MA F	1	E7
5		12-12714-00		CAP,PB SW YELLO/BLK "RUN ST	1	X6
6		12-12714-01		CAP,PB SW YELLO/BLK "WRITE	1	X3
7		12-12714-02		CAP,PB SW RED/BLK "FAULT"	1	X5
8		12-12714-03		CAP,PB SW WHITE/BLK "A"	1	X2
9		12-12714-04		CAP,PB SW WHITE/BLK "B"	1	X1
10		12-12716-00		LAMP,WEDGE,6.3V,.2A,.4MSCP,T1-3/	5	I1-I4,I6
11		12-12717-01		SW,PB 1PDT ALT 2A	4	S1-S3,S6
12		12-12717-12		SW,PB,LT 1PDT MOM	1	S5
13		12-12965-03		PCB,HEADER 26PIN(2X13).100CC 90D	1	J101
14		12-18198-00		SW,ENCODER 256 CODES 10M	1	S4
15		12-18199-01		/REPLACED BY 12-18199-00	1	X4
16		12-18231-07		SHUNT,DIP 8POS	2	E2,E4
17		12-18231-03		SHUNT,DIP 4POS	1	E6
18		13-00229-00		100.0 .25 W 5.0 % CF	1	R7
19		13-00365-00		1.0 K .25 W 5.0 % CF	6	R51-R56
20		13-16254-02		R. NET 1.0K- 7 2.0	6	Z1-Z6
21		19-23039-01		74ALS251 DATA SELECTORS/MUX 3	4	E1,E3,E5,E8
22		19-14432-00		75454 DRIVER,PERIPH,DUAL,N	3	E9-E11
23	D-MD-7425953-0-0	74-25953-01		BRACKET,SWITCH RETAINER	1	
24		90-06655-00		WASHER,FLAT SST	4	
25		90-06732-00		EYELET,ROLLED 0.1210DX0.219	2	
26		90-09113-01		STANDOFF,PC BOARD MOUNTED 4-40	4	
27		90-09185-00		JUMPER, WIRE, INSULATED, BLACK B	6	W1-W6

REVISION HISTORY			KPL MODULE FORMAT SECTION A OF A			DRN: S. BOURBEAU			DIGITAL		
ENG	ECO NUMBER	REV	SECTION/VARIATION INDEX			DATE:	19-JAN-81				
	INITIAL	A	[A]	00	[M]	CHK'D:	R. MICHAUD				
	GF 5414927-CX001	B	[B]		[N]	DATE:	19-JAN-81				
	FP 5414927-CX003	C	[C]		[P]	DES.ENG:	W. SERGEANT				
	AM 5414927-CX006	D	[D]		[Q]	DATE:	19-JAN-81				
			[E]		[R]	DOCUMENT NUMBER					
			[F]		[S]	RESP.ENG.:	M. RICHESSON				
			[H]		[T]	DATE:	19-JAN-81				
			[J]		[V]	SIZE CODE NUMBER REV					
			[K]		[W]	K PL	5414927-0-DBP D				
			[L]		[Y]	MFG.ENG:	D.SWIFT				
						DATE:	19-JAN-81				
			BASIC PART NUMBER:			ASSEMBLY NUMBER:			TOP DOCUMENT NUMBER:		
			5414927			D-UA-5414927-0-0			K-DD-5414927-0-0		
						FILE NAME:			EDIT #		
						Z1541D.PLS			2		

"THIS DRAWING AND THE SPECIFICATIONS CONTAINED HEREIN ARE CONFIDENTIAL AND PROPRIETARY. THEY ARE THE PROPERTY OF DIGITAL EQUIPMENT CORPORATION AND SHALL NOT BE REPRODUCED OR COPIED OR USED IN WHOLE OR IN PART AS THE BASIS FOR THE MANUFACTURE OR SALE OF ITEMS WITHOUT WRITTEN PERMISSION. THIS IS AN UNPUBLISHED WORK PROTECTED UNDER THE FEDERAL COPYRIGHT LAWS."





THIS DRAWING AND THE SPECIFICATIONS CONTAINED HEREIN ARE THE PROPERTY OF THE UNITED STATES GOVERNMENT AND ARE NOT TO BE REPRODUCED OR TRANSMITTED IN ANY FORM OR BY ANY MEANS, ELECTRONIC OR MECHANICAL, INCLUDING PHOTOCOPYING, RECORDING, OR BY ANY INFORMATION STORAGE AND RETRIEVAL SYSTEM, WITHOUT PERMISSION IN WRITING FROM THE DIRECTOR, ARPA/AFOSR.

DETAIL 'A'
SCALE: NONE
3 PLACES

CHK	DRAWN BY	ENGINEER	CHANGE NO	DATE	REV	CHK	DRAWN BY	ENGINEER	CHANGE NO	DATE	REV
	H. NAJOR	C. MCBRON	REV-515	02 JUL 85	A	5358	H. NAJOR	A. MILLER	5416190-C088	18AUG87	K
5157	H. NAJOR	F. PINTERIC	5416190-C081	18SEP78	B	5362	J. WILLIAMS	A. MILLER	5416190-C089	06OCT87	L
5176	H. NAJOR	C. MCBRON	5416190-C082	22NOV85	C						
5193	H. NAJOR	C. MCBRON	5416190-C083	11FEB86	D						
5219	H. NAJOR	C. MCBRON	5416190-C084	18SEP86	E						
5266	A. NAJOR	C. MCBRON	5416190-C085	08SEP86	F						
5277	H. NAJOR	C. MCBRON	5416190-C086	14OCT86	H						
5246	H. NAJOR	C. MCBRON	5416190-C087	11NOV86	J						

NOTES: 1. THE FOLLOWING ARE NOT INSERTED: E6, E7, E41, E96, E111, E115, E137, E138, TP1-TP4, TP16, TP17, TP20, W15, W16, E38, E55, E56, E40, E39, R62, TP15
2. STRIPE ON G1 INDICATES PIN 1.
3. INSERT NEW C11 IN OPPOSITE DIRECTION AS OLD C11. IGNORE + SIGN ON ETCHED BOARD SHOWING DIRECTION TO INSERT C11.

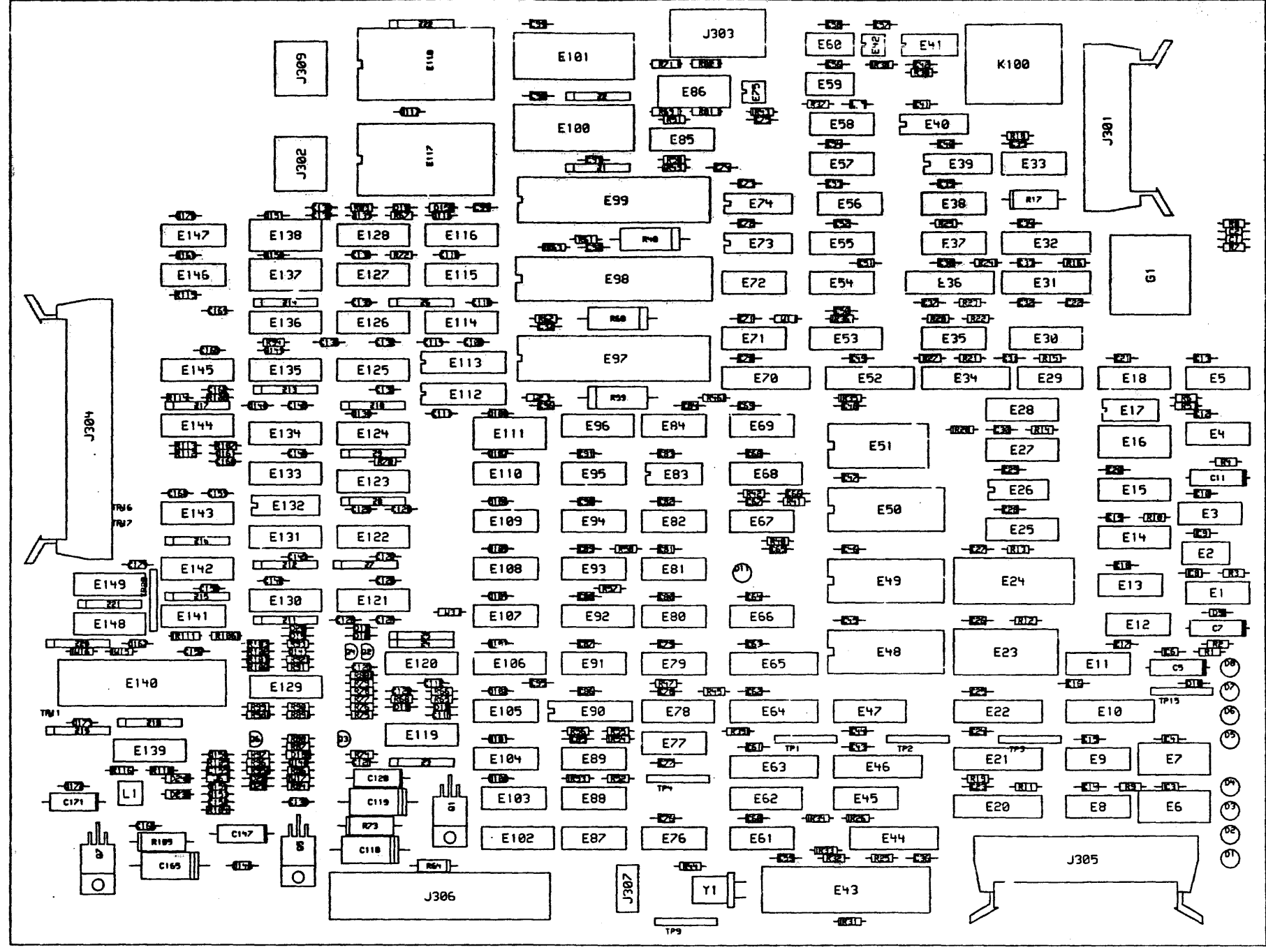
SIGNATURES		DATE
DRAWN H. NAJOR		01 JUL 85
CHECKED SUE BOURBEAU		01 JUL 85
MECH ENG GREG MCBRON		01 JUL 85
PROJ ENG GREG MCBRON		01 JUL 85
PROD ENG DON KILOBECK		01 JUL 85

SCALE 1:5
SHEET 1 OF 5
TOP QDC NO. K-00-5416190-0-0

digital
TITLE HYBRID
STZ/COE NUMBER REV
K UA 5416190-0-E L

8 7 6 5 4 3 2 1

THIS DRAWING AND THE SPECIFICATIONS CONTAINED HEREIN ARE THE PROPERTY OF THE UNITED STATES GOVERNMENT AND ARE NOT TO BE REPRODUCED OR TRANSMITTED IN ANY FORM OR BY ANY MEANS, ELECTRONIC OR MECHANICAL, INCLUDING PHOTOCOPYING, RECORDING, OR BY ANY INFORMATION STORAGE AND RETRIEVAL SYSTEM, WITHOUT PERMISSION IN WRITING FROM THE DIRECTOR, COMPTON ELECTRONIC CORPORATION.



D
C
B
A

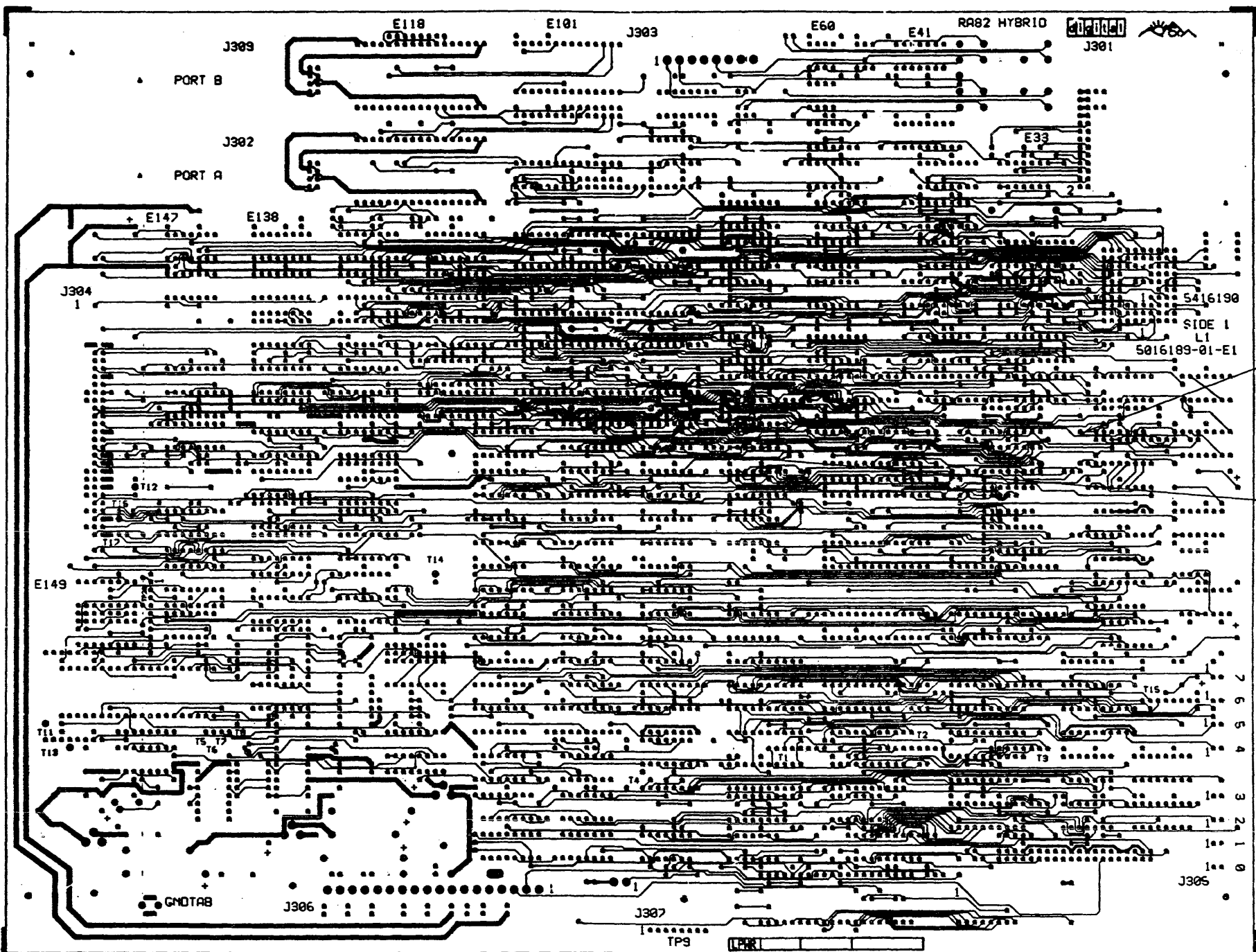
D
C
B
A

8		7		6		5		4		3		2		1	
TITLE HYBRID												DOCUMENT NUMBER KUA5416190-0-E L			
SCALE 1:5												SHEET 7 OF 5			

8 7 6 5 4 3 2 1

8 7 6 5 4 3 2 1

THIS DRAWING AND THE SPECIFICATIONS CONTAINED HEREIN ARE THE PROPERTY OF THE UNITED STATES GOVERNMENT AND ARE TO BE REPRODUCED OR TRANSMITTED IN ANY FORM OR BY ANY MEANS, ELECTRONIC OR MECHANICAL, INCLUDING PHOTOCOPYING, RECORDING, OR BY ANY INFORMATION STORAGE AND RETRIEVAL SYSTEM, WITHOUT PERMISSION IN WRITING FROM THE DIRECTOR, ARMY ELECTRONIC CENTER, FORT MONMOUTH, NEW JERSEY 08034.

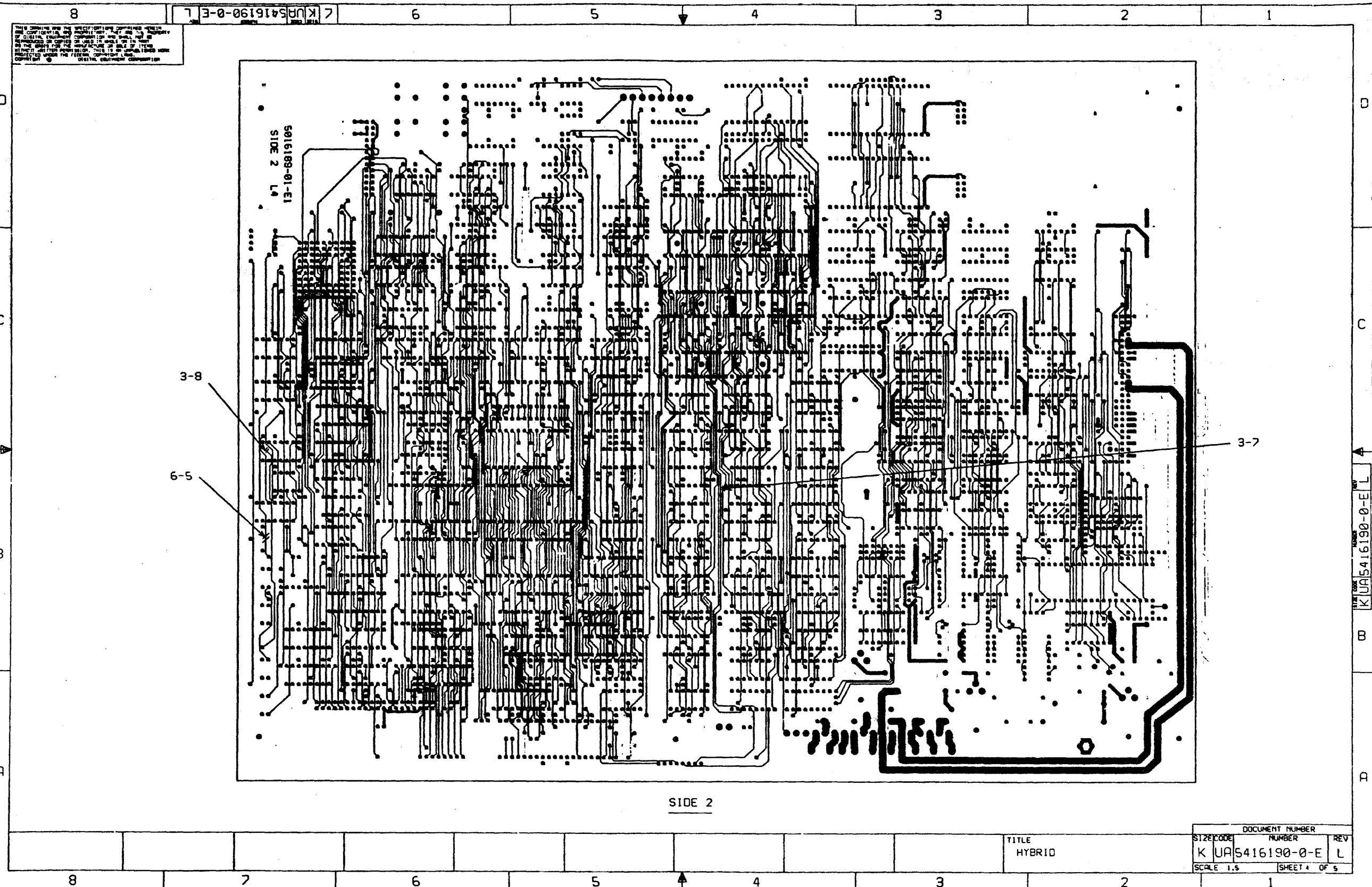


3-6

6-4

SIDE 1

K UA 5416190-0-E L



THIS DRAWING AND THE SPECIFICATIONS CONTAINED HEREIN ARE CONFIDENTIAL AND PROPRIETARY AND THE PROPERTY OF WESTHE ELECTRONIC CORPORATION AND SHALL NOT BE REPRODUCED OR COPIED IN WHOLE OR IN PART OR THE MANNER FOR THE MANUFACTURE OF ANY OF THESE DRAWINGS WITHOUT PERMISSION. THIS IS AN UNCLASSIFIED WORK PRODUCT UNDER THE FEDERAL GOVERNMENT'S INFORMATION POLICY.

7 3-0-0619190-0-E L

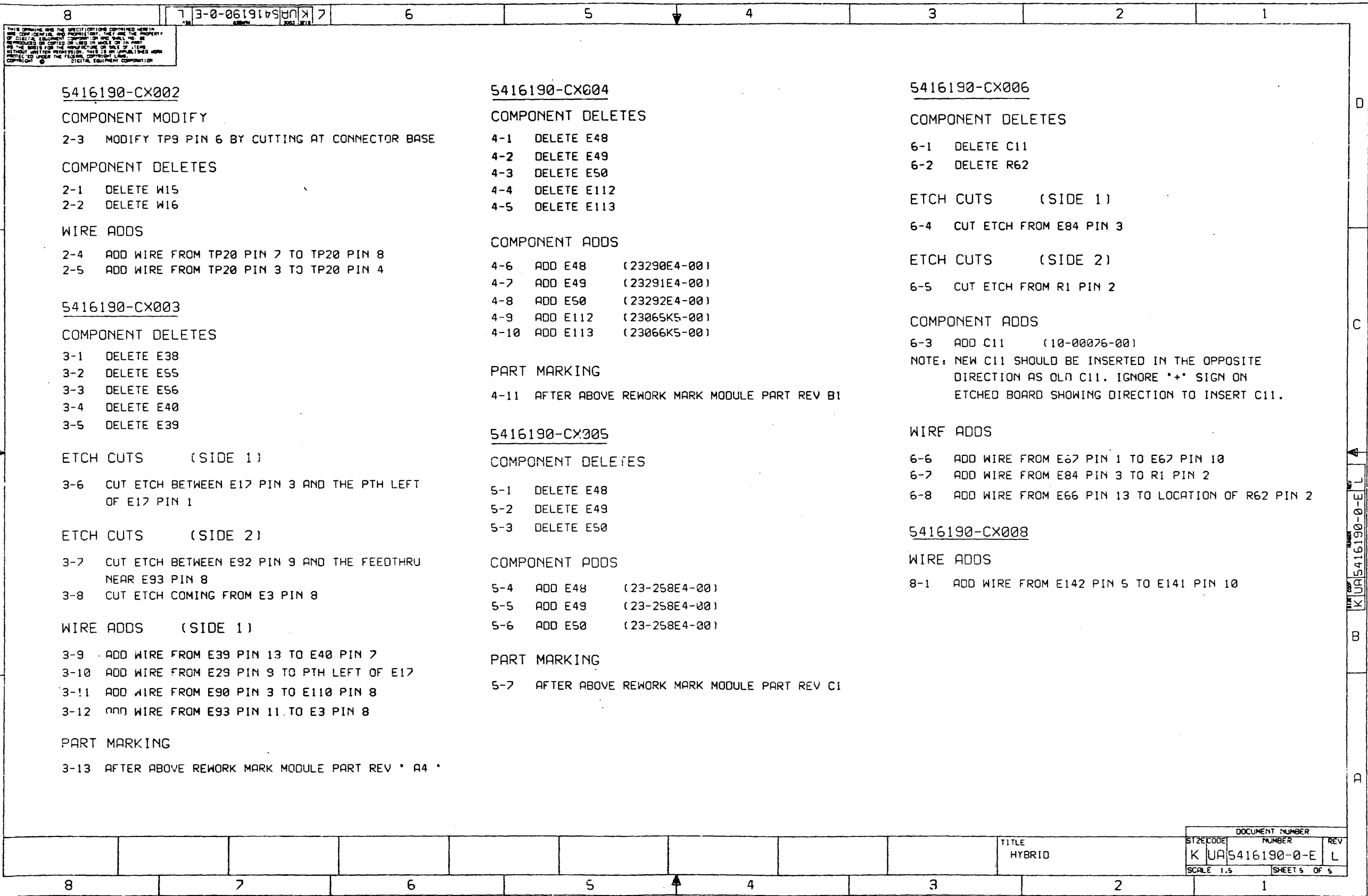
5016189-01-E1
SIDE 2 L4

SIDE 2

TITLE
HYBRID

DOCUMENT NUMBER		REV
SIZE/CODE	NUMBER	
K	UR5416190-0-E	L
SCALE 1:5	SHEET 4 OF 5	

7 3-0-0619190-0-E L



THIS DRAWING AND THE SPECIFICATIONS CONTAINED HEREIN ARE CONFIDENTIAL AND PROPRIETARY. THEY ARE THE PROPERTY OF DIGITAL EQUIPMENT CORPORATION AND SHALL NOT BE REPRODUCED OR COPIED IN WHOLE OR IN PART WITHOUT THE WRITTEN PERMISSION OF DIGITAL EQUIPMENT CORPORATION. THIS IS AN UNPUBLISHED WORK PROTECTED UNDER THE FEDERAL COPYRIGHT LAWS. COPYRIGHT © DIGITAL EQUIPMENT CORPORATION

5416190-CX002

COMPONENT MODIFY

2-3 MODIFY TP9 PIN 6 BY CUTTING AT CONNECTOR BASE

COMPONENT DELETES

2-1 DELETE W15
2-2 DELETE W16

WIRE ADDS

2-4 ADD WIRE FROM TP20 PIN 7 TO TP20 PIN 8
2-5 ADD WIRE FROM TP20 PIN 3 TO TP20 PIN 4

5416190-CX003

COMPONENT DELETES

3-1 DELETE E38
3-2 DELETE E55
3-3 DELETE E56
3-4 DELETE E40
3-5 DELETE E39

ETCH CUTS (SIDE 1)

3-6 CUT ETCH BETWEEN E17 PIN 3 AND THE PTH LEFT OF E17 PIN 1

ETCH CUTS (SIDE 2)

3-7 CUT ETCH BETWEEN E92 PIN 9 AND THE FEEDTHRU NEAR E93 PIN 8
3-8 CUT ETCH COMING FROM E3 PIN 8

WIRE ADDS (SIDE 1)

3-9 ADD WIRE FROM E39 PIN 13 TO E40 PIN 7
3-10 ADD WIRE FROM E29 PIN 9 TO PTH LEFT OF E17
3-11 ADD WIRE FROM E90 PIN 3 TO E110 PIN 8
3-12 ADD WIRE FROM E93 PIN 11 TO E3 PIN 8

PART MARKING

3-13 AFTER ABOVE REWORK MARK MODULE PART REV * A4 *

5416190-CX004

COMPONENT DELETES

4-1 DELETE E48
4-2 DELETE E49
4-3 DELETE E50
4-4 DELETE E112
4-5 DELETE E113

COMPONENT ADDS

4-6 ADD E48 (23290E4-00)
4-7 ADD E49 (23291E4-00)
4-8 ADD E50 (23292E4-00)
4-9 ADD E112 (23065K5-00)
4-10 ADD E113 (23066K5-00)

PART MARKING

4-11 AFTER ABOVE REWORK MARK MODULE PART REV B1

5416190-CX005

COMPONENT DELETES

5-1 DELETE E48
5-2 DELETE E49
5-3 DELETE E50

COMPONENT ADDS

5-4 ADD E48 (23-258E4-00)
5-5 ADD E49 (23-258E4-00)
5-6 ADD E50 (23-258E4-00)

PART MARKING

5-7 AFTER ABOVE REWORK MARK MODULE PART REV C1

5416190-CX006

COMPONENT DELETES

6-1 DELETE C11
6-2 DELETE R62

ETCH CUTS (SIDE 1)

6-4 CUT ETCH FROM E84 PIN 3

ETCH CUTS (SIDE 2)

6-5 CUT ETCH FROM R1 PIN 2

COMPONENT ADDS

6-3 ADD C11 (10-00076-00)

NOTE: NEW C11 SHOULD BE INSERTED IN THE OPPOSITE DIRECTION AS OLD C11. IGNORE '+' SIGN ON ETCHED BOARD SHOWING DIRECTION TO INSERT C11.

WIRE ADDS

6-6 ADD WIRE FROM E67 PIN 1 TO E67 PIN 10
6-7 ADD WIRE FROM E84 PIN 3 TO R1 PIN 2
6-8 ADD WIRE FROM E66 PIN 13 TO LOCATION OF R62 PIN 2

5416190-CX008

WIRE ADDS

8-1 ADD WIRE FROM E142 PIN 5 TO E141 PIN 10

DOCUMENT NUMBER
K UA5416190-0-E L
SCALE 1:5 SHEET 5 OF 5

LINE	ITEM	TOP DOCUMENT	PART NUMBER	MIN REV	DESCRIPTION	QTY PER VAR/REV	REFERENCE DESIGNATORS
						01 F2	
1	1	K-DD-5016189-0-0	50-16189-01	E	DRILL AND ETCH	1	
2	2		10-00076-00		39 MFD 10V +/-10% SOL	1	C11
3	3		10-01610-00		0.010MFD 50V +80/-20% Z5U C	154	C3,C4,C6,C8-C10,C12-C29, CONT C32-C66,C68-C117,C121-C127, CONT C129-C135,C137-C146,C148-C151, CONT C156-C164,C166-C170,C172-C174
4	4		10-04813-00		10 MFD 20V +/-10% SOL	2	C5,C7
5	5		10-12784-00		0.047MFD 50V +80/-20% Z5U C	2	C31,C154
6	6		10-13466-09		1000 PFD 50V +/-10% X7R C	4	C1,C2,C30,C67
7	7		10-13466-17		150 PFD 50V +/- 5% NPO C	1	C128
8	8		10-13466-18		330 PFD 50V +/- 5% NPO C	1	C152
9	9		10-13466-36		1000 PFD 50V +/- 2% NPO C	1	C136
10	10		10-13466-29		1500 PFD 50V +/- 5% NPO C	1	C155
11	11		10-16555-00		22 MFD 50V +50/-10% ALU	3	C118,C119,C165
12	12		10-17472-00		10 MFD 35V +75/-10% ALU	3	C120,C147,C171
13	13		11-00114-00		PIV= 25 IO=135 MA	2	D9,D10
14	14		11-04860-00		VZ= 3.3 5% 400 MW 1N746A	1	D15
15	15		11-05275-00		PIV= 60 IO=300 MA -15NS	1	D14
16	16		11-05871-00		VZ= 5.15 1% 250 MW	1	D18
17	17		11-12689-00		LED .8MCD@16MA VF=5V	9	D1-D8,D11
18	18		11-13003-00		PIV= 55 IO=200 MA - 4NS 1N5282	8	D12,D13,D16,D17,D19-D22
19	19		11-16824-01		VARACTOR PIV= 30 IO=400.MW	2	D23,D24
20	20		12-12204-06		PCB HEADER 08PIN(1X08).156CC 90D	1	J303
21	21		12-12204-12		PCB HEADER 02PIN(1X02).156CC 90D	1	J307
22	22		12-12204-14		PCB HEADER 18PIN(1X18).156CC 90D	1	J306
23	23		12-12518-03		PCB,HEADER 08POS(1X08).100CC STR	1	TP9
24	24		12-16832-01		PCB,HEADER 26POS(2X13).100CC 90D	1	J301
25	25		12-16832-02		PCB,HEADER 40POS(2X20).100CC 90D	1	J305
26	26		12-16832-03		PCB,HEADER 50POS(2X25).100CC 90D	1	J304
27	27		12-18414-00		PCB,HEADER 08PIN(2X04).100CC 90D	2	J302,J309
28	28		12-19011-01		RLY,G.P., 5V COIL,4PDT,PC MTG	1	K100
29	29		13-00005-04		R. NET 470.0 -15 5.0	1	E127

REVISION HISTORY			KPL MODULE FORMAT SECTION A OF A		DRN:	SUE BOURBEAU		
ENG	ECO NUMBER	REV	SECTION/VARIATION INDEX		DATE:	DIGITAL		
					01-JUL-85	TITLE PARTS LIST		
GM	PET-515	A	[A]	01	[M]	HYBRID		
FP	5416190-CX001	B	[B]		[N]			
GM	5416190-CX002	C	[C]		[P]	DES.ENG: GREG MCBROOM		
GM	5416190-CX003	D	[D]		[Q]	DATE: 01-JUL-85		
GM	5416190-CX004	E	[E]		[R]	DOCUMENT NUMBER		
GM	5416190-CX005	F	[F]		[S]	SIZE	CODE	
GM	5416190-CX006	H	[H]		[T]	NUMBER	REV	
GM	5416190-CX007	J	[J]		[V]	K	PL	
AM	5416190-CX008	K	[K]		[W]	5416190-0-DBPE	N	
AM	5416190-CX009	L	[L]		[Y]	RELEASE DATE: 26-APR-88		
PR	5416190-CX010	M				RELEASE STATUS: RELEASED		
PR	5416190-CX011	N						
			BASIC PART NUMBER:		ASSEMBLY NUMBER:	TOP DOCUMENT NUMBER:	FILE NAME:	EDIT #
			5416190		K-UA-5416190-0-E	K-DD-5416190-0-0	Z6121N.PLS	2

"THIS DRAWING AND THE SPECIFICATIONS CONTAINED HEREIN ARE CONFIDENTIAL AND PROPRIETARY. THEY ARE THE PROPERTY OF DIGITAL EQUIPMENT CORPORATION AND SHALL NOT BE REPRODUCED OR COPIED OR USED IN WHOLE OR IN PART AS THE BASIS FOR THE MANUFACTURE OR SALE OF ITEMS WITHOUT WRITTEN PERMISSION. THIS IS AN UNPUBLISHED WORK PROTECTED UNDER THE FEDERAL COPYRIGHT LAWS."

LINE	ITEM	TOP DOCUMENT	PART NUMBER	MIN REV	DESCRIPTION	QTY	PER VAR/REV	REFERENCE DESIGNATORS
						01		
						F2		
30	30		13-00202-00	47.0	.25 W 5.0 % CF	5		R88,R90,R91,R99,R100
31	31		13-00229-00	100.0	.25 W 5.0 % CF	1		R93
32	32		13-00243-00	120.0	.50 W 5.0 % CF	1		R64
33	33		13-00250-00	150.0	.25 W 5.0 % CF	2		R68,R107
34	34		13-00271-00	220.0	.25 W 5.0 % CF	2		R1,R3
35	35		13-00295-00	330.0	.25 W 5.0 % CF	1		R97
36	36		13-00316-00	470.0	.25 W 5.0 % CF	22		R5,R20,R24-R26,R31,R33-R36,R38, CONT R39,R43,R46,R49,R54,R63,R80, CONT R89,R92,R98,R101
37	37		13-00365-00	1.0 K	.25 W 5.0 % CF	37		R6,R9-R13,R16,R18,R19,R21-R23, CONT R27-R29,R32,R40,R41,R44,R45, CONT R47,R50-R53,R55-R58,R61,R70, CONT R72,R84,R86,R108,R114,R115
38	38		13-00417-00	2.20 K	.25 W 5.0 % CF	1		R103
39	39		13-00432-00	3.0 K	.25 W 5.0 % CF	1		R102
40	40		13-00444-00	3.90 K	.25 W 5.0 % CF	1		R75
41	41		13-00479-00	10.0 K	.25 W 5.0 % CF	3		R14,R30,R37
42	42		13-00496-00	15.0 K	.25 W 5.0 % CF	2		R2,R4
43	43		13-00539-00	120.0 K	.25 W 5.0 % CF	1		R15
44	44		13-01422-00	7.50 K	.25 W 5.0 % CF	3		R7,R8,R42
45	45		13-01477-00	82.0	.25 W 5.0 % CF	4		R65,R66,R112,R113
46	46		13-01522-00	27.0	.25 W 5.0 % CF	1		R83
47	47		13-02177-00	47.0 K	.25 W 5.0 % CF	1		R105
48	48		13-02602-00	56.0	.25 W 5.0 % CF	1		R67
49	49		13-02871-00	1.21 K	.25 W 1.0 % RN55D-F10	2		R77,R78
50	50		13-02872-00	*** THIS ITEM IS NOT USED ***		-		
51	51		13-02873-00	261.0	.25 W 1.0 % RN55D-F10	1		R106
52	52		13-02956-00	196.0	.25 W 1.0 % RN55D-F10	2		R74,R87
53	53		13-03226-00	68.10	.25 W 1.0 % RN55D-F10	1		R95
54	54		13-04863-00	*** THIS ITEM IS NOT USED ***		-		
55	55		13-05126-00	619.0	.25 W 1.0 % RN55D-F10	2		R110,R116
56	56		13-11653-00	2.15 K	.25 W 1.0 % RN55D-F10	2		R76,R79
57	57		13-13583-00	150.0	.25 W 1.0 % RN55D-F10	2		R81,R82
58	58		13-13584-00	158.0	.25 W 1.0 % RN55D-F10	1		R96
59	59		13-14042-00	102.0	.25 W 1.0 % RN55D-F10	1		R104
60	60		13-16254-00	R. NET	470.0 - 7 2.0	21		Z1-Z12,Z14-Z22
61	61		13-16254-01	R. NET	4.7K- 7 2.0	1		Z13
62	62		13-18341-01	162.0	.25 W 1.0 % RN55D-F10	1		R111
63	63		13-18881-00	10.0	1.0 W 1.0 % RN70D-F10	3		R48,R59,R60
64	64		13-19255-06	12.0	1.0 W 5.0 % M.OXIDE	1		R17
65	65		13-19255-18	39.0	1.0 W 5.0 % M.OXIDE	1		R73
66	66		13-19470-11	75.0	1.0 W 5.0 % M.OXIDE	1		R109
67	67		13-19531-01	221.0	.25 W 1.0 % RN55D-F10	2		R69,R71
68	68		15-09524-00	2N 3904	NPN 310MW SI 40 40 M	1		Q2
69	69		15-09525-00	2N 3906	PNP 310MW SI 40100 Y	1		Q4
70	70		15-17998-00	3127	NPN 425MW ARRAY 16PIN	1		E129
71	71		15-19472-01	2N 4209	PNP 300MW 15VG50MA	2		Q3,Q6
72	72		16-19014-01	DELAY=	20NS,10TAPS	1		E141
73	73		16-19636-03		.136UH VARIABLE 5-1/2TURNS	1		L1
74	74		18-12396-05	XTAL	6.144 MHZ	1		Y1

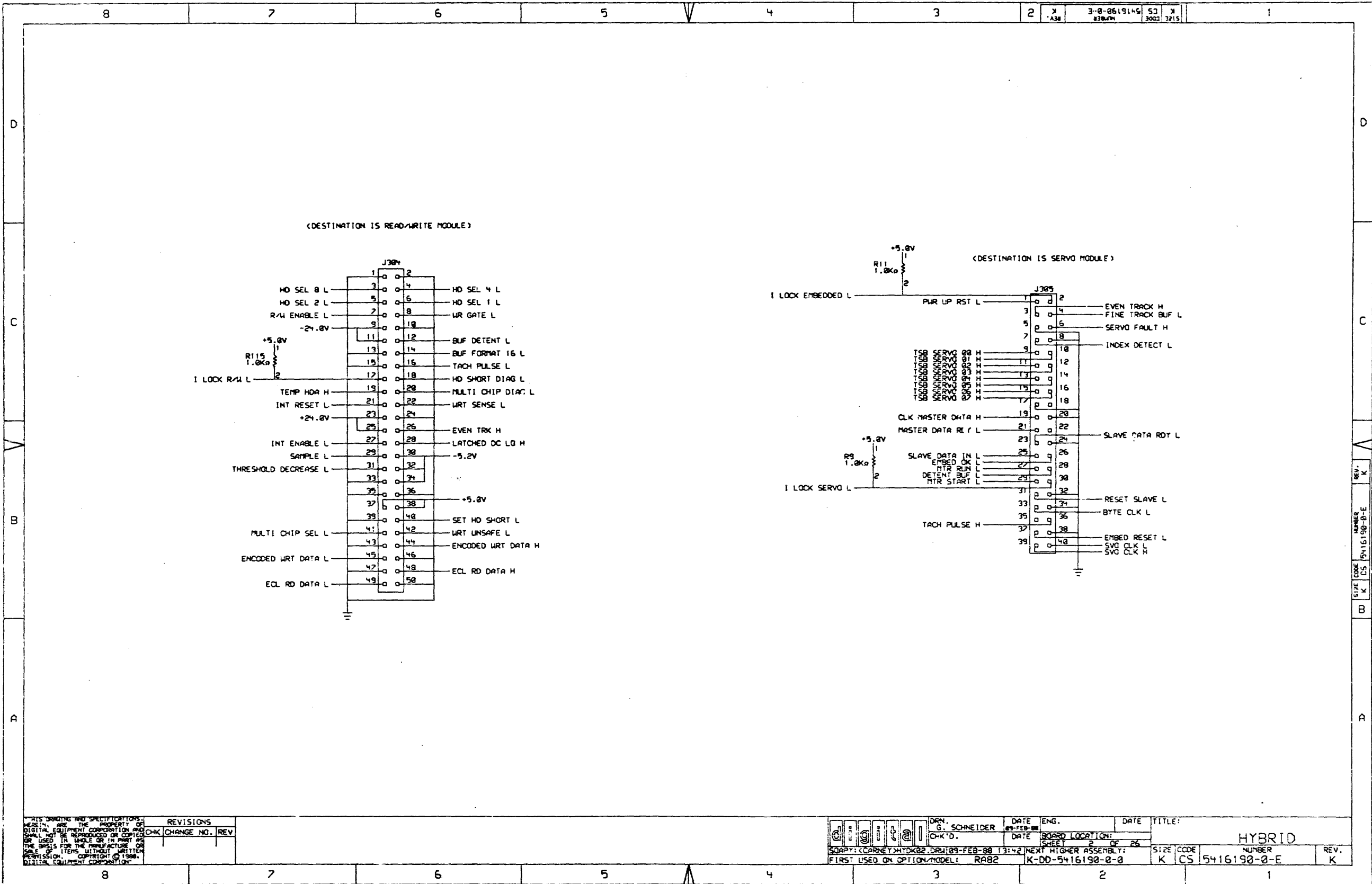
D	I	G	I	T	A	L	TITLE	SECTION A OF A	SIZE	CODE	DOCUMENT NUMBER	REV
							HYBRID		K	PL	5416190-0-DBPE	N

LINE ITEM	TOP DOCUMENT	PART NUMBER	MIN REV	DESCRIPTION	QTY PER VAR/REV	REFERENCE DESIGNATORS
					01 F2	
75	75	19-10230-00		74121 ONE SHOT	1	E1
76	76	19-10322-00	DEC	1488L DRIVER,LINE,QUAD,EIA	1	E61
77	77	19-10323-00	DEC	1489L RECEIVER,LINE,QUAD,E	1	E87
78	78	19-10406-00		75451 DRIVER,PERIPH,DUAL,A	2	E2,E59
79	79	19-10532-00		74S00 NAND GATE-QUAD 2IN	1	E69
80	80	19-10534-B0		74S04 BURNED-IN INVERTER G	5	E9,E76,E94,E104,E107
81	81	19-10544-B0		74S74 BURNED-IN FF-D DUAL,	9	E54,E57,E58,E72,E79,E88,E89, CONT E91,E93
82	82	19-10545-00		74S112 FF-JK DUAL,EDGE TRIG	2	E18,E78
83	83	19-10547-00		74S153 MUX 1 OF 4 (DUAL)	1	E74
84	84	19-10741-00		7406 INVERTER GATE-HEX 1I	1	E66
85	85	19-10957-00		74S175 FF-D QUAD COMMON CLO	1	E92
86	86	19-11036-00		75453 DRIVER,PERIPH,DUAL,O	1	E60
87	87	19-11399-00		10102 NOR GATE,QUAD 2IN	1	E131
88	88	19-11400-00		10103 OR GATE,QUAD 2IN	1	E132
89	89	19-11401-00		10104 AND GATE,QUAD 2IN	2	E122,E136
90	90	19-11402-00		10105 OR/NOR GATE,2-3-2	1	E148
91	91	19-11414-00		10124 TTL TO ECL TRNSLTR	5	E116,E121,E124,E128,E134
92	92	19-11415-00		10125 ECL TO TTL TRNSLTR	6	E102,E106,E114,E119,E126,E145
93	93	19-11416-00		10131 FF, DUAL D MSTR/SLAV	6	E123,E125,E133,E142,E143,E149
94	94	19-11419-00		10164 8 LINE MUX	1	E130
95	95	19-11712-00		74S51 AND-OR GATE-INVERT D	2	E77,E108
96	96	19-12096-00	DEC	74S86 XOR GATE,QUAD 2IN	1	E105
97	97	19-12388-00		74S02 NOR GATE-QUAD 2IN,PO	1	E13
98	98	19-12389-00		74S08 AND GATE-QUAD 2IN,PO	4	E29,E71,E80,E95
99	99	19-12792-00	DEC	7915 VOLT REG,FIX -15V	1	Q5
100	100	19-12799-B0		LS00 BURNED-IN NAND GATE-	2	E85,E103
101	101	19-12805-00		LS08 AND GATE-QUAD 2IN,PO	1	E37
102	102	19-12811-00		LS21 AND GATE-DUAL 4IN,PO	1	E26
103	103	19-12816-00		LS32 OR GATE-QUAD 2IN,POS	1	E45
104	104	19-12821-00		LS54 A-0-I GATE,3-2-2-3IN	1	E109
105	105	19-12824-00		LS74 FF-D DUAL,EDGE TRIGG	2	E35,E67
106	106	19-12837-00		LS123 ONE SHOT-DUAL,RETRIG	2	E28,E135
107	107	19-12842-00		LS138 DECODER-THREE INPUT,	4	E25,E47,E68,E96
108	108	19-12847-00		LS157 MUX 1 OF 2(QUAD)	1	E53
109	109	19-12849-00		LS161 COUNTER,SYNCHR,4BIT	2	E14,E15
110	110	19-12850-00		LS164 SHIFT REG. 8BIT SERI	5	E3,E33,E81,E82,E110
111	111	19-12853-00		LS175 FF-D QUAD	1	E30
112	112	19-12860-00		LS259 LATCH 8BIT	1	E73
113	113	19-12863-00		LS273 FF-D OCTAL W/CLEAR	1	E65
114	114	19-13009-00		4N36 OPTO COUPLED ISLTR	2	E42,E75
115	115	19-13220-00		10216 RECEIVER, TRIPLE LIN	1	E139
116	116	19-13340-00		74S32 OR GATE-QUAD 2IN	3	E17,E83,E84
117	117	19-13414-B0		LS14 BURNED-IN INVERTER G	5	E8,E11,E12,E146,E147
118	118	19-13462-00		74S240 OCTAL BUFFER,INVERTI	1	E90
119	119	19-13839-01		LS165 SHIFT REG.,8BIT	1	E62
120	120	19-14214-00		LS374 FF-D OCTAL EDGE TRIG	4	E32,E52,E64,E70
121	121	19-14451-00		LS393 COUNTER,BINARY,4BIT	2	E4,E5
122	122	19-14473-04		7815A VOLT REG,FIX +15V	1	Q1
123	123	19-15193-00		LS244 DRIVER,LINE,OCTAL,TR	5	E31,E34,E36,E46,E63

D	I	G	I	T	A	L	TITLE	SECTION A OF A	SIZE	CODE	DOCUMENT NUMBER	REV
							HYBRID		K	PL	5416190-0-DBPE	N

LINE	ITEM	TOP DOCUMENT	PART NUMBER	MIN REV	DESCRIPTION	QTY PER VAR/REV	REFERENCE DESIGNATORS
						01 F2	
124	124		19-15218-00		LS245 TRANSCEIVER,BUS,OCTA	3	E20-E22
125	125		19-15219-00		LS373 FF-D OCTAL-TRANSPARE	2	E10,E44
126	126		19-16079-00		8253-5TIMER,PROGRAMMABLE I	1	E23
127	127		19-16551-00		7905.2VOLT REG,FIX -5.2V	1	Q7
128	128		19-16574-00		10114 RECEIVER,LINE,TRIPLE	2	E120,E144
129	129		19-18073-00	DC	703 400 GATE ARRAY	1	E99
130	130		19-18075-00	DC	705 400 GATE ARRAY	1	E98
131	131		19-18076-00	DC	706 400 GATE ARRAY	1	E97
132	132		19-18747-03		HYBRID,SDI ENCODER/D	2	E100,E101
133	133		19-18748-02		HYBRID,SDI/STI RECEI	2	E117,E118
134	134		19-19793-01		GATE ARRAY OPTIONAL	1	G1
135	135		19-20143-01		ENCODER/DECODER,ECL,	1	E140
136	136		21-13107-00		8251 USART FOR MOS N-CHAN	1	E24
137	137		21-14963-00		UP,8-BIT NMOS	1	E43
138	138		21-17872-01		RAM 2KX8 I/O MUXD 20	1	E51
139	139		23-65K5 -00	K5-03	PAL,OCTAL	1	E112
140	140		23-166K5-00	K5-03	PAL,OCTAL,REG	1	E113
141	141		23-368A1-00	A1-07		1	E27
142	142		23-646A2-00	A2-05		1	E16
143	143		90-09185-00		JUMPER, WIRE, INSULATED, BLACK B	4	W1,W3,W6,W17
144	144		49-01598-01		ADHESIVE,EPOXY	A/R	
145	145		90-06010-01		SCREW,MACH PAN PHIL 4-	3	
146	146		90-06557-00		NUT,HEX EXT TOOTH LCKWSHR 4-40	3	
147	147		90-08172-00		WASHER,FLAT SST	3	
148	148		12-20930-03		HEAT SINK,40PIN DIP 2.00X00.53	1	
149	149		12-15006-07		SKT,IC 28PIN DIP TIN SOLD	3	XE48-XE50
150	150		12-15006-02		*** THIS ITEM IS NOT USED ***	-	
151	151		90-09149-01		PIN,STAKNG 0.0250DX0.345LG SQUAR	1	TP11
152	152		90-09217-00		POST, WIRE WRAP	1	TP14
153	153		12-15006-20		SKT,IC 48PIN DIP TIN SOLD	3	XE97-XE99
154	154		91-05740-55		WIRE(WRAP) 30AWG KYNAR UL14	A/R	
155	155		90-09898-00		TRANSIPAD, 4 HOLE	2	
156	156		23-467E4-00	E4-06		1	E48
157	157		23-468E4-00	E4-06		1	E49
158	158		23-469E4-00	E4-06		1	E50
159	159		13-02941-00		14.70 K .25 W 1.0 % RN55D-F10	1	R94

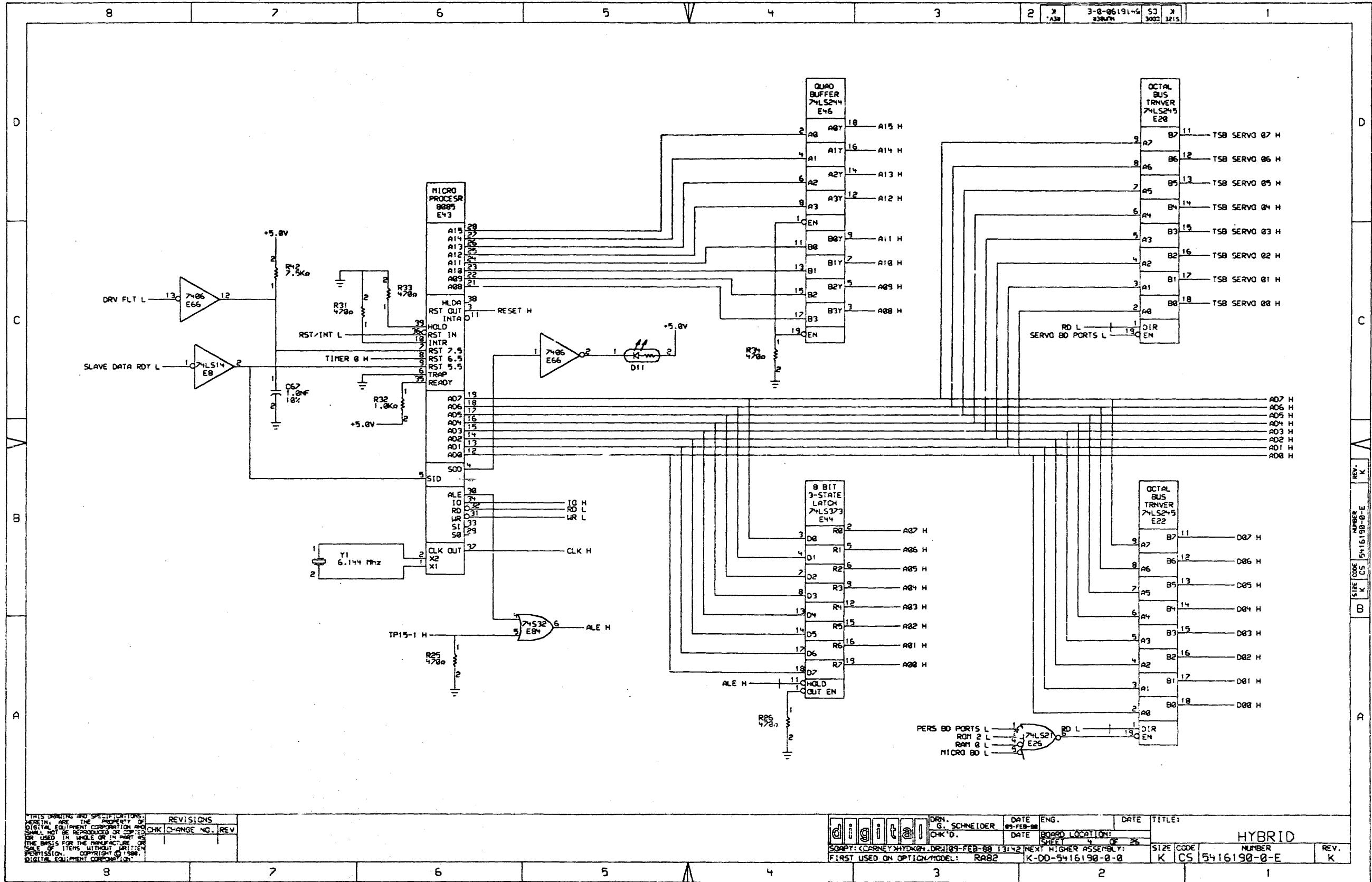
D	I	G	I	T	A	L	TITLE	SECTION A OF A	SIZE	CODE	DOCUMENT NUMBER	REV
							HYBRID		K	PL	5416190-0-DBPE	N



THIS DRAWING AND SPECIFICATIONS ARE THE PROPERTY OF DIGITAL EQUIPMENT CORPORATION AND SHALL NOT BE REPRODUCED OR COPIED OR USED IN WHOLE OR IN PART AS THE BASIS FOR THE MANUFACTURE OR SALE OF ITEMS WITHOUT WRITTEN PERMISSION. COPYRIGHT © 1988, DIGITAL EQUIPMENT CORPORATION.

REVISIONS		
CHK	CHANGE NO.	REV

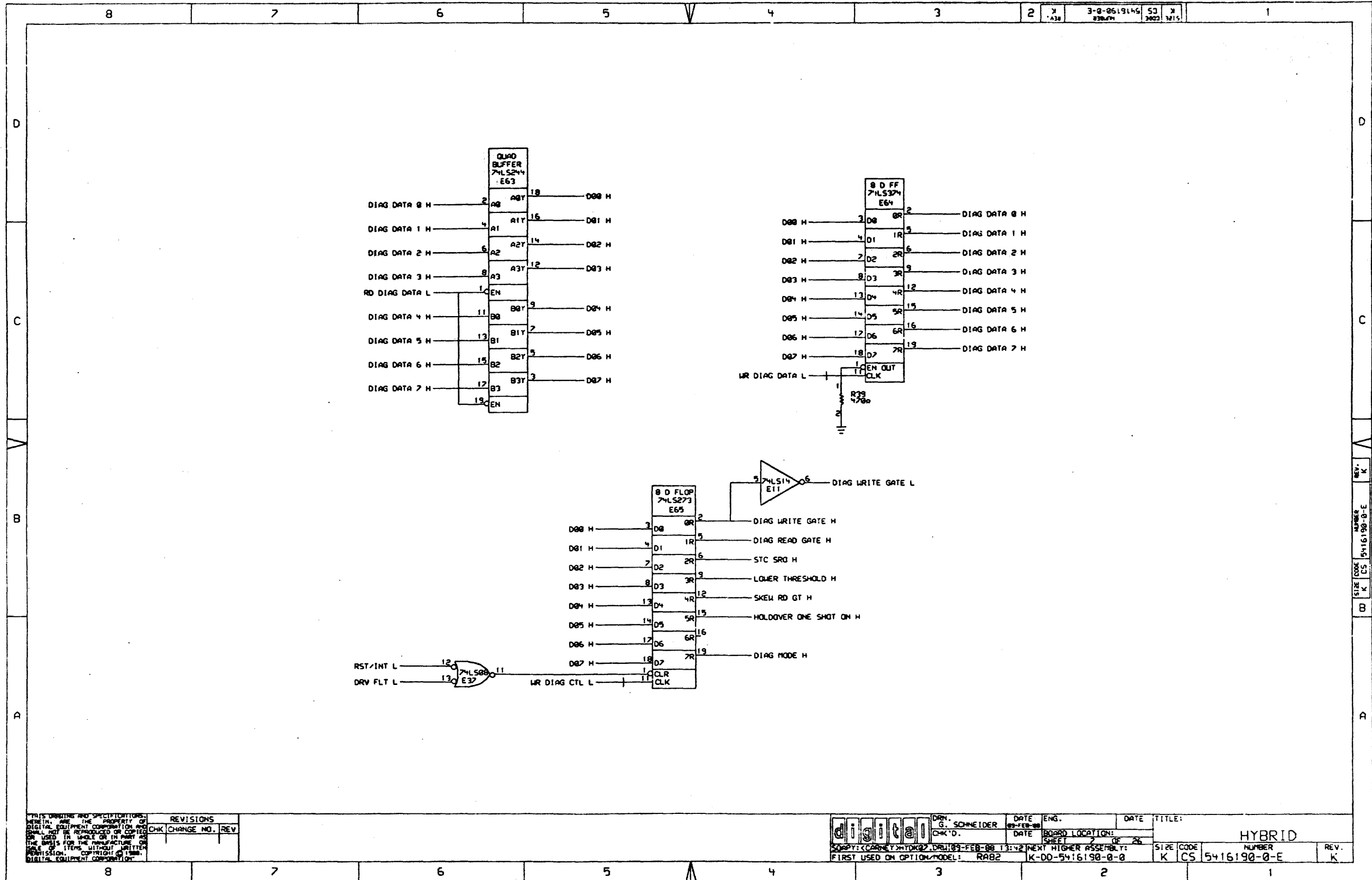
DRN. G. SCHNEIDER	DATE 09-FEB-88	ENG.	DATE	TITLE: HYBRID
CHK'D.	DATE	BOARD LOCATION: 26	SHEET 26	REV. K
COPY: (CARNY)NYDK02.DRI189-FEB-88 13142		NEXT HIGHER ASSEMBLY: K-DD-5416190-0-0		SIZE CODE K CS
FIRST USED ON OPTION/MODEL: RA82		NUMBER 5416190-0-E		REV. K



THIS DRAWING AND SPECIFICATIONS ARE THE PROPERTY OF DIGITAL EQUIPMENT CORPORATION AND SHALL NOT BE REPRODUCED OR COPIED OR USED IN WHOLE OR IN PART AS THE BASIS FOR THE MANUFACTURE OR SALE OF ITEMS WITHOUT WRITTEN PERMISSION. COPYRIGHT © 1988, DIGITAL EQUIPMENT CORPORATION.

REVISIONS	
CHK	CHANGE NO. REV

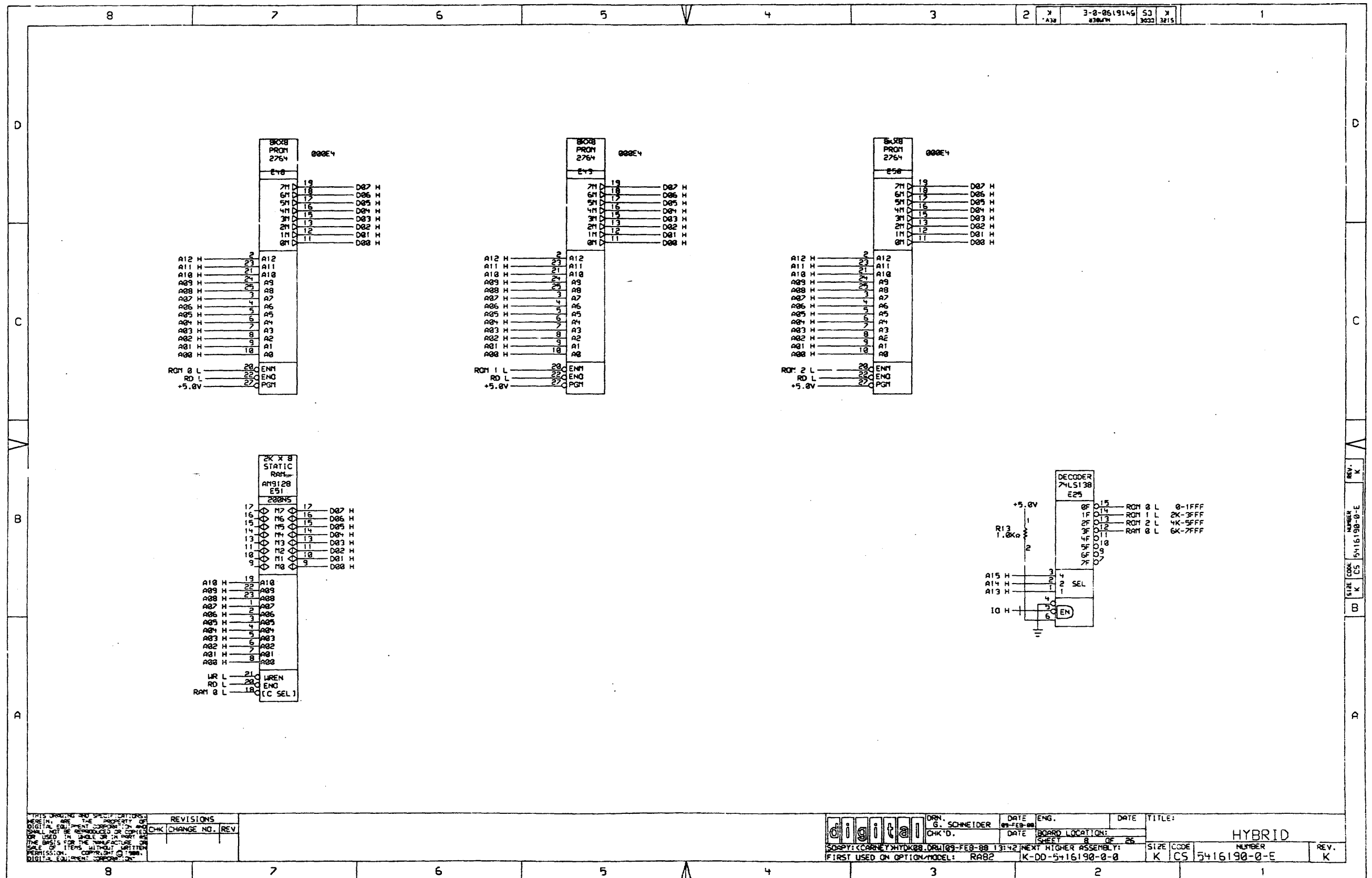
	DRN. G. SCHNEIDER	DATE 89-FEB-88	ENG.	DATE	TITLE:
	CHK'D.	DATE	BOARD LOCATION:	SHEET 4 OF 26	HYBRID
SOA: CARNEY HYDROM DRJ 89-FEB-88 13:42 NEXT HIGHER ASSEMBLY:		SIZE CODE	NUMBER	REV.	
FIRST USED ON OPTION MODEL: RA82		K	CS	5416190-0-E	K



ALL DIMENSIONS AND SPECIFICATIONS, UNLESS OTHERWISE SPECIFIED, ARE THE PROPERTY OF DIGITAL EQUIPMENT CORPORATION AND SHALL NOT BE REPRODUCED OR COPIED OR USED IN WHOLE OR IN PART AS THE BASIS FOR THE MANUFACTURE OR SALE OF ITEMS WITHOUT WRITTEN PERMISSION. COPYRIGHT © 1988, DIGITAL EQUIPMENT CORPORATION.

REVISIONS		
CHK	CHANGE NO.	REV

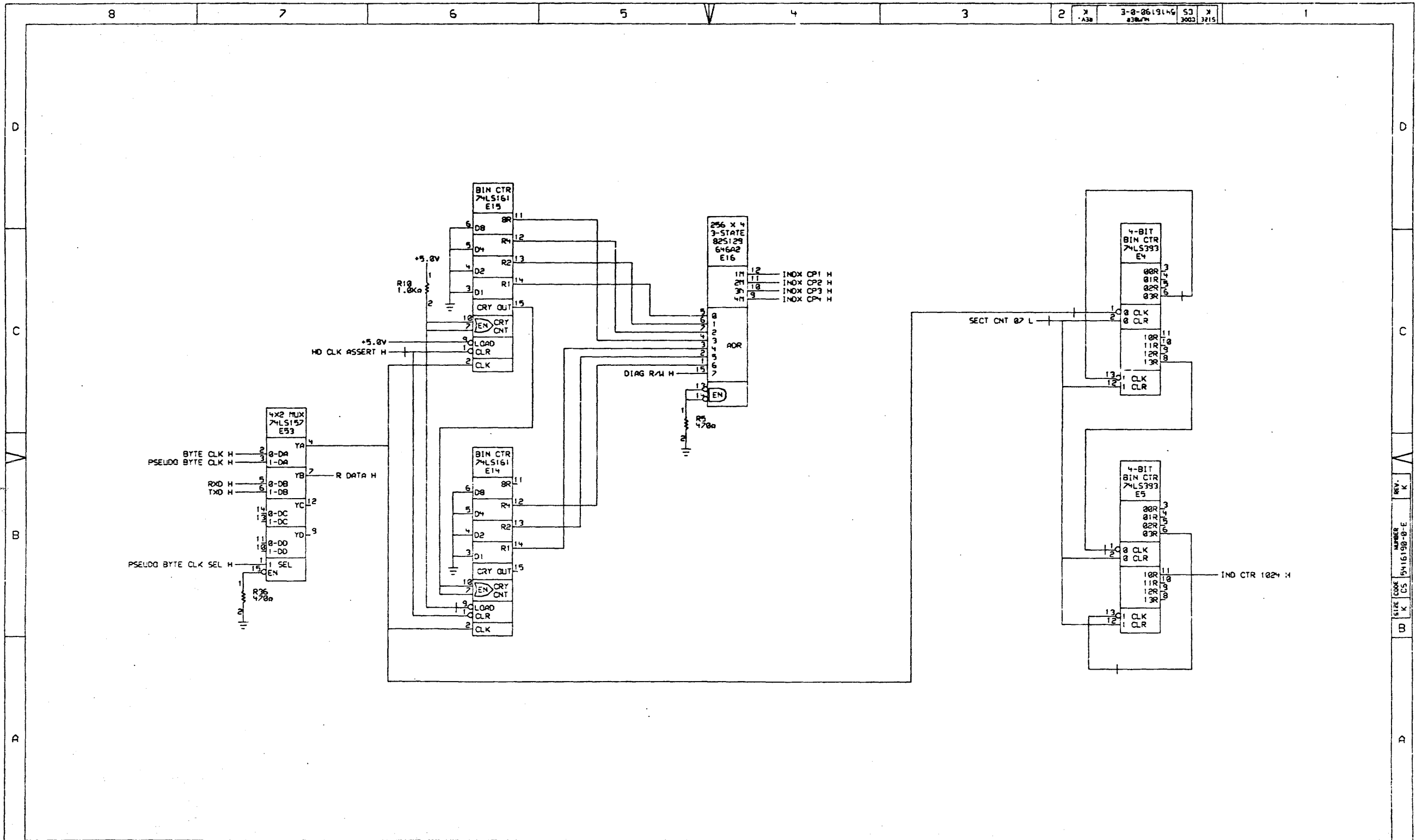
	DRN. G. SCHNEIDER	DATE 02-FEB-88	ENG.	DATE	TITLE:
	CHK'D.	DATE	BOARD LOCATION:	SHEET 7 OF 26	HYBRID
COPY: (CARNY)MDC22.DRL189-FEB-88 13:42		NEXT HIGHER ASSEMBLY:		SIZE CODE	NUMBER
FIRST USED ON OPTION MODEL: RAB2		K-DO-5416190-0-0		K CS	5416190-0-E
					REV. K



THIS DRAWING AND SPECIFICATIONS
HEREIN, ARE THE PROPERTY OF
DIGITAL EQUIPMENT CORPORATION
AND SHALL NOT BE REPRODUCED OR COPIED
OR USED IN ANY MANNER OR FOR ANY
PURPOSE WITHOUT THE WRITTEN
PERMISSION OF DIGITAL EQUIPMENT
CORPORATION.

REVISIONS		
CHK	CHANGE NO.	REV

	DRN.	G. SCHNEIDER	DATE	09-FEB-88	ENG.		DATE		TITLE:
	CHK'D.		DATE		BOARD LOCATION:				HYBRID
SCOPY: (CANNY) HYD K88 DRW (09-FEB-88 13:42) NEXT HIGHER ASSEMBLY:		FIRST USED ON OPTION MODEL: RAB2		K-DD-5+16190-0-0		SIZE	CODE	NUMBER	REV.
						K	CS	5416190-0-E	K

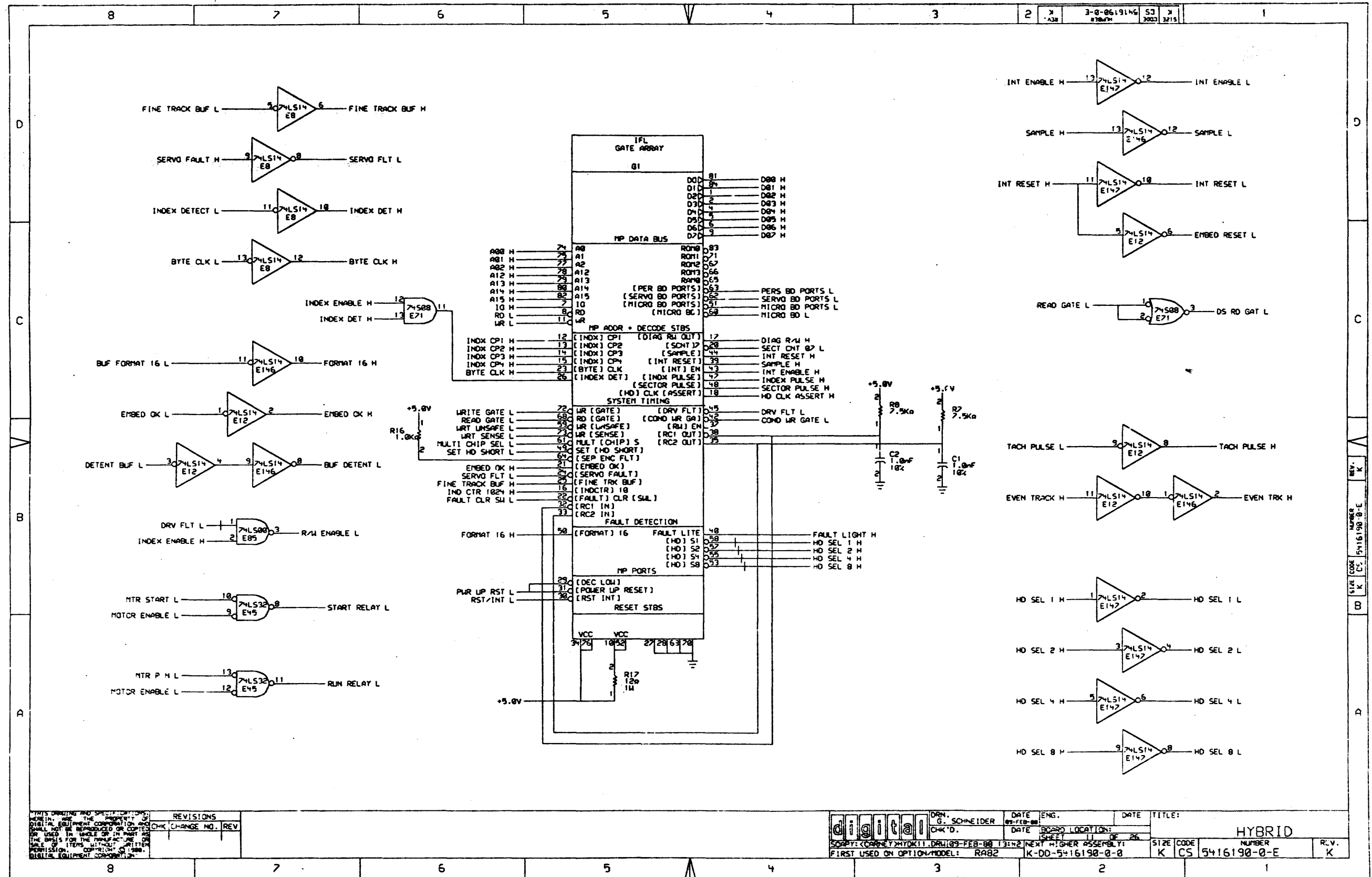


THIS DRAWING AND SPECIFICATIONS
HEREIN ARE THE PROPERTY OF
DIGITAL EQUIPMENT CORPORATION AND
SHALL NOT BE REPRODUCED OR COPIED
OR USED IN WHOLE OR IN PART AS
THE BASIS FOR THE MANUFACTURE OR
SALE OF ITEMS WITHOUT WRITTEN
PERMISSION. COPYRIGHT © 1988,
DIGITAL EQUIPMENT CORPORATION.

REVISIONS		
CHK	CHANGE NO.	REV

	DRN. G. SCHNEIDER	DATE 05-FEB-88	ENG.	DATE	TITLE:
	CHK'D.	DATE	BOARD LOCATION:	SHEET 19 OF 26	
SCAPT: CARNEY XHYDK10.DR1109-FEB-88 13:42		NEXT HIGHER ASSEMBLY:		SIZE	CODE
FIRST USED ON OPTION/MODEL: RAB2		K-DD-54:16190-0-0		K	CS

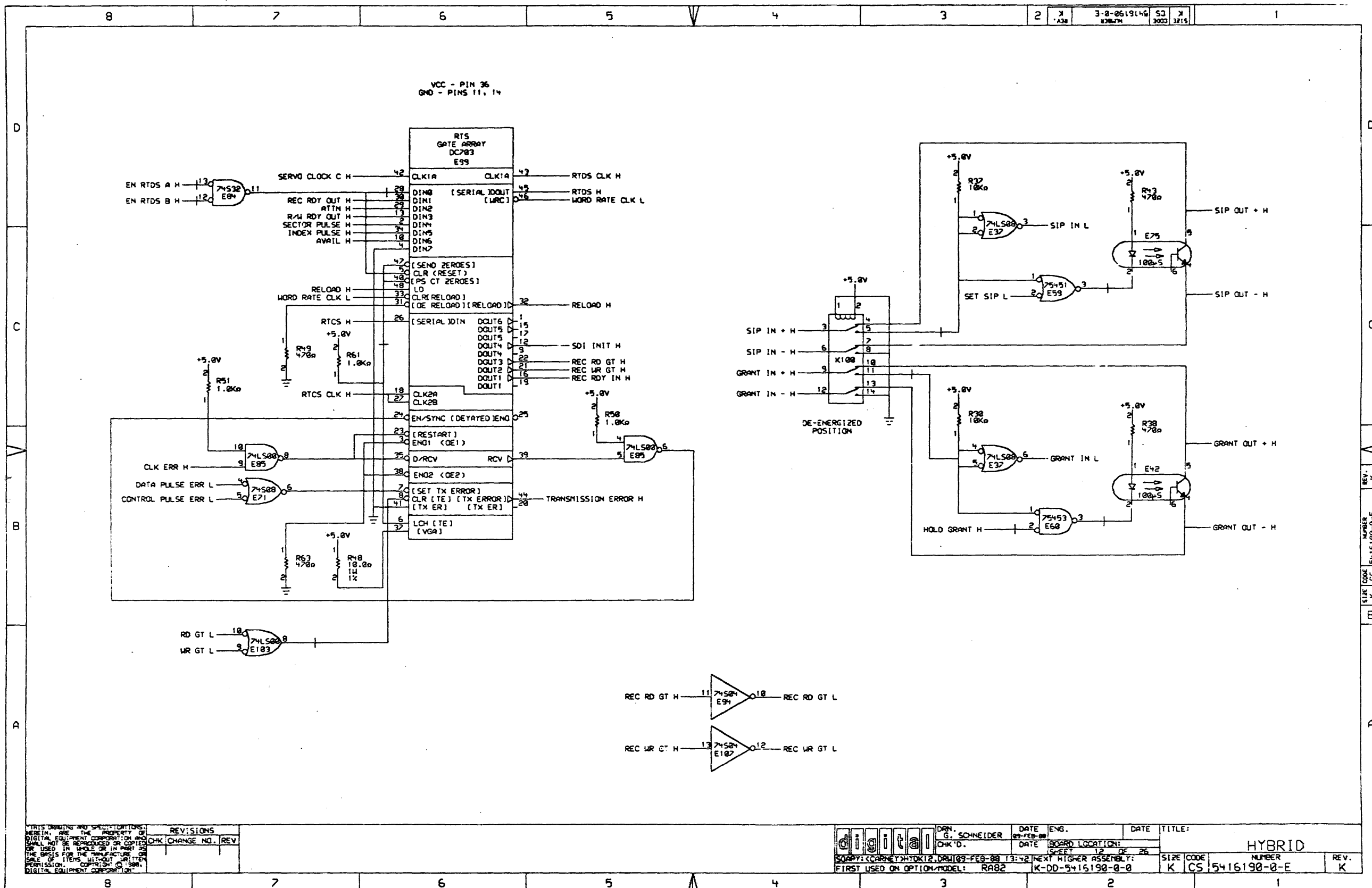
HYBRID			
SIZE	CODE	NUMBER	REV.
K	CS	5416190-0-E	K



THIS DRAWING AND SPECIFICATIONS ARE THE PROPERTY OF DIGITAL EQUIPMENT CORPORATION AND SHALL NOT BE REPRODUCED OR COPIED IN WHOLE OR IN PART AS THE BASIS FOR THE MANUFACTURE OR SALE OF ITEMS WITHOUT WRITTEN PERMISSION OF DIGITAL EQUIPMENT CORPORATION.

REVISIONS	
CHK	CHANGE NO. REV

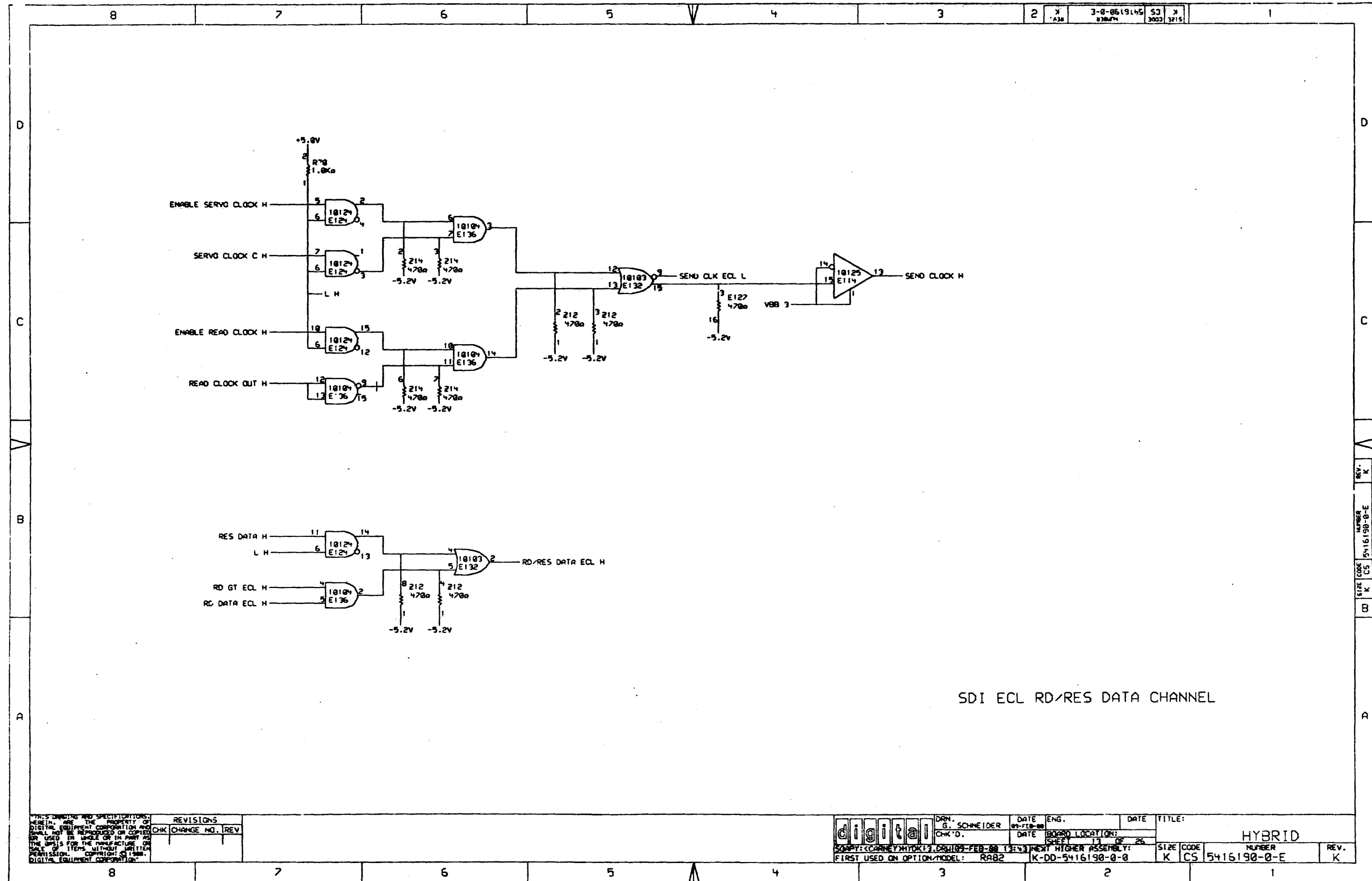
digital	DRN. G. SCHNEIDER	DATE 09-FEB-88	ENG.	DATE	TITLE:
	CHK'D.	DATE	BOARD LOCATION:	SHEET 11 OF 26	HYBRID
SCOPY: (CARRY) HYK11.DRW (09-FEB-88 13:42)		NEXT HIGHER ASSEMBLY:		SIZE CODE	NUMBER
FIRST USED ON OPTION MODEL: RAB2		K-00-5416190-0-0		K CS	5416190-0-E
					R.V. K



REV.	CHG.	NO.	REV.

	DRN. G. SCHNEIDER	DATE 02-FEB-88	ENG.	DATE	TITLE:
	CHK'D.	DATE	BOARD LOCATION:	SHEET 12 OF 26	HYBRID
COMPANY: CARNET/HTOK12, DRN/89-FEB-88 13:42 NEXT HIGHER ASSEMBLY:		SIZE CODE K CS		NUMBER 5416190-0-E	
FIRST USED ON OPTION/MODEL: RAB2		K-DD-5416190-0-0		REV. K	

REV. K
 NUMBER 5416190-0-E
 SIZE CODE K CS



SDI ECL RD/RES DATA CHANNEL

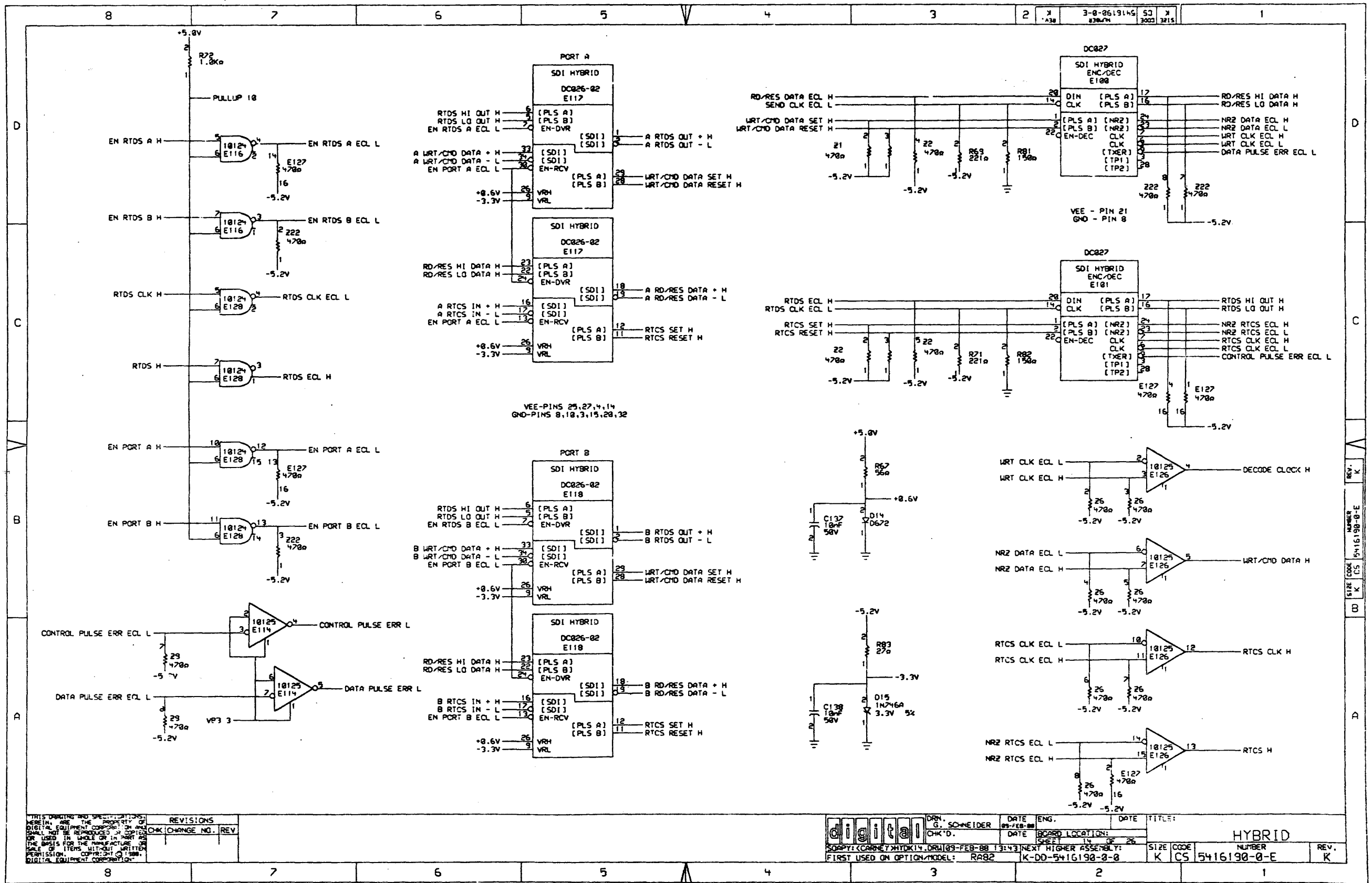
THIS DRAWING AND SPECIFICATIONS ARE THE PROPERTY OF DIGITAL EQUIPMENT CORPORATION AND SHALL NOT BE REPRODUCED OR COPIED OR USED IN WHOLE OR IN PART AS THE BASIS FOR THE MANUFACTURE OR SALE OF ITEMS WITHOUT WRITTEN PERMISSION. COPYRIGHT © 1988, DIGITAL EQUIPMENT CORPORATION.

CHK	CHANGE NO.	REV.

REV.	DATE	ENG.	DATE	TITLE

	DRN. G. SCHNEIDER	DATE 09-12-88	DATE	TITLE
	CHK'D.	DATE	BOARD LOCATION:	
COMPANY: CANEY/HYDRA 13 EQUIP-FEB-88 (REV) NEXT HIGHER ASSEMBLY:		SHEET 13 OF 25	SIZE CODE	NUMBER
FIRST USED ON OPTION/MODEL: RAB2		K-DD-5416190-0-0	K CS	5416190-0-E
				REV. K

REV. K
 5416190-0-E
 CS



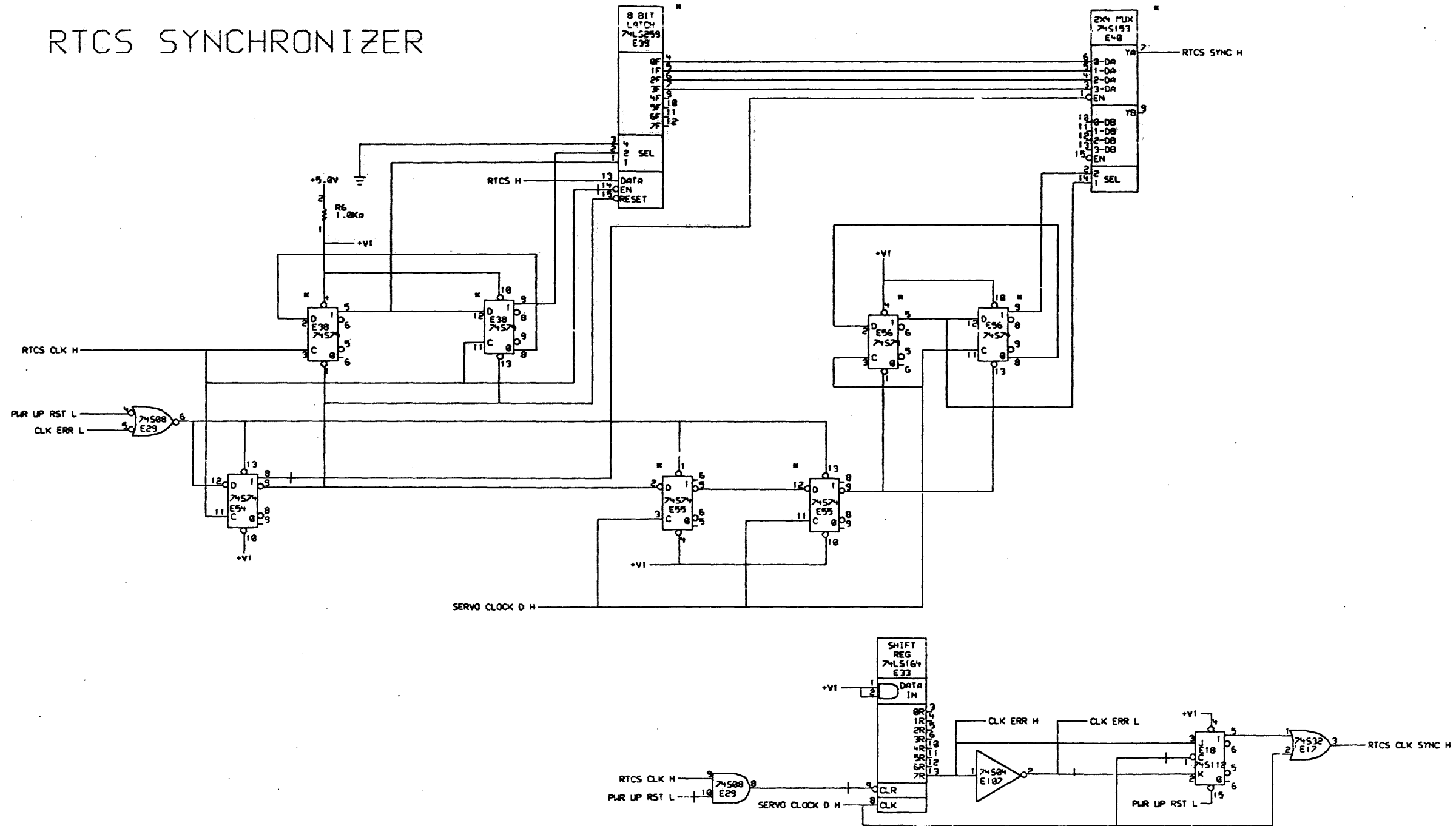
THIS DRAWING AND SPECIFICATIONS ARE THE PROPERTY OF DIGITAL EQUIPMENT CORPORATION AND SHALL NOT BE REPRODUCED OR COPIED IN ANY MANNER OR IN ANY MEDIUM WITHOUT THE WRITTEN PERMISSION OF DIGITAL EQUIPMENT CORPORATION.

REVISIONS		
CHK	CHANGE NO.	REV

DRN: G. SCHNEIDER
 DATE: 09-FEB-88
 CHK'D: DATE: 09-FEB-88
 SHEET: 4 OF 26
 BOARD LOCATION: K
 TITLE: HYBRID

SIZE	CODE	NUMBER	REV.
K	CS	5416198-0-E	K

RTCS SYNCHRONIZER



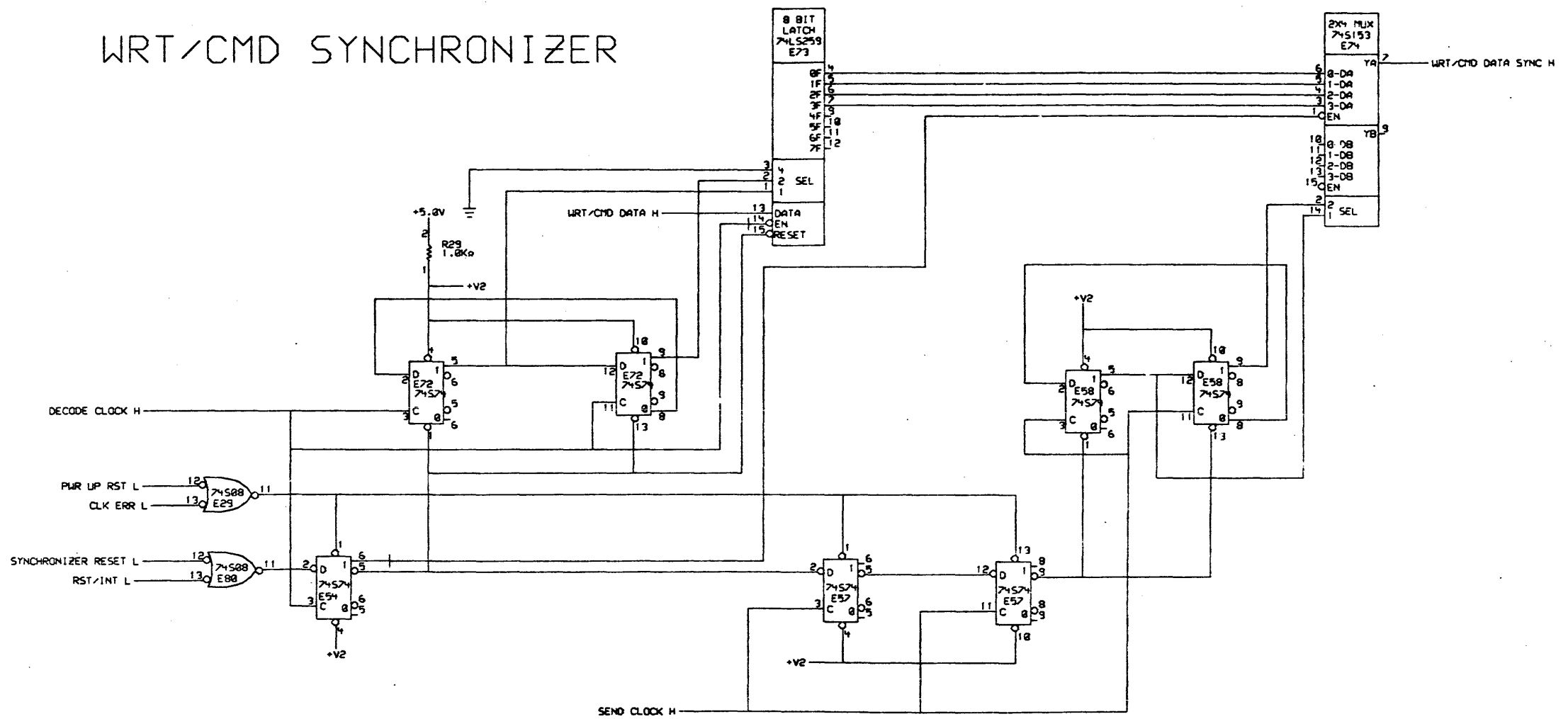
THIS DRAWING AND SPECIFICATIONS HEREIN ARE THE PROPERTY OF DIGITAL EQUIPMENT CORPORATION AND SHALL NOT BE REPRODUCED OR COPIED IN ANY MANNER OR IN ANY MANNER OR USED IN THE MANUFACTURE OR SALE OF ITEMS WITHOUT WRITTEN PERMISSION. COPIES MAY BE MADE FOR PERSONAL USE ONLY.

REVISIONS	
CHK	CHANGE NO. REV

DRN. G. SCHNEIDER	DATE 09-FEB-88	ENG.	DATE	TITLE:
CHK'D.		BOARD LOCATION:		
COPY: CANNON HYDOLIS DRAWING FEB-88 1343 NEXT HIGHER ASSEMBLY:		SIZE	CODE	NUMBER
FIRST USED ON OPTION MODEL: RAB2		K-00-5416190-0-0	K	5416190-0-E
				REV. K

REV. K
 NUMBER 5416190-0-E
 SIZE CODE CS
 K CS 5416190-0-E

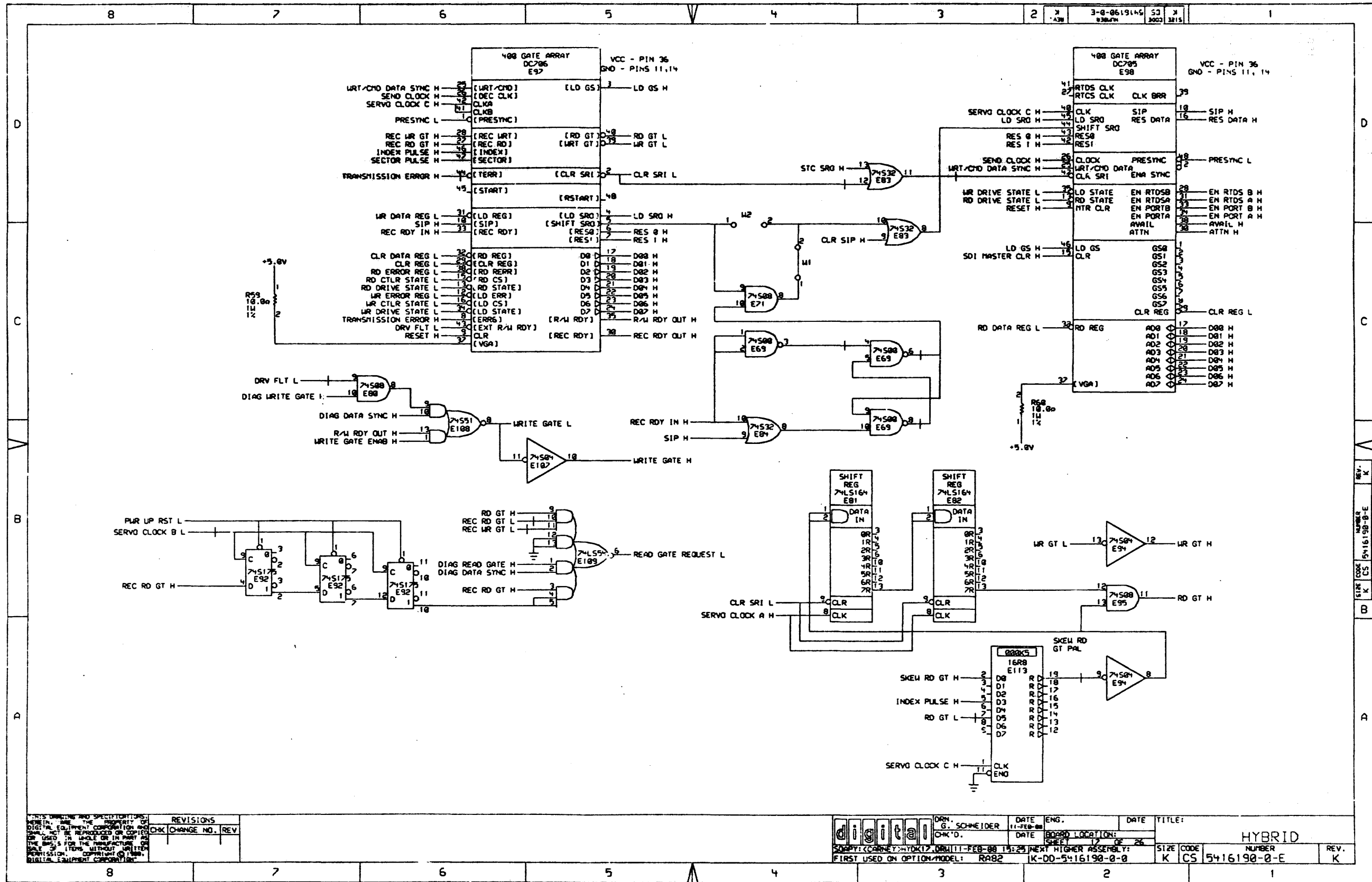
WRT/CMD SYNCHRONIZER



ALL DIMENSIONS AND SPECIFICATIONS HEREIN ARE THE PROPERTY OF DIGITAL EQUIPMENT CORPORATION AND SHALL NOT BE REPRODUCED OR COPIED OR USED IN WHOLE OR IN PART OR FOR THE BASIS FOR THE MANUFACTURE OR SALE OF ITEMS WITHOUT WRITTEN PERMISSION. COPYRIGHT © 1988, DIGITAL EQUIPMENT CORPORATION.

REVISIONS	
CHK	CHANGE NO. REV

digital	DRN. G. SCHNEIDER	DATE 09-FEB-88	ENG.	DATE	TITLE:
	CHK'D.	DATE	BOARD LOCATION:	SHEET 15 OF 26	HYBRID
SOAPT: (CAGNEY)HYDK15.DRAW@9-FEB-88 13:43		NEXT HIGHER ASSEMBLY:		SIZE CODE	NUMBER
FIRST USED ON OPTION/MODEL: RAB2		K-DD-5416190-0-0		K CS	5416190-0-E
					REV. K

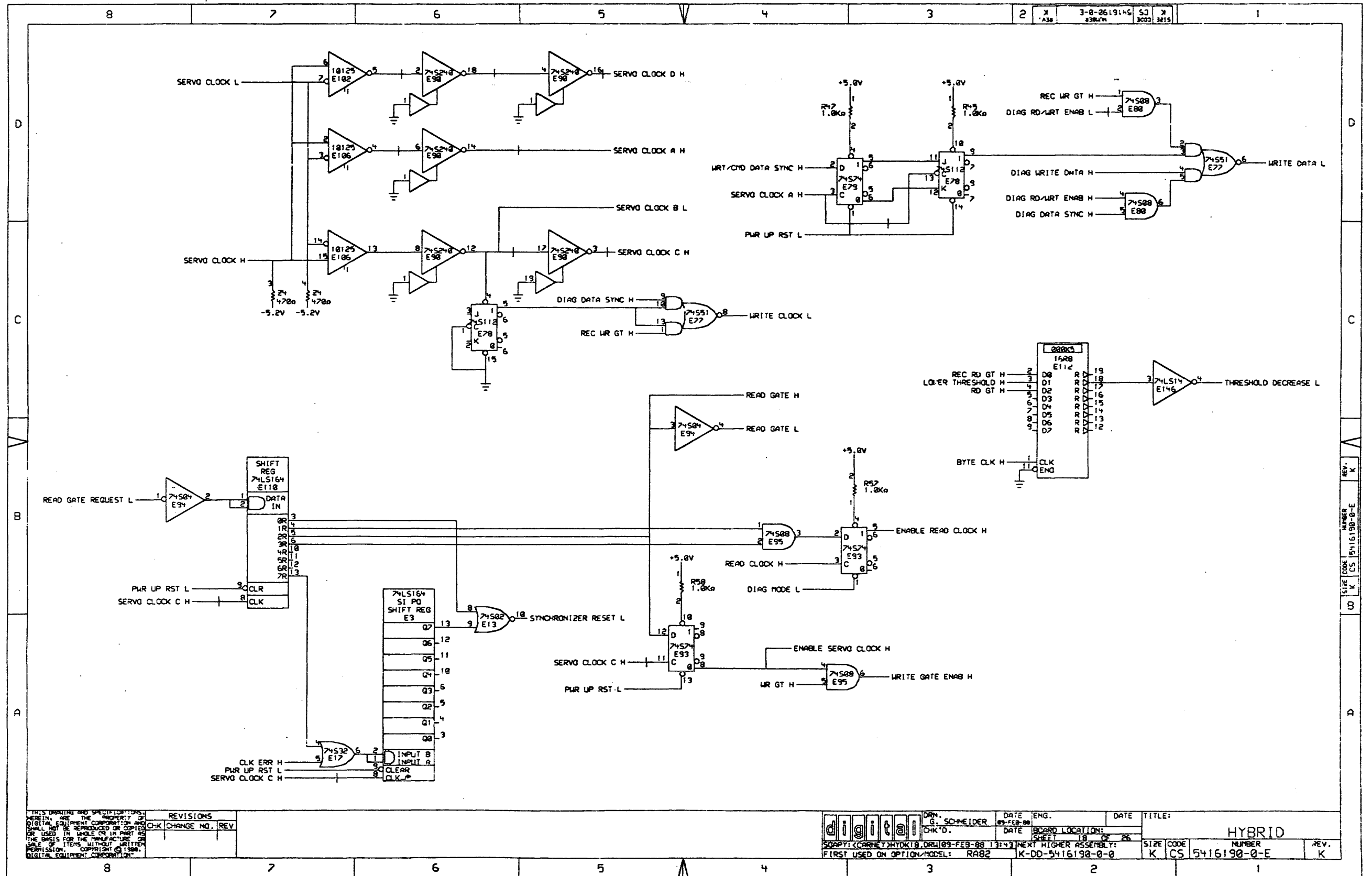


ALL DIMENSIONS AND SPECIFICATIONS ARE IN INCHES UNLESS OTHERWISE SPECIFIED. THE PROPERTY OF DIGITAL EQUIPMENT CORPORATION AND SHALL NOT BE REPRODUCED OR COPIED IN ANY MANNER OR IN ANY MEDIUM WITHOUT THE WRITTEN PERMISSION OF DIGITAL EQUIPMENT CORPORATION.

REVISIONS	
CHK	CHANGE NO. REV

DRN. G. SCHNEIDER	DATE 11-FEB-88	ENG.	DATE	TITLE:
CHK'D.	DATE	BOARD LOCATION:	SHEET 17 OF 26	HYBRID
FIRST USED ON OPTION MODEL: RAB2		SIZE CODE	NUMBER	REV.
NEXT HIGHER ASSEMBLY:		K CS	5416190-0-E	K

3-8-85 19145 53 3003 3215

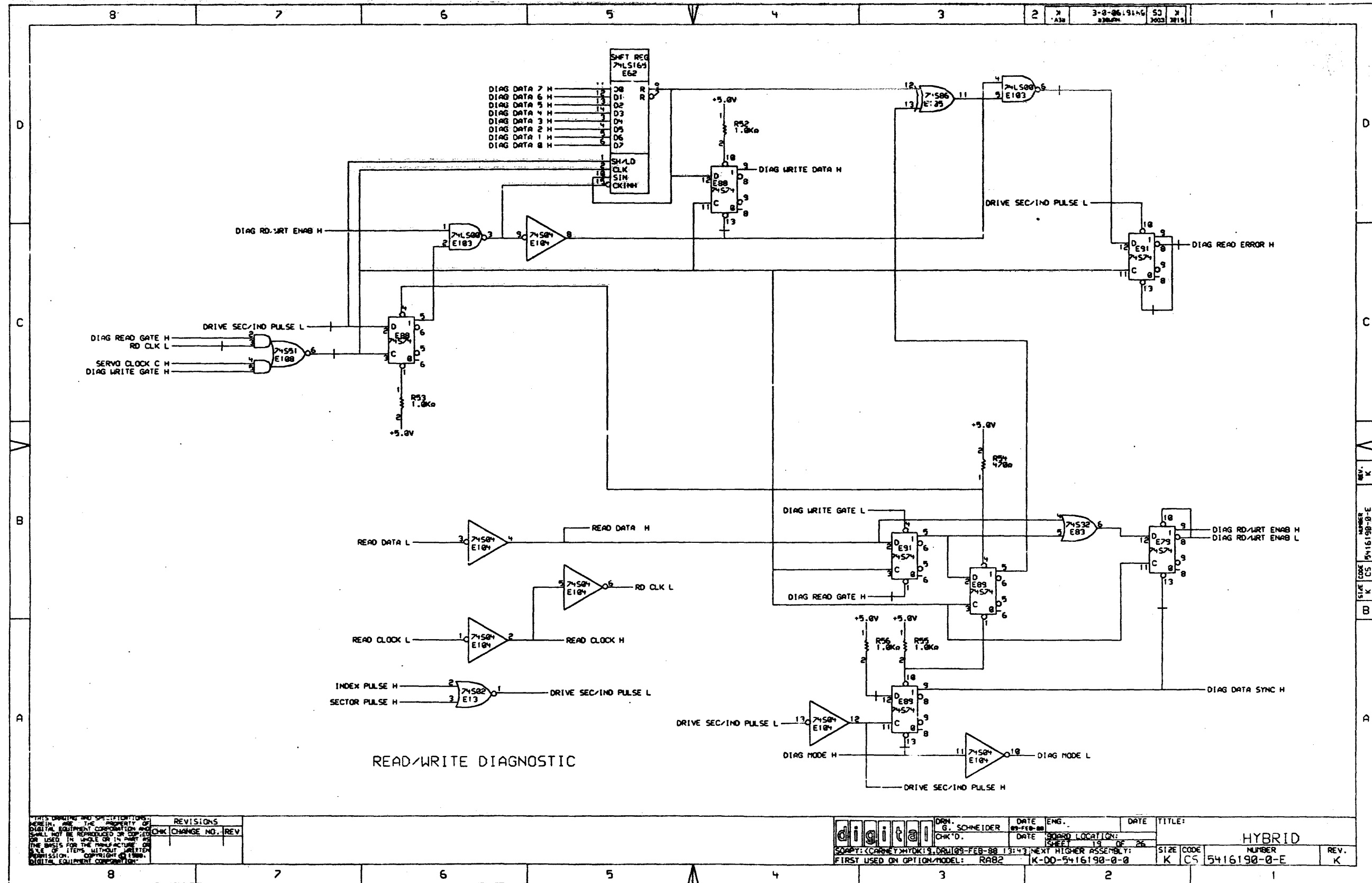


THIS DRAWING AND SPECIFICATIONS ARE THE PROPERTY OF DIGITAL EQUIPMENT CORPORATION AND SHALL NOT BE REPRODUCED OR COPIED OR USED IN WHOLE OR IN PART AS THE BASIS FOR THE MANUFACTURE OR SALE OF ITEMS WITHOUT WRITTEN PERMISSION. COPYRIGHT © 1984 DIGITAL EQUIPMENT CORPORATION.

REV.	CHG.	NO.	REV.

DATE	ENG.	DATE	TITLE
09-FEB-88	G. SCHNEIDER	09-FEB-88	HYBRID

digital	DRW. G. SCHNEIDER	DATE 09-FEB-88	DATE 09-FEB-88	TITLE HYBRID
COPY: CARRY/HTDK18.DRW (09-FEB-88 13:43)	CHK'D.	DATE	BOARD LOCATION: SHEET 18 OF 26	NUMBER
FIRST USED ON OPTION MODEL: RAB2	K-DD-5416190-0-0	NEXT HIGHER ASSEMBLY:	SIZE CODE K CS	5416190-0-E
				REV. K



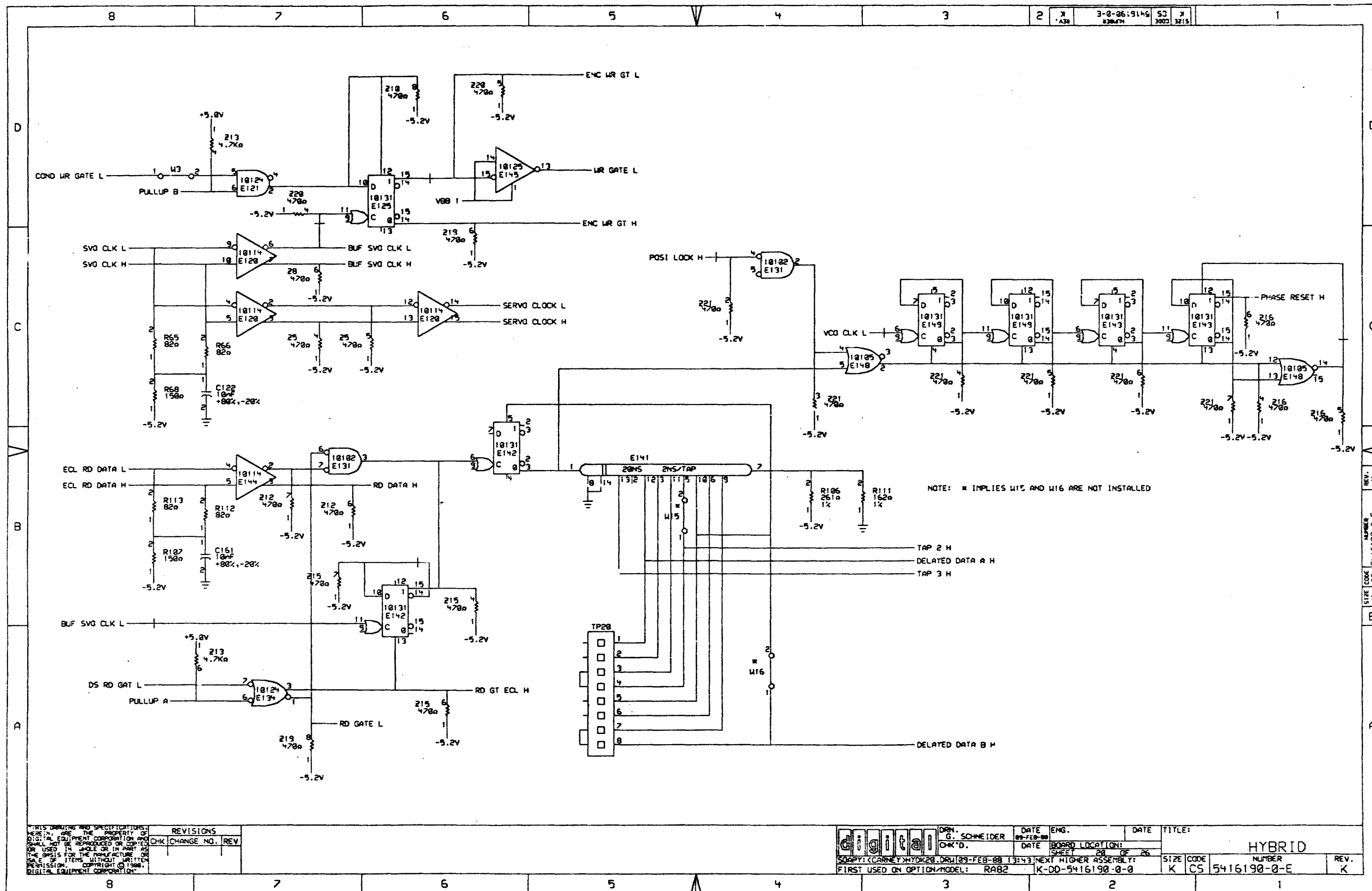
READ/WRITE DIAGNOSTIC

THIS DRAWING AND SPECIFICATIONS ARE THE PROPERTY OF DIGITAL EQUIPMENT CORPORATION AND SHALL NOT BE REPRODUCED OR COPIED OR USED IN WHOLE OR IN PART AS THE BASIS FOR THE MANUFACTURE OF ANY ITEM, WITHOUT WRITTEN PERMISSION. COPYRIGHT © 1988, DIGITAL EQUIPMENT CORPORATION.

REVISIONS	
CHK	CHANGE NO. / REV

	DRN. G. SCHNEIDER	DATE ENG. 09-FEB-88	DATE	TITLE: HYBRID
	CHK'D.	DATE	SHEET 19 OF 26	NUMBER
SOURCE: (CARRY) HYDOKI 9, DALLAS-FEB-88 13:43 NEXT HIGHER ASSEMBLY: K-DO-5416190-0-0				SIZE CODE K CS 5416190-0-E
FIRST USED ON OPTION/MODEL: RAB2				REV. K

REV. K
 NUMBER 5416190-0-E
 SIZE CODE K CS

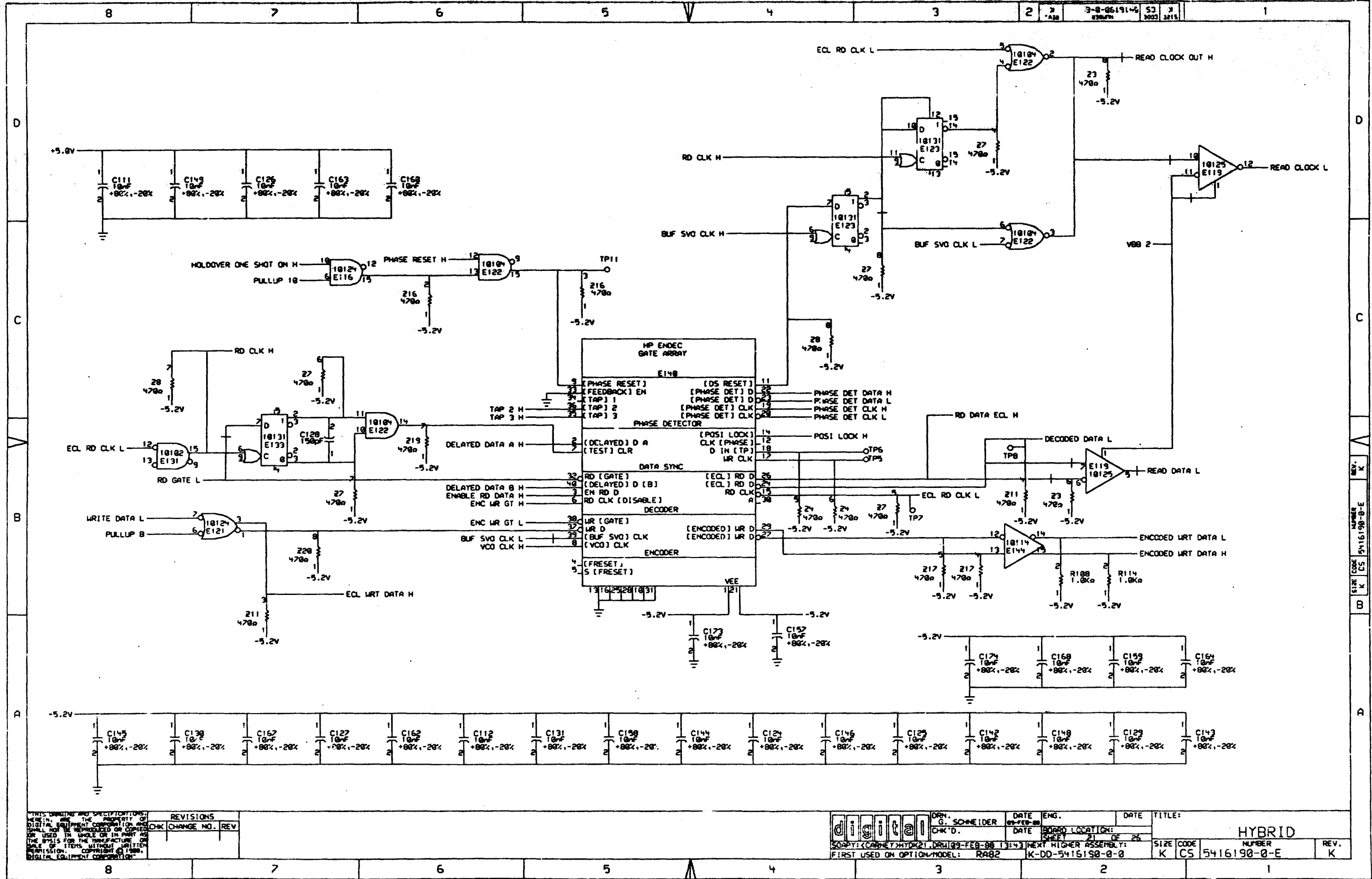


THIS DRAWING AND SPECIFICATIONS ARE THE PROPERTY OF DIGITAL EQUIPMENT CORPORATION AND SHALL NOT BE REPRODUCED OR COPIED IN ANY MANNER OR IN ANY MEDIUM WITHOUT THE WRITTEN PERMISSION. COPYRIGHT © 1988, DIGITAL EQUIPMENT CORPORATION.

REV.	DESCRIPTION
1	CHK CHANGE NO. REV

REV.	DESCRIPTION
1	CHK CHANGE NO. REV

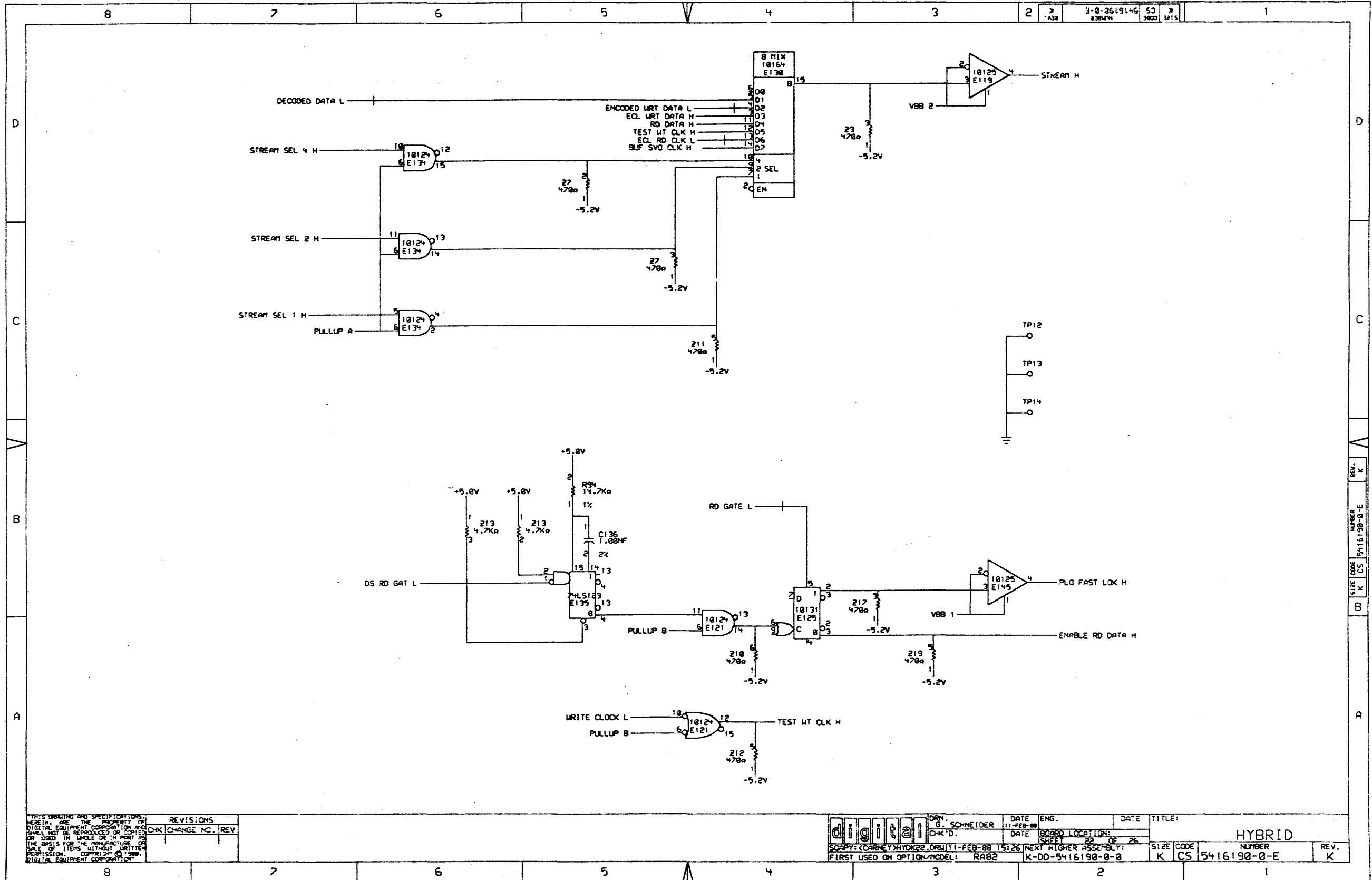
	DRN. G. SCHNEIDER	DATE 09-FEB-88	ENG.	DATE	TITLE:
	CHK'D.	DATE	BOARD LOCATION:	SHEET 28 OF 26	HYBRID
COPY: (CANNY) HYDK28.DRW (89-FEB-88 13:43) NEXT HIGHER ASSEMBLY:		FIRST USED ON OPTION/MODEL: RAB2		K-DD-5416190-0-0	SIZE CODE NUMBER
				K CS	5416190-0-E
				REV.	K



THIS DRAWING AND SPECIFICATIONS ARE THE PROPERTY OF DIGITAL EQUIPMENT CORPORATION AND SHALL NOT BE REPRODUCED OR COPIED OR USED IN WHOLE OR IN PART AS THE BASIS FOR THE MANUFACTURE OR SALE OF ITEMS WITHOUT WRITTEN PERMISSION. COPYRIGHT © 1980, DIGITAL EQUIPMENT CORPORATION.

REV.	CHANGE NO.	REV.

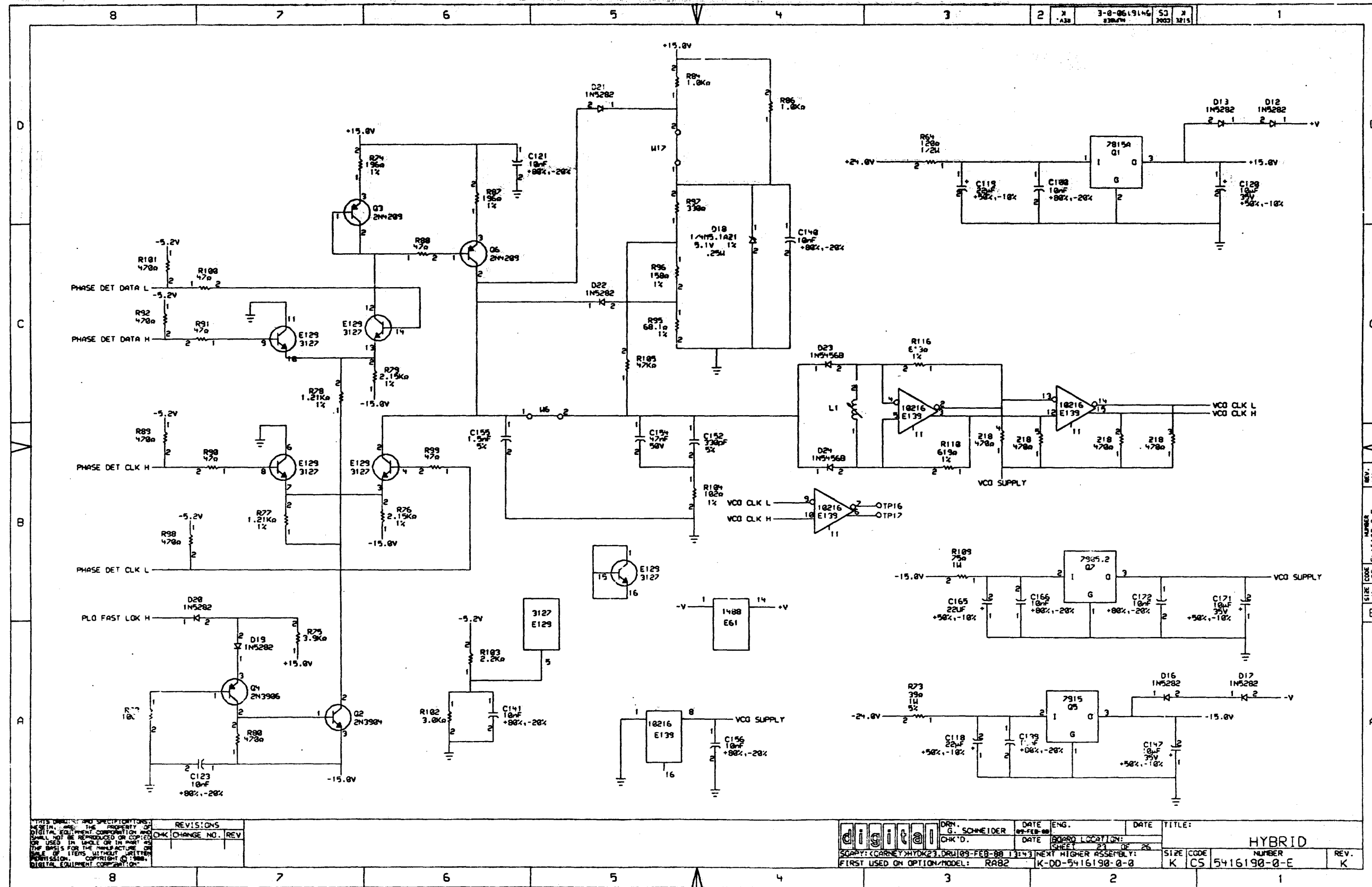
digital	DRN. G. SCHNEIDER	DATE 04-FEB-88	ENG.	DATE	TITLE:
	CHK'D.	DATE	BOARD LOCATION:	SHEET 21 OF 26	HYBRID
COPY: CORNELL HYBRID, DRAWING-FEB-88 13143 NEXT HIGHER ASSEMBLY:		SIZE	CODE	NUMBER	REV.
FIRST USED ON OPTION MODEL: RA82		K	C5	5416190-0-E	K



THIS DRAWING AND SPECIFICATIONS
HEREIN ARE THE PROPERTY OF
DIGITAL EQUIPMENT CORPORATION AND
SHALL NOT BE REPRODUCED OR COPIED
OR USED IN WHOLE OR IN PART AS
THE BASIS FOR THE MANUFACTURE OR
SALE OF ITEMS WITHOUT WRITTEN
PERMISSION. COPYRIGHT © 1988
DIGITAL EQUIPMENT CORPORATION

REVISIONS		
CHK	CHANGE NO.	REV

	DRAWN: G. SCHNEIDER	DATE: 11-FEB-88	ENG.	DATE	TITLE:	
	CHK'D:	DATE	BOARD LOCATION:	SHEET 22 OF 26	HYBRID	
SOURCE: CORNELL HYDRO22.000111-FEB-88 15:26 NEXT HIGHER ASSEMBLY:		FIRST USED ON OPTION/MODEL: RAB2		SIZE CODE: K CS	NUMBER: 5416190-0-E	REV.: K



THIS DRAWING AND SPECIFICATIONS ARE THE PROPERTY OF DIGITAL EQUIPMENT CORPORATION AND SHALL NOT BE REPRODUCED OR COPIED OR USED IN WHOLE OR IN PART AS THE BASIS FOR THE MANUFACTURE OF ANY ITEMS WITHOUT WRITTEN PERMISSION. COPYRIGHT © 1988 DIGITAL EQUIPMENT CORPORATION.

REVISIONS	
CHK	CHANGE NO. REV

digital	DRAWN	DATE	ENG.	DATE	TITLE
	G. SCHNEIDER	09-FEB-88			HYBRID
CHECK'D		DATE	BOARD LOCATION	SHEET 23 OF 26	
SCOPY: (CARNY)HYTK23.DWG:09-FEB-88 13:43		NEXT HIGHER ASSEMBLY:		SIZE CODE	NUMBER
FIRST USED ON OPTION/MODEL: RAB2		K-DD-5416198-0-0		K CS	5416198-0-E
					REV. K

Vertical location (A-D)		Direction of line (Left, Right, Up, Down)		or electrical (Input, Output, Both)		or backplane pin (Pin)	
KEY:	Schematic Sheet	Horizontal location (1-8)					
(RD-WR) L		5-A5,R 5-A7,R 5-C4,L					
+0.5V		14-A6,R 14-B3,L 14-B6,R 14-C6,R 14-D6,R					
+15.0V		23-A7,D 23-D1,L 23-D5,D 23-D7,D					
+24.0V		1-A7,R 2-C7,R 23-D3,R					
+5.2V		1-B7,R 1-C3,D 1-C8,R 1-D7,D 2-B3,D 2-B6,L					
		2-C3,D 2-C7,D 3-B8,R 3-B8,R 3-C8,R 3-C8,R 3-D8,R 4-B6,R					
		4-C5,D 4-C7,D 5-D7,D 6-A6,D 6-A6,D 6-B8,D 6-B8,R 6-D3,D					
		8-B2,D 8-C4,R 8-C6,R 8-C7,R 9-B5,D 9-C7,D 9-C7,R 9-D2,D					
		9-D2,D 9-D3,D 9-D4,D 9-D6,D 9-D7,R 9-D8,D 10-C6,D 10-C6,R					
		11-A6,R 11-C3,D 11-C3,D 11-C6,D 12-B7,D 12-C2,D 12-C3,D 12-C4,D					
		12-C5,D 12-C7,D 12-C7,D 12-D2,D 12-D3,D 13-D7,D 14-B3,D 14-D8,D					
		15-D7,D 16-C6,D 17-B3,U 17-C7,D 18-B3,D 18-B5,D 18-D3,D 18-D4,D					
		19-A3,D 19-A3,D 19-B3,D 19-B6,D 19-D4,D 20-A8,D 20-D7,D 21-D8,R					
		22-B5,D 22-B6,D 22-B6,D					
+V		23-B4,L 23-D1,L					
+V1		15-A2,R 15-A4,R 15-B5,R 15-B7,D 15-C4,D 15-C6,L					
+V2		16-A4,R 16-A7,D 16-C3,D 16-C6,L					
-15.0V		23-A1,L 23-A7,D 23-B3,R 23-B6,D 23-C6,D					
-24.0V		1-A7,R 2-C7,R 23-A3,R					
-3.3V		14-A3,L 14-A6,R 14-B6,R 14-C6,R 14-D6,R					
-5.2V		1-A7,R 2-B6,L 3-A8,R 13-A6,D 13-A6,D 13-C4,D					
		13-C5,D 13-C5,D 14-A2,D 14-B1,L 14-B3,D 14-B7,D 14-B7,D 14-C3,D					
		14-C3,D 14-C3,R 14-C7,D 14-D1,L 14-D3,D 14-D3,D 14-D3,R 14-D7,D					
		20-A6,D 20-A6,D 20-A7,D 20-B1,D 20-B1,D 20-B1,U 20-B4,D 20-B4,D					
		20-B7,D 20-B7,D 20-B7,D 20-B8,D 20-C1,D 20-C2,D 20-C2,D 20-C3,D					
		20-C4,D 20-C6,D 20-C6,D 20-C7,D 20-C7,D 20-C8,D 20-D6,D 20-D6,D					
		20-D7,R 21-A3,R 21-A7,D 21-A8,R 21-B2,D 21-B2,D 21-B2,D 21-B2,D					
		21-B3,D 21-B3,D 21-B3,D 21-B4,L 21-B5,R 21-B6,D 21-B7,D 21-B7,D					
		21-C3,D 21-C4,D 21-C5,D 21-C6,D 21-C7,D 21-C8,D 21-D2,D 21-D3,D					
		22-A3,D 22-A3,D 22-A4,D 22-A4,D 22-C4,D 22-C5,D 22-D3,D 22-D5,D					
		23-A6,D 23-B8,D 23-C8,D 23-C8,D 23-C8,D					
-V		23-A1,L 23-B5,R					
A RD/RES DATA + H		1-D2,R 14-C5,L					
A RD/RES DATA - L		1-D2,R 14-C5,L					
A RTCS IN + H		1-D1,L 14-C6,R					
A RTCS IN - L		1-D1,L 14-C6,R					
A RTDS OUT + H		1-C2,R 14-D5,L					
A RTDS OUT - L		1-D2,R 14-D5,L					
A WRT/CMD DATA + H		1-D1,L 14-D6,R					
A WRT/CMD DATA - L		1-D1,L 14-D6,R					
A00 H		4-A3,L 5-A5,R 5-A7,R 5-C8,R 6-B3,R 6-C3,R					
		8-A7,R 8-C4,R 8-C6,R 8-C7,R 11-C6,R					
A01 H		4-A3,L 5-A3,R 5-A5,R 5-A7,R 5-C8,R 6-C3,R					
		8-A7,R 8-C4,R 8-C6,R 8-C7,R 11-C6,R					
A02 H		4-A3,L 5-A3,R 5-A5,R 5-A7,R 5-C8,R 8-A7,R					
		8-C4,R 8-C6,R 8-C7,R 11-C6,R					
A03 H		4-B3,L 5-A3,R 5-C8,R 8-A7,R 8-C4,R 8-C6,R					
		8-C7,R					
A04 H		4-B3,L 5-C8,R 8-A7,R 8-C4,R 8-C6,R 8-C7,R					
		9-B8,R					
A05 H		4-B3,L 5-C8,R 8-A7,R 8-C4,R 8-C6,R 8-C7,R					
		9-B8,R					
A06 H		4-B3,L 5-C8,R 8-B7,R 8-C4,R 8-C6,R 8-C7,R					
		9-B8,R					
A07 H		4-B3,L 5-C8,R 8-B7,R 8-C4,R 8-C6,R 8-C7,R					
		9-B8,R					
A08 H		4-B3,L 5-C8,R 8-B7,R 8-C4,R 8-C6,R 8-C7,R					
		9-B8,R					
A09 H		4-C3,L 5-C8,R 8-B7,R 8-C4,R 8-C6,R 8-C7,R					
		9-B8,R					
A10 H		4-C3,L 5-D8,R 8-B7,R 8-C4,R 8-C6,R 8-C7,R					
		9-B8,R					
A11 H		4-C3,L 5-D8,R 8-C4,R 8-C6,R 8-C7,R					
		9-B8,R					
A12 H		4-D3,L 5-D8,R 8-C4,R 8-C6,R 8-C7,R 11-C6,R					
		9-B8,R					
A13 H		4-D3,L 5-D8,R 8-B3,R 11-C6,R					
		9-B8,R					
A14 H		4-D3,L 5-D8,R 8-B3,R 11-C6,R					
		9-B8,R					
A15 H		4-D3,L 5-D8,R 8-B3,R 11-C6,R					
		9-B8,R					
A00 H		4-B1,L 5-C7,R					
A01 H		4-B1,L 5-C7,R					
A02 H		4-B1,L 5-C7,R					
A03 H		4-B1,L 5-D7,R					
A04 H		4-B1,L 5-D7,R					
A05 H		4-C1,L 5-C7,R					
A06 H		4-C1,L 5-C7,R					
A07 H		4-C1,L 5-C7,R					
ALE H		4-A4,R 4-A5,L 5-D5,R					
ATTN H		12-D7,R 17-C1,L					
AVAIL H		12-C7,R 17-D1,L					
B RD/RES DATA + H		1-D5,R 14-A5,L					
B RD/RES DATA - L		1-D5,R 14-A5,L					
B RTCS IN + H		1-D5,L 14-A6,R					
B RTCS IN - L		1-D5,L 14-A6,R					
B RTDS OUT + H		1-C5,R 14-B5,L					
B RTDS OUT - L		1-D5,R 14-B5,L					
B WRT/CMD DATA + H		1-D5,L 14-B6,R					
B WRT/CMD DATA - L		1-D5,L 14-B6,R					
BAUD CLOCK L		6-B3,R 6-D1,L					
BELT TENSION GOOD L		1-B3,R 6-D7,R					
BUF DETENT L		2-C6,L 11-B7,L					
BUF FORMAT 16 L		2-C6,L 11-C8,R					
BUF SVG CLK H		20-C7,L 21-C4,R 22-D4,R					
BUF SVG CLK L		20-B8,R 20-C7,L 21-B5,R 21-C3,R					
BYTE CLK H		5-C5,R 10-B7,R 11-C6,R 11-C7,L 18-B3,R					
BYTE CLK L		2-B2,L 11-C7,R					
CLEAR INIT L		9-B3,R 9-C3,L					
CLK ERR H		12-B8,R 15-A3,L 18-A7,R					
CLK ERR L		15-A3,L 15-B8,R 16-B7,R					
CLK H		4-B5,L 6-A8,R 6-B3,R					
CLK MASTER DATA H		2-C3,R 5-C1,L					
CLR DATA REG L		5-B4,L 17-C6,R					
CLR INIT L		5-B4,L 9-C4,R					
CLR REG L		17-C1,L 17-C6,R					
CLR SIP H		6-C4,L 17-C3,R					
CLR SRI L		17-B4,R 17-D5,L					
COND WR GATE L		11-B4,L 20-D8,R					
CONTROL PULSE ERR ECL L		14-A8,R 14-C1,L					
CONTROL PULSE ERR L		12-B7,R 14-A7,L					
D00 H		4-A1,L 6-B3,R 6-B5,R 6-C3,R 6-C5,L 6-C5,R					
		6-C7,L 6-D5,R 6-D6,L 7-B5,R 7-D4,R 7-D5,L 8-B7,L 8-C3,L					
		8-C5,L 8-C7,L 9-B6,R 11-D4,L 17-C1,L 17-C5,L					
D01 H		4-A1,L 6-B3,R 6-B5,L 6-B5,R 6-B7,L 6-C3,R					
		6-C5,R 6-D5,R 6-D6,L 7-B5,R 7-C4,R 7-D5,L 8-B7,L 8-C3,L					
		8-C5,L 8-C7,L 9-B6,R 11-D4,L 17-C1,L 17-C5,L					
D02 H		4-A1,L 6-A5,R 6-B5,L 6-B7,L 6-C3,R 6-C3,R					
		6-D6,L 7-B5,R 7-C4,R 7-C5,L 8-B7,L 8-C3,L					
		8-C5,L 8-C7,L 9-A6,R 11-D4,L 17-C1,L 17-C5,L					
D03 H		4-A1,L 6-A5,R 6-B5,L 6-B7,L 6-C3,R 6-C5,R					
		6-D6,L 7-B5,R 7-C4,R 7-C5,L 8-B7,L 8-D3,L					
		8-D5,L 8-D7,L 9-A6,R 11-D4,L 17-C1,L 17-C5,L					
D04 H		4-B1,L 6-A5,R 6-B5,L 6-B7,L 6-C3,R 6-C5,R					
		6-D3,R 6-D5,R 6-D6,L 7-B5,R 7-C4,R 7-C5,L 8-B7,L 8-D3,L					
		8-D5,L 8-D7,L 9-A6,R 11-D4,L 17-C1,L 17-C5,L					
D05 H		4-B1,L 6-A5,R 6-B5,L 6-B5,R 6-B7,L 6-C3,R					
		6-C6,L 6-D3,R 6-D5,R 7-A5,R 7-C4,R 7-C5,L 8-B7,L 8-D3,L					
		8-D5,L 8-D7,L 9-A6,R 11-D4,L 17-C1,L 17-C5,L					
D06 H		4-B1,L 6-A5,R 6-B5,L 6-B5,R 6-B7,L 6-C3,R					
		6-C6,L 6-D3,R 6-D5,R 7-A5,R 7-C4,R 7-C5,L 8-B7,L 8-D3,L					
		8-D5,L 8-D7,L 9-A6,R 11-D4,L 17-C1,L 17-C5,L					
D07 H		4-B1,L 6-A5,R 6-B5,L 6-B5,R 6-B7,L 6-C3,R					
		6-C5,R 6-C6,L 6-D3,R 7-A5,R 7-C4,R 7-C5,L 8-B7,L 8-D3,L					
		8-D5,L 8-D7,L 9-A6,R 11-D4,L 17-C1,L 17-C5,L					
DATA PULSE ERR ECL L		14-A8,R 14-D1,L					
DATA PULSE ERR L		12-B7,R 14-A7,L					
DC		9-C8,R					
DC LOW L		1-B6,L 9-C8,R					
DECODE CLOCK H		14-B1,L 16-B7,R					
DECODED DATA L		21-B2,L 22-D7,R					
DELAYED DATA A H		20-B3,L 21-B5,R					
DELAYED DATA B H		20-A3,L 21-B5,R					
DETENT BUF L		2-B3,R 11-B8,R					
DIAG DATA 0 H		7-D3,L 7-D6,R 19-D5,R					
DIAG DATA 1 H		7-C3,L 7-C6,R 19-C5,R					
DIAG DATA 2 H		7-C3,L 7-C6,R 19-D5,R					
DIAG DATA 3 H		7-C3,L 7-C6,R 19-D5,R					
DIAG DATA 4 H		7-C3,L 7-C6,R 19-D5,R					
DIAG DATA 5 H		7-C3,L 7-C6,R 19-D5,R					
DIAG DATA 6 H		7-C3,L 7-C6,R 19-D5,R					
DIAG DATA 7 H		7-C3,L 7-C6,R 19-D5,R					
DIAG DATA SYNC H		17-B6,R 17-C6,R 18-C5,R 18-D2,R 19-A1,L					
DIAG MODE H		7-A4,L 19-A4,R					
DIAG MODE L		18-B4,R 19-A2,L					
DIAG R/W H		18-C5,R 11-C4,L					
DIAG RD/WRT ENAB H		18-D2,R 19-B1,L 19-C7,R					
DIAG RD/WRT ENAB L		18-D2,R 19-B1,L					
DIAG READ ERROR H		6-B8,R 19-C2,L					
DIAG READ GATE H		7-B4,L 17-B6,R 19-B3,R 19-C8,R					
DIAG WRITE DATA H		18-D2,R 19-D4,L					
DIAG WRITE GATE H		7-B4,L 17-C7,R 19-C8,R					
DIAG WRITE GATE L		7-B4,L 19-B3,R					
DRIVE INIT L		9-C5,R 9-D1,L					
DRIVE SEC/IND PULSE H		6-D3,R 19-A3,L					
DRIVE SEC/IND PULSE L		19-A4,R 19-A5,L 19-C7,R 19-D2,R					
DRV FLT L		4-C8,R 7-A6,R 11-B7,R 11-C4,L 17-C6,R 17-C7,R					
DS RD GAT L		11-C1,L 20-A8,R 22-B6,R					
DTR H		6-B1,L 6-C2,R					

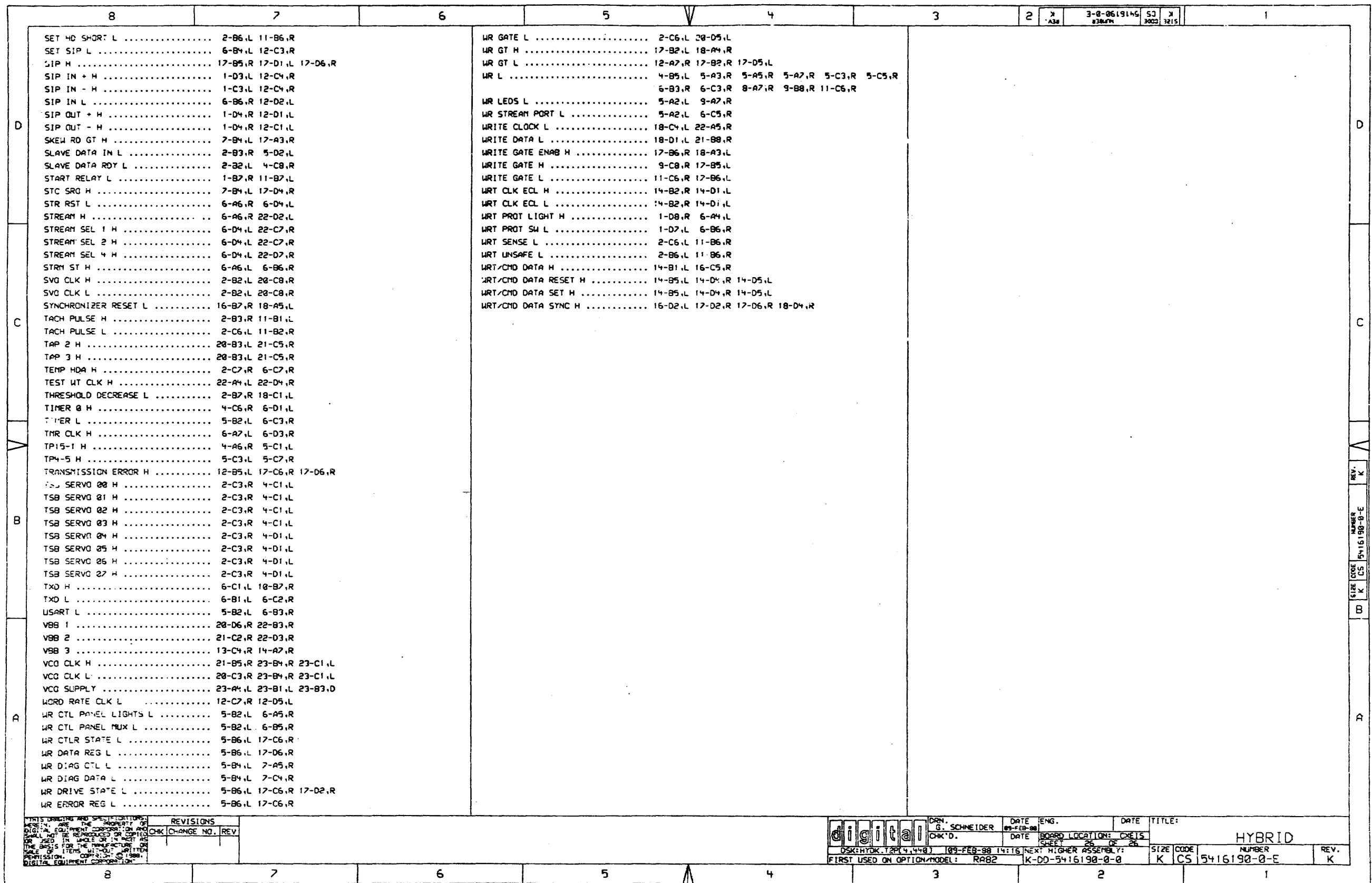
8		7		6		5		4		3		2		1	
EN RTDS B H	12-08,R 14-08,R 17-01,L	MICRO BD PORTS L	5-B4,R 11-C4,L	READ CLOCK L	19-A6,R 21-01,L										
ENABLE RD DATA H	21-09,R 22-A2,L	MOTOR ENABLE L	6-C4,L 11-A8,R 11-A8,R	READ CLOCK OUT H	13-C7,R 21-02,L										
ENABLE READ CLOCK H	13-C7,R 18-B3,L	NTR RUN L	2-B3,R 11-A8,R	READ DATA H	19-B5,L										
ENABLE SERVO CLOCK H	13-D7,R 18-A4,L	NTR START L	2-B3,R 11-B8,R	READ DATA L	19-B6,R 21-B2,L										
ENC WR GT H	20-05,L 21-B5,R	MULTI CHIP DIAG L	2-C6,L 6-C4,L	READ GATE H	18-C4,L										
ENC WR GT L	20-05,L 21-B5,R	MULTI CHIP SEL L	2-B7,R 11-B6,R	READ GATE L	11-B6,R 11-C2,R 18-B4,L										
ENCODED WRT DATA H	2-B6,L 21-B2,L	NRZ DATA ECL H	14-B2,R 14-D1,L	READ GATE REQUEST L	17-B5,L 18-B8,R										
ENCODED WRT DATA L	2-B7,R 21-B2,L 22-04,R	NRZ DATA ECL L	14-B2,R 14-D1,L	READY LIGHT H	1-D8,R 6-B4,L										
EVEN TRACK H	2-C2,L 11-B2,R	NRZ RTCS ECL H	14-A2,R 14-C1,L	REC RD GT H	12-A5,R 12-C5,L 17-B6,R 17-B8,R 17-D6,R 18-C3,R										
EVEN TRK H	2-B6,L 11-B1,L	NRZ RTCS ECL L	14-A2,R 14-C1,L	REC RD GT L	12-A4,L 17-B6,R										
FAULT CLR SW L	1-C7,L 6-A2,R 11-36,R	OUT BIT 0 H	1-D7,L 6-B8,R	REC RDY IN H	12-C5,L 17-B5,R 17-C6,R										
FAULT LIGHT H	1-C8,R 11-B4,L	OUT BIT 1 H	1-D7,L 6-B8,R	REC RDY OUT H	12-D7,R 17-C5,L										
FINE TRACK BUF H	11-B6,R 11-D7,L	OUT BIT 2 H	1-D7,L 6-B8,R	REC WR GT H	12-A5,R 12-C5,L 17-D6,R 18-C5,R 18-D2,R										
FINE TRACK BUF L	2-C2,L 11-D7,R	OUT BIT 3 H	1-D7,L 6-B8,R	RELOAD H	12-C5,L 12-C7,R										
FORMAT 16 H	11-B6,R 11-C7,L	PERS BD PORTS L	4-A3,R 5-A5,R 5-A7,R 11-C4,L	RES 0 H	17-C5,L 17-D2,R										
GRANT IN + H	1-D3,L 12-C4,R	PHASE DET CLK H	21-C4,L 23-B8,R	RES 1 H	17-C5,L 17-D2,R										
GRANT IN - H	1-D3,L 12-C4,R	PHASE DET CLK L	21-C4,L 23-B8,R	RES DATA H	13-B7,R 17-D1,L										
GRANT IN L	6-B6,R 12-B2,L	PHASE DET DATA H	21-C4,L 23-C8,R	RESET H	4-C6,L 6-B3,R 17-C6,R 17-D2,R										
GRANT OUT + H	1-D4,R 12-B1,L	PHASE DET DATA L	21-C4,L 23-C8,R	RESET SLAVE L	2-B2,L 6-B4,L										
GRANT OUT - H	1-D4,R 12-B1,L	PHASE RESET H	20-C1,L 21-C6,R	ROM 0 L	8-B2,L 8-C7,R										
HD CLK ASSERT H	6-B8,R 18-C6,R 11-C4,L	PLD FAST LOK H	22-B2,L 23-B8,R	ROM 1 L	8-B2,L 8-C6,R										
HD SEL 1 H	11-B2,R 11-B4,L	PORT A LIGHT H	1-D8,R 6-A4,L	ROM 2 L	4-A3,R 8-B2,L 8-C4,R										
HD SEL 1 L	2-C6,L 11-B1,L	PORT A SEL SW L	1-D7,L 6-B6,R	RST/INT L	4-C7,R 7-A6,R 9-C4,R 9-C5,L 11-B6,R 16-B7,R										
HD SEL 2 H	11-A2,R 11-B4,L	PORT B LIGHT H	1-D8,R 6-A4,L	RTCS CLK ECL H	14-A2,R 14-C1,L										
HD SEL 2 L	2-C7,R 11-A1,L	PORT B SEL SW L	1-D7,L 6-B6,R	RTCS CLK ECL L	14-A2,R 14-C1,L										
HD SEL 4 H	11-A2,R 11-B4,L	POST LOCK H	20-C4,R 21-B4,L	RTCS CLK SYNC H	15-A1,L										
HD SEL 4 L	2-C6,L 11-A1,L	PRESYNC L	17-D1,L 17-D6,R	RTCS H	12-C7,R 14-A1,L 15-D6,R										
HD SEL 8 H	11-A2,R 11-B4,L	PSEUDO BYTE CLK H	6-D4,L 18-B7,R	RTCS RESET H	14-A5,L 14-C4,R 14-C5,L										
HD SEL 8 L	2-C7,R 11-A1,L	PSEUDO BYTE CLK SEL H	6-D4,L 18-B7,R	RTCS SET H	14-A5,L 14-C4,R 14-C5,L										
HD SHORT DIAG L	2-C6,L 6-C4,L	PULLUP 10	14-D7,L 21-C7,R	RTCS SYNC H	15-D2,L										
HOLD GRANT H	6-B4,L 12-B3,R	PULLUP A	20-A8,R 22-C7,R	RTDS CLK ECL L	14-C4,R 14-C7,L										
HOLDOVER ONE SHOT ON H	7-B4,L 21-C7,R	PULLUP B	20-D8,R 21-B8,R 22-A5,R 22-A5,R	RTDS CLK H	12-D5,L 14-C8,R										
I LOCK EMBEDDED L	2-C4,R 6-D7,R	PUR UP RST L	2-C3,R 6-A8,R 9-B7,R 9-C1,L 9-C6,L 11-B6,R 15-A2,R 15-A5,R 15-C8,R 16-B7,R 17-B8,R 18-A5,R 18-A7,R 18-B8,R 18-C4,R	RTDS ECL H	14-C4,R 14-C7,L										
I LOCK OP L	1-C6,L 6-D7,R	R DATA H	6-B1,L 18-B7,L	RTDS H	12-D5,L 14-C8,R										
I LOCK R/W L	2-C7,R 6-D7,R	R/W ENABLE L	2-C7,R 11-B7,L	RTDS HI OUT H	14-B6,R 14-C1,L 14-D6,R										
I LOCK SERVO L	2-B4,R 6-D7,R	R/W RDY OUT H	12-D7,R 17-B6,R 17-C5,L	RTDS LO OUT H	14-B6,R 14-C1,L 14-D6,R										
IND CTR 1024 H	10-B2,L 11-B6,R	RAM 0 L	4-A3,R 8-A7,R 8-B2,L	RTS H	6-B1,L 6-C2,R										
INDEX DET H	5-C5,R 11-C6,R 11-D7,L	RD CLK H	21-C7,L 21-D4,R	RUN RELAY L	1-B7,R 11-A7,L										
INDEX DETECT L	2-C2,L 11-D7,R	RD CLK L	19-B5,L 19-C8,R	RUN SW L	1-D7,L 6-C6,R										
INDEX ENABLE H	6-C4,L 11-B7,R 11-C6,R	RD CP MUX L	5-B4,L 6-B8,R	RXD H	6-A1,L 18-B7,R										
INDEX PULSE H	5-C2,R 6-C7,R 11-C4,L 12-C7,R 17-A3,R 17-D6,R 19-A6,R	RD CTL PANEL SW L	5-B2,L 6-B6,R	RXD L	6-A2,R 6-C1,L										
INDX CP1 H	18-C4,L 11-C6,R	RD CTLR STATE L	5-B6,L 17-C6,R	SAMPLE H	11-C4,L 11-D2,R										
INDX CP2 H	18-C4,L 11-C6,R	RD DATA ECL H	13-B7,R 21-C3,L	SAMPLE L	2-B7,R 11-D1,L										
INDX CP3 H	18-C4,L 11-C6,R	RD DATA H	20-B6,L 22-D4,R	SDI INIT H	9-D4,R 12-C5,L										
INDX CP4 H	18-C4,L 11-C6,R	RD DATA REG L	5-B6,L 17-C2,R	SDI MASTER CLR H	6-A4,L 17-C2,R										
INIT REQ H	6-C8,R 9-C3,L 9-C3,R	RD DIAG DATA L	5-B4,L 7-C6,R	SECT CNT 07 L	18-C3,R 11-C4,L										
INT ENABLE H	11-C4,L 11-D2,R	RD DRIVE SAFETY REG L	5-B2,L 6-D7,R	SECTOR PULSE H	5-C2,R 6-C7,R 11-C4,L 12-D7,R 17-D6,R 19-A6,R										
INT ENABLE L	2-B7,R 11-D1,L	RD DRIVE STATE L	5-B6,L 17-C6,R 17-D2,R	SEND CLK ECL L	13-C5,L 14-D4,R										
INT RESET H	11-C4,L 11-D2,R	RD ERROR REG L	5-A6,L 17-C6,R	SEND CLOCK H	13-C3,L 16-A5,R 17-D2,R 17-D6,R										
INT RESET L	2-C7,R 11-D1,L	RD GATE L	20-A7,L 21-B7,R 22-B4,R	SERVO BD PORTS L	4-C2,R 5-C3,R 11-C4,L										
IO H	4-B5,L 5-D5,R 8-B3,R 9-B8,R 11-C6,R	RD GT ECL H	13-B7,R 20-A6,L	SERVO CLOCK A H	17-B4,R 18-D4,R 18-D5,L										
L H	13-B7,R 13-C7,L	RD GT H	17-B2,L 17-B6,R 18-C3,R	SERVO CLOCK B L	5-C5,R 17-B8,R 18-D5,L										
LAMP TEST H	1-C8,R 6-A2,L	RD GT L	12-A7,R 17-A3,R 17-D5,L	SERVO CLOCK C H	12-D7,R 13-C7,R 17-D2,R 17-D6,R 18-A5,R 18-A7,R										
LATCHED DC LO H	2-B6,L 9-C6,L	RD L	4-A2,R 4-B5,L 4-C2,R 5-D3,R 5-D5,R 6-B3,R 6-C3,R 8-A7,R 8-C4,R 8-C6,R 8-C7,R 11-C6,R	SERVO CLOCK D H	9-B3,R 15-A4,R 15-B6,R 18-D5,L										
LD GS H	17-C2,R 17-D5,L	RD/RES DATA ECL H	13-B6,L 14-D4,R	SERVO CLOCK H	18-C7,R 20-C6,L										
LD SRO H	17-D2,R 17-D5,L	RD/RES HI DATA H	14-A6,R 14-C6,R 14-D1,L	SERVO CLOCK L	18-D7,R 20-C6,L										
LOAD LIGHT H	1-C8,R 6-A4,L	RD/RES LO DATA H	14-A6,R 14-C6,R 14-D1,L	SERVO FAULT H	2-C2,L 11-D7,R										
LOWER THRESHOLD H	7-B4,L 18-C3,R	READ CLOCK H	18-B4,R 19-A5,L	SERVO FLT L	11-B6,R 11-D7,L										
MASTER DATA RDY L	2-B3,R 6-B6,R														
MICRO BD L	4-A3,R 11-C4,L														

THIS DRAWING AND SPECIFICATIONS ARE THE PROPERTY OF DIGITAL EQUIPMENT CORPORATION AND SHALL NOT BE REPRODUCED OR COPIED OR USED IN WHOLE OR IN PART AS THE BASIS FOR THE MANUFACTURE OF ANY EQUIPMENT WITHOUT WRITTEN PERMISSION OF DIGITAL EQUIPMENT CORPORATION.

REVISIONS	
CHK	CHANGE NO. REV

digital	DRN. G. SCHNEIDER	DATE 09-FEB-88	ENG.	DATE	TITLE: HYBRID
	CHK'D.	DATE 09-FEB-88	BOARD LOCATION: CHETS	SHEET 24 OF 26	SIZE CODE K CS 5416190-0-E
FIRST USED ON OPTION MODEL: RA82		NEXT HIGHER ASSEMBLY: K-DD-5416190-0-0		NUMBER	

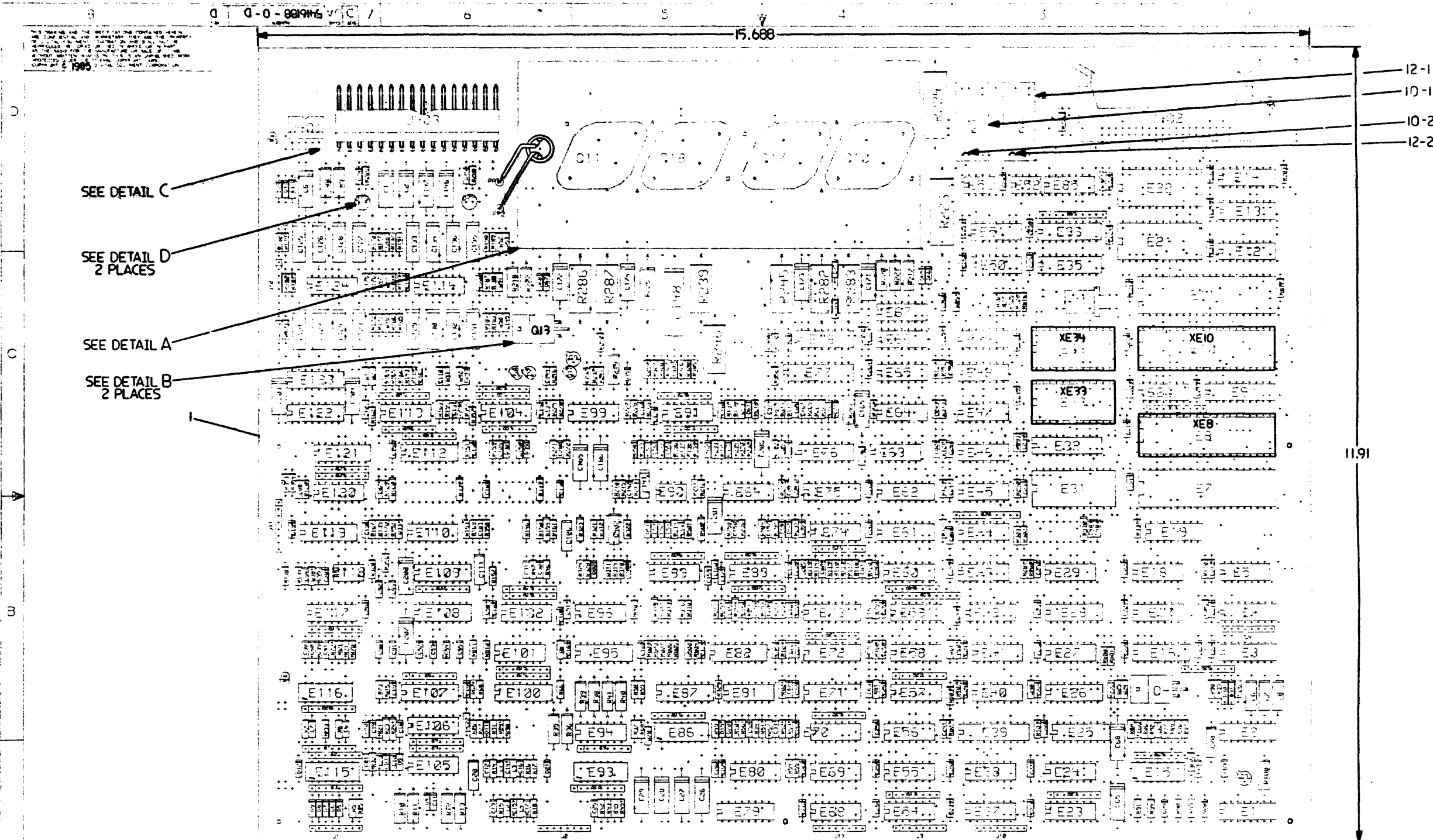
REV. K
SIZE CODE K CS 5416190-0-E



THIS DRAWING AND SPECIFICATIONS ARE THE PROPERTY OF DIGITAL EQUIPMENT CORPORATION AND SHALL NOT BE REPRODUCED OR COPIED OR USED IN WHOLE OR IN PART AS THE BASIS FOR THE MANUFACTURE OR SALE OF ITEMS WITHOUT WRITTEN PERMISSION. COPYRIGHT © 1988, DIGITAL EQUIPMENT CORPORATION.

REVISIONS	
CHK	CHANGE NO. REV

	DAN. G. SCHNEIDER	DATE	ENG.	DATE	TITLE:
	CHK'D.	DATE	BOARD LOCATION:	CHELS	HYBRID
DSKH/DYK, TAP 4, 440	189-FEB-88	14:16	NEXT HIGHER ASSEMBLY:	SHEET 25 OF 26	SIZE CODE NUMBER REV.
FIRST USED ON OPTION/MODEL:	RAB2	K-DD-5416190-0-0	K CS	5416190-0-E	K



SEE DETAIL C

SEE DETAIL D
2 PLACES

SEE DETAIL A

SEE DETAIL B
2 PLACES

CHK	DRAWN BY	ENGINEER	CHANGE NO	DATE	REV
	5179 W. MAJOR	M. LEAPER	5416188-0-015	FEB 65	A
	5232 W. MAJOR	M. LEAPER	5416188-0-016	JUL 65	B
	5315 W. MAJOR	A. MILLER	5416188-0-017	APR 66	C
	5336 W. MAJOR	A. MILLER	5416188-0-018	SEP 67	D

CHK	DRAWN BY	ENGINEER	CHANGE NO	DATE	REV

NOTES 1. THE FOLLOWING ARE SPARES: C22, C50, C51, C87, C88, C97, C101, C103, C110, C137, C144, C145, C159, C160, C167, C212, C215, C219, C221, C223, C224, C234, C235, C258, C259, C261, C244, C245, C247, C249, C251, C253, C256, C264, C265, C286, D38, D39, E1, E2, E79, E95, E123, J1-J4, J10-J13, L6-L8, Q4, R29-R31, R32, R269, R805-R811, W25, W46, W48, W50, W52, W61, W76, TP2, TP3, KI, K2

2. TPI OK IF BENT.
3. TORQUE TO 2.7 N/CM.

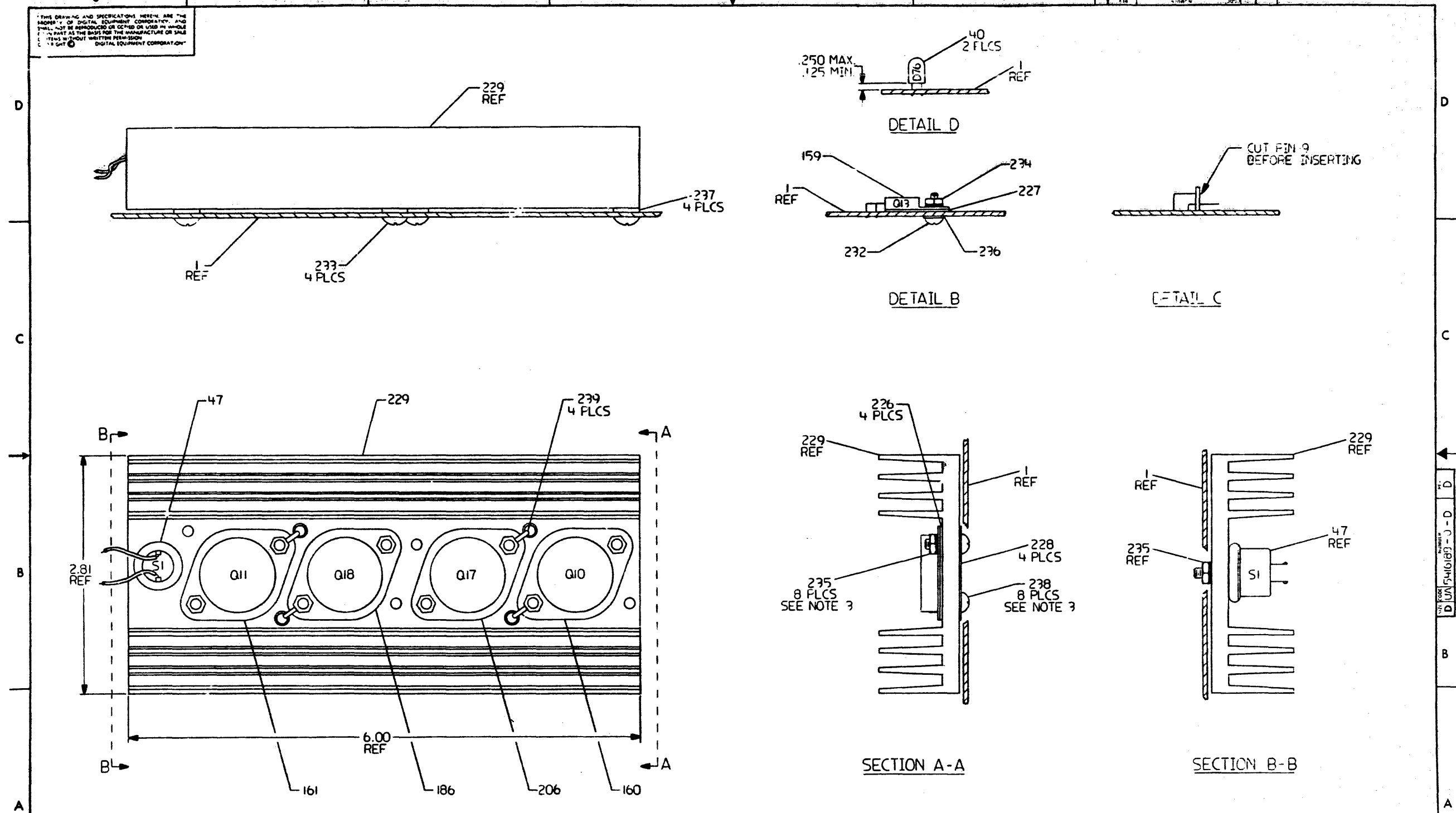
5 ONAT-RES	DATE	
DRAWN BY: M. LEAPER	FRG 65	C 9 12
CHECKED: [Signature]	11 MAR 66	
MECH ENG: [Signature]	11 MAR 66	TITLE
PROD: [Signature]	12 MAR 66	SERVO CONTROL
SCALE 1:5 11		SIZE CODE NUMBER REV
SHEET 1 OF 4		DUA 5416188-0-D
TOP DOC NO: K-D0-5416188-0-0		WO# 400-5820

DUA 5416188-0-D

1 of 4

THIS DRAWING AND SPECIFICATIONS HEREIN ARE THE PROPERTY OF DIGITAL EQUIPMENT CORPORATION, AND SHALL NOT BE REPRODUCED OR COPIED OR USED IN WHOLE OR IN PART AS THE BASIS FOR THE MANUFACTURE OR SALE OF ITEMS WITHOUT WRITTEN PERMISSION OF DIGITAL EQUIPMENT CORPORATION.

0 0-0-841188-0 2 1

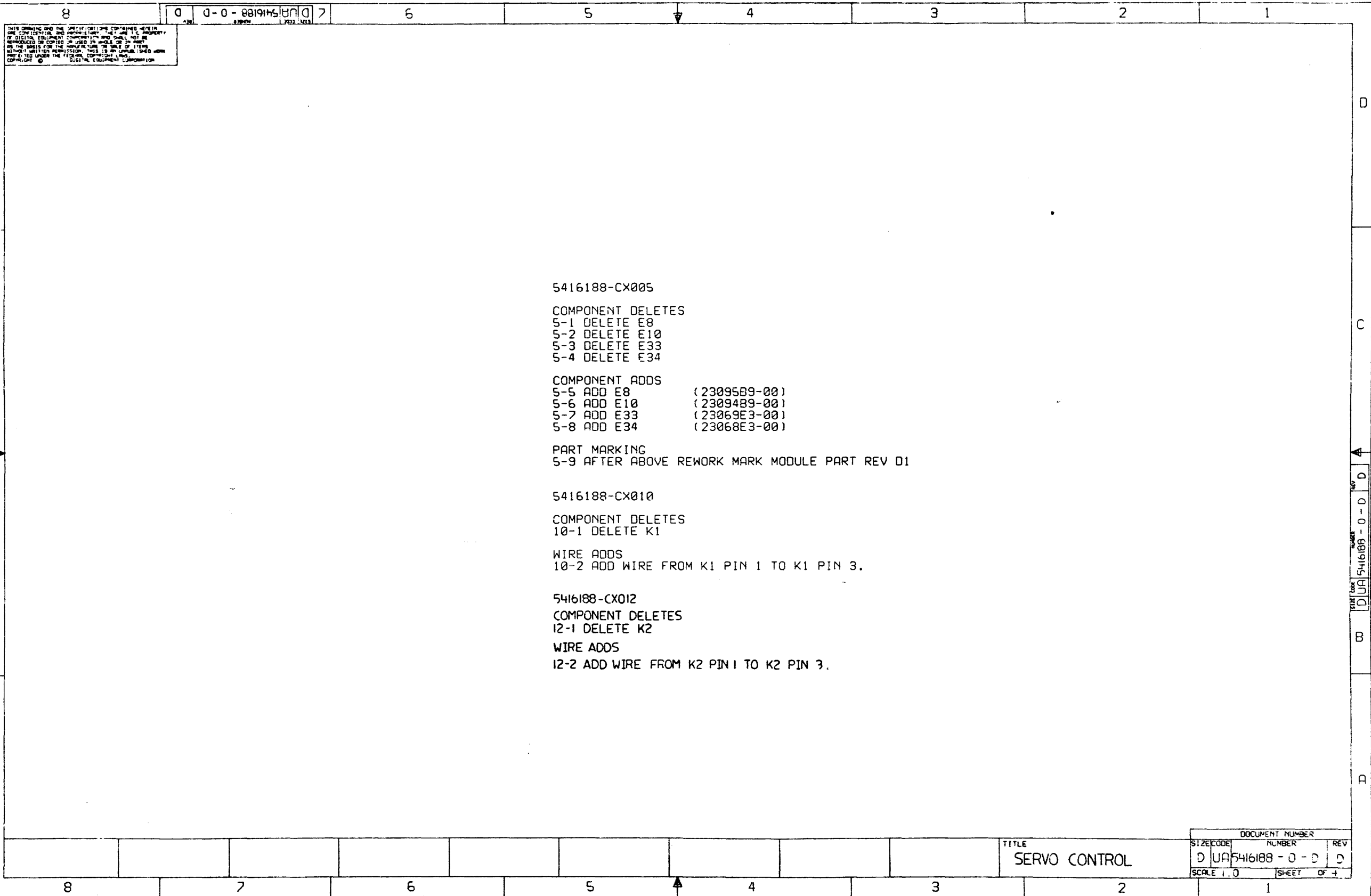


REVISIONS		
CHK	CHANGE NO.	REV

TITLE	SERVO CONTROL	SIZE CODE	DUA	NUMBER	5416188-0-D	REV.	1
SCALE	2.0	SHEET	3	OF	4	DIST.	

DUA 5416188-0-D

3 of 4



THIS DRAWING AND THE SPECIFICATIONS CONTAINED HEREIN ARE CONFIDENTIAL AND PROPRIETARY TO THE U.S. GOVERNMENT. NO PART OF THIS DRAWING OR SPECIFICATIONS SHALL BE REPRODUCED OR USED IN WHOLE OR IN PART IN THE SERVICE OF THE UNITED STATES OR ANY OTHER GOVERNMENT WITHOUT WRITTEN PERMISSION. THIS IS AN UNCLASSIFIED WORK RELEASED UNDER THE FEDERAL COPYRIGHT LAW. COPYRIGHT © DIGITAL EQUIPMENT CORPORATION

D-UA 5416188-0-0
 4 of 4

DOCUMENT NUMBER		
SIZE/SCALE	NUMBER	REV
D UA	5416188-0-0	0
SCALE 1:0		SHEET OF 4

TITLE
 SERVO CONTROL

LINE	ITEM	TOP DOCUMENT	PART NUMBER	MIN REV	DESCRIPTION	QTY PER VAR/REV	01 D13	REFERENCE DESIGNATORS
1	1	K-DD-5016187-0-0	50-16187-01	D	DRILL AND ETCH	1		
2	2		10-00037-00		0.22 MFD 100V +/-10% MYLAR	1		C148
3	3		10-01610-00		0.010MFD 50V +80/-20% Z5U C	52		C18,C66,C67,C166,C169, CONT C177-C180,C187,C188,C201,C202, CONT C213,C214,C216,C217,C220,C222, CONT C226-C232,C240,C243,C246,C248, CONT C250,C252,C254-C257,C259,C261, CONT C262,C266-C268,C270-C274,C276, CONT C278,C279,C282,C291
4	4		10-02425-00		5.0 PFD 100V +/- 5% 200PP	1		C141
5	5		10-05965-00		0.47MFD 35V +/-10% SOL	2		C20,C70
6	6		10-09312-00	4700	PFD 100V +/- 1% POLYP	16		C121-C136
7	7		10-12784-00		0.047MFD 50V +80/-20% Z5U C	36		C10,C11,C23,C72,C77,C153,C156, CONT C175,C176,C181,C182,C189-C200, CONT C211,C218,C225,C233,C236,C237, CONT C242,C260,C265,C269,C275,C277, CONT C283
8	8		10-13466-01	10	PFD 50V +/- 5% NPO C	7		C80-C82,C154,C157,C158,C205
9	9		10-13466-02	18	PFD 50V +/- 5% NPO C	4		C38-C41
10	10		10-13466-05	56	PFD 50V +/- 5% NPO C	2		C16,C17
11	11		10-13466-06	100	PFD 50V +/- 5% NPO C	4		C62,C63,C290,C293
12	12		10-13466-07	220	PFD 50V +/- 5% NPO C	2		C30,C31
13	13		10-13466-08	680	PFD 50V +/-10% X7R C	1		C71
14	14		10-13466-12	2200	PFD 50V +/-10% X7R C	2		C76,C142
15	15		10-13466-16		0.010MFD 50V +/-10% X7R C	4		C9,C21,C25,C69
16	16		10-13466-17	150	PFD 50V +/- 5% NPO C	1		C95
17	17		10-13466-19	470	PFD 50V +/- 5% NPO C	1		C401
18	18		10-13465-23	22	PFD 50V +/- 5% NPO C	1		C33
19	19		10-13466-24	47	PFD 50V +/- 5% NPO C	4		C14,C15,C109,C297
20	20		10-13466-26	120	PFD 50V +/- 5% NPO C	2		C170,C294
21	21		10-13466-28	1000	PFD 50V +/- 5% NPO C	5		C6,C7,C61,C403,C404
22	22		10-13466-29	1500	PFD 50V +/- 5% NPO C	4		C12,C13,C280,C292

REVISION HISTORY			KPL MODULE FORMAT SECTION A OF A		DRN: SUE BOURBEAU	D I G I T A L					
ENG	ECO NUMBER	REV	SECTION/VARIATION INDEX		DATE: 25-JUN-85	TITLE PARTS LIST					
ML	5416188-CX003	A	[CA]	01	[M]	CHK'D: SUE BOURBEAU	SERVO CONTROL				
ML	5416188-CX006	B	[CB]		[N]	DATE: 25-JUN-85					
ML	5416188-CX007	C	[CC]		[P]	DES.ENG: MARK LEAPER					
ML	5416188-CX009	D	[CD]		[Q]	DATE: 25-JUN-85	DOCUMENT NUMBER				
AM	5416188-CX010	E	[CE]		[R]		SIZE	CODE	NUMBER	REV	
CW	5416188-CX011	F	[CF]		[S]	RESP.ENG.: MARK LEAPER	K	PL	5416188-0-DBPD	H	
AM	5416188-CX012	H	[CH]		[T]	DATE: 25-JUN-85					
			[CJ]		[V]						
			[CK]		[W]	MFG.ENG: DON KILDEBECK	RELEASE DATE: 09-SEP-87				
			[CL]		[Y]	DATE: 25-JUN-85	RELEASE STATUS: RELEASED				
BASIC PART NUMBER:			ASSEMBLY NUMBER:		TOP DOCUMENT NUMBER:		FILE NAME:		EDIT #		
5416188			D-UA-5416188-0-D		K-DD-5416188-0-0		CX347H.PLS		2		

"THIS DRAWING AND THE SPECIFICATIONS CONTAINED HEREIN ARE CONFIDENTIAL AND PROPRIETARY. THEY ARE THE PROPERTY OF DIGITAL EQUIPMENT CORPORATION AND SHALL NOT BE REPRODUCED OR COPIED OR USED IN WHOLE OR IN PART AS THE BASIS FOR THE MANUFACTURE OR SALE OF ITEMS WITHOUT WRITTEN PERMISSION. THIS IS AN UNPUBLISHED WORK PROTECTED UNDER THE FEDERAL COPYRIGHT LAWS."

LINE ITEM	TOP DOCUMENT	PART NUMBER	MIN REV	DESCRIPTION	QTY PER VAR/REV	REFERENCE DESIGNATORS
23	23	10-13466-42	4700	PFD 50V +/- 2% NPO C	1	C111
24	24	10-13466-43	0.010	MFD 50V +/- 5% X7R C	1	C83
25	25	10-13466-45	220	PFD 50V +/- 1% NPO C	4	C52-C55
26	26	10-13466-46	0.047	MFD 50V +/- 10% X7R C	1	C400
27	27	10-13466-48	0.12	MFD 50V +/- 5% X7R C	2	C106,C402
28	28	10-13466-50	680	PFD 50V +/- 5% NPO C	1	C94
29	29	10-15573-00	0.027	MFD 50V +/- 5% X7R C	3	C19,C84,C161
30	30	10-15573-01	5600	PFD 50V +/- 5% X7R C	4	C32,C102,C143,C168
31	31	10-16009-01	2200	PFD 50V +/- 2% NPO C	4	C90-C93
32	32	10-27452-01	10	MFD 35V +75/-10% ALU	24	C1,C2,C8,C26-C29,C65,C68,C146, CONT C147,C165,C171-C174,C185,C186, CONT C203,C204,C206-C208,C281
33	33	11-00122-00	VZ= 3.9	5% 400 MW 1N748A	2	D1,D28
34	34	11-00125-00	VZ= 10.0	5% 400 MW 1N758A	4	D52,D54,D56,D58
35	35	11-05275-00	PIV= 60	I0=300 MA -15NS	24	D11,D12,D19-D21,D29,D45,D51, CONT D53,D55,D57,D59-D63,D65-D68, CONT D73-D75,D80
36	36	11-05871-00	VZ= 5.15	1% 250 MW	2	D4,D71
37	37	11-09977-00	VZ= 4.3	5% 1N749A	1	D2
38	38	11-09991-01	VZ= 6.8	1% 400 MW D	1	D3
39	39	11-13003-0C	PIV= 55	I0=200 MA - 4NS 1N5282	6	D5-D10
40	40	11-14384-00	LED 105MW	35MA GREEN	2	D76,D77
41	41	11-16824-00	VARICAPS, PIV= 3	400MW 1N5	2	D30,D31
42	42	11-18548-00	SS ARRAY WIV= 50	IF= 350MA 8DI	2	E87,E100
43	43	12-12204-13	PCB HEADER 16PIN(1X16).	.156CC 90D	1	J403
44	44		*** THIS ITEM IS NOT USED ***		-	
45	45	12-12965-01	PCB,HEADER 10PIN(2X05).	.100CC 90D	1	J401
46	46	12-16832-02	PCB,HEADER 40POS(2X20).	.100CC 90D	1	J402
47	47	12-16869-00	THERMOSTAT,74 C		1	S1
48	48	12-18911-00	*** THIS ITEM IS NOT USED ***		-	
49	49	13-00219-00	68.0	.25 W 5.0 % CF	1	R27
50	50	13-00247-00	120.0	.25 W 5.0 % CF	3	R817,R898,R899
51	51	13-00338-00	560.0	.50 W 5.0 % CF	2	R10,R11
52	52	13-00308-00	390.0	.50 W 5.0 % CF	3	R40,R41,R266
53	53	13-00316-00	470.0	.25 W 5.0 % CF	4	R54-R56,R818
54	54	13-00365-00	1.0 K	.25 W 5.0 % CF	11	R53,R107,R175,R181,R226,R280, CONT R281,R285,R288,R331,R801
55	55	13-00411-00	2.0 K	.25 W 1.0 % RN55D-F10	1	R307
56	56	13-00432-00	3.0 K	.25 W 5.0 % CF	2	R98,R99
57	57	13-00444-00	3.90 K	.25 W 5.0 % CF	2	R115,R119
58	58	13-00447-00	4.70 K	.25 W 5.0 % CF	18	R110,R112,R125-R127,R216,R242, CONT R243,R351,R352,R800,R802,R803, CONT R812-R816
59	59	13-00479-00	10.0 K	.25 W 5.0 % CF	12	R176,R182,R230,R233,R234,R240, CONT R302,R303,R353,R354,R501,R504
60	60	13-00496-00	15.0 K	.25 W 5.0 % CF	2	R88,R89
61	61	13-00554-00	470.0 K	.50 W 10.0 % CF	1	R220
62	62	13-01317-00	10.0	.25 W 5.0 % CF	2	R45,R284
63	63	13-01422-00	7.50 K	.25 W 5.0 % CF	1	R46
64	64	13-01837-00	1.21 K	.50 W 1.0 % RN60C-F 5	2	R35,R36

DI	GI	TA	L	TITLE	SERVO CONTROL	SECTION A	OF A	SIZE	CODE	DOCUMENT NUMBER	5416188-0-DBPD	REV	H
----	----	----	---	-------	---------------	-----------	------	------	------	-----------------	----------------	-----	---

LINE	ITEM	TOP DOCUMENT	PART NUMBER	MIN REV	DESCRIPTION	QTY PER VAR/REV	REFERENCE DESIGNATORS
						01 D13	
65	65		13-19471-06	36.0	2.0 W 5.0 % M.OXIDE	3	R239,R245,R246
66	66		13-02321-00	510.0	.50 W 5.0 % CF	1	R100
67	67		13-02381-00	200.0	.50 W 5.0 % CF	4	R8,R9,R38,R39
68	68		13-02388-00	2.0 K	.25 W 5.0 % CF	2	R86,R87
69	69		13-02411-00	511.0	.25 W 1.0 % RN55D-F10	2	R143,R268
70	70		13-02466-00	100.0 K	.25 W 5.0 % CF	2	R231,R236
71	71		13-02612-00	1.78 K	.25 W 1.0 % RN55D-F10	1	R17
72	72		13-02858-00	100.0	.25 W 1.0 % RN55D-F10	5	R6,R7,R195,R271,R275
73	73		13-02871-00	1.21 K	.25 W 1.0 % RN55D-F10	1	R18
74	74		13-02872-00	681.0	.25 W 1.0 % RN55D-F10	1	R50
75	75		13-03044-00	100.0 K	.25 W 1.0 % RN55D-F10	4	R69-R72
76	76		13-03111-00	205.0	.25 W 1.0 % RN55D-F10	1	R68
77	77		13-03114-00	1.0 K	.25 W 1.0 % RN55D-F10	12	R67,R90,R93,R211,R213,R227, CONT R277,R305,R324-R327
78	78		13-03177-00	2.40 K	.25 W 5.0 % CF	1	R241
79	79		13-03179-00	8.20 K	.25 W 5.0 % CF	1	R237
80	80		13-03312-00	10.0 K	.25 W 1.0 % RN55D-F10	14	R97,R113,R117,R122,R136,R146, CONT R188,R194,R197,R198,R214,R215, CONT R318,R321
81	81		13-04693-00	562.0	.25 W 1.0 % RN55D-F10	1	R32
82	82		13-04854-00	5.11 K	.25 W 1.0 % RN55D-F10	1	R26
83	83		13-04855-00	9.09 K	.25 W 1.0 % RN55D-F10	1	R228
84	84		13-04863-00	316.0	.25 W 1.0 % RN55D-F10	2	R43,R44
85	85		13-05114-00	3.48 K	.25 W 1.0 % RN55D-F10	2	R91,R94
86	86		13-05124-00	287.0	.25 W 1.0 % RN55D-F10	3	R14,R15,R14
87	87		13-05125-00	383.0	.25 W 1.0 % RN55D-F10	1	R96
88	88		13-05125-00	619.0	.25 W 1.0 % RN55D-F10	1	R256
89	89		13-05131-00	274.0 K	.25 W 1.0 % RN55D-F10	2	R267,R273
90	90		13-05143-00	825.0	.25 W 1.0 % RN55D-F10	1	R49
91	91		13-05253-00	7.15 K	.25 W 1.0 % RN55D-F10	4	R189-R192
92	92		13-05323-00	511.0 K	.25 W 1.0 % RN55D-F10	1	R144
93	93		13-05324-00	4.99 K	.25 W 1.0 % RN55D-F10	6	R161,R272,R276,R310,R316,R328
94	94		13-05336-00	200.0 K	.25 W 1.0 % RN55D-F10	1	R150
95	95		13-05405-00	*** THIS	ITEM IS NOT USED ***	-	
96	96		13-05422-00	137.0 K	.25 W 1.0 % RN55D-F10	1	R73
97	97		13-09413-00	3.83 K	.25 W 1.0 % RN55D-F10	1	R16
98	98		13-09416-00	31.60 K	.25 W 1.0 % RN55D-F10	1	R109
99	99		13-09595-00	1.0 M	.25 W 5.0 % CF	10	R114,R118,R128-R130,R253,R254, CONT R257,R258,R308
100	100		13-10630-00	1.33 K	.25 W 1.0 % RN55D-F10	1	R317
101	101		13-10634-00	2.67 K	.25 W 1.0 % RN55D-F10	3	R81,R193,R252
102	102		13-10876-03	.05	5.0 W 3.0 % WW	2	R223,R224
103	103		13-11522-00	200.0	.25 W 5.0 % CF	1	R152
104	104		13-12626-00	2.49 K	.25 W 1.0 % RN55D-F10	2	R270,R274
105	105		13-12699-00	150.0	.50 W 1.0 % RN60D-F10	5	R217-R219,R221,R222
106	106		13-12924-00	10.70 K	.25 W 1.0 % RN55D-F10	4	R79,R162,R163,R251
107	107		13-12928-00	51.0	.25 W 5.0 % CF	6	R103,R121,R123,R124,R289,R290
108	108		13-12930-00	5.10 K	.25 W 5.0 % CF	6	R1,R57,R116,R120,R232,R235
109	109		13-12985-00	332.0 K	.25 W 1.0 % RN55D-F10	1	R92
110	110		13-12990-00	12.70 K	.25 W 1.0 % RN55D-F10	1	R80

D	I	G	I	T	A	L	TITLE	SECTION A	OF A	SIZE	CODE	DOCUMENT NUMBER	REV
							SERVO CONTROL			K	PL	5416188-0-DBPD	H

LINE	ITEM	TOP DOCUMENT	PART NUMBER	MIN REV	DESCRIPTION	QTY PER VAR/REV	REFERENCE DESIGNATORS
111	111		13-13344-00	75.0 K	.25 W 1.0 % RN55D-F10	2	R47,R111
112	112		13-13588-00	768.0	.25 W 1.0 % RN55D-F10	1	R187
113	113		13-13589-00	1.40 K	.25 W 1.0 % RN55D-F10	2	R58,R59
114	114		13-13594-00	14.0 K	.25 W 1.0 % RN55D-F10	4	R177-R180
115	115		13-13596-00	20.0 K	.25 W 1.0 % RN55D-F10	13	R139,R164-R166,R171-R174,R210, CONT R212,R322,R502,R804
116	116		13-13152-00	60.40 K	.25 W 1.0 % RN55D-F10	1	R323
117	117		13-13775-00	80.60 K	.25 W 1.0 % RN55D-F10	1	R95
118	118		13-13840-00	4.53 K	.25 W 1.0 % RN55D-F10	1	R312
119	119		13-13842-00	48.70 K	.25 W 1.0 % RN55D-F10	6	R151,R153,R167,R169,R170,R306
120	120		13-13845-00	3.09 K	.25 W 1.0 % RN55D-F10	2	R196,R199
121	121		13-13846-00	2.26 K	.25 W 1.0 % RN55D-F10	2	R37,R60
122	122		13-14041-00	3.01 K	.25 W 1.0 % RN55D-F10	1	R66
123	123		13-14120-00	78.70 K	.25 W 1.0 % RN55D-F10	1	R357
124	124			*** THIS ITEM IS NOT USED ***		-	
125	125		13-14187-00	6.19 K	.25 W 1.0 % RN55D-F10	1	R137
126	126		13-14251-00	61.90 K	.25 W 1.0 % RN55D-F10	1	R259
127	127		13-14397-00	9.53 K	.25 W 1.0 % RN55D-F10	1	R320
128	128		13-14988-00	6.65 K	.25 W 1.0 % RN55D-F10	2	R355,R356
129	129		13-14989-00	11.30 K	.25 W 1.0 % RN55D-F10	4	R183-R186
130	130		13-15240-00	.10	3.0 W 1.0 % WW	1	R225
131	131		13-16254-00	R. NET	470.0 - 7 2.0	3	Z23,Z26,Z29
132	132		13-16254-01	R. NET	4.7K- 7 2.0	3	Z13,Z21,Z22
133	133		13-16254-02	R. NET	1.0K- 7 2.0	1	Z15
134	134		13-16334-02	R. NET	10.0K- 9 2.0	1	Z59
135	135		13-16395-00	R. NET	4.7K- 9 2.0	3	Z30,Z64,Z65
136	136		13-16541-00	54.90 K	.25 W 1.0 % RN55D-F10	1	R314
137	137		13-16839-00	715.0	.25 W 1.0 % RN55D-F10	1	R48
138	138		13-17033-00	16.0 K	.25 W 5.0 % CF	1	R358
139	139		13-17183-03	115.0 K	.25 W 1.0 % RN55D-F10	2	R21,R33
140	140		13-17398-00	4.22 K	.25 W 1.0 % RN55D-F10	1	R25
141	141		13-17404-00	249.0	.25 W 1.0 % RN55D-F10	1	R42
142	142		13-18150-08	3.24 K	.25 W 1.0 % RN55D-F10	1	R313
143	143		13-18150-13	9.31 K	.25 W 1.0 % RN55D-F10	1	R319
144	144		13-18532-00	R. NET	100.0 - 4 2.0	7	Z2,Z5,Z9,Z11,Z12,Z20,Z25
145	145		13-18532-01	R. NET	1.0K- 4 2.0	2	Z1,Z37
146	146		13-18532-03	R. NET	3.0K- 4 2.0	1	Z16
147	147		13-18532-04	R. NET	5.1K- 4 2.0	1	Z4
148	148		13-18532-05	R. NET	10.0K- 4 2.0	8	Z6,Z38,Z52,Z56-Z58,Z60,Z63
149	149		13-18532-06	R. NET	51.0K- 4 2.0	3	Z51,Z54,Z55
150	150		13-18532-07	R. NET	100.0K- 4 2.0	1	Z17
151	151		13-18533-00	R. NET	20.0K- 4 2.0	5	Z31,Z34,Z35,Z40,Z41
152	152		13-18534-00	R. NET	14.7K- 4 .0	3	Z3,Z18,Z19
153	153		13-18546-08	19.10 K	.25 W 1.0 % RN55D-F10	1	R138
154	154		13-18546-21	113.0 K	.25 W 1.0 % RN55D-F10	1	R159
155	155		13-18546-29	182.0 K	.25 W 1.0 % RN55D-F10	1	R134
156	156		13-19471-01	10.0	2.0 W 5.0 % M.OXIDE	4	R282,R283,R286,R287
157	157		13-20415-03	*** THIS ITEM IS NOT USED ***		-	
158	158		15-09900-00	2N 4859	FET 360MW SIN CHNNL	1	Q9
159	159		15-10421-00	D 44C8	NPN 30WT SI 60 20	1	Q13

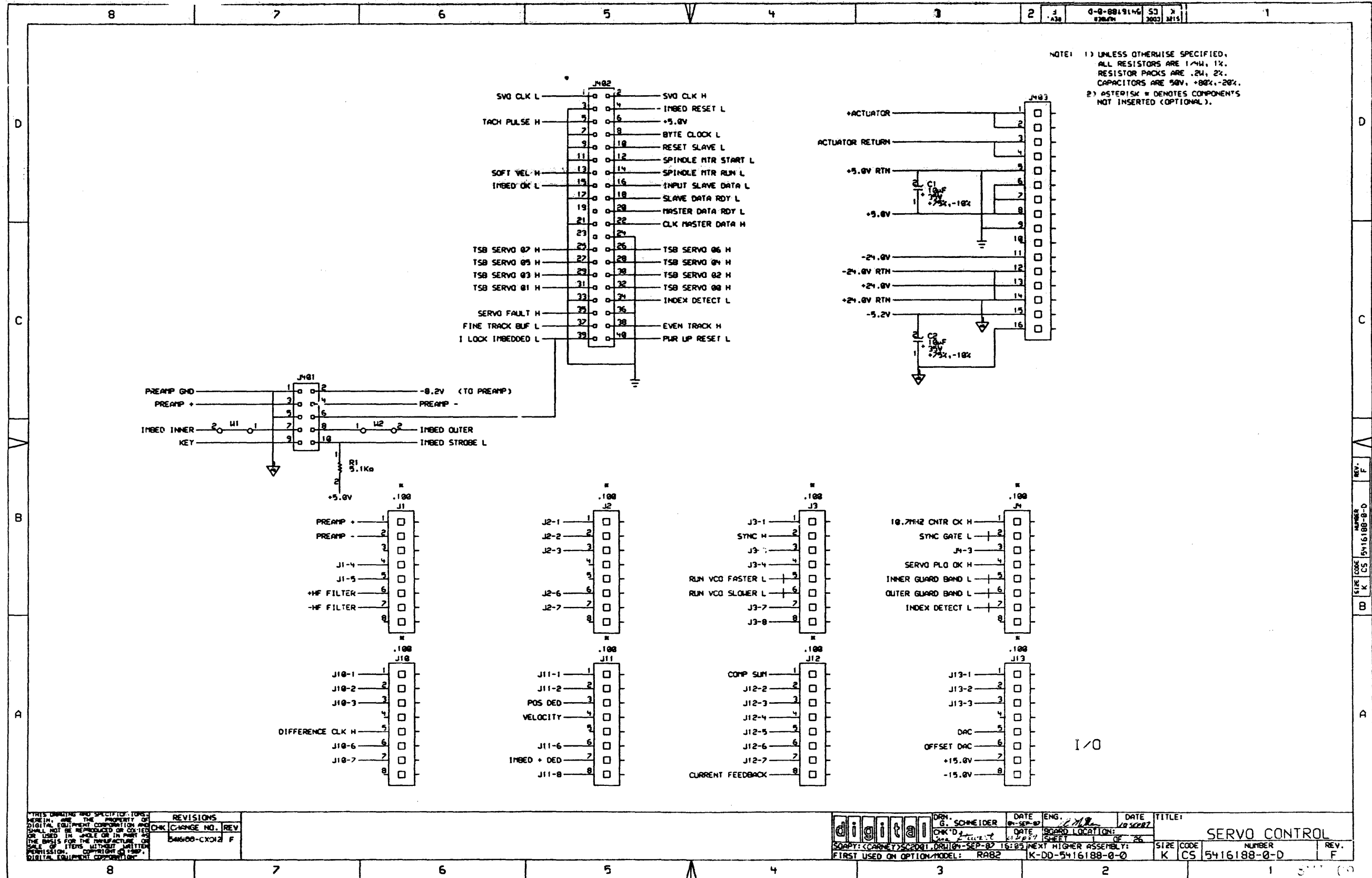
! D ! I ! G ! I ! T ! A ! L !	TITLE	SECTION A OF A	! SIZE ! CODE !	DOCUMENT NUMBER	! REV !
! ! ! ! ! ! ! !	SERVO CONTROL	! ! ! ! ! ! ! !	! K ! PL !	5416188-0-DBPD	! H !
! ! ! ! ! ! ! !	! ! ! ! ! ! ! !	! ! ! ! ! ! ! !	! ! ! ! ! ! ! !	! ! ! ! ! ! ! !	! ! ! ! ! ! ! !

LINE	ITEM	TOP DOCUMENT	PART NUMBER	MIN REV	DESCRIPTION	QTY PER VAR/REV	REFERENCE DESIGNATORS
						01 D13	
160	160		15-11282-00		MJ2500 PNP 150WC SI 60 5 1K 5A	1	Q10
161	161		15-11349-00		TIP 640 (OR MJ3000) NPN DARLNGT	1	Q11
162	162		15-13489-00		2N 4401 NPN 350MW SI 40 20	2	Q7,Q12
163	163		15-13490-00		2N 4403 PNP 350MW SI-40 30	1	Q8
164	164		15-17999-00		3906 PNP 900MW ARRAY 14PIN	3	E94,E96,E101
165	165		15-19472-01		2N 4209 PNP 300MW 15VQ50MA	1	Q3
166	166		16-09756-00		2.2 UH 10% 760MA #DD2.20	2	L1,L2
167	167		16-12946-00		10.0 UH 10% Q MIN=55@7.9MHZ	2	L3,L4
168	168		16-16879-00		INDUCTOR 1.12UH 1% 370MA	1	L5
169	169		16-18544-00		DELAY= 250NS, 5TAPS	2	E68,E69
170	170		18-12396-05		XTAL 6.144 MHZ	1	Y1
171	171		19-10268-00		DEC 75107B RECEIVER,LINE,DUAL,2	1	E80
172	172		19-10406-00		75451 DRIVER,PERIPH,DUAL,A	2	E52,E53
173	173		19-10532-00		74S00 NAND GATE-QUAD 2IN	1	E55
174	174		19-10533-00		74S03 NAND GATE-QUAD 2IN,0	1	E24
175	175		19-10534-00		74S04 INVERTER GATE-HEX 1I	3	E29,E41,E85
176	176		19-10536-00		74S10 NAND GATE-TRIPLE 3IN	1	E38
177	177		19-10537-00		74S11 AND GATE-TRIPLE 3INP	1	E56
178	178		19-10540-00		74S22 NAND GATE-DUAL 4INPU	1	E23
179	179		19-10544-00		74S74 FF-D DUAL,EDGE TRIGG	3	E27,E54,E57
180	180		19-10544-01		74S74-60GG-D DUAL,EDGE TRIG	1	E44
181	181		19-10644-00		733 DIFFERENTIAL AMP,WID	1	E105
182	182		19-10741-00		7406 INVERTER GATE-HEX 1I	1	E70
183	183		19-11415-00		10125 ECL TO TTL TRNSLTR	1	E16
184	184		19-11629-00		1408L8 DAC, 8BIT	2	E75,E78
185	185		19-12108-00		LM339 VOLT CMPRTR,QUAD	4	E74,E83,E84,E91
186	186		19-12792-01		7915CKVOLT REG,FIX -15V	1	Q18
187	187		19-12799-00		LS00 NAND-GATE-QUAD 2IN,P	4	E42,E43,E47,E66
188	188		19-12803-00		LS04 INVERTER GATE,HEX	3	E20,E46,E49
189	189		19-12805-00		LS08 AND GATE-QUAD 2IN,PO	1	E50
190	190		19-12807-00		LS10 NAND GATE-TRIPLE 3IN	1	E67
191	191		19-12808-00		LS11 AND GATE-TRIPLE 3IN	1	E64
192	192		19-12810-00		LS20 NAND GATE-DUAL 4IN	1	E60
193	193		19-12816-00		LS32 OR GATE-QUAD 2IN,POS	3	E51,E59,E63
194	194		19-12824-00		LS74 FF-D DUAL,EDGE TRIGG	8	E5,E37,E40,E45,E48,E58,E65,E81
195	195		19-12834-00		LS112 FF-JK,DUAL,EDGE TRIG	1	E4
196	196		19-12837-00		LS123 ONE SHOT-DUAL,RETRIG	3	E72,E73,E76
197	197		19-12842-00		LS138 DECODER-THREE INPUT,	2	E12,E13
198	198		19-12849-00		LS161 COUNTER,SYNCHR,4BIT	2	E19,E26
199	199		19-12850-00		LS164 SHIFT REG. 8BIT SERI	1	E17
200	200		19-12858-00		LS221 ONE SHOT-DUAL,SCHMIT	1	E71
201	201		19-12863-00		LS273 FF-D OCTAL W/CLEAR	1	E39
202	202		19-13017-00		3046 XSISTOR ARRAY,3 ISOL	5	E15,E86,E93,E115,E116
203	203		19-13035-02	LM	308ANOP AMP GEN PURP. COM	2	E90,E118
204	204		19-13667-00	DP	8212N BUFFER 8 BIT TRISTAT	2	E21,E22
205	205		19-14086-00		74S30 NAND GATE-POS 8IN	1	E18
206	206		19-14473-00	DEC	7815 VOLT REG,FIX +15V	1	Q17
207	207		19-14485-02	TL	084B OP AMP,QUAD,JFET	11	E89,E99,E102,E104,E106,E110, CONT E113,E114,E117,E120,E124
208	208		19-15218-00		LS245 TRANSCEIVER,BUS,OCTA	1	E9

D	I	G	I	T	A	L	TITLE	SECTION A	OF A	SIZE	CODE	DOCUMENT NUMBER	REV
							SERVO CONTROL			K	PL	5416188-0-DBPD	H

LINE	ITEM	TOP DOCUMENT	PART NUMBER	MIN REV	DESCRIPTION	QTY PER VAR/REV	REFERENCE DESIGNATORS
						01 D13	
209	209		19-15219-00		LS373 FF-D OCTAL-TRANSPARE	1	E32
210	210		19-16079-00		8253-5TIMER,PROGRAMMABLE I	1	E31
211	211		19-16574-00		10114 RECEIVER,LINE,TRIPLE	1	E3
212	212		21-14212-00	P	2114-2 RAM,1024X4,STATIC	2	E35,E36
213	213		21-14963-00	P	2114-2 RAM,1024X4,STATIC	1	E11
214	214		21-16960-00		UP,8-BIT NMOS	1	E7
215	215		21-19304-01		2K MOS RAM 400NS 4	1	E77
216	216		21-19305-01		0804 ADC,8-BIT DIFFERENTI	8	E82,E107-E109,E112,E119,E121, CONT E122
217	217		23-94B9 -00		201 SWITCH,ANALOG QJAD	1	E10
218	218		23-68E3 -00	B9-02		1	E34
219	219		23-391A1-00	E3-03		1	E25
220	220		23-322A1-00	A1-07		1	E28
221	221		23-323A1-00	A1-07		1	E62
222	222		23-324A1-00	A1-07		1	E61
223	223		23-325A1-00	A1-07		1	E14
224	224		90-07791-00	A1-07		3	P1,P2,TP1
225	225		90-09185-00		TERM PCB 2POS SOLDER,TURRET	23	W1,W2,W5,W8,W15,W24,W30,W33, CONT W38,W41,W42,W47,W49,W51,W53, CONT W59,W60,W65,W77,W78,W158,W311, CONT W500
226	226		12-13071-02		JUMPER, WIRE, INSULATED, BLACK B	4	
227	227		12-13071-06		INSULATOR,RUBBER SILICONE SM	1	
228	228		12-15580-00		INSULATOR,RUBBER SILICONE	4	
229	229		12-16833-00		INSULATOR,MOLDED	1	
230	230		48-50018-01		HEAT SINK,EXTRUSION 06.00X02.8	A/R	
231	231		49-01259-00		MYLAR , .003"	A/R	
232	232		90-06010-01		ADHESIVE,ETHYL CYANOACRYLATE,KIT	1	
233	233		90-06022-01		SCREW,MACH PAN PHIL 4-	4	
234	234		90-06557-00		SCREW,MACH PAN PHIL 6-	1	
235	235		90-06560-00		NUT,HEX EXT TOOTH LCKWSHR 4-40	9	
236	236		90-06655-00		NUT,HEX EXT TOOTH LCKWSHR 6-32	1	
237	237		90-06656-00		WASHER,FLAT SST	4	
238	238		90-07793-01		WASHER,FLAT STEEL	8	
239	239		90-09676-00		SCREW,MACH PAN PHIL 6-	4	
240	240		12-15006-06		TERM,SOLDER BARRIER STR	2	XE33,XE34
241	241		12-15006-08		SKT,IC 24PIN DIP TIN SOLD	2	XE8,XE10
242	242		13-13342-00		SKT,IC 40PIN DIP TIN SOLD	1	R108
243	243				*** THIS ITEM IS NOT USED ***	-	
244	244		13-09415-00		18.70 K .25 W 1.0 % RN55D-F10	1	R255
245	245		13-11594-00		11.50 K .25 W 1.0 % RN55D-F10	1	R330
246	246		13-12452-00		30.10 K .25 W 1.0 % RN55D-F10	1	R154
247	247		13-18150-17		3.74 K .25 W 1.0 % RN55D-F10	3	R23,R24,R334
248	248		13-18546-65		34.0 K .25 W 1.0 % RN55D-F10	1	R333
249	249		13-05423-00		909.0 K .25 W 1.0 % RN55D-F10	1	R160
250	250		23-95B9 -00		226.0 K .25 W 1.0 % RN55D-F10	1	E8
251	251		23-69E3 -00	B9-02		1	E33
252	252		13-18341-15	E3-03		1	R51
253	253		13-00347-00		191.0 .25 W 1.0 % RN55D-F10	2	R12,R13
254	254		91-05740-55		680.0 .50 W 5.0 % CF	A/R	

! D ! I ! G ! I ! T ! A ! L !	TITLE	SECTION A OF A	! SIZE ! CODE !	DOCUMENT NUMBER	! REV !
! ! ! ! ! ! ! !	SERVO CONTROL		! K ! PL !	5416188-0-DBPD	! H !
! ! ! ! ! ! ! !			! ! ! !		! ! ! !

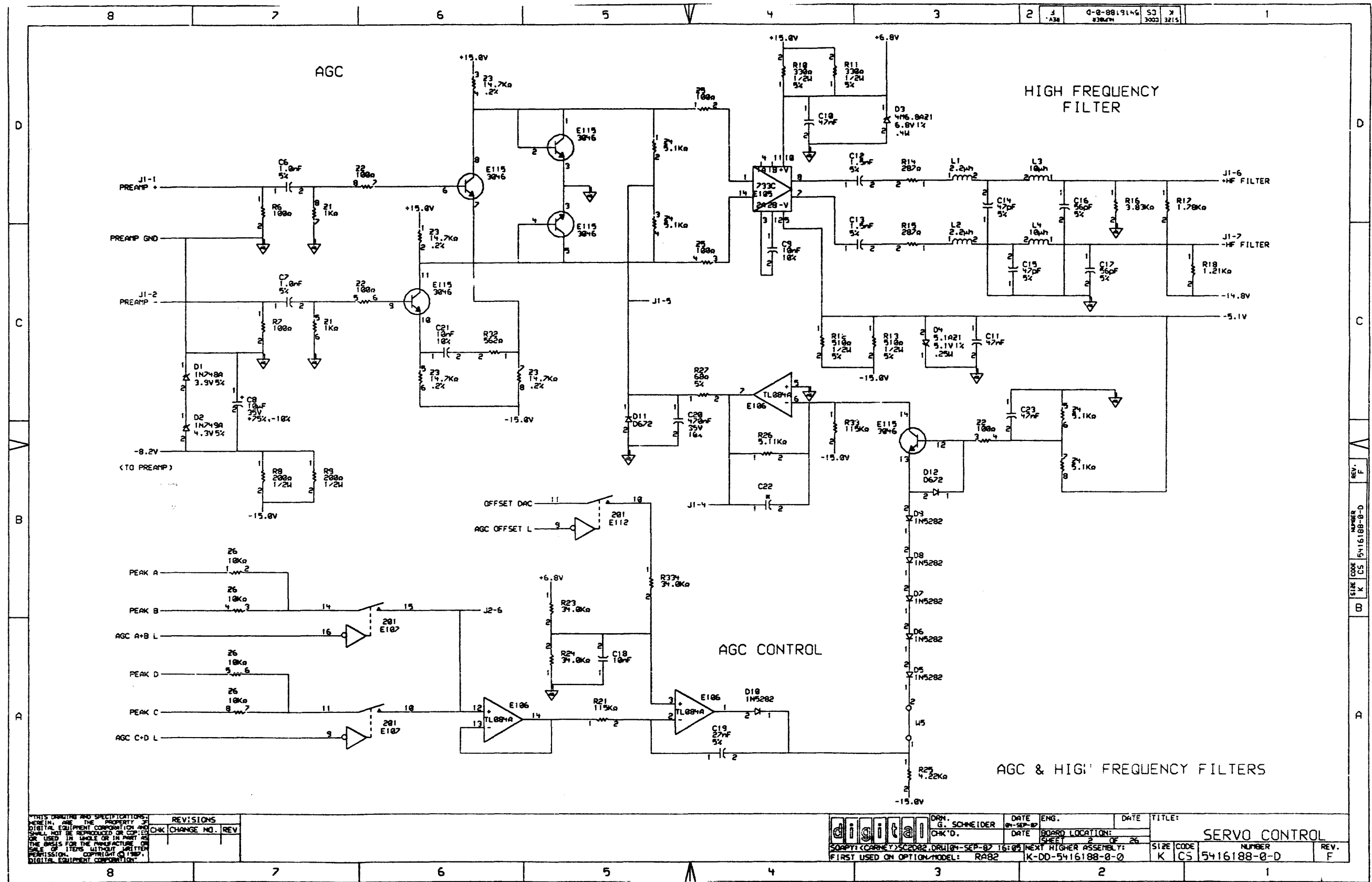


THIS DRAWING AND SPECIFICATIONS HEREIN ARE THE PROPERTY OF DIGITAL EQUIPMENT CORPORATION AND SHALL NOT BE REPRODUCED OR COPIED OR USED IN WHOLE OR IN PART AS THE BASIS FOR THE MANUFACTURE OR SALE OF ITEMS WITHOUT WRITTEN PERMISSION. COPYRIGHT © 1987, DIGITAL EQUIPMENT CORPORATION.

REVISIONS	
CHG	CHANGE NO. REV
001	001 012 F

	DRN. G. SCHNEIDER	DATE 08-SEP-87	ENG. J. M. [Signature]	DATE 10-SEPT-87	TITLE: SERVO CONTROL
	CHK'D [Signature]	DATE 01-SEP-87	DATE 01-SEP-87	SHEET 1 OF 26	BOARD LOCATION: 1 OF 26
SOA: P: CARMET 262011 DRN: SEP-87 16:25 NEXT HIGHER ASSEMBLY: K-DD-5416188-0-0		FIRST USED ON OPTION/MODEL: RAB2		SIZE CODE NUMBER REV. K CS 5416188-0-0 F	

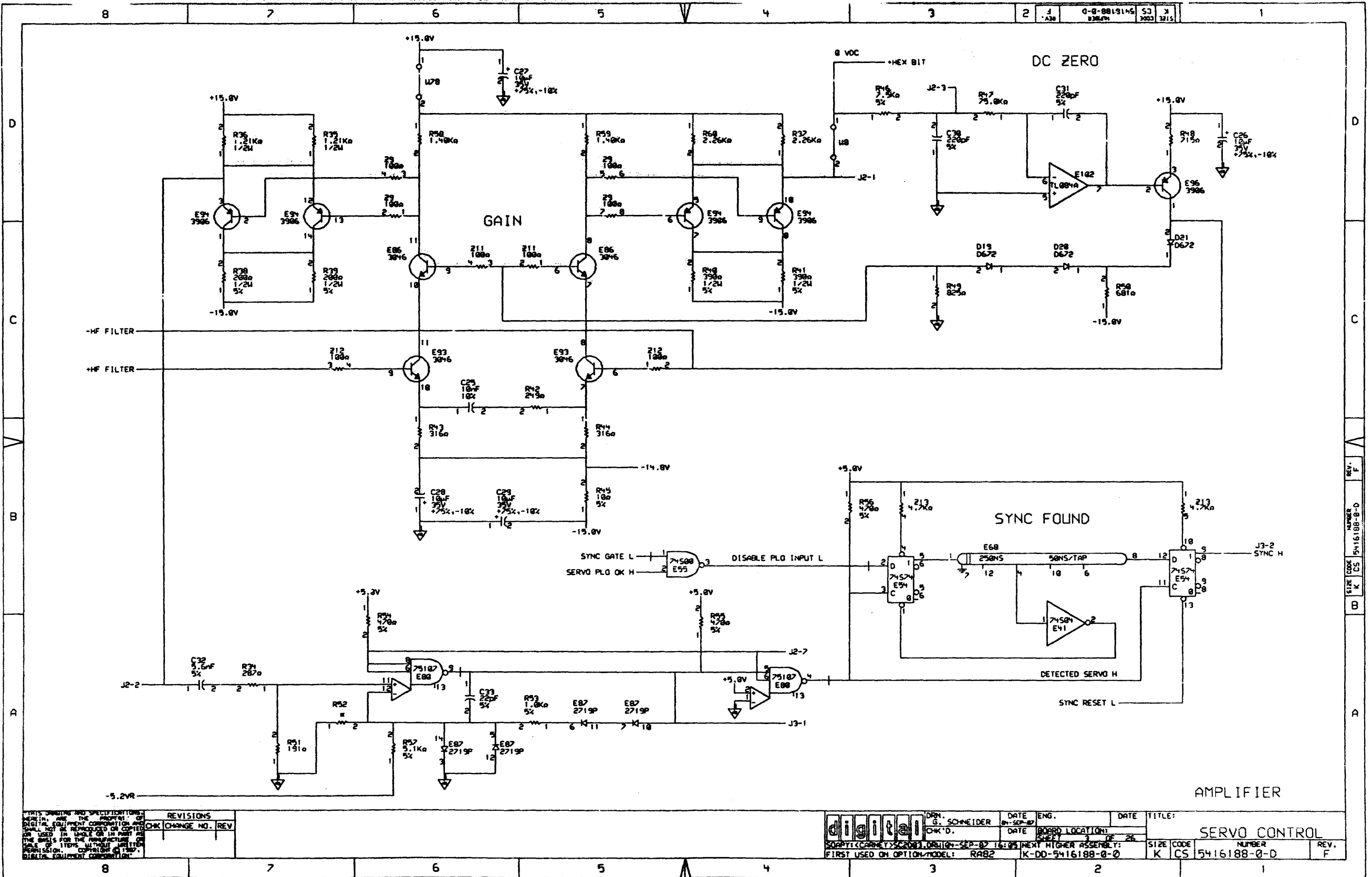
1/0



THIS DRAWING AND SPECIFICATIONS ARE THE PROPERTY OF DIGITAL EQUIPMENT CORPORATION AND SHALL NOT BE REPRODUCED OR USED IN WHOLE OR IN PART AS THE BASIS FOR THE MANUFACTURE OR SALE OF ITEMS WITHOUT WRITTEN PERMISSION. COPYRIGHT © 1967, DIGITAL EQUIPMENT CORPORATION.

REVISIONS		
CHK	CHANGE NO.	REV.

	DRN. G. SCHNEIDER	DATE 08-SEP-67	ENG.	DATE	TITLE
	CHK'D.	DATE	BOARD LOCATION:	SHEET 2 OF 26	SERVO CONTROL
FIRST USED ON OPTION MODEL: RAB2			NEXT HIGHER ASSEMBLY: K-DD-5416188-0-0		SIZE CODE K CS
				NUMBER 5416188-0-D	REV. F

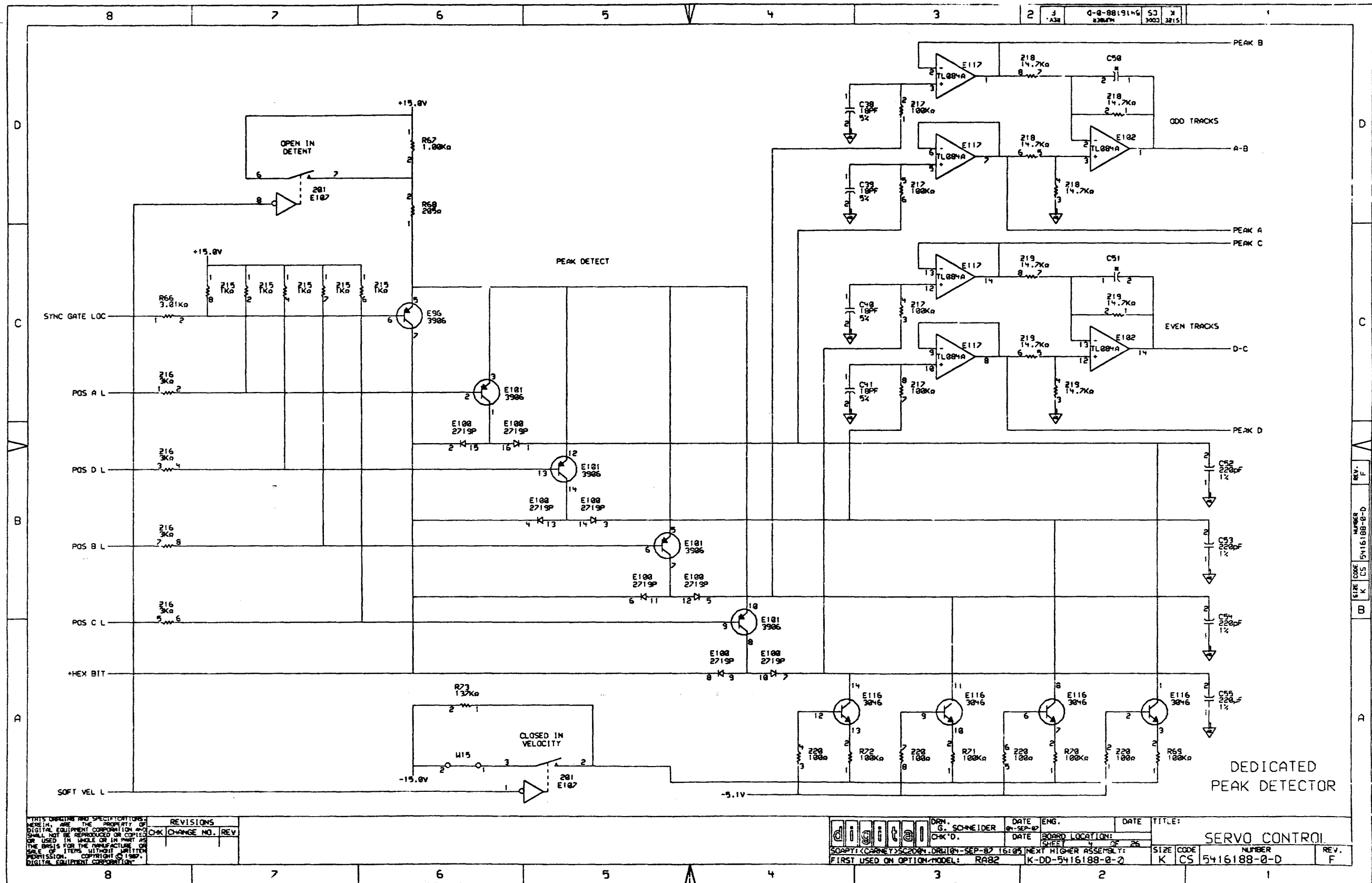


THIS DRAWING AND SPECIFICATIONS ARE THE PROPERTY OF DIGITAL EQUIPMENT CORPORATION AND SHALL NOT BE REPRODUCED OR COPIED IN WHOLE OR IN PART OR FOR ANY PURPOSES WITHOUT WRITTEN PERMISSION. CONTROL NO. 1157. DIGITAL EQUIPMENT CORPORATION.

REV	CHANGE NO.	REV

	DRN. G. SCHNEIDER	DATE 01-SEP-82	ENG.	DATE	TITLE:
	CHK'D.	DATE	BOARD LOCATION:	SHEET 3 OF 26	SERVO CONTROL
FIRST USED ON OPTION MODEL: RAB2 K-DD-5416188-0-0					SIZE CODE NUMBER REV. K CS 5416188-0-D F

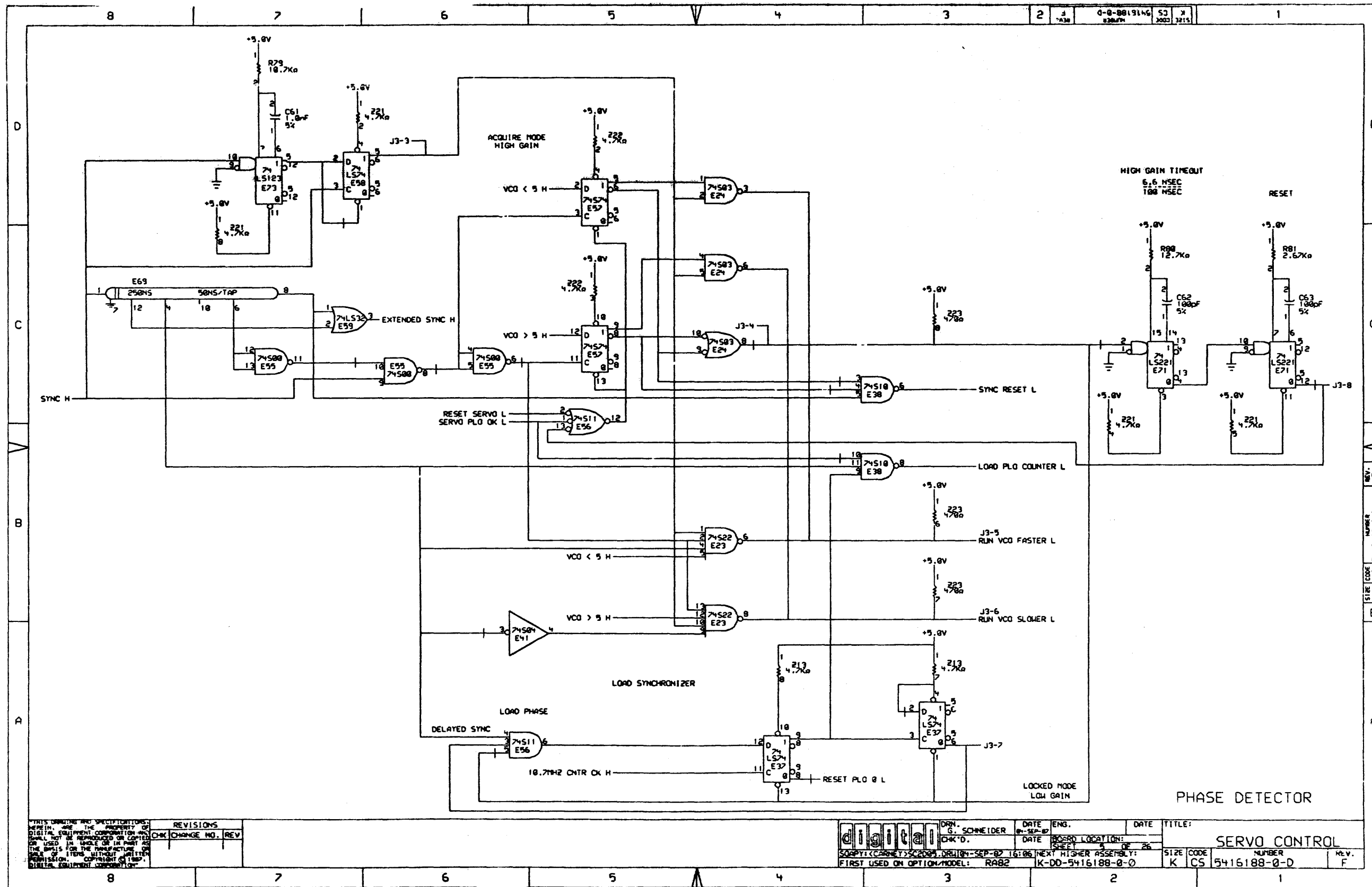
REV. F
 NUMBER 5416188-0-D
 SIZE CODE K CS



THIS DRAWING AND SPECIFICATIONS HEREIN ARE THE PROPERTY OF DIGITAL EQUIPMENT CORPORATION AND SHALL NOT BE REPRODUCED OR COPIED OR USED IN WHOLE OR IN PART AS THE BASIS FOR THE MANUFACTURE OR SALE OF ITEMS WITHOUT WRITTEN PERMISSION. COPYRIGHT © 1967, DIGITAL EQUIPMENT CORPORATION.

REVISIONS	
CHK	CHANGE NO. REV.

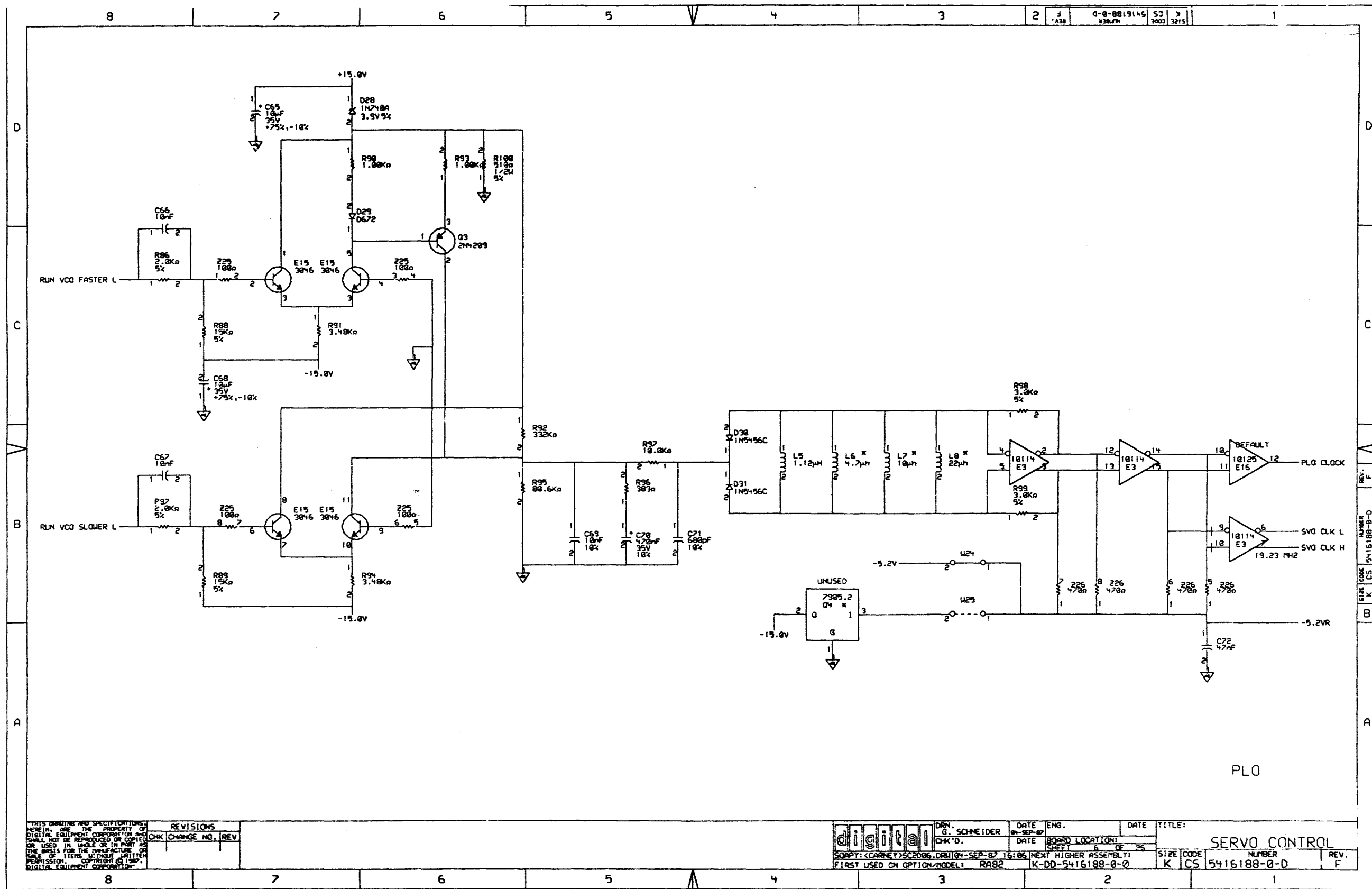
	DRN. G. SCHNEIDER	DATE 08-SEP-67	ENG.	DATE	TITLE: SERVO CONTROL
	CHK'D.	DATE	BOARD LOCATION: SHEET 4 OF 26		
SOA PT. (CARNEY) SC2004. DR. 108-SEP-67 16:05 NEXT HIGHER ASSEMBLY: K-DD-5416188-0-2		SIZE CODE K CS	NUMBER 5416188-0-D	REV. F	



THIS DRAWING AND SPECIFICATIONS HEREIN ARE THE PROPERTY OF DIGITAL EQUIPMENT CORPORATION AND SHALL NOT BE REPRODUCED OR COPIED OR USED IN WHOLE OR IN PART AS THE BASIS FOR THE MANUFACTURE OR SALE OF ITEMS WITHOUT WRITTEN PERMISSION. COPYRIGHT © 1984 DIGITAL EQUIPMENT CORPORATION.

REVISIONS	CHK	CHANGE NO.	REV

	DRN. G. SCHNEIDER	DATE 01-SEP-87	ENG.	DATE	TITLE: SERVO CONTROL
	CHK'D.	DATE	BOARD LOCATION: SHEET 5 OF 26		
FIRST USED ON OPTION/MODEL: RAB2		NEXT HIGHER ASSEMBLY: K-DD-5416188-0-0		SIZE CODE K CS	NUMBER 5416188-0-D
					REV. F

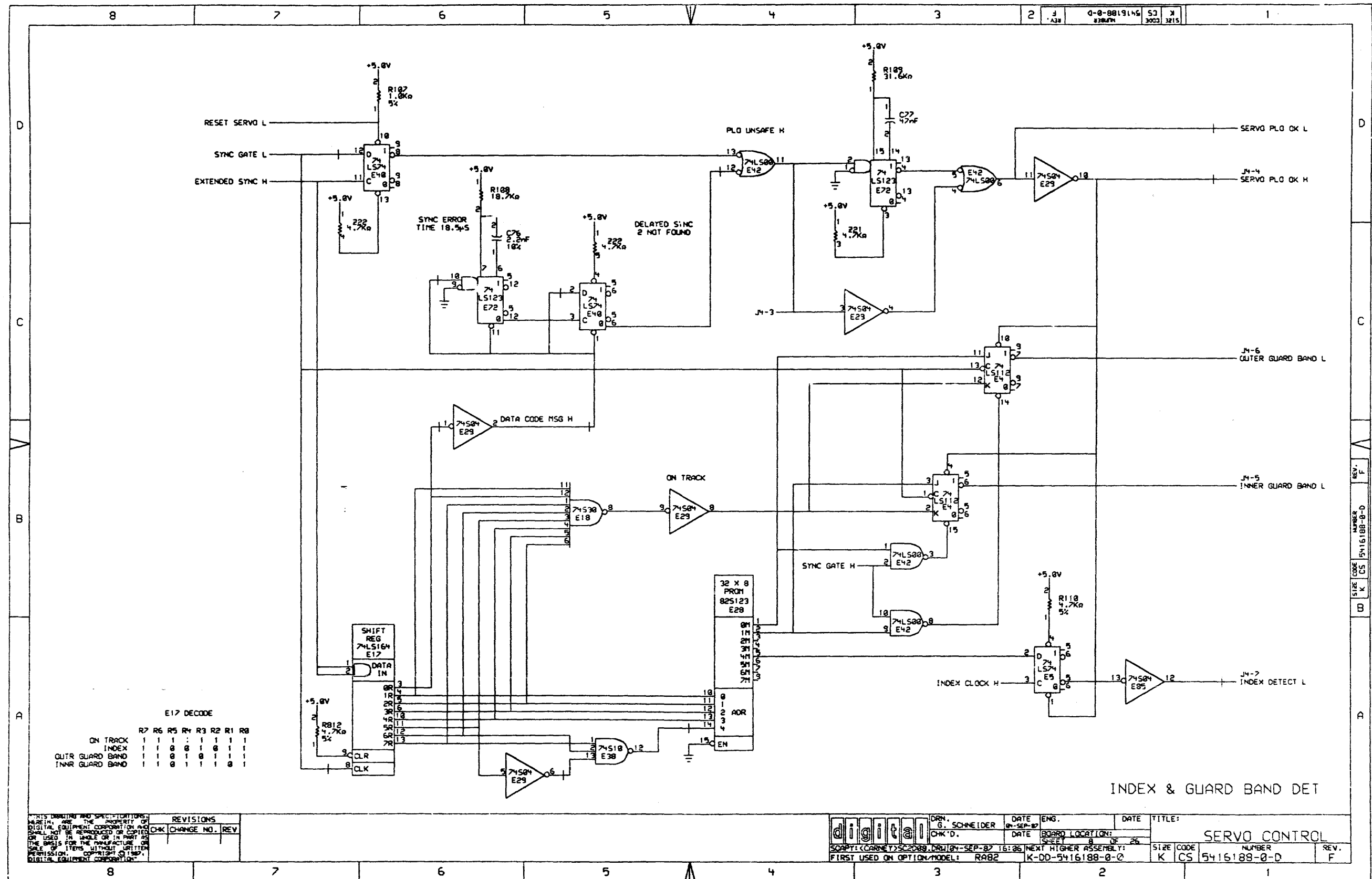


THIS DRAWING AND SPECIFICATIONS ARE THE PROPERTY OF DIGITAL EQUIPMENT CORPORATION AND SHALL NOT BE REPRODUCED OR COPIED OR USED IN WHOLE OR IN PART AS THE BASIS FOR THE MANUFACTURE OR SALE OF ITEMS WITHOUT WRITTEN PERMISSION. COPYRIGHT © 1980, DIGITAL EQUIPMENT CORPORATION.

REVISIONS	
CHK	CHANGE NO. REV

	DRN. G. SCHNEIDER	DATE 09-SEP-80	ENG.	DATE	TITLE:	
	CHK'D.	DATE	BOARD LOCATION:	SHEET 6 OF 25	SERVO CONTROL	
SCAPT: (CORREY) SC2086, DRU: (V) SEP-82 16:06 NEXT HIGHER ASSEMBLY:		FIRST USED ON OPTION/MODEL: RA82		SIZE CODE K CS	NUMBER 5416188-0-D	REV. F

REV. F
NUMBER 5416188-0-D
SIZE CODE K CS



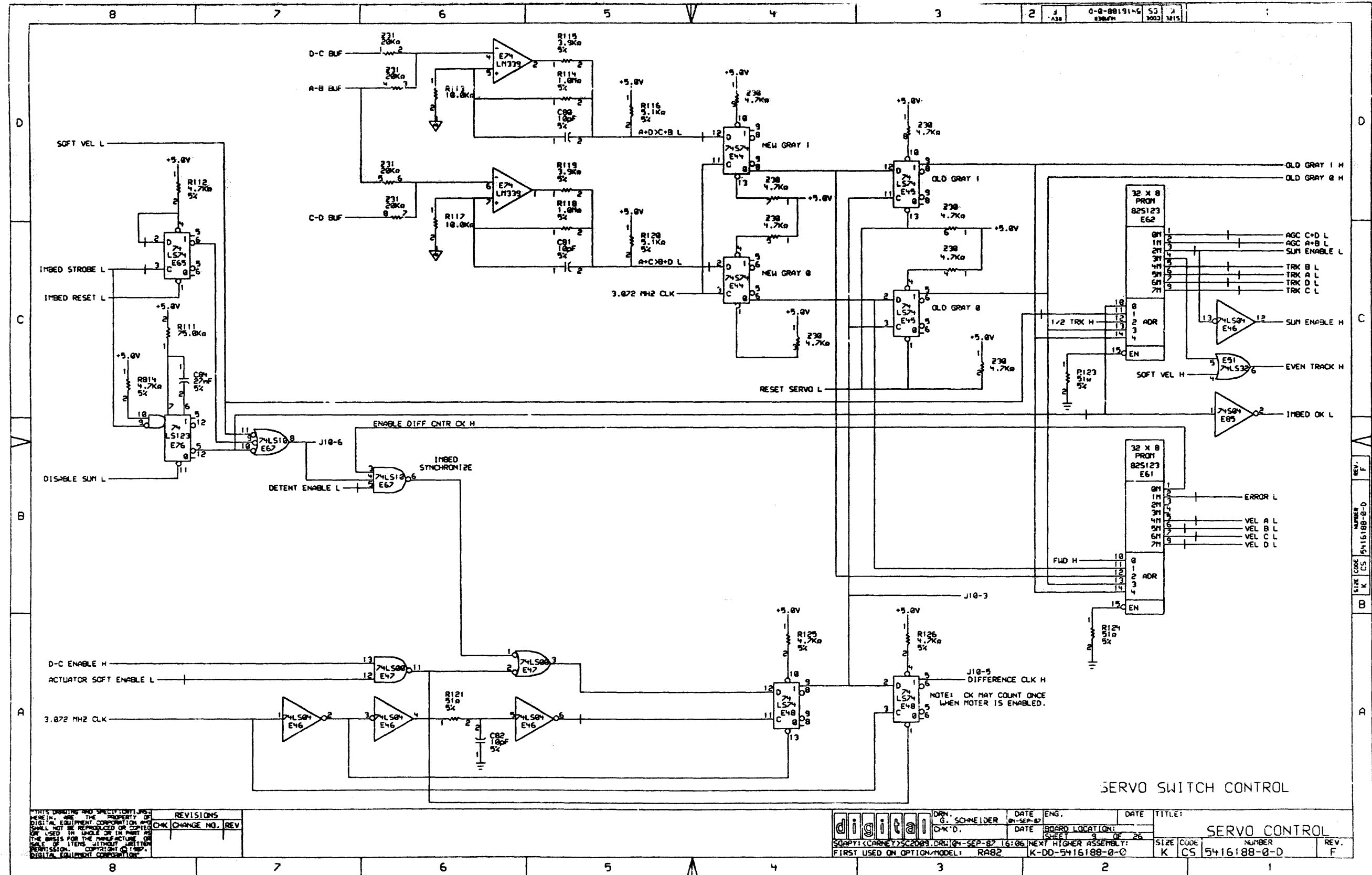
E17 DECODE

	R7	R6	R5	R4	R3	R2	R1	R0
ON TRACK	1	1	1	1	1	1	1	1
INDEX	1	1	0	0	1	0	1	1
OUTR GUARD BAND	1	1	0	1	0	1	1	1
INNER GUARD BAND	1	1	0	1	1	1	0	1

THIS DRAWING AND SPECIFICATIONS ARE THE PROPERTY OF DIGITAL EQUIPMENT CORPORATION AND SHALL NOT BE REPRODUCED OR COPIED OR USED IN WHOLE OR IN PART AS THE BASIS FOR THE MANUFACTURE OR SALE OF ITEMS WITHOUT WRITTEN PERMISSION. COPYRIGHT © 1987, DIGITAL EQUIPMENT CORPORATION.

REVISIONS		
CHK	CHANGE NO.	REV.

	DESIGNED BY: G. SCHNEIDER CHECKED BY:	DATE: 09-SEP-87 DATE:	ENG. SHEET: 8 OF 26 BOARD LOCATION:	TITLE: SERVO CONTROL
	FIRST USED ON OPTION/MODEL: RAB2	NEXT HIGHER ASSEMBLY: K-DD-5416188-0-0	SIZE CODE: K CS	NUMBER: 5416188-0-0

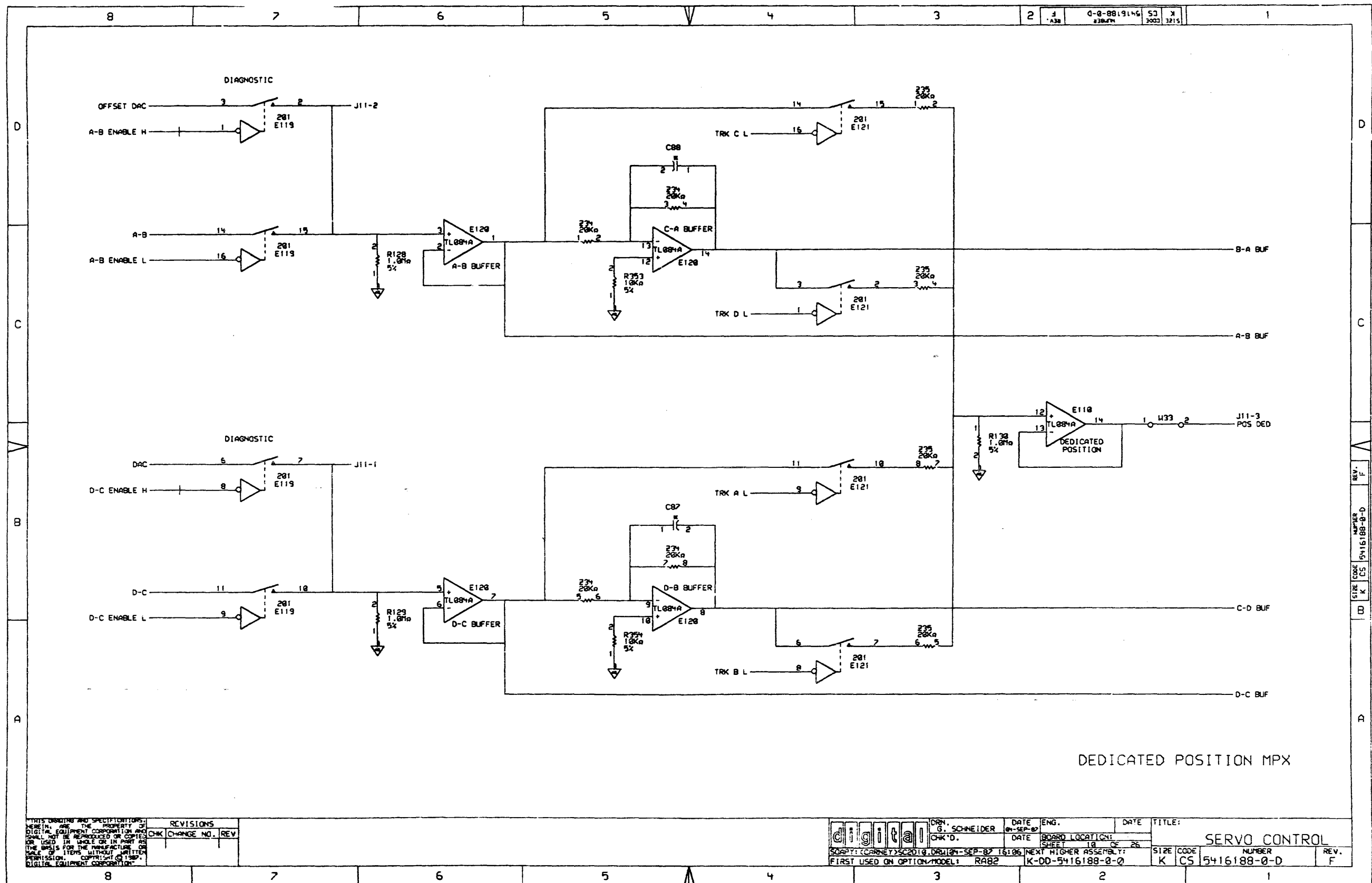


THIS DRAWING AND SPECIFICATIONS ARE THE PROPERTY OF DIGITAL EQUIPMENT CORPORATION AND SHALL NOT BE REPRODUCED OR COPIED OR USED IN WHOLE OR IN PART AS THE BASIS FOR THE MANUFACTURE OR SALE OF ITEMS WITHOUT WRITTEN PERMISSION. COPYRIGHT © 1987, DIGITAL EQUIPMENT CORPORATION.

REVISIONS	
CHK	CHANGE NO. REV

digital	DRN. G. SCHNEIDER	DATE 01-SEP-87	ENG.	DATE	TITLE: SERVO CONTROL
	CHK'D.	DATE	BOARD LOCATION: 3 OF 26	SHEET	
SOPHY (CARNET) SCORR, DR. 12-SEP-87 16:06		NEXT HIGHER ASSEMBLY: K-DD-5416188-0-0		SIZE CODE K CS	NUMBER 5416188-0-0
FIRST USED ON OPTION MODEL: RA82				REV. F	

SERVO SWITCH CONTROL



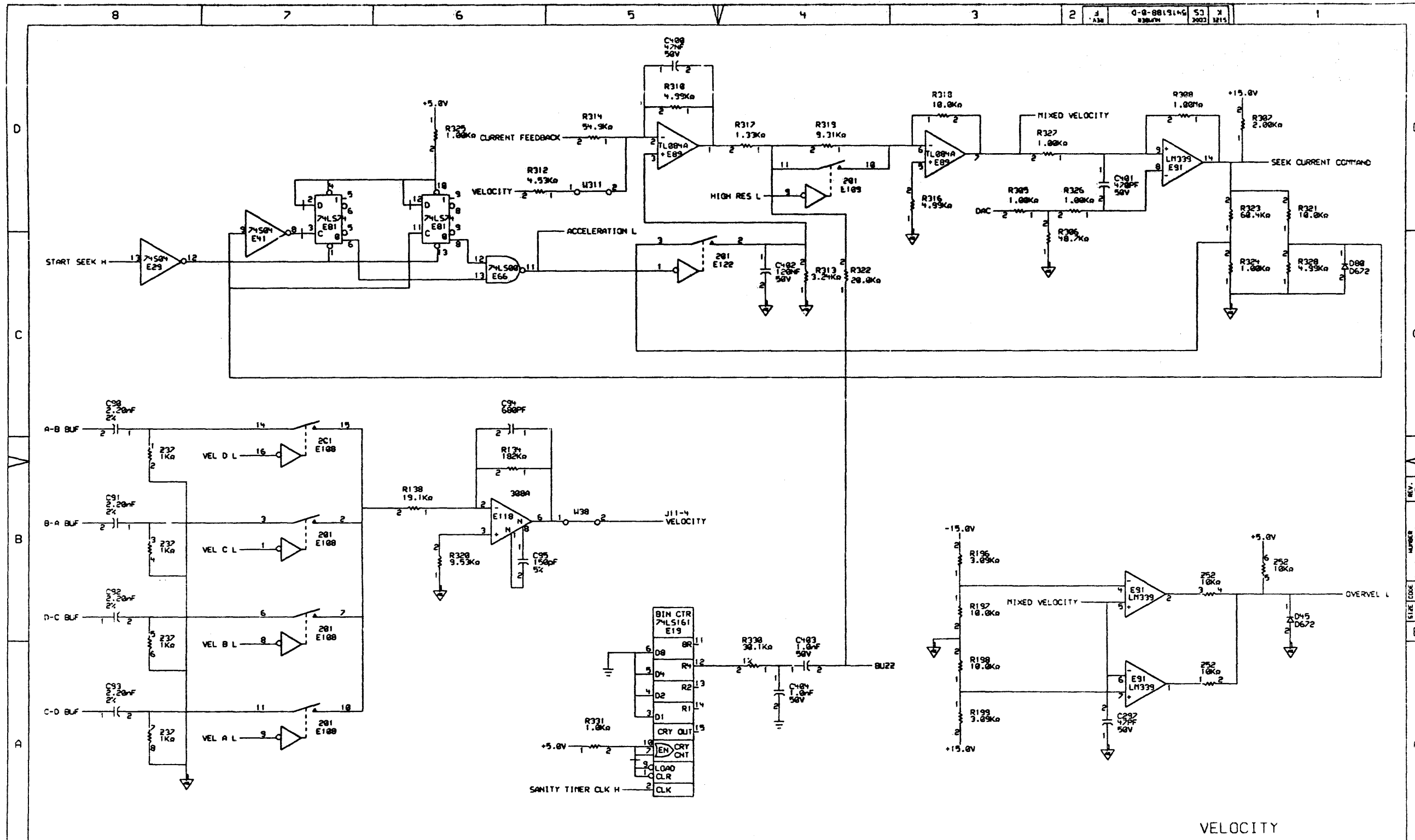
DEDICATED POSITION MPX

THIS DRAWING AND SPECIFICATIONS
HEREIN ARE THE PROPERTY OF
DIGITAL EQUIPMENT CORPORATION AND
SHALL NOT BE REPRODUCED OR COPIED
OR USED IN WHOLE OR IN PART AS
THE BASIS FOR THE MANUFACTURE OR
SALE OF ITEMS WITHOUT WRITTEN
PERMISSION. COPYRIGHT © 1987,
DIGITAL EQUIPMENT CORPORATION.

REVISIONS		
CHK	CHANGE NO.	REV

	G. SCHNEIDER CHK'D.	DATE 09-SEP-87	ENG.	DATE 09-SEP-87	TITLE: SERVO CONTROL
	SOPT: (CARNET) SC2018.DRAWN: SEP-87 16:06 FIRST USED ON OPTION/MODEL: RAB2	DATE 09-SEP-87	BOARD LOCATION: SHEET 19 OF 26	NEXT HIGHER ASSEMBLY: K-DD-5416188-0-0	SIZE CODE K CS

REV. F
SIZE CODE K CS
NUMBER 5416188-0-D

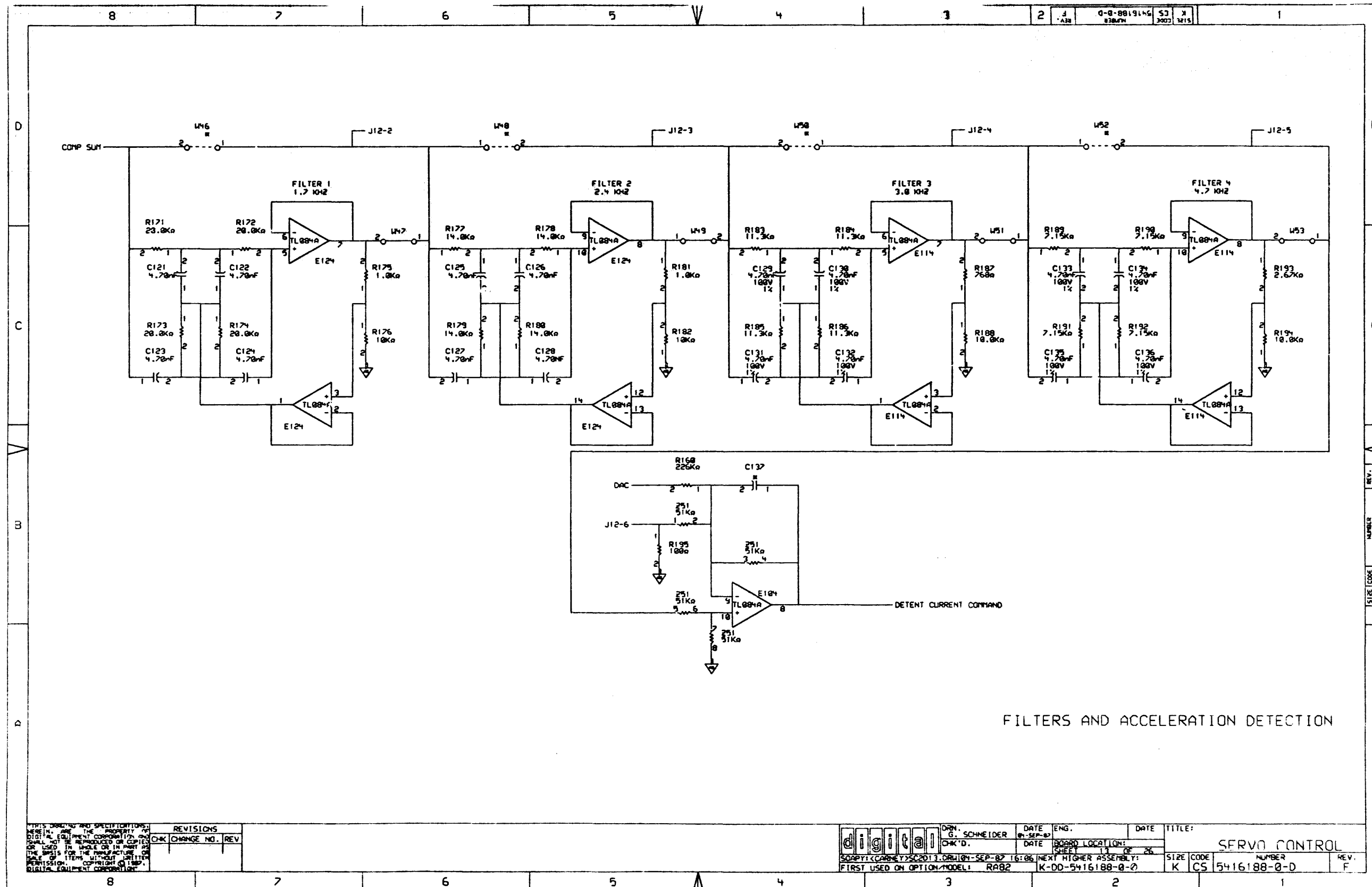


THIS DRAWING AND SPECIFICATIONS ARE THE PROPERTY OF DIGITAL EQUIPMENT CORPORATION AND SHALL NOT BE REPRODUCED OR COPIED IN ANY MANNER OR FOR ANY PURPOSES WITHOUT THE WRITTEN PERMISSION OF DIGITAL EQUIPMENT CORPORATION.

REVISIONS	
CHK	CHANGE NO. REV

digital	DRN. G. SCHNEIDER	DATE 04-SEP-87	ENG.	DATE	TITLE: SERVO CONTROL
	CHK'D.	DATE	BOARD LOCATION: SHEET 11 OF 26	SIZE CODE K CS	NUMBER 5416188-0-D
FIRST USED ON OPTION MODEL: RA32					REV. F

1/2" X 1/2" (5416188-0-D)
 1/4" X 1/4" (5416188-0-D)
 1/8" X 1/8" (5416188-0-D)



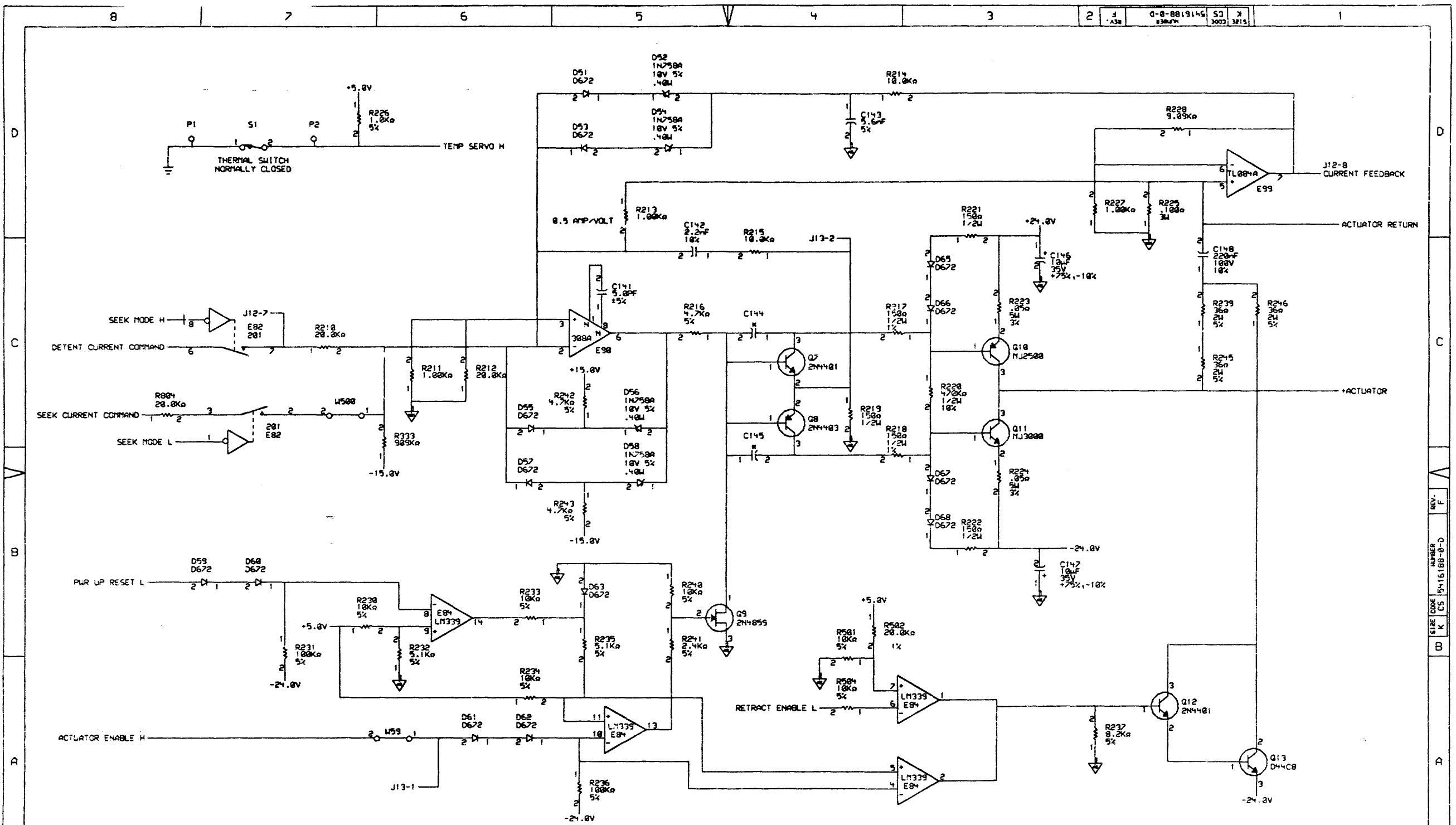
FILTERS AND ACCELERATION DETECTION

THIS DRAWING AND SPECIFICATIONS, HEREIN, ARE THE PROPERTY OF DIGITAL EQUIPMENT CORPORATION AND SHALL NOT BE REPRODUCED OR COPIED OR USED IN WHOLE OR IN PART AS THE BASIS FOR THE MANUFACTURE OR SALE OF ITEMS WITHOUT WRITTEN PERMISSION. COPYRIGHT © 1987, DIGITAL EQUIPMENT CORPORATION.

REVISIONS		
CHK	CHANGE NO.	REV

	DRN. G. SCHNEIDER	DATE 01-SEP-87	ENG.	DATE	TITLE: SERVO CONTROL
	CHK'D.	DATE	BOARD LOCATION: 26	SHEET 13 OF 26	SIZE CODE K CS
SOA:Y1<C>RNET>SC2013,ORU104-SEP-87 16:06 NEXT HIGHER ASSEMBLY: RAB2 FIRST USED ON OPTION MODEL: RAB2		NEXT HIGHER ASSEMBLY: K-DO-5416188-0-0		NUMBER 5416188-0-D REV. F	

REV. 1
 NUMBER 5416188-0-D
 SIZE CODE K CS
 B

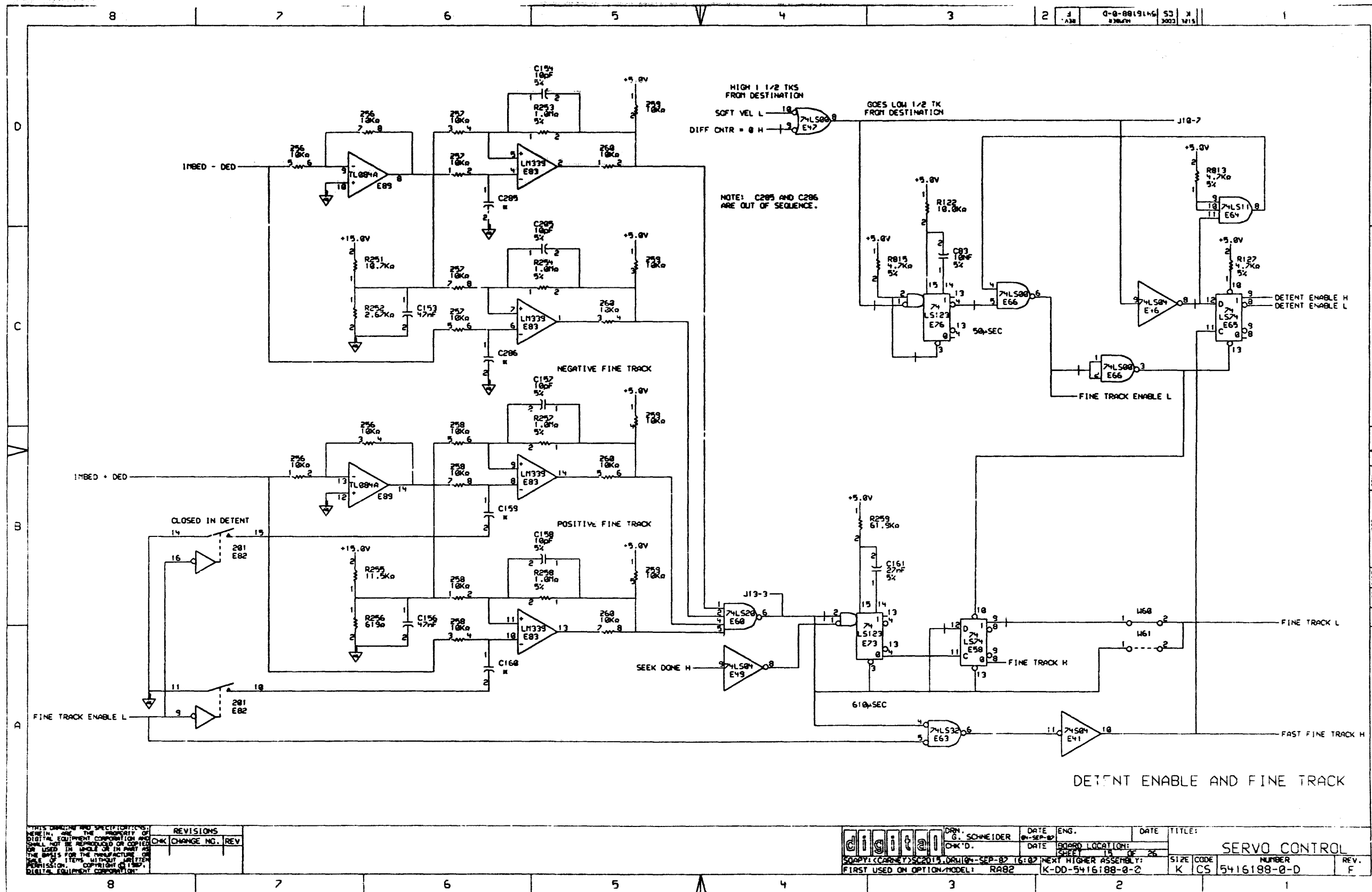


MOTOR DRIVER .5 AMP/VOLT

THIS DRAWING AND SPECIFICATIONS HEREBY ARE THE PROPERTY OF DIGITAL EQUIPMENT CORPORATION AND SHALL NOT BE REPRODUCED OR COPIED OR USED IN ANY MANNER AS THE BASIS FOR THE MANUFACTURE OR SALE OF ITEMS WITHOUT WRITTEN PERMISSION. COMPANY © 1967, DIGITAL EQUIPMENT CORPORATION.

REVISIONS	
CHK	CHANGE NO. REV

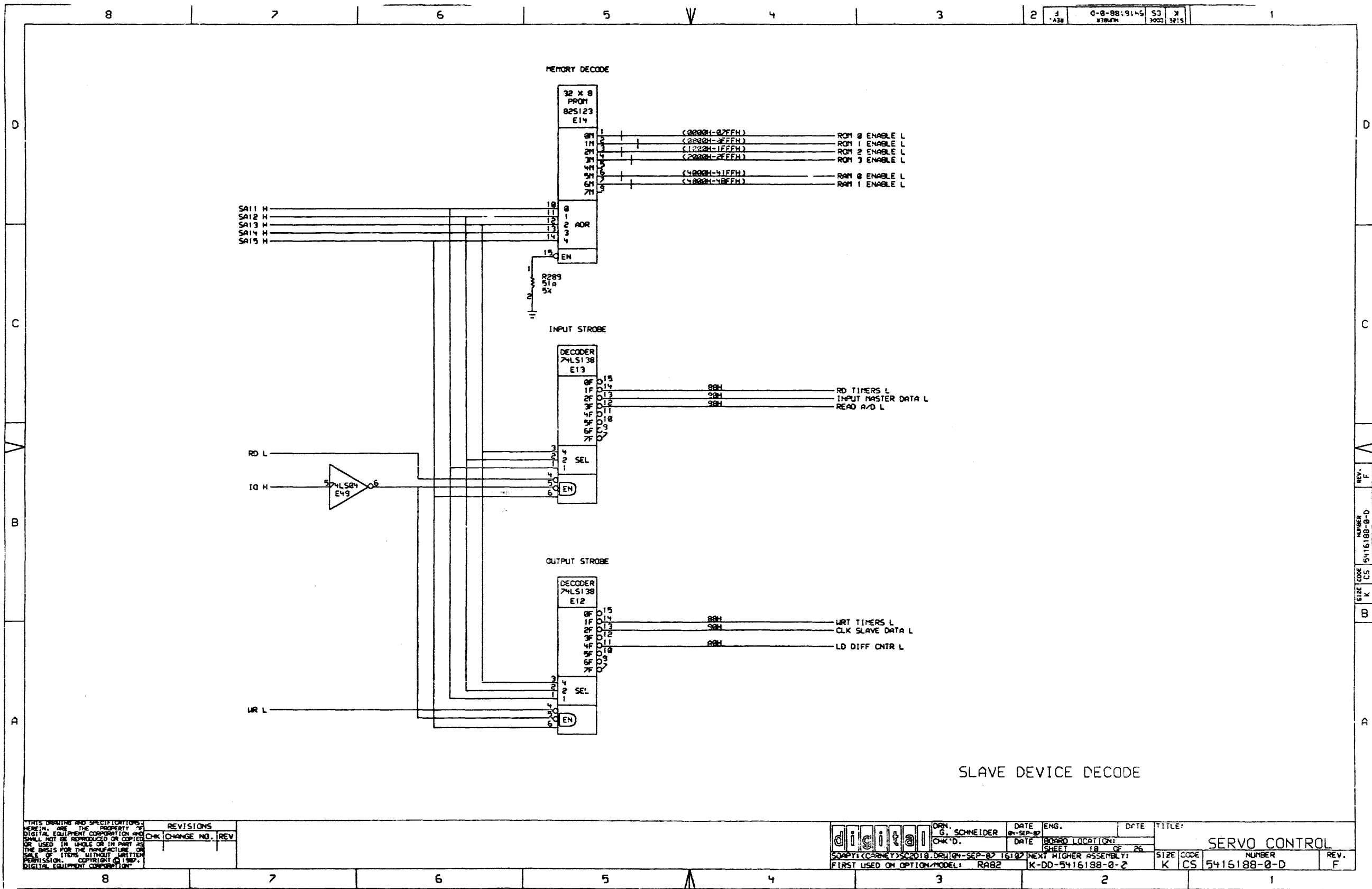
	DRN. G. SCHNEIDER	DATE 01-SEP-67	ENG.	DATE	TITLE: SERVO CONTROL
	CHK'D.	DATE	BOARD LOCATION: 14 DE 25	SHEET 14 OF 25	SIZE CODE NUMBER REV. K CS 5416188-0-D F
SOURCE: SCANNED FROM DRAWING - SEP-67 16106 NEXT HIGHER ASSEMBLY: RAB2		FIRST USED ON OPTICOM MODEL: K-DD-5416188-0-0			



THIS DRAWING AND SPECIFICATIONS HERETO, ARE THE PROPERTY OF DIGITAL EQUIPMENT CORPORATION AND SHALL NOT BE REPRODUCED OR COPIED OR USED IN WHOLE OR IN PART AS THE BASIS FOR THE MANUFACTURE OF ANY ITEMS WITHOUT WRITTEN PERMISSION. CONTROL NO. 5416188-0-D

REVISIONS		
CHK	CHANGE NO.	REV

digital	DRN. G. SCHNEIDER	DATE 01-SEP-82	ENG.	DATE	TITLE: SERVO CONTROL
	CHK'D.	DATE	BOARD LOCATION:	SHEET 14 OF 26	NUMBER 5416188-0-D
COPYRIGHT © 1982, DIGITAL EQUIPMENT CORPORATION		DATE 01-SEP-82	NEXT HIGHER ASSEMBLY: K-DD-5416188-0-2	SIZE CODE K CS	REV. F
FIRST USED ON OPTION MODEL: RAB2					

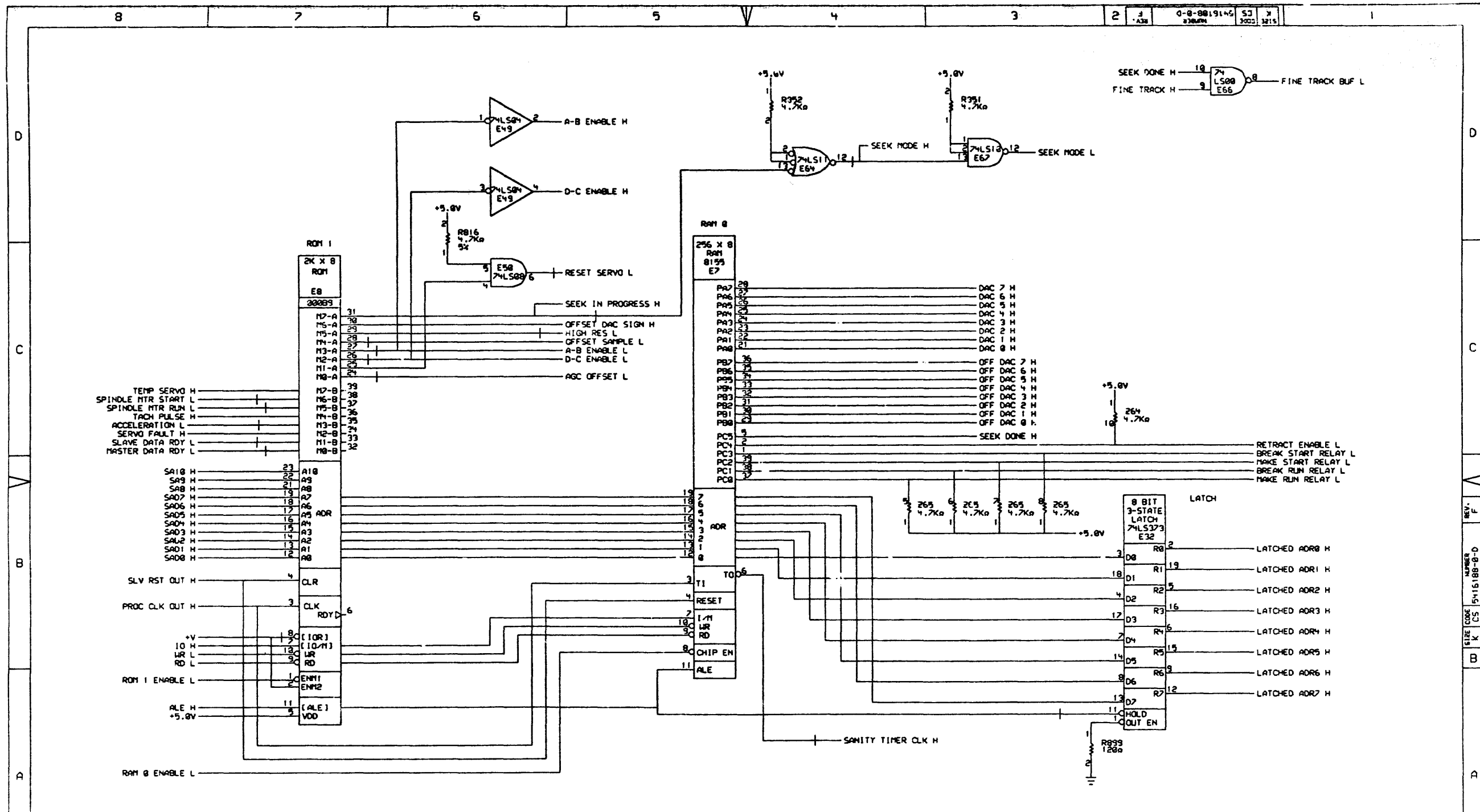


REV. F
NUMBER 5416188-0-D
CS K
SIZE CODE K CS

THIS DRAWING AND SPECIFICATIONS
HEREIN ARE THE PROPERTY OF
DIGITAL EQUIPMENT CORPORATION AND
SHALL NOT BE REPRODUCED OR COPIED
OR USED IN WHOLE OR IN PART AS
THE BASIS FOR THE MANUFACTURE OR
SALE OF ITEMS WITHOUT WRITTEN
PERMISSION. COPYRIGHT © 1987,
DIGITAL EQUIPMENT CORPORATION.

REVISIONS	CHK	CHANGE NO.	REV

	DRN.	DATE	ENG.	DATE	TITLE:
	G. SCHNEIDER	01-SEP-87			SERVO CONTROL
CHK'D.	DATE	BOARD LOCATION:	SHEET 1A OF 26		
SOA:PT1 (CANNY) DSC:2018 DRAWN: SEP-87 16102 NEXT HIGHER ASSEMBLY:		FIRST USED ON OPTION/MODEL: RAB2		SIZE CODE	NUMBER
		K-DD-5416188-0-2		K CS	5416188-0-D
					REV. F

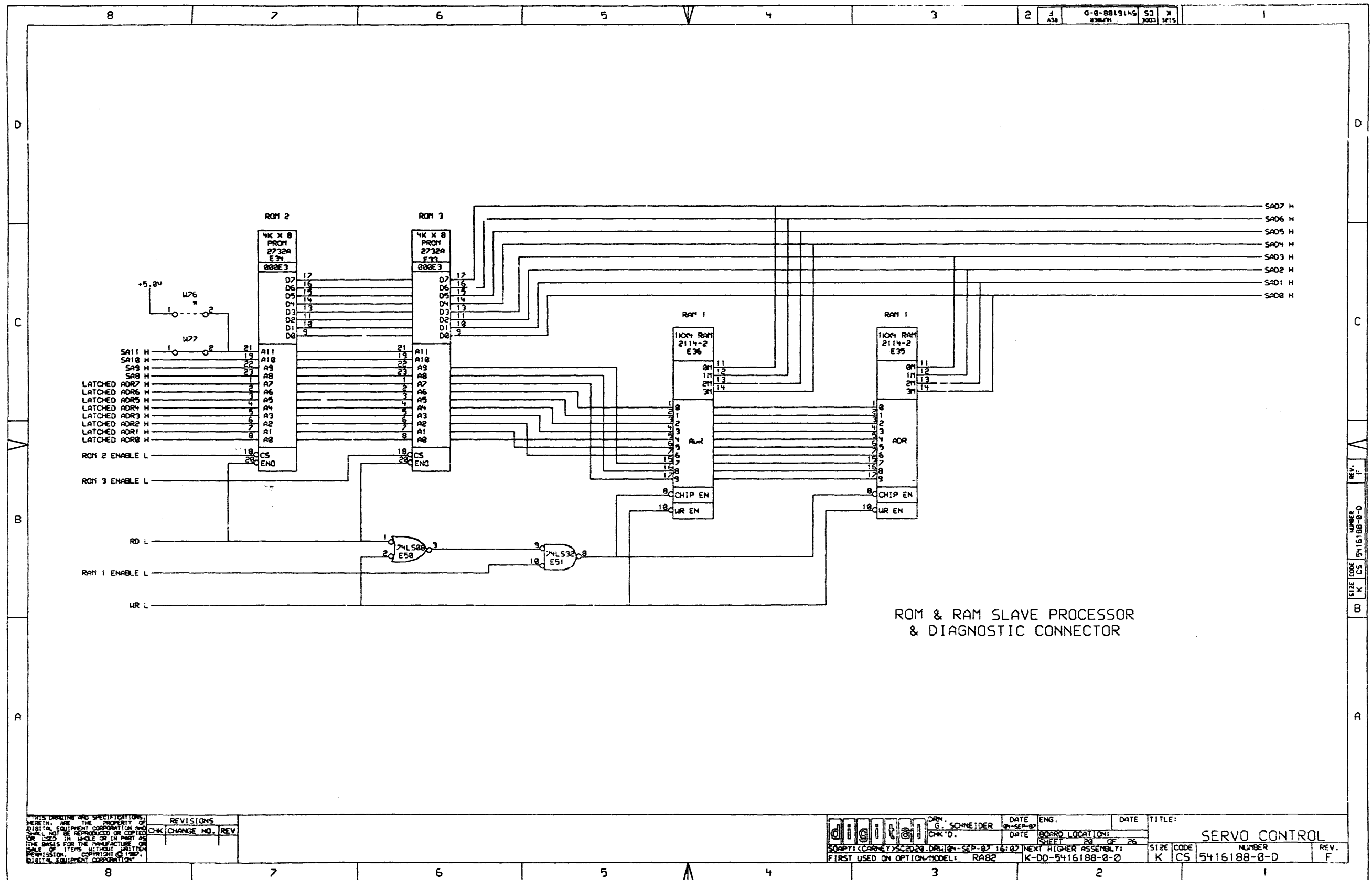


SLAVE PROCESSOR ROM AND RAM

THIS DRAWING AND SPECIFICATIONS ARE THE PROPERTY OF DIGITAL EQUIPMENT CORPORATION AND SHALL NOT BE REPRODUCED OR COPIED IN WHOLE OR IN PART FOR THE BASIS FOR THE MANUFACTURE OR SALE OF ANY ITEM WITHOUT WRITTEN PERMISSION. COPYRIGHT © 1987 DIGITAL EQUIPMENT CORPORATION.

REVISIONS	
CHK	CHANGE NO. REV

	DRAWN: G. SCHNEIDER	DATE: 08-SEP-87	ENG.	DATE:	TITLE: SERVO CONTROL
	CHK'D:	DATE:	BOARD LOCATION: SHEET 19 OF 26	SIZE CODE: K CS	NUMBER: 5416188-0-D
FIRST USED ON OPTION/MODEL: RAB2		NEXT HIGHER ASSEMBLY: K-00-5416188-0-2		REV.:	F

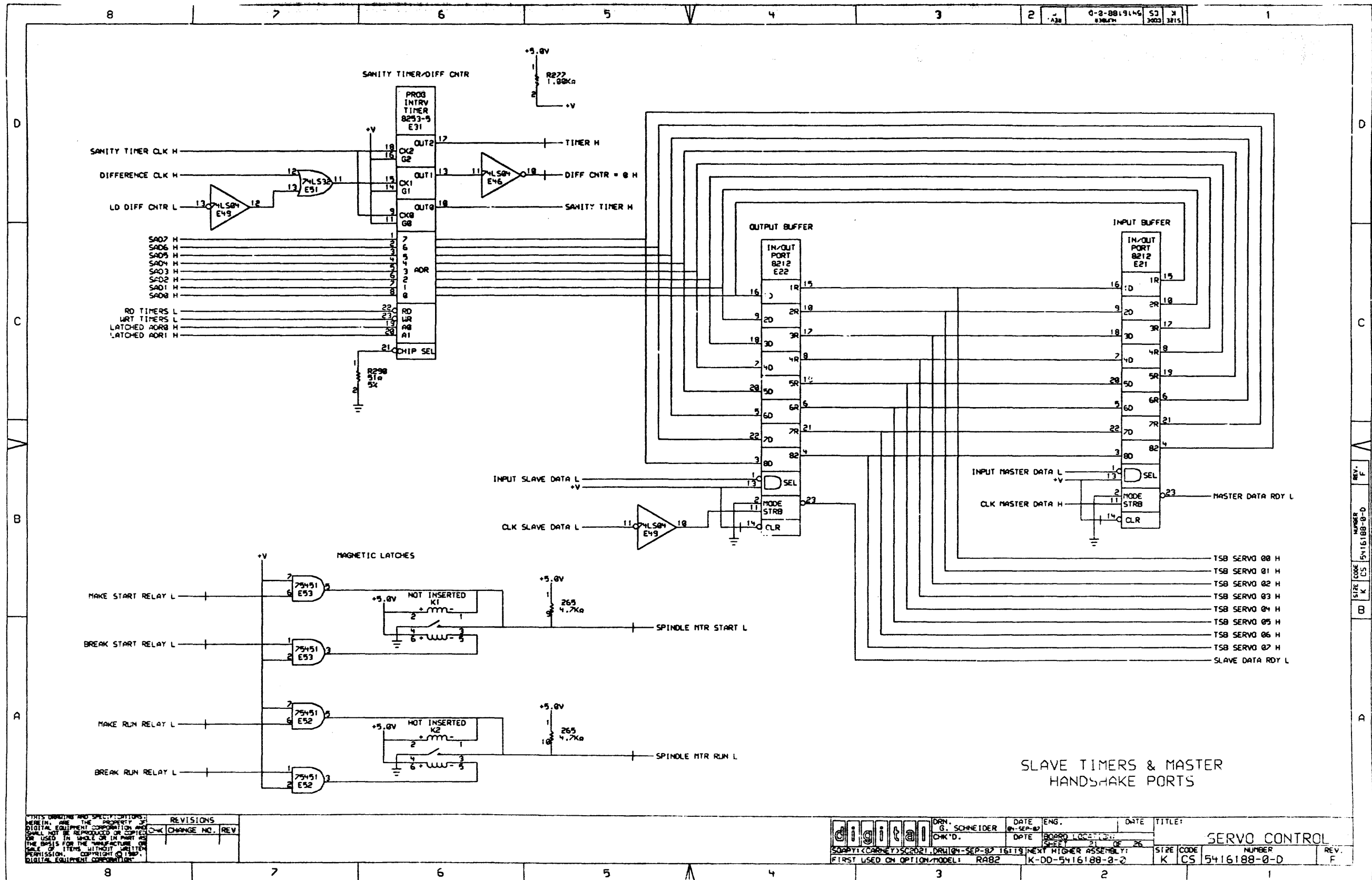


ROM & RAM SLAVE PROCESSOR
& DIAGNOSTIC CONNECTOR

THIS DRAWING AND SPECIFICATIONS ARE THE PROPERTY OF DIGITAL EQUIPMENT CORPORATION AND SHALL NOT BE REPRODUCED OR COPIED OR USED IN WHOLE OR IN PART AS THE BASIS FOR THE MANUFACTURE OR SALE OF ITEMS WITHOUT WRITTEN PERMISSION. COPYRIGHT © 1987, DIGITAL EQUIPMENT CORPORATION.

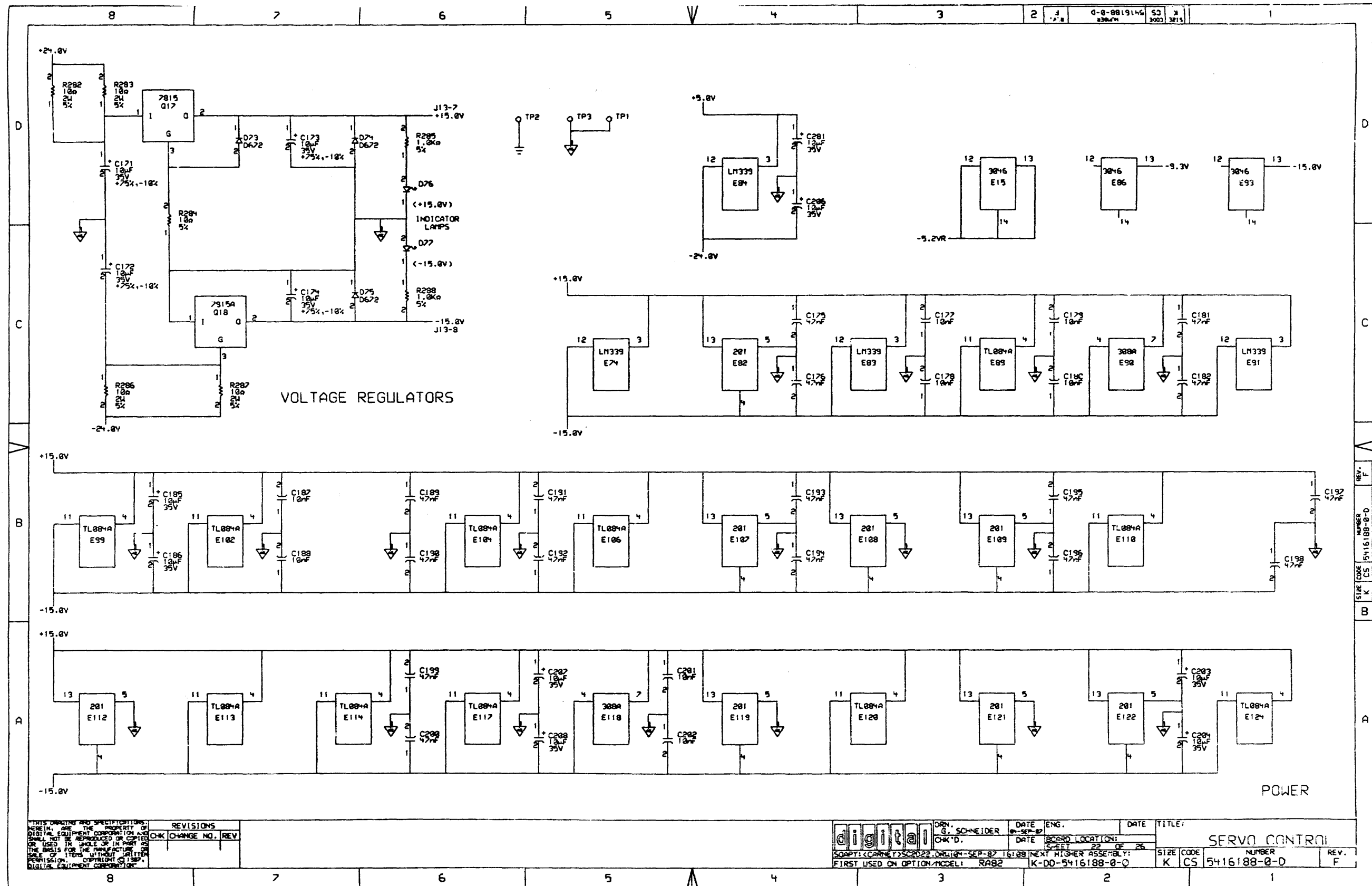
REVISIONS		
CHK	CHANGE NO.	REV

	DRN. G. SCHNEIDER	DATE 01-SEP-87	ENG.	DATE	TITLE: SERVO CONTROL
	CHK'D.	DATE	BOARD LOCATION:	SHEET 28 OF 28	SIZE CODE K CS
COPYRIGHT © 1987, DIGITAL EQUIPMENT CORPORATION		DATE 01-SEP-87 16:02	NEXT HIGHER ASSEMBLY:	NUMBER 5416188-0-0	REV. F
FIRST USED ON OPTION MODEL: RA82		K-DD-5416188-0-0			



REVISIONS	
CHANGE NO.	REV

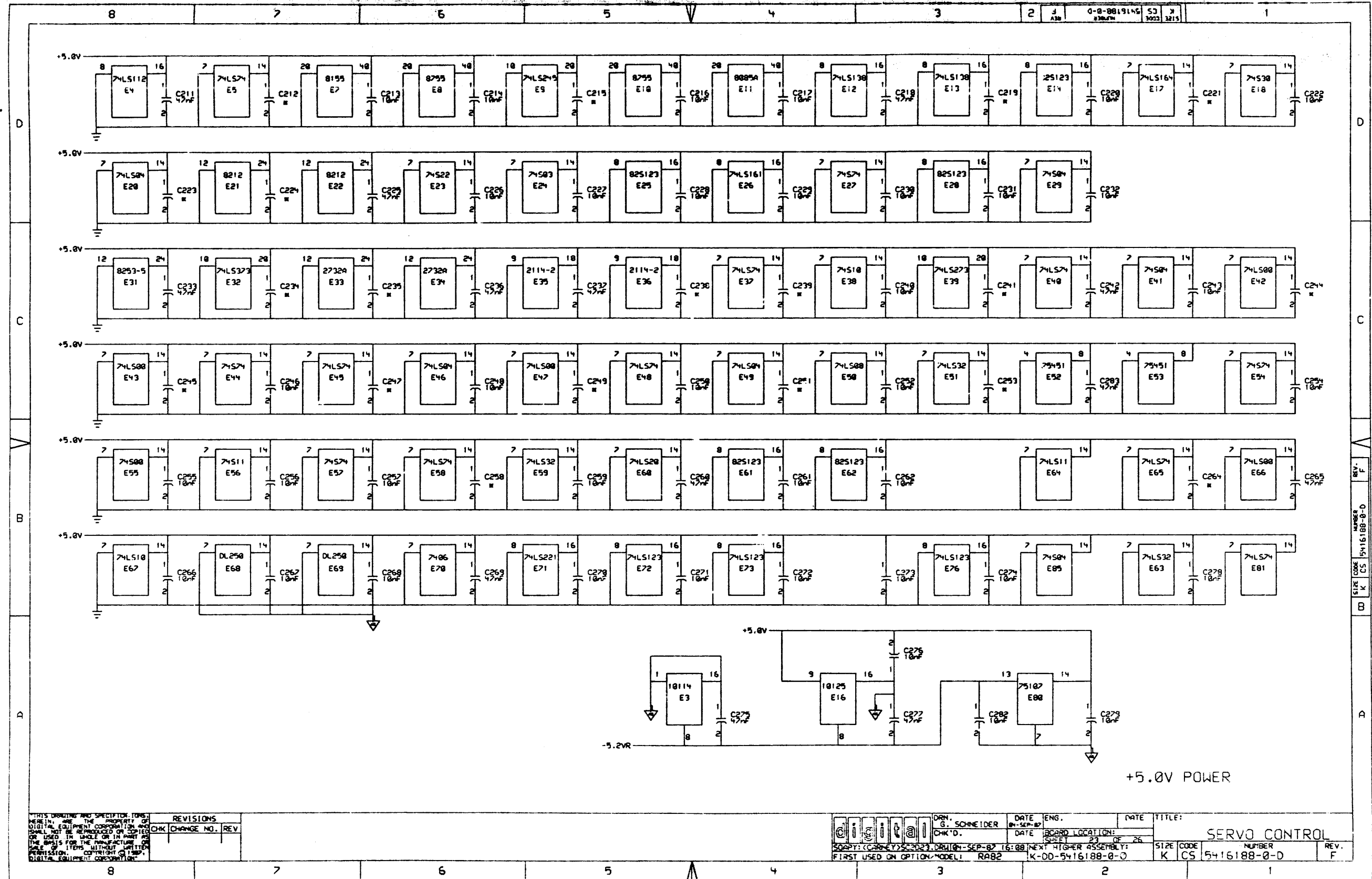
	DRN. G. SCHNEIDER	DATE 04-SEP-82	ENG.	DATE	TITLE:
	CHK'D.	DATE	BOARD LOCATION:	SHEET 31 OF 26	SERVO CONTROL
SCAPYI (CABINET) SC2021, DR110H-SEP-82 16119 NEXT HIGHER ASSEMBLY:		FIRST USED ON OPTION MODEL: RAB2		SIZE CODE K CS	NUMBER 5416188-0-0
					REV. F



THIS DRAWING AND SPECIFICATIONS HEREIN, ARE THE PROPERTY OF DIGITAL EQUIPMENT CORPORATION AND SHALL NOT BE REPRODUCED OR COPIED OR USED IN WHOLE OR IN PART AS THE BASIS FOR THE MANUFACTURE OR SALE OF ITEMS WITHOUT WRITTEN PERMISSION OF DIGITAL EQUIPMENT CORPORATION.

REVISIONS	
CHK	CHANGE NO. REV.

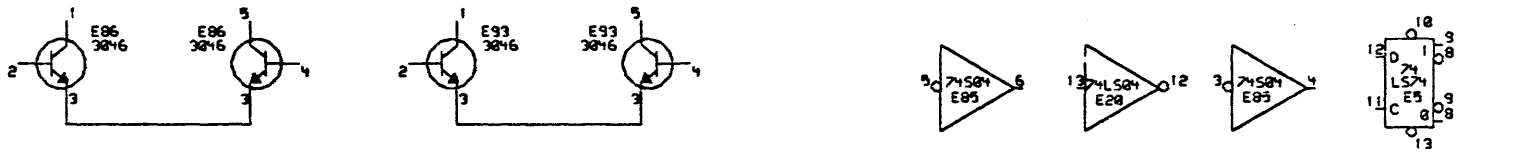
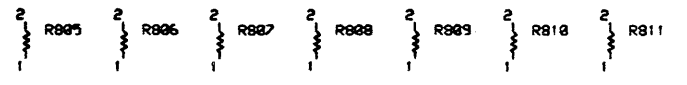
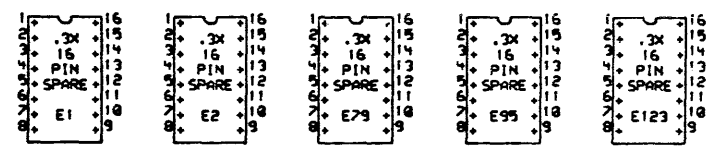
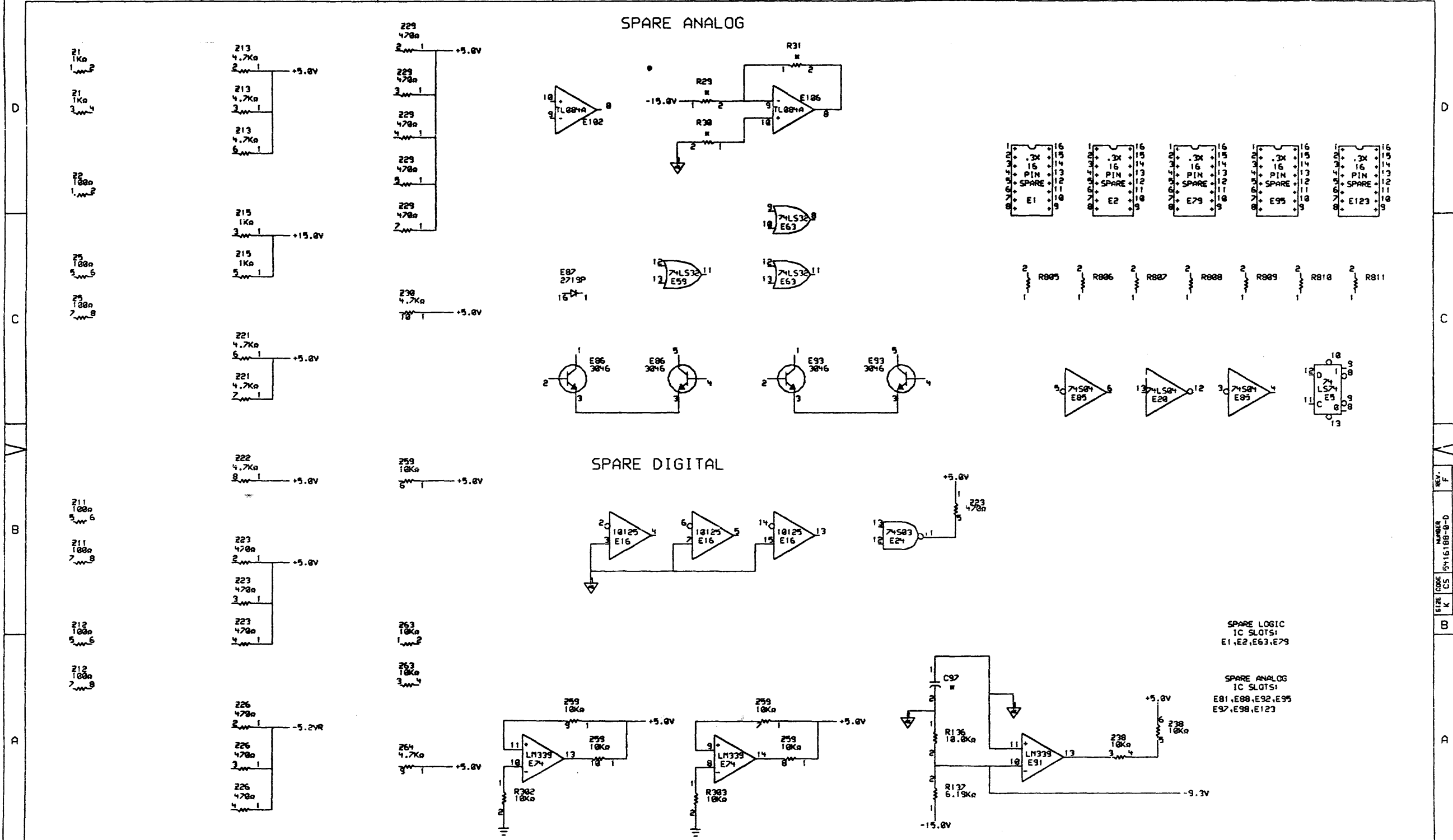
digital	DRN. G. SCHNEIDER	DATE 8-22-82	ENG.	DATE	TITLE: SERVO CONTROL
	CHK'D.	DATE 8-22-82	BOARD LOCATION: SHEET 22 OF 26	SIZE CODE K CS	NUMBER 5416188-0-D
COPY: (CANNY) SCAD22 DALIGN-SEP-82 16:08 NEXT HIGHER ASSEMBLY:		FIRST USED ON OPTION/MODEL: RAB2		REV. F	



THIS DRAWING AND SPECIFICATIONS ARE THE PROPERTY OF DIGITAL EQUIPMENT CORPORATION AND SHALL NOT BE REPRODUCED OR COPIED OR USED IN WHOLE OR IN PART AS THE BASIS FOR THE MANUFACTURE OR SALE OF ITEMS WITHOUT WRITTEN PERMISSION. COPYRIGHT © 1984, DIGITAL EQUIPMENT CORPORATION.

REVISIONS		
CHK	CHANGE NO.	REV

	DRN. G. SCHNEIDER	DATE 04-SEP-87	ENG.	DATE	TITLE:
	CHK'D.	DATE	BOARD LOCATION:	SHEET 23 OF 26	SERVO CONTROL
SOFT: C:\CERNY\523023.DR\04-SEP-87 16:08 NEXT HIGHER ASSEMBLY: K-DD-5416188-0-0					SIZE CODE NUMBER REV. K CS 5416188-0-0 F



SPARE LOGIC
IC SLOTS:
E1, E2, E63, E79

SPARE ANALOG
IC SLOTS:
E81, E88, E92, E95
E97, E98, E123

THIS DRAWING AND SPECIFICATIONS
HEREIN ARE THE PROPERTY OF
DIGITAL EQUIPMENT CORPORATION AND
SHALL NOT BE REPRODUCED OR COPIED
OR USED IN WHOLE OR IN PART AS
THE BASIS FOR THE MANUFACTURE OR
SALE OF ITEMS WITHOUT WRITTEN
PERMISSION. COPYRIGHT © 1987,
DIGITAL EQUIPMENT CORPORATION.

REVISIONS		
CHK	CHANGE NO.	REV

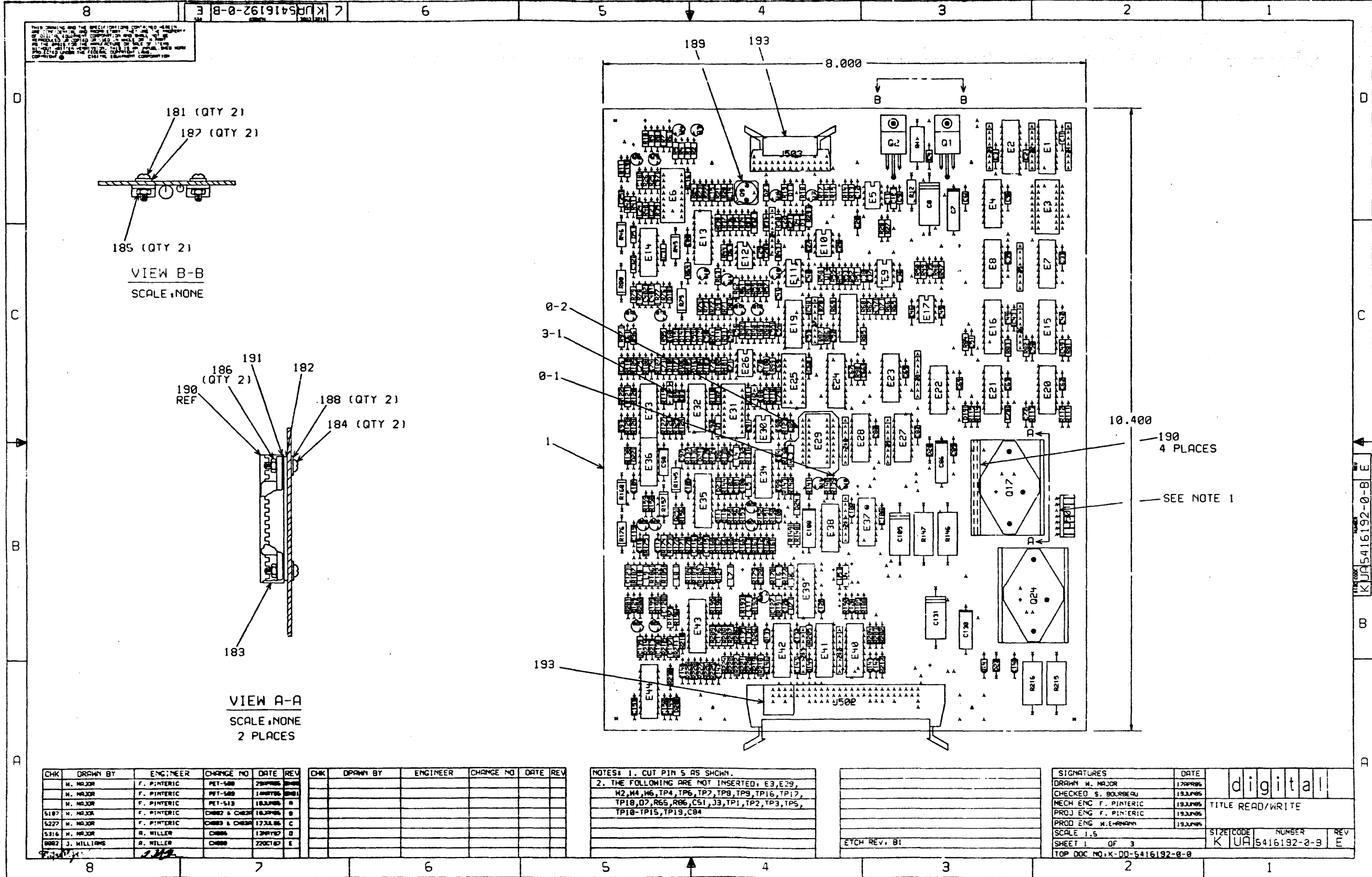
	DRN.	G. SCHNEIDER	DATE	01-SEP-87	ENG.	DATE		TITLE:	SERVO CONTROL
	CHK'D.		DATE		BOARD LOCATION:				
COPY: CANNETT/SC2024		DRAWN: SEP-87		16188		NEXT HIGHER ASSEMBLY:		SIZE	CODE
FIRST USED ON OPTION/MODEL:		RR82		K-DD-5416188-0-0		NUMBER		REV.	F

8		7		6		5		4		3		2		1	
PEAK D	2-A8,R	4-B1,L	SUN ENABLE L	9-C1,L	12-C8,R										
PLD CLOCK	6-B1,L	7-B8,R	SVD CLK H	1-D5,L	6-B1,L										
POS A L	4-C8,R	7-C1,L	SVD CLK L	1-D5,R	6-B1,L										
POS B L	4-B8,R	7-C1,L	SYNC GATE H	7-A1,L	8-B4,R										
POS C L	4-A8,R	7-D1,L	SYNC GATE L	1-B3,R	3-B5,R	7-B1,L	8-D7,R								
POS D L	4-B8,R	7-C1,L	SYNC GATE LOC	4-C8,R	7-B1,L										
POS DED	1-A5,R	10-C1,L	12-C4,R	SYNC H	1-B4,R	3-B1,L	5-C8,R								
PREAMP +	1-B7,R	1-C8,R	2-D8,R	SYNC RESET L	3-A2,R	5-C3,L									
PREAMP -	1-B7,R	1-C6,L	2-C8,R	TACH PULSE H	1-D5,R	19-C8,R									
PREAMP GND	1-C8,R	2-C8,R		TEMP SERVO H	14-D6,L	19-C8,R									
PROC CLK OUT H	17-A3,L	19-B8,R		TIMER H	17-B7,R	21-D5,L									
PWR UP RESET L	1-C5,L	14-B8,R	17-A8,R	TRK A L	9-C1,L	10-B4,R									
RAM 0 ENABLE L	18-D4,L	19-A8,R		TRK B L	9-C1,L	10-A4,R									
RAM 1 ENABLE L	18-D4,L	20-B8,R		TRK C L	9-C1,L	10-D4,R									
RD L	17-B5,L	17-B5,R	18-B7,R	19-B8,R	20-B8,R										
RD TIMERS L	18-C4,L	21-C8,R		TP, D L	9-C1,L	10-C4,R									
READ A/D L	16-D3,R	18-C4,L		TSB SERVO 00 H	1-C5,L	21-B1,L									
RESET PLO 0 L	5-A4,L	7-A8,R		TSB SERVO 01 H	1-C5,R	21-B1,L									
RESET SERVO L	5-C6,R	8-D7,R	9-C4,R	19-C6,L	TSB SERVO 02 H	1-C5,L	21-B1,L								
RESET SLAVE L	1-D5,L	17-B8,R		TSB SERVO 03 H	1-C5,R	21-B1,L									
RETRACT ENABLE L	14-A4,R	19-C2,L		TSB SERVO 04 H	1-C5,L	21-B1,L									
ROM 0 ENABLE L	17-B5,R	18-D4,L		TSB SERVO 05 H	1-C5,R	21-A1,L									
ROM 1 ENABLE L	18-D4,L	19-A8,R		TSB SERVO 06 H	1-C5,L	21-A1,L									
ROM 2 ENABLE L	18-D4,L	20-B8,R		TSB SERVO 07 H	1-C5,R	21-A1,L									
ROM 3 ENABLE L	18-D4,L	20-B8,R		VCO < 5 H	5-B5,R	5-D5,R	7-A1,L								
RUN VCO FASTER L	1-B4,R	5-B3,L	6-C8,R	VCO > 5 H	5-B5,R	5-C5,R	7-A1,L								
RUN VCO SLOWER L	1-B4,R	5-B3,L	6-B8,R	VEL A L	9-B1,L	11-A7,R									
SA10 H	17-C3,L	19-B8,R	20-C8,R	VEL B L	9-B1,L	11-B7,R									
SA11 H	17-C6,L	18-D7,R	20-C8,R	VEL C L	9-B1,L	11-B7,R									
SA12 H	17-C6,L	18-D7,R		VEL D L	9-B1,L	11-B7,R									
SA13 H	17-C6,L	18-D7,R		VELOCITY	1-A5,R	11-B5,L	11-D6,R	12-B6,R							
SA14 H	17-C6,L	18-C7,R		WR L	17-B5,R	17-B6,L	18-A7,R	19-B8,R	20-B8,R						
SA15 H	17-C6,L	18-C7,R		WRT TIMERS L	18-B4,L	21-C8,R									
SAB H	17-C3,L	19-B8,R	20-C8,R	VIAG	1-B7,D	1-C3,D	1-C3,D	2-A5,D	2-B5,D	2-C2,D					
SAG H	17-C3,L	19-B8,R	20-C8,R	2-C2,D	2-C2,D	2-C3,D	2-C4,D	2-C7,D	2-C7,D	2-C7,D	2-C7,D				
SAD0 H	16-D1,L	17-B1,L	19-B8,R	20-C1,L	21-C8,R	2-D4,D	2-D5,D	3-A4,D	3-A6,D	3-A7,D	3-B6,D	3-C3,D	3-D1,D		
SA01 H	16-D1,L	17-B1,L	19-B8,R	20-C1,L	21-C8,R	3-D3,D	3-D6,D	4-A1,D	4-A1,D	4-B1,D	4-B1,D	4-C2,D	4-C4,D		
SA02 H	16-D1,L	17-B1,L	19-B8,R	20-C1,L	21-C8,R	4-C4,D	4-D2,D	4-D4,D	4-D4,D	6-A1,D	6-A4,D	6-B6,D	6-C6,D		
SA03 H	16-D1,L	17-B1,L	19-B8,R	20-C1,L	21-C8,R	6-C7,D	6-D6,D	6-D7,D	9-C6,D	9-D6,D	10-A5,D	10-A6,D	10-B3,D		
SA04 H	16-C1,L	17-C1,L	19-B8,R	20-C1,L	21-C8,R	10-C5,D	10-C6,D	11-A1,D	11-A2,D	11-A3,D	11-A8,D	11-B6,D	11-C2,D		
SA05 H	16-C1,L	17-C1,L	19-B8,R	20-C1,L	21-C8,R	11-C3,D	11-C4,D	11-C4,D	11-D3,D	12-A3,D	12-A3,D	12-A6,D	12-B2,D		
SA06 H	16-C1,L	17-C1,L	19-B8,R	20-D1,L	21-C8,R	12-C2,D	12-C3,D	12-C8,D	12-D5,D	12-D7,D	13-A4,D	13-B5,D	13-C1,D		
SA07 H	16-C1,L	17-C1,L	19-B8,R	20-D1,L	21-C8,R	13-C3,D	13-C5,D	13-C7,D	14-A2,D	14-A4,D	14-A6,D	14-B3,D	14-B5,D		
SANITY TIMER CLK H	11-A5,R	19-A4,L	21-D8,R	14-B5,D	14-C3,D	14-C4,D	14-D4,D	15-A7,D	15-A8,D	15-B7,D	15-C6,D				
SANITY TIMER H	17-B7,R	21-D5,L		15-C7,D	15-D6,D	15-D7,D	16-A6,D	16-A6,D	16-A8,D	16-B6,D	16-B8,D				
SEEK CURRENT COMMAND	11-D1,L	14-C8,R		16-C2,D	16-C3,D	16-C6,D	16-D4,D	16-D4,D	22-A2,D	22-A2,D	22-A4,D				
SEEK DONE H	15-A5,R	19-C3,L	19-D2,R	22-A5,D	22-A6,D	22-A8,D	22-B1,D	22-B2,D	22-B3,D	22-B4,D					
SEEK IN PROGRESS H	19-C6,L			22-B6,D	22-B6,D	22-B7,D	22-B8,D	22-C2,D	22-C2,D	22-C3,D	22-C4,D				
SEEK MODE H	12-A4,R	14-C8,R	19-D4,L	22-C5,D	22-C8,D	22-D4,D	22-D5,D	23-A2,D	23-A3,D	23-A5,D	23-A6,D				
SEEK MODE L	14-C8,R	19-D3,L		24-A3,D	24-A3,D	24-B5,D	24-D5,D								
SERVO FAULT H	1-C5,R	17-D1,L	19-C8,R	VIAG1	14-C6,D	14-D2,D									
SERVO PLO OK H	1-B3,R	3-B5,R	8-D1,L	17-D2,R	17-D5,R										
SERVO PLO OK L	5-C6,R	8-D1,L													
SLAVE DATA RDY L	1-D5,L	19-C8,R	21-A1,L												
SLV RST OUT H	17-B6,L	17-C5,R	19-B8,R												
SOFT VEL H	1-D5,R	9-C2,R	17-A1,L												
SOFT VEL L	4-A8,R	9-D8,R	15-D4,R	17-A1,L											
SPINDLE MTR RUN L	1-D5,L	19-C8,R	21-A5,L												
SPINDLE MTR START L	1-D5,L	19-C8,R	21-A5,L												
START SEEK H	11-C8,R	17-A1,L													
SUN ENABLE H	9-C1,L	12-C8,R													

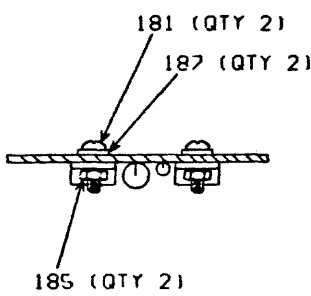
THIS DRAWING AND SPECIFICATIONS ARE THE PROPERTY OF DIGITAL EQUIPMENT CORPORATION AND SHALL NOT BE REPRODUCED OR COPIED OR USED IN WHOLE OR IN PART AS THE BASIS FOR THE MANUFACTURE OR SALE OF ITEMS WITHOUT WRITTEN PERMISSION. COPYRIGHT © 1987 DIGITAL EQUIPMENT CORPORATION.

REVISIONS		
CHK	CHANGE NO.	REV

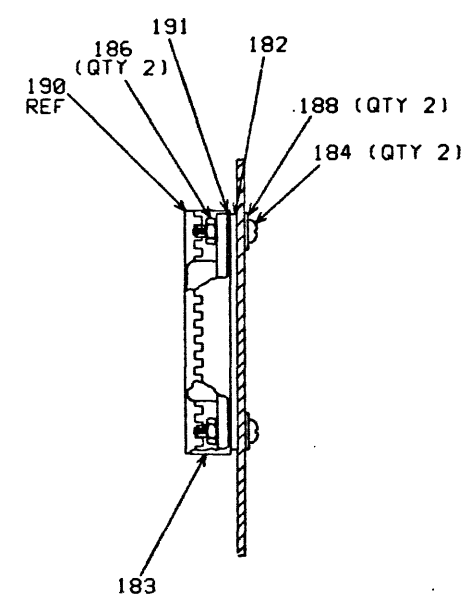
digital	DRN. G. SCHNEIDER	DATE 01-SEP-87	ENG.	DATE	TITLE: SERVO CONTROL
	CHK'D.	DATE	BOARD LOCATION: CRED5	SHEET 26 OF 26	NUMBER 5416188-0-D
DSK: SCD 1294.440		01-SEP-87 17:18		NEXT HIGHER ASSEMBLY:	SIZE CODE K CS
FIRST USED ON OPTION MODEL: RAB2		K-00-5416188-0-0			REV. F



THIS DRAWING AND SPECIFICATIONS ARE THE PROPERTY OF KJUR 5416192-0-B. IT IS TO BE USED ONLY FOR THE PROJECT AND PURPOSE SPECIFIED. IT IS NOT TO BE REPRODUCED OR TRANSMITTED IN ANY FORM OR BY ANY MEANS, ELECTRONIC OR MECHANICAL, INCLUDING PHOTOCOPYING, RECORDING, OR BY ANY INFORMATION STORAGE AND RETRIEVAL SYSTEM, WITHOUT THE WRITTEN PERMISSION OF KJUR 5416192-0-B.



VIEW B-B
SCALE: NONE



VIEW A-A
SCALE: NONE
2 PLACES

0-2
3-1
0-1
1

10.400
190
4 PLACES
SEE NOTE 1

CHK	DRAWN BY	ENGINEER	CHANGE NO	DATE	REV
	H. MAJOR	F. PINTERIC	PET-500	25APR66	A
	H. MAJOR	F. PINTERIC	PET-500	14MAY66	B
	H. MAJOR	F. PINTERIC	PET-513	18JUN66	A
5107	H. MAJOR	F. PINTERIC	CH82 & CH83	18JUN66	B
5227	H. MAJOR	F. PINTERIC	CH89 & CH90	17JUL66	C
5316	H. MAJOR	A. MILLER	CH86	12OCT67	D
5902	J. WILLIAMS	A. MILLER	CH88	22OCT67	E

CHK	DRAWN BY	ENGINEER	CHANGE NO	DATE	REV

NOTES: 1. CUT PIN 5 AS SHOWN.
2. THE FOLLOWING ARE NOT INSERTED: E3, E29, W2, W4, W6, TP4, TP6, TP7, TP8, TP9, TP16, TP17, TP18, Q7, R65, R66, C51, J3, TP1, TP2, TP3, TP5, TP10-TP15, TP19, C84

ETCH REV. B1

SIGNATURES		DATE
DRAWN H. MAJOR		17APR66
CHECKED S. BOURGEOIS		19JUN66
MECH ENG F. PINTERIC		19JUN66
PROJ ENG F. PINTERIC		19JUN66
PROD ENG M. EHRHARDT		19JUN66
SCALE 1:5	SIZE/CODE	NUMBER
SHEET 1 OF 3	K UA	5416192-0-3
TOP DOC NO: K-00-5416192-0-0		REV E

digital

TITLE READ/WRITE

8 6 5 4 3 2 1

THIS DRAWING AND THE SPECIFICATIONS CONTAINED HEREIN ARE THE PROPERTY OF THE UNITED STATES GOVERNMENT AND ARE NOT TO BE REPRODUCED OR COPIED IN ANY MANNER WITHOUT THE EXPRESS WRITTEN PERMISSION THEREOF BY LETTERS FROM THE DIRECTOR, ARMY RESEARCH OFFICE-DURHAM, DURHAM, NORTH CAROLINA

INITIAL

COMPONENT MODIFY

0-1 LIFT LEG ON R139 PIN 1

WIRE ADDS (SIDE 1)

0-2 ADD WIRE FROM R139 PIN 1 (LIFTED LEG) TO R130 PIN 1

5416192-CX003

COMPONENT DELETE SIDE 1

3-1 DELETE C84

D

C

B

D

C

A

K U A S 5416192-0-B E

B

D

										TITLE READ/WRITE		DOCUMENT NUMBER		
												SIZE/	NUMBER	REV
												K U A S	5416192-0-B	E
												SCALE 1:5	SHEET 3 OF 3	

LINE ITEM	TOP DOCUMENT	PART NUMBER	MIN REV	DESCRIPTION	QTY PER VAR/REV	REFERENCE DESIGNATORS
1	1 K-DD-5016191-0-B	50-16191-01 B		DRILL AND ETCH	1	
2	2	10-01610-00		0.010MFD 50V +80/-20% Z5U C	92	C1-C3,C5,C6,C9,C11,C14-C16, CONT C19-C22,C25-C28,C30-C34,C36, CONT C37,C40-C42,C44-C47,C52-C54, CONT C56-C58,C60-C65,C67,C68, CONT C70-C72,C74,C76,C77,C79, CONT C81-C83,C85,C87,C88,C90-C94, CONT C97,C99,C103,C104,C106,C107, CONT C109-C111,C114,C119,C121, CONT C124-C126,C129,C132-C134,C140, CONT C141,C143,C144,C147-C151
3	3	10-12783-00		0.022MFD 50V +80/-20% Z5U C	3	C73,C75,C78
4	4	10-13466-01	10	PFD 50V +/- 5% NPO C	4	C23,C24,C80,C142
5	5	10-13466-03	27	PFD 50V +/- 5% NPO C	1	C135
6	6	10-13466-04	33	PFD 50V +/- 5% NPO C	4	C29,C117,C118,C136
7	7	10-13466-07	220	PFD 50V +/- 5% NPO C	3	C12,C35,C38
8	8	10-13466-09	1000	PFD 50V +/-10% X7R C	4	C101,C102,C112,C113
9	9	10-13466-12	2200	PFD 50V +/-10% X7R C	1	C49
10	10	10-13466-13	39	PFD 50V +/- 5% NPO C	2	C401,C402
11	11	10-13466-17	150	PFD 50V +/- 5% NPO C	1	C127
12	12	10-13466-18	330	PFD 50V +/- 5% NPO C	2	C13,C39
13	13	10-13466-22	0.10	MFD 50V +80/-20% Z5U C	3	C4,C10,C120
14	14	10-13466-25	68	PFD 50V +/- 5% NPO C	4	C122,C123,C128,C137
15	15	10-13466-26	120	PFD 50V +/- 5% NPO C	3	C89,C95,C100
16	16	10-13466-27	820	PFD 50V +/- 5% NPO C	2	C115,C116
17	17	10-13466-34	4700	PFD 50V +/- 5% X7R C	2	C145,C146
18	18	10-13466-44	8200	PFD 50V +/- 5% X7R C	1	C59
19	19	10-13466-36	1000	PFD 50V +/- 2% NPO C	7	C43,C48,C50,C55,C66,C69,C96
20	20	10-13466-43		*** THIS ITEM IS NOT USED ***	-	
21	21	10-13466-56		*** THIS ITEM IS NOT USED ***	-	
22	22	10-15573-00		0.027MFD 50V +/- 5% X7R C	4	C17,C18,C138,C139
23	23	10-15573-02		0.10 MFD 50V +/-10% X7R C	1	C98

REVISION HISTORY			KPL MODULE FORMAT		SECTION A OF A		DRN: W.MAJOR		D I G I T A L					
ENG	ECO NUMBER	REV	SECTION/VARIATION INDEX				DATE: 18-JUN-85							
FP	PET-513	A	[A] 01	[M]			CHK'D: S.BOURBEAU							
FP	15416192-CX002	B	[B]	[N]			DATE: 18-JUN-85							
FP	15416192-CX003	C	[C]	[P]			DES.ENG: F.PINTERIC							
FP	15416192-CX005	D	[D]	[Q]			DATE: 18-JUN-85							
AM	15416192-CX006	E	[E]	[R]			RESP.ENG.: F.PINTERIC							
AM	15416192-CX007	F	[F]	[S]			DATE: 18-JUN-85							
AM	15416192-CX008	H	[H]	[T]			MFG.ENG: D.KILDERECK							
			[J]	[V]			DATE: 18-JUN-85							
			[K]	[W]			RELEASE DATE: 29-OCT-87							
			[L]	[Y]			RELEASE STATUS: RELEASED							
			BASIC PART NUMBER:	ASSEMBLY NUMBER:	TOP DOCUMENT NUMBER:	FILE NAME:	EDIT #							
			15416192	1K-UA-5416192-0-B	1K-DD-5416192-0-0	1Z6122H.PLS	2							

14/30/87

"THIS DRAWING AND THE SPECIFICATIONS CONTAINED HEREIN ARE CONFIDENTIAL AND PROPRIETARY. THEY ARE THE PROPERTY OF DIGITAL EQUIPMENT CORPORATION AND SHALL NOT BE REPRODUCED OR COPIED OR USED IN WHOLE OR IN PART AS THE BASIS FOR THE MANUFACTURE OR SALE OF ITEMS WITHOUT WRITTEN PERMISSION. THIS IS AN UNPUBLISHED WORK PROTECTED UNDER THE FEDERAL COPYRIGHT LAWS."

LINE ITEM	TOP DOCUMENT	PART NUMBER	MIN REV	DESCRIPTION	QTY PER VAR/REV	REFERENCE DESIGNATORS
					01 C5	
24	24	10-16555-00	22	MFD 50V +50/-10% ALU	3	C8,C105,C131
25	25	10-17472-00	10	MFD 35V +75/-10% ALU	4	C7,C86,C108,C130
26	26	10-17472-01		*** THIS ITEM IS NOT USED ***	-	
27	27	11-02808-00		VZ= 5.6 5% 400 MW 1N752A	2	D5,D10
28	28	11-05275-00		PIV= 60 IO=300 MA -15NS	1	D24
29	29	11-05796-00		PIV= 400 IO= 1.00A 1N4004 DO-41	2	D20,D27
30	30	11-05871-00		VZ= 5.15 1% 250 MW	4	D6,D11,D26,D28
31	31	11-09991-00		VZ= 6.8 5% 400 MW 1N754A	1	D25
32	32	11-10994-00		VZ= 5.1 5% 400 MW 1N751A	1	D22
33	33	11-13003-00		PIV= 55 IO=200 MA - 4NS 1N5282	16	D1-D4,D8,D9,D12-D19,D21,D23
34	34	12-12518-11		*** THIS ITEM IS NOT USED ***	-	
35	35	12-16832-01		PCB,HEADER 26POS(2X13).100CC 90D	1	J503
36	36	12-14434-00		PCB,HEADER 07PIN(1X06).100CC 90D	1	J501
37	37	12-16832-03		PCB,HEADER 50POS(2X25).100CC 90D	1	J502
38	38	13-00197-00	33.0	.25 W 5.0 % CF	2	R2,R4
39	39	13-00202-00	47.0	.25 W 5.0 % CF	3	R29,R90,R91
40	40	13-00229-00	100.0	.25 W 5.0 % CF	29	R9,R10,R17,R39,R41,R76,R79, CONT R119,R120,R131,R132,R141,R153, CONT R158,R159,R161,R167,R168,R171, CONT R172,R180,R181,R192,R196, CONT R199-R201,R210,R227
41	41	13-00250-00	150.0	.25 W 5.0 % CF	1	R190
42	42	13-00295-00	330.0	.25 W 5.0 % CF	2	R18,R57
43	43	13-00398-00	330.0	.50 W 5.0 % CF	2	R145,R157
44	44	13-00308-00	390.0	.50 W 5.0 % CF	4	R45,R46,R75,R80
45	45	13-00309-00	390.0	.25 W 5.0 % CF	1	R148
46	46	13-00316-00	470.0	.25 W 5.0 % CF	6	R34,R58,R63,R64,R111,R112
47	47	13-00365-00	1.0 K	.25 W 5.0 % CF	5	R125,R173,R202,R206,R217
48	48	13-00391-00	1.50 K	.25 W 5.0 % CF	1	R114
49	49	13-00398-00	1.80 K	.25 W 5.0 % CF	1	R121
50	50	13-00426-00	2.70 K	.25 W 5.0 % CF	3	R59,R213,R214
51	51	13-00432-00	3.0 K	.25 W 5.0 % CF	2	R69,R139
52	52	13-00439-00	3.30 K	.25 W 5.0 % CF	3	R60,R95,R96
53	53	13-00447-00	4.70 K	.25 W 5.0 % CF	1	R205
54	54	13-00539-00	120.0 K	.25 W 5.0 % CF	1	R137
55	55	13-01317-00	10.0	.25 W 5.0 % CF	1	R115
56	56	13-01320-00	1.20 K	.25 W 5.0 % CF	1	R73
57	57	13-01423-00	6.80 K	.25 W 5.0 % CF	2	R89,R173
58	58	13-01425-00	300.0	.25 W 5.0 % CF	1	R97
59	59	13-01477-00	82.0	.25 W 5.0 % CF	4	R11,R113,R188,R189
60	60	13-01969-00	22.0	.25 W 5.0 % CF	1	R33
61	61	13-02377-00	39.0	.25 W 5.0 % CF	2	R99,R116
62	62	13-02388-00	2.0 K	.25 W 5.0 % CF	1	R140
63	63	13-02612-00	1.78 K	.25 W 1.0 % RN55D-F10	4	R28,R55,R127,R128
64	64	13-02644-00	226.0	.25 W 1.0 % RN55D-F10	1	R27
65	65	13-02685-00	909.0	.25 W 1.0 % RN55D-F10	1	R38
66	66	13-02857-00	80.60	.25 W 1.0 % RN55D-F10	1	R191
67	67	13-02858-00	100.0	.25 W 1.0 % RN55D-F10	4	R35,R61,R85,R88
68	68	13-02931-00	49.90	.25 W 1.0 % RN55D-F10	2	R3,R5
69	69	13-02941-00	14.70 K	.25 W 1.0 % RN55D-F10	2	R126,R138

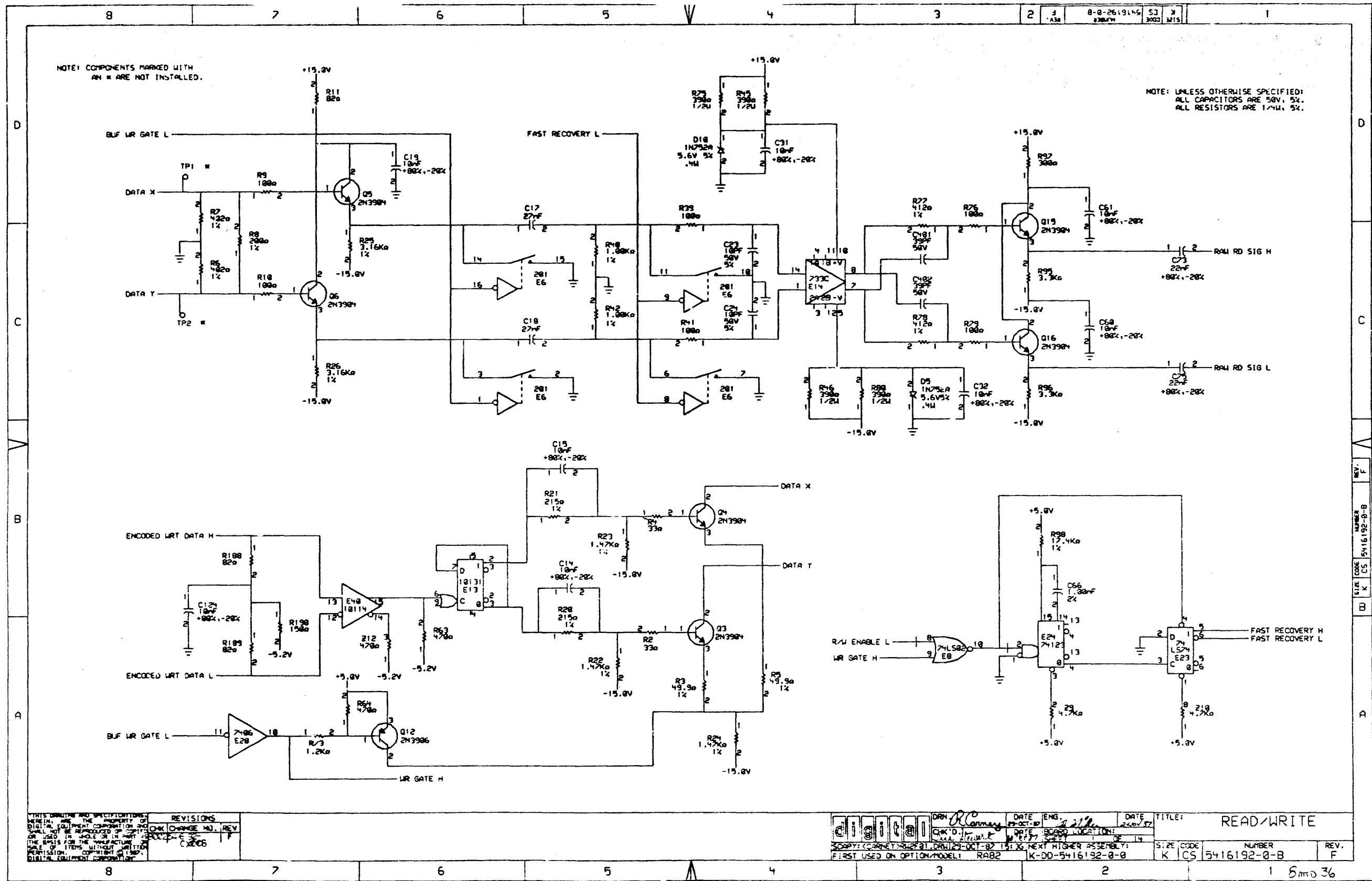
D	I	G	I	T	A	L	TITLE	READ/WRITE	SECTION A	OF A	SIZE	CODE	DOCUMENT NUMBER	REV
											K	PL	5416192-0-DBPB	H

LINE	ITEM	TOP DOCUMENT	PART NUMBER	MIN REV	DESCRIPTION	QTY PER VAR/REV	REFERENCE DESIGNATORS
						01 C5	
119	119		13-16254-00	R. NET	470.0 - 7 2.0	3	Z3,Z12,Z13
120	120		13-16254-01	R. NET	4.7K- 7 2.0	8	Z1,Z2,Z5,Z6,Z8-Z11
121	121		13-16736-00	374.0	.25 W 1.0 % RN55D-F10	2	R56,R209
122	122		13-16836-00	402.0	.25 W 1.0 % RN55D-F10	2	R6,R7
123	123		13-16837-00	412.0	.25 W 1.0 % RN55D-F10	5	R54,R77,R78,R197,R211
124	124		13-16842-00	6.34 K	.25 W 1.0 % RN55D-F10	1	R47
125	125		13-16845-00	3.30	.50 W 5.0 % CF	1	R12
126	126		13-17398-00	4.22 K	.25 W 1.0 % RN55D-F10	1	R74
127	127		13-17404-00	249.0	.25 W 1.0 % RN55D-F10	1	R226
128	128		13-17405-00	1.24 K	.25 W 1.0 % RN55D-F10	2	R169,R170
129	129		13-18150-02	475.0	.25 W 1.0 % RN55D-F10	1	R152
130	130		13-18150-06	976.0	.25 W 1.0 % RN55D-F10	2	R183,R184
131	131		13-18150-10	*** THIS ITEM IS NOT USED ***		-	
132	132		13-18150-12	8.06 K	.25 W 1.0 % RN55D-F10	1	R105
133	133		13-18150-90	69.80	.25 W 1.0 % RN55D-F10	1	R193
134	134		13-18341-18	267.0	.25 W 1.0 % RN55D-F10	2	R174,R175
135	135		13-18341-23	332.0	.25 W 1.0 % RN55D-F10	2	R186,R187
136	136		13-18341-38	2.87 K	.25 W 1.0 % RN55D-F10	1	R62
137	137		13-18532-05	R. NET	10.0K- 4 2.0	2	Z4,Z7
138	138		13-19169-01	200.0	.25 W 1.0 % RN55D-F10	1	R8
139	139		13-19470-06	5.10	1.0 W 5.0 % M.OXIDE	1	R1
140	140		13-19471-01	*** THIS ITEM IS NOT USED ***		-	
141	141		13-19471-02	15.0	2.0 W 5.0 % M.OXIDE	4	R146,R147,R215,R216
142	142		15-01881-00	DEC2219	NPN 3WC SI 30100	1	Q9
143	143		15-09524-00	2N 3904	NPN 310MW SI 40 40 M	17	Q3-Q8,Q14-Q16,Q19-Q23,Q25-Q27
144	144		15-09525-00	2N 3906	PNP 310MW SI 40100 Y	5	Q10-Q13,Q18
145	145		15-17998-00	3127	NPN 425MW ARRAY 16PIN	3	E33,E35,E43
146	146		16-01562-00	1.0 UH	10% 475MA #DD1.00	1	L6
147	147		16-09756-00	2.2 UH	10% 760MA #DD2.20	1	L11
148	148		16-12946-02	22.0	UH 10% Q MIN=50@2.5MHZ	2	L7,L8
149	149		16-12946-06	8.2	UH 2% Q MIN=55@7.9MHZ	2	L4,L5
150	150		16-12946-07	220	UH 10% Q MIN=26@.79MHZ	1	L3
151	151		16-12946-15	5.6	UH 2% Q MIN=50@7.9MHZ	2	L9,L10
152	152		19-09929-00	7417	BUFFER GATE-HEX 1INP	1	E27
153	153		19-10436-00	DEC 74123	ONE SHOT-DUAL,RETRIG	3	E15,E16,E24
154	154		19-10644-00	733	DIFFERENTIAL AMP,WID	2	E14,E36
155	155		19-10735-02	318	OP AMP	3	E10,E26,E30
156	156		19-10741-00	7406	INVERTER GATE-HEX 1I	2	E28,E38
157	157		19-11143-00	DEC 201A	OP AMP	1	E12
158	158		19-11414-00	10124	TTL TO ECL TRNSLTR	1	E2
159	159		19-11416-00	10131	FF, DUAL D MSTR/SLAV	2	E13,E41
160	160		19-12108-00	LM339	VOLT CMPRTR,QUAD	1	E18
161	161		19-12389-00	74S08	AND GATE-QUAD 2IN,PO	1	E37
162	162		19-12792-01	7915CK	VOLT REG,FIX -15V	1	Q24
163	163		19-12799-00	LS00	NAND-GATE-QUAD 2IN,P	2	E4,E21
164	164		19-12801-00	LS02	NOR-GATE-QUAD 2IN	1	E8
165	165		19-12803-00	LS04	INVERTER GATE,HEX	1	E22
166	166		19-12824-00	LS74	FF-D DUAL,EDGE TRIGG	2	E7,E23
167	167		19-12829-00	LS86	X-OR GATE-QUAD 2IN	1	E20
168	168		19-13017-00	3046	XSISTOR ARRAY,3 ISOL	1	E34

D	I	G	I	T	A	L	TITLE	SECTION A OF A	SIZE	CODE	DOCUMENT NUMBER	REV
							READ/WRITE		K	PL	5416192-0-DBPB	H

LINE	ITEM	TOP DOCUMENT	PART NUMBER	MIN REV	DESCRIPTION	QTY PER VAR/REV	REFERENCE DESIGNATORS
						01 C5	
169	169		19-14140-00	LM	311N VOLT CMPRTR	4	E5,E9,E11,E17
170	170		19-14473-00	DEC	7815 VOLT REG, FIX +15V	1	Q17
171	171		19-14485-01	TL	084ACNOP AMP, QUAD JFET	2	E19,E32
172	172		19-15186-00	AM	687DL VOLT. COMPARATOR, DUA	2	E39,E42
173	173		19-16244-01		317 VOLT REG, VAR 1/37V	1	Q2
174	174		19-16543-00		7806 VOLT REG, FIX +6V	1	Q1
175	175		19-16574-00		10114 RECEIVER, LINE, TRIPLE	1	E40
176	176		19-19580-01		LS145 DECODER, BCD/DECIMAL	1	E1
177	177		21-19305-01		201 SWITCH, ANALOG, QUAD	4	E6,E25,E31,E44
178	178		21-20322-01		*** THIS ITEM IS NOT USED ***	-	
179	179		90-09185-00		JUMPER, WIRE, INSULATED, BLACK B	5	R67,W1,W3,W5,W7
180	180		90-09217-00		*** THIS ITEM IS NOT USED ***	-	
181	181		90-06010-01		SCREW, MACH PAN PHIL 4-	2	
182	182		12-15580-00		INSULATOR, MOLDED	2	
183	183		12-16471-01		HEAT SINKS, TO-3/TO-66 1.531X1.25	2	
184	184		90-06024-01		SCREW, MACH PAN PHIL 6-	4	
185	185		90-06557-00		NUT, HEX EXT TOOTH LCKWSHR 4-40	2	
186	186		90-06560-00		NUT, HEX EXT TOOTH LCKWSHR 6-32	4	
187	187		90-06655-00		WASHER, FLAT SST	2	
188	188		90-06633-00		WASHER, LOCK INTERNAL STEEL	4	
189	189		90-07254-00		TRANSIPADS #10146	1	
190	190		90-07035-00		GROMMET, CATERPILLAR POLYAMIDE	A/R	
191	191		12-13071-02		INSULATOR, RUBBER SILICONE SM	2	
192	192		91-05740-55		WIRE (WRAP) 30AWG KYNAR UL14	A/R	
193	193		36-18745-00		TAPE, POLYMDE ADH .50 WDX .00	A/R	

D	I	G	I	T	A	L	TITLE	SECTION A OF A	SIZE	CODE	DOCUMENT NUMBER	REV
							READ/WRITE		K	PL	5416192-0-DBPB	H



NOTE: COMPONENTS MARKED WITH AN # ARE NOT INSTALLED.

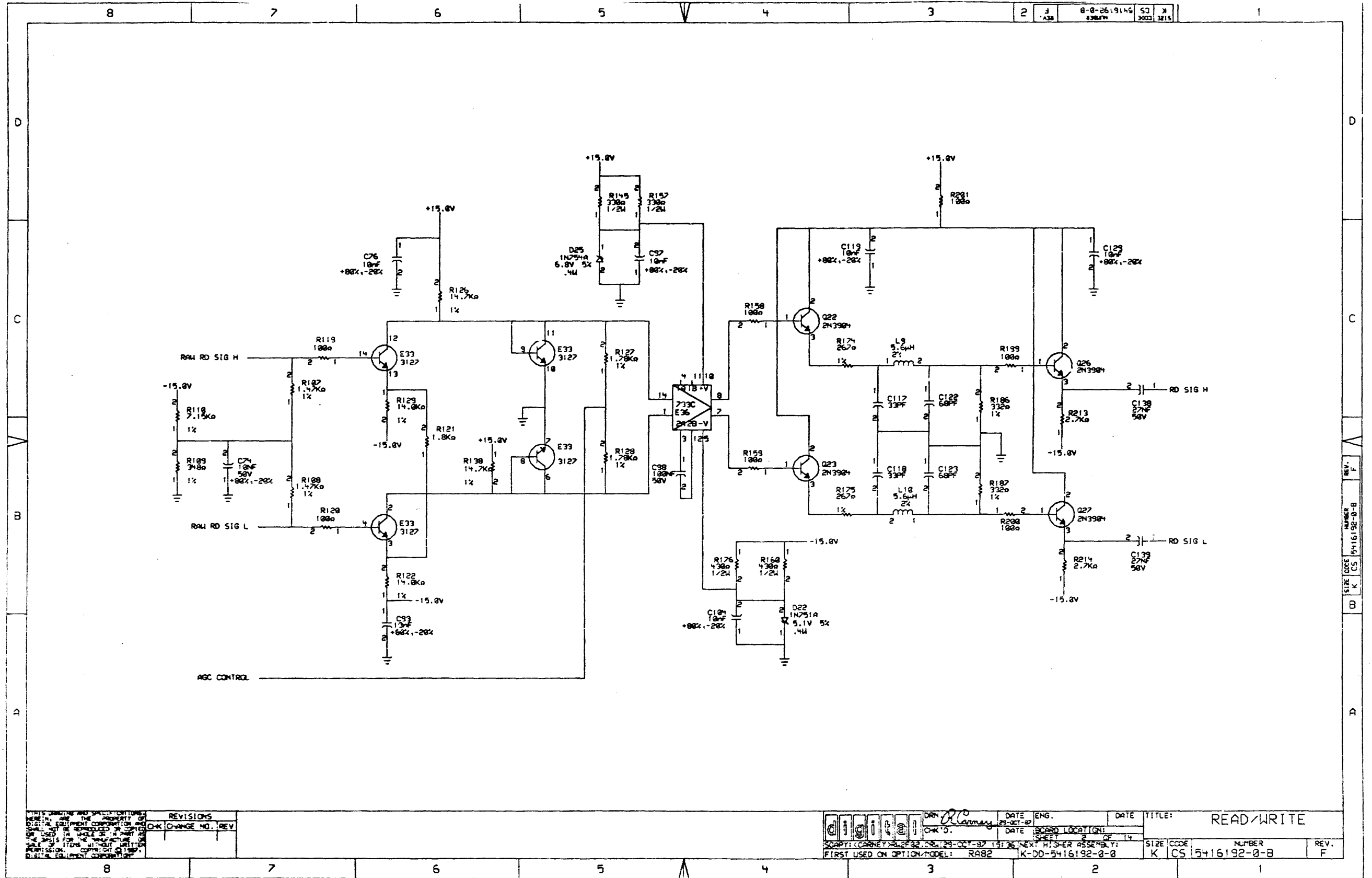
NOTE: UNLESS OTHERWISE SPECIFIED:
ALL CAPACITORS ARE 50V, 5%.
ALL RESISTORS ARE 1/4W, 5%.

THIS DRAWING AND SPECIFICATIONS ARE THE PROPERTY OF DIGITAL EQUIPMENT CORPORATION AND SHALL NOT BE REPRODUCED OR TRANSMITTED IN ANY FORM OR BY ANY MEANS, ELECTRONIC OR MECHANICAL, INCLUDING PHOTOCOPYING, RECORDING, OR BY ANY INFORMATION STORAGE AND RETRIEVAL SYSTEM, WITHOUT WRITTEN PERMISSION OF DIGITAL EQUIPMENT CORPORATION.

REV.	DESCRIPTION
1	ORIG. CHANGE NO. 1
2	ORIG. CHANGE NO. 2
3	ORIG. CHANGE NO. 3
4	ORIG. CHANGE NO. 4
5	ORIG. CHANGE NO. 5
6	ORIG. CHANGE NO. 6
7	ORIG. CHANGE NO. 7
8	ORIG. CHANGE NO. 8

	DATE: 10-27-67	ENG: R. J. ...	DATE: 2-20-67	TITLE: READ/WRITE
	ORN: R. J. ... CK'D: ... FIRST USED ON OPTION/MODEL: RAB2	DATE: 10-27-67 DATE: 10-27-67 DATE: 10-27-67	DATE: 10-27-67 DATE: 10-27-67 DATE: 10-27-67	DATE: 10-27-67 DATE: 10-27-67 DATE: 10-27-67
SIZE: K CS NUMBER: 5416192-0-B REV.: F				

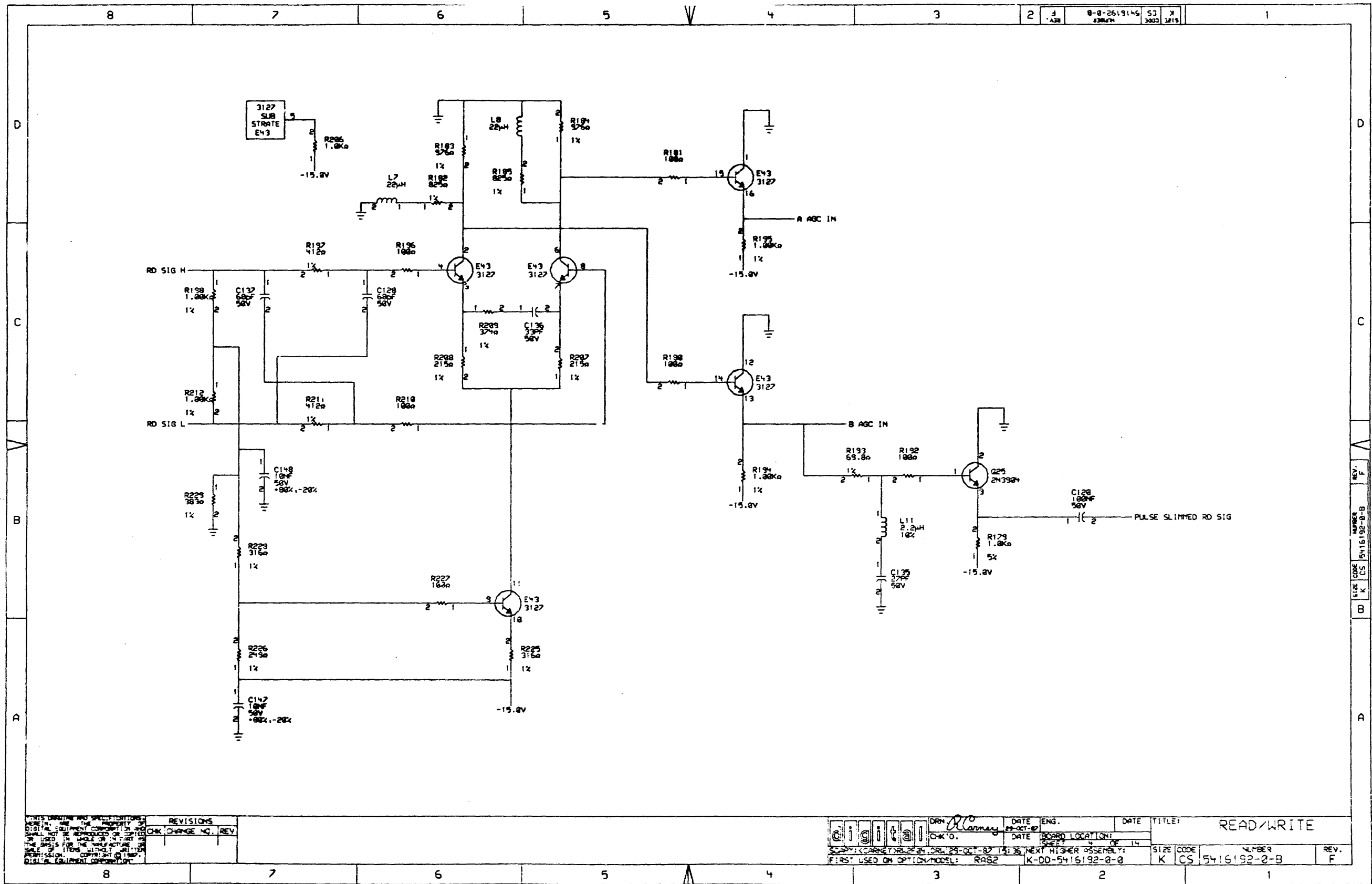
5mmD 36



THIS DRAWING AND SPECIFICATIONS
HEREIN ARE THE PROPERTY OF
GENERAL ELECTRIC COMPANY AND
SHALL NOT BE REPRODUCED OR
TRANSMITTED IN ANY FORM OR
BY ANY MEANS, WITHOUT THE
WRITTEN PERMISSION OF THE
GENERAL ELECTRIC COMPANY.

REVISIONS	
CHK	CHANGE NO. / REV

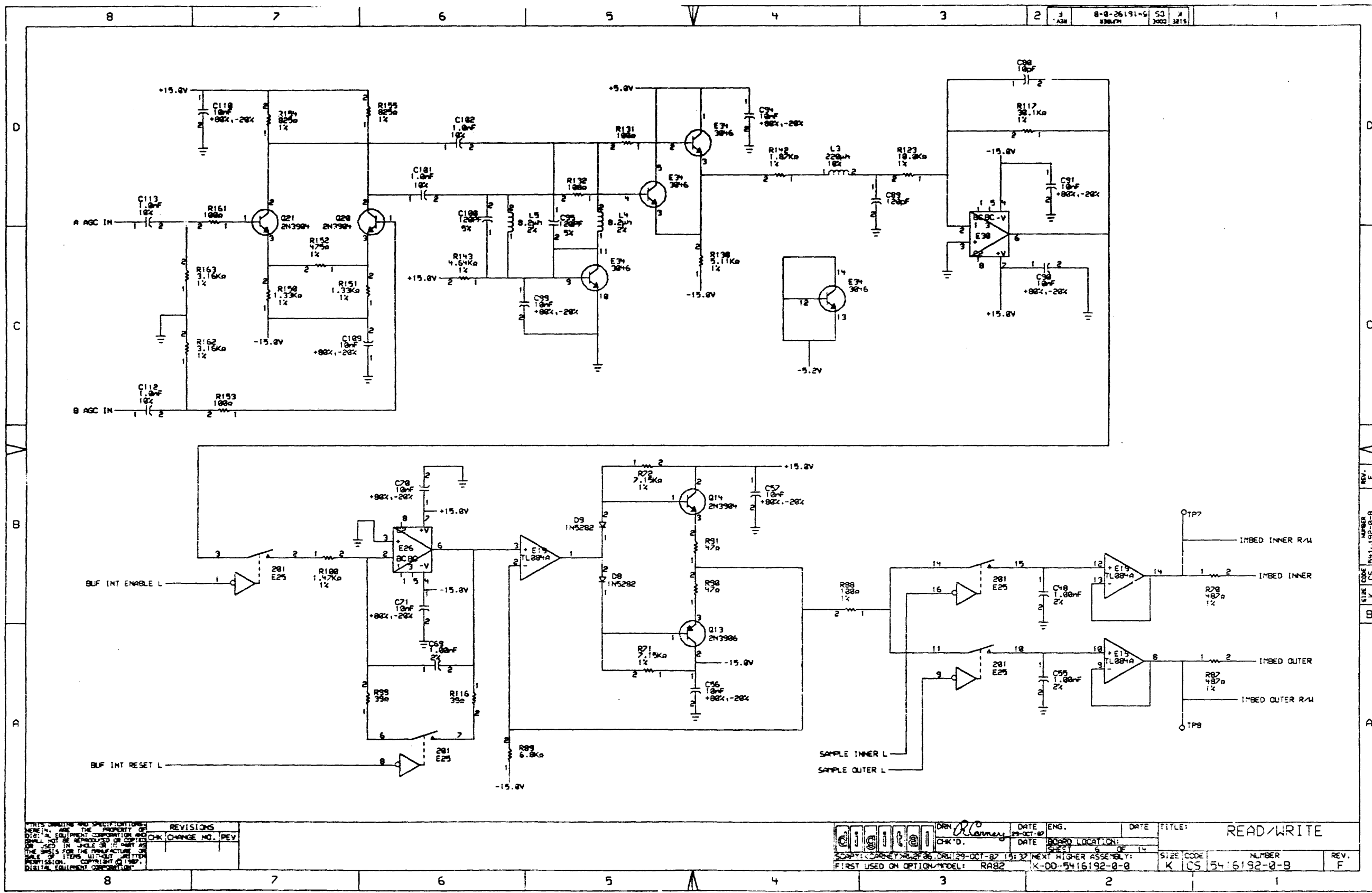
	DRN: <i>Rearney</i>	DATE: 29-OCT-67	ENG.	DATE	TITLE: READ/WRITE
	CHK'D:	DATE: 29-OCT-67	1973	DATE	BOARD LOCATION: 14
SCHEMATIC: CARNEY 242732, 29-OCT-67, 1973, NEXT: HTS-ER ASSEMBLY:		FIRST USED ON OPTION/MODEL: R482		K-DO-5416192-0-B	
SIZE: K	CODE: CS	NUMBER: 5416192-0-B	REV.: F		



THIS DRAWING AND SPECIFICATIONS
HEREIN ARE THE PROPERTY OF
DIGITAL EQUIPMENT CORPORATION
AND SHALL NOT BE REPRODUCED OR
TRANSMITTED IN ANY FORM OR
BY ANY MEANS, ELECTRONIC OR
MECHANICAL, INCLUDING
PHOTOCOPYING, RECORDING,
OR BY ANY INFORMATION
RETRIEVAL SYSTEM, WITHOUT
PERMISSION OF DIGITAL
EQUIPMENT CORPORATION.

REVISIONS	CHK	CHANGE NO.	REV.

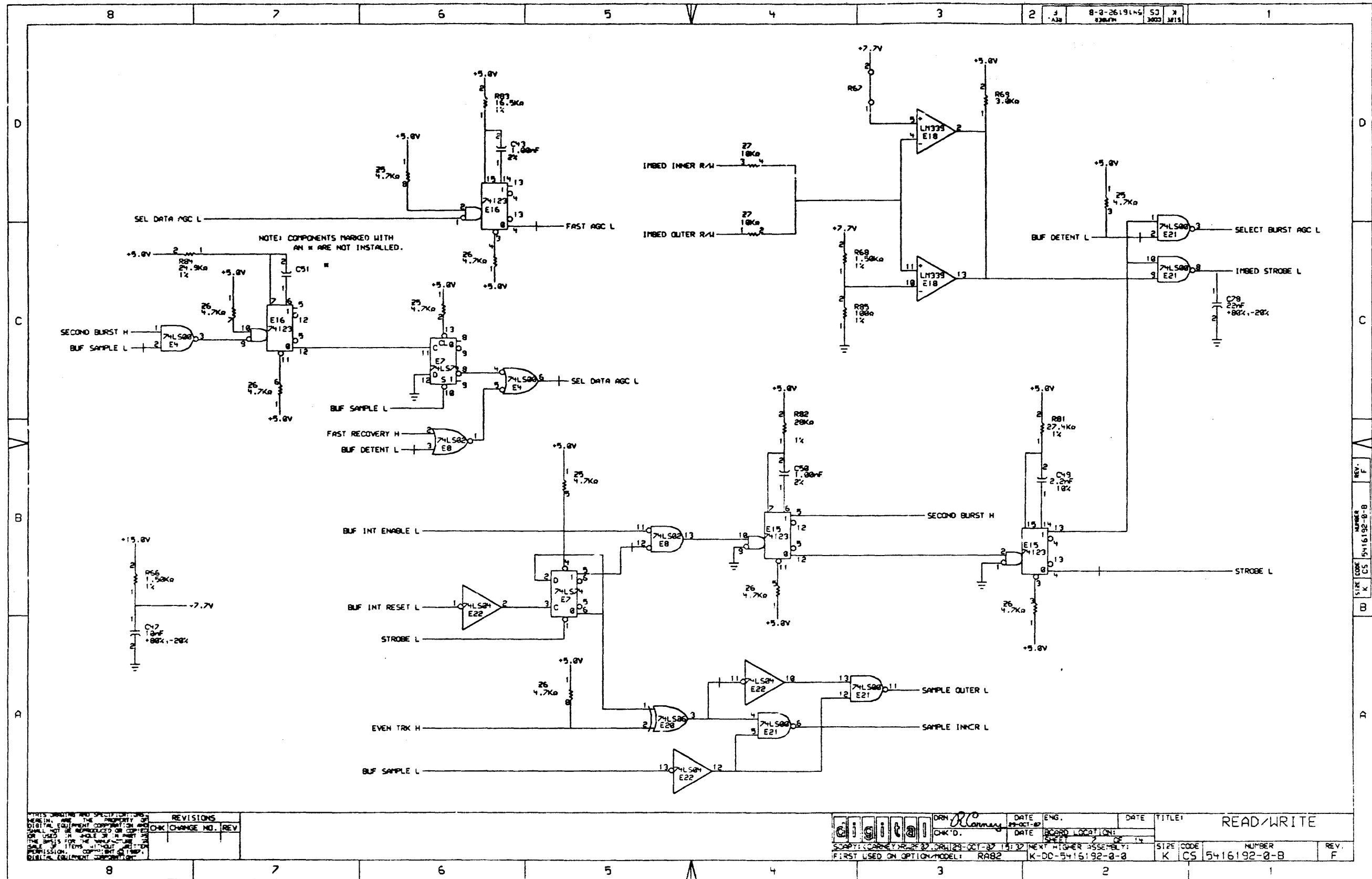
DATE	29-OCT-67	ENG.	[Signature]
DATE		BOARD LOCATION	14
DATE		SIZE	K
DATE		CODE	CS
DATE		NUMBER	5416192-0-B
DATE		REV.	F



THIS DRAWING AND SPECIFICATIONS ARE THE PROPERTY OF DIGITAL EQUIPMENT CORPORATION AND SHALL NOT BE REPRODUCED OR COPIED IN WHOLE OR IN PART WITHOUT THE WRITTEN PERMISSION OF DIGITAL EQUIPMENT CORPORATION.

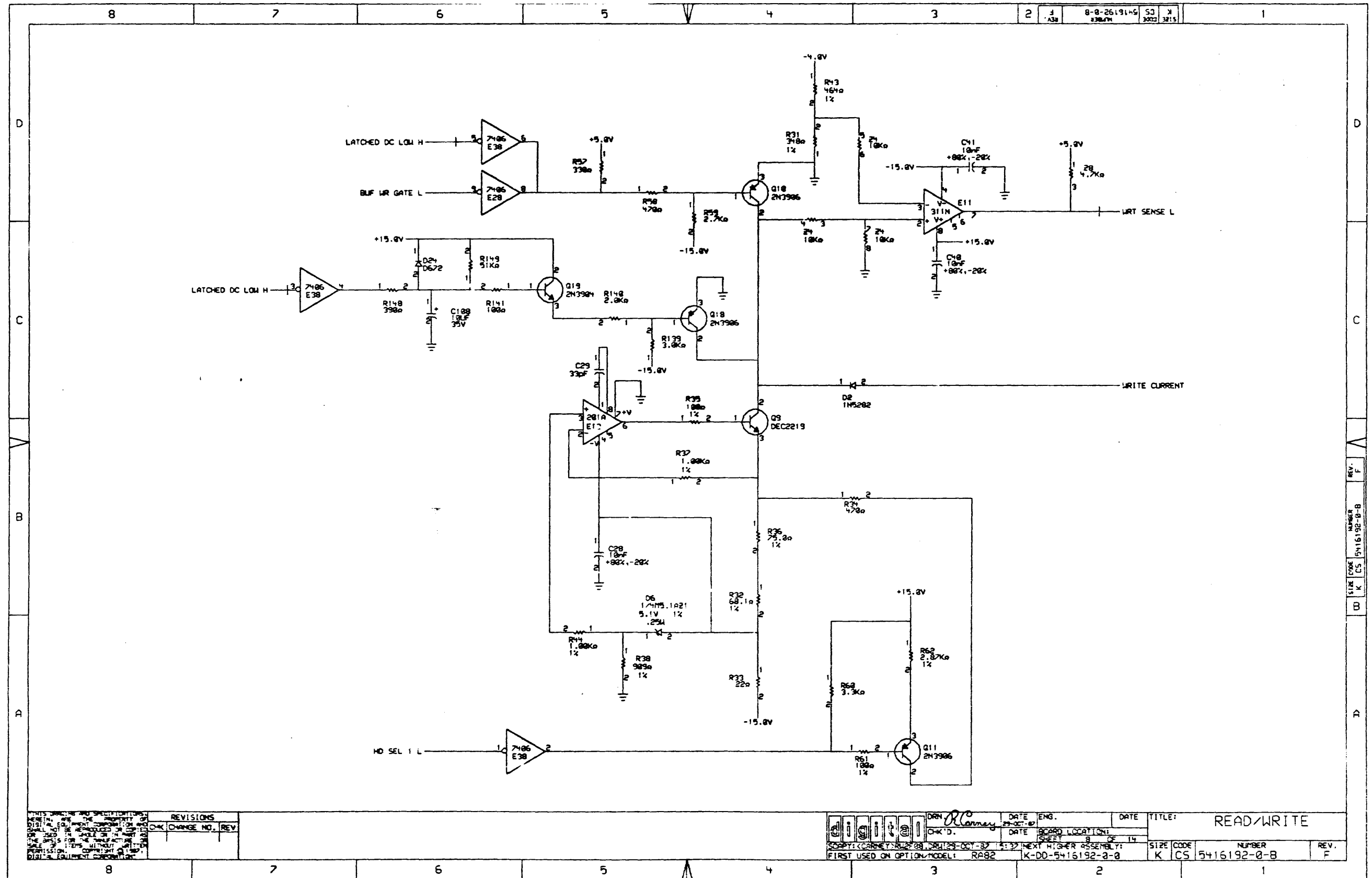
REVISIONS	
CHK	CHANGE NO. REV

	DATE: 29-OCT-67	ENG.:	DATE:	TITLE: READ/WRITE
	CHK'D: [Signature]	BOARD LOCATION:	SHEET: 9 OF 14	SIZE CODE: K ICS
COPY: CASE 7X26. DRN: 29-OCT-67 15:37		NEXT HIGHER ASSEMBLY: K-00-5416192-0-B	NUMBER: 5416192-0-B	REV.:
FIRST USED ON OPTION/MODEL: RAB2				F



REV.	CHG.	NO.	REV.

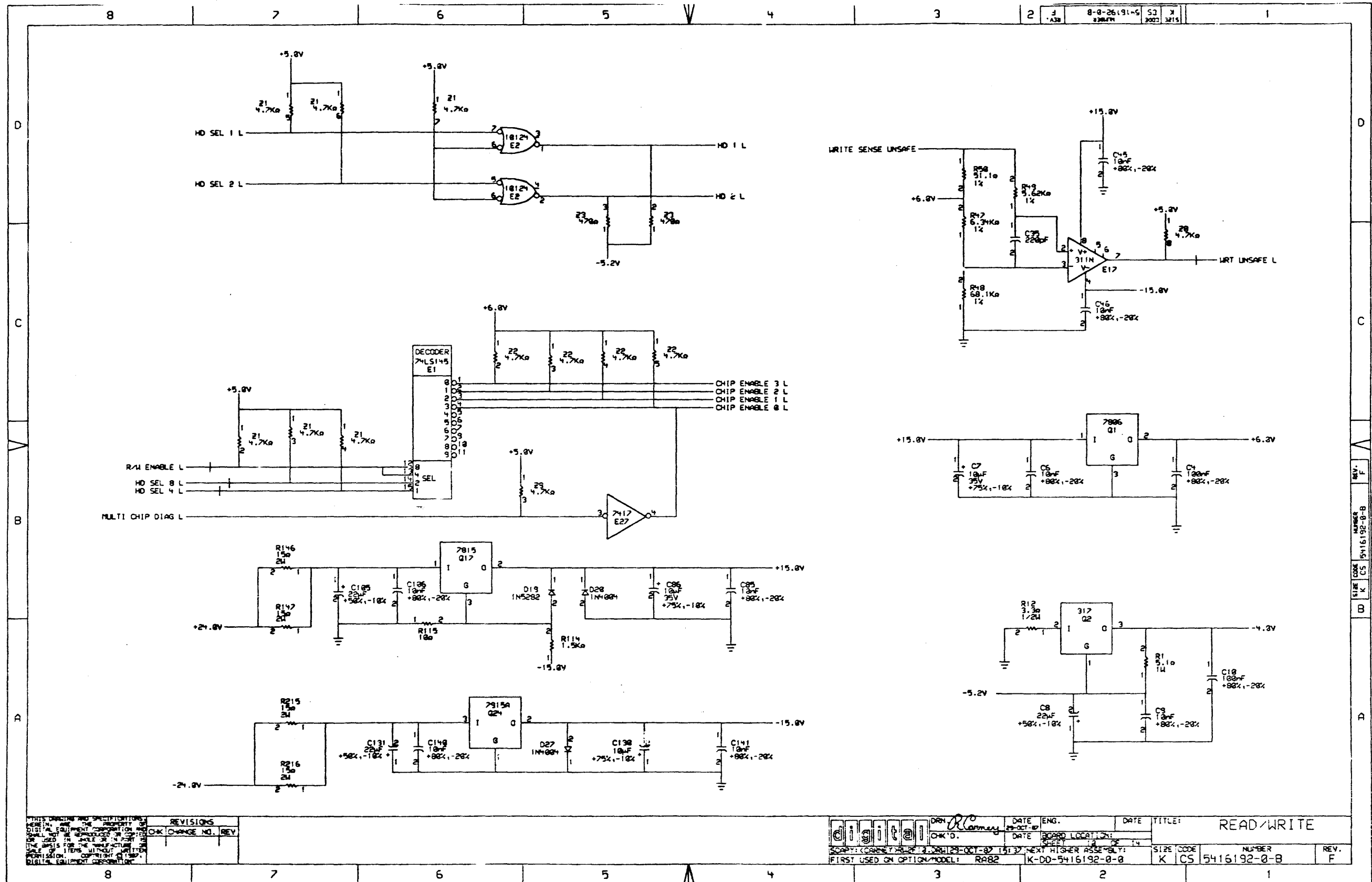
DRN	DATE	ENG.	DATE	TITLE
R. R. R.	25-OCT-87			READ/WRITE
CHK'D.	DATE	SEC'D LOCATION	DATE	
SCOP: CARNEY, R. R. R.	25-OCT-87	14:32	NEXT HIGHER ASSEMBLY:	SIZE CODE
FIRST USED ON OPTION MODEL:	RA82	K-DC-5416192-0-0		NUMBER
				REV.
				F



THIS DRAWING AND SPECIFICATIONS HEREIN ARE THE PROPERTY OF DIGITAL EQUIPMENT CORPORATION AND SHALL NOT BE REPRODUCED OR TRANSMITTED IN ANY FORM OR BY ANY MEANS, WITHOUT WRITTEN PERMISSION. COPYRIGHT © 1970, DIGITAL EQUIPMENT CORPORATION.

REVISIONS	
CHK	CHANGE NO. REV

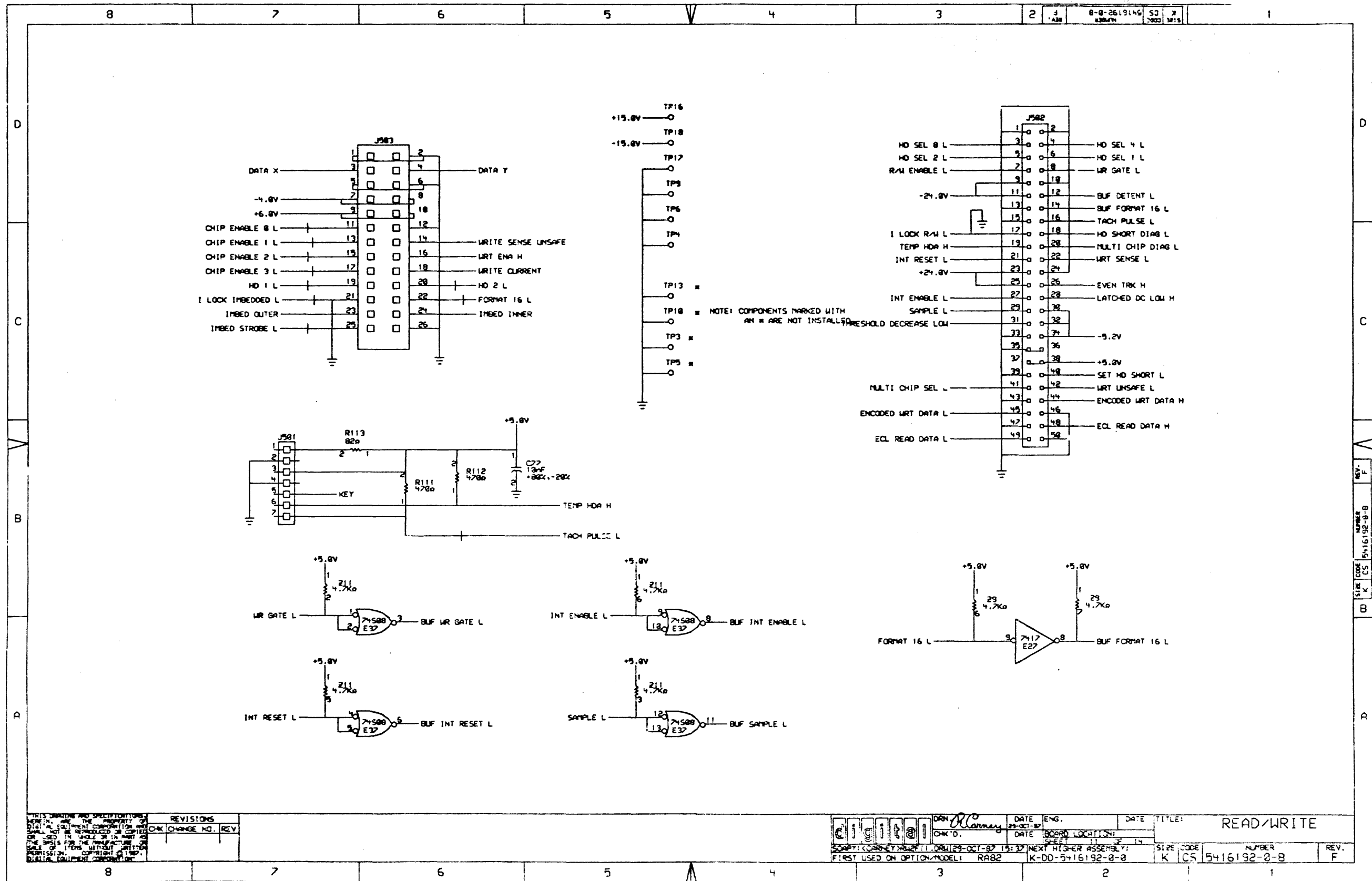
	DRN <i>R. Carney</i>	DATE ENG. 23-OCT-67	DATE	TITLE: READ/WRITE
	CHK'D.	DATE BOARD LOCATION: 8 OF 14		
SOAPTS (CABINET) 202708, 202129-OCT-67 4:37 NEXT HIGHER ASSEMBLY: K-DD-5416192-3-B		SIZE CODE K CS	NUMBER 5416192-0-B	REV. F



THIS DRAWING AND SPECIFICATIONS ARE THE PROPERTY OF DIGITAL EQUIPMENT CORPORATION AND SHALL NOT BE REPRODUCED OR COPIED OR USED IN ANY MANNER WITHOUT THE WRITTEN PERMISSION OF DIGITAL EQUIPMENT CORPORATION.

REVISIONS	
CHK	CHANGE NO. REV.

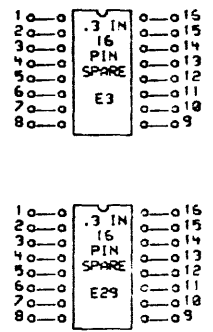
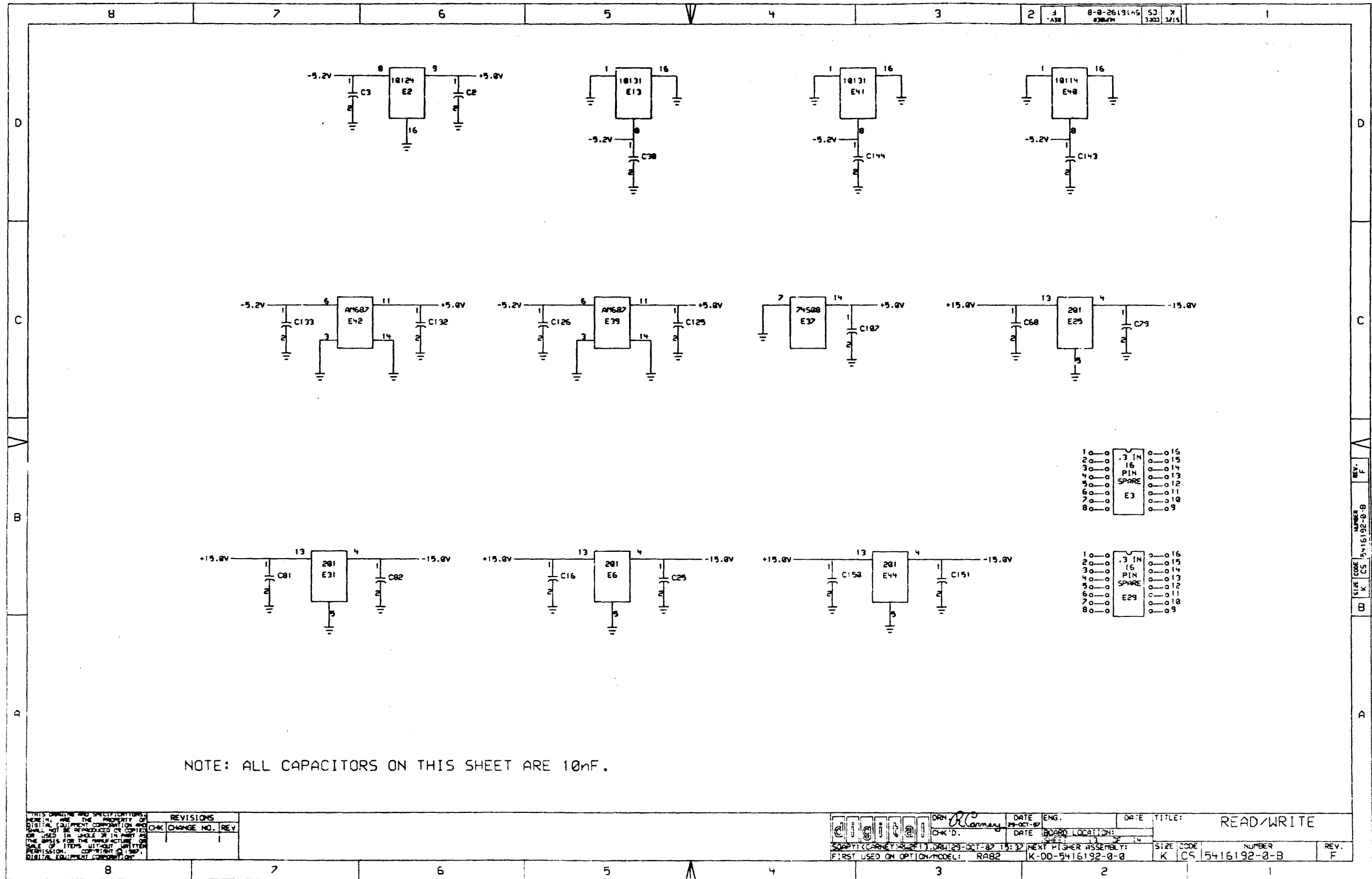
DRN <i>RC</i>	DATE 29-OCT-80	ENG.	DATE	TITLE: READ/WRITE
CHK'D.	DATE	BOARD LOCATION:	14	
COPY: (CASEY) 29-OCT-80 15132	NEXT HIGHER ASSEMBLY:	SIZE CODE	NUMBER	REV.
FIRST USED ON OPTION MODEL: RAB2	K-00-5416192-0-0	K CS	5416192-0-B	F



THIS DRAWING AND SPECIFICATIONS HEREIN ARE THE PROPERTY OF DIGITAL EQUIPMENT CORPORATION AND SHALL NOT BE REPRODUCED OR COPIED OR USED IN WHOLE OR IN PART AS THE BASIS FOR THE MANUFACTURE OR SALE OF ITEMS WITHOUT WRITTEN PERMISSION. COPYRIGHT © 1987, DIGITAL EQUIPMENT CORPORATION.

REVISIONS	
CHK	CHANGE NO. REV

	DRN <i>Ranney</i> CHK'D.	DATE 29-OCT-87 DATE	ENG.	DATE	TITLE: READ/WRITE
	COPY: CORREY 28-SEP-87 FIRST USED ON OPTION MODEL: RAB2	DATE 19-OCT-87 NEXT HIGHER ASSEMBLY:	BOARD LOCATION:	SHEET 11 OF 14	SIZE CODE K CS
					REV. F



NOTE: ALL CAPACITORS ON THIS SHEET ARE 10nF.

THIS DRAWING AND SPECIFICATIONS HEREIN ARE THE PROPERTY OF DIGITAL EQUIPMENT CORPORATION AND SHALL NOT BE REPRODUCED OR COPIED OR USED IN WHOLE OR IN PART AS THE BASIS FOR THE MANUFACTURE OR SALE OF ITEMS WITHOUT WRITTEN PERMISSION. COPYRIGHT © 1980, DIGITAL EQUIPMENT CORPORATION.

REVISIONS		
CHK	CHANGE NO.	REV.

DRN: <i>RC</i>	DATE: 29-OCT-80	ENG.	DATE	TITLE: READ/WRITE
CHK'D:	DATE	BOARD LOCATION:	SHEET: 14	
NEXT FISHER ASSEMBLY: RAB2		NEXT SHEET: 13		
FIRST USED ON OPTION/MODEL: K-DD-5416192-0-B				

SIZE: K	CODE: CS	NUMBER: 15416192-0-B	REV.: F
---------	----------	----------------------	---------

AUTOMATED BY VAXKPL (V1.3)

PARTS LIST

QUANTITY PER VARIATION/REVISION SHEET 11 OF 11

LINE ITEM	TOP DOCUMENT	PART NUMBER	HIN REV	DESCRIPTION	QTY
1	K-IA-7021170-0-DBU	70-21170-01	C	HEAD/DISK ASSEMBLY (16 BIT)	1
2	K-IA-7021170-0-DBU	70-21170-02		*** THIS ITEM IS NOT USED ***	-
3	B-DD-5416192-0-0	54-16192-01		R82 READ/WRITE MODULE	1
4	C-IA-7019060-0-0	70-19060-01		DATA 26 CABLE ASSEMBLY	1
5		90-09682-01		SCREW,MACH HEXMMW SLOT	4
6		36-18566-01		LABEL,DATA	1
7		35-18565-01		LABEL,ATTENTION	1

*14508
NKL
AM
10/24/87*

REVISION HISTORY			KPL MATRIX FORMAT SECTION A OF A		DRN: A. POWELL	DIGITAL			
ENG	ECO NUMBER	REV	SECTION/VARIATION INDEX		DATE: 09-JAN-84				
JR	PCA PET-333	A	[A]	01	CHK'D: D. MILLER	TITLE PARTS LIST			
FP	7021468-CX001	B	[B]		DATE: 01-APR-86	HDA-R/W MODULE ASSEMBLY			
MM	7021577-CX01A	C	[C]		DES.ENG: J. READ				
MM	7021468-CX002	D	[D]		DATE: 01-APR-86	DOCUMENT NUMBER			
MM	7021468-CX003	E	[E]		RESP.ENG.: J. READ	SIZE	CODE	NUMBER	REV
			[F]		DATE: 01-APR-86	K	FL	7021468-0-DBP	E
			[H]		MFG.ENG: D. NISS	RELEASE DATE: 10-JUL-87			
			[J]		DATE: 01-APR-86	RELEASE STATUS: RELEASED			
			BASIC PART NUMBER:	ASSEMBLY NUMBER:	TOP DOCUMENT NUMBER:	FILE NAME:		EDIT #	
			7021468	K-AD-7021468-0-DBU	K-AD-7021468-0-DBU	Z8175E.PLS		1	

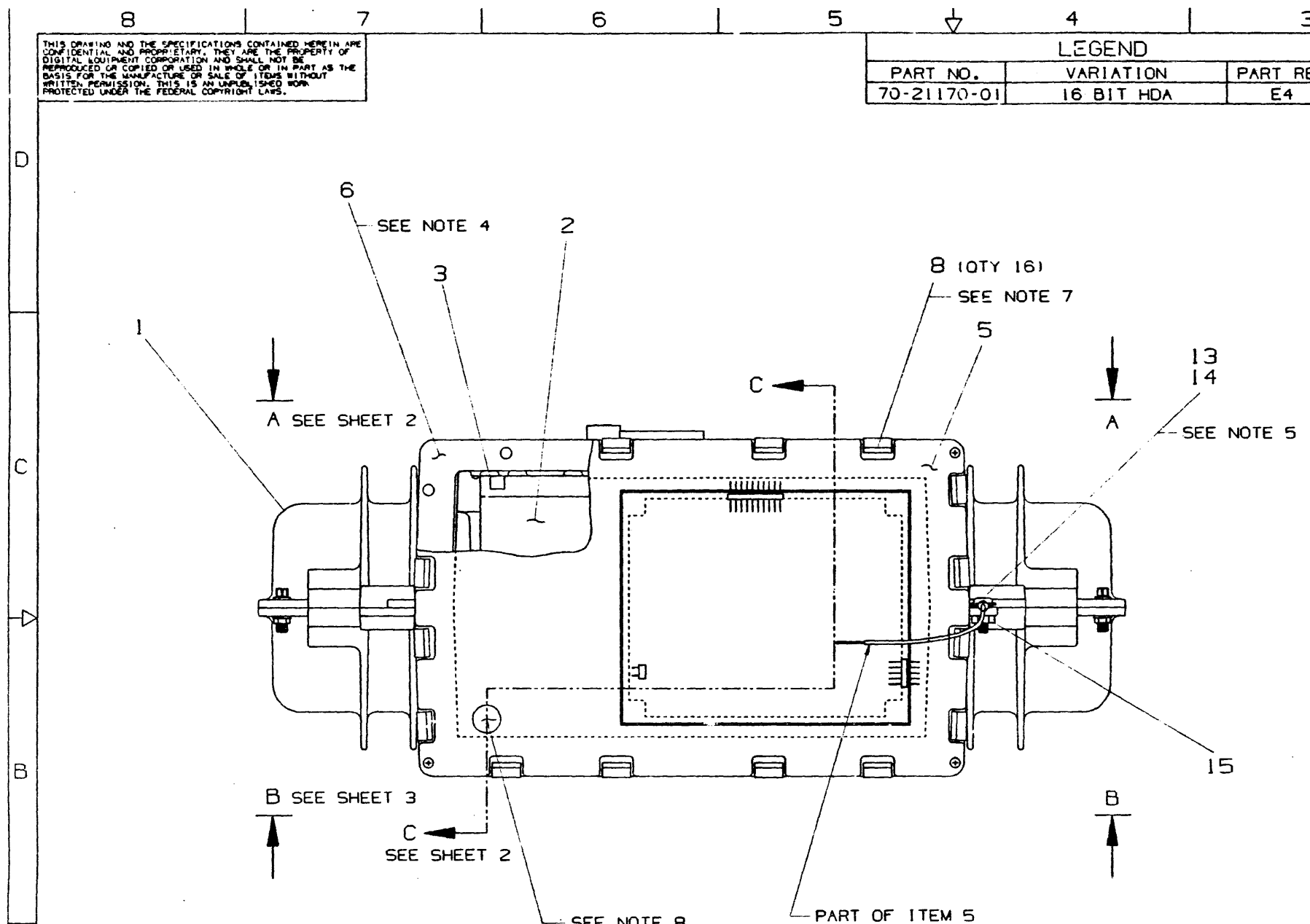
"THIS DRAWING AND THE SPECIFICATIONS CONTAINED HEREIN ARE CONFIDENTIAL AND PROPRIETARY. THEY ARE THE PROPERTY OF DIGITAL EQUIPMENT CORPORATION AND SHALL NOT BE REPRODUCED OR COPIED OR USED IN WHOLE OR IN PART AS THE BASIS FOR THE MANUFACTURE OR SALE OF ITEMS WITHOUT WRITTEN PERMISSION. THIS IS AN UNPUBLISHED WORK PROTECTED UNDER THE FEDERAL COPYRIGHT LAWS."

THIS DRAWING AND THE SPECIFICATIONS CONTAINED HEREIN ARE CONFIDENTIAL AND PROPRIETARY. THEY ARE THE PROPERTY OF DIGITAL EQUIPMENT CORPORATION AND SHALL NOT BE REPRODUCED OR COPIED OR USED IN WHOLE OR IN PART AS THE BASIS FOR THE MANUFACTURE OR SALE OF ITEMS WITHOUT WRITTEN PERMISSION. THIS IS AN UNPUBLISHED WORK PROTECTED UNDER THE FEDERAL COPYRIGHT LAWS.

LEGEND		
PART NO.	VARIATION	PART REV
70-21170-01	16 BIT HDA	E4

NOTES:

- ASSEMBLE POSITIONER ASSY (ITEM 2) TO HOUSING/DISK ASSY (ITEM 1) MAKING SURE THAT THE POSITIONER IS LOCATED AGAINST THE TWO DOWEL PINS PRIOR TO TORQUING SCREWS. ASSEMBLE WASHERS (ITEM 11 & 12) AND CAP SCREWS (ITEM 9) THROUGH LOWER HOUSING (PART OF ITEM 1) AND TORQUE TO 100 ± 5 IN. LBS. ASSEMBLE WASHERS (ITEM 11 & 12) AND CAP SCREWS (ITEM 9) THROUGH LOWER HOUSING (PART OF ITEM 1) AND TORQUE TO 100 ± 5 IN. LBS.
- ASSEMBLE WASHERS (ITEM 11 & 12) AND CAP SCREWS (ITEM 9) THROUGH UPPER HOUSING (PART OF ITEM 1) AND TORQUE TO 100 ± 5 IN. LBS. ASSEMBLE WASHERS (ITEM 11 & 12) AND CAP SCREWS (ITEM 9) THROUGH UPPER HOUSING (PART OF ITEM 1) AND TORQUE TO 100 ± 5 IN. LBS.
- AFTER INSTALLATION OF POSITIONER ASSY (ITEM 2) SECURE ARMS WITH LOCK.
- LOCATE GASKET (ITEM 6) TO BACK OF COVER ASSY (ITEM 5) USING THE 16 BOSSES ON COVER ASSY.
- TORQUE PAN HD SCREW (ITEM 13) TO 8 ± 5 IN. LBS.
- ASSEMBLE THERMOSTAT (ITEM 17) INTO LOWER HOUSING (PART OF ITEM 1). TORQUE TO $2 \pm .5$ IN. LBS. NOTE THAT ORIENTATION IS NOT IMPORTANT.
- PRONGED SIDE OF SPRING CLIP (ITEM 8) MUST BE ASSEMBLED AGAINST ALUMINUM FLANGE.
- PLASTIC CAPS (ITEM 7) TO BE RE-INSTALLED FLUSH WITH SURFACE OF COVER ASSY (ITEM 5) AFTER PARTICLE COUNT MEASUREMENTS HAVE BEEN MADE. NOTE THAT PARTICLE COUNT NOT TO EXCEED 100 p/ft^3 GREATER THAN 5μ WITH DISK SPINNING A 3600 RPM.
- TORQUE CAP SCREWS (ITEM 20) TO 40 ± 5 IN. LBS.
- LOCATE THE THREE CLAMPS (ITEM 21) IN THE APPROX LOCATIONS SHOWN.
- TORQUE SCREWS (ITEM 18) TO 30 ± 3 IN. LBS.
- DELETED PER ECO 7021170-CX001 (6081).



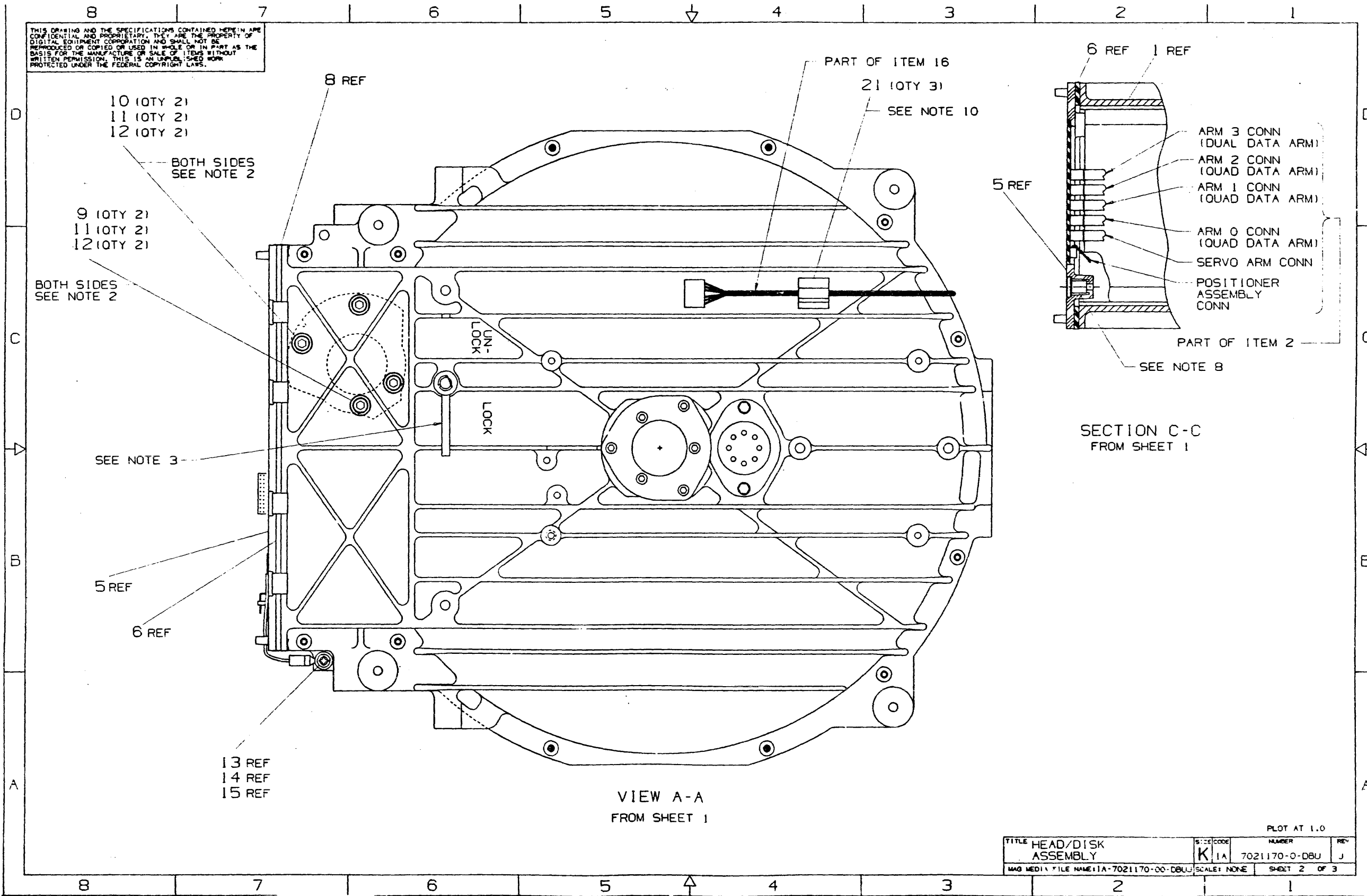
REVISION HISTORY		PART REV
DATE	ECO NUMBER	REV
81	7021170-CX005	E4
	K. D. DEWANE	J
	C. HORNE	
	1/14/83	

TOLERANCES	
INCHES	ANGLES
.XX ± .01	90° 30°
.XXX ± .02	
.XXXX ± .005	
SURFACE QUALITY	
HATCHES	

CAUTION: OFF-SHEET PARTS LIST EXISTS, SEE K-PL-7021170-0-DBP (281711).
 TOP DOC: K-1A-7021170-0-DBU
 MAG MEDIA FILE NAME: 1A-7021170-00-DBUJ
 DATA BASE 1/1, PLOT AT 1.0

THIRD ANGLE PROJECTION	DESIGNED BY T. FALETTE	DATE 20 DEC 83	TITLE digital
DO NOT SCALE DRAWING	DRAWN BY R. MICHAUD	DATE 1 APR 86	HEAD/DISK ASSEMBLY
REMOVE BURRS AND BREAK SHARP CORNERS	DESIGNED BY J. READ	DATE 23 APR 86	
MATERIAL SEE PARTS LIST	RESP BY J. READ	DATE 23 APR 86	DOCUMENT NUMBER
FINISH NONE	APPROVED BY D. NISS	DATE 23 APR 86	SIZE CODE NUMBER K 1A 7021170-0-DBU J
	NEXT REVISION K-AD-7021468-0-DBU		SCALE NONE SHEET 1 OF 3

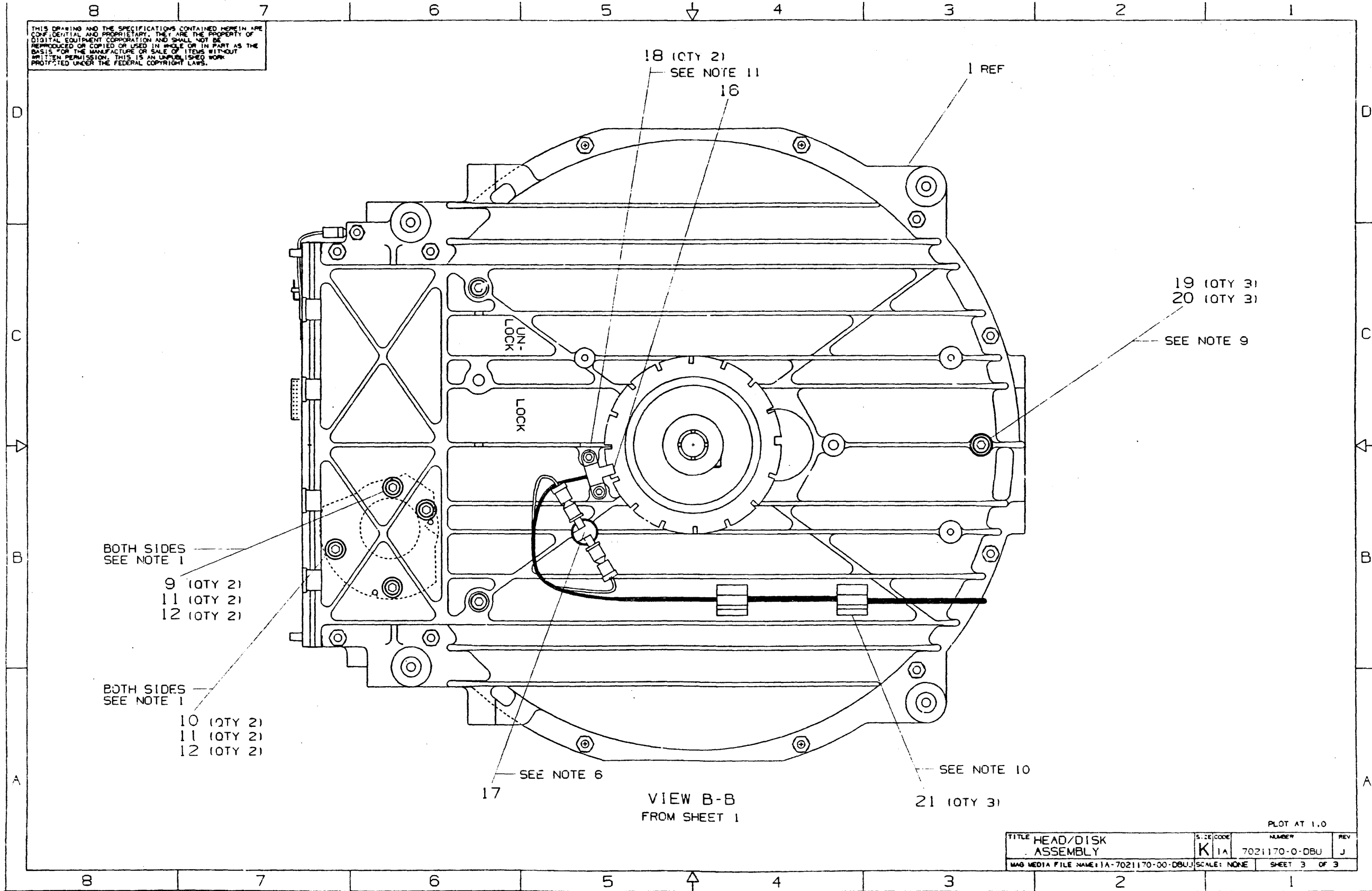
THIS DRAWING AND THE SPECIFICATIONS CONTAINED HEREIN ARE CONFIDENTIAL AND PROPRIETARY. THEY ARE THE PROPERTY OF DIGITAL EQUIPMENT CORPORATION AND SHALL NOT BE REPRODUCED OR COPIED IN WHOLE OR IN PART AS THE BASIS FOR THE MANUFACTURE OR SALE OF ITEMS WITHOUT WRITTEN PERMISSION. THIS IS AN UNPUBLISHED WORK PROTECTED UNDER THE FEDERAL COPYRIGHT LAWS.



TITLE HEAD/DISK ASSEMBLY		SIZE CODE K 1A	NUMBER 7021170-0-DBU	REV J
MAG MEDIA FILE NAME 1A-7021170-00-DBU		SCALE NONE	SHEET 2 OF 3	

PLOT AT 1.0

THIS DRAWING AND THE SPECIFICATIONS CONTAINED HEREIN ARE CONFIDENTIAL AND PROPRIETARY. THEY ARE THE PROPERTY OF DIGITAL EQUIPMENT CORPORATION AND SHALL NOT BE REPRODUCED OR COPIED OR USED IN WHOLE OR IN PART AS THE BASIS FOR THE MANUFACTURE OR SALE OF ITEMS WITHOUT WRITTEN PERMISSION. THIS IS AN UNPUBLISHED WORK PROTECTED UNDER THE FEDERAL COPYRIGHT LAWS.



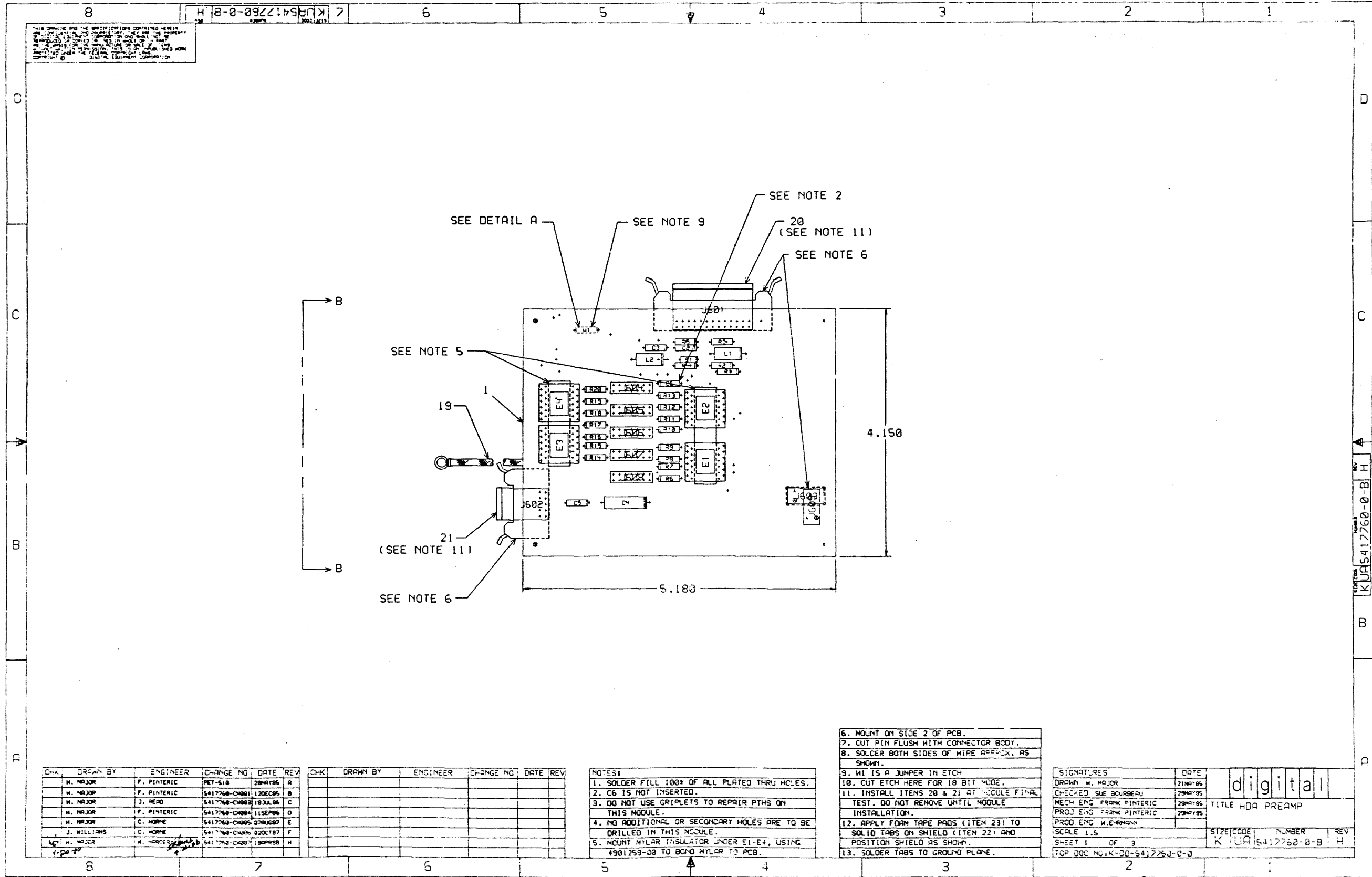
VIEW B-B
FROM SHEET 1

TITLE HEAD/DISK ASSEMBLY		SCALE: NONE		PLOT AT 1.0	
S. DE. CODE	NUMBER	REV			
K 1A	7021170-0-DBU	J			
MAG MEDIA FILE NAME: 1A-7021170-00-DBU		SHEET 3 OF 3			

LINE ITEM	TOP DOCUMENT	PART NUMBER	MIN REV	DESCRIPTION	01 E4
1	K-IA-7021466-0-DBU	70-21466-01	E	HOUSING/DISK ASSEMBLY	1
2	K-IA-7021460-0-DBU	70-21460-01		POSITIONER ASSEMBLY	1
3	K-MD-7429944-0-DBU	74-29944-01		SHIM, POSITIONER .004 THK	A/R
4	K-MD-7429944-0-DBU	74-29944-02		*** THIS ITEM IS NOT USED ***	-
5	C-IA-7018489-0-0	70-18489-02	E	HDA REAR COVER ASSEMBLY (RA82)	1
6	C-MD-7420798-0-0	74-20798-00		GASKET	1
7				*** THIS ITEM IS NOT USED ***	-
8		12-16829-00		CLIP, SPRING FOR DISK	16
9	SEE NOTE # 9	90-10557-01		SCREW, MACH BOLT EXT TORX 1/4-20	4
10	SEE NOTE # 10	90-10557-02		SCREW, MACH BOLT EXT TORX 1/4-20	4
11		90-08071-00		WASHER, FLAT SST	8
12		90-07797-00		WASHER, HELICAL SPLIT SST .263/	8
13		90-06039-01		SCREW, MACH PAN PHIL 8-32	1
14		90-09023-00		WASHER, LOCK INTERNAL SST	1
15		90-06561-00		NUT, HEX 8-32X .307AF SS/NON	1
16		12-15817-00		SW, OPTICAL, ASSY	1
17		12-16870-01		THERMOSTAT, O@128, C@105	1
18		90-10075-02	A	SCREW, THD RL, HEX F/METAL 8	2
19	B-MD-7423893-0-0	74-23893-00		FOOT HDA	3
20		90-06370-08		SCREW, CAP SOC HEX 1/4-20	3
21		90-10264-00	A	CLAMP, WIRE LOCKING, ADH. BACK	3

9 NOTE: PART NUMBER 90-06371-08, SCREW, CAP SOC HEX 1/4-20 X 5/8, QTY 4, IS AN ACCEPTABLE ALTERNATE FOR ITEM 9.
10 NOTE: PART NUMBER 90-06374-08, SCREW, CAP SOC HEX 1/4-20 X 1, QTY 4, IS AN ACCEPTABLE ALTERNATE FOR ITEM 10

REVISION HISTORY		KPL MATRIX FORMAT		SECTION A OF A		DRN: A. POWELL		DATE: 30-MAY-85		DIGITAL	
ENG	ECO NUMBER	REV	SECTION/VARIATION INDEX		CHK'D:	R. MICHAUD		TITLE		PARTS LIST	
JR	PCA PET-121	AX00	[A]	01	DATE:	23-APR-86		HEAD/DISK ASSEMBLY			
JR	PCA PET-270	AX01	[B]		DES.ENG:	J. READ		DOCUMENT NUMBER			
JR	PCA PET-333	A	[C]		DATE:	23-APR-86		SIZE	CODE	NUMBER	REV
MM	7021170-CX001	B	[D]		RESP.ENG.:	J. READ		K	PL	7021170-0-DBP	J
MM	7021577-CX01A	C	[E]		DATE:	23-APR-86		RELEASE DATE:		10-MAR-88	
MM	7021170-CX002	D	[F]		MFG.ENG:	D. NISS		RELEASE STATUS:		RELEASED	
MM	7021468-CX002	E	[H]		DATE:	23-APR-86		BASIC PART NUMBER:		7021170	
MM	7021170-CX003	F	[J]		ASSEMBLY NUMBER:	K-IA-7021170-0-DBU		TOP DOCUMENT NUMBER:		K-IA-7021170-0-DBU	
CH	7021170-CX004	H			FILE NAME:	Z8171J.PLS		EDIT #		1	
CH	7021170-CX005	J			"THIS DRAWING AND THE SPECIFICATIONS CONTAINED HEREIN ARE CONFIDENTIAL AND PROPRIETARY. THEY ARE THE PROPERTY OF DIGITAL EQUIPMENT CORPORATION AND SHALL NOT BE REPRODUCED OR COPIED OR USED IN WHOLE OR IN PART AS THE BASIS FOR THE MANUFACTURE OR SALE OF ITEMS WITHOUT WRITTEN PERMISSION. THIS IS AN UNPUBLISHED WORK PROTECTED UNDER THE FEDERAL COPYRIGHT LAWS."						



CHK	DRAWN BY	ENGINEER	CHANGE NO	DATE	REV
	W. MAJOR	F. PINTERIC	PET-510	28MAY85	A
	W. MAJOR	F. PINTERIC	5417760-CX001	12OCT85	B
	W. MAJOR	J. READ	5417760-CX003	18JUL86	C
	W. MAJOR	F. PINTERIC	5417760-CX004	11SEP86	D
	W. MAJOR	C. MORSE	5417760-CX005	07AUG87	E
	J. WILLIAMS	C. MORSE	5417760-CX006	02OCT87	F
	W. MAJOR	C. MORSE	5417760-CX007	18APR88	H

CHK	DRAWN BY	ENGINEER	CHANGE NO	DATE	REV

NOTES:

1. SOLDER FILL 100% OF ALL PLATED THRU HOLES.
2. C6 IS NOT INSERTED.
3. DO NOT USE GRIPLETS TO REPAIR PTHS ON THIS MODULE.
4. NO ADDITIONAL OR SECONDARY HOLES ARE TO BE DRILLED IN THIS MODULE.
5. MOUNT NYLAR INSULATOR UNDER E1-E4, USING 4901253-08 TO BOND NYLAR TO PCB.

6. MOUNT ON SIDE 2 OF PCB.
7. CUT PIN FLUSH WITH CONNECTOR BODY.
8. SOLDER BOTH SIDES OF WIRE APPROX. AS SHOWN.
9. W1 IS A JUMPER IN ETCH
10. CUT ETCH HERE FOR 18 BIT MODE.
11. INSTALL ITEMS 20 & 21 AT MODULE FINAL TEST. DO NOT REMOVE UNTIL MODULE INSTALLATION.
12. APPLY FOAM TAPE PADS (ITEM 23) TO SOLID TABS ON SHIELD (ITEM 22) AND POSITION SHIELD AS SHOWN.
13. SOLDER TABS TO GROUND PLANE.

SIGNATURES		DATE
DRAWN W. MAJOR		21MAY85
CHECKED SUE BOURBERU		29MAY85
MECH ENG FRANK PINTERIC		29MAY85
PROJ ENG FRANK PINTERIC		29MAY85
PROD ENG W. EHRMANN		

TITLE HDQ PREAMP

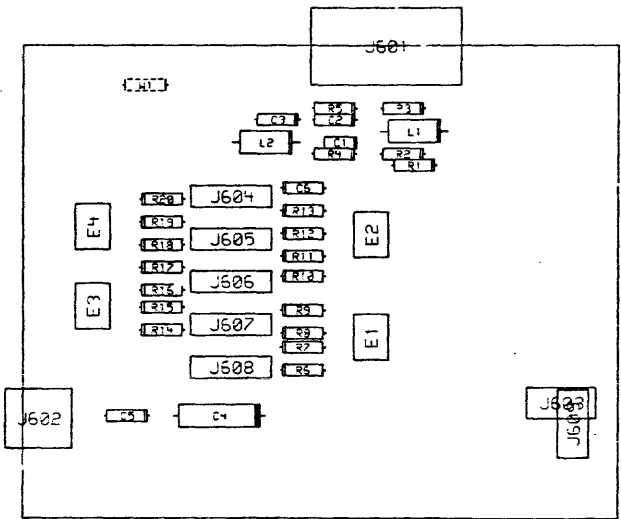
SIZE	CODE	NUMBER	REV
K	UA	5417760-0-B	H

SHEET 1 OF 3
TOP DOC NO. K-00-5417260-0-0

8 9 5 4 3 2 1

THIS DRAWING AND THE SPECIFICATIONS CONTAINED HEREIN ARE CONFIDENTIAL AND PROPRIETARY. THEY ARE THE PROPERTY OF KUA. NO REPRODUCTION OR DISSEMINATION OF THIS DRAWING OR ANY INFORMATION CONTAINED HEREIN IS PERMITTED WITHOUT THE WRITTEN PERMISSION OF KUA. THIS IS AN UNCLASSIFIED WORK PRODUCT UNDER THE FEDERAL COPYRIGHT ACT.

7 KUA5417760-0-B H



8	7	6	5	4	3	2	1	
							TITLE HDA PREAMP	DOCUMENT NUMBER KUA5417760-0-B H
							SCALE 1:5	SHEET 2 OF 3

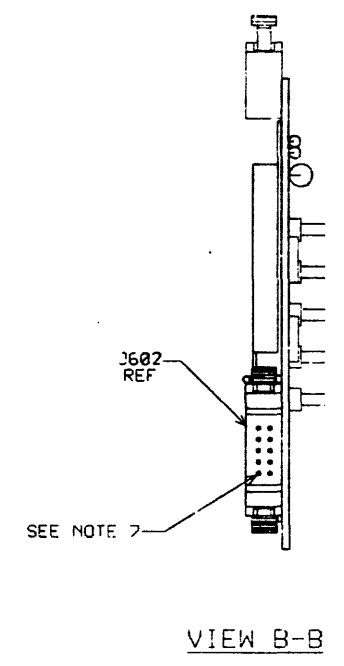
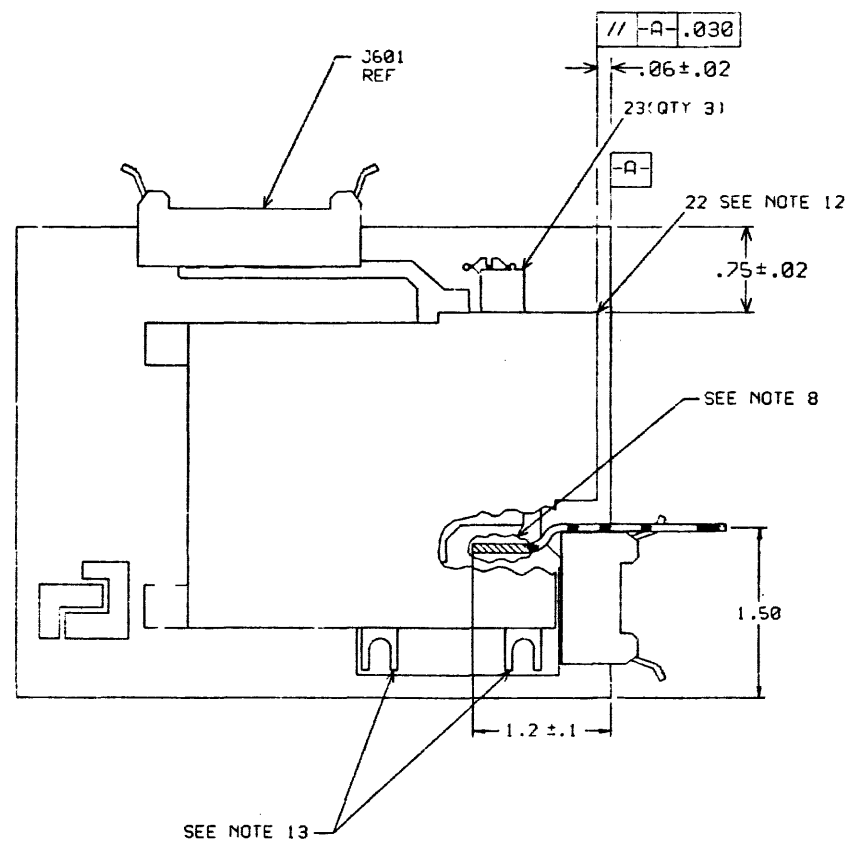
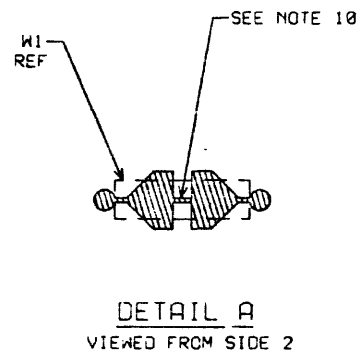
7 KUA5417760-0-B H

D C B A

D C B A

8 7 6 5 4 3 2 1

THIS DRAWING AND THE SPECIFICATIONS CONTAINED HEREIN ARE THE PROPERTY OF KUDAS417760-0-B. THE PROPERTY OF KUDAS417760-0-B SHALL NOT BE REPRODUCED OR COPIED IN ANY MANNER WITHOUT THE WRITTEN PERMISSION OF KUDAS417760-0-B. ALL RIGHTS ARE RESERVED. THIS DRAWING IS UNCLASSIFIED WORK PRODUCT UNDER THE FEDERAL ACQUISITION INFORMATION PROTECTION ACT.



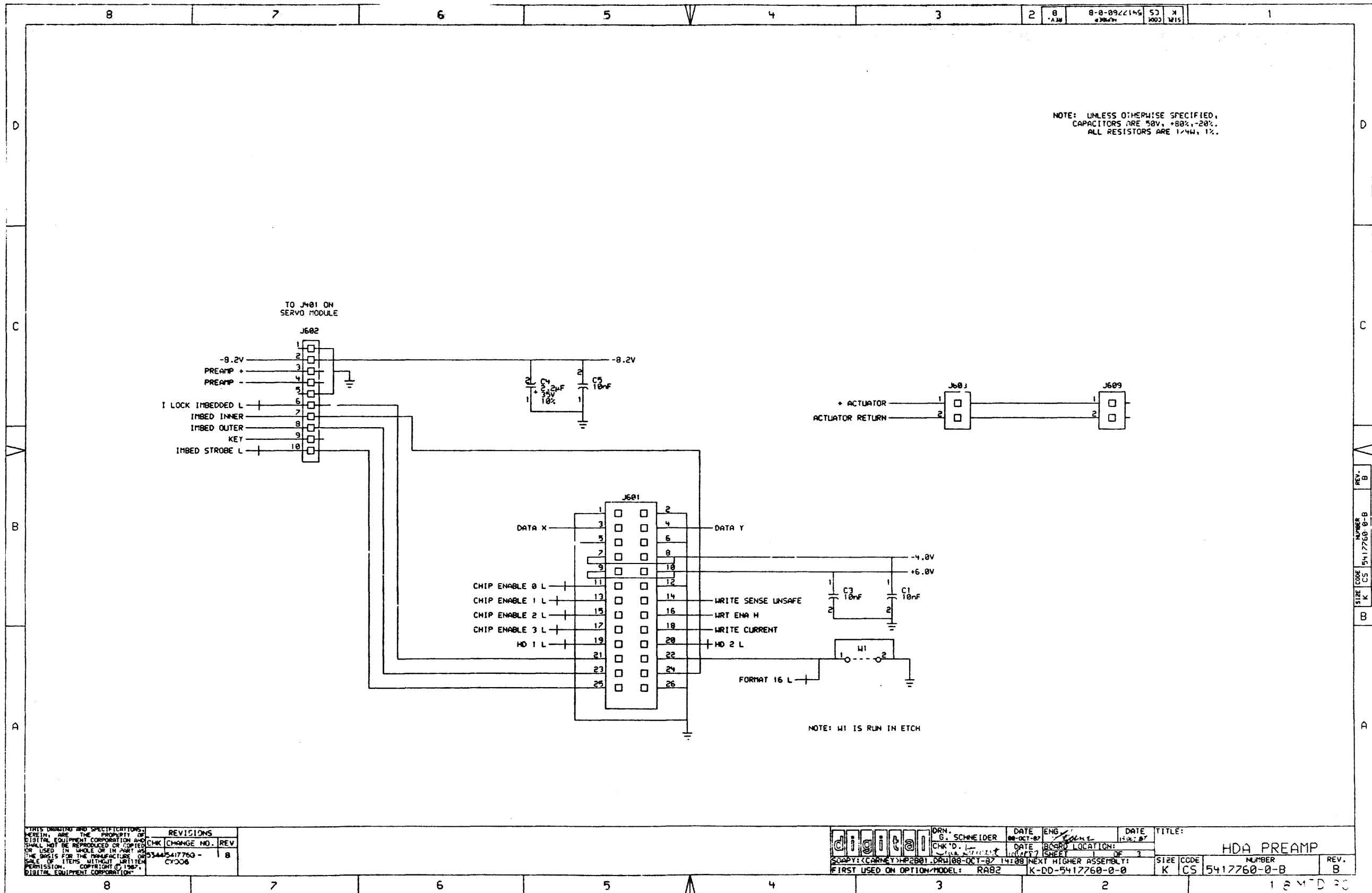
8	7	6	5	4	3	2	1
TITLE HOA PREAMP						DOCUMENT NUMBER KUDAS417760-0-B H	
SCALE 1:5						SHEET 3 OF 3	

KUDAS417760-0-B H

LINE	ITEM	TOP DOCUMENT	PART NUMBER	MIN REV	DESCRIPTION	QTY PER VAR/REV	REFERENCE DESIGNATORS
						01 B2	
1	1	K-DD-5017759-0-B	50-17759-01		DRILL & ETCH BOARD	1	
2	2		10-01610-00		0.010MFD 50V +80/-20% Z5U C	3	C1,C3,C5
3	3		10-02431-00		2.2 MFD 35V +/-10% SOL	1	C4
4	4		10-13466-24		47 PFD 50V +/- 5% NPO C	1	C2
5	5		12-12204-12		PCB HEADER 02PIN(1X02).156CC 90D	2	J603,J609
6	6		12-16832-07		PCB,HEADER 10POS(2X05).100CC 90D	1	J602
7	7		12-16832-01		PCB,HEADER 26POS(2X13).100CC 90D	1	J601
8	8		12-20268-01		PCB,HEADER 14PIN(2X07).100CC STR	5	J604-J608
9	9		13-02858-00		100.0 .25 W 1.0 % RN55D-F10	1	R5
10	10		13-03114-00		1.0 K .25 W 1.0 % RN55D-F10	1	R3
11	11		13-13794-00		787.0 .25 W 1.0 % RN55D-F10	15	R6-R20
12	12		13-16836-00		402.0 .25 W 1.0 % RN55D-F10	2	R1,R4
13	13		13-19169-01		200.0 .25 W 1.0 % RN55D-F10	1	R2
14	14		16-09620-00		2.2 UH #RFCS2.2	2	L1,L2
15	15		19-16241-00		104A READ/WRITE AMP	4	E1-E4
16	16		49-01259-00		ADHESIVE,ETHYL CYANOACRYLATE,KIT	A/R	
17	17	B-MD-7423837-0-0	74-23837-00		INSULATOR,MYLAR	2	
18	18		90-07930-00		*** THIS ITEM IS NOT USED ***	-	
19	19		70-17756-02		STRAP, GROUNDING (0' 3")	1	
20	20		12-26796-01		CONN,LOOPBACK 26PIN FEM	1	
21	21		12-26796-02		CONN,LOOPBACK 10PIN FEM	1	
22	22		74-33777-01		SHIELD,EMI,HDA	1	
23	23		36-25021-04		TAPE,FOAM DBL ADH BACK ACRYLIC	3	

REVISION HISTORY			KPL MODULE FORMAT		SECTION A OF A	DRN: SUE BOURBEAU	DIGITAL			
ENG	ECO NUMBER	REV	SECTION/VARIATION INDEX			DATE: 09-APR-85				
---	INITIAL	A	[A]	01	[M]	CHK'D: SUE BOURBEAU	TITLE PARTS LIST			
FP	5417760-CX001	B	[B]		[N]	DATE: 09-APR-85	HDA PREAMP			
FP	5417760-CX002	C	[C]		[P]	DES.ENG: FRANK PINTERIC				
JR	5417760-CX003	D	[D]		[Q]	DATE: 09-APR-85	DOCUMENT NUMBER			
FP	5417760-CX004	E	[E]		[R]		SIZE	CODE	NUMBER	REV
CH	5417760-CX005	F	[F]		[S]	RESP.ENG.: FRANK PINTERIC	K	PL	5417760-0-DBPB	H
			[H]		[T]	DATE: 09-APR-85				
			[J]		[V]					
			[K]		[W]	MFG.ENG: DON KILDEBECK	RELEASE DATE: 12-OCT-87			
			[L]		[Y]	DATE: 09-APR-85	RELEASE STATUS: RELEASED			
			BASIC PART NUMBER:		ASSEMBLY NUMBER:	TOP DOCUMENT NUMBER:	FILE NAME:	EDIT #		
			5417760		D-UA-5417760-0-B	K-DD-5417760-0-0	CX193H.PLS	3		

"THIS DRAWING AND THE SPECIFICATIONS CONTAINED HEREIN ARE CONFIDENTIAL AND PROPRIETARY. THEY ARE THE PROPERTY OF DIGITAL EQUIPMENT CORPORATION AND SHALL NOT BE REPRODUCED OR COPIED OR USED IN WHOLE OR IN PART AS THE BASIS FOR THE MANUFACTURE OR SALE OF ITEMS WITHOUT WRITTEN PERMISSION. THIS IS AN UNPUBLISHED WORK PROTECTED UNDER THE FEDERAL COPYRIGHT LAWS."



REV.	CHG.	NO.	REV.
1	8	1	8

DATE	ENG.	DATE	TITLE:
08-OCT-87	G. SCHNEIDER	12-27-87	HDA PREAMP

SIZE	CODE	NUMBER	REV.
K	CS	5417760-0-B	B

Vertical location (A-D)	Direction of line (Left, Right, Up, Down) or electrical (Input, Output, Both) or backplane pin (Pin)	Horizontal location (1-8)
KEY:	SS-VH,0	
	Schematic Sheet	Horizontal location (1-8)
D	* ACTUATOR	1-C3,R
	+6.0V	1-B3,L 2-A6,D 2-B6,D 2-C6,D 2-D6,D
	-4.0V	1-B3,L 2-A6,D 2-B6,D 2-C6,D 2-D6,D
	-8.2V	1-C5,L 1-C7,R 2-C5,R
	ACTUATOR RETURN	1-C3,R
	CHIP ENABLE 0 L	1-B5,R 2-A7,R
	CHIP ENABLE 1 L	1-B5,R 2-C7,R
	CHIP ENABLE 2 L	1-B5,R 2-B7,R
	CHIP ENABLE 3 L	1-A5,R 2-D7,R
	DATA HD0 H	2-A5,L 2-C5,R
	DATA HD0 L	2-A5,L 2-C5,R
	DATA HD1 H	2-A5,L 2-C1,L
	DATA HD1 L	2-A5,L 2-C2,R
	DATA HD10 H	2-A2,R 2-B5,L
	DATA HD10 L	2-A2,R 2-B5,L
	DATA HD11 H	2-B2,R 2-B5,L
	DATA HD11 L	2-A2,R 2-B5,L
	DATA HD12 H	2-B2,R 2-D5,L
	DATA HD12 L	2-B2,R 2-D5,L
	DATA HD13 H	2-B3,L 2-D5,L
	DATA HD13 L	2-B5,R 2-D5,L
	DATA HD14 H	2-B5,R 2-D5,L
	DATA HD14 L	2-B5,R 2-D5,L
	DATA HD2 H	2-A5,L 2-C2,R
	DATA HD2 L	2-A5,L 2-C2,R
	DATA HD3 H	2-A5,L 2-D2,R
	DATA HD3 L	2-A5,L 2-C2,R
	DATA HD4 H	2-C5,L 2-D2,R
	DATA HD4 L	2-C5,L 2-D2,R
	DATA HD5 H	2-B1,L 2-C5,L
	DATA HD5 L	2-B2,R 2-C5,L
	DATA HD6 H	2-B2,R 2-C5,L
	DATA HD6 L	2-B2,R 2-C5,L
	DATA HD7 H	2-C2,R 2-C5,L
	DATA HD7 L	2-B2,R 2-C5,L
	DATA HD8 H	2-B5,L 2-C2,R
	DATA HD8 L	2-B5,L 2-C2,R
	DATA HD9	2-A2,R 2-B5,L
	DATA HD9 L	2-A1,L 2-B5,L
	DATA X	1-B5,R 2-A8,R
	DATA Y	1-B4,L 2-A8,R
	FORMAT 16 L	1-A4,R
	HD 1 L	1-A5,R 2-A7,R 2-B7,R 2-C7,R 2-D7,R
	HD 2 L	1-A4,L 2-A7,R 2-B7,R 2-C7,R 2-D7,R
	I LOCK IMBEDDED I	1-C7,R
	IMBED INNER	1-C7,R
	IMBED OUTER	1-C7,R
	IMBED STROBE L	1-B7,P
	KEY	1-B7,R
	PREAMP +	1-C7,R 2-C5,R
	PREAMP -	1-C7,R 2-D5,R
	UNUSED 1	2-B5,R 2-D5,L
	UNUSED 2	2-B5,R 2-D5,L
	WRITE CURRENT	1-A4,L 2-D8,R
	WRITE SENSE UNSAFE	1-B4,L 2-A7,R 2-B7,R 2-C7,R 2-D7,R

THIS DRAWING AND SPECIFICATIONS HEREIN ARE THE PROPERTY OF DIGITAL EQUIPMENT CORPORATION AND SHALL NOT BE REPRODUCED OR COPIED OR USED IN WHOLE OR IN PART AS THE BASIS FOR THE MANUFACTURE OR SALE OF ITEMS WITHOUT WRITTEN PERMISSION. COPYRIGHT © 1987, DIGITAL EQUIPMENT CORPORATION.

CHK	CHANGE NO.	REV

digital	DRN. G. SCHNEIDER	DATE 08-OCT-87	ENG.	DATE	TITLE:
	CHK'D.	DATE	BOARD LOCATION: CKEDS	SHEET	HDA PREAMP
DSK11-REB, (3P(1,1111))		08-OCT-87 14:30	NEXT HIGHER ASSEMBLY:	SIZE CODE	NUMBER
FIRST USED ON OPTION MODEL: RAB2		K-DD-5417750-0-0		K CS	5417750-0-B
					REV. 9

REV. B
 NUMBER 5417750-0-B
 SIZE CODE K CS
 D B A