

UP002511-1

**DISK STORAGE DRIVE
MODEL 733 DEC**

PARTS CATALOG

JANUARY, 1976

MODEL 733 DEC DISK STORAGE DRIVE

PARTS CATALOG

UP002511-1

This information is current as of January, 1976.

ISS

SPERRY UNIVAC

Information Storage Systems, Inc.
10435 North Tantau Avenue
Cupertino, California 95014

Tel: (408) 257-6220 TELEX 357440

TABLE OF CONTENTS

<u>Section</u>	<u>Page</u>
1	INTRODUCTION 1-1
	GROUP ASSEMBLY PARTS LIST 1-1
	COLUMN EXPLANATION 1-1
	PART NUMBER INDEX 1-3
	FIGURE/ASSEMBLY LOCATOR 1-4
2	GROUP ASSEMBLY PARTS LIST 2-1
	DISK STORAGE DRIVE 2-2
	DRIVE MACHINE ASSEMBLY 2-4
	SLIDING COVER ASSEMBLY 2-8
	BASEPLATE ASSEMBLY (Part 1 of 2) 2-12
	BASEPLATE ASSEMBLY (Part 2 of 2) 2-16
	DRIVE MOTOR ASSEMBLY 2-19
	BRUSH DRIVE AND MOUNT ASSEMBLIES 2-20
	CARRIAGE ASSEMBLY 2-22
	VELOCITY TRANSDUCER ASSEMBLY 2-24
	TOWER ASSEMBLY 2-26
	SPINDLE AND LOCKING SHAFT ASSEMBLY 2-27
	DRIVE FRAME ASSEMBLY (Part 1 of 4) 2-28
	DRIVE FRAME ASSEMBLY (Part 2 of 4) 2-30
	DRIVE FRAME ASSEMBLY (Part 3 of 4) 2-32
	DRIVE FRAME ASSEMBLY (Part 4 of 4) 2-34
	CONTROL PANEL ASSEMBLY 2-38
	FRAME SUPPORT ASSEMBLY 2-39
	POWER SUPPLY ASSEMBLY 2-40
	ELECTRONIC GATE MATRIX 2-44
	ELECTRONIC GATE ASSEMBLY 2-46
	RESONANT CAPACITOR ASSEMBLY (60 HZ) 2-49
	RESONANT CAPACITOR ASSEMBLY (50 HZ) 2-50
	CIRCUIT OVERLOAD PROTECTION BRACKET ASSEMBLY 2-51
	POWER DRIVER ASSEMBLY 2-52
	LINE FILTER ASSEMBLY 2-55
	DRIVE SEQUENCER ASSEMBLY 2-56
	FSR BRACKET ASSEMBLY 2-59
	EMA FILTER BRACKET ASSEMBLY 2-60
	MATRIX PWA 2-62
	REGULATOR PWA 2-66
	TF SERVO AMP PWA 2-70
	TF SERVO CLOCK PWA 2-72
	MDLI DRIVER PWA 2-76
	INDEX DET/SECTOR CLOCK PWA 2-78
	SUMMING AMP PWA 2-80
	WRITE CARD PWA 2-84
	R/W SAFETY PWA 2-88
	MDLI RECEIVERS PWA 2-90
	R/W DATA CONTROL PWA 2-92
	MDLI DECODE PWA 2-94
	MDLI FILE STATUS PWA 2-96
	MAINTENANCE STATUS PWA 2-98

TABLE OF CONTENTS
(CONTINUED)

<u>Section</u>		<u>Page</u>
2	DIFF COUNTER PWA	2-100
	DISK SPEED SENSOR PWA	2-102
	ACCESS CONTROL PWA	2-104
	POWER CONTROL PWA	2-106
	FILE SAFETY PWA	2-110
	SERVO ERROR DETECTOR PWA	2-114
	PULSER/DRIVER PWA	2-118
	LED DISPLAY PWA	2-121
	HARNESS AND CABLE CONNECTORS	2-122
	CARRIAGE ALIGNMENT TOOL	2-127
	ACCESSORY TOOLS AND CABLES	2-128
	DISK DIAGNOSTIC UNIT	2-130
	DDU DISPLAY PANEL ASSEMBLY	2-132
	DDU GATE MATRIX	2-134
	DDU SWITCH AND LIGHT PWA	2-136
3	PART NUMBER INDEX	3-1

SECTION 1

PARTS CATALOG

1.1 INTRODUCTION

This manual contains lists of parts and accompanying illustrations, identifying and illustrating components, assemblies and detail parts of the Model 733 DEC Disk Storage Drive. It is contained in one volume and is divided into three sections as follows:

- a. Section 1, Introduction. This section contains the instructions you will need to use the information contained in Sections 2 and 3.
- b. Section 2, Group Assembly Parts Lists. Parts and assemblies required for maintenance are illustrated, listed, and identified in this section.
- c. Section 3, Part Number Index. This section is a complete alphabetical-numerical index of all parts listed in Section 2, and provides a cross reference to the figure and index number that illustrates and identifies each part.

1.1.1 Figure/Assembly Locator (Figure A)

Figure A is an assembled view of the drive and is provided as an aid in locating assemblies and components in Section 2.

1.2 GROUP ASSEMBLY PARTS LIST

The following group assembly parts lists and illustrations contain a breakdown of assemblies, listed in order of disassembly (when disassembly is significant). Tools and test equipment are shown in the last figures of this chapter. Optional equipment and parts are identified within appropriate lists.

1.3 COLUMN EXPLANATION

1.3.1 "Fig. & Index" Column

This column shows the figure number of the unit breakdown and the index number which is cross referenced to a callout on the accompanying illustration.

1. Index numbers are not assigned to assemblies where all details of the assembly have index numbers.
2. Where two or more assemblies are combined in a single breakdown, the same or similar items with different part numbers or quantities have the same index number.
3. All items having an index number are illustrated.

1.3.2 "Part Number" Column

This column lists the Information Storage Systems part number.

1.3.3 "Description" Column

This column lists the name of the part, followed by a description when required.

Assembly and part relationship are shown by indenture. Each separately illustrated assembly listing begins in indenture one.

Attaching parts follow and are in the same indenture as the items they attach. The letters "AP" in parenthesis follows the description of attaching parts.

EXAMPLE: DUCT ASSY,BLOWER	1
SCREW,BIND.HD 8-32X.375 (AP)	3
.CLAMP,DUCT	1

Electrical and electronic item descriptions have reference designations in parenthesis.

EXAMPLE: RESISTOR,10K 1/4W +2 PCT (R4)

Gate designation and socket numbers for printed wiring assemblies (PWA's) are shown in parenthesis in the description.

EXAMPLE: PWA,TACHOMETER (A15)

Printed wiring boards are numbered top to bottom, right to left, and components are listed in order of their location, beginning with the lowest location number used. When a component is used more than once, only the first application is identified on the illustration. Components of the same part number can be located by a common reference designator. The location number and the reference designation number are shown in the description.

EXAMPLE: RES,FILM 1K 1/4W +2% (1R4,6R4)
 DIODE (2D1,4D1,5DT)

A square pad is used to indicate the anode on diodes, the emitter on transistors, the plus side of capacitors (as applicable), pin 1 on integrated circuits, and pin 8 on operational amplifiers.

Proprietary items have the words "PROPRIETARY ITEM" in parenthesis in this column. No breakdown is provided for proprietary items.

1.3.4 "Qty Per Assy" Column

This column designates the quantity used at that particular application of the part. Where "REF" is shown, the quantity used is shown on the figure indicated in the "REF FIG." column. Where "AR" (as required) is shown, requirement is determined by user.

1.3.5 "Used on Code" Column

The explanations of codes used in this column are given at the end of each listing. Parts with no code in this column are used on all machines covered in this manual.

1.3.6 "Ref. Fig." Column

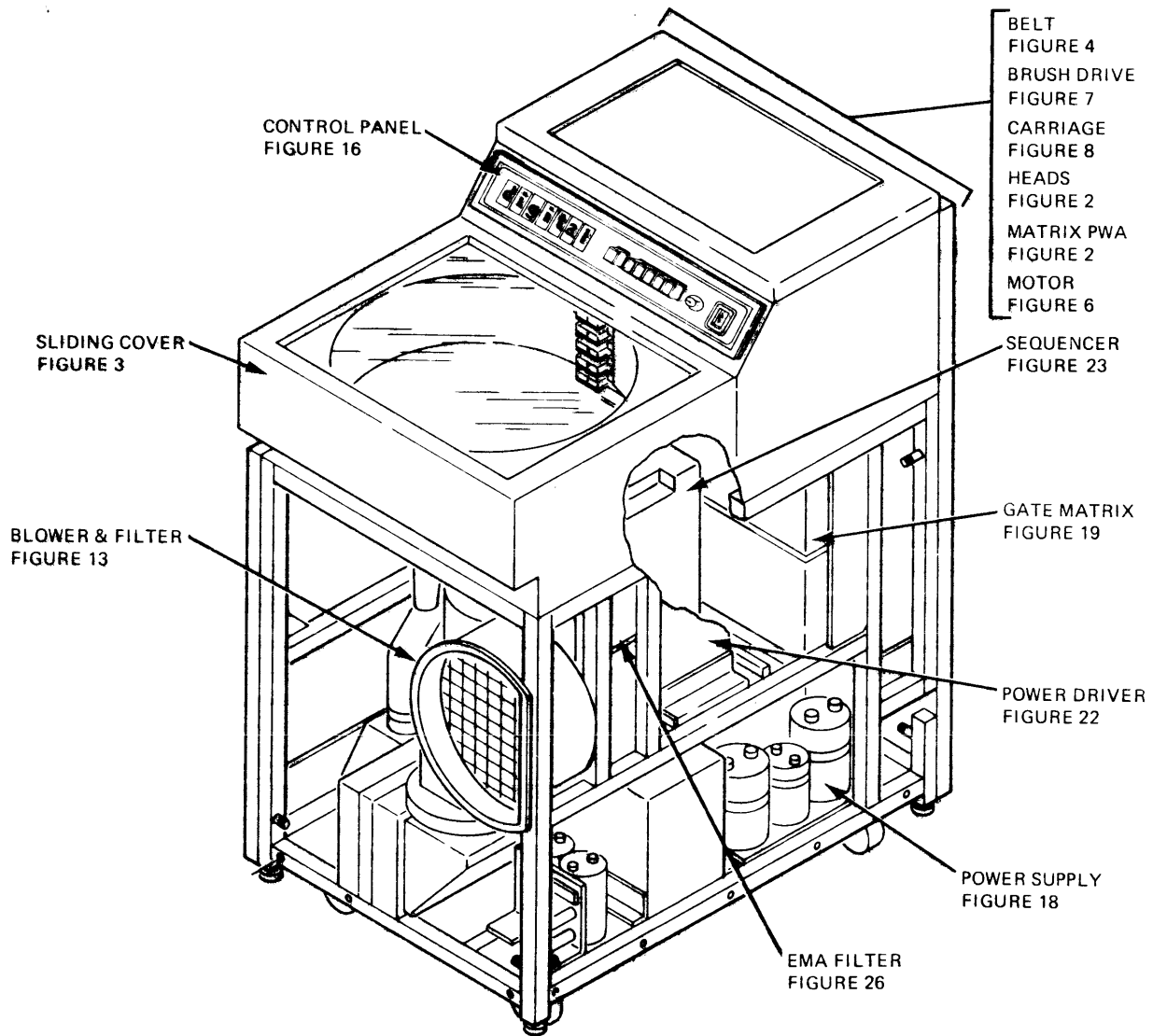
This column is used as a cross reference between figures. A number in this column indicates the item is also shown on the figure referenced.

1.3.7 "NFR" Column

An "X" in this column indicates the part is Not Field Replaceable.

1.4 PART NUMBER INDEX

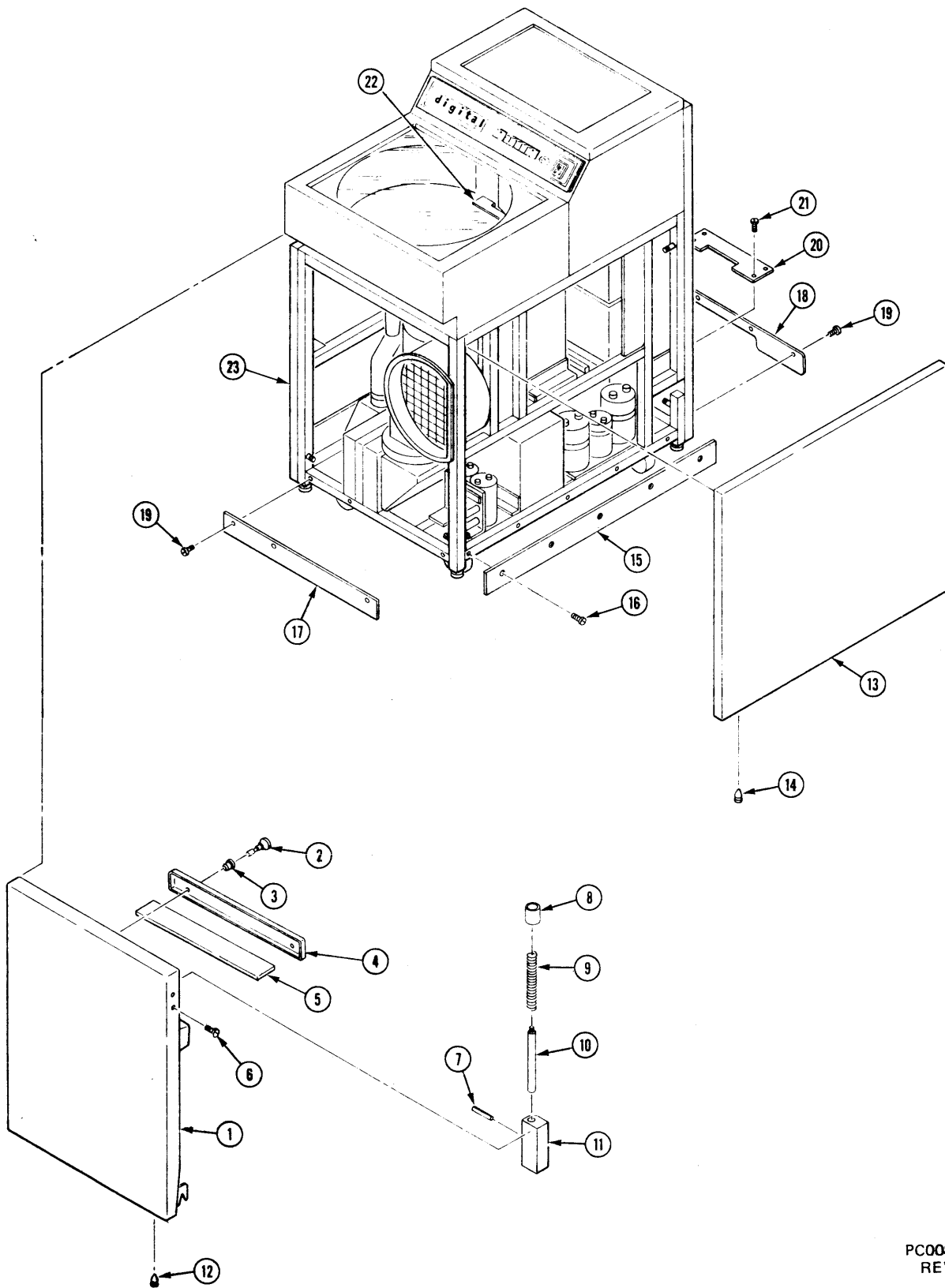
The Part Number Index is a numerical index of all part numbers that appear in the Parts-Lists. Part number arrangement is in numerical order, left to right. The "Fig." column indicates the figure or figures on which that part appears, the "Index" column indicates the index number, where applicable, and the "Qty" column shows the quantity used at that particular application.



PC00733 DEC 9/74

FIGURE A FIGURE/ASSEMBLY LOCATOR

SECTION 2
GROUP ASSEMBLY PARTS LIST



PC008529
REV. A

FIGURE 1 DISK STORAGE DRIVE

FIG & INDEX	PART NO.	DESCRIPTION	QTY PER ASSY	USED ON CODE	REF FIG	NFR
1-		DISK STORAGE DRIVE				
-1	88006022-037	.COVER ASSY,FRONT (DEC BLACK)	1			
	88006663-1	..COVER ASSY,PREFILTER	1			
-2	45000829-2	...PLUNGER	4			
-3	45000830-2	...GROMMET	4			
-4	87006686-1	...COVER,PREFILTER	1			
-5	87006349-1	..PREFILTER	1			
	88006579-1	..LATCH ASSY,FRONT COVER	2			
-6	50000765-4	..SCREW,FLAT HD 4-40X.250 (AP)	4			
-7	48000216-2	...PIN,ROLL	1			
-8	87006674-1	...BUTTON,LATCH	1			
-9	47001991-4	...SPRING	1			
-10	87006675-1	...ACTUATOR,LATCH	1			
-11	87006673-1	...HOUSING,LATCH	1			
-12	45001085-1	..BUMPER,RUBBER	2			
	88006857-2	.COVER GROUP,SIDE	2			
-13	88006647-036	..COVER ASSY,SIDE (GRAY-D)	1			
	50000768-20	..SCREW,FLT HD 10-32X1.250 (AP)	4			
	51000787-5	..WASHER,LOCK (AP)	4			
	52000783-10	..NUT,HEX (AP)	4			
-14	45001085-1	...BUMPER,RUBBER	2			
-15	87006177-1	..KICKPLATE,SIDE	1			
-16	50004762-6	..SCREW,SLF-TPG 8-32X.375 (AP)	5			
-17	87006175-1	.KICKPLATE,FRONT	1			
-18	87006176-1	.KICKPLATE,REAR	1			
-19	500004762-6	.SCREW,SLF-TPG 8-32X.375 (AP)	7			
	88006858-1	.COVER GROUP,CABLE ACCESS	1			
-20	87006744-1	..COVER,CABLE ACCESS	1			
-21	50000755-4	..SCREW,BIND.HD 8-32X.250 (AP)	4			
-22	87006837-1	.BRACKET,SHIPPING LOCK	1			
	84008691-1	.CABLE ASSY,AC DCL PWR	1			
	88008664-1	.MONITOR ASSY,UNSAFE STATUS (A9)	REF		19	
-23	88008531-X	.MACHINE ASSY,DRIVE	1		2	

3.15.010976

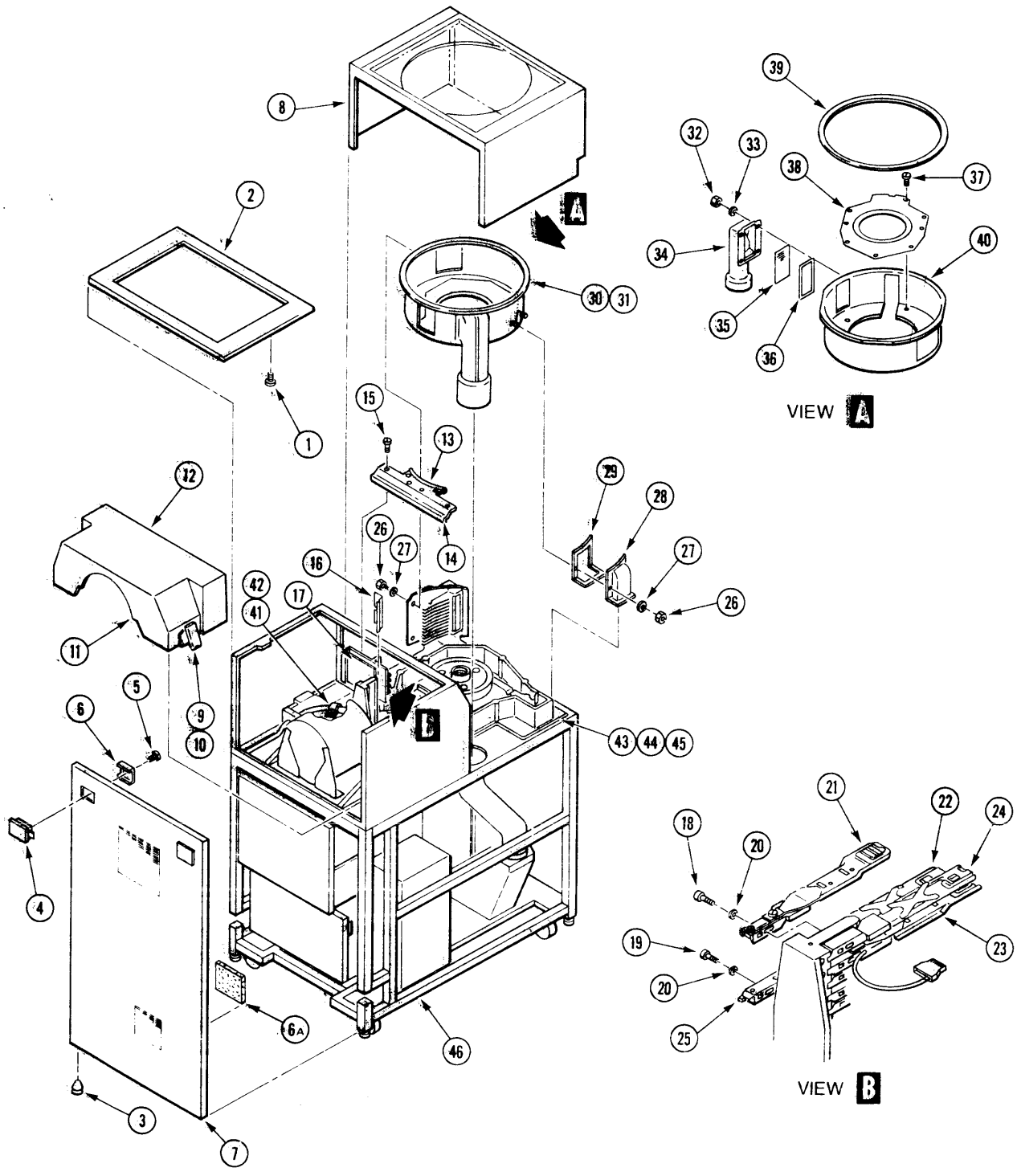


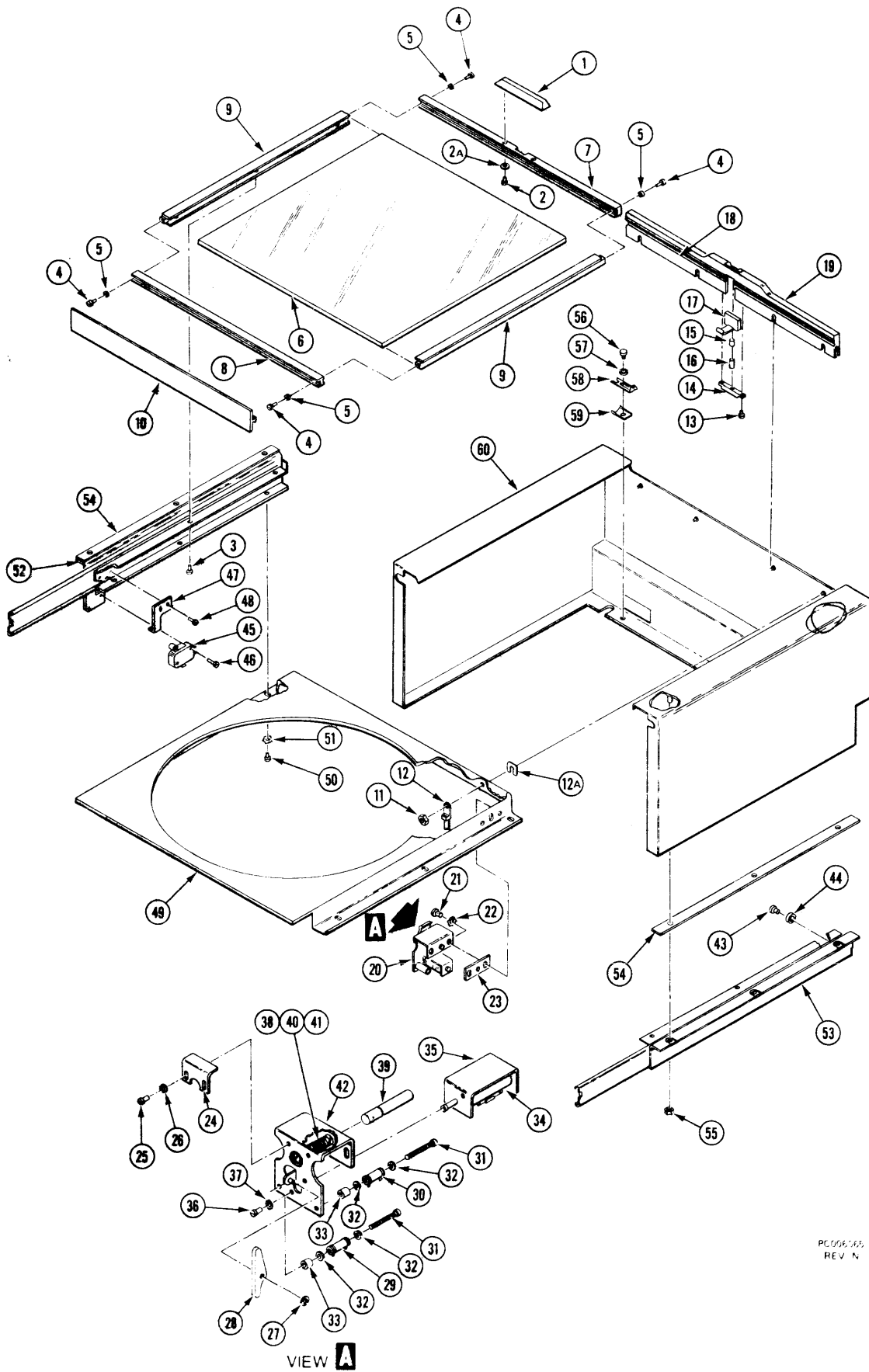
FIGURE 2 DRIVE MACHINE ASSEMBLY

PC006020
REV. C

FIG & INDEX	PART NO.	DESCRIPTION	QTY PER ASSY	USED ON CODE	REF FIG	NFR
2-	88008531-1	MACHINE ASSY,60 HZ DRIVE	REF	A	1	
	88008531-2	MACHINE ASSY,50 HZ DRIVE	REF	B	1	
	88006067-037	.COVER ASSY, TOP	1			
-1	87000944-1	..STUD, HEX	2			
-2	87006327-037	..COVER, TOP (DULL WHT)	1			
	88006021-037	.COVER ASSY, REAR (DULL WHT)	1			
-3	45001085-1	..BUMPER, RUBBER	2			
-4	45006505-1	..LATCH, COVER	2			
-5		...SCREW (FURNISHED WITH 45006505-1)	2			
-6		...BRACKET (FURNISHED WITH 45006505-1)	2			
-6A	87008739-1	..FILTER, REAR COVER	1			
-7	87008700-037	..COVER, REAR (DULL WHT)	1			
-8	88006065-2	.COVER ASSY, SLIDING	1		3	
	88006488-1	.COVER ASSY, ELECTROMAGNETIC ACTUATOR (EMA)	1			
-9	45006489-1	..CATCH, DRAW	2			
-10	50004649-5	..SCREW, SELF-TAP F HD 4-24X.312 (AP)	4			
	88007637-1	..COVER ASSY, EMA	1			
-11	87007645-2	...SEAL, EMA COVER	1			
-12	87006748-2	...COVER, EMA	1			
-13	87007357-1	.GASKET, CABLE HARNESS	1			
-14	87006499-1	.HOLDER, HARNESS	1			
-15	53000792-4	.SCREW, BIND. HD 4-40X.250 (AP)	6			
-16	9020998-00	.SUPPORT, HEAD LEAD	2			
-17	75004818-2	.PWA, MATRIX	2		27	
-18	53000796-10	.SCREW, CAP 4-40X.625	19			
-19	53000792-10	.SCREW, BIND. HD 4-40X.625	1			
-20	54006766-1	.WASHER	20			
	88006119-1*	.HEAD KIT	1			
-21	88006120-1	..HEAD/ARM ASSY, A UP	5			
-22	88006125-1	..HEAD/ARM ASSY, A DOWN	4			
-23	88006129-1	..HEAD/ARM ASSY, B UP	5			
-24	88006133-1	..HEAD/ARM ASSY, B DOWN	5			
-25	88006137-2	..HEAD/ARM ASSY, SERVO	1			
-26	52000783-8	.NUT, HEX	4			
-27	51000786-6	.WASHER, PLAIN	4			
-28	87006352-1	.COVER, PACK LOCK	1			
-29	87006353-1	.GASKET, PACK LOCK	1			
-30	88006371-1	.SHROUD ASSY, DRIVE	1			
-31	50004792-4	.SCREW, BUTTON HD 8-32X.250	9			
-32	52000783-8	..NUT, HEX	4			
-33	51000786-6	..WASHER, PLAIN	4			
-34	87006341-1	..DUCT, SHROUD AIR	1			
-35	87006342-1	..SCREEN, AIR DUCT	1			
-36	87006343-1	..GASKET, AIR DUCT	1			
-37	50004792-4	..SCREW, BUTTON HD 8-32X.250 (AP)	2			
-38	87006373-2	..PLATE, SHROUD	1			
	88007766-1	..SHROUD ASSY	1			

4.22.010976

FIG & INDEX	PART NO.	DESCRIPTION	QTY PER ASSY	USED ON CODE	REF FIG	NFR
2-39	87008327-1	...SEAL,SHROUD (BONDED)	1			
-40	87006372-2	...SHROUD	1			
-41	50000755-4	.SCREW,BIND.HD 8-32X.250	5			
-42	57000825-10	.CLAMP,CABLE	1			
-43	88006024-X	.BASEPLATE ASSY,DRIVE	1		4,5	
-44	50000780-24	.SCREW,HEX CAP 3/8-10X1.500 (AP)	4			
-45	51000789-38	.WASHER,HELICAL LOCK (AP)	4			
-46	88008532-X	.FRAME ASSY,DRIVE	1		12-15	
<p>*SEE FIGURE 52 FOR HEAD INSTALLATION TOOLS.</p> <p>A = USED ON 60 HZ DRIVES B = USED ON 50 HZ DRIVES</p>						
4.23.010976						



PC006065
REV N

FIGURE 3 SLIDING COVER ASSEMBLY

FIG & INDEX	PART NO.	DESCRIPTION	QTY PER ASSY	USED ON CODE	REF FIG	NFR
3-	88006065-2	COVER ASSY,SLIDING	REF		2	
-1	87006320-3	.HANDLE,WINDOW	1			
-2	50000771-7	.SCREW,SOC HD 4-40X.438 (AP)	2			
	88006066-8	.WINDOW ASSY,COVER	1			
-2A	51000789-4	.WASHER,HEL SPR (AP)	2			
-3	50000754-4	.SCREW,BIND.HD 6-32X.250 (AP)	6			
-4	50004792-8	..SCREW,BUTTON HD 8-32X.500	4			X
-5	51000789-8	..WASHER,SPRING LOCK	4			X
-6	87006330-1	..COVER,WINDOW GLASS	1			X
	88006925-7	..WINDOW FRAME KIT	1			X
-7	87006331-1	...FRAME,WINDOW FRONT	1			X
-8	87006332-1	...FRAME,WINDOW REAR	1			X
-9	87006333-1	...FRAME,WINDOW SIDE	2			X
-10	87006424-2	.SEAL,WINDOW FRAME	1			X
-11	52003362-3	.NUT,FLEX LOCK	4			
-12	57001265-1	.CLAMP,CABLE TIE	4			
-12A	9021383-00	.SHIM TOP COVER	3			
	88006309-2	.BUTTON ASSY,WINDOW HOUSING	1			
-13	50000752-4	..SCREW,BIND.HD 2-56X.250	2			
-14	87006311-1	..STOP,WINDOW BUTTON	1			
-15	47001991-11	..SPRING,COMPRESSION	1			
-16	48000364-2	..PIN,ROLL	1			
-17	87006314-2	..BUTTON,WINDOW	1			
-18	87007693-1	..SEAL,HOUSING	2			
-19	87006310-3	..HOUSING,WINDOW BUTTON	1			
-20	88007227-1	.LATCH AND HARNESS ASSY	1			
-21	50000755-5	.SCREW,BIND.HD 8-32X.312 (AP)	2			
-22	51000788-3	.WASHER,LOCK (AP)	2			
-23	87007696-1	.SHIM (AP)	AR			
	83006823-1*	..HARNESS ASSY,COVER SW/SOL	1			
	57000047-1	...PIN,CONTACT	6			
	58003876-1	...PLUG,CONNECTOR (A6P5)	1			
	88006910-2	..LATCH ASSY,SAFETY INTERLOCK	1			
-24	87006919-1	...SUPPORT	1			
-25	50000753-3	...SCREW,BIND.HD 4-40X.188 (AP)	2			
-26	51000788-1	...WASHER,LOCK (AP)	2			
-27	45001990-3	...RING,RETAINING	1			
-28	87006948-2	...PAWL,SAFETY LATCH	1			
-29	20000478-39	...RES,WW 39 OHM 5W +5% (R2)	1			
-30	20000478-71	...RES,WW 820 OHM 5W +5% (R1)	1			
-31	50000753-16	...SCREW,BIND.HD 4-40X1.00 (AP)	2			
-32	51001447-5	...WASHER,PLAIN (AP)	4			
-33	45001037-12	...SPACER (AP)	2			
-34	9800216-00	...DIODE	1			
-35	9800455-00	...SOLENOID (A6SOL)	1			
-36	50000753-3	...SCREW,BIND.HD 4-40X.188 (AP)	2			
-37	51000788-1	...WASHER,LOCK (AP)	2			
-38	45001990-12	...RING,RETAINING	1			
-39	87006918-2	...SHAFT,LOCKING	1			

5.21.012676

~~CLASS~~ 29 VENDOR CODE

FIG & INDEX	PART NO.	DESCRIPTION	QTY PER ASSY	USED ON CODE	REF FIG	NFR
3-40	47007644-1	...SPRING	1			
-41	46000881-1	...BUSHING	2			
-42	87006920-2	...BRACKET, PLUNGER	1			
-43	87006915-1	.SCREW, LATCH	1			
-44	87006921-1	.WHEEL, LATCH	1			
-45	61000223-1	.SWITCH, SNAP ACTION	1			
-46	50004760-8	.SCREW, SLF-TPG 4-40X.500 (AP)	2			
-47	87007639-1	.BRACKET, SWITCH	1			
-48	50010522-4	.SCREW, BUTTON HD SOC CAP (AP)	2			
-49	87006318-6	.COVER, SHROUD	1			
-50	50004761-4	.SCREW, SLF-TPG 6-32X.250 (AP)	6			
-51	51000786-5	.WASHER, PLAIN (AP)	6			
-52	87006791-2	.SLIDE, WINDOW	1			
-53	87006792-1	.SLIDE, WINDOW	1			
-54	87008291-1	.SEAL, WINDOW	2			
-55	52003362-3	.NUT, FLEX LOCK (AP)	6			
	88006307-037	.HOUSING ASSY, WINDOW	1			
-56	45000814-2	..RIVET, SNAPSLIDE FASTENER	2			
-57	45000813-1	..WASHER, SNAPSLIDE FASTENER	2			
-58	87001117-1	..LATCH, SNAPSLIDE FASTENER	2			
-59	87001118-1	..GUIDE, SNAPSLIDE FASTENER	2			
-60	87006308-037	..HOUSING, WINDOW	1			
*HARNES CONNECTORS, PINS, ETC. ARE ILLUSTRATED ON FIGURE 50.						
5.22.011376						

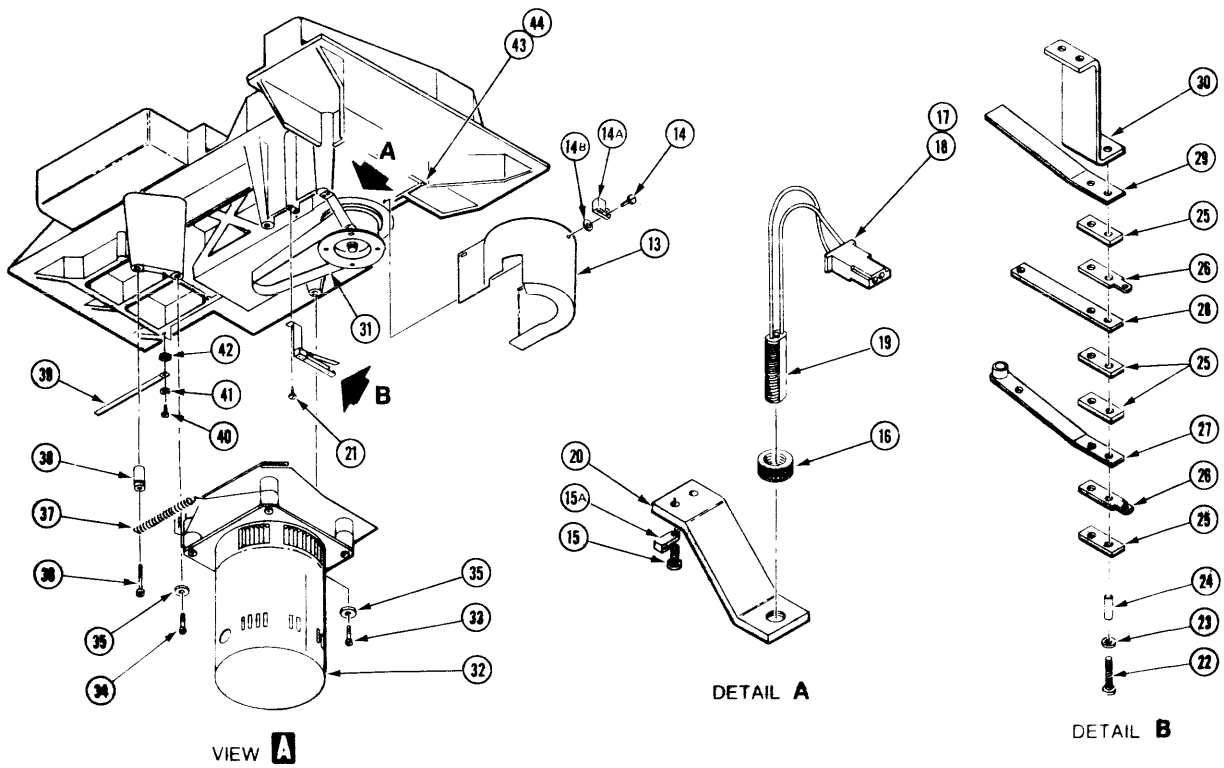
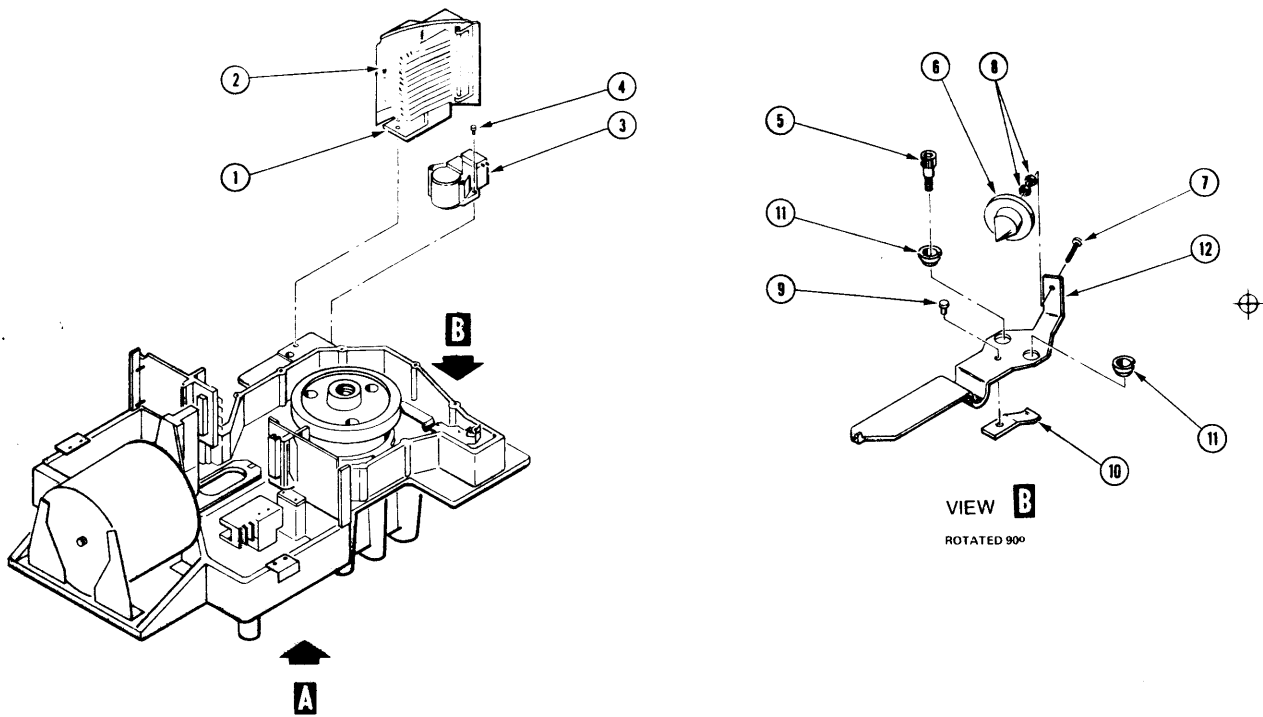


FIGURE 4 BASEPLATE ASSEMBLY (PART 1 OF 2)

FIG & INDEX	PART NO.	DESCRIPTION	QTY PER ASSY	USED ON CODE	REF FIG	NFR
4-	88006024-5	BASEPLATE ASSEMBLY	REF	A	2	
	88006024-9	BASEPLATE ASSEMBLY	REF	B	2	
-1	88006183-1	.SUPPORT ASSEMBLY,BRUSH MOUNT	1		7	
-2	53000794-7	.SCREW,BIND.HD 8-32X.438 (AP)	3			
-3	88006044-X	.BRUSH DRIVE ASSY	1		7	
-4	53000794-8	.SCREW,BIND.HD 8-32X.500 (AP)	2			
	88006045-1	.ARM ASSY,PACK LOCK	1			
-5	50000499-1	.SCREW,SHOULDER (AP)	2			
-6	87006251-1	..CONTACT, CONE	1			
-7	53006540-14	..SCREW,BIND.HD 10-32X.875 (AP)	1			
-8	52000798-10	..NUT,HEXAGON (AP)	2			
-9	48004692-1	..RIVET	1			
-10	47006250-2	..SPRING,TAB	1			
-11	46000881-2	..BUSHING	2			
-12	87006249-3	..ARM,PACK LOCK	1			
-13	87006544-2	.GUARD,BELT	1			
-14	50004762-5	.SCREW,BIND.HD 8-32X.312 (AP)	3			
-14A	57000997-7	.MOUNT,CABLE TIE	2			
-14B	51001972-2	.WASHER,DISHED	3			
	88006046-1	.SENSOR ASSY,SPEED	1			
-15	50000755-6	.SCREW,BIND.HD 8-32X.375 (AP)	2			
-15A	57000997-7	.MOUNT,CABLE TIE (AP)	1			
-16	52006541-1	..NUT,KNURLED	1			
	76006965-1	..PICK UP ASSY,MAGNETIC	1			
-17	57003681-1	...SOCKET	2			
-18	58003680-1	...HOUSING,SOCKET	1			
-19	32004752-1	...SENSOR,SPEED	1			
-20	87006248-1	..BRACKET,SPEED SENSOR	1			
	88000268-2	.SWITCH ASSY,PACK ON	1			
-21	50000755-6	.SCREW,BIND.HD 8-32X.312 (AP)	2			
-22	50000753-12	..SCREW,BIND.HD 4-40X.750	2			
-23	51000786-3	..WASHER,PLAIN	2			
-24	87000269-1	..INSULATOR,SLEEVE	2			
-25	87000270-1	..INSULATOR,FLAT	4			
-26	52000271-1	..TERMINAL	2			
-27	88000264-1	..CONTACT ASSY	1			
-28	88000261-1	..ARM ASSY,CONTACT	1			
-29	57000272-1	..FLEXURE,SPINDLE GROUND	1			
-30	87006252-1	..BRACKET,PACK ON SWITCH	1			
-31	45001856-3	.BELT,SPINDLE DRIVE	1	A		
	45001856-4	.BELT,SPINDLE DRIVE	1	B		
-32	88006040-X	.MOTOR ASSY,DRIVE	1		6	
-33	50000499-4	.SCREW,SHOULDER (AP)	2			
-34	50000499-1	.SCREW,SHOULDER (AP)	1			
-35	54000498-2	.SPACER,MOTOR MOUNTING (AP)	3			
-36	53000776-28	.SCREW,CAP 5/16X1.750	1			
-37	47000500-9	.SPRING,EXTENSION	1	A		
	47000500-12	.SPRING,EXTENSION	1	B		

2.10.011276

FIG & INDEX	PART NO.	DESCRIPTION	QTY PER ASSY	USED ON CODE	REF FIG	NFR
4-38	87006288-1	.POST, INSULATOR	1			
-39	83006844-1	.STRAP, BASEPLATE GROUND	1			
-40	50000755-4	.SCREW, BIND. HD 8-32X.250 (AP)	1			
-41	54000799-6	.WASHER, FLAT (AP)	1			
-42	51000788-3	.WASHER, LOCK (AP)	1			
-43	57000997-4	.MOUNT, CABLE TIE	5			
-44	50001266-4	.SCREW, ROUND HD 8-32X.250 (AP)	5			
		SEE FIGURE 5 FOR ADDITIONAL DETAILS.				
		A = USED ON 60 HZ DRIVES				
		B = USED ON 50 HZ DRIVES				
		2.11.8574				

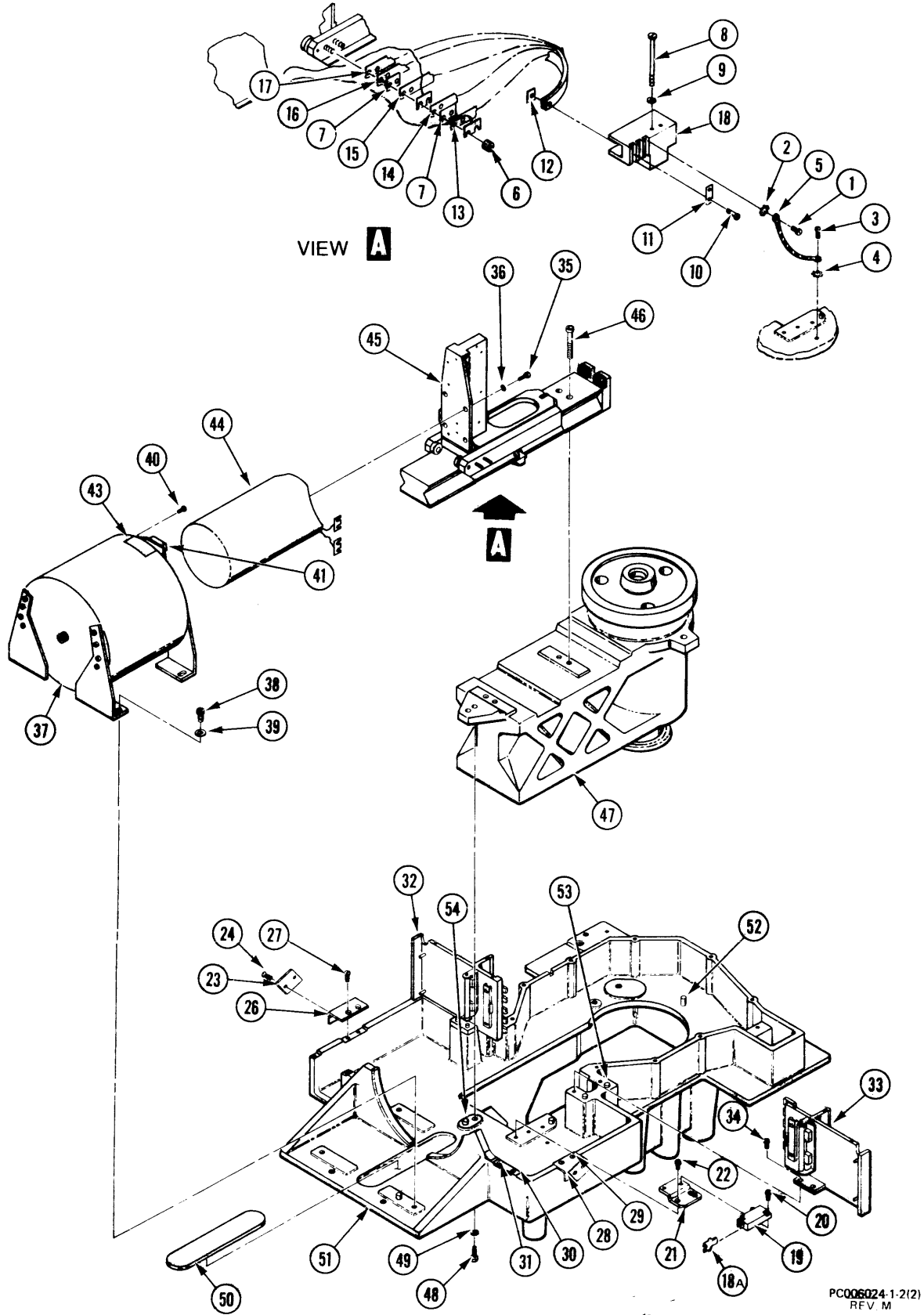


FIGURE 5 BASEPLATE ASSEMBLY (PART 2 OF 2)

FIG & INDEX	PART NO.	DESCRIPTION	QTY PER ASSY	USED ON CODE	REF FIG	NFR
5-	88006024-5	BASEPLATE ASSY (CONT)	REF	A	2	
	88006024-9	BASEPLATE ASSY (CONT)	REF	B	2	
-1	53000793-4	.SCREW,BIND.HD 6-32X.250	1			
-2	51000788-2	.WASHER,LOCK	1			
-3	53000794-4	.SCREW,BIND.HD 8-32X.250	1			
-4	51000788-3	.WASHER,LOCK	1			
-5	84006762-1	.STRAP,EMA GROUND	1			
-6	87006380-1	.FASTENER,FLEX LEAD	2			
-7	87006377-1	.INSULATOR,FLEX LEAD	2			
	88006184-1	.FLEX LEAD ASSY	1			
-8	53000794-44	.SCREW,BIND.HD 8-32X2.625 (AP)	1			
-9	54000799-6	.WASHER,FLAT (AP)	1			
-10	45006280-1	..EYELET	3			
-11	54006282-1	..WASHER,CONDUCTIVE	3			
-12	54006281-1	..WASHER,BACKING	3			
-13	87006277-1	..CONDUCTOR,FLEX	1			
-14	87006275-1	..INSULATOR,FLEX LEAD	1			
-15	87006277-2	..CONDUCTOR,FLEX	1			
-16	87006275-2	..INSULATOR,FLEX LEAD	1			
-17	87006277-3	..CONDUCTOR,FLEX	1			
-18	87006270-1	..BRACKET,FLEX LEAD	1			
-18A	57006804-2	.ADAPTER,TAB	1			
-19	61000223-1	.SWITCH,SNAP ACTION	1			
-20	53000792-8	.SCREW,BIND,HD 4-40X.500 (AP)	2			
-21	87006278-1	.BRACKET,SWITCH MTG	1			
-22	53000794-5	.SCREW,BIND.HD 8-32X.312 (AP)	2			
-23	45006489-2	.CATCH,DRAW	2			
-24	50000765-5	.SCREW,FLAT HD 4-40X.312 (AP)	4			
-25		DELETED				
-26	87006561-1	.BRACKET,LATCH RH	1			
-27	50000767-5	.SCREW,FLAT HD 8-32X.312 (AP)	2			
-28	87006560-2	.BRACKET,LATCH LH	1			
-29	50000767-5	.SCREW,FLAT HD 8-32X.312 (AP)	2			
-30	87006466-1	.RETAINER,WIRE	1			
-31	50000767-5	.SCREW,FLAT HD 8-32X.312 (AP)	2			
-32	88006039-3	.TOWER ASSY,SIDE A	1		10	
-33	88006039-4	.TOWER ASSY,SIDE B	1		10	
-34	53000794-8	.SCREW,BIND.HD 8-32X.500 (AP)	4			
-35	53000796-10	.SCREW,CAP 4-40X.625	4			
-36	54006766-1	.WASHER	4			
-37	88006043-1	.ELECTROMAGNETIC ACTUATOR (EMA)	1			
-38	50000776-10	.SCREW,CAP 5/16-18X.750 (AP)	4			
-39	51006956-1	.WASHER,FLAT (AP)	4			
-40	50000773-6	..SCREW,SOC HD 8-32X.375	2			
-41	9021302-00	..BUMPER ASSY,EMA	1			
-42		DELETED				

8.04.011376

FIG & INDEX	PART NO.	DESCRIPTION	QTY PER ASSY	USED ON CODE	REF FIG	NFR
5-43	71006950-1	..LABEL,WARNING	1			
-44	88006042-1	.COIL ASSY,EMA	1			
-45	88006026-1*	.CARRIAGE ASSY	1		8	
-46	53000797-24	.SCREW,SOC CAP 8-32X1.500 (AP)	4			
-47	88006204-2	.SPINDLE AND LOCKING SHAFT ASSY	1		11	
-48	50000776-14	.SCREW,CAP 5/16-18X.500 (AP)	3			
-49	51000790-31	.WASHER,LOCK (AP)	1			
-50	87006758-2	.DAMPER,EMA	1			
-51	88006590-2	.BASEPLATE AND PIN ASSY	1			
-52	48006215-8	..PIN,DOWEL	7			
-53	48006215-12	..PIN,DOWEL	1			
-54	48006215-16	..PIN,DOWEL	1			
SEE FIGURE 4 FOR ADDITIONAL DETAILS.						
*SEE FIGURE 51 FOR CARRIAGE ALIGNMENT TOOL.						
A = USED ON 60 HZ DRIVES						
B = USED ON 50 HZ DRIVES						
21.4.121074						

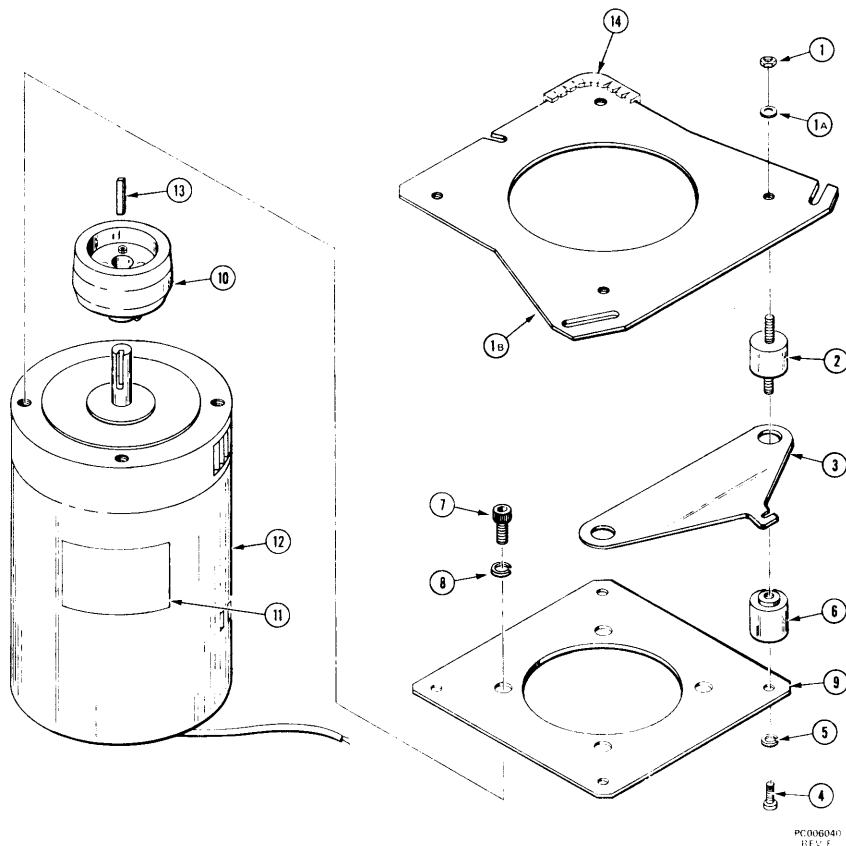


FIGURE 6 DRIVE MOTOR ASSEMBLY

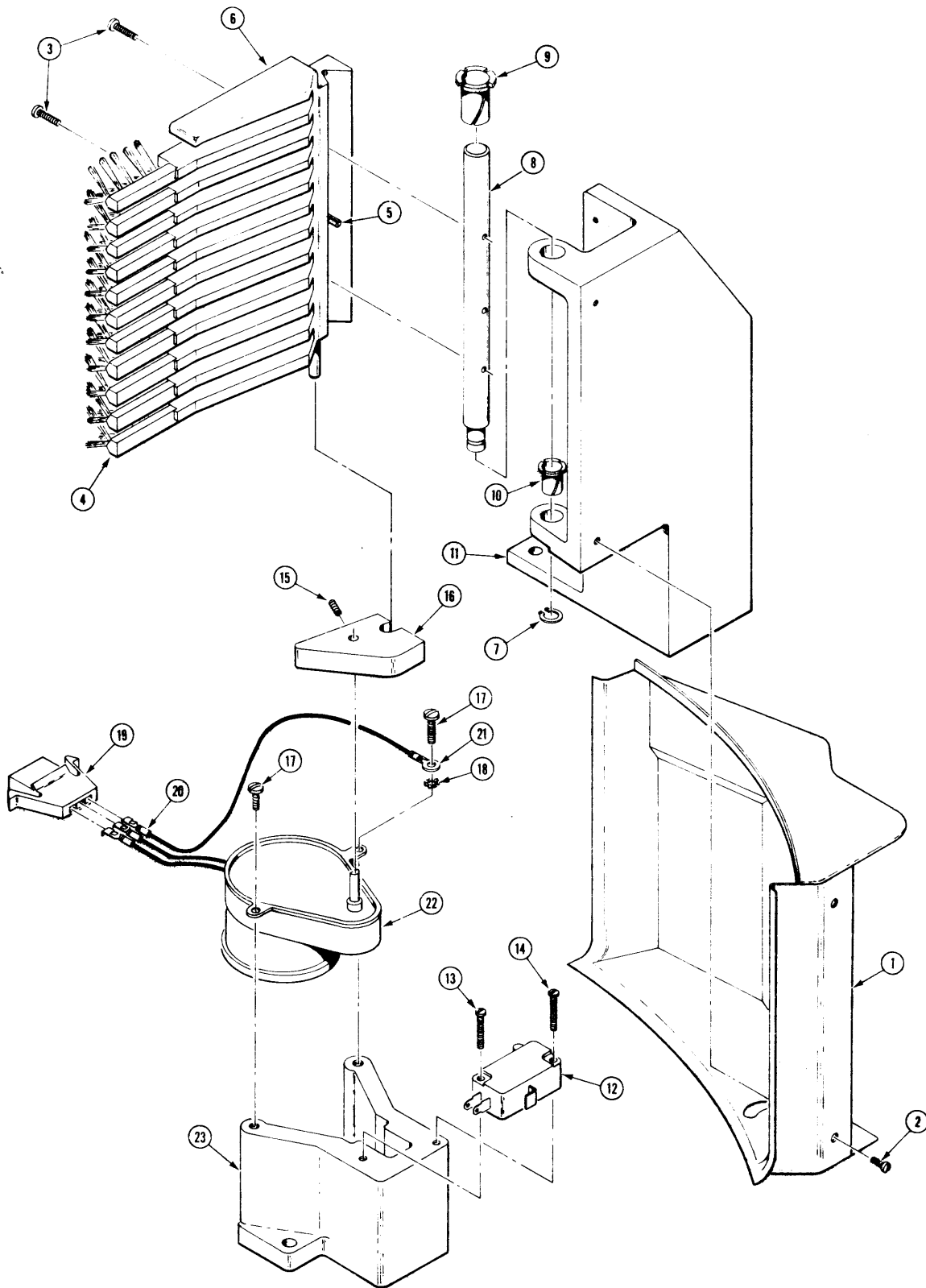
FIG & INDEX	PART NO.	DESCRIPTION	QTY PER ASSY	USED ON CODE	REF FIG	NFR
6-	88006040-6	MOTOR ASSY,DRIVE (60 HZ)	REF	A	4	
	88006040-7	MOTOR ASSY,DRIVE (50 HZ)	REF	B	4	
-1	52000784-25	.NUT,HEX	4			
-1A	51000789-25	.WASHER,LOCK	4			
-1B	87006284-2	.PLATE,MOTOR MT	1			
-2	45000496-1	.SHOCK MOUNT	4			
-3	87006287-1	.PLATE,SPRING REACTION	1			
-4	50000775-8	.SCREW,CAP 1/4-20X.500	4			
-5	51000790-25	.WASHER,LOCK	4			
-6	87006285-2	.ADAPTOR,MOTOR MTG	4			
-7	50000777-12	.SCREW,CAP 3/8-16X.750	4			
-8	51000790-38	.WASHER,LOCK	4			
-9	87006286-1	.PLATE,MOTOR SUPT	1			
-10	9021346-01	.PULLEY ASSY,MOTOR (60 HZ)	1	A		
	9021346-00	.PULLEY ASSY,MOTOR (50 HZ)	1	B		
-11	71001274-1	.LABEL,WARNING	1			
-12	76006836-1	.MOTOR,DRIVE (60 HZ)	1	A		
	76006999-1	.MOTOR,DRIVE (50 HZ)	1	B		
	76007662-2	..PLUG ASSY (400VAC 50 HZ)	1	B		
	76007662-1	..PLUG ASSY (DELTA 230VAC 50 HZ OPTION)	AR	B		
-13		..KEY (FURNISHED WITH MOTOR)	1			
-14	45003378-4	.GROMMET,CATERPILLAR	1			

8.07.011376

A = USED ON 60 HZ DRIVES
 B = USED ON 50 HZ DRIVES

TP031

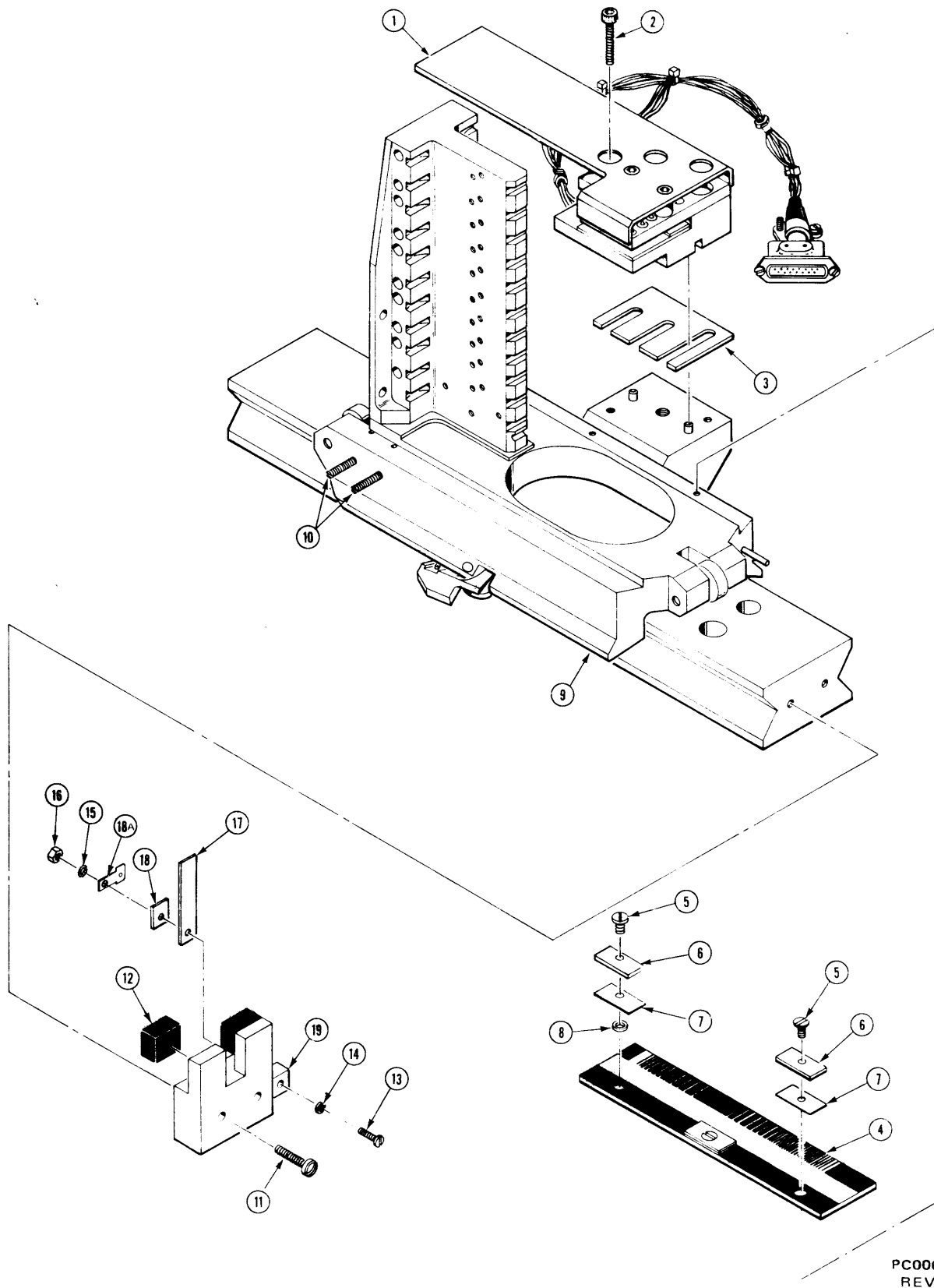
UP002511-1



PC006183
REV. C

FIGURE 7 BRUSH DRIVE AND MOUNT ASSEMBLIES

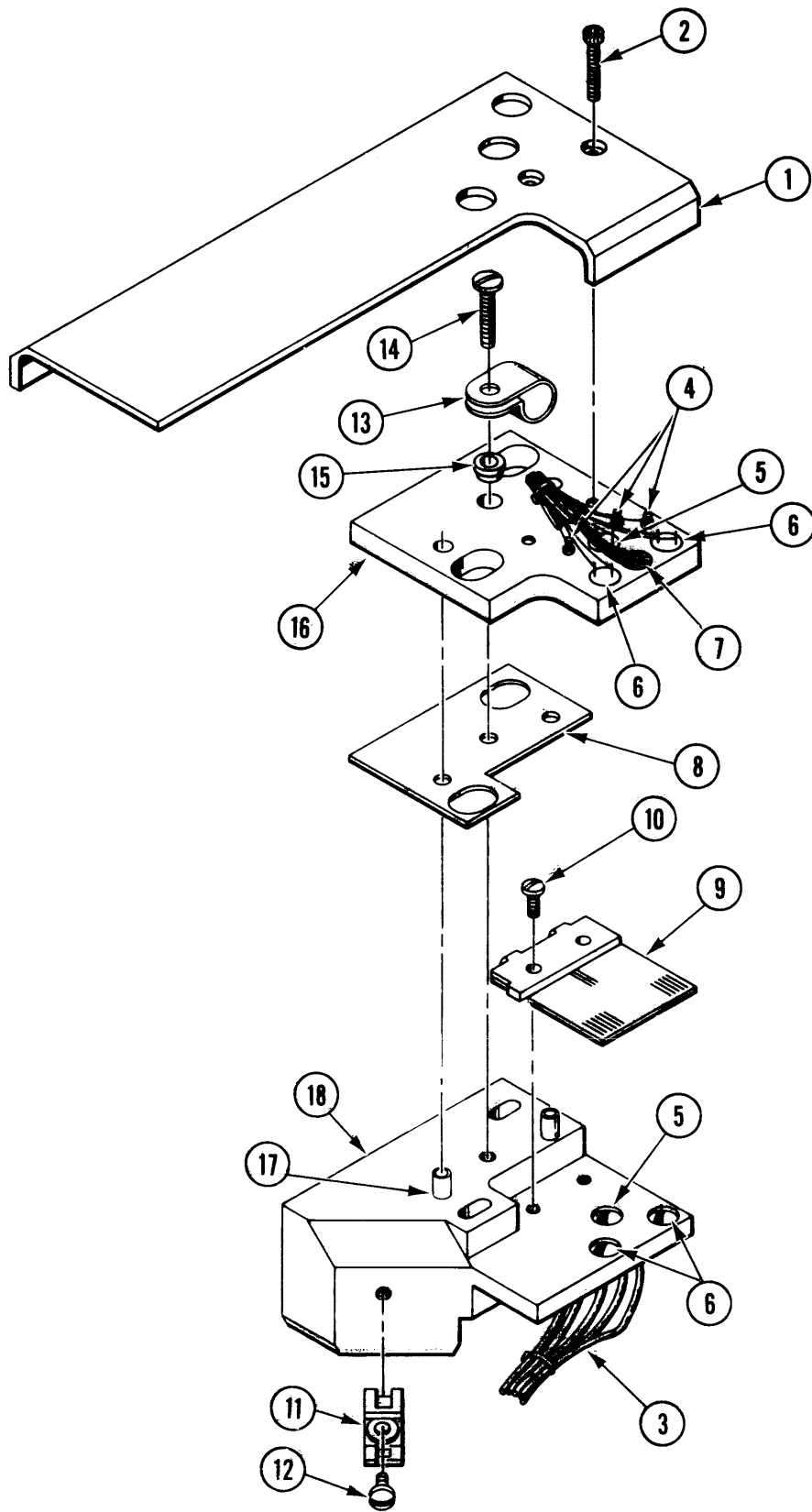
FIG & INDEX	PART NO.	DESCRIPTION	QTY PER ASSY	USED ON CODE	REF FIG	NFR
7-	88006183-1	MOUNT ASSY,BRUSH SUPPORT	REF		4	
-1	87006944-1	.COVER,BRUSH MT	1			
-2	50000754-4	.SCREW,BIND.HD 6-32X.250 (AP)	4			
-3	53000793-10	.SCREW,BIND.HD 6-32X.625	2			
	88006185-2	.MOUNT ASSY,BRUSH	1			
-4	88000200-2*	..BRUSH ASSY	11			
-5	48000216-1	..PIN,POLL	1			
-6	87006232-2	..MOUNT,BRUSH	1			
	88006231-1	.SUPPORT ASSY,BRUSH MT	1			
-7	45001248-25	..RING,RETAINING	1			
-8	87006234-1	..SHAFT	1			
-9	45000226-1	..BUSHING,FLANGED	1			
-10	45000226-2	..BUSHING,FLANGED	1			
-11	87006233-1	..SUPPORT,BRUSH MT	1			
	88006044-1	BRUSH DRIVE ASSY	REF	A	4	
	88006044-2	BRUSH DRIVE ASSY	REF	B	4	
-12	61000223-1	.SWITCH,SNAP ACTION	1			
-13	53000792-10	.SCREW,BIND.HD 4-40X.625 (AP)	1			
-14	53000791-10	.SCREW,BIND.HD 2-56X.625 (AP)	1			
-15	50000221-1	.SETSCREW	1			
-16	87006229-1	.CAM,SWITCH	1			
-17	53000793-4	.SCREW,BIND.HD 6-32X.250	2			
-18	51000788-2	.WASHER,LOCK	1			
	76006835-1	.MOTOR ASSY,BRUSH DRIVE	1	A		
	76006998-2	.MOTOR ASSY,BRUSH DRIVE	1	B		
-19	57000289-1	..PLUG,THREE CIRCUIT	1			
-20	57000047-1	..PIN,CONTACT	3			
-21	57000293-4	..TERMINAL,RING	1			
-22	78006235-1	..MOTOR,BRUSH	1	A		
	78007020-2	..MOTOR,BRUSH	1	B		
-23	87006230-2	.MOUNT,MOTOR	1			
	*ORDER P/N 88006185-2					
	A = USED ON 60 HZ DRIVES					
	B = USED ON 50 HZ DRIVES					
		8.8.121074				



PC006026
REV B1

FIGURE 8 CARRIAGE ASSEMBLY

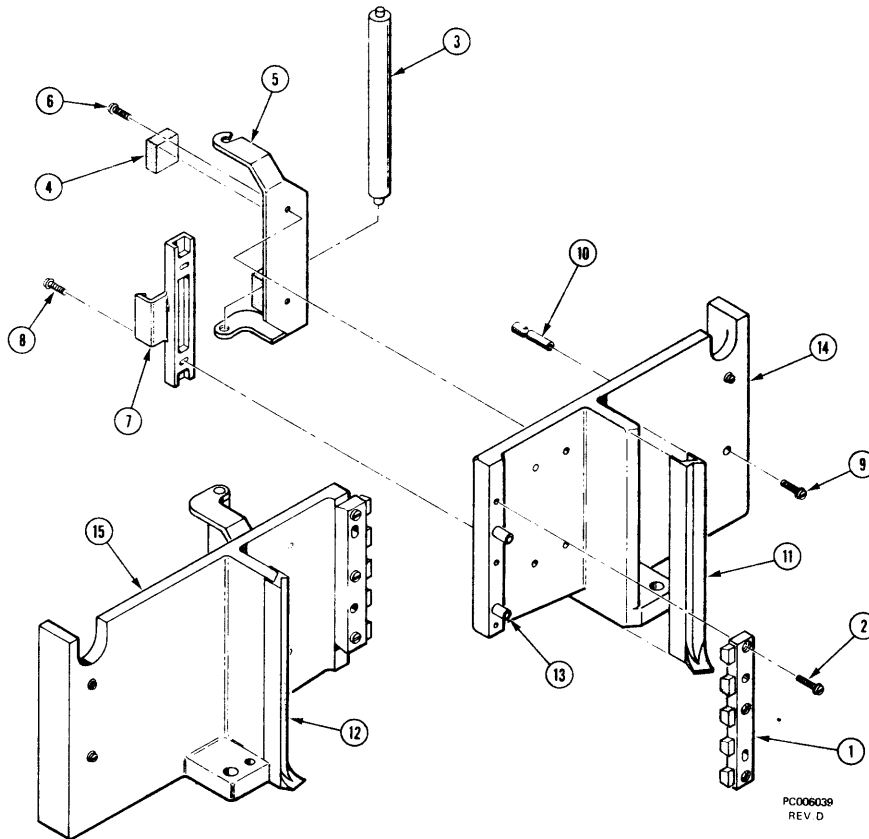
FIG & INDEX	PART NO.	DESCRIPTION	QTY PER ASSY	USED ON CODE	REF FIG	NFR
8-	88006026-1*	CARRIAGE ASSEMBLY	REF		5	
-1	88006031-1	.TRANSDUCER ASSY	1		9	
-2	53000796-14	.SCREW,CAP 4-40X.875 (AP)	2			
-3	87001887-2	.SHIM,TRANSUCER ADJUSTING	1			
	87001887-3	.SHIM,TRANSUCER ADJUSTING	AR			
	87001887-5	.SHIM,TRANSUCER ADJUSTING	AR			
	87001887-10	.SHIM,TRANSUCER ADJUSTING	AR			
	87001887-20	.SHIM,TRANSUCER ADJUSTING	AR			
-4	87006483-1**	.PRIMARY GRATING	1			
-5	53003619-6**	.SCREW,FLAT HD 4-40X.375 (AP)	3			
-6	87001899-2**	.CLAMP,GLASS (AP)	3			
-7	87003846-1**	.SPACER,TAPE (AP)	3			
-8	87008692-1**	.SPACER,GRATING	1			
-9	88006027-1	.CARRIAGE SUBASSY	1			
-10	87006659-1	..STUD,FLEX LEAD	2			
	88006681-2	..STOP ASSY,CARRIAGE	1			
-11	53000794-12	..SCREW,BIND.HD 8-32X.750 (AP)	2			
-12	87006685-1	...STOP,BUMPER	2			
-13	53000792-10	...SCREW,BIND,HD 4-40X.625 (AP)	1			
-14	51001045-2	...WASHER,SHOULDER (AP)	1			
-15	51000787-2	...WASHER,LOCK (AP)	1			
-16	52000798-4	...NUT,HEXAGON (AP)	2			
-17	87006682-1	...FLEXURE,SWITCH	1			
-18	87006683-1	...INSULATOR	1			
-18A	9800307-00	...TAB	1			
-19	9021314-00	...BRACKET,FORWARD STOP	1			
<p>* SEE FIGURE 51 FOR CARRIAGE ALIGNMENT TOOL.</p> <p>**PRIMARY GRATING (ITEM 4) AND ATTACHING PARTS (ITEMS 5 THROUGH 8) MAY BE ORDERED AS A KIT. ORDER PRIMARY GRATING KIT 9008728-1.</p>						
8.09.012676						



PC006031
REV. E

FIGURE 9 VELOCITY TRANSDUCER ASSEMBLY

FIG & INDEX	PART NO.	DESCRIPTION	QTY PER ASSY	USED ON CODE	REF FIG	NFR
9-	88006031-1	TRANSDUCER ASSY, VELOCITY	REF		8	
-1	87006247-2	.INSULATOR, TRANSDUCER	1			X
-2	53000796-4	.SCREW, CAP 4-40X.250 (AP)	2			X
-3	83006035-1*	.HARNESS ASSY, TRANSDUCER	1			
	57010023-1	..PIN, CONTACT	14			X
	58010010-2	..CONNECTOR, MALE (A10P1)	1			
	45004751-2	..SHELL, CONNECTOR	1			X
	45004750-2	..SCREW, RETAINING	2			X
	45004750-3	..CLIP, CONNECTOR	2			X
-4	57004802-1	.TERMINAL (E1, E2, E3)	3			X
-5	88003618-7	.SOURCE/SENSOR (MATCHED PAIR)(DS3)	1			X
-6	88003618-6	.SOURCE/SENSOR (MATCHED PAIR)(DS1, DS1)	2			X
-7	22004822-2	.THERMISTOR (POTTED)	2			X
-8	87006246-1	.SPACER, INSULATING	1			X
-9	88001816-3	.GRATING, SECONDARY	1			
-10	53000792-4	.SCREW, BIND, HD 4-40X.250 (AP)	2			
-11	57000997-1	.MOUNT CABLE TIE	1			X
-12	53000792-4	.SCREW, BIND, HD 4-40X.250 (AP)	1			X
-13	57000825-3	.CLAMP	1			X
	88006032-1	.TRANSDUCER SUBASSY, MACHINING	1			X
-14	53000792-8	..SCREW, BIND, HD 4-40X.500	1			X
-15	51001045-1	..WASHER, SHOULDER	1			X
-16	87006245-1	..MOUNT, SOURCE (MATCHED SET)	1			X
-17	48001888-1	..PIN, DOWEL	2			X
-18	87006244-1	..MOUNT, SENSOR (MATCHED SET)	1			X
<p>*HARNESS CONNECTORS, PINS, ETC. ARE ILLUSTRATED ON FIGURE 50.</p>						
8.10.011476						



PC006038
REV D

FIGURE 10 TOWER ASSEMBLY

FIG & INDEX	PART NO.	DESCRIPTION	QTY PER ASSY	USED ON CODE	REF FIG	NFR
10-	88006039-3	TOWER ASSY, SIDE A	REF		5	
	88006039-4	TOWER ASSY, SIDE B	REF		5	
-1	87006279-3	.CAM	1			
-2	53000792-8	.SCREW, BIND. HD 4-40X.500 (AP)	3			
-3	87006405-1	.RETAINER, CONNECTOR	1			
-4	9800339-02	.STRIP, RIBBER	AR			
-5	87006463-1	.BRACKET, CARD HOLDER	1			
-6	53000792-4	.SCREW, BIND. HD 4-40X.250 (AP)	2			
-7	87006462-1	.CARD LOCK	1			
-8	53000792-6	.SCREW, BIND. HD 4-40X.375 (AP)	2			
-9	53000792-7	.SCREW, BIND. HD 4-40X.438	2			
-10	45006554-1	.STANDOFF, HINGED	2			
-11	87007358-2	.GASKET, SIDE A	1			
-12	87007358-1	.GASKET, SIDE B	1			
	88006546-1	.TOWER AND PIN ASSY, SIDE A	1			
	88006546-2	.TOWER AND PIN ASSY, SIDE B	2			
-13	48000913-8	..PIN, DOWEL	1			
-14	87006291-2	..TOWER, SIDE A	1			
-15	87006293-2	..TOWER, SIDE B	1			
8.11.011376						

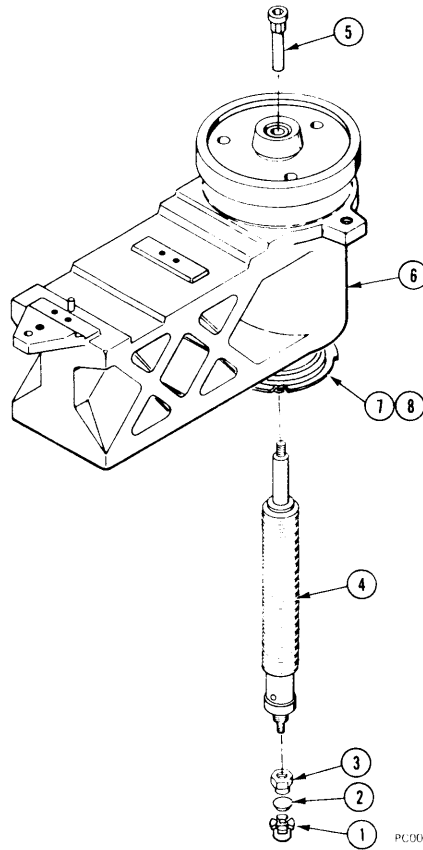
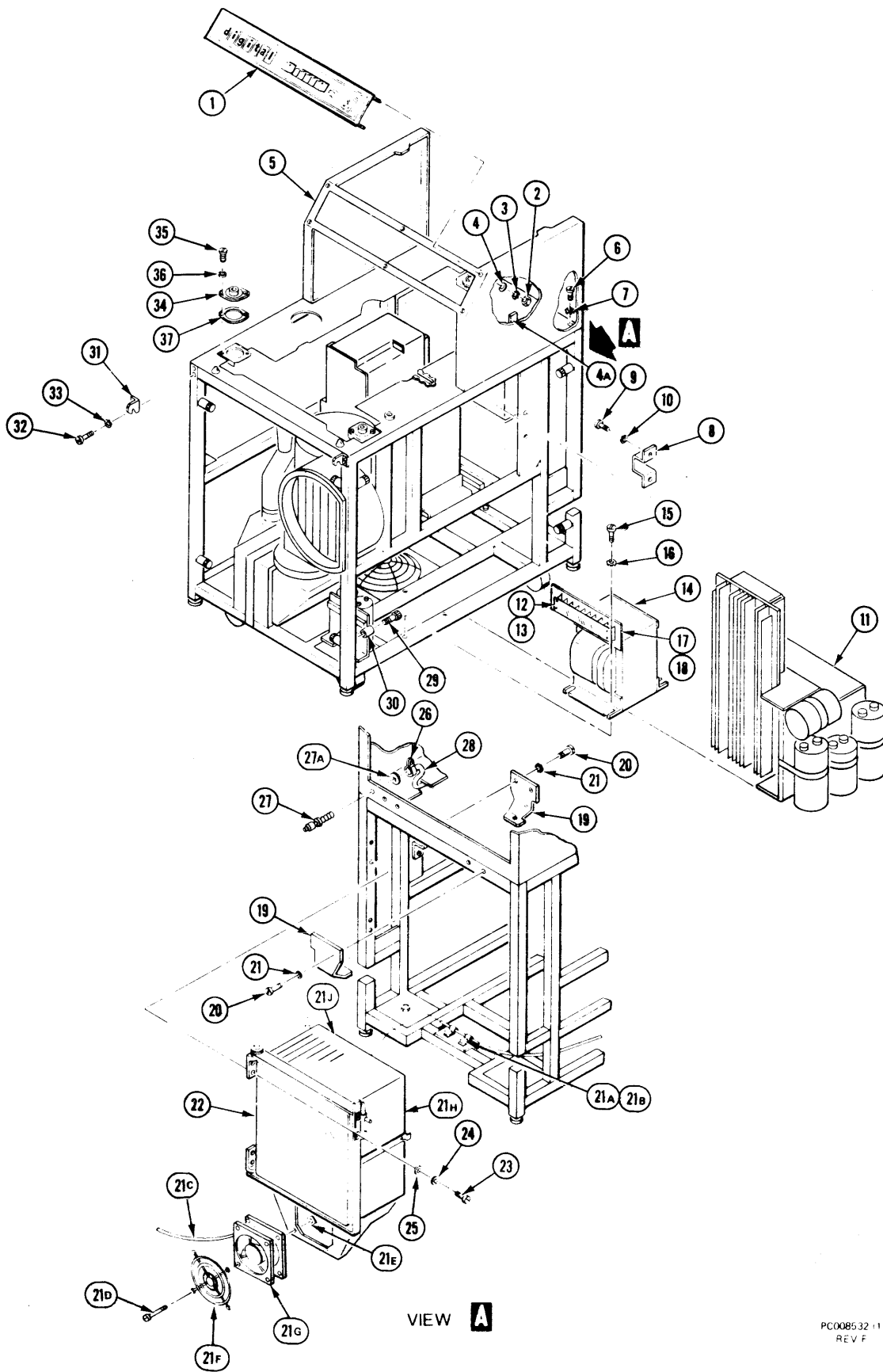


FIGURE 11 SPINDLE AND LOCKING SHAFT ASSEMBLY

FIG & INDEX	PART NO.	DESCRIPTION	QTY PER ASSY	USED ON CODE	REF FIG	NFR
11-	88006204-2	SPINDLE AND LOCKING SHAFT ASSY	REF		5	
-1	87000251-1	.RETAINER, CONTACT	1			
-2	57000250-1	.CONTACT, GROUND	1			
-3	87006214-1	.NUT, SWITCH LOAD	1			
-4	88006038-1*	.SHAFT ASSY, LOWER LOCKING	1			
-5	88006037-1*	.SHAFT ASSY, UPPER LOCKING	1			
	88008793-2	.SPINDLE ASSY	1			
-6	87008725-2**	..SPINDLE ASSY (PROPRIETARY ITEM)	1			X
	88006036-2	..SPINDLE ASSY (PROPRIETARY ITEM)	AR			X
-7	50006668-4	...SCREW, SLF-TPG 2-56X.250	4			
-8	87006216-1	...DISK, SPEED SENSOR	1			
		*USE EXTRACTOR P/N 70008783-1 TO REMOVE LOCKING SHAFTS				
		**SPINDLE ASSEMBLY P/N 87008725-2 OR P/N 88006036-2 MAY BE USED				
		11.13.81474				



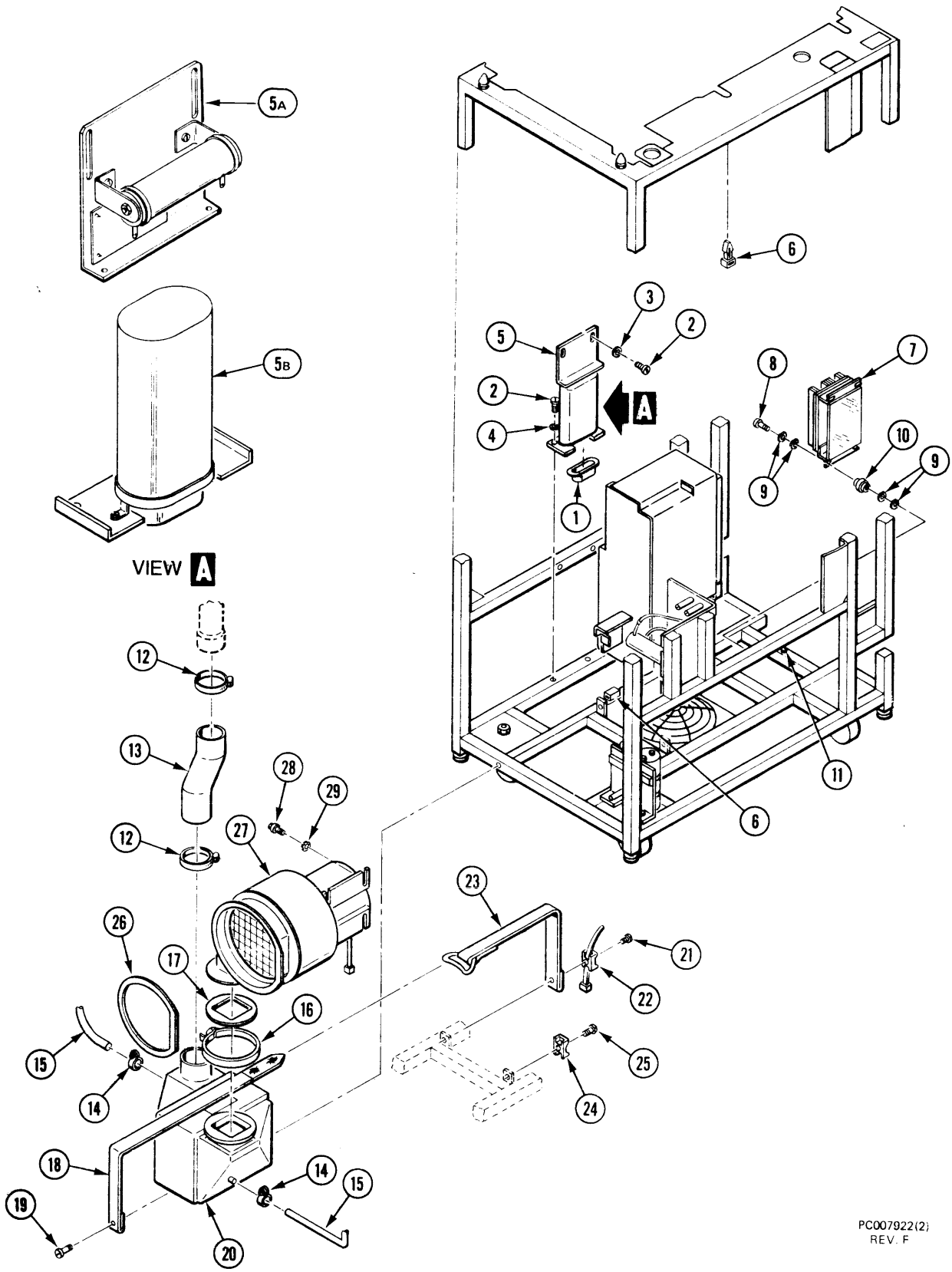
PC008532-11
REV F

FIGURE 12 DRIVE FRAME ASSEMBLY (PART 1 OF 4)

FIG & INDEX	PART NO.	DESCRIPTION	QTY PER ASSY	USED ON CODE	REF FIG	NFR
12-	88008532-1	FRAME ASSY,DRIVE	REF	A	2	
	88008532-2	FRAME ASSY,DRIVE	REF	B	2	
-1	88008600-1	.CONTROL PANEL ASSY	1		16	
-2	52000783-6	.NUT,HEX (AP)	6			
-3	51000788-2	.WASHER,LOCK (AP)	6			
-4	51000786-4	.WASHER,PLAIN (AP)	6			
-4A	45015495-1	.MOUNT,CABLE	2			
-5	88006305-037	.SUPPORT ASSY,FRAME	1		17	
-6	50000756-6	.SCREW,BIND.HD 10-32X.375 (AP)	4			
-7	51000788-4	.WASHER,LOCK (AP)	4			
-8	88006559-1	.ACTUATOR ASSY,GATE	1			
-9	50000755-4	.SCREW,BIND.HD 8-32X.250 (AP)	2			
-10	51000788-3	.WASHER,LOCK (AP)	2			
-11	76007804-X	.POWER SUPPLY ASSY,DRIVE	1		18	
-12	87007350-1	.COVER,TERMINAL BOARD	1			
-13	50000754-3	.SCREW,BIND.HD 6-32X.188 (AP)	3			
-14	76007937-1	.TRANSFORMER ASSY,60 HZ	1	A		
	76008401-1	.TRANSFORMER ASSY,50 HZ	1	B		
-15	50004763-8	.SCREW,SELF-TAP 10-32X.500 (AP)	4			
-16	51000788-4	.WASHER,LOCK (AP)	4			
	69007685-1	..TRANSFORMER ASSY 60 HZ	1	A		
	69008349-1	..TRANSFORMER ASSY 50HZ	1	B		
	45003378-2	..GROMMET,CATERPILLAR	1			
-17	73003368-16	...TERMINAL BOARD	1			
-18	87001026-20	...STANDOFF	3			
-19	87006670-1	.BRACKET,LATCH	2			
-20	50000755-5	.SCREW,BIND.HD 8-32X.312 (AP)	4			
-21	51000788-3	.WASHER,LOCK (AP)	4			
-21A	57001265-1	.CLAMP,CABLE TIE	2			
-21B	50000755-6	.SCREW,BIND.8-32X.312 (AP)	2			
-21C	84008708-1	.CORD ASSY,FAN POWER	1			
-21D	4912524-14	.SCREW,BIND.6-32X2.00	4			
-21E	52800032-1	.SPEEDNUT	4			
-21F	45001075-2	.GUARD,FINGER	1			
-21G	79006470-1*	.FAN	1			
-21H	87008772-1	.COVER,CARD CAGE (LH)	1			
-21J	87008773-1	.COVER,CARD CAGE (RH)	1			
-22	76008629-X	.GATE MATRIX,ELECTRONIC	1		19	
-23	50000775-10	.SCREW,CAP 0.250-20X.625 (AP)	4			
-24	51000789-25	.WASHER,SPLIT LOCK (AP)	4			
-25	51000786-10	.WASHER,LOCK (AP)	4			
-26	45006746-1	.CLAMP,TUBING	3			
-27	45006747-1	.FITTING,TUBING	3			
-27A	52004694-3	.NUT,SPEED	3			
-28	45006745-1	.TUBING,AIR (11 FT)	1			
-29	50000499-6	.SCREW,SHOULDER	12			
-30	87003023-1	.SLEEVE	12			

4.16.82074

FIG & INDEX	PART NO.	DESCRIPTION	QTY PER ASSY	USED ON CODE	REF FIG	NFR
12-31	87006578-1	.PLATE,COVER STRIKER LH	1			
	87006578-2	.PLATE,COVER STRIKER RH	1			
-32	50000755-5	.SCREW,BIND.HD 8-32X.312 (AP)	4			
-33	51000788-3	.WASHER,LOCK (AP)	4			
-34	87004580-1	.MOUNT,SNUBBER	4			
-35	50000755-6	.SCREW,BIND.HD 8-32X.375 (AP)	8			
-36	54001446-3	.WASHER,INSULATING (AP)	8			
-37	87004581-1	.SPACER,INSULATING (AP)	4			
<p>*FAN P/N 79001043-1 MAY BE USED IN PLACE OF 79006470-1.</p> <p>SEE FIGURES 13, 14 AND 15 FOR ADDITIONAL DETAILS.</p> <p>A = USED ON 60 HZ DRIVES B = USED ON 50 HZ DRIVES</p>						
4.17.82074						



PC007922(2)
REV. F

FIGURE 13 DRIVE FRAME ASSEMBLY (PART 2 OF 4)

FIG & INDEX	PART NO.	DESCRIPTION	QTY PER ASSY	USED ON CODE	REF FIG	NFR
13-	88008532-1	FRAME ASSY,DRIVE (CONT)	REF	A	2	
	88008532-2	FRAME ASSY,DRIVE (CONT)	REF	B	2	
-1	45001321-1	.CAP,CAPACITOR	1			
-2	50000755-5	.SCREW,BIND.HD 8-32X.312	4			
-3	51000786-6	.WASHER,PLAIN	2			
-4	51000788-3	.WASHER,LOCK	2			
-5	76006812-3	.CAPACITOR ASSY,RESONANT	1	A	21	
-5A	76009409-1	.OVERLOAD PROTECTION CIRCUIT ASSY	1	B	21B	
-5B	76008876-X	.CAPACITOR ASSY,RESONANT	1	B	21A	
-6	45003612-1	.MOUNT,CABLE TIE	2			
-7	76007668-3	.POWER DRIVER ASSY	1		22	
-8	50004762-6	.SCREW,SLF-TPG 8-32X.375 (AP)	2			
-9	47001836-3	.SPRING,BELLEVILLE (AP)	8			
-10	87006859-1	.SPACER (AP)	2			
-11	48000216-7	.PIN,ROLL	1			
-12	45000831-1	.CLAMP,HOSE	2			
-13	87006340-1	.HOSE,AIR	1			
-14	45006746-1	.CLAMP,TUBE	2			
-15	45006745-1	.TUBING,AIR (11 FT)	AR			
-16	45006339-1	.CLAMP,AIR SYSTEM	1			
-17	87006426-1	.GASKET,BLOWER OUTLET	1			
-18	87006347-1	.STRAP,FILTER	1			
-19	50004762-6	.SCREW,SLF-TPG 8-32X.375	1			
-20	87006666-1	.FILTER,ABSOLUTE	1			
-21	53001792-4	.SCREW,PAN HD 6-32X.250	1			
-22	57000997-4	.MOUNT,CABLE TIE	1			
-23	87006346-1	.STRAP,BUCKLE END	1			
-24	57000997-4	.MOUNT,CABLE TIE	1			
-25	53001792-4	.SCREW,PAN HD 6-32X.250 (AP)	1			
-26	45001306-5	.TAPE,FOAM	1			
-27	79006624-1	.BLOWER ASSY,DRIVE	1	A		
	79006679-1	.BLOWER ASSY,DRIVE	1	B		
-28	50004763-8	.SCREW,SLF-TPG 10-32X.500 (AP)	4			
-29	51000788-4	.WASHER,LOCK (AP)	4			
SEE FIGURES 12, 14 AND 15 for ADDITIONAL DETAILS						
A = USED ON 60 HZ DRIVES						
B = USED ON 50 HZ DRIVES						
4.18.010976						

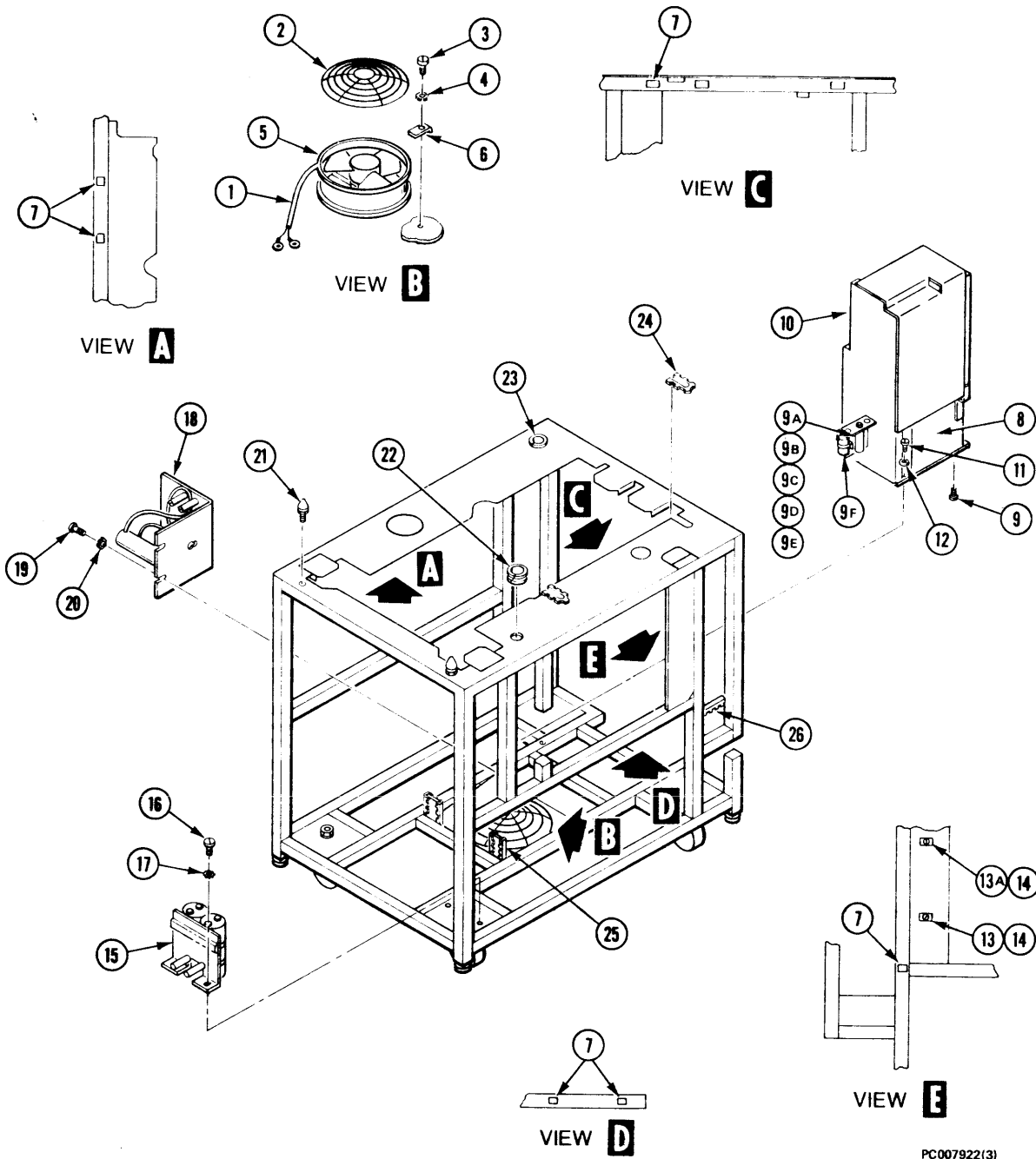
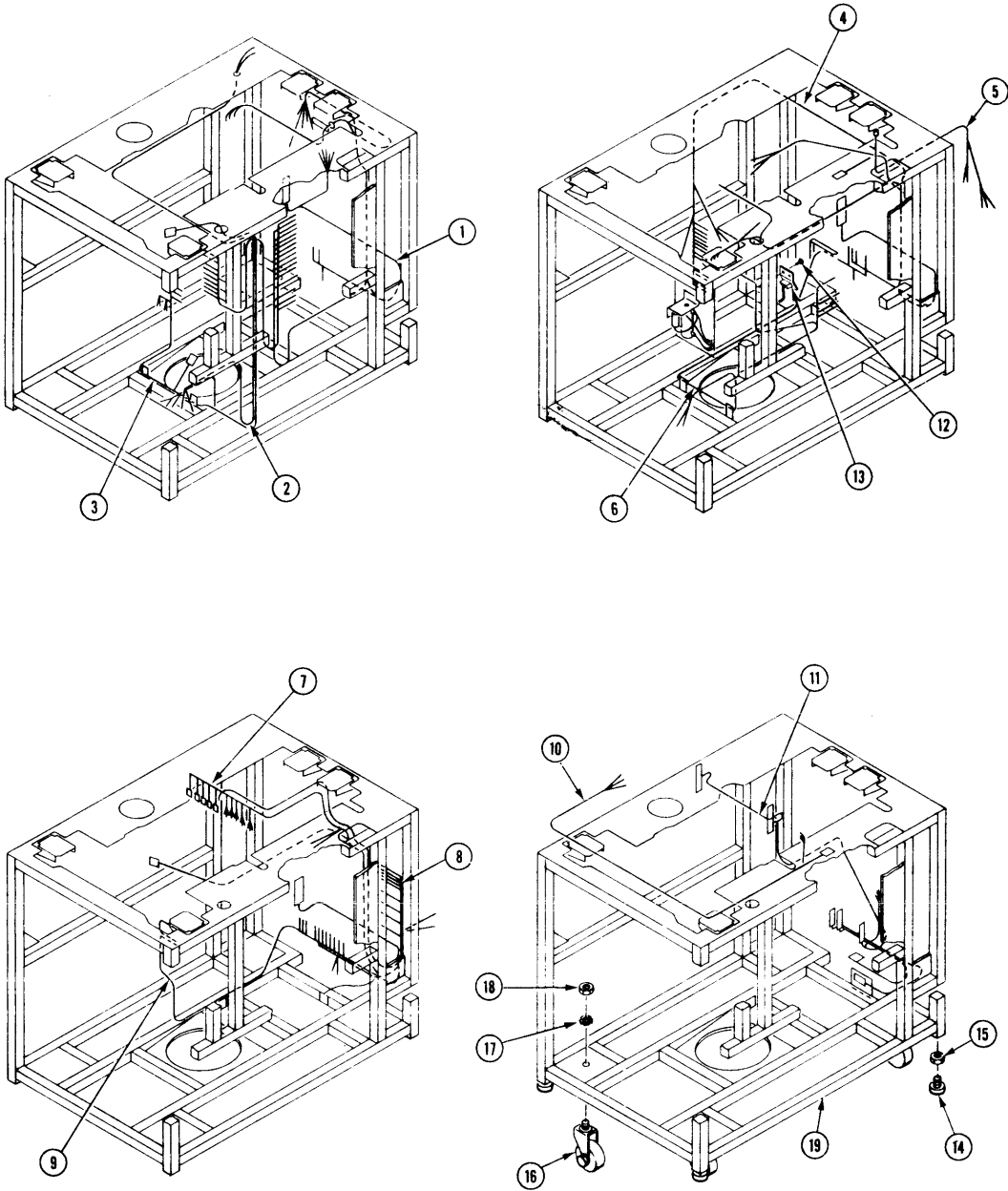


FIGURE 14 DRIVE FRAME ASSEMBLY (PART 3 OF 4)

FIG & INDEX	PART NO.	DESCRIPTION	QTY PER ASSY	USED ON CODE	REF FIG	NFR
14-	88008532-1	FRAME ASSY,DRIVE (CONT)	REF	A	2	
	88008532-2	FRAME ASSY,DRIVE (CONT)	REF	B	2	
-1	84006984-1	.CABLE ASSY,FAN	1			
-2	45006609-1	.GUARD,FAN	1			
-3	50000753-6	.SCREW,BIND.HD 4-40X.375	3			
-4	51000788-1	.WASHER,LOCK	3			
-5	79004816-1	.FAN	1			
-6	45006808-1	..CLIP,FAN MTG (FURNISHED WITH 79004816-1)	3			
-7	45003612-1	.MOUNT,CABLE TIE	11			
-8	76007914-3	.LINE FILTER ASSY	1		23	
-9	50004761-4	.SCREW,SLF-TPG 6-32X.250 (AP)	7			
-9A	50001032-1	.SCREW,RES MTG	1			
-9B	51000787-4	.WASHER,LOCK	2			
-9C	51001049-4	.WASHER,RES CENTERING	2			
-9D	52000783-8	.NUT,HEX	1			
	83008736-1	.HARNES ASSY,FSR POWER	REF			15
-9E	20001353-1	..RES,WW 0.5 OHM 80W +3% (R6)	REF			15
-9F	35000471-19	..CAP., PLASTIC 100V	REF			15
-10	76007807-X	.SEQUENCER ASSY,DRIVE	1			24
-11	50000755-7	.SCREW,BIND.HD 8-32X.438 (AP)	3			
-12	51000788-3	.WASHER,LOCK (AP)	3			
-13	57000997-4	.MOUNT,CABLE TIE	1			
-13A	57001265-1	.CLAMP,CABLE TIE	1			
-14	50001266-3	.SCREW,ROUND HD 8-32X.188 (AP)	2			
-15	76007778-1	.BRACKET ASSY,FAIL SAFE RESERVOIR (FSR)	1		25	
-16	50000755-7	.SCREW,BIND.HD 8-32X.438 (AP)	2			
-17	51000788-3	.WASHER,LOCK (AP)	2			
-18	76007938-2	.FILTER ASSY,EMA	1		26	
-19	50000755-6	.SCREW,BIND.HD 8-32X.375 (AP)	2			
-20	51000788-3	.WASHER,LOCK (AP)	2			
-21	87000944-1	.STUD,HEX	2			
-22	45003361-20	.GROMMET,SPLIT PLASTIC	1			
-23	45003361-8	.GROMMET,SPLIT PLASTIC	1			
-24	45003378-1	.GROMMET,CATERPILLAR (9 IN)	2			
-25	45003378-3	.GROMMET,CATERPILLAR (8 IN)	4			
-26	45003378-2	.GROMMET,CATERPILLAR (3 IN)	1			
SEE FIGURES 12, 13 AND 15 FOR ADDITIONAL DETAILS						
A = USED ON 60 HZ DRIVES						
B = USED ON 50 HZ DRIVES						
4.19.010975						



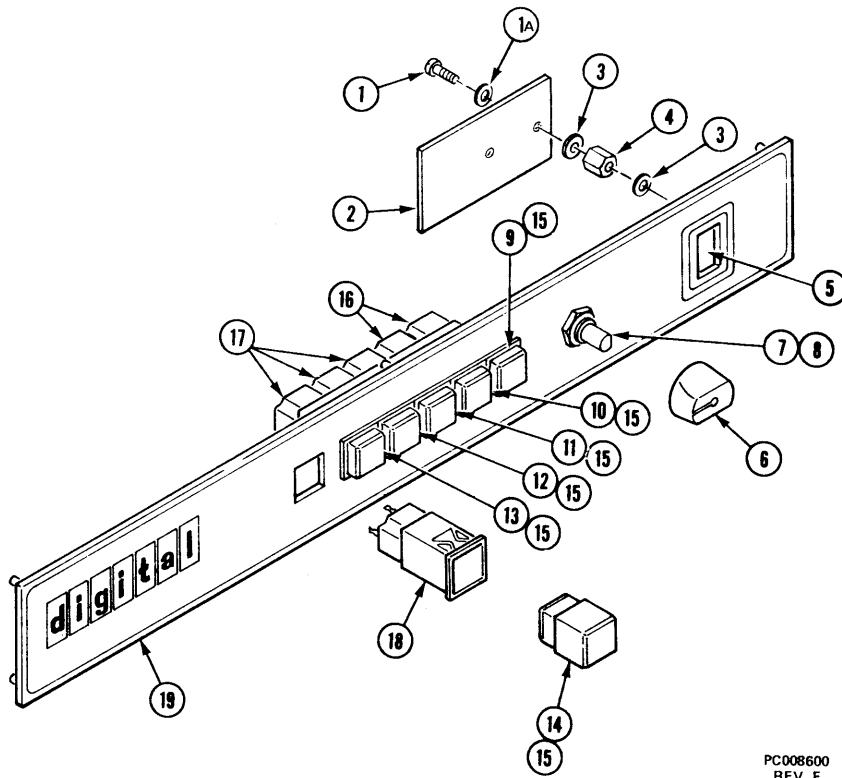
PC008532(4)
REV. A

FIGURE 15 DRIVE FRAME ASSEMBLY (PART 4 OF 4)

FIG & INDEX	PART NO.	DESCRIPTION	QTY PER ASSY	USED ON CODE	REF FIG	NFR
15-	88008532-1	FRAME ASSY,DRIVE (CONT)	REF	A	2	
	88008532-2	FRAME ASSY,DRIVE (CONT)	REF	B	2	
-1	83007577-2*	.HARNESS ASSY,TRANSDUCER/THERMISTOR CNTL	1			
	50000771-7	..SCREW,SOC HD 4-40X.438	2			
	58004736-1	..CONNECTOR,PWB (A1B16P2)	1			
	57004738-3	..CONTACT,TWIN LEAF	15			
	57004738-2	..CONTACT,TWIN LEAF	2			
	9800207-00	..DIODE	2			
	87006491-1	..BRACKET,LOCK HOOD	1			
	87007195-1	..STRAIN RELIEF,CONNECTOR	1			
	58800068-2	..CONNECTOR (A5J3)	1			
	57800065-4	..PIN,CONTACT	14			
	9800302-00	..SHELL,CONNECTOR	1			
	45004750-4	..CLIP,SCREW TYPE	2			
-2	83006809-1	.HARNESS ASSY,PWR DRIVER	1			
	32001041-1	..INDUCTOR (L1,L2)	2			
	50000755-40	..SCREW,BIND.HD 8-32X2.50	1			
	51000787-4	..WASHER,LOCK	1			
	52000783-8	..NUT.HEX	1			
-3	83006864-1*	.HARNESS ASSY,AC POWER	1			
	57000047-1	..PIN,CONTACT	7			
	58003876-1	..PLUG,CONN (A1J1)	1			
	57000290-1	..CAP,THREE CIRCUIT (A5P3)	1			
-4	83008619-1*	.HARNESS ASSY,POWER CONTROL	1			
	50000771-7	..SCREW,SOC HD 4-40X.438	2			
	58004736-1	..CONNECTOR,PWB (A1B14P2)	1			
	57004738-1	..CONTACT,TWIN LEAF	20			
	57004738-2	..CONTACT,TWIN LEAF	4			
	87006491-1	..BRACKET,HOOD LOCK	1			
	87007195-1	..STRAIN RELIEF,CONNECTOR	1			
	57000047-1	..PIN,CONTACT	5			
	58003877-1	..CAP,CONN	1			
-5	83007642-2*	.HARNESS ASSY,SERVO CONNECTOR	1			
	4913459-17	..RES,FILM 51 OHM 1/4W +2%	2			
	50000752-6	..SCREW,BIND.HD 2-56X.375	2			
	52000783-2	..NUT,HEX	2			
	58006784-7	..LOCK CLIP	1			
	58006784-4	..CONNECTOR,FEMALE (A5J5)	1			
	87007680-1	..HOOD,CONNECTOR	1			
	87007366-2	..BRACKET,CONNECTOR	1			
-6	83008736-1	.HARNESS ASSY,FSR PWR	1			
	20001353-1	..RES,WV 0.5 OHM +3% 80W	1			
	35000471-19	..CAP.,MYLAR 10UF 100V +20%	1			
-7	83008597-1*	.HARNESS ASSY,CONTROL PANEL	1			
	50000771-7	..SCREW,SOC HD 4-40X.438	1			

4.20.010976

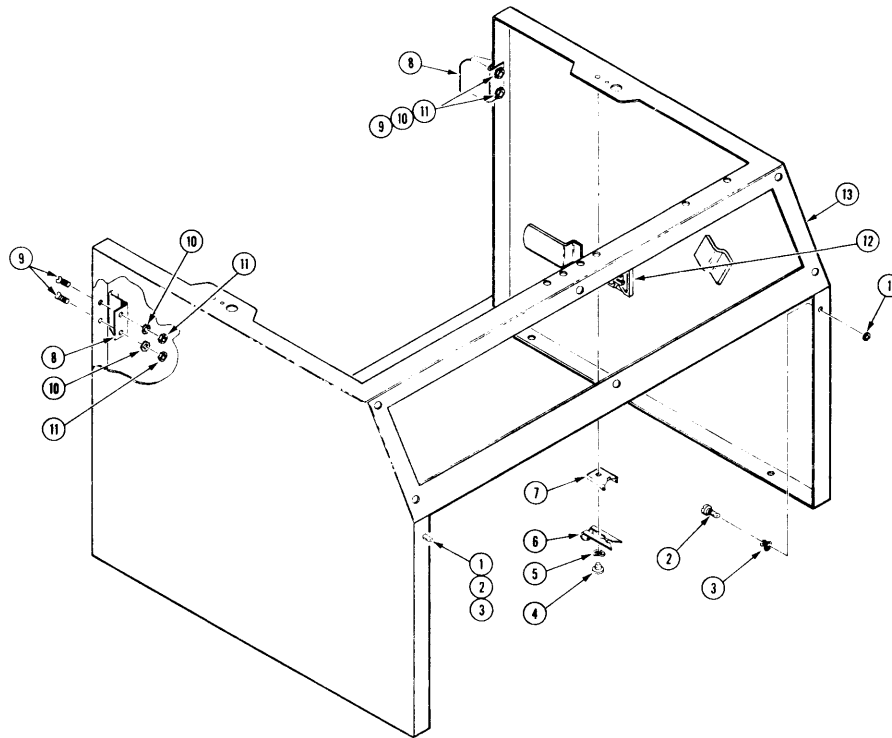
FIG & INDEX	PART NO.	DESCRIPTION	QTY PER ASSY	USED ON CODE	REF FIG	NFR
15-	58004736-1	..CONNECTOR,PWB (A1B12P2)	1			
	57004738-2	..CONTACT,TWIN LEAF	4			
	57004738-1	..CONTACT,TWIN LEAF	24			
	87006491-1	..BRACKET,HOOD LOCK	1			
	87007195-1	..STRAIN RELIEF,CONNECTOR	1			
	58007001-1	..CONNECTOR,SWITCH (A6S2P1,A6S1P1, A6DS1P1,A6DS2P1)	4			
	57000047-1	..PIN,CONTACT	2			
	57003682-1	..PIN,CONTACT	2			
	58003679-1	..HOUSING,PIN 2 CIRCUIT (A5J4)	1			
-8	83006064-1	.HARNESS ASSY,DC PWR	1			
-9	83006865-1	.HARNESS ASSY,SEQ DC PWR	1			
-10	83006823-1*	.HARNESS ASSY,COVER SW/SOL	REF		3	
	57000047-1	..PIN,CONTACT	6			
	58003876-1	..PLUG,CONNECTOR (A6P5)	1			
-11	83006059-2*	.HARNESS ASSY READ/WRITE	1			
	50000771-7	..SCREW,SOC HD 4-40X.438	6			
	58004637-2	..CONNECTOR,PWB (A5J1,A5J2)	2			
	58004736-1	..CONNECTOR,PWR (A1B3P2)	1			
	57004738-1	..CONTACT,TWIN LEAF	37			
	57004738-2	..CONTACT,TWIN LEAF	2			
	45003361-10	..GROMMET	1			
	45003361-13	..GROMMET	1			
	87006446-2	..BRACKET,CONNECTOR	1			
	87006446-1	..BRACKET,CONNECTOR	1			
	87006491-1	..BRACKET,HOOD LOCK	1			
	87007195-1	..STRAIN RELIEF CONNECTOR	1			
	45003378-1	..GROMMET,CATERPILLAR	1			
-12	50000754-3	.SCREW,BIND.HD 6-32X.188	2			
-13	83008697-1*	.HARNESS ASSY,AC POWER DCL	1			
	57000047-1	..PIN,CONTACT	3			
	57000289-1	..PLUG,LOK-THREE CIRCUIT	1			
	87008738-3	..BRACKET,POWER CABLE MOUNTING	1			
	88006055-2	.FRAME SUBASSY	1			
-14	45006557-1	..LEVELER,NYLON	4			
-15	52000783-38	..NUT,HEX JAM (AP)	4			
-16	45000801-1	..CASTER	4			
-17	51000789-50	..WASHER,LOCK (AP)	4			
-18	52000784-50	..NUT,HEX JAM (AP)	4			
-19	87006350-2	..FRAME,WELDED	1			
SEE FIGURES 12, 13 AND 14 FOR ADDITIONAL DETAILS.						
*HARNESS CONNECTORS, PINS, ETC. ARE ILLUSTRATED ON FIGURE 50.						
A = USED ON 60 HZ DRIVES						
B = USED ON 50 HZ DRIVES						
4.21.010976						



PC008600
REV. F

FIGURE 16 CONTROL PANEL ASSEMBLY

FIG & INDEX	PART NO.	DESCRIPTION	QTY PER ASSY	USED ON CODE	REF FIG	NFR
16-	88008600-1	PANEL ASSY,CONTROL (A6)	REF		12	
-1	50000754-4	.SCREW,BIND.HD 6-32X.250	2			
-1A	51000787-3	.LKWSHR,INT T	2			
-2	75008576-2	.PWA,LED DISPLAY (A6A1)	1		49	
-3	51000786-4	.WASHER,FLAT	2			
-4	45007146-9	.STANDOFF	2			
-5	87008602-1	.LENS,PLATE	1			
-6	85008591-1	.KNOB,SWITCH	1			
-7	62008552-1	.SWITCH,ROTARY (A6S5)	1			
-8	52003843-1	.NUT,FACE (AP)	1			
-9	56004813-4	.BUTTON (UNSAFE)	1			
-10	56004813-5	.BUTTON (READY)	1			
-11	56004813-14	.BUTTON (DISABLE)	1			
-12	56004813-12	.BUTTON (WRITE PROTCT)	1			
-13	56004813-13	.BUTTON (START/STOP)	1			
-14	56004813-15	.BUTTON (STNDBY)	1			
-15	43007018-4	..LAMP,CLEAR (FURN WITH 56004813-X)	2			
-16	57004812-1	.LIGHT,INDICATOR (A6DS1,A6DS2)	2			
-17	61004814-1	.SWITCH,DPDT (A6S1,A6S2,A6S3)	3			
-18	61008551-1	.SWITCH,MOMENTARY SPDT (A6S4)	1			
-19	87008601-2	.PANEL,CONTROL	1			
3.16.010976						

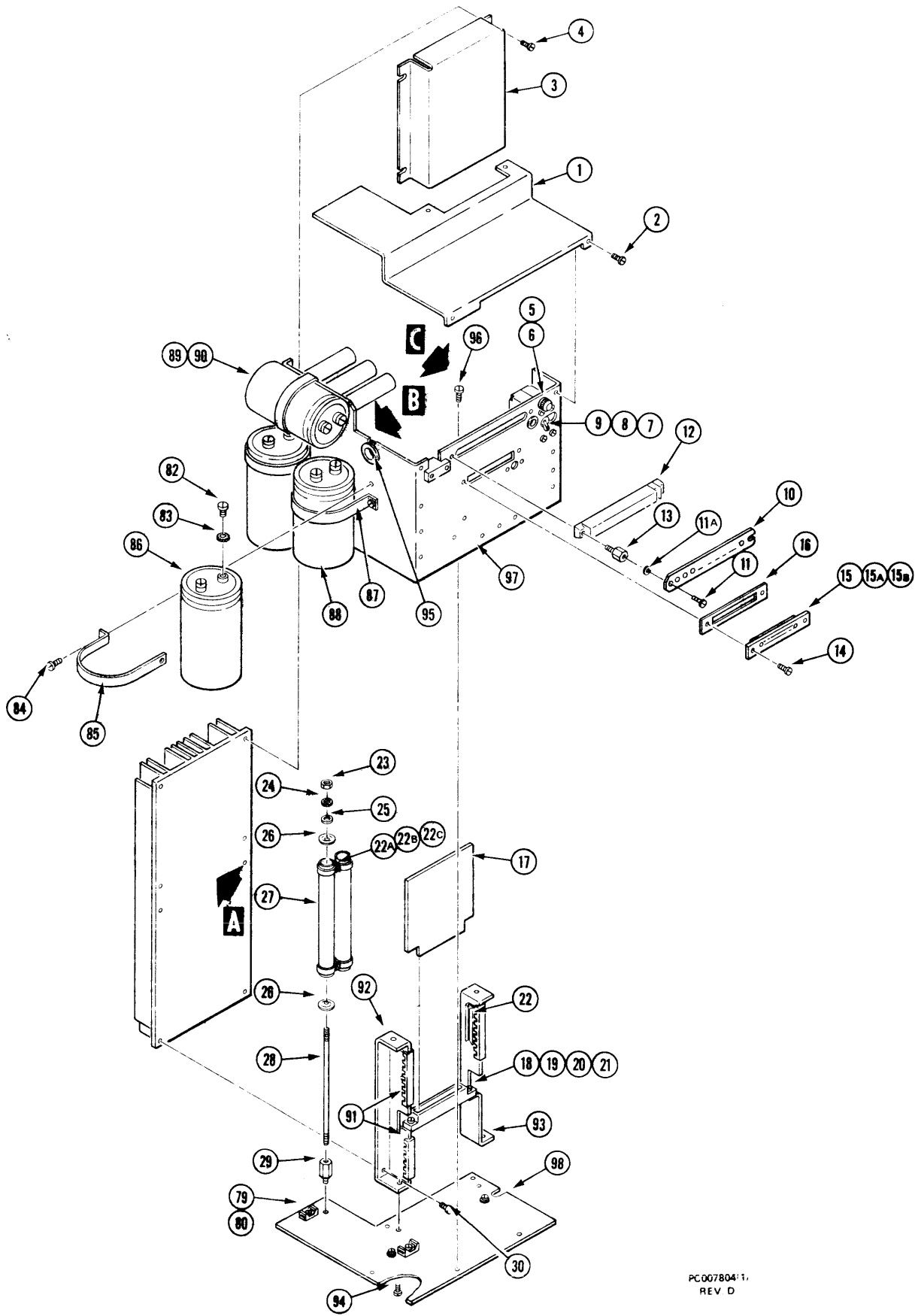


PC006305
REV. F

FIGURE 17 FRAME SUPPORT ASSEMBLY

FIG & INDEX	PART NO.	DESCRIPTION	QTY PER ASSY	USED ON CODE	REF FIG	NFR
17-	88006305-037	SUPPORT ASSY,FRAME	REF		12	
-1	45006507-1	.RETAINER,RING	2			
-2	45006506-2	.FASTENER,1/4 TURN	2			
-3	45006508-1	.SPRING,EJECTOR	2			
-4	45000814-2	.RIVET,SNAPSLIDE	2			
-5	45000813-1	.WASHER,SNAPSLIDE	2			
-6	87001117-1	.LATCH,SNAPSLIDE	2			
-7	87001118-1	.GUIDE,LATCH	2			
-8	87006438-1	.PLATE,REAR COVER STRIKER	2			
-9	50000766-5	.SCREW,FLAT HD 6-32X.312 (AP)	4			
-10	51000788-2	.WASHER,LOCK (AP)	4			
-11	52000783-6	.NUT,HEXAGON (AP)	4			
-12	45015495-1	.CLAMP,CABLE	REF			
-13	87006306-037	.FRAME,SUPPORT	1			

5.20.82074



PC007804-1
REV D

FIGURE 18 POWER SUPPLY ASSEMBLY (SHEET 1 OF 2)

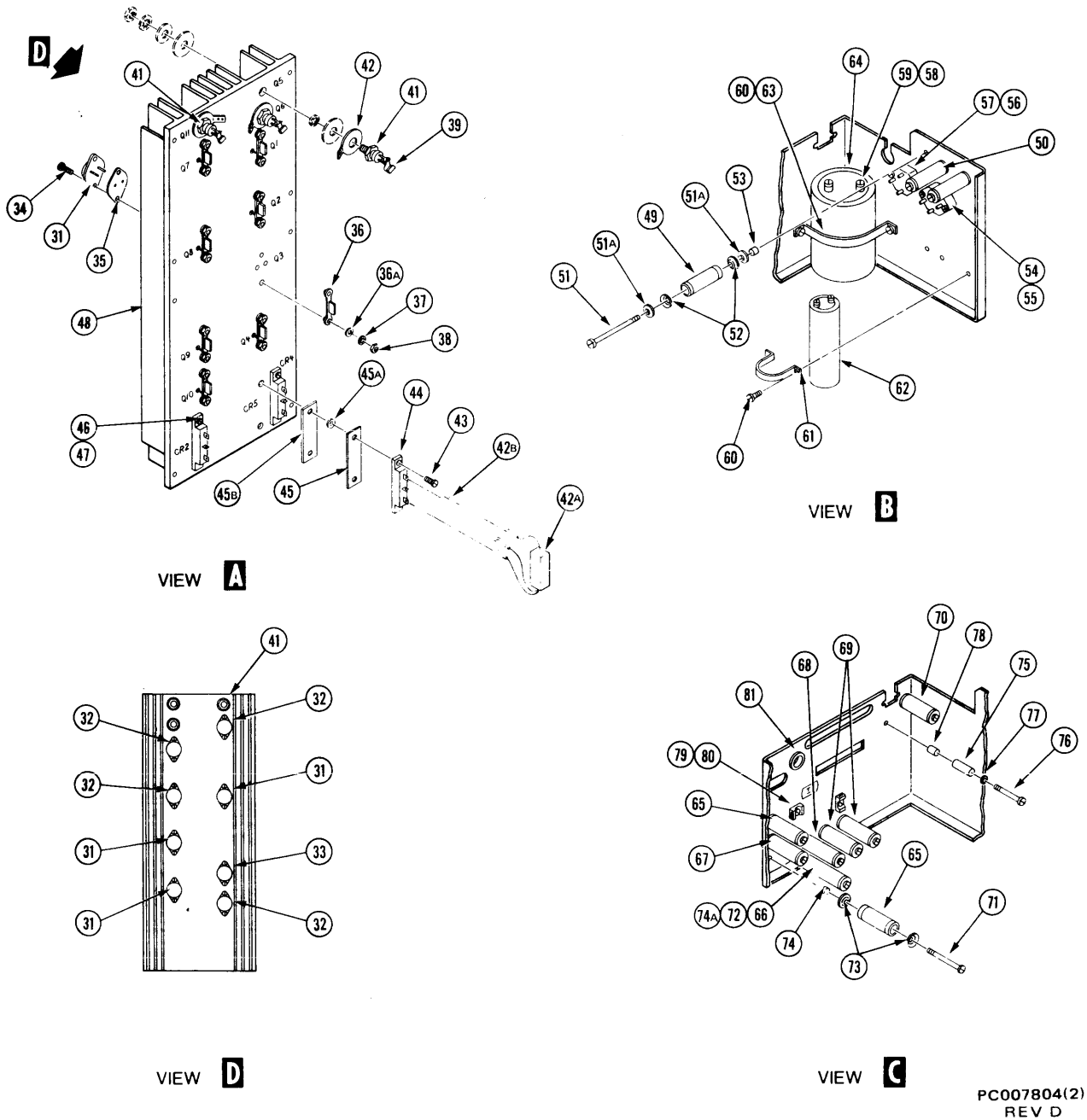


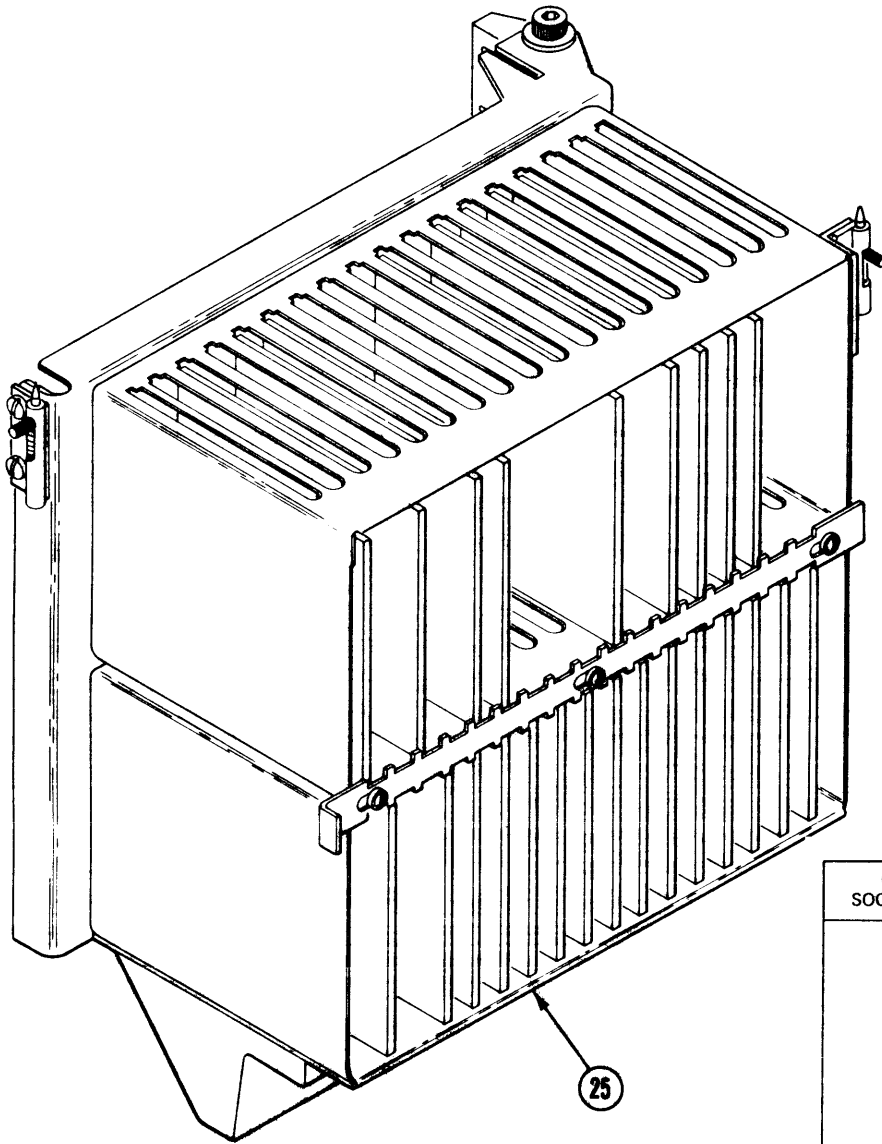
FIGURE 18 POWER SUPPLY ASSEMBLY (SHEET 2 OF 2)

FIG & INDEX	PART NO.	DESCRIPTION	QTY PER ASSY	USED ON CODE	REF FIG	NFR
18-	76007804-4	POWER SUPPLY ASSY	REF		12	
-1	87006239-3	.COVER,POWER SUPPLY	1			
-2	50004761-4	.SCREW,SLF-TPG 6-32X.250 (AP)	4			
-3	87007765-1	.COVER,HEATSINK	1			
-4	50004761-4	.SCREW,SLF-TPG 6-32X.250 (AP)	4			
-5	59000521-17	.FUSE,6/10A (F4)	1			
-6	59000573-1	.FUSEHOLDER	1			
-7	59004790-2	.CIRCUIT BREAKER (CB4)	1			
-8	50000754-4	.SCREW,BIND.HD 6-32X.250 (AP)	4			
-9	51000788-2	.WASHER,LOCK (AP)	4			
-10	87006387-13	.COVER,TERMINAL BOARD	1			
-11	50000754-4	.SCREW,BIND.HD 6-32X.250 (AP)	2			
-11A	51000786-4	.WASHER,PLAIN (AP)	2			
-12	73004687-12	.TERMINAL BOARD (TB1)	1			
-13	87001026-37	.STANDOFF (AP)	2			
-14	53004638-2	.SCREW,NYLON 8-32X.250	2			
-15	87006242-1	.BUS BAR	1			
-15A	50000754-4	.SCREW,BIND.HD 6-32X.250	16			
-15B	51000788-2	.WASHER,LOCK	16			
-16	87006243-1	.INSULATOR	1			
-17	75007944-3	.PWA,DC REGULATOR	1		28	
-18	50000753-8	.SCREW,BIND.HD 4-40X.500	2			
-19	51000788-1	.WASHER,LOCK	2			
-20	52000783-4	.NUT,HEX	2			
	83007825-2	.HARNES ASSY,POWER SUPPLY	1			
	57004738-2	..CONTACT,TWIN LEAF	AR			
-21	58004736-1	..CONNECTOR,PWB (J1)	1			
	58010233-1	..CONNECTOR,SOCKET (J2)	1			
-22	45000583-2	.GUIDE,CARD	2			
-22A	50000753-5	.SCREW,BIND.HD 4-40X	2			
-22B	51000788-1	.WASHER,LOCK	4			
-22C	52000783-4	.NUT,HEX	2			
-23	52000783-10	.NUT,HEX	1			
-24	51000788-4	.WASHER,LOCK	1			
-25	51000786-8	.WASHER,PLAIN	1			
-26	51001049-3	.WASHER,RES CNTRING	2			
-27	20000483-15	.RES,WW 50 OHM 100W <u>+5%</u> (R13A,R13B)	2			
-28	87006422-1	.ROD,THREADED	1			
-29	87001026-49	.STANDOFF	1			
-30	50004761-6	.SCREW,SLF-TPG 6-32X.375	4			
-31	3007838-00	.TRANSISTOR (Q3,Q4,Q8)	3			
-32	9000460-01	.TRANSISTOR (Q1,Q2,Q7,Q10)	4			
-33	9000461-01	.TRANSISTOR (Q9)	1			
-34	50000754-8	.SCREW,BIND.HD 6-32X.500 (AP)	16			
-35	51003435-1	.WASHER,MICA (AP)	8			
-36	54016137-1	.INSULATOR,XSTR MTG (AP)	8			
-36A	51000786-4	.WASHER,PLAIN	16			
-37	51000787-3	.WASHER,LOCK (AP)	16			

1.19.011276

FIG & INDEX	PART NO.	DESCRIPTION	QTY PER ASSY	USED ON CODE	REF FIG	NFR
18-38	52000783-6	.NUT,HEX (AP)	16			
-39	40003365-20	.CAP.,50V 0.22UF (C8,C9,C10)	3			
-40		DELETED				
-41	3006365-00	.THYRISTOR (Q5,Q6,Q11)	3			
-42	57016194-2	.TERMINAL (AP)	3			
-42A	9021431-00	.SHUNT ASSY,CAPACITOR	1			
-42B	57006804-1	.TAB ADAPTOR	3			
-43	53000228-1	.SCREW,NYLON 6-32X.250	2			
-44	9800056-01	.DIODE (CR5)	1			
-45	87006381-3	.INSULATOR	1			
-45A	54001447-3	.WASHER,FIBRE	2			
-45B	87008516-1	.SPACER	1			
-46	9800056-01	.DIODE (CR2,CR4)	2			
-47	50004761-4	.SCREW,SLF-TPG 6-32X.250 (AP)	4			
-48	87007761-1	.HEATSINK	1			
-49	20000480-27	.RES,WW 50 OHM 25W +5% (R10)	1			
-50	20000480-19	.RES,WW 10 OHM +5% (R11,R12)	2			
-51	50000755-40	.SCREW,BIND.HD 8-32X.2.500 (AP)	3			
-51A	51000786-6	.WASHER,PLAIN (AP)	6			
-52	51001049-2	.WASHER,RES CNTRING (AP)	6			
-53	45001037-5	.SPACER,ROUND (AP)	3			
-54	9000449-01	.DIODE (CR3)	1			
-55	50000753-10	.SCREW,BIND.HD 4-40X.625 (AP)	2			
-56	9003452-01	.DIODE (CR1)	1			
-57	50000753-14	.SCREW,BIND.HD 4-40X.875 (AP)	2			
-58	50000756-5	.SCREW,BIND.HD 10-32X.312	4			
-59	51000788-4	.WASHER,LOCK	4			
-60	50004761-4	.SCREW,SLF-TPG 6-32X.250	4			
-61	87006383-1	.CLAMP,CAPACITOR	1			
-62	34004780-1	.CAP.,22KUF 15V (C3)	1			
-63	87006240-1	.CLAMP,CAPACITOR	1			
-64	34007628-1	.CAP.,15KUF 100V (C6)	1			
-65	20800205-4	.RES,WW 0.75 OHM 25W +10% (R1,R3)	2			
-66	20800236-2	.RES,WW 0.15 OHM 50W ±10% (R4)	1			
-67	20000480-10	.RES,WW 3 OHM 25W +5% (R2)	1			
-68	20000480-6	.RES,WW 1.5 OHM 25W +5% (R5)	1			
-69	20000480-14	.RES,WW 60HM 25W +5% (R6,R7)	2			
-70	20000480-24	.RES,WW 30 OHM 25W +5% (R8)	1			
-71	50000755-40	.SCREW,BIND.HD 8-32X2.500 (AP)	7			
-72	50001032-3	.SCREW,RES MTG (AP)	1			
-73	51001049-2	.WASHER,RES CNTRING (AP)	16			
-74	45001037-5	.SPACER,ROUND (AP)	8			
-74A	51000787-4	.WASHER,PLAIN (USED WITH R4)	1			
-75	20000478-98	.RES,WW 0.5 OHM 5.25W +5% (R9)	1			
-76	50000753-16	.SCREW,BIND.HD 4-40 X T (AP)	1			
-77	51000786-2	.WASHER,PLAIN (AP)	1			
-78	45001037-1	.SPACER,ROUND (AP)	1			
-79	57000997-5	.MOUNT,CABLE TIE	4			
-80	53001792-4	.SCREW,SLF-TPG 6-32X.250 (AP)	4			
1.20.011276						

FIG & INDEX	PART NO.	DESCRIPTION	QTY PER ASSY	USED ON CODE	REF FIG	NFR
18-81	45003361-21	.GROMMET	1			
-82	50000756-5	.SCREW,BIND.HD 10-32X.312	8			
-83	51000788-4	.WASHER,LOCK	8			
-84	50004761-4	.SCREW,SLF-TPG 6-32X.250	8			
-85	87006382-2	.CLAMP,CAPACITOR	2			
-86	34004781-2	.CAP.,33KUF 60V +75 -10% (C4,C5)	2			
-87	87006385-2	.CLAMP,CAPACITOR	1			
-88	34007683-1	.CAP.,34KUF 40V +20% (C2)	1			
-89	87007800-1	.CLAMP,CAPACITOR	1			
-90	34007684-1	.CAP.,95KUF 15V +75 -10% (C1)	1			
-91	45003378-2	.GROMMET,CATERPILLAR (6 IN.)	2			
-92	87006238-3	.BRACKET,HEATSINK	1			
-93	87006238-4	.BRACKET,HEATSINK	1			
-94	50004761-4	.SCREW,SLF-TPG 6-32X.250 (AP)	4			
-95	45003361-21	.GROMMET	1			
-96	50004761-4	.SCREW,SLF-TPG 6-32X.250	4			
-97	87006236-3	.CHASSIS,POWER SUPPLY	1			
-98	87007760-1	.BASEPLATE,POWER SUPPLY	1			
		1.21.011276				



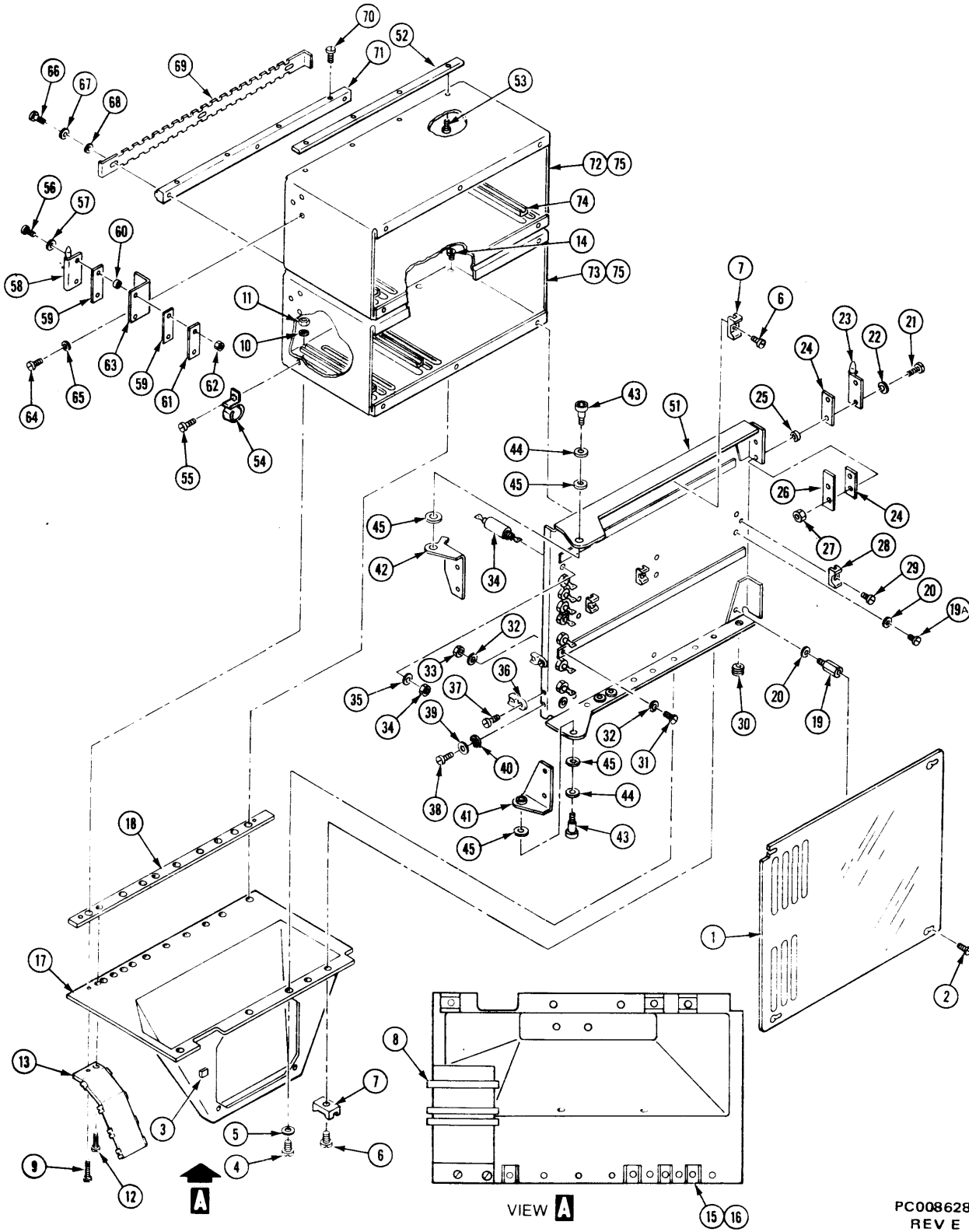
GATE AND SOCKET NUMBER	INDEX NUMBER
A3	1
A4	2
A5	3
A6	4
A7	5
A8	6
A9	6A
A12	7
A13	8
A15	9
A17	10
B1	11
B2	12
B3	13
B4	14
B5	15
B6	16
B7	17
B8	18
B9	19
B11	20
B12	21
B13	22
B14	23
B16	24

PC008629
REV. J

FIGURE 19 ELECTRONIC GATE MATRIX

FIG & INDEX	PART NO.	DESCRIPTION	QTY PER ASSY	USED ON CODE	REF FIG	NFR
19-	76008629-2	GATE MATRIX,ELECTRONIC	REF		12	
-1	75004251-2	.PWA,TF SERVO AMP (A3)	1		29	
-2	75004249-4	.PWA,TF SERVO CLK (A4)	1		30	
-3	75008580-2	.PWA,MDLI DRIVER (A5)	1		31	
-4	9700102-00	.PWA,R/W PLO (A6) (PROPRIETARY ITEM)	1			
-5	75004260-3	.PWA,DATA SEP (A7) (PROPRIETARY ITEM)	1			
-6	9700112-00	.PWA,IND DET/SEC CLK (A8)	1		32	
-6A	88008664-1	.MONITOR ASSY,UNSAFE STATUS (A9) (OPT-TEST)	1			
-7	75004217-4	.PWA,CURVE GEN (A12) (PROPRIETARY ITEM)	1			
-8	9700092-00	.PWA,SERVO SELECT (A13) (PROPRIETARY ITEM)	1			
-9	75004252-3	.PWA,TACH (A15) (PROPRIETARY ITEM)	1			
-10	75004218-6	.PWA,SUM AND PULSER (A17)	1		33	
-11	75004233-43	.PWA,READ AMP (B1) (PROPRIETARY ITEM)	1			
-12	75004232-3	.PWA,R/W DRVR/RCVR (B2) (PROPRIETARY ITEM)	1			
-13	9700232-01	.PWA,WRITE (B3)	1		34	
-14	75004231-3	.PWA,R/W SAFETY (B4)	1		35	
-15	75008579-1	.PWA,MDLI RECEIVER (B5)	1		36	
-16	75007160-2	.PWA,R/W CONTROL (B6)	1		37	
-17	75008577-1	.PWA,MDLI DECODE (B7)	1		38	
-18	75008581-2	.PWA,MDLI FILE STATUS (B8)	1		39	
-19	75008578-4	.PWA,MAINT STATUS (B9)	1		40	
-20	75004236-4	.PWA,DIFF CTR (B11)	1		41	
-21	75008605-3	.PWA,SPEED SENSE (B12)	1		42	
-22	75004242-7	.PWA,ACCESS CONTROL (B13)	1		43	
-23	9700312-01	.PWA,POWER CONTROL (B14)	1		44	
-24	75004246-7	.PWA,FILE SAFETY (B16)	1		45	
-25	76008628-X	.GATE ASSY,ELECTRONIC	1		20	

21.05.011476



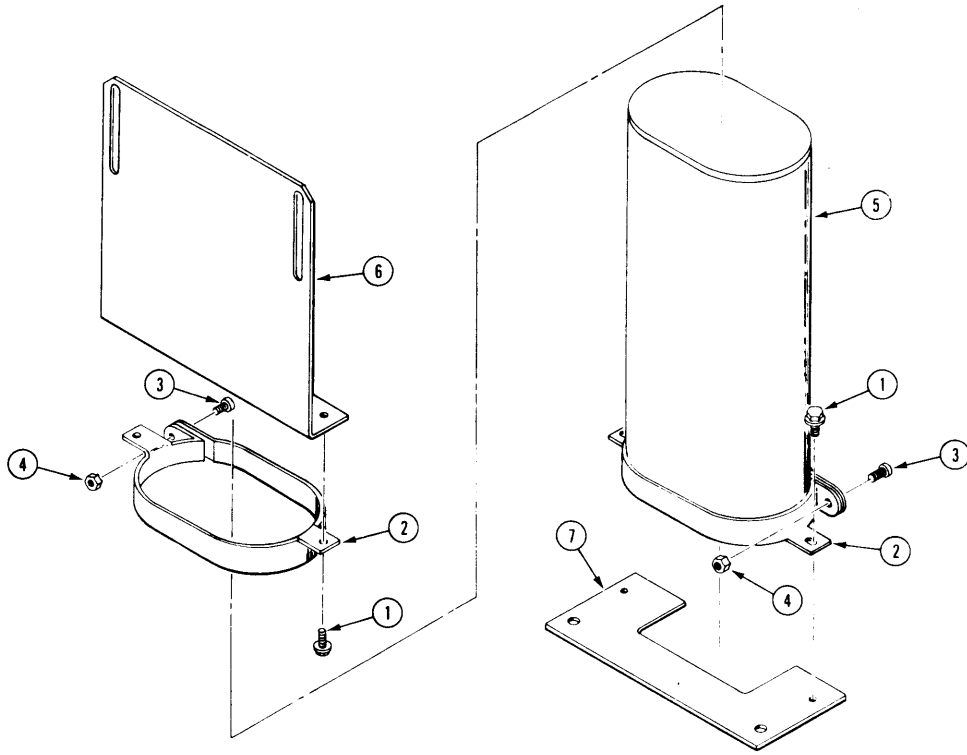
PC008628
REV E

FIGURE 20 ELECTRONIC GATE ASSEMBLY

FIG & INDEX	PART NO.	DESCRIPTION	QTY PER ASSY	USED ON CODE	REF FIG	NFR
20-	76008628-2	GATE ASSY,ELECTRONIC	REF		19	
-1	87006302-1	.COVER,WIREWRAP	1			
-2	50000754-4	.SCREW,BIND.HD 6-32X.312 (AP)	4			
-3	45003612-1	.MOUNT,CABLE TIE	6			
-4	50000754-3	.SCREW,BIND.HD 6-32X.312	2			
-5	51000786-5	.WASHER,PLAIN	2			
-6	50000754-5	.SCREW,BIND.HD 6-32X312	4			
-7	57000997-4	.MOUNT,CABLE TIE	4			
-8	87020803-1	.STRAP,CABLE	3			
-9	50000766-10	.SCREW,FLAT HD 6-32X.	1			
-10	51000788-2	.WASHER,LOCK	2			
-11	52000783-6	.NUT,HEX	2			
-12	50000767-6	.SCREW,FLAT HD 8-32X.375	1			
-13	87009483-1	.CLAMP,CABLE	1			
-14	50000754-3	.SCREW,BIND.HD 6-32X.187	3			
-15	50001266-4	.SCREW,FLAT HD 8-32X.312	4			
-16	57000997-4	.MOUNT,CABLE	4			
-17	87009455-1	.PLENUM,GATE	1			
-18	87006298-1	.BAR SUPPORT HARNESS	1			
-19	87001026-38	.STANDOFF	4			
-19A	50000754-5	.SCREW,BIND.HD 6-32X.312	7			
-20	51000787-3	.WASHER,LOCK	11			
	76008627-2	.BACKPLANE ASSY,GATE	1			
-21	50000755-7	..SCREW,BIND.HD 8-32X.438	2			
-22	54006736-1	..WASHER,SHOULDER	2			
-23	45006300-1	..LATCH,GATE	1			
-24	87006301-1	..INSULATOR,LATCH	2			
-25	54006737-1	..WASHER,FIBRE	2			
-26	87006671-1	..BRACKET,STOP	1			
-27	52000783-8	..NUT,HEX (AP)	2			
-28	57000997-1	..MOUNT,CABLE TIE	3			
-29	50000753-3	..SCREW,BIND.HD 4-40X.188 (AP)	3			
-30	45003361-8	..GROMMET,NYLON	5			
-31	50000754-5	..SCREW,BIND.HD 6-32X.250	2			
-32	51000787-3	..WASHER,LOCK	4			
-33	52000783-6	..NUT,HEXAGON	2			
-34	40000566-5	..FILTER,FEED THRU	8			
-35	51000787-8	..WASHER,LOCK (AP)	8			
-36	57000997-7	..MOUNT,CABLE TIE	2			
-37	50000754-3	..SCREW,BIND.HD 6-32X.188 (AP)	2			
-38	50000754-5	..SCREW,BIND.HD 6-32X.312	1			
-39	54000799-5	..WASHER,FLAT	1			
-40	51000788-2	..WASHER,LOCK	1			
-41	87006839-1	..HINGE,GATE BOTTOM	1			
-42	87006839-2	..HINGE,GATE TOP	1			
-43	50000499-5	..SCREW,SHOULDER (AP)	2			
-44	51000786-12	..WASHER,PLAIN (AP)	2			
		6.18.011476				

FIG & INDEX	PART NO.	DESCRIPTION	QTY PER ASSY	USED ON CODE	REF FIG	NFR
20-45	54006735-1	..WASHER, SHOULDER NYLON	4			
-46		DELETED				
-47		DELETED				
-48		DELETED				
-49		DELETED				
-50		DELETED				
-51	9020954-03	..BACKPLANE, GATE	1			
	45004895	...POLARIZING KEY	AR			
	57004896	...CONTACT	AR			
-52	87006298-2	.BAR, HARNESS SUPPORT	1			
-53	50000754-3	.SCREW, BIND. HD 6-32X.188 (AP)	4			
-54	45007965-1	.CLAMP, CABLE	1			
-55	50001266-3	.SCREW, RND HD 8-32X.188 (AP)	1			
-56	50000755-7	.SCREW, BIND. HD 8-32X.438	2			
-57	54006736-1	.WASHER, SHOULDER	2			
-58	45006300-1	.LATCH, GATE	1			
-59	87006301-1	.INSULATOR, LATCH	2			
-60	54006737-1	.WASHER, FIBRE	2			
-61	87006932-1	.PLATE, RETAINER, LATCH	1			
-62	52000783-8	.NUT, HEX	2			
-63	87006929-1	.BRACKET, LATCH	1			
-64	50000755-4	.SCREW, BIND. HD 8-32X.250 (AP)	3			
-65	51000788-3	.WASHER, LOCK (AP)	3			
-66	87006303-1	.SCREW, SHOULDER	3			
-67	45000813-1	.WASHER, CRESCENT SPRING	3			
-68	51006734-6	.WASHER, PLAIN	3			
-69	87006276-1	.SLIDE, CARD RETAINER	1			
-70	50000754-3	.SCREW, BIND. HD 6-32X.188	8			
-71	87006855-1	.BAR, RETAINER	1			
-72	71008753-1	.LABEL, A CARD CAGE	1			
-73	71008753-2	.LABEL, B CARD CAGE	1			
	88007640-1	.CAGE ASSY, CARD	2			
-74	45000583-1	..GUIDE, CARD	34			
-75	87006854-1	..CAGE, CARD	1			

6.19.011376



PC006812
REV. B

FIGURE 21 RESONANT CAPACITOR ASSEMBLY (60 HZ)

FIG & INDEX	PART NO.	DESCRIPTION	QTY PER ASSY	USED ON CODE	REF FIG	NFR
21-	76006812-3	CAPACITOR ASSY, RESONANT	REF	A	13	
-1	50004762-4	.SCREW, SLF-TPG 8-32X.250	4	A		
-2	45001002-3	.BRACKET, CAPACITOR	2	A		
-3		..SCREW (FURNISHED WITH BRACKET)	2	A		
-4		..NUT (FURNISHED WITH BRACKET)	2	A		
-5	40800014-16	.CAPACITOR	1	A		
-6	76009409-1	.BRACKET, CLAMP	1	A	21B	
-7	87006811-1	.PLATE, SUPPORT	1	A		
		A - USED ON 60 HZ DRIVES				
1.14.011276						

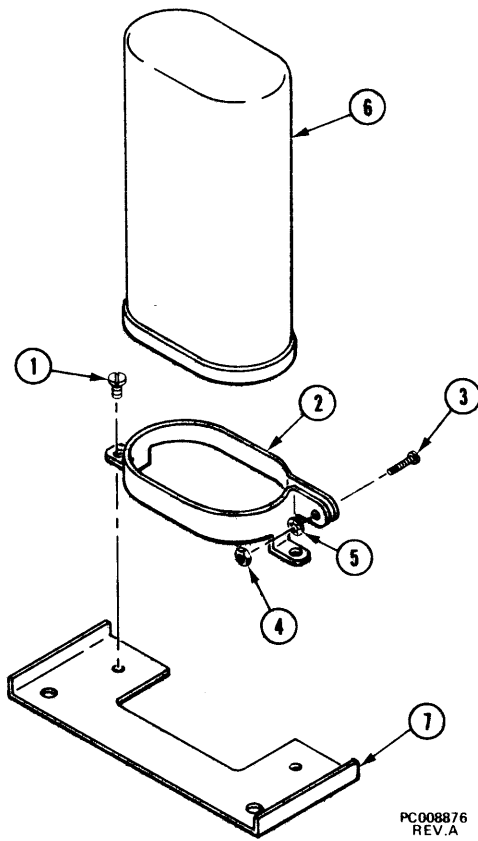
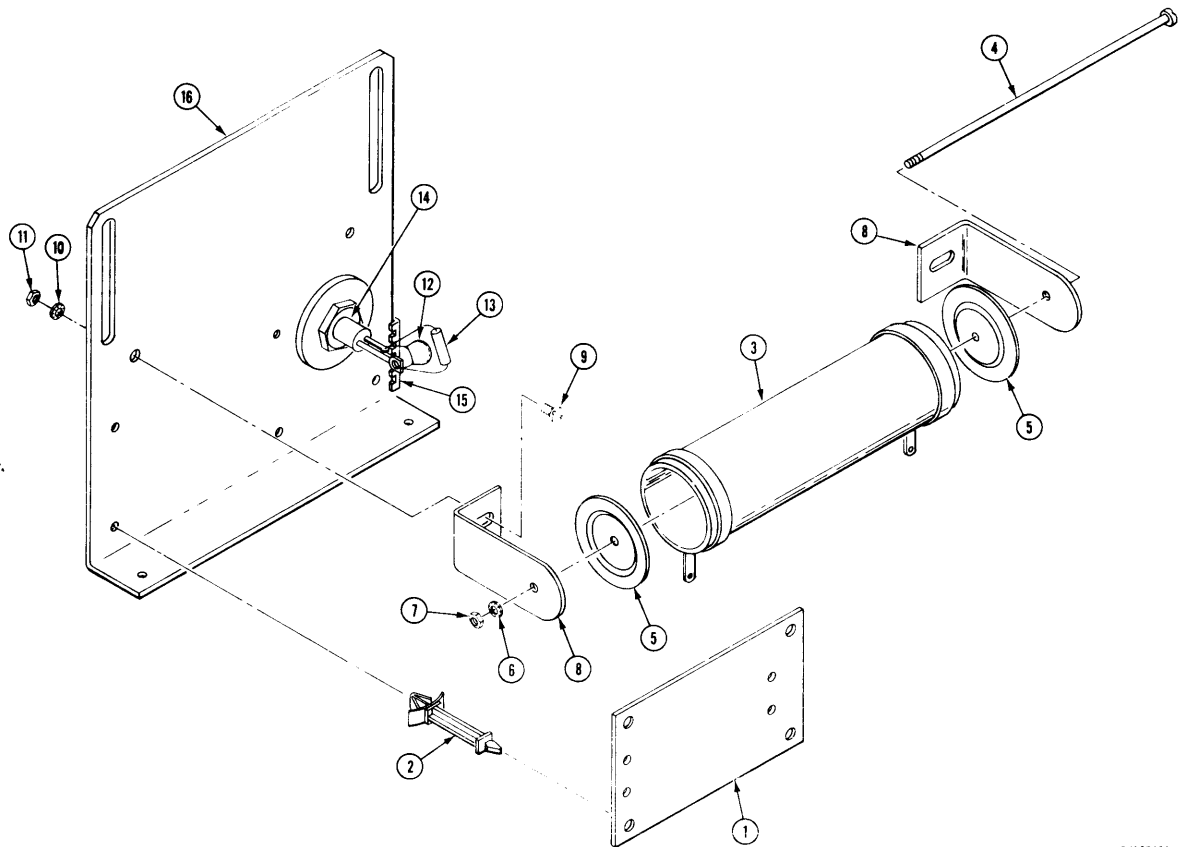


FIGURE 21A RESONANT CAPACITOR ASSEMBLY (50 HZ)

FIG & INDEX	PART NO.	DESCRIPTION	QTY PER ASSY	USED ON CODE	REF FIG	NFR
21A-	76008876-1	CAPACITOR ASSY, RESONANT	REF	A	13	
-1	50004762-4	.SCREW, SLF-TPG 8-32X.250	2	A		
-2	45001002-2	.BRACKET, CAPACITOR MTG	1	A		
-3		..SCREW (FURNISHED WITH 45001002-2)	1	A		
-4		..NUT (FURNISHED WITH 45001002-2)	1	A		
-5	51000787-3	.WASHER, LOCK	1	A		
-6	40800016-8	.CAPACITOR	1	A		
-7	87008893-1	.BRACKET, CAPACITOR MTG	1	A		
		A = USED ON 50 HZ DRIVES				
2.13.011376						



PL009409
REV A

FIGURE 21B CIRCUIT OVERLOAD PROTECTION BRACKET ASSEMBLY

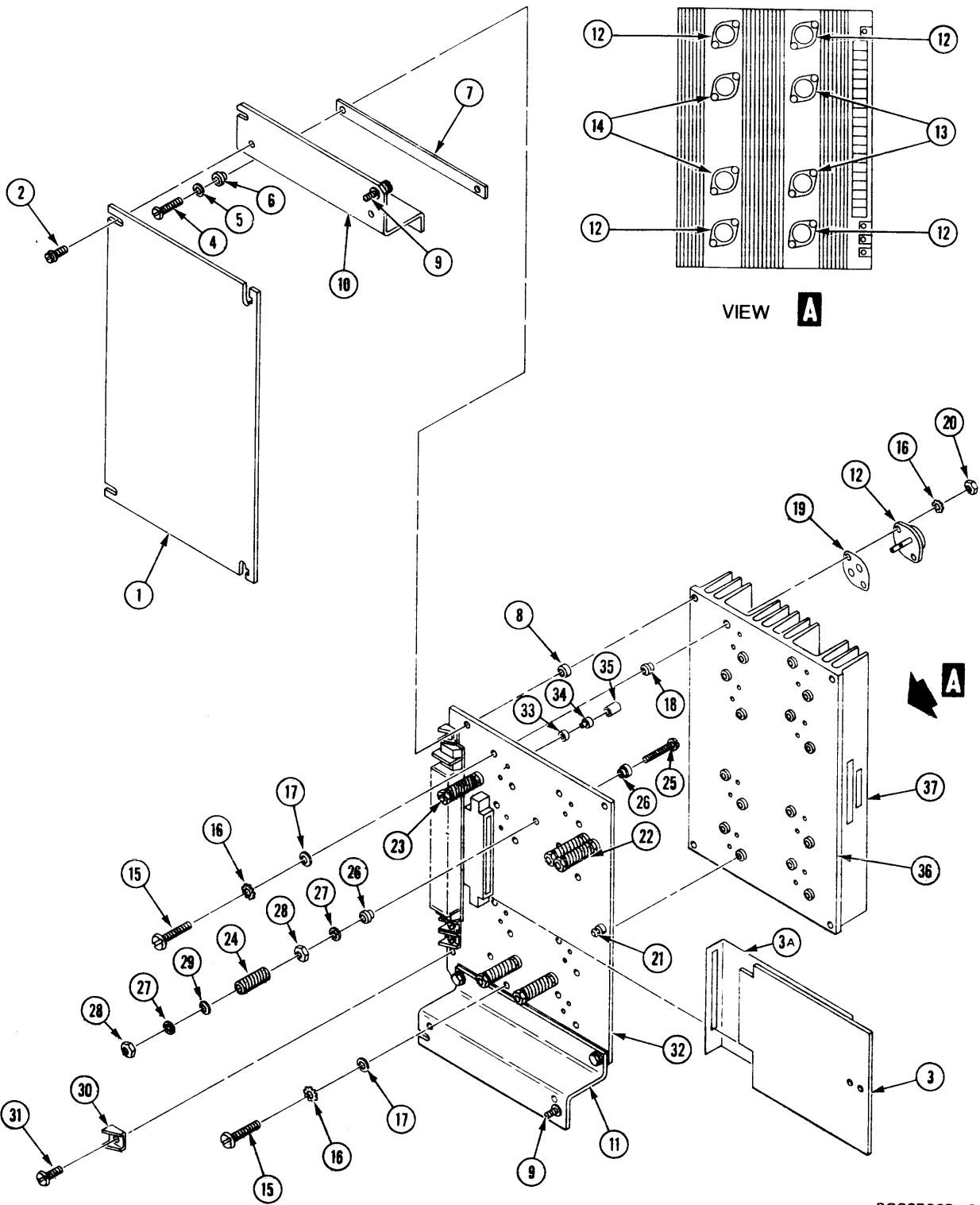
FIG & INDEX	PART NO.	DESCRIPTION	QTY PER ASSY	USED ON CODE	REF FIG	NFR
21B-	76009409-1	BRACKET ASSY,CIRCUIT OVERLOAD PROTECTION	REF		13, 21	
-1	75009408-1	.PWA,OVERLOAD PROTECTION CIRCUIT (A1)	1			
-2	48004803-1	.SUPPORT,CIRCUIT BOARD LOCKING	4			
-3	20800204-3	.RES,WW 0.5 OHM 80W +10% (R1)				
-4	50001032-3	.SCREW,RESISTOR MOUNTING (AP)	1			
-5	51001049-4	.WASHER,RESISTOR CENTERING (AP)	2			
-6	51000788-3	.WASHER,LOCK (AP)	1			
-7	52000783-8	.NUT,HEX (AP)	1			
-8	45003907-2	.BRACKET,RESISTOR	2			
-9	50000756-5	.SCREW,BIND.HD 10-32X.312 (AP)	2			
-10	51000788-4	.WASHER,LOCK (AP)	2			
-11	52000783-10	.NUT,HEX	2			
-12	40003615-33	.CAP.,0.47UF 50V +10% (C1)	1			
-13	4913459-41	.RES,FILM 510 OHM 1/4W +2% (R2)	1			
-14	3006365-1	.DIODE,(SCR1)(MOUNTING KIT P/N 45003671-1 FURNISHED, USE -2 MICA WASHERS, -3 PLAIN WASHER, -4 BUSHING, -6 LOCKWASHER AND -7 NUT)	1			
-15	45003378-1	.GROMMET,CATERPILLAR	1			
-16	87009410-1	.BRACKET,CLAMP MOUNTING	1			
	83009413-1	.HARNES,OVERLOAD PROTECTION	1			

2.12.011276

TP031

UP002511-1

2-51

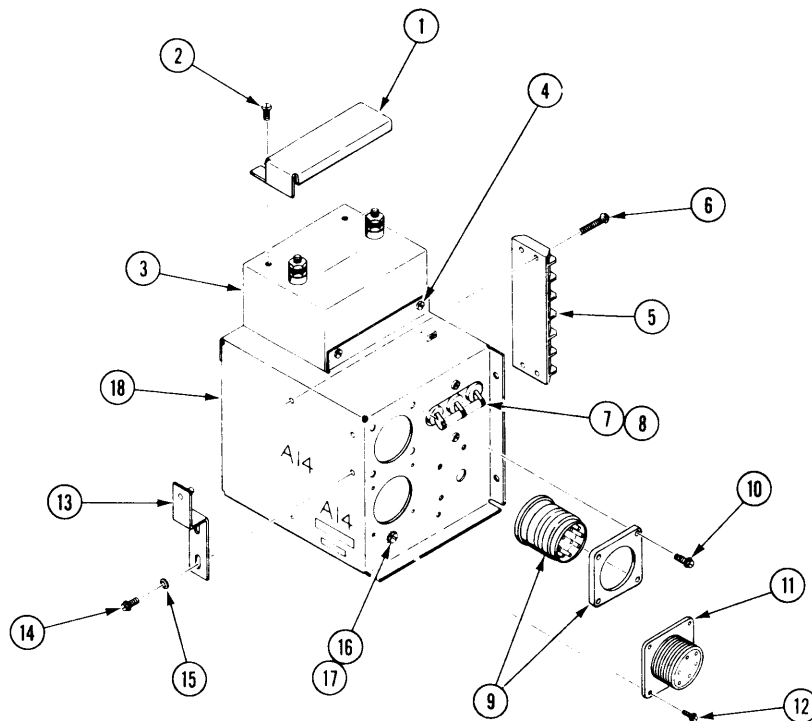


PC007668-3
REV D

FIGURE 22 POWER DRIVER ASSEMBLY

FIG & INDEX	PART NO.	DESCRIPTION	QTY PER ASSY	USED ON CODE	REF FIG	NFR
22-	76007668-3	POWER DRIVER ASSY	REF		13	
-1	87006922-1	.COVER, PWR DRIVER	1			
-2	50004761-4	.SCREW,SLF-TPG 6-32X.250 (AP)	4			
-3	75007617-4	.PWA,SERVO ERROR DET	1		46	
-3A	9020957-00	.INSULATOR	1			
	88006861-2	.BRACKET ASSY,POWER DRIVER	1			
	88006861-1	.BRACKET ASSY,POWER DRIVER	1			
-4	50000755-10	.SCREW,BIND.HD 8-32X.625 (AP)	4			
-5	51000786-6	.WASHER,PLAIN (AP)	4			
-6	51001045-3	.WASHER,INSULATING (AP)	4			
-7	87006548-1	.STRIP,INSULATOR (AP)	2			
-8	54001447-4	.WASHER,FIBRE (AP)	4			
-9	50006862-1	..SCREW,CAPTIVE	1			
-10	87006860-2	..BRACKET,PWR DRIVER	1			
-11	87006860-1	..BRACKET,PWR DRIVER	1			
-12	9008533-01	.TRANSISTOR (Q5)	4			
-13	9004756-01	.TRANSISTOR (Q6)	2			
-14	9008585-01	.TRANSISTOR (Q4)	2			
-15	50000754-12	.SCREW,BIND.HD 6-32X.750 (AP)	16			
-16	51000788-2	.WASHER,LOCK (AP)	32			
-17	54001447-3	.WASHER,FIBRE (AP)	2			
-18	54006850-1	.SPACER,INSULATING (AP)	16			
-19	51003435-1	.INSULATOR (AP)	8			
-20	52000783-6	.NUT,HEX (AP)	16			
-21	45007625-1	.SPACER,BUSHING	1			
-22	20000478-73	.RES,WW 1K 5-1/4 +5% (R17)	1			
-23	20000478-57	.RES,WW 220 OHM 5-1/4W +5% (R18)	1			
-24	20000478-68	.RES,WW 620 OHM 5-1/4W +5% (R19)	4			
-25	50000753-20	.SCREW,BIND.HD 4-40X1.250 (AP)	6			
-26	51001045-1	.WASHER,LOCK (AP)	12			
-27	51000787-2	.WASHER,LOCK (AP)	12			
-28	52000783-4	.NUT,HEX (AP)	12			
-29	51000786-2	.WASHER,PLAIN (AP)	6			
-30	57004892-2	.TERMINAL	4			
-31	50000754-6	.SCREW,BIND.HD 6-32X.375 (AP)	4			
-32	75007616-3	.PWA,PULSER/DRIVER	1		47	
-33	87006958-1	.SPACER,BRASS	16			
-34	57004893-1	.RECEPTACLE,INTERNAL CONTACT	16			
-35	87006957-1	.SLEEVE,TEFLON	16			
-36	87006852-1	.INSULATOR,PWR DRIVER	1			
-37	87006553-2	.HEATSINK,POWER DRIVER	1			

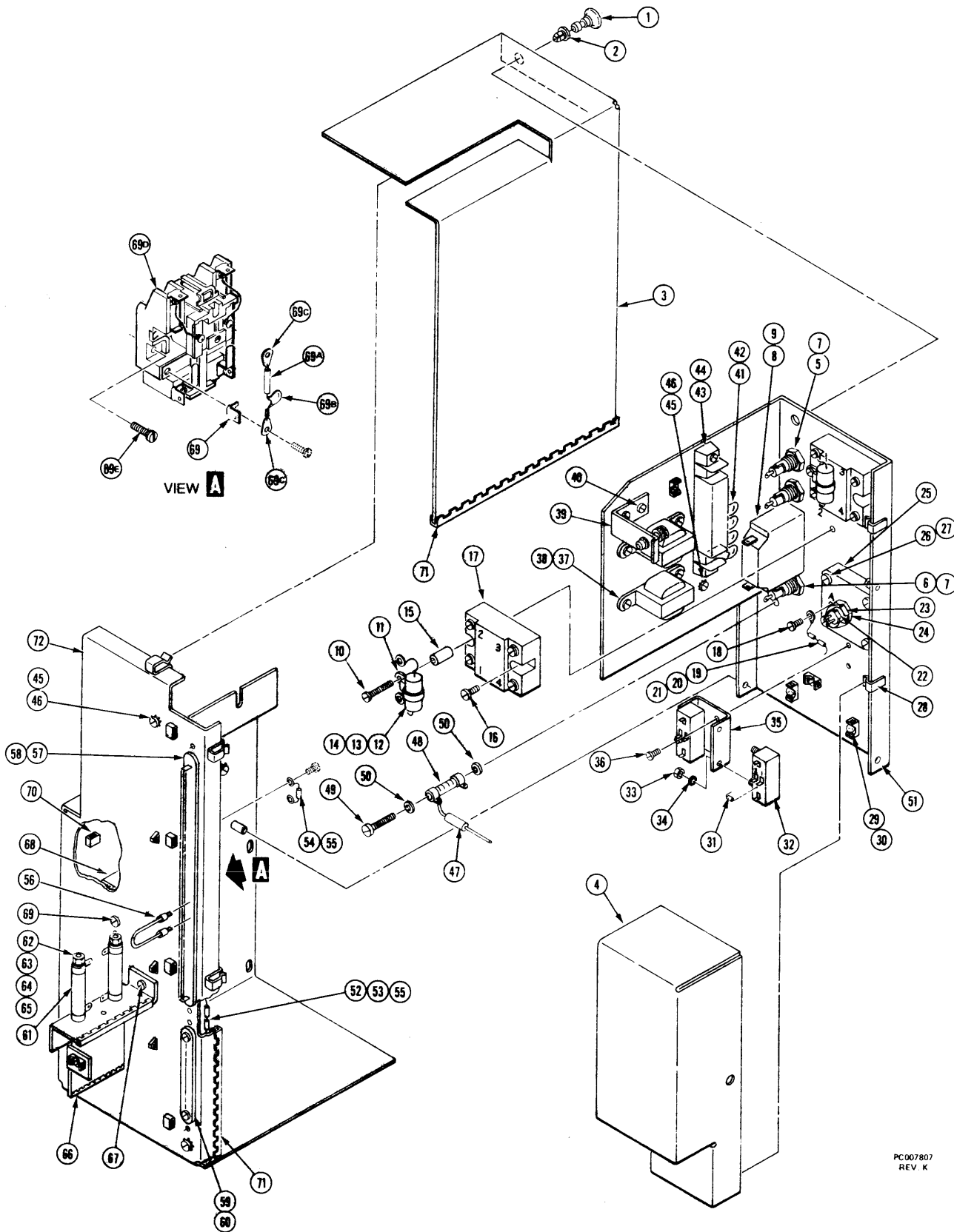
9.07.011476



PC007914
REV.B

FIGURE 23 LINE FILTER ASSEMBLY

FIG & INDEX	PART NO.	DESCRIPTION	QTY PER ASSY	USED ON CODE	REF FIG	NFR
23-	76007914-3	LINE FILTER ASSY,DRIVE SEQUENCER	REF		14	
-1	87007916-1	.COVER, FILTER	1			
-2	50000755-4	.SCREW, BIND. HD 8-32X.250 (AP)	2			
-3	32007923-1	.FILTER, LINE (FL1)	1			
-4	50000755-4	.SCREW, BIND. HD 8-32X.250 (AP)	4			
-5	73000523-5	.BLOCK, TERMINAL (TB3)	1			
-6	50004762-8	.SCREW, SLF-TPG 8-32X.500 (AP)	2			
-7	9800410-00	.CIRCUIT BREAKER, 25AMP (CB1)	1			
-8	50000754-4	.SCREW, BIND. HD 6-32X.250 (AP)	2			
-9	84007888-1	.CONNECTOR ASSY, AC IN (J2)	1			
-10	50004761-6	.SCREW, SLF-TPG 6-32X.375 (AP)	4			
-11	84007889-1	.CONNECTOR ASSY AC OUT (J3)	1			
-12	50004760-5	.SCREW, SLF-TPG 4-40X.312 (AP)	4			
-13	87007811-1	.BRACKET, PIVOT	1			
-14	50004761-6	.SCREW, SLF-TPG 6-32X.375 (AP)	2			
-15	51000786-4	.WASHER, PLAIN (AP)	2			
-16	53001792-4	.SCREW, SLF-TPG 6-32X.250	1			
-17	51000788-2	.WASHER, LOCK	1			
-18	87007915-2	.CLOSURE, LINE FILTER	1			
9.06.011476						



PC007807
REV. K

FIGURE 24 DRIVE SEQUENCER ASSEMBLY

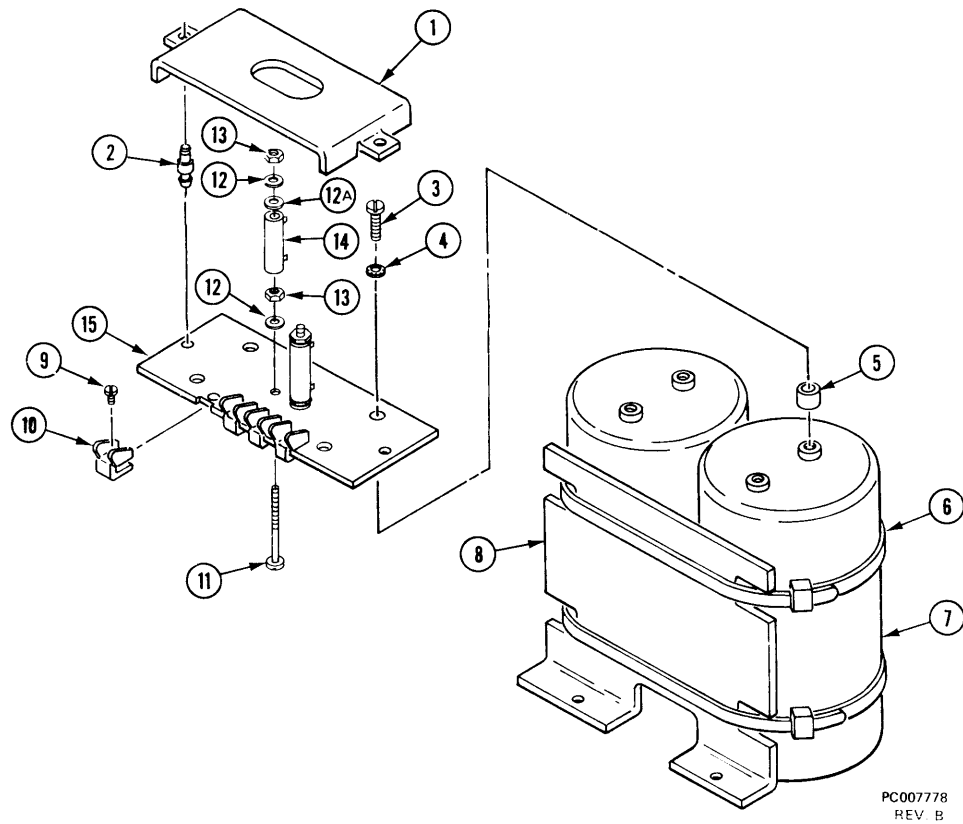
FIG & INDEX	PART NO.	DESCRIPTION	QTY PER ASSY	USED ON CODE	REF FIG	NFR
24-	76007807-1	SEQUENCER ASSY,DRIVE	REF	A	14	
	76007807-4	SEQUENCER ASSY,DRIVE	REF	B	14	
	71001274-1	.LABEL,HAZARDOUS AREA	1			
-1	45000829-1	.PLUNGER,SNAP	2			
-2	45000830-2	.RECEPTACLE,PLUNGER	2			
-3	9008997-00	.COVER,SEQUENCER	1			
-4	87007856-2	.COVER,PROTECTIVE	1			
-5	59000521-5	.FUSE,1AMP (F2,F3)	2			
-6	59006785-3	.FUSE,15AMP (F1)	1			
-7	59000573-1	.FUSEHOLDER	3			
-8	59000565-3	.CIRCUIT BREAKER (CB2)	1			
-9	50000754-6	.SCREW,BIND.HD 6-32X.375 (AP)	2			
-10	50000755-20	.SCREW,BIND.HD 8-32X1.250	2			
-11	57001265-1	.CLAMP,CABLE TIE	2			
-12	4911676-32	.RES,CARBON 100 OHM 1W <u>+5%</u> (R2,R3)	2			
-13	57000967-3	.TERMINAL	4			
-14	39800218-4	.CAP.,0.1UF 250V <u>+20%</u> (C2,C3)	2	A		
	39007695-1	.CAP.,0.1UF 1000V <u>+20 -0%</u> (C2,C3)	2	B		
-15	45001037-14	.SPACER,ROUND	2			
-16	50000755-4	.SCREW,BIND.HD 8-32X.250	2			
-17	64007845-1	.RELAY,SOLID STATE 600V (SSRA,SSRB)	2	A		
	64007749-1	.RELAY,SOLID STATE 900V (SSRA,SSRB)	2	B		
	64007845-1	.RELAY,SOLID STATE 600V (SSRA,SSRB) (FOR 50 HZ DELTA)	2	B		
-18	53001792-4	.SCREW,PAN HD 6-32X.250	1			
-19	3162267-31	.RES,FILM 51 OHM 1/2W <u>+5%</u> (R4)	1			
-20	2899056-01	.DIODE (CR4)	1			
-21	57000967-2	.TERMINAL	1			
-22	3162267-31	.RES,FILM 51 OHM 1/2W <u>+2%</u> (R5)	1			
-23	35000031-25	.CAP.,0.1UF 100V <u>+10%</u> (C9)	1			
-24	3006365-01	.DIODE,SCR	1			
-25	87006075-2	.HEATSINK,SCR	1			
-26	53004638-6	.SCREW,NYLON 8-32X.750 (AP)	4			
-27	54001447-4	.WASHER,FIBRE (AP)	4			
-28	45007231-1	.CLIP,SPEED	5			
-29	57000997-3	.CLAMP,CABLE TIE	5			
-30	53001792-3	.SCREW,PAN HD 6-32X.188 (AP)	5			
-31	9800238-00	.DIODE (CR2,CR3)	2			
-32	64000520-1	.RELAY,REED (K2,K3)	2			
-33	52000783-4	.NUT,HEX (AP)	4			
-34	51000788-1	.WASHER,LOCK (AP)	4			
-35	87006070-1	.BRACKET,REED RELAY	1			
-36	50004760-3	.SCREW,SLF-TPG 4-40X.188 (AP)	2			
-37	76007911-1	.TRANSFORMER (T1,T2)	2	A		
	76007997-1	.TRANSFORMER (T1,T2)	2	B		
-38	53001792-4	.SCREW,PAN HD 6-32X.250 (AP)	4			

2.14.011476

FIG & INDEX	PART NO.	DESCRIPTION	QTY PER ASSY	USED ON CODE	REF FIG	NFR
24-39	87008647-1	.BRACKET,FASTENER	1			
-40	53001792-4	.SCREW,PAN HD 6-32X.250 (AP)	2			
-41	37000473-55	.CAP.,910PF 100V (C5-C8)	4			
-42	57000967-2	.TERMINAL	8			
-43	73004777-7	.TERMINAL BOARD (TB4)	1			
-44	53001792-4	.SCREW,PAN HD 6-32X.250 (AP)	2			
-45	53001792-4	.SCREW,PAN HD 6-32X.250	5			
-46	51000788-2	.WASHER,LOCK	5			
-47	3010887-70	.RES,COMP 8.2K 2W +2% (R12)	1			
-48	20000479-50	.RES,WW 2K 12W +5% (R11)	1			
-49	50000755-32	.SCREW,BIND.HD 8-32X2.00 (AP)	1			
-50	54001447-3	.WASHER,FIBRE (AP)	2			
-51	87007810-2	.BRACKET,COMPONENT	1			
-52	3162267-31	.RES,FILM 51 OHM 1/2W +2% (R1)	1			
-53	39800218-1	.CAP.,0.01UF 250V +20% (C4)	1			
-54	9800238-00	.DIODE (CR1)	1			
-55	57000967-2	.TERMINAL	4			
-56	84001467-54	.JUMPER ASSY	1			
-57	73004687-23	.TERMINAL BOARD (TB1)	1			
-58	53001792-6	.SCREW,PAN HD 6-32X.375 (AP)	2			
-59	73002137-8	.TERMINAL BOARD (TB2)	1			
-60	50004761-8	.SCREW,SLF-TPG 6-32X.500 (AP)	2			
	76007863-1	.RESISTOR ASSY,50 HZ	1	B		
-61	20000483-11	..RES,WW 4 OHM 100W +5% (R9,R10)	2	B		
-62	52000783-10	..NUT,HEX (AP)	4	B		
-63	51000788-4	..WASHER,LOCK (AP)	2	B		
-64	51001049-3	..WASHER,FIBRE (AP)	4	B		
-65	87006422-1	..ROD,THREADED (AP)	2	B		
-66	87007812-1	.BRACKET,RESISTOR	1			
-67	50004762-4	.SCREW,SLF-TPG 8-32X.250 (AP)	3			
-68	64004690-1	.RELAY (K1)	1	A		
-69	50000754-6	.SCREW,BIND.HD 6-32X.375 (AP)	1	A		
	76008942-2	.RESISTOR-CAPACITOR ASSY	2	B		
-69A	3162267-38	..RES,CARBON 100 OHM 1/2W +5%	1	B		
-69B	40004897-2	..CAP.,0.002UF 1.5KF +20%	1	B		
-69C	57000967-3	..TERMINAL	2	B		
-69D	64800157-2	.RELAY (K1)	1	B		
-69E	50004762-10	.SCREW,SLF-TPG 8-32X.625 (AP)	2	B		
-69F	9800320-00	.TERMINAL	6	B		
-70	45003612-1	.MOUNT,CABLE TIE	13			
	83007910-1	.HARNESS ASSY,AC INTERNAL	1	A		
	83020845-1	.HARNESS ASSY,AC INTERNAL	1	B		
	83007909-1	.HARNESS ASSY,DC INTERNAL	1	A		
	83020844-1	.HARNESS ASSY,DC INTERNAL	1	B		
-71	45003378-1	.GROMMET,CATERPILLAR (13 IN.)	2			
-72	87008646-2	.CHASSIS,SEQUENCER	1			

A = USED ON 60 HZ DRIVES
B = USED ON 50 HZ DRIVES

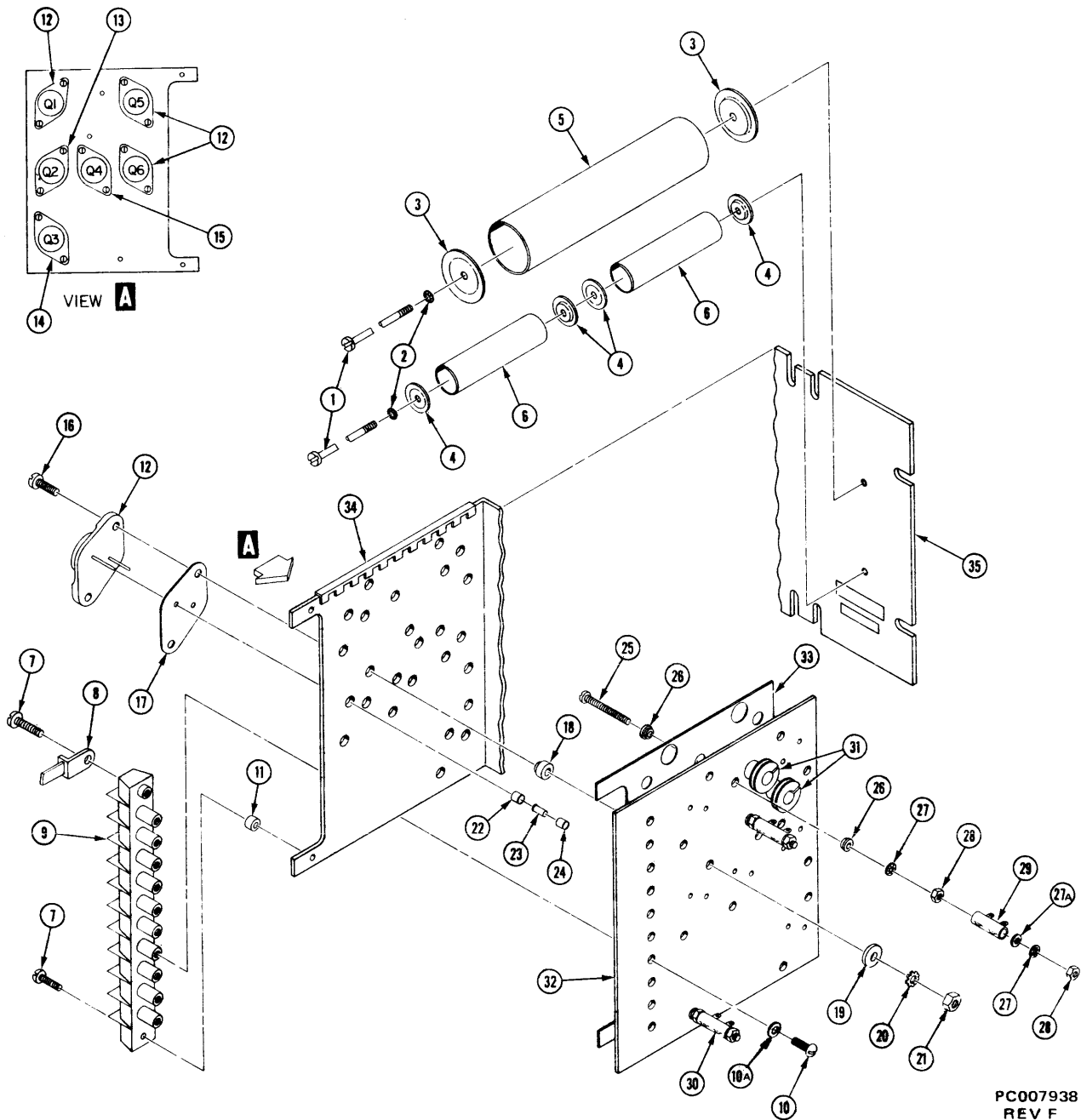
2.15.011376



PC007778
REV B

FIGURE 25 FSR BRACKET ASSEMBLY

FIG & INDEX	PART NO.	DESCRIPTION	QTY PER ASSY	USED ON CODE	REF FIG	NFR
25-	76007778-1	BRACKET ASSY, FAIL SAFE RESERVOIR (FSR)	REF		14	
-1	87007780-1	.COVER, RESISTOR	1			
-2	45007625-1	.SPACER	2			
-3	50000756-8	.SCREW, BIND. HD 10-32X.500	4			
-4	51000788-4	.WASHER, LOCK	4			
-5	45001037-15	.SPACER, ROUND	4			
-6	57000952-6	.CABLE TIE	4			
-7	34004781-1	.CAP., 33KUF 60V (C1, C2)	2			
-8	87007779-1	.BRACKET, CAPACITOR	1			
-9	50000754-6	.SCREW, BIND. HD 6-32X.375	4			
-10	57004892-2	.TERMINAL	4			
-11	50000753-16	.SCREW, BIND. HD 4-40X1	2			
-12	51000787-2	.WASHER, LOCK	4			
-12A	51000786-2	.WASHER, PLAIN	2			
-13	52000783-4	.NUT, HEX	4			
-14	20000478-68	.RES, WW 620 OHM 5-1/4W +5% (R1, R2)	2			
-15	74008604-3	.PWA, FSR	1			
1.17.011176						

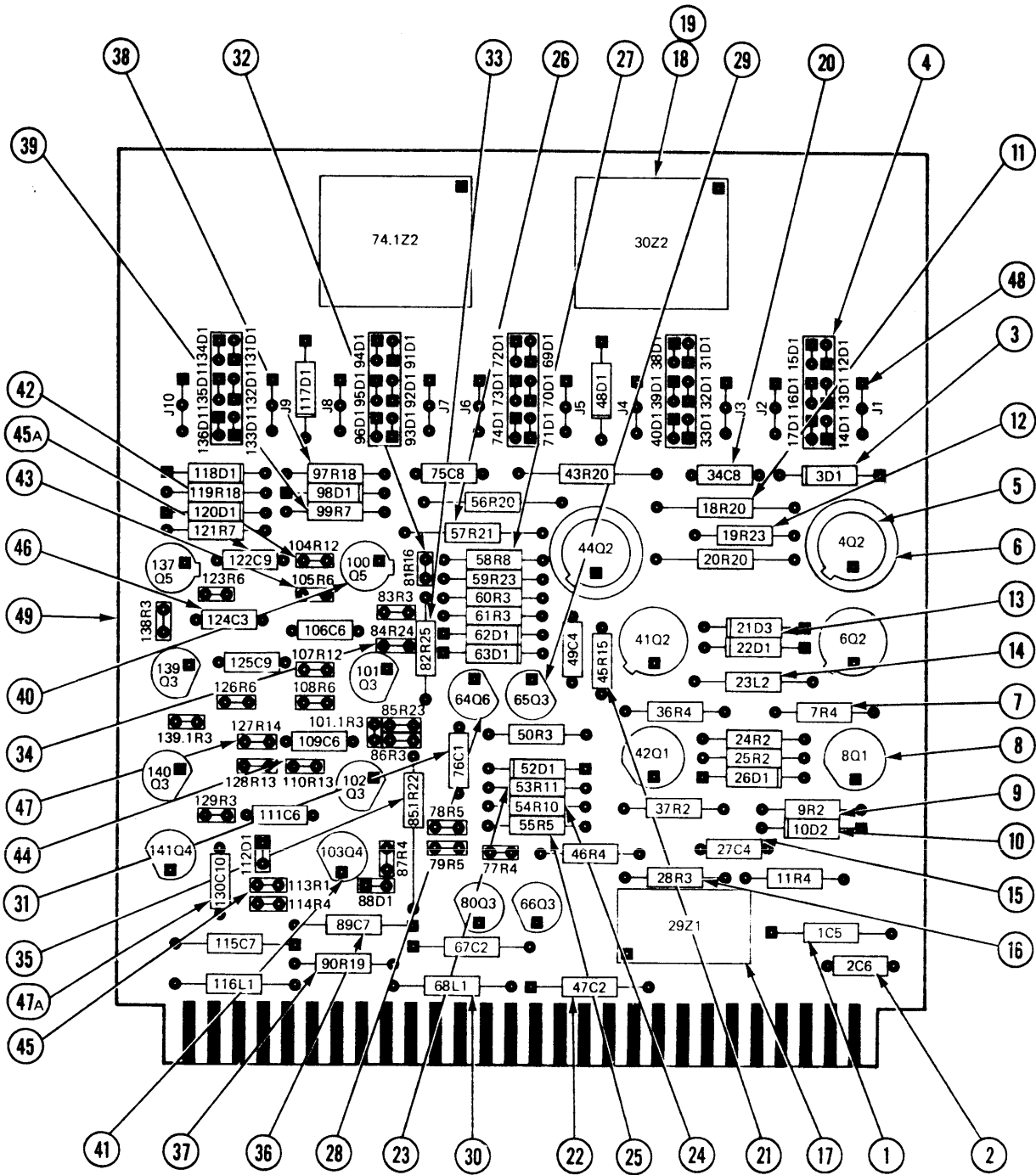


PC007938
REV F

FIGURE 26 EMA FILTER ASSEMBLY

FIG & INDEX	PART NO.	DESCRIPTION	QTY PER ASSY	USED ON CODE	REF FIG	NFR
26-	76007938-2	EMA FILTER ASSEMBLY	REF		14	
-1	50001032-1	.SCREW,RES MTG	2			
-2	51000787-4	.WASHER,LOCK	2			
-3	51001049-4	.WASHER,RES CENTERING	2			
-4	51001049-2	.WASHER,RES CENTERING	4			
	76008709-1	.RESISTOR ASSY	1			
-5	20001353-2	..RES,WW 0.8 OHM 80W +3% (R12)	1			
-6	20000480-29	..RES,WW 100 OHM 25W ±5% (R13,R14)	2			
-7	50000754-10	.SCREW,BIND.HD 6-32X.625	2			
-8	57001265-2	.CLAMP,CABLE	1			
-9	73002137-10	.TERMINAL BLOCK	1			
-10		..SCREW (FURNISHED WITH 73002137-10)	10			
-10A	51000789-6	.LKWSHR,CS	10			
-11	45001037-11	.SPACER,ROUND	2			
-12	9007846-01	.DIODE (Q1,Q5,Q6)	3			
-13	9004756-01	.TRANSISTOR (Q2)	1			
-14	9008533-01	.TRANSISTOR (Q3)	1			
-15	9800008-01	.TRANSISTOR (Q4)	1			
-16	50000754-10	.SCREW,BIND.HD 6-32X.625 (AP)	12			
-17	51003435-1	.WASHER,MICA (AP)	6			
-18	54006850-1	.SPACER,INSULATING (AP)	12			
-19	54001447-1	.WASHER,FIBRE (AP)	6			
-20	51000788-2	.WASHER,LOCK (AP)	12			
-21	52000783-6	.NUT,HEX (AP)	12			
-22	87006957-2	.SLEEVE,TEFLON	12			
-23	57004893-1	.RECEPTACLE,INTERNAL CONTACT	12			
-24	87006958-1	.SPACER,BRASS	12			
-25	50000753-20	.SCREW,BIND.HD 4-40X1.250	3			
-26	51001045-1	.WASHER,SHOULDER	6			
-27	51000787-2	.WASHER,LOCK	6			
-27A	51000786-2	.WASHER,PLAIN	3			
-28	52000783-4	.NUT,HEX	6			
-29	20000478-51	.RES,WW 120 OHM 51/4W +5% (R1,R2)	2			
-30	20000478-5	.RES,WW 1.5 OHM 51/4W ±5% (R3)	1			
-31	57004583-1	.HEATSINK	2			
-32	75007852-2	.PWA,EMA FILTER	1			
-33	87007939-2	.INSULATOR,PWA	1			
-34	45003378-2	.GROMMET,CATERPILLAR (4 IN.)	1			
-35	87007692-2	.BRACKET,EMA FILTER	1			

4.13.011376



PC004818-2
REV. E

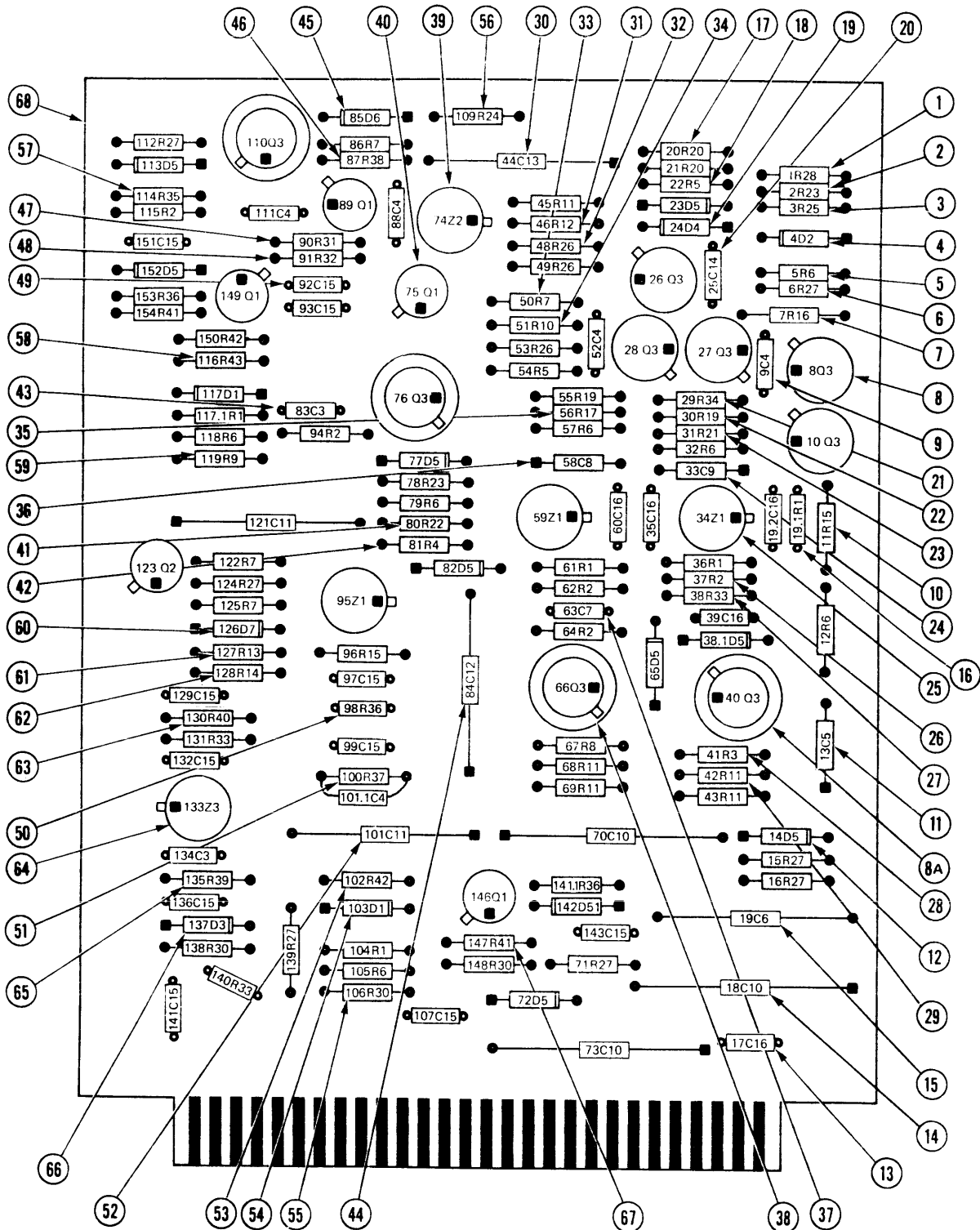
FIGURE 27 MATRIX PWA

FIG & INDEX	PART NO.	DESCRIPTION	QTY PER ASSY	USED ON CODE	REF FIG	NFR
27-	75004818-2	PWA, MATRIX	REF		2	
-1	38000041-5	.CAP., 10UF 10V +20% (1C5)	1			
-2	40800042-2	.CAP., 0.047UF 50V +80 -20% (2C6, 106C6, 109C6, 111C6)	4			
-3	10000440-1	.DIODE (3D1, 12D1-17D1, 22D1, 26D1, 31D1-33D1, 38D1-40D1, 48D1, 52D1, 62D1, 63D1, 69D1-74D1, 88D1, 91D1-96D1, 98D1, 112D1, 117D1, 118D1, 120D1, 131D1-136D1)	43			
-4	87007763-1	.CARRIER, DIODE (USED FOR 12D1-15D1, 31D1-33D1, 38D1-40D1, 69D1-74D1, 91D1-96D1, 131D1-136D1)	5			
-5	24000653-1	.TRANSISTOR (4Q2, 6Q2, 41Q2, 44Q2)	4			
-6	57003466-1	.HEATSINK (USED WITH 4Q2, 44Q2)	2			
-7	16000023-49	.RES, FILM 1K 1/4W +2% (7R4, 11R4, 36R4, 46R4, 77R4, 87R4, 114R4)	7			
-8	25000453-1	.TRANSISTOR (8Q1, 42Q1)	2			
-9	16000023-32	.RES, FILM 200 OHM 1/4W +2% (9R2, 24R2, 25R2, 37R2)	4			
-10	11000444-25	.DIODE (10D2)	1			
-11	16000024-34	.RES, FILM 240 OHM 1/2W +2% (18R20, 20R20, 43R20, 56R20)	4			
-12	16000023-34	.RES, FILM 240 OHM 1/4W +2% (19R23, 59R23, 85R23)	3			
-13	11000444-13	.DIODE (21D3)	1			
-14	32000474-9	.INDUCTOR (23L2)	1			
-15	40800042-4	.CAP., 0.22UF 50V +80 -20% (27C4, 49C4)	2			
-16	16000023-41	.RES, FILM 470 OHM 1/4W +2% (28R3, 50R3, 60R3, 61R3, 83R3, 86R3, 10T.1R3, 129R3, 138R3, 139.1R3)	10			
-17	30003422-1	.INT CKT (29Z1)	1			
-18	28004787-1	.INT CKT (30Z2, 74, 1Z2)	2			
-19	45003732-1	.PAD, MTG	8			
-20	37000037-42	.CAP., 300PF 500V +10% (34C8, 75C8)	2			
-21	16000023-25	.RES, FILM 100 OHM 1/4W +2% (45R15)	1			
-22	38000038-9	.CAP., 6.8UF 25V +20% (47C2, 67C2)	2			
-23	16000023-97	.RES, FILM 100K 1/4W +2% (53R11)	1			
-24	16000023-79	.RES, FILM 18K 1/4W +2% (54R10)	1			
-25	16000023-56	.RES, FILM 2K 1/4W +2% (55R5, 78R5, 79R5)	3			
-26	16000024-56	.RES, FILM 2K 1/2W +2% (57R21)	1			
-27	16000023-80	.RES, FILM 20K 1/4W +2% (58R8)	1			
-28	24003691-1	.TRANSISTOR (64Q6)	1			
-29	24000457-1	.TRANSISTOR (65Q3, 66Q3, 80Q3, 101Q3, 102Q3, 140Q3)	7			
-30	32000474-32	.INDUCTOR (68L1, 116L1)	2			
-31	37000037-32	.CAP., 120PF 500V +10% (76C1)	1			
-32	16000023-36	.RES, FILM 300 OHM 1/4W +2% (81R16)	1			
-33	16000023-57	.RES, FILM 2.2K 1/4W +2% (82R25)	1			

10.1.91674

FIG & INDEX	PART NO.	DESCRIPTION	QTY PER ASSY	USED ON CODE	REF FIG	NFR
27-34	16000023-42	.RES,FILM 510 OHM 1/4W +2% (84R24)	1			
-35	16000024-43	.RES,FILM 560 OHM 1/2W +2% (85.1R22)	1			
-36	38000040-11	.CAP.,0.68UF 75V +20% (89C7,115C7)	2			
-37	16000023-27	.RES,FILM 120 OHM 1/4W +2% (90R19)	1			
-38	16000023-75	.RES,FILM 12K 1/4W +2% (97R18,119R18)	2			
-39	16000023-58	.RES,FILM 2.4K 1/4W +2% (99R7,121R7)	2			
-40	24007000-1	.TRANSISTOR (100Q5,137Q5)	2			
-41	25000462-1	.TRANSISTOR (103Q4,141Q4)	2			
-42	16000023-29	.RES,FILM 150 OHM 1/4W +2% (104R4,107R4)	2			
-43	16000023-76	.RES,FILM 13K 1/4W +2% (105R6,108R6,123R6,126R6)	4			
-44	16000023-21	.RES,FILM 60 OHM 1/4W +2% (110R13,128R13)	2			
-45	16000023-12	.RES,FILM 30 OHM 1/4W +2% (113R1)	1			
-45A	40003615-16	.CAP.,0.022UF 50V +10% (122C9,125C9)	2			
-46	37000037-5	.CAP.,6PF 500V +1% (124C3)	1			
-47	16000023-70	.RES,FILM 7.5K 1/4W +2% (127R14)	1			
-47A	40003615-28	.CAP.,0.22UF 50V +10% (130C10)	1			
-48	57004798-1	.PIN,CONTACT (J1-J10)	30			
	48003732-1	.PAD,MTG (USED AT LOCATIONS 77-79,83-88,101.1,104,105,107,108,110,113,123,126-129,138,139.1)	26			
-49	74004818-4	.BOARD,PRINTED WIRE	1			

10.2.8774



PC007944
REV C

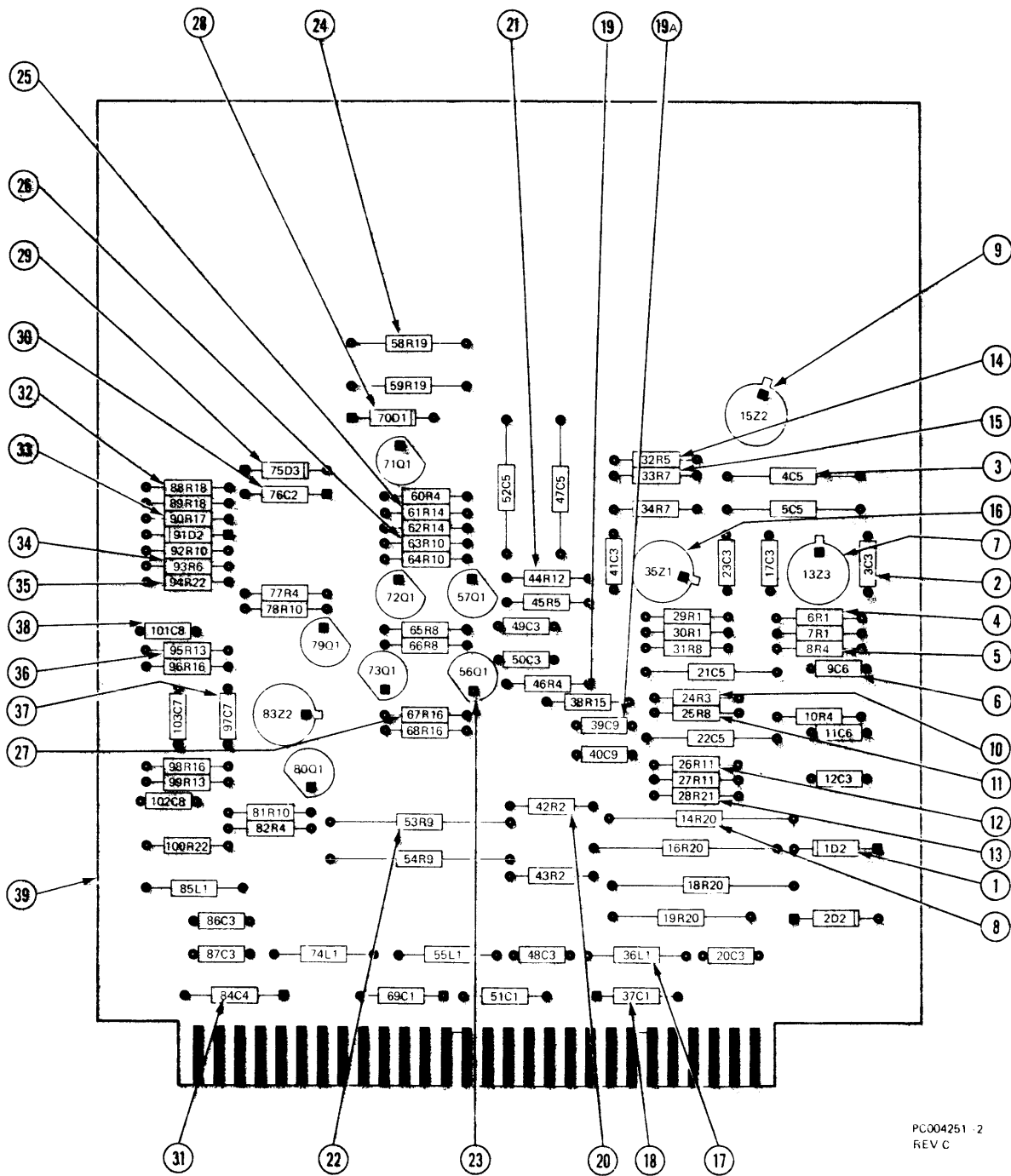
FIGURE 28 REGULATOR PWA

FIG & INDEX	PART NO.	DESCRIPTION	QTY PER ASSY	USED ON CODE	REF FIG	NFR
28-	75007944-3	PWA,REGULATOR	REF		18	
-1	4913459-32	.RES,MF 220 OHM 1/4W +2% (1R28)	1			
-2	9800433-82	.RES,FF 2.29K 1/8W +1/2% (2R23,78R23)	2			
-3	9800434-23	.RES,FF 5.69K 1/8W +1/2% (3R25)	1			
-4	9000443-24	.DIODE (4D2)	1			
-5	4913459-48	.RES,MF 1K 1/4W +2% (5R6,12R6,32R6,57R6,79R6,105R6,118R6)	7			
-6	4913459-00	.RES,MF 10 OHM 1/4W +2% (6R27,15R27,16R27,71R27,112R27,124R27,139R27)	7			
-7	9000024-53	.RES,MOF 1.5K 1/2W +2% (7R16)	1			
-8	2551265-00	.TRANSISTOR (8Q3,10Q3,21Q3,26Q3,28Q3,40Q3,66Q3,76Q3,110Q3)	9			
-8A	45006945-1	.PAD,TRANSISTOR (USED AT LOCATIONS 40,66,76 AND 110)	7			
-9	40003615-12	.CAP.,CER 0.01UF 50/100V (9C4,52C4,88C4,101.1C4,111C4)	5			
-10	4913459-44	.RES,MF 680 OHM 1/4W +2% (11R15,96R15)	2			
-11	38000040-11	.CAP.,0.068UF 75V +20% (13C5)	1			
-12	9800216-00	.DIODE (14D5,23D5,38.1D5,65D5,72D5,77D5,82D5,113D5,142D5,152D5)	10			
-13	40003615-24	.CAP.,CER 0.1UF 50/100V (17C16,19.2C16,35C16,39C16,60C16)	5			
-14	38003351-1	.CAP.,TANT 150UF 30V +10% (18C10,70C10,73C10)	3			
-15	35000470-27	.CAP.,MYLAR 0.15UF 100V +5% (19C6)	1			
-16	4913459-24	.RES,MF 100 OHM 1/4W +2% (19.1R1,36R1,61R1,104R1,117.1R1)	5			
-17	9800433-53	.RES,FF 1.01K 1/8W +1/2% (20R20,21R20)	2			
-18	4913459-42	.RES,MF 560 OHM 1/4W +2% (22R5,54R5)	2			
-19	9004278-01	.DIODE (24D4)	1			
-20	4003615-16	.CAP,CER 0.022UF 50/100V (25C14)	1			
-21	4913459-56	.RES,MF 2.2K 1/4W +2% (29R34)	1			
-22	9800433-52	.RES,FF 1K 1/8W +1/2% (30R19,55R19)	2			
-23	9800433-76	.RES,FF 1.87K 1/8W +1/2% (31R21)	1			
-24	38001738-3	.CAP.,4.7UF 15V +20% (33C9)	1			
-25	9003305-01	.INT CKT (34Z1,59Z1,95Z1)	3			
-26	4913459-28	.RES,MF 150 OHM 1/4W +2% (37R2,62R2,64R2,94R2,115R2)	5			
-27	4913459-16	.RES,MF 47 OHM 1/4W +2% (38R33,131R33,140R33)	3			
-28	4913459-33	.RES,MF 240 OHM 1/4W +2% (41R3)	1			
-29	4913459-62	.RES,MF 3.9K 1/4W +2% (42R11,43R11,45R11,68R11,69R11)	5			
-30	38007969-1	.CAP.,TANT 22UF 50V +20% (44C13)	1			
-31	4913459-65	.RES,MF 5.1K 1/4W +2% (46R12)	1			
-32	9800434-53	.RES,FF 10K 1/8W +1/2% (48R26,49R26,53R26)	3			
-33	4913459-55	.RES,MF 2K 1/4W +2% (50R7,86R7,122R7,125R7)	4			

26.21.011276

FIG & INDEX	PART NO.	DESCRIPTION	QTY PER ASSY	USED ON CODE	REF FIG	NFR
28-34	4913459-46	.RES,MF 820 OHM 1/4W +2% (51R10)	1			
-35	9800433-45	.RES,FF 750 OHM 1/8W +1/2% (57R17)	1			
-36	38000041-5	.CAP.,10UF 10V +20% (58C8)	1			
-37	40003615-20	.CAP.,CER 0.047UF 50/100V (63C7)	1			
-38	4913459-57	.RES,MF 2.4K 1/4W +2% (67R8)	1			
-39	9800194-00	.INT CKT (74Z2)	1			
-40	9000453-01	.TRANSISTOR (75Q1,89Q1,146Q1,149Q1)	4			
-41	9800434-20	.RES,FF 5.36K 1/8W +1/2% (80R22)	1			
-42	4913459-41	.RES,MF 510 OHM 1/4W +2% (81R4)	1			
-43	37000037-30	.CAP.,MICA 100PF (83C3,134C3)	2			
-44	38000039-30	.CAP.,47UF 35V +20% (84C12)	1			
-45	3006944-14	.DIODE (85D6)	1			
-46	4913459-80	.RES,MF 22K 1/4W +2% (87R38)	1			
-47	4913459-30	.RES,MF 180 OHM 1/4W +2% (90R31)	1			
-48	4913459-20	.RES,MF 68 OHM 1/4W +2% (91R32)	1			
-49	40003615-33	.CAP.,CER 0.47UF 50/100V (92C15,93C15, 97C15,99C15,107C15,129C15,132C15, 136C15,141C15,143C15,151C15)	11			
-50	4913459-40	.RES,MF 470 OHM 1/4W +2% (98R36,141.1R36, 153R36)	3			
-51	9000024-28	.RES,MOF 130 OHM 1/2W +2% (100R37)	1			
-52	38000041-18	.CAP.,220UF 10V +20% (101C11,121C11)	2			
-53	3162267-22	.RES,CC 1/2W +5% (102R42,150R42)	2			
-54	3006944-11	.DIODE (103D1,117D1)	2			
-55	4913459-34	.RES,MF 270 OHM 1/4W +2% (106R30,138R30, 148R30)	3			
-56	9800434-06	.RES,FF 4.02K 1/8W +1/2% (109R24)	1			
-57	4913459-07	.RES,MF 20 OHM 1/4W +2% (114R35)	1			
-58	9000024-42	.RES,MOF 510 OHM 1/2W +2% (116R43)	1			
-59	4913459-59	.RES,MF 3K 1/4W +2% (119R9)	1			
-60	9800207-00	.DIODE (126D7)	1			
-61	9800359-06	.RES,MF 270K 1/4W +2% (127R13)	1			
-62	9800431-00	.RES,FF 10K 1/4W +1/2% (128R14)	1			
-63	9800433-96	.RES,FF 3.24K 1/8W +1/2% (130R40)	1			
-64	9800420-00	.INT CKT (133Z3)	1			
-65	9800433-74	.RES,FF 1.8K 1/8W +1/2% (135R39)	1			
-66	3012133-00	.DIODE (137D3)	1			
-67	4913459-08	.RES,MF 22 OHM 1/4W +2% (147R41,154R41)	2			
-68	74007944-2	.BOARD,PRINTED WIRING	1			

26.22.010976



PC004251 - 2
REV C

FIGURE 29 TF SERVO AMP PWA

FIG & INDEX	PART NO.	DESCRIPTION	QTY PER ASSY	USED ON CODE	REF FIG	NFR
29-	75004251-2	PWA,TF SERVO AMP (A3)	REF		19	
-1	11000444-13	.DIODE (1D2,2D2,91D2)	3			
-2	40800042-4	.CAP.,0.22UF 50V +80 -20% (3C3,12C3,17C3,20C3,23C3,41C3,48C3,49C3,50C3,86C3,87C3)	11			
-3	35000470-15	.CAP.,0.015UF 100V +5% (4C5,5C5,21C5,22C5,47C5,52C5)	6			
-4	16000023-18	.RES,FILM 51 OHM 1/4W +2% (6R1,7R1,29R1,30R1)	4			
-5	16000023-29	.RES,FILM 150 OHM 1/4W +2% (8R4,10R4,46R4,60R4,77R4,82R4)	6			
-6	37000037-17	.CAP.,33PF 500V +10% (9C6,11C6)	2			
-7	29004732-1	.INT CKT (13Z3)	1			
-8	16000025-25	.RES,FILM 100 OHM 1W +2% (14R20,16R20,18R20,19R20)	4			
-9	29003743-1	.INT CKT (15Z2,83Z2)	2			
-10	16000023-27	.RES,FILM 120 OHM 1/4W +2% (24R3)	1			
-11	16000023-54	.RES,FILM 1.6K 1/4W +2% (25R8,31R8,65R8,66R8)	4			
-12	16000025-60	.RES,FILM 3K 1W +2% (26R11,27R11)	2			
-13	16000023-41	.RES,FILM 470 OHM 1/4W +2% (28R21)	1			
-14	16000023-36	.RES,FILM 300 OHM 1/4W +2% (32R5,45R5)	2			
-15	16000023-49	.RES,FILM 1K 1/4W +2% (33R7,34R7)	2			
-16	29004428-1	.INT CKT (35Z1)	1			
-17	32000474-32	.INDUCTOR (36L1,55L1,74L1,85L1)	4			
-18	38000038-1	.CAP.,1.5UF 25V +20% (37C1,51C1,69C1)	3			
-19	16000023-64	.RES,FILM 4.3K 1/4W +2% (38R15)	1			
-19A	40003615-28	.CAP.,0.22UF 50V +10% (39C9,40C9)	2			
-20	16000023-5	.RES,FILM 150 OHM 1/4W +2% (42R2,43R2)	2			
-21	16000023-66	.RES,FILM 5.1K 1/4W +2% (44R12)	1			
-22	16000023-60	.RES,FILM 3K 1/4W +2% (53R9,54R9)	2			
-23	24003691-1	.TRANSISTOR (56Q1,57Q1,71Q1-73Q1,79Q1,80Q1)	7			
-24	16000024-57	.RES,FILM 2.2K 1/2W +2% (58R19,59R19)	2			
-25	18003661-273	.RES,FILM 665 OHM 1/8W +1/2% (61R14,62R14)	2			
-26	16000023-57	.RES,FILM 2.2K 1/4W +2% (63R10,64R10,78R10,81R10,92R10)	5			
-27	18003661-499	.RES,FILM 10K 1/8W +1/2% (67R16,68R16,96R16,98R16)	4			
-28	11000444-31	.DIODE (70D1)	1			
-29	10000440-1	.DIODE (75D3)	1			
-30	38003782-23	.CAP.,0.33UF 35V +10% (76C2)	1			
-31	38000040-11	.CAP.,0.68UF 75V +20% (84C4)	1			
-32	18003661-691	.RES,FILM 100K 1/8W +1/2% (88R18,89R18)	2			
-33	18003661-667	.RES,FILM 75K 1/8W +1/2% (90R17)	1			
-34	16000023-37	.RES,FILM 330 OHM 1/4W +2% (93R6)	1			
-35	18003661-423	.RES,FILM 4.02K 1/8W +1/2% (94R22,100R22)	2			
-36	16000023-80	.RES,FILM 20K 1/4W +2% (95R13,99R13)	2			
-37	37000037-56	.CAP.,100PF 100V +10% (97C7,103C7)	2			
-38	40003615-5	.CAP.,2700PF 100V +10% (101C8,102C8)	2			
-39	74004251-2	.BOARD,PRINTED WIRE	1			

10.5.8774

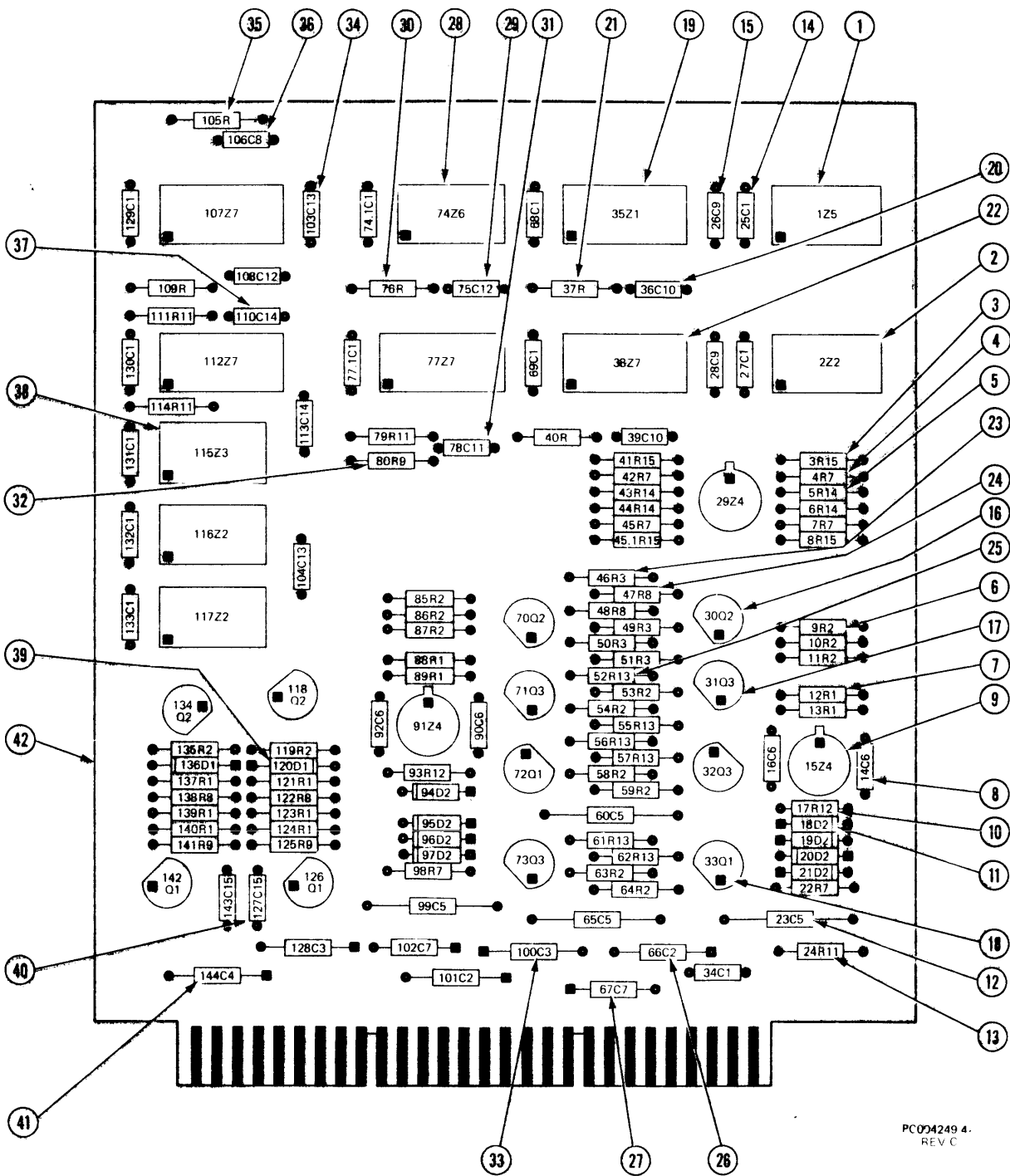
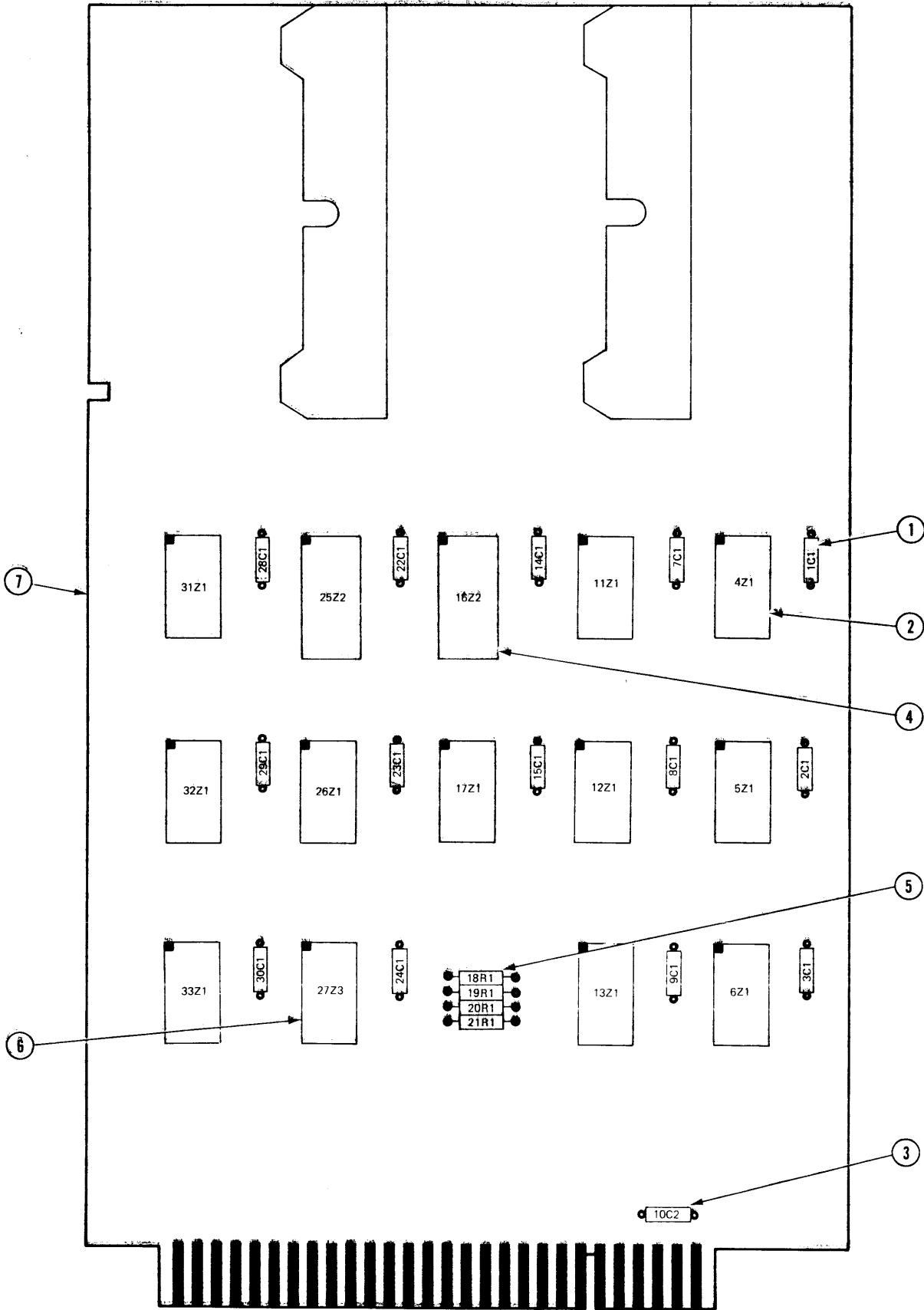


FIGURE 30 TF SERVO CLOCK PWA

FIG & INDEX	PART NO.	DESCRIPTION	QTY PER ASSY	USED ON CODE	REF FIG	NFR
30-	75004249-4	PWA,TF SERVO CLOCK (A4)	REF		19	
-1	30000436-1	.INT CKT (1Z5)	1			
-2	30001417-1	.INT CKT (2Z2,116Z2,117Z2)	3			
-3	18003661-533	.RES,FILM 15K 1/8W $\pm 1/2\%$ (3R15,8R15,41R15,45.1R15)	4			
-4	18003661-499	.RES,FILM 10K 1/8W $\pm 1/2\%$ (4R7,7R7,22R7,42R7,45R7,98R7)	6			
-5	18003661-591	.RES,FILM 30.1K 1/8W $\pm 1/2\%$ (5R14,6R14,43R14,44R14)	4			
-6	16000023-49	.RES,FILM 1K 1/4W $+2\%$ (9R2,10R2,11R2,53R2,54R2,58R2,59R2,63R2,64R2,85R2,86R2,87R2,119R2,135R2)	14			
-7	16000023-70	.RES,FILM 7.5K 1/4W $+2\%$ (12R1,13R1,88R1,89R1,121R1,123R1,124R1,137R1,139R1,140R1)	10			
-8	37000037-48	.CAP.,500PF 500V $+10\%$ (14C6,16C6,90C6,92C6)	4			
-9	29003743-1	.INT CKT (15Z4,29Z4,91Z4)	3			
-10	16000023-101	.RES,FILM 150K 1/4W $+2\%$ (17R12,93R12)	2			
-11	10000567-1	.DIODE (18D2-21D2,94D2-97D2)	8			
-12	35000033-5	.CAP.,0.22UF 50V $+10\%$ (23C5,60C5,65C5,99C5)	4			
-13	16000023-73	.RES,FILM 10K 1/4W $\pm 2\%$ (24R11,79R11,111R11,114R11)	4			
-14	40800042-1	.CAP.,0.01UF 50V $+80 -20\%$ (25C1,27C1,34C1,68C1,69C1,74.1C1,77.1C1,129C1,130C1,131C1,132C1,133C1)	12			
-15	37000037-30	.CAP.,100PF 500V $+10\%$ (26C9,28C9)	2			
-16	24000457-1	.TRANSISTOR (30Q2,70Q2,118Q2,134Q2)	4			
-17	25000462-1	.TRANSISTOR (31Q2,32Q3,71Q3,73Q3)	4			
-18	24003467-1	.TRANSISTOR (33Q1,72Q1,126Q1,142Q1)	4			
-19	30003418-1	.INT CKT (35Z1)	1			
-20	37000473-34	.CAP.,150PF 500V $+2\%$ (36C10,39C10)	2			
-21	18003661-493*	.RES,FILM 9.31K 1/8W $+1/2\%$ (37R,40R)	2			
-22	30004796-1	.INT CKT (38Z7,77Z7,107Z7,112Z7)	4			
-23	16000023-50	.RES,FILM 1.1K 1/4W $\pm 2\%$ (46R3,49R3,50R3,51R3)	4			
-24	16000023-56	.RES,FILM 2K 1/4W $\pm 2\%$ (47R8,48R8,122R8,138R8)	4			
-25	16000023-23	.RES,FILM 82 OHM 1/4W $+2\%$ (52R13,55R13,56R13,57R13,61R13,62R13)	6			
-26	38000041-5	.CAP.,0.01UF 50V $+20\%$ (66C2,101C2)	2			
-27	38000038-1	.CAP.,1.5UF 25V $\pm 20\%$ (67C7,102C7)	2			
-28	30003873-1	.INT CKT (74Z6)	1			
-29	37000473-53	.CAP.,750PF 300V $+2\%$ (75C12,108C12)	2			
-30	18003661-497*	.RES,FILM 9.76K 1/8W $+1/2\%$ (76R,109R)	2			
-31	37000473-24	.CAP.,56PF 500V $+2\%$ (78C11)	1			
-32	16000023-37	.RES,FILM 330 OHM 1/4W $\pm 2\%$ (80R9,125R9,141R9)	3			
-33	38000039-15	.CAP.,1.5UF 35V $\pm 20\%$ (100C3,128C3)	2			

10.6.82174

FIG & INDEX	PART NO.	DESCRIPTION	QTY PER ASSY	USED ON CODE	REF FIG	NFR
30-34	37000037-56	.CAP.,1000PF 100V +10% (103C13,104C13)	2			
-35	18003661-489*	.RES,FILM 8.87K 1/8W +1/2% (105R)	1			
-36	37000473-45	.CAP.,390PF 500V +2% (106C8)	1			
-37	37000473-9	.CAP.,12PF 500V +2% (110C14,113C14)	2			
-38	30003417-1	.INT CKT (115Z3)	1			
-39	10000440-1	.DIODE (120D1,136D1)	2			
-40	40003615-12	.CAP.,0.01UF 100V +10% (127C15,143C15)	2			
-41	38000040-11	.CAP.,0.68UF 75V +20% (144C4)	1			
-42	74004249-4	.BOARD,PRINTED WIRE	1			
*RESISTORS AT LOCATIONS 37, 40, 76, 105 AND 109 ARE TO BE SELECTED FROM THE FOLLOWING LIST.						
	18003661-487	RES,FILM 8.66K 1/8W +1/2%				
	18003661-489	RES,FILM 8.87K 1/8W +1/2%				
	18003661-491	RES,FILM 9.09K 1/8W +1/2%				
	18003661-493	RES,FILM 9.31K 1/8W +1/2%				
	18003661-495	RES,FILM 9.53K 1/8W +1/2%				
	18003661-497	RES,FILM 9.76K 1/8W +1/2%				
	18003661-499	RES,FILM 10K 1/8W +1/2%				
	18003661-501	RES,FILM 10.2K 1/8W +1/2%				
	18003661-503	RES,FILM 10.5K 1/8W +1/2%				
	18003661-505	RES,FILM 10.7K 1/8W +1/2%				
	18003661-507	RES,FILM 11K 1/8W +1/2%				
	18003661-509	RES,FILM 11.3K 1/8W +1/2%				
	18003661-485	RES,FILM 8.45K 1/8W +1/2%				
	18003661-483	RES,FILM 8.25K 1/8W +1/2%				
	18003661-511	RES,FILM 11.5K 1/8W +1/2%				
	18003661-512	RES,FILM 11.7K 1/8W +1/2%				
	18003661-513	RES,FILM 11.8K 1/8W +1/2%				
10.7.8774						

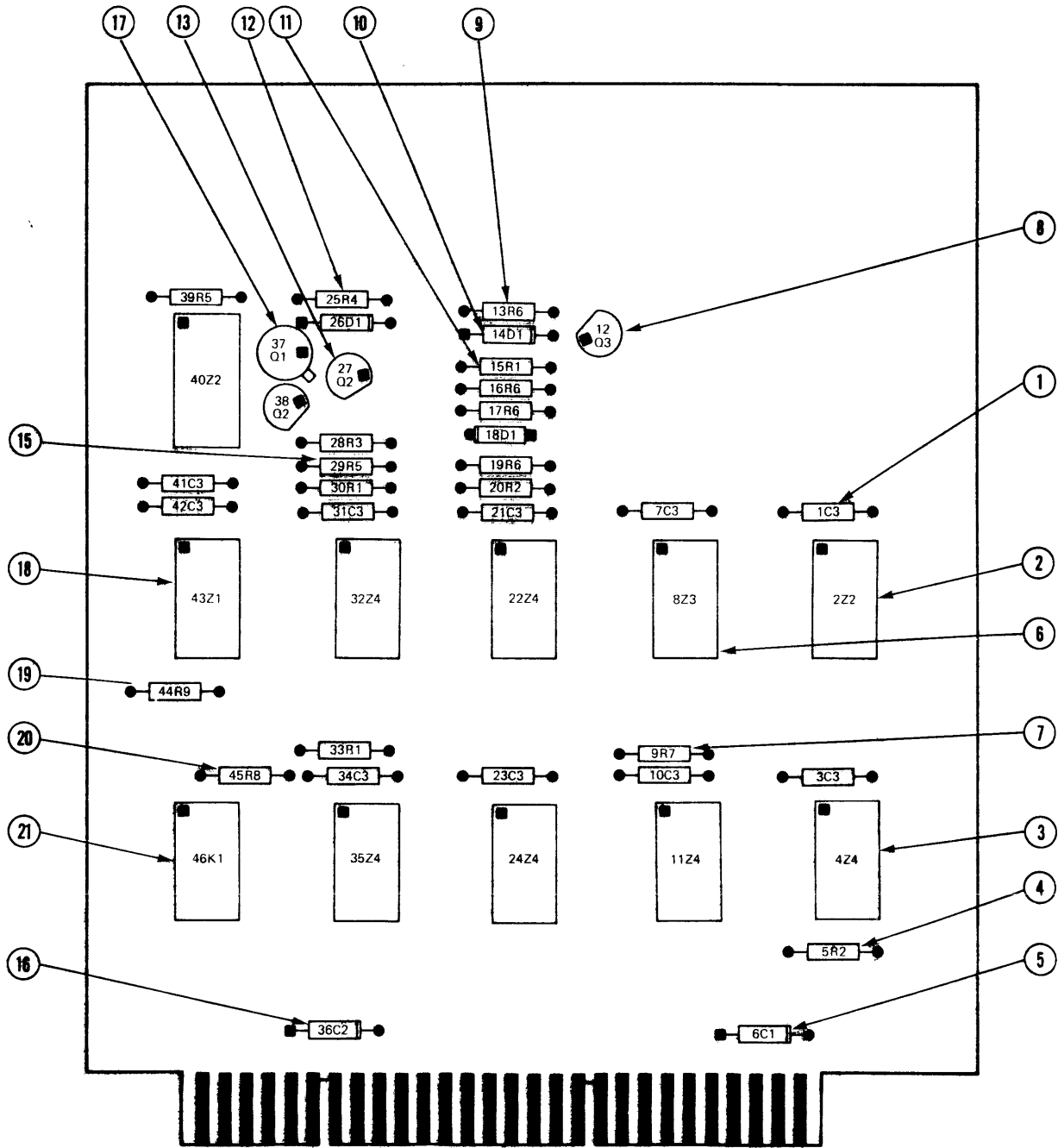


PC008580-2
REV.B

FIGURE 31 MDLI DRIVER PWA

FIG & INDEX	PART NO.	DESCRIPTION	QTY PER ASSY	USED ON CODE	REF FIG	NFR
31-	75008580-2	PWA,MDLI DRIVER (A5)	REF		19	
-1	40800042-1	.CAP.,0.01UF 50V +80 -20% (1C1,2C1,3C1,7C1,8C1,9C1,14C1,15C1,22C1,23C1,24C1,28C1,29C1,30C1)	14			
-2	4915711-01	.INT CKT (4Z1,5Z1,6Z1,11Z1,12Z1,13Z1,17Z1,26Z1,31Z1,32Z1,33Z1)	11			
-3	38000041-5	.CAP.,10UF 10V +20% (10C2)	1			
-4	9008453-01	.INT CKT (16Z2,25Z2)	2			
-5	4913459-56	.RES,FILM 2.2K 1/4W +2% (18R1-21R1)	4			
-6	3008183-00	.INT CKT (27Z3)	1			
-7	74008580-2	.BOARD,PRINTED WIRE	1			

3.18.011376

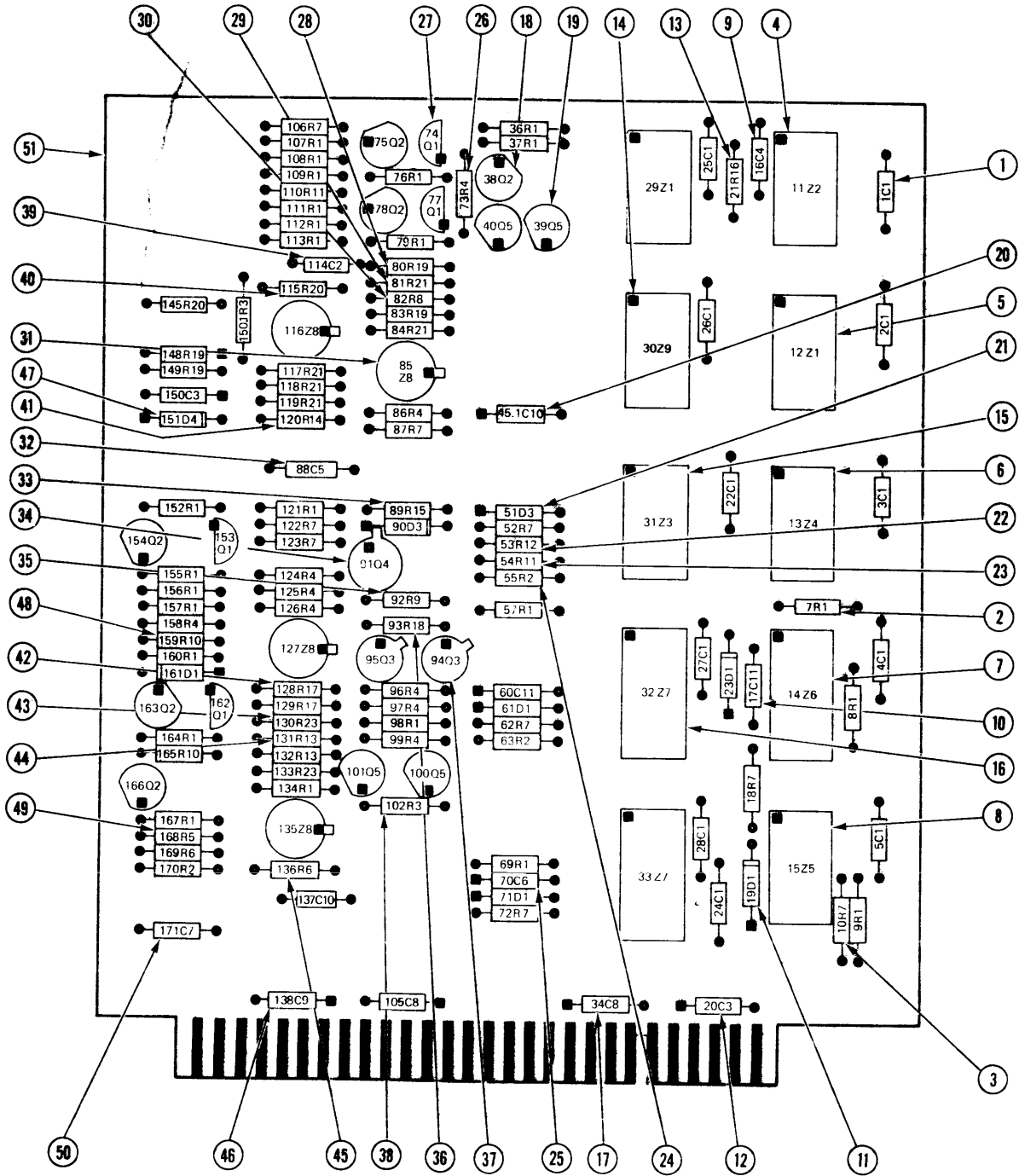


PC00112-00
REV A

FIGURE 32 INDEX DET/SECTOR CLOCK PWA

FIG & INDEX	PART NO.	DESCRIPTION	QTY PER ASSY	USED ON CODE	REF FIG	NFR
32-	9700112-00	PWA, INDEX DET/SECT CLK (A8)	REF		19	
-1	3007477-00	.INT CKT (1Z8,44Z8)	2			
-2	4915726-21	.CAP., CER 0.01UF 25V (2C1,4C1,6C1,8C1, 10C1,12C1,16C1,19C1,23C1,25C1,30C1, 36C1,38C1,40C1,50C1)				
-3	3006204-00	.INT CKT (3Z5,11Z5)	2			
-4	3008194-00	.INT CKT (5Z4,7Z4,20Z4)	3			
-5	3008186-00	.INT CKT (9Z10)	1			
-6	2899343-00	.INT CKT (13Z2,24Z2)	2			
-7	9800207-00	.DIODE (14D1)	1			
-8	3007473-02	.INT CKT (15Z7)	1			
-9	3008241-00	.INT CKT (9Z11)	1			
-10	38000041-5	.CAP., 10UF 10V +20% (18C2)	1			
-11	4913459-48	.RES, MF 1K 1/4W +2% (21R1,29R1,31R1,42R1)	4			
-12	3007476-00	.INT CKT (22Z9,43Z9,46Z9,47Z9,48Z9,49Z9, 52Z9)	7			
-13	9001413-01	.INT CKT (26Z3,41Z3)	2			
-14	4913459-73	.RES, MF 11K 1/4W +2% (27R2)	1			
-15	37000037-56	.CAP., MICA 1000PF (28C3)	1			
-16	3008240-00	.INT CKT (31Z12)	1			
-17	37000037-37	.CAP, MICA (37C4)	1			
-18	2899426-01	.INT CKT (39Z6)	1			
-19	3008183-00	.INT CKT (45Z1)	1			
-20	3008181-00	.INT CKT (51Z13)	1			
-21	9700111-00	.BOARD, PRINTED WIRING	1			

26.23.010976



PC004218-6
REV. B

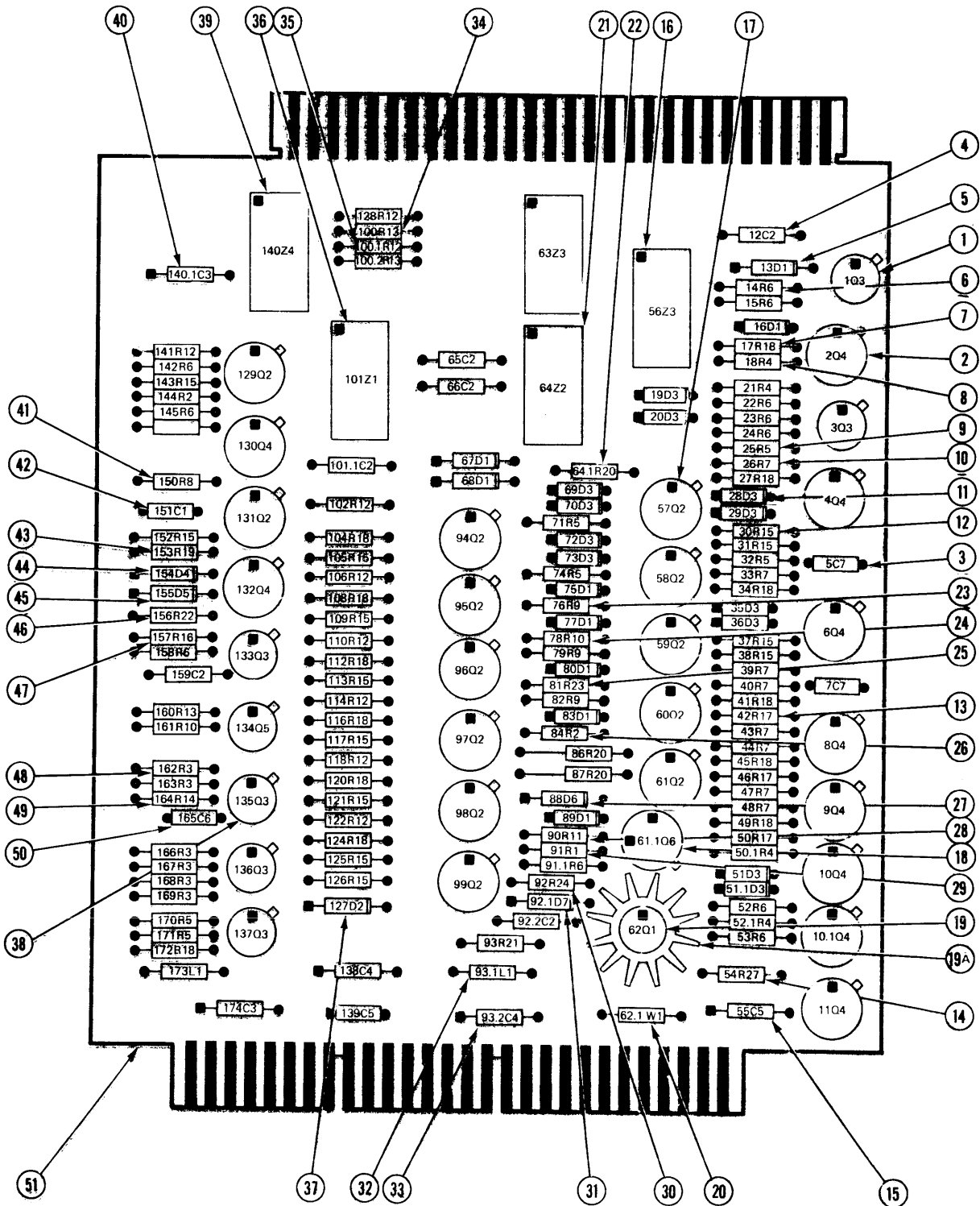
FIGURE 33 SUMMING AMP PWA

FIG & INDEX	PART NO.	DESCRIPTION	QTY PER ASSY	USED ON CODE	REF FIG	NFR
33-	75004218-6	PWA,SUMMING AMP (A17)	REF		19	
-1	40003615-12	.CAP.,0.01UF 100V +10% (1C1-5C1,22C1,24C1-28C1)	11			
-2	16000023-49	.RES,FILM 1K 1/4W +2% (7R1,8R1,9R1,36R1,37R1,57R1,69R1,76R1,79R1,98R1,107R1,108R1,109R1,111R1,112R1,113R1,121R1,134R1,152R1,155R1,156R1,157R1,160R1,164R1,167R1)	25			
-3	16000023-88	.RES,FILM 43K 1/4W +2% (10R7,18R7,52R7,62R7,72R7,87R7,106R7,122R7,123R7)	9			
-4	30000436-1	.INT CKT (11Z2)	1			
-5	30000434-1	.INT CKT (12Z1,29Z1)	2			
-6	30003873-1	.INT CKT (13Z4)	1			
-7	30004603-1	.INT CKT (14Z6)	1			
-8	30003417-1	.INT CKT (15Z5)	1			
-9	40003615-24	.CAP.,0.1UF 100V +10% (16C4)	1			
-10	38000039-13	.CAP.,1UF 35V +20% (17C11,60C11)	2			
-11	10000440-1	.DIODE (19D1,23D1,61D1,71D1,161D1)	5			
-12	38000041-5	.CAP.,10UF 10V +20% (20C3,150C3)	2			
-13	16000023-25	.RES,FILM 100 OHM 1/4W +2% (21R16)	1			
-14	30001417-1	.INT CKT (30Z9)	1			
-15	30001419-1	.INT CKT (31Z3)	1			
-16	30004796-1	.INT CKT (32Z7,33Z7)	2			
-17	38000038-1	.CAP.,1.5UF 25V +20% (34C8,105C8)	2			
-18	25000462-1	.TRANSISTOR (38Q2,75Q2,154Q2,163Q2,166Q2)	6			
-19	24000457-1	.TRANSISTOR (39Q5,40Q5,100Q5,101Q5)	4			
-20	37000037-56	.CAP.,1000PF 100V +10% (45.1C10,137C10)	2			
-21	10000439-1	.DIODE (51D3,90D3)	2			
-22	16000023-103	.RES,FILM 180K 1/4W +2% (53R12)	1			
-23	16000023-102	.RES,FILM 160K 1/4W +2% (54R11,110R11)	2			
-24	16000023-77	.RES,FILM 15K 1/4W +2% (55R2,63R2,170R2)	3			
-25	38000039-3	.CAP.,0.15UF 35V +20% (70C6)	1			
-26	16000023-74	.RES,FILM 11K 1/4W +2% (73R4,86R4,96R4,97R4,99R4,124R4,125R4,126R4,158R4)	9			
-27	24000459-1	.TRANSISTOR (74Q1,77Q1,153Q1,162Q1)	4			
-28	18003661-499	.RES,FILM 10K 1/8W +1/2% (80R19,83R19,148R19,149R19)	4			
-29	18003661-557	.RES,FILM 20K 1/8W +1/2% (81R21,84R21,117R21,118R21,119R21)	5			
-30	16000023-72	.RES,FILM 9.1K 1/4W +2% (82R8)	1			
-31	29003743-1	.INT CKT (85Z8,116Z8,127Z8,135Z8)	4			
-32	35000034-15	.CAP.,3UF 50V +10% (88C5)	1			
-33	16000023-44	.RES,FILM 620 OHM 1/4W +2% (89R15)	1			
-34	26004081-1	.TRANSISTOR (91Q4)	1			
-35	16000023-97	.RES,FILM 100K 1/4W +2% (92R9)	1			
-36	19000029-20	.RES,COMP 2.2MEG 1/4W +5% (93R18)	1			
-37	26003709-1	.TRANSISTOR (94Q3,95Q3)	2			

10.12.82174

FIG & INDEX	PART NO.	DESCRIPTION	QTY PER ASSY	USED ON CODE	REF FIG	NFR
33-38	16000023-56	.RES,FILM 2K 1/4W +2% (102R3,150.1R3)	2			
-39	40003615-14	.CAP.,0.01UF 100V +10% (114C2)	1			
-40	18003661-533	.RES,FILM 15K 1/8W +1/2% (115R20,145R20)	2			
-41	16000023-34	.RES,FILM 240 OHM 1/4W +2% (120R14)	1			
-42	19000029-44	.RES,COMP 22MEG 1/4W +5% (128R17,129R17)	2			
-43	18003661-751	.RES,FILM 205K 1/8W +1/2% (130R23,133R23)	2			
-44	18003661-725	.RES,FILM 150K 1/8W +1/2% (131R13,132R13)	2			
-45	16000023-85	.RES,FILM 33K 1/4W +2% (136R6,169R6)	2			
-46	38000039-15	.CAP.,1.5UF 35V +20% (138C9)	1			
-47	11000444-17	.DIODE (151D4)	1			
-48	16000023-96	.RES,FILM 91K 1/4W +2% (159R10,165R10)	2			
-49	16000023-68	.RES,FILM 6.2K 1/4W +2% (168R5)	1			
-50	35000031-13	.CAP.,0.01UF 100V +10% (171C7)	1			
-51	74004218-4	.BOARD,PRINTED WIRE	1			

10.13.82174



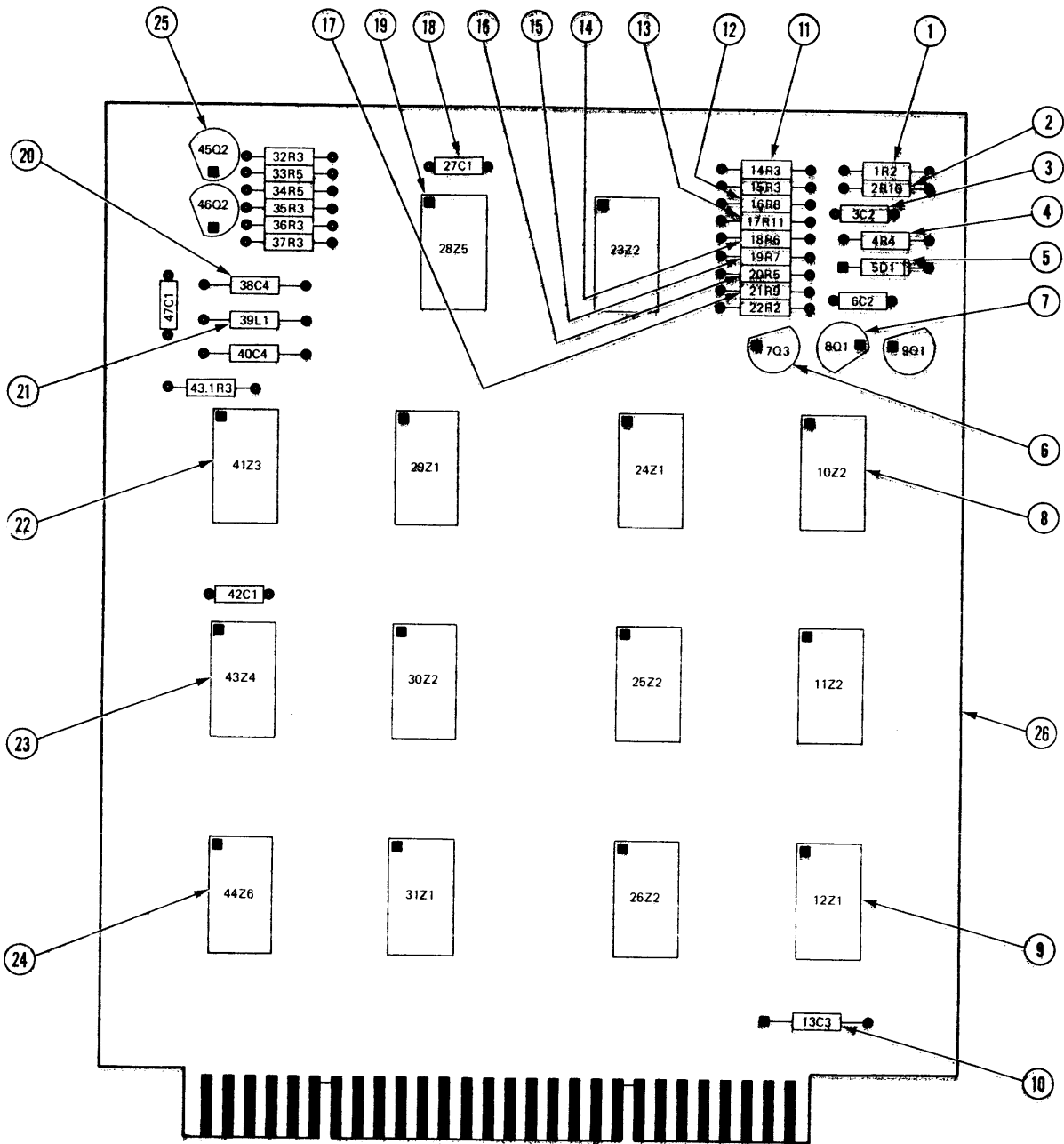
PC 9700232 REV. A

FIGURE 34 WRITE CARD PWA

FIG & INDEX	PART NO.	DESCRIPTION	QTY PER ASSY	USED ON CODE	REF FIG	NFR
34-	9700232-01	PWA,WRITE CARD (B3)	REF		19	
-1	3006709-04	.TRANSISTOR (1Q3,3Q3,133Q3,135Q3,136Q3,137Q3)	6			
-2	9000453-01	.TRANSISTOR (2Q4,4Q4,6Q4,8Q4,9Q4,10Q4,10.1Q4,11Q4,130Q4,132Q4)	10			
-3	37000037-23	.CAP.,.51PF 500V +10% (5C7,7C7)	2			
-4	4915726-21	.CAP.,.0.01UF 25V (12C2,92.2C2,65C2,66C2,101.1C2,159C2)	6			
-5	9800207-00	.DIODE (13D1,16D1,67D1,68D1,75D1,77D1,80D1,83D1,89D1)	9			
-6	4913459-48	.RES,MF 1K 1/4W +2% (14R6,15R6,22-24R6,52R6,53R6,91.1R6,142R6,145R6,158R6)	11			
-7	4913459-86	.RES,MF 39K 1/4W +2% (17R18,27R18,34R18,41R18,45R18,49R18,104R18,108R18,112R18,116R18,120R18,124R18,172R18)	13			
-8	4913459-36	.RES,MF 330 OHM 1/4W +2% (18R4,21R4,50.1R4,52.1R4)	4			
-9	4913459-40	.RES,MF 470 OHM 1/4W +2% (25R5,32R5,71R5,74R5,170R5,171R5)	6			
-10	4913459-55	.RES,MF 2.0K 1/4W +2% (26R7,33R7,39R7,40R7,43R7,44R7,47R7,48R7)	8			
-11	9800210-00	.DIODE (28D3,29D3,35D3,36D3,51D3,51.1D3,19D3,20D3,69D3,70D3,72D3,73D3)	12			
-12	4913459-75	.RES,MF 13K 1/4W +2% (30R15,31R15,37R15,38R15,105R15,109R15,113R15,117R15,121R15,125R15,126R15,143R15,152R15)	13			
-13	4913459-82	.RES,MF 27K 1/4W +2% (42R17,46R17,50R17)	3			
-14	9000024-53	.RES,MF 1.5K 1/2W +2% (54R21,93R21)	2			
-15	38001738-7	.CAP.,10.0UF 15V +20% (55C5,139C5)	2			
-16	9800052-01	.INT CKT (56Z3,63Z3)	2			
-17	3006623-01	.TRANSISTOR (57-61Q2,94-99Q2,129Q2,131Q2)	13			
-18	3012534-00	.TRANSISTOR (61.1Q6)	1			
-19	9000654-01	.TRANSISTOR (62Q1)	1			
-19A	57003466-2	.HEATSINK	1			
-20	9800270-00	.LEAD,ELEC JUMPER (62.1W1,127.1W1)	2			
-21	3008181-00	.INT CKT (64Z2)	1			
-22	9000024-41	.RES,MOF 470 OHM 1/2W +2% (64.1R20,86R20,87R20)	3			
-23	4913459-59	.RES,MF 30.K 1/4W +2% (76R9,79R9,82R9)	3			
-24	4913459-60	.RES,MF 8.3K 1/4W +2% (78R10,161R10)	2			
-25	4913459-53	.RES,MF 1.6K 1/4W +2% (81R23)	1			
-26	4913459-46	.RES,MF 820 OHM 1/4W +2% (84R2,144R2)	2			
-27	9004482-01	.DIODE (88D6)	1			
-28	4913459-62	.RES,MF 3.9K 1/4W +2% (90R11)	1			
-29	4913459-12	.RES,MF 33 OHM 1/4W +2% (91R1)	1			
-30	4913459-20	.RES,MF 68 OHM 1/4W +2% (92R24)	1			
-31	9006944-04	.DIODE (92.1D7)	1			
26.25.011276						

FIG & INDEX	PART NO.	DESCRIPTION	QTY PER ASSY	USED ON CODE	REF FIG	NFR
34-32	32000474-32	.INDUCT, IRON (93.1L1, 173L1)	1			
-33	38000040-15	.CAP., 1.50UF 75V +20% (93.2C4, 138C4)	2			
-34	4913459-65	.RES, MF 5.1K 1/4W +2% (100R13, 100.2R13, 160R13)	3			
-35	4913459-64	.RES, MF 4.7K 1/4W +2% (100.1R12, 102R12, 106R12, 110R12, 114R12, 118R12, 122R12, 128R12, 141R12)	9			
-36	3008183-00	.INT CKT (101Z1)	1			
-37	3006944-05	.DIODE (127D2)	1			
-38	9001327-01	.TRANSISTOR (134Q5)	1			
-39	3008184-00	.INT CKT (140Z4)	1			
-40	38000040-11	.CAP., 0.68UF 75V +20% (140.1C3, 174C3)	2			
-41	4913459-57	.RES, MF 2.4K 1/4W +2% (150R8)	1			
-42	2899578-68	.CAP., 1200 PF (151C1)	1			
-43	4913459-96	.RES, MF 100K 1/4W +2% (153R19)	1			
-44	3006944-08	.DIODE (154D4)	1			
-45	9004278-01	.DIODE (155D5)	1			
-46	9000024-60	.RES, MOF 3.0K 1/2W +2% (156R22)	1			
-47	4913459-81	.RES, MF 24K 1/4W +2% (157R16)	1			
-48	4913459-34	.RES, MF 270 OHM 1/4W +2% (162R3, 163R3, 166-169R3)	6			
-49	4913459-67	.RES, MF 6.2K 1/4W +2% (164R14)	1			
-50	37000473-40	.CAP., 250 PF (165C6)	1			
-51	9700231-01	.BOARD, PRINTED WIRE	1			

26.26.011176

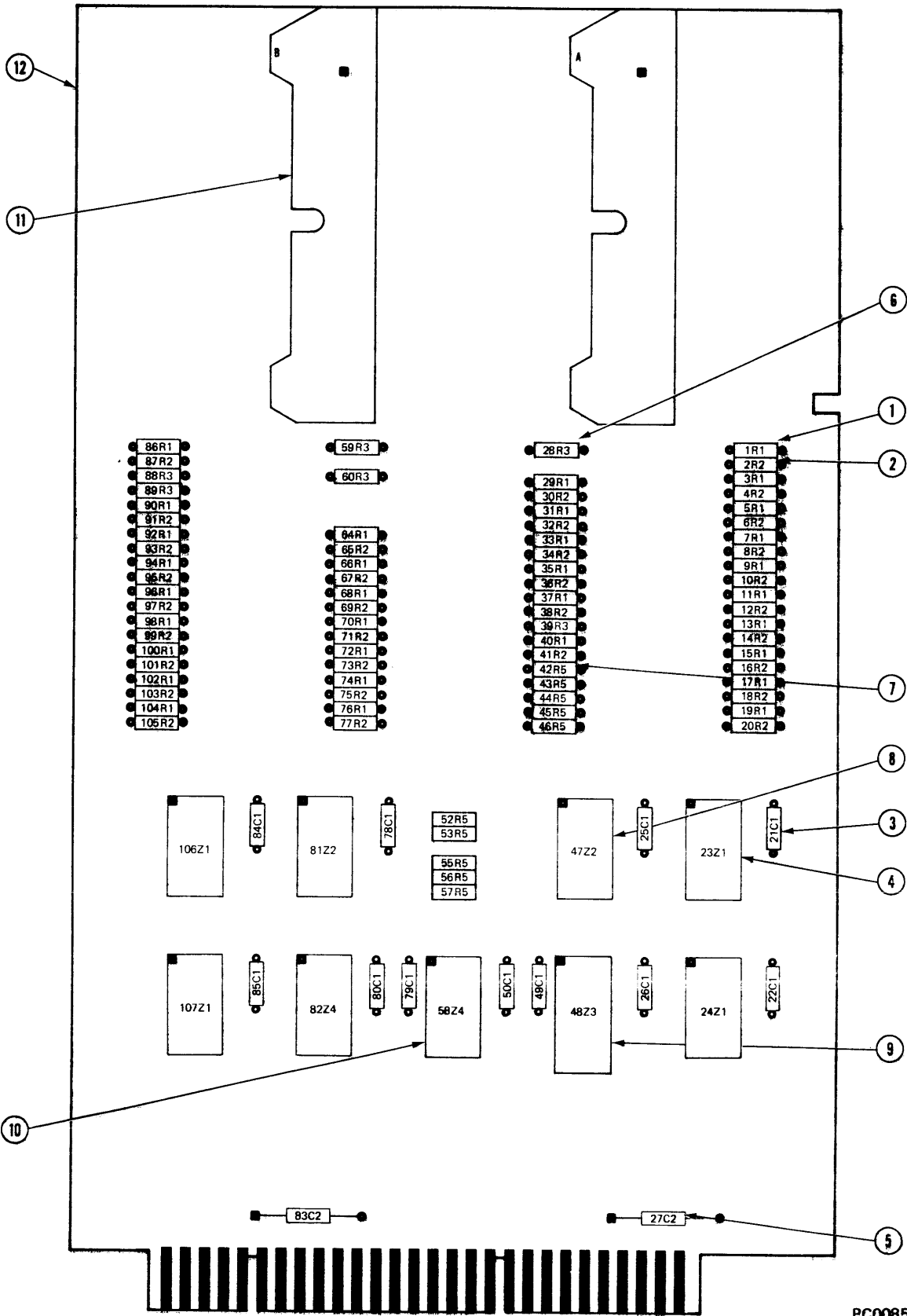


PC004231-3
REV. C

FIGURE 35 R/W SAFETY PWA

FIG & INDEX	PART NO.	DESCRIPTION	QTY PER ASSY	USED ON CODE	REF FIG	NFR
35-	75004231-3	PWA,R/W SAFETY (B4)	REF		19	
-1	16000023-39	.RES,FILM 390 OHM 1/4W +2% (1R2,22R2)	2			
-2	16000023-55	.RES,FILM 1.8K 1/4W +2% (2R10)	1			
-3	37000473-56	.CAP.,1000PF 100V +2% (3C2,6C2)	2			
-4	16000023-56	.RES,FILM 2K 1/4W ±2% (4R4)	1			
-5	10001380-1	.DIODE (5D1)	1			
-6	24003690-1	.TRANSISTOR (7Q3)	1			
-7	24000457-1	.TRANSISTOR (8Q1,9Q1)	2			
-8	30000434-1	.INT CKT (10Z2,11Z2,23Z2,25Z2,26Z2,30Z2)	6			
-9	30000436-1	.INT CKT (12Z1,24Z1,29Z1,31Z1)	4			
-10	38000041-5	.CAP.,10UF 10V +20% (13C3)	1			
-11	16000023-49	.RES,FILM 1K 1/4W +2% (14R3,15R3,32R3,35R3,36R3,37R3,43.1R3)	7			
-12	16000023-77	.RES,FILM 15K 1/4W +2% (16R8)	1			
-13	16000023-62	.RES,FILM 3.6K 1/4W +2% (17R11)	1			
-14	16000023-66	.RES,FILM 5.1K 1/4W ±2% (18R6)	1			
-15	16000023-51	.RES,FILM 1.2K 1/4W ±2% (19R7)	1			
-16	16000023-40	.RES,FILM 430 OHM 1/4W +2% (20R5,33R5,34R5)	3			
-17	16000023-58	.RES,FILM 2.4K 1/4W +2% (21R9)	1			
-18	40800042-1	.CAP.,0.01UF 50V +80 20% (27C1,42C1,47C1)	3			
-19	30800108-1	.INT CKT (28Z5)	1			
-20	38000038-9	.CAP.,6.8UF 25V +20% (38C4,40C4)	2			
-21	32000474-32	.INDUCTOR (39L1)	1			
-22	30000438-1	.INT CKT (41Z3)	1			
-23	30001412-1	.INT CKT (43Z4)	1			
-24	30000431-1	.INT CKT (44Z6)	1			
-25	25000462-1	.TRANSISTOR (45Q2,46Q2)	2			
-26	74004231-3	.BOARD,PRINTED WIRE	1			

10.14.82174

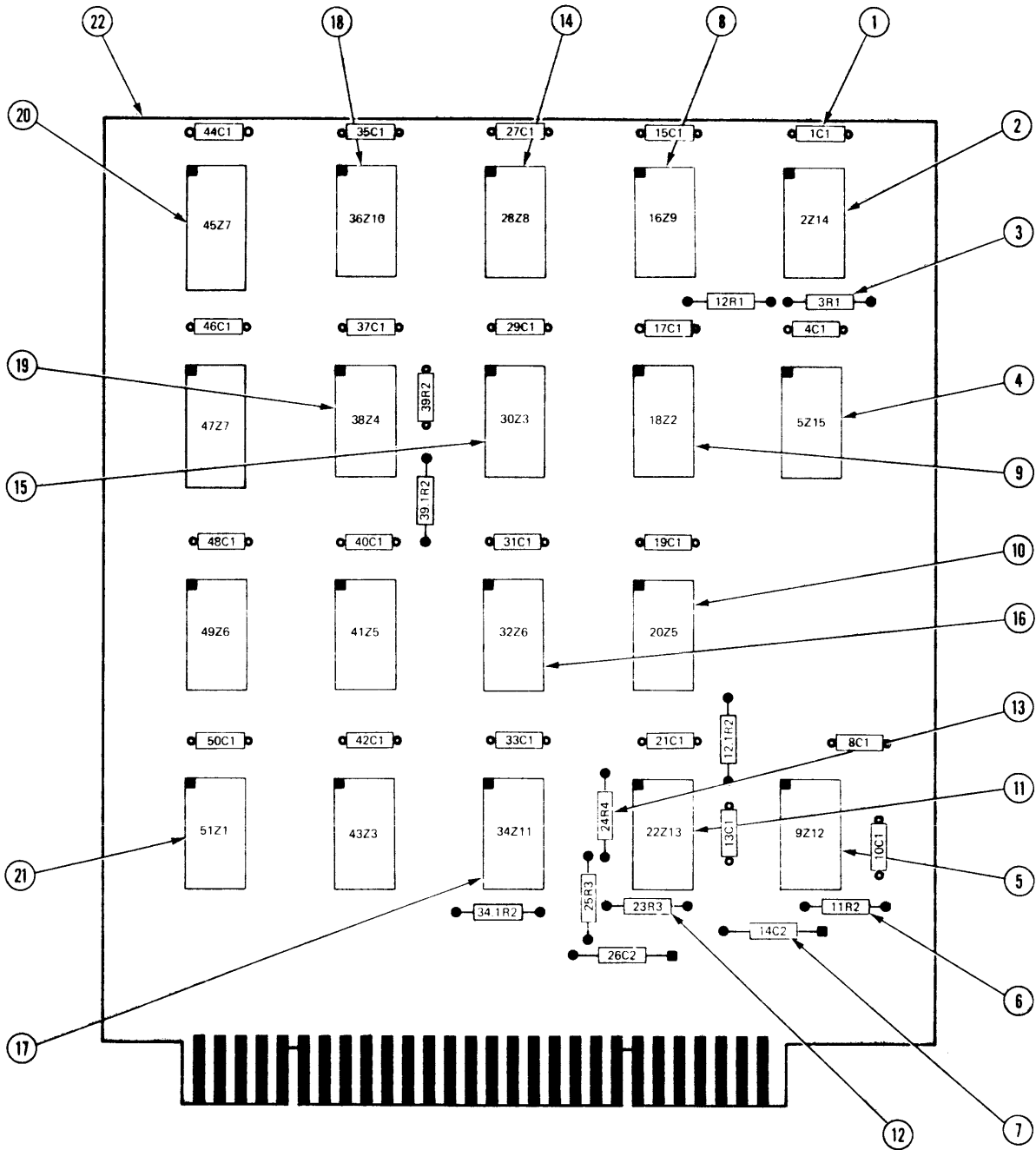


PC008579-1
REV. B

FIGURE 36 MDLI RECEIVERS PWA

FIG & INDEX	PART NO.	DESCRIPTION	QTY PER ASSY	USED ON CODE	REF FIG	NFR
36-	75008579-1	PWA,MDLI RECEIVER (B5)	REF		19	
-1	16000023-36	.RES,FILM 300 OHM 1/4W +2% (1R1,3R1,5R1,7R1,9R1,11R1,13R1,15R1,17R1,19R1,29R1,31R1,33R1,35R1,37R1,40R1,64R1,66R1,68R1,70R1,72R1,74R1,76R1,86R1,90R1,92R1,94R1,96R1,98R1,100R1,102R1,104R1)	32			
-2	16000023-26	.RES,FILM 100 OHM 1/4W +2% (2R2,4R2,6R2,8R2,10R2,12R2,14R2,16R2,18R2,20R2,30R2,32R2,34R2,36R2,38R2,41R2,65R2,67R2,69R2,71R2,73R2,75R2,77R2,87R2,91R2,93R2,95R2,97R2,99R2,101R2,103R2,105R2)	32			
-3	40800042-1	.CAP.,0.01UF 50V +80 -20% (21C1,22C1,25C1,26C1,49C1,50C1,78C1,79C1,80C1,85C1)	11			
-4	30003341-1	.INT CKT (23Z1,24Z1,106Z1,107Z1)	4			
-5	38000041-5	.CAP.,10UF 10V +20% (27C2,83C2)	2			
-6	16000023-23	.RES,FILM 82 OHM 1/4W +2% (28R3,39R3,59R3,60R3,88R3,89R3)	6			
-7	16000023-57	.RES,FILM 2.2K 1/4W +2% (42R5,43R5,44R5,45R5,46R5,52R5,53R5,55R5,56R5,57R5)	10			
-8	30004712-1	.INT CKT (47Z2,81Z2)	2			
-9	30008453-1	.INT CKT (48Z3)	1			
-10	30004634-1	.INT CKT (58Z4,82Z4)	2			
-11	58008586-1	.HEADER	2			
-12	74008579-2	.BOARD,PRINTED WIRE	1			

3.19.81974

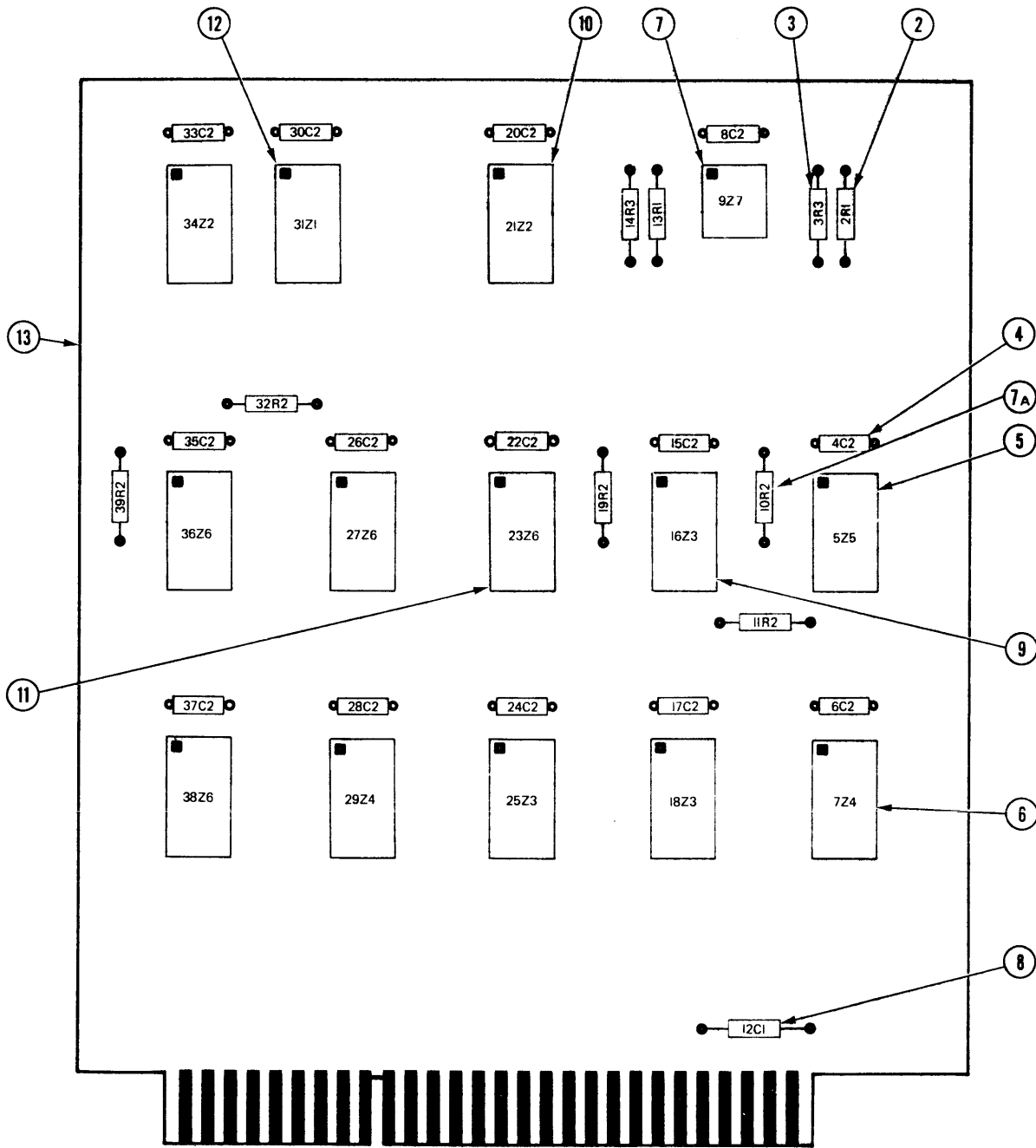


PC007160-2
REV A

FIGURE 37 READ/WRITE DATA CONTROL PWA

FIG & INDEX	PART NO.	DESCRIPTION	QTY PER ASSY	USED ON CODE	REF FIG	NFR
37- -1	75007160-2 40800042-2	PWA,READ/WRITE DATA CONTROL (B6) .CAP.,0.047UF 50V +80 -20% (1C1,4C1,8C1, 10C1,13C1,15C1,17C1,19C1,21C1,27C1,29C1, 31C1,33C1,35C1,37C1,40C1,42C1,44C1,46C1, 48C1,50C1)	REF 21		19	
-2	32004887-1	.INT CKT (2Z14)	1			
-3	16000023-39	.RES,FILM 390 OHM 1/4W +2% (3R1,12R1)	2			
-4	30004321-1	.INT CKT (5Z15)	1			
-5	30004635-1	.INT CKT (9Z12)	1			
-6	16000023-49	.RES,FILM 1K 1/4W +2% (11R2,12.1R2,34.1R2, 39R2,39.1R2)	5			
-7	38000041-5	.CAP.,10UF 10V +20% (14C2,26C2)	2			
-8	30004324-1	.INT CKT (16Z9)	1			
-9	30004628-1	.INT CKT (18Z2)	1			
-10	30004629-1	.INT CKT (20Z5,41Z5)	2			
-11	30004634-1	.INT CKT (22Z13)	1			
-12	16000023-27	.RES,FILM 120 OHM 1/4W +2% (23R3,25R3)	2			
-13	16000023-34	.RES,FILM 240 OHM 1/4W +2% (24R4)	1			
-14	30004611-1	.INT CKT (28Z8)	1			
-15	30004627-1	.INT CKT (30Z3,43Z3)	2			
-16	30007002-1	.INT CKT (32Z6,49Z6)	2			
-17	30004320-1	.INT CKT (34Z11)	1			
-18	30004617-1	.INT CKT (36Z10)	1			
-19	30004630-1	.INT CKT (38Z4)	1			
-20	30004633-1	.INT CKT (45Z7,47Z7)	2			
-21	30001416-1	.INT CKT (51Z1)	1			
-22	74007160-3	.BOARD,PRINTED WIRE	1			

6.17.9474

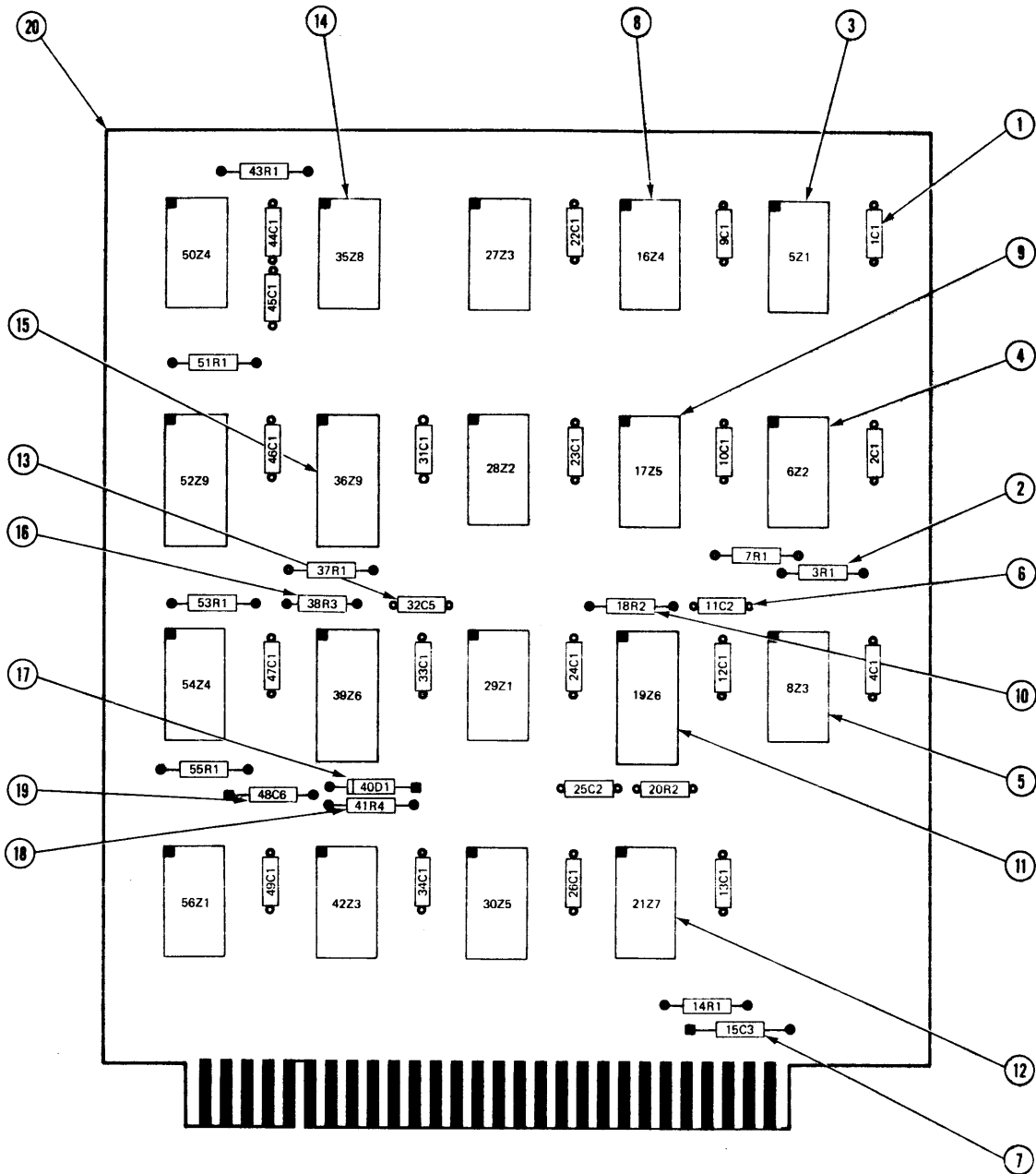


PC008577-1
REV.C

FIGURE 38 MDLI DECODE PWA

FIG & INDEX	PART NO.	DESCRIPTION	QTY PER ASSY	USED ON CODE	REF FIG	NFR
38-	75008577-1	PWA,MDLI DECODE (B7)	REF		19	
-1		DELETED				
-2	16000023-56	.RES,FILM 2K 1/4W +2% (2R1,13R1)	2			
-3	16000023-34	.RES,FILM 240 OHM 1/4W +2% (3R3,14R3)	2			
-4	40800042-1	.CAP.,0.01UF 50V +80 -20% (4C2,6C2,8C2,15C2,17C2,20C2,22C2,24C2,26C2,28C2,30C2,33C2,35C2,37C2)	14			
-5	30004595-1	.INT CKT (5Z5)	1			
-6	30001419-1	.INT CKT (7Z4,29Z4)	2			
-7	30004788-1	.INT CKT (9Z7)	1			
-7A	16000023-57	.RES,FILM 2.2K 1/4W +2% (10R2,11R2,19R2,32R2,39R2)	5			
-8	38000041-5	.CAP.,10UF 10V +20% (12C1)	1			
-9	30003873-1	.INT CKT (16Z3,18Z3,25Z3)	3			
-10	30003341-1	.INT CKT (21Z2,34Z2)	2			
-11	30003417-1	.INT CKT (23Z6,27Z6,36Z6,38Z6)	4			
-12	30001417-1	.INT CKT (31Z1)	1			
-13	74008577-4	.BOARD,PRINTED WIRE	1			

3.20.9674



PC008581-2
REV. A

FIGURE 39 MDLI FILE STATUS PWA

FIG & INDEX	PART NO.	DESCRIPTION	QTY PER ASSY	USED ON CODE	REF FIG	NFR
39-	75008581-2	PWA,MDLI FILE STATUS (B8)	REF		19	
-1	40800042-1	.CAP.,0.01UF 50V +80 -20% (1C1,2C1,4C1,9C1,10C1,12C1,13C1,22C1,23C1,24C1,26C1,31C1,33C1,34C1,44C1,45C1,46C1,47C1,49C1)	19			
-2	16000023-57	.RES,FILM 2.2K 1/4W +2% (3R1,7R1,14R1,37R1,43R1,51R1,53R1,55R1)	8			
-3	30003873-1	.INT CKT (5Z1,29Z1,56Z1)	3			
-4	30001414-1	.INT CKT (6Z2,28Z2)	2			
-5	30001417-1	.INT CKT (8Z3,27Z3,42Z3)	3			
-6	37000037-34	.CAP.,150PF 500V +10% (11C2,25C2)	2			
-7	38000041-5	.CAP.,10UF +20% (T5C3)	1			
-8	30003417-1	.INT CKT (16Z4,50Z4,54Z4)	3			
-9	30003341-1	.INT CKT (17Z5,30Z5)	2			
-10	16000023-80	.RES,FILM 20K 1/4W +2% (18R2,20R2)	2			
-11	30004796-1	.INT CKT (19Z6,39Z6)	2			
-12	30001419-1	.INT CKT (21Z7)	1			
-13	37000037-30	CAP.,100PF 500V +10% (32C5)	1			
-14	30003420-1	.INT CKT (35Z8)	1			
-15	30003414-1	.INT CKT (36Z9,52Z9)	2			
-16	16000023-77	.RES,FILM 15K 1/4W +2% (38R3)	1			
-17	10000440-1	.DIODE (40D1)	1			
-18	16000023-84	.RES,FILM 30K 1/4W +2% (41R4)	1			
-19	38000039-14	.CAP.,1.2UF +20% (48C6)	1			
-20	74008581-2	.BOARD,PRINTED WIRE	1			

3.21.81974

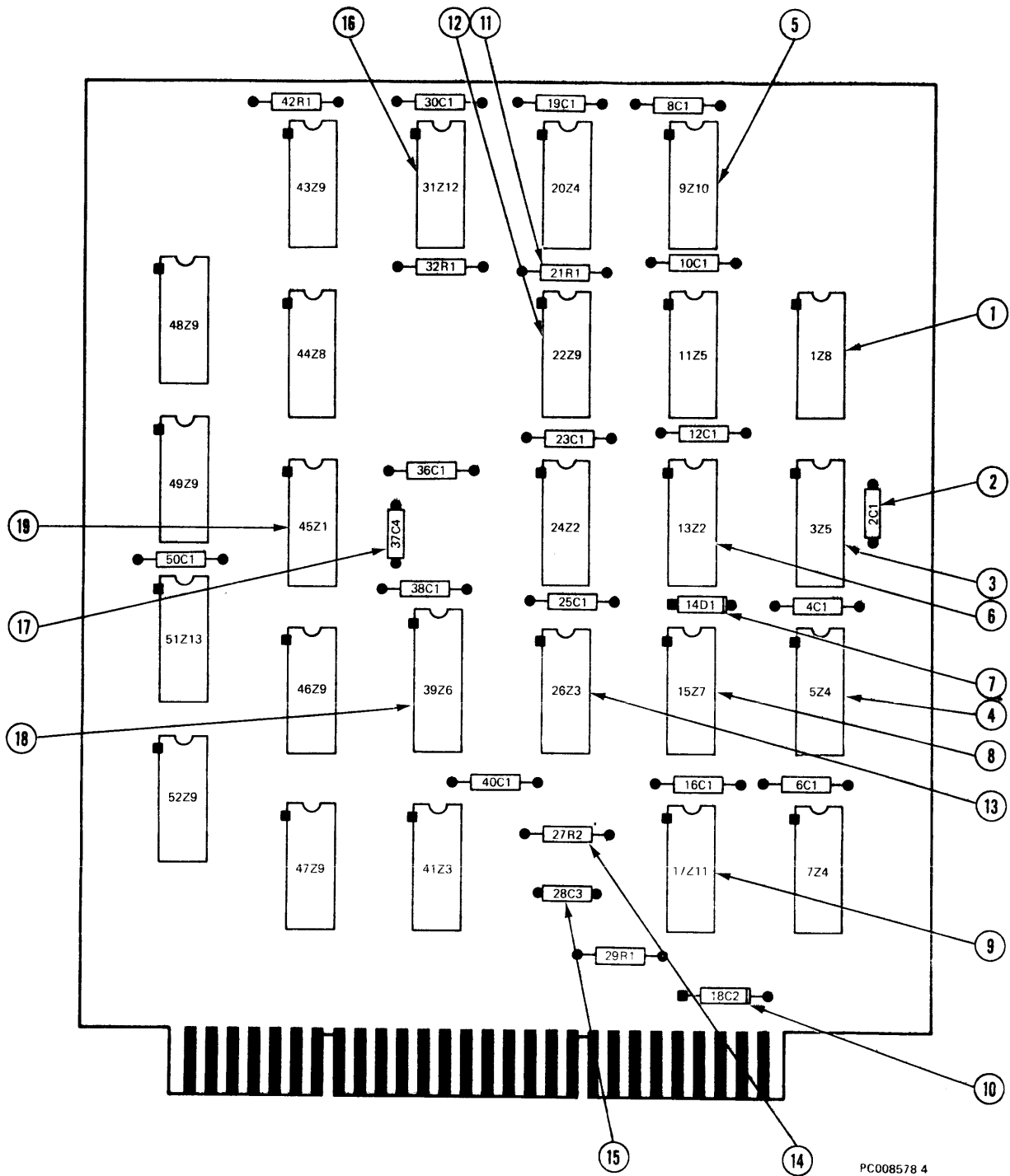
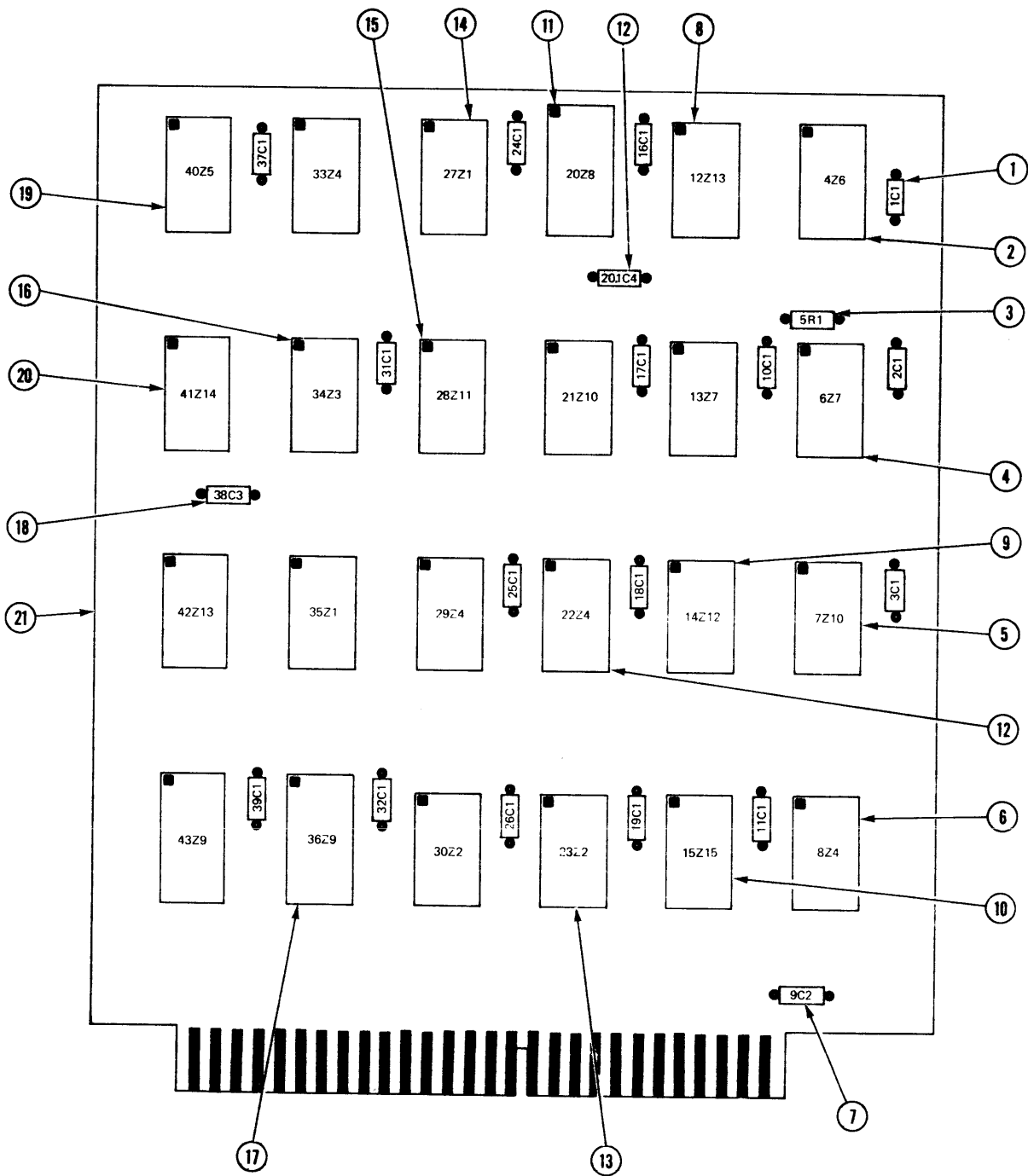


FIGURE 40 MAINTENANCE STATUS PWA

FIG & INDEX	PART NO.	DESCRIPTION	QTY PER ASSY	USED ON CODE	REF FIG	NFR
40-	75008578-4	PWA, MAINTENANCE STATUS (B9)	REF		19	
-1	4916031-00	.CAP., 0.01UF 50V +80-20% (1C3, 3C3, 7C3, 10C3, 21C3, 23C3, 31C3, 34C3, 41C3, 42C3)	10			
-2	3008183-00	.INT CKT (2Z2, 40Z2)	2			
-3	3008194-00	.INT CKT (4Z4, 11Z4, 22Z4, 24Z4, 32Z4, 35Z4)	6			
-4	4913459-56	.RES, MF 2.2K 1/4W +2% (5R2, 20R2)	2			
-5	38000041-5	.CAP., 10UF 10V 20% (6C1)	1			
-6	2899343-00	.INT CKT (8Z3)	1			
-7	4913459-48	.RES, 1K 1/4W +2% (9R7)	1			
-8	9000462-01	.TRANSISTOR (T2Q3)	1			
-9	4913459-72	.RES, MF 10K 1/4W +2% (13R6, 16R6, 17R6, 19R6)	4			
-10	9800207-00	.DIODE (14D1, 18D1, 26D1)	3			
-11	4913459-44	.RES, MF 680 OHM 1/4W +2% (15R1, 30R1, 33R1)	3			
-12	4913459-76	.RES, MF 15K 1/4W +2% (25R4)	1			
-13	3006709-04	.TRANSISTOR (27Q2, 38Q2)	1			
-14	4913459-70	.RES, MF 8.2K 1/4W +2% (28R3)	1			
-15	4913459-68	.RES, MF 6.8K 1/4W +2% (29R5, 39R5)	2			
-16	38000038-1	.CAP., 1.5UF 25V +20% (36C2)	1			
-17	9000459-01	.TRANSISTOR (17Q1)	1			
-18	4915711-01	.INT CKT (18Z1)	1			
-19	4913459-35	.RES, MF 300 OHM 1/4W +2% (44R9)	1			
-20	4913459-25	.RES, MF 110 OHM 1/4W +2% (45R8)	1			
-21	64800038-1	.RELAY (46K1)	1			
-22	74008578-4	.BOARD, PRINTED WIRE	1			

26.24.011276

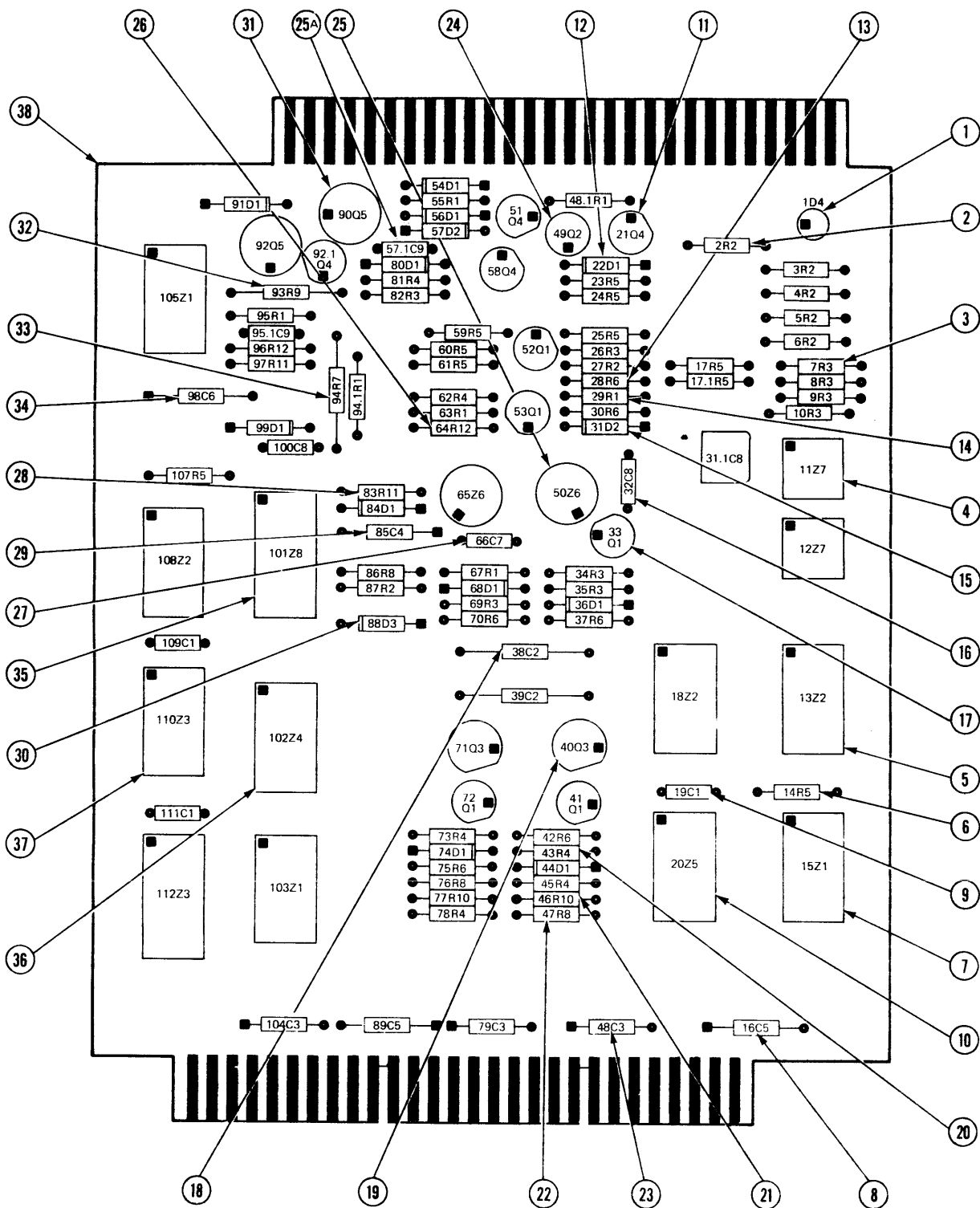


PC004236-4
REV. B2

FIGURE 41 DIFF COUNTER PWA

FIG & INDEX	PART NO.	DESCRIPTION	QTY PER ASSY	USED ON CODE	REF FIG	NFR
41-	75004236-4	PWA,DIFF COUNTER (B11)	REF		19	
-1	40003365-12	.CAP.,0.01UF 50V +20% (1C1,2C1,3C1,10C1,11C1,16C1,17C1,18C1,19C1,24C1,25C1,26C1,31C1,32C1,37C1,39C1)	16			
-2	30001413-1	.INT CKT (4Z6)	1			
-3	16000023-49	.RES,FILM 1K 1/4W +2% (5R1)	1			
-4	30003417-1	.INT CKT (6Z7,13Z7)	2			
-5	30001425-1	.INT CKT (7Z10,21Z10)	2			
-6	30003341-1	.INT CKT (8Z4,22Z4,29Z4,33Z4)	4			
-7	38000041-5	.CAP.,10UF 10V +20% (9C2)	1			
-8	30000436-1	.INT CKT (12Z13,42Z13)	2			
-9	30000434-1	.INT CKT (14Z12)	1			
-10	30001421-1	.INT CKT (15Z15)	1			
-11	30003418-1	.INT CKT (20Z8)	1			
-12	37000037-37	.CAP.,200PF 500V +10% (20.1C4)	1			
-13	30001411-1	.INT CKT (23Z2,30Z2)	2			
-14	30001417-1	.INT CKT (27Z1,35Z1)	2			
-15	30001414-1	.INT CKT (28Z11)	1			
-16	30001418-1	.INT CKT (34Z3)	1			
-17	30004322-1	.INT CKT (36Z9,43Z9)	2			
-18	37000037-56	.CAP.,1000PF 100V +10% (38C3)	1			
-19	30003873-1	.INT CKT (40Z5)	1			
-20	30000438-1	.INT CKT (41Z14)	1			
-21	74004236-4	.BOARD,PRINTED WIRE	1			

10.19.82174

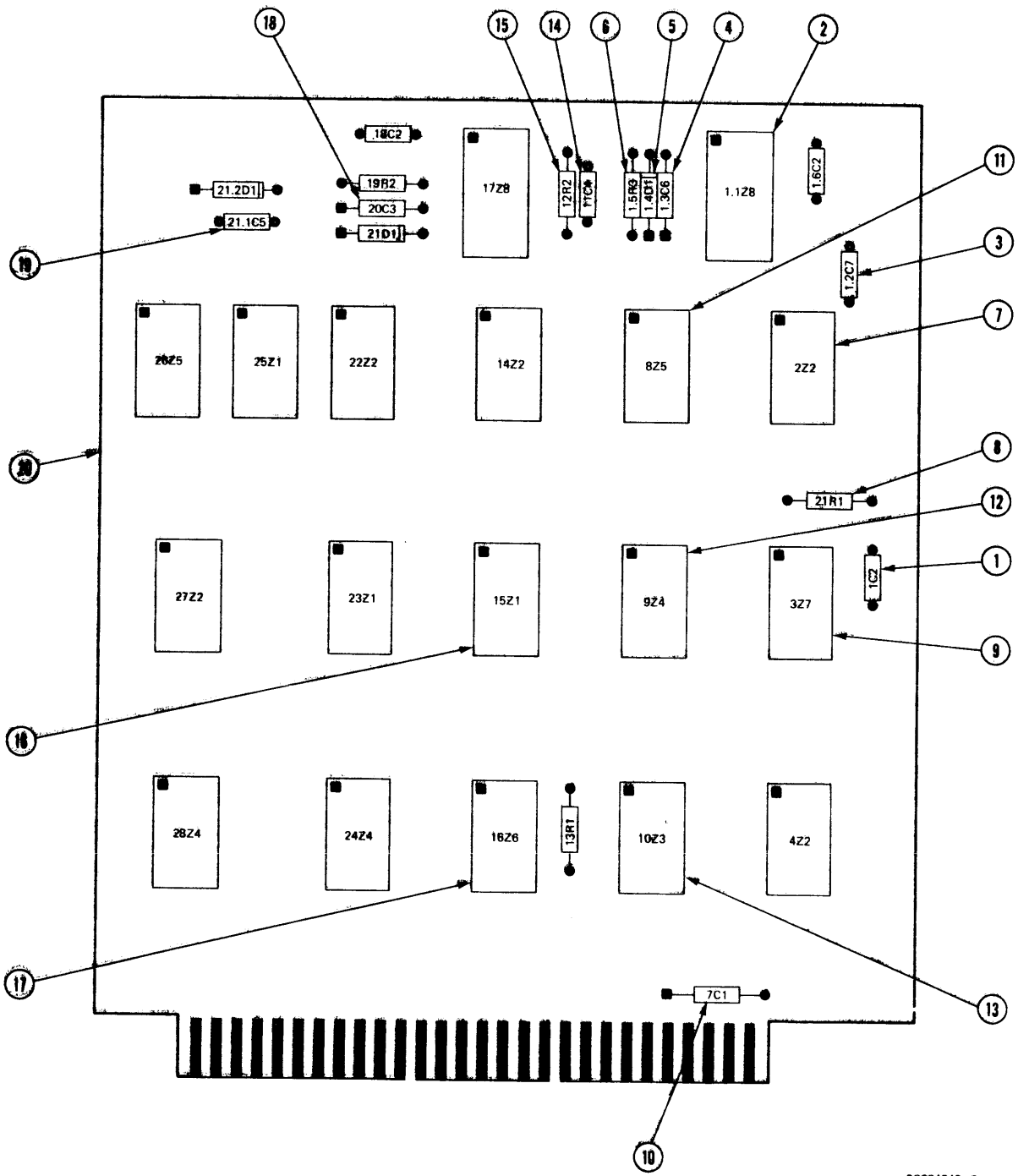


PC008605-3
REV A

FIGURE 42 DISK SPEED SENSOR PWA

FIG & INDEX	PART NO.	DESCRIPTION	QTY PER ASSY	USED ON CODE	REF FIG	NFR
42-	75008605-3	PWA,DISK SPEED SENSOR (B12)	REF		19	
-1	9004783-01	.DIODE (1D4)	1			
-2	4913459-33	.RES,FILM 240 OHM 1/4W +2% (2R2-6R2,27R2 87R2)	7			
-3	4913459-55	.RES,FILM 2K 1/4W +2% (7R3-10R3,26R3,34R3, 35R3,69R3,82R3)	9			
-4	30008087-00	.INT CKT (11Z7,12Z7)	2			
-5	2899000-00	.INT CKT (13Z2,18Z2,108Z2)	3			
-6	4913459-48	.RES,FILM 1K 1/4W +2% (14R5,17R5,17.1R5, 23R5,24R5,25R5,59R5,60R5,61R5,107R5)	10			
-7	2899003-00	.INT CKT (15Z1,103Z1,105Z1)	3			
-8	38000041-5	.CAP.,10UF 10V +20% (16C5,89C5)	2			
-9	40800042-1	.CAP.,0.01UF 50V +80-20% (19C1,109C1,111C1)	3			
-10	3008194-00	.INT CKT (20Z5)	1			
-11	9000462-01	.TRANSISTOR (21Q4,51Q4,58Q4,92.1Q4)	4			
-12	9800207-00	.DIODE (22D1,36D1,44D1,54D1,56D1,68D1, 74D1,80D1,84D1,91D1,99D1)	11			
-13	4913459-65	.RES,FILM 5.1K 1/4W +2% (28R6,30R6,37R6, 42R6,70R6,75R6)	6			
-14	4913459-42	.RES,FILM 560 OHM 1/4W +2% (29R1,48.1R1, 55R1,63R1,67R1,94.1R1,95R1)	7			
-15	3006944-08	.DIODE (31D2,57D2)	2			
-16	37000037-56	.CAP.,1000PF 100V +10% (31.1C8,32C8,100C8)	3			
-17	3006709-04	.TRANSISTOR (33Q1,41Q1,52Q1,53Q1,72Q1)	5			
-18	35000491-7	.CAP.,0.33UF 50V +5% (38C2,39C2)	2			
-19	9000451-01	.TRANSISTOR (40Q3,71Q3)	2			
-20	4913459-79	.RES,FILM 20K 1/4W +2% (43R4,45R4,62R4, 73R4,78R4,81R4)	6			
-21	9800435-27	.RES,FILM 44.2K 1/8W +1/2% (46R10,77R10)	2			
-22	4913459-72	.RES,FILM 10K 1/4W +2% (47R8,76R8,86R8)	3			
-23	38000038-1	.CAP.,1.5UF 25V +20% (48C3,79C3,104C3)	3			
-24	9000459-01	.TRANSISTOR (49Q2)	1			
-25	9800200-00	.INT CKT (50Z6,65Z6)	2			
-25A	40003615-4	.CAP.,.0022UF 50V/100V (57.1C9,95.1C9)	2			
-26	4913459-36	.RES,FILM 330 OHM 1/4W +2% (64R12,96R12)	2			
-27	40800042-2	.CAP.,0.047UF 50V +80-20% (66C7)	1			
-28	4913459-83	.RES,FILM 30K 1/4W +2% (83R11,97R11)	2			
-29	38003551-5	.CAP.,3.3UF 25V +10% (85C4)	1			
-30	3006944-12	.DIODE (88D3)	1			
-31	9800055-01	.TRANSISTOR (90Q5,92Q5)	2			
-32	9000024-20	.RES,FILM 62 OHM 1/2W +2% (93R9)	1			
-33	9000024-24	.RES,FILM 91 OHM 1/2W +2% (94R7)	1			
-34	38003304-1	.CAP.,100UF 15V +20% (98C6)	1			
-35	3007952-00	.INT CKT (101Z8)	1			
-36	2899001-00	.INT CKT (102Z4)	1			
-37	3007845-00	.INT CKT (110Z3,112Z3)	2			
-38	74008605-2	.BOARD,PRINTED WIRE	1			

6.16.011376

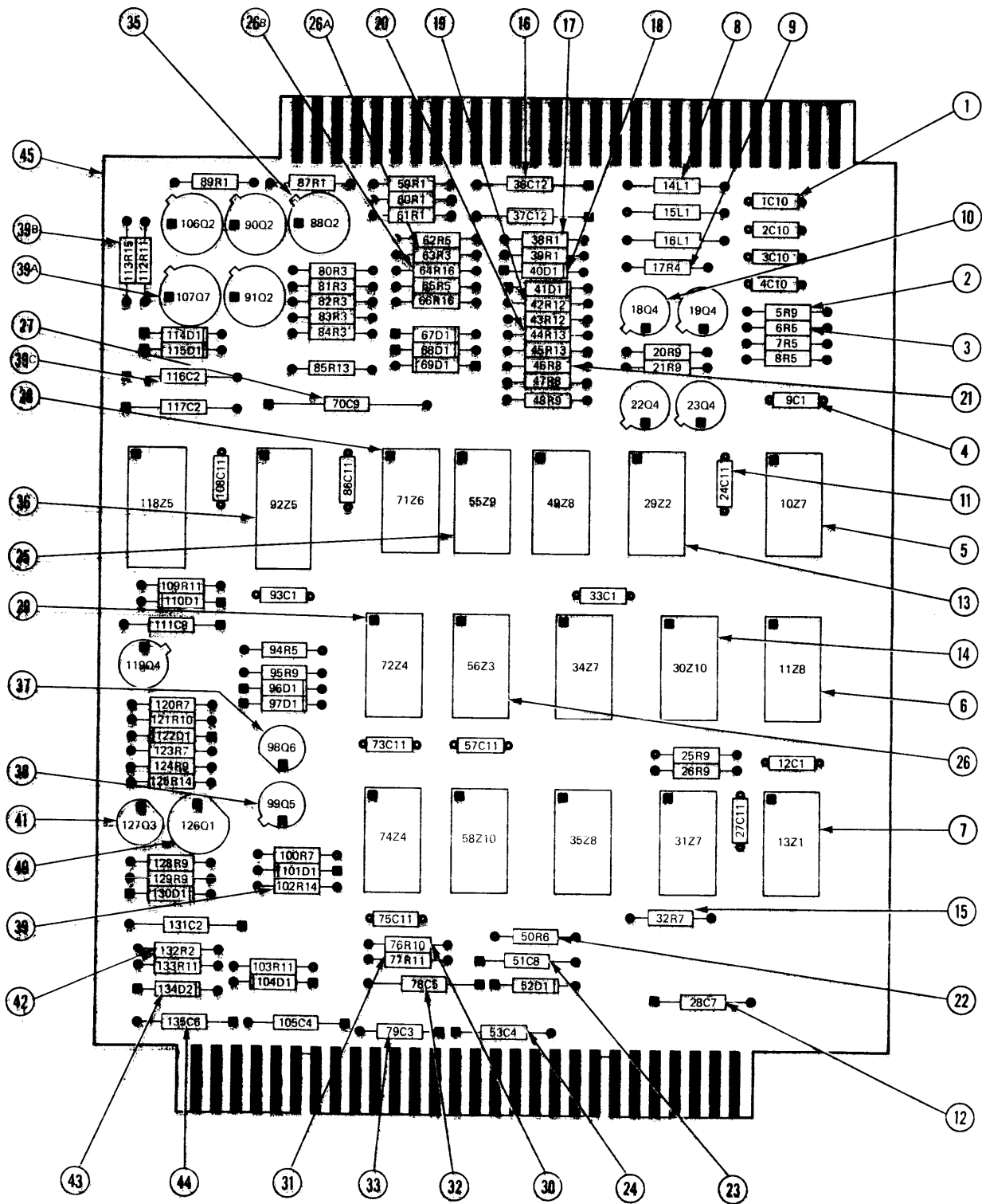


PC004242-6
REV. A

FIGURE 43 ACCESS CONTROL PWA

FIG & INDEX	PART NO.	DESCRIPTION	QTY PER ASSY	USED ON CODE	REF FIG	NFR
43-	75004242-7	PWA,ACCESS CONTROL (B13)	REF		19	
-1	40800042-1	.CAP.,0.01UF 50V +80 -20% (1C2,1.6C2,18C2)	3			
-2	3007952-00	.INT CKT (1.1Z8,17Z8)	2			
-3	37000037-56	.CAP.,1000PF 100V +10% (1.2C7)	1			
-4	38003782-23	.CAP.,0.33UF 35V +10% (1.3C6)	1			
-5	9800207-00	.DIODE (1.4D1,21D1,21.2D1)	3			
-6	16000023-72	.RES,FILM 9.1K 1/4W +2% (1.5R3)	1			
-7	2899000-00	.INT CKT (2Z2,4Z2,14Z2,22Z2,27Z2)	5			
-8	16000023-49	.RES,FILM 1K 1/4W +2% (2.1R1,13R1)	2			
-9	3008194-00	.INT CKT (3Z7)	1			
-10	38000041-5	.CAP.,10UF 10V +20% (7C1)	1			
-11	2899002-00	.INT CKT (8Z5,26Z5)	2			
-12	2899001-00	.INT CKT (9Z4,24Z4,28Z4)	3			
-13	5036152-00	.INT CKT (10Z3)	1			
-14	30000037-24	.CAP.,56PF 500V +10% (11C4)	1			
-15	16000023-80	.RES,FILM 20K 1/4W +2% (12R2,19R2)	2			
-16	2899003-00	.INT CKT (15Z1,23Z1,25Z1)	3			
-17	3007573-00	.INT CKT (16Z6)	1			
-18	38000039-7	.CAP.,0.33UF 35V +20% (20C3)	1			
-19	37000037-49	.CAP.,510PF 500V +10% (21.1C5)	1			
-20	74004242-7	.BOARD,PRINTED WIRE	1			

10.21.011476



PC00312.01
REV. A

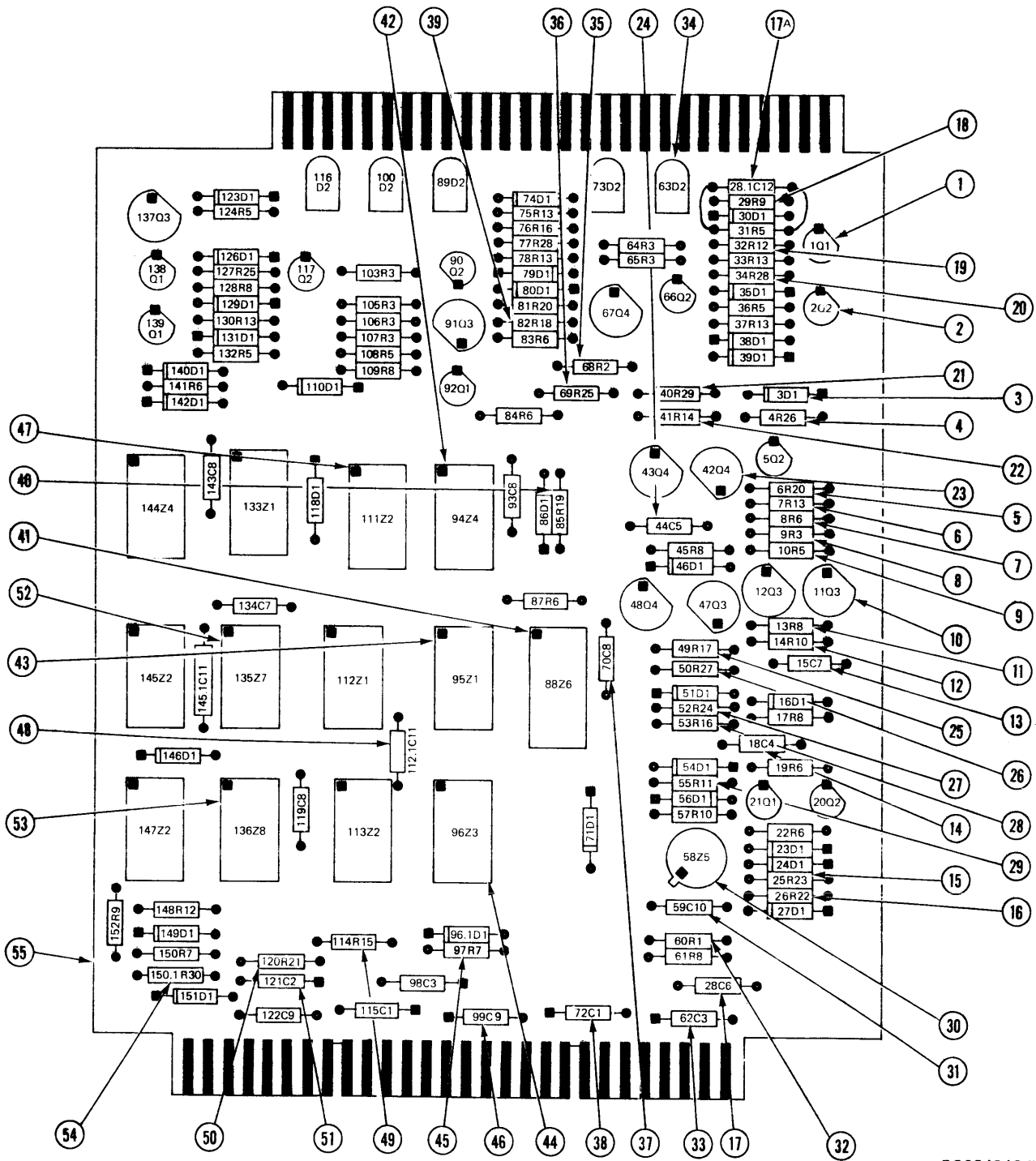
FIGURE 44 POWER CONTROL PWA

FIG & INDEX	PART NO.	DESCRIPTION	QTY PER ASSY	USED ON CODE	REF FIG	NFR
44-	9700312-01	PWA POWER CONTROL (B14)	REF		19	
-1	40003365-1	.CAP.,0.0012UF 50V \pm 20% (1C10,2C10,3C10,4C10)	4			
-2	4913459-67	.RES,MF 6.2K 1/4W \pm 2% (5R9,20R9,21R9,25R9,26R9,48R9,95R9,124R9,128R9,129R9)	10			
-3	4913459-48	.RES,MF 1K 1/4W \pm 2% (6R5,7R5,8R5,62R5,65R5,94R5)	6			
-4	37000037-56	.CAP.,1000PF 100V \pm 10% (9C1,12C1,33C1,93C1)	4			
-5	2899003-00	.INT CKT (10Z7,31Z7,34Z7)	3			
-6	3899000-00	.INT CKT (11Z8,35Z8,49Z8)	3			
-7	3899343-00	.INT CKT (13Z1)	1			
-8	32000474-32	.INDUCTOR (14L1,15L1,16L1)	3			
-9	4913459-42	.RES,MF 560 OHM 1/4W \pm 2% (17R4)	1			
-10	3006709-04	.TRANSISTOR (18Q4,19Q4,22Q4,23Q4,119Q4)	5			
-11	40800042-1	.CAP.,0.01UF 50V \pm 20% (24C11,27C11,57C11,73C11,75C11,86C11,108C11)	7			
-12	38000041-5	.CAP.,10UF 10V \pm 20% (28C7)	1			
-13	30004595-1	.INT CKT (29Z2)	1			
-14	2899001-00	.INT CKT (30Z10,58Z10)	2			
-15	4913459-55	.RES,MF 2K 1/4W \pm 2% (32R7,100R7,120R7,123R7)	4			
-16	38000039-27	.CAP.,22UF 35V \pm 20% (36C2,37C2)	2			
-17	4913459-24	.RESMF 100 OHM 1/4W \pm 2% (38R1,39R1,59R1,60R1,61R1,87R1,89R1)	7			
-18	9800207-00	.DIODE (40D1,41D1,52D1,67D1,68D1,69D1,96D1,97D1,101D1,104D1,110D1,114D1,115D1,122D1,130D1)	15			
-19	4913459-82	.RES,MF 27K 1/4W \pm 2% (42R12,43R12)	2			
-20	4913459-83	.RES,MF 30K 1/4W \pm 2% (44R13,45R13,85R13)	3			
-21	4913459-59	.RES,MF 3K 1/4W \pm 2% (46R8,47R8)	2			
-22	4913459-52	.RES,MF 1.5K 1/4W \pm 2% (50R6)	1			
-23	38000041-9	.CAP.,22UF 10V \pm 20% (51C8,111C8)	2			
-24	38000039-15	.CAP.,1.5UF 35V \pm 20% (53C4,105C4)	2			
-25	3007573-00	.INT CKT (55Z9)	1			
-26	4915711-01	.INT CKT (56Z3)	1			
-26A	4913459-41	.RES,MF 510 OHM 1/4W \pm 2% (63R3,80R3,81R3,82R3,83R3,84R3)	6			
-26B	4913459-45	.RES,MF 750 OHM 1/4W \pm 2% (64R16,66R16)	2			
-27	4912107-10	.CAP.,100UF 15V \pm 20% (70C9)	1			
-28	2899002-00	.INT CKT (71Z6)	1			
-29	9800112-01	.INT CKT (72Z4,74Z4)	2			
-30	4913459-72	.RES,MF 10K 1/4W \pm 2% (76R10,121R10)	2			
-31	4913459-79	.RES,MF 20K 1/4W \pm 2% (77R11,103R11,109R11,112R11,133R11)	5			
-32	38000039-23	.CAP.,6.8UF 35V \pm 20% (78C5)	1			
-33	38000038-1	.CAP.,1.5UF 25V \pm 20% (79C3)	1			
-34		DELETED				

24.23.011376

FIG & INDEX	PART NO.	DESCRIPTION	QTY PER ASSY	USED ON CODE	REF FIG	NFR
44-35	9000453-01	.TRANSISTOR (88Q2,90Q2,91Q2,106Q2)	4			
-36	3007952-00	.INT CKT (92Z5,118Z5)	2			
-37	9000462-01	.TRANSISTOR (98Q6)	1			
-38	9003709-01	.TRANSISTOR (99Q5)	1			
-39	4913459-89	.RES,MF 51K 1/4W +2% (102R14,125R14)	2			
-39A	9800055-01	.TRANSISTOR (107Q7)	1			
-38B	4913459-86	.RES,MF 39K 1/4W +2% (113R15)	1			
-39C	38000038-11	.CAP.,10UF 25V +20% (116C2,117C2,131C2)	3			
-40	3006623-01	.TRANSISTOR (126Q1)	1			
-41	9000455-01	.TRANSISTOR (127Q3)	1			
-42	4913459-31	.RES,MF 200 OHM 1/4W +2% (132R2)	1			
-43	3006944-36	.DIODE (134D2)	1			
-44	38000040-11	.CAP.,0.68UF 75V +20% (135C6)	1			
-45	74004241-6	.BOARD,PRINTED WIRE	1			

24.24.011476



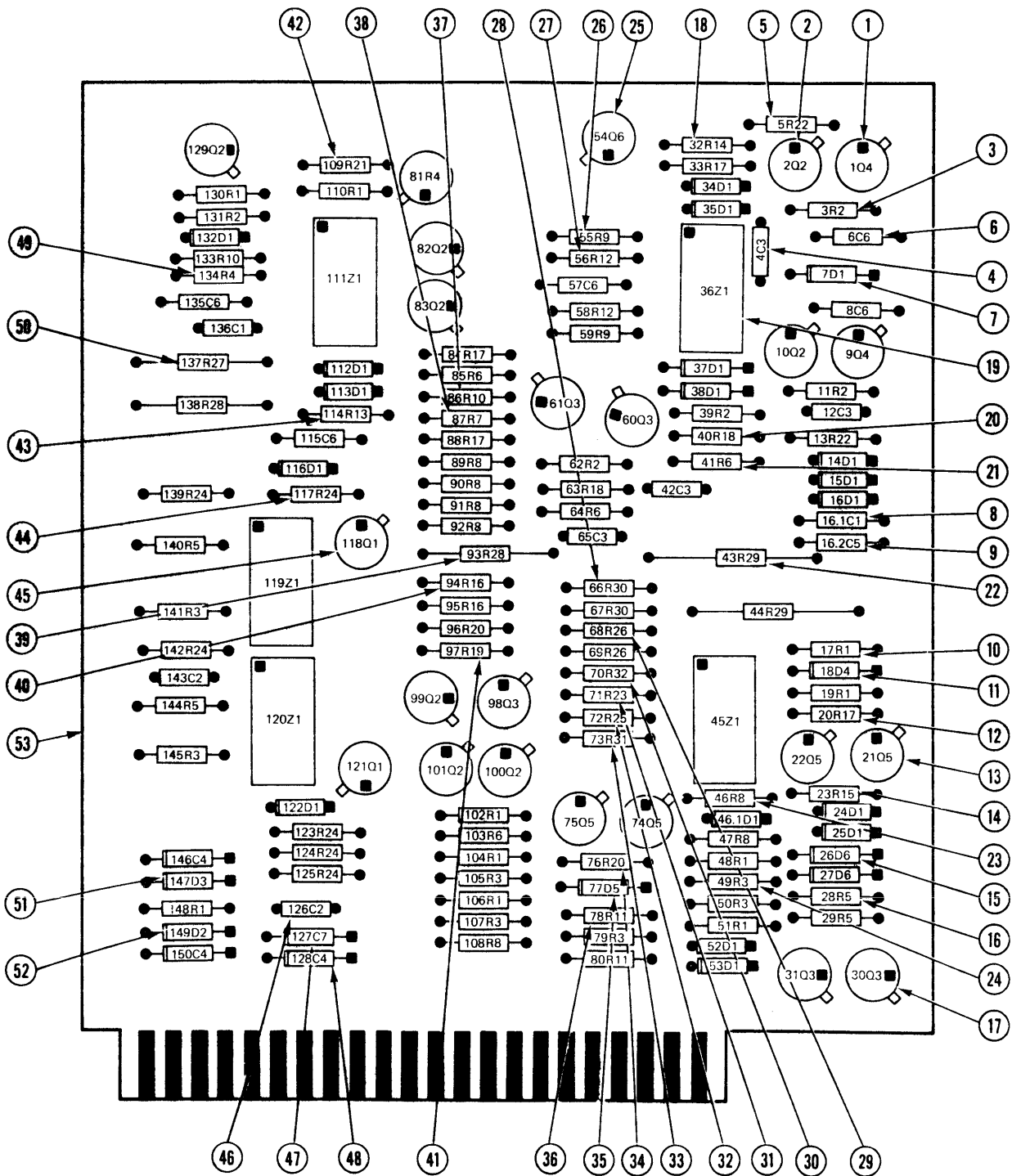
PC004246-7
REV A

FIGURE 45 FILE SAFETY PWA

FIG & INDEX	PART NO.	DESCRIPTION	QTY PER ASSY	USED ON CODE	REF FIG	NFR
45-	75004246-7	PWA, FILE SAFETY (B16)	REF		19	
-1	9000462-01	.TRANSISTOR (1Q1,21Q1,92Q1,138Q1,139Q1)	5			
-2	5008709-04	.TRANSISTOR (2Q2,5Q2,20Q2,66Q2,90Q2,117Q2)	6			
-3	9800207-00	.DIODE (3D1,16D1,23D1,24D1,27D1,30D1,35D1,38D1,39D1,46D1,51D1,54D1,56D1,71D1,74D1,79D1,80D1,86D1,96.1D1,110D1,118D1,123D1,126D1,129D1,131D1,140D1,142D1,146D1,149D1,151D1)	30			
-4	18000027-582	.RES, FILM 27.1K 1/4W +1/2% (4R26)	1			
-5	16000023-81	.RES, FILM 22K 1/4W +2% (6R20,81R20)	2			
-6	16000023-69	.RES, FILM 6.8K 1/4W +2% (7R13,33R13,37R13,75R13,78R13,130R13)	6			
-7	16000023-49	.RES, FILM 1K 1/4W +2% (8R6,19R6,22R6,83R6,84R6,87R6,141R6)	7			
-8	16000023-33	.RES, FILM 220 OHM 1/4W +2% (9R3,64R3,65R3,103R3,105R3,106R3,107R3)	7			
-9	16000023-44	.RES, FILM 620 OHM 1/4W +2% (10R5,31R5,36R5,108R5,124R5,132R5)	6			
-10	9000453-01	.TRANSISTOR (11Q3,12Q3,47Q3,91Q3,137Q3)	5			
-11	16000023-53	.RES, FILM 1.5K 1/4W +2% (13R8,17R8,45R8,61R8,109R8,128R8)	6			
-12	16000023-60	.RES, FILM 3K 1/4W +2% (14R10,57R10)	2			
-13	37000037-45	.CAP., 390PF 500V +10% (15C7,134C7)	2			
-14	35000031-13	.CAP., 0.01UF 100V +10% (18C4)	1			
-15	16000023-106	.RES, FILM 240K 1/4W +2% (25R23)	1			
-16	16000023-95	.RES, FILM 82K 1/4W +2% (26R22)	1			
-17	35000031-9	.CAP., 0.004UF 100V +10% (28C6)	1			
-17A	40003615-24	.CAP., 0.1UF 50V/100V (28.1C12)	1			
-18	16000023-58	.RES, FILM 2.4K 1/4W +2% (29R9,152R9)	2			
-19	16000023-63	.RES, FILM 3.9K 1/4W +2% (32R12,148R12)	2			
-20	16000023-73	.RES, FILM 10K 1/4W +2% (34R28,77R28)	2			
-21	18000027-521	.RES, FILM 13K 1/4W +1/2% (40R29)	1			
-22	16000023-92	.RES, FILM 62K 1/4W +2% (41R14)	1			
-23	9000451-01	.TRANSISTOR (42Q4,43Q4,48Q4,67Q4)	4			
-24	35000469-13	.CAP., 0.01UF 100V +1% (44C5)	1			
-25	16000023-76	.RES, FILM 13K 1/4W +2% (49R17)	1			
-26	18000027-644	.RES, FILM 56.9K 1/4W +1/2% (50R27)	1			
-27	16000023-104	.RES, FILM 200K 1/4W +2% (52R24)	1			
-28	16000023-72	.RES, FILM 9.1K 1/4W +2% (53R16,76R16)	2			
-29	16000023-55	.RES, FILM 1.8K 1/4W +2% (55R11)	1			
-30	9800420-00	.INT CKT (58Z5)	1			
-31	37000037-16	.CAP., 30PF 50V +10% (59C10)	1			
-32	19000029-13	.RES, COMP 1MEG 1/4W +5% (60R1)	1			
-33	38001736-7	.CAP., 10UF 15V +20% (62C3,98C3)	2			
-34	9004783-01	.DIODE (63D2,73D2,89D2,100D2,116D2)	5			
-35	16000025-34	.RES, FILM 240 OHM 1W +2% (68R2)	1			
-36	16000023-57	.RES, FILM 2.2K 1/4W +2% (69R25,127R25)	2			
-37	40800042-1	.CAP., 0.01UF 50V +20% (70C8,93C8,119C8,143C8)	4			
			10.22.011476			

FIG & INDEX	PART NO.	DESCRIPTION	QTY PER ASSY	USED ON CODE	REF FIG	NFR
45-38	38000038-1	.CAP.,1.5UF 25V +20% (72C1,115C1)	2			
-39	16000023-56	.RES,FILM 2K 1/4W +2% (82R18)	1			
-40	16000023-80	.RES,FILM 20K 1/4W +2% (85R19)	1			
-41	9004784-01	.INT CKT (88Z6)	1			
-42	13008194-00	.INT CKT (94Z4,144Z4)	2			
-43	2899003-00	.INT CKT (95Z1,112Z1,133Z1)	3			
-44	13007575-00	.INT CKT (96Z3)	1			
-45	16000023-59	.RES,FILM 2.7K 1/4W +2% (97R7,150R7)	2			
-46	38000039-15	.CAP.,1.5UF 35V +20% (99C9,122C9)	2			
-47	2899000-00	.INT CKT (111Z2,113Z2,145Z2,147Z2)	4			
-48	37000037-56	.CAP.,1000PF 100V +10% (112.1C11,145.1C11)	2			
-49	16000023-48	.RES,FILM 910 OHM 1/4W +2% (114R15)	1			
-50	16000023-54	.RES,FILM 1.6K 1/4W +2% (120R21)	1			
-51	38000040-11	.CAP.,0.68UF 75V +20% (121C2)	1			
-52	9001399-01	.INT CKT (135Z7)	1			
-53	3006204-00	.INT CKT (136Z8)	1			
-54	16000023-65	.RES,FILM 4.7K 1/4W +2% (150.1R30)	1			
-55	74004246-6	.BOARD,PRINTED WIRE	1			

10.23.011476



PC007617

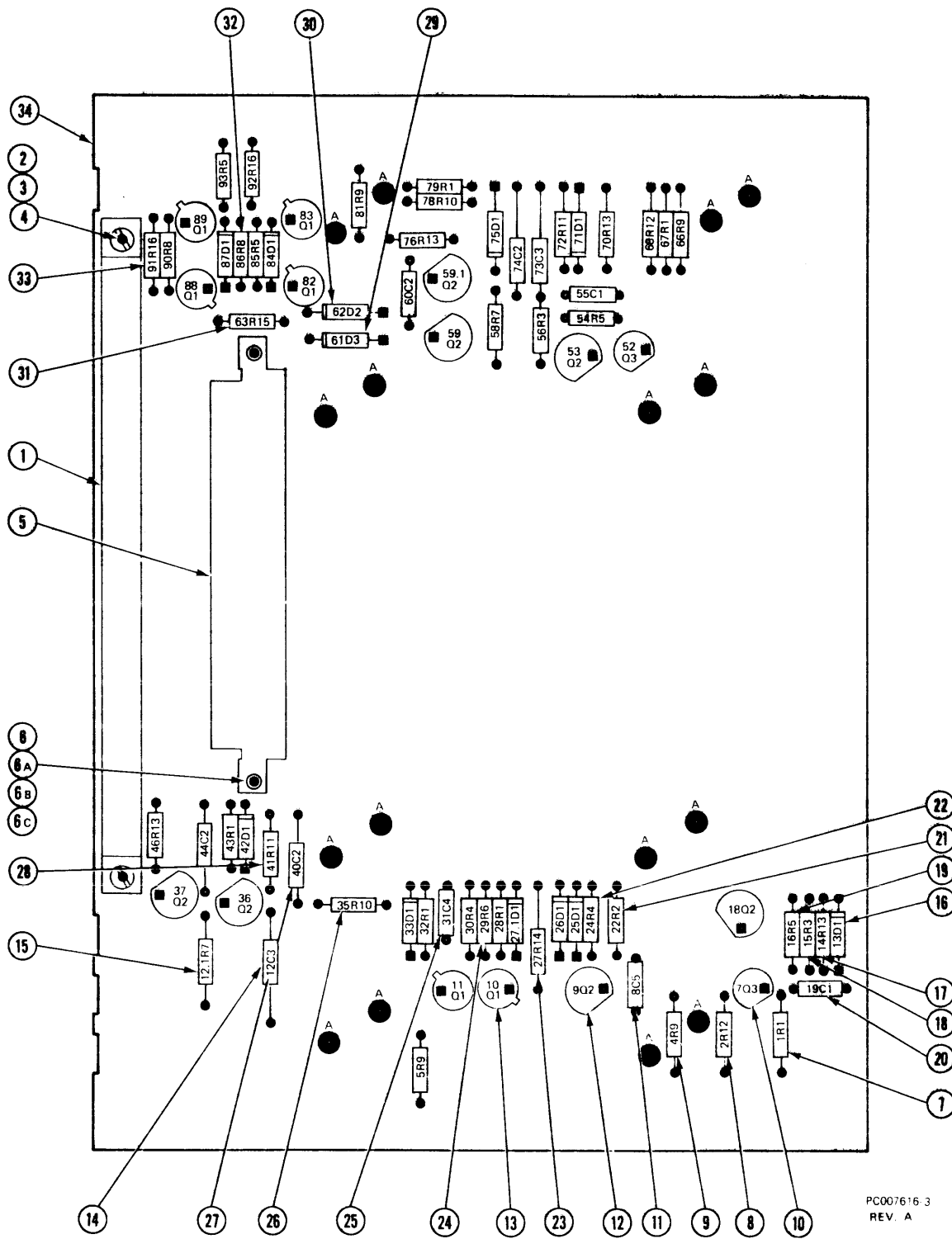
FIGURE 46 SERVO ERROR DETECTOR

FIG & INDEX	PART NO.	DESCRIPTION	QTY PER ASSY	USED ON CODE	REF FIG	NFR
46-	75007617-4	PWA,SERVO ERROR DETECTOR	REF		22	
-1	3006709-04	.TRANSISTOR (1Q4,9Q4,81Q4)	3			
-2	9000462-01	.TRANSISTOR (2Q2,10Q2,82Q2,83Q2,99Q2,100Q2,101Q2,129Q2)	8			
-3	4913459-55	.RES,MF 2K 1/4W +2% (3R2,11R2,39R2,62R2,131R2)	5			
-4	37000037-32	.CAP.,MICA 120 PF (4C3,12C3,42C3,65C3)	4			
-5	4913459-09	.RES,MF 24 OHM 1/4W +2% (5R22,13R22)	2			
-6	4915726-27	.CAP.,CER 0.1UF (6C6,8C6,57C6,115C6,136C6)	5			
-7	9800207-00	.DIODE (7D1,14D1,15D1,16D1,24D1,25D1,34D1,35D1,37D1,38D1,46.1D1,52D1,53D1,112D1,113D1,116D1,122D1,132D1)	18			
-8	2899579-07	.CAP.,0.022UF 50V +10% (16.1C1,136C1)	2			
-9	2899579-11	.CAP.,CER 0.047UF 50V +10% (16.2C5)	1			
-10	4913459-48	.RES,MF 1K 1/4W +2% (17R1,19R1,48R1,51R1,102R1,104R1,106R1,110R1,130R1,148R1)	10			
-11	3006944-35	.DIODE (18D4)	1			
-12	4913459-41	.RES,MF 510 OHM 1/4W +2% (20R17,33R17,84R17,88R17)	4			
-13	9000451-01	.TRANSISTOR (21Q5,22Q5,74Q5,75Q5)	4			
-14	4913459-93	.RES,MF 75K 1/4W +2% (23R15)	1			
-15	3006944-01	.DIODE (25D6,27D6)	2			
-16	4913459-52	.RES,MF 1.5K 1/4W +2% (28R5,29R5,140R5,144R5)	4			
-17	9000453-01	.TRANSISTOR (30Q3,31Q3,60Q3,61Q3,98Q3)	5			
-18	4913459-96	.RES,MF 100K 1/4W +2% (32R14)	1			
-19	3007898-00	.INT CKT (36Z1,45Z1,111Z1,119Z1,120Z1)	5			
-20	4913459-33	.RES,MF 240 OHM 1/4W +2% (40R18,63R18)	2			
-21	4913459-69	.RES,MF 7.5K 1/4W +2% (41R6,64R6,85R6,103R6)	4			
-22	3010887-43	.RES,MF 620 OHM 2W +2% (43R29,44R29)	2			
-23	4913459-71	.RES,MF 9.1K 1/4W +2% (46R8,47R8,89R8,90R8,91R8,92R8,108R8)	7			
-24	4913459-59	.RES,MF 3K 1/4W +2% (49R3,50R3,79R3,105R3,107R3,147R3,145R3)	7			
-25	9000459-01	.TRANSISTOR (54Q6)	1			
-26	9800434-25	.RES,FF 5.9K 1/8W +1/2% (55R9,59R9)	2			
-27	4913459-83	.RES,MF 30K 1/4W +2% (56R12,58R12)	2			
-28	9800433-52	.RES,FF 1K 1/8W +1/2% (66R30,67R30)	2			
-29	9800433-68	.RES,FF 12.6K 1/8W +1/2% (68R26,69R26)	2			
-30	9800434-10	.RES,FF 4.42K 1/8W +1/2% (70R32)	1			
-31	9800434-08	.RES,FF 4.22K 1/8W +1/2% (71R23)	1			
-32	9800433-96	.RES,FF 3.24K 1/8W +1/2% (72R25)	1			
-33	9800433-95	.RES,FF 3.16K 1/8W +1/2% (73R31)	1			
-34	4913459-44	.RES,MF 680 OHM 1/4W +2% (76R20,96R20)	2			
-35	3006944-12	.DIODE (77D5)	1			
-36	4913459-82	.RES,MF 27K 1/4W +2% (78R11,80R11)	2			

26.27.011476

FIG & INDEX	PART NO.	DESCRIPTION	QTY PER ASSY	USED ON CODE	REF FIG	NFR
46-37	4913459-74	.RES,MF 12K 1/2W +2% (86R10,133R10)	2			
-38	4913459-64	.RESMMF 4.7K 1/4W +2% (87R7)	1			
-39	3010883-67	.RES,MF 6.2K 1/2W +2% (93R28,138R28)	2			
-40	4913459-91	.RES,MF 62K 1/4W +2% (94R16,95R16)	2			
-41	4913459-90	.RES,MF 56K 1/4W +2% (97R19)	1			
-42	4913459-95	.RES,MF 91K 1/4W +2% (109R21)	1			
-43	4913459-76	.RES,MF 15K 1/4W +2% (114R13)	1			
-44	9800433-94	.RES,FF 3.01K 1/8W +1/2% (117R24,123R24, 124R24,125R24,139R24,142R24)	6			
-45	3006467-04	.TRANSISTOR (118Q1,121Q1)	2			
-46	2899578-71	.CAP.,CER 2200 PF (126C2,143C2)	2			
-47	38000041-5	.CAP.,10UF 10V +20% (127C7)	1			
-48	38000038-1	.CAP.,1.5UF 25V +20% (128C4,146C4,150C4)	3			
-49	4913459-65	.RES,MF 5.1K 1/4W +2% (134R4)	1			
-50	3010883-69	.RES,MF 7.5K 1/2W +2% (137R27)	1			
-51	3006944-25	.DIODE (147D3)	1			
-52	3006944-21	.DIODE (149D2)	1			
-53	74007617-3	.BOARD,PRINTED WIRE	1			

26.28.011476

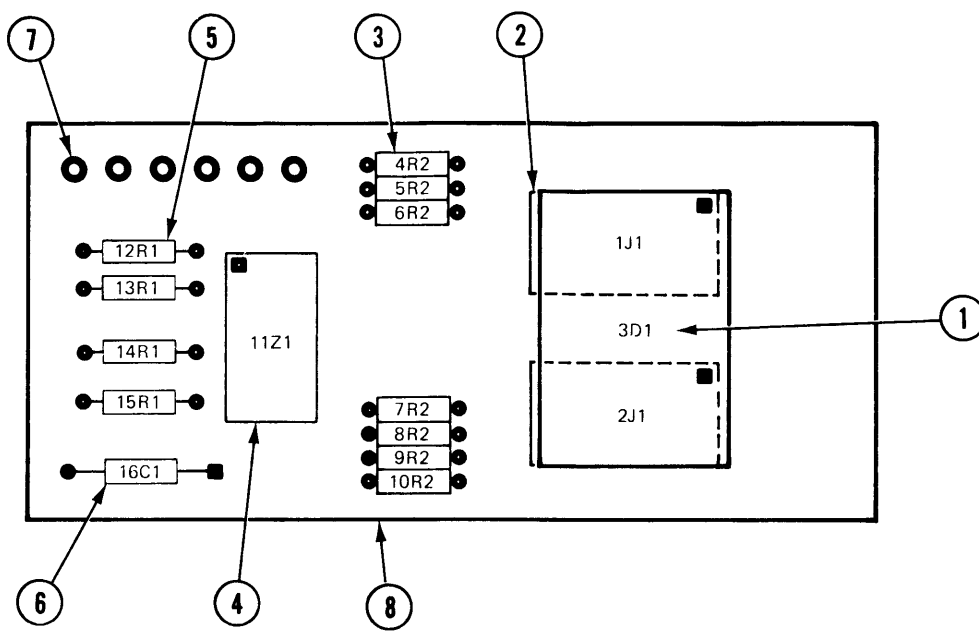


PC007616-3
REV. A

FIGURE 47 PULSER/DRIVER PWA

FIG & INDEX	PART NO.	DESCRIPTION	QTY PER ASSY	USED ON CODE	REF FIG	NFR
47-	75007616-3	PWA,PULSER/DRIVER	REF		22	
-1	73004894-14	.TERMINAL BLOCK,15 POS	1			
-2	50000754-6	.SCREW,BIND.HD 6-32X.375 (AP)	2			
-3	51000787-3	.WASHER,LOCK (AP)	2			
-4	52000783-6	.NUT,HEX (AP)	2			
-5	58007615-1	.CONNECTOR,PWB (J1)	1			
-6	50000753-10	.SCREW,BIND.HD 4-40X.625 (AP)	2			
-6A	51000786-3	.WASHER,PLAIN (AP)	2			
-6B	52000783-4	.NUT,HEX (AP)	2			
-6C	87006738-1	.FOOT	2			
-7	16000023-49	.RES,FILM 1K 1/4W +2% (1R1,28R1,32R1,43R1,67R1,79R1)	6			
-8	16000023-34	.RES,FILM 240 OHM 1/4W +2% (2R12,68R12)	2			
-9	16000023-5	.RES,FILM 15 OHM 1/4W +2% (4R9,5R9,66R9,81R9)	4			
-10	24000457-1	.TRANSISTOR (7Q3,52Q3)	2			
-11	37000037-56	.CAP.,1000PF 100V +10% (8C5)	1			
-12	25000453-1	.TRANSISTOR (9Q2,18Q2,36Q2,37Q2,53Q2,59Q2,59.1Q2)	7			
-13	24000459-1	.TRANSISTOR (10Q1,11Q1,82Q1,83Q1,88Q1,89Q1)	6			
-14	35000031-7	.CAP.,0.0033UF 100V +10% (12C3,73C3)	2			
-15	16000023-68	.RES,FILM 6.2K 1/4W +2% (12.1R7,58R7)	2			
-16	10000440-1	.DIODE (13D1,25D1,26D1,27.1D1,33D1,42D1,71D1,75D1,84D1,87D1)	10			
-17	16000023-42	.RES,FILM 510 OHM 1/4W +2% (14R13,46R13,70R13,76R13)	4			
-18	16000023-58	.RES,FILM 2.4K 1/4W +2% (15R3,56R3)	2			
-19	16000023-71	.RES,FILM 8.2K 1/4W +2% (16R5,54R5,85R5,93R5)	4			
-20	37000037-21	.CAP.,47PF 500V +10% (19C1,55C1)	2			
-21	16000023-56	.RES,FILM 2K 1/4W +2% (22R2)	1			
-22	16000023-66	.RES,FILM 5.1K 1/4W +2% (24R4,30R4)	2			
-23	16000024-73	.RES,FILM 10K 1/2W +2% (27R14)	1			
-24	16000023-73	.RES,FILM 10K 1/4W +2% (29R6)	1			
-25	40003615-24	.CAP.,0.1UF 100V +10% (31C4)	1			
-26	16000023-8	.RES,FILM 20 OHM 1/4W +2% (35R10,78R10)	2			
-27	35000031-5	.CAP.,0.0022UF 100V +10% (40C2,44C2,60C2,74C2)	4			
-28	16000023-25	.RES,FILM 100 OHM 1/4W +2% (41R11,72R11)	2			
-29	11000444-11	.DIODE (61D3)	1			
-30	11000444-22	.DIODE (62D2)	1			
-31	16000024-33	.RES,FILM 220 OHM 1/2W +2% (63R15)	1			
-32	16000023-93	.RES,FILM 68K 1/4W +2% (86R8,90R8)	2			
-33	16000023-38	.RES,FILM 360 OHM 1/4W +2% (91R16,92R16)	2			
-34	74007616-3	.BOARD,PRINTED WIRE	1			

12.17.82174



PC008576-1
REV. A

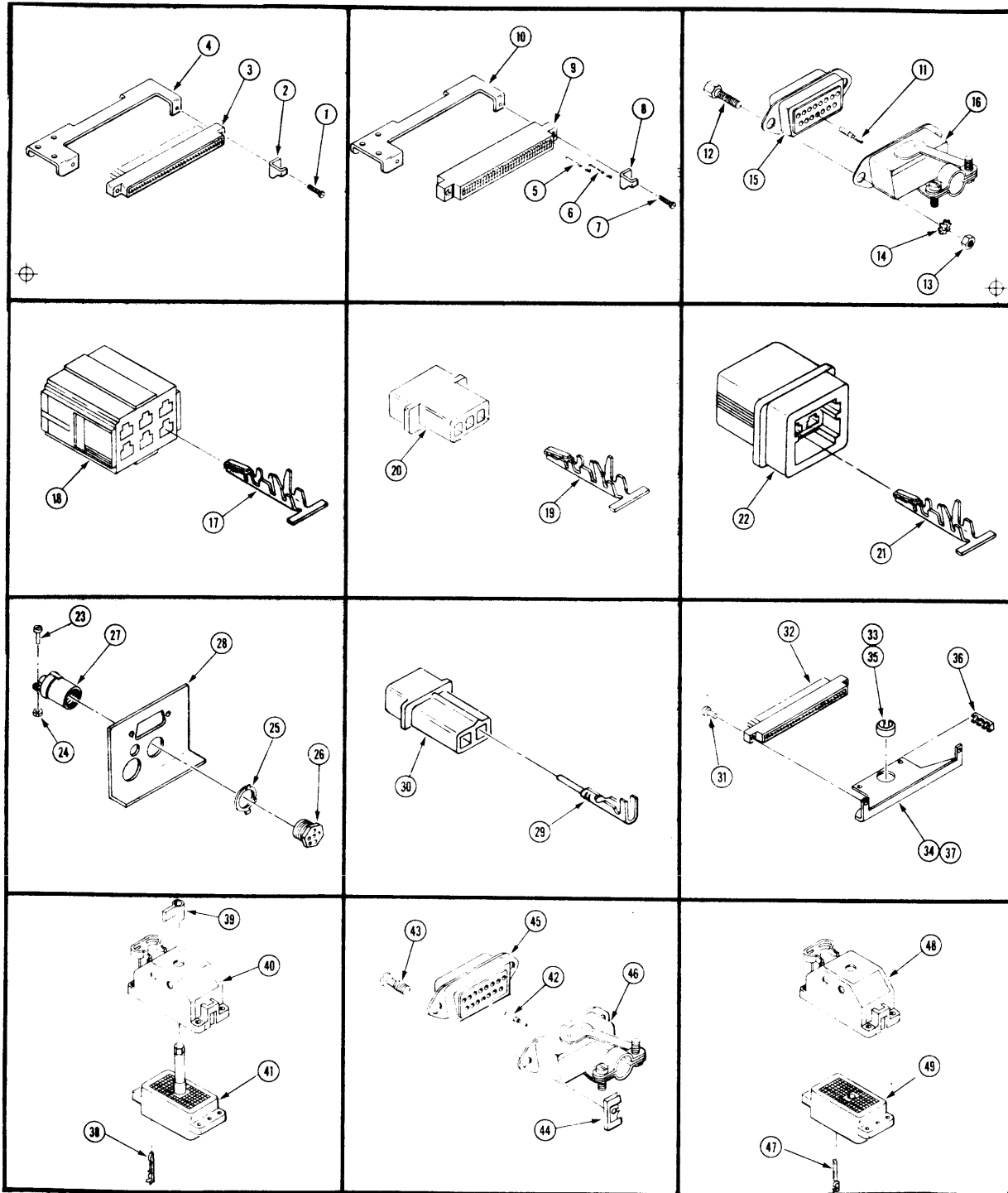
FIGURE 49 LED DISPLAY PWA

FIG & INDEX	PART NO.	DESCRIPTION	QTY PER ASSY	USED ON CODE	REF FIG	NFR
49-	75008576-2	PWA,LED DISPLAY (CONTROL PANEL) (A6A1)	REF		16	
-1	9800328-00	.LED (3D1)	1			
-2	57010239-2	.SOCKET,LED (1J1,2J1)	2			
-3	9000024-41	.RES,FILM 390K 1/4W +2% (4R2-10R2)	7			
-4	3007861-01	.INT CKT (11Z1)	1			
-5	4913459-55	.RES,FILM 2K 1/4W +2% (12R1-15R1)	4			
-6	38000041-5	.CAP.,10UF 10V +20% (16C1)	1			
-7	45003537-2	.TERMINAL	6			
-8	74008576-3	.BOARD,PRINTED WIRE	1			

3.23.011376

TP031

UP002511-1

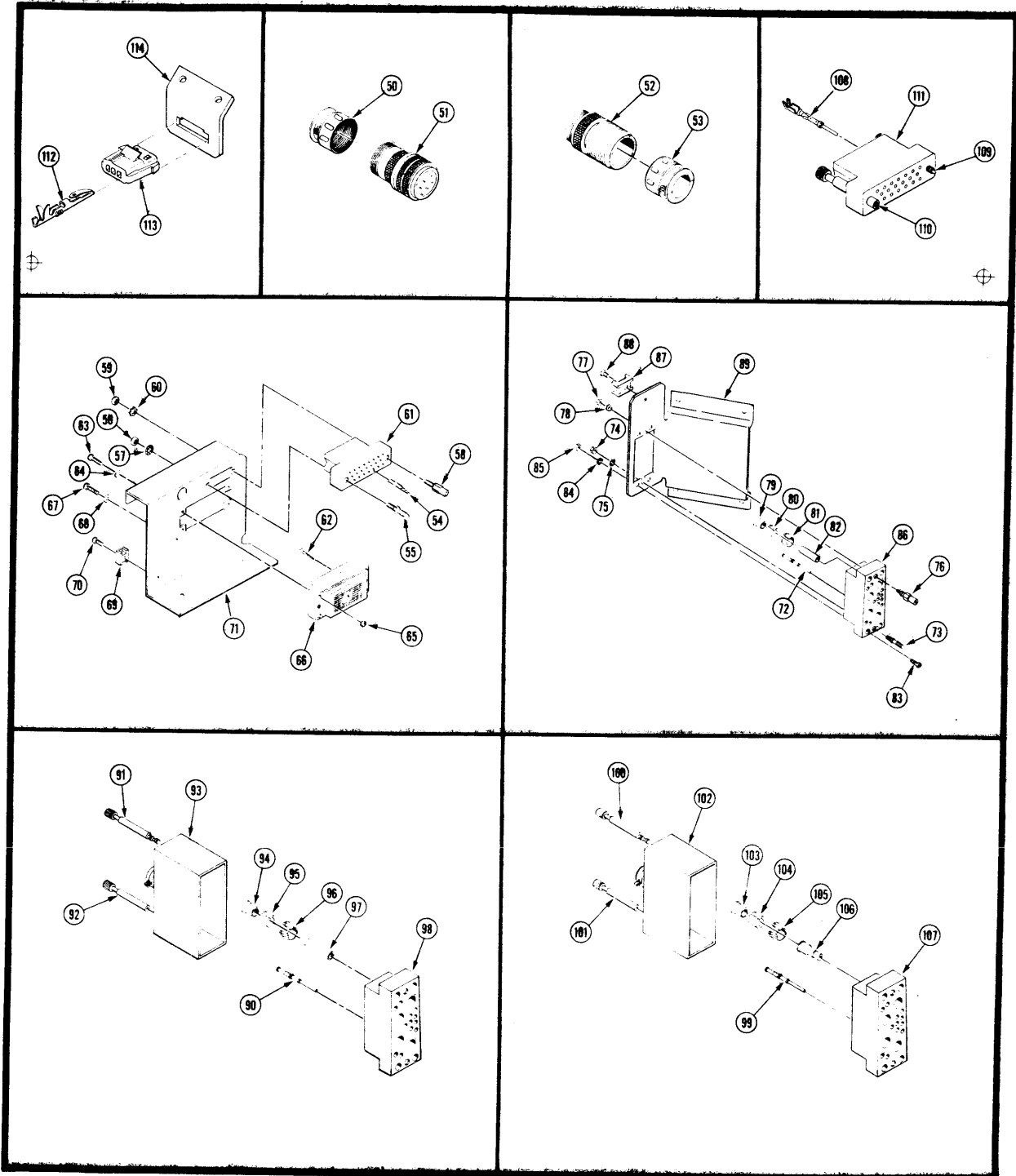


PC000753(1)
1/74

FIGURE 50 HARNESS AND CABLE CONNECTORS (SHEET 1 OF 2)

FIG & INDEX	PART NO.	DESCRIPTION	QTY PER ASSY	USED ON CODE	REF FIG	NFR
50-1	50000753-6	SCREW,BIND.HD 4-40X.375	2			
-2	87006491-1	BRACKET,HOOD LOCK	1			
-3	58004637-2	CONNECTOR,PWB	1			
-4	87007195-1	STRAIN RELIEF,CONNECTOR	1			
-5	57004738-1	CONTACT,TWIN LEAF	AR			
-6	57004738-2	CONTACT,TWIN LEAF	AR			
-7	50000753-6	SCREW,BIND.HD 4-40X.375	2			
-8	87006491-1	BRACKET,HOOD LOCK	1			
-9	58004736-1	CONNECTOR,PWB	1			
-10	87007195-1	STRAIN RELIEF,CONNECTOR	1			
-11	57010024-1	PIN,CRIMP CONTACT	AR			
-12	45004750-4	JACK,SOCKET	2			
-13	51000788-1	WASHER,LOCK	2			
-14	52000798-4	NUT,HEX	2			
-15	58010009-2	CONNECTOR,RECP ELEC	1			
-16	45004751-2	SHELL,CABLE	1			
-17	57000047-1	CONTACT,INSERT PIN	AR			
-18	58003876-1	PLUG,CONNECTOR	1			
-19	57000047-1	CONTACT,INSERT PIN	AR			
-20	57000290-1	CAP,THREE CIRCUIT	1			
-21	57000047-1	CONTACT,INSERT PIN	AR			
-22	58003877-1	CAP,CONNECTOR	1			
-23	50000752-6	SCREW,BIND.HD 2.56X.375	2			
-24	52000783-2	NUT,HEX	2			
-25	58006784-7	LOCK,CLIP	1			
-26	58006784-4	CONNECTOR,FEMALE	1			
-27	87007680-1	HOOD,CONNECTOR	1			
-28	87006467-1	BRACKET,CONNECTOR	1			
	87007366-1	BRACKET,CONNECTOR (REPLACES 87006467-1)	AR			
-29	57003682-1	PIN,CONTACT	AR			
-30	58003679-1	HOUSING,PIN	1			
-31	50000753-6	SCREW,BIND.HD 4-40X.375	2			
-32	58004637-2	CONNECTOR,PWB	1			
-33	45003361-16	GROMMET,SPLIT PLASTIC	1			
-34	87006446-1	BRACKET,CONNECTOR	1			
-35	45003361-10	GROMMET,SPLIT PLASTIC	1			
-36	45003378-1	GROMMET,CATERPILLAR	AR			
-37	87006446-2	BRACKET,CONNECTOR	1			
-38	57006602-1	CONTACT PIN	AR			
-39	45006599-1	HANDLE	1			
-40	45006598-1	SHELL,JUNCTION	1			
-41	58006597-1	CONNECTOR,ELEC	1			
-42	57010023-1	PIN,CONTACT	AR			
-43	45004750-2	SCREW,RETAINING	2			
-44	45004750-3	CLIP,SCREW TYPE	2			
-45	58010010-2	CONNECTOR,MALE	1			
-46	45004751-2	SHELL,CONNECTOR	1			

12.18.82174



PC000753(2)
1/74

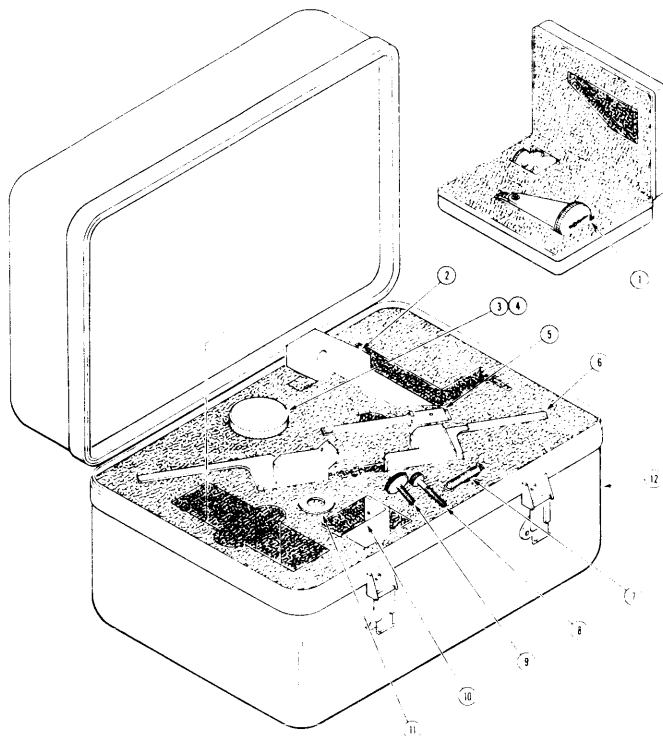
FIGURE 50 HARNESS AND CABLE CONNECTORS (SHEET 2 OF 2)

FIG & INDEX	PART NO.	DESCRIPTION	QTY PER ASSY	USED ON CODE	REF FIG	NFR
50-47	57006602-1	CONTACT PIN	AR			
-48	45006598-1	SHELL, JUNCTION	1			
-49	58006596-1	CONNECTOR, RECEPTACLE	1			
-50	57001246-1	CLAMP, CABLE	1			
-51	58000571-1	CONNECTOR, PLUG	1			
-52	58000572-1	CONNECTOR, PLUG	1			
-53	57001246-1	CLAMP, CABLE	1			
-54	57000279-1	CONTACT, SOCKET	AR			
-55	57006497-1	JACKSCREW, MALE	2			
-56		NUT (FURNISHED WITH 57006497-1)	4			
-57		WASHER (FURNISHED WITH 57006497-1)	4			
-58	57003490-2	JACKSCREW, FEMALE	2			
-59		NUT (FURNISHED WITH 57003490-2)	4			
-60		WASHER (FURNISHED WITH 57003490-2)	4			
-61	57004741-1	CONNECTOR BLOCK	1			
-62	57006602-1	CONTACT PIN	AR			
-63	50000753-6	SCREW, BIND. HD 4-40X.375	4			
-64	51000786-2	WASHER, LOCK	4			
-65	52000783-4	NUT, HEX	4			
-66	58006596-1	CONNECTOR, FEMALE	1			
-67	50000754-6	SCREW, BIND. HD 6-32X.375 (E2)	1			
-68	51000788-2	WASHER, LOCK (AP)	1			
-69	57000997-4	MOUNT, CABLE TIE	1			
-70	50001266-3	SCREW, ROUND HD (AP)	1			
-71	87006190-1	BRACKET, CONNECTOR	1			
-72	57006496-1	PIN, CONTACT	1			
-73	57006497-1	JACKSCREW, MALE	2			
-74		NUT (FURNISHED WITH 57006497-1)	4			
-75		WASHER (FURNISHED WITH 57006497-1)	4			
-76	57003490-2	JACKSCREW, FEMALE	2			
-77		NUT (FURNISHED WITH 57003490-2)	4			
-78		WASHER (FURNISHED WITH 57003490-2)	4			
-79	57004744-1	FERRULE	2			
-80	57004748-1	BUSHING, ALIGNMENT	2			
-81	47004749-1	SPRING	2			
-82	57004746-1	CONTACT, COAX	2			
-83	50000759-5	SCREW, FIL HD 4-40X.312	4			
-84	51000788-1	WASHER, LOCK	4			
-85	52000783-4	NUT, HEX	4			
-86	57004743-1	BLOCK, PIN CONTACT	1			
-87	57000997-4	MOUNT, CABLE TIE	1			
-88	50004761-4	SCREW, SELF-TAP 6-32X.250 (AP)	1			
-89	87006390-1	BRACKET, CONNECTOR	1			
-90	57006496-1	PIN, CONTACT	1			
-91	45006503-1	JACKSCREW, MALE	1			
-92	45006502-1	JACKSCREW, FEMALE	1			
-93	45006504-2	SHIELD, CABLE	1			

12.19.82174

FIG & INDEX	PART NO.	DESCRIPTION	QTY PER ASSY	USED ON CODE	REF FIG	NFR
50-94	57004744-1	FERRULE	2			
-95	57004748-1	BUSHING, ALIGNMENT	2			
-96	47004749-1	SPRING	2			
-97	57004746-1	CONTACT, COAX	2			
-98	57004743-1	BLOCK, CONTACT	1			
-99	57006564-1	PIN, CONTACT	1			
-100	45006503-1	JACKSCREW, MALE	1			
-101	45006502-1	JACKSCREW, FEMALE	1			
-102	45006504-1	SHIELD, CABLE	1			
-103	57004744-1	FERRULE	2			
-104	57004748-1	BUSHING, ALIGNMENT	2			
-105	47004749-1	SPRING	2			
-106	57004745-1	CONTACT, COAX	2			
-107	57004742-1	BLOCK, CONTACT	1			
-108	57000280-2	PIN, CONTACT	6			
-109	57000283-2	JACKSCREW, MALE	1			
-110	57006927-2	JACKSCREW, FEMALE	1			
-111	57007158-1	BLOCK, CONTACT	1			
-112	57000047-2	PIN, CONTACT	3			
-113	57000289-1	PLUG, THREE CIRCUIT	1			
-114	87008696-1	BRACKET, POWER CABLE MTG	1			

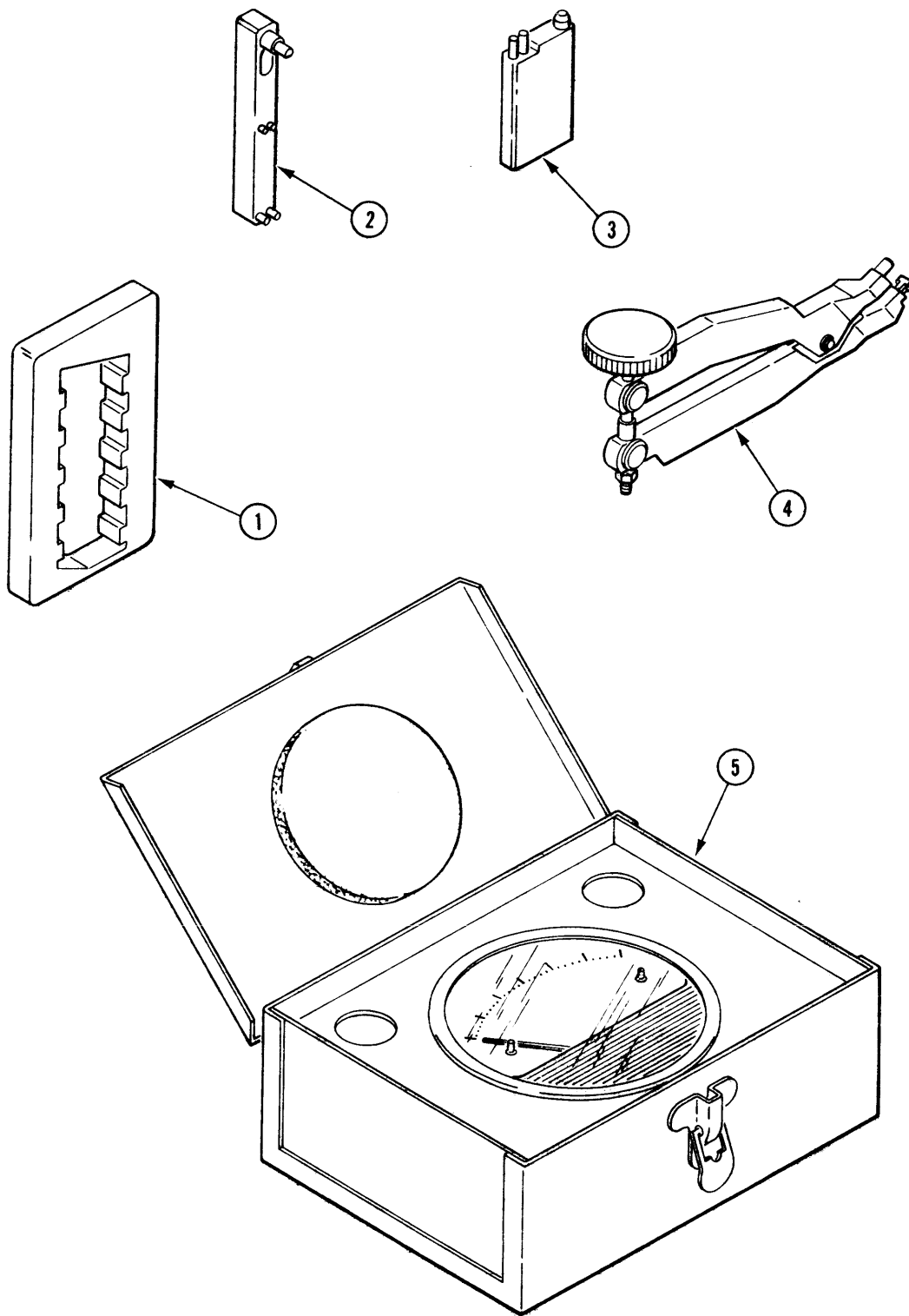
12.20.82174



PC006868
REV. B

FIGURE 51 CARRIAGE ALIGNMENT TOOL

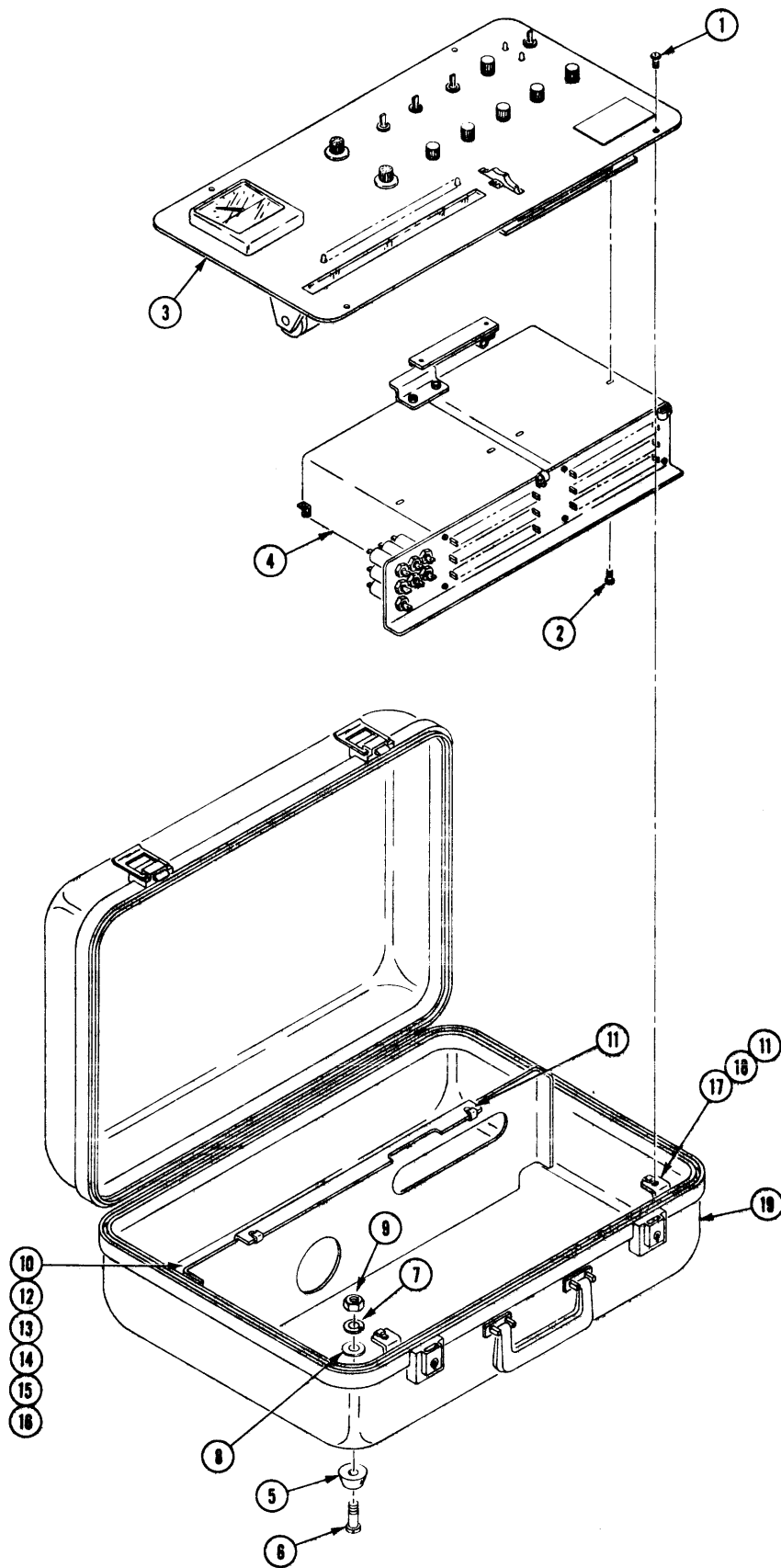
FIG & INDEX	PART NO.	DESCRIPTION	QTY PER ASSY	USED ON CODE	REF FIG	NFR
51-	70006868-1	ALIGNMENT TOOL ASSY, CARRIAGE (REGION ONLY)	1			
-1	45006907-1	.DIAL INDICATOR (CASE AND CLAMP FURNISHED)	1			
-2	87006871-2	.MOUNT, DIAL INDICATOR	1			
-3	70003889-1	.HANDLE	1			
-4	54006802-1	.WASHER, TEFLON 1 IN. OD X 0.385 ID	1			
-5	87006872-1	.RUNNER, ALIGNMENT TOOL	1			
-6	87006869-1	.ARM, ALIGNMENT TOOL	1			
-7	47000500-11	.SPRING, EXTENSION	1			
-8	53006905-1	.SCREW, KNURLED 6-32X1.300	1			
-9	87006961-1	.SCREW, RUNNER ARM	1			
-10	87006870-1	.BRACKET, SPRING SUPPORT	1			
-11	54006802-2	.WASHER, TEFLON 0.75 OD X 0.194 ID	1			
-12	45006951-2	.CASE, ALIGNMENT TOOL	1			
	US002500-1	.CARRIAGE ALIGNMENT PROCEDURE	REF			
<p>"REGION ONLY" IN DESCRIPTION INDICATES A TOOL OF RELATIVELY INFREQUENT USE OR EXCESSIVE COST, OR BOTH, WHICH WOULD ORDINARILY BE USED BY A SPECIALIST. MAY BE CARRIED AT HEAVY-ACTIVITY BRANCHES WITH REGIONAL MANAGER APPROVAL.</p>						
2.6.8574						



PC006898
REV. B

FIGURE 52 ACCESSORY TOOLS AND CABLES

FIG & INDEX	PART NO.	DESCRIPTION	QTY PER ASSY	USED ON CODE	REF FIG	NFR
52-1	70006898-1	CAM,MOVEABLE	AR			
-2	70006867-1	HEAD INSTALLATION TOOL ASSY	AR			
-3	70006877-1	ALIGNMENT TOOL ASSY,INITIAL	AR			
-4	70006626-3	ARM ASSY,HEAD ALIGNMENT TOOL	AR			
-5	70007220-1	AIR GAGE ASSY (REGION ONLY)	AR			
	70006972-1	CLEANING PADDLE	AR			
	91006911-1	CE PACK (3336 TYPE) (BRANCH ONLY)	AR			
	84007189-1*	CABLE EXTENDER (BRANCH ONLY)	AR			
	74007193-1	.PWA,EXTENDER JUMPER CARD	1			
	50004761-3	.SCREW,BIND.HD 6-32X.187	2			
	87007345-1	.HANDLE,CARD	1			
	57004738-1	.CONTACT,TWIN LEAF	56			
	58004736-1	.CONNECTOR,PWB (P2)	1			
	50000753-6	.SCREW,BIND.HD 4-40X.375	2			
	87007195-1	.STRAIN RELIEF,CONNECTOR	1			
	84000694-25*	CABLE ASSY,AC PWR (BRANCH ONLY)	AR			
	58000571-1	.CONNECTOR,PLUG,MALE	1			
	58000572-1	.CONNECTOR,PLUG,FEMALE	1			
	57001246-1	.CLAMP,CABLE	2			
	84007613-15*	CABLE ASSY,SIGNAL	AR			
	57006602-1	.CONTACT	146			
	58006597-1	.CONNECTOR,PLUG	1			
	45006599-1	.HANDLE	1			
	45006598-1	.SHELL,JUNCTION	2			
	58006596-1	.CONNECTOR,RECEPTACLE	1			
	00006658-2	DDU (CE BOX)	AR		53	
<p>*CABLE CONNECTORS, PINS, ETC. ARE ILLUSTRATED ON FIGURE 50.</p> <p>"REGION ONLY" IN DESCRIPTION INDICATES A TOOL OF RELATIVELY INFREQUENT USE OR EXCESSIVE COST, OR BOTH, WHICH WOULD ORDINARILY BE USED BY A SPECIALIST. MAY BE CARRIED AT HEAVY-ACTIVITY BRANCHES WITH REGIONAL MANAGER APPROVAL.</p> <p>"BRANCH ONLY" IN DESCRIPTION INDICATES A TOOL OF MEDIUM USE FREQUENCY WHICH SHOULD BE RETAINED AT THE BRANCH OFFICE AND TAKEN ON SERVICE CALLS ONLY WHEN SPECIFIC CIRCUMSTANCES REQUIRE ITS USE.</p>						
2.7.91774						

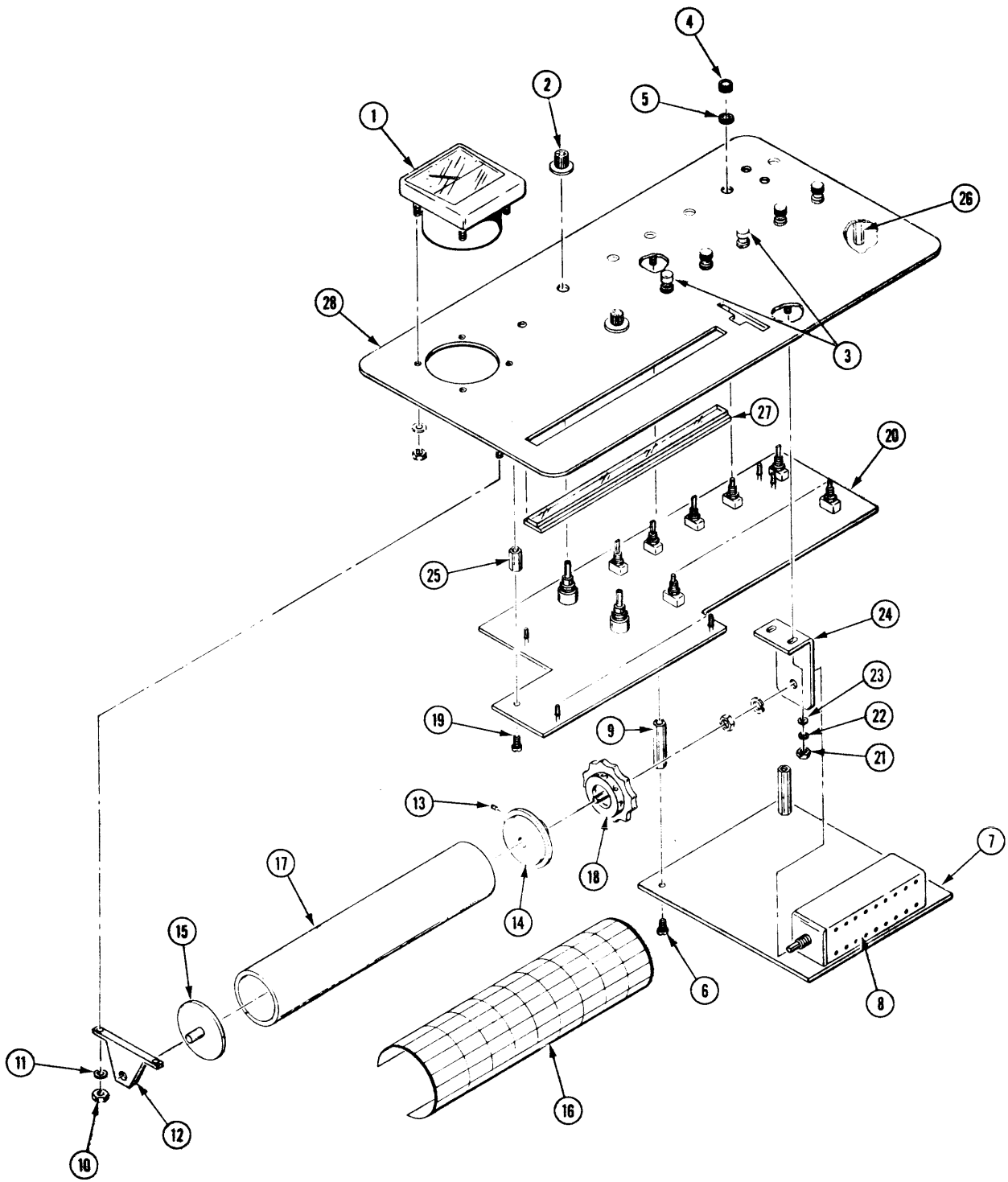


PC008362
REV. A

FIGURE 53 DISK DIAGNOSTIC UNIT

FIG & INDEX	PART NO.	DESCRIPTION	QTY PER ASSY	USED ON CODE	REF FIG	NFR
53-	00006658-2	DISK DIAGNOSTIC UNIT	REF		52	
-1	50004792-6	.SCREW,BUTTON HD 8-32X.375	4			
	88006652-2	.DISPLAY ASSY,DDU	1			
-2	50000755-4	..SCREW,BIND.HD 8-32X.250	4			
-3	88006655-2	..PANEL ASSY,DISPLAY	1		54	
-4	76006879-1	..MATRIX ASSY,DDU	1		55	
	83006418-1	..HARNESS ASSY,INTERCONNECT	5			
	83006418-2	..HARNESS ASSY,INTERCONNECT	2			
	84007650-1	..PADDLE AND CABLE ASSY,DDU	1			
	88006653-6	.CASE ASSY,DDU	1			
-5	45001790-1	..BUMPER,RUBBER	4			
-6	50000755-8	..SCREW,BIND.HD 8-32X.500 (AP)	4			
-7	51000789-8	..WASHER,LOCK (AP)	4			
-8	51000786-6	..WASHER,PLAIN (AP)	4			
-9	52000783-8	..NUT,HEX (AP)	4			
-10	45003378-1	..GROMMET,CATERPILLAR (18 IN.)	1			
-11	52007169-1	..NUT,U	4			
-12	87008399-1	..SUPPORT,REAR PANEL	1			
-13	50000755-8	..SCREW,BIND.HD 8-32X.500 (AP)	2			
-14	51000789-8	..WASHER,LOCK (AP)	2			
-15	51000786-6	..WASHER,PLAIN (AP)	4			
-16	52000783-8	..NUT,HEX (AP)	2			
-17	87006947-1	..SUPPORT,PANEL FRONT	2			
-18	48004692-7	..RIVET (AP)	8			
-19	45006801-1	..CASE,CARRYING	1			
	UD002446-1	MANUAL,OPERATION AND SERVICE	1			

8.13.9674

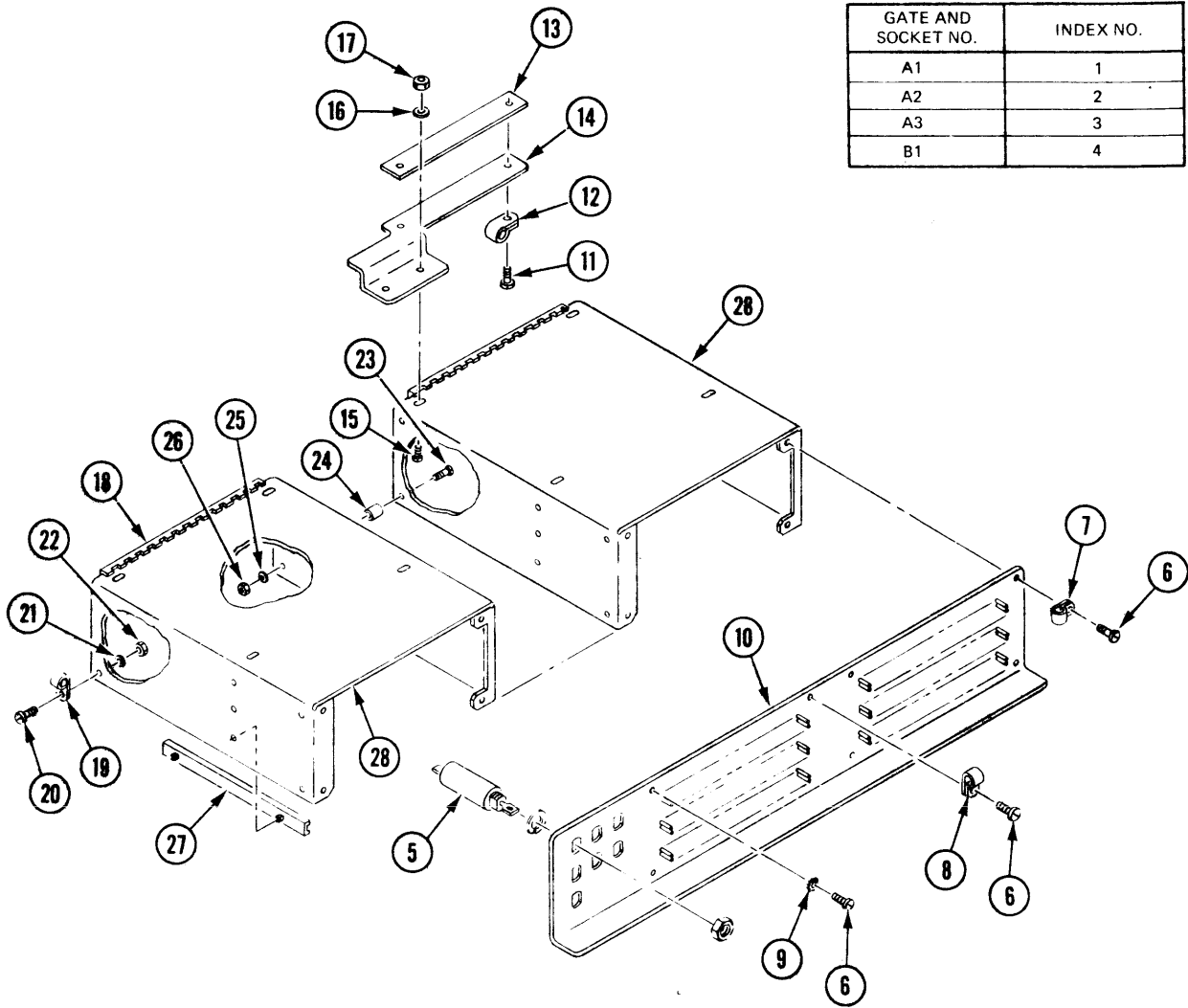


PC006655
REV. E

FIGURE 54 DDU DISPLAY PANEL ASSEMBLY

FIG & INDEX	PART NO.	DESCRIPTION	QTY PER ASSY	USED ON CODE	REF FIG	NFR
54-	88006655-2	PANEL ASSY,DDU DISPLAY	REF		53	
-1	76004643-2	.MICROAMETER ASSY	1			
-2	55004869-2	.NUT	2			
-3	45003848-12	.BUTTON,WHITE	2			
-4	45003848-9	.BUTTON,RED	4			
-5	45003848-5	.NUT,DRESS	10			
-6	50000755-4	.SCREW,BIND.HD 8-32X.250	2			
-7	75004227-3	.PWA,ROTARY SWITCH	1			
-8	62006986-1	..SWITCH,ROTARY (S1)	1			
	58004830-1	..SOCKET (J9,J10)	2			
	57003433-2	..SOCKET (J1-J4,J7)	5			
-9	45007333-26	.SPACER	2			
-10	52000783-6	.NUT,HEX	2			
-11	51000787-3	.WASHER,LOCK	2			
-12	87006793-2	.SUPPORT,ROLLER	1			
	88006420-2	.ROLLER ASSY	1			
-13	50000222-1	..SETSCREW	2			
-14	87001207-1	..HUB,ROLLER	1			
-15	87001208-1	..HUB,ROLLER	1			
-16	71004823-1	..DECAL	1			
-17	87001206-2	..ROLLER	1			
-18	88006909-1	.THUMBSCREW	1			
-19	50000755-4	.SCREW,BIND.HD 8-32X.250	1			
-20	75007015-2	.PWA,SWITCH AND LIGHT	1		56	
-21	52000783-8	.NUT,HEX	2			
-22	51000787-4	.WASHER,LOCK	2			
-23	51000786-6	.WASHER,PLAIN	2			
-24	87006517-2	.BRACKET,SWITCH	1			
-25	45007333-8	.SPACER	1			
-26	45007333-36	.SPACER	4			
-27	87006794-1	.WINDOW,PANEL	1			
-28	87006719-2	.PANEL,DISPLAY	1			

8.14.9674

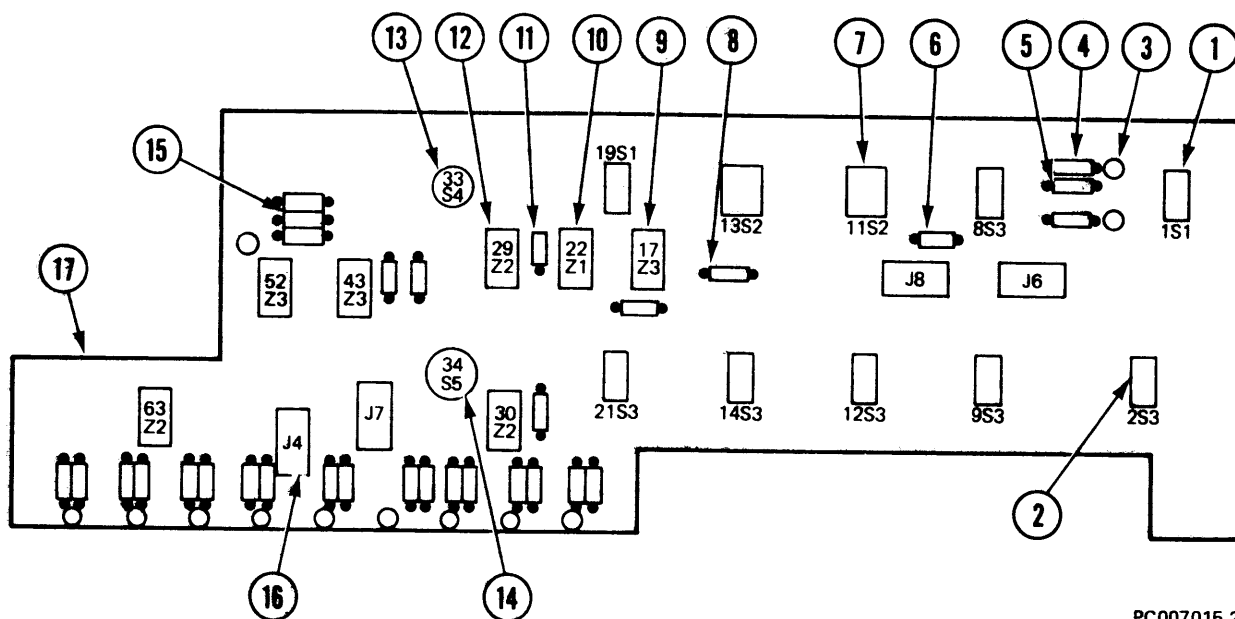


PC008370
REV. A

FIGURE 55 DDU GATE MATRIX

FIG & INDEX	PART NO.	DESCRIPTION	QTY PER ASSY	USED ON CODE	REF FIG	NFR
55-	76006879-1	MATRIX ASSY,DDU GATE	REF		53	
-1	75004257-5	..PWA,COMPARATOR (A1)	1			
-2	75004249-4	..PWA,TF SERVO CLOCK (A2)	1			
-3	75004251-2	..PWA,TF SERVO AMP (A3)	1			
-4	75007038-2	..PWA,HD LOAD DIAGNOSTIC (B1)	1			
	76006654-1	..CARD FILE ASSY,DDU	1			
-5	40000566-5	..CAPACITOR,FEED THRU	7			
-6	50000753-4	..SCREW,BIND.HD 4-40X.250	8			
-7	57000825-2	..CLAMP,CABLE	1			
-8	57000825-1	..CLAMP,CABLE	1			
-9	51000788-1	..WASHER,LOCK	1			
-10	76006880-1	..BACKPLANE ASSY	1			
-11	50000753-4	..SCREW,BIND.HD 4-40X.250	2			
-12	57000825-2	..CLAMP,CABLE	1			
-13	87006953-1	..CLAMP,CABLE RELIEF	1			
-14	87006952-1	..BRACKET,CABLE RELIEF	1			
-15	50000754-4	..SCREW,BIND.HD 6-32X.250 (AP)	2			
-16	51000788-2	..WASHER,LOCK (AP)	2			
-17	52000783-6	..NUT,HEX (AP)	2			
-18	45003378-1	..GROMMET,CATERPILLAR (4 IN.)	2			
-19	57000825-6	..CLAMP,CABLE	1			
-20	50000754-4	..SCREW,BIND.HD 6-32X.250 (AP)	1			
-21	51000788-2	..WASHER,LOCK (AP)	1			
-22	52000783-6	..NUT,HEX (AP)	1			
-23	50000753-10	..SCREW,BIND.HD 4-40X.625	1			
-24	45001037-3	..SPACER,ROUND	1			
-25	51000788-1	..WASHER,LOCK	1			
-26	52000783-4	..NUT,HEX	1			
-27	45004132-1	..GUIDE,CARD	12			
-28	87006523-2	..CHASSIS,CARD FILE	2			
	84006946-1	..CABLE ASSY,POWER	1			

8.15.9674



PC007015-2
REV. B

FIGURE 56 DDU SWITCH AND LIGHT PWA

FIG & INDEX	PART NO.	DESCRIPTION	QTY PER ASSY	USED ON CODE	REF FIG	NFR
56-	75007015-2	PWA, SWITCH AND LIGHT	REF		54	
-1	60004839-1	.SWITCH, SPDT (1S1, 19S1)	2			
-2	61004842-1	.SWITCH, SPDT (2S3, 8S3, 9S3, 12S3, 14S3, 21S3)	6			
-3	14004783-2	.DIODE (3D1, 4D1, 25D1, 32D1, 37D1, 42D1, 51D1, 56D1, 57D1, 61D1, 66D1, 69D1)	12			
-4	16000023-26	.RES, FILM 110 OHM 1/4W +2% (5R1, 7R1, 24R1, 31R1, 36R1, 40R1, 46R1, 50R1, 54R1, 59R1, 64R1, 67R1)	12			
-5	16000023-67	.RES, FILM 5.6K 1/4W +2% (6R3, 23R3, 28R3, 35R3, 39R3, 44R3, 49R3, 55R3, 60R3, 65R3, 68R3)	11			
-6	38000041-5	.CAP., 10UF 10V +20% (10C1)	1			
-7	60004849-1	.SWITCH, DPDT (1TS2, 13S2)	2			
-8	37000037-43	.CAP., 330PF 500V +10% (15C3, 18C3, 38C3, 41C3, 48C3, 53C3)	6			
-9	30001388-1	.INT CKT (17Z3, 43Z3, 52Z3)	3			
-10	30000434-1	.INT CKT (22Z1)	1			
-11	40003365-12	.CAP., 0.01UF 50V +20% (26C2, 27C2, 62C2)	3			
-12	30003872-1	.INT CKT (29Z2, 30Z2, 63Z2)	3			
-13	62004882-1	.SWITCH SP8POS (33S4)	1			
-14	62004883-1	.SWITCH, 2P6POS (34S5)	1			
-15	16000023-49	.RES, FILM 1K 1/4W +2% (45R2)	1			
-16	57003433-2	.SOCKET (J4, J6, J7, J8)	4			
-16	45003732-1	.PAD, MTG	8			
-17	74007015-2	.BOARD, PRINTED WIRE 6.20, 91074	1			

**SECTION 3
PART NUMBER INDEX**

PART NUMBER	FIG	INDEX	QTY	PART NUMBER	FIG	INDEX	QTY
2551265-00	28	8	9	3007473-02	32	8	1
2899000-00	42	5	3	3007476-00	32	12	7
2899000-00	43	7	5	3007477-00	32	1	2
2899000-00	44	6	3	3007573-00	43	17	1
2899001-00	42	36	1	3007573-00	44	25	1
2899001-00	43	12	3	3007838-00	18	31	3
2899001-00	44	14	2	3007845-00	42	37	2
2899002-00	43	11	2	3007861-01	49	4	1
2899002-00	44	28	1	3007898-00	46	19	5
2899003-00	42	7	3	3007952-00	42	35	1
2899003-00	43	16	3	3007952-00	43	2	2
2899003-00	44	5	3	3007952-00	44	36	2
2899056-01	24	20	1	3008181-00	32	20	1
2899343-00	32	6	2	3008181-00	34	21	1
2899343-00	40	6	1	3008183-00	31	6	1
2899343-00	44	7	1	3008183-00	32	19	1
2899426-01	32	18	1	3008183-00	34	36	1
2899578-08	34	42	1	3008183-00	40	2	2
2899578-71	46	46	2	3008184-00	34	39	1
2899579-07	46	8	2	3008186-00	32	5	1
2899579-11	46	9	1	3008194-00	32	4	3
3006204-00	32	3	2	3008194-00	40	3	6
3006365-00	18	41	3	3008194-00	42	10	1
3006365-1	24	24	1	3008194-00	43	9	1
3006365-2	210	14	1	3008240-00	32	16	1
3006467-04	46	44	1	3008241-00	32	9	1
3006623-01	34	17	13	3010883-67	46	38	2
3006623-01	44	40	1	3010883-69	46	49	1
3006709-04	34	1	0	3010887-43	46	22	2
3006709-04	40	13	2	3010887-70	24	47	1
3006709-04	42	17	5	3012133-00	28	66	1
3006709-04	44	10	5	3012534-00	34	18	1
3006709-04	46	1	3	3162267-22	28	53	2
3006944-01	46	15	2	3162267-31	24	19	1
3006944-05	34	37	1	3162267-31	24	22	1
3006944-08	34	44	1	3162267-31	24	52	1
3006944-08	42	15	2	3162267-38	24	39A	1
3006944-11	20	34	2	4911676-32	24	12	2
3006944-12	42	39	1	4912107-10	44	27	1
3006944-12	46	33	1	4912524-14	12	210	4
3006944-14	26	45	1	4913459-06	28	6	7
3006944-21	46	51	1	4913459-07	28	57	1
3006944-25	46	50	1	4913459-08	28	67	2
3006944-35	46	11	1	4913459-09	46	5	2
3006944-36	44	43	1	4913459-12	34	29	1

PART NUMBER	FIG	INDEX	QTY	PART NUMBER	FIG	INDEX	QTY
4913459-16	28	27	3	4913459-55	34	10	8
4913459-20	28	48	1	4913459-55	42	3	9
4913459-20	34	30	1	4913459-55	44	15	4
4913459-24	28	16	5	4913459-55	46	3	5
4913459-24	44	17	7	4913459-55	49	5	4
4913459-25	40	20	1	4913459-56	28	21	1
4913459-27	46	6	5	4913459-56	31	5	4
4913459-28	28	26	5	4913459-56	40	4	2
4913459-30	28	47	1	4913459-57	28	38	1
4913459-31	44	42	1	4913459-57	34	41	1
4913459-32	28	1	1	4913459-59	28	59	1
4913459-33	28	28	1	4913459-59	34	23	3
4913459-33	42	2	7	4913459-59	44	21	2
4913459-33	46	20	2	4913459-59	46	24	7
4913459-34	28	55	3	4913459-60	34	24	2
4913459-34	34	48	6	4913459-62	28	29	5
4913459-35	40	19	1	4913459-62	34	28	1
4913459-36	34	8	4	4913459-64	34	35	9
4913459-36	42	26	2	4913459-64	46	38	1
4913459-40	28	50	3	4913459-65	28	31	1
4913459-40	34	9	6	4913459-65	34	34	3
4913459-41	28	42	1	4913459-65	42	13	6
4913459-41	44	26A	1	4913459-65	46	49	1
4913459-41	46	12	4	4913459-67	34	49	1
4913459-41	21B	13	1	4913459-67	44	2	10
4913459-42	28	18	2	4913459-68	40	15	2
4913459-42	42	14	7	4913459-69	46	21	4
4913459-42	44	9	1	4913459-70	40	14	1
4913459-44	28	10	2	4913459-71	46	23	7
4913459-44	40	11	3	4913459-72	40	9	4
4913459-44	40	34	2	4913459-72	42	22	3
4913459-45	44	26B	1	4913459-72	44	30	2
4913459-46	28	34	1	4913459-73	32	14	2
4913459-46	34	26	2	4913459-74	46	37	2
4913459-48	28	5	7	4913459-75	34	12	13
4913459-48	32	11	4	4913459-76	40	12	1
4913459-48	34	6	11	4913459-76	46	43	1
4913459-48	40	7	1	4913459-79	42	20	6
4913459-48	42	6	10	4913459-79	44	31	5
4913459-48	44	3	6	4913459-80	28	46	1
4913459-48	40	10	10	4913459-81	34	47	1
4913459-52	44	22	1	4913459-82	34	13	3
4913459-52	46	16	4	4913459-82	44	19	2
4913459-53	34	25	1	4913459-82	46	36	2
4913459-55	28	33	4	4913459-83	42	28	2

PART NUMBER	FIG	INDEX	QTY	PART NUMBER	FIG	INDEX	QTY
4913459-03	44	20	3	9000462-01	46	2	8
4913459-03	46	27	2	9000654-01	34	19	1
4913459-06	34	7	15	9001327-01	34	38	1
4913459-06	44	39B	1	9001413-01	32	13	2
4913459-09	44	39	2	9003305-01	28	25	1
4913459-90	46	41	1	9003452-01	18	56	1
4913459-91	46	40	2	9003709-01	44	38	1
4913459-93	46	14	1	9004278-01	28	19	1
4913459-95	46	42	1	9004278-01	34	45	1
4913459-96	34	43	1	9004582-01	34	27	1
4913459-96	46	18	1	9004756-01	22	13	2
4915711-01	31	2	11	9004756-01	26	13	1
4915711-01	40	18	1	9004783-01	42	1	1
4915711-01	44	26	1	9006944-04	34	31	1
4915726-21	32	2	15	9007846-01	26	12	3
4915726-21	34	4	6	9008453-01	31	4	2
4916031-00	46	1	10	9008533-01	22	12	4
5036152-00	43	13	1	9008533-01	26	14	1
9000008-01	26	15	1	9008585-01	22	14	2
9000024-20	42	32	1	9008997-00	24	3	1
9000024-24	42	33	1	9020954-03	20	51	1
9000024-28	26	51	1	9020957-00	22	3A	1
9000024-41	34	22	3	9020998-00	2	16	2
9000024-41	49	3	7	9021302-00	5	41	1
9000024-42	26	58	1	9021314-00	8	19	1
9000024-53	26	7	1	9021346-00	6		1
9000024-53	34	14	2	9021346-01	6	10	1
9000024-00	34	46	1	9021383-00	3	12A	3
9000443-24	26	4	1	9021431-00	18	42A	1
9000449-01	18	54	1	9700092-00	19	8	1
9000451-01	42	19	2	9700102-00	19	4	1
9000451-01	46	13	4	9700111-00	32	21	1
9000453-01	26	40	4	9700112-00	19	6	1
9000453-01	34	2	10	9700112-00	32		REF
9000453-01	44	35	4	9700231-01	34	51	1
9000453-01	46	17	5	9700232-01	19	13	1
9000455-01	44	41	1	9700232-01	34		REF
9000459-01	40	17	1	9700312-00	44		REF
9000459-01	42	24	1	9700312-01	19	23	1
9000459-01	46	25	1	9800052-01	34	16	2
9000460-01	18	32	4	9800055-01	42	31	2
9000461-01	18	33	1	9800055-01	44	39A	1
9000462-01	40	8	1	9800056-01	18	44	1
9000462-01	42	11	4	9800056-01	18	46	2
9000462-01	44	37	1	9800112-01	44	29	2

PART NUMBER	FIG	INDEX	QTY	PART NUMBER	FIG	INDEX	QTY
9800194-00	28	39	1	10000439-1	33	21	2
9800200-00	42	25	2	10000440-1	15		2
9800207-00	28	60	1	10000440-1	27	3	43
9800207-00	34	7	1	10000440-1	29	29	1
9800207-00	34	5	9	10000440-1	30	39	2
9800207-00	40	10	1	10000440-1	33	11	5
9800207-00	42	12	11	10000440-1	39	17	1
9800207-00	43	5	3	10000440-1	45	3	50
9800207-00	44	18	15	10000440-1	47	16	10
9800207-00	46	7	18	10000567-1	30	11	8
9800210-00	34	11	12	10001380-1	35	5	1
9800216-00	28	12	10	11000444-11	47	29	1
9800238-00	24	31	2	11000444-13	27	13	1
9800238-00	24	54	1	11000444-13	29	1	3
9800270-00	34	20	2	11000444-17	33	47	1
9800307-00	8	18A	1	11000444-22	47	30	1
9800320-00	24	69F	6	11000444-25	27	10	1
9800328-00	49	1	1	11000444-31	29	28	1
9800339-02	10	4	AR	14004783-1	45	34	5
9800359-06	28	61	1	14004783-2	36	3	12
9800410-00	23	7	1	16000023-101	30	10	2
9800420-00	28	64	1	16000023-102	33	23	2
9800431-00	28	62	1	16000023-103	33	22	1
9800433-45	28	35	1	16000023-104	45	27	1
9800433-02	28	22	2	16000023-106	45	15	1
9800433-52	46	28	2	16000023-12	27	45	1
9800433-53	28	17	2	16000023-18	29	4	4
9800433-08	46	29	2	16000023-21	27	44	2
9800433-74	28	65	1	16000023-23	30	25	6
9800433-76	28	23	1	16000023-23	36	6	6
9800433-02	28	2	2	16000023-25	27	21	1
9800433-94	46	44	6	16000023-25	33	13	1
9800433-95	46	33	1	16000023-25	47	28	2
9800433-96	28	63	1	16000023-26	36	2	32
9800433-96	46	32	1	16000023-26	36	4	12
9800434-06	28	56	1	16000023-27	27	37	1
9800434-08	46	31	1	16000023-27	29	10	1
9800434-10	46	30	1	16000023-27	37	12	2
9800434-20	28	41	1	16000023-29	27	42	2
9800434-23	28	3	1	16000023-29	29	5	6
9800434-25	46	26	2	16000023-32	27	9	4
9800434-53	28	32	3	16000023-33	45	8	7
9800435-27	42	21	2	16000023-34	27	12	3
00006658-2	52		AR	16000023-34	33	41	1
00006658-2	53		REF	16000023-34	37	13	1

PART NUMBER	FIG	INDEX	QTY	PART NUMBER	FIG	INDEX	QTY
16000023-34	38	3	2	16000023-57	27	33	1
16000023-34	47	8	2	16000023-57	29	26	5
16000023-36	27	32	1	16000023-57	36	7	10
16000023-36	29	14	2	16000023-57	38	7A	5
16000023-36	36	1	32	16000023-57	39	2	8
16000023-37	29	34	1	16000023-57	45	36	2
16000023-37	30	32	3	16000023-58	27	39	2
16000023-38	47	33	2	16000023-58	35	17	1
16000023-39	35	1	2	16000023-58	45	18	2
16000023-39	37	3	2	16000023-58	47	18	2
16000023-40	35	16	3	16000023-59	45	45	2
16000023-41	27	16	10	16000023-60	29	12	2
16000023-41	29	13	1	16000023-60	45	12	2
16000023-42	27	34	1	16000023-62	35	13	1
16000023-42	47	17	4	16000023-63	45	19	2
16000023-44	33	33	1	16000023-64	29	19	1
16000023-44	45	9	6	16000023-65	45	54	1
16000023-48	45	49	1	16000023-66	29	21	1
16000023-49	27	7	7	16000023-66	35	14	1
16000023-49	29	15	2	16000023-66	47	22	2
16000023-49	30	6	14	16000023-67	36	5	11
16000023-49	33	2	25	16000023-68	33	49	1
16000023-49	35	11	7	16000023-68	47	15	2
16000023-49	37	6	2	16000023-69	45	6	6
16000023-49	41	3	1	16000023-70	27	47	1
16000023-49	43	8	2	16000023-70	30	7	10
16000023-49	45	7	7	16000023-71	47	19	4
16000023-49	47	7	6	16000023-72	33	30	1
16000023-49	56	15	1	16000023-72	43	6	1
16000023-5	29	20	2	16000023-72	45	28	2
16000023-5	47	9	4	16000023-73	30	13	4
16000023-50	30	23	4	16000023-73	45	20	2
16000023-51	35	15	1	16000023-73	47	24	1
16000023-53	45	11	6	16000023-74	33	26	9
16000023-54	29	11	4	16000023-75	27	38	2
16000023-54	45	50	1	16000023-76	27	43	4
16000023-55	35	2	1	16000023-76	45	25	1
16000023-55	45	29	1	16000023-77	33	24	3
16000023-56	27	25	3	16000023-77	35	12	1
16000023-56	30	24	4	16000023-77	39	16	1
16000023-56	33	38	2	16000023-79	27	24	1
16000023-56	35	4	1	16000023-8	47	26	2
16000023-56	38	2	2	16000023-80	27	27	1
16000023-56	45	39	1	16000023-80	29	36	2
16000023-56	47	21	1	16000023-80	39	10	2

PART NUMBER	FIG	INDEX	QTY	PART NUMBER	FIG	INDEX	QTY
16000023-80	43	15	2	18003661-505	30		
16000023-80	45	40	1	18003661-507	30		
16000023-81	45	5	2	18003661-509	30		
16000023-84	33	18	1	18003661-511	30		
16000023-85	33	45	2	18003661-512	30		
16000023-88	33	3		18003661-517	30		
16000023-92	45	22	1	18003661-533	30	3	4
16000023-93	47	32	2	18003661-533	33	40	2
16000023-95	45	16	1	18003661-557	33	29	3
16000023-96	33	48	2	18003661-591	30	5	4
16000023-97	27	23	1	18003661-667	29	33	1
16000023-97	33	35	1	18003661-691	29	32	2
16000024-18	24	19	1	18003661-725	33	44	2
16000024-33	47	31	1	18003661-751	33	43	2
16000024-34	27	11	4	19000029-13	45	32	1
16000024-43	27	35	1	19000029-20	33	36	1
16000024-56	27	26	1	19000029-44	33	42	2
16000024-57	29	24	2	20000478-39	3	29	1
16000024-73	47	23	1	20000478-5	26	30	1
16000025-25	29	8	4	20000478-51	26	29	2
16000025-34	45	35	1	20000478-57	22	23	1
16000025-00	29	22	2	20000478-63	22	24	4
16003661-423	29	35	2	20000478-63	25	14	2
16007681-18	15		2	20000478-68	25A	14	2
16000027-521	45	21	1	20000478-71	3	30	1
18000027-582	45	4	1	20000478-73	22	22	1
18000027-044	45	26	1	20000478-98	18	75	1
18003661-273	29	25	2	20000479-50	24	48	1
18003661-483	30			20000480-10	18	67	1
18003661-485	30			20000480-14	18	69	2
18003661-487	30			20000480-19	18	50	1
18003661-489	30			20000480-24	18	70	1
18003661-489	30	35	1	20000480-27	18	49	2
18003661-491	30			20000480-29	26	6	2
18003661-493	30			20000480-6	18	68	1
18003661-493	30	21	2	20000482-3	21B	3	1
18003661-495	30			20000483-11	24	61	2
18003661-497	30			20000483-15	18	27	1
18003661-497	30	30	2	20001353-1	14	9E	REF
18003661-499	29	27	4	20001353-1	15		1
18003661-499	30			20001353-2	26	5	1
18003661-499	30	4	6	20800205-4	18	65	2
18003661-499	33	28	4	20800236-2	18	66	1
18003661-501	30			22004822-2	9	7	1
18003661-503	30			24000451-1	45	23	4

PART NUMBER	FIG	INDEX	QTY	PART NUMBER	FIG	INDEX	QTY
24000457-1	27	29	7	30000437-1	45	44	1
24000457-1	30	16	4	30000438-1	35	22	1
24000457-1	33	19	4	30000438-1	41	20	1
24000457-1	35	7	2	30001388-1	56	9	3
24000457-1	45	2	6	30001399-1	45	52	1
24000457-1	47	10	2	30001411-1	41	13	2
24000459-1	33	27	4	30001412-1	35	23	1
24000459-1	47	13	6	30001413-1	41	2	1
24000653-1	27	5	4	30001414-1	39	4	2
24003467-1	30	18	4	30001414-1	41	15	1
24003690-1	35	6	1	30001416-1	37	21	1
24003691-1	27	28	1	30001417-1	30	2	3
24003691-1	29	23	7	30001417-1	33	14	1
24007000-1	27	40	2	30001417-1	38	12	1
25000453-1	27	6	2	30001417-1	39	5	3
25000453-1	45	10	5	30001418-1	41	16	1
25000453-1	47	12	7	30001419-1	33	15	1
25000462-1	27	41	2	30001419-1	38	6	2
25000462-1	30	17	4	30001419-1	39	12	1
25000462-1	33	18	6	30001421-1	41	10	1
25000462-1	35	25	2	30001425-1	41	5	2
25000462-1	45	1	5	30003341-1	36	4	4
26003709-1	33	37	2	30003341-1	38	10	2
26004081-1	33	34	1	30003341-1	39	9	2
26004787-1	27	18	2	30003341-1	41	6	4
29003743-1	29	9	2	30003414-1	39	15	2
29003743-1	30	9	3	30003417-1	30	38	1
29003743-1	33	31	4	30003417-1	33	8	1
29003784-1	45	30	1	30003417-1	38	11	4
29004428-1	29	16	1	30003417-1	39	8	3
29004732-1	29	7	1	30003417-1	41	4	2
30 4595-1	44	13	1	30003417-1	41	14	2
30000637-24	45	14	1	30003417-1	45	42	2
30000037-34	39	6	1	30003418-1	30	19	1
30000431-1	35	24	1	30003418-1	41	11	1
30000434-1	33	5	2	30003420-1	39	14	1
30000434-1	35	8	6	30003420-1	45	53	1
30000434-1	41	9	1	30003422-1	27	17	1
30000434-1	45	43	3	30003872-1	56	12	3
30000434-1	56	10	1	30003873-1	30	28	1
30000436-1	30	1	1	30003873-1	33	6	1
30000436-1	33	4	1	30003873-1	38	9	3
30000436-1	35	9	4	30003873-1	39	3	3
30000436-1	41	8	2	30003873-1	41	19	1
30000436-1	45	47	4	30004320-1	37	17	1

PART NUMBER	FIG	INDEX	QTY	PART NUMBER	FIG	INDEX	QTY
30004321-1	37	4	1	35000031-5	47	27	4
30004322-1	41	17	2	35000031-9	45	17	1
30004324-1	37	8	1	35000033-5	30	12	4
30004595-1	33	5	1	35000034-15	33	32	1
30004603-1	33	7	1	35000469-13	45	24	1
30004611-1	37	14	1	35000470-15	29	3	6
30004617-1	37	18	2	35000471-19	14	9F	REF
30004627-1	37	15	1	35000471-19	15		1
30004628-1	37	9	1	35000491-7	42	18	2
30004629-1	37	10	2	37000037-16	45	31	1
30004630-1	37	19	1	37000037-17	29	6	2
30004633-1	37	20	2	37000037-21	47	20	2
30004634-1	36	10	2	37000037-23	34	3	2
30004634-1	37	11	1	37000037-30	28	43	2
30004635-1	37	5	1	37000037-30	30	15	2
30004712-1	36	8	2	37000037-30	39	13	1
30004784-1	45	41	1	37000037-32	27	31	1
30004788-1	38	7	1	37000037-32	46	4	4
30004796-1	30	22	4	37000037-34	39	6	2
30004796-1	33	16	2	37000037-37	32	17	1
30004796-1	39	11	2	37000037-37	41	12	1
30007002-1	37	16	2	37000037-42	27	20	2
30008087-00	42	4	2	37000037-43	56	8	6
30008453-1	36	9	1	37000037-45	45	13	2
32000474-02	27	30	2	37000037-48	30	8	4
32000474-32	29	17	4	37000037-49	43	19	1
32000474-02	34	32	2	37000037-5	27	46	1
32000474-32	35	21	1	37000037-50	29	37	2
32000474-02	44	8	3	37000037-50	30	34	2
32000474-9	27	14	1	37000037-56	32	15	1
32001041-1	15		1	37000037-56	33	20	2
32004752-1	4	19	1	37000037-56	41	18	1
32004887-1	37	2	1	37000037-56	42	16	3
32007923-1	23	3	1	37000037-50	43	3	1
34004780-1	18	62	1	37000037-50	44	4	4
34004781-2	18	86	2	37000037-50	45	48	2
34004781-1	25	7	2	37000037-50	47	11	1
34004781-1	25A	7	2	37000473-24	30	31	1
34007628-1	18	64	1	37000473-34	30	20	2
34007683-1	18	88	1	37000473-40	34	50	1
34007684-1	18	90	1	37000473-45	30	36	1
35000031-13	33	50	1	37000473-53	30	29	2
35000031-13	45	14	1	37000473-55	24	41	4
35000031-17	47	14	2	37000473-50	35	3	2
35000031-25	24	23	1	37000473-9	30	37	2

PART NUMBER	FIG	INDEX	QTY	PART NUMBER	FIG	INDEX	QTY
38000041-5	44	12	1	38000041-5	42	8	2
38000038-1	29	18	3	38000041-5	43	10	1
38000038-1	30	27	2	38000041-5	45	33	2
38000038-1	33	17	2	38000041-5	46	46	1
38000038-1	40	16	1	38000041-5	49	6	1
38000038-1	42	23	3	38000041-5	56	6	1
38000038-1	44	33	1	38000041-9	44	23	2
38000038-1	45	38	2	38000108-1	55	19	1
38000038-1	46	47	3	38001738-5	28	24	1
38000038-11	44	39C	3	38001738-7	34	15	2
38000038-9	27	22	2	38003304-1	42	34	1
38000038-9	35	20	2	38003351-1	28	14	3
38000039-13	33	10	2	38003551-5	42	29	1
38000039-14	39	19	1	38003782-23	29	30	1
38000039-15	30	33	2	38003782-23	43	4	1
38000039-15	33	46	1	38007969-1	28	30	1
38000039-15	44	24	2	39007695-1	24		2
38000039-15	45	46	2	39000218-1	24	53	1
38000039-23	44	32	1	39000218-4	24	14	2
38000039-27	44	16	2	40000566-5	20	34	8
38000039-5	35	25	1	40000566-5	55	5	7
38000039-50	23	44	1	40003365-1	44	1	4
38000039-7	45	16	1	40003365-12	30	14	14
38000040-11	27	36	2	40003365-12	41	1	16
38000040-11	28	11	1	40003365-12	45	37	4
38000040-11	29	31	1	40003365-12	56	11	3
38000040-11	30	40	1	40003365-20	18	39	3
38000040-11	34	40	2	40003615-12	28	9	5
38000040-11	44	44	1	40003615-12	33	1	11
38000040-11	45	51	1	40003615-14	33	39	1
38000040-15	34	33	2	40003615-16	27	45A	2
38000041-18	26	52	2	40003615-16	26	20	1
38000041-5	27	1	1	40003615-20	28	37	1
38000041-5	28	36	1	40003615-24	28	13	5
38000041-5	30	26	2	40003615-24	33	9	1
38000041-5	31	3	1	40003615-24	47	25	1
38000041-5	32	10	1	40003615-28	27	47A	1
38000041-5	33	12	2	40003615-28	29	19A	2
38000041-5	35	16	1	40003615-33	28	49	11
38000041-5	36	5	2	40003615-33	21B	12	1
38000041-5	37	7	2	40003615-5	29	38	2
38000041-5	38	8	1	40004897-2	24	69B	1
38000041-5	39	7	1	40800014-16	21	5	1
38000041-5	40	5	1	40800016-8	21A	6	1
38000041-5	41	7	1	40800042-1	29	2	11

PART NUMBER	FIG	INDEX	QTY	PART NUMBER	FIG	INDEX	QTY
40800042-1	31	1	14	45001306-5	13	26	1
40800042-1	35	18	3	45001321-1	13	1	1
40800042-1	36	3	11	45001790-1	53	5	4
40800042-1	36	4	14	45001856-3	4	31	1
40800042-1	39	1	19	45001856-4	4		1
40800042-1	42	9	3	45001990-17	3	38	1
40800042-1	43	1	3	45001990-3	3	27	1
40800042-1	44	11	7	45003361-10	15		1
40800042-2	27	2	4	45003361-10	50	35	1
40800042-2	37	1	21	45003361-16	15		1
40800042-2	42	27	1	45003361-16	50	33	1
40800042-4	27	15	2	45003361-20	14	22	1
43007018-4	16	15	2	45003361-21	18	81	1
45000226-1	7	9	1	45003361-21	18	95	1
45000226-2	7	10	1	45003361-8	14	23	1
45000496-1	6	2	4	45003361-8	20	30	7
45000583-1	20	74	34	45003378-1	14	24	2
45000583-2	18	22	2	45003378-1	15		1
45000601-1	15	16	4	45003378-1	24	71	2
45000813-1	3	57	2	45003378-1	50	36	AR
45000813-1	17	5	2	45003378-1	53	10	1
45000813-1	20	67	3	45003378-1	55	18	2
45000814-2	3	56	2	45003378-1	21B	15	1
45000814-2	17	4	2	45003378-2	12		1
45000829-1	24	1	2	45003378-2	14	26	1
45000829-2	1	2	4	45003378-2	18	91	AR
45000830-2	1	3	4	45003378-2	26	34	1
45000830-2	24	2	2	45003378-3	14	25	4
45000831-1	15	12	2	45003378-4	6	14	1
45001002-2	21A	2	1	45003537-2	48	11	5
45001002-3	21	2	2	45003537-2	49	7	6
45001037-1	18	78	1	45003612-1	13	6	2
45001037-11	26	11	2	45003612-1	14	7	11
45001037-12	3	33	2	45003612-1	20	3	6
45001037-14	24	15	2	45003612-1	24	70	13
45001037-15	25	5	4	45003732-1	27		26
45001037-15	25A	5	4	45003732-1	27	19	8
45001037-3	55	24	1	45003732-1	56		8
45001037-5	18	53	3	45003848-12	54	3	2
45001037-5	18	74	8	45003848-5	54	5	10
45001075-2	12	21F	1	45003848-9	54	4	4
45001085-1	1	12	2	45003907-2	21B	8	2
45001085-1	1	14	2	45004132-1	55	27	12
45001085-1	2	3	2	45004750-2	9		2
45001248-25	7	7	1	45004750-2	50	43	2

PART NUMBER	FIG	INDEX	QTY	PART NUMBER	FIG	INDEX	QTY
45004750-3	9		2	45007333-26	54	9	2
45004750-3	50	44	2	45007333-36	54	26	4
45004750-4	15		1	45007333-8	54	25	1
45004750-4	50	12	2	45007625-1	22	21	1
45004751-2	9		1	45007625-1	25	2	2
45004751-2	15		1	45007625-1	25A	2	2
45004751-2	50	16	1	45007965-1	20	54	1
45004751-2	50	46	1	45015495-1	12	4A	2
45004895	20		AR	45015495-1	17	12	2
45006280-1	5	10	3	46000881-1	3	41	2
45006300-1	20	23	1	46000881-2	4	11	2
45006300-1	20	58	1	47000500-11	51	7	1
45006339-1	13	16	1	47000500-12	4		1
45006489-1	2	9	2	47000500-9	4	37	1
45006489-2	5	23	2	47001836-3	13	9	8
45006502-1	50	92	1	47001991-11	3	15	1
45006502-1	50	101	1	47001991-4	1	9	1
45006503-1	50	91	1	47004749-1	50	81	2
45006503-1	50	100	1	47004749-1	50	96	2
45006504-1	50	102	1	47004749-1	50	105	2
45006504-2	50	93	1	47006250-1	4	10	1
45006505-1	2	4	2	47007644-1	3	40	1
45006506-2	17	2	2	48000216-1	7	5	1
45006507-1	17	1	2	48000216-2	1	7	1
45006508-1	17	3	2	48000216-7	13	11	1
45006554-1	10	10	2	48000364-2	3	16	1
45006557-1	13	14	4	48000913-8	10	13	1
45006598-1	50	40	1	48001888-1	9	17	2
45006598-1	50	48	1	48004692-1	4	9	1
45006598-1	52		1	48004692-7	53	18	6
45006599-1	50	39	1	48004803-1	215	2	4
45006599-1	52		1	48006215-12	5	53	1
45006608-1	14	6	3	48006215-16	5	54	1
45006609-1	14	2	1	48006215-8	5	52	7
45006745-1	12	28	1	50000221-1	7	15	1
45006745-1	13	15	AR	50000222-1	54	13	2
45006746-1	12	26	3	50000499-1	4	5	2
45006746-1	13	14	2	50000499-1	4	34	1
45006747-1	12	27	3	50000499-4	4	33	2
45006801-1	50	19	1	50000499-5	20	43	2
45006907-1	51	1	1	50000499-6	12	29	12
45006945-1	20	8A	7	50000752-4	3	13	2
45006951-2	51	12	1	50000752-6	15		2
45007146-9	10	4	2	50000752-6	50	23	2
45007231-1	24	28	2	50000753-10	18	55	2

PART NUMBER	FIG	INDEX	QTY	PART NUMBER	FIG	INDEX	QTY
50000753-10	47	6	2	50000754-5	20	6	4
50000753-10	55	23	1	50000754-5	20	31	2
50000753-12	4	22	2	50000754-5	20	39	1
50000753-14	18	57	2	50000754-5	20	19A	7
50000753-16	3	31	2	50000754-6	22	31	4
50000753-16	16	76	1	50000754-6	24	69	1
50000753-16	25	11	2	50000754-6	25	9	4
50000753-16	25A	11	2	50000754-6	47	2	2
50000753-20	22	25	6	50000754-6	50	67	1
50000753-20	26	25	3	50000754-6	25A	9	4
50000753-3	3	25	2	50000754-6	18	34	16
50000753-3	3	36	2	50000755-10	22	4	4
50000753-3	20	29	3	50000755-20	24	10	2
50000753-4	55	6	8	50000755-32	24	49	1
50000753-4	55	11	2	50000755-4	1	21	4
50000753-5	18	22A	2	50000755-4	2	41	5
50000753-6	14	3	3	50000755-4	4	40	1
50000753-6	15		2	50000755-4	12	9	2
50000753-6	50	1	2	50000755-4	20	64	3
50000753-6	50	7	2	50000755-4	23	2	2
50000753-6	50	31	2	50000755-4	23	4	4
50000753-6	50	63	4	50000755-4	24	16	2
50000753-6	52		2	50000755-4	53	2	4
50000753-6	18	18	2	50000755-4	54	6	2
50000754-10	26	7	2	50000755-4	54	19	1
50000754-10	26	16	12	50000755-40	15		2
50000754-12	22	15	16	50000755-40	18	51	3
50000754-3	12	13	3	50000755-40	18	71	7
50000754-3	15	12	2	50000755-5	3	21	2
50000754-3	20	14	3	50000755-5	4	21	2
50000754-3	20	37	2	50000755-5	12	20	4
50000754-3	20	53	4	50000755-5	12	32	4
50000754-3	20	70	8	50000755-5	13	2	4
50000754-4	3	3	6	50000755-6	4	15	2
50000754-4	7	2	4	50000755-6	12	35	8
50000754-4	16	1	2	50000755-6	12	21B	2
50000754-4	18	8	4	50000755-6	14	19	3
50000754-4	18	11	2	50000755-7	14	11	3
50000754-4	18	15A	16	50000755-7	14	16	2
50000754-4	23	8	2	50000755-7	20	21	2
50000754-4	24	9	2	50000755-7	20	56	2
50000754-4	55	15	2	50000755-8	53	6	4
50000754-4	55	20	1	50000755-8	53	13	2
50000754-5	20	2	4	50000756-5	18	58	4
50000754-5	20	4	2	50000756-5	18	82	8

PART NUMBER	FIG	INDEX	QTY	PART NUMBER	FIG	INDEX	QTY
50000756-5	21B	9	2	50004761-4	22	2	4
50000756-6	12	6	4	50004761-4	50	88	1
50000756-6	25	3	4	50004761-5	23	10	4
50000756-8	25A	3	4	50004761-5	23	14	2
50000759-5	50	83	4	50004761-6	18	30	4
50000765-4	1	6	4	50004762-10	24	69E	2
50000765-5	5	24	4	50004762-4	21	1	4
50000766-10	20	9	1	50004762-4	24	67	3
50000766-5	17	9	4	50004762-4	21A	1	2
50000767-5	5	27	2	50004762-5	4	14	3
50000767-5	5	29	2	50004762-6	1	16	5
50000767-5	5	31	2	50004762-6	1	19	7
50000767-6	20	12	1	50004762-6	13	8	2
50000768-20	1		4	50004762-6	13	19	1
50000771-7	3	2	2	50004762-8	23	6	2
50000773-6	5	40	2	50004763-8	12	15	4
50000775-10	12	23	4	50004763-8	13	28	4
50000775-6	6	4	4	50004792-4	2	31	9
50000776-10	5	38	4	50004792-4	2	37	2
50000776-14	5	48	3	50004792-6	53	1	4
50000777-12	6	7	4	50004792-8	3	4	4
50001032-1	14	9A	1	50006668-4	11	7	4
50001032-1	26	1	2	50006862-1	22	9	1
50001032-5	16	72	1	50010522-4	3	48	2
50001032-5	21B	4	1	51000786-1J	12	25	4
50001266-5	14	14	2	51000786-12	20	44	2
50001266-5	20	55	1	51000786-2	4	23	2
50001266-5	50	70	1	51000786-2	13	77	1
50001266-4	4	44	5	51000786-2	22	29	6
50001266-4	20	15	4	51000786-2	25	12A	2
50004649-5	2	10	4	51000786-2	26	27A	3
50004760-5	24	36	2	51000786-2	50	64	4
50004760-5	23	12	4	51000786-5	47	6A	2
50004760-6	5	46	2	51000786-4	12	4	6
50004761-10	24	60	2	51000786-4	16	3	2
50004761-5	52		1	51000786-4	18	11A	2
50004761-4	5	50	6	51000786-4	18	36A	16
50004761-4	14	9	7	51000786-4	23	15	2
50004761-4	13	2	4	51000786-5	3	51	6
50004761-4	16	4	4	51000786-5	20	5	2
50004761-4	18	47	4	51000786-6	2	27	4
50004761-4	18	60	4	51000786-6	2	33	4
50004761-4	18	64	8	51000786-6	13	3	2
50004761-4	18	94	4	51000786-6	18	51A	6
50004761-4	18	96	4	51000786-6	22	5	4

PART NUMBER	FIG	INDEX	QTY	PART NUMBER	FIG	INDEX	QTY
51000786-0	53	8	4	51000788-2	26	20	12
51000786-0	53	15	4	51000788-2	50	68	1
51000786-0	54	23	2	51000788-2	55	16	2
51000786-0	18	25	1	51000788-2	55	21	1
51000787-2	8	15	1	51000788-3	3	22	2
51000787-2	22	27	12	51000788-3	4	42	1
51000787-2	25	12	4	51000788-3	5	4	1
51000787-2	26	27	6	51000788-3	12	10	2
51000787-2	25A	12	4	51000788-3	12	21	4
51000787-3	16	1A	2	51000788-3	12	33	4
51000787-3	18	37	16	51000788-3	13	4	2
51000787-3	20	20	11	51000788-3	14	12	3
51000787-3	20	32	4	51000788-3	14	17	2
51000787-3	47	3	2	51000788-3	14	20	3
51000787-3	54	11	2	51000788-3	20	65	3
51000787-3	21A	5	1	51000788-3	21B	6	1
51000787-4	14	9B	2	51000788-4	12	7	4
51000787-4	15		1	51000788-4	12	16	4
51000787-4	18	74A	1	51000788-4	13	29	4
51000787-4	20	2	2	51000788-4	18	24	1
51000787-4	54	22	2	51000788-4	18	59	4
51000787-5	1		4	51000788-4	18	83	8
51000787-8	20	35	8	51000788-4	24	63	2
51000788-1	3	26	2	51000788-4	25	4	4
51000788-1	3	37	2	51000788-4	21B	10	2
51000788-1	14	4	3	51000788-4	25A	4	4
51000788-1	15		2	51000789-25	6	1A	1
51000788-1	18	19	2	51000789-25	12	24	4
51000788-1	18	22B	4	51000789-38	2	45	4
51000788-1	24	34	4	51000789-4	3	2A	2
51000788-1	50	13	2	51000789-50	15	17	4
51000788-1	50	84	4	51000789-6	26	10A	
51000788-1	55	9	1	51000789-8	3	5	4
51000788-1	55	25	1	51000789-8	53	7	4
51000788-2	5	2	1	51000789-8	53	14	2
51000788-2	7	18	1	51000790-25	6	5	4
51000788-2	12	3	6	51000790-31	5	49	1
51000788-2	17	10	4	51000790-38	6	8	4
51000788-2	18	9	4	51001045-1	9	15	1
51000788-2	18	15B	16	51001045-1	22	26	12
51000788-2	20	10	2	51001045-1	26	26	6
51000788-2	20	40	1	51001045-2	8	14	1
51000788-2	22	16	32	51001045-3	22	6	4
51000788-2	23	17	1	51001049-2	18	52	6
51000788-2	24	46	4	51001049-2	18	73	16

PART NUMBER	FIG	INDEX	QTY	PART NUMBER	FIG	INDEX	QTY
51001049-2	26	4	4	52000783-8	15		1
51001049-3	13	26	2	52000783-8	20	27	2
51001049-3	24	64	4	52000783-8	20	62	2
51001049-4	14	9C	2	52000783-8	53	9	4
51001049-4	26	3	2	52000783-8	53	16	2
51001049-4	21b	5	2	52000783-8	54	21	2
51001972-2	4	14B	3	52000783-8	21b	7	1
51003435-1	18	35	8	52000784-25	6	1	1
51003435-1	22	19	8	52000784-38	15	15	4
51003435-1	20	17	6	52000784-50	15	18	4
51006734-0	20	08	3	52000798-10	4	8	2
51006956-1	5	39	4	52000798-4	8	16	2
51010509-3	10	3	2	52000798-4	15		2
52000271-1	4	26	2	52000798-4	50	14	2
52000783-10	1		4	52003362-3	3	11	4
52000783-10	18	23	1	52003362-3	3	55	6
52000783-10	24	02	4	52003843-1	16	8	1
52000783-10	21b	11	2	52004694-3	12	27A	3
52000783-2	15		2	52000541-1	4	16	1
52000783-4	18	20	2	52007169-1	53	11	4
52000783-4	18	22C	2	52800032-1	12	21E	4
52000783-4	22	28	12	53000228-1	18	43	2
52000783-4	24	33	4	53000776-20	4	36	1
52000783-4	25	13	4	53000791-10	7	14	1
52000783-4	20	28	6	53000792-10	2	19	1
52000783-4	47	08	2	53000792-10	7	13	1
52000783-4	50	05	4	53000792-14	8	13	1
52000783-4	50	85	4	53000792-4	2	15	6
52000783-4	50	26	1	53000792-4	9	10	2
52000783-4	25A	13	4	53000792-4	9	12	1
52000783-0	12	2	6	53000792-4	10	6	2
52000783-0	17	11	4	53000792-6	10	8	2
52000783-0	18	38	10	53000792-7	10	9	2
52000783-0	20	11	2	53000792-8	5	20	2
52000783-0	20	33	2	53000792-8	9	14	1
52000783-0	22	20	16	53000792-8	10	2	3
52000783-0	26	21	12	53000793-10	7	3	2
52000783-0	47	4	2	53000793-4	5	1	1
52000783-0	50	24	2	53000793-4	7	17	2
52000783-0	54	10	2	53000794-12	8	11	2
52000783-0	55	17	2	53000794-4	5	3	1
52000783-0	55	22	1	53000794-44	5	8	1
52000783-0	2	26	4	53000794-5	5	22	2
52000783-0	2	32	4	53000794-7	4	2	3
52000783-0	14	90	1	53000794-8	4	4	2

PART NUMBER	FIG	INDEX	QTY	PART NUMBER	FIG	INDEX	QTY
53000794-8	5	34	4	54006850-1	22	18	16
53000796-10	2	18	19	54006850-1	26	18	12
53000796-10	5	35	4	54016137-1	18	36	8
53000796-14	8	2	2	55004869-2	54	2	2
53000796-4	9	2	2	56004813-12	16	12	1
53000797-24	5	46	4	56004813-13	16	13	1
53001792-4	13	21	1	56004813-14	16	11	1
53001792-4	13	25	1	56004813-15	16	14	1
53001792-4	18	80	4	56004813-4	16	9	1
53001792-4	23	16	1	56004813-5	16	10	1
53001792-4	24	18	1	57000047-1	3		6
53001792-4	24	30	4	57000047-1	7	20	3
53001792-4	24	38	4	57000047-1	15		7
53001792-4	24	40	2	57000047-1	50	17	AR
53001792-4	24	44	2	57000047-1	50	19	AR
53001792-4	24	45	2	57000047-1	50	21	AR
53001792-0	24	58	2	57000047-2	15		3
53003619-0	0	5	3	57000047-2	50	112	3
53004638-2	18	14	2	57000250-1	11	2	1
53004638-0	24	26	4	57000272-1	4	29	1
53006540-14	4	7	1	57000279-1	50	54	AR
53006905-1	51	8	1	57000280-2	50	108	6
54000498-2	4	35	3	57000283-2	50	109	1
54000799-5	20	39	1	57000289-1	7	19	1
54000799-0	4	41	1	57000289-1	15		1
54000799-0	5	9	1	57000289-1	50	113	1
54001446-3	12	36	8	57000290-1	15		1
54001447-1	20	19	6	57000290-1	50	20	1
54001447-3	18	45A	2	57000293-4	7	21	1
54001447-3	22	17	2	57000825-1	55	8	1
54001447-3	24	50	2	57000825-10	2	42	1
54001447-4	22	8	4	57000825-2	55	7	1
54001447-4	24	27	4	57000825-2	55	12	1
54001447-5	3	32	4	57000825-3	9	13	1
54006281-1	5	12	3	57000825-6	55	19	1
54006282-1	5	11	3	57000952-6	25	6	4
54006735-1	20	45	4	57000952-6	25A	6	4
54006736-1	20	22	2	57000967-2	24	21	1
54006736-1	20	57	2	57000967-2	24	42	8
54006737-1	20	25	2	57000967-2	24	55	4
54006737-1	20	60	2	57000967-3	24	13	4
54006766-1	2	20	20	57000967-3	24	69C	2
54006766-1	5	36	4	57000997-1	9	11	1
54006802-1	51	4	1	57000997-1	20	28	3
54006802-2	51	11	1	57000997-3	24	29	4

PART NUMBER	FIG	INDEX	QTY	PART NUMBER	FIG	INDEX	QTY
57000997-4	4	43	5	57004746-1	50	97	2
57000997-4	13	22	1	57004748-1	50	80	2
57000997-4	13	24	1	57004748-1	50	95	2
57000997-4	14	13	1	57004748-1	50	104	2
57000997-4	20	7	4	57004798-1	27	48	30
57000997-4	20	16	4	57004802-1	9	4	3
57000997-4	50	69	1	57004812-1	16	16	2
57000997-4	50	87	1	57004892-2	22	30	4
57000997-5	18	79	4	57004892-2	25A	10	4
57000997-7	4	14A	2	57004892-6	25	10	4
57000997-7	4	15A	1	57004893-1	22	34	16
57000997-7	20	36	2	57004893-1	26	23	12
57001246-1	50	50	1	57004896	20		AR
57001246-1	50	53	1	57006496-1	50	72	1
57001246-1	52		1	57006496-1	50	90	1
57001265-1	3	12	2	57006497-1	50	55	2
57001265-1	12	21A	2	57006497-1	50	73	2
57001265-1	14	13A	1	57006564-1	50	99	1
57001265-1	24	11	2	57006602-1	50	38	AR
57001265-2	26	8	1	57006602-1	50	47	AR
57003433-2	54		5	57006602-1	50	62	AR
57003433-2	56	16	4	57006602-1	52		146
57003466-1	27	6	2	57006804-1	18	42B	3
57003466-2	34	19A	1	57006804-2	5	18A	1
57003490-2	50	58	2	57006927-2	50	110	1
57003490-2	50	76	2	57007158-1	50	111	1
57003681-1	4	17	2	57010023-1	9		14
57003682-1	15		2	57010023-1	50	42	AR
57003682-1	50	29	AR	57010024-1	15		14
57004583-1	26	31	1	57010024-1	50	11	AR
57004738-1	15		23	57010239-2	49	2	2
57004738-1	50	5	AR	57016194-2	18	42	3
57004738-1	52		56	58000571-1	50	51	1
57004738-2	15		2	58000571-1	52		1
57004738-2	18		AR	58000572-1	50	52	1
57004738-2	50	6	AR	58000572-1	52		1
57004741-1	50	61	1	58000780-24	2	44	4
57004742-1	50	107	1	58003679-1	15		1
57004743-1	50	86	1	58003679-1	50	30	1
57004743-1	50	98	1	58003680-1	4	13	1
57004744-1	50	79	2	58003876-1	3		1
57004744-1	50	94	2	58003876-1	15		1
57004744-1	50	103	2	58003876-1	50	18	1
57004745-1	50	106	2	58003877-1	15		1
57004746-1	50	82	2	58003877-1	50	22	1

PART NUMBER	FIG	INDEX	QTY	PART NUMBER	FIG	INDEX	QTY
58004637-2	15		2	64007749-1	24		2
58004637-2	50	3	1	64007845-1	24		2
58004637-2	50	32	1	64007845-1	24	17	2
58004736-1	15		1	64800038-1	40	21	1
58004736-1	18	21	1	64800157-2	24	69D	1
58004736-1	50	9	1	67006246-1	9	3	1
58004830-1	54		2	69007685-1	12		1
58006596-1	50	49	1	69006349-1	12		1
58006596-1	50	66	1	70003869-1	51	3	1
58006596-1	52		1	70006626-3	52	4	AR
58006597-1	50	41	1	70006867-1	52	2	AR
58006597-1	52		1	70006868-1	51		1
58006784-4	15		1	70006877-1	52	3	AR
58006784-4	50	26	1	70006898-1	52	1	AR
58006784-7	15		1	70006972-1	52		AR
58006784-7	50	25	1	70007220-1	52	5	AR
58007001-1	15		6	70008783-1	11		AR
58007615-1	47	5	1	71001274-1	6	11	1
58008586-1	36	11	2	71001274-1	24		1
58010009-2	15		1	71004823-1	54	16	1
58010009-2	50	15	1	71006950-1	5	43	1
58010010-2	9		1	71008753-1	20	72	1
58010010-2	50	45	1	71008753-2	20	73	1
58010235-1	18		1	73000523-5	23	5	1
59000521-17	18	5	1	73002137-10	26	9	1
59000521-5	24	5	2	73002137-8	24	59	1
59000565-5	24	8	1	73003368-10	12	17	1
59000573-1	18	6	1	73004687-12	18	12	1
59000573-1	24	7	3	73004687-23	24	57	1
59004790-2	18	7	1	73004777-7	24	43	1
59006785-3	24	6	1	73004894-14	47	1	1
60004839-1	56	1	2	74004218-4	33	51	1
60004849-1	56	7	2	74004231-3	35	26	1
61000223-1	3	45	1	74004236-4	41	21	1
61000223-1	5	19	1	74004241-6	44	45	1
61000223-1	7	12	1	74004242-7	43	20	1
61004814-1	16	17	3	74004246-6	45	55	1
61004842-1	56	2	6	74004251-2	29	39	1
61008551-1	16	18	1	74004818-4	27	49	1
62004882-1	56	13	1	74007015-2	56	17	1
62004883-1	56	14	1	74007160-3	37	22	1
62006986-1	54	8	1	74007193-1	52		1
62008552-1	16	7	1	74007616-2	47	34	1
64000520-1	24	32	2	74007617-3	46	53	1
64004690-1	24	68	1	74007944-2	28	68	1
UP002511-1							

PART NUMBER	FIG	INDEX	QTY	PART NUMBER	FIG	INDEX	QTY
74008576-3	49	8	1	75007944-3	18	17	1
74008577-4	38	13	1	75007944-3	28		REF
74008578-4	40	22	1	75008576-2	16	2	1
74008579-2	30	12	1	75008576-2	49		REF
74008580-2	31	7	1	75008577-1	19	17	1
74008581-2	39	20	1	75008577-1	38		REF
74008604-3	25	15	1	75008578-4	19	19	1
74008604-3	25A	15	1	75008578-4	40		REF
74008605-2	42	38	1	75008579-1	19	15	1
75004217-4	19	7	1	75008579-1	36		REF
75004218-0	19	10	1	75008580-2	19	3	1
75004218-0	33		REF	75008580-2	31		REF
75004227-3	54	7	1	75008581-2	19	18	1
75004231-3	19	14	1	75008581-2	39		REF
75004231-3	35		REF	75008605-3	19	21	1
75004232-3	19	12	1	75008605-3	42		REF
75004233-43	19	11	1	75009408-1	21B	1	1
75004236-4	19	20	1	76004643-2	54	1	1
75004236-4	41		REF	76006654-1	55		1
75004242-7	19	22	1	76006812-3	13	5	1
75004242-7	43		REF	76006812-3	21		REF
75004246-7	19	24	1	76006835-1	7		1
75004246-7	45		REF	76006836-1	6	12	1
75004249-4	19	2	1	76006879-1	33	4	1
75004249-4	30		REF	76006879-1	55		REF
75004249-4	30	41	1	76006880-1	55	10	1
75004249-4	55	2	1	76006965-1	4		1
75004251-2	19	1	1	76006998-2	7		1
75004251-2	29		REF	76006999-1	6		1
75004251-2	55	3	1	76007662-1	6		1
75004252-3	19	9	1	76007662-2	6		1
75004257-3	55	1	1	76007668-3	13	7	1
75004260-3	19	5	1	76007668-3	22		REF
75004818-2	2	17	2	76007778-1	14	15	1
75004818-2	27		REF	76007778-1	25		REF
75007015-2	54	20	1	76007778-1	25A		REF
75007015-2	56		REF	76007804-4	18		REF
75007038-2	55	4	1	76007804-X	12	11	1
75007160-2	37		REF	76007807-1	24		REF
75007160-2	19	16	1	76007807-4	24		REF
75007616-3	22	32	1	76007807-X	14	10	1
75007616-3	47		REF	76007803-1	24		1
75007617-4	22	3	1	76007911-1	24	37	2
75007617-4	46		REF	76007914-3	14	8	1
75007852-2	26	32	1	76007914-3	23		REF

PART NUMBER	FIG	INDEX	QTY	PART NUMBER	FIG	INDEX	QTY
76007937-1	12	14	1	83020844-1	24		1
76007938-2	14	18	1	83020845-1	24		1
76007938-2	26		REF	84000694-25	52		AR
76007997-1	24		2	84001467-54	24	56	1
76008401-1	12		1	84006762-1	5	5	1
76008627-2	20		1	84006946-1	55		1
76008628-2	20		REF	84006984-1	14	1	1
76008628-X	19	25	1	84007189-1	52		AR
76008629-2	19		REF	84007613-15	52		AR
76008629-A	12	22	1	84007650-1	53		1
76008709-1	26		1	84007888-1	23	9	1
76008876-1	21A		REF	84007889-1	23	11	1
76008876-X	13	5B	1	84008691-1	1		1
76008942-2	24		1	84008708-1	12	21C	1
76009409-1	13	5A	1	85008591-1	16	6	1
76009409-1	21	6	1	87000251-1	11	1	1
76009409-1	21B		REF	87000269-1	4	24	2
78006235-1	7	22	1	87000270-1	4	25	4
78007020-2	7		1	87000944-1	2	1	2
79004816-1	14	5	1	87000944-1	14	21	2
79006470-1	12	21G	1	87001026-20	12	18	3
79006624-1	13	27	1	87001026-37	18	13	2
79006679-1	13		1	87001026-38	20	19	4
83006035-1	9	3	1	87001026-46	18	29	1
83006059-2	15	11	1	87001117-1	3	58	2
83006064-1	15	8	1	87001117-1	17	6	2
83006418-1	53		5	87001118-1	3	59	2
83006418-2	53		2	87001118-1	17	7	2
83006809-1	15	2	2	87001206-2	54	17	1
85006823-1	3		1	87001207-1	54	14	1
83006823-1	15	10	REF	87001208-1	54	15	1
83006844-1	4	39	1	87001887-10	8		AR
83006864-1	15	3	1	87001887-2	8	3	1
83006865-1	15	9	1	87001887-20	8		AR
83007577-2	15	1	1	87001887-3	8		AR
83007642-2	15	5	1	87001887-5	8		AR
83007825-2	18		1	87001899-2	8	6	3
83007909-1	24		1	87003023-1	12	30	12
83007910-1	24		1	87003846-1	8	7	3
83008597-1	15	7	1	87004580-1	12	34	4
83008619-1	15	4	1	87004581-1	12	37	4
83008697-1	15	13	1	87006070-1	24	35	1
83008736-1	14		REF	87006075-2	24	25	1
83008736-1	15	6	1	87006175-1	1	17	1
83009413-1	21B		1	87006176-1	1	18	1

PART NUMBER	FIG	INDEX	QTY	PART NUMBER	FIG	INDEX	QTY
87006177-1	1	15	1	87006306-037	17	13	1
87006190-1	50	71	1	87006308-037	3	60	1
87006214-1	11	3	1	87006310-3	3	19	1
87006216-1	11	8	1	87006311-1	3	14	1
87006229-1	7	16	1	87006314-2	3	17	1
87006230-2	7	23	1	87006318-6	3	49	1
87006232-2	7	6	1	87006320-3	3	1	1
87006233-1	7	11	1	87006327-037	2	2	1
87006234-1	7	8	1	87006330-1	3	6	1
87006236-3	18	97	1	87006331-1	3	7	1
87006238-3	18	92	1	87006332-1	3	8	1
87006238-4	18	93	1	87006333-1	3	9	2
87006239-3	18	1	1	87006340-1	13	13	1
87006240-1	18	63	1	87006341-1	2	34	1
87006242-1	18	15	1	87006342-1	2	35	1
87006243-1	18	16	1	87006343-1	2	36	1
87006244-1	9	18	1	87006346-1	13	23	1
87006245-1	9	16	1	87006347-1	13	18	1
87006247-2	9	1	1	87006349-1	1	5	1
87006248-1	4	20	1	87006350-2	15	19	1
87006249-3	4	12	1	87006352-1	2	28	1
87006251-1	4	6	1	87006353-1	2	29	1
87006252-1	4	30	1	87006372-2	2	40	1
87006270-1	5	18	1	87006373-2	2	38	1
87006275-1	5	14	1	87006377-1	5	7	2
87006275-2	5	16	1	87006380-1	5	6	2
87006276-1	20	69	1	87006381-3	18	45	1
87006277-1	5	13	1	87006382-2	18	85	2
87006277-2	5	15	1	87006383-1	18	61	1
87006277-3	5	17	1	87006385-2	18	87	1
87006278-1	5	21	1	87006387-13	18	10	1
87006279-3	10	1	1	87006390-1	50	89	1
87006284-2	6	18	1	87006405-1	10	3	1
87006285-2	6	6	4	87006422-1	18	23	1
87006286-1	6	9	1	87006422-1	24	65	2
87006287-1	6	3	1	87006424-2	3	10	1
87006288-1	4	38	1	87006426-1	13	17	1
87006291-2	10	14	1	87006438-1	17	8	2
87006293-2	10	15	1	87006446-1	15		1
87006298-1	20	18	1	87006446-1	50	34	1
87006298-2	20	52	1	87006446-2	15		1
87006301-1	20	24	2	87006446-2	50	37	1
87006301-1	20	59	2	87006462-1	10	7	1
87006302-1	20	1	1	87006463-1	10	5	1
87006303-1	20	66	3	87006466-1	5	30	1

PART NUMBER	FIG	INDEX	QTY	PART NUMBER	FIG	INDEX	QTY
87006467-1	50	28	1	87006860-2	22	10	1
87006483-1	8	4	1	87006869-1	51	6	1
87006491-1	15		1	87006870-1	51	10	1
87006491-1	50	2	1	87006871-2	51	2	1
87006491-1	50	8	1	87006872-1	51	5	1
87006499-1	2	14	1	87006915-1	3	43	1
87006517-2	54	24	1	87006918-2	3	39	1
87006523-2	55	28	2	87006919-1	3	24	1
87006544-2	4	13	1	87006920-2	3	42	1
87006548-1	22	7	1	87006921-1	3	44	1
87006553-2	22	37	1	87006922-1	22	1	1
87006560-2	5	28	1	87006929-1	20	63	1
87006561-1	5	26	1	87006932-1	20	61	1
87006578-1	12	31	1	87006944-1	7	1	1
87006578-2	12		1	87006947-1	53	17	2
87006659-1	8	10	2	87006948-2	3	28	1
87006666-1	13	20	1	87006952-1	55	14	1
87006670-1	12	19	2	87006953-1	55	13	1
87006671-1	20	26	1	87006957-1	22	35	16
87006673-1	1	11	1	87006957-2	26	22	12
87006674-1	1	8	1	87006958-1	22	33	16
87006675-1	1	10	1	87006958-1	26	24	12
87006682-1	8	17	1	87006961-1	51	9	1
87006683-1	8	18	1	87007195-1	15		1
87006684-1	8	19	1	87007195-1	50	4	1
87006685-1	8	12	2	87007195-1	50	10	1
87006686-1	1	4	1	87007195-1	52		1
87006719-2	54	28	1	87007345-1	52		1
87006738-1	47	60	2	87007350-1	12	12	1
87006744-1	1	20	1	87007357-1	2	13	1
87006748-2	2	12	1	87007358-1	10	12	1
87006758-2	5	50	1	87007358-2	10	11	1
87006791-2	3	52	1	87007366-1	50		1
87006792-1	3	53	1	87007366-2	15		1
87006793-2	54	12	1	87007639-1	3	47	1
87006794-1	54	27	1	87007645-2	2	11	1
87006811-1	21	7	1	87007680-1	15		1
87006837-1	1	22	1	87007680-1	50	27	1
87006839-1	20	41	1	87007692-2	26	35	1
87006839-2	20	42	1	87007693-1	3	18	2
87006852-1	22	36	1	87007696-1	3	23	AR
87006854-1	20	75	1	87007760-1	18	98	1
87006855-1	20	71	1	87007761-1	18	48	1
87006859-1	13	10	2	87007763-1	27	4	5
87006860-1	22	11	1	87007765-1	18	3	1

PART NUMBER	FIG	INDEX	QTY	PART NUMBER	FIG	INDEX	QTY
87007779-1	25	8	1	88006024-5	5		REF
87007779-1	25A	8	1	88006024-9	5		REF
87007780-1	25	1	1	88006024-9	4		REF
87007780-1	25A	1	1	88006024-X	2	43	1
87007800-1	16	89	1	88006026-1	5	45	1
87007808-1	24	71	1	88006026-1	8		REF
87007810-2	24	51	1	88006027-1	8	9	1
87007811-1	23	13	1	88006031-1	8	1	1
87007812-1	24	66	1	88006031-1	9		REF
87007856-2	24	4	1	88006032-1	9		1
87007915-2	23	18	1	88006036-2	11		AR
87007916-1	23	1	1	88006037-1	11	5	1
87007939-2	26	33	1	88006038-1	11	4	1
87008291-1	3	54	2	88006039-3	5	32	1
87008327-1	2	39	1	88006039-3	10		REF
87008399-1	53	12	1	88006039-4	5	33	1
87008516-1	18	45B	1	88006039-4	10		REF
87008601-2	16	19	1	88006040-6	6		REF
87008602-1	16	5	1	88006040-7	6		REF
87008646-2	24	72	1	88006040-X	4	32	1
87008647-1	24	39	1	88006042-1	5	44	1
87008692-1	8	8	1	88006043-1	5	37	1
87008696-1	50	114	1	88006044-1	7		REF
87008700-037	2	7	1	88006044-2	7		REF
87008708-2	24	72	1	88006044-X	4	3	1
87008725-2	11	6	1	88006045-1	4		1
87008738-0	15		1	88006046-1	4		1
87008739-1	2	6A	1	88006055-2	15		1
87008772-1	12	21H	1	88006065-2	2	8	1
87008773-1	12	21J	1	88006065-2	3		REF
87008893-1	21A	7	1	88006066-8	3		1
87009410-1	21B	16	1	88006067-037	2		1
87009435-1	20	17	1	88006119-1	2		1
87009483-1	20	13	1	88006120-1	2	21	5
87020803-1	20	8	3	88006125-1	2	22	4
88000200-2	7	4	11	88006129-1	2	23	5
88000261-1	4	28	1	88006133-1	2	24	5
88000264-1	4	27	1	88006137-2	2	25	1
88000268-2	4		1	88006163-1	4	1	1
88001816-0	9	9	1	88006183-1	7		REF
88003618-0	9	6	2	88006184-1	5		1
88003618-7	9	5	1	88006185-2	7		1
88006021-037	2		1	88006204-2	5	47	1
88006022-037	1	1	1	88006204-2	11		REF
88006024-0	4		REF	88006231-1	7		1

PART NUMBER	FIG	INDEX	QTY	PART NUMBER	FIG	INDEX	QTY
88006305-037	12	5	1	88008664-1	1		REF
88006305-037	17		REF	88008793-2	11		1
88006307-037	3		1	91000911-1	52		AR
88006309-2	3		1	98000216-00	3	34	1
88006371-1	2	30	1	98000455-00	3	35	1
88006420-2	54		1	UD002446-1	53		1
88006488-1	2		1	US002500-1	51		REF
88006546-1	10		1				
88006546-2	10		2				
88006559-1	12	8	1				
88006579-1	1		2				
88006590-2	5	51	1				
88006647-036	1	13	2				
88006652-2	53		1				
88006653-6	53		1				
88006655-2	53	3	1				
88006655-2	54		REF				
88006663-1	1		1				
88006681-1	8		1				
88006681-2	7		1				
88006857-2	1		2				
88006858-1	1		1				
88006861-1	22		1				
88006861-2	22		1				
88006909-1	54	18	1				
88006910-2	3		1				
88006925-7	3		1				
88007227-1	3	20	1				
88007637-1	2		1				
88007640-1	20		2				
88007766-1	2		1				
88008531-1	2		REF				
88008531-2	2		REF				
88008531-λ	1	23	1				
88008532-1	12		REF				
88008532-1	13		REF				
88008532-1	14		REF				
88008532-1	15		REF				
88008532-2	12		REF				
88008532-2	13		REF				
88008532-2	14		REF				
88008532-2	15		REF				
88008532-λ	2	46	1				
88008600-1	12	1	1				
88008600-1	10		REF				



MANUAL CHANGE SHEET

SPERRY UNIVAC

MANUAL NO. UP002511-1 PRINT DATE January, 1976

MANUAL SHOULD BE CHANGED BECAUSE IT CONTAINS INFORMATION WHICH IS:

OUT OF DATE [] ERRONEOUS [] INCOMPLETE [] MISLEADING [] POORLY ORGANIZED []

OTHER _____

REVISE MANUAL AS FOLLOWS:

Multiple horizontal lines for revising the manual.

TECHNICAL PUBLICATIONS ONLY

REQUEST IS JUDGED VALID AND WARRANTS:

ESTIMATED TIME REQUIRED TO COMPLY (M/H)

IMMEDIATE ACTION []

ACTION AT NEXT PRINTING []

ILLUSTRATOR

WRITER

TYPIST

TOTAL

REQUEST IS JUDGED INVALID BECAUSE: _____

REVIEWED BY _____ DATE _____

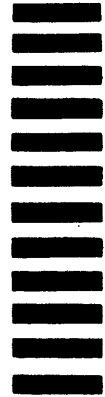
FIRST CLASS
PERMIT NO. 157
CUPERTINO, CA

BUSINESS REPLY MAIL

NO POSTAGE STAMP NECESSARY IF MAILED IN THE U.S.A.

POSTAGE WILL BE PAID BY

INFORMATION STORAGE SYSTEMS, INC
10435 NORTH TANTAU AVENUE
CUPERTINO, CALIFORNIA 95014



ATTN: TECHNICAL PUBLICATIONS

FOLD ON DOTTED LINE
AND STAPLE