

THIS DRAWING AND THE SPECIFICATIONS CONTAINED HEREIN ARE CONFIDENTIAL AND PROPRIETARY. THEY ARE THE PROPERTY OF DIGITAL EQUIPMENT CORPORATION AND SHALL NOT BE REPRODUCED OR COPIED OR USED IN WHOLE OR IN PART AS THE BASIS FOR MANUFACTURING OR SALE OF ITEMS WITHOUT WRITTEN PERMISSION. THIS IS AN UNPUBLISHED WORK PROTECTED UNDER THE FEDERAL COPYRIGHT LAWS.
 COPYRIGHT 1987
 FIELD MAINTENANCE PRINT SET

TABLE OF CONTENTS

UNIT VARIATIONS COVERED BY THIS PRINT SET

K-TC-DSRVB-A-0	DSRVB-A PRINT SET
K-DD-DSRVB-A-0	DECSERVER 200/MC DRAWING DIRECTORY
E-UA-DSRVB-A-DBU	DECSERVER 200/MC
K-PL-DSRVB-A-DBP	DECSERVER 200/MC (PL)
E-AD-7023163-0-DBU	COVER, ASSY
K-PL-7023163-0-DBP	COVER, ASSY (PL)
E-AD-7023164-0-DBU	BASE, ASSY, DECSERVER 200/MC
K-PL-7023164-0-DBP	BASE, ASSY, DECSERVER 200/MC (PL)
D-IA-7023165-0-DBU	FAN ASSY
K-PL-7023165-0-DBP	FAN ASSY (PL)
K-DD-5418027-0-0	RS232 I/O BOARD
E-UA-5418027-0-0	RS232 I/O BOARD UNIT ASSY
K-PL-5418027-0-DBP	RS232 I/O BOARD PARTS LIST
K-BD-5418027-0-ESD1	RS232 I/O BOARD BLOCK DIAGRAM
K-CS-5418027-0-ESD2	RS232 I/O BOARD SCHEMATIC
K-CS-5418027-0-ESD3	RS232 I/O BOARD SCHEMATIC
K-CS-5418027-0-ESD4	RS232 I/O BOARD SCHEMATIC
K-CS-5418027-0-ESD5	RS232 I/O BOARD SCHEMATIC
K-CS-5418027-0-ESD6	RS232 I/O BOARD SCHEMATIC
K-CS-5418027-0-ESD7	RS232 I/O BOARD SCHEMATIC
D-EC-5018026-0-0	ETCH CUT DRAWING
K-DD-5418034-0-0	DECSERVER 200
E-UA-5418034-0-0	DECSERVER 200 UNIT ASSY
K-PL-5418034-0-DBP	DECSERVER 200 PARTS LIST
K-BD-5418034-0-B1	DECSERVER 200 BLOCK DIAGRAM
K-BD-5418034-0-B2	DECSERVER 200 BLOCK DIAGRAM
K-BD-5418034-0-B3	DECSERVER 200 BLOCK DIAGRAM
K-BD-5418034-0-CPU1	DECSERVER 200 BLOCK DIAGRAM
K-CS-5418034-0-CPU2	DECSERVER 200 SCHEMATIC
K-CS-5418034-0-CPU3	DECSERVER 200 SCHEMATIC
K-CS-5418034-0-CPU4	DECSERVER 200 SCHEMATIC
K-CS-5418034-0-CPU5	DECSERVER 200 SCHEMATIC
K-CS-5418034-0-CPU6	DECSERVER 200 SCHEMATIC

DSRVB-A2
 DSRVB-AA
 DSRVB-AB

FIELD MAINTENANCE PRINT SET

DIGITAL EQUIPMENT CORPORATION

PRINT SET ORDER NO.

MP-01827-01 B01

REVISION HISTORY

CONT. REVISION HISTORY

MADE BY : L. REED
 DATE : 13-OCT-87

CHECKED BY : F. CARBONE
 DATE : 13-OCT-87

PROJECT ENGR : M. LAWRENCE
 DATE : 13-OCT-87

RSPBLE ENGR : M. LAWRENCE
 DATE : 13-OCT-87

FIELD SERVICE : A. RIVERA
 DATE : 13-OCT-87

d i g i t a l

TITLE: FIELD MAINTENANCE PRINT SET

DSRVB-A
 PRINT SET

SIZE	CODE	DOCUMENT NUMBER	REV.
K	TC	DSRVB-A-0	C

SHEET 1 OF 3 | EDIT : 2

TC FILENAME: DSRVBA1.TCF

THIS DRAWING AND THE SPECIFICATIONS CONTAINED HEREIN ARE CONFIDENTIAL AND PROPRIETARY. THEY ARE THE PROPERTY OF DIGITAL EQUIPMENT CORPORATION AND SHALL NOT BE REPRODUCED OR COPIED OR USED IN WHOLE OR IN PART AS THE BASIS FOR MANUFACTURING OR SALE OF ITEMS WITHOUT WRITTEN PERMISSION. THIS IS AN UNPUBLISHED WORK PROTECTED UNDER THE FEDERAL COPYRIGHT LAWS.

COPYRIGHT 1987

FIELD MAINTENANCE PRINT SET

TABLE OF CONTENTS

K-CS-5418034-0-CPU7	DECSERVER 200 SCHEMATIC
K-CS-5418034-0-CPU8	DECSERVER 200 SCHEMATIC
K-BD-5418034-0-MEM1	DECSERVER 200 BLOCK DIAGRAM
K-CS-5418034-0-MEM2	DECSERVER 200 SCHEMATIC
K-CS-5418034-0-MEM3	DECSERVER 200 SCHEMATIC
K-CS-5418034-0-MEM4	DECSERVER 200 SCHEMATIC
K-CS-5418034-0-MEM5	DECSERVER 200 SCHEMATIC
K-CS-5418034-0-MEM6	DECSERVER 200 SCHEMATIC
K-CS-5418034-0-MEM7	DECSERVER 200 SCHEMATIC
K-CS-5418034-0-MEM8	DECSERVER 200 SCHEMATIC
K-CS-5418034-0-MEM9	DECSERVER 200 SCHEMATIC
K-CS-5418034-0-MEM10	DECSERVER 200 SCHEMATIC
K-BD-5418034-0-INT1	DECSERVER 200 BLOCK DIAGRAM
K-CS-5418034-0-INT2	DECSERVER 200 SCHEMATIC
K-CS-5418034-0-INT3	DECSERVER 200 SCHEMATIC
K-CS-5418034-0-INT4	DECSERVER 200 SCHEMATIC
K-CS-5418034-0-ARB1	DECSERVER 200 SCHEMATIC
K-BD-5418034-0-B4	DECSERVER 200 BLOCK DIAGRAM
K-BD-5418034-0-TRM1	DECSERVER 200 BLOCK DIAGRAM
K-CS-5418034-0-TRM2	DECSERVER 200 SCHEMATIC
K-CS-5418034-0-TRM3	DECSERVER 200 SCHEMATIC
K-CS-5418034-0-TRM4	DECSERVER 200 SCHEMATIC
K-CS-5418034-0-TRM5	DECSERVER 200 SCHEMATIC
K-CS-5418034-0-TRM6	DECSERVER 200 SCHEMATIC
K-CS-5418034-0-TRM7	DECSERVER 200 SCHEMATIC
K-CS-5418034-0-TRM8	DECSERVER 200 SCHEMATIC
K-CS-5418034-0-TRM9	DECSERVER 200 SCHEMATIC
K-CS-5418034-0-TRM10	DECSERVER 200 SCHEMATIC
K-CS-5418034-0-TRM11	DECSERVER 200 SCHEMATIC
K-BD-5418034-0-NET1	DECSERVER 200 BLOCK DIAGRAM
K-CS-5418034-0-NET2	DECSERVER 200 SCHEMATIC
K-CS-5418034-0-NET3	DECSERVER 200 SCHEMATIC
K-CS-5418034-0-NET4	DECSERVER 200 SCHEMATIC

UNIT VARIATIONS COVERED BY THIS PRINT SET

DSRVB-A2
DSRVB-AA
DSRVB-AB

FIELD MAINTENANCE PRINT SET

DIGITAL EQUIPMENT CORPORATION

PRINT SET ORDER NO

MP-01827-01 B01

REVISION HISTORY

CONT. REVISION HISTORY

MADE BY : L. REED
DATE : 13-OCT-87

REV	ECO NUMBER	DATE	REV	ECO NUMBER	DATE
-----	------------	------	-----	------------	------

C	DSRVBA-MK002	13-OCT-87	-	-	-
-	-	-	-	-	-
-	-	-	-	-	-
-	-	-	-	-	-
-	-	-	-	-	-
-	-	-	-	-	-
-	-	-	-	-	-
-	-	-	-	-	-
-	-	-	-	-	-
-	-	-	-	-	-

CHECKED BY : F. CARBONE
DATE : 13-OCT-87

PROJECT ENGR : M. LAWRENCE
DATE : 13-OCT-87

RSPBLE ENGR : M. LAWRENCE
DATE : 13-OCT-87

FIELD SERVICE : A. RIVERA
DATE : 13-OCT-87

d i g i t a l

TITLE: FIELD MAINTENANCE PRINT SET

DSRVB-A
PRINT SET

SIZE	CODE	DOCUMENT NUMBER	REV.
K	TC	DSRVB-A-0	C

SHEET 2 OF 3 | EDIT : 3

THIS DRAWING AND THE SPECIFICATIONS CONTAINED HEREIN ARE CONFIDENTIAL AND PROPRIETARY. THEY ARE THE PROPERTY OF DIGITAL EQUIPMENT CORPORATION AND SHALL NOT BE REPRODUCED OR COPIED OR USED IN WHOLE OR IN PART AS THE BASIS FOR MANUFACTURING OR SALE OF ITEMS WITHOUT WRITTEN PERMISSION. THIS IS AN UNPUBLISHED WORK PROTECTED UNDER THE FEDERAL COPYRIGHT LAWS.
 COPYRIGHT 1987
 FIELD MAINTENANCE PRINT SET

TABLE OF CONTENTS

K-CS-5418034-0-NET5	DECSERVER 200 SCHEMATIC
K-CS-5418034-0-PWR	DECSERVER 200 SCHEMATIC
K-CS-5418034-0-CAP1	DECSERVER 200 SCHEMATIC
K-CS-5418034-0-CAP2	DECSERVER 200 SCHEMATIC
K-CS-5418034-0-D1	DECSERVER 200 SCHEMATIC
K-CS-5418034-0-D2	DECSERVER 200 SCHEMATIC
K-CS-5418034-0-D3	DECSERVER 200 SCHEMATIC
E-EC-5018033-0-0	ETCH CUT DRAWING

UNIT VARIATIONS
 COVERED BY THIS
 PRINT SET

DSRVB-A2
 DSRVB-AA
 DSRVB-AB

FIELD MAINTENANCE PRINT SET

DIGITAL EQUIPMENT CORPORATION

PRINT SET ORDER NO

MP-01827-01 B01

REVISION HISTORY

CONT. REVISION HISTORY

REVI	ECO NUMBER	DATE	REVI	ECO NUMBER	DATE
A	INITIAL	- -			- -
		- -			- -
		- -			- -
		- -			- -
		- -			- -
		- -			- -
		- -			- -
		- -			- -
		- -			- -
		- -			- -

MADE BY : L. REED
 DATE : 13-OCT-87

CHECKED BY : F. CARBONE
 DATE : 13-OCT-87

PROJECT ENGR : M. LAWERENCE
 DATE : 13-OCT-87

RSPBLE ENGR : M. LAWERENCE
 DATE : 13-OCT-87

FIELD SERVICE : A. RIVERA
 DATE : 13-OCT-87

d i g i t a l

TITLE: FIELD MAINTENANCE PRINT SET

DSRVB-A
 PRINT SET

SIZE	CODE	DOCUMENT NUMBER	REV.
K	TC	DSRVB-A-0	C

SHEET 3 OF 3 | EDIT : |

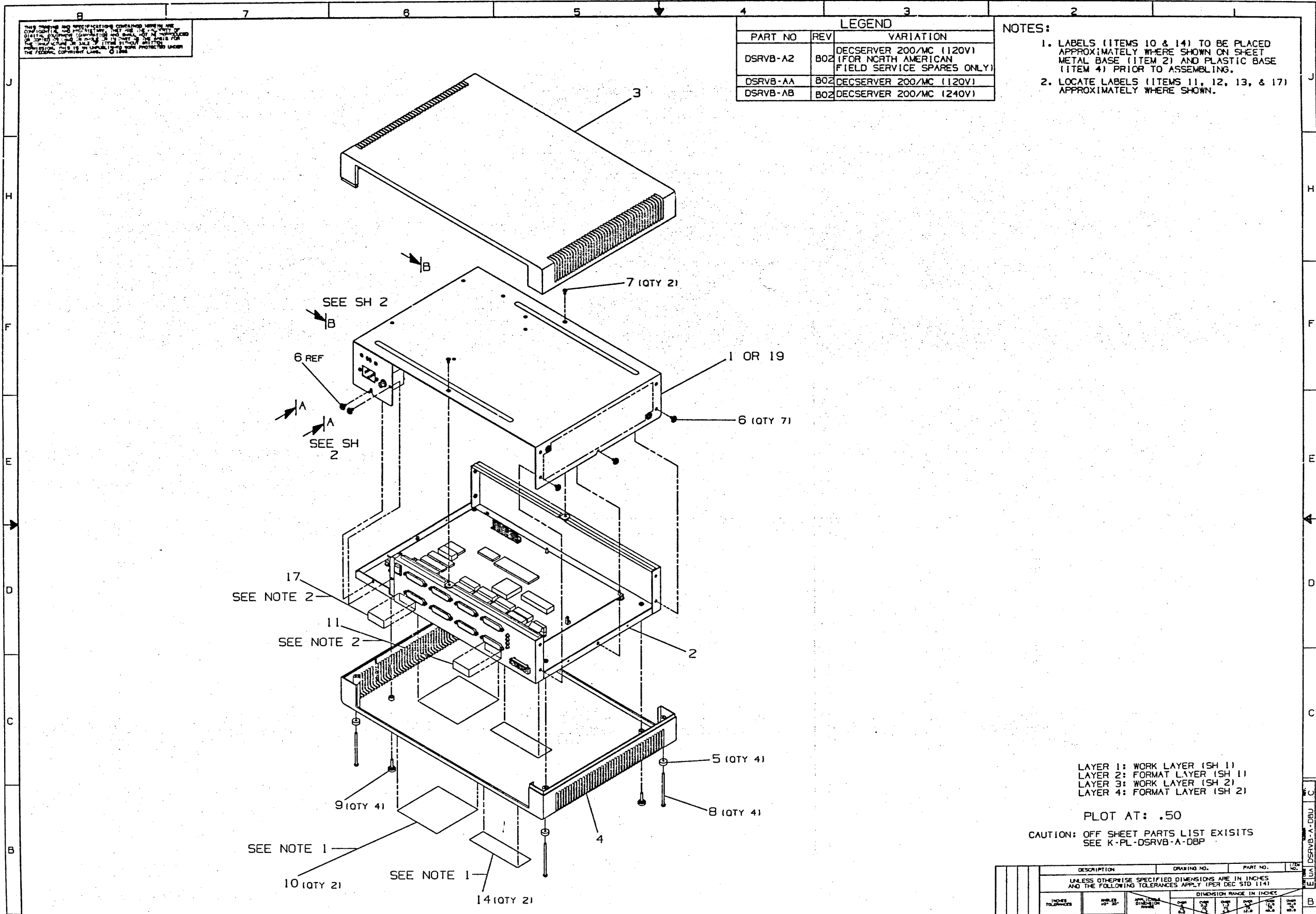
DRAWING NO.	NO. SHTS	PART NO.	DESCRIPTION	REVISIONS
		DSRVB-AA	DECSERVER 200 TERM SERVER 120 VOLT	B1 B2 B2
		DSRVB-AB	DECSERVER 200 TERM SERVER 240 VOLT	B1 B2 B2
		DSRVB-A2	DECSERVER 200 TERM SERVER 120 VOLT	B1 B2 B2
			W/O COUNTRY KIT	
E-UA-DSRVB-A-DBU	2		ASSY DWG, DSRVB	B C C
K-PL-DSRVB-A-DBP	1		PARTS LIST, DSRVB	B C D
K-TC-DSRVB-A-0			DECSERVER 200 MC (TC)	- C C
		MP-01827-01	(MP)	- B1 B1
B-TC-DSRVB-A-DBU	3		DECSERVER 200 MC (TC)	B IN IN

NOTES:

				C	D
		R			
		E			
		V			
R				M	M
E	H	E		K	K
V	I	C		0	0
I	S	O		0	0
S	T			0	0
I	O	N		2	3
O	R	O			
N	Y				
		D		1	0
		A		0	2
		T		/	/
		E		8	8
				7	8

THIS DRAWING AND THE SPECIFICATIONS CONTAINED
 HEREIN ARE CONFIDENTIAL AND PROPRIETARY. THEY
 ARE THE PROPERTY OF DIGITAL EQUIPMENT CORPOR-
 ATION AND SHALL NOT BE REPRODUCED OR COPIED
 OR USED IN WHOLE OR IN PART AS THE BASIS FOR
 THE MANUFACTURE OR SALE OF ITEMS WITHOUT WRIT-
 TEN PERMISSION. THIS IS AN UNPUBLISHED WORK
 PROTECTED UNDER THE FEDERAL COPYRIGHT LAWS.
 COPYRIGHT 1987

DRN: L. REED	DATE: 13-OCT-87	d i g i t a l		
CHK'D: F. CARBONE	DATE: 13-OCT-87	TITLE DECSERVER 200/MC		
DES.ENG.: M. LAWERENCE	DATE: 13-OCT-87	SHEET 1 OF 1	EDIT: 4	
RESP.ENG.: M. LAWERENCE	DATE: 13-OCT-87	DOCUMENT NUMBER		
		DD FILENAME: DSRVBAD.DDF		
MFG.ENG.: A. RIVERA	DATE: 13-OCT-87	SIZE K	CODE DD	NUMBER DSRVB-A-0
				REV D



THIS DRAWING AND SPECIFICATIONS CONTAINED HEREIN ARE THE PROPERTY OF THE UNITED STATES GOVERNMENT AND ARE TO BE REPRODUCED IN WHOLE OR IN PART IN ANY FORM OR BY ANY MEANS, ELECTRONIC OR MECHANICAL, INCLUDING PHOTOCOPYING, RECORDING, OR BY ANY INFORMATION STORAGE AND RETRIEVAL SYSTEM, WITHOUT PERMISSION IN WRITING FROM THE FEDERAL GOVERNMENT.

LEGEND		
PART NO	REV	VARIATION
DSRVB-A2	802	DECSERVER 200/MC (120V) (FOR NORTH AMERICAN FIELD SERVICE SPARES ONLY)
DSRVB-AA	802	DECSERVER 200/MC (120V)
DSRVB-AB	802	DECSERVER 200/MC (240V)

- NOTES:
1. LABELS (ITEMS 10 & 14) TO BE PLACED APPROXIMATELY WHERE SHOWN ON SHEET METAL BASE (ITEM 2) AND PLASTIC BASE (ITEM 4) PRIOR TO ASSEMBLING.
 2. LOCATE LABELS (ITEMS 11, 12, 13, & 17) APPROXIMATELY WHERE SHOWN.

LAYER 1: WORK LAYER (SH 1)
 LAYER 2: FORMAT LAYER (SH 1)
 LAYER 3: WORK LAYER (SH 2)
 LAYER 4: FORMAT LAYER (SH 2)

PLOT AT: .50

CAUTION: OFF SHEET PARTS LIST EXISTS
 SEE K-PL-DSRVB-A-DBP

REVISIONS	DATE	BY	REV
INITIAL A			
INITIAL B			
INITIAL C			

QUANTITY & VARIATION	DESCRIPTION	DRAWING NO.	PART NO.	REV
1	DECSERVER 200/MC			

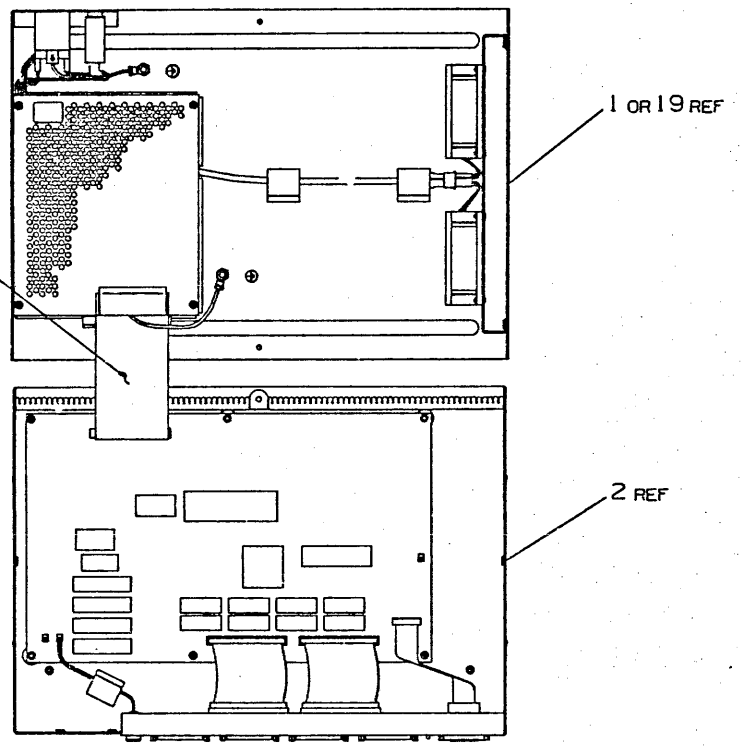
UNLESS OTHERWISE SPECIFIED DIMENSIONS ARE IN INCHES AND THE FOLLOWING TOLERANCES APPLY (PER DEC STD 114)	DIMENSION RANGE IN INCHES							
INCHES TOLERANCES	0.00 - 0.25	0.25 - 0.50	0.50 - 1.00	1.00 - 2.00	2.00 - 5.00	5.00 - 10.00	10.00 - 25.00	25.00 - 50.00
±.01 ±.01	±.005	±.005	±.005	±.005	±.005	±.005	±.005	±.005
±.01 ±.02	±.005	±.005	±.005	±.005	±.005	±.005	±.005	±.005
±.0014 ±.008	±.005	±.005	±.005	±.005	±.005	±.005	±.005	±.005

DESIGNER	DATE	TITLE
E. TENANDER	01 APR 66	DECSERVER 200/MC
BOURGAULT/WM	13 JUN 66	
W. MCCARTHY	13 JUN 66	
A. PARIKH	13 JUN 66	

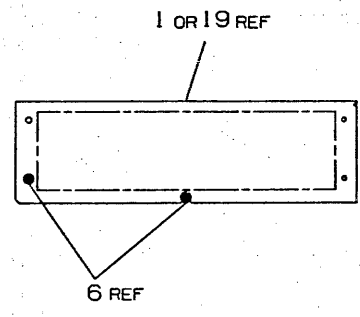
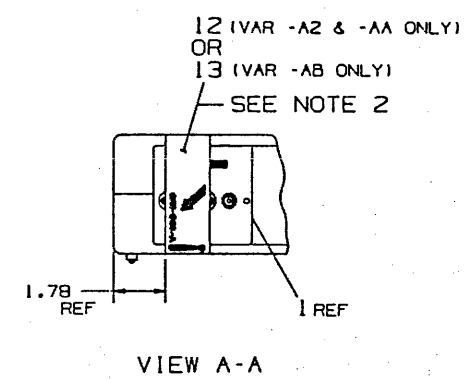
THIS DRAWING AND SPECIFICATIONS CONTAINED HEREIN ARE THE PROPERTY OF THE UNITED STATES GOVERNMENT AND ARE TO BE REPRODUCED IN FULL OR IN PART OR IN ANY MANNER FOR THE PURPOSES OF THE UNITED STATES GOVERNMENT WITHOUT PERMISSION. THIS IS AN UNCLASSIFIED WORK PROTECTED UNDER THE FEDERAL COPYRIGHT LAWS, © 1988

J
H
G
F
E
D
C
B
A

NOTE CONNECTION OF DC POWER CABLE FROM ITEM 1 OR 19 (POWER SUPPLY) TO ITEM 2 (RS232)



TOP VIEW WITH ITEMS 3 & 4 REMOVED AND ITEM 1 FLIPPED OPEN



REVISION HISTORY		
DATE	ECO HISTORY	REV

J
H
G
F
E
D
C
B
A

LINE ITEM	TOP DOCUMENT	PART NUMBER	MIN REV	DESCRIPTION	QUANTITY PER VARIATION/REVISION		
					A2 B2	AA B2	AB B2
1	E-AD-7023163-0-DBU	70-23163-01		COVER, ASSY.	REF	REF	REF
2	E-AD-7023164-0-DBU	70-23164-01		BASE ASSY, DEC SERVER 200/MC	1	1	1
3	E-IA-7432072-0-DBU	74-32072-01		COVER, CORPORATE BOX	1	1	1
4	E-IA-7432072-0-DBU	74-32072-02		BASE, CORPORATE BOX	1	1	1
5	A-PS-1224506-0-0	12-24506-02		FOOT, RUBBER .38THK	4	4	4
6		90-00049-22		SCREW, SEMS PAN PHIL 6-32	7	7	7
7		90-09749-00		SCREW, MACH FLAT PHIL 6-32	2	2	2
8		90-08411-01		SCREW, MACH RND PHIL 8-32	4	4	4
9		90-10718-01		SCREW, SHLD PHIL 6-32	4	4	4
10	A-PS-3616786-0-0	36-16786-01		LABEL, ECO STATUS FOUR PART	2	2	2
11	A-PS-3624044-0-0	36-24044-01		LABEL, ETHERNET ADDRESS	1	1	1
12	A-PS-3617905-0-0	36-17905-16		LABEL, WARNING EQUIP. RATING, 100-12	1	1	-
13	A-PS-3617905-0-0	36-17905-17		LABEL, WARNING EQUIP. RATING, 220-24	-	-	1
14	A-PS-3625985-0-0	36-25985-01		LABEL, BOTTOM COMMON BOX DSRVB-A	2	2	2
15	A-PS-3700805-0-0	37-00805-06		PKG COMM SERVER DSRVB/DSRVC CUS.	1	1	1
16	K-PL-DSRVB-0-DBP	DSRVB-KA		DSRVB-AA, -BA KIT FOR US, CANADA (FRE	-	1	-
17	A-PS-3626516-0-0	36-26516-02		LABEL, BAR CODE PLOYESTER 4 UP	1	1	1
18	A-PS-1215336-0-0	12-15336-08		CONN, D SUB 25POS SE	-	1	1
19	E-AD-7023163-0-DBU	70-23163-02		COVER ASSEMBLY	1	1	1
20		QLZ06-UZ		DECSVR 200 VMS LIC W/WARR	-	REF	REF
21		QLZ14-UZ		DECSVR 200 ULTRIX LIC W/WARR	-	REF	REF

- 1 GEN: NOTE: 1. REFER TO K-PL-DSRVB-0-DBP FOR COUNTRY KITS.
- 2 GEN: NOTE: 2. -A2 IS FOR NORTH AMERICAN FIELD SERVICE SPARES ONLY.
- 3 GEN: NOTE: 3. ITEM #18 NOT SHOWN ON UNIT, BUT INSERTED SEPERATELY IN SHIPPING CONTAINER.
- 4 GEN: IF ITEM #19 (70-23163-02) IS NOT AVAILABLE, ITEM #1 (70-23163-01) CAN BE SUBSTITUTED.

REVISION HISTORY			KPL MATRIX FORMAT		SECTION A OF A	DRN: E. TENANDER	DIGITAL			
ENG	ECO NUMBER	REV	SECTION/VARIATION INDEX		DATE: 02-APR-86					
---	INITIAL	A	{A}	A2, AA, AB	CHK'D: BOURGAULT/WM	TITLE PARTS LIST				
WM	DSRVB-A-LK001	B	{B}		DATE: 13-JUN-86	DESERVER 200/MC				
ML	DSRVB-A-MK002	C	{C}		DES.ENG: W. MCCARTHY					
ML	DSRVB-A-MK003	D	{D}		DATE: 13-JUN-86	DOCUMENT NUMBER				
			{E}			SIZE	CODE	NUMBER	REV	
			{F}		RESP.ENG.: A. PARIKH	K	PL	DSRVB-A-DBP	D	
			{H}		DATE: 13-JUN-86					
			{J}		MFG.ENG: J. SEQUINOT	RELEASE DATE: 15-FEB-88				
					DATE: 13-JUN-86	RELEASE STATUS: RELEASED				
			BASIC PART NUMBER:	ASSEMBLY NUMBER:	TOP DOCUMENT NUMBER:	FILE NAME:	EDIT #			
			DSRVB	E-UA-DSRVB-A-DBU	K-DD-DSRVB-A-0	DSRVBAD.PLS	1			

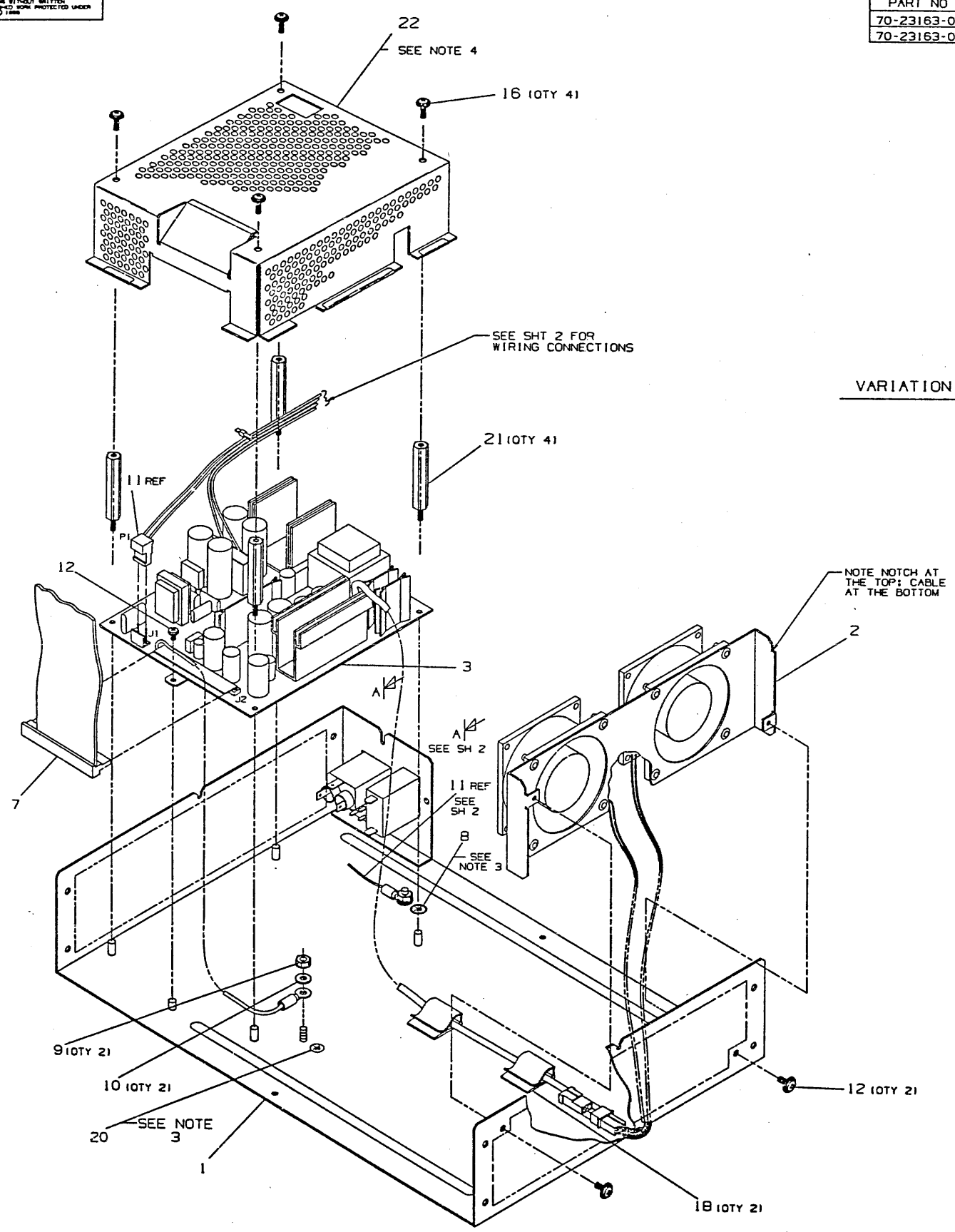
"THIS DRAWING AND THE SPECIFICATIONS CONTAINED HEREIN ARE CONFIDENTIAL AND PROPRIETARY. THEY ARE THE PROPERTY OF DIGITAL EQUIPMENT CORPORATION AND SHALL NOT BE REPRODUCED OR COPIED OR USED IN WHOLE OR IN PART AS THE BASIS FOR THE MANUFACTURE OR SALE OF ITEMS WITHOUT WRITTEN PERMISSION. THIS IS AN UNPUBLISHED WORK PROTECTED UNDER THE FEDERAL COPYRIGHT LAWS."

THIS DRAWING AND SPECIFICATIONS CONTAINED HEREIN ARE CONFIDENTIAL AND PROPRIETARY. THEY ARE THE PROPERTY OF ORIGINATING CONTRACTOR AND SHALL NOT BE REPRODUCED OR COPIED IN WHOLE OR IN PART OR IN ANY MANNER FOR THE MANUFACTURE OF PARTS OF THIS PRODUCT WITHOUT THE WRITTEN PERMISSION OF THE CONTRACTOR. THIS DRAWING IS NOW PROTECTED UNDER THE FEDERAL COPYRIGHT LAWS.

LEGEND		
PART NO	REV	VARIATION
70-23163-01	B1	AS SHOWN, SHTS 1 & 2
70-23163-02	A1	AS SHOWN, SHTS 3 & 4

- NOTES:**
- INSTALL LABEL (ITEM 17) AFTER ITEMS, 4, 5, & 6 ARE INSTALLED.
 - LOCATE CABLE CLAMP (ITEM 18) APPROXIMATELY WHERE SHOWN.
 - LOCATE LABELS (ITEMS 8 & 20, FOR -01 VARIATION), (ITEM 8 FOR -02 VARIATION) APPROXIMATELY WHERE SHOWN.
 - CAUTION: DO NOT PINCH ANY WIRES UNDER POWER SUPPLY COVER (ITEM 22).

VARIATION -01



LAYER 1: WORK LAYER (SHT 1)
 LAYER 2: FORMAT LAYER (SHT 1)
 LAYER 3: WORK LAYER (SHT 2)
 LAYER 4: FORMAT LAYER (SHT 2)
 LAYER 5: WORK LAYER (SHT 3)
 LAYER 6: FORMAT LAYER (SHT 3)
 LAYER 7: WORK LAYER (SHT 4)
 LAYER 8: FORMAT LAYER (SHT 4)

PLOT AT: 1:00

CAUTION: OFF SHEET PARTS LIST EXISTS
 SEE K-PL-7023163-0-DBP

REV	DATE	BY	INITIAL	DESCRIPTION
1			A	INITIAL
2			B	INITIAL
3			C	INITIAL
4			D	INITIAL
5			E	INITIAL
6			F	INITIAL
7			G	INITIAL
8			H	INITIAL
9			I	INITIAL
10			J	INITIAL

DESCRIPTION	DRAWING NO.	PART NO.	REV
E-UA-DSRVB-A-DBU			

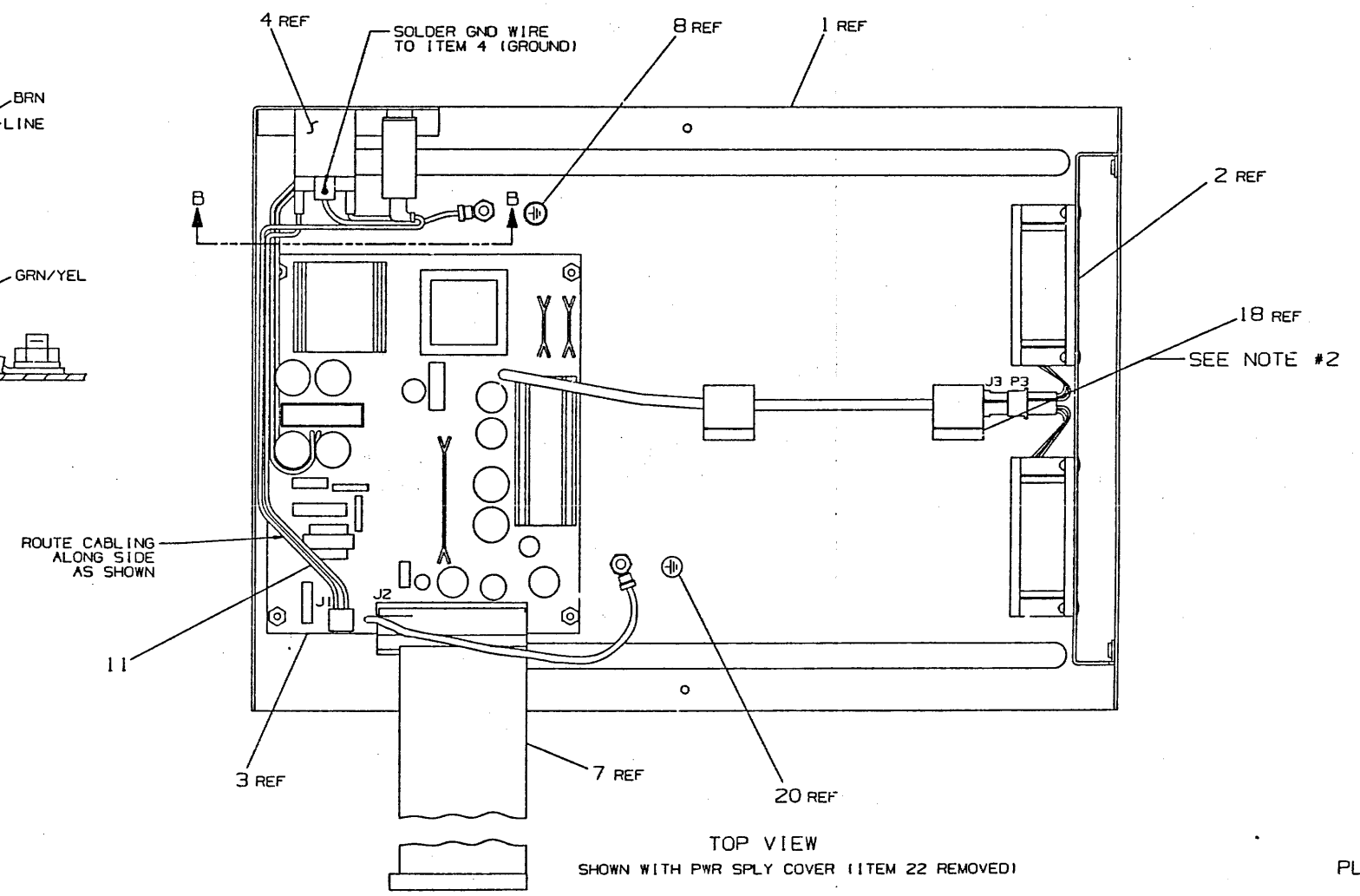
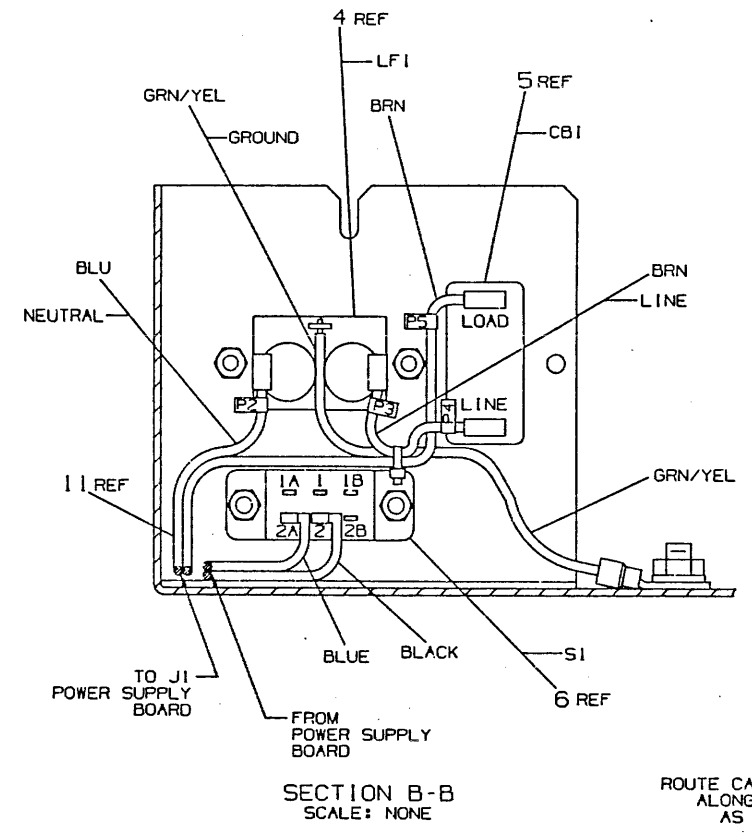
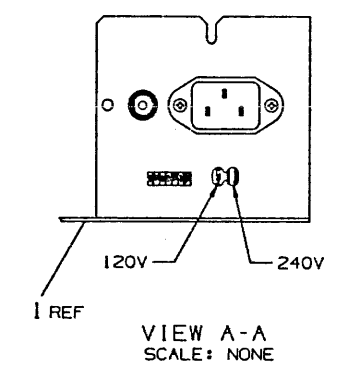
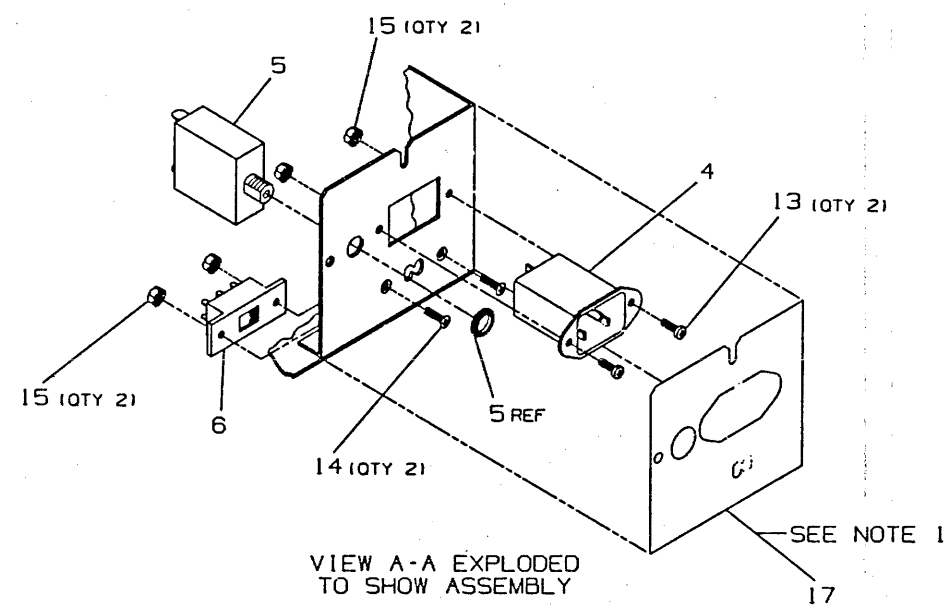
QUANTITY & VARIATION	DATE	TITLE
1	30 JUN 68	COVER ASSY

DESIGNER	DRAWN	CHECKED	APPROVED
E. TENANDER	BOLIGALL/WM	M. MCCARTHY	A. PARIKH

DATE	BY	REVISION
30 JUN 68	E. TENANDER	1

THIS DRAWING AND SPECIFICATIONS CONTAINED HEREIN ARE CONFIDENTIAL AND UNCLASSIFIED. THE USE OF THIS DRAWING FOR REPRODUCTION OR TRANSMISSION IN ANY FORM OR BY ANY MEANS, ELECTRONIC OR MECHANICAL, INCLUDING PHOTOCOPYING, RECORDING, OR BY ANY INFORMATION STORAGE AND RETRIEVAL SYSTEM, IS PROHIBITED WITHOUT THE WRITTEN PERMISSION OF THE FEDERAL GOVERNMENT. THIS DRAWING IS UNCLASSIFIED AND IS NOT PROTECTED UNDER THE FEDERAL COPYRIGHT LAWS.

WIRING INTERCONNECTION LIST		
ITEM	FROM	TO
AC INPUT HARNESS 11	P1	PWR SPLY (J1)
	POINT P2 (BLU)	LF1 (NEUTRAL)
	GROUND WIRE (G/Y)	LF1 (GND W/SOLDER)
	POINT P3 (BRN)	LF1 (LINE)
	POINT P4 (BRN)	CB1 (LINE)
	TERMINAL (G/Y)	COVER GND STUD
POWER SUPPLY 3	BLUE WIRE	S1 (2A)
	BLACK WIRE	S1 (2)
	2 PIN MATE-N-LOK	FAN ASSY (P3)
	GROUND WIRE (G/Y)	COVER GND STUD
DC POWER CABLE 7	RIBBON CABLE	PWR SPLY J2



VARIATION -01

REVISION HISTORY		
DATE	ECO HISTORY	REV

PLOT AT: 1.00

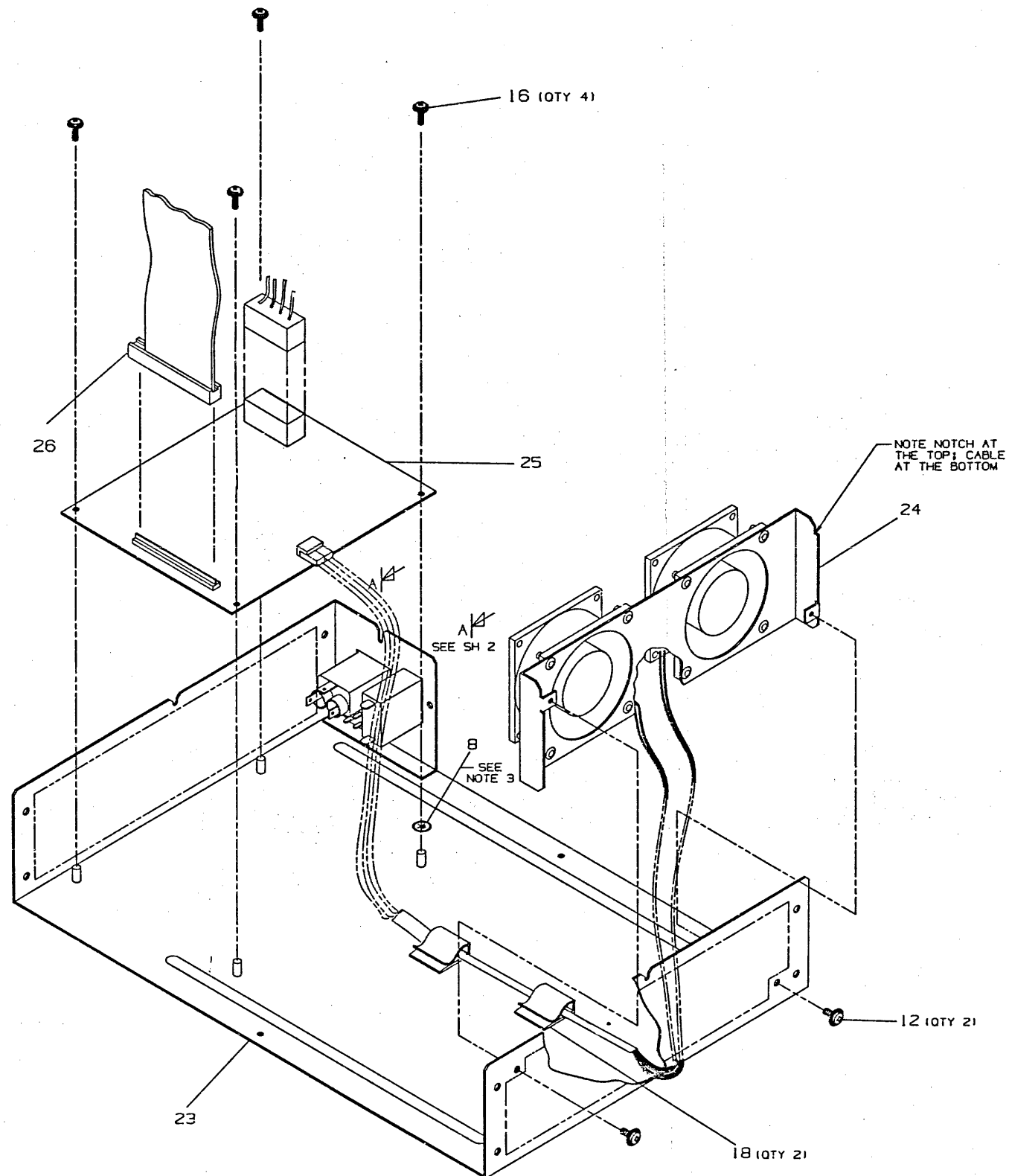
DOCUMENT NUMBER

THIS DRAWING AND SPECIFICATION CONTAINING TECHNICAL DATA ARE UNCLASSIFIED EXCEPT WHERE SHOWN OTHERWISE. THE RIGHTS OF THE UNITED STATES GOVERNMENT ARE RESERVED. THIS DRAWING IS UNCLASSIFIED EXCEPT WHERE SHOWN OTHERWISE. THIS IS AN UNCLASSIFIED ITEM PROTECTED UNDER THE FEDERAL COPYRIGHT LAWS. © 1988

7023183-0-000 3

J
I
H
G
F
E
D
C
B
A

J
H
F
E
D
C
B
A



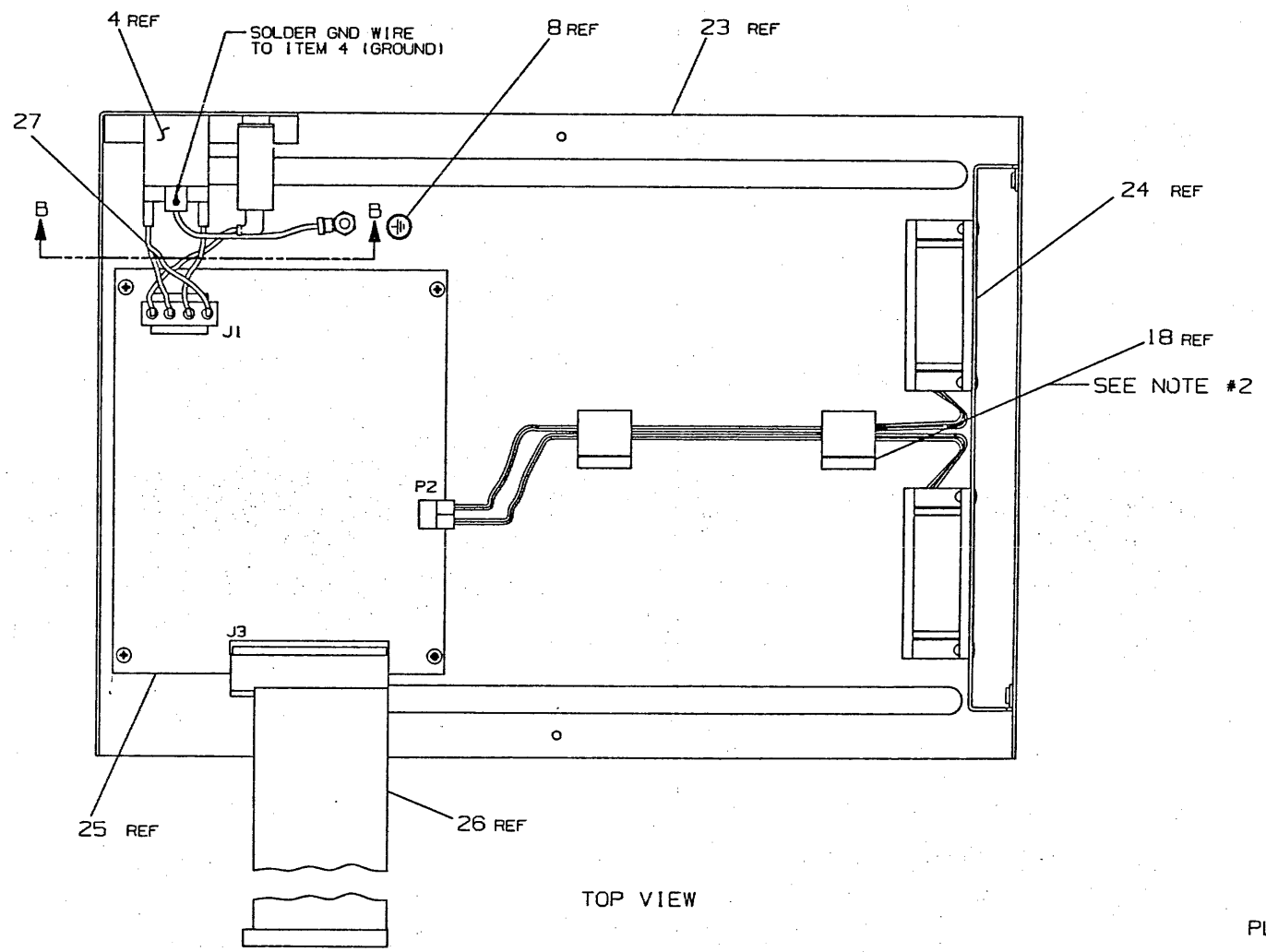
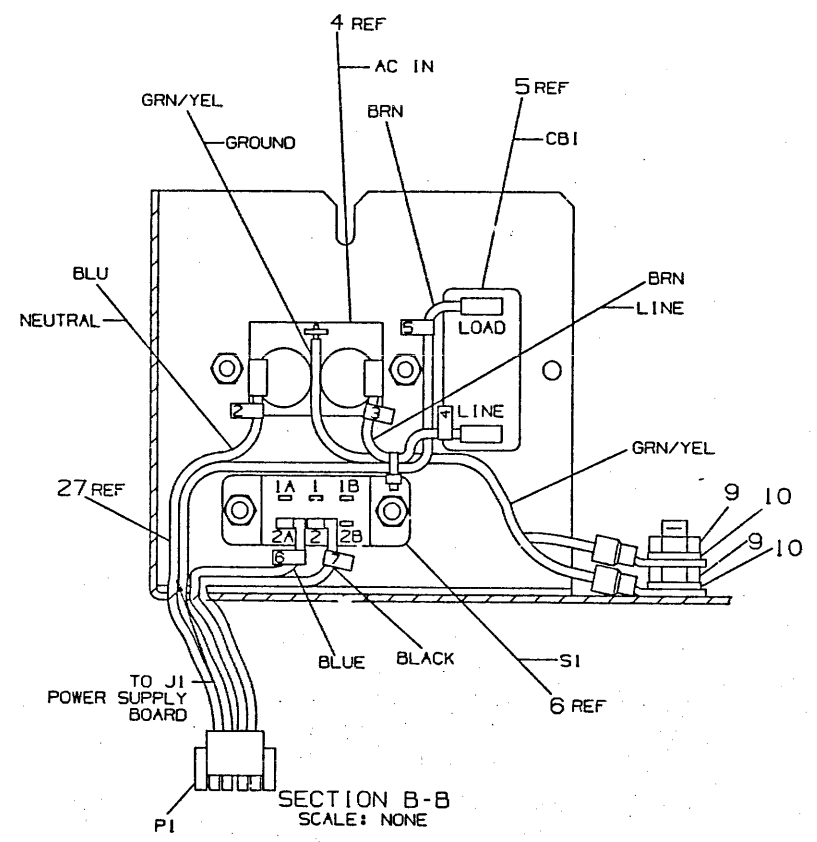
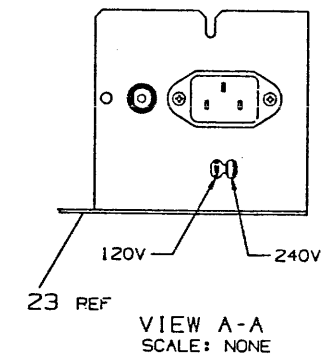
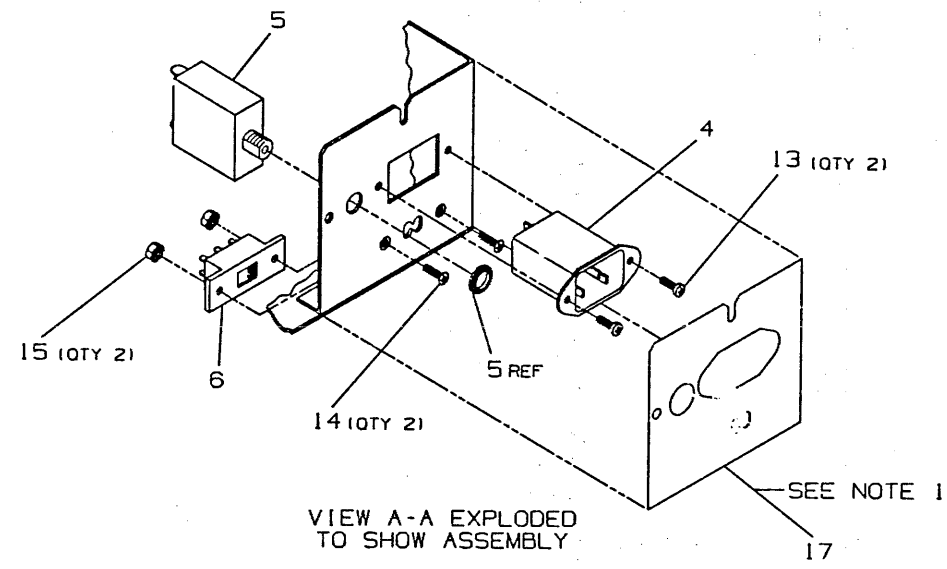
VARIATION -02

REVISION HISTORY		
DATE	ECO HISTORY	REV

DOCUMENT NUMBER		TITLE	
SIZE/COPIES	NUMBER		REV

THIS DRAWING AND SPECIFICATIONS CONTAINED HEREIN ARE CONFIDENTIAL AND PROPRIETARY. THEY ARE THE PROPERTY OF QUALITY EQUIPMENT CORPORATION AND SHALL NOT BE REPRODUCED OR COPIED IN ANY MANNER WITHOUT THE WRITTEN PERMISSION OF QUALITY EQUIPMENT CORPORATION. THIS DRAWING IS AN UNCLASSIFIED WORK PROTECTED UNDER THE FEDERAL COPYRIGHT LAWS.

WIRING INTERCONNECTION LIST		
ITEM	FROM	TO
AC INPUT HARNESS 27	P1	PWR SPLY (J1)
	POINT P2 (BLU)	LFI (NEUTRAL)
	GROUND WIRE (G/Y)	AC IN (GND W/SOLDER)
	POINT 3 (BRN)	LFI (LINE)
	POINT 4 (BRN)	CB1 (LINE)
	TERMINAL (G/Y)	COVER GND STUD
	POINT 5 (BRN)	CB1 (LOAD)
POINT 6 (BLU)	S1 (2A)	
POINT 7 (BRN)	S1 (2)	
PS 25	GND WIRE (G/Y)	COVER GND STUD
DC PWR 26	RIBBON CABLE	PWR SUPPLY (J3)
FAN ASSY	FANS	PS (P2)



VARIATION -02

REVISION HISTORY		
DATE	ECO HISTORY	REV

PLOT AT: 1.00

DOCUMENT NUMBER

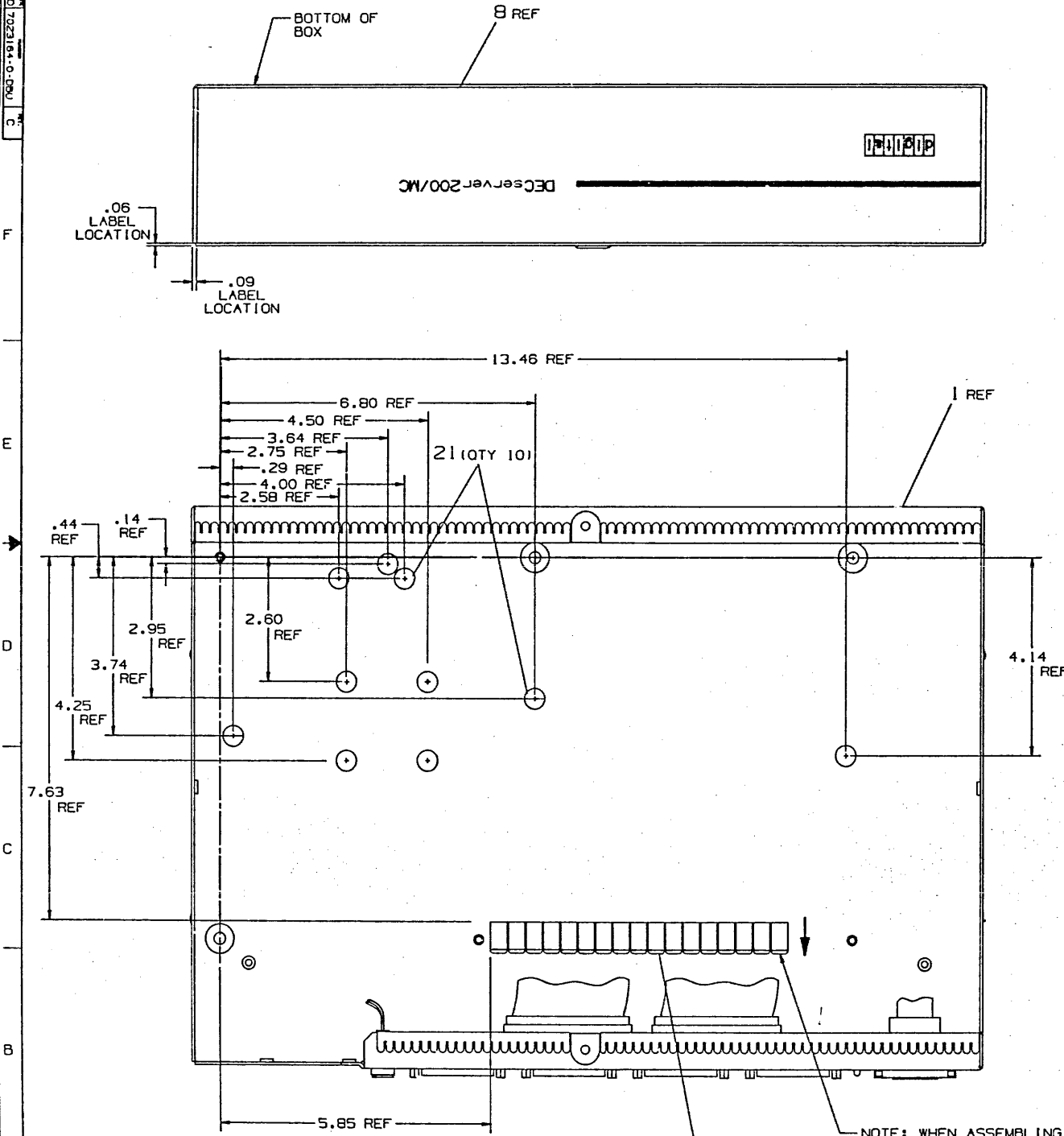
LINE ITEM	TOP DOCUMENT	PART NUMBER	DESCRIPTION	01 E1	02 A1
1	E-1A-7432939-0-DBU	74-32939-01	COVER, DECSERVER 200	1	-
2	D-1A-7023165-0-DBU	70-23165-01	FAN, ASSY.	1	-
3	A-PS-3021383-0-0	30-21383-02	P.S. MULTIPLE OUTPUT	1	-
4	A-PS-1218905-0-0	12-18905-01	FILTER, LINE EMI/RFI 115/250V 50-60	1	1
5	A-PS-1219912-0-0	12-19912-07	BKR IP 2.0A 250V	1	1
6	A-PS-1216901-0-0	12-16901-04	SW, SLIDE 3POT VOLTAGE SELECT 6A25	1	1
7	A-PS-1701392-0-0	17-01392-01	CABLE ASSY, 15 COND, FLAT, 18AWG, 19PS	1	-
8	A-PS-3612680-0-0	36-12680-02	LABEL, GROUND SYMBOL W/CIRCLE BLACK	1	1
9		90-06565-00	NUT, HEX EXT TOOTH LOCKSHR 10-32X	2	2
10		90-06564-00	WASHER, FLAT SST	2	2
11	A-PS-1701310-0-0	17-01310-01	WIRE HARN ASSY 18COND	1	-
12		90-10174-00	SCREW, SEMS PAN PHIL 6-32	3	2
13		90-06011-01	SCREW, MACH PAN PHIL 4-40	2	2
14		90-00039-19	SCREW, MACH FLAT PHIL 4-40	2	2
15		90-06557-00	NUT, HEX EXT TOOTH LOCKSHR 4-40X	4	2
16		90-10174-03	SCREW, SEMS PAN PHIL 6-32	4	4
17		36-25994-01	LABEL, REAR COMMON BOX POWER SUPPLY	1	1
18		90-09936-00	CLAMP, CABLE ADH NUT 1	2	2
19			*** THIS ITEM IS NOT USED ***	-	-
20	A-PS-3612680-0-0	36-12680-00	LABEL, GROUND SYMBOL BLACK	1	-
21		90-00001-44	STANDOFF, MALE/FEMALE HEX 6-32 X	4	-
22	D-1A-7024395-0-DBU	70-24395-01	COVER ASSY, POWER SUPPLY	1	-
23	E-1A-7433798-02-DBU	74-33798-02	COVER, DECSERVER 200	-	1
24	D-1A-7023165-0-DBU	70-23165-02	FAN ASSEMBLY	-	1
25	A-PS-3027484-0-0	30-27484-01	P.S. 59W 3 OUTPUT	-	1
26	A-PS-1701558-0-0	17-01558-01	CABLE ASSY, 15 COND, FLAT, 18AWG 16PH	-	1
27	A-PS-1701756-0-0	17-01756-01	WIRE HARN ASSY	-	1

REVISION HISTORY		KPL MATRIX FORMAT SECTION A OF A		DRN: E.TENANDER	DIGITAL		
ENG: ECO NUMBER		REV	SECTION/VARIATION INDEX	DATE: 11-FEB-86	TITLE PARTS LIST		
---	INITIAL	A	(A) 01,02	CHK'D: BOURGALT/WM	COVER ASSY		
WM	DSRVB-A-LK001	B	(B)	DATE: 04-JUN-86			
ML	DSRVB-A-MK002	C	(C)	DES. ENG: W. MCCARTHY	DOCUMENT NUMBER		
			(D)	DATE: 04-JUN-86	SIZE: CODE:	NUMBER	REV
			(E)	RESP. ENG.: A. PARIKH	K	PL	7023163-0-DBP
			(F)	DATE: 04-JUN-86			C
			(H)	MFG. ENG: J. SEQUINOT	RELEASE DATE: 19-OCT-87		
			(J)	DATE: 04-JUN-86	RELEASE STATUS: RELEASED		
BASIC PART NUMBER:		ASSEMBLY NUMBER:		TOP DOCUMENT NUMBER:		FILE NAME:	
7023163		E-AD-7023163-0-DBU		E-AD-7023163-0-DBU		7023163C.PLS	
						EDIT #	
						1	

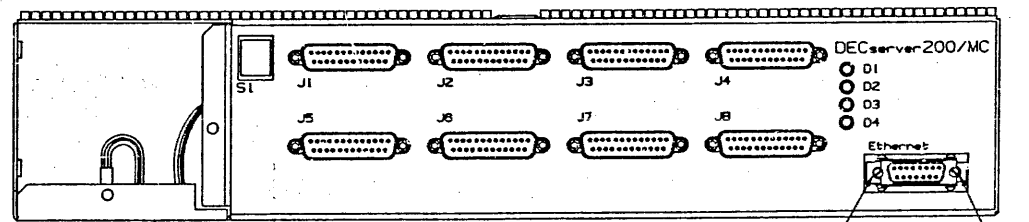
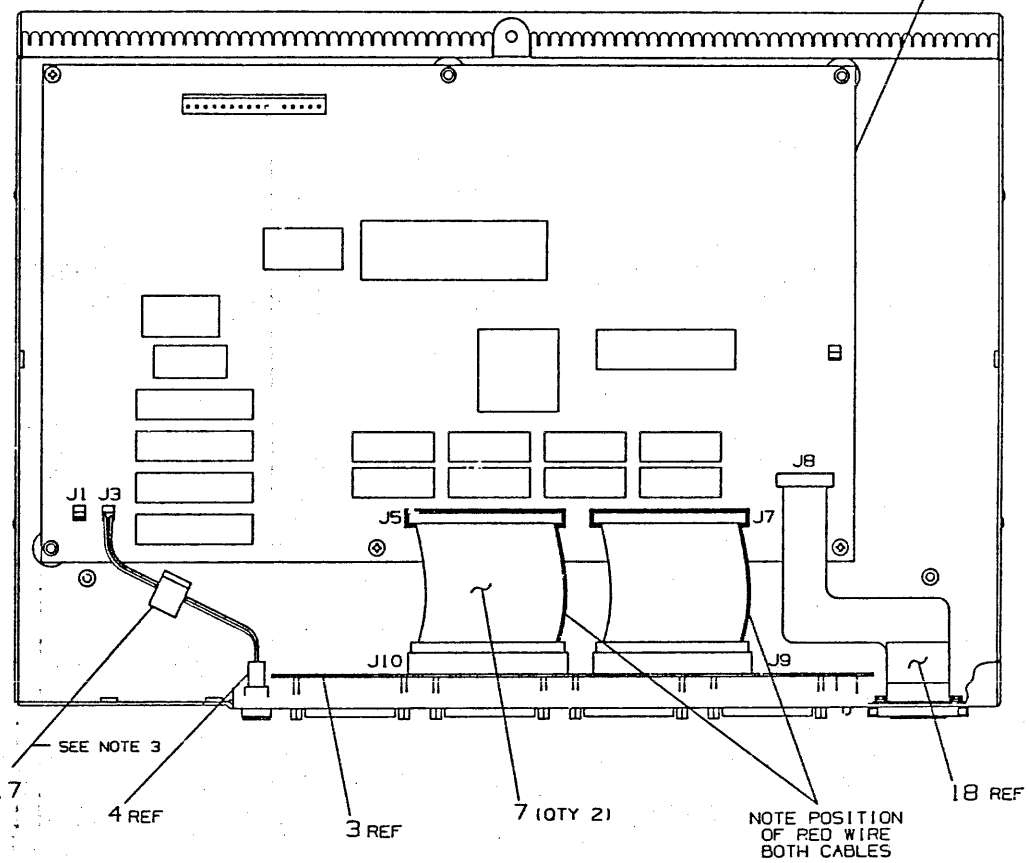
"THIS DRAWING AND THE SPECIFICATIONS CONTAINED HEREIN ARE CONFIDENTIAL AND PROPRIETARY. THEY ARE THE PROPERTY OF DIGITAL EQUIPMENT CORPORATION AND SHALL NOT BE REPRODUCED OR COPIED OR USED IN WHOLE OR IN PART AS THE BASIS FOR THE MANUFACTURE OR SALE OF ITEMS WITHOUT WRITTEN PERMISSION. THIS IS AN UNPUBLISHED WORK PROTECTED UNDER THE FEDERAL COPYRIGHT LAWS."

THIS DRAWING AND SPECIFICATIONS CONTAINED HEREIN ARE THE PROPERTY OF DEC. EQUIPMENT COMPONENTS MAY BE REPRODUCED OR COPIED OR USED IN ANY MANNER WITHOUT THE WRITTEN PERMISSION OF DEC. THIS DRAWING IS UNCLASSIFIED AND IS NOT PROTECTED UNDER THE FEDERAL COPYRIGHT LAWS.

WIRING INTERCONNECT CHART		
ITEM	FROM	TO
4 (S1) RESET SWITCH	REAR PANEL (ITEM 1)	J3 ETHERNET COMM SERVER BD (ITEM 2)
7 CABLE ASSY 50 COND.	RS 232 J10 INTERFACE BD (ITEM 3)	J5 ETHERNET COMM SERVER BD (ITEM 2)
	RS 232 J9 INTERFACE BD (ITEM 3)	J7 ETHERNET COMM SERVER BD (ITEM 2)
18 CABLE ASSY 15 COND.	REAR PANEL (ITEM 1)	J8 ETHERNET COMM SERVER BD (ITEM 2)



TOP VIEW WITH ITEM 2 REMOVED



REAR VIEW

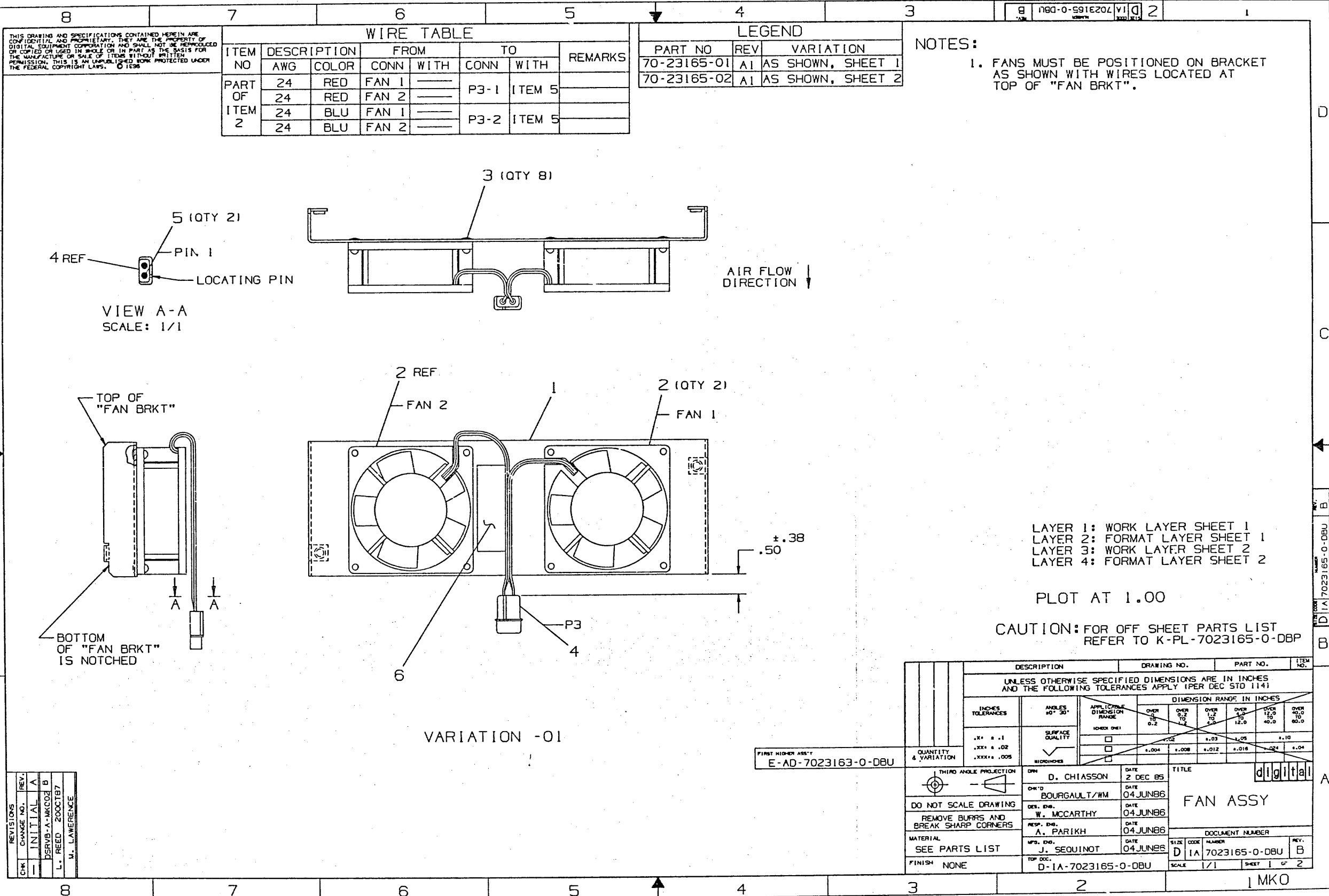
REVISION HISTORY		
DATE	EQY HISTORY	REV

LINE	ITEM	TOP DOCUMENT	PART NUMBER	MIN REV	DESCRIPTION	QTY	PER VARIATION/REVISION
1	1	E-IA-7433799-02-DBU	74-33799-02		BASE, DECSERVER 200	1	
2	2		54-18034-01		DECSERVER MAIN BOARD	1	
3	3		54-18027-01		RS232 INTERFACE BD W/ESD PROTECTIO	1	
4	4	A-PS-1701393-0-0	17-01393-01		WIRE HARN ASSY 02COND 22AWG PB SW-	1	
5	5	A-PS-1218489-0-0	12-18489-02		*** THIS ITEM IS NOT USED ***	-	
6	6	A-PS-1700559-0-0	17-00559-01		*** THIS ITEM IS NOT USED ***	-	
7	7	A-PS-1701338-0-0	17-01338-01		CABLE ASSY, 50COND, FLAT, 50(2X25) REC	2	
8	8	A-PS-3626084-0-0	36-26084-01		LABEL, FRONT COMMON BOX DSRV 200/MC	1	
9	9	A-PS-3625984-0-0	36-25984-02		LABEL, REAR, COMMON BOX DESERVER 200	1	
10	10		90-08451-05		SCREW LOCK, SCREW LOCK ONLY, 060THK	16	
11	11	A-PS-1226160-0-0	12-26160-04		SHIELD, EMI/RFI, COPPER FINGERS 8.00	3	
12	12	A-PS-1226160-0-0	12-26160-01		SHIELD, EMI/RFI, COPPER FINGERS 4.12	1	
13	13	A-PS-1226489-0-0	12-26489-01		SHIELD, EMI/RFI AD	1	
14	14		90-10174-00		SCREW, SEMS PAN PHIL 6-32	3	
15	15	A-PS-1223075-0-0	12-23075-03		STANDOFF PC BOARD NILON	3	
16	16		90-09538-00		*** THIS ITEM IS NOT USED ***	-	
17	17		12-21249-05		CLIP, CABLE, ADH BACKED	1	
18	18	A-PS-1701675-0-0	17-01675-01		CABLE ASSY, 15COND, FLAT,	1	
19	19	A-PS-1218489-0-0	12-18489-04		LATCH ASSY, SLIDE .29 LG POST	2	
20	20	A-PS-1218489-0-0	12-18489-03		LATCH ASSY, SLIDE	1	
21	21		90-10076-00		BUMPER, DOME HD ADH BACK POLYUR.	10	

1 GEN: NOTE: WHEN MADE IN IRELAND, SUBSTITUTE ITEM 9 WITH THE FOLLOWING LABEL: 36-25984-05.

REVISION HISTORY			KPL MATRIX FORMAT SECTION A OF A		DRN: E. TENANDER	DIGITAL			
ENG	ECO NUMBER	REV	SECTION/VARIATION INDEX		DATE: 26-FEB-86				
---	INITIAL	A	(A)	01	CHK'D: BOURGULT/WM	TITLE PARTS LIST			
WM	DSRVB-A-LK001	B	(B)		DATE: 04-JUN-86	BASE, ASSY. DECSERVER 200/MC			
ML	DSRVB-A-MK002	C	(C)		DES. ENG: W. MCCARTHY	DOCUMENT NUMBER			
			(D)		DATE: 04-JUN-86	SIZE	CODE	NUMBER	REV
			(E)		RESP. ENG.: A. PARIKH	K	PL	7023164-0-DBP	C
			(F)		DATE: 04-JUN-86	RELEASE DATE: 14-OCT-87			
			(H)		MFG. ENG: J. SEQUINOT	RELEASE STATUS: RELEASED			
			(J)		DATE: 04-JUN-86				
			BASIC PART NUMBER:	ASSEMBLY NUMBER:	TOP DOCUMENT NUMBER:	FILE NAME:	EDIT #		
			7023164	E-AD-7023164-0-DBU	E-AD-7023164-0-DBU	7023164C.PLS	2		

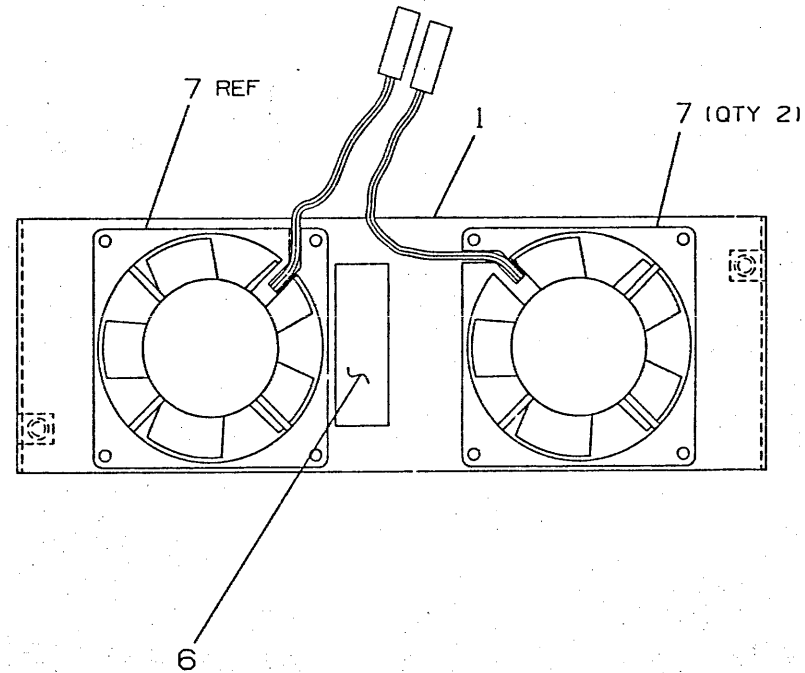
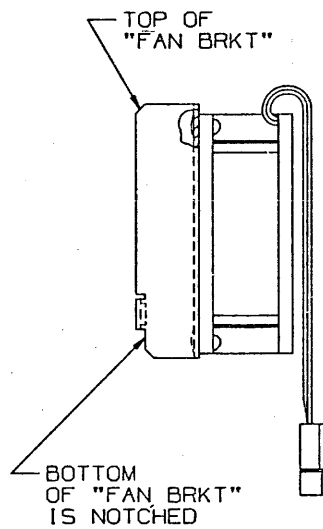
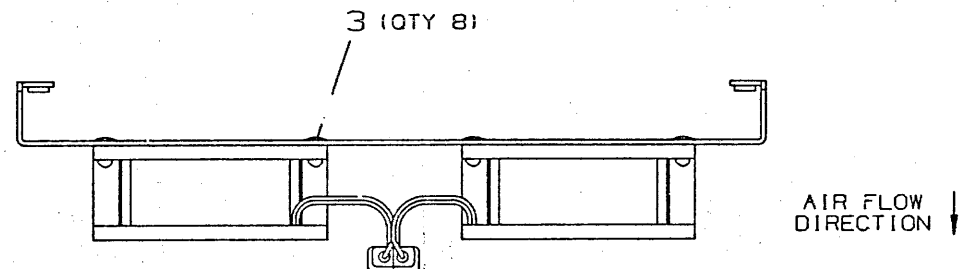
"THIS DRAWING AND THE SPECIFICATIONS CONTAINED HEREIN ARE CONFIDENTIAL AND PROPRIETARY. THEY ARE THE PROPERTY OF DIGITAL EQUIPMENT CORPORATION AND SHALL NOT BE REPRODUCED OR COPIED OR USED IN WHOLE OR IN PART AS THE BASIS FOR THE MANUFACTURE OR SALE OF ITEMS WITHOUT WRITTEN PERMISSION. THIS IS AN UNPUBLISHED WORK PROTECTED UNDER THE FEDERAL COPYRIGHT LAWS."



8 7 6 5 4 3 2 1

THIS DRAWING AND THE SPECIFICATIONS CONTAINED HEREIN ARE CONFIDENTIAL AND PROPRIETARY. THEY ARE THE PROPERTY OF DIGITAL EQUIPMENT CORPORATION AND SHALL NOT BE REPRODUCED OR COPIED OR USED IN WHOLE OR IN PART AS THE BASIS FOR THE MANUFACTURE OR SALE OF ITEMS WITHOUT WRITTEN PERMISSION. THIS IS AN UNPUBLISHED WORK PROTECTED UNDER THE FEDERAL COPYRIGHT LAWS, 1989.

DIA 7023165-0-DBU



VARIATION -02

REVISIONS		
CHK	CHANGE NO	REV

8 7 6 5 4 3 2 1 MKO

TITLE	FAN ASSY	SIZE CODE	DIA	NUMBER	7023165-0-DBU	REV	B
SCALE	1/1	SHEET	2	OF	2	DIST	

AUTOMATED BY VAXKPL (V1.3)

PARTS LIST

SHEET A1 OF A1

LINE	ITEM	TOP DOCUMENT	PART NUMBER	MIN REV	DESCRIPTION	QUANTITY PER VARIATION/REVISION	
						01 A1	02 A1
1	1	D-1A-7432931-0-DBU	74-32931-01		BRACKET,FAN	1	1
2	2	A-PS-1221125-0-0	12-21125-01		FAN,TUBE AXIAL 3.125" 12VDC	2	-
3	3		90-00030-37		RIVET,BLIND LOBRK 5/320x	8	8
4	4	A-PS-1210822-0-0	12-10822-02		MATE-N-LOK 02PIN(1X02) HSG	1	-
5	5	A-PS-1209378-0-0	12-09378-08		MATE-N-LOK 01PIN 22-18AWG .08500	2	-
6	6		90-09255-03		LABEL,P.S./SUB ASSY ID	1	1
7	7		12-21125-03		FAN,TUBE AXIAL 12VDC	-	2

REVISION HISTORY		KPL MATRIX FORMAT		SECTION A OF A	DRN: D. CHIASSON	DIGITAL			
ENG:	ECO NUMBER	REV	SECTION/VARIATION INDEX		DATE: 09-JAN-86	TITLE PARTS LIST			
---	INITIAL	A	(A)	01,02	CHK'D: BOURGAULT/WM	FAN ASSY			
ML	DSRVE-A-MK002	E	(B)		DATE: 04-JUN-86	DOCUMENT NUMBER			
			(C)		DES.ENG: W. MCCARTHY	SIZE	CODE	NUMBER	REV
			(D)		DATE: 04-JUN-86	K	PL	7023165-0-DBF	8
			(E)		RESP.ENG.: A. FARIKH	RELEASE DATE: 14-OCT-87			
			(F)		DATE: 04-JUN-86	RELEASE STATUS: RELEASED			
			(H)		MFG.ENG: J. SEQUINOT				
			(J)		DATE: 04-JUN-86				
BASIC PART NUMBER:		ASSEMBLY NUMBER:		TOP DOCUMENT NUMBER:		FILE NAME:		EDIT #	
7023165		D-1A-7023165-0-DBU		D-1A-7023165-0-DBU		7023165B.PLS		2	

THIS DRAWING AND THE SPECIFICATIONS CONTAINED HEREIN ARE CONFIDENTIAL AND PROPRIETARY. THEY ARE THE PROPERTY OF DIGITAL EQUIPMENT CORPORATION AND SHALL BE RETURNED TO OR DESTROYED BY THE USER IN WHOLE OR IN PART AT THE END OF THE MANUFACTURE OR SALE.

DRAWING NO.	NO. SHTS	PART NO.	DESCRIPTION	REVISIONS
		5418027-01	RS232 I/O BOARD	A1 A2
E-UA-5418027-0-0	2		PS232 I/O BOARD UNIT ASSEMBLY	A A
K-PL-5418027-0-DBP	1		RS232 I/O BOARD PARTS LIST	A B
K-PC-5418027-0-DBV	-		PC DATA BASE	A A
K-CS-5418027-0-DBD	-		DAISY DATA BASE	A A
K-9D-5418027-0-ESD1	1		RS232 I/O BOARD BLOCK DIAGRAM	A A
K-CS-5418027-0-ESD2	1		RS232 I/O BOARD SCHEMATIC	A A
K-CS-5418027-0-ESD3	1		RS232 I/O BOARD SCHEMATIC	A A
K-CS-5418027-0-ESD4	1		RS232 I/O BOARD SCHEMATIC	A A
K-CS-5418027-0-ESD5	1		RS232 I/O BOARD SCHEMATIC	A A
K-CS-5418027-0-ESD6	1		RS232 I/O BOARD SCHEMATIC	A A
K-CS-5418027-0-ESD7	1		RS232 I/O BOARD SCHEMATIC	A A
K-DD-5018026-0-0	1		DRAWING DIRECTORY	A A

NOTES:

REVISION HISTORY

R	A	B
E		
V		
E	I	M
I	C	N
S	O	K
I	T	O
O	N	O
R		
N		
	D	J
	A	U
	T	L
	E	8
		6
		7

THIS DRAWING AND THE SPECIFICATIONS CONTAINED HEREIN ARE CONFIDENTIAL AND PROPRIETARY. THEY ARE THE PROPERTY OF DIGITAL EQUIPMENT CORPORATION AND SHALL NOT BE REPRODUCED OR COPIED OR USED IN WHOLE OR IN PART AS THE BASIS FOR THE MANUFACTURE OR SALE OF ITEMS WITHOUT WRITTEN PERMISSION. THIS IS AN UNPUBLISHED WORK PROTECTED UNDER THE FEDERAL COPYRIGHT LAWS.

DRN: SHEILA MANSOR

DATE: 25-APR-86

d i g i t a l

CHK'D: DENK GARAFOLO

DATE: 29-apr-86

TITLE
RS232 I/O BOARD

DES.ENG.: R. BATTERSBY

DATE: 29-apr-86

SHEET 1 OF 1 EDIT:
1

RESP.ENG.: R. BATTERSBY

DATE: 29-apr-86

DOCUMENT NUMBER

Martin Smith

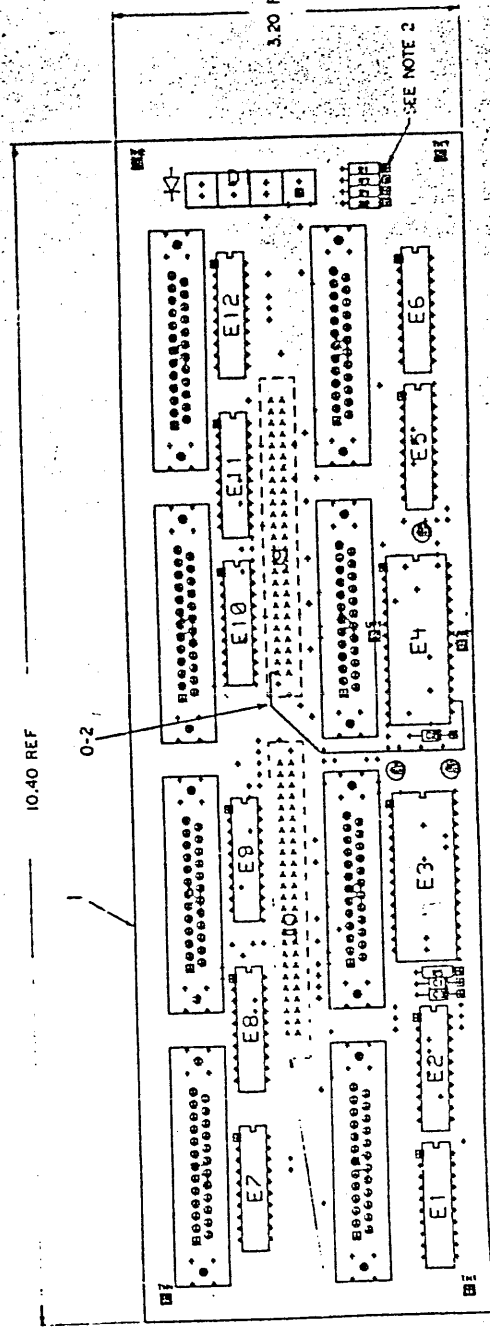
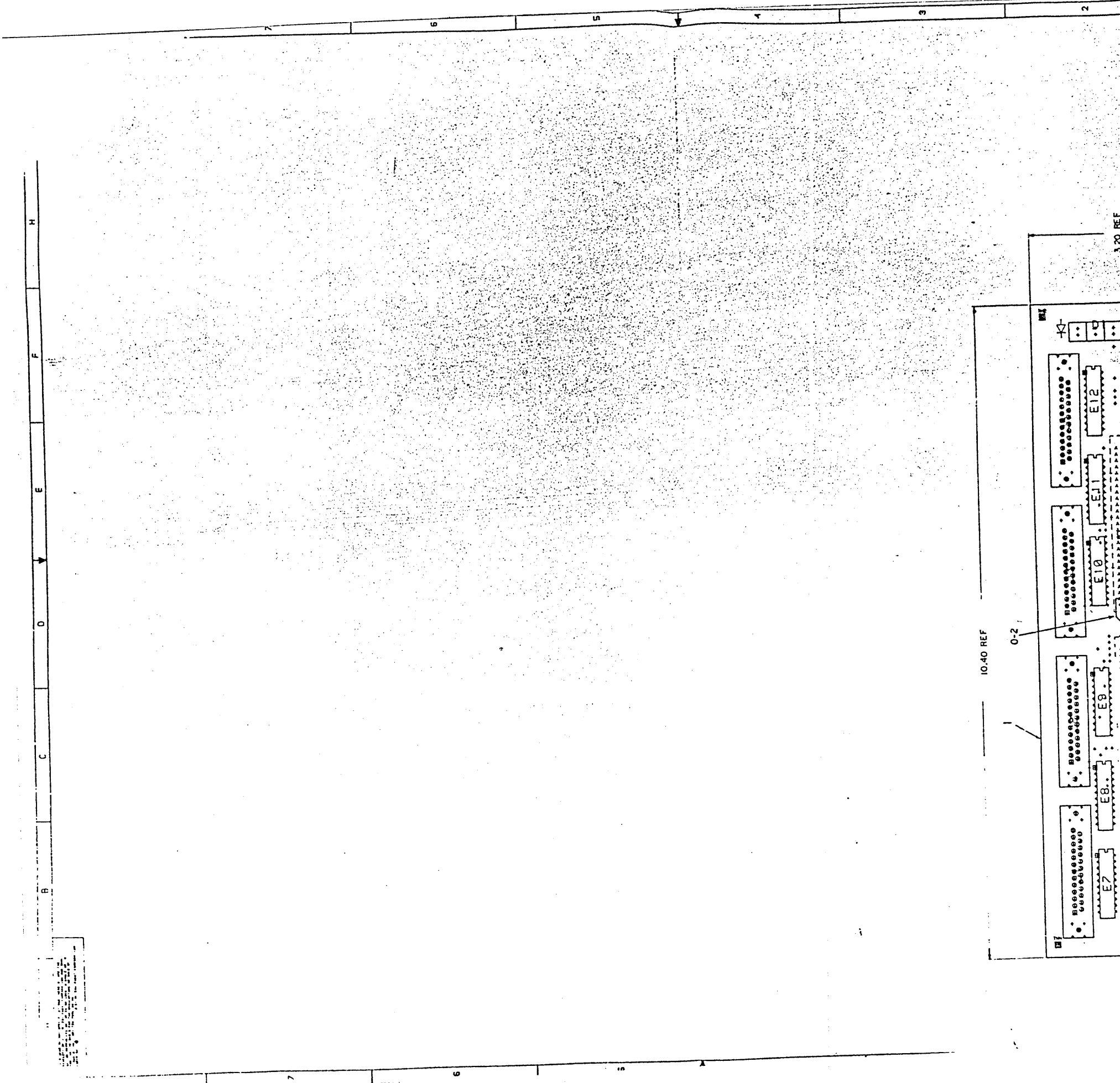
16-SEP-87

DD FILENAME: 5418027B.DDF

MFG.ENG.: JAIME SEGUINOT

DATE: 29-apr-86

SIZE CODE NUMBER REV
K DD 5418027-0-0 B



DATE	DESCRIPTION	BY	CHKD	DATE	DESCRIPTION	BY	CHKD	DATE	DESCRIPTION	BY	CHKD	DATE	DESCRIPTION	BY	CHKD	DATE	DESCRIPTION	BY	CHKD	

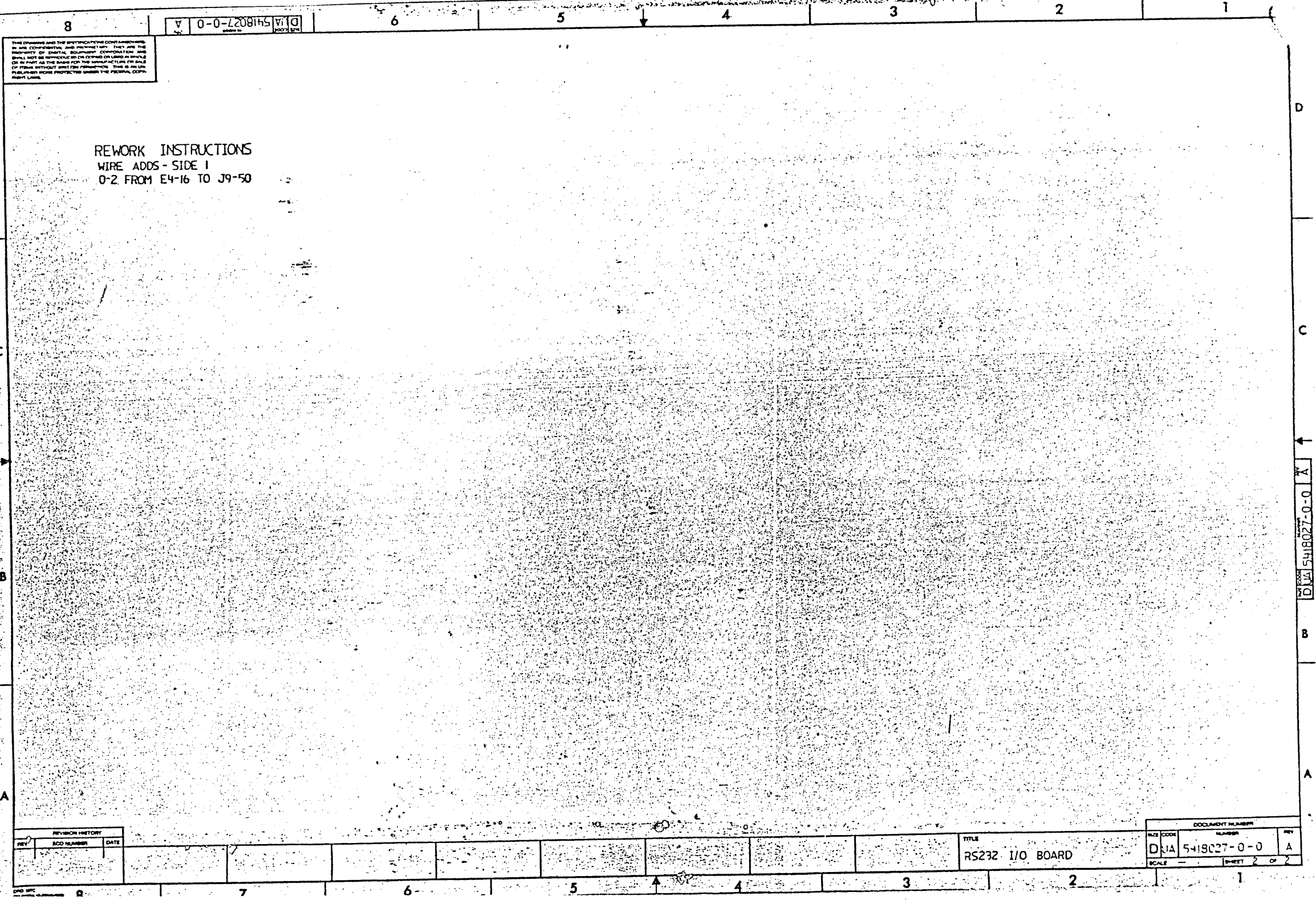
DESIGNED BY	DATE	digital
DRAWN BY	DATE	
CHECKED BY	DATE	
APPROVED BY	DATE	
SCALE	DATE	
TITLED		NS32 MO BOARD
PROJECT NO.		
SCALE		
DATE		
REVISIONS		
SCALE 1:1		
DATE 10/10/77		
BY M. J. ...		
BY ...		

NOTES:	
SEE NOTE 2	
SEE NOTE 2	
SEE NOTE 2	
SEE NOTE 2	
SEE NOTE 2	
SEE NOTE 2	
SEE NOTE 2	
SEE NOTE 2	

FIGURE 3

THE DIMENSIONS AND THE SPECIFICATIONS OF THE COMPONENTS ARE THE PROPERTY OF DIGITAL EQUIPMENT CORPORATION AND SHALL NOT BE REPRODUCED OR COPIED OR USED IN WHOLE OR IN PART AS THE BASIS FOR THE MANUFACTURE OF ANY PRODUCT WITHOUT WRITTEN PERMISSION. THIS IS AN UNPUBLISHED WORK PROTECTED UNDER THE FEDERAL COPYRIGHT LAWS.

REWORK INSTRUCTIONS
 WIRE ADDS - SIDE 1
 0-2 FROM E4-16 TO J9-50



REVISION HISTORY		
REV	ECO NUMBER	DATE

TITLE
 RS232 I/O BOARD

DOCUMENT NUMBER		
SIZE	CODE	REV
D-1A	5418027-0-0	A
SCALE		SHEET 2 OF 2

8 7 6 5 4 3 2 1

D
C
B
A

D
C
B
A

5418027-0-0

5418027-0-0

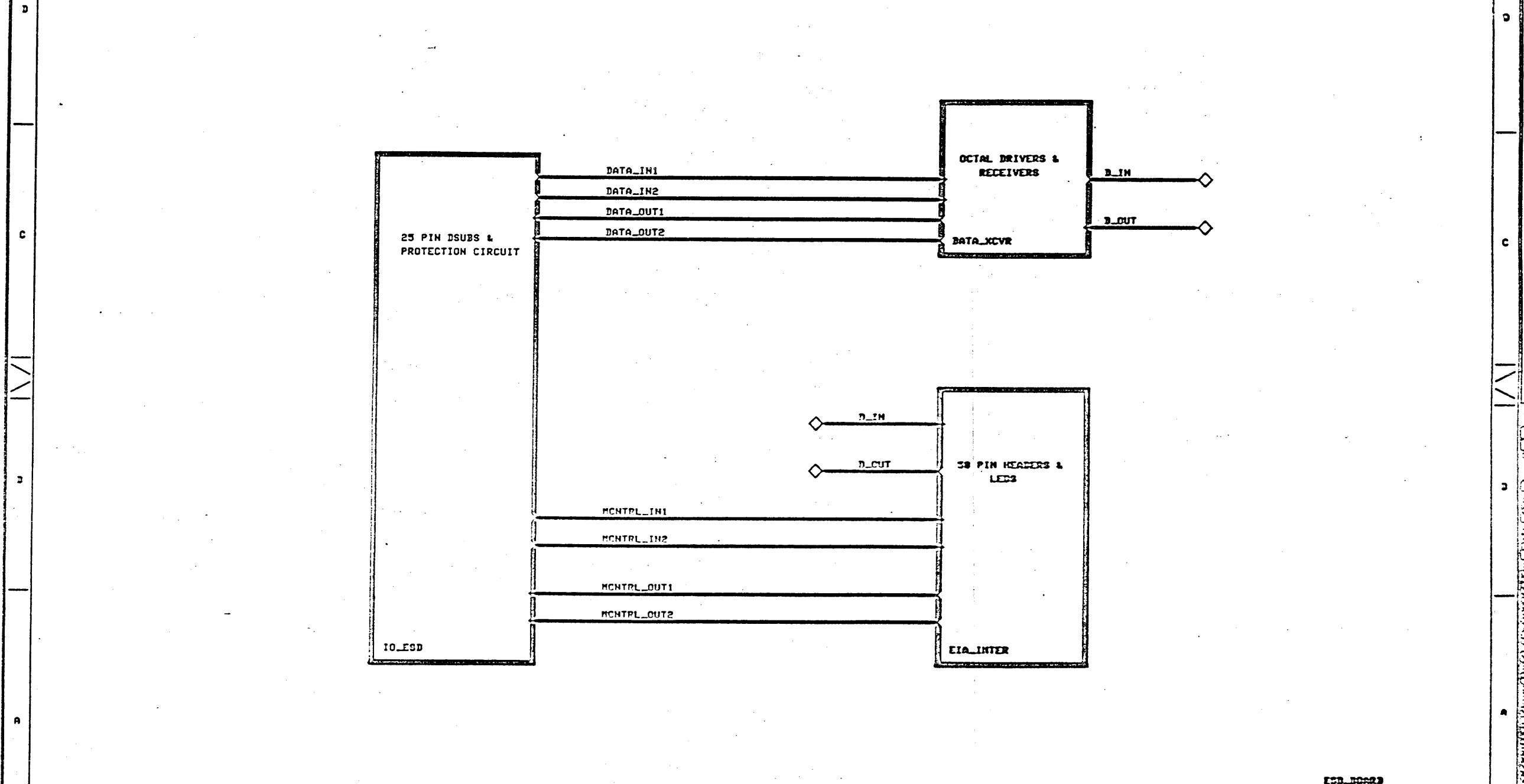
AUTOMATED BY VAXKPL (V1.3)

PARTS LIST

SHEET A1 OF A1

LINE ITEM	TOP DOCUMENT	PART NUMBER	MIN REV	DESCRIPTION	QTY PER VAR/REV	REFERENCE DESIGNATORS
					01	
					A2	
1	D-MD-5018026-0-0	50-18026-01		DRILL AND ETCH BOARD	1	
2		10-13466-22		0.10 MFD 50V +80/-20% ZSU C	3	C1-C3
3		10-23486-01		2.2 MFD 50V +/-20% ALU	3	C4-C6
4		11-26094-01		QUAD GREEN LED ASSEMBLY .456HOUS	1	D1
5		12-25898-03		CONN,D SUB 11POS ASSY STR GOLD P	8	J1-J8
6		12-23637-01		BLOWER, EVAPORATOR	2	J9, J10
7		13-00250-00		150.0 .25 W 5.0 % CF	4	R1-R4
8		13-03303-00		2.61 K .25 W 1.0 % RN55D-F10	1	R5
9		19-25894-01		PROTECTION DEVICE-TR	10	E1, E2, E5-E12
10		19-23889-02		EIA OCTAL LINE DRIVE	1	E3
11		19-23890-02		EIA OCTAL LINE RECEI	1	E4
12		91-05740-55		WIRE(WRAP) 30AWG KYNAR UL14	A/R	

REVISION HISTORY		KPL MODULE FORMAT		SECTION A OF A		DRN: S. MANSOR		DIGITAL	
ENG	ECO NUMBER	REV	SECTION/VARIATION INDEX	CHK'D	DATE	TITLE	PARTS LIST	DOCUMENT NUMBER	REV
INITIAL		A	[A] 01 [M]	F. GARAFOLO	18-NOV-85	RS232 I/O BOARD			
ML	5418027-MK001	B	[B] [N]	R. BATTERSBY	18-NOV-85				
			[C] [P]	R. BATTERSBY	15-JAN-86				
			[D] [Q]	J. SEGUINOT	15-JAN-86				
			[E] [R]						
			[F] [S]						
			[H] [T]						
			[J] [V]						
			[K] [W]						
			[L] [Y]						
		BASIC PART NUMBER: 5418027		ASSEMBLY NUMBER: E-UA-5418027-0-0		TOP DOCUMENT NUMBER: K-DD-5418027-0-0		FILE NAME: 5418027B.PLS	
<p>THIS DRAWING AND THE SPECIFICATIONS CONTAINED HEREIN ARE CONFIDENTIAL AND PROPRIETARY. THEY ARE THE PROPERTY OF DIGITAL EQUIPMENT CORPORATION AND SHALL NOT BE REPRODUCED OR COPIED OR USED IN WHOLE OR IN PART AS THE BASIS FOR THE MANUFACTURE OR SALE OF ITEMS WITHOUT WRITTEN PERMISSION. THIS IS AN UNPUBLISHED WORK PROTECTED UNDER THE FEDERAL COPYRIGHT LAWS.</p>									

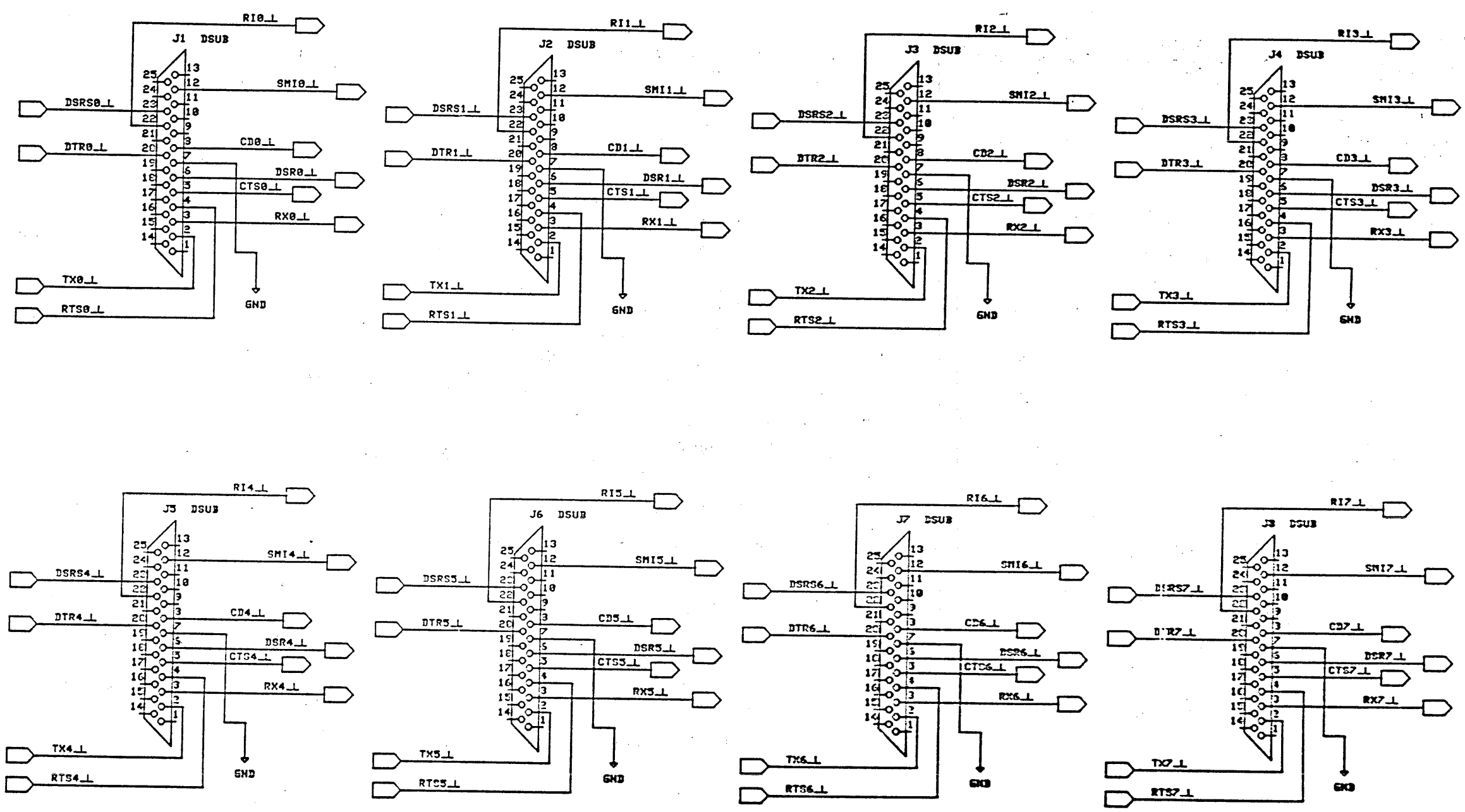


IO_BOARD
LEVEL 3

CHK	CHANGE NO	REV

THIS DRAWING AND THE SPECIFICATIONS CONTAINED HEREIN ARE CONFIDENTIAL AND PROPRIETARY. THEY ARE THE PROPERTY OF DIGITAL EQUIPMENT CORP. AND SHALL NOT BE REPRODUCED OR COPIED OR USED IN WHOLE OR IN PART AS THE BASIS FOR MANUFACTURE OR SALE OF ITEMS WITHOUT WRITTEN PERMISSION. THIS IS AN UNPUBLISHED WORK PROTECTED UNDER THE FEDERAL COPYRIGHT LAWS.

DATE 1 07 1 1972	BY [Signature]	CHK [Signature]	TITLE	ES002 I/O BOARD
			NUMBER	5410027-0-5001
			REV	0

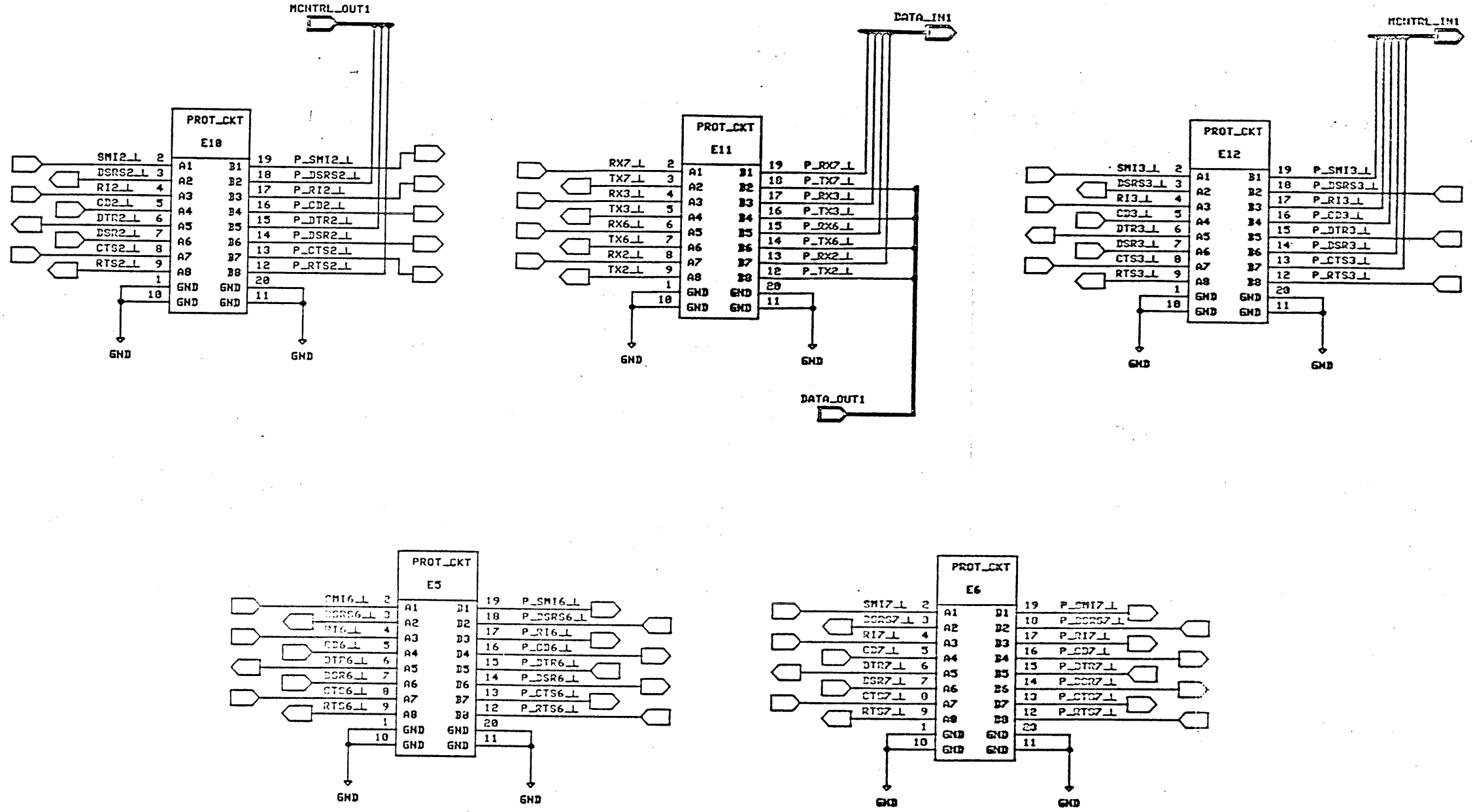


CHK	CHANGE NO	REV

THIS DRAWING AND THE SPECIFICATIONS CONTAINED HEREIN ARE CONFIDENTIAL AND PROPRIETARY. THEY ARE THE PROPERTY OF DIGITAL EQUIPMENT CORP. AND SHALL NOT BE REPRODUCED OR COPIED OR USED IN WHOLE OR IN PART AS THE BASIS FOR MANUFACTURE OR SALE OF ITEMS WITHOUT WRITTEN PERMISSION. THIS IS AN UNPUBLISHED WORK PROTECTED UNDER THE FEDERAL COPYRIGHT LAWS.

DESIGNED BY	DATE	12-04-06
CHECKED BY	DATE	12-04-06
DATE	12-04-06	12-04-06
TOP	100	12-04-06

EIA INTERFACE LEVEL 4		
TITLE	RS232C I/O BOARD	
NUMBER	5410027-0-ESD2	
REV	A	

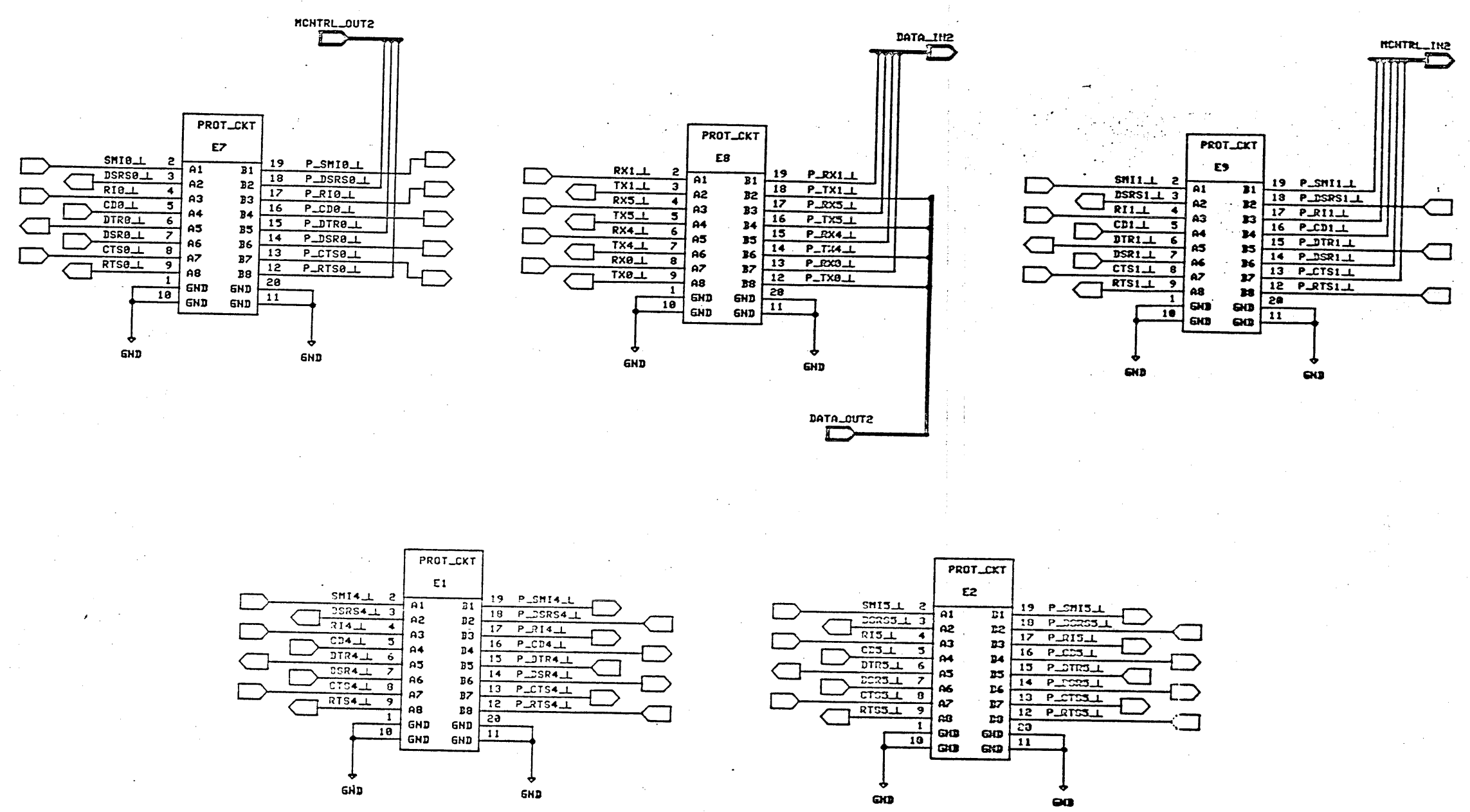


PROTECTION CIRCUIT LEVEL 4

CHK	CHANGE NO	REV

THIS DRAWING AND THE SPECIFICATIONS CONTAINED HEREIN ARE CONFIDENTIAL AND PROPRIETARY. THEY ARE THE PROPERTY OF DIGITAL EQUIPMENT CORP. AND SHALL NOT BE REPRODUCED OR COPIED OR USED IN WHOLE OR IN PART AS THE BASIS FOR MANUFACTURE OR SALE OF ITEMS WITHOUT WRITTEN PERMISSION. THIS IS AN UNPUBLISHED WORK PROTECTED UNDER THE FEDERAL COPYRIGHT LAWS.

DESIGNED BY	DAVE SANDERS	DATE	12-MAY-75
CHECKED BY	CHAND BOHLEN	DATE	12-MAY-75
APP'D BY	BOB WATTS/BOB	DATE	12-MAY-75
WORK NO	K-10-0910027-0	TITLE	RS232 I/O BOARD
PAGE	1 OF 1	NUMBER	5410027-0-E003
		REV	A



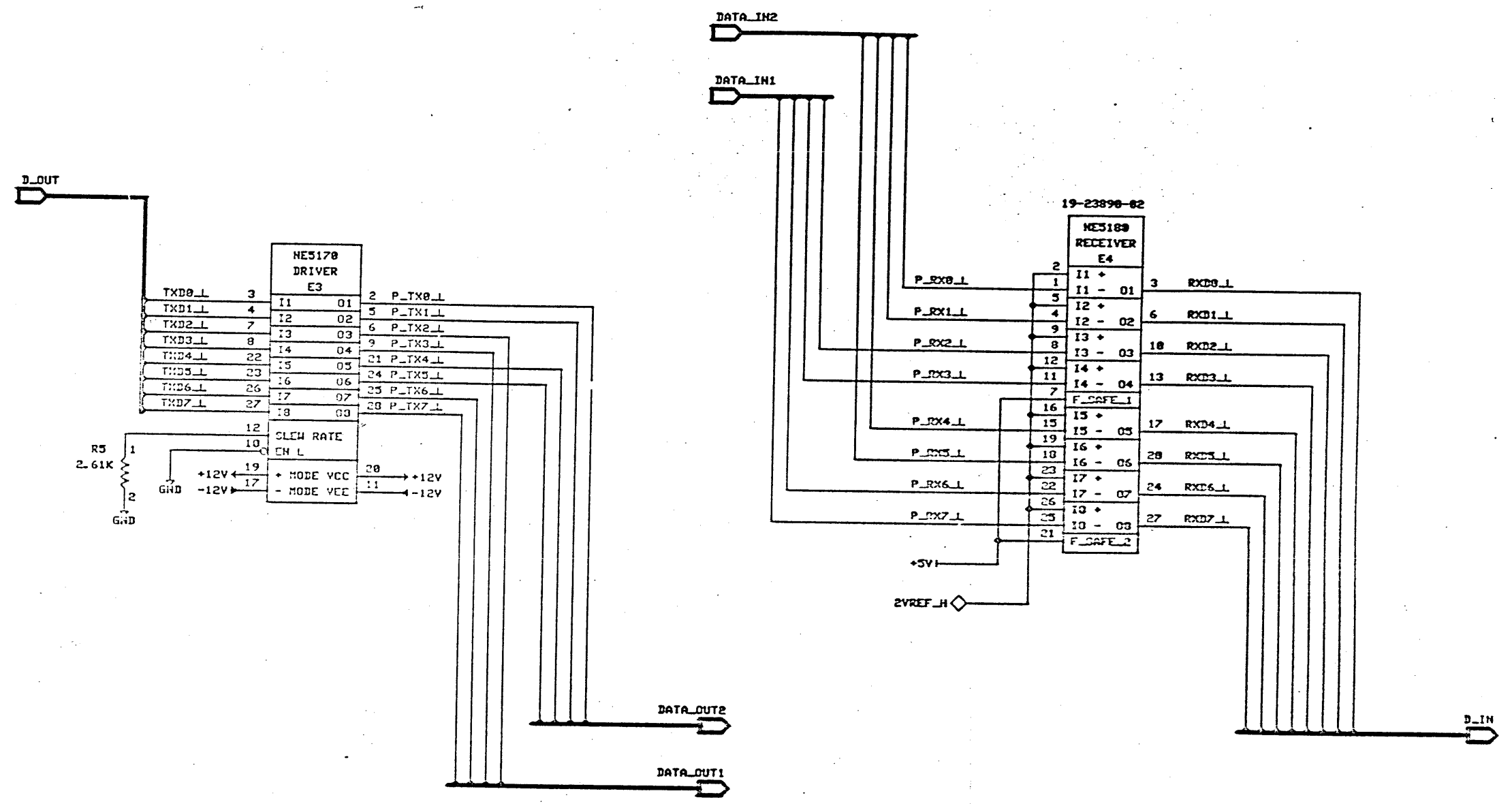
PROTECTION CIRCUIT LEVEL 4

CHK	CHANGE NO	REV

THIS DRAWING AND THE SPECIFICATIONS CONTAINED HEREIN ARE CONFIDENTIAL AND PROPRIETARY. THEY ARE THE PROPERTY OF DIGITAL EQUIPMENT CORP. AND SHALL NOT BE REPRODUCED OR COPIED OR USED IN WHOLE OR IN PART AS THE BASIS FOR MANUFACTURE OR SALE OF ITEMS WITHOUT WRITTEN PERMISSION. THIS IS AN UNPUBLISHED WORK PROTECTED UNDER THE FEDERAL COPYRIGHT LAWS.

DESIGNED BY	DAVE SAUNDERS	DATE	12-MAY-66
CHECKED BY	ALAN HANSON	DATE	12-MAY-66
ENG. MODIFIED BY		DATE	12-MAY-66
PAGE 1 OF 1			
TOP DOC (REV. 410027-9)			

TITLE	RS232 I/O BOARD
NUMBER	5410027-9-E0D4
REV	A



CHK	CHANGE NO	REV

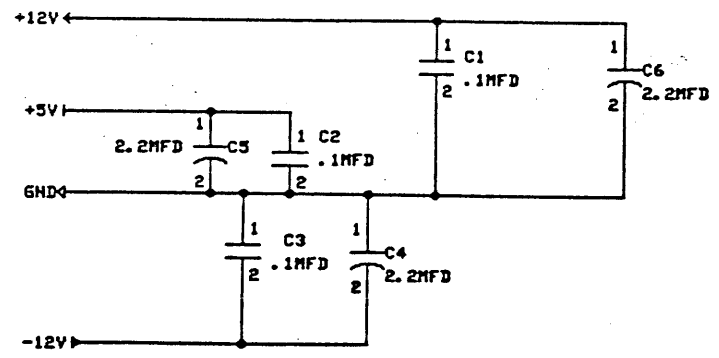
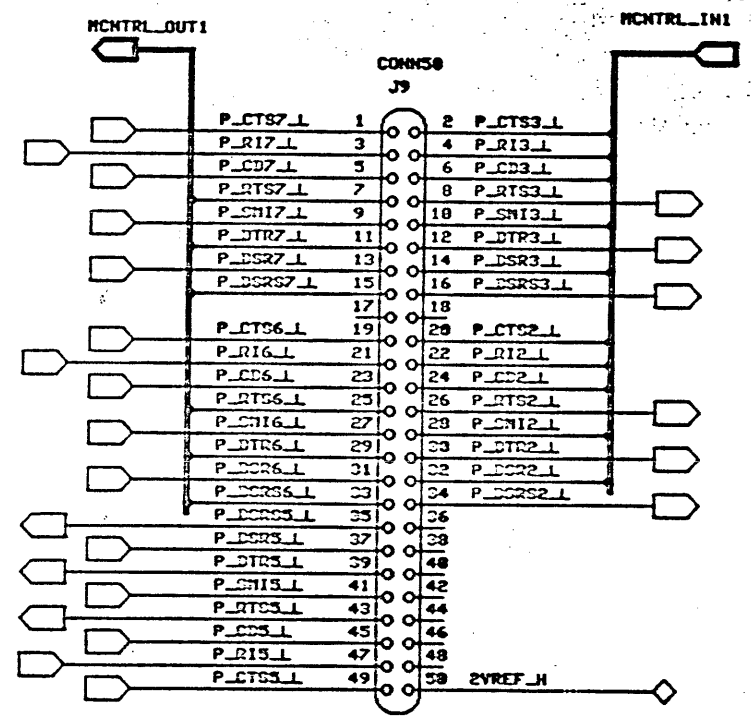
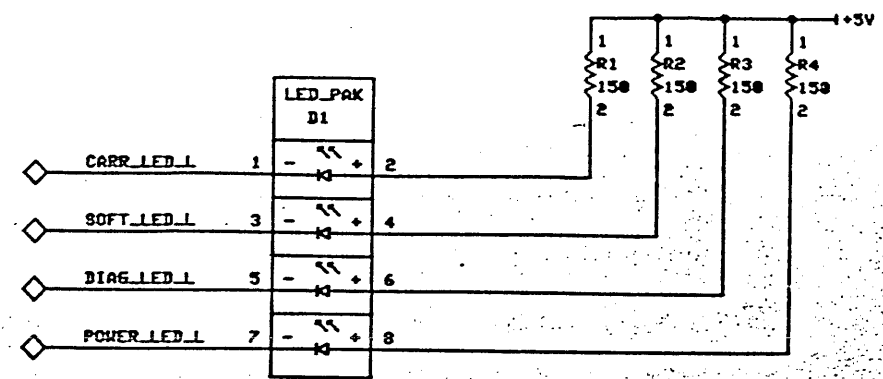
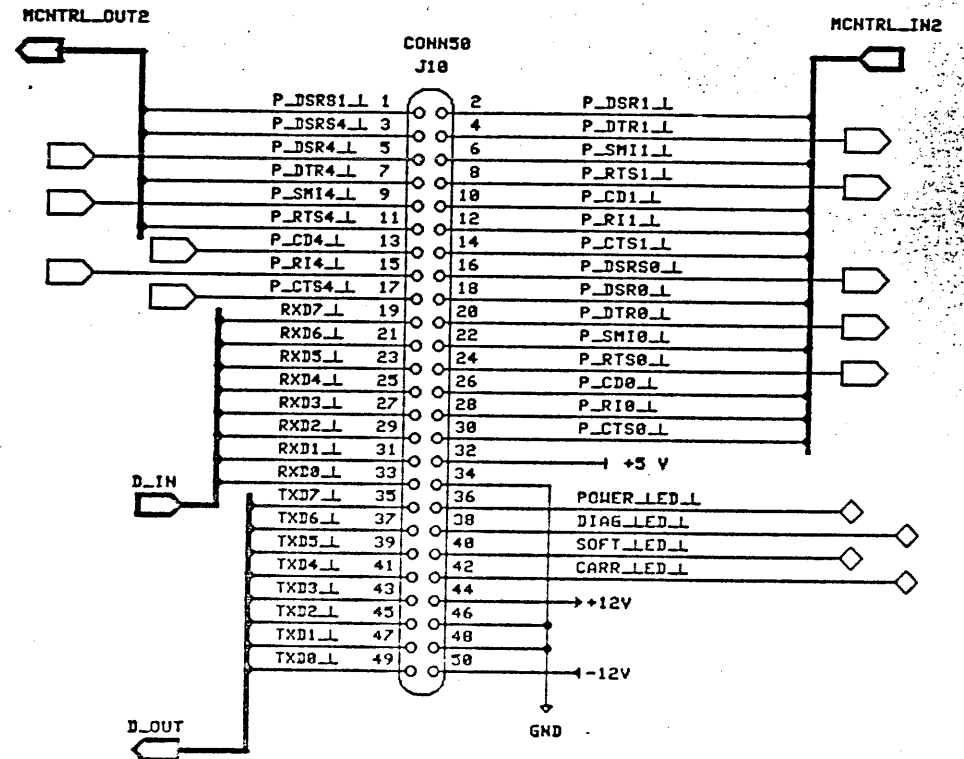
THIS DRAWING AND THE SPECIFICATIONS CONTAINED HEREIN ARE CONFIDENTIAL AND PROPRIETARY. THEY ARE THE PROPERTY OF DIGITAL EQUIPMENT CORP. AND SHALL NOT BE REPRODUCED OR COPIED OR USED IN WHOLE OR IN PART AS THE BASIS FOR MANUFACTURE OR SALE OF ITEMS WITHOUT WRITTEN PERMISSION. THIS IS AN UNPUBLISHED WORK PROTECTED UNDER THE FEDERAL COPYRIGHT LAWS.

DESIGNED BY DAVE ROSSIGNO DATE 10-24-75
 CHECKED BY GREG ROBINI DATE 10-24-75
 DATE 10-24-75
 10027-0-5005 (REV. 10-24-75)
 PAGE 1 OF 1

TITLE R0202 I/O BOARD
 NUMBER 5410027-0-5005
 REV A

OCTAL DRIVER & RECEIVE
 LEVEL 4

11 MAY 06 14:57 USER:PROTEUS/WORKING/DEVELOPER/TERMINAL/750-4000/DIR/SCH/11



ESS MAIN
MOTHER BAUGHTER BOARD INTERFACE
LEVEL 4

CHK	CHANGE NO	REV

THIS DRAWING AND THE SPECIFICATIONS CONTAINED HEREIN ARE CONFIDENTIAL AND PROPRIETARY. THEY ARE THE PROPERTY OF DIGITAL EQUIPMENT CORP. AND SHALL NOT BE REPRODUCED OR COPIED OR USED IN WHOLE OR IN PART AS THE BASIS FOR MANUFACTURE OR SALE OF ITEMS WITHOUT WRITTEN PERMISSION. THIS IS AN UNPUBLISHED WORK PROTECTED UNDER THE FEDERAL COPYRIGHT LAWS.

DESIGNED BY DAVE SAUNDERS DATE 12-MAY-06
CHK BY GREG PERICH DATE 12-MAY-06
ENG BOB BATTERBY DATE 12-MAY-06
TOP 000 (K-00-5410027-0)


TITLE RS232 I/O BOARD
NUMBER 5410027-0-ESD6
REV A

NOTE: THIS PAGE DEFINES THE CONTENTS OF EACH BUNDLE USED IN THE RS232 I/O BOARD PRINT SET

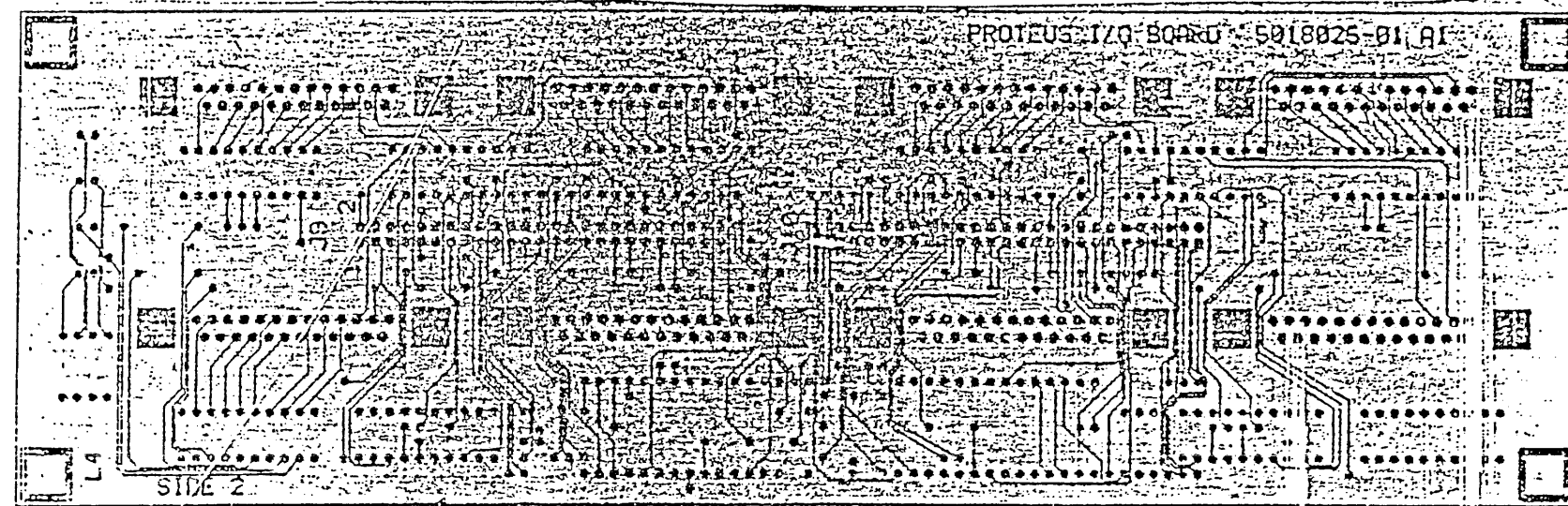
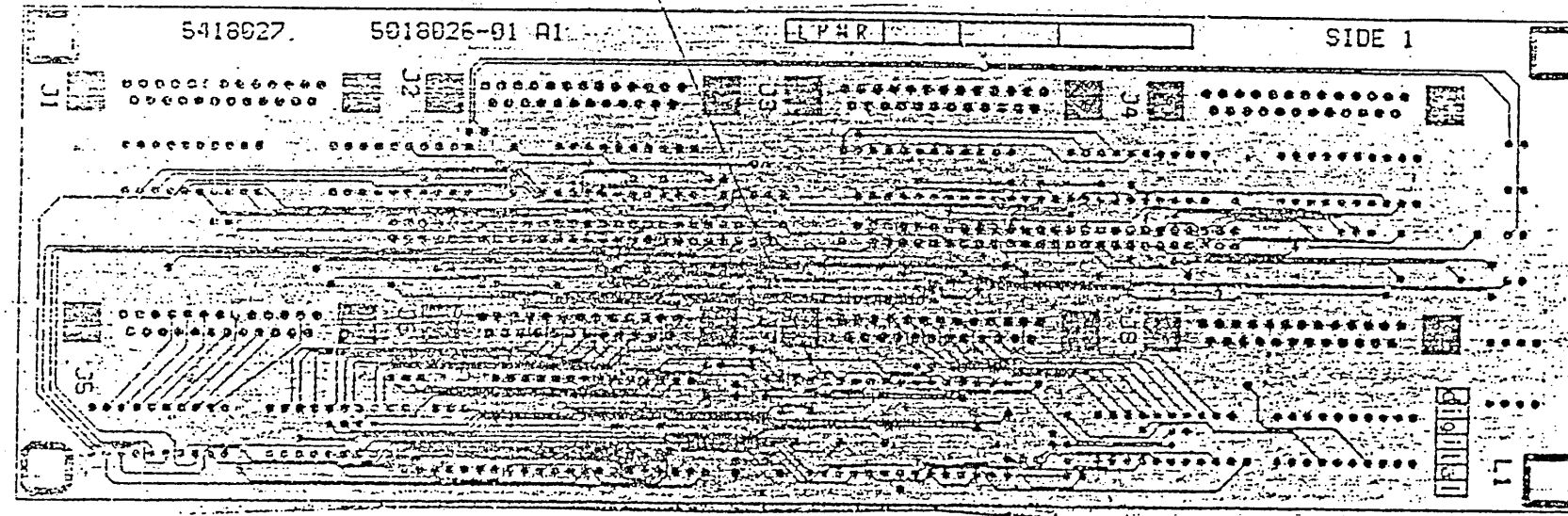
BUNDLE NAME	CONTENTS
D_IN	RXD0_L, RXD1_L, RXD2_L, RXD3_L, RXD4_L, RXD5_L, RXD6_L & RXD7_L
D_OUT	TXD0_L, TXD1_L, TXD2_L, TXD3_L, TXD4_L, TXD5_L, TXD6_L & TXD7_L
DATA_IN1	P_RX2_L, P_RX3_L, P_RX6_L & P_RX7_L
DATA_IN2	P_RX0_L, P_RX1_L, P_RX4_L & P_RX5_L
DATA_OUT1	P_TX2_L, P_TX3_L, P_TX6_L & P_TX7_L
DATA_OUT2	P_TX0_L, P_TX1_L, P_TX4_L & P_TX5_L
MCNTRL_IN1	P_R12_L, P_R16_L, P_R13_L, P_R17_L, P_SMI2_L, P_SMI6_L, P_SMI3_L, P_SMI7_L, P_CD2_L, P_CD6_L, P_CD3_L, P_CD7_L, P_DSR2_L, P_DSR3_L, P_DSR6_L, P_DSR7_L, P_CTS2_L, P_CTS3_L, P_CTS6_L & P_CTS7_L
MCNTRL_IN2	P_R10_L, P_R11_L, P_R14_L, P_R15_L, P_SMI0_L, P_SMI1_L, P_SMI4_L, P_SMI5_L, P_CD0_L, P_CD1_L, P_CD4_L, P_CD5_L, P_DSR0_L, P_DSR1_L, P_DSR4_L, P_DSR5_L, P_CTS0_L, P_CTS1_L, P_CTS4_L & P_CTS5_L
MCNTRL_OUT1	P_DSR2_L, P_DSR3_L, P_DSR6_L, P_DSR7_L, P_DTR2_L, P_DTR3_L, P_DTR6_L, P_DTR7_L, P_RTS2_L, P_RTS3_L, P_RTS6_L & P_RTS7_L
MCNTRL_OUT2	P_DTR0_L, P_DTR1_L, P_DTR4_L, P_DTR5_L, P_DSR8_L, P_DSR1_L, P_DSR4_L, P_DSR5_L, P_RTS0_L, P_RTS1_L, P_RTS4_L & P_RTS5_L

CHK	CHANGE NO	REV

THIS DRAWING AND THE SPECIFICATIONS CONTAINED HEREIN ARE CONFIDENTIAL AND PROPRIETARY. THEY ARE THE PROPERTY OF DIGITAL EQUIPMENT CORP. AND SHALL NOT BE REPRODUCED OR COPIED OR USED IN WHOLE OR IN PART AS THE BASIS FOR MANUFACTURE OR SALE OF ITEMS WITHOUT WRITTEN PERMISSION. THIS IS AN UNPUBLISHED WORK PROTECTED UNDER THE FEDERAL COPYRIGHT LAWS.

	DRAWN BY DAVE SAUNDERS DATE 10-MAY-06 CHK BY GREG PATRICK DATE 10-MAY-06 DESIGNED BY BOB BATTERSBY DATE 10-MAY-05 YEP 000 K-ND-5410027-1	TITLE RS232 I/O BOARD NUMBER 5410027-0-ESD7 REV A
---	---	---

7080P/PHOTO/02/WORKING/DEVELOPER/TERM/CONTENTS/1



digital

DEC 5018026-0-0 A

DEC 5018026-0-0 A

8 6 5 4 3 2 1

THIS DRAWING AND THE SPECIFICATIONS CONTAINED HEREIN ARE CONFIDENTIAL AND PROPRIETARY. THEY ARE THE PROPERTY OF DIGITAL EQUIPMENT CORPORATION AND SHALL NOT BE REPRODUCED OR COPIED OR USED IN WHOLE OR IN PART AS THE BASIS FOR THE MANUFACTURE OR SALE OF ITEMS WITHOUT WRITTEN PERMISSION. THIS IS AN UNPUBLISHED WORK PROTECTED UNDER THE FEDERAL COPYRIGHT LAW, 1976.

D
C
B
A

REWORK INSTRUCTIONS
ETCH CUTS - SIDE 1:
Q-1 AT E4-14

D
C
B
A

REVISION HISTORY		
REV	ECD NUMBER	DATE

TITLE
ETCH CUT DRAWING

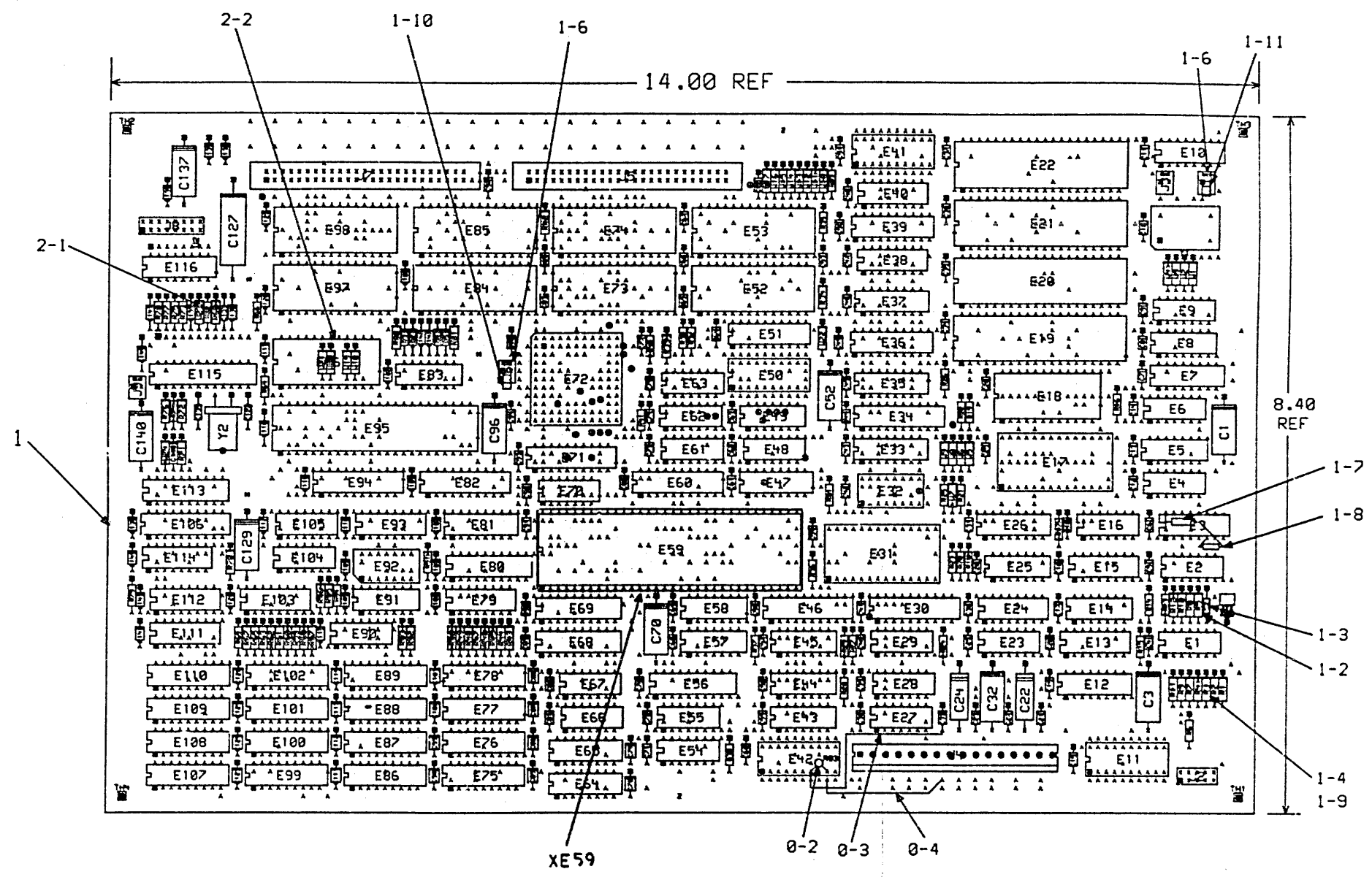
DOCUMENT NUMBER		
SIZE CODE	NUMBER	REV
DEC	508026-0-0	A
SCALE	SHEET	

REV
DEC 508026-0-0

DRAWING NO.	NO. SHTS	PART NO.	DESCRIPTION	REVISIONS
K-CS-5418034-O-CPU6	1		DECSEVER 200 SCHEMATIC	A A A A
K-CS-5418034-O-CPU7	1		DECSEVER 200 SCHEMATIC	A 9 8 8
K-CS-5418034-O-CPU8	1		DECSEVER 200 SCHEMATIC	A A A A
K-BD-5418034-O-MEM1	1		DECSEVER 200 BLOCK DIAGRAM	A A A A
K-CS-5418034-O-MEM2	1		DECSEVER 200 SCHEMATIC	A B 9 B
K-CS-5418034-O-MEM3	1		DECSEVER 200 SCHEMATIC	A A A A
K-CS-5418034-O-MEM4	1		DECSEVER 200 SCHEMATIC	A A A A
K-CS-5418034-O-MEM5	1		DECSEVER 200 SCHEMATIC	A A A A
K-CS-5418034-O-MEM6	1		DECSEVER 200 SCHEMATIC	A A A A
K-CS-5418034-O-MEM7	1		DECSEVER 200 SCHEMATIC	A A A A
K-CS-5418034-O-MEM8	1		DECSEVER 200 SCHEMATIC	A A A A
K-CS-5418034-O-MEM9	1		DECSEVER 200 SCHEMATIC	A A A A
K-CS-5418034-O-MEM10	1		DECSEVER 200 SCHEMATIC	A A A A
K-BD-5418034-O-INT1	1		DECSEVER 200 BLOCK DIAGRAM	A A A A
K-CS-5418034-O-INT2	1		DECSEVER 200 SCHEMATIC	A A A A
K-CS-5418034-O-INT3	1		DECSEVER 200 SCHEMATIC	A A A A
K-CS-5418034-O-INT4	1		DECSEVER 200 SCHEMATIC	A A A A
K-BD-5418034-O-TRM1	1		DECSEVER 200 BLOCK DIAGRAM	A A A A
K-CS-5418034-O-TRM2	1		DECSEVER 200 SCHEMATIC	A A A A
K-CS-5418034-O-TRM3	1		DECSEVER 200 SCHEMATIC	A A A A
K-CS-5418034-O-TRM4	1		DECSEVER 200 SCHEMATIC	A A A A
K-CS-5418034-O-TRM5	1		DECSEVER 200 SCHEMATIC	A A A A
K-CS-5418034-O-TRM6	1		DECSEVER 200 SCHEMATIC	A A A A
K-CS-5418034-O-TRM7	1		DECSEVER 200 SCHEMATIC	A A A A
K-CS-5418034-O-TRM8	1		DECSEVER 200 SCHEMATIC	A A A A
K-CS-5418034-O-TRM9	1		DECSEVER 200 SCHEMATIC	A A A A
K-CS-5418034-O-TRM10	1		DECSEVER 200 SCHEMATIC	A A A A
K-CS-5418034-O-TRM11	1		DECSEVER 200 SCHEMATIC	A A A A
K-BD-5418034-O-NET1	1		DECSEVER 200 BLOCK DIAGRAM	A A A A
K-CS-5418034-O-NET2	1		DEVSEVER 200 SCHEMATIC	A A A A
K-CS-5418034-O-NET3	1		DECSEVER 200 SCHEMATIC	A A A A
K-CS-5418034-O-NET4	1		DECSEVER 200 SCHEMATIC	A A A A
K-CS-5418034-O-NET5	1		DECSEVER 200 SCHEMATIC	A A A A
K-CS-5418034-O-PWR	1		DECSEVER 200 SCHEMATIC	A A A A
K-CS-5418034-O-CAP1	1		DECSEVER 200 SCHEMATIC	A A A A
K-CS-5418034-O-CAP2	1		DECSEVER 200 SCHEMATIC	A A A A
K-CS-5418034-O-D1	1		DECSEVER 200 SCHEMATIC	A A A A
K-CS-5418034-O-D2	1		DECSEVER 200 SCHEMATIC	A A A A
K-CS-5418034-O-D3	1		DECSEVER 200 SCHEMATIC	A A A A

d	i	g	i	t	a	L	TITLE	SHEET 2 OF 2	SIZE	CODE	DOCUMENT NUMBER	REV
							DECSEVER 200		K	DD	5418034-0-0	D

THIS DRAWING AND THE SPECIFICATIONS CONTAINED HEREIN ARE CONFIDENTIAL AND PROPRIETARY. THEY ARE THE PROPERTY OF DIGITAL EQUIPMENT CORPORATION AND SHALL NOT BE REPRODUCED OR COPIED OR USED IN WHOLE OR IN PART AS THE BASIS FOR THE MANUFACTURE OR SALE OF ITEMS WITHOUT WRITTEN PERMISSION. THIS IS AN UNPUBLISHED WORK PROTECTED UNDER THE FEDERAL COPYRIGHT LAWS. COPYRIGHT © 1987 DIGITAL EQUIPMENT CORPORATION



CHK	DRAWN BY	ENGINEER	CHANGE NO	DATE	REV
			LK001		B
TR	M. VACHEROT	<i>[Signature]</i>	MK002	2.11.87	C
	H. TEUSINGPE	<i>[Signature]</i>	MK003	1.11.87	D

CHK	DRAWN BY	ENGINEER	CHANGE NO	DATE	REV

NOTES

- UL RATING IS LPHR.
- SPARE LOCATIONS: E11, E41, E50, E113.
- FOR VARIATION -01, COMPONENTS NOT TO BE INSTALLED ARE: E78, E89, E102, E110, W1, W3-W17, W22, W24.
- FOR VARIATION -02, COMPONENTS NOT TO BE INSTALLED ARE: E52, E53, E72-E74, E78, E84, E85, E89, E97, E98, E102, E110, W1, W4.

W2, W24, C53, C59, C65-C67, C83, C84, C95, C97, C106, C120, C121, C146, C147, D2-D5, R34, R39, R42, R80, R81, J7.

6. FOR VARIATION -03, COMPONENTS NOT TO BE INSTALLED ARE: W2, W3, W5-W17, W22, W24.

SIGNATURES	DATE
DRAWN S. MENSOR	1/26/87
CHECKED F. GAROFALO	2/23/87
MECH ENG D. GEORNE	12/26/86
PROD ENG D. GEORNE	12/26/86
PROD J. SEGUNOT	6/13/86

TITLE DEC SERVER 222
MAIN BOARD

SCALE 1.5/1
SHEET 1 OF 2
TSP DOC NO 4-00-5418034-0-0

ST. ZE. CODE NUMBER REV
D UA 5418034-0-0 D

AUTOMATED BY VAXCPL (01.33)

P A R T S L I S T

SHEET 01 OF 04

LINE	ITEM	TOP DOCUMENT	PART NUMBER	MIN REV	DESCRIPTION	QTY PER VAR/REV			REFERENCE DESIGNATORS
						01	02	03	
						03	03	03	
1	1	0-AD-5018033-0-0	50-18033-01		DRILL AND ETCH BOARD	1	1	1	
2	3		10-01010-00		0.010MFD 50V +50/-20% ZSU C	2	2	2	C132,C133
3	4		10-02174-00		2.0 MFD 25V +75/-10% ALU	2	2	2	C3,C129
4	5		10-11605-00		100 MFD 10V +/-10% SOL	1	1	1	C127
5	6		10-12084-01		5.0 MFD 25V +75/-10% ALU	7	7	7	C1,C32,C52,C70,C95,C137,C140
6	7		10-12734-00		0.047MFD 50V +30/-20% ZSU C	103	-	103	C4-C21,C23,C25-C31,C33-C51, CONT C53-C59,C71-C77,C90-C96, CONT C99-C95,C97,C102-C110, CONT C115-C117,C119-C121,C123,C134, CONT C139,C142,C143,C145
CONT						-	89	-	C4-C21,C23,C25-C31,C33-C51, CONT C54-C58,C60-C64,C63,C69, CONT C71-C76,C80-C82,C89-C93, CONT C102-C105,C107-C110,C115-C117, CONT C119,C123,C134,C139,C142,C143, CONT C145
7	8		10-13446-05	100	PFD 50V +/- 5% NPO C	3	3	3	C2,C122,C135
8	9		10-13446-22		0.10 MFD 50V +30/-20% ZSU C	7	-	7	C119,C130,C136,C141,C144,C145, CONT C147
CONT						-	5	-	C118,C133,C136,C141,C144
9	10		10-13446-34	4700	PFD 50V +/- 5% X7R C	1	1	1	C131
10	11		10-13446-50	680	PFD 50V +/- 5% NPO C	1	1	1	C133
11	12		10-17472-00	10	MFD 35V +75/-10% ALU	2	2	2	C22,C24
12	13		10-25353-01		0.22 MFD 50V +50/-20% ZSU C	-	-	18	C73,C79,C85-C88,C93-C101, CONT C111-C114,C123-C125
CONT						14	14	-	C75,C79,C85-C87,C93-C100, CONT C111-C113,C123-C125
13	14		11-16475-00		FIVE 75 - SNS 144148	4	-	4	D2-D5
14	15		12-13436-00		PCB,HEADER 10PIN(2X03),100CC	1	1	1	J2
15	16		12-13436-13		PCB,HEADER 16PIN(2X03),100CC STR	1	1	1	J8
16	18	BLANK	12-15006-07		*** THIS ITEM IS NOT USED ***	-	-	-	
17	19		12-15006-19		SKT,IC 64PIN DIP TIN GOLD	1	1	1	XE59

REVISION HISTORY			KPL MODULE FORMAT SECTION A OF AIDM#			S. MANSOR		
ENG	ECO NUMBER	REV	SECTION/VARIATION INDEX	DATE	DATE	DATE	DATE	DATE
	INITIAL	A	(A) 01/02/03	(M)	14-JAN-86	F. SAROFALO	DEC SERVER 200	D I G I T A L
DC	5418034-LK001	B	(B)	(M)	14-JAN-86	DAN CEDRONE	MAIN BOARD	
ML	5418034-0A002	C	(C)	(P)	14-JAN-86	DAN CEDRONE	DOCUMENT NUMBER	
ML	5418034-0A003	D	(D)	(Q)	14-JAN-86	DAN CEDRONE	NUMBER	
			(E)	(R)	14-JAN-86	DAN CEDRONE	REV	
			(F)	(S)	14-JAN-86	JATME SEGUINOT	K PL 5418034-0-08P	D
			(G)	(T)	19-JUN-86	JATME SEGUINOT	RELEASE DATE: 25-MAR-82	
			(H)	(U)	19-JUN-86	JATME SEGUINOT	RELEASE STATUS: RELEASED	
			(I)	(V)				
			(J)	(W)				
			(K)	(X)				
			(L)	(Y)				
BASIC PART NUMBER:			ASSEMBLY NUMBER:			TOP DOCUMENT NUMBER:		
5418034			12-0A-5418034-0-0			K-00-5418034-0-0		
FILE NAME:			EDIT #					
5418034D.PLS								

THE DRAWING AND THE SPECIFICATIONS CONTAINED HEREIN ARE CONFIDENTIAL AND PROPRIETARY. THEY ARE THE PROPERTY OF DIGITAL EQUIPMENT CORPORATION AND SHALL NOT BE REPRODUCED OR COPIED OR USED IN WHOLE OR IN PART AS THE BASIS FOR THE MANUFACTURE OR SALE OF GOODS WITHOUT WRITTEN PERMISSION. THIS IS AN UNPUBLISHED WORK PROTECTED UNDER THE FEDERAL COPYRIGHT LAWS.

AUTOMATED BY VAXKPL (V1.3)

PARTS LIST

SHEET A2 OF A4

LINE	ITEM	TOP DOCUMENT	PART NUMBER	MIN REV	DESCRIPTION	QTY PER VAR/REV			REFERENCE DESIGNATORS
						01 93	02 93	03 93	
18	20		12-16652-15		PCB HEADER 16PIN(2X03).156CC STR	1	1	1	J4
19	21		12-19251-00		PCB HEADER 02PIN(1X02).100CC STR	1	1	1	J3
20	22		12-23627-01		PCB HEADER 50POS(2X25).100CC STR	2	-	2	J5,J7
					CONT	-	1	-	J5
21	23		13-00005-07		P. NET 4.7K-15 5.0	3	3	3	E7,E37,E31
22	24		13-00197-00		33.0 .25 W 5.0 X CF	21	21	21	R43-R50,R52,R53,R55-R63,R65,R67
23	25		13-00229-00		100.0 .25 W 5.0 X CF	21	21	21	R14-R17,R19,R20,R22,R24,R26, CONT R28,R31,R33,R35,R37,R39,R51, CONT R54,R64,R69,R74,R79
24	26		13-00247-00		120.0 .25 W 5.0 X CF	2	2	2	R29,R30
25	27		13-00316-00		470.0 .25 W 5.0 X CF	1	1	1	R9
26	28		13-00363-00		1.0 K .25 W 5.0 X CF	1	1	1	R8
27	29		13-00432-00		3.0 K .25 W 5.0 X CF	1	1	1	R71
28	30		13-00539-00		120.0 K .25 W 5.0 X CF	1	1	1	R11
29	31		13-01322-00		180.0 .25 W 5.0 X CF	2	2	2	R27,R32
30	32		13-02332-00		2.0 K .25 W 5.0 X CF	11	11	11	R3,R6,R13,R18,R21,R23,R25,R36, CONT R40,R41,R66
31	33		13-02377-00		180.0 K .25 W 5.0 X CF	2	2	2	R1,R2
32	34		13-02371-00		1.21 K .25 W 1.0 X RN55D-F10	1	1	1	R4
33	35		13-03114-00		1.0 K .25 W 1.0 X RN55D-F10	1	1	1	R7
34	36		13-03179-00		8.20 K .25 W 5.0 X CF	2	2	2	R10,R12
35	37		13-03303-00		2.61 K .25 W 1.0 X RN55D-F10	3	-	3	R34,R39,R42
36	38		13-04341-00		75.0 K .25 W 5.0 X CF	1	1	1	R70
37	39		13-05346-00		27.0 K .25 W 5.0 X CF	1	1	1	R5
38	40		13-05621-00		111.1 .25 W 0.1 X RN55D-B10	2	-	2	R80,R81
39	41		13-09422-00		5.10 .25 W 5.0 X CF	1	1	1	R68
40	42		13-11522-00		200.0 .25 W 5.0 X CF	1	1	1	R76
41	44		13-13150-75		40.20 .25 W 1.0 X RN55D-F10	4	4	4	R73,R75,R77,R78
42	45		13-16247-00		510.0 .25 W 5.0 X CF	1	1	1	R72
43	46		13-26578-01		THERMISTOR PTC 0.092 15X	1	1	1	R83
44	47		16-13553-01		DELAY= 100NS,10TAPS WITH TTLBU	1	1	1	E92
45	48		16-25072-01		XF49,75UH	1	1	1	E116
46	49		18-11660-50		OSCILLATOR, XTAL 29.4912 MHZ	1	1	1	Y1
47	50		18-22615-01		XTAL 20.000 MHZ	1	1	1	Y2
48	51		19-12108-01		LM 339ANVOLT. CMPTR,QUAD	1	1	1	E1
49	52		19-12779-00		LS00 NAND-GATE-QUAD 2IN,PO	1	1	1	E9
50	53		19-12875-00		LS08 AND GATE-QUAD 2IN,PO	2	2	2	E5,E49
51	54		19-12519-00		LS20 NAND GATE-DUAL 4IN	1	1	1	E16
52	55		19-12811-00		LS21 AND GATE-DUAL 4IN,PO	1	1	1	E4
53	56		19-12816-00		LS32 OR GATE-QUAD 2IN,POS	2	2	2	E8,E43
54	57		19-12512-00		LS33 NAND BUFFER-QUAD 2IN	1	1	1	E25
55	58		19-12824-00		LS74 FF-D DUAL,EDGE TRIG	2	2	2	E2,E28
56	59		19-12837-00		LS123 ONE SHOT-DUAL,RETRIG	2	2	2	E3,E114
57	60		19-12845-00		LS153 MUX 1 OF 4 (DUAL)	1	1	1	E15
58	61		19-12847-00		LS157 MUX 1 OF 2 (QUAD)	3	3	3	E13,E33,E40
59	62		19-12843-00		LS158 MUX 1 OF 2 (QUAD)	1	1	1	E12
60	63		19-12843-00		LS273 FF-D OCTAL w/CLEAR	1	1	1	E89
61	64		19-13414-00		LS14 INVERTER GATE-HEX SC	1	1	1	E104
62	65		19-14045-00		74S260 NOR GATE-DUAL,POS	1	1	1	E45
63	66		19-15193-00		LS244 DIVER,LINE,OCTAL,TR	1	1	1	E34

D E L T A L				TITLE	SECTION A OF A	SIZE	CODE	DOCUMENT NUMBER	REV
				DEC SERVER 200 MAIN BOARD		K	PL	5418J34-D-DBP	D

AUTOMATED BY VAXKPL (V1.3)

PARTS LIST

SHEET A3 OF A4

LINE	ITEM	TOP DOCUMENT	PART NUMBER	MIN REV	DESCRIPTION	QTY PER VAR/REV			REFERENCE DESIGNATORS
						01 93	02 93	03 93	
64	67		19-19006-00	LN	336A VOLT REF. 2.49V 1X	1	1	1	D1
65	68		19-19016-00		LS143 PRIORITY ENCODER, 3 T	4	4	4	E26, E33, E35, E47
66	69		19-20441-01		74F245 TRANSCEIVER, BI-DIR EC	2	2	2	E60, E71
67	70		19-20442-01		74F374 FF-D, OCTAL, TRI-STATE	3	3	3	E36, E39, E51
68	71		19-20572-01		74F244 BUFFER/LINE DRIVER, 0	2	2	2	E56, E68
69	72		19-21009-01		74F241 BUFFER/LINE DRIVER, 0	1	1	1	E80
70	73		19-21010-01		74F373 OCTAL TRANSPARENT LA	4	4	4	E49, E82, E94, E106
71	74		19-21305-01		74F00 NAND GATE, QUAD, 2-IN	1	1	1	E57
72	75		19-21306-01		74F02 NOR GATE, QUAD, 2-IN	1	1	1	E6
73	76		19-21307-01		74F04 HEX INVERTER	3	3	3	E16, E44, E91
74	77		19-21308-01		74F08 AND GATE, QUAD, 2-IN	1	1	1	E58
75	78		19-21311-01		74F20 NAND GATE, DUAL, 4-IN	2	2	2	E27, E90
76	79		19-21312-01		74F32 OR GATE, QUAD, 2-IN	3	3	3	E23, E29, E62
77	80		19-21314-01		74F74 FF-D, DUAL, POS. EDGE	6	6	6	E43, E61, E63, E66, E70, E105
78	81		19-21315-01		74F56 EXCLUSIVE OR GATE, QU	1	1	1	E54
79	82		19-21315-01		74F135 DECODER/DEMUX, 1-OF-8	1	1	1	E24
80	83		19-21317-01		74F139 DECODER, DUAL, 1-OF-4	1	1	1	E79
81	84		19-21322-01		74F161 BINARY COUNTER, PRES	1	1	1	E10
82	85		19-21331-01		74F258 MUX, QUAD, 2-IN	3	3	3	E103, E111, E112
83	86		19-21332-01		74F250 PARITY GEN/CHECK, 9-B	2	2	2	E55, E67
84	87		19-21671-03		INTERFACE, SERIAL ADAPTOR 300MIL	1	1	1	E115
85	88		19-22191-01		74F353 MULTIPLEXER, DUAL 4I	1	1	1	E93
86	89		19-23389-02		EIA OCTAL LINE DRIVE	3	-	3	E53, E74, E55
87	90		19-23390-02		EIA OCTAL LINE RECEI	5	-	5	E52, E73, E84, E97, E98
88	91		19-25706-01		74F37 QUAD 2-INPUT NAND BU	1	1	1	E83
89	92		21-20067-01		68000 MICROPROCESSOR, 16BIT	1	1	1	E59
90	93		21-20068-01		2431 REC./TRANS., ASYNC., D	4	4	4	E19-E22
91	94		21-21414-02		50256 RAM 256KX1 DYNAMIC M	2	2	2	E64, E65
92	95		21-21672-07		CONTROLLER, LOCAL AREA NET	1	1	1	E95
93	96	SEE NOTE 4	21-22421-02		*** THIS ITEM IS NOT USED ***	-	-	-	
94	97	SEE NOTE 4	21-22422-02		*** THIS ITEM IS NOT USED ***	-	-	-	
95	98		21-24412-02		RAM, 64KX4, DYNAMIC 1S	12	12	-	E75-E77, E36-E68, E99-E101,
			CONT			-	-	16	CONT E107-E109
									E75-E78, E66-E89, E97-E102,
									CONT E107-E110
96	99	SEE NOTE 2	21-24414-02		*** THIS ITEM IS NOT USED ***	-	-	-	
97	100				*** THIS ITEM IS NOT USED ***	-	-	-	
98	101		21-25874-02		DC7U53B DEC SERVER GATE ARRAY	1	-	1	E72
99	102		23-16343-00		K3-03 PAL, QUAD, AND-D	1	1	1	E30
100	103		23-27385-00		ES-01, ES-02, ES-03 ROM	1	1	1	E31
101	104		23-27965-00		ES-01, ES-02, ES-03 ROM	1	1	1	E17
102	105		23-36541-00		A1-09	1	1	1	E32
103	106		23-441 -00		N1-04	1	1	1	E18
104	107		70-09175-00		JUMPER, WIRE, INSULATED, BLACK 9	6	-	-	W2, W15-W21, W23
			CONT			-	-	7	W1, W4, W13-W21, W23
							20	-	W2, W3, W5, W6, W8-W23
105	108	NOTE	91-05740-55		WIRE(WRAP) 30AWG KYNAR UL16	1	1	1	
106	109	NOTE	91-07727-00		WIRE(WRAP) 25AWG KYNAR UL14	6	6	6	

D	I	G	I	T	A	L	FILE	DEC DEPMEN 200	SECTION A OF A	SIZE	CODE	DOCUMENT NUMBER	REV
							MAIN 43476			K	PL	5418034-0-00P	D

AUTOMATED BY VAKKPL (V1.3)

P A R T S L I S T

SHEET A4 OF A4

LINE ITEM	TOP DOCUMENT	PART NUMBER	MIN REV	DESCRIPTION	QTY PER VAR/REV 01 02 03 93 93 93	REFERENCE DESIGNATORS
-----------	--------------	-------------	------------	-------------	---	-----------------------

- 1 GEN: 1. SPARE LOCATIONS: E11, E41, E50, E113.
- 2 GEN: 2. P/N 21-24414-02 MAY BE SUBSTITUTED FOR P/N 21-24412-02, USING THE SAME REFERENCE DESIGNATORS.
- 3 GEN: 3. P/N 21-22421-02 OR 21-22422-02 MAY BE SUBSTITUTED FOR P/N 21-21414-02, USING THE SAME REFERENCE DESIGNATORS.
- 4 GEN: 4. FOR VARIATION -01, COMPONENTS NOT TO BE INSTALLED ARE: E78, E99, E102, E110, W1, W3, W17, W22, W24, C88, C101, C114, C126.
- 5 GEN: 5. FOR VARIATION -02, COMPONENTS NOT TO BE INSTALLED ARE: E52, E53, E72, E74, E78, E84, E85, E89, E97, E99, E102, E110, W1, W4, W7.
- 6 GEN: 6. CONTINUED W24, C53, C59, C65, C67, C77, C83, C84, C94, C95, C97, C106, C120, C121, C146, C147, C88, C101, C114, C126, D2, D5, R34.
- 7 GEN: 7. CONTINUED R39, R42, R50, R51, J7.
- 8 GEN: 8. FOR VARIATION -03, COMPONENTS NOT TO BE INSTALLED ARE: W2, W3, W5, W17, W22, W24.
- 9 GEN: 9. NOTE: QUANTITY OF ITEM #103 AND ITEM #109 IS SHOWN IN INCHES.

D	I	G	I	T	A	L	TITLE	SECTION A OF A	SIZE	CODE	DOCUMENT NUMBER	REV
							DEC 2000 200 MAIN BOARD		<	PL	5415334-U-05P	D

9

7

6

5

4

3

K DD

NUMBER
5410004-0-D1

REV
A

1

D

C

J

A

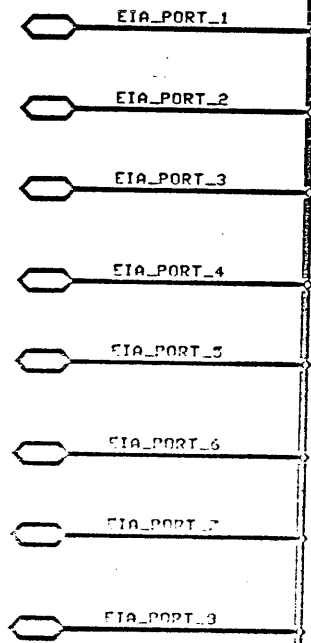
9

8

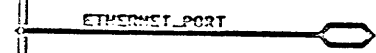
7

6

DECSERVER
200



ASYN COMM PORTS



LEVEL 0

CHK	CHANGE NO	REV

THIS DRAWING AND THE SPECIFICATIONS CONTAINED HEREIN ARE CONFIDENTIAL AND PROPRIETARY. THEY ARE THE PROPERTY OF DIGITAL EQUIPMENT CORP. AND SHALL NOT BE REPRODUCED OR COPIED OR USED IN WHOLE OR IN PART AS THE BASIS FOR MANUFACTURE OR SALE OF ITEMS WITHOUT WRITTEN PERMISSION. THIS IS AN UNPUBLISHED WORK PROTECTED UNDER THE FEDERAL COPYRIGHT LAWS.

DATE 10-04-85	BY [Signature]	DATE 10-04-85	BY [Signature]	DATE 10-04-85	BY [Signature]	TITLE	DECSERVER 200
DATE 10-04-85	BY [Signature]	DATE 10-04-85	BY [Signature]	DATE 10-04-85	BY [Signature]	NUMBER	5410004-0-D1
DATE 10-04-85	BY [Signature]	DATE 10-04-85	BY [Signature]	DATE 10-04-85	BY [Signature]	REV	A

9

7

6

5

4

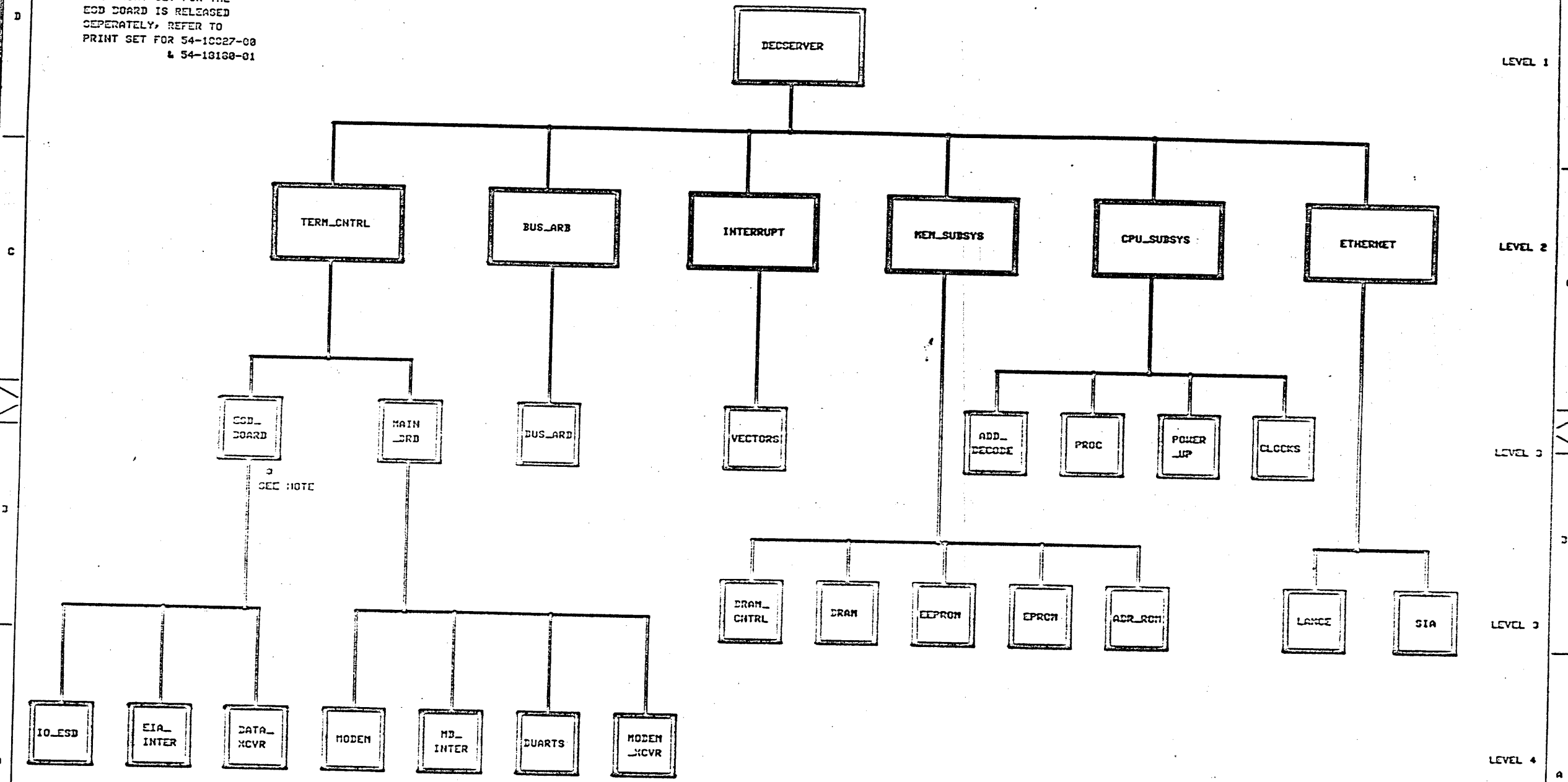
3

2

1

KDD 5410004-0-D1

NOTE:
 THE PRINT SET FOR THE
 EOD BOARD IS RELEASED
 SEPARATELY. REFER TO
 PRINT SET FOR 54-10027-00
 & 54-10100-01

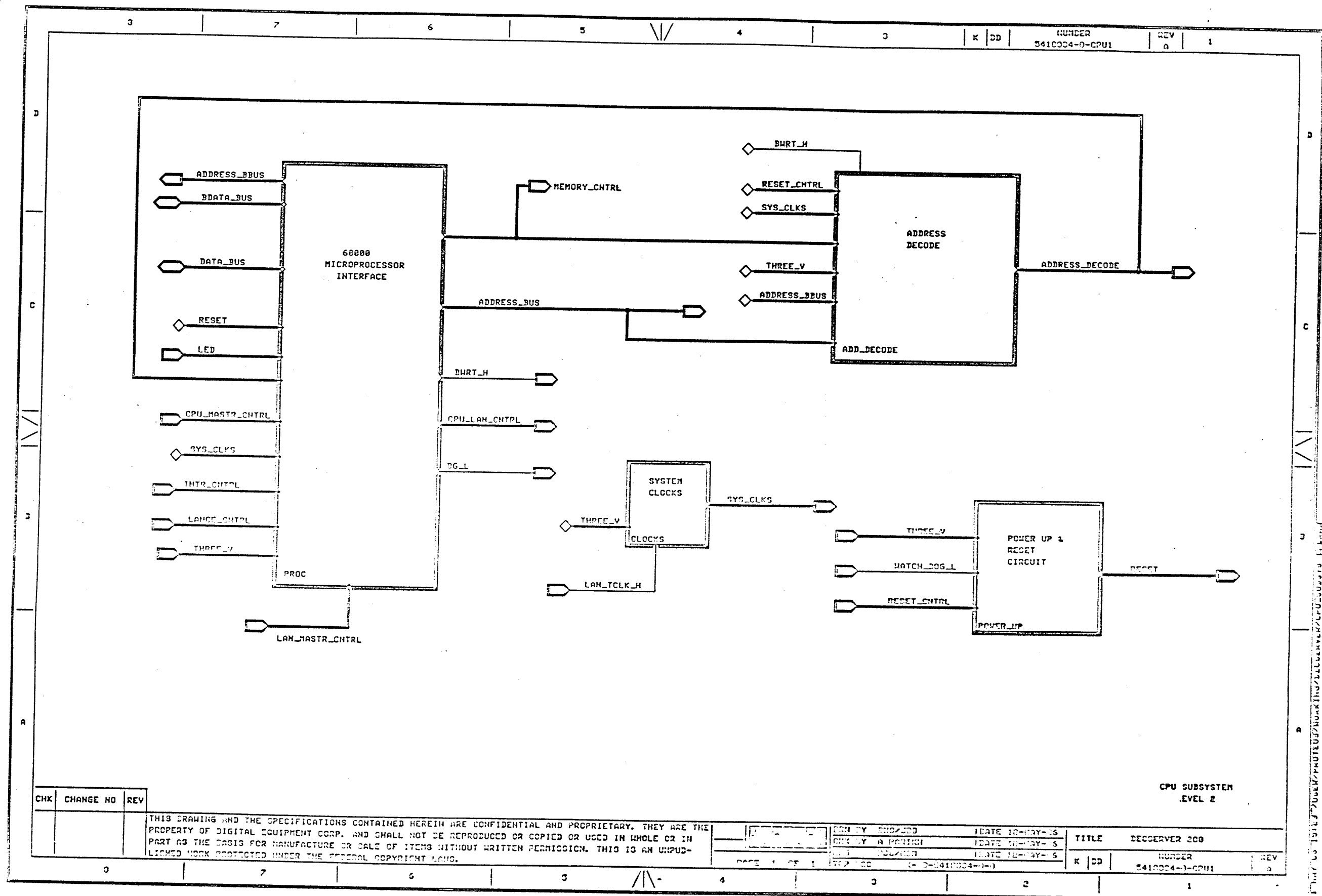


CHK	CHANGE NO	REV

THIS DRAWING AND THE SPECIFICATIONS CONTAINED HEREIN ARE CONFIDENTIAL AND PROPRIETARY. THEY ARE THE PROPERTY OF DIGITAL EQUIPMENT CORP. AND SHALL NOT BE REPRODUCED OR COPIED OR USED IN WHOLE OR IN PART AS THE BASIS FOR MANUFACTURE OR SALE OF ITEMS WITHOUT WRITTEN PERMISSION. THIS IS AN UNPUBLISHED WORK PROTECTED UNDER THE FEDERAL COPYRIGHT LAWS.

DATE 10-MAY-85	TITLE DECSERVER 200
DATE 10-MAY-85	NUMBER 5410004-0-02
DATE 10-MAY-85	REV 0

15 MAY 85 10:16:20 USER/PROTEU/HUNKING/DECSERVER TREE.DWG

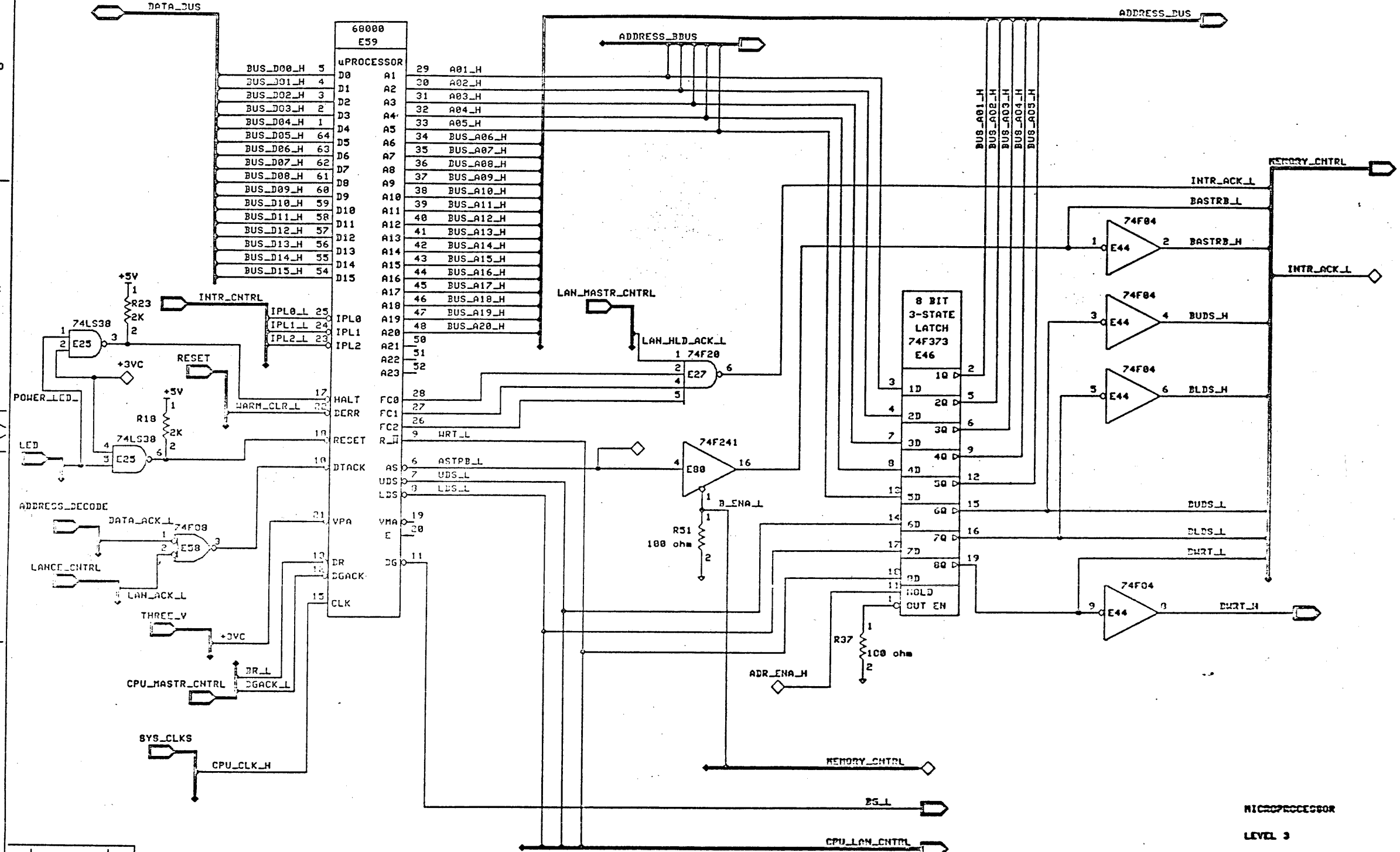


CHK	CHANGE NO	REV

THIS DRAWING AND THE SPECIFICATIONS CONTAINED HEREIN ARE CONFIDENTIAL AND PROPRIETARY. THEY ARE THE PROPERTY OF DIGITAL EQUIPMENT CORP. AND SHALL NOT BE REPRODUCED OR COPIED OR USED IN WHOLE OR IN PART AS THE BASIS FOR MANUFACTURE OR SALE OF ITEMS WITHOUT WRITTEN PERMISSION. THIS IS AN UNPUBLISHED WORK PROTECTED UNDER THE FEDERAL COPYRIGHT LAWS.

DESIGNED BY	ENG/JDB	DATE	12-MAY-86	TITLE	DECSERVER 200
CHECKED BY	A. PORTER	DATE	12-MAY-86	NUMBER	5410004-0-CPU1
DATE	12-MAY-86	REV	1		
PAGE 1 OF 1		DRAWN BY		K DD	

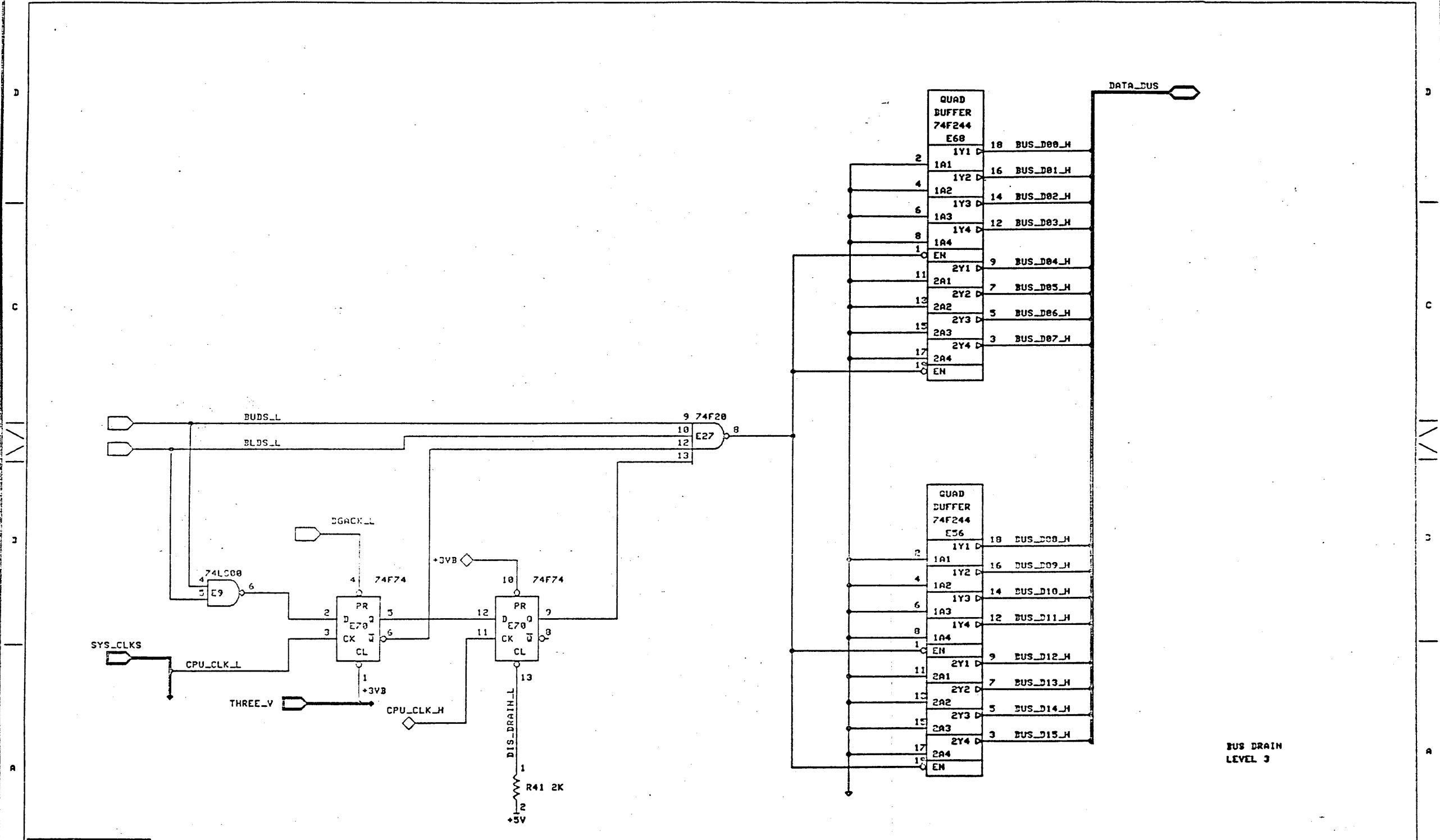
CPU SUBSYSTEM
LEVEL 2



CHK	CHANGE NO	REV

THIS DRAWING AND THE SPECIFICATIONS CONTAINED HEREIN ARE CONFIDENTIAL AND PROPRIETARY. THEY ARE THE PROPERTY OF DIGITAL EQUIPMENT CORP. AND SHALL NOT BE REPRODUCED OR COPIED OR USED IN WHOLE OR IN PART AS THE BASIS FOR MANUFACTURE OR SALE OF ITEMS WITHOUT WRITTEN PERMISSION. THIS IS AN UNPUBLISHED WORK PROTECTED UNDER THE FEDERAL COPYRIGHT LAWS.

68000	DESIGNED BY ENG/JJD	DATE 12-MAY-86	TITLE	SERVER 200
	CHECKED BY A PERIKH	DATE 12-MAY-86		
	DESIGNED BY ENG/JJD	DATE 12-MAY-86		
PAGE 1 OF 1	772 888	K-0-0410004-0-1	K CS	NUMBER 5410004-0-CPU2 REV A

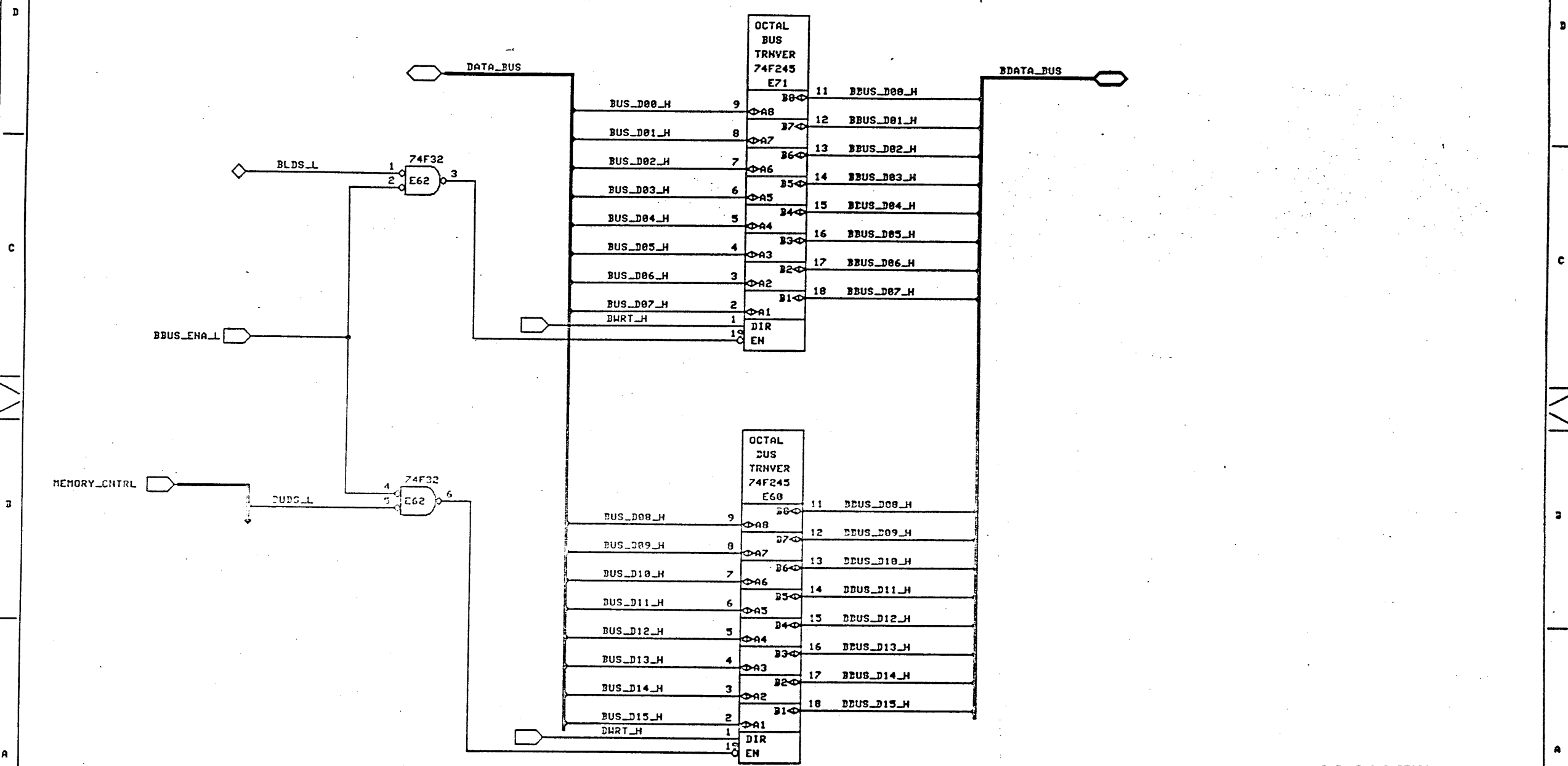


BUS DRAIN
LEVEL 3

CHK	CHANGE NO	REV

THIS DRAWING AND THE SPECIFICATIONS CONTAINED HEREIN ARE CONFIDENTIAL AND PROPRIETARY. THEY ARE THE PROPERTY OF DIGITAL EQUIPMENT CORP. AND SHALL NOT BE REPRODUCED OR COPIED OR USED IN WHOLE OR IN PART AS THE BASIS FOR MANUFACTURE OR SALE OF ITEMS WITHOUT WRITTEN PERMISSION. THIS IS AN UNPUBLISHED WORK PROTECTED UNDER THE FEDERAL COPYRIGHT LAWS.

DESIGNED BY	ENG/JDB	DATE	12-MAY-86	TITLE	DECCSERVER 200
CHECKED BY	A. BORISH	DATE	12-MAY-86	NUMBER	5410034-0-CPU3
ENG	DJG/MSH	DATE	12-MAY-86	REV	A
PAGE 1 OF 1		TOP LOG (4-10-86)10034-0-1		K CS	



DATA BUS PARTITION

LEVEL 3

CHK	CHANGE NO	REV

THIS DRAWING AND THE SPECIFICATIONS CONTAINED HEREIN ARE CONFIDENTIAL AND PROPRIETARY. THEY ARE THE PROPERTY OF DIGITAL EQUIPMENT CORP. AND SHALL NOT BE REPRODUCED OR COPIED OR USED IN WHOLE OR IN PART AS THE BASIS FOR MANUFACTURE OR SALE OF ITEMS WITHOUT WRITTEN PERMISSION. THIS IS AN UNPUBLISHED WORK PROTECTED UNDER THE FEDERAL COPYRIGHT LAWS.

DATE 12-10-75
PAGE 1 OF 1

DRN BY	SMO/SD	DATE	12-10-75
CHK BY	A. BOHRI	DATE	12-10-75
TOP DOC	5410004-0-J	DATE	12-10-75

TITLE	DEC SERVER 200
NUMBER	5410004-0-CPU4
REV	A

8

7

6

5

4

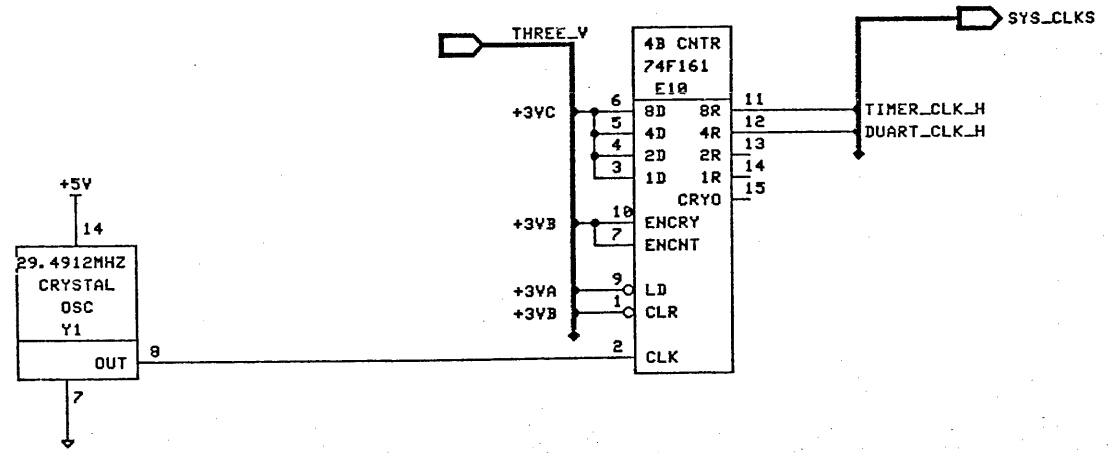
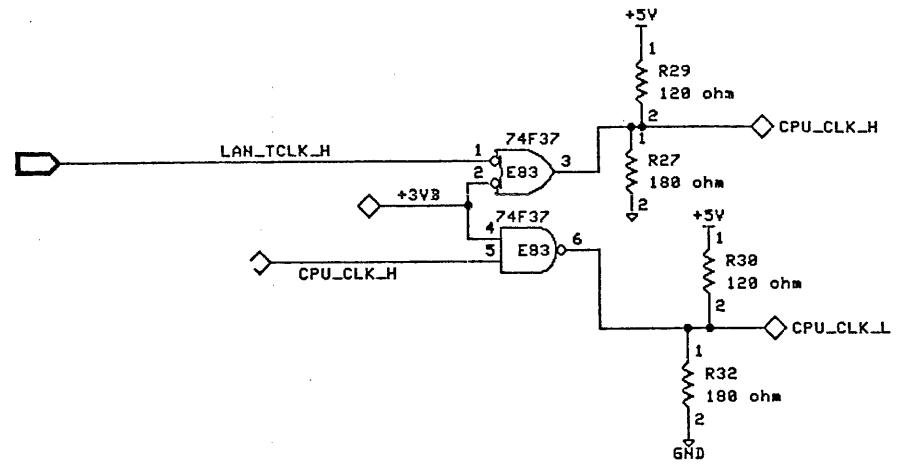
3

K CS

NUMBER
5418034-0-CPU5

REV
R 1

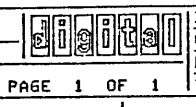
CPU_CLK_H 10MHZ
 CPU_CLK_L 10MHZ
 TIMER_CLK_H 1.84MHZ
 DUART_CLK_H 3.68MHZ



SYSTEM CLOCKS
 LEVEL 3

CHK	CHANGE NO	REV

THIS DRAWING AND THE SPECIFICATIONS CONTAINED HEREIN ARE CONFIDENTIAL AND PROPRIETARY. THEY ARE THE PROPERTY OF DIGITAL EQUIPMENT CORP. AND SHALL NOT BE REPRODUCED OR COPIED OR USED IN WHOLE OR IN PART AS THE BASIS FOR MANUFACTURE OR SALE OF ITEMS WITHOUT WRITTEN PERMISSION. THIS IS AN UNPUBLISHED WORK PROTECTED UNDER THE FEDERAL COPYRIGHT LAWS.



DRN BY	TWS/JDB	DATE	12-MAY-86
CHK BY	A PARIKH	DATE	12-MAY-86
ENG	DJC/WSM	DATE	12-MAY-86
TOP DOC	K-DD-5418034-0-0		

TITLE	DECSERVER 200
NUMBER	5418034-0-CPU5
REV	B

PAGE 1 OF 1

8

7

6

5

4

3

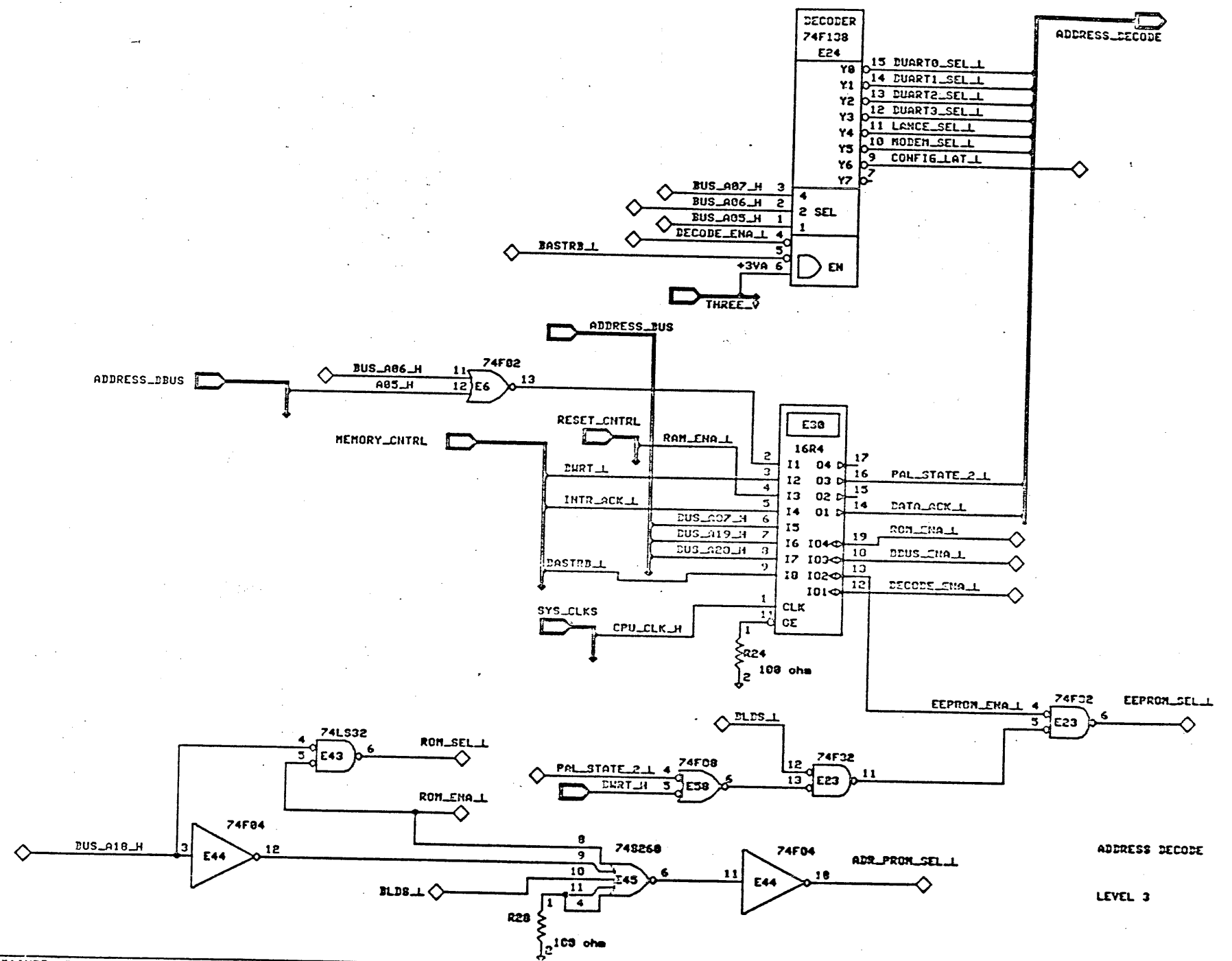
2

1

16 APR 87 11:08 USER:PROTEUS/HOKING/DECSERVER200-SUBSYS7CLOCKS 1. DRN

DEVICE	ADDRESS
RAM	0-1FFFF BANK 0 20000-3FFFF BANK 1 40000-5FFFF BANK 2 60000-7FFFF BANK 3
EEPROM	80001-80FFF
DUART 0	100001-10001F
DUART 1	100021-10003F
DUART 2	100041-10005F
DUART 3	100061-10007F
LANCE	100080-100082
CONFIG LATCH	1000C1
GATE ARRAY	1000A1-1000AB
EPR0M	180000-187FFF
ADR PROM	1C0001-1C003F

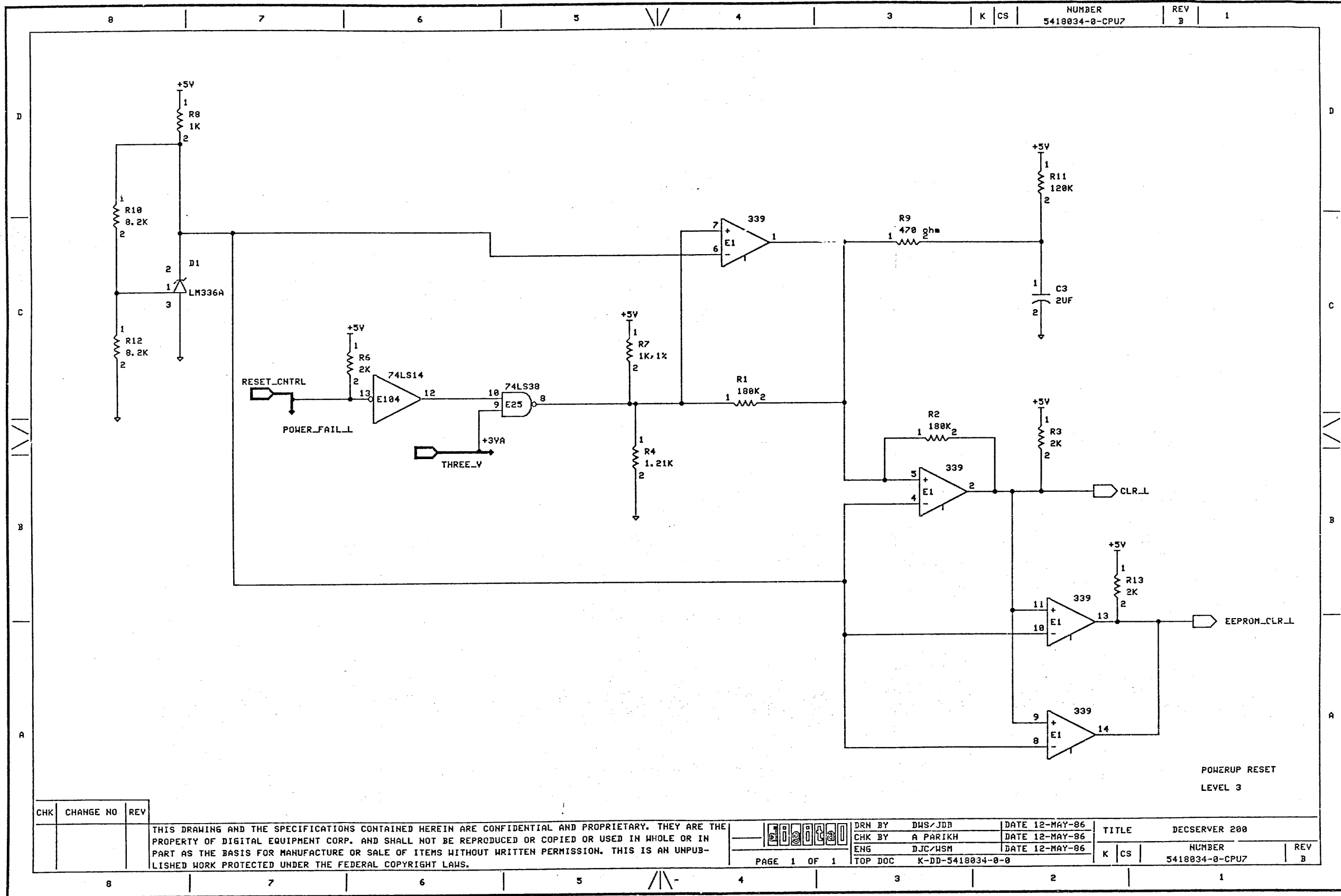
RAM_SEL_L DOES NOT APPEAR ON THIS PAGE
RAM IS DECODED ON THE DRAM CONTROLLER PAGES



CHK	CHANGE NO	REV

THIS DRAWING AND THE SPECIFICATIONS CONTAINED HEREIN ARE CONFIDENTIAL AND PROPRIETARY. THEY ARE THE PROPERTY OF DIGITAL EQUIPMENT CORP. AND SHALL NOT BE REPRODUCED OR COPIED OR USED IN WHOLE OR IN PART AS THE BASIS FOR MANUFACTURE OR SALE OF ITEMS WITHOUT WRITTEN PERMISSION. THIS IS AN UNPUBLISHED WORK PROTECTED UNDER THE FEDERAL COPYRIGHT LAWS.

DESIGNED BY	DATE	TITLE
CHECKED BY	DATE	PROCESSOR 200
DATE	DATE	NUMBER
TOP	REV	5410034-0-CPU6



CHK	CHANGE NO	REV

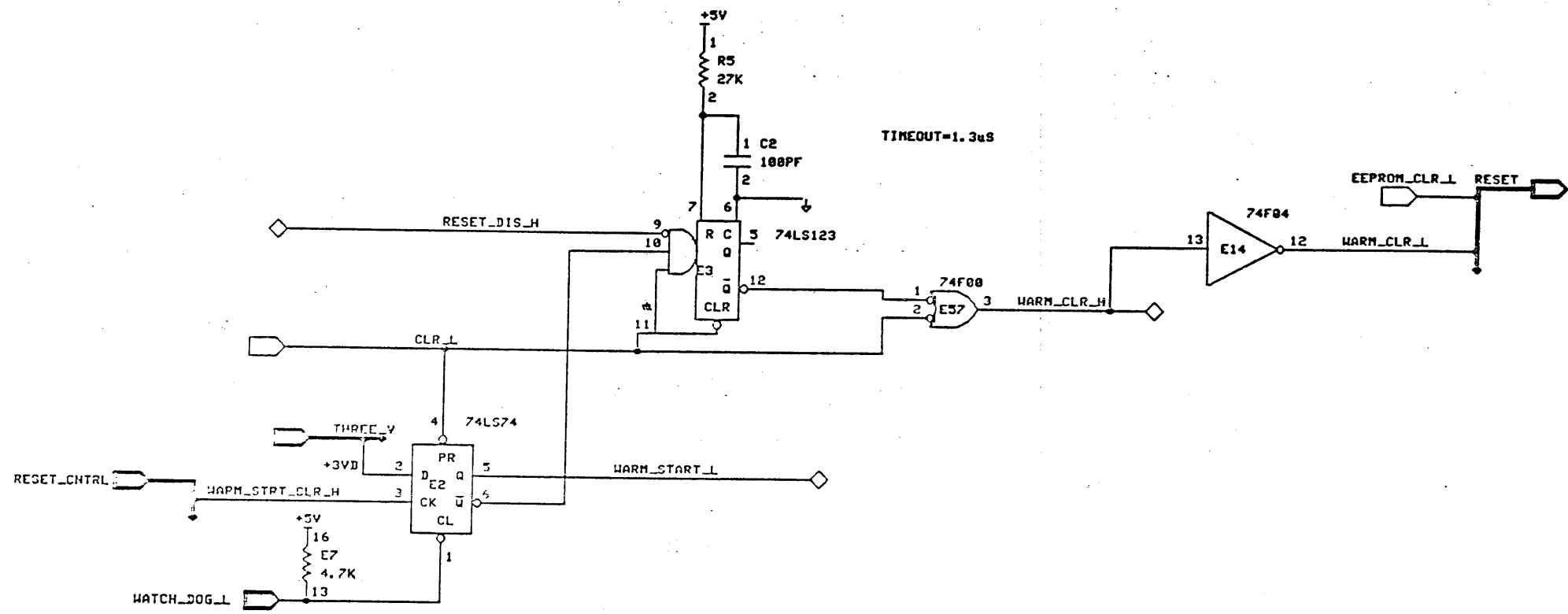
THIS DRAWING AND THE SPECIFICATIONS CONTAINED HEREIN ARE CONFIDENTIAL AND PROPRIETARY. THEY ARE THE PROPERTY OF DIGITAL EQUIPMENT CORP. AND SHALL NOT BE REPRODUCED OR COPIED OR USED IN WHOLE OR IN PART AS THE BASIS FOR MANUFACTURE OR SALE OF ITEMS WITHOUT WRITTEN PERMISSION. THIS IS AN UNPUBLISHED WORK PROTECTED UNDER THE FEDERAL COPYRIGHT LAWS.

DRN BY DWS/JDB
 CHK BY A PARIKH
 ENG DJC/HSM
 TOP DOC K-DD-5418034-0-0

DATE 12-MAY-86
 DATE 12-MAY-86
 DATE 12-MAY-86

TITLE DECSERVER 200
 NUMBER 5418034-0-CPU7
 REV B

16 APR BY 11189 USER/PROTEUS/HORKING/DECSERVER200_SUBSYS/POWER_DP 1.DRAW



TIMEOUT=1.3uS

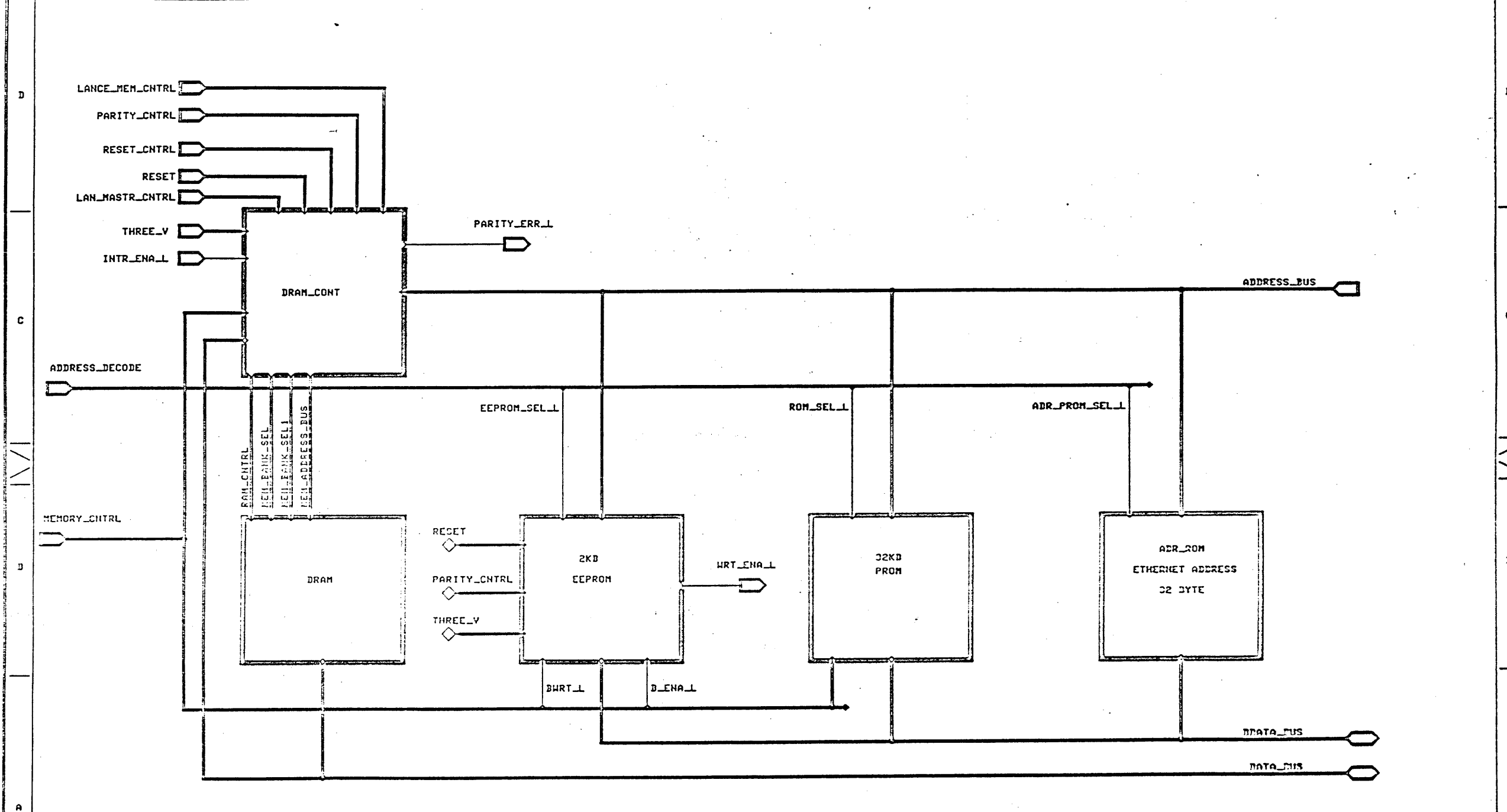
WARM START RESET LEVEL 3

CHK	CHANGE NO	REV

THIS DRAWING AND THE SPECIFICATIONS CONTAINED HEREIN ARE CONFIDENTIAL AND PROPRIETARY. THEY ARE THE PROPERTY OF DIGITAL EQUIPMENT CORP. AND SHALL NOT BE REPRODUCED OR COPIED OR USED IN WHOLE OR IN PART AS THE BASIS FOR MANUFACTURE OR SALE OF ITEMS WITHOUT WRITTEN PERMISSION. THIS IS AN UNPUBLISHED WORK PROTECTED UNDER THE FEDERAL COPYRIGHT LAWS.

DESIGNED BY	DATE	12-MAY-76
CHK BY	DATE	12-MAY-76
APP BY	DATE	12-MAY-76
TOP DOC	REV	0

TITLE	DEC SERVER 200
NUMBER	5410004-0-CPU3
REV	A

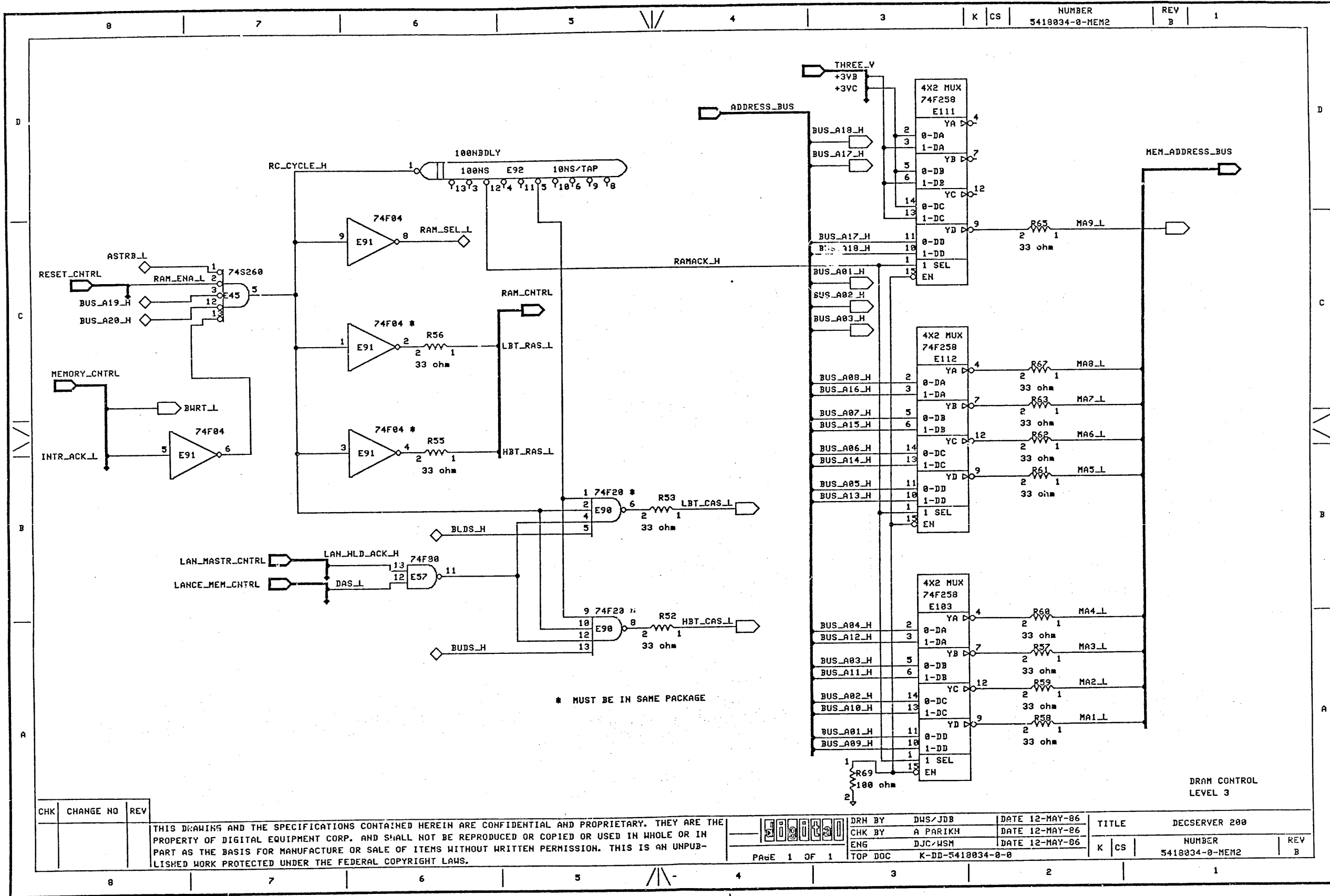


MEMORY SUBSYSTEM
LEVEL 2

CHK	CHANGE NO	REV

THIS DRAWING AND THE SPECIFICATIONS CONTAINED HEREIN ARE CONFIDENTIAL AND PROPRIETARY. THEY ARE THE PROPERTY OF DIGITAL EQUIPMENT CORP. AND SHALL NOT BE REPRODUCED OR COPIED OR USED IN WHOLE OR IN PART AS THE BASIS FOR MANUFACTURE OR SALE OF ITEMS WITHOUT WRITTEN PERMISSION. THIS IS AN UNPUBLISHED WORK PROTECTED UNDER THE FEDERAL COPYRIGHT LAWS.

DESIGNED BY	CHK BY	DATE	TITLE
DRN BY: DDD/JDD	A. PORIKH	12-14-85	DECCSERVER 200
CHK BY: A. PORIKH	ENG: DDD/JDD	12-14-85	
DATE: 12-14-85			
PAGE 1 OF 1		K DD NUMBER 5410034-0-MEN1 REV A	



CHK	CHANGE NO	REV

THIS DRAWING AND THE SPECIFICATIONS CONTAINED HEREIN ARE CONFIDENTIAL AND PROPRIETARY. THEY ARE THE PROPERTY OF DIGITAL EQUIPMENT CORP. AND SHALL NOT BE REPRODUCED OR COPIED OR USED IN WHOLE OR IN PART AS THE BASIS FOR MANUFACTURE OR SALE OF ITEMS WITHOUT WRITTEN PERMISSION. THIS IS AN UNPUBLISHED WORK PROTECTED UNDER THE FEDERAL COPYRIGHT LAWS.

DRN BY	DWS/JDB	DATE	12-MAY-86
CHK BY	A PARIKH	DATE	12-MAY-86
ENG	DJC/WSM	DATE	12-MAY-86
TOP DOC	K-DD-5418834-8-8		

TITLE	DECserver 200		
NUMBER	5418834-8-MEM2		
REV	B		

16 APR 87 11:07 USER:PROTEUS/WORKING/DECserver/MEM_SUBSYS/DRAM_CONT 3. DRAM

8

7

6

5

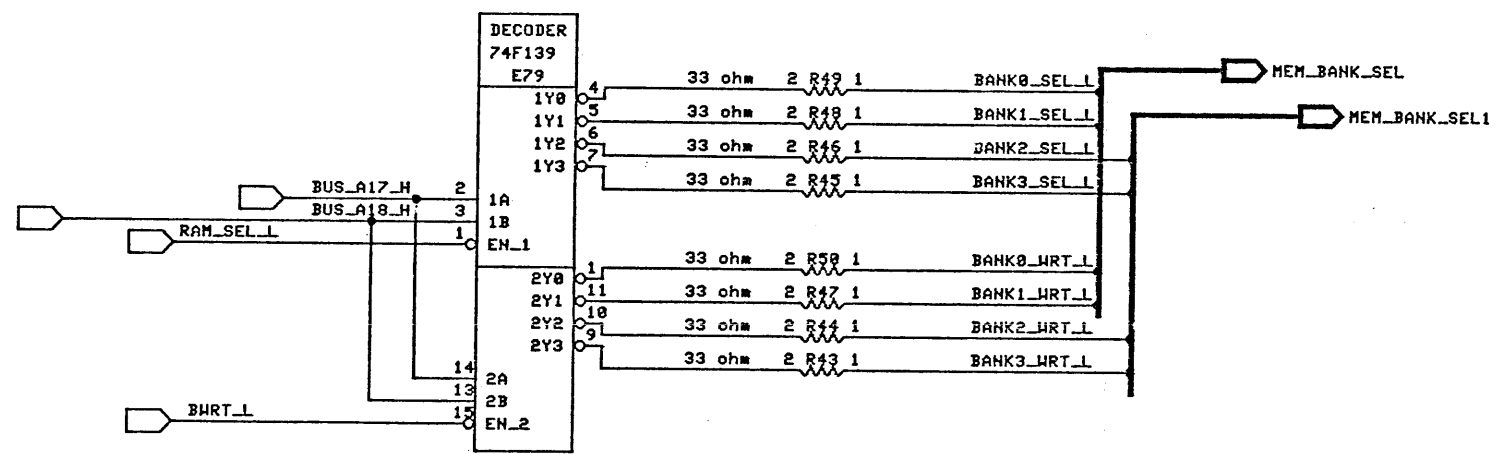
4

3

K CS

NUMBER
5418034-0-MEM3

REV
A 1



MEMORY BANK DECODER

LEVEL 3

CHK	CHANGE NO	REV

THIS DRAWING AND THE SPECIFICATIONS CONTAINED HEREIN ARE CONFIDENTIAL AND PROPRIETARY. THEY ARE THE PROPERTY OF DIGITAL EQUIPMENT CORP. AND SHALL NOT BE REPRODUCED OR COPIED OR USED IN WHOLE OR IN PART AS THE BASIS FOR MANUFACTURE OR SALE OF ITEMS WITHOUT WRITTEN PERMISSION. THIS IS AN UNPUBLISHED WORK PROTECTED UNDER THE FEDERAL COPYRIGHT LAWS.



DRN BY	DHS/JDB	DATE	12-MAY-86
CHK BY	A PARIKH	DATE	12-MAY-86
ENG	DJC/WSH	DATE	12-MAY-86
TOP DOC	K-DD-5418034-0-0		

TITLE	DECSERVER 200		
K CS	NUMBER	REV	
	5418034-0-MEM3	A	1

PAGE 1 OF 1

8

7

6

5

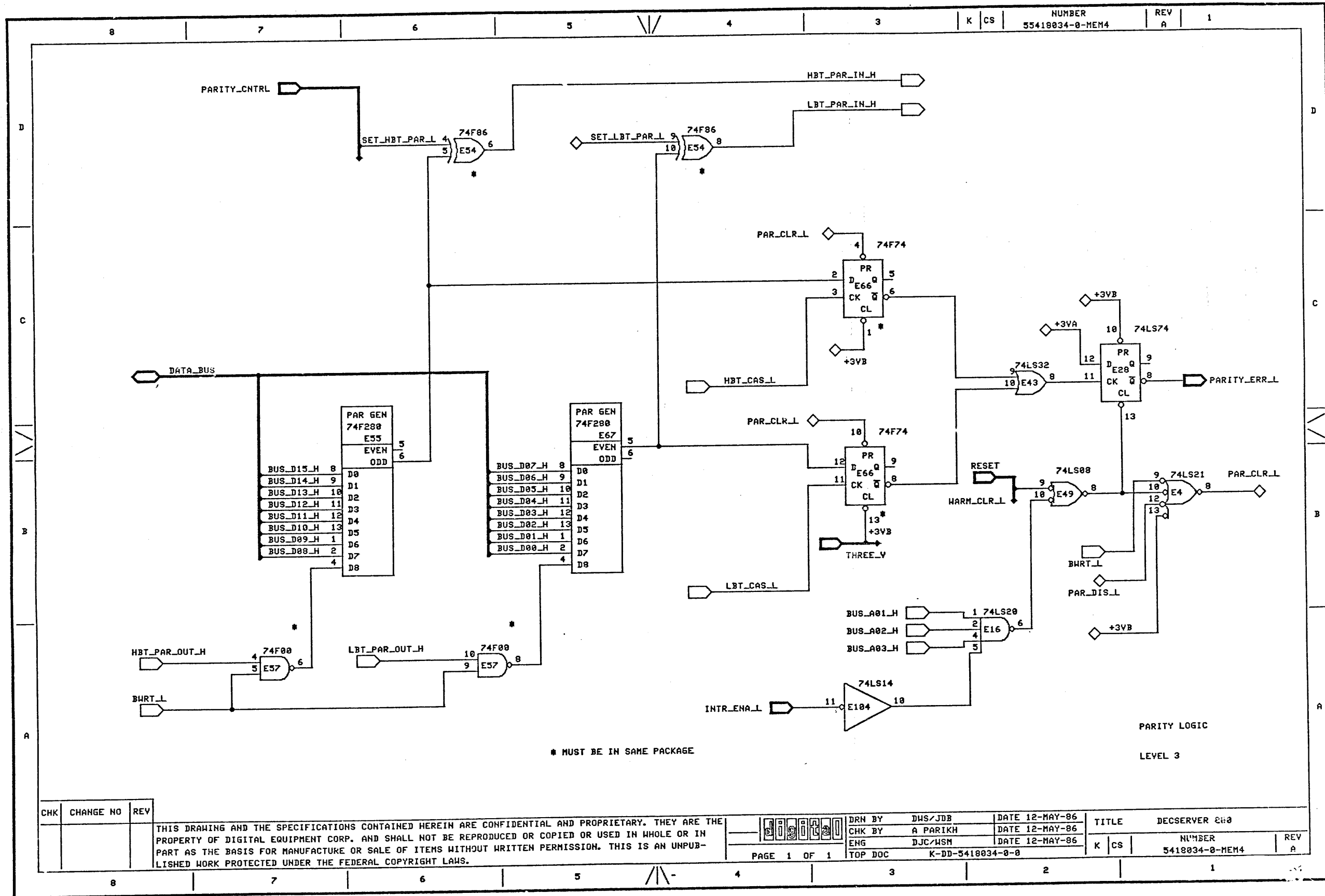
4

3

2

1

22 MAY 86 1012 /USER/PROTEUS/WORKING/DECSERVER/HEM_SUBSYS/DRN1/CONT 2, DRN



CHK	CHANGE NO	REV

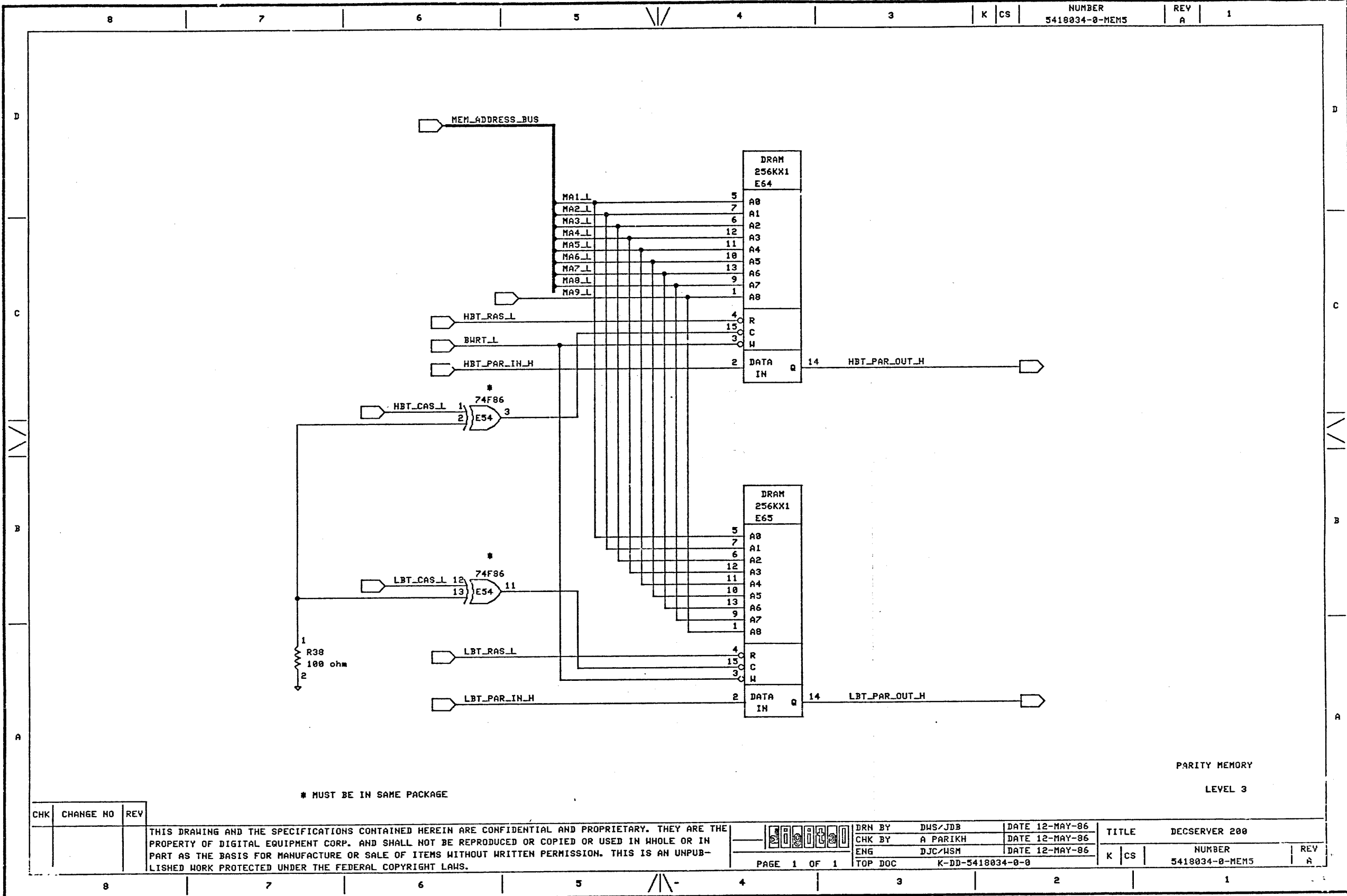
THIS DRAWING AND THE SPECIFICATIONS CONTAINED HEREIN ARE CONFIDENTIAL AND PROPRIETARY. THEY ARE THE PROPERTY OF DIGITAL EQUIPMENT CORP. AND SHALL NOT BE REPRODUCED OR COPIED IN WHOLE OR IN PART AS THE BASIS FOR MANUFACTURE OR SALE OF ITEMS WITHOUT WRITTEN PERMISSION. THIS IS AN UNPUBLISHED WORK PROTECTED UNDER THE FEDERAL COPYRIGHT LAWS.

DRN BY DHS/JDB
 CHK BY A PARIKH
 ENG DJC/HSM
 TOP DOC K-DD-5418034-0-0

DATE 12-MAY-86
 DATE 12-MAY-86
 DATE 12-MAY-86

TITLE DECSERVER 200
 NUMBER 5418034-0-MEM4
 REV A

22 MAY 86 10:16 USER:PROTEUS/HOKKINS/DECSERVER/HEM_SUBSYS/DRAM_C0NT_1.DRAW



PARITY MEMORY
LEVEL 3

* MUST BE IN SAME PACKAGE

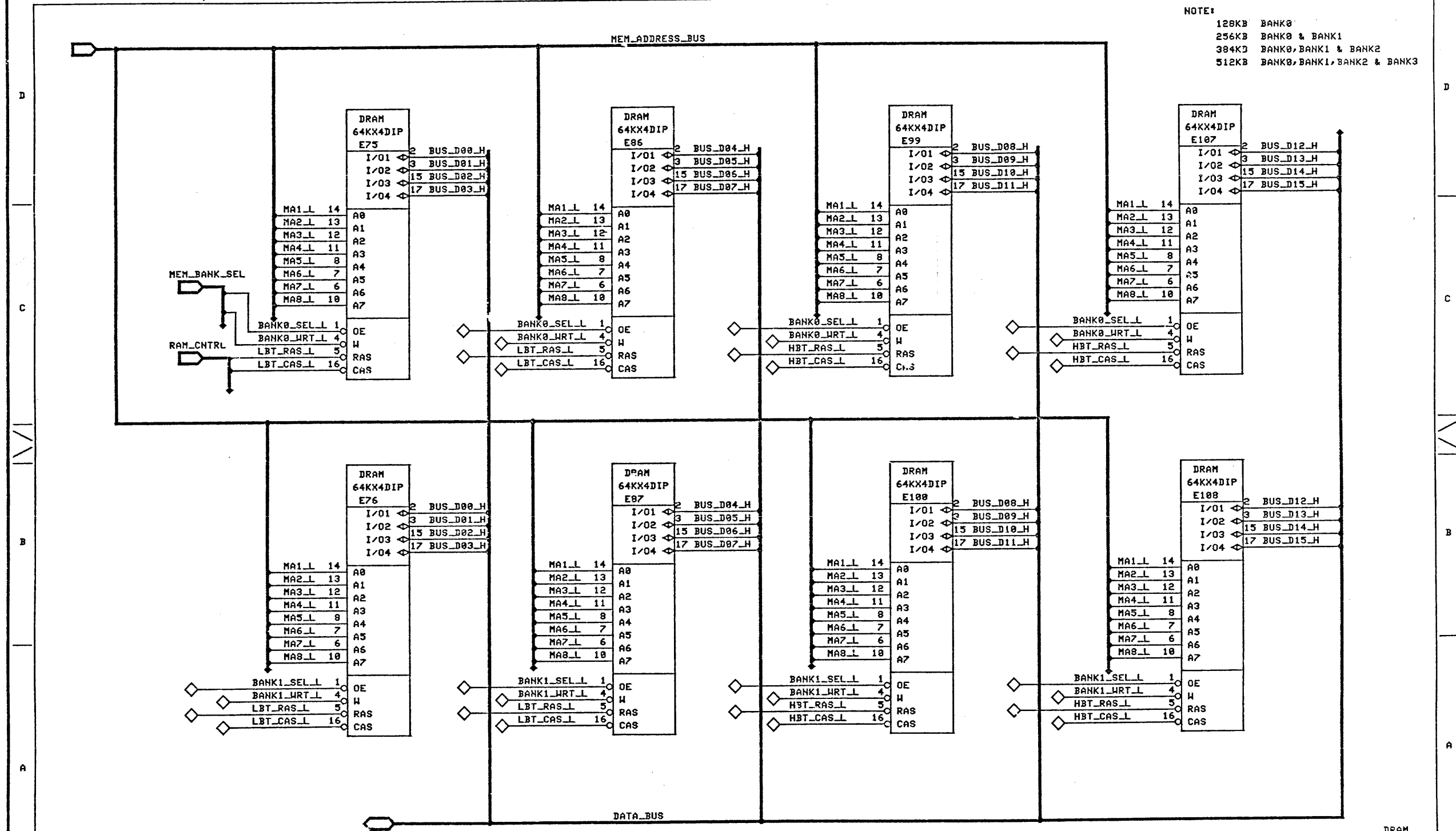
CHK	CHANGE NO	REV

THIS DRAWING AND THE SPECIFICATIONS CONTAINED HEREIN ARE CONFIDENTIAL AND PROPRIETARY. THEY ARE THE PROPERTY OF DIGITAL EQUIPMENT CORP. AND SHALL NOT BE REPRODUCED OR COPIED OR USED IN WHOLE OR IN PART AS THE BASIS FOR MANUFACTURE OR SALE OF ITEMS WITHOUT WRITTEN PERMISSION. THIS IS AN UNPUBLISHED WORK PROTECTED UNDER THE FEDERAL COPYRIGHT LAWS.

DRN BY	DWS/JDB	DATE	12-MAY-86	TITLE	DECSERVER 200
CHK BY	A PARIKH	DATE	12-MAY-86	NUMBER	5418034-0-MEM5
ENG	DJC/HSM	DATE	12-MAY-86	REV	A
TOP DOC	K-DD-5418034-0-0				

22 MAY 86 10:17 USER:PROTEUS/HORKING/DECSERVER/MEM_SUBSYS/DRAM-CONT 4. DRAM

NOTE:
 128KB BANK0
 256KB BANK0 & BANK1
 384KB BANK0, BANK1 & BANK2
 512KB BANK0, BANK1, BANK2 & BANK3



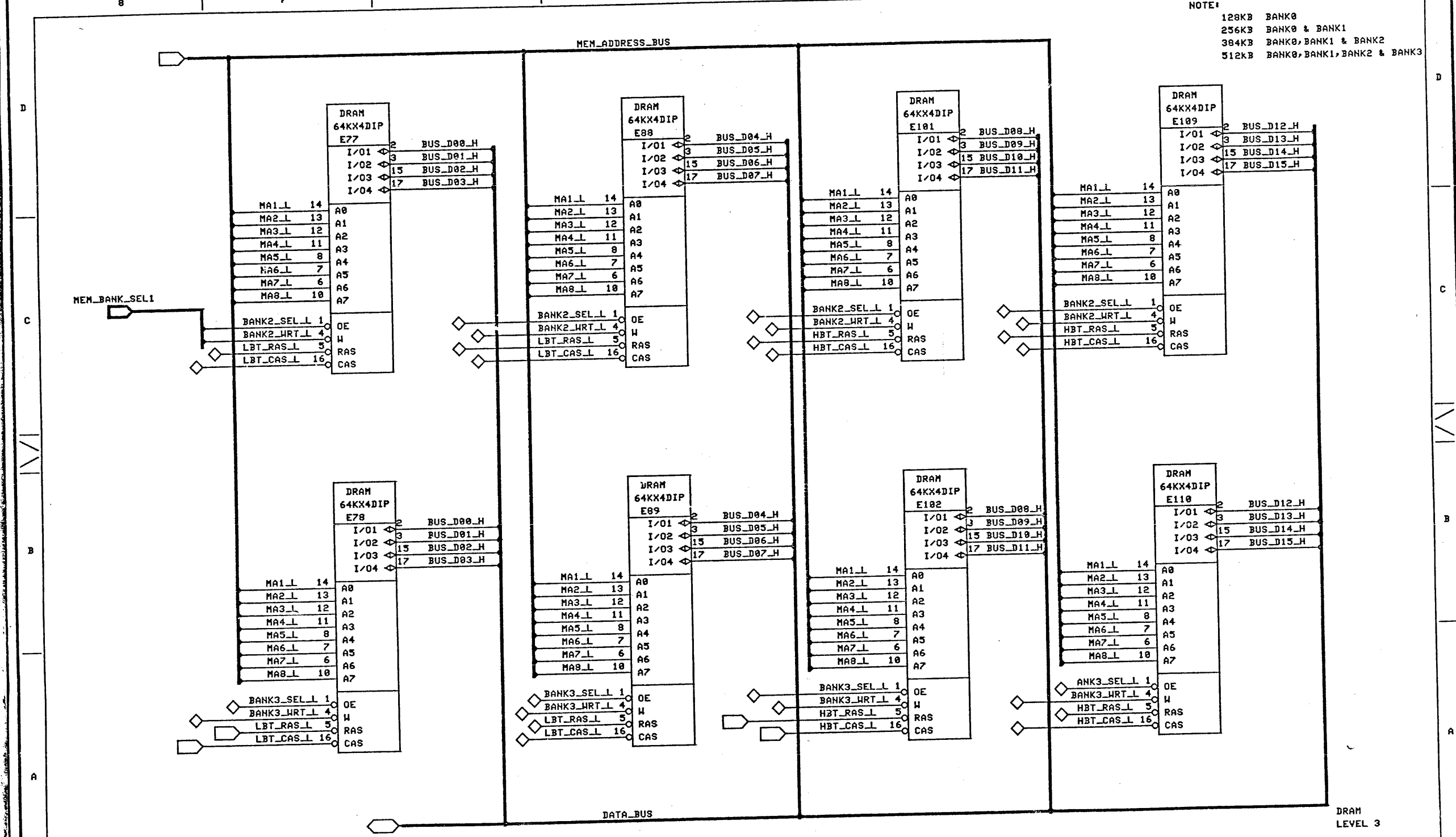
CHK	CHANGE NO	REV

THIS DRAWING AND THE SPECIFICATIONS CONTAINED HEREIN ARE CONFIDENTIAL AND PROPRIETARY. THEY ARE THE PROPERTY OF DIGITAL EQUIPMENT CORP. AND SHALL NOT BE REPRODUCED OR COPIED OR USED IN WHOLE OR IN PART AS THE BASIS FOR MANUFACTURE OR SALE OF ITEMS WITHOUT WRITTEN PERMISSION. THIS IS AN UNPUBLISHED WORK PROTECTED UNDER THE FEDERAL COPYRIGHT LAWS.

DRN BY	DWS/JDB	DATE	12-MAY-86	TITLE	DECSEVER 200
CHK BY	A PARIKH	DATE	12-MAY-86	NUMBER	5418034-0-MEM6
ENG	DJC/MSM	DATE	12-MAY-86	REV	A
PAGE 1 OF 1		TOP DOC		K-DD-5418034-0-0	

22 MAY 86 10:21 7USER/PROTEUS/HOKING/DECSEVER/HEI/SUBSYS/DRAM 1. DRAM

NOTE:
 128KB BANK0
 256KB BANK0 & BANK1
 384KB BANK0, BANK1 & BANK2
 512KB BANK0, BANK1, BANK2 & BANK3

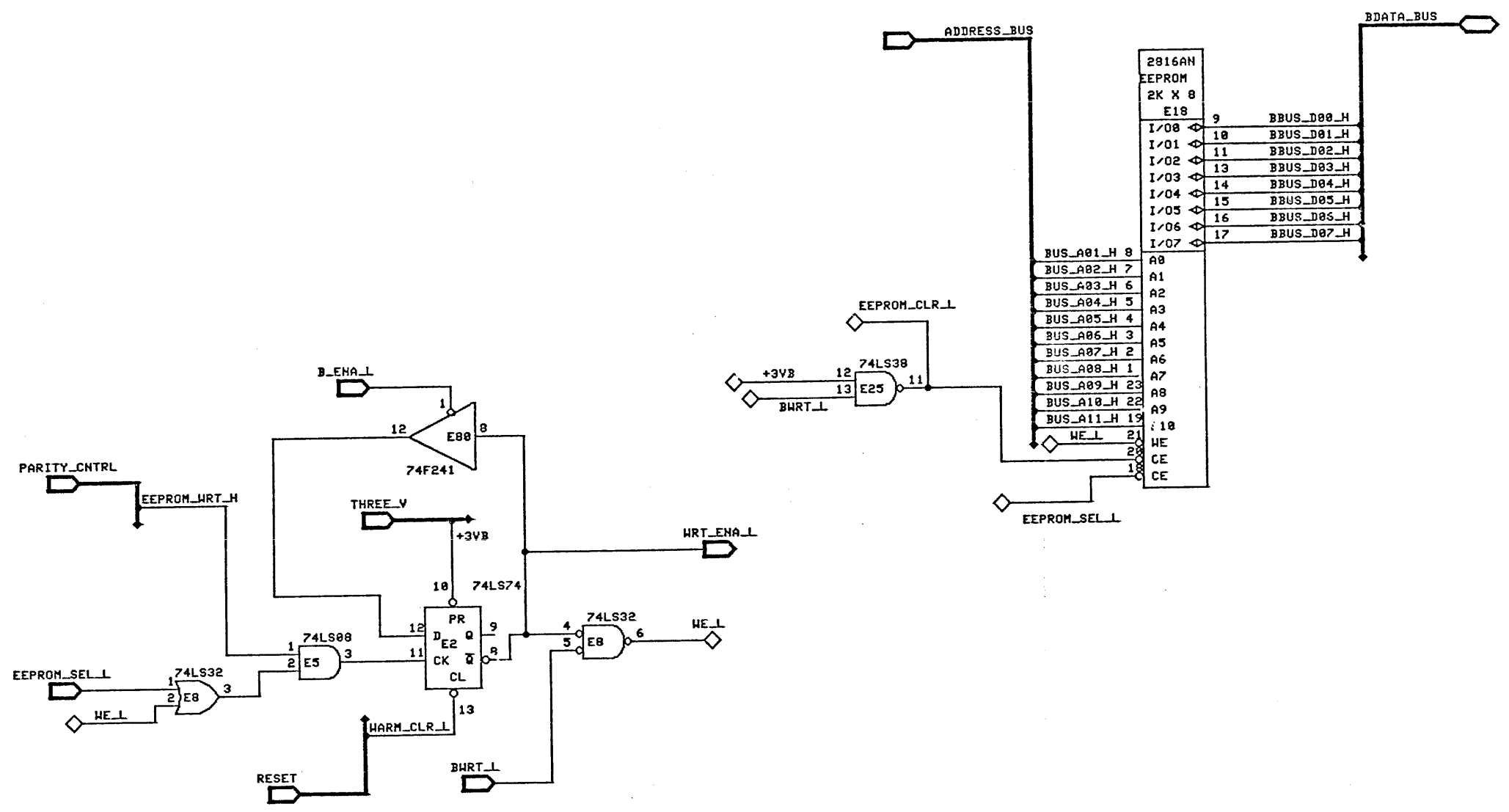


CHK	CHANGE NO	REV

THIS DRAWING AND THE SPECIFICATIONS CONTAINED HEREIN ARE CONFIDENTIAL AND PROPRIETARY. THEY ARE THE PROPERTY OF DIGITAL EQUIPMENT CORP. AND SHALL NOT BE REPRODUCED OR COPIED OR USED IN WHOLE OR IN PART AS THE BASIS FOR MANUFACTURE OR SALE OF ITEMS WITHOUT WRITTEN PERMISSION. THIS IS AN UNPUBLISHED WORK PROTECTED UNDER THE FEDERAL COPYRIGHT LAWS.

DRN BY	DWS/JDB	DATE	12-MAY-86	TITLE	DECSERVER 200
CHK BY	A PARIKH	DATE	12-MAY-86	NUMBER	5418034-0-MEM7
ENG	DJC/HSM	DATE	12-MAY-86	REV	A
PAGE 1 OF 1		TOP DOC		K CS	

22 MAY 86 101727 USER7/PROTEUS/ADR/INS/DECSERVER/MEM-SUBSYS/DRAM 2. DRAM



2816AN
EEPROM
2K X 8

E18	9	BBUS_D00_H
I/00	10	BBUS_D01_H
I/01	11	BBUS_D02_H
I/02	13	BBUS_D03_H
I/03	14	BBUS_D04_H
I/04	15	BBUS_D05_H
I/05	16	BBUS_D06_H
I/06	17	BBUS_D07_H
I/07		
A0		
A1		
A2		
A3		
A4		
A5		
A6		
A7		
A8		
A9		
A10		
A11		
A12		
A13		
A14		
A15		
A16		
A17		
A18		
WE_L	21	
CE	22	
CE	23	

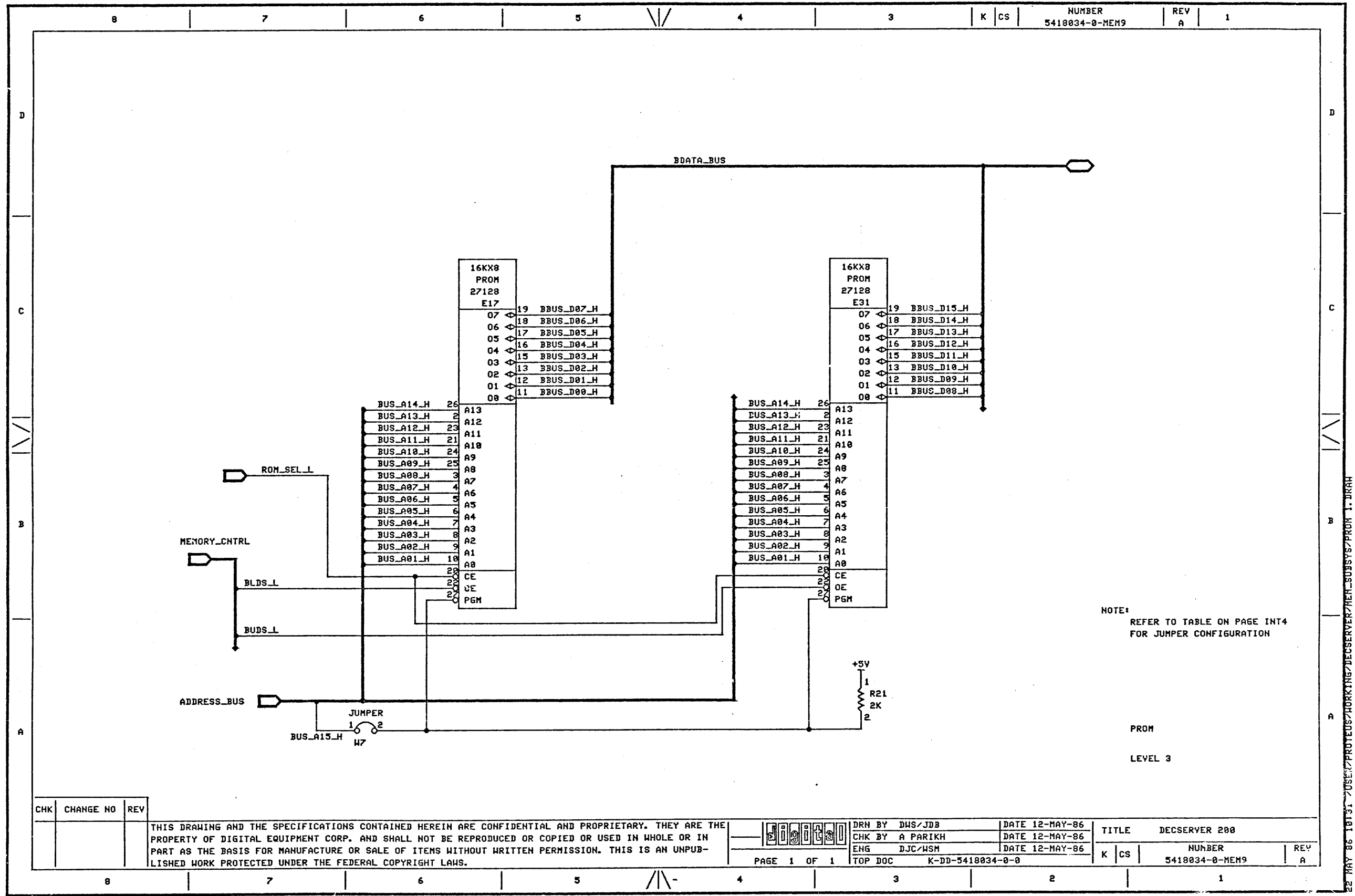
EEPROM
LEVEL 3

CHK	CHANGE NO	REV

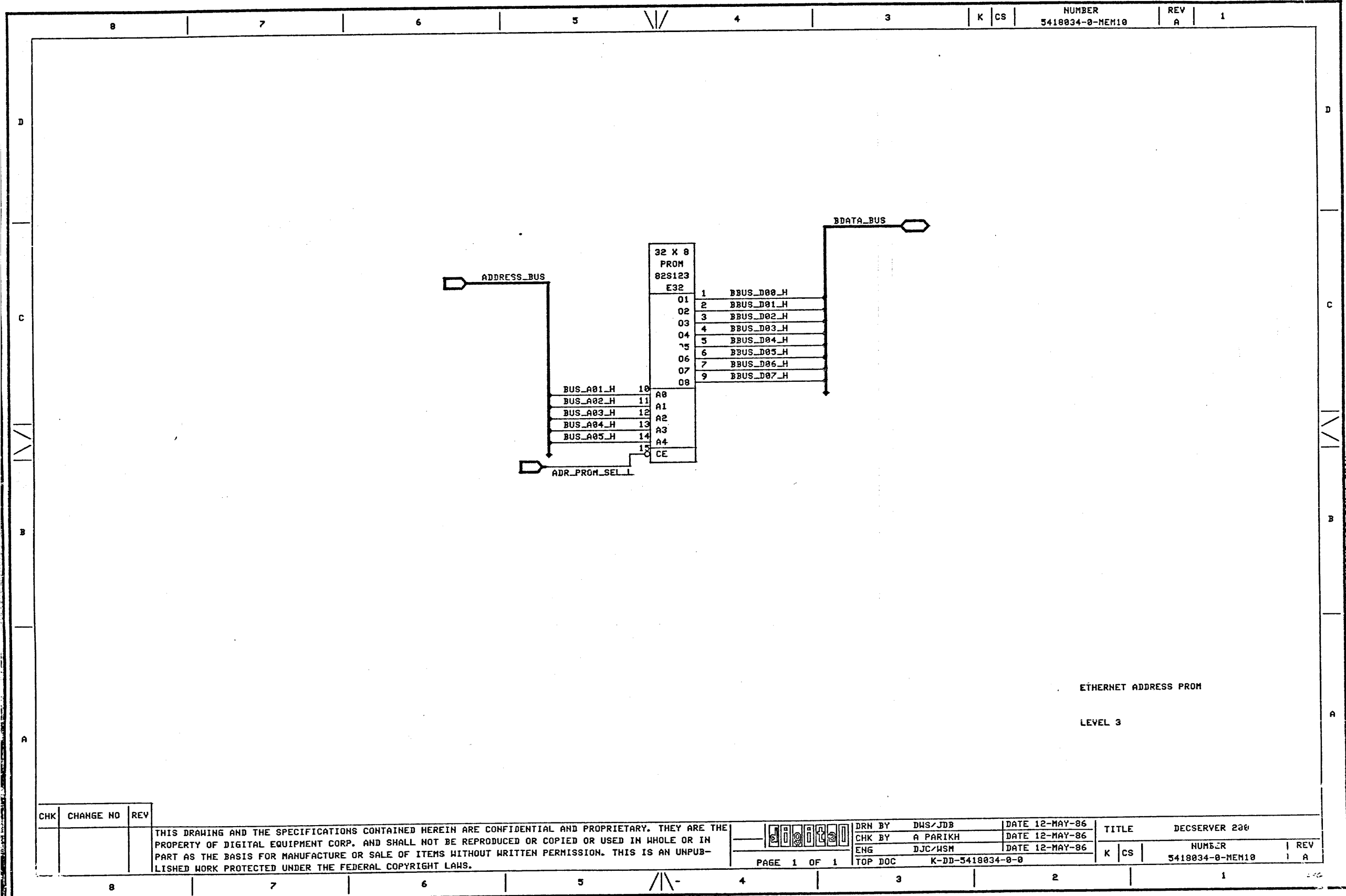
THIS DRAWING AND THE SPECIFICATIONS CONTAINED HEREIN ARE CONFIDENTIAL AND PROPRIETARY. THEY ARE THE PROPERTY OF DIGITAL EQUIPMENT CORP. AND SHALL NOT BE REPRODUCED OR COPIED OR USED IN WHOLE OR IN PART AS THE BASIS FOR MANUFACTURE OR SALE OF ITEMS WITHOUT WRITTEN PERMISSION. THIS IS AN UNPUBLISHED WORK PROTECTED UNDER THE FEDERAL COPYRIGHT LAWS.

DRN BY	DWS/JDB	DATE	12-MAY-86	TITLE	DECSERVER 200
CHK BY	A PARIKH	DATE	12-MAY-86		
ENG	DJC/HSM	DATE			
TOP DOC	K-DD-5418034-0-0			K CS	NUMBER 5418034-0-MEM8 REV A

E2 MAY 86 10:26 USER/PROTEUS/WORKING/DECSERVER2HEM_SUBSYS/EEPROM 1. DRAM



22 MAY 86 10:31 ->USE:\PROTEUS\WORKING\DECSERVER\MEM_SUBSYS7\PR0M 1.DRAW



ETHERNET ADDRESS PROM

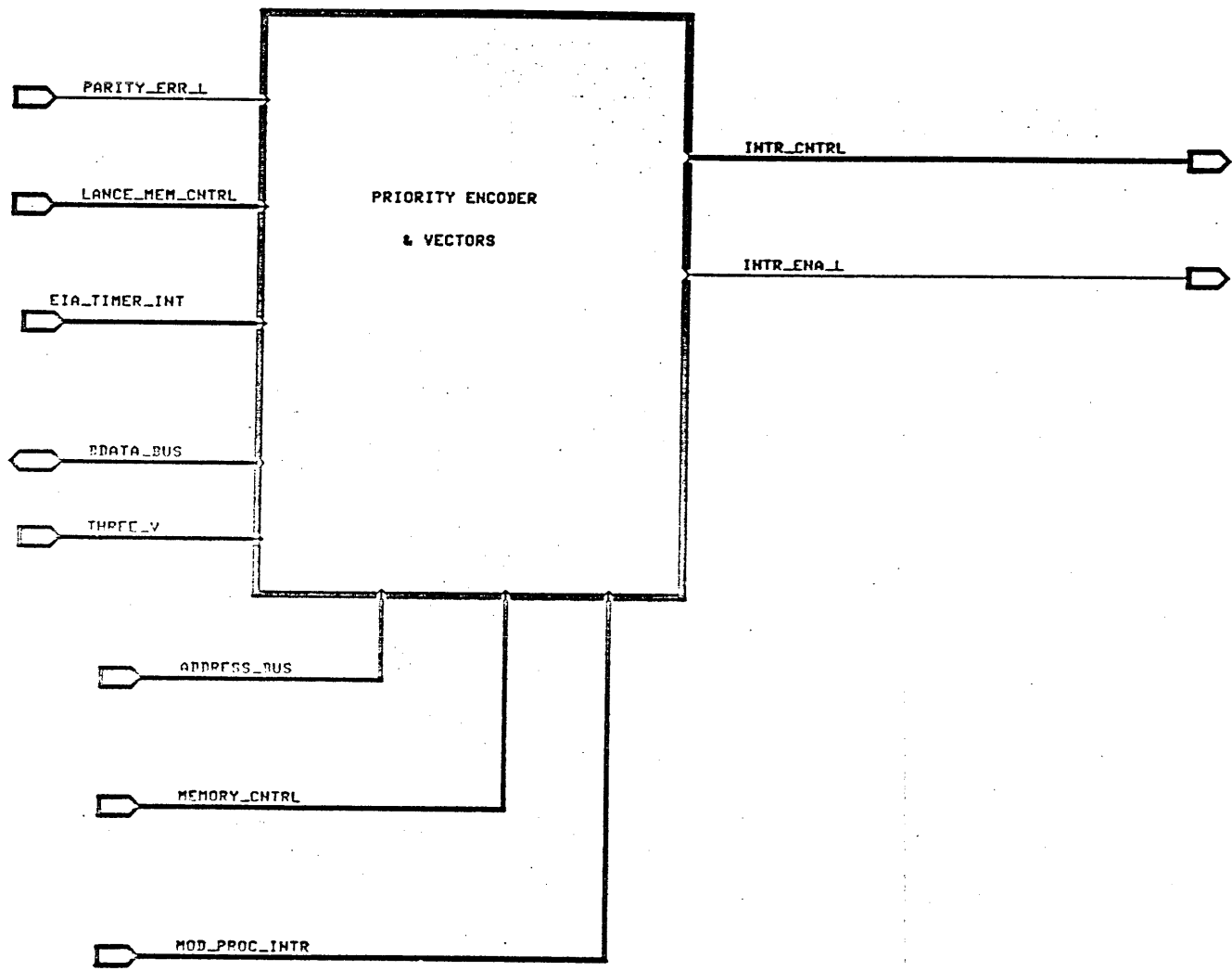
LEVEL 3

CHK	CHANGE NO	REV

THIS DRAWING AND THE SPECIFICATIONS CONTAINED HEREIN ARE CONFIDENTIAL AND PROPRIETARY. THEY ARE THE PROPERTY OF DIGITAL EQUIPMENT CORP. AND SHALL NOT BE REPRODUCED OR COPIED OR USED IN WHOLE OR IN PART AS THE BASIS FOR MANUFACTURE OR SALE OF ITEMS WITHOUT WRITTEN PERMISSION. THIS IS AN UNPUBLISHED WORK PROTECTED UNDER THE FEDERAL COPYRIGHT LAWS.

DRN BY	DWS/JDB	DATE	12-MAY-86	TITLE	DECSERVER 200
CHK BY	A PARIKH	DATE	12-MAY-86	NUMBER	5418034-0-MEM10
ENG	DJC/HSM	DATE	12-MAY-86	REV	A
TOP DOC	K-DD-5418034-0-0				

22 MAY 86 10:36 USER:PROTEUS/WORKING/DECSERVER/HEP-SUBSYS/ADR_ROM 1. DRAM



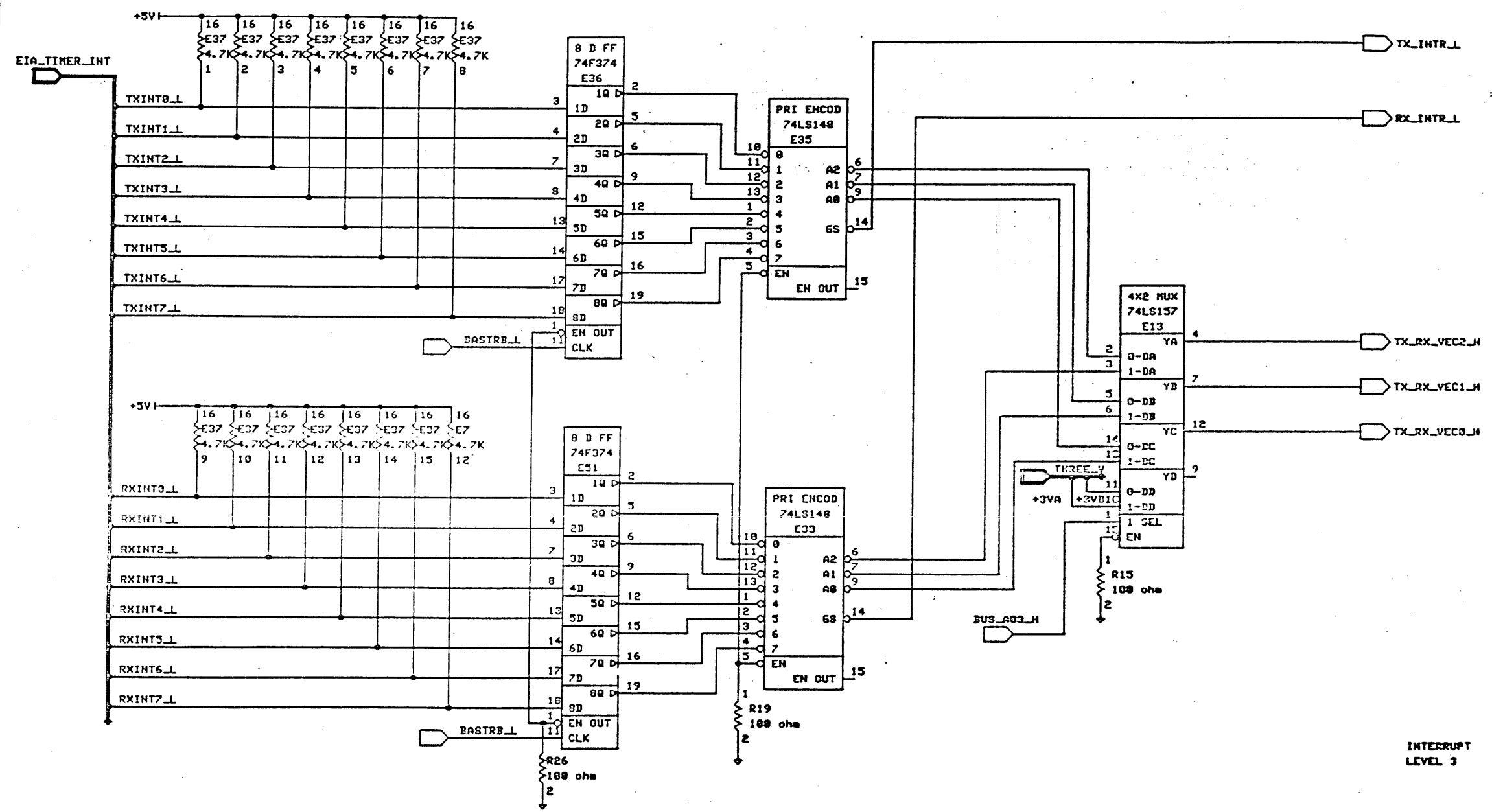
INTERRUPT SUBSYSTEM
 LEVEL 2

CHK	CHANGE NO	REV

THIS DRAWING AND THE SPECIFICATIONS CONTAINED HEREIN ARE CONFIDENTIAL AND PROPRIETARY. THEY ARE THE PROPERTY OF DIGITAL EQUIPMENT CORP. AND SHALL NOT BE REPRODUCED OR COPIED OR USED IN WHOLE OR IN PART AS THE BASIS FOR MANUFACTURE OR SALE OF ITEMS WITHOUT WRITTEN PERMISSION. THIS IS AN UNPUBLISHED WORK PROTECTED UNDER THE FEDERAL COPYRIGHT LAWS.

DESIGNED BY	EMD/JDD	DATE	12-MAY-86	TITLE	SECCSERVER 209
CHECKED BY	A. PARISH	DATE	12-MAY-86	NUMBER	5410034-0-INT1
ENG	DD/MCH	DATE	12-MAY-86	REV	A
TCP NOC	K-DD-5410034-0-1				

2 MAY 86 10:39 USER:PROTEUS/HOKKTH3266SERVLR2/INTERRUPT.L2.DWG

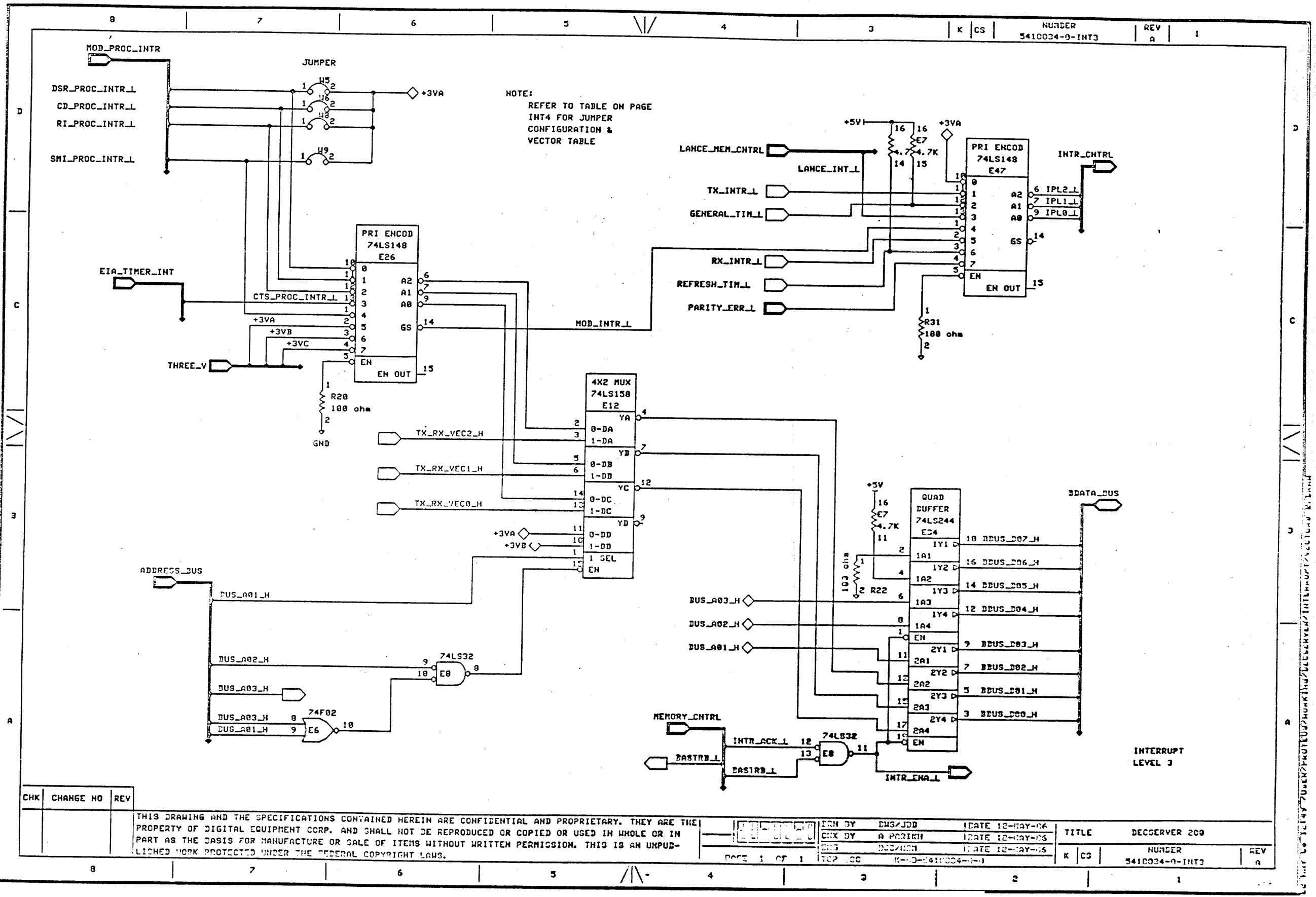


INTERRUPT LEVEL 3

CHK	CHANGE NO	REV

THIS DRAWING AND THE SPECIFICATIONS CONTAINED HEREIN ARE CONFIDENTIAL AND PROPRIETARY. THEY ARE THE PROPERTY OF DIGITAL EQUIPMENT CORP. AND SHALL NOT BE REPRODUCED OR COPIED OR USED IN WHOLE OR IN PART AS THE BASIS FOR MANUFACTURE OR SALE OF ITEMS WITHOUT WRITTEN PERMISSION. THIS IS AN UNPUBLISHED WORK PROTECTED UNDER THE FEDERAL COPYRIGHT LAWS.

DESIGNED BY	DESIGNED	DATE 12-MAY-06	TITLE	DECSERVER 200
CHECKED BY	A. BORISH	DATE 12-MAY-06	NUMBER	541C034-0-INT2
ENG	DESIGNED	DATE 12-MAY-06	REV	A
PAGE 1 OF 1		TOP EOC	(541C034-0-1)	



NOTE:
REFER TO TABLE ON PAGE
INT4 FOR JUMPER
CONFIGURATION &
VECTOR TABLE

CHK	CHANGE NO	REV

THIS DRAWING AND THE SPECIFICATIONS CONTAINED HEREIN ARE CONFIDENTIAL AND PROPRIETARY. THEY ARE THE PROPERTY OF DIGITAL EQUIPMENT CORP. AND SHALL NOT BE REPRODUCED OR COPIED OR USED IN WHOLE OR IN PART AS THE BASIS FOR MANUFACTURE OR SALE OF ITEMS WITHOUT WRITTEN PERMISSION. THIS IS AN UNPUBLISHED WORK PROTECTED UNDER THE FEDERAL COPYRIGHT LAWS.

DESIGNED BY	DMS/JDD	DATE	12-MAY-86	TITLE	DECserver 200
CHECKED BY	A PARIKH	DATE	12-MAY-86	NUMBER	5410034-0-INT3
DATE	12-MAY-86	REV	A		

COMPONENT CONFIGURATIONS

COMPONENT IN	COMPONENT OUT	FUNCTION	PRODUCT
	W1, W2, E77, E78, E88, E89, E101, E102, E109, E110	256KB DRAM	ANY
W2	E78, E89, E102, E110, W1	384KB DRAM	ANY
W1	W2	512KB DRAM	ANY
W4		ROUTER	DSRVC-AA DSRVC-AB
	W4	SERVER	DSRVB-AA DSRVB-AB DSRVB-BA DSRVB-BB
E52, E53, E72, E73, E74, E84, E85, E97, E98, J7, D2-D5, C146, C147, R34, R39, R42, R80, R81	W3, W5, W6, W8-W17, W22	RS232 INTERFACE	DSRVB-AA DSRVB-AB
W3, W5, W6, W8-W17, W22	E52, E53, E72, E73, E74, E84, E85, E97, E98, J7, D2-D5, C146, C147, R34, R39, R42, R80, R81	DEC 423 INTERFACE	DSRVB-BA DSRVB-BB
W7	R21	32Kx8 EPROM	ANY
R21	W7	16Kx8 EPROM	ANY
W18-W21, W23	E96, R82	NO LANCE HARDWARE WORKAROUNDS	ANY
R82, E96	W18-W21, W23	LANCE HARDWARE WORKAROUNDS	ANY
W24		FULL STEP	ANY
	W24	HALF STEP	ANY

INTERRUPT VECTORS

DEVICE	INTERRUPT VECTOR	68000 VECTOR
TXINT0	48	120
TXINT1	49	124
TXINT2	4A	128
TXINT3	4B	12C
TXINT4	4C	130
TXINT5	4D	134
TXINT6	4E	138
TXINT7	4F	13C
GENERAL_TIM	57	15C
LANCE_INT	5F	17C
DSR_PROC_INT	60	180
CD_PROC_INT	61	184
RI_PROC_INT	62	188
CTS_PROC_INT	63	18C
SMI_PROC_INT	64	190
RXINT0	68	1A0
RXINT1	69	1A4
RXINT2	6A	1A8
RXINT3	6B	1AC
RXINT4	6C	1B0
RXINT5	6D	1B4
RXINT6	6E	1B8
RXINT7	6F	1BC
REFRESH_TIM	77	1DC
PARITY_ERR	7F	1FC

CHK	CHANGE NO	REV

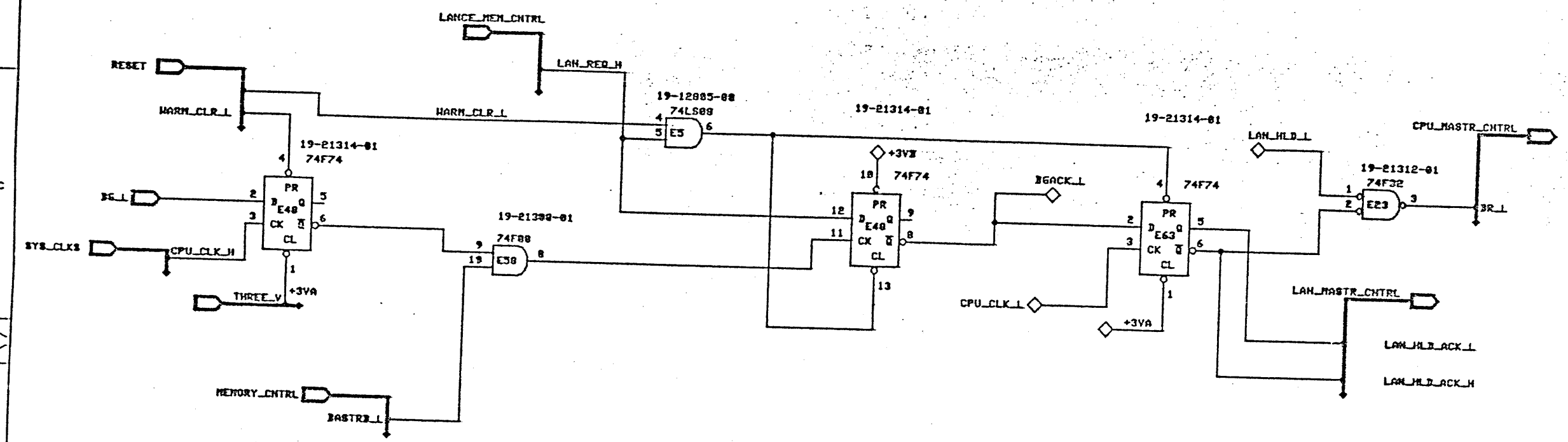
THIS DRAWING AND THE SPECIFICATIONS CONTAINED HEREIN ARE CONFIDENTIAL AND PROPRIETARY. THEY ARE THE PROPERTY OF DIGITAL EQUIPMENT CORP. AND SHALL NOT BE REPRODUCED OR COPIED OR USED IN WHOLE OR IN PART AS THE BASIS FOR MANUFACTURE OR SALE OF ITEMS WITHOUT WRITTEN PERMISSION. THIS IS AN UNPUBLISHED WORK PROTECTED UNDER THE FEDERAL COPYRIGHT LAWS.



DRN BY EMS/JDB DATE 12-MAY-06
 CHK BY A PARIKH DATE 12-MAY-06
 ENG DJD/HCH DATE 12-MAY-06
 TGP DCC K-ED-5410034-0-0

TITLE DECSERVER 200
 NUMBER 5410034-0-INT4
 REV A

JUN 06 14:17 USER:PROTEUS/HORNING/DCCSERVER/TABLET.LAM



BUS ARBITRATION
LEVEL 2

CHK	CHANGE NO	REV

THIS DRAWING AND THE SPECIFICATIONS CONTAINED HEREIN ARE CONFIDENTIAL AND PROPRIETARY. THEY ARE THE PROPERTY OF DIGITAL EQUIPMENT CORP. AND SHALL NOT BE REPRODUCED OR COPIED OR USED IN WHOLE OR IN PART AS THE BASIS FOR MANUFACTURE OR SALE OF ITEMS WITHOUT WRITTEN PERMISSION. THIS IS AN UNPUBLISHED WORK PROTECTED UNDER THE FEDERAL COPYRIGHT LAWS.



DRH BY DHS/JDB DATE 12-MAY-86
 CHK BY A PARIKH DATE 12-MAY-86
 ENG DJC/NSM DATE 12-MAY-86
 TOP DOC K-DD-5418234-0-0

TITLE DEC SERVER 200

NUMBER 5418234-0-ARB1 REV A

12 MAY 86 14:30 70SERPROTEUS/HOKING/DEC/SERVER200-ARB1.DSN

8

7

6

5

4

3

K DD

NUMBER
5410004-0-D4

REV
A

1

D

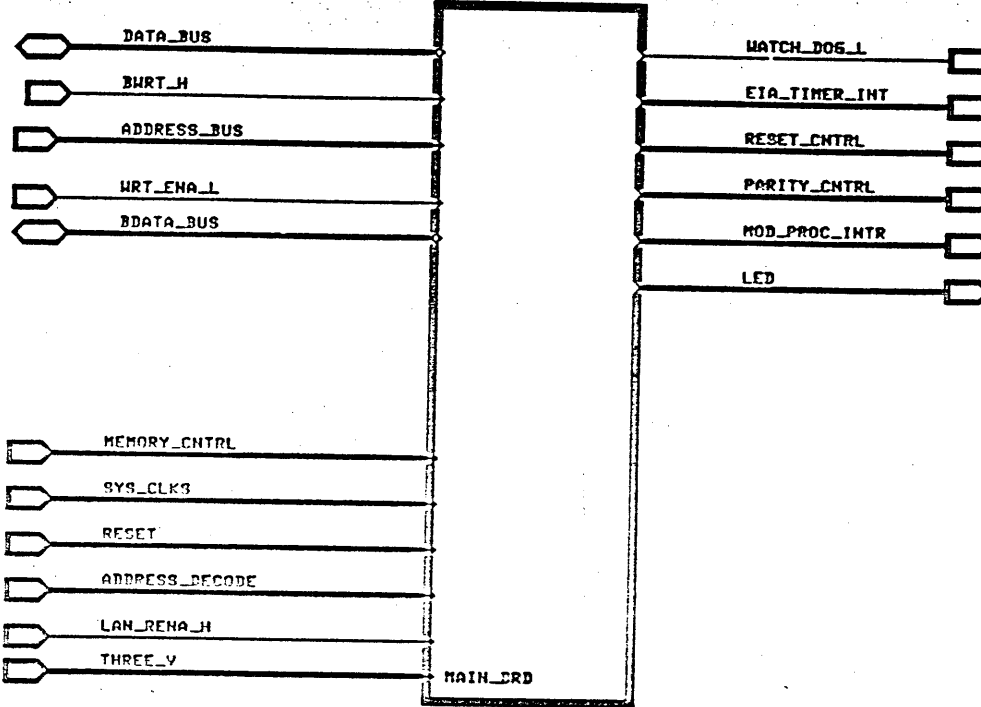
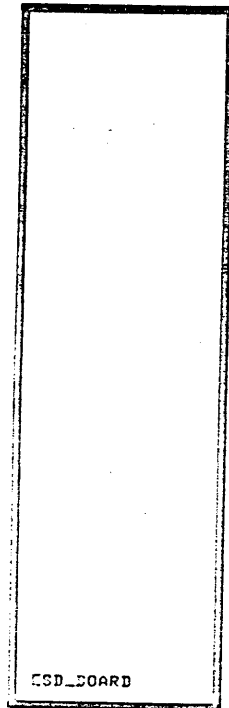
C

D

A

NOTE:

THE PRINT SET FOR THE
ESD_BOARD BLOCK IS
RELEASED SEPERATELY
REFER TO PRINT SET
FOR 54-18027_00 &
54-18180-01



TERM_CNTRL
LEVEL 2

CHK	CHANGE NO	REV

THIS DRAWING AND THE SPECIFICATIONS CONTAINED HEREIN ARE CONFIDENTIAL AND PROPRIETARY. THEY ARE THE PROPERTY OF DIGITAL EQUIPMENT CORP. AND SHALL NOT BE REPRODUCED OR COPIED OR USED IN WHOLE OR IN PART AS THE BASIS FOR MANUFACTURE OR SALE OF ITEMS WITHOUT WRITTEN PERMISSION. THIS IS AN UNPUBLISHED WORK PROTECTED UNDER THE FEDERAL COPYRIGHT LAWS.

DESIGNED BY	CHK'D BY	DATE	18-MAY-85
DRAWN BY	DATE	18-MAY-85	
DATE	18-MAY-85		

TITLE DECCSERVER 208

NUMBER
5410004-0-D4

REV
A

PAGE 1 OF 1

8

7

6

5

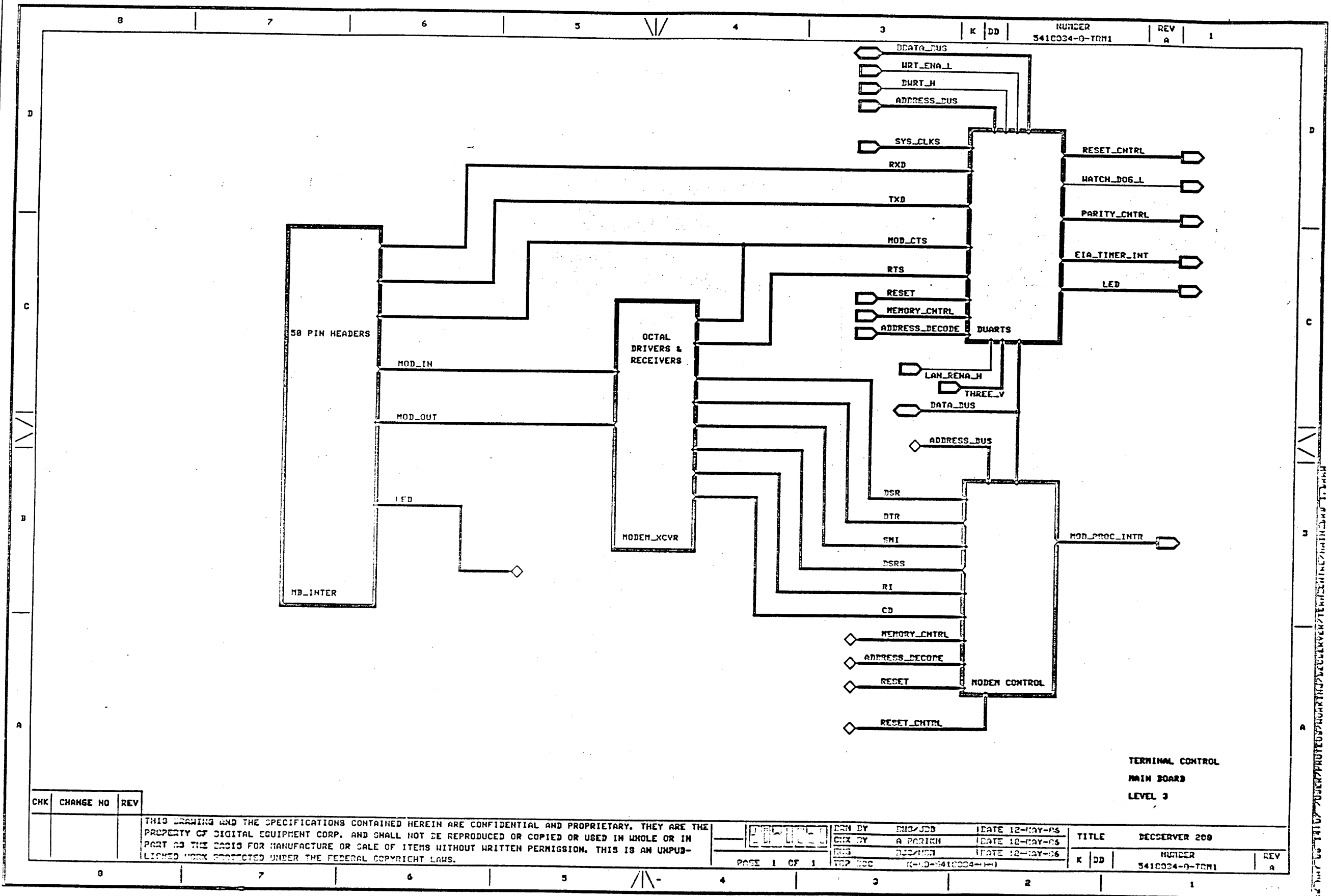
4

3

2

1

UNCLASSIFIED//FOR OFFICIAL USE ONLY



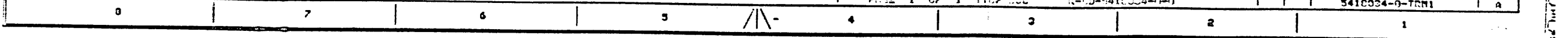
CHK	CHANGE NO	REV

THIS DRAWING AND THE SPECIFICATIONS CONTAINED HEREIN ARE CONFIDENTIAL AND PROPRIETARY. THEY ARE THE PROPERTY OF DIGITAL EQUIPMENT CORP. AND SHALL NOT BE REPRODUCED OR COPIED OR USED IN WHOLE OR IN PART AS THE BASIS FOR MANUFACTURE OR SALE OF ITEMS WITHOUT WRITTEN PERMISSION. THIS IS AN UNPUBLISHED WORK PROTECTED UNDER THE FEDERAL COPYRIGHT LAWS.

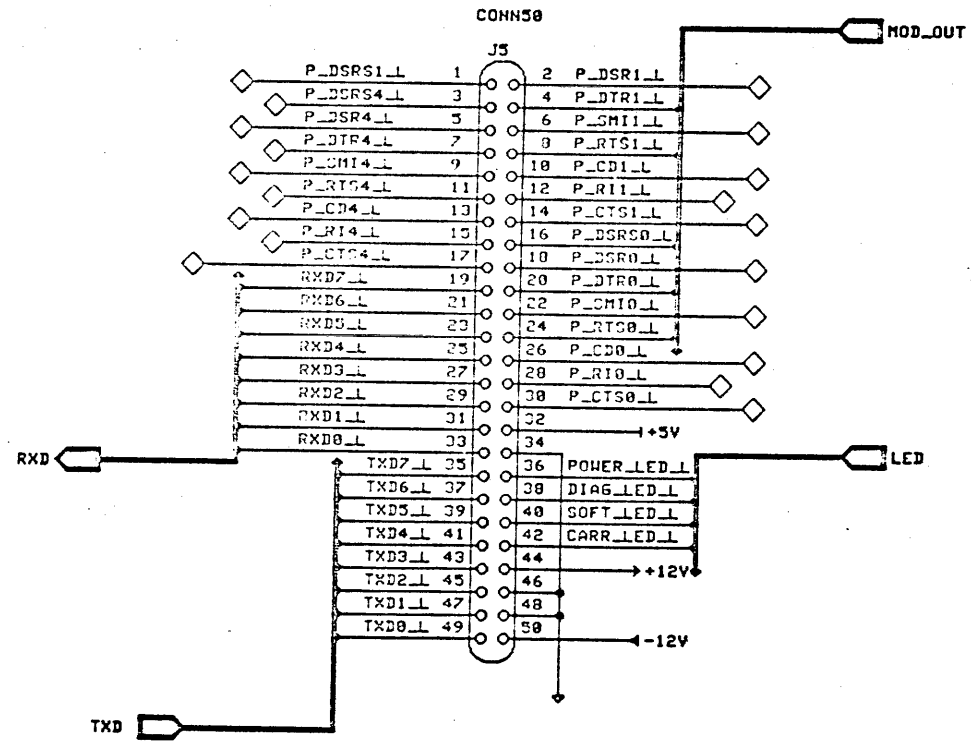
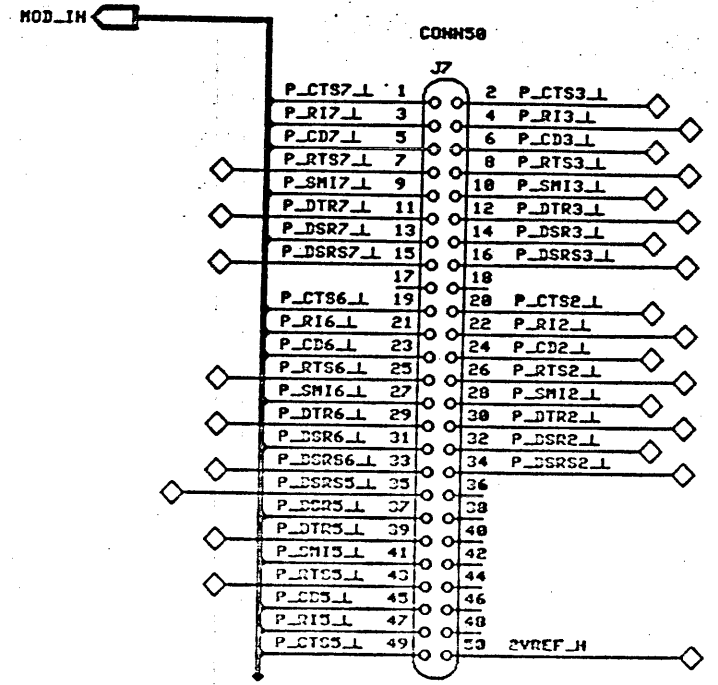
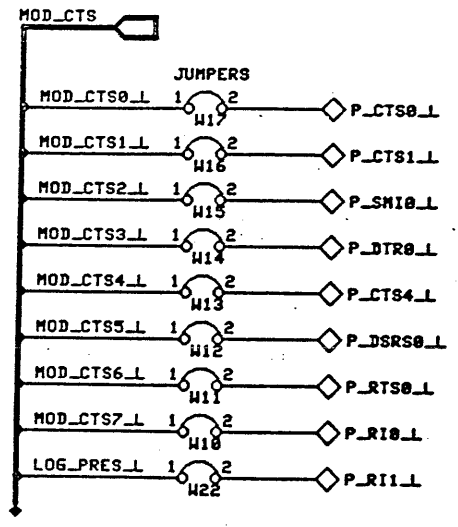
DATE 12-11-85
 DATE 12-11-85
 DATE 12-11-85

DESIGNED BY: EMO/JDB
 CHECKED BY: A PARSON
 DESIGNED BY: EMO/JDB

TITLE: DECCSERVER 200
 NUMBER: 5410034-0-TRN1
 REV: A



NOTE:
REFER TO TABLE ON
PAGE INT4 FOR
JUMPER CONFIGURATION



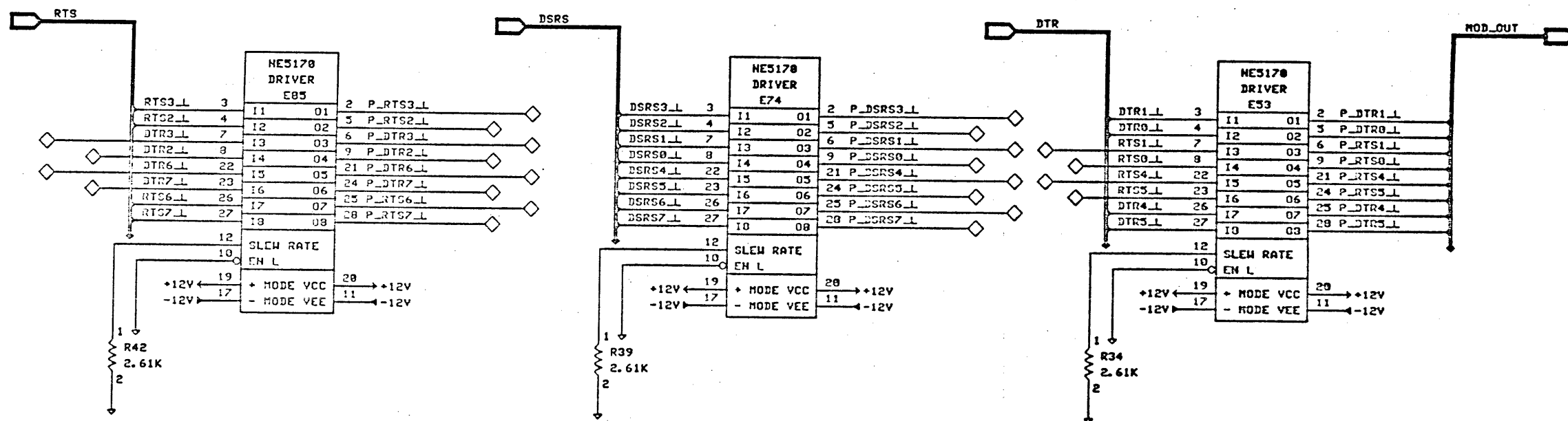
MAIN-TO-ESD-BOARD INTERFACE
LEVEL 4

CHK	CHANGE NO	REV

THIS DRAWING AND THE SPECIFICATIONS CONTAINED HEREIN ARE CONFIDENTIAL AND PROPRIETARY. THEY ARE THE PROPERTY OF DIGITAL EQUIPMENT CORP. AND SHALL NOT BE REPRODUCED OR COPIED OR USED IN WHOLE OR IN PART AS THE BASIS FOR MANUFACTURE OR SALE OF ITEMS WITHOUT WRITTEN PERMISSION. THIS IS AN UNPUBLISHED WORK PROTECTED UNDER THE FEDERAL COPYRIGHT LAWS.

DATE 12-MAY-85	TITLE DECSERVER 200
DATE 12-MAY-85	NUMBER 5410034-0-TRM2
DATE 12-MAY-85	REV A

NOTE:
REFER TO TABLE ON PAGE INT4
FOR PART CONFIGURATION

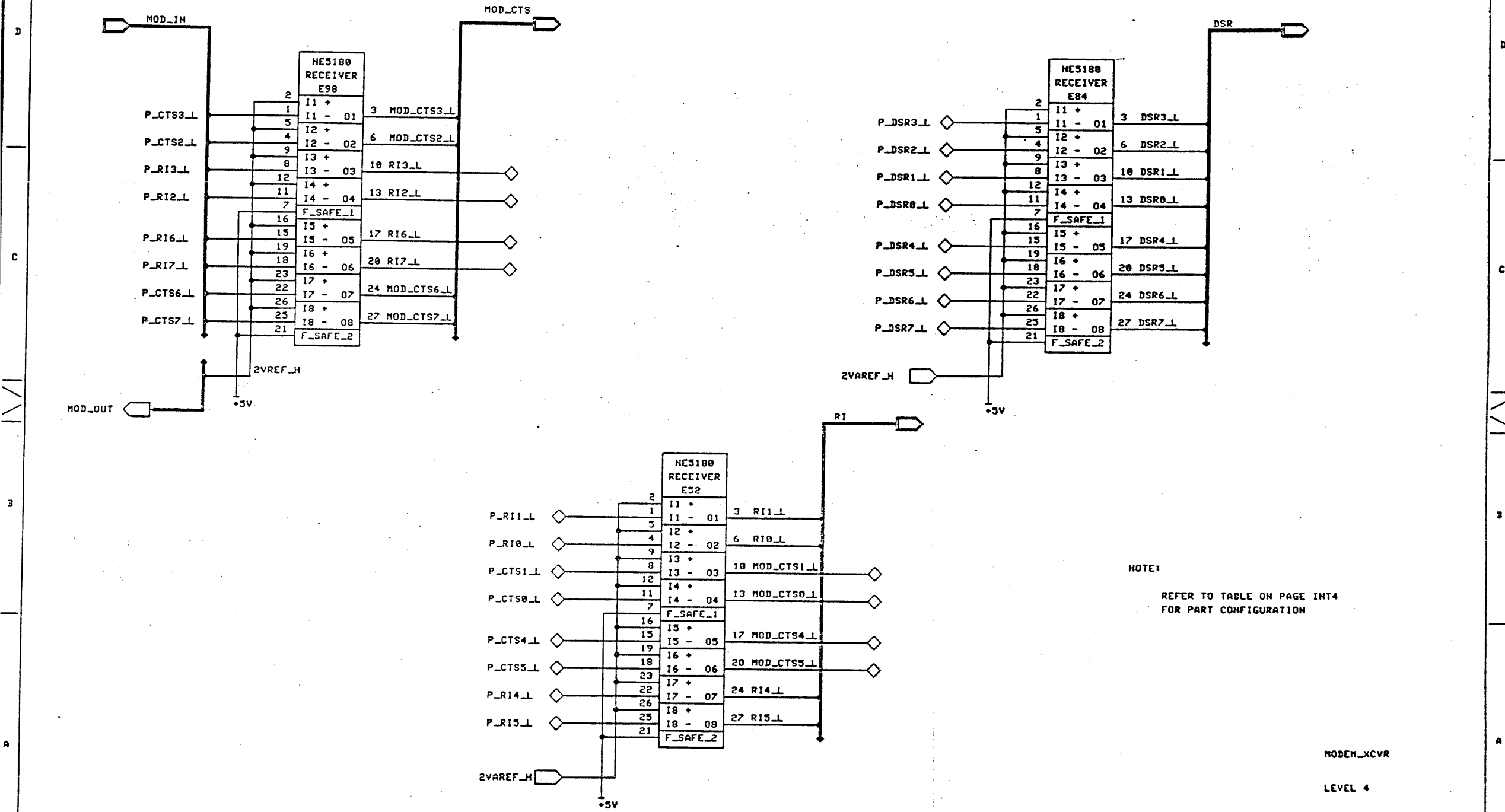


MODEM_XCVR
LEVEL 4

CHK	CHANGE NO	REV

THIS DRAWING AND THE SPECIFICATIONS CONTAINED HEREIN ARE CONFIDENTIAL AND PROPRIETARY. THEY ARE THE PROPERTY OF DIGITAL EQUIPMENT CORP. AND SHALL NOT BE REPRODUCED OR COPIED OR USED IN WHOLE OR IN PART AS THE BASIS FOR MANUFACTURE OR SALE OF ITEMS WITHOUT WRITTEN PERMISSION. THIS IS AN UNPUBLISHED WORK PROTECTED UNDER THE FEDERAL COPYRIGHT LAWS.

DESIGNED BY	CHK BY	DATE	TITLE
CHK BY	DATE	DATE	DECCSERVER 200
DATE	DATE	DATE	NUMBER
TOP DOC	K-00-5410334-0-1	REV	5410334-0-TRM3



NOTE:
REFER TO TABLE ON PAGE INT4
FOR PART CONFIGURATION

MODEM_XCVR
LEVEL 4

CHK	CHANGE NO	REV

THIS DRAWING AND THE SPECIFICATIONS CONTAINED HEREIN ARE CONFIDENTIAL AND PROPRIETARY. THEY ARE THE PROPERTY OF DIGITAL EQUIPMENT CORP. AND SHALL NOT BE REPRODUCED OR COPIED OR USED IN WHOLE OR IN PART AS THE BASIS FOR MANUFACTURE OR SALE OF ITEMS WITHOUT WRITTEN PERMISSION. THIS IS AN UNPUBLISHED WORK PROTECTED UNDER THE FEDERAL COPYRIGHT LAWS.

DRN BY	EMS/JDB	DATE	12-MAY-86	TITLE	DECSERVER 200
CHK BY	A PARIKH	DATE	12-MAY-86	K	CS
ENG	JJC/MSR	DATE	12-MAY-86	NUMBER	5410034-0-TRN4
PAGE	1 OF 1	TOP	TOC	REV	A

8

7

6

5

4

3

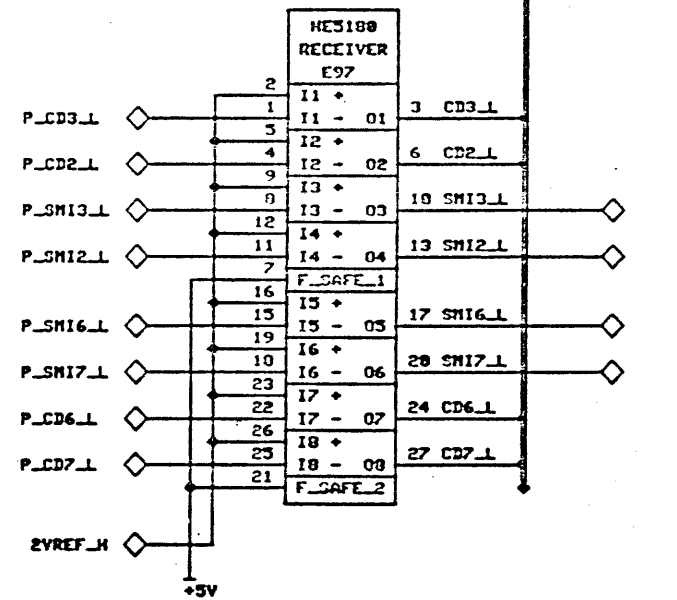
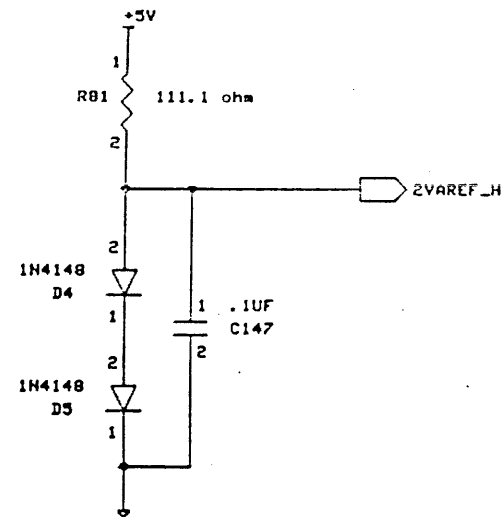
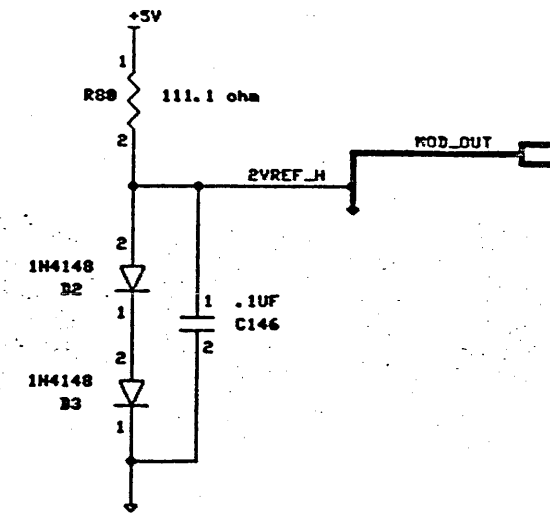
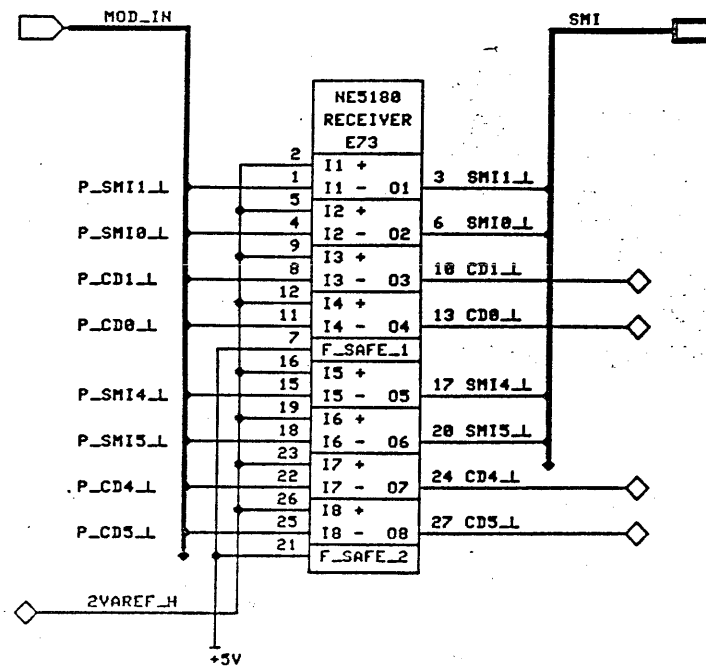
K CS

NUMBER
5410034-0-TRM5

REV
A

1

NOTE:
REFER TO TABLE ON PAGE INT4
FOR PART CONFIGURATION



MODEN_XCVR
LEVEL 4

CHK	CHANGE NO	REV

THIS DRAWING AND THE SPECIFICATIONS CONTAINED HEREIN ARE CONFIDENTIAL AND PROPRIETARY. THEY ARE THE PROPERTY OF DIGITAL EQUIPMENT CORP. AND SHALL NOT BE REPRODUCED OR COPIED OR USED IN WHOLE OR IN PART AS THE BASIS FOR MANUFACTURE OR SALE OF ITEMS WITHOUT WRITTEN PERMISSION. THIS IS AN UNPUBLISHED WORK PROTECTED UNDER THE FEDERAL COPYRIGHT LAWS.

DESIGNED BY	CHK BY	DATE
ENG		
DATE		

TITLE	DEC SERVER 200
NUMBER	5410034-0-TRM5
REV	A

PAGE 1 OF 1

8

7

6

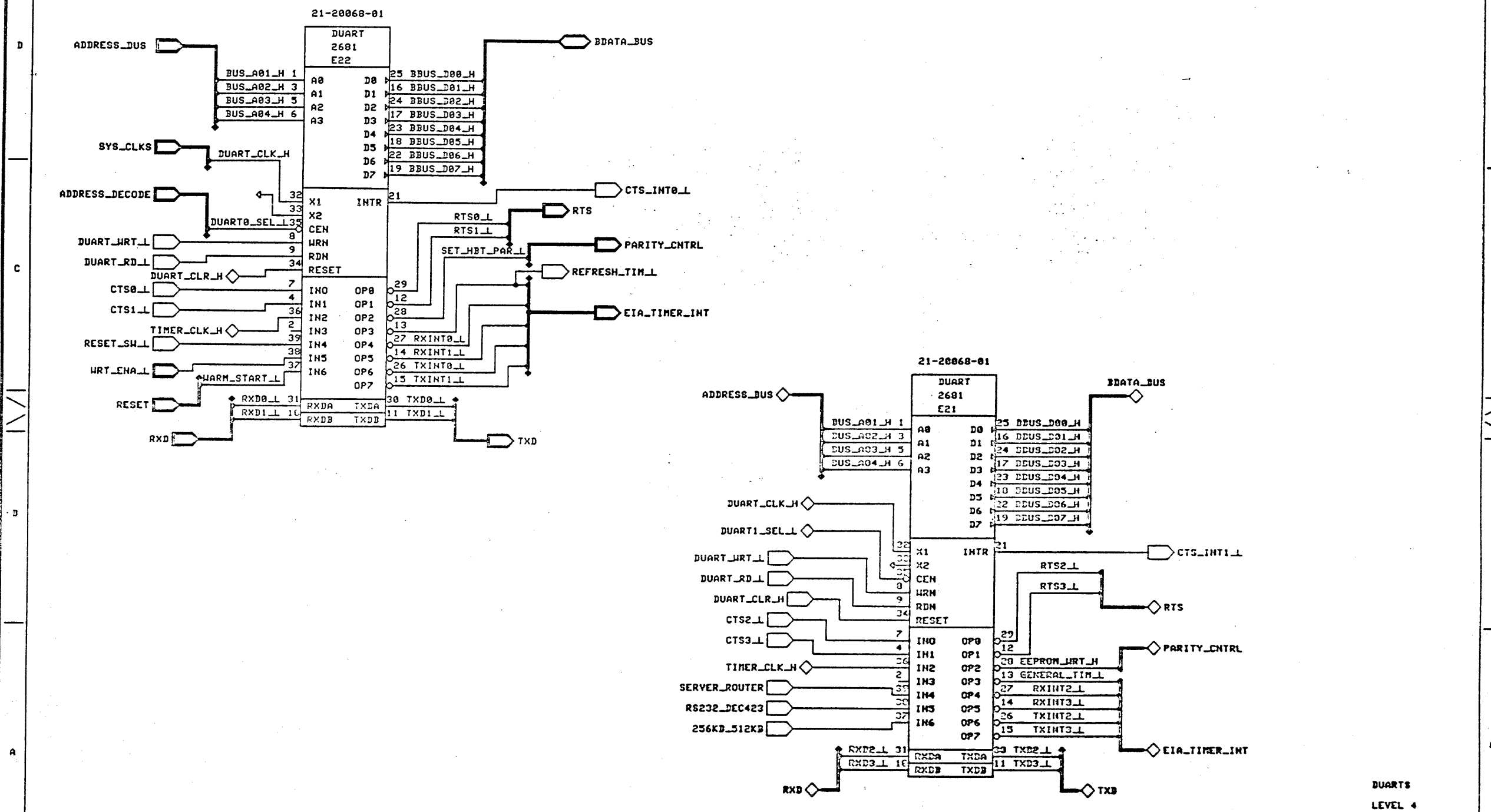
5

4

3

2

1

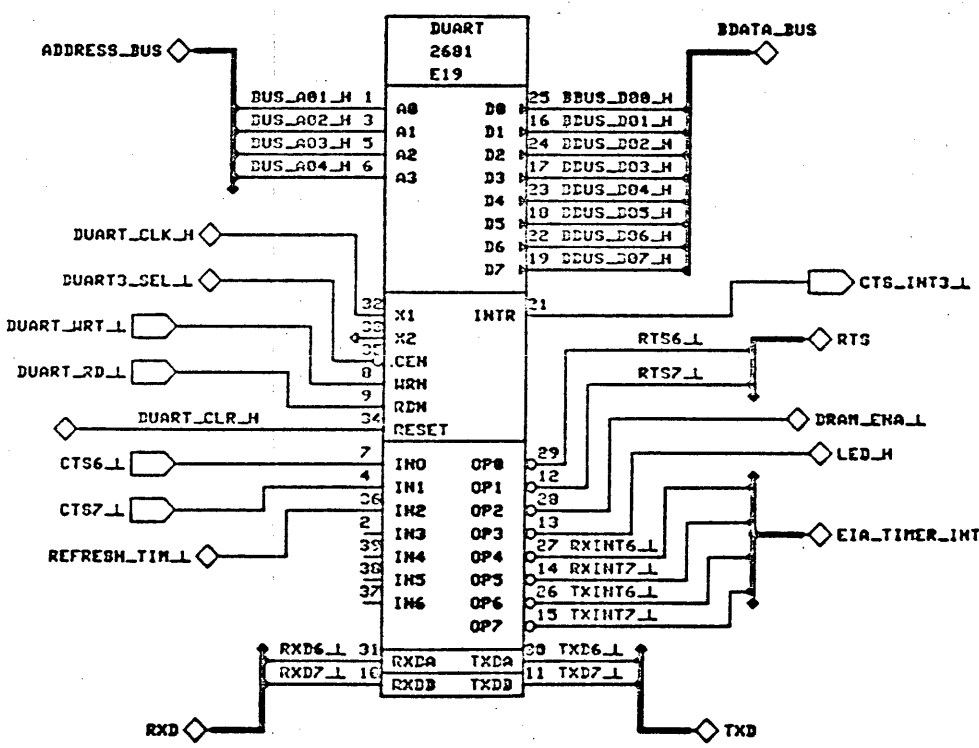
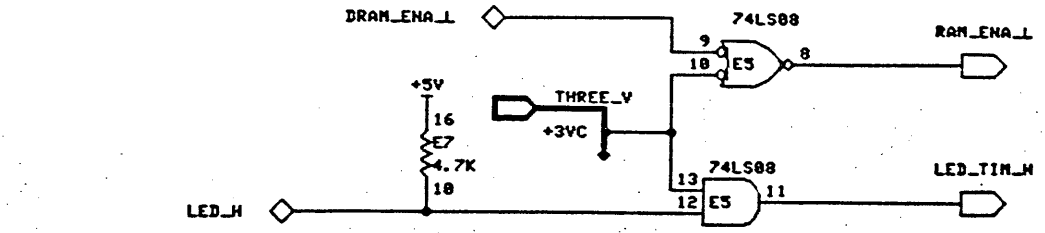
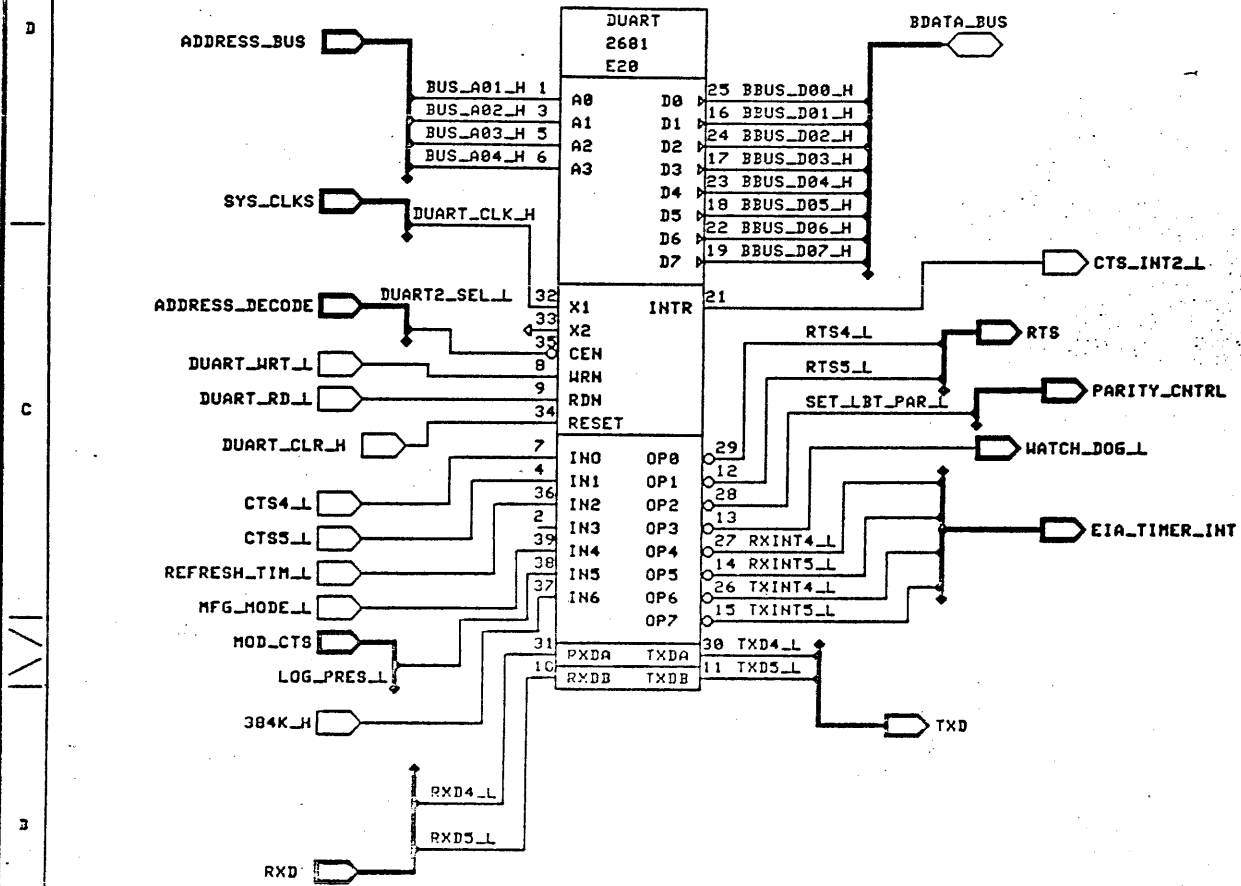


DUARTS LEVEL 4

CHK	CHANGE NO	REV

THIS DRAWING AND THE SPECIFICATIONS CONTAINED HEREIN ARE CONFIDENTIAL AND PROPRIETARY. THEY ARE THE PROPERTY OF DIGITAL EQUIPMENT CORP. AND SHALL NOT BE REPRODUCED OR COPIED OR USED IN WHOLE OR IN PART AS THE BASIS FOR MANUFACTURE OR SALE OF ITEMS WITHOUT WRITTEN PERMISSION. THIS IS AN UNPUBLISHED WORK PROTECTED UNDER THE FEDERAL COPYRIGHT LAWS.

DESIGNED BY	CHK BY	DATE	TITLE
CHK BY	DATE	DATE	DECCSERVER 200
DATE	DATE	DATE	NUMBER
TOP DOC	REV	REV	REV
5-20-74	1	1	a

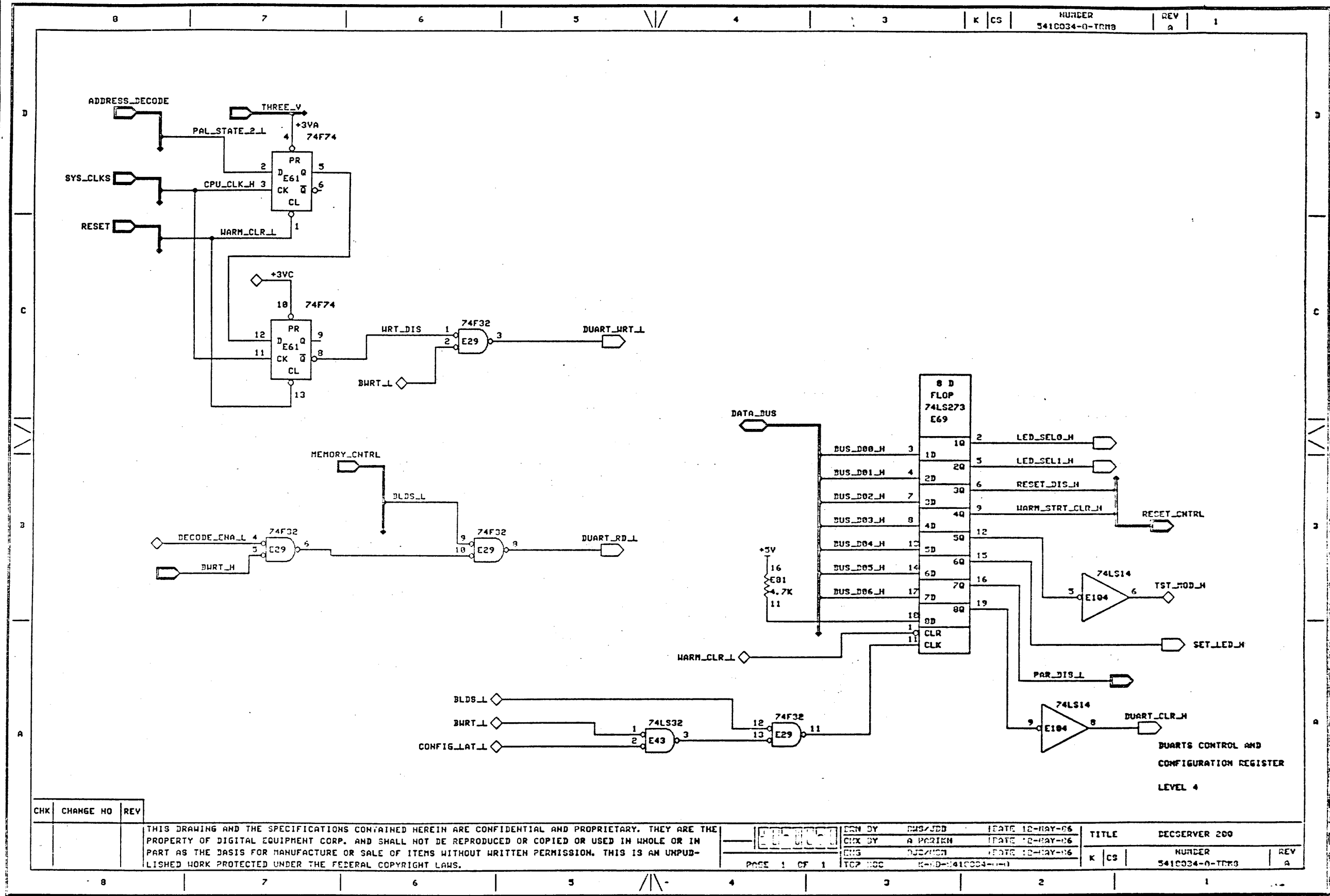


DUARTS
LEVEL 4

CHK	CHANGE NO	REV

THIS DRAWING AND THE SPECIFICATIONS CONTAINED HEREIN ARE CONFIDENTIAL AND PROPRIETARY. THEY ARE THE PROPERTY OF DIGITAL EQUIPMENT CORP. AND SHALL NOT BE REPRODUCED OR COPIED OR USED IN WHOLE OR IN PART AS THE BASIS FOR MANUFACTURE OR SALE OF ITEMS WITHOUT WRITTEN PERMISSION. THIS IS AN UNPUBLISHED WORK PROTECTED UNDER THE FEDERAL COPYRIGHT LAWS.

DESIGNED BY	DMS/JCB	DATE	12-MAY-86	TITLE	DECCSERVER 200
CHECKED BY	A PARIKH	DATE	12-MAY-86	NUMBER	5410034-0-TRN7
ENG	DJS/USN	DATE	12-MAY-86	REV	A
TOP DOC	K-10-2410034-0-1				

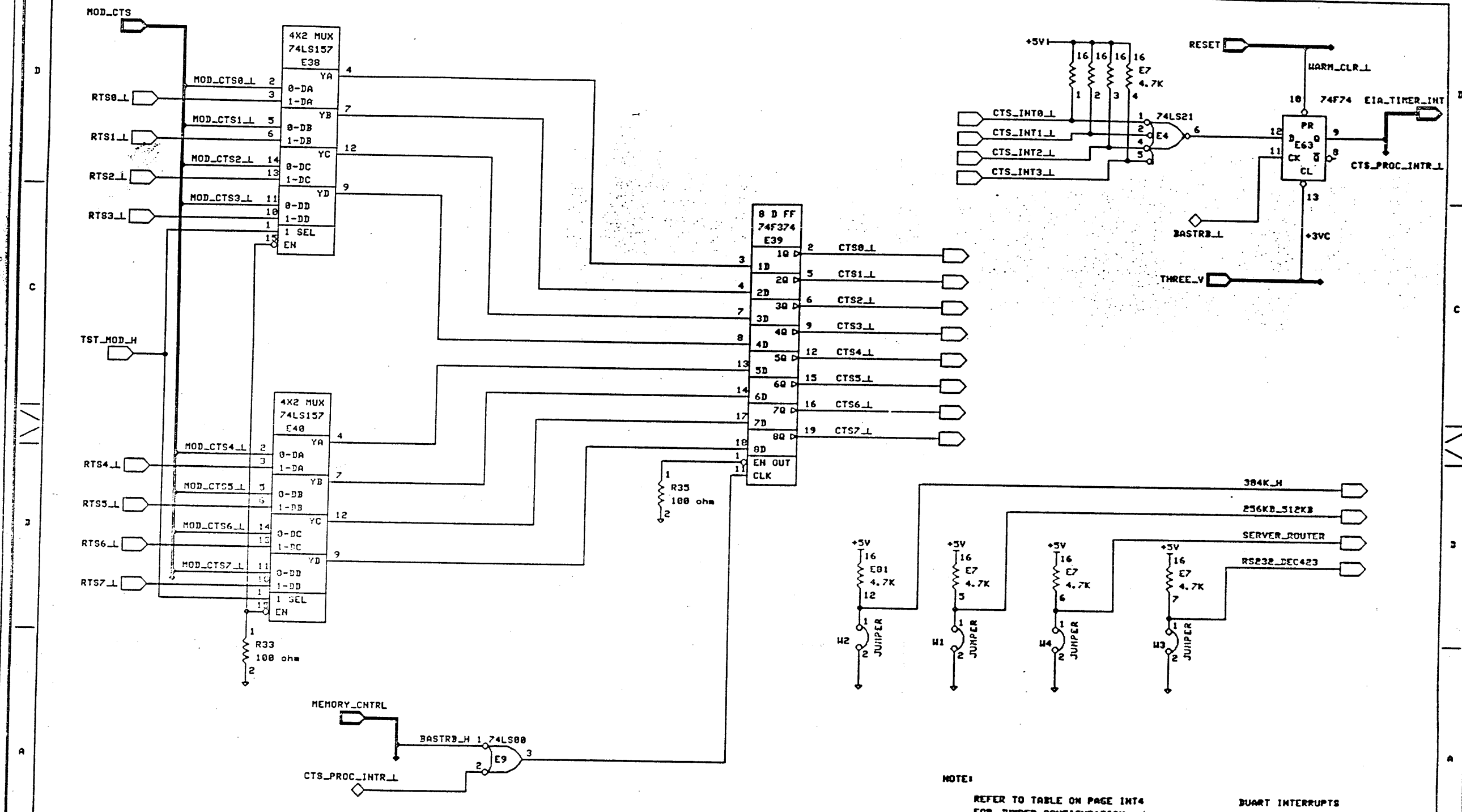


CHK	CHANGE NO	REV

THIS DRAWING AND THE SPECIFICATIONS CONTAINED HEREIN ARE CONFIDENTIAL AND PROPRIETARY. THEY ARE THE PROPERTY OF DIGITAL EQUIPMENT CORP. AND SHALL NOT BE REPRODUCED OR COPIED OR USED IN WHOLE OR IN PART AS THE BASIS FOR MANUFACTURE OR SALE OF ITEMS WITHOUT WRITTEN PERMISSION. THIS IS AN UNPUBLISHED WORK PROTECTED UNDER THE FEDERAL COPYRIGHT LAWS.

DESIGNED BY	RMJ/JDB	DATE	12-MAY-86	TITLE	DECSERVER 200
CHEK BY	A PERKH	DATE	12-MAY-86	K CS	
ENG	DJW/MCA	DATE	12-MAY-86	NUMBER	5410034-0-TRM3
TOP DOC	5410034-0-1			REV	A

PAGE 1 OF 1



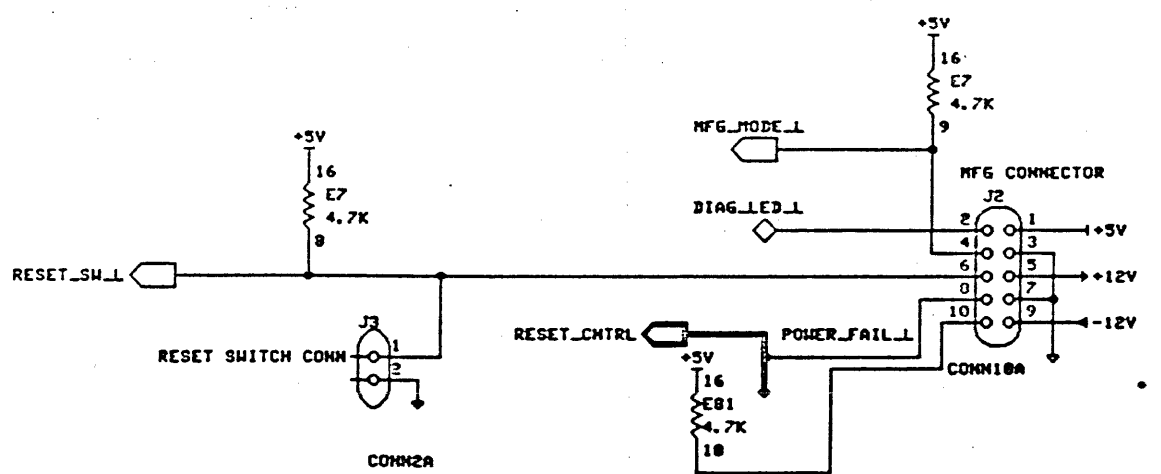
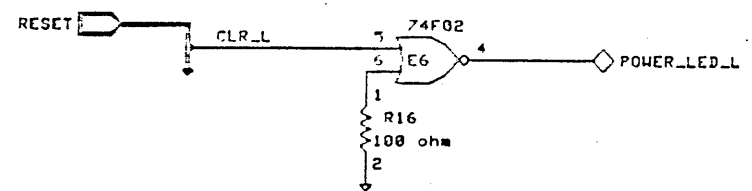
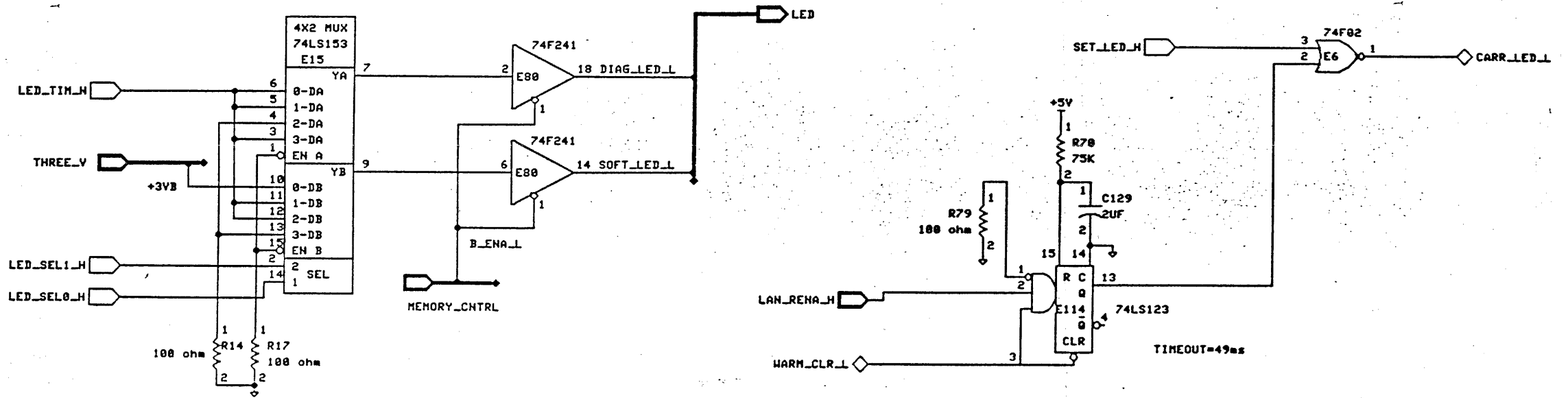
NOTE:
REFER TO TABLE ON PAGE INT4
FOR JUMPER CONFIGURATION

UART INTERRUPTS
& MODEN CONTROL
LEVEL 4

CHK	CHANGE NO	REV

THIS DRAWING AND THE SPECIFICATIONS CONTAINED HEREIN ARE CONFIDENTIAL AND PROPRIETARY. THEY ARE THE PROPERTY OF DIGITAL EQUIPMENT CORP. AND SHALL NOT BE REPRODUCED OR COPIED OR USED IN WHOLE OR IN PART AS THE BASIS FOR MANUFACTURE OR SALE OF ITEMS WITHOUT WRITTEN PERMISSION. THIS IS AN UNPUBLISHED WORK PROTECTED UNDER THE FEDERAL COPYRIGHT LAWS.

DESIGNED BY	EMS/JDB	DATE	12-MAY-06	TITLE	DECSERVER 200
CHECKED BY	A PARIKH	DATE	12-MAY-06	NUMBER	5410034-0-TRM9
ENG	DJC/HCN	DATE	12-MAY-06	REV	A
PAGE 1 OF 1		TOP DOC		K CS	

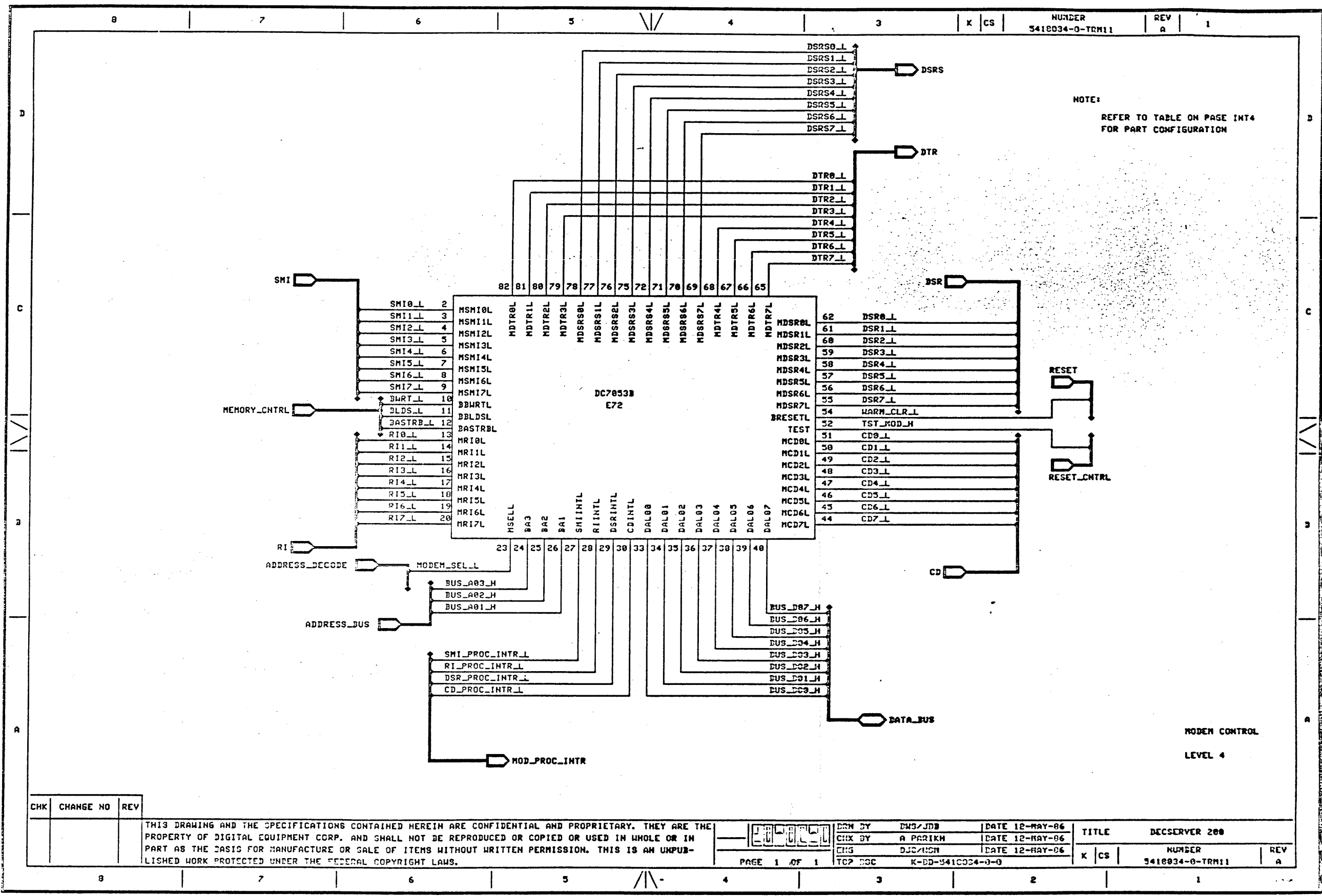


LED AND MFG CONTROL
LEVEL 1

CHK	CHANGE NO	REV

THIS DRAWING AND THE SPECIFICATIONS CONTAINED HEREIN ARE CONFIDENTIAL AND PROPRIETARY. THEY ARE THE PROPERTY OF DIGITAL EQUIPMENT CORP. AND SHALL NOT BE REPRODUCED OR COPIED OR USED IN WHOLE OR IN PART AS THE BASIS FOR MANUFACTURE OR SALE OF ITEMS WITHOUT WRITTEN PERMISSION. THIS IS AN UNPUBLISHED WORK PROTECTED UNDER THE FEDERAL COPYRIGHT LAWS.

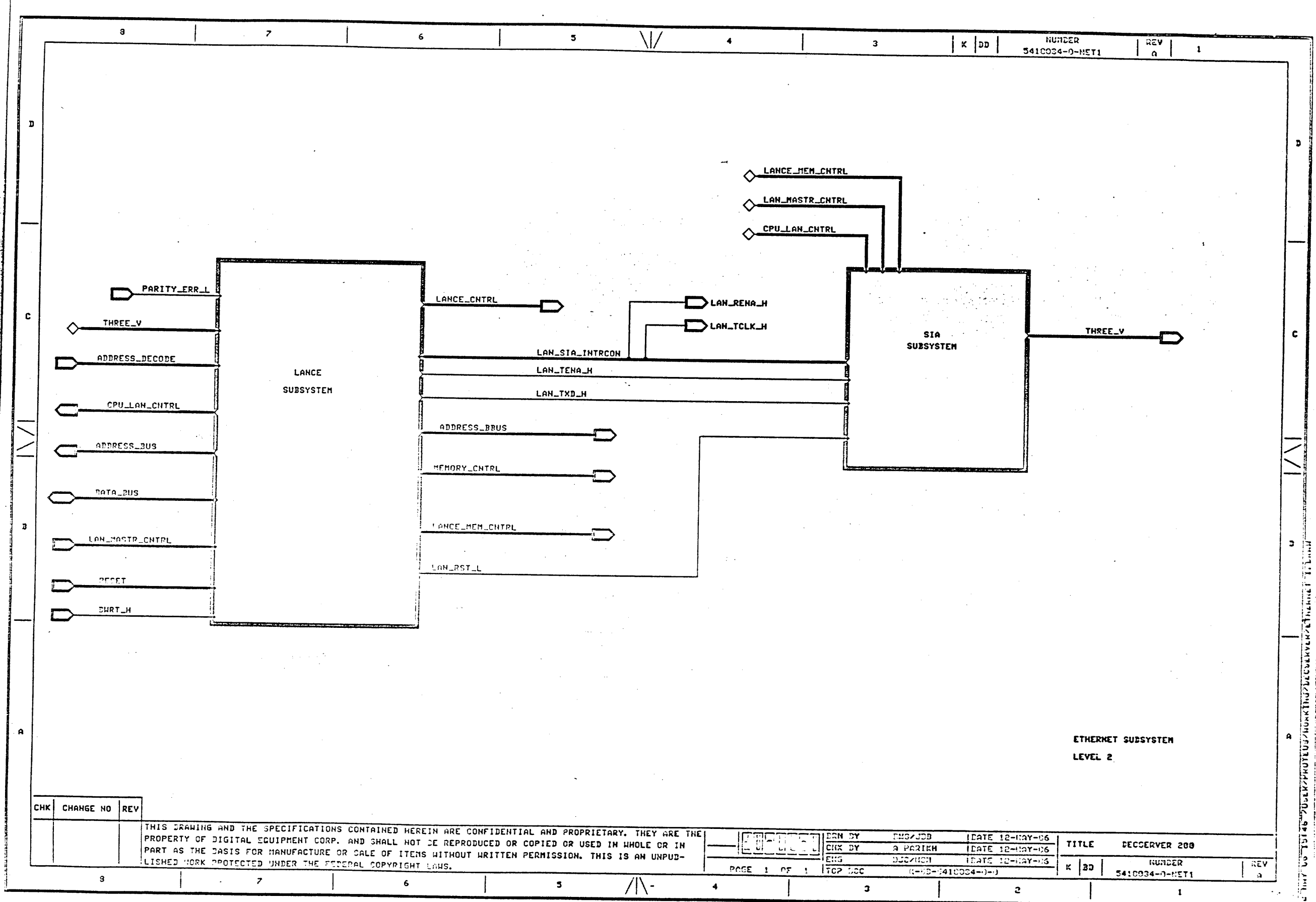
DRN BY	DND/JDB	DATE	12-MAY-86	TITLE	DECSERVER 200
CHK BY	A PARIKH	DATE	12-MAY-86	HUNDR	5418034-8-TRN10
ENG	DJC/HCH	DATE	12-MAY-86	REV	A
TCP DOC	K-82-5418034-8-0				



CHK	CHANGE NO	REV

THIS DRAWING AND THE SPECIFICATIONS CONTAINED HEREIN ARE CONFIDENTIAL AND PROPRIETARY. THEY ARE THE PROPERTY OF DIGITAL EQUIPMENT CORP. AND SHALL NOT BE REPRODUCED OR COPIED OR USED IN WHOLE OR IN PART AS THE BASIS FOR MANUFACTURE OR SALE OF ITEMS WITHOUT WRITTEN PERMISSION. THIS IS AN UNPUBLISHED WORK PROTECTED UNDER THE FEDERAL COPYRIGHT LAWS.

DATE 12-MAY-86	TITLE DECSERVER 200
CHK BY A PARIKH	NUMBER 5418034-0-TRM11
ENG DJC/USN	REV A
DATE 12-MAY-86	
TCP DOC K-BD-5410034-0-0	



ETHERNET SUBSYSTEM
LEVEL 2

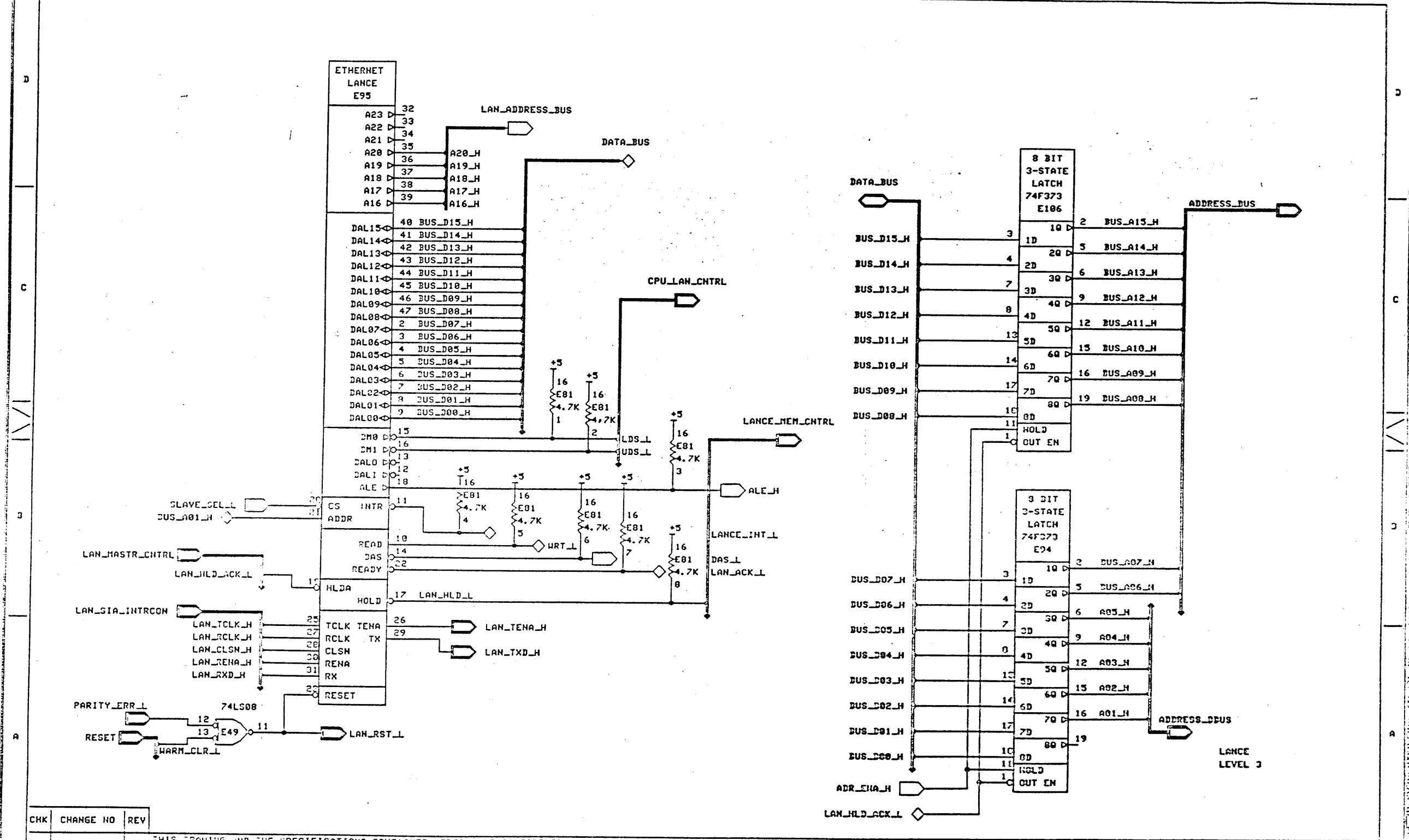
CHK	CHANGE NO	REV

THIS DRAWING AND THE SPECIFICATIONS CONTAINED HEREIN ARE CONFIDENTIAL AND PROPRIETARY. THEY ARE THE PROPERTY OF DIGITAL EQUIPMENT CORP. AND SHALL NOT BE REPRODUCED OR COPIED OR USED IN WHOLE OR IN PART AS THE BASIS FOR MANUFACTURE OR SALE OF ITEMS WITHOUT WRITTEN PERMISSION. THIS IS AN UNPUBLISHED WORK PROTECTED UNDER THE FEDERAL COPYRIGHT LAWS.

DATE 12-MAY-86
DATE 12-MAY-86
DATE 12-MAY-86
PAGE 1 OF 1

DESIGNED BY: EMS/JDD
CHECKED BY: A PARIKH
ENGINEER: DCC/HCH
TOP LOC: (REV-3410034-)-0

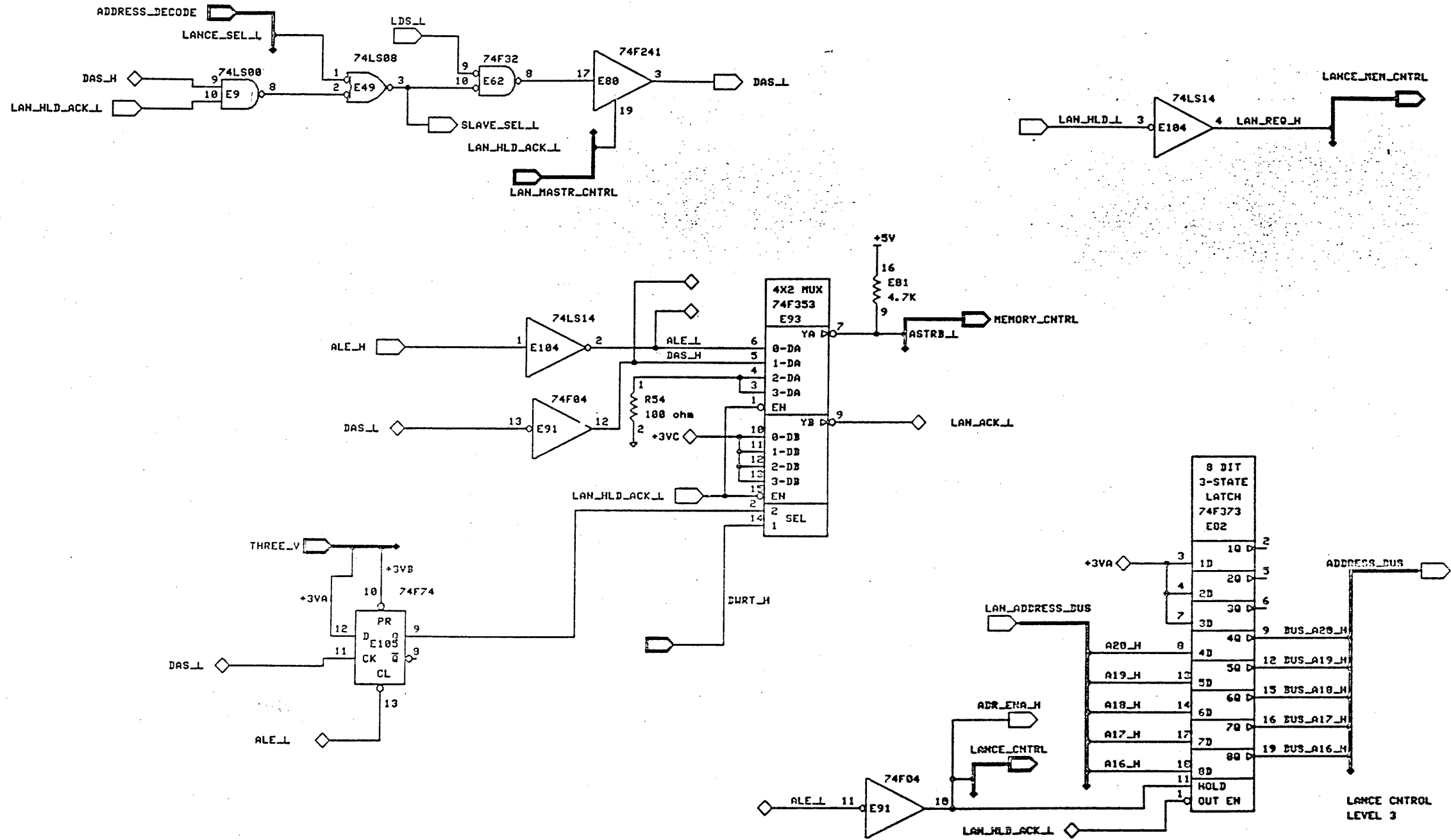
TITLE: DECCSERVER 200
NUMBER: 5410034-0-NET1
REV: a



CHK	CHANGE NO	REV

THIS DRAWING AND THE SPECIFICATIONS CONTAINED HEREIN ARE CONFIDENTIAL AND PROPRIETARY. THEY ARE THE PROPERTY OF DIGITAL EQUIPMENT CORP. AND SHALL NOT BE REPRODUCED OR COPIED OR USED IN WHOLE OR IN PART AS THE BASIS FOR MANUFACTURE OR SALE OF ITEMS WITHOUT WRITTEN PERMISSION. THIS IS AN UNPUBLISHED WORK PROTECTED UNDER THE FEDERAL COPYRIGHT LAWS.

DESIGNED BY	DATE	12-MAY-85	TITLE	SERVER 000
CHECKED BY	DATE	12-MAY-85	NUMBER	3410034-0-NET2
DESIGNED BY	DATE	12-MAY-85	REV	A

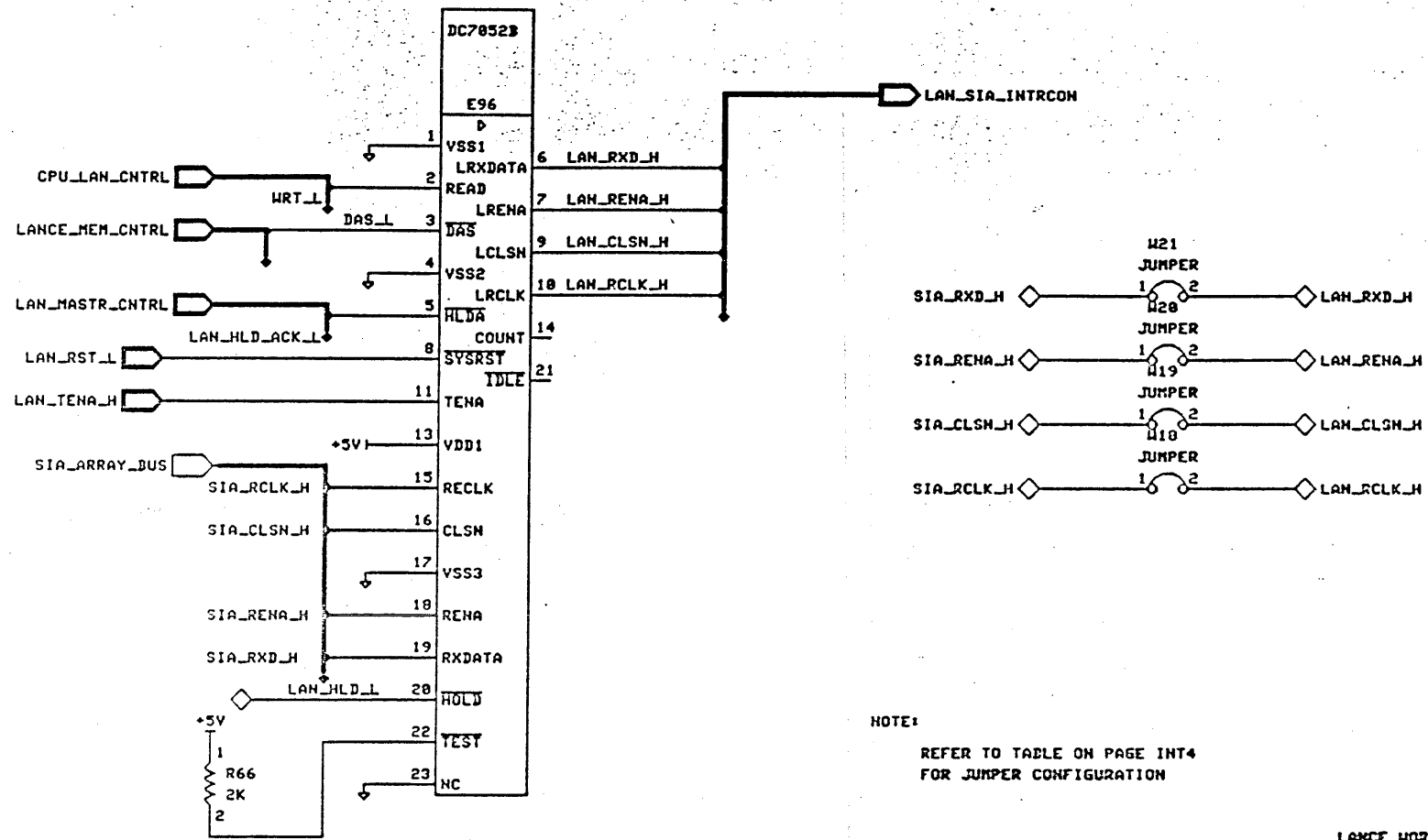


CHK	CHANGE NO	REV

THIS DRAWING AND THE SPECIFICATIONS CONTAINED HEREIN ARE CONFIDENTIAL AND PROPRIETARY. THEY ARE THE PROPERTY OF DIGITAL EQUIPMENT CORP. AND SHALL NOT BE REPRODUCED OR COPIED OR USED IN WHOLE OR IN PART AS THE BASIS FOR MANUFACTURE OR SALE OF ITEMS WITHOUT WRITTEN PERMISSION. THIS IS AN UNPUBLISHED WORK PROTECTED UNDER THE FEDERAL COPYRIGHT LAWS.

DESIGNED BY	ENR/JDD	DATE	12-MAY-86	TITLE	DECSERVER 200
CHECKED BY	A PARIKH	DATE	12-MAY-86	K CS	NUMBER
ENG	BUD/ACH	DATE	12-MAY-86	5410034-0-NET3	REV
PAGE 1 OF 1	TCP 100	K-00-5410034-0-0		A	

THIS DRAWING IS UNCLASSIFIED AND IS IN THE PUBLIC DOMAIN. IT IS NOT TO BE REPRODUCED OR COPIED IN ANY FORM OR BY ANY MEANS, ELECTRONIC OR MECHANICAL, INCLUDING PHOTOCOPYING, RECORDING, OR BY ANY INFORMATION STORAGE AND RETRIEVAL SYSTEM.



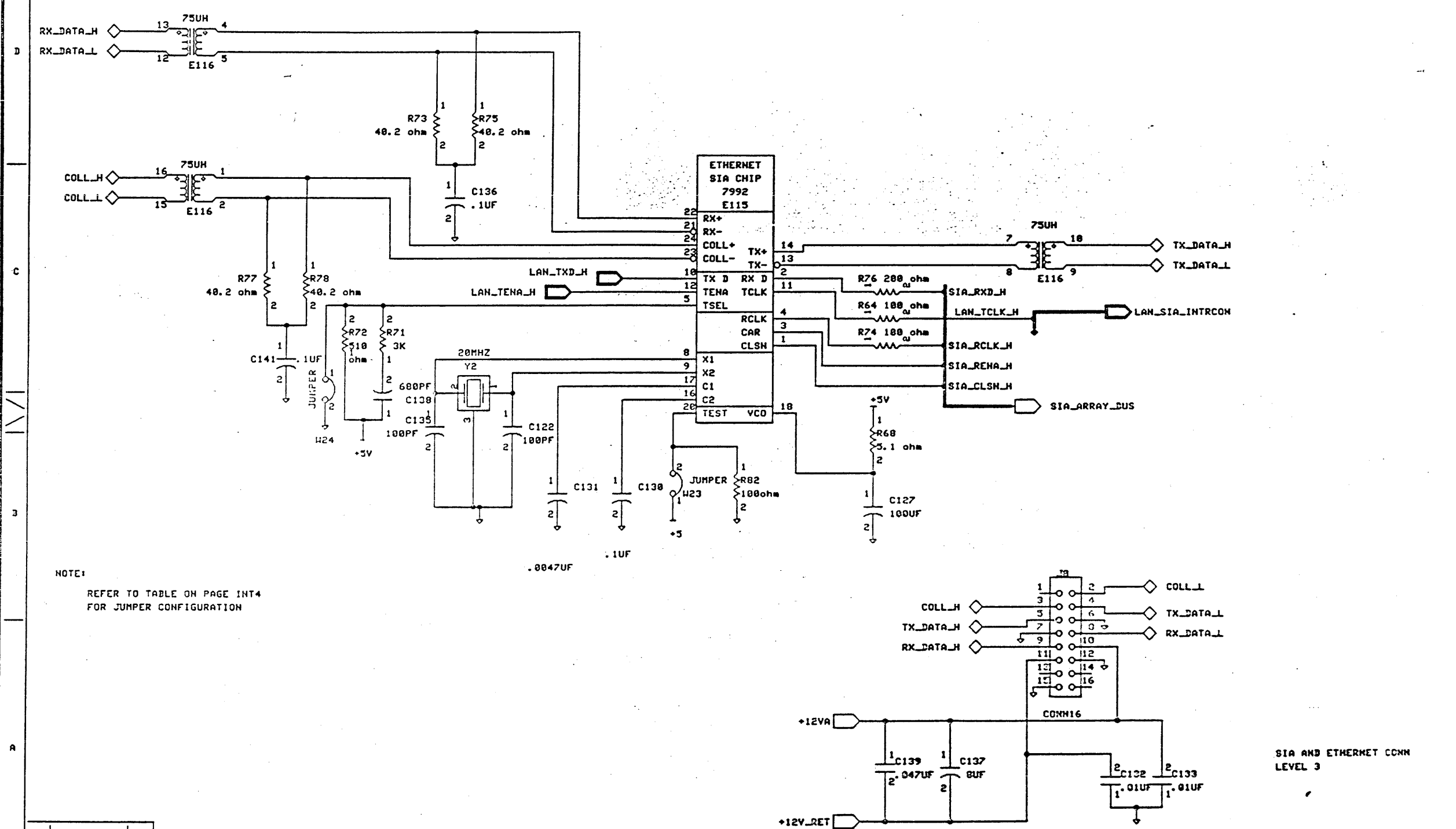
NOTE:
REFER TO TABLE ON PAGE INT4
FOR JUMPER CONFIGURATION

LANCE WORKAROUNDS
LEVEL 3

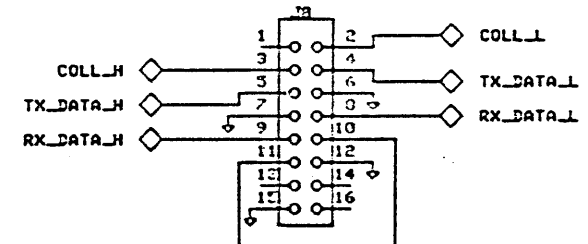
CHK	CHANGE NO	REV

THIS DRAWING AND THE SPECIFICATIONS CONTAINED HEREIN ARE CONFIDENTIAL AND PROPRIETARY. THEY ARE THE PROPERTY OF DIGITAL EQUIPMENT CORP. AND SHALL NOT BE REPRODUCED OR COPIED OR USED IN WHOLE OR IN PART AS THE BASIS FOR MANUFACTURE OR SALE OF ITEMS WITHOUT WRITTEN PERMISSION. THIS IS AN UNPUBLISHED WORK PROTECTED UNDER THE FEDERAL COPYRIGHT LAWS.

DESIGNED BY	DES/JDD	DATE	12-04-86	TITLE	DECCSERVER 200
CHECKED BY	A. PARIKH	DATE	12-04-86	NUMBER	5410024-0-MET4
ENG	DESIGNER	DATE	12-04-86	REV	a
PAGE 1 OF 1		TOP CC		K CS	



NOTE:
REFER TO TABLE ON PAGE INT4
FOR JUMPER CONFIGURATION

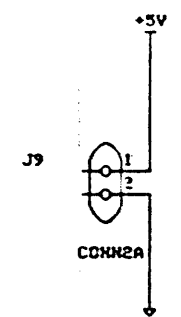
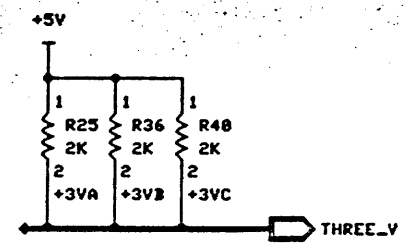
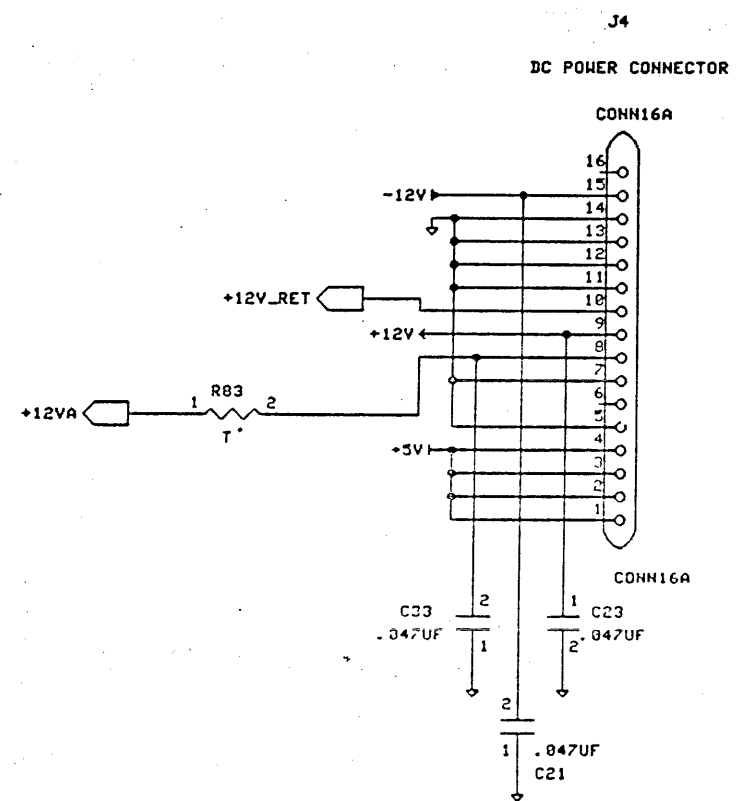


SIA AND ETHERNET CONN
LEVEL 3

CHK	CHANGE NO	REV

THIS DRAWING AND THE SPECIFICATIONS CONTAINED HEREIN ARE CONFIDENTIAL AND PROPRIETARY. THEY ARE THE PROPERTY OF DIGITAL EQUIPMENT CORP. AND SHALL NOT BE REPRODUCED OR COPIED OR USED IN WHOLE OR IN PART AS THE BASIS FOR MANUFACTURE OR SALE OF ITEMS WITHOUT WRITTEN PERMISSION. THIS IS AN UNPUBLISHED WORK PROTECTED UNDER THE FEDERAL COPYRIGHT LAWS.

DESIGNED BY CWS/JDD	DATE 12-MAY-86	TITLE DEC SERVER 200
CHECKED BY A. PARSON	DATE 12-MAY-86	NUMBER 5410034-0-NETS
ENG TGP/DC	DATE 12-MAY-86	REV a



DC POWER CONNECTOR

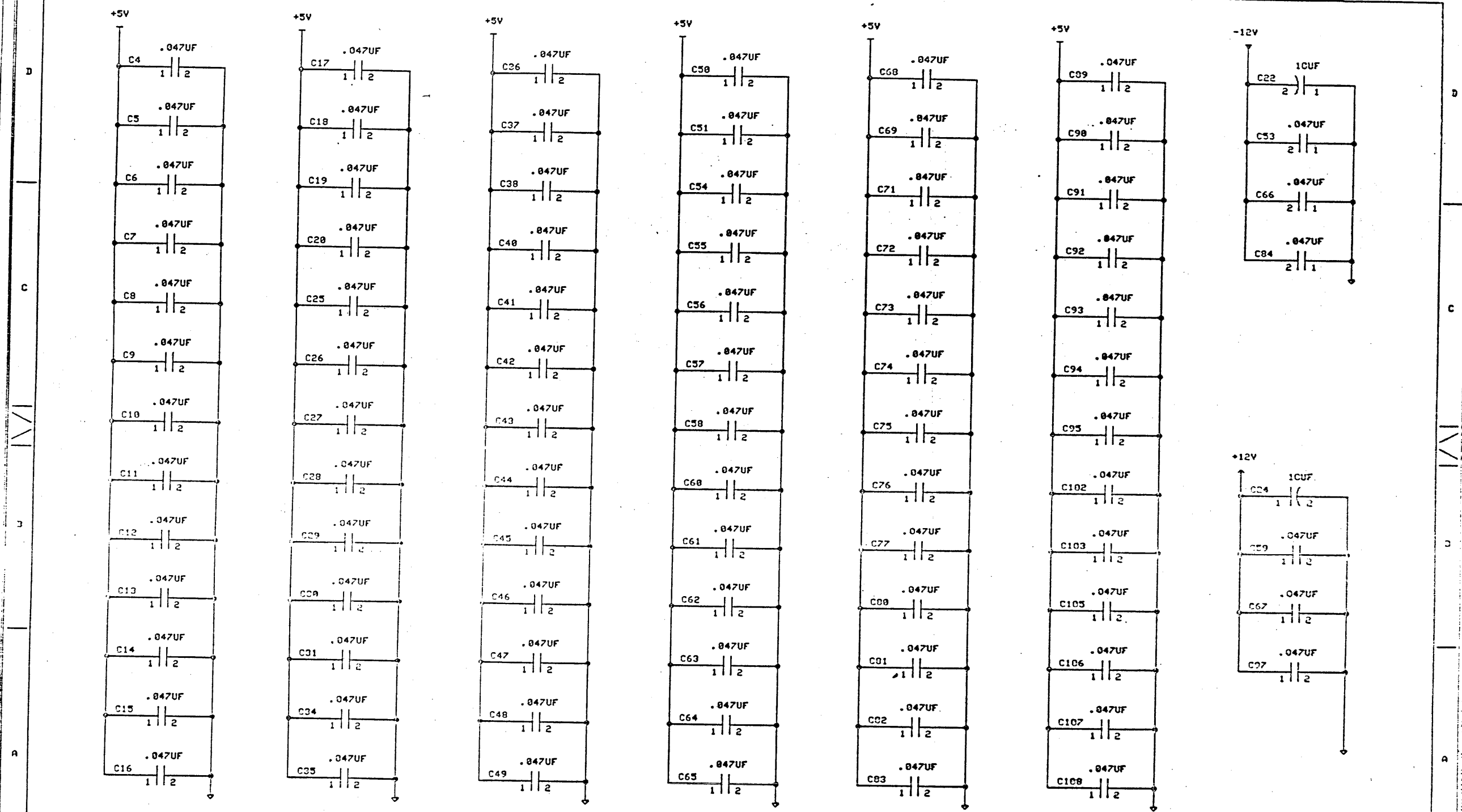
CHK	CHANGE NO	REV

THIS DRAWING AND THE SPECIFICATIONS CONTAINED HEREIN ARE CONFIDENTIAL AND PROPRIETARY. THEY ARE THE PROPERTY OF DIGITAL EQUIPMENT CORP. AND SHALL NOT BE REPRODUCED OR COPIED OR USED IN WHOLE OR IN PART AS THE BASIS FOR MANUFACTURE OR SALE OF ITEMS WITHOUT WRITTEN PERMISSION. THIS IS AN UNPUBLISHED WORK PROTECTED UNDER THE FEDERAL COPYRIGHT LAWS.

DESIGNED BY SWS/JDD	DATE 12-MAY-86	TITLE DECSERVER 200
CHECKED BY D PORIKH	DATE 12-MAY-86	NUMBER 5410034-0-PHR
ENG DSC/MSH	DATE 12-MAY-86	REV A
PAGE 1 OF 1	TCP 100	5410034-0-0

18WR

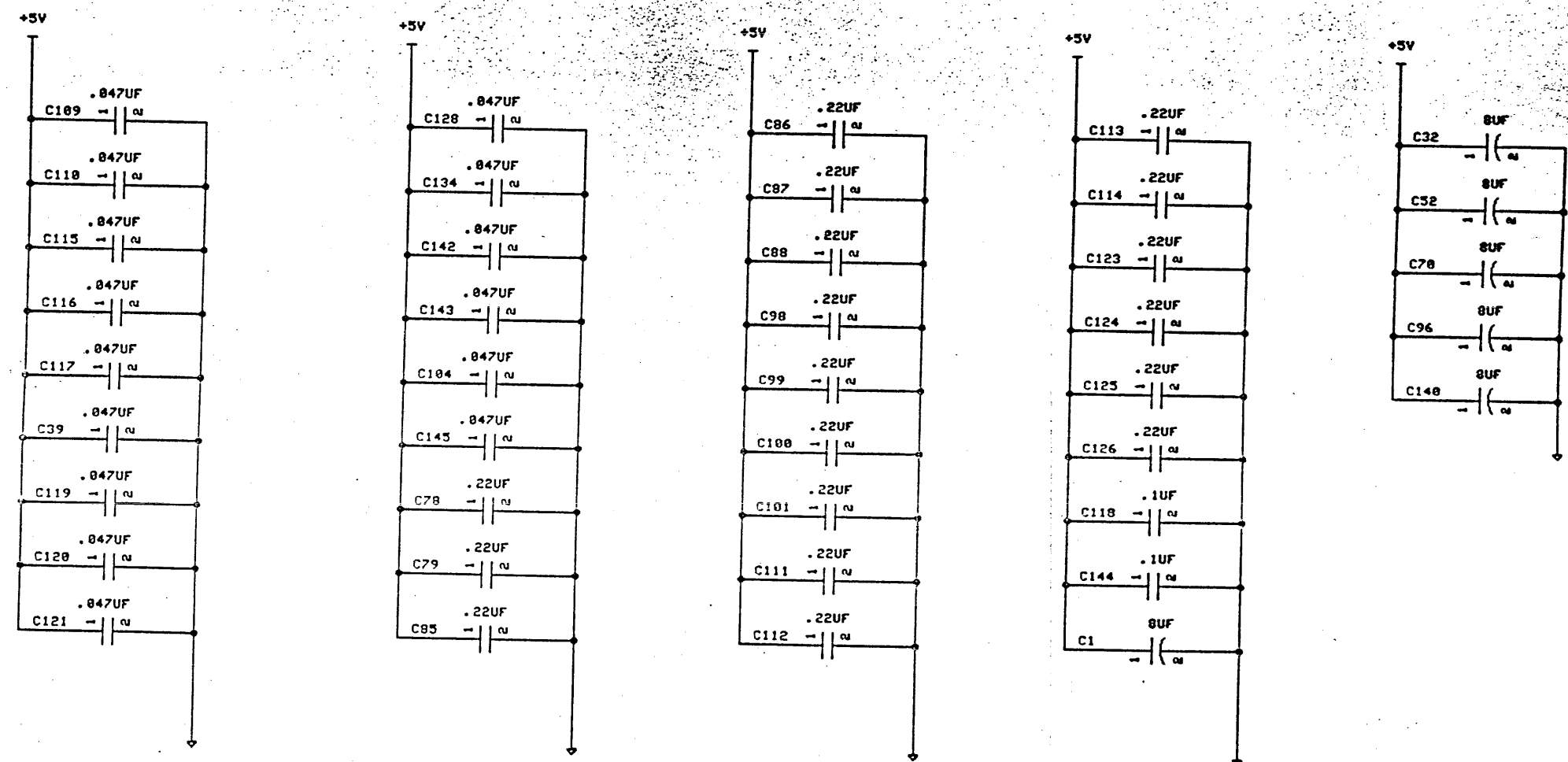
33 MAY 86 10:37 PM ETCP/PROTECTOR/HOKKING/DECSERVER/ETHAN/ST/114-24.000



CHK	CHANGE NO	REV

THIS DRAWING AND THE SPECIFICATIONS CONTAINED HEREIN ARE CONFIDENTIAL AND PROPRIETARY. THEY ARE THE PROPERTY OF DIGITAL EQUIPMENT CORP. AND SHALL NOT BE REPRODUCED OR COPIED OR USED IN WHOLE OR IN PART AS THE BASIS FOR MANUFACTURE OR SALE OF ITEMS WITHOUT WRITTEN PERMISSION. THIS IS AN UNPUBLISHED WORK PROTECTED UNDER THE FEDERAL COPYRIGHT LAWS.

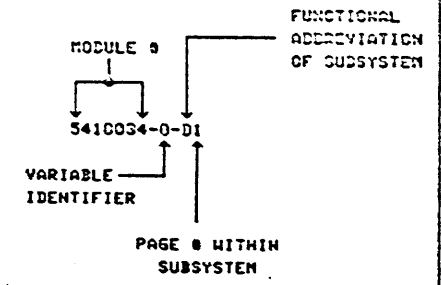
DESIGNED BY	ENG/300	DATE	12-10-73	TITLE	DECEMBER 000
CHECKED BY	A. TORRES	DATE	12-10-73	NUMBER	5410004-0-C0P1
APP'D	J. J. D.	DATE	12-10-73	REV	1
PAGE 1 OF 1		1702 SSC		K CS	



CHK	CHANGE NO	REV

THIS DRAWING AND THE SPECIFICATIONS CONTAINED HEREIN ARE CONFIDENTIAL AND PROPRIETARY. THEY ARE THE PROPERTY OF DIGITAL EQUIPMENT CORP. AND SHALL NOT BE REPRODUCED OR COPIED OR USED IN WHOLE OR IN PART AS THE BASIS FOR MANUFACTURE OR SALE OF ITEMS WITHOUT WRITTEN PERMISSION. THIS IS AN UNPUBLISHED WORK PROTECTED UNDER THE FEDERAL COPYRIGHT LAWS.

DATE 12-MAY-66	DESIGNED BY	DATE 12-MAY-66	TITLE	DEC SERVER 200
DATE 12-MAY-66	CHK BY	DATE 12-MAY-66	NUMBER	5410034-0-CAP2
DATE 12-MAY-66	DESIGNED BY	DATE 12-MAY-66	REV	A
PAGE 1 OF 1	TOP LOG	5410034-0-1	K CS	



CONNECTOR TYPE	DISCRIPTION
	1. USED WHEN A SIGNAL NEEDS TO BE SENT FROM ONE PART OF A PAGE TO ANOTHER WITHOUT THE USE OF A WIRE 2. IF THE SIGNAL HAS ALREADY BEEN BROUGHT ON TO THE PAGE BY ANOTHER CONNECTOR.
	1. FINGER PIN CONNECTOR.
 INPUT OUTPUT BI_DIRECTIONAL	1. BRINGS A SINGLE SIGNAL FROM OR TO A HIGHER LEVEL DRAWING.
 INPUT OUTPUT BI_DIRECTIONAL	1. BRINGS A GROUP OF SIGNALS THROUGH ONE BUS FROM OR TO A HIGHER LEVEL DRAWING.
 INPUT OUTPUT BI_DIRECTIONAL	1. BRINGS A SINGLE SIGNAL FROM PAGE TO PAGE WITHIN THE SAME MODULE.
 INPUT OUTPUT BI_DIRECTIONAL	1. BRINGS A GROUP OF SIGNALS THROUGH A BUS FROM PAGE TO PAGE WITHIN THE SAME MODULE.

CHK	CHANGE NO	REV

THIS DRAWING AND THE SPECIFICATIONS CONTAINED HEREIN ARE CONFIDENTIAL AND PROPRIETARY. THEY ARE THE PROPERTY OF DIGITAL EQUIPMENT CORP. AND SHALL NOT BE REPRODUCED OR COPIED OR USED IN WHOLE OR IN PART AS THE BASIS FOR MANUFACTURE OR SALE OF ITEMS WITHOUT WRITTEN PERMISSION. THIS IS AN UNPUBLISHED WORK PROTECTED UNDER THE FEDERAL COPYRIGHT LAWS.

DRN BY	TWS/JDD	DATE	12-MAY-66	TITLE	DECIPHER 200
CHK BY	A PERIKH	DATE	12-MAY-66	NUMBER	5410034-0-01
ENG	DJW/MSH	DATE	10-MAY-66	REV	A
PAGE 1 OF 1		TOP 000 (K-0-5410034-0-1)		K CS	

NOTE: THIS IS ONE OF TWO PAGES WHICH
DEFINES THE CONTENTS OF EACH
BUNDLE USED IN THE PRINT SET
FOR THE 5410034 MODULE

BUNDLE NAME CONTENTS OF BUNDLE

ADDRESS_BBUS	A01_H, A02_H, A03_H, A04_H & A05_H
ADDRESS_BUS	BUS_A01_H BUS_A20_H
ADDRESS_DECODE	DATA_ACK_L, PAL_STATE_2_L, DUART0_SEL_L, DUART1_SEL_L, DUART2_SEL_L, DUART3_SEL_L, MODEM_SEL_L, LANCE_SEL_L, ROM_SEL_L, ADR_PROM_SEL_L, BBUS_ENA_L, EEPROM_SEL_L, CONFIG_LAT_L & DECODE_ENA_L
BDATA_BUS	BBUS_D00_H BBUS_D15_H
CD	CD0_L, CD1_L, CD2_L, CD3_L, CD4_L, CD5_L, CD6_L & CD7_L
CPU_LAN_CNTRL	UDS_L, LDS_L & WRT_L
CPU_MASTR_CNTRL	BR_L & BEACK_L
DATA_BUS	BUS_D00_H BUS_D15_H
DIAG_BUS	SYNC_H & BIT1_H BIT7_H
DSR	DSR0_L DSR7_L
DSRS	DSRS0_L DSRS7_L
DTR	DTR0_L DTR7_L
EIA_TIMER_INT	RXINT0_L RXINT7_L, TXINT0_L TXINT7_L, REFRESH_TIM_L, GENERAL_TIM_L & CTS_PROC_INTR_L
INTR_CNTRL	IPL0_L, IPL1_L & IPL2_L
LAN_ADDRESS_BUS	A16_H A20_H
LAN_MASTR_CNTRL	LAN_HLD_ACK_L & LAN_HLD_ACK_H
LAN_SIA_INTRCON	LAN_TCLK_H, LAN_RENA_H, LAN_CLSN_H, LAN_RXD_H & LAN_RCLK_H
LANCE_CNTRL	LAN_ACK_L & ADR_ENA_H
LANCE_MEM_CNTRL	LANCE_INT_L, DAS_L, ALE_H, LAN_REQ_H & LAN_HLD_L
LED	POWER_LED_L, DIAG_LED_L, SOFT_LED_L & CARR_LED_L
MEM_ADDRESS_BUS	MA1_L MA8_L
MEM_BANK_SEL	BANK0_SEL_L, BANK1_SEL_L, BANK0_WRT_L & BANK1_WRT_L
MEM_BANK_SEL1	BANK2_SEL_L, BANK3_SEL_L, BANK2_WRT_L & BANK3_WRT_L
MEMORY_CNTRL	BUDS_L, BLDS_L, BWRT_L, ASTR0_L, BASTR0_L, BASTR0_H, BUDS_H, DLDS_H, INTR_ACK_L & B_ENA_L
MOD_IN	P_CTS0_L P_CTS7_L, P_R10_L P_R17_L, P_DSR_L P_DSR7_L, P_SMI0_L P_SMI7_L & P_CD0_L P_CD7_L
MOD_OUT	P_RTS0_L P_RTS7_L, P_DTR0_L P_DTR7_L, P_DSRS0_L P_DSRS7_L & 2VREF_H
MOD_PROC_INTR	DSR_PROC_INTR_L, CD_PROC_INTR_L, RI_PROC_INTR_L & SMI_PROC_INTR_L
MODEM_IN	P_R10_L P_R17_L, P_SMI0_L P_SMI7_L, P_CD0_L P_CD7_L & P_CTS0_L P_CTS7_L
MODEM_OUT	P_DSRS0_L P_DSRS7_L, P_DTR0_L P_DTR7_L & P_RTS0_L P_RTS7_L

CHK	CHANGE NO	REV

THIS DRAWING AND THE SPECIFICATIONS CONTAINED HEREIN ARE CONFIDENTIAL AND PROPRIETARY. THEY ARE THE PROPERTY OF DIGITAL EQUIPMENT CORP. AND SHALL NOT BE REPRODUCED OR COPIED OR USED IN WHOLE OR IN PART AS THE BASIS FOR MANUFACTURE OR SALE OF ITEMS WITHOUT WRITTEN PERMISSION. THIS IS AN UNPUBLISHED WORK PROTECTED UNDER THE FEDERAL COPYRIGHT LAWS.

DATE 12-MAY-86	DATE 12-MAY-86	TITLE	DECSERVER 200
CHK BY A PARIKH	DATE 12-MAY-86	NUMBER	5410034-0-02
CHK DJS/ICH	DATE 12-MAY-86	REV	A
TCP DOC	K-D-5410034-0-0	K CS	

PAGE 1 OF 1

5410034-0-02 DECSERVER 200 PRINT SET

NOTE: CONTINUATION OF FIRST PAGE WHICH
 DEFINES THE CONTENTS OF EACH
 BUNDLE USED IN THE PRINT SET
 FOR THE 5418034 MODULE

BUNDLE NAME	CONTENTS OF BUNDLE
PARITY_CNTRL	EEPROM_WRT_H, SET_LBT_PAR_L, SET_HBT_PAR_L & PAR_DIS_L
RAM_CNTRL	HBT_RAS_L, HBT_CAS_L, LBT_RAS_L, LBT_CAS_L & RAM_SEL_L
RCVDATA	RX0_L RX7_L
RESET	CLR_L, WARM_CLR_L, WARM_START_L, WARM_CLR_H & EEPROM_CLR_L
RESET_CNTRL	RESET_DIS_H, WARM_STRT_CLR_H, RAM_ENA_L, TST_MOD_H & POWER_FAIL_L
RI	RI0_L RI7_L
RTS	RTS0_L RTS7_L
RXD	RXD0_L RXD7_L
SIA_ARRAY_BUS	SIA_RXD_H, SIA_RCLK_H, SIA_RENA_H & SIA_CLSM_H
SMI	SMI0_L SKI7_L
SYS_CLKS	DUART_CLK_H, CPU_CLK_H, CPU_CLK_L & TIMER_CLK_H
THREE_V	+3VA, +3VB & +3VC
TXD	TXD0_L TXD7_L
XMTDATA	TX0_L TX7_L

CHK	CHANGE NO	REV

THIS DRAWING AND THE SPECIFICATIONS CONTAINED HEREIN ARE CONFIDENTIAL AND PROPRIETARY. THEY ARE THE PROPERTY OF DIGITAL EQUIPMENT CORP. AND SHALL NOT BE REPRODUCED OR COPIED OR USED IN WHOLE OR IN PART AS THE BASIS FOR MANUFACTURE OR SALE OF ITEMS WITHOUT WRITTEN PERMISSION. THIS IS AN UNPUBLISHED WORK PROTECTED UNDER THE FEDERAL COPYRIGHT LAWS.

DRN BY	ENG/JDB	DATE 12-MAY-85	TITLE	DECCSERVER 203
CHK BY	A PERIKH	DATE 12-MAY-85		
ENG	DDC/DCR	DATE 12-MAY-85		
TCP DOC	K-10-5410034-0-0			

C:\D:\WORKING\5410034\5410034-0-03.DWG

SCALE: 2:100 PEN: 8 BENSON V3.0

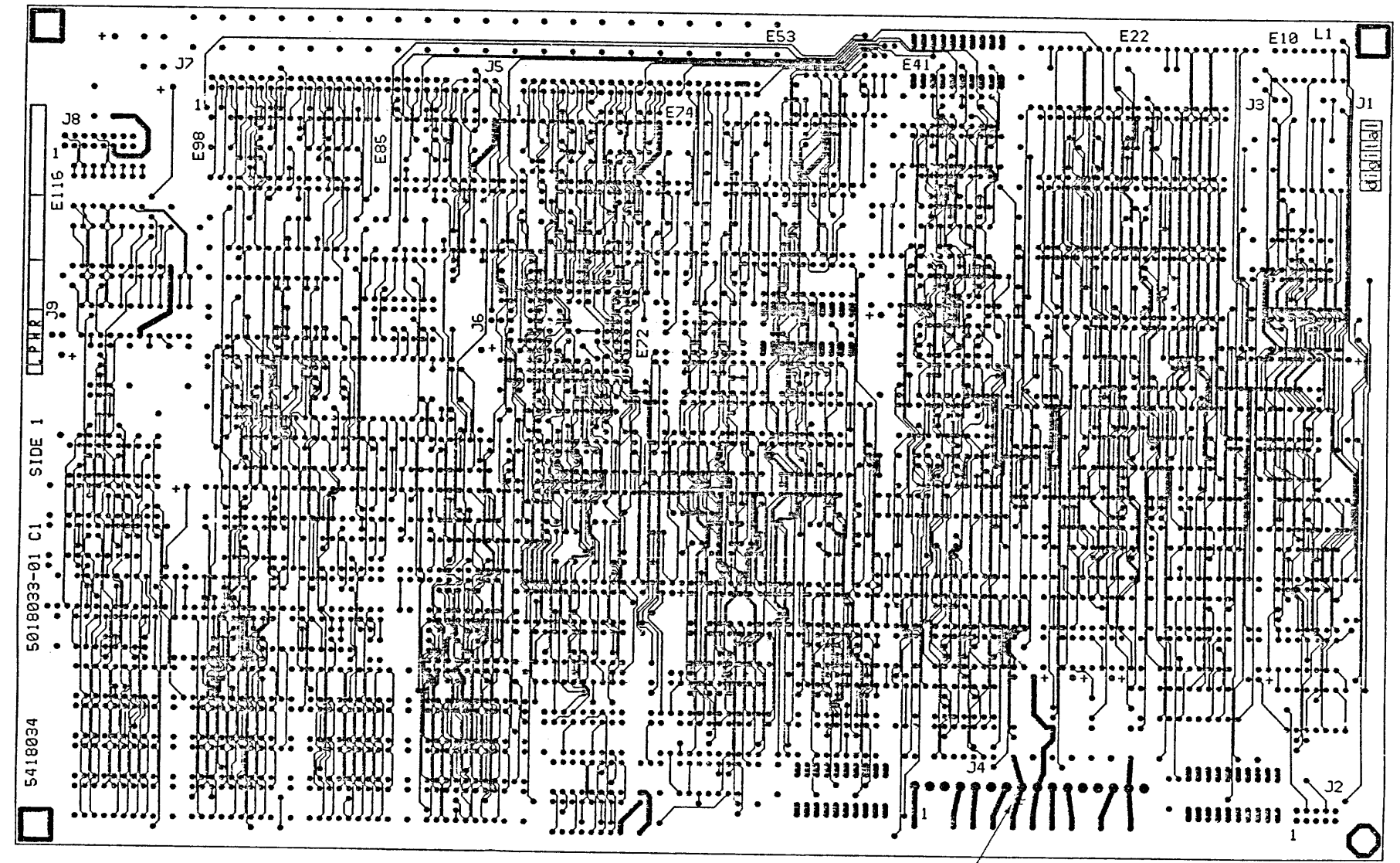
11/11/2001

1: 29-APR-1985 14-36-04

1. 29-APR-1985 14-36-04
2. 11-11-2001 14-36-04
3. 11-11-2001 14-36-04
4. 11-11-2001 14-36-04

J
H
F
E
D
C
B
A

J
H
F
E
D
C
B
A



0-1

CHK	DRAWN BY	ENGINEER	CHANGE NO	DATE	REV

CHK	DRAWN BY	ENGINEER	CHANGE NO	DATE	REV

DRAWN	DATE	TITLE
		digital
CHECKED	DATE	
DES. ENG	DATE	
RESP. ENG	DATE	ETCH CUT DRAWING
MFG. ENG	DATE	DOCUMENT NUMBER

5018033-01-C1-A

A

THIS DRAWING AND THE SPECIFICATIONS CONTAINED HEREIN ARE CONFIDENTIAL AND PROPRIETARY. THEY ARE THE PROPERTY OF DIGITAL EQUIPMENT CORPORATION AND SHALL NOT BE REPRODUCED OR COPIED OR USED IN WHOLE OR IN PART AS THE BASIS FOR THE MANUFACTURE OR SALE OF ITEMS WITHOUT WRITTEN PERMISSION. THIS IS AN UNPUBLISHED WORK PROTECTED UNDER THE FEDERAL COPYRIGHT LAWS 1976.

DEC 5018033-0-0

REWORK INSTRUCTIONS
 ETCH CUTS - SIDE 1
 0-1 AT J4-8

REVISION HISTORY		
REV	ECO NUMBER	DATE

DWG 137C
 ENR 0124-16-REV 4/398

TITLE
 ETCH CUT DRAWING

DOCUMENT NUMBER		
SIZE CODE	NUMBER	REV.
DEC	5018033-0-0	A
SCALE —		SHEET 3 OF 3

