

DRAWING NO.	NO. OF SHTS.	PART NO.	DESCRIPTION	REVISIONS															
				REF															
B-TC-MDECS-AA-1	-	MP01484	FIELD MAINTENANCE PRINT SET	REF															
		MDECS-AA	256K x 22 MOS MEMORY SYSTEM	A															
		M8743-AA	MDECS-AA MEMORY	A															
B-DD-M8743-AA	1		MDECS-AA MEMORY	A															
D-BD-MDECS-AA-DBU	1		MDECS-AA BLOCK DIAGRAM	A															
D-TD-MDECS-AA-DBU	6		MDECS-AA TIMING DIAGRAM	A															
E-FD-MDECS-AA-3	1		MDECS-AA FLOW DIAGRAM	A															
A-SP-MDECS-AA-2	29		MDECS-AA SPECIFICATION	A															

NOTES:

DATE	REVISION HISTORY		ECO NO.	REV.
	DATE	INIT.		
-				A

"THIS DRAWING AND SPECIFICATIONS, HEREIN, ARE THE PROPERTY OF DIGITAL EQUIPMENT CORPORATION AND SHALL NOT BE REPRODUCED OR COPIED OR USED IN WHOLE OR IN PART AS THE BASIS FOR THE MANUFACTURE OR SALE OF ITEMS WITHOUT WRITTEN PERMISSION.

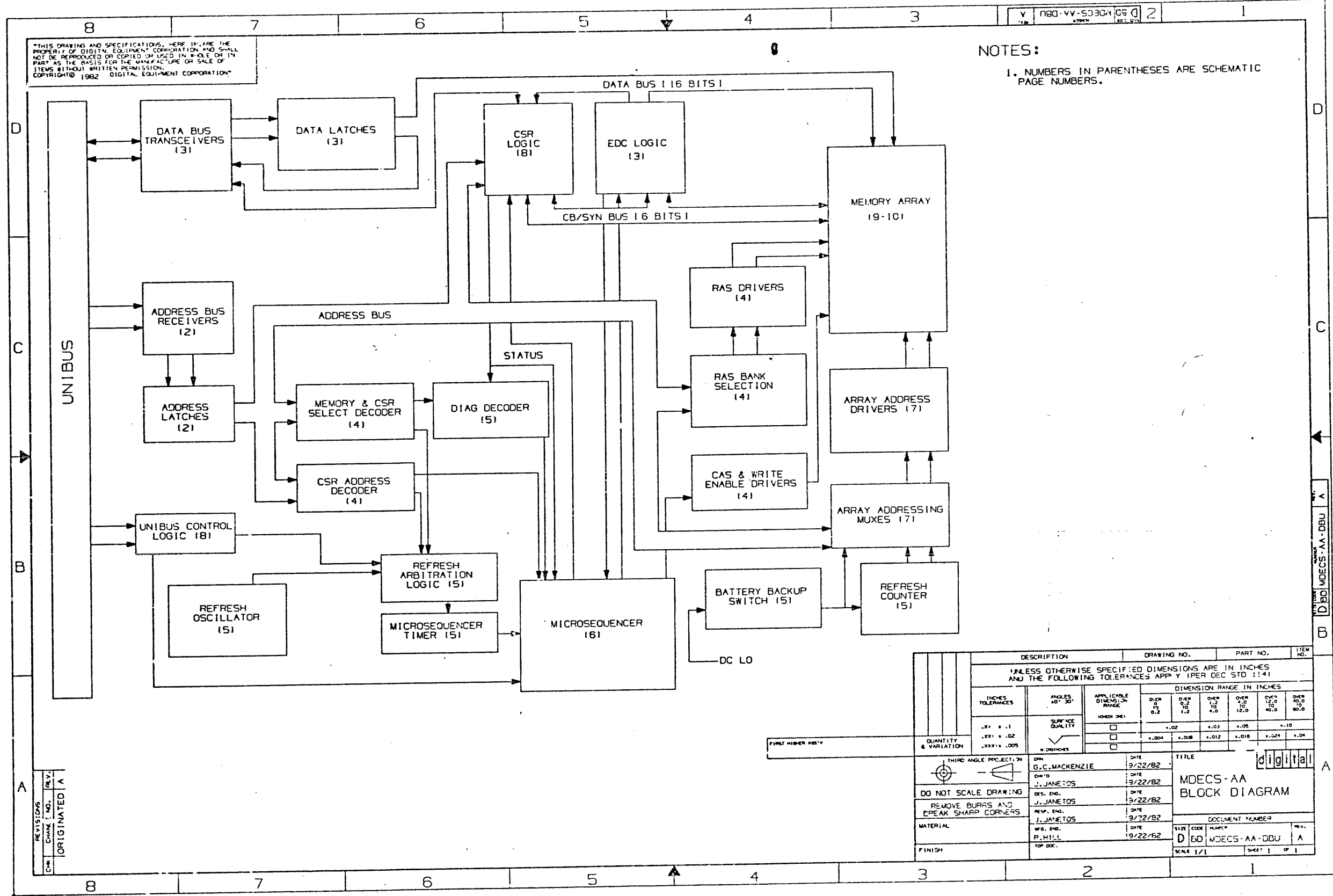
COPYRIGHT • 1982 DIGITAL EQUIPMENT CORPORATION



USED ON OPTION/MODEL		DRN. L PETERSON	DATE 7/21/82	TITLE	
DECSA-A		CHK'D <i>James P. Janetos</i>	DATE 7/21/82	MDECS-AA 256 x 22 MOS MEMORY SYS	
		DES. ENG. <i>James P. Janetos</i> J. JANEYOS	DATE 7/21/82	DOCUMENT NUMBER	
		RESP. ENG. <i>James P. Janetos</i> J. JANEYOS	DATE 7/21/82	SIZE B DD	NUMBER MDECS-AA
		MFG. ENG. <i>R. Hill</i> RON HILL	DATE 7/21/82	REV. A	
				SHEET 1 OF 1	

"THIS DRAWING AND SPECIFICATIONS, HEREIN, ARE THE PROPERTY OF DIGITAL EQUIPMENT CORPORATION AND SHALL NOT BE REPRODUCED OR COPIED IN WHOLE OR IN PART AS THE BASIS FOR THE MANUFACTURE OR SALE OF ITEMS WITHOUT WRITTEN PERMISSION. COPYRIGHT © 1982 DIGITAL EQUIPMENT CORPORATION"

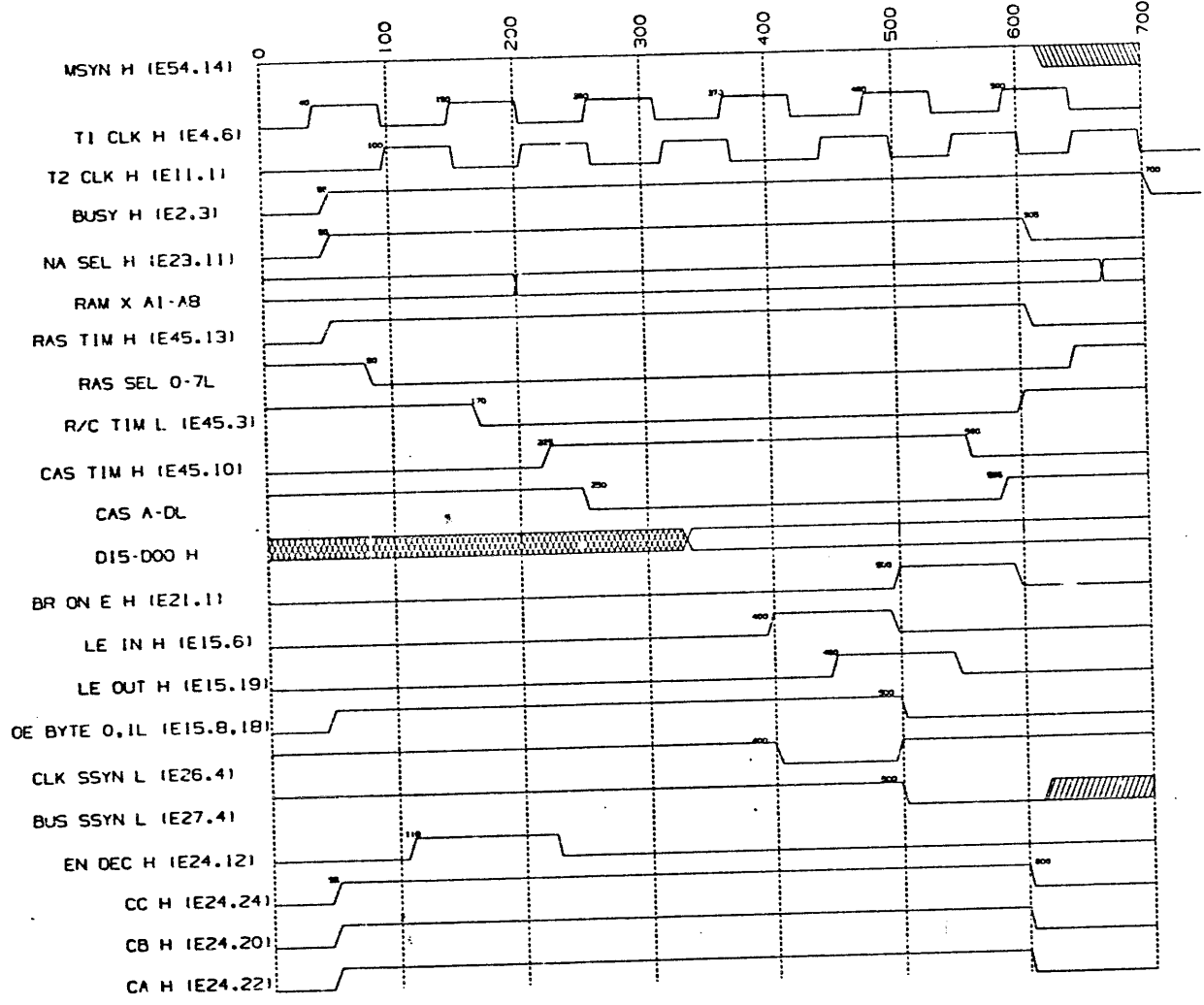
NOTES:
1. NUMBERS IN PARENTHESES ARE SCHEMATIC PAGE NUMBERS.



REVISIONS
REV. NO. DATE
ORIGINATED

DESCRIPTION	DRAWING NO.	PART NO.	ITEM NO.									
UNLESS OTHERWISE SPECIFIED DIMENSIONS ARE IN INCHES AND THE FOLLOWING TOLERANCES APPLY (PER DEC STD 1:1)												
INCHES TOLERANCES	ANGLES 10°-30°	APPLICABLE DIMENSION RANGE										
		DIMENSION RANGE IN INCHES										
.01	.01	0.00	0.12	0.12	0.25	0.25	0.50	0.50	1.00	1.00		
.02	.02	0.12	0.25	0.25	0.50	0.50	1.00	1.00	1.00	1.00		
.05	.05	0.50	1.00	1.00	1.00	1.00	1.00	1.00	1.00	1.00		
.10	.10	1.00	1.00	1.00	1.00	1.00	1.00	1.00	1.00	1.00		
.15	.15	1.00	1.00	1.00	1.00	1.00	1.00	1.00	1.00	1.00		
.20	.20	1.00	1.00	1.00	1.00	1.00	1.00	1.00	1.00	1.00		
.30	.30	1.00	1.00	1.00	1.00	1.00	1.00	1.00	1.00	1.00		
.40	.40	1.00	1.00	1.00	1.00	1.00	1.00	1.00	1.00	1.00		
.50	.50	1.00	1.00	1.00	1.00	1.00	1.00	1.00	1.00	1.00		
.75	.75	1.00	1.00	1.00	1.00	1.00	1.00	1.00	1.00	1.00		
1.00	1.00	1.00	1.00	1.00	1.00	1.00	1.00	1.00	1.00	1.00		
QUANTITY & VARIATION		FIRST NUMBER ONLY		THIRD ANGLE PROJECTION		DATE 9/22/82		TITLE				
DO NOT SCALE DRAWING		REMOVE BURRS AND BREAK SHARP CORNERS		MATERIAL		FINISH		MDECS-AA BLOCK DIAGRAM				
DRAWN BY G.C. MACKENZIE		DATE 9/22/82		DESIGNED BY J. JANETOS		DATE 9/22/82		DRAWN BY J. JANETOS			DATE 9/22/82	
CHECKED BY J. JANETOS		DATE 9/22/82		APPROVED BY J. JANETOS		DATE 9/22/82		DOCUMENT NUMBER				
SCALE 1/1		SHEET 1 OF 1		SIZE CODE		MDECS-AA-DBU		REVISION				

*THIS DRAWING AND SPECIFICATIONS HEREIN ARE THE PROPERTY OF DIGITAL EQUIPMENT CORPORATION AND SHALL NOT BE REPRODUCED OR COPIED OR USED IN WHOLE OR IN PART AS THE BASIS FOR THE MANUFACTURE OR SALE OF ITEMS WITHOUT WRITTEN PERMISSION.
 COPYRIGHT © 1982 DIGITAL EQUIPMENT CORPORATION*



(DATA, TIMING)

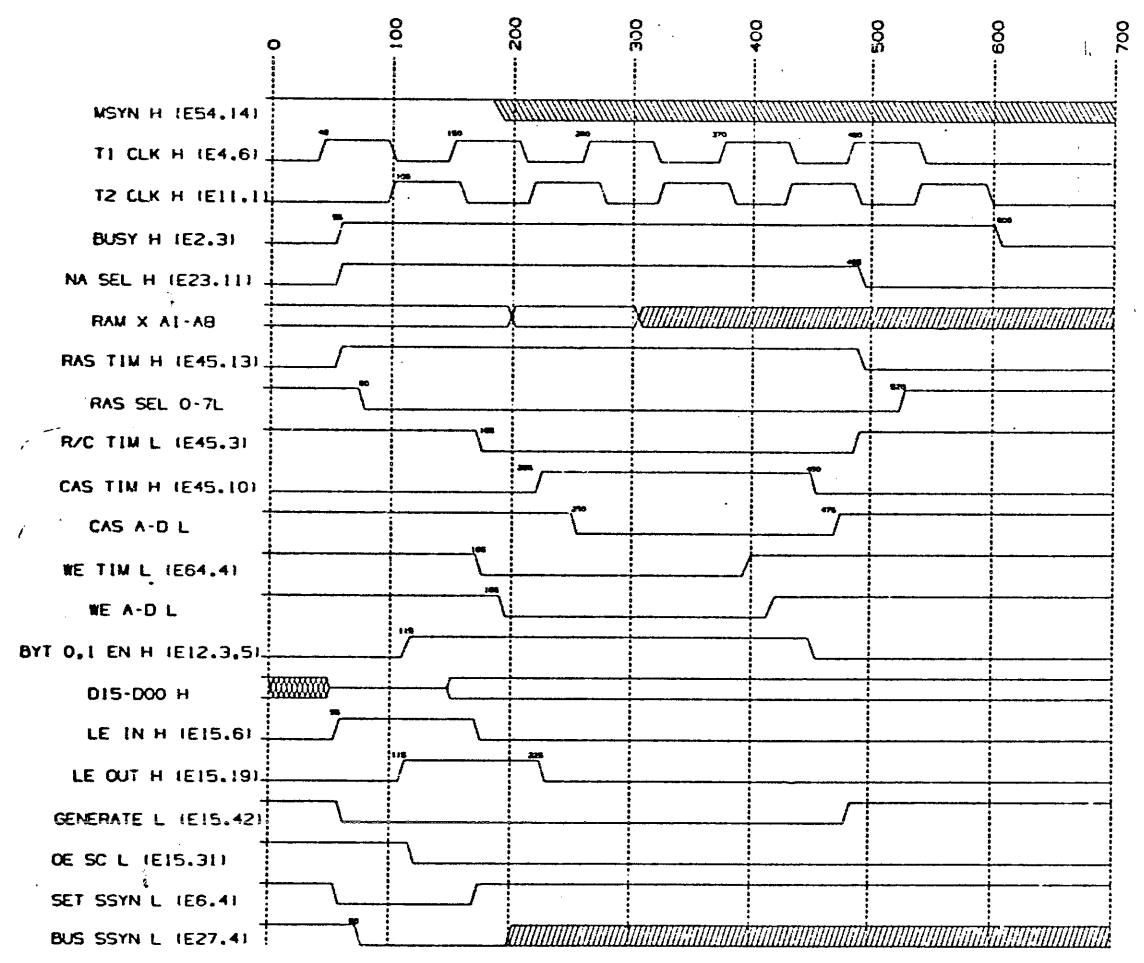
REVISIONS	REV.	A
CHANGE NO.		
ORIGINATED		

DESCRIPTION		DRAWING NO.	PART NO.	ITEM NO.
UNLESS OTHERWISE SPECIFIED DIMENSIONS ARE IN INCHES AND THE FOLLOWING TOLERANCES APPLY (PER DEC STD 114)				
INCHES TOLERANCES	ANGLES 90° ±30'	APPROXIMATE DIMENSION RANGE		
		OVER 0 TO 0.2	OVER 0.2 TO 1.2	OVER 1.2 TO 4.0
.XX ± .02	SURFACE QUALITY	0.2	0.05	0.05
.XXX ± .005		0.004	0.008	0.012
QUANTITY & VARIATION	WIDE-ANGLES	0.018	0.024	0.034
FIRST HIGHER POS*	THIRD ANGLE PROJECTION	DATE	TITLE	
		C.W. FIELD	MEMORY SYSTEM TIMING	
		J. JANETOS	digital	
DO NOT SCALE DRAWING		J. JANETOS	DOCUMENT NUMBER	
REMOVE BURRS AND BREAK SHARP CORNERS		J. JANETOS	D TO MCECS-AA-DBU A	
MATERIAL		R. HILL	SCALE NONE	SHEET 1 OF 5
FINISH				

"THIS DRAWING AND SPECIFICATIONS, HEREIN, ARE THE PROPERTY OF DIGITAL EQUIPMENT CORPORATION AND SHALL NOT BE REPRODUCED OR COPIED OR USED IN WHOLE OR IN PART AS THE BASIS FOR THE MANUFACTURE OR SALE OF ITEMS WITHOUT WRITTEN PERMISSION. COPYRIGHT © 1982 DIGITAL EQUIPMENT CORPORATION"

V 180-VV-5030W D11

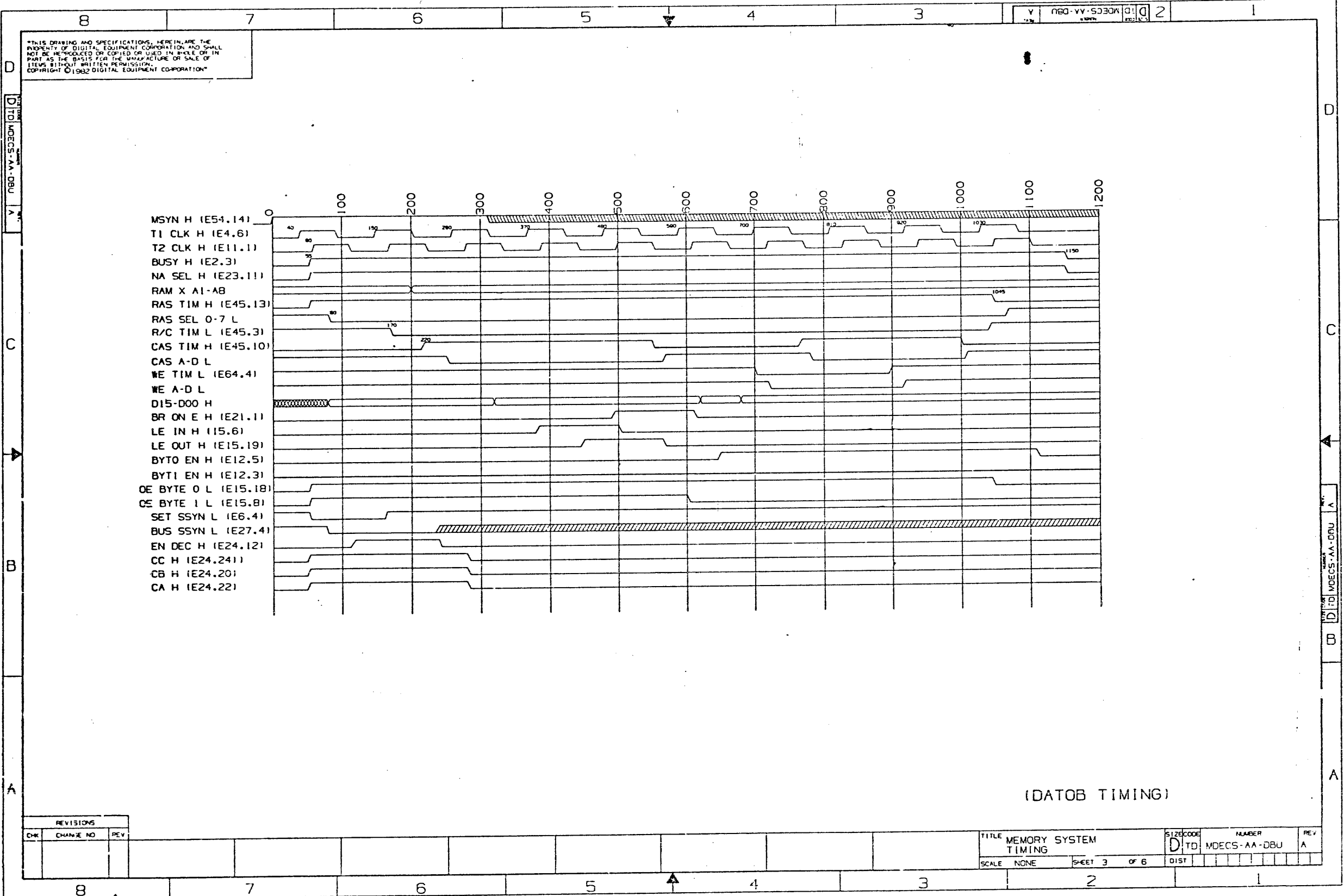
V 180-VV-5030W D11 2



(DATA TIMING)

REVISIONS		
CHR	CHANGE NO	REV

TITLE	MEMORY SYSTEM	SIZE/CD	D	NUMBER	MDECS-AA-CBU	REV	A
SCALE	NONE	SHEET	2	OF	6	DIST	



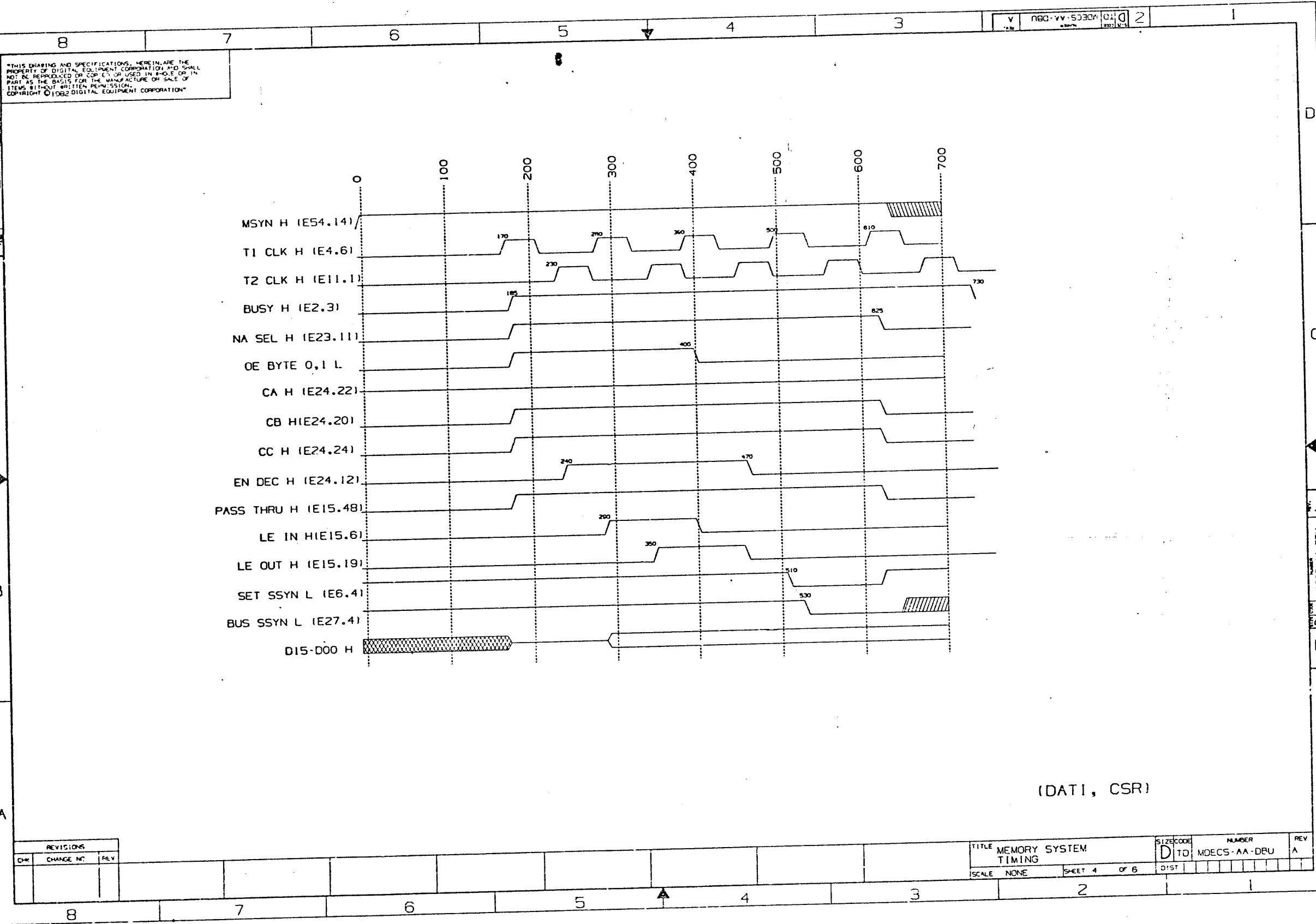
THIS DRAWING AND SPECIFICATIONS, HEREIN, ARE THE PROPERTY OF DIGITAL EQUIPMENT CORPORATION AND SHALL NOT BE REPRODUCED OR COPIED OR USED IN WHOLE OR IN PART AS THE BASIS FOR THE MANUFACTURE OR SALE OF ITEMS WITHOUT WRITTEN PERMISSION. COPYRIGHT © 1982 DIGITAL EQUIPMENT CORPORATION

D T D MOECS-AA-DBU

C

B

A



(DAT1, CSR)

REVISIONS		
D#	CHANGE NO.	REV.

TITLE	MEMORY SYSTEM	SIZE CODE	D T D	NUMBER	MOECS-AA-DBU	REV	A
SCALE	NONE	SHEET	4	OF	6	01ST	

8 7 6 5 4 3 2 1

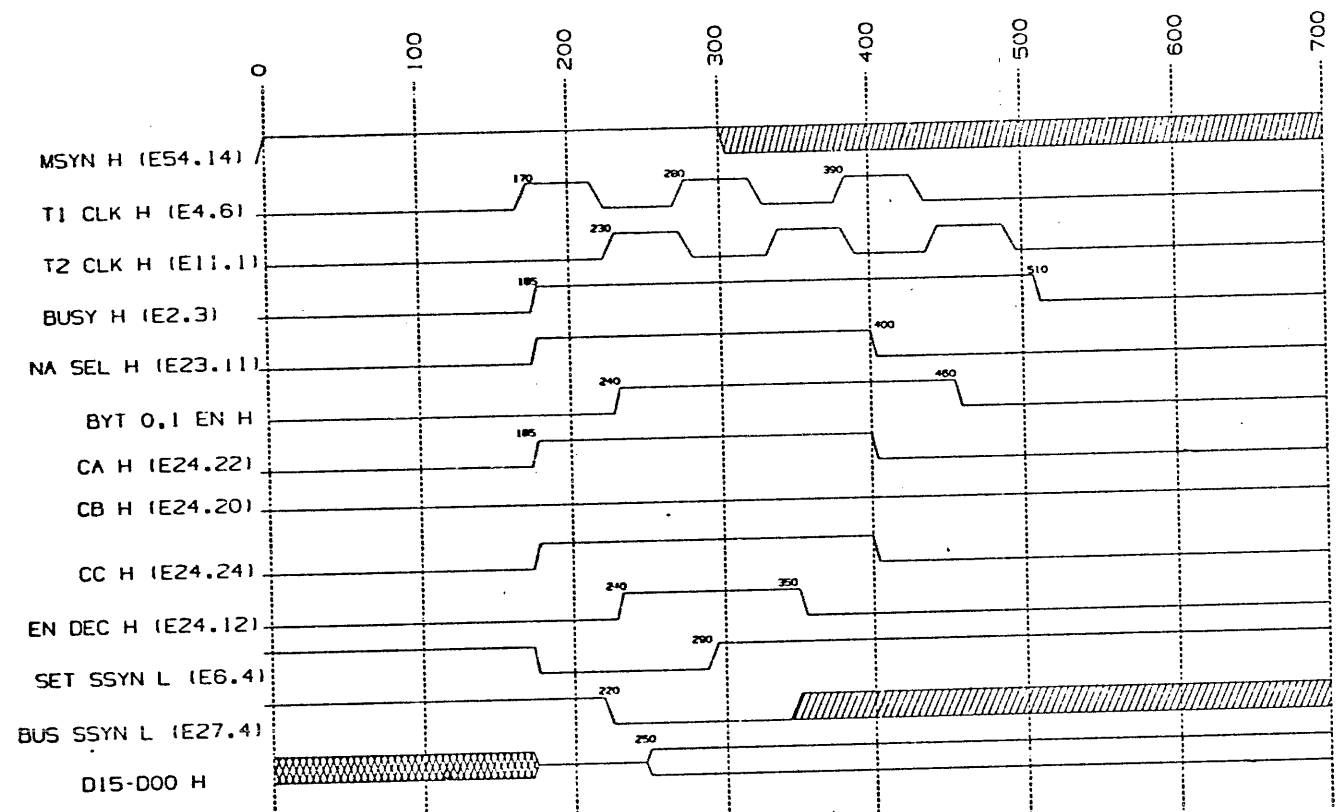
THIS DRAWING AND SPECIFICATIONS HEREIN ARE THE PROPERTY OF DIGITAL EQUIPMENT CORPORATION AND SHALL NOT BE REPRODUCED OR COPIED OR USED IN WHOLE OR IN PART AS THE BASIS FOR THE MANUFACTURE OR SALE OF ITEMS WITHOUT WRITTEN PERMISSION. COPYRIGHT © 1982 DIGITAL EQUIPMENT CORPORATION

DITD M0ECS-AA-DBU

C

B

A



(DATO, CSR)

REVISIONS		
CHK	CHANGE NO	REV

TITLE	MEMORY SYSTEM TIMING	SIZE/COOR	DITD	NUMBER	M0ECS-AA-DBU	REV	A
SCALE	NONE	SHEET	5	OF	5	DIST	

D

C

A

B

A

DITD M0ECS-AA-DBU

8

7

6

5

4

3

2

1

DITD M0ECS-AA-DBU

1

3

4

5

6

7

8

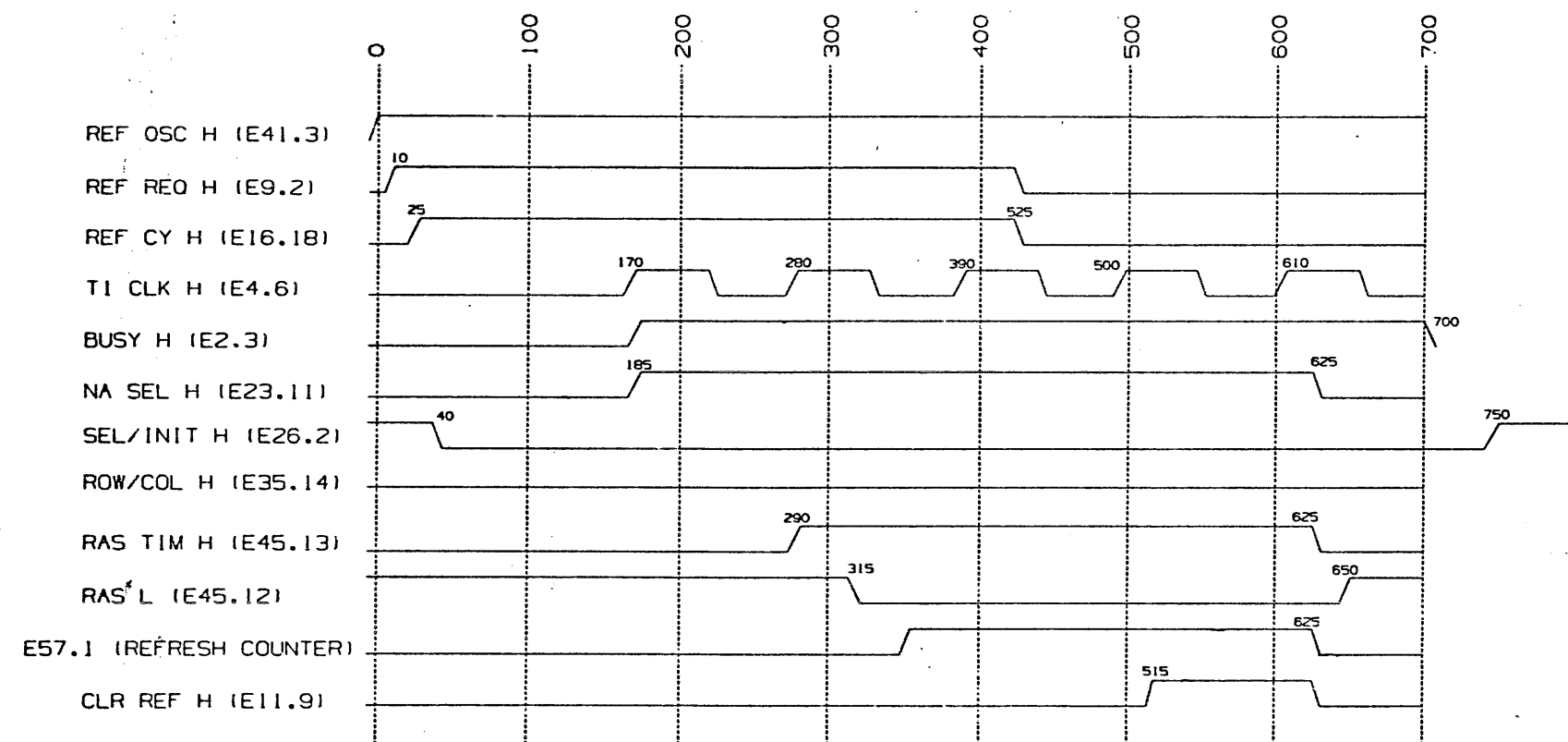
"THIS DRAWING AND SPECIFICATIONS, HEREIN, ARE THE PROPERTY OF DIGITAL EQUIPMENT CORPORATION AND SHALL NOT BE REPRODUCED OR COPIED OR USED IN WHOLE OR IN PART AS THE BASIS FOR THE MANUFACTURE OR SALE OF ITEMS WITHOUT WRITTEN PERMISSION. COPYRIGHT © 1982 DIGITAL EQUIPMENT CORPORATION"

D 10 MDECS-AA-DBU A

C

B

A



(REFRESH TIMING)

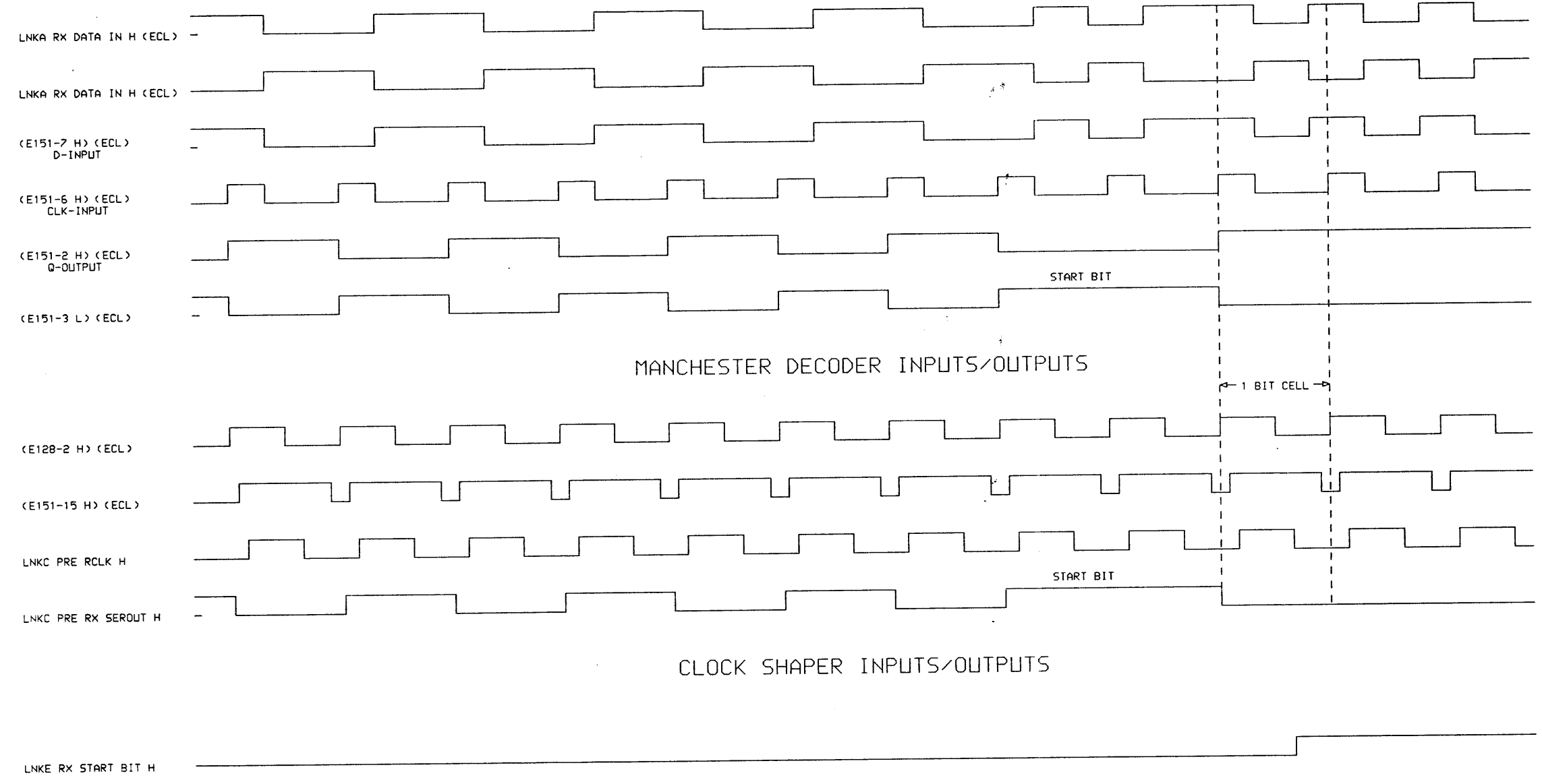
REVISIONS		
CHK	CHANGE NO	REV

D 10 MDECS-AA-DBU A

A

PREAMBLE 0 1 1 1 0 1 1 1 0 1 1 1 0 1 0 0 0

DATA 0 1 0 0



RECEIVE DATA DECODE AND CLOCK GENERATOR-LNKC
TIMING DIAGRAM-2

THIS DRAWING AND SPECIFICATIONS ARE THE PROPERTY OF DIGITAL EQUIPMENT CORPORATION AND SHALL NOT BE REPRODUCED OR COPIED OR USED IN WHOLE OR IN PART AS THE BASIS FOR THE MANUFACTURE OR SALE OF ITEMS WITHOUT WRITTEN PERMISSION. COPYRIGHT © 1982, DIGITAL EQUIPMENT CORPORATION.

REVISIONS		
CHK	CHANGE NO.	REV.

digital DRN. G.M. HAFNER DATE 17-NOV-82 ENG. Neil Bloomberg DATE 17-NOV-82
 CHK'D. DATE 17-NOV-82 BOARD LOCATION: SHEET 1 OF 1
 DSKD:CSARGENT.LNK.TDB.DRW.17-NOV-82 11:02 NEXT HIGHER ASSEMBLY: D-UA-M7793-0-0
 FIRST USED ON OPTION/MODEL: DELUNA

TITLE: DEUNA LINK MODULE (LNK)
 SIZE CODE NUMBER REV. K TD M7793-0-TDB A

REV. A
 NUMBER M7793-0-TDB
 CODE TD
 B
 A

THIS DRAWING AND THE SPECIFICATIONS CONTAINED HEREIN ARE CONFIDENTIAL AND PROPRIETARY. THEY ARE THE PROPERTY OF DIGITAL EQUIPMENT CORPORATION AND SHALL NOT BE REPRODUCED OR COPIED OR USED IN WHOLE OR IN PART AS THE BASIS FOR MANUFACTURING OR SALE OF ITEMS WITHOUT WRITTEN PERMISSION. THIS IS AN UNPUBLISHED WORK PROTECTED UNDER THE FEDERAL COPYRIGHT LAWS.

FIELD MAINTENANCE PRINT SET

TABLE OF CONTENTS			UNIT VARIATIONS COVERED BY THIS PRINT SET	
K-DD-DEUNA-0	DEUNA DRAWING DIRECTORY			DEUNA
E-UA-DEUNA-0-0	DEUNA UNIT ASSEMBLY		DEUNA-AA	
K-PL-DEUNA-0-0	DEUNA PARTS LIST		DEUNA-KP	FIELD MAINTENANCE PRINT SET
K-DD-M7792-0	M7792 DEUNA PORT MODULE DWG DIR		DEUNA-M	
D-UA-M7792-0-0	M7792 UNIT ASSEMBLY			
D-EC-5015542-0-0	M7792 ETCH CUT DRAWING			
K-PL-M7792-0-DBP	M7792 PARTS LIST			
K-CS-M7792-0-BD1	M7792 CIRCUIT SCHEMATIC			DIGITAL EQUIPMENT CORPORATION
K-CS-M7792-0-CRI	M7792 CIRCUIT SCHEMATIC			PRINT SET ORDER NO.
K-CS-M7792-0-IRA	M7792 CIRCUIT SCHEMATIC			MP01378 REV A1
K-CS-M7792-0-IRB	M7792 CIRCUIT SCHEMATIC			
K-CS-M7792-0-IRC	M7792 CIRCUIT SCHEMATIC			
K-CS-M7792-0-IRD	M7792 CIRCUIT SCHEMATIC			
K-CS-M7792-0-IRE	M7792 CIRCUIT SCHEMATIC			
K-CS-M7792-0-IRF	M7792 CIRCUIT SCHEMATIC			
K-CS-M7792-0-LSM	M7792 CIRCUIT SCHEMATIC			
K-CS-M7792-0-PRTA	M7792 CIRCUIT SCHEMATIC			
K-CS-M7792-0-PRTB	M7792 CIRCUIT SCHEMATIC			
K-CS-M7792-0-PRTC	M7792 CIRCUIT SCHEMATIC			
K-CS-M7792-0-PRTD	M7792 CIRCUIT SCHEMATIC			
K-CS-M7792-0-PRTE	M7792 CIRCUIT SCHEMATIC			
K-CS-M7792-0-PRTF	M7792 CIRCUIT SCHEMATIC			
K-CS-M7792-0-PRTH	M7792 CIRCUIT SCHEMATIC			
K-CS-M7792-0-PRTJ	M7792 CIRCUIT SCHEMATIC			
K-CS-M7792-0-PRTK	M7792 CIRCUIT SCHEMATIC			
K-CS-M7792-0-PRTL	M7792 CIRCUIT SCHEMATIC			
K-CS-M7792-0-PRTM	M7792 CIRCUIT SCHEMATIC			
K-CS-M7792-0-PRTN	M7792 CIRCUIT SCHEMATIC			
K-CS-M7792-0-PRTP	M7792 CIRCUIT SCHEMATIC			
K-CS-M7792-0-PRTR	M7792 CIRCUIT SCHEMATIC			
K-CS-M7792-0-PRTS	M7792 CIRCUIT SCHEMATIC			

REVISION HISTORY			CONT. REVISION HISTORY			MADE BY: R. J. RILEY		DATE: 10 JAN 83	
REV	ECO NUMBER	DATE	REV	ECO NUMBER	DATE	CHECKED BY: <i>R. J. Riley</i> 27-MAR 85		DATE: 10 JAN 83	
A	INITIAL					PROJECT ENGR: M. STECKLAIR <i>M</i>		DATE: 10 JAN 83 <i>27 Mar 85</i>	
B	DEUNA-MK002	08 MAR 85				RSPBLE ENGR: M. STECKLAIR <i>M</i>		DATE: 10 JAN 83 <i>27 Mar 85</i>	
						FIELD SERVICE: D. DUNCAN		DATE: 10 JAN 83	

d i g i t a l			
TITLE: FIELD MAINTENANCE PRINT SET			
DEUNA			
SIZE	CODE	DOCUMENT NUMBER	REV.
K	TC	DEUNA-0-1	B
SHEET 1 OF 4			MKO

THIS DRAWING AND THE SPECIFICATIONS CONTAINED HEREIN ARE CONFIDENTIAL AND PROPRIETARY. THEY ARE THE PROPERTY OF DIGITAL EQUIPMENT CORPORATION AND SHALL NOT BE REPRODUCED OR COPIED OR USED IN WHOLE OR IN PART AS THE BASIS FOR MANUFACTURING OR SALE OF ITEMS WITHOUT WRITTEN PERMISSION. THIS IS AN UNPUBLISHED WORK PROTECTED UNDER THE FEDERAL COPYRIGHT LAWS.

FIELD MAINTENANCE PRINT SET

TABLE OF CONTENTS - CONTINUED

K-CS-M7792-0-SD1	M7792 CIRCUIT SCHEMATIC
K-CS-M7792-0-SD2	M7792 CIRCUIT SCHEMATIC
K-CS-M7792-0-SD3	M7792 CIRCUIT SCHEMATIC
K-CS-M7792-0-TD1	M7792 CIRCUIT SCHEMATIC
K-CS-M7792-0-TD2	M7792 CIRCUIT SCHEMATIC
K-CS-M7792-0-TD3	M7792 CIRCUIT SCHEMATIC
K-CS-M7792-0-TD4	M7792 CIRCUIT SCHEMATIC
K-CS-M7792-0-TD5	M7792 CIRCUIT SCHEMATIC
K-CS-M7792-0-TD6	M7792 CIRCUIT SCHEMATIC
K-CS-M7792-0-TD7	M7792 CIRCUIT SCHEMATIC
K-CS-M7792-0-TD8	M7792 CIRCUIT SCHEMATIC
K-CS-M7792-0-TT1	M7792 CIRCUIT SCHEMATIC
K-CS-M7792-0-TT2	M7792 CIRCUIT SCHEMATIC
K-CS-M7792-0-TT3	M7792 CIRCUIT SCHEMATIC
K-CS-M7792-0-TT4	M7792 CIRCUIT SCHEMATIC
K-CS-M7792-0-TT5	M7792 CIRCUIT SCHEMATIC
K-CS-M7792-0-TT6	M7792 CIRCUIT SCHEMATIC
K-CS-M7792-0-TT7	M7792 CIRCUIT SCHEMATIC
K-CS-M7792-0-TT8	M7792 CIRCUIT SCHEMATIC
K-CS-M7792-0-TT9	M7792 CIRCUIT SCHEMATIC
K-DD-M7793-0	M7793 DEUNA LINK MODULE DWG DIR
D-UA-M7793-0-0	M7793 UNIT ASSEMBLY
D-EC-5015005-0-0	M7793 ETCH CUT DRAWING
K-PL-M7793-0-DBP	M7793 PARTS LIST
K-CS-M7793-0-BD1	M7793 CIRCUIT SCHEMATIC
K-CS-M7793-0-IR1	M7793 CIRCUIT SCHEMATIC
K-CS-M7793-0-IR2	M7793 CIRCUIT SCHEMATIC
K-CS-M7793-0-LNKA	M7793 CIRCUIT SCHEMATIC
K-CS-M7793-0-LNKB	M7793 CIRCUIT SCHEMATIC
K-CS-M7793-0-LNKC	M7793 CIRCUIT SCHEMATIC

UNIT VARIATIONS
COVERED BY THIS
PRINT SET

DEUNA
FIELD MAINTENANCE PRINT SET

DIGITAL EQUIPMENT CORPORATION
PRINT SET ORDER NO.
MP01378

REVISION HISTORY			CONT. REVISION HISTORY			MADE BY:	d i g i t a l
REV	ECO NUMBER	DATE	REV	ECO NUMBER	DATE	DATE:	
						CHECKED BY:	TITLE: FIELD MAINTENANCE PRINT SET DEUNA
						DATE:	
						PROJECT ENGR:	
						DATE:	SIZE CODE DOCUMENT NUMBER REV. K TC DEUNA-0-1 B
						RSPBLE ENGR:	
						DATE:	
						FIELD SERVICE:	SHEET 2 OF 4 MKO
						DATE:	

THIS DRAWING AND THE SPECIFICATIONS CONTAINED HEREIN ARE CONFIDENTIAL AND PROPRIETARY. THEY ARE THE PROPERTY OF DIGITAL EQUIPMENT CORPORATION AND SHALL NOT BE REPRODUCED OR COPIED OR USED IN WHOLE OR IN PART AS THE BASIS FOR MANUFACTURING OR SALE OF ITEMS WITHOUT WRITTEN PERMISSION. THIS IS AN UNPUBLISHED WORK PROTECTED UNDER THE FEDERAL COPYRIGHT LAWS.

FIELD MAINTENANCE PRINT SET

TABLE OF CONTENTS CONTINUED

K-CS-M7793-0-LNKD	M7793	CIRCUIT	SCHEMATIC
K-CS-M7793-0-LNKE	M7793	CIRCUIT	SCHEMATIC
K-CS-M7793-0-LNKF	M7793	CIRCUIT	SCHEMATIC
K-CS-M7793-0-LNKH	M7793	CIRCUIT	SCHEMATIC
K-CS-M7793-0-LNKJ	M7793	CIRCUIT	SCHEMATIC
K-CS-M7793-0-LNKK	M7793	CIRCUIT	SCHEMATIC
K-CS-M7793-0-LNKL	M7793	CIRCUIT	SCHEMATIC
K-CS-M7793-0-LNKM	M7793	CIRCUIT	SCHEMATIC
K-CS-M7793-0-LNKN	M7793	CIRCUIT	SCHEMATIC
K-CS-M7793-0-LNKP	M7793	CIRCUIT	SCHEMATIC
K-CS-M7793-0-LNKR	M7793	CIRCUIT	SCHEMATIC
K-CS-M7793-0-LNKS	M7793	CIRCUIT	SCHEMATIC
K-CS-M7793-0-LNKT	M7793	CIRCUIT	SCHEMATIC
K-CS-M7793-0-SD1	M7793	CIRCUIT	SCHEMATIC
K-CS-M7793-0-SD2	M7793	CIRCUIT	SCHEMATIC
K-CS-M7793-0-SD3	M7793	CIRCUIT	SCHEMATIC
K-CS-M7793-0-SD4	M7793	CIRCUIT	SCHEMATIC
K-CS-M7793-0-TDA	M7793	CIRCUIT	SCHEMATIC
K-CS-M7793-0-TDB	M7793	CIRCUIT	SCHEMATIC
K-CS-M7793-0-TDC	M7793	CIRCUIT	SCHEMATIC
K-CS-M7793-0-TDD	M7793	CIRCUIT	SCHEMATIC
K-CS-M7793-0-TDE	M7793	CIRCUIT	SCHEMATIC
K-CS-M7793-0-TDF	M7793	CIRCUIT	SCHEMATIC
K-CS-M7793-0-TDH	M7793	CIRCUIT	SCHEMATIC
K-CS-M7793-0-TDJ	M7793	CIRCUIT	SCHEMATIC
K-CS-M7793-0-TDK	M7793	CIRCUIT	SCHEMATIC
K-CS-M7793-0-TDL	M7793	CIRCUIT	SCHEMATIC
K-CS-M7793-0-TDM	M7793	CIRCUIT	SCHEMATIC
K-CS-M7793-0-TDN	M7793	CIRCUIT	SCHEMATIC
K-CS-M7793-0-TDP	M7793	CIRCUIT	SCHEMATIC

UNIT VARIATIONS COVERED BY THIS PRINT SET

DEUNA
 FIELD MAINTENANCE PRINT SET

 DIGITAL EQUIPMENT CORPORATION
 PRINT SET ORDER NO.
 MP01378

REVISION HISTORY			CONT. REVISION HISTORY			MADE BY:	d i g i t a l	
REV	ECO NUMBER	DATE	REV	ECO NUMBER	DATE	DATE:		
						CHECKED BY:	TITLE: FIELD MAINTENANCE PRINT SET DEUNA	
						DATE:		
						PROJECT ENGR:		
						DATE:		
						RSPBLE ENGR:		
						DATE:		
						FIELD SERVICE:	SIZE CODE DOCUMENT NUMBER REV.	
						DATE:	K TC DEUNA-0-1 B	
							SHEET 3 OF 4	MKO

THIS DRAWING AND THE SPECIFICATIONS CONTAINED HEREIN ARE CONFIDENTIAL AND PROPRIETARY. THEY ARE THE PROPERTY OF DIGITAL EQUIPMENT CORPORATION AND SHALL NOT BE REPRODUCED OR COPIED OR USED IN WHOLE OR IN PART AS THE BASIS FOR MANUFACTURING OR SALE OF ITEMS WITHOUT WRITTEN PERMISSION. THIS IS AN UNPUBLISHED WORK PROTECTED UNDER THE FEDERAL COPYRIGHT LAWS.

FIELD MAINTENANCE PRINT SET

TABLE OF CONTENTS CONTINUED

		UNIT VARIATIONS COVERED BY THIS PRINT SET
K-CS-M7793-0-TDR	M7793 CIRCUIT SCHEMATIC	DEUNA
K-CS-M7793-0-TDS	M7793 CIRCUIT SCHEMATIC	
K-CS-M7793-0-TDT	M7793 CIRCUIT SCHEMATIC	FIELD MAINTENANCE PRINT SET
K-CS-M7793-0-TDU	M7793 CIRCUIT SCHEMATIC	
K-CS-M7793-0-TDV	M7793 CIRCUIT SCHEMATIC	
K-CS-M7793-0-TDW	M7793 CIRCUIT SCHEMATIC	
K-CS-M7793-0-TTA	M7793 CIRCUIT SCHEMATIC	
K-CS-M7793-0-TTB	M7793 CIRCUIT SCHEMATIC	DIGITAL EQUIPMENT CORPORATION
K-CS-M7793-0-TTC	M7793 CIRCUIT SCHEMATIC	PRINT SET ORDER NO.
K-CS-M7793-0-TTD	M7793 CIRCUIT SCHEMATIC	
K-CS-M7793-0-TTE	M7793 CIRCUIT SCHEMATIC	
K-CS-M7793-0-TTF	M7793 CIRCUIT SCHEMATIC	MP01378
K-CS-M7793-0-TTH	M7793 CIRCUIT SCHEMATIC	
K-CS-M7793-0-TTJ	M7793 CIRCUIT SCHEMATIC	
K-CS-M7793-0-TTK	M7793 CIRCUIT SCHEMATIC	
K-CS-M7793-0-TTL	M7793 CIRCUIT SCHEMATIC	
K-CS-M7793-0-TTM	M7793 CIRCUIT SCHEMATIC	
K-CS-M7793-0-TTN	M7793 CIRCUIT SCHEMATIC	
D-IA-BC08R-0-0	I/O CABLE	
K-PL-BC08R-0-0	I/O CABLE PARTS LIST	
K-PL-CK-DEUNA-0-0	DEUNA CABINET KIT PARTS LIST	
D-IA-7018798-0-0	UNA BULKHEAD CABLE ASSEMBLY	
K-PL-7018798-0-0	UNA BULKHEAD CABLE ASSEMBLY PARTS LIST	
D-AD-7018799-0-0	UNA BULKHEAD ASSEMBLY	
K-PL-7018799-0-0	UNA BULKHEAD ASSEMBLY PARTS LIST	
B-IA-7018801-0-0	JUMPER WIRE	
B-DD-5415552-0	UNA BULKHEAD DRAWING DIRECTORY	
D-UA-5415552-0-0	UNA BULKHEAD UNIT ASSEMBLY	
K-PL-5415552-0-0	UNA BULKHEAD PARTS LIST	
K-CS-5415552-0-1	UNA BULKHEAD CIRCUIT SCHEMATIC	

REVISION HISTORY			CONT. REVISION HISTORY			MADE BY:	d i g i t a l							
REV	ECO NUMBER	DATE	REV	ECO NUMBER	DATE	DATE:								
						CHECKED BY:								
						DATE:	TITLE: FIELD MAINTENANCE PRINT SET							
						PROJECT ENGR:	DEUNA							
						DATE:								
						RSPBLE ENGR:								
						DATE:								
						FIELD SERVICE:	SIZE	CODE	DOCUMENT NUMBER	REV.				
						DATE:	K	TC	DEUNA-0-1	B				
							SHEET 4 OF 4				MKO			

THIS DRAWING AND THE SPECIFICATIONS CONTAINED HEREIN ARE CONFIDENTIAL AND PROPRIETARY. THEY ARE THE PROPERTY OF DIGITAL EQUIPMENT CORPORATION AND SHALL NOT BE REPRODUCED OR COPIED OR USED IN WHOLE OR IN PART AS THE BASIS FOR MANUFACTURING OR SALE OF ITEMS WITHOUT WRITTEN PERMISSION. THIS IS AN UNPUBLISHED WORK PROTECTED UNDER THE FEDERAL COPYRIGHT LAWS.

DRAWING DIRECTORY

FOR FIELD MAINTENANCE PRINT SET REFER TO K-TC-DEUNA-0-1

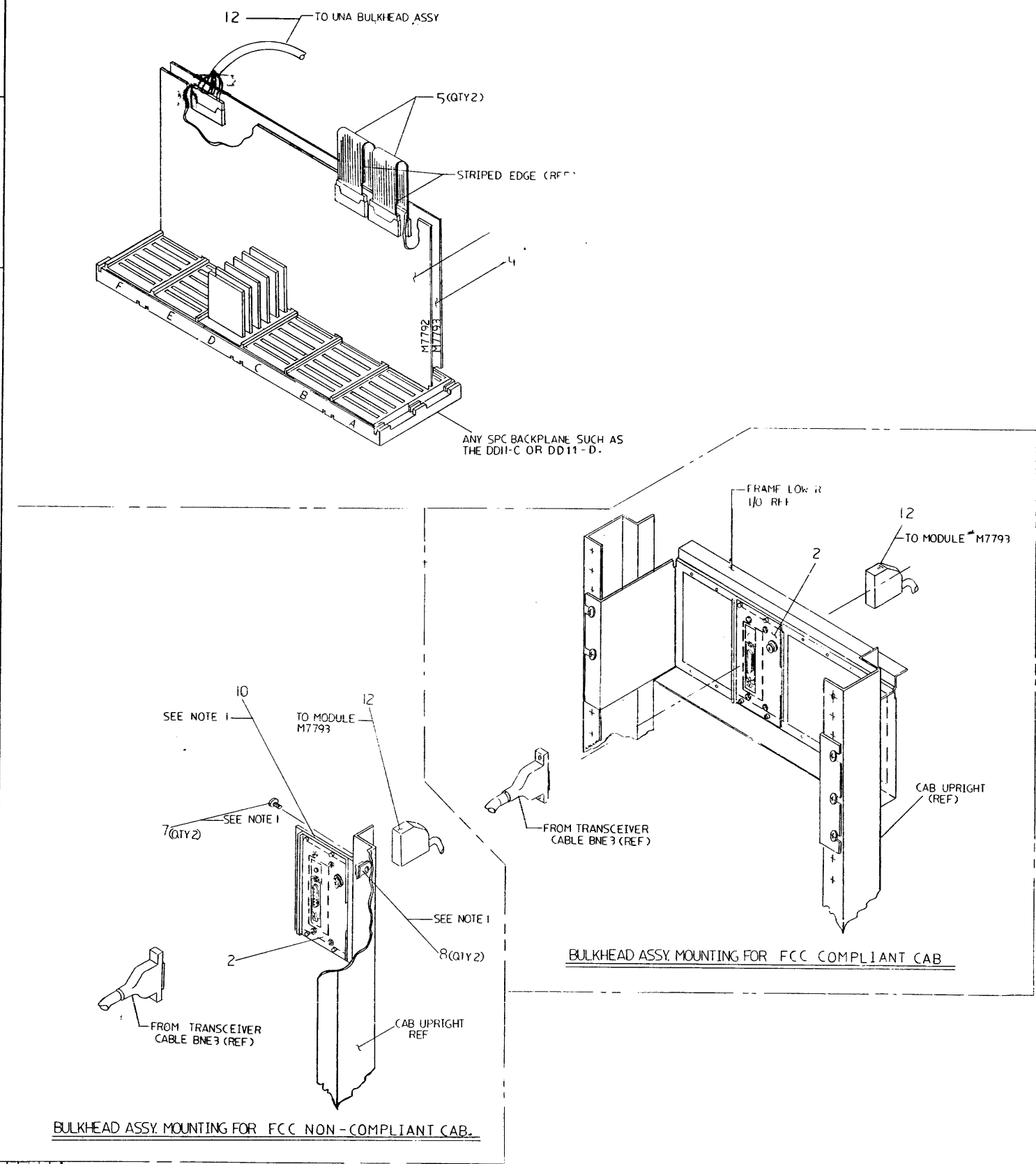
UNIT VARIATIONS	
VARIATION	TITLE
DEUNA-AA	OPTION DEUNA
DEUNA-KP	SYSTEM INTEGRATED DEUNA
DEUNA-M	DEUNA MODULE SET

REVISION HISTORY			USED ON OPTION/MODEL	RESPONSIBLE ENGR. : P. GILDEA <i>MM</i>	TITLE: DRAWING DIRECTORY
ENG	ECO NUMBER	REV		DATE: 10 OCT 82 <i>27 Mar 85</i>	
MS	DEUNA-TW001	B	DEUNA-AA, -M, -KP,	MADE BY : R. J. RILEY	OPTION, DEUNA
ML	DEUNA-MK002	C		DATE: 10 OCT 82 <i>27 MAR 85</i>	
				CHECKED BY : R. J. RILEY	
				DATE: 10 OCT 82	
				DESIGN ENGINEER : P. GILDEA <i>MM</i>	
				DATE: 10 OCT 82 <i>27 Mar 85</i>	
				PRODUCTION ENGR. : D. DUNCAN	SIZE CODE DOCUMENT NUMBER REV.
				DATE: 10 OCT 82	K DD DEUNA-0 C
					SHEET 1 OF 2
					MKO

F I N D	#	DRAWING NUMBER	DESCRIPTION	T Y P E	F I N D	#	DRAWING NUMBER	DESCRIPTION	T Y P E
	1	E-UA-DEUNA-Ø	OPTION, DEUNA	M					
		K-PL-DEUNA-Ø-DBP	PARTS LIST, OPTION, DEUNA	-					
		D-IA-7427292-Ø-DBU	FRAME, I/O DOUBLE QUAD	-					
		E-IA-74264Ø3-Ø-DBU	FRAME, LOWER I/O	-					
		K-TC-DEUNA-Ø-1	TABLE OF CONTENTS, DEUNA	-					
	2	B-DD-M7792-Ø	UNIBUS TO ETHERNET BUS MICROPROC.	E/M					
	3	B-DD-M7793-Ø	M7792 TO ETHERNET BUS LINE UNIT	E/M					
	4	D-AD-BCØ8R-Ø-Ø	I/O CABLE						
	5	D-IA-7Ø18798-Ø-Ø	UNA BULKHEAD CABLE ASSY	E					
	6	D-AD-7Ø18799-Ø-Ø	UNA BULKHEAD ASSY	E/M					
		D-IA-74264Ø4-Ø-Ø	PANEL, QUAD	-					
		K-PL-74264Ø4-Ø-Ø	PARTS LIST, PANEL QUAD	-					
		E-IA-742775Ø-Ø-Ø	PANEL, PLUTO BULKHEAD	-					
	7	B-IA-7Ø188Ø1-Ø-Ø	JUMPER WIRE ASSY	E					
	8	B-DD-5415552-Ø	UNA BULKHEAD	E					

TYPE: E ELECTRICAL	d	i	g	i	t	a	l	TITLE	DRAWING DIRECTORY	SIZE	CODE	DOCUMENT NUMBER	REV.
M MECHANICAL									OPTION, DEUNA	K	DD	DEUNA-Ø	C
E/M ELECTRO/MECHANICAL										SHEET	2 OF 2		MKO

THIS DRAWING AND SPECIFICATIONS HEREBY ARE THE PROPERTY OF DIGITAL EQUIPMENT CORPORATION AND SHALL NOT BE REPRODUCED OR COPIED OR USED IN WHOLE OR IN PART AS THE BASIS FOR THE MANUFACTURE OR SALE OF ITEMS WITHOUT WRITTEN PERMISSION. COPYRIGHT © 1982. DIGITAL EQUIPMENT CORPORATION



- NOTES:
1. WHEN MTG. OPTION IN FCC COMPLIANT CABINET, DISCARD ITEMS 7, 8 & 10.
 2. INSTALLATION NOTE: THE NPR GRANT JUMPER (CAI TO CBI) MUST BE REMOVED BEFORE M7792 (ITEM 3) IS INSTALLED. THIS JUMPER MUST BE INSTALLED IF THE DEUNA IS REMOVED FROM SYSTEM.
 3. THE BACKPLANE MODULE ORDER IS NOT FIXED.
 4. POWER NOTE: +5VDC @ 16A
-15VDC @ 1A

CAUTION: OFF SHEET PARTS LIST. SEE K-PL-DEUNA-0-0

REV.	DESCRIPTION	DATE
1	INITIAL DESIGN	12-28-83
2	DESIGN CHANGES	12-28-83
3	DESIGN CHANGES	12-28-83
4	DESIGN CHANGES	12-28-83
5	DESIGN CHANGES	12-28-83
6	DESIGN CHANGES	12-28-83
7	DESIGN CHANGES	12-28-83
8	DESIGN CHANGES	12-28-83

DESCRIPTION	DRAWING NO.	PART NO.	ITEM NO.				
UNLESS OTHERWISE SPECIFIED DIMENSIONS ARE IN INCHES AND THE FOLLOWING TOLERANCES APPLY (PER DEC STD 114)							
INCHES TOLERANCES	ANGLES ±0°30'	APPLICABLE DIMENSION RANGE	DIMENSION RANGE IN INCHES				
X - ± .1	SURFACE QUALITY	HOLE QUALITY	OVER .01	OVER .01	OVER .01	OVER .01	OVER .01
			TO .02	TO .02	TO .02	TO .02	TO .02
QUANTITY & VARIATION	THIRD ANGLE PROJECTION	DATE	TITLE				
DO NOT SCALE DRAWING	REMOVE BURRS AND BREAK SHARP CORNERS	DATE	OPTION DEUNA				
MATERIAL	DATE	DATE	DATE				
FINISH	DATE	DATE	DATE				

AUTOMATED BY PRILST,5R(55)

PARTS LIST

SHEET A1 OF A1

LINE	ITEM	TOP DOCUMENT	PART NUMBER	MIN REV	DESCRIPTION	QTY PER VARIATION		
						AA	M	KP
						A1	A1	A1
1	1	E-UA-DEUNA-0-0			OPTION DEUNA	REF	REF	REF
2	2	D-AD-7018799-0-0	7018799-00		UNA BULKHEAD ASSY.	1	REF	REF
3	3	O-UA-M7792-0-0	M7792-00		DEUNA PORT MODULE(UNIBUS TO ETHE	1	1	1
4	4	O-UA-M7793-0-0	M7793-00		DEUNA LINK MODULE(M7792 TO ETHER	1	1	1
5	5	SEE NOTE	BC08R-00		I/O CABLE	2	2	2
6	7		9006073-03		SCREW,MACH TRUSS PHIL 10-	2	REF	REF
7	8		9007786-00		RETAINER,U-NUT 10-32X	2	REF	REF
8	9	A-PA-3700713-0-0	3700713-01		PKG OPTION DEUNA-AA CUSTOMER	1	REF	REF
9	10	D-IA-7427292-0-DBU	7427292-01		FRAME,I/O DOUBLE QUAD	1	REF	REF
10	12	D-IA-7018798-0-0	7018798-08		UNA BULKHEAD CABLE ASSY.	1	REF	REF
11	13		3906557-00		BAG,POLY RECLOSE 2 MIL THK CLEA	1	REF	REF
12	14		EKDEUNA-UG		DEUNA USER'S GUIDE	1	1	1
13	15	K-PL-CKDEUNA-0-0	CKDEUNA-00		CABKIT REF TO K-AR-CKCKREF-0-0	REF	-	1

- 14 NOTE: NOTE 1. IF BC08R CABLE IS NOT AVAILABLE, BC08S-01 MAY
- 15 NOTE: BE USED IN ITS' PLACE.
- 16 NOTE: NOTE 2. ITEMS 7 & 8 TO BE PUT INTO ITEM 13 FOR SHIPPING.
- 17 NOTE: NOTE 3. CK-DEUNA-00 IS A REFERENCE VARIANT ONLY.
- 18 NOTE: SEE K-AR-CKCKREF-0-0 FOR EXACT VARIANT APPLICATION.

REVISION HISTORY			BASIC PART NO: DEUNA		DRN:	H. DENSMORE	DATE: 21-FEB-85	DIGITAL		
ENG:	ECO NUMBER	REV	SECTION A OF A		CHK'D:	<i>B. Fraser</i>	28-MAR-85	TITLE		PARTS LIST
ML	DEUNA-MK002	C	SECTION VARIATION INDEX			<i>M. Matlock</i>	28-FEB-85	DOCUMENT NUMBER		
			[A]	AA,M ,KP		<i>M. Matlock</i>	28-FEB-85	SIZE	CODE	NUMBER
			[B]		DES.ENG:	M. STECKLAIR	21-OCT-82			
			[C]		RESP.ENG.:	M. LAWRENCE	21-FEB-85	K	PL	DEUNA-0-0
			[D]							REV
			[E]		MFG.ENG.:	W. BROOKE	21-FEB-85	RELEASE DATE:		27-MAR-85
			[F]		ASSEMBLY NUMBER:		TOP DOCUMENT NUMBER:	FILE NAME:	EDIT #	
					E-UA-DEUNA-0-0		#K-DD-DEUNA-0	MK1178.PLS	4	

"THIS DRAWING AND THE SPECIFICATIONS CONTAINED HEREIN ARE CONFIDENTIAL AND PROPRIETARY. THEY ARE THE PROPERTY OF DIGITAL EQUIPMENT CORPORATION AND SHALL NOT BE REPRODUCED OR COPIED OR USED IN WHOLE OR IN PART AS THE BASIS FOR THE MANUFACTURE OR SALE OF ITEMS WITHOUT WRITTEN PERMISSION. THIS IS AN UNPUBLISHED WORK PROTECTED UNDER THE FEDERAL COPYRIGHT LAWS."

THIS DRAWING AND THE SPECIFICATIONS CONTAINED HEREIN ARE CONFIDENTIAL AND PROPRIETARY. THEY ARE THE PROPERTY OF DIGITAL EQUIPMENT CORPORATION AND SHALL NOT BE REPRODUCED OR COPIED OR USED IN WHOLE OR IN PART AS THE BASIS FOR MANUFACTURING OR SALE OF ITEMS WITHOUT WRITTEN PERMISSION. THIS IS AN UNPUBLISHED WORK PROTECTED UNDER THE FEDERAL COPYRIGHT LAWS.

DRAWING DIRECTORY

ITEM	DRAWING NO.	NO. OF SHTS	PART NO.	DESCRIPTION	TYPE	REVISIONS																	
						A	B	C	D	E	F	G	H	I	J	K	L						
1			M7792-00	DEUNA PORT MODULE		A	A	A	A	A	A	A	A										
2	D-UA-M7792-0-0	2		UNIT ASSEMBLY		A	B	B	B	B	B1	B1	B1										
3	D-EC-5015542-0-0	3		ETCH CUT		A	B	B	B	B	B1	B1	B1										
4			5015542-00	ETCH		B	B	B	B	B	B	B	B										
5	D-MD-5015542-0-0	5		DRILL & ETCH		A	A	A	A	A	A1	A1	A1										
6	K-PL-M7792-0-0	3		PARTS LIST		A	A	B	C	D	D1	D1	D1										
7	K-PC-M7792-0-DBI			PC DATABASE		B	B	B	B	B	B	B	B										
8	K-CS-M7792-0-DBS			SUDS DATABASE		A	B	C	C	C	C1	C1	C1										
9	K-CS-M7792-0-PRTA	1		SCHEMATIC		A	A	A	A	A	A1	A1	A1										
10	K-CS-M7792-0-PRTB	1		SCHEMATIC		A	A	A	A	A	A1	A1	A1										
11	K-CS-M7792-0-PRTC	1		SCHEMATIC		A	A	A	A	A	A1	A1	A1										
12	K-CS-M7792-0-PRTD	1		SCHEMATIC		A	B	B	B	B	B1	B1	B1										
13	K-CS-M7792-0-PRTE	1		SCHEMATIC		A	B	B	B	B	B1	B1	B1										
14	K-CS-M7792-0-PRTF	1		SCHEMATIC		A	A	A	A	A	A1	A1	A1										
15	K-CS-M7792-0-PRTH	1		SCHEMATIC		A	A	A	A	A	A1	A1	A1										
16	K-CS-M7792-0-PRTJ	1		SCHEMATIC		A	A	A	A	A	A1	A1	A1										
17	K-CS-M7792-0-PRTK	1		SCHEMATIC		A	B	B	B	B	B1	B1	B1										
18	K-CS-M7792-0-PRTL	1		SCHEMATIC		A	A	A	A	A	A1	A1	A1										
19	K-CS-M7792-0-PRTM	1		SCHEMATIC		A	B	B	B	B	B1	B1	B1										
20	K-CS-M7792-0-PRTN	1		SCHEMATIC		A	B	B	B	B	B1	B1	B1										
21	K-CS-M7792-0-PRTP	1		SCHEMATIC		A	A	B	B	B	B1	B1	B1										
22	K-CS-M7792-0-PRTR	1		SCHEMATIC		A	A	A	A	A	A1	A1	A1										
23	K-CS-M7792-0-PRTS	1		SCHEMATIC		A	A	A	A	A	A1	A1	A1										
24	K-CS-M7792-0-TT1	1		SCHEMATIC		A	A	A	A	A	A1	A1	A1										
25	K-CS-M7792-0-TT2	1		SCHEMATIC		A	A	A	A	A	A1	A1	A1										

NOTES: 1. SHEETS 1 & 2 OF THIS DD LIST THE REVISION LEVEL TO SUPPORT ETCH REV B.
 2. SHEETS 3 & 4 OF THIS DD LIST THE REVISION LEVEL TO SUPPORT ETCH REV C.

DD																							
REV	A	B	C	D	E	F	H	J															

REVISION HISTORY			CONT. REVISION HISTORY			MADE BY: T. WALSH DATE: 04 NOV 82		DIGITAL											
ENG	ECO NUMBER	REV	ENG	ECO NUMBER	REV	CHECKED BY: T. WALSH <i>JLC</i> 12-APR 85 DATE: 04 NOV 82		TITLE DRAWING DIRECTORY											
	INITIAL	A				DESIGN ENGINEER: M. LAWRENCE <i>ML</i> DATE: 02 APR 85 <i>4-17-85</i>		DEUNA PORT MODULE											
	M7792-TW001	B				RESPONSIBLE ENG: M. LAWRENCE <i>ML</i> DATE: 02 APR 85 <i>4-17-85</i>													
	M7792-TW002	C				PRODUCTION ENG: W. BROOKE DATE: 02 APR 85		SIZE CODE DOCUMENT NUMBER REV. K DD M7792-0 J											
	M7792-TW003	D				SHEET 1 OF 4 MKO													
	M7792-TW004	E																	
	M7792-TW005	F																	
	M7792-TW006	H																	
ML	M7792-MK007	J																	

THIS DRAWING AND THE SPECIFICATIONS CONTAINED HEREIN ARE CONFIDENTIAL AND PROPRIETARY. THEY ARE THE PROPERTY OF DIGITAL EQUIPMENT CORPORATION AND SHALL NOT BE REPRODUCED OR COPIED OR USED IN WHOLE OR IN PART AS THE BASIS FOR MANUFACTURING OR SALE OF ITEMS WITHOUT WRITTEN PERMISSION. THIS IS AN UNPUBLISHED WORK PROTECTED UNDER THE FEDERAL COPYRIGHT LAWS.

DRAWING DIRECTORY CONTINUED

ITEM	DRAWING NO.	NO. OF SHTS	PART NO.	DESCRIPTION	TYPE	REVISIONS																	
						A	A	A	A	A	A1	A1	A1										
26	K-CS-M7792-0-TT3	1		SCHEMATIC		A	A	A	A	A	A1	A1	A1										
27	K-CS-M7792-0-TT4	1		SCHEMATIC		A	A	A	A	A	A1	A1	A1										
28	K-CS-M7792-0-TT5	1		SCHEMATIC		A	A	A	A	A	A1	A1	A1										

NOTES:	DD REV	A	B	C	D	E	F	H	J														
--------	-----------	---	---	---	---	---	---	---	---	--	--	--	--	--	--	--	--	--	--	--	--	--	--

REVISION HISTORY			CONT. REVISION HISTORY			MADE BY:	d i g i t a l					
ENG	ECO NUMBER	REV	ENG	ECO NUMBER	REV	DATE:	TITLE DRAWING DIRECTORY					
						CHECKED BY:	DEUNA PORT MODULE					
						DATE:	SIZE CODE DOCUMENT NUMBER REV.					
						DESIGN ENGINEER:	K DD M7792-0 J					
						DATE:	SHEET 2 OF 4 MKO					
						RESPONSIBLE ENG:						
						DATE:						
						PRODUCTION ENG:						
						DATE:						

THIS DRAWING AND THE SPECIFICATIONS CONTAINED HEREIN ARE CONFIDENTIAL AND PROPRIETARY. THEY ARE THE PROPERTY OF DIGITAL EQUIPMENT CORPORATION AND SHALL NOT BE REPRODUCED OR COPIED OR USED IN WHOLE OR IN PART AS THE BASIS FOR MANUFACTURING OR SALE OF ITEMS WITHOUT WRITTEN PERMISSION. THIS IS AN UNPUBLISHED WORK PROTECTED UNDER THE FEDERAL COPYRIGHT LAWS.

DRAWING DIRECTORY CONTINUED

ITEM	DRAWING NO.	NO. OF SHTS	PART NO.	DESCRIPTION	TYPE	REVISIONS							
						A	B	C	D	E1	E2	E3	E4
29			M7792-00	DEUNA PORT MODULE		A	B	C	D	E1	E2	E3	E4
30	D-UA-M7792-0-0	2		UNIT ASSEMBLY		A	B	B	B	B	C	D	E
31	D-EC-5015542-0-0	3		ETCH CUT		A	B	B	B	B	-	-	-
32			5015542-00	ETCH		B	B	B	B	B	C	C	C
33	D-MD-5015542-0-0	5		DRILL & ETCH		A	A	A	A	A	B	B	B
34	K-PL-M7792-0-0	3		PARTS LIST		A	A	B	C	D	E	F	H
35	K-PC-M7792-0-DBI			PC DATABASE		B	B	B	B	B	C	C	C
36	K-CS-M7792-0-DBS			SUDS DATABASE		A	B	C	C	C	D	E	E
37	K-CS-M7792-0-PRTA	1		SCHEMATIC		A	A	A	A	A	A	A	A
38	K-CS-M7792-0-PRTB	1		SCHEMATIC		A	A	A	A	A	A	A	A
39	K-CS-M7792-0-PRTC	1		SCHEMATIC		A	A	A	A	A	A	A	A
40	K-CS-M7792-0-PRTD	1		SCHEMATIC		A	B	B	B	B	C	C	C
41	K-CS-M7792-0-PRTE	1		SCHEMATIC		A	B	B	B	B	C	C	C
42	K-CS-M7792-0-PRTF	1		SCHEMATIC		A	A	A	A	A	A	A	A
43	K-CS-M7792-0-PRTH	1		SCHEMATIC		A	A	A	A	A	B	B	B
44	K-CS-M7792-0-PR TJ	1		SCHEMATIC		A	A	A	A	A	B	C	C
45	K-CS-M7792-0-PR TK	1		SCHEMATIC		A	B	B	B	B	C	C	C
46	K-CS-M7792-0-PR TL	1		SCHEMATIC		A	A	A	A	A	B	B	B
47	K-CS-M7792-0-PR TM	1		SCHEMATIC		A	B	B	B	B	C	C	C
48	K-CS-M7792-0-PR TN	1		SCHEMATIC		A	B	B	B	B	C	C	C
49	K-CS-M7792-0-PR TP	1		SCHEMATIC		A	A	B	B	B	C	C	C
50	K-CS-M7792-0-PR TR	1		SCHEMATIC		A	A	A	A	A	A	A	A
51	K-CS-M7792-0-PR TS	1		SCHEMATIC		A	A	A	A	A	A	A	A
52	K-CS-M7792-0-TT1	1		SCHEMATIC		A	A	A	A	A	A	A	A
53	K-CS-M7792-0-TT2	1		SCHEMATIC		A	A	A	A	A	A	A	A

NOTES:

DD
REV

A B C D E F H J

REVISION HISTORY

CONT. REVISION HISTORY

MADE BY:
DATE:

d i g i t a l

ENG | ECO NUMBER | REV

ENG | ECO NUMBER | REV

CHECKED BY:
DATE:

TITLE DRAWING DIRECTORY

DESIGN ENGINEER:
DATE:

DEUNA PORT MODULE

RESPONSIBLE ENG:
DATE:

PRODUCTION ENG:
DATE:

SIZE | CODE | DOCUMENT NUMBER | REV.
K | DD | M7792-0 | J

THIS DRAWING AND THE SPECIFICATIONS CONTAINED HEREIN ARE CONFIDENTIAL AND PROPRIETARY. THEY ARE THE PROPERTY OF DIGITAL EQUIPMENT CORPORATION AND SHALL NOT BE REPRODUCED OR COPIED OR USED IN WHOLE OR IN PART AS THE BASIS FOR MANUFACTURING OR SALE OF ITEMS WITHOUT WRITTEN PERMISSION. THIS IS AN UNPUBLISHED WORK PROTECTED UNDER THE FEDERAL COPYRIGHT LAWS.

DRAWING DIRECTORY CONTINUED

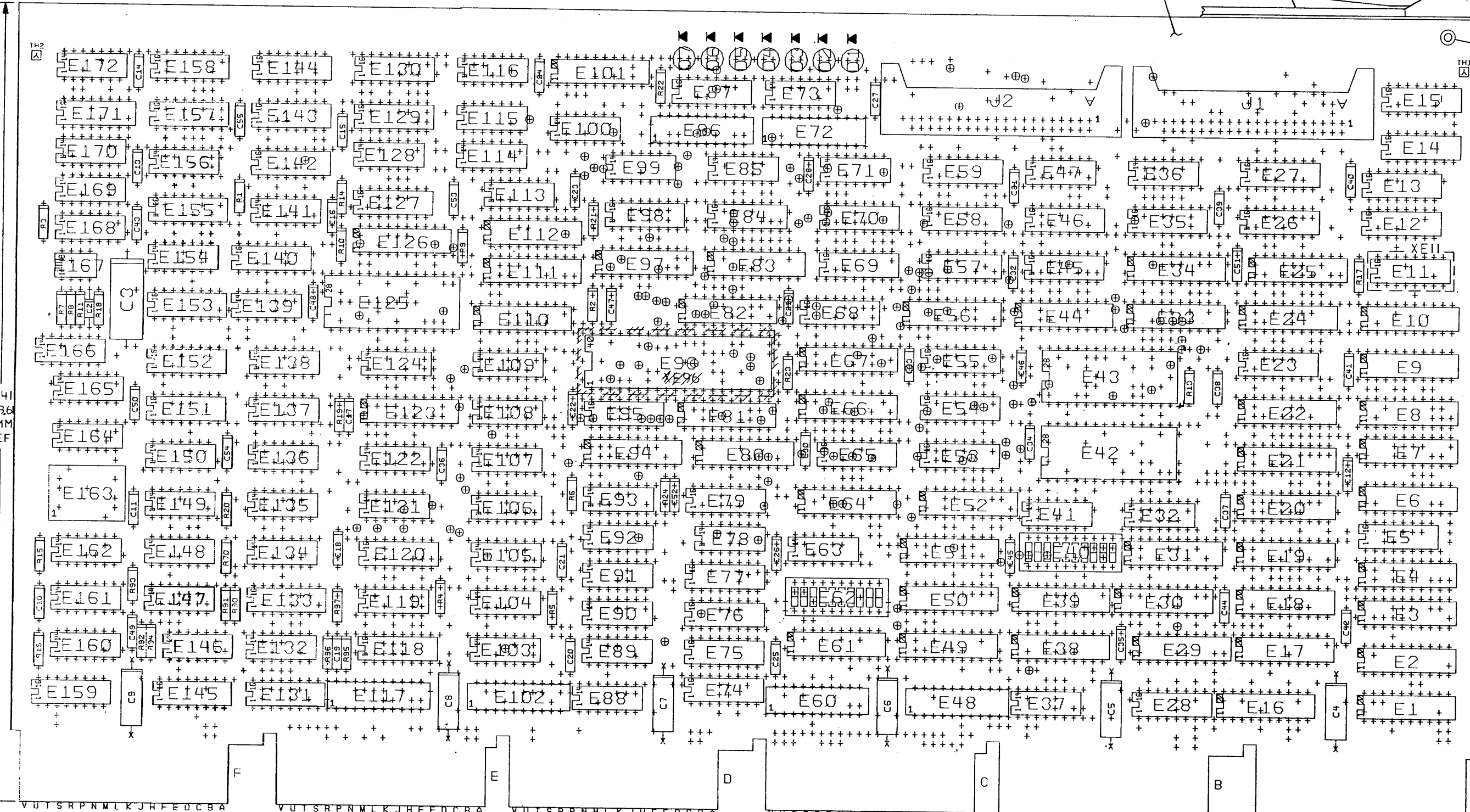
ITEM	DRAWING NO.	NO. OF SHTS	PART NO.	DESCRIPTION	TYPE	REVISIONS														
						A	A	A	A	A	A	A	A	A	A	A				
54	K-CS-M7792-0-TT3	1		SCHEMATIC		A	A	A	A	A	A	A	A							
55	K-CS-M7792-0-TT4	1		SCHEMATIC		A	A	A	A	A	A	B	B							
56	K-CS-M7792-0-TT5	1		SCHEMATIC		A	A	A	A	A	A	B	B							
57	K-CS-M7792-0-TT6	1		SCHEMATIC		-	-	-	-	-	A	A	A							
58	K-CS-M7792-0-TT7	1		SCHEMATIC		-	-	-	-	-	A	A	A							
59	K-CS-M7792-0-TT8	1		SCHEMATIC		-	-	-	-	-	A	A	A							
60	K-CS-M7792-0-TT9	1		SCHEMATIC		-	-	-	-	-	A	A	A							
61	K-CS-M7792-0-BD1	1		SCHEMATIC		-	-	-	-	-	A	A	A							
62	K-CS-M7792-0-CR1	1		SCHEMATIC		-	-	-	-	-	A	A	A							
63	K-CS-M7792-0-IRA	1		SCHEMATIC		-	-	-	-	-	A	A	A							
64	K-CS-M7792-0-IRB	1		SCHEMATIC		-	-	-	-	-	A	A	A							
65	K-CS-M7792-0-IRC	1		SCHEMATIC		-	-	-	-	-	A	A	A							
66	K-CS-M7792-0-IRD	1		SCHEMATIC		-	-	-	-	-	A	A	A							
67	K-CS-M7792-0-IRE	1		SCHEMATIC		-	-	-	-	-	A	A	A							
68	K-CS-M7792-0-LSM	1		SCHEMATIC		-	-	-	-	-	A	A	A							
69	K-CS-M7792-0-SD1	1		SCHEMATIC		-	-	-	-	-	A	A	A							
70	K-CS-M7792-0-SD2	1		SCHEMATIC		-	-	-	-	-	A	A	A							
71	K-CS-M7792-0-SD3	1		SCHEMATIC		-	-	-	-	-	A	A	A							
72	K-CS-M7792-0-TD1	1		SCHEMATIC		-	-	-	-	-	A	A	A							
73	K-CS-M7792-0-TD2	1		SCHEMATIC		-	-	-	-	-	A	A	A							
74	K-CS-M7792-0-TD3	1		SCHEMATIC		-	-	-	-	-	A	A	A							
75	K-CS-M7792-0-TD4	1		SCHEMATIC		-	-	-	-	-	A	A	A							
76	K-CS-M7792-0-TD5	1		SCHEMATIC		-	-	-	-	-	A	A	A							
77	K-CS-M7792-0-TD6	1		SCHEMATIC		-	-	-	-	-	A	A	A							
78	K-CS-M7792-0-TD7	1		SCHEMATIC		-	-	-	-	-	A	A	A							
79	K-CS-M7792-0-TD8	1		SCHEMATIC		-	-	-	-	-	A	A	A							

NOTES:

DD REV A B C D E F H J

REVISION HISTORY			CONT. REVISION HISTORY			MADE BY:	d i g i t a l									
ENG	ECO NUMBER	REV	ENG	ECO NUMBER	REV	DATE:										
						CHECKED BY:	TITLE DRAWING DIRECTORY									
						DATE:	DEUNA PORT MODULE									
						DESIGN ENGINEER:										
						DATE:										
						RESPONSIBLE ENG:										
						DATE:										
						PRODUCTION ENG:	SIZE	CODE	DOCUMENT NUMBER	REV.						
						DATE:	K	DD	M7792-0	J						
										SHEET 4 OF 4		MKO				

THIS DRAWING AND SPECIFICATIONS HEREIN ARE THE PROPERTY OF DIGITAL EQUIPMENT CORPORATION AND SHALL NOT BE REPRODUCED OR COPIED OR USED IN WHOLE OR IN PART AS THE BASIS FOR THE MANUFACTURE OR SALE OF ITEMS WITHOUT WRITTEN PERMISSION. COPYRIGHT © 1983 DIGITAL EQUIPMENT CORPORATION



- NOTES:
- E14 & E15 ARE SPARE LOCATIONS.
 - UL RATING IS LPWR.

STEP E → Y AXIS STEP 0 TIMES
 REPEAT → X AXIS STEP 0 TIMES

CHK	CHANGE NO.	REV	DATE	BY	APP
M7792-TW5	C			T. WALSH	26MAY83
				K. SARGENT	
				D. GARDNER	03183
				K. SARGENT	
				E.C. M7792-MK7	E
				M. LAWRENCE	1/1/84

ETCH REV.	C-PI
-----------	------

SIGNATURES		DATE	digital
DRN. Paul Teller		2-17-83	
CHK'D. Tom Hargrave		2-18-83	
MECH. ENG.			
PROJ. ENG.			
PROD.			
SCALE 2/1			
SHT. 1 OF 1			
NEXT HIGHER ASSY. B-DD-M7792-0			

TITLE DEUNA PORT MODULE

SIZE CODE NUMBER REV
 D UA M7792-0-0 E

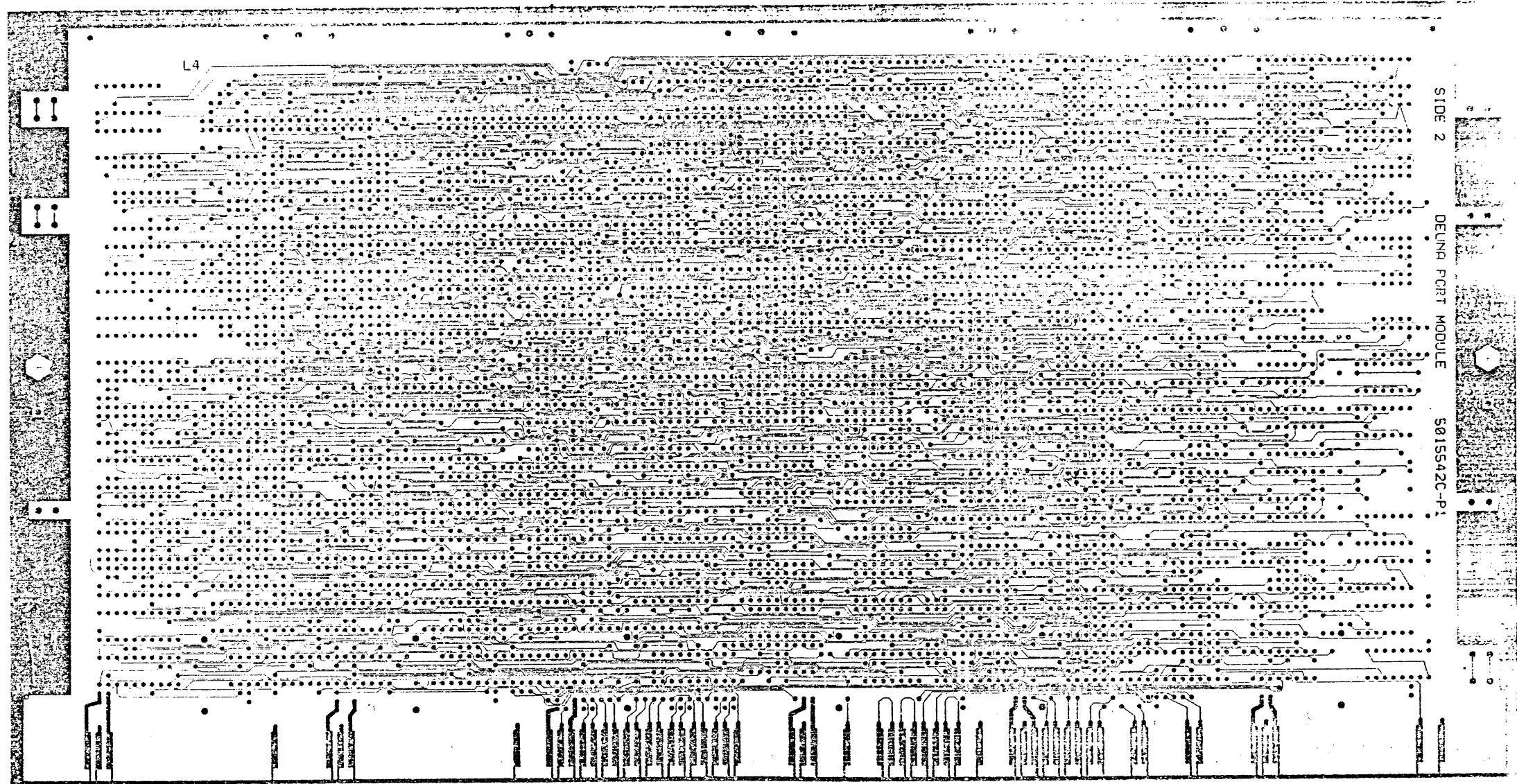
LAYER 4

L4

SIDE 2

DELTA PORT MODULE

5015542C-P1



0-0-0-2-5-103 23

A

										ETCH CUT DRAWING		E EC 5015542-0-0		C	
										2		2		2	
										1		2		2	

AUTOMATED BY PRTLST,4Q(50)

PARTS LIST

SHEET A1 OF A3

LINE	ITEM	TOP DOCUMENT	PART NUMBER	MIN REV	DESCRIPTION	QTY	PER VARIATION	REFERENCE DESIGNATOR
						00		
						E4		
1	77	D-MD-5015542-0-0	5015542-00	C	DRILL & ETCH CUT	1		
2	1		1001610-00		.01 MFD 50V +80-20% Z5U CER	1		C2
3	3		1012084-01		8 MFD 25V +75-10% AL EL	6		C4,C5,C6,C7,C8,C9
4	4		1012784-00		.047 MFD 50V +80-20% CER	46		C10,C11,C12,C13,C14,C15,C16,C17, C18,C19,C20,C21,C22,C23,C24,C25, CONT C26,C27,C28,C29,C30,C31,C32,C33, CONT C34,C35,C36,C37,C38,C39,C40,C41, CONT C42,C43,C44,C45,C46,C47,C48,C49, CONT C50,C51,C52,C53,C54,C55
5	2		1010031-07		1 MFD 50V 10% M,POLYCARB	1		C3
6	5		1112689-00		LED .8MCD@16MA VF=5V	7		D1,D2,D3,D4,D5,D6,D7
7	65		1209941-02		PCB,HEADER 40PIN(2X20),100CC 90D	2		J1,J2
8	19		1211164-06		SW,DIP 10POS/1PST 5VDC100MA F	2		E40,E62
9	79	BLANK			*** THIS ITEM IS NOT USED ***	-		
10	78	BLANK			*** THIS ITEM IS NOT USED ***	-		
11	80		1216988-02		HANDLE,MODULE,HEX TWO EJECTORS	1		
12	15		1300005-01		R NETWORK 13-1K 5.0 % 14PIN	2		E32,E63
13	69		1300229-00		100.0 .25 W 5.0 % CF	7		R6,R9,R10,R13,R19,R21,R22
14	76		1300247-00		120.0 .25 W 5.0 % CF	1		R91
15	68		1300295-00		330.0 .25 W 5.0 % CF	1		R5
16	66		1300365-00		1.0 K .25 W 5.0 % CF	9		R1,R3,R4,R11,R14,R17,R18,R20,R70
17	74		1300479-00		10.0 K .25 W 5.0 % CF	1		R24
18	75		1301322-00		180.0 .25 W 5.0 % CF	1		R90
19	72		1301425-00		300.0 .25 W 5.0 % CF	1		R16
20	71		1301890-00		560.0 .25 W 5.0 % CF	1		R15
21	67		1302388-00		2.0 K .25 W 5.0 % CF	1		R2
22	73		1303114-00		1.0 K .25 W 1.0 % RN55D-F10	1		R23
23	70		1317183-05		487.0 K .25 W 1.0 % RN55D-F10	2		R7,R8
24	60		1613120-00		DELAY= 200NS,10TAPS	1		E159
25	63		1811660-36		OSCILLATOR, XTAL 7.500 MHZ	1		E163

REVISION HISTORY		BASIC PART NO: M7792		DRN:	H.DENSMORE	DATE:	02-APR-85	D I G I T A L			
ENG	ECO NUMBER	REV	SECTION A OF A	CHK'D:	F.CARBONE	DATE:	02-APR-85	TITLE PARTS LIST			
---	INITIAL	A	SECTION VARIATION INDEX	CHK'D:	F.CARBONE	DATE:	02-APR-85	DEUNA PORT MODULE			
TE	M7792-TW002	B	[A] 00								
TE	M7792-TW003	C	[B]								
TE	M7792-TW004	D	[C]								
RS	M7792-TW005	E	[D]	DES.ENG:	M.STECKLAIR	DATE:	10-SEP-82	DOCUMENT NUMBER			
KS	M7792-TW006	F	[E]					SIZE	CODE	NUMBER	REV
ML	M7792-MK007	H	[F]	RESP.ENG.:	M.LAWRENCE	DATE:	02-APR-85	K	PL	M7792-0-0	H
			[G]								
			[H]								
			[I]								
			[J]								
			[K]	MFG.ENG.:	W.BROOKE	DATE:	02-APR-85	RELEASE DATE: 11-APR-85			
			[L]								
			[M]	ASSEMBLY NUMBER:		TOP DOCUMENT NUMBER:		FILE NAME:		EDIT #	
			[N]	D-UA-M7792-0-0		#K-DD-M7792-0		MK1192.PLS		22	

"THIS DRAWING AND THE SPECIFICATIONS CONTAINED HEREIN ARE CONFIDENTIAL AND PROPRIETARY. THEY ARE THE PROPERTY OF DIGITAL EQUIPMENT CORPORATION AND SHALL NOT BE REPRODUCED OR COPIED OR USED IN WHOLE OR IN PART AS THE BASIS FOR THE MANUFACTURE OR SALE OF ITEMS WITHOUT WRITTEN PERMISSION. THIS IS AN UNPUBLISHED WORK PROTECTED UNDER THE FEDERAL COPYRIGHT LAWS."

LINE ITEM	TOP DOCUMENT	PART NUMBER	MIN REV	DESCRIPTION	QTY PER VARIATION	REFERENCE DESIGNATOR
				VARIATION REVISION LEVEL:	00	
					E4	
26	61	1909705-00	DEC	8881 NAND GATE-QUAD 2IN O	1	E160
27	45	1909712-00	DEC	8242 COMPARATOR-4BIT N,	1	E104
28	56	1910532-00		74S00 NAND GATE-QUAD 2IN	1	E149
29	46	1915019-00		74S38 NAND BUFFER-QUAD 2IN	1	E105
30	42	1910534-00		74S04 INVERTER GATE-HEX 1I	1	E100
31	36	1910544-00		74S74 FF-D DUAL,EDGE TRIGG	7	E92,E124,E136,E137,E139,E148, CONT E166
32	62	1910878-00		7427 NOR GATE-TRIPLE 3IN	1	E161
33	31	1910951-00		9602 ONE SHOT-DUAL	1	E79
34	17	1911573-00		74S280 PARITY GEN/CHKR,9BIT	2	E36,E47
35	50	1911579-00		8641 TRANSCEIVER,BUS,QUA	2	E118,E120
36	29	1911676-00		74S139 DECODER-DUAL TWO-INP	1	E74
37	64	1911944-00		555CN TIMER,FUNCT.BLOCK	1	E167
38	55	1912389-00		74S08 AND GATE-QUAD 2IN,PO	1	E141
39	13	1912647-00		LS257 MUX 1 OF 2 (QUAD)	4	E23,E45,E54,E65
40	10	1912697-00		LS174 FF-D HEX W/CLEAR	3	E5,E143,E144
41	33	1912799-00		LS00 NAND-GATE-QUAD 2IN,P	4	E85,E88,E115,E169
42	34	1912801-00		LS02 NOR-GATE-QUAD 2IN	3	E89,E106,E164
43	35	1912803-00		LS04 INVERTER GATE,HEX	3	E90,E107,E134
44	26	1912805-00		LS08 AND GATE-QUAD 2IN,PO	6	E71,E113,E119,E121,E132,E135
45	28	1912807-00		LS10 NAND GATE-TRIPLE 3IN	2	E73,E108
46	48	1912810-00		LS20 NAND GATE-DUAL 4IN	2	E114,E122
47	44	1912811-00		LS21 AND GATE-DUAL 4IN,PO	1	E103
48	49	1912813-00		LS27 NOR GATE-TRIPLE 3IN	1	E116
49	30	1912816-00		LS32 OR GATE-QUAD 2IN,POS	4	E78,E91,E109,E150
50	20	1912824-00		LS74 FF-D DUAL,EDGE TRIGG	7	E41,E99,E128,E138,E146,E147,E168
51	25	1912842-00		LS138 DECODER-THREE INPUT,	5	E58,E75,E76,E77,E140
52	53	1912845-00		LS153 MUX 1 OF 4 (DUAL)	7	E129,E130,E153,E155,E157,E158, CONT E171
53	38	1912848-00		LS158 MUX 1 OF 2 (QUAD)	1	E95
54	57	1912851-00		LS169 COUNTER,SYNCH, UP/DO	1	E151
55	12	1912854-00		LS193 COUNTER,SYNCHR,4BIT,	14	E12,E13,E26,E27,E35,E46,E55,E57, CONT E59,E68,E69,E70,E127,E142
56	16	1912863-00		LS273 FF-D OCTAL W/CLEAR	2	E34,E83
57	58	1912864-00		LS279 LATCH,QUAD-S-R	1	E152
58	52	1913462-00		74S240 OCTAL BUFFER,INVERTI	1	E126
59	40	1913671-00		74S374 FF-D,OCTAL,TRI STATE	2	E97,E123
60	24	1913888-00	DC	102A EQUALS CHECKER 8BIT	1	E51
61	18	1914085-00		74S260 NOR GATE-DUAL,POS	1	E37
62	6	1914214-00		LS374 FF-D OCTAL EDGE TRIG	8	E1,E6,E16,E17,E20,E22,E24,E29
63	54	1914438-00	DC	013 UNIBUS INTERRUPT-BIP	2	E131,E145
64	59	1914451-00		LS393 COUNTER,BINARY,4BIT	6	E154,E156,E162,E165,E170,E172
65	32	1914768-00	C	67401J MEMORY FIFO,SERIAL	2	E84,E87
66	14	1914845-00		2918 FF-D QUAD TRI-STATE	1	E28
67	9	1915193-00		LS244 DRIVER,LINE,OCTAL,TR	21	E4,E8,E9,E10,E18,E19,E21,E25, CONT E30,E31,E33,E38,E49,E52,E61,E64, CONT E66,E67,E80,E81,E94
68	8	1915219-00		LS373 FF-D OCTAL-TRANSPARE	2	E3,E7

D	I	G	I	T	A	L	TITLE	DEUNA PORT MODULE	SECTION A	OF A	SIZE	CODE	DOCUMENT NUMBER	REV
											K	PL	M7792-0-0	H

AUTOMATED BY PRTLST.4Q(50)

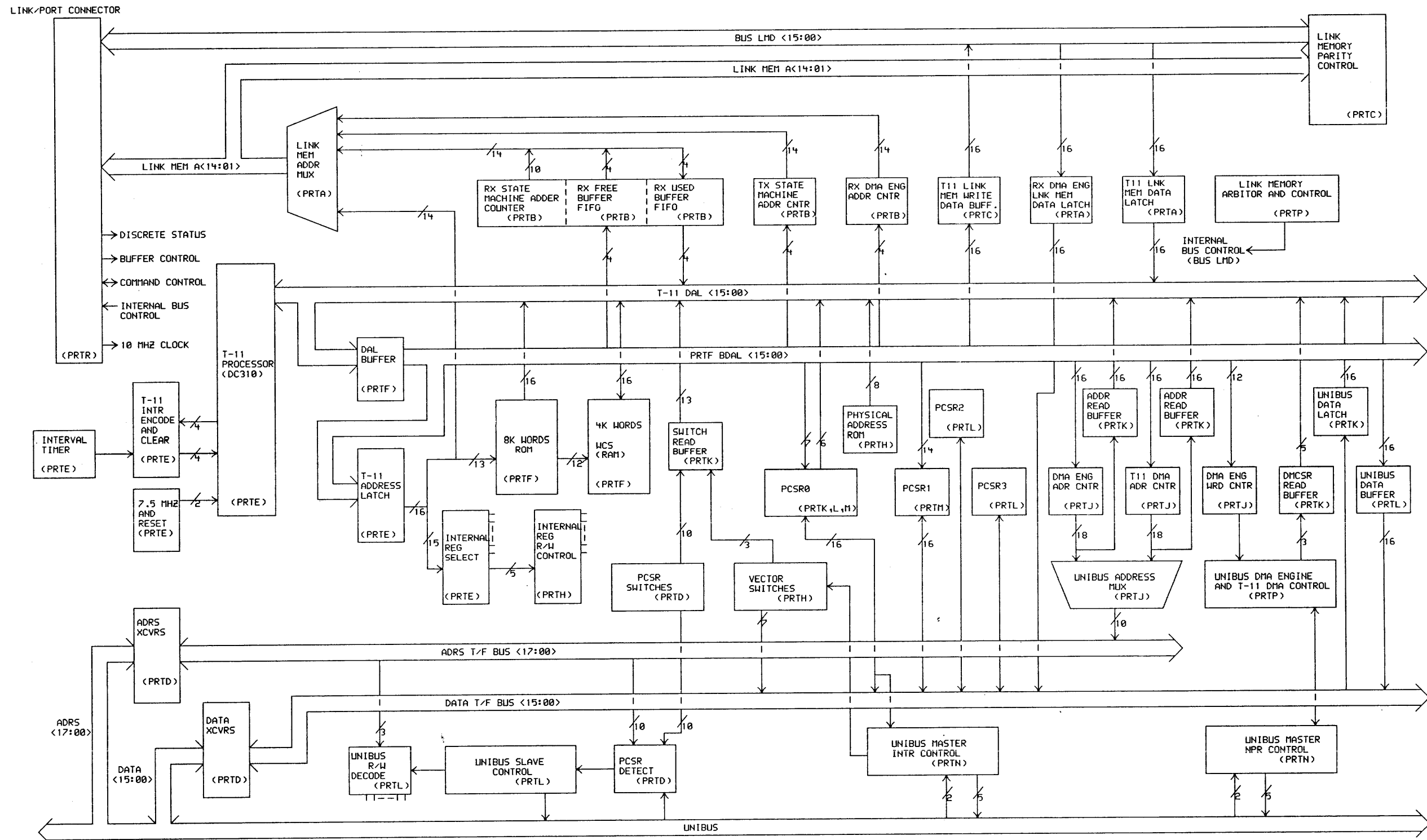
P A R T S L I S T

SHEET A3 OF A3

LINE	ITEM	TOP DOCUMENT	PART NUMBER	MIN REV	DESCRIPTION	VARIATION REVISION LEVEL:	QTY PER VARIATION	REFERENCE DESIGNATOR
69	37		1915932-00		LS125 BUFFER,QUAD BUS		1	E93
70	23		1919015-00		DC 021 BUS TRANSCEIVER,20PI		4	E48,E60,E102,E117
71	39		2117311-01		T-11 MICROPROCESSOR W/LSI-		1	E96
72	27		2118054-03		16K MOS RAM 55NS 2		2	E72,E86
73	22		2119250-00		4KX4 STATIC RAM 55NS		4	E44,E56,E82,E110
74	11		23365A1-00	A1-09			1	E11
75	41		23366A1-00	A1-07			1	E133
76	51		23367A1-00	A1-07			1	E53
77	21		23992A9-00	A9-01			1	E98
78	7		23090C6-00	C6-01			1	E125
79	43		23229E4-00	E4-06			1	E43
80	47		23228E4-00	E4-06			1	E42
81	81		9009000-00		EYELET,ROLLED 0.1210DX0.156		10	
82	82		23119J5-00	J5-01	PAL,LOGIC DRIV		2	E2,E39
83	83		23118J5-00	J5-01	PAL,LOGIC DRIV		1	E50
84	84		23070K3-00	K3-01	PAL,REG, CONT		1	E101
85	85		23037K5-00	K5-01			1	E112
86	86		23038K5-00	K5-01			1	E111
87	87		1215006-02	SKT,IC	16PIN DIP TIN SOLD		1	XE11
88	88		1311422-00	178.0	.25 W 1.0 & RN55D-F10		4	R92,R94,R95,R97
89	89		1305125-00	383.0	.25 W 1.0 & RN55D-F10		2	R93,R96
90	90		9107256-11		TUBING,TEFLON .027ID		A/R	
91	91		9105740-55		WIRE(WRAP) 30AWG KYNAR UL14		A/R	

D I G I T A L	TITLE	SECTION A OF A	SIZE	CODE	DOCUMENT NUMBER	REV
	DEUNA PORT MODULE		K	PL	M7792-0-0	H

DELUNA PORT MODULE

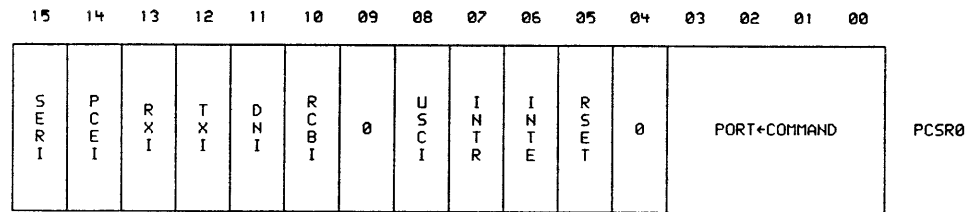


THIS DRAWING AND SPECIFICATIONS HEREIN, ARE THE PROPERTY OF DIGITAL EQUIPMENT CORPORATION AND SHALL NOT BE REPRODUCED OR COPIED OR USED IN WHOLE OR IN PART AS THE BASIS FOR THE MANUFACTURE OR SALE OF ITEMS WITHOUT WRITTEN PERMISSION. COPYRIGHT © 1983, DIGITAL EQUIPMENT CORPORATION.

REVISIONS	CHK	CHANGE NO.	REV

	DRN. P. HEBERT	DATE 16-MAY-83	ENG. Rick Szmauz	DATE 16-MAY-83	TITLE: DELUNA PORT MODULE (BD1)
	CHK'D. <i>[Signature]</i>	DATE 16-MAY-83	BOARD LOCATION:	SHEET 1 OF 1	SIZE CODE NUMBER REV. K CS M7792-0-BD1 A
DSKE: <SARGENT>PRTBD1.DRW 16-MAY-83 06:21		NEXT HIGHER ASSEMBLY: D-UA-M7792-0-0		FIRST USED ON OPTION/MODEL: DELUNA	

PORT CONTROL AND STATUS REGISTER 0 (PCSR0)

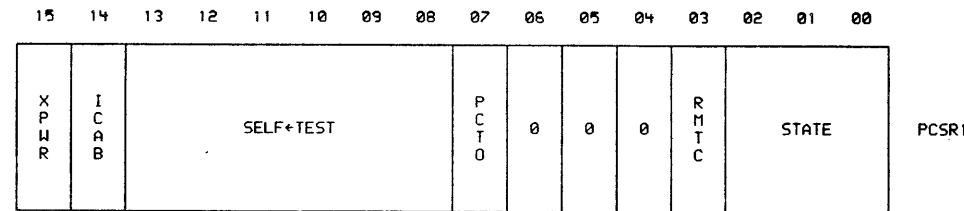


PCSR0

- BITS <3:0> PORT COMMAND
- ZERO
- RESET
- INTERRUPT ENABLE
- INTERRUPT SUMMARY
- UNSOLICITED STATE CHANGE INTERRUPT
- ZERO
- RECEIVER BUFFER UNAVAILABLE INTERRUPT
- DONE INTERRUPT
- TRANSMIT RING INTERRUPT
- RECEIVE RING INTERRUPT
- PORT COMMAND ERROR INTERRUPT
- STATUS ERROR INTERRUPT

(PRTK₁L₁M)

PORT CONTROL AND STATUS REGISTER 1 (PCSR1)

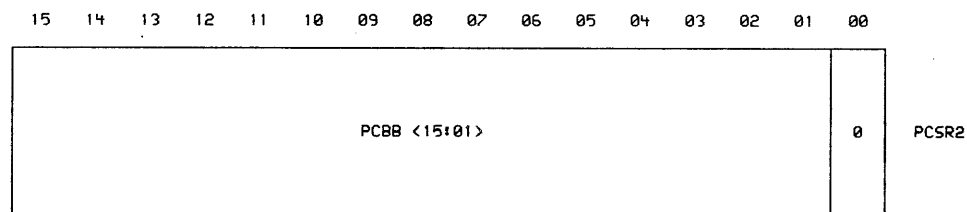


PCSR1

- DELUNA STATE
- REMOTE CONSOLE RESERVED
- ZERO
- ZERO
- ZERO
- PORT COMMAND TIMEOUT
- SELF TEST ERROR CODE
- PORT/LINK CABLING
- TRANSCIEVER POWER

(PRTM)

PORT CONTROL AND STATUS REGISTER 2 (PCSR2)

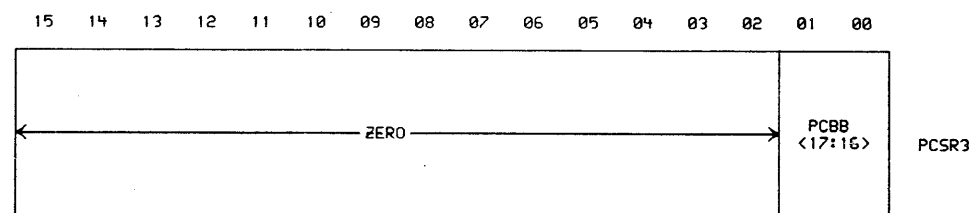


PCSR2

- PORT CONTROL BLOCK BASE
- BITS <15:01> R/W

(PRTL)

PORT CONTROL AND STATUS REGISTER 3 (PCSR3)



PCSR3

- PORT CONTROL BLOCK BASE
- BITS <17:16> R/W
- ZERO
- BITS <15:02>

(PRTL)

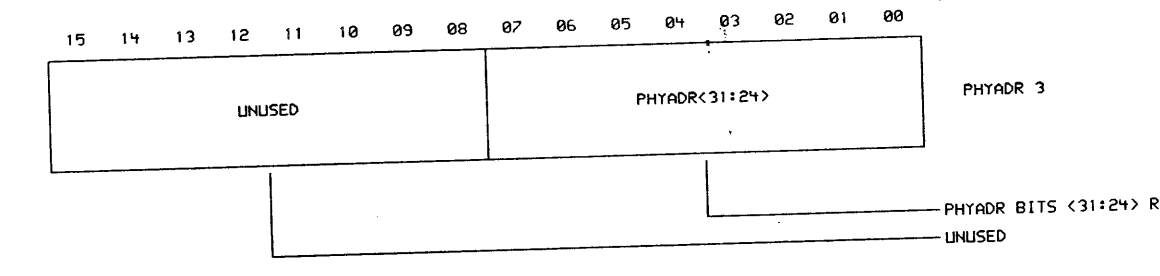
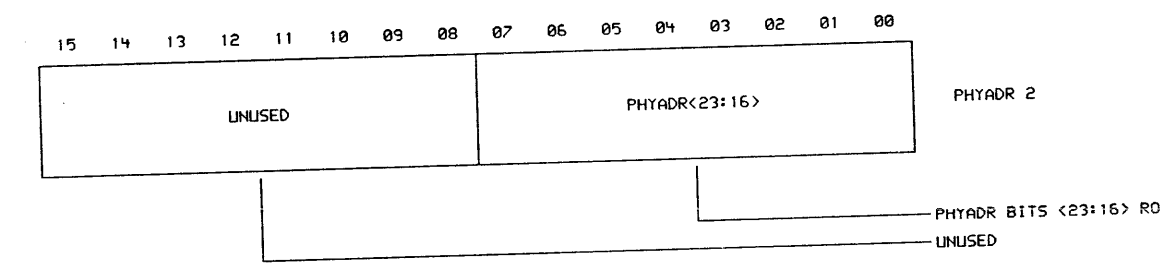
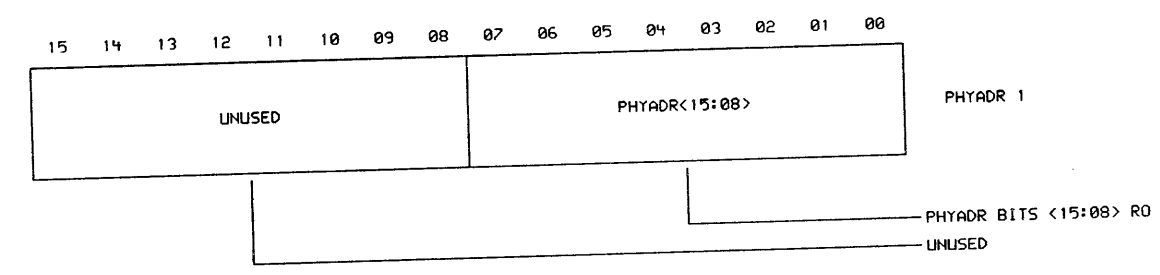
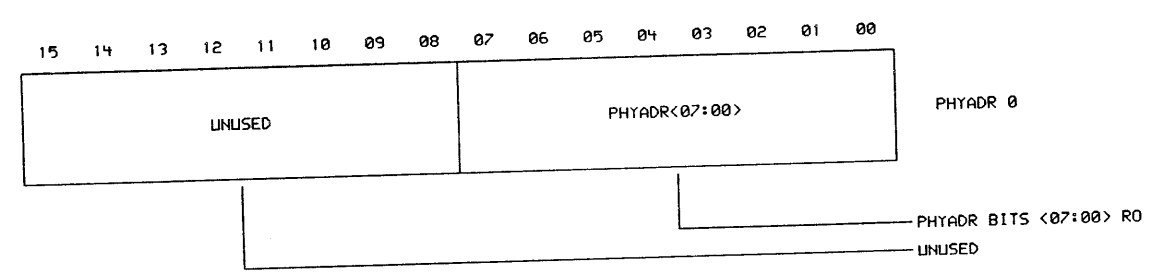
UNIBUS PORT CONTROL & STATUS
REGISTERS (PCSR0-3)

THIS DRAWING AND SPECIFICATIONS
HEREIN, ARE THE PROPERTY OF
DIGITAL EQUIPMENT CORPORATION AND
SHALL NOT BE REPRODUCED OR COPIED
OR USED IN WHOLE OR IN PART AS
THE BASIS FOR THE MANUFACTURE OR
SALE OF ITEMS, WITHOUT WRITTEN
PERMISSION. COPYRIGHT © 1983,
DIGITAL EQUIPMENT CORPORATION.

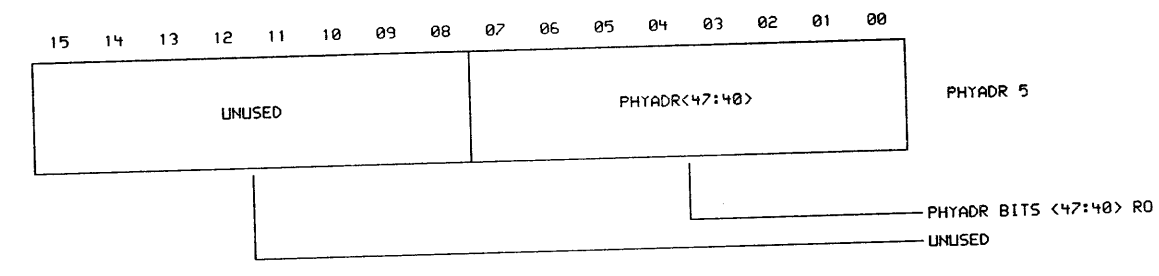
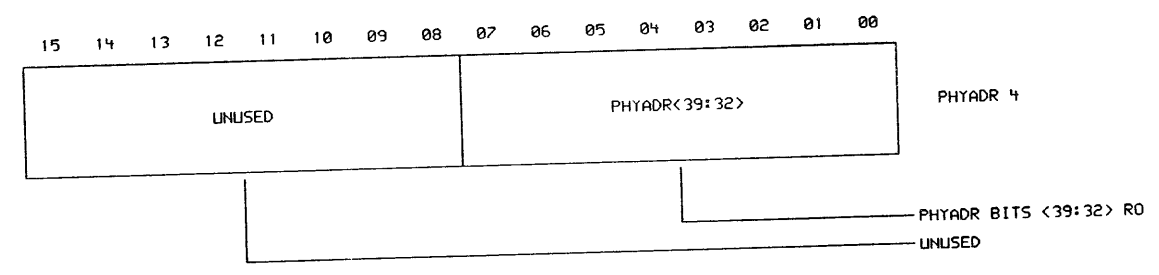
REVISIONS		
CHK	CHANGE NO.	REV

digital	DRN. PAUL HEBERT"	DATE 06-MAY-83	ENG. Rick Szmuz	DATE 06-MAY-83	TITLE: DELUNA PORT MODULE (CR1)
	CHK'D. J. J. ...	DATE 06-MAY-83	BOARD LOCATION: ...	SHEET 1 OF 1	SIZE CODE K CS M7792-0-CR1
DSKE: <SARGENT>PRTCR1.DRW 06-MAY-83 07:01 NEXT HIGHER ASSEMBLY: DELUNA D-UA-M7792-0-0					REV. A

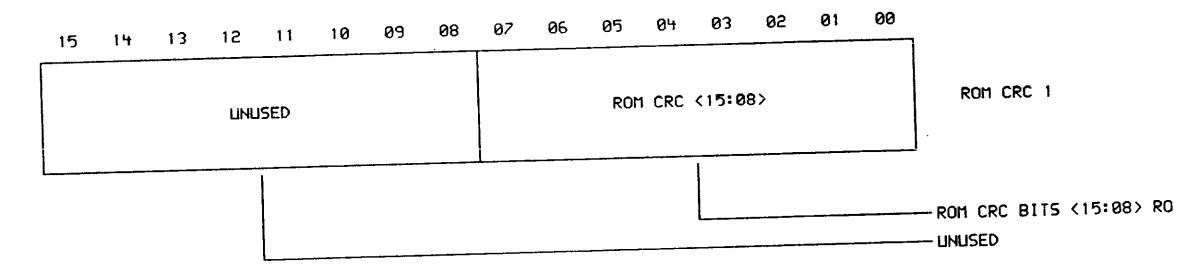
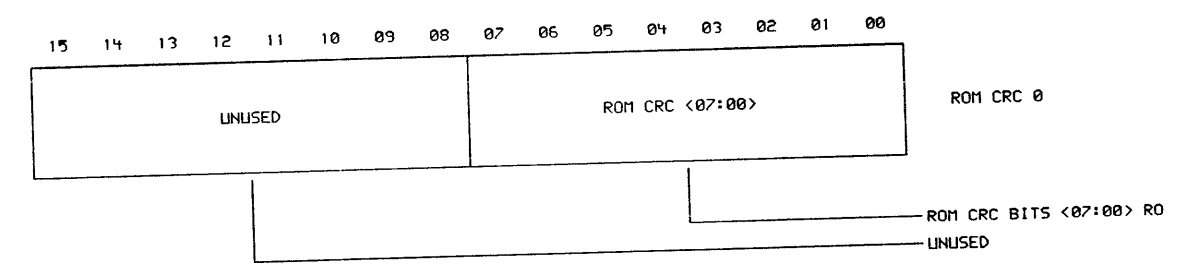
PHYADR (PHYSICAL ADDRESS REGISTER BIT CONFIGURATION)



RO = READ ONLY



ROM CRC (READ ONLY MEMORY CYCLIC REDUNDANCY CHECK)



EHTERNET PHYSICAL ADDRESS ROM - (PRTH)

THIS DRAWING AND SPECIFICATIONS ARE THE PROPERTY OF DIGITAL EQUIPMENT CORPORATION AND SHALL NOT BE REPRODUCED OR COPIED OR USED IN WHOLE OR IN PART AS THE BASIS FOR THE MANUFACTURE OR SALE OF ITEMS WITHOUT WRITTEN PERMISSION. COPYRIGHT © 1983, DIGITAL EQUIPMENT CORPORATION.

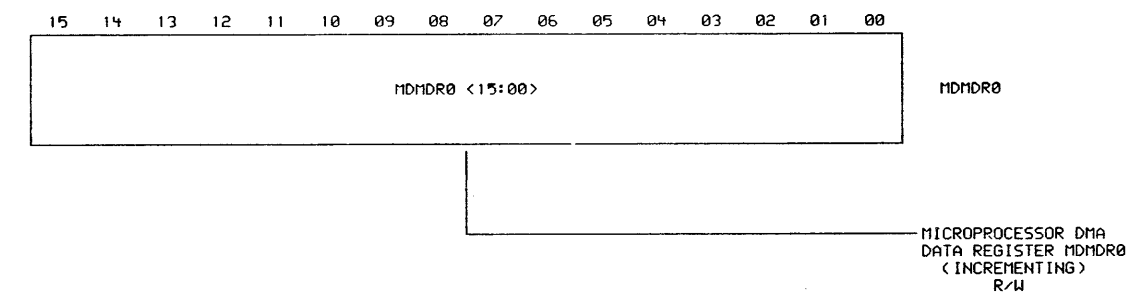
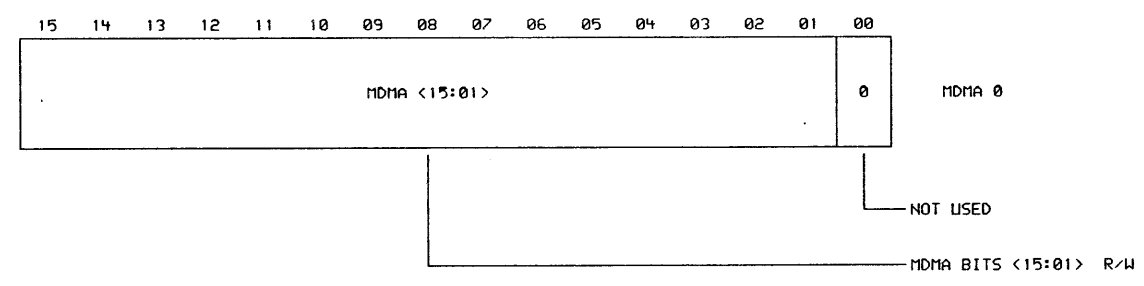
REVISIONS	
CHK	CHANGE NO. REV.

digital	DRN. P. HEBERT	DATE 16-MAY-83	ENG. Rick Szmauz	DATE 16-MAY-83	TITLE: DEUNA PORT MODULE (IRA)
	CHK'D. <i>[Signature]</i>	DATE 16-MAY-83	BOARD LOCATION: DE 1	SHEET 1	
DSKE: <SARGENT>PRTIRA.DRW 16-MAY-83 06:05		NEXT HIGHER ASSEMBLY: D-UA-M7792-0-0		SIZE CODE K CS	NUMBER M7792-0-IRA
FIRST USED ON OPTION/MODEL: DEUNA				REV. A	1

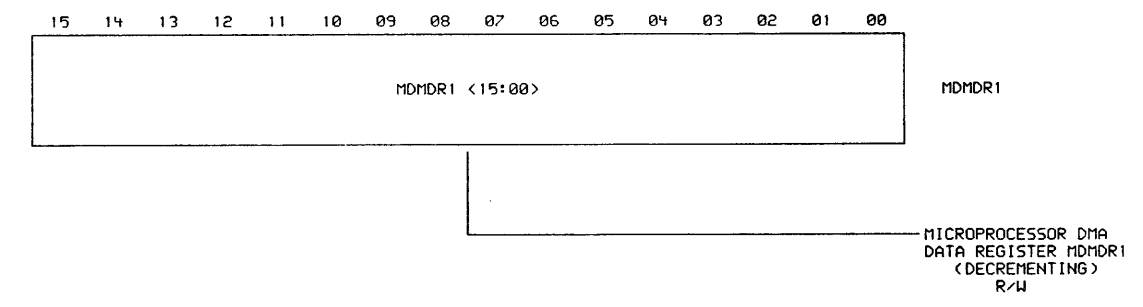
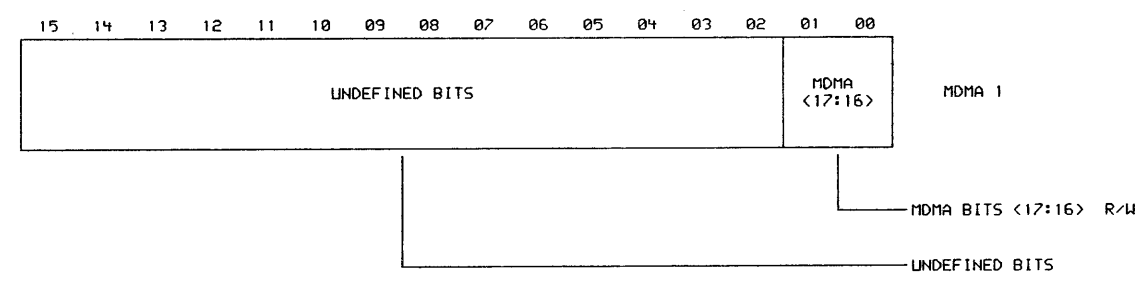
MICROPROCESSOR DMA DATA REGISTERS
(MDMDR0 AND MDMDR1)

MDMA 0 [T11 UNIBUS ADDRESS COUNTER]

[UNIBUS DATA IN LATCH] R
[T11 UNIBUS DATA OUT BUFFER] W



MDMA 1 [T11 UNIBUS ADDRESS COUNTER]



(PRTJ,K)

(PRTK,L)

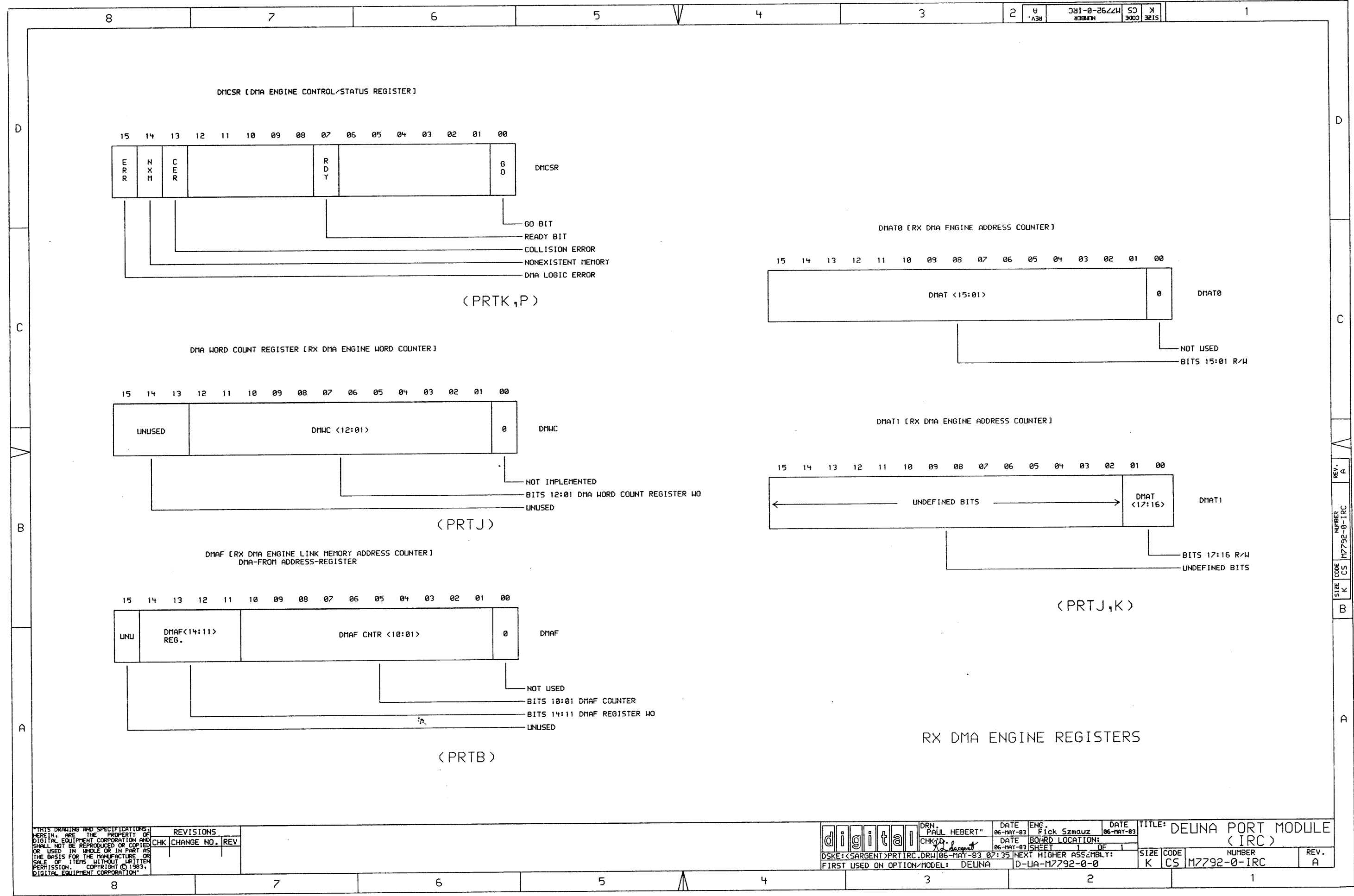
T11 DMA REGISTERS

"THIS DRAWING AND SPECIFICATIONS HEREIN ARE THE PROPERTY OF DIGITAL EQUIPMENT CORPORATION AND SHALL NOT BE REPRODUCED OR COPIED OR USED IN WHOLE OR IN PART AS THE BASIS FOR THE MANUFACTURE OR SALE OF ITEMS WITHOUT WRITTEN PERMISSION. COPYRIGHT © 1983, DIGITAL EQUIPMENT CORPORATION"

REVISIONS		
CHK	CHANGE NO.	REV.

digital	DRN. P. HEBERT	DATE 16-MAY-83	ENG. Rick Szmuaz	DATE 16-MAY-83	TITLE: DEUNA PORT MODULE (IRB)
	CHK: D. Sargent	DATE 16-MAY-83	BOARD LOCATION: SHEET 1 OF 1		
DSKE: <SARGENT>PRTIRB.DRW 16-MAY-83 06:09			NEXT HIGHER ASSEMBLY: D-UA-M7792-0-0		
FIRST USED ON OPTION/MODEL: DEUNA					

SIZE	CODE	NUMBER	REV.
K	CS	M7792-0-IRB	A



RX DMA ENGINE REGISTERS

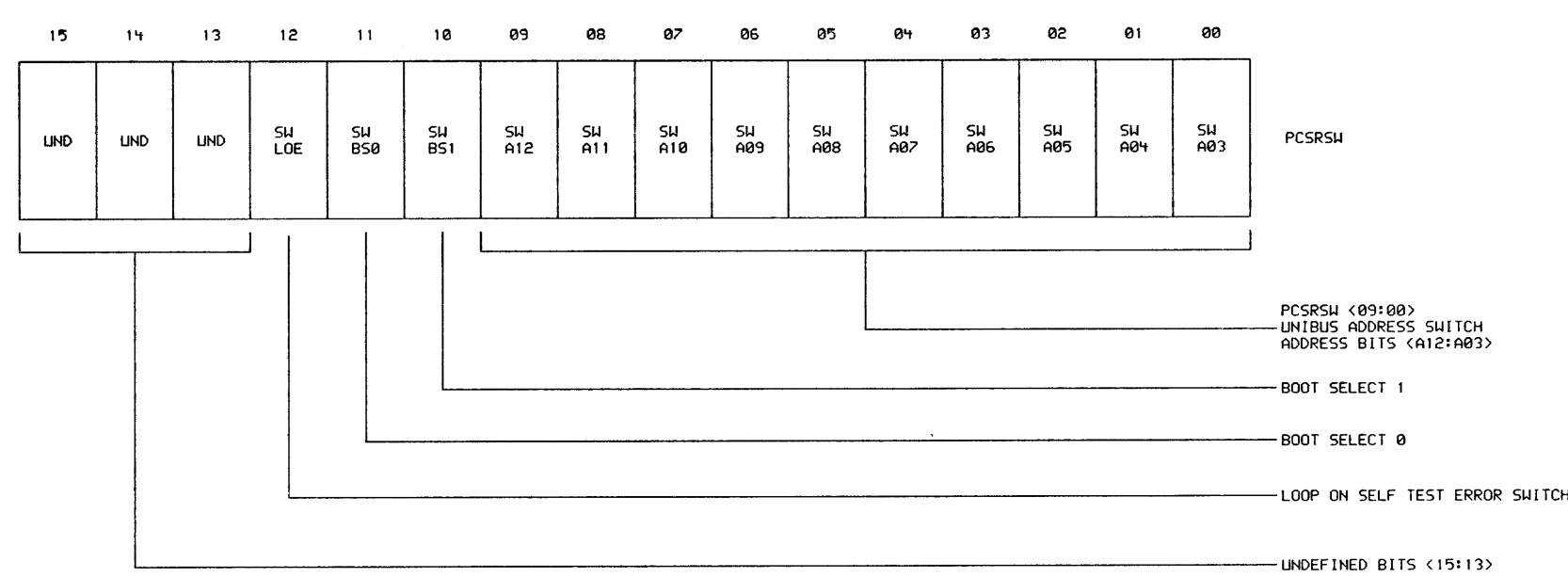
THIS DRAWING AND SPECIFICATIONS HEREIN ARE THE PROPERTY OF DIGITAL EQUIPMENT CORPORATION AND SHALL NOT BE REPRODUCED OR COPIED OR USED IN WHOLE OR IN PART AS THE BASIS FOR THE MANUFACTURE OR SALE OF ITEMS WITHOUT WRITTEN PERMISSION. COPYRIGHT © 1983 DIGITAL EQUIPMENT CORPORATION.

REVISIONS	
CHK	CHANGE NO. REV.

DRN. PAUL HEBERT"	DATE 06-MAY-83	ENG. Fick Szmaz	DATE 06-MAY-83
CHK'D. <i>[Signature]</i>	DATE 06-MAY-83	BOARD LOCATION: SHEET 1 OF 1	TITLE: DEUNA PORT MODULE (IRC)
DSKE: <SARGENT>PRTIRC.DRW 06-MAY-83 07:35		NEXT HIGHER ASSEMBLY:	
FIRST USED ON OPTION/MODEL: DEUNA		D-UA-M7792-0-0	

SIZE CODE K CS	NUMBER M7792-0-IRC	REV. A
----------------	--------------------	--------

PORT SWITCHPACK REGISTER (PCSRW)



(PRTD,K)

PORT SWITCHPACK REGISTER

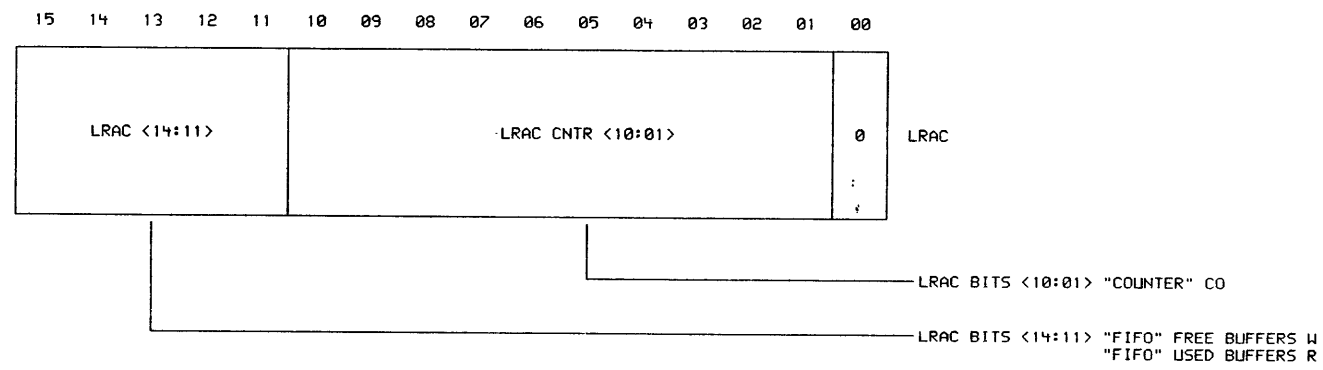
THIS DRAWING AND SPECIFICATIONS, HEREIN, ARE THE PROPERTY OF DIGITAL EQUIPMENT CORPORATION AND SHALL NOT BE REPRODUCED OR COPIED OR USED IN WHOLE OR IN PART AS THE BASIS FOR THE MANUFACTURE OR SALE OF ITEMS WITHOUT WRITTEN PERMISSION. COPYRIGHT © 1983, DIGITAL EQUIPMENT CORPORATION.

REVISIONS		
CHK	CHANGE NO.	REV

digital	DRN. P. HEBERT	DATE 06-MAY-83	ENG. Rick Szmauz	DATE 06-MAY-83	TITLE: DEUNA PORT MODULE (IRD)
	CHK: D. H. [Signature]	DATE 06-MAY-83	BOARD LOCATION:	SHEET 1 OF 1	
DSKE: <SARGENT>PRTIRD.DRW 06-MAY-83 07:38			NEXT HIGHER ASSEMBLY: D-UA-M7792-0-0		SIZE CODE NUMBER REV.
FIRST USED ON OPTION/MODEL: DEUNA			D-UA-M7792-0-0		K CS M7792-0-IRD A

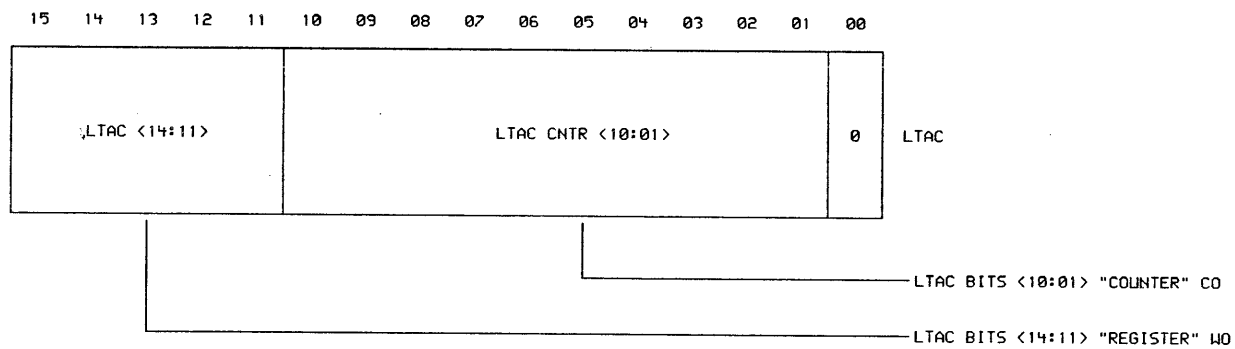
REV. A
NUMBER M7792-0-IRD
SIZE CODE CS K

RX STATE MACHINE LINK MEMORY ADDRESS COUNTER (LINK RECEIVE ADDRESS COUNTER)



TX STATE MACHINE LINK MEMORY ADDRESS COUNTER (LTAC)

CO=CLEAR ONLY



(PRTB)

LINK MEMORY ADDRESS COUNTERS

THIS DRAWING AND SPECIFICATIONS HEREIN ARE THE PROPERTY OF DIGITAL EQUIPMENT CORPORATION AND SHALL NOT BE REPRODUCED OR COPIED OR USED IN WHOLE OR IN PART AS THE BASIS FOR THE MANUFACTURE OR SALE OF ITEMS WITHOUT WRITTEN PERMISSION. COPYRIGHT © 1983 DIGITAL EQUIPMENT CORPORATION.

REVISIONS	
CHK	CHANGE NO. REV.

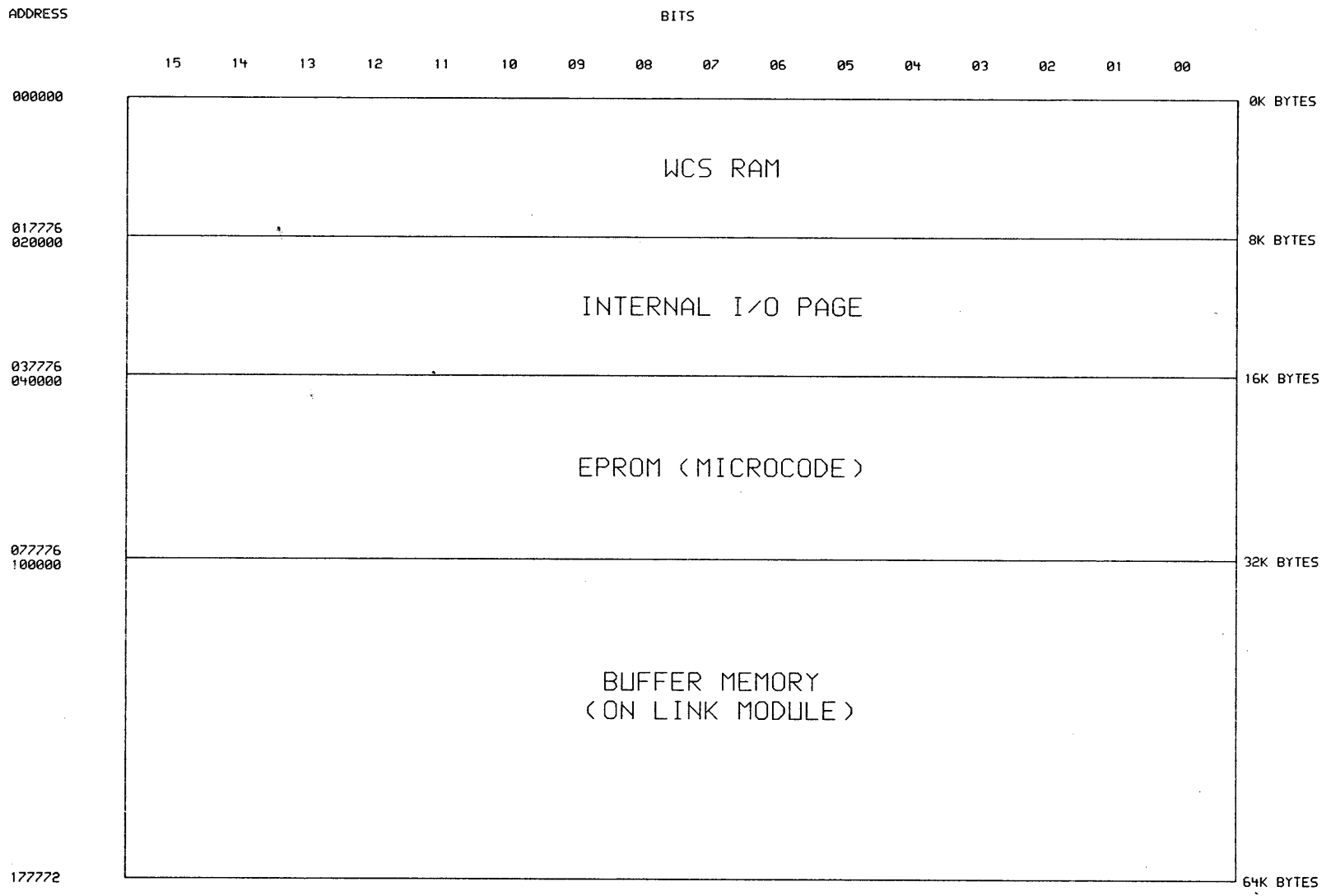
digital	DRN. PAUL HEBERT	DATE 06-MAY-83	ENG. Rick Szmauz	DATE 06-MAY-83	TITLE: DEUNA PORT MODULE (IRE)
	CHKD. <i>[Signature]</i>	DATE 06-MAY-83	BOARD LOCATION:	SHEET 1 OF 1	SIZE CODE K CS
DSKE: <SARGENT>PRTIRE.DRW106-MAY-83 08:58		NEXT HIGHER ASSEMBLY: D-UA-M7792-0-0		NUMBER M7792-0-IRE	
FIRST USED ON OPTION/MODEL: DEUNA		D-UA-M7792-0-0		REV. A	

D
C
B
A

D
C
B
A

REV. A
NUMBER M7792-0-IRE
SIZE CODE K CS

T11 ADDRESS SPACE



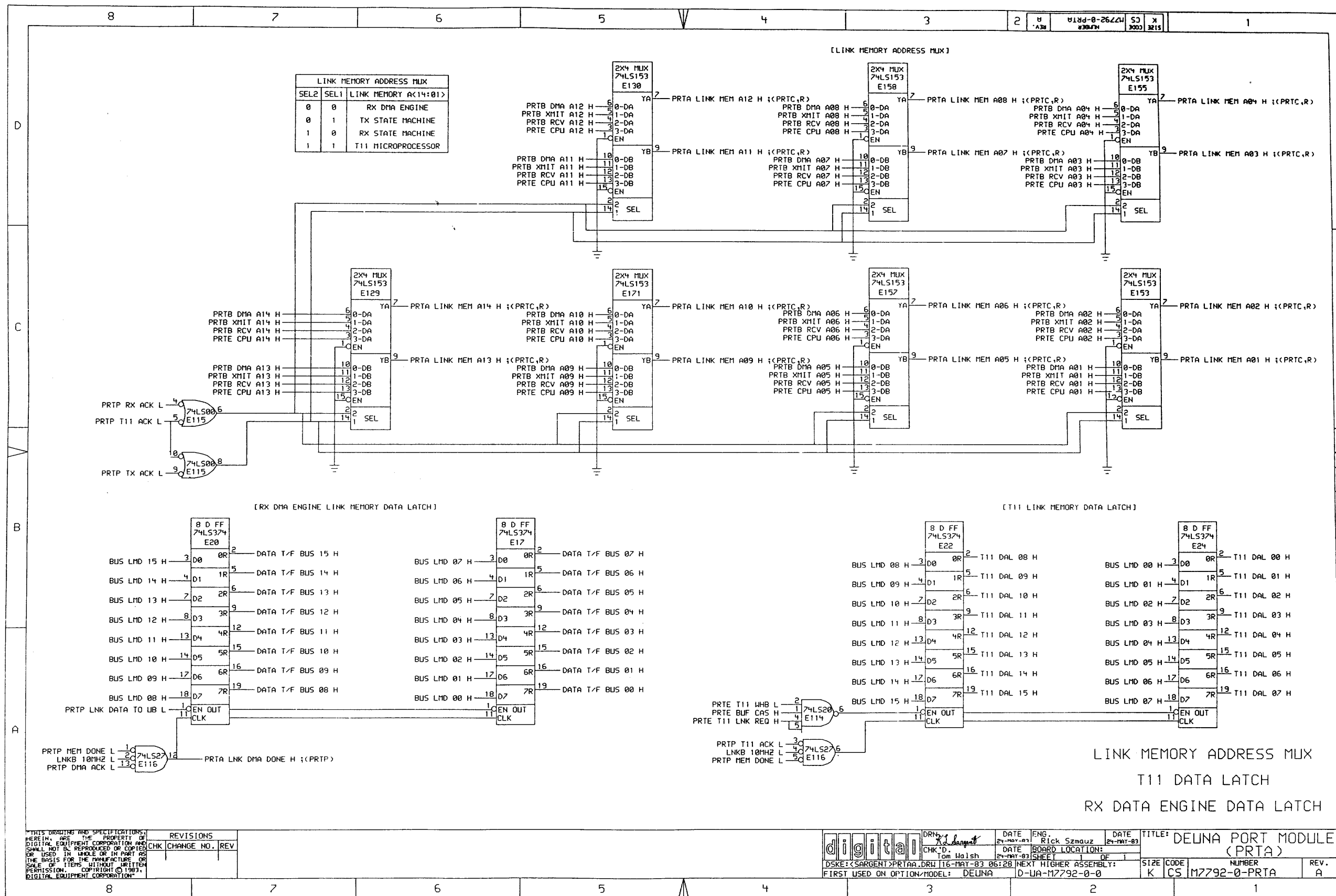
(T11 - PRTE)

THIS DRAWING AND SPECIFICATIONS
 HEREIN ARE THE PROPERTY OF
 DIGITAL EQUIPMENT CORPORATION AND
 SHALL NOT BE REPRODUCED OR COPIED
 OR USED IN WHOLE OR IN PART AS
 THE BASIS FOR THE MANUFACTURE OR
 SALE OF ITEMS WITHOUT WRITTEN
 PERMISSION. COPYRIGHT © 1983,
 DIGITAL EQUIPMENT CORPORATION

REVISIONS	
CHK	CHANGE NO. REV

8	7	6	5	4	3	2	1
---	---	---	---	---	---	---	---

digital	DRN. P. HEBERT	DATE 16-MAY-83	ENG. Rick Szmauz	DATE 16-MAY-83	TITLE: DELUNA PORT MODULE (LSM)
	CHK'D. <i>[Signature]</i>	DATE 16-MAY-83	BOARD LOCATION: 1 OF 1	SHEET 1 OF 1	SIZE CODE NUMBER REV. A
DSKE: <SARGENT>PRTL5M.DRW16-MAY-83 10:20			NEXT HIGHER ASSEMBLY: D-LA-M7792-0-0		SIZE CODE NUMBER REV. A
FIRST USED ON OPTION/MODEL: DELUNA			D-LA-M7792-0-0		K CS M7792-0-LSM

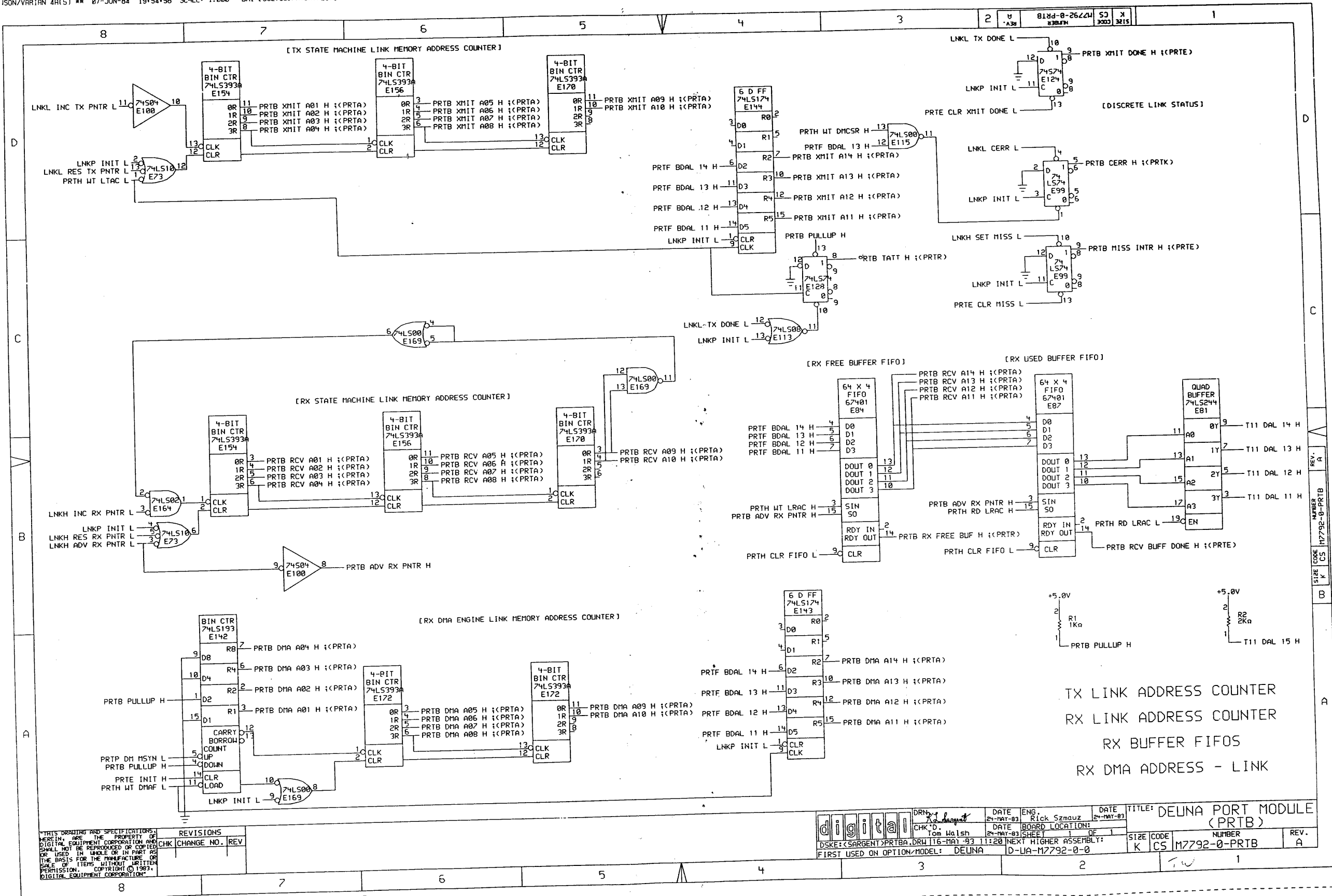


THIS DRAWING AND SPECIFICATIONS ARE THE PROPERTY OF DIGITAL EQUIPMENT CORPORATION AND SHALL NOT BE REPRODUCED OR COPIED OR USED IN WHOLE OR IN PART AS THE BASIS FOR THE MANUFACTURE OR SALE OF ITEMS WITHOUT WRITTEN PERMISSION. COPYRIGHT © 1983, DIGITAL EQUIPMENT CORPORATION.

REV.	CHG.	NO.	REV.

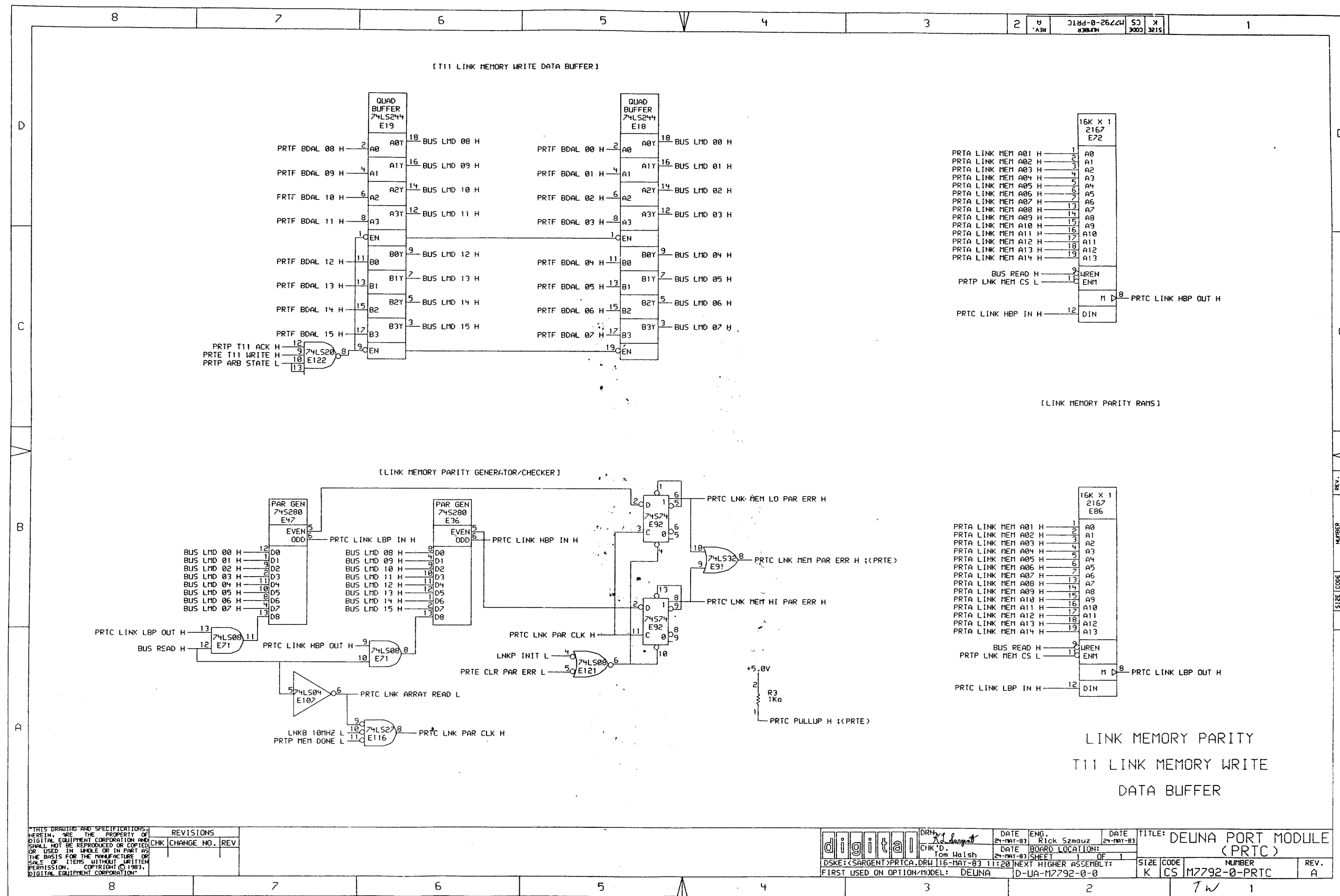
DRN: <i>Tom Walsh</i>	DATE: 24-MAY-83	ENG: Rick Szmauz	DATE: 24-MAY-83	TITLE: DEUNA PORT MODULE (PRTA)
CHK'D: Tom Walsh	DATE: 24-MAY-83	BOARD LOCATION: 1	SHEET: 1	OF: 1
DSKE1: <SARGENT>PRTAA.DRI 16-MAY-83 06:28	NEXT HIGHER ASSEMBLY:	SIZE CODE: K CS	NUMBER: M7792-0-PRTA	REV. A
FIRST USED ON OPTION/MODEL: DEUNA	D-UA-M7792-0-0			

TW



REV.	CHG.	CHANGE NO.	REV.

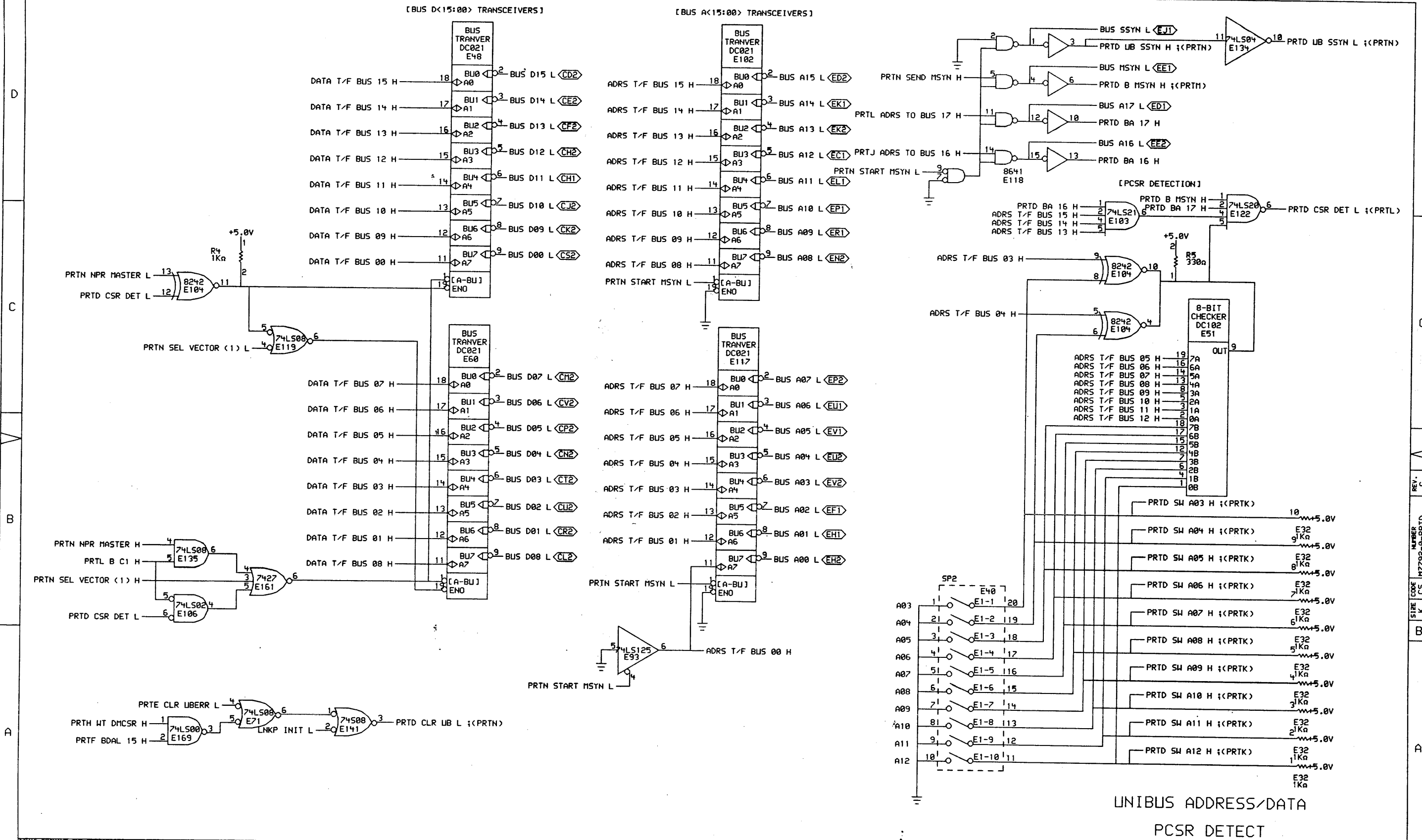
DRN: <i>Tom Walsh</i>	DATE: 24-MAY-83	ENG: Rick Szmauz	DATE: 24-MAY-83	TITLE: DEUNA PORT MODULE (PRTB)
CHK'D: Tom Walsh	DATE: 24-MAY-83	BOARD LOCATION: 1 OF 1	SIZE: K CS	NUMBER: M7792-0-PRTB
FIRST USED ON OPTION/MODEL: DEUNA	DATE: 11:20	NEXT HIGHER ASSEMBLY: D-LA-M7792-0-0	REV.:	A



THIS DRAWING AND SPECIFICATIONS ARE THE PROPERTY OF DIGITAL EQUIPMENT CORPORATION AND SHALL NOT BE REPRODUCED OR COPIED OR USED IN WHOLE OR IN PART AS THE BASIS FOR THE MANUFACTURE OR SALE OF ITEMS WITHOUT WRITTEN PERMISSION. COPYRIGHT © 1983, DIGITAL EQUIPMENT CORPORATION

REVISIONS	
CHK	CHANGE NO. / REV

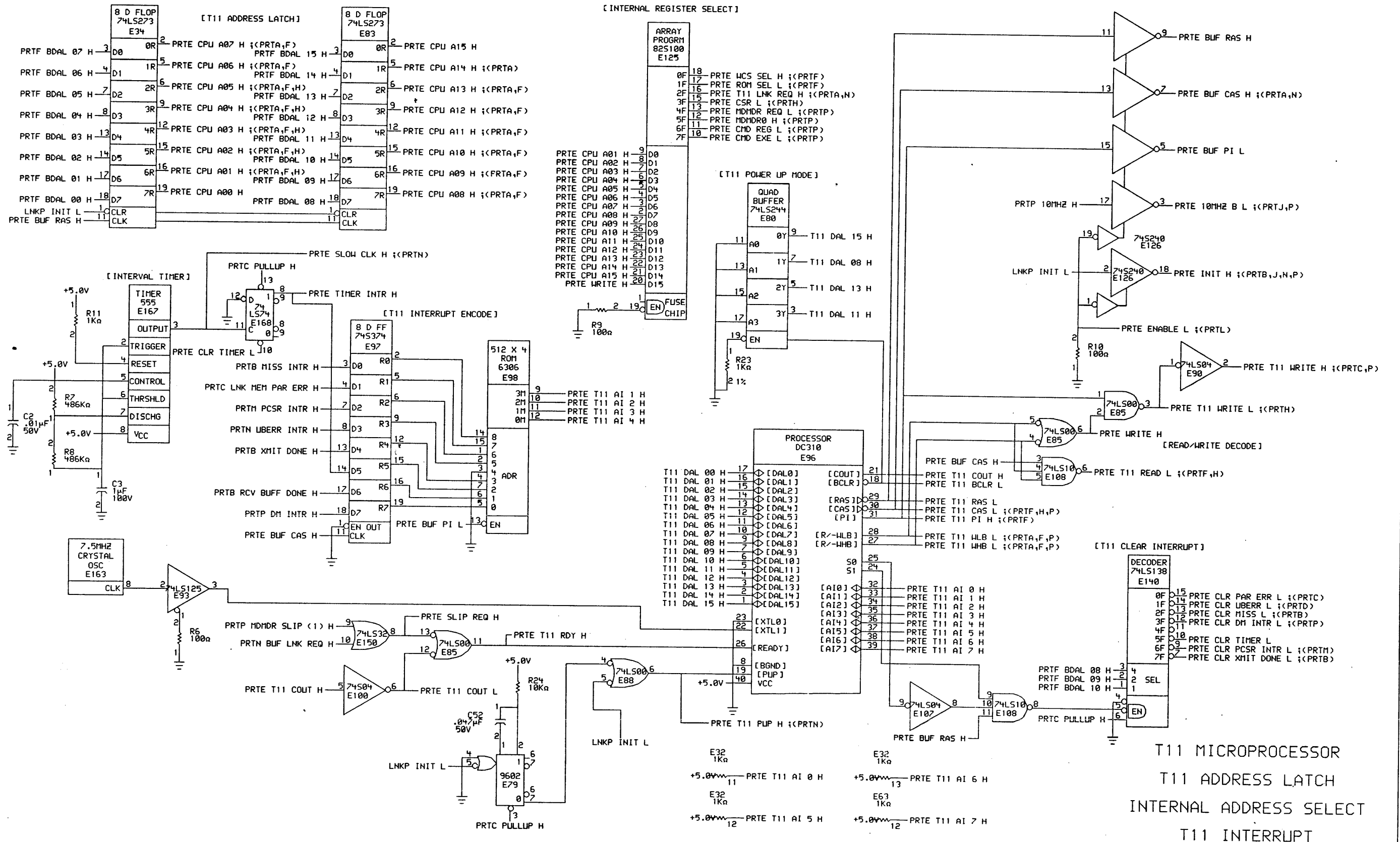
digital	DRN: <i>R. Sargent</i>	DATE: 24-MAY-83	ENG: Rick Szmajz	DATE: 24-MAY-83	TITLE: DELUNA PORT MODULE (PRTC)
	CHK'D: Tom Walsh	DATE: 24-MAY-83	BOARD LOCATION: 1 OF 1	SHEET: 1 OF 1	
DSKE: <SARGENT>PRICA.DRW 116-MAY-83 11:20		NEXT HIGHER ASSEMBLY: D-UA-M7792-0-0		SIZE: K	CODE: CS
FIRST USED ON OPTION/MODEL: DELUNA				NUMBER: M7792-0-PRTC	REV: A



THIS DRAWING AND SPECIFICATIONS HEREIN ARE THE PROPERTY OF DIGITAL EQUIPMENT CORPORATION AND SHALL NOT BE REPRODUCED OR COPIED OR USED IN WHOLE OR IN PART AS THE BASIS FOR THE MANUFACTURE OR SALE OF ITEMS WITHOUT WRITTEN PERMISSION. COPYRIGHT © 1983, DIGITAL EQUIPMENT CORPORATION.

REVISIONS	
CHK	CHANGE NO. REV.

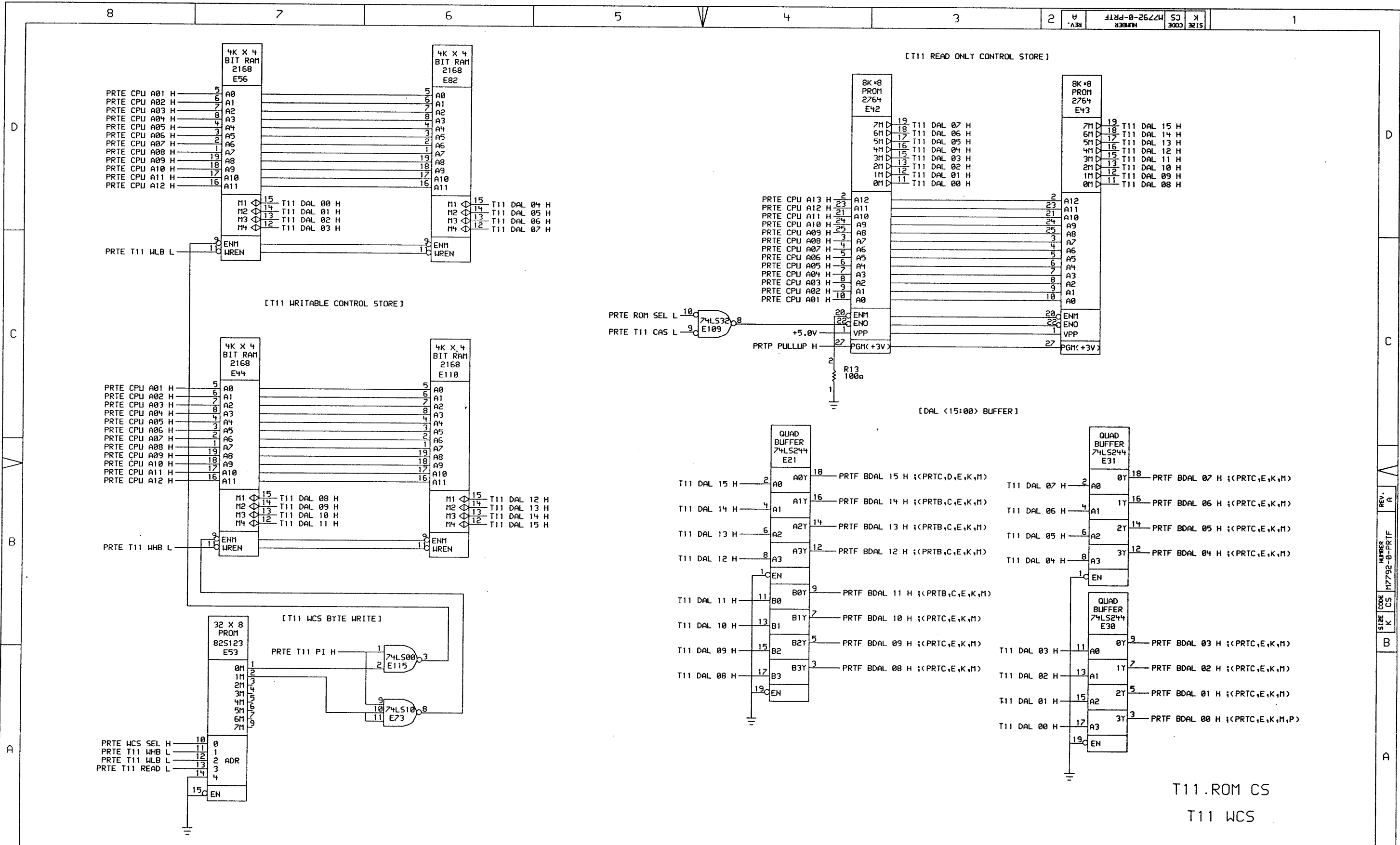
digital	DRN: <i>Tom Walsh</i>	DATE: 06-MAY-83	ENG: Rick Szmauz	DATE: 06-MAY-83	TITLE: DEUNA PORT MODULE (PRTD)
	CHK: Tom Walsh	DATE: 06-MAY-83	BOARD LOCATION: 1	OF: 1	
DSKE: SARGENT/PRTD, DRW 106-MAY-83 06:58		NEXT HIGHER ASSEMBLY: D-UA-M7792-0-0		SIZE CODE: K CS	NUMBER: M7792-0-PRTD
FIRST USED ON OPTION MODEL: DEUNA				REV. C	



T11 MICROPROCESSOR
T11 ADDRESS LATCH
INTERNAL ADDRESS SELECT
T11 INTERRUPT

THIS DRAWING AND SPECIFICATIONS ARE THE PROPERTY OF DIGITAL EQUIPMENT CORPORATION AND SHALL NOT BE REPRODUCED OR COPIED OR USED IN WHOLE OR IN PART AS THE BASIS FOR THE MANUFACTURE OR SALE OF ITEMS WITHOUT WRITTEN PERMISSION. COPYRIGHT © 1983, DIGITAL EQUIPMENT CORPORATION.

REVISIONS	CHK	CHANGE NO.	REV



T11.ROM CS
T11 WCS

THIS DRAWING AND SPECIFICATIONS ARE THE PROPERTY OF DIGITAL EQUIPMENT CORPORATION AND SHALL NOT BE REPRODUCED OR COPIED OR USED IN WHOLE OR IN PART AS THE BASIS FOR THE MANUFACTURE OR SALE OF ITEMS WITHOUT WRITTEN PERMISSION. COPYRIGHT © 1983, DIGITAL EQUIPMENT CORPORATION.

CHK	CHANGE NO.	REV

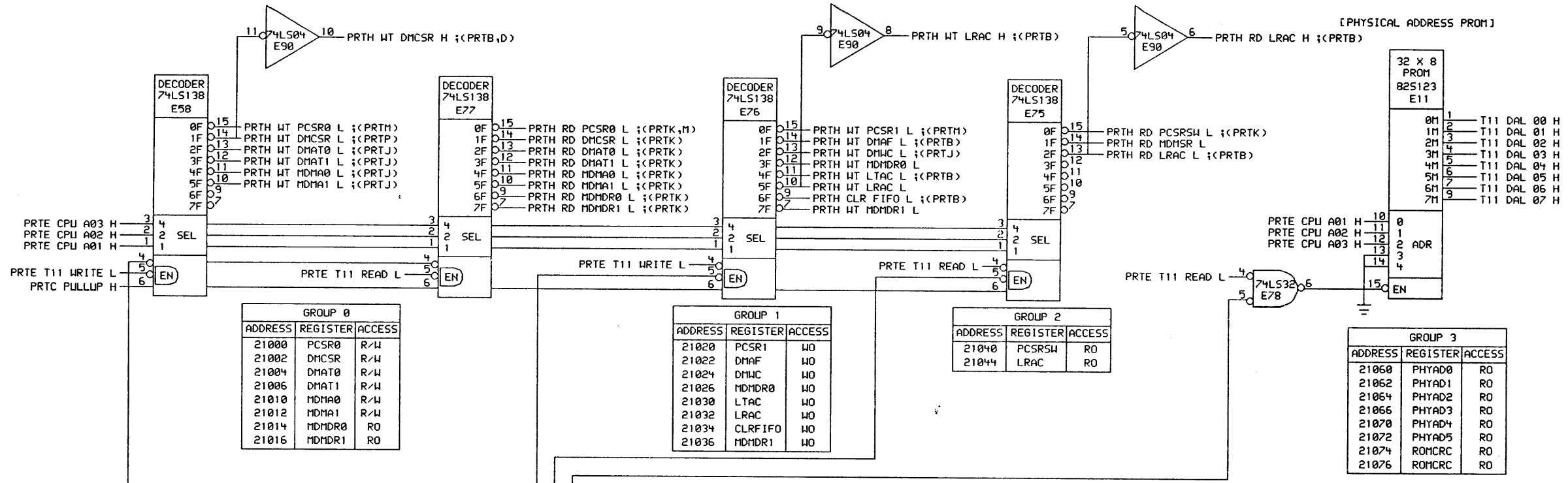
REVISIONS	DATE	ENG.	DATE	TITLE

digital	DRN: <i>R. Walsh</i>	DATE: 24-MAY-83	ENG: Rick Szmauz	DATE: 24-MAY-83	TITLE: DELUNA PORT MODULE (PRTF)
	CHK'D: Tom Walsh	DATE: 24-MAY-83	BOARD LOCATION:		
DSKE: <SARGENT>PRTFA.DRW 116-MAY-83 07:44	NEXT HIGHER ASSEMBLY:				
FIRST USED ON OPTION/MODEL: DELUNA	D-LA-M7792-0-0				

SIZE	CODE	NUMBER	REV.
K	CS	M7792-0-PRTF	A

[INTERNAL REGISTER READ/WRITE CONTROL]

[PHYSICAL ADDRESS PROM]



GROUP 0

ADDRESS	REGISTER	ACCESS
21000	PCSR0	R/W
21002	DMCSR	R/W
21004	DMAT0	R/W
21006	DMAT1	R/W
21010	MDMA0	R/W
21012	MDMA1	R/W
21014	MDMDR0	RO
21016	MDMDR1	RO

GROUP 1

ADDRESS	REGISTER	ACCESS
21020	PCSR1	WO
21022	DMAF	WO
21024	DMWC	WO
21026	MDMDR0	WO
21030	LTAC	WO
21032	LRAC	WO
21034	CLRFIFO	WO
21036	MDMDR1	WO

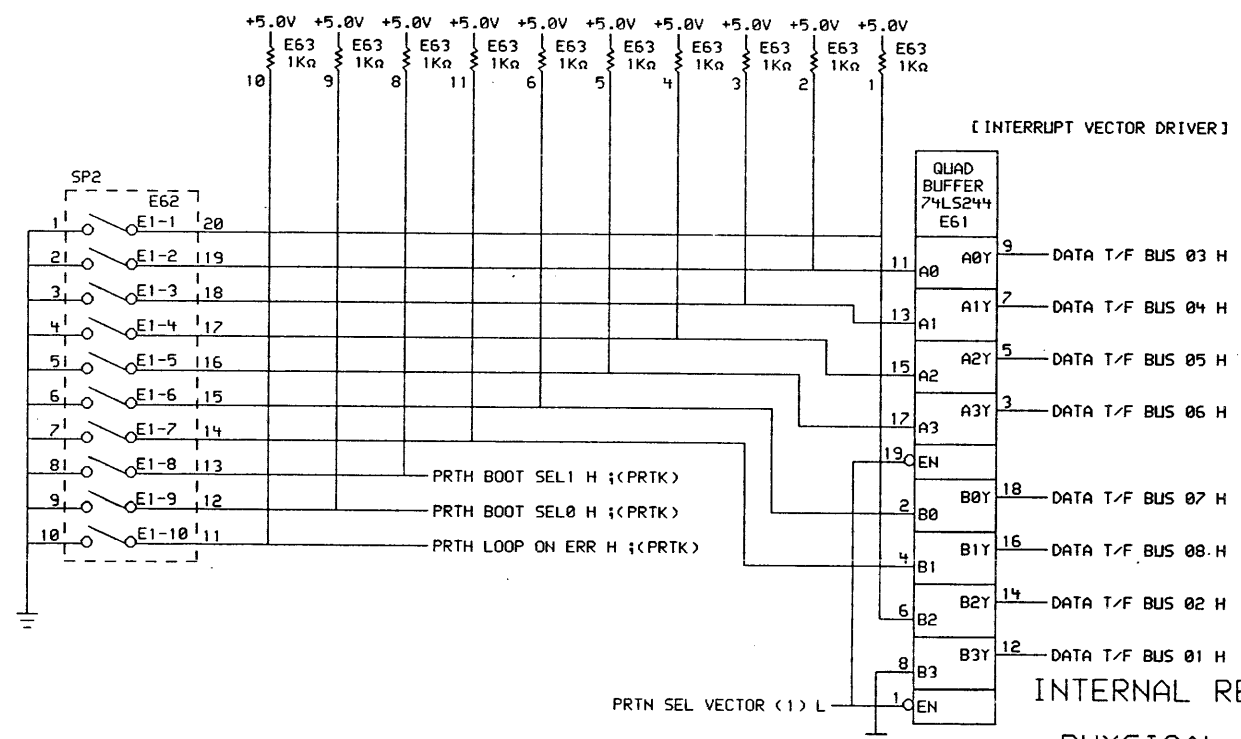
GROUP 2

ADDRESS	REGISTER	ACCESS
21040	PCSR54	RO
21044	LRAC	RO

GROUP 3

ADDRESS	REGISTER	ACCESS
21060	PHYAD0	RO
21062	PHYAD1	RO
21064	PHYAD2	RO
21066	PHYAD3	RO
21070	PHYAD4	RO
21072	PHYAD5	RO
21074	ROMCRC	RO
21076	ROMCRC	RO

[SWITCHES: INTERRUPT VECTOR, BOOT SELECT, SELF TEST LOOP]

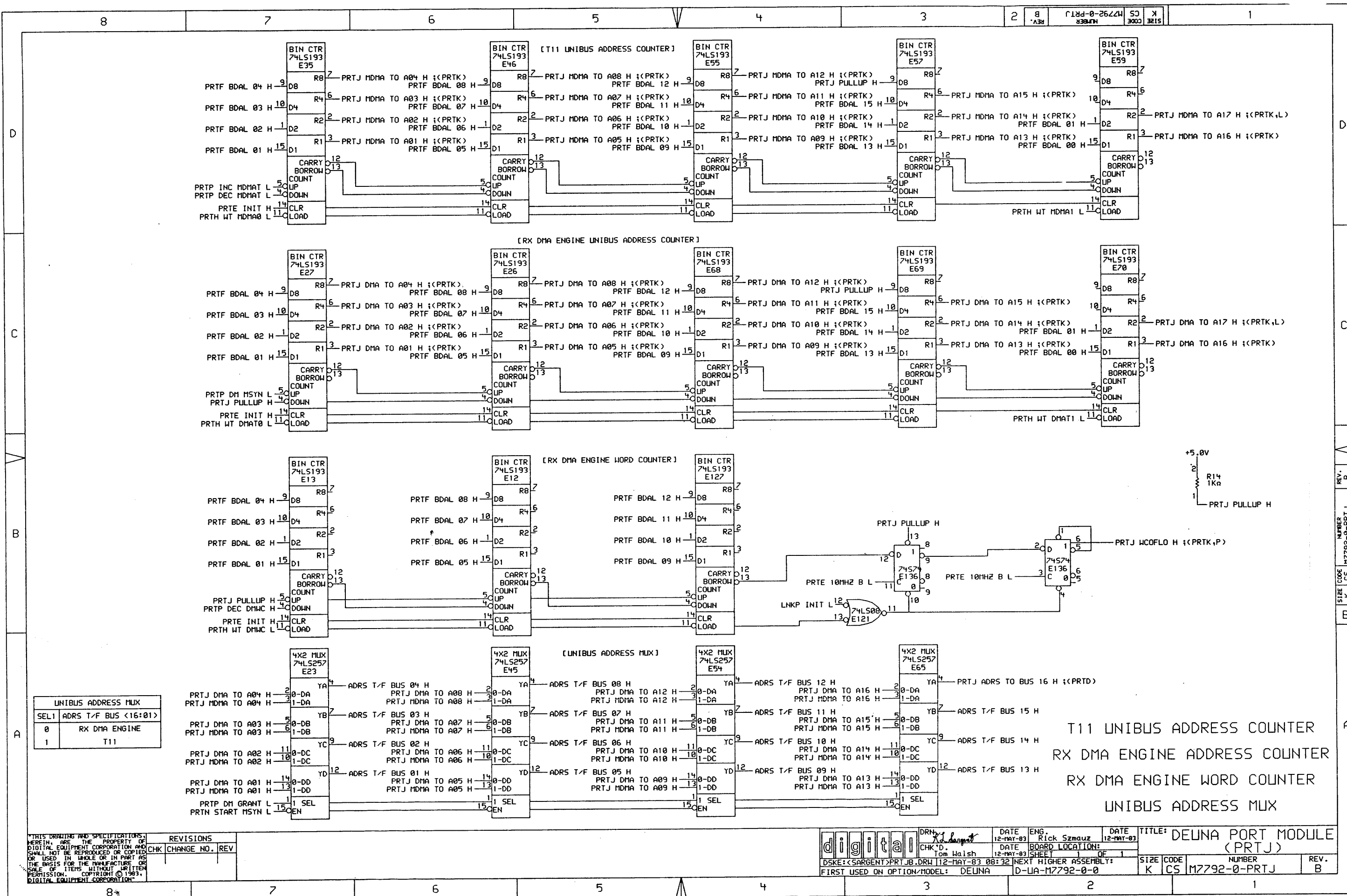


[INTERRUPT VECTOR DRIVER]

INTERNAL REGISTER ACCESS
PHYSICAL ADDRESS PROM
VECTOR SWITCHES

THIS DRAWING AND SPECIFICATIONS ARE THE PROPERTY OF DIGITAL EQUIPMENT CORPORATION AND SHALL NOT BE REPRODUCED OR COPIED OR USED IN WHOLE OR IN PART AS THE BASIS FOR THE MANUFACTURE OR SALE OF ITEMS WITHOUT WRITTEN PERMISSION. COPYRIGHT © 1983, DIGITAL EQUIPMENT CORPORATION.

REVISIONS	CHK	CHANGE NO.	REV



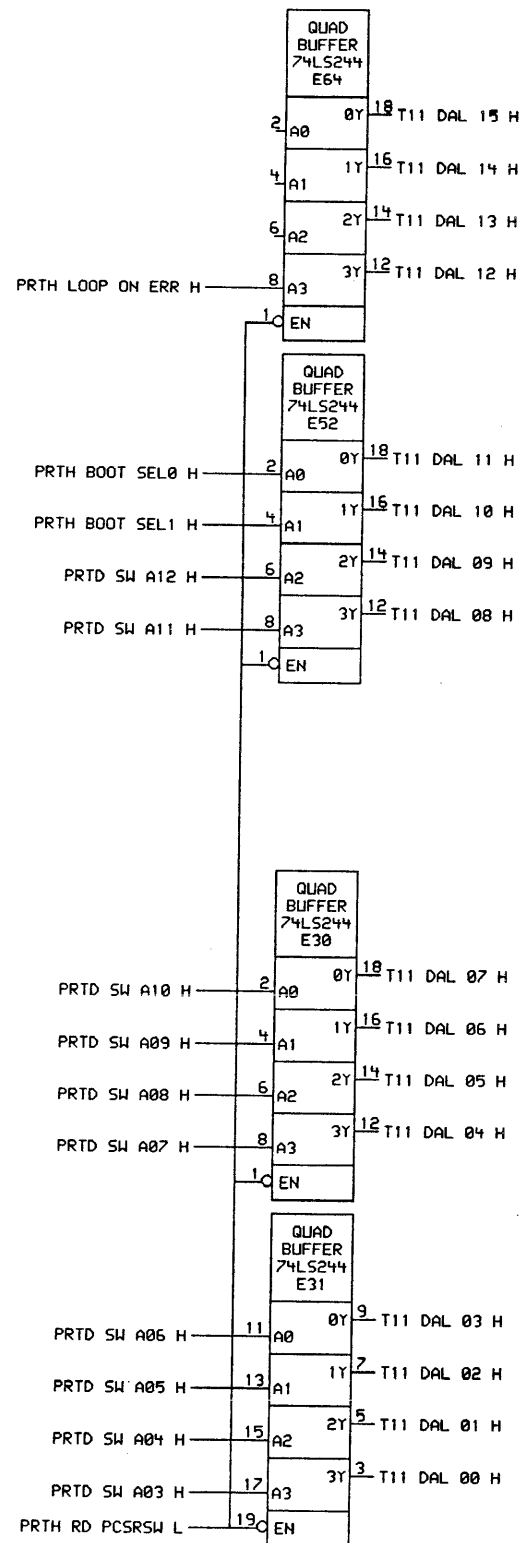
UNIBUS ADDRESS MUX	
SEL1	ADRS T/F BUS <16:01>
0	RX DMA ENGINE
1	T11

T11 UNIBUS ADDRESS COUNTER
 RX DMA ENGINE ADDRESS COUNTER
 RX DMA ENGINE WORD COUNTER
 UNIBUS ADDRESS MUX

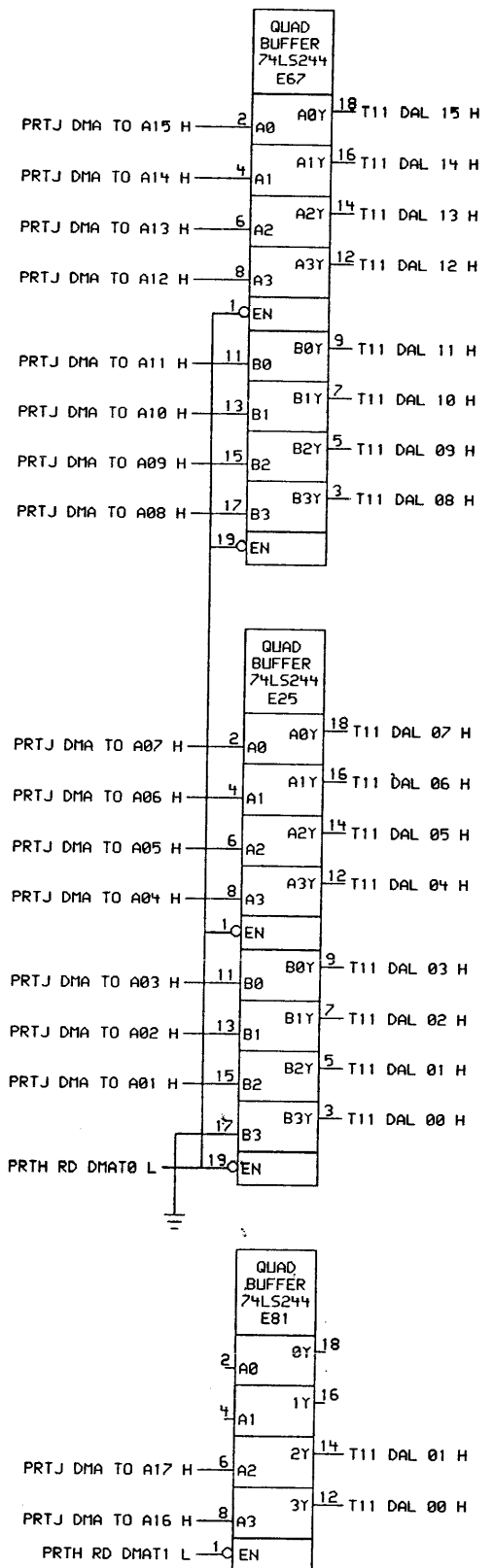
REVISIONS	
CHK	CHANGE NO. REV

	DRN: <i>Tom Walsh</i>	DATE: 12-MAY-83	ENG: Rick Szmauz	DATE: 12-MAY-83	TITLE: DELUNA PORT MODULE (PRTJ)
	CHK'D: Tom Walsh	DATE: 12-MAY-83	BOARD LOCATION: 1 OF 1	DATE: 12-MAY-83	SIZE CODE: K CS
DSK: <SARGENT>PRTJ.B.DRW 12-MAY-83 08:32 NEXT HIGHER ASSEMBLY: D-LA-M7792-0-0				NUMBER: M7792-0-PRTJ	REV: B

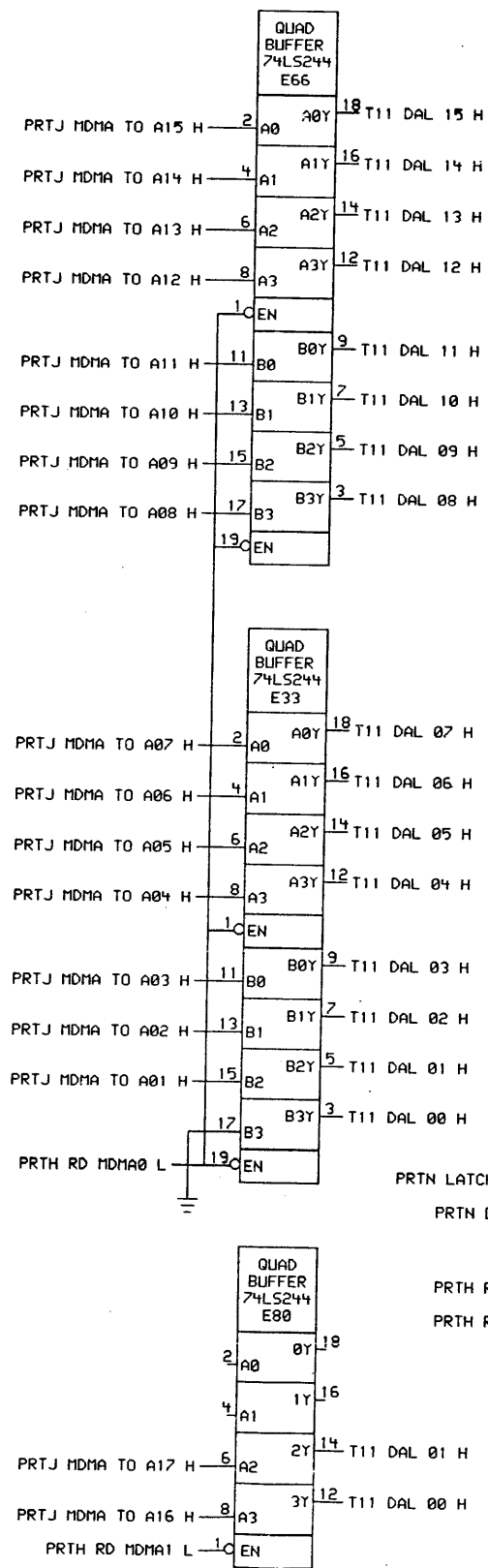
[T11 READ UNIBUS PCSR ADDRESS SWITCHES]



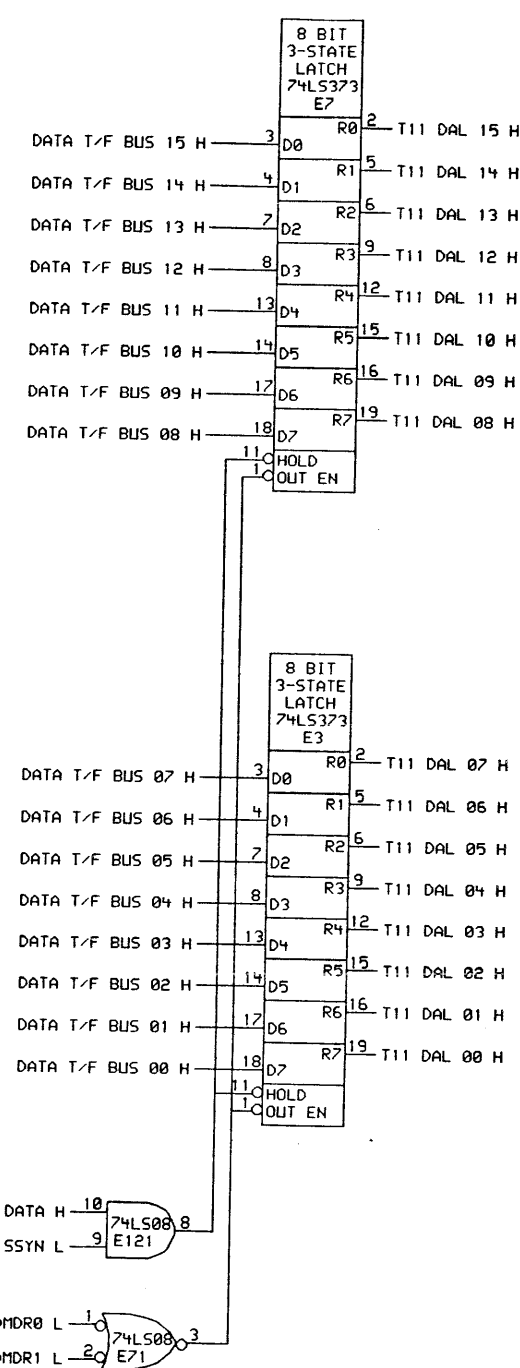
[T11 READ RX DMA ENGINE UNIBUS ADDRESS]



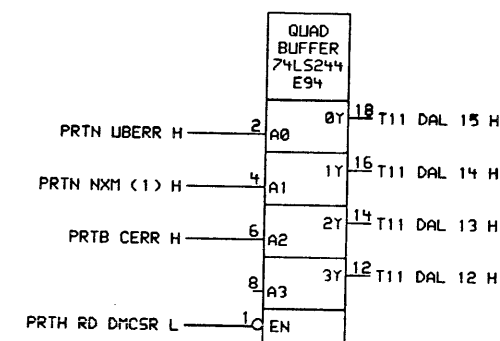
[T11 READ T11 UNIBUS ADDRESS]



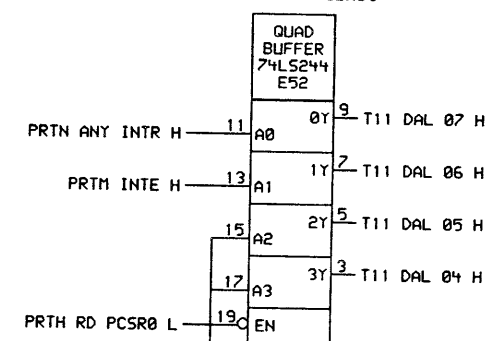
[UNIBUS DATA IN LATCH]



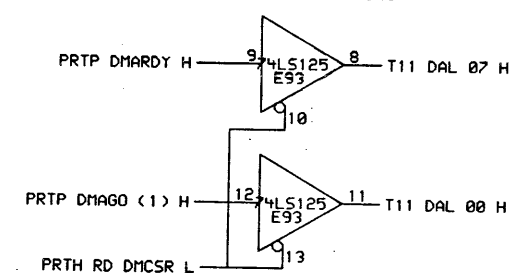
[T11 READ DMCSR]



[T11 READ PCSR0]



[T11 READ RX DMCSR]

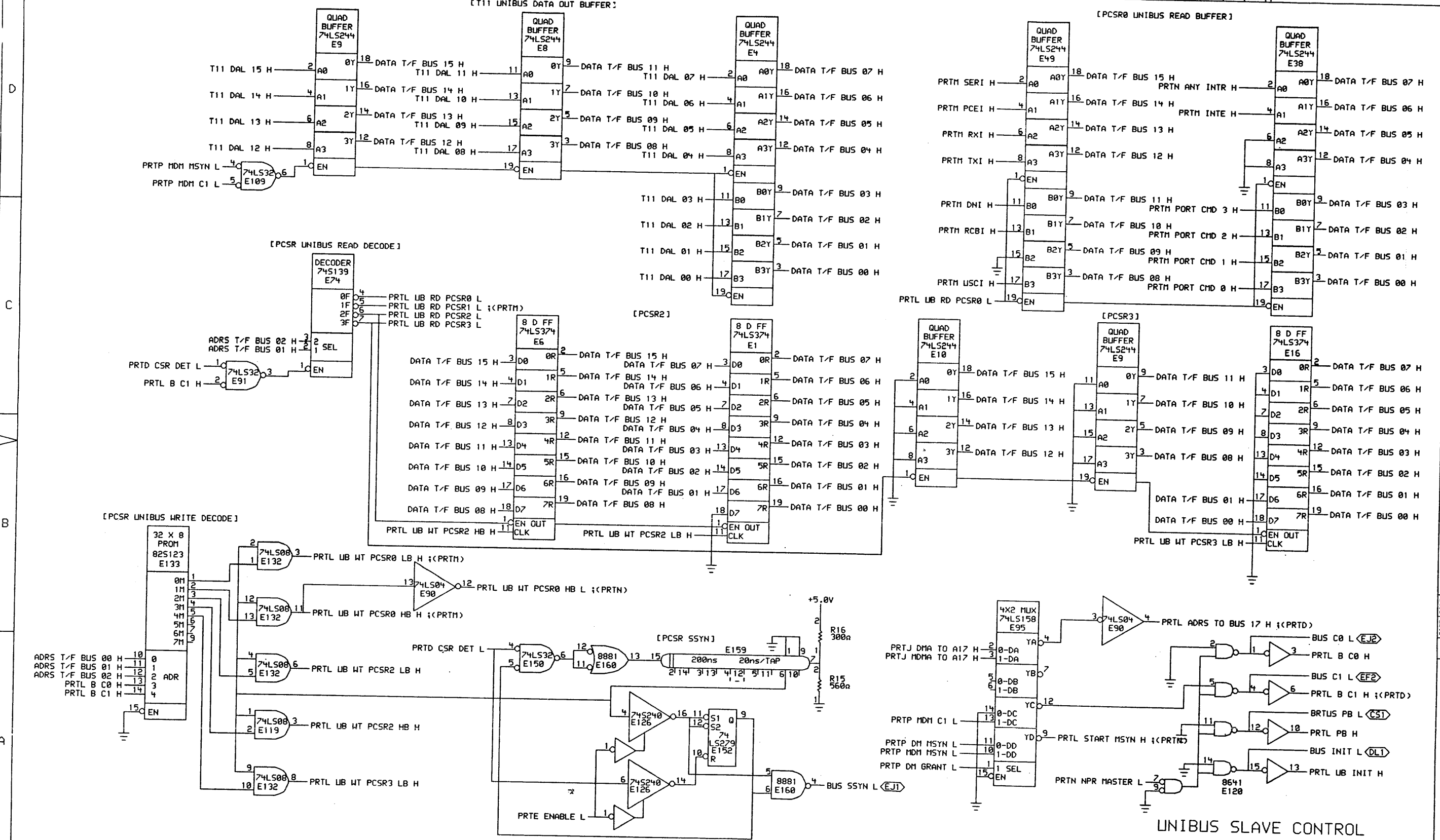


T11 READ ACCESS OF INTERNAL REGISTERS

THIS DRAWING AND SPECIFICATIONS HEREIN ARE THE PROPERTY OF DIGITAL EQUIPMENT CORPORATION AND SHALL NOT BE REPRODUCED OR COPIED OR USED IN WHOLE OR IN PART AS THE BASIS FOR THE MANUFACTURE OR SALE OF ITEMS WITHOUT WRITTEN PERMISSION. COPYRIGHT © 1983 DIGITAL EQUIPMENT CORPORATION.

REVISIONS
CHK CHANGE NO. REV

digital	DRN: <i>Tom Walsh</i>	DATE: 16-MAY-83	ENG: Rick Szmauz	DATE: 16-MAY-83	TITLE: DEUNA PORT MODULE (PRTK)
	CHK'D: Tom Walsh	DATE: 16-MAY-83	BOARD LOCATION: 1	OF 1	SIZE CODE: K CS M7792-0-PRTK
DSKE: <SARGENT>PRTK.DRW 16-MAY-83 06:55 NEXT HIGHER ASSEMBLY: D-UA-M7792-0-0			FIRST USED ON OPTION/MODEL: DEUNA		REV. C

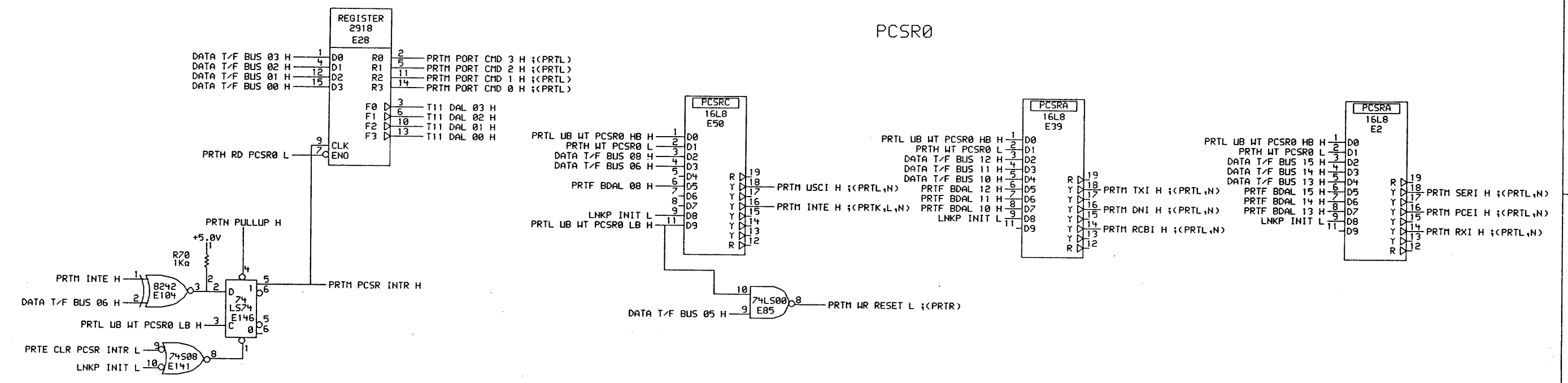


THIS DRAWING AND SPECIFICATIONS HEREIN ARE THE PROPERTY OF DIGITAL EQUIPMENT CORPORATION AND SHALL NOT BE REPRODUCED OR COPIED OR USED IN WHOLE OR IN PART FOR THE BASIS FOR THE MANUFACTURE OR SALE OF ITEMS WITHOUT WRITTEN PERMISSION. COPYRIGHT © 1983, DIGITAL EQUIPMENT CORPORATION.

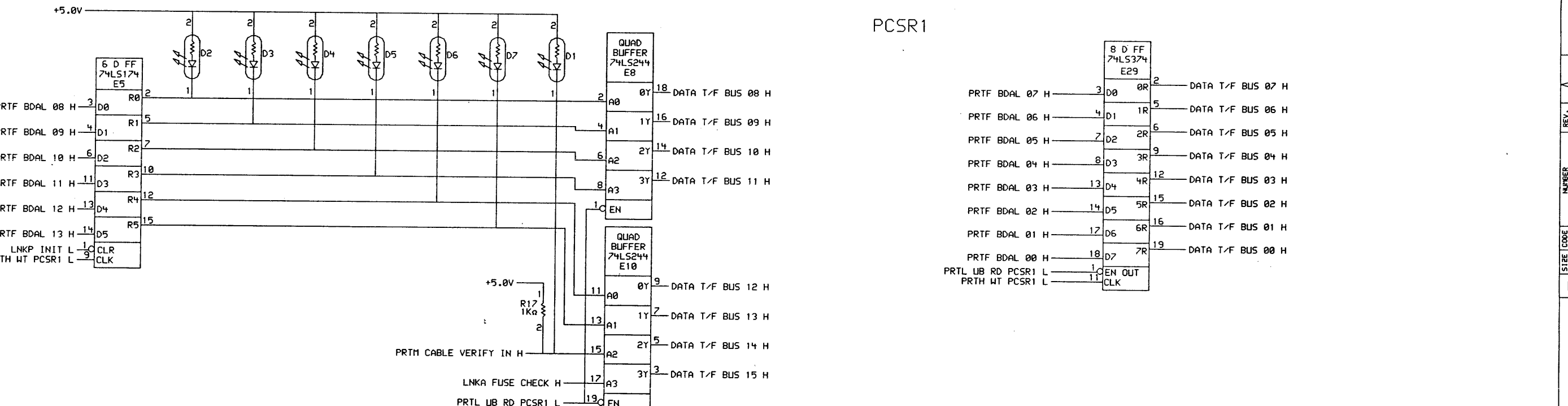
REV.	CHG.	CHANGE NO.	REV.

DRN: <i>K. Langert</i>	DATE: 12-MAY-83	ENG: Rick Szmauz	DATE: 12-MAY-83	TITLE: DEUNA PORT MODULE (PRTL)
CHK'D: Tom Walsh	DATE: 12-MAY-83	BOARD LOCATION: 1	SHEET: 1	OF: 1
DSKE: <SARGENT>PRTL.B.DRW	12-MAY-83 09:01	NEXT HIGHER ASSEMBLY: D-UA-M7792-0-0	SIZE CODE: K CS	NUMBER: M7792-0-PRTL
FIRST USED ON OPTION/MODEL: DEUNA	D-UA-M7792-0-0	REV. B		

PCSR0



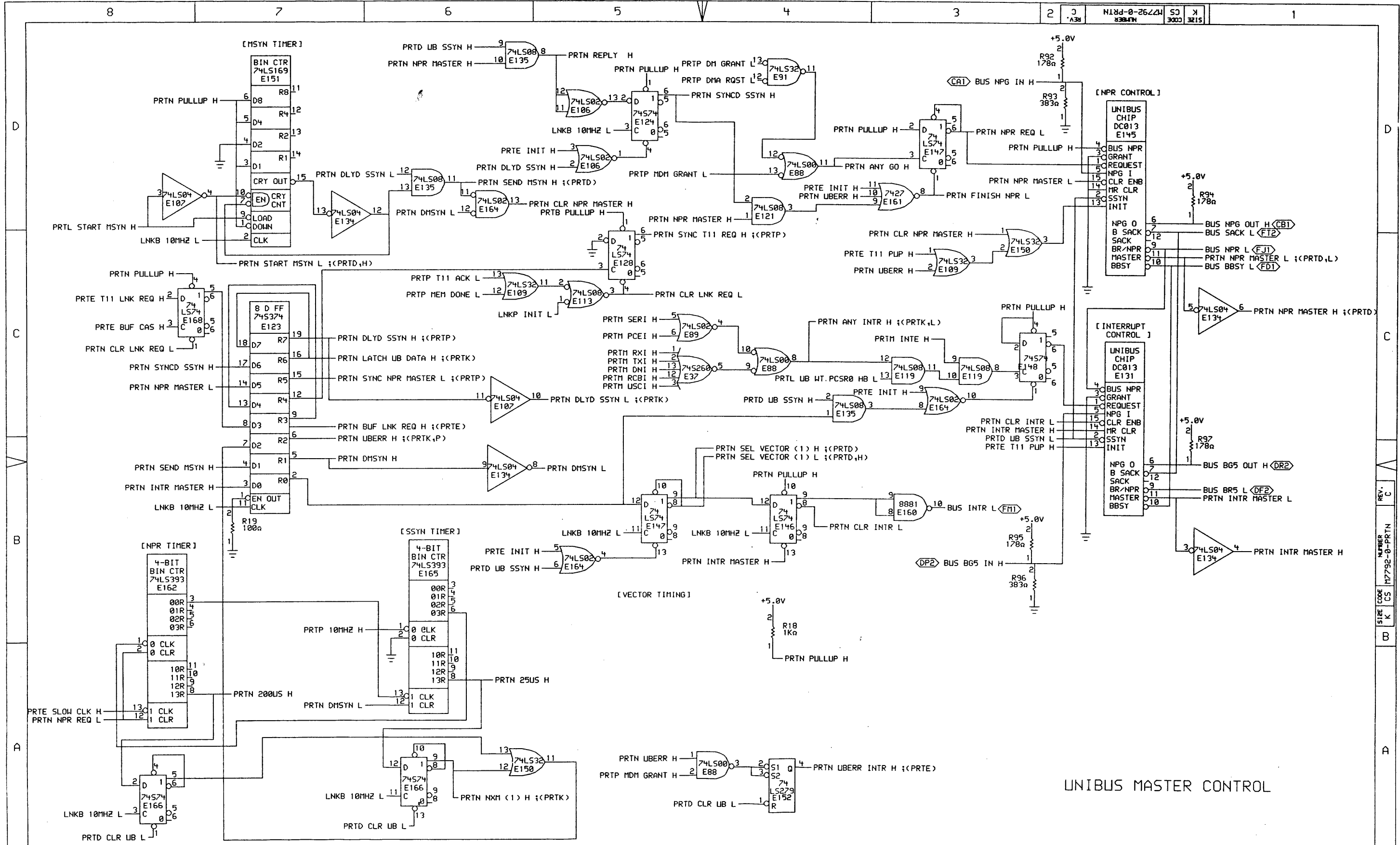
PCSR1



PCSR0
PCSR1

REVISIONS	
CHK	CHANGE NO. REV

digital	DRN: <i>Tom Walsh</i>	DATE: 12-MAY-83	ENG: Rick Szmauz	DATE: 12-MAY-83	TITLE: DEUNA PORT MODULE (PRTM)
	CHK'D: Tom Walsh	DATE: 12-MAY-83	BOARD LOCATION: SHEET 1 OF 1		
DSKE: <SARGENT>PR1M.DRW 12-MAY-83 09:05			NEXT HIGHER ASSEMBLY: D-UA-M7792-0-0		
FIRST USED ON OPTION/MODEL: DEUNA			SIZE CODE: K CS	NUMBER: M7792-0-PR1M	REV. C

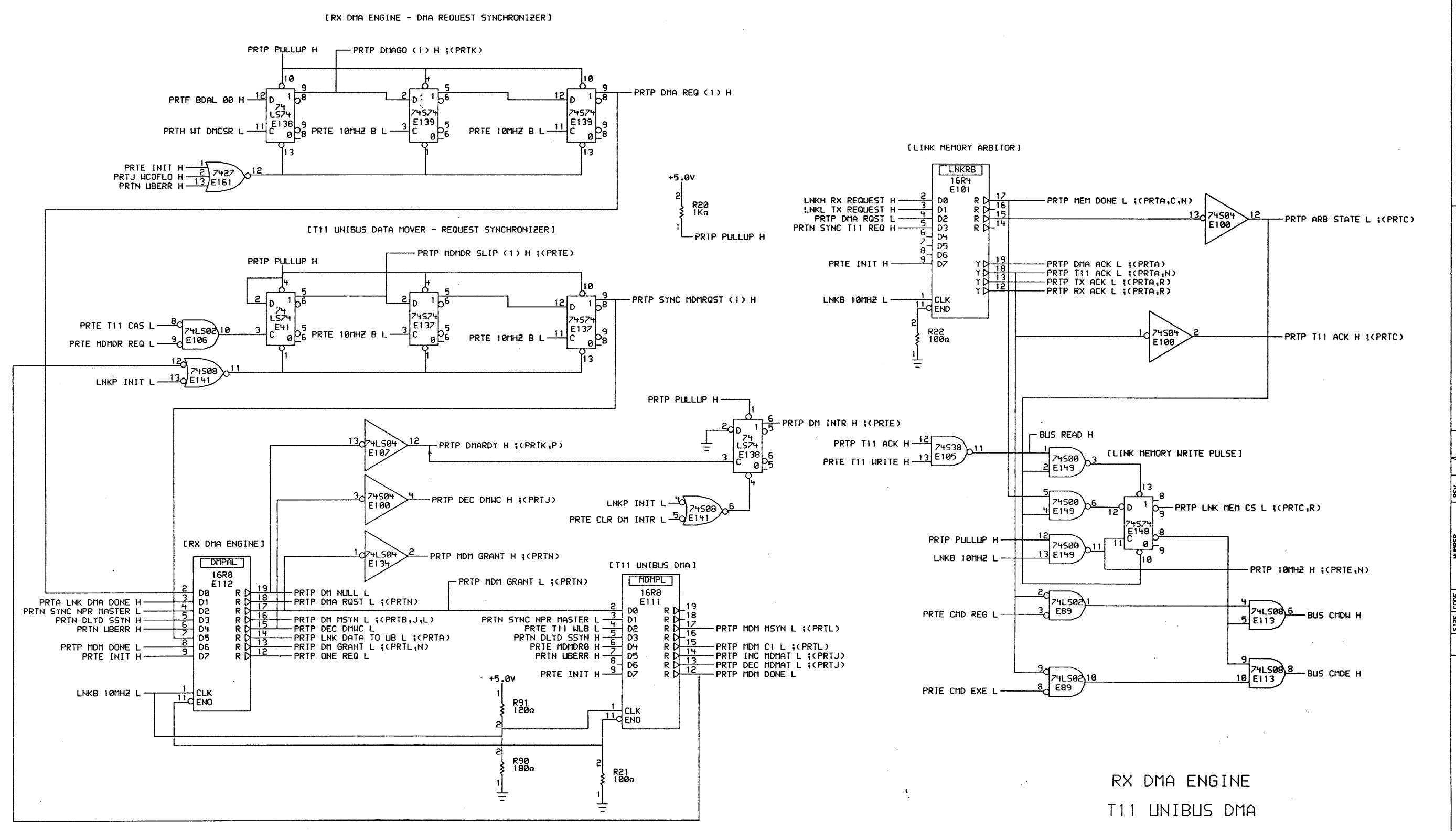


UNIBUS MASTER CONTROL

THIS DRAWING AND SPECIFICATIONS ARE THE PROPERTY OF DIGITAL EQUIPMENT CORPORATION AND SHALL NOT BE REPRODUCED OR COPIED OR USED IN WHOLE OR IN PART AS THE BASIS FOR THE MANUFACTURE OR SALE OF ITEMS WITHOUT WRITTEN PERMISSION. COPYRIGHT © 1983, DIGITAL EQUIPMENT CORPORATION

CHK	CHANGE NO.	REV

digital	DRN: <i>Ad Sargent</i>	DATE: 26-MAY-83	ENG: Rick Szmauz	DATE: 26-MAY-83	TITLE: DEUNA PORT MODULE (PRTN)
	CHK'D: Tom Walsh	DATE: 26-MAY-83	BOARD LOCATION: 1 OF 1	SHEET: 1 OF 1	
DSKE: <<SARGENT>>PRINC.DRW 125-MAY-83 16:59			NEXT HIGHER ASSEMBLY: D-UA-M7792-0-0		
FIRST USED ON OPTION-MODEL: DEUNA			SIZE CODE: K CS	NUMBER: M7792-0-PRTN	REV: C

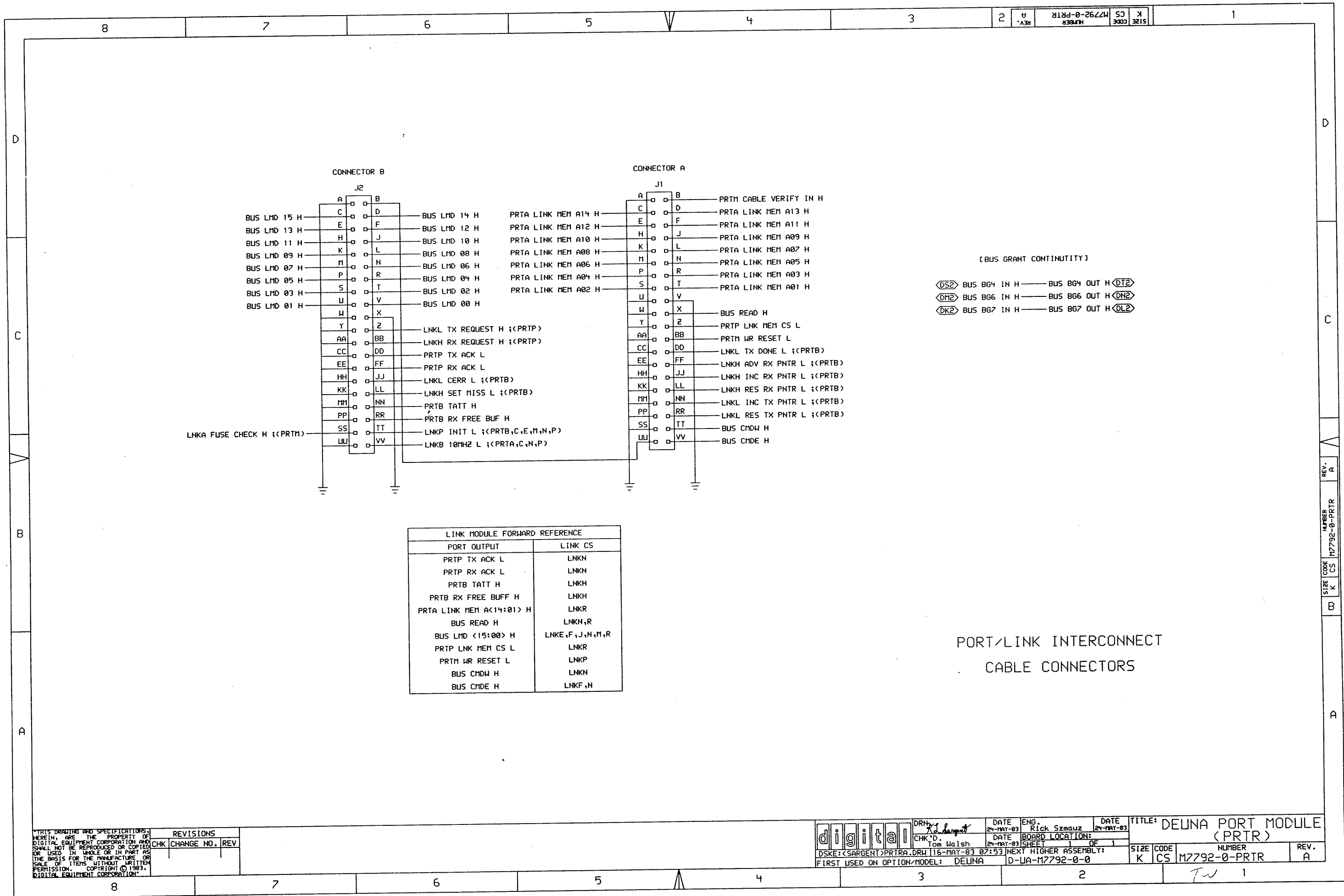


RX DMA ENGINE
T11 UNIBUS DMA
LINK MEMORY ARBITOR

THIS DRAWING AND SPECIFICATIONS ARE THE PROPERTY OF DIGITAL EQUIPMENT CORPORATION AND SHALL NOT BE REPRODUCED OR COPIED OR USED IN WHOLE OR IN PART AS THE BASIS FOR THE MANUFACTURE OR SALE OF ITEMS WITHOUT WRITTEN PERMISSION. COPYRIGHT © 1983, DIGITAL EQUIPMENT CORPORATION.

REV.	CHG.	NO.	REV.

DIGITAL	DRN: <i>Tom Walsh</i>	DATE: 24-MAY-83	ENG: Rick Szmauz	DATE: 24-MAY-83	TITLE: DELUNA PORT MODULE (PRTP)
	CHK'D: Tom Walsh	DATE: 24-MAY-83	BOARD LOCATION: SHEET 1 OF 1	SIZE CODE: K CS	NUMBER: M7792-0-PRTP
DSKE: <SARGENT> PRTPC.DRW 16-MAY-83 07:51 NEXT HIGHER ASSEMBLY: D-UA-M7792-0-0					REV. C



[BUS GRANT CONTINUITY]

DS2 BUS BG4 IN H — BUS BG4 OUT H DT2

DM2 BUS BG6 IN H — BUS BG6 OUT H DN2

DK2 BUS BG7 IN H — BUS BG7 OUT H DL2

LINK MODULE FORWARD REFERENCE	
PORT OUTPUT	LINK CS
PRTP TX ACK L	LNKN
PRTP RX ACK L	LNKN
PRTB TATT H	LNKH
PRTB RX FREE BUFF H	LNKH
PRTA LINK MEM A<14:01> H	LNKR
BUS READ H	LNKN,R
BUS LMD <15:00> H	LNKE,F,J,N,M,R
PRTP LNK MEM CS L	LNKR
PRTM WR RESET L	LNKP
BUS CMDW H	LNKN
BUS CMDE H	LNKF,N

PORT/LINK INTERCONNECT
CABLE CONNECTORS

THIS DRAWING AND SPECIFICATIONS ARE THE PROPERTY OF DIGITAL EQUIPMENT CORPORATION AND SHALL NOT BE REPRODUCED OR COPIED OR USED IN WHOLE OR IN PART AS THE BASIS FOR THE MANUFACTURE OR SALE OF ITEMS WITHOUT WRITTEN PERMISSION. COPYRIGHT © 1983, DIGITAL EQUIPMENT CORPORATION.

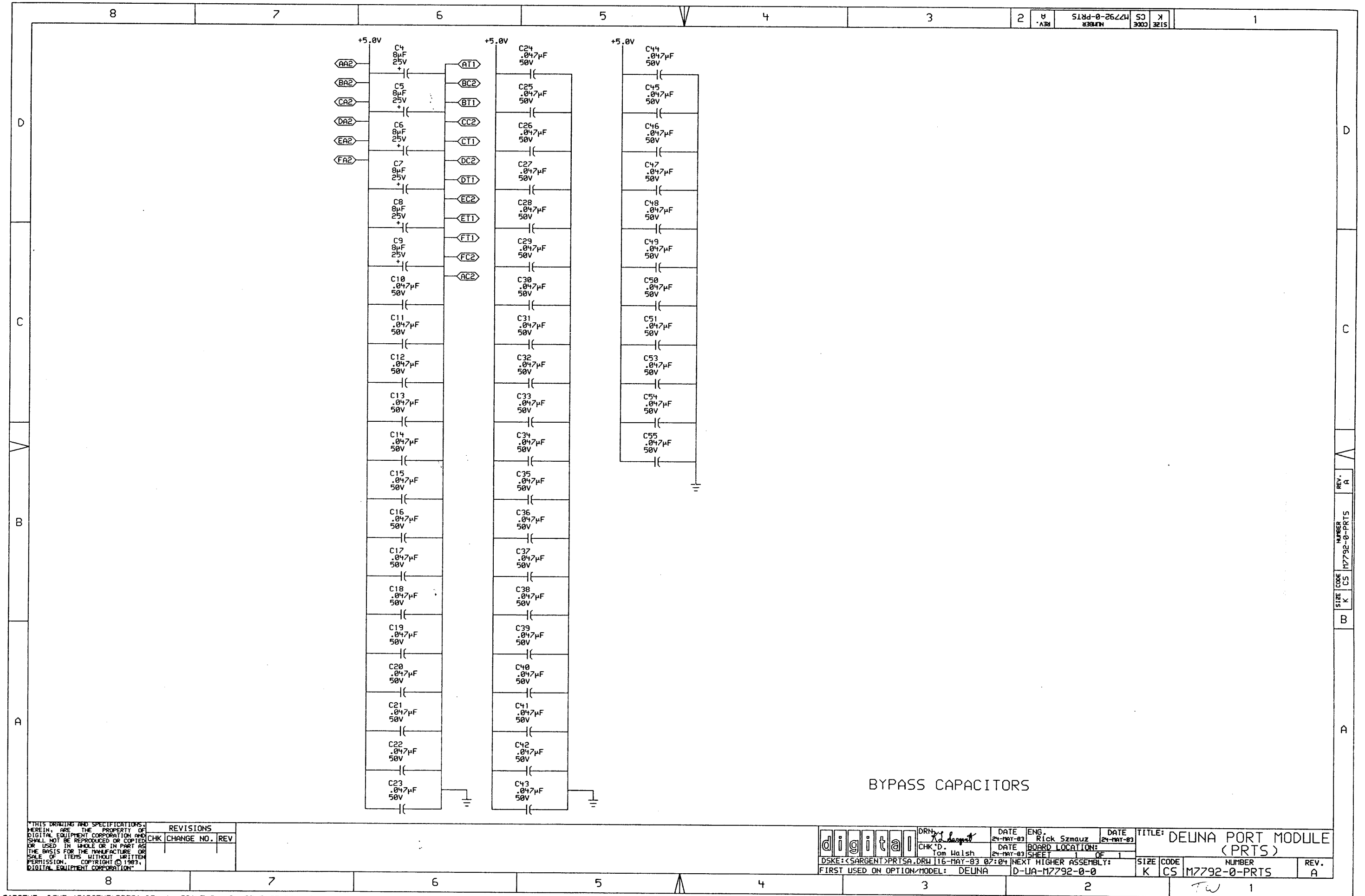
REVISIONS	
CHK	CHANGE NO. REV

digital DRN: *X. Sargent* DATE: 24-MAY-83 ENG: Rick Szmauz DATE: 24-MAY-83 TITLE: DEUNA PORT MODULE (PRTR)

CHK'D: Tom Walsh DATE: 24-MAY-83 BOARD LOCATION: SHEET 1 OF 1

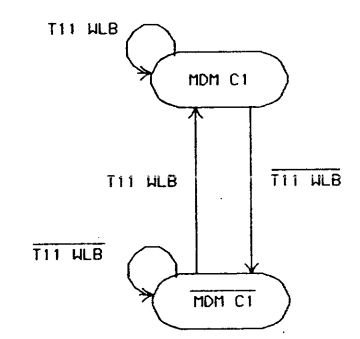
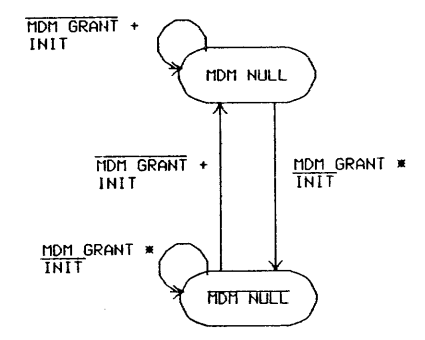
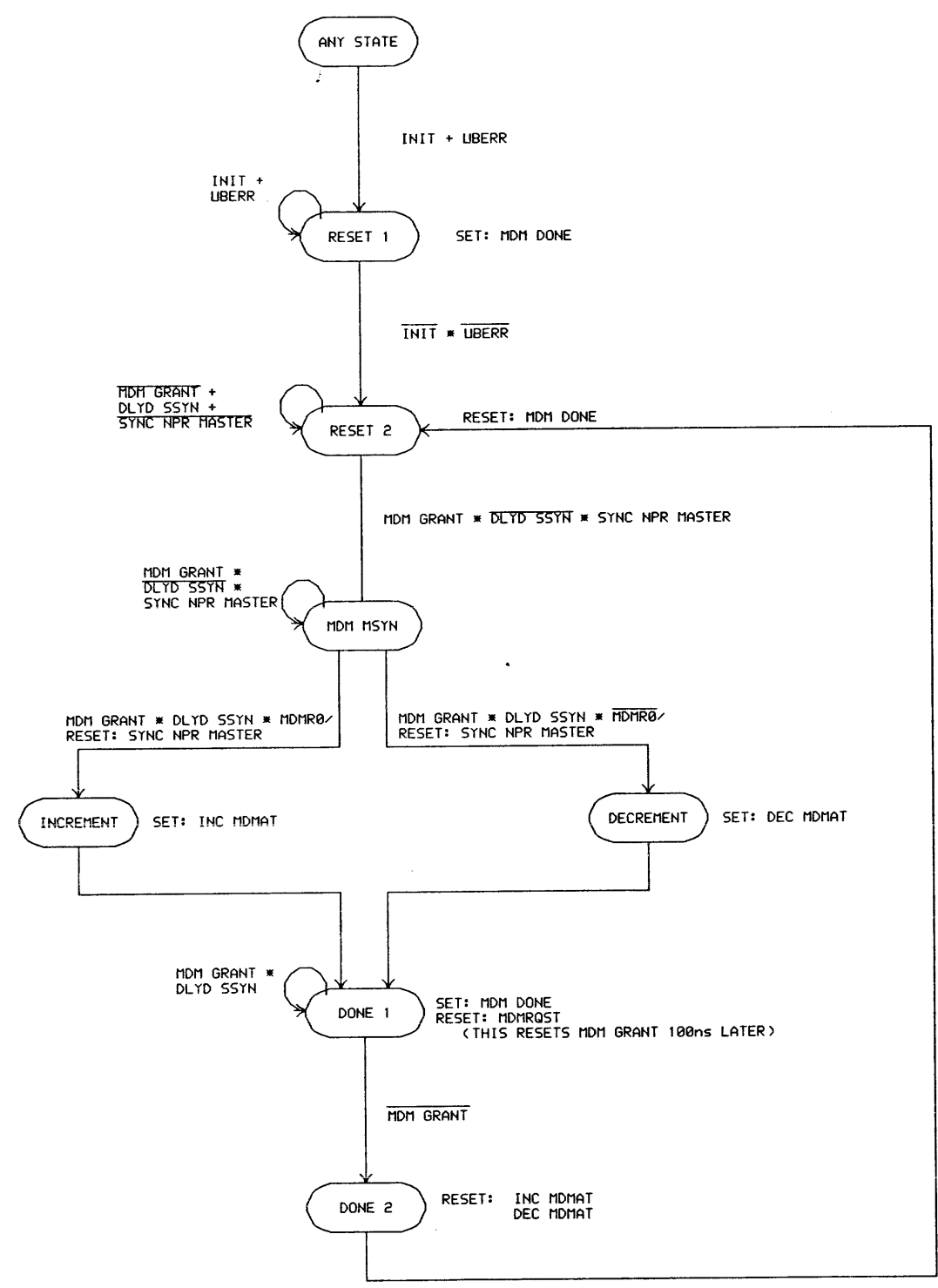
DSKE: <SARGENT>PRTRA.DRW 15-MAY-83 07:53 NEXT HIGHER ASSEMBLY: SIZE CODE NUMBER REV. K CS M7792-0-PRTR A

FIRST USED ON OPTION/MODEL: DEUNA D-UA-M7792-0-0



REVISIONS		
CHK	CHANGE NO.	REV

	DRN: <i>Walsh</i>	DATE: 24-MAY-83	ENG: Rick Szmauz	DATE: 24-MAY-83	TITLE: DEUNA PORT MODULE (PRTS)
	CHK'D: Tom Walsh	DATE: 24-MAY-83	BOARD LOCATION: 1 OF 1	SHEET: 1 OF 1	
DSKE: <SARGENT>PRTSA.DRW 116-MAY-83 07:04			NEXT HIGHER ASSEMBLY: D-LJA-M7792-0-0		
FIRST USED ON OPTION/MODEL: DEUNA			SIZE CODE: K CS	NUMBER: M7792-0-PRTS	REV: A



T-11 DMA STATE DIAGRAMS

THIS DRAWING AND SPECIFICATIONS ARE THE PROPERTY OF DIGITAL EQUIPMENT CORPORATION AND SHALL NOT BE REPRODUCED OR COPIED OR USED IN WHOLE OR IN PART AS THE BASIS FOR THE MANUFACTURE OR SALE OF ITEMS WITHOUT WRITTEN PERMISSION. COPYRIGHT © 1983, DIGITAL EQUIPMENT CORPORATION.

REVISIONS	
CHK	CHANGE NO. REV

--	--	--	--	--	--	--	--	--	--

digital	DRN. P. HEBERT	DATE 06-MAY-83	ENG. Rick Szmauz	DATE 06-MAY-83	TITLE: DELUNA PORT MODULE (SD1)				
	CHKD. <i>X. Sargent</i>	DATE 06-MAY-83	BOARD LOCATION: SHEET 1 OF 1		SIZE CODE K CS	NUMBER M7792-0-SD1	REV. A		
DSKE: <SARGENT>PRTSD1.DRW113-MAR-83 10:37 NEXT HIGHER ASSEMBLY: D-UA-M7792-0-0					FIRST USED ON OPTION/MODEL: DELUNA				

8

7

6

5

4

3

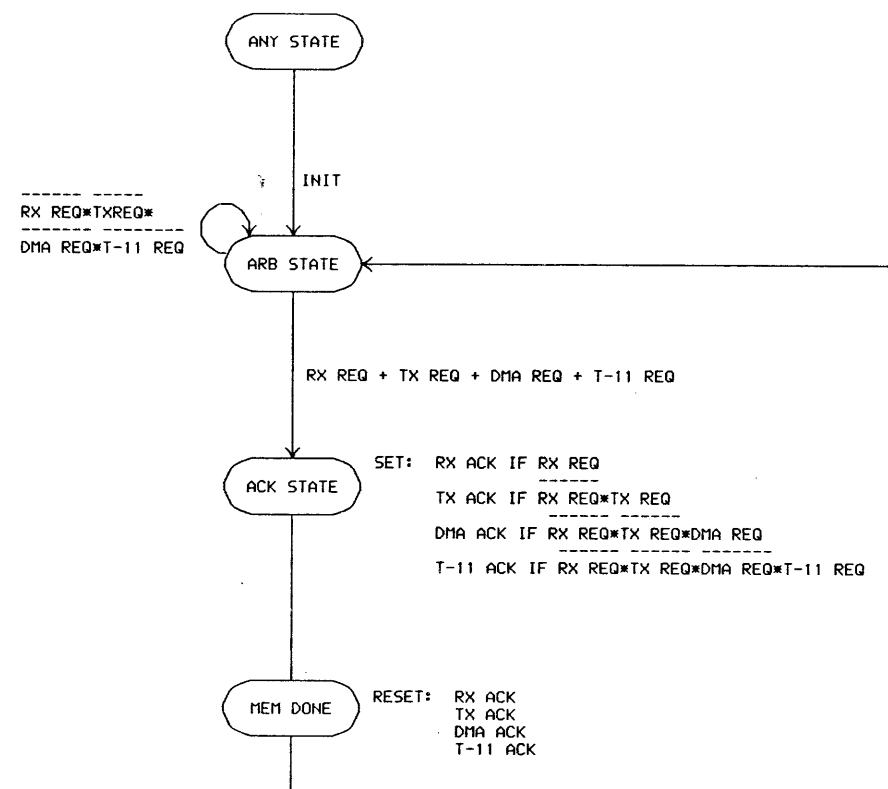
2

REV. 2

SIZE CODE K CS M7792-0-SD2

1

LINK-PORT BUS OPERATION STATE DIAGRAM



LINK-PORT BUS OPERATION STATE DIAGRAM

THIS DRAWING AND SPECIFICATIONS
HEREIN ARE THE PROPERTY OF
DIGITAL EQUIPMENT CORPORATION AND
SHALL NOT BE REPRODUCED OR COPIED
OR USED IN WHOLE OR IN PART AS
THE BASIS FOR THE MANUFACTURE OR
SALE OF ITEMS WITHOUT WRITTEN
PERMISSION. COPYRIGHT © 1983
DIGITAL EQUIPMENT CORPORATION.

REVISIONS		
CHK	CHANGE NO.	REV

digital
DRN. PAUL HEBERT"
CHK'D. *[Signature]*
DATE 06-MAY-83
DSKE: <SARGENT>PRTSD2.DRW 06-MAY-83 08:24
FIRST USED ON OPTION/MODEL: DELUNA

ENG. Rick Szmaz
DATE 06-MAY-83
BOARD LOCATION: 1 OF 1
NEXT HIGHER ASSEMBLY: D-LA-M7792-0-0

TITLE: DELUNA PORT MODULE (SD2)
SIZE CODE K CS NUMBER M7792-0-SD2 REV. A

8

7

6

5

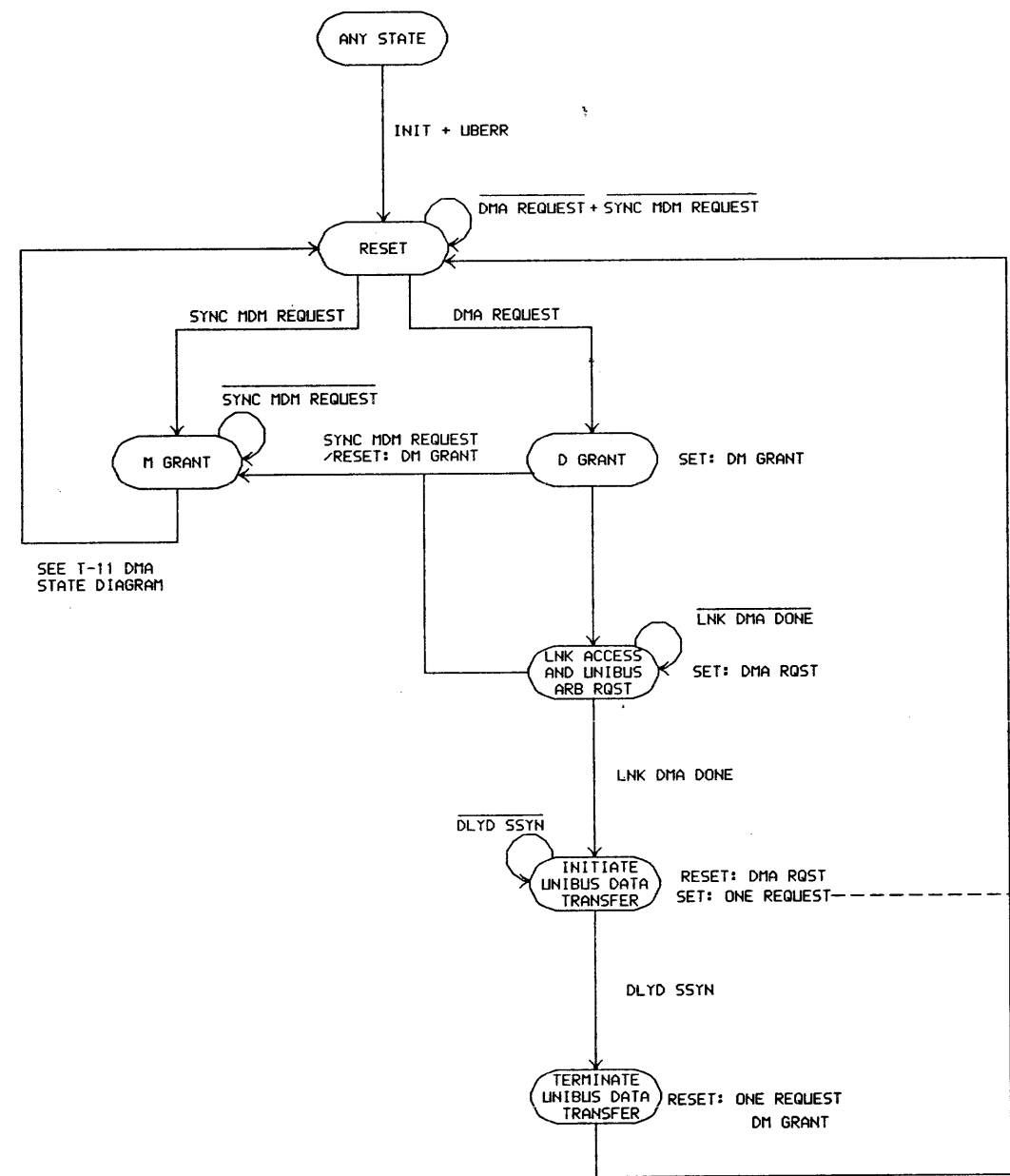
4

3

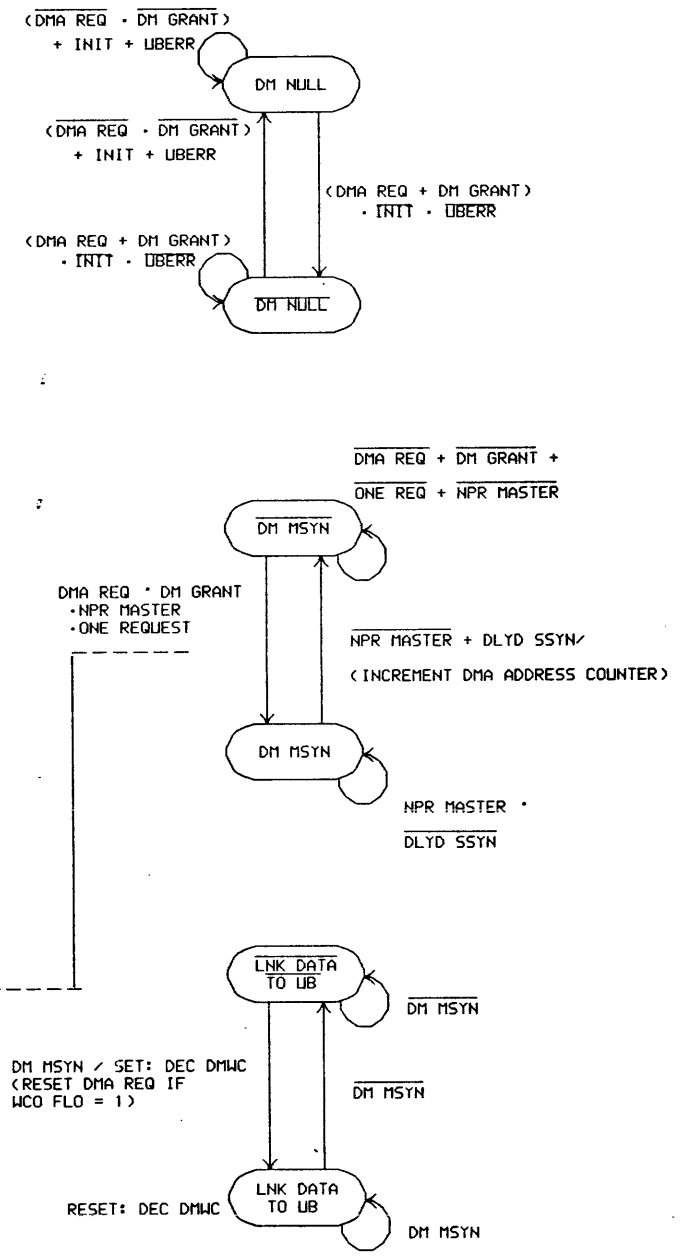
2

1

RECEIVE DMA ENGINE STATE DIAGRAMS



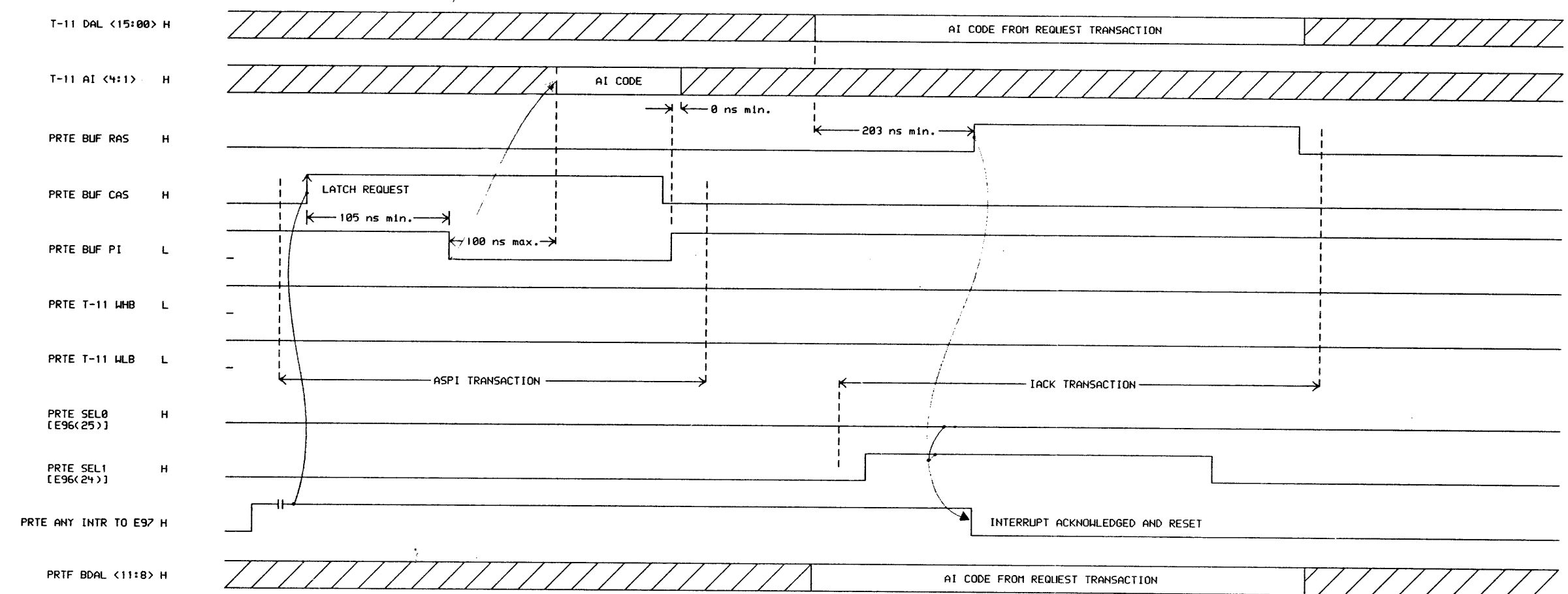
SEE T-11 DMA STATE DIAGRAM



RX DMA ENGINE STATE DIAGRAMS

THIS DRAWING AND SPECIFICATIONS HEREIN ARE THE PROPERTY OF DIGITAL EQUIPMENT CORPORATION AND SHALL NOT BE REPRODUCED OR COPIED OR USED IN WHOLE OR IN PART AS THE BASIS FOR THE MANUFACTURE OR SALE OF ITEMS WITHOUT WRITTEN PERMISSION. COPYRIGHT © 1983, DIGITAL EQUIPMENT CORPORATION.		REVISIONS CHK CHANGE NO. REV	digital DRN PAUL HEBERT* CHK'D: Rick Szmajz	DATE 28-MAY-83 DATE 28-MAY-83	ENG. Rick Szmajz BOARD LOCATION:	DATE 28-MAY-83 SHEET 1 OF 1	TITLE: DEUNA PORT MODULE (SD3)	SIZE CODE K CS NUMBER M7792-0-SD3	REV. A
DSKE:<SARGENT>PRTSD3.DRW 28-MAY-83 08:07 NEXT HIGHER ASSEMBLY: D-UA-M7792-0-0							FIRST USED ON OPTION MODEL: DEUNA	NUMBER M7792-0-SD3	REV. A

T-11 INTERRUPT REQUEST/ACKNOWLEDGE (ASPI/IACK) TRANSACTIONS



AI CODE
DURING ASPI TRANSACTION

INTERRUPT	E97(PIN)	AI<1>	AI<2>	AI<3>	AI<4>	T-11 INTERNAL VECTOR	PRIORITY	DURING IACK TRANSACTION		
								BDAL<8>	BDAL<9>	BDAL<10>
LINK MEMORY PARITY	4	L	L	L	L	140	7	L	L	L
UNIBUS ERROR	8	L	L	H	L	150	7	L	L	H
MISSED PACKET	3	L	H	L	L	100	6	L	H	L
DMA ENGINE DONE	18	L	H	H	H	114	6	L	H	H
PACKET RECEIVED	17	H	L	L	L	120	5	H	L	L
TIMER	14	H	L	H	H	134	5	H	L	H
PCSR0 ACCESSED	7	H	H	L	H	064	4	H	H	L
TRANSMIT DONE	13	H	H	H	L	070	4	H	H	H

(AI CODE IS USED TO CLEAR RESPECTIVE INTR (SEE NOTE))

NOTE: THE PACKET RECEIVED INTR (E97<17>) IS NOT RESET BY IACK. THE SERVICE ROUTINE READS THE FIFO ON PRTB (RD LRAC H). THIS ACTION RESETS THE INTR IF NO OTHER PACKETS ARE PENDING, IF OTHERS ARE WAITING THEN THE PACKET RECEIVED INTR AUTOMATICALLY SETS AGAIN.

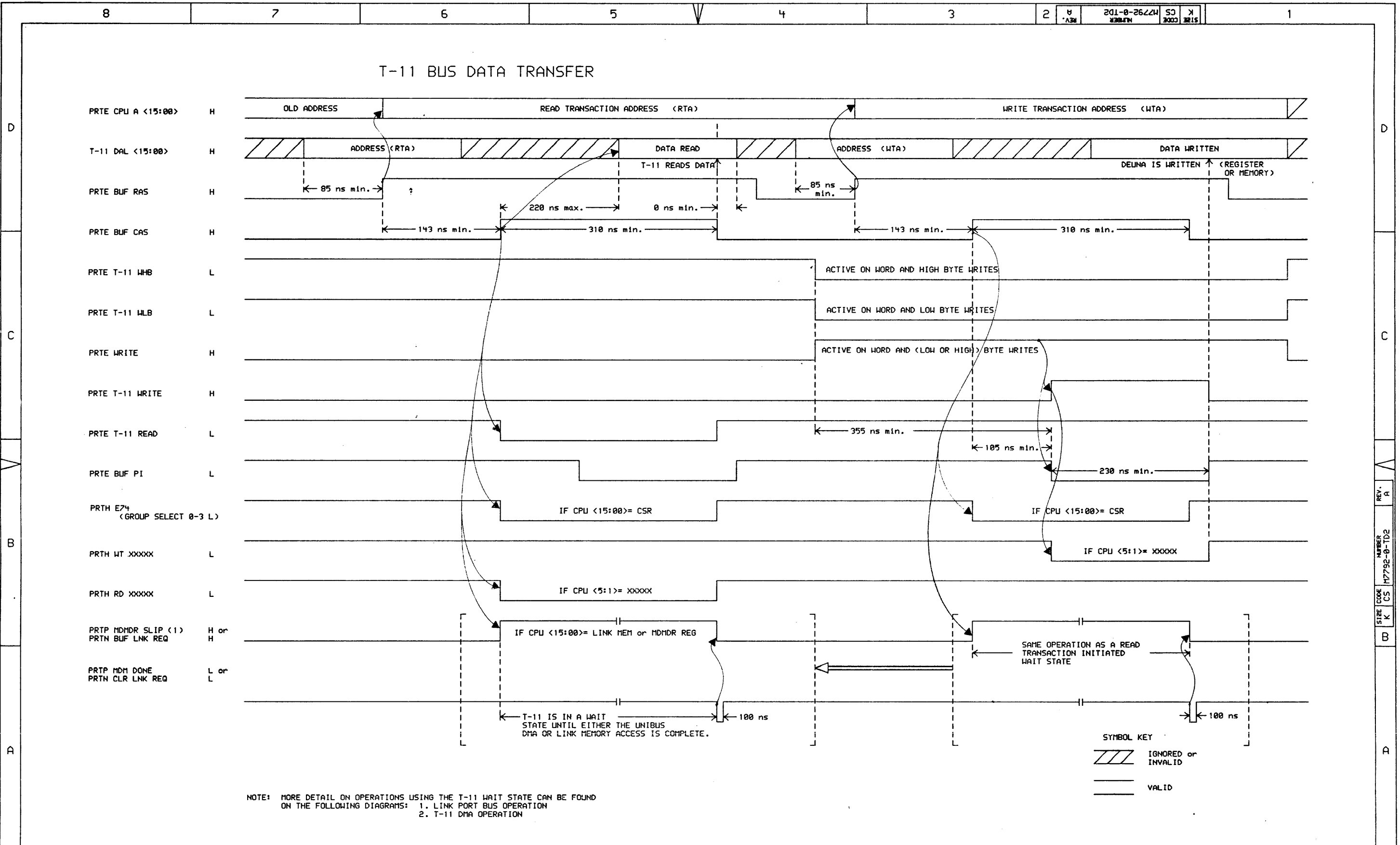
SYMBOL KEY
 IGNORED OR INVALID
 VALID

THIS DRAWING AND SPECIFICATIONS ARE THE PROPERTY OF DIGITAL EQUIPMENT CORPORATION AND SHALL NOT BE REPRODUCED OR COPIED OR USED IN WHOLE OR IN PART AS THE BASIS FOR THE MANUFACTURE OR SALE OF ITEMS WITHOUT WRITTEN PERMISSION. COPYRIGHT © 1983, DIGITAL EQUIPMENT CORPORATION

REVISIONS	
CHK	CHANGE NO. REV

digital	DATE	ENG.	DATE	TITLE:
	06-MAY-83	Rick Szmauz	06-MAY-83	DELUNA PORT MODULE (TD1)
	DATE	BOARD LOCATION:		
	06-MAY-83			
	SHEET			
	1			
DSKE: (SARGENT)PRTD1.DRW	06-MAY-83 08:31	NEXT HIGHER ASSEMBLY:		
FIRST USED ON OPTION/MODEL:	DELUNA	D-UA-M7792-0-0		

T-11 BUS DATA TRANSFER



NOTE: MORE DETAIL ON OPERATIONS USING THE T-11 WAIT STATE CAN BE FOUND ON THE FOLLOWING DIAGRAMS:
 1. LINK PORT BUS OPERATION
 2. T-11 DMA OPERATION

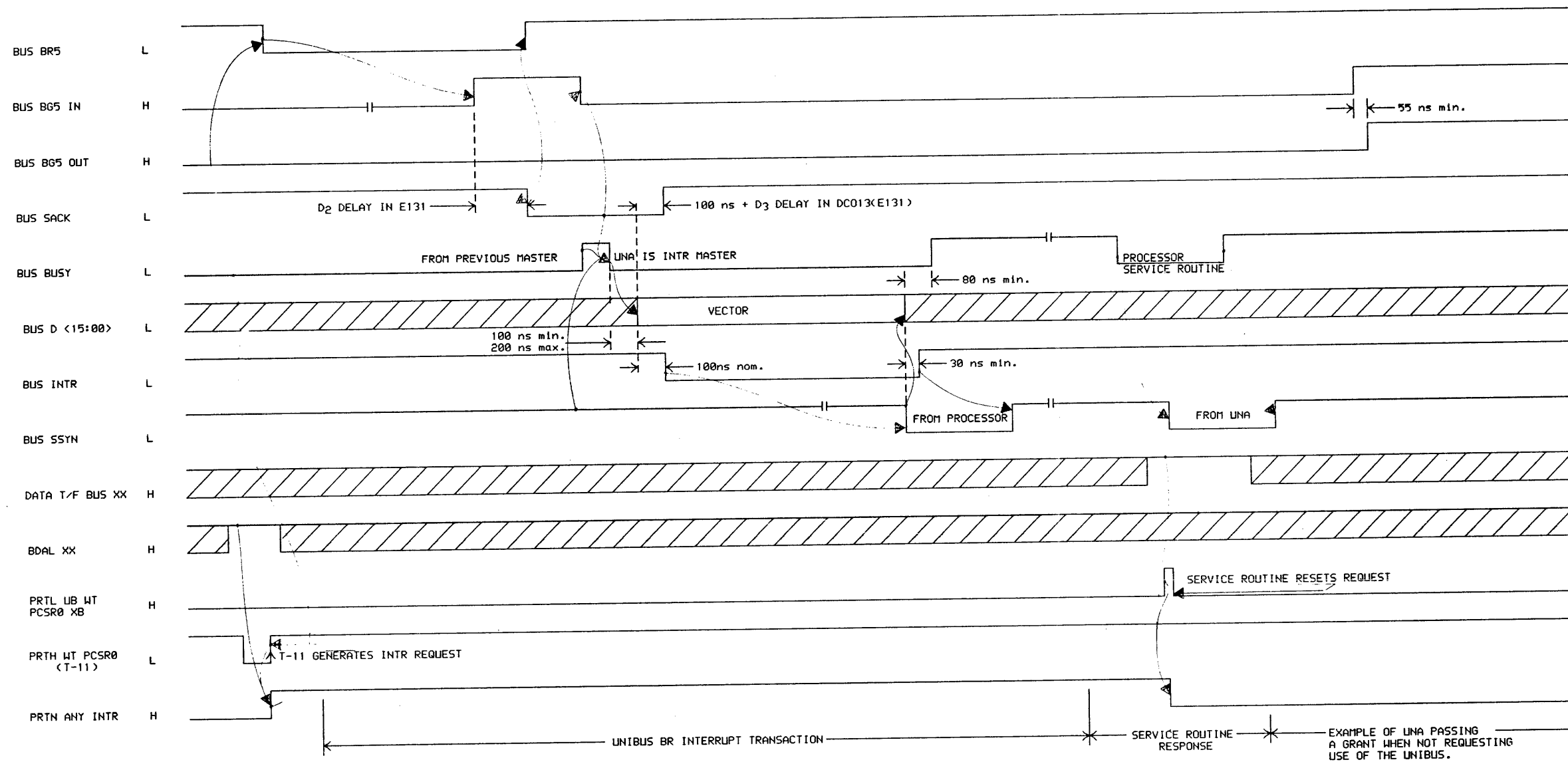
THIS DRAWING AND SPECIFICATIONS HEREIN ARE THE PROPERTY OF DIGITAL EQUIPMENT CORPORATION AND SHALL NOT BE REPRODUCED OR COPIED OR USED IN WHOLE OR IN PART AS THE BASIS FOR THE MANUFACTURE OR SALE OF ITEMS WITHOUT WRITTEN PERMISSION. COPYRIGHT © 1983, DIGITAL EQUIPMENT CORPORATION.

REVISIONS		
CHK	CHANGE NO.	REV


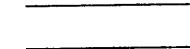
digital	DRN. PAUL HEBERT	DATE 16-MAY-83	ENG. Rick Szmauz	DATE 16-MAY-83	TITLE: DEUNA PORT MODULE (TD2)
	CHK'D. [Signature]	DATE 16-MAY-83	BOARD LOCATION: SHEET 1 OF 1		
DSKE: <SARGENT>PRITD2.DRW16-MAY-83 07:08 NEXT HIGHER ASSEMBLY: D-LA-M7792-0-0			SIZE CODE K CS	NUMBER M7792-0-TD2	REV. A

REV. A
 NUMBER M7792-0-TD2
 SIZE CODE K CS
 B
 A

UNIBUS INTERRUPT ARBITRATION AND VECTOR TRANSFER



NOTE: THE T-11 INITIATES UNIBUS INTERRUPTS BY SETTING APPROPRIATE BIT(S) IN PCSR0 (PRTH). THE SERVICE ROUTINE THEN CLEARS THE REQUESTING BIT(S) BY WRITING A ONE (1) INTO THE BIT POSITION OF THE REQUEST. E2, E39 AND E50 PROVIDE THE "T-11 WRITE ONE TO SET, UNIBUS WRITE ONE TO RESET" FUNCTION. SEE PAL EQUATIONS FOR MORE DETAIL.

SYMBOL KEY
 IGNORED or NOT VALID
 VALID

THIS DRAWING AND SPECIFICATIONS HEREIN ARE THE PROPERTY OF DIGITAL EQUIPMENT CORPORATION AND SHALL NOT BE REPRODUCED OR COPIED OR USED IN WHOLE OR IN PART AS THE BASIS FOR THE MANUFACTURE OR SALE OF ITEMS WITHOUT WRITTEN PERMISSION. COPYRIGHT © 1983, DIGITAL EQUIPMENT CORPORATION.

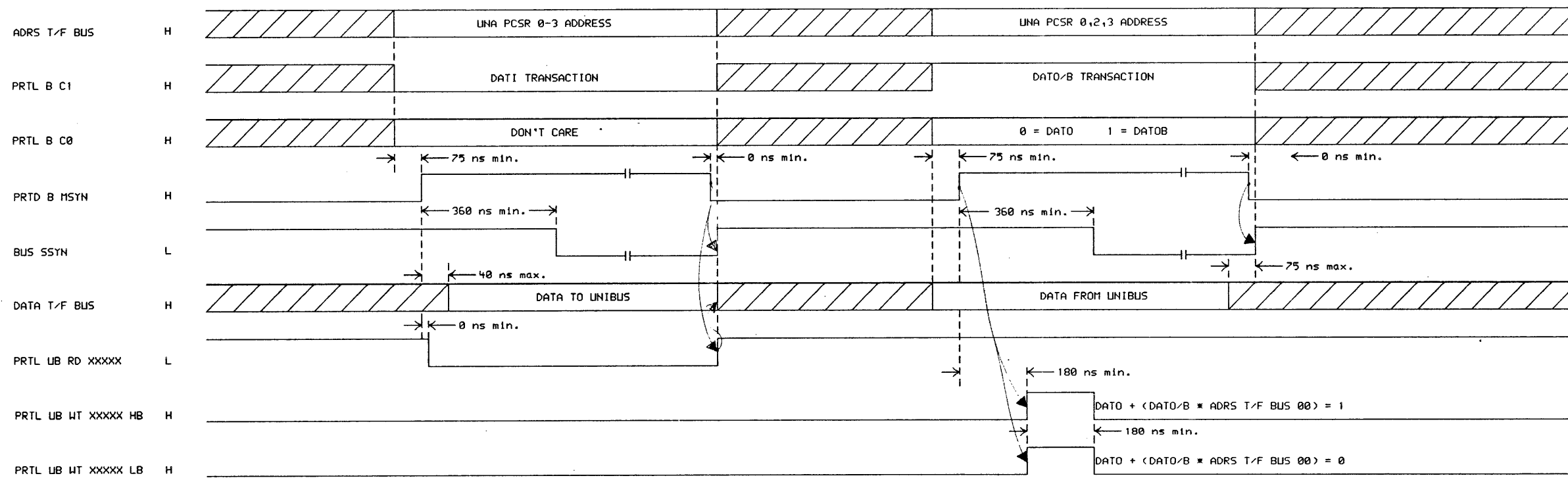
REVISIONS		
CHK	CHANGE NO.	REV

digital	DRN: PAUL HEBERT	DATE: 06-MAY-83	ENG: Rick Szmauz	DATE: 06-MAY-83	TITLE: DELUNA PORT MODULE (TD3)
	CHK: D. Sargent	DATE: 06-MAY-83	BOARD LOCATION: 1 OF 1	SHEET: 1 OF 1	
DSKE: <SARGENT>PRTID3.DRW106-MAY-83 08:32			NEXT HIGHER ASSEMBLY: D-LA-M7792-0-0		
FIRST USED ON OPTION/MODEL: DELUNA			SIZE CODE: K CS	NUMBER: M7792-0-TD3	REV: A

REV. A
 NUMBER M7792-0-TD3
 SIZE CODE K CS

TW 1

UNIBUS SLAVE DATA TRANSFER



SYMBOL KEY

IGNORED or NOT VALID

VALID

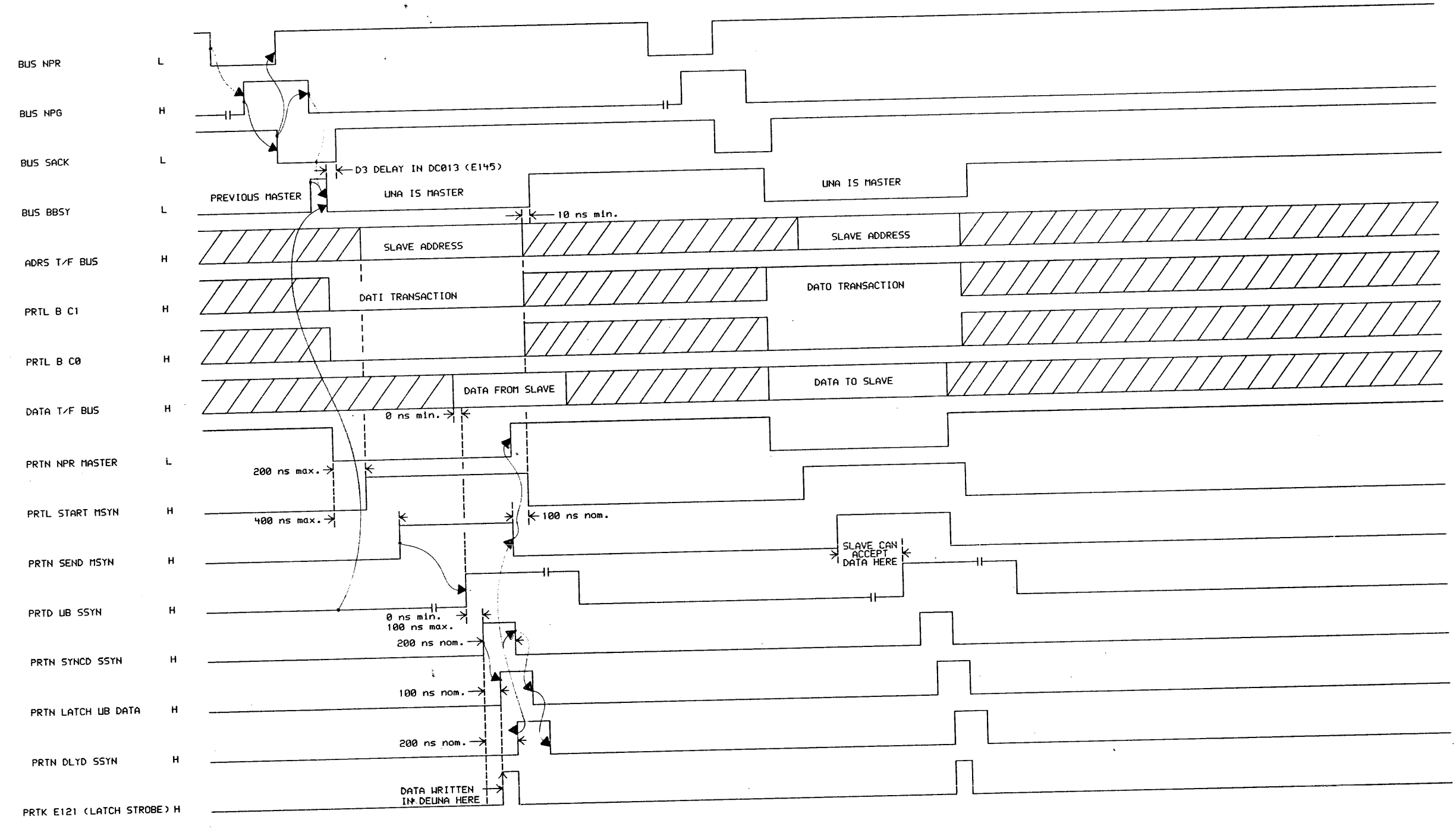
THIS DRAWING AND SPECIFICATIONS HEREIN ARE THE PROPERTY OF DIGITAL EQUIPMENT CORPORATION AND SHALL NOT BE REPRODUCED OR COPIED OR USED IN WHOLE OR IN PART AS THE BASIS FOR THE MANUFACTURE OR SALE OF ITEMS WITHOUT WRITTEN PERMISSION. COPYRIGHT © 1983, DIGITAL EQUIPMENT CORPORATION.

REVISIONS		
CHK	CHANGE NO.	REV

DRN. PAUL HEBERT	DATE 06-MAY-83	ENG. Rick Szmauz	DATE 06-MAY-83	TITLE: DEUNA PORT MODULE (TD4)
CHK'D. <i>[Signature]</i>	DATE 06-MAY-83	BOARD LOCATION: 1 OF 1	SHEET 1 OF 1	SIZE CODE K CS
FIRST USED ON OPTION/MODEL: DEUNA		NEXT HIGHER ASSEMBLY: D-UA-M7792-0-0		

SIZE CODE K CS	NUMBER M7792-0-TD4	REV. A
----------------	--------------------	--------

UNIBUS MASTER ARBITRATION AND DATA TRANSFER



NOTE 1:
THIS DIAGRAM ILLUSTRATES GENERIC UNIBUS TRANSACTIONS BY EITHER THE RECEIVE DMA ENGINE OR T-11 DMA. SEE THE T-11 DMA OPERATION OR RECEIVE DMA ENGINE OPERATION DIAGRAMS FOR SPECIFICS ON THE UNIQUE ASPECTS OF THE TWO TYPES OF DMA. (THE RECEIVE DMA ENGINE ONLY PERFORMS DATO TRANSACTIONS)

NOTE 2:
DATO TIMING RELATIONS ARE IDENTICAL TO DATI EXCEPT, PRTL B C1 H = 1 AND DATA IS WRITTEN TO THE SLAVE.

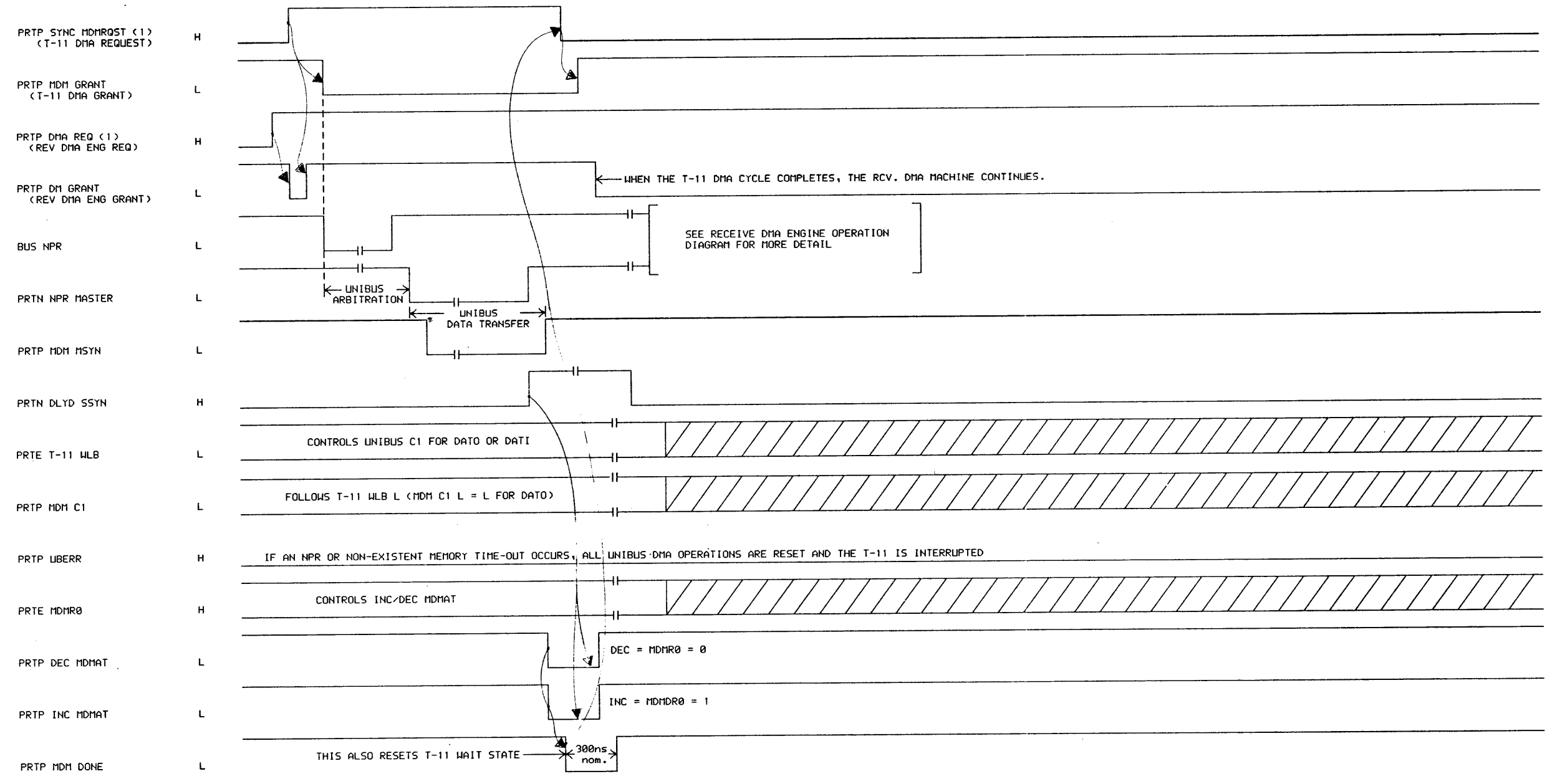
SYMBOL KEY
 IGNORED OR INVALID
 VALID

THIS DRAWING AND SPECIFICATIONS HEREIN ARE THE PROPERTY OF DIGITAL EQUIPMENT CORPORATION AND SHALL NOT BE REPRODUCED OR COPIED OR USED IN WHOLE OR IN PART AS THE BASIS FOR THE MANUFACTURE OR SALE OF ITEMS WITHOUT WRITTEN PERMISSION. COPYRIGHT © 1983, DIGITAL EQUIPMENT CORPORATION

REVISIONS		
CHK	CHANGE NO.	REV.

digital	DRN: <i>R. Sargent</i>	DATE: 06-MAY-83	ENG: Rick Szmauz	DATE: 06-MAY-83	TITLE: DELUNA PORT MODULE (TD5)
	CHK: <i>R. Sargent</i>	DATE: 06-MAY-83	BOARD LOCATION: 1 OF 1	SIZE: K CS	NUMBER: M7792-0-TD5
DSKE: <SARGENT>PRTID5.DRW 06-MAY-83 08:34			NEXT HIGHER ASSEMBLY: D-UA-M7792-0-0		REV. A
FIRST USED ON OPTION/MODEL: DELUNA			3	2	1

T-11 DMA OPERATION



NOTE 1: FOR MORE DETAIL ON UNIBUS NPR OPERATION, SEE UNIBUS ARBITRATION AND DATA TRANSFER DIAGRAM.

NOTE 2: THE RECEIVE DMA ENGINE REQUEST AND GRANTS ARE SHOWN TO ILLUSTRATE THAT THE T-11 DMA REQUEST HAS A HIGHER PRIORITY.

NOTE 3: WHEN THE T-11 DMA OPERATION BEGINS (SYNC MDMR0ST(1) = 1) THE T-11 IS ALREADY IN THE WAIT STATE. SEE THE T-11 BUS DATA TRANSFER DIAGRAM.

SYMBOL KEY

/// IGNORED OR INVALID

— VALID

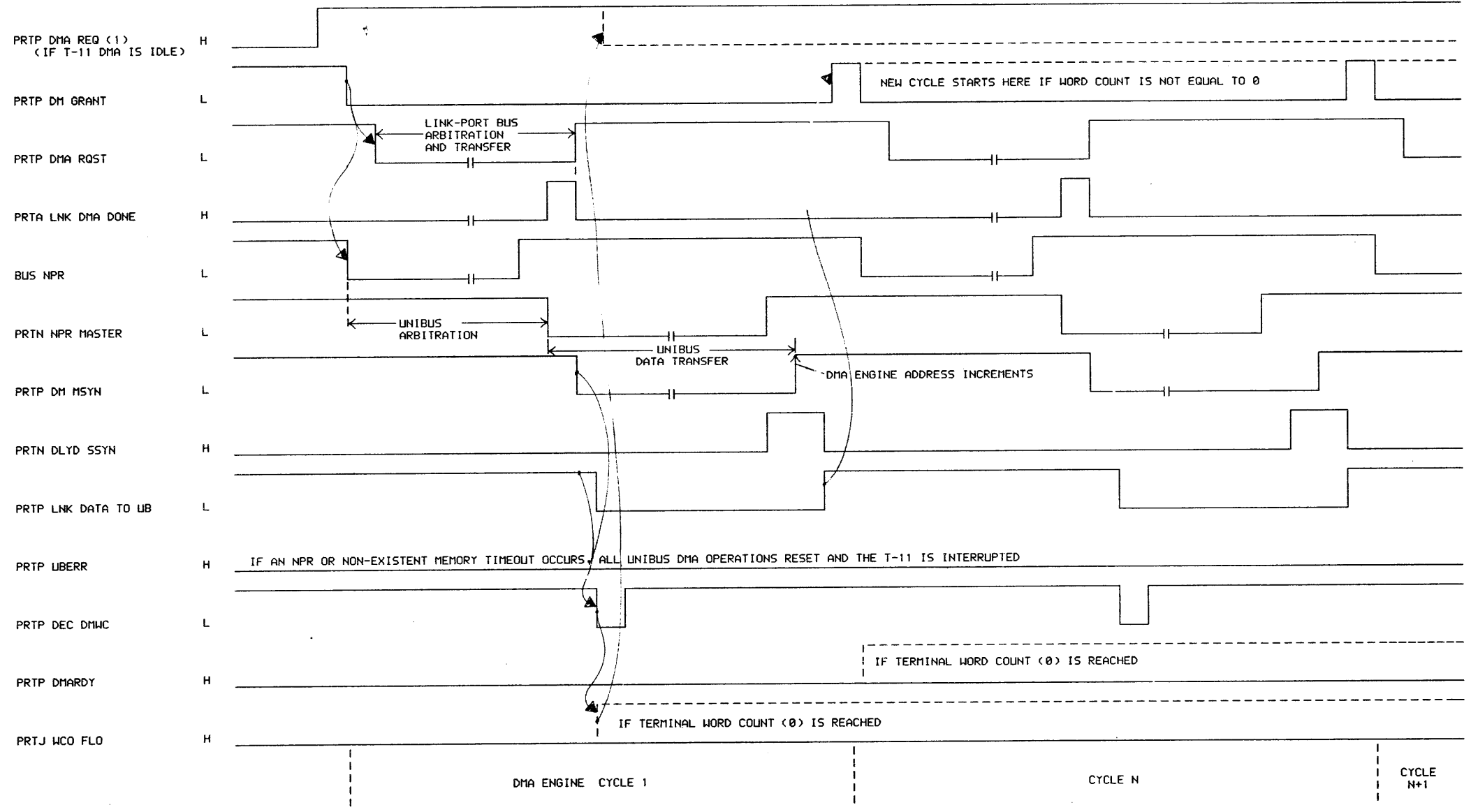
THIS DRAWING AND SPECIFICATIONS ARE THE PROPERTY OF DIGITAL EQUIPMENT CORPORATION AND SHALL NOT BE REPRODUCED OR COPIED OR USED IN WHOLE OR IN PART AS THE BASIS FOR THE MANUFACTURE OR SALE OF ITEMS WITHOUT WRITTEN PERMISSION. COPYRIGHT © 1983, DIGITAL EQUIPMENT CORPORATION.

REVISIONS	
CHK	CHANGE NO. REV

DRN: <i>R. Sargent</i>	DATE: 16-MAY-83	ENG: Rick Szmauz	DATE: 16-MAY-83
CHK'D: <i>R. Sargent</i>	DATE: 16-MAY-83	BOARD LOCATION: SHEET 1 OF 1	TITLE: DEUNA PORT MODULE (TD6)
DSKE: (SARGENT)PRTD6.DRW 16-MAY-83 07:09		NEXT HIGHER ASSEMBLY: D-UA-M7792-0-0	SIZE CODE NUMBER REV. K CS M7792-0-TD6 A
FIRST USED ON OPTION/MODEL: DEUNA			

digital

RECEIVE DMA ENGINE OPERATION



NOTE 1: FOR MORE DETAIL ON UNIBUS ARBITRATION, DATA TRANSFER AND LINK-PORT BUS OPERATION SEE THE APPROPRIATE TIMING DIAGRAM.

NOTE 2: SINCE THE DMA ENGINE HAS LOWER PRIORITY THAN T-11 DMA, THE T-11 DMA REQUEST (P RTP SYNC MDIROST(1) H) WILL TAKE PRECEDENCE OVER AN ENGINE DMA REQUEST (DMA REQ (1) H) FOR THE DURATION OF THE T-11 DMA OPERATION.

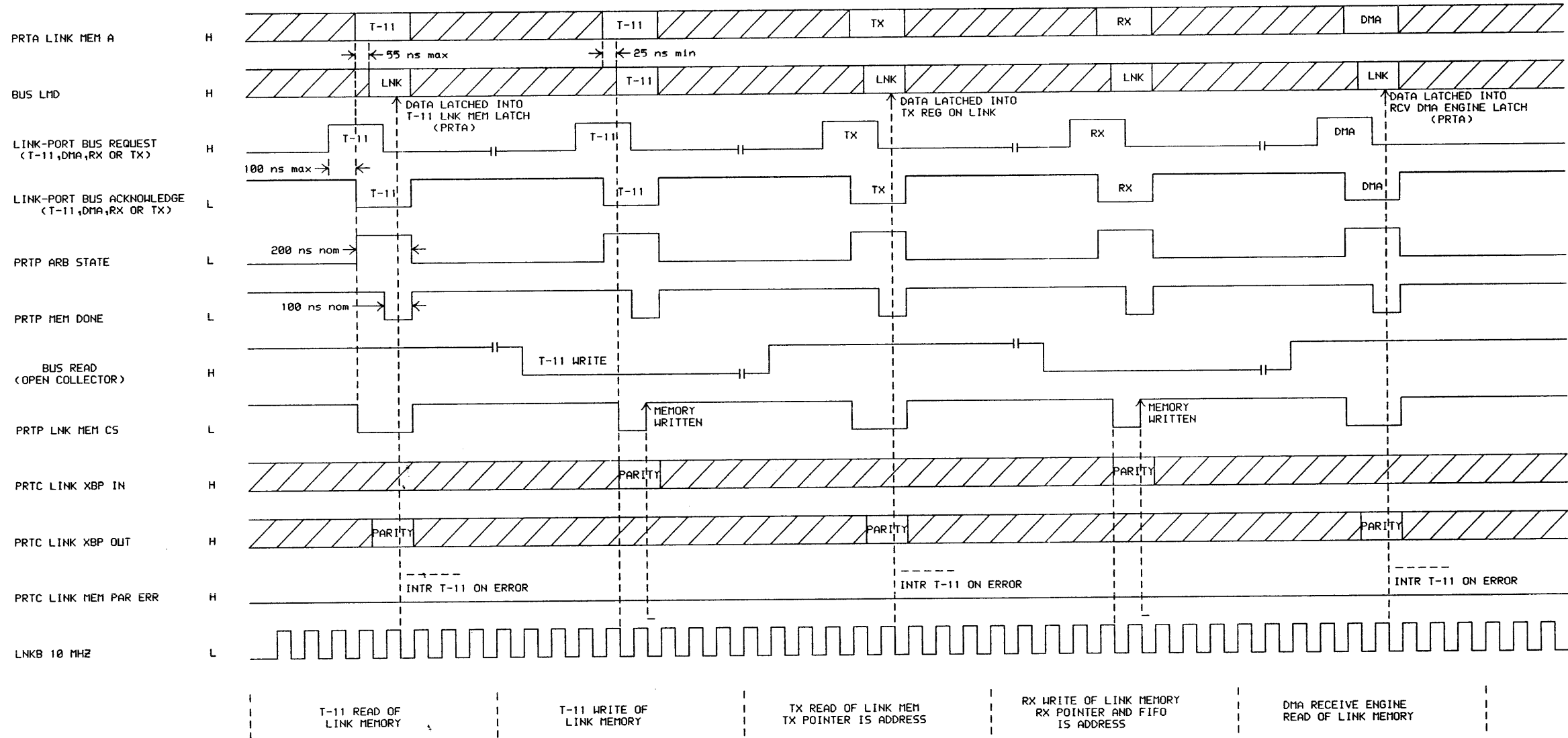
THIS DRAWING AND SPECIFICATIONS ARE THE PROPERTY OF DIGITAL EQUIPMENT CORPORATION AND SHALL NOT BE REPRODUCED OR COPIED OR USED IN WHOLE OR IN PART AS THE BASIS FOR THE MANUFACTURE OR SALE OF ITEMS WITHOUT WRITTEN PERMISSION. COPYRIGHT © 1983, DIGITAL EQUIPMENT CORPORATION.

REVISIONS		
CHK	CHANGE NO.	REV

digital	DRN. PALL HEBERT"	DATE 06-MAY-83	ENG. Rick Szmauz	DATE 06-MAY-83	TITLE: DEUNA PORT MODULE (TD7)
	CHK'D. <i>A. J. Dwyer</i>	DATE 06-MAY-83	BOARD LOCATION: 1 OF 1	SHEET 1 OF 1	
DSKE: (SARGENT)PRTDZ.DRW		06-MAY-83 08:36	NEXT HIGHER ASSEMBLY: D-UA-M7792-0-0		
FIRST USED ON OPTION/MODEL: DEUNA			SIZE CODE K CS	NUMBER M7792-0-TD7	REV. A

REV. A
NUMBER M7792-0-TD7
SIZE CODE K CS

LINK-PORT BUS OPERATION



NOTE 1: REQUESTS CAN ARRIVE IN ANY ORDER AT THE LINK ARBITER (E101). THE ACKNOWLEDGE PRIORITIES ARE AS FOLLOWS:

PRIORITY	REQUEST
1	RX
2	TX
3	DMA
4	T-11

NOTE 3: THE T-11 IS IN THE WAIT STATE DURING LINK-PORT BUS TRANSFERS. SEE T-11 BUS DATA TRANSFER DIAGRAM.

NOTE 4: THE RECEIVE DMA ENGINE PERFORMS ONLY READ TRANSFERS.

NOTE 2: RX AND TX TRANSFERS ARE REQUESTED BY THE LINK MODULE. THE LINK MODULE CONTROLS INCREMENTING OF THE RX AND TX POINTERS. RX AND TX TRANSFERS CAN BE READ OR WRITE.

THIS DRAWING AND SPECIFICATIONS HEREIN ARE THE PROPERTY OF DIGITAL EQUIPMENT CORPORATION AND SHALL NOT BE REPRODUCED OR COPIED OR USED IN WHOLE OR IN PART AS THE BASIS FOR THE MANUFACTURE OR SALE OF ITEMS WITHOUT WRITTEN PERMISSION. COPYRIGHT © 1983, DIGITAL EQUIPMENT CORPORATION.

CHK	CHANGE NO.	REV

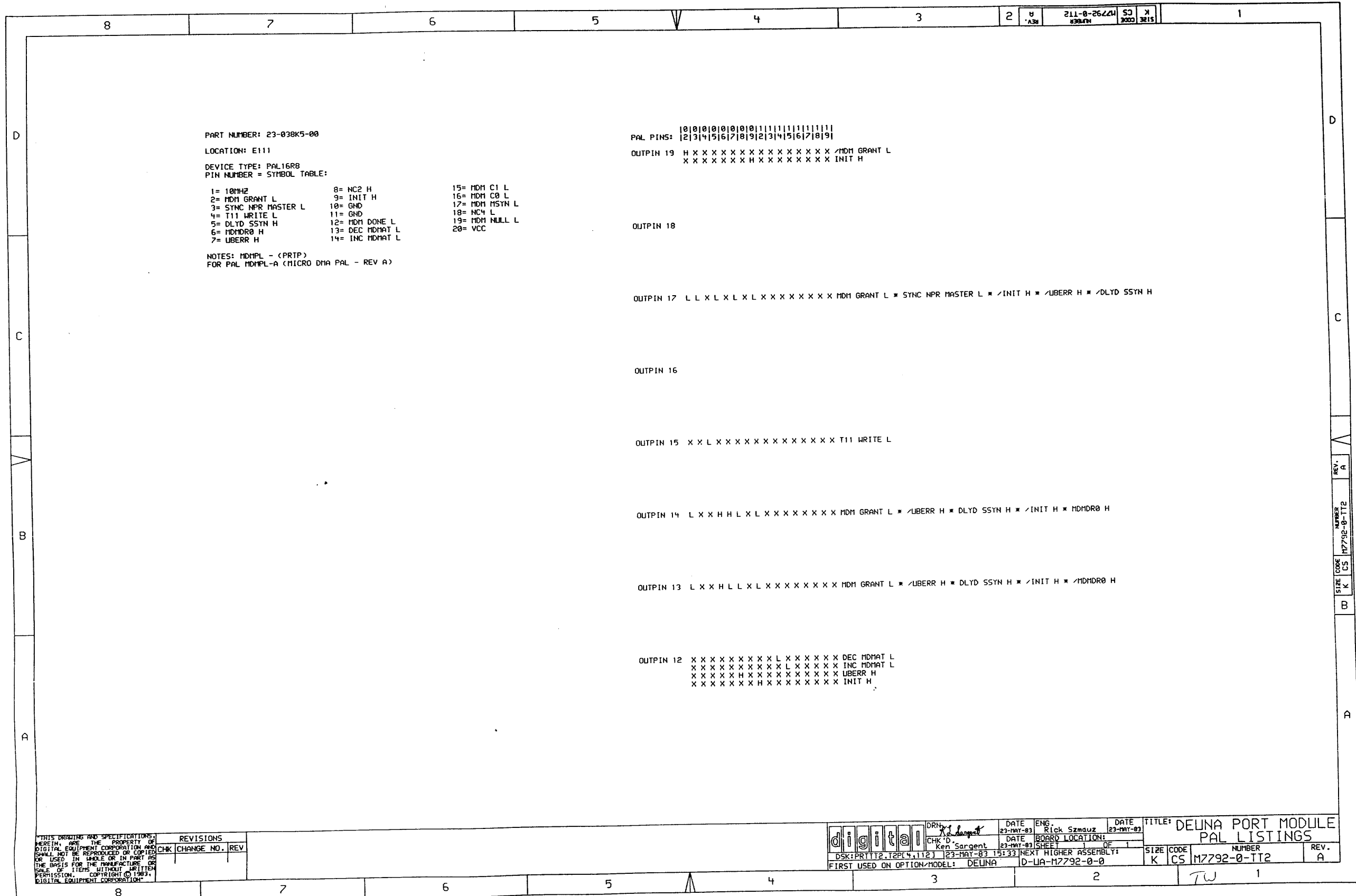
digital DRN: PAUL HEBERT" DATE 06-MAY-83 ENG: Rick Szmauz DATE 06-MAY-83 TITLE: DELUNA PORT MODULE (TD8)

CHK'D: [Signature] DATE 06-MAY-83 SHEET 1 OF 1 BOARD LOCATION: [Blank]

DSKE: <SARGENT>PRT1D8.DRW|06-MAY-83 08:37 NEXT HIGHER ASSEMBLY: [Blank]

FIRST USED ON OPTION/MODEL: DELUNA D-UA-M7792-0-0

SIZE CODE NUMBER REV. K CS M7792-0-TD8 A

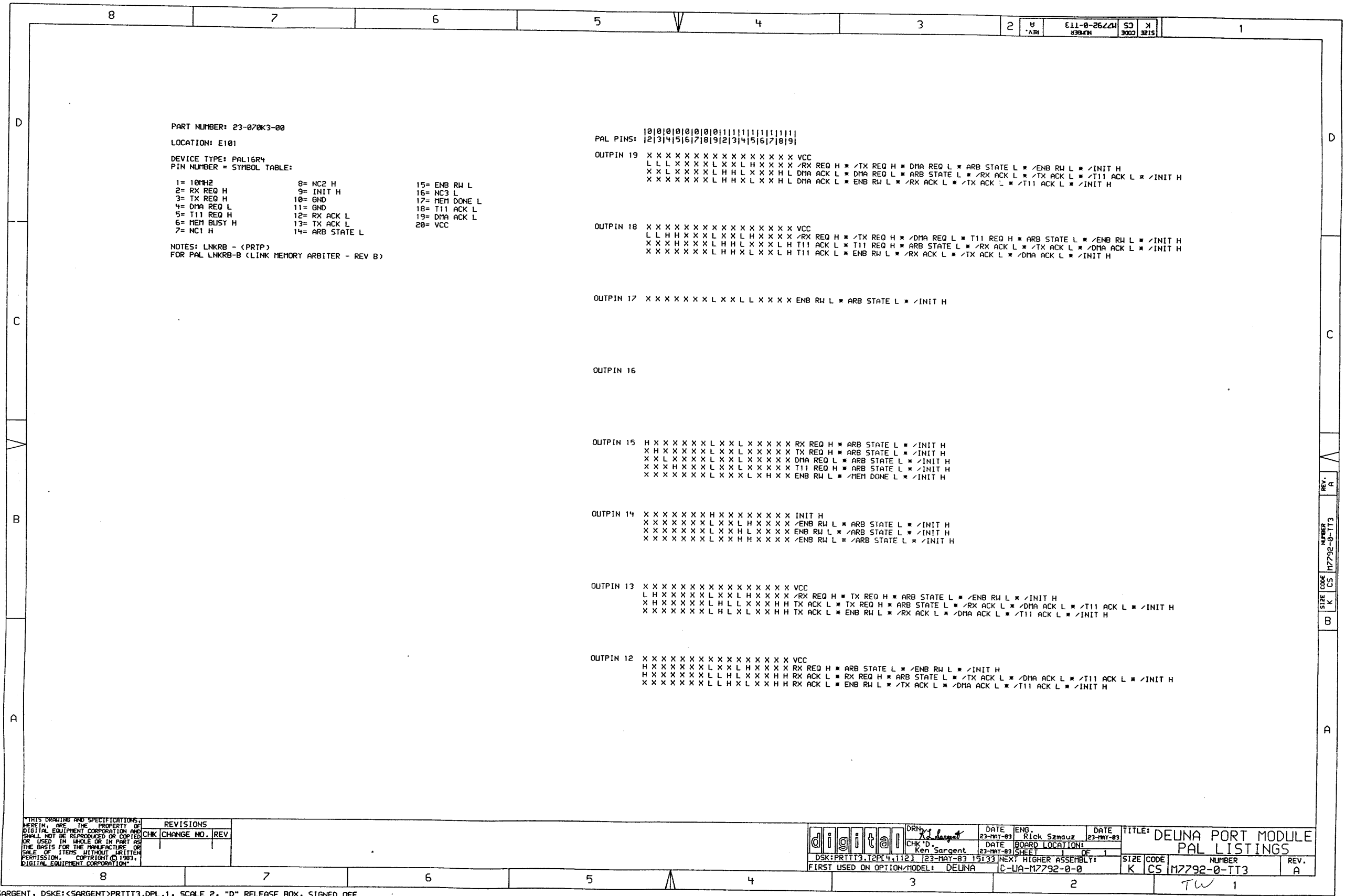


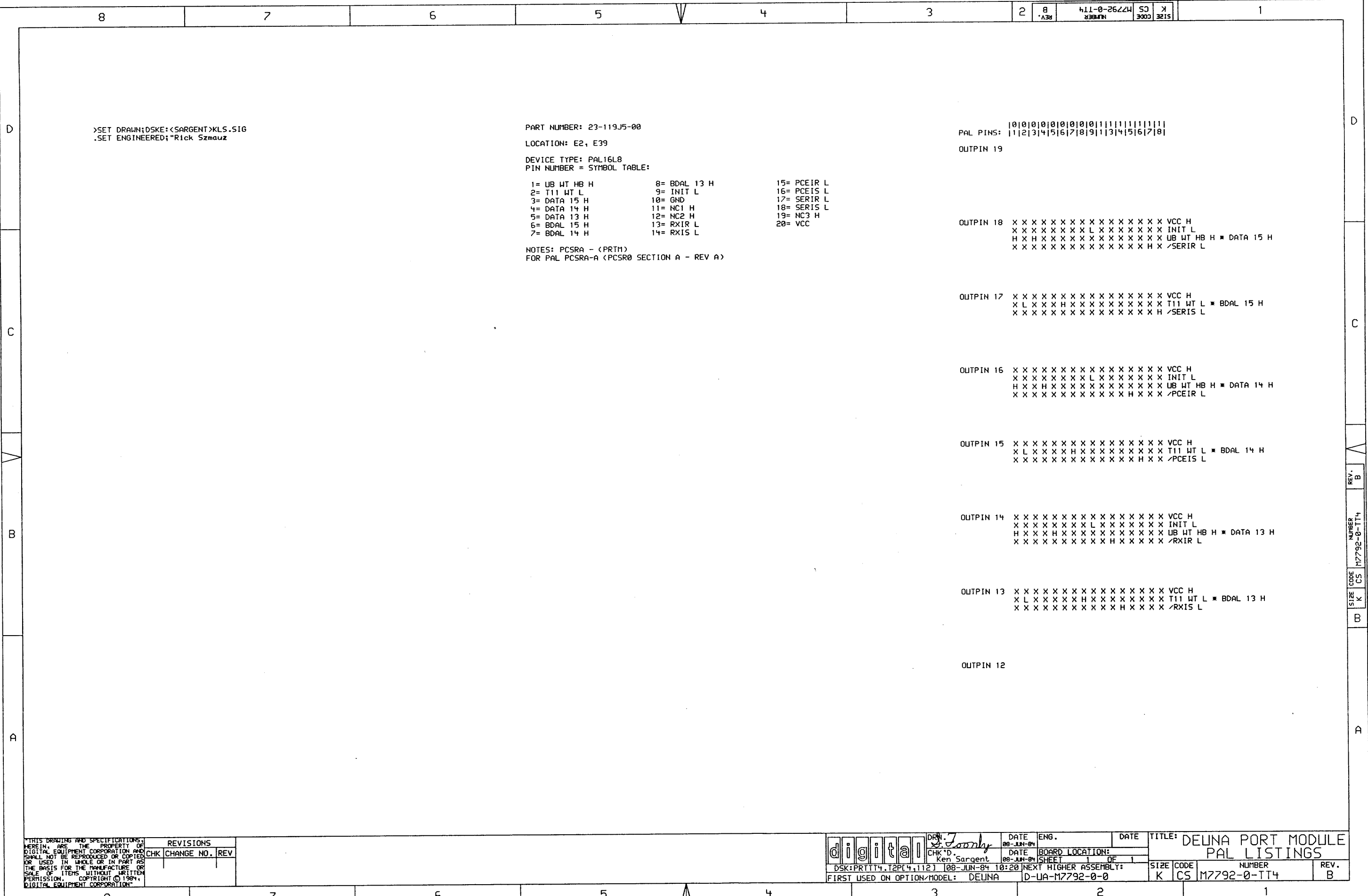
THIS DRAWING AND SPECIFICATIONS HEREIN ARE THE PROPERTY OF DIGITAL EQUIPMENT CORPORATION AND SHALL NOT BE REPRODUCED OR COPIED OR USED IN WHOLE OR IN PART AS THE BASIS FOR THE MANUFACTURE OR SALE OF ITEMS WITHOUT WRITTEN PERMISSION. COPYRIGHT © 1983, DIGITAL EQUIPMENT CORPORATION.

REVISIONS	
CHK	CHANGE NO. REV

digital	DRN: <i>Ken Sargent</i>	DATE: 23-MAY-83	ENG: Rick Szmauz	DATE: 23-MAY-83	TITLE: DELINA PORT MODULE PAL LISTINGS
	CHK'D: Ken Sargent	DATE: 23-MAY-83	BOARD LOCATION: SHEET OF 1	SIZE CODE: K CS	NUMBER: M7792-0-TT2
DSK: PRTT2.T2P4.112J 23-MAY-83 15:33 NEXT HIGHER ASSEMBLY: D-LIA-M7792-0-0					REV: A

SARGENT, DSKE:<SARGENT>PRTT2.DPL.1, SCALE 2, "D" RELEASE BOX, SIGNED OFF



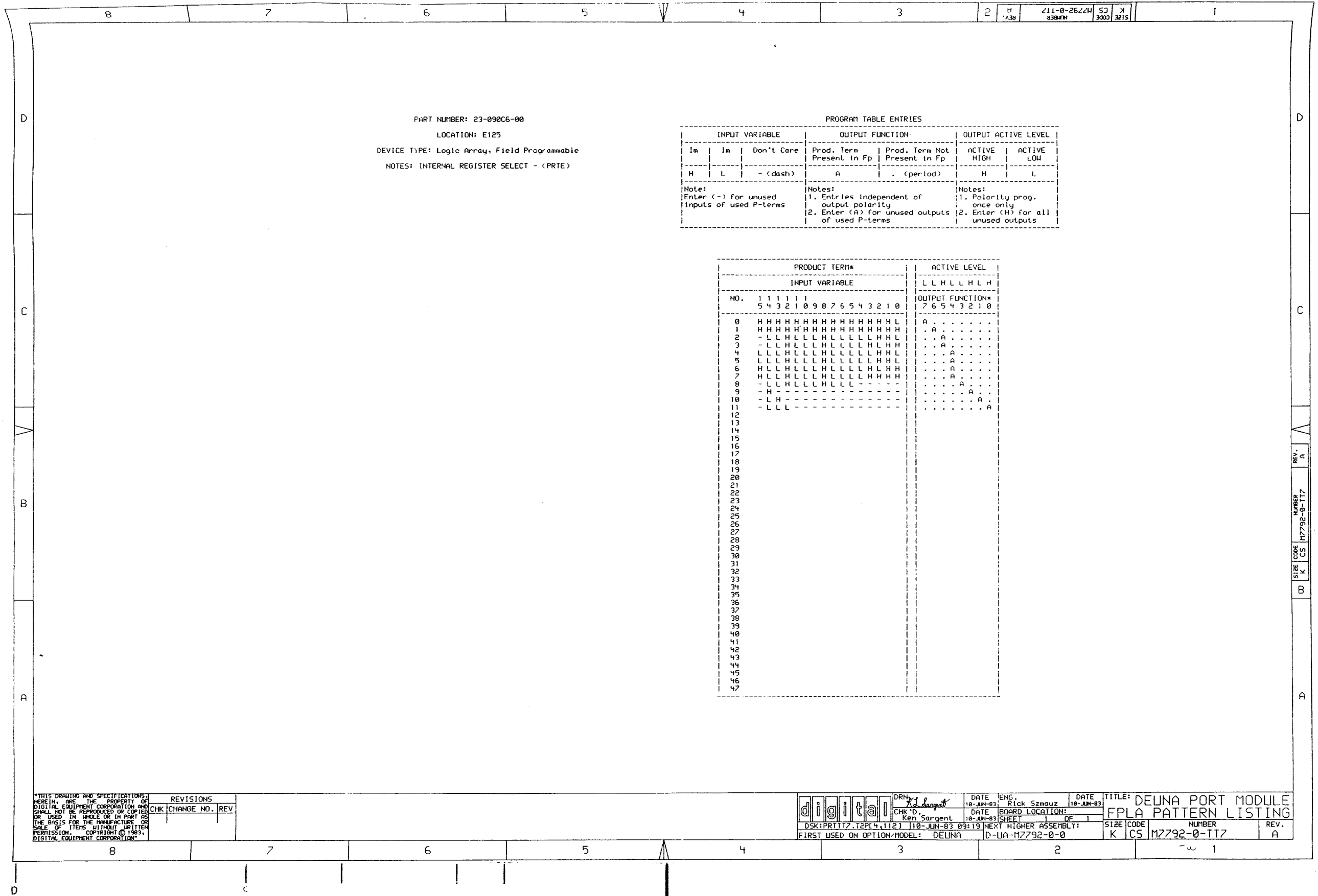


THIS DRAWING AND SPECIFICATIONS HEREIN ARE THE PROPERTY OF DIGITAL EQUIPMENT CORPORATION AND SHALL NOT BE REPRODUCED OR COPIED OR USED IN WHOLE OR IN PART AS THE BASIS FOR THE MANUFACTURE OR SALE OF ITEMS WITHOUT WRITTEN PERMISSION. COPYRIGHT © 1984, DIGITAL EQUIPMENT CORPORATION.

REVISIONS	
CHK	CHANGE NO. / REV

digital	DATE	ENG.	DATE	TITLE: DELNA PORT MODULE PAL LISTINGS
	08-JUN-84	Ken Sargent	08-JUN-84	
CHK'D	DATE	BOARD LOCATION:	DATE	
Ken Sargent	08-JUN-84	1 OF 1	08-JUN-84	
FIRST USED ON OPTION/MODEL: DELNA D-UA-M7792-0-0				

REV. B
NUMBER M7792-0-TT4
SIZE CODE CS K



PART NUMBER: 23-090C6-00
 LOCATION: E125
 DEVICE TYPE: Logic Array, Field Programmable
 NOTES: INTERNAL REGISTER SELECT - (PRTE)

PROGRAM TABLE ENTRIES

INPUT VARIABLE			OUTPUT FUNCTION		OUTPUT ACTIVE LEVEL	
Im	Im	Don't Care	Prod. Term Present in Fp	Prod. Term Not Present in Fp	ACTIVE HIGH	ACTIVE LOW
H	L	- (dash)	A	. (period)	H	L

Note: Enter (-) for unused inputs of used P-terms

Note: 1. Entries independent of output polarity
 2. Enter (A) for unused outputs of used P-terms

Note: 1. Polarity prog. once only
 2. Enter (H) for all unused outputs

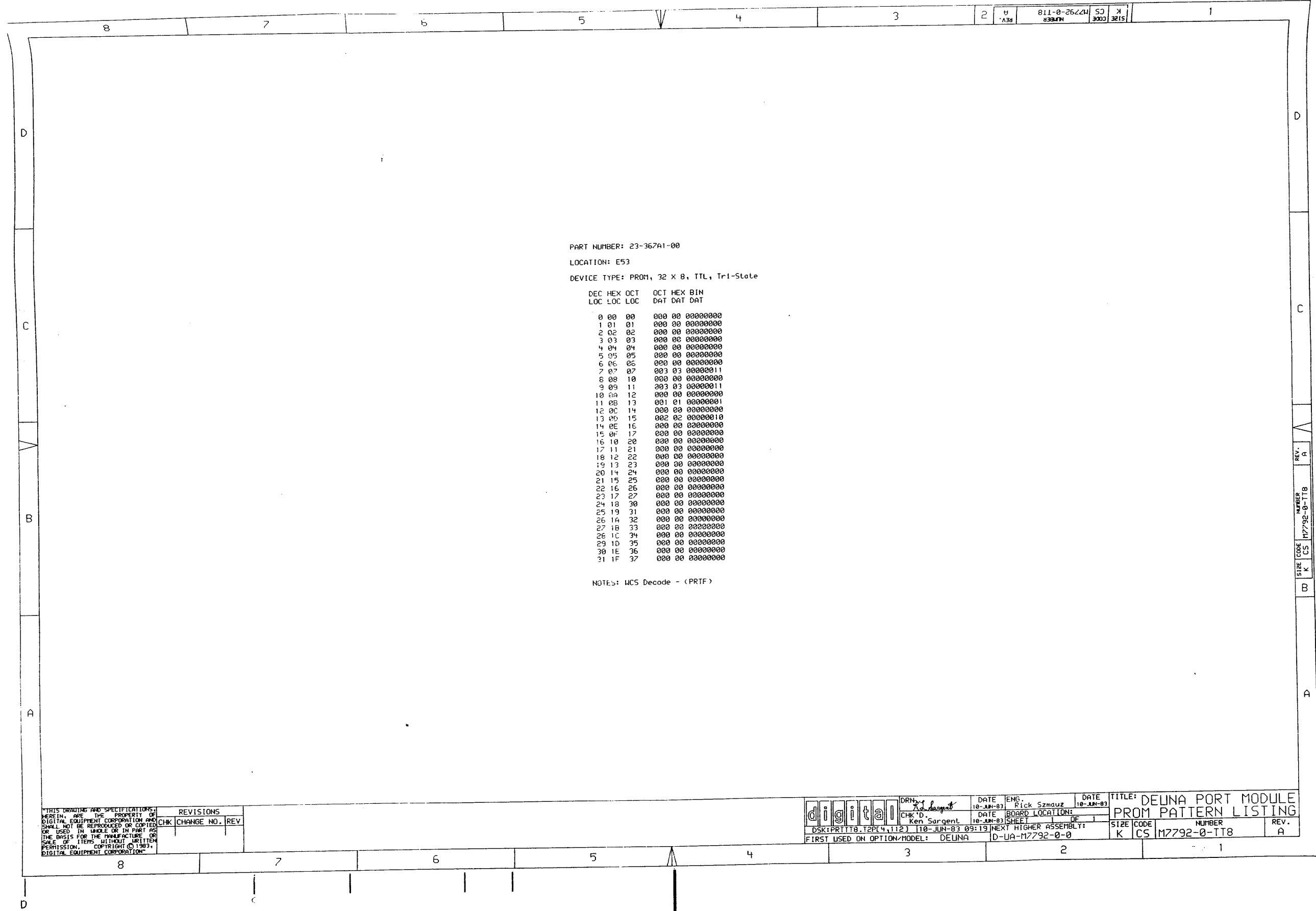
NO.	PRODUCT TERM*										ACTIVE LEVEL					
	INPUT VARIABLE										OUTPUT FUNCTION*					
	5	4	3	2	1	0	9	8	7	6	5	4	3	2	1	0
0	H	H	H	H	H	H	H	H	H	H	H	H	H	H	H	L
1	H	H	H	H	H	H	H	H	H	H	H	H	H	H	H	A
2	-	L	H	L	L	L	H	L	L	L	L	H	H	L	A	.
3	-	L	H	L	L	L	H	L	L	L	L	H	H	L	A	.
4	L	L	H	L	L	L	H	L	L	L	L	H	H	L	A	.
5	L	L	H	L	L	L	H	L	L	L	L	H	H	L	A	.
6	H	L	L	L	L	L	H	L	L	L	L	H	H	H	A	.
7	H	L	L	L	L	L	H	L	L	L	L	H	H	H	A	.
8	-	L	H	L	L	L	H	L	L	L	L	H	H	L	A	.
9	-	L	H	L	L	L	H	L	L	L	L	H	H	L	A	.
10	-	L	H	L	L	L	H	L	L	L	L	H	H	L	A	.
11	-	L	L	L	L	L	L	L	L	L	L	L	L	L	A	.
12																
13																
14																
15																
16																
17																
18																
19																
20																
21																
22																
23																
24																
25																
26																
27																
28																
29																
30																
31																
32																
33																
34																
35																
36																
37																
38																
39																
40																
41																
42																
43																
44																
45																
46																
47																

THIS DRAWING AND SPECIFICATIONS ARE THE PROPERTY OF DIGITAL EQUIPMENT CORPORATION AND SHALL NOT BE REPRODUCED OR COPIED OR USED IN WHOLE OR IN PART AS THE BASIS FOR THE MANUFACTURE OR SALE OF ITEMS WITHOUT WRITTEN PERMISSION. COPYRIGHT © 1984, DIGITAL EQUIPMENT CORPORATION.

REVISIONS		
CHK	CHANGE NO.	REV

digital DRN: *Ken Sargent* DATE: 10-JUN-83 ENG: Rick Szmauz DATE: 10-JUN-83
 CHK'D: *Ken Sargent* DATE: 10-JUN-83 BOARD LOCATION: 1 OF 1
 DSK: PR117.12P[4,112] 110-JUN-83 09:19 NEXT HIGHER ASSEMBLY: D-LIA-M7792-0-0

TITLE: DEUNA PORT MODULE		SIZE CODE	NUMBER	REV.
FPLA PATTERN LISTING		K CS	M7792-0-TT7	A



PART NUMBER: 23-367A1-00
 LOCATION: E53
 DEVICE TYPE: PROM, 32 X 8, TTL, Tri-State

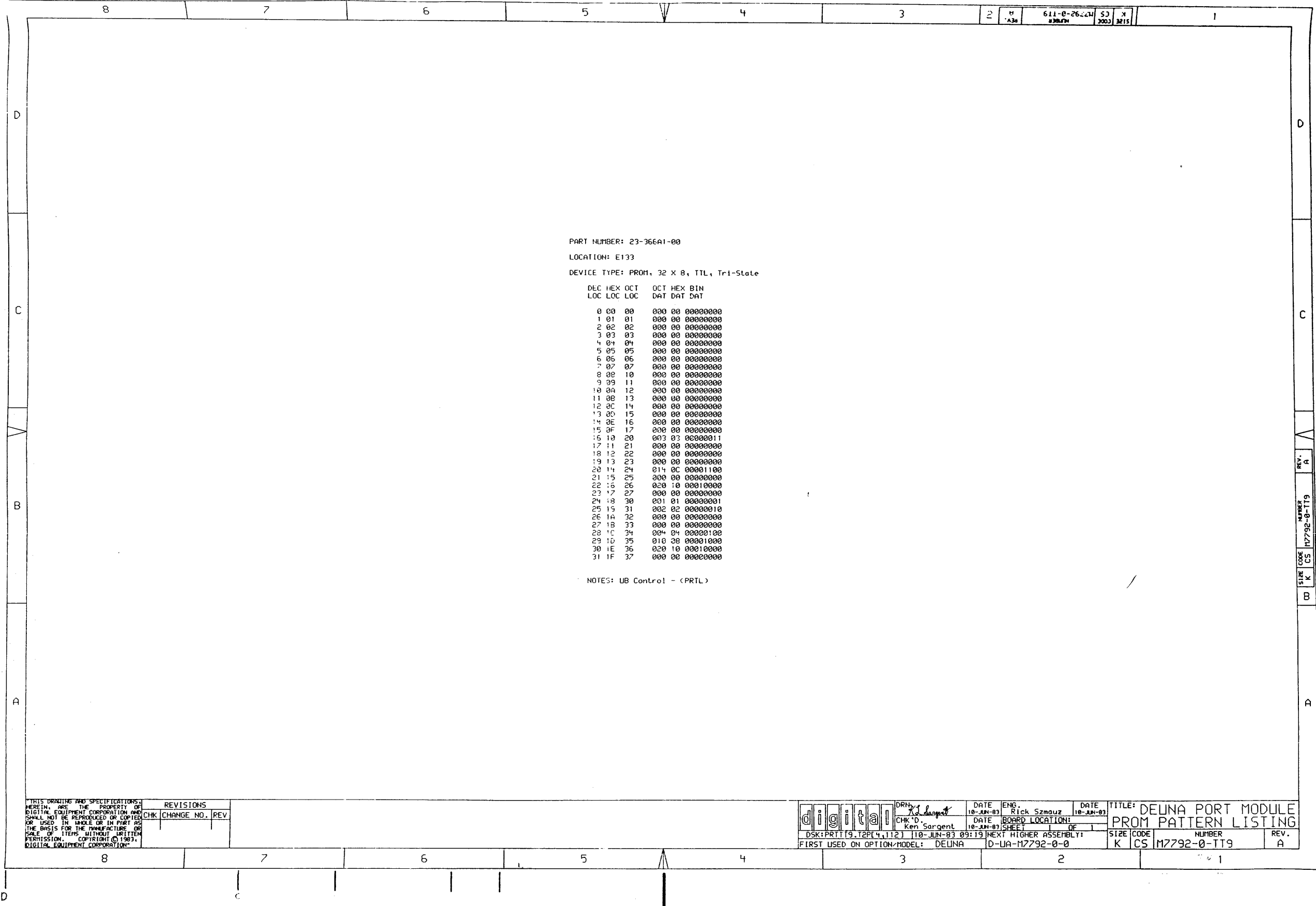
DEC LOC	HEX LOC	OCT LOC	OCT DAT	HEX DAT	BIN DAT
0	00	00	000	00	00000000
1	01	01	000	00	00000000
2	02	02	000	00	00000000
3	03	03	000	00	00000000
4	04	04	000	00	00000000
5	05	05	000	00	00000000
6	06	06	000	00	00000000
7	07	07	003	03	00000011
8	08	10	000	00	00000000
9	09	11	003	03	00000011
10	0A	12	000	00	00000000
11	0B	13	001	01	00000001
12	0C	14	000	00	00000000
13	0D	15	002	02	00000010
14	0E	16	000	00	00000000
15	0F	17	000	00	00000000
16	10	20	000	00	00000000
17	11	21	000	00	00000000
18	12	22	000	00	00000000
19	13	23	000	00	00000000
20	14	24	000	00	00000000
21	15	25	000	00	00000000
22	16	26	000	00	00000000
23	17	27	000	00	00000000
24	18	30	000	00	00000000
25	19	31	000	00	00000000
26	1A	32	000	00	00000000
27	1B	33	000	00	00000000
28	1C	34	000	00	00000000
29	1D	35	000	00	00000000
30	1E	36	000	00	00000000
31	1F	37	000	00	00000000

NOTES: MCS Decode - (PRIF)

THIS DRAWING AND SPECIFICATIONS
 HEREIN, ARE THE PROPERTY OF
 DIGITAL EQUIPMENT CORPORATION AND
 SHALL NOT BE REPRODUCED OR COPIED
 OR USED IN WHOLE OR IN PART AS
 THE BASIS FOR THE MANUFACTURE OR
 SALE OF ITEMS WITHOUT WRITTEN
 PERMISSION. COPYRIGHT © 1983,
 DIGITAL EQUIPMENT CORPORATION

REVISIONS		
CHK	CHANGE NO.	REV

digital	DRN'd	DATE	ENG.	DATE	TITLE
	CHK'D	10-JUN-83	Rick Szmduz	10-JUN-83	DEUNA PORT MODULE
	Ken Sargent	DATE	BOARD LOCATION:		PROM PATTERN LISTING
	10-JUN-83 09:19	SHEET	DF		
DSK:PRIT18.T2P[4,112]	NEXT HIGHER ASSEMBLY:	SIZE	CODE	NUMBER	REV.
FIRST USED ON OPTION/MODEL: DELUNA	D-UA-M7792-0-0	K	CS	M7792-0-TT8	A



PART NUMBER: 23-366A1-00
 LOCATION: E133
 DEVICE TYPE: PROM, 32 X 8, TTL, Tri-State

DEC LOC	HEX LOC	OCT LOC	OCT DAT	HEX DAT	BIN DAT
0	00	00	000	00	00000000
1	01	01	000	00	00000000
2	02	02	000	00	00000000
3	03	03	000	00	00000000
4	04	04	000	00	00000000
5	05	05	000	00	00000000
6	06	06	000	00	00000000
7	07	07	000	00	00000000
8	08	10	000	00	00000000
9	09	11	000	00	00000000
10	0A	12	000	00	00000000
11	0B	13	000	00	00000000
12	0C	14	000	00	00000000
13	0D	15	000	00	00000000
14	0E	16	000	00	00000000
15	0F	17	000	00	00000000
16	10	20	003	03	00000011
17	11	21	000	00	00000000
18	12	22	000	00	00000000
19	13	23	000	00	00000000
20	14	24	014	0C	00001100
21	15	25	000	00	00000000
22	16	26	020	10	00010000
23	17	27	000	00	00000000
24	18	30	001	01	00000001
25	19	31	002	02	00000010
26	1A	32	000	00	00000000
27	1B	33	000	00	00000000
28	1C	34	004	04	00000100
29	1D	35	010	08	00001000
30	1E	36	020	10	00010000
31	1F	37	000	00	00000000

NOTES: UB Control - (PRTL)

THIS DRAWING AND SPECIFICATIONS HEREIN ARE THE PROPERTY OF DIGITAL EQUIPMENT CORPORATION AND SHALL NOT BE REPRODUCED OR COPIED OR USED IN WHOLE OR IN PART AS THE BASIS FOR THE MANUFACTURE OR SALE OF ITEMS WITHOUT WRITTEN PERMISSION. COPYRIGHT © 1983, DIGITAL EQUIPMENT CORPORATION

REVISIONS		
CHK	CHANGE NO.	REV

	DRN: <i>Ken Sargent</i>	DATE: 10-JUN-83	ENG: Rick Szmauz	DATE: 10-JUN-83	TITLE: DEUNA PORT MODULE
	CHK'D: <i>Ken Sargent</i>	DATE: 10-JUN-83	BOARD LOCATION: SHEET 1 OF 1		PROM PATTERN LISTING
DSK: PRT1 (9, T2P (4, 112))		110-JUN-83 09:19	NEXT HIGHER ASSEMBLY: D-LJA-117792-0-0	SIZE CODE: K CS	NUMBER: M7792-0-TT9
FIRST USED ON OPTION/MODEL: DELUNA				REV. A	

REV. A
 NUMBER M7792-0-TT9
 SIZE CODE K CS

THIS DRAWING AND THE SPECIFICATIONS CONTAINED HEREIN ARE CONFIDENTIAL AND PROPRIETARY. THEY ARE THE PROPERTY OF DIGITAL EQUIPMENT CORPORATION AND SHALL NOT BE REPRODUCED OR COPIED OR USED IN WHOLE OR IN PART AS THE BASIS FOR MANUFACTURING OR SALE OF ITEMS WITHOUT WRITTEN PERMISSION. THIS IS AN UNPUBLISHED WORK PROTECTED UNDER THE FEDERAL COPYRIGHT LAWS.

DRAWING DIRECTORY

ITEM	DRAWING NO.	NO. OF SHTS	PART NO.	DESCRIPTION	TYPE	REVISIONS							
						A	B	C	D	E	F	G	H
1			M7793	DEUNA LINK MODULE		A	B	C	D	E	F	G	H
2	D-UA-M7793-0-0	2		UNIT ASSEMBLY		A	B	C	D	E	F	G	H
3	D-EC-5015005-0-0	3		ETCH CUT		A	B	C	D	E	F	G	H
4	D-MD-5015005-0-0	5		DRILL AND ETCH		A	A	A	A	B	B	C	
5	K-PL-M7793-0-0	3		PARTS LIST		A	A	A	B	C	D	E	
6			5015005-00	ETCHED BOARD		B	B	B	B	C	C	D1	
7	K-PC-M7793-0-DBI	-		PC DATABASE		B	B	B	B	C	C	D	
8	K-CS-M7793-0-DBS	-		SUDS DATABASE		A	B	C	D	E	F	F	
9	K-CS-M7793-0-BD1	1		SCHEMATICS		A	A	A	A	A	A	A	
10	K-CS-M7793-0-SD1	1		SCHEMATICS		A	A	A	A	A	A	A	
11	K-CS-M7793-0-SD2	1		SCHEMATICS		A	A	A	A	A	A	A	
12	K-CS-M7793-0-SD3	1		SCHEMATICS		A	A	A	A	A	A	A	

NOTES:

USED ON OPTION/MODULE "DEUNA-AA", DEUNA-KP, DEUNA-M.

DD
REV

A B C D E F G H

REVISION HISTORY			CONT. REVISION HISTORY			MADE BY: M. MATTOCK DATE: 25 MAR 85		d i g i t a l			
ENG	ECO NUMBER	REV	ENG	ECO NUMBER	REV	CHECKED BY: F. CARBONE DATE: 25 MAR 85		TITLE DRAWING DIRECTORY			
ML	M7793-MK005	F				DESIGN ENGINEER: M. LAWRENCE DATE: 25 MAR 85		DEUNA LINK MODULE			
ML	M7793-MK006	H				RESPONSIBLE ENG: M. LAWRENCE DATE: 25 MAR 85					
						PRODUCTION ENG: D. DUNCAN DATE: 28 OCT 82		SIZE	CODE	DOCUMENT NUMBER	REV.
								K	DD	M7793-0	H
						SHEET 1 OF 3 MKO					

THIS DRAWING AND THE SPECIFICATIONS CONTAINED HEREIN ARE CONFIDENTIAL AND PROPRIETARY. THEY ARE THE PROPERTY OF DIGITAL EQUIPMENT CORPORATION AND SHALL NOT BE REPRODUCED OR COPIED OR USED IN WHOLE OR IN PART AS THE BASIS FOR MANUFACTURING OR SALE OF ITEMS WITHOUT WRITTEN PERMISSION. THIS IS AN UNPUBLISHED WORK PROTECTED UNDER THE FEDERAL COPYRIGHT LAWS.

DRAWING DIRECTORY CONTINUED

I T E M	DRAWING NO.	NO. OF SHTS	PART NO.	DESCRIPTION	T Y P E	REVISIONS								
						A	B	C	D	E	F	G	H	
13	K-CS-M7793-0-SD4	1		SCHEMATIC		A	A	A	A	A	A			
14	K-CS-M7793-0-TDA	1		SCHEMATIC		A	A	A	A	A	A			
15	K-CS-M7793-0-TDB	1		SCHEMATIC		A	A	A	A	A	A			
16	K-CS-M7793-0-TDC	1		SCHEMATIC		A	A	A	A	A	A			
17	K-CS-M7793-0-TDD	1		SCHEMATIC		A	A	A	A	A	A			
18	K-CS-M7793-0-TDE	1		SCHEMATIC		A	A	A	A	A	A			
19	K-CS-M7793-0-TDF	1		SCHEMATIC		A	A	A	A	A	A			
20	K-CS-M7793-0-TDH	1		SCHEMATIC		A	A	A	A	A	A			
21	K-CS-M7793-0-TDJ	1		SCHEMATIC		A	A	A	A	A	A			
22	K-CS-M7793-0-TDK	1		SCHEMATIC		A	A	A	A	A	A			
23	K-CS-M7793-0-TDL	1		SCHEMATIC		A	A	A	A	A	A			
24	K-CS-M7793-0-TDM	1		SCHEMATIC		A	A	A	A	A	A			
25	K-CS-M7793-0-TDN	1		SCHEMATIC		A	A	A	A	A	A			
26	K-CS-M7793-0-TDP	1		SCHEMATIC		A	A	A	A	A	A			
27	K-CS-M7793-0-TDR	1		SCHEMATIC		A	A	A	A	A	A			
28	K-CS-M7793-0-TDS	1		SCHEMATIC		A	A	A	A	A	A			
29	K-CS-M7793-0-TDT	1		SCHEMATIC		A	A	A	A	A	A			
30	K-CS-M7793-0-TDU	1		SCHEMATIC		A	A	A	A	A	A			
31	K-CS-M7793-0-TDV	1		SCHEMATIC		A	A	A	A	A	A			
32	K-CS-M7793-0-TDW	1		SCHEMATIC		A	A	A	A	A	A			
33	K-CS-M7793-0-TTA	1		SCHEMATIC		A	A	A	A	A	A			
34	K-CS-M7793-0-TTB	1		SCHEMATIC		A	A	A	A	A	A			
35	K-CS-M7793-0-TTC	1		SCHEMATIC		A	A	A	A	A	A			
36	K-CS-M7793-0-TTD	1		SCHEMATIC		A	A	A	A	A	A			
37	K-CS-M7793-0-TTE	1		SCHEMATIC		A	A	A	A	A	A			
38	K-CS-M7793-0-TTF	1		SCHEMATIC		A	A	A	A	A	A			
39	K-CS-M7793-0-TTH	1		SCHEMATIC		A	A	A	A	A	A			
40	K-CS-M7793-0-TTJ	1		SCHEMATIC		A	A	A	A	A	A			

NOTES:

DD REV	A	B	C	D	E	F	H							
-----------	---	---	---	---	---	---	---	--	--	--	--	--	--	--

REVISION HISTORY			CONT. REVISION HISTORY			MADE BY:	d i g i t a l							
ENG	ECO NUMBER	REV	ENG	ECO NUMBER	REV	DATE:								
						CHECKED BY:	TITLE DRAWING DIRECTORY							
						DATE:	DEUNA LINK MODULE							
						DESIGN ENGINEER:								
						DATE:								
						RESPONSIBLE ENG:								
						DATE:								
						PRODUCTION ENG:	SIZE	CODE	DOCUMENT NUMBER	REV.				
						DATE:	K	DD	M7793-0	H				
										SHEET 2 OF 3		MKO		

THIS DRAWING AND THE SPECIFICATIONS CONTAINED HEREIN ARE CONFIDENTIAL AND PROPRIETARY. THEY ARE THE PROPERTY OF DIGITAL EQUIPMENT CORPORATION AND SHALL NOT BE REPRODUCED OR COPIED OR USED IN WHOLE OR IN PART AS THE BASIS FOR MANUFACTURING OR SALE OF ITEMS WITHOUT WRITTEN PERMISSION. THIS IS AN UNPUBLISHED WORK PROTECTED UNDER THE FEDERAL COPYRIGHT LAWS.

DRAWING DIRECTORY CONTINUED

ITEM	DRAWING NO.	NO. OF SHTS	PART NO.	DESCRIPTION	TYPE	REVISIONS								
						A	B	C	D	E	F	G	H	
41	K-CS-M7793-0-TTK	1		SCHEMATICS		A	A	A	A	A	A			
42	K-CS-M7793-0-TTL	1		SCHEMATICS		A	A	A	A	A	A			
43	K-CS-M7793-0-TTM	1		SCHEMATICS		A	A	A	A	A	A			
44	K-CS-M7793-0-IR1	1		SCHEMATICS		A	A	A	A	A	A			
45	K-CS-M7793-0-IR2	1		SCHEMATICS		A	A	A	A	A	A			
46	K-CS-M7793-0-LNKA	1		SCHEMATICS		A	B	C	C	D	D			
47	K-CS-M7793-0-LNKB	1		SCHEMATICS		A	A	A	B	C	C			
48	K-CS-M7793-0-LNKC	1		SCHEMATICS		A	A	B	B	C	C			
49	K-CS-M7793-0-LNKD	1		SCHEMATICS		A	A	A	A	A	B			
50	K-CS-M7793-0-LNKE	1		SCHEMATICS		A	B	B	B	B	B			
51	K-CS-M7793-0-LNKF	1		SCHEMATICS		A	A	A	A	A	B			
52	K-CS-M7793-0-LNKH	1		SCHEMATICS		A	B	C	C	C	D			
53	K-CS-M7793-0-LNKJ	1		SCHEMATICS		A	A	A	A	A	A			
54	K-CS-M7793-0-LNKK	1		SCHEMATICS		A	A	B	B	B	C			
55	K-CS-M7793-0-LNKL	1		SCHEMATICS		A	A	A	B	B	C			
56	K-CS-M7793-0-LNKM	1		SCHEMATICS		A	A	A	A	A	A			
57	K-CS-M7793-0-LNKN	1		SCHEMATICS		A	A	A	B	B	B			
58	K-CS-M7793-0-LNKP	1		SCHEMATICS		A	A	A	A	A	A			
59	K-CS-M7793-0-LNKR	1		SCHEMATICS		A	A	A	B	C	C			
60	K-CS-M7793-0-LNKS	1		SCHEMATICS		A	A	A	A	A	A			
61	K-CS-M7793-0-LNKT	1		SCHEMATICS		A	A	A	A	B	B			
62	K-CS-M7793-0-TTN	1		SCHEMATICS		A	A	A	A	A	A			

NOTES:

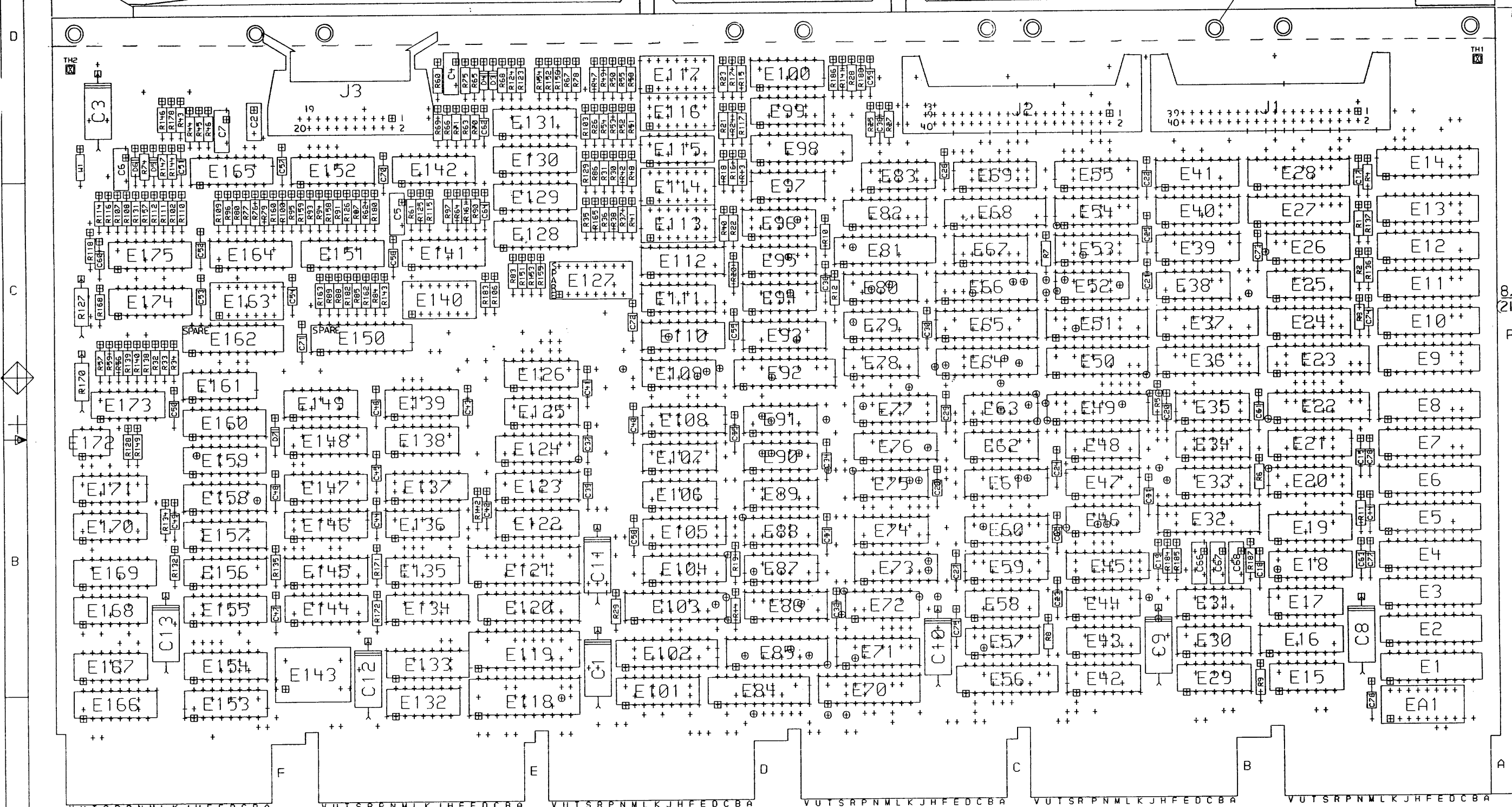
DD	A	B	C	D	E	F	H
REV							

REVISION HISTORY			CONT. REVISION HISTORY			MADE BY:	DIGITAL
ENG	ECO NUMBER	REV	ENG	ECO NUMBER	REV	DATE:	
						CHECKED BY:	TITLE
						DATE:	DRAWING DIRECTORY
						DESIGN ENGINEER:	DEUNA LINK MODULE
						DATE:	
						RESPONSIBLE ENG:	
						DATE:	
						PRODUCTION ENG:	SIZE CODE DOCUMENT NUMBER REV.
						DATE:	K DD M7793-0 H

THIS DRAWING AND SPECIFICATIONS, HEREIN, ARE THE PROPERTY OF DIGITAL EQUIPMENT CORPORATION AND SHALL NOT BE REPRODUCED OR COPIED IN WHOLE OR IN PART AS THE BASIS FOR THE MANUFACTURE OR SALE OF ITEMS WITHOUT WRITTEN PERMISSION. DIGITAL EQUIPMENT CORPORATION

15.688
(398.53MM)
REF

COMPONENT SIDE VIEW



8.41
(213.60
MM)
REF

CHK	DRAWN BY	ENGINEER	CHANGE NO	DATE	REV
	<i>Andersson</i>	<i>Peter</i>	M7793-MK6	11 DEC 84	H

CHK	DRAWN BY	ENGINEER	CHANGE NO	DATE	REV

NOTES:
1. SPARE I.C. LOCATIONS: E127, E152, E162

STEP	↑ Y AXIS	— STEP	— TIMES
REPEAT	→ X AXIS	— STEP	— TIMES

ETCH REV.	DIP1
-----------	------

SIGNATURES		DATE
DRN. <i>B.A. FRASER</i>		11 DEC 84
CHK'D <i>P. GARDNER</i>		17 FEB 85
MECH. ENG. <i>John B. ...</i>		
PROJ. ENG. <i>John W. ...</i>		
PROD. <i>Bob ...</i>		

TITLE DEUNA LINK
MODULE

SCALE 2/1	SIZE CODE D UA	NUMBER M7793-0-0	REV H
-----------	----------------	------------------	-------

NEXT HIGHER ASSY. K-DD-M7793-0

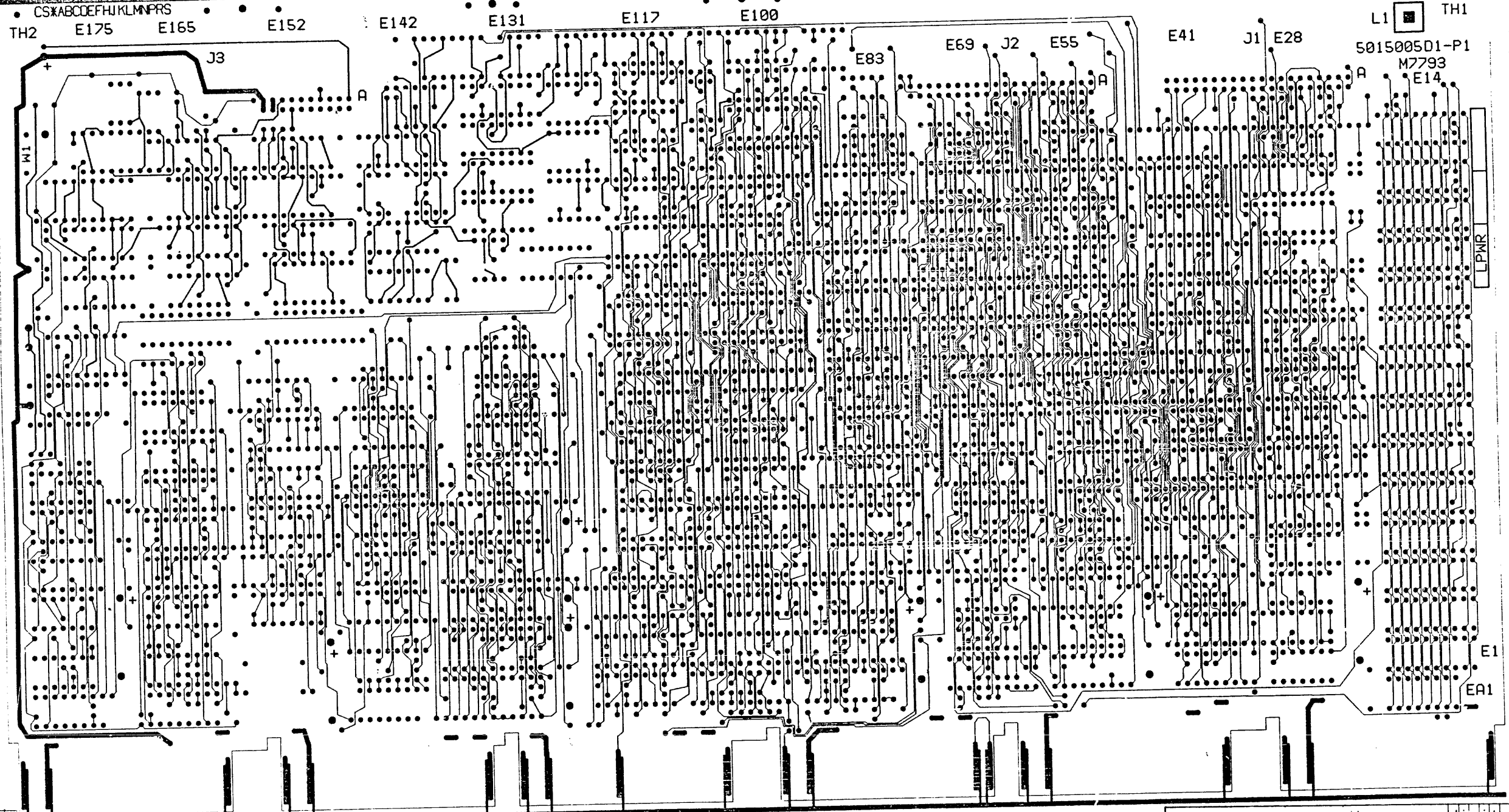
1935

DEC 5015005-C-0 F

LAYER 1

SIDE 1

digital



AM-17793-MK000
 M. LAWRENCE

digital
 ETCH CUT DRAWING
 Peter W. Hulse 7-29-85
 Peter W. Hulse 7-29-85
 Peter W. Hulse 7-29-85
 DEC 5015005-C-0 F
 D-UA-M7793-0.6 2/1 1 2

DEC 5015005-C-0 F

7 6 5 4 3 2 MKO

DEC 5015005-0-0 F

6

5

4

3

2

1

REVISED

L4

DEUNA LINK MODULE
5015005D1-P1 SIDE 2

D

C

B

A

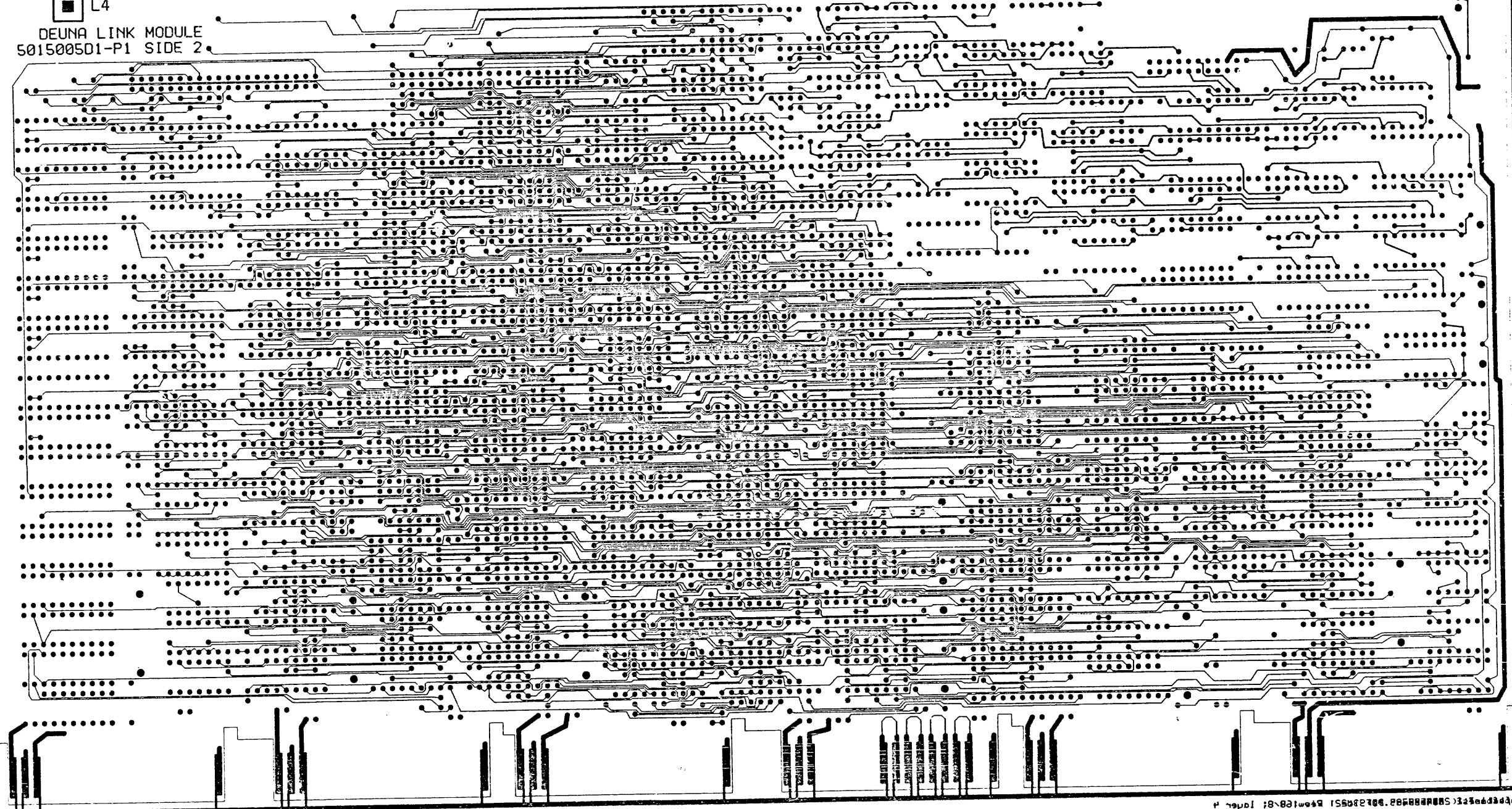
D

C

B

A

DEC 5015005-0-0 F



TITLE
ETCH CUT DRAWING

DATE	BY	CHKD	APP'D
DEC 5015005-0-0	F		
SCALE 2/1	SHEET 2	OF 2	

MKO

8

7

6

5

4

3

2

1

AUTOMATED BY PRLST,4Q(50)

PARTS LIST

SHEET A1 OF A4

LINE	ITEM	TOP DOCUMENT	PART NUMBER	MIN REV	DESCRIPTION	QTY	PER VARIATION	REFERENCE DESIGNATOR
1	1	D-MD-5015005-0-0	5015005-00	D	DRILL AND ETCH CUT	1		
2	2		1010978-36		.1 MFD 50V 10% CER	1		C2
3	3		1002424-00		1200.0 MMF 100V 5%200PPM MICA	2		C4,C6
4	4		1000019-00		150.0 MMF 100V 5%200PPM MICA	2		C5,C7
5	5		1012784-00		.047 MFD 50V +80-20% CER	39		C14,C15,C17,C18,C19,C20,C21,C22, C23,C24,C25,C26,C27,C28,C29,C30, C31,C32,C33,C34,C35,C36,C37,C38, C39,C40,C41,C42,C43,C44,C45,C46, C47,C48,C49,C50,C51,C52,C53 C54,C55,C56,C57,C58,C59,C60,C61, C62,C63,C64,C65,C70-C78
6	6		1001010-00		.01 MFD 50V +80-20% Z5U CER	21	CONT	
7	7		1005820-00		22.0 MMF 100V 5%200PPM MICA	2	CONT	C66,C67
8	8		1000010-00		39.0 MMF 100V 5%200PPM MICA	1		C68
9	9		1100114-00		PIV= 25 IO=135 MA	5		D3,D4,D5,D6,D7
10	10		2118054-03		16K MOS RAM 55NS 2	16		E1,E2,E3,E4,E5,E6,E7,E8,E9,E10, E11,E12,E13,E14,E27,E28
11	11		1913340-00		74S32 OR GATE-QUAD 2IN	1	CONT	E15
12	12		1912851-00		LS169 COUNTER,SYNCH. UP/DO	9	CONT	E16,E18,E19,E20,E59,E60,E76, E134,E169
13	13		1912811-00		LS21 AND GATE-DUAL 4IN,PO	1		E17
14	14		1912849-00		LS161 COUNTER,SYNCHR,4BIT	9	CONT	E21,E24,E25,E26,E39,E40,E55, E156,E158
15	15	BLANK	23K4 -01		*** THIS ITEM IS NOT USED ***	-		
16	16		1912805-00		LS08 AND GATE-QUAD 2IN,PO	4		E29,E38,E95,E167
17	17		1912820-00		LS51 A-O-I GATE 2-WIDE 2I	2		E30,E44
18	18		1912803-00		LS04 INVERTER GATE,HEX	5		E31,E35,E78,E79,E149
19	19	BLANK	23K5 -01		*** THIS ITEM IS NOT USED ***	-		
20	20		1912799-00		LS00 NAND-GATE-QUAD 2IN,P	3		E33,E52,E80
21	21		1912824-00		LS74 FF-D DUAL,EDGE TRIGG	4		E34,E42,E94,E161
22	22		1910550-00		74S174 FF-D HEX	5		E41,E61,E101,E133,E159

REVISION HISTORY			BASIC PART NO: M7793		DRN:	R LOVE	DATE: 09-14-82	DIGITAL		
ENG	ECO NUMBER	REV	SECTION A OF A		CHK'D:	C COSTA	DATE: 09-14-82	TITLE PARTS LIST		
---	INITIAL	A	SECTION VARIATION INDEX		DES.ENG:	M STECKLAIR	DATE: 09-14-82	DEUNA LINK MODULE		
ITE	M7793-TW003	B	[A]	00				DOCUMENT NUMBER		
INB	M7793-TW004	C	[B]					SIZE	CODE	NUMBER
BRC	M7793-MK005	D	[C]							REV
ML	M7793-MK006	E	[D]							
			[E]		RESP.ENG.	M. LAWRENCE	DATE: 11-APR-85	K	PL	M7793-0-0
			[F]							E
			[H]							
			[J]		MFG.ENG.:	W. BROOKE	DATE: 11-APR-85	RELEASE DATE: 11-APR-85		
			[K]							
			[L]		ASSEMBLY NUMBER:		TOP DOCUMENT NUMBER:	FILE NAME:	EDIT #	
			[M]		ID-UA-M7793-0-0		#K-DD-M7793-0	MK1194,PLS	18	
			[N]							

"THIS DRAWING AND THE SPECIFICATIONS CONTAINED HEREIN ARE CONFIDENTIAL AND PROPRIETARY. THEY ARE THE PROPERTY OF DIGITAL EQUIPMENT CORPORATION AND SHALL NOT BE REPRODUCED OR COPIED OR USED IN WHOLE OR IN PART AS THE BASIS FOR THE MANUFACTURE OR SALE OF ITEMS WITHOUT WRITTEN PERMISSION. THIS IS AN UNPUBLISHED WORK PROTECTED UNDER THE FEDERAL COPYRIGHT LAWS."

LINE	ITEM	TOP DOCUMENT	PART NUMBER	MIN REV	DESCRIPTION	QTY	PER VARIATION	REFERENCE DESIGNATOR
						00		
						E1		
23	23		1912810-00		LS20 NAND GATE-DUAL 4IN	1		E43
24	24		1911911-00		DEC 74S124 OSCILLATOR,DUAL VOLT	1		E45
25	25		1910534-00		74S04 INVERTER GATE-HEX 1I	5		E46,E75,E87,E99,E115
26	26		1910537-00		74S11 AND GATE-TRIPLE 3INP	2		E47,E106
27	27		1912807-00		LS10 NAND GATE-TRIPLE 3IN	1		E48
28	28		1912847-00		LS157 MUX 1 OF 2(QUAD)	2		E53,E82
29	29		1915758-00		LS166 SHIFT REG. 8BIT PARA	2		E54,E69
30	30		1914085-00		74S260 NOR GATE-DUAL,POS	2		E57,E72
31	31		1910539-00		74S20 NAND GATE-DUAL 4INPU	2		E58,E88
32	32		1910536-00		74S10 NAND GATE-TRIPLE 3IN	2		E62,E109
33	33		1912850-00		LS164 SHIFT REG. 8BIT SERI	2		E63,E67
34	34		1914214-00		LS374 FF-D OCTAL EDGE TRIG	5		E64,E65,E66,E68,E98
35	35		1911983-00		74S133 NAND GATE-POSITIVE 1	3		E71,E104,EA1
36	36		1910957-00		74S175 FF-D QUAD COMMON CLO	1		E73
37	37		1910532-00		74S00 NAND GATE-QUAD 2IN	3		E74,E111,E135
38	38		1912646-00		LS253 MUX 1 OF 4 (DUAL)	8		E77,E124,E144,E145,E147,E148,
							CONT	E154,E155
39	39		1913671-00		74S374 FF-D,OCTAL,TRI STATE	2		E81,E120
40	40		1912746-00		DEC 74S37 NAND GATE-QUAD 2IN	1		E83
41	41		1910548-00		74S157 MUX 1 OF 2 (QUAD)	2		E86,E112
42	42		1911712-00		74S51 AND-OR GATE-INVERT D	1		E89
43	43		1912801-00		LS02 NOR-GATE-QUAD 2IN	2		E90,E139
44	44		1912389-00		74S08 AND GATE-QUAD 2IN,PO	1		E91
45	45		1912697-00		LS174 FF-D HEX W/CLEAR	4		E93,E108,E110,E123
46	46		1912816-00		LS32 OR GATE-QUAD 2IN,POS	2		E96,E138
47	47		1300005-01		R NETWORK 13-1K 5.0 % 14PIN	1		E97
48	48		1915019-00		74S38 NAND BUFFER-QUAD 2IN	1		E100
49	49		1914082-00		74S163 COUNTER,SYNCH UP/DOW	7		E105,E122,E137,E146,E153,E157,
							CONT	E166
50	50		1910544-00		74S74 FF-D DUAL,EDGE TRIGG	5		E107,E136,E168,E170,E171
51	51		1514962-00		TPQ2907 PNP 500MW SI 40 100	4		E113,E114,E116,E117
52	52		1915697-00		RAM 256X4 TRI-STATE	3		E118,E119,E121
53	53		1912813-00		LS27 NOR GATE-TRIPLE 3IN	1		E125
54	54		1912808-00		LS11 AND GATE-TRIPLE 3IN	1		E126
55	55		1918353-00		10231 FF-D MASTER-SLAVE	5		E128,E130,E151,E174,E175
56	56		1911402-00		10105 OR/NOR GATE,2-3-2	4		E129,E131,E141,E152
57	57		1912096-00		DEC 74S86 XOR GATE,QUAD 2IN	1		E132
58	58		1611601-00		DELAY= 50NS,TAPPED LINE	1		E140
59	59		1913220-00		10216 RECEIVER,TRIPLE LINE	2		E142,E165
60	60		1811660-00		OSCILLATOR, XTAL 20.000 MHZ	1		E143
61	61		1911579-00		8641 TRANSCEIVER,BUS,QUA	1		E160
62	62		1619248-00		DELAY= 25/74NS ECL MULTI-LOGIC	1		E163
63	63		1911404-00		10107 XOR/NOR GATE,3-2IN	1		E164
64	64		1913009-00		4N36 OPTO COUPLED ISLTR	1		E172
65	65		1912388-00		74S02 NOR GATE-QUAD 2IN,PO	1		E173
66	66		1209941-02		PCB,HEADER 40PIN(2X20).100CC 90D	2		J1,J2
67	67		1209941-13		PCB,HEADER 19PIN(2X10).100CC 90D	1		J3
68	68		1301322-00		180.0 .25 W 5.0 % CF	27		R1,R32,R56,R78,R85,R86,R87,R89,

D	I	G	I	T	A	L	TITLE	DEUNA LINK MODULE	SECTION A OF A	SIZE	CODE	DOCUMENT NUMBER	REV
										K	PL	M7793-0-0	E

LINE	ITEM	TOP DOCUMENT	PART NUMBER	MIN REV	DESCRIPTION	VARIATION	REVISION LEVEL	QTY	PER VARIATION	REFERENCE DESIGNATOR	
								00			
								E1			
69	69		1300247-00		120.0	.25 W 5.0 %	CF	19		CONT R90,R91,R95,R100,R108,R111,R112, CONT R114,R115,R118,R124,R137,R138, CONT R146,R151,R152,R183,R171,R188 R2,R67,R102,R116,R125,R126,R129, CONT R136,R157,R158,R159,R160,R161, CONT R162,R163,R168,R178,R172,R4 R3,R5,R6,R8,R14,R19,R20,R128 R7,R9,R11,R12,R132,R134,R135, CONT R141,R142,R186,R187 R10,R43,R45,R61,R63,R185 R13,R16,R21,R22,R27,R28,R37,R40, CONT R41,R52 R15,R23,R24 R17,R48,R51 R18,R26,R30,R33,R36,R38,R47,R49, CONT R50,R54,R57,R58,R107,R123,R140, CONT R153,R154 R25,R31,R42 R29 R34,R59,R117,R131,R139,R155,R156 R35,R64,R65,R83,R84,R88,R96,R97, CONT R103,R109,R110,R143,R147,R165, CONT R180,R182 R44,R46,R60,R62,R66,R70,R77,R80, CONT R93,R94 R53,R55,R69,R71,R76,R79	
70	70		1300229-00		100.0	.25 W 5.0 %	CF	8			
71	71		1300365-00		1.0	K .25 W 5.0 %	CF	11			
72	72		1302388-00		2.0	K .25 W 5.0 %	CF	6			
73	73		1302957-00		121.0	.25 W 1.0 %	RN55D-F10	10			
74	74		1302872-00		681.0	.25 W 1.0 %	RN55D-F1	3			
75	75		1303036-00		56.20	.25 W 1.0 %	RN55D-F10	3			
76	76		1301972-00		270.0	.25 W 5.0 %	CF	17			
77	77		1301421-00		15.0	.25 W 5.0 %	CF	3			
78	78		1300479-00		10.0	K .25 W 5.0 %	CF	1			
79	79		1301775-00		820.0	.25 W 5.0 %	CF	7			
80	80		1300316-00		470.0	.25 W 5.0 %	CF	16			
81	81		1313150-00		430.0	.25 W 5.0 %	CF	10			
82	82		1305121-00		38.30	.25 W 1.0 %	RN55D-F10	6			
83	83	BLANK			*** THIS ITEM IS NOT USED ***						
84	84		1303179-00		8.20	K .25 W 5.0 %	CF	1		R74	
85	85		1300271-00		220.0	.25 W 5.0 %	CF	1		R106	
86	86		1300356-00		820.0	.50 W10.0 %	CF	2		R127,R170	
87	87		1300309-00		390.0	.25 W 5.0 %	CF	1		R149	
88	88		1300432-00		3.0	K .25 W 5.0 %	CF	1		R184	
89	89		9009185-00		JUMPER, WIRE, INSULATED, BLACK B					1	W1
90	90		1012084-01		8	MFD 25V 75-10%	AL EL	8		C1,C3,C8,C9,C10,C11,C12,C13	
91	91		1216988-02		HANDLE,MODULE,HEX TWO EJECTORS					1	
92	92		9009000-00		EYELET,ROLLED 0.1210DX0.156					12	
93	93		1302391-00		20.0	K .25 W 5.0 %	CF	1		R144	
94	94		1304837-00		24.0	K .25 W 5.0 %	CF	1		R68	
95	95		1300488-00		12.0	K .25 W 5.0 %	CF	1		R75	
96	96	BLANK			*** THIS ITEM IS NOT USED ***						
97	97		23034K4-00		K4-01					1	E50
98	98		23035K4-00		K4-01					1	E22
99	99		23036K4-00		K4-01					1	E23
100	100		23037K4-00		K4-01					2	E102,E103
101	101		23025K5-00		K5-01					1	E49
102	102		23026K5-00		K5-01					1	E51
103	103		23027K5-00		K5-01					1	E36
104	104		23028K5-00		K5-01					1	E37

D	I	G	I	T	A	L	TITLE	SECTION A OF A	SIZE	CODE	DOCUMENT NUMBER	REV
							DEUNA LINK MODULE		K	PL	M7793-0-0	E

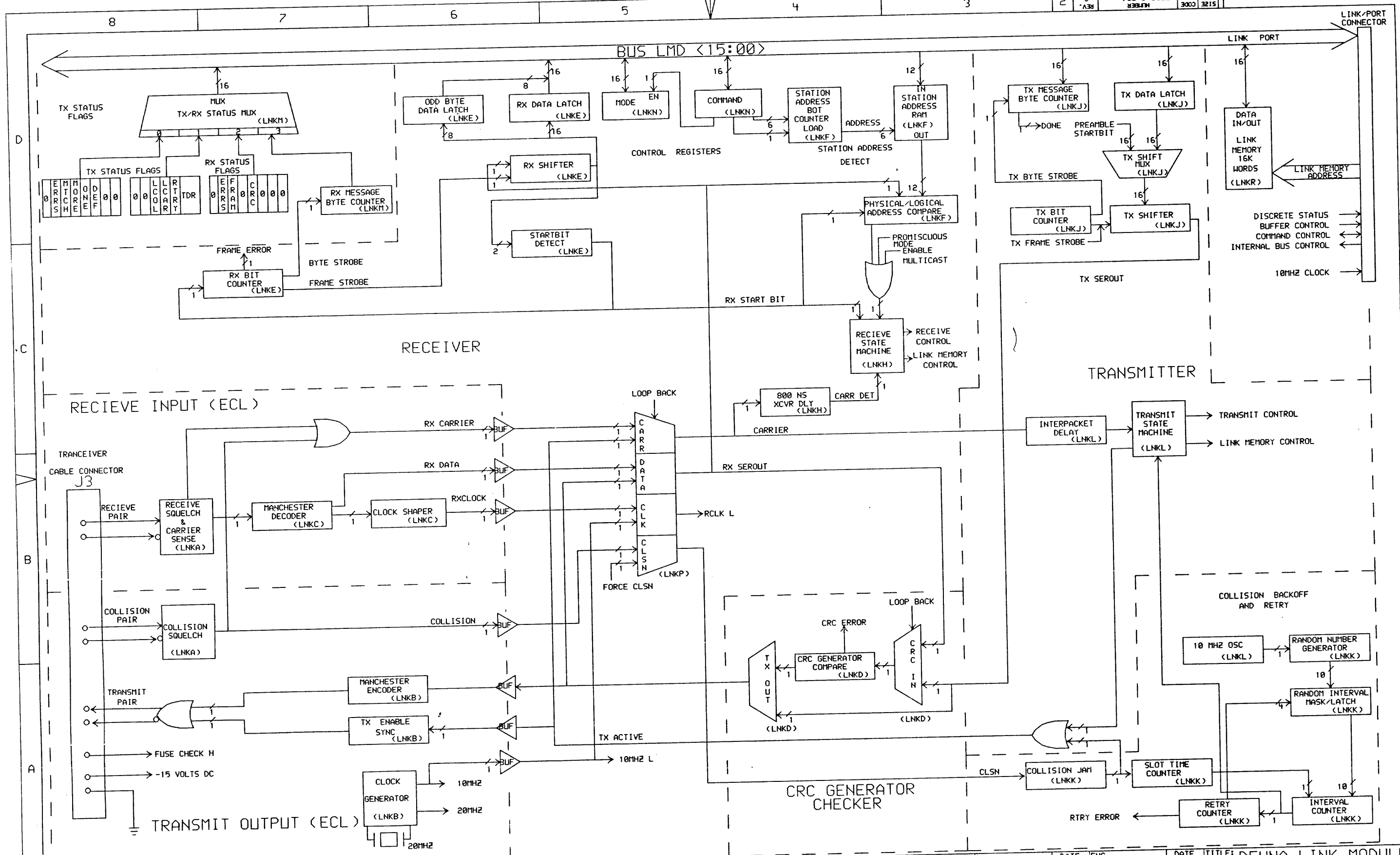
AUTOMATED BY PRTLST.40(50)

P A R T S L I S T

SHEET A4 OF A4

LINE ITEM	TOP DOCUMENT	PART NUMBER	MIN REV	DESCRIPTION	VARIATION REVISION LEVEL:	QTY PER VARIATION	REFERENCE DESIGNATOR
105	105	23029K5-00		K5-01		1	E32
106	106	23030K5-00		K5-01		2	E56,E70
107	107	23031K5-00		K5-01		1	E92
108	108	23033K5-00		K5-01		2	E84,E85

D I G I T A L	TITLE	DEUNA LINK MODULE	SECTION A OF A	SIZE	CODE	DOCUMENT NUMBER	REV
				K	PL	M7793-0-0	E

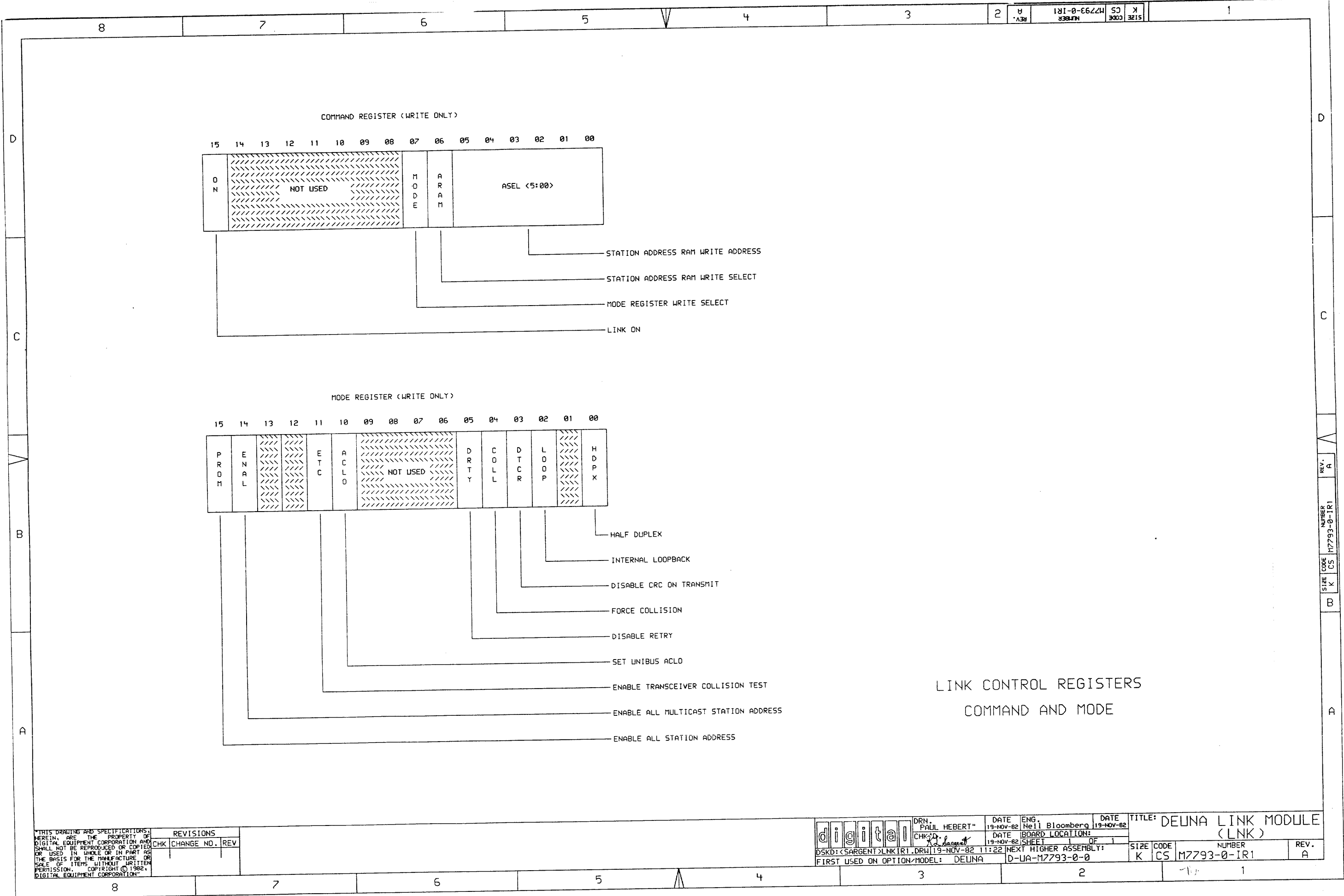


THIS DRAWING AND SPECIFICATIONS ARE THE PROPERTY OF DIGITAL EQUIPMENT CORPORATION AND SHALL NOT BE REPRODUCED OR COPIED OR USED IN WHOLE OR IN PART AS THE BASIS FOR THE MANUFACTURE OR SALE OF ITEMS WITHOUT WRITTEN PERMISSION. COPYRIGHT © 1982, DIGITAL EQUIPMENT CORPORATION.

REVISIONS	CHK	CHANGE NO.	REV

digital	DRN. KEN PACINAS	DATE 19-NOV-82	ENG. Heil	DATE 19-NOV-82	TITLE: DEUNA LINK MODULE (LNK)
	CHKD. J. J. ...	DATE 19-NOV-82	BOARD LOCATION: 1 OF 1	SHEET 1 OF 1	
DSKD: <SARGENT>LNKBD1.DRH		19-NOV-82 11:25	NEXT HIGHER ASSEMBLY: D-UA-M7793-0-0	SIZE CODE K CS	NUMBER M7793-0-BD1
FIRST USED ON OPTION/MODEL: DEUNA					REV. A

REV. A
NUMBER M7793-0-BD1
SIZE CODE K CS



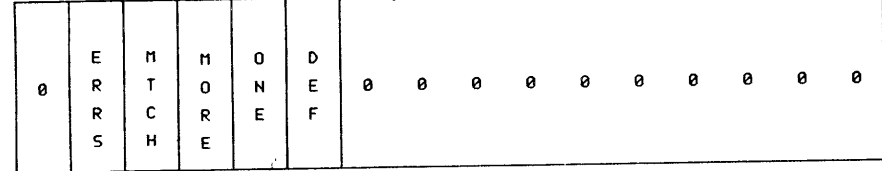
LINK CONTROL REGISTERS
COMMAND AND MODE

THIS DRAWING AND SPECIFICATIONS HEREIN ARE THE PROPERTY OF DIGITAL EQUIPMENT CORPORATION AND SHALL NOT BE REPRODUCED OR COPIED OR USED IN WHOLE OR IN PART AS THE BASIS FOR THE MANUFACTURE OR SALE OF ITEMS WITHOUT WRITTEN PERMISSION. COPYRIGHT © 1982, DIGITAL EQUIPMENT CORPORATION.

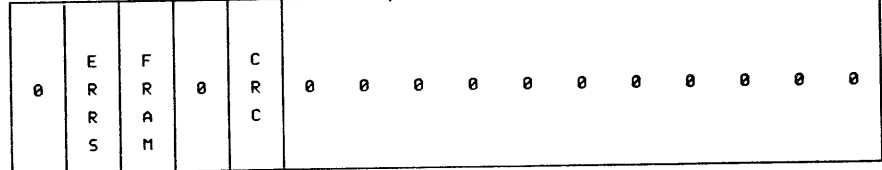
REVISIONS		
CHK	CHANGE NO.	REV

digital	DRN. PAUL HEBERT	DATE 19-NOV-82	ENG. Neil Bloomberg	DATE 19-NOV-82	TITLE: DEUNA LINK MODULE (LNK)
	CHK: D. Sargent	DATE 19-NOV-82	BOARD LOCATION: 1 OF 1	SHEET 1 OF 1	
DSKD: <SARGENT>LNKIRI.DRW 19-NOV-82 11:22					NEXT HIGHER ASSEMBLY: D-UA-M7793-0-0
FIRST USED ON OPTION/MODEL: DEUNA					
SIZE	CODE	NUMBER	REV.		
K	CS	M7793-0-IR1	A		

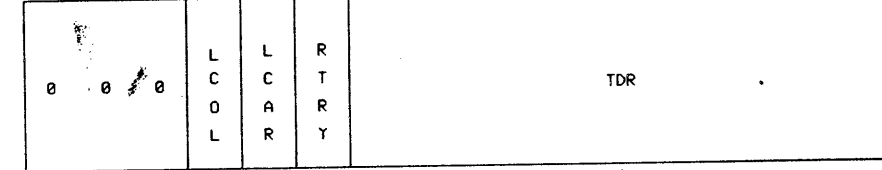
TRANSMIT STATUS WORD 0 (LINK MEMORY BUFFER)
15 14 13 12 11 10 09 08 07 06 05 04 03 02 01 00



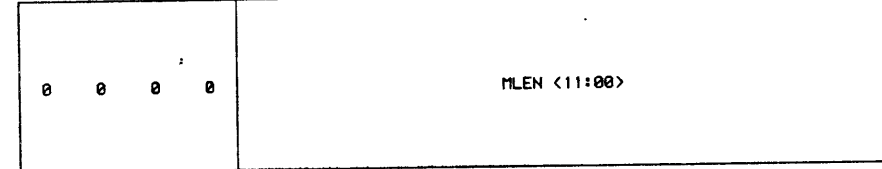
RECEIVE STATUS WORD 0 (LINK MEMORY BUFFER)
15 14 13 12 11 10 09 08 07 06 05 04 03 02 01 00



TRANSMIT STATUS WORD 1 (LINK MEMORY BUFFER)
15 14 13 12 11 10 09 08 07 06 05 04 03 02 01 00



RECEIVE STATUS WORD 1 (LINK MEMORY BUFFER)
15 14 13 12 11 10 09 08 07 06 05 04 03 02 01 00



LINK STATUS REGISTER FORMAT
(WORDS 0 AND 1 OF LINK MEMORY BUFFER)

THIS DRAWING AND SPECIFICATIONS HEREIN ARE THE PROPERTY OF DIGITAL EQUIPMENT CORPORATION AND SHALL NOT BE REPRODUCED OR COPIED OR USED IN WHOLE OR IN PART AS THE BASIS FOR THE MANUFACTURE OR SALE OF ITEMS WITHOUT WRITTEN PERMISSION. COPYRIGHT © 1982, DIGITAL EQUIPMENT CORPORATION

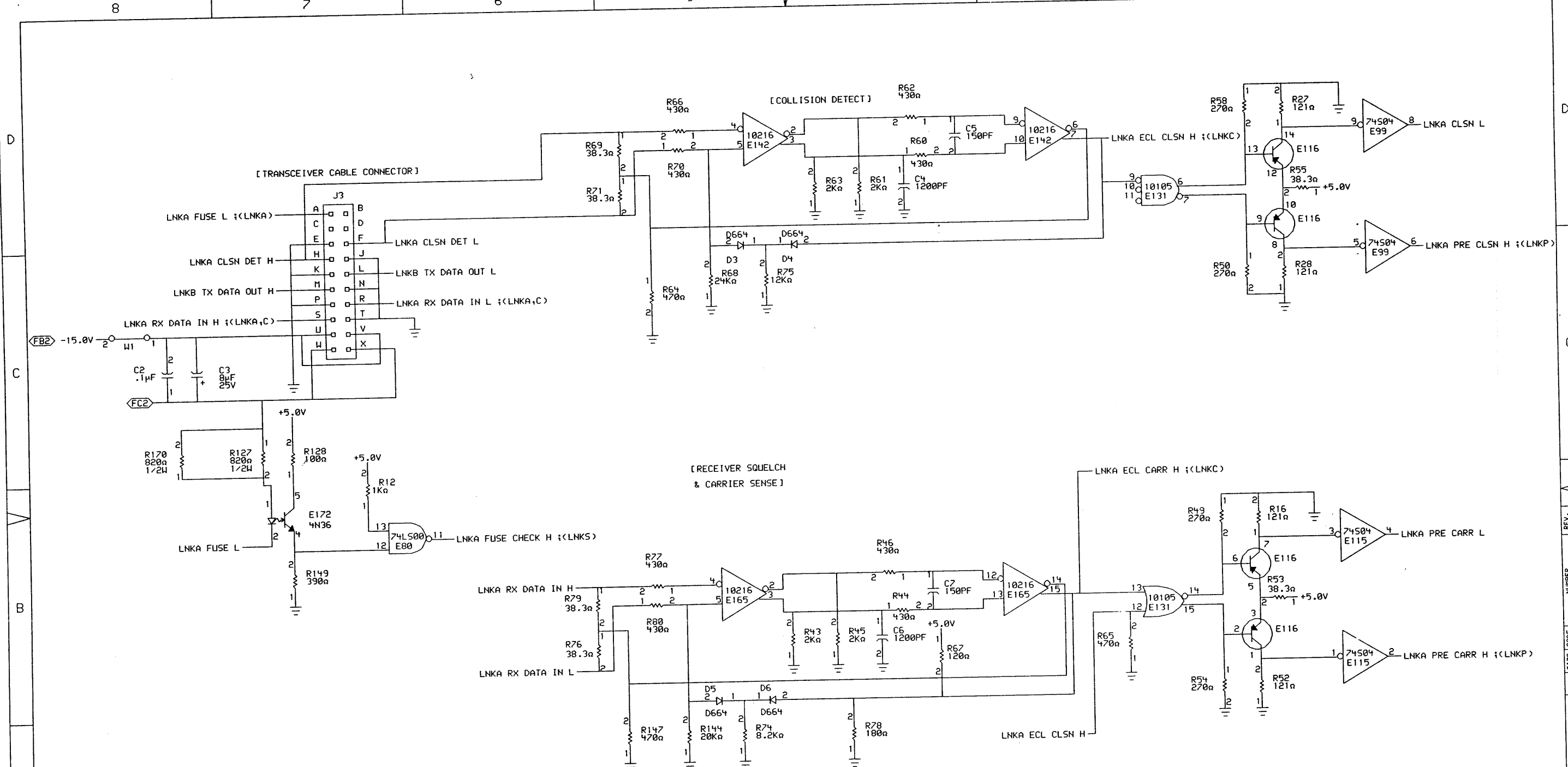
REVISIONS	
CHK	CHANGE NO. REV

digital	DRN. PAUL HEBERT	DATE 19-NOV-82	ENG. Neil Bloomberg	DATE 19-NOV-82	TITLE: DEUNA LINK MODULE (LNK)
	CHK'D. <i>K. Sargent</i>	DATE 19-NOV-82	BOARD LOCATION: SHEET 1 OF 1	SIZE CODE NUMBER REV. K CS M7793-0-IR2 A	
DSKD: <SARGENT>LNKIR2.DRW 19-NOV-82 11:23 NEXT HIGHER ASSEMBLY: D-UA-M7793-0-0					

REV. A
SIZE CODE NUMBER
K CS M7793-0-IR2
B

D
C
B
A

D
C
B
A

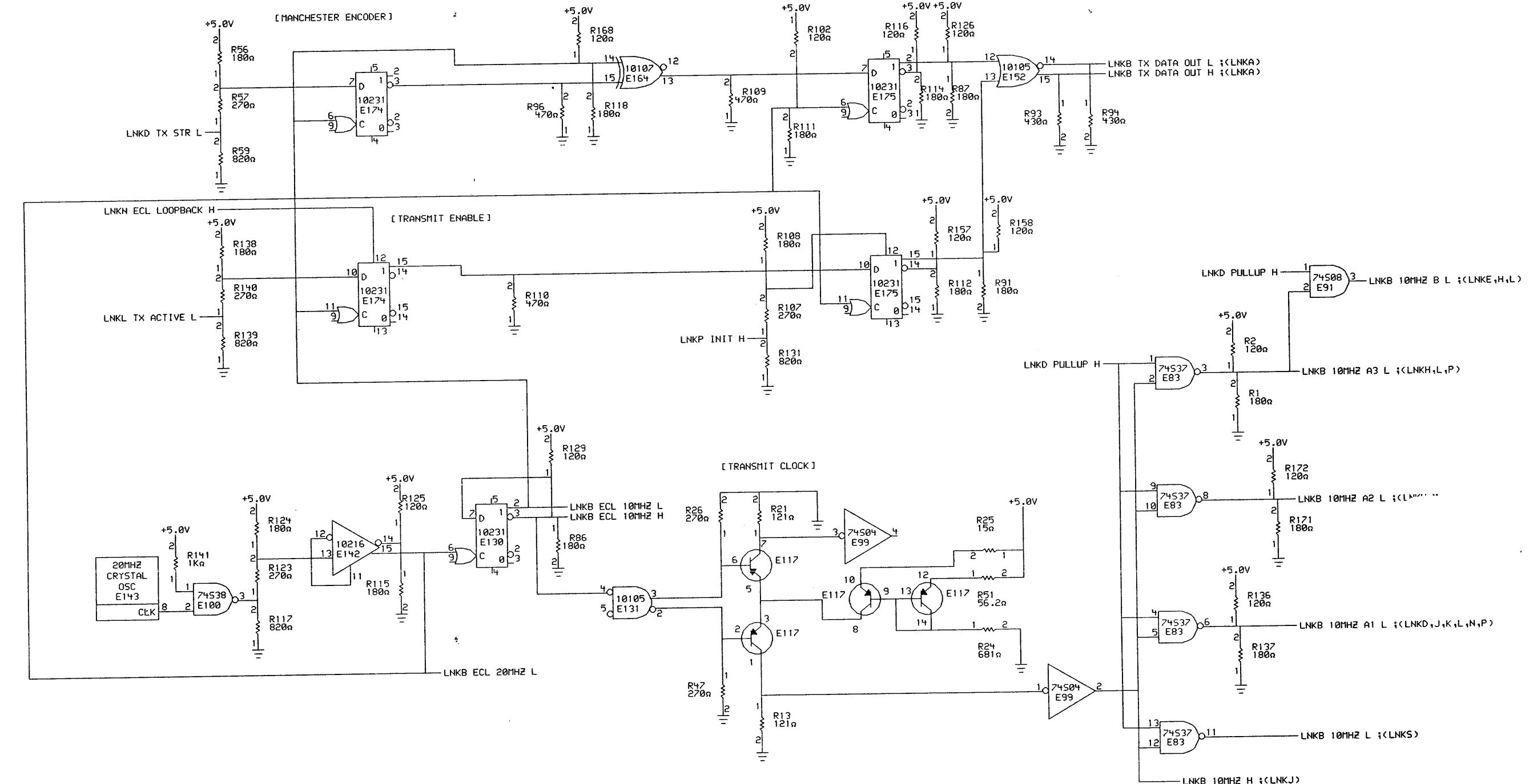


TRANSCEIVER CABLE
COLLISION DETECT
CARRIER SENSE

THIS DRAWING AND SPECIFICATIONS ARE THE PROPERTY OF DIGITAL EQUIPMENT CORPORATION AND SHALL NOT BE REPRODUCED OR COPIED OR USED IN WHOLE OR IN PART AS THE BASIS FOR THE MANUFACTURE OR SALE OF ITEMS WITHOUT WRITTEN PERMISSION. COPYRIGHT © 1983, DIGITAL EQUIPMENT CORPORATION.

REVISIONS		
CHK	CHANGE NO.	REV

digital	DRN: <i>Neil Bloomberg</i>	DATE: 09-MAY-83	ENG: Neil Bloomberg	DATE: 09-MAY-83	TITLE: DELUNA LINK MODULE (LNKA)
	CHK'D: Tom Walsh	DATE: 09-MAY-83	BOARD LOCATION: SHEET 1 OF 1	SIZE: K	CODE: CS
DSKE: <SARGENT>LNKAD.DRW 09-MAY-83 06:11 NEXT HIGHER ASSEMBLY: D-LA-M7793-0-0					NUMBER: M7793-0-LNKA
FIRST USED ON OPTION/MODEL: DELUNA					REV: D

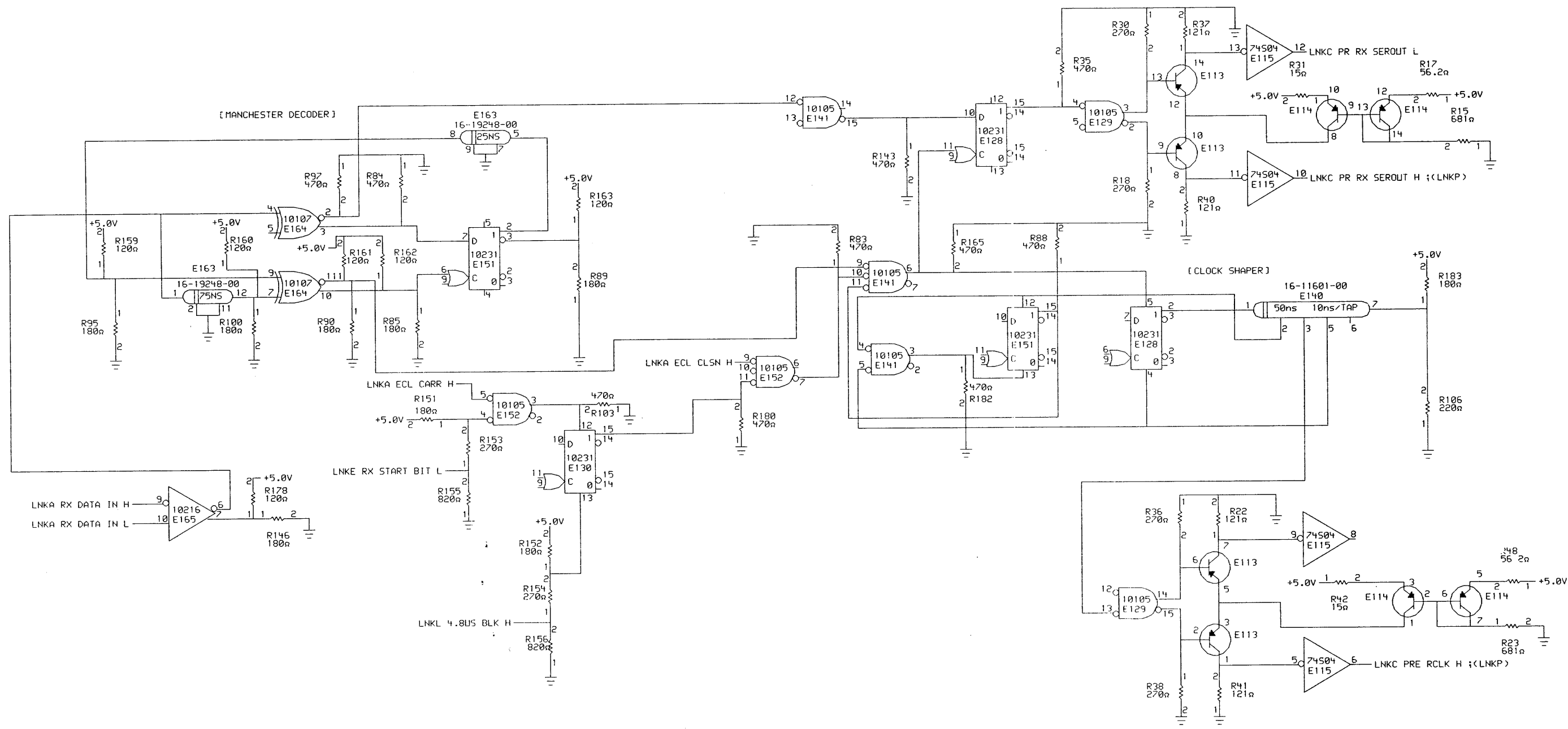


TX ENCODE
TX CLOCK

THIS DRAWING AND SPECIFICATIONS ARE THE PROPERTY OF DIGITAL EQUIPMENT CORPORATION AND SHALL NOT BE REPRODUCED OR COPIED OR USED IN WHOLE OR IN PART AS THE BASIS FOR THE MANUFACTURE OR SALE OF ITEMS WITHOUT WRITTEN PERMISSION. COPYRIGHT © 1983, DIGITAL EQUIPMENT CORPORATION.

REVISIONS		
CHK	CHANGE NO.	REV

digital	DRN: <i>Tom Walsh</i>	DATE: 09-MAY-83	ENG: Neil Bloomberg	DATE: 09-MAY-83	TITLE: DELUNA LINK MODULE (LNKB)
	CHK: Tom Walsh	DATE: 09-MAY-83	SHEET: 1 OF 1	BOARD LOCATION:	
DSKE: <SARGENT>LNKB.DRW 119-JAN-83 13:03			NEXT HIGHER ASSEMBLY: D-UA-M7793-0-0		SIZE: K CS
FIRST USED ON OPTION/MODEL: DELUNA					NUMBER: M7793-0-LNKB
					REV: C

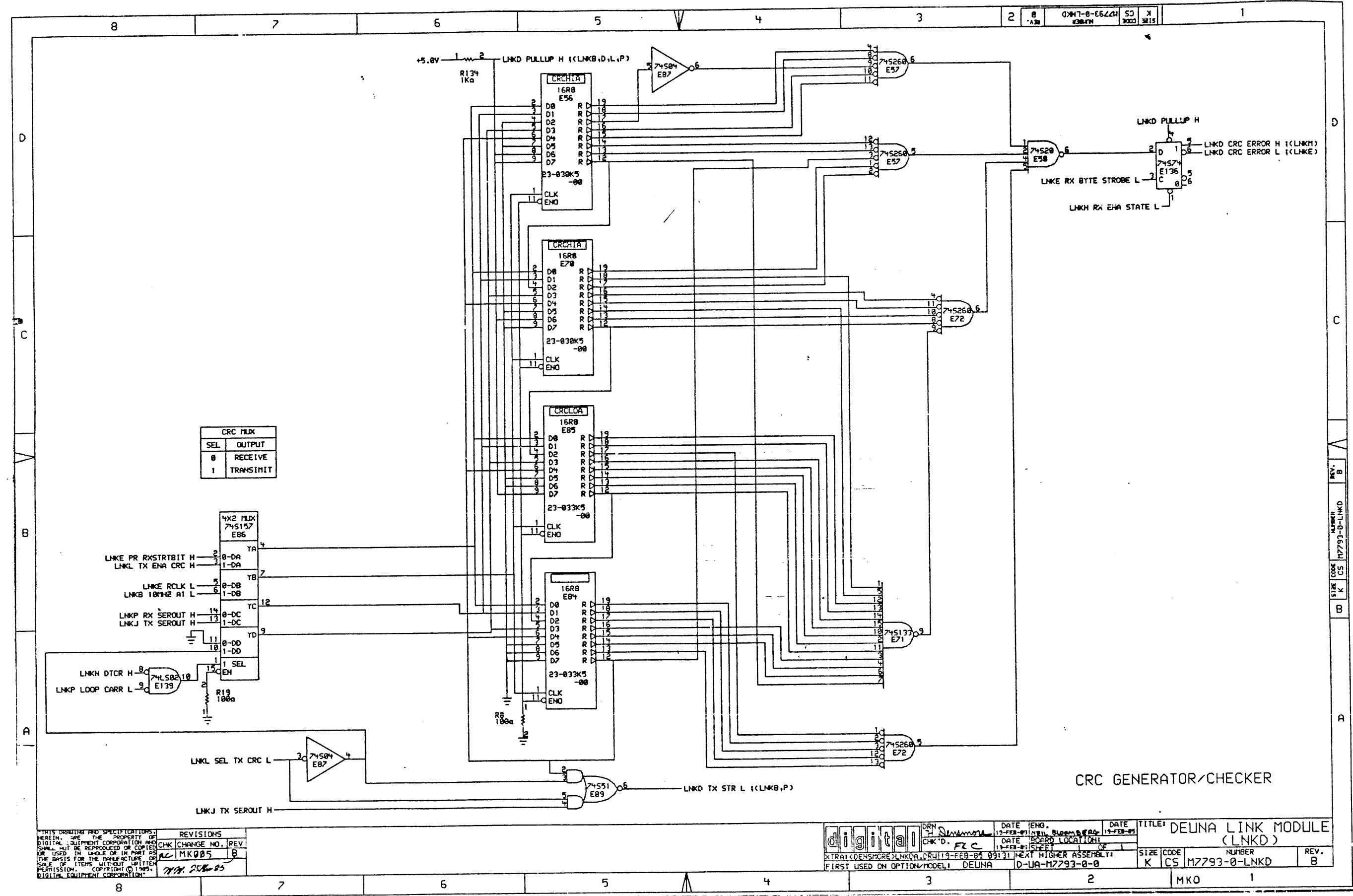


RX CLOCK DETECT
 AND DATA DECODE

THIS DRAWING AND SPECIFICATIONS, HEREIN, ARE THE PROPERTY OF DIGITAL EQUIPMENT CORPORATION AND SHALL NOT BE REPRODUCED OR COPIED OR USED IN WHOLE OR IN PART AS THE BASIS FOR THE MANUFACTURE OR SALE OF ITEMS WITHOUT WRITTEN PERMISSION. COPYRIGHT © 1983, DIGITAL EQUIPMENT CORPORATION.

REVISIONS		
CHK	CHANGE NO.	REV

digital	DRN: <i>K. Langat</i>	DATE: 09-MAY-83	ENG: Neil Bloomberg	DATE: 09-MAY-83	TITLE: DEUNA LINK MODULE (LNKC)
	CHK'D: Tom Walsh	DATE: 09-MAY-83	BOARD LOCATION: SHEET 1 OF 1		
DSKE:CSARGENT\LNKCC.DRW 109-MAY-83 06:25			NEXT HIGHER ASSEMBLY: D-UA-M7793-0-0	SIZE: K	CODE: CS
FIRST USED ON OPTION/MODEL: DEUNA				NUMBER: M7793-0-LNKC	REV: C



THIS DRAWING AND SPECIFICATIONS, HEREIN, ARE THE PROPERTY OF DIGITAL EQUIPMENT CORPORATION AND SHALL NOT BE REPRODUCED OR COPIED OR USED IN WHOLE OR IN PART AS THE BASIS FOR THE MANUFACTURE OR SALE OF ITEMS WITHOUT WRITTEN PERMISSION. COPYRIGHT © 1985, DIGITAL EQUIPMENT CORPORATION.

REVISIONS		
CHK	CHANGE NO.	REV
RC	MK005	B
28 FEB 85		

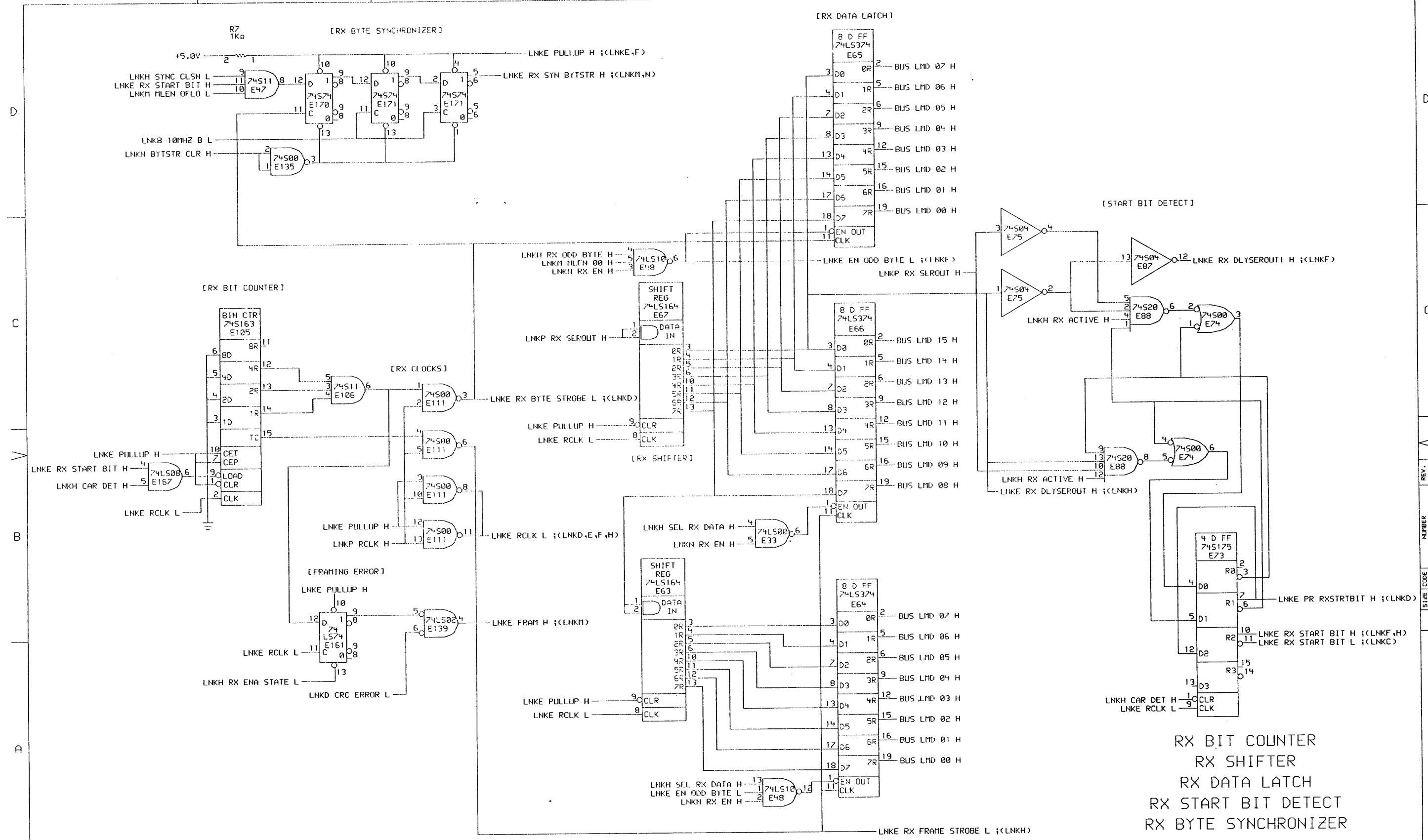
DATE ENG.	DATE	TITLE
12-FEB-85	12-FEB-85	DEUNA LINK MODULE (LNKD)
DATE BOARD LOCATION	DATE	
12-FEB-85		
DATE	DATE	
12-FEB-85		
DATE	DATE	
12-FEB-85		

ORN: *[Signature]*
CHK'D: *[Signature]*
FC

EXTRA (DENSEMORE) LNKDR, ORN 19-FEB-85 09:31 NEXT HIGHER ASSEMBLY:
FIRST USED ON OPTION/MODEL: DEUNA D-UA-M7793-0-0

SIZE	CODE	NUMBER	REV.
K	CS	M7793-0-LNKD	B

REV. B
NUMBER M7793-0-LNKD
SIZE K CS

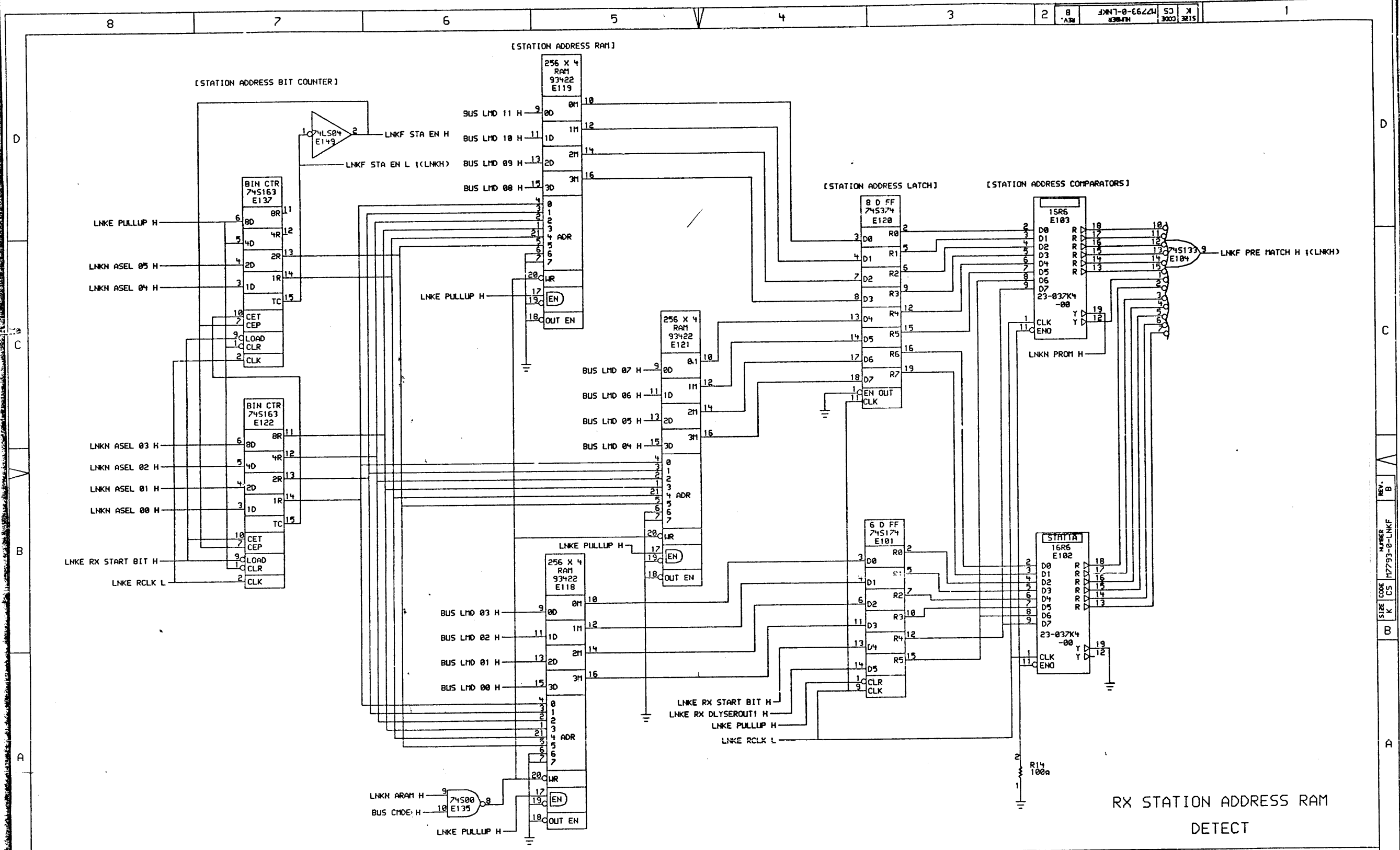


RX BIT COUNTER
 RX SHIFTER
 RX DATA LATCH
 RX START BIT DETECT
 RX BYTE SYNCHRONIZER

THIS DRAWING AND SPECIFICATIONS HEREIN ARE THE PROPERTY OF DIGITAL EQUIPMENT CORPORATION AND SHALL NOT BE REPRODUCED OR COPIED OR USED IN WHOLE OR IN PART AS THE BASIS FOR THE MANUFACTURE OR SALE OF ITEMS WITHOUT WRITTEN PERMISSION. COPYRIGHT © 1983, DIGITAL EQUIPMENT CORPORATION.	
REVISIONS	
CHK	CHANGE NO. REV

--	--	--	--	--	--	--	--	--	--

digital	DRN: J. Langert	DATE: 20-JAN-83	ENG: Neil Bloomberg	DATE: 20-JAN-83	TITLE: DEUNA LINK MODULE (LNKE)
	CHK: D. Tom Walsh	DATE: 20-JAN-83	BOARD LOCATION: 1 OF 1		
DSKD: <SARGENT>LNKE.DRW		20-JAN-83 06:56	NEXT HIGHER ASSEMBLY:	SIZE: K	CODE: CS
FIRST USED ON OPTION MODEL: DEUNA		D-UA-M7793-0-0		NUMBER: M7793-0-LNKE	REV. B



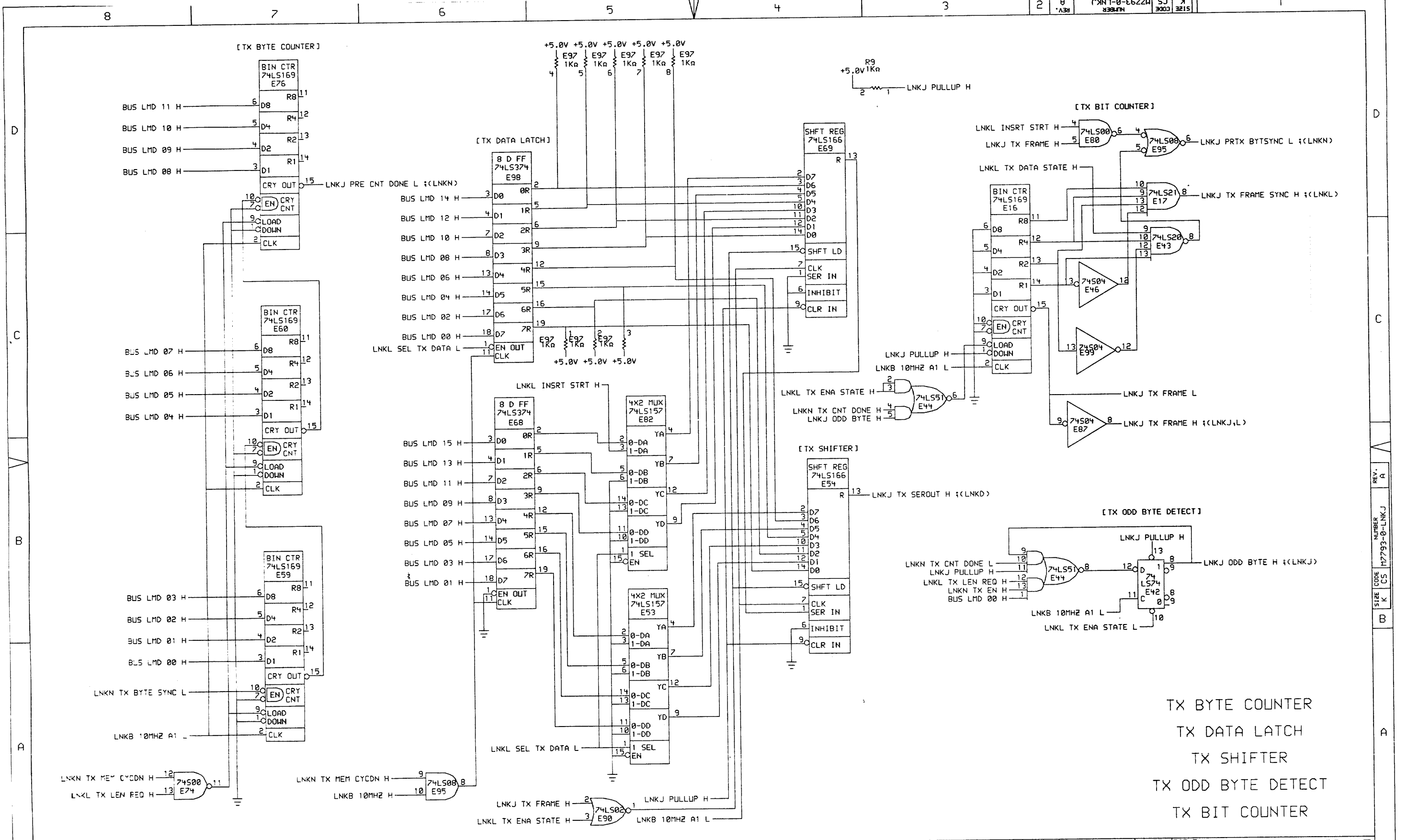
RX STATION ADDRESS RAM
DETECT

THIS DRAWING AND SPECIFICATIONS ARE THE PROPERTY OF DIGITAL EQUIPMENT CORPORATION AND SHALL NOT BE REPRODUCED OR COPIED OR USED IN WHOLE OR IN PART AS THE BASIS FOR THE MANUFACTURE OR SALE OF ITEMS WITHOUT WRITTEN PERMISSION. COPYRIGHT © 1984 DIGITAL EQUIPMENT CORPORATION.

REV.	CHG	NO.	REV.
05	05	05	05

DATE: 25 Feb 85

DRN: H. S. ...	DATE: 19-FEB-85	ENG: NEIL BLOOMBERG	DATE: 19-FEB-85	TITLE: DELUNA LINK MODULE (LNKF)
CHK'D: FLC	DATE: 19-FEB-85	BOARD LOCATION: 1	SHEET: 1	SIZE CODE: K CS
XTRAL (DENSORE) LNKFA.DRW 19-FEB-85 10:03 NEXT HIGHER ASSEMBLY: D-UA-M7793-0-0				NUMBER: M7793-0-LNKF
FIRST USED ON OPTION/MODEL: DELUNA				REV.: B



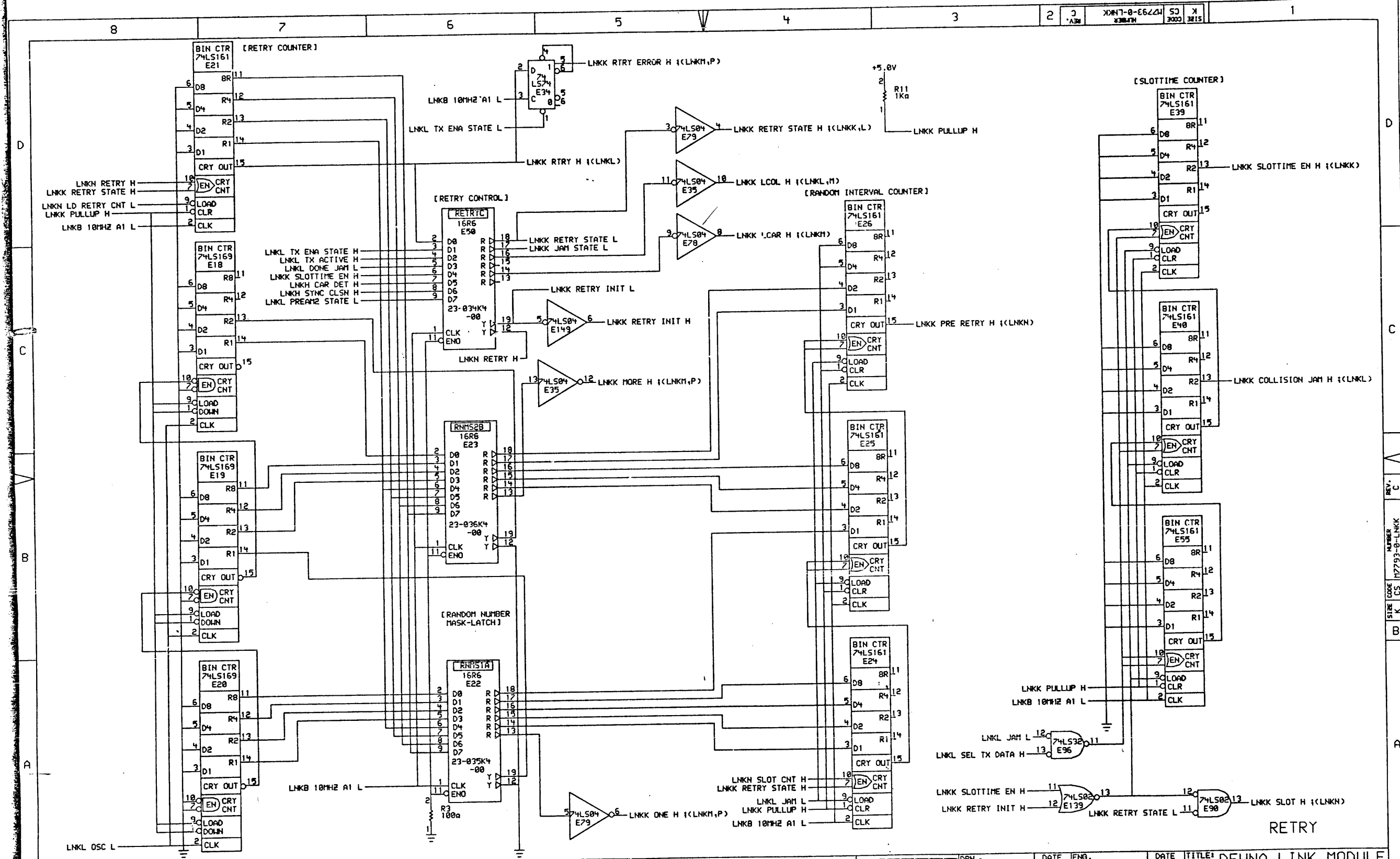
TX BYTE COUNTER
TX DATA LATCH
TX SHIFTER
TX ODD BYTE DETECT
TX BIT COUNTER

THIS DRAWING AND SPECIFICATIONS ARE THE PROPERTY OF DIGITAL EQUIPMENT CORPORATION AND SHALL NOT BE REPRODUCED OR COPIED OR USED IN WHOLE OR IN PART AS THE BASIS FOR THE MANUFACTURE OR SALE OF ITEMS WITHOUT WRITTEN PERMISSION. COPYRIGHT © 1982, DIGITAL EQUIPMENT CORPORATION.

REVISIONS table with columns: CHK, CHANGE NO., REV.

DRN: J. L. B... DATE: 24-NOV-82 ENG: Neil Bloomberg DATE: 24-NOV-82
CHK'D: Tom Walsh DATE: 24-NOV-82 BOARD LOCATION: SHEET 1 OF 1
DSKD: <SARGENT>LNKJ.DRW 124-NOV-82 06:32 NEXT HIGHER ASSEMBLY:
FIRST USED ON OPTION MODEL: DELUNA D-UA-M7793-0-0

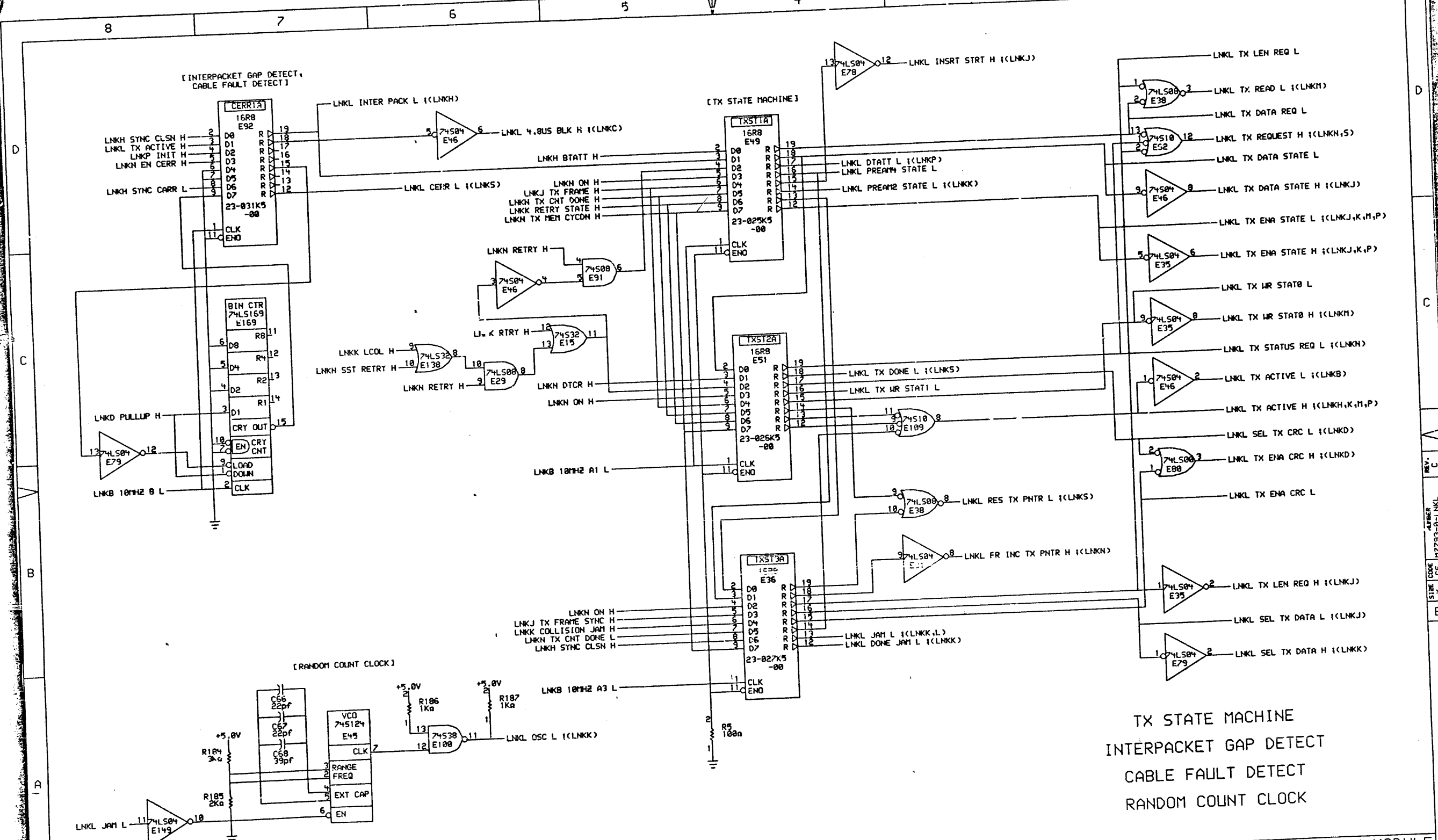
TABLE: TITLE: DELUNA LINK MODULE (LNKJ), SIZE CODE K CS, NUMBER M7793-0-LNKJ, REV. A



THIS DRAWING AND SPECIFICATIONS ARE THE PROPERTY OF DIGITAL EQUIPMENT CORPORATION AND SHALL NOT BE REPRODUCED OR COPIED OR USED IN WHOLE OR IN PART AS THE BASIS FOR THE MANUFACTURE OR SALE OF ITEMS WITHOUT WRITTEN PERMISSION. COPYRIGHT © 1984 DIGITAL EQUIPMENT CORPORATION.

REVISIONS		
CHK	CHANGE NO.	REV
FLC	MK 005	C
FLC	25/2/85	C

DRN: <i>Sumner</i>	DATE: 19-FEB-85	ENG.	DATE: 19-FEB-85	TITLE: DEUNA LINK MODULE (LNKK)
CHK'D: FLC	DATE: 19-FEB-85	BOARD LOCATION: 1	OF: 1	SIZE: K CS
FIRST USED ON OPTION/MODEL: DEUNA		NEXT HIGHER ASSEMBLY: D-UA-M7793-0-0		NUMBER: M7793-0-LNKK
MKO				REV: C



TX STATE MACHINE
 INTERPACKET GAP DETECT
 CABLE FAULT DETECT
 RANDOM COUNT CLOCK

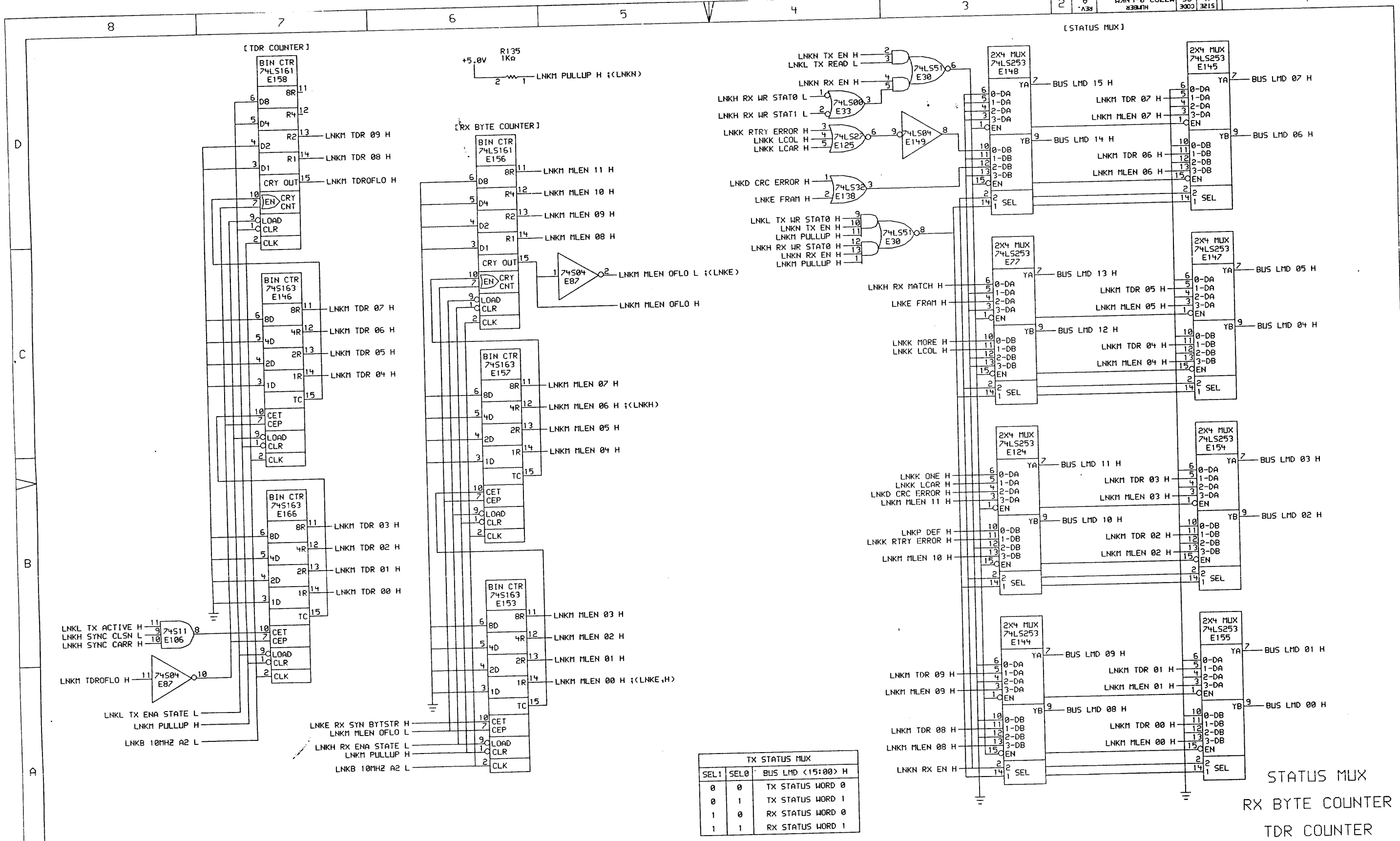
THIS DRAWING AND SPECIFICATIONS ARE THE PROPERTY OF DIGITAL EQUIPMENT CORPORATION AND SHALL NOT BE REPRODUCED OR COPIED OR USED IN ANY MANNER OR IN PART AS THE BASIS FOR THE MANUFACTURE OR SALE OF ITEMS WITHOUT WRITTEN PERMISSION. COPYRIGHT © 1985 DIGITAL EQUIPMENT CORPORATION

REV	CHG	NO.	REV
1	NK005	C	

28 FEB 25 1985

digital	DRN. H.D.	DATE 19-FEB-85	ENG. NEIL BLOOMER	DATE 19-FEB-85	TITLE: DEUNA LINK MODULE (LNKL)
CHK'D. FLC	DATE 19-FEB-85	BOARD LOCATION	SHEET	OF	
FIRST USED ON OPTION/MODEL: DEUNA	D-UA-M7793-0-0	NEXT HIGHER ASSEMBLY:			
SIZE	CODE	NUMBER	REV.		
K	CS	M7793-0-LNKL	C		

REV. C
 JAMES
 M7793-0-LNKL
 CS
 K
 B

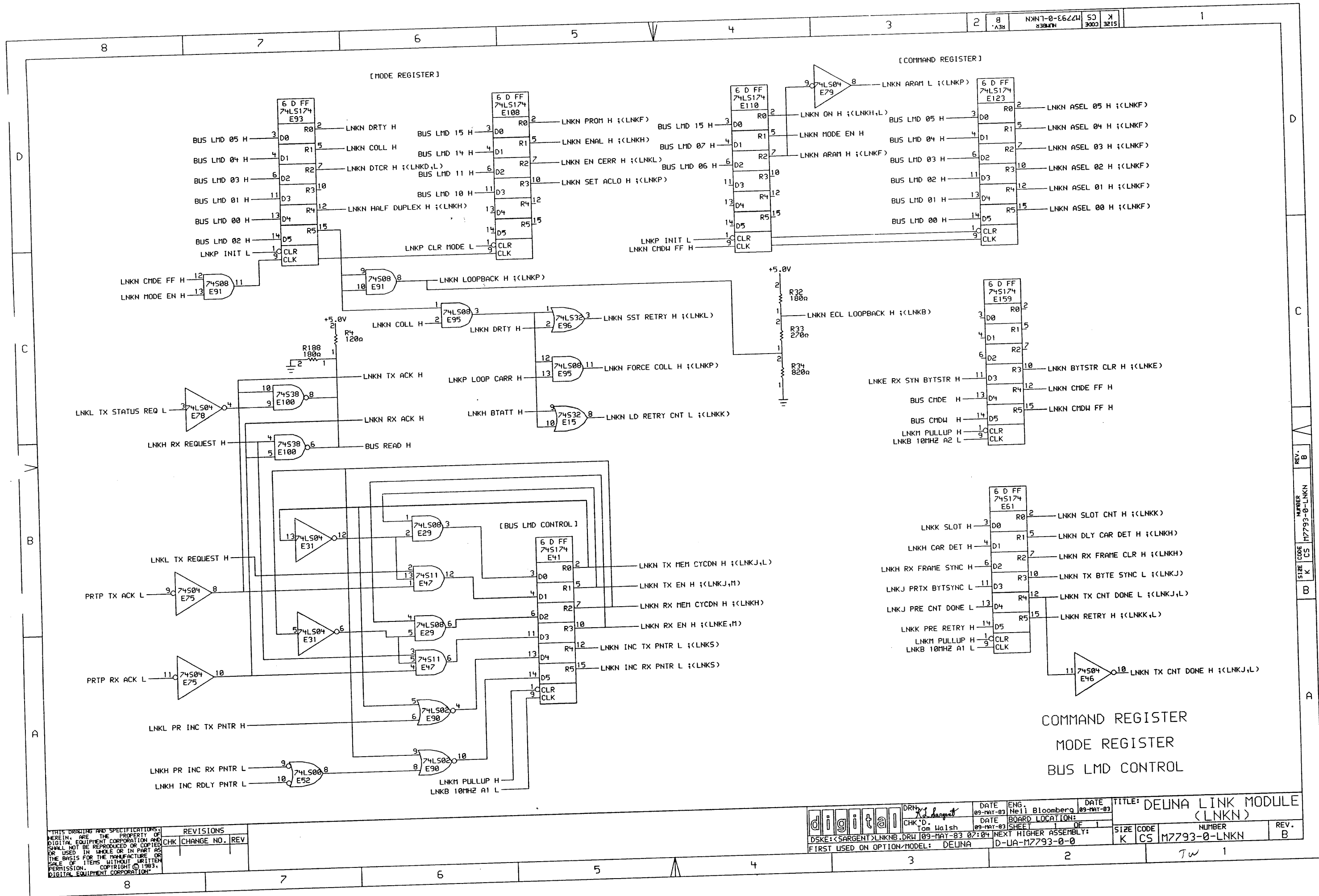


THIS DRAWING AND SPECIFICATIONS HEREIN ARE THE PROPERTY OF DIGITAL EQUIPMENT CORPORATION AND SHALL NOT BE REPRODUCED OR COPIED OR USED IN WHOLE OR IN PART AS THE BASIS FOR THE MANUFACTURE OR SALE OF ITEMS WITHOUT WRITTEN PERMISSION. COPYRIGHT © 1982, DIGITAL EQUIPMENT CORPORATION.

REVISIONS		
CHK	CHANGE NO.	REV

digital DRN: *Ad Sargent* DATE: 24-NOV-82 ENG: Neil Bloomberg DATE: 24-NOV-82 TITLE: DEUNA LINK MODULE (LNKM)
 CHK: D. Tom Walsh DATE: 24-NOV-82 BOARD LOCATION: SHEET 1 OF 1
 DSKD: <SARGENT>LNKM.DRW [24-NOV-82 06:32] NEXT HIGHER ASSEMBLY: SIZE CODE NUMBER REV.
 FIRST USED ON OPTION/MODEL: DEUNA D-UA-17793-0-0 K CS M7793-0-LNKM A

REV. A
 NUMBER M7793-0-LNKM
 CODE CS
 SIZE K
 B

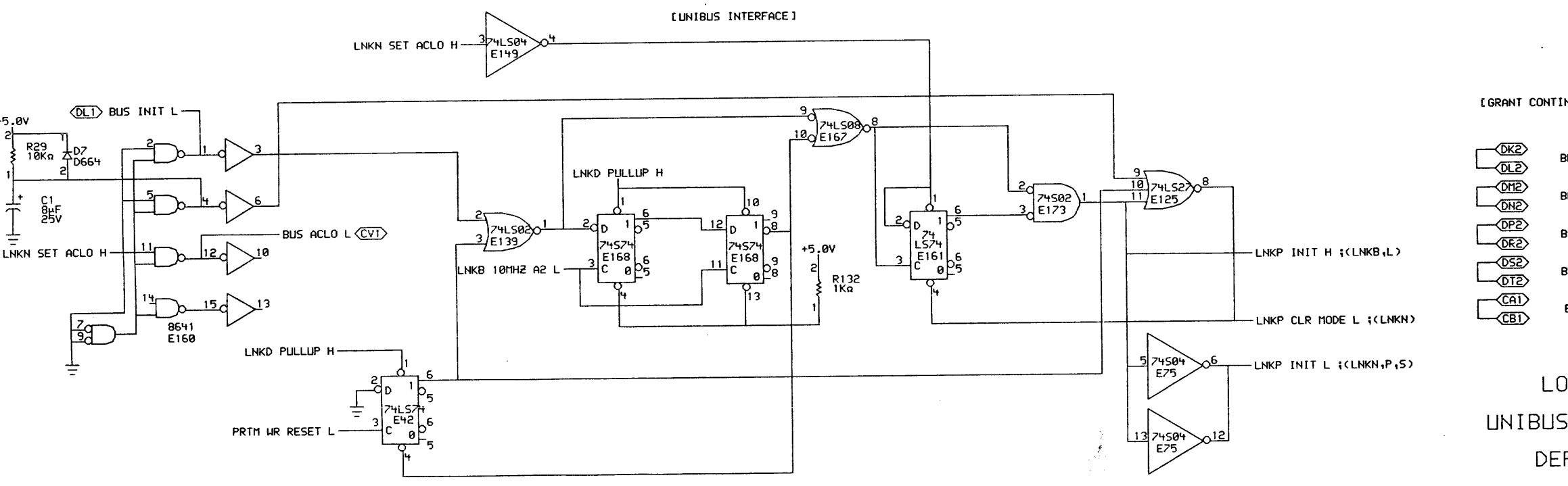
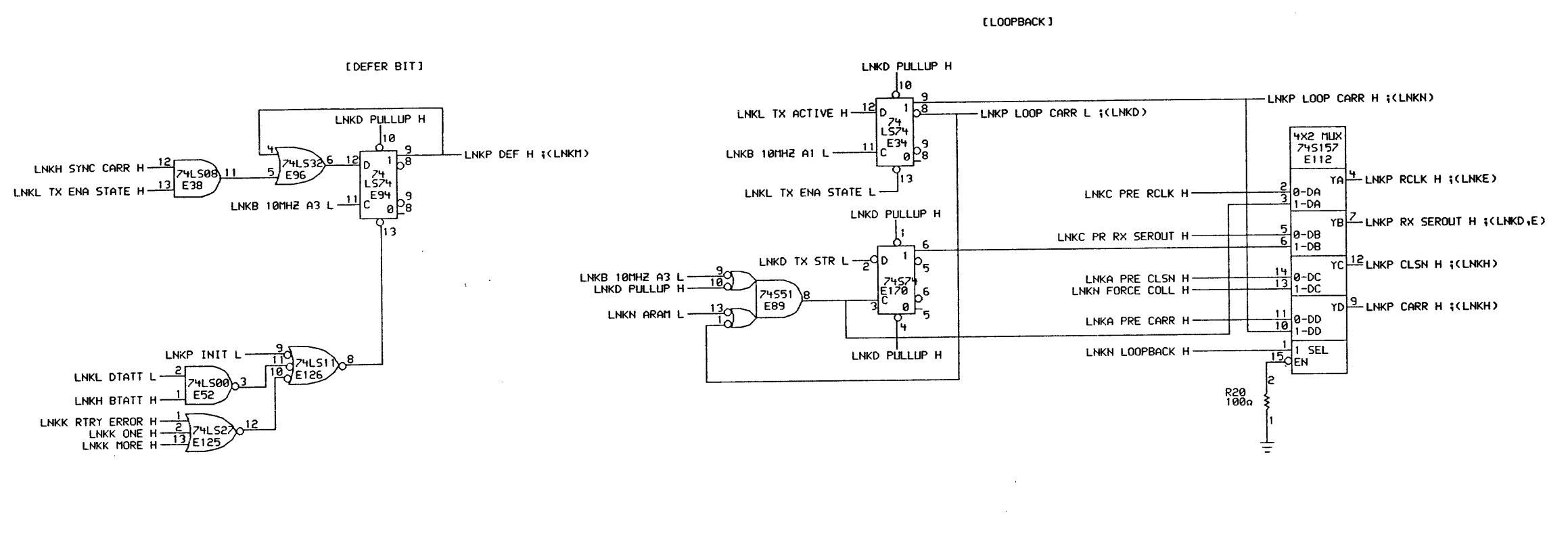


COMMAND REGISTER
 MODE REGISTER
 BUS LMD CONTROL

THIS DRAWING AND SPECIFICATIONS ARE THE PROPERTY OF DIGITAL EQUIPMENT CORPORATION AND SHALL NOT BE REPRODUCED OR COPIED OR USED IN WHOLE OR IN PART AS THE BASIS FOR THE MANUFACTURE OR SALE OF ITEMS WITHOUT WRITTEN PERMISSION. COPYRIGHT © 1983, DIGITAL EQUIPMENT CORPORATION.

REVISIONS		
CHK	CHANGE NO.	REV

digital	DRN'D	DATE	ENG.	DATE	TITLE: DELINA LINK MODULE (LNKN)
	CHK'D.	09-MAY-83	Neil Bloomberg	09-MAY-83	
	Tom Walsh	DATE	BOARD LOCATION:	OF	
		09-MAY-83		1	
DSKE: <SARGENT>LNKNB.DRW 09-MAY-83 07:04			NEXT HIGHER ASSEMBLY:		SIZE CODE
FIRST USED ON OPTION/MODEL: DELINA			D-UA-M7793-0-0		NUMBER
				2	TW 1
					REV. B



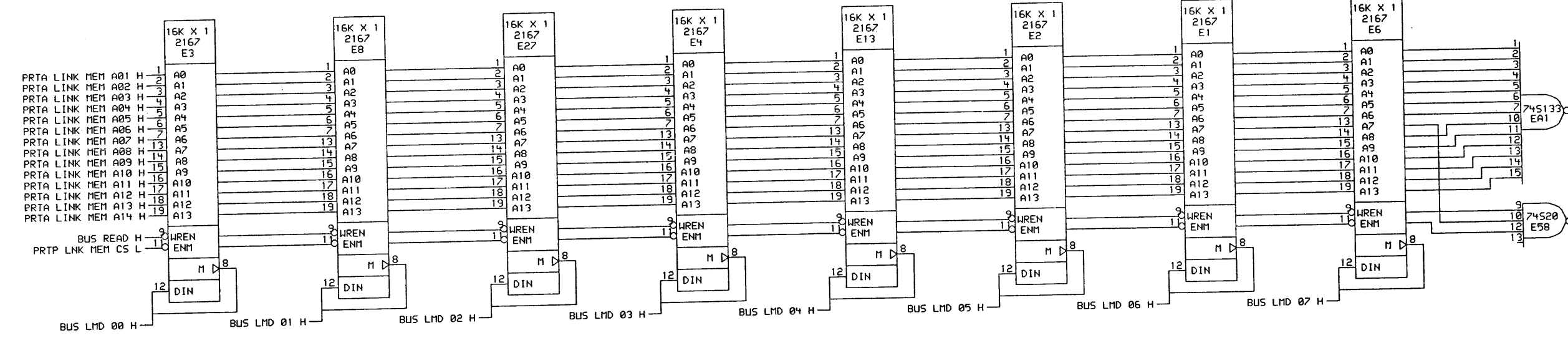
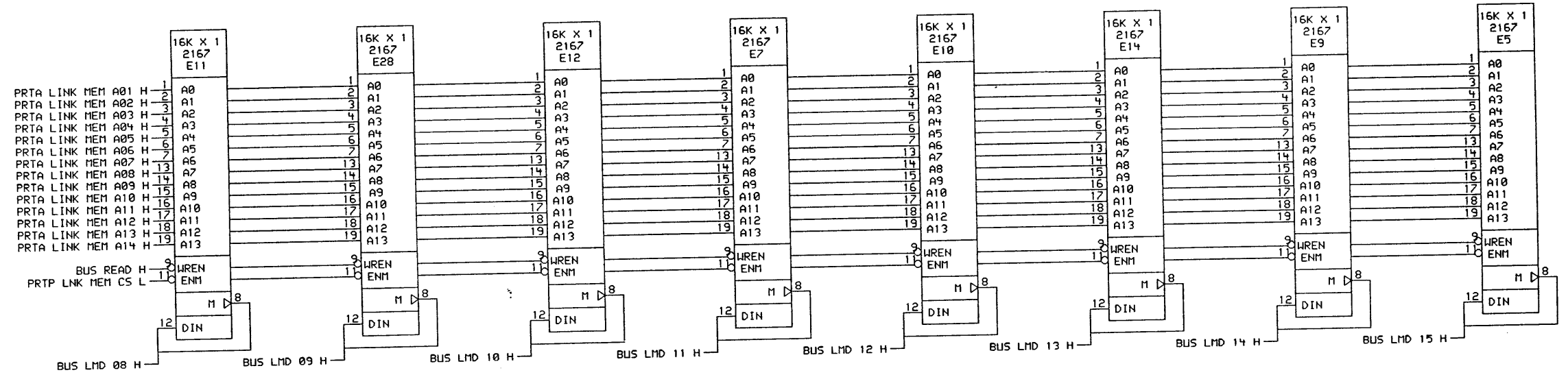
- [GRANT CONTINUITY]
- DK2 BUS BG 7
 - DL2 BUS BG 7
 - DN2 BUS BG 6
 - DP2 BUS BG 5
 - DR2 BUS BG 5
 - DS2 BUS BG 4
 - DT2 BUS BG 4
 - CA1 BUS NPG
 - CB1 BUS NPG

LOOPBACK
 UNIBUS INTERFACE
 DEFER BIT

THIS DRAWING AND SPECIFICATIONS ARE THE PROPERTY OF DIGITAL EQUIPMENT CORPORATION AND SHALL NOT BE REPRODUCED OR COPIED OR USED IN WHOLE OR IN PART AS THE BASIS FOR THE MANUFACTURE OR SALE OF ITEMS WITHOUT WRITTEN PERMISSION. COPYRIGHT © 1982, DIGITAL EQUIPMENT CORPORATION.

REVISIONS	
CHK	CHANGE NO. REV

digital	DRN: <i>Tom Walsh</i>	DATE: 24-NOV-82	ENG: Neil Bloomberg	DATE: 24-NOV-82	TITLE: DELINA LINK MODULE (LNKP)
	CHK'D: Tom Walsh	DATE: 24-NOV-82	BOARD LOCATION: SHEET 1 OF 1	SIZE CODE: K CS	NUMBER: M7793-0-LNKP
DSKD: <SARGENT>LNKP.DRW		24-NOV-82 06:33	NEXT HIGHER ASSEMBLY: DELINA	D-UA-M7793-0-0	REV. A
FIRST USED ON OPTION/MODEL:		DELINA	TW 1		



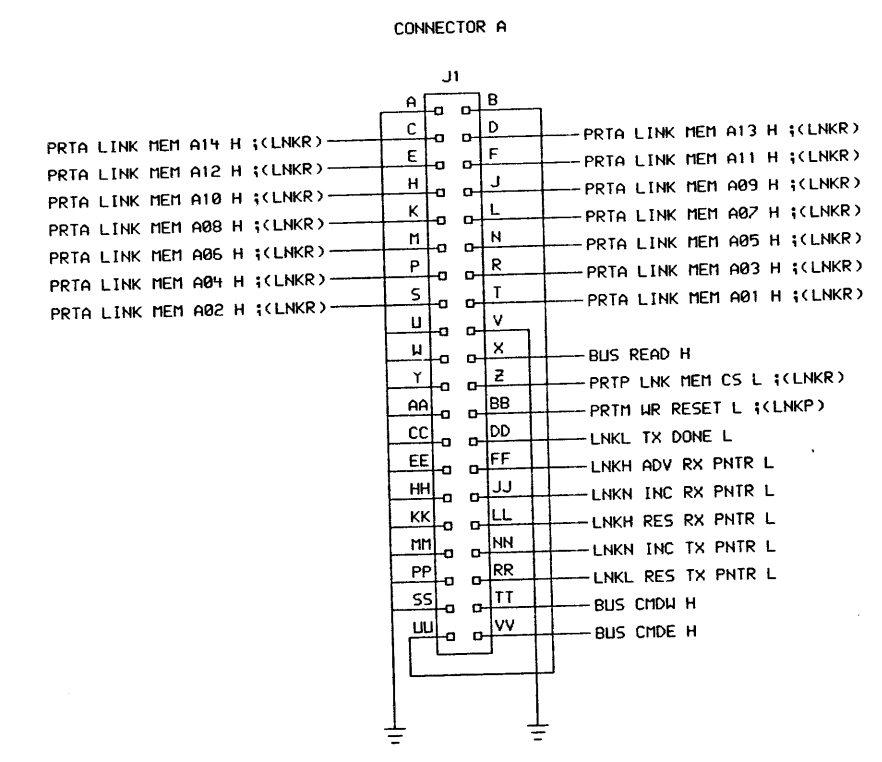
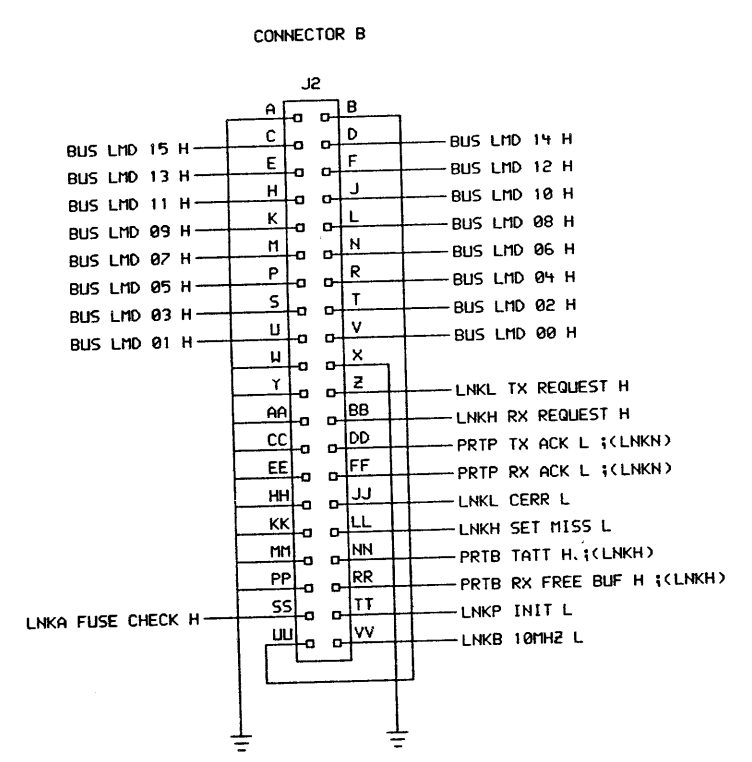
LINK MEMORY

THIS DRAWING AND SPECIFICATIONS HEREIN ARE THE PROPERTY OF DIGITAL EQUIPMENT CORPORATION AND SHALL NOT BE REPRODUCED OR COPIED OR USED IN WHOLE OR IN PART AS THE BASIS FOR THE MANUFACTURE OR SALE OF ITEMS WITHOUT WRITTEN PERMISSION. COPYRIGHT © 1983 DIGITAL EQUIPMENT CORPORATION

REVISIONS	
CHK	CHANGE NO. REV

	DRN: <i>Neil Bloomberg</i>	DATE: 09-MAY-83	ENG: Neil Bloomberg	DATE: 09-MAY-83	TITLE: DEUNA LINK MODULE (LNKR)
	CHK'D: Tom Walsh	DATE: 09-MAY-83	SHEET: 1 OF 1	BOARD LOCATION:	SIZE CODE: K CS
DSKE: <SARGENT>LNKRC.DRW 09-MAY-83 07:31		NEXT HIGHER ASSEMBLY: D-UA-M7793-0-0		NUMBER: M7793-0-LNKR	REV. C
FIRST USED ON OPTION/MODEL: DEUNA				TW 1	

REV. C
NUMBER M7793-0-LNKR
SIZE CODE K CS



LINK MODULE FORWARD REFERENCE	
LINK OUTPUT	PORT CS
LNKL TX REQUEST H	PRTP
LNKH RX REQUEST H	PRTP
LNKL CERR L	PRTB
LNKH SET MISS L	PRTB
LNKP INIT L	PRTB,C,E,M,N,P
BUS READ H	PRTC,P
BUS LMD <15:00> H	PRTA,C
LNKB 10MHZ L	PRTA,C,N,P
LNKL TX DONE L	PRTB
BUS CMDW H	PRTP
BUS CMDE H	PRTP
LNKH ADV RX PNTR L	PRTB
LNKN INC RX PNTR L	PRTB
LNKH RES RX PNTR L	PRTB
LNKN INC TX PNTR L	PRTB
LNKL RES TX PNTR L	PRTB

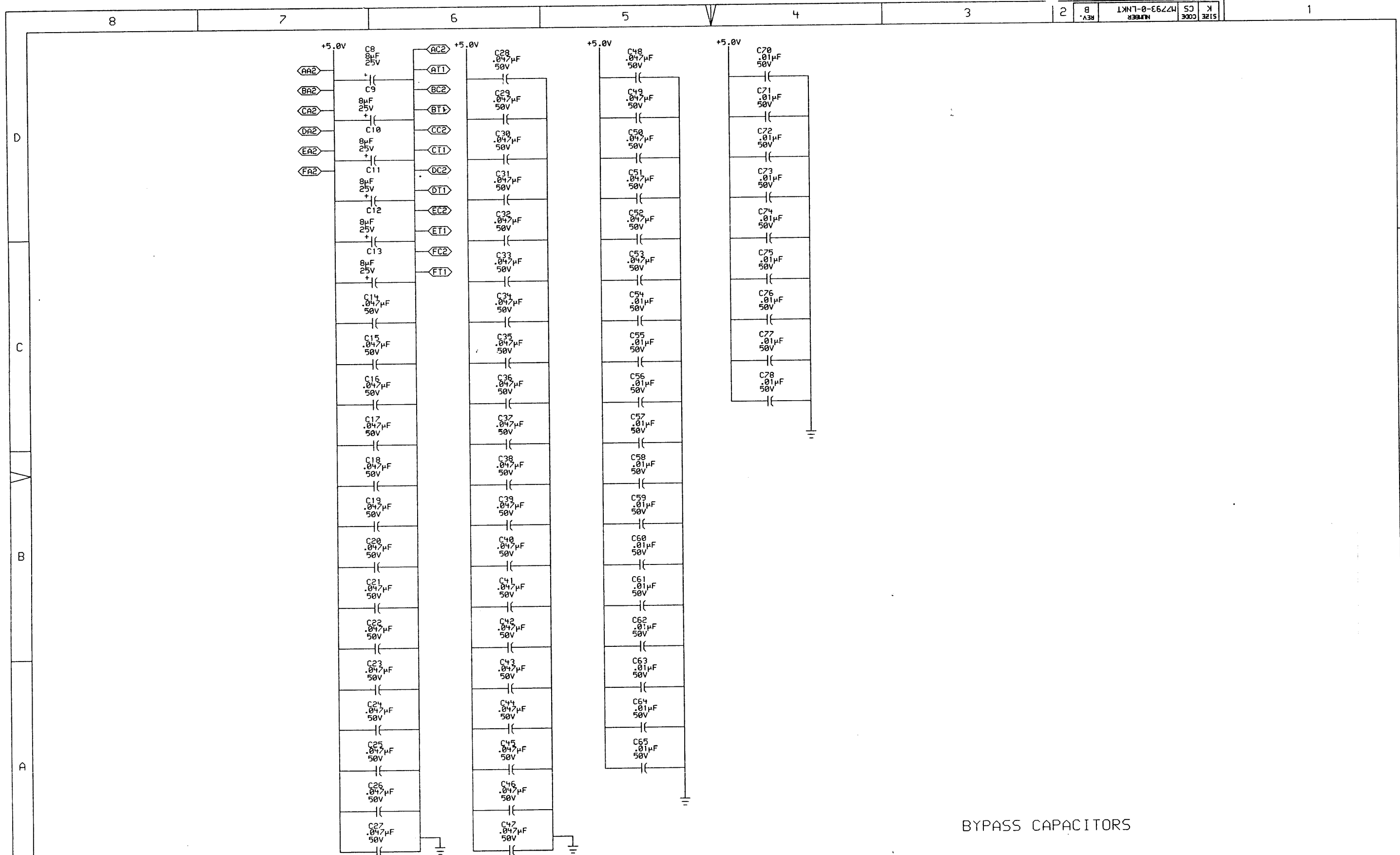
PORT/LINK INTERCONNECT CABLE CONNECTORS

THIS DRAWING AND SPECIFICATIONS ARE THE PROPERTY OF DIGITAL EQUIPMENT CORPORATION AND SHALL NOT BE REPRODUCED OR COPIED OR USED IN WHOLE OR IN PART AS THE BASIS FOR THE MANUFACTURE OR SALE OF ITEMS WITHOUT WRITTEN PERMISSION. COPYRIGHT © 1982, DIGITAL EQUIPMENT CORPORATION.

REVISIONS		
CHK	CHANGE NO.	REV

digital DRN: *Neil Bloomberg* DATE: 24-NOV-82 ENG: Neil Bloomberg DATE: 24-NOV-82 TITLE: DEUNA LINK MODULE (LNKS)
 CHK'D: Tom Walsh DATE: 24-NOV-82 BOARD LOCATION: 1 OF 1
 DSKD: <SARGENT>LNKS.DRW 124-NOV-82 06:33 NEXT HIGHER ASSEMBLY: SIZE CODE NUMBER REV.
 FIRST USED ON OPTION/MODEL: DEUNA D-UA-M7793-0-0 K CS M7793-0-LNKS A

REV. A
 NUMBER M7793-0-LNKS
 SIZE CODE K CS
 B
 A



BYPASS CAPACITORS

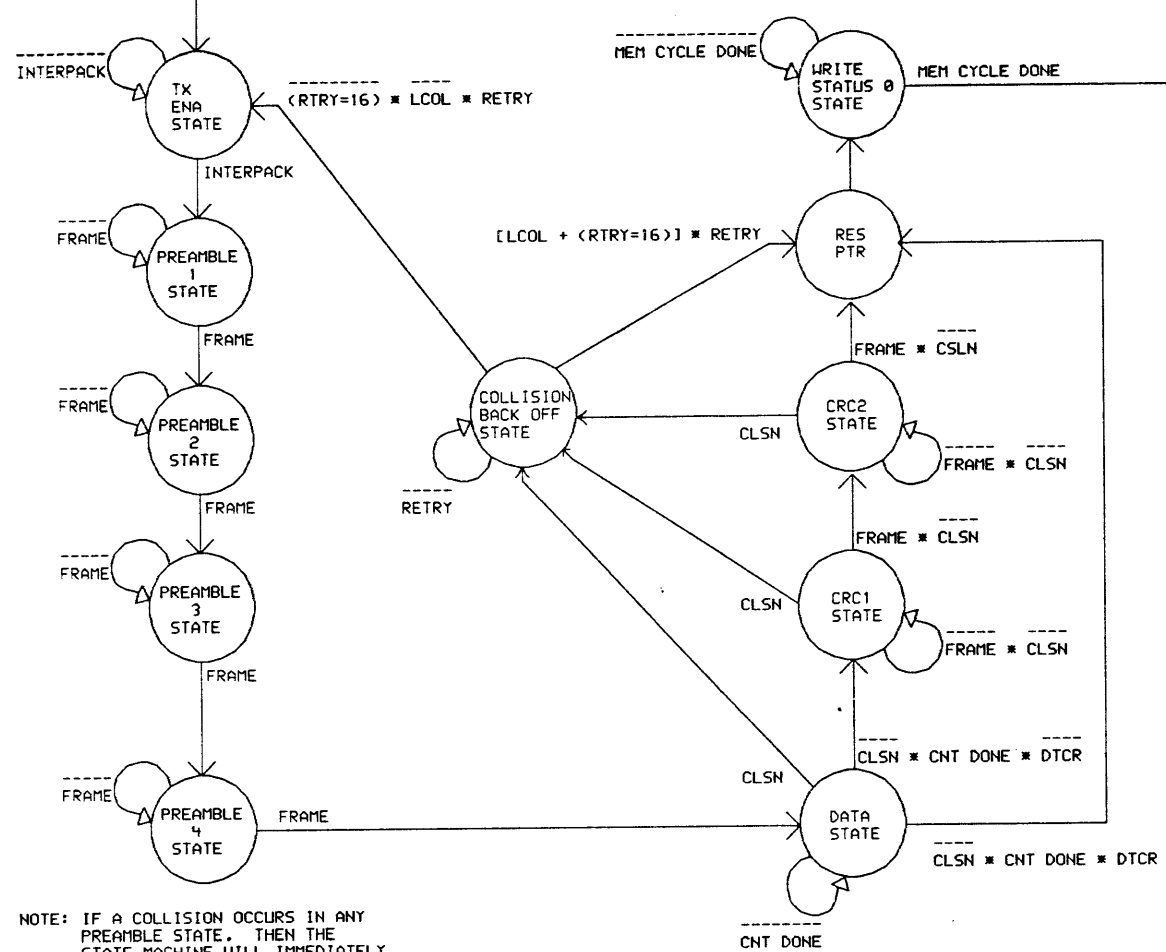
THIS DRAWING AND SPECIFICATIONS HEREIN ARE THE PROPERTY OF DIGITAL EQUIPMENT CORPORATION AND SHALL NOT BE REPRODUCED OR COPIED OR USED IN WHOLE OR IN PART AS THE BASIS FOR THE MANUFACTURE OR SALE OF ITEMS WITHOUT WRITTEN PERMISSION. COPYRIGHT © 1983, DIGITAL EQUIPMENT CORPORATION

REVISIONS		
CHK	CHANGE NO.	REV

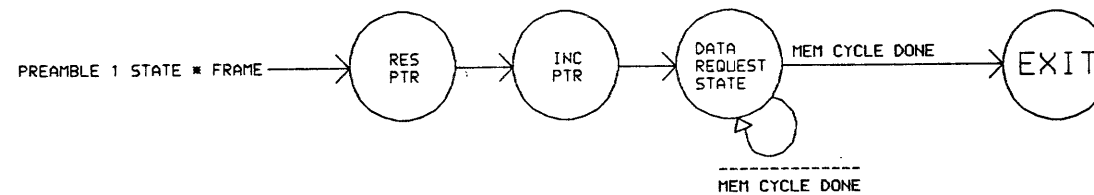
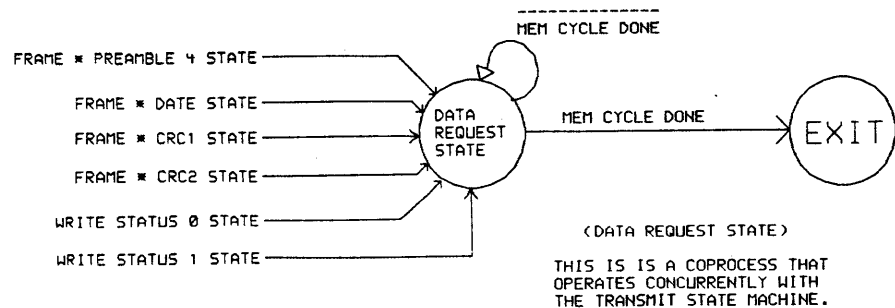
	DRN: <i>K. Sargent</i>	DATE: 09-MAY-83	ENG: Neil Bloomberg	DATE: 09-MAY-83	TITLE: DEUNA LINK MODULE (LNKT)
	CHK'D: Tom Walsh	DATE: 09-MAY-83	BOARD LOCATION: SHEET 1 OF 1	SIZE: K	CODE: CS
DSKE: <SARGENT>LNKTB.DRW 103-MAY-83 07:43			NEXT HIGHER ASSEMBLY: D-UA-M7793-0-0		NUMBER: M7793-0-LNKT
FIRST USED ON OPTION/MODEL: DEUNA			REV. B		

Tw

ON * TATT



NOTE: IF A COLLISION OCCURS IN ANY PREAMBLE STATE, THEN THE STATE MACHINE WILL IMMEDIATELY ENTER THE COLLISION BACK OFF STATE. UPON COMPLETION OF PREAMBLE 4 STATE.



(LOAD BYTE COUNTER STATE)
THIS IS A COPROCESS THAT OPERATES CONCURRENTLY WITH THE TRANSMIT STATE MACHINE.

TRANSMIT STATE MACHINE INPUTS

PROCESS STATE	REFERENCE SIGNAL	REFERENCE PIN
INTERPACK	LNKL INTERPACK L	E92-19
ON	LNKN DN H	E110-2
TATT	LNKH BTATT H	E81-5
FRAME	LNKJ TX FRAME H	E87-8
CSLN	LNKH SYNC CLSN H	E81-12
RETRY	LNKN RETRY H	E61-15
RTRY	LNKK RTRY H	E21-15
CNT DONE	LNKN TX CNT DONE L	E61-12
MEM CYCLE DONE	LNKN TX MEM CYCDN H	E41-2
DTCR	LNKN DTCR H	E93-7

TRANSMIT STATE MACHINE OUTPUTS

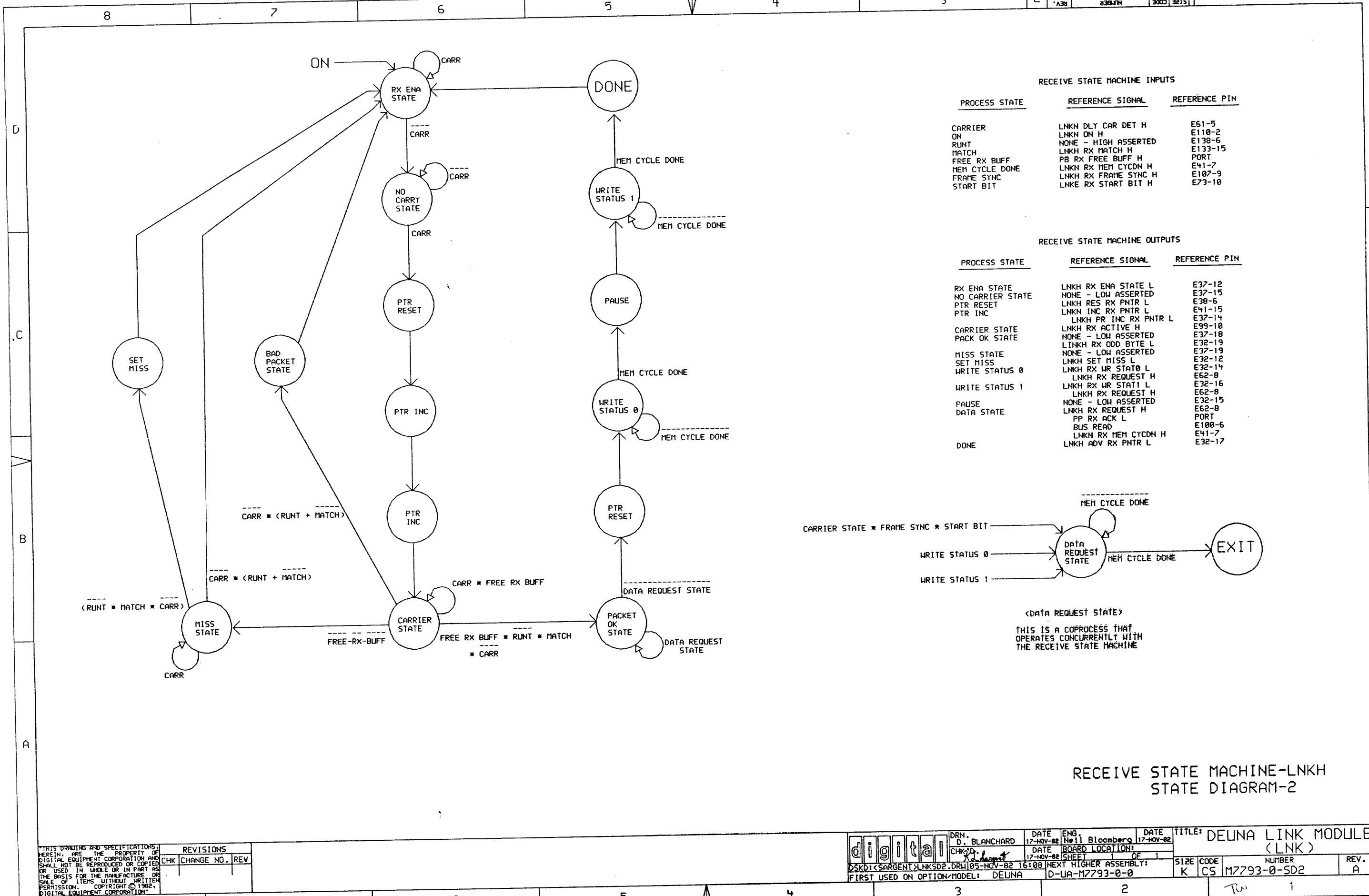
PROCESS STATE	REFERENCE SIGNAL	REFERENCE PIN
TX ENA STATE	LNKL TX ENA STATE L	E49-12
TX PREAMBLE 1 STATE	LNKL PREAM 1 STATE L	E49-13
	LNKL TX LEN REQ L	E36-17
TX PREAMBLE 2 STATE	LNKL PREAM 2 STATE L	E49-14
TX PREAMBLE 3 STATE	LNKL PREAM 3 STATE L	E49-15
TX PREAMBLE 4 STATE	LNKL PREAM 4 STATE L	E49-16
DATA STATE	LNKL TX DATA STATE L	E49-18
	LNKL TX ENA CRC L	E36-15
	LNKL SEL TX DATA L	E36-16
CRC 1 STATE	NONE - LOW ASSERTED	E51-12
CRC 2 STATE	NONE - LOW ASSERTED	E51-13
RES PTR STATE	LNKL RES TX PNTR L	E38-8
INC PTR STATE	LNKN INC TX PNTR L	E41-12
WRITE STATUS 0 STATE	LNKL TX WR STAT0 L	E51-15
WRITE STATUS 1 STATE	LNKL TX WR STAT1 L	E51-16
DATA REQUEST STATE	LNKL TX REQUEST H	E62-12
	PP TX ACK L	PORT
	BUS READ H	E100-6
DONE	LNKN TX MEM CYCDN H	E41-2
	LNKL TX DONE L	E51-18

TRANSMIT STATE MACHINE-LNKL
STATE DIAGRAM-1

THIS DRAWING AND SPECIFICATIONS HEREIN ARE THE PROPERTY OF DIGITAL EQUIPMENT CORPORATION AND SHALL NOT BE REPRODUCED OR COPIED OR USED IN WHOLE OR IN PART AS THE BASIS FOR THE MANUFACTURE OR SALE OF ITEMS WITHOUT WRITTEN PERMISSION. COPYRIGHT © 1982, DIGITAL EQUIPMENT CORPORATION

REVISIONS	
CHK	CHANGE NO. REV

digital	DRN. D. BLANCHARD	DATE 17-NOV-82	ENG. Neil Bloomberg	DATE 17-NOV-82	TITLE: DEUNA LINK MODULE (LNK)
	CHK'D. [Signature]	DATE 17-NOV-82	BOARD LOCATION: SHEET 1 OF 1	SIZE CODE K CS	NUMBER M7793-0-SD1
DSKD: <SARGENT>LNKSD1.DRW 05-NOV-82 16:08 NEXT HIGHER ASSEMBLY: DELUNA D-UA-M7793-0-0				REV. A	

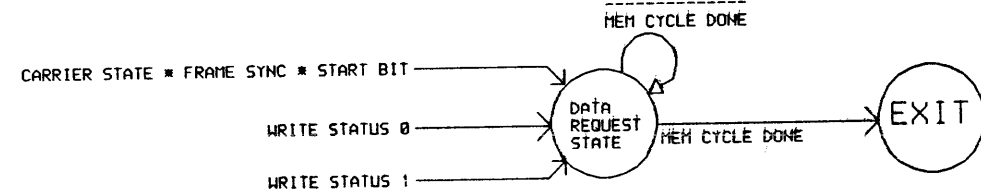


RECEIVE STATE MACHINE INPUTS

PROCESS STATE	REFERENCE SIGNAL	REFERENCE PIN
CARRIER	LNKN DLY CAR DET H	E61-5
ON	LNKN ON H	E110-2
RUNT	NONE - HIGH ASSERTED	E138-6
MATCH	LNKH RX MATCH H	E133-15
FREE RX BUFF	PB RX FREE BUFF H	PORT
MEM CYCLE DONE	LNKN RX MEM CYCDN H	E41-7
FRAME SYNC	LNKH RX FRAME SYNC H	E107-9
START BIT	LNKE RX START BIT H	E73-10

RECEIVE STATE MACHINE OUTPUTS

PROCESS STATE	REFERENCE SIGNAL	REFERENCE PIN
RX ENA STATE	LNKH RX ENA STATE L	E37-12
NO CARRIER STATE	NONE - LOW ASSERTED	E37-15
PTR RESET	LNKH RES RX PNTR L	E38-6
PTR INC	LNKN INC RX PNTR L	E41-15
	LNKH PR INC RX PNTR L	E37-14
CARRIER STATE	LNKH RX ACTIVE H	E99-10
PACK OK STATE	NONE - LOW ASSERTED	E37-18
	LNKH RX ODD BYTE L	E32-19
MISS STATE	NONE - LOW ASSERTED	E37-19
SET MISS	LNKH SET MISS L	E32-12
WRITE STATUS 0	LNKH RX WR STAT0 L	E32-14
	LNKH RX REQUEST H	E62-8
WRITE STATUS 1	LNKH RX WR STAT1 L	E32-16
	LNKH RX REQUEST H	E62-8
PAUSE	NONE - LOW ASSERTED	E32-15
DATA STATE	LNKH RX REQUEST H	E62-8
	PP RX ACK L	PORT
	BUS READ	E100-6
	LNKN RX MEM CYCDN H	E41-7
DONE	LNKH ADV RX PNTR L	E32-17



<DATA REQUEST STATE>
 THIS IS A COPROCESS THAT OPERATES CONCURRENTLY WITH THE RECEIVE STATE MACHINE

RECEIVE STATE MACHINE-LNKH STATE DIAGRAM-2

THIS DRAWING AND SPECIFICATIONS HEREIN ARE THE PROPERTY OF DIGITAL EQUIPMENT CORPORATION AND SHALL NOT BE REPRODUCED OR COPIED OR USED IN WHOLE OR IN PART AS THE BASIS FOR THE MANUFACTURE OR SALE OF ITEMS WITHOUT WRITTEN PERMISSION. COPYRIGHT © 1982, DIGITAL EQUIPMENT CORPORATION.

REVISIONS		
CHK	CHANGE NO.	REV

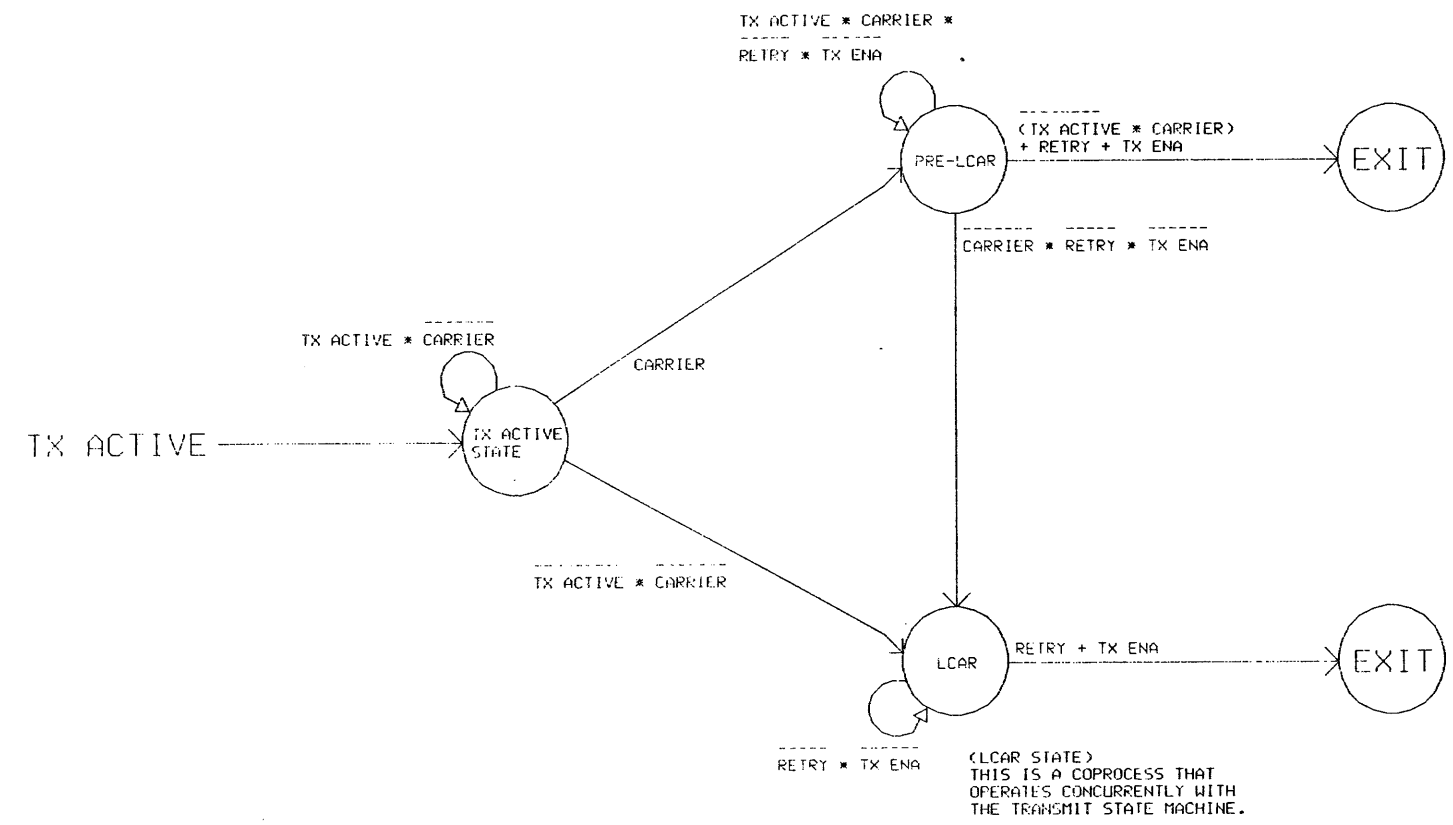
digital	DRN. D. BLANCHARD	DATE 17-NOV-82	ENG. Neil Bloomberg	DATE 17-NOV-82	TITLE: DEUNA LINK MODULE (LNK)
	CHK'D. [Signature]	DATE 17-NOV-82	BOARD LOCATION: 1 OF 1		
DSKD: <SARGENT>LNKSD2.DRW 05-NOV-82 16:08			NEXT HIGHER ASSEMBLY: D-UA-M7793-0-0		SIZE CODE K CS
FIRST USED ON OPTION/MODEL: DEUNA					NUMBER M7793-0-SD2
					REV. A

LCAR, LCOL STATE INPUTS

PROCESS STATE	REFERENCE SIGNAL	REFERENCE PIN
TX ENA	LNKL TX ENA STATE H	E35-6
SLOTTIME	LNKK SLOTTIME EN H	E39-13
CLSN	LNKH SYNC C1SN H	E81-12
CARRIER	LNKH SYNC CARR H	E81-16
RETRY	LNKK RETRY STATE H	E79-4
TX ACTIVE	LNKL TX ACTIVE H	E109-8

LCAR, LCOL STATE OUTPUTS

PROCESS STATE	REFERENCE SIGNAL	REFERENCE PIN
LCOL	LNKK LCOL H	E35-10
LCAR	LNKK LCAR H	E78-8



(LCAR STATE)
THIS IS A COPROCESS THAT OPERATES CONCURRENTLY WITH THE TRANSMIT STATE MACHINE.

(LCOL STATE)
THIS IS A COPROCESS THAT OPERATES CONCURRENTLY WITH THE TRANSMIT STATE MACHINE.

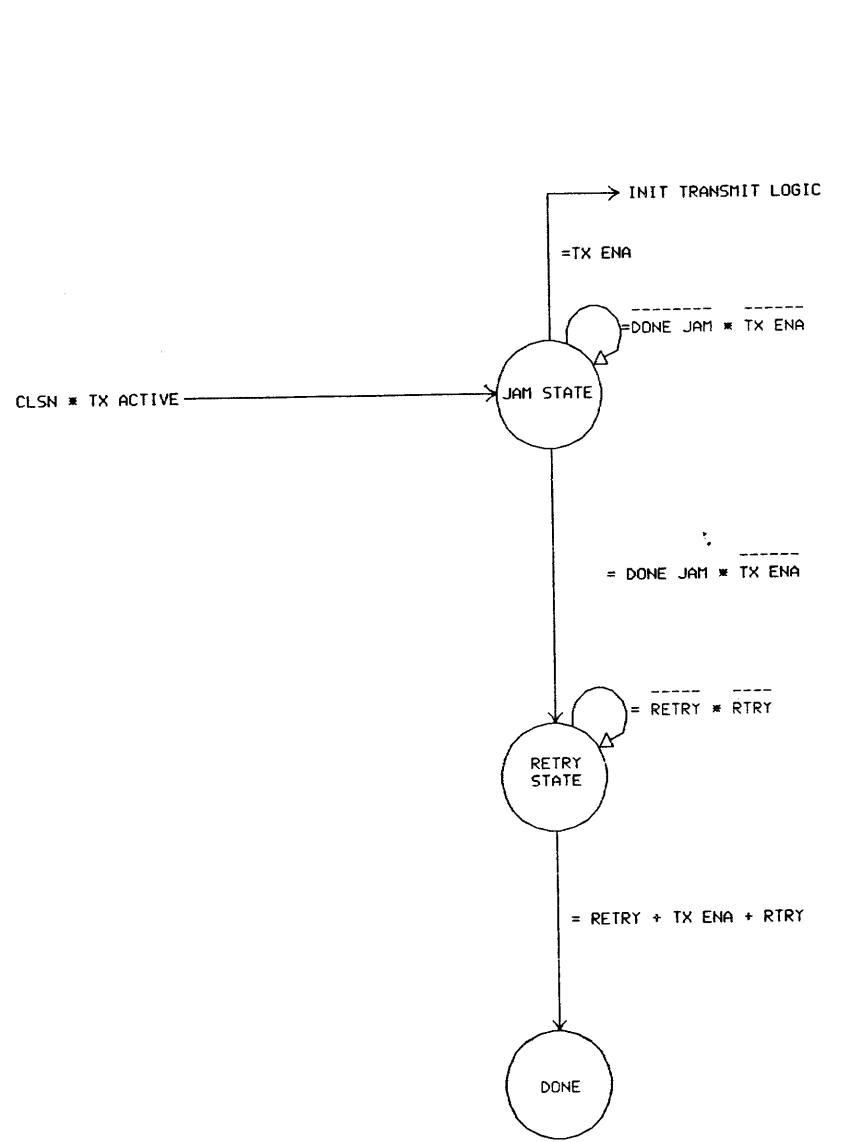
LCAR, LCOL-LNKK STATE DIAGRAM-3

THIS DRAWING AND SPECIFICATIONS ARE THE PROPERTY OF DIGITAL EQUIPMENT CORPORATION AND SHALL NOT BE REPRODUCED OR COPIED OR USED IN WHOLE OR IN PART AS THE BASIS FOR THE MANUFACTURE OR SALE OF ITEMS WITHOUT WRITTEN PERMISSION. COPYRIGHT © 1982, DIGITAL EQUIPMENT CORPORATION.

REVISIONS		
CHK	CHANGE NO.	REV

digital	DRN. D. BLANCHARD	DATE 17-NOV-82	ENG. Neil Bloomberg	DATE 17-NOV-82	TITLE: DEUNA LINK MODULE (LNK)
	CHK'D. <i>[Signature]</i>	DATE 17-NOV-82	BOARD LOCATION: SHEET 1 OF 1	SIZE CODE NUMBER REV. K CS M7793-0-SD3 A	
DSKD: <SARGENT>LNKSD3.DRW 105-NOV-82 16:08 NEXT HIGHER ASSEMBLY: D-UA-M7793-0-0					1

REV. A
NUMBER M7793-0-SD3
SIZE CODE CS



COLLISION BACK OFF STATE INPUTS

PROCESS_STATE	REFERENCE_SIGNAL	REFERENCE_PIN
TX ENA	LNKL TX ENA STATE H	E35-6
CISN	LNKH SYNC CISN H	E81-12
DONE JAM	LNKK COLLISION JAM H	E40-13
RETRY	LNKN RETRY H	E61-15
RTRY	LNKK RTRY H	E21-15

COLLISION BACK OFF STATE OUTPUTS

PROCESS_STATE	REFERENCE_SIGNAL	REFERENCE_PIN
RETRY STATE	LNKK RETRY STATE L	E50-18
JAM STATE	LNKK JAM STATE L	E50-17
	LNKK RETRY INIT L	E50-19

DEFINITIONS

RTRY: FAILURE TO TRANSMIT IN 16 ATTEMPTS DUE TO COLLISION

RETRY: PROPER NUMBER OF SLOTTIMES HAS ELAPSED. TIME TO RETRANSMIT

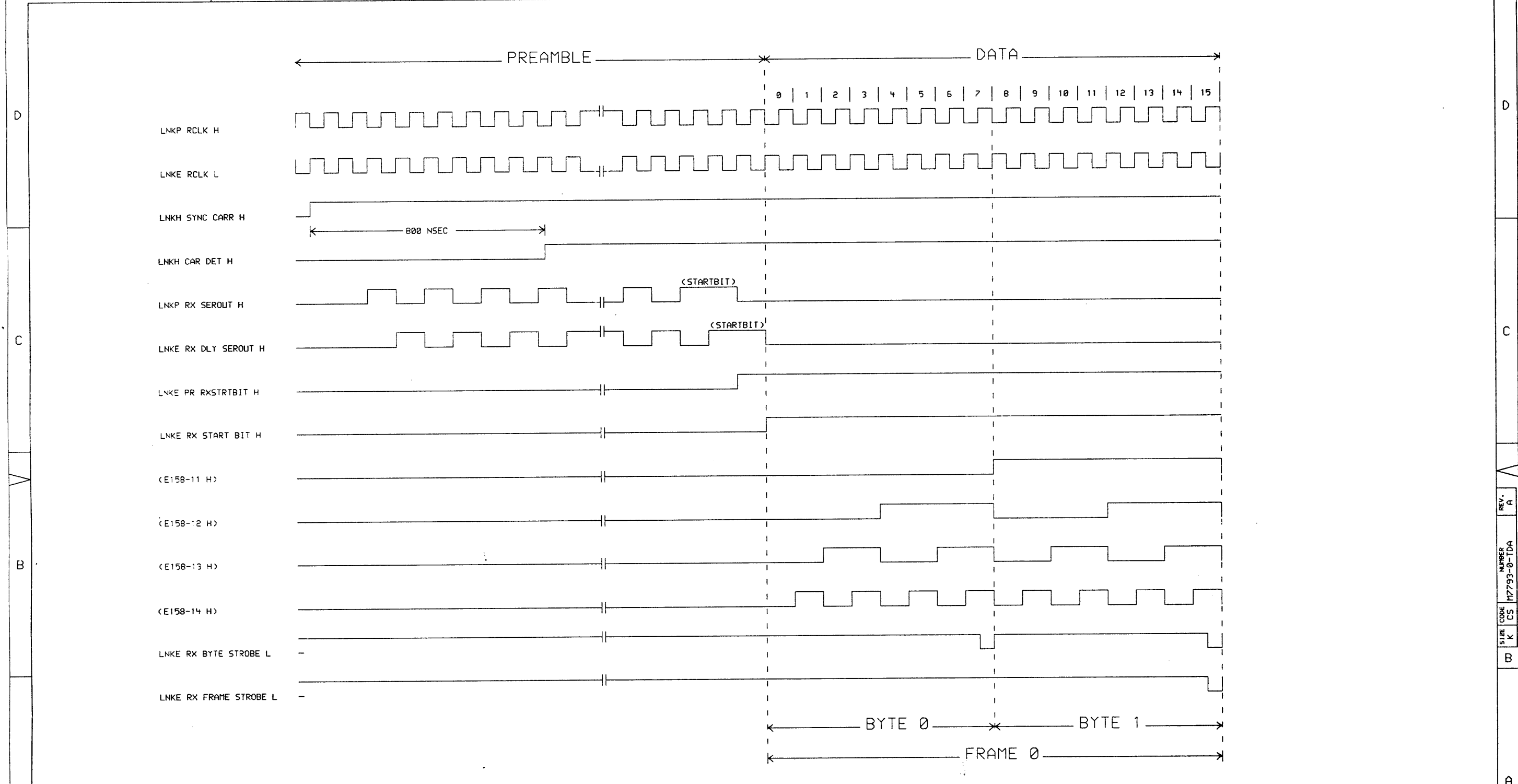
DONE JAM: TELLS JAM STATE 32 BITS HAVE ELAPSED STOP JAMMING

COLLISION BACK OFF STATE-LNKK
STATE DIAGRAM-4

THIS DRAWING AND SPECIFICATIONS HEREIN ARE THE PROPERTY OF DIGITAL EQUIPMENT CORPORATION AND SHALL NOT BE REPRODUCED OR COPIED OR USED IN WHOLE OR IN PART AS THE BASIS FOR THE MANUFACTURE OR SALE OF ITEMS WITHOUT WRITTEN PERMISSION. COPYRIGHT © 1982, DIGITAL EQUIPMENT CORPORATION.

REVISIONS		
CHK	CHANGE NO.	REV

digital	DRN. C. GIROUARD	DATE 17-NOV-82	ENG. Neil Bloomberg	DATE 17-NOV-82	TITLE: DELUNA LINK MODULE (LNK)
	CHK'D. <i>[Signature]</i>	DATE 17-NOV-82	BOARD LOCATION: DE 1	SHEET 1	SIZE CODE NUMBER REV. K CS M7793-0-SD4 A
DSKD: <SARGENT>LNKSD4.DRW 05-NOV-82 16:08 NEXT HIGHER ASSEMBLY: D-UA-M7793-0-0					1

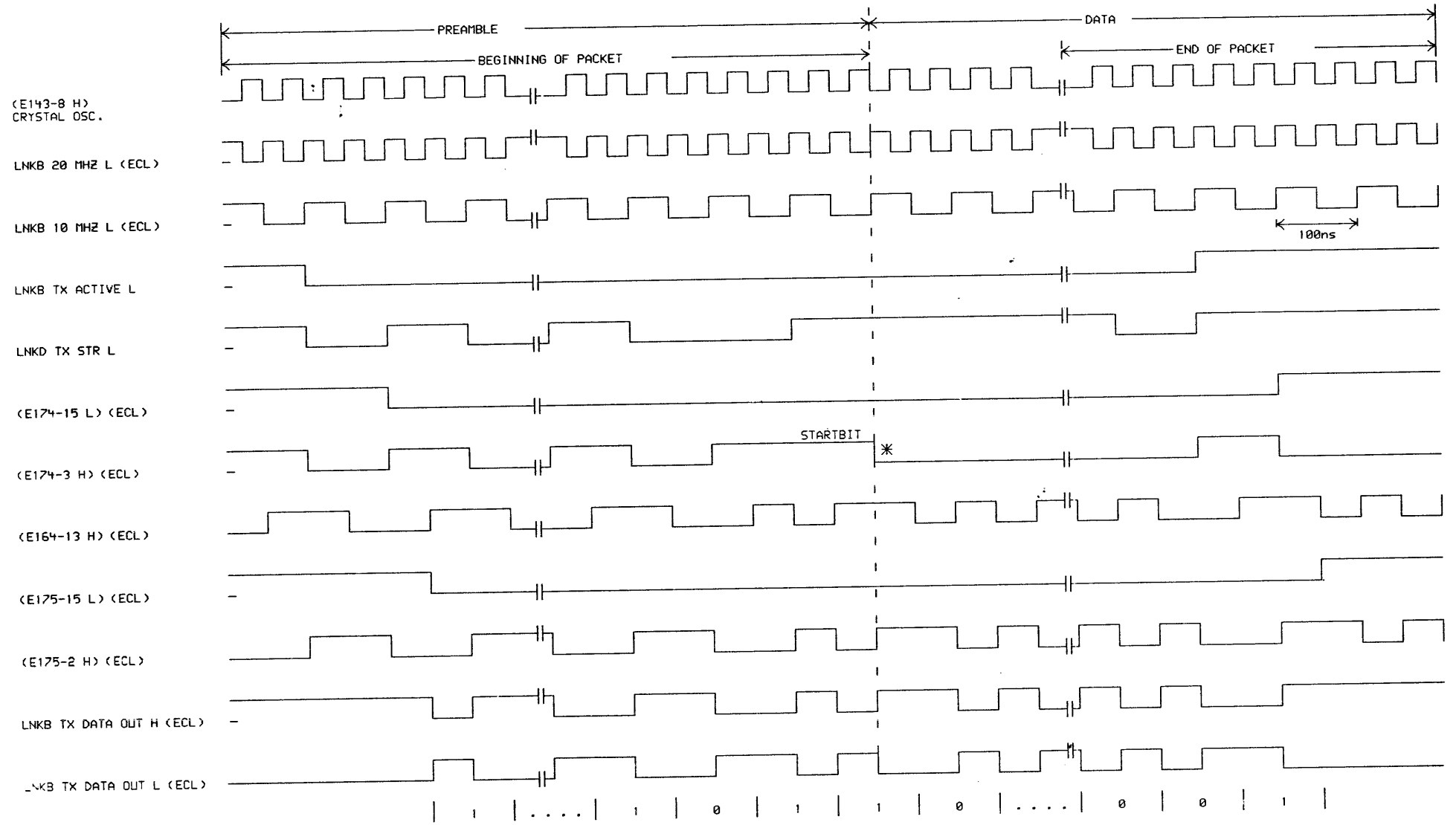


RECEIVE BYTE TIMING-LNKE
 TIMING DIAGRAM-1

THIS DRAWING AND SPECIFICATIONS
 HEREIN ARE THE PROPERTY OF
 DIGITAL EQUIPMENT CORPORATION AND
 SHALL NOT BE REPRODUCED OR COPIED
 OR USED IN WHOLE OR IN PART AS
 THE BASIS FOR THE MANUFACTURE OR
 SALE OF ITEMS WITHOUT WRITTEN
 PERMISSION. COPYRIGHT © 1982,
 DIGITAL EQUIPMENT CORPORATION

REVISIONS		
CHK	CHANGE NO.	REV

digital	DRN. PAUL HEBERT	DATE 17-NOV-82	ENG. Neil Bloomberg	DATE 17-NOV-82	TITLE: DELUNA LINK MODULE (LNK)
	CHK'D. <i>[Signature]</i>	DATE 17-NOV-82	BOARD LOCATION: SHEET 1 OF 1	SIZE CODE K CS	NUMBER M7793-0-TDA
OSKD: <SARGENT>LNKTDA.DRW 17-NOV-82 11:01			NEXT HIGHER ASSEMBLY: D-UA-M7793-0-0		REV. A
FIRST USED ON OPTION/MODEL: DELUNA					



| 1 | | 1 | 0 | 1 | 1 | 0 | | 0 | 0 | 1 |

* DATA INDICATED HERE
CAN BE ANY PATTERN

TRANSMIT DATA ENCODE-LNKB
TIMING DIAGRAM-3

"THIS DRAWING AND SPECIFICATIONS
HEREIN ARE THE PROPERTY OF
DIGITAL EQUIPMENT CORPORATION AND
SHALL NOT BE REPRODUCED OR COPIED
OR USED IN WHOLE OR IN PART AS
THE BASIS FOR THE MANUFACTURE OR
SALE OF ITEMS WITHOUT WRITTEN
PERMISSION. COPYRIGHT © 1982,
DIGITAL EQUIPMENT CORPORATION"

REVISIONS		
CHK	CHANGE NO.	REV

digital	DRN. PAUL HEBERT	DATE 17-NOV-82	ENG. Neil Bloomberg	DATE 17-NOV-82	TITLE: DEUNA LINK MODULE (LNK)
	CHK'D. <i>K. Sargent</i>	DATE 17-NOV-82	BOARD LOCATION: 1 OF 1	SHEET 1 OF 1	
DSKD:CSARGENT\LNK\TDC.DRL\17-NOV-82 11:02		NEXT HIGHER ASSEMBLY: D-UA-M7793-0-0		SIZE CODE K CS	NUMBER M7793-0-TDC
FIRST USED ON OPTION/MODEL: DEUNA					REV. A

8

7

6

5

4

3

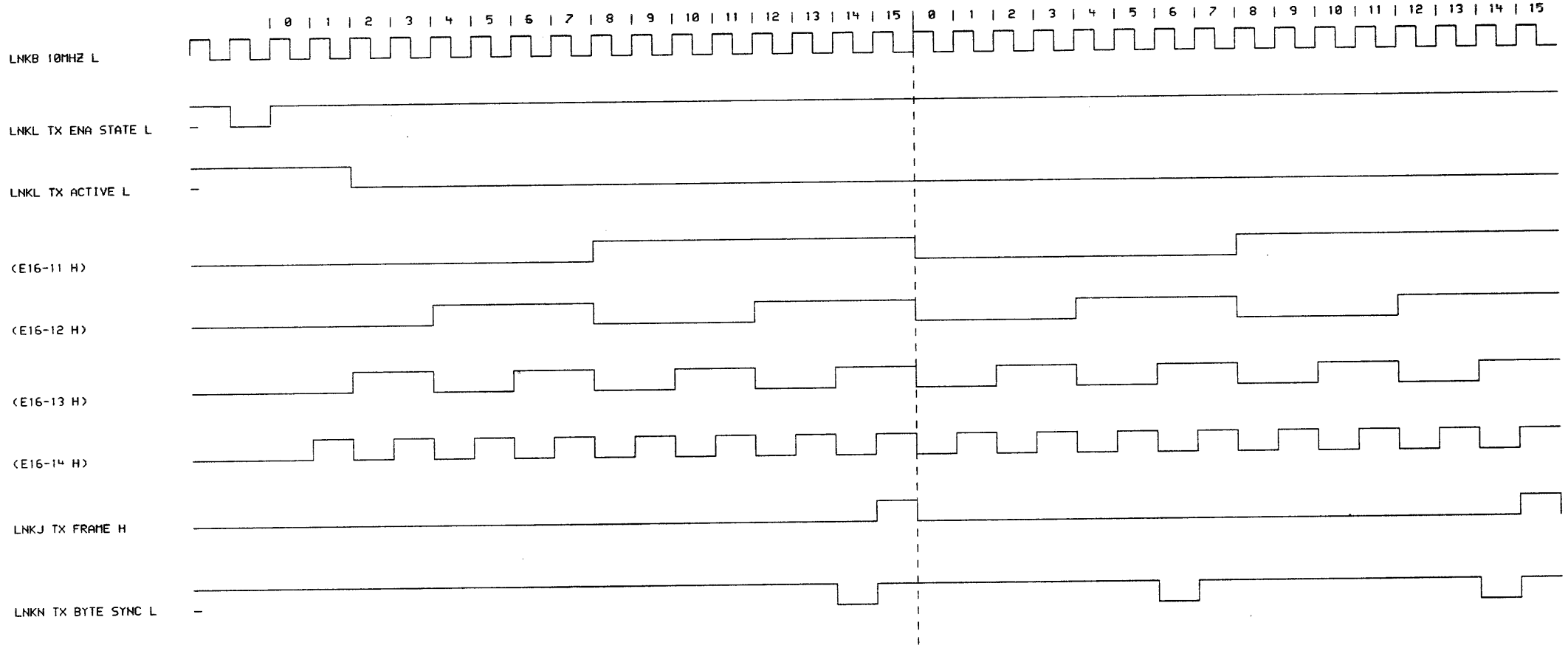
2

1

SIZE	K	CS	M7793-0-TDD
REV.	A	NUMBER	001-0-624

D

D



C

C

B

B

A

TRANSMIT BYTE/FRAME TIMING-LNKJ
TIMING DIAGRAM-4

A

A

THIS DRAWING AND SPECIFICATIONS HEREIN ARE THE PROPERTY OF DIGITAL EQUIPMENT CORPORATION AND SHALL NOT BE REPRODUCED OR COPIED OR USED IN WHOLE OR IN PART AS THE BASIS FOR THE MANUFACTURE OR SALE OF ITEMS WITHOUT WRITTEN PERMISSION. COPYRIGHT © 1982, DIGITAL EQUIPMENT CORPORATION.

REVISIONS		
CHK	CHANGE NO.	REV

digital	DRN	PAUL HEBERT	DATE	17-NOV-82	ENG.	Neil Bloomberg	DATE	17-NOV-82	TITLE:	DEUNA LINK MODULE						
	CHK'D	<i>[Signature]</i>	DATE	17-NOV-82	BOARD LOCATION:		DATE	17-NOV-82	(LNK)							
DSKD: <SARGENT>LNKTDD.DRW 17-NOV-82 11:02 NEXT HIGHER ASSEMBLY:									SIZE	K	CS	M7793-0-TDD	NUMBER		REV.	A
FIRST USED ON OPTION/MODEL: DEUNA D-UA-M7793-0-0																

8

7

6

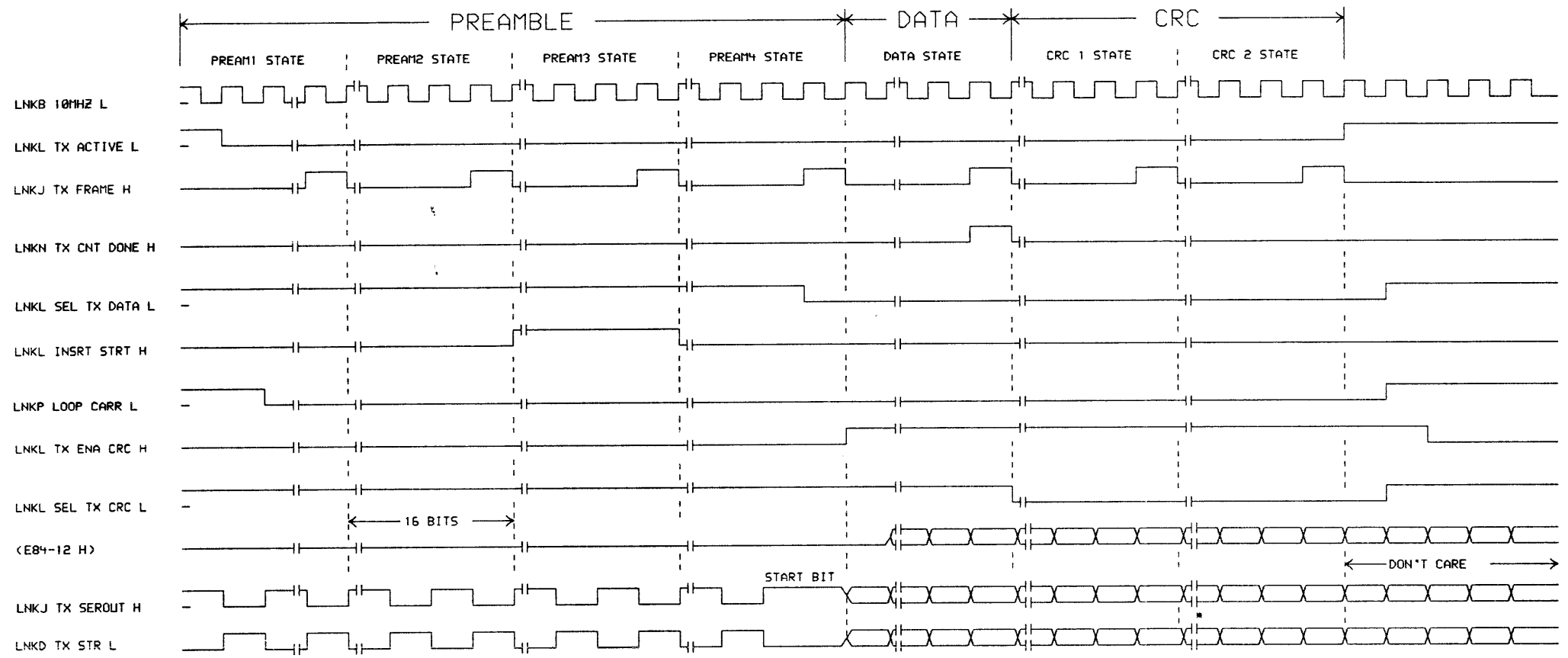
5

4

3

2

1



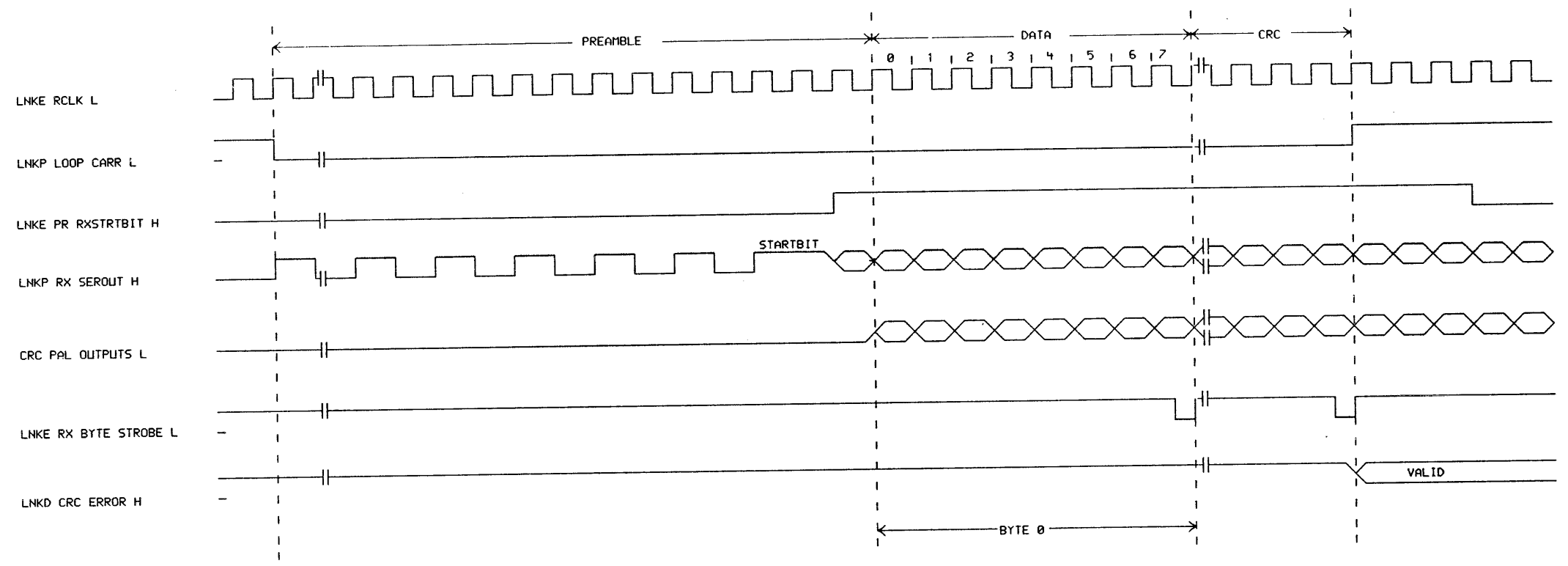
TRANSMIT BIT STREAM-LNKD
TIMING DIAGRAM-5

THIS DRAWING AND SPECIFICATIONS
HEREIN ARE THE PROPERTY OF
DIGITAL EQUIPMENT CORPORATION AND
SHALL NOT BE REPRODUCED OR COPIED
OR USED IN WHOLE OR IN PART AS
THE BASIS FOR THE MANUFACTURE OR
SALE OF ITEMS WITHOUT WRITTEN
PERMISSION. COPYRIGHT © 1982,
DIGITAL EQUIPMENT CORPORATION

REVISIONS		
CHK	CHANGE NO.	REV

digital	DRN.	DATE	ENG.	DATE	TITLE: DEUNA LINK MODULE (LNK)
	CARLSON	17-NOV-82	Neil Bloomberg	17-NOV-82	
	CHK'D.	DATE	BOARD LOCATION:		
	<i>R. Bennett</i>	17-NOV-82	SHEET	1	OF 1
OSKD: <SARGENT>LNKTDE.DRW			17-NOV-82 11:02	NEXT HIGHER ASSEMBLY:	
FIRST USED ON OPTION/MODEL: DEUNA			D-UA-M7793-0-0		

SIZE	CODE	NUMBER	REV.
K	CS	M7793-0-TDE	A



RECEIVE CRC-LNKD
TIMING DIAGRAMS-6

"THIS DRAWING AND SPECIFICATIONS HEREIN ARE THE PROPERTY OF DIGITAL EQUIPMENT CORPORATION AND SHALL NOT BE REPRODUCED OR COPIED OR USED IN WHOLE OR IN PART AS THE BASIS FOR THE MANUFACTURE OR SALE OF ITEMS WITHOUT WRITTEN PERMISSION. COPYRIGHT © 1982, DIGITAL EQUIPMENT CORPORATION"

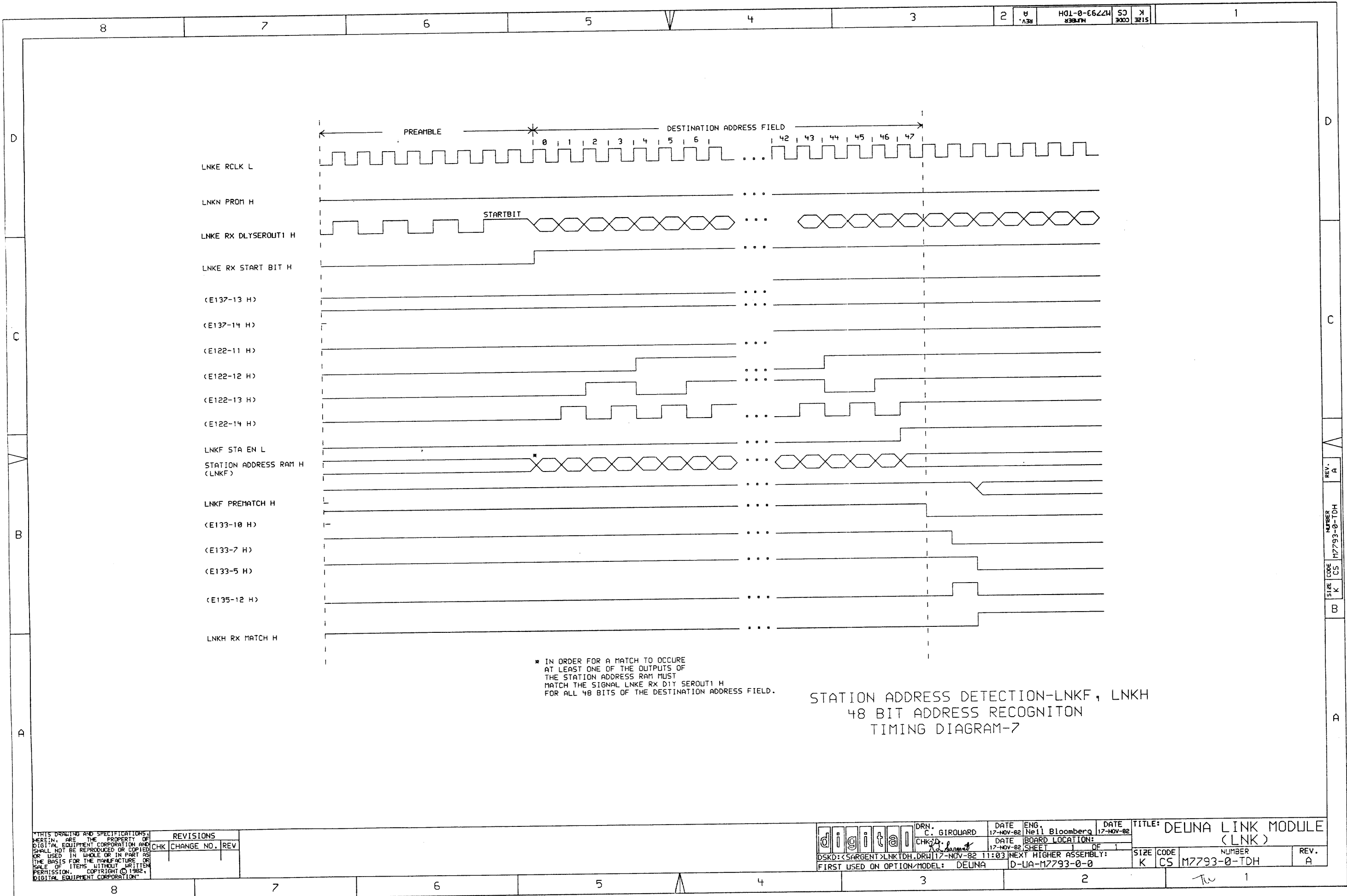
REVISIONS		
CHK	CHANGE NO.	REV

DRN.	PAUL HEBERT	DATE	19-NOV-82	ENG.	Neil Bloomberg	DATE	19-NOV-82
CHKD.		DATE	19-NOV-82	BOARD LOCATION:			
DSKD:	<SARGENT>LNKTDF.DRW	19-NOV-82	08:44	NEXT HIGHER ASSEMBLY:			
FIRST USED ON OPTION/MODEL:	DEUNA			D-UA-M7793-0-0			

TITLE: DEUNA LINK MODULE (LNK)			
SIZE	CODE	NUMBER	REV.
K	CS	M7793-0-TDF	A

D C B A

REV. A
NUMBER M7793-0-TDF
SIZE CODE K CS



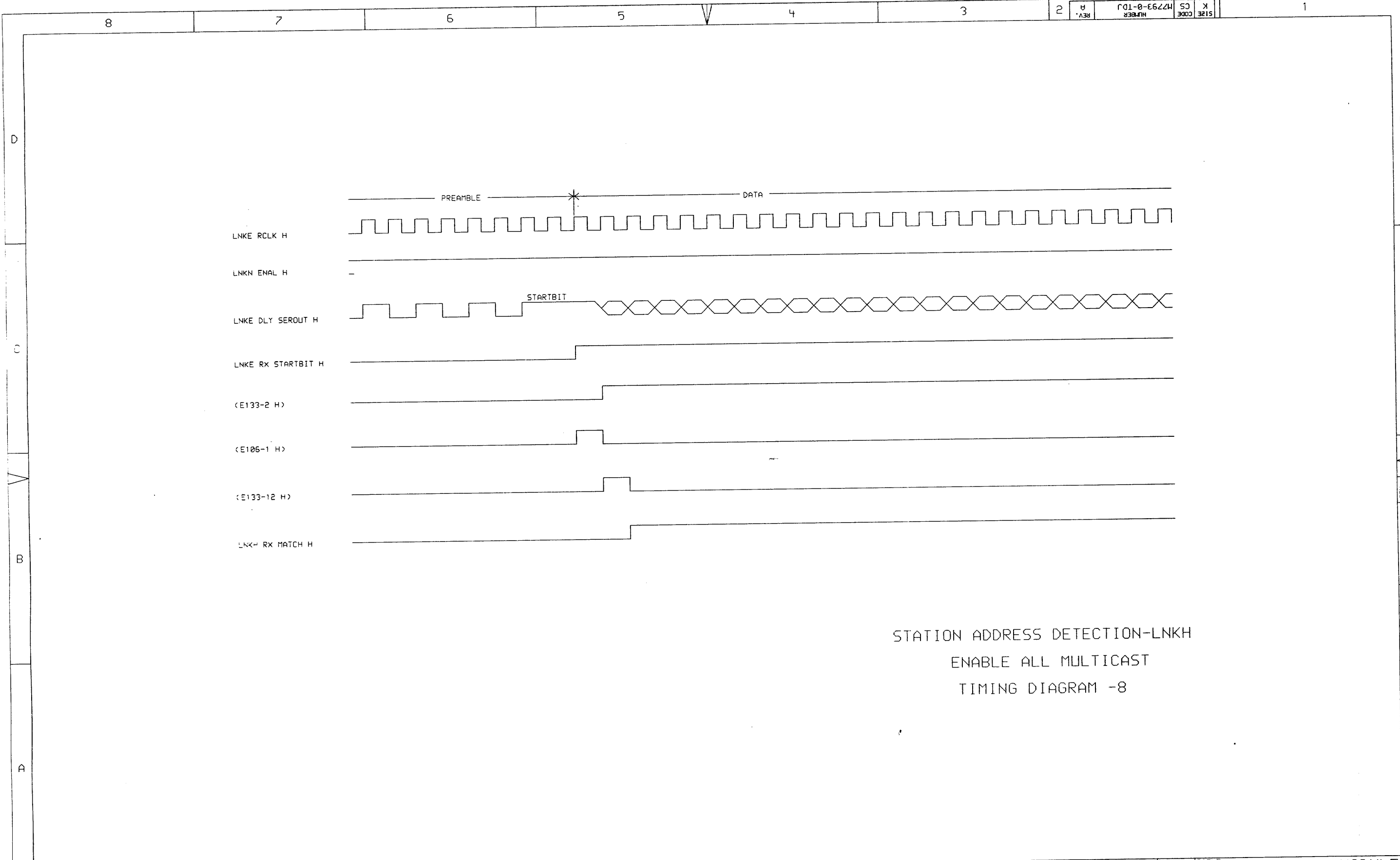
STATION ADDRESS DETECTION-LNKF, LNKH
48 BIT ADDRESS RECOGNITION
TIMING DIAGRAM-7

THIS DRAWING AND SPECIFICATIONS
HEREIN ARE THE PROPERTY OF
DIGITAL EQUIPMENT CORPORATION AND
SHALL NOT BE REPRODUCED OR COPIED
OR USED IN WHOLE OR IN PART AS
THE BASIS FOR THE MANUFACTURE OR
SALE OF ITEMS WITHOUT WRITTEN
PERMISSION. COPYRIGHT © 1982,
DIGITAL EQUIPMENT CORPORATION

REVISIONS		
CHK	CHANGE NO.	REV

digital	DRN. C. GIROUARD	DATE 17-NOV-82	ENG. Neil Bloomberg	DATE 17-NOV-82	TITLE: DEUNA LINK MODULE (LNK)
	CHK'D. N. Belmont	DATE 17-NOV-82	BOARD LOCATION: SHEET 1 OF 1	DATE 17-NOV-82	
DSKD: <SARGENT>LNKTDH.DRW			17-NOV-82 11:03	NEXT HIGHER ASSEMBLY: D-UA-M7793-0-0	SIZE CODE K CS
FIRST USED ON OPTION/MODEL: DEUNA					NUMBER M7793-0-TDH
					REV. A

TW 1



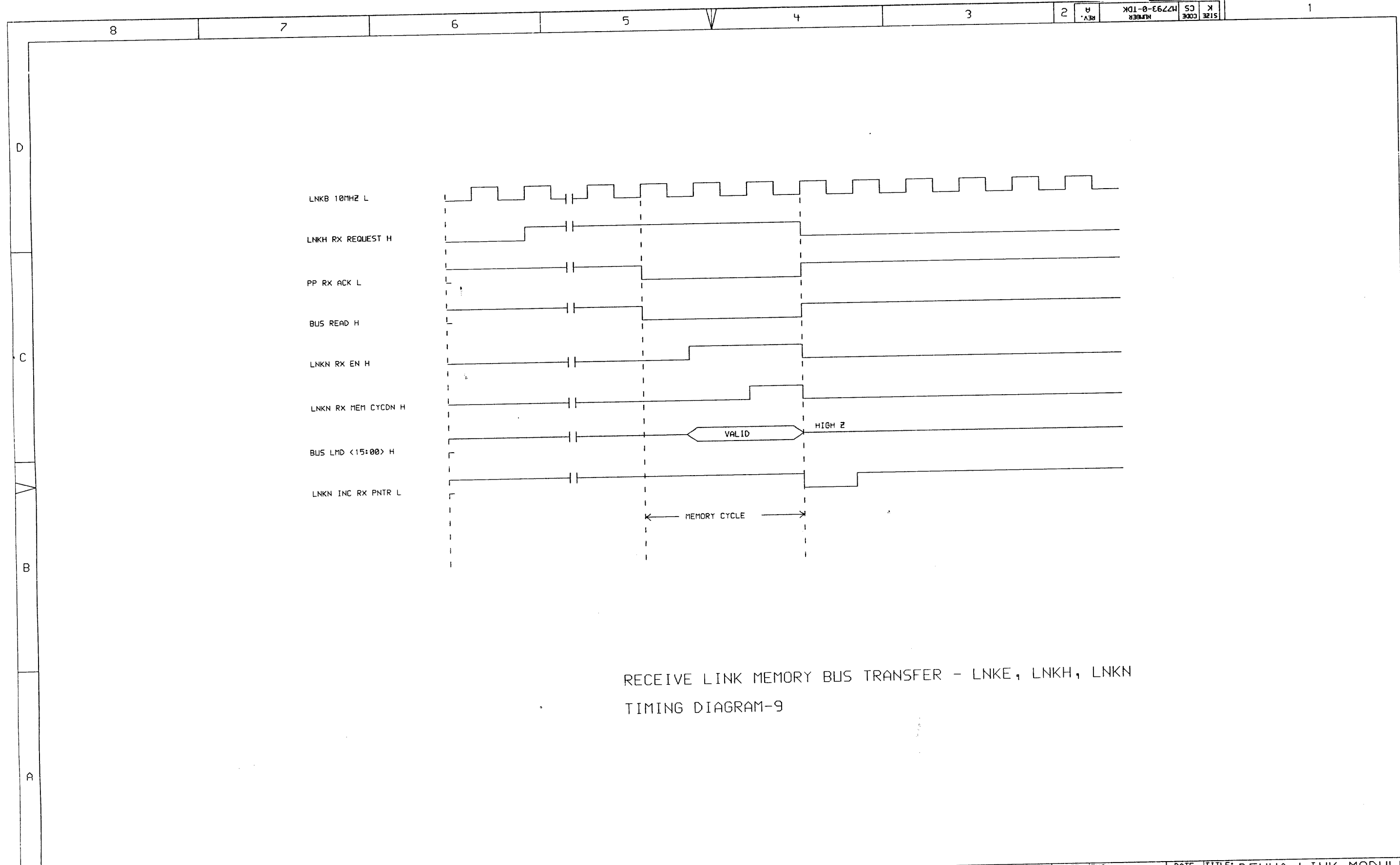
STATION ADDRESS DETECTION-LNKH
 ENABLE ALL MULTICAST
 TIMING DIAGRAM -8

D
C
B
A

THIS DRAWING AND SPECIFICATIONS
 HEREIN, ARE THE PROPERTY OF
 DIGITAL EQUIPMENT CORPORATION AND
 SHALL NOT BE REPRODUCED OR COPIED
 OR USED IN WHOLE OR IN PART AS
 THE BASIS FOR THE MANUFACTURE OR
 SALE OF ITEMS WITHOUT WRITTEN
 PERMISSION. COPYRIGHT © 1982,
 DIGITAL EQUIPMENT CORPORATION

REVISIONS		
CHK	CHANGE NO.	REV

digital	DRN.	PAUL HEBERT	DATE	17-NOV-82	ENG.	Neil Bloomberg	DATE	17-NOV-82	TITLE: DEUNA LINK MODULE (LNK)		
	CHK	D. J. Sargent	DATE	17-NOV-82	BOARD LOCATION:	SHEET	1	OF		1	
DSKD: <SARGENT>LNKTDJ.DRW 17-NOV-82 11:04						NEXT HIGHER ASSEMBLY:		SIZE	CODE	NUMBER	REV.
FIRST USED ON OPTION/MODEL: DEUNA						D-UA-M7793-0-0		K	CS	M7793-0-TDJ	A

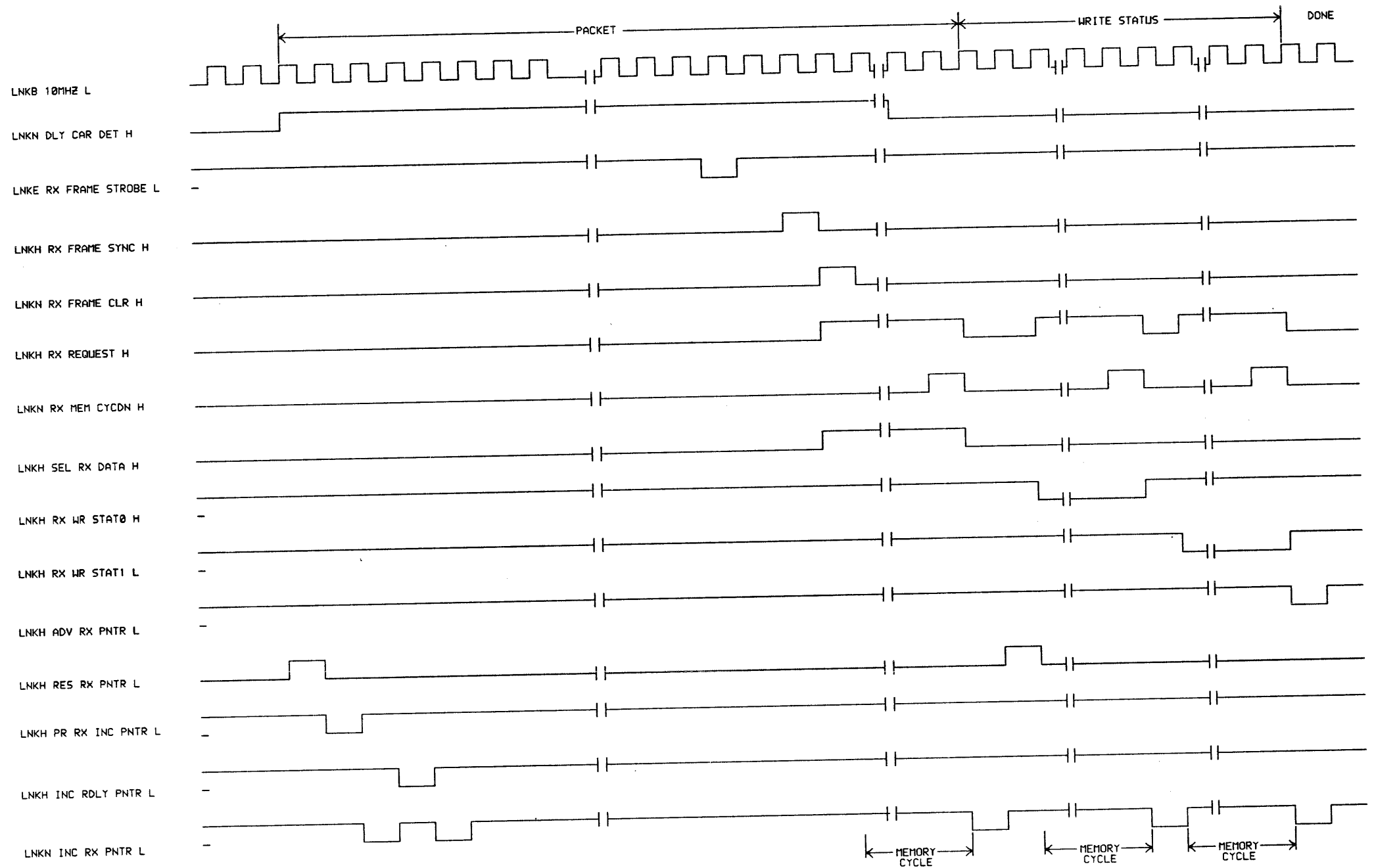


RECEIVE LINK MEMORY BUS TRANSFER - LNKE, LNKH, LNKN
TIMING DIAGRAM-9

REVISIONS		
CHK	CHANGE NO.	REV.

THIS DRAWING AND SPECIFICATIONS ARE THE PROPERTY OF DIGITAL EQUIPMENT CORPORATION AND SHALL NOT BE REPRODUCED OR COPIED OR USED IN WHOLE OR IN PART AS THE BASIS FOR THE MANUFACTURE OR SALE OF ITEMS WITHOUT WRITTEN PERMISSION. COPYRIGHT © 1982, DIGITAL EQUIPMENT CORPORATION.

digital	DRN.	DATE	ENG.	DATE	TITLE: DEUNA LINK MODULE (LNK)
	C. GIROUARD	17-NOV-82	Neil Bloomberg	17-NOV-82	
	CHK'D.	DATE	BOARD LOCATION:	SHEET	OF
		17-NOV-82		1	1
DSKD: <SARGENT>LNKTDK.DRW			17-NOV-82 11:02	NEXT HIGHER ASSEMBLY:	
FIRST USED ON OPTION/MODEL: DEUNA			D-UA-M7793-0-0	SIZE	CODE
				K	CS
				NUMBER	REV.
				M7793-0-TDK	A



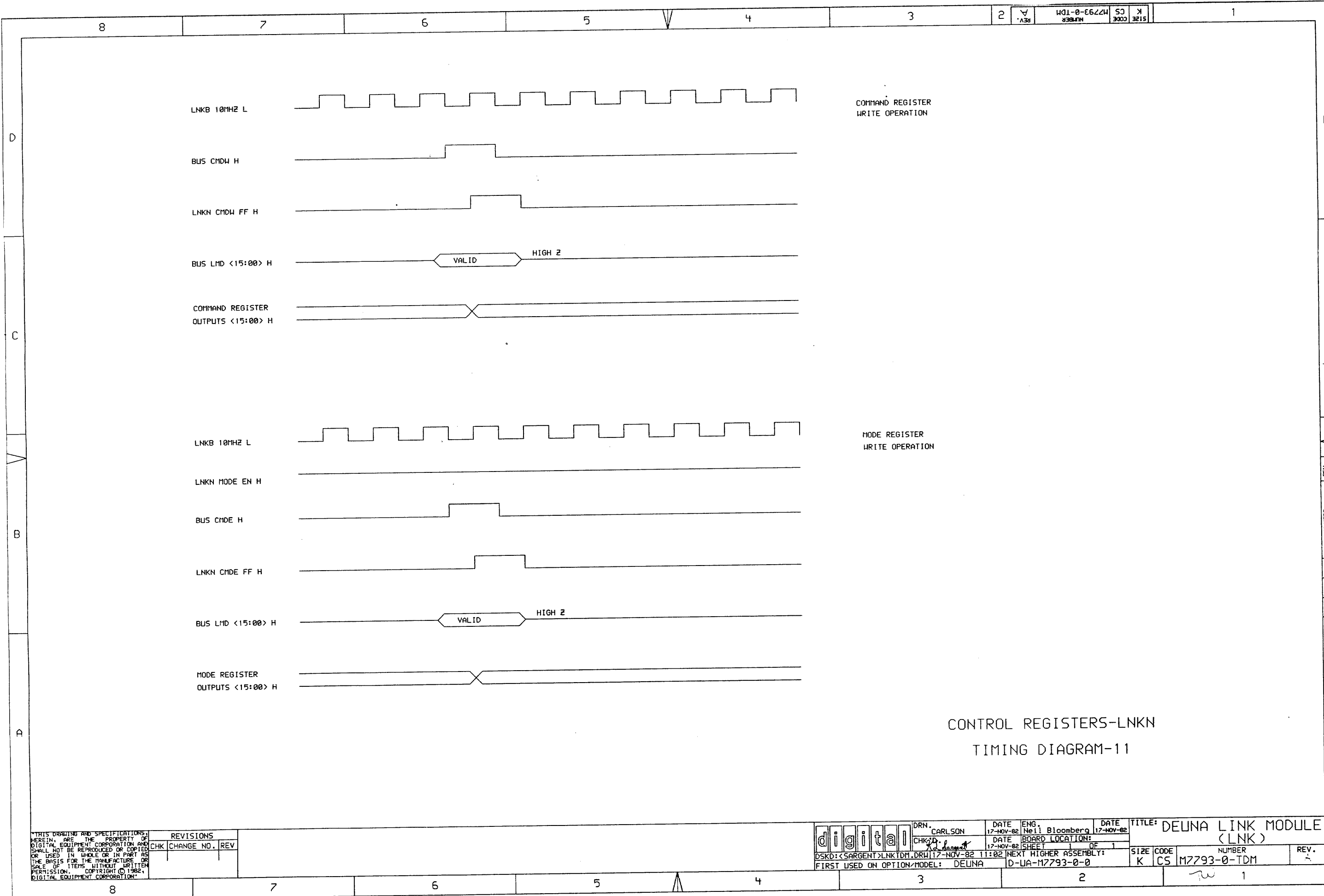
LINK RECEIVE MEMORY BUS TRANSFER-LNKE, LNKH, LNKN
TIMING DIAGRAMS-10

THIS DRAWING AND SPECIFICATIONS ARE THE PROPERTY OF DIGITAL EQUIPMENT CORPORATION AND SHALL NOT BE REPRODUCED OR COPIED OR USED IN WHOLE OR IN PART AS THE BASIS FOR THE MANUFACTURE OR SALE OF ITEMS WITHOUT WRITTEN PERMISSION. COPYRIGHT © 1982, DIGITAL EQUIPMENT CORPORATION.

REVISIONS		
CHK	CHANGE NO.	REV

digital	DRN. PAUL HEBERT	DATE 17-NOV-82	ENG. Neil Bloomberg	DATE 17-NOV-82	TITLE: DEUNA LINK MODULE (LNK)
	CHK'D. <i>[Signature]</i>	DATE 17-NOV-82	BOARD LOCATION: 1	SHEET 1 OF 1	
OSKD: <SARGENT>LNKTDL.DRW 17-NOV-82 11:04				NEXT HIGHER ASSEMBLY:	SIZE CODE NUMBER REV.
FIRST USED ON OPTION/MODEL: DEUNA				D-LA-M7793-0-0	K CS M7793-0-TDL A

REV. A
NUMBER M7793-0-TDL
SIZE CODE CS
D



CONTROL REGISTERS-LNKN
TIMING DIAGRAM-11

THIS DRAWING AND SPECIFICATIONS HEREIN ARE THE PROPERTY OF DIGITAL EQUIPMENT CORPORATION AND SHALL NOT BE REPRODUCED OR COPIED OR USED IN WHOLE OR IN PART AS THE BASIS FOR THE MANUFACTURE OR SALE OF ITEMS WITHOUT WRITTEN PERMISSION. COPYRIGHT © 1982 DIGITAL EQUIPMENT CORPORATION.

REVISIONS		
CHK	CHANGE NO.	REV.

digital
DRN. CARLSON
CHK'D. *[Signature]*
DATE 17-NOV-82 11:02
FIRST USED ON OPTION/MODEL: DELUNA

ENG. Neil Bloomberg
DATE 17-NOV-82
BOARD LOCATION: SHEET 1 OF 1
NEXT HIGHER ASSEMBLY: D-UA-M7793-0-0

TITLE: DEUNA LINK MODULE (LNK)
SIZE CODE NUMBER REV.
K CS M7793-0-TDM 1

8

7

6

5

4

3

2

REV. A
NUMBER
M7793-0-TDN
SIZE CODE
K CS

1

D

C

B

A

D

C

REV. A

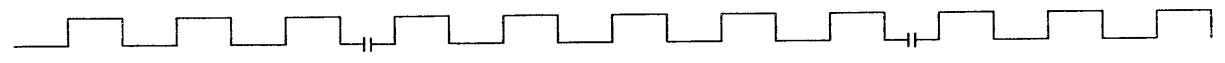
NUMBER
M7793-0-TDN

SIZE CODE
K CS

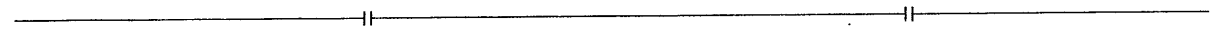
B

A

LNKB 10MHZ L



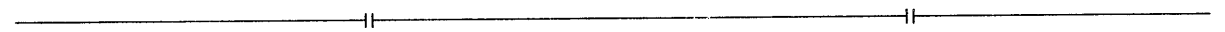
LNKN LOOPBACK H



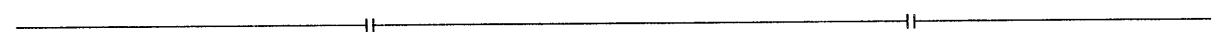
LNKE RCLK L



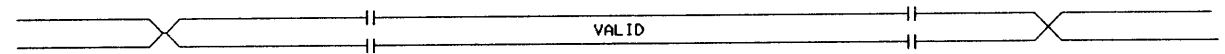
LNKE RX START BIT H



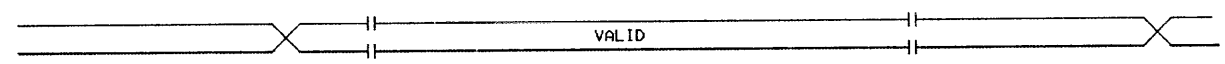
LNKN ARAM H



LNKN ASEL <05:00>



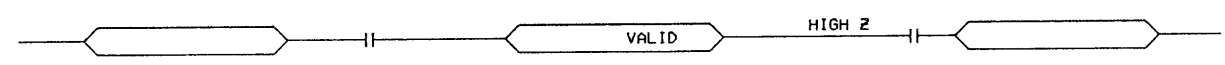
ADDRESS COUNTER
OUTPUTS <05:00> H
<LNKF>



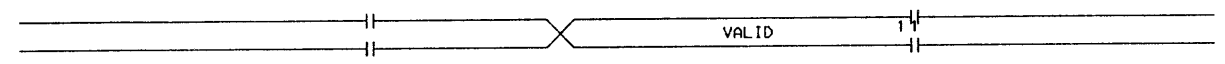
BUS CHDE H



BUS LND <15:00> H



ARAM OUTPUTS
<11:00> H
<LNKF>



STATION ADDRESS RAM WRITE-LNKF
TIMING DIAGRAM-12

THIS DRAWING AND SPECIFICATIONS ARE THE PROPERTY OF DIGITAL EQUIPMENT CORPORATION AND SHALL NOT BE REPRODUCED OR COPIED OR USED IN WHOLE OR IN PART AS THE BASIS FOR THE MANUFACTURE OR SALE OF ITEMS WITHOUT WRITTEN PERMISSION. COPYRIGHT © 1982, DIGITAL EQUIPMENT CORPORATION

REVISIONS		
CHK	CHANGE NO.	REV

digital

DRN. CARLSON
CHKD. J. J. ...

DATE 17-NOV-82
DATE 17-NOV-82
ENG. Neil Bloomberg
DATE 17-NOV-82
BOARD LOCATION: 1 OF 1
SHEET 1 OF 1

TITLE: DEUNA LINK MODULE
(LNK)

DSKD: <SARGENT>LNKTDN.DRW 17-NOV-82 11:02
FIRST USED ON OPTION/MODEL: DEUNA D-UA-M7793-0-0

SIZE CODE NUMBER REV.
K CS M7793-0-TDN A

8

7

6

5

4

3

2

1

8

7

6

5

4

3

2

SIZE CODE NUMBER REV. A

1

D

D

C

C

B

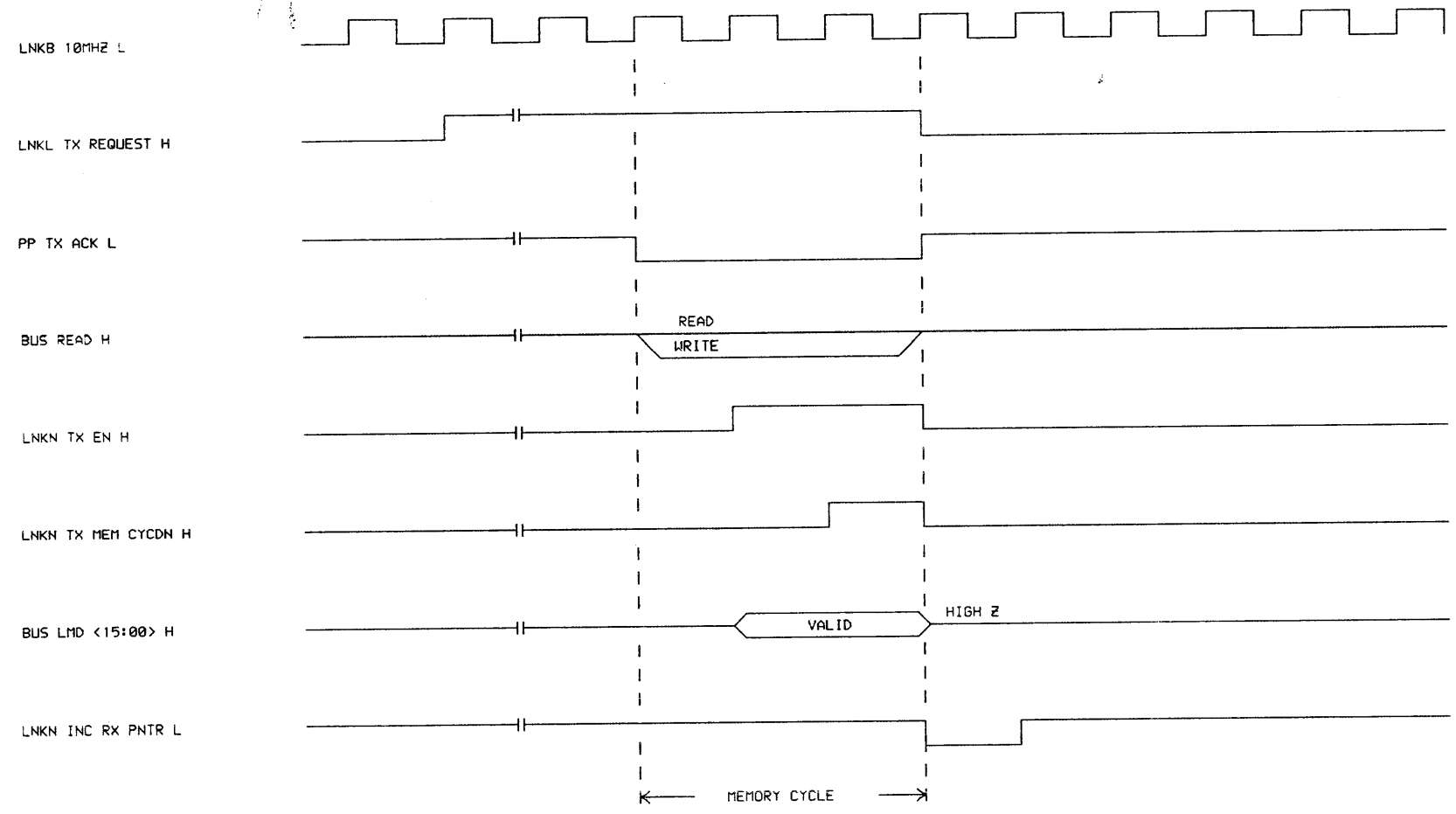
A

REV. A
NUMBER M7793-0-TDP
SIZE CODE CS K

B

A

A



TRANSMIT MEMORY BUS TRANSFER-LNKJ,L,N
TIMING DIAGRAM-13

THIS DRAWING AND SPECIFICATIONS ARE THE PROPERTY OF DIGITAL EQUIPMENT CORPORATION AND SHALL NOT BE REPRODUCED OR COPIED OR USED IN WHOLE OR IN PART AS THE BASIS FOR THE MANUFACTURE OR SALE OF ITEMS WITHOUT WRITTEN PERMISSION. COPYRIGHT © 1982, DIGITAL EQUIPMENT CORPORATION

REVISIONS	
CHK	CHANGE NO. REV

digital	DRN. CARLSON	DATE 17-NOV-82	ENG. Neil Bloomberg	DATE 17-NOV-82	TITLE: DEUNA LINK MODULE (LNK)
	CHK'D. <i>K. Sargent</i>	DATE 17-NOV-82	BOARD LOCATION: SHEET 1 OF 1	SIZE CODE NUMBER REV. K CS M7793-0-TDP A	
DSKD:CSARGENT\LNKTDP.DRW 17-NOV-82 11:03			NEXT HIGHER ASSEMBLY: D-UA-M7793-0-0		
FIRST USED ON OPTION/MODEL: DEUNA					

8

7

6

5

4

3

2

1

8

7

6

5

4

3

2

REV. A

SIZE CODE K CS M7793-0-TDR

1

PREAMBLE DATA STATUS

LNKB 10MHZ L

LNKH BTATT H

LNKL INTERPACK L

LNKK RETRY STATE H

LNKJ TX FRAME SYNC H

LNKL TX REQUEST H

PP TX ACK L

BUS READ H

LNKL TX LEN REQ H

TX LENGTH COUNTER OUTPUTS <10:00> H (LNKJ)

TX DATA LATCH OUTPUTS <15:00> H (LNKJ)

LNKL RES TX PNTR L

LNKL PR INC TX PNTR L

LNKN INC TX PNTR L

LNKL TX WR STAT0 H

*1. LOADING OF THE BYTE COUNT REGISTER OCCURS DURING THE PREAMBLE 1 STATE.

MEMORY CYCLE

MEMORY CYCLE

MEMORY CYCLE

TRANSMIT LINK MEMORY TRANSFER-LNKJ, LNKL, LNKN TIMING DIAGRAM-14

THIS DRAWING AND SPECIFICATIONS HEREIN ARE THE PROPERTY OF DIGITAL EQUIPMENT CORPORATION AND SHALL NOT BE REPRODUCED OR COPIED OR USED IN WHOLE OR IN PART AS THE BASIS FOR THE MANUFACTURE OR SALE OF ITEMS WITHOUT WRITTEN PERMISSION. COPYRIGHT © 1982, DIGITAL EQUIPMENT CORPORATION

REVISIONS		
CHK	CHANGE NO.	REV

digital	DRN. CARLSON	DATE 17-NOV-82	ENG. Neil Bloomberg	DATE 17-NOV-82	TITLE: DELUNA LINK MODULE (LNK)
	CHK'D. <i>[Signature]</i>	DATE 17-NOV-82	BOARD LOCATION: 1 OF 1	SHEET 1 OF 1	
DSKD: <SARGENT>LNKTDR.DRW		17-NOV-82 11:05	NEXT HIGHER ASSEMBLY: D-UA-M7793-0-0		SIZE CODE K CS
FIRST USED ON OPTION/MODEL: DELUNA				NUMBER M7793-0-TDR	REV. A

8

7

6

5

4

3

2

1

REV. A

NUMBER M7793-0-TDR

SIZE CODE K CS

B

A

D

D

C

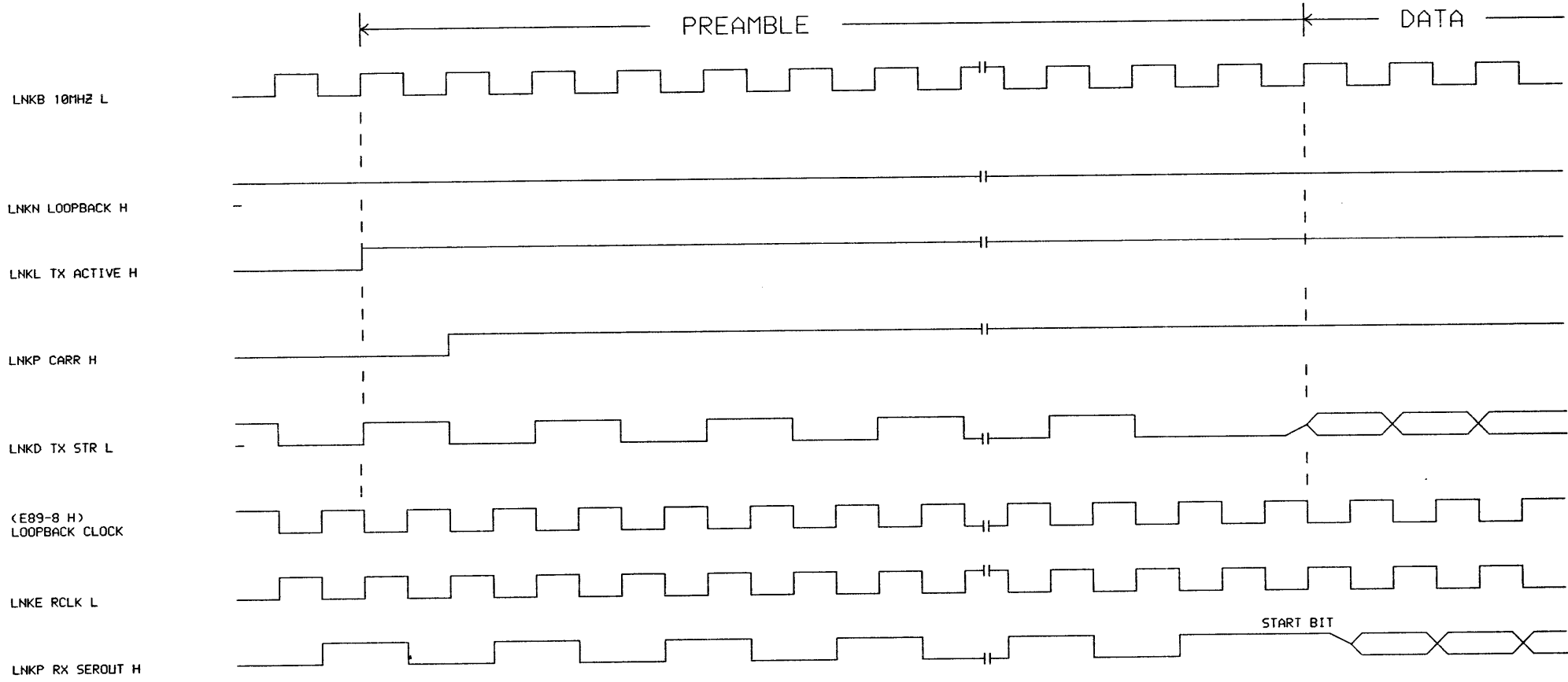
C

B

B

A

A



LOOPBACK LNKP, LNKL
TIMING DIAGRAM-15

REV. A
NUMBER M7793-0-TDS
SIZE CODE CS

THIS DRAWING AND SPECIFICATIONS
HEREIN ARE THE PROPERTY OF
DIGITAL EQUIPMENT CORPORATION AND
SHALL NOT BE REPRODUCED OR COPIED
OR USED IN WHOLE OR IN PART AS
THE BASIS FOR THE MANUFACTURE OR
SALE OF ITEMS WITHOUT WRITTEN
PERMISSION. COPYRIGHT © 1982,
DIGITAL EQUIPMENT CORPORATION

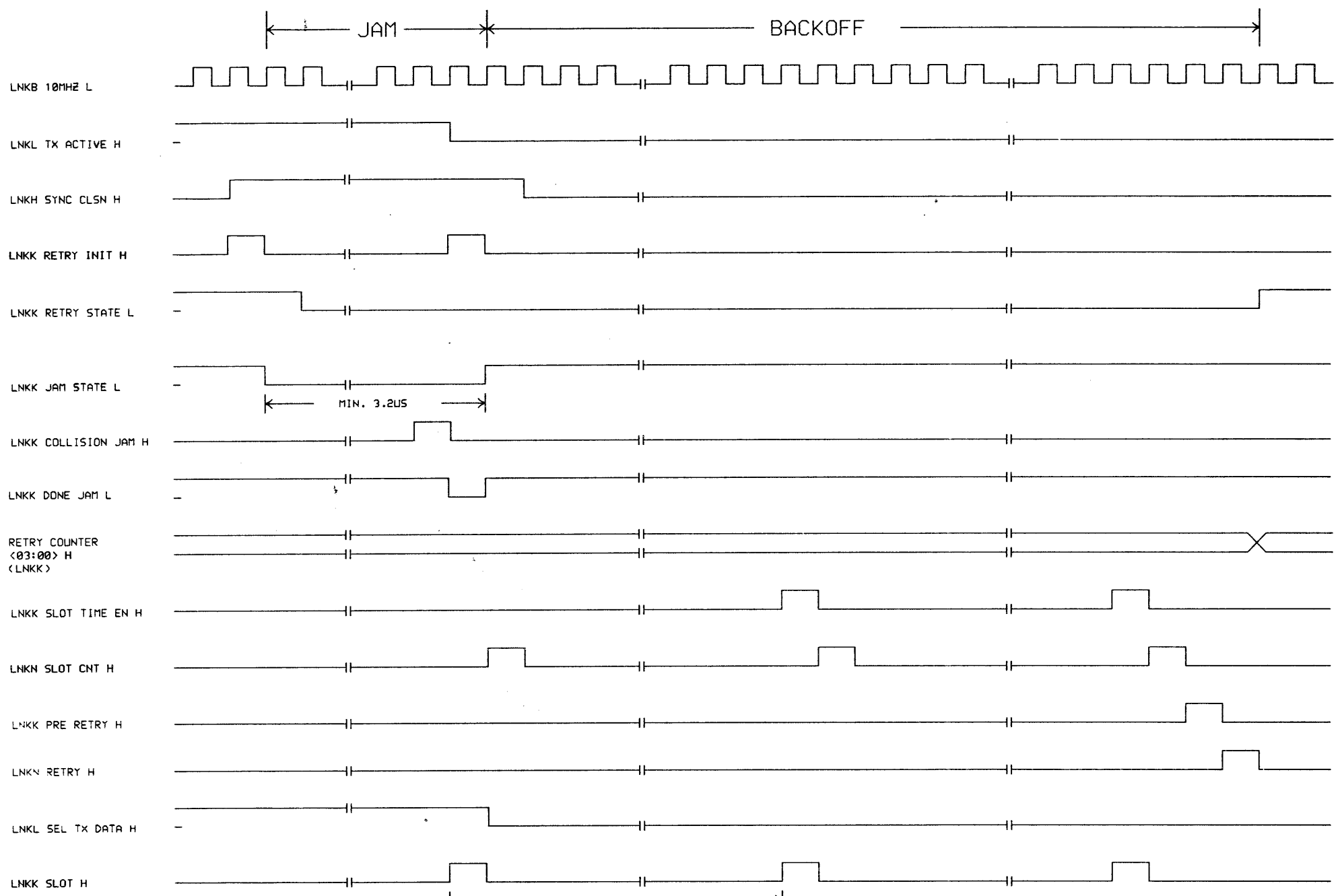
REVISIONS	
CHK	CHANGE NO. REV

digital	DRN. CARLSON	DATE 17-NOV-82	ENG. Neil Bloomberg	DATE 17-NOV-82	TITLE: DEUNA LINK MODULE (LNK)
	CHK'D. <i>R. Sargent</i>	DATE 17-NOV-82	BOARD LOCATION: SHEET 1 OF 1		
DSKD: <SARGENT>LNKTDS.DRW 17-NOV-82 11:03		NEXT HIGHER ASSEMBLY: D-UA-M7793-0-0		SIZE K	CODE CS
FIRST USED ON OPTION/MODEL: DEUNA				NUMBER M7793-0-TDS	REV. A

TW

D
C
B
A

D
C
B
A



RETRY-LNKK, LNKL, LNKN
JAM AND BACKOFF
TIMING DIAGRAM-16

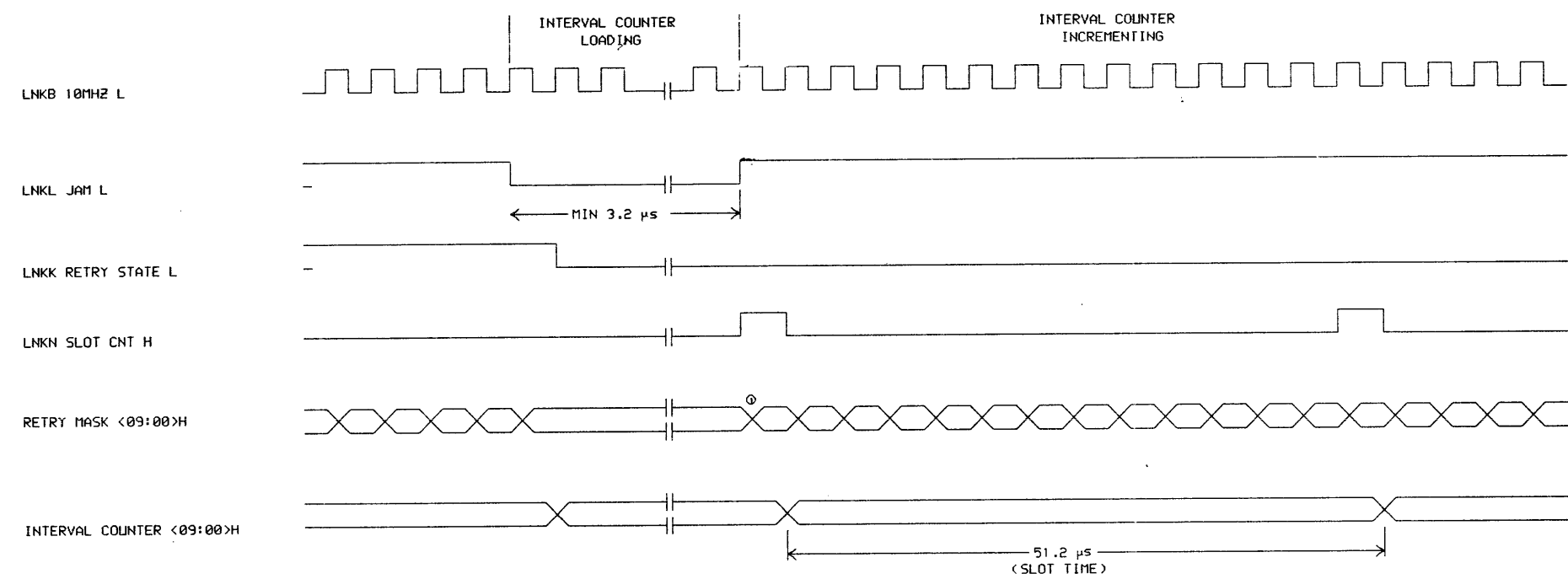
"THIS DRAWING AND SPECIFICATIONS
HEREIN, ARE THE PROPERTY OF
DIGITAL EQUIPMENT CORPORATION AND
SHALL NOT BE REPRODUCED OR COPIED
OR USED IN WHOLE OR IN PART AS
THE BASIS FOR THE MANUFACTURE OR
SALE OF ITEMS WITHOUT WRITTEN
PERMISSION. COPYRIGHT © 1982,
DIGITAL EQUIPMENT CORPORATION"

REVISIONS	
CHK	CHANGE NO. REV

--	--	--	--	--	--	--	--	--	--

digital	DRN. CARLSON	DATE 17-NOV-82	ENG. Neil Bloomberg	DATE 17-NOV-82	TITLE: DELUNA LINK MODULE (LNK)
	CHK: D. Sargent	DATE 17-NOV-82	BOARD LOCATION: SHEET 1 OF 1	SIZE CODE NUMBER REV.	K CS M7793-0-TDT A
	DSKD: <SARGENT>LNK.TDT.DRW 17-NOV-82 11:03		NEXT HIGHER ASSEMBLY: D-UA-M7793-0-0		

--	--	--	--	--	--



⊙ RETRY MASK <09:00>H IS CLOCK BY LNKL OSC L AND HENCE IS ASYNCHRONIS TO 10MHZ L.

RETRY-LNKK, LNKL
LOADING OF INTERVAL COUNTER
TIMING DIAGRAM-17

REV. A
NUMBER M7793-0-TDU
SIZE CODE K CS

"THIS DRAWING AND SPECIFICATIONS HEREIN ARE THE PROPERTY OF DIGITAL EQUIPMENT CORPORATION AND SHALL NOT BE REPRODUCED OR COPIED OR USED IN WHOLE OR IN PART AS THE BASIS FOR THE MANUFACTURE OR SALE OF ITEMS WITHOUT WRITTEN PERMISSION. COPYRIGHT © 1982, DIGITAL EQUIPMENT CORPORATION."

REVISIONS		
CHK	CHANGE NO.	REV

DRN. PAUL HEBERT"	DATE 17-NOV-82	ENG. Neil Bloomberg	DATE 17-NOV-82
CHK'D. [Signature]	DATE 17-NOV-82	BOARD LOCATION:	SHEET 1 OF 1
DSKD: <SARGENT>LNK.TDU.DRW 17-NOV-82 11:05		NEXT HIGHER ASSEMBLY:	
FIRST USED ON OPTION/MODEL: DELUNA		D-LIA-M7793-0-0	

TITLE: DELUNA LINK MODULE (LNK)			
SIZE CODE	NUMBER	REV.	
K CS	M7793-0-TDU	A	

8

7

6

5

4

3

2

REV. A

SIZE CODE CS

NUMBER

M7793-0-TDV

1

D

C

B

A

D

C

REV. A

NUMBER

M7793-0-TDV

SIZE CODE CS

K

B

A

LNKL OSC L

RETRY COUNT (E21-11 H)
(LNKK)

(E21-12 H)

(E21-13 H)

(E21-14 H)

RANDOM NUMBER (09:00) H

INTERVAL COUNT (09:05) L
(LNKK)

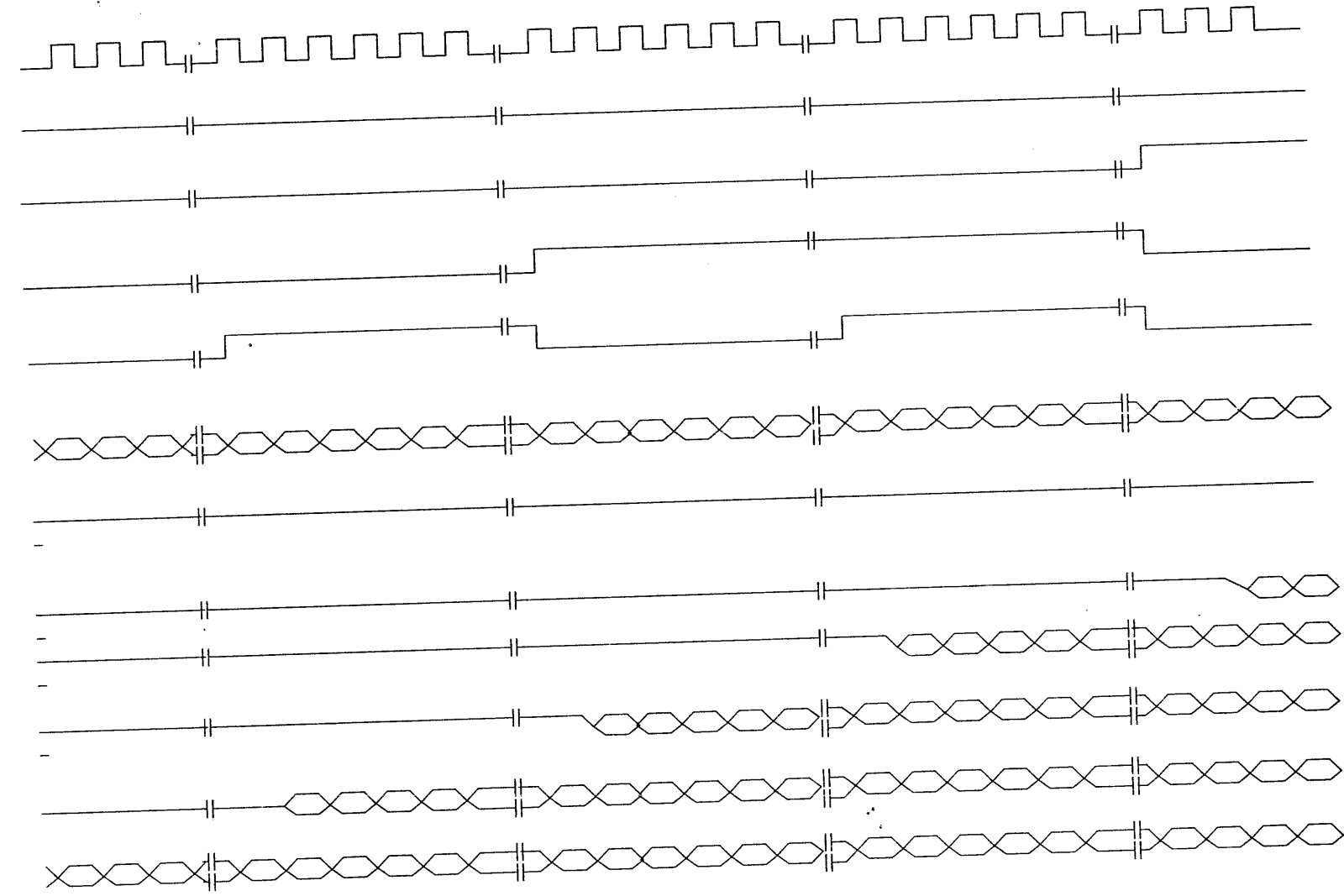
(E22-18 L)

(E22-17 L)

(E22-16 L)

(E22-15 L)

(E22-14 L)



NOTE 1. THIS COUNT IS INCREMENTED AT THE DEASSERTION OF RNKK RETRY STATE L.

RETRY-LNKK, LNKL
RANDOM NUMBER MASK OPENING
TIMING DIAGRAM-18

THIS DRAWING AND SPECIFICATIONS ARE THE PROPERTY OF DIGITAL EQUIPMENT CORPORATION AND SHALL NOT BE REPRODUCED OR COPIED OR USED IN WHOLE OR IN PART AS THE BASIS FOR THE MANUFACTURE OR SALE OF ITEMS WITHOUT WRITTEN PERMISSION. COPYRIGHT © 1982, DIGITAL EQUIPMENT CORPORATION.

REVISIONS		
CHK	CHANGE NO.	REV

digital	DRN. C. GIROUARD	DATE 17-NOV-82	ENG. Neil Bloomberg	DATE 17-NOV-82	TITLE: DELUNA LINK MODULE (LNK)
	CHK'D. J. Sargent	DATE 17-NOV-82	BOARD LOCATION: DE 1	SHEET 1 OF 1	NUMBER M7793-0-TDV
DSKD: <SARGENT>LNKTDV.DRW17-NOV-82 11:06		NEXT HIGHER ASSEMBLY: D-UA-M7793-0-0		SIZE CODE K CS	REV. A
FIRST USED ON OPTION/MODEL: DELUNA				2	1

8

7

6

5

4

3

2

1

8

7

6

5

4

3

2

REV. A
NUMBER M7793-0-TDM
SIZE CODE K CS

1

D

C

B

A

D

C

REV. A

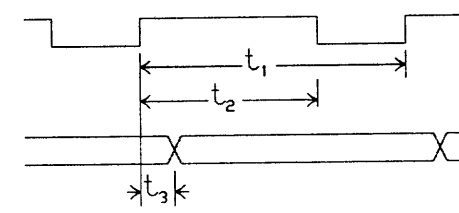
NUMBER M7793-0-TDM

SIZE CODE K CS

B

D

(E151-6 H)ECL
CLK OUTPUT

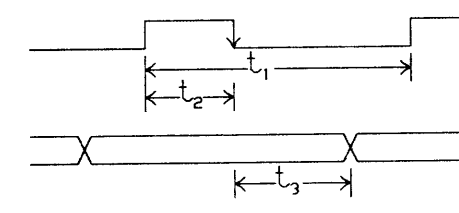


(E151-3 H)ECL
DATA OUTPUT

PARAMETER	MIN	TYPE	MAX
t_1	80	100	120
t_2	26	50	70
t_3		2	

MANCHESTER DECODER -

LNKC PRE RCLK H



LNKC PRE RX SEROUT H

PARAMETER	MIN	TYPE	MAX
t_1	80	100	120
t_2		30	
t_3		50	

CLOCK SHAPER -

RECEIVE CLOCK, DATA OUTPUTS-LNKC TIMING DIAGRAMS-19

THIS DRAWING AND SPECIFICATIONS
HEREIN ARE THE PROPERTY OF
DIGITAL EQUIPMENT CORPORATION AND
SHALL NOT BE REPRODUCED OR COPIED
OR USED IN WHOLE OR IN PART AS
THE BASIS FOR THE MANUFACTURE OR
SALE OF ITEMS WITHOUT WRITTEN
PERMISSION. COPYRIGHT © 1982
DIGITAL EQUIPMENT CORPORATION

REVISIONS		
CHK	CHANGE NO.	REV

digital DRN. PAUL HEBERT" DATE 17-NOV-82 ENG. Neil Bloomberg DATE 17-NOV-82
CHK'D: X2 DATE 17-NOV-82 BOARD LOCATION: SHEET 1 OF 1
DSKD: <SARGENT>LNKTDW.DRW 17-NOV-82 11:03 NEXT HIGHER ASSEMBLY:
FIRST USED ON OPTION/MODEL: DELUNA D-LA-M7793-0-0

TITLE: DELUNA LINK MODULE (LNK)
SIZE CODE K CS NUMBER M7793-0-TDM REV. A

8

7

6

5

4

3

2

1

TW

PART NUMBER: 23-026K4-00

LOCATION: E23

DEVICE TYPE: PAL16P6
PIN NUMBER = SYMBOL TABLE:

1= CLK	8= SEL2 H	15= RMD6 L
2= RAN8 H	9= SEL3 H	16= RMD7 L
3= RAN7 H	10= /VND	17= RMD8 L
4= RAN5 H	11= /EN	18= RMD9 L
5= RAN5 H	12= Load L	19= RAN3 H
6= SEL0 H	13= MDRE L	20= VCC
7= SEL1 H	14= RMD5 L	

NOTES: RNMS2.PAL - (LNKK)
This program implements the Random number mask function specified in the Ethernet spec.

PAL PINS: 101010101010111111111111
213141516171819213141516171819

OUTPIN 19

OUTPIN 18 X X X X X X H H L X X X X X X H SEL3 H * SEL2 H * RAN8 H * Load L
 X X X X X H X H L X X X X X X H SEL3 H * SEL1 H * RAN9 H * Load L
 X X X X X H X H L X X X X X X H SEL3 H * SEL0 H * RAN5 H * Load L
 X X X X X X X H X X X X X L X RMD9 L * /Load L

OUTPIN 17 H X X X X X H L X X X X X X SEL3 H * RAN8 H * Load L
 X X X X X X X H X X X X L X X RMD8 L * /Load L

OUTPIN 16 X H X X X X H L X X X X X X SEL3 H * RAN7 H * Load L
 X H X X H H X H L X X X X X X SEL2 H * SEL1 H * SEL0 H * RAN7 H * Load L
 X X X X X X X H X X X L X X X RMD7 L * /Load L

OUTPIN 15 X X H X X X X H L X X X X X X SEL3 H * RAN5 H * Load L
 X X X X X H X H L X X X X X X SEL2 H * SEL1 H * RAN6 H * Load L
 X X X X X X X H X X X L X X X RMD6 L * /Load L

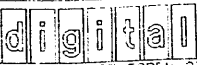
OUTPIN 14 X X X H X X X H L X X X X X X SEL3 H * RAN5 H * Load L
 X X X H H X H X L X X X X X X SEL2 H * SEL0 H * RAN5 H * Load L
 X X X H H X H X L X X X X X X SEL2 H * SEL1 H * RAN5 H * Load L
 X X X X X X X H X L X X X X X RMD5 L * /Load L

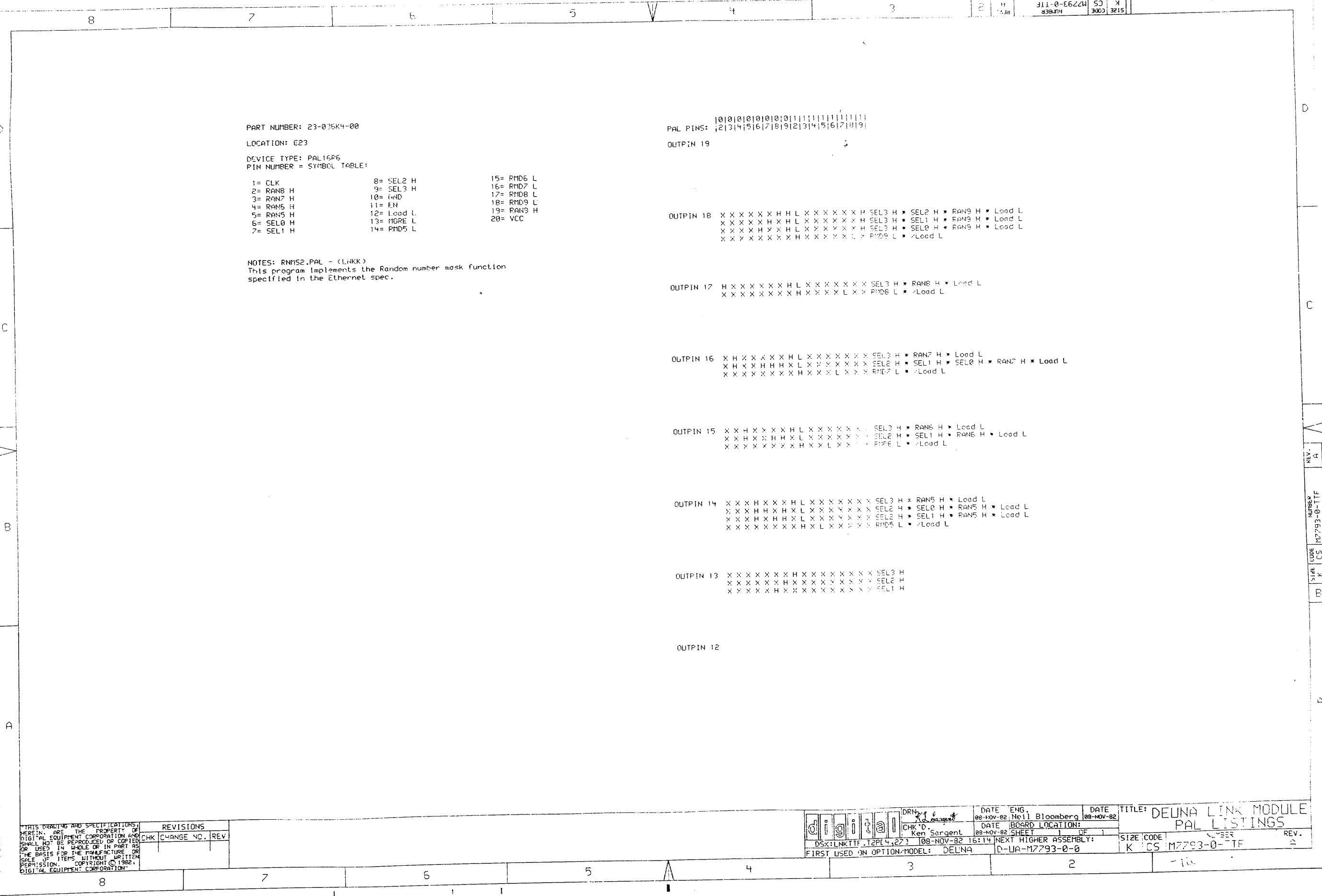
OUTPIN 13 X X X X X X H X X X X X X SEL3 H
 X X X X X H X X X X X X X SEL2 H
 X X X X X H X X X X X X X SEL1 H

OUTPIN 12

THIS DRAWING AND SPECIFICATIONS ARE THE PROPERTY OF DIGITAL EQUIPMENT CORPORATION AND SHALL NOT BE REPRODUCED OR COPIED OR USED IN WHOLE OR IN PART AS THE BASIS FOR THE MANUFACTURE OR SALE OF ITEMS WITHOUT WRITTEN PERMISSION. COPYRIGHT © 1982, DIGITAL EQUIPMENT CORPORATION

REVISIONS		
CHK	CHANGE NO.	REV

	DATE ENG: 08-NOV-82, Neil Bloomberg	DATE: 08-NOV-82	TITLE: DELUNA LINK MODULE PAL LISTINGS
	DATE BOARD LOCATION: 08-NOV-82	DATE: 08-NOV-82	
DRN: 10000000	CHK'D: Ken Sargent	108-NOV-82 16:14	NEXT HIGHER ASSEMBLY:
FIRST USED ON OPTION/MODEL: DELUNA		D-UA-M7293-0-0	
SIZE CODE: K		CS: M7293-0-TTF	



PART NUMBER: 23-028K5-00

LOCATION: E37

DEVICE TYPE: PAL16R8
PIN NUMBER = SYMBOL TABLE:

- | | | |
|---------------------|------------------|--------------------|
| 1= CLK | 8= Inter Pack L | 15= No Carr Sta L |
| 2= ON H | 9= Adv PTR L | 16= Rx Active L |
| 3= Carr H | 10= GND | 17= Bad Pack Sta L |
| 4= Runt Or NMatch H | 11= EN | 18= Pack Ok Sta L |
| 5= NC H | 12= Rx Ena Sta L | 19= Miss L |
| 6= Free Rx Buff H | 13= Res PTR L | 20= VCC |
| 7= NC H | 14= Inc PTR L | |

NOTE: RXST1.PAL - (LNKH)

This program is the memory contents of the PAL logic used to form the Receive State machine. This PAL is used to receive the Preamble, Data, and check the CRC. If there is an error the State machine will jump to either the Miss, or Bad Pack State. If a packet is received without error the program will sequence to the write status routine in RXSTA2.PAL.

PAL PINS: |0|0|0|0|0|0|0|0|1|1|1|1|1|1|1|1|1|1|1|1|1|1|

OUTPIN 19 H X X X L X X X X X X L X X X Rx Active L * /Free Rx Buff H * ON H
H X X X X X X X X X X X L X X L Miss L * Rx Active L * ON H

OUTPIN 18 H L L X X X X X X X X L X X H Rx Active L * /Carr H * /Runt Or NMatch H * /Miss L * ON H

OUTPIN 17 H L H X X X X X X X X L X X X Rx Active L * /Carr H * Runt Or NMatch H * ON H

OUTPIN 16 H H X X X X X X X L X X X X No Carr Sta L * ON H * Carr H
H X X X X X X X X X X X L H X X X Rx Active L * /Bad Pack Sta L * Carr H * ON H
H X X X X X X X X X X L X H X X Rx Active L * /Pack Ok Sta L * Carr H * ON H

OUTPIN 15 H L X X X X X X L X X X X X X X Rx Ena Sta L * /Carr H * ON H
H L X X X X X X X X L H X X X No Carr Sta L * /Rx Active L * /Carr H * ON H

OUTPIN 14 H X X X X X X X L X X X X X X Res PTR L * ON H

OUTPIN 13 H H X X X X X X X X L X X X X No Carr Sta L * ON H * Carr H

OUTPIN 12 L X X X X X X X X X X X X X X /ON H
H X X X X X X X L X X X X X X X X Adv PTR L * ON H
H X X X X X X X X X X X L X X Bad Pack Sta L * ON H
H X X X X X X X X X X H X X X L Miss L * ON H * /Rx Active L
H X X X X X X X L X X X X X X X Rx Ena Sta L * Carr H * ON H

THIS DRAWING AND SPECIFICATIONS ARE THE PROPERTY OF DIGITAL EQUIPMENT CORPORATION AND SHALL NOT BE REPRODUCED OR COPIED OR USED IN WHOLE OR IN PART AS THE BASIS FOR THE MANUFACTURE OR SALE OF ITEMS WITHOUT WRITTEN PERMISSION. COPYRIGHT © 1982, DIGITAL EQUIPMENT CORPORATION

REVISIONS		
CHK	CHANGE NO.	REV

digital	DRN: K Sargent	DATE: 08-NOV-82	ENG: Neil Bloomberg	DATE: 08-NOV-82	TITLE: DEUNA LINK MODULE PAL LISTINGS
	CHK'D: Ken Sargent	DATE: 08-NOV-82	BOARD LOCATION: SHEET 1 OF 1		
DSK:LNK1TH.T2P14.271		08-NOV-82 16:14		NEXT HIGHER ASSEMBLY: D-UA-17793-0-0	SIZE CODE NUMBER REV. K CS M7793-0-TTH A
FIRST USED ON OPTION/MODEL: DEUNA					

PART NUMBER: 23-029K5-00
LOCATION: E32
DEVICE TYPE: PAL16R8
PIN NUMBER = SYMBOL TABLE:

1= CLK	8= MISS L	15= Pause L
2= ON H	9= Pack Ok State L	16= RX WR STAT1 L
3= Carr H	10= GND	17= PTR ADV L
4= Runt Or NMatch H	11= EN	18= Sel Rx Data L
5= MEM CYCDN H	12= Set Miss L	19= Odd Byte L
6= RX FRAME H	13= PTR RES L	20= VCC
7= Mlen0 H	14= RX WR STAT0 L	

NOTE: RXST2.PAL - (LNKH)

This Program is the memory contents of the PAL logic used to form the Receive State Machine. This PAL forms the second part of the state machine and is used to write status at the end of the Packet.

PAL PINS: 10101010101011111111111111111111
213141516171819213141516171819

OUTPIN 19 H X X X X X X L X X X X X X X X X Pack Ok State L * ON H
H X X X X X X X X X X X X L L Odd Byte L * Sel Rx Data L * ON H

OUTPIN 18 H X X X H X H X X X X X X X X X RX FRAME H * /MISS L * ON H
H X X X H X L X X X X X X X X Pack Ok State L * Mlen0 H * ON H
H X X L X X X X X X X X L X Sel Rx Data L * /MEM CYCDN H * ON H

OUTPIN 17 H X X H X X X X X X X X X X RX WR STAT1 L * MEM CYCDN H * ON H

OUTPIN 16 H X X X X X X X X X L X X X X Pause L * ON H
H X X L X X X X X X X X X X X X RX WR STAT1 L * /MEM CYCDN H * ON H

OUTPIN 15 H X X H X X X X X X L X X X X X RX WR STAT0 L * MEM CYCDN H * ON H
H X X X X X X X X X X L X X X X X Pause L * /RX WR STAT1 L * ON H

OUTPIN 14 H X X X X X X X X X X X X X X PTR RES L * ON H
H X X L X X X X X X X X X X X X RX WR STAT0 L * /MEM CYCDN H * ON H

OUTPIN 13 H X X X X X X X X X X X X X H L Odd Byte L * /Sel Rx Data L * ON H

OUTPIN 12 H L L X X X L X X X X X X X X X MISS L * /Carr H * /Runt Or NMatch H * ON H

REVISIONS		
CHK	CHANGE NO.	REV.

THIS DRAWING AND SPECIFICATIONS HEREIN ARE THE PROPERTY OF DIGITAL EQUIPMENT CORPORATION AND SHALL NOT BE REPRODUCED OR COPIED OR USED IN WHOLE OR IN PART AS THE BASIS FOR THE MANUFACTURE OR SALE OF ITEMS WITHOUT WRITTEN PERMISSION. COPYRIGHT © 1982, DIGITAL EQUIPMENT CORPORATION.

digital	DRN: <u>K. Sargent</u> CHK'D: <u>Ken Sargent</u>	DATE: 08-NOV-82 DATE: 08-NOV-82	ENG: Neil Bloomberg	DATE: 08-NOV-82	TITLE: DEUNA LINK MODULE PAL LISTINGS
DSK:LNKTJJ.T2PL4.27		108-NOV-82 16:15		SHEET 1 OF 1	
FIRST USED ON OPTION/MODEL: DEUNA			NEXT HIGHER ASSEMBLY: D-LA-M7793-0-0		
		SIZE: K	CODE: CS	NUMBER: M7793-0-TTJ	REV: A

8

7

6

5

4

3

2

1

SIZE	K	CS	NUMBER
REV.	A		M7793-0-TTL

PART NUMBER: 23-025K5-00

LOCATION: E49

DEVICE TYPE: PAL16R8

PIN NUMBER = SYMBOL TABLE:

1= CLK	8= CLSN H	15= Pre3 State L
2= TATT H	9= MEM CYCDN H	16= Pre4 State L
3= Inter Pack L	10= GND	17= DTATT L
4= RTRY CNT H	11= EN	18= Data State L
5= ON H	12= Tx Ena Sta L	19= Data REQ L
6= Tx Frame H	13= Pre1 State L	20= VCC
7= Cnt Done H	14= Pre2 State L	

NOTE: TXST1.PAL - (LNKL)

This program is the Memory contents of the PAL logic used to form the transmit State machine. This PAL is used to transmit the Preamble and the Data. If a Collision should occur the the PAL will clear all the States and then jump to the JAM State in PAL TxSTA3.PAL

PAL PINS: 00100100101011111111111111111111
213141516171819213141516171819

OUTPIN 19 XXXHHXXXXXXLXXXXX Pre3 State L * Tx Frame H * ON H
XXXXXXXXXXXXXXXXLXXXXX Pre4 State L * Tx Frame H * ON H
XXXXXXXXLXXXXXXLX Data State L * Tx Frame H * /Cnt Done H * /CLSN H * ON H
XXXXXXXXLXXXXXXLX Data REQ L * /MEM CYCDN H * ON H

OUTPIN 18 XXXHHXXXXXXLXXXXX Tx Frame H * Pre4 State L * ON H
XXXXXXXXLXXXXXXLX Data State L * /Cnt Done H * /CLSN H * ON H

OUTPIN 17 HXXXXXXXXXXXXXXXXX TATT H

OUTPIN 16 XXXHHXXXXXXLXXXXX Tx Frame H * Pre3 State L * ON H
XXXXXXXXXXXXXXXXLXXXXX Pre4 State L * /Data State L * ON H

OUTPIN 15 XXXHHXXXXXXLXXXXX Tx Frame H * Pre2 State L * ON H
XXXXXXXXXXXXXXXXLXXXXX Pre3 State L * /Pre4 State L * ON H

OUTPIN 14 XXXHHXXXXXXLXXXXX Tx Frame H * Pre1 State L * ON H
XXXXXXXXXXXXXXXXLXXXXX Pre2 State L * /Pre3 State L * ON H

OUTPIN 13 XLXXXXXXLXXXXXX Tx Ena Sta L * Inter Pack L * ON H
XXXXXXXXXXXXXXXXLXXXXXX Pre1 State L * /Pre2 State L * ON H

OUTPIN 12 HXXXXXXXXXXXXXXXXX TATT H * /DTATT L * ON H
XXXXXXXXXXXXXXXXXXXXX RTRY CNT H * ON H
XXXXXXXXLXXXXXX Tx Ena Sta L * /Pre1 State L * ON H

THIS DRAWING AND SPECIFICATIONS ARE THE PROPERTY OF DIGITAL EQUIPMENT CORPORATION AND SHALL NOT BE REPRODUCED OR COPIED OR USED IN WHOLE OR IN PART AS THE BASIS FOR THE MANUFACTURE OR SALE OF ITEMS WITHOUT WRITTEN PERMISSION. COPYRIGHT © 1982, DIGITAL EQUIPMENT CORPORATION

REVISIONS		
CHK	CHANGE NO.	REV

digital	DRN: <i>K. Sargent</i>	DATE: 08-NOV-82	ENG: Neil Bloomberg	DATE: 08-NOV-82	TITLE: DEUNA LINK MODULE PAL LISTINGS
	CHK'D: <i>Ken Sargent</i>	DATE: 08-NOV-82	BOARD LOCATION: DE 1	SHEET: 1 OF 1	
DSK:LNKTTL.T2PL4.271 08-NOV-82 16:15			NEXT HIGHER ASSEMBLY: D-UP-M7793-0-0		SIZE CODE: K CS
FIRST USED ON OPTION/MODEL: DEUNA					NUMBER: M7793-0-TTL
					REV. A

8

7

6

5

4

3

2

1

D

C

REV. A

NUMBER

M7793-0-TTL

SIZE CODE

K CS

B

A

PART NUMBER: 23-026K5-00

LOCATION: E51

DEVICE TYPE: PAL16R8
PIN NUMBER = SYMBOL TABLE:

1= CLK	8= CLSN H	15= Tx WR Stat0 L
2= Data State L	9= MEM CYCDN H	16= Tx WR Stat1 L
3= DTCR H	10= GND	17= Sel Tx CRC L
4= RTRY H	11= EN	18= Done L
5= ON H	12= CRC1 State L	19= Stat Req L
6= Tx Frame H	13= CRC2 State L	20= VCC
7= Cnt Done H	14= RES PTR L	

NOTES: TXST2.PAL - (LNKL)

This program is the memory contents of the PAL logic used to form the transmit State machine. This PAL is used to transmit the CRC at the end of the packet. If a CLSNision should occur all States will be cleared. At the end of the CRC or If DTCR is valid at the end of the Data field the PAL will then Write Status to the Link Memory buffer in the PORT.

PAL PINS: 0010010101011111111111111111
 12345678910111213141516171819

OUTPIN 19 X X X H X X X L X X X L X X X X Tx WR Stat0 L * /MEM CYCDN H * ON H
 X X X H X X X L X X X X L X X X Tx WR Stat1 L * /MEM CYCDN H * ON H
 X X X H X X X L X X X X X X X L Stat Req L * /MEM CYCDN H * ON H

OUTPIN 18 X X X H X X X H X X X X L X X X Tx WR Stat1 L * ON H * MEM CYCDN H

OUTPIN 17 X X X H X H L X X X X X X X X Cnt Done H * /CLSN H * ON H
 X X X H X X L X X X H X X L X X Sel Tx CRC L * /CLSN H * /RES PTR L * ON H

OUTPIN 16 X X X H X X X H X X X L X X X X Tx WR Stat0 L * MEM CYCDN H * ON H
 X X X H X X X L X X X X L X X X Tx WR Stat1 L * /MEM CYCDN H * ON H

OUTPIN 15 X X X H X X X X X L X X X X RES PTR L * ON H
 X X X H X X X L X X X X X X X Tx WR Stat0 L * /MEM CYCDN H * ON H

OUTPIN 14 X X X H H X L X X L X X X X X CRC2 State L * Tx Frame H * /CLSN H * ON H
 L H X X H X X X X X X X X X Data State L * Cnt Done H * ON H * DTCR H
 X X H H X X X X X X X X X X RTRY H * ON H

OUTPIN 13 X L X H H X L X L X X X X X X CRC1 State L * Tx Frame H * /CLSN H * ON H * /DTCR H
 X L X H L X L X X L H X X X X X CRC2 State L * /Tx Frame H * ON H * /RES PTR L * /CLSN H * /DTCR H

OUTPIN 12 L L X H X H L X X X X X X X X Data State L * Cnt Done H * ON H * /CLSN H * /DTCR H
 X L X H X X L X L H X X X X X X X CRC1 State L * /CRC2 State L * ON H * /CLSN H * /DTCR H

THIS DRAWING AND SPECIFICATIONS HEREIN ARE THE PROPERTY OF DIGITAL EQUIPMENT CORPORATION AND SHALL NOT BE REPRODUCED OR COPIED OR USED IN WHOLE OR IN PART AS THE BASIS FOR THE MANUFACTURE OR SALE OF ITEMS WITHOUT WRITTEN PERMISSION. COPYRIGHT © 1982, DIGITAL EQUIPMENT CORPORATION

REVISIONS	
CHK	CHANGE NO. REV.

digital	DRN: <i>Ken Sargent</i>	DATE: 08-NOV-82	ENG: Neil Bloomberg	DATE: 08-NOV-82	TITLE: DEUNA LINK MODULE PAL LISTINGS
	CHK'D: Ken Sargent	DATE: 08-NOV-82	BOARD LOCATION: SHEET 1 OF 1		
DSK:LNK1TM.12PL4.271		08-NOV-82 16:15	NEXT HIGHER ASSEMBLY: D-UA-17793-0-0		SIZE CODE NUMBER REV. A
FIRST USED ON OPTION/MODEL: DEUNA					K CS M7793-0-TTM

D

C

A

A

B

A

A

"THIS DRAWING AND SPECIFICATIONS, HEREBY ARE THE PROPERTY OF DIGITAL EQUIPMENT CORPORATION AND SHALL NOT BE REPRODUCED OR COPIED OR USED IN WHOLE OR IN PART AS THE BASIS FOR THE MANUFACTURE OR SALE OF ITEMS WITHOUT WRITTEN PERMISSION. COPYRIGHT © 1976 DIGITAL EQUIPMENT CORPORATION"

WIRE TABLE

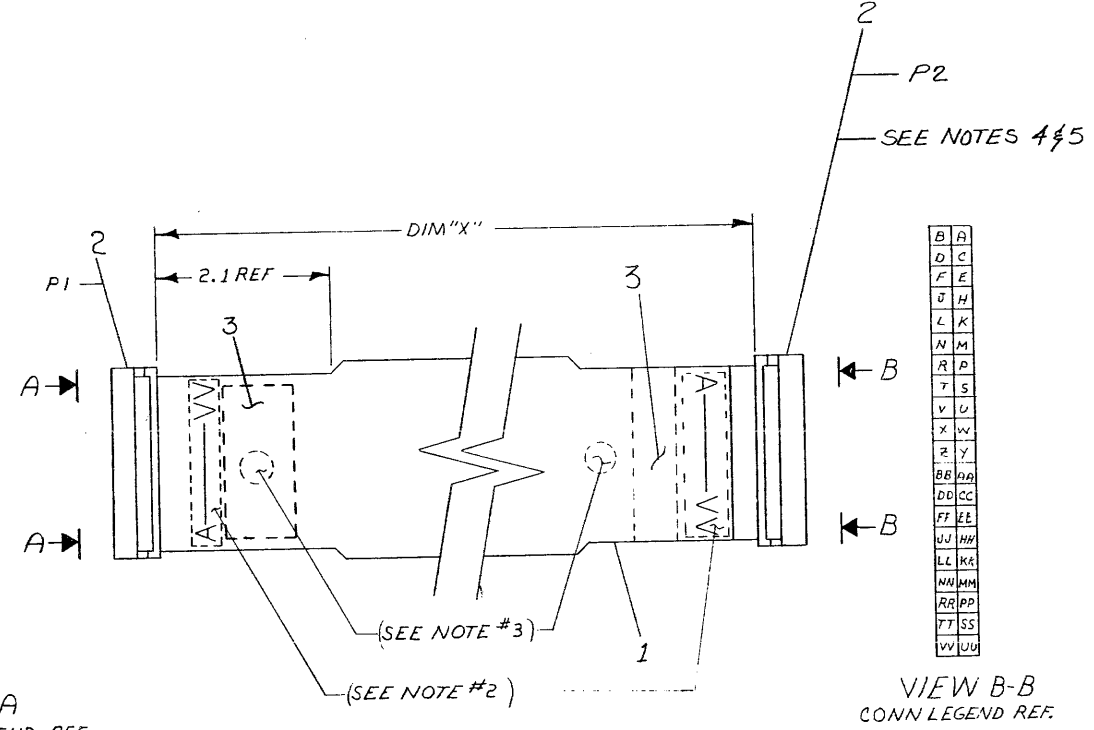
FROM	TO	FROM	TO
P1-A	P2-VV	P1-Y	P2-X
P1-B	P2-UU	P1-Z	P2-W
P1-C	P2-TT	P1-AA	P2-V
P1-D	P2-SS	P1-BB	P2-U
P1-E	P2-RR	P1-CC	P2-T
P1-F	P2-PP	P1-DD	P2-S
P1-H	P2-NN	P1-EE	P2-R
P1-J	P2-MM	P1-FF	P2-P
P1-K	P2-LL	P1-HH	P2-N
P1-L	P2-KK	P1-JJ	P2-M
P1-M	P2-JJ	P1-KK	P2-L
P1-N	P2-HH	P1-LL	P2-K
P1-P	P2-FF	P1-MM	P2-J
P1-R	P2-EE	P1-NN	P2-H
P1-S	P2-DD	P1-PP	P2-F
P1-T	P2-CC	P1-RR	P2-E
P1-U	P2-BB	P1-SS	P2-D
P1-V	P2-AA	P1-TT	P2-C
P1-W	P2-Z	P1-UU	P2-B
P1-X	P2-Y	P1-VV	P2-A

LEGEND

NUMBER	REV	DIM "X"	PRECUT LENGTH
BC08R-01	T1	1.00 FT.	1.00 FT. 1.5 IN. ± .001 IN
BC08R-02		2.00 FT.	2.00 FT. 1.5 IN. ± .001 IN
BC08R-03		3.00 FT.	3.00 FT. 1.5 IN. ± .001 IN
BC08R-04		4.00 FT.	4.00 FT. 1.5 IN. ± .001 IN
BC08R-05		5.00 FT.	5.00 FT. 1.5 IN. ± .001 IN
BC08R-06		6.00 FT.	6.00 FT. 1.5 IN. ± .001 IN
BC08R-07		7.00 FT.	7.00 FT. 1.5 IN. ± .001 IN
BC08R-08		8.00 FT.	8.00 FT. 1.5 IN. ± .001 IN
BC08R-09		9.00 FT.	9.00 FT. 1.5 IN. ± .001 IN
BC08R-10		10.00 FT.	10.00 FT. 1.5 IN. ± .001 IN
BC08R-11		11.00 FT.	11.00 FT. 1.5 IN. ± .001 IN
BC08R-12		12.00 FT.	12.00 FT. 1.5 IN. ± .001 IN
BC08R-13		13.00 FT.	13.00 FT. 1.5 IN. ± .001 IN
BC08R-14		14.00 FT.	14.00 FT. 1.5 IN. ± .001 IN
BC08R-15		15.00 FT.	15.00 FT. 1.5 IN. ± .001 IN
BC08R-16		16.00 FT.	16.00 FT. 1.5 IN. ± .001 IN
BC08R-17		17.00 FT.	17.00 FT. 1.5 IN. ± .001 IN
BC08R-18		18.00 FT.	18.00 FT. 1.5 IN. ± .001 IN
BC08R-19		19.00 FT.	19.00 FT. 1.5 IN. ± .001 IN
BC08R-20		20.00 FT.	20.00 FT. 1.5 IN. ± .001 IN
BC08R-25		25.00 FT.	25.00 FT. 1.5 IN. ± .001 IN
BC08R-30		30.00 FT.	30.00 FT. 1.5 IN. ± .001 IN
BC08R-35		35.00 FT.	35.00 FT. 1.5 IN. ± .001 IN
BC08R-50		50.00 FT.	50.00 FT. 1.5 IN. ± .001 IN
BC08R-60		60.00 FT.	60.00 FT. 1.5 IN. ± .001 IN
BC08R-75		75.00 FT.	75.00 FT. 1.5 IN. ± .001 IN
BC08R-A0		100.00 FT.	100.00 FT. 1.5 IN. ± .001 IN
BC08R-A3		130.00 FT.	130.00 FT. 1.5 IN. ± .001 IN
BC08R-A6		160.00 FT.	160.00 FT. 1.5 IN. ± .001 IN
BC08R-2D		28 IN.	29.50 IN. ± 1.0 IN.
BC08R-2J		32 IN.	33.50 IN. ± 1.0 IN.
BC08R-0FT1		6 IN.	7.50 IN. ± 0.5 IN.

1. DELETED.
2. CONNECTOR LEGEND IDENTIFICATION TO BE PLACED ON SHIELD SIDE OF CABLE IN THIS AREA AS SHOWN.
3. INSPECTION & TEST STAMPS TO BE PLACED AT EACH END OF THE CABLE ASSY.
4. STRIP LENGTH SHOULD BE $5/32 \pm 4/32$.
5. WHEN INSTALLING STRAIN RELIEF, MAKE SURE THAT THE RECESSED SIDE IS AGAINST THE CABLE.

UU	VV
SS	TT
PP	RR
MM	NN
KK	LL
HH	JJ
EE	FF
CC	DD
AA	BB
Y	Z
W	X
U	V
S	T
P	R
M	N
K	L
H	J
E	F
C	D
A	B



B	A
D	C
F	E
H	G
J	I
L	K
N	M
P	Q
R	S
T	U
V	W
X	Y
Z	
AA	AB
BB	BC
CC	CD
DD	DE
EE	FF
FF	GG
GG	HH
HH	II
II	JJ
JJ	KK
KK	LL
LL	MM
MM	NN
NN	OO
OO	PP
PP	QQ
QQ	RR
RR	SS
SS	TT
TT	UU
UU	VV

CAUTION:
OFF SHEET PARTS LIST
K-PL-BC08R-0-0.

DESCRIPTION	DWG. PART NO.	ITEM NO.
1 LABEL IDENT	3216073-00	3
2 CONNECTOR, 40 SOCKET	1211206	2
3 AIR CABLE, 40 COND. FLAT W/SHIELD	1700004	1

UNLESS OTHERWISE SPECIFIED DIMENSIONS ARE IN INCHES

ANGLES ±0° 30'	CLASS OF ACCURACY (CHECK ONE)	NOMINAL DIMENSION RANGE INCHES						
		OVER 0 TO 0.2	OVER 0.2 TO 1.2	OVER 1.2 TO 4.0	OVER 4.0 TO 12.0	OVER 12.0 TO 40.0	OVER 40.0 TO 80.0	
SURFACE QUALITY IN	MEDIUM	±.004	±.008	±.012	±.016	±.024	±.04	
	PREFERRED	±.012	±.016	±.025	±.04	±.063	±0.1	

QUANTITY & VARIATION

THIRD ANGLE PROJECTION

REMOVE BURRS AND BREAK SHARP CORNERS

DO NOT SCALE DWG

MATERIAL

FINISH

DRND. FONTAINE 8-28-70
CHK'D J. FLEMING 8-28-70
ENG'D GARDNER 9-3-70
PROJ. ENG GARDNER 9-3-70
PROD. DONALD 9-4-70

TITLE BC08R
TO CABLE

FIRST USED ON

digital

NEXT HIGHER ASSY.

SCALE

SHEET 1 OF 1

DIST.

SIZE CODE UA
NUMBER FC08R-0-0
REV. T

REVISIONS	CHANGE NO.	REV.	DATE	BY	APP.
1	FC08R-00785	L	10-2-76	DRND. FONTAINE	
2	REVISIED & REDRAWN		10-2-76	DRND. FONTAINE	
3	S. HOLMES		10-2-76	S. HOLMES	
4	BC08R-0007	M	10-2-76	P. GARDNER	
5	BC08R-ML008	N	10-2-76	P. GARDNER	
6	BC08R-MK009	P	10-2-76	D. FRENIERE	
7	BC08R-MK010	R	10-2-76	D. FRENIERE	
8	BC08R-MK011	S	10-2-76	DAVID ZOPF	
9	BC08R-MK012	T	10-2-76	DAVID ZOPF	
10	BC08R-MK013	U	10-2-76	CHRIS RYAN	
11	BC08R-MK014	V	10-2-76	CHRIS RYAN	
12	BC08R-MK015	W	10-2-76	CHRIS RYAN	

LINE ITEM	TOP DOCUMENT	PART NUMBER	MIN REV	DESCRIPTION	QTY PER VARIATION											
					01	02	03	04	05	06	07	08	09	10	11	12
				VARIATION REVISION LEVEL:	T1	T1	T1	T1	T1	T1	T1	T1	T1	T1	T1	T1
1	1	1700004-00		CABLE,RIBBON BOND 40COND 30AWG	A/R	A/R	A/R	A/R	A/R	A/R	A/R	A/R	A/R	A/R	A/R	A/R
2	2	1211206-00		CONN,IDC 40SKI(2X20),100CC GOL	2	2	2	2	2	2	2	2	2	2	2	2
3	3	3616073-00		LABEL,ID W/COPY VERTICAL	2	2	2	2	2	2	2	2	2	2	2	2

REVISION HISTORY			BASIC PART NO: BC08R	DRN: R.FONTAINE	DATE: 28-AUG-70	D I G I T A L				
ENG	ECO NUMBER	REV	SECTION A OF C	CHK'D: J.FLEMING	DATE: 28-AUG-70	TITLE PARTS LIST		BC08R-0-0		
DF	BC08R-MK009	P	SECTION VARIATION INDEX	DES.ENG: P.GARDNER	DATE: 09-MAR-70	DOCUMENT NUMBER				
DZ	BC08R-MK010	R	[A]01,02,03,04,05,06,	RESP.ENG.: DAVID ZOPF	DATE: 14-DEC-81	SIZE	CODE	NUMBER	REV	
CR	BC08R-MK011	S	07,08,09,10,11,12			K	PL	BC08R-0-0	I	
CR	BC08R-MK012	T	[B]13,14,15,16,17,18,	MFG.ENG.: J.RISKO	DATE: 14-DEC-81	RELEASE DATE: 17-JAN-85				
			19,20,25,30,35,50	ASSEMBLY NUMBER:	TOP DOCUMENT NUMBER:	FILE NAME:		EDIT #		
			[C]60,75,A0,A3,A6,2D,	ID-UA-BC08R-0-0		MK0406,PLS		5		
			2J,OF							
			[D]							
			[E]							
			[F]							

"THIS DRAWING AND THE SPECIFICATIONS CONTAINED HEREIN ARE CONFIDENTIAL AND PROPRIETARY. THEY ARE THE PROPERTY OF DIGITAL EQUIPMENT CORPORATION AND SHALL NOT BE REPRODUCED OR COPIED OR USED IN WHOLE OR IN PART AS THE BASIS FOR THE MANUFACTURE OR SALE OF ITEMS WITHOUT WRITTEN PERMISSION. THIS IS AN UNPUBLISHED WORK PROTECTED UNDER THE FEDERAL COPYRIGHT LAWS."

AUTOMATED BY PRTLST,5R(55)

PARTS LIST

SHEET A1 OF A1

LINE ITEM	TOP DOCUMENT	PART NUMBER	MIN REV	DESCRIPTION	VARIATION REVISION LEVEL:	QTY PER VARIATION			
						00	KL	KM	K1
1	D-AD-7018799-0-0	7018799-00		UNA BULKHEAD ASSY.	REF	1	1	1	
2	D-IA-7018798-0-0	7018798-08		UNA BULKHEAD CABLE ASSY.	REF	0	1	1	
3	D-IA-7018798-0-0	7018798-04		UNA BULKHEAD CABLE ASSY.	REF	1	0	0	
4	D-IA-7427292-0-DBU	7427292-01		FRAME,I/O DOUBLE QUAD	REF	1	1	1	
5		9006073-03		SCREW,MACH TRUSS PHIL	10- REF	0	0	2	
6		9007786-00		RETAINER,U-NUT	10-32X REF	0	0	2	

REVISION HISTORY			BASIC PART NO: CKDEUNA		DRN:	DATE:	D I G I T A L			
ENG	ECO NUMBER	REV	SECTION A OF A	CHK'D:	<i>M. Mattock</i>	05-Mar-85	TITLE PARTS LIST			
---	INITIAL	A	SECTION,VARIATION INDEX [A]00,KL,KM,K1		<i>F. Carbone</i>	05-Mar-85	DEUNA CAB KIT			
			[B]	DES.ENG:	<i>M. Mattock</i>	05-Mar-85	DOCUMENT NUMBER			
			[C]		<i>M. Mattock</i>	05-Mar-85	SIZE	CODE	NUMBER	REV
			[D]	RESP.ENG.:	<i>M. Mattock</i>	05-Mar-85	K	PL	CKDEUNA-0-0	A
			[E]	MFG.ENG.:	DANA DUNCAN	06-Mar-85	RELEASE DATE: 01-MAR-85			
			[F]	ASSEMBLY NUMBER:	<i>M. Mattock</i>	06-Mar-85	TOP DOCUMENT NUMBER:		FILE NAME:	EDIT #
							#K-DD-CKDEUNA-0		MK1164.PLS	4

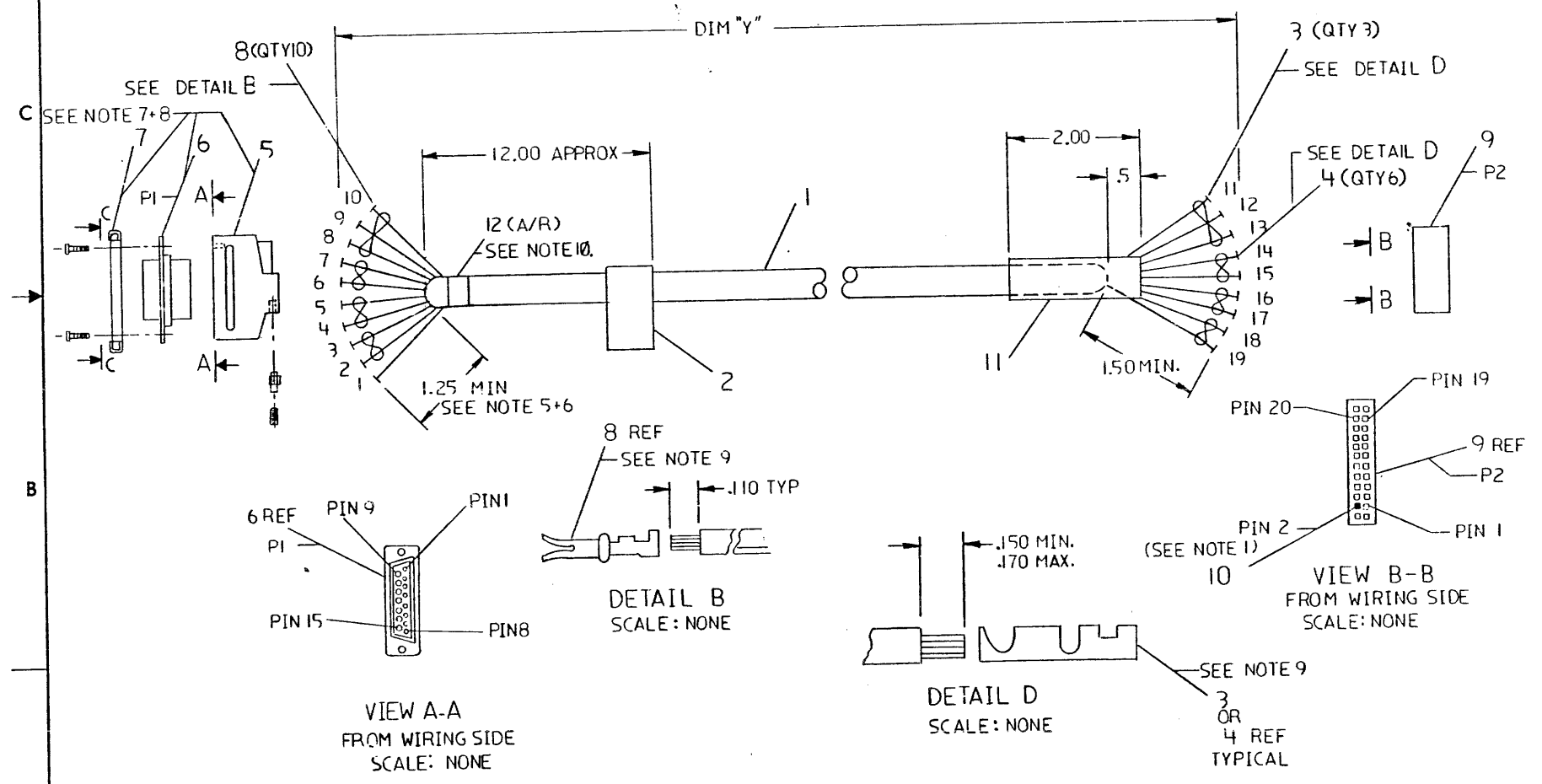
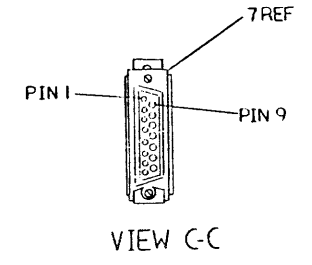
"THIS DRAWING AND THE SPECIFICATIONS CONTAINED HEREIN ARE CONFIDENTIAL AND PROPRIETARY. THEY ARE THE PROPERTY OF DIGITAL EQUIPMENT CORPORATION AND SHALL NOT BE REPRODUCED OR COPIED OR USED IN WHOLE OR IN PART AS THE BASIS FOR THE MANUFACTURE OR SALE OF ITEMS WITHOUT WRITTEN PERMISSION. THIS IS AN UNPUBLISHED WORK PROTECTED UNDER THE FEDERAL COPYRIGHT LAWS."

THIS DRAWING AND SPECIFICATIONS, HEREIN, ARE THE PROPERTY OF DIGITAL EQUIPMENT CORPORATION AND SHALL NOT BE REPRODUCED OR COPIED OR USED IN WHOLE OR IN PART AS THE BASIS FOR THE MANUFACTURE OR SALE OF ITEMS WITHOUT WRITTEN PERMISSION. COPYRIGHT © 1982 DIGITAL EQUIPMENT CORPORATION.

WIRE TABLE										
ITEM NO.	DESCRIPTION	COLOR	POINT	FROM			TO			REMARKS
				CONNECTION	TERM	POINT	CONNECTION	TERM		
1	SHIELD	---	1	PI-1	8,6	---	---	---	SHIELD DRAIN WIRE	
1	28	BLU	2	PI-2	8,6	19	P2-14	4,9	COLLISION PRESENCE +	
		GRN	3	PI-9	8,6	18	P2-15	4,9	COLLISION PRESENCE -	
1	28	WHT	4	PI-5	8,6	17	P2-6	4,9	RECEIVE +	
		GRY	5	PI-12	8,6	16	P2-7	4,9	RECEIVE -	
1	28	ORG	6	PI-3	8,6	15	P2-10	4,9	TRANSMIT +	
		YEL	7	PI-10	8,6	14	P2-11	4,9	TRANSMIT -	
1	24	RED	9	PI-13	8,6	11	P2-1	3,9	POWER	
		VIO	10	PI-15	8,6	12	P2-20	3,9	FUSE LOW	
		BLK	8	PI-6	8,6	13	P2-4	3,9	POWER RETURN	

LEGEND		
NUMBER	DIM 'Y' (PRE-CUT)	REV
7018798-08	7 FT. 10 IN ± 2 IN.	B2
7018798-04	4 FT. 0 IN ± 2 IN.	B2
7018798-03	3 FT. 0 IN ± 2 IN.	A1
7018798-07	7 FT. 0 IN ± 2 IN.	A1

- NOTES:
- KEYING PLUG (ITEM 10) IS INSERTED INTO P2-2.
 - REMOVE JACKET & OUTER BRAID 1.50" TO ALLOW SEPARATION OF WIRES, P2 END.
 - STRIP FOIL SHIELD FROM WIRES, P2 SIDE.
 - CUT "SHIELD WIRE" FLUSH WITH OUTER JACKET, (P2 SIDE ONLY).
 - REMOVE JACKET & OUTER BRAID TO ALLOW SEPARATION OF WIRES, P1 SIDE.
 - STRIP FOIL SHIELD FROM WIRES 1.00 IN.
 - MOVE PLASTIC HOOD UP TO P1 CONNECTOR & ATTACH SLIDE LATCH ASSY. ITEM NO. 7 USING SLIDE LATCH ASSY SCREWS PROVIDED (DISCARD WASHERS & NUTS - ITEM NO. 7) TIGHTEN 3 IN - LBS. (DISCARD TWO CONNECTOR MOUNTING SCREWS HOOD ASSY) ITEM NO. 5.
 - TIGHTEN STRAIN RELIEF SET SCREW ON PLASTIC HOOD. 3 IN - LBS.
 - HAND CRIMP TOOLS: AMP P/N 90302-1 BERG ELECTRIC P/N HT-95
 - ADD ITEM NO. 12 FLUSH WITH OUTER JACKET.
 - DO NOT USE MORE THAN 8 FT. (2.5M) OR ETHERNET SPECIFICATION MAY BE VIOLATED IN STANDARD CONFIGURATIONS.



CAUTION: SEE OFF SHEET PARTS LIST K-PL-7018798-0-DBF (MK 1172.FLS)

REV.	DATE	BY	CHKD.	APP'D.	DESCRIPTION
B	12/17/82	M. LAWRENCE			REVISED TO 7018798-0-DBF
A	11/17/82	M. LAWRENCE			REVISED TO 7018798-0-DBF

DESCRIPTION	DRAWING NO.	PART NO.	ITEM NO.
UNLESS OTHERWISE SPECIFIED DIMENSIONS ARE IN INCHES AND THE FOLLOWING TOLERANCES APPLY (PER DEC STD 114)			
DIMENSION RANGE IN INCHES			
INCHES TOLERANCES	ANGLES ± 0° 30'	APPLICABLE DIMENSION RANGE	
X = ± .1 .XX = ± .02 .XXX = ± .005	SURFACE QUALITY	OVER 0 TO 1.2	OVER 4.0 TO 12.0
		OVER 1.2 TO 4.0	OVER 12.0 TO 40.0
		± .02	± .05
		± .004	± .008
		± .012	± 0.04
		± .024	± .04
QUANTITY & VARIATION			
THIRD ANGLE PROJECTION	DATE 12 MAY 82	TITLE digital	
DO NOT SCALE DRAWING	DATE	UNA BULKHEAD CABLE ASSY	
REMOVE BURRS AND BREAK SHARP CORNERS	DATE	DOCUMENT NUMBER	
MATERIAL SEE PARTS LIST	DATE 23-27-82	SIZE CODE D I A	NUMBER 7018798-0-0
FINISH	NEXT HIGHER DOC	SCALE	SHEET 1 OF 1

DIGITAL 7018798-0-0

LINE	ITEM	TOP DOCUMENT	PART NUMBER	MIN REV DESCRIPTION	QTY PER VARIATION			
					04	08	03	07
				VARIATION REVISION LEVEL:	B2	B2	A1	A1
1	1	SEE NOTE	1700347-01	CABLE,RND 09COND 28AWG TWP	48	96	36	84
2	2		3616073-00	LABEL,ID W/COPY VERTICAL	1	1	1	1
3	3		1210089-07	CONN,P+S 01SKT 28-22AWG .0500D	3	3	3	3
4	4		1210089-00	CONN,P+S 01SKT 32-28AWG .0500D	6	6	6	6
5	5		1211245-02	CONN,D SUB 15POS HOOD STRAIGHT P	1	1	1	1
6	6		1210493-58	CONN,D SUB 15SKT HSG STR	1	1	1	1
7	7		1218489-00	LATCH ASSY,SLIDE 410 LG	1	1	1	1
8	8		1210493-45	CONN,D SUB SKT CRIMP 28-24AWG	10	10	10	10
9	9		1210918-25	CONN,P+S 24POS(2X12).100CC HSG	1	1	1	1
10	10		9009140-00	CONN,P+S POLARIZING PLUG FOR-	1	1	1	1
11	11	SEE NOTE	9107252-00	TUBING,SHRINK .375ID EXP	2	2	2	2
12	12		9007934-00	TAPE,URETHAN ADHDBC .50 WDX .03	A/R	A/R	A/R	A/R

13 NOTE: ITEMS 1 & 11 ARE IN INCHES

REVISION HISTORY			BASIC PART NO: 7018798		DRN:	R.J.RILEY	DATE:	16-NOV-82	D I G I T A L			
ENG	ECD NUMBER	REV	SECTION A OF A		CHK'D:	R.J.RILEY	DATE:	16-NOV-82	TITLE PARTS LIST			
---	INITIAL	A	SECTION VARIATION INDEX		DES.ENG:	R. GRAHAM	DATE:	16-NOV-82	UNA BULKHEAD CABLE ASSY			
RG	7018798-TW001	B	[A]04,08,03,07				DATE:	16-NOV-82	DOCUMENT NUMBER			
ML	7018798-MK002	C	[B]				DATE:	16-NOV-82	SIZE CODE NUMBER REV			
			[C]		RESP.ENG.:	R. GRAHAM	DATE:	16-NOV-82	K	PL	7018798-0-0	C
			[D]				DATE:	16-NOV-82	RELEASE DATE: 30-JAN-85			
			[E]		MFG.ENG.:	D.DUNCAN	DATE:	16-NOV-82				
			[F]		ASSEMBLY NUMBER:		TOP DOCUMENT NUMBER:		FILE NAME:		EDIT #:	
					D-IA-7018798-0-0		K-DD-DEUNA-0-0		MK1172.PLS		10	

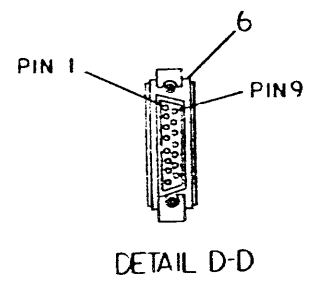
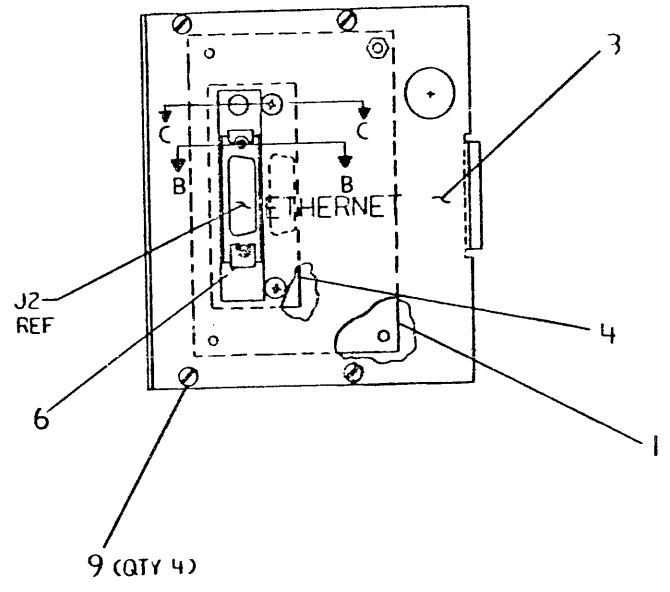
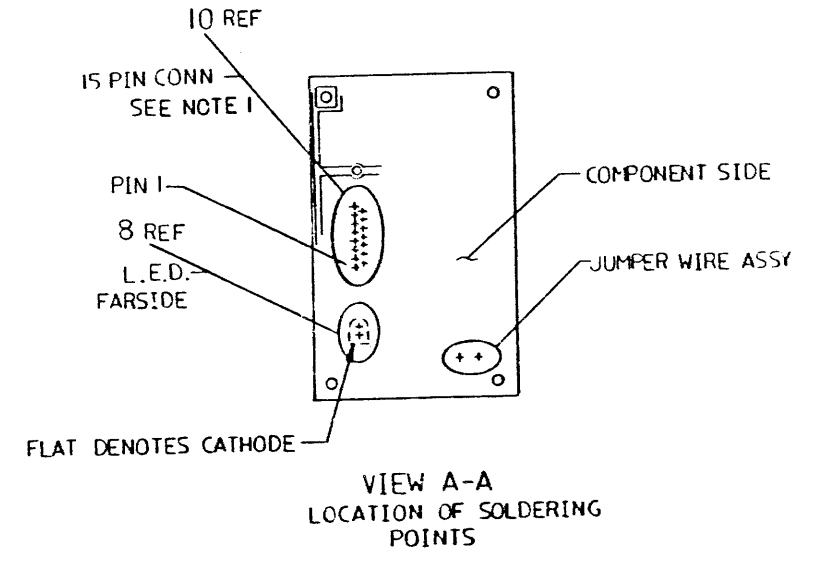
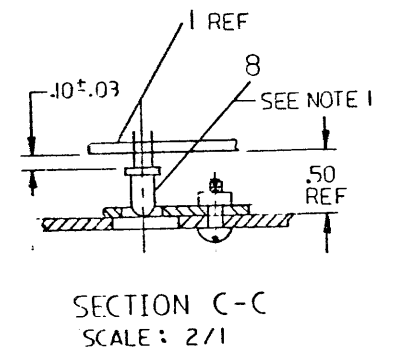
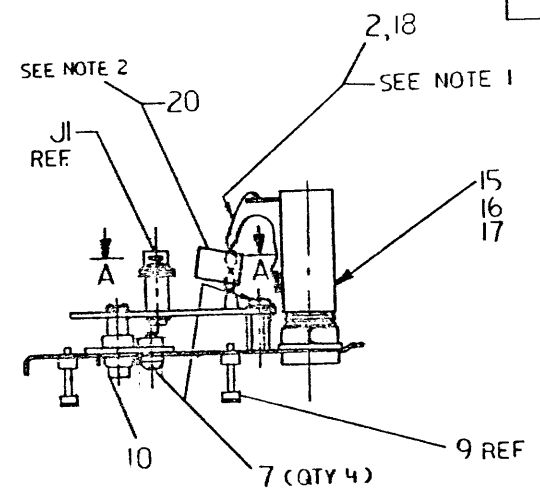
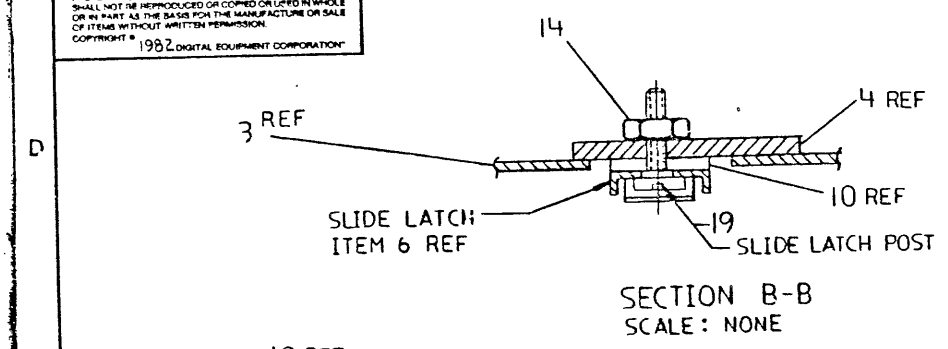
"THIS DRAWING AND THE SPECIFICATIONS CONTAINED HEREIN ARE CONFIDENTIAL AND PROPRIETARY. THEY ARE THE PROPERTY OF DIGITAL EQUIPMENT CORPORATION AND SHALL NOT BE REPRODUCED OR COPIED OR USED IN WHOLE OR IN PART AS THE BASIS FOR THE MANUFACTURE OR SALE OF ITEMS WITHOUT WRITTEN PERMISSION. THIS IS AN UNPUBLISHED WORK PROTECTED UNDER THE FEDERAL COPYRIGHT LAWS."

THIS DRAWING AND SPECIFICATIONS HEREIN ARE THE PROPERTY OF DIGITAL EQUIPMENT CORPORATION AND SHALL NOT BE REPRODUCED OR COPIED OR LENT IN WHOLE OR IN PART AS THE BASIS FOR THE MANUFACTURE OR SALE OF ITEMS WITHOUT WRITTEN PERMISSION.
 COPYRIGHT © 1982 DIGITAL EQUIPMENT CORPORATION

REV E DAD 7018799-0-0

LEGEND		REV
7018799-00	AS SHOWN	C2
7018799-01	USED ON DECMA OPTIONS	C2

- NOTES:
- VIEW A-A IS FOR LOCATION POINTS FOR ITEMS 2, 8 AND 10.
 - MARK DEC PART NO. & REV LEVEL PER DEC STD 178.



CAUTION: SEE OFF SHEET PARTS LIST K-PL-7013799-0-0

DATE	ECO NUMBER	REV	BY	CHKD	DATE
11-21-81	7018799-1W001	A	R. GRAHAM		
1-84	7018799-1W002	C	D. GARDNER		11/17/84
			R. GRAHAM		
			T. HUNNELL		
			M. LAWRENCE		
			M. L. O'NEILL		
			R. C. O'NEILL		
			T. HUMMEL		
			G. GRAHAM		
			D. GARDNER		

DESCRIPTION	DRAWING NO.	PART NO.	ITEM NO.
UNLESS OTHERWISE SPECIFIED DIMENSIONS ARE IN INCHES AND THE FOLLOWING TOLERANCES APPLY (PER DEC STD 114)			
INCHES TOLERANCES	ANGLES ± 0° 30'	APPLICABLE DIMENSION RANGE	
		OVER	UNDER
X ± .1		0 TO 1.0	1.0 TO 4.0
XX ± .02		1.0 TO 4.0	4.0 TO 12.0
XXX ± .005		4.0 TO 12.0	12.0 TO 60.0
SURFACE QUALITY		DIMENSION RANGE IN INCHES	
MICROINCHES		OVER	UNDER
✓		± .02	± .05
		± .004	± .012
		± .008	± .016
		± .012	± .024
		± .016	± .024
THIRD ANGLE PROJECTION	DATE	TITLE	
	3 JUN 82	UNA	
DO NOT SCALE DRAWING	DATE	BULKHEAD ASSY	
REMOVE BURRS AND BREAK SHARP CORNERS	DATE		
MATERIAL	DATE	DOCUMENT NUMBER	
SEE PARTS LIST	28-27-82	DAD 7018799-0-0	
FINISH		SCALE	SHEET OF
		TW	1

AUTOMATED BY PRTLST.5R(55)

PARTS LIST

LINE ITEM	TOP DOCUMENT	PART NUMBER	MIN REV	DESCRIPTION	VARIATION REVISION LEVEL:	QTY PER VARIATION	
						00	01
1	D-UA-5415552-0-0	5415552-00		UNA BULKHEAD		1	1
2	B-IA-7018810-0-0	7018801-00		JUMPER WIRE ASSY.		-	1
3	D-IA-7426404-09-0	7426404-09		PANEL, QUAD (D-IA)		1	-
4	C-IA-7427299-0-0	7427299-01		PLATE, CONNECTOR MIG		1	1
5		1210242-01		*** THIS ITEM IS NOT USED ***		-	-
6		1218489-03		LATCH ASSY, SLIDE		1	1
7		9009984-02		SCREW, SEMS PAN PHIL 6-		4	-
8		1110864-00		LED 2MCD@10MA		1	1
9		1219534-01		SCREW, CAPTV SLOT 4-		4	-
10		1220350-01		CONN, D SUB 15SKI ASSY STR TIN PL		1	1
11		7427750-01		*** THIS ITEM IS NOT USED ***		-	-
12		1012784-00		*** THIS ITEM IS NOT USED ***		-	-
13		9107279-11		TUBING, TEFLON .042ID	A/R	A/R	
14		9006557-00		NUT, HEX EXT TOOTH LCK+SHR 4-40		2	2
15		1222255-02		FUSEHOLDER, 16. A 250 V HIGH		1	-
16		1222255-03		FUSECARRIER, 1/4X1 1/4 FUSE (GRE		1	-
17		9007213-00		FUSE, SLO BLO 1-1/2 A, 250V GLASS		1	-
18	D-IA-7018810-0-0	7018801-01		CKT BKR JUMPER WIRE ASSY		1	-
19		1218489-05		LATCH ASSY, SLIDE .41 LG POS		2	2
20		3616073-00		LABEL, ID W/COPY VERTICAL		1	1

21 NOTE: IF OLD 5415552 REV IS USED ADD QTY. OF 2 CAPS. #1012784-00 (.047 MFD, 50V +80-20%)

REVISION HISTORY		BASIC PART NO: 7018799		DRN: R.J. RILEY	DATE: 01-APR-85	DIGITAL		
ENG	ECO NUMBER	REV	SECTION A OF A	CHK'D: R.J. RILEY	5-AUG 85	TITLE PARTS LIST		
---	INITIAL	IA	SECTION, VARIATION INDEX	DES. ENG.: R. GRAHAM	3-AUG 85	UNA BULKHEAD ASSY.		
PG	7018799-T*001	IB	(A)00,01	RESP. ENG.: R. GRAHAM	DATE: 01-APR-85	DOCUMENT NUMBER		
PG	7018799-T*002	IC	(B)	MFG. ENG.: D. DUNCAN	DATE: 01-APR-85	SIZE	CODE	NUMBER
GG	7018799-MK003	ID	(C)	ASSEMBLY NUMBER:	DATE: 01-APR-85	K	PL	7018799-0-0
ML	7018799-MK004	IE	(D)	D-AD-7018799-0-0	DATE: 01-APR-85	RELEASE DATE: 05-AUG-85		
			(E)		TOP DOCUMENT NUMBER:	FILE NAME:		EDIT
			(F)		B-DD-DEUNA-0-0	MK1191.PLS		15

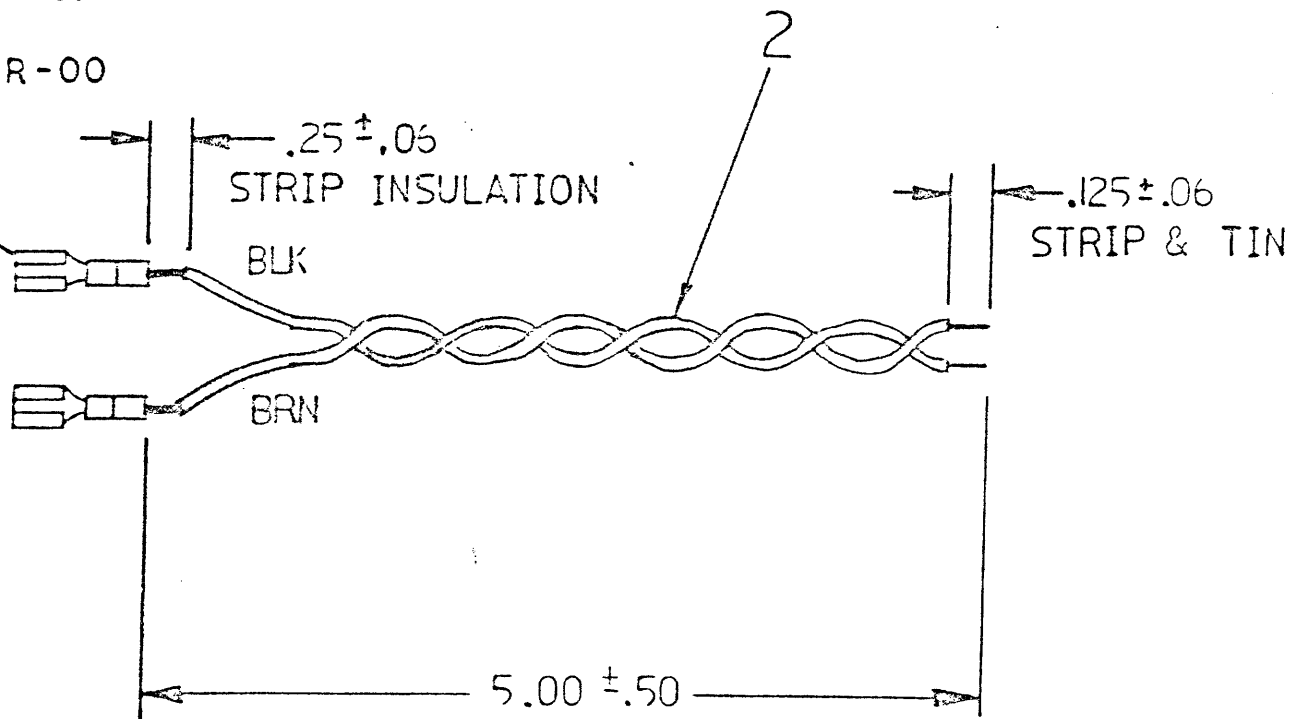
"THIS DRAWING AND THE SPECIFICATIONS CONTAINED HEREIN ARE CONFIDENTIAL AND PROPRIETARY. THEY ARE THE PROPERTY OF DIGITAL EQUIPMENT CORPORATION AND SHALL NOT BE REPRODUCED OR COPIED OR USED IN WHOLE OR IN PART AS THE BASIS FOR THE MANUFACTURE OR SALE OF ITEMS WITHOUT WRITTEN PERMISSION. THIS IS AN UNPUBLISHED WORK PROTECTED UNDER THE FEDERAL COPYRIGHT LAWS."

THIS DRAWING AND SPECIFICATIONS HEREIN ARE THE PROPERTY OF DIGITAL EQUIPMENT CORPORATION AND SHALL NOT BE REPRODUCED OR COPIED OR LENT IN WHOLE OR IN PART AS THE BASIS FOR THE MANUFACTURE OR SALE OF ITEMS WITHOUT WRITTEN PERMISSION.
 COPYRIGHT © 1982 DIGITAL EQUIPMENT CORPORATION

LEGEND	
PART NO.	REV
7018801-00	AI
7018801-01	AI

3 (QTY 2) VAR-01

1 (QTY 2) VAR-00



CAUTION: SEE OFF SHEET PARTS LIST
 K-PL-7018801-0-0

REVISION HISTORY	
DATE	ECO NUMBER
	7018799-14003 B
T. Hummel 4-3-85	
M. LAWRENCE	
W. G. Galvan 7-23-87	

DESCRIPTION	DRAWING NO.	PART NO.	FILE NO.					
UNLESS OTHERWISE SPECIFIED DIMENSIONS ARE IN INCHES AND THE FOLLOWING TOLERANCES APPLY (PER DEC STD 114)								
INCHES TOLERANCES	ANGLES ° 30'	APPLICABLE DIMENSION RANGE	DIMENSIONS RANGE IN INCHES					
			OVER 0 TO 0.2	OVER 0.2 TO 0.4	OVER 0.4 TO 1.2	OVER 1.2 TO 4.0	OVER 4.0 TO 12.0	OVER 12.0 TO 40.0
X = ± .1	SURFACE QUALITY	CHECK ONE	± .02	± .05	± .10	± .15	± .20	
JX = ± .02			± .04	± .08	± .12	± .18	± .24	
JXX = ± .005			± .004	± .008	± .012	± .018	± .024	
QUANTITY & VARIATION	ANGLES	APPLICABLE DIMENSION RANGE	± .02	± .05	± .10	± .15	± .20	
THIRD ANGLE PROJECTION	DATE 7 JUN 82	TITLE						
DO NOT SCALE DRAWING	DATE 11-16-82	CKT BKR JUMPER WIRE ASSY						
REMOVE BURRS AND BREAK SHARP CORNERS	DATE 11/16/82	DOCUMENT NUMBER						
MATERIAL SEE PARTS LIST	DATE 11/16/82	SIZE CODE	NUMBER	REV.				
FINISH ++	DATE 28-07-82	IA	7018801-0-0	B				
	DATE D-AD-7018799-0-0	SCALE 1/1	SHEET 1	OF 1				

DRB 1008

4

3

2

1 TW

THIS DRAWING AND THE SPECIFICATIONS CONTAINED HEREIN ARE CONFIDENTIAL AND PROPRIETARY. THEY ARE THE PROPERTY OF DIGITAL EQUIPMENT CORPORATION AND SHALL NOT BE REPRODUCED OR COPIED OR USED IN WHOLE OR IN PART AS THE BASIS FOR MANUFACTURING OR SALE OF ITEMS WITHOUT WRITTEN PERMISSION. THIS IS AN UNPUBLISHED WORK PROTECTED UNDER THE FEDERAL COPYRIGHT LAWS.

DRAWING DIRECTORY

ITEM	DRAWING NO.	NO. OF SHTS	PART NO.	DESCRIPTION	TYPE	REVISIONS								
						A1	B1	B2	B2					
1			5415552-00	SURGE CURRENT LIMITER										
2	D-UA-5415552-0-C	1		SURGE CURRENT LIMITER										
3	K-PL-5415552-0-DBP	1		SURGE CURRENT LIMITER	A	B	C	D	D					
4	K-PC-5415552-0-DBI	-		P.C. DATA BASE	A	A	B	C	C					
5	K-CS-5415552-0-DBS	-		SUDS DATA BASE	A	B	B	B	B					
6	K-CS-5415552-0-1	1		SURGE CURRENT LIMITER	A	B	C	C	C					
7	K-DD-5015551-0-0	1		DRAWING DIRECTORY	-	-	REF	REF	REF					

NOTES:

DD
REV

A

B

C

D

E

REVISION HISTORY

CONT. REVISION HISTORY

ENG	ECO NUMBER	REV
	5415552-TW001	B
CC	5415552-MK002	C
ML	5415552-MK003	D
ML	5415552-MK004	E

ENG	ECO NUMBER	REV

MADE BY: T. WALSH
DATE: 01 SEP 82

CHECKED BY: T. WALSH
DATE: 01 SEP 82

DESIGN ENGINEER: M. STECKLER
DATE: 12 DEC 82

RESPONSIBLE ENG: M. STECKLER
DATE: 12 DEC 82

PRODUCTION ENG: D. DUNCAN
DATE: 12 DEC 82

d i g i t a l

TITLE DRAWING DIRECTORY

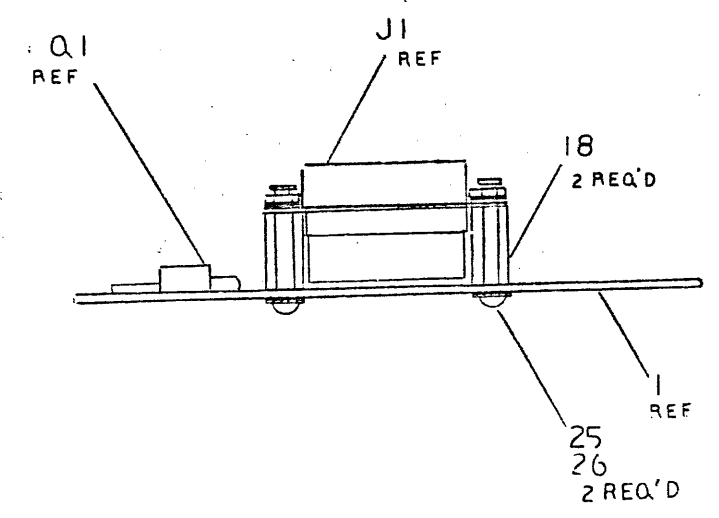
SURGE CURRENT LIMITER

SIZE	CODE	DOCUMENT NUMBER	REV.
K	DD	5415552-0-0	E

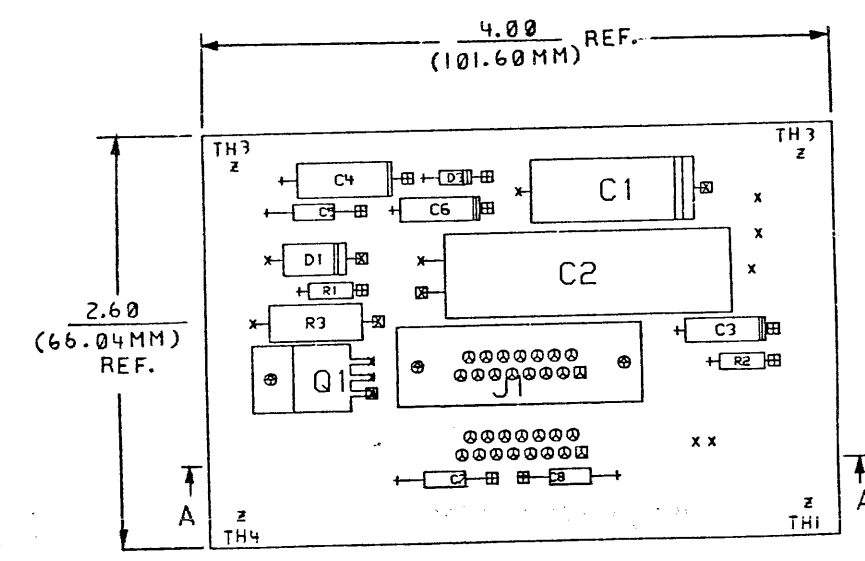
SHEET 1 OF 1 MKO

THIS DRAWING AND SPECIFICATIONS, HEREIN, ARE THE PROPERTY OF DIGITAL EQUIPMENT CORPORATION AND SHALL NOT BE REPRODUCED OR COPIED OR USED IN WHOLE OR IN PART FOR THE DESIGN OR THE MANUFACTURE OR SALE OF ITEMS WITHOUT WRITTEN PERMISSION. DIGITAL EQUIPMENT CORPORATION COPYRIGHT © 1954

COMPONENT SIDE VIEW



VIEW A-A
SCALE 2/1



CHK	DRAWN BY	ENGINEER	CHANGE NO	DATE	REV
	A. KRAWIECKI	C. CARROLL	541552 MK	30 JAN 53	C
			541552-MK 3	30 JAN 54	D

CHK	DRAWN BY	ENGINEER	CHANGE NO	DATE	REV

NOTES:
 1- LOCKING POSTS ARE ASSEMBLED USING TWO
 (2) FLAT WASHERS. DO NOT USE LOCK WASHERS.

STEP E → Y AXIS 2.60 STEP 1 TIMES
 REPEAT → X AXIS 4.00 STEP 3 TIMES

ETCH REV.	B1-P2
-----------	-------

SIGNATURES		DATE	digital
DRN. A. KRAWIECKI		1/30/53	
CHK'D <i>[Signature]</i>		2/2/53	
MECH. ENG. <i>[Signature]</i>		2/2/53	
PROJ. ENG. <i>[Signature]</i>		2/2/53	
PROD. <i>[Signature]</i>		2/2/53	
SCALE 2/1			
SHT. 1 OF 1			
NEXT HIGHER ASSY. K-00-541552-0			

TITLE SURGE
CURRENT LIMITER

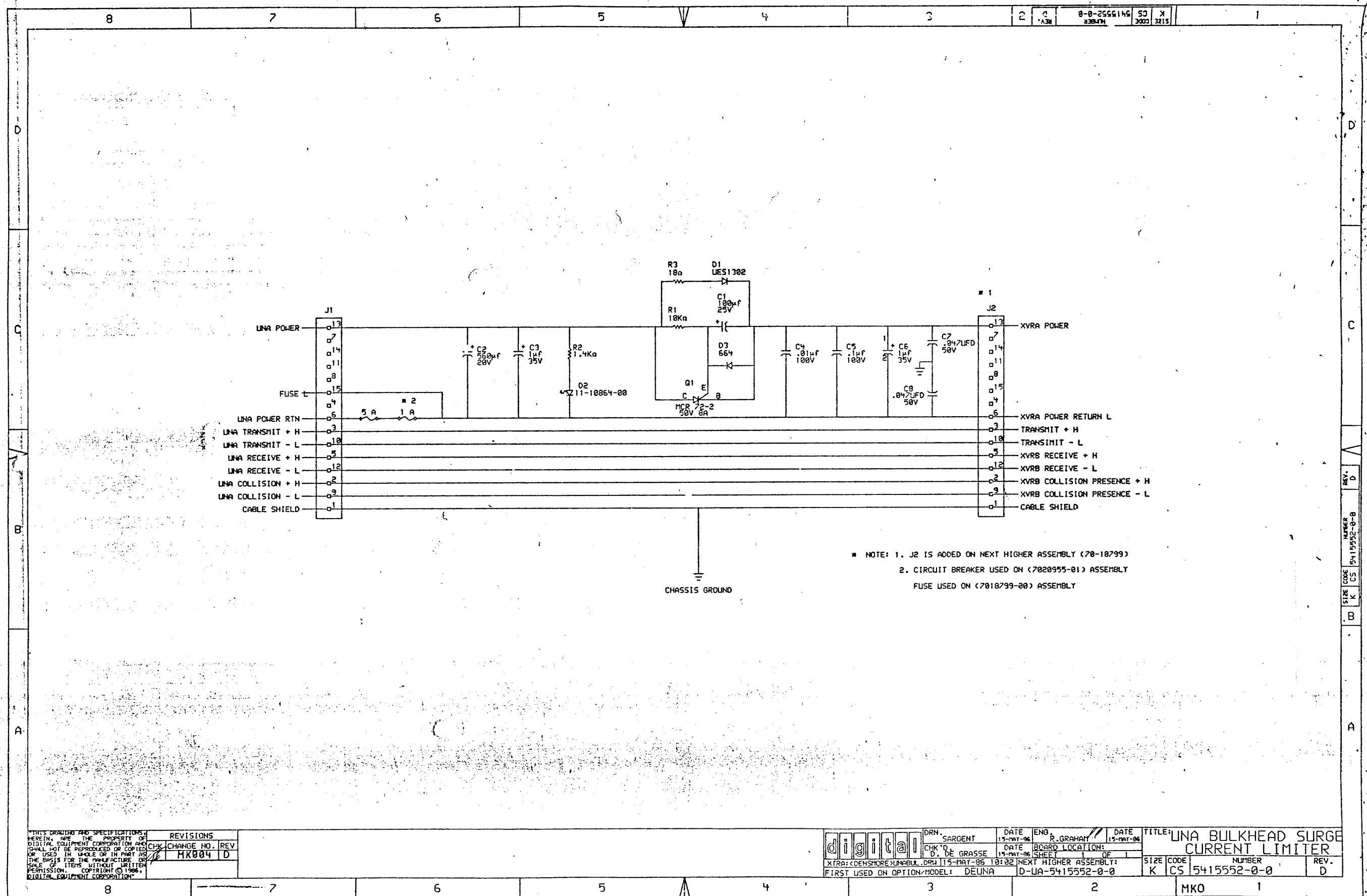
SIZE CODE NUMBER REV
D UA 541552-0-0 D

MKO 1 WO# 302327

LINE ITEM	TOP DOCUMENT	PART NUMBER	MIN REV	DESCRIPTION	QTY PER VAR/REV	REFERENCE DESIGNATORS
1	1 D-MD-5015551-0-0	50-15551-00		DRILL AND ETCH	1	
2	2	10-01776-00		1 MFD 35V 10% S.TANT	2	C3,C6
3	3	10-02781-00		100 MFD 25V +75-10% AL EL	1	C1
4	4	10-05784-00		.01 MFD 100V 200V 10% MYLR	1	C4
5	5	10-13466-22		.1 MFD 50V +80-20% Z5U CER	1	C5
6	6	10-18584-01		560 MFD 20V+100-20% AL EL	1	C2
7	7	11-00114-00		PIV= 25 IO=135 MA	1	D3
8	8	11-10864-00		LED 2MCD@10MA	1	D2
9	9	11-14602-00		RECT,ULTRA FAST PIV= 100 IO= 4.0	1	D1
10	10	13-03312-00		10.0 K .25 W 1.0 % RN55D-F10	1	R1
11	11	13-13589-00		1.40 K .25 W 1.0 % RN55D-F10	1	R2
12	12	13-19255-10		18.0 1.0 W 5.0 % M.OXIDE	1	R3
13	13 BLANK			*** THIS ITEM IS NOT USED ***	-	
14	14 BLANK			*** THIS ITEM IS NOT USED ***	-	
15	15	12-21634-01		CONN'D SUB 15PIN ASSY STRAIGHT P	1	J1
16	16	15-20353-01		SCR PIV= 50 IO= 8.00A	1	Q1
17	17 BLANK			*** THIS ITEM IS NOT USED ***	-	
18	18 BLANK			*** THIS ITEM IS NOT USED ***	-	
19	19 BLANK			*** THIS ITEM IS NOT USED ***	-	
20	20 BLANK			*** THIS ITEM IS NOT USED ***	-	
21	21 BLANK			*** THIS ITEM IS NOT USED ***	-	
22	22 BLANK			*** THIS ITEM IS NOT USED ***	-	
23	23 BLANK			*** THIS ITEM IS NOT USED ***	-	
24	24	10-12784-00		.047 MFD 50V +80-20% CER	2	C7,C8
25	25	90-00037-03		WASHER,LOCK INTERNAL STEEL	2	
26	26	90-08032-01		SCREW,MACH PAN PHIL 4-	2	

REVISION HISTORY			KPL MODULE FORMAT		SECTION A OF A		AIDRN: P. GROSSE	
ENG	ECO NUMBER	REV	SECTION/VARIATION INDEX	DATE: 16-JUN-82	DIGITAL			
	INITIAL	A	[A] 00 [M]	CHK'D: F. GAROFALO	TITLE PARTS LIST			
ML	5415552-MK002	B	[B] [N]	DATE: 16-JUN-82	SURGE CURRENT LIMITER			
ML	5415552-MK003	C	[C] [P]	DES.ENG: R. GRAHAM	DOCUMENT NUMBER			
			[D] [Q]	DATE: 16-JUN-82	SIZE	CODE	NUMBER	REV
			[E] [R]	RESP.ENG: M. LAWRENCE	K	PL	5415552-0-0	C
			[F] [S]	DATE: 25-MAR-85	RELEASE DATE: 28-JAN-86			
			[H] [T]	MFG.ENG: W. BROOKE	RELEASE STATUS: RELEASED			
			[J] [V]	DATE: 25-MAR-85				
			[K] [W]					
			[L] [Y]					
			BASIC PART NUMBER: 5415552	ASSEMBLY NUMBER: D-UA-5415552-0-0	TOP DOCUMENT NUMBER: K-DD-5415552-0	FILE NAME: MK1277.PLS	EDIT #	3

"THIS DRAWING AND THE SPECIFICATIONS CONTAINED HEREIN ARE CONFIDENTIAL AND PROPRIETARY. THEY ARE THE PROPERTY OF DIGITAL EQUIPMENT CORPORATION AND SHALL NOT BE REPRODUCED OR COPIED OR USED IN WHOLE OR IN PART AS THE BASIS FOR THE MANUFACTURE OR SALE OF ITEMS WITHOUT WRITTEN PERMISSION. THIS IS AN UNPUBLISHED WORK PROTECTED UNDER THE FEDERAL COPYRIGHT LAWS."



NOTE: 1. J2 IS ADDED ON NEXT HIGHER ASSEMBLY (70-18799)
 2. CIRCUIT BREAKER USED ON (7020955-01) ASSEMBLY
 FUSE USED ON (7018799-00) ASSEMBLY

THIS DRAWING AND SPECIFICATIONS ARE THE PROPERTY OF DIGITAL EQUIPMENT CORPORATION AND SHALL NOT BE REPRODUCED OR COPIED OR USED IN WHOLE OR IN PART AS THE BASIS FOR THE MANUFACTURE OR SALE OF ITEMS WITHOUT WRITTEN PERMISSION. COPYRIGHT © 1986, DIGITAL EQUIPMENT CORPORATION.

REVISIONS		
CHK	CHANGE NO.	REV
	MK004	D

digital	DRN. SARGENT	DATE 15-MAY-86	ENG. R. GRAHAM	DATE 15-MAY-86	TITLE: UNA BULKHEAD SURGE CURRENT LIMITER
	CHK'D D. DE GRASSE	DATE 15-MAY-86	BOARD LOCATION: SHEET 1 OF 1		
XTRA: (DENSMORE) UNABL.DRW 15-MAY-86 10:02 NEXT HIGHER ASSEMBLY: D-UA-5415552-0-0					SIZE CODE NUMBER REV.
FIRST USED ON OPTION/MODEL: DEUNA					K CS 5415552-0-0 D

REV. D
 NUMBER 5415552-0-0
 SIZE CODE CS
 K CS
 B

DRAWING NO.	NO. OF SHTS.	PART NO.	DESCRIPTION	REVISIONS																									
				A	B	C	D	E	F	G	H	I	J	K	L	M	N	O	P	Q	R	S	T	U	V	W	X	Y	Z
		M8743-BA	MS11-P MEMORY	A	B	C	D	E	F	G	H	I	J	K	L	M	N	O	P	Q	R	S	T	U	V	W	X	Y	Z
D-UA-M8743-3A-0	2		MS11-P MEMORY	A	B	C	D	-	D	-	E																		
		5015117-00	ETCHED BOARD	C	C	C	D	C	D	C	D																		
K-CS-M8743-3A-MS01	1		MS11-P MEMORY	A	B	B	C	C	C	C	C																		
K-CS-M8743-BA-MS02	1		MS11-P MEMORY	A	A	A	B	B	B	B	B																		
K-CS-M8743-BA-MS03	1		MS11-P MEMORY	A	A	A	A	A	A	A	A																		
K-CS-M8743-BA-MS04	1		MS11-P MEMORY	A	A	A	B	B	B	B	B																		
K-CS-M8743-BA-MS05	1		MS11-P MEMORY	A	A	B	C	B	D	B	D																		
K-CS-M8743-BA-MS06	1		MS11-P MEMORY	A	A	A	A	B	B	B	B																		
K-CS-M8743-BA-MS07	1		MS11-P MEMORY	A	A	A	B	B	B	B	B																		
K-CS-M8743-BA-MS08	1		MS11-P MEMORY	A	A	A	B	C	C	D	D																		
K-CS-M8743-BA-MS09	1		MS11-P MEMORY	A	A	A	A	A	A	A	A																		
K-CS-M8743-BA-MS10	1		MS11-P MEMORY	A	A	A	A	A	A	A	A																		
K-CS-M8743-BA-MS11	1		MS11-P MEMORY	A	A	A	A	A	A	A	A																		
K-CS-M8743-BA-MS12	1		MS11-P MEMORY	A	A	A	A	A	A	A	A																		
K-CS-M8743-BA-MS13	1		MS11-P MEMORY	A	A	B	C	C	C	C	C																		
K-PC-M8743-BA-DBG	-		P.C. DESIGN DATA BASE	A	A	A	B	A	B	A	B																		
K-PL-M8743-BA-DBP	4		PARTS LIST DATA BASE (Z2712A)	A	A	A	B	-	C	-	C																		
K-CS-M8743-BA-DBS	-		SCHEMATIC DATA BASE (SUDS)	A	B	C	D	E	F	H	J																		
B-DD-5015117-0	1		DRAWING DIRECTORY	-	-	-	A	B	C	D	D																		
C-UA-M8743-BA-0	2		MS11-P MEMORY	-	-	-	-	C1	-	C2	-																		
B-PL-M8743-BA-0	4		PARTS LIST	-	-	-	-	A1	-	A1	-																		

NOTES:

- Revision codes for Drawing K-CS M8743-BA-MS05 and part 5015117-0 are purposely out of sequence, so that their revision codes correspond to the module revision at the top of the column.
- "-" in revision code means: "This line item does not describe this module revision."

REVISIONS		DATE	CHG NO.	ORIG.	REV.
		4/82		A	
		12/82	SH001	B	
		4/83	SH002	C	
		5/83	SH003	D	
		11/83	SH004	E	
		2/84	SH005	F	
		5/84	SH006	G	
		7/84	SH007	J	

"THIS DRAWING AND SPECIFICATIONS, HEREIN, ARE THE PROPERTY OF DIGITAL EQUIPMENT CORPORATION AND SHALL NOT BE REPRODUCED OR COPIED OR USED IN WHOLE OR IN PART AS THE BASIS FOR THE MANUFACTURE OR SALE OF ITEMS WITHOUT WRITTEN PERMISSION.



USED ON OPTION/MODEL		DRN. <i>J. Brown</i>	13 AUG 82	TITLE		MS11-P MEMORY	
11/44		CHK'D <i>J. Brown</i>	13 JAN 83	SIZE	CODE	NUMBER	REV.
11/24		ENG. <i>J. Brown</i>	28 JUN 83	B	DD	M8743-BA	J
		PROD. <i>J. Brown</i>	10 SEP 83	SHEET 1 OF 1			

LINE ITEM	TOP DOCUMENT	PART NUMBER	MIN REV DESCRIPTION	QTY PER VARIATION				REFERENCE DESIGNATOR
				BC	BF	BH	BB	
1	B-DD-M8743-BA		DWG DIRECTORY	REF	REF	REF	REF	
2	D-UA-M8743-BA-0		UNIT ASSY	REF	REF	REF	REF	
3	D-MD-5015117-0-0		CIRCUIT DRILL & ETCH	REF	REF	REF	REF	
4	D-EC-5015117-BA-0		ETCH CUT DWG	REF	REF	REF	REF	
5	K-CS-M8743-BA-MS01		CIRCUIT SCHEMATIC	REF	REF	REF	REF	
6		1105275-00	PIV= 60 IO=300 MA -15NS	1	1	1	1	D1
7		5015117-00	DRILL AND ETCH BRD.	1	1	1	1	
8		1005306-00	6.8MFD 35V 10% S.TANT	1	1	1	1	C1
9		1012084-03	150 MFD 15V +75-10% AL EL	2	2	2	2	C5,C6
10		1018200-00	220.0 MMF 50V 1% CER	2	2	2	2	C2,C3
11		1014265-02	.33 MFD 50V +80-20% CER	142	142	142	142	C4,C7-C147
12		1117373-00	LED ASSY GREEN	1	1	1	1	D3
13		1117373-01	LED ASSY RED	1	1	1	1	D2
14		1211164-00	SW,DIP 4POS/1PST 5VDC100MA F	1	1	1	1	E28
15		1211164-04	SW,DIP 08POS/1PST 5VDC100MA F	1	1	1	1	E38
16		1216988-02	HANDLE,MODULE,HEX TWO EJECTORS	1	1	1	1	
17		1300229-00	100.0 .25 W 5.0 % CF	2	2	2	2	R5,R22
18		1300316-00	470.0 .25 W 5.0 % CF	2	2	2	2	R3,R4
19		1300447-00	4.70 K .25 W 5.0 % CF	3	3	3	3	R11,R12,R18
20		1301322-00	180.0 .25 W 5.0 % CF	1	1	1	1	R19
21		1301808-00	22.0 K .25 W 5.0 % CF	1	1	1	1	R1
22		1302124-00	18.0 .25 W 5.0 % CF	1	1	1	1	R2
23		1302128-00	17.80 .50 W 1.0 % RN60E-F 2	1	1	1	1	R16
24		1302858-00	100.0 .25 W 1.0 % RN55D-F10	1	1	1	1	R7
25		1303064-00	75.0 .25 W 1.0 % RN55D-F10	1	1	1	1	R6
26		1304858-00	348.0 .25 W 1.0 % RN55D-F10	1	1	1	1	R8
27		1305123-00	*** THIS ITEM IS NOT USED ***	-	-	-	-	
28		1311522-00	200.0 .25 W 5.0 % CF	1	1	1	1	R13
29		1316395-00	R NETWORK 9-4.7K 2.0 % 10PIN	5	5	5	5	R14,R15,R23,R25,R26
30		1316395-02	R NETWORK 9-1.0K 2.0 % 10PIN	2	2	2	2	R17,R24

REVISION HISTORY			BASIC PART NO: M8743		DRN: J. RICHARD		DATE: 10-FEB-82		DIGITAL	
ENGR	ECO NUMBER	REV	SECTION A OF A	CHK'D:	P. BOSSMAN	DATE:	17-FEB-82	TITLE	PARTS LIST	
IJJ	INITIAL	IA	SECTION VARIATION INDEX	DES.ENG:	J. JANETOS	DATE:	17-FEB-82	DOCUMENT NUMBER		
IJSL	M8743-SH003	IB	[A] BC,BF,BH,BB	RESP.ENG.:	J. LAVRANCHUK	DATE:	17-FEB-82	SIZE	CODE	NUMBER
IJ.L	M8743-BA-SH005	IC	[B]	IMFG.ENG.:	R. HILL	DATE:	17-FEB-82	K	PL	M8743-BA-DBP
			[C]	ASSEMBLY NUMBER:		TOP DOCUMENT NUMBER:		FILE NAME:	EDIT #	
			[D]	ID-UA-M8743-BA-0		#B-DD-M8743-BA		Z2712C.PLS	7	
			[E]							
			[F]							
			[G]							
			[H]							
			[I]							
			[J]							
			[K]							
			[L]							
			[M]							
			[N]							

"THIS DRAWING AND THE SPECIFICATIONS CONTAINED HEREIN ARE CONFIDENTIAL AND PROPRIETARY. THEY ARE THE PROPERTY OF DIGITAL EQUIPMENT CORPORATION AND SHALL NOT BE REPRODUCED OR COPIED OR USED IN WHOLE OR IN PART AS THE BASIS FOR THE MANUFACTURE OR SALE OF ITEMS WITHOUT WRITTEN PERMISSION. THIS IS AN UNPUBLISHED WORK PROTECTED UNDER THE FEDERAL COPYRIGHT LAWS."

LINE	ITEM	TOP DOCUMENT	PART NUMBER	MIN REV	DESCRIPTION	QTY PER VARIATION				REFERENCE DESIGNATOR
						BC	BF	BH	BB	
31	31		1317494-00		22.10 K .25 W 1.0 % RN55D-F10	2	2	2	2	R20,R21
32	32		1505321-00		DEC4258 PNP 200MW SI 12 30 M	2	2	2	2	Q1,Q2
33	33		1616653-01		DELAY= 100NS,10TAPS WITH TTLBU	1	1	1	1	E10
34	34		1909705-00		DEC 8881 NAND GATE-QUAD 2IN 0	1	1	1	1	E27
35	35		1910534-00		74S04 INVERTER GATE-HEX 1I	1	1	1	1	E12
36	36		1910536-00		74S10 NAND GATE-TRIPLE 3IN	1	1	1	1	E5
37	37		1910540-00		74S22 NAND GATE-DUAL 4INPU	1	1	1	1	E3
38	38		1910542-00		74S64 A-O-I GATE 4-2-3-2	2	2	2	2	E9,E17
39	39		1910544-00		74S74 FF-D DUAL,EDGE TRIGG	1	1	1	1	E6
40	40		1910546-00		74S140 NAND GATE-DUAL 4INPU	1	1	1	1	E4
41	41		1910547-00		74S153 MUX 1 OF 4 (DUAL)	4	4	4	4	E49,E50,E55,E56
42	42		1910549-00		74S158 MUX 1 OF 2 (QUAD)	1	1	1	1	E45
43	43		1910550-00		74S174 FF-D HEX	1	1	1	1	E40
44	44		1911469-00	DEC	8640 RECEIVER,BUS,QUAD,U	2	2	2	2	E1,E54
45	45		1911579-00		8641 TRANSCEIVER,BUS,QUA	4	4	4	4	E7,E13,E18,E22
46	46		1911944-00		555CN TIMER,FUNCT.BLOCK	1	1	1	1	E47
47	47		1911983-00		74S133 NAND GATE-POSITIVE 1	1	1	1	1	E37
48	48		1912388-00		74S02 NOR GATE-QUAD 2IN,PO	1	1	1	1	E2
49	49		1912799-00		LS00 NAND-GATE-QUAD 2IN,P	1	1	1	1	E35
50	50		1912803-00		LS04 INVERTER GATE,HEX	1	1	1	1	E11
51	51		1912820-00		LS51 A-O-I GATE 2-WIDE 2I	1	1	1	1	E32
52	52		1912824-00		LS74 FF-D DUAL,EDGE TRIGG	1	1	1	1	E30
53	53		1912828-00		LS85 COMPARATOR,4BIT MAGN	1	1	1	1	E31
54	54		1912834-00		LS112 FF-JK,DUAL,EDGE TRIG	1	1	1	1	E8
55	55		1913340-00		74S32 OR GATE-QUAD 2IN	1	1	1	1	E26
56	56		1913670-00		74S373 LATCH,8BIT TRANS TRI	3	3	3	3	E14,E16,E19
57	57		1913777-00		LS240 DRIVER,LINE,OCTAL,T	1	1	1	1	E43
58	58		1913887-00		74S258 MUX 1 OF 2(QUAD)TRI	1	1	1	1	E21
59	59		1914451-00		LS393 COUNTER,BINARY,4BIT	2	2	2	2	E51,E57
60	60		1915219-00		LS373 FF-D OCTAL-TRANSPARE	2	2	2	2	E44,E46
61	61		1918822-00		2960 ERROR DETECTOR/CORRE	1	1	1	1	E15
62	62		1919004-00	DC	750 REGISTER,ADDRESS	1	1	1	1	E24
63	63		1919015-00	DC	021 BUS TRANSCEIVER,20PI	3	3	3	3	E36,E42,E48
64	64		1919095-00		2966PC DYNAMIC MEMORY ORIV	2	2	2	2	E61,E64
65	65		2118467-01		8264-20 RAM 64K X1,200NS 1	176	-	-	-	E100-F107,E110-E117,E120-E127, CONT E130-E137,E140-E147,E150-E157, CONT E160-E167,E170-E177,E180-E187, CONT E190-E197,E200-E207,E210-E217, CONT E220-E227,E230-E237,E240-E247, CONT E250-E257,E260-E267,E270-E277, CONT E280-E287,E290-E297,E300-E307, CONT E310-E317
66	66		1919635-01		2965 DRIVER,DYNAMIC RAM	5	5	5	5	E59,E60,E62,E63,E65
67	67		9000024-01		EYELET,ROLLED 0.1210DX0.192	12	12	12	12	
68	68		9009185-00		JUMPER, WIRE, INSULATED, BLACK B	4	4	4	4	W1-W4
69	69		1301320-00		1.20 K .25 W 5.0 % CF	1	1	1	1	R10
70	70		1910544-01		74S74-60GG-D DUAL,EDGE TRIG	1	1	1	1	E41
71	71	2 EACH IC	1215006-06		SKT,IC 24PIN DIP TIN SGLD	4	4	4	4	XE24,XE15

D	I	G	I	T	A	L	TITLE	MS11-P MEMGRY	SECTION A	OF A	SIZE	CODE	DOCUMENT NUMBER	REV
											K	PL	M8743-BA-DBP	C

AUTOMATED BY PRTLST.3P(44)

PARTS LIST

LINE ITEM	TOP DOCUMENT	PART NUMBER	MIN REV	DESCRIPTION	VARIATION REVISION LEVEL:	QTY PER VARIATION				REFERENCE DESIGNATOR
						BC	BF	BH	BB	
72	72	1219911-01		*** THIS ITEM IS NOT USED ***		-	-	-	-	
73	73	23061D2-00		D2-02		1	1	1	1	E20
74	74	23062D2-00		D2-02		1	1	1	1	E25
75	75	23063D2-00		D2-02		1	1	1	1	E29
76	76	23064D2-00		D2-02		1	1	1	1	E34
77	77	23086B1-00		B1-03		1	1	1	1	E33
78	78	23087B1-00		B1-03		1	1	1	1	E39
79	79	23344A1-00		A1-05		1	1	1	1	E58
80	80	2118470-01		4864-1 MOS RAM 64K X1,200		-	176	-	-	E100-E107,E110-E117,E120-E127, E130-E137,E140-E147,E150-E157, E160-E167,E170-E177,E180-E187, E190-E197,E200-E207,E210-E217, E220-E227,E230-E237,E240-E247, E250-E257,E260-E267,E270-E277, E280-E287,E290-E297,E300-E307, E310-E317
81	81	2118472-01		4164-2 MOS RAM 64K X1,200		-	-	176	-	E100-E107,E110-E117,E120-E127, E130-E137,E140-E147,E150-E157, E160-E167,E170-E177,E180-E187, E190-E197,E200-E207,E210-E217, E220-E227,E230-E237,E240-E247, E250-E257,E260-E267,E270-E277, E280-E287,E290-E297,E300-E307, E310-E317
82	82	K-CS-M8743-BA-MS02		CIRCUIT SCHEMATIC		REF	REF	REF	REF	
83	83	K-CS-M8743-BA-MS03		CIRCUIT SCHEMATIC		REF	REF	REF	REF	
84	84	K-CS-M8743-BA-MS04		CIRCUIT SCHEMATIC		REF	REF	REF	REF	
85	85	K-CS-M8743-BA-MS05		CIRCUIT SCHEMATIC		REF	REF	REF	REF	
86	86	K-CS-M8743-BA-MS06		CIRCUIT SCHEMATIC		REF	REF	REF	REF	
87	87	K-CS-M8743-BA-MS07		CIRCUIT SCHEMATIC		REF	REF	REF	REF	
88	88	K-CS-M8743-BA-MS08		CIRCUIT SCHEMATIC		REF	REF	REF	REF	
89	89	K-CS-M8743-BA-MS09		CIRCUIT SCHEMATIC		REF	REF	REF	REF	
90	90	K-CS-M8743-BA-MS10		CIRCUIT SCHEMATIC		REF	REF	REF	REF	
91	91	K-CS-M8743-BA-MS11		CIRCUIT SCHEMATIC		REF	REF	REF	REF	
92	92	K-CS-M8743-BA-MS12		CIRCUIT SCHEMATIC		REF	REF	REF	REF	
93	93	K-CS-M8743-BA-MS13		CIRCUIT SCHEMATIC		REF	REF	REF	REF	
94	94	9105740-55		WIRE(WRAP) 30AWG KYNAR UL14		A/R	A/R	A/R	A/R	E23
95	95	1921306-01		74F02 NOR GATE,QUAD,2-IN		1	1	1	1	E100-E107,E110-E117,E120-E127, E130-E137,E140-E147,E150-E157, E160-E167,E170-E177,E180-E187, E190-E197,E200-E207,E210-E217, E220-E227,E230-E237,E240-E247, E250-E257,E260-E267,E270-E277, E280-E287,E290-E297,E300-E307, E310-E317
96	96	2118995-01		64K MOS RAM 200NS 1		-	-	-	176	

D	I	G	I	T	A	L	TITLE	MS11-P MEMCRY	SECTION A	OF	A	SIZE	CODE	DOCUMENT NUMBER	REV
													K PL	M8743-BA-DBP	C

LINE ITEM TOP DOCUMENT PART NUMBER REV DESCRIPTION VARIATION REVISION LEVEL: QTY PER VARIATION BC BF BH BB REFERENCE DESIGNATOR E2

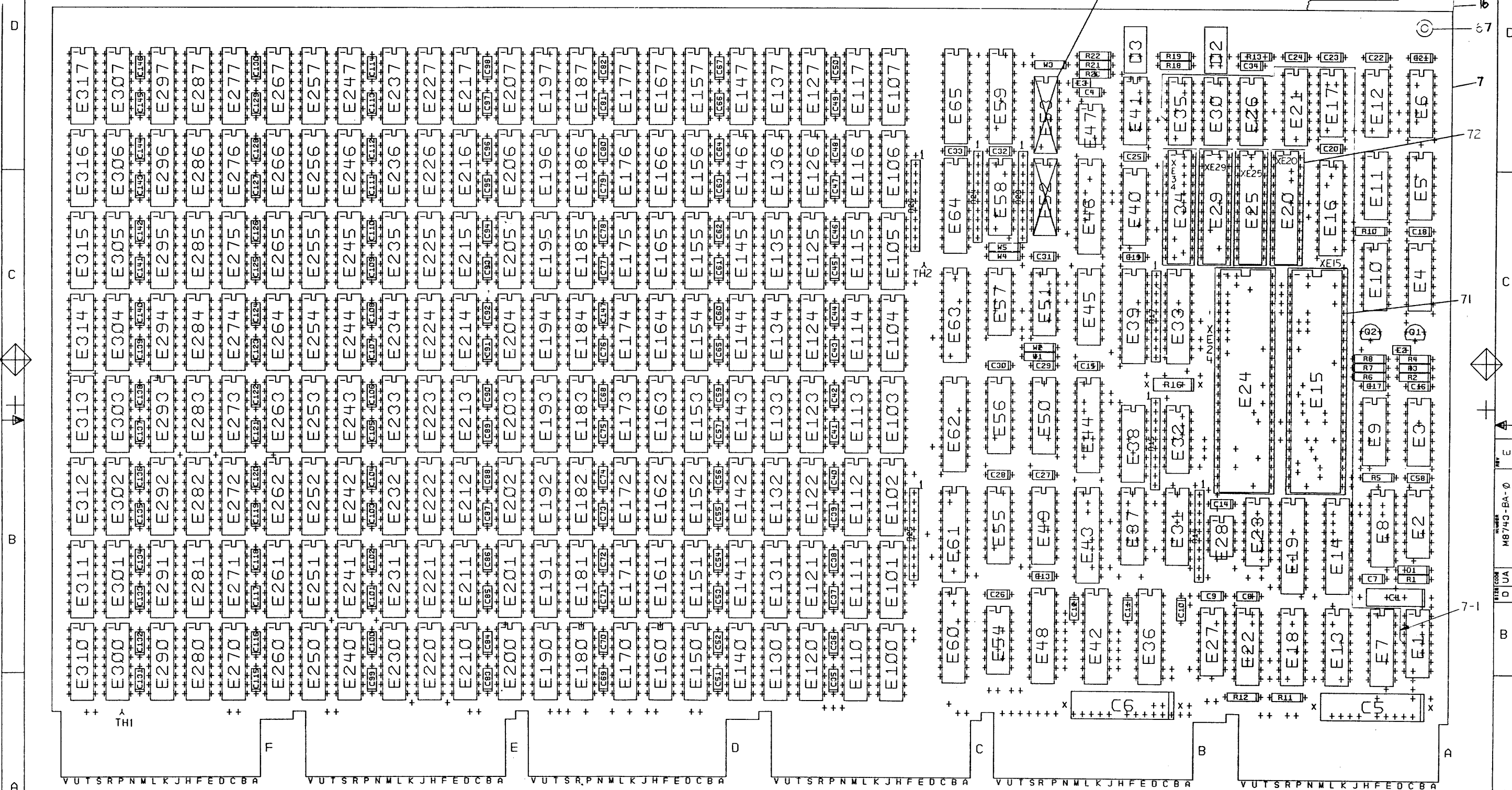
- 97 NOTE: M8743-BA IS THE PRIMARY VARIATION OF THE 512KX16 BITS SYSTEM (NOT A MODULE TYPE).
- 98 NOTE: M8743-BC IS A MODULE TYPE USING FUJITSU 64K MOS DEVICES.
- 99 NOTE: M8743-BF IS A MODULE TYPE USING HITACHI 64K MOS DEVICES.
- 100 NOTE: M8743-BH IS A MODULE TYPE USING NEC 64K MOS DEVICES.
- 101 NOTE: ON ITEM 71 USE 2 PER EACH IC
- 102 NOTE: THIS ASSEMBLY CONTAINS ITEMS SENSITIVE TO ELECTRO-STATIC DISCHARGE.
- 103 NOTE: MAINTAIN ANTI-STATIC PROTECTION PROCEDURES PER DEC STD 067.
- 104 NOTE: *****
- 105 NOTE: PART NUMBER 1016681-00 (HAND INSERT ONLY) MAY BE SUBSTITUTED FOR ITEM: 11, PART NUMBER 1014265-02
- 106 NOTE: (MACHINE INSERTABLE) WITH THE FOLLOWING RESTRICTION: C4,C7-C147 MUST ALL BE THE SAME PART NUMBER.

D	I	G	I	T	A	L	TITLE	SECTION A OF A	SIZE	CODE	DOCUMENT NUMBER	REV
							MS11-P MEMCRY				M8743-BA-DBP	C

THIS DRAWING AND SPECIFICATIONS, HEREIN, ARE THE PROPERTY OF DIGITAL EQUIPMENT CORPORATION AND SHALL NOT BE REPRODUCED OR COPIED OR USED IN WHOLE OR IN PART AS THE BASIS FOR THE MANUFACTURE OR SALE OF ITEMS WITHOUT WRITTEN PERMISSION. COPYRIGHT © 1983 DIGITAL EQUIPMENT CORPORATION

COMPONENT SIDE VIEW

SEE NOTE 1



NOTES: 1. DO NOT INSTALL E52 & E53.

STEP	Y AXIS	STEP #	TIMES
ETCH REV.	D1-P1		

CHANGE NO	REV
M8743-BA	D
SH003	
M8743-BA	E
SH007	
LAUNCH JK	

SIGNATURES	DATE
DRN. D. DINGELDEIN	10 Mar 83
CHK'D. [Signature]	27-6-83
MECH. ENG. [Signature]	2 Nov 83
PROJ. ENG. [Signature]	2 Nov 83
PROD. [Signature]	2 Nov 83

digital		TITLE	
MS11-P MEMORY		MS11-P MEMORY	
SCALE 2/1	SIZE CODE	NUMBER	REV
SHT. 1 OF 2	D UA	M8743-BA-0	E
NEXT HIGHER ASSY. B-DD-M8743-BA			

THIS DRAWING AND THE SPECIFICATIONS CONTAINED HEREIN ARE CONFIDENTIAL AND PROPRIETARY. THEY ARE THE PROPERTY OF DIGITAL EQUIPMENT CORPORATION AND SHALL NOT BE REPRODUCED OR COPIED OR USED IN WHOLE OR IN PART AS THE BASIS FOR THE MANUFACTURE OR SALE OF ITEMS WITHOUT WRITTEN PERMISSION. THIS IS AN UNPUBLISHED WORK PROTECTED UNDER THE FEDERAL COPYRIGHT LAWS.

REWORK INSTRUCTIONS:

ECO #7, SIDE 1:

WIRE ADDS:

7-1. ADD WIRE FROM E1-4 TO E35-5 AS SHOWN.

SIZE CODE DUA
NUMBER M8743-BA-0
REV E

8

6

5

4

3

2

1

D

D

C

C

B

B

A

A

SIZE CODE DUA
NUMBER M8743-BA-0
REV E

REVISION HISTORY		
REV	ECO NUMBER	DATE

TITLE
MS11-P MEMORY

SIZE CODE		DOCUMENT NUMBER		REV.
SIZE	CODE	NUMBER		
D	UA	M8743-BA-0		E
SCALE		SHEET		
---		2 OF 2		

SHR 1

8

7

6

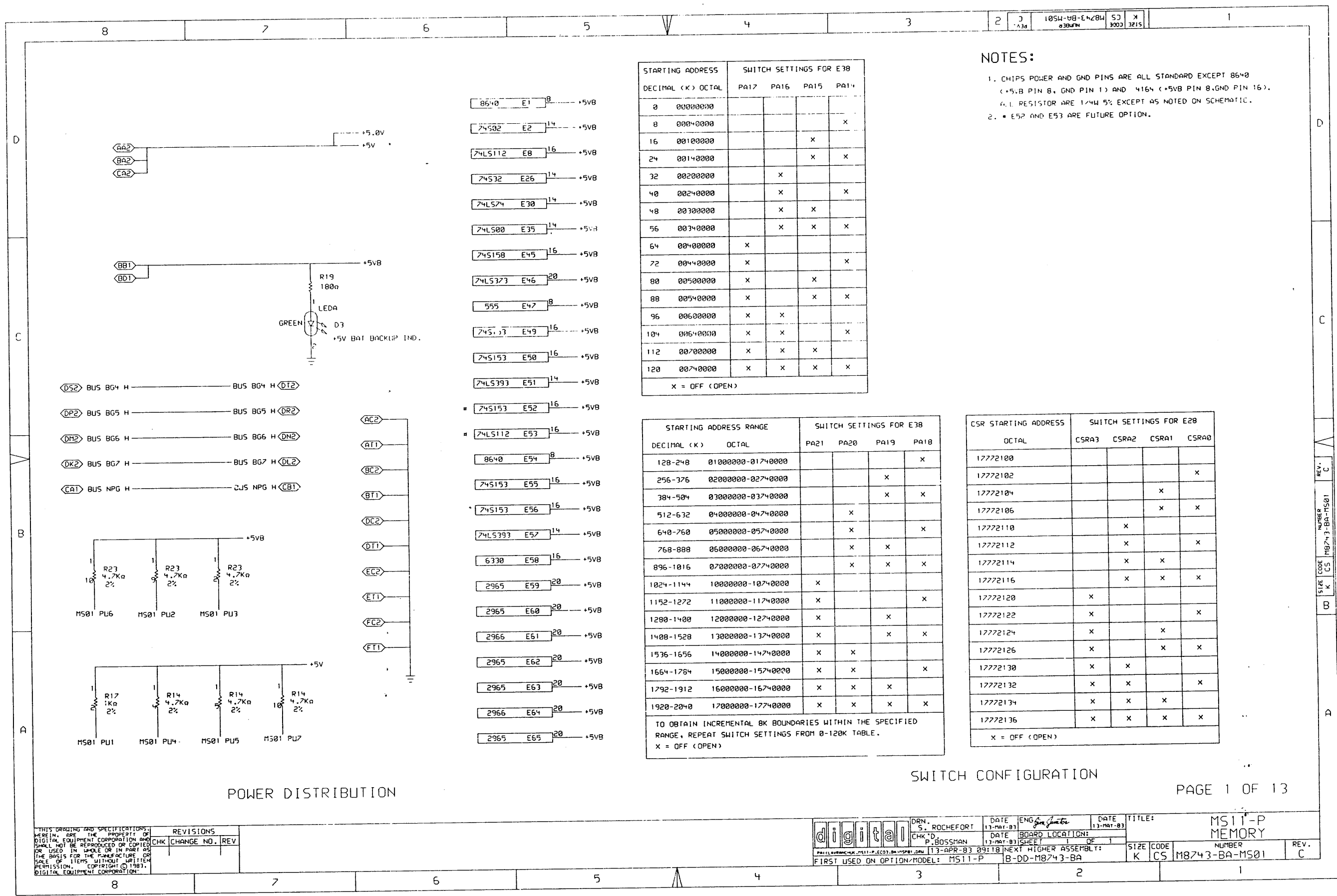
5

4

3

2

1



NOTES:

1. CHIPS POWER AND GND PINS ARE ALL STANDARD EXCEPT 8640 (+5VB PIN 8, GND PIN 1) AND 4164 (+5VB PIN 8, GND PIN 16). ALL RESISTOR ARE 1/4W 5% EXCEPT AS NOTED ON SCHEMATIC.
2. * E52 AND E53 ARE FUTURE OPTION.

STARTING ADDRESS DECIMAL (K) OCTAL	SWITCH SETTINGS FOR E38			
	PA17	PA16	PA15	PA14
0 00000000				
8 00040000				X
16 00100000			X	
24 00140000			X	X
32 00200000		X		
40 00240000		X		X
48 00300000		X	X	
56 00340000		X	X	X
64 00400000	X			
72 00440000	X			X
80 00500000	X		X	
88 00540000	X		X	X
96 00600000	X	X		
104 00640000	X	X		X
112 00700000	X	X	X	
120 00740000	X	X	X	X

X = OFF (OPEN)

STARTING ADDRESS RANGE DECIMAL (K) OCTAL	SWITCH SETTINGS FOR E38			
	PA21	PA20	PA19	PA18
128-248 01000000-01740000				X
256-376 02000000-02740000			X	
384-504 03000000-03740000			X	X
512-632 04000000-04740000		X		
640-760 05000000-05740000		X		X
768-888 06000000-06740000		X	X	
896-1016 07000000-07740000		X	X	X
1024-1144 10000000-10740000	X			
1152-1272 11000000-11740000	X			X
1280-1400 12000000-12740000	X		X	
1408-1528 13000000-13740000	X		X	X
1536-1656 14000000-14740000	X	X		
1664-1784 15000000-15740000	X	X		X
1792-1912 16000000-16740000	X	X	X	
1920-2040 17000000-17740000	X	X	X	X

TO OBTAIN INCREMENTAL BK BOUNDARIES WITHIN THE SPECIFIED RANGE, REPEAT SWITCH SETTINGS FROM 0-120K TABLE.
X = OFF (OPEN)

CSR STARTING ADDRESS OCTAL	SWITCH SETTINGS FOR E28			
	CSRA3	CSRA2	CSRA1	CSRA0
17772100				
17772102				X
17772104			X	
17772106			X	X
17772110		X		
17772112		X		X
17772114		X	X	
17772116		X	X	X
17772120	X			
17772122	X			X
17772124	X		X	
17772126	X		X	X
17772130	X	X		
17772132	X	X		X
17772134	X	X	X	
17772136	X	X	X	X

X = OFF (OPEN)

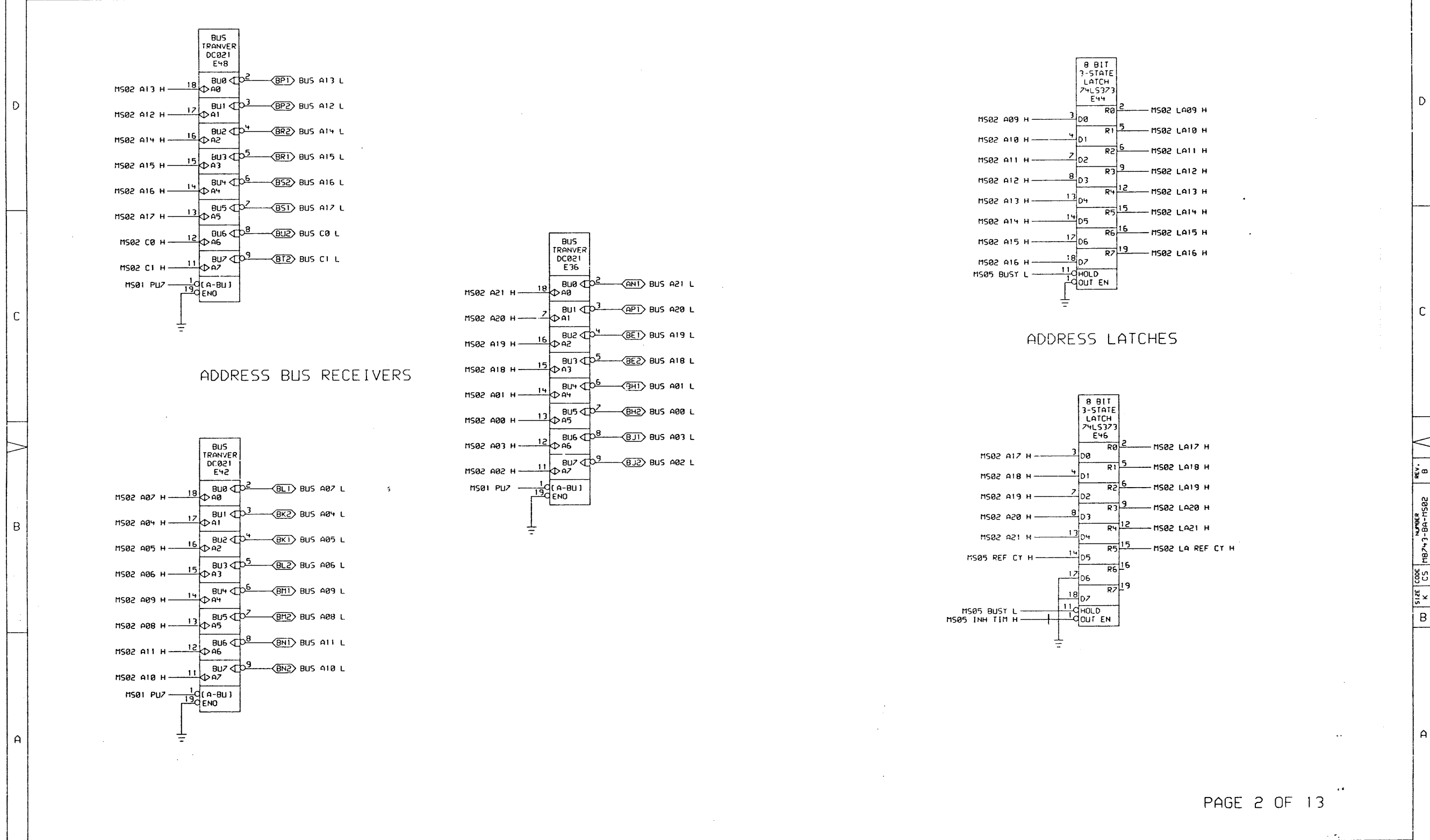
SWITCH CONFIGURATION

THIS DRAWING AND SPECIFICATIONS ARE THE PROPERTY OF DIGITAL EQUIPMENT CORPORATION AND SHALL NOT BE REPRODUCED OR COPIED OR USED IN WHOLE OR IN PART AS THE BASIS FOR THE MANUFACTURE OR SALE OF ITEMS WITHOUT WRITTEN PERMISSION. COPYRIGHT © 1983, DIGITAL EQUIPMENT CORPORATION.

REVISIONS		
CHK	CHANGE NO.	REV

digital	DRN. S. ROCHEFORT	DATE 13-MAR-83	ENG. <i>for sm</i>	DATE 13-MAR-83	TITLE: MS11-P MEMORY
	CHK'D P. BOSSMAN	DATE 13-MAR-83	BOARD LOCATION: SHEET 1 OF 1	SIZE CODE K CS	NUMBER M8743-BA-MS01
FIRST USED ON OPTION/MODEL: MS11-P		NEXT HIGHER ASSEMBLY: B-DD-M8743-BA		REV. C	

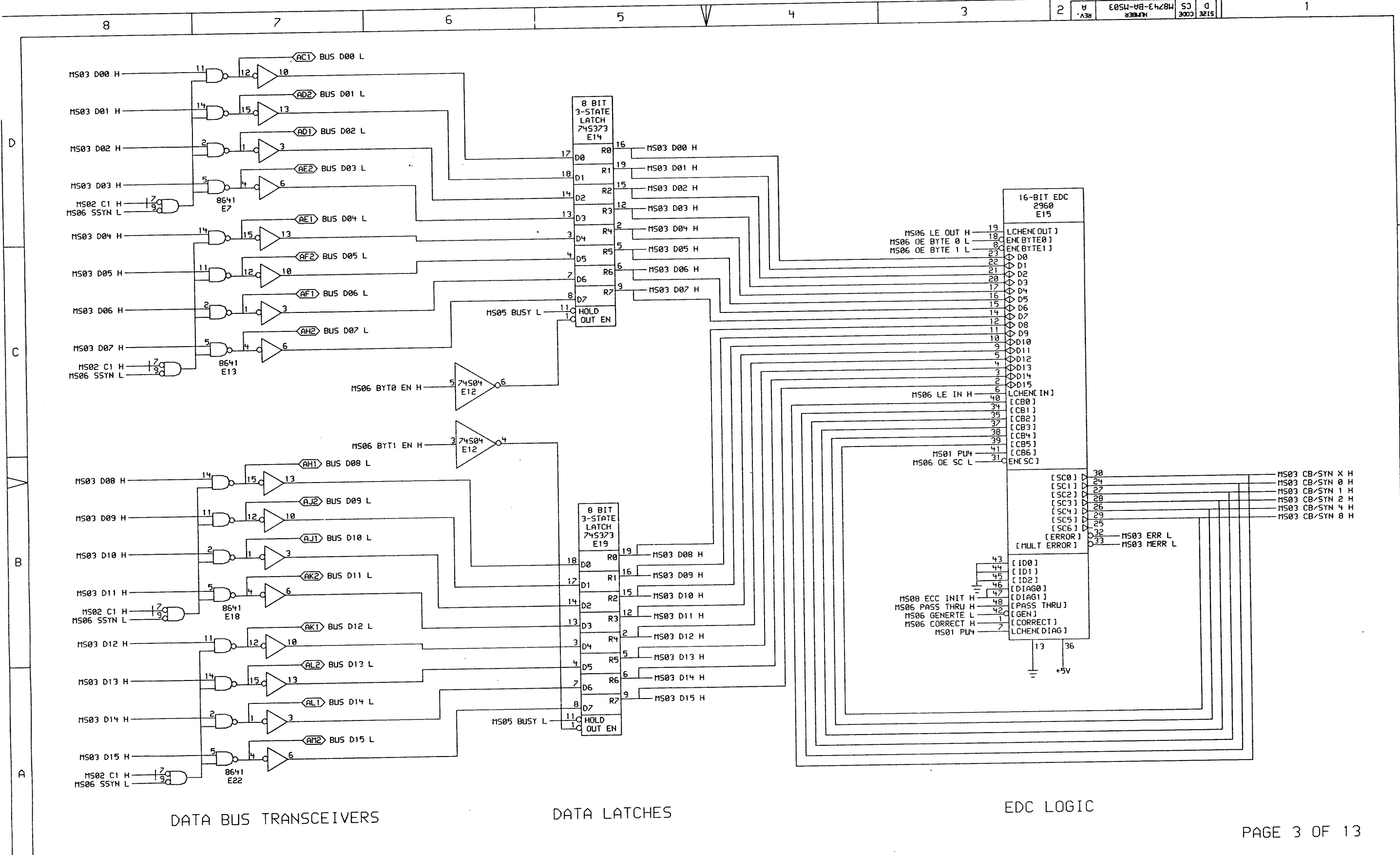
REV. C
NUMBER M8743-BA-MS01
SIZE CODE K CS



THIS DRAWING AND SPECIFICATIONS ARE THE PROPERTY OF DIGITAL EQUIPMENT CORPORATION AND SHALL NOT BE REPRODUCED OR COPIED OR USED IN WHOLE OR IN PART AS THE BASIS FOR THE MANUFACTURE OR SALE OF ITEMS WITHOUT WRITTEN PERMISSION. COPYRIGHT © 1983, DIGITAL EQUIPMENT CORPORATION.

REVISIONS		
CHK	CHANGE NO.	REV

digital	DRN. S. ROCHEFORT	DATE 11-MAR-83	ENG. <i>Jim Guter</i>	DATE 11-MAR-83	TITLE: MS11-P MEMORY
	CHK'D P. BOSSMAN	DATE 13-APR-83	09:16	NEXT HIGHER ASSEMBLY: B-DD-M8743-BA	
FIRST USED ON OPTION/MODEL: MS11-P					SIZE CODE K CS
					NUMBER M8743-BA-M502
					REV. B



DATA BUS TRANSCEIVERS

DATA LATCHES

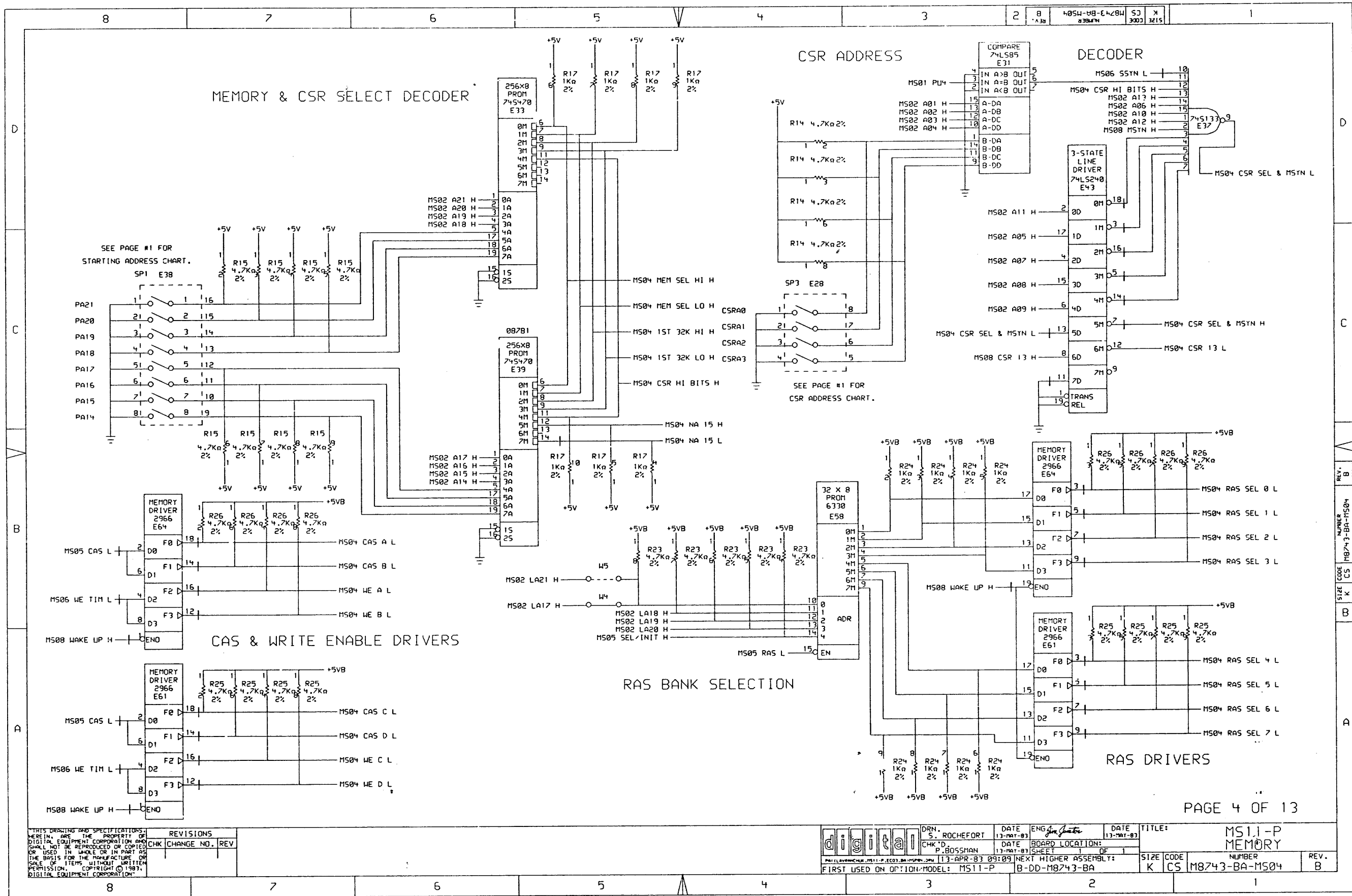
EDC LOGIC

THIS DRAWING AND SPECIFICATIONS HEREIN ARE THE PROPERTY OF DIGITAL EQUIPMENT CORPORATION AND SHALL NOT BE REPRODUCED OR COPIED OR USED IN WHOLE OR IN PART AS THE BASIS FOR THE MANUFACTURE OR SALE OF ITEMS WITHOUT WRITTEN PERMISSION. COPYRIGHT © 1982, DIGITAL EQUIPMENT CORPORATION.

REVISIONS		
CHK	CHANGE NO.	REV

digital	DATE	29-JUN-82	ENG	DATE	29-JUN-82	TITLE:	MS11-P
	CHK'D	P. BOSSMAN	DATE	29-JUN-82	BOARD LOCATION:		MEMORY
FIRST USED ON OPTION/MODEL: MS11-P		NEXT HIGHER ASSEMBLY:		B-DD-M8743-BA		SIZE CODE	D CS
ML2		1		NUMBER		M8743-BA-MS03	
REV.		A					

REV. A
 NUMBER 18743-BA-MS03
 SIZE CODE CS
 D

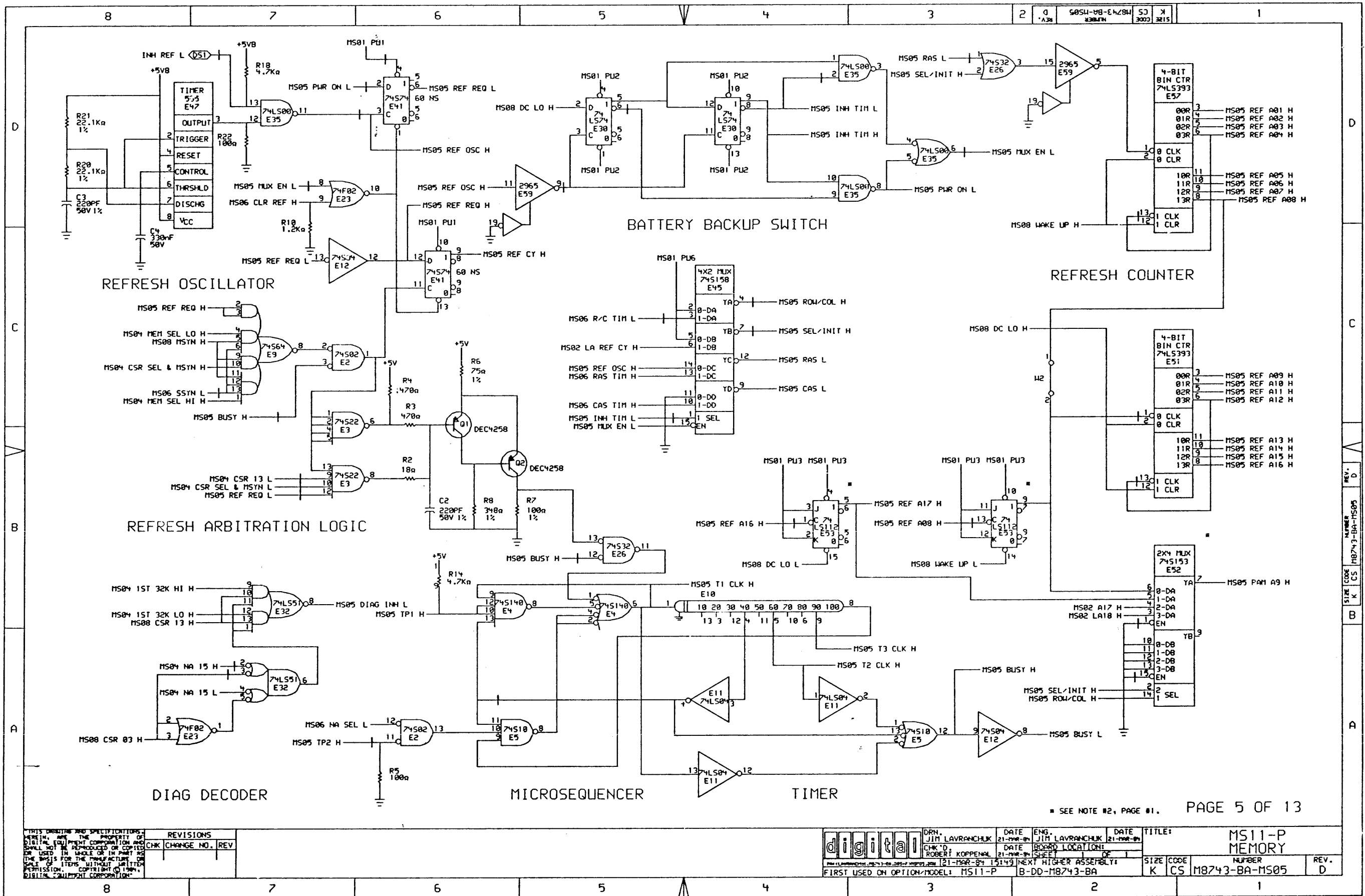


THIS DRAWING AND SPECIFICATIONS HEREIN ARE THE PROPERTY OF DIGITAL EQUIPMENT CORPORATION AND SHALL NOT BE REPRODUCED OR COPIED OR USED IN WHOLE OR IN PART AS THE BASIS FOR THE MANUFACTURE OR SALE OF ITEMS WITHOUT WRITTEN PERMISSION. COPYRIGHT © 1981, DIGITAL EQUIPMENT CORPORATION.

REVISIONS	
CHK	CHANGE NO. REV

	DRN. 5. ROCHEFORT	DATE 13-MAY-83	ENG. <i>Jim Jester</i>	DATE 13-MAY-83	TITLE: MS11-P MEMORY
	CHK'D P. BOSSHAN	DATE 13-MAY-83	BOARD LOCATION: SHEET 1 OF 1	SIZE CODE K CS	NUMBER M8743-BA-MS04
FIRST USED ON OPTIUM-MODEL: MS11-P		NEXT HIGHER ASSEMBLY: B-DD-M8743-BA		REV. B	

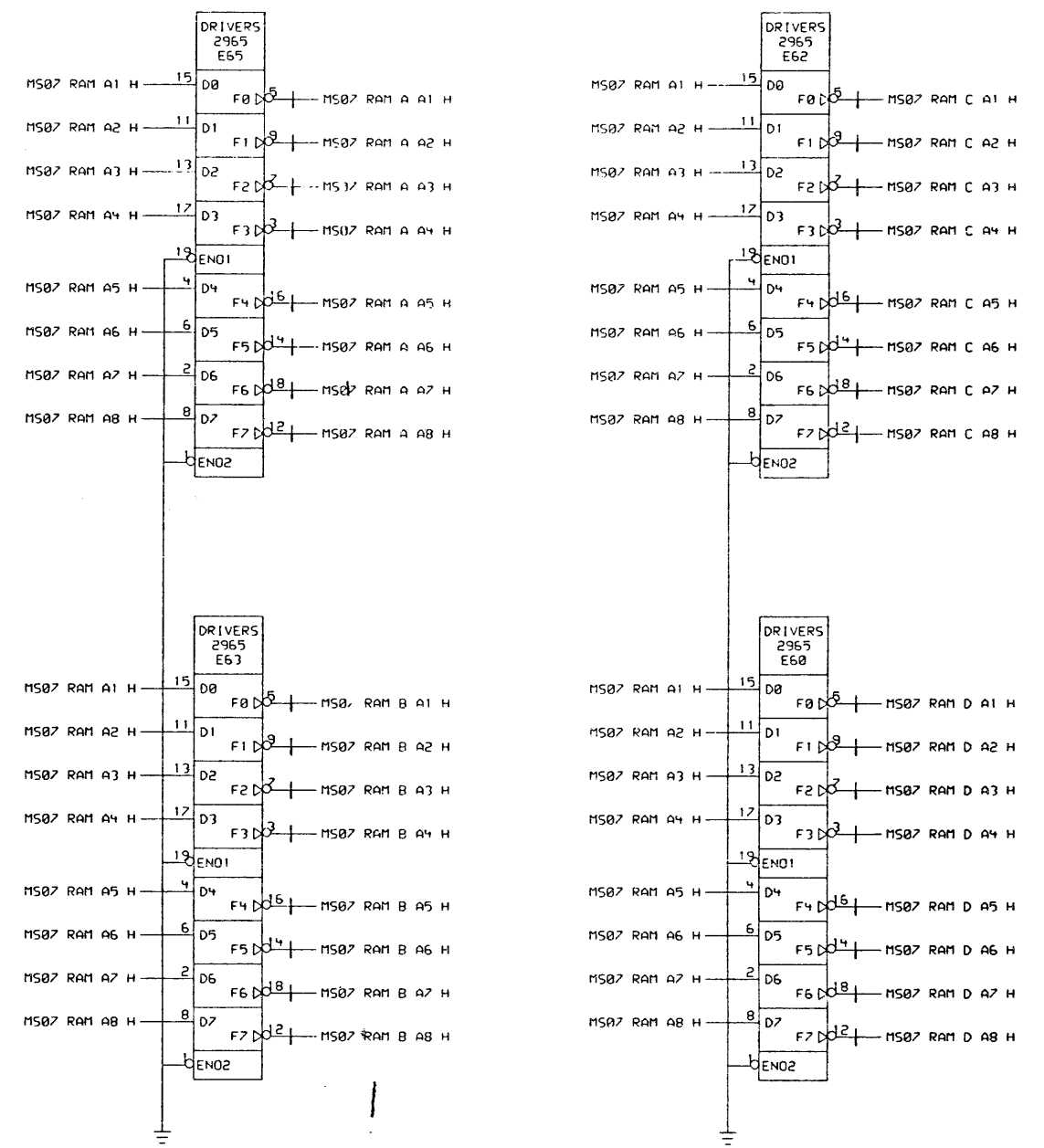
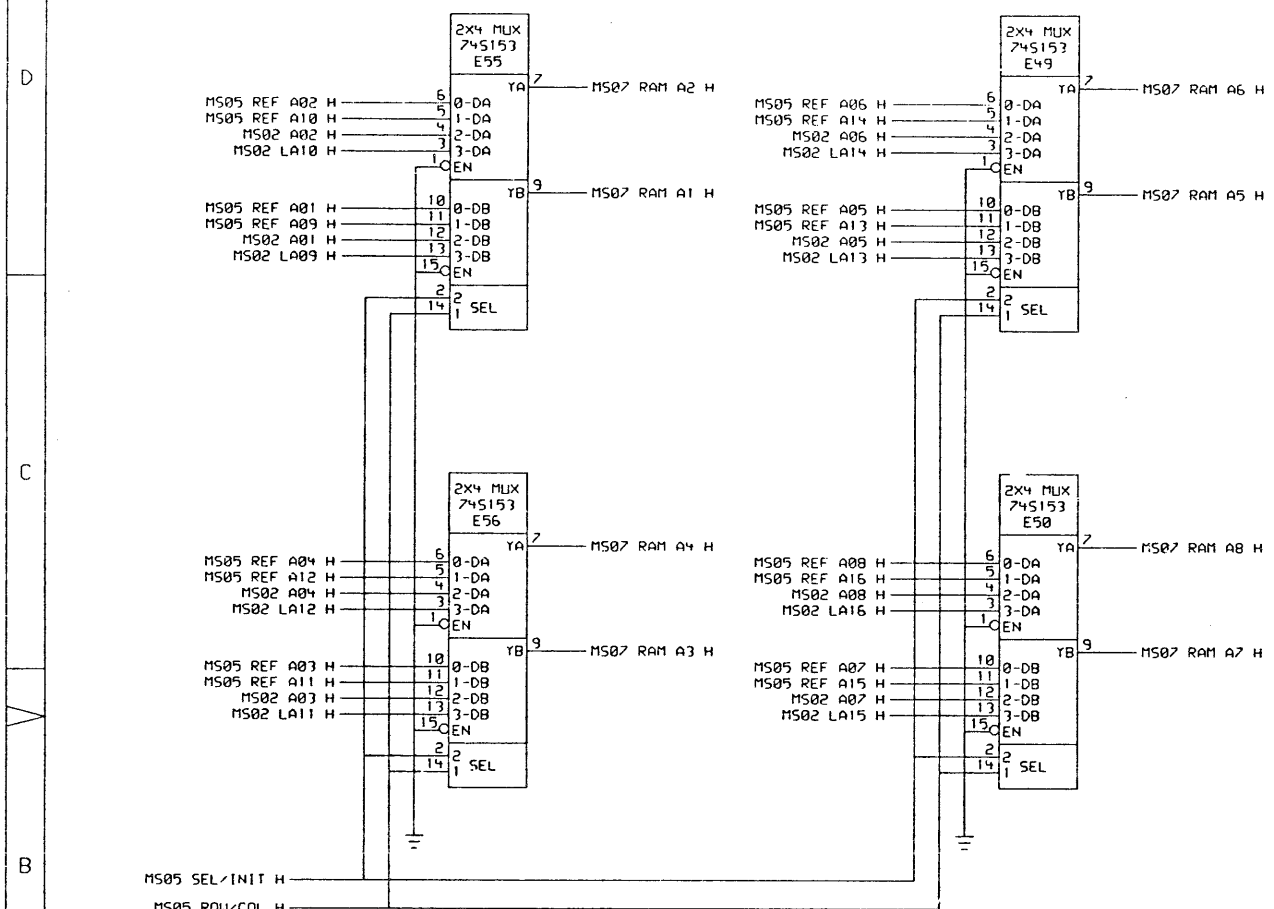
REV. B
NUMBER M8743-BA-MS04
SIZE CODE K CS



REVISIONS	
CHK	CHANGE NO. REV

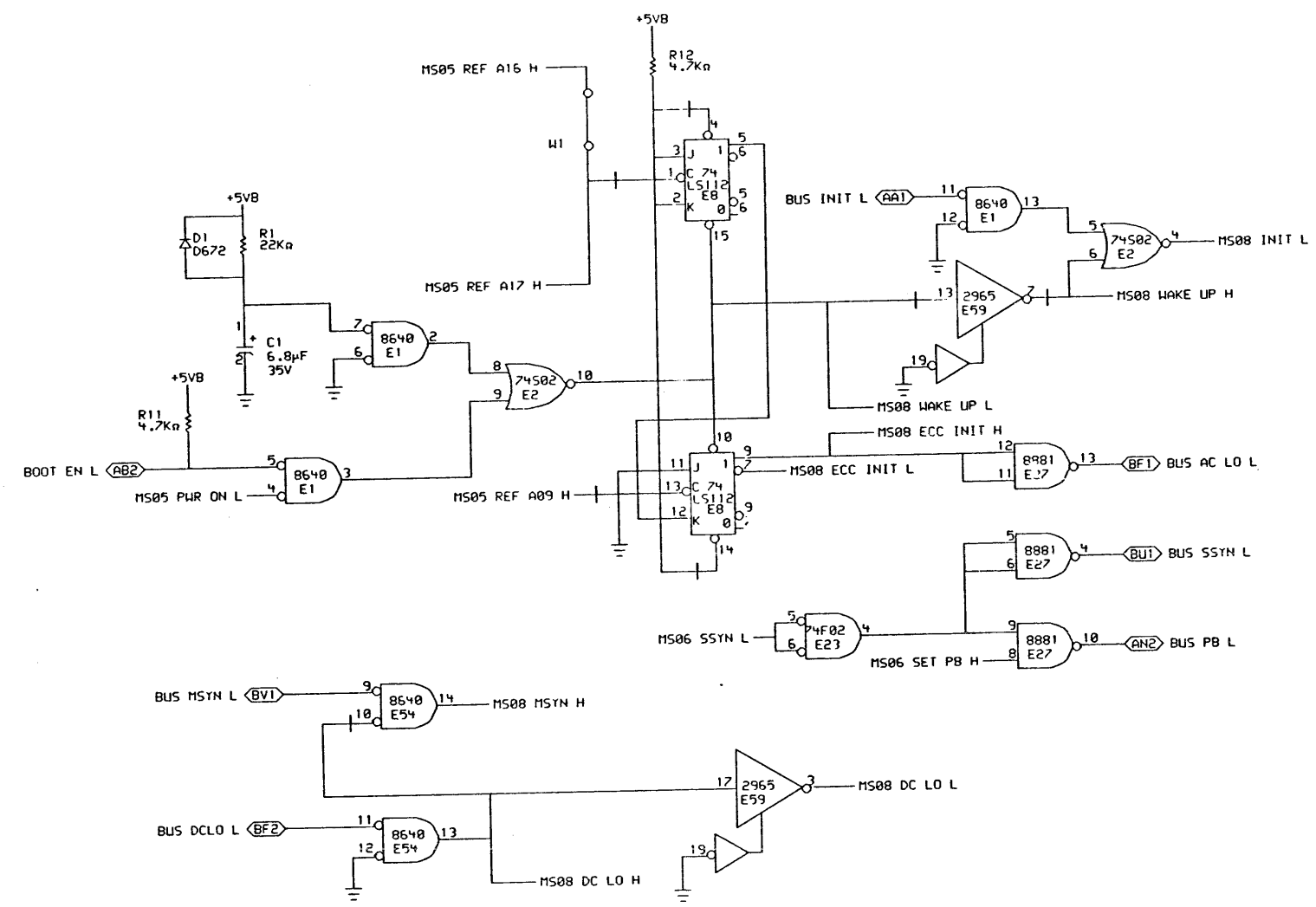
digital	DRN. JIM LAVRANCHUK	DATE 21-MAR-84	ENG. JIM LAVRANCHUK	DATE 21-MAR-84	TITLE: MS11-P MEMORY
	CHK'D. ROBERT KOPPENAL	DATE 21-MAR-84	BOARD LOCATION: B-DD-M8743-BA	SHEET 1 OF 1	
FIRST USED ON OPTION/MODEL: MS11-P		NEXT HIGHER ASSEMBLY: B-DD-M8743-BA		SIZE CODE: K CS	NUMBER: M8743-BA-MS05
				REV. D	

ARRAY ADDRESSING MUXES

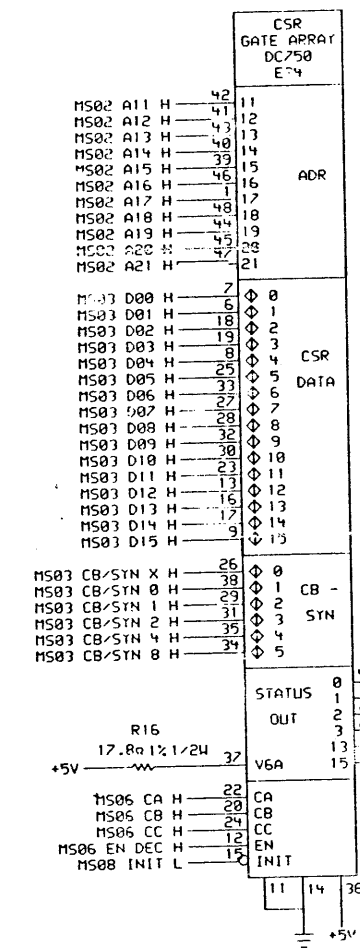


ARRAY ADDRESS DRIVERS

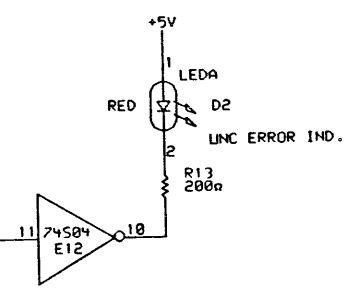
<p>THIS DRAWING AND SPECIFICATIONS, HEREIN, ARE THE PROPERTY OF DIGITAL EQUIPMENT CORPORATION AND SHALL NOT BE REPRODUCED OR COPIED OR USED IN WHOLE OR IN PART AS THE BASIS FOR THE MANUFACTURE OR SALE OF ITEMS WITHOUT WRITTEN PERMISSION. COPYRIGHT © 1987, DIGITAL EQUIPMENT CORPORATION.</p>		<p>REVISIONS</p> <table border="1"> <tr> <th>CHK</th> <th>CHANGE NO.</th> <th>REV</th> </tr> <tr> <td> </td> <td> </td> <td> </td> </tr> </table>	CHK	CHANGE NO.	REV				<p>digital</p>	<p>DRN. S. ROCHEFORT CHK'D. P. BOSSMAN</p>	<p>DATE 13-MAR-83 DATE 13-MAR-83</p>	<p>ENG. J. J. J. J. BOARD LOCATION: 1 OF 1</p>	<p>TITLE: MS11-P MEMORY</p>	<p>SIZE CODE K CS NUMBER M8743-BA-MS07 REV. B</p>
CHK	CHANGE NO.	REV												



UNIBUS CONTROL LOGIC



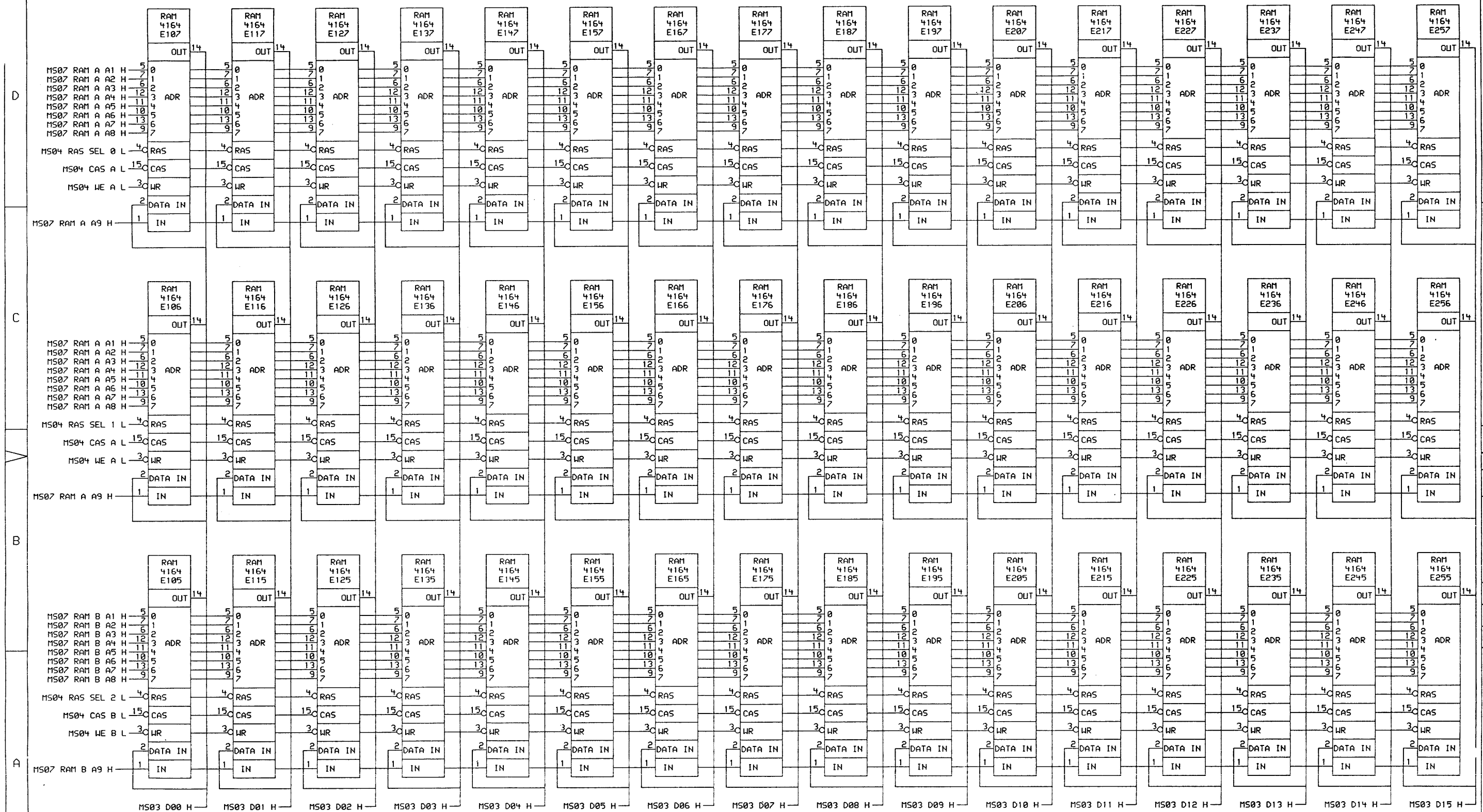
CSR LOGIC



THIS DRAWING AND SPECIFICATIONS HEREIN ARE THE PROPERTY OF DIGITAL EQUIPMENT CORPORATION AND SHALL NOT BE REPRODUCED OR COPIED OR USED IN WHOLE OR IN PART AS THE BASIS FOR THE MANUFACTURE OR SALE OF ITEMS WITHOUT WRITTEN PERMISSION. COPYRIGHT © 1984, DIGITAL EQUIPMENT CORPORATION.

REVISIONS	
CHK	CHANGE NO. REV

digital	DRN. JIM LAVRANCHUK	DATE 12-MAY-84	ENG. JIM LAVRANCHUK	DATE 12-MAY-84	TITLE: MS11-P MEMORY
	CHK'D R. KOPPENAL	DATE 12-MAY-84 12:32	DATE BOARD LOCATION: SHEET 1 OF 1	DATE NEXT HIGHER ASSEMBLY: B-DD-M8743-BA	
FIRST USED ON OPTION MODEL: MS11-P					
SIZE	CODE	NUMBER	REV.		
K	CS	M8743-BA-MS08	D		



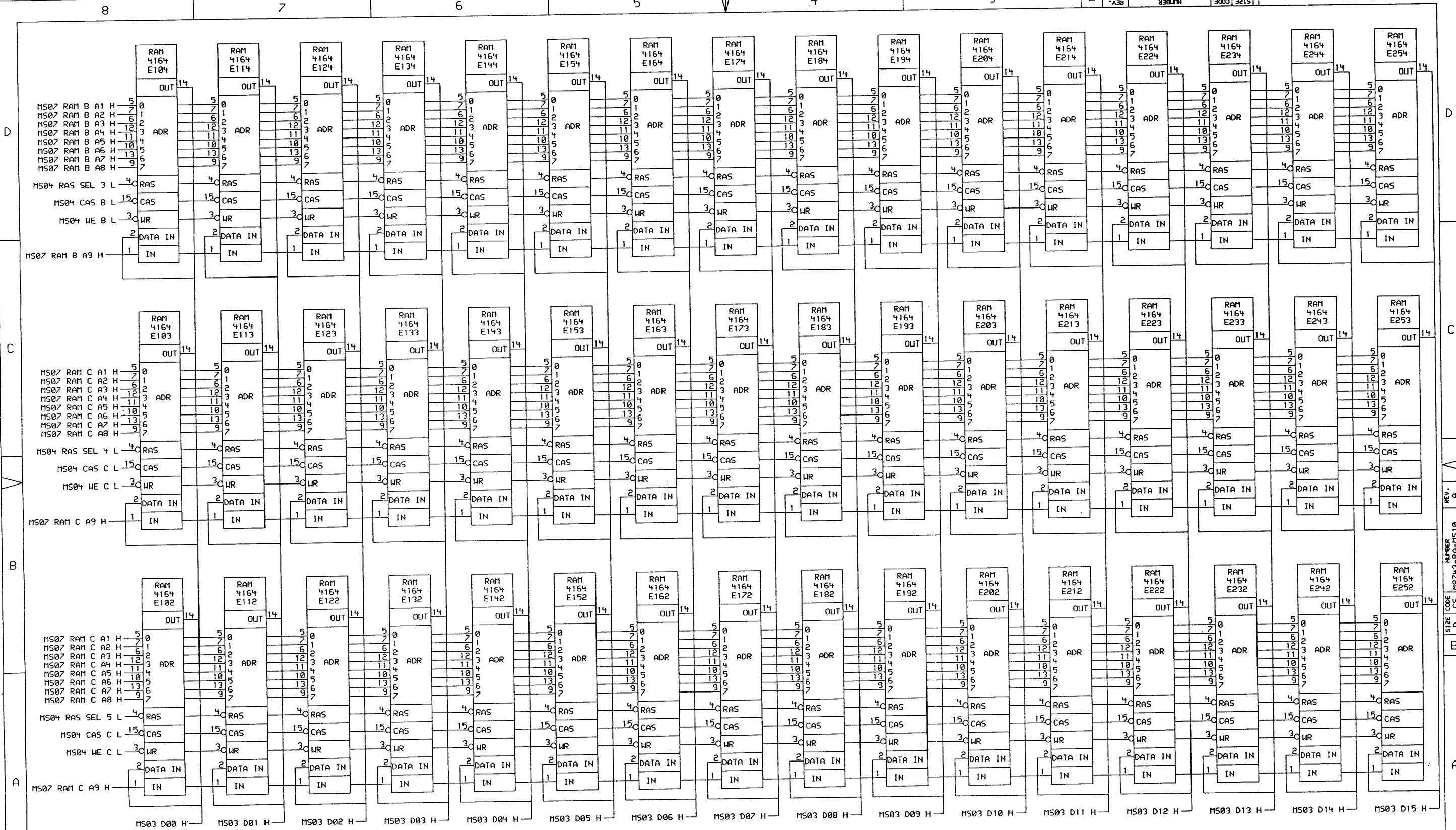
MEMORY ARRAY

THIS DRAWING AND SPECIFICATIONS HEREIN ARE THE PROPERTY OF DIGITAL EQUIPMENT CORPORATION AND SHALL NOT BE REPRODUCED OR COPIED OR USED IN WHOLE OR IN PART AS THE BASIS FOR THE MANUFACTURE OR SALE OF ITEMS WITHOUT WRITTEN PERMISSION. COPYRIGHT © 1982, DIGITAL EQUIPMENT CORPORATION.

REVISIONS	
CHK	CHANGE NO. REV

	DRN <i>Don Edens</i>	DATE 29-JUN-82	ENG <i>Jim Jantzi</i>	DATE 29-JUN-82	TITLE: MS11-P MEMORY
	CHK'D P. BOSSMAN	DATE 29-JUN-82	BOARD LOCATION: SHEET 1 OF 1	SIZE CODE D CS	NUMBER M8743-BA-MS09

(710,1314)MSP09.DRW 124-JUN-82 15:06 NEXT HIGHER ASSEMBLY:
 FIRST USED ON OPTION/MODEL: MS11-P B-DD-M8743-BA

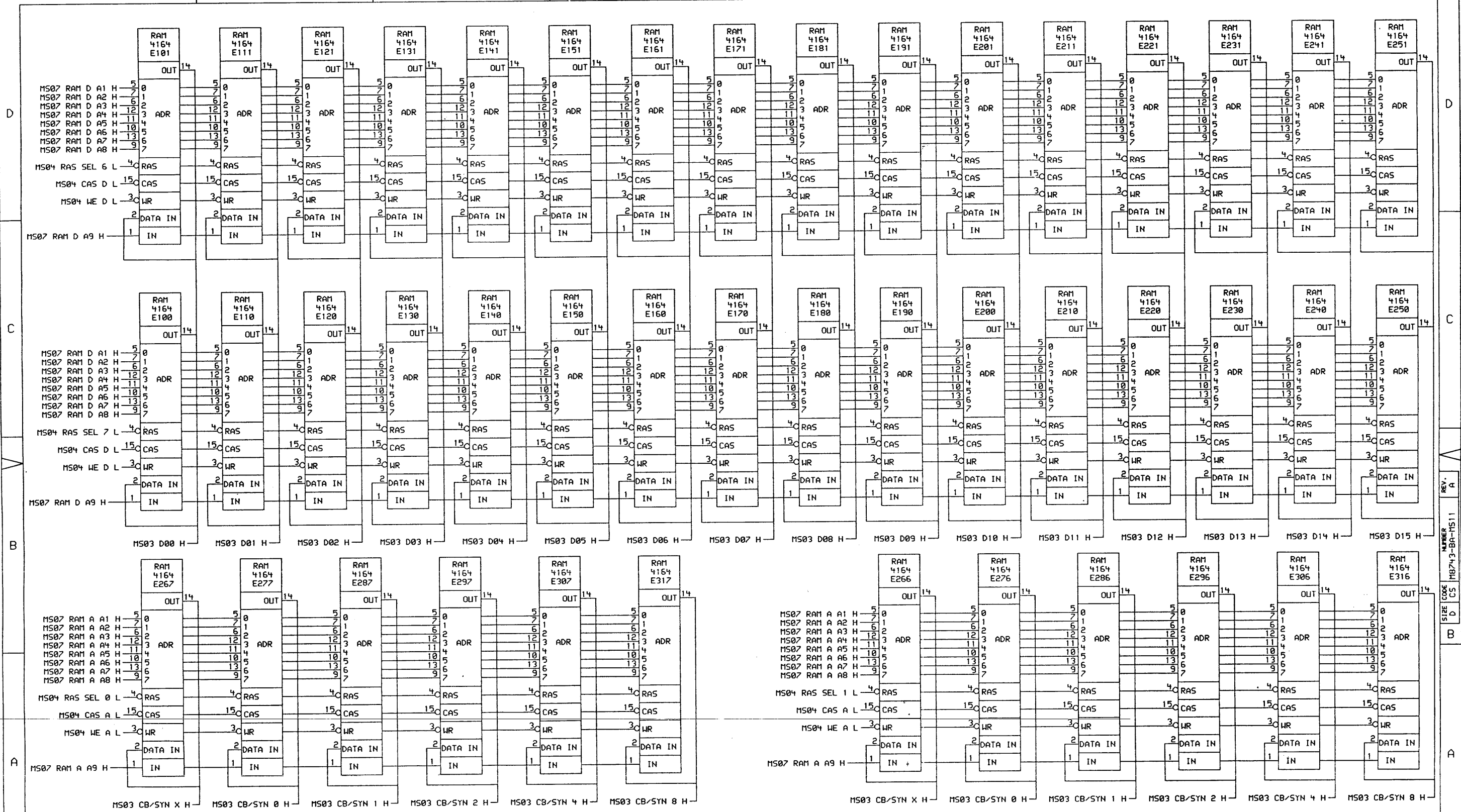


MEMORY ARRAY

THIS DRAWING AND SPECIFICATIONS HEREIN ARE THE PROPERTY OF DIGITAL EQUIPMENT CORPORATION AND SHALL NOT BE REPRODUCED OR COPIED OR USED IN WHOLE OR IN PART AS THE BASIS FOR THE MANUFACTURE OR SALE OF ITEMS WITHOUT WRITTEN PERMISSION. COPYRIGHT © 1982, DIGITAL EQUIPMENT CORPORATION.

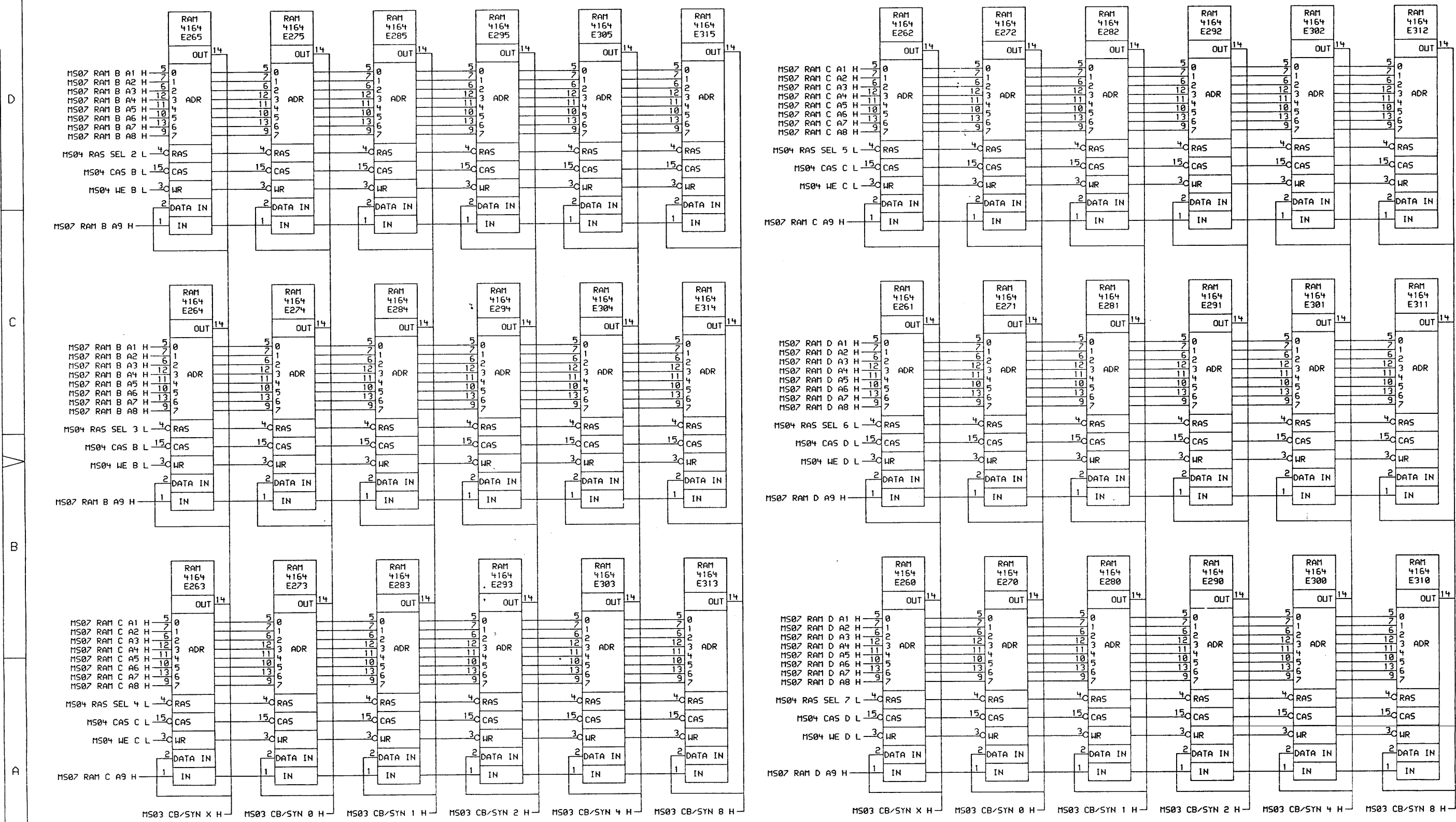
REVISIONS	
CHK	CHANGE NO. REV

digital	DATE 29-JUN-82	DATE 29-JUN-82	TITLE: MS11-P
	CHK'D P. BOSSMAN	DATE 29-JUN-82	BOARD LOCATION:
[710,1314]MSP10.DRW	[25-JUN-82 08:19]NEXT HIGHER ASSEMBLY:	SHEET 1 OF 1	SIZE CODE D CS
FIRST USED ON OPTION/MODEL: MS11-P	B-DD-M8743-BA		NUMBER ML2
			REV. A



MEMORY ARRAY

THIS DRAWING AND SPECIFICATIONS ARE THE PROPERTY OF DIGITAL EQUIPMENT CORPORATION AND SHALL NOT BE REPRODUCED OR COPIED OR USED IN WHOLE OR IN PART AS THE BASIS FOR THE MANUFACTURE OR SALE OF ITEMS WITHOUT WRITTEN PERMISSION. COPYRIGHT © 1982 DIGITAL EQUIPMENT CORPORATION.		REVISIONS CHK CHANGE NO. REV		DATE 23-JUN-82 ENG Jim Jantzen DATE 23-JUN-82		TITLE: MS11-P MEMORY	
digital [710,1314]MS11.DRW FIRST USED ON OPTION/MODEL: MS11-P		CHK'D P. BOSSMAN DATE 25-JUN-82 08:24 NEXT HIGHER ASSEMBLY: B-DD-M8743-BA		BOARD LOCATION: SHEET 1 OF 1		SIZE CODE D CS NUMBER M8743-BA-MS11 REV. A	

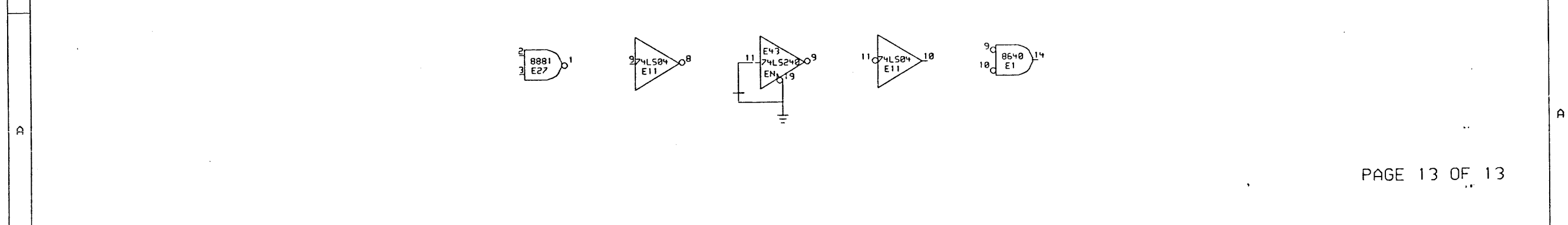
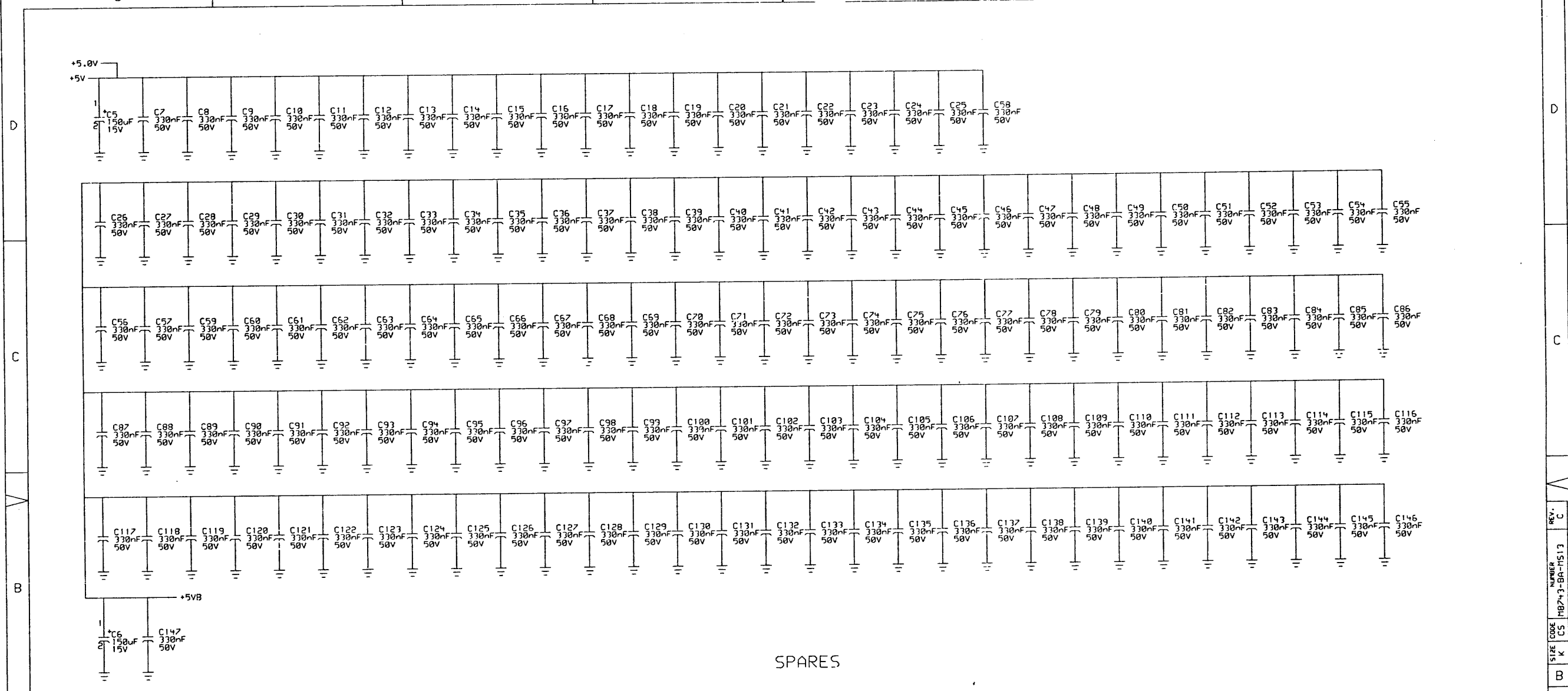


MEMORY ARRAY

THIS DRAWING AND SPECIFICATIONS HEREIN ARE THE PROPERTY OF DIGITAL EQUIPMENT CORPORATION AND SHALL NOT BE REPRODUCED OR COPIED OR USED IN WHOLE OR IN PART AS THE BASIS FOR THE MANUFACTURE OR SALE OF ITEMS WITHOUT WRITTEN PERMISSION. COPYRIGHT © 1982 DIGITAL EQUIPMENT CORPORATION.

REVISIONS	
CHK	CHANGE NO. REV.

	DATE: 29-JUN-82	ENG: <i>Jim J...</i>	DATE: 29-JUN-82	TITLE: MS11-P MEMORY
	CHK'D: P. BOSSMAN	DATE: 29-JUN-82	BOARD LOCATION: SHEET 1 OF 1	NUMBER: M8743-BA-MS12
FIRST USED ON OPTION/MODEL: MS11-P		NEXT HIGHER ASSEMBLY: B-DD-M8743-BA		REV. A



THIS DRAWING AND SPECIFICATIONS ARE THE PROPERTY OF DIGITAL EQUIPMENT CORPORATION AND SHALL NOT BE REPRODUCED OR COPIED OR USED IN WHOLE OR IN PART AS THE BASIS FOR THE MANUFACTURE OR SALE OF ITEMS WITHOUT WRITTEN PERMISSION. COPYRIGHT © 1981, DIGITAL EQUIPMENT CORPORATION.

REVISIONS		
CHK	CHANGE NO.	REV

digital	DRN. S. ROCHEFORT	DATE 13-MAY-83	ENG. J. J. J.	DATE 13-MAY-83	TITLE: MS11-P MEMORY
	CHK'D P. BOSSMAN	DATE 13-MAY-83	SHEET 1 OF 1	BOARD LOCATION: 1	NUMBER M8743-BA-MS13
FIRST USED ON OPTION MODEL: MS11-P				NEXT HIGHER ASSEMBLY: B-DD-M8743-BA	SIZE CODE K CS
8	7	5	5	4	3

DRAWING NO.	NO. OF SHTS.	PART NO.	DESCRIPTION	REVISIONS															
				REF															
B-TC-MS11-P-1	-	MP01477	FIELD MAINTENANCE PRINT SET	REF															
		MS11-PB	512 X 22 MOS MEMORY SYSTEM	A															
		M8743-BA	MS11-P MOS MEMORY	A															
B-DD-M8743-BA	1		MS11-P MOS MEMORY	A															
D-BD-MS11-P-DBU	1		MS11-P BLOCK DIAGRAM	A															
D-TD-MS11-P-DBU	6		MS11-P TIMING DIAGRAM	A															
E-FD-MS11-P-3	1		MS11-P FLOW DIAGRAM	A															
A-SP-MS11-P-2	29		MS11-P SPECIFICATION	A															
K-PL-MS11-P-DBP1	1		MS11-P SHIPPING LIST	A															

NOTES:

REVISION HISTORY		DATE	ECO NO.	REV.	INIT.												
DATE	ECO NO.																
		9/82			A												

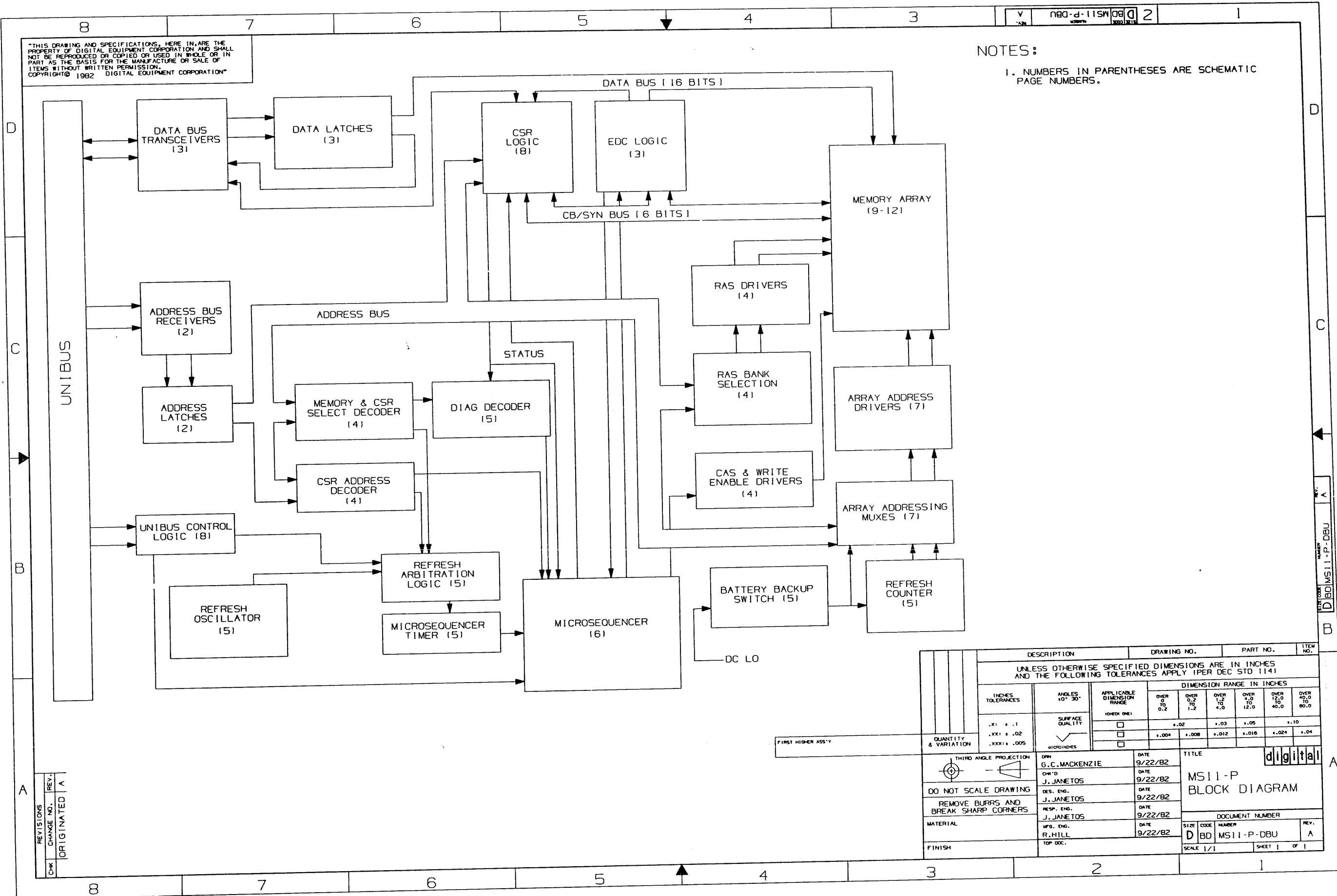
THIS DRAWING AND THE SPECIFICATIONS CONTAINED HEREIN ARE CONFIDENTIAL AND PROPRIETARY. THEY ARE THE PROPERTY OF DIGITAL EQUIPMENT CORPORATION AND SHALL NOT BE REPRODUCED OR COPIED OR USED IN WHOLE OR IN PART AS THE BASIS FOR THE MANUFACTURE OR SALE OF ITEMS WITHOUT WRITTEN PERMISSION. THIS IS AN UNPUBLISHED WORK PROTECTED UNDER THE FEDERAL COPYRIGHT LAWS.



DRN. L. PETERSON	DATE 7/21/82	TITLE		
CHK'D <i>James P. Janets</i>	DATE 24 Sept 82	MS11-P MOS MEMORY SYSTEM		
DES. ENG. <i>James P. Janets</i>	DATE 24 Sept 82	DOCUMENT NUMBER		
RESP. ENG. <i>James P. Janets</i>	DATE 24 Sept 82	SIZE B	CODE DD	NUMBER MS11-P
MFG. ENG. <i>Ra Hill</i>	DATE 24 Sept 82			REV. A
			SHEET 1 OF 1	

"THIS DRAWING AND SPECIFICATIONS, HERE IN, ARE THE PROPERTY OF DIGITAL EQUIPMENT CORPORATION AND SHALL NOT BE REPRODUCED OR COPIED OR USED IN WHOLE OR IN PART AS THE BASIS FOR THE MANUFACTURE OR SALE OF ITEMS WITHOUT WRITTEN PERMISSION.
 COPYRIGHT © 1982 DIGITAL EQUIPMENT CORPORATION"

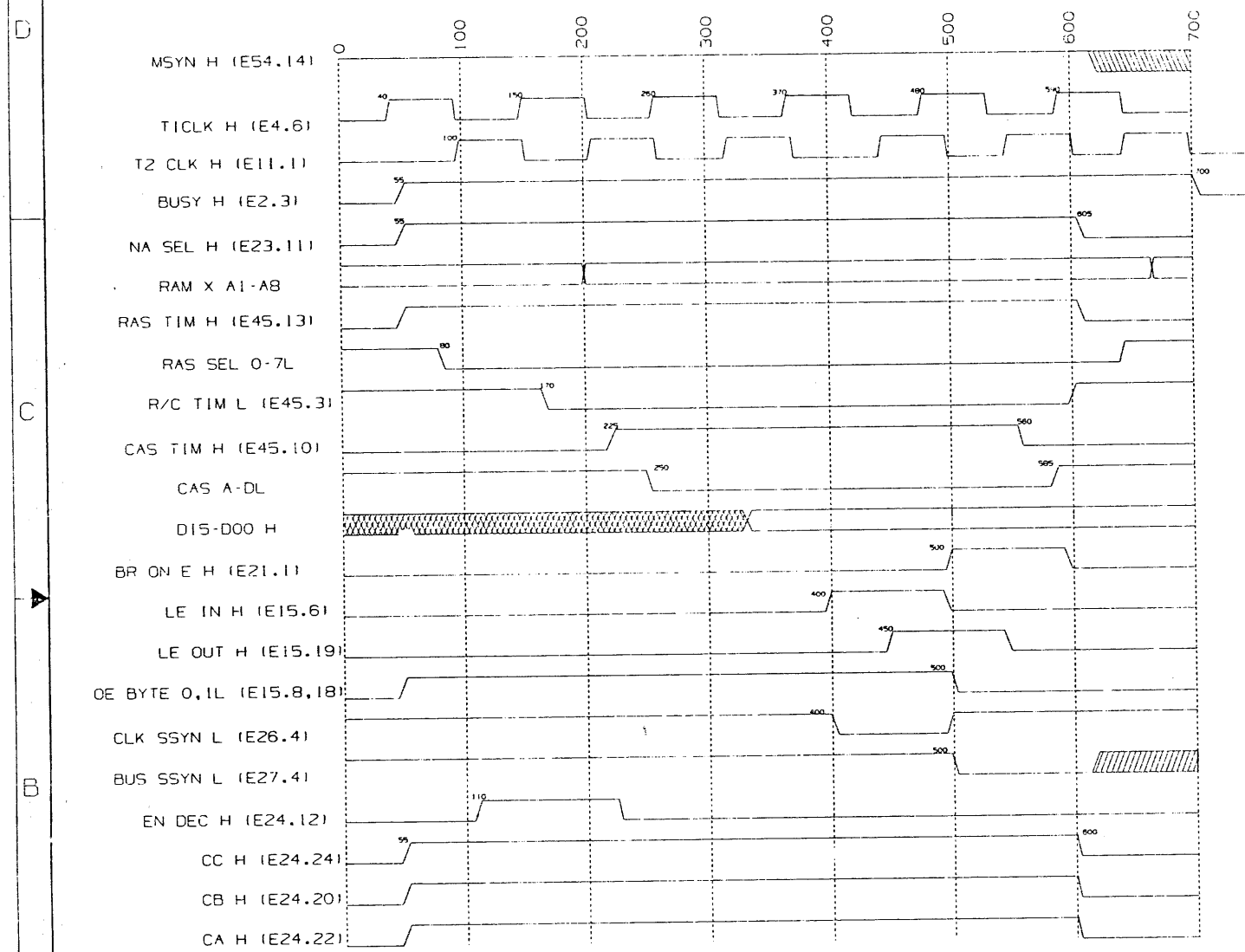
NOTES:
 1. NUMBERS IN PARENTHESES ARE SCHEMATIC PAGE NUMBERS.



REV.	1	ORIGINATED
CHK		

DESCRIPTION	DRAWING NO.	PART NO.	ITEM NO.
UNLESS OTHERWISE SPECIFIED DIMENSIONS ARE IN INCHES AND THE FOLLOWING TOLERANCES APPLY (PER DEC STD 114)			
DIMENSION RANGE IN INCHES			
INCHES TOLERANCES	ANGLES ±0° 30'	APPLICABLE DIMENSION RANGE	
.X: ±.1	SURFACE QUALITY	CHECK ONE:	
.XX: ±.02	✓	<input type="checkbox"/> ±.02	±.03 ±.05 ±.10
.XXX: ±.005		<input type="checkbox"/> ±.004	±.008 ±.012 ±.016 ±.024 ±.04
QUANTITY & VARIATION	THIRD ANGLE PROJECTION	DATE	TITLE
FIRST HIGHER ASS'Y		9/22/82	MS11-P BLOCK DIAGRAM
DRN	G.C. MACKENZIE	DATE	9/22/82
CHK'D	J. JANETOS	DATE	9/22/82
DES. ENG.	J. JANETOS	DATE	9/22/82
RES. ENG.	J. JANETOS	DATE	9/22/82
MATERIAL	MFG. ENG.	DATE	9/22/82
	R. HILL		
FINISH	TOP DOC.		
DOCUMENT NUMBER		SIZE	REV.
D BD MS11-P-DBU		D BD	A
SCALE 1/1		SHEET 1 OF 1	

THIS DRAWING AND SPECIFICATIONS, HEREIN, ARE THE PROPERTY OF DIGITAL EQUIPMENT CORPORATION AND SHALL NOT BE REPRODUCED OR COPIED OR USED IN WHOLE OR IN PART AS THE BASIS FOR THE MANUFACTURE OR SALE OF ITEMS WITHOUT WRITTEN PERMISSION.
 COPYRIGHT 1982 DIGITAL EQUIPMENT CORPORATION

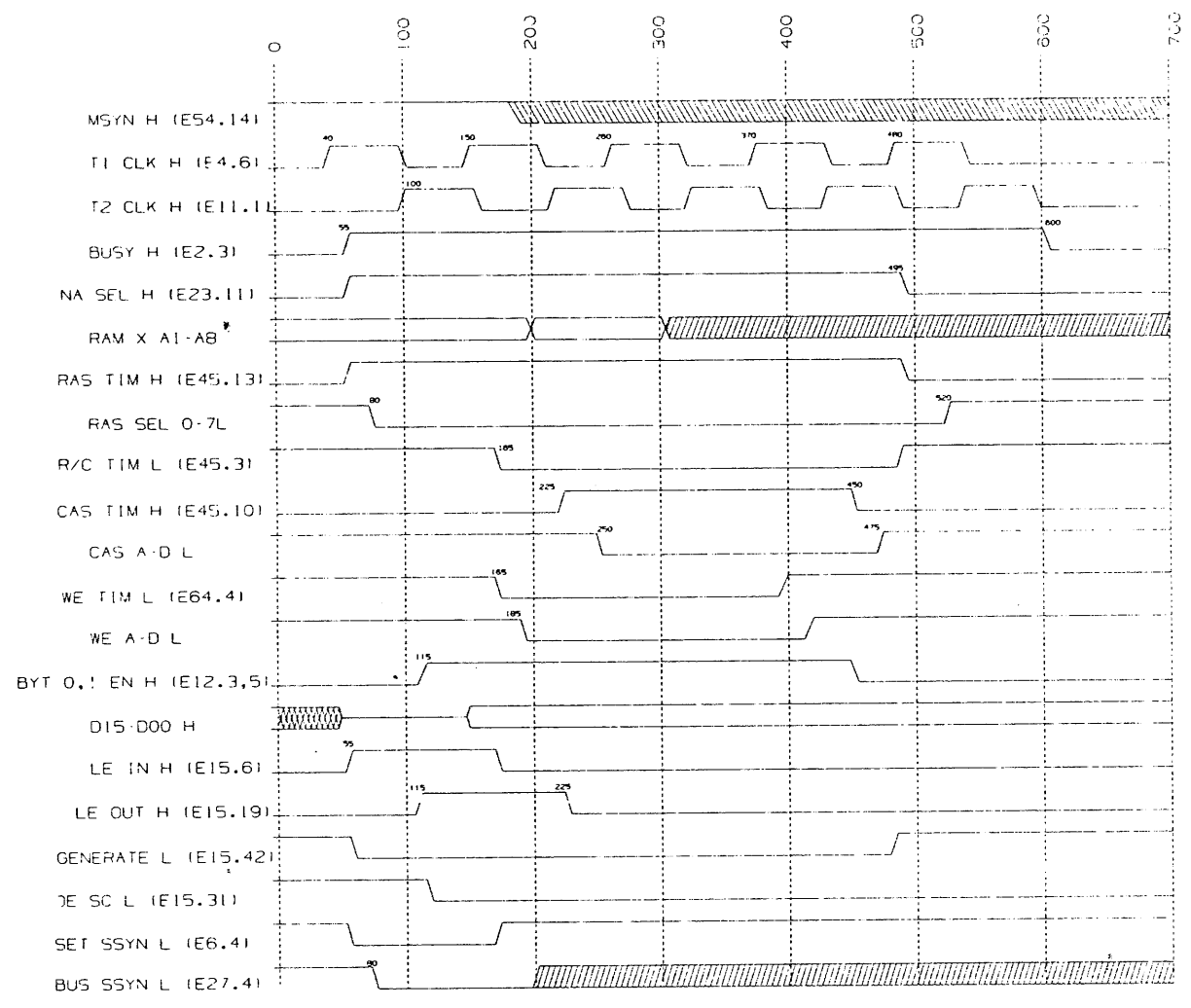


(DATA, TIMING)

REV.	CHANGE NO.	ORIGINATED
1		

DESCRIPTION		DRAWING NO.	PART NO.	ITEM NO.
UNLESS OTHERWISE SPECIFIED DIMENSIONS ARE IN INCHES AND THE FOLLOWING TOLERANCES APPLY (PER DEC STD 114)				
INCHES TOLERANCES		DIMENSION RANGE IN INCHES		
ANGLES 10°-30°		OVER 0 TO 0.2	OVER 0.2 TO 1.2	OVER 1.2 TO 4.0
SURFACE QUALITY		OVER 4.0 TO 12.0	OVER 12.0 TO 40.0	OVER 40.0 TO 80.0
QUANTITY & VARIATION		±.004	±.008	±.012
THIRD ANGLE PROJECTION		±.018	±.024	±.030
DO NOT SCALE DRAWING		DATE	TITLE	
REMOVE BURRS AND BREAK SHARP CORNERS		9/8/82	MEMORY SYSTEM TIMING	
MATERIAL		DATE	DOCUMENT NUMBER	
FINISH		9/8/82	D TO MS11-P-DBU	
		DATE	SCALE NONE	
		9/8/82	SHEET 1 OF 6	

THIS DRAWING AND SPECIFICATIONS, HEREIN, ARE THE PROPERTY OF DIGITAL EQUIPMENT CORPORATION AND SHALL NOT BE REPRODUCED OR COPIED OR USED IN WHOLE OR IN PART AS THE BASIS FOR THE MANUFACTURE OR SALE OF ITEMS WITHOUT WRITTEN PERMISSION.
 COPYRIGHT © 1982 DIGITAL EQUIPMENT CORPORATION



(DATA TIMING)

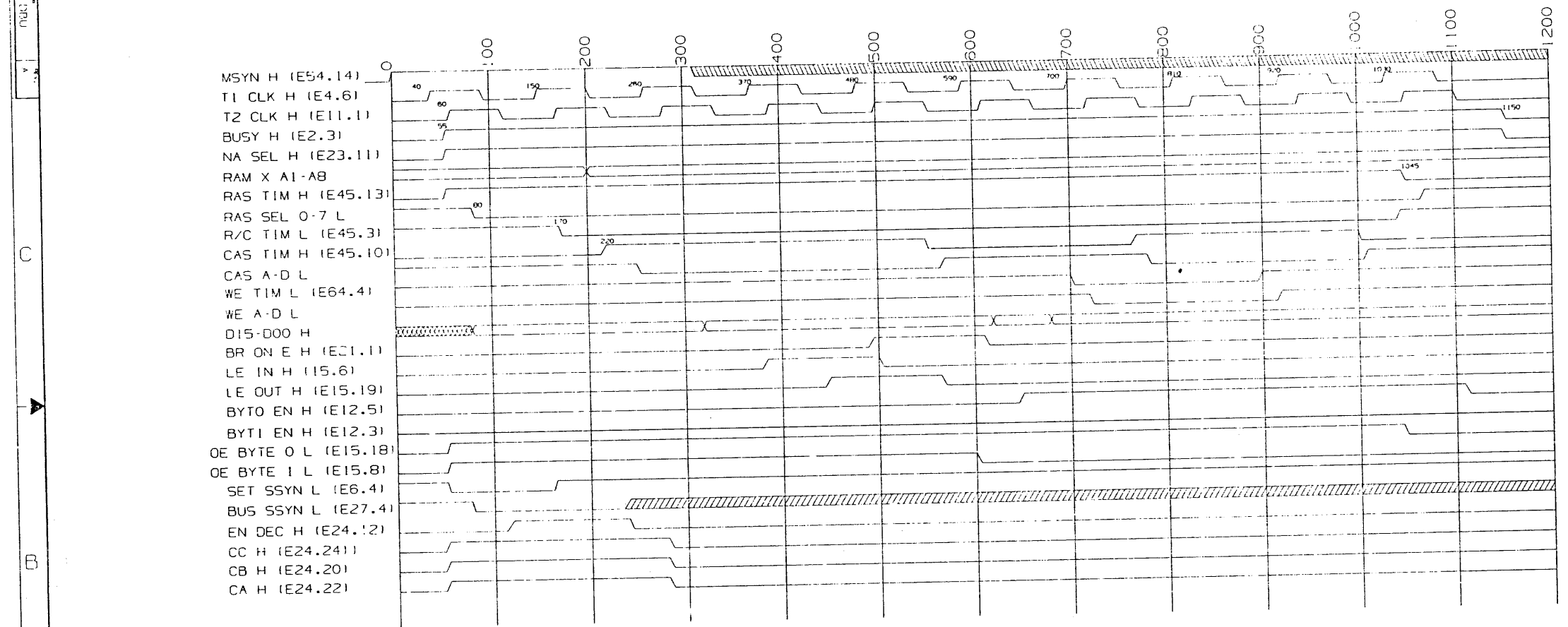
REVISIONS		
CHK	CHANGE NO	REV

TITLE	MEMORY SYSTEM TIMING	SIZE/CODE	D	NUMBER	MS11-P-DBU	REV	A
SCALE	NONE	SHEET	2	of	6	DIST	

"THIS DRAWING AND SPECIFICATIONS, HEREIN, ARE THE PROPERTY OF DIGITAL EQUIPMENT CORPORATION AND SHALL NOT BE REPRODUCED OR COPIED OR USED IN WHOLE OR IN PART AS THE BASIS FOR THE MANUFACTURE OR SALE OF ITEMS WITHOUT WRITTEN PERMISSION.
 DEPARTMENT OF DIGITAL EQUIPMENT CORPORATION"

DIGITAL EQUIPMENT CORPORATION

DITD:MS11-P-DBU 2

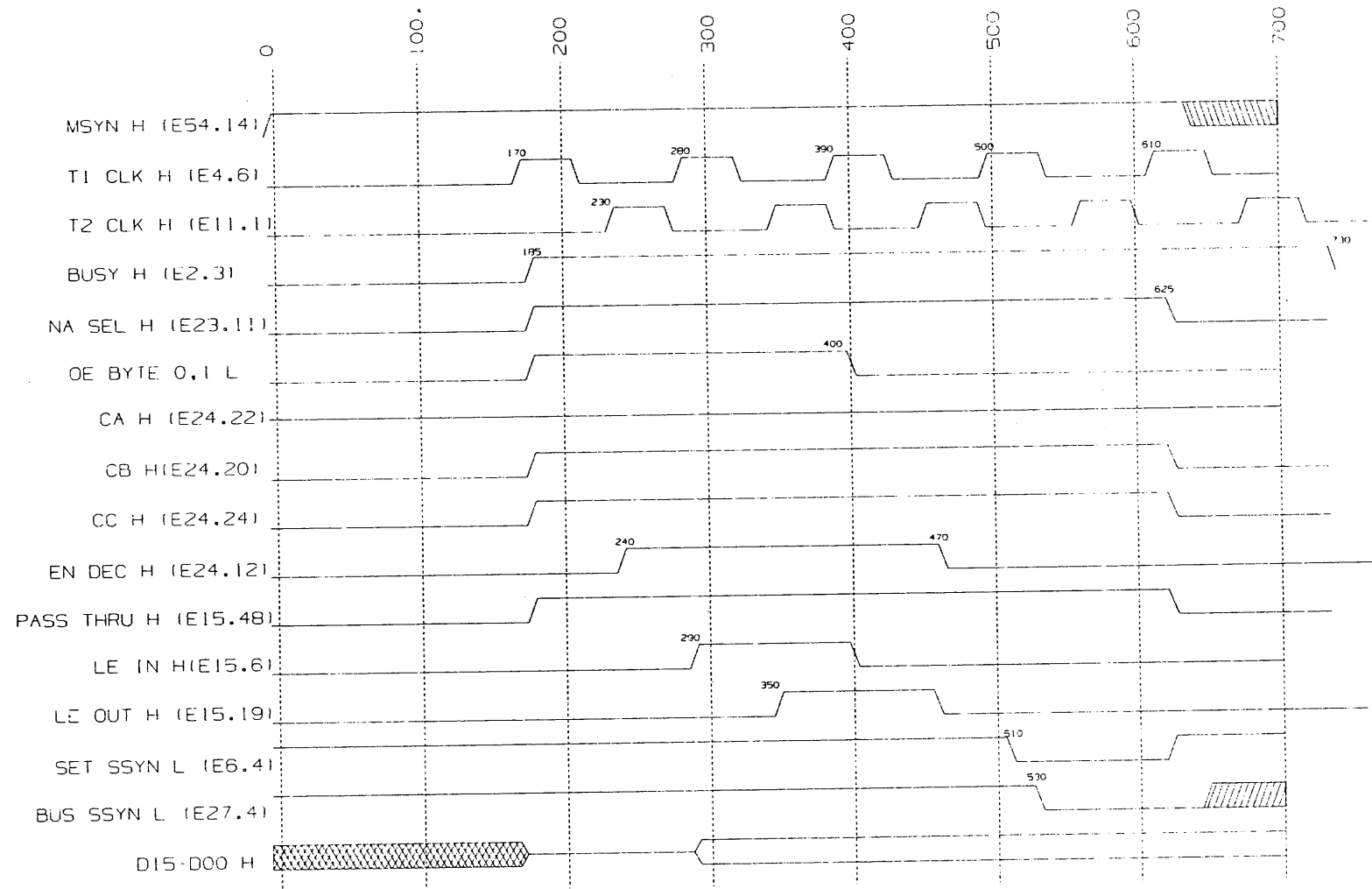


(DATOB TIMING)

REVISIONS		
CHK	CHANGE NO	REV

TITLE	MEMORY SYSTEM TIMING	SIZE CODE	D	NUMBER	MS11-P-DBU	REV	A
SCALE	NONE	SHEET	3	OF	6	DIST	

"THIS DRAWING AND SPECIFICATIONS, HEREIN, ARE THE PROPERTY OF DIGITAL EQUIPMENT CORPORATION AND SHALL NOT BE REPRODUCED OR COPIED OR USED IN WHOLE OR IN PART AS THE BASIS FOR THE MANUFACTURE OR SALE OF ITEMS WITHOUT WRITTEN PERMISSION. COPYRIGHT © 1972 DIGITAL EQUIPMENT CORPORATION"



(DAT1, CSR)

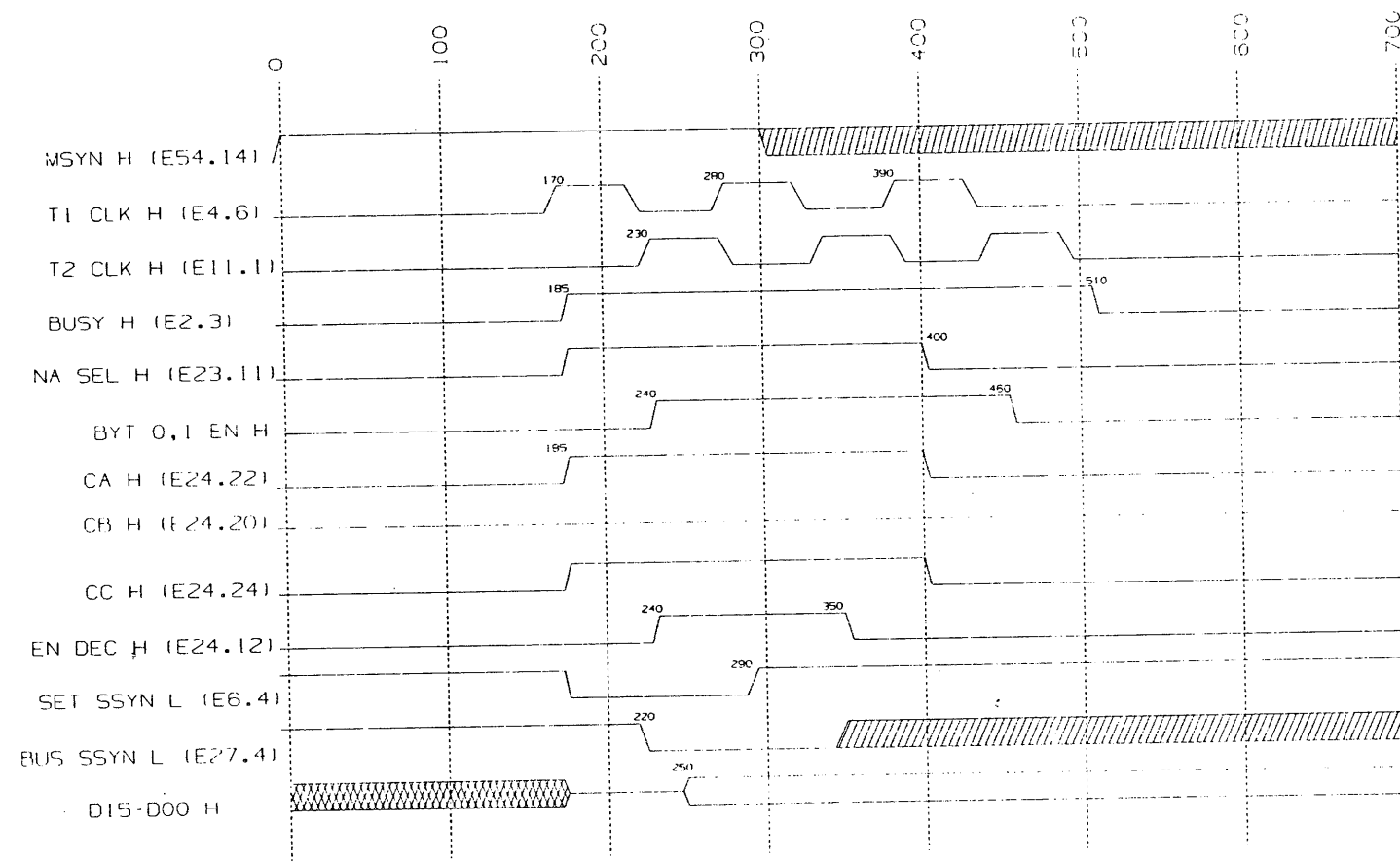
REVISIONS		
CHK	CHANGE NO	REV

TITLE		SIZE CODE	NUMBER	REV
MEMORY SYSTEM TIMING		D1TD	MS11-P-DBU	A
SCALE	SHEET	OF	DIST	
NONE	4	6		

"THIS DRAWING AND SPECIFICATIONS, HEREIN, ARE THE PROPERTY OF DIGITAL EQUIPMENT CORPORATION AND SHALL NOT BE REPRODUCED OR COPIED OR USED IN WHOLE OR IN PART AS THE BASIS FOR THE MANUFACTURE OR SALE OF ITEMS WITHOUT WRITTEN PERMISSION. COPYRIGHT © 1982 DIGITAL EQUIPMENT CORPORATION"

DITD MS11-P-DBU

DITD MS11-P-DBU 2



(DATO, CSR)

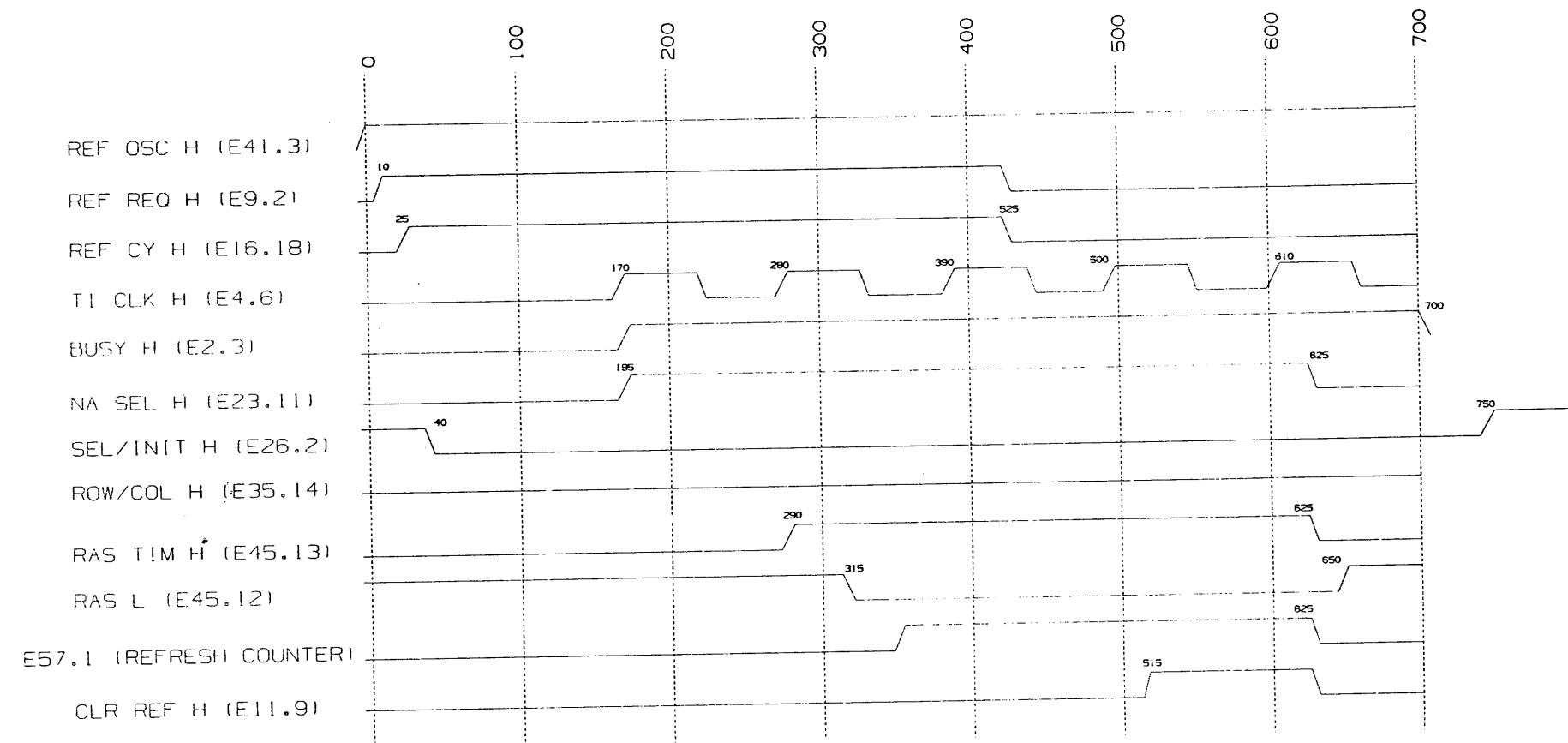
REVISIONS		
CHK	CHANGE NO	REV

TITLE MEMORY SYSTEM TIMING		SIZE CODE DITD	NUMBER MS11-P-DBU	REV A
SCALE NONE	SHEET 5	OF 6	DIST	

"THIS DRAWING AND SPECIFICATIONS, HEREIN, ARE THE PROPERTY OF DIGITAL EQUIPMENT CORPORATION AND SHALL NOT BE REPRODUCED OR COPIED OR USED IN WHOLE OR IN PART AS THE BASIS FOR THE MANUFACTURE OR SALE OF ITEMS WITHOUT WRITTEN PERMISSION. COPYRIGHT © 1982 DIGITAL EQUIPMENT CORPORATION"

D TD MS11-P-DBU

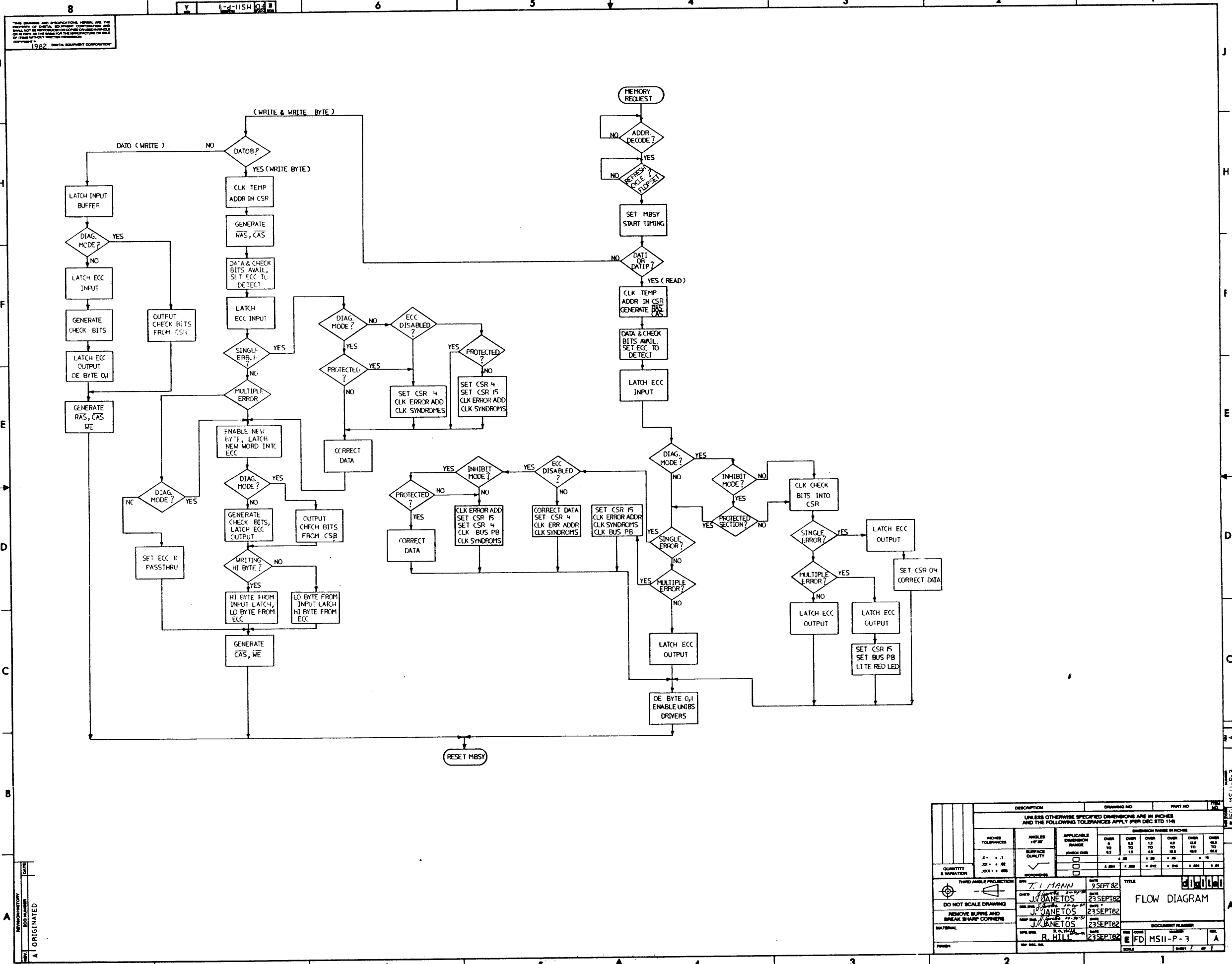
D TD MS11-P-DBU 2



(REFRESH TIMING)

REVISIONS		
CHK	CHANGE NO	REV

TITLE MEMORY SYSTEM TIMING		SIZE CODE D TD	NUMBER MS11-P-DBU	REV A
SCALE NONE	SHEET 6	OF 6	DIST	



THIS DRAWING AND SPECIFICATIONS, HEREIN, ARE THE PROPERTY OF DYNALIC EQUIPMENT CORPORATION AND SHALL NOT BE REPRODUCED OR COPIED OR USED IN WHOLE OR IN PART AS THE BASIS FOR THE MANUFACTURE OR SALE OF ITEMS WITHOUT WRITTEN PERMISSION.
 COMPANY # 1982 DYNALIC EQUIPMENT CORPORATION

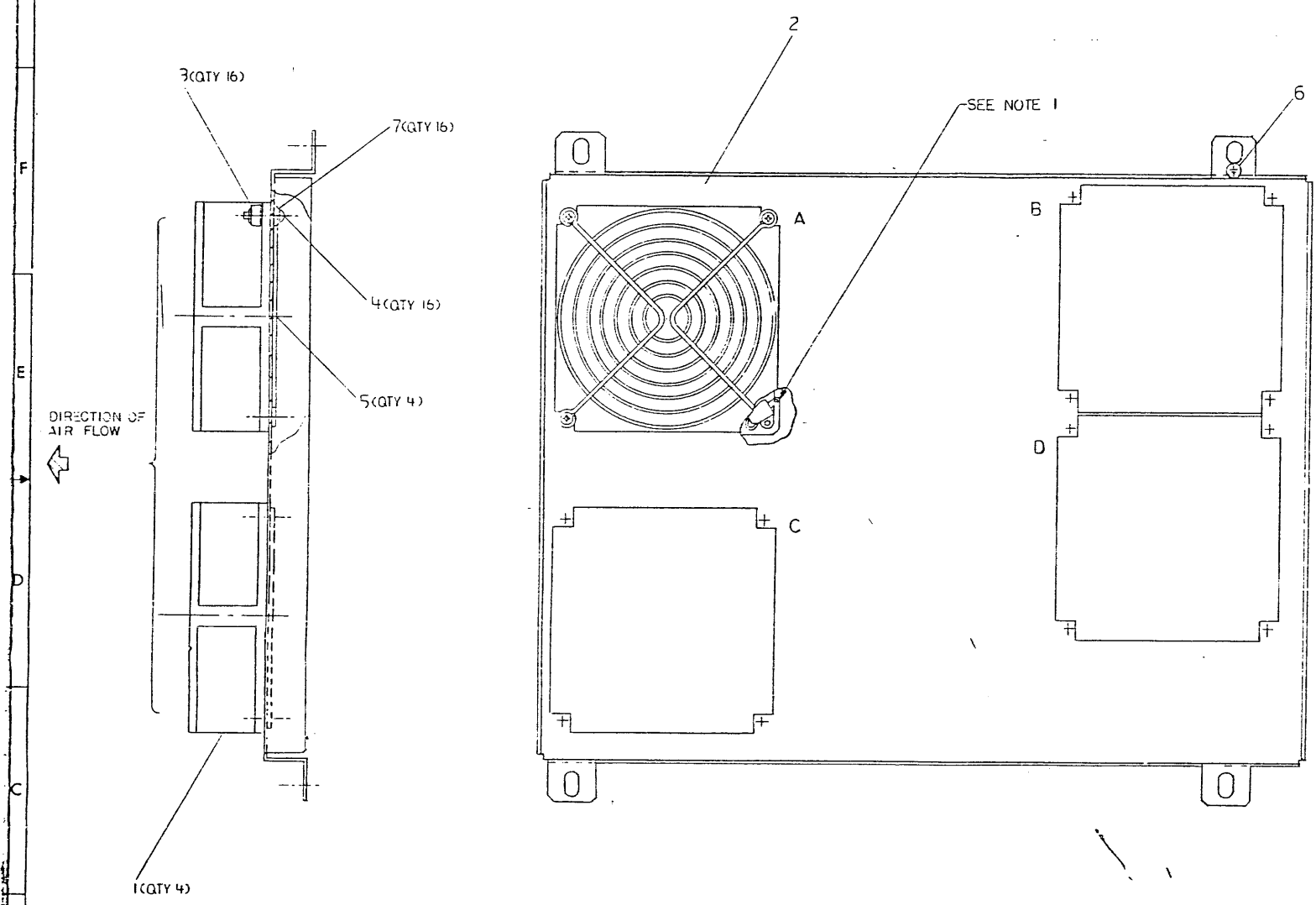
DATE: _____
 DESIGNED BY: _____
 DRAWN BY: _____
 CHECKED BY: _____
 APPROVED BY: _____
 A ORIGINATED

DESCRIPTION		DRAWING NO.		PART NO.		REV.	
UNLESS OTHERWISE SPECIFIED DIMENSIONS ARE IN INCHES AND THE FOLLOWING TOLERANCES APPLY (PER DEC STD 114)							
INCHES TOLERANCES		APPLICABLE DIMENSIONAL RANGE		DIMENSION RANGE IN INCHES			
ANGLES ± 1° 30'		SURFACE QUALITY		OVER 0 TO 0.1	OVER 0.1 TO 0.2	OVER 0.2 TO 0.5	OVER 0.5 TO 1.0
XX ± .01		✓		± .01	± .01	± .01	± .01
XXX ± .005				± .005	± .005	± .005	± .005
QUANTITY & VARIATION		THIRD ANGLE PROJECTION		DATE		TITLE	
				9 SEPT 82		FLOW DIAGRAM	
DO NOT SCALE DRAWING		DESIGNED BY		DATE		REV.	
REMOVE BURRS AND BREAK SHARP CORNERS		J. MANNETOS		23 SEPT 82			
MATERIAL		CHECKED BY		DATE		DOCUMENT NUMBER	
		J. MANNETOS		23 SEPT 82		FD MS11-P-3	
FINISH		APPROVED BY		DATE		SCALE	
		R. HILL		23 SEPT 82		A	

THIS DRAWING AND SPECIFICATIONS HEREAFTER ARE THE PROPERTY OF DIGITAL EQUIPMENT CORPORATION AND SHALL NOT BE REPRODUCED, COPIED OR TRANSMITTED IN ANY FORM OR BY ANY MEANS, ELECTRONIC OR MECHANICAL, INCLUDING PHOTOCOPYING, RECORDING, OR BY ANY INFORMATION STORAGE AND RETRIEVAL SYSTEM, WITHOUT THE WRITTEN PERMISSION OF DIGITAL EQUIPMENT CORPORATION.

LEGEND	
PART NUMBER	REVISION
7019094-00	A2 AS SHOWN

NOTES:
 1. ALL FANS TO BE ORIENTED AS SHOWN - CONNECTORS TOWARD BOTTOM



CAUTION:- OFF SHEET PARTS LIST EXIST
 REFER TO K-PL-7019094-0-DBP

REV	DATE	BY	CHKD	DESCRIPTION
1				
2				
3				

DESCRIPTION		DRAWING NO.		PART NO.		ITEM NO.	
UNLESS OTHERWISE SPECIFIED DIMENSIONS ARE IN INCHES AND THE FOLLOWING TOLERANCES APPLY (PER DEC STD 114)							
INCHES TOLERANCES		DIMENSION RANGE IN INCHES					
		OVER		OVER		OVER	
		TO		TO		TO	
		DIMENSIONS		DIMENSIONS		DIMENSIONS	
X ± .01		.01		.01		.01	
ZE ± .02		.02		.02		.02	
DLE ± .008		.008		.008		.008	
HOLDING		HOLDING		HOLDING		HOLDING	
THIRD ANGLE PROJECTION		DATE 7 MAY 82		TITLE		digital	
DO NOT SCALE DRAWING		DWG NO.		SAF		FAN PLATE ASSY	
REMOVE BURRS AND BREAK SHARP CORNERS		DESIGN		DATE			
MATERIAL		REP. ENG.		DATE			
FINISH		MATERIAL		DATE			
		SCALE 1/1		EAD 7019094-0-0		3	

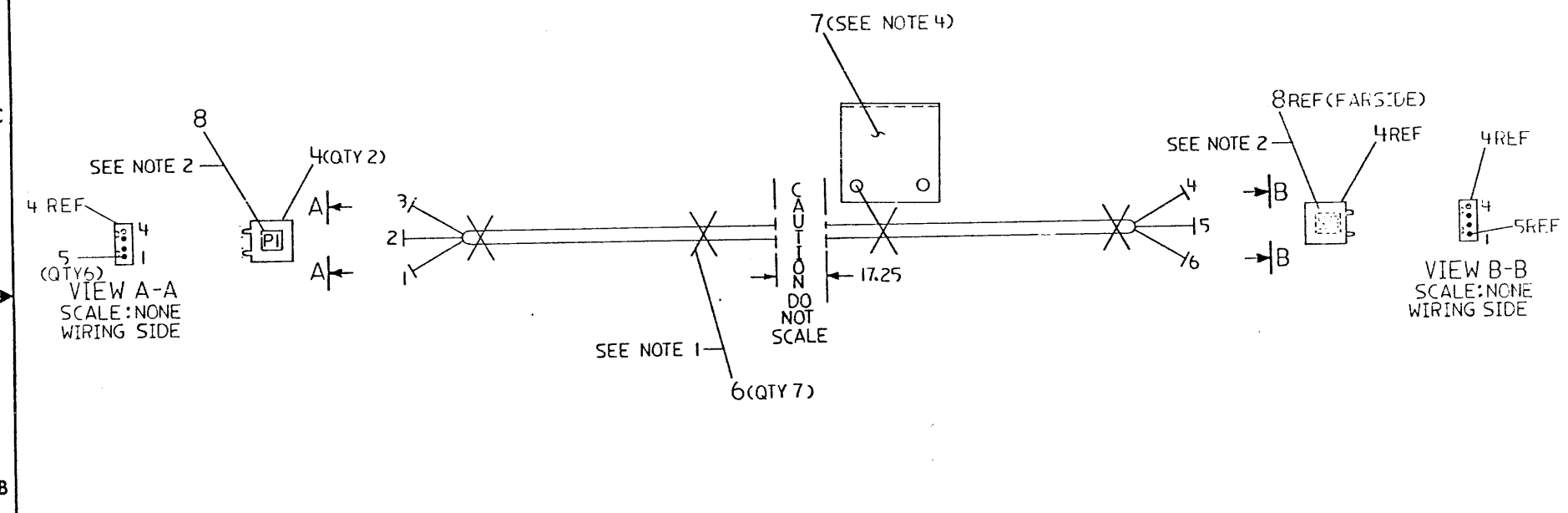
LINE ITEM	DOCUMENT NUMBER	PART NUMBER	DESCRIPTION	QUANTITY PER VARIATION
1		1213185-03	FAN,TUBE AXIAL 4.5" 70CFM 115V	4
2	E-MD-7426390-0-DBU	7426390-01	PLATE,FAN	1
3		9009165-00	CLIP, FAN MOUNTING (12-05033 FAN	16
4		9006026-01	SCREW,MACH PAN PHIL 6-	16
5		1210263-00	GUARD,FINGER 4.125 X 4.125 MTG H	4
6		3612680-00	DECAL, GROUND SIGN PER 3E6 *	1
7		9006633-00	WASHER,LOCK INTERNAL STEEL	16

REVISION HISTORY		BASIC PART NO: 7019094		DRN: S.CORCOPAN	DATE: 18-FEB-82	D I G I T A L	
ENG:	ECO NUMBER	REV	SECTION A OF A	CHK'D: <i>J. Faltowski</i> E. CLARK	DATE: 22 MAR 83	TITLE	PARTS LIST
---	INITIAL	A	SECTION, VARIATION INDEX		DATE: 26-JAN-83	FAN PLATE ASSY	
ML	7019094-MK001	B	[A] 00				
			[B]	DES.ENG.: M.CONNELL	DATE: 26-JAN-83		
			[C]	RESP.ENG.: J.BUZYNSKI	DATE: 26-JAN-83	DOCUMENT NUMBER	
			[D]			SIZE CODE NUMBER	REV
			[E]	MFG.ENG.: R.WHITE	DATE: 26-JAN-83	K PL 7019094-0-DBP	B
			[F]	ASSEMBLY NUMBER: E-AD-7019094-0-0	TOP DOCUMENT NUMBER: #K-OD-7019937-0	FILE NAME: MK1092.PLS	EDIT # 2
<p>"THIS DRAWING AND SPECIFICATIONS HEREIN, ARE THE PROPERTY OF DIGITAL EQUIPMENT CORPORATION AND SHALL NOT BE REPRODUCED OR COPIED OR USED IN WHOLE OR IN PART AS THE BASIS FOR THE MANUFACTURE OR SALE OF ITEMS WITHOUT WRITTEN PERMISSION. COPYRIGHT (C) 1984. DIGITAL EQUIPMENT CORPORATION"</p>							

THIS DRAWING AND SPECIFICATIONS HEREIN ARE THE PROPERTY OF DIGITAL EQUIPMENT CORPORATION AND SHALL NOT BE REPRODUCED OR COPIED OR USED IN WHOLE OR IN PART AS THE BASIS FOR THE MANUFACTURE OR SALE OF ITEMS WITHOUT WRITTEN PERMISSION.
 COPYRIGHT © 1982 DIGITAL EQUIPMENT CORPORATION

ITEM NO	DISCRIPTION			FROM				TO				REMARKS
	AWG	COLOR	LENGTH	POINT	CONN	STRIP	TERM	POINT	CONN	STRIP	TERM	
3	18	BLU	28.5	1	PI-1	.19	5	6	P2-1	.19	5	SEE NOTE 3
1	18	BLK	28.5	2	PI-2	.19	5	5	P2-2	.19	5	
2	18	ORN	28.5	3	PI-3	.19	5	4	P2-3	.19	5	

- NOTES:
- USE TIE WRAPS (X) ITEM 6 APPROX. EVERY THREE (3) INCHES.
 - CONNECTORS TO BE LABELED WITH COMPONENT IDENTIFIERS USING DECALS (ITEM 8).
 - UNLESS OTHERWISE NOTED ALL LENGTHS ARE IN INCHES ± 1.0.
 - ATTACH LABEL ITEM 7 APPROX. 8 INCHES FROM P2.

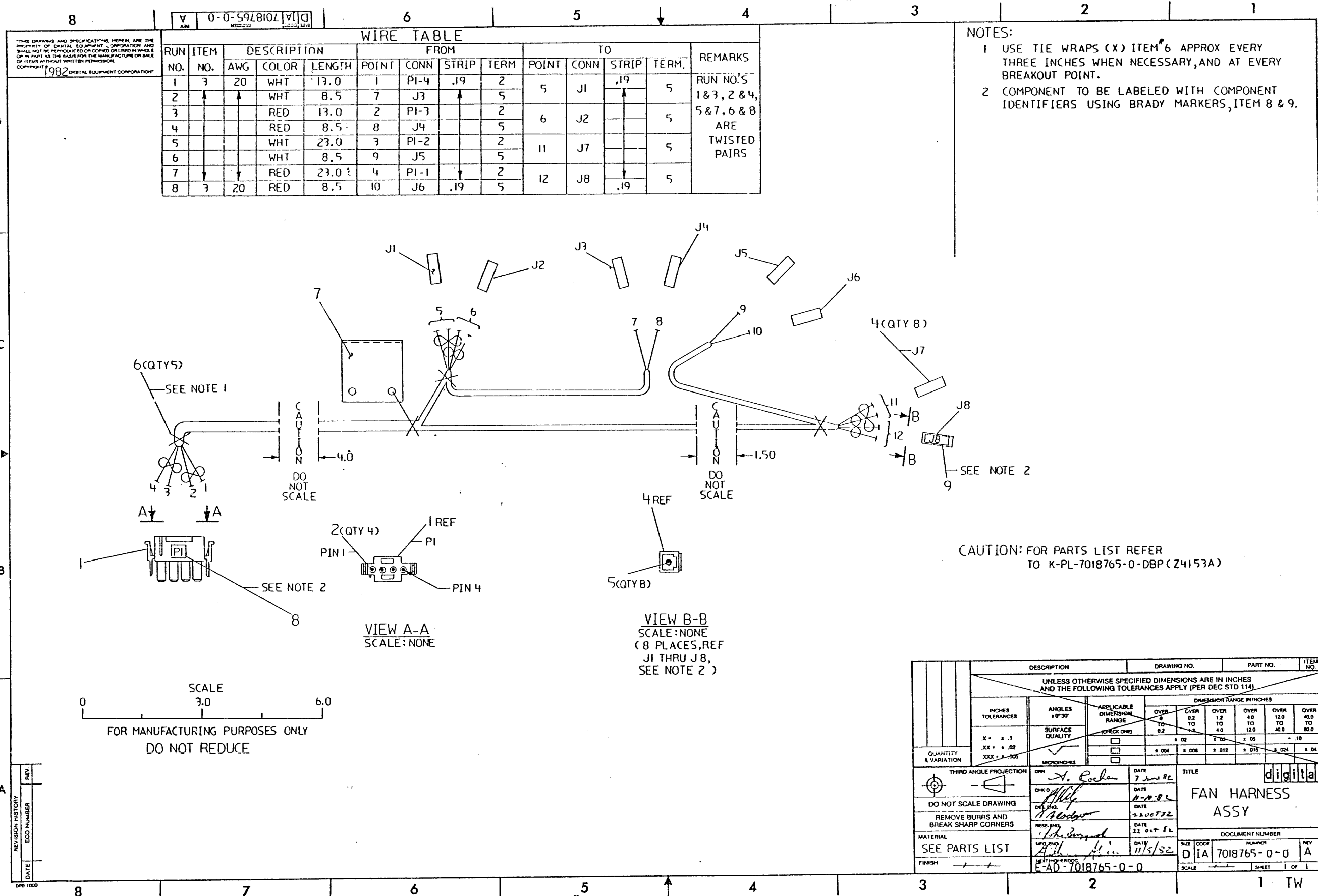


SCALE
 0 3.0 6.0
 FOR MANUFACTURING PURPOSES ONLY
 DO NOT REDUCE

CAUTION: FOR PARTS LIST REFER TO K-PL-7018768-0-DBP, (Z4156A)

REV.	DATE	ECO NUMBER

DESCRIPTION	DRAWING NO.	PART NO.	ITEM NO.
UNLESS OTHERWISE SPECIFIED DIMENSIONS ARE IN INCHES AND THE FOLLOWING TOLERANCES APPLY (PER DEC STD 114)			
INCHES TOLERANCES	ANGLES 20° 30°	APPLICABLE DIMENSION RANGE	
XX ± .02	SURFACE QUALITY	OVER 0 TO 0.2	OVER 0.2 TO 1.2
XXX ± .006	MICROINCHES	OVER 1.2 TO 4.0	OVER 4.0 TO 12.0
		OVER 12.0 TO 40.0	OVER 40.0 TO 80.0
QUANTITY & VARIATION		± .02	± .05
		± .004	± .012
		± .008	± .024
		± .016	± .048
THIRD ANGLE PROJECTION	DRN <i>A. Rocha</i>	DATE 13 Feb 82	TITLE digital
DO NOT SCALE DRAWING	CHK'D <i>ML</i>	DATE 11-0-82	15V PWR HARNESS
REMOVE BURRS AND BREAK SHARP CORNERS	DES ENGR <i>B. B. Jodice</i>	DATE 22-1-82	
MATERIAL	REP ENGR <i>B. G. Jodice</i>	DATE 22 Oct 82	DOCUMENT NUMBER
SEE PARTS LIST	WFO ENGR <i>Phil 2/11/82</i>	DATE 11/1/82	DIA 7018768-0-0
FINISH	NEST HATCHER DOC E-AD-7018762-0-0		SCALE 1:1 SHEET 1 OF 1



RUN NO.	ITEM NO.	DESCRIPTION			FROM				TO				REMARKS
		AWG	COLOR	LENGTH	POINT	CONN	STRIP	TERM	POINT	CONN	STRIP	TERM	
1	3	20	WHT	13.0	1	PI-4	.19	2	5	J1	.19	5	RUN NO'S 1 & 3, 2 & 4, 5 & 7, 6 & 8 ARE TWISTED PAIRS
2	↑	↑	WHT	8.5	7	J3	↑	5	5	↑	↑	5	
3	↑	↑	RED	13.0	2	PI-3	↑	2	6	J2	↑	5	
4	↑	↑	RED	8.5	8	J4	↑	5	6	↑	↑	5	
5	↑	↑	WHT	23.0	3	PI-2	↑	2	11	J7	↑	5	
6	↑	↑	WHT	8.5	9	J5	↑	5	11	↑	↑	5	
7	↓	↓	RED	23.0	4	PI-1	↓	2	12	J8	↓	5	
8	3	20	RED	8.5	10	J6	.19	5	12	↑	.19	5	

- NOTES:
- 1 USE TIE WRAPS (X) ITEM #6 APPROX EVERY THREE INCHES WHEN NECESSARY, AND AT EVERY BREAKOUT POINT.
 - 2 COMPONENT TO BE LABELED WITH COMPONENT IDENTIFIERS USING BRADY MARKERS, ITEM 8 & 9.

CAUTION: FOR PARTS LIST REFER TO K-PL-7018765-0-DBP (Z4153A)

DESCRIPTION	DRAWING NO.	PART NO.	ITEM NO.
UNLESS OTHERWISE SPECIFIED DIMENSIONS ARE IN INCHES AND THE FOLLOWING TOLERANCES APPLY (PER DEC STD 114)			
INCHES TOLERANCES	ANGLES ±0°30'	APPLICABLE DIMENSION RANGE	
		OVER 0 TO 0.2	OVER 0.2 TO 1.2
X = ±.1 XX = ±.02 XXX = ±.005	SURFACE QUALITY	TO 0.2	TO 12.0
		TO 12.0	TO 40.0
QUANTITY & VARIATION	✓	±.004	±.008
THIRD ANGLE PROJECTION	DATE 7 June 82	TITLE digital	
DO NOT SCALE DRAWING	DATE 11-11-82	FAN HARNESS ASSY	
REMOVE BURRS AND BREAK SHARP CORNERS	DATE 22 OCT 72	DOCUMENT NUMBER	
MATERIAL	DATE 11/5/82	SIZE	NUMBER
SEE PARTS LIST	DATE 11/5/82	DIA	7018765-0-0
FINISH	DATE 11/5/82	SCALE	SHEET 1 OF 1

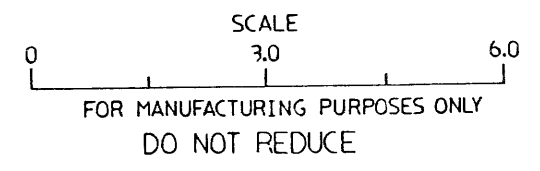
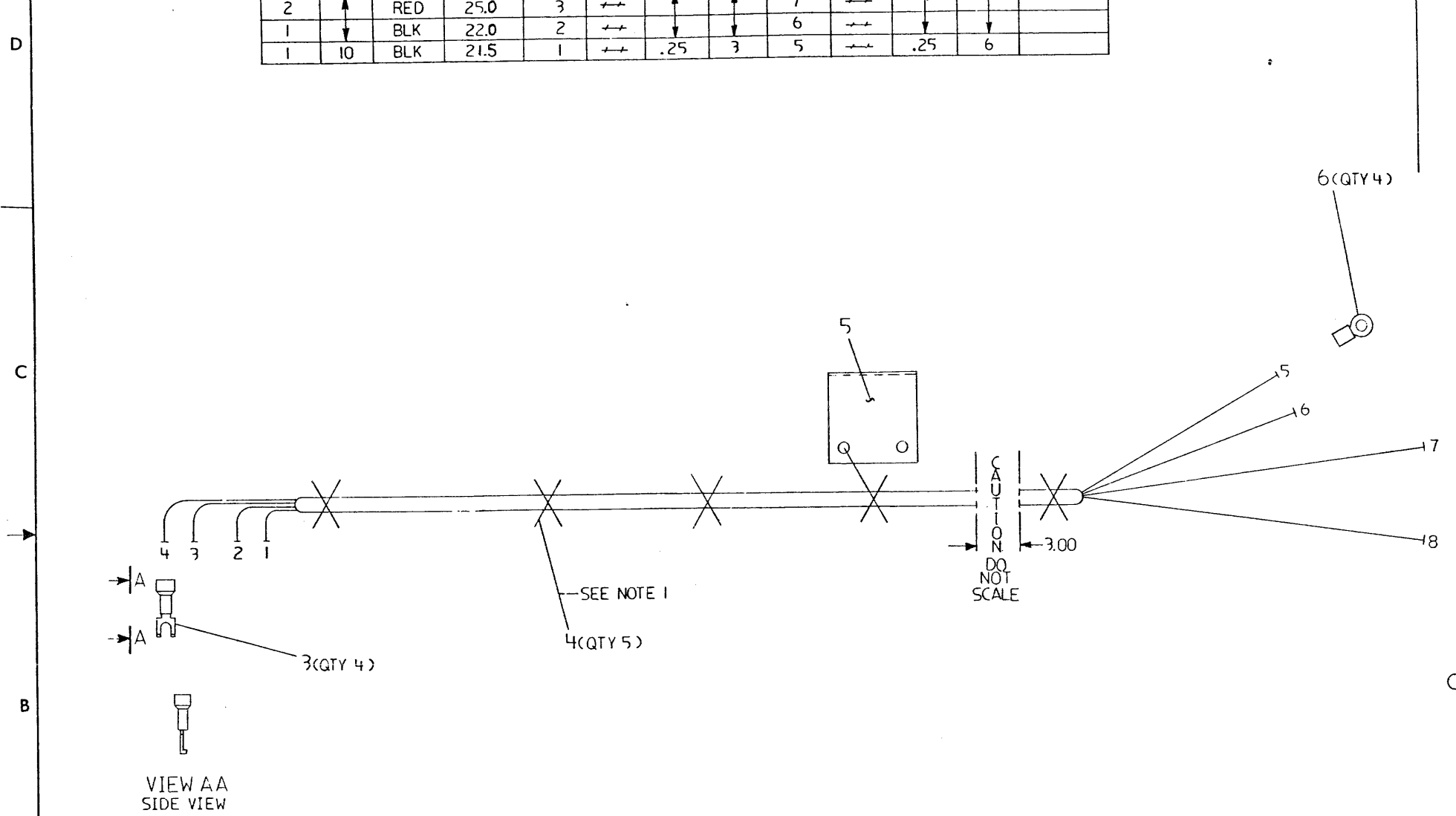
REV.	ECO NUMBER	DATE

DRAWING NUMBER DIA 7018765-0-0

THIS DRAWING AND SPECIFICATIONS, HEREIN, ARE THE PROPERTY OF DIGITAL EQUIPMENT CORPORATION AND SHALL NOT BE REPRODUCED OR COPIED OR USED IN WHOLE OR IN PART AS THE BASIS FOR THE MANUFACTURE OR SALE OF ITEMS WITHOUT WRITTEN PERMISSION. COPYRIGHT © 1982 DIGITAL EQUIPMENT CORPORATION

ITEM NO	DESCRIPTION			FROM				TO				REMARKS
	AWG	COLOR	LENGTH	POINT	CONN	STRIP	TERM	POINT	CONN	STRIP	TERM	
2	10	RED	25.5	4	---	.25	3	8	---	.25	6	
2	↑	RED	25.0	3	---	↑	↑	7	---	↑	↑	
1	↓	BLK	22.0	2	---	↓	↓	6	---	↓	↓	
1	10	BLK	21.5	1	---	.25	3	5	---	.25	6	

NOTE:
1 USE TIE WRAPS (X), ITEM 4, APPROX AS SHOWN, WHEN NECESSARY, AND AT EVERY BREAKOUT POINT.



CAUTION: FOR PARTS LIST REFER TO K-PL-7018767-0-DBP, (Z4155)

DATE	ECO NUMBER	REV.
1/1/82	7018767-0-0-01	B
1/1/82	7018767-0-0-01	A

DESCRIPTION	DRAWING NO	PART NO.	ITEM NO					
UNLESS OTHERWISE SPECIFIED DIMENSIONS ARE IN INCHES AND THE FOLLOWING TOLERANCES APPLY (PER DEC STD 114)								
INCHES TOLERANCES	ANGLES ±0°30'	APPLICABLE DIMENSION RANGE	DIMENSION RANGE IN INCHES					
X ± .1	SURFACE QUALITY	(CHECK DIM)	OVER 0 TO 0.2	OVER 0.2 TO 1.2	OVER 1.2 TO 4.0	OVER 4.0 TO 12.0	OVER 12.0 TO 40.0	OVER 40.0 TO 80.0
XX ± .02			± .02	± .03	± .05	± .10		
XXX ± .006			± .004	± .008	± .012	± .014	± .024	± .04
QUANTITY & VARIATION	MICROINCHES							
THIRD ANGLE PROJECTION	DATE 17 Feb 82	TITLE digital						
DO NOT SCALE DRAWING	DATE 1/1/82	5V PWR HARNESS						
REMOVE BURRS AND BREAK SHARP CORNERS	DATE 2-2-82	DOCUMENT NUMBER						
MATERIAL	DATE 7/2/82	SIZE CODE NUMBER	REV B					
SEE PARTS LIST	DATE 1/1/82	DIA 7018767-0-0						
FINISH	DATE	SCALE	SHEET 1 OF 1					
	DATE							

"THE MATERIAL HEREIN IS FOR INFORMATION PURPOSES ONLY AND IS SUBJECT TO CHANGE WITHOUT NOTICE. DIGITAL EQUIPMENT CORPORATION ASSUMES NO RESPONSIBILITY FOR ANY ERRORS WHICH MAY APPEAR HEREIN."

*** DRAWING DIRECTORY ***

UNIT VARIATIONS	
VAR	TITLE
BC17C-10	CABLE, 10 FT LONG
BC17C-25	CABLE, 25 FT LONG
BC17C-35	CABLE, 35 FT LONG
BC17C-50	CABLE, 50 FT LONG
BC17C-75	CABLE, 75 FT LONG
BC17C-A0	CABLE, 100 FT LONG
BC17C-B0	CABLE, 200 FT LONG
BC17C-B5	CABLE, 250 FT LONG

USED ON OPTION/MODEL DECSA	DRN. R.J. RILEY	DATE 7-27-83
	CHK'D R.J. RILEY	DATE 7-27-83
	PROJ. ENG. J. BUZYNSKI	DATE 7-27-83
	PROD. B. SWAN	DATE 7-27-83

SHEET 1 OF 2

d i g i t a l

TITLE: CABLE, MODEM EXTENSION			
SIZE K	CODE DD	NUMBER BC17C-0-DBF	REV A
DIST.			

"THIS DRAWING AND SPECIFICATIONS, HEREIN, ARE THE PROPERTY OF DIGITAL EQUIPMENT CORPORATION AND SHALL NOT BE REPRODUCED OR COPIED OR USED IN WHOLE OR IN PART AS THE BASIS FOR THE MANUFACTURE OR SALE OF ITEMS WITHOUT WRITTEN PERMISSION. COPYRIGHT © 1982 DIGITAL EQUIPMENT CORPORATION.

	DRAWING NUMBER	DESCRIPTION			DRAWING NUMBER	DESCRIPTION				
1	K-PL-BC17C-0-DBP	CABLE, MODEM EXTENSION PARTS LIST	E/M							
	A-PS-1700325-0-0	CABLE, MODEM EXTENSION	E/M							
2	D-AD-BC17C-0-0	CABLE, MODEM EXTENSION	E/M							
TYPE: E = ELECTRICAL					SHEET 2 OF 2		SIZE	CODE	NUMBER	REV
M = MECHANICAL					CABLE, MODEM EXTENSION		K	DD	BC17C-0-DBF	A
E/M = ELECTRO/MECHANICAL										

digital

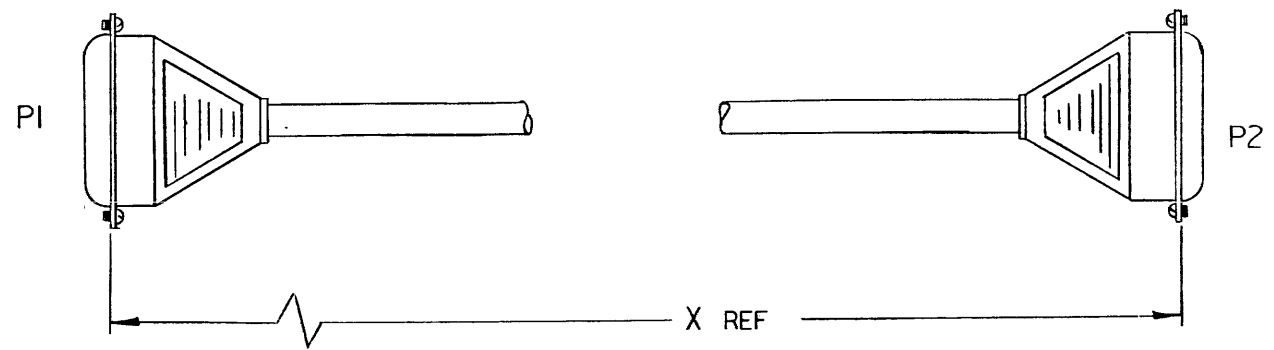
THIS DRAWING AND SPECIFICATIONS, HEREIN, ARE THE PROPERTY OF DIGITAL EQUIPMENT CORPORATION AND SHALL NOT BE REPRODUCED OR COPIED OR USED IN WHOLE OR IN PART AS THE BASIS FOR THE MANUFACTURE OR SALE OF ITEMS WITHOUT WRITTEN PERMISSION.
 COPYRIGHT © 1982 DIGITAL EQUIPMENT CORPORATION

REV. A
 NUMBER DADBC17C-0-0

LEGEND	
PART NO	DIM X
BC17C - 10	10 ^{FT}
" - 25	25 ^{FT}
" - 35	35 ^{FT}
" - 50	50 ^{FT}
" - 75	75 ^{FT}
" - A0	100 ^{FT}
" - B0	200 ^{FT}
" - B5	250 ^{FT}

NOTES:
 1. WIRES FROM P1-15 TO P2-15, P1-17 TO P2-17 AND P1-24 TO P2-24 ARE INTERNALLY SHIELDED WIRES WITH THEIR DRAIN WIRES CONNECTED TO P1-7 & P2-7.

WIRE TABLE					
D	TO		FROM		REMARKS
	CONN	WITH	CONN	WITH	
	P1-1		P2-1		
	P1-2		P2-2		
	P1-3		P2-3		
	P1-4		P2-4		
	P1-5		P2-5		
	P1-6		P2-6		
	P1-7		P2-7		
	P1-8		P2-8		
	P1-12		P2-12		
	P1-15		P2-15		CONDUCTOR
	P1-15 DRAIN		P1-7		DRAIN (NOTE 1)
C	P1-17		P2-17		CONDUCTOR
	P1-17 DRAIN		P1-7		DRAIN (NOTE 1)
	P1-18		P2-18		
	P1-19		P2-19		
	P1-20		P2-20		
	P1-22		P2-22		
	P1-23		P2-23		
	P1-24		P2-24		
	P1-24 DRAIN		P1-7		DRAIN (NOTE 1)
	P1-SHELL		P2-SHELL		OUTER SHIELD
	P2-15 DRAIN		P2-7		DRAIN (NOTE 1)
B	P2-17 DRAIN		P2-7		DRAIN (NOTE 1)
	P2-24 DRAIN		P2-7		DRAIN (NOTE 1)



CAUTION: SEE OFF SHEET PARTS LIST .K-PL-BC17C-0-DBP (Z4144A)

QUANTITY & VARIATION	THIRD ANGLE PROJECTION	DRN	DATE	TITLE
		<i>[Signature]</i>	6-19-82	CABLE EXTENSION MODEM
	DO NOT SCALE DRAWING	<i>[Signature]</i>	19 Sept 82	
	REMOVE BURRS AND BREAK SHARP CORNERS	DESIGN	DATE	DOCUMENT NUMBER
	SEE PARTS LIST	<i>[Signature]</i>	1-Sept-83	
	FINISH	MFG. ENGR	DATE	SIZE CODE NUMBER REV.
		<i>[Signature]</i>	1-Sept-83	DADBC17C-0-0 A
		NEXT HIGHER DOC		SCALE NONE SHEET 1 OF 1

REV.	ECO NUMBER	DATE

"THE MATERIAL HEREIN IS FOR INFORMATION PURPOSES ONLY AND IS SUBJECT TO CHANGE WITHOUT NOTICE. DIGITAL EQUIPMENT CORPORATION ASSUMES NO RESPONSIBILITY FOR ANY ERRORS WHICH MAY APPEAR HEREIN."

*** DRAWING DIRECTORY ***

UNIT VARIATIONS	
VAR	TITLE
BC17D-02	CABLE, 2 FT LONG
BC17D-10	CABLE, 10 FT LONG
BC17D-25	CABLE, 25 FT LONG
BC17D-50	CABLE, 50 FT LONG
BC17D-A0	CABLE, 100 FT LONG

USED ON OPTION/MODEL DECSA	DRN. R.J. RILEY	DATE 7-27-83
	CHK'D R.J. RILEY	DATE 7-27-83
	PROJ. ENG. J. BUZYNSKI	DATE 7-27-83
	PROD. B. SWAN	DATE 7-27-83
SHEET 1 OF 2		digital

"THIS DRAWING AND SPECIFICATIONS, HEREIN, ARE THE PROPERTY OF DIGITAL EQUIPMENT CORPORATION AND SHALL NOT BE REPRODUCED OR COPIED OR USED IN WHOLE OR IN PART AS THE BASIS FOR THE MANUFACTURE OR SALE OF ITEMS WITHOUT WRITTEN PERMISSION. COPYRIGHT © 1982 DIGITAL EQUIPMENT CORPORATION.

TITLE:			
CABLE, NULL MODEM			
SIZE	CODE	NUMBER	REV
K	DD	BC17D-0-DBF	A
DIST.			

DRAWING NUMBER	DESCRIPTION			DRAWING NUMBER	DESCRIPTION					
1	K-PL-BC17D-0-DBP	CABLE, NULL MODEM PARTS LIST		E/M						
	A-PS-1700330-0-0	CABLE, NULL MODEM FCC COMP.		E/M						
2	D-AD-BC17D-0-0	CABLE, NULL MODEM FCC COMP.		E/M						
TYPE: E = ELECTRICAL		[digitall]		TITLE: CABLE, NULL MODEM		SHEET 2 OF 2	SIZE K	CODE DD	NUMBER BC17D-0-DBF	REV A
M = MECHANICAL										
E/M = ELECTRO/MECHANICAL										

8

REV A 0-0-0-0 DAD BC17D-0-0

6

5

4

3

2

1

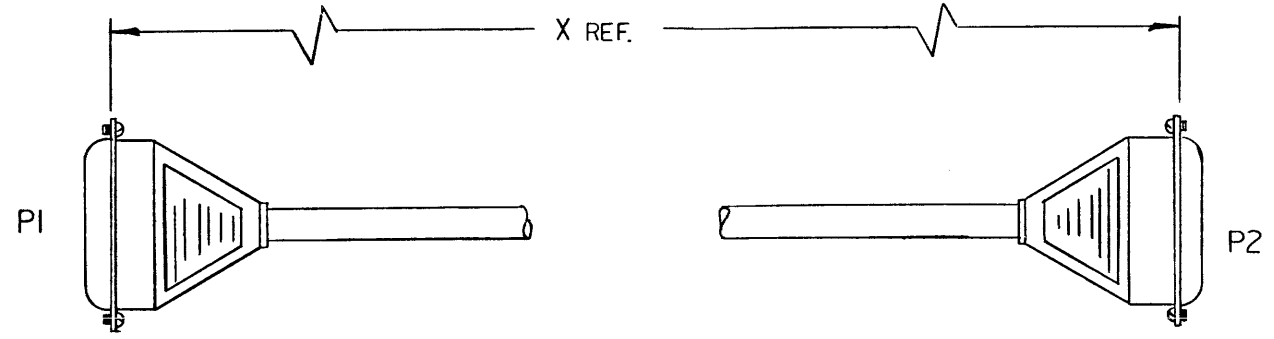
THIS DRAWING AND SPECIFICATIONS HEREIN ARE THE PROPERTY OF DIGITAL EQUIPMENT CORPORATION AND SHALL NOT BE REPRODUCED OR COPIED OR USED IN WHOLE OR IN PART AS THE BASIS FOR THE MANUFACTURE OR SALE OF ITEMS WITHOUT WRITTEN PERMISSION. COPYRIGHT © 1982 DIGITAL EQUIPMENT CORPORATION

LEGEND	
PART NO	DIM X
BC17D-2	2 FT
↑ -10	10 FT
↓ -25	25 FT
↓ -50	50 FT
BC17D-AØ	100 FT

NOTES:
 1. WIRES FROM P1-15 TO P2-17 AND P1-17 TO P2-15 ARE INTERNALLY SHIELDED WIRES WITH THEIR DRAIN WIRES CONNECTED TO P1-7 & P2-7.

WIRE TABLE

D	TO		FROM		REMARKS
	CONN	WITH	CONN	WITH	
	P1-1		P2-1		
	P1-2		P2-3		
	P1-3		P2-2		
	P1-4		P2-8		
	P1-4		P1-5		
	P1-6		P2-20		
	P1-6		P1-22		
	P1-7		P2-7		
	P1-8		P2-4		
	P2-4		P2-5		
	P1-20		P2-6		
C	P2-6		P2-22		
	P1-15		P2-17		CONDUCTOR
	P1-15		P1-24		
	P1-15 DRAIN		P1-7		DRAIN (NOTE 1)
	P1-17		P2-15		
	P2-15		P2-24		
	P1-17 DRAIN		P1-7		DRAIN (NOTE 1)
	P1-SHELL		P2-SHELL		OUTER SHIELD
	P2-15 DRAIN		P2-7		DRAIN (NOTE 1)
	P2-17 DRAIN		P2-7		DRAIN (NOTE 1)



CAUTION: SEE OFF SHEET PARTS LIST K-PL-BC17D-0-DRP (Z4145A)

DESCRIPTION	DRAWING NO.	PART NO.	ITEM NO.
UNLESS OTHERWISE SPECIFIED DIMENSIONS ARE IN INCHES AND THE FOLLOWING TOLERANCES APPLY (PER DEC STD 114)			
INCHES TOLERANCES	DIMENSION RANGE IN INCHES		
	OVER 0 TO 0.2	OVER 0.2 TO 4.0	OVER 4.0 TO 40.0
ANGLES ±0°30'	SURFACE QUALITY (CHECK ONE)		
X = ±.1	<input type="checkbox"/> ±.02 <input type="checkbox"/> ±.05 <input type="checkbox"/> ±.10 <input type="checkbox"/> ±.04 <input type="checkbox"/> ±.08 <input type="checkbox"/> ±.12 <input type="checkbox"/> ±.16 <input type="checkbox"/> ±.20		
XX = ±.02	MICROINCHES		
XXX = ±.005	<input type="checkbox"/> ±.004 <input type="checkbox"/> ±.006 <input type="checkbox"/> ±.012 <input type="checkbox"/> ±.016 <input type="checkbox"/> ±.024 <input type="checkbox"/> ±.04		
THIRD ANGLE PROJECTION	DATE 6-14-82	TITLE digital	
DO NOT SCALE DRAWING	DATE 17 Sept 82	CABLE, NULL MODEM	
REMOVE BURRS AND BREAK SHARP CORNERS	DATE 1-5-82	DOCUMENT NUMBER	
MATERIAL SEE PARTS LIST	DATE 1-8-82	D AD BC17D-0-0	
FINISH	DATE 1-5-82	SCALE NONE SHEET 1 OF 1	
	DATE 1-5-82	K-DD-BC17D-0	

REV	ECO NUMBER	DATE

8

7

6

5

4

3

2

1

REV A
NUMBER BC17D-0-0
DAD BC17D-0-0

A

B

D

C

"THE MATERIAL HEREIN IS FOR INFORMATION PURPOSES ONLY AND IS SUBJECT TO CHANGE WITHOUT NOTICE. DIGITAL EQUIPMENT CORPORATION ASSUMES NO RESPONSIBILITY FOR ANY ERRORS WHICH MAY APPEAR HEREIN."

*** DRAWING DIRECTORY ***

UNIT VARIATIONS	
VAR	TITLE
BC17L-4	V.35 CABLE, 4 FT LONG

USED ON OPTION/MODEL DECSA	DRN. R.J. RILEY	DATE 7-27-83
	CHK'D R.J. RILEY	DATE 7-27-83
	PROJ. ENG. J. BUZYNSKI	DATE 7-27-83
	PROD. B. SWAN	DATE 7-27-83
digital		

SHEET 1 OF 2

"THIS DRAWING AND SPECIFICATIONS, HEREIN, ARE THE PROPERTY OF DIGITAL EQUIPMENT CORPORATION AND SHALL NOT BE REPRODUCED OR COPIED OR USED IN WHOLE OR IN PART AS THE BASIS FOR THE MANUFACTURE OR SALE OF ITEMS WITHOUT WRITTEN PERMISSION. COPYRIGHT © 1982 DIGITAL EQUIPMENT CORPORATION."

TITLE: CABLE, NULL MODEM			
SIZE K	CODE DD	NUMBER BC17L-0-DBF	REV A
DIST.			

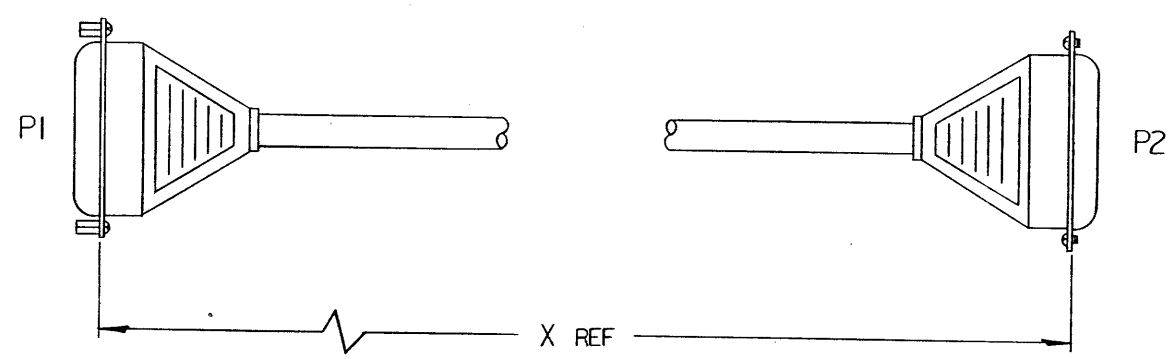
	DRAWING NUMBER	DESCRIPTION			DRAWING NUMBER	DESCRIPTION				
1	K-PL-BC17L-0-DBP	CABLE, NULL MODEM PARTS LIST	E/M							
	A-PS-1700415-0-0	CABLE, NULL MODEM FCC COMP.	E/M							
2	D-AD-BC17L-0-0	CABLE, NULL MODEM	E/M							
TYPE: E = ELECTRICAL		[d i g i t a l]	TITLE:		SHEET 2 OF 2		SIZE	CODE	NUMBER	REV
M = MECHANICAL			CABLE, NULL MODEM				K	DD	BC17L-0-DBF	A
E/M = ELECTRO/MECHANICAL										

THIS DRAWING AND SPECIFICATIONS, HEREIN, ARE THE PROPERTY OF DIGITAL EQUIPMENT CORPORATION AND SHALL NOT BE REPRODUCED OR COPIED OR USED IN WHOLE OR IN PART AS THE BASIS FOR THE MANUFACTURE OR SALE OF ITEMS WITHOUT WRITTEN PERMISSION. COPYRIGHT © 1987 DIGITAL EQUIPMENT CORPORATION

LEGEND	
PART NO.	DIM "X"
BC17L-4	4FT

NOTE:
1. WIRES FROM P1-15 TO P2-15, P1-17 TO P2-17, AND P1-24 TO P2-24 ARE INTERNALLY SHIELDED WIRES WITH THEIR DRAIN WIRES CONNECTED TO P1-7 & P2-7.

LEGEND					
D	FROM		TO		REMARKS
	CONN	WITH	CONN	WITH	
	P2-1		P1-1		
	P2-2		P1-2		
	P2-3		P1-3		
	P2-4		P1-4		
	P2-5		P1-5		
	P2-6		P1-6		
	P2-7		P1-7		
	P2-8		P1-8		
	P2-9		P1-9		
	P2-10		P1-10		
	P2-11		P1-11		
	P2-12		P1-12		
	P2-13		P1-13		
	P2-14		P1-14		
	P2-15		P1-15		
	P2-16		P1-16		
	P2-17		P1-17		
	P2-18		P1-18		
C	P2-19		P1-19		
	P2-20		P1-20		
	P2-21		P1-21		
	P2-22		P1-22		
	P2-23		P1-23		
	P2-24		P1-24		
	P2-25		P1-25		
	P1-15 DRAIN		P1-7		
	P2-15 DRAIN		P2-7		
	P1-17 DRAIN		P1-7		
	P2-17 DRAIN		P2-7		
	P1-24 DRAIN		P1-7		
	P2-24 DRAIN		P2-7		
B	P1 SHELL		P2 SHELL		



CAUTION: SEE OFF SHEET PARTS LIST
K-PL-BC17L-0-DBP.(Z7732A)

REV.	ECO NUMBER	DATE

DESCRIPTION	DRAWING NO.	PART NO.	ITEM NO.
UNLESS OTHERWISE SPECIFIED DIMENSIONS ARE IN INCHES AND THE FOLLOWING TOLERANCES APPLY (PER DEC STD 114)			
INCHES TOLERANCES X = ± .1 .XX = ± .02 .XXX = ± .005	ANGLES ± 0'30"	APPLICABLE DIMENSION RANGE (CHECK ONE) <input type="checkbox"/> 0 TO 0.2 <input type="checkbox"/> 0.2 TO 1.2 <input type="checkbox"/> 1.2 TO 4.0 <input type="checkbox"/> 4.0 TO 12.0 <input type="checkbox"/> 12.0 TO 40.0 <input type="checkbox"/> 40.0 TO 80.0	DIMENSION RANGE IN INCHES
			OVER TO OVER TO OVER TO OVER TO OVER TO
QUANTITY & VARIATION	SURFACE QUALITY <input checked="" type="checkbox"/> MICROMETRES		± .02 ± .03 ± .05 ± .10 ± .04 ± .06 ± .08 ± .12 ± .16 ± .24 ± .04
THIRD ANGLE PROJECTION DO NOT SCALE DRAWING REMOVE BURRS AND BREAK SHARP CORNERS	DATE 26 Aug 83 DATE 19 Sept 82 DATE 1-Sept-82 DATE 1-Sept-82 DATE 1-Sept-82	TITLE CABLE, EXTENSION MODEM	digital
MATERIAL SEE PARTS LIST FINISH	DATE 1-Sept-82 DATE 1-Sept-82	DOCUMENT NUMBER K-DD-BC17L-0-0	D AD BC17L-0-0
		SCALE TW	REV. A

REV. A
NUMBER 0-0-0
SIZE CODE D AD BC17L-0-0

"THE MATERIAL HEREIN IS FOR INFORMATION PURPOSES ONLY AND IS SUBJECT TO CHANGE WITHOUT NOTICE. DIGITAL EQUIPMENT CORPORATION ASSUMES NO RESPONSIBILITY FOR ANY ERRORS WHICH MAY APPEAR HEREIN."

DRAWING DIRECTORY

"THIS DRAWING AND SPECIFICATIONS, HEREIN, ARE THE PROPERTY OF DIGITAL EQUIPMENT CORPORATION AND SHALL NOT BE REPRODUCED OR COPIED OR USED IN WHOLE OR IN PART AS THE BASIS FOR THE MANUFACTURE OR SALE OF ITEMS WITHOUT WRITTEN PERMISSION. COPYRIGHT © 1982 DIGITAL EQUIPMENT CORPORATION."

UNIT VARIATIONS	
VAR	TITLE
BC22D-10	CABLE, 10 FT LONG
BC22D-25	CABLE, 25 FT LONG
BC22D-35	CABLE, 35 FT LONG
BC22D-50	CABLE, 50 FT LONG
BC22D-75	CABLE, 75 FT LONG
BC22D-AØ	CABLE, 100 FT LONG
BC22D-A5	CABLE, 150 FT LONG
BC22D-BØ	CABLE, 200 FT LONG
BC22D-B5	CABLE, 250 FT LONG

REVISIONS	REV.	A					
	CHANGE NO.						
	ORIGINATED						
	CHK						
USED ON OPTION/MODEL	DRN.	DATE	TITLE				
BC22D	S. ZYLAK	14 MAR 1982	CABLE, NULL MODEM digital				
	CHK'D.	DATE	CABLE, NULL MODEM				
	<i>[Signature]</i>	13 MAR 82	SIZE	CODE	NUMBER	REV	
	PROJ. ENG.	DATE	B	DD	BC22D-Ø	A	
	<i>[Signature]</i>	13 APR 82					
	PROD.	DATE					
	<i>[Signature]</i>	3 MAY 82					
SHEET 1 OF 2			DIST.				

"THIS DRAWING AND SPECIFICATIONS, HEREIN, ARE THE PROPERTY OF DIGITAL EQUIPMENT CORPORATION AND SHALL NOT BE REPRODUCED OR COPIED OR USED IN WHOLE OR IN PART AS THE BASIS FOR THE MANUFACTURE OR SALE OF ITEMS WITHOUT WRITTEN PERMISSION.

COPYRIGHT © 1982 DIGITAL EQUIPMENT CORPORATION

NOTES:

1. FOR CABLE CONFIGURATION REFER TO A-PS-1700313-0-0.

LEGEND

NUMBER	VARIATION	DIM "X"	DIM "Y" REF
BC22D-10	1700313-01	10 FT.	
BC22D-25	1700313-02	25 FT.	
BC22D-35	1700313-03	35 FT.	
BC22D-50	1700313-04	50 FT.	
BC22D-75	1700313-05	75 FT.	
BC22D-A0	1700313-06	100 FT.	
BC22D-A5	1700313-07	150 FT.	
BC22D-B0	1700313-08	200 FT.	
BC22D-B5	1700313-09	250 FT.	

WIRE TABLE

ITEM NO.	PAIR NO.	DESCRIPTION		TO		FROM		REMARKS
		AWG	COLOR	CONN	WITH	CONN	WITH	
2 THRU 10	X	24	BLK	PI-1		P2-1		
		↑	BRN	PI-2		P2-3		
		↑	RED	PI-3		P2-2		
		↑	ORN	PI-6		P2-20		
		↑	YEL	PI-7		P2-7		
		↓	GRN	PI-20		P2-6		
		24	—	PI-SHELL		P2-SHELL		SHIELD & DRAIN WIRE

DESCRIPTION	DWG./PART NO.	ITEM NO.
UNLESS OTHERWISE SPECIFIED DIMENSIONS ARE IN INCHES		
ANGLES ±0° 30'	CLASS OF ACCURACY (CHECK ONE)	NOMINAL DIMENSION RANGE INCHES
SURFACE QUALITY IN MICROINCHES	MEDIUM <input type="checkbox"/>	OVER 0.2 TO 0.2 ±.004
	PREFERRED <input type="checkbox"/>	OVER 0.2 TO 0.2 ±.008
		OVER 0.2 TO 0.2 ±.012
		OVER 0.2 TO 0.2 ±.016
		OVER 0.2 TO 0.2 ±.024
		OVER 0.2 TO 0.2 ±.04
		OVER 0.2 TO 0.2 ±.063
		OVER 0.2 TO 0.2 ±.1

REVISIONS	REV. A
CHANGE NO.	1
ORIGINATED	
CHK	

THIRD ANGLE PROJECTION

REMOVE BURRS AND BREAK SHARP CORNERS

DO NOT SCALE DWG

MATERIAL: + / +

FINISH: + / +

DRN. S. Yulek 11/16/82

CHK'D J. Macdonald 12/2/82

ENG. J. Macdonald 11/16/82

PROJ. ENG. J. Macdonald 12/2/82

PROD. J. Macdonald 12/2/82

NEXT HIGHER ASSY.

FIRST USED ON: digital

TITLE: CABLE, NULL MODEM

B-DD-BC22D-0

SCALE: NONE

SHEET: 1 OF 1

DIST.

SIZE: B

CODE: UA

NUMBER: BC22D-0-0

REV.: A

THIS DRAWING AND THE SPECIFICATIONS CONTAINED HEREIN ARE CONFIDENTIAL AND PROPRIETARY. THEY ARE THE PROPERTY OF DIGITAL EQUIPMENT CORPORATION AND SHALL NOT BE REPRODUCED OR COPIED OR USED IN WHOLE OR IN PART AS THE BASIS FOR MANUFACTURING OR SALE OF ITEMS WITHOUT WRITTEN PERMISSION. THIS IS AN UNPUBLISHED WORK PROTECTED UNDER THE FEDERAL COPYRIGHT LAWS.

DRAWING DIRECTORY

UNIT VARIATIONS	
VARIATION	TITLE
BC22E-02	CABLE, 02 FEET LONG
BC22E-10	CABLE, 10 FEET LONG
BC22E-25	CABLE, 25 FEET LONG
BC22E-35	CABLE, 35 FEET LONG
BC22E-50	CABLE, 50 FEET LONG
BC22E-75	CABLE, 75 FEET LONG

REVISION HISTORY			USED ON OPTION/MODEL	RESPONSIBLE ENGR. : J. FLIS	d i g i t a l			
ENG	ECO NUMBER	REV		DATE: 15 MAR 82				
---	INITIAL	A	BC22E	MADE BY : S. ZYLAK	TITLE: DRAWING DIRECTORY			
SA	BC22E-MK001	B		DATE: 15 MAR 82				
				CHECKED BY : J. FALKOWSKI	CABLE, NULL MODEM			
				DATE: 12 APR 82				
				DESIGN ENGINEER : J. FLIS	SIZE CODE DOCUMENT NUMBER REV.			
				DATE: 16 APR 82				
				PRODUCTION ENGR. : W. LADNER	SHEET 1 OF 2			
				DATE: 13 MAY 82				

FIND	DRAWING NUMBER	DESCRIPTION	TYPE	FIND	DRAWING NUMBER	DESCRIPTION	TYPE
1	C-UA-BC22E-0-0	CABLE, NULL MODEM	E/M				
	K-PL-BC22E-0-0	CABLE, NULL MODEM (PL)	E/M				
	A-PS-1700322-0-0	CABLE, NULL MODEM					

TYPE: E ELECTRICAL	d	i	g	i	t	a	l	TITLE	DRAWING DIRECTORY	SIZE	CODE	DOCUMENT NUMBER	REV.
M MECHANICAL									K	DD	BC22E-0	B	
E/M ELECTRO/MECHANICAL													
									SHEET 2 OF 2			MRO	

THIS DRAWING AND SPECIFICATIONS HEREON ARE THE PROPERTY OF DIGITAL EQUIPMENT CORPORATION AND SHALL NOT BE REPRODUCED OR COPIED OR USED IN WHOLE OR IN PART AS THE BASIS FOR THE MANUFACTURE OR SALE OF ITEMS WITHOUT WRITTEN PERMISSION
 COPYRIGHT © 1982 DIGITAL EQUIPMENT CORPORATION

LEGEND				
NUMBER	REV.	VARIATION	DIM "X"	DIM "Y" REF
BC22E-10	B1	1700322-01	10 FT.	
BC22E-25	B1	1700322-02	25 FT.	
BC22E-35	B1	1700322-03	35 FT.	
BC22E-50	B1	1700322-04	50 FT.	
BC22E-75	B1	1700322-05	75 FT.	
BC22E-02	A1	1700322-11	2 FT.	

NOTES:
 1. FOR CABLE CONFIGURATION REFER TO A-PS-1700322-0-0.

SIZE CODE CUA
 NUMBER BC22E-0-0
 REV B
 A
 B
 C

WIRE TABLE								
ITEM NO.	PAIR NO.	DESCRIPTION		TO		FROM		REMARKS
		AWG	COLOR	CONN	WITH	CONN	WITH	
2 OR 3 OR 4 OR 5 OR 6		24	BLK	PI-1		P2-1		
			BRN	PI-2		P2-2		
			RED	PI-3		P2-3		
			ORN	PI-4		P2-4		
			YEL	PI-5		P2-5		
			GRN	PI-6		P2-6		
			BLU	PI-7		P2-7		
			VLT	PI-8		P2-8		
			GRY	PI-11		P2-11		
			WHT	PI-12		P2-12		
			WHT/YEL	PI-18		P2-18		
			WHT/BLK	PI-19		P2-19		
	WHT/BRN	PI-20		P2-20				
	WHT/RED	PI-22		PI-22				
	WHT/ORN	PI-23		P2-23				
	WHT/GRN	PI-25		P2-25				
		24	—	PI-SHELL		P2-SHELL		SHIELD & DRAIN WIRE

REVISION HISTORY		
DATE	ECO NUMBER	REV.
3-82	ORIGINATED	A
	BC22E-MK001	B
	STEVE ALLEN	
	14-NOV-85	

DESCRIPTION	DRAWING NO.	PART NO.	ITEM NO.
UNLESS OTHERWISE SPECIFIED DIMENSIONS ARE IN INCHES AND THE FOLLOWING TOLERANCES APPLY (PER DEC STC 114)			
INCHES TOLERANCES	ANGLES ± 0° 30'	APPLICABLE DIMENSION RANGE (CHECK ONE)	
		OVER 12 TO 02	OVER 12 TO 40
SURFACE QUALITY	MICROINCHES	± 02	± 03
		± 04	± 08
QUANTITY & VARIATION	X = ± .1	XX = ± .02	XXX = ± .005
THIRD ANGLE PROJECTION	DRN S. Zylak	DATE 14 Nov 82	TITLE CABLE, NULL MODEM
DO NOT SCALE DRAWING	CHK D. Kallawski	DATE 13 Nov 82	DOCUMENT NUMBER CUA/BC22E-0-0
REMOVE BURRS AND BREAK SHARP CORNERS	DES ENG	DATE	SHEET 1
MATERIAL	RESP ENG	DATE	1 MK
FINISH	MFG ENG	DATE	
	NEXT REVISION		

D
 C
 B
 A
 SIZE CUA
 NUMBER BC22E-0-0
 REV B

"THE MATERIAL HEREIN IS FOR INFORMATION PURPOSES ONLY AND IS SUBJECT TO CHANGE WITHOUT NOTICE. DIGITAL EQUIPMENT CORPORATION ASSUMES NO RESPONSIBILITY FOR ANY ERRORS WHICH MAY APPEAR HEREIN."

*** DRAWING DIRECTORY ***

UNIT VARIATIONS

VAR	TITLE
BC17E-25	V.35 CABLE, 25 FT LONG

USED ON OPTION/MODEL	DRN.	DATE
DECSA	R.J. RILEY	7-27-83
	CHK'D	DATE
	R.J. RILEY	7-27-83
	PROJ. ENG.	DATE
	J. BUZYNSKI	7-27-83
	PROD.	DATE
	B. SWAN	7-27-83

SHEET 1 OF 2

digital

"THIS DRAWING AND SPECIFICATIONS, HEREIN, ARE THE PROPERTY OF DIGITAL EQUIPMENT CORPORATION AND SHALL NOT BE REPRODUCED OR COPIED OR USED IN WHOLE OR IN PART AS THE BASIS FOR THE MANUFACTURE OR SALE OF ITEMS WITHOUT WRITTEN PERMISSION. COPYRIGHT © 1982 DIGITAL EQUIPMENT CORPORATION.

TITLE:			
CABLE, V.35 MODEM			
SIZE	CODE	NUMBER	REV
K	DD	BC17E-0-DBF	A
DIST.			

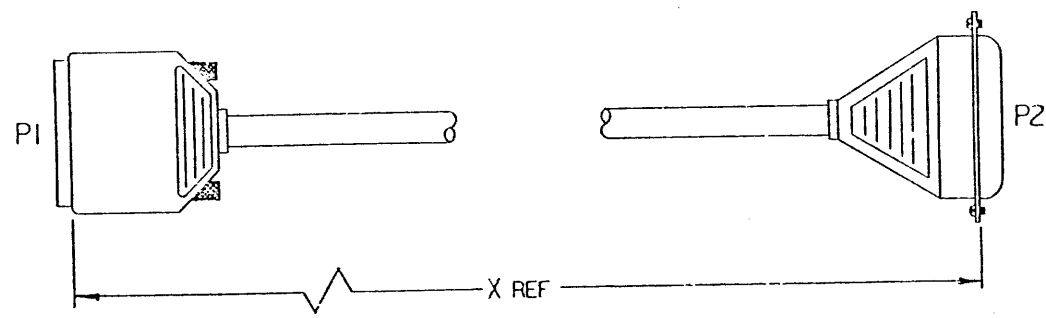
DRAWING NUMBER			DESCRIPTION		DRAWING NUMBER			DESCRIPTION				
1	K-PL-BC17E-0-DBP		CABLE, V.35 MODEM PARTS LIST	E/M								
	A-PS-1700359-0-0		CABLE, V.35 MODEM FCC COMP.	E/M								
2	D-AD-BC17E-0-0		CABLE, V.35 MODEM									
TYPE: E = ELECTRICAL			<u>1d1lg1ttall</u>		TITLE: CABLE, V.35 MODEM			SHEET 2 OF 2	SIZE K	CODE DD	NUMBER BC17E-0-DBF	REV A
M = MECHANICAL												
E/M = ELECTRO/MECHANICAL												

THE DRAWING AND SPECIFICATIONS THEREON ARE THE PROPERTY OF DIGITAL EQUIPMENT CORPORATION AND SHALL BE KEPT IN CONFIDENTIALITY AND NOT BE REPRODUCED OR IN ANY MANNER DISCLOSED TO THE PUBLIC OR TO ANY OTHER PERSON WITHOUT THE WRITTEN PERMISSION OF DIGITAL EQUIPMENT CORPORATION.

LEGEND				
FROM		TO		REMARKS
CONN	WITH	CONN	WITH	
PI-V		P2-8		
PI-X		P2-26		
PI-R		P2-6		
PI-T		P2-24		
PI-Y		P2-5		
PI-a		P2-23		
PI-p		P2-4		
PI-S		P2-22		
PI-U		P2-17		
PI-W		P2-35		
PI-D		P2-9		
PI-B		P2-19		
PI-C		P2-7		
PI-B		P2-19		
PI-F		P2-13		
PI-B		P2-19		
PI-E		P2-11		
PI-B		P2-19		
PI-J		P2-15		
PI-B		P2-19		
PI-H		P2-12		
PI-B		P2-19		
PI-K		P2-10		
PI-B		P2-19		
PI-A		P2-1		
PI A		P2-1		

LEGEND	
PART NO.	DIM "X"
BC17E-25	25 FT.
BC17E-50	50 FT.
BC17E-A0	100 FT.
BC17E-A5	150 FT.
BC17E-B0	200 FT.
BC17E-B5	250 FT.

NOTE:
1. SHIELD IS CONNECTED TO THE SHELL AT BOTH ENDS AND TO BRAIDED PIGTAILS AT THE PI END.

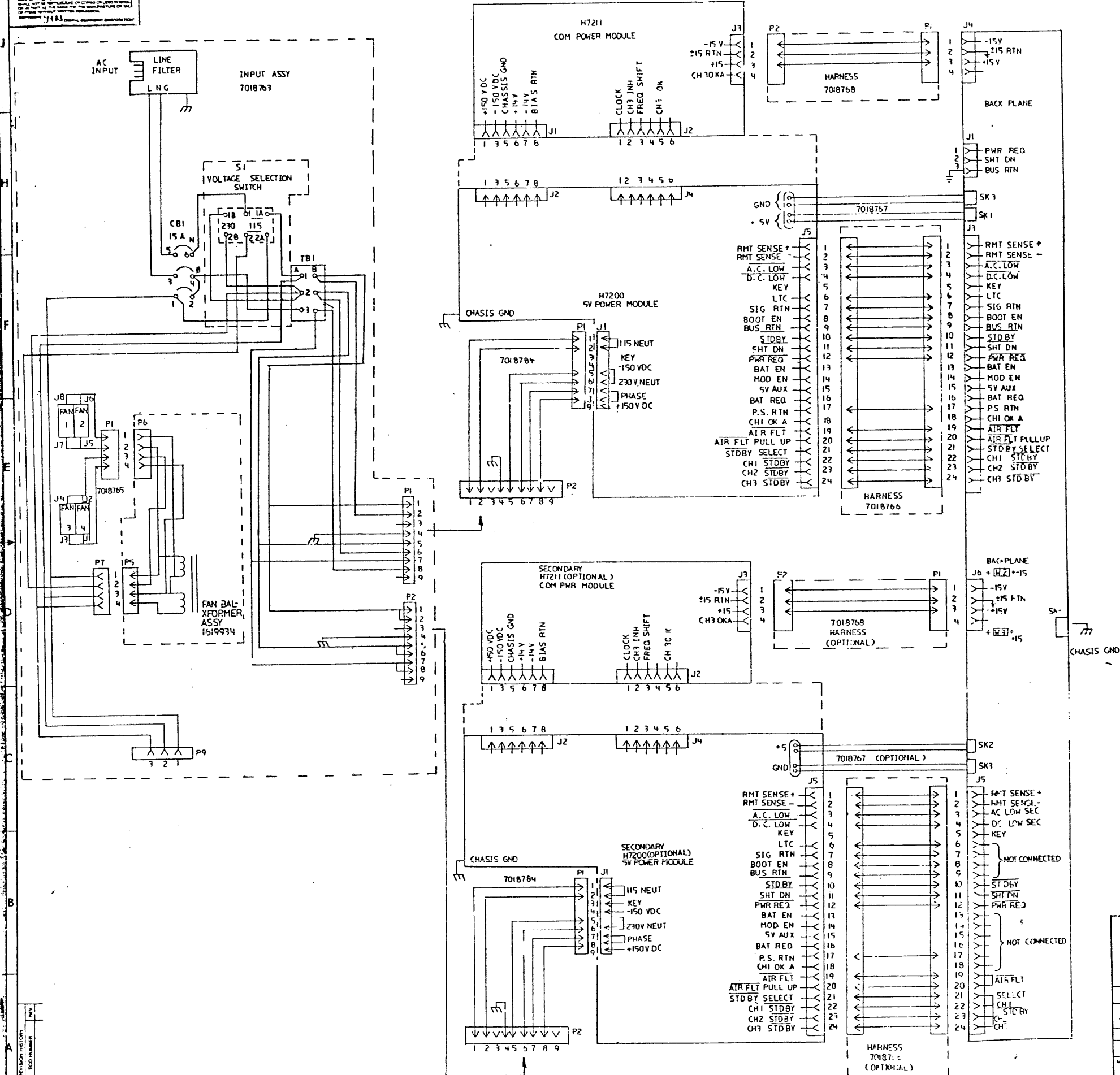


CAUTION: SEE OFF SHEET PARTS LIST
K-PL-BC17E-0-DBP. (Z7331B)

REVISION HISTORY	
DATE	REV
1/20/83	B
1/20/83	A

DESCRIPTION	DRAWING NO.	PART NO.	ITEM NO.
UNLESS OTHERWISE SPECIFIED DIMENSIONS ARE IN INCHES AND THE FOLLOWING TOLERANCES APPLY (PER DEC STD 114)			
DIMENSION RANGE IN INCHES			
INCHES TOLERANCES	ANGLES ± 0° 30'	APPLICABLE DIMENSION RANGE (CHECK ONE)	DIMENSION RANGE IN INCHES
X ± .1	SURFACE QUALITY	<input type="checkbox"/> 0 TO 12	OVER 0 TO 0.2
XX ± .02	<input checked="" type="checkbox"/> MICROFINISH	<input type="checkbox"/> 12 TO 4.0	OVER 0.2 TO 1.2
XXX ± .005		<input type="checkbox"/> 4.0 TO 12.5	OVER 1.2 TO 4.0
		<input type="checkbox"/> 12.5 TO 40.0	OVER 4.0 TO 12.0
		<input type="checkbox"/> 40.0 TO 80.0	OVER 12.0 TO 40.0
		<input type="checkbox"/> 80.0 TO 160.0	OVER 40.0 TO 80.0
		<input type="checkbox"/> 160.0 TO 320.0	OVER 80.0 TO 160.0
		<input type="checkbox"/> 320.0 TO 640.0	OVER 160.0 TO 320.0
THIRD ANGLE PROJECTION	DATE 30 Nov 83	TITLE CABLE, V. 35	digital
DO NOT SCALE DRAWING	DATE 1 Nov 83	MODEM	
REMOVE BURRS AND BREAK SHARP CORNERS	DATE 1 Nov 83		
MATERIAL SEE PARTS LIST	DATE 1 Nov 83	DOCUMENT NUMBER	
FINISH	DATE 11 Nov 83	D AD BC17E-0-0	REV B
	DATE 11 Nov 83	K-DD-BC17E-0-0	
		TW	1

REVISIONS
 1. REVISED TO PER DECSA INTERCONNECT W/1143
 2. REVISED TO PER DECSA INTERCONNECT W/1143



DESCRIPTION	DRAWING NO.	PART NO.	ITEM NO.
UNLESS OTHERWISE SPECIFIED DIMENSIONS ARE IN INCHES AND THE FOLLOWING TOLERANCES APPLY (PER DEC STD 114)			
ANGLE ± .03°	DIMENSION RANGE OVER 10 TO 1.5 1.5 TO .1 TO .1	OVER .10	± .005
SURFACE QUALITY		± .01	± .005
QUANTITY & VARIATION	MATERIAL	DATE	TITLE
THIRD ANGLE PROJECTION	DATE	DATE	DATE
DO NOT SCALE DRAWING	REMOVE BURRS AND BREAK SHARP CORNERS	DATE	DATE
MATERIAL			DOCUMENT NUMBER
PART NO.			REV

DECSA
INTERCONNECT

DATE: 6/26/73
DATE: 2/10/74
DATE: 3/1/74
DATE: 4/1/74

REV: A
DOC NO: 7019937-0-0
REV: A