

digital

**PDP 10-0-RS
MOD 1**

Engineering Drawings
Digital Equipment Corporation

The material herein is for information purposes only and is subject to change without notice. Digital Equipment Corporation assumes no responsibility for any errors which may appear herein.

These drawings and specifications herein are the property of Digital Equipment Corporation and shall not be reproduced or copied or used in whole or in part as the basis for the manufacture or sale of items without written permission.

Copyright 1975. Digital Equipment Corporation

CUSTOMER PRINT SET					CUSTOMER PRINT SET														
MAN-1	MAN-2		MFG. SET	FIND NO.	DRAWING NO.	REV	NO OF SHT	DESCRIPTION	OPTION NO.	MAN-1	MAN-2		MFG. SET	FIND NO.	DRAWING NO.	REV	NO OF SHT	DESCRIPTION	OPTION NO.
X					D-CS-A133-0-1		1	ANALOG SWITCH		X					B-CS-B681-0-1		1	POWER INVERTER	
X					B-CS-A601-0-1		1	3 BIT DAC		X					B-CS-B683-0-1		1	50 OR BUS DRIVER	
X					B-CS-A704-0-1		1	-10V PRECISION PWR. SUPPLY		X					C-CS-B684-0-1		1	TWO BUS DRIVER	
										X					B-CS-B685-0-1		1	DIODE GARE DRIVER	
X					B-CS-B104-0-1		1	INVERTER											
X					B-CS-B105-0-1		1	INVERTER		X					D-UA-BC01R-0-0		1	CABLE CARD ASSY	
X					B-CS-B113-0-1		1	DIODE GATE											
X					B-CS-B115-0-1		1	DIODE GATE											
X					B-CS-B117-0-1		1	DIODE GATE		X					D-UA-BC01X-0-0		1	CABLE ASSY DATA SET	
X					B-CS-B130-0-1		1	3 BIT PARITY CIRCUIT											
X					B-CS-B133-0-1		1	DIODE GATE		X					C-UA-BC05D-0-0		1	ASYNCH MODEM INT. CABLE EXT	
X					B-CS-B134-0-1		1	DIODE GATE		X					D-UA-BC01Y-0-0		1	CABLE ASSY (CALLING UNIT)	
X					B-CS-B135-0-1		1	DIODE GATE											
X					B-CS-B136-0-1		1	DIODE GATE											
X					B-CS-B137-0-1		1	DIODE GATE		X					A-PL-BC10V-0-0		1	EIA TERMINAL CABLE	
X					B-CS-B138-0-1		1	ADDER											
X					B-CS-B141-0-1		1	DIODE GATE											
X					C-CS-B152-0-1		1	BINARY TO OCTAL DECODER											
X					B-CS-B155-0-1		1	HALF BINARY TO OCTAL DECODER											
X					B-CS-B156-0-1		1	HALF BINARY TO OCTAL DECODER											
X					B-CS-B163-0-1		1	DIODE GATE											
X					B-CS-B165-0-1		1	DIODE INVERTER											
X					C-CS-B166-0-1		1	COUNTING GATE											
X					B-CS-B167-0-1		1	ADDER GATE											
X					B-CS-B168-0-1		1	DIODE GATE											
X					B-CS-B169-0-1		1	INVERTER		X					C-CS-G005-0-1		1	4 INPUT DC SCOPE AMPLIFIER	
X					B-CS-B171-0-1		1	DIODE GATE		X					B-CS-G008-0-1		1	MASTER SLICE CONTROL	
X					B-CS-B172-0-1		1	DIODE GATE		X					B-CS-G010-0-1		1	SENSE AMP SELECTOR	
X					B-CS-B173-0-1		1	DIODE GATE		X					B-CS-G020-0-1		1	SENSE AMP	
										X					B-CS-G021-0-1		1	SENSE AMP	
										X					B-CS-G022-0-1		1	FOUR INPUT SENSE AMP	
X					D-CS-B198-0-1		1	PROTECTION COMPARATOR		X					B-CS-G023-0-1		1	MASTER SLICE CONTROL	
X					C-CS-B199-0-1		1	FM ADDRESS DECODER		X					D-CS-G050-0-1		1	READ AMPLIFIER	
										X					C-CS-G060-0-1		1	TU10 COMPRESSOR	
										X					C-CS-G062-0-1		1	PEAK DETECTOR	
X					B-CS-B204-0-1		1	FOUR FLIP FLOPS		X					C-CS-G064-0-1		1	SLICER	
X					B-CS-B211-0-1		1	FLIP FLOP		X					B-CS-G084-0-1		1	MAG TAPE READ AMP	
X					C-CS-B212-0-1		1	DUAL RS FLIP FLOP											
X					B-CS-B213-0-1		1	JAM FLIP FLOP											
X					B-CS-B214-0-1		1	FOUR FLIP FLOPS		X					D-CS-G102-0-1		1	SENSE INHIBIT CARD	
X					C-CS-B250-0-1		1	FM MODULE		X					C-CS-G103-0-1		1	MEMORY LEVELS & GATES	
X					B-CS-B301-0-1		1	ONE SHOT DELAY											
X					B-CS-B311-0-1		1	TAPPED DELAY LINE		X					C-CS-G206-0-1		1	MEMORY SELECTOR	
X					B-CS-B312-0-1		1	VARIABLE DELAY LINE		X					C-CS-G207-0-1		1	INHIBIT DRIVER	
X					B-CS-B360-0-1		1	DELAY WITH PULSE AMPLIFIER											
X					B-CS-B405		1	CRYSTAL CLOCK											
X					B-CS-B410-0-1		1	VFO CLOCK											
X					B-CS-B602-0-1		1	10 MC PULSE AMPLIFIER											
X					B-CS-B611-0-1		1	PULSE AMPLIFIER											
TITLE										REPLACEMENT SCHEMATIC (MAN 1)			SHEET 3 OF 9		SIZE	CODE	NUMBER		REV
													B	DD	PDP10-0-RS		A		

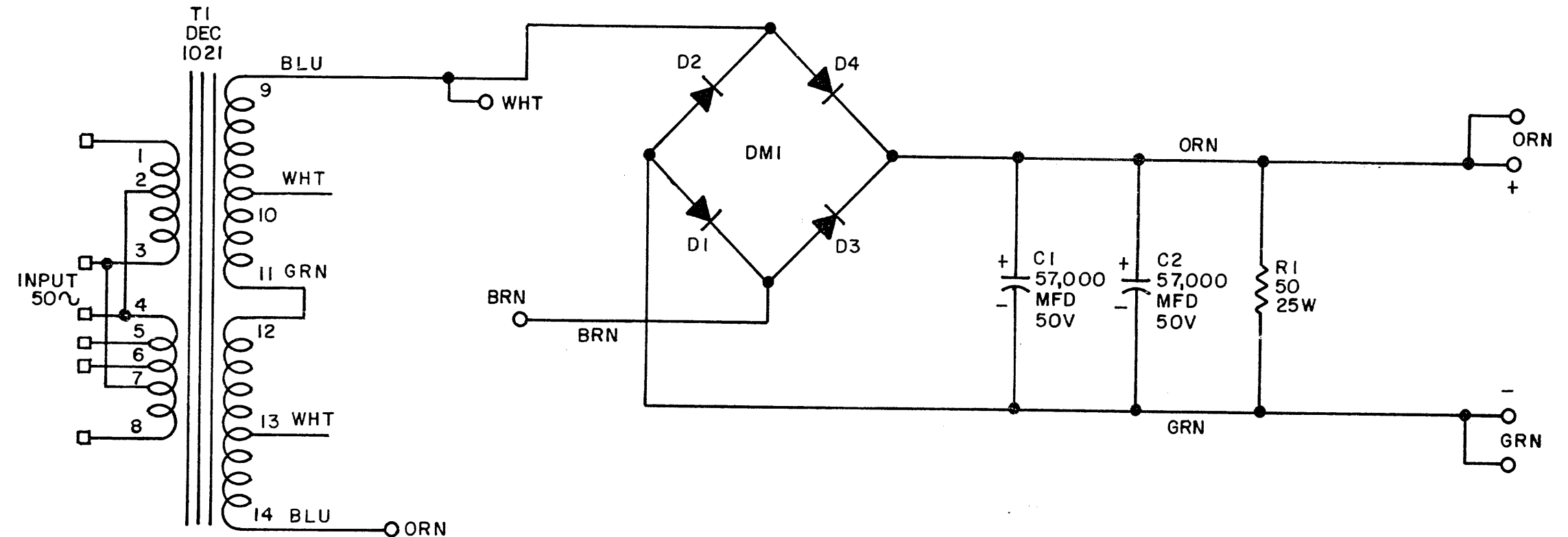
CUSTOMER PRINT SET					CUSTOMER PRINT SET				
MAN-1	MAN-2				MAN-1	MAN-2			
MFG. SET					MFG. SET				
FIND NO.	DRAWING NO.	REV	NO OF SHT	OPTION NO.	FIND NO.	DRAWING NO.	REV	NO OF SHT	OPTION NO.
X	B-CS-M501-0-1		1	SCHMITT TRIGGER	X	C-CS-M767-0-1		1	CLOCK & SKEW DELAY
X	B-CS-M502-0-1		1	NEGATIVE INPUT	X	D-CS-M768-0-1		1	DELAY TRANSMITTER
X	B-CS-M506-0-1		1	NEGATIVE INPUT CONVERTER	X	D-CS-M769-0-1		1	FUNCTION CONTROL
X	C-CS-M507-0-1		1	BUS CONVERTER (OBSOLETE)	X	B-CS-M783-0-1		1	UNIBUS DRIVERS
X	C-CS-M508-0-1		1	BUS CONVERTER	X	B-CS-M784-0-1		1	UNIBUS RECEIVERS
X	C-CS-M511-0-1		1	POSITIVE BUS RECEIVER	X	B-CS-M785-0-1		1	UNIBUS TRANSCEIVERS
X	D-CS-M514-0-1		1	BUS TRANSCIEVER					
X	B-CS-M516-0-1		1	POSITIVE BUS RECEIVER					
X	C-CS-M517-0-1		1	BUS CONVERTER					
X	C-CS-M531-0-1		1	NEGATIVE BUS CONVERTER					
X	D-CS-M564-0-1		1	-3V I/O BUS RECEIVER					
X	D-CS-M565-0-1		1	MEMORY BUS RECIEVER	X	B-CS-M850-0-1		1	CONVERTER & CABLE CONN
X	D-CS-M592-0-1		1	I.O. DEVICE SELECT	X	D-CS-M890-0-1		2	MOTION CONTROL
X	C-CS-M603-0-1		1	P A MODULE	X	B-CS-M901-0-1		1	FLEXPRINT CABLE CONN
X	C-CS-M612-0-1		1	POWER DRIVER MODULE	X	B-CS-M902-YA-1		1	RESISTOR TERMINATOR
X	B-CS-M617-0-1		1	6-4 INPUT NOR BUFFERS	X	E-CS-M902-YB-1		1	RESISTOR TERMINATOR
X	C-CS-M623-0-1		1	BUS DRIVER	X	B-CS-M903-0-1		1	CONNECTOR FLEXPRINT
X	B-CS-M627-0-1		1	POWER AMPLIFIER	X	B-CS-M904-0-1		1	CONNECTOR COAXIAL
X	C-CS-M629-0-1		1	BUS DRIVERS	X	B-CS-M906-0-1		1	CABLE TERMINATOR
X	B-CS-M650-0-1		1	NEG. OUTPUT CONVERTER	X	B-CS-m907-0-1		1	DIODE CLAMP
X	C-CS-M651-0-1		1	NEG. OUTPUT CONVERTER	X	B-CS-M908-0-1		1	CONNECTOR MODULE
X	B-CS-M660-0-1		1	POSITIVE LEVEL DRIVER	X	B-CS-M919-0-1		1	BUS CONNECTOR
X	B-CS-M661-0-1		1	POSITIVE LEVEL DRIVER	X	B-CS-M921-0-1		1	DIODE CODE SEL. JUMPER BD.
X	D-CS-M663-0-1		1	50 OHM "OR" BUS DRIVER	X	B-CS-M922-0-1		1	FLEX PRINT CABLE CONN.
X	C-CS-M664-0-1		1	10 BUS DRIVER	X	B-CS-M926-0-1		1	FLEX PRINT CABLE CARD
X	D-CS-M665-0-1		1	MEMORY BUS TRANSMITTER	X	C-CS-M931-0-1		1	15 TERM. WITH IND. RES.
X	C-CS-M666-0-1		1	I O BUS RESET	X	B-CS-M941-0-1		1	JUMPER EXTENDER BOARD
					X	C-CS-M947-0-1		1	K110 INDICATOR DRIVER
					X	C-CS-M948-0-1		1	K110 INDICATOR BOARD
					X	C-CS-M949-0-1		1	INDICATOR CABLE CONN.
					X	D-CS-M950-0-1		1	INDICATOR CABLE CONN.
					X	C-CS-M952-0-1		1	27 LEVEL TERMINATOR
					X	C-CS-M956-0-1		1	18 TERMINATORS
X	C-CS-M700-0-1		1	MANUAL TIMING GENERATOR	X	B-CS-M957-0-1		1	CABLE CONNECTOR
X	B-CS-M703-0-1		1	POWER FAIL	X	C-CS-M969-0-1		1	24 LEVEL TERMINATOR
X	C-CS-M706-0-1		1	TELETYPE RECEIVER	X	D-CS-M970-0-1		1	CABLE INTERFACE BD.
X	C-CS-M707-0-1		1	TELETYPE TRANSMITTER					
X	C-CS-M708-0-1		1	CLOCK CONTROL					
X	D-CS-M709-0-1		1	CLOCK COUNTER					
X	D-CS-M710-0-1		1	PUNCH CONTROL					
X	C-CS-M714-0-1		1	CONTROL FOR CR 81					
X	C-CS-M715-0-1		1	READER CLOCK					
X	C-CS-M716-0-1		1	CONTROL FOR CR 81					
X	B-CS-M720-0-1		1	MEMORY DETECTION					
X	C-CS-M750-0-1		1	LINE I/O CONTROL	X	D-CS-M3070-0-1		1	INTERGRATING ONE SHOT
X	D-CS-M751-0-1		1	LINE REGISTER					
X	D-CS-M752-0-1		1	INSTRUCTION DECODER					
X	D-CS-M753-0-1		1	ASYNC MEDEM LINE CONTROL					
X	D-CS-M763-0-1		1	WRITER BUFFER					
X	C-CS-M765-0-1		1	READ BUFFER					

TITLE: REPLACEMENT SCHEMATICS (MANUAL 2) SHEET 7 OF 9 SIZE: B CODE: DD NUMBER: PDP10-0-RS REV: A

CUSTOMER PRINT SET					CUSTOMER PRINT SET																	
MAN-1	MAN-2			MFG. SET	FIND NO.	DRAWING NO.	REV	NO OF SHT	DESCRIPTION	OPTION NO.	MAN-1	MAN-2			MFG. SET	FIND NO.	DRAWING NO.	REV	NO OF SHT	DESCRIPTION	OPTION NO.	
	X					D-CS-M5940-0-1		1	EIA LEVEL CONVERTER		X						B-CS-R602-0-1		1	PULSE AMPLIFIER		
											X						B-CS-R603		1	PULSE AMPLIFIER		
											X						B-CS-R613-0-1		1	PULSE AMPLIFIER		
											X						B-CS-S107-0-1		1	INVERTER		
											X						C-CS-S111-0-1		1	DIODE GATE		
X						D-CS-M7050-0-1		1	READER CONTROL		X						B-CS-S151-0-1		1	BINARY TO OCTAL DECODER		
X						D-CS-M7100-0-1		1	10 DEVICE CONTROL		X						B-CS-S181-0-1		1	DC CARRY CHAIN		
X						D-CS-M7110-0-1		3	SYNC. MODEM INTERFACE													
X						C-CS-m7670-0-1		1	FORWARD B.O.T. TIMER													
X						D-CS-M7820-0-1		1	INTERRUPT CONTROL		X							B-CS-S202-0-1		1	DUAL FLIP FLOP	
											X							B-CS-S203-0-1		1	TRIPLE FLIP FLOP	
											X							B-CS-S205-0-1		1	DUAL FLIP FLOP	
											X							B-CS-S602-0-1		1	PULSE AMPLIFIER	
											X							B-CS-S603-0-1		1	PULSE AMPLIFIER	
											X							C-CS-w002		1	CLAMP LOAD	
											X							B-CS-w005-0-1		1	CLAMPED LOADS	
X						B-CS-R001		1	DIODE NETWORK		X							B-CS-w010-0-1		1	CLAMPED LOADS	
X						B-CS-R002-0-1		1	DIODE CLUSTERS		X							B-CS-w011-0-1		1	SIGNAL CABLE CONNECTOR	
											X							B-CS-w012-0-1		1	INDICATOR CABLE CONN.	
											X							B-CS-w013-0-1		1	WORD SYNC STACK CONN.	
X						B-CS-R107-0-1		1	INVERTER		X							C-CS-w014-0-1		1	DIGITAL STACK CONN.	
X						B-CS-R111-0-1		1	DIODE GATE		X							B-CS-w017-0-1		1	WORD DRIVE STACK CONN.	
X						B-CS-R113-0-1		1	DIODE GATE		X							B-CS-w020		1	INDICATOR CABLE	
X						B-CS-R121-0-1		1	NAND GATE		X							B-CS-w021		1	SIGNAL CABLE CONN	
X						B-CS-R123-0-1		1	DIODE GATE		X							B-CS-w023-0-1		1	CONNECTOR	
X						B-CS-R141-0-1		1	DIODE GATE		X							B-CS-w025-0-1		1	CONNECTOR BOARD	
X						B-CS-R151-0-1		1	BINARY TO OCTAL DECODER		X							B-CS-w028-0-1		1	TERMINAL BOARD	
											X							B-CS-w032-0-1		1	CONNECTOR	
X						B-CS-R181-0-1		1	DC CARRY CHAIN		X							B-CS-w033-0-1		1	CABLE CONNECTOR	
											X							B-CS-w040		1	SOLEHOLD DRIVER	
											X							B-CS-w051		1	100 MA IND. & RELAY DRIVER	
X						B-CS-R201-0-1		1	FLIP FLOP		X							B-CS-w076-0-1		1	TELETYPE CONN.	
X						B-CS-R202-0-1		1	DUAL FLIP FLOPS		X							B-CS-w078-0-1		1	TELETYPE CONN.	
X						B-CS-R203		1	TRIPLE FLIP FLOP													
X						B-CS-R205		1	DUAL FLIP FLOP													
X						C-CS-R220-0-1		1	3 BIT SHIFT REGISTER		X							B-CS-w101-0-1		1	10 BUS DRIVER	
X											X							B-CS-w102-0-1		1	PULSED BUS TRANSCEIVER	
											X							D-CS-w106-0-1		1	P.I. REQUEST GRANT	
X						B-CS-R302-0-1		1	DELAY (ONE SHOT)		X							B-CS-w107-0-1		1	10 BUS RECEIVER	
X						B-CS-R303-0-1		1	INTERGRATING ONE SHOT		X							B-CS-w122-0-1		1	BUS TRANSCEIVER	
											X							D-CS-w132-0-1		1	BUS TRANSCEIVER	
X						B-CS-R401-0-1		1	CLOCK													
X						B-CS-R405-0-1		1	CRYSTAL CLOCK		X							B-CS-w250-0-1		1	INDICATOR CABLE CONN.	
X						C-CS-R450-0-1		1	VARIABLE CLOCK													
X						C-CS-R451-0-1		1	CURRENT DRIVER 790 P.S., 60 HZ													
X						B-CS-R601-0-1		1	PULSE AMPLIFIER													

TITLE	SIZE	CODE	NUMBER	REV
REPLACEMENT SCHEMATICS (MANUAL2) SHEET 8 OF 9	B	DD	PDP10-0-RS	A

THIS SCHEMATIC IS FURNISHED ONLY FOR TEST AND MAINTENANCE PURPOSES. THE CIRCUITS ARE PROPRIETARY IN NATURE AND SHOULD BE TREATED ACCORDINGLY. COPYRIGHT 1967 BY DIGITAL EQUIPMENT CORPORATION



NOTE:

INPUT VOLTAGE	JUMPER	LINE
112.5 10%	2-4, 3-7	3, 4
123.5 10%	1-4, 3-7	3, 4
195 10%	1-5	3, 4
220 10%	1-6	3, 4
235 10%	2-8	3, 4

- CINCH JONES STRIP
- HEYMAN TAB CONNECTORS
- USE #14 AWG STRANDED WIRE

REVISIONS	CHK	CHG NO.	REV.
		6524	A

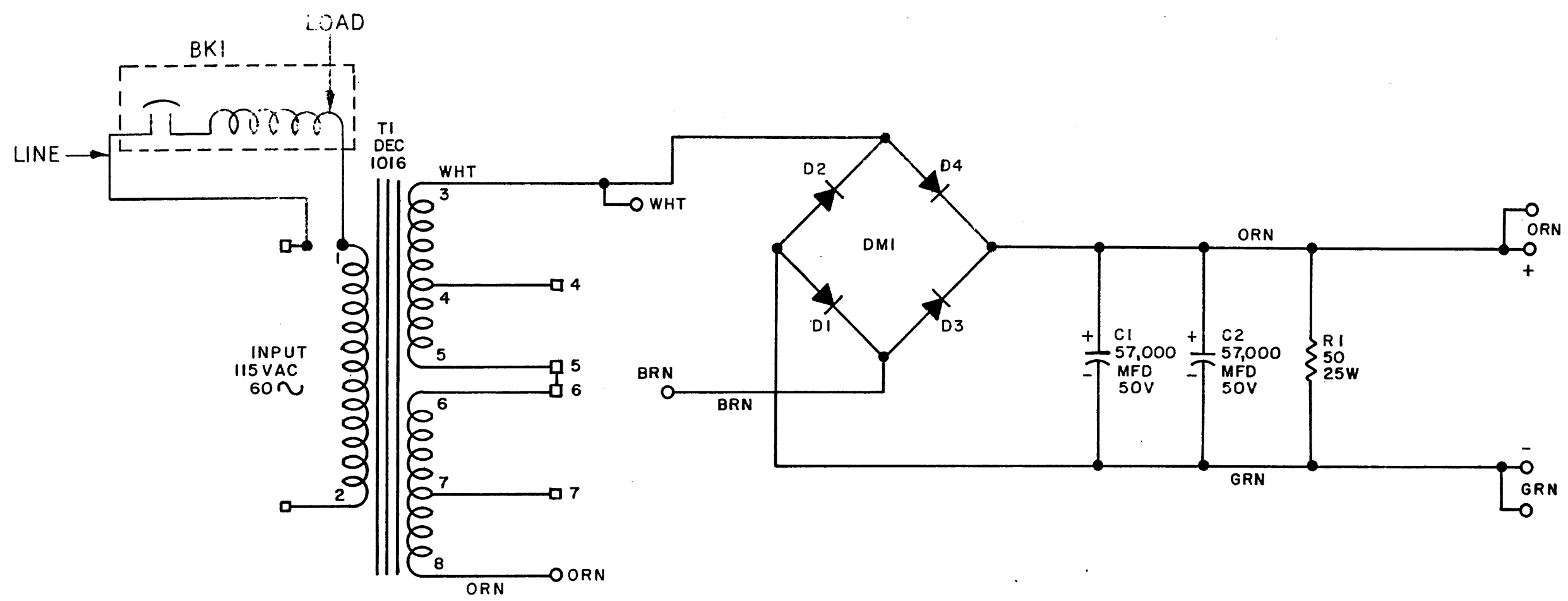
DRN. <i>M. Waller</i>	DATE 6-21-67
CHK'D <i>J. Liberman</i>	DATE 6/26/67
ENG. <i>J. E. Drew</i>	DATE 6-26-67
PROD.	DATE

TRANSISTOR & DIODE CONVERSION CHART			
DEC	EIA	DEC	EIA

digital
 EQUIPMENT CORPORATION
 MAYNARD, MASSACHUSETTS

TITLE			
POWER SUPPLY 702A			
SIZE B	CODE CS	NUMBER 702A-0-1	REV. A
PRINTED CIRCUIT REV.			

THIS SCHEMATIC IS FURNISHED ONLY FOR TEST AND MAINTENANCE PURPOSES. THE CIRCUITS ARE PROPRIETARY IN NATURE AND SHOULD BE TREATED ACCORDINGLY. COPYRIGHT 1967 BY DIGITAL EQUIPMENT CORPORATION



UNLESS OTHERWISE INDICATED:
 □ CINCH JONES STRIP
 ○ HEYMAN TAB CONNECTORS
 USE #14 AWG STRANDED WIRE

REVISIONS	CHK	CHG NO.	REV.
		702-1	A

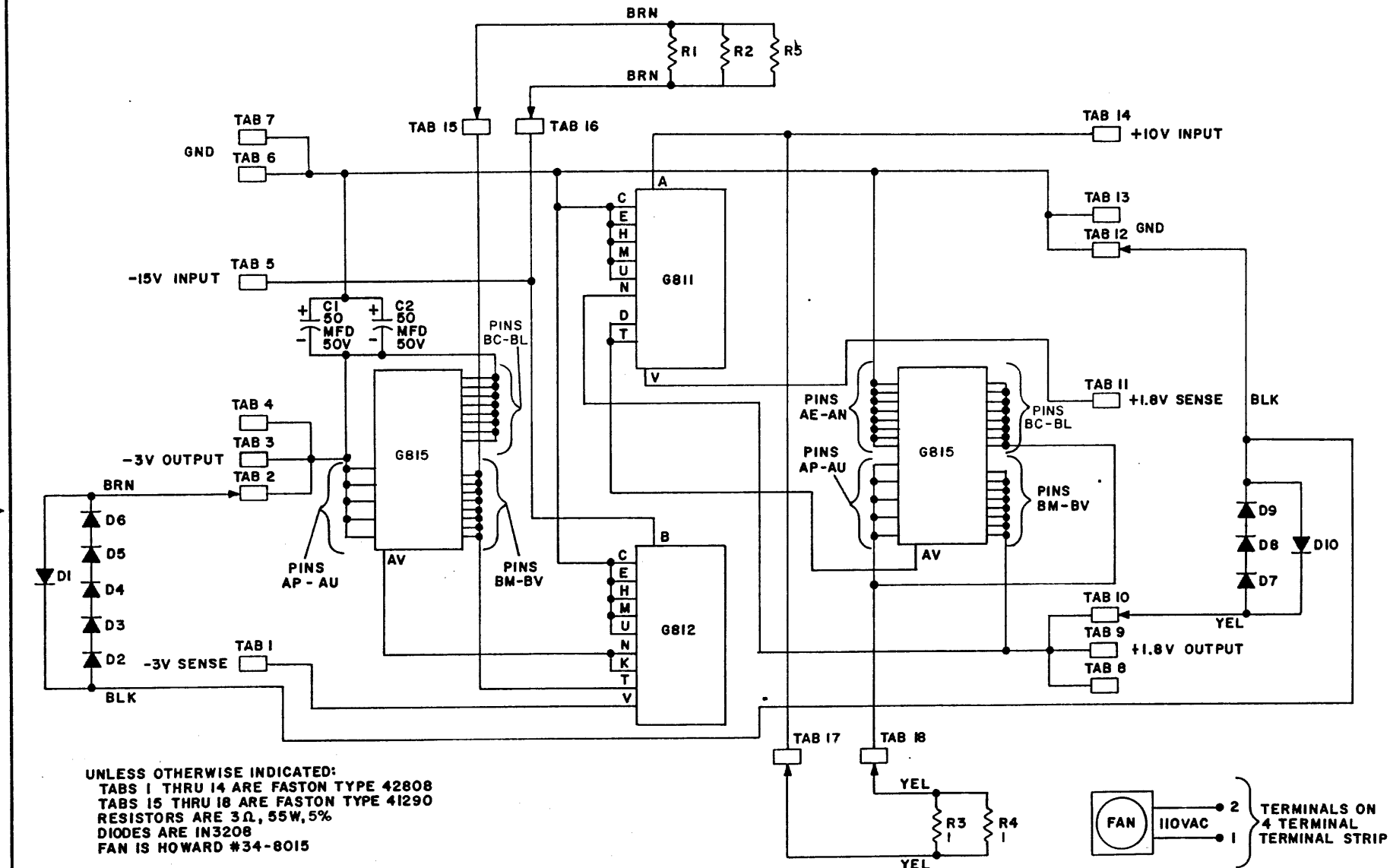
DRN.	M. Haller	DATE	5-25-67
CHK'D		DATE	5-25-67
ENG.		DATE	5-25-67
PROD.		DATE	

TRANSISTOR & DIODE CONVERSION CHART			
DEC	EIA	DEC	EIA

digital
 EQUIPMENT CORPORATION
 MAYNARD, MASSACHUSETTS

TITLE MARGINAL CHECK POWER SUPPLY 702			
SIZE	CODE	NUMBER	REV.
B	CS	702-0-1	A
PRINTED CIRCUIT REV.			

THIS SCHEMATIC IS FURNISHED ONLY FOR TEST AND MAINTENANCE PURPOSES. THE CIRCUITS ARE PROPRIETARY IN NATURE AND SHOULD BE TREATED ACCORDINGLY. COPYRIGHT 1967 BY DIGITAL EQUIPMENT CORPORATION



UNLESS OTHERWISE INDICATED:
 TABS 1 THRU 14 ARE FASTON TYPE 42808
 TABS 15 THRU 18 ARE FASTON TYPE 41290
 RESISTORS ARE 3Ω, 55W, 5%
 DIODES ARE IN3208
 FAN IS HOWARD #34-8015

PARTS LIST IS A-PL-703-0-0
 ETCH BOARD IS 5404326

REV.	CHG NO.	REV.
6866	A	
6891	B	

DEC FORM NO. DRC 102

DRN. M. HALLER	DATE 9-12-67
CHK'D R. SILVERMAN	DATE 9-13-67
ENG. W. WALTON	DATE 9-14-67
PROD.	DATE

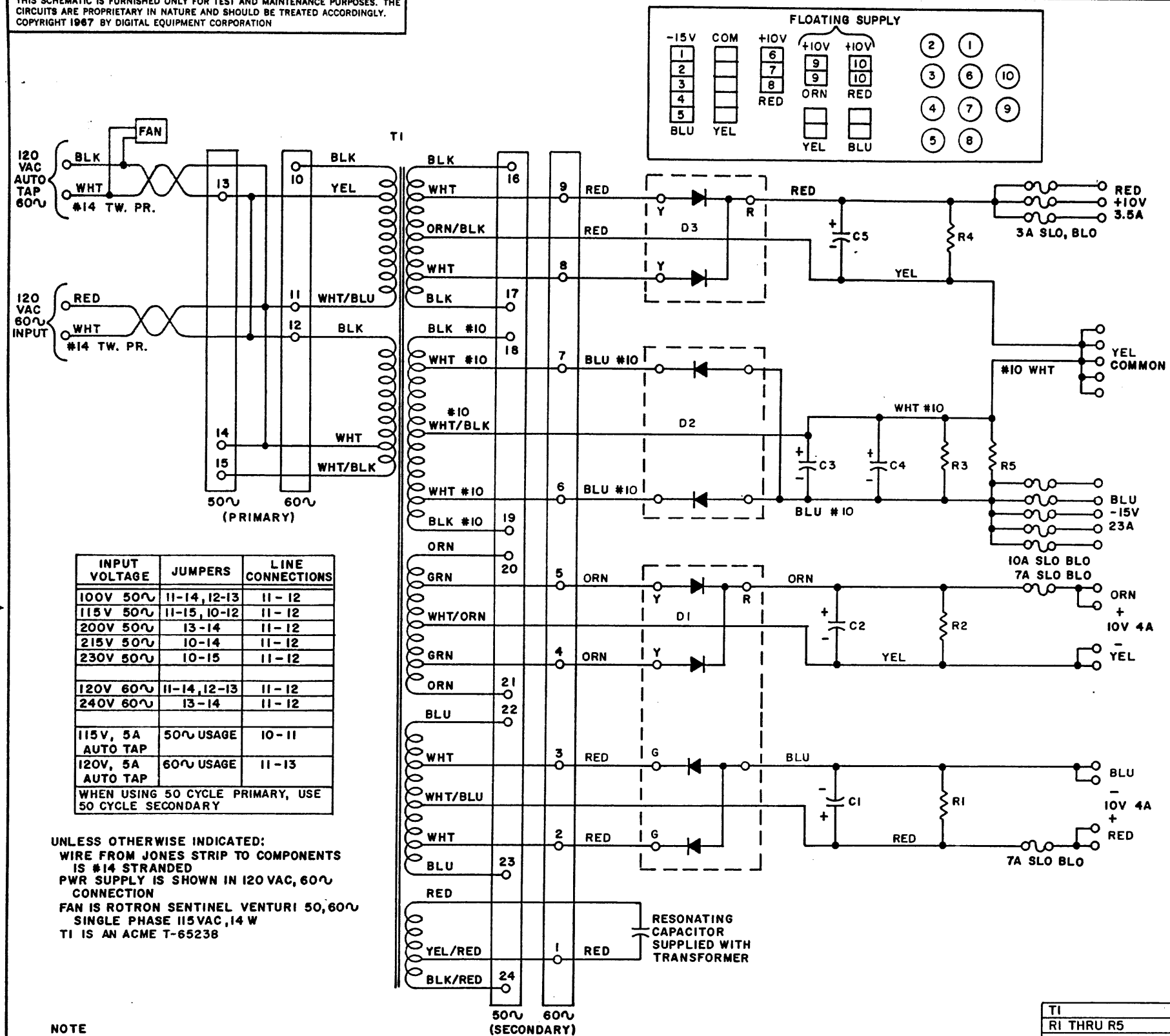
TRANSISTOR & DIODE CONVERSION CHART			
	DEC	EIA	
IN3208		SAME	

digital
 EQUIPMENT CORPORATION
 MAYNARD, MASSACHUSETTS

TITLE POWER SUPPLY 703			
SIZE C	CODE CS	NUMBER 703-0-1	REV. B
PRINTED CIRCUIT REV.			

SIZE CODE NUMBER REV.
 C CS 703-0-1 B

THIS SCHEMATIC IS FURNISHED ONLY FOR TEST AND MAINTENANCE PURPOSES. THE CIRCUITS ARE PROPRIETARY IN NATURE AND SHOULD BE TREATED ACCORDINGLY. COPYRIGHT 1967 BY DIGITAL EQUIPMENT CORPORATION



INPUT VOLTAGE	JUMPERS	LINE CONNECTIONS
100V 50~	11-14, 12-13	11-12
115V 50~	11-15, 10-12	11-12
200V 50~	13-14	11-12
215V 50~	10-14	11-12
230V 50~	10-15	11-12
120V 60~	11-14, 12-13	11-12
240V 60~	13-14	11-12
115V, 5A AUTO TAP	50~ USAGE	10-11
120V, 5A AUTO TAP	60~ USAGE	11-13
WHEN USING 50 CYCLE PRIMARY, USE 50 CYCLE SECONDARY		

UNLESS OTHERWISE INDICATED:
 WIRE FROM JONES STRIP TO COMPONENTS IS #14 STRANDED
 PWR SUPPLY IS SHOWN IN 120 VAC, 60~ CONNECTION
 FAN IS ROTRON SENTINEL VENTURI 50, 60~ SINGLE PHASE 115VAC, 14 W
 T1 IS AN ACME T-65238

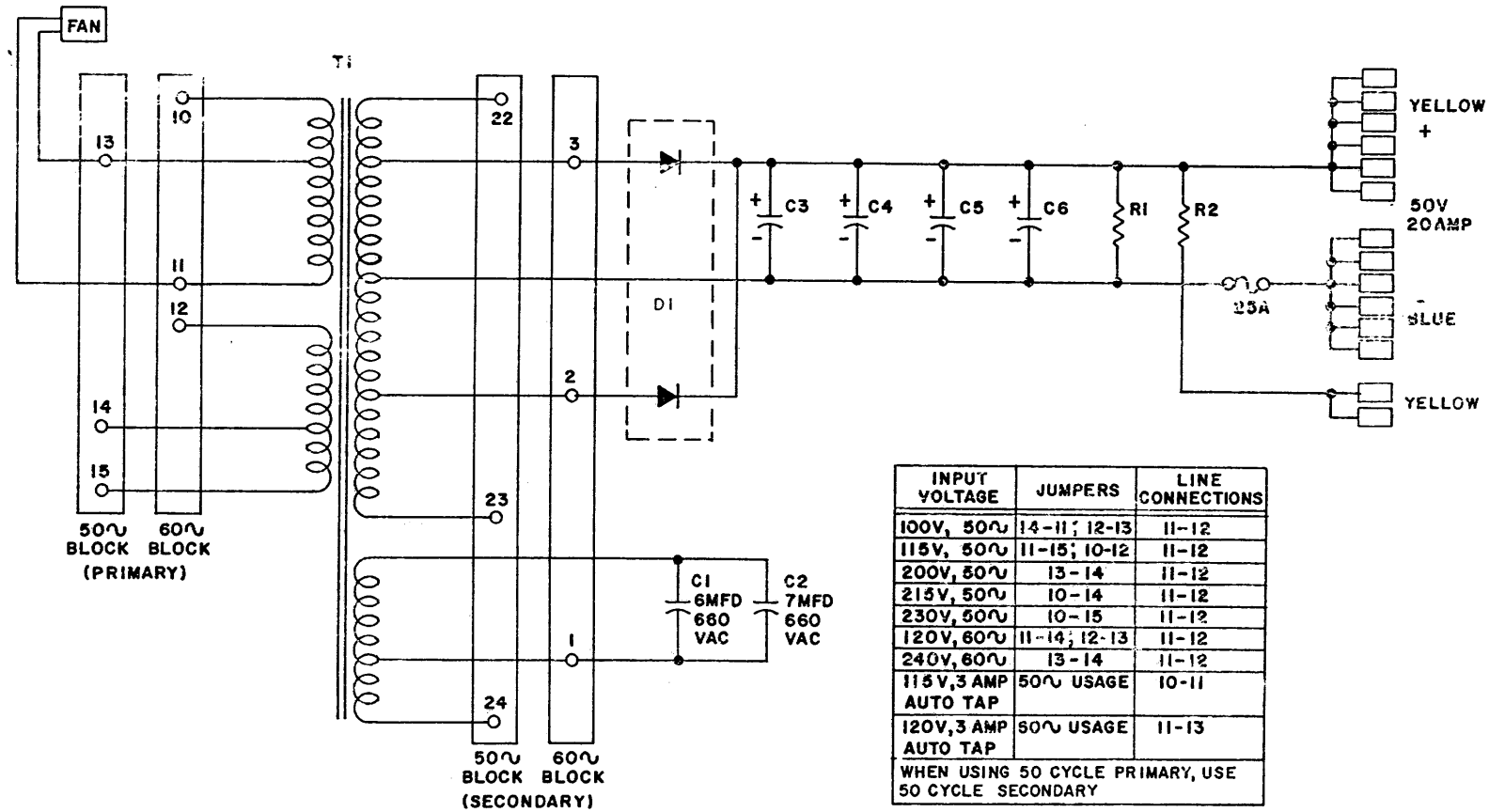
NOTE
 ○ INDICATES HEYMAN TAB CONNECTORS
 ○ INDICATES FUSES

REFERENCE DESIGNATION	DESCRIPTION	PART NO.
T1	XFMR. ACME #T-65238	1605802
R1 THRU R5	RES. 25 25W 1% WW	1300190
D2	DIO. PACK DM-15	1105799
D1, D3	DIO. PACK DM-1	1102933
C1 THRU C5	CAP. 160,000 MFD 20V	1004874
PARTS LIST		A-PL-705-0-0
PARTS LIST		

REVISIONS	CHK	CHG. NO.	REV.	A	B																				
<table border="1"> <tr> <td>DRN.</td> <td>M. Hallen</td> <td>DATE</td> <td>11-21-67</td> </tr> <tr> <td>CHK'D</td> <td></td> <td>DATE</td> <td>12/1/67</td> </tr> <tr> <td>ENG.</td> <td>D. J. Chen</td> <td>DATE</td> <td>11/10/69</td> </tr> <tr> <td>PROD.</td> <td></td> <td>DATE</td> <td></td> </tr> </table>						DRN.	M. Hallen	DATE	11-21-67	CHK'D		DATE	12/1/67	ENG.	D. J. Chen	DATE	11/10/69	PROD.		DATE					
DRN.	M. Hallen	DATE	11-21-67																						
CHK'D		DATE	12/1/67																						
ENG.	D. J. Chen	DATE	11/10/69																						
PROD.		DATE																							
<table border="1"> <tr> <th colspan="4">TRANSISTOR & DIODE CONVERSION CHART</th> </tr> <tr> <td>DEC</td> <td>EIA</td> <td>DEC</td> <td>EIA</td> </tr> <tr> <td></td> <td></td> <td></td> <td></td> </tr> <tr> <td></td> <td></td> <td></td> <td></td> </tr> <tr> <td></td> <td></td> <td></td> <td></td> </tr> </table>						TRANSISTOR & DIODE CONVERSION CHART				DEC	EIA	DEC	EIA												
TRANSISTOR & DIODE CONVERSION CHART																									
DEC	EIA	DEC	EIA																						
digital EQUIPMENT CORPORATION MAYNARD, MASSACHUSETTS				TITLE POWER SUPPLY 705 SIZE CODE NUMBER REV. C CS 705-0-1 B																					

SIZE CODE NUMBER REV.
 C CS 705-0-1 B

THIS SCHEMATIC IS FURNISHED ONLY FOR TEST AND MAINTENANCE PURPOSES. THE CIRCUITS ARE PROPRIETARY IN NATURE AND SHOULD BE TREATED ACCORDINGLY. COPYRIGHT 1967 BY DIGITAL EQUIPMENT CORPORATION



INPUT VOLTAGE	JUMPERS	LINE CONNECTIONS
100V, 50 Ω	14-11; 12-13	11-12
115V, 50 Ω	11-15; 10-12	11-12
200V, 50 Ω	13-14	11-12
215V, 50 Ω	10-14	11-12
230V, 50 Ω	10-15	11-12
120V, 60 Ω	11-14; 12-13	11-12
240V, 60 Ω	13-14	11-12
115V, 3 AMP AUTO TAP	50 Ω USAGE	10-11
120V, 3 AMP AUTO TAP	50 Ω USAGE	11-13

WHEN USING 50 CYCLE PRIMARY, USE 50 CYCLE SECONDARY

NOTES:
 C1 & C2 ARE RESONATING CAPACITORS SUPPLIED WITH TRANSFORMER
 ARE HEYMAN MFG. CO. TAB TERMINAL IN PLASTIC BUSHING
 WIRE IS #14

REFERENCE DESIGNATION	DESCRIPTION	PART NO.
FAN	FAN ROTRON 50/60 CPS 115VAC 14W	1205033
T1	TRANSFORMER T-65237	1605801
D1	DIODE PACK DM-15	1105799
R2	RES. 25 25W 1% WW	1300190
R1	RES. 350 25W 5% WW	1300306
C3-C6	CAP. 39,000MFD 75V-10+100%EL.	1005798
PARTS LIST		A-PL-706-0-0

REV. NO.	CHK	CHG NO.	REV.
1	A	6763	A
2	B	6783	C
3	C	6906	D
4	D	7178	E
5	E		F

DRN.	DATE
M. Walker	11-13-67
CHK'D	DATE
ENG.	DATE
P. Sullivan	11/22/67
PROD.	DATE

TRANSISTOR & DIODE CONVERSION CHART			
DEC	EIA	DEC	EIA

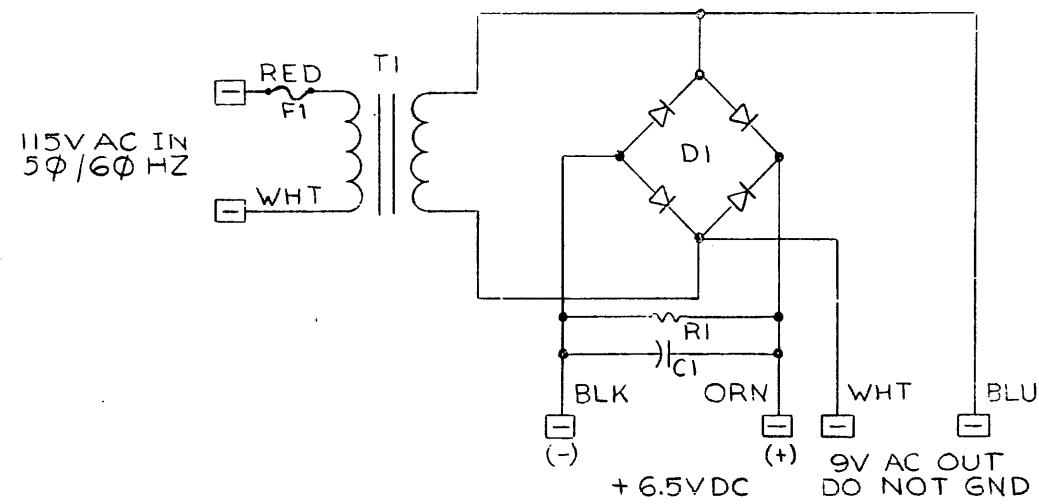
digital EQUIPMENT CORPORATION
 MAYNARD, MASSACHUSETTS

TITLE: POWER SUPPLY 706

SIZE CODE: C CS NUMBER: 706-0-1 REV. F

PRINTED CIRCUIT REV.

THIS SCHEMATIC IS FURNISHED ONLY FOR TEST AND MAINTENANCE PURPOSES. THE CIRCUITS ARE PROPRIETARY IN NATURE AND SHOULD BE TREATED ACCORDINGLY. COPYRIGHT BY DIGITAL EQUIPMENT CORPORATION



F1	1/2 AMP S.B. FUSE	9007209
R1	5ohm 25W RES	1300165
C1	18000MFD 10V DC CAP	1009437
	PARTS LIST	D-UA-716-0-0
T1	XMFR*F64-U TRIAD	1609588
DI	DIODE PACK DM-2	1105397
REF DESIGNATION	DESCRIPTION	PART NO.

PARTS LIST

REVISIONS	CHK	CHG	NO.	REV.
71600001 A				
71600001 B				
71600001 C				

DRN.	DATE
RAIMONDI	5-18-69
CHK'D	DATE
HEALY	5-25-69
ENG.	DATE
VONADA	7-21-69
PROD.	DATE
ANTONUCCIO	7-25-69

TRANSISTOR & DIODE CONVERSION CHART			
DEC	EIA	DEC	EIA

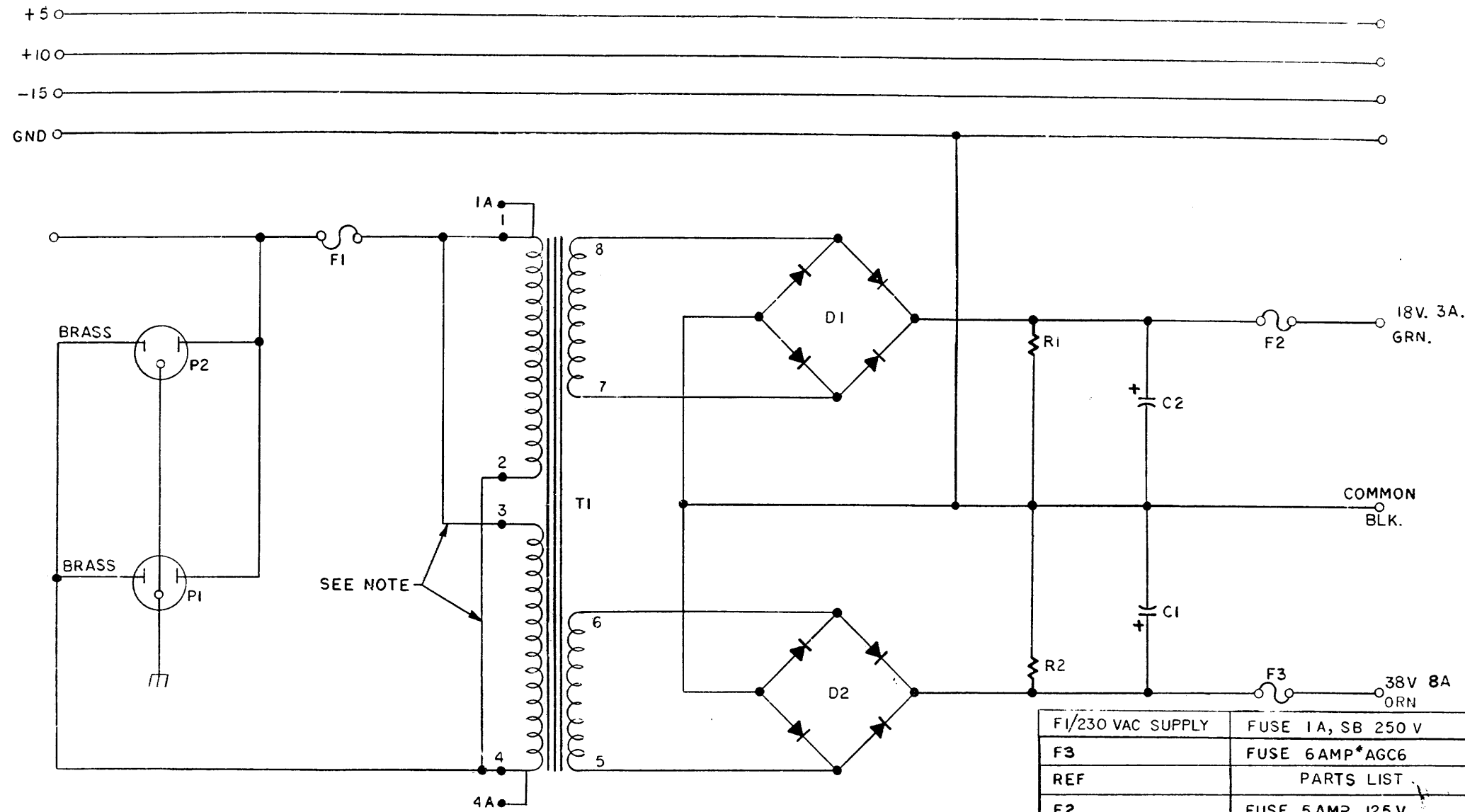


TITLE			
CIRCUIT SCHEMATIC			
716			
SIZE	CODE	NUMBER	REV.
C	CS	716-0-1	C
PRINTED CIRCUIT REV.			

Pink

SIZE CODE C CS NUMBER 716-0-1 REV. C

THIS SCHEMATIC IS FURNISHED ONLY FOR TEST AND MAINTENANCE PURPOSES. THE CIRCUITS ARE PROPRIETARY IN NATURE AND SHOULD BE TREATED ACCORDINGLY. COPYRIGHT 1969 BY DIGITAL EQUIPMENT CORPORATION



NOTE

INPUT VOLT 50/60 CPS	JUMPER
117 V	1A-3, 2-4A
220 V	2-3

PI/115 VAC SUPPLY	RECEPTACLE	125 V	1201251-0	R1, R2	FIXED RES. 25W 100 Ω	1302583
P2/115 VAC SUPPLY	PLUG	125 V	1209983	D1, D2	REC BRIDGE DM1 OR REC BRIDGE DM2	1102933 1105397
P1/230 VAC SUPPLY	RECEPTACLE	250V	1201251-1	P1	RECEPTACLE 16C4	1201251
P2 230 VAC SUPPLY	PLUG	250V	9008854	P2	PLUG 160-5	1201252
REF DESIGNATION	DESCRIPTION	PART NO.	REF DESIGNATION	DESCRIPTION	PART NO.	

F1/230 VAC SUPPLY	FUSE 1A, SB 250 V	9007213
F3	FUSE 6AMP*AGC6	1209361
REF	PARTS LIST	A-PL-725-0-0
F2	FUSE 5AMP. 125V	9007221
F1/115VAC SUPPLY	FUSE 3AMP 125V	9007218
C1	CAP. 22000 MFD. 50V.	1009189
C2	CAP 35000 MFD. 25V.	1000098
T1	TRANS. #T-7959C	16 09683

REV.	CHG NO.	REV.
1	00006	A
2	00007	B
3	00008	C
4	00010	D
5	00011	E
6	00085	F

DRN.	DATE
<i>R. H. ...</i>	8-20-69
<i>D. ...</i>	3-22-69
<i>E. ...</i>	11/18/69
<i>C. ...</i>	11/1/69

TRANSISTOR & DIODE CONVERSION CHART			
DEC	EIA	DEC	EIA

digital EQUIPMENT CORPORATION
MAYNARD, MASSACHUSETTS

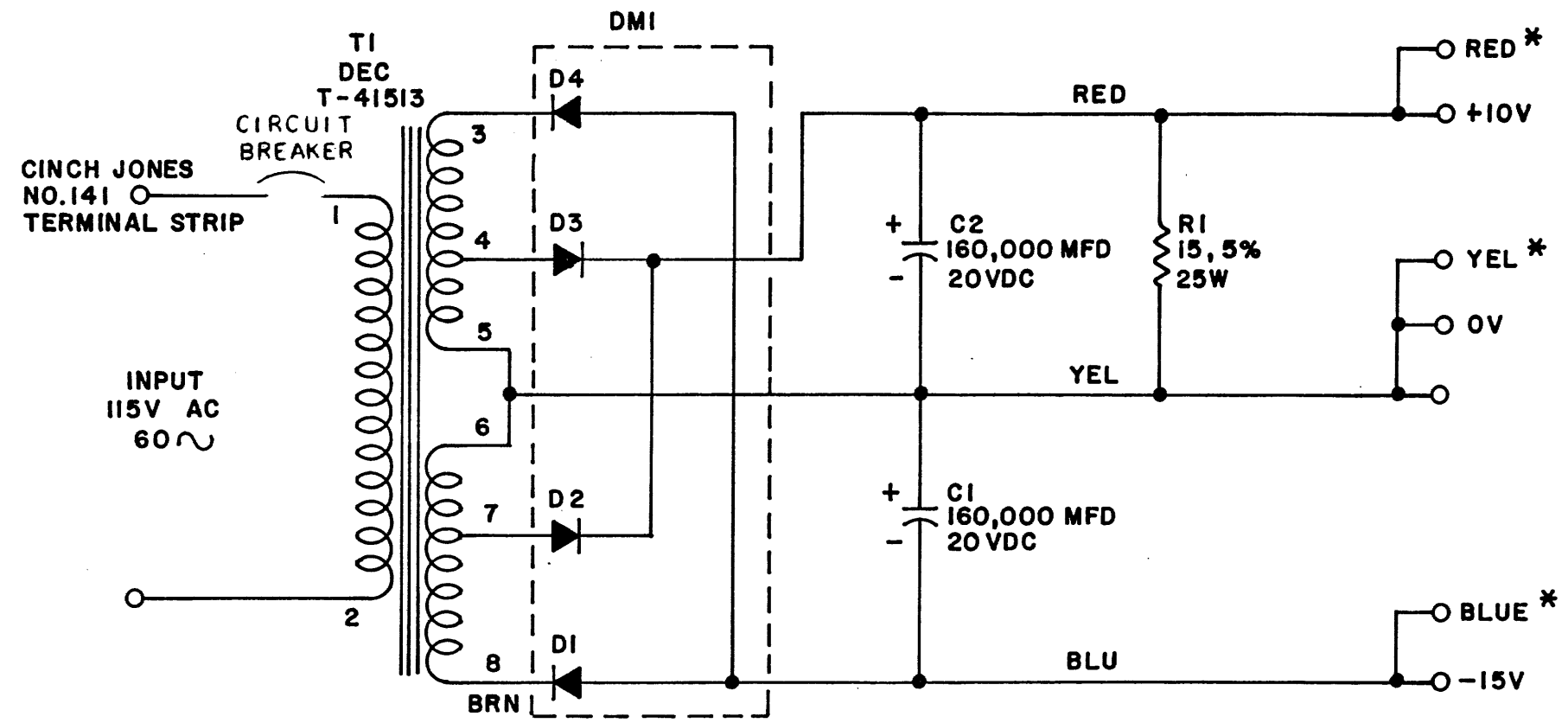
TITLE: **POWER SUPPLY 725**

SIZE: C CODE: CS NUMBER: 725-0-1 REV: F

PRINTED CIRCUIT REV.

REV. F
NUMBER 725-0-1
SIZE CODE C CS

THIS SCHEMATIC IS FURNISHED ONLY FOR TEST AND MAINTENANCE PURPOSES. THE CIRCUITS ARE PROPRIETARY IN NATURE AND SHOULD BE TREATED ACCORDINGLY. COPYRIGHT 1963 BY DIGITAL EQUIPMENT CORPORATION



NOTE:
 IN ORDER TO KEEP OUTPUT VOLTAGE WITHIN THE FOLLOWING LIMITS:
 +10V: +9.5 TO +11V
 -15V: -14.5 TO -16V
 THE LOADING SHOULD BE WITHIN THE FOLLOWING LIMITS:

BOTH SIDES LOADED	+10V 0 TO 7.0 AMPS
	-15V 1.0 TO 8.0 AMPS
ONE SIDE LOADED	+10V 0 TO 7.5 AMPS
	-15V 1.0 TO 8.5 AMPS

SUM OF THE OUTPUT CURRENTS ARE LIMITED BY THE EQUATION: $5I_{10} + 6I_{15} \leq 53$

* HEYMAN MFG. CO. TAB TERMINALS

REVISIONS	CHK	CHG NO.	REV.
	DAW	4609	6
	REV	6031	H
		728-	J
		00002	

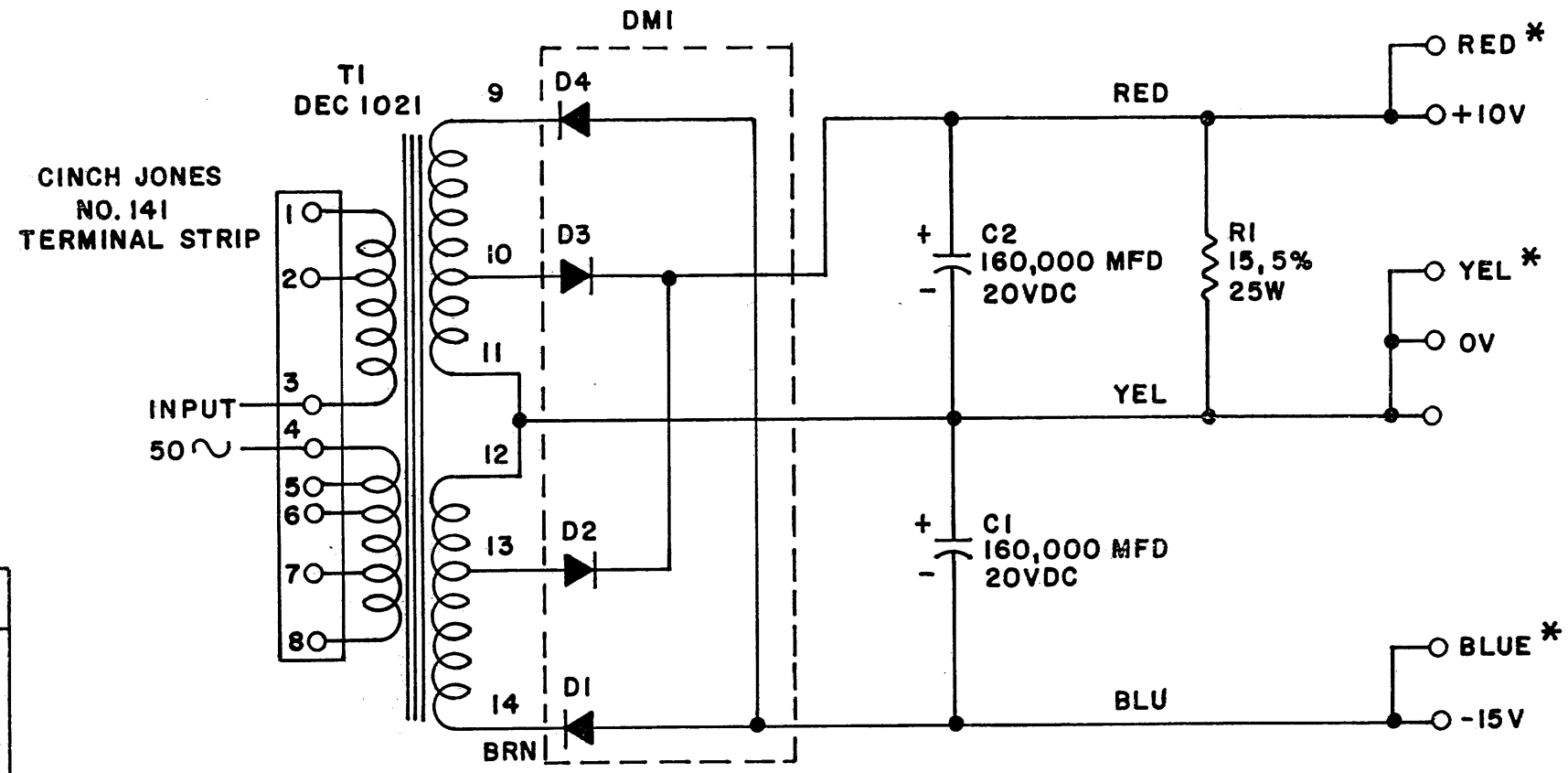
DRN. SPAULDING	DATE 11-7-61
CHK'D N.PERRYMAN	DATE 11-8-61
ENG. D.WARDIMAN	DATE 11-9-61
PROD.	DATE

TRANSISTOR & DIODE CONVERSION CHART			
DEC	EIA	DEC	EIA

digital
 EQUIPMENT CORPORATION
 MAYNARD, MASSACHUSETTS

TITLE POWER SUPPLY 728			
SIZE B	CODE CS	NUMBER 728-0-1	REV. J
PRINTED CIRCUIT REV.			

THIS SCHEMATIC IS FURNISHED ONLY FOR TEST AND MAINTENANCE PURPOSES. THE CIRCUITS ARE PROPRIETARY IN NATURE AND SHOULD BE TREATED ACCORDINGLY. COPYRIGHT 1963 BY DIGITAL EQUIPMENT CORPORATION



NOTE:

INPUT VOLTAGE	JUMPER	LINE
112.5	10%	2-4,3-7 3,4
123.5	10%	1-4,3-8 3,4
195	10%	1-5 3,4
220	10%	1-6 3,4
235	10%	2-8 3,4

IN ORDER TO KEEP OUTPUT VOLTAGE WITHIN THE FOLLOWING LIMITS:

- +10V: +9.5 TO +11V
- 15V: -14.5 TO -16V

THE LOADING SHOULD BE WITHIN THE FOLLOWING LIMITS:

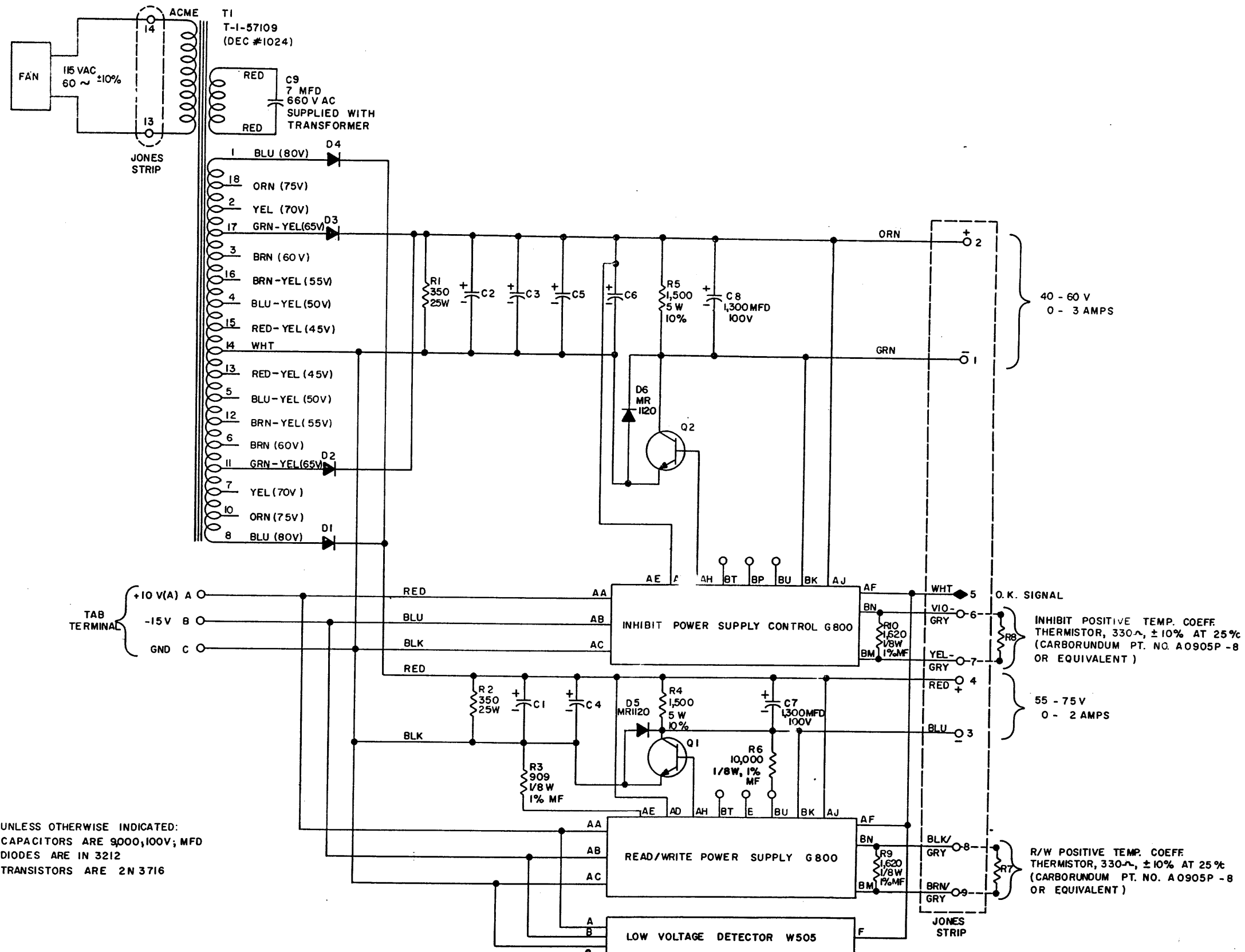
BOTH SIDES LOADED	+10V 0 TO 7.0AMPS
	-15V 1.0 TO 8.0AMPS
ONE SIDE LOADED	+10V 0 TO 7.5 AMPS
	-15V 1.0 TO 8.5 AMPS

SUM OF THE OUTPUT CURRENTS ARE LIMITED BY THE EQUATION: $5I_{10} + 6I_{15} \leq 53$

* HEYMAN MFG. CO. TAB TERMINALS

REVISIONS CHK CHG NO. REV. DAW 4804 4 REV. & REDR. 6032 E	DRN. KOBLER	DATE 9-23-63	TRANSISTOR & DIODE CONVERSION CHART				digital EQUIPMENT CORPORATION MAYNARD, MASSACHUSETTS	TITLE POWER SUPPLY 728A			
	CHK'D A.VARTANIAN	DATE 9-24-63	DEC	EIA	DEC	EIA		SIZE B	CODE CS	NUMBER 728A-0-1	REV. E
	ENG. D.A.WHITE	DATE 9-30-63						PRINTED CIRCUIT REV.			
	PROD.	DATE									

THIS SCHEMATIC IS FURNISHED ONLY FOR TEST AND MAINTENANCE PURPOSES. THE CIRCUITS ARE PROPRIETARY IN NATURE AND SHOULD BE TREATED ACCORDINGLY. COPYRIGHT 1965 BY DIGITAL EQUIPMENT CORPORATION



UNLESS OTHERWISE INDICATED:
CAPACITORS ARE 9000, 100V; MFD
DIODES ARE IN 3212
TRANSISTORS ARE 2N 3716

REV.	CHG. NO.	REV.
1	124	B
2	124	B
3	124	B
4	124	B

DRN.	DATE
I. HAHN	4-9-65
N. PERRYMAN	4-9-65
D. WARDIMON	4-9-65
PROD.	DATE

TRANSISTOR & DIODE CONVERSION CHART			
DEC	EIA	DEC	EIA
2N3716	2N3716		
1N3212	1N3212		
MR1120	MR1120		

digital EQUIPMENT CORPORATION
MAYNARD, MASSACHUSETTS

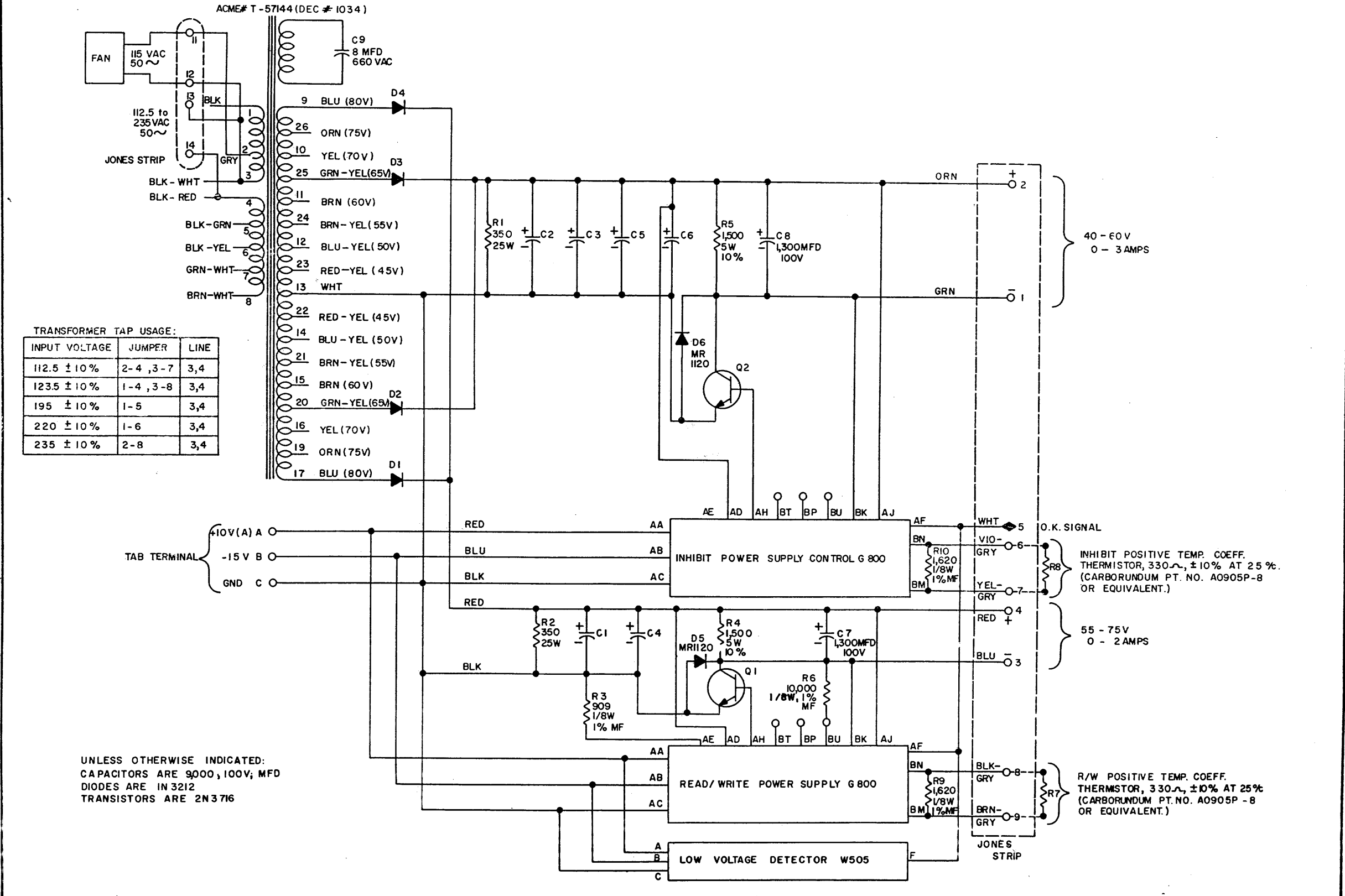
TITLE: POWER SUPPLY 739

SIZE: C CS NUMBER: 739-0-2 REV: D

PRINTED CIRCUIT REV.

SIZE CODE NUMBER REV. D
C CS 739-0-2

THIS SCHEMATIC IS FURNISHED ONLY FOR TEST AND MAINTENANCE PURPOSES. THE CIRCUITS ARE PROPRIETARY IN NATURE AND SHOULD BE TREATED ACCORDINGLY. COPYRIGHT 1965 BY DIGITAL EQUIPMENT CORPORATION



TRANSFORMER TAP USAGE:

INPUT VOLTAGE	JUMPER	LINE
112.5 ± 10%	2-4, 3-7	3,4
123.5 ± 10%	1-4, 3-8	3,4
195 ± 10%	1-5	3,4
220 ± 10%	1-6	3,4
235 ± 10%	2-8	3,4

UNLESS OTHERWISE INDICATED:
CAPACITORS ARE 9000, 100V, MFD
DIODES ARE IN 3212
TRANSISTORS ARE 2N3716

REVISIONS

CHK	CHG NO.	REV.
	5125	3
	5125	2
	15788	D

DRN. I. MAHN DATE 4-12-65

CHK'D	DATE	DRN.	DATE
R. SILVERMAN	8-13-65	2N3716	2N3716
D. WARDIMON	8-13-65	IN3212	IN3212
		MR1120	MR1120

TRANSISTOR & DIODE CONVERSION CHART

DEC	EIA	DEC	EIA

digital EQUIPMENT CORPORATION
MAYNARD, MASSACHUSETTS

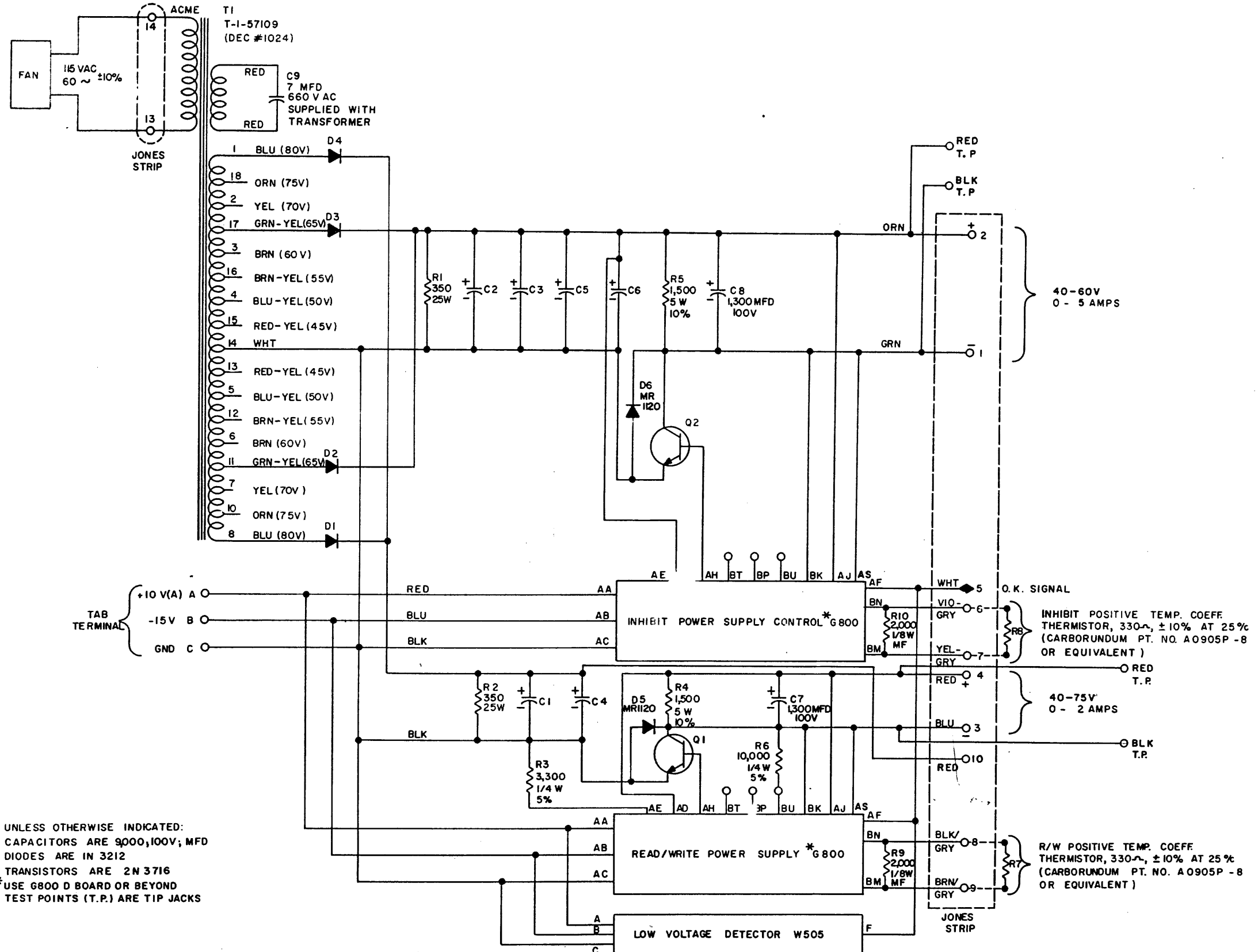
TITLE: POWER SUPPLY 739A

SIZE	CODE	NUMBER	REV.
C	CS	739A-0-2	D

PRINTED CIRCUIT REV.

SIZE CODE NUMBER REV.
C CS 739A-0-2 D

THIS SCHEMATIC IS FURNISHED ONLY FOR TEST AND MAINTENANCE PURPOSES. THE CIRCUITS ARE PROPRIETARY IN NATURE AND SHOULD BE TREATED ACCORDINGLY. COPYRIGHT 1966 BY DIGITAL EQUIPMENT CORPORATION



UNLESS OTHERWISE INDICATED:
 CAPACITORS ARE 9000, 100V; MFD
 DIODES ARE IN 3212
 TRANSISTORS ARE 2N 3716
 *USE G800 D BOARD OR BEYOND
 TEST POINTS (T.P.) ARE TIP JACKS

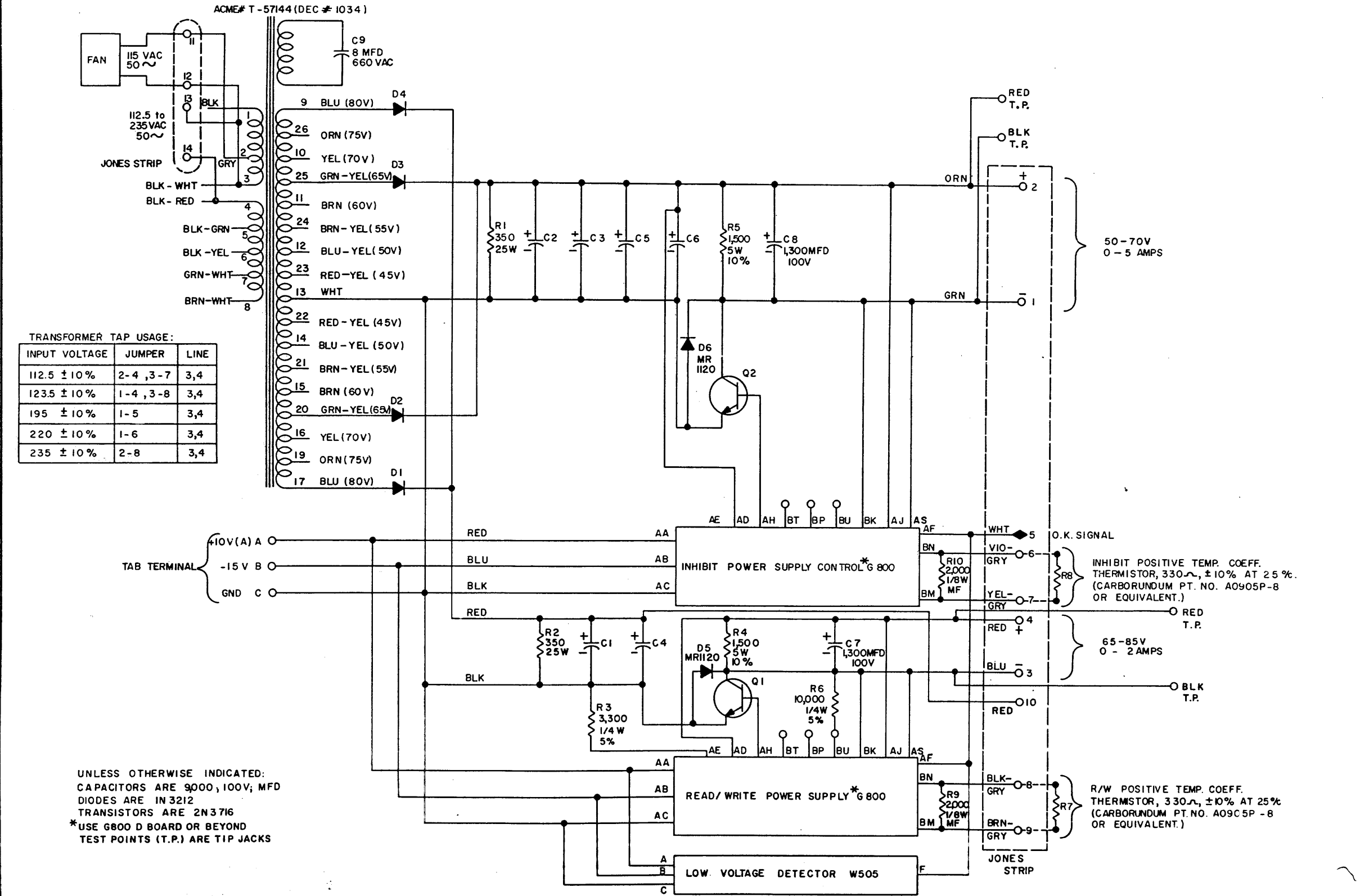
REV.	CHK	DATE
1	8447	A
2	8923	B

DRN.	DATE	TRANSISTOR & DIODE CONVERSION CHART			
<i>Q. Crullette</i>	10/29/66	DEC	EIA	DEC	EIA
CHK'D	DATE	2N3716	2N3716		
ENG.	DATE	MR1120	MR1120		
PROD.	DATE	1N3212	1N3212		

digital		EQUIPMENT CORPORATION		MAYNARD, MASSACHUSETTS	
TITLE: POWER SUPPLY 739D					
SIZE	CODE	NUMBER	REV.		
C	CS	739-D-1	B		
PRINTED CIRCUIT REV.					

REV. B
 NUMBER
 SIZE CODE C CS 739-D-1

THIS SCHEMATIC IS FURNISHED ONLY FOR TEST AND MAINTENANCE PURPOSES. THE CIRCUITS ARE PROPRIETARY IN NATURE AND SHOULD BE TREATED ACCORDINGLY. COPYRIGHT 1966 BY DIGITAL EQUIPMENT CORPORATION



REV. B
SIZE CODE NUMBER
C CS 739-E-1

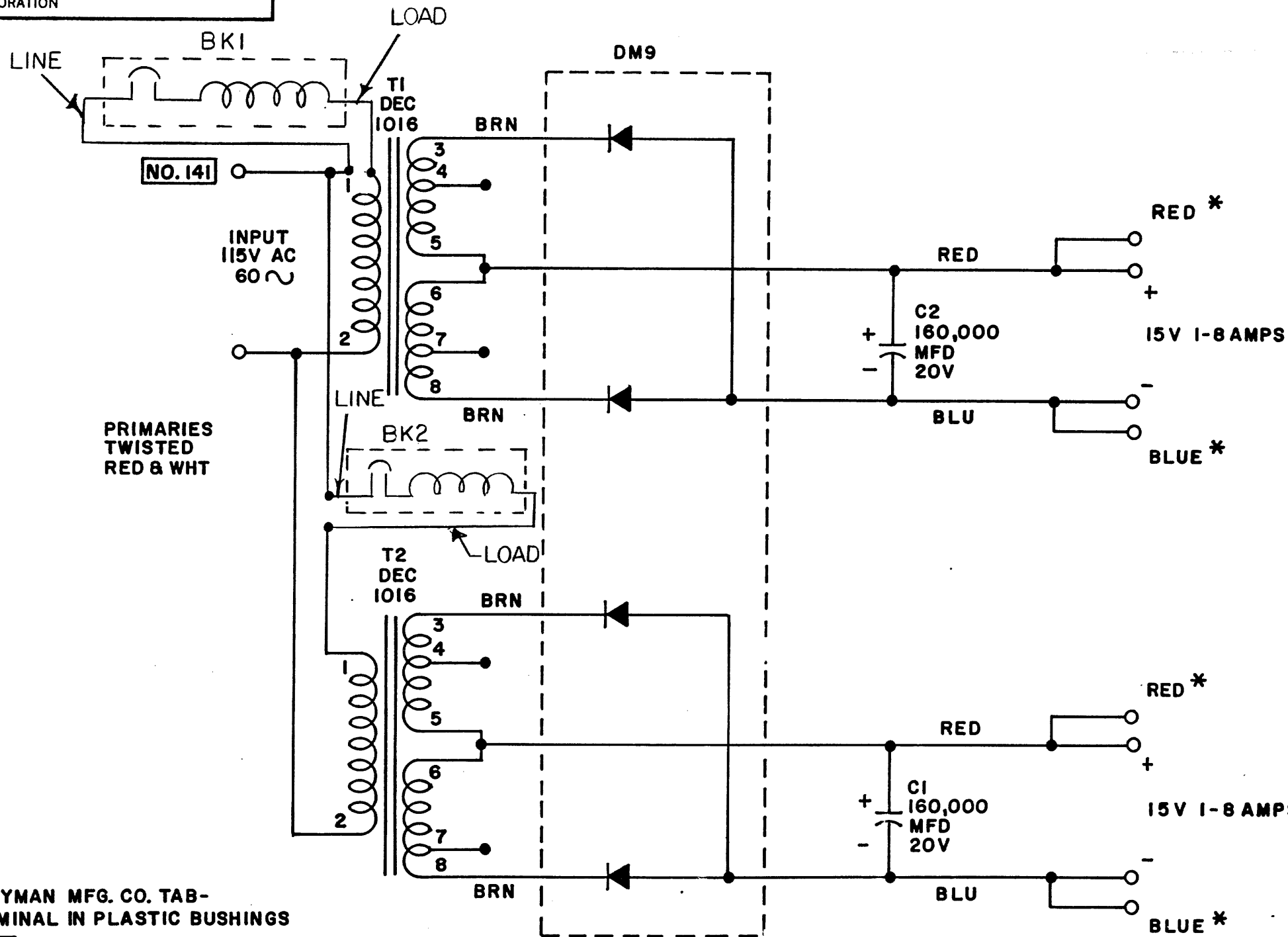
REV.	CHK	NO.	REV.
1	A	6448	
2	B	6822	

DRN.	DATE	TRANSISTOR & DIODE CONVERSION CHART			
Q. Casella	10/20/66	DEC	EIA	DEC	EIA
CHK'D	DATE	2N3716	2N3716		
ENG.	DATE	MR1120	MR1120		
PROD.	DATE	IN3212	IN3212		

digital	EQUIPMENT CORPORATION	MAYNARD, MASSACHUSETTS
---------	-----------------------	------------------------

TITLE			REV.
POWER SUPPLY 739E			B
SIZE	CODE	NUMBER	
C	CS	739-E-1	
PRINTED CIRCUIT REV.			

THIS SCHEMATIC IS FURNISHED ONLY FOR TEST AND MAINTENANCE PURPOSES. THE CIRCUITS ARE PROPRIETARY IN NATURE AND SHOULD BE TREATED ACCORDINGLY. COPYRIGHT 1963 BY DIGITAL EQUIPMENT CORPORATION



* HEYMAN MFG. CO. TAB-
 TERMINAL IN PLASTIC BUSHINGS
 [] CINCH JONES TERMINAL STRIP

REVISIONS	CHK	CHG NO.	REV.
	DAW	5099	4
	REV	6047	E
		0000	F

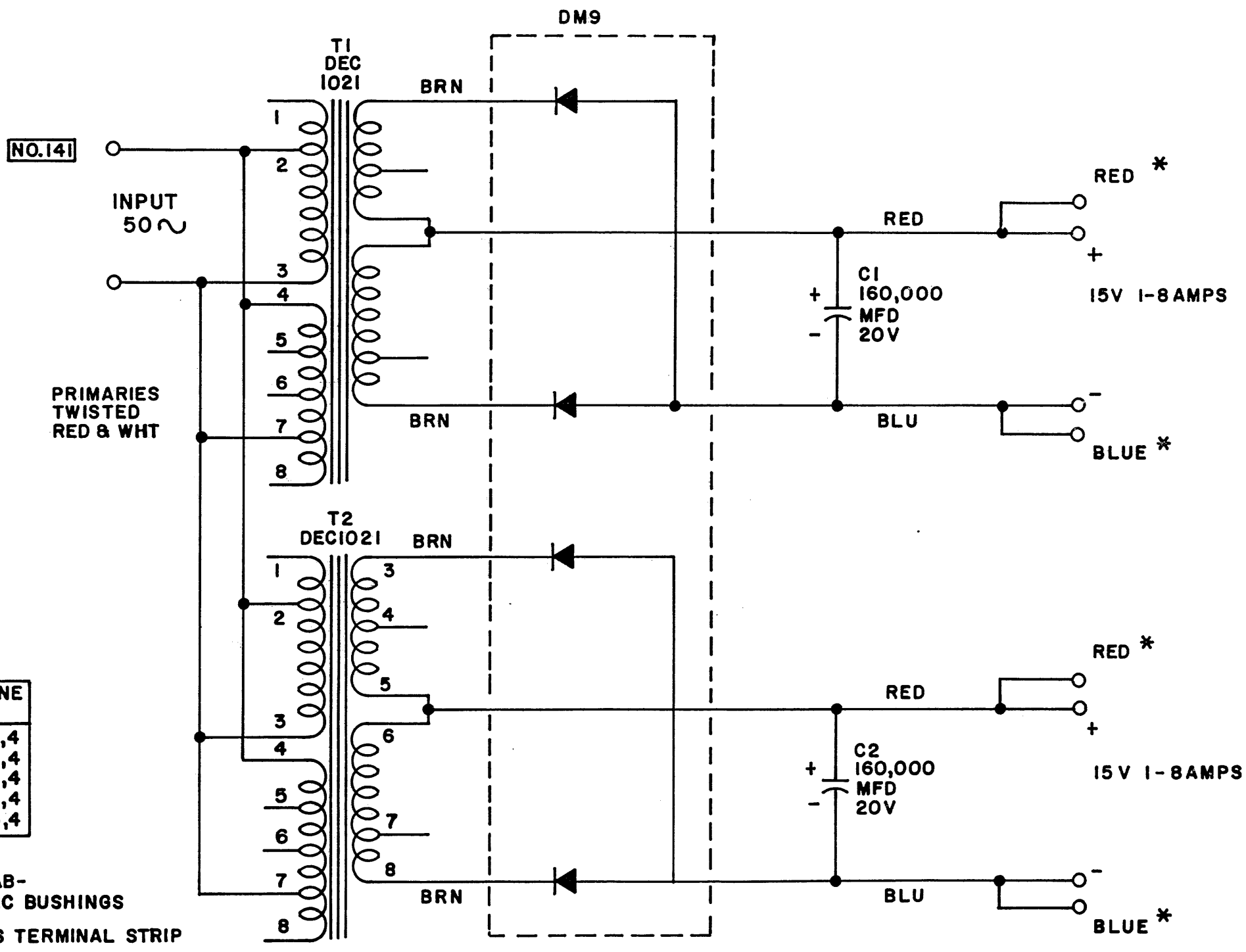
DRN. A. KUBLIN	DATE 9-11-62
CHK'D N. RHEAULT	DATE 9-13-62
ENG. R. L. BEST	DATE 9-14-62
PROD.	DATE

TRANSISTOR & DIODE CONVERSION CHART			
DEC	EIA	DEC	EIA

digital
 EQUIPMENT CORPORATION
 MAYNARD, MASSACHUSETTS

TITLE			
DUAL 15 VOLT POWER SUPPLY 778			
SIZE B	CODE CS	NUMBER 778-0-1	REV. F
PRINTED CIRCUIT REV.			

THIS SCHEMATIC IS FURNISHED ONLY FOR TEST AND MAINTENANCE PURPOSES. THE CIRCUITS ARE PROPRIETARY IN NATURE AND SHOULD BE TREATED ACCORDINGLY. COPYRIGHT 1963 BY DIGITAL EQUIPMENT CORPORATION



NOTE:

INPUT VOLTAGE	JUMPER	LINE
112.5 10%	2-4, 3-7	3,4
123.5 10%	1-4, 3-8	3,4
195 10%	1-5	3,4
220 10%	1-6	3,4
235 10%	2-8	3,4

* HEYMAN MFG. CO. TAB-TERMINAL IN PLASTIC BUSHINGS
 [] CINCH JONES TERMINAL STRIP

REVISIONS	CHK	CHG NO.	REV.
	DAW	5100	2
	REV. & REDY	6052	C

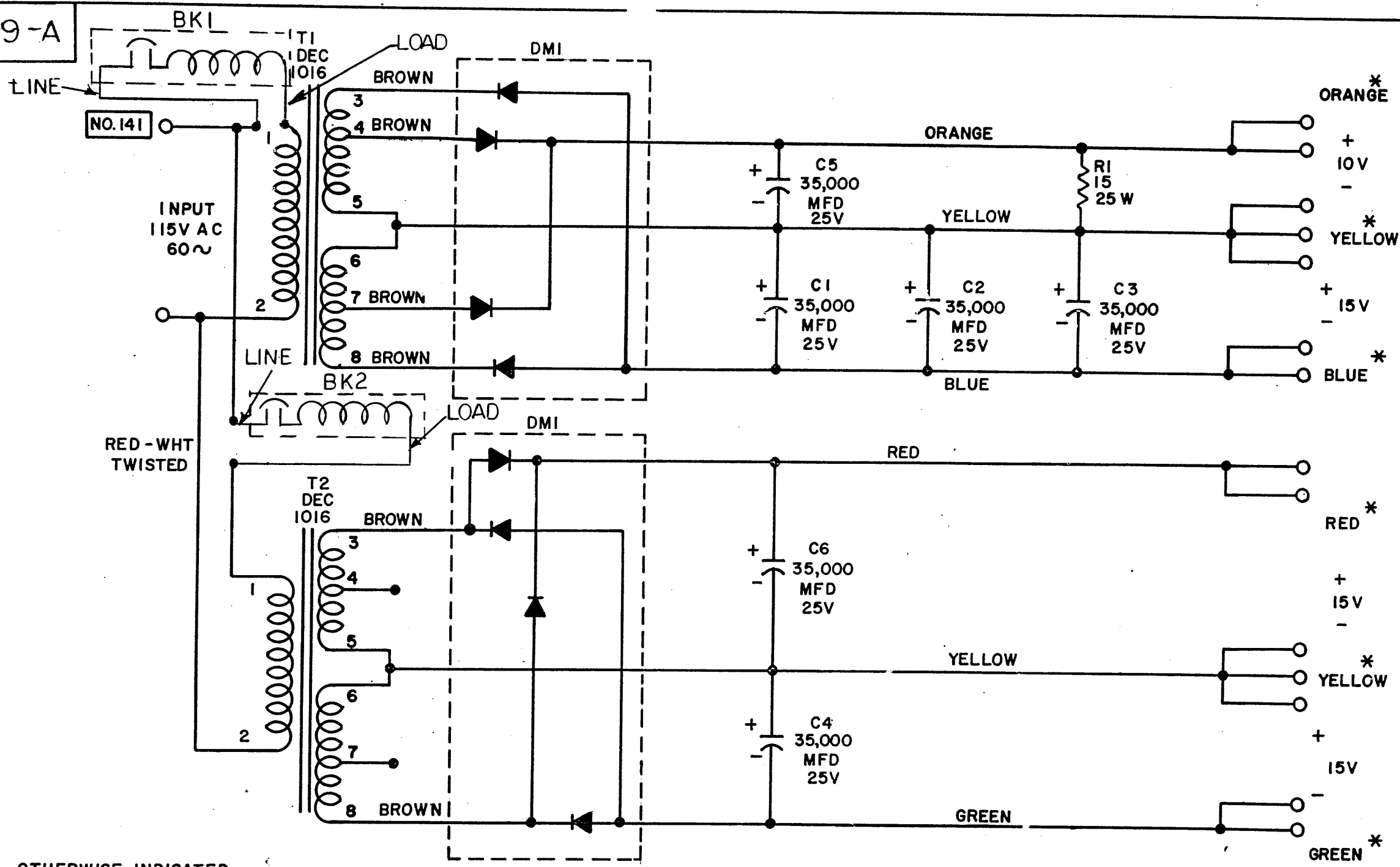
DRN.	DATE
H.W. PORTER	11-13-63
CHK'D	DATE
A. VARTANIAN	12-9-63
ENG.	DATE
D.A. WHITE	12-10-63
PROD.	DATE

TRANSISTOR & DIODE CONVERSION CHART			
DEC	EIA	DEC	EIA

digital
 EQUIPMENT CORPORATION
 MAYNARD, MASSACHUSETTS

TITLE			
DUAL 15 VOLT POWER SUPPLY 778A			
SIZE	CODE	NUMBER	REV.
B	CS	778A-0-1	C
PRINTED CIRCUIT REV.			

B-CS-779-A



UNLESS OTHERWISE INDICATED
 * HEYMAN MFG CO TAB -
 TERMINAL IN PLASTIC BUSHING
 [] CINCH JONES TERMINAL STRIP

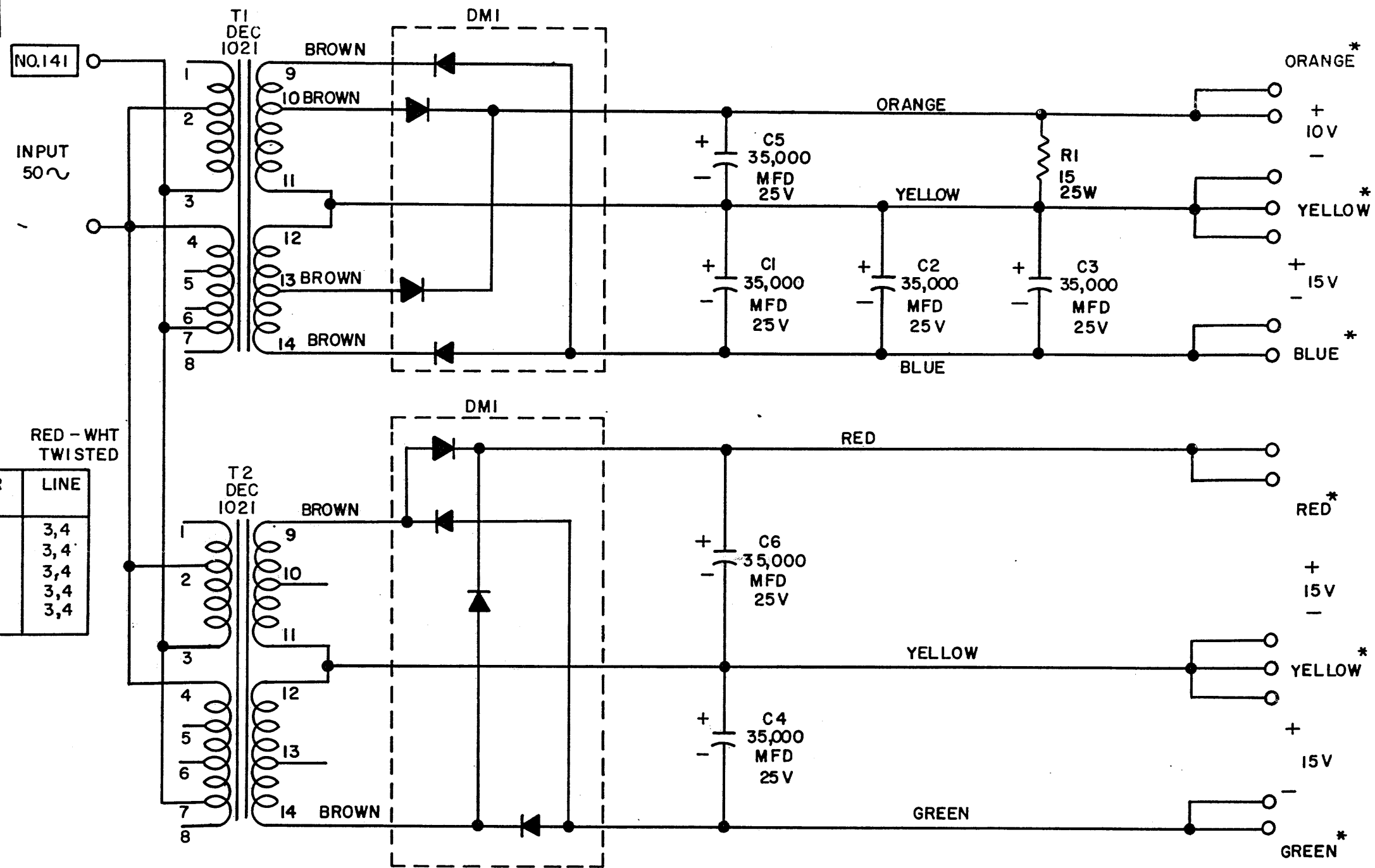
00001	5098-5	4925-4	4018-3	3492-2	3246-1	CH NO.	EXPER.	DRAWN
						APP.	PRODUCTION	J.S. CARO 2-13-63
							OTHER	CHECKED
								ENGINEER

digital EQUIPMENT CORPORATION
 MAYNARD, MASSACHUSETTS

POWER SUPPLY 779

B-CS-779-A

CS-779A-3



NOTE:

INPUT VOLTAGE	JUMPER	LINE
112.5V 10%	2-4,3-7	3,4
123.5V 10%	1-4,3-8	3,4
195V 10%	1-5	3,4
220V 10%	1-6	3,4
235V 10%	2-8	3,4

RED - WHT TWISTED

UNLESS OTHERWISE INDICATED:

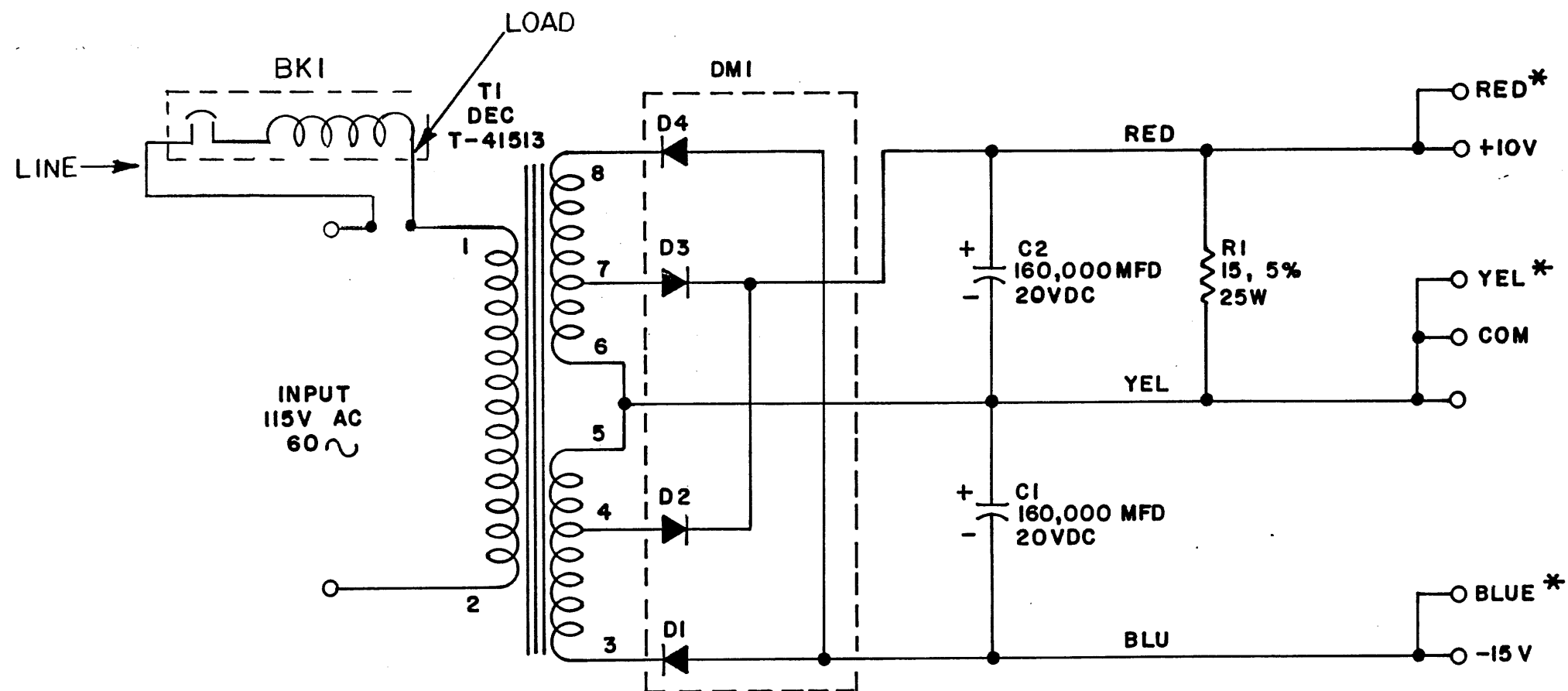
* HEYMAN MFG CO TAB -
TERMINAL IN PLASTIC BUSHING

□ CINCH JONES TERMINAL STRIP

CHANGE	EXPER.	DRAWN N. KOBLER 9-25-63	digital EQUIPMENT CORPORATION MAYNARD, MASSACHUSETTS	CS-779A-3
	PRODUCTION	CHECKED 9-25-63 <i>A. Vartanov</i>		
	OTHER	ENGINEER <i>D. White</i> 9/30/63		
CH. NO.	4019-1	APPROVED	POWER SUPPLY 779A	
APP.	4924-2	DATE		
	5097-3	BY		

THIS SCHEMATIC IS FURNISHED ONLY FOR TEST AND MAINTENANCE PURPOSES. THE CIRCUITS ARE PROPRIETARY IN NATURE AND SHOULD BE TREATED ACCORDINGLY. COPYRIGHT 1963 BY DIGITAL EQUIPMENT CORPORATION

REV. D NUMBER 783-0-1 SIZE CODE



NOTE:
 IN ORDER TO KEEP OUTPUT VOLTAGE WITHIN THE FOLLOWING LIMITS:
 +10V: +9.5 TO +11V
 -15V: -14.5 TO -16V
 THE LOADING SHOULD BE WITHIN THE FOLLOWING LIMITS:

BOTH SIDES LOADED	+10V 0 TO 7.0 AMPS
	-15V 1.0 TO 8.0 AMPS
ONE SIDE LOADED	+10V 0 TO 7.5 AMPS
	-15V 1.0 TO 8.5 AMPS

SUM OF THE OUTPUT CURRENTS ARE LIMITED BY THE EQUATION: $5I_{10} + 6I_{15} \leq 53$

* HEYMAN MFG. CO. TAB TERMINALS

REVISIONS	CHK	CHG NO.	REV.
	DAW	4740	2
	REV & REDR.	6033	C
	REV	00003	D

DRN. H.W.PORTER	DATE 11-20-63
CHK'D A.VARTANIAN	DATE 11-27-63
ENG. R.DOANE	DATE 11-27-63
PROD.	DATE

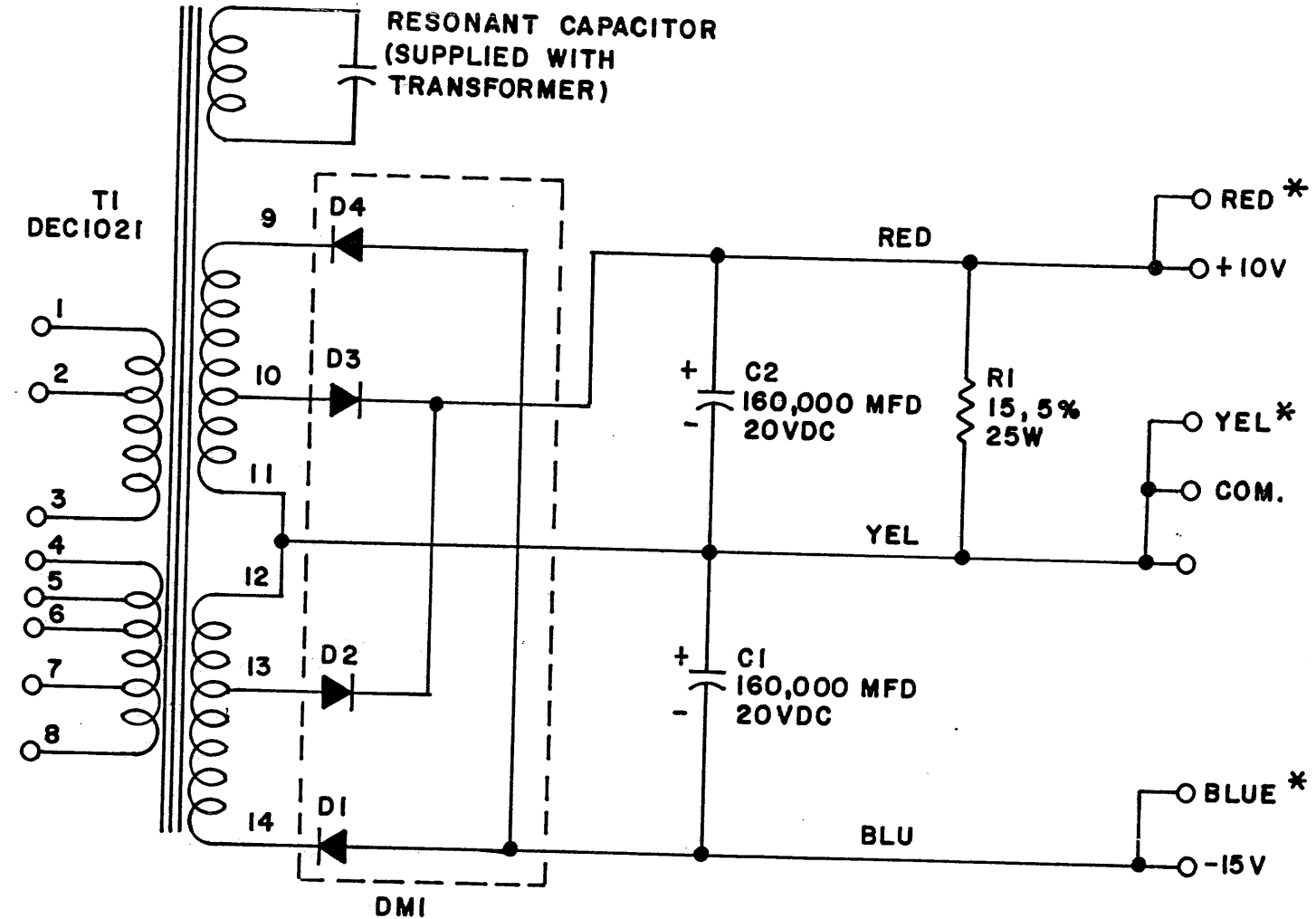
TRANSISTOR & DIODE CONVERSION CHART			
DEC	EIA	DEC	EIA

digital
 EQUIPMENT CORPORATION
 MAYNARD, MASSACHUSETTS

TITLE POWER SUPPLY 783			
SIZE B	CODE CS	NUMBER 783-0-1	REV. D
PRINTED CIRCUIT REV.			

THIS SCHEMATIC IS FURNISHED ONLY FOR TEST AND MAINTENANCE PURPOSES. THE CIRCUITS ARE PROPRIETARY IN NATURE AND SHOULD BE TREATED ACCORDINGLY. COPYRIGHT 1965 BY DIGITAL EQUIPMENT CORPORATION

REV. B
 NUMBER 783A-0-1
 SIZE CODE CS



NOTE:

INPUT VOLTAGE	JUMPER	LINE
112.5 10%	2-4,3-7	3,4
123.5 10%	1-4,3-8	3,4
195 10%	1-5	3,4
220 10%	1-6	3,4
235 10%	2-8	3,4

IN ORDER TO KEEP OUTPUT VOLTAGE WITHIN THE FOLLOWING LIMITS:

+ 10V: +9.5 TO +11V

- 15V: -14.5 TO -16V

THE LOADING SHOULD BE WITHIN THE FOLLOWING LIMITS

BOTH SIDES LOADED	+10V 0 TO 7.0 AMPS
	-15V 1.0 TO 8.0 AMPS
ONE SIDE LOADED	+10V 0 TO 7.5 AMPS
	-15V 1.0 TO 8.5 AMPS

SUM OF THE OUTPUT CURRENTS ARE LIMITED BY THE EQUATION: $5I_{10} + 6I_{15} \leq 53$

* HEYMAN MFG. CO. TAB TERMINALS

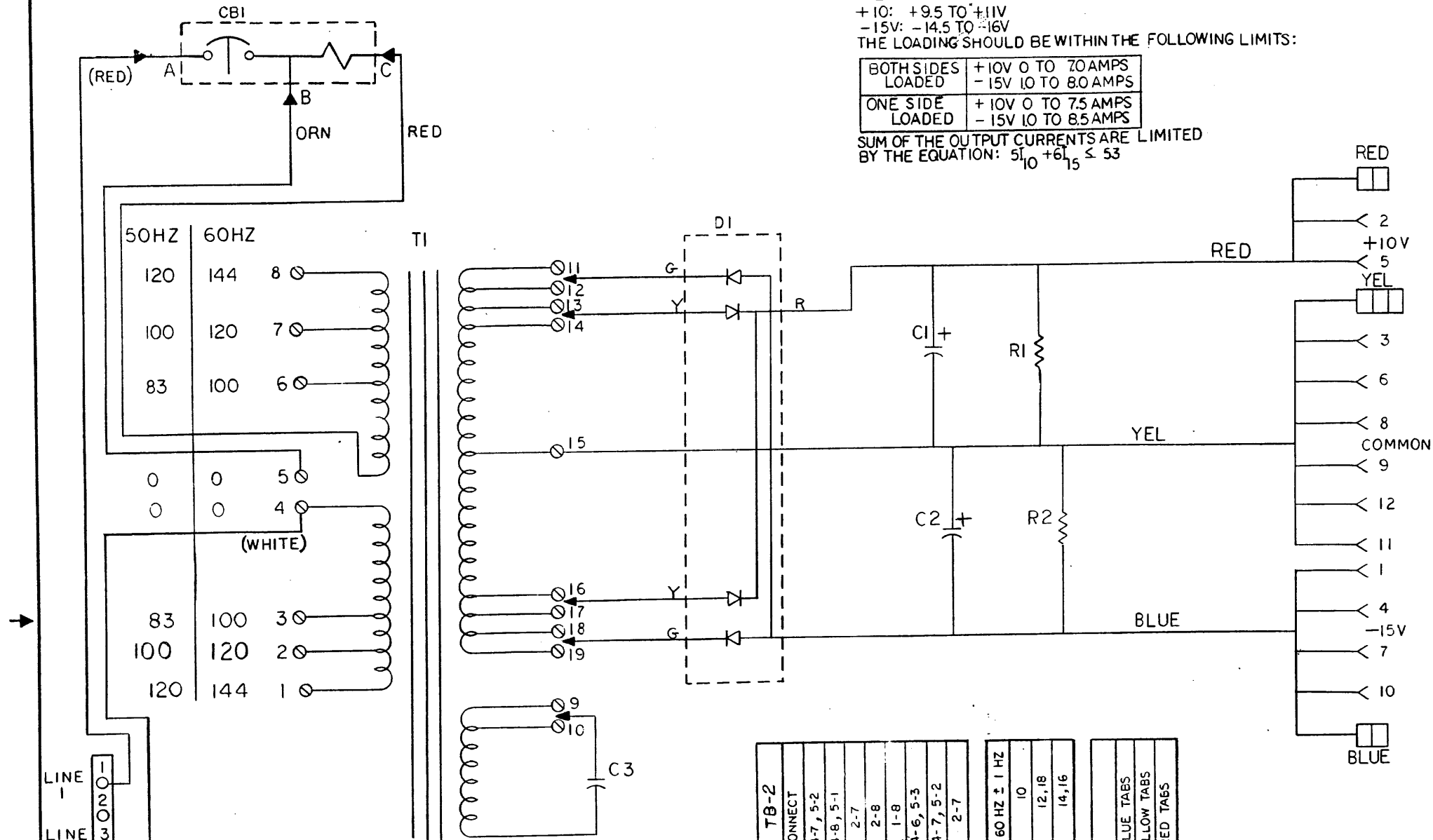
REVISIONS CHK CHG NO. REV. 4739 1 REV. REDR. 6034 B	DRN. I. HAHN	DATE 4-2-65	TRANSISTOR & DIODE CONVERSION CHART				digital EQUIPMENT CORPORATION MAYNARD, MASSACHUSETTS	TITLE POWER SUPPLY 783A			
	CHK'D R. SILVERMAN	DATE 5-17-65	DEC	EIA	DEC	EIA		SIZE B	CODE CS	NUMBER 783A-0-1	REV. B
	ENG. R. DOANE	DATE 5-17-65						PRINTED CIRCUIT REV.			
	PROD.	DATE									

THIS SCHEMATIC IS FURNISHED ONLY FOR TEST AND MAINTENANCE PURPOSES. THE CIRCUITS ARE PROPRIETARY IN NATURE AND SHOULD BE TREATED ACCORDINGLY. COPYRIGHT BY DIGITAL EQUIPMENT CORPORATION 1972

NOTE:
 IN ORDER TO KEEP OUTPUT VOLTAGE WITHIN THE FOLLOWING LIMITS:
 +10V: +9.5 TO +11V
 -15V: -14.5 TO -16V
 THE LOADING SHOULD BE WITHIN THE FOLLOWING LIMITS:

BOTH SIDES LOADED	+10V 0 TO 7.0 AMPS -15V 1.0 TO 8.0 AMPS
ONE SIDE LOADED	+10V 0 TO 7.5 AMPS -15V 1.0 TO 8.5 AMPS

SUM OF THE OUTPUT CURRENTS ARE LIMITED BY THE EQUATION: $5I_{10} + 6I_{15} \leq 53$



LINE 1
 LINE 2
 TB-2 CINCH JONES #140 TERMINAL STRIP

- NOTES:
- < MATE-N-LOK
 - HEYMAN TAB
 - JONES STRIP (PART OF TI)
 - ← QUICK-CONNECT

power supply
 783C

LINE TERMINALS 1,3 TB-2	CONNECT	50 HZ ± 1 HZ	60 HZ ± 1 HZ
INPUT VOLTAGE ± 15%	4-7, 5-2	9	10
100V 50 HZ	4-8, 5-1	11,19	12,18
115V 50 HZ	2-7	13,17	14,16
200V 50 HZ	2-8		
240V 50 HZ	1-8		
100V 60 HZ	4-6, 5-3		
120V 60 HZ	4-7, 5-2		
240V 60 HZ	2-7		
CONNECT CAPACITOR TO			
-15V RECTIFIER			
+10V RECTIFIER			
OUTPUT			
15V PINS 1,4,7,10	BLUE TABS		
COMMON RETURN PINS 3,6,8,9,11,12	YELLOW TABS		
10V PINS 2,5	RED TABS		

BK1	SHUNT TRIP CB 2A	1210896-1
	MATE N LOCK AMP	1209350-12
	HEYMAN TAB BLU	9007232
	HEYMAN TAB RED	9007231
	HEYMAN TAB YEL	9007233
REF	PARTS LIST	A-PL-783C-0-0
DI	DIODE DMI	1102933
R1 R2	150HMS 25W	1300181
C3	CAP	FURN WITH TI
C1,C2	CAP 160,000 μF	1004874
TI	TRANS T-68157	1610416
REF DES	DESCRIPTION	PART NO.

REVISIONS	CHK	CHG	NO.	REV.

DRN.	DATE
W. How	2-3-71
CHK'D	DATE
	2-25-71
ENR.	DATE
	2-12-71
PROD.	DATE
	2-13-71

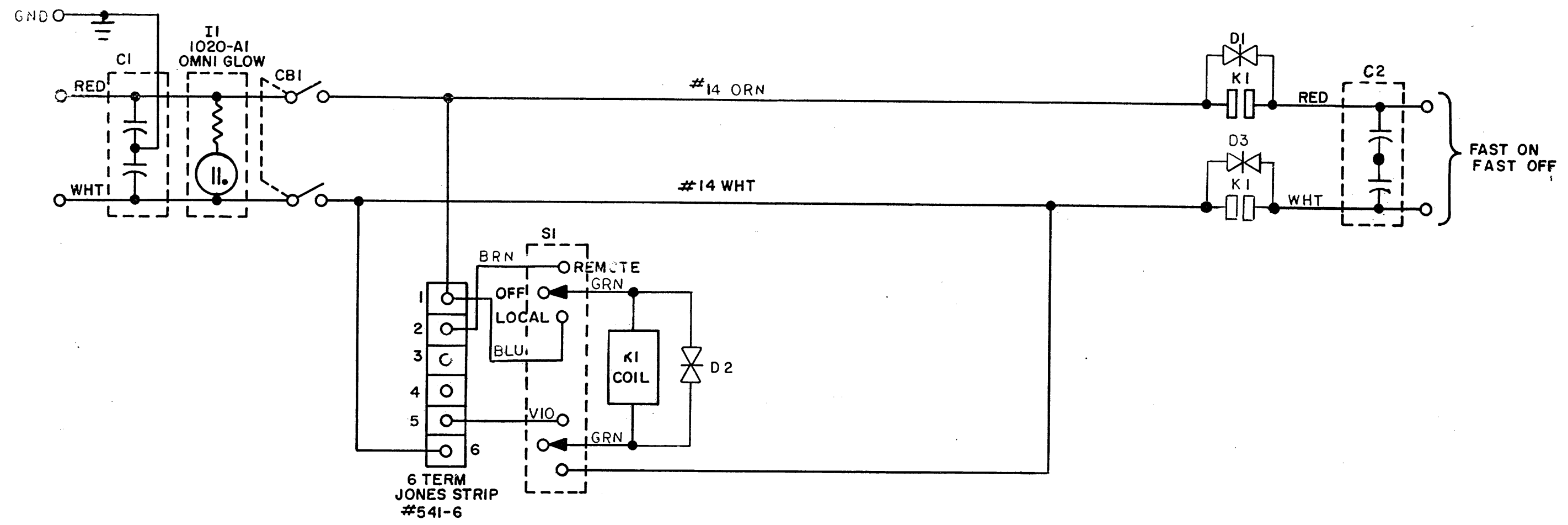
TRANSISTOR & DIODE CONVERSION CHART			
DEC	EIA	DEC	EIA

digital
 EQUIPMENT CORPORATION
 MAYNARD, MASSACHUSETTS

TITLE POWER SUPPLY
 783C
 SIZE CODE NUMBER REV.
 C CS 783C-0-1 C
 PRINTED CIRCUIT REV.

SIZE CODE NUMBER REV.
 C CS 783C-0-1 C

CS-B-834-C

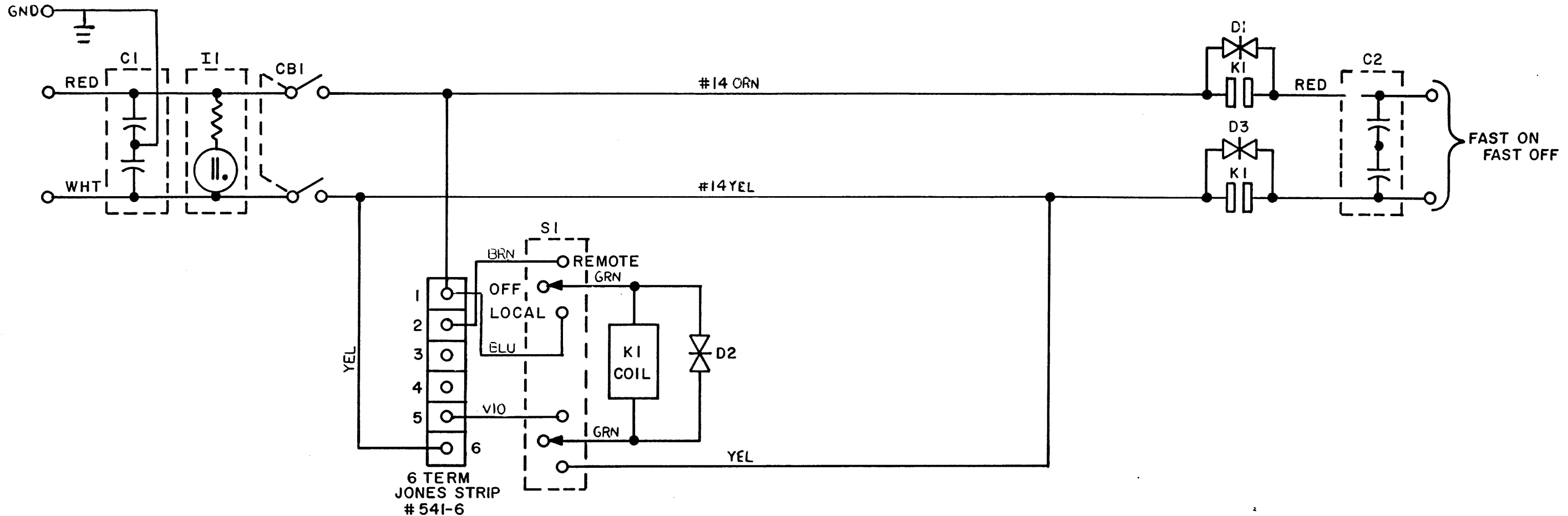


NOTES:

- CI & C2 CAPACITOR BATHUB-DEC PURCH. SPEC # CAF-0001
- 2X.1MFD 600VDC CORNELL DUBLIER.
- SI TOGGLE SWITCH C.H. 7563K6
- KI RELAY #EM-1115VAC EBERT ELECTRONICS.
- CBI CIRCUIT BREAKER #190-220-101 20AMPS 250V, 60 CYC-CURVE4
- D1,D2,D3THYRECTOR GENERAL ELECTRIC 20 SP4 B4, 115V

0000C	4581-2	4557-1	ECO. NO.	DRAFTSMAN	CHECKER	digital EQUIPMENT CORPORATION MAYNARD, MASSACHUSETTS	CODE	DWG. NO.	REV.
				A. OUELLETTE	<i>Molloy</i>				
			REVISIONS	DATE 7-27-64	DATE 8-7-64				
			ENG.	ENGINEER	PRODUCTION	TITLE			
				DATE 8-7-64	DATE	ONE STEP POWER CONTROL PANEL 834			

THIS SCHEMATIC IS FURNISHED ONLY FOR TEST AND MAINTENANCE PURPOSES. THE CIRCUITS ARE PROPRIETARY IN NATURE AND SHOULD BE TREATED ACCORDINGLY. COPYRIGHT 1964 BY DIGITAL EQUIPMENT CORPORATION



SI	SWITCH, TOGGLE 7503K6	125964
CBI	CKT. BKR. #190-220-101 20AMPS.	1201218
II	LIGHT OMNI GLOW #1020BI	1202556
K1	RELAY EM-4 230VAC ELBERT EL.	12-09279
D1-D3-D2	THYRECTOR G.E. 6RS20SP9B9 230V	1102915
C1, C2	CAP. 2 X .1MFD 600VDC #CAF-0001	1002153
PARTS LIST		A-PL-834B-0-0
REFERENCE DESIGNATION	DESCRIPTION	PART NO.
PARTS LIST		

REVISIONS	CHK	CHG NO.	REV.	DATE
	DAW	4632	3	
	REV. B	6880	D	
	REV. C	00001	E	
	REV. D	00002	F	

DRN. A. OUELLETTE	DATE 8-3-64
CHK'D N. PERRYMAN	DATE 8-27-64
ENG. R. P. FORTH	DATE 8-26-64
PROD.	DATE

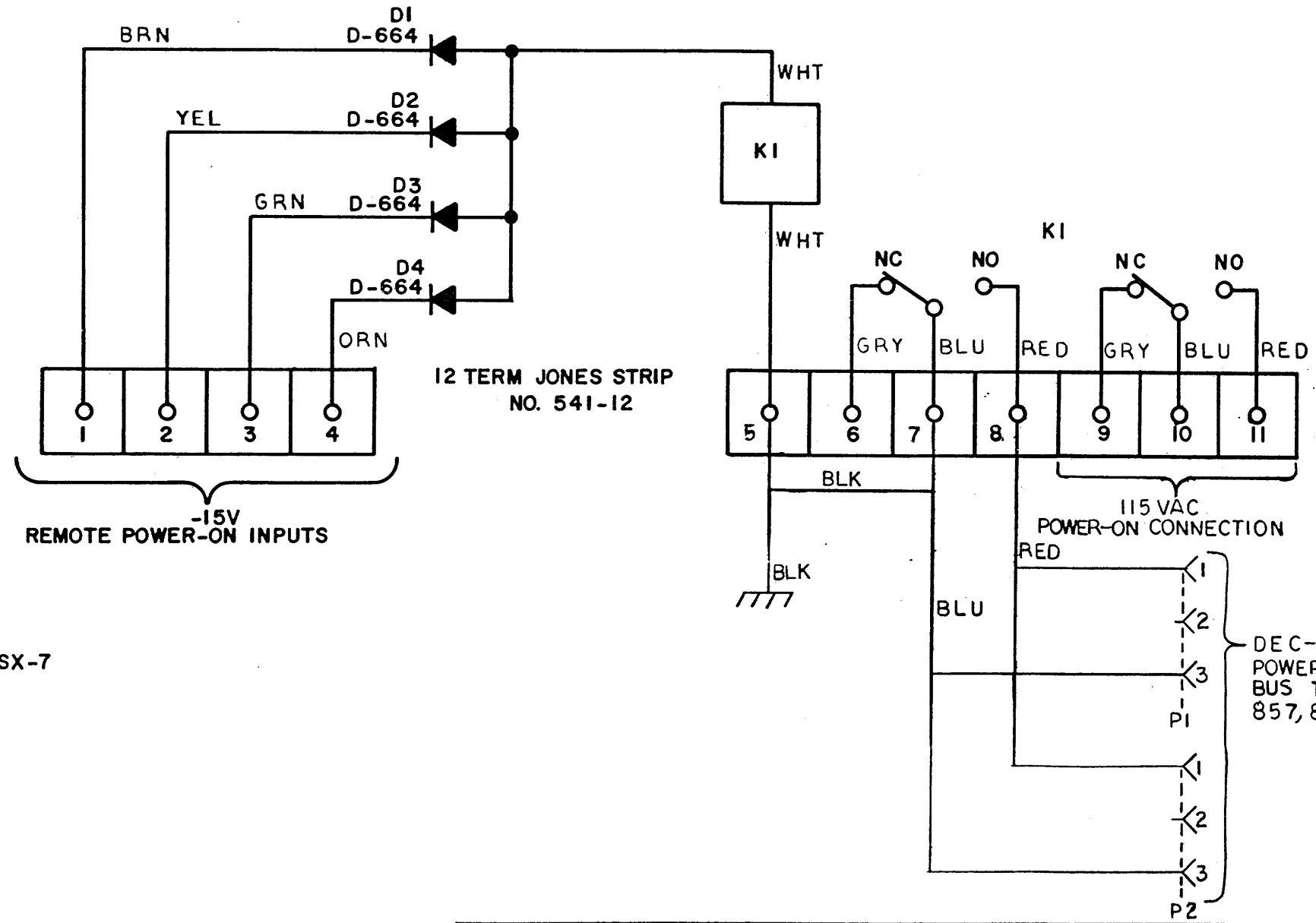
TRANSISTOR & DIODE CONVERSION CHART			
DEC	EIA	DEC	EIA

digital
EQUIPMENT CORPORATION
MAYNARD, MASSACHUSETTS

TITLE ONE STEP POWER CONTROL PANEL 834B			
SIZE B	CODE CS	NUMBER 834B-0-1	REV. F
PRINTED CIRCUIT REV.			

PINK DIST. 324 434 435

THIS SCHEMATIC IS FURNISHED ONLY FOR TEST AND MAINTENANCE PURPOSES. THE CIRCUITS ARE PROPRIETARY IN NATURE AND SHOULD BE TREATED ACCORDINGLY. COPYRIGHT 1964 BY DIGITAL EQUIPMENT CORPORATION 1373



NOTES:
 KI MAGNICRAFT RELAY; CAT. NO. 66CSX-7 WITH DUST COVER.

REVISIONS	CHK	CHG NO.	REV.
	DAW	4375	1
	REV	8 REDR.	
	PA8	5448	2
	REV	836-1	C

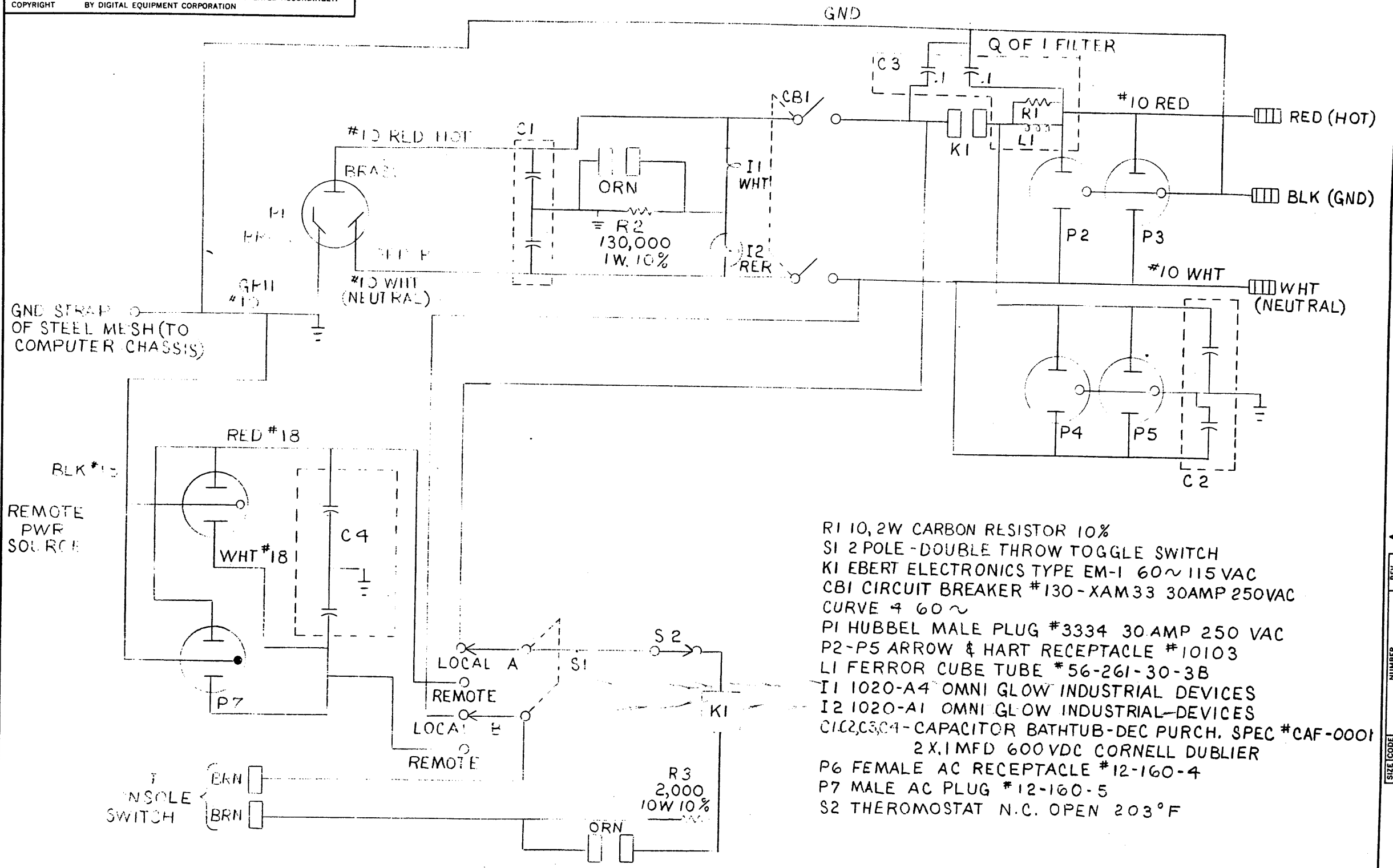
DRN. H PORTER	DATE 10-7-64
CHK'D N PERRYMAN	DATE 10-15-64
ENG. L WHITE	DATE 10-15-64
PROD.	DATE

TRANSISTOR & DIODE CONVERSION CHART			
DEC		EIA	
D664		IN3606	

digital
 EQUIPMENT CORPORATION
 MAYNARD, MASSACHUSETTS

TITLE DC REMOTE POWER CONTROL 836			
SIZE B	CODE CS	NUMBER 836-0-2	REV. C
PRINTED CIRCUIT REV.			

THIS SCHEMATIC IS FURNISHED ONLY FOR TEST AND MAINTENANCE PURPOSES. THE CIRCUITS ARE PROPRIETARY IN NATURE AND SHOULD BE TREATED ACCORDINGLY. COPYRIGHT BY DIGITAL EQUIPMENT CORPORATION



- R1 10, 2W CARBON RESISTOR 10%
- S1 2 POLE - DOUBLE THROW TOGGLE SWITCH
- K1 EBERT ELECTRONICS TYPE EM-1 60~115 VAC
- CBI CIRCUIT BREAKER #130-XAM33 30AMP 250VAC CURVE 4 60~
- P1 HUBBEL MALE PLUG #3334 30 AMP 250 VAC
- P2-P5 ARROW & HART RECEPTACLE #10103
- L1 FERROR CUBE TUBE *56-261-30-3B
- I1 1020-A4 OMNI GLOW INDUSTRIAL DEVICES
- I2 1020-A1 OMNI GLOW INDUSTRIAL DEVICES
- C1,C2,C3,C4 - CAPACITOR BATHTUB-DEC PURCH. SPEC #CAF-0001 2X.1MFD 600VDC CORNELL DUBLIER
- P6 FEMALE AC RECEPTACLE #12-160-4
- P7 MALE AC PLUG #12-160-5
- S2 THERMOSTAT N.C. OPEN 203°F

REV.	CHG. NO.	DATE
A		
B		

DEC FORM NO. DRC 102

DRN.	DATE
M. HALLER	10-31-57
CHK'D R. SILVERMAN	11-1-57
ENG. R. HANK	11-1-57
PROD.	

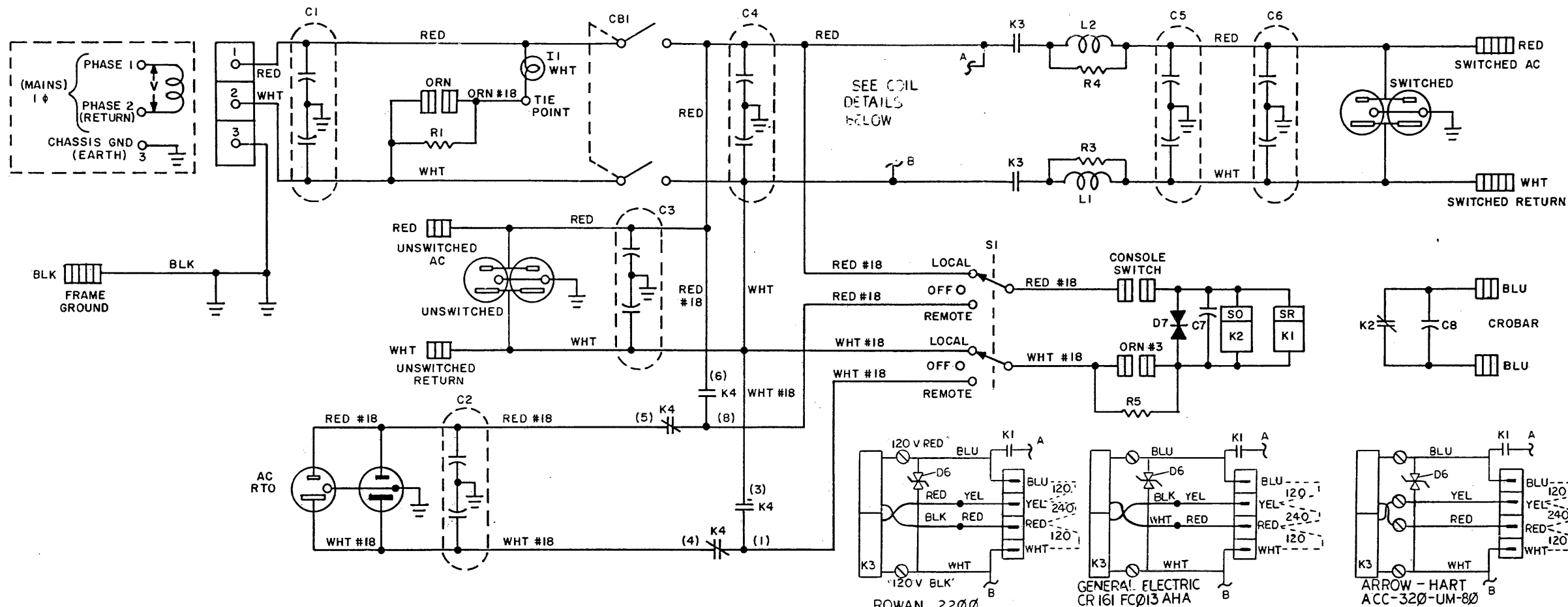
TRANSISTOR & DIODE CONVERSION CHART			
DEC	EIA	DEC	EIA

digital EQUIPMENT CORPORATION
MAYNARD, MASSACHUSETTS

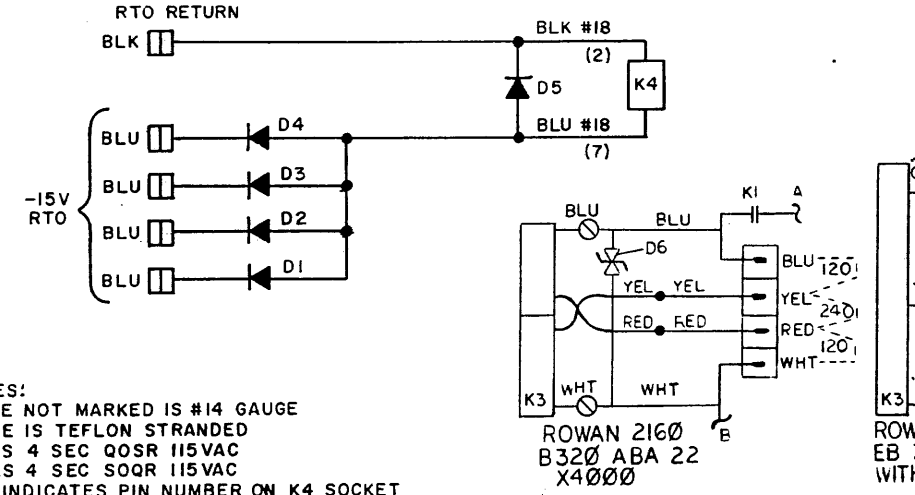
TITLE: POWER CONTROL 841A
SIZE CODE: C CS
NUMBER: 841-A-1
REV. B

REV. B
NUMBER 841-A-1
SIZE CODE C CS

THIS SCHEMATIC IS FURNISHED ONLY FOR TEST AND MAINTENANCE PURPOSES. THE CIRCUITS ARE PROPRIETARY IN NATURE AND SHOULD BE TREATED ACCORDINGLY. COPYRIGHT 1967 BY DIGITAL EQUIPMENT CORPORATION



COIL DETAILS



NOTES:
 WIRE NOT MARKED IS #14 GAUGE
 WIRE IS TEFLON STRANDED
 K1 IS 4 SEC QOSR 115VAC
 K2 IS 4 SEC SOQR 115VAC
 (2) INDICATES PIN NUMBER ON K4 SOCKET

SOME UNITS WERE BUILT AS SHOWN ABOVE.

REFERENCE DESIGNATION	DESCRIPTION	PART NO.
DE	THYRECTOR GE6RS20SP4B4	1102915
I1	LAMP #1020A4 OMNIGLOW	1205303
C7, C8	CAP. .01MFD 600V 10% MYLAR	1002938
R3, R4	RES. 10 2W 10% CC	1300172
R2, R5	RES. 1K 40W	1309027
R1	RES. 130K 1W 5% CC	1305604
L1, L2	FERROXCUBE #56-261-30-3B	1605147
K4	RELAY KRPIIDG 12VDC	1203410
K3	RELAY EM-4 115VAC 35AMPS	1205768
K2	RELAY ADLAKE #1040-34-43	1205809
K1	RELAY ADLAKE #1040-8-77	1202184-1
D6, D7	THYRECTOR GE6RS20SP4B4	1100106
D1-D5	DIODE IN4001	1102942
CBI	CKT. BKR. #190-230-104 30A 250V	1201219
C1-C6	CAP. 2 X .1MFD BATHTUB #CAF0001	1002153
	PARTS LIST	A-PL-844-0-0

REV.	CHG. NO.	REV.	BY
1	6628	B	
2	6722	C	
3	6999	D	
4	844-3	E	
5	10-0004	F	
6	844-6	G	
7		H	

DRN.	DATE	DATE	DATE
M. HALLER	7-20-67		
R. SILVERMAN	8-24-68		
R. WYMAN	8-24-68		

TRANSISTOR & DIODE CONVERSION CHART			
DEC	EIA	DEC	EIA
IN4001	SAME		

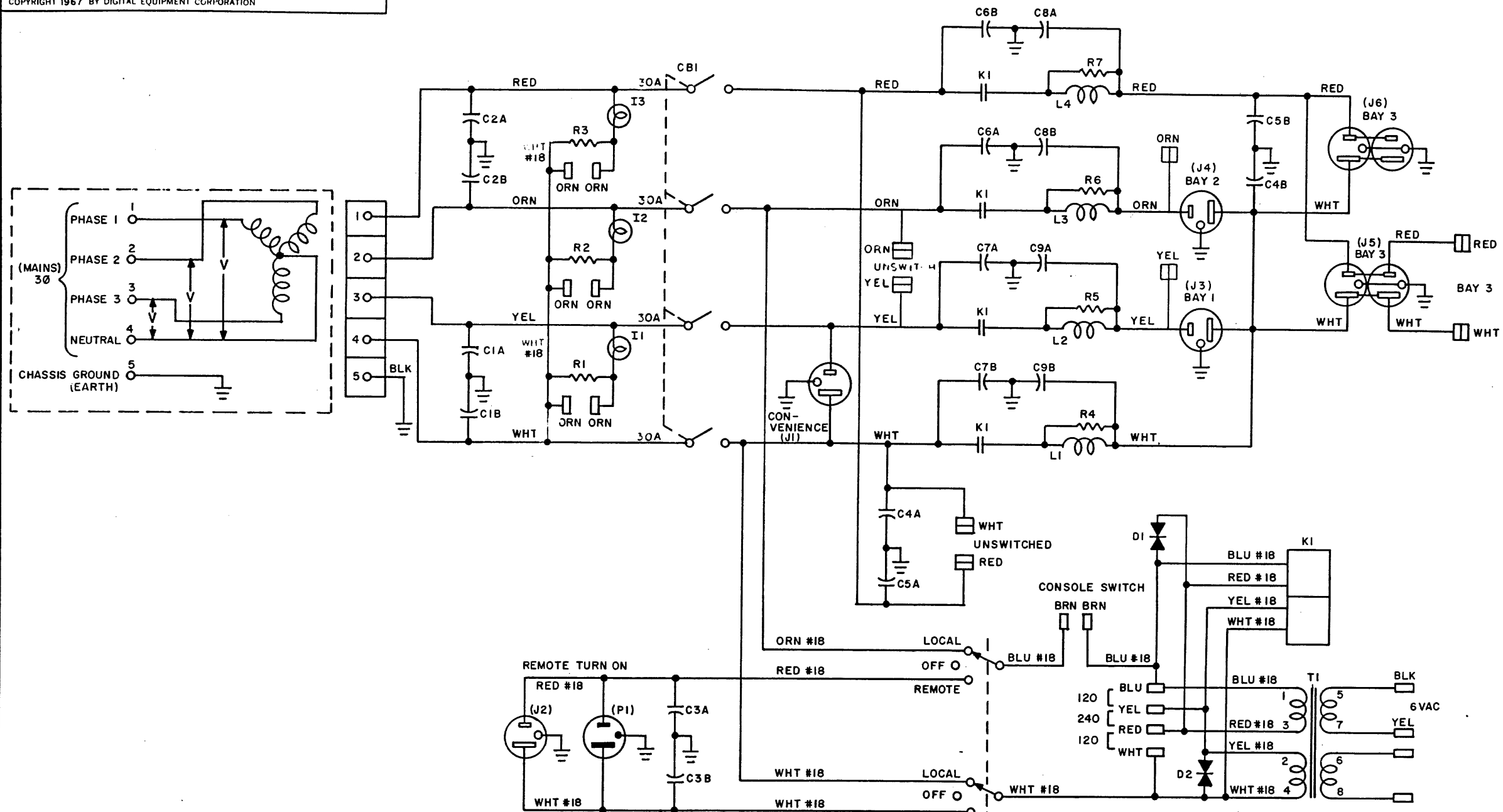
digital EQUIPMENT CORPORATION
 MAYNARD, MASSACHUSETTS

TITLE: POWER CONTROL 844

SIZE: C CODE: CS NUMBER: 844-0-1 REV: H

PRINTED CIRCUIT REV.

THIS SCHEMATIC IS FURNISHED ONLY FOR TEST AND MAINTENANCE PURPOSES. THE CIRCUITS ARE PROPRIETARY IN NATURE AND SHOULD BE TREATED ACCORDINGLY. COPYRIGHT 1967 BY DIGITAL EQUIPMENT CORPORATION



NOTES:
WIRE NOT MARKED #18 IS #14 GAUGE
WIRE IS TEFLON STRANDED

REV. K
NUMBER 845-0-1
SIZE CODE C CS

CBI	CKT BRKR 30A 250 VAC	12 11037-02
D1, D2	THYRECTOR GE #6RS20SP4B4	1100106
T1	TRANSFORMER THORDARSON #23V50	1605719
R4-R7	RES. 10 2W 10% CC	1300172
R1-R3	RES. 130K 1W 5% CC	1305604
L1-L4	FERRITE TUBE 56-261-30-3B	1605147
I1-I3	LAMP #1020 A4	1205303
K1	RELAY #B-230-C 120/240V	1205720
CBI	CKT BRKR XAM33-20A 120-250	1201218
C1-C9	CAP. 2 X 1MFD BATHTUB #CAF0001	1002153
	PARTS LIST	A-PL-845-0-0
REFERENCE DESIGNATION	DESCRIPTION	PART NO.

REV.	CHK	CHG NO.	REV.
A	65	65	
B	67	67	
C	00003		
D	00004		
E	00005		
F	00006		
G	00007		
H	00008		
I	00009		
J	00010		
K	00011		

DRN.	M. WALLER	DATE	7-21-67
CHK'D	R. SILVERMAN	DATE	8-24-67
ENG.	R. CLEMENTS	DATE	8-25-67
PROD.		DATE	

TRANSISTOR & DIODE CONVERSION CHART			
DEC	EIA	DEC	EIA

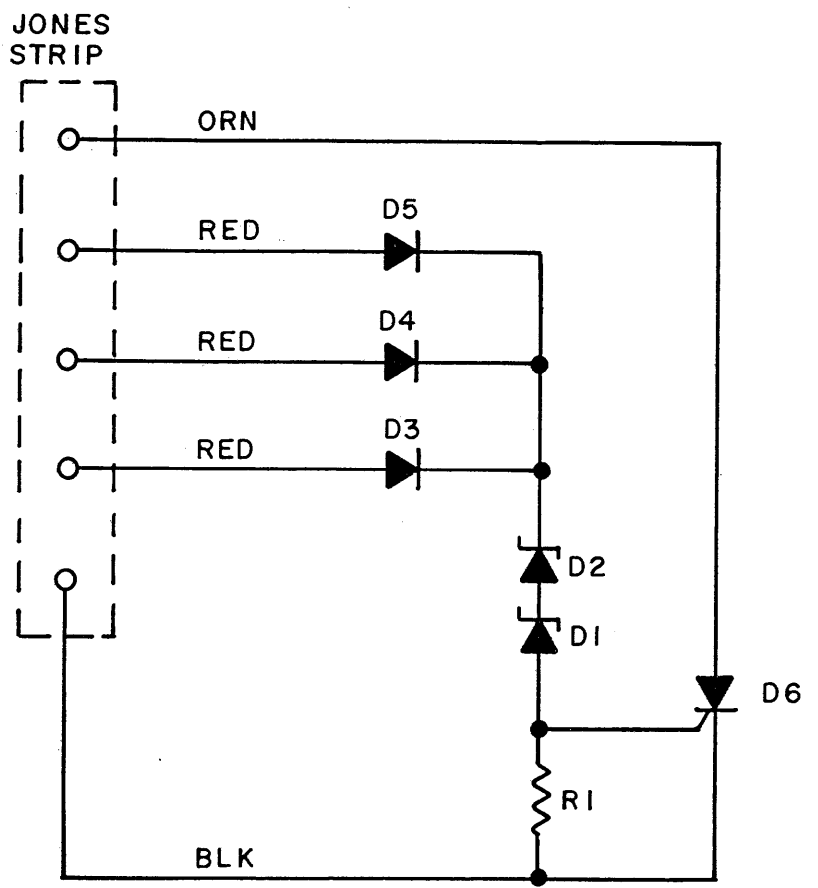
digital EQUIPMENT CORPORATION
MAYNARD, MASSACHUSETTS

TITLE: POWER CONTROL 845

SIZE CODE NUMBER REV.
C CS 845-0-1 K

PRINTED CIRCUIT REV.

THIS SCHEMATIC IS FURNISHED ONLY FOR TEST AND MAINTENANCE PURPOSES. THE CIRCUITS ARE PROPRIETARY IN NATURE AND SHOULD BE TREATED ACCORDINGLY. COPYRIGHT 1968 BY DIGITAL EQUIPMENT CORPORATION



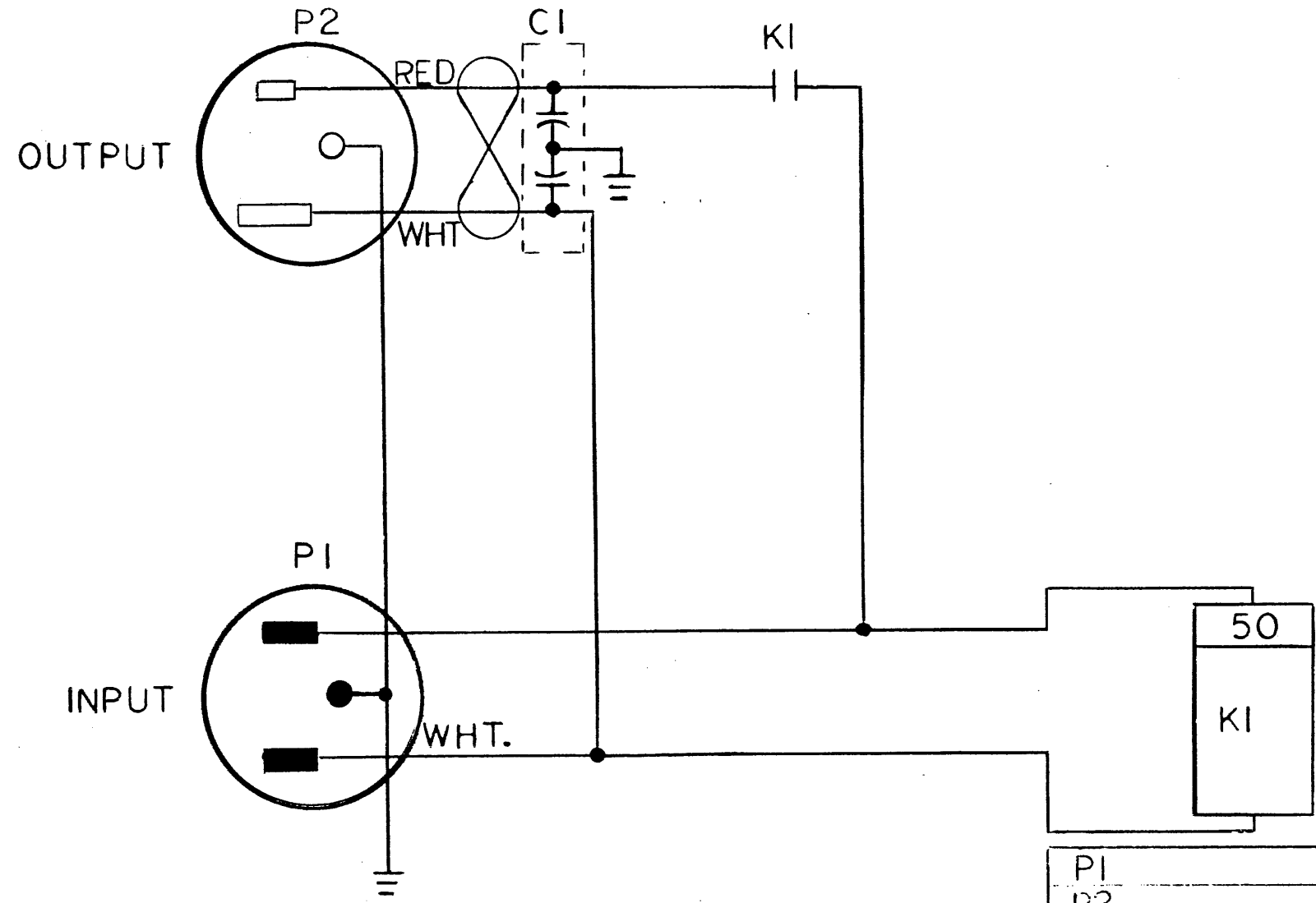
- NOTES:
1. ALL WIRES ARE 18AWG
 2. SCR IS MOUNTED WITH TWO ANODIZED ALUMINUM INSULATING WASHERS AND WAKEFIELD TYPE 120 THERMAL JOINT COMPOUND
 3. STUD TORQUE APPLIED TO SCR. SHOULD BE 30 ± 5 INCH POUNDS

R1	RES. 100 1/4W 5% CC	1300229
D6	RECTIFIER GE-C38F	1105986
D3 - D5	DIODE D664	1100114
D2	DIODE IN750	1100123
D1	DIODE IN756A	1103441
	PARTS LIST	A-PL-846-0-0
REFERENCE DESIGNATION	DESCRIPTION	PART NO.

PARTS LIST

REVISIONS CHK CHG NO. REV.	DRN. <i>M. Keller</i>	DATE 3-20-68	TRANSISTOR & DIODE CONVERSION CHART				<p>digital EQUIPMENT CORPORATION MAYNARD, MASSACHUSETTS</p>	TITLE OVERVOLTAGE PROTECTOR 846			
	CHK'D <i>R. ...</i>	DATE 3/21/68	DEC	EIA	DEC	EIA		SIZE B	CODE CS	NUMBER 846-0-1	REV.
	ENG. <i>P. ...</i>	DATE 5/17/68	D664	IN3606							
	PROD.	DATE	IN750	SAME							
			IN756A	SAME							

THIS SCHEMATIC IS FURNISHED ONLY FOR TEST AND MAINTENANCE PURPOSES. THE CIRCUITS ARE PROPRIETARY IN NATURE AND SHOULD BE TREATED ACCORDINGLY. COPYRIGHT BY DIGITAL EQUIPMENT CORPORATION

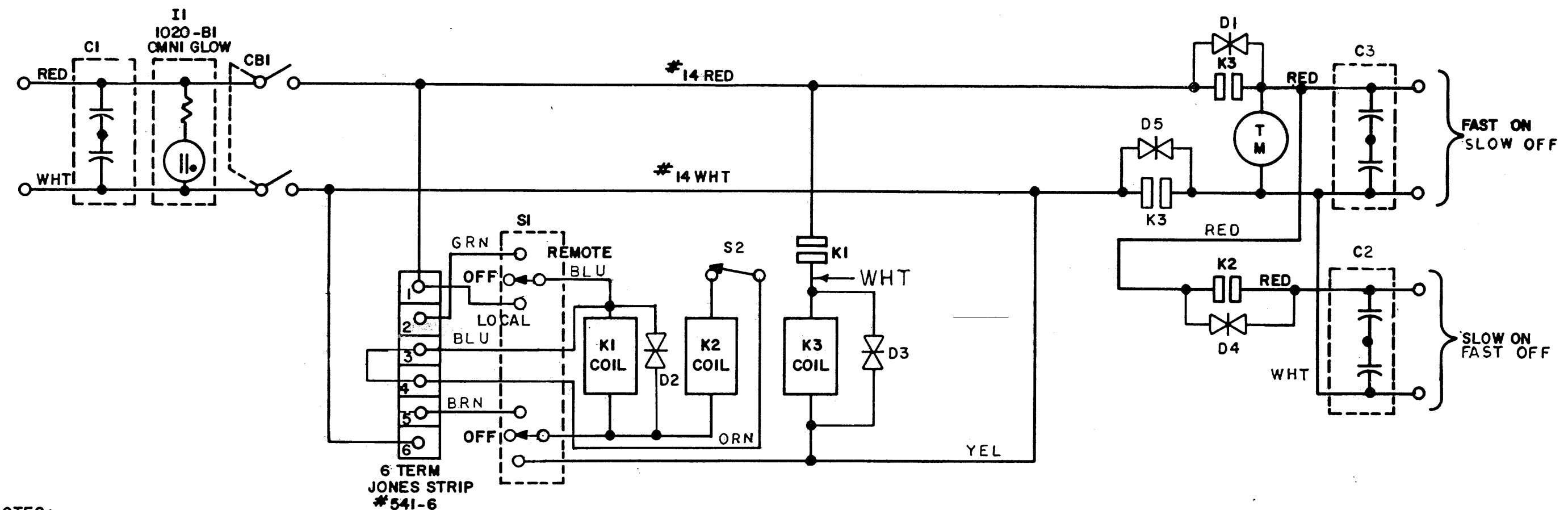


P1	PLUG #160-5 AMP.	1201252
P2	RECP #160-4 AMP.	1201251
C1	CAP. 2X .1MF D 1000VDC	1002153
KI	RELAY #1040-8-58	1202183
REF. DESIGNATION	DESCRIPTION	PART NO.

PARTS LIST

REVISIONS CHK CHG NO. REV.	DRN. <i>R. Thigault</i>	DATE 7-24-67	TRANSISTOR & DIODE CONVERSION CHART				digital EQUIPMENT CORPORATION MAYNARD, MASSACHUSETTS	TITLE 848 PWR CONT.			
	CHKD <i>A. Cook</i>	DATE 8/6/67	DEC	EIA	DEC	EIA		SIZE B	CODE CS	NUMBER 848-0-1	REV.
	ENG. <i>G. Gross</i>	DATE 8/15/67									
	PROD. <i>C. McShane</i>	DATE 8/15/67									
PRINTED CIRCUIT REV.											

THIS SCHEMATIC IS FURNISHED ONLY FOR TEST AND MAINTENANCE PURPOSES. THE CIRCUITS ARE PROPRIETARY IN NATURE AND SHOULD BE TREATED ACCORDINGLY. COPYRIGHT 1968 BY DIGITAL EQUIPMENT CORPORATION

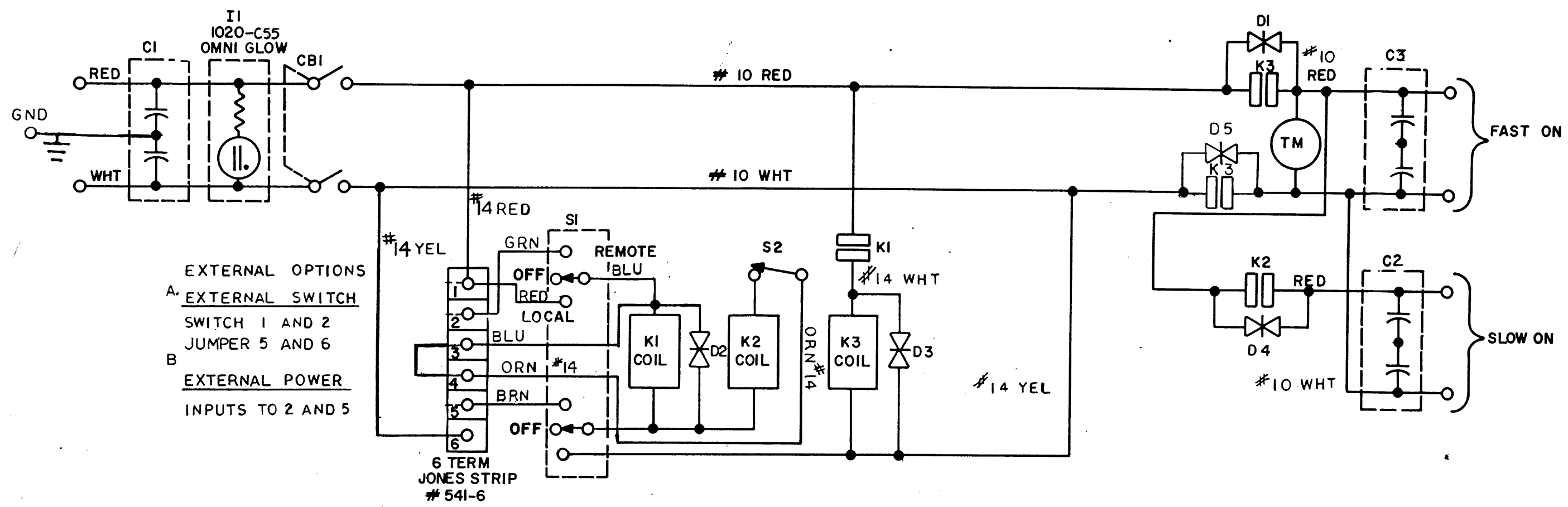


- NOTES:**
 D1,D2,D3,D4,D5 THYRECTOR G.E. 6RS2QSP9B9 , 230V
 C1,C2,C3 CAPACITOR (BATH)
 2 X.1 MFD 1000VDC.
- SI TOGGLE SWITCH DPDT 8821K5 3 POS CENTER OFF
 S2 TOGGLE SWITCH DPST 7590K9
 K1 RELAY # 1040-8-343 NORMALLY OPEN 230VAC COIL 3-5 SEC DELAY
 QUICK OPERATE, SLOW RELEASE.
 K2 RELAY # 1040-8-319 NORMALLY OPEN 230VAC COIL 3-5 SEC DELAY
 SLOW OPERATE, QUICK RELEASE.
 K3 RELAY #EM-4 240VAC ELBERT ELECTRONICS.
 CBI CIRCUIT BREAKER #190-220-101 20AMPS. 250V, 60 CYC-CURVE 4.
 TM HOBBS TIME METER, TYPE MI 1908, 240V 50 CYCLES.

- EXTERNAL OPTIONS**
- A. EXTERNAL SWITCH
 SWITCH 1 AND 2
 JUMPER 5 AND 6
 - B. EXTERNAL POWER
 INPUT TO 2 AND 5

REVISIONS CHK CHG NO. REV. 00001 A P. O. Blaine J. H.	DRN. Robert Rutledge DATE 12/18/68	TRANSISTOR & DIODE CONVERSION CHART				digital EQUIPMENT CORPORATION MAYNARD, MASSACHUSETTS	TITLE POWER CONTROL 853-E (230 VAC TWO STEP)			
	CHK'D R. Corwell DATE 12/23/68	DEC EIA DEC EIA	SIZE B CS		NUMBER 853E-0-1		REV. A			
	ENG. J. H. Herrells DATE 1-2-69									
	PROD. J. H. Herrells DATE 1-3-69									

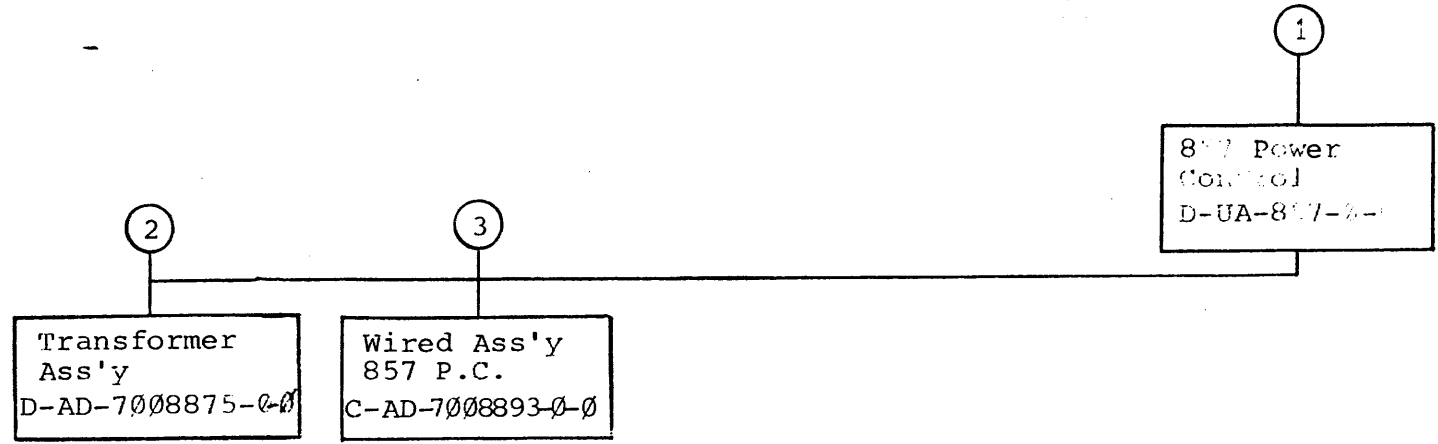
THIS SCHEMATIC IS FURNISHED ONLY FOR TEST AND MAINTENANCE PURPOSES. THE CIRCUITS ARE PROPRIETARY IN NATURE AND SHOULD BE TREATED ACCORDINGLY. COPYRIGHT 1968 BY DIGITAL EQUIPMENT CORPORATION



EXTERNAL OPTIONS
 A. EXTERNAL SWITCH
 SWITCH 1 AND 2
 JUMPER 5 AND 6
 B. EXTERNAL POWER
 INPUTS TO 2 AND 5

- NOTES:
- D1, D2, D3, D4, D5 THYRECTOR, G.E. 20SP4B4, 115V
 - C1, C2, C3 CAPACITOR (BATH) 2 X .1 MFD 1000 VDC
 - S1 TOGGLE SWITCH DPDT 7563K6 C.H. 3POS CENTER OFF
 - S2 TOGGLE SWITCH DPST 7590K9
 - K1 RELAY #1040-8-687 NORMALLY OPEN 115 VAC COIL 3-5 SEC DELAY QUICK OPERATE, SLOW RELEASE.
 - K2 RELAY #1040-8-58 NORMALLY OPEN 115 VAC COIL 3-5 SEC DELAY SLOW OPERATE, QUICK RELEASE.
 - K3 RELAY # EM-4 115 VAC EBERT ELECTRONICS.
 - CBI CIRCUIT BREAKER #190-230-104 30 AMPS. 250V, 60 CYC-CURVE 4
 - TM HOBBS TIME METER TYPE M11906 120V 60 CYC-CURVE 4

REVISIONS CHK CHG NO. REV. MC 00001 A	DRN Robert Hutner 12/13/68	TRANSISTOR & DIODE CONVERSION CHART				digital EQUIPMENT CORPORATION MAYNARD, MASSACHUSETTS	TITLE POWER CONTROL 853-F (115 VOLT DUAL OUTPUT)			
	CHK'D S. Carwell 12/23/68	DEC EIA DEC EIA	SIZE B CODE CS NUMBER 853F-0-1 REV. A							
	ENG. S. Carwell 1-2-69	DEC EIA DEC EIA	PRINTED CIRCUIT REV.							
	PROP. J. Carwell 1-3/69	DEC EIA DEC EIA	DIST. 324 434 435 436 PINK							

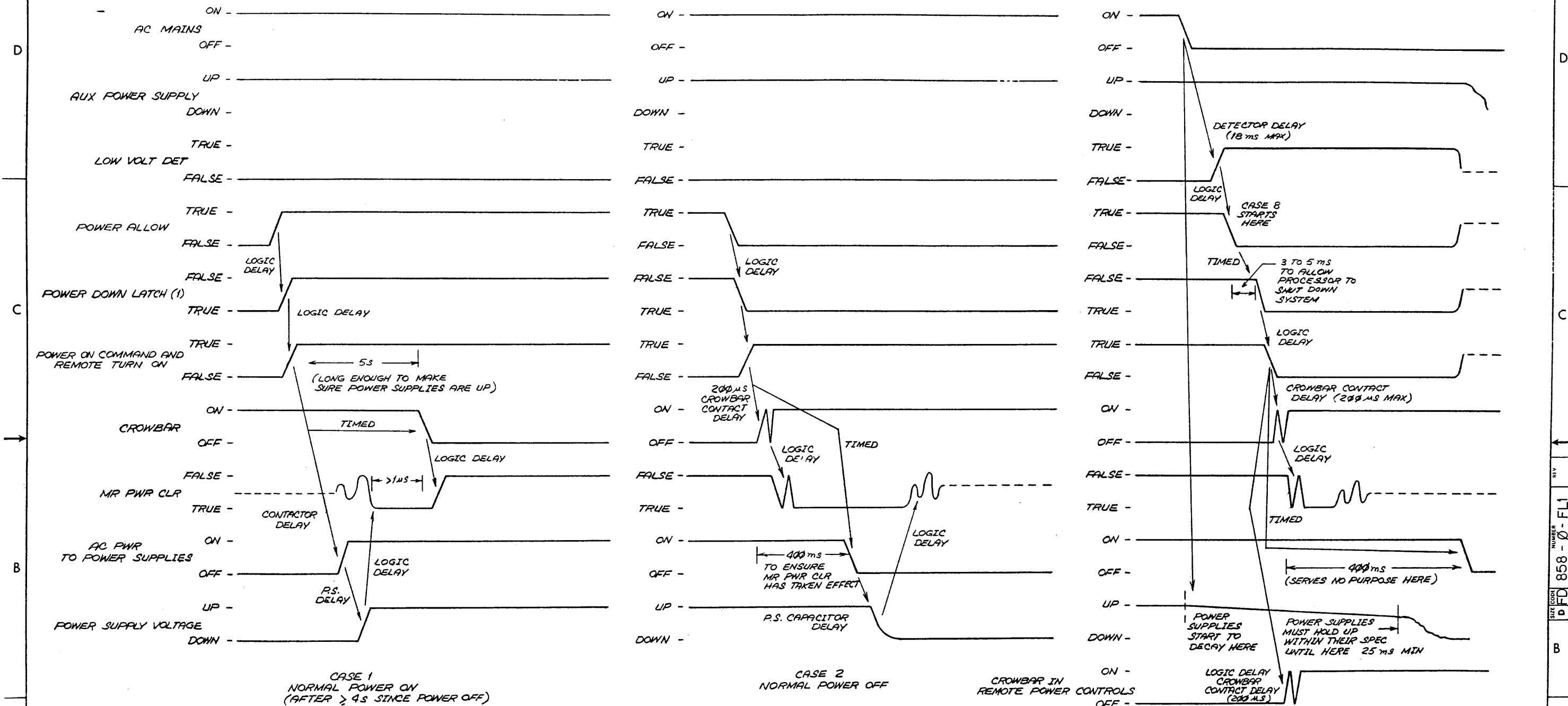


TITLE	SHEET 2 OF 3	SIZE CODE	NUMBER	REV
857 POWER CONTROL		B DD	857 - 0	1

G

This drawing and specifications, herein, are the property of Digital Equipment Corporation and shall not be reproduced or copied or used in whole or in part as the basis for the manufacture or sale of items without written permission.

SIZE CODE NUMBER 858-0-FL1 2

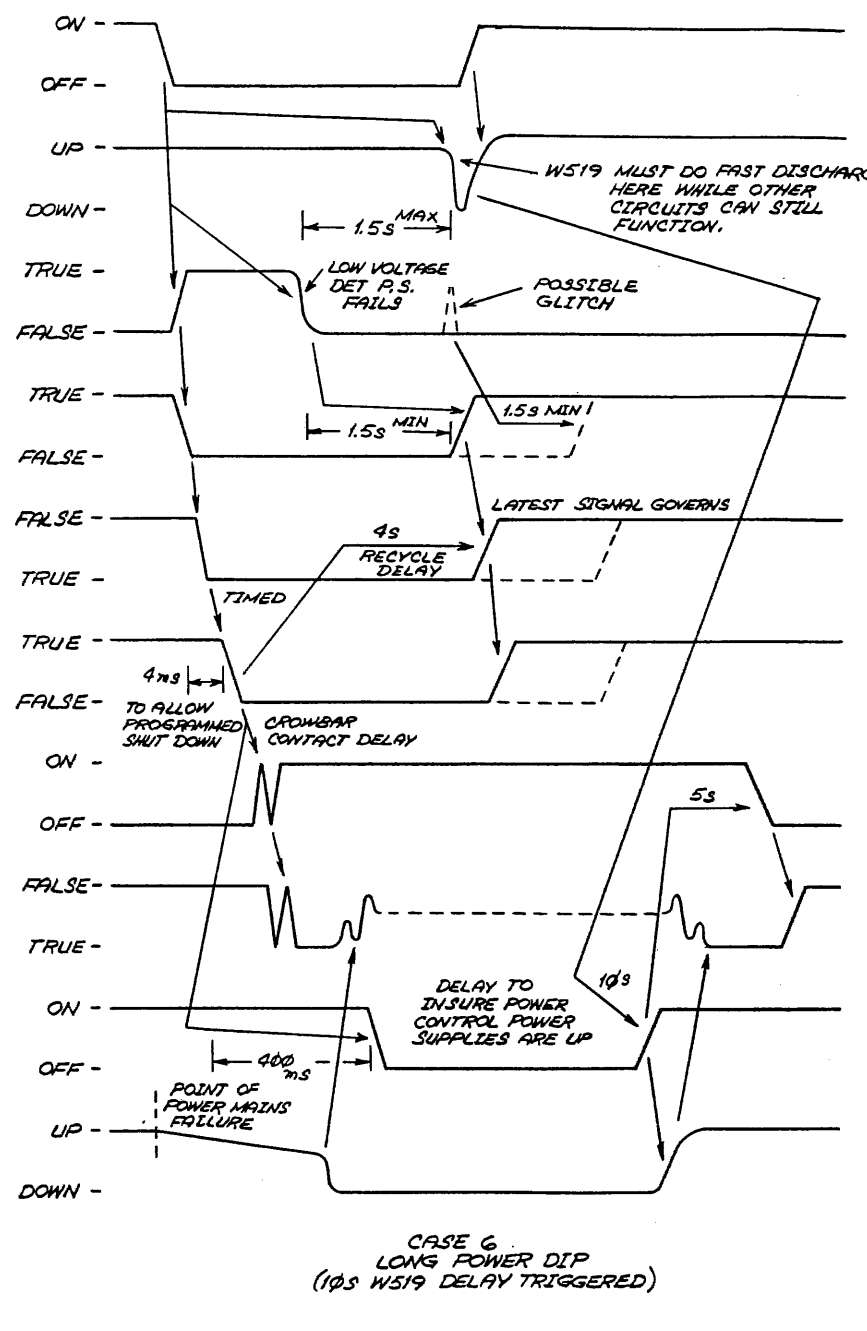
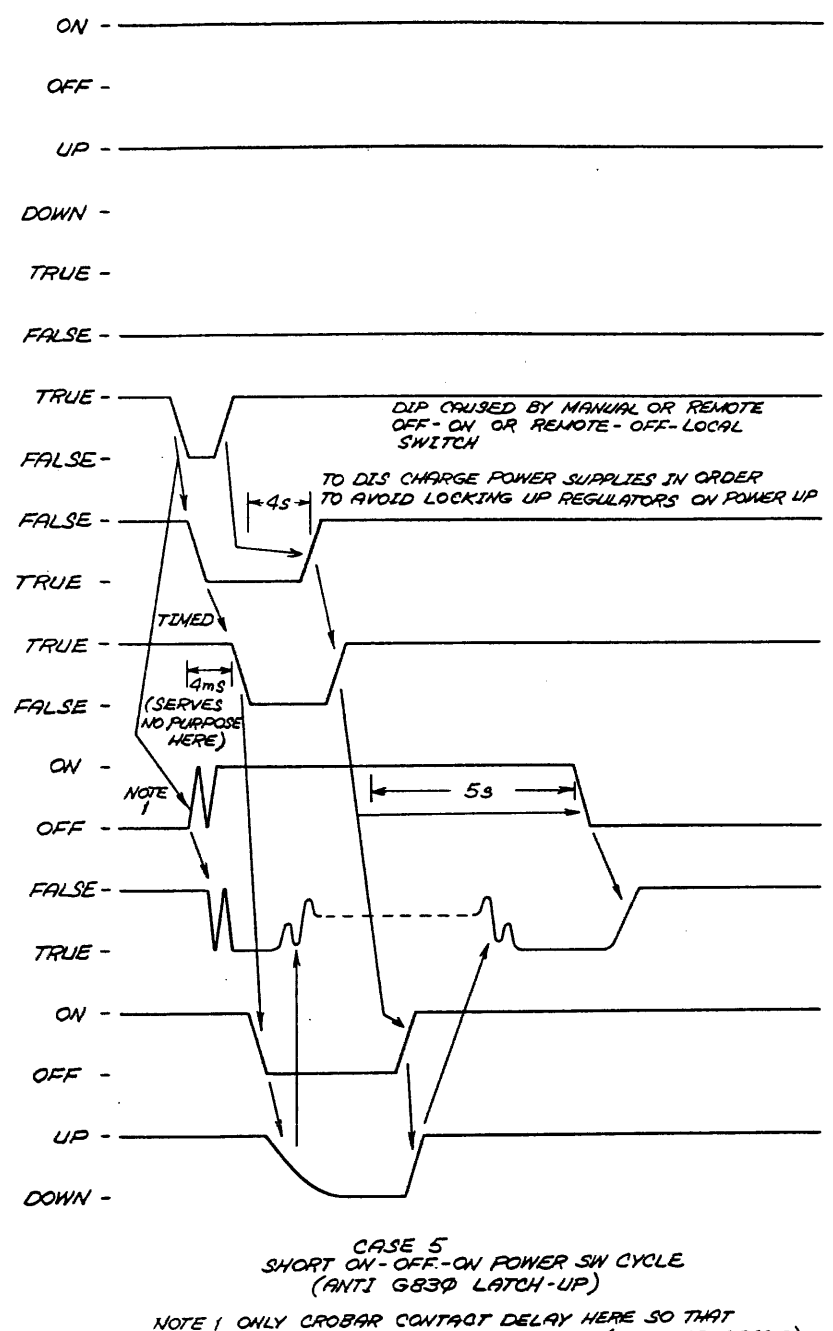
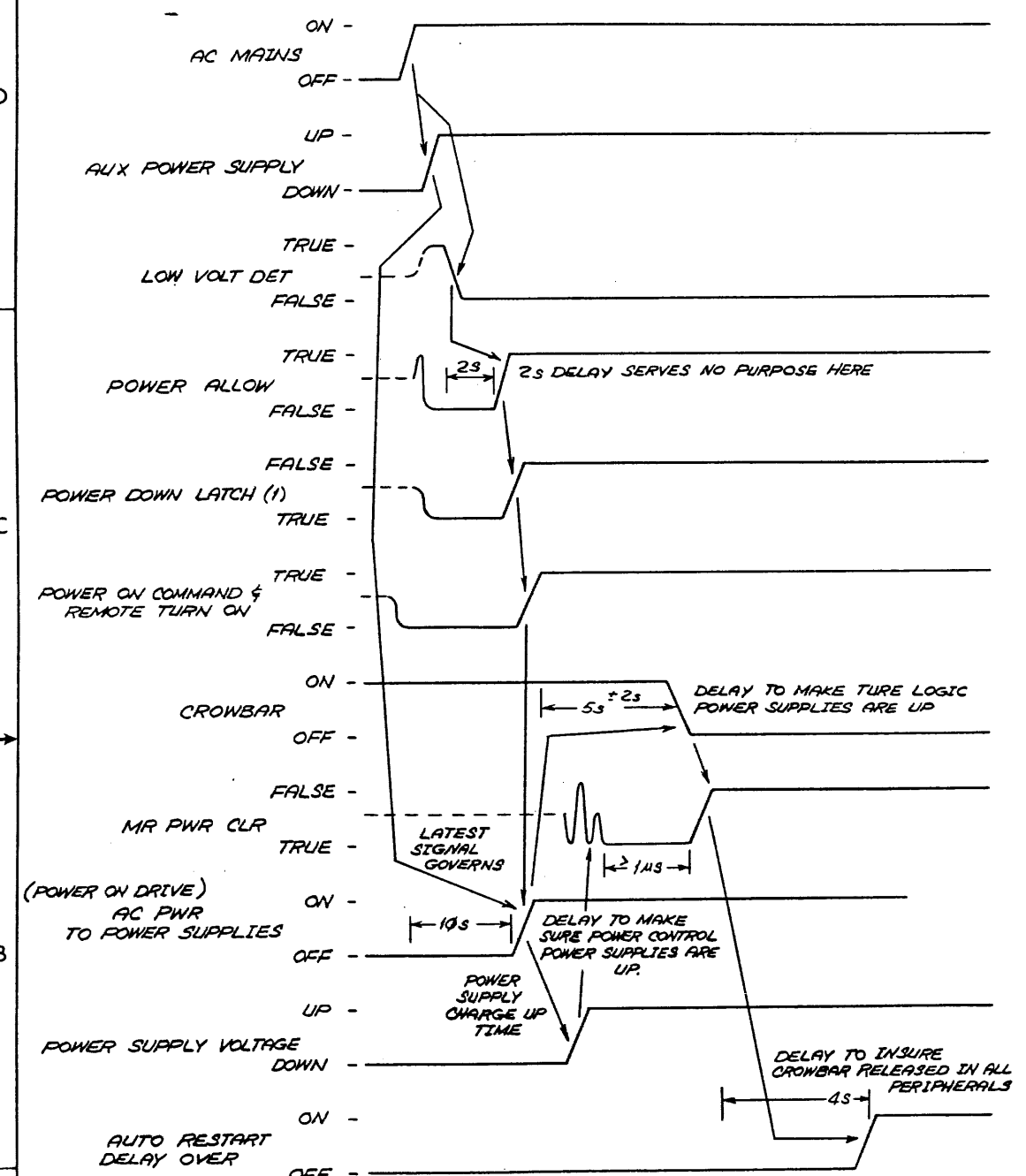


REVISIONS
 CHANGE NO
 REV

FIRST USED ON OPTION/MODEL	QTY.	DESCRIPTION	PART NO.	ITEM NO.
KI10				
PARTS LIST				
UNLESS OTHERWISE SPECIFIED DIMENSION IN INCHES. TOLERANCES	DRN Allen Kent	DATE 4/6/72	digital EQUIPMENT CORPORATION MAYNARD MASSACHUSETTS	
DECIMALS .XXX = .005 .XX = .02 X = .1	CHK'D Allen Kent	DATE 3/11/72		
ANGLES 10° 30'	ENG Allen Kent	DATE 3/11/72	TITLE 857 / 858 POWER CONTROL FLOW 1	
REMOVE BURRS AND BREAK SHARP CORNERS SURFACE QUALITY ✓	PROJ ENG Allen Kent	DATE 3/11/72		
MATERIAL	PRD Allen Kent	DATE 3/11/72	SIZE CODE NUMBER DFD 858 - 0 - FL1	
FINISH				
	NEXT HIGHER ASSY. B-DD-857-0		SCALE	REV
	SHEET 1 OF 1	DIST.		

SIZE CODE NUMBER DFD 858-0-FL1

This drawing and specifications herein are the property of Digital Equipment Corporation and shall not be reproduced or copied or used in whole or in part as the basis for the manufacture or sale of items without written permission.

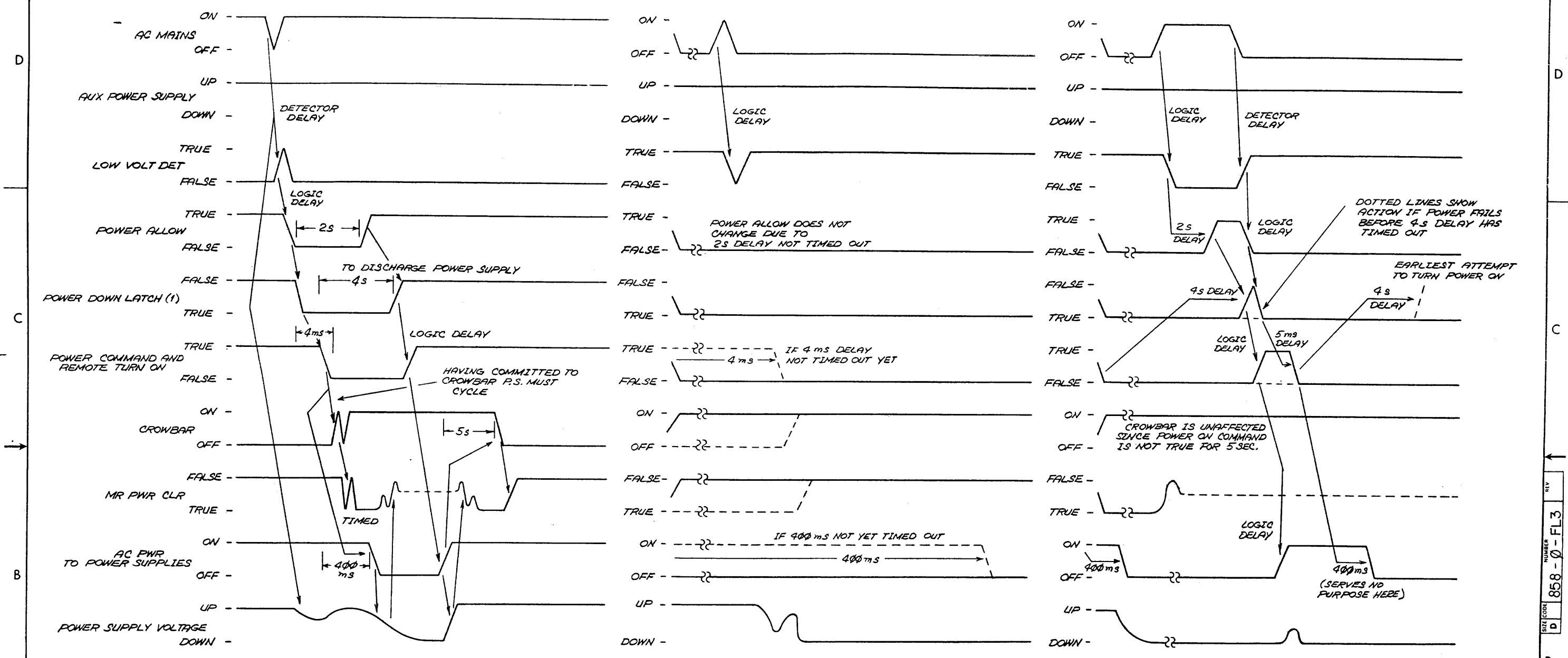


NOTE 1 ONLY CROWBAR CONTACT DELAY HERE SO THAT REMOTE TURN-ON GOING FALSE (FROM PROCESSOR) WILL CAUSE IMMEDIATE CROWBAR IN PERIPHERALS.

REV. NO. 1
CHANGE NO. 1
CHK

FIRST USED ON OPTION/MODEL	QTY.	DESCRIPTION	PART NO.	ITEM NO.
KI10				
PARTS LIST				
UNLESS OTHERWISE SPECIFIED DIMENSION IN INCHES. TOLERANCES		DRN: <i>[Signature]</i> DATE: 3/27/72 CHK'D: <i>[Signature]</i> DATE: 5/24/72 ENG: <i>[Signature]</i> DATE: 8/14/72 PROJ. ENG: <i>[Signature]</i> DATE: 8/14/72 PROD: <i>[Signature]</i> DATE: 8/14/72		
DECIMALS .XXX = .006	ANGLES 20° 30'	TITLE: 857/858 POWER CONTROL FLOW #2 digital EQUIPMENT CORPORATION MAYNARD, MASSACHUSETTS		
REMOVE BURRS AND BREAK SHARP CORNERS SURFACE QUALITY ✓		NEXT HIGHER ASSY.	SIZE CODE	NUMBER
MATERIAL		B-DD-857-0	DFD	858-0-FL2
FINISH		SCALE	SHEET	REV.
		1 OF 1		

This drawing and specifications herein are the property of Digital Equipment Corporation and shall not be reproduced or copied in whole or in part as the basis for the manufacture or sale of items without written permission.



CASE 7
SHORT POWER DIP (PWR FAIL + LOW VOLT DETECTED)
(1) s W519 DELAY NOT TRIGGERED)
(ALARM V HI TEMP V INTERLOCK)

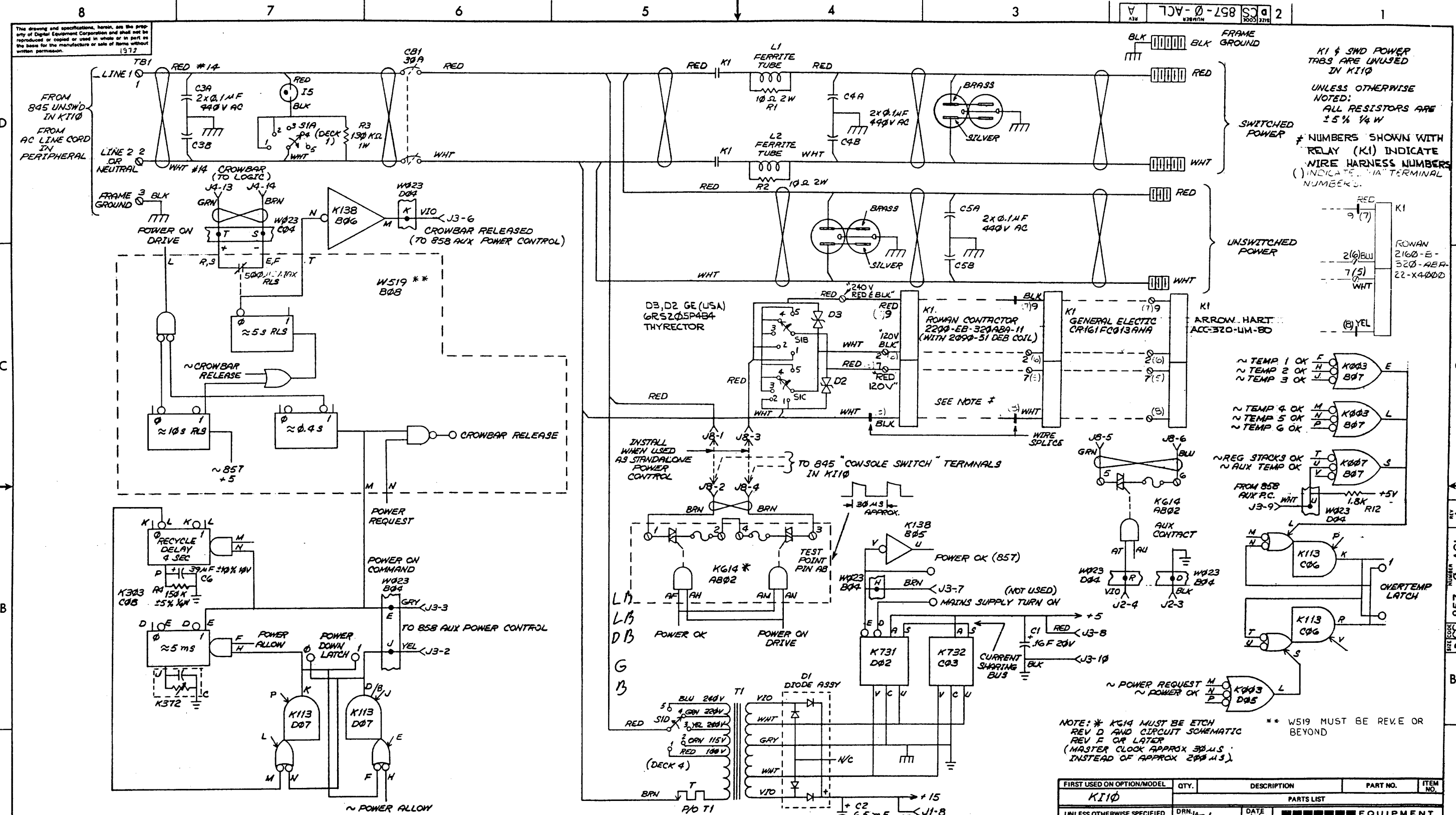
CASE 8
SHORT PULSE IN POWER (OTHERWISE DEAD)
PULSE $\leq 2s$

CASE 9
LONGER PULSE IN PWR PULSE $> 2s$; BUT P.S. RECYCLE DELAY NOT OVER
(ASSUMES AUX PWR SUPPLY HOLDS UP LONGER THAN P.S. RECYCLE DELAY)

REV	
CHG	
CHK	
REV	
CHG	
CHK	

FIRST USED ON OPTION/MODEL K110	QTY.	DESCRIPTION	PART NO.	ITEM NO.
PARTS LIST				
UNLESS OTHERWISE SPECIFIED DIMENSION IN INCHES. TOLERANCES	DRAWN <i>A. Stephenson</i>	DATE 8/2/72	digital EQUIPMENT CORPORATION WATUARD MASSACHUSETTS	
DECIMALS ANGLES	CHK'D <i>Allen Kent</i>	DATE 8/2/72		
.XXX = .005 .XX = .02 .X = .1	ENG. <i>Allen Kent</i>	DATE 8/2/72		
REMOVE BURRS AND BREAK SHARP CORNERS SURFACE QUALITY	PROJ. ENG. <i>Allen Kent</i>	DATE 8/2/72		
	PROD. <i>Allen Kent</i>	DATE 8/2/72		
MATERIAL	NEXT HIGHER ASSY. B-DD-857-0	SIZE CODE DFD	NUMBER 858-0-FL3	REV.
FINISH	SHEET OF	DIST.		

REV. NUMBER 858-0-FL3



K1 & SWD POWER TABS ARE UNUSED IN K110
 UNLESS OTHERWISE NOTED:
 ALL RESISTORS ARE ±5% 1/4 W
 * NUMBERS SHOWN WITH RELAY (K1) INDICATE WIRE HARNESS NUMBERS
 () INDICATE "A" TERMINAL NUMBERS.

ROWAN 2160-B-320-AB-11
 22-X-400D
 K1 GENERAL ELECTRIC CR161FC013AHA
 ACC-320-UM-BD

TEMP 1 OK F K003 E
 TEMP 2 OK H K003 L
 TEMP 3 OK J K003 S
 TEMP 4 OK M K003 S
 TEMP 5 OK N K003 S
 TEMP 6 OK P K003 S

REG STACKS OK T K007 S
 AUX STACKS OK U K007 S
 FROM 858 AUX P.C. WHT J3-9
 +5V 1.8K R12
 W023 D04

POWER REQUEST M K003 L
 POWER OK N K003 L
 POWER OK P K003 L

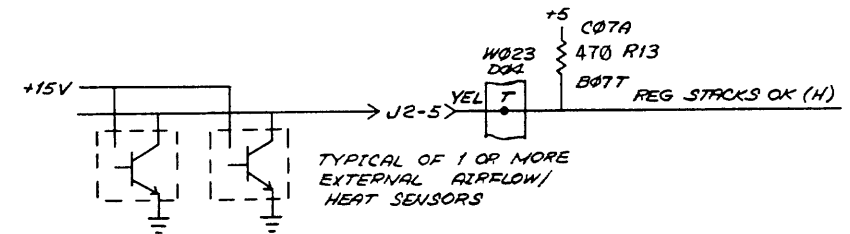
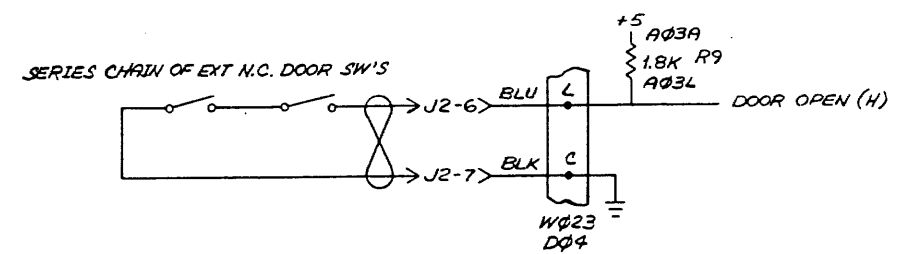
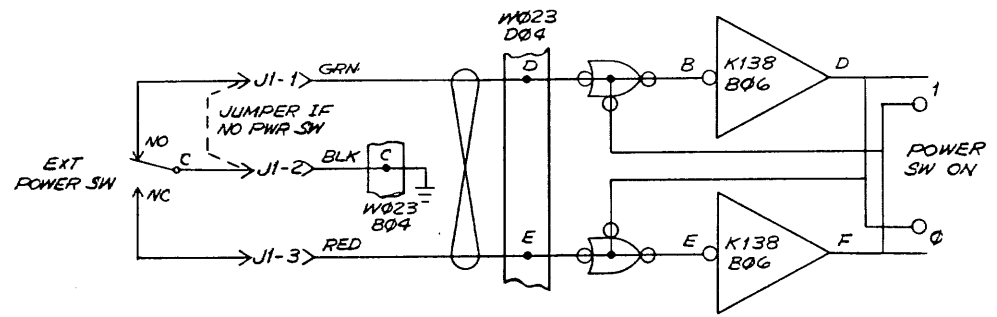
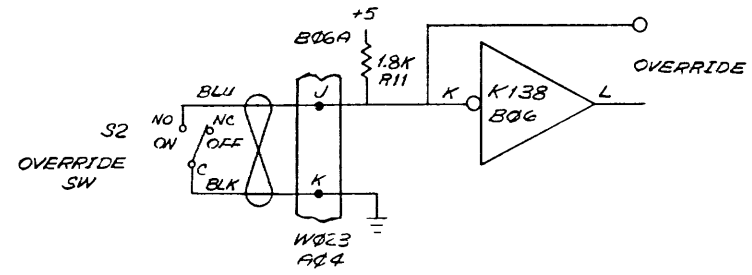
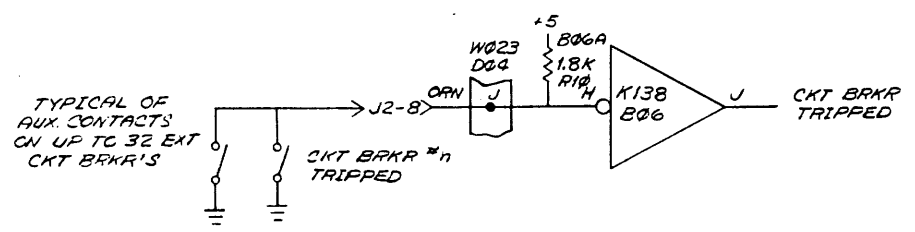
NOTE: * KG14 MUST BE ETCH REV D AND CIRCUIT SCHEMATIC REV F OR LATER (MASTER CLOCK APPROX 30 μS INSTEAD OF APPROX 200 μS)
 ** W519 MUST BE REV E OR BEYOND

FIRST USED ON OPTION/MODEL	QTY.	DESCRIPTION	PART NO.	ITEM NO.
K110 PARTS LIST				
digital EQUIPMENT CORPORATION				
857 POWER CONTROL (AC LINE)				
PARTS LIST		NEXT HIGHER ASSY.		
A-PL-857-0-0		B-DD-857-0		
FINISH		SCALE		
SHEET 1 OF 1		DIST.		

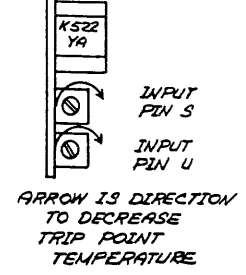
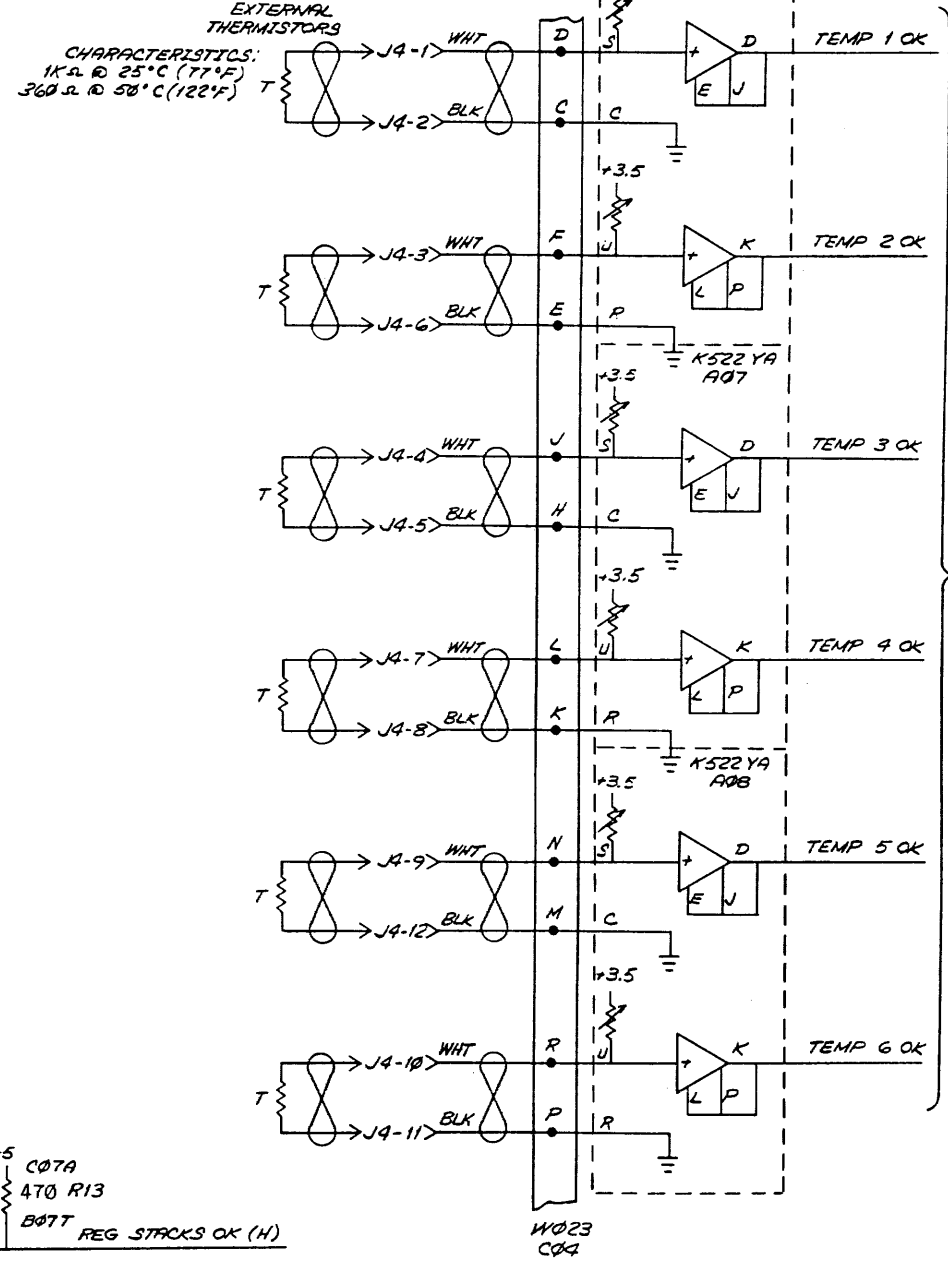
REV.	CHANGE NO.	DATE	BY
A	0002	01-13-72	A. KENT
B	0003	01-13-72	A. KENT

This drawing and specifications herein are the property of Digital Equipment Corporation and shall not be reproduced or copied or used in whole or in part as the basis for the manufacture or sale of items without written permission.

D
C
B
A



NOTE
ALL SIGNAL NAMES ON THIS SHEET CONNECTED TO LOW ASSERTION DESIGNATION CIRCLES "O" ARE AS IF SUFFIXED WITH "L". ALL SIGNAL NAMES ON THIS SHEET NOT CONNECTED TO LOW ASSERTION DESIGNATION CIRCLES ARE AS IF SUFFIXED WITH "H".



ADJUST K522 YA SO THAT 360 OHM RESISTOR CAUSES LOW OUTPUT (OVER TEMP LIGHT ON); 390 OHM RESISTOR CAUSES HIGH OUTPUT (OVER TEMP LIGHT OFF).

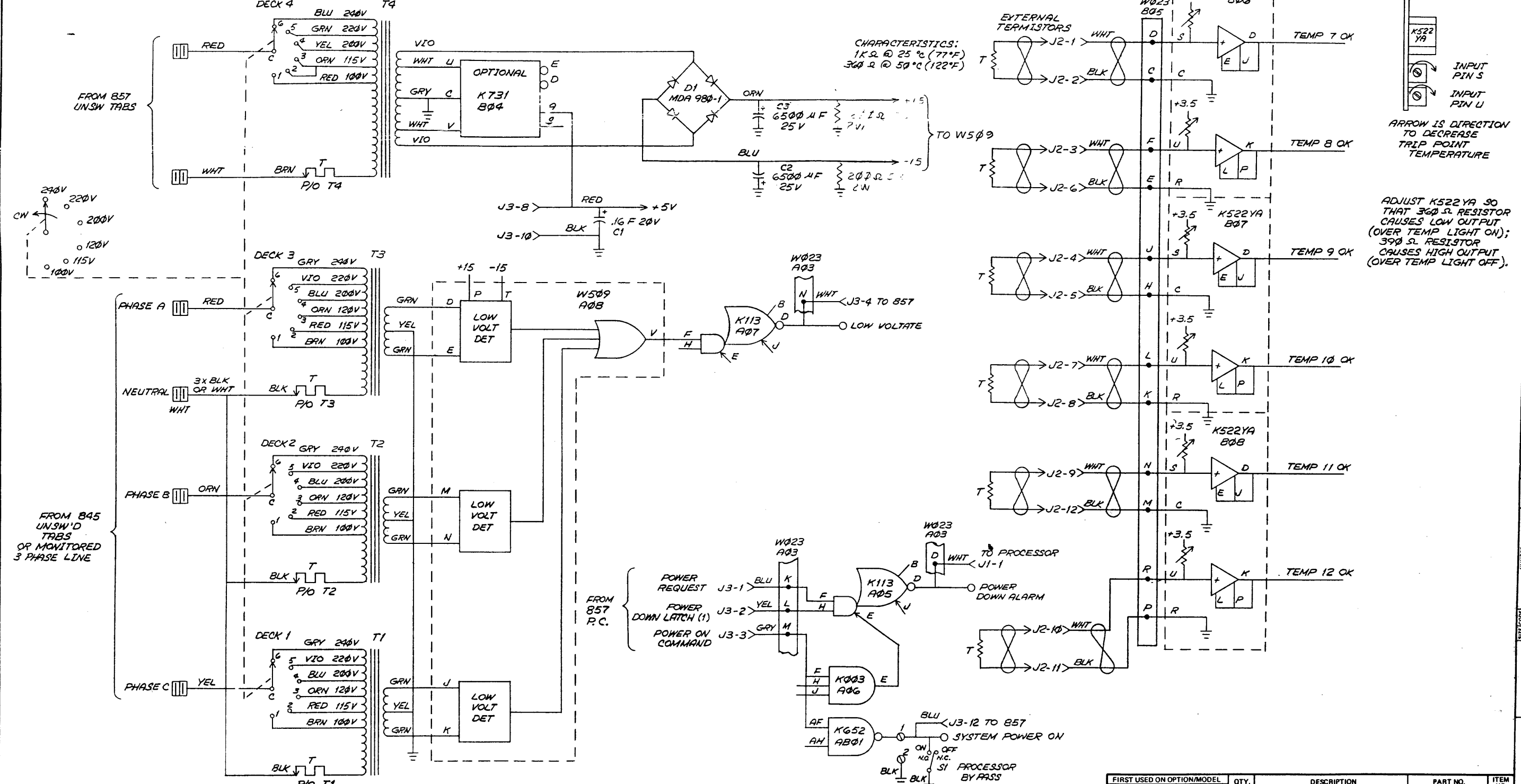
TO OVER TEMP LATCH

REV	CHG	NO	DATE
1	1	1	1/1/72
2	2	2	2/13/72
3	3	3	2/13/72
4	4	4	2/13/72

FIRST USED ON OPTION/MODEL	QTY.	DESCRIPTION	PART NO.	ITEM NO.
PARTS LIST				
UNLESS OTHERWISE SPECIFIED DIMENSION IN INCHES	DRN: <i>Stephen</i>	DATE: <i>2/23/72</i>		
TOLERANCES	CHK'D: <i>Allen Kent</i>	DATE: <i>2/23/72</i>		
DECIMALS .XXX - .005	ENG: <i>Allen Kent</i>	DATE: <i>2/23/72</i>		
ANGLES ±0° 30'	PROJ. ENG: <i>Allen Kent</i>	DATE: <i>2/23/72</i>		
REMOVE BURRS AND BREAK SHARP CORNERS SURFACE QUALITY	PRODY: <i>Allen Kent</i>	DATE: <i>2/23/72</i>	857 POWER CONTROL (TEMP SENSORS)	
MATERIAL	NEXT HIGHER ASSY.	SCALE	SIZE CODE	NUMBER
FINISH		SHEET 1 OF 1	DCS	857-0-TMP
				REV. A

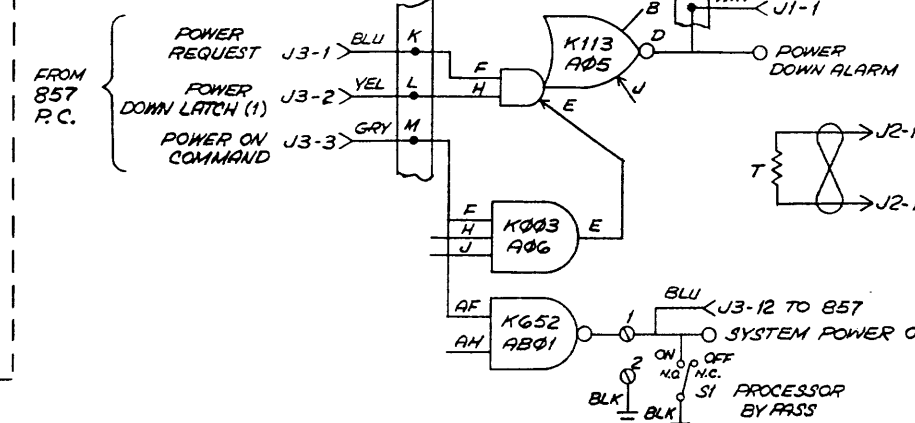
REV. A
NUMBER
DCS 857-0-TMP

This drawing and specifications, herein, are the property of Digital Equipment Corporation and shall not be reproduced or copied or used in whole or in part as the basis for the manufacture or sale of items without written permission.



CHARACTERISTICS:
 1K Ω @ 25 °C (77°F)
 360 Ω @ 50 °C (122°F)

ADJUST K522YA SO THAT 360 Ω RESISTOR CAUSES LOW OUTPUT (OVER TEMP LIGHT ON); 390 Ω RESISTOR CAUSES HIGH OUTPUT (OVER TEMP LIGHT OFF).



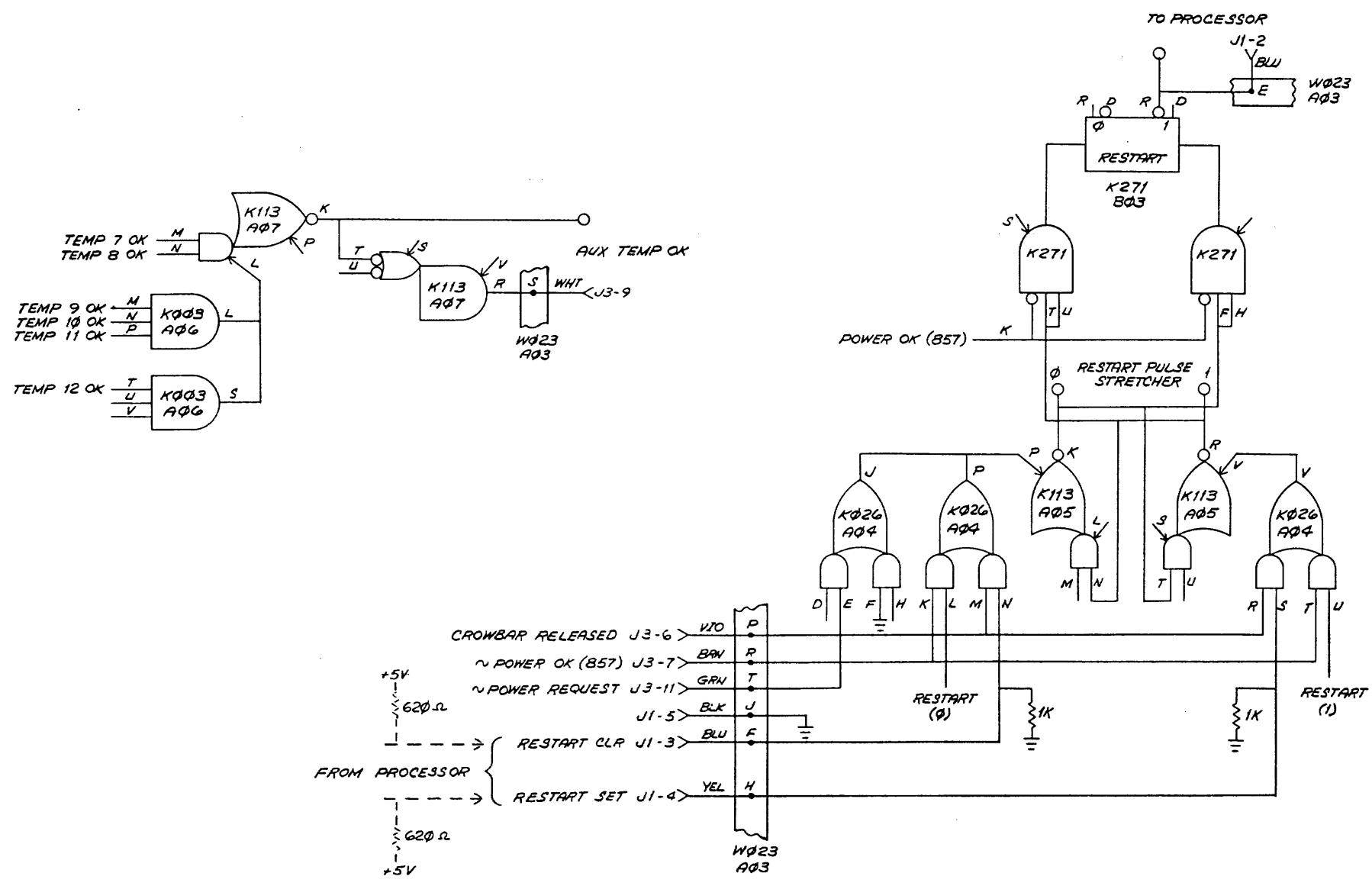
NOTE
 ALL SIGNAL NAMES ON THIS SHEET CONNECTED TO LOW ASSERTION DESIGNATION CIRCLES "O" ARE AS IF SUFFIXED WITH "L". ALL SIGNAL NAMES ON THIS SHEET NOT CONNECTED TO LOW ASSERTION DESIGNATION CIRCLES ARE AS IF SUFFIXED WITH "H".

FIRST USED ON OPTION/MODEL	QTY.	DESCRIPTION	PART NO.	ITEM NO.
K110				
PARTS LIST				
UNLESS OTHERWISE SPECIFIED DIMENSION IN INCHES.	DRN <i>A. Thompson</i>	DATE 1/19/72	digital EQUIPMENT CORPORATION MAYNARD MASSACHUSETTS	
TOLERANCES	CHK'D. <i>Alan Kent</i>	DATE 2/16/72		
DECIMALS	ENG. <i>Alan Kent</i>	DATE 2/16/72	858 AUX POWER CONTROL (LINE & TEMP SENSING)	
ANGLES	PROJ. ENG. <i>Alan Kent</i>	DATE 2/16/72		
XXX - .005	PROD. <i>Alan Kent</i>	DATE 2/16/72		
XX - .02				
.X - .1				
REMOVE BURRS AND BREAK SHARP CORNERS SURFACE QUALITY				
MATERIAL	NEXT HIGHER ASSY.			
FINISH	B-DD-857-0			
	SCALE	DCS 858-0-LTS		REV.
	SHEET 1 OF 1	DIST.		

REV.	CHANGE NO.	DESCRIPTION
1	1	INITIAL

REV. A
 NUMBER 858-0-LTS
 SIZE CODE DCS

This drawing and specifications, herein, are the property of Digital Equipment Corporation and shall not be reproduced or copied or used in whole or in part as the basis for the manufacture or sale of items without written permission.



UNLESS OTHERWISE NOTED:
ALL RESISTORS ARE ±5%
1/8 W CARBON COMPOSITION

REV	
CHANGE NO.	
CHK	

FIRST USED ON OPTION/MODEL	QTY.	DESCRIPTION	PART NO.	ITEM NO.
KI10		PARTS LIST		
UNLESS OTHERWISE SPECIFIED DIMENSION IN INCHES. TOLERANCES		DRN: <i>W. Stephenson</i> DATE: <i>1/2/72</i>	<p>digital EQUIPMENT CORPORATION WATNARD, MASSACHUSETTS</p> <p>TITLE: 858 AUX POWER CONTROL (RESTART)</p>	
DECIMALS	ANGLES	CHK'D: <i>Allen Kent</i> DATE: <i>2/14/72</i>		
.XXX = .006	±0° 30'	ENG: <i>Allen Kent</i> DATE: <i>2/14/72</i>		
.XX = .02		PROJ. ENG: <i>Allen Kent</i> DATE: <i>2/14/72</i>		
.X = .1		PRD: <i>Allen Kent</i> DATE: <i>2/14/72</i>	MATERIAL: NEXT HIGHER ASSY.	
REMOVE BURRS AND BREAK SHARP CORNERS SURFACE QUALITY ✓		SCALE: <i>1/1</i>	SIZE CODE: DCS	NUMBER: 858-0-RES
FINISH		SHEET: 1 OF 1	REV.:	

This drawing and specifications, herein, are the property of Digital Equipment Corporation and shall not be reproduced or copied or used in whole or in part as the basis for the manufacture or sale of items without written permission.

CABLE TO EXTERNAL INDICATOR & CONTROL PANEL (WHEN USED)

PIN	SIGNAL	INPUT OUTPUT
J1-1	POWER SW N.O.	INPUT
2	POWER -1/4 COM (GND)	—
3	POWER SW N.C.	INPUT
4	OVERTEMP LMP L	OUTPUT
5	DOOR OPEN LMP L	OUTPUT
6	CKT BRKR TRIPPED LMP L	OUTPUT
7	POWER SW ON LMP L	OUTPUT
8	+15V	OUTPUT
9	SPARE	
10	SPARE	
11	SPARE	
12	SPARE	

USE 7411468-1 WHEN NO POWER SWITCH USED

CABLE TO DC WIRING HARNESS

PIN	SIGNAL	INPUT OUTPUT
J2-1	EMERG SHUTDOWN EXP	INPUT
2	BUS POWER REQUEST EXP	INPUT
3	GND	—
4	AUX CONTACT IN H	INPUT
5	REG STACKS OK H	INPUT
6	DOOR OPEN H	INPUT
7	DOOR OPEN RET (GND)	—
8	CKT BRKR TRIPPED L	INPUT
9	SPARE	
10	SPARE	
11	SPARE	
12	SPARE	

* THESE PINS ARE USED ONLY TO EXPAND CONTROL FROM MULTIPLE POWER CONTROL BUSES. (SPECIAL SYSTEMS)

CABLE TO B5B (K110) JUMPER PLUG (PERIPHERALS)

PIN	SIGNAL	INPUT OUTPUT
U3-1	POWER REQUEST H	OUTPUT
2	POWER DOWN LATCH (1) H	OUTPUT
3	POWER ON COMMAND H	OUTPUT
4	LOW VOLTAGE L	INPUT
5	BUS POWER REQUEST L	OUTPUT
6	CROWBAR RELEASED H	OUTPUT
7	POWER OK (B57) H	OUTPUT
8	+5V	OUTPUT
9	AUX TEMP OK L	INPUT
10	GND	—
11	POWER REQUEST L	OUTPUT
12	SYSTEM POWER ON L	I/O

* THESE PINS ARE JUMPED TOGETHER WHEN NO B5B IS USED OR WHEN THE K110 IS NOT THE SYSTEM MASTER CONTROL. (7411468-2)

THERMISTOR CABLE

PIN	SIGNAL
J4-1	THERMISTOR 1
2	1 RET
3	2
4	3
5	3 RET
6	2 RET
7	4
8	4 RET
9	5
10	6
11	6 RET
12	THERMISTOR 5 RET
13	CROWBAR +
14	CROWBAR -
15	SPARE

DC POWER CONTROL BUS

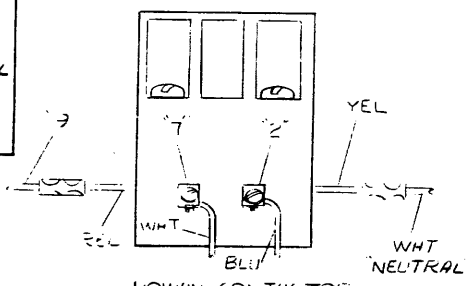
PIN	SIGNAL
J5-1	SYSTEM POWER ON L
2	EMERG SHUTDOWN L
3	GROUND

J5, J6, & J7 ARE WIRED IN PARALLEL

AC CONTACTOR CONTROL (CAUTION HIGH VOLTAGE)

PIN	SIGNAL	K110 USAGE	PERIPHERAL USAGE
J8-1	LINE 1 (AC) THRU CKT BRKR	—	—
2	POWER ON TRIAC (IN)	TO B45 "CONSOLE SW"	JUMPERS ENABLE
3	B57 CONTACTOR COIL	—	B57 CONTROL
4	POWER ON TRIAC (OUT)	TO B45 "CONSOLE SW"	—
5	AUX CONTACT TRIAC (IN)	—	—
6	AUX CONTACT TRIAC (OUT)	—	—

(7411468-3)



KOWAN CONTACTOR 2160-B-260-REA-22-X4000

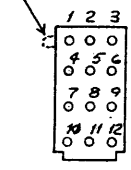
REF DES	DESCRIPTION	PART NO.
S3	SWITCH, TOGGLE C+K 7211	1209593
S2	SWITCH, TOGGLE MICRO SWITCH 6ATI-72	1201168
S1	SWITCH PA1015 REWORKED	7409704-1
R3	RESISTOR 130KΩ, 1W	1305604
D2, D3	THYRECTOR GE 6AS20SPABA	1100106
D1	RECTIFIER 12A *MDA980-1	1110168
T1	TRANSFORMER 12.6V, 15V	1610443
I1-I4	LAMP, IND 18V T-1-3/4	1210628
I1-I4	IND SOCKET MARCO OAK*5952380-41-25	1210584
C3, C4, C5	CAPACITOR 2X 0.1μF 100VDC	1202153
R1, R2	RESISTOR 10Ω, 2W, 10%	1300172
C2	CAPACITOR 6500μF 25V	1009493
C1	CAPACITOR 16000μF 20V	1004874
I5	LAMP 1020-C55, 125V RED LENS INDUS. DEV	1201280
CB1	CIRCUIT BREAKER 30A	1201219
L1, L2	FERRITE TUBE *56-261-30-38	1605147
K1	CONTACTOR 30A 125V 125V 21	1209406-3
TB1	END SECTION *530 BUCHANAN	1209158-2
TB1	TERM BLOCK *529 35EL BUCHANAN	1209158-1
REF DES	DESCRIPTION	PART NO.

MATING FACE VIEW OF FEMALE CONNECTOR

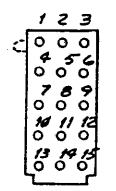


J5, J6, & J7 MATING FACE VIEW OF FEMALE CONNECTOR

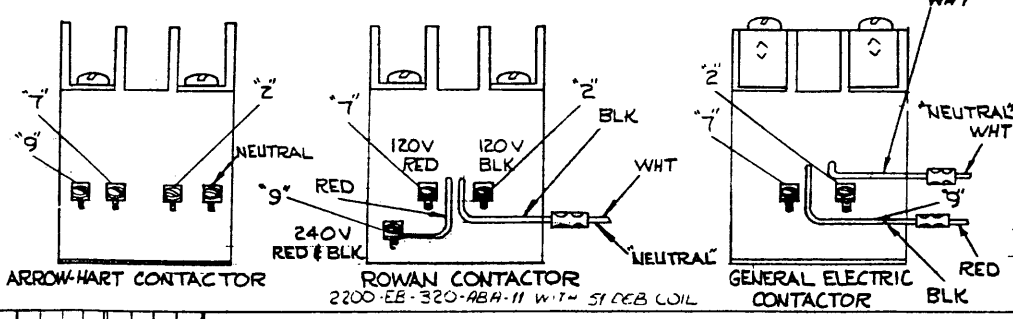
LOCATING RIDGE ON WIRING SIDE (TYP)



J1, J2, & J3 MATING FACE VIEW OF FEMALE CONNECTOR



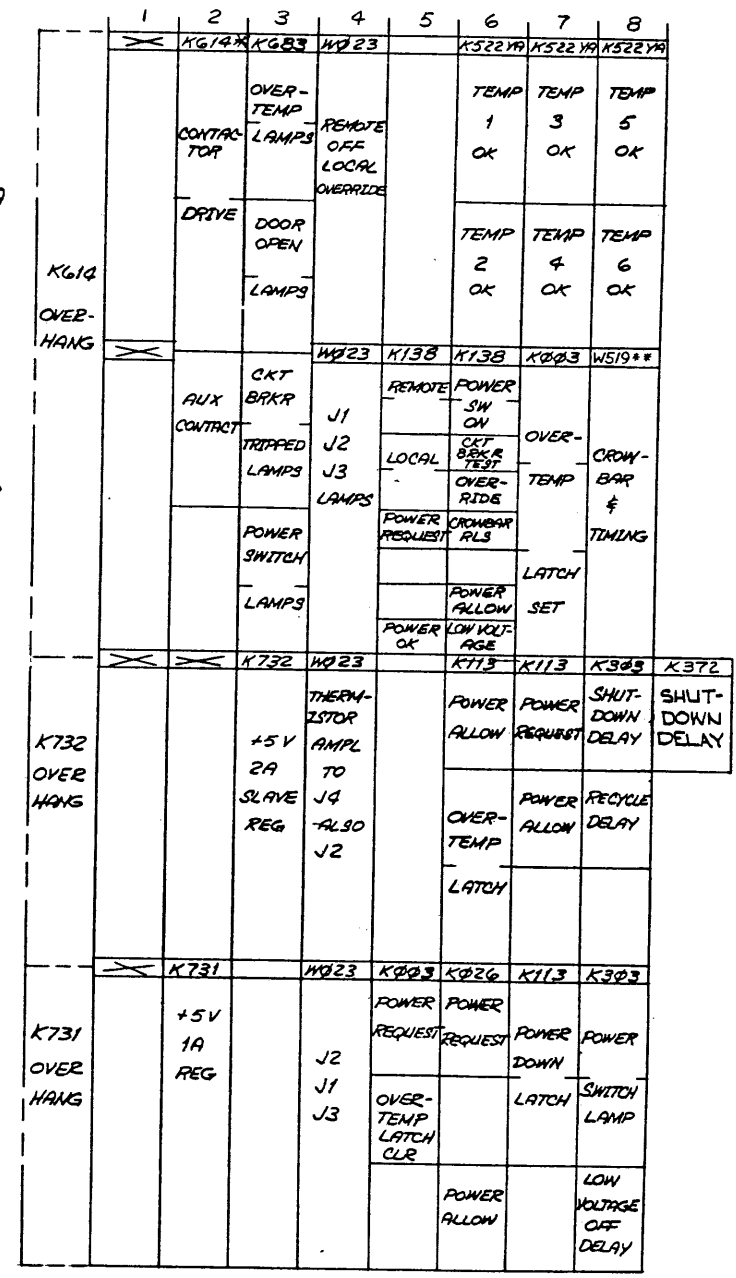
J4 MATING FACE VIEW OF FEMALE CONNECTOR



ARROW-HART CONTACTOR

ROMAN CONTACTOR 2200-EB-320-ABA-11 W-11 51 PCB COIL

GENERAL ELECTRIC CONTACTOR



NOTE: * K614 MUST BE ETCH REV D AND CIRCUIT SCHEMATIC REV F OF LATER. ** W519 MUST BE ETCH REV E OR ABOVE

UP LEFT HAND MTG (K110)

UP RIGHT HAND MTG (PERIPHERALS)

BUS PINS A & C IN EACH MODULE ROW

REV	CHG	NO	DATE	BY	CHK'D
1	A	1	12-15-72	A. KENT	
2	A	2	1-2-73	W. Stephenson	

FIRST USED ON OPTION/MODEL	QTY.	DESCRIPTION	PART NO.	ITEM NO.
K110		MODULE UTILIZATION		
PARTS LIST				
UNLESS OTHERWISE SPECIFIED DIMENSION IN INCHES. TOLERANCES				
DECIMALS	ANGLES	TITLE		
.XXX - .006	±0° 30'	MODULE UTILIZATION		
.XX - .02		SIZE CODE		
.X - .1		DMU 857-0-MUAD		
REMOVE BURRS AND BREAK SHARP CORNERS SURFACE QUALITY				
MATERIAL				
NEXT HIGHER ASSY.				
FINISH				
SCALE				
SHEET 1 OF 1				

REV. B
DMU 857-0-MUAD

This drawing and specifications, herein, are the property of Digital Equipment Corporation and shall not be reproduced or copied or used in whole or in part as the basis for the manufacture or sale of items without written permission.

CABLE TO PROCESSOR LOGIC

PIN	SIGNAL	INPUT OUTPUT
J1-1	POWER DOWN ALARM(L)	OUTPUT
2	RESTART (1) L	OUTPUT
3	RESTART CLR H	INPUT
4	RESTART SET H	INPUT
5	GROUND	—
6	SPARE	—

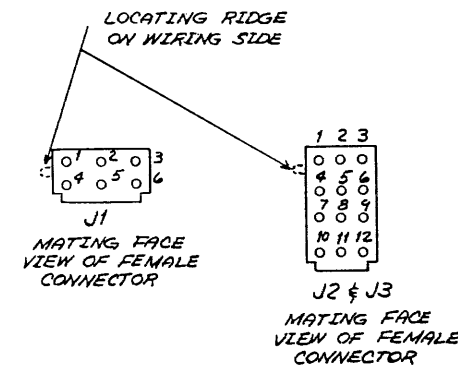
THERMISTOR CABLE

PIN	SIGNAL
J2-1	THERMISTOR 7
2	7 RET
3	8
4	9
5	9 RET
6	8 RET
7	10
8	10 RET
9	11
10	12
11	12 RET
12	THERMISTOR 11 RET

857
858 JUMPER CABLE

PIN	SIGNAL	INPUT OUTPUT
J3-1	POWER REQUEST H	INPUT
2	POWER DOWN LATCH (1) H	INPUT
3	POWER ON COMMAND	INPUT
4	LOW VOLTAGE L	OUTPUT
5	(BUS POWER REQUEST L) (ONLY IN 857)	—
6	CROWBAR RELEASED H	INPUT
7	POWER OK (857) L	INPUT
8	+5V	INPUT
9	AUX TEMP OK H	OUTPUT
10	GROUND	—
11	POWER REQUEST H	INPUT
12	SYSTEM POWER ON L	OUTPUT

* THIS PIN IS NOT USED IN MULTI PROCESSOR SYSTEMS WITH A MASTER SYSTEM CONTROL PANEL.



	1	2	3	4	5	6	7	8	
A	K652		W423	KP26	K113	K003	K113	W309	
	SYSTEM POWER ON		J1 & J3	RESTART P.S. SET	POWER DOWN ALARM	POWER DOWN ALARM	LOW VOLTAGE	LOW VOLT DET	
			CONN-ECTIONS	RESTART P.S. CLR	RESTART P.S. CLR	AUX TEMP	AUX TEMP	PHASE A	
				RESTART P.S. SET	RESTART P.S. SET	OK	OK	PHASE B	
B		X	K271	K731	W423	K522YA	K522YA	K522YA	
	K652 OVER-HANG								
			K271 OVER-HANG	RESTART REG.	+5V	THERM-ISTORS AMPL TO J2	TEMP OK	TEMP OK	TEMP OK
			* NOTE				TEMP OK	TEMP OK	TEMP OK

BUS PIN ROWS A & C IN BOTH MODULE ROWS

NOTE * K271 MUST BE REMOVED BEFORE INSTALLING K731 FOR USE WITHOUT AN ASSOCIATED 857 POWER CONTROL

REF. DES.	DESCRIPTION	PART NO
T4	TRANSF 12.6V, 15V	1610443
T1, T2, T3	TRANSF PRECISION 12V	1610618
S2	SWITCH ROTARY * PA 1015 REMOVED	7409704-1
S1	SWITCH TOGGLE T2AT1-T2	1201168
D1	RECT. 12A *MDA 980-1	1110168
C2, C3	CAP. 6.500 MF 25V	1009493
C1	CAP. 160.000 MF 20V	1004874

FIRST USED ON OPTION/MODEL		PARTS LIST	
K110		digital EQUIPMENT CORPORATION	
UNLESS OTHERWISE SPECIFIED DIMENSION IN INCHES. TOLERANCES		TITLE	
DECIMALS	ANGLES	MODULE UTILIZATION	
.XXX = .006	±0° 30'		
.XX = .02			
.X = .1			
REMOVE BURRS AND BREAK SHARP CORNERS SURFACE QUALITY ✓		NEXT HIGHER ASSY.	
		B-DD-857-0	
FINISH		SCALE	SHEET 1 OF 1
		DIST.	

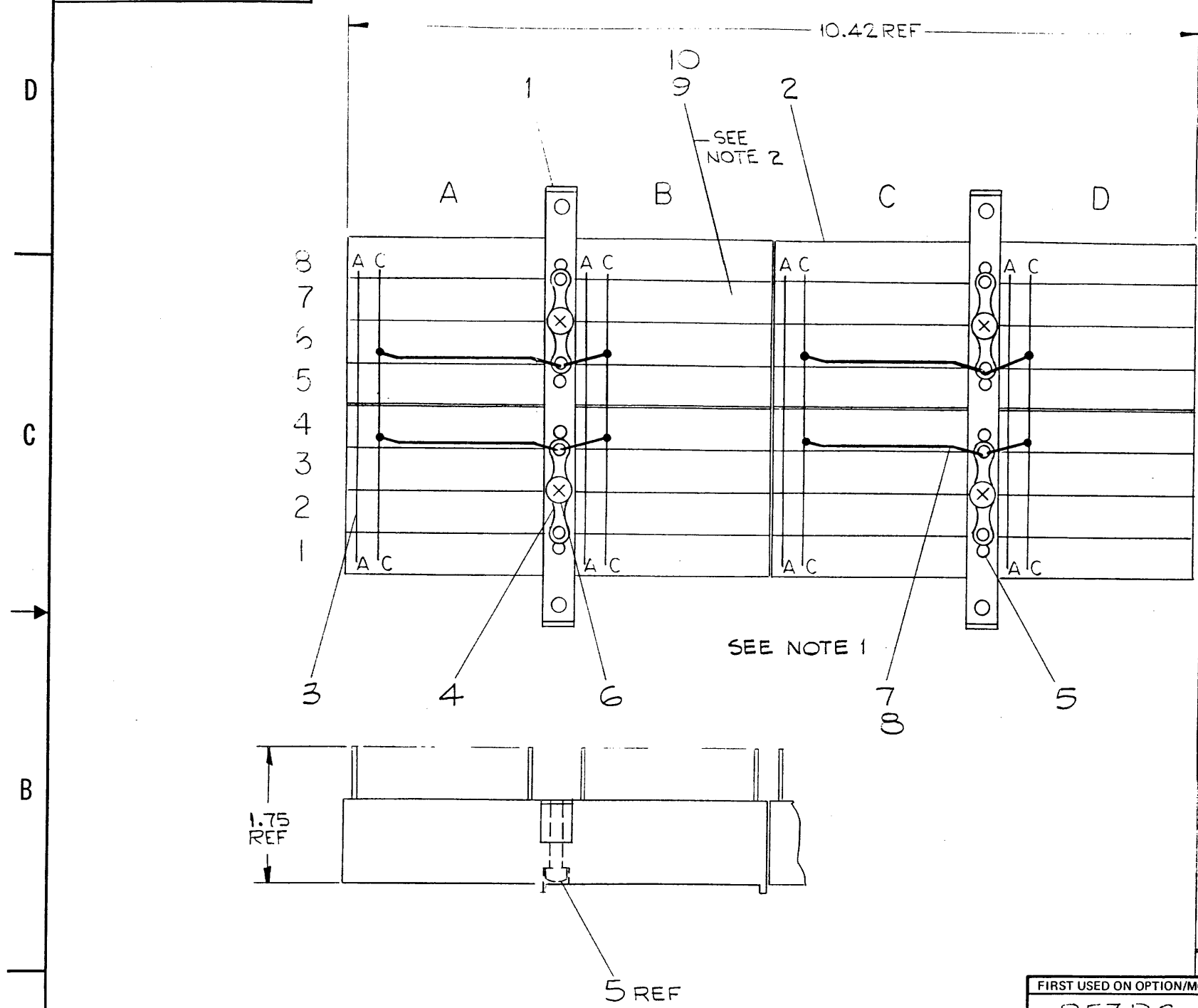
REV	CHANGE NO	REVISIONS

DEC FORM NO DTD 102-B

REV. NUMBER 858-0-MUAB

This drawing and specifications, herein, are the property of Digital Equipment Corporation and shall not be reproduced or copied or used in whole or in part as the basis for the manufacture or sale of items without written permission.

NOTES:
 1. CONNECTIONS ON ITEMS 3-7 TO BE LOCATED AT MINIMUM PRACTICAL HEIGHT ABOVE BLOCKS.
 2. USE YEL WIRE ITEM #9 FOR NUMERICALLY CONTROLLED WRAPPING (GARDNER DENVER AND NC HAND WRAP) USE BLU WIRE ITEM #10 FOR UNAIDED HANDWRAP (GARDNER DENVER REWORK, AWT REWORK ETC).



R13	1	RES 470 1/4 W 10% CC	7404646	18
	REF	WIRE LIST		X
C8,C9	2	CAP, 2.2UF, ±10% 20VDC	7405962	17
C7	1	CAP, 15UF, ±10% 20VDC	7409712	16
C6	1	CAP, 39UF, ±10% 10VDC	7405963	15
R5	1	RES 220K 1/4W 5% CC	7409711	14
R7	1	RES 180K 1/4 10% CC	7409710	13
R4,R8	2	RES 150K, 1/4W 5% CC	7406519	12
R6 R1-R2	5	RES 1.8K 1/4W 5% CC	7409709	11
A/R	#24	AWG SOLID KYNAR INS BLU	9107586-66	10
A/R	#24	AWG SOLID KYNAR INS YEL	9107586-44	9
A/R	#22	TUBING WHT	9107265-09	8
A/R	#22	AWG BUSS WIRE	9107560-01	7
4	SCR.PHL HD.TAPITE #8-32x3/8 LG	9006418	6	
8	SCR.FIL HD POS.DRIVE #8-32x3/8 LG	9006120	5	
4	JRD LUG SHAKEPROOF 216-08-00	9007597	4	
A/R	CHAIN,VOLTAGE	1202188	3	
4	144 PIN CONN BLOCK #H800W	1202244	2	
DESG.	2	CONN MTG BAR	B-MD-7409609-0-0	1

FIRST USED ON OPTION/MODEL	QTY.	DESCRIPTION	PART NO.	ITEM NO.
857 PC.				
PARTS LIST				
UNLESS OTHERWISE SPECIFIED DIMENSION IN INCHES. TOLERANCES	DRN. DATE	CHK'D. DATE	digital EQUIPMENT CORPORATION MAYNARD MASSACHUSETTS	
DECIMALS .XXX = .005 XX = .02 X = .1	ENG. DATE	PROJ. ENG. DATE	TITLE	
ANGLES ±0° 30'	PROJ. ENG. DATE	PROD. DATE	WIRED ASSY	
REMOVE BURRS AND BREAK SHARP CORNERS SURFACE QUALITY ✓	NEXT HIGHER ASSY.		857 POWER CONTROL	
MATERIAL	D-UA-857-0-0	SIZE CODE	NUMBER	REV.
FINISH	SCALE 1/1	CAD	7008893-0-0	A
	SHEET 1 OF 2	DIST.		

REV. A	CHG. NO. 2	DATE 5/19/72
CHK	857-000-2	DATE 5/19/72
A. KEN		
Allen Kent		

This drawing and specifications, herein, are the property of Digital Equipment Corporation and shall not be reproduced or copied or used in whole or in part as the basis for the manufacture or sale of items without written permission.

EXTERNAL COMPONENTS

ITEM NO.	DESCRIPTION	FROM CONNECTION	TO CONNECTION	REMARKS
11	RESISTOR	AØ2A	AØ3L	1.8K±5% ¼W
11		BØ6A	BØ6H	
11		BØ6A	BØ6K	
11		BØ6V	CØ6A	
11		BØ7U	CØ6A	1.8K±5% ¼W
18	RESISTOR	BØ7T	CØ7A	470 ± 10% ¼W
12	RESISTOR	CØ7C	CØ8P	150K±5% ¼W
12	RESISTOR	DØ8C	DØ8J	150K±5% ¼W
13	RESISTOR	DØ7C	DØ8P	180K±5% ¼W
14	RESISTOR	DØ7C	DØ8V	220K±5% ¼W
15	CAPACITOR	CØ7C	CØ8P +	39µF±10% 10V
16	CAPACITOR	DØ6C	DØ8V +	15µF±10% 20V
17	CAPACITOR	DØ6C	DØ8P +	2.2µF±10% 20V
17	CAPACITOR	DØ7C	DØ8J +	2.2µF±10% 20V

NOTE: LAST LETTER SHOWN IN CONN. CHART DESIGNATES PIN LTR ON 144 PIN BLOCK.

ALL RES. & CAP. ARE SUPPLIED WITH INSULATION & TERMINALS.


REV.	
CHANGE NO.	
CHK	

FIRST USED ON OPTION/MODEL 857 P.C.	QTY.	DESCRIPTION	PART NO.	ITEM NO.
PARTS LIST				
UNLESS OTHERWISE SPECIFIED DIMENSION IN INCHES. TOLERANCES	DRN. <i>[Signature]</i>	DATE 23 MAR 72	digital EQUIPMENT CORPORATION MAYNARD, MASSACHUSETTS	
DECIMALS .XXX = .005 .XX = .02 .X = .1	CHK'D. <i>[Signature]</i>	DATE 5/19/72	TITLE WIRED ASSY	
ANGLES ±0° 30'	ENG. <i>[Signature]</i>	DATE 5/19/72	857 POWER CONTROL	
REMOVE BURRS AND BREAK SHARP CORNERS SURFACE QUALITY ✓	PROJ. ENG. <i>[Signature]</i>	DATE 23 MAR 72		
MATERIAL — / — / —	PROD. <i>[Signature]</i>	DATE 5/27/72		
FINISH — / — / —	NEXT HIGHER ASSY. D-UA-857-0-0	SIZE CODE C AD	NUMBER 7008893-0-0	REV. A
	SCALE SHEET 2 OF 2	DIST.		

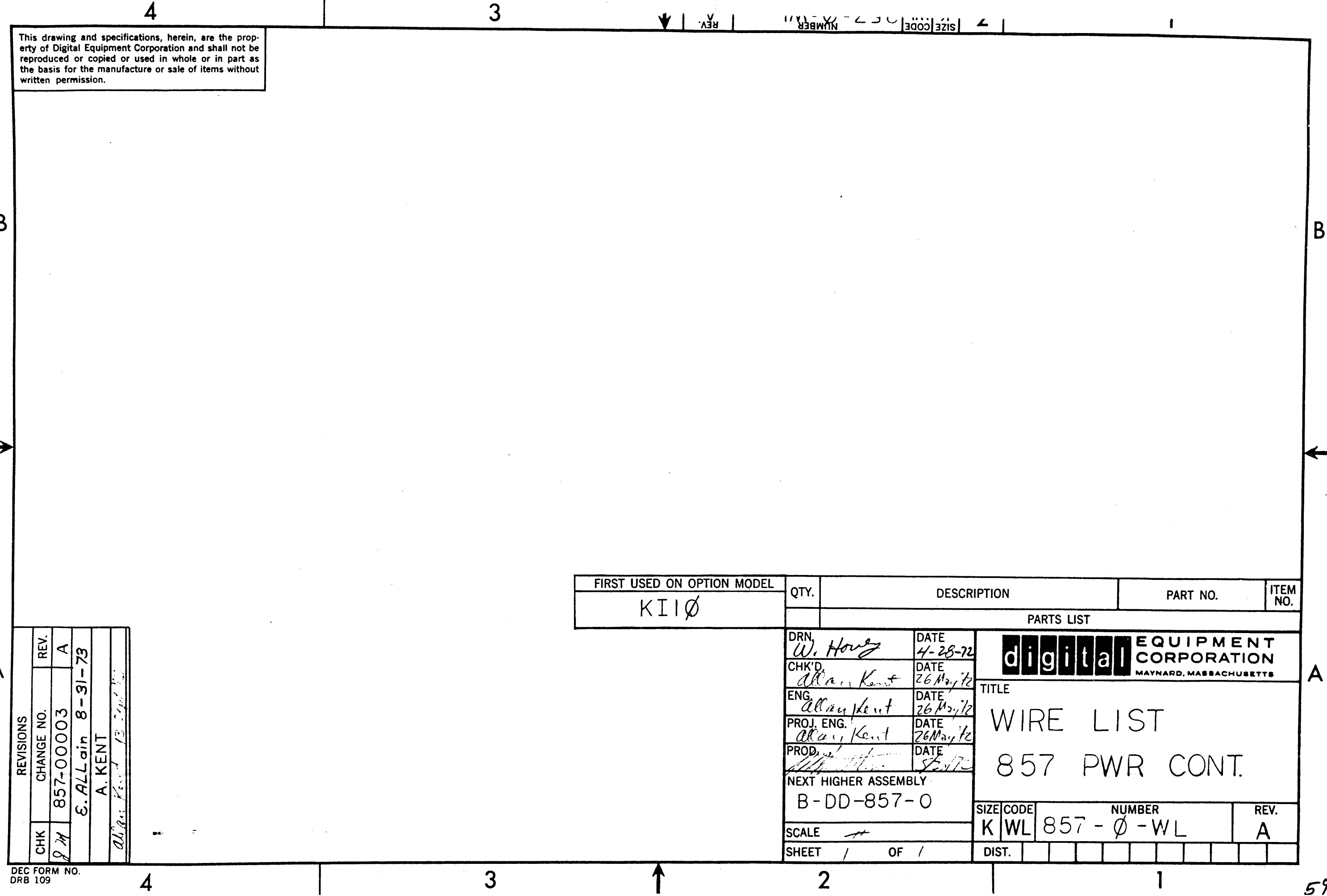
REV. A
NUMBER 7008893-0-0
SIZE CODE C AD

This drawing and specifications, herein, are the property of Digital Equipment Corporation and shall not be reproduced or copied or used in whole or in part as the basis for the manufacture or sale of items without written permission.

REV. NUMBER SIZE CODE NUMBER

FIRST USED ON OPTION MODEL	QTY.	DESCRIPTION	PART NO.	ITEM NO.
K110				
PARTS LIST				
DRN. <i>W. Hough</i>	DATE <i>4-28-72</i>	<div style="text-align: center;">  <p>digital EQUIPMENT CORPORATION MAYNARD, MASSACHUSETTS</p> </div>		
CHK'D. <i>A. Kent</i>	DATE <i>26 May 72</i>			
ENG. <i>A. Kent</i>	DATE <i>26 May 72</i>			
PROJ. ENG. <i>A. Kent</i>	DATE <i>26 May 72</i>			
PROD. <i>A. Kent</i>	DATE <i>26 May 72</i>			
NEXT HIGHER ASSEMBLY B-DD-857-0		TITLE WIRE LIST 857 PWR CONT.		
SCALE <i>1/8"</i>	SIZE CODE K WL	NUMBER 857 - 0 - WL	REV. A	
SHEET 1 OF 1	DIST.			

REVISIONS		CHANGE NO.	REV.
CHK	<i>8/14</i>	857-00003	A
		<i>E. Allain 8-31-73</i>	
		<i>A. KENT</i>	
		<i>A. Kent 13 Sept 72</i>	

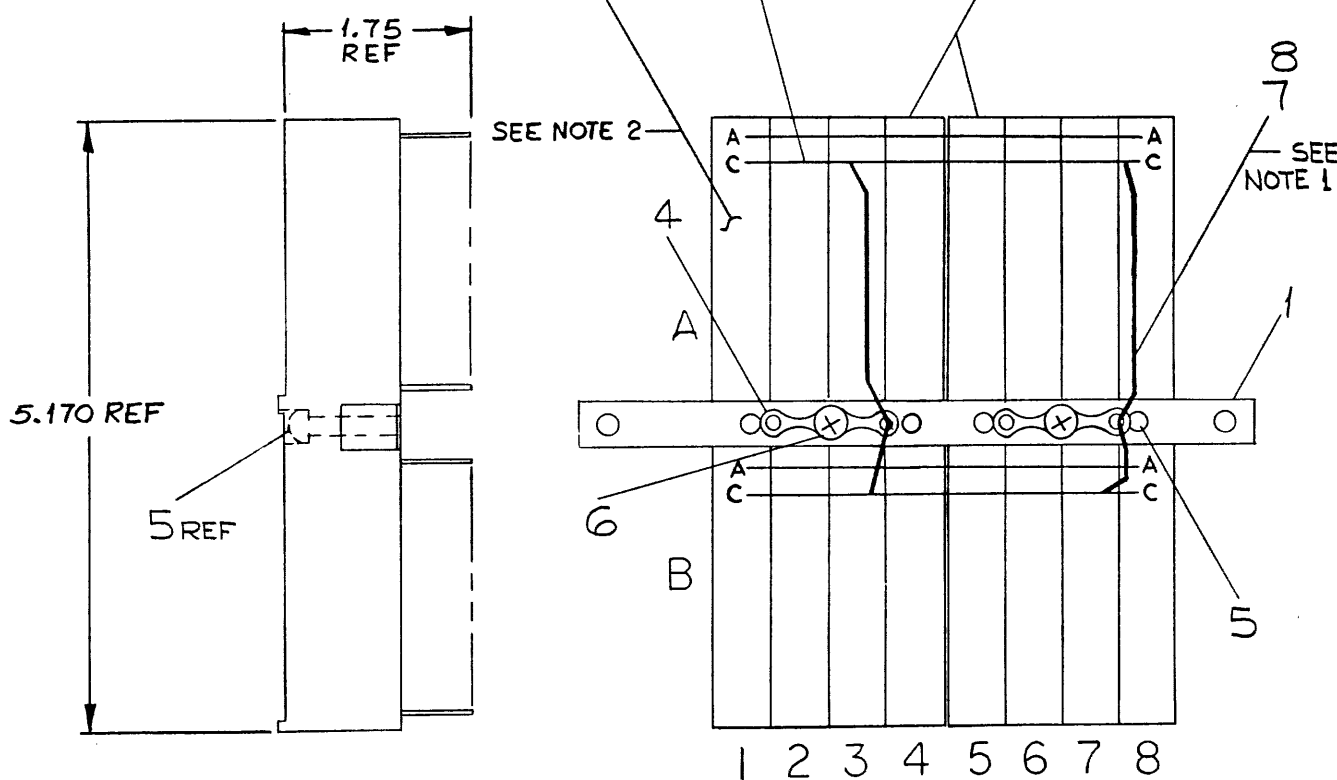


This drawing and specifications, herein, are the property of Digital Equipment Corporation and shall not be reproduced or copied or used in whole or in part as the basis for the manufacture or sale of items without written permission. 1972

NOTES:

1. CONNECTIONS ON ITEM 3 & 7 TO BE LOCATED AT MINIMUM PRACTICAL HEIGHT ABOVE BLOCKS.
2. USE YEL WIRE ITEM #9 FOR NUMERICALLY CONTROLLED WRAPPING (GARDNER DENVER AND NC HANDWRAP) USE BLU WIRE ITEM #10 FOR UNAIDED HAND WRAP (GARDNER DENVER REWORK, AWT REWORK ETC.)

D
C
B
A



EXTERNAL COMPONENTS				
ITEM NO	DESCRIPTION	FROM CONNECTION	TO CONNECTION	REMARKS
11	RESISTOR	AØ4C	AØ4N	WITH INS TERMI POINTS
11	RESISTOR	AØ4S	BØ4C	WITH INS TERMI POINTS
12	RESISTOR	AØ8P	AØ8C	WITH INS TERMI POINTS
12	RESISTOR	AØ8T	BØ8C	WITH INS TERMI POINTS

2	RES 200 2W 5%	7410679	12	REV. A
REF	WIRE LIST			
2	RES 1K 1/4W 5%	7405969	11	
A/R	#24 AWG SOLID KYNAR INS(BLU)	9107586-66	10	
A/R	#24 AWG SOLID KYNAR INS(YEL)	9107586-44	9	
A/R	#22 TUBING WHT	9107265-09	8	
A/R	#22 AWG BUS WIRE	9107460-01	7	
2	SCR,PHL HD TAPTITE#8-32x3/8 LG	9006418	6	
4	SCR, FIL HD POSIDRIVE#8-32x5/8	9006120	5	
2	GND LUG SHAKEPROOF 2116-08-00	9007597	4	
A/R	CHAIN VOLTAGE	1202188	3	
2	144 PIN CONN BLOCK H800-W	1202244	2	
1	CONN MTG BAR	B-MD-74096320-0	1	

FIRST USED ON OPTION/MODEL 858 PC.	QTY.	DESCRIPTION	PART NO.	ITEM NO.
PARTS LIST				
UNLESS OTHERWISE SPECIFIED DIMENSION IN INCHES. TOLERANCES	DRN. <i>W. Hovey</i>	DATE 3-27-72	digital EQUIPMENT CORPORATION MAYNARD, MASSACHUSETTS	
DECIMALS .XXX = .005 .XX = .02 .X = .1	CHK'D <i>R. Keay</i>	DATE 5/17/72	TITLE	
ANGLES ±0° 30'	ENG <i>R. Keay</i>	DATE 5/22/72	WIRED ASSY	
REMOVE BURRS AND BREAK SHARP CORNERS SURFACE QUALITY ✓	PROJ. ENG. <i>Allen Kent</i>	DATE 23 May 72	858 POWER CONTROL	
MATERIAL	PROD. <i>Allen Kent</i>	DATE 5/23/72	NEXT HIGHER ASSY.	
FINISH			D-UA-858-0-0	SIZE CODE NUMBER REV. CAD 7008895-0-0 A
	SCALE 1/1		SHEET 1 OF 1	DIST. C

REVISIONS	CHANGE NO.	REV.
1	B58-00001	A
KENT		
21 Nov 72		

This drawing and specifications, herein, are the property of Digital Equipment Corporation and shall not be reproduced or copied or used in whole or in part as the basis for the manufacture or sale of items without written permission.

REV. NUMBER SIZE CODE NUMBER

FIRST USED ON OPTION MODEL	QTY.	DESCRIPTION	PART NO.	ITEM NO.
K110				
PARTS LIST				
DRN. <i>W. Harg</i>	DATE 4-28-72	<div style="display: flex; align-items: center;"> digital EQUIPMENT CORPORATION MAYNARD, MASSACHUSETTS </div>		
CHK'D. <i>Allen Kent</i>	DATE 26 May 72			
ENG. <i>Allen Kent</i>	DATE 26 May 72			
PROJ. ENG. <i>Allen Kent</i>	DATE 26 May 72			
PROD. <i>M. Matthews</i>	DATE 5/25/72			
NEXT HIGHER ASSEMBLY		TITLE WIRE LIST 858 AUX POWER CONT.		
B-DD-858 - Ø				
SCALE #	SIZE CODE K WL	NUMBER 858 - Ø - WL	REV.	
SHEET 1 OF 1	DIST.			

REVISIONS	CHANGE NO.	REV.
	CHK	

4

3

1

B

B

A

A

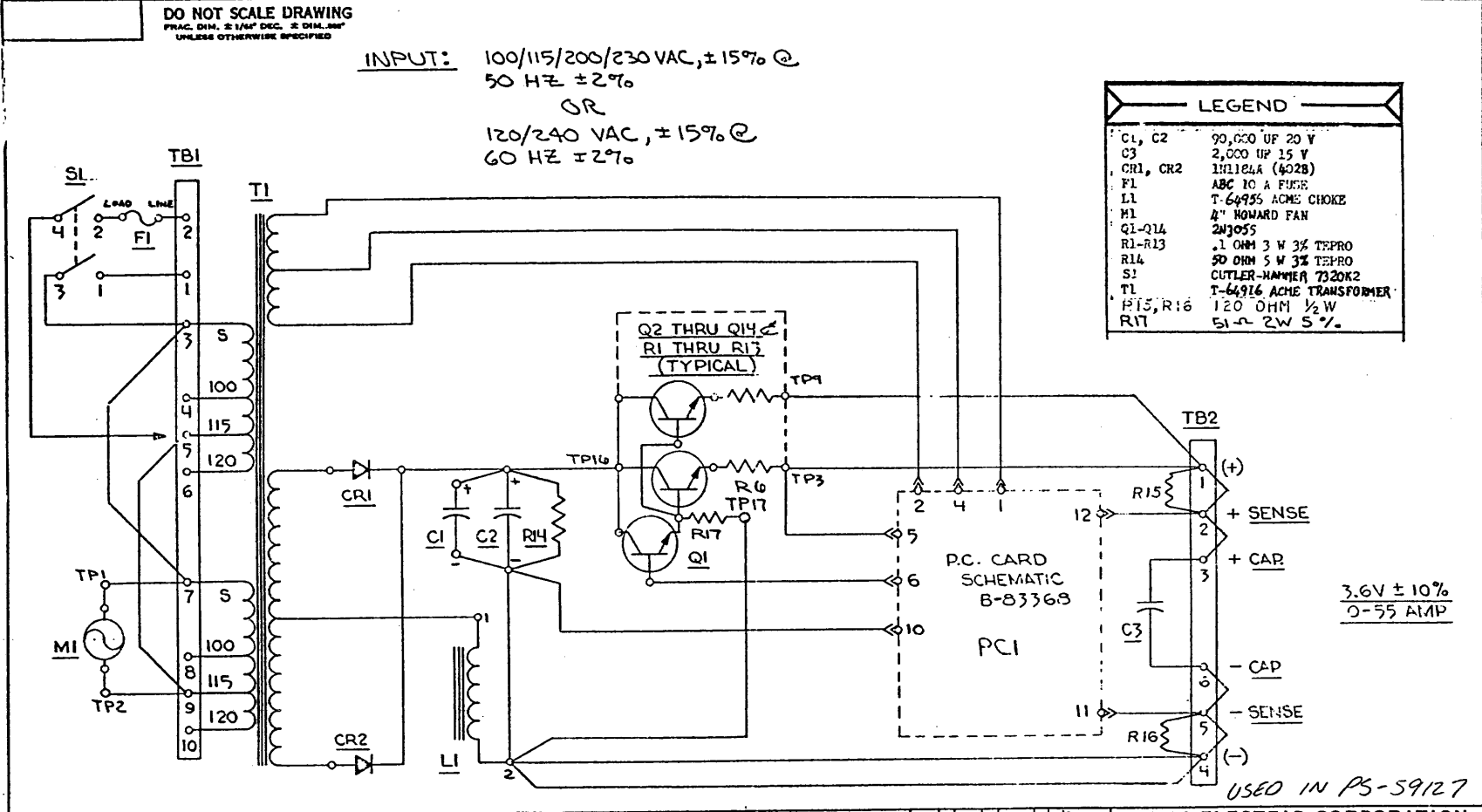
4

3

2

1

This drawing and specifications, herein, are the property of Digital Equipment Corporation and shall not be reproduced or copied or used in whole or in part as the basis for the manufacture or sale of items without written permission.



ACME ELECTRIC CORPORATION
CUBA, N. Y.

POINT TO POINT SCHEMATIC

REQ.	SCALE	MATERIAL	TYPE	ASSEMBLY
			PS-59127	
DRAWN				CHANGE
CHECKED			B-83369	
APPROVED				

BRUNING 40-107 15968

REVISIONS	
CHK	CHANGE NO.
1	1205949-00001 A
REVISED & REDRAWN	
A. KENT 9-26-72	
A. KENT 29 Sept 72	

FIRST USED ON OPTION/MODEL	QTY.	DESCRIPTION	PART NO.	ITEM NO.
+	+			
UNLESS OTHERWISE SPECIFIED DIMENSION IN INCHES.				
TOLERANCES				
DECIMALS	ANGLES			
.XXX = .005	± 0° 30'			
.XX = .02				
.X = .1				
REMOVE BURRS AND BREAK SHARP CORNERS SURFACE QUALITY ✓				
MATERIAL	NEXT HIGHER ASSY.			
+	+			
FINISH	SCALE			
+	+			
		SIZE CODE	NUMBER	REV.
		C CS	1205949-0-1	A
		SHEET	1 OF 2	
		DIST.	G	

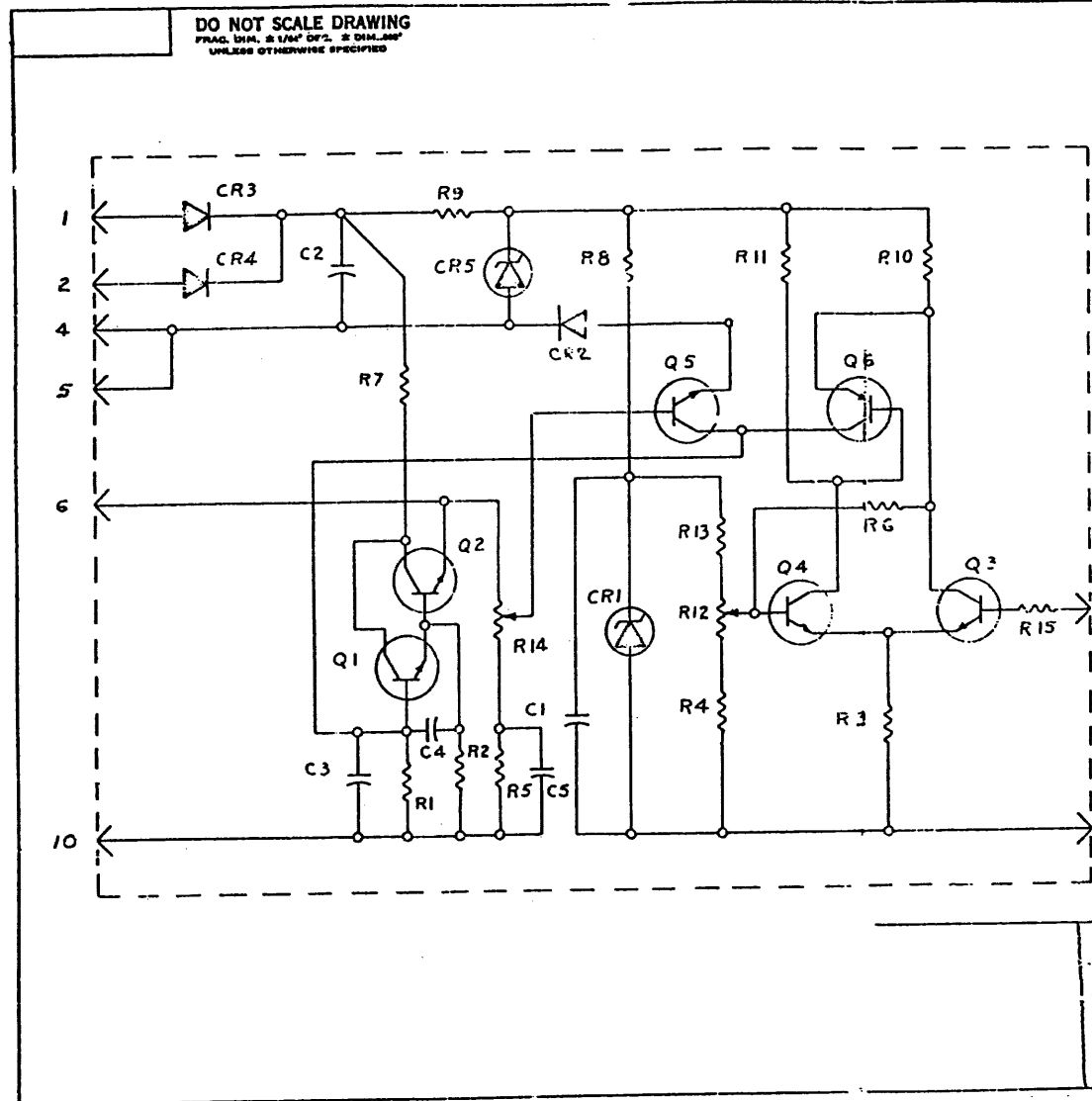
PARTS LIST

DRN.	T. QUILLIN	DATE	3-31-70
CHK'D.	W. SUTHERLAND	DATE	4-1-70
ENG.	A. KENT	DATE	4-2-70
PROJ. ENG.	A. KENT	DATE	4-2-70
PROD.	A. McILVENE	DATE	4-1-70

digital EQUIPMENT CORPORATION
MAYNARD, MASSACHUSETTS

TITLE
LOW VOLTAGE POWER SUPPLY

This drawing and specifications, herein, are the property of Digital Equipment Corporation and shall not be reproduced or copied or used in whole or in part as the basis for the manufacture of a of items without written permission.



CODE	DESCRIPTION
R1	47 K OHM 1/2 W
R2	15 K OHM 1/2 W
R3	470 OHM 1/2 W
R4	500 OHM 1 W TEPRO 3%
R5	4.3 K OHM 1/2 W
R6	100 K OHM 1/2 W
R7	27 OHM 2 W
R8	250 OHM 1/2 W
R9	320 OHM 5 W TEPRO 3%
R10	2.7 K OHM 1/2 W
R11	3.0 K OHM 1/2 W
R12	500 OHM 1 W POTENTIOMETER
R13	800 OHM 1 W TEPRO 3%
R14	2.2 OHM 1 W POTENTIOMETER
R15	330 OHM 1/2 W
C1	100 MFD ± 15 VDC
C2	1.0 MFD ± 35 VDC
C3	.03 MFD ± 100 VDC
CR1	1N4148
CR3-CR4	3840
CR5	1N4148
Q1, Q2, Q4, Q5	2N3053
Q3	2N3905
Q6	2N3905
C4	.005 MFD ± 100 VDC
C5	.002 MFD ± 100 VDC
CR2	384B

DEC P.N. 2919714
ACME P.N. C-85932

REF: FOR P.C. CARD A-82626

ACME ELECTRIC CORPORATION CUSA, N. Y.			
SCHEMATIC			
PROJ.	SCALE	MATERIAL	TYPE
			ASSEMBLY
			PS-55127
DRAWN	CHECK'D	APPROV'D	CHANGE
			B-83368 P.
P-26-3			

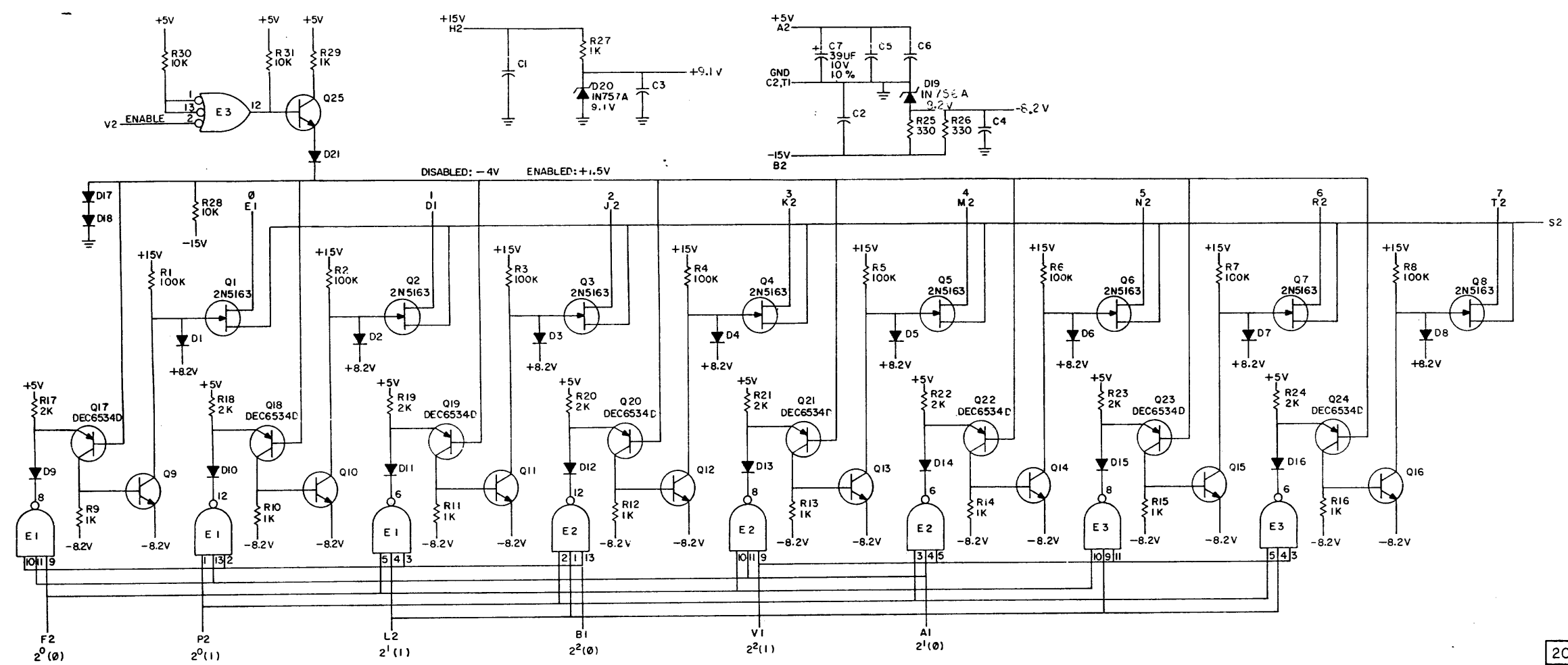
FIRST USED ON OPTION/MODEL	QTY.	DESCRIPTION	PART NO.	ITEM NO.
UNLESS OTHERWISE SPECIFIED DIMENSION IN INCHES TOLERANCES				
DECIMALS	ANGLES	PARTS LIST		
.XXX ± .005	± 0° 30'	DRN	T.QUILLIN	DATE 3-31-70
.XX ± .02		CHK'D	W.SUTHERLAND	DATE 4-1-70
.X ± .1		ENG.	A.KENT	DATE 4-2-70
		PROJ. ENG.	A.KENT	DATE 4-2-70
		PROD.	A.McILVENE	DATE 4-1-70
REMOVE BURRS AND BREAK SHARP CORNERS SURFACE QUALITY ✓		TITLE		
MATERIAL		LOW VOLTAGE POWER SUPPLY		
FINISH		NEXT HIGHER ASSY.		
		SCALE	SIZE CODE	NUMBER
		SHEET 2 OF 2	CCS	1205949-0-1
		DIST. C		REV. A

REV.	
CHK	CHANGE NO.
REVISIONS	

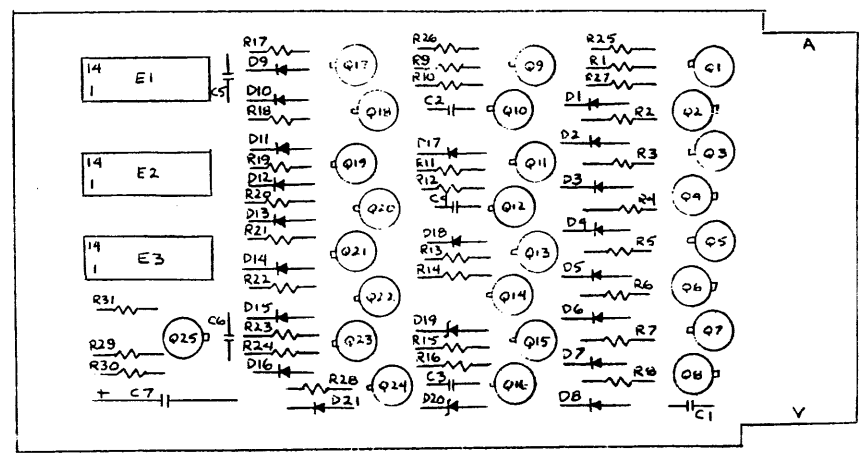
FORM NO. DAC 100-A

REV. A 1205949-0-1

THIS SCHEMATIC IS FURNISHED ONLY FOR TEST AND MAINTENANCE PURPOSES. THE CIRCUITS ARE PROPRIETARY IN NATURE AND SHOULD BE TREATED ACCORDINGLY. COPYRIGHT 1971 BY DIGITAL EQUIPMENT CORPORATION.



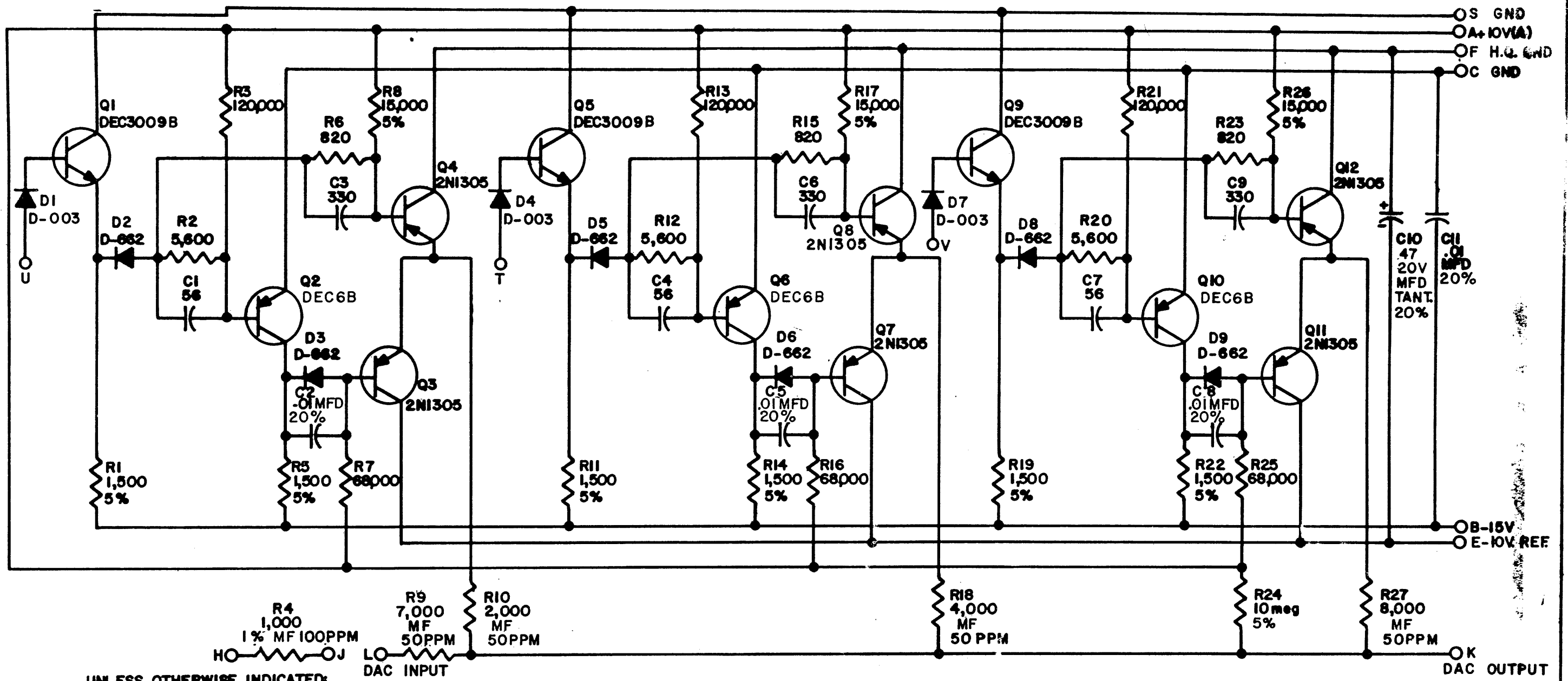
UNLESS OTHERWISE INDICATED:
 RESISTORS ARE 1/4W, 5%
 CAPACITORS ARE .01UF, 100V, 20%
 DIODES ARE D664
 TRANSISTORS ARE DEC3009B
 E1, E2, E3 = DEC7410
 PIN 7 = GND
 PIN 14 = +5V ON EACH IC



20	11-09990	DIODE IN757A 9.1V 5%	1
19	1302466	RES 100K 1/4W 5%	8
18	9008337-0	HANDLE, FLIP CHIP - AMBER	1
17	9006732	EYELET #GS 4-7	2
16	1905576	I.C. DEC 7410	3
15	1509233	TRANSISTOR 2N5163	8
14	1503409-00	TRANSISTOR DEC 6534D	8
13	1503100	TRANSISTOR DEC 3009B	9
12	1302388	RES. 2K, 1/4W, 5%	8
11	1300479	RES. 10K, 1/4W, 5%	3
10	1300365	RES. 1K, 1/4W, 5%	10
9	1300295	RES. 330, 1/4W, 5%	2
8	1103441	DIODE IN756A	1
7	1100114	DIODE D664	19
6	1001610	CA. .01UF, 100V, 20% DISC	6
5	1000076	CA. .39UF, 10V, 10% S. TAAT	1
4	9008683	ETCHED CIRCUIT BOARD	1
3	3-FH-AI33-0-1	MODULE EXHAUSTION	
2	3-AH-AI33-0-5	DRY/DRILLING HOLE PAVOLT	
1	K-CO-AI33-C-4	COORDINATE HOLE LOCATION	
FORM NO.	DEC PART NO.	DESCRIPTION	QTY

REVISIONS DATE BY CHECKED DATE BY APPROVED DATE		DATE 1/8/71 S. CASPER DATE 2-2-71 DATE 1/25/68 DATE 12/10/68		TRANSISTOR & DIODE CONVERSION CHART DEC 2N5163 EIA IN3606 DEC 2N5153 EIA IN3606 DEC DEC6534D EIA NP36534R DEC DEC3009B EIA 2N3009B				TITLE ANALOG SWITCH AI33 EQUIPMENT CORPORATION D CS AI33-0-1 PRINTED CIRCUIT REV. 8	
--	--	--	--	--	--	--	--	---	--

THIS SCHEMATIC IS FURNISHED ONLY FOR TEST AND MAINTENANCE PURPOSES. THE CIRCUITS ARE PROPRIETARY IN NATURE AND SHOULD BE TREATED ACCORDINGLY. COPYRIGHT 1964 BY DIGITAL EQUIPMENT CORPORATION



UNLESS OTHERWISE INDICATED:
 RESISTORS ARE 1/4W; 10%
 MF RESISTORS ARE 0.1%; 1/8W
 CAPACITORS ARE MMFD, 100V, 5%

NOTE:
 WHEN USED AS THE LEAST
 SIGNIFICANT BIT, CONNECT J TO L
 AND CONNECT H TO H.Q. GND.
 PARTS LIST A-PL-A601-0-0



REVISIONS	CHK	CHG NO.	REV.
	DAW	4459	2
	REV	8 REDR.	D
		5606	
		5616	
		5728	E
		5836	F
		6756	H
		7004	J
		00001	K

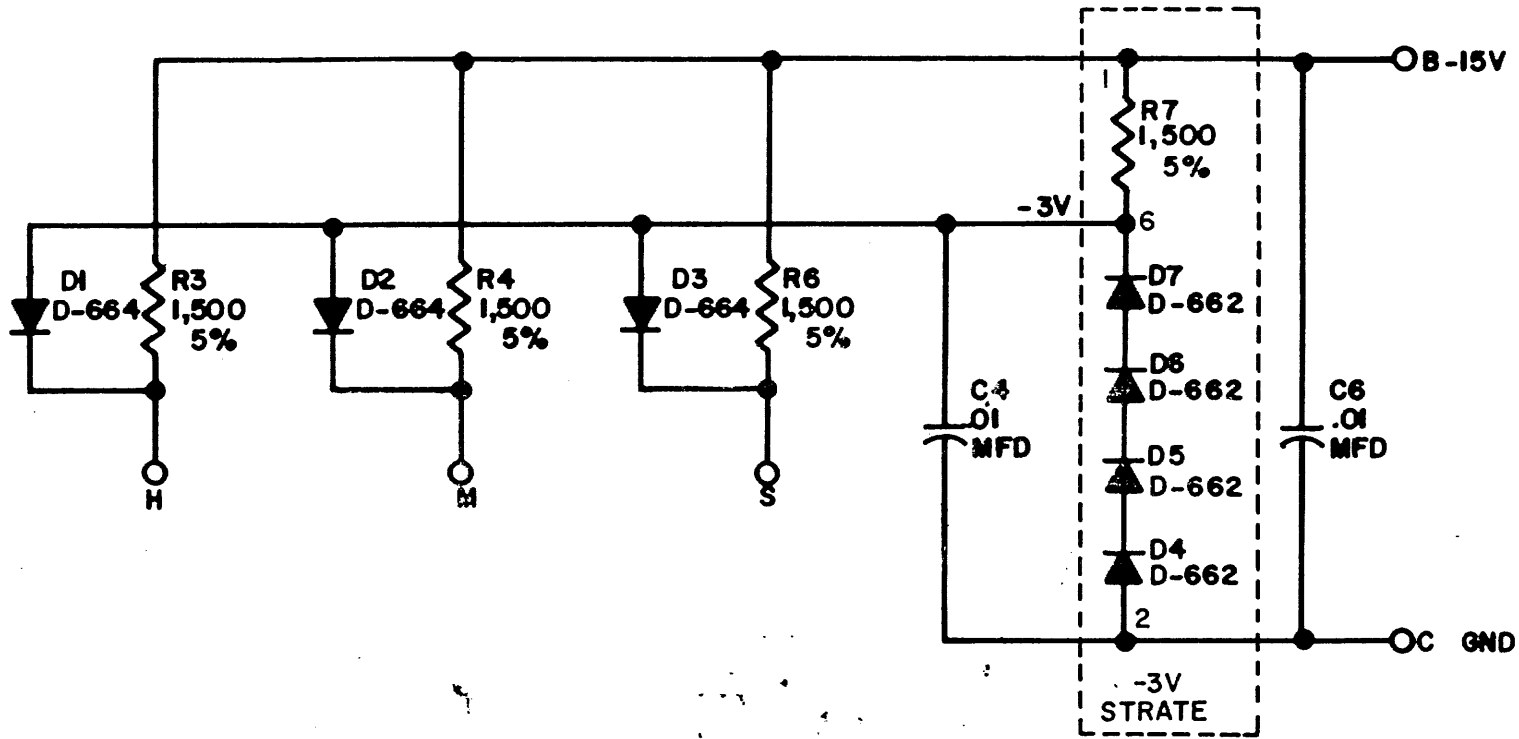
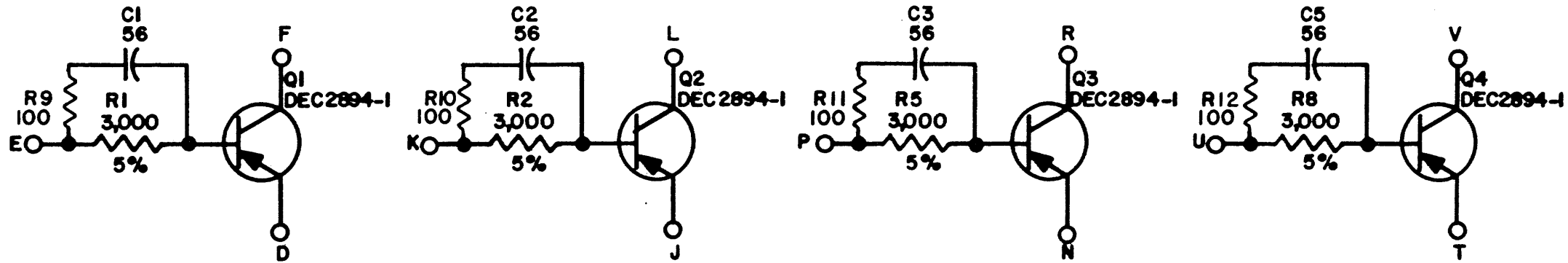
DRN. H. PORTER	DATE 9-15-64
CHK'D N. PERRYMAN	DATE 9-30-64
ENG. R. SORENSEN	DATE 9-30-64
PROD.	DATE

TRANSISTOR & DIODE CONVERSION CHART	
DEC	EIA
2N1305	SAME
DEC6B	NONE
DEC3009B	2N3009
D003	IN994
D662	IN645

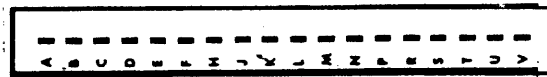
digital
 EQUIPMENT CORPORATION
 MAYNARD, MASSACHUSETTS

TITLE 3 BIT DAC A601			
SIZE B	CODE CS	NUMBER A601-0-1	REV. K
PRINTED CIRCUIT REV.			D E

THIS SCHEMATIC IS FURNISHED ONLY FOR TEST AND MAINTENANCE PURPOSES. THE CIRCUITS ARE PROPRIETARY IN NATURE AND SHOULD BE TREATED ACCORDINGLY. COPYRIGHT 1964 BY DIGITAL EQUIPMENT CORPORATION



UNLESS OTHERWISE INDICATED:
RESISTORS ARE 1/4W; 10%
CAPACITORS ARE MMFD



REVISIONS	CHK	CHG NO.	REV.
	DAW	5030	1
	REV. & REDR.	5380	C

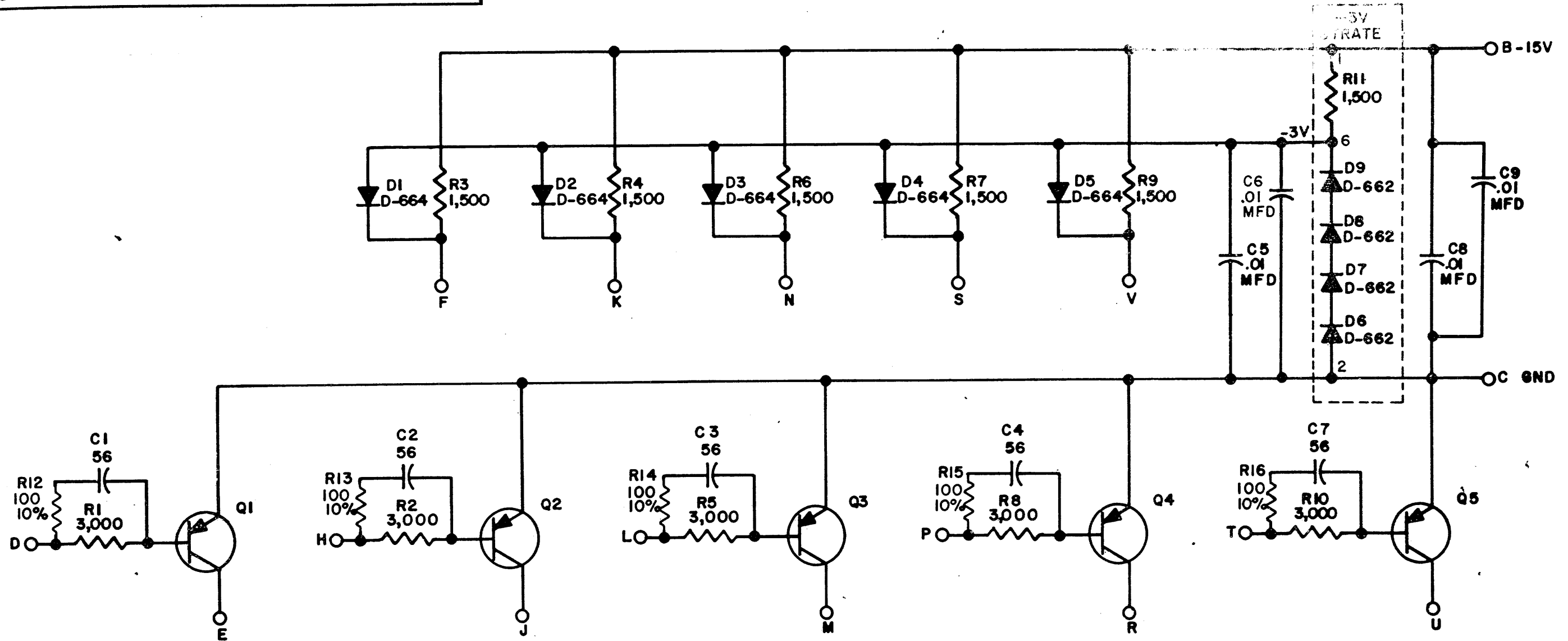
DRN. H PORTER	DATE 4-28-64
CHK'D N PERRYMAN	DATE 5-4-64
ENG. B SCUDNEY	DATE 5-4-64
PROD.	DATE

TRANSISTOR & DIODE CONVERSION CHART			
DEC		EIA	
DEC2894-1		NONE	
D662		IN645	
D664		IN3606	

digital
EQUIPMENT CORPORATION
MAYNARD, MASSACHUSETTS

TITLE INVERTER B104			
SIZE B	CODE CS	NUMBER B104-0-1	REV. C
PRINTED CIRCUIT REV.			C

THIS SCHEMATIC IS FURNISHED ONLY FOR TEST AND MAINTENANCE PURPOSES. THE CIRCUITS ARE PROPRIETARY IN NATURE AND SHOULD BE TREATED ACCORDINGLY. COPYRIGHT 1964 BY DIGITAL EQUIPMENT CORPORATION



UNLESS OTHERWISE INDICATED:
 RESISTORS ARE 1/4W; 5%
 CAPACITORS ARE MMFD
 TRANSISTORS ARE DEC 2894-1B



REVISIONS	CHK	CHG NO.	REV.
	DAW	5269	3
	REV. & REDR.	5381	E

DRN. H PORTER	DATE 4-29-64
CHK'D N PERRYMAN	DATE 5-4-64
ENG. B SCUDNEY	DATE 5-4-64
PROD.	DATE

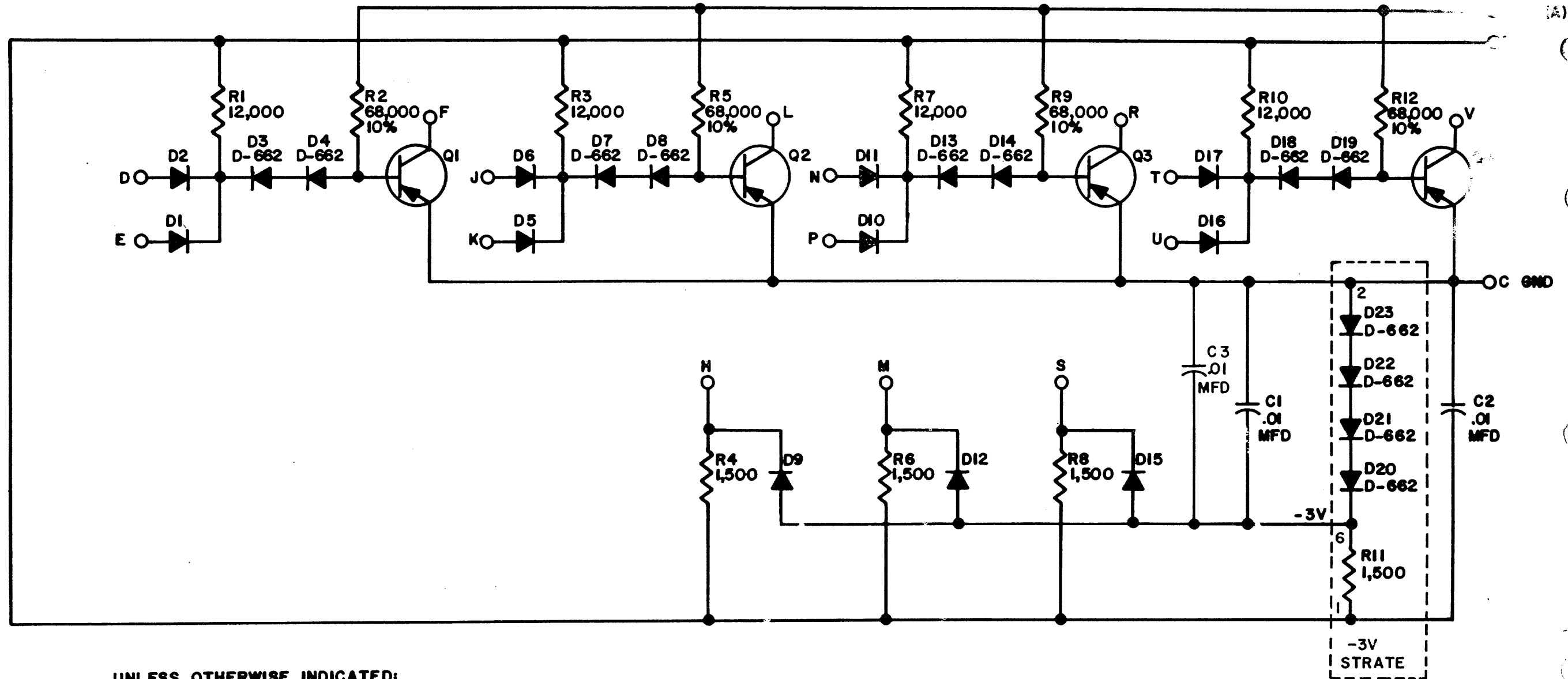
TRANSISTOR & DIODE CONVERSION CHART			
DEC	EIA	DEC	EIA
DEC2894-1B	NONE		
D662	1N645		
D664	1N3606		

digital
 EQUIPMENT CORPORATION
 MAYNARD, MASSACHUSETTS

TITLE INVERTER B105			
SIZE B	CODE CS	NUMBER B105-0-1	REV. E
PRINTED CIRCUIT REV.			D

THIS SCHEMATIC IS FURNISHED ONLY FOR TEST AND MAINTENANCE PURPOSES. THE CIRCUITS ARE PROPRIETARY IN NATURE AND SHOULD BE TREATED ACCORDINGLY. COPYRIGHT 1964 BY DIGITAL EQUIPMENT CORPORATION

REV U
NUMBER
SIZE CODE



UNLESS OTHERWISE INDICATED:
RESISTORS ARE 1/4W; 5%
TRANSISTORS ARE DEC2894-1B
DIODES ARE D-664

< >

REVISIONS	CHK	CHG NO.	REV.
	DAW	5270	2
	REV. & REDR.	5387	C
	5674		D

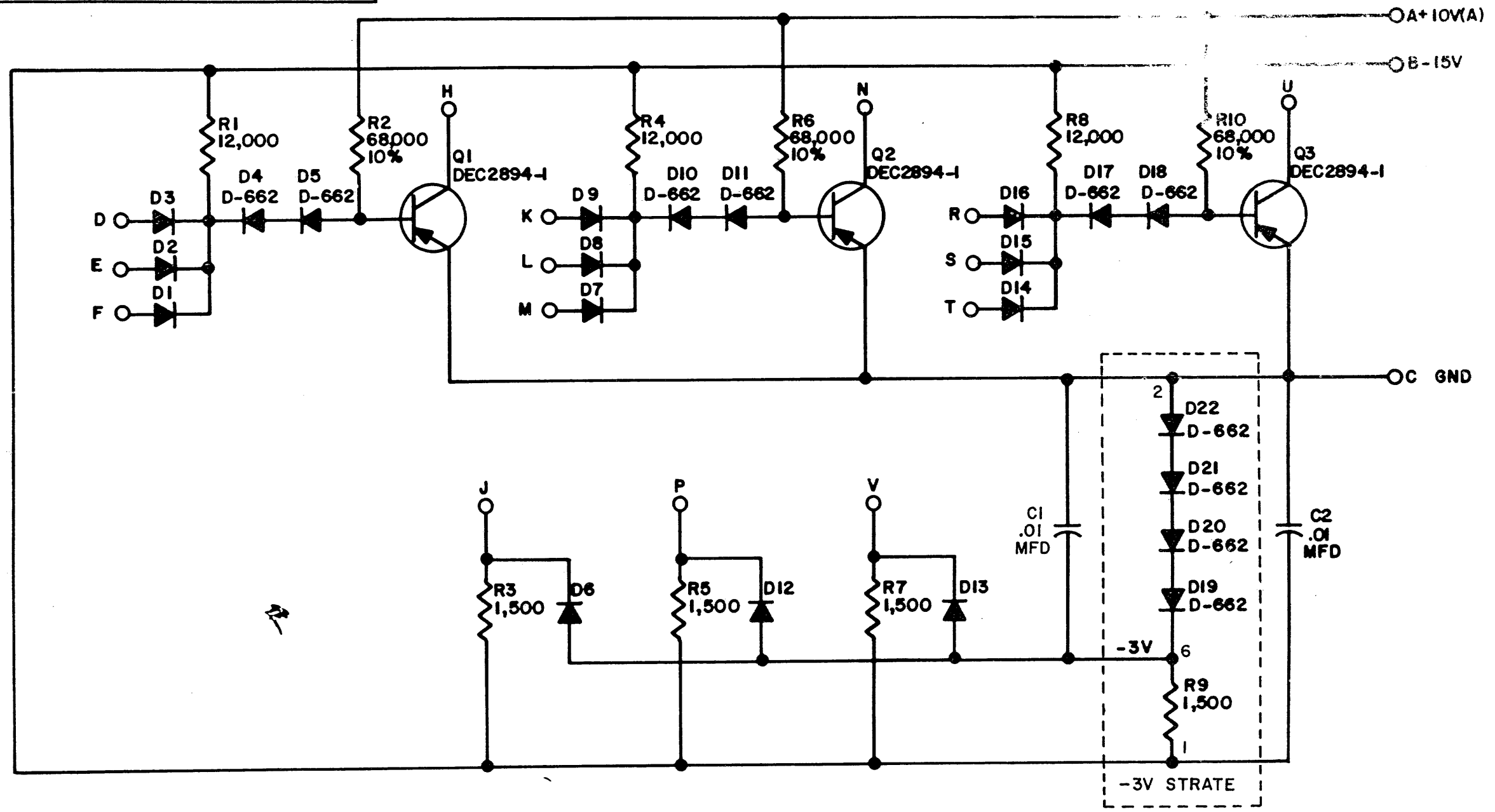
DRN. H. PORTER	DATE 4-29-64
CHK'D N. PERRYMAN	DATE 5-4-64
ENG. B. SCUDNEY	DATE 5-4-64
PROD.	DATE

TRANSISTOR & DIODE CONVERSION CHART			
DEC	EIA	DEC	EIA
DEC 2894-1B	NONE		
D662	IN645		
D664	IN3606		

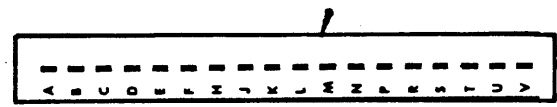
digital
EQUIPMENT CORPORATION
MAYNARD, MASSACHUSETTS

TITLE DIODE GATE B113			
SIZE B	CODE CS	NUMBER B113-0-1	REV. D
PRINTED CIRCUIT REV. C			

THIS SCHEMATIC IS FURNISHED ONLY FOR TEST AND MAINTENANCE PURPOSES. THE CIRCUITS ARE PROPRIETARY IN NATURE AND SHOULD BE TREATED ACCORDINGLY. COPYRIGHT 1964 BY DIGITAL EQUIPMENT CORPORATION

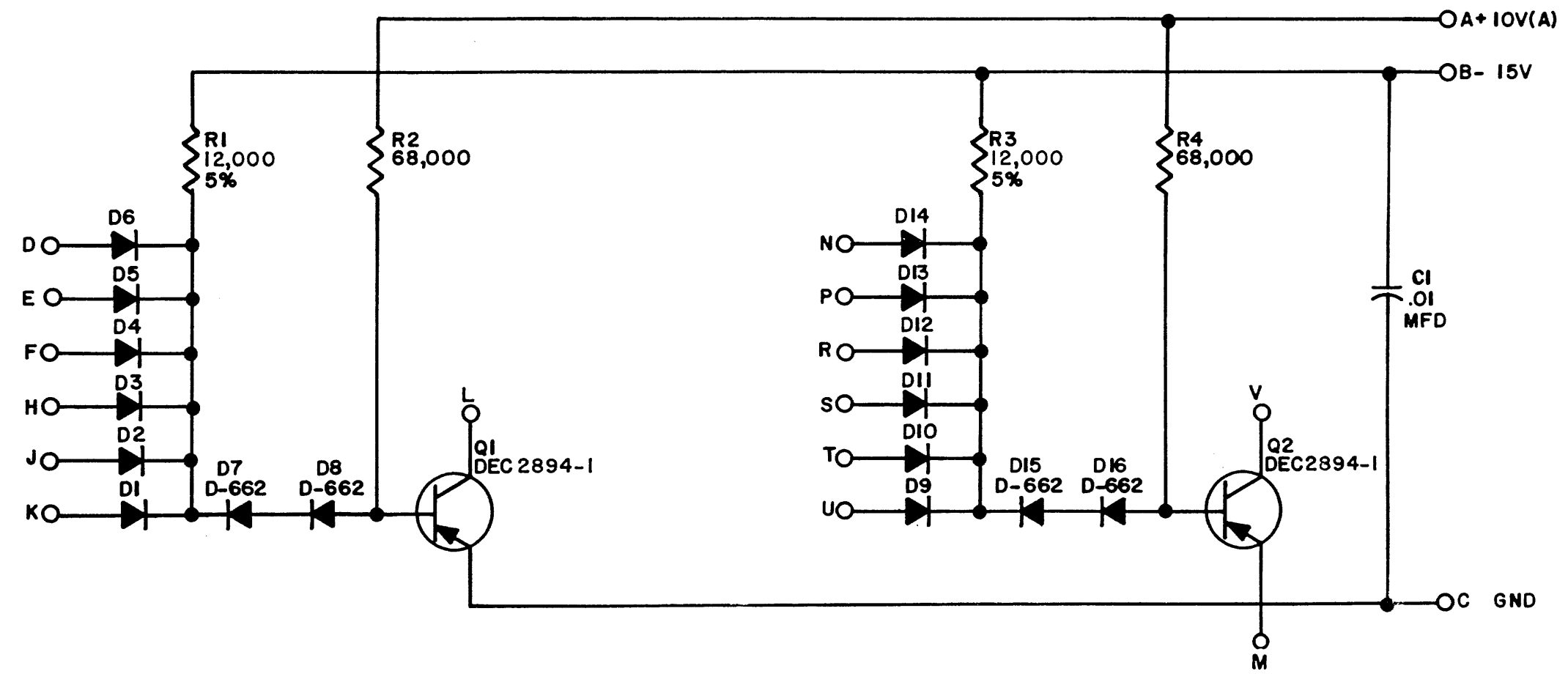


UNLESS OTHERWISE INDICATED:
RESISTORS ARE 1/4W; 5%
DIODES ARE D-664



REVISIONS CHK CHG NO. REV. REV. B REDR. B <i>Rev 5388 B</i> <i>Rev 5673 C</i>	DRN. H. PORTER CHK'D N. PERRYMAN ENG. B. SCUDNEY PROD.	DATE 4-30-64 DATE 5-4-64 DATE 5-4-64 DATE	TRANSISTOR & DIODE CONVERSION CHART				digital EQUIPMENT CORPORATION MAYNARD, MASSACHUSETTS	TITLE DIODE GATE B115																		
	<table border="1"> <tr> <th>DEC</th> <th>EIA</th> <th>DEC</th> <th>EIA</th> <th>DEC</th> <th>EIA</th> </tr> <tr> <td>DEC 2894-1</td> <td>NONE</td> <td></td> <td></td> <td></td> <td></td> </tr> <tr> <td>D662</td> <td>IN645</td> <td></td> <td></td> <td></td> <td></td> </tr> <tr> <td>D664</td> <td>IN3606</td> <td></td> <td></td> <td></td> <td></td> </tr> </table>	DEC	EIA	DEC	EIA	DEC		EIA	DEC 2894-1	NONE					D662	IN645					D664	IN3606				
DEC	EIA	DEC	EIA	DEC	EIA																					
DEC 2894-1	NONE																									
D662	IN645																									
D664	IN3606																									

THIS SCHEMATIC IS FURNISHED ONLY FOR TEST AND MAINTENANCE PURPOSES. THE CIRCUITS ARE PROPRIETARY IN NATURE AND SHOULD BE TREATED ACCORDINGLY. COPYRIGHT 1964 BY DIGITAL EQUIPMENT CORPORATION

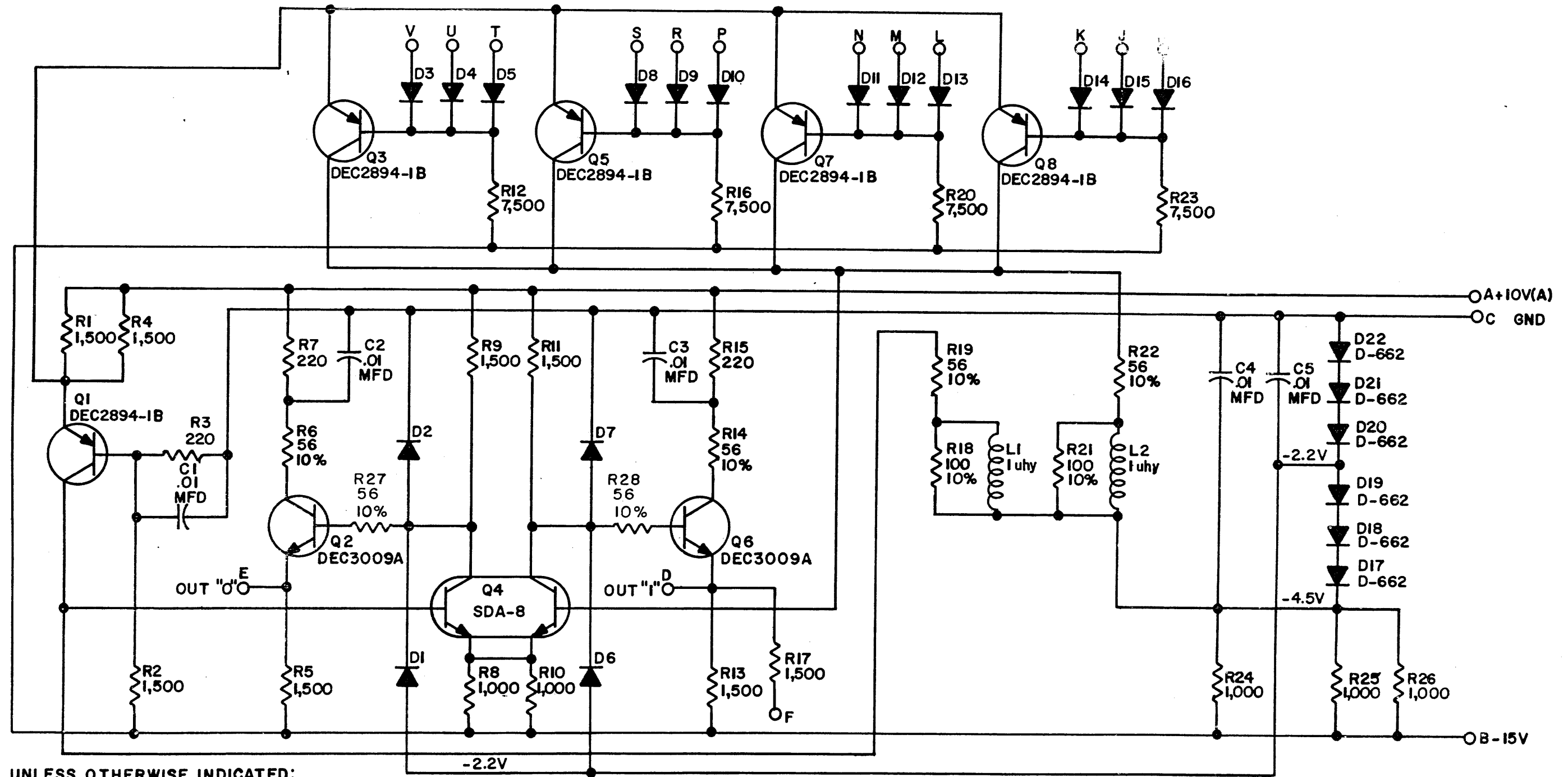


UNLESS OTHERWISE INDICATED:
 RESISTORS ARE 1/4W; 10%
 DIODES ARE D-664

 < U P L I X Z A B C D >

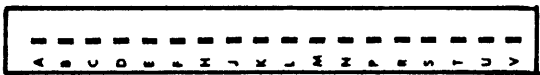
REVISIONS CHK CHG NO. REV. REV. & REDR. 5675 B	DRN. H. PORTER DATE 5-1-64	DATE 5-1-64	TRANSISTOR & DIODE CONVERSION CHART				digital EQUIPMENT CORPORATION MAYNARD, MASSACHUSETTS	TITLE DIODE GATE BII7			
	CHK'D N. PERRYMAN DATE 5-4-64	DATE 5-4-64	DATE 5-4-64	DEC DEC2894-1 NONE	EIA IN645	DEC DEC2894-1 NONE		EIA IN3606	SIZE B	CODE CS	NUMBER BII7-0-1
ENG. B. SCUDNEY DATE 5-4-64		DATE 5-4-64					PRINTED CIRCUIT REV. C				
PROD.		DATE									

THIS SCHEMATIC IS FURNISHED ONLY FOR TEST AND MAINTENANCE PURPOSES. THE CIRCUITS ARE PROPRIETARY IN NATURE AND SHOULD BE TREATED ACCORDINGLY. COPYRIGHT 1964 BY DIGITAL EQUIPMENT CORPORATION



UNLESS OTHERWISE INDICATED:
 RESISTORS ARE 1/4 W, 5%
 DIODES ARE D664

PARTS LIST A-PL-B130-0-0



REVISIONS	CHK	CHG NO.	REV.
			A
			B

REV. & REDR.	6486
REV.	6775

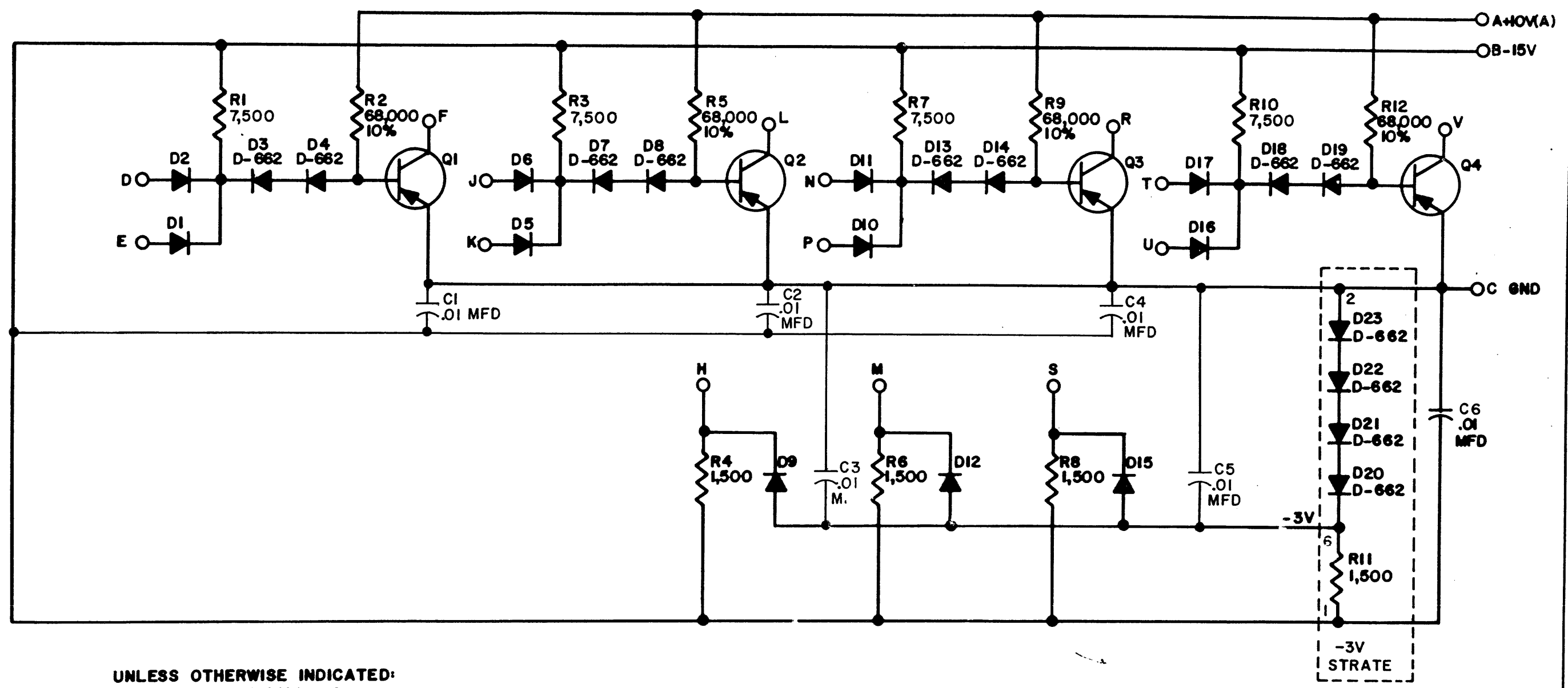
DRN.	H.W. PORTER	DATE	11-19-64
CHK'D	N. PERRYMAN	DATE	12-3-64
ENG.	R. DOANE	DATE	12-3-64
PROD.		DATE	

TRANSISTOR & DIODE CONVERSION CHART			
DEC	EIA	DEC	EIA
DEC2894-1B	NONE		
SDA-8	NONE		
DEC3009A	2N3009		
D662	1N645		
D664	1N36C6		

digital
 EQUIPMENT CORPORATION
 MAYNARD, MASSACHUSETTS

TITLE			
3 BIT PARITY CIRCUIT B130			
SIZE	CODE	NUMBER	REV.
B	CS	B130-0-1	B
PRINTED CIRCUIT REV.			
B			

THIS SCHEMATIC IS FURNISHED ONLY FOR TEST AND MAINTENANCE PURPOSES. THE CIRCUITS ARE PROPRIETARY IN NATURE AND SHOULD BE TREATED ACCORDINGLY. COPYRIGHT 1966 BY DIGITAL EQUIPMENT CORPORATION



UNLESS OTHERWISE INDICATED:
 RESISTORS ARE 1/4W; 5%
 TRANSISTORS ARE 2N4258
 DIODES ARE D-664

USE THE ETCH BOARD OF THE BI13



REVISIONS	CHK	CHG NO	REV
		5658	A
		5918	B

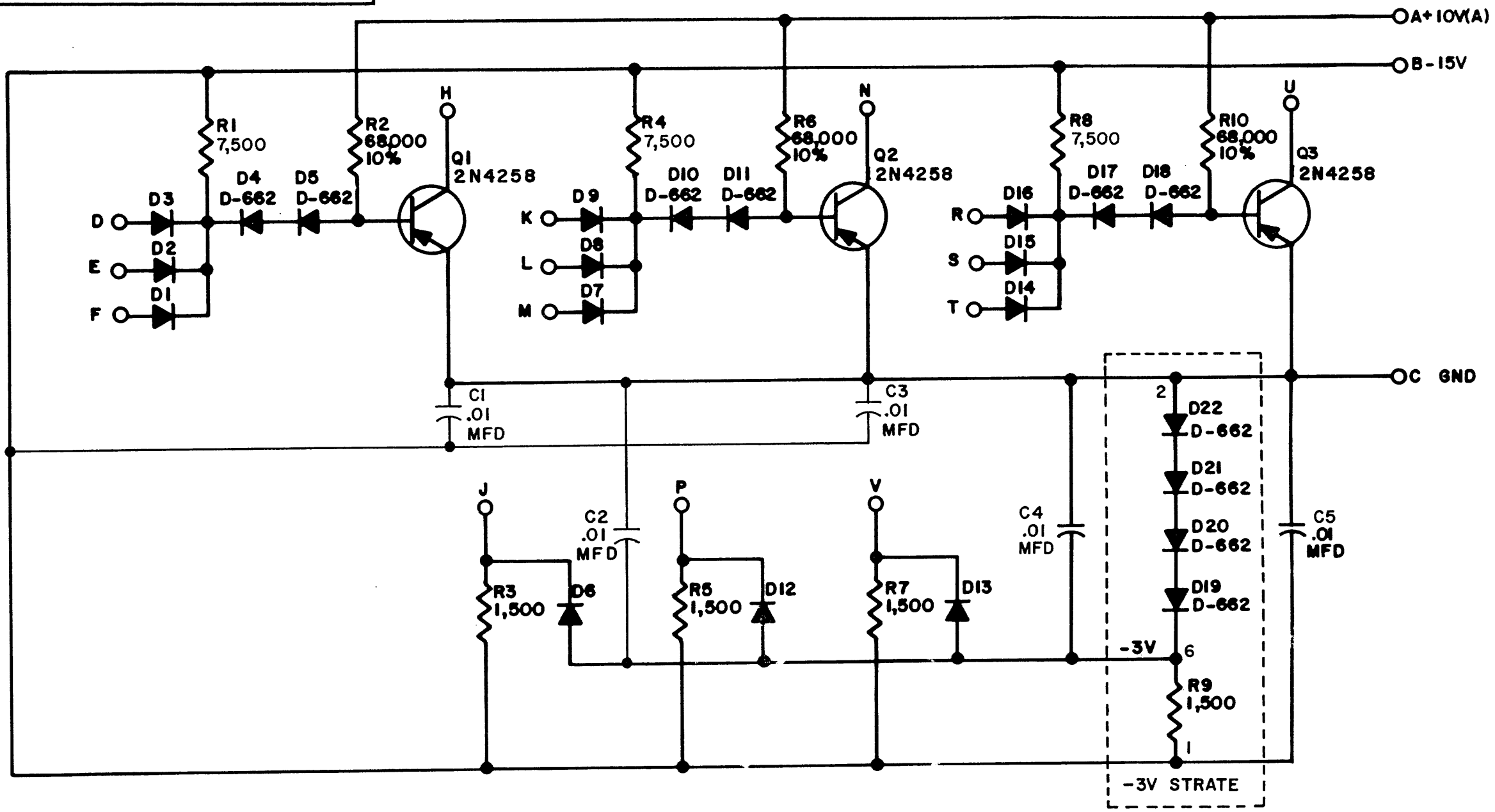
DRN	DATE
<i>[Signature]</i>	<i>[Date]</i>
CHK'D	DATE
<i>[Signature]</i>	<i>[Date]</i>
ENG.	DATE
<i>[Signature]</i>	<i>[Date]</i>
PROD.	DATE

TRANSISTOR & DIODE CONVERSION CHART			
DEC	EIA	DEC	EIA
2N4258	2N4258		
D662	1N645		
D664	1N3606		

digital
 EQUIPMENT CORPORATION
 MAYNARD, MASSACHUSETTS

TITLE			
DIODE GATE BI33			
SIZE	CODE	NUMBER	REV.
B	CS	BI33-0-1	B
PRINTED CIRCUIT REV			C

THIS SCHEMATIC IS FURNISHED ONLY FOR TEST AND MAINTENANCE PURPOSES. THE CIRCUITS ARE PROPRIETARY IN NATURE AND SHOULD BE TREATED ACCORDINGLY. COPYRIGHT 1966 BY DIGITAL EQUIPMENT CORPORATION

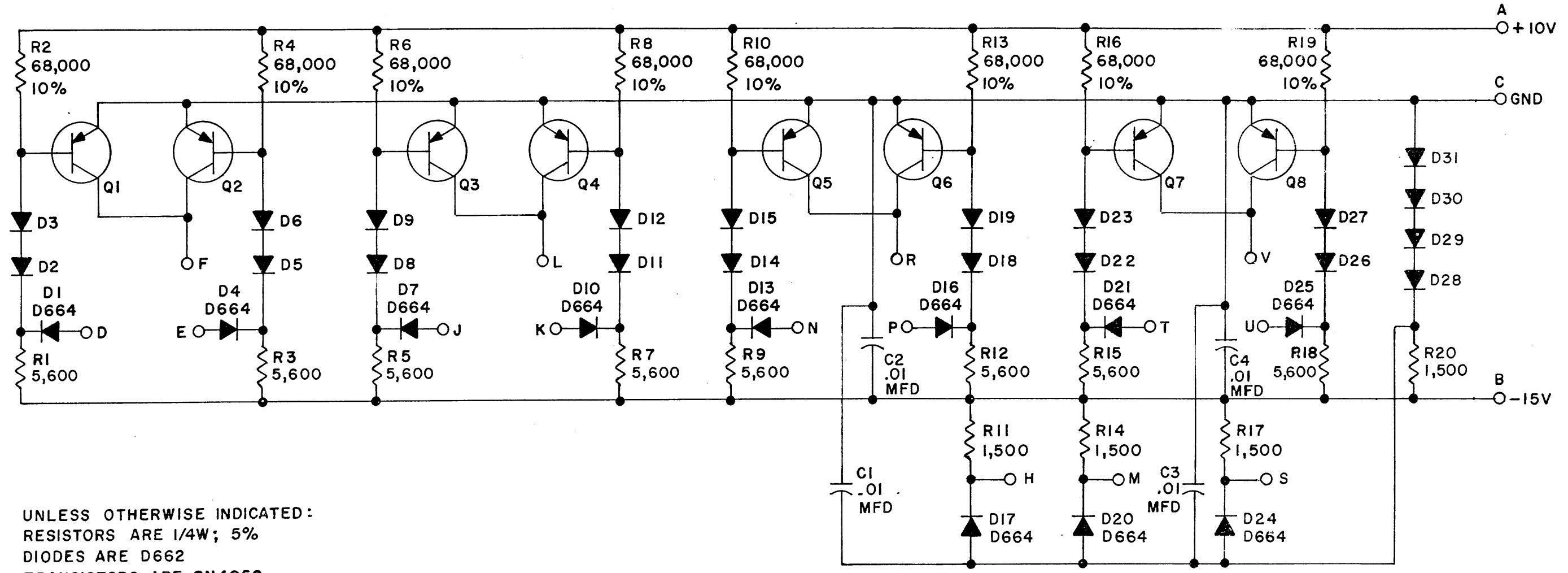


UNLESS OTHERWISE INDICATED:
RESISTORS ARE 1/4W; 5%
DIODES ARE D-664

USE THE ETCH BOARD OF THE BI15

REVISIONS CHK CHG NO. REV. 5662 A 5917 B	DRN <i>[Signature]</i>	DATE 9/1/66	TRANSISTOR & DIODE CONVERSION CHART				digital EQUIPMENT CORPORATION MAYNARD, MASSACHUSETTS	TITLE DIODE GATE BI35			
	CHK'D <i>[Signature]</i>	DATE 9/2/66	DEC 2N4258	EIA 2N4258	DEC D662	EIA IN645		SIZE B	CODE CS	NUMBER BI35-0-1	REV. B
	ENG D.A. Connor	DATE 9/6/66	DEC D664	EIA IN3606	DEC D664	EIA IN3606		PRINTED CIRCUIT REV.	C	[]	[]
	PROD'	DATE	DEC D664	EIA IN3606	DEC D664	EIA IN3606		[]	[]	[]	[]

THIS SCHEMATIC IS FURNISHED ONLY FOR TEST AND MAINTENANCE PURPOSES. THE CIRCUITS ARE PROPRIETARY IN NATURE AND SHOULD BE TREATED ACCORDINGLY. COPYRIGHT 1969 BY DIGITAL EQUIPMENT CORPORATION



UNLESS OTHERWISE INDICATED:
 RESISTORS ARE 1/4W; 5%
 DIODES ARE D662
 TRANSISTORS ARE 2N4258

USE THE ETCH BOARD OF THE B134

REVISIONS	CHK	CHG NO.	REV

DRN. <i>M. Haller</i>	DATE 3-26-69
CHK'D <i>A. Young</i>	DATE 3-31-69
ENG <i>J. Hachenberg</i>	DATE 4-4-69
PROD	DATE

TRANSISTOR & DIODE CONVERSION CHART			
DEC		EIA	
2N4258		2N4258	
D662		1N645	
D664		1N3606	



TITLE DIODE GATE B136			
SIZE B	CODE CS	NUMBER B136-0-1	REV
PRINTED CIRCUIT REV			B



REV. B

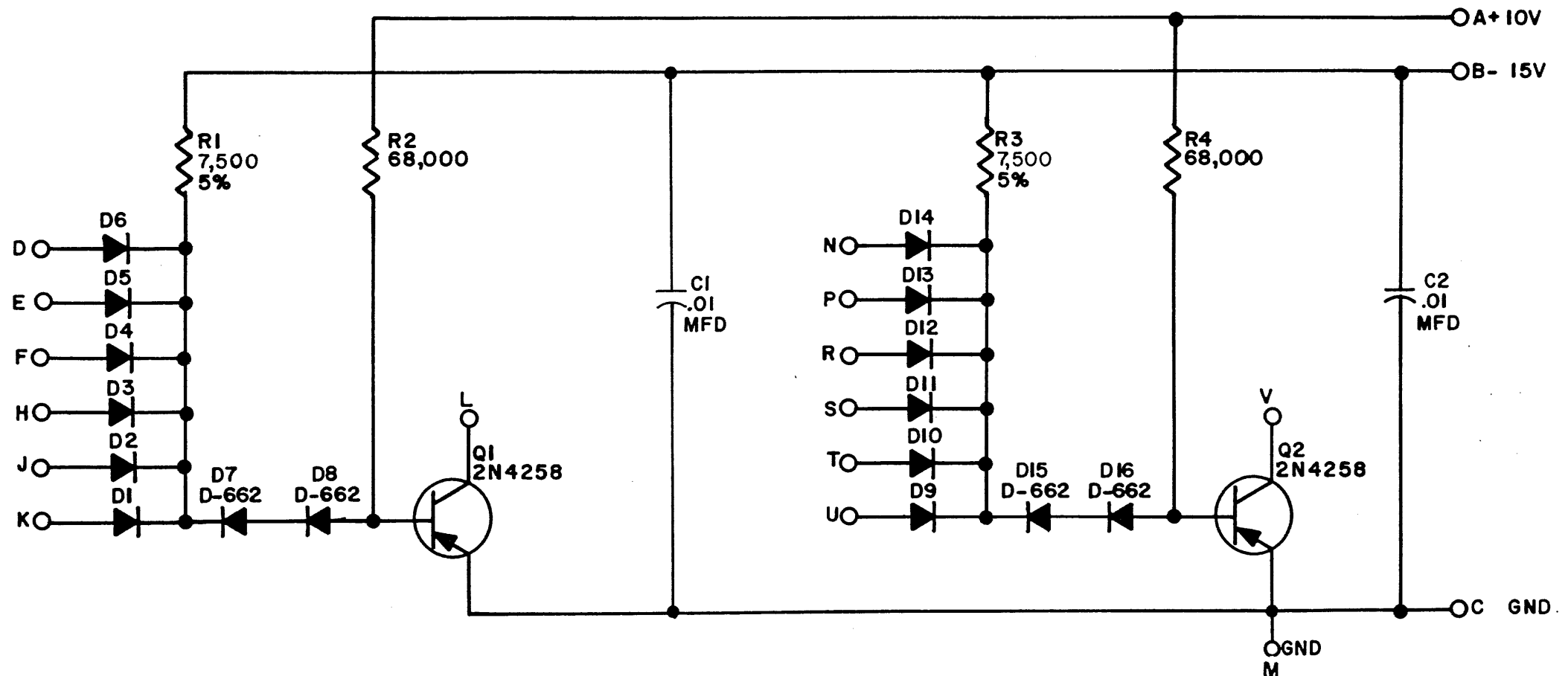
NUMBER

B137-0-1

SIZE CODE

B

THIS SCHEMATIC IS FURNISHED ONLY FOR TEST AND MAINTENANCE PURPOSES. THE CIRCUITS ARE PROPRIETARY IN NATURE AND SHOULD BE TREATED ACCORDINGLY. COPYRIGHT 1966 BY DIGITAL EQUIPMENT CORPORATION



UNLESS OTHERWISE INDICATED:
RESISTORS ARE 1/4W; 10%
DIODES ARE D-664

USE THE ETCH BOARD OF THE B117



REVISIONS	CHK	CHG NO.	REV.
		5660	A
		5915	B

DRN <i>M. Sullivan</i>	DATE 9/1/66
CHK'D <i>R. Silverman</i>	DATE 9/2/66
ENG. <i>D. O'Connor</i>	DATE 9/6/66
PROD.	DATE

TRANSISTOR & DIODE CONVERSION CHART			
DEC		EIA	
2N4258		2N4258	
D662		IN645	
D664		IN3606	

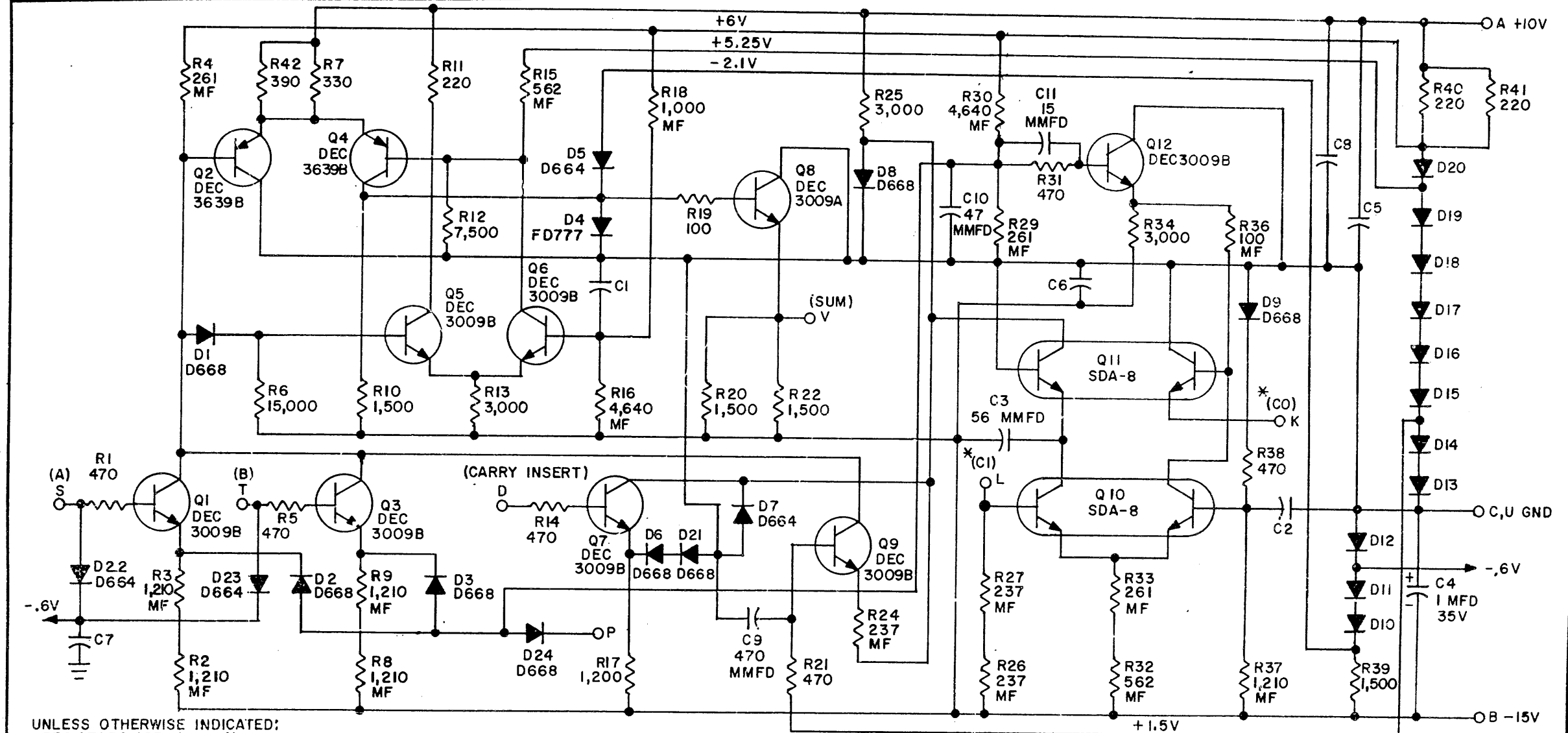
digital
EQUIPMENT CORPORATION
MAYNARD, MASSACHUSETTS

TITLE DIODE GATE B137			
SIZE B	CODE CS	NUMBER B137-0-1	REV. B
PRINTED CIRCUIT REV.			C



REV. D
 NUMBER B138-0-1
 SIZE CODE B CS
 NUMBER 1-0-8218

THIS SCHEMATIC IS FURNISHED ONLY FOR TEST AND MAINTENANCE PURPOSES. THE CIRCUITS ARE PROPRIETARY IN NATURE AND SHOULD BE TREATED ACCORDINGLY. COPYRIGHT 1967 BY DIGITAL EQUIPMENT CORPORATION



UNLESS OTHERWISE INDICATED:
 RESISTORS ARE 1/4W, 5%
 MF RESISTORS ARE METAL FILM 1/8W 1% 100PPM
 (WARD LEONARD TYPE)
 CAPACITORS ARE .01 MFD
 DIODES ARE D662
 D668 2(TWO) 1N3606 IN SERIES

*CO IS CONNECTED TO C1 ON THE NEXT MODULE BY A 100Ω 1/8W, 1% MF RESISTOR FROM PIN K TO PIN L

PARTS LIST IS A-PL-B138-0-0

REV.	CHG NO.	REV.
B	6776	
C	6878	
D	00001	

DRN.	DATE
M. Hallen	10-10-67
CHK'D	DATE
P. Sullivan	10/13/67
ENG.	DATE
P. Sullivan	10/17/67
PROD.	DATE
I	

TRANSISTOR & DIODE CONVERSION CHART			
DEC	EIA	DEC	EIA
DEC3009B	2N3009	D668	SEE NOTE
DEC3639B	2N3639	FD777	SAME
SDA-8	NONE		
D662	1N645		
D664	1N3606		

digital
EQUIPMENT CORPORATION
 MAYNARD, MASSACHUSETTS

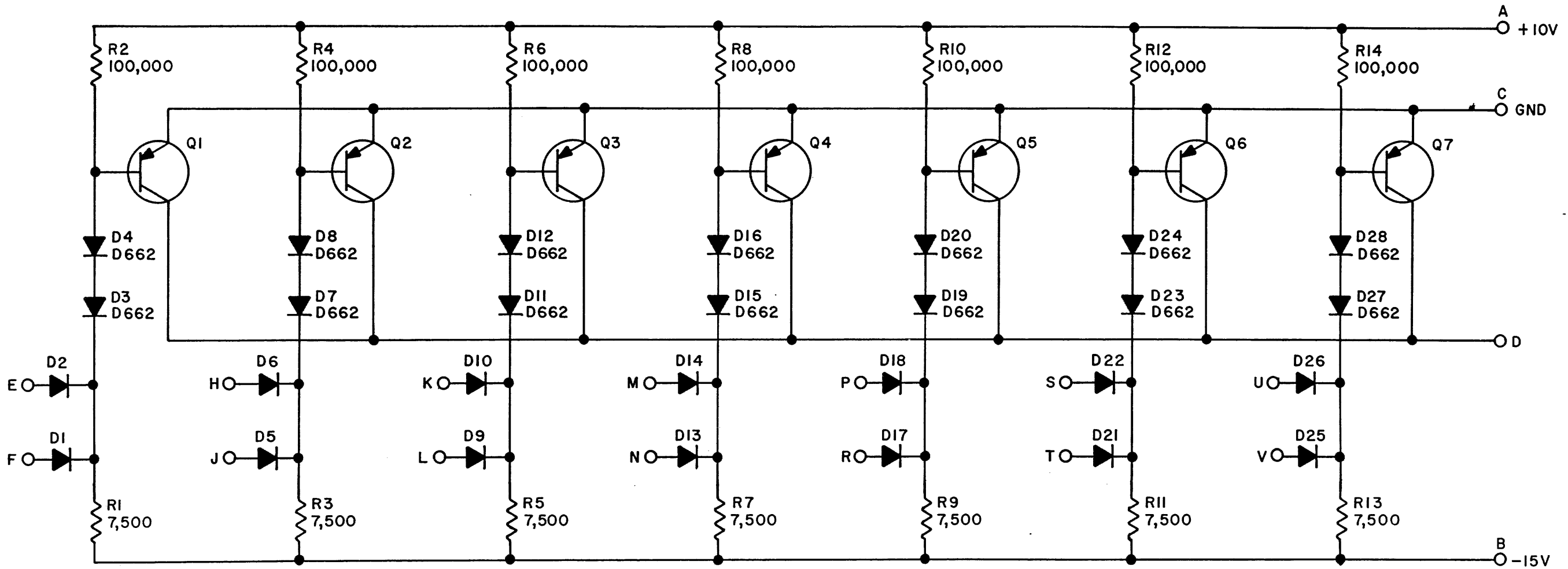
TITLE			
ADDER B138			
SIZE	CODE	NUMBER	REV.
B	CS	B138-0-1	D
PRINTED CIRCUIT REV.			
B			

DEC FORM NO. DRB 102

Dist: 324 435 435 439

6, PINK

THIS SCHEMATIC IS FURNISHED ONLY FOR TEST AND MAINTENANCE PURPOSES. THE CIRCUITS ARE PROPRIETARY IN NATURE AND SHOULD BE TREATED ACCORDINGLY. COPYRIGHT 1966 BY DIGITAL EQUIPMENT CORPORATION

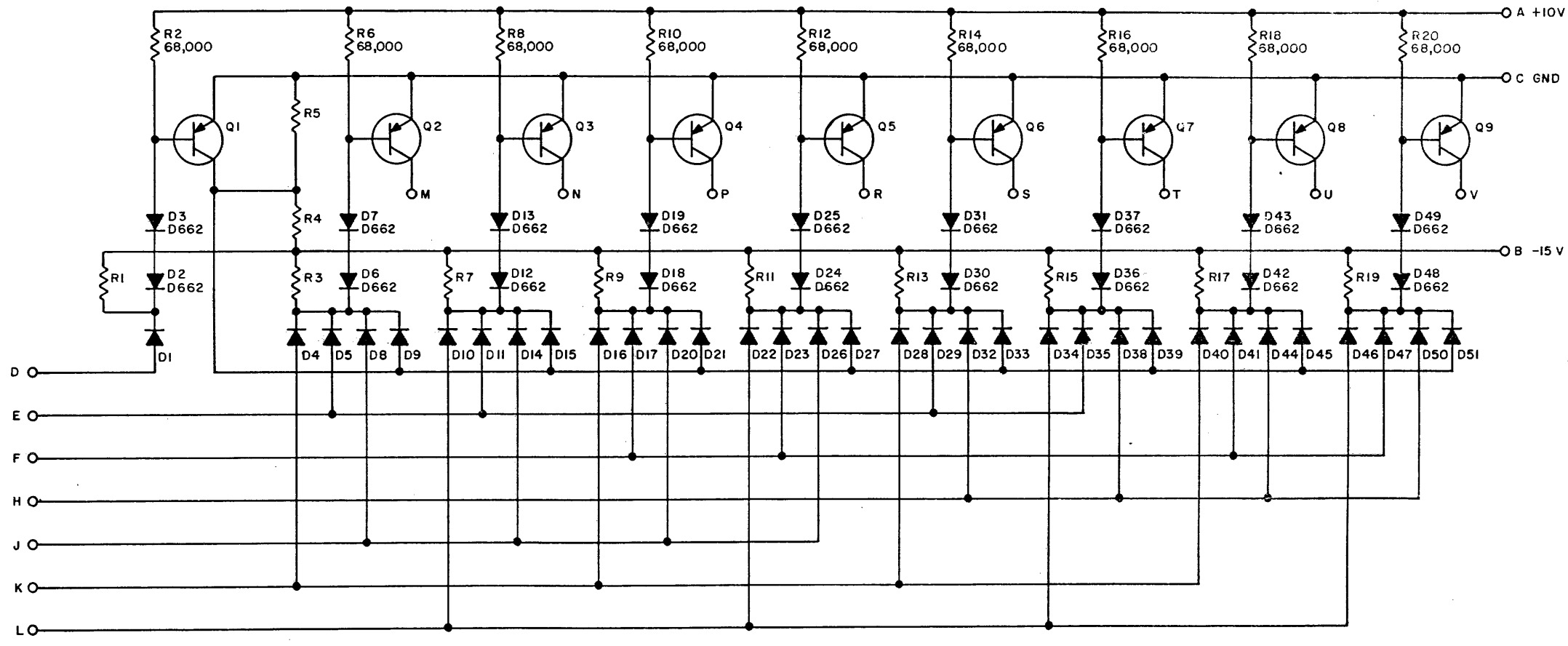


UNLESS OTHERWISE INDICATED:
 RESISTORS ARE 1/4W; 5%
 DIODES ARE D664
 TRANSISTORS ARE 2N4258

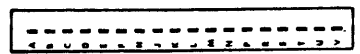


REVISIONS	CHK	CHG NO.	REV.	A	DRN <i>M. [Signature]</i>	DATE	TRANSISTOR & DIODE CONVERSION CHART				TITLE DIODE GATE B141			
	6697					6-17-66	DEC	EIA	DEC	EIA		SIZE	CODE	NUMBER
					CHK'D <i>R. [Signature]</i>	DATE	2N4258	SAME			B	CS	B141-0-1	A
					ENG. <i>[Signature]</i>	DATE	D662	IN645						
					PROD.	DATE	D664	IN3606						
					digital					EQUIPMENT CORPORATION MAYNARD, MASSACHUSETTS				
										PRINTED CIRCUIT REV. A				

THIS SCHEMATIC IS FURNISHED ONLY FOR TEST AND MAINTENANCE PURPOSES. THE CIRCUITS ARE PROPRIETARY IN NATURE AND SHOULD BE TREATED ACCORDINGLY. COPYRIGHT 1967 BY DIGITAL EQUIPMENT CORPORATION



UNLESS OTHERWISE INDICATED:
 RESISTORS ARE 7,500
 RESISTORS ARE 1/4 W, 5%
 DIODES ARE D664
 TRANSISTORS ARE 2N4258

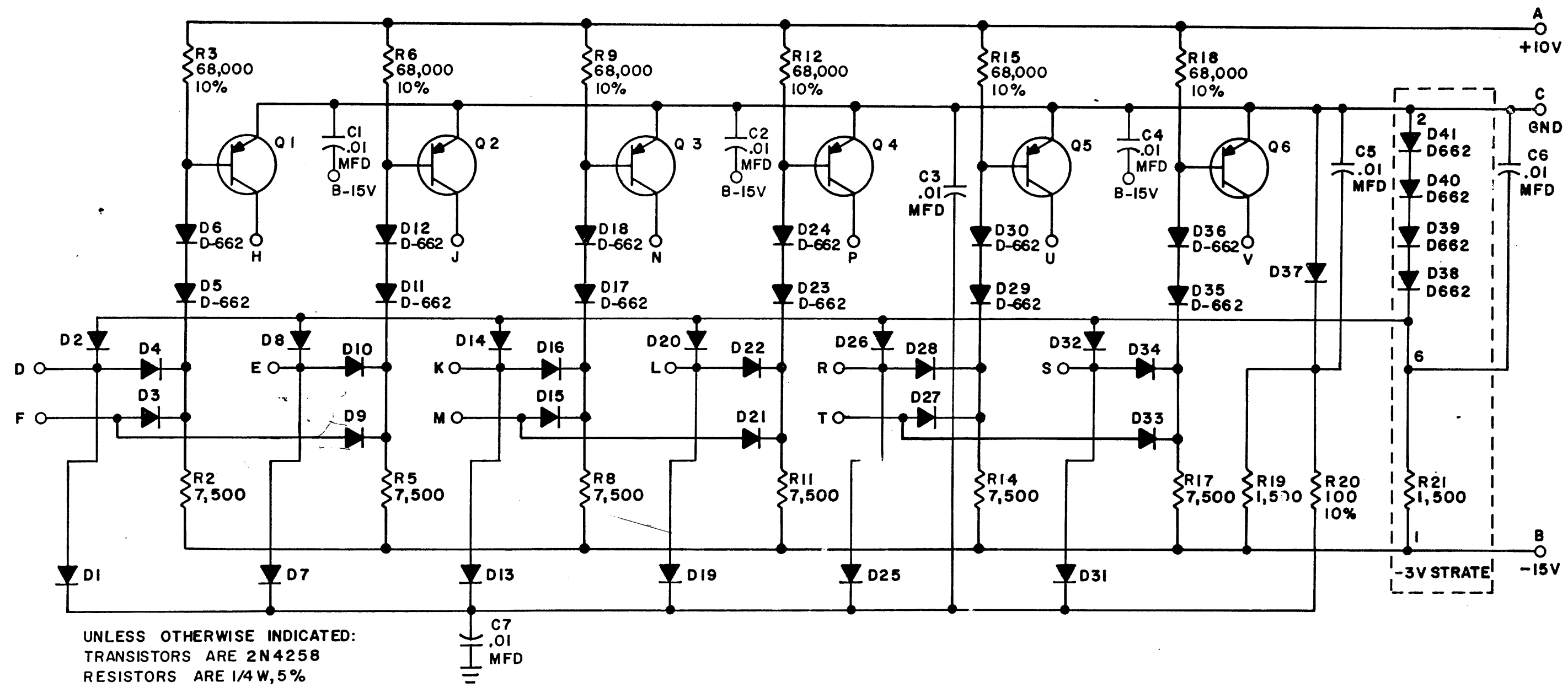


REVISIONS CHK CHG NO. REV.	DRN. <i>M. Miller</i> DATE <i>5-17-67</i>	TRANSISTOR & DIODE CONVERSION CHART				digital EQUIPMENT CORPORATION MAYNARD, MASSACHUSETTS	TITLE BINARY TO OCTAL DECODER B152		SIZE CODE NUMBER REV. C CS B152-0-1 A
	CHK'D. <i>S. Schuman</i> DATE <i>5/17/67</i>	DEC 2N4258 EIA SAME	DEC	EIA	DEC		EIA		
	ENG. <i>A. Kotok</i> DATE <i>5-23-67</i>	D662 IN645	D664 IN3606						
	PROD. DATE								

DEC FORM NO.

REV. NUMBER
 C CS B152-0-1

THIS SCHEMATIC IS FURNISHED ONLY FOR TEST AND MAINTENANCE PURPOSES. THE CIRCUITS ARE PROPRIETARY IN NATURE AND SHOULD BE TREATED ACCORDINGLY. COPYRIGHT 1966 BY DIGITAL EQUIPMENT CORPORATION



UNLESS OTHERWISE INDICATED:
 TRANSISTORS ARE 2N4258
 RESISTORS ARE 1/4 W, 5%
 DIODES ARE D-664



REVISIONS	CHK	CHG NO.	REV.	A	B	C	D
		5913					
		5991					
		6212					

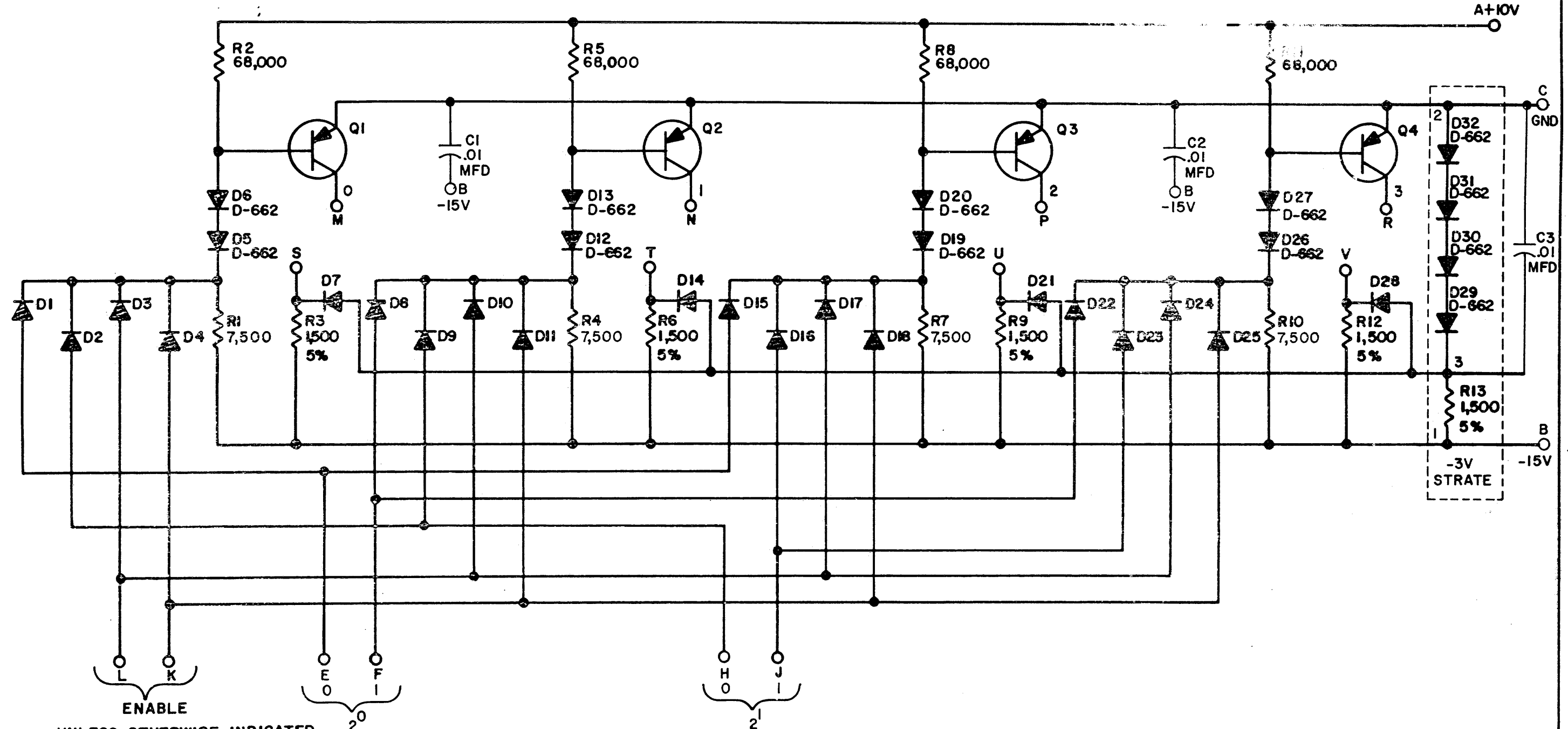
DRN <i>R. Silverman</i>	DATE 9-30-66
CHK'D <i>R. Silverman</i>	DATE 10/3/66
ENG. <i>Allan Kent</i>	DATE 4 Oct 66
PROD.	DATE

TRANSISTOR & DIODE CONVERSION CHART			
DEC	EIA	DEC	EIA
2N4258	2N4258		
D662	IN645		
D664	IN3606		

digital
 EQUIPMENT CORPORATION
 MAYNARD, MASSACHUSETTS

TITLE DIODE GATE B163			
SIZE B	CODE CS	NUMBER B163-0-1	REV. D
PRINTED CIRCUIT REV.			D

THIS SCHEMATIC IS FURNISHED ONLY FOR TEST AND MAINTENANCE PURPOSES. THE CIRCUITS ARE PROPRIETARY IN NATURE AND SHOULD BE TREATED ACCORDINGLY. COPYRIGHT 1966 BY DIGITAL EQUIPMENT CORPORATION



UNLESS OTHERWISE INDICATED
RESISTORS ARE 1/4W; 10%
DIODES ARE D-664
TRANSISTORS ARE 2N4258



REVISIONS	CHK	CHG NO.	REV.
		5914	A

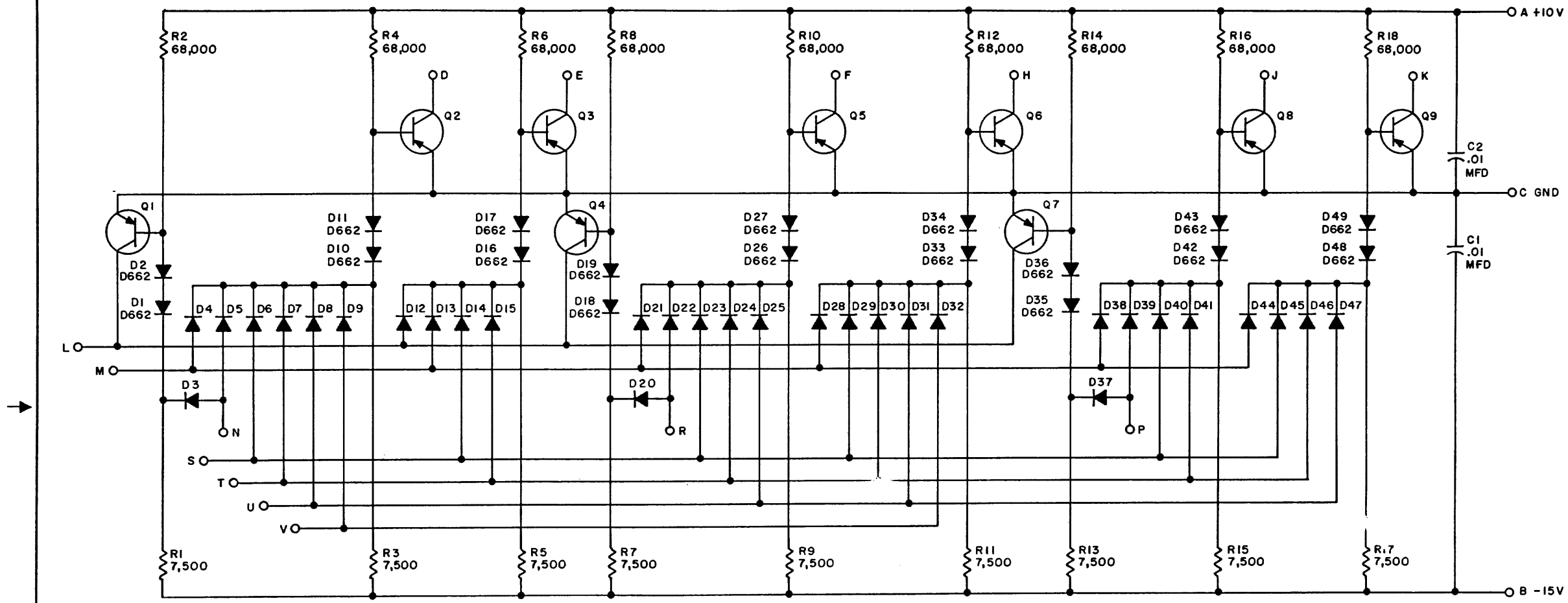
DRN.	DATE
<i>R. Schwerman</i>	10-3-66
CHK'D	DATE
<i>R. Schwerman</i>	10/3/66
ENG.	DATE
<i>Allen Kent</i>	400/66
PROD.	DATE

TRANSISTOR & DIODE CONVERSION CHART			
DEC		EIA	
2N4258		2N4258	
D662		1N645	
D664		1N3606	

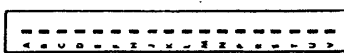
digital
EQUIPMENT CORPORATION
MAYNARD, MASSACHUSETTS

TITLE HALF BINARY TO OCTAL DECODER B156			
SIZE B	CODE CS	NUMBER B156-0-1	REV. A
PRINTED CIRCUIT REV. A			

THIS SCHEMATIC IS FURNISHED ONLY FOR TEST AND MAINTENANCE PURPOSES. THE CIRCUITS ARE PROPRIETARY IN NATURE AND SHOULD BE TREATED ACCORDINGLY. COPYRIGHT 1967 BY DIGITAL EQUIPMENT CORPORATION



UNLESS OTHERWISE INDICATED:
 TRANSISTORS ARE 2N4258
 RESISTORS ARE 1/4W, 5%
 DIODES ARE D664



REV. NO.	CHK	CHG	NO.	REV.
1				

DRN.	<i>M. Waller</i>	DATE	3-30-67
CHK'D.	<i>[Signature]</i>	DATE	3/31/67
ENG.	<i>[Signature]</i>	DATE	3-31-67
PROD.		DATE	

TRANSISTOR & DIODE CONVERSION CHART			
DEC	EIA	DEC	EIA
2N4258	2N4258		
D662	1N645		
D664	1N3606		

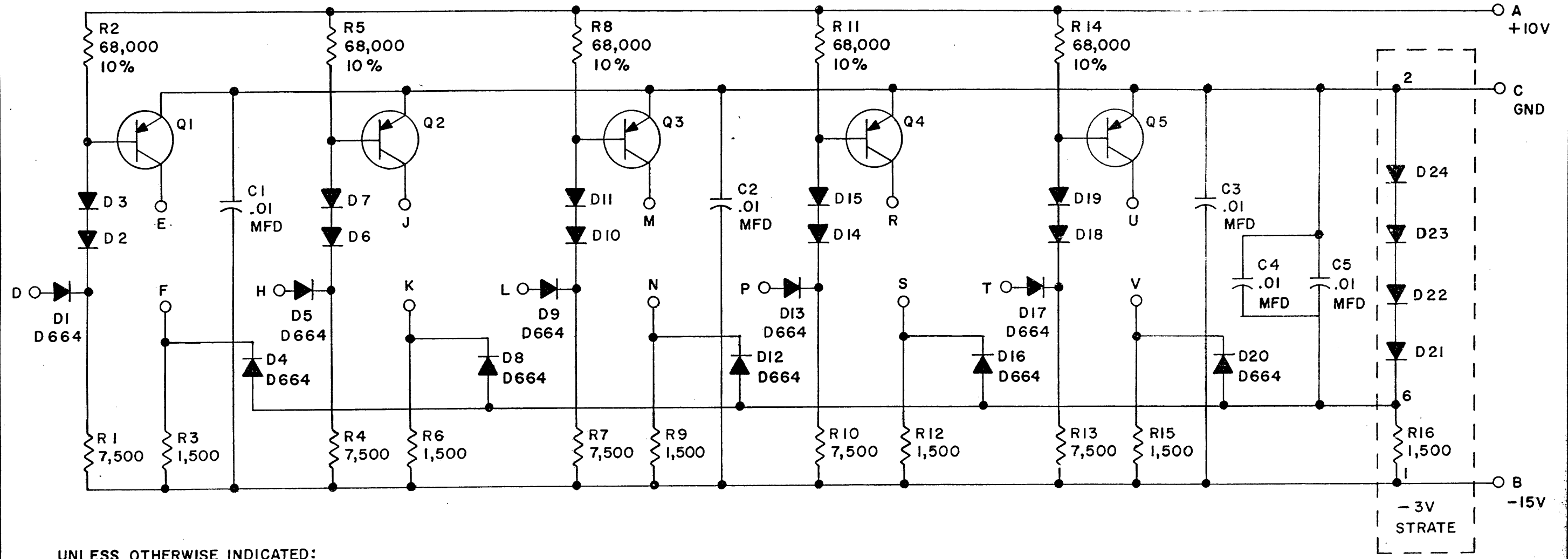
digital
 EQUIPMENT CORPORATION
 MAYNARD, MASSACHUSETTS

TITLE			
COUNTING GATE B166			
SIZE	CODE	NUMBER	REV.
C	CS	B166-0-1	
PRINTED CIRCUIT REV.			A

REV. 1
 NUMBER B166-0-1
 SIZE CODE C CS

THIS SCHEMATIC IS FURNISHED ONLY FOR TEST AND MAINTENANCE PURPOSES. THE CIRCUITS ARE PROPRIETARY IN NATURE AND SHOULD BE TREATED ACCORDINGLY. COPYRIGHT 1966 BY DIGITAL EQUIPMENT CORPORATION

REV. 1
 NUMBER 10-18-66
 CODE B
 SIZE B



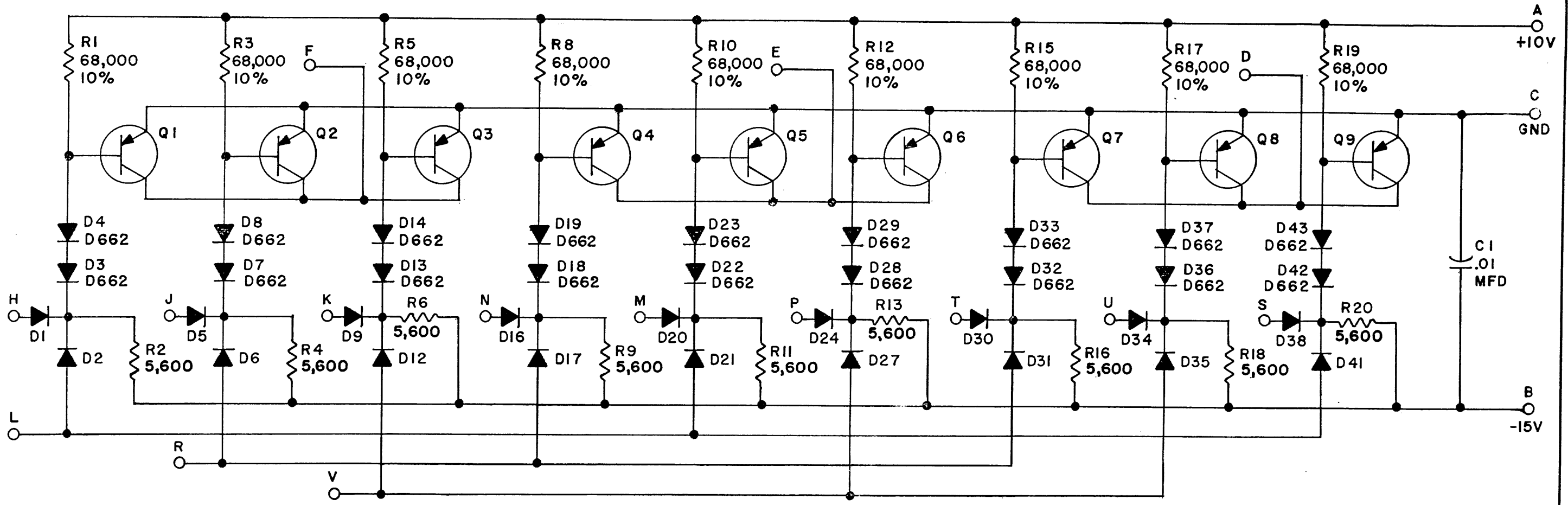
UNLESS OTHERWISE INDICATED:
 RESISTORS ARE 1/4W; 5%
 DIODES ARE D662
 TRANSISTORS ARE 2N4258

 < A B C D E F G H I J K L M N O P Q R S T U V W X Y Z 1 2 3 4 5 6 7 8 9 10 >

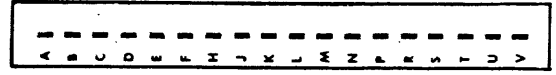
REVISIONS CHK CHG NO. REV.	DRN. <i>M. Haller</i>	DATE 10-18-66	TRANSISTOR & DIODE CONVERSION CHART				 EQUIPMENT CORPORATION MAYNARD, MASSACHUSETTS	TITLE DIODE INVERTER B165			
	CHK'D <i>H.</i>	DATE 11/21/66	DEC	EIA	DEC	EIA		SIZE B	CODE CS	NUMBER B165-0-1	REV. A
	ENG. <i>William Ke...</i>	DATE 2/10/66	2N4258	SAME							
	PROD. 1	DATE	D662	IN645							
			D664	IN3606							
PRINTED CIRCUIT REV.							A				



THIS SCHEMATIC IS FURNISHED ONLY FOR TEST AND MAINTENANCE PURPOSES. THE CIRCUITS ARE PROPRIETARY IN NATURE AND SHOULD BE TREATED ACCORDINGLY. COPYRIGHT 1966 BY DIGITAL EQUIPMENT CORPORATION



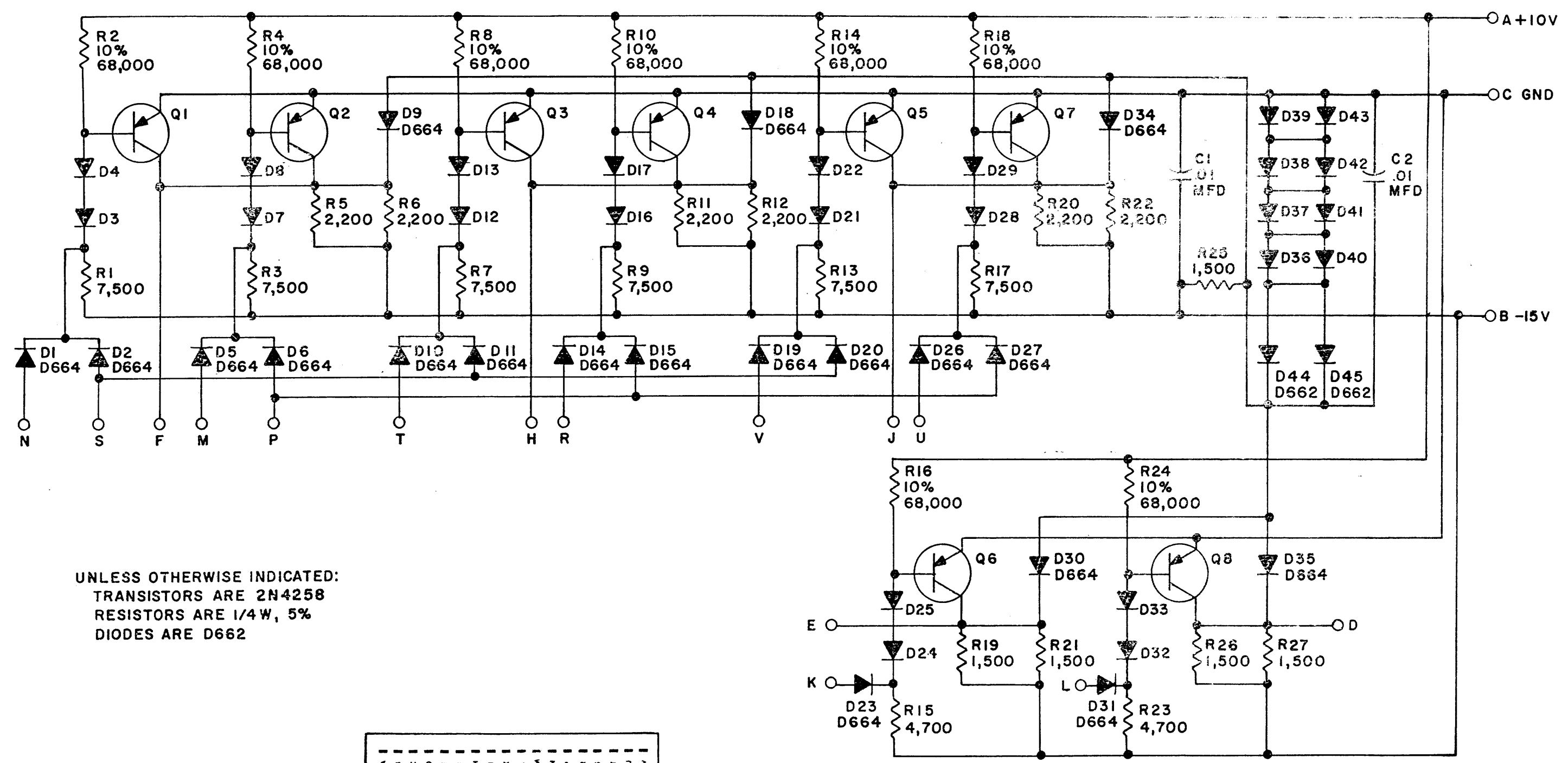
UNLESS OTHERWISE INDICATED:
 RESISTORS ARE 1/4W; 5%
 DIODES ARE D664
 TRANSISTORS ARE 2N4258



REVISIONS CHK CHG NO. REV. 5735 A 5901 B	DRN. <i>M. Haller</i>	DATE 10-20-66	TRANSISTOR & DIODE CONVERSION CHART				digital EQUIPMENT CORPORATION MAYNARD, MASSACHUSETTS	TITLE DIODE GATE BI68			
	CHK'D	DATE	DEC	EIA	DEC	EIA		SIZE B	CODE CS	NUMBER BI68-0-1	REV. B
	ENG. <i>Allen Kent</i>	DATE 210-66	2N4258	2N4258							
	PROD.	DATE	D662	IN645							
			D664	IN3606							
PRINTED CIRCUIT REV. B											



THIS SCHEMATIC IS FURNISHED ONLY FOR TEST AND MAINTENANCE PURPOSES. THE CIRCUITS ARE PROPRIETARY IN NATURE AND SHOULD BE TREATED ACCORDINGLY. COPYRIGHT 1966 BY DIGITAL EQUIPMENT CORPORATION

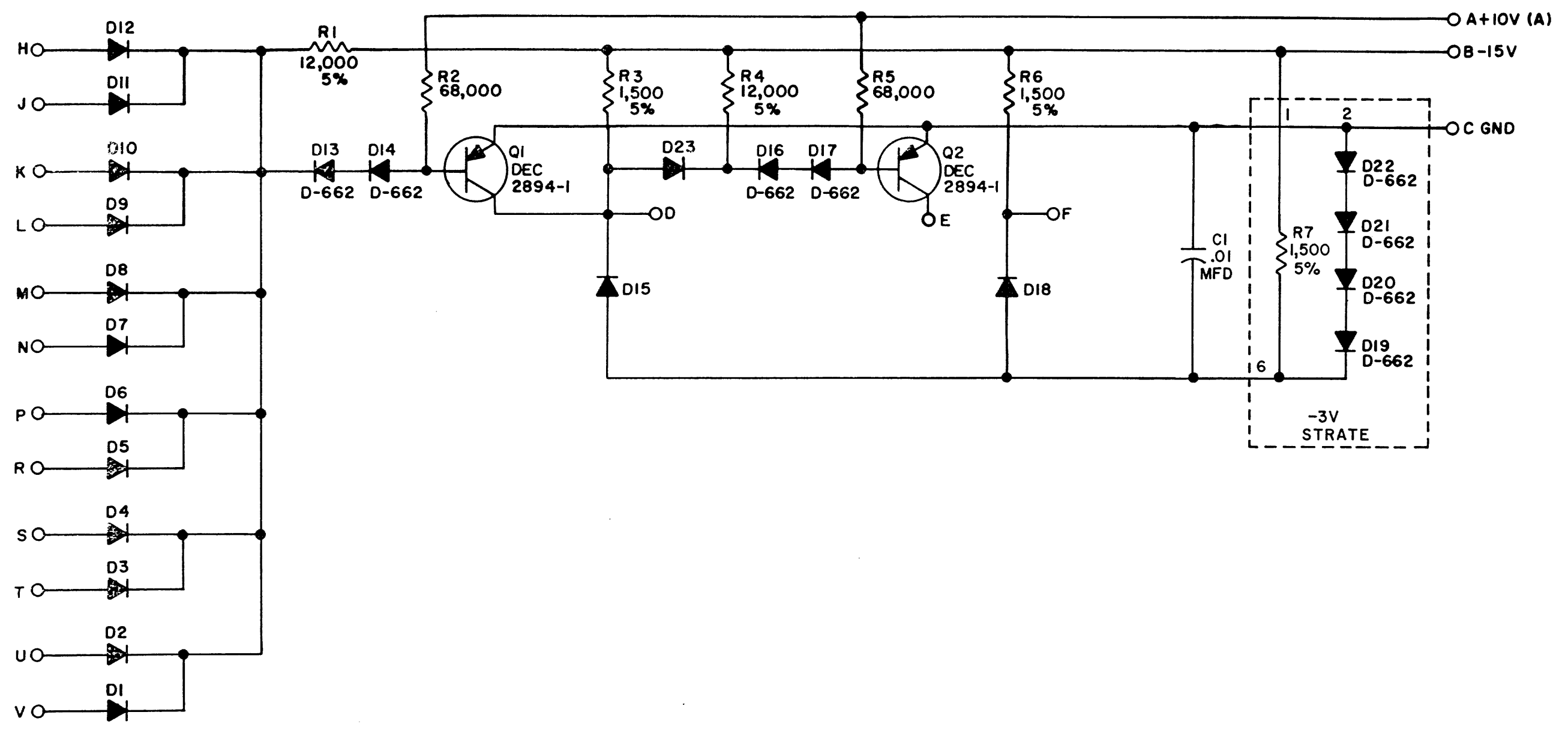


UNLESS OTHERWISE INDICATED:
 TRANSISTORS ARE 2N4258
 RESISTORS ARE 1/4 W, 5%
 DIODES ARE D662

PARTS LIST A-PL-BI67-0-0

REVISIONS CHK CHG NO. REV. 5919 A 6465 B 7118 C	DRN. <i>M. Haller</i>	DATE 11-21-66	TRANSISTOR & DIODE CONVERSION CHART		digital EQUIPMENT CORPORATION MAYNARD MASSACHUSETTS	TITLE ADDER GATE BI67			
	CHK'D <i>[Signature]</i>	DATE 11/23/66	DEC	EIA		SIZE B	CODE CS	NUMBER BI67-0-1	REV. C
	ENG. <i>[Signature]</i>	DATE	2N4258	2N4258					
	PROD.	DATE	D662	1N645					
			D664	1N3606					

THIS SCHEMATIC IS FURNISHED ONLY FOR TEST AND MAINTENANCE PURPOSES. THE CIRCUITS ARE PROPRIETARY IN NATURE AND SHOULD BE TREATED ACCORDINGLY. COPYRIGHT 1964 BY DIGITAL EQUIPMENT CORPORATION

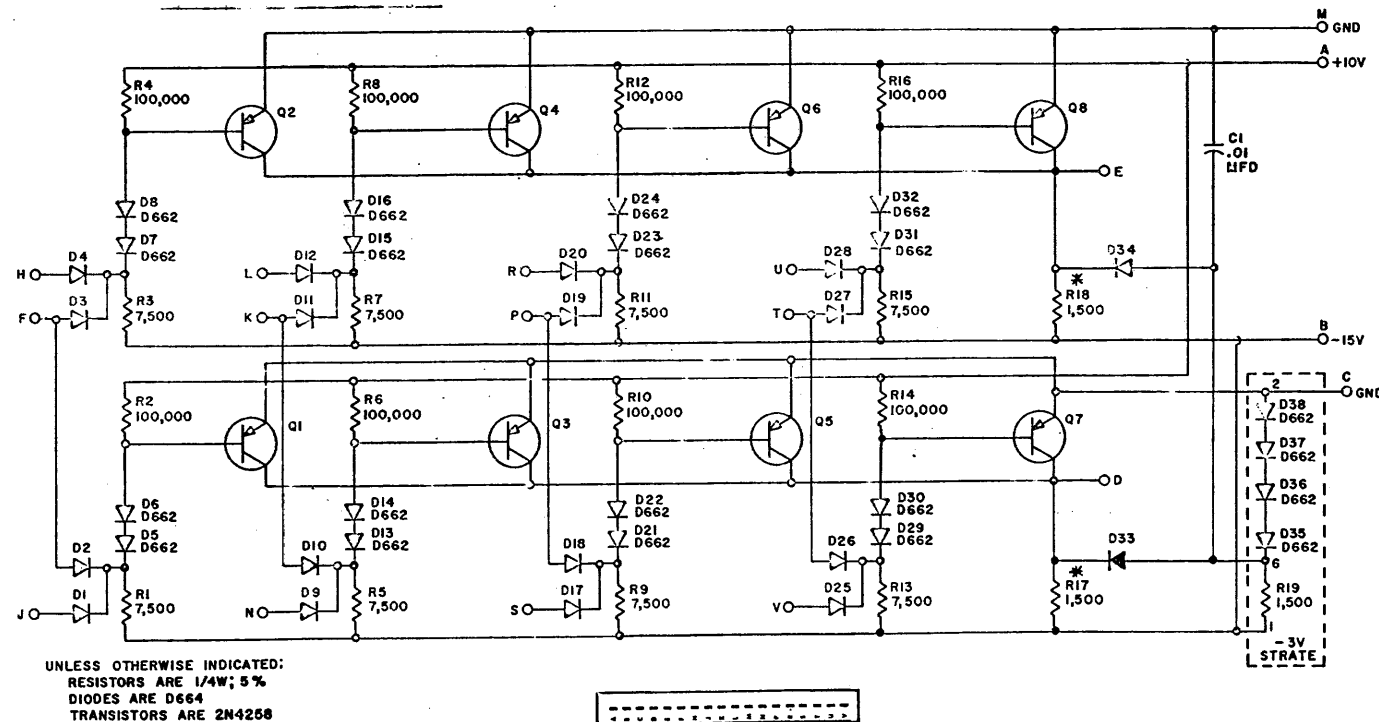
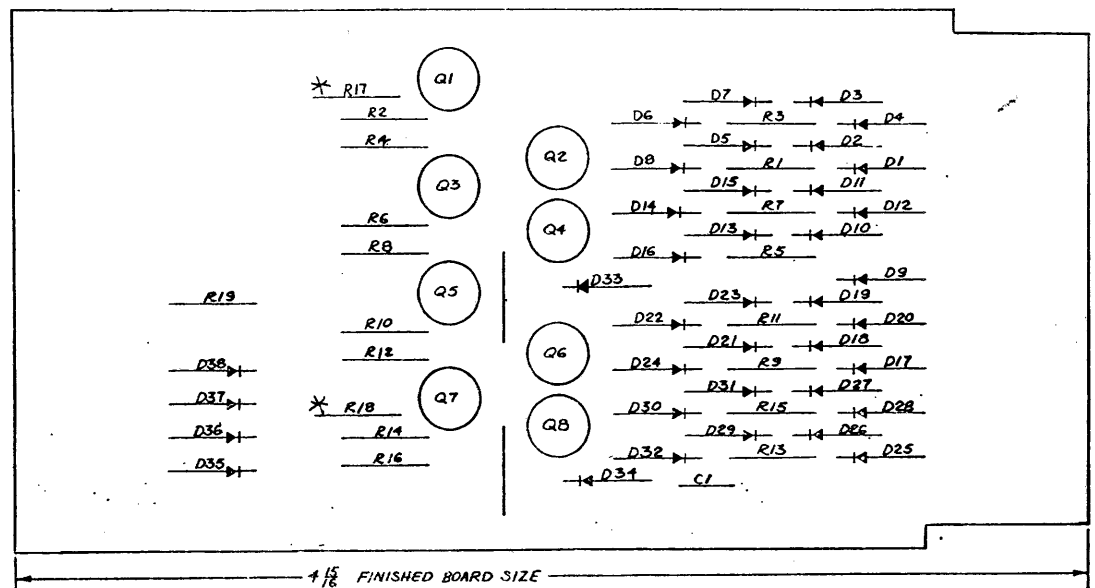


UNLESS OTHERWISE INDICATED;
 RESISTORS ARE 1/4W; 10%
 CAPACITORS ARE MMFD
 DIODES ARE D-664



REVISIONS CHK CHG NO REV REV 8 REDR. 5389 C	DRN. A. OUELLETTE	DATE 6-24-64	TRANSISTOR & DIODE CONVERSION CHART				digital EQUIPMENT CORPORATION MAYNARD, MASSACHUSETTS	TITLE DIODE GATE BI71			
	CHK'D N. PERRYMAN	DATE 6-25-64	DEC	EIA	DEC	EIA		SIZE B	CODE CS	NUMBER BI71-0-1	REV. C
	ENG. R. BANK	DATE 6-25-64	DEC2894-1	NONE				PRINTED CIRCUIT REV. C			
	PROD. I	DATE	D662	IN645							
			D664	IN3606							

This drawing and specifications, herein, are the property of Digital Equipment Corporation and shall not be reproduced or copied or used in whole or in part as the basis for the manufacture or sale of items without written permission.



UNLESS OTHERWISE INDICATED:
RESISTORS ARE 1/4W; 5%
DIODES ARE D664
TRANSISTORS ARE 2N4258

NOTES
* THESE RESISTORS ARE DELETED ON B169-YA

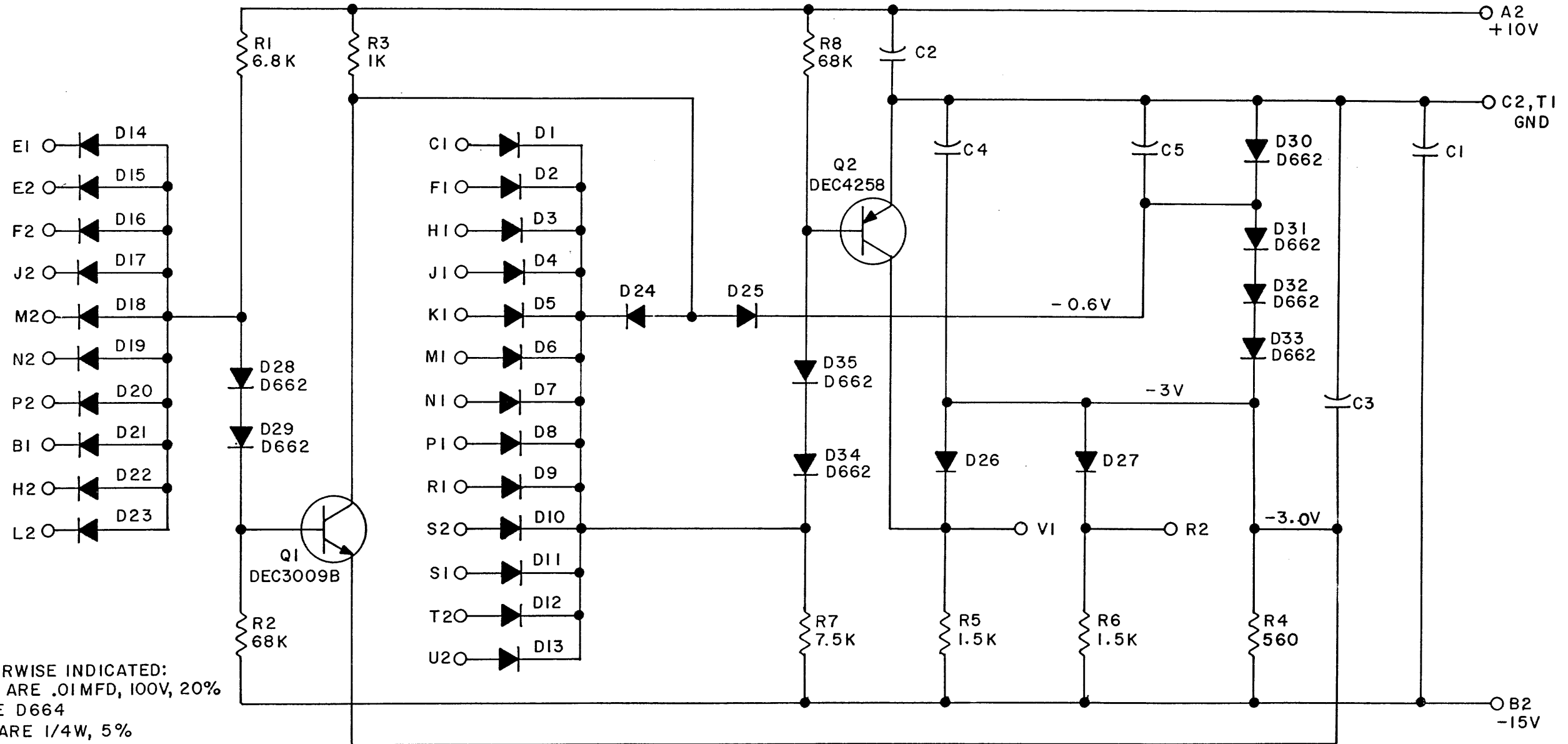
QTY	REF DESIGNATION	DESCRIPTION	PART NO.	ITEM NO.
2		EYELET	9006732	13
8	Q1-Q8	TRANSISTOR DEC4258	1505221	12
8	R2,4,6,8,10,12,14,16	RESISTOR 100K 1/4W 5%	1302466	11
8	R1,3,5,7,9,11,13,15	RESISTOR 7.5K 1/4W 5%	1301422	10
3	R17-R19	RESISTOR 1.5K 1/4W 5%	1300391	9
18	D1-D4, D9-D12, D17-D20, D25-D28, D33, D34	DIODE D664	1100114	8
20	D5-D8, D13-D16, D21-D24, D29-D32, D35-D38	DIODE D662	1100113	7
1	C1	CAP. 0.1MF 100V 20% DISC	1001610	6
1		HANDLE FLIPCHIP-BLUE	9008337-5	5
1		ETCHED CIRCUIT BOARD	5003781	4
REF		MODULE ECO HISTORY	B-MH-B169-0-6	3
REF		ASSY/DRILLING HOLE CUTOUT	D-AH-B169-0-5	2
REF		X-Y COORDINATE HOLE LOCATION	K-CO-B169-0-4	1

ETCH BOARD REV		PARTS LIST	
B			
DRN	DATE	digital EQUIPMENT CORPORATION	
CHKD	DATE	TITLE	
ENG	DATE	INVERTER	
PROJ. ENG.	DATE	SIZE CODE	
PROD.	DATE	DCS B169-0-1	
NEXT HIGHER ASSY		SCALE	REV.
		SHEET 1 OF 1	D
SEMICONDUCTOR CONVERSION CHART			
DEC NO.	EIA NO.	DEC NO.	EIA NO.

JOE McMULLIN
12-7-72
L.M. B169-00001 D
REVISED & REDRAWN
CHK CHANGE NO. REV

THIS SCHEMATIC IS FURNISHED ONLY FOR TEST AND MAINTENANCE PURPOSES. THE CIRCUITS ARE PROPRIETARY IN NATURE AND SHOULD BE TREATED ACCORDINGLY. COPYRIGHT 1969 BY DIGITAL EQUIPMENT CORPORATION

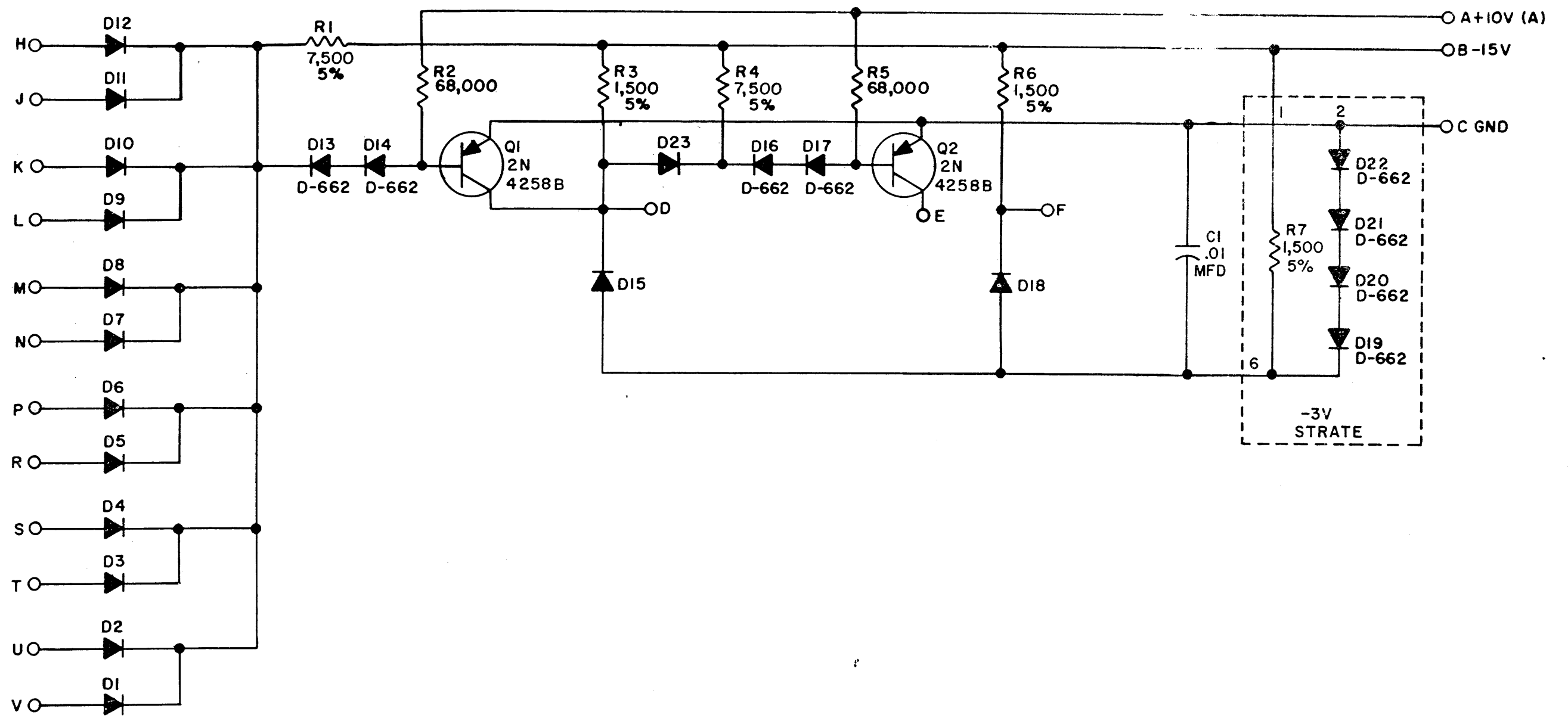
↓ B REV. NUMBER B173-0-1 SIZE CODE B CS



UNLESS OTHERWISE INDICATED:
CAPACITORS ARE .01MFD, 100V, 20%
DIODES ARE D664
RESISTORS ARE 1/4W, 5%

REVISIONS	CHK	NO.	REV.			DRN. <i>M. Weller</i>	DATE 10-21-69	TRANSISTOR & DIODE CONVERSION CHART					TITLE DIODE GATE B173			
	00001	A						DEC	EIA	DEC	EIA		SIZE	CODE	NUMBER	REV.
	00002	B						D662	IN645				B	CS	B173-0-1	B
								D664	IN3606				PRINTED CIRCUIT REV. A			
					DEC3009B	2N3009										
					DEC4258	2N4258										
EQUIPMENT CORPORATION												MAYNARD, MASSACHUSETTS				

THIS SCHEMATIC IS FURNISHED ONLY FOR TEST AND MAINTENANCE PURPOSES. THE CIRCUITS ARE PROPRIETARY IN NATURE AND SHOULD BE TREATED ACCORDINGLY. COPYRIGHT 1967 BY DIGITAL EQUIPMENT CORPORATION



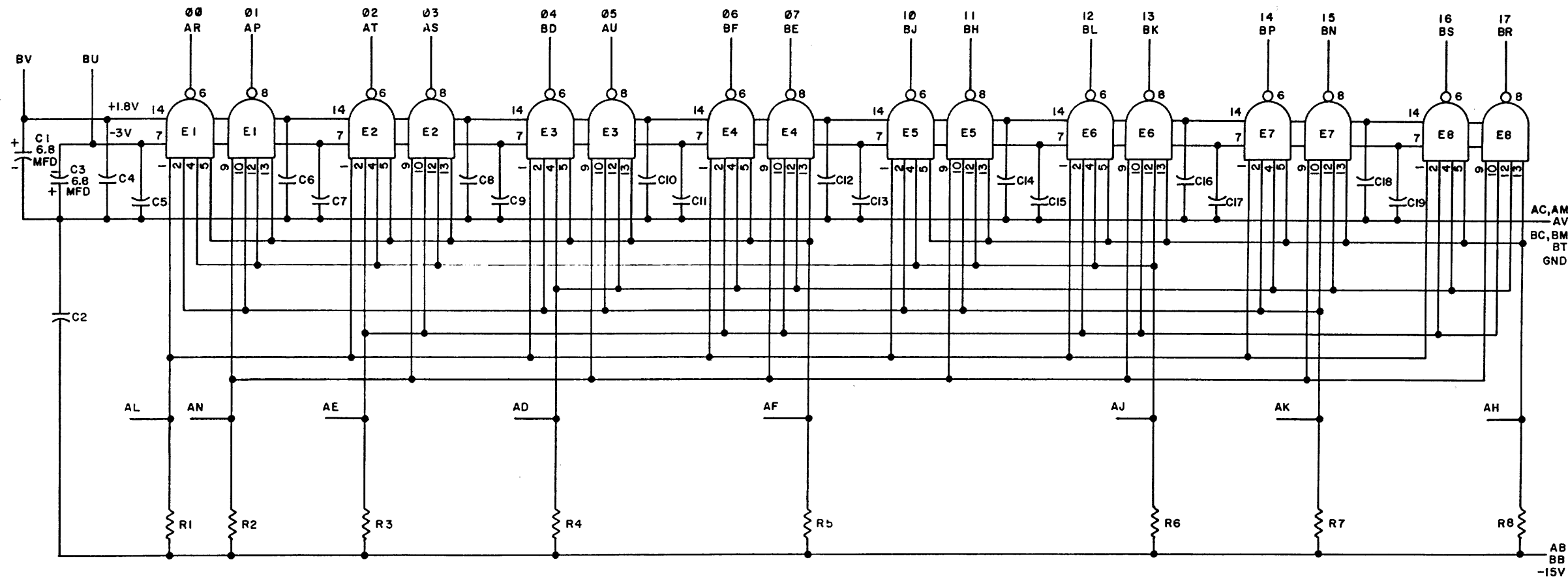
UNLESS OTHERWISE INDICATED;
RESISTORS ARE 1/4W; 10%
CAPACITORS ARE MMFD
DIODES ARE D-664

USE THE ETCH BOARD OF THE B171



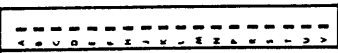
REVISIONS CHK CHG NO. REV.	DRN. <i>M. Waller</i>	DATE <i>5-31-67</i>	TRANSISTOR & DIODE CONVERSION CHART				 EQUIPMENT CORPORATION MAYNARD MASSACHUSETTS	TITLE DIODE GATE B172			
	CHK'D <i>M. Waller</i>	DATE <i>5-31-67</i>	DEC	EIA	DEC	EIA		SIZE B	CODE CS	NUMBER B172-0-1	REV
	ENG. <i>D. J. Chen</i>	DATE <i>5-31-67</i>	2N4258B	SAME							
	PROD.	DATE	D662	IN645							
			D664	IN3606							
DEC FORM NO.							PRINTED CIRCUIT REV		C		

THIS SCHEMATIC IS FURNISHED ONLY FOR TEST AND MAINTENANCE PURPOSES. THE CIRCUITS ARE PROPRIETARY IN NATURE AND SHOULD BE TREATED ACCORDINGLY. COPYRIGHT 1967 BY DIGITAL EQUIPMENT CORPORATION



UNLESS OTHERWISE INDICATED:
CAPACITORS ARE .01 MFD

RESISTORS ARE 1,500; 1/4 W; 5%
E1 THRU E8 ARE TEXAS INSTRUMENT SN7440N
OR FAIRCHILD U6A900959X

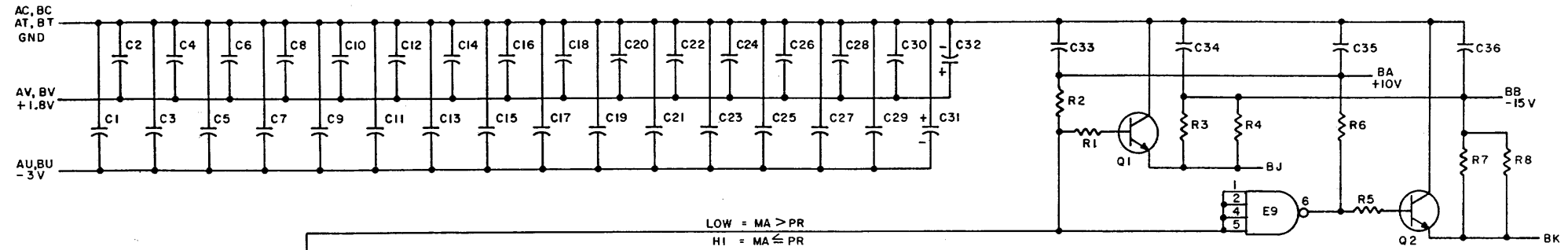


REV. NUMBER
C CS B199-0-1

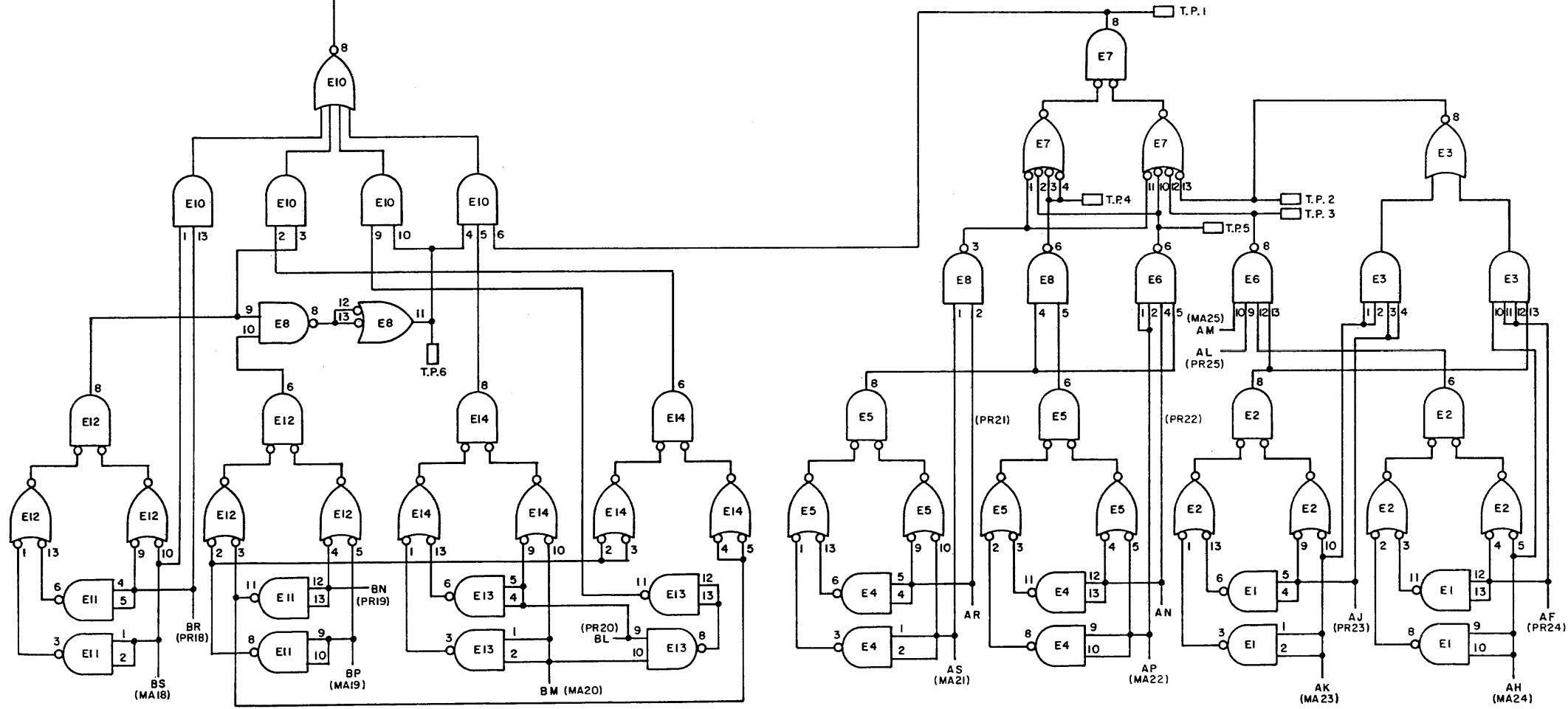
REVISIONS CHK CHG NO. REV.	DRN. <i>M. Haller</i> DATE <i>3-2-67</i>	TRANSISTOR & DIODE CONVERSION CHART				digital EQUIPMENT CORPORATION MAYNARD, MASSACHUSETTS	TITLE FM ADDRESS DECODER B199			
	CHK'D. DATE	DEC	EIA	DEC	EIA		SIZE C	CODE CS	NUMBER B199-0-1	REV.
	ENG. DATE	DEC	EIA	DEC	EIA		PRINTED CIRCUIT REV.	B	[]	[]
	PROD. DATE	DEC	EIA	DEC	EIA		[]	[]	[]	[]

THIS SCHEMATIC IS FURNISHED ONLY FOR TEST AND MAINTENANCE PURPOSES. THE CIRCUITS ARE PROPRIETARY IN NATURE AND SHOULD BE TREATED ACCORDINGLY. COPYRIGHT 1968 BY DIGITAL EQUIPMENT CORPORATION.

U-8618 33 C



LOW = MA > PR
HI = MA ≤ PR



NOTES:
PIN 7 ON EACH IC = -3V
PIN 14 ON EACH IC = +1.8V

E3, E7	INTEGRATED CKT. DEC74H55N	1909063
E10	INTEGRATED CKT. DEC74H53N	1909062
E2, E5, E12, E14	INTEGRATED CKT. DEC74H50N	1909060
E6, E9	INTEGRATED CKT. DEC74H40N	1905586
E1, E4, E8, E11, E13	INTEGRATED CKT. DEC74H00N	1909056
Q1, Q2	TRANSISTOR DEC3009B-S	1503100
R2, R3, R4, R6, R7, R8	RES. 1.5K 1/4W 5% CC	1300391
R1, R5	RES. 100 1/4W 5% CC	1300229
C31, C32	CAP. 6.8MFD 35V 20% S.T.M	1000067
C1-C30, C33-C36	CAP. .01MFD 100V 20% DISC	100610
PARTS LIST		A-PL-B198-0-0
REFERENCE DESIGNATION	DESCRIPTION	PART NO.

REV. NO.	DATE	TRANSISTOR & DIODE CONVERSION CHART		TITLE	
		DEC	EIA		DEC
1	6-18-68				PROTECTION COMPARATOR B198
2	12/68	DEC3009B	2N3009		

DRN: M. Walker
CHK'D: W. Walker
ENG: J. Walker
PROD: J. Walker

digital EQUIPMENT CORPORATION
METHUEN, MASSACHUSETTS

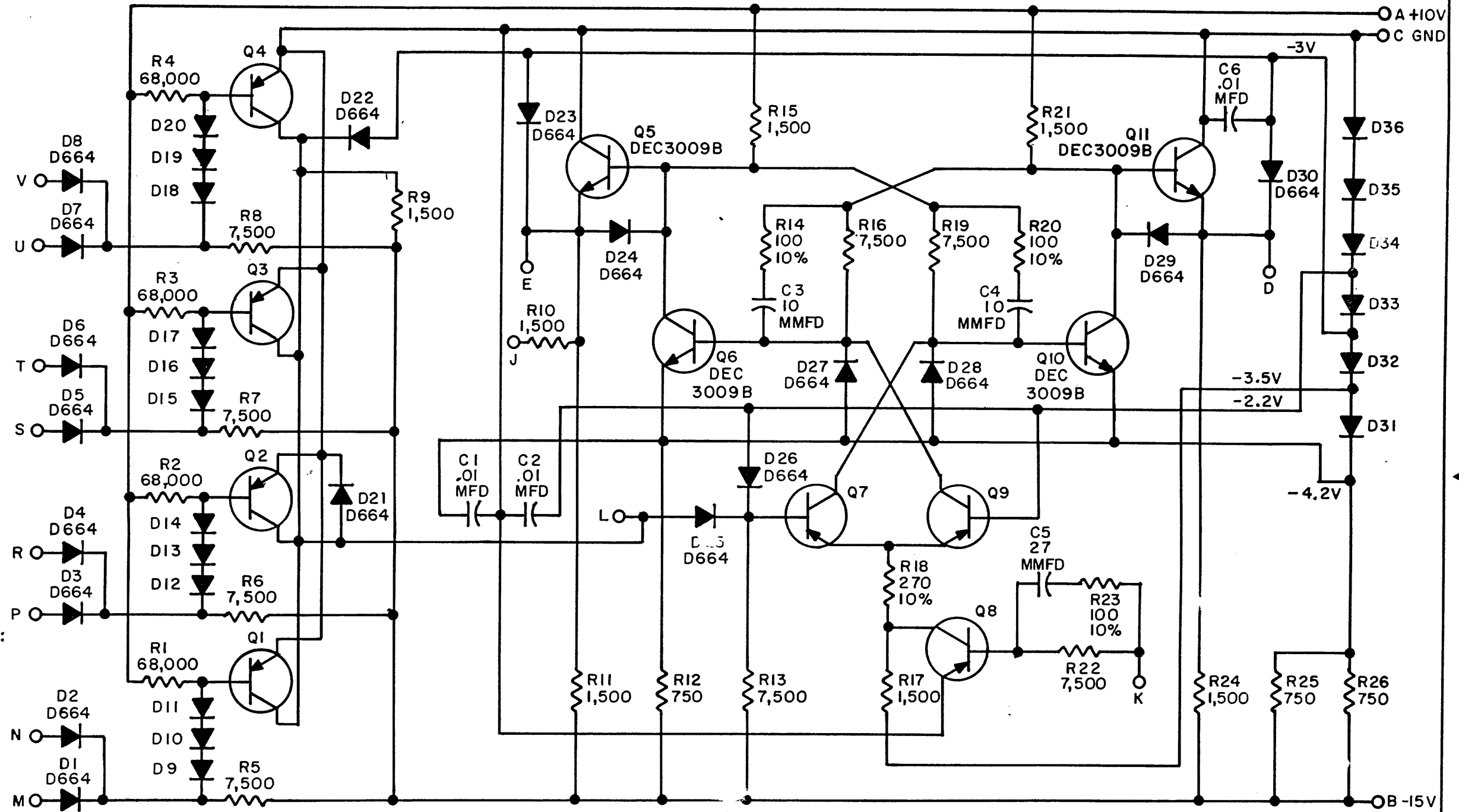
SIZE CODE NUMBER
D CS B198-0-1

PRINTED CIRCUIT REV. A

REV. NUMBER
D CS B198-0-1

THIS SCHEMATIC IS FURNISHED ONLY FOR TEST AND MAINTENANCE PURPOSES. THE CIRCUITS ARE PROPRIETARY IN NATURE AND SHOULD BE TREATED ACCORDINGLY. COPYRIGHT 1965 BY DIGITAL EQUIPMENT CORPORATION

REV. H
NUMBER B211-0-1
SIZE CODE B
CS



UNLESS OTHERWISE INDICATED:
TRANSISTORS ARE 2N4258
DIODES ARE D662
RESISTORS ARE 1/4 W, 5%



REV. NO.	CHK	CHG	NO.	REV.	B	C	D	E	F	H
6149										
6295										
6448										

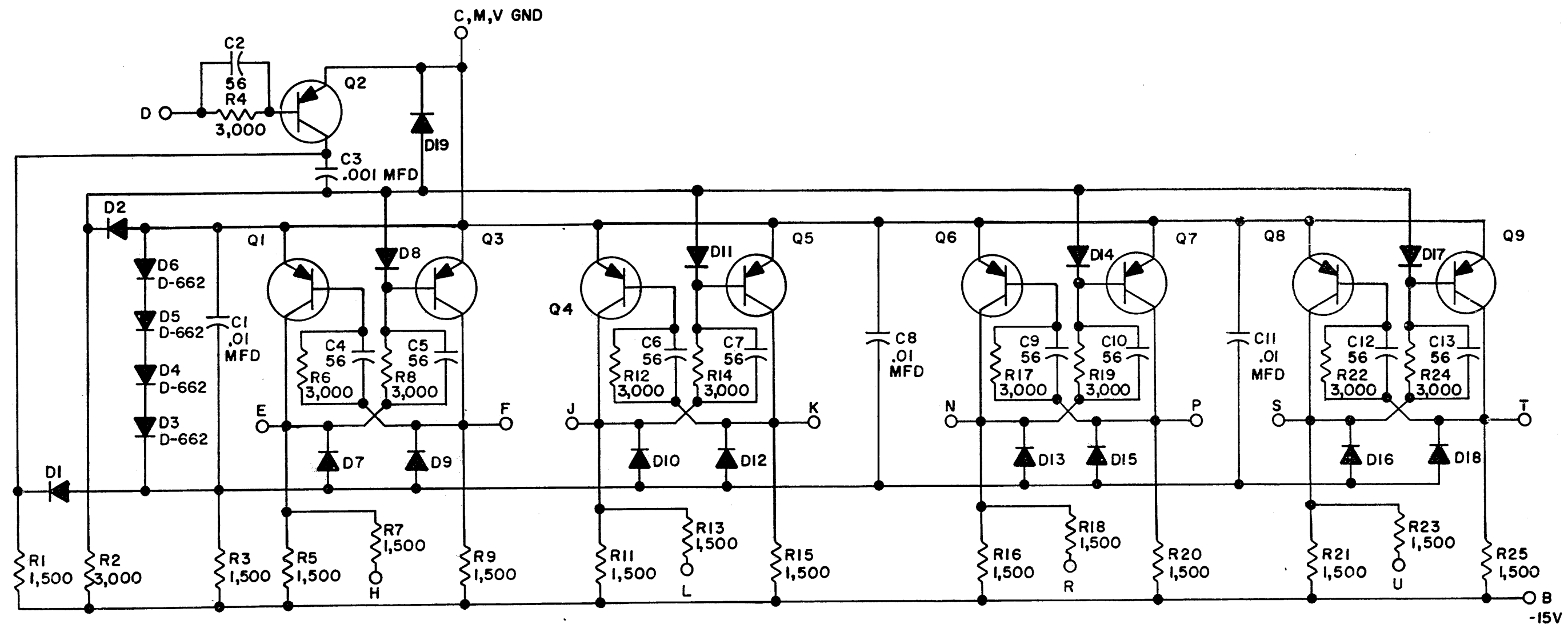
DRN. I. HAHN	DATE 3-19-65
CHK'D N. PERRYMAN	DATE 3-31-65
ENG. TOM HUGHES	DATE
PROD.	DATE

TRANSISTOR & DIODE CONVERSION CHART			
DEC		EIA	
2N4258		SAME	
DEC3009B		2N3009	
D662		IN645	
D664		IN3606	

digital
EQUIPMENT CORPORATION
MAYNARD, MASSACHUSETTS

TITLE FLIP-FLOP B211			
SIZE B	CODE CS	NUMBER B211-0-1	REV. H
PRINTED CIRCUIT REV.			E

THIS SCHEMATIC IS FURNISHED ONLY FOR TEST AND MAINTENANCE PURPOSES. THE CIRCUITS ARE PROPRIETARY IN NATURE AND SHOULD BE TREATED ACCORDINGLY. COPYRIGHT 1964 BY DIGITAL EQUIPMENT CORPORATION



UNLESS OTHERWISE INDICATED:
 RESISTORS ARE 1/4W; 5%
 DIODES ARE D-664
 CAPACITORS ARE MMFD
 TRANSISTORS ARE DEC2894-1B

REVISIONS	CHK	CHG NO.	REV.
	DAW	4234	1
	REV	5859	B

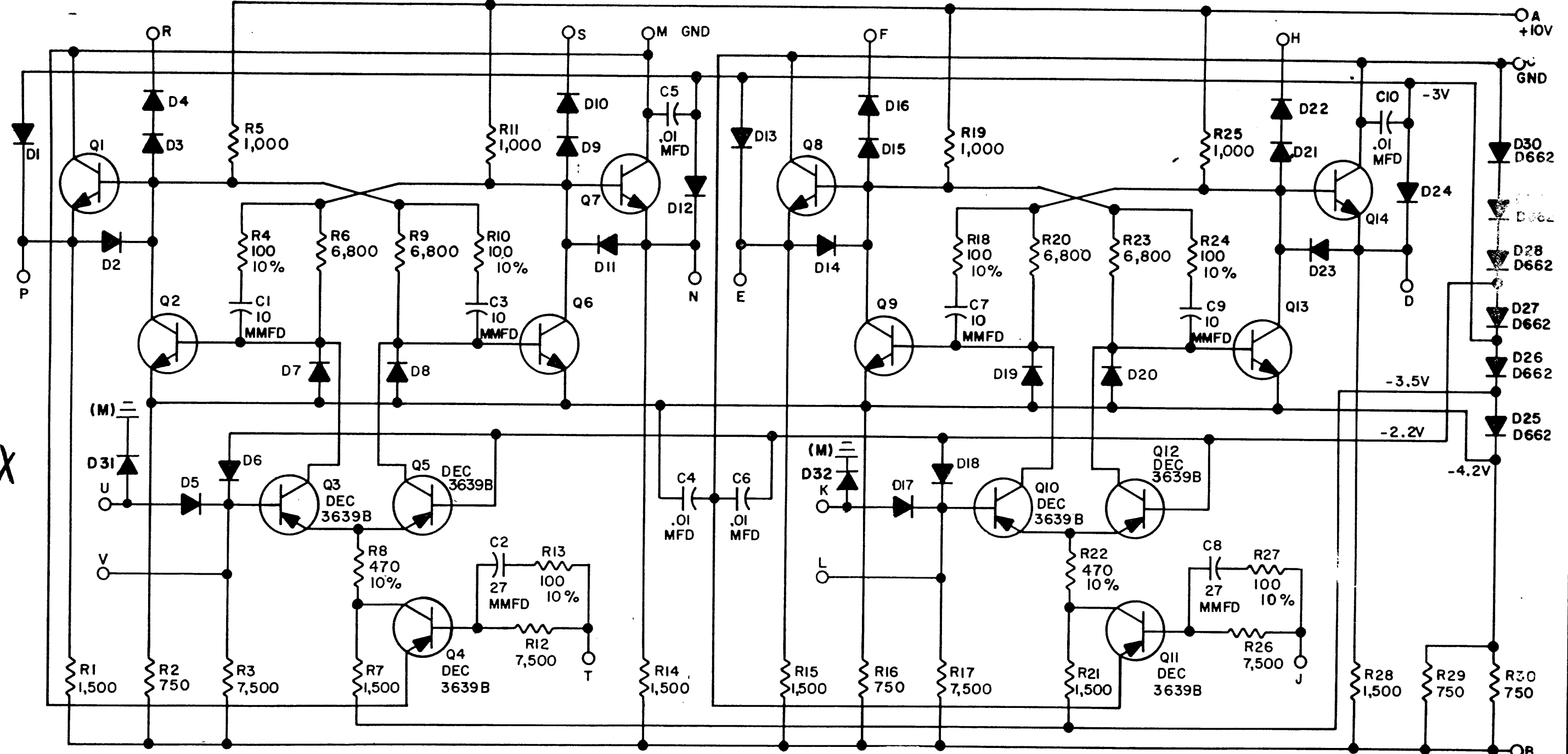
DRN.	A. OUELLETTE	DATE	6-10-64
CHK'D	N. PERRYMAN	DATE	6-12-64
ENG.	R. DOANE	DATE	6-12-64
PROD.		DATE	

TRANSISTOR & DIODE CONVERSION CHART			
DEC	EIA	DEC	EIA
DEC2894-1B	NONE		
D664	IN3608		
D662	IN645		

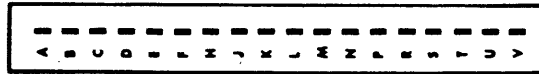
digital
 EQUIPMENT CORPORATION
 MAYNARD, MASSACHUSETTS

TITLE			
FOUR FLIP-FLOPS B204			
SIZE	CODE	NUMBER	REV.
B	CS	B204-0-1	B
PRINTED CIRCUIT REV.			B

THIS SCHEMATIC IS FURNISHED ONLY FOR TEST AND MAINTENANCE PURPOSES. THE CIRCUITS ARE PROPRIETARY IN NATURE AND SHOULD BE TREATED ACCORDINGLY. COPYRIGHT 1966 BY DIGITAL EQUIPMENT CORPORATION



UNLESS OTHERWISE INDICATED;
RESISTORS ARE 1/4W; 5%
DIODES ARE D664.
TRANSISTORS ARE DEC3009B



REVISIONS	CHK	CHG NO.	REV.	A	B	C	D	E	F
REV. 8 REDR.		5453							
		5825							
		6187							
		6488							
		6564							

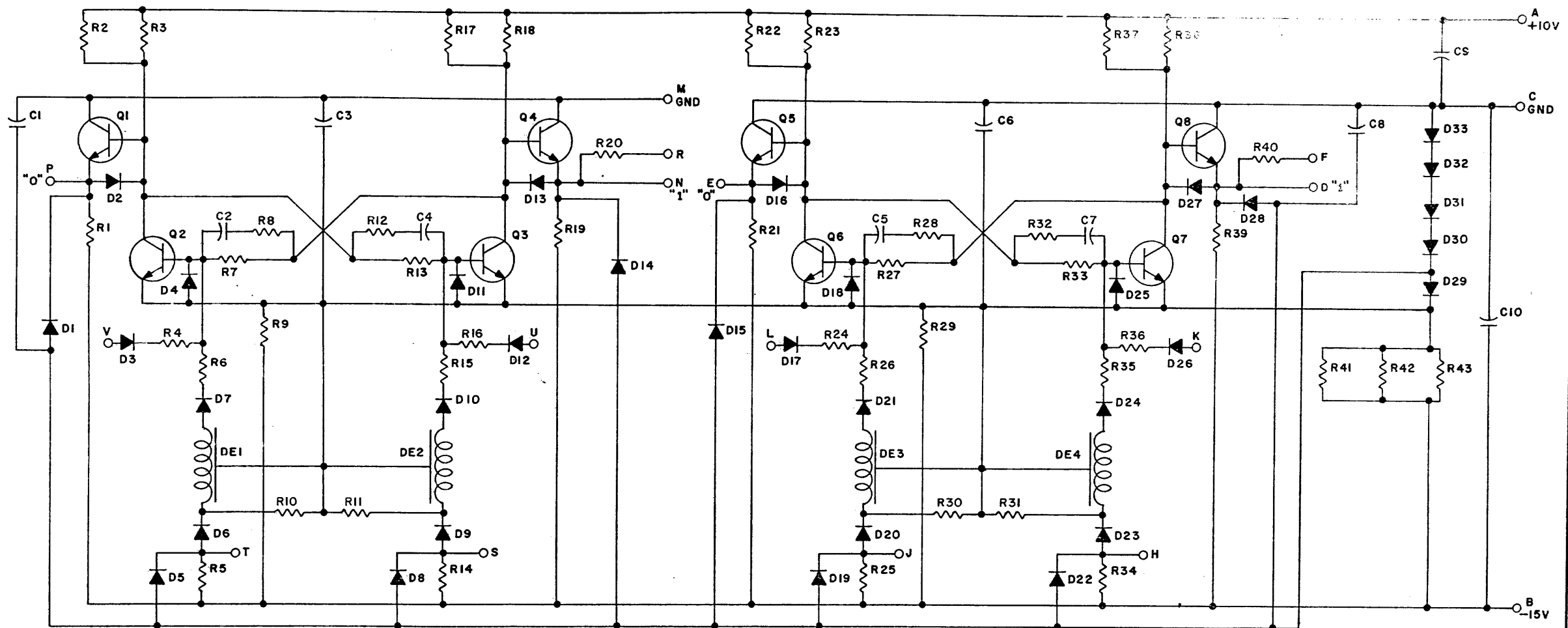
DRN.	A. OUELLETTE	DATE	2-7-66
CHK'D	R. SILVERMAN	DATE	2-10-66
ENG.	R. SOGGE	DATE	2-9-66
PROD.		DATE	

TRANSISTOR & DIODE CONVERSION CHART			
DEC		EIA	
DEC3009B		2N3009	
DEC3639B		2N3639	
D662		1N645	
D664		1N3606	

digital
EQUIPMENT CORPORATION
MAYNARD, MASSACHUSETTS

TITLE				JAM FLIP-FLOP B213			
SIZE	CODE	NUMBER		REV.			
B	CS	B213-0-1		F			
PRINTED CIRCUIT REV.							C

THIS SCHEMATIC IS FURNISHED ONLY FOR TEST AND MAINTENANCE PURPOSES. THE CIRCUITS ARE PROPRIETARY IN NATURE AND SHOULD BE TREATED ACCORDINGLY. COPYRIGHT 1966 BY DIGITAL EQUIPMENT CORPORATION



Q1 THRU Q8	TRANSISTOR DEC3009B-S	1503100
DE1 THRU DE4	DEL. LINE TECHNITROL 30ns FIXED	1605528
R9, R29, R41, R42, R43	RES. 910 1/4W 5% CC	1305374
R10, R11, R30, R31	RES. 560 1/4W 5% CC	1301890
R7, R13, R27, R33	RES. 4.7K 1/4W 5% CC	1300447
R6, R15, R8, R12, R26, R28, R32, R35	RES. 100 1/4W 10% CC	1300231
R5, R14, R25, R34	RES. 7.5K 1/4W 5% CC	1301422
R4, R16, R24, R36	RES. 390 1/4W 5% CC	1300309
R2, R3, R17, R18, R22, R23, R37, R38	RES. 2K 1/4W 5% CC	1302388
R1, R19, R20, R21, R39, R40	RES. 1.5K 1/4W 5% CC	1300391
D3, D7, D10, D12, D17, D21, D24, D26	DIODE FD777	1103041
D29 THRU D33	DIODE D662	1100113
D18-D20, D22, D23, D25, D27, D28	DIODE D664	1100114
D1, D2, D4-D6, D8, D9, D11, D13-D16,	DIODE D664	1100114
C2, C4, C5, C7	CAP. 15MMF 100V 5% D.M.	1000007
C1, C3, C6, C8, C9, C10	CAP. .01MFD 100V 20% DISC	1001610
	PARTS LIST	A-PL-B212-O-O
REFERENCE DESIGNATION	DESCRIPTION	PART NO.

REV.	CHG NO.	REV.
A	6028	
B	6856	
C	6970	
D	700001	

DRN.	DATE	CHK'D	DATE	ENG.	DATE	PROD.	DATE
M. Hall	11-28-66						

TRANSISTOR & DIODE CONVERSION CHART			
DEC	EIA	DEC	EIA
DEC3009B	2N3009		
D662	1N645		
D664	1N3606		
FD777	SAME		

digital EQUIPMENT CORPORATION
MAYNARD, MASSACHUSETTS

TITLE: **DUAL R-S FLIP-FLOP B212**

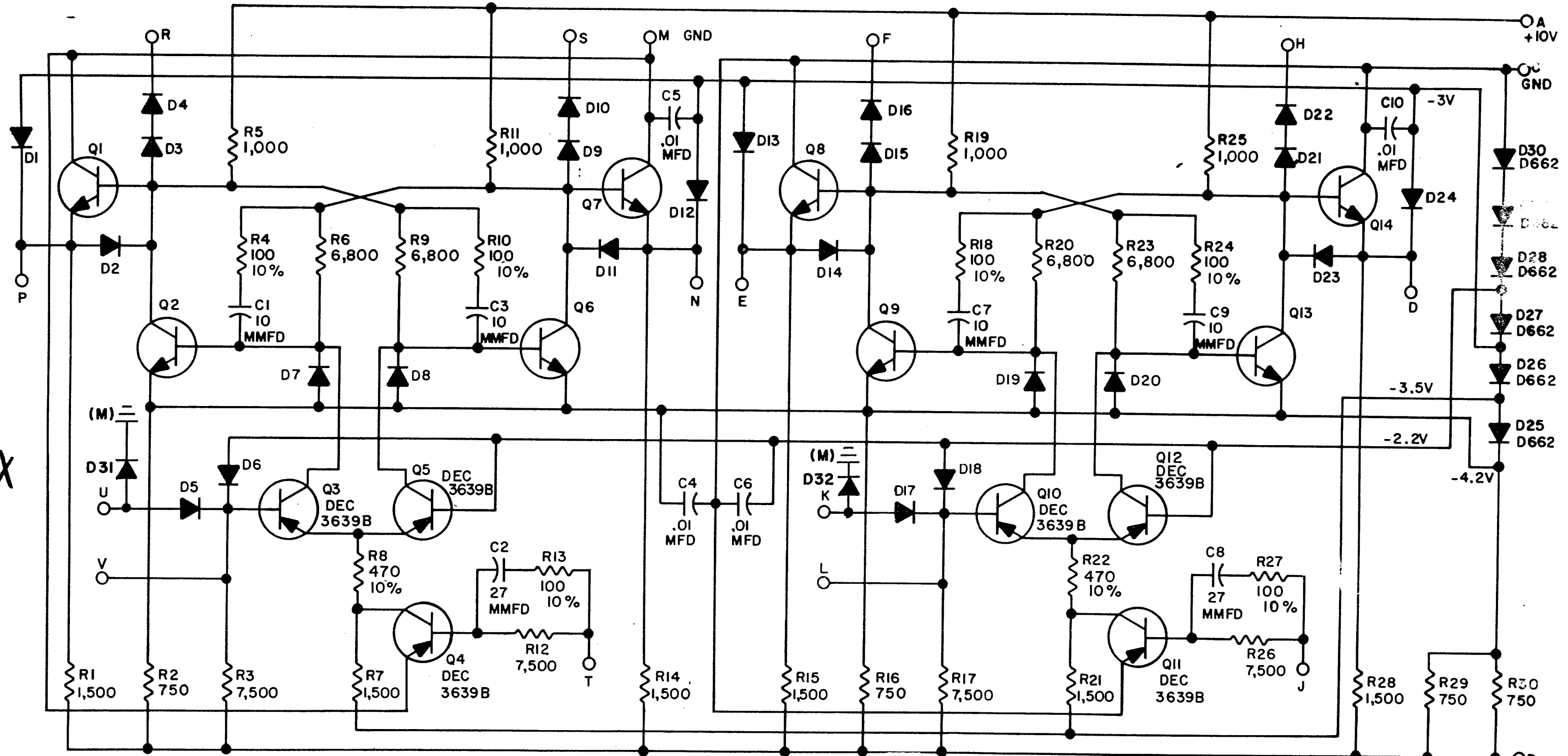
SIZE: C CODE: CS NUMBER: B212-0-1 REV: D

PRINTED CIRCUIT REV. C

REV. D
NUMBER B212-0-1
SIZE CODE C CS

THIS SCHEMATIC IS FURNISHED ONLY FOR TEST AND MAINTENANCE PURPOSES. THE CIRCUITS ARE PROPRIETARY IN NATURE AND SHOULD BE TREATED ACCORDINGLY. COPYRIGHT 1966 BY DIGITAL EQUIPMENT CORPORATION

REV. F
NUMBER B213-0-1
SIZE CODE B CS
3215



UNLESS OTHERWISE INDICATED;
RESISTORS ARE 1/4W; 5%
DIODES ARE D664.
TRANSISTORS ARE DEC3009B



REV. NO.	CHG. NO.	REV.
5453	A	
5825	B	
6187	C	
6488	D	
6564	E	
	F	

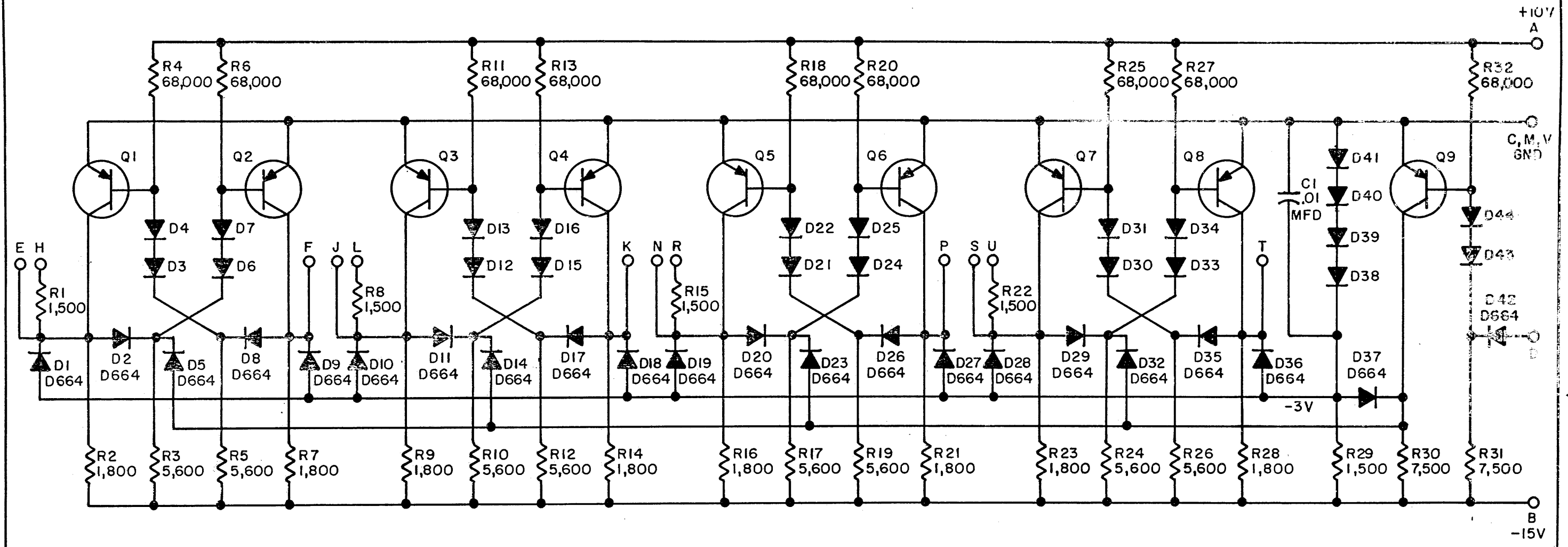
DRN. A. OUELLETTE	DATE 2-7-66
CHK'D R. SILVERMAN	DATE 2-10-66
ENG. R. SOGGE	DATE 2-9-66
PROD.	DATE

TRANSISTOR & DIODE CONVERSION CHART	
DEC	EIA
DEC3009B	2N3009
DEC3639B	2N3639
D662	1N645
D664	1N3606

digital
EQUIPMENT CORPORATION
MAYNARD, MASSACHUSETTS

TITLE JAM FLIP-FLOP B213			
SIZE B	CODE CS	NUMBER B213-0-1	REV. F
PRINTED CIRCUIT REV. C			

THIS SCHEMATIC IS FURNISHED ONLY FOR TEST AND MAINTENANCE PURPOSES. THE CIRCUITS ARE PROPRIETARY IN NATURE AND SHOULD BE TREATED ACCORDINGLY. COPYRIGHT 1967 BY DIGITAL EQUIPMENT CORPORATION

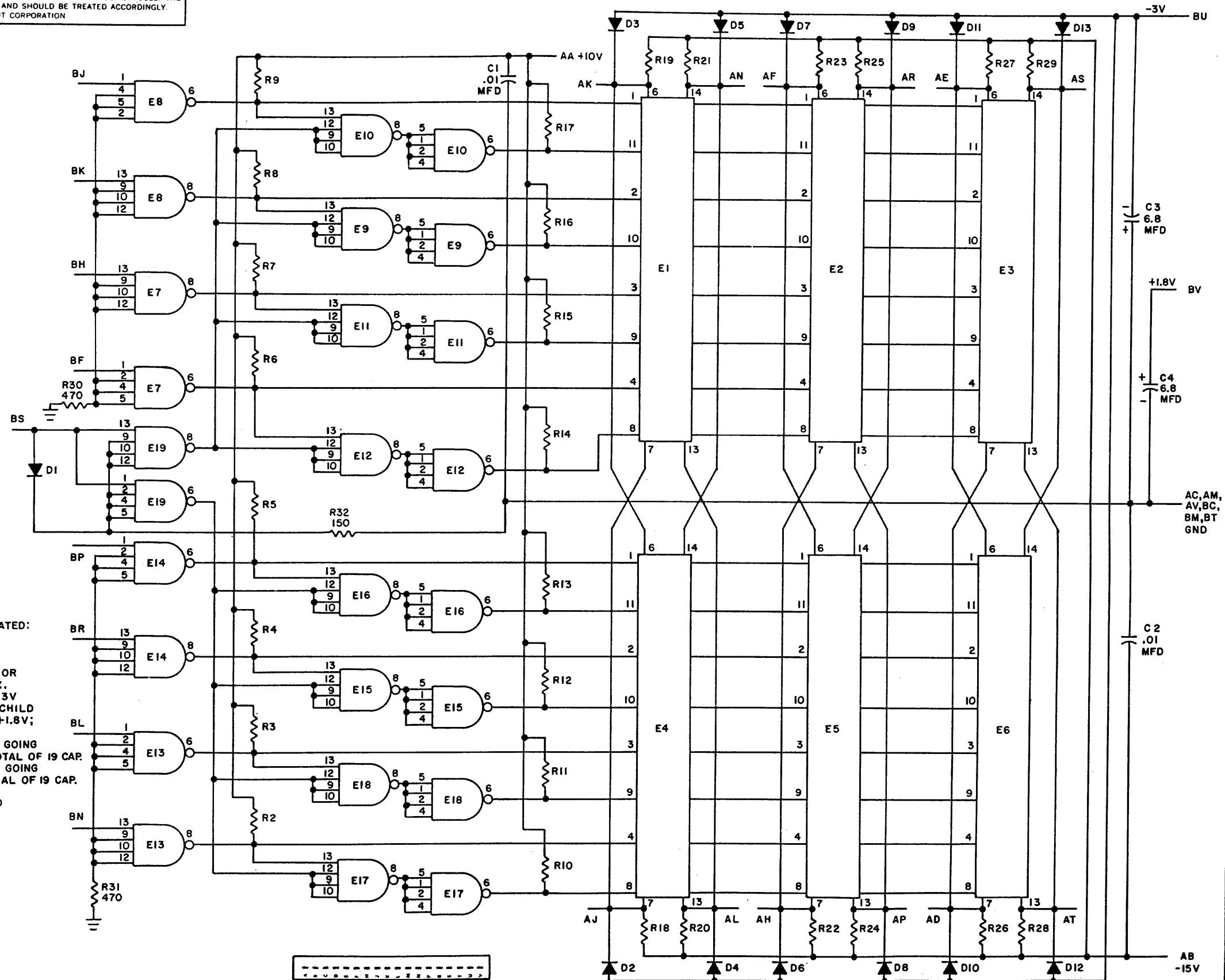


UNLESS OTHERWISE INDICATED:
 RESISTORS ARE 1/4W, 5%
 DIODES ARE D662
 TRANSISTORS ARE 2N4258



REVISIONS CHK CHG NO. REV.	DRN. <i>M. Haller</i>	DATE 6-5-67	TRANSISTOR & DIODE CONVERSION CHART				EQUIPMENT CORPORATION MAYNARD, MASSACHUSETTS	TITLE FOUR FLIP-FLOPS B214			
	CHK'D	DATE	DEC	EIA	DEC	EIA		SIZE	CODE	NUMBER	REV.
	ENG. <i>R. Williams</i>	DATE 6/7/67	2N4258	SAME				B	CS	B214-0-1	
	PROD.	DATE	D662	IN645				PRINTED CIRCUIT REV. A			
			D664	IN3606							

THIS SCHEMATIC IS FURNISHED ONLY FOR TEST AND MAINTENANCE PURPOSES. THE CIRCUITS ARE PROPRIETARY IN NATURE AND SHOULD BE TREATED ACCORDINGLY. COPYRIGHT 1967 BY DIGITAL EQUIPMENT CORPORATION



UNLESS OTHERWISE INDICATED:
 RESISTORS ARE 1/4W, 5%
 DIODES ARE D664
 E7 THRU E9 ARE TEXAS INSTRUMENT SN7440N OR FAIRCHILD U6A900959X. PIN 14 = +1.8V; PIN 7 = -3V
 E1 THRU E6 ARE FAIRCHILD U6A903059X. PIN 12 = +1.8V; PIN 5 = -3V
 ONE .01MFD ON EACH IC GOING FROM +1.8V TO GND. TOTAL OF 19 CAP.
 ONE .01MFD ON EACH IC GOING FROM -3V TO GND. TOTAL OF 19 CAP.
 R2 THRU R17 ARE 6,800
 R18 THRU R29 ARE 3,900

REV.	CHK'G NO.	REV.
1	8642	D

DRN.	DATE
<i>m. Sullivan</i>	3-2-67
CHK'D	DATE
<i>D. Sullivan</i>	7/3/67
ENG.	DATE
<i>D. Sullivan</i>	7/15/67
PROD.	DATE
3	

TRANSISTOR & DIODE CONVERSION CHART			
DEC	EIA	DEC	EIA
D664	1N3606		

digital EQUIPMENT CORPORATION
 MAYNARD, MASSACHUSETTS

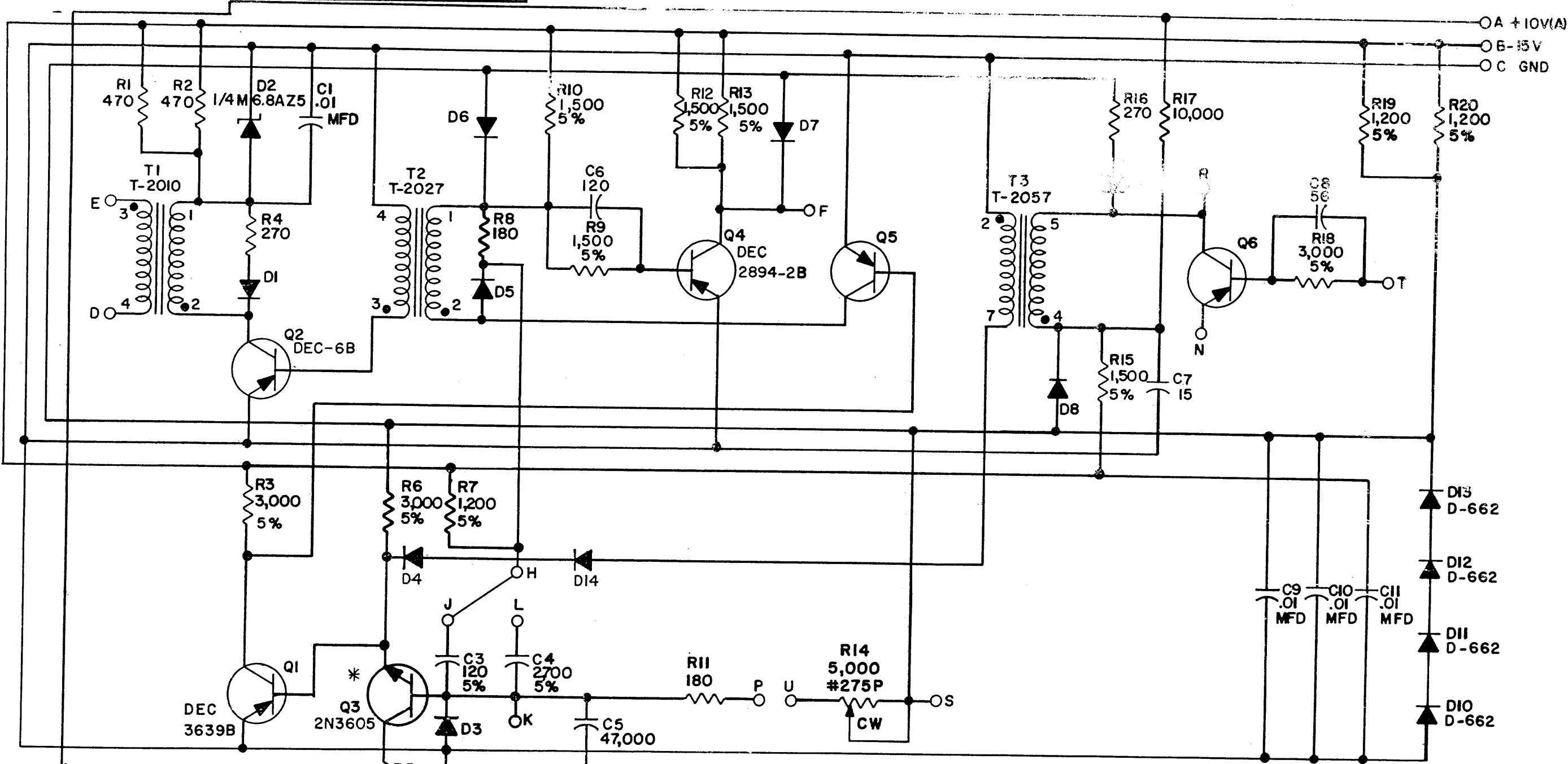
TITLE: FM MODULE B250

SIZE	CODE	NUMBER	REV.
C	CS	B250-0-1	D

PRINTED CIRCUIT REV. CD

THIS SCHEMATIC IS FURNISHED ONLY FOR TEST AND MAINTENANCE PURPOSES. THE CIRCUITS ARE PROPRIETARY IN NATURE AND SHOULD BE TREATED ACCORDINGLY. COPYRIGHT 1964 BY DIGITAL EQUIPMENT CORPORATION

REV | NUMBER | SIZE | CODE



UNLESS OTHERWISE INDICATED:
RESISTORS ARE 1/4W; 10%
CAPACITORS ARE MMFD
TRANSISTORS ARE DEC2894-1B
DIODES ARE D-664

PARTS LIST A-PL-B301-0-0

* NOTE: TRANSISTOR 2N3605 OR GET 914

REVISIONS	CHK	CHG NO.	REV.
B	DAW	5147	REV. & REDR.
F	DAW	5433	
H	DAW	5898	
J	DAW	7106	
K	DAW	7141	
		00001	

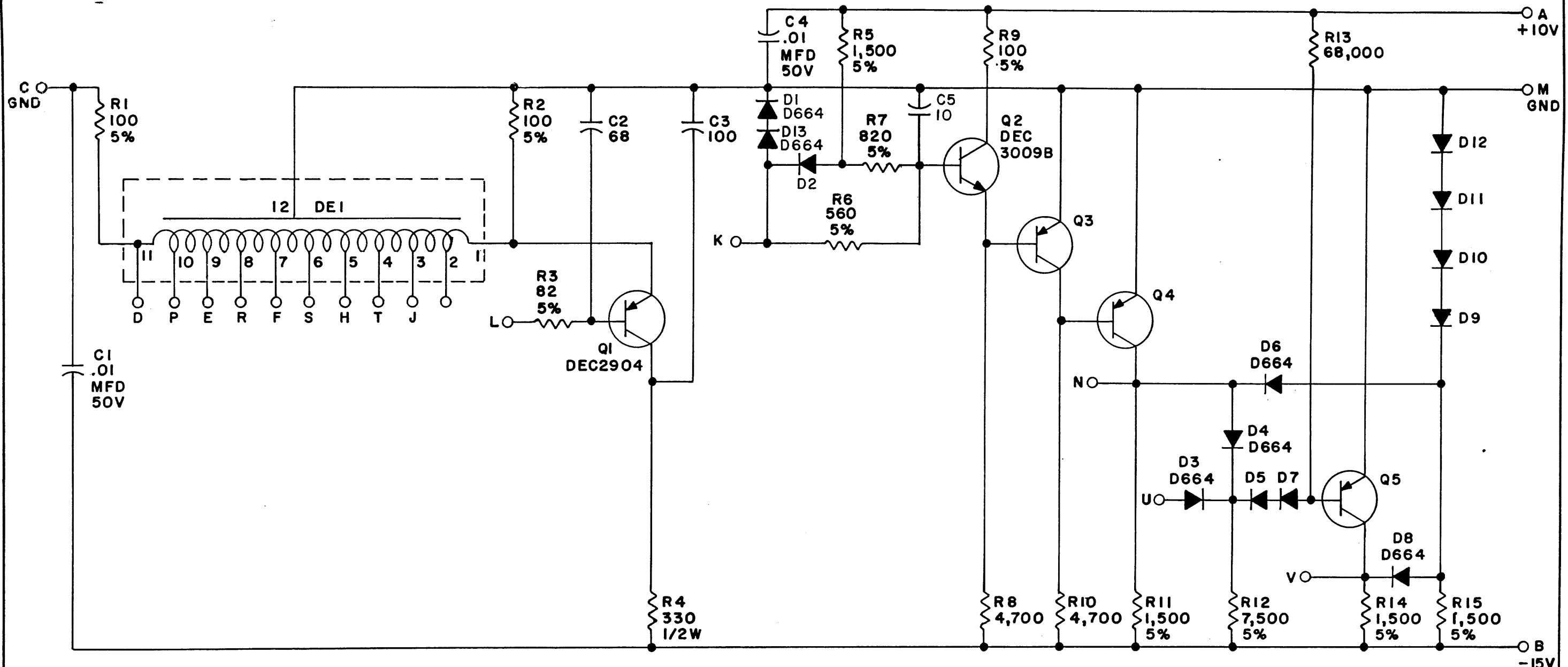
DRN.	DATE
PAUL TELLIER	6-16-64
CHK'D N. PERRYMAN	DATE 6-23-64
ENG. E. CHEVRIER	DATE 6-23-64
PROD.	DATE

TRANSISTOR & DIODE CONVERSION CHART			
DEC	EIA	DEC	EIA
DEC2894-1B	NONE	1/4M6.8AZ5	IN4099
DEC2894-2B	NONE	D-662	IN645
DEC-6B	NONE	D-664	IN3606
2N3605	SAME		
DEC 3639B	NONE		

digital
EQUIPMENT CORPORATION
MAYNARD, MASSACHUSETTS

TITLE			
ONE SHOT DELAY B301			
SIZE	CODE	NUMBER	REV.
B	CS	B301-0-1	
PRINTED CIRCUIT REV.			
D			

THIS SCHEMATIC IS FURNISHED ONLY FOR TEST AND MAINTENANCE PURPOSES. THE CIRCUITS ARE PROPRIETARY IN NATURE AND SHOULD BE TREATED ACCORDINGLY. COPYRIGHT 1966 BY DIGITAL EQUIPMENT CORPORATION



UNLESS OTHERWISE INDICATED:
 RESISTORS ARE 1/4W, 10%
 CAPACITORS ARE MMFD
 DIODES ARE D662
 TRANSISTORS ARE DEC3639B
 DEI IS A DEC 16-05529 DELAY
 LINE WITH 25NS TAPS OR EQUIVALENT
 PARTS LIST A-PL-B311-0-0

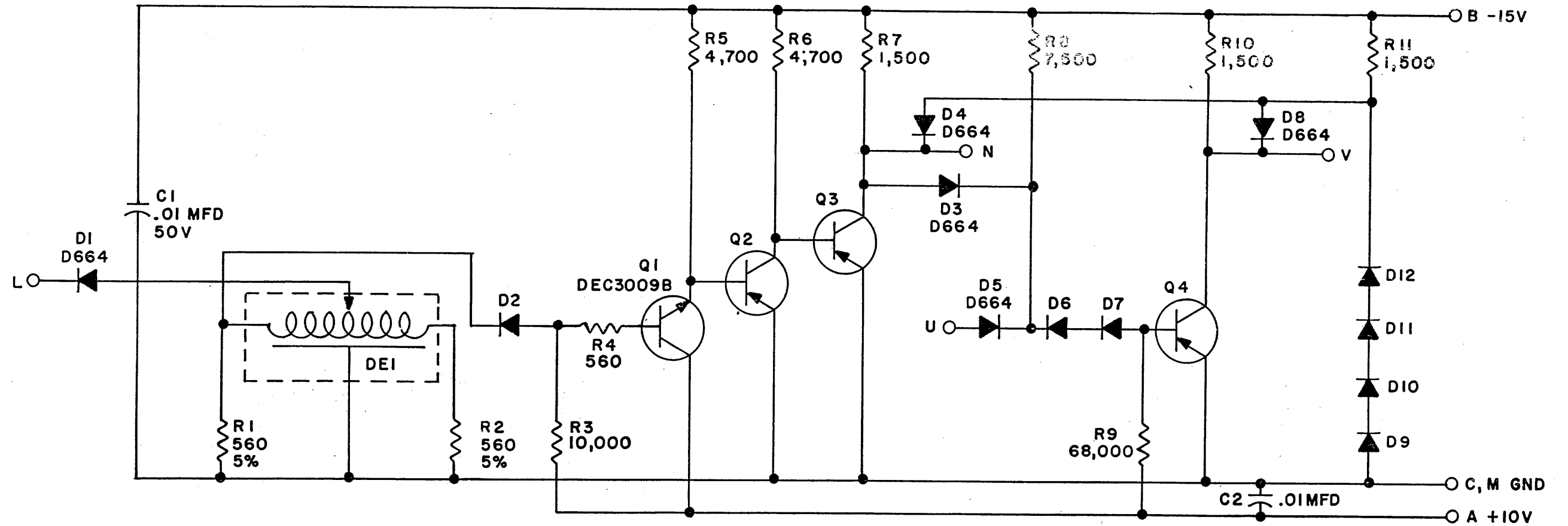


REVISIONS CHG NO. REV. 6211 A 6932 B	DRN. <i>M. Haller</i>	DATE 12-24-66	TRANSISTOR & DIODE CONVERSION CHART		digital EQUIPMENT CORPORATION MAYNARD, MASSACHUSETTS	TITLE
	CHK'D	DATE	DEC	EIA		TAPPED DELAY LINE B311
	ENG.	DATE	DEC	EIA		SIZE CODE NUMBER REV.
	PROD.	DATE				B CS B311-0-1 B
			DEC2904	2N1132		PRINTED CIRCUIT REV. D
			DEC3009B	2N3009		
			DEC3639B	2N3639		
			D662	1N645		
			D664	1N3606		

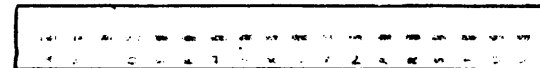
Pink D154 304 134 454 351

THIS SCHEMATIC IS FURNISHED ONLY FOR TEST AND MAINTENANCE PURPOSES. THE CIRCUITS ARE PROPRIETARY IN NATURE AND SHOULD BE TREATED ACCORDINGLY. COPYRIGHT 1966 BY DIGITAL EQUIPMENT CORPORATION

SIZE CODE NUMBER REV

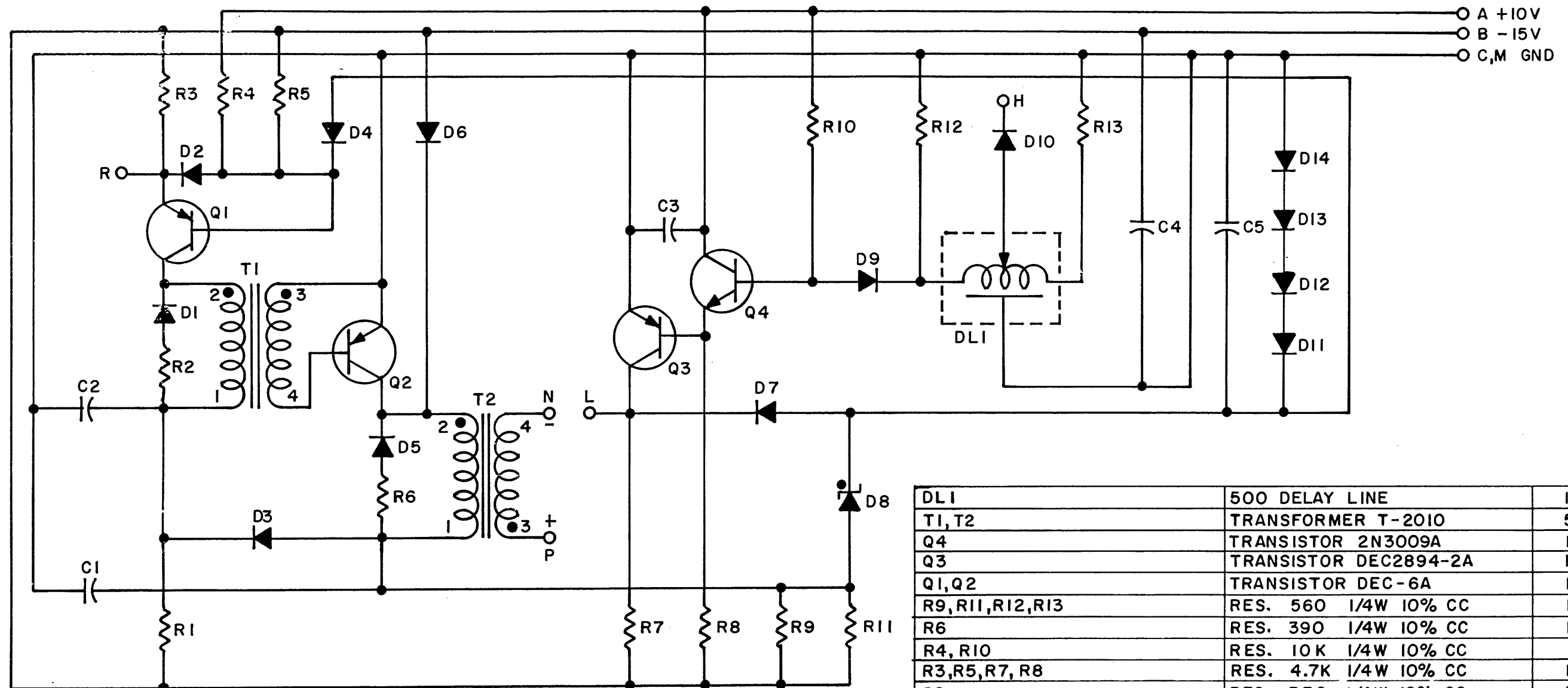


UNLESS OTHERWISE INDICATED:
 RESISTORS ARE 1/4W; 10%
 DIODES ARE D662
 TRANSISTORS ARE DEC3639B
 DEI IS ESC NO. 73-63 DELAY LINE, TD=250NS, Z=500Ω



REVISIONS CHK CHG NO. REV.	DRN. <i>M. Haller</i>	DATE 11-21-66	TRANSISTOR & DIODE CONVERSION CHART				digital EQUIPMENT CORPORATION MAYNARD, MASSACHUSETTS	TITLE VARIABLE DELAY LINE B312			
	CHK'D <i>[Signature]</i>	DATE 11/27/66	DEC	EIA	DEC	EIA		SIZE B	CODE CS	NUMBER B312-0-1	REV. A
	ENG. <i>[Signature]</i>	DATE 11/27/66	DEC3009B	2N3009				PRINTED CIRCUIT REV. B			
	PROD. I	DATE	DEC3639B	2N3639							
			D662	1N645							
			D664	1N3606							

THIS SCHEMATIC IS FURNISHED ONLY FOR TEST AND MAINTENANCE PURPOSES. THE CIRCUITS ARE PROPRIETARY IN NATURE AND SHOULD BE TREATED ACCORDINGLY. COPYRIGHT 1964 BY DIGITAL EQUIPMENT CORPORATION



DL1	500 DELAY LINE	1602167
T1, T2	TRANSFORMER T-2010	5200648
Q4	TRANSISTOR 2N3009A	1501999
Q3	TRANSISTOR DEC2894-2A	1501955
Q1, Q2	TRANSISTOR DEC-6A	1509090-00
R9, R11, R12, R13	RES. 560 1/4W 10% CC	1300340
R6	RES. 390 1/4W 10% CC	1300310
R4, R10	RES. 10K 1/4W 10% CC	1300481
R3, R5, R7, R8	RES. 4.7K 1/4W 10% CC	1300448
R2	RES. 330 1/4W 10% CC	1300293
R1	RES. 1.5K 1/4W 5% CC	1300391
D8	DIODE IN750A 4.7V 5%	1100124
D9, D11-D14	DIODE D662	1100113
D1-D7, D10	DIODE D664	1100114
C1, C3-C5	CAP. .01MFD 100V 20% DISC	1001610
C2	CAP. 15MMF 100V 5% D.M.	1000007
PARTS LIST		A-PL-B360-0-0
REFERENCE DESIGNATION	DESCRIPTION	PART NO.



REVISIONS	CHK	CHG NO.	REV.
	DAW	5040	2
	REV & REDR.	7049	D

DRN.	H.W. PORTER	DATE	5-14-64
CHK'D	N. PERRYMAN	DATE	5-18-64
ENG.	R. DOANE	DATE	5-18-64
PROD.		DATE	

TRANSISTOR & DIODE CONVERSION CHART			
DEC		EIA	
D662		IN645	
D664		IN3606	
IN750A		SAME	
DEC2894-2A		NONE	
2N3009A		2N3009	

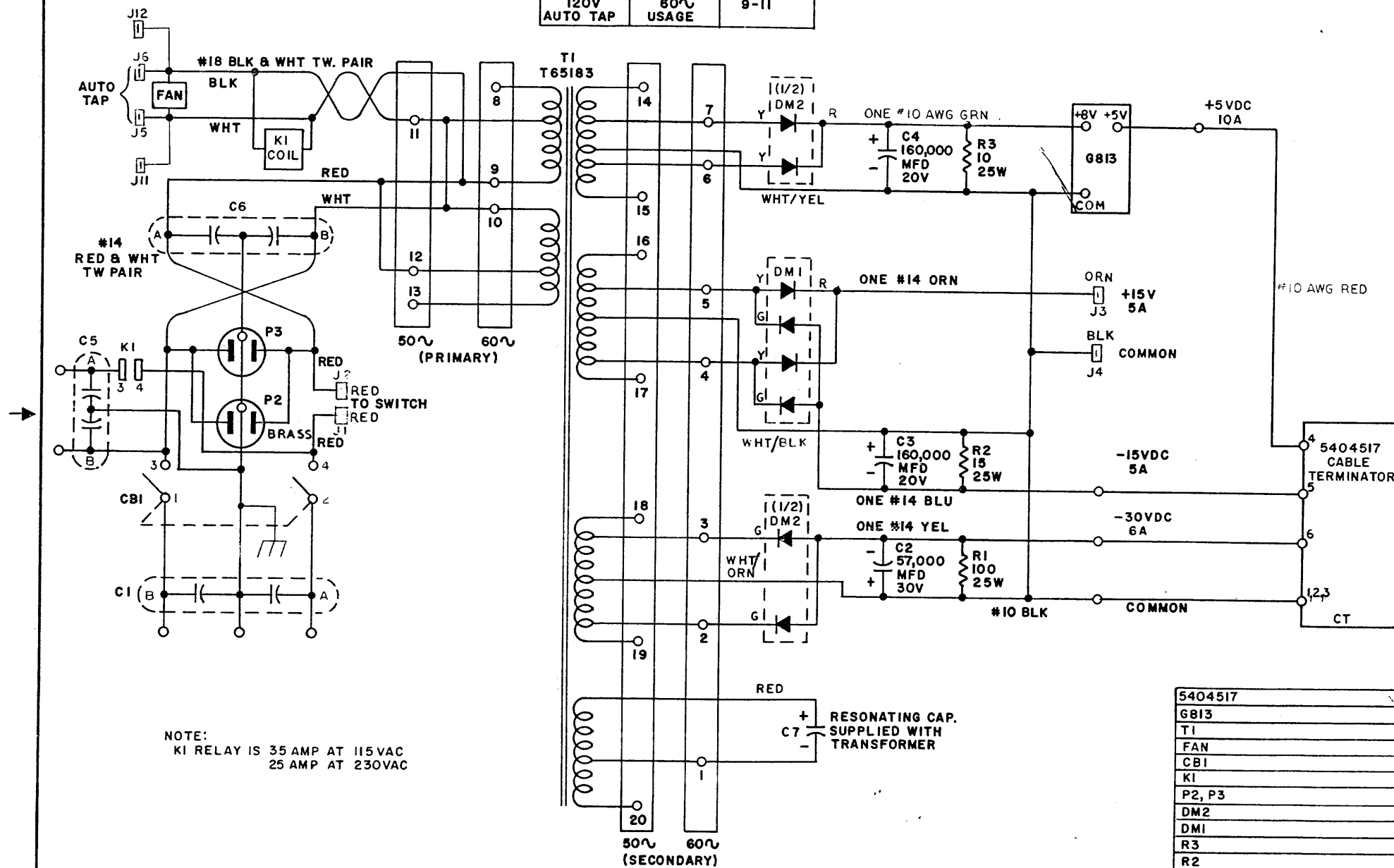
digital
EQUIPMENT CORPORATION
MAYNARD, MASSACHUSETTS

TITLE DELAY WITH PULSE AMPLIFIER B360			
SIZE	CODE	NUMBER	REV.
B	CS	B360-0-1	D
PRINTED CIRCUIT REV.			D

PINK

THIS SCHEMATIC IS FURNISHED ONLY FOR TEST AND MAINTENANCE PURPOSES. THE CIRCUITS ARE PROPRIETARY IN NATURE AND SHOULD BE TREATED ACCORDINGLY. COPYRIGHT 1967 BY DIGITAL EQUIPMENT CORPORATION

INPUT VOLTAGE	JUMPERS	LINE CONNECTIONS
100V 50~	12-9; 10-11	9-10
115V 50~	9-13; 8-10	9-10
200V 50~	11-12	9-10
215V 50~	8-12	9-10
230V 50~	8-13	9-10
120V 60~	9-12; 10-11	9-10
240V 60~	11-12	9-10
115V AUTO TAP	60~ USAGE	8-9
120V AUTO TAP	60~ USAGE	9-11



NOTE:
KI RELAY IS 35 AMP AT 115 VAC
25 AMP AT 230VAC

REFERENCE DESIGNATION	DESCRIPTION	PART NO.
5404517	CABLE TERMINATOR	5004516
G813	REGULATOR CONTROL	5004433
T1	TRANSFORMER T-65183	1605651
FAN	FAN-BOXER 50/60 CYCLE	1205761
CBI	CKT. BREAKER 250 VAC 60 CYCLE	1201218
KI	RELAY EM-1	1202200
P2, P3	PLUG #160-5 AMPHENOL	1201252
DM2	RECTIFIER DM2 SDA10102	1105397
DM1	RECTIFIER DM1	1102933
R3	RES. 10 25W 10% WW	1300175
R2	RES. 15 25W 5% WW	1300181
R1	RES. 100 25W 5% WW	1302888
C3, C4	CAP. 160,000 MFD 20V	1004874
C2	CAP. 57,000 MFD 50V	1004875
C1, C5, C6	CAP. 1 MFD 600VDC #CAF-001	1002153
PARTS LIST		A-PL-704-0-0

REV. NO.	CHK	CHG NO.	REV.
A	8822	704	00001
B	00001	704A	00001
C	00001	704A	00001

DRN.	DATE
M. Miller	11-5-67
CHK'D.	DATE
DATE	DATE
DATE	DATE
PROD.	DATE

TRANSISTOR & DIODE CONVERSION CHART			
DEC	EIA	DEC	EIA

digital EQUIPMENT CORPORATION
MAYNARD, MASSACHUSETTS

TITLE: PDP-8 I POWER SUPPLY 704
SIZE: C CS 704-0-1
NUMBER: 704-0-1
REV. C

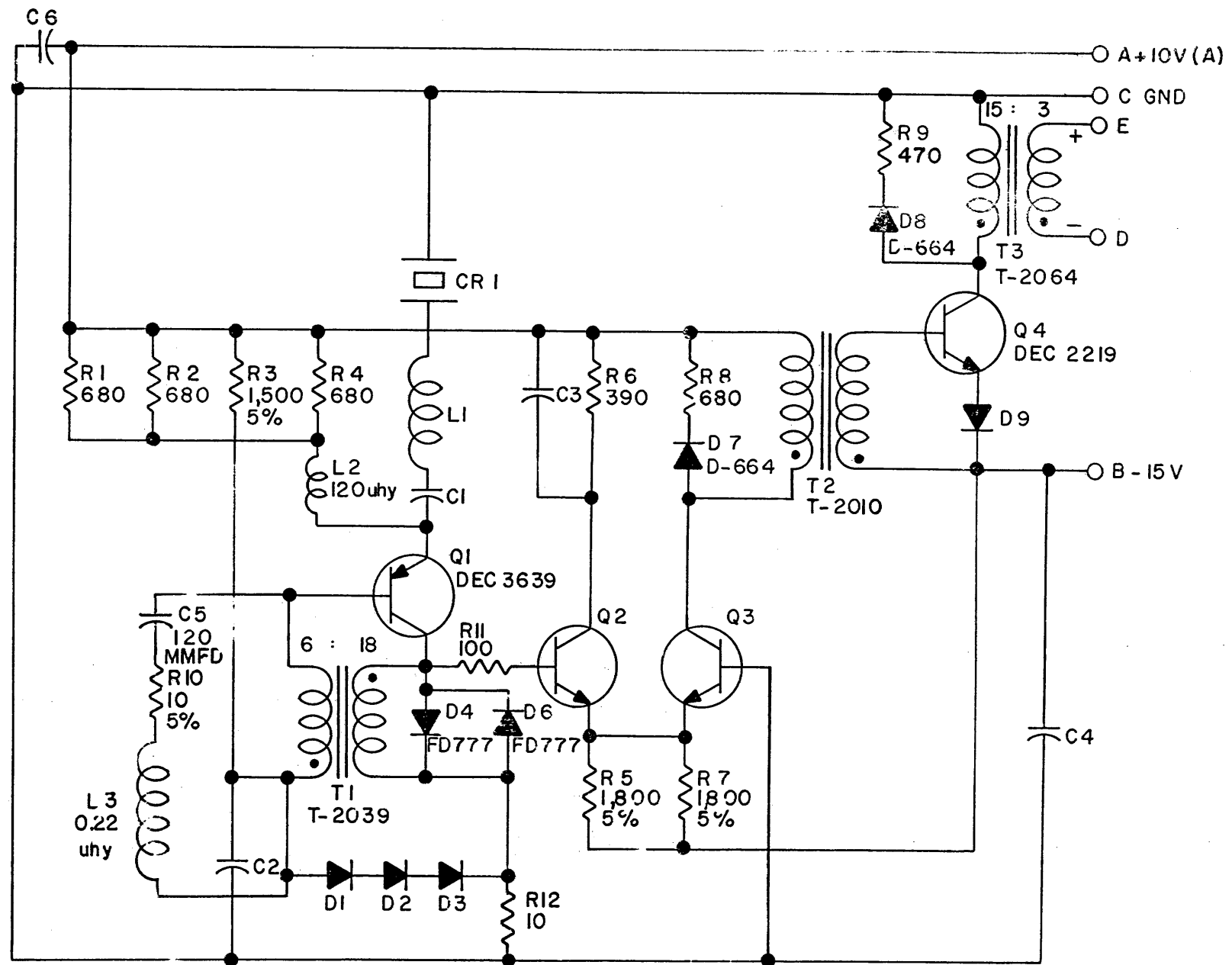
PRINTED CIRCUIT REV.

SIZE CODE NUMBER REV. C
C CS 704-0-1

CS-B-B 405-2

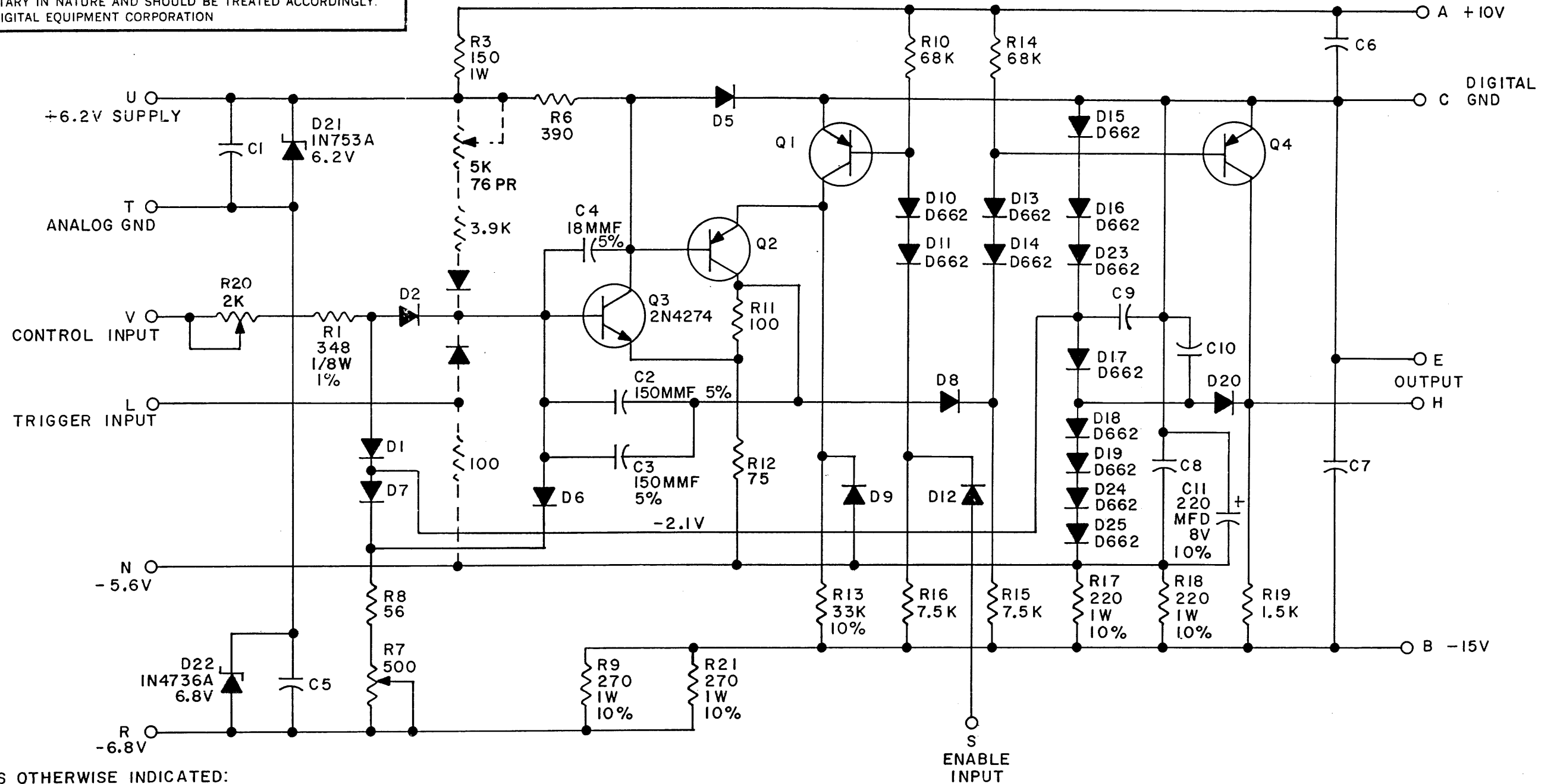
FREQUENCY	L I	CI (APPROX)
8.2 - 10 Mc	3.3 uhy ESSEX VIH	56 MMFD
6.7 - 8.2 Mc		120 MMFD
5.5 - 6.7 Mc		220 MMFD
4.5 - 5.5 Mc		270 MMFD
3.7 - 4.5 Mc	10 uhy ESSEX VIH	150 MMFD
3.0 - 3.7 Mc		220 MMFD
2.45 - 3.0 Mc		330 MMFD
2.0 - 2.45 Mc		560 MMFD

UNLESS OTHERWISE INDICATED:
 TRANSISTORS ARE DEC 3009
 CARACITORS ARE .01MFD
 RESISTORS ARE 1/4W, 10%
 DIODES ARE D-662
 CHOKES L1, L2 ARE DECI-DUCTORS



5079-2	4831-1	ECO. NO.	DRAFTSMAN I. HAHN	CHECKER <i>R. Sullivan</i>	digital EQUIPMENT CORPORATION MAYNARD, MASSACHUSETTS	CODE	DWG. NO.	REV. 2
			DATE 7-28-65	DATE <i>8/1/65</i>		CS	B-B 405	
		ENG.	ENGINEER <i>R. Doane 8/5/65</i>	PRODUCTION	TITLE	CRYSTAL CLOCK B405		
			DATE	DATE				

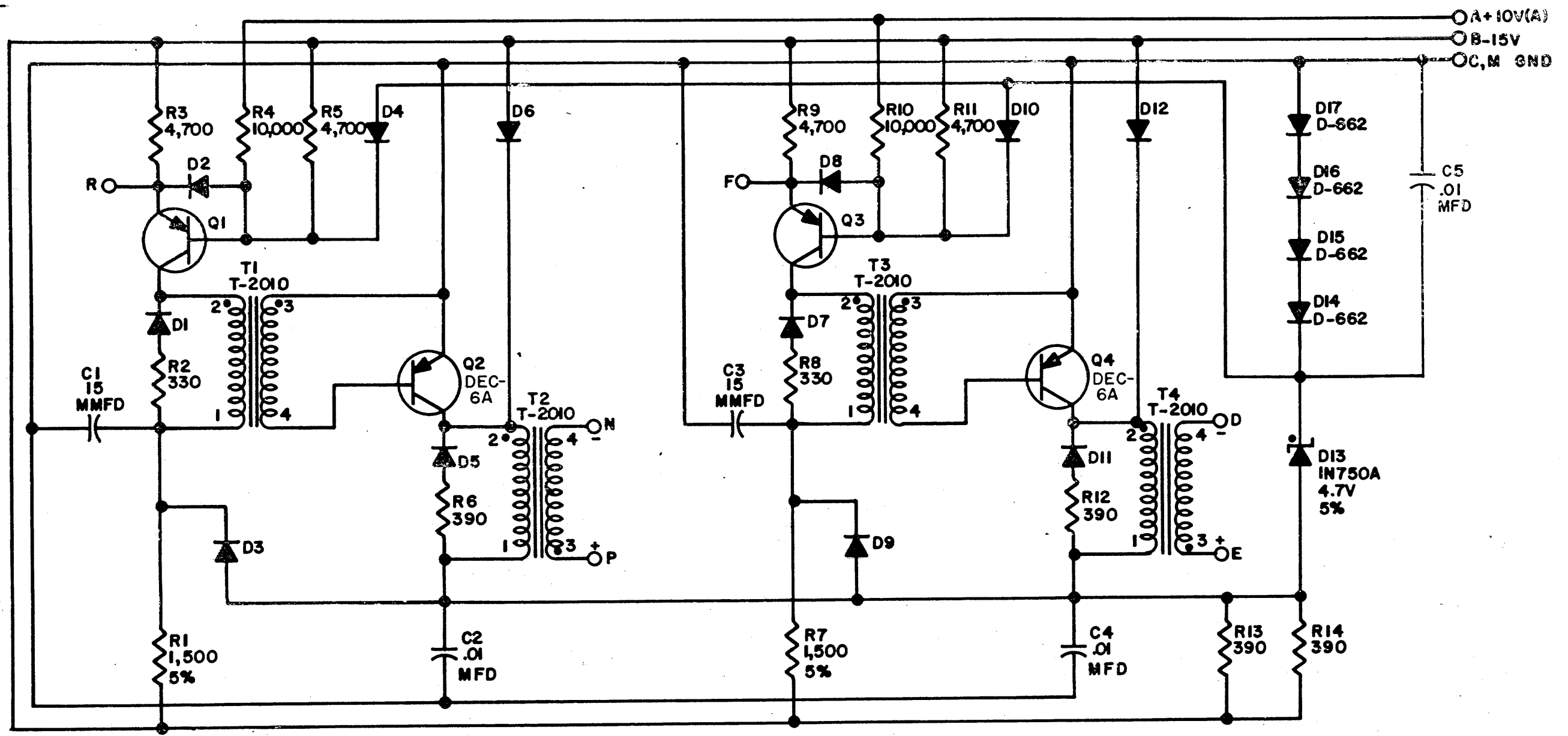
THIS SCHEMATIC IS FURNISHED ONLY FOR TEST AND MAINTENANCE PURPOSES. THE CIRCUITS ARE PROPRIETARY IN NATURE AND SHOULD BE TREATED ACCORDINGLY. COPYRIGHT 1969 BY DIGITAL EQUIPMENT CORPORATION



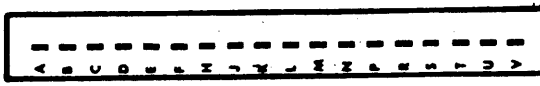
UNLESS OTHERWISE INDICATED:
 RESISTORS ARE 1/4W, 5%
 DIODES ARE D664
 TRANSISTORS ARE DEC4258
 DOTTED COMPONENTS ARE OPTIONAL
 CAPACITORS ARE .01 MFD, 100V, 20%
 R7, R20 ARE 76PR HELITRIM POT, 3/4W, 10%

REVISIONS CHK CHG NO. REV. C D 117 00001 C 117 00002 D	DRN. <i>M. Waller</i>	DATE 7-11-69	TRANSISTOR & DIODE CONVERSION CHART				 EQUIPMENT CORPORATION MAYNARD, MASSACHUSETTS	TITLE VFO CLOCK B410			
	CHK'D	DATE	DEC	EIA	DEC	EIA		SIZE B	CODE CS	NUMBER B410-0-1	REV. D
	ENG. <i>C. W. S. F.</i>	DATE 9/11/69	D662	IN645	DEC4258	2N4258					
	PROD.	DATE	D664	IN3606	2N4274	SAME					
			IN753A	SAME							
			IN4736A	SAME							

THIS SCHEMATIC IS FURNISHED ONLY FOR TEST AND MAINTENANCE PURPOSES. THE CIRCUITS ARE PROPRIETARY IN NATURE AND SHOULD BE TREATED ACCORDINGLY. COPYRIGHT 1964 BY DIGITAL EQUIPMENT CORPORATION



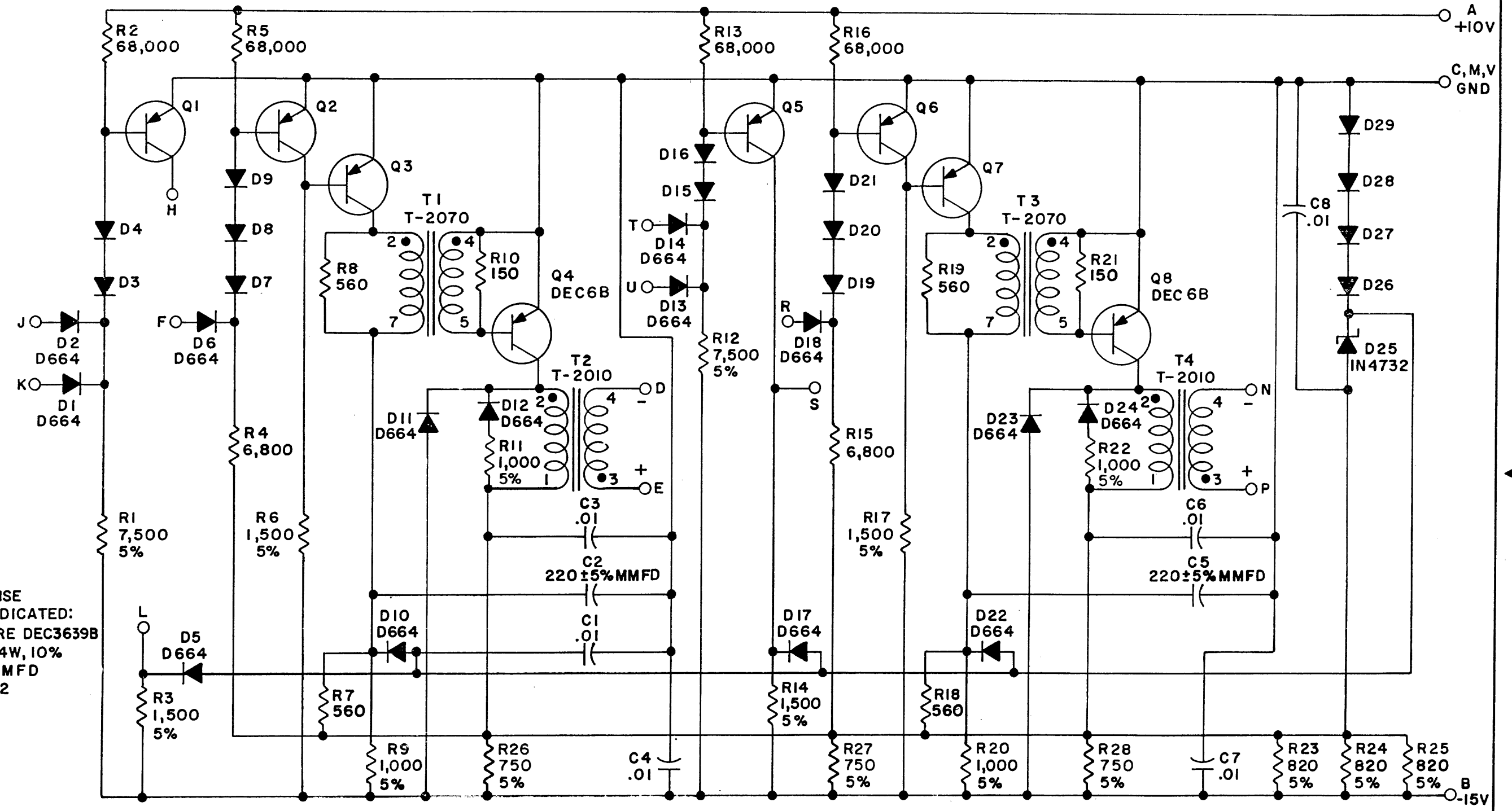
UNLESS OTHERWISE INDICATED:
RESISTORS ARE 1/4W; 10%
TRANSISTORS ARE DEC-6B
DIODES ARE D-664



PARTS LIST A-PL-B602-0-0

REVISIONS CHK CHG NO. REV. REV. & REDR. 5391 B 6884 C 7045 D	DRN. H. PORTER	DATE 5-14-64	TRANSISTOR & DIODE CONVERSION CHART		digital EQUIPMENT CORPORATION MAYNARD, MASSACHUSETTS	TITLE 10 Mc PULSE AMPLIFIER B602			
	CHK'D N. PERRYMAN	DATE 5-18-64	DEC	EIA		SIZE B	CODE CS	NUMBER B602-0-1	REV. D
	ENG. R. DOANE	DATE 5-18-64	DEC-6B	NONE					
	PROD.	DATE	D662	IN645					
			D664	IN3606					
			IN750A	SAME					
			DEC-6A	NONE					

THIS SCHEMATIC IS FURNISHED ONLY FOR TEST AND MAINTENANCE PURPOSES. THE CIRCUITS ARE PROPRIETARY IN NATURE AND SHOULD BE TREATED ACCORDINGLY. COPYRIGHT 1966 BY DIGITAL EQUIPMENT CORPORATION

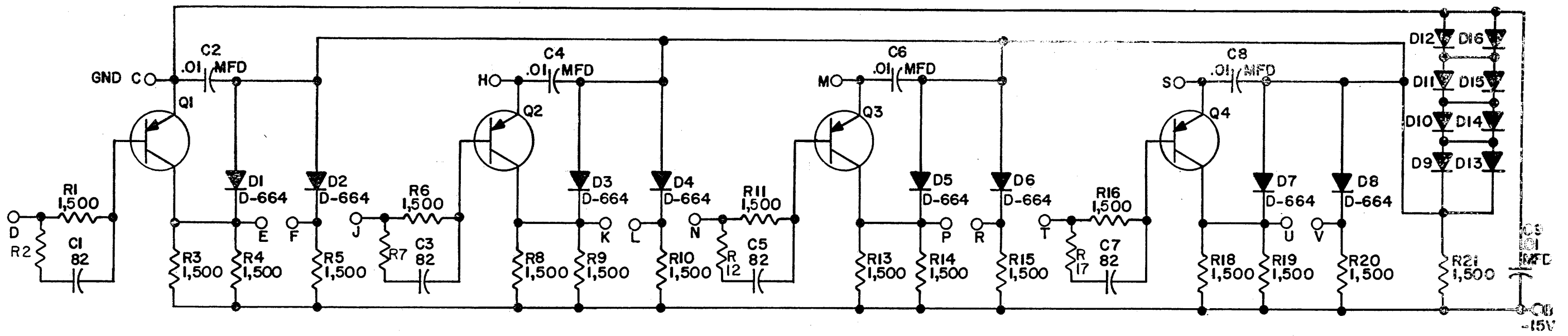


UNLESS OTHERWISE INDICATED:
 TRANSISTORS ARE DEC3639B
 RESISTORS ARE 1/4W, 10%
 CAPACITORS ARE MFD
 DIODES ARE D662

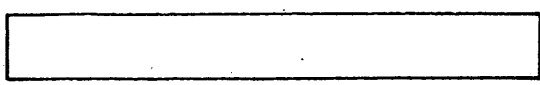
PARTS LIST A-PL-B611-0-0

REVISIONS CHG NO. REV. B C D E 6137 7046 00001	DRN. M. Haller DATE 11-16-66	TRANSISTOR & DIODE CONVERSION CHART				digital EQUIPMENT CORPORATION MAYNARD, MASSACHUSETTS	TITLE PULSE AMPLIFIER B611			
	CHK'D DATE	DEC DEC3639B NONE	EIA NONE	DEC DEC-6B NONE	EIA NONE		SIZE B CODE CS NUMBER B611-0-1 REV. E			
	ENG. J. J. Chen DATE 11/18/66	DEC D662 IN645	EIA IN3606	DEC D664 IN3606	EIA SAME		PRINTED CIRCUIT REV. B			
	PROD. I DATE	DEC IN4732 SAME	EIA SAME	DEC IN4732 SAME	EIA SAME		DIST. 324 434 444 PINK			

THIS SCHEMATIC IS FURNISHED ONLY FOR TEST AND MAINTENANCE PURPOSES. THE CIRCUITS ARE PROPRIETARY IN NATURE AND SHOULD BE TREATED ACCORDINGLY. COPYRIGHT 1964 BY DIGITAL EQUIPMENT CORPORATION

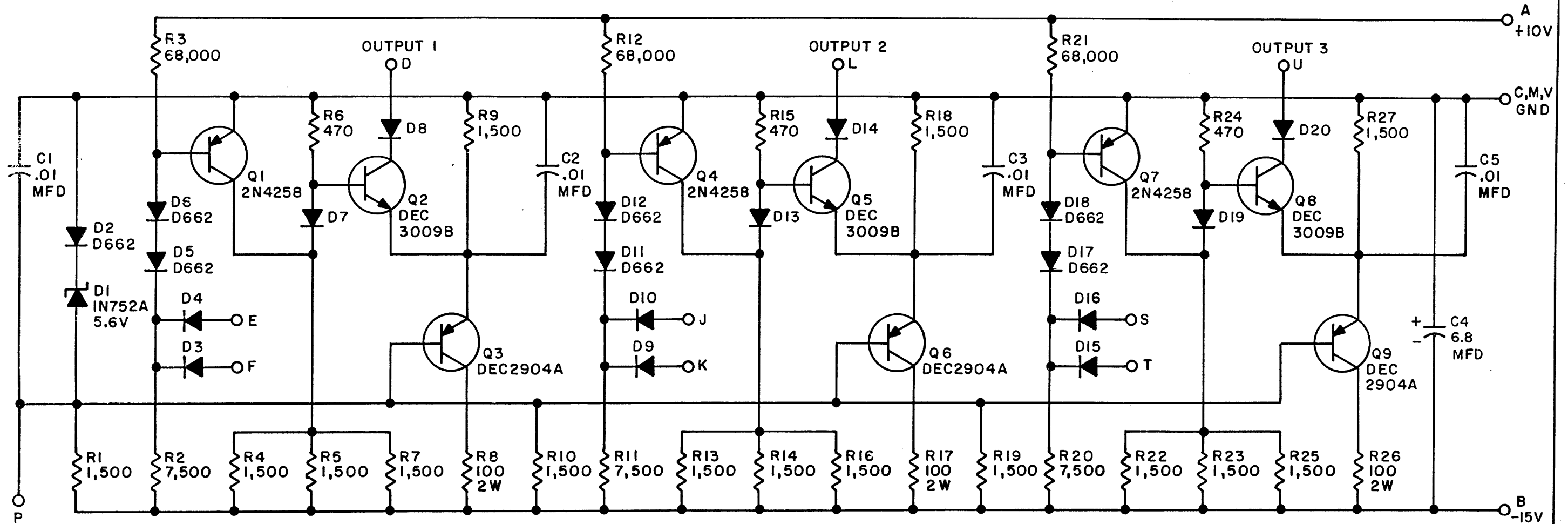


UNLESS OTHERWISE INDICATED:
 RESISTORS ARE 1/4W; 5%
 CAPACITORS ARE MMFD
 TRANSISTORS ARE DEC2894-2B
 DIODES ARE D-662
 RESISTORS ARE 100; 1/4W; 10%

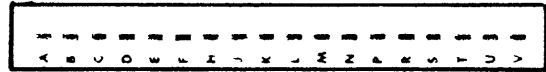


REVISIONS CHK CHG NO. REV. DAW 6057 1 REV & REDN R 5847 B	DRN. H.W. PORTER DATE 10-23-64	TRANSISTOR & DIODE CONVERSION CHART				digital EQUIPMENT CORPORATION MAYNARD, MASSACHUSETTS	TITLE POWER INVERTER B681			
	CHK'D N. PERRYMAN DATE 11-9-64	DEC DEC2894-2B D662 D664	EIA NONE IN645 IN3606	DEC EIA	DEC EIA		SIZE B	CODE CS	NUMBER B681-0-1	REV. B
	ENG. R. DOANE DATE 11-9-64	PROD. DATE	PRINTED CIRCUIT REV.				B	B	B	
	DEC FORM NO. DRB 102	DEC EIA	DEC EIA	DEC EIA	DEC EIA		B	B	B	B

THIS SCHEMATIC IS FURNISHED ONLY FOR TEST AND MAINTENANCE PURPOSES. THE CIRCUITS ARE PROPRIETARY IN NATURE AND SHOULD BE TREATED ACCORDINGLY. COPYRIGHT 1967 BY DIGITAL EQUIPMENT CORPORATION



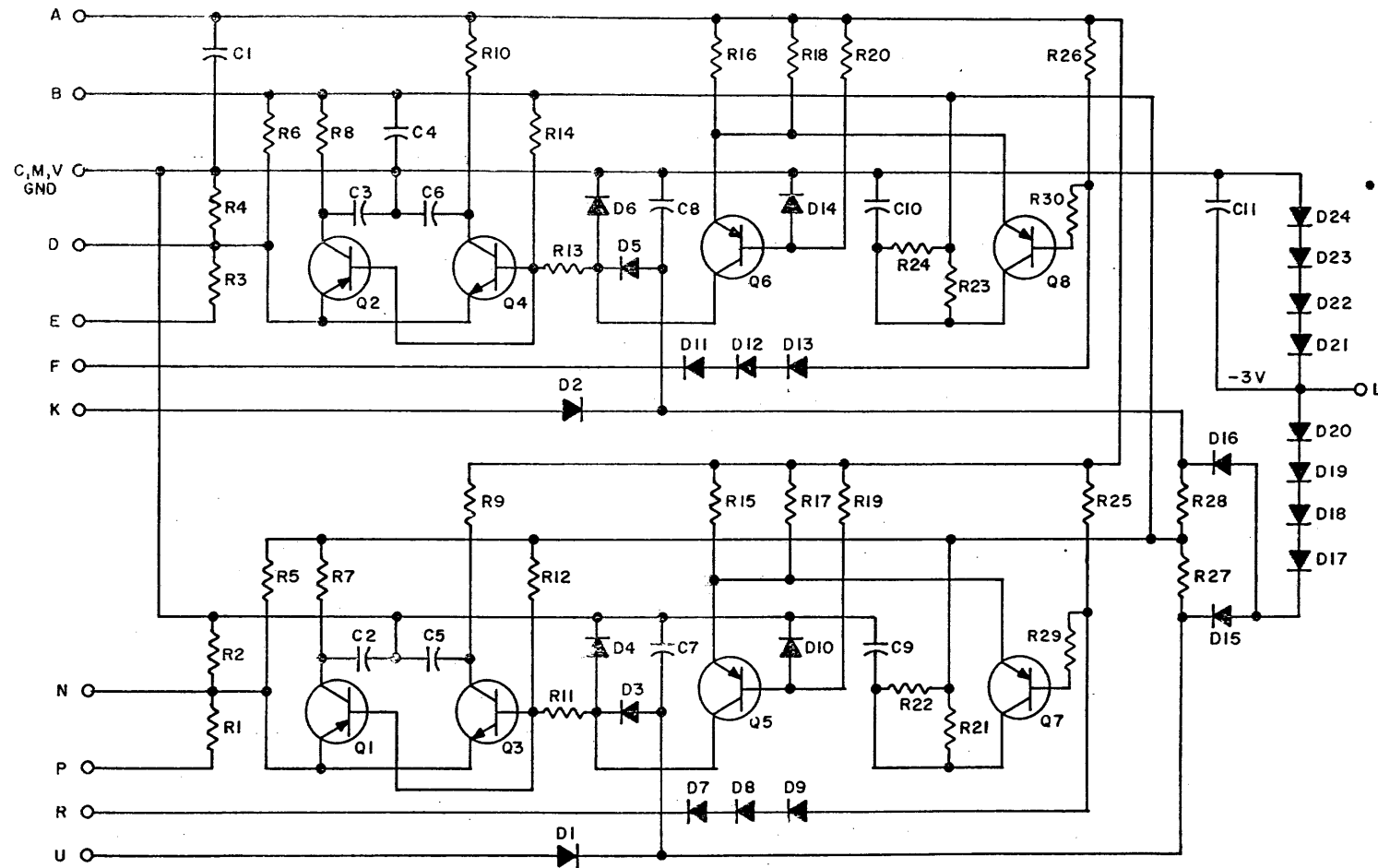
UNLESS OTHERWISE INDICATED:
RESISTORS ARE 1/4W; 5%
DIODES ARE D664



REVISIONS CHK CHG NO REV 6214 A MM 00001 B VV 00002 C	DRN.	DATE	TRANSISTOR & DIODE CONVERSION CHART		digital EQUIPMENT CORPORATION MAYNARD, MASSACHUSETTS	TITLE			
	<i>M. Haller</i>	3-14-67	DEC	EIA		50Ω OR BUS DRIVER B683			
	CHK'D	DATE	DEC	FIA		SIZE	CODE	NUMBER	REV
	ENG.	DATE				B	CS	B683-0-1	C
	PROD.	DATE	D662	IN645	PRINTED CIRCUIT REV				
			D664	IN3606					

Handwritten notes and signatures at the bottom right of the page.

THIS SCHEMATIC IS FURNISHED ONLY FOR TEST AND MAINTENANCE PURPOSES. THE CIRCUITS ARE PROPRIETARY IN NATURE AND SHOULD BE TREATED ACCORDINGLY. COPYRIGHT 1964 BY DIGITAL EQUIPMENT CORPORATION



R29, R30	RES. 47 1/4W 10% CC	1300204
Q7, Q8	TRANSISTOR DEC-6A	1509090-00
Q5, Q6	TRANSISTOR DEC-6B	1509090-01
Q3, Q4	TRANSISTOR DEC2219	1501881
Q1, Q2	TRANSISTOR DEC2904	1501742
R25, R26	RES. 100K 1/4W 10% CC	1300534
R21-R24	RES. 560 1/4W 10% CC	1300340
R19, R20	RES. 12K 1/4W 10% CC	1300490
R15-R18	RES. 750 1/4W 5% CC	1301401
R11, R13	RES. 15 1/4W 10% CC	1301421
R9, R10	RES. 150 2W 10% CC	1300258
R7, R8	RES. 100 2W 10% CC	1300233
R5, R6, R12, R14, R27, R28	RES. 1.5K 1/4W 5% CC	1300391
R2, R4	RES. 220 1/4W 5% CC	1300271
R1, R3	RES. 82 1/4W 10% CC	1300224
D3-D6, D15, D16	DIODE D664	1100114
D1, D2, D7-D14, D17-D24	DIODE D662	1100113
C9, C10	CAP. 56MMF 100V 5% D.M.	1000012
C1-C8, C11	CAP. .01MFD 100V 20% DISC	1001610
	PARTS LIST	A-PL-B684-0-0
REFERENCE DESIGNATION	DESCRIPTION	PART NO.

REV.	NO.	REV.
1	00001	K
2	00001	J
3	7047	J
4	5113	7

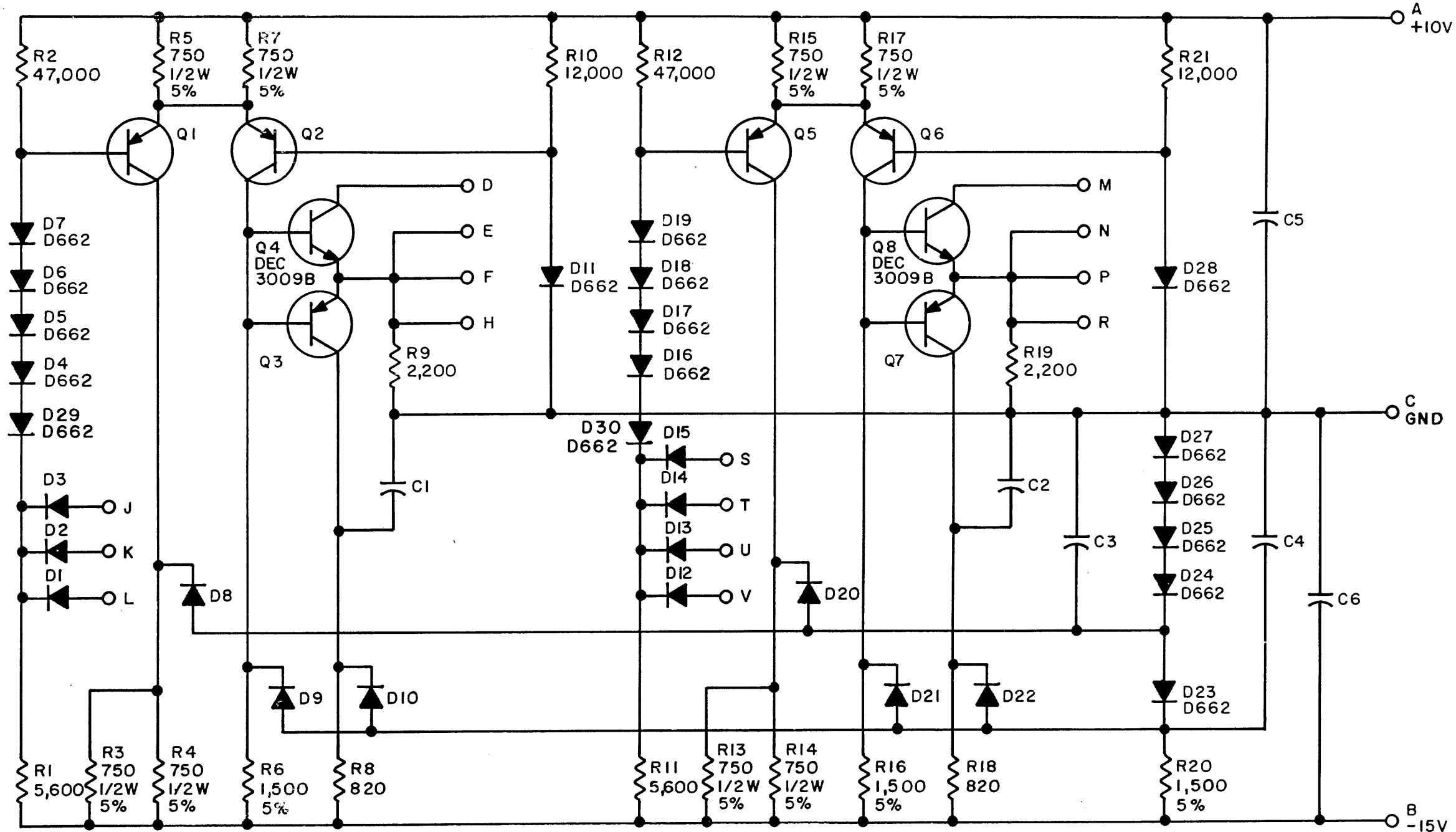
CHK'D	DATE	CHK'D	DATE
A. OUELLETTE	7-2-64	N. PERRYMAN	7-2-64
R. DOANE	7-2-64		

TRANSISTOR & DIODE CONVERSION CHART		PARTS LIST	
DEC	EIA	DEC	EIA
DEC-6A	NONE	D662	IN845
DEC-6B	NONE	D664	IN3606
DEC2219	2N2219		
DEC2904	2N1132		

TITLE		NUMBER		REV.
digital EQUIPMENT CORPORATION		B684-0-1		K
SIZE	CODE	NUMBER	REV.	
C	CS	B684-0-1	K	
PRINTED CIRCUIT REV. J				

REV. K
NUMBER B684-0-1
SIZE CODE C

THIS SCHEMATIC IS FURNISHED ONLY FOR TEST AND MAINTENANCE PURPOSES. THE CIRCUITS ARE PROPRIETARY IN NATURE AND SHOULD BE TREATED ACCORDINGLY. COPYRIGHT 1967 BY DIGITAL EQUIPMENT CORPORATION



UNLESS OTHERWISE INDICATED:
 TRANSISTORS ARE 2N4258
 RESISTORS ARE 1/4W, 10%
 DIODES ARE D664
 CAPACITORS ARE .01 MFD

PARTS LIST A-PL-B685-0-0

REVISIONS CHK CHG NO. REV. 7116 C	DRN. <i>m. Haller</i>	DATE 5-21-67	TRANSISTOR & DIODE CONVERSION CHART				EQUIPMENT CORPORATION MAYNARD, MASSACHUSETTS	TITLE DIODE GATE DRIVER B685			
	CHK'D	DATE	DEC	EIA	DEC	EIA		SIZE	CODE	NUMBER	REV.
	ENG. <i>D. ...</i>	DATE 5-24-67	DEC3009B	2N3009				B	CS	B685-0-1	C
	PROD 2	DATE	2N4258	SAME				PRINTED CIRCUIT REV. B			
			D662	IN645							
			D664	IN3606							

1157 2114 435 1304 116K

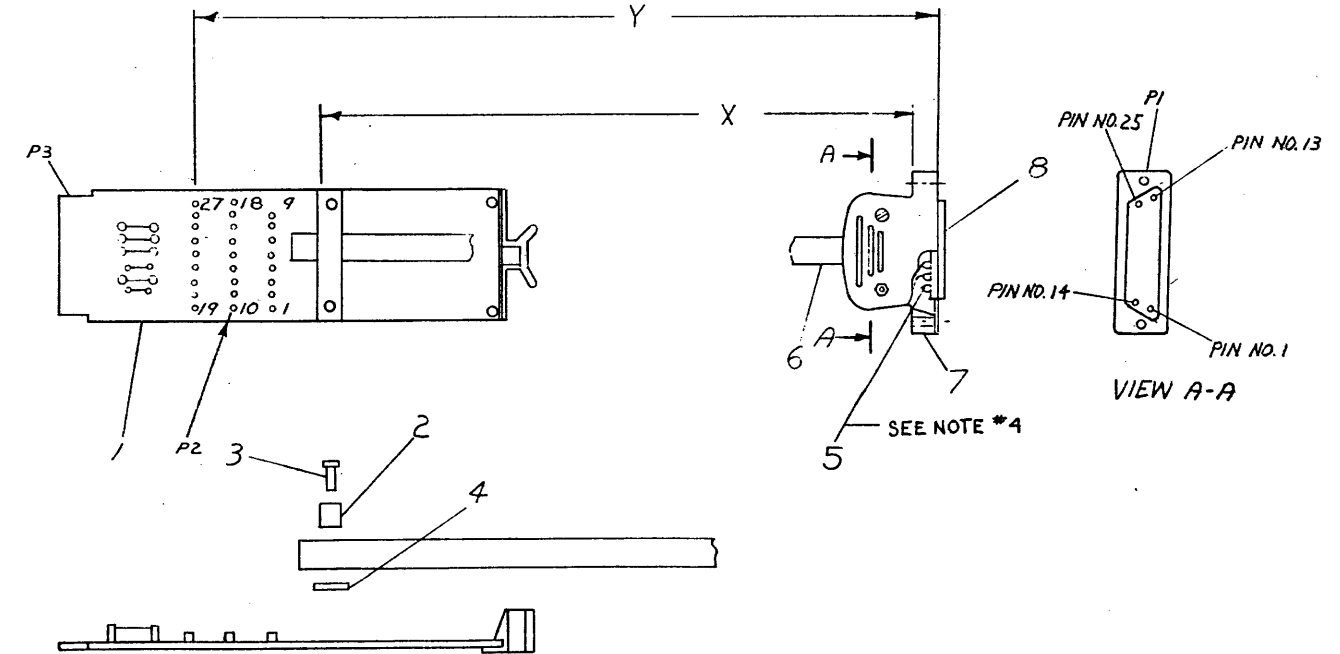
THIS DRAWING AND SPECIFICATIONS HEREIN ARE THE PROPERTY OF DIGITAL EQUIPMENT CORPORATION AND SHALL NOT BE REPRODUCED OR COPIED OR USED IN WHOLE OR IN PART AS THE BASIS FOR THE MANUFACTURE OR SALE OF ITEMS WITHOUT WRITTEN PERMISSION.
 DIGITAL EQUIPMENT CORPORATION
 COPYRIGHT © 1973

M9700 JUMPER FUNCTIONS

- FUNCTIONS OF MODEM JUMPERS WHEN (INSTALLED)
- A. EIA-SECONDARY TRANSMIT AND RECEIVE DATA LINES TO EIA PINS 14 AND 16
 - B. 202-SECONDARY TRANSMIT AND RECEIVE DATA LINES TO EIA PINS 11-12
 - C. 811-BELL 811B RESTRAINT FUNCTION IS MONITORED BY SECONDARY RECEIVE.
 - D. BUSY-BELL 103E FORCE BUSY FUNCTION DRIVEN BY REQUEST TO SEND.

LEGEND			BCOIR WIRE TABLE				
NUMBER	VARIATION		COLOR	P1-PIN	P2-LUG	SIGNAL NAME	P3-PIN
	DIM-X	DIM-Y					
BLU-WHT			BLU-WHT	1	6	GROUND	
WHT-BLU	25" ± 3"	25" ± 3"	WHT-BLU	2	1	TRANSMIT DATA	F1
ORN-WHT	50" ± 2%	50" ± 3"	ORN-WHT	3	2	RECEIVED DATA	F2
WHT-ORN			WHT-ORN	4	24	REQUEST TO SEND	L2
GRN-WHT			GRN-WHT	5	14	CLEAR TO SEND	K2
WHT-GRN			WHT-GRN	6	26	DATA SET READY	N2
BRN-WHT			BRN-WHT	7	7	GROUND	C2
WHT-BRN			WHT-BRN	8	18	CARRIER	P2
SLA-WHT			SLA-WHT	9	15	+POWER (NOT USED)	
WHT-SLA			WHT-SLA	10	16	-POWER (NOT USED)	
RED-RED			RED-RED	11	19	BELL 202 SEC. TRAN. DATA	E1
BLK-BLU			BLK-BLU	12	21	BELL 202 SEC. RECV. DATA	F1
ORN-RED			ORN-RED	13	11	SEC. CLEAR TO SEND	K1
SLA-RED			SLA-RED	14	20	EIA SECONDARY TRAN. DATA	E1
SLA-GRN			SLA-GRN	15	3	SERIAL CLOCK TRAN.	H2
RED-BRN			RED-BRN	16	23	EIA SECONDARY RECV. DATA	F1
SLA-			SLA-	17	22	SERIAL CLOCK RECV.	J2
RED-SLA			RED-SLA	19	17	UNASSIGNED NOT USED	
BLU-BLK			BLU-BLK	19	12	SECONDARY REQUEST TO SEND	L1
BLK-BLU			BLK-BLU	20	9	DATA TERMINAL READY	R2
ORN-BLK			ORN-BLK	21	13	SIGNAL QUALITY DETECT	M1
BLK-ORN			BLK-ORN	22	25	RING	M2
GRN-BLK			GRN-BLK	23	8	SIGNAL RATE SELECT	S2
BRN-RED			BRN-RED	24	10	EXTERNAL CLOCK	H1
RED-ORN			RED-ORN	25	27	FORCE BUSY	S1
SPECIAL							
SHIELD A	CUT	4	SHIELD A (GROUND)				C2
SHIELD B	CUT	5	SHIELD B (GROUND)				C2

- NOTES:
- IF USED FOR FOLLOWING OPTIONS CUT ALL JUMPER EXCEPT (DC11, DP11, DM11-DB, DS10, DQ11 AND DS11) (2) 202 JUMPERS
 - DN11 - (2) EIA JUMPERS DM11-DC/DM11-DB (2) 202 AND (1) 811 JUMPERS. FOR OTHER APPLICATIONS REFER TO CHART ON LEFT FOR M9700 JUMPER FUNCTIONS.
 - CIRCLED LETTERS ON RIGHT OF WIRE TABLE INDICATE THOSE PINS WHICH ARE DEPENDENT ON M9700 JUMPER FUNCTIONS AT LEFT.
 - (A) * 811 JUMPER CONNECTS J2 TO F1
 - (B) SOLDER #6 (CABLE) TO #1 (CONN. CARD), APPLY #4 (TAPE) AROUND #6 (CABLE), ASSEMBLE #2 (CABLE CLAMP) AND #3 (EYELETS) TO #1 (CONN. CARD) AFTER SOLDERING
 - (C) EACH SOLDERED CONNECTION ON #1 SHALL BE INSULATED WITH A 1/8" INCH PIECE OF ITEM #5 (TUBING)
 - (D) PI-15 AND PI-17 ARE SHIELDED LEADS



QTY.	DESCRIPTION	PART NO.	ITEM NO.
1	CONN PLUG *DB25-P	1205886	3
1	HOOD, CINCH *DB51226-1	1205885	7
AIR	CABLE, 25 CONDUCTOR	9107736	6
AIR	SHRINKABLE TUBING	9107255	5
AIR	TAPE, DOUBLE SIDED 1/2"	9007834	4
2	EYELET A-94	9006741	3
1	CLAMP, CABLE	1202790-01	2
1	M9700 CABLE CONNECTOR	M9700	1

FIRST USED ON OPTION/MODEL PDP 11		PARTS LIST	
UNLESS OTHERWISE SPECIFIED DIMENSION IN INCHES	DRN. G. FLANDERS	DATE 10-12-73	digital EQUIPMENT CORPORATION MAYNARD MASSACHUSETTS
TOLERANCES	CHK'D. J. LEMING	DATE 10-16-70	
DECIMALS .XXX = .005 .XX = .02 .X = .1	ENG. V. BASTEN	DATE 10-13-73	TITLE CABLE CARD ASSY (R. DR)
ANGLES ±0° 30'	PROJ. ENG. V. BASTEN	DATE 10-13-73	
REMOVE BURRS AND BREAK SHARP CORNERS SURFACE QUALITY Y	PROD. M. CULLEN	DATE 10-13-73	MATERIAL NEXT HIGHER ASSY.
FINISH	A-L-DC-1-DA-0	SCALE 1:1	SIZE CODE NUMBER REV. E
SHEET OF 1	DIST.		

REV	CHANGE NO.	BY	DATE
1	00003	L	
2	00004	E	
3	00004	E	
4	00004	E	
5	00004	E	

SIZE CODE
 DUA BCOIR-0-0
 NUMBER
 1

A

B

D

C

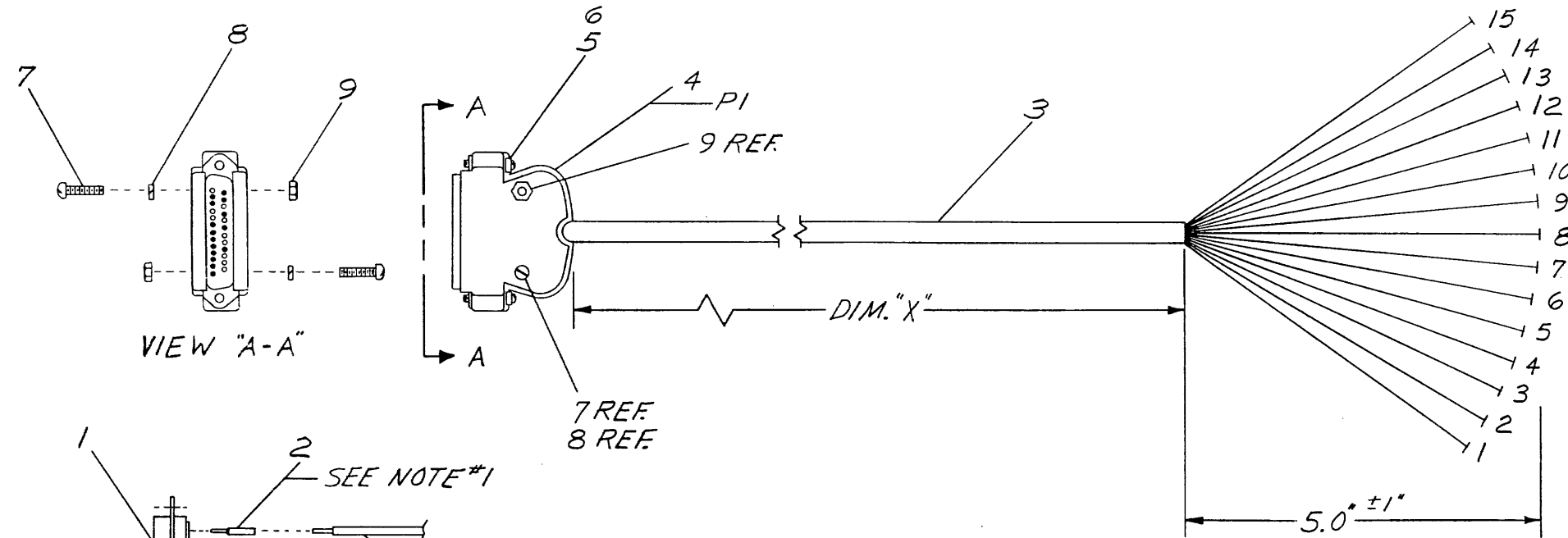
This drawing and specifications, herein, are the property of Digital Equipment Corporation and shall not be reproduced or copied or used in whole or in part as the basis for the manufacture or sale of items without written permission.

WIRE TABLE						
ITEM NO	DESCRIPTION	FROM CONNECTION	TO CONNECTION	SIGNAL NAME	EIA RS-232 CRT.	CCITT V. 24 CRT.
3	22	BLK	PI-1	1	PROTECTIVE GROUND	AA 101
		BLU/BLK	PI-2	2	TRANSMITTED DATA	BA 103
		RED	PI-3	3	RECEIVED DATA	BB 104
		GRN	PI-4	4	REQUEST TO SEND	CA 105
		ORN	PI-5	5	CLEAR TO SEND	CB 106
		BLU	PI-6	6	DATA SET READY	CC 107
		WHT	PI-7	7	SIGNAL GROUND	AB 102
		RED/WHT	PI-8	8	CARRIER DETECTED	CF 109
		GRN/WHT	PI-20	9	DATA TERMINAL READY	CD 108/2
		BLU/WHT	PI-22	10	RINGING INDICATOR	CE 125
		RED/BLK	PI-17	11	RESTRAINT DETECTED	-
		GRN/BLK	PI-24	12	EOT DETECTED	-
		ORN/BLK	PI-25	13	MAKE BUSY	-
		BLK/WHT	PI-11	14	ORIGINATE MODE	-
3	22	WHT/BLK	PI-12	15	LOCAL MODE	-

SIZE CODE: 2
 NUMBER: BCØIX-Ø-Ø

LEGEND	
PART NO.	VARIATION DIM "X"
BCØIX-25	25FT. ± 3IN.

- NOTES:
- USE CRIMPING TOOL MS-3198-1 OR AMPHENOL 357-103 TOOL WITH 357-300-2 CONTACT LOCATION OR EQUIVALENT.
 - ITEMS #1 & 2 MUST BOTH BE FROM THE SAME MANUFACTURER. THAT IS BOTH -ØX OR BOTH -3X.
 - PART NO. 1210493-12, OR 1210493-32 CAN BE SUBSTITUTED FOR BOTH ITEMS #1 & 2.
 - A COPY OF THIS DRAWING MUST BE SHIPPED WITH EACH ORDER OF CABLES.



VIEW "A-A"

ASSEMBLY VIEW
SCALE: NONE

QTY.	DESCRIPTION	PART NO.	ITEM NO.
2	#4-40 HEX NUT		9
2	#4 SPLIT LOCK WASHER		8
2	#4ØX.56LG. CAP HD. SCREW	SEE ITEM #4	7
2	SHOULDER WASHER SPECIAL		6
2	#4-40X.75LG. FIL. HD. SCREW		5
1	HOOD & STRAIN RELIEF ASSY.	12105885	4
A/R	15 COND. CABLE 22AWG	9107672	3
15	MALE PIN	1210493-35	2
	MALE PIN	1210493-05	2
	MALE CONNECTOR SHELL	1210493-31	1
1	MALE CONNECTOR SHELL	1210493-01	1

SEE NOTES 2 & 3

FIRST USED ON OPTION/MODEL	QTY.	DESCRIPTION	PART NO.	ITEM NO.
DC1Ø				

UNLESS OTHERWISE SPECIFIED DIMENSION IN INCHES. TOLERANCES		PARTS LIST	
DECIMALS	ANGLES	DRN. DATE	digital EQUIPMENT CORPORATION MAYFORD MASSACHUSETTS TITLE CABLE ASSY. (DATA SET)
.XXX = .005	±0° 30'	CHK'D. DATE	
.XX = .02		ENG. DATE	
.X = .1		PROJ. ENG. DATE	
		PROD. DATE	
REMOVE BURRS AND BREAK SHARP CORNERS SURFACE QUALITY			
MATERIAL		NEXT HIGHER ASSY.	
FINISH		SCALE	
		SHEET / OF /	

CHK	CHANGE NO.	REV
		A

REVISIONS
11-11-71 J. Kent 3-16-72
11-11-71 J. Kent 17 May 72

This drawing and specifications, herein, are the property of Digital Equipment Corporation and shall not be reproduced or copied or used in whole or in part as the basis for the manufacture or sale of items without written permission.

WIRE TABLE

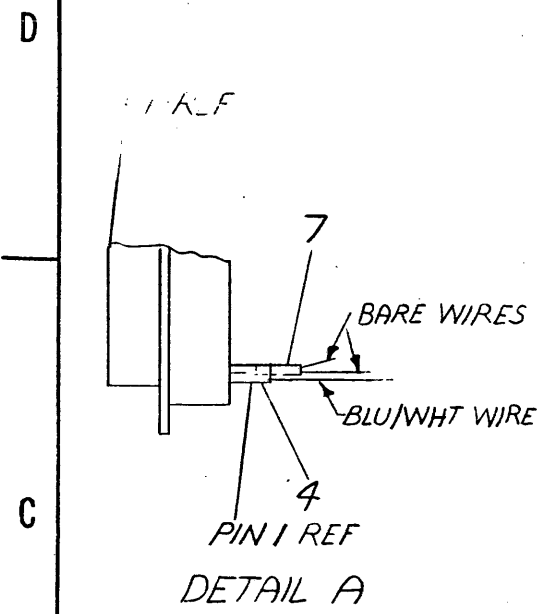
ITEM NO.	AWG	COLOR	FRONT		INSULATION	
			CONNECTION	CONNECTION	ITEM	LENGTH
5	26	BLU/WHT	P1-1	P2-1	4	3/8 IN
		E	P1-1	P2-1	7	1 IN
		GRY	P1-2	P2-2	8	3/16 IN
		GRY/GRN	P1-3	P2-3	8	3/16 IN
		WHT/BLU	P1-4	P2-4	3	3/16 IN
		ORN/WHT	P1-5	P2-5		
		WHT/ORN	P1-6	P2-6		
		GRN/WHT	P1-7	P2-7		
		WHT/GRN	P1-8	P2-8		
		BRN/WHT	P1-9	P2-9		
		WHT/BRN	P1-10	P2-10		
		GRY/WHT	P1-11	P2-11		
		WHT/GRY	P1-12	P2-12		
		BLU/RED	P1-13	P2-13		
		RED/BLU	P1-14	P2-14		
		ORN/RED	P1-15	P2-15		
		RED/ORN	P1-16	P2-16		
		BRN/RED	P1-17	P2-17		
		RED/BRN	P1-18	P2-18		
		GRY/RED	P1-19	P2-19		
		RED/GRY	P1-20	P2-20		
		BLU/BLK	P1-21	P2-21		
		BLK/BLU	P1-22	P2-22		
		ORN/BLK	P1-23	P2-23		
		BLK/ORN	P1-24	P2-24		
5	26	GRN/BLK	P1-25	P2-25	3	3/16 IN

NOTES:

1. ALL SOLDERED PIN CONNECTIONS ON ITEMS #2 AND #6 (TO BE INSULATED PER WIRE TABLE.)

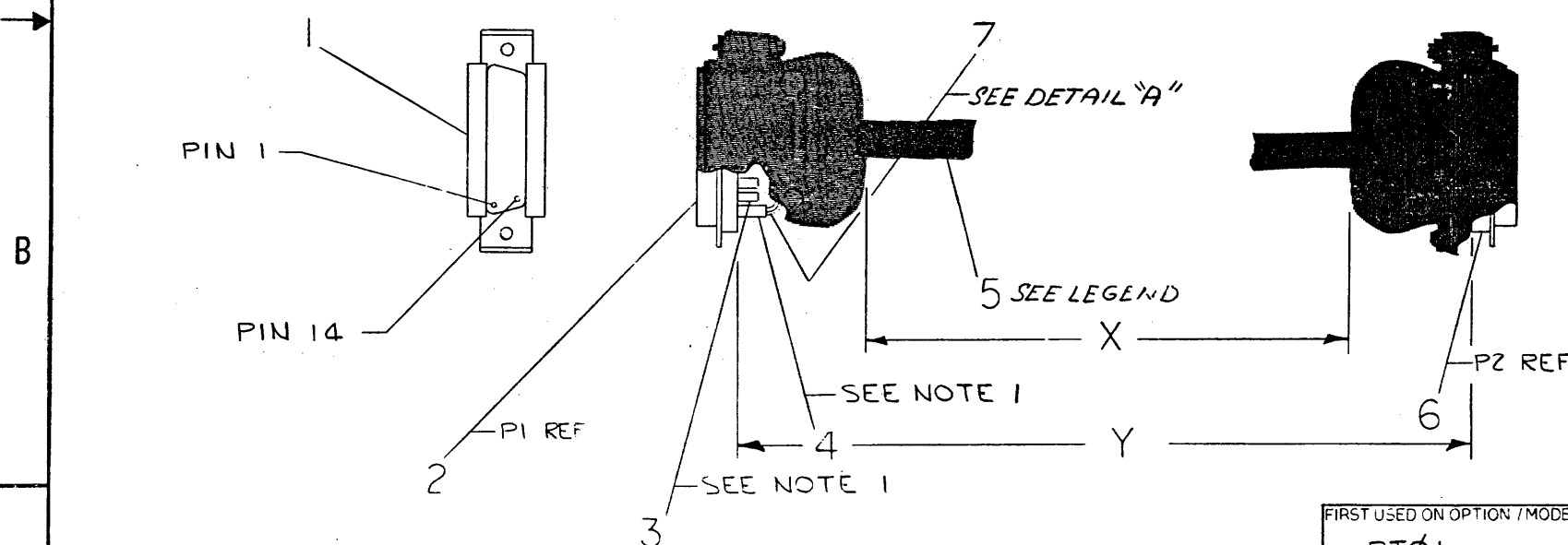
2. ~~SOLDERED CONNECTIONS ON ITEMS #2 AND #6 SHALL BE INSULATED WITH TUBING (#4) SO LG.~~

SEE DETAIL "A"



LEGEND

NUMBER	X VARIATION	Y (PRECLT) REF
BCØ5D-1Ø	10 FT ± 2 IN	10 FT 3 IN
BCØ5D-25	25 FT ± 3 IN	25 FT 3 IN



QTY.	DESCRIPTION	PART NO.	ITEM NO.
1 FT	TUBING, TEFLON #14 WHT	9107295-09	8
1 FT	TUBING, TEFLON #22 BLK	9107256-00	7
1	PLUG, CINCH (FEMALE) DBM-25S	1204975	6
9/8	CABLE, MOHAWK 25 COND.	9107736	5
1 FT	TUBING, SHRINKABLE, WHT	9107714-1	4
4 FT	TUBING, TEF TYPE 'E', #18 WHT	9107278-10	3
1	PLUG, CINCH (MALE) DP-25P	1205886	2
2	PLUG HOOD, CINCH, DB-51226-1	1205885	1

REV.	CHANGE NO.	DATE	BY
A	00001	1-31-72	R. MOFFA
B	00002	2/3/72	R. MOFFA
C	00003	8-15-74	POULIOT

FIRST USED ON OPTION / MODEL
RTØ1

UNLESS OTHERWISE SPECIFIED
DIMENSION IN INCHES
TOLERANCES
DECIMALS FRACTIONS ANGLES
+ .005 ± 1/64 ± 0°30'
FINAL SURFACE QUALITY REMOVE BURRS AND BREAK SHARP CORNERS

DRN. W. MAJOR DATE 11/16/71
CHK'D. DATE 5/26/71
ENG. DATE 30/2/71
PROJ. ENG. DATE 30/2/71
PROD. DATE 12/8/71
NEXT HIGHER/ASSY

digital EQUIPMENT CORPORATION
MAYNARD, MASSACHUSETTS

TITLE
ASYNCR MODEM INTERF CABLE ECT.

SCALE NONE
SHEET 1 OF 1

SIZE CODE CUA
NUMBER BCØ5D-Ø-Ø
REV. B

This drawing and specifications herein are the property of Digital Equipment Corporation and shall not be reproduced or copied or used in whole or in part as the basis for the manufacture or sale of items without written permission.

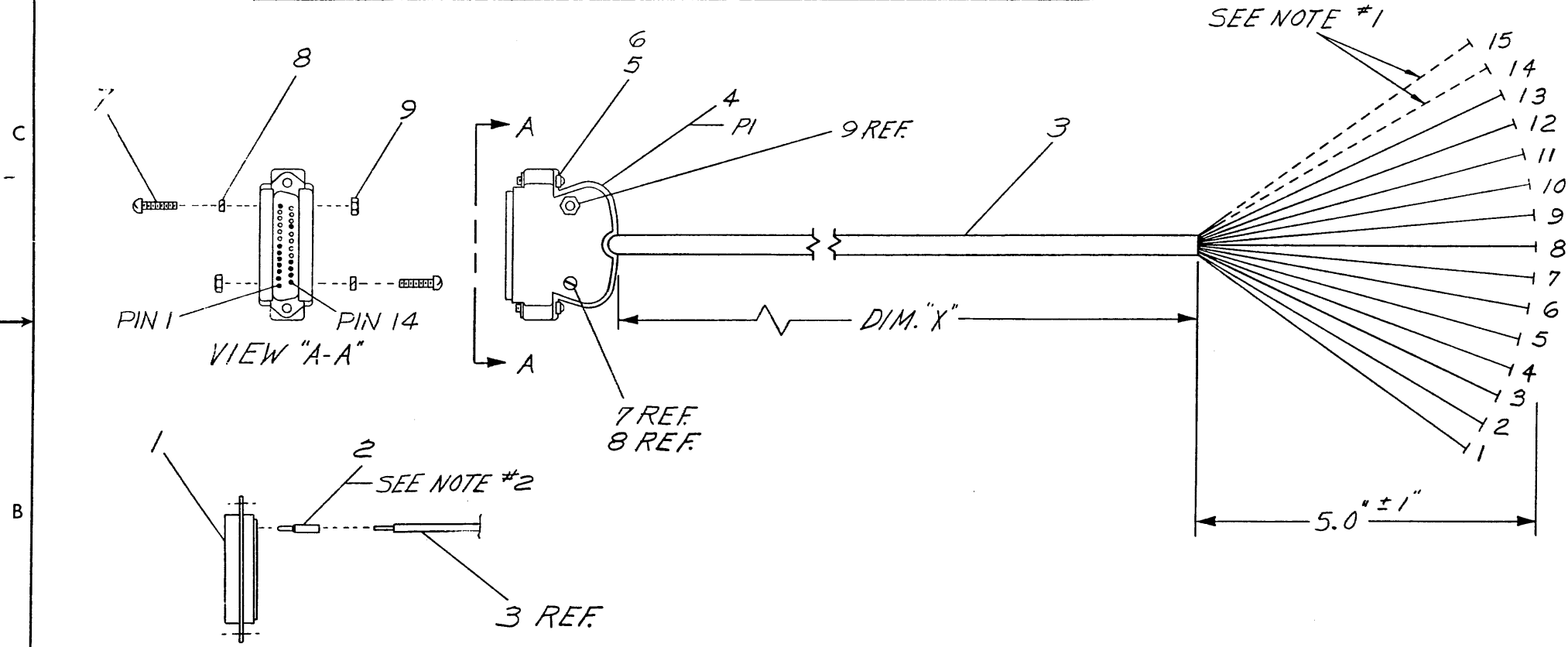
WIRE TABLE

ITEM NO	DESCRIPTION	FROM CONNECTION	TO CONNECTION	SIGNAL NAME	EIA RS368 CKT.	CCITT V.24 SKT.
3	22 BLK	PI-1	1	PROTECTIVE GROUND	AA	212
	RED/BLK	PI-2	2	DIGIT PRESENT	DPR	211
	GRN/BLK	PI-3	3	ABANDON CALL & RETRY	ACR	205
	WHT/BLK	PI-4	4	CALL REQUEST	CRQ	202
	ORN/BLK	PI-5	5	PRESENT NEXT DIGIT	PND	210
	BLU/BLK	PI-6	6	POWER INDICATION	PWI	213
	WHT	PI-7	7	SIGNAL GROUND	AB	201
	RED/WHT	PI-13	8	DATA SET STATUS	(DPS) 203	204
	BLU	PI-14	9	DIGIT 2 ¹	NB1	206
	ORN	PI-15	10	DIGIT 2 ²	NB2	207
	GRN	PI-16	11	DIGIT 2 ³	NB4	208
	RED	PI-17	12	DIGIT 2 ⁴	NB8	209
	BLK/WHT	PI-22	13	DATA LINE OCCUPIED	DLO	203
	GRN/WHT	SPARE	SPARE			
3	22 BLU/WHT	SPARE	SPARE			

LEGEND

PART NO.	VARIATION
BC01Y-25	25FT ± 3/16"

- ### NOTES:
- CUT OFF UNUSED WIRES BOTH ENDS (WIRE NOS. 14 & 15)
 - USE CRIMPING TOOL MS-319B-1 OR AMPHENOL 357-100 TOOL WITH 357-300-2 CONTACT LOCATION OR EQUIVALENT.
 - ITEM #1 & 2 MUST BOTH BE FROM THE SAME MANUFACTURER, THAT IS BOTH -0X OR BOTH -3X.
 - PART NO. 1210493-02 OR 1210493-32 CAN BE SUBSTITUTED FOR BOTH ITEMS #1 & 2.
 - A COPY OF THIS DRAWING MUST BE SHIPPED WITH EACH ORDER OF CABLES.



ASSEMBLY VIEW
SCALE: NONE

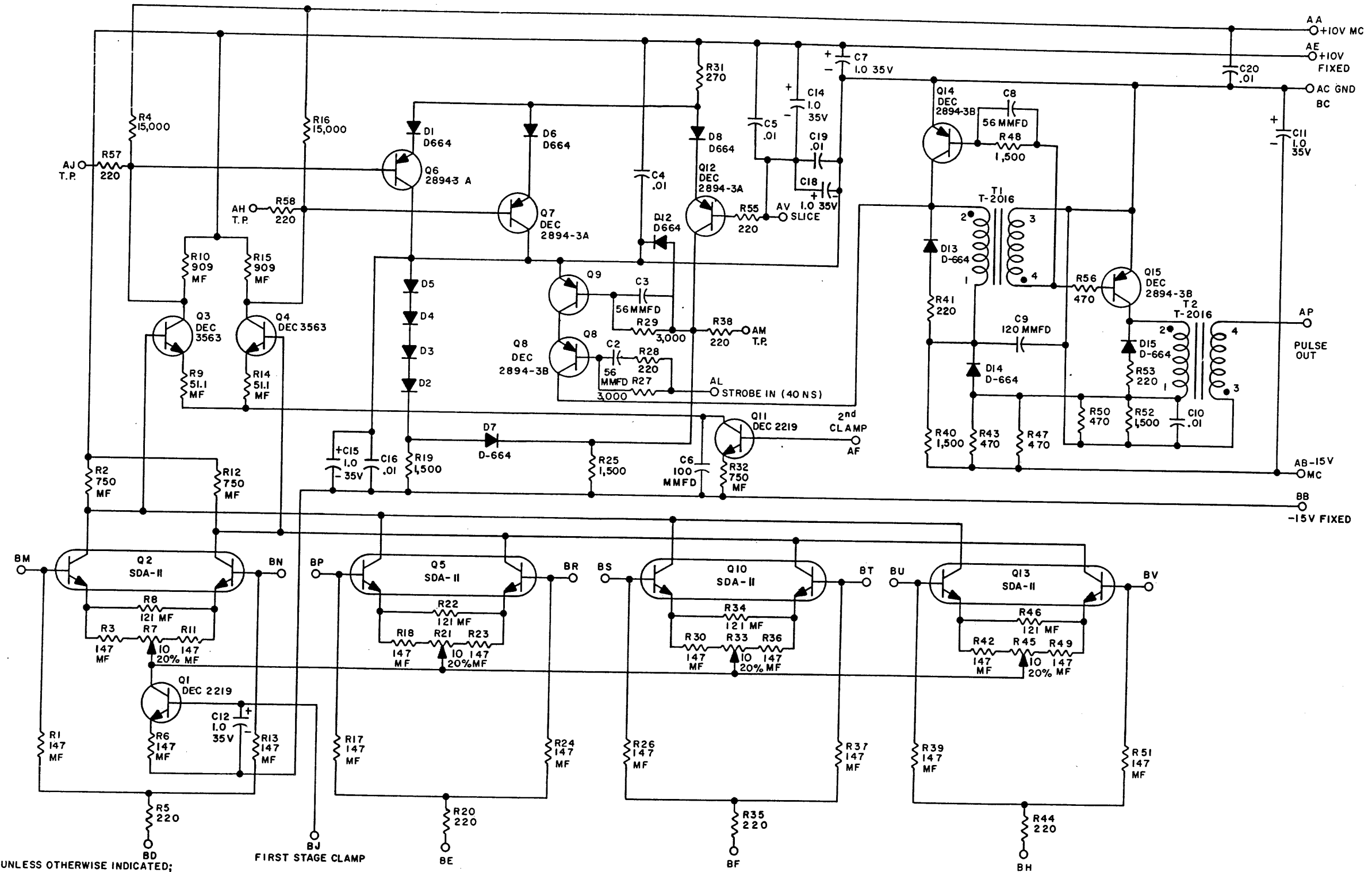
QTY.	DESCRIPTION	PART NO.	ITEM NO.
2	#4-40 HEX NUT		9
2	#4 SPLIT LOCK WASHER		8
2	#4-40X.56LG. CAP HD. SCREW	SEE ITEM #4	7
2	SHOULDER WASHER SPECIAL		6
2	#4-40 X.75LG FIL. HD. SCREW		5
1	HOOD & STRAIN RELIEF ASSY.		1205885
A/R	15 COND. CABLE 22 AWG.	9107672	3
13	MALE PIN	1210493-35	2
	MALE PIN	1210493-05	2
1	MALE CONNECTOR SHELL	1210493-31	1
1	MALE CONNECTOR SHELL	1210493-01	1

SEE NOTES 3 & 4

FIRST USED ON OPTION/MODEL		PARTS LIST	
DC10E		digital EQUIPMENT CORPORATION MAYNARD, MASSACHUSETTS	
UNLESS OTHERWISE SPECIFIED DIMENSION IN INCHES TOLERANCES	DRN. DATE 7/2/71	TITLE CABLE ASSY. (CALLING UNIT)	
DECIMALS .XXX = .005	CHK'D. DATE 7/10/71	MATERIAL	
ANGLES .XX = .02	ENG. DATE 20 Jul 71	FINISH	
.X = .1	PROJ. ENG. DATE 20 Jul 71	NEXT HIGHER ASSY.	
REMOVE BURRS AND BREAK SHARP CORNERS SURFACE QUALITY	PROP. DATE 7/2/71	SCALE	
		SHEET / OF /	
		DIST. /	

REV.	CHANGE NO.	BY	DATE
A	0001	A. KENT	2/18/72

THIS SCHEMATIC IS FURNISHED ONLY FOR TEST AND MAINTENANCE PURPOSES. THE CIRCUITS ARE PROPRIETARY IN NATURE AND SHOULD BE TREATED ACCORDINGLY. COPYRIGHT 1965 BY DIGITAL EQUIPMENT CORPORATION



UNLESS OTHERWISE INDICATED;
 TRANSISTORS ARE DEC 2894-1A R7, R21, R33, & R45 ARE PART #131008-0-0
 DIODES ARE D-662
 CAPACITORS ARE MFD
 RESISTORS ARE 1/4W, 5%
 MF RESISTORS ARE 1/8W, 1%, TO

REV.	CHK	CHG	NO.	REV.
5	RMS	5430		
4	REV	5433		
3	REV	5433		
2	REV	5433		
1	REV	5433		

DRN. H. PORTER	DATE 2-8-65
CHK'D N. PERRYMAN	DATE 2-11-65
ENG. TOM HUGHES	DATE 2-11-65
PROD.	DATE

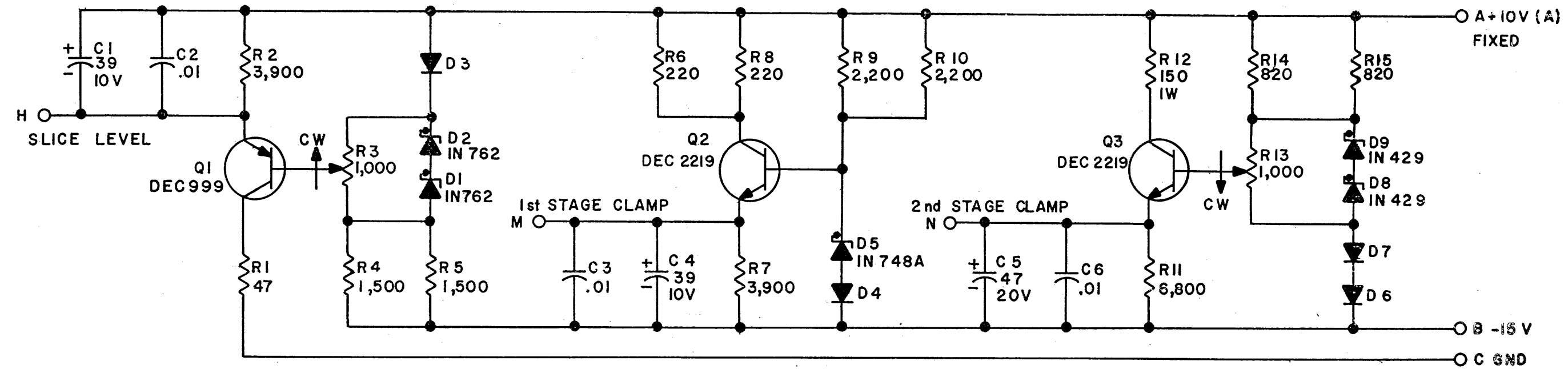
TRANSISTOR & DIODE CONVERSION CHART			
DEC	EIA	DEC	EIA
DEC2219	2N2219	SDA-II	NONE
DEC2894-1A	NONE	D662	1N645
DEC2894-3A	NONE	D664	1N3606
DEC2894-3B	NONE		
DEC3563	2N3563		

digital EQUIPMENT CORPORATION
 MAYNARD, MASSACHUSETTS

TITLE 4 INPUT DC SENSE AMPLIFIER G005
 SIZE CODE C CS NUMBER G005-0-1 REV. R
 PRINTED CIRCUIT REV. F

REV. R
 NUMBER G005-0-1
 SIZE CODE C CS

THIS SCHEMATIC IS FURNISHED ONLY FOR TEST AND MAINTENANCE PURPOSES. THE CIRCUITS ARE PROPRIETARY IN NATURE AND SHOULD BE TREATED ACCORDINGLY. COPYRIGHT 1965 BY DIGITAL EQUIPMENT CORPORATION



UNLESS OTHERWISE INDICATED:
 RESISTORS ARE 1/4W,5%
 CAPACITORS ARE MFD
 DIODES ARE D-662
 R3 & R13 ARE A #275P



NOTES: * IN429 6.2V 5%
 ** IN762 5.5V 250mw 5%

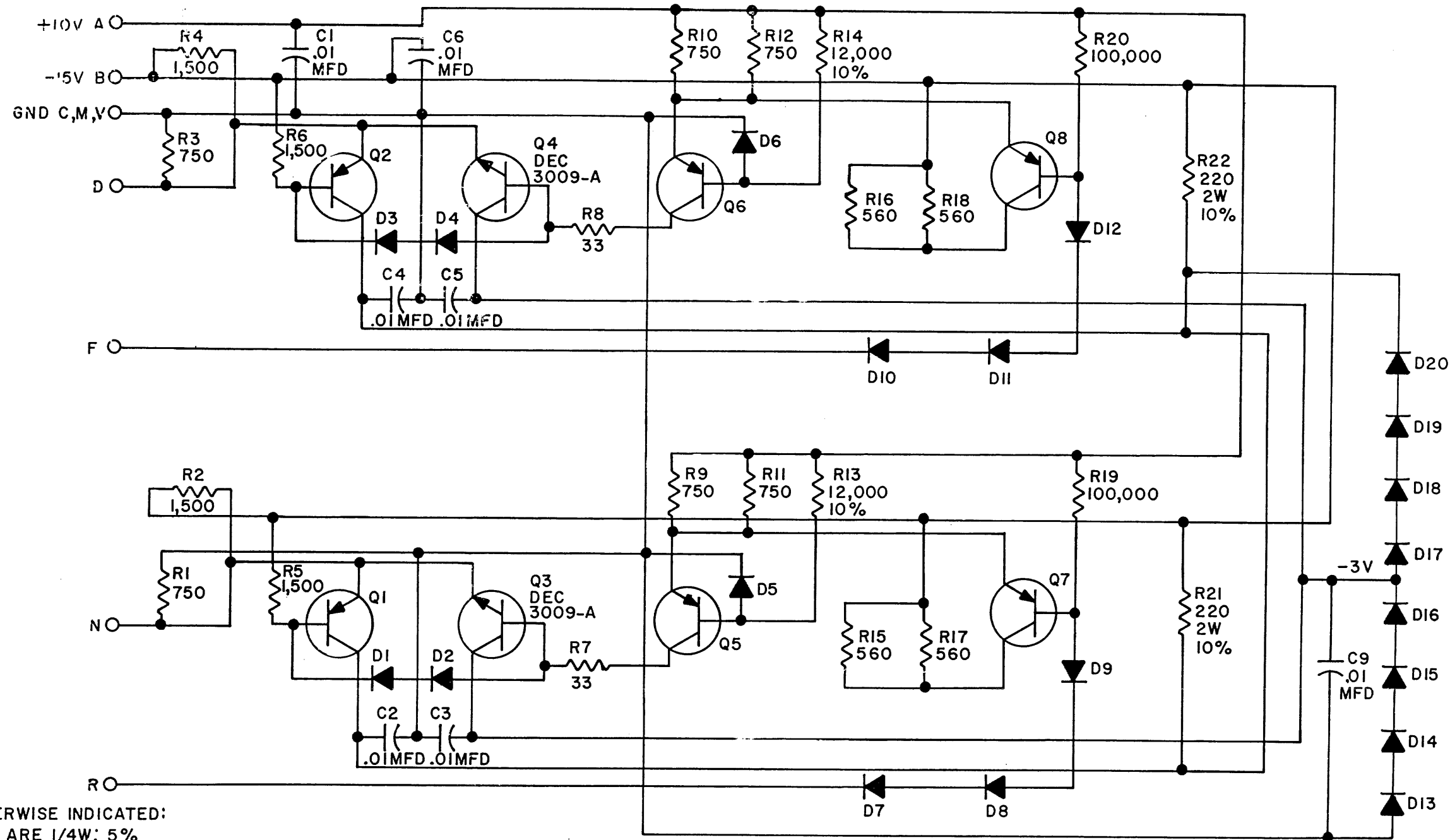
PARTS LIST A-PL-G008-0-0

REVISIONS CHK CHG NO. REV. DAW 5108 2 REV. & REDR. 5887 C 7085 D	DRN. I. HAHN	DATE 4-21-65	TRANSISTOR & DIODE CONVERSION CHART		digital EQUIPMENT CORPORATION MAYNARD, MASSACHUSETTS	TITLE MASTER SLICE CONTROL G008			
	CHK'D R. SILVERMAN	DATE 5-3-65	DEC	EIA		SIZE B	CODE CS	NUMBER G008-0-1	REV. D
	ENG. R. SOGGE	DATE 5-3-65	DEC999	MM999		D662	PRINTED CIRCUIT REV. B		
	PROD. I	DATE	DEC2219	2N2219					
			IN429 *	SAME					
			IN762 **	SAME					
			IN748A	SAME					

DEC FORM NO. DRB 102

DIST. 334 434 435

THIS SCHEMATIC IS FURNISHED ONLY FOR TEST AND MAINTENANCE PURPOSES. THE CIRCUITS ARE PROPRIETARY IN NATURE AND SHOULD BE TREATED ACCORDINGLY. COPYRIGHT 1966 BY DIGITAL EQUIPMENT CORPORATION

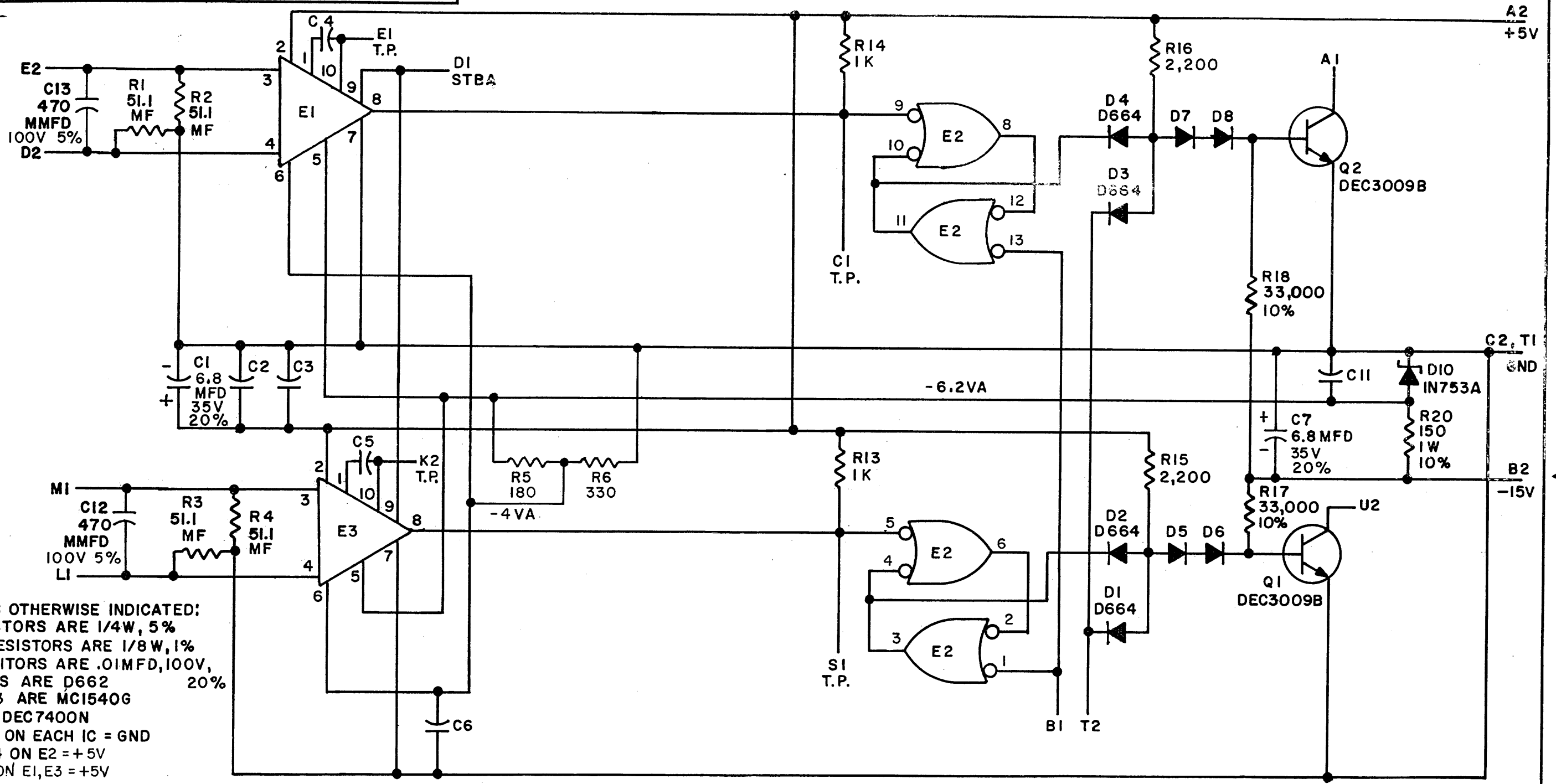


UNLESS OTHERWISE INDICATED:
 RESISTORS ARE 1/4W; 5%
 DIODES ARE D662
 TRANSISTORS ARE DEC2894-3A



REVISIONS CHK CHG NO. REV. 5628 A	DRN.	DATE	TRANSISTOR & DIODE CONVERSION CHART				digital EQUIPMENT CORPORATION MAYNARD, MASSACHUSETTS	TITLE SENSE AMP SELECTOR GO10			SIZE B CODE CS NUMBER GO10-0-1 REV. A
	CHK'D	DATE	DEC	EIA	DEC	EIA		PRINTED CIRCUIT REV.	A		
	ENG.	DATE	DEC 2894-3A	NONE							
	PROD.	DATE	DEC 3009-A	2N3009							

THIS SCHEMATIC IS FURNISHED ONLY FOR TEST AND MAINTENANCE PURPOSES. THE CIRCUITS ARE PROPRIETARY IN NATURE AND SHOULD BE TREATED ACCORDINGLY. COPYRIGHT 1967 BY DIGITAL EQUIPMENT CORPORATION



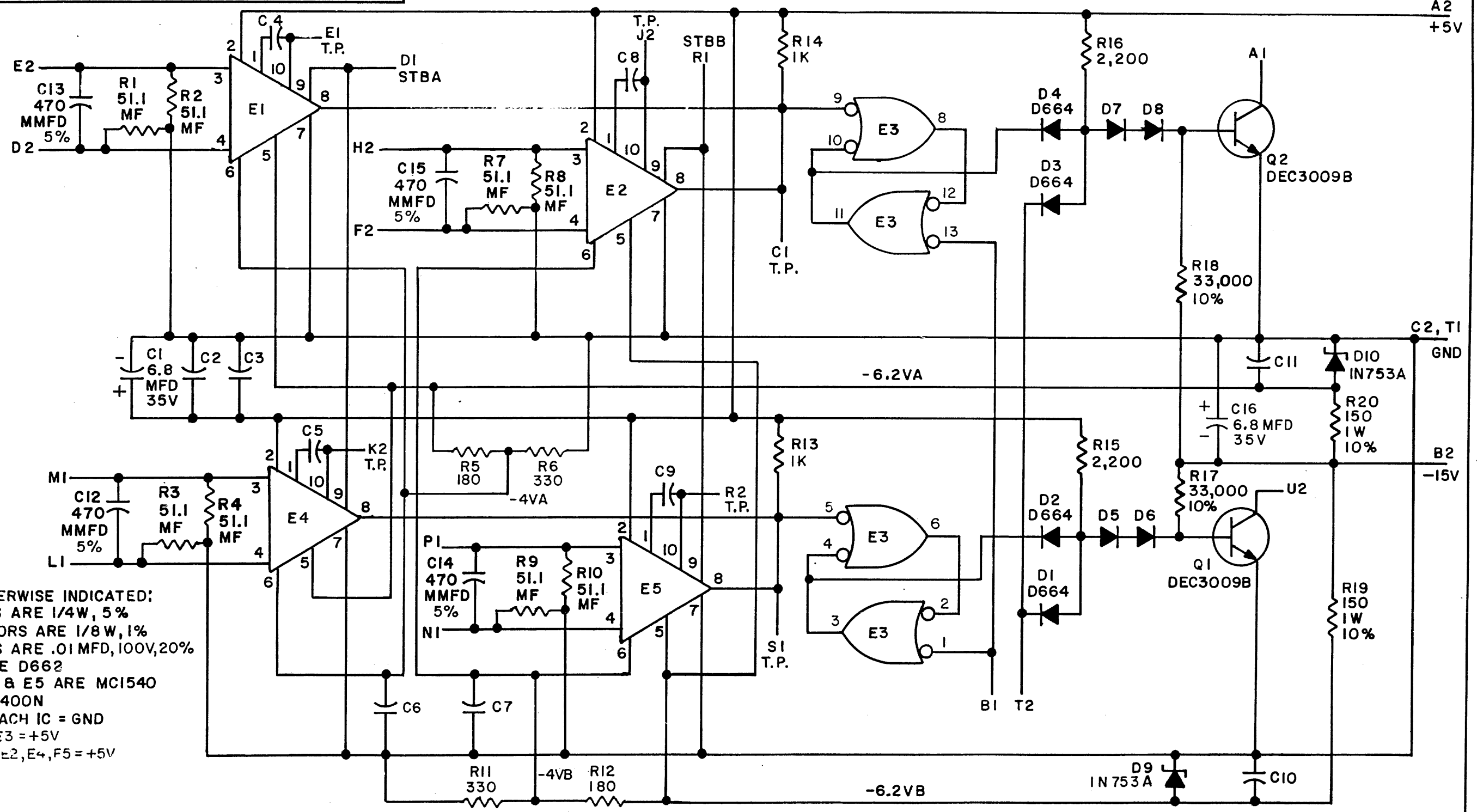
UNLESS OTHERWISE INDICATED:
 RESISTORS ARE 1/4W, 5%
 MF RESISTORS ARE 1/8W, 1%
 CAPACITORS ARE .01MFD, 100V,
 DIODES ARE D662 20%
 E1, E3 ARE MC1540G
 E2 IS DEC7400N
 PIN 7 ON EACH IC = GND
 PIN 14 ON E2 = +5V
 PIN 2 ON E1, E3 = +5V

USE THE ETCH BOARD OF THE G021

PARTS LIST IS A-PL-G020-0-0

REVISIONS	CHK	NO.	REV.	C	D	E	F	H	J	K	
	00001	00002	00003	00004	00005	00007	00008				
DRN.		M. Haller		DATE		7-18-67					
CHK'D.				DATE							
EMP.		R. Sogye		DATE		8/16/67					
PROD.		2		DATE							
TRANSISTOR & DIODE CONVERSION CHART								TITLE			
DEC		EIA		DEC		EIA		SENSE AMP. G020			
DEC3009B		2N3009						SIZE B CODE NUMBER REV			
D662		IN645						CS G020-0-1 K			
D664		IN3606						PRINTED CIRCUIT REV. H			
IN753A		SAME						DIST 324 434 435 PINK			

THIS SCHEMATIC IS FURNISHED ONLY FOR TEST AND MAINTENANCE PURPOSES. THE CIRCUITS ARE PROPRIETARY IN NATURE AND SHOULD BE TREATED ACCORDINGLY. COPYRIGHT 1967 BY DIGITAL EQUIPMENT CORPORATION



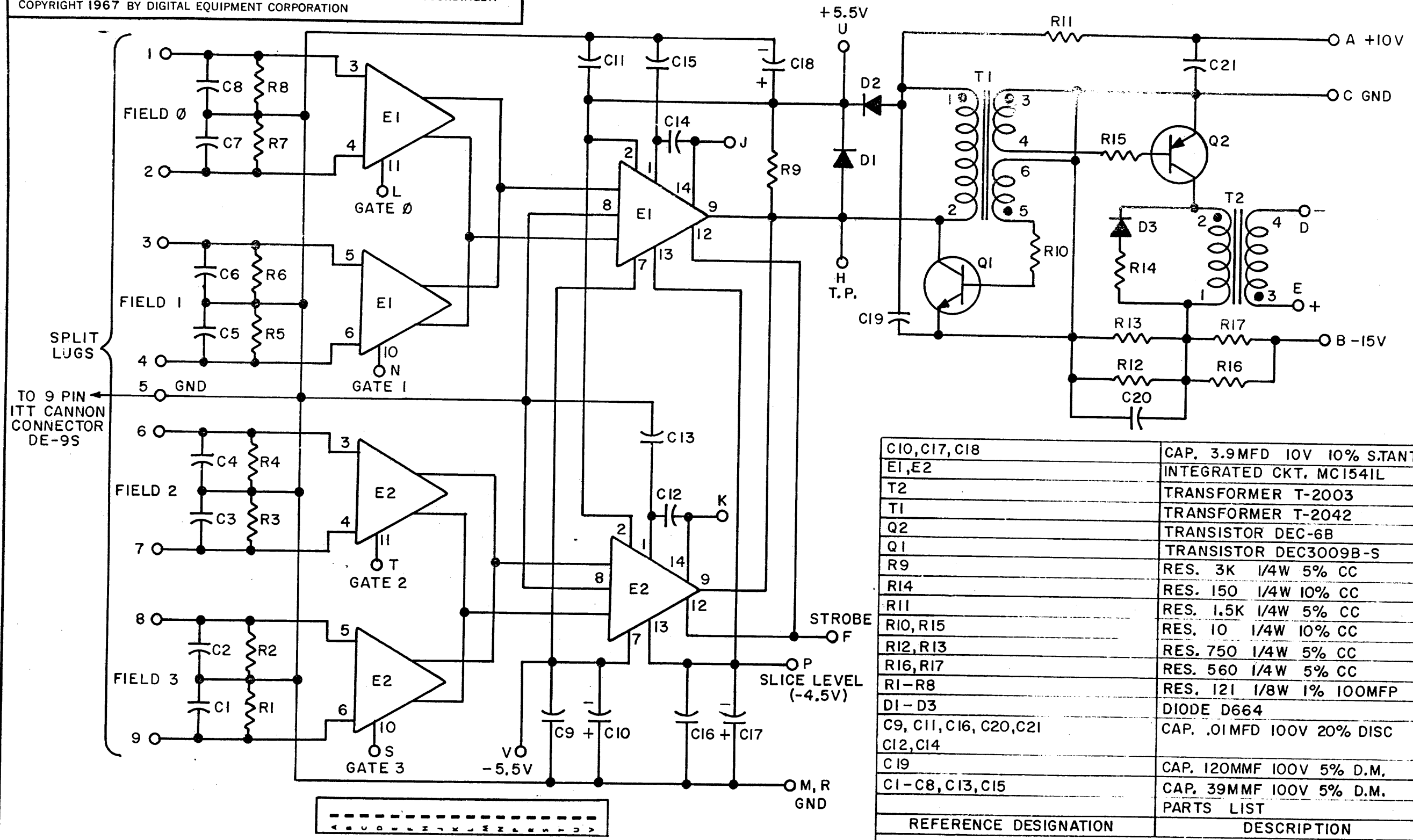
UNLESS OTHERWISE INDICATED:
 RESISTORS ARE 1/4W, 5%
 MF RESISTORS ARE 1/8W, 1%
 CAPACITORS ARE .01 MFD, 100V, 20%
 DIODES ARE D662
 E1, E2, E4 & E5 ARE MC1540
 E3 IS DEC7400N
 PIN 7 ON EACH IC = GND
 PIN 14 ON E3 = +5V
 PIN 2 ON E1, E2, E4, E5 = +5V

PARTS LIST IS A-PL-G021-0-0

REVISIONS CHK NO. REV. C D E F H J K 00001 00002 00003 00004 00006 00008 00009	DRN. <i>M. Waller</i> DATE 4-11-67	TRANSISTOR & DIODE CONVERSION CHART		TITLE SENSE AMP. G021 SIZE B CODE CS NUMBER G021-0-1 REV. K PRINTED CIRCUIT REV. H	
	CHK'D	DEC	EIA		
	ENG. <i>TC</i>	DEC3009B	2N3009		
	PROD. 2	D662	IN645		
		D664	IN3606		
		IN753	SAME		

THIS SCHEMATIC IS FURNISHED ONLY FOR TEST AND MAINTENANCE PURPOSES. THE CIRCUITS ARE PROPRIETARY IN NATURE AND SHOULD BE TREATED ACCORDINGLY. COPYRIGHT 1967 BY DIGITAL EQUIPMENT CORPORATION

REV. NUMBER SIZE CODE



C10, C17, C18	CAP. 3.9MFD 10V 10% STANT	1000064
E1, E2	INTEGRATED CKT. MC1541L	1909040
T2	TRANSFORMER T-2003	5200642
T1	TRANSFORMER T-2042	5201616
Q2	TRANSISTOR DEC-6B	1509090-01
Q1	TRANSISTOR DEC3009B-S	1503100
R9	RES. 3K 1/4W 5% CC	1300432
R14	RES. 150 1/4W 10% CC	1300252
R11	RES. 1.5K 1/4W 5% CC	1300391
R10, R15	RES. 10 1/4W 10% CC	1300170
R12, R13	RES. 750 1/4W 5% CC	1301401
R16, R17	RES. 560 1/4W 5% CC	1301890
R1-R8	RES. 121 1/8W 1% 100MFP	1302957
D1-D3	DIODE D664	1100114
C9, C11, C16, C20, C21	CAP. .01MFD 100V 20% DISC	1001610
C12, C14		
C19	CAP. 120MMF 100V 5% D.M.	1000018
C1-C8, C13, C15	CAP. 39MMF 100V 5% D.M.	1000010
	PARTS LIST	A-PL-G022-0-0
REFERENCE DESIGNATION	DESCRIPTION	PART NO.

REVISIONS	CHK	CHG NO.	REV.	B	C	D

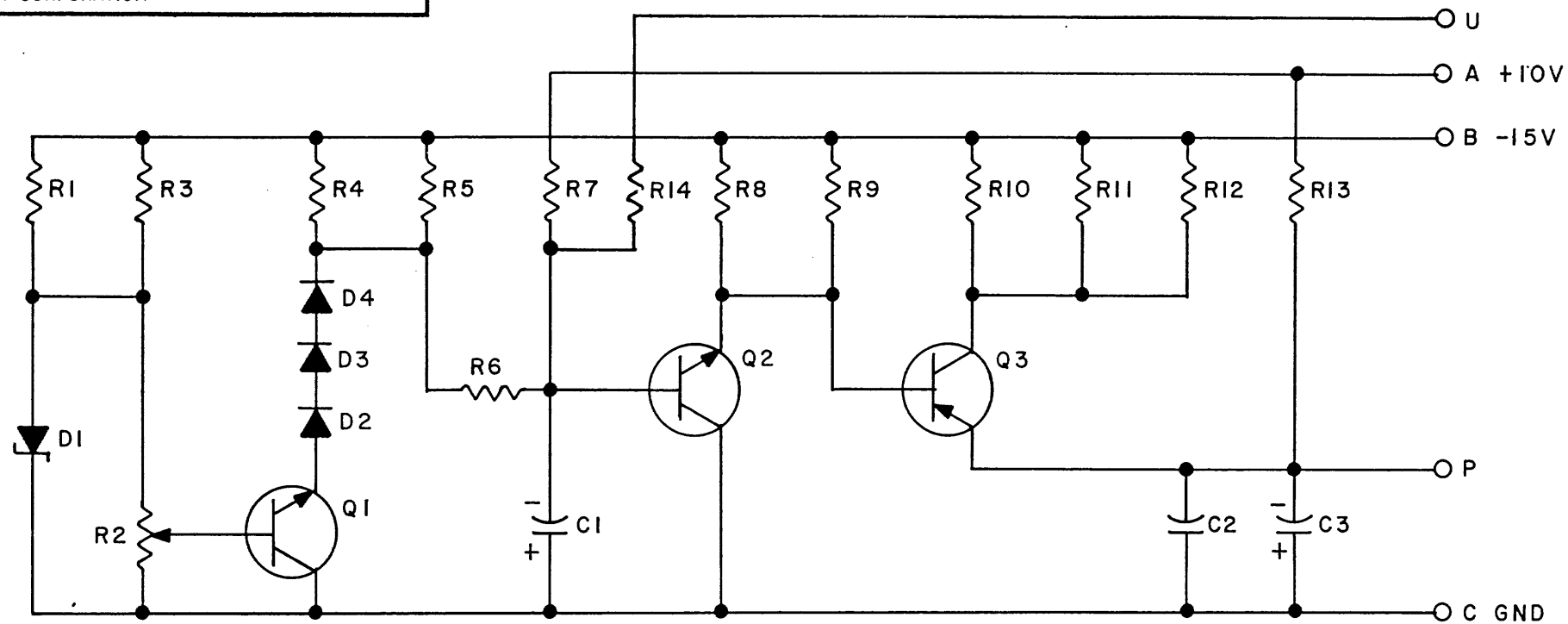
DRN. M. HALLER	DATE 7-10-67
CHK'D R. SILVERMAN	DATE 7-12-67
ENG. D.J. CHIN	DATE 7-12-67
PROD.	DATE

TRANSISTOR & DIODE CONVERSION CHART			
DEC	EIA	DEC	EIA
DEC-6B	NONE		
DEC3009B	2N3009		
D664	IN3606		

digital
EQUIPMENT CORPORATION
MAYNARD, MASSACHUSETTS

TITLE			
FOUR INPUT SENSE AMP. G022			
SIZE B	CODE CS	NUMBER G022-0-1	REV. D
PRINTED CIRCUIT REV.			E

THIS SCHEMATIC IS FURNISHED ONLY FOR TEST AND MAINTENANCE PURPOSES. THE CIRCUITS ARE PROPRIETARY IN NATURE AND SHOULD BE TREATED ACCORDINGLY. COPYRIGHT 1968 BY DIGITAL EQUIPMENT CORPORATION

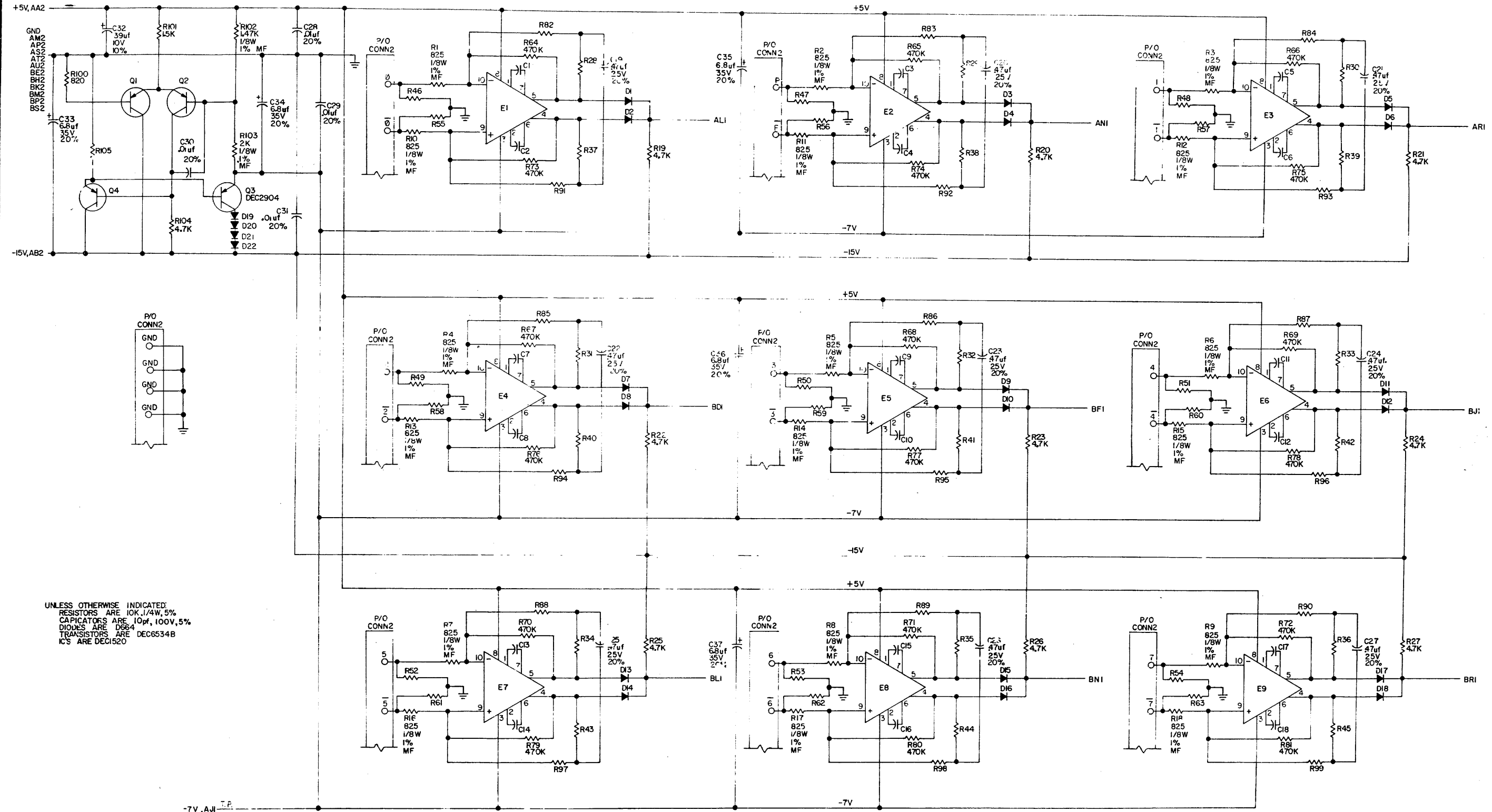


NOTE:
MOUNT Q3 WITH HEAT SINK COMPOUND

R14	RES. 5.11K 1/8W 1% 100MFP	1304854
R8, R9	RES. 1K 1/4W 5% CC	1300365
Q3	TRANSISTOR DEC3790-S	1503399
Q1, Q2	TRANSISTOR 2N2219A-S	1501881
R13	RES. 1.5K 1/4W 5% CC	1300391
R10-R12	RES. 22 2W 10% CC	1301417
R7	RES. 1.96K 1/8W 1% 100MFP	1304833
R6	RES. 348 1/8W 1% 100MFP	1304858
R2	RES. 1K BOURNS TRIMPOT	1305450
R1, R3-R5	RES. 750 1/4W 5% CC	1301401
D2, D3, D4	DIODE D662	1100113
D1	DIODE IN756A 8.2V 1/4W	1103441
C3	CAP. 6.8MFD 35V 20% S.TANT	1000067
C2	CAP. .01MFD 100V 20% DISC	1001610
C1	CAP. 47MFD 20V 20% S.TANT	1000079
PARTS LIST		A-PL-G023-0-0
REFERENCE DESIGNATION	DESCRIPTION	PART NO.

REVISIONS				DRN.		DATE		TRAN			OR & DIODE CONVERSION CHART			TITLE	
CHK	CHG NO.	REV.		M.	H.	7-26-67		DEC	EIA	DEC	EIA	MASTER SLICE CONTROL G023		SIZE	CODE
6865	B			R.	S.	7-31-67		DEC 2219A	N2219			digital		B	CS
7119	C			D.	J.	7-31-67		2N3790	AME			EQUIPMENT CORPORATION		NUMBER G023-0-1	
00001	F			PROD.	I			IN756A	AME			MAYNARD, MASSACHUSETTS		REV. F	
													PRINTED CIRCUIT REV. F		

THIS SCHEMATIC IS FURNISHED ONLY FOR TEST AND MAINTENANCE PURPOSES. THE CIRCUITS ARE PROPRIETARY IN NATURE AND SHOULD BE TREATED ACCORDINGLY. COPYRIGHT 1970 BY DIGITAL EQUIPMENT CORPORATION.



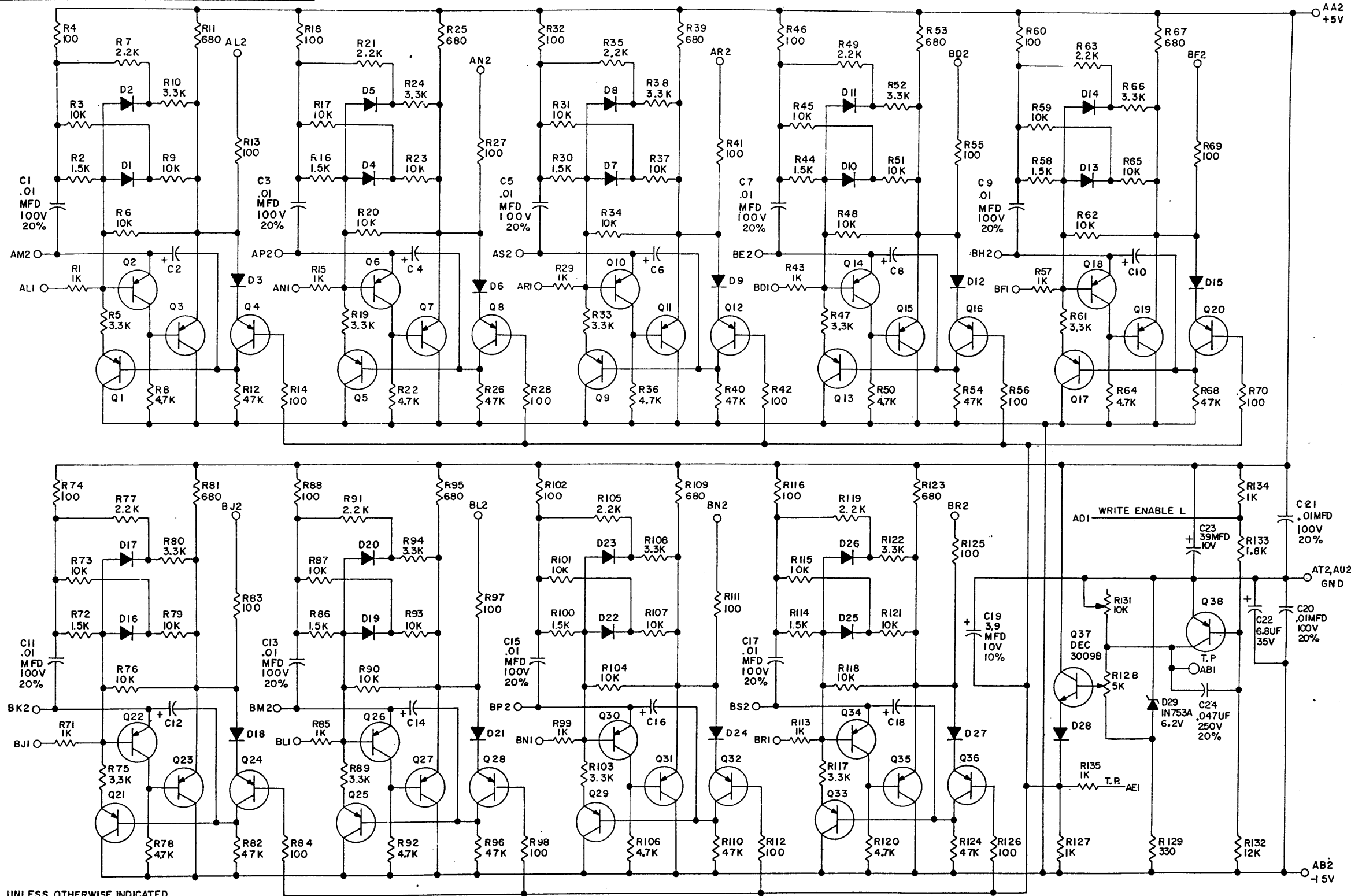
UNLESS OTHERWISE INDICATED:
 RESISTORS ARE 10K, 1/4W, 5%
 CAPACITORS ARE 10pf, 100V, 5%
 DIODES ARE D584
 TRANSISTORS ARE DEC6534B
 IC'S ARE DEC1520

REVISIONS		DATE		TRANSISTOR & DIODE CONVERSION CHART			digital	TITLE READ AMPLIFIER	
NO.	DESCRIPTION			DEC	EIA	DEC		EIA	NUMBER
1			12-10-68	D584	D584			G050-C-1	
2			DEC 25 1968	DEC 25 1968	2N1152				

DATE	12-10-68	DESIGNED BY	W. J. G.
ENG		CHECKED BY	
DATE		APPROVED BY	
DATE		DATE	

SIZE	D	CODE	CS	NUMBER	G050-C-1	REV	C
EQUIPMENT CORPORATION							
PRINTED CIRCUIT REV 01							

THIS SCHEMATIC IS FURNISHED ONLY FOR TEST AND MAINTENANCE PURPOSES. THE CIRCUITS ARE PROPRIETARY IN NATURE AND SHOULD BE TREATED ACCORDINGLY. COPYRIGHT 1969 BY DIGITAL EQUIPMENT CORPORATION



UNLESS OTHERWISE INDICATED
 CAPACITORS ARE .47MFD, 35V, 10%
 DIODES ARE D664
 RESISTORS ARE 1/4W 5%
 TRANSISTORS ARE DEC 6534B

REV.	CHG	NO.

DRN.	DATE	10-18-68
CHK'D	DATE	1-17-71
ENG.	DATE	3-11-71
PROD.	DATE	

TRANSISTOR & DIODE CONVERSION CHART			
DEC	EIA	DEC	EIA
D664	IN3606	IN753A	SAME
D662	IN645		
IN745A	SAME		
DEC6534B	MPS 6534		
DEC3009B	2N3009		

digital EQUIPMENT CORPORATION
 MAYNARD, MASSACHUSETTS

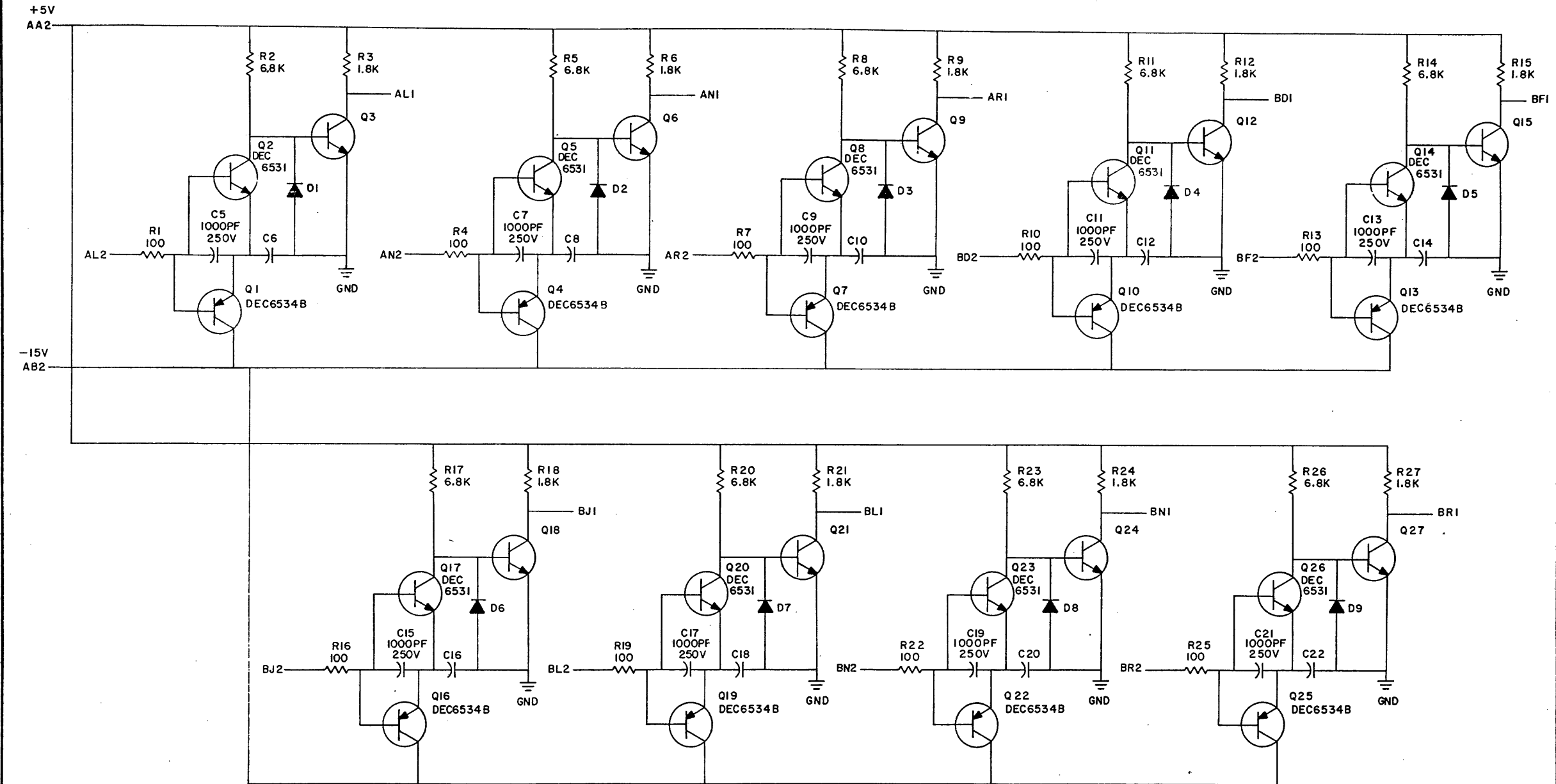
TITLE: TU10 COMPRESSOR G060

SIZE CODE: C CS
 NUMBER: G060-0-1
 REV. C

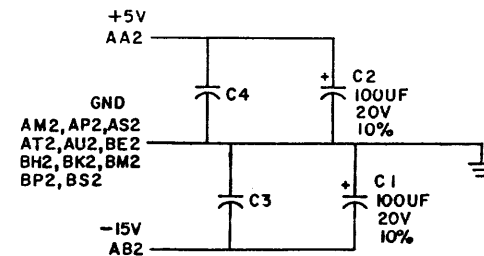
PRINTED CIRCUIT REV. D

REV. C
 NUMBER G060-0-1
 SIZE CODE C CS

THIS SCHEMATIC IS FURNISHED ONLY FOR TEST AND MAINTENANCE PURPOSES. THE CIRCUITS ARE PROPRIETARY IN NATURE AND SHOULD BE TREATED ACCORDINGLY. COPYRIGHT 1970 BY DIGITAL EQUIPMENT CORPORATION



UNLESS OTHERWISE INDICATED:
 RESISTORS ARE 1/4W, 5%
 CAPACITORS ARE .01UF, 100V, 20%
 TRANSISTORS ARE DEC 3009B
 DIODES ARE D664



REV.	CHK	CHG	NO.	REV.
1			0001	B
2			0002	C
3			0003	D

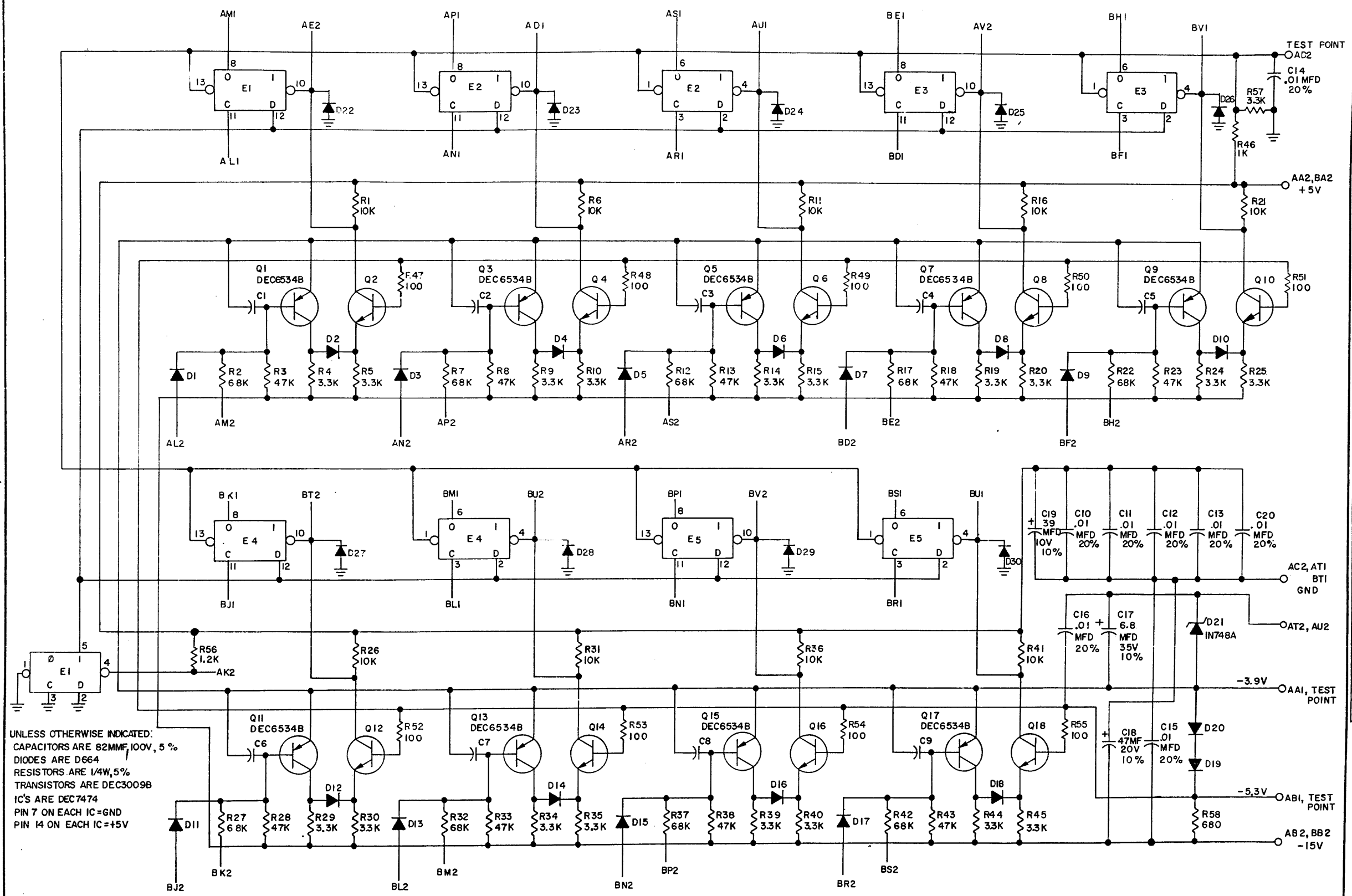
DRN	J. Cooper	DATE	11/17/70
CHK'D		DATE	11/17/70
ENG.	J. Cooper	DATE	
PROD.		DATE	

TRANSISTOR & DIODE CONVERSION CHART			
DEC	EIA	DEC	EIA
DEC6534B	MPS6534	D664	1N3606
DEC6531	MPS6531		
DEC3009B	2N3009B		

digital		EQUIPMENT CORPORATION		MAYNARD, MASSACHUSETTS	
TITLE: PEAK DETECTOR G062					
SIZE	CODE	NUMBER	REV.		
C	CS	G062-0-1	D		
PRINTED CIRCUIT REV. 0					

REV. D
 NUMBER G062-0-1
 SIZE CODE C CS

THIS SCHEMATIC IS FURNISHED ONLY FOR TEST AND MAINTENANCE PURPOSES. THE CIRCUITS ARE PROPRIETARY IN NATURE AND SHOULD BE TREATED ACCORDINGLY. COPYRIGHT 1970 BY DIGITAL EQUIPMENT CORPORATION



UNLESS OTHERWISE INDICATED:
 CAPACITORS ARE .02MMF, 100V, 5%
 DIODES ARE D664
 RESISTORS ARE 1/4W, 5%
 TRANSISTORS ARE DEC3009B
 IC'S ARE DEC7474
 PIN 7 ON EACH IC=GND
 PIN 14 ON EACH IC=+5V

REV. NO.	CHK	CHG	NO.	REV.
0001	B			
0002	C			

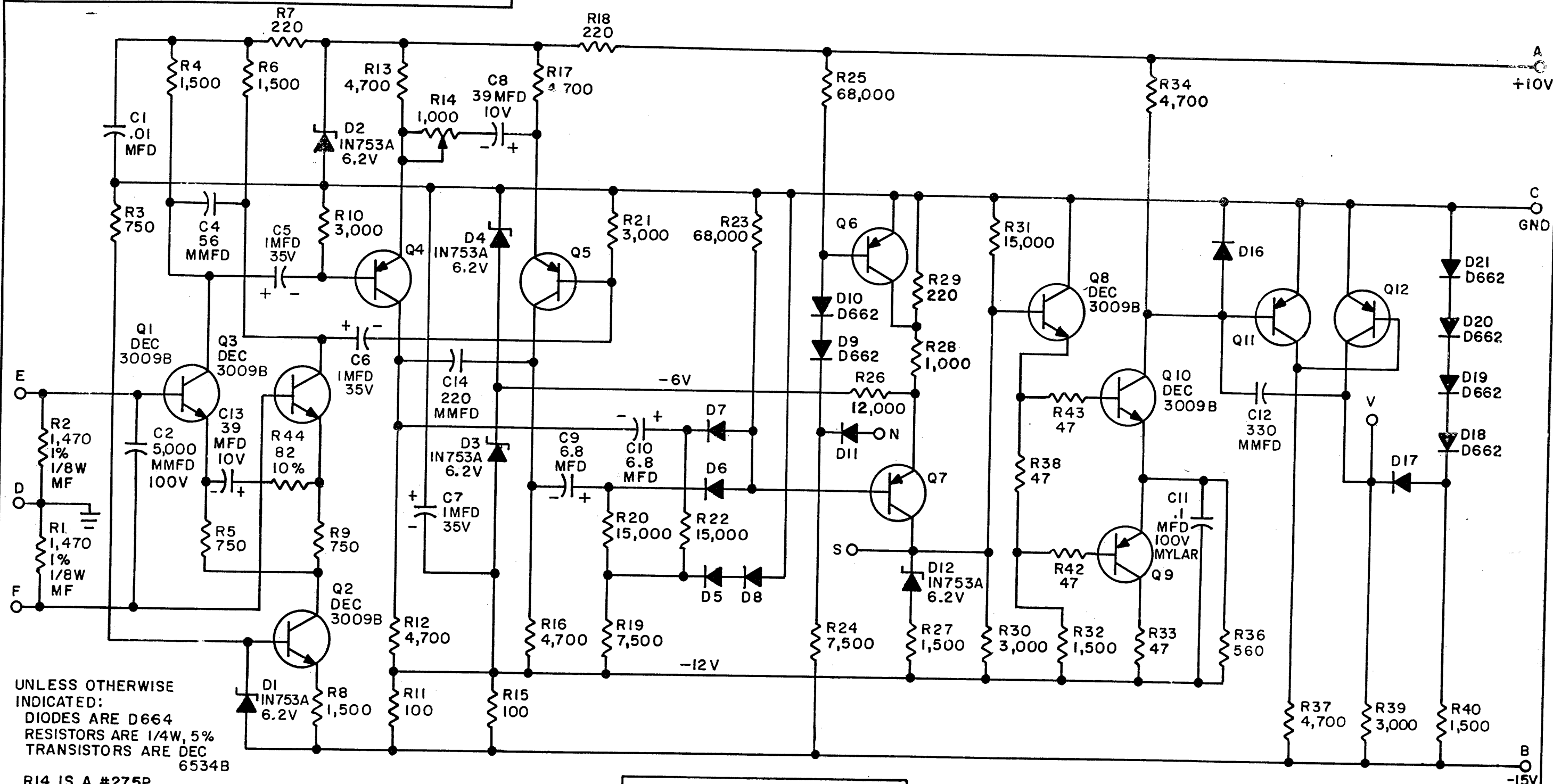
DRN.	DATE	TRANSISTOR & DIODE CONVERSION CHART	
CHK'D	DATE	DEC	EIA
ENG.	DATE	D664	IN3606
PROD.	DATE	DEC6534B	MPS6534
		DEC3009B	2N3009B

digital
 EQUIPMENT CORPORATION
 MAYNARD, MASSACHUSETTS

TITLE		SLICER G064	
SIZE	CODE	NUMBER	REV.
C	CS	G064-0-1	C
PRINTED CIRCUIT REV.		D	

THIS SCHEMATIC IS FURNISHED ONLY FOR TEST AND MAINTENANCE PURPOSES. THE CIRCUITS ARE PROPRIETARY IN NATURE AND SHOULD BE TREATED ACCORDINGLY. COPYRIGHT 1967 BY DIGITAL EQUIPMENT CORPORATION

REV NUMBER SIZE CODE



UNLESS OTHERWISE INDICATED:
 DIODES ARE D664
 RESISTORS ARE 1/4W, 5%
 TRANSISTORS ARE DEC 6534B
 R14 IS A #275P
 PARTS LIST A-PL-G084-0-0

REVISONS	CHK	CHG NO.	REV	B	C	D
		6772				
		7153				
		0001				

DRN. <i>M. Haller</i>	DATE 4-5-67
CHK'D	DATE
ENG.	DATE
PROD.	DATE

TRANSISTOR & DIODE CONVERSION CHART			
DEC	EIA	DEC	EIA
DEC3009B	2N3009	IN753A	SAME
DEC6534B	MPS6534		
D662	IN645		
D664	IN3606		

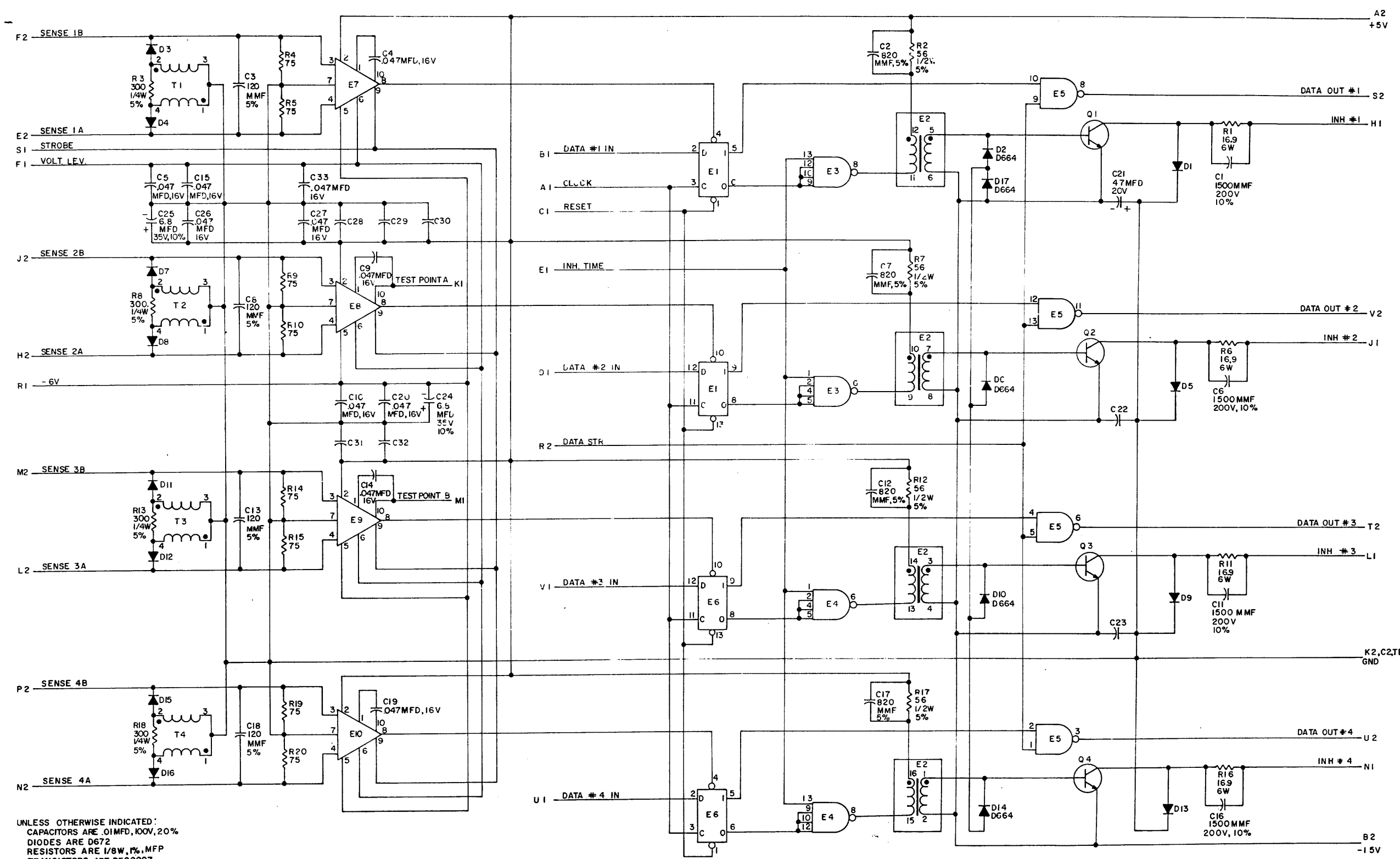
digital
 EQUIPMENT CORPORATION
 MAYNARD, MASSACHUSETTS

TITLE MAG. TAPE READ AMP. G084			
SIZE B	CODE CS	NUMBER G084-0-1	REV. D
PRINTED CIRCUIT REV. C			

DEC FORM NO. DRB 102

DIST. 324 1134 1135

THIS SCHEMATIC IS PROVIDED ONLY FOR TEST AND REPAIR PURPOSES. THE ORIGINAL AND AUTHORITY IS SOURCE AND SHOULD BE TREATED ACCORDINGLY. COPYRIGHT 1969 BY MILITARY EQUIPMENT CORPORATION



UNLESS OTHERWISE INDICATED:
 CAPACITORS ARE .01MFD, 100V, 20%
 DIODES ARE D672
 RESISTORS ARE 1/8W, 1%, MFP
 TRANSISTORS ARE DEC2007
 TRANSFORMERS ARE 17Z5
 PIN 7 ON E1, E3-E6 = GND
 PIN 14 ON E1, E3-E6 = +5V
 E1, E6 = ARE DEC7474
 E2 IS A DUAL IN LINE PACK XMFR-16-09996-0
 E3, E4 ARE DEC74H40
 E5 IS DEC74H01
 E7-E10 ARE MC1540
 CAPACITORS C2-C7, C12 AND C17
 ARE AND MUST BE SINGLE DIP

REV	DATE	BY	CHKD
1	10/1/69
2	11/1/69
3	11/1/69

TRANSISTOR & DIODE CONVERSION CHART			
DEC	GA	DEC	GA
D664	1N3605		
D672	1N3653		
2N3734	1N3653		

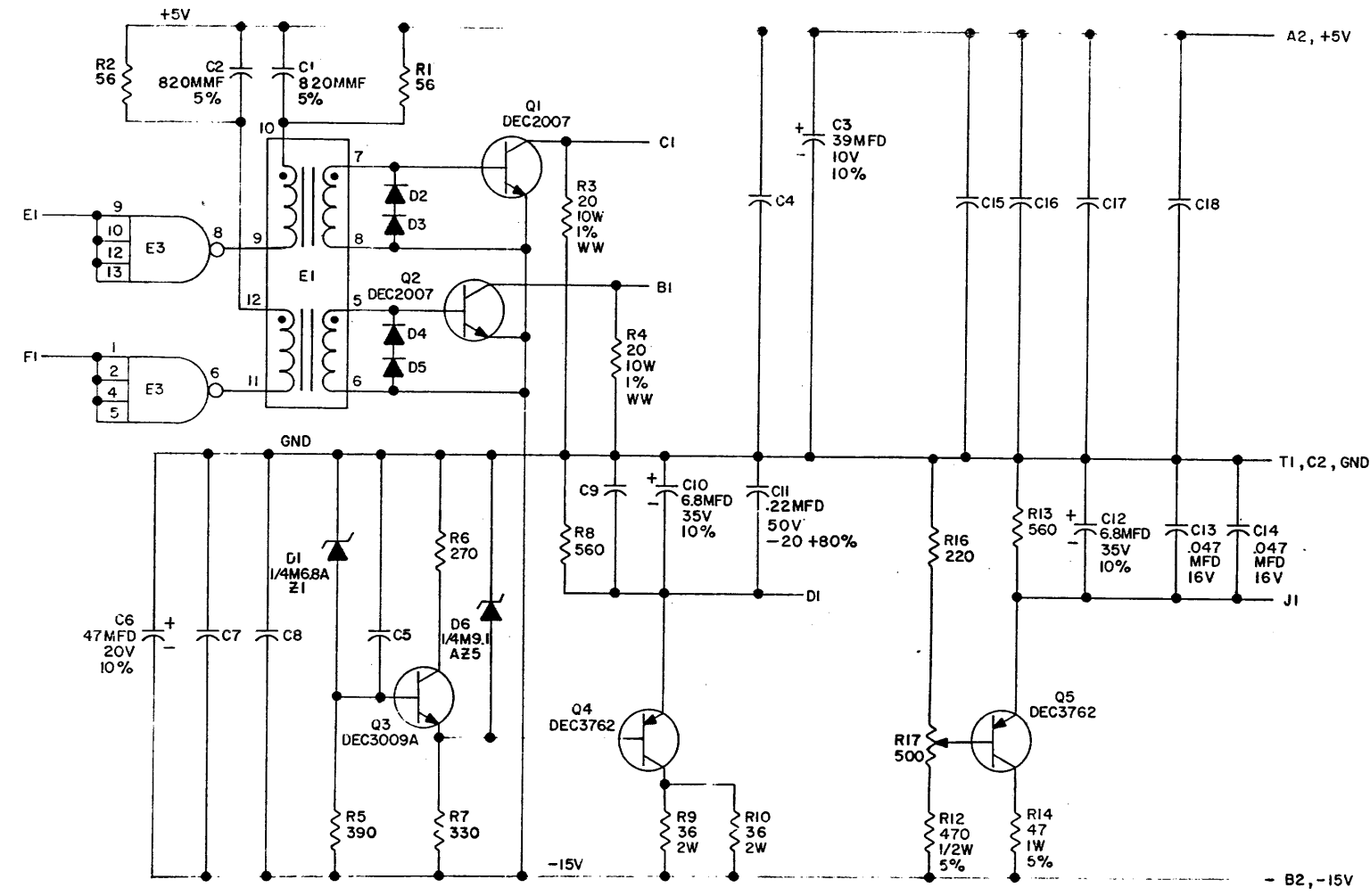
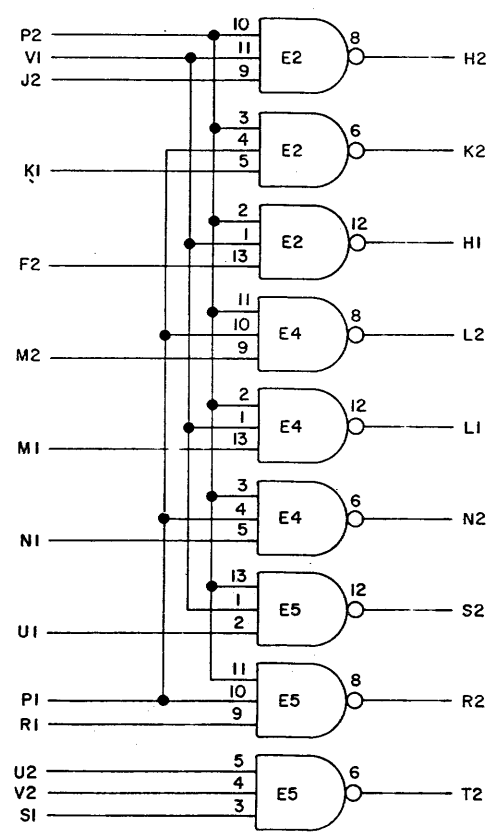
digit

EQUIPMENT CORPORATION

TITLE: SENSE INHIBIT-CARD G102
 REV: 0
 CODE: CS
 NUMBER: 6102-0-1
 DATE: 11/1/69
 DRAWN: D
 CHECKED: D
 PRINTED CIRCUIT REV: 0

4 2 DISK 224.114 22 PINK

THIS SCHEMATIC IS FURNISHED ONLY FOR TEST AND MAINTENANCE PURPOSES. THE CIRCUITS ARE PROPRIETARY IN NATURE AND SHOULD BE TREATED ACCORDINGLY. COPYRIGHT 1969 BY DIGITAL EQUIPMENT CORPORATION



UNLESS OTHERWISE INDICATED:
 RESISTORS ARE 1/4W, 5%
 CAPACITORS ARE .01 MFD, 100V, 20%
 PIN 7 ON EACH IC = GND
 PIN 14 ON EACH IC = +5V
 E2, E4, E5 ARE DEC74H10
 E3 IS DEC7440
 E1 IS TRANSFORMER DEC PART # 1609996-0
 DIODES ARE D664

REV	CHK	CHK NO.	REV
1	1	00001	A
2	1	00002	B
3	1	00004	C
4	1	00005	D
5	1	00006	E
6	1	00007	F

P. SULLIVAN

DRN.	DATE	TRANSISTOR & DIODE CONVERSION CHART			
BUTLER	8/26/69	DEC	EIA	DEC	EIA
CHKD BY	6/27/69	D664	IN3506	1/4M9.1A#5	NONE
ENG. BY	2-2-70	1/4M6.8A#1	NONE		
PROD.		DEC2007	NONE		
		DEC3762	NONE		
		DEC3009A	2N3009A		

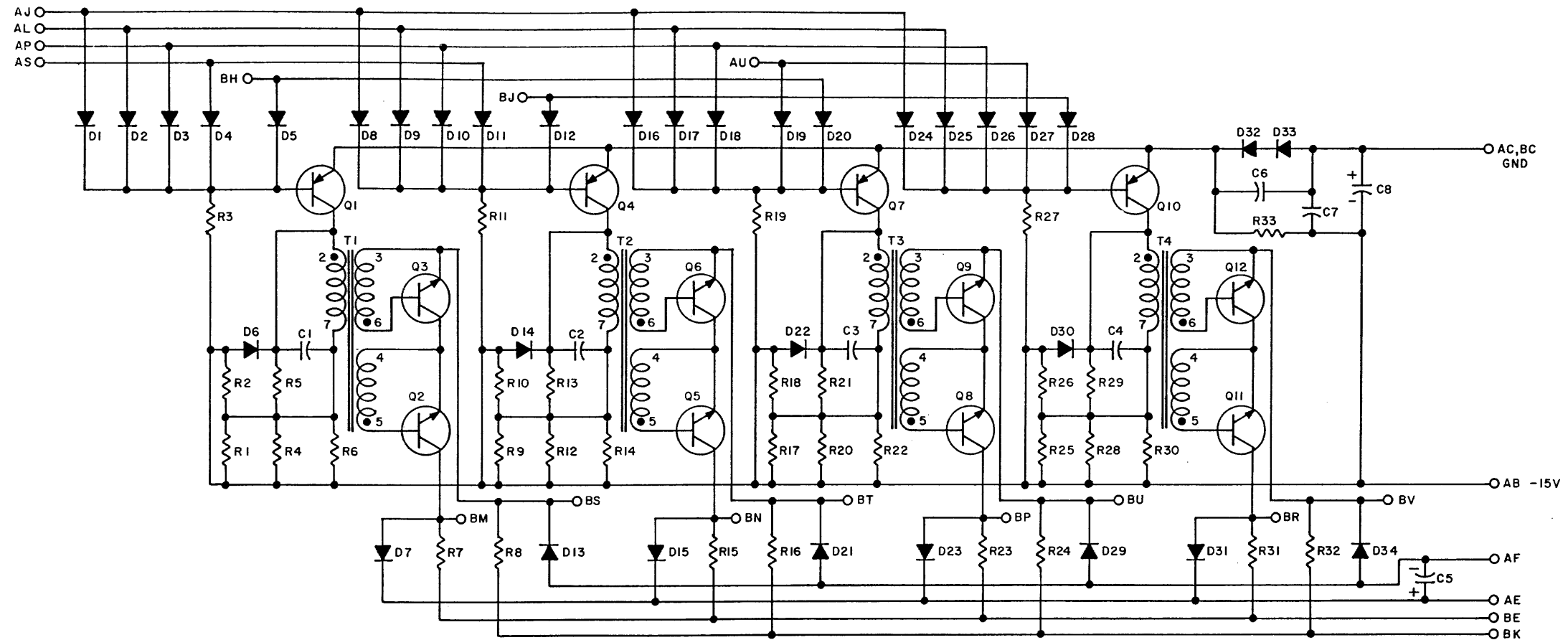
digital EQUIPMENT CORPORATION
 MAYNARD, MASSACHUSETTS

TITLE: MEMORY LEVELS & GATES G103
 NUMBER: G103-0-1
 REV: F

SIZE: C CS
 PRINTED CIRCUIT REV: A

REV. F
 NUMBER G103-0-1
 SIZE CODE C CS

THIS SCHEMATIC IS FURNISHED ONLY FOR TEST AND MAINTENANCE PURPOSES. THE CIRCUITS ARE PROPRIETARY IN NATURE AND SHOULD BE TREATED ACCORDINGLY. COPYRIGHT 1965 BY DIGITAL EQUIPMENT CORPORATION



T1-T4	TRANSFORMER T-2050	I605794-04
Q2,Q3,Q5,Q6,Q8,Q9,Q11,Q12	TRANSISTOR DEC1010	I509322
Q1,Q4,Q7,Q10	TRANSISTOR DEC2894-3B	I503099
R7,R8,R15,R16,R23,R24,R31,R32	RES. 10K 1/4W 5% CC	I300479
R5,R13,R21,R29	RES. 2.2K 1/4W 5% CC	I300417
R3,R11,R19,R27	RES. 7.5K 1/4W 5% CC	I301422
R18,R20,R22,R25,R26,R28,R30,R33 R1,R2,R4,R6,R9,R10,R12,R14,R17, D32,D33	RES. 1.2K 1/4W 10% CC	I300386
D7,D13,D15,D21,D23,D29,D31,D34	DIODE D662	I100113
D24-D28,D30	DIODE D670	I102162
D1-D6,D8-D12,D14,D16-D20,D22,	DIODE D664	I100114
C8	CAP. 1MFD 35V 10% S.TANT	I001776
C6,C7	CAP. .01MFD 100V 20% DISC	I001610
C5	CAP. 1MFD 150V 10% FOIL	I000063
C1-C4	CAP. 56MMF 100V 5% D.M.	I000012
	PARTS LIST	A-PL-G206-0-0
REFERENCE DESIGNATION	DESCRIPTION	PART NO.

REVISIONS	
CHK'G NO. REV.	B
NJP 5561	
REV. & REDR.	D
DATE	0001

DRN.	H. PORTER	DATE	2-2-65
CHK'D	N. PERRYMAN	DATE	2-11-65
ENG.	T. HUGHES	DATE	2-11-65
PROD.		DATE	

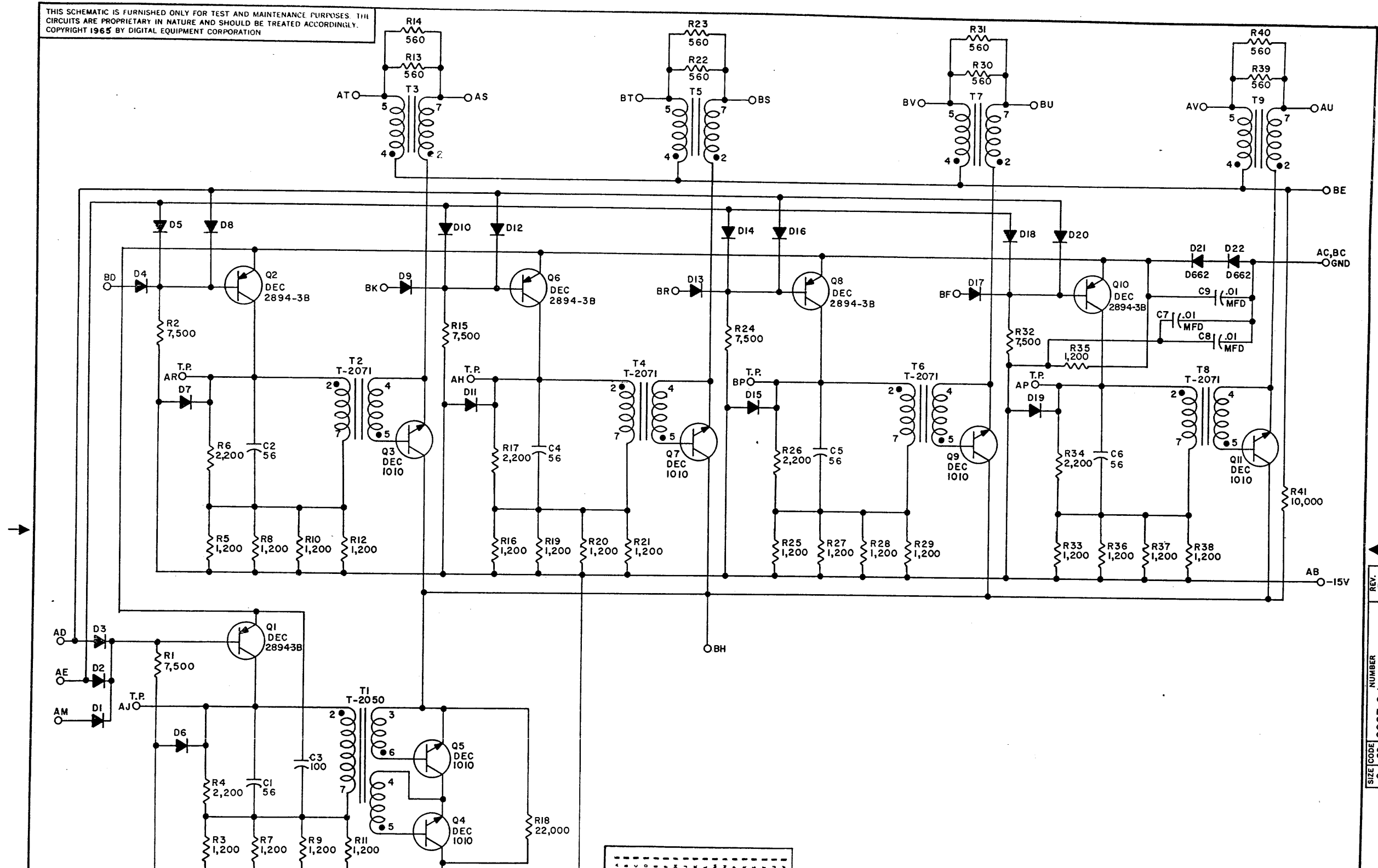
TRANSISTOR & DIODE CONVERSION CHART			
DEC	EIA	DEC	EIA
DEC1010	NONE		
DEC2894-3B	NONE		
D662	IN645		
D664	IN3606		
D670	IN3653		

digital
EQUIPMENT CORPORATION
MAYNARD, MASSACHUSETTS

TITLE			
MEMORY SELECTOR G206			
SIZE	CODE	NUMBER	REV.
C	CS	G206-0-1	D
PRINTED CIRCUIT REV.			B

REV. D
NUMBER
G206-0-1

THIS SCHEMATIC IS FURNISHED ONLY FOR TEST AND MAINTENANCE PURPOSES. THE CIRCUITS ARE PROPRIETARY IN NATURE AND SHOULD BE TREATED ACCORDINGLY. COPYRIGHT 1965 BY DIGITAL EQUIPMENT CORPORATION



UNLESS OTHERWISE INDICATED:
 RESISTORS ARE 1/4W; 5%
 CAPACITORS ARE MMFD
 DIODES ARE D664
 TRANSFORMERS ARE T-2052

PARTS LIST IS A-PL-G207

REV.	CHK	CHG	NO.	REV.
B	5369			
C	5698			
D	6734			
E	0002			

DRN.	DATE	TRANSISTOR & DIODE CONVERSION CHART			
H. PORTER	2-2-65	DEC	EIA	DEC	EIA
CHK'D	DATE	DEC	MM1008		
N. PERRYMAN	2-11-65	DEC2894-3B	NONE		
ENG.	DATE	D662	1N645		
TOM HUGHES	2-11-65	D664	1N3606		
PROD.	DATE				

digital EQUIPMENT CORPORATION
 MAYNARD, MASSACHUSETTS

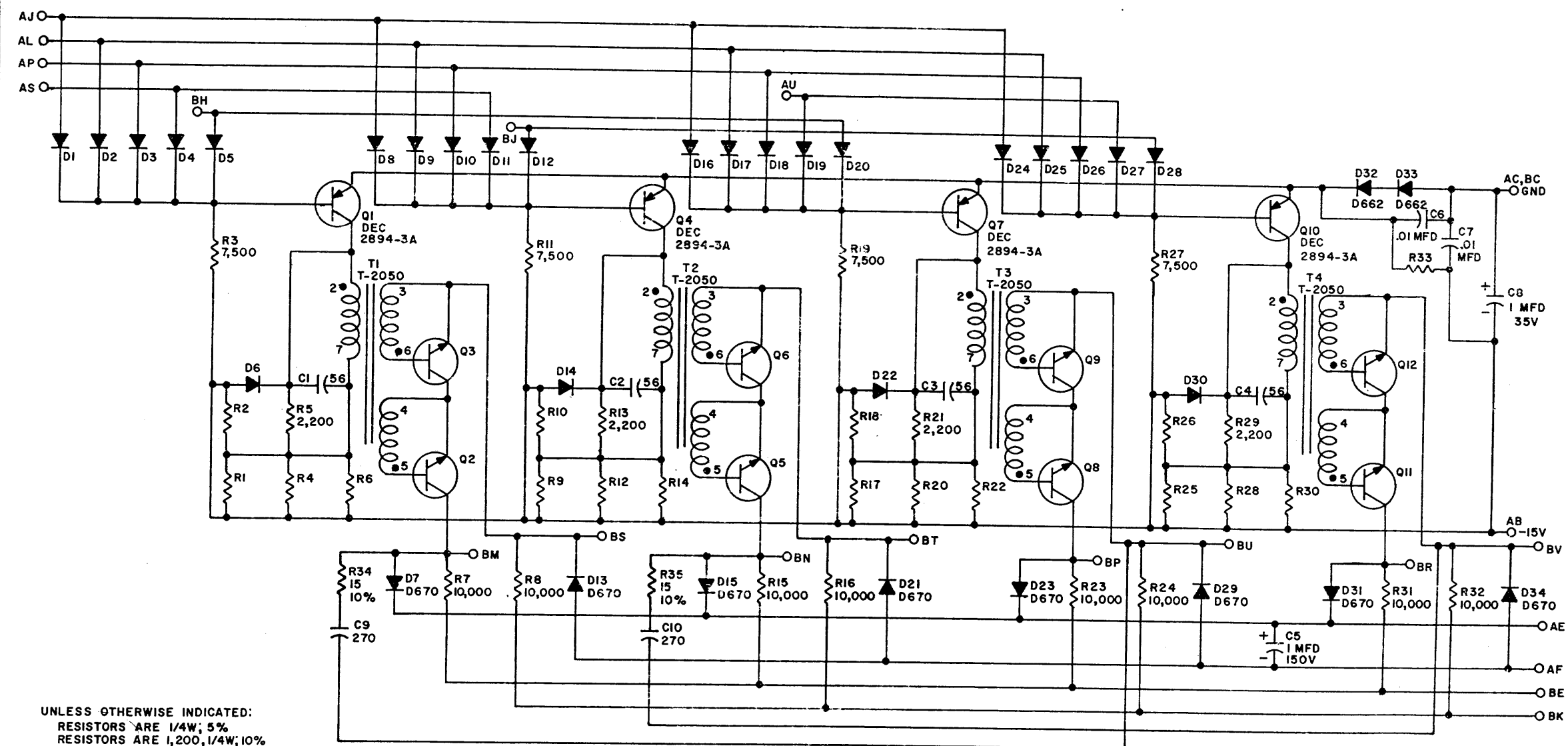
TITLE		SIZE	CODE	NUMBER	REV.
INHIBIT DRIVER G207		C	CS	G207-0-1	E
PRINTED CIRCUIT REV.					

DEC FORM NO. DRC 102

DIST. 324, 434, 433, 436 PINK

REV. E
 NUMBER
 CS G207-0-1

THIS SCHEMATIC IS FURNISHED ONLY FOR TEST AND MAINTENANCE PURPOSES. THE CIRCUITS ARE PROPRIETARY IN NATURE AND SHOULD BE TREATED ACCORDINGLY. COPYRIGHT 1966 BY DIGITAL EQUIPMENT CORPORATION



UNLESS OTHERWISE INDICATED:
 RESISTORS ARE 1/4W; 5%
 RESISTORS ARE 1,200, 1/4W; 10%
 CAPACITORS ARE MMFD
 DIODES ARE D664
 TRANSISTORS ARE DEC1010

USE THE ETCH BOARD OF THE G206

PARTS LIST IS A-PL-6212-0-0

REVISIONS	CHK	NO.	REV.
		0000	1
			A

DRN	DATE	9/1/66
CHK'D	DATE	9/1/66
ENG	DATE	9/1/66
PROD.	DATE	

TRANSISTOR & DIODE CONVERSION CHART			
DEC	EIA	DEC	EIA
DEC1010	SAME		
DEC2894-3A	NONE		
D662	IN3645		
D664	IN3606		
D670	IN3653		

digital EQUIPMENT CORPORATION
 MAYNARD, MASSACHUSETTS

TITLE: MEMORY COMMON DRIVER G212

SIZE	CODE	NUMBER	REV.
C	CS	G212-0-1	A

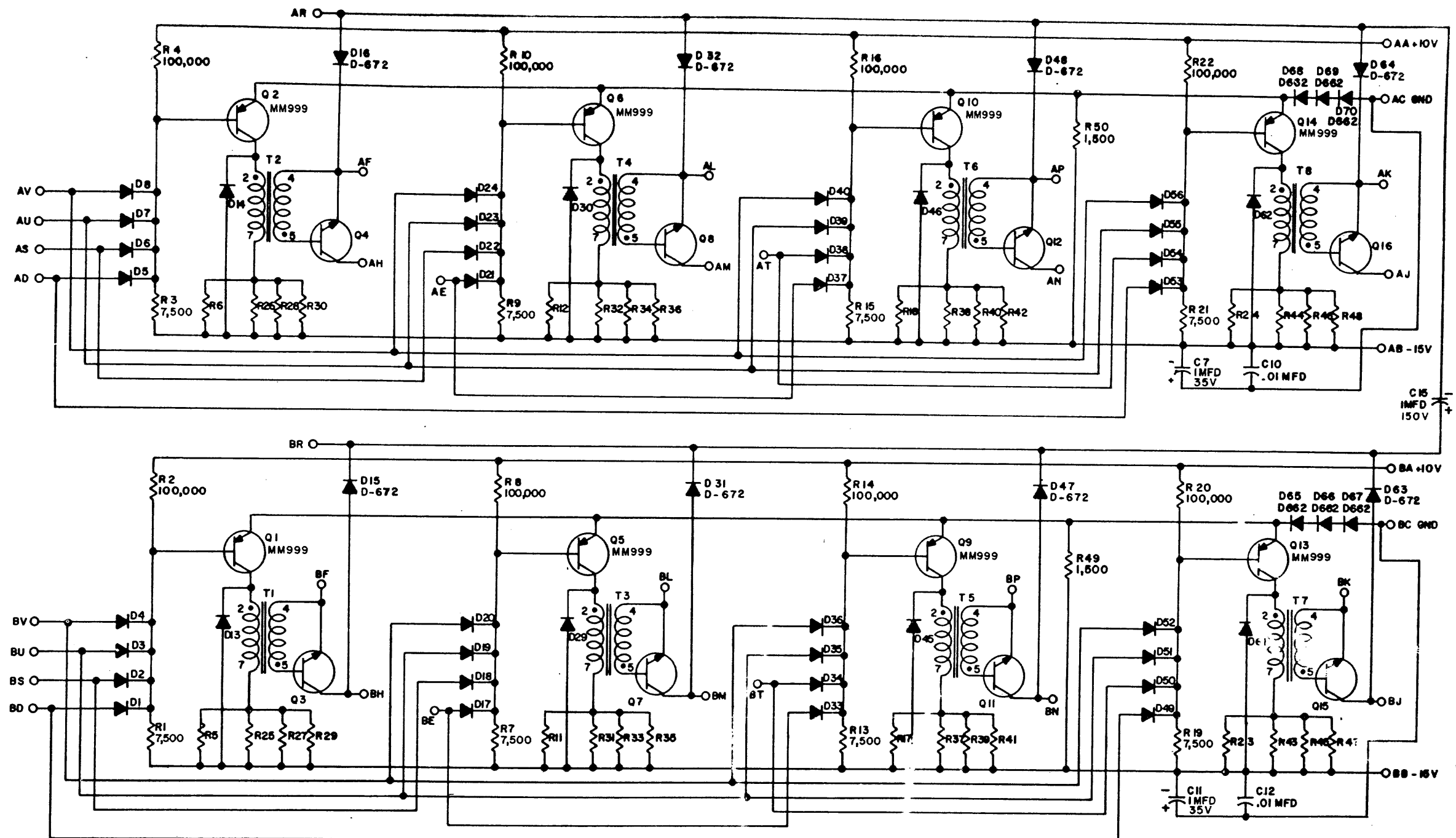
PRINTED CIRCUIT REV. []

DEC FORM NO. DRC 102

DIST. 424 | 434 | 435 | 439

REV. A
 NUMBER
 SIZE CODE C CS G212-0-1

THIS SCHEMATIC IS FURNISHED ONLY FOR TEST AND MAINTENANCE PURPOSES. THE CIRCUITS ARE PROPRIETARY IN NATURE AND SHOULD BE TREATED ACCORDINGLY. COPYRIGHT 1968 BY DIGITAL EQUIPMENT CORPORATION



UNLESS OTHERWISE INDICATED:
 TRANSFORMERS ARE T-2071
 TRANSISTORS ARE DEC1011
 RESISTORS ARE 1/4 W, 5%
 DIODES ARE D-664
 RESISTORS ARE 1/200, 1/4 W, 10%

USE THE ETCH BOARD OF THE G209

PARTS LIST A-PL-G217-0-0

REV.	CHK	ENG	NO.	REV.
1			00001	A
2			00002	C
3			00003	D
4			00004	E

DRM.	DATE	DEC	EIA
M. Keller	12-18-68		
CHK'D	DATE	DEC <td>EIA</td>	EIA
M. W. W. W.	12-20-68	DEC1011	NONE
ENG.	DATE	DEC <td>EIA</td>	EIA
P. Sullivan	1-11-69	DEC6B	NONE
PROD.	DATE	D662	IN645
		D664	IN3608
		D672	IN3653

TRANSISTOR & DIODE CONVERSION CHART			
DEC	EIA	DEC	EIA
DEC1011	NONE		
DEC6B	NONE		
D662	IN645		
D664	IN3608		
D672	IN3653		

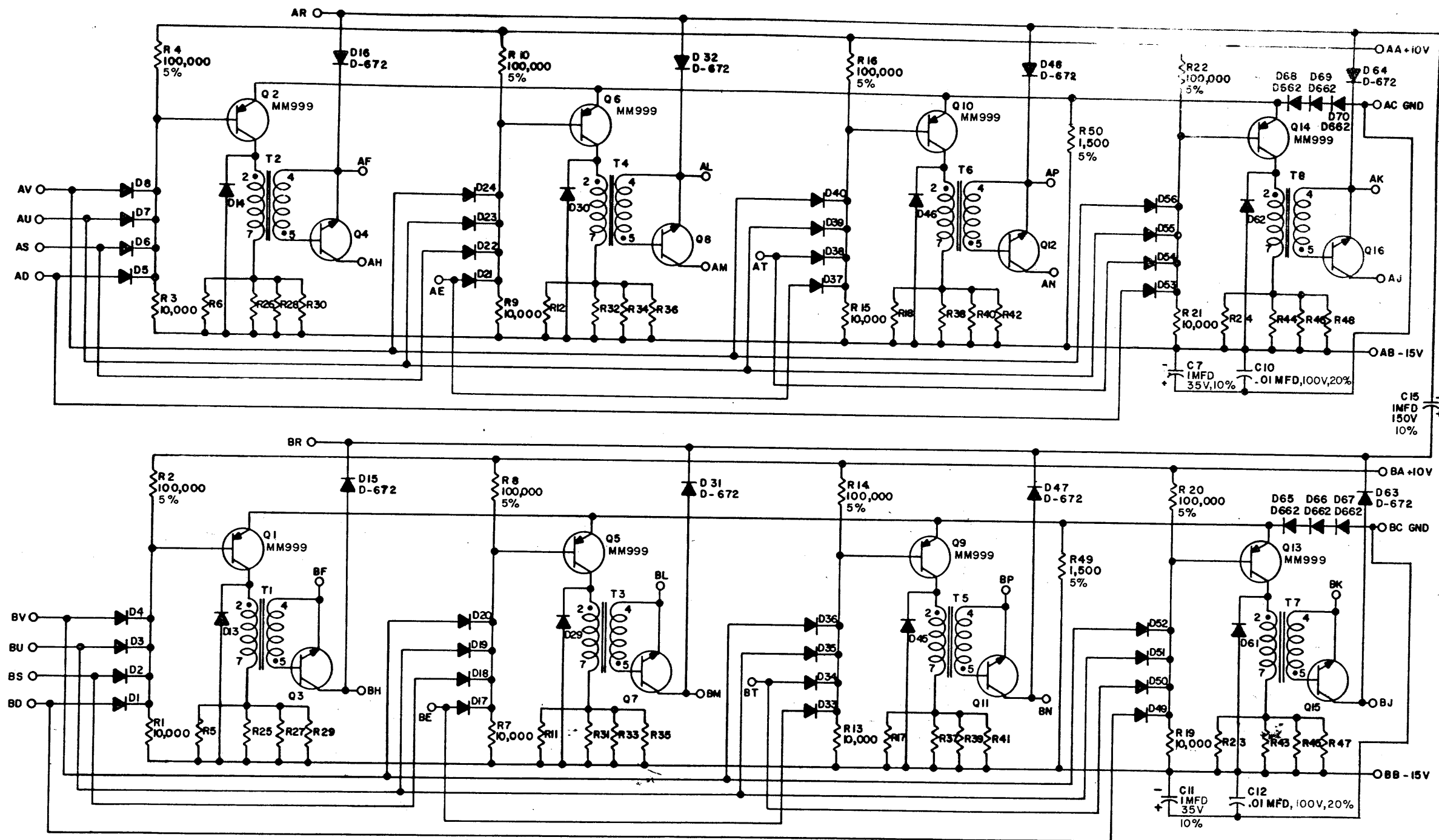
digital EQUIPMENT CORPORATION
 MAYNARD, MASSACHUSETTS

TITLE: MEMORY WORD DRIVER G217
 NUMBER: C CS G217-0-1
 REV. E

PRINTED CIRCUIT REV. H

DIST 327434 45357

THIS SCHEMATIC IS FURNISHED ONLY FOR TEST AND MAINTENANCE PURPOSES. THE CIRCUITS ARE PROPRIETARY IN NATURE AND SHOULD BE TREATED ACCORDINGLY. COPYRIGHT 1966 BY DIGITAL EQUIPMENT CORPORATION



UNLESS OTHERWISE INDICATED:
TRANSFORMERS ARE T-2071
TRANSISTORS ARE DEC 1011

RESISTORS ARE 1/4 W, 10%
DIODES ARE D-664
RESISTORS ARE 1200

USE THE ETCH BOARD OF THE G209

PARTS LIST A-PL-G219-0-0

REV.	CHK	CHG	NO.	REV.
1			5945	B
2			6280	C
3			6358	D
4			6384	E
5			6371	F
6			6588	H
7			6795	J
8			6938	L
9			00001	M
10			00002	N
11			00003	P
12			00004	R

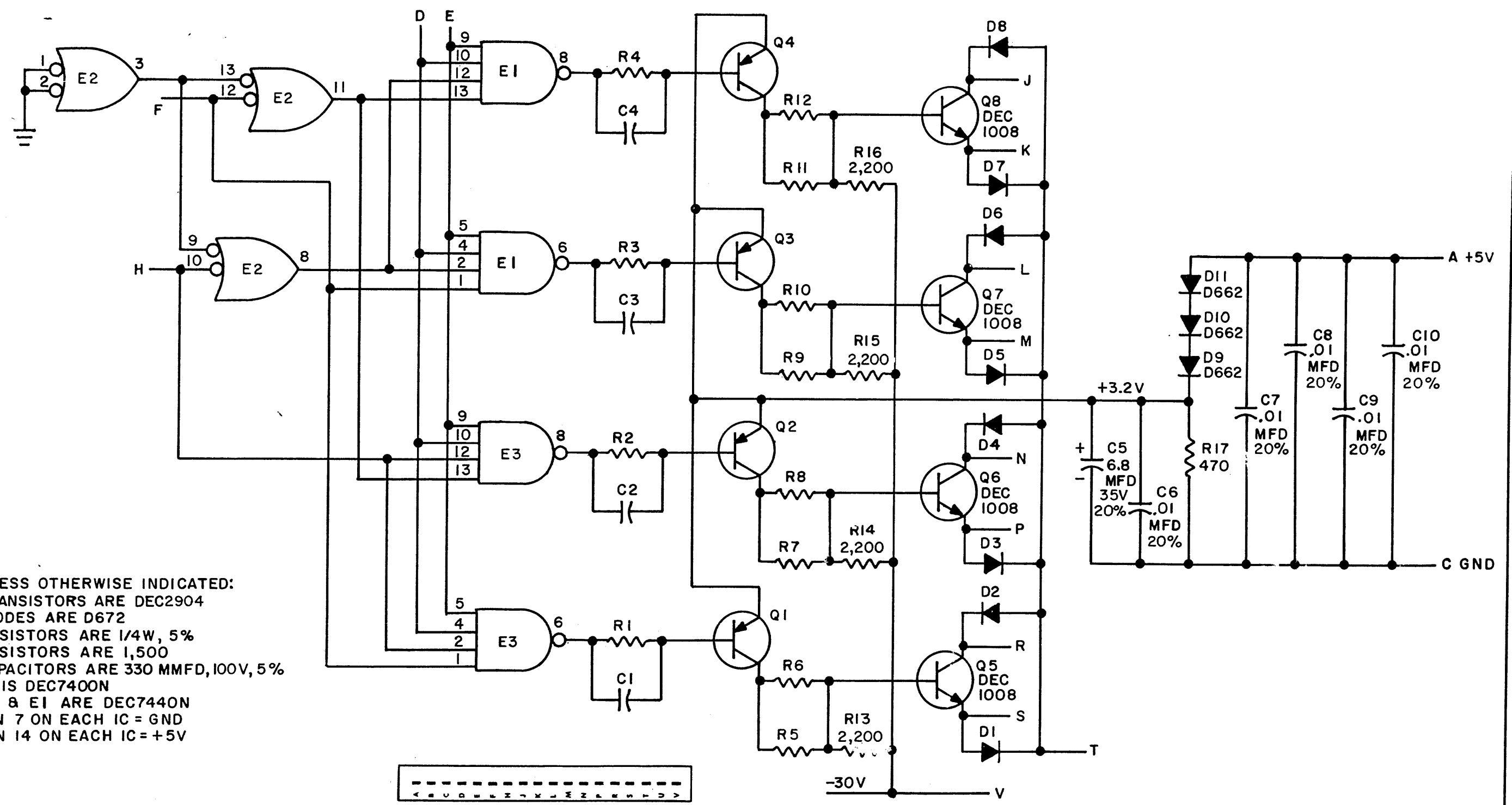
DATE: 10-16-66
DATE: 11/16/66
DATE: 12/16/66
DATE: 1/16/67
DATE: 2/16/67
DATE: 3/16/67
DATE: 4/16/67
DATE: 5/16/67
DATE: 6/16/67
DATE: 7/16/67
DATE: 8/16/67
DATE: 9/16/67
DATE: 10/16/67
DATE: 11/16/67
DATE: 12/16/67

TRANSISTOR & DIODE CONVERSION CHART			
DEC	EIA	DEC	EIA
DEC1011	NONE		
MM999	SAME		
D662	IN645		
D664	IN3606		
D672	IN3653		

digital
EQUIPMENT CORPORATION
MAYNARD, MASSACHUSETTS

TITLE			
MEMORY SELECTOR G219			
SIZE	CODE	NUMBER	REV.
C	CS	G219-0-1	R
PRINTED CIRCUIT REV.			H

THIS SCHEMATIC IS FURNISHED ONLY FOR TEST AND MAINTENANCE PURPOSES. THE CIRCUITS ARE PROPRIETARY IN NATURE AND SHOULD BE TREATED ACCORDINGLY. COPYRIGHT 1967 BY DIGITAL EQUIPMENT CORPORATION



UNLESS OTHERWISE INDICATED:
 TRANSISTORS ARE DEC2904
 DIODES ARE D672
 RESISTORS ARE 1/4W, 5%
 RESISTORS ARE 1,500
 CAPACITORS ARE 330 MMFD, 100V, 5%
 E2 IS DEC7400N
 E3 & E1 ARE DEC7440N
 PIN 7 ON EACH IC = GND
 PIN 14 ON EACH IC = +5V

PARTS LIST IS A-PL-G221-0-1

REV.	CHG. NO.	REV.
A	6451	
B	6508	
C	00001	
D	00004	

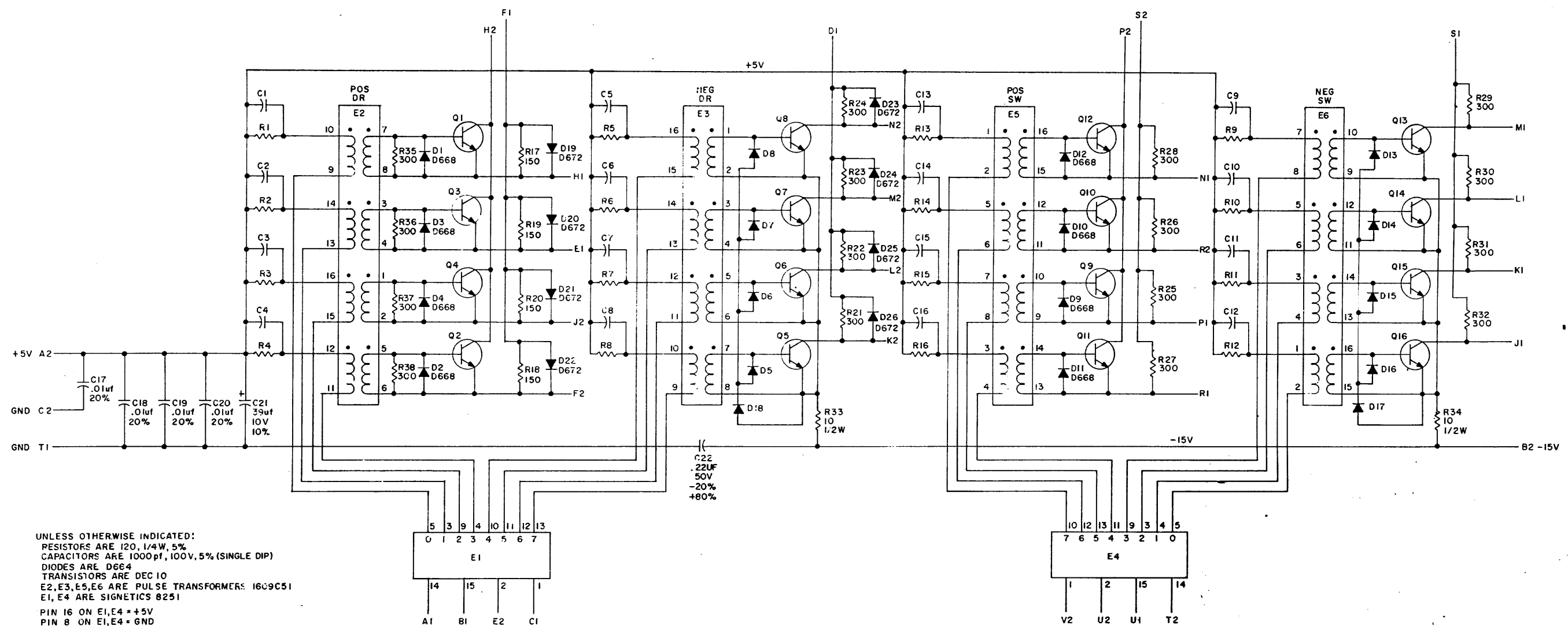
DRN. <i>M. Hall</i>	DATE <i>1-3-67</i>
CHK'D. <i>[Signature]</i>	DATE <i>3-2-67</i>
ENG. <i>V. Sayge</i>	DATE <i>5-15-67</i>
PROD.	DATE

TRANSISTOR & DIODE CONVERSION CHART			
DEC		EIA	
DEC1008		MM1008	
DEC2904		2N2904	
D662		IN645	
D672		IN3653	

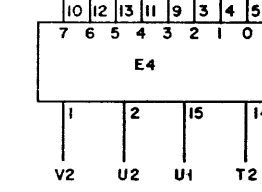
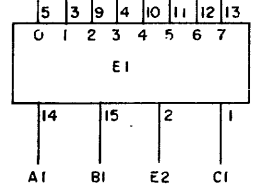
digital
 EQUIPMENT CORPORATION
 MAYNARD, MASSACHUSETTS

TITLE MEMORY SELECTOR G221			
SIZE B	CODE CS	NUMBER G221-0-1	REV. D
PRINTED CIRCUIT REV. B			

THIS SCHEMATIC IS FURNISHED ONLY FOR TEST AND MAINTENANCE PURPOSES. THE CIRCUITS ARE PROPRIETARY IN NATURE AND SHOULD BE TREATED ACCORDINGLY. COPYRIGHT 1968 BY DIGITAL EQUIPMENT CORPORATION

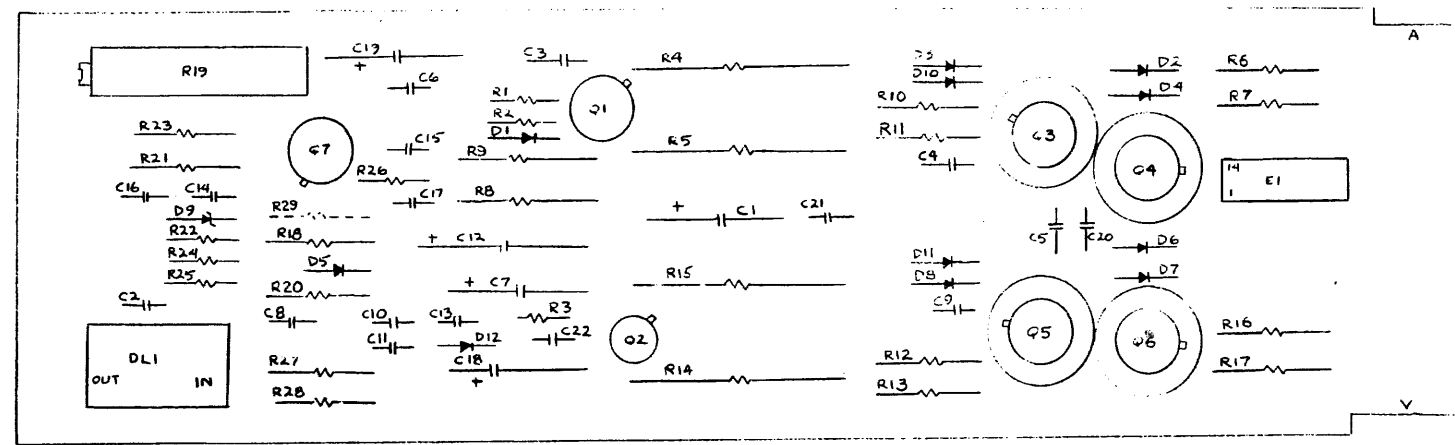
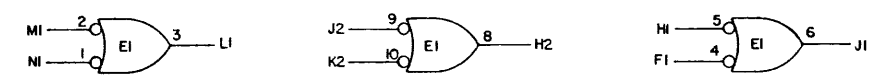
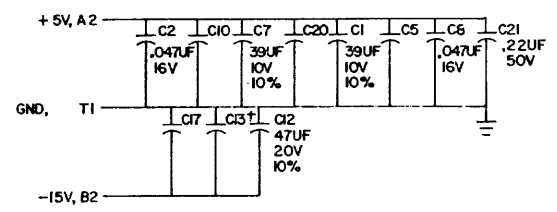
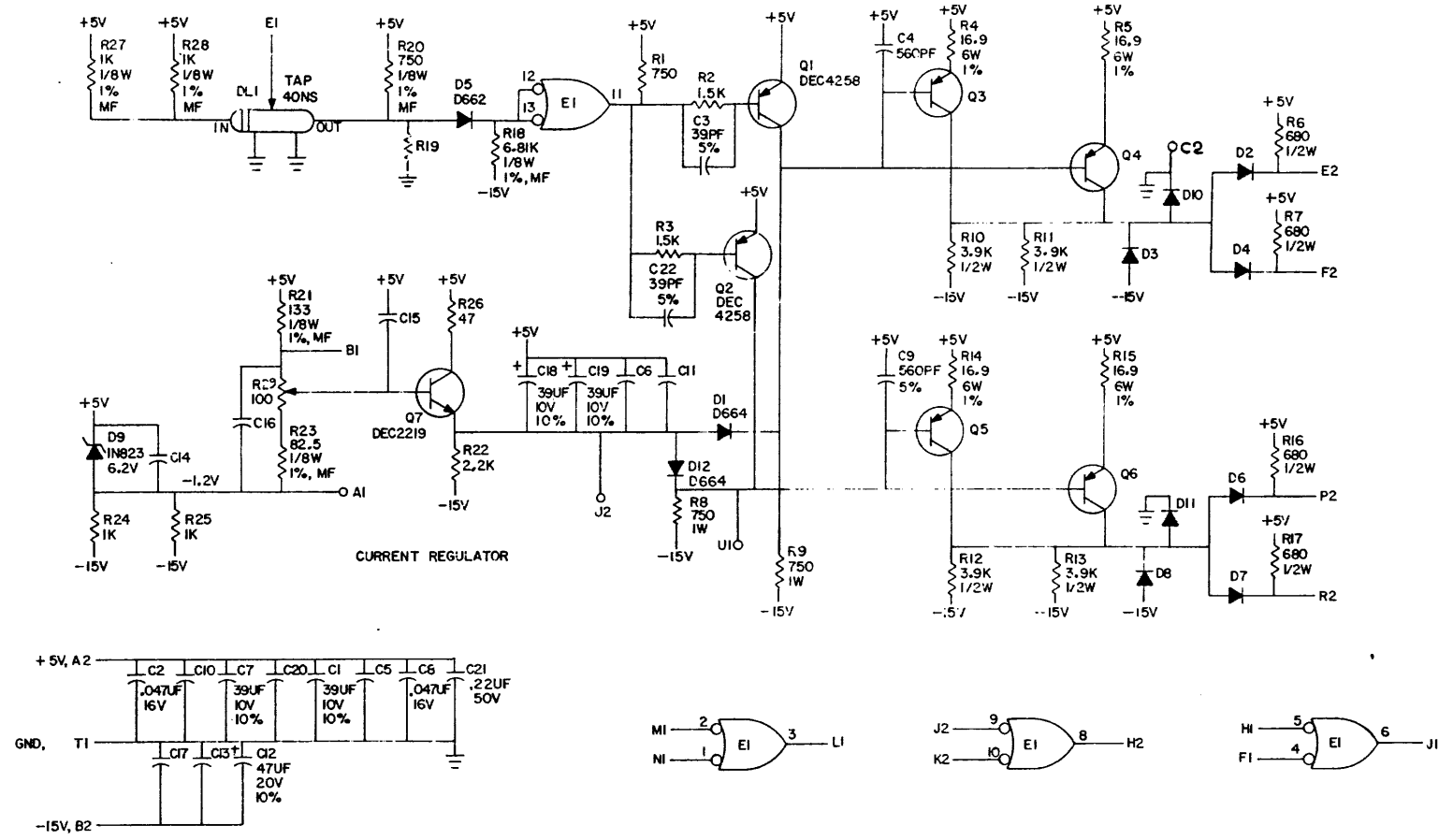


UNLESS OTHERWISE INDICATED:
 RESISTORS ARE 1/20, 1/4W, 5%
 CAPACITORS ARE 1000pf, 100V, 5% (SINGLE DIP)
 DIODES ARE D664
 TRANSISTORS ARE DEC 10
 E2,E3,E5,E6 ARE PULSE TRANSFORMERS 16C9C51
 E1, E4 ARE SIGNETICS 8251
 PIN 16 ON E1,E4 = +5V
 PIN 8 ON E1,E4 = GND



REVISENS CHK CHG NO	DRN BUTLER	DATE 8-16-69	TRANSISTOR & DIODE CONVERSION CHART				EQUIPMENT CORPORATION METHUEN, MASSACHUSETTS	TITLE X-Y DECODER SWITCH	
	CHWD T.A. MALETTE	DATE 9-9-69	DEC	EM	DEC	EM		SIZE CODE NUMBER	REV. D
	ENC P. SULLIVAN	DATE 2-24-70						D CS 6226-0-1	
	PROD	DATE						PRINTED CIRCUIT REV. D	

THIS SCHEMATIC IS FURNISHED ONLY FOR TEST AND MAINTENANCE PURPOSES. THE CIRCUITS ARE PROPRIETARY IN NATURE AND SHOULD BE TREATED ACCORDINGLY. COPYRIGHT 1971 BY DIGITAL EQUIPMENT CORPORATION



UNLESS OTHERWISE INDICATED:
 DIODES = D672
 RESISTORS = 1/4W, 5%
 TRANSISTORS = DEC3762 WITH HEATSINK
 CAPACITORS = .01UF, 100V, 20%
 E1 = DEC74H00
 PIN 14 = +5V
 PIN 7 = GND

NOTE:
 PINS C1 AND N2 ARE USED IN THE BACKPLANE FOR CURRENT LOOPS. THEY CANNOT BE USED ON THE MODULE.

DOTTED COMPONENTS ARE NOT USED IN THIS MODULE.

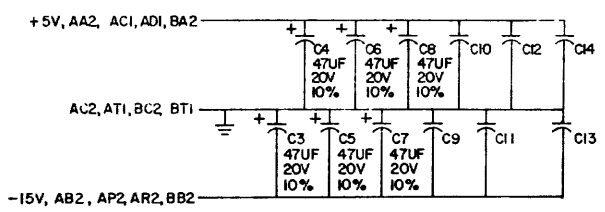
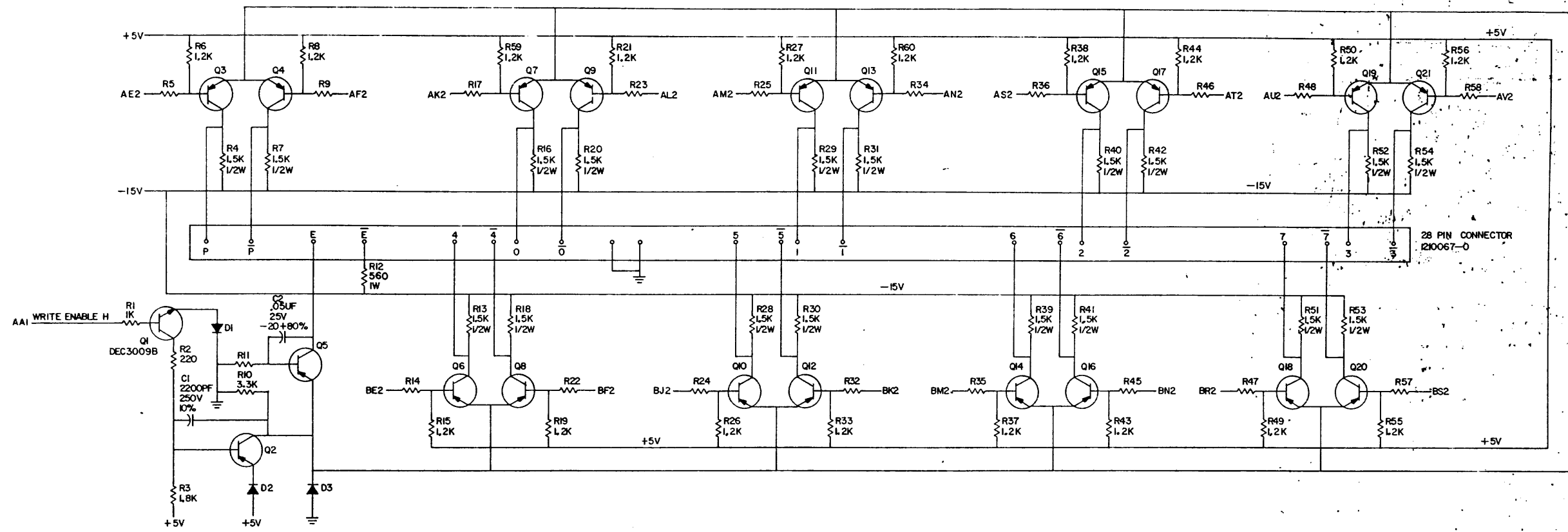
STEP NO.	DEC PART NO.	DESCRIPTION	QTY.
39	1010274	TAP, 22UF 50V	1
38	900R268	WAFERIZED THERMAL COPPER	1
37	9008337-01	HANDLE, FLIP CHIP - GREEN	1
36	9006732	EYELET WGS 4-7	2
35	1909056	I.C. DEC 74H00	1
34	1609429	DV 540 VARIABLE DELAY	1
33	1509649	TRANSISTOR 2N 3762	4
32	1505321	TRANSISTOR DEC 4258	2
31	1501881	TRANSISTOR DEC 2219-S	1
30	1309679	RES. 16.9, 6W, 1%	4
29	1305410	TRIMPOT 100	1
28	1302955	RES. 750, 1/8W, 1% MF	1
27	1304870	RES. 6.81K, 1/8W, 1% MF	1
26	1303114	RES. 1K, 1/8W, 1% MF	2
25	1303038	RES. 133, 1/8W, 1% MF	1
24	1302875	RES. 82.5, 1/8W, 1% MF	1
23	1302388	RES. 750, 1W, 5%	2
22	1301401	RES. 750, 1W, 5%	1
21	1300443	RES. 3.9K, 1W, 5%	4
20	1300417	RES. 2.2K, 1W, 5%	1
19	1300391	RES. 1.5K, 1W, 5%	2
18	1300375	RES. 1K, 1W, 5%	2
17	1300347	RES. 680, 1W, 5%	4
16	1300202	RES. 47, 1W, 5%	1
15	1202313	HEAT SINK 22116	4
14	1105508	DIODE 1N823	1
13	1105275	DIODE D672	8
12	1100114	DIODE D664	2
11	1100113	DIODE D662	1
10	1009678	CAP. .047UF, 16V, 50% -20%	2
9	1004814	CAP. 47UF, 20V, 10% S. TANT	1
8	1001610	CAP. .01UF, 100V, 10%	10
7	1000076	CAP. 39UF, 10V, 10% S. TANT	4
6	1000025	CAP. 560PF, 100V, 5%	2
5	1000010	CAP. 39PF, 100V, 5%	2
4	5009401	ETCHED CIRCUIT BOARD	1
3	B-MH-G230-0-6	MODULE ECC HISTORY	
2	D-AH-G230-0-5	ASSY/HCL DRAWING LAYOUT	
1	K-CO-G230-0-4	X-Y COORDINATE HCL LOCATION	
PARTS LIST			

REV.	DATE	BY	CHKD	DESCRIPTION
1	1/18/71			

TRANSISTOR & DIODE CONVERSION CHART			
DEC	EA	DEC	EA
D672	1N843S	1N823	SAME
D662	1N5418		
DEC4258	2N4258		
DEC3762	2N3762		
D664	1N3406		

digital EQUIPMENT CORPORATION		TITLE X AND Y CURRENT GENERATOR G230	
REV. D	CODE CS	NUMBER 6230-0-1	REV. D
PRINTED CIRCUIT REV.			

THIS SCHEMATIC IS FURNISHED ONLY FOR TEST AND MAINTENANCE PURPOSES. THE CIRCUITS ARE PROPRIETARY IN NATURE AND SHOULD BE TREATED ACCORDINGLY. COPYRIGHT 1970 BY DIGITAL EQUIPMENT CORPORATION.



UNLESS OTHERWISE INDICATED:
RESISTORS - 680, 1/4W, 5%
CAPACITORS - .01UF, 100V, 20%
TRANSISTORS - 2N2904A
DIODES - D672

REV. NO.	REV.	DATE	BY	DATE	BY	DATE	BY
1	1	12/1/70	WANCY MOORE	12/1/70	WANCY MOORE	12/1/70	WANCY MOORE
2	2	12/1/70	WANCY MOORE	12/1/70	WANCY MOORE	12/1/70	WANCY MOORE
3	3	12/1/70	WANCY MOORE	12/1/70	WANCY MOORE	12/1/70	WANCY MOORE

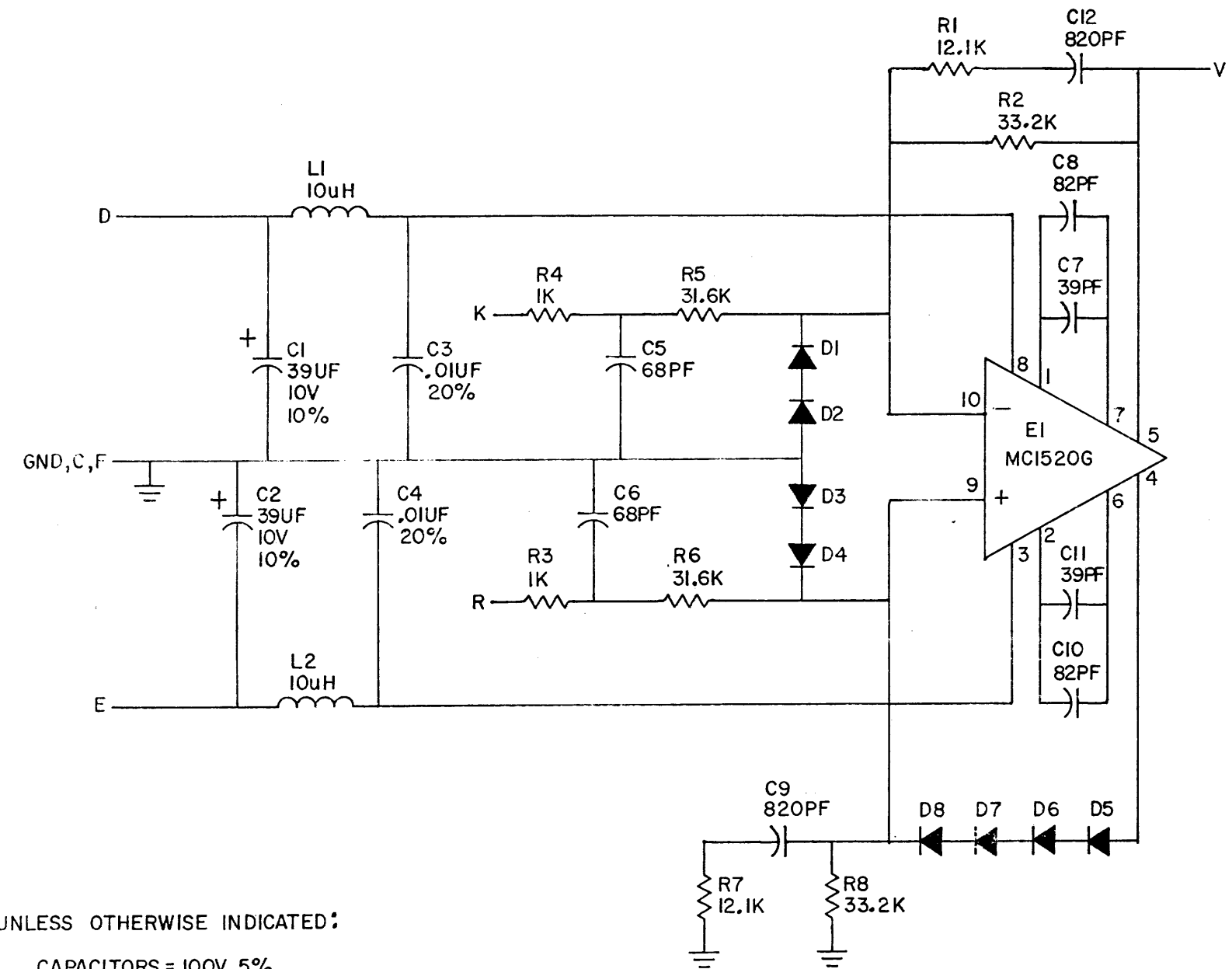
TRANSISTOR & DIODE CONVERSION CHART			
DEC	EIA	DEC	EIA
D884	N3404	2N2904	SAME
DEC3009B	2N3009B		

TITLE	HEAD I VER G350
DATE	DEC 30 1970
CODE	CS
NUMBER	G350-0-1
REV	E

PRINTED CIRCUIT NO. D

REV. U
NUMBER G350-0-1
REV. D CS

THIS SCHEMATIC IS FURNISHED ONLY FOR TEST AND MAINTENANCE PURPOSES. THE CIRCUITS ARE PROPRIETARY IN NATURE AND SHOULD BE TREATED ACCORDINGLY. COPYRIGHT 1969 BY DIGITAL EQUIPMENT CORPORATION



UNLESS OTHERWISE INDICATED:
 CAPACITORS = 100V, 5%
 DIODES = D664
 RESISTORS = 1/8W, 1%, MF

REVISIONS	CHK	CHG NO.	REV.
	PLO	0002	B
	REV & REDR	0003	C

DRN R. CLEMENS	DATE 9/10/69
CHK'D A. YAUGA	DATE 9/15/69
ENG.	DATE
PROD.	DATE

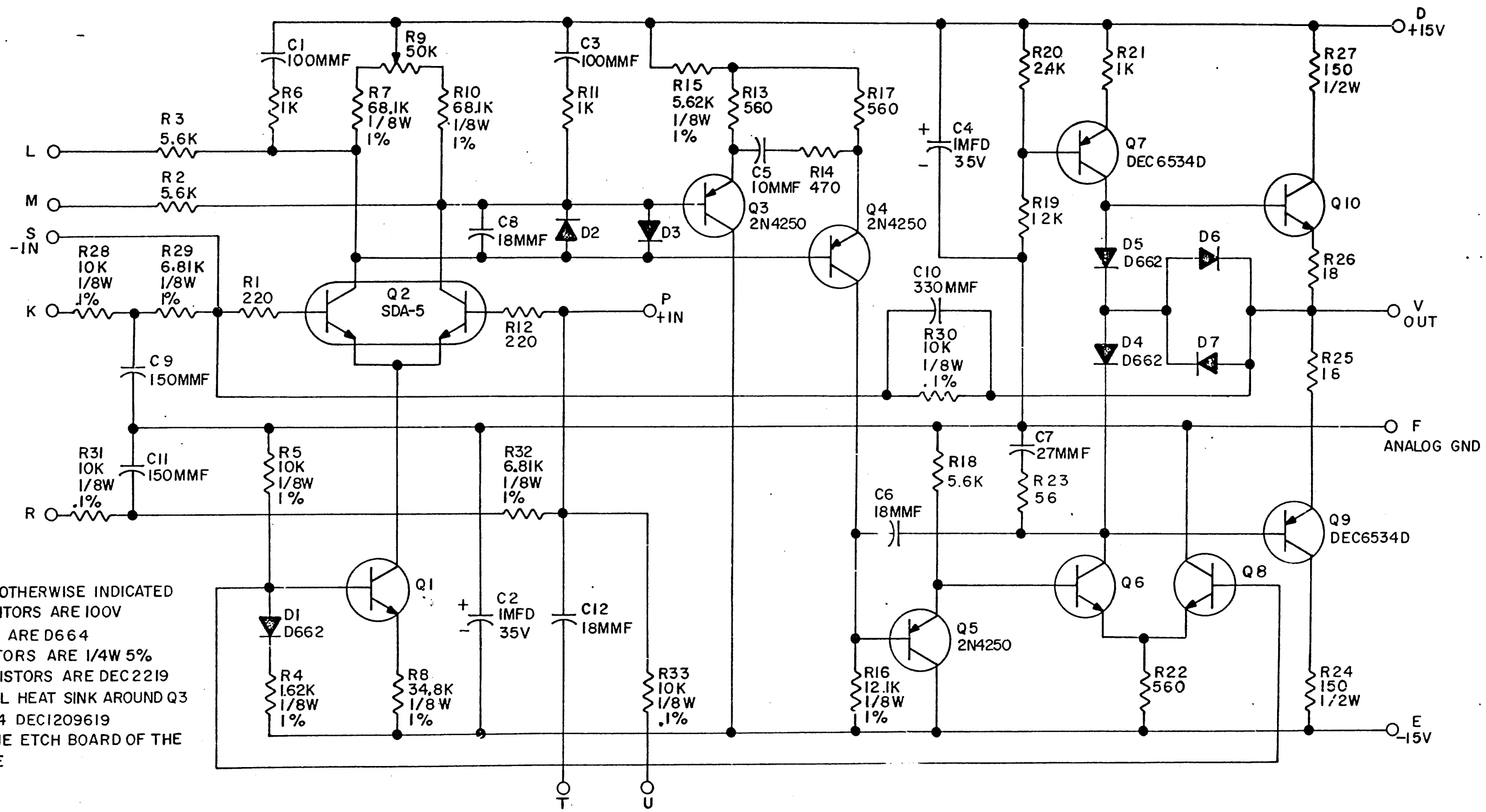
TRANSISTOR & DIODE CONVERSION CHART	
DEC	EIA
D664	IN3606

digital	
EQUIPMENT CORPORATION	
MAYNARD, MASSACHUSETTS	

SIZE B	CODE CS	NUMBER 6589-0-1	REV. C
-----------	------------	--------------------	-----------

TITLE FILTERED DIFFERENTIAL AMPLIFIER			
PRINTED CIRCUIT REV. C			

THIS SCHEMATIC IS FURNISHED ONLY FOR TEST AND MAINTENANCE PURPOSES. THE CIRCUITS ARE PROPRIETARY IN NATURE AND SHOULD BE TREATED ACCORDINGLY. COPYRIGHT 1969 BY DIGITAL EQUIPMENT CORPORATION



UNLESS OTHERWISE INDICATED
 CAPACITORS ARE 100V
 DIODES ARE D664
 RESISTORS ARE 1/4W 5%
 TRANSISTORS ARE DEC2219
 INSTALL HEAT SINK AROUND Q3
 AND Q4 DEC1209619
 USE THE ETCH BOARD OF THE
 A 207E

REVISIONS	CHK	CHG NO.	REV.	E
		00004		

DRN.	DATE
<i>P. Blum</i>	9-3-69
CHK'D	DATE
<i>A. Ganga</i>	9-15-69
ENG.	DATE
<i>C. Weston</i>	10/22/69
PROD.	DATE
<i>B. New</i>	9-11-74

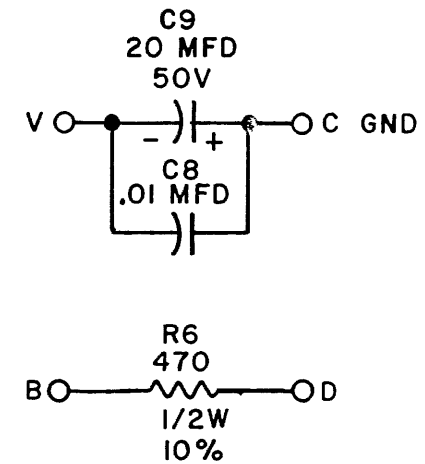
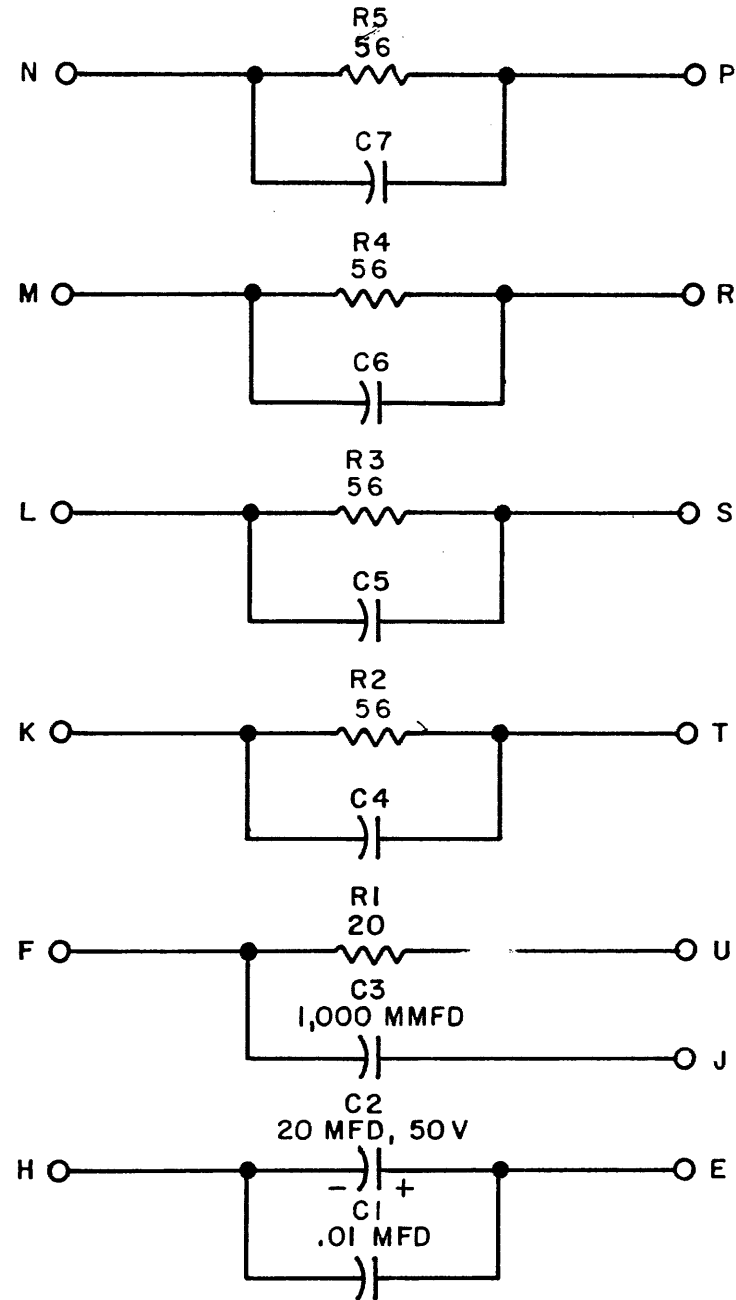
TRANSISTOR & DIODE CONVERSION CHART			
DEC	EIA	DEC	EIA
D662	1N645	SDA-5	SAME
D664	1N3606		
DEC6534D	MPS6534D		
2N4250	NONE		
DEC2219	2N2219		

digital
EQUIPMENT CORPORATION
 MAYNARD, MASSACHUSETTS

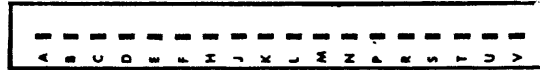
TITLE FILTERED DIFFERENTIAL AMPLIFIER G590			
SIZE B	CODE CS	NUMBER G590-0-1	REV. E
PRINTED CIRCUIT REV. E			

THIS SCHEMATIC IS FURNISHED ONLY FOR TEST AND MAINTENANCE PURPOSES. THE CIRCUITS ARE PROPRIETARY IN NATURE AND SHOULD BE TREATED ACCORDINGLY. COPYRIGHT 1967 BY DIGITAL EQUIPMENT CORPORATION

REV. D
 NUMBER 1-0-4299
 SIZE B
 CODE CS
 REV. ↓



UNLESS OTHERWISE INDICATED:
 CAPACITORS ARE 680 MMFD
 RESISTORS ARE 10W, 1%, LOW INDUCTANCE



REVISIONS	CHK	CHG NO.	REV.
		6442	A
		6561	B
		6709	C
		00001	D

DRN. <i>M. Haller</i>	DATE 5-24-67
CHK'D <i>T. J. ...</i>	DATE 5/24/67
ENG. <i>T. J. ...</i>	DATE 5/24/67
PROD.	DATE

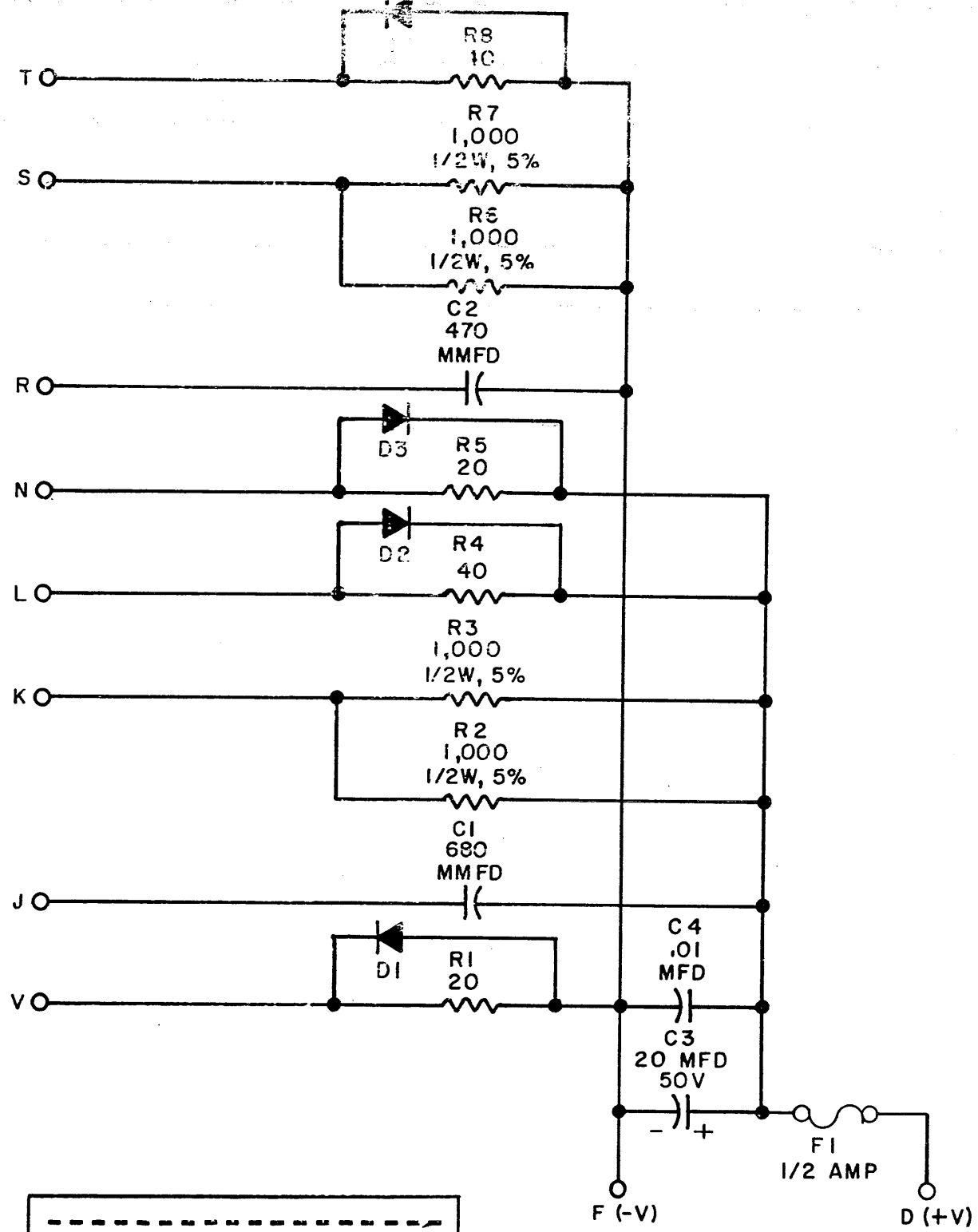
TRANSISTOR & DIODE CONVERSION CHART			
DEC	EIA	DEC	EIA

digital
 EQUIPMENT CORPORATION
 MAYNARD, MASSACHUSETTS

TITLE RESISTOR BOARD G624			
SIZE B	CODE CS	NUMBER G624-0-1	REV. D
PRINTED CIRCUIT REV.			C

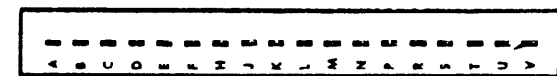
REV. B
NUMBER G626-0-1
SIZE CODE 321

THIS SCHEMATIC IS FURNISHED ONLY FOR TEST AND MAINTENANCE PURPOSES. THE CIRCUITS ARE PROPRIETARY IN NATURE AND SHOULD BE TREATED ACCORDINGLY. COPYRIGHT 1967 BY DIGITAL EQUIPMENT CORPORATION



UNLESS OTHERWISE INDICATED:
RESISTORS ARE 10W, 1% LOW INDUCTANCE
DIODES ARE D671

PARTS LIST IS A-PL-G626-0-0



REVISIONS	CHK	CHG NO.	REV.
		6863	A
		0001	B

DRN. <i>M. Haller</i>	DATE 5-22-67
CHK'D <i>Illyson</i>	DATE 5-24-67
ENG. <i>D. J. Chen</i>	DATE 5-24-67
PROD.	DATE

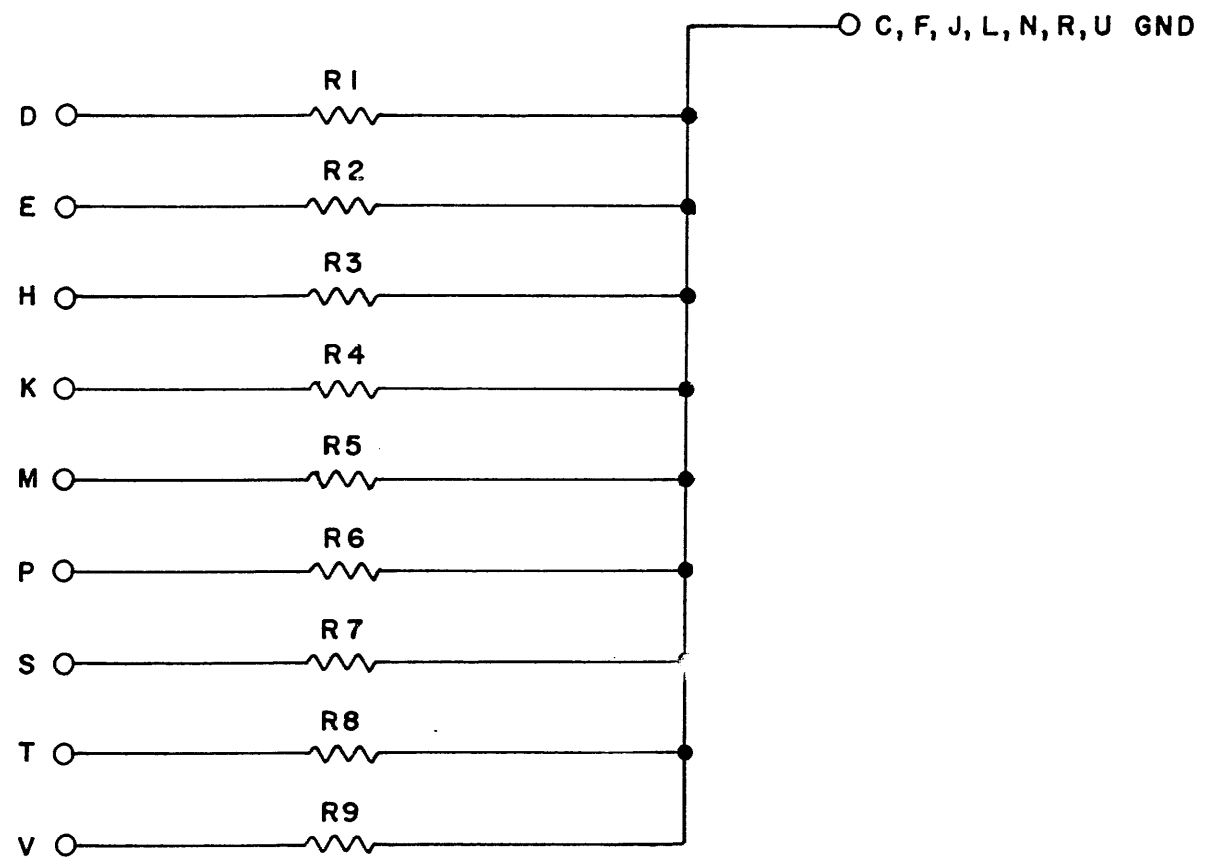
TRANSISTOR & DIODE CONVERSION CHART			
DEC	EIA	DEC	EIA
D671	IN3653		

digital
EQUIPMENT CORPORATION
MAYNARD, MASSACHUSETTS

TITLE RESISTOR BOARD G626			
SIZE B	CODE CS	NUMBER G626-0-1	REV. B
PRINTED CIRCUIT REV.			C

THIS SCHEMATIC IS FURNISHED ONLY FOR TEST AND MAINTENANCE PURPOSES. THE CIRCUITS ARE PROPRIETARY IN NATURE AND SHOULD BE TREATED ACCORDINGLY. COPYRIGHT 1966 BY DIGITAL EQUIPMENT CORPORATION

↓ REV. A NUMBER 1-0-0029 SIZE B CODE CS



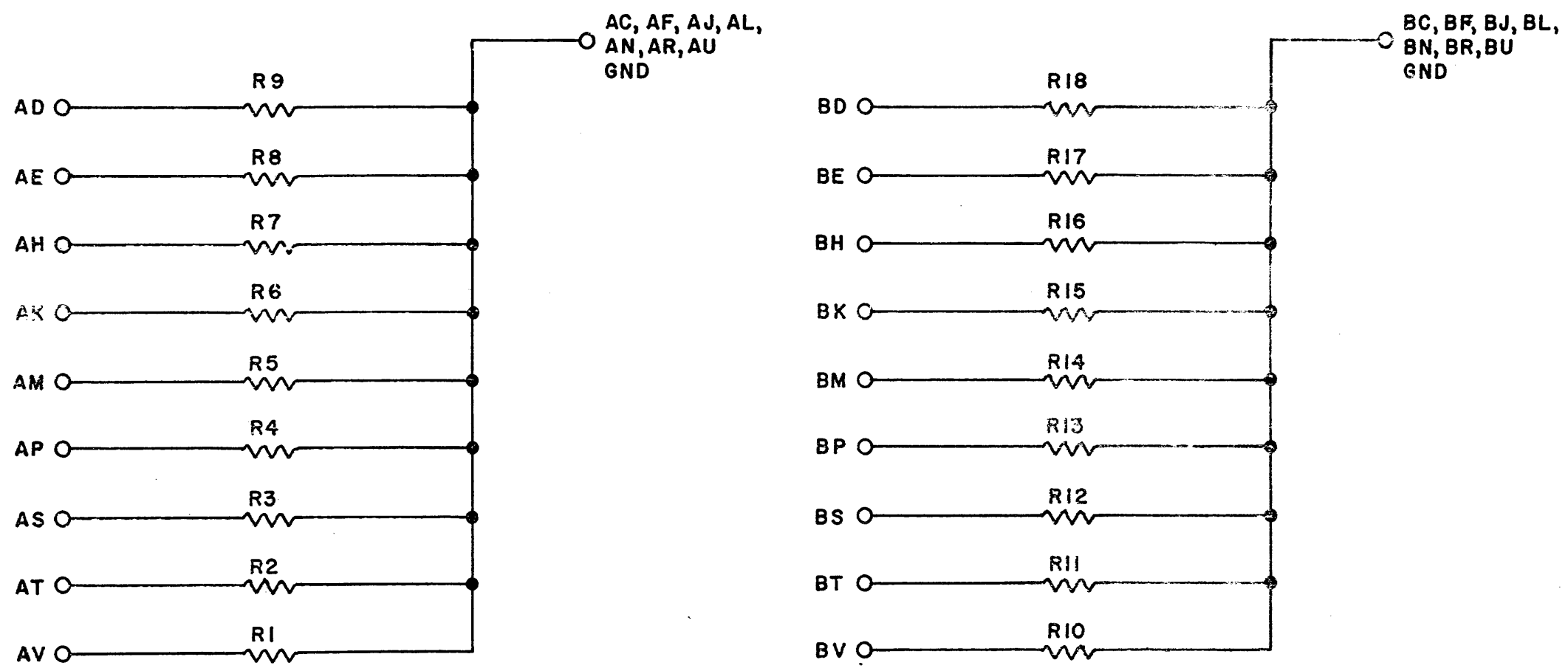
UNLESS OTHERWISE INDICATED:
ALL RESISTORS ARE 100; 1/4W; 5%

< A B C D E F G H I J K L M N O P Q R S T U V W X Y Z 1 2 3 4 5 6 7 8 9 0 >

REVISIONS CHK CHG NO. REV. 6401 A	DRN. <i>M. Haller</i>	DATE 11-10-66	TRANSISTOR & DIODE CONVERSION CHART				digital EQUIPMENT CORPORATION MAYNARD, MASSACHUSETTS	TITLE 100Ω TERMINATOR G700			
	CHK'D <i>R. Sabreman</i>	DATE 11/14/66	DEC	EIA	DEC	EIA		SIZE B	CODE CS	NUMBER G700-0-1	REV. A
	ENG. <i>J. E. View</i>	DATE 11-14-66						PRINTED CIRCUIT REV. B			
	PROD.	DATE									



THIS SCHEMATIC IS FURNISHED ONLY FOR TEST AND MAINTENANCE PURPOSES. THE CIRCUITS ARE PROPRIETARY IN NATURE AND SHOULD BE TREATED ACCORDINGLY. COPYRIGHT 1967 BY DIGITAL EQUIPMENT CORPORATION

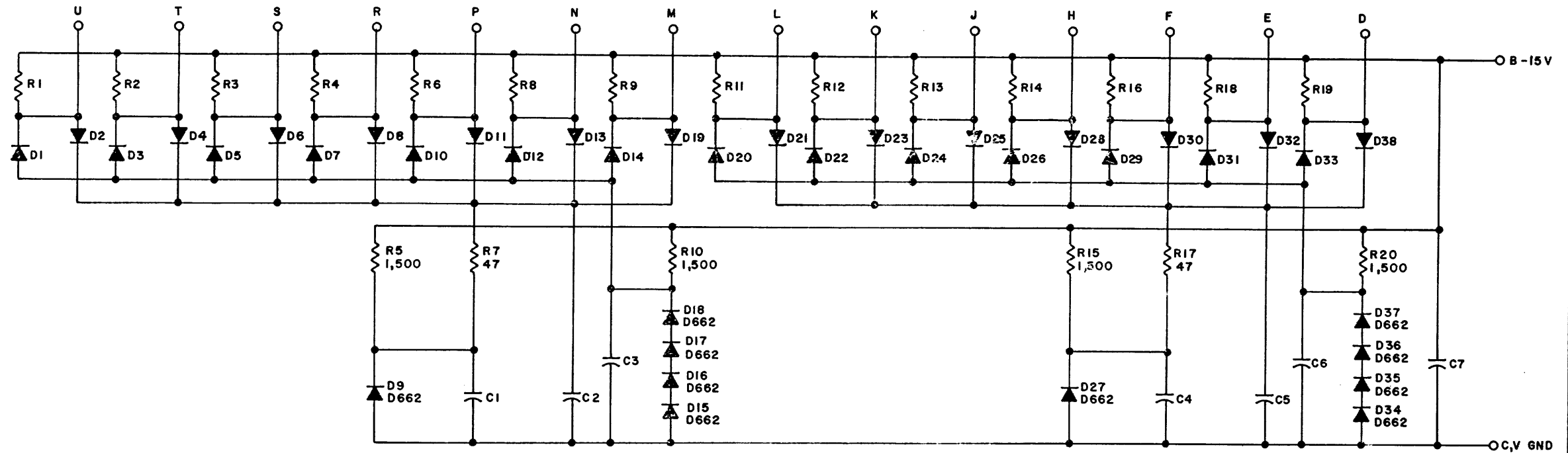


UNLESS OTHERWISE INDICATED:
 RESISTORS ARE 100, 1/4 W, 5%



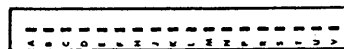
REVISIONS	CHK	CHG NO.	REV.		DRN.	DATE	TRANSISTOR & DIODE CONVERSION CHART				digital EQUIPMENT CORPORATION MAYNARD, MASSACHUSETTS	TITLE			
		00001	A		<i>M. Waller</i>	7-25-67	DEC	EIA	DEC	EIA		100Ω TERMINATOR G703			
					CHK'D	DATE						SIZE	CODE	NUMBER	REV.
					ENG.	DATE						B	CS	G703-0-1	A
				PROD.	DATE					PRINTED CIRCUIT REV. A B					

THIS SCHEMATIC IS FURNISHED ONLY FOR TEST AND MAINTENANCE PURPOSES. THE CIRCUITS ARE PROPRIETARY IN NATURE AND SHOULD BE TREATED ACCORDINGLY. COPYRIGHT 1967 BY DIGITAL EQUIPMENT CORPORATION



UNLESS OTHERWISE INDICATED:
 RESISTORS ARE 1/4 W, 5%
 RESISTORS ARE 7,500
 CAPACITORS ARE .01 MFD
 DIODES ARE D664

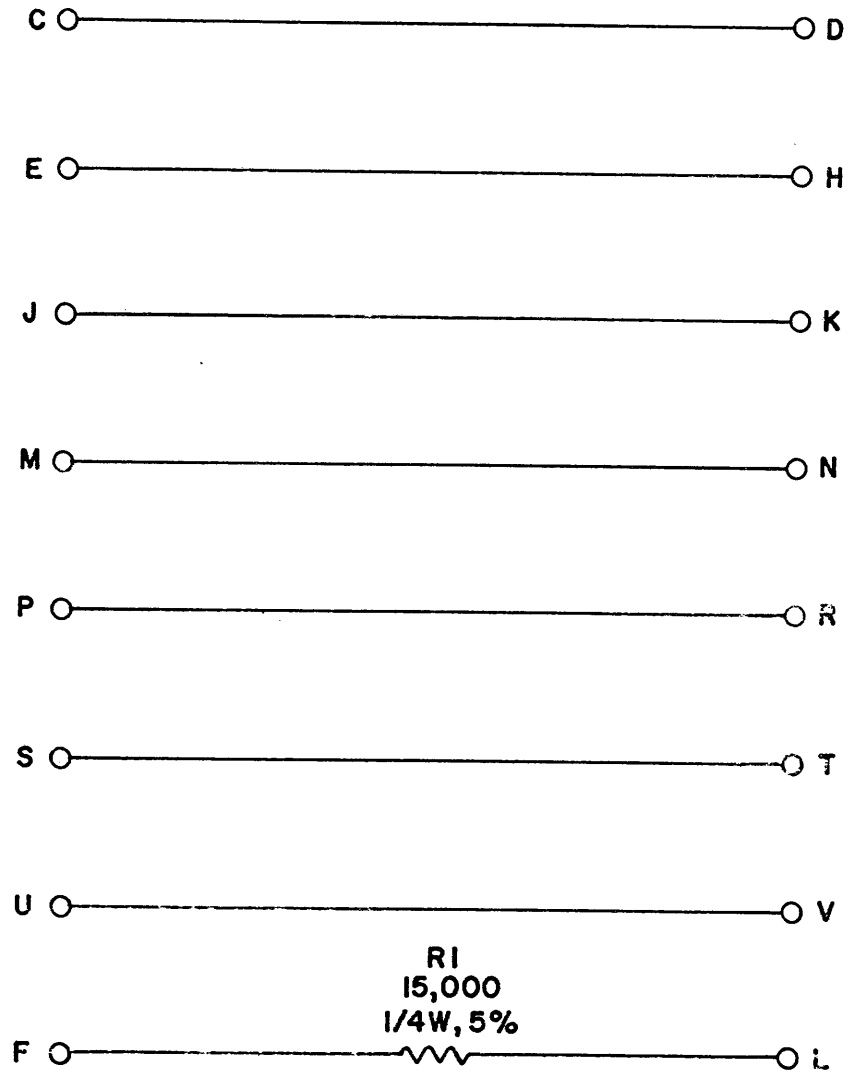
USE THE ETCH BOARD OF THE G796



REV. A
 NUMBER G704-0-1
 SIZE CODE C CS

REVISIONS CHK NO. REV. A 1	DRN. M. Waller DATE 7-24-67	TRANSISTOR & DIODE CONVERSION CHART				digital EQUIPMENT CORPORATION MAYNARD, MASSACHUSETTS	TITLE 2 mA LEVEL TERMINATOR G704		
	CHK'D. [Signature] DATE 7/25/67	DEC D662 D664	EIA IN645 IN3606	DEC EIA	SIZE C CODE CS NUMBER G704-0-1		REV. A		
	ENG. Allan Ke... DATE 25 Jan 67	PROD.	DATE	PRINTED CIRCUIT REV. AB					

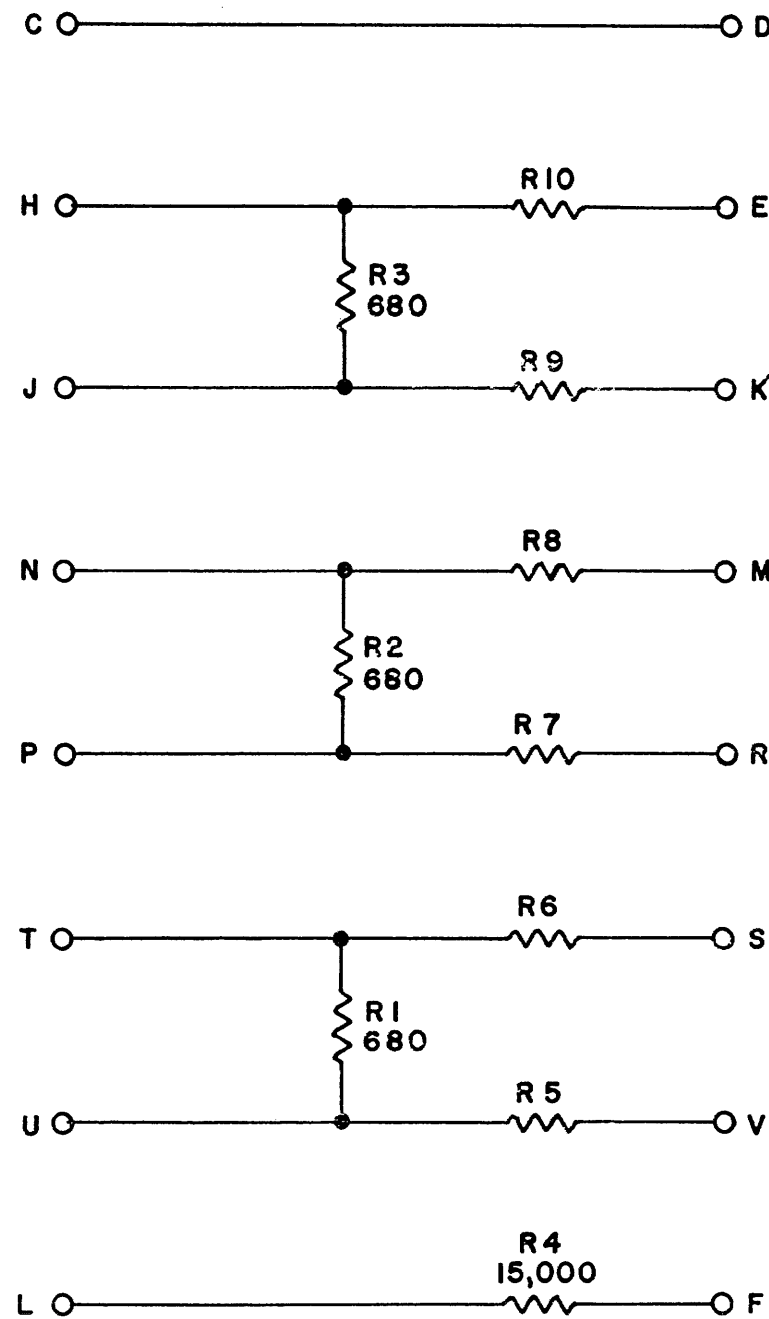
THIS SCHEMATIC IS FURNISHED ONLY FOR TEST AND MAINTENANCE PURPOSES. THE CIRCUITS ARE PROPRIETARY IN NATURE AND SHOULD BE TREATED ACCORDINGLY. COPYRIGHT 1967 BY DIGITAL EQUIPMENT CORPORATION



PARTS LIST A-PL-G705-0-0

REVISIONS CHG NO. REV.		DRN. <i>M. Keller</i>	DATE 10-12-67	TRANSISTOR & DIODE CONVERSION CHART				digital EQUIPMENT CORPORATION MAYNARD, MASSACHUSETTS	TITLE DECTAPE JUMPER MODULE G705			
		CHK'D	DATE	DEC	EIA	DEC	EIA		SIZE B	CODE CS	NUMBER G705-0-1	REV. A
		ENG. <i>D. Ross</i>	DATE 10/16/67						PRINTED CIRCUIT REV. A B			
		PROD. I	DATE									

THIS SCHEMATIC IS FURNISHED ONLY FOR TEST AND MAINTENANCE PURPOSES. THE CIRCUITS ARE PROPRIETARY IN NATURE AND SHOULD BE TREATED ACCORDINGLY. COPYRIGHT 1967 BY DIGITAL EQUIPMENT CORPORATION



UNLESS OTHERWISE INDICATED:
RESISTORS ARE 1,000
RESISTORS ARE 1/4W, 5%

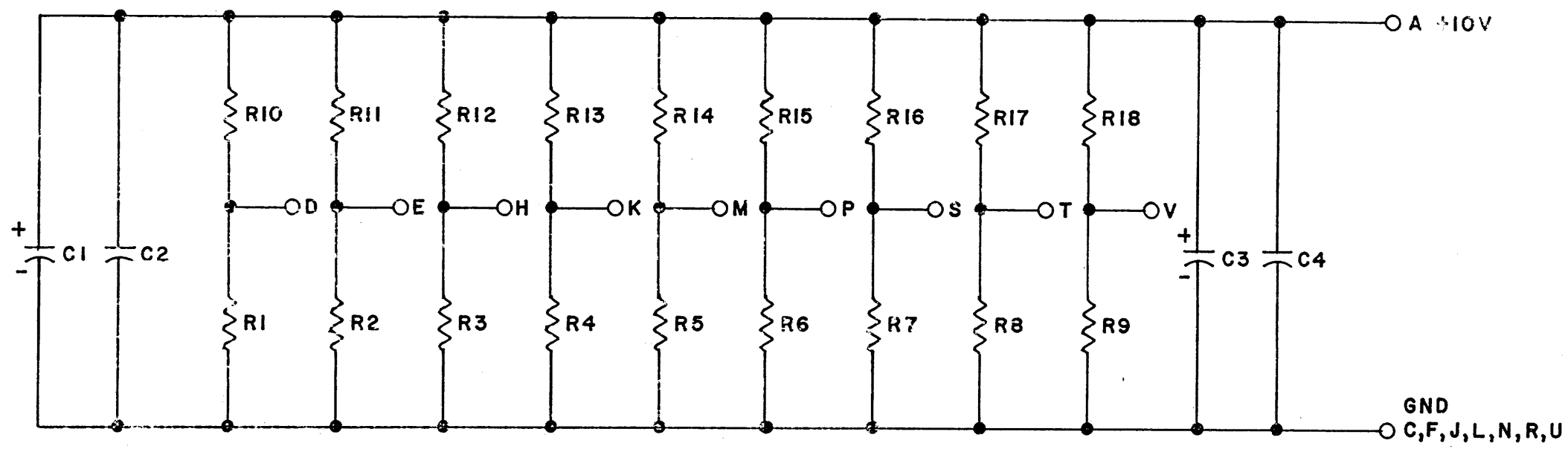


PARTS LIST A-PL-G706-0-0

REVISIONS CHK CHG NO. REV.		DRN. <i>M. Waller</i>	DATE 10-12-67	TRANSISTOR & DIODE CONVERSION CHART				EQUIPMENT CORPORATION MAYNARD, MASSACHUSETTS	TITLE DECTAPE ATTENUATOR G706		
			CHK'D <i>D. Jones</i>	DATE 11/12/67	DEC	EIA	DEC		EIA	SIZE B	CODE CS
		ENG. <i>D. Jones</i>	DATE 10/16/67					PRINTED CIRCUIT REV.			
		PROD. I	DATE					A B			

REV. B
 NUMBER G715-0-1
 SIZE CODE CS

THIS SCHEMATIC IS FURNISHED ONLY FOR TEST AND MAINTENANCE PURPOSES. THE CIRCUITS ARE PROPRIETARY IN NATURE AND SHOULD BE TREATED ACCORDINGLY. COPYRIGHT 1968 BY DIGITAL EQUIPMENT CORPORATION



TEST PROCEDURE
 MEASURE VOLTAGE AT PINS D, E, H, K, M, P, S, T, V TO GND (+4V)

 < A B C D E F G H I J K L M N P Q R S T U V W X Y Z >

R10 - R18	RES. 270 1/2W 5% CC	1300285
R1 - R9	RES. 180 1/4W 5% CC	1301322
C2, C4	CAP. .01MFD 100V 20% DISC	1001610
C1, C3	CAP. 3.9MFD 10V 10%	1000064
	PARTS LIST	A-PL-G715-0-0
REFERENCE DESIGNATION	DESCRIPTION	PART NO.

REVISIONS	CHK	CHG NO.	REV.
		00001	A

J. DREW
 8-12-68
 8-14-68
 7-1-69

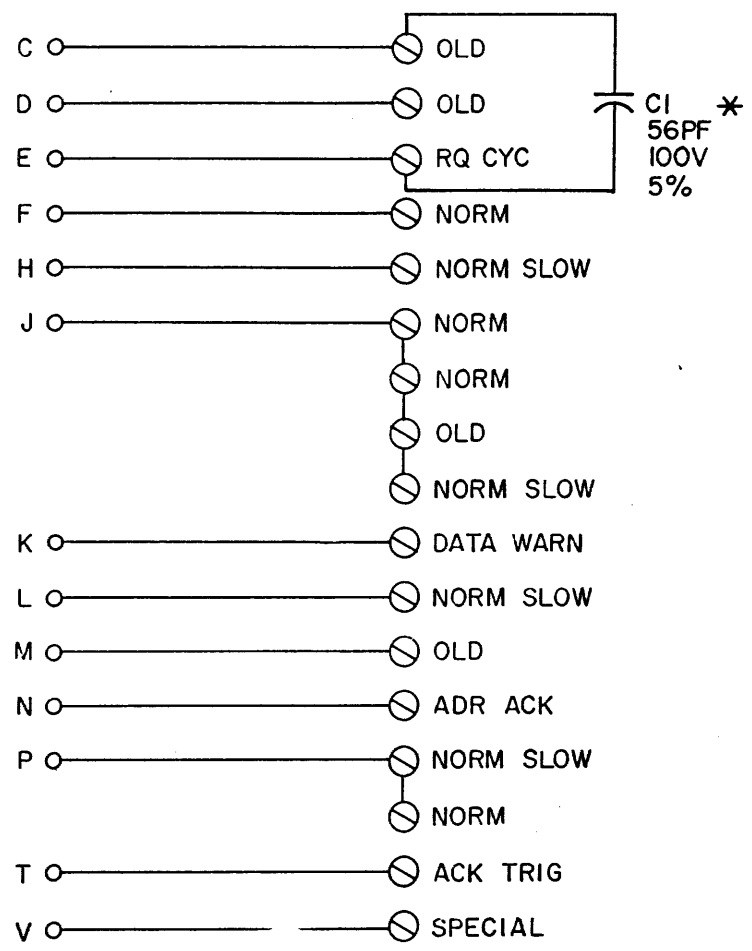
DRN.	DATE
M. Waller	8-12-68
CHK'D	DATE
M. Miller	8-14-68
ENG.	DATE
J. Drew	7-1-69
PROD.	DATE

TRANSISTOR & DIODE CONVERSION CHART			
DEC	EIA	DEC	EIA

digital
 EQUIPMENT CORPORATION
 MAYNARD, MASSACHUSETTS

TITLE			
TERMINATOR G715			
SIZE	CODE	NUMBER	REV.
B	CS	G715-0-1	B
PRINTED CIRCUIT REV.			

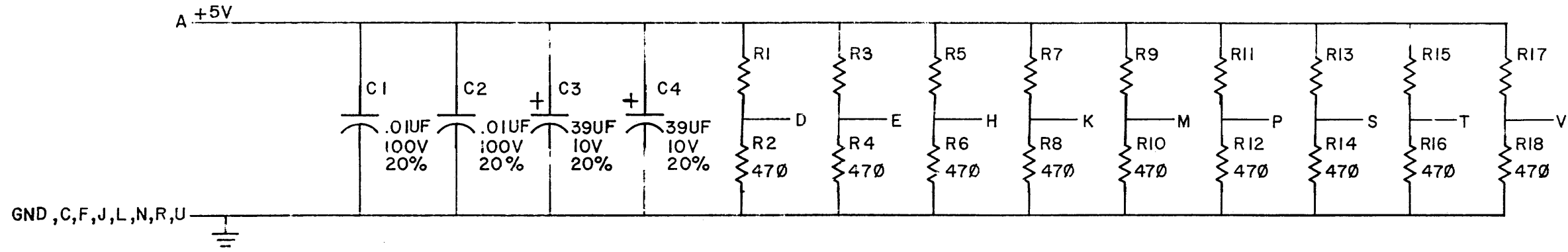
THIS SCHEMATIC IS FURNISHED ONLY FOR TEST AND MAINTENANCE PURPOSES. THE CIRCUITS ARE PROPRIETARY IN NATURE AND SHOULD BE TREATED ACCORDINGLY. COPYRIGHT 1969 BY DIGITAL EQUIPMENT CORPORATION



UNLESS OTHERWISE INDICATED:
 ⊗ ARE SPLIT LUGS
 * NOT USED ON G726-YA VARIATION

REVISIONS CHK CHG NO. REV. 00001 B 00002 C bj.hoile 2-12-73 P.SULLIVAN P. B. B. / P. S. S.	DRN. BUTLER	DATE 9-3-69	TRANSISTOR & DIODE CONVERSION CHART				digital EQUIPMENT CORPORATION MAYNARD, MASSACHUSETTS	TITLE BUS CONTROL G726			
	CHK'D C. A. Hester	DATE 9/3/69	DEC	EIA	DEC	EIA		SIZE B	CODE CS	NUMBER G726-0-1	REV. C
	ENG. P. S. Sullivan	DATE						PRINTED CIRCUIT REV. B			
	PROD.	DATE									

THIS SCHEMATIC IS FURNISHED ONLY FOR TEST AND MAINTENANCE PURPOSES. THE CIRCUITS ARE PROPRIETARY IN NATURE AND SHOULD BE TREATED ACCORDINGLY. COPYRIGHT 1970 BY DIGITAL EQUIPMENT CORPORATION



UNLESS OTHERWISE INDICATED;
RESISTORS ARE 220, 1/4W, 5%

REVISIONS CHK CHG NO. REV.	DRN. <i>George Wyatt</i>	DATE <i>8/24/70</i>	TRANSISTOR & DIODE CONVERSION CHART				 digital EQUIPMENT CORPORATION MAYNARD, MASSACHUSETTS	TITLE TERMINATOR G737			
	CHK'D <i>[Signature]</i>	DATE <i>7-24-70</i>	DEC	EIA	DEC	EIA		SIZE B	CODE CS	NUMBER G737-0-1	REV. A
	ENG. <i>[Signature]</i>	DATE <i>12-21-70</i>						PRINTED CIRCUIT REV. <i>A</i>			
	PROB. <i>[Signature]</i>	DATE <i>7-20-70</i>									

THIS SCHEMATIC IS FURNISHED ONLY FOR TEST AND MAINTENANCE PURPOSES. THE CIRCUITS ARE PROPRIETARY IN NATURE AND SHOULD BE TREATED ACCORDINGLY. COPYRIGHT 1970 BY DIGITAL EQUIPMENT CORPORATION

D2 ----- -CI

H2 ----- -FI

K2 -- -- -- -JI

M2 - - - - -LI

P2 ---- ---- -NI

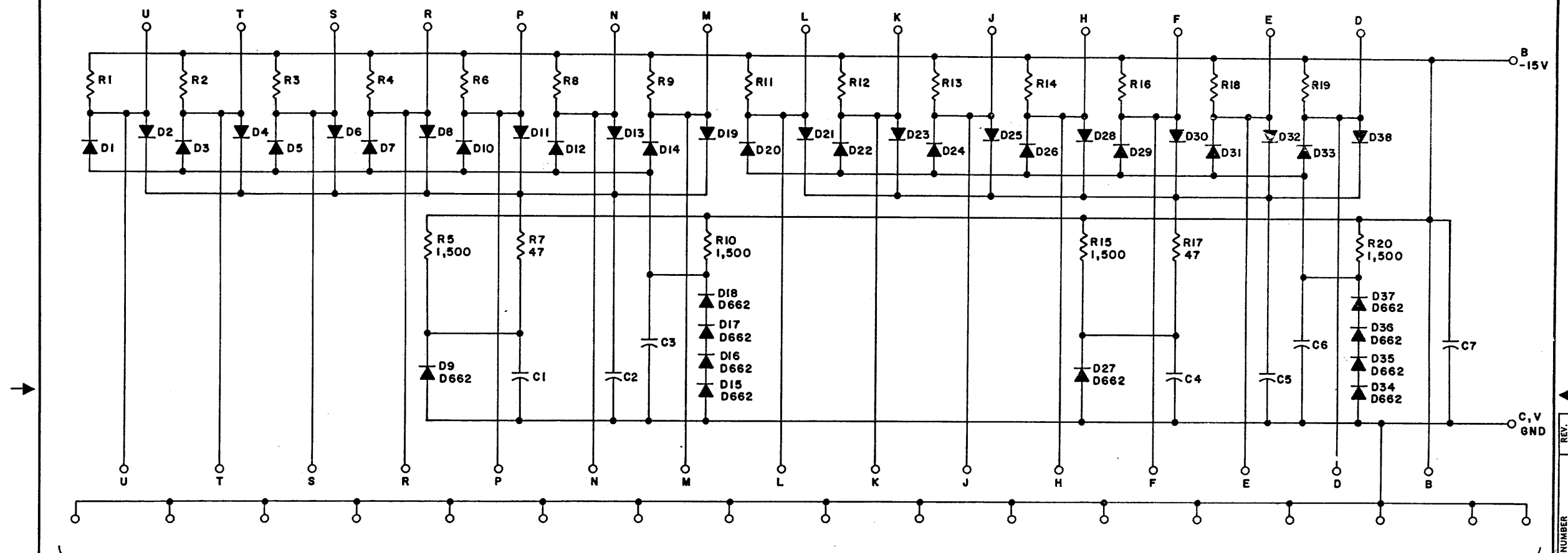
S2 - - - - -RI

R2 - - - - -U2

UI - - - - -VI

REVISIONS CHK CHG NO. REV.	DRN. NANLY MOORE	DATE 12/17/70	TRANSISTOR & DIODE CONVERSION CHART				digital EQUIPMENT CORPORATION MAYNARD, MASSACHUSETTS	TITLE POSITIVE LOGIC			
	CHK'D D. Wall	DATE 12-7-70	DEC	EIA	DEC	EIA		SIZE	CODE	NUMBER	REV.
	ENG. E. Luthig	DATE 12/8/70						B	CS	G742-0-1	
	PROD.	DATE						PRINTED CIRCUIT REV.			A

THIS SCHEMATIC IS FURNISHED ONLY FOR TEST AND MAINTENANCE PURPOSES. THE CIRCUITS ARE PROPRIETARY IN NATURE AND SHOULD BE TREATED ACCORDINGLY. COPYRIGHT 1967 BY DIGITAL EQUIPMENT CORPORATION

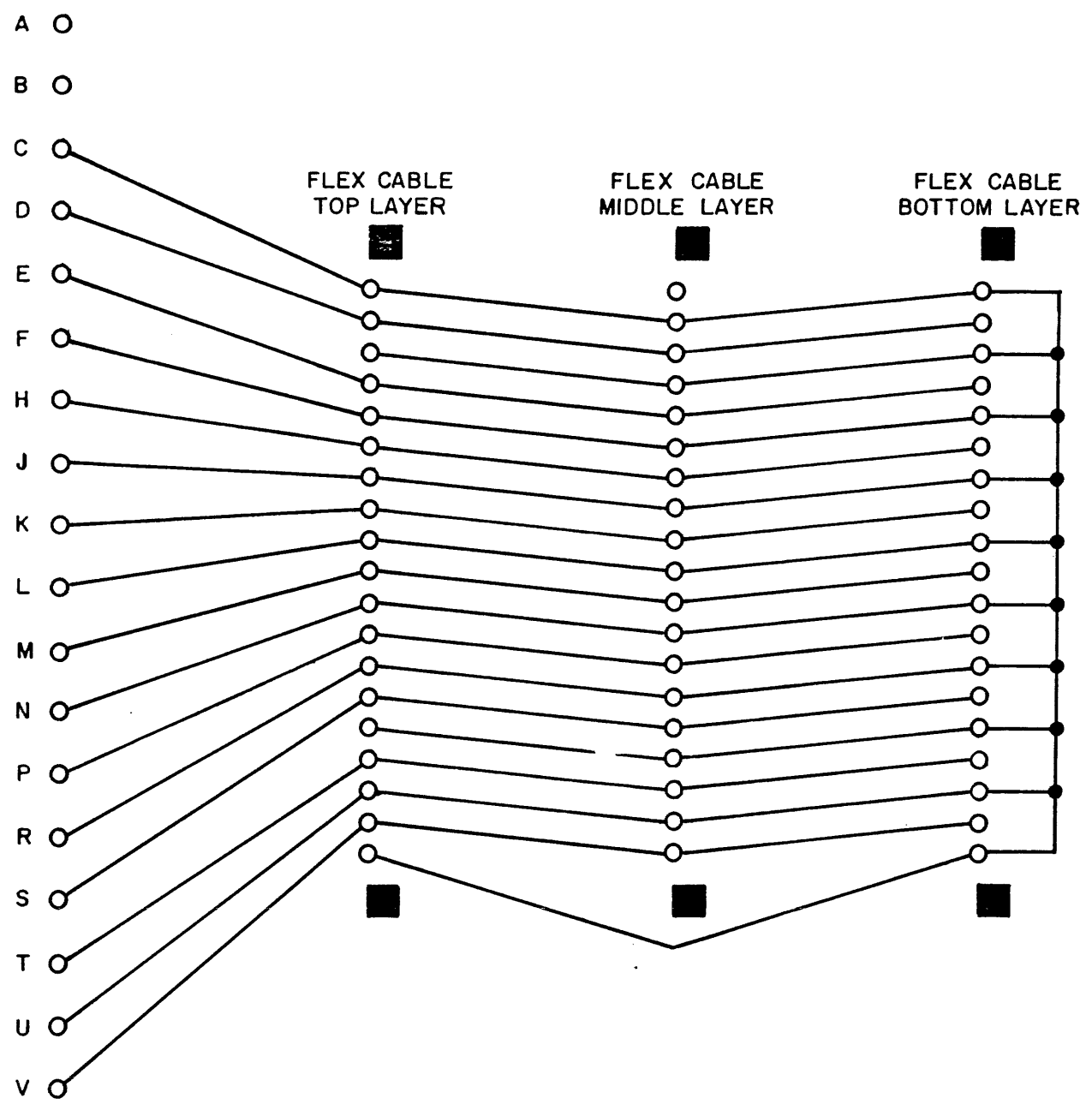


UNLESS OTHERWISE INDICATED:
 RESISTORS ARE 1/4W; 5%
 RESISTORS ARE 7,500
 CAPACITORS ARE .01MFD
 DIODES ARE D664

REV. A
 NUMBER
 G796-0-1
 CS
 SIZE CODE

REVISIONS CHG NO. REV. A 6644	DRN. <i>M. Waller</i>	DATE <i>2-3-67</i>	TRANSISTOR & DIODE CONVERSION CHART				digital EQUIPMENT CORPORATION MAYNARD, MASSACHUSETTS	TITLE CLAMPED LEVEL CABLE CONNECTOR G796			
	CHK'D	DATE	DEC	EIA	DEC	EIA		SIZE	CODE	NUMBER	REV.
	7	<i>2/1/67</i>	D662	IN648				C	CS	G796-0-1	A
	ENG. <i>R. J. ...</i>	DATE <i>2/1/67</i>	D664	IN3608				PRINTED CIRCUIT REV. AB			
PROD.	DATE										

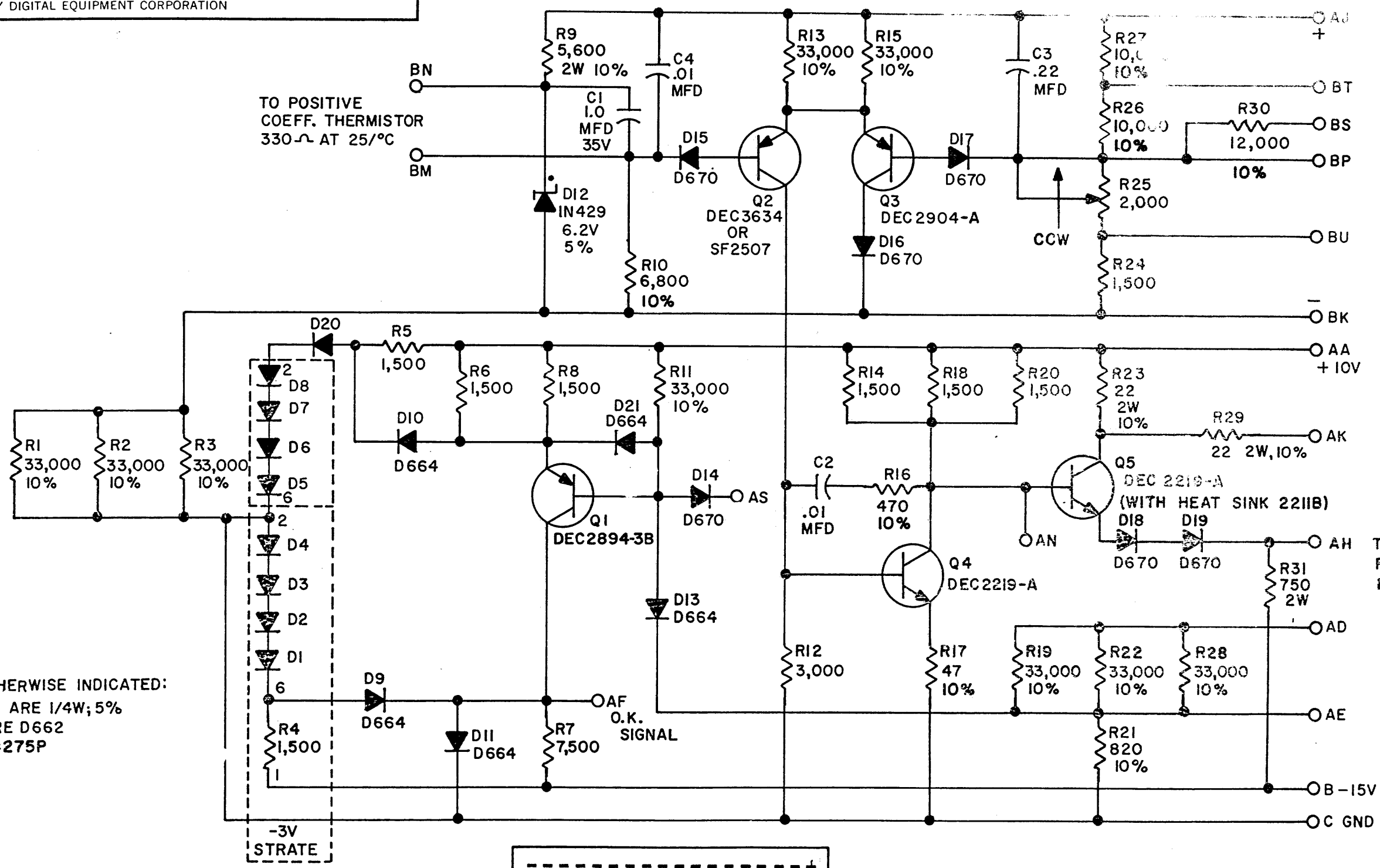
THIS SCHEMATIC IS FURNISHED ONLY FOR TEST AND MAINTENANCE PURPOSES. THE CIRCUITS ARE PROPRIETARY IN NATURE AND SHOULD BE TREATED ACCORDINGLY. COPYRIGHT 1967 BY DIGITAL EQUIPMENT CORPORATION



REVISIONS CHG NO. REV.	DRN. <i>M. Valler</i>	DATE <i>6-16-67</i>	TRANSISTOR & DIODE CONVERSION CHART				digital EQUIPMENT CORPORATION MAYNARD, MASSACHUSETTS	TITLE CABLE CONNECTOR G799			
	CHK'D <i>M. Valler</i>	DATE <i>5-17-67</i>	DEC	EIA	DEC	EIA		SIZE B	CODE CS	NUMBER G799-0-1	REV.
	ENG. <i>D.J. Chen</i>	DATE <i>5-17-67</i>						PRINTED CIRCUIT REV. A			
	PROD.	DATE									

THIS SCHEMATIC IS FURNISHED ONLY FOR TEST AND MAINTENANCE PURPOSES. THE CIRCUITS ARE PROPRIETARY IN NATURE AND SHOULD BE TREATED ACCORDINGLY. COPYRIGHT 1964 BY DIGITAL EQUIPMENT CORPORATION

SIZE CODE NUMBER



REVISIONS	CHK	CHG NO.	REV.
1	DAW	4324	REV. & REDR.
2	DAW	4658	
C	DAW	5225	REV. & REDR.
D	DAW	5405	
		5421	
E	DAW	5455	
F	DAW	5455	
H	DAW	5821	
J	DAW	5893	
K			
L			

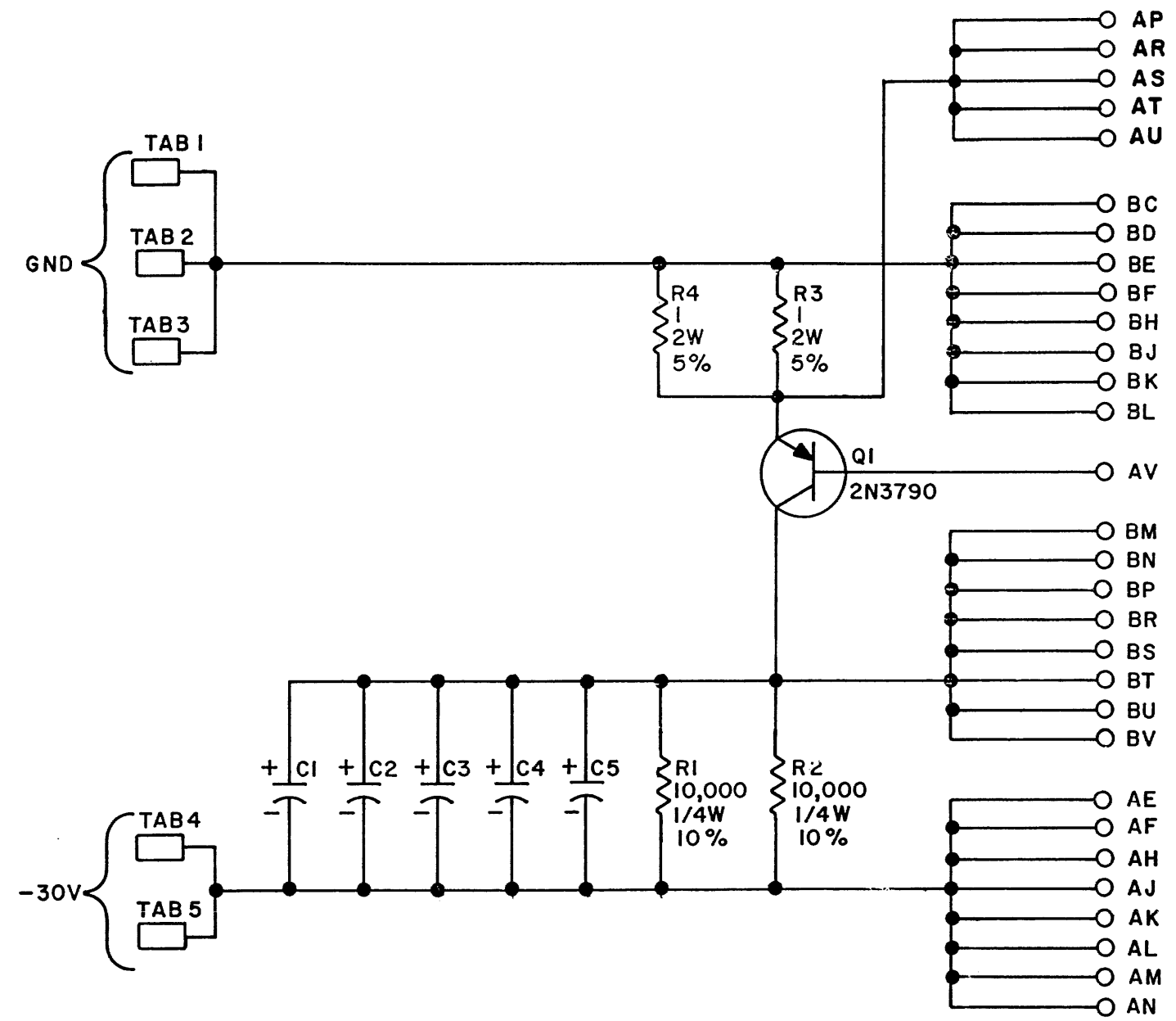
DRN. H. PORTER	DATE 10-17-64
CHK'D N. PERRYMAN	DATE 10-17-64
ENG D. WARDIMON	DATE 10-17-64
PROD.	DATE

TRANSISTOR & DIODE CONVERSION CHART			
DEC		EIA	
DEC 2894-3B	SAME	D662	IN645
DEC 2219-A	2N2219-A	D664	IN3606
DEC 2904A	2N2904A	D670	IN3653
DEC 3634	2N3634	IN429	SAME
SF 2507	DEC SF2507		

digital
EQUIPMENT CORPORATION
MAYNARD, MASSACHUSETTS

TITLE CONTROL FOR 739 POWER SUPPLY G800			
SIZE B	CODE CS	NUMBER G800-0-1	REV. L
PRINTED CIRCUIT REV.			H

THIS SCHEMATIC IS FURNISHED ONLY FOR TEST AND MAINTENANCE PURPOSES. THE CIRCUITS ARE PROPRIETARY IN NATURE AND SHOULD BE TREATED ACCORDINGLY. COPYRIGHT 1966 BY DIGITAL EQUIPMENT CORPORATION



UNLESS OTHERWISE INDICATED:

CAPACITORS ARE 20MFD 50V, -10+75%

TABS ARE 250 SERIES FASTON TABS TYPE 60465-2 (AMP INC)

Q1 IS MOUNTED ON HEAT SINK, WAKEFIELD TYPE NC-623-A USING AN ANODIZED ALUMINUM INSULATING WASHER & WAKEFIELD TYPE 120 THERMAL JOINT COMPOUND

PARTS LIST A-PL-G805-0-0

REV.	CHK	NO.	REV.
B	5902	C	6468
D		E	
F	7072	G	0002
H			

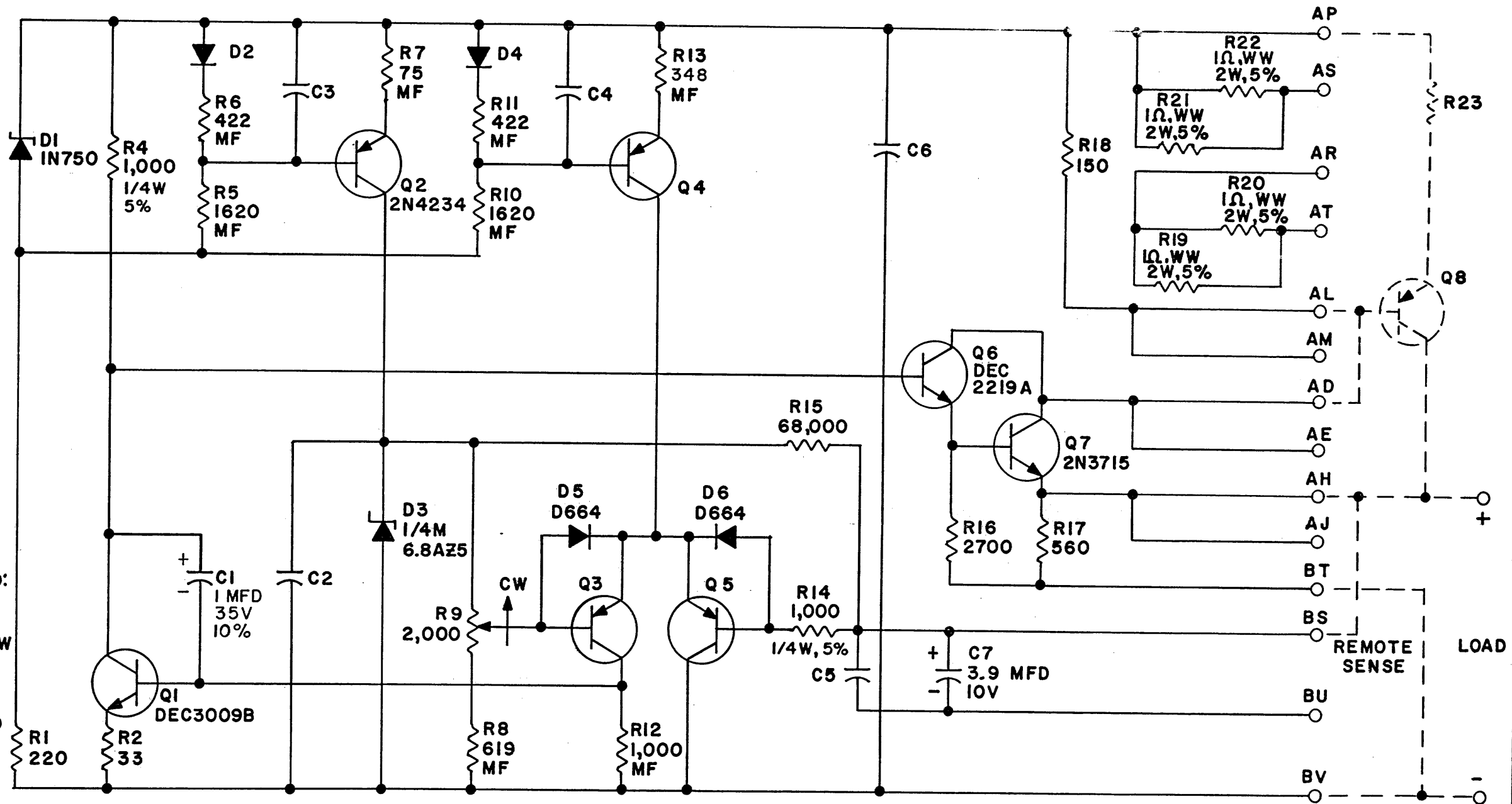
DRN.	DATE
CHK'D	DATE
ENG.	DATE
PROD.	DATE

TRANSISTOR & DIODE CONVERSION CHART			
DEC	EIA	DEC	EIA
2N3790	SAME		

digital
EQUIPMENT CORPORATION
MAYNARD, MASSACHUSETTS

TITLE				NEGATIVE REGULATOR G805			
SIZE	CODE	NUMBER		REV.			
B	CS	G805-0-1		H			
PRINTED CIRCUIT REV.				EF			

THIS SCHEMATIC IS FURNISHED ONLY FOR TEST AND MAINTENANCE PURPOSES. THE CIRCUITS ARE PROPRIETARY IN NATURE AND SHOULD BE TREATED ACCORDINGLY. COPYRIGHT 1967 BY DIGITAL EQUIPMENT CORPORATION



UNLESS OTHERWISE INDICATED:
 DIODES ARE D662
 RESISTORS ARE 1/4W, 10%
 MF RESISTORS ARE 1%, T₀, 1/8W
 CAPACITORS ARE .01 MFD,
 -0 +20%
 R9 IS A #275P
 TRANSISTORS ARE DEC6534D

PARTS LIST A-PL-G810-0-0

REVISIONS	CHK	CHG NO.	REV.
		6862	B
		7120	C

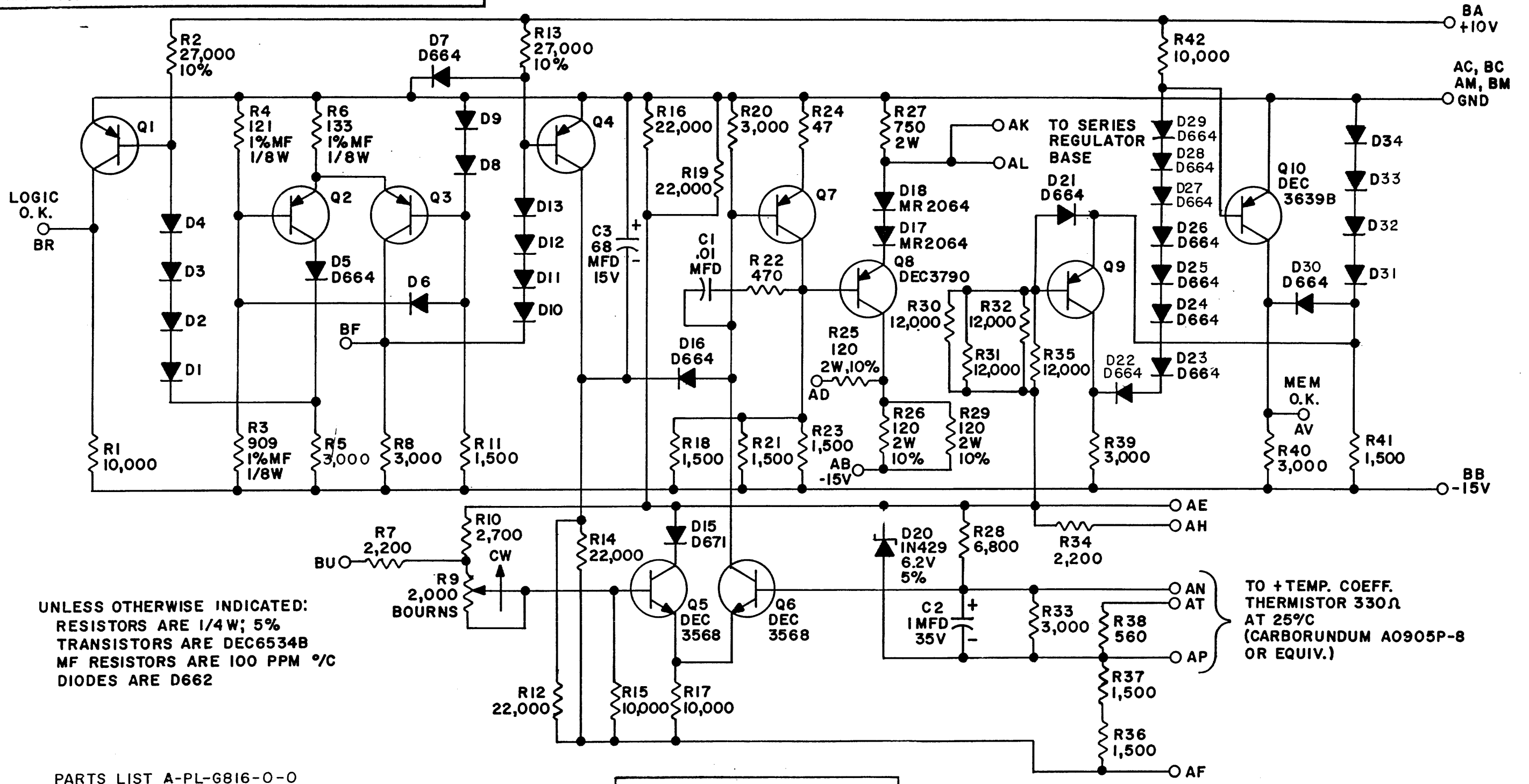
DRN. <i>M. Waller</i>	DATE 10-3-67
CHK'D	DATE
ENG. <i>D. J. Chen</i>	DATE
PROD.	DATE

TRANSISTOR & DIODE CONVERSION CHART			
DEC		EIA	
DEC3009B	2N3009	IN750	SAME
DEC6534D	NONE	1/4M 6.8AZ5	IN4099
2N4234	SAME	DEC2219A	2N2219
D662	IN645	2N3715	SAME
D664	IN3606		

digital
 EQUIPMENT CORPORATION
 MAYNARD, MASSACHUSETTS

TITLE		6V REGULATOR CONTROL G810	
SIZE	CODE	NUMBER	REV.
B	CS	G810-0-1	C
PRINTED CIRCUIT REV.			C

THIS SCHEMATIC IS FURNISHED ONLY FOR TEST AND MAINTENANCE PURPOSES. THE CIRCUITS ARE PROPRIETARY IN NATURE AND SHOULD BE TREATED ACCORDINGLY. COPYRIGHT 1967 BY DIGITAL EQUIPMENT CORPORATION



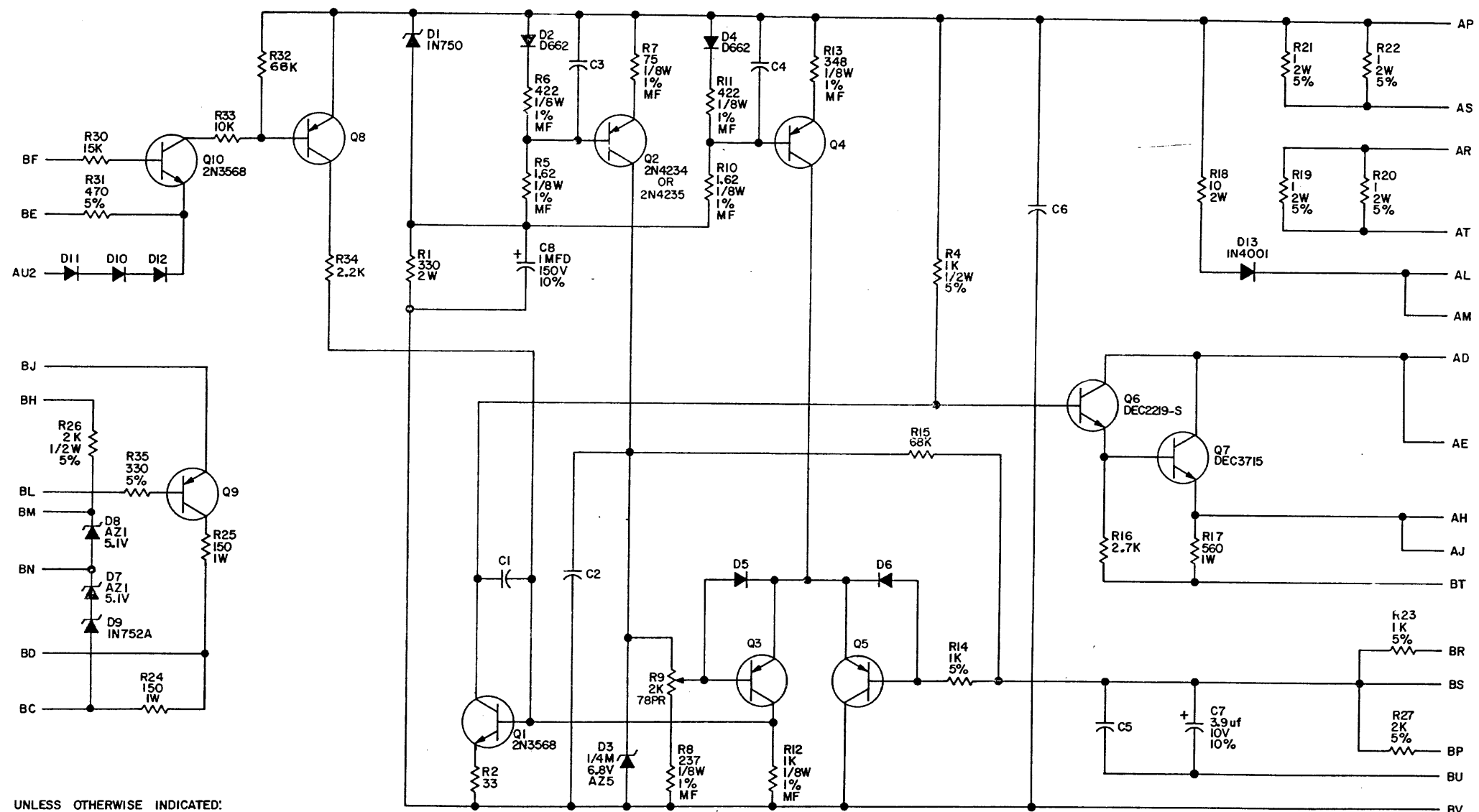
UNLESS OTHERWISE INDICATED:
 RESISTORS ARE 1/4W; 5%
 TRANSISTORS ARE DEC6534B
 MF RESISTORS ARE 100 PPM %C
 DIODES ARE D662

TO +TEMP. COEFF.
 THERMISTOR 330Ω
 AT 25°C
 (CARBORUNDUM A0905P-8
 OR EQUIV.)

PARTS LIST A-PL-G816-0-0

REVISIONS CHG NO. REV. A B 6941 A 00001 B	DRN. <i>m. Valler</i>	DATE 9-5-67	TRANSISTOR & DIODE CONVERSION CHART				TITLE REGULATOR CONTROL G816				
	CHK'D <i>[Signature]</i>	DATE 9/7/67	DEC	EIA	DEC	EIA	digital EQUIPMENT CORPORATION MAYNARD, MASSACHUSETTS	SIZE	CODE	NUMBER	REV.
	ENG <i>P. Sullivan</i>	DATE 9/7/67	DEC 3568	2N3568	D662	IN645		B	CS	G816-0-1	B
	PROD.	DATE	DEC 3639B	2N3639	D664	IN3606					
		DEC 3790	2N3790	D671	IN3653						
		DEC 6534 B	MPS6534	IN429	SAME						
		MR2064	IN4001								

THIS SCHEMATIC IS FURNISHED ONLY FOR TEST AND MAINTENANCE PURPOSES. THE CIRCUITS ARE PROPRIETARY IN NATURE AND SHOULD BE TREATED ACCORDINGLY. COPYRIGHT 1970 BY DIGITAL EQUIPMENT CORPORATION



UNLESS OTHERWISE INDICATED:
 RESISTORS ARE 1/4W, 10%
 CAPACITORS ARE .01MFD, 100V, 20%
 DIODES ARE D664
 TRANSISTORS ARE DEC6534D

REV. A
 NUMBER G828-0-1
 SIZE CODE C CS

REV.	CHK'G NO.	REV.
1	10001	A
2	10001	A

DRN. ALLAN RITCEY	DATE 1-30-70
CHK'D J. L. L...	DATE 3-18-70
ENG. P. Sullivan	DATE 3-11-70
PROD. Y. Sullivan	DATE 5/27/70

TRANSISTOR & DIODE CONVERSION CHART			
	DEC	EIA	
D662	1N645	2N3568	SAME
D664	1N3606	DEC3715	2N3715
1/4M 6.8A25	1N4099	DEC2219-S	NONE
5.1 AZ1	NONE	DEC6534D	MPS6534
IN752A	NONE	2N4441	2N4441

digital		TITLE 6V REGULATOR CONTROL G828	
EQUIPMENT CORPORATION		SIZE C	CODE CS
MAYNARD, MASSACHUSETTS		NUMBER G828-0-1	REV. A
PRINTED CIRCUIT REV. A			

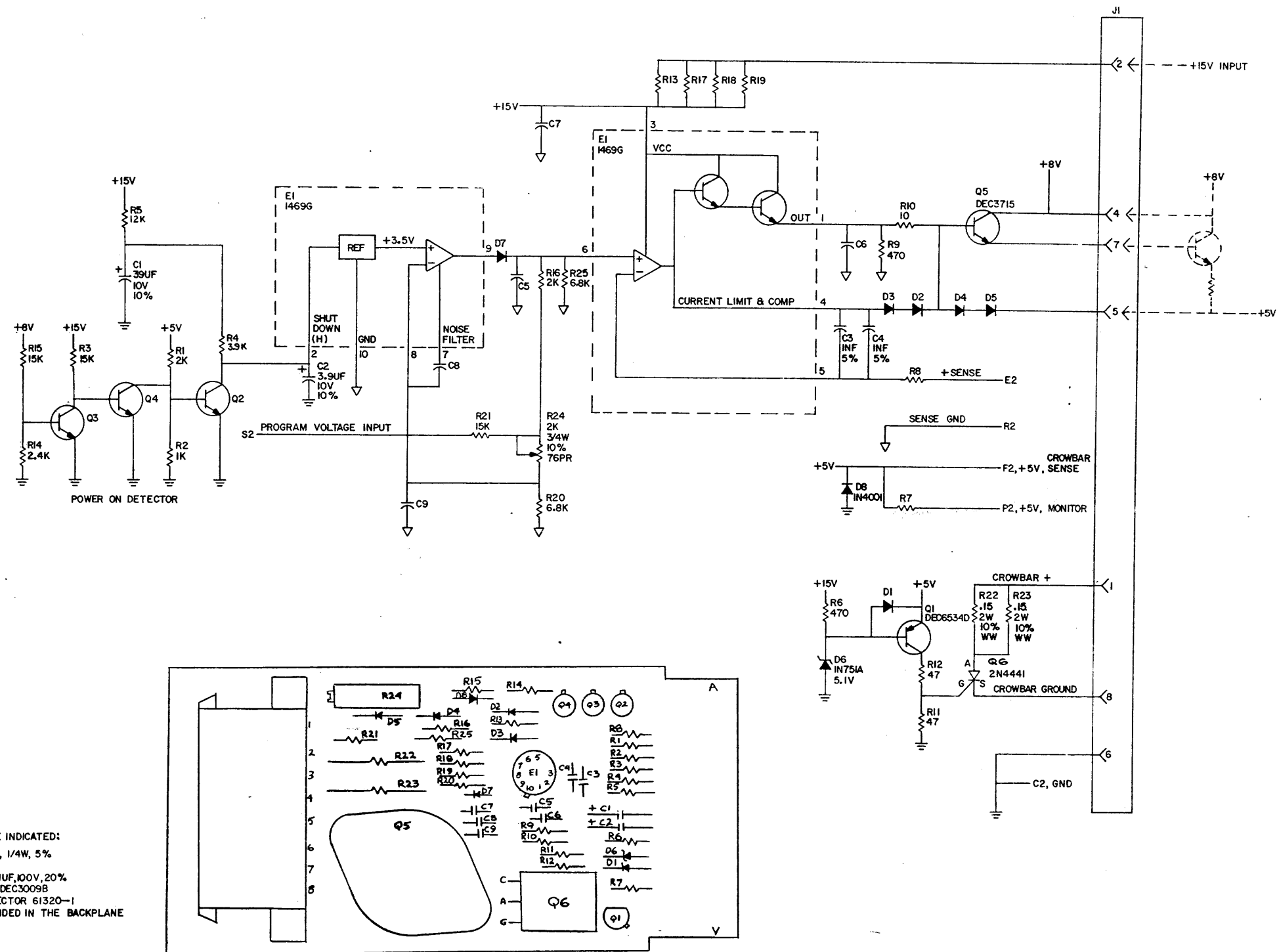
DEC FORM NO. DRC 102

MS 549-P

5 DIST. 324.434.435 PINK 351

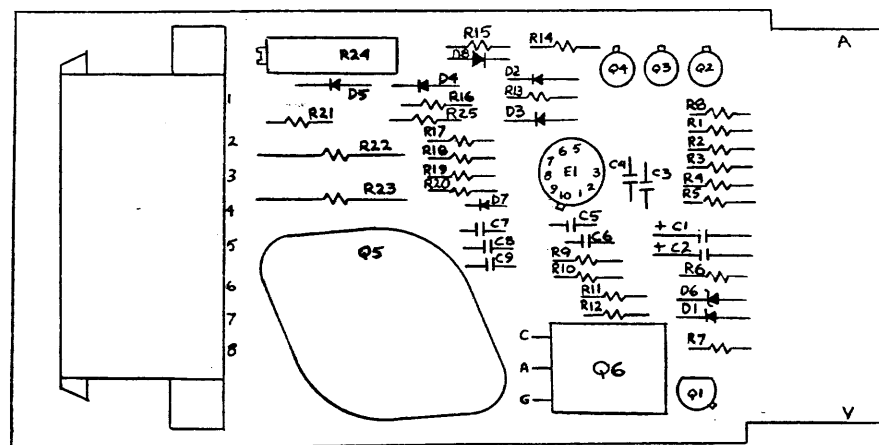
THIS SCHEMATIC IS FURNISHED ONLY FOR TEST AND MAINTENANCE PURPOSES. THE CIRCUITS ARE PROPRIETARY IN NATURE AND SHOULD BE TREATED ACCORDINGLY. COPYRIGHT 1970 BY DIGITAL EQUIPMENT CORPORATION

1-0-0689
#38711N
SC 0
#0001 1/15



ITEM NO.	DEC PART NO.	DESCRIPTION	QTY
36	1300488	RES. 12K 1/4W 5%	1
35	1300444	RES. 3.9K 1/4W 5%	1
34	1102942	DIODE 1N4001	1
33	1000076	CAP. .01UF 10V 10%	1
32			1
31	9006732	EYELET #GS 4-7	2
30	9006706	NYLON WASHER #4	2
29	9006557	4-40 KEP NUT	3
28	9006010-1	4-40 5/16" SCREW	2
27	1910261	I.C. DEC 1469G	1
26	1505867	RECTIFIER 2N 4941	1
25	1503409-00	TRANSISTOR DEC 6534D	1
24	1503100	TRANSISTOR DEC 3099B	1
23	1503066	TRANSISTOR DEC 3715	1
22	1309143-08	RES. 2K, 3/4W, 10% 76PR	1
21	1310147	RES. .15, 2W, 10% MW	2
20	1303177	RES. 2.4K, 1/4W, 5%	1
19	1302388	RES. .1, 5%	2
18	1301423	RES. 6.8K, 1/4W, 5%	2
17	1301317	RES. 10, 1/4W, 5%	1
16	1300496	RES. 15K, 1/4W, 5%	3
15	1300365	RES. 1K, 1/4W, 5%	1
14	1300316	RES. 470, 1/4W, 5%	2
13	1300229	RES. 100, 1/4W, 5%	6
12	1300202	RES. 47, 1/4W, 5%	1
11	1209456	PIN, SOCKET AMP 61320-1	1
10	1209340	PIN, HOUSING 81-400459-0	1
9	1105873	DIODE 1N751A 5.1V	1
8	1102161	DIODE D668	6
7	1000042	CAP. 1000 PF, 100V, 5% D.M.	2
6	1001610	CAP. .01UF, 100V, 50% AISC	3
5	1000064	CAP. 3.9UF, 10V, 10% S. TANT	1
4	5008712	ETCHED CIRCUIT BOARD	1
3	B-MI-G830-0-6	MODULE BCG HISTORY	
2	O-AH-G830-0-5	ASSY/DRILLING HOLE LAYOUT	
1	K-CU-G830-0-4	X-Y COORDINATE HOLE LOCATIONS	

UNLESS OTHERWISE INDICATED:
RESISTORS = 100, 1/4W, 5%
DIODES = D668
CAPACITORS = .01UF, 100V, 20%
TRANSISTORS = DEC3009B
JI = AMP CONNECTOR 61320-1
PIN TI IS GROUNDED IN THE BACKPLANE



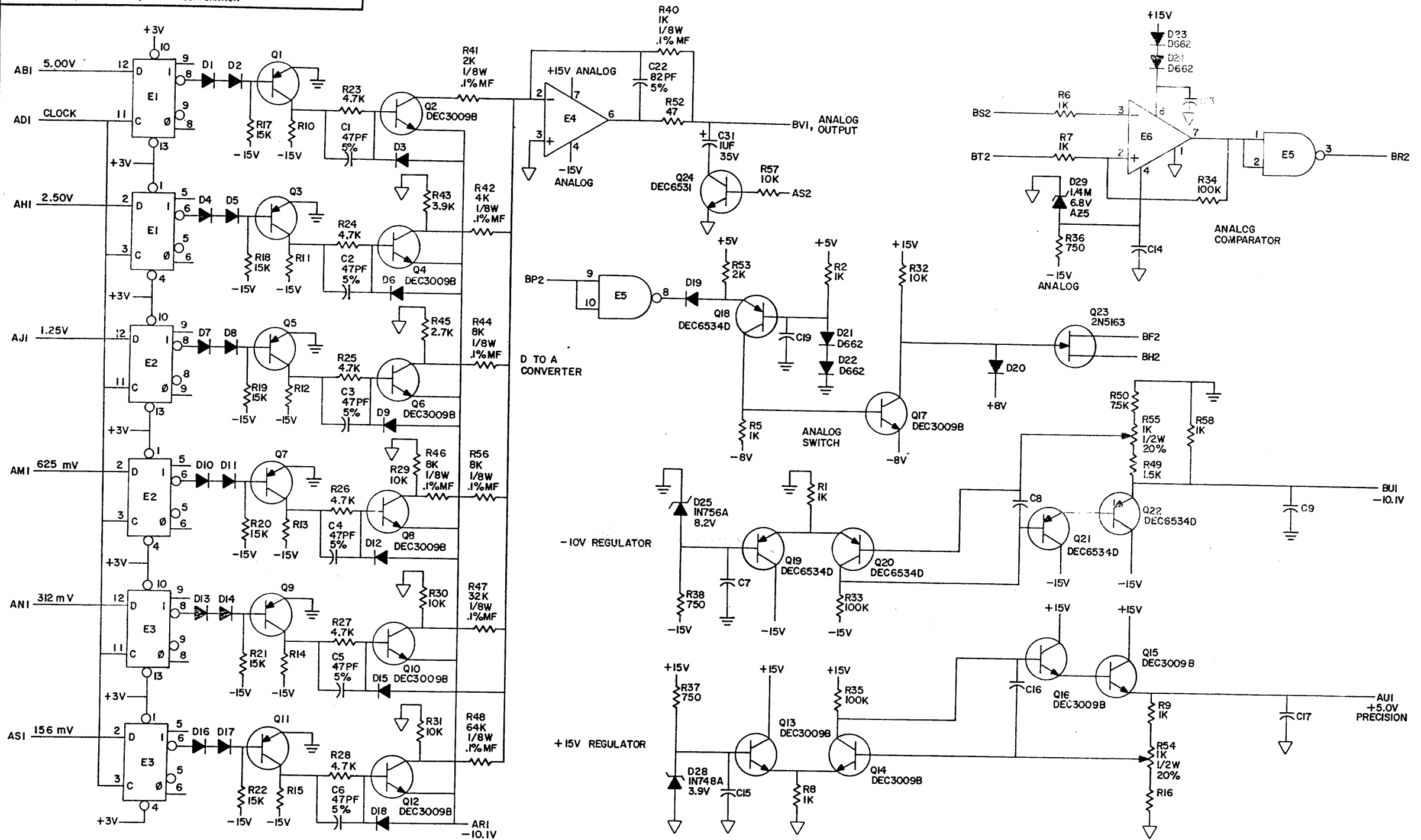
REV	DATE	BY	CHKD
1	12/1/70	NANCY	
2	12/1/70		
3	12/1/70		
4	12/1/70		
5	12/1/70		
6	12/1/70		
7	12/1/70		
8	12/1/70		
9	12/1/70		
10	12/1/70		

(TWO) M3806 IN SERIES

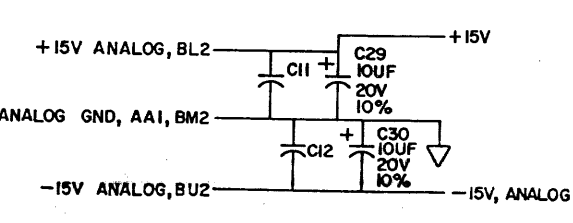
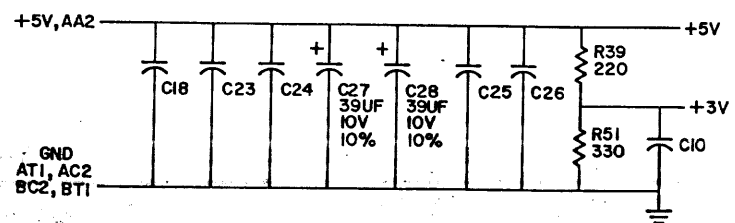
TRANSISTOR & DIODE CONVERSION CHART			
DEC	EA	DEC	EA
D668	D668	2N3009	2N3009
R179A	1N751A	DEC3340	1N5822A
DEC3715	2N3715		

digital EQUIPMENT CORPORATION
TITLE: +5V REGULATOR G830
PARTS LIST
REV: K
DATE: 12/1/70
PRINTED CIRCUIT REV: 1/1

THIS SCHEMATIC IS FURNISHED ONLY FOR TEST AND MAINTENANCE PURPOSES. THE CIRCUITS ARE PROPRIETARY IN NATURE AND SHOULD BE TREATED ACCORDINGLY. COPYRIGHT 1971, BY DIGITAL EQUIPMENT CORPORATION

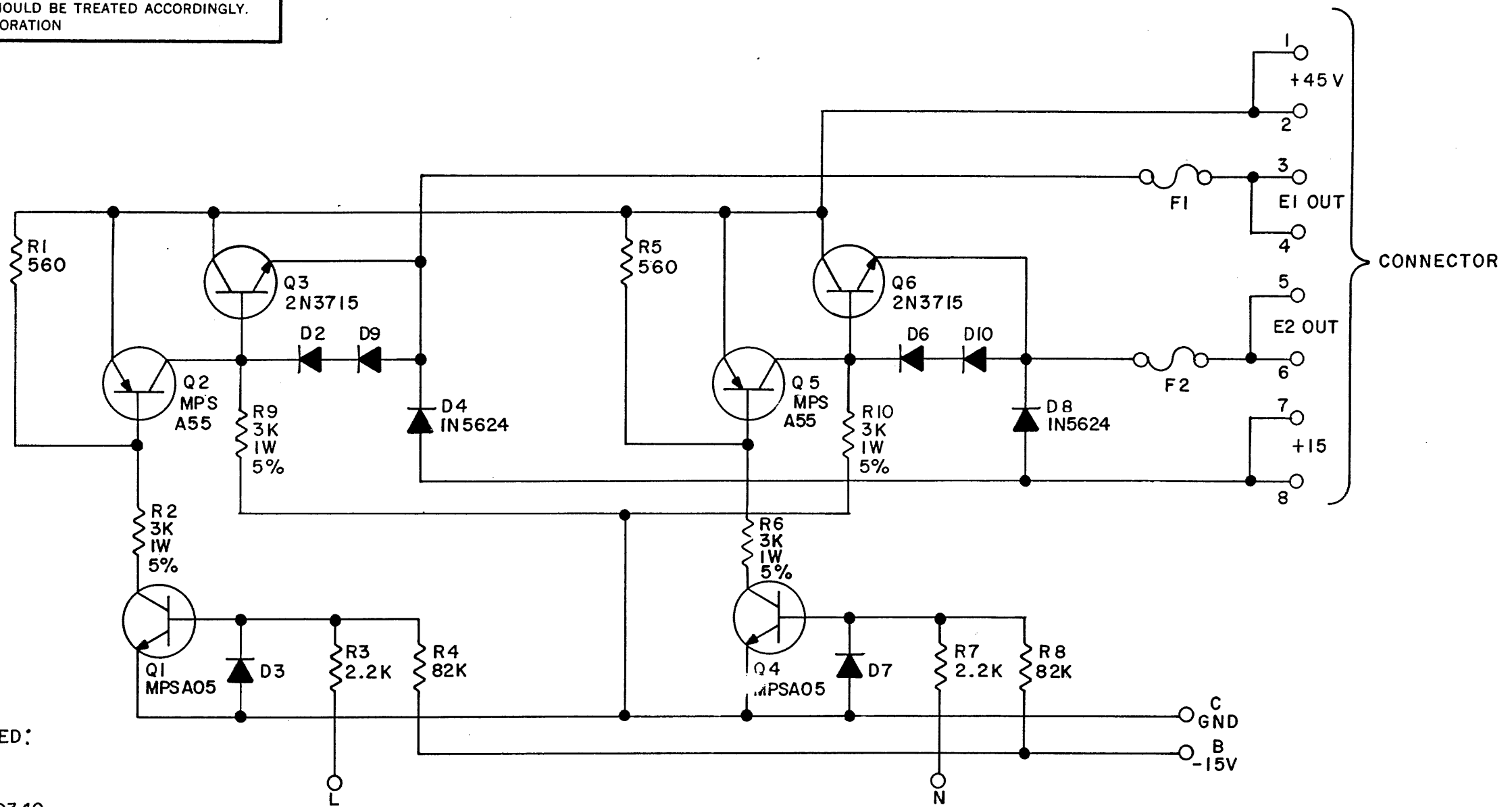


UNLESS OTHERWISE INDICATED:
 RESISTORS = 3K, 1/4W, 5%
 DIODES = D664
 CAPACITORS = .01UF, 100V, 20%
 TRANSISTORS = DEC3639B
 PIN 14 = +5V
 PIN 7 = GND ON E1-E3, E5
 DEC1074H74 = E1-E3
 DEC741 = E4
 DEC1074H00 = E5
 DEC710 = E6



REVISIONS CHK'G NO. REV.	DRN. <i>Nancy Moore</i> DATE 1/11/70	TRANSISTOR & DIODE CONVERSION CHART			TITLE 6 BIT D/A COMPARATOR & SWITCH		
	CHK'D <i>ORDWAY</i> DATE 1/22/71	DEC	EIA			DEC	EIA
	ENG. <i>J. DREW</i> DATE 2/16/71	D662	IN645			DEC3639B	2N3639
	PROD. DATE	D664	IN3606			DEC3009B	2N3009
		IN756A 8.2V	IN4099			DEC6534B	MPS6534
	IN748A 3.9V	SAME	2N5163	MPS6531			
			DEC6531	MPS6531			
DEC FORM NO. DRC 102					SIZE C CS NUMBER G831-O-1 PRINTED CIRCUIT REV. E SHEET 2 OF 2		

THIS SCHEMATIC IS FURNISHED ONLY FOR TEST AND MAINTENANCE PURPOSES. THE CIRCUITS ARE PROPRIETARY IN NATURE AND SHOULD BE TREATED ACCORDINGLY. COPYRIGHT 1969 BY DIGITAL EQUIPMENT CORPORATION



UNLESS OTHERWISE INDICATED:
 DIODES ARE D672
 RESISTORS ARE 1/4W, 10%
 CONNECTOR IS DEC #1209340
 CONNECTOR PINS ARE DEC #1209456
 F1, F2 ARE 5 AMP

NOTE: Q1, Q2, Q4, Q5 HAVE VARIED PACKAGES
 DEPENDING ON SOURCE.

SEE DIAGRAM:
 MOTOROLA: MPSA05
 MPSA55

BOTTOM VIEW
 GE: GPSA05
 GPSA55

REVISIONS	CHK	CHG NO.	REV.
		00002	A
		00003	B
		00004	C
		00005	D
		00006	E

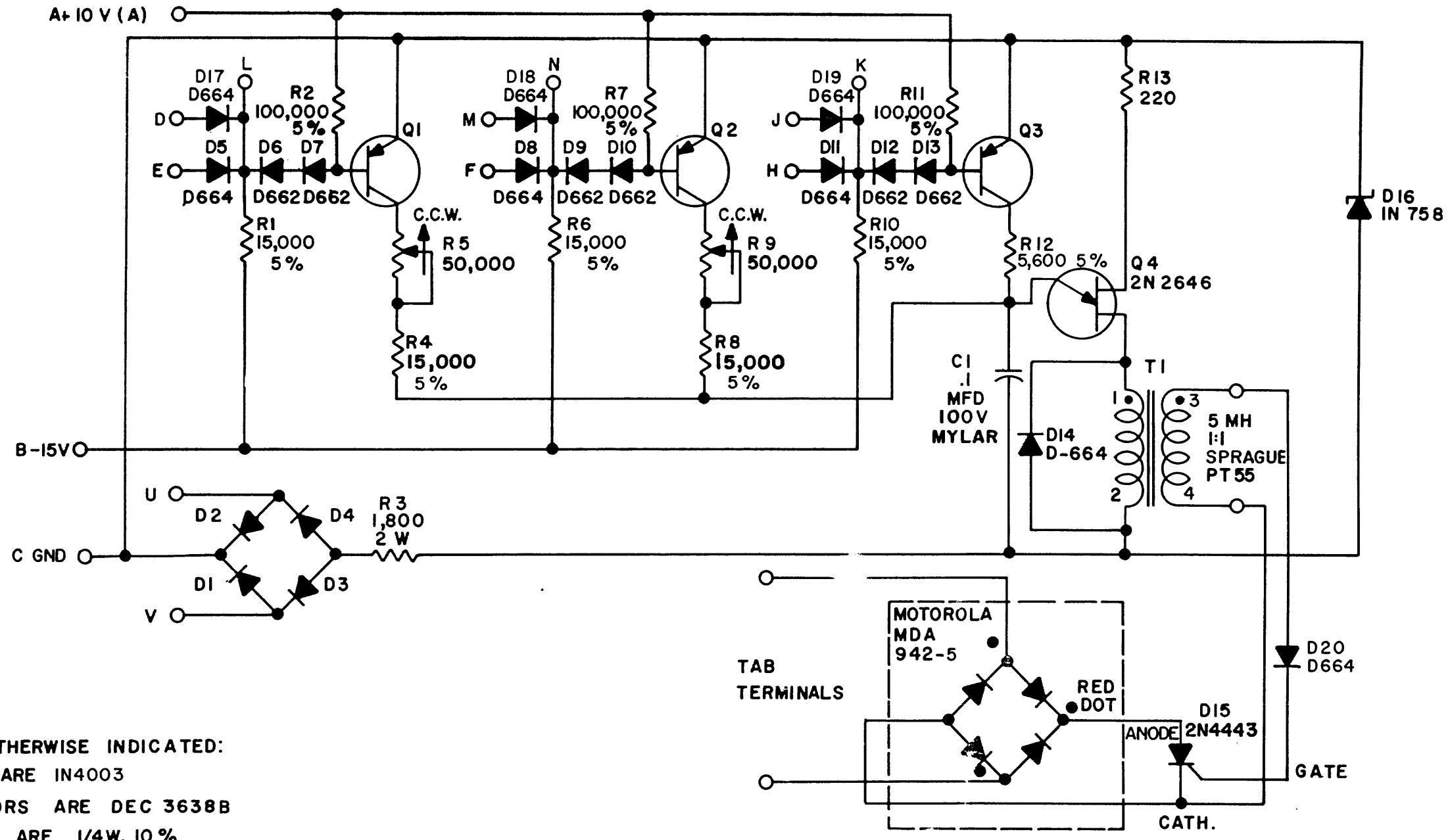
DRN. *G. Blum* DATE 9-9-69
 CHK'D *L. J. ...* DATE 9/18/69
 ENG. *C. ...* DATE 2-17-70
 PROD. DATE

TRANSISTOR & DIODE CONVERSION CHART	
DEC	EIA
D672	IN3653
MPSA05	
2N3715	NONE
MPSA55	
IN5624	SAME

digital
 EQUIPMENT CORPORATION
 MAYNARD, MASSACHUSETTS

TITLE DUAL MOTOR VOLTAGE CONTROL G847			
SIZE	CODE	NUMBER	REV.
B	CS	G847-0-1	D
PRINTED CIRCUIT REV.			E

THIS SCHEMATIC IS FURNISHED ONLY FOR TEST AND MAINTENANCE PURPOSES. THE CIRCUITS ARE PROPRIETARY IN NATURE AND SHOULD BE TREATED ACCORDINGLY. COPYRIGHT 1965 BY DIGITAL EQUIPMENT CORPORATION



UNLESS OTHERWISE INDICATED:
 DIODES ARE IN4003
 TRANSISTORS ARE DEC 3638B
 RESISTORS ARE 1/4W, 10%
 R5 & R9 ARE #275P



REVISIONS	CHK	CHG NO.	REV.
3	DAW	5266	
D	REV & REDR	5358	
E		5420	
F		5806	
H		5888	
J		6365	
K		6469	
L		6818	
M		00001	
N			
P			

DRN. I. HAHN	DATE 5-3-65
CHK'D R. SILVERMAN	DATE 5-14-65
ENG. D. WARDIMON	DATE 5-13-65
PROD. D. WARDIMON	DATE 5-13-65

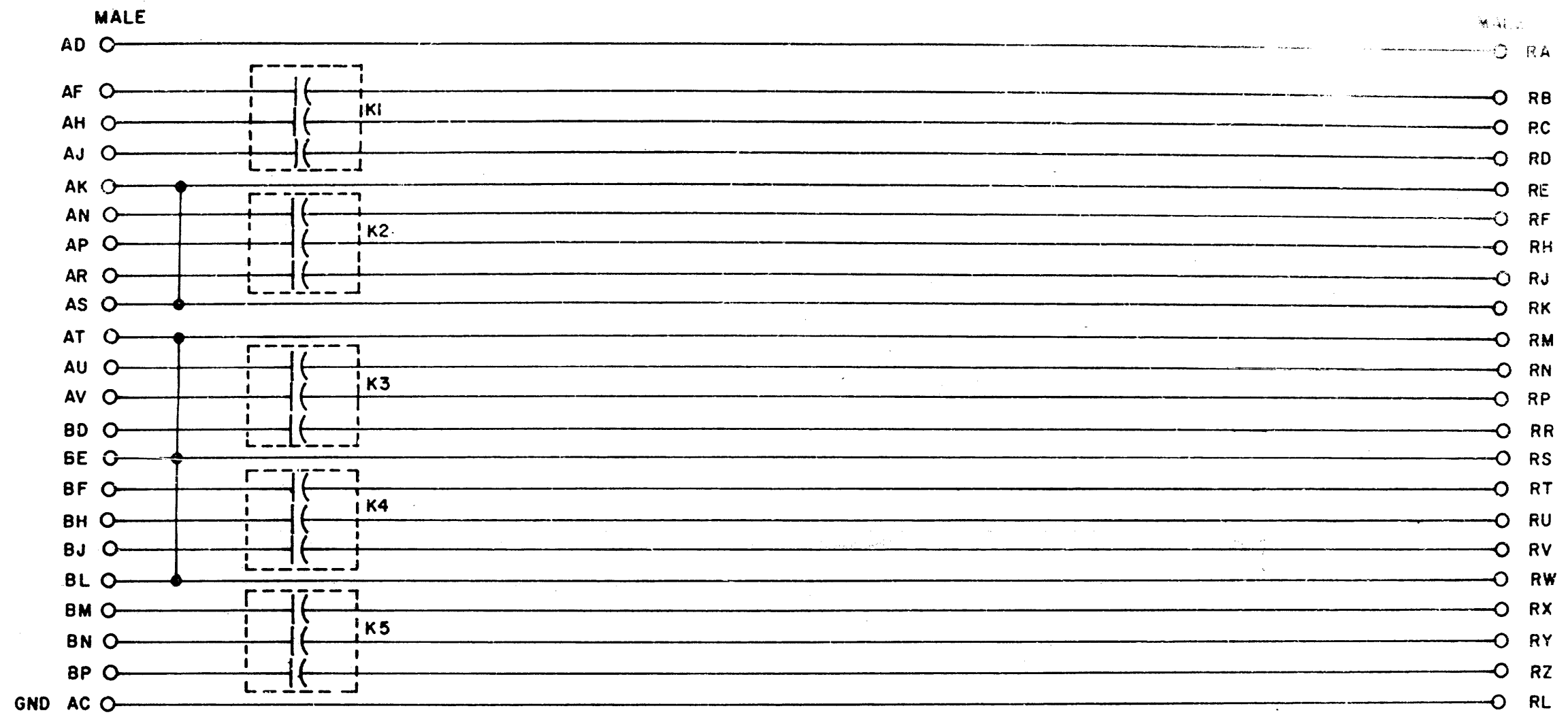
TRANSISTOR & DIODE CONVERSION CHART			
DEC		EIA	
DEC 3638	2N3638	IN758	IN758
2N2646	2N2646	2N4443	SAME
D662	IN645		
D664	IN3606		
IN4003	IN4003		

digital
 EQUIPMENT CORPORATION
 MAYNARD, MASSACHUSETTS

TITLE S.C.R. MOTOR DRIVER G850			
SIZE B	CODE CS	NUMBER G850-0-1	REV. P
PRINTED CIRCUIT REV.			E H J K L



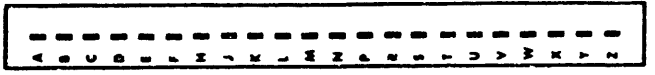
THIS SCHEMATIC IS FURNISHED ONLY FOR TEST AND MAINTENANCE PURPOSES. THE CIRCUITS ARE PROPRIETARY IN NATURE AND SHOULD BE TREATED ACCORDINGLY. COPYRIGHT 1965 BY DIGITAL EQUIPMENT CORPORATION



AMPHENOL
133-022-03

NOTE:
RELAYS ARE WHEELOCK
REED, 260 SERIES 3A
12V DC

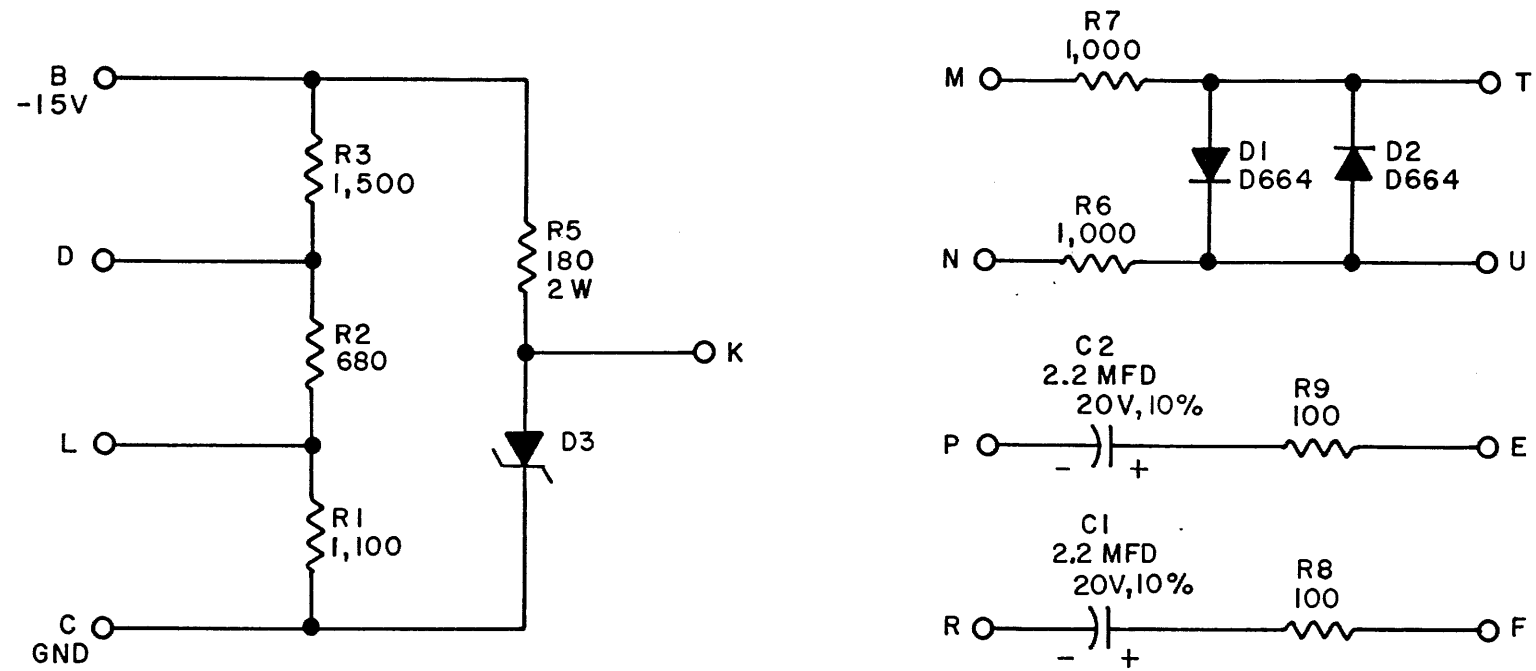
-15V AB



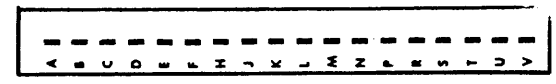
REVISIONS CHG NO. REV. 4613 1 REV @ REDR. 5196 B	DRN. H.W. PORTER	DATE 1-13-65	TRANSISTOR & DIODE CONVERSION CHART					TITLE RELAY G851			
	CHK'D N. PERRYMAN	DATE 1-25-65	DEC	EIA	DEC	EIA		SIZE B	CODE CS	NUMBER G851-0-1	REV B
	ENG. D. WARDIMAN	DATE 1-25-65						PRINTED CIRCUIT REV			
	PROD.	DATE									

THIS SCHEMATIC IS FURNISHED ONLY FOR TEST AND MAINTENANCE PURPOSES. THE CIRCUITS ARE PROPRIETARY IN NATURE AND SHOULD BE TREATED ACCORDINGLY. COPYRIGHT 1967 BY DIGITAL EQUIPMENT CORPORATION

REV. A
NUMBER 1-0-2989
SIZE CODE B CS
G853-0-1



UNLESS OTHERWISE INDICATED:
RESISTORS ARE 1/4W, 5%
D3= IN758A



REVISIONS	CHK CHG NO.	REV.	A		DRN.	DATE	TRANSISTOR & DIODE CONVERSION CHART				digital	TITLE			
	00001				<i>m. Waller</i>	7-5-67	DEC	EIA	DEC	EIA		MOTION & SELECTION CIRCUIT G853			
					CHK'D	DATE	D664	IN3606			EQUIPMENT				
					ENG.	DATE	IN758A	SAME			CORPORATION				
					PROD.	DATE					MAYNARD, MASSACHUSETTS				
											SIZE	CODE	NUMBER	REV.	
											B	CS	G853-0-1	A	
											PRINTED CIRCUIT REV. A				

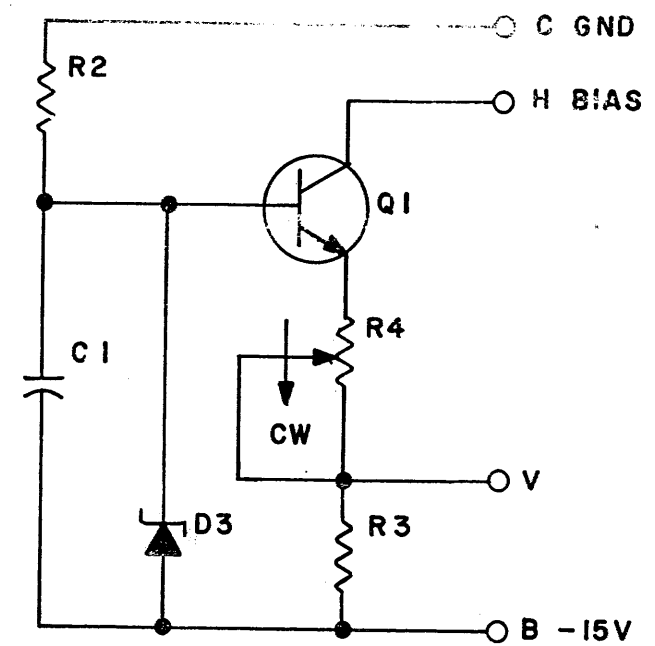
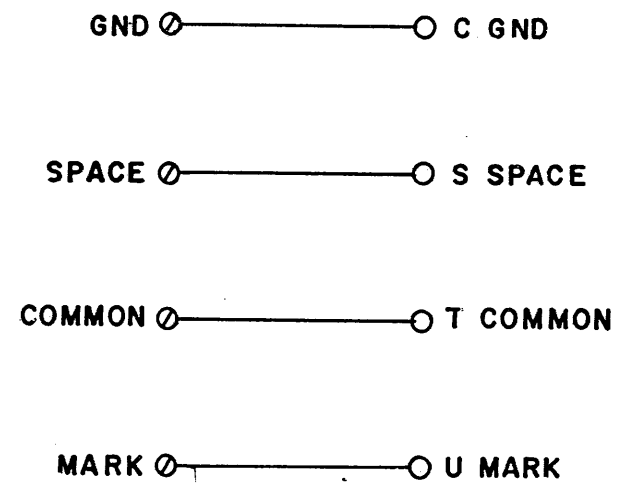
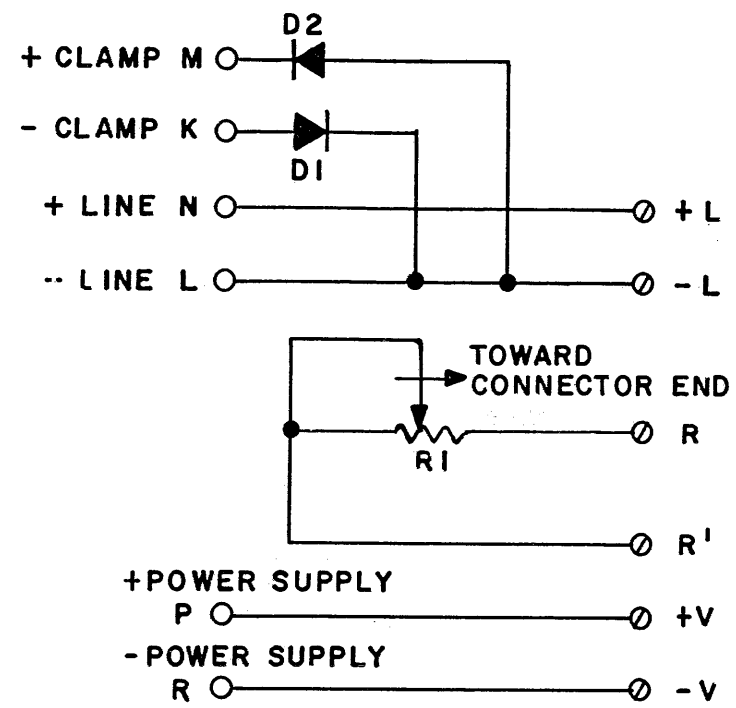


Σ

Dist 324,434,4 13

PINK

THIS SCHEMATIC IS FURNISHED ONLY FOR TEST AND MAINTENANCE PURPOSES. THE CIRCUITS ARE PROPRIETARY IN NATURE AND SHOULD BE TREATED ACCORDINGLY. COPYRIGHT 1967 BY DIGITAL EQUIPMENT CORPORATION



Ø SPLIT LUG

Q1	TRANSISTOR DEC2219A OR DEC2219B	1501881 1501883
R4	RES. 2K 1W #275P	1305392
R3	RES. 100 2W 10% CC	1300233
R2	RES. 680 1/4W 10% CC	1300350
R1	RES. 6K 40W IRC FRWA 2I	1309116
D3	DIODE IN4736A	1103340
D1, D2	DIODE IN2071	1105340
C1	CAP. .01MFD 100V 20% DISC	1001610
	PARTS LIST	A-PL-G854-0-0
REFERENCE DESIGNATION	DESCRIPTION	PART NO.

REVISIONS	CHK	CHG NO	REV
		6695	A
		7023	B

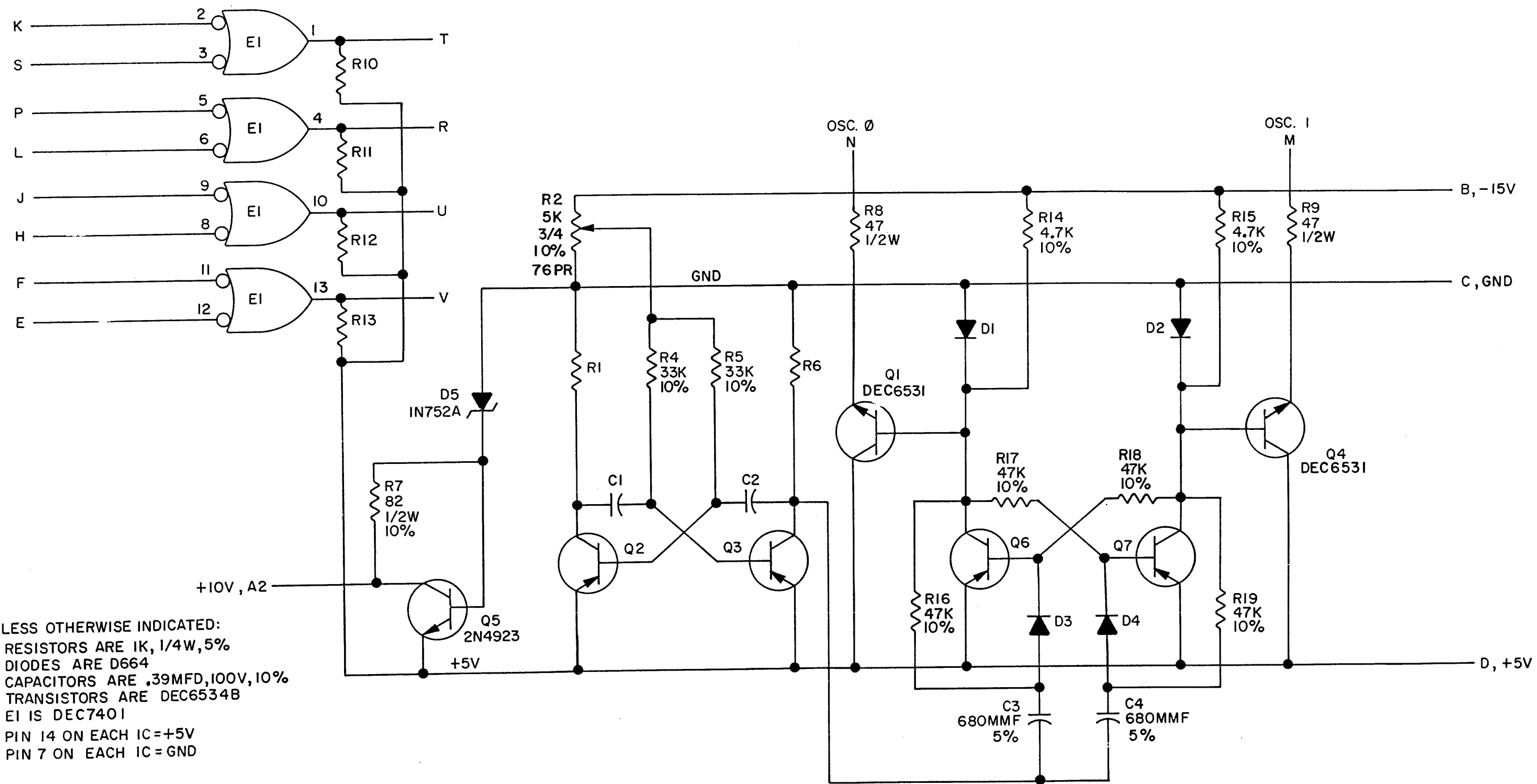
DRN.	<i>M. Waller</i>	DATE	9-22-67
CHK'D		DATE	
ENG.	<i>Alan K...</i>	DATE	11/2/67
PROD.		DATE	

TRANSISTOR & DIODE CONVERSION CHART			
DEC	EIA	DEC	EIA
DEC2219A or B	2N2219		
IN2071	SAME		
IN4736A	SAME		

digital
EQUIPMENT CORPORATION
MAYNARD, MASSACHUSETTS

TITLE	TELEGRAPH LINE CIRCUIT G854		
SIZE	CODE	NUMBER	REV.
B	CS	G854-0-1	B
PRINTED CIRCUIT REV.			A

THIS SCHEMATIC IS FURNISHED ONLY FOR TEST AND MAINTENANCE PURPOSES. THE CIRCUITS ARE PROPRIETARY IN NATURE AND SHOULD BE TREATED ACCORDINGLY. COPYRIGHT 1969 BY DIGITAL EQUIPMENT CORPORATION



UNLESS OTHERWISE INDICATED:
 RESISTORS ARE 1K, 1/4W, 5%
 DIODES ARE D664
 CAPACITORS ARE .39MFD, 100V, 10%
 TRANSISTORS ARE DEC6534B
 EI IS DEC7401
 PIN 14 ON EACH IC = +5V
 PIN 7 ON EACH IC = GND

REVISIONS	CHK	CHG NO.	REV.
		00001	A
		00002	B
		00003	C

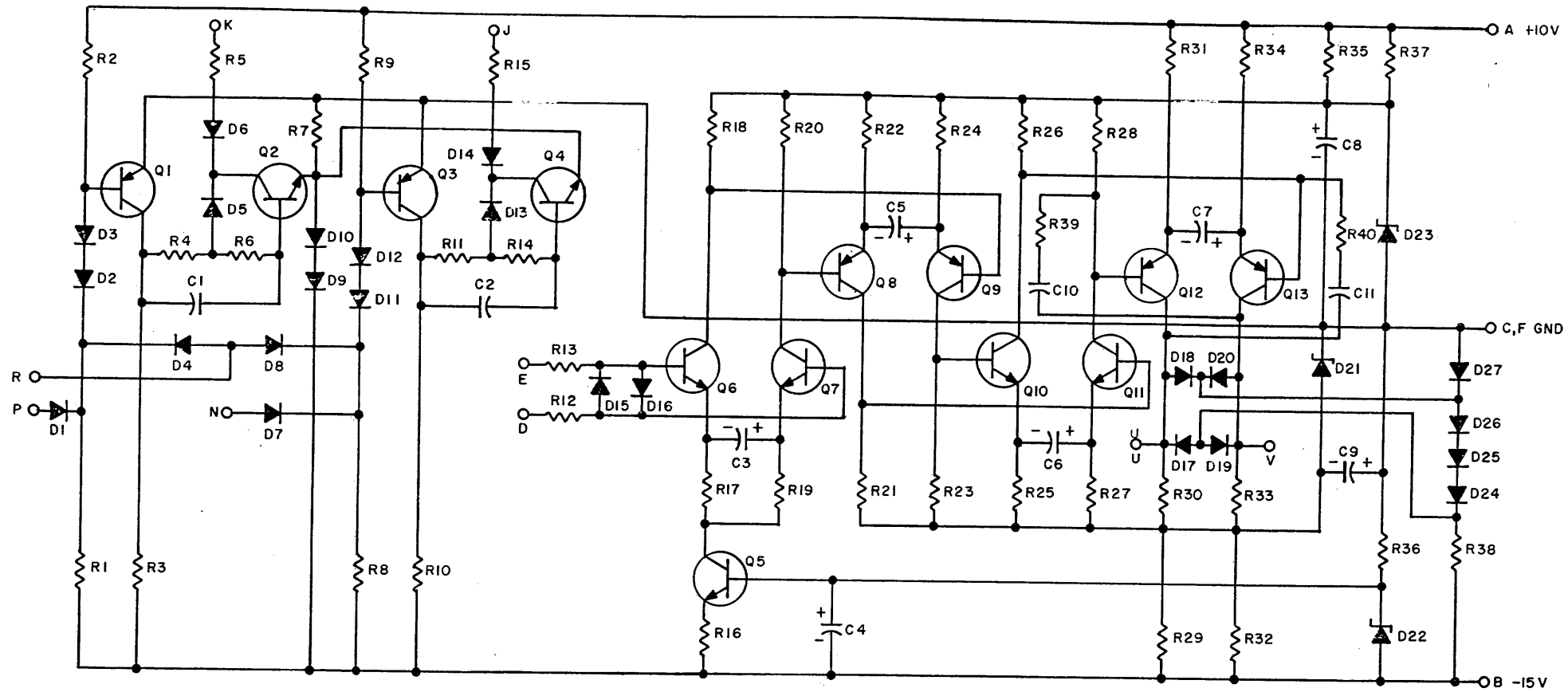
DRN. BUTLER	DATE 11-13-69
CHK'D	DATE 1/17/69
ENG. E. Lutting	DATE 1/24/69
PROD.	DATE

TRANSISTOR & DIODE CONVERSION CHART			
DEC	EIA	DEC	EIA
D664	IN3606		
DEC6534B	MPS6534B		
DEC6531	MPS6531		
2N4923	SAME		

digital
 EQUIPMENT CORPORATION
 MAYNARD, MASSACHUSETTS

TITLE CLOCK & REGULATOR G859			
SIZE B	CODE CS	NUMBER G859-0-1	REV. C
PRINTED CIRCUIT REV. A			

THIS SCHEMATIC IS FURNISHED ONLY FOR TEST AND MAINTENANCE PURPOSES. THE CIRCUITS ARE PROPRIETARY IN NATURE AND SHOULD BE TREATED ACCORDINGLY. COPYRIGHT 1966 BY DIGITAL EQUIPMENT CORPORATION



Q8, Q9, Q12, Q13	TRANSISTOR DEC3638B	1502979
Q6, Q7, Q10, Q11	TRANSISTOR DEC3009B-S	1503100
Q5	TRANSISTOR DEC3009A-S	1501999
Q2, Q4	TRANSISTOR DEC2219A	1501881
Q1, Q3	TRANSISTOR DEC2894-3B-S	1503099
R39, R40	RES. 120 1/4W 5% CC	1300247
R36, R38	RES. 470 1/2W 10% CC	1300318
R30, R33	RES. 3K 1/4W 5% CC	1300432
R17 THRU R21, R23, R25 THRU R28,		
R12, R13	RES. 220 1/4W 5% CC	1300271
R6, R14, R35, R37	RES. 560 1/4W 5% CC	1301890
R5, R15	RES. 68 2W 5% CC	1302308
R4, R11	RES. 750 1/4W 5% CC	1301401
R3, R7, R10, R16, R22, R24, R29, R31, R32, R34	RES. 1.5K 1/4W 5% CC	1300391
R2, R9	RES. 100K 1/4W 5% CC	1302466
R1, R8	RES. 7.5K 1/4W 5% CC	1301422
D23	DIODE 1/4M 6.8AZ	1100102
D22	DIODE IN748 3.9V	1100121
D21	DIODE IN756A 8.2V	1103441
D5, D6, D13, D14	DIODE D670	1102162
D2, D3, D11, D12, D24 THRU D27	DIODE D662	1100113
D1, D4, D7 THRU D10, D15 THRU D20	DIODE D664	1100114
C10, C11	CAP. 1.200MMF 100V 5% D.M.	1002424
C5	CAP. 2.2MFD 20V 10%	1002627
C4, C6, C7, C8, C9	CAP. 3.9MFD 10V 10% S.TANT	1000064
C3	CAP. .47MFD 35V 10% S.TANT	1005965
C1, C2	CAP. 680MMF 100V 5% D.M.	1000026
	PARTS LIST	A-PL-G882-O-Q
REFERENCE DESIGNATION	DESCRIPTION	PART NO.

REV.	NO.	CHK	NO.
3	3	8898	
D	D	8838	
E	E	00001	

DRN.	DATE	DATE	DATE
A. OUELLETTE	2-8-66		
CHK'D	DATE		
R. SILVERMAN	2-9-66		
ENG.	DATE		
R. SOGGE	2-9-66		
PROD.	DATE		

TRANSISTOR & DIODE CONVERSION CHART			
DEC		EIA	
DEC3638B	2N3638	D662	IN645
DEC3009B, A	2N3009	D664	IN3606
1/4M 6.8AZ	IN4099	D670	IN3693
DEC2219A	2N2219	IN756A	SAME
DEC2894-3B	NONE	IN748	SAME

digital
EQUIPMENT CORPORATION
MAYNARD, MASSACHUSETTS

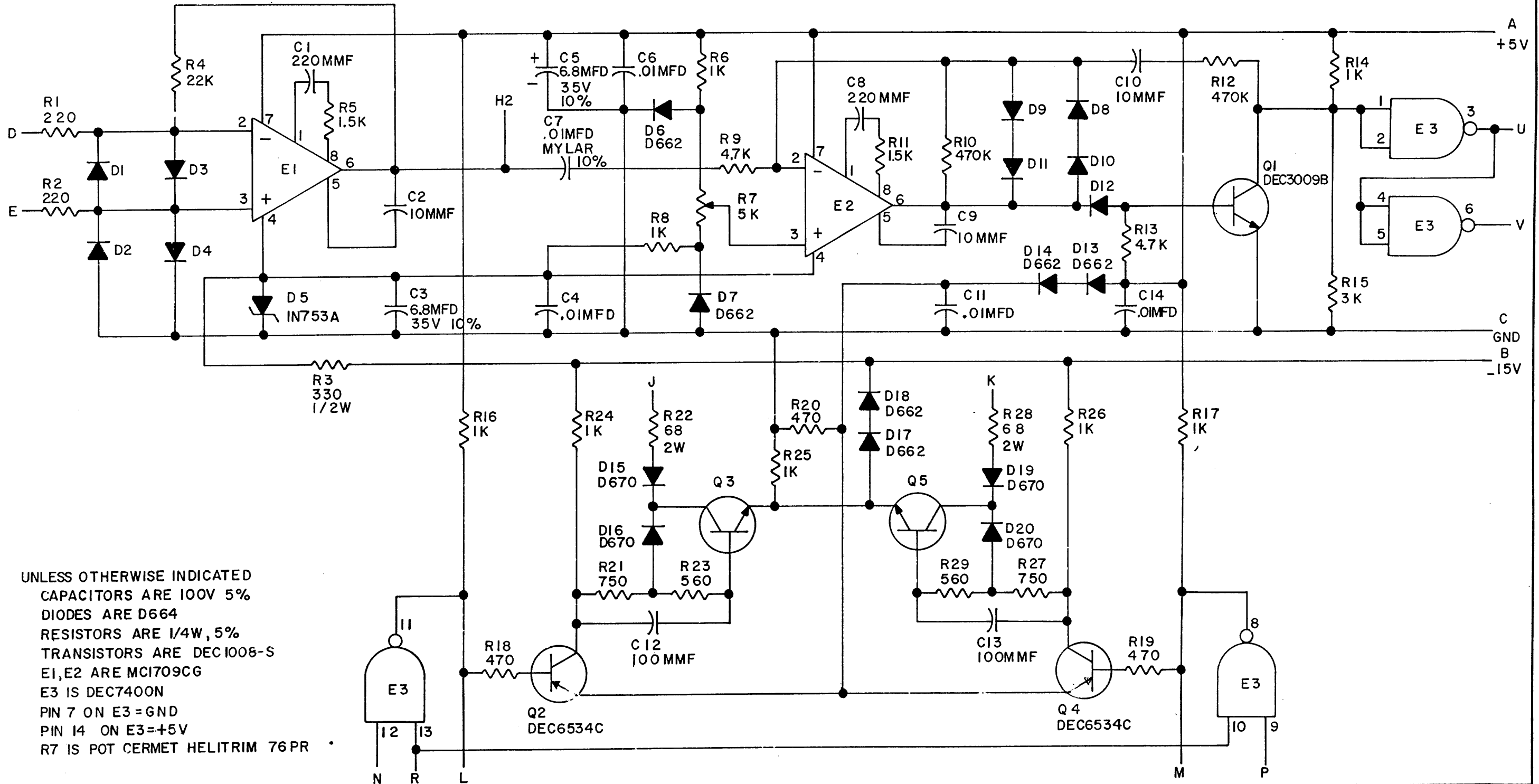
TITLE: MANCHESTER READER WRITER G882

SIZE: C CS NUMBER: G882-O-1 REV: E

PRINTED CIRCUIT REV: B

REV. E
NUMBER G882-O-1
SIZE CODE C CS

THIS SCHEMATIC IS FURNISHED ONLY FOR TEST AND MAINTENANCE PURPOSES. THE CIRCUITS ARE PROPRIETARY IN NATURE AND SHOULD BE TREATED ACCORDINGLY. COPYRIGHT 1969 BY DIGITAL EQUIPMENT CORPORATION



UNLESS OTHERWISE INDICATED
 CAPACITORS ARE 100V 5%
 DIODES ARE D664
 RESISTORS ARE 1/4W, 5%
 TRANSISTORS ARE DEC1008-S
 E1, E2 ARE MC1709CG
 E3 IS DEC7400N
 PIN 7 ON E3 = GND
 PIN 14 ON E3 = +5V
 R7 IS POT CERMET HELITRIM 76 PR

REV.	CHG. NO.	REV.	DATE
A			
B			

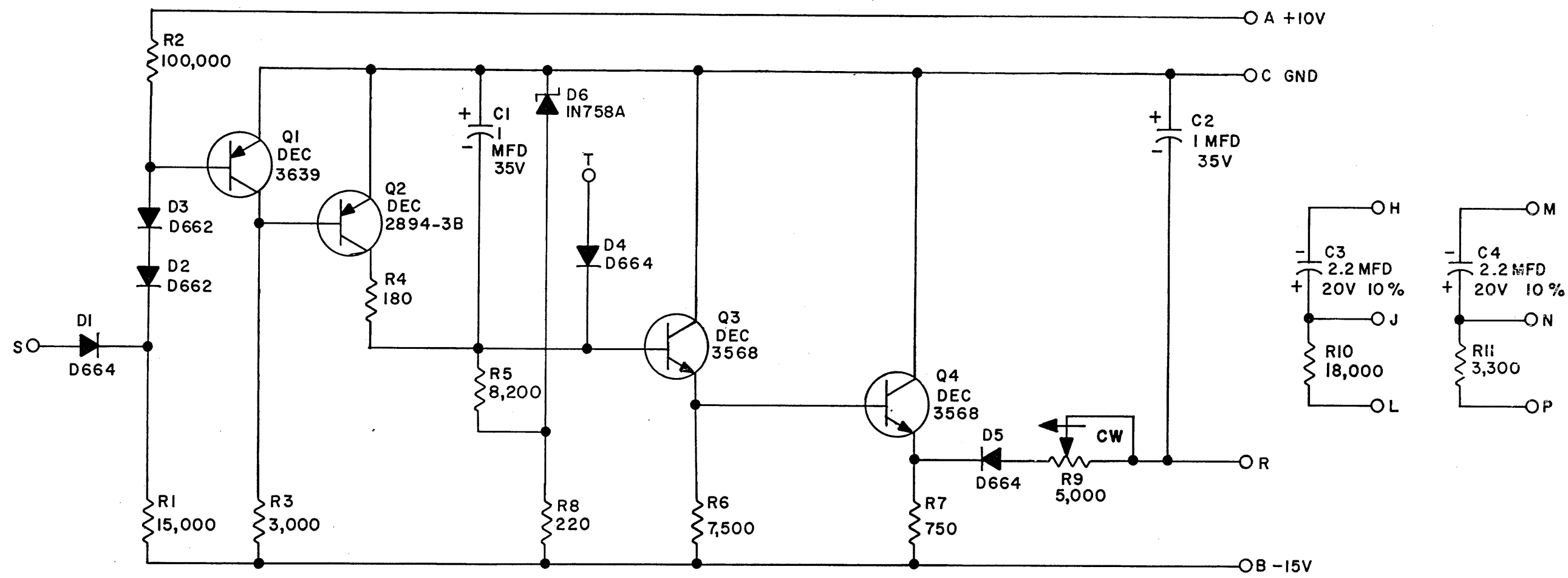
DRN.	DATE
CHK'D	DATE
ENG.	DATE
PROD.	DATE

TRANSISTOR & DIODE CONVERSION CHART			
DEC	EIA	DEC	EIA
D664	IN3606	DEC1008-S	MM1008
D662	IN645		
D670	SAME		
DEC3009B	2N3009B		
DEC6534C	MPS6534		

digital
 EQUIPMENT CORPORATION
 MAYNARD, MASSACHUSETTS

TITLE				MANCHESTER READER/WRITER G888			
SIZE	CODE	NUMBER		REV.			
B	CS	G888-0-1		E			
PRINTED CIRCUIT REV.				A			

THIS SCHEMATIC IS FURNISHED ONLY FOR TEST AND MAINTENANCE PURPOSES. THE CIRCUITS ARE PROPRIETARY IN NATURE AND SHOULD BE TREATED ACCORDINGLY. COPYRIGHT 1966 BY DIGITAL EQUIPMENT CORPORATION



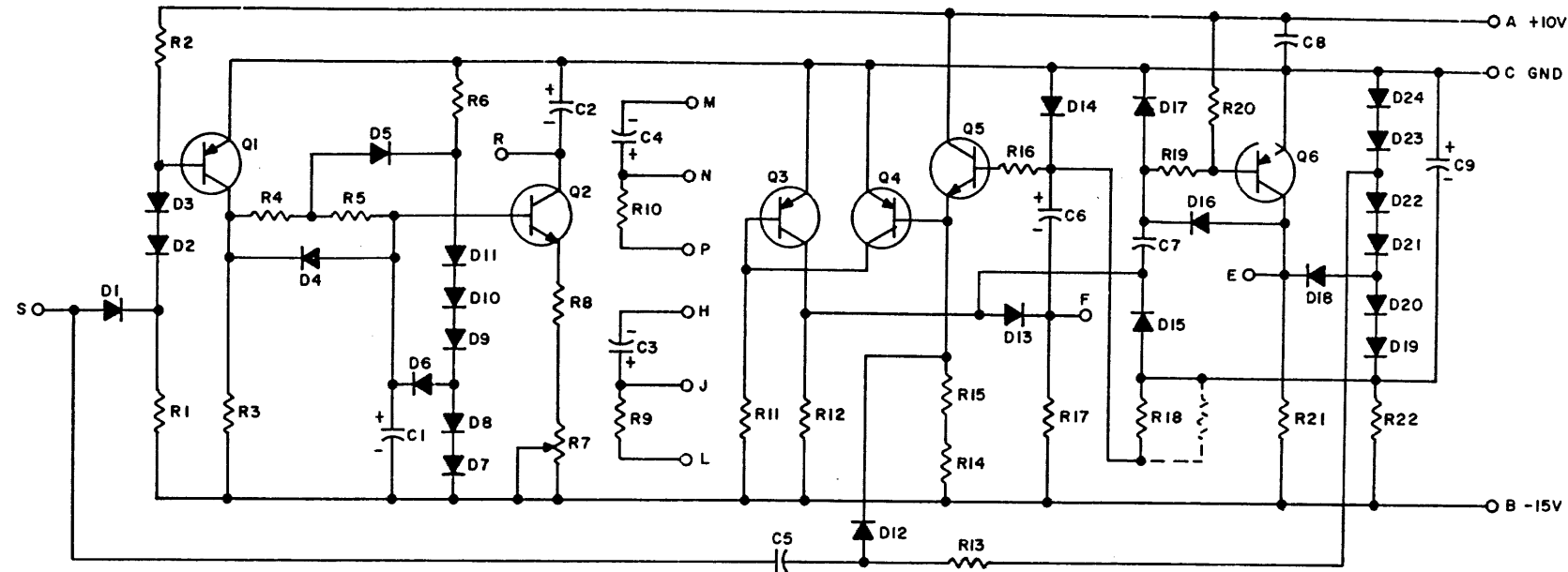
UNLESS OTHERWISE INDICATED:
RESISTORS ARE 1/4W; 5%
R9 IS A #275P

PARTS LIST A-PL-G903-0-0

REVISIONS	CHK	CHG NO.	REV.	DRN.		DATE	TRANSISTOR & DIODE CONVERSION CHART				TITLE			
	5373	A		N. PERRYMAN	3-2-66		DEC	EIA	DEC	EIA		CLOCK ACCELERATOR G903		
	5678	B		CHK'D	DATE		DEC 2894-3B	NONE	IN758A	SAME	SIZE	CODE	NUMBER	REV.
	5743	C		<i>R. Sel...</i>	3-10-66		DEC 3568	2N3568			B	CS	G903-0-1	F
	5883	D		ENG.	DATE		DEC 3639	2N3639			PRINTED CIRCUIT REV. E			
	6876	E		<i>E. de C...</i>	3-11-66		D662	IN645						
		F		PROD.	DATE		D664	IN3606						



THIS SCHEMATIC IS FURNISHED ONLY FOR TEST AND MAINTENANCE PURPOSES. THE CIRCUITS ARE PROPRIETARY IN NATURE AND SHOULD BE TREATED ACCORDINGLY. COPYRIGHT 1968 BY DIGITAL EQUIPMENT CORPORATION



R9	RES. 12K 1/4W 5% CC	1300488
Q6	TRANSISTOR DEC2894-2B-S	1503098
Q3, Q4	TRANSISTOR DEC3639C	1502762-01
Q2, Q5	TRANSISTOR DEC3009B-S	1503100
Q1	TRANSISTOR DEC6534C	1503409-02
R21	RES. 7.5K 1/4W 5% CC	1301422
R19	RES. 47 1/4W 5% CC	1300202
R18	RES. 6.8K 1/4W 5% CC	1301423
R16	RES. 100 1/4W 5% CC	1300229
R13, R20	RES. 10K 1/4W 5% CC	1300479
R11, R12, R22	RES. 1.5K 1/4W 5% CC	1300391
R10	RES. 3.3K 1/4W 5% CC	1300439
R8	RES. 330 1/4W 5% CC	1300295
R7	RES. 5K #275P POT	1305451
R5	RES. 1.2K 1/4W 5% CC	1301320
R3, R4, R6, R17	RES. 1K 1/4W 5% CC	1300365
R2	RES. 100K 1/4W 5% CC	1302466
R1, R14, R15	RES. 15K 1/4W 5% CC	1300496
D2, D3, D7-D11, D19-D24	DIODE D662	1100113
D1, D4-D6, D12-D18	DIODE D664	1100114
C9	CAP. 39MFD 10V 10% S.TANT	1000076
C8	CAP. .01MFD 100V 20% DISC	1001610
C7	CAP. 330MMF 100V 5% D.M.	1000023
C5	CAP. 100MMF 100V 5% D.M.	1000016
C4	CAP. 2.2MFD 20V 10%	1002627
C3	CAP. 3.9MFD 10V 10% S.TANT	1000064
C2, C6	CAP. 1MFD 35V 10% S.TANT	1001776
C1	CAP. 6.8MFD 35V 10%	1005306
	PARTS LIST	A-PL-6913-0-0
REFERENCE DESIGNATION	DESCRIPTION	PART NO.

REVISIONS
CHG NO. REV.

DRN. *M. Walker* DATE *6-9-68*
CHG. DATE *5/1/68*
DATE *5/27/68*
PROD. DATE

TRANSISTOR & DIODE CONVERSION CHART			
	DEC	EIA	
D662		1N645	DEC2894-2B NONE
D664		1N3606	
DEC6534C		MP86534	
DEC3009B		2N3009	
DEC3639C		2N3639	

DIGITAL EQUIPMENT CORPORATION
MAYNARD, MASSACHUSETTS

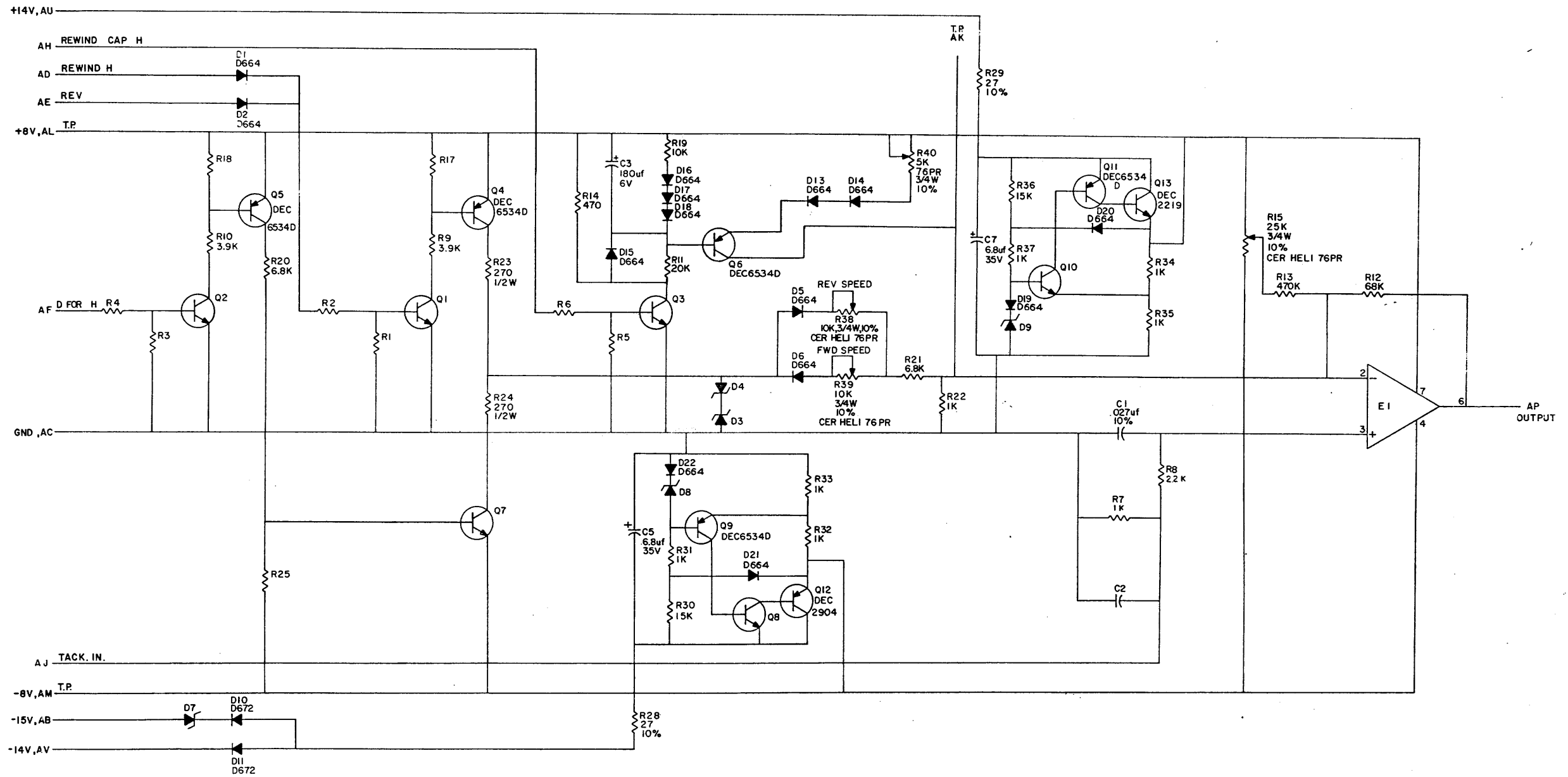
TITLE: **CLOCK CONTROL G913**

SIZE: C CODE: CS NUMBER: G913-0-1 REV.:

PRINTED CIRCUIT REV. A

THIS SCHEMATIC IS FURNISHED ONLY FOR TEST AND MAINTENANCE PURPOSES THE CIRCUITS ARE PROPRIETARY IN NATURE AND SHOULD BE TREATED ACCORDINGLY COPYRIGHT 1970 BY DIGITAL EQUIPMENT CORPORATION

1000 1/25



UNLESS OTHERWISE INDICATED:
 RESISTORS ARE 1.5K, 1/4W, 5%
 CAPACITORS ARE .01uf, 100V, 20%
 DIODES ARE IN750A
 TRANSISTORS ARE DEC6531
 EI IS DEC307

REV J
 NUMBER
 CS 6932A-0-1

REV	DATE	BY
1	8-20-70	S. Cooper
2	10-13-70	W. J. ...
3	11-11-70	W. J. ...
4	12-11-70	W. J. ...

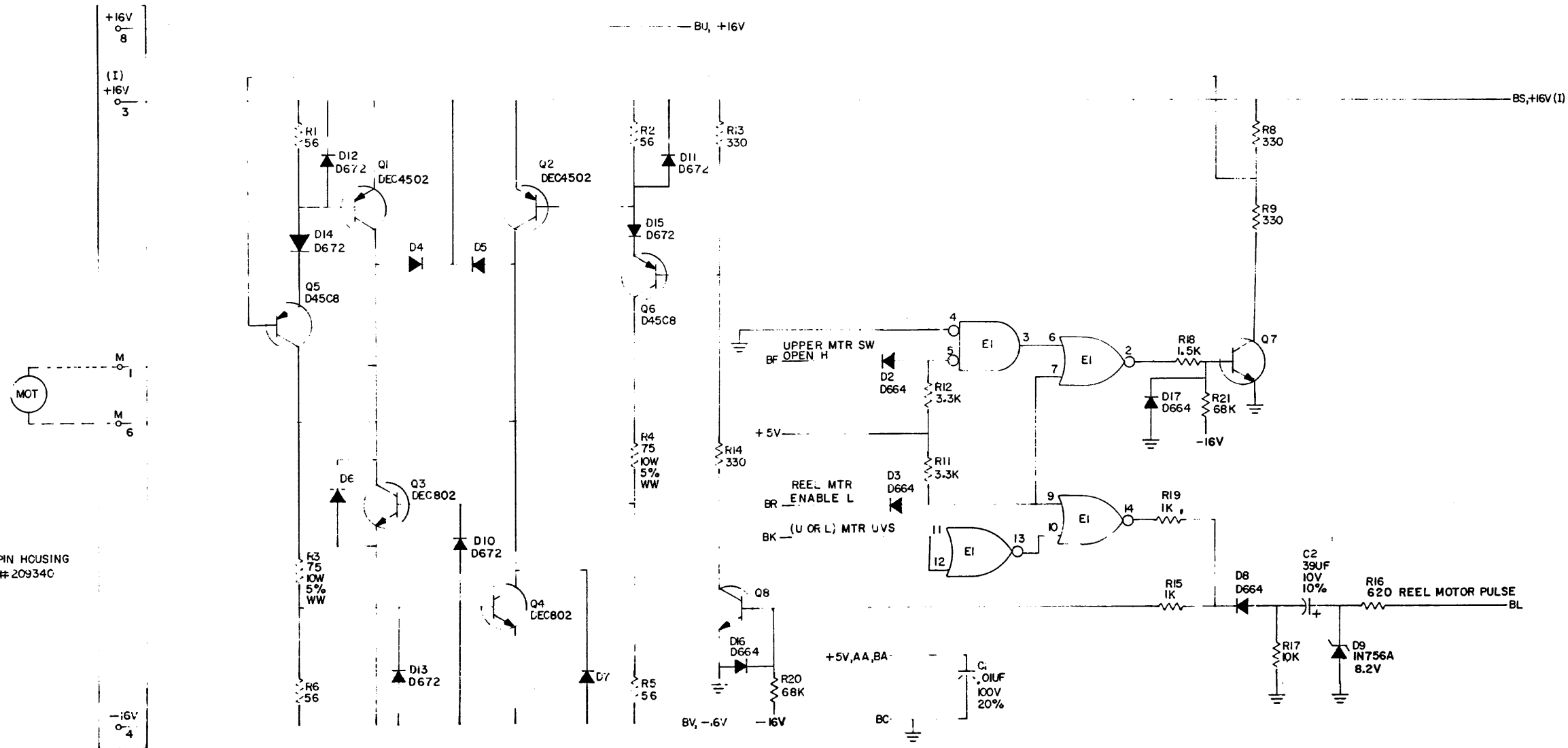
TRANSISTOR & DIODE CONVERSION CHART			
DEC 6531	MP6531	IN750A	1N3604
DEC 6534D	MP6534	D672	1N3483

DATE	8-20-70
BY	S. Cooper
DATE	10-13-70
BY	W. J. ...
DATE	11-11-70
BY	W. J. ...
DATE	12-11-70
BY	W. J. ...

digital		EQUIPMENT CORPORATION	
DATE	CS	NUMBER	J
D	CS	6932-0-1	

DIST-324, 484, 475 1 PINK

THIS SCHEMATIC IS FURNISHED ONLY FOR TEST AND MAINTENANCE PURPOSES. THE CIRCUITS ARE PROPRIETARY IN NATURE AND SHOULD BE TREATED ACCORDINGLY. COPYRIGHT 1970 BY DIGITAL EQUIPMENT CORPORATION



UNLESS OTHERWISE INDICATED:

RESISTORS = 1K, 1/4W, 5%
 DIODES = GE AI5B
 TRANSISTORS = DEC6531
 E1 = DEC380
 PIN 1 = GND ON E1
 PIN 8 = +5V

REV	CHK	NO	REV
1	1	00001	C
2	1	00002	D
3	1	00003	E
4	1	00004	F
5	1	00005	H
6	1	00006	J
7	1	00007	K

DRN NANCY MOORE	DATE 11/15/70
CHK'D	DATE
ENG John P. ...	DATE 11/12/70
PROD	DATE

TRANSISTOR & DIODE CONVERSION CHART			
DEC	EIA	DEC	EIA
D664	IN3606	D45C8	
IN756A	SAME	DEC3790	2N3790
AI5B		DEC3715	2N3715
DEC6531	MPS6531	DEC4502	
DEC802		D672	IN3653

digital EQUIPMENT CORPORATION
 HAYWARD, MASSACHUSETTS

TITLE: REEL MOTOR AMPLIFIER
 G933

SIZE: C CS
 NUMBER: G933-0-1
 REV: K

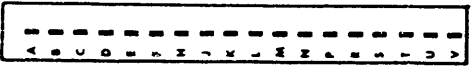
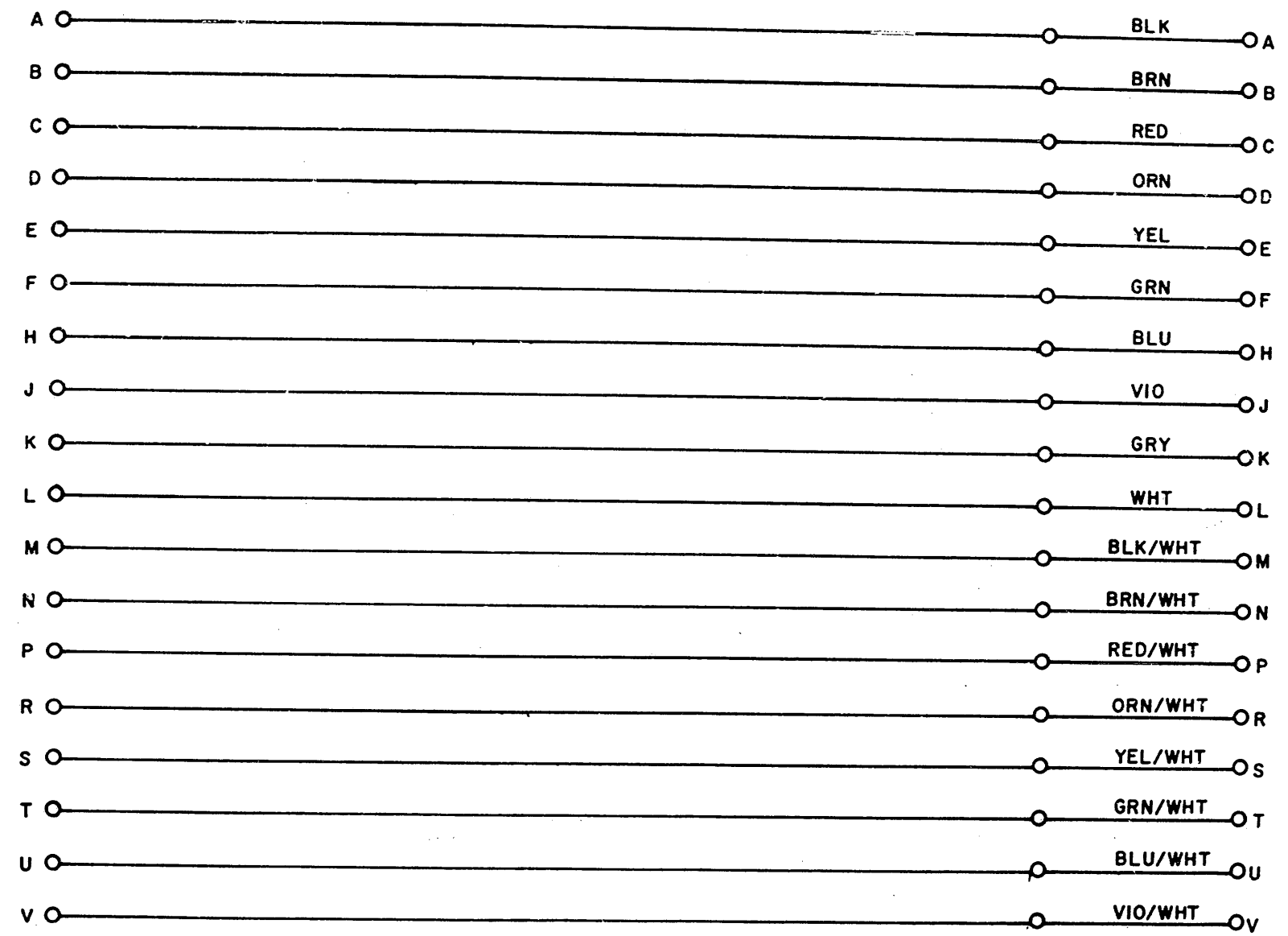
PRINTED CIRCUIT REV: E

REV. K
 NUMBER G933-0-1
 SIZE CODE C CS

↓

REV	NUMBER	CS	B
	6998-0-1		

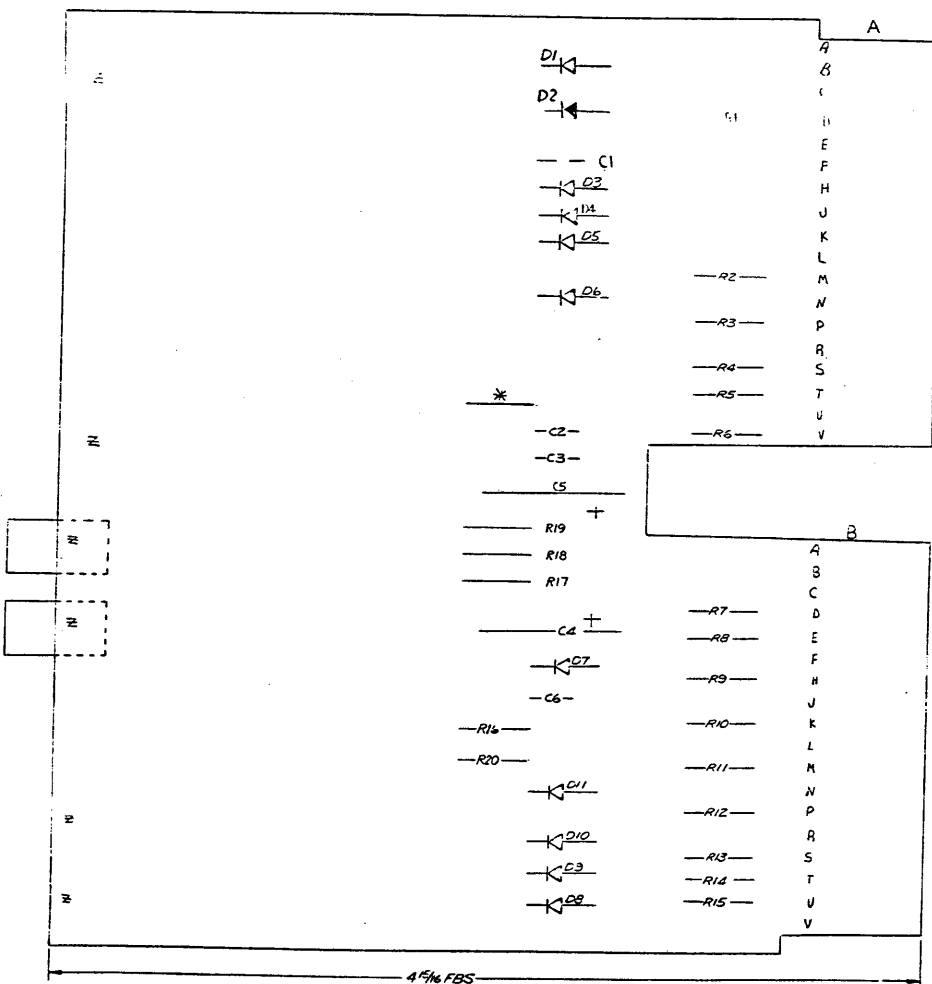
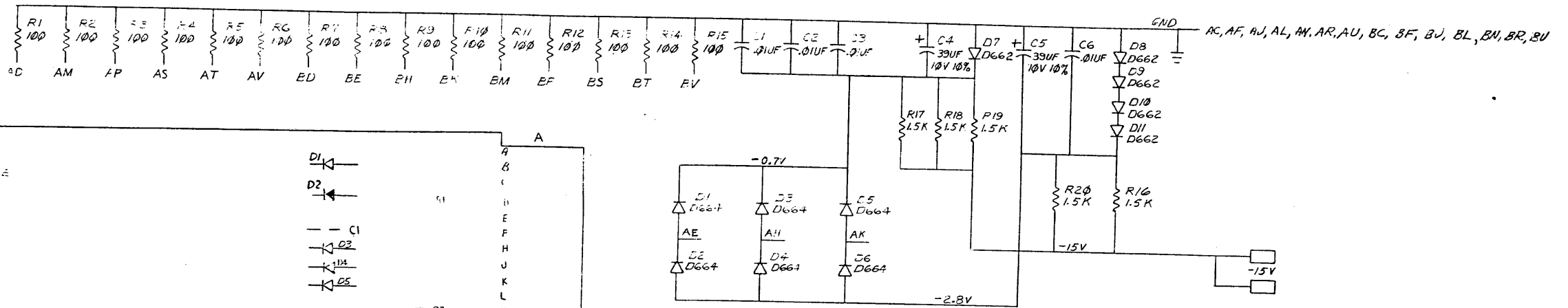
THIS SCHEMATIC IS FURNISHED ONLY FOR TEST AND MAINTENANCE PURPOSES. THE CIRCUITS ARE PROPRIETARY IN NATURE AND SHOULD BE TREATED ACCORDINGLY. COPYRIGHT 1966 BY DIGITAL EQUIPMENT CORPORATION



REVISIONS CHK CHG NO. REV.	DRN <i>M. [Signature]</i> DATE 3-11-66		TRANSISTOR & DIODE CONVERSION CHART				digital EQUIPMENT CORPORATION MAYNARD, MASSACHUSETTS	TITLE CURRENT MEASURING EXTENDER G998			
	CHK'D <i>R. [Signature]</i> DATE 3/17/66		DEC	EIA	DEC	EIA		SIZE	CODE	NUMBER	REV
	ENG. <i>R. [Signature]</i> DATE 3-17-66							B	CS	G998-0-1	
	PROD. DATE							PRINTED CIRCUIT REV. A			



The drawing and specifications, herein, are the property of Digital Equipment Corporation and shall not be reproduced or copied or used in whole or in part as the basis for the manufacture of items without written permission.



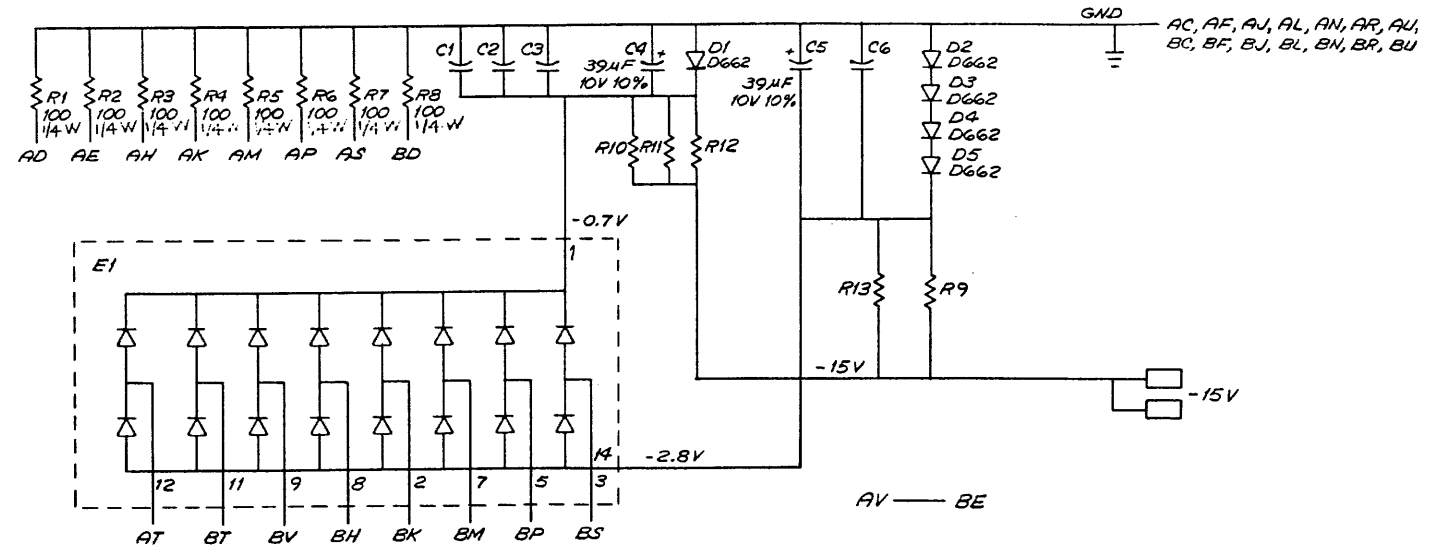
UNLESS OTHERWISE INDICATED
ALL RESISTORS ARE 1/4W 5%
ALL CAPACITORS ARE 100V 20%

QTY	REF DESIGNATION	DESCRIPTION	PART NO.	ITEM NO.
1		HANDLE, FLIP CHIP - GREEN	9008137-01	16
2		EYELET #351-7	9006732	15
2		FASTON TAB	9007112	14
2		EYELET	9009000	13
15	R1 thru R15	RES. 100 Ω 5%	1300229	12
5	R16 thru R20	RES. 1.5K Ω 5%	1300391	10
6	D1 thru D6	DIODE D664	1100114	9
5	D7 thru D11	DIODE D662	1100113	7
4	C1, C2, C3, C6	CAP. .01UF 100V 20% DISC	1001610	6
2	C4, C5	CAP. .39UF 10V 10% TANT	1000076	5
1		ETCHED CIRCUIT BOARD	5010042	4
		MODULE ECO HISTORY	B-MH-07001-0-6	3
		ASSY/DRILLING HOLE LAYOUT	D-AH-07001-0-5	2
		X-Y COORDINATE HOLE LOCATION	K-G0-07001-0-4	1

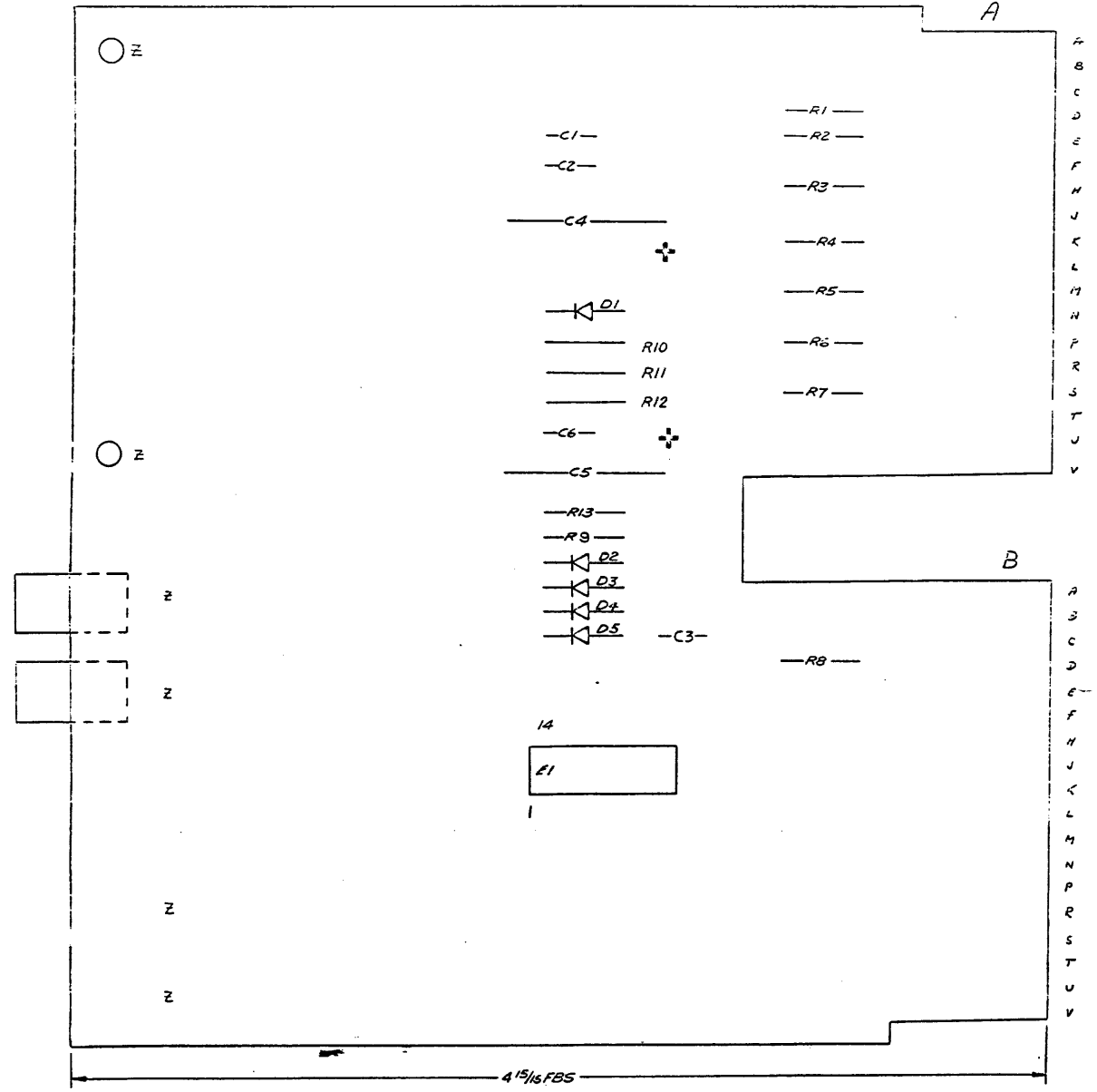
DRN CHK'D ENR PROJ ENG PROD		DATE 2/14/72 DATE 8/5/72 DATE 1/22/72 DATE 4/17/72		digital EQUIPMENT CORPORATION MAYNARD, MASSACHUSETTS	TITLE I/O BUS TERMINATOR #2	
DEC NO. EIA NO. DEC NO. EIA NO.		SCALE SHEET 1 OF 1				SIZE CODE DCS

This drawing and specifications, herein, are the property of Digital Equipment Corporation and shall not be reproduced or copied or used in whole or in part as the basis for the manufacture or sale of items without written permission.

E 1-0-20029 2



UNLESS OTHERWISE NOTED:
 ALL RESISTORS ARE 1.5K ± 5% 1/4 W 5%
 ALL CAPACITORS ARE .01 uF ± 20% 100V DISC CERAMIC
 E1 IS A DEC 2501



QTY	REF DESIGNATION	DESCRIPTION	PART NO.	ITEM NO.
1	E1	IC DEC 2501	1910010	14
5	D1 THRU D5	DIODE D662	1100113	13
2	C4, C5	CAP 39 uF 10V 10% TANT	1000076	12
4	C1, C2, C3, C6	CAP .01 uF 100V 20% DISC	1001610	11
5	R9 THRU R13	RES 1.5K 1/4 W 5%	1300391	10
8	R1 THRU R8	RES 100 1/4 W 5%	1300229	9
2		EYELET G34-5 E.B. STIMPSON	9009000	8
1		HANDLE, FLIP-CHIP, GREEN	9003337-01	7
2		FASTON TAB 60145-1 AMP INC	9007112	6
2		EYELET G34-7 E.B. STIMPSON	9006732	5
		ETCHED CIRCUIT BOARD	5010043	4
1		MODULE ECO HISTORY	B-MH-G7002-0-6	3
		ASSY/DRILLING HOLE LAYOUT	D-AH-G7002-0-5	2
		X-Y COORDINATE HOLE LOCATION	K-CO-G7002-0-4	1

PARTS LIST

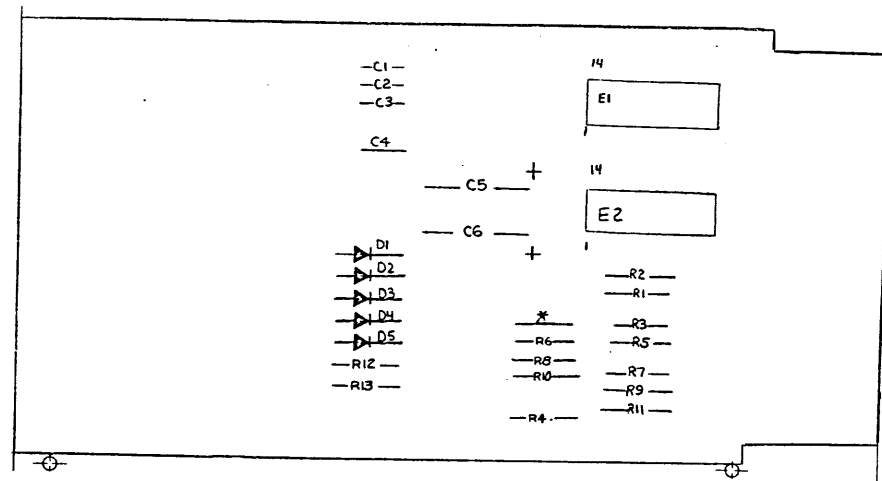
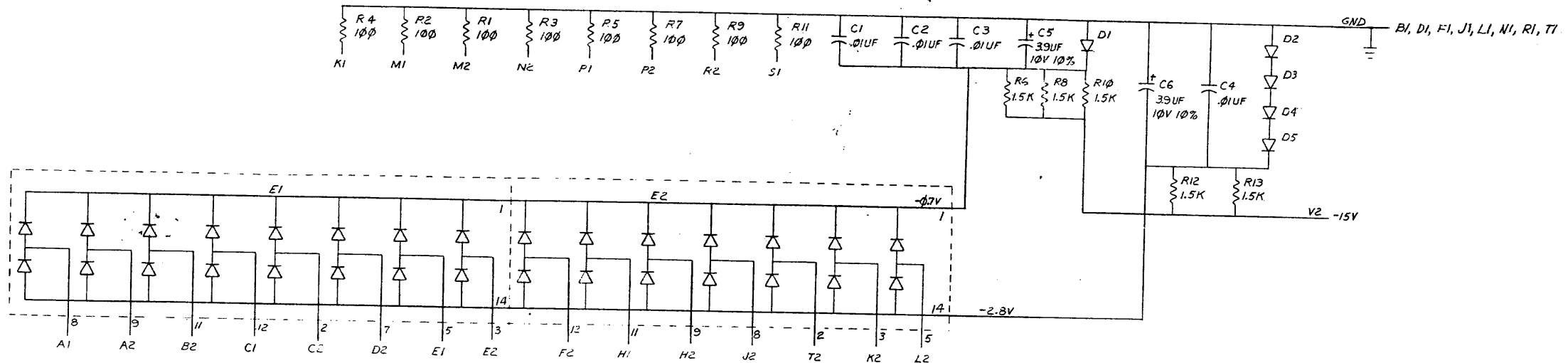
DRN	DATE	DATE	DATE	DATE	DATE	DATE	DATE	DATE	DATE
DESIGNED	10/15/72	10/15/72	10/15/72	10/15/72	10/15/72	10/15/72	10/15/72	10/15/72	10/15/72
CHK	CHANGE NO.	REV	REVISIONS	DEC NO.	EIA NO.	DEC NO.	EIA NO.	SCALE	NOVE
J. DREW		A	ORGANIZED					1 OF 1	
SEMICONDUCTOR CONVERSION CHART									
SHEET 1 OF 1									

digital EQUIPMENT CORPORATION
 MAYNARD, MASSACHUSETTS

TITLE
 I/O BUS TERMINATOR #3

SIZE CODE NUMBER REV.
 DCS G7002-0-1 B

This drawing and specifications, herein, are the property of Digital Equipment Corporation and shall not be reproduced or copied or used in whole or in part as the basis for the manufacture or sale of items without written permission.



UNLESS OTHERWISE SPECIFIED
 ALL RESISTORS ARE 5% 1/4W
 ALL CAPACITORS ARE 20% 100V
 ALL DIODES ARE D662
 E1, E2 ARE DEC 2501

QTY	REF DESIGNATION	DESCRIPTION	PART NO.	ITEM NO.
1		JUMPER, INSULATED L-2007-1	9009185	19
1		HANDLE, FLIP CHIP -GREEN	9008337-01	12
2		EYELET	9006732	11
2	E1, E2	I.C. DEC 2501	1910010	10
8	R1, 2, 3, 5, 7, 9, 11, 4	RES. 100 1/4W 5%	1300229	9
5	R6, R8, 10, 12, 13	RES. 1.5K 1/4W 5%	1300391	8
5	D1, 2, 3, 4, 5	DIODE D662	1100113	7
2	C5, C6	CAP. 3.9UF 10V 10% S.TANT	1000064	6
4	C1, 2, 3, 4	CAP. .01UF 100V 20% DISC	1001610	5
1		ETCHED CIRCUIT BOARD	5010044	4
		MODULE ECO HISTORY	B-MH-87003-0-6	3
		ASSY/DRILLING HOLE LAYOUT	D-AH-87003-0-5	2
		X-Y COORDINATE HOLE LOCATION	K-CO-87003-0-4	1

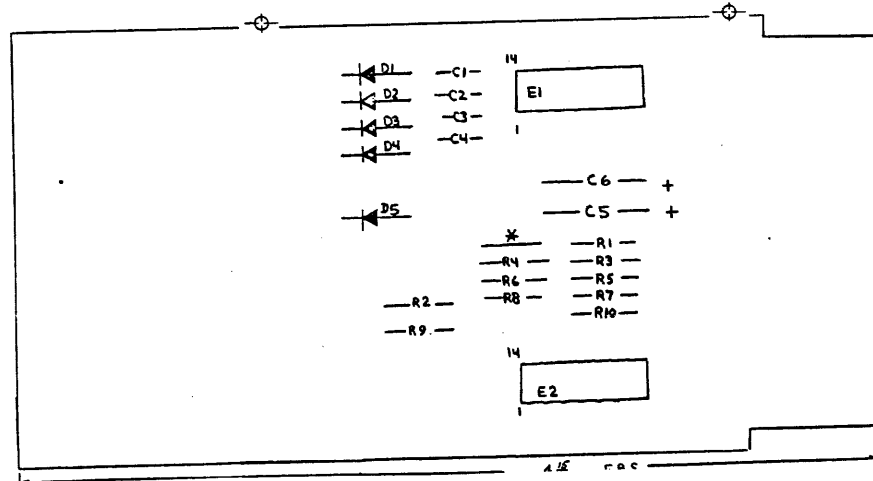
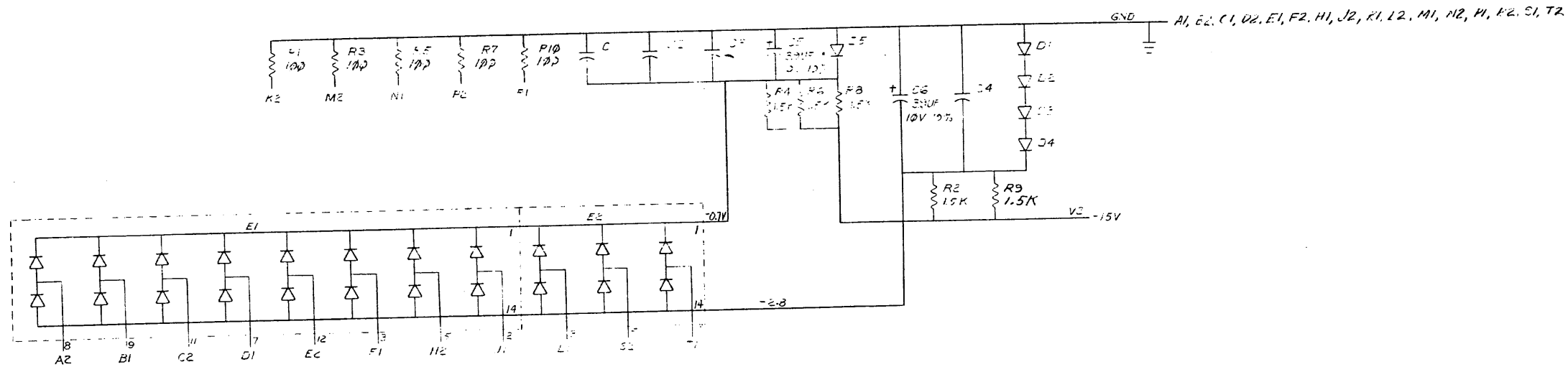
CHK	CHANGE NO.	REV	DATE	DRN	DATE	CHWD	DATE	ENGR	DATE	PRD	DATE	PROJ	DATE
			10-75										

DEC NO.	EIA NO.	DEC NO.	EIA NO.

SCALE	SHEET	OF	DIST.

SIZE CODE	NUMBER	REV.
DCS	G7003-0-1	A

This drawing and specifications, herein, are the property of Digital Equipment Corporation and shall not be reproduced or copied or used in whole or in part as the basis for the manufacture or sale of items without written permission.



UNLESS OTHERWISE SPECIFIED
 ALL RESISTORS ARE 5% 1/4W
 ALL CAPACITORS ARE .01UF 25V 100V
 ALL DIODES ARE D661
 E1, E2 ARE DEC 2501

QTY	REF DESIGNATION	DESCRIPTION	PART NO.	ITEM NO.
12		HANDLE, FLIP CHIP - GREEN	9008337-01	12
11		EYELETS	9006732	11
10	E1, E2	I.C. DEC 2501	1910010	10
9	R1, 3, 5, 7, 10	RES. 100 μ W 5%	1300222	9
8	R2, 4, 6, 8, 9	RES. 1.5K μ W 5%	1300391	8
7	D1, 2, 3, 4, 5	DIODE D662	1100113	7
6	C5, C6	CAP. 3.9UF 10V 10% TANT	1000064	6
5	C1, 2, 3, 4	CAP. .01UF 100V 20% DESC	1001610	5
4		ETCHED CIRCUIT BOARD	5010045	4
3		MODULE ECO HISTORY	B-MH-07004-0-6	3
2		ASSY/DRILLING HOLE LAYOUT	D-AH-07004-0-5	2
1		X-Y COORDINATE HOLE LOCATION	K-CO-07004-0-4	1

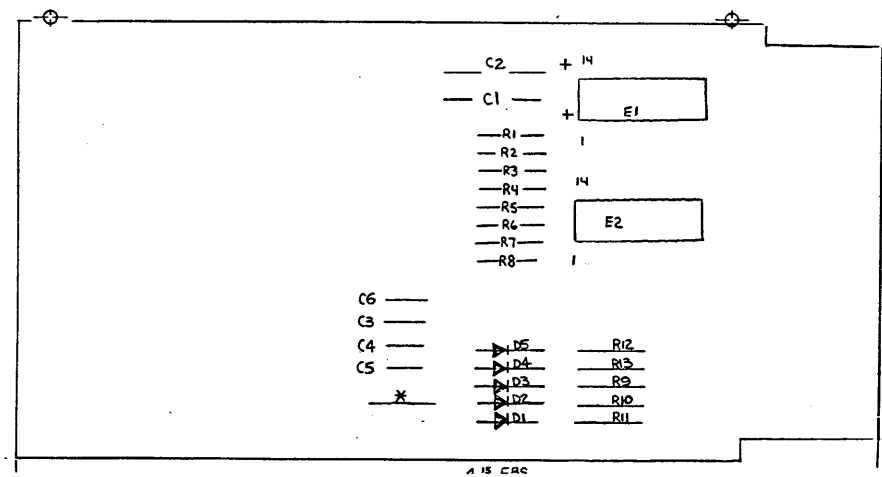
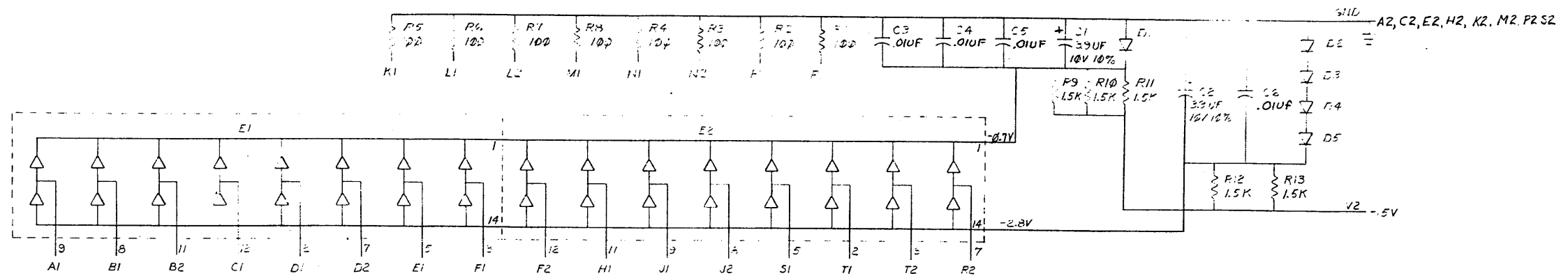
REV	CHANGE NO.	DESCRIPTION	DATE	BY
1	D662	1/6/75	12/1/72	B. Minchin
2			1/19/72	
3			2/1/72	
4			6/2/72	
5			1/16/72	

DRN	DATE							
CHKD.	DATE							
ENG.	DATE							
APPROV. ENG.	DATE							
PROD.	DATE							
NEXT HIGHER ASSY								
H367								
DEC NO.	EIA NO.	DEC NO.	EIA NO.	SCALE	SHEET	OF	CIST.	1

SEMICONDUCTOR CONVERSION CHART		TITLE		I/O BUS TERMINATOR #2	
SIZE CODE		NUMBER		REV.	
D662		37004-0-1		A	

REV. A
 NUMBER G7004-0-1
 SIZE CODE DCS

This drawing and specifications, herein, are the property of Digital Equipment Corporation and shall not be reproduced or copied or used in whole or in part as the basis for the manufacture or sale of items without written permission.



UNLESS OTHERWISE SPECIFIED
 ALL RESISTORS ARE 5% 1/4W
 ALL CAPACITORS ARE 20% 1/4W
 ALL DIODES ARE D662
 E1, E2 ARE DE: 2501

QTY	REF DESIGNATION	DESCRIPTION	PART NO.	ITEM NO.
2	E1, E2	I.C. DEC 2501	1910010	10
8	R1, 2, 3, 4, 5, 6, 7, 8	RES. 100 1/4W 5%	1300229	9
5	R9, 10, 11, 12, 13	RES. 1.5K 1/4W 5%	1300391	8
5	D1, 2, 3, 4, 5	DIODE D662	1100113	7
2	C1, C2	CAP. 3.9UF 10V 10% TANT	1000064	6
4	C3, 4, 5, 6	CAP. .01UF 100V 20% DISC	1001610	5
1		ETCHED CIRCUIT BOARD	5010046	4
		MODULE ECO HISTORY	B-MH-07005-0-6	3
		ASSY/DRILLING HOLE LAYOUT	D-AH-07005-0-5	2
		X-Y COORDINATE HOLE LOCATION	K-CO-07005-0-4	1

CHK		CHANGE NO.	REV	DATE	BY
		D 362	1	1/6/72	ING45

DRN	DATE	BY
DRN	2/10/72	ING45
CHKD	2/10/72	ING45
END	2/10/72	ING45
PRD. ENG.	2/10/72	ING45
PRD.	2/10/72	ING45

SCALE	SHEET	OF
	1	1

SIZE CODE	NUMBER	REV.
D	67005-0-1	A

digital EQUIPMENT CORPORATION
 MAYFORD, MASSACHUSETTS

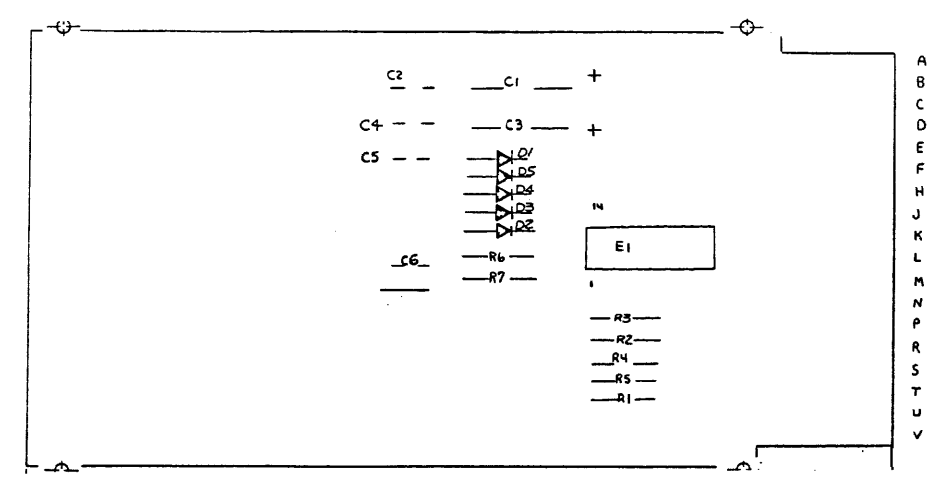
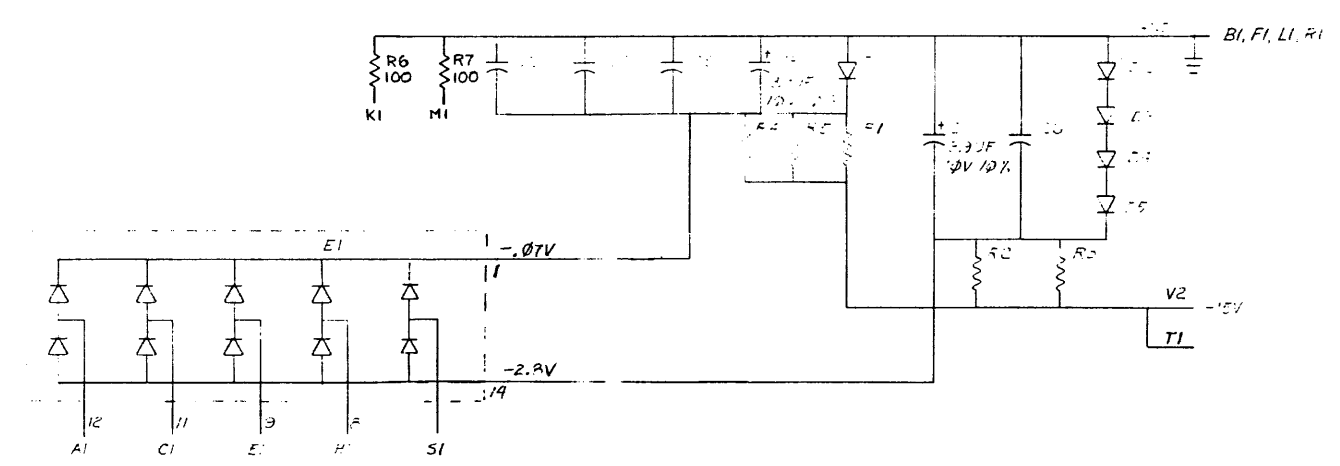
I/O BUS TERMINATOR #3

DEC NO.	EIA NO.	DEC NO.	EIA NO.

SEMICONDUCTOR CONVERSION CHART

REV. A
 NUMBER 67005-0-1
 SIZE CODE D

Dimensions, herein, are the proportions and shall not be in whole or in part as a scale of items without



UNLESS OTHERWISE SPECIFIED
 ALL RESISTORS ARE 1.5K 5% 1/4W
 ALL CAPACITORS ARE .01UF 20% 160V
 ALL DIODES ARE D662
 E1 IS DEC 25/81

QTY.	REF. DESIGNATION	DESCRIPTION	PART NO.	ITEM NO.
2		EYELET	9006732	12
1		I.C. DEC 2501	1910010	11
1		HANDLE, FLIP CHIP - GREEN	9008337-01	10
5	R2, 3, 4, 5, 1	RES. 1.5K 1/4W 5%	1300391	9
2	R6, 7	RES. 100 1/4W 5%	1300229	8
5	D1, 2, 3, 4, 5	DIODE D662	1100113	7
2	C1, C3	CAP. 3.9UF 10V 10% TANT	1000064	6
4	C2, 4, 5, 6	CAP. .01UF 100V 20% DISC	1001610	5
1		ETCHED CIRCUIT BOARD	5010047	4
		MODULE ECO HISTORY	B-MH-07006-0-6	3
		ASSY/DRILLING HOLE-LAYOUT	D-AH-07006-0-5	2
		X-Y COORDINATE HOLE LOCATION	K-CO-07006-0-4	1
		DEC PART NO.		

QTY.	REF. DESIGNATION	DESCRIPTION	PART NO.	ITEM NO.
PARTS LIST				

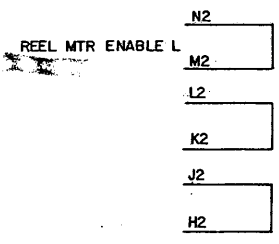
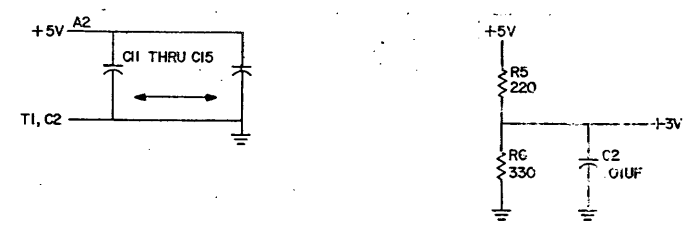
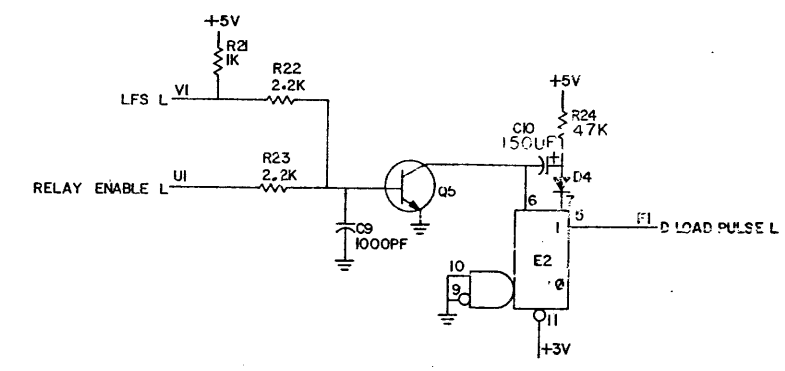
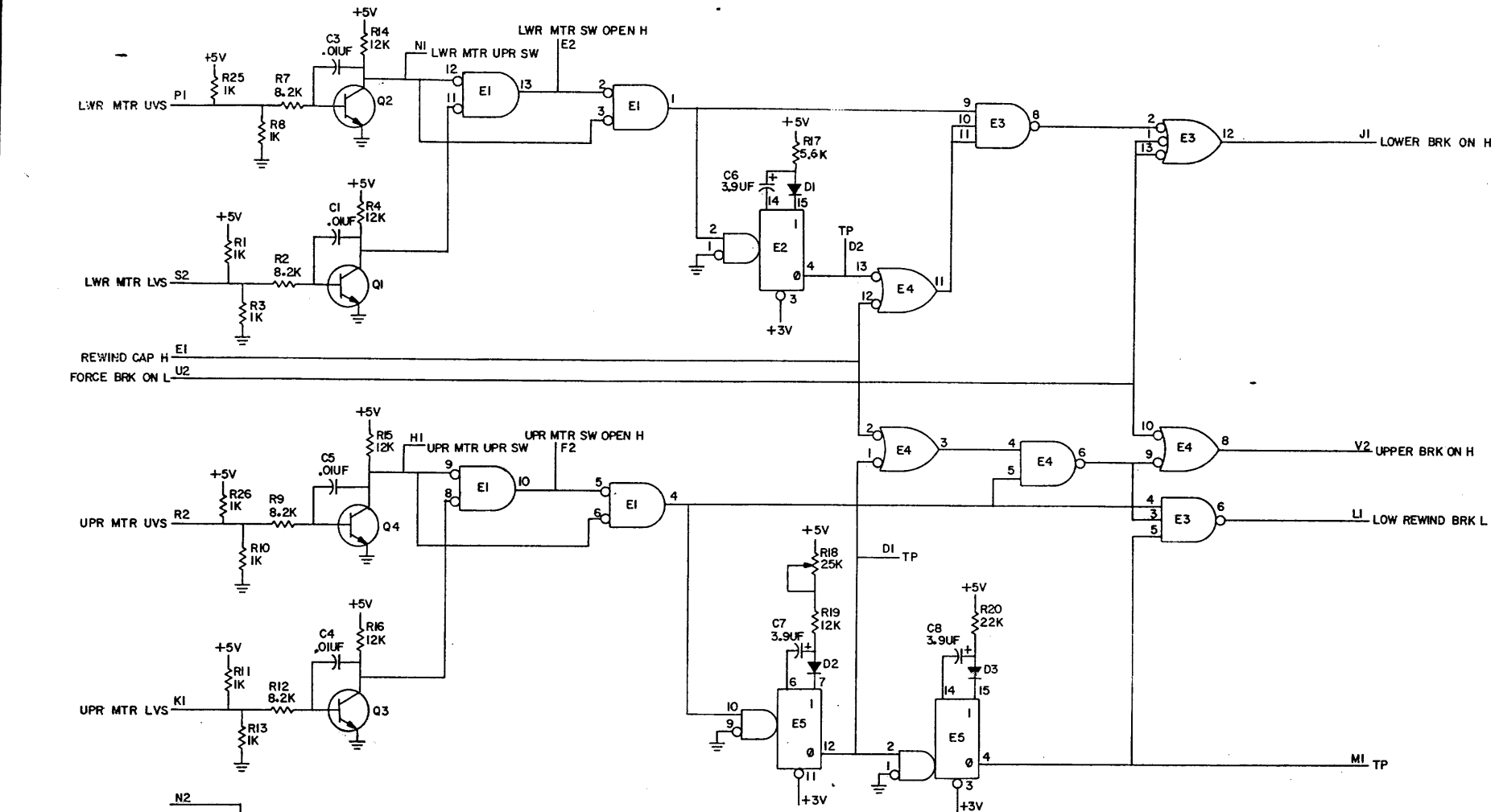
DRN	DATE	2/1/82	
CHKD	DATE	4/21/82	
ENG	DATE	4/21/82	
PROJ. ENG.	DATE	4/21/82	
PRD.	DATE	4/21/82	
NEXT HIGHER ASSY			
DEC NO.	EIA NO.	DEC NO.	EIA NO.
SEMICONDUCTOR CONVERSION CHART			
SCALE	OF		

digital EQUIPMENT CORPORATION
 WAYNARD, MASSACHUSETTS

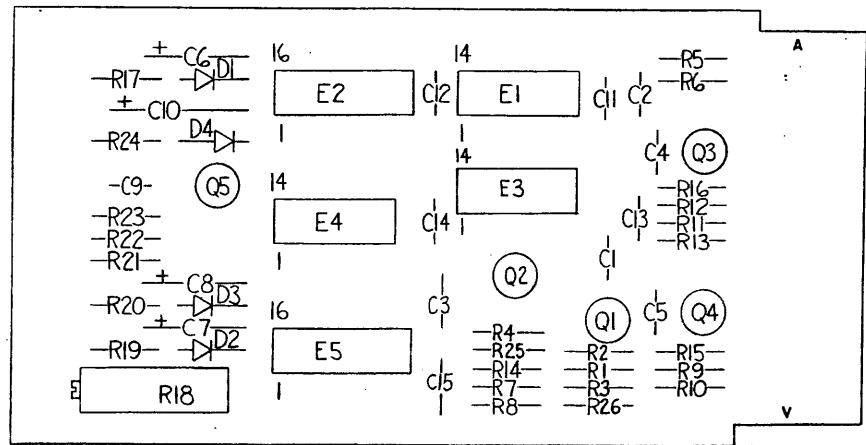
I/O BUS TERMINATOR #4

SIZE CODE: DCS NUMBER: 67006-01 REV. C

THIS SCHEMATIC IS FURNISHED ONLY FOR TEST AND MAINTENANCE PURPOSES. THE CIRCUITS ARE PROPRIETARY IN NATURE AND SHOULD BE TREATED ACCORDINGLY. COPYRIGHT 1971, BY DIGITAL EQUIPMENT CORPORATION.



PIN 7 = GND ON E1, E3, E4
 PIN 14 = +5V
 PIN 8 = GND ON E2, E5
 PIN 16 = +5V



QTY.	REF DESIGNATION	DESCRIPTION	MANUFACTURER	REV
1		HANDLE, FLIP CHIP - GREEN	90C8117-02	25
2		EYELET #04d-7	9004772	26
1	R17	RES. 5.6K 1/4W 5%	1901874	27
A/R		TRIPOINT	1210244-0	28
2	22, 5	7-16 DEC 74123	1910244	29
1	E1	I.C. DEC 7402	1909004	30
1	E3	I.C. DEC 7410	1905576	31
1	E4	I.C. DEC 7400	1905575	32
4	Q1, 2, 3, 4	TRANSISTOR DEC 6531	1509338	33
1	Q5	TRANSISTOR DEC 3009B	1503100	34
1	R18	RES. 25K POT HELI/TIRM 76PR 3/4W 10%	1309143-12	35
4	R7, 7, 9, 12	RES. 8.2K 1/4W 5%	1303179	36
1	R24	RES. 47K 1/4W 5%	1302177	37
1	R20	RES. 22K 1/4W 5%	1301808	38
5	R4, 14, 15, 16, 19	RES. 12K 1/4W 5%	1300488	39
2	R22, 23	RES. 2.2K 1/4W 5%	1300417	40
9	R1, 3, 8, 10, 11, 13, 21, 25, 26	RES. 1K 1/4W 5%	1300365	41
1	R6	RES. 330 1/4W 5%	1300295	42
1	R5	RES. 220 1/4W 5%	1300271	43
4	D1 - D4	DIODE D664	1100114	44
15	C1 - C15	CAP. .01UF 100V 20% DISC	1001610	45
1	C10	CAP. 150UF 6V 20% TAN	1005572	46
3	C9, 7, 8	CAP. 3.9UF 10V 10% TAN	1000064	47
1	C9	CAP. 10UF 10V 5% TAN	1000042	48
1	C9	ETCHED FILM CAPACITOR	5009548	49
		PCB - DEC HISTORY	9340-0-6	50
		ASSEMBLY HISTORY	9340-0-5	51
		X-Y COORDINATE HOLD DATA	9340-0-4	52
		CHIP LIST	9340-0-3	53

REV	DATE	BY	CHKD	DATE	BY	CHKD	DATE	BY	CHKD
1	7-27-71	W. J. H.							
2	7-27-71	W. J. H.							
3	7-27-71	W. J. H.							

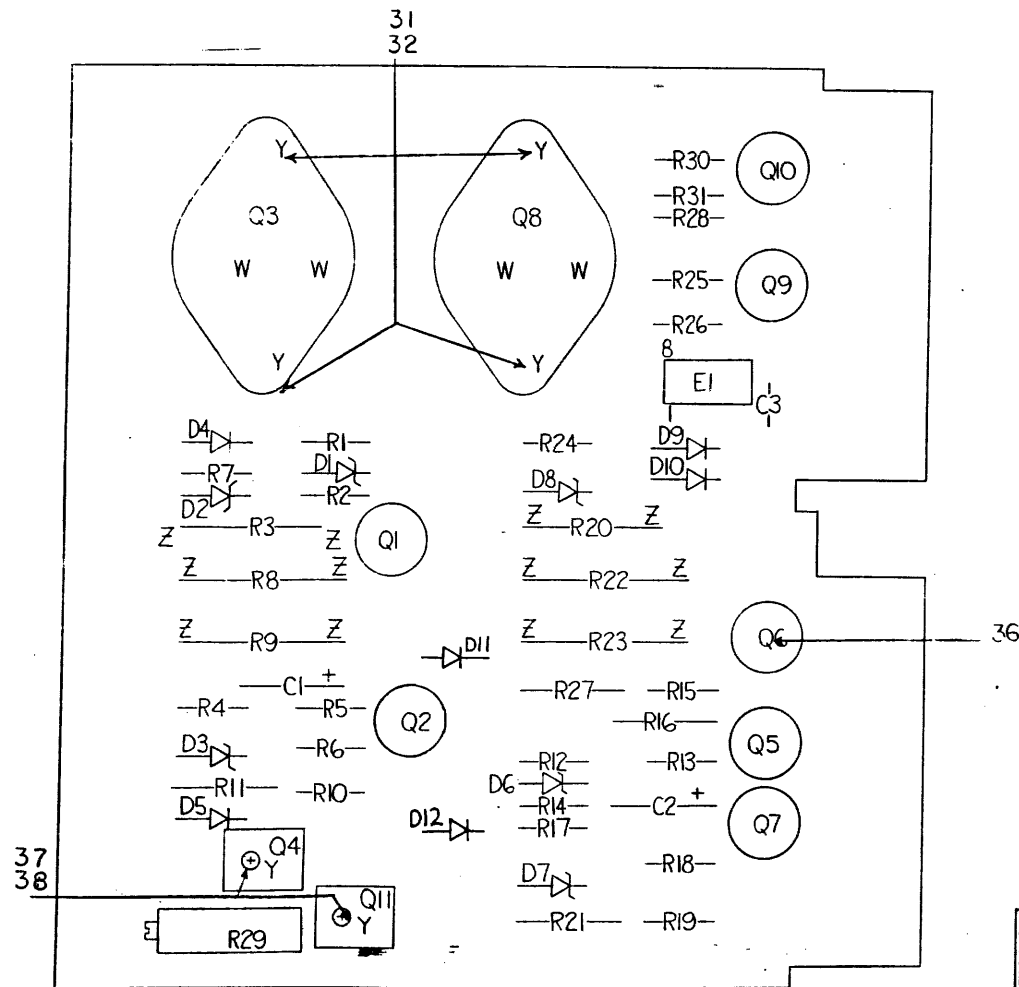
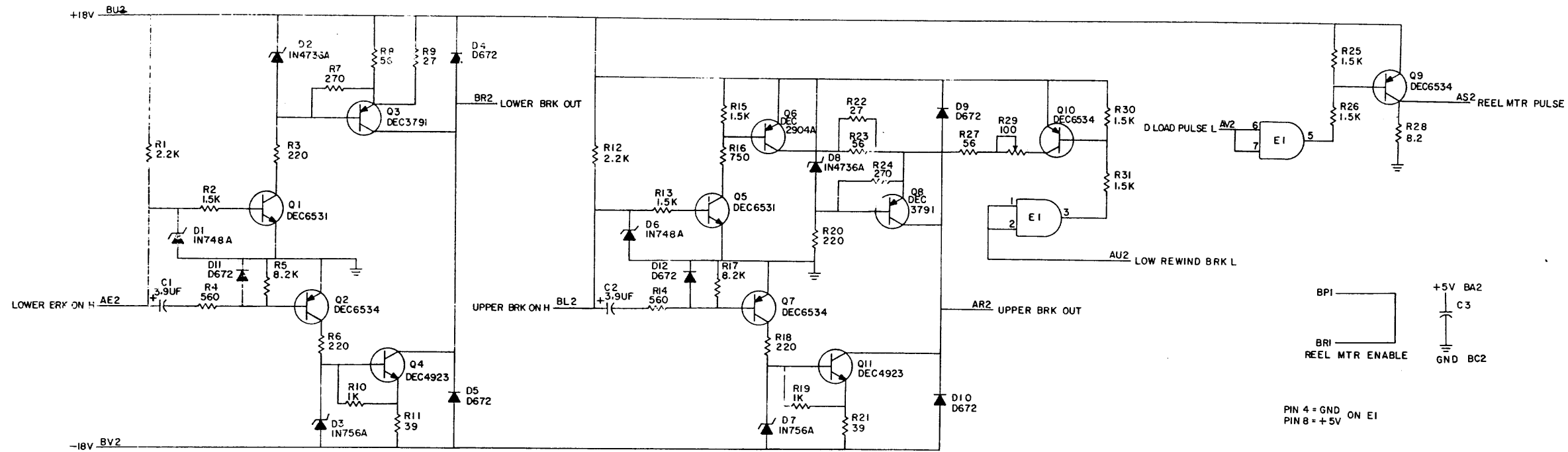
TRANSISTOR & DIODE CONVERSION CHART

DEC	EMA	DEC	EMA
D664	1N3606		
DEC6531	MPS6531		

digital EQUIPMENT CORPORATION
 BRAKE ACTUATOR
 REV D CS NUMBER 9340-0-1 REV C

THIS SCHEMATIC IS FURNISHED ONLY FOR TEST AND MAINTENANCE PURPOSES. THE CIRCUITS ARE PROPRIETARY IN NATURE AND SHOULD BE TREATED ACCORDINGLY. COPYRIGHT 1971 BY DIGITAL EQUIPMENT CORPORATION.

8 1-0-1 6341-0-1 CS D
 33# 3000 1215



2		NUT, 4-40 NYLON	9001992	38
2		SCREW 4-40 X 1/4 NYLON	900640T-5	37
1	(UNDER Q6)	TRANSIPAD	9007200	34
2	R10, R19	RES. 1K 1/4W 5%	1300165	35
2		TRANSIL, FLIP CHIP - GREEN	9008337-01	34
		BYLEET	9006732	33
4		#4 KEP NUT	9006557	32
4		SCREW #4 X 5/16LG	9006010-1	31
1	-1	I.C. DEC 75451	1910406	30
1	Q4, 11	TRANSISTOR 2N4923	1509604	29
1	Q3	TRANSISTOR 2N3791	1509581	28
2	Q1, 5	TRANSISTOR DEC 6531	1509338	27
4	Q2, 9, 10, 7	TRANSISTOR DEC 6534D	1503409	26
1	Q6	TRANSISTOR 2N2904A	1501913	25
1	R29	PCT 100 3/4W 10% 76PR	1309143-04	24
2	R9, 22	RES. 27 2W 10%	1305624	23
2	R5, 17, 28	RES. 6.2K 1/4W 5%	1302836	22
	R23, 1	RES. 56 2W 5%	1302936	21
	R11, 21	RES. 39 1/4W 5%	1302336	20
	R7, 24	RES. 270 1/4W 5%	1301972	19
	R13, 4	RES. 560 1/4W 5%	1301890	18
	R1, R12	RES. 2.2K 1/4W 5%	1300417	17
	R2, 15, 25, 26, 30, 31	RES. 1.5K 1/4W 5%	1300391	16
1	R1	RES. 750 1/4W 5%	1300354	15
1	R3, 20	RES. 220 1W 10%	1300287	14
3	R14, 6	RES. 220 1/4W 5%	1300271	13
4	R27	RES. 56 1/4W 10%	1300215	12
6	Q4, 5, 9, 10, 11, 12	DIODE D672	1105275	11
2	Q1, 6	DIODE 1N748A	1100122	10
7	Q3, 7	DIODE 1N756A	1103441	9
7	Q2, 8	DIODE 1N4736A	1103340	8
	C3	CAP. .01UF 100V 20% 110V	1001610	7
	Q1, 2	CAP. 3.9UF 10V 10% 5-TANT	1000064	6
		STANDARD BOARD BOARD	9009549	5
		WIRE BOND HISTORY	6-28-69341-0-6	4
		ASSEMBLY LAYOUT	6-28-69341-0-5	3
		ASSEMBLY SKILL LOCATION	6-28-69341-0-4	2
		DESCRIPTION	6-28-69341-0-1	1

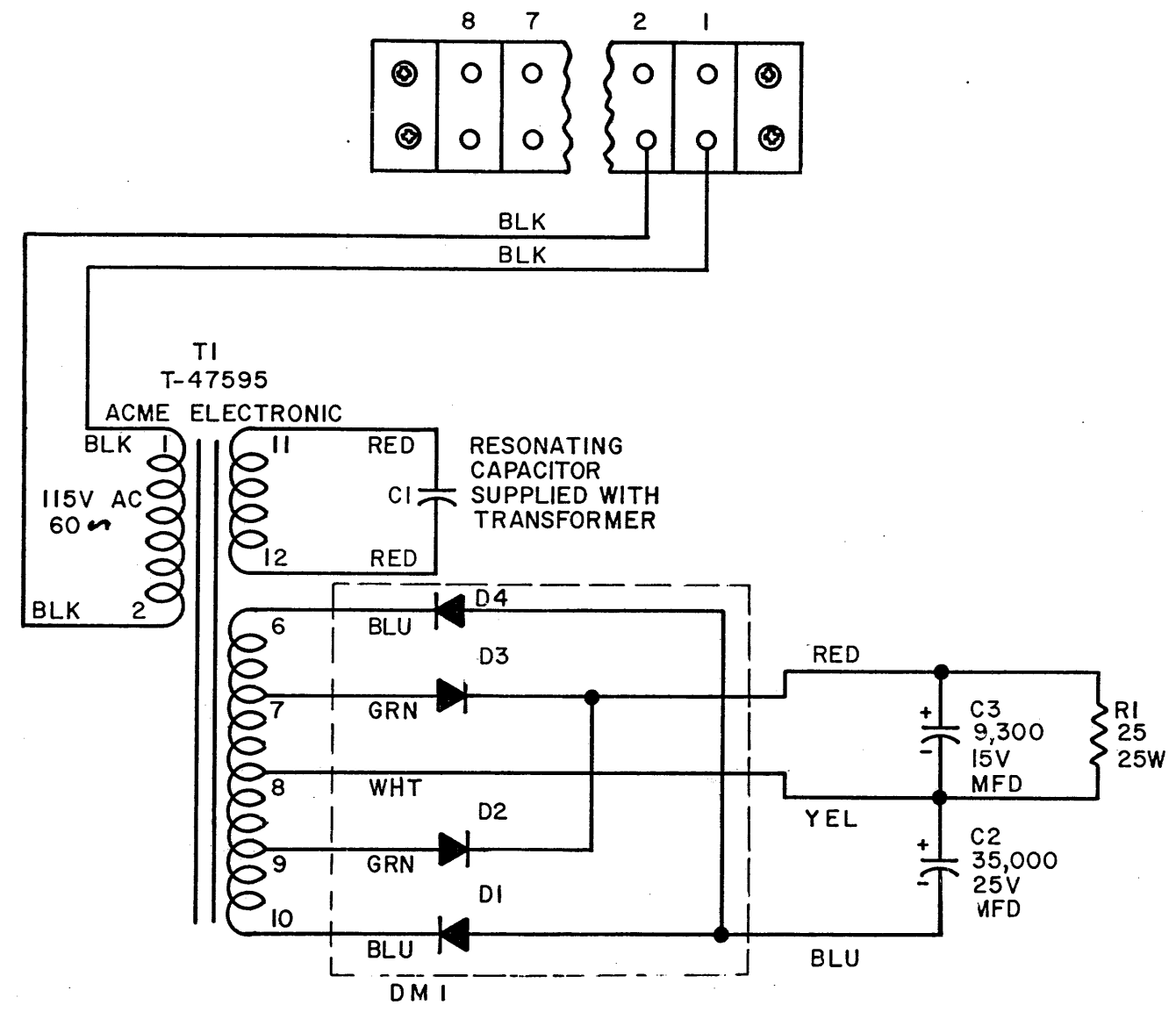
REVISIONS		TRANSISTOR & DIODE CONVERSION CHART				TITLE	
REV	DATE	DEC	EIA	DEC	EIA	DATE	NUMBER
1	12-21-71	DEC	1N756A	DEC	MP6534	12-21-71	69341-0-1
2	1-20-72	DEC	1N748A	DEC	MP6531		
3	1-25-72	DEC	1N756A	DEC	MP6534		
4	1-25-72	DEC	1N4736A	DEC	MP6531		
5		DEC	1N4736A	DEC	MP6534		

DRN: S. Corbett
 CHG'D: J. He
 ENG: J. He
 DRC: J. He

digital
 EQUIPMENT CORPORATION
 TITLE: TU-10 BRAKE ACTUATOR
 DATE: 12-21-71
 CODE: D CS
 NUMBER: 69341-0-1
 REV: B

CS-B-H701-3

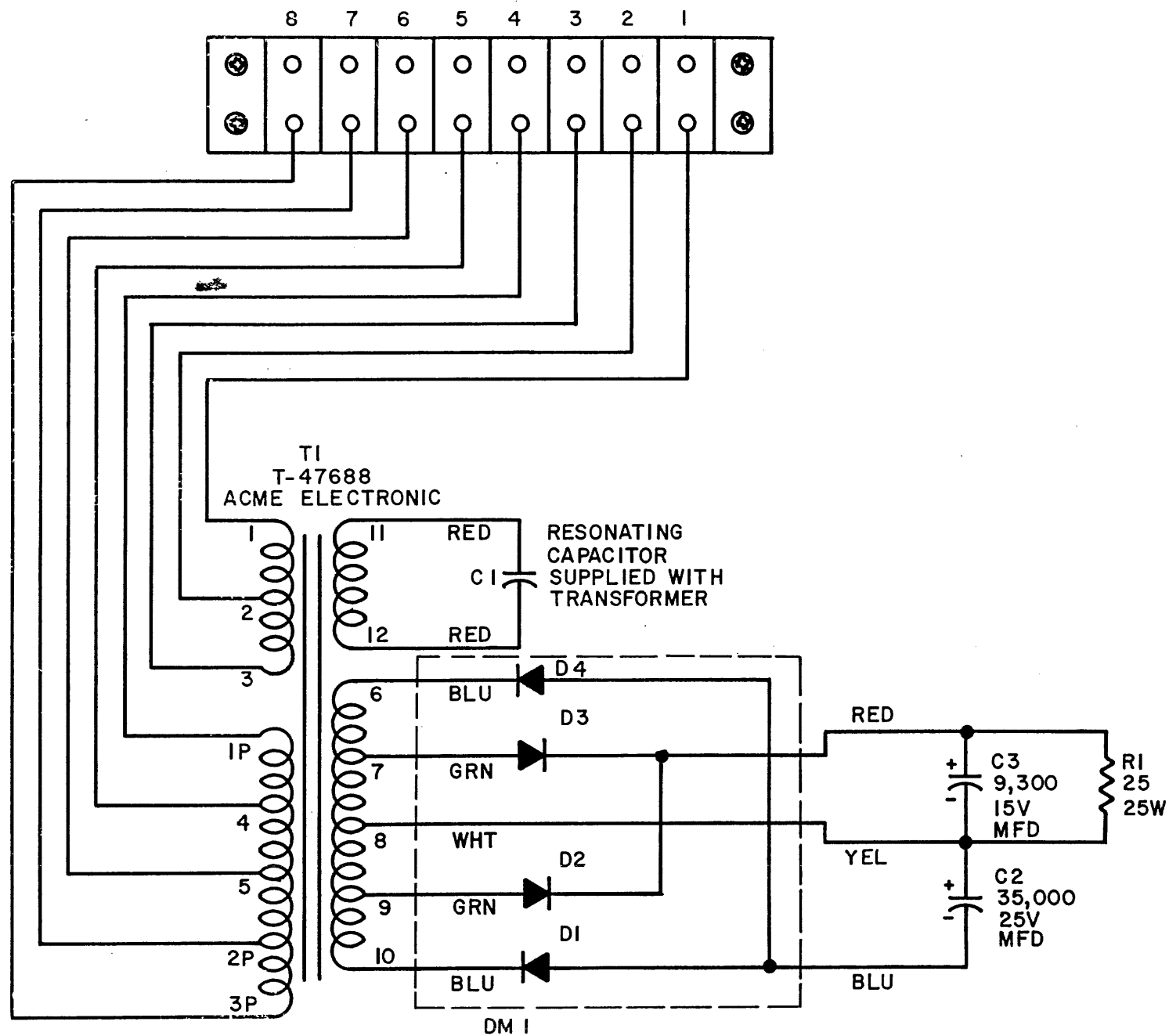
CINCH JONES TERMINAL STRIP NO. 354-21-12-001



5067-3	4784-2	4742-1	ECO. NO.	DRAFTSMAN	CHECKER	digital EQUIPMENT CORPORATION MAYNARD, MASSACHUSETTS	CODE	DWG. NO.	REV.
				H. W. PORTER			CS	B-H701	3
			ENG.	ENGINEER	PRODUCTION	TITLE	POWER SUPPLY H701		
				DATE	DATE				

CS-B-H701A-3

CINCH JONES TERMINAL STRIP NO.354-21-12-001



CAUTION:
CHECK TRANSFORMER
TAPS BEFORE USING

INPUT VOLTAGE	JUMPER	LINE
112.5	10%	2-4,3-7
123.5	10%	1-4,3-8
195	10%	1-5
220	10%	1-6
235	10%	2-8

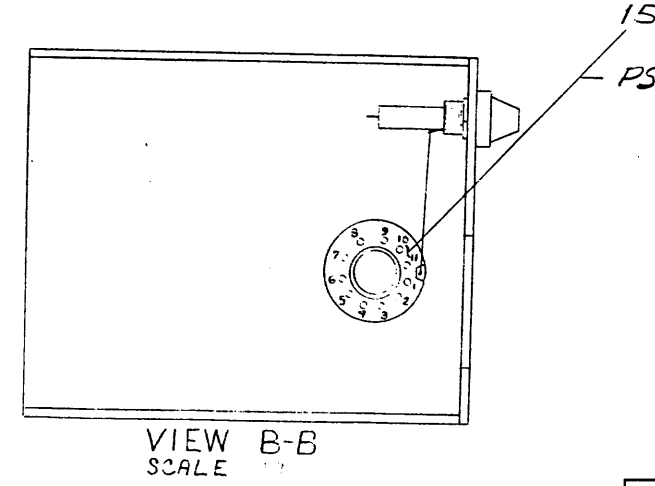
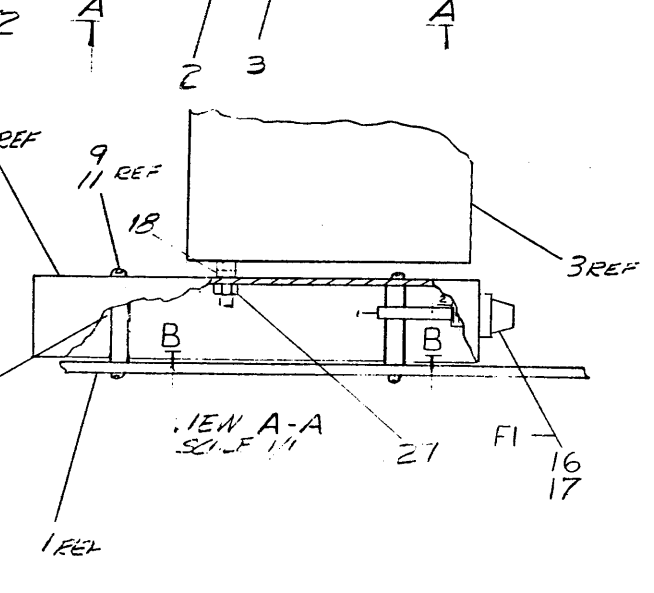
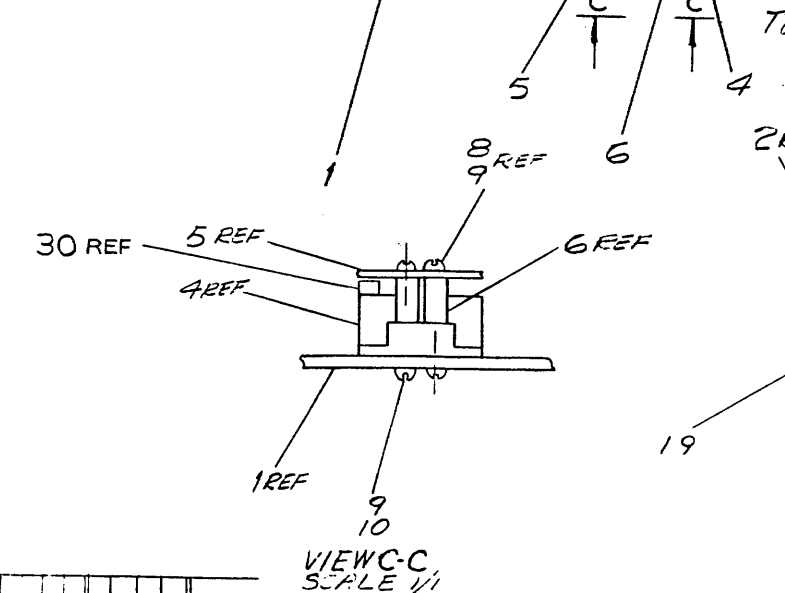
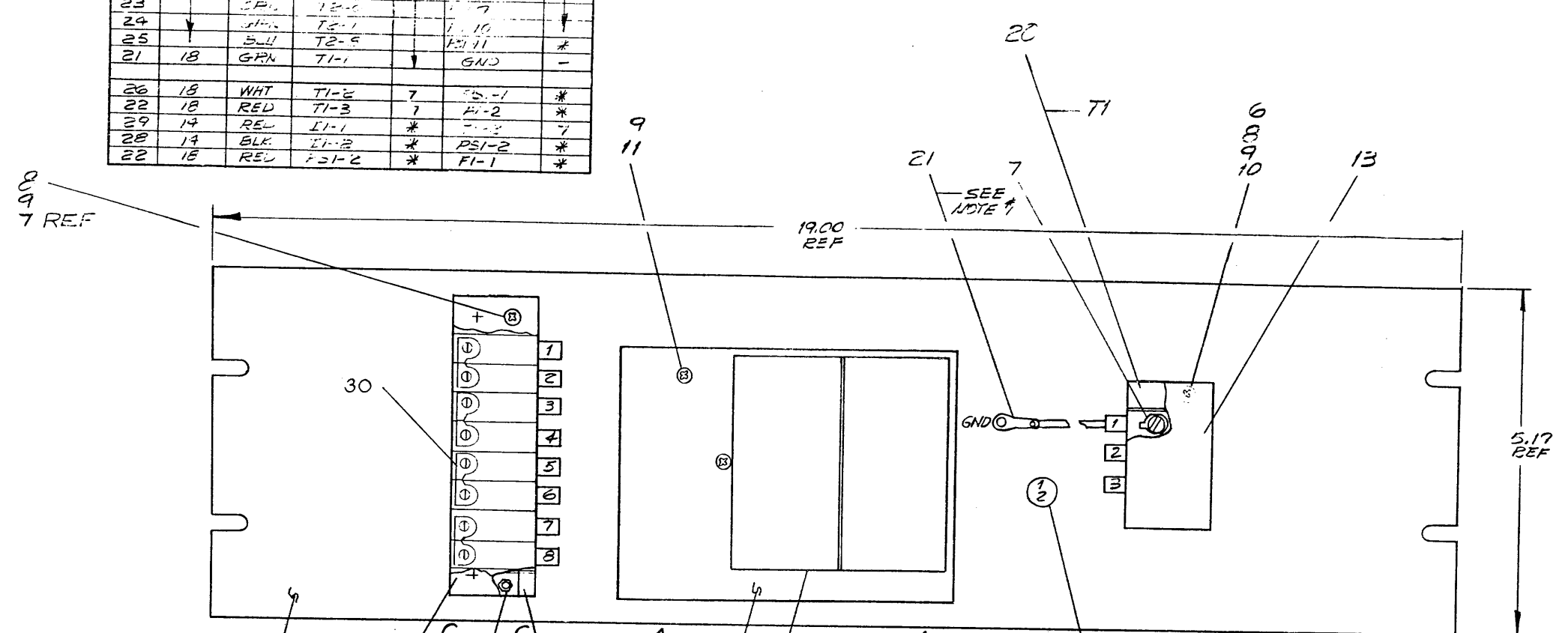
REVISIONS ECO. NO. 4741-1 4784-2 5068-3	DRAFTSMAN H. W. PORTER DATE 1-22-65	CHECKER <i>[Signature]</i> DATE	digital EQUIPMENT CORPORATION MAYNARD, MASSACHUSETTS	CODE CS	DWG. NO. B-H701A	REV. 3
	ENGINEER <i>[Signature]</i> DATE	PRODUCTION DATE		TITLE POWER SUPPLY H701A		

This drawing and specifications, herein, are the property of Digital Equipment Corporation and shall not be reproduced or copied or used in whole or in part as the basis for the manufacture or sale of items without written permission.

WIRE TABLE

ITEM NO	AWG	COLOR	FROM CONNECTION WITH	TO CONNECTION WITH
22	18	RED	T2-1	7
23		ORN	T2-2	7
24		GRN	T2-3	7
25		BLU	T2-4	7
22		RED	T2-5	7
23		ORN	T2-6	7
24		GRN	T2-7	7
25		BLU	T2-8	7
21	18	GRN	T1-1	GND
26	18	WHT	T1-2	7
22	18	RED	T1-3	7
29	14	RED	I1-1	*
28	14	BLK	I1-2	*
22	15	RED	F21-2	*
			F1-1	*

NOTES:
 1. ITEM (24) GRN WIRE, TO BE SOLDERED TO ITEM (21) GND LUG, THEN FASTEN STRAIGHTENED LUG BETWEEN ITEM (24) AND PANEL AND ITEM (21) SPACER.
 2. * INDICATES SOLDERING POINT OF WIRE



REV	CHANGE NO.	DATE	BY	CHKD.
A	01	07-07-70	AGNE	
B	02	07-12-70	AGNE	
C	03	07-12-70	AGNE	

FIRST USED ON OPTION/MODEL
AA11-D

DO NOT SCALE DRAWING
 UNLESS OTHERWISE SPECIFIED
 DIMENSION IN INCHES
 TOLERANCES
 DECIMALS FRACTIONS ANGLES
 ±.008 ± 1/64 ± 90°
 FINAL SURFACE QUALITY
 REMOVE BURRS AND BREAK SHARP CORNERS

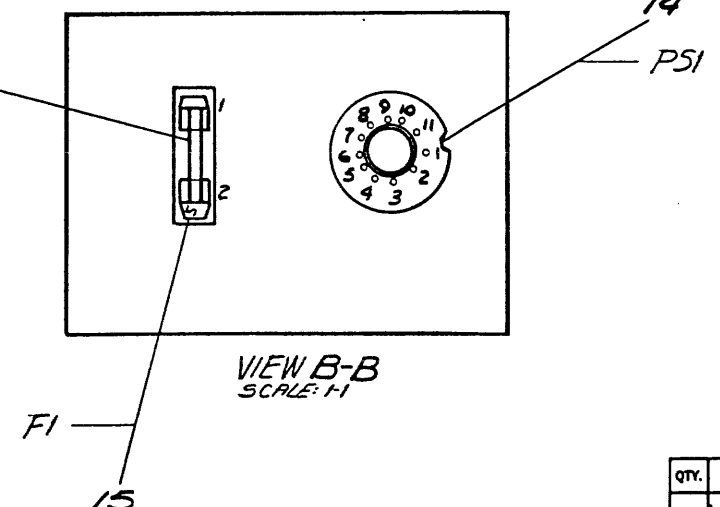
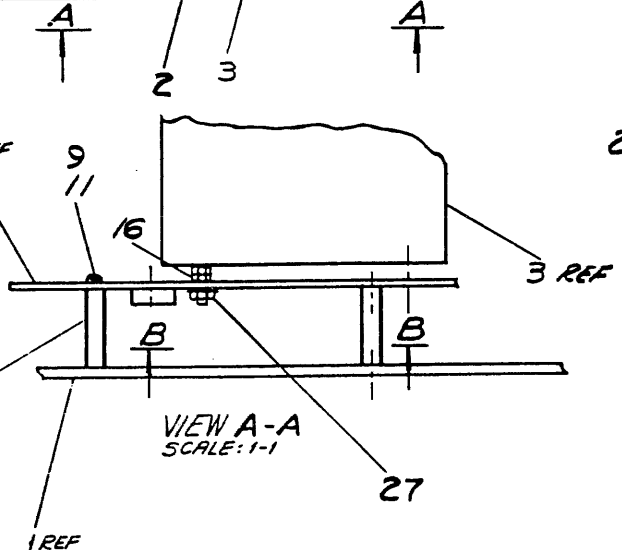
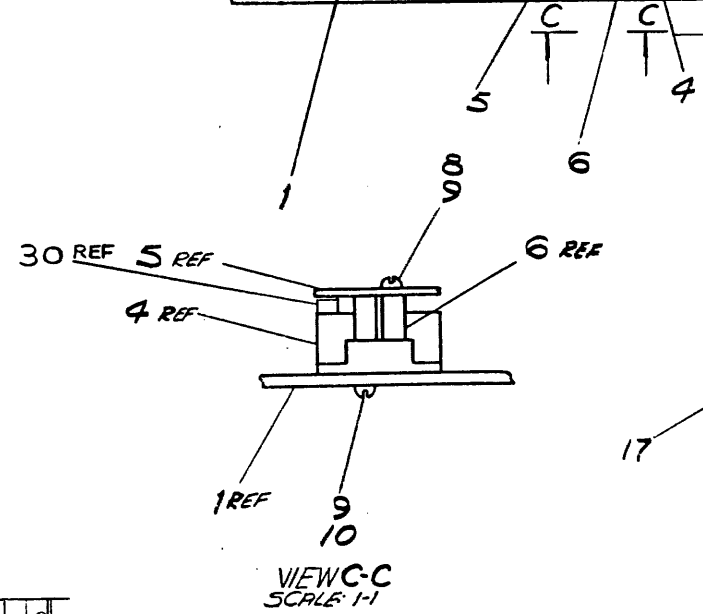
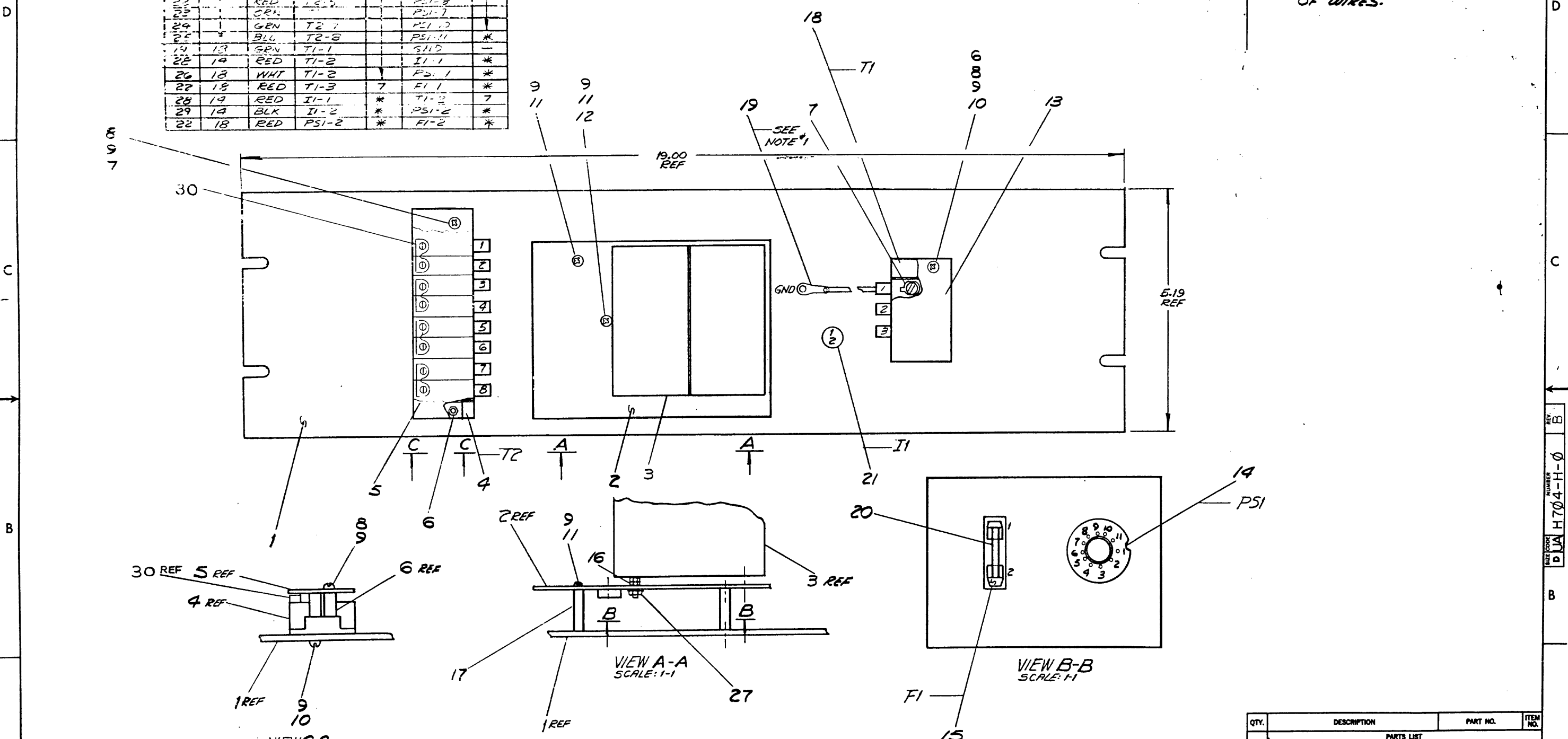
QTY.	DESCRIPTION	PART NO.	ITEM NO.
PARTS LIST			
DRN.	DATE	digital EQUIPMENT CORPORATION MAYHARD, MASSACHUSETTS	
CHKD.	DATE		
ENGR.	DATE	TITLE POWER SUPPLY ASSY (115 VAC)	
PROJ. ENG.	DATE		
PROD.	DATE	SCALE SHEET OF	
NEXT HIGHER ASSY			
SIZE CODE		NUMBER	REV
DUA		H704-C-0	C

SIZE CODE
 DUA
 H704-C-0
 REV C

This drawing and specifications, herein, are the property of Digital Equipment Corporation and shall not be reproduced or copied in whole or in part in any form without written permission.

WIRE TABLE						
ITEM NO	AWG	COLOR	CONNECTION FROM	WITH	CONNECTION TO	WITH
22	18	RED	T2-1	7	PSI-4	*
23	18	CYN	T2-2	7	PSI-5	*
24	18	GRN	T2-3	7	PSI-6	*
25	18	BLU	T2-4	7	PSI-7	*
26	18	RED	T2-5	7	PSI-8	*
27	18	GRN	T2-6	7	PSI-9	*
28	18	RED	T2-7	7	PSI-10	*
29	18	BLK	T2-8	7	PSI-11	*
19	18	GRN	T1-1	7	GND	-
28	18	RED	T1-2	7	I1-1	*
26	18	WHT	T1-2	7	PSI-1	*
27	18	RED	T1-3	7	F1-1	*
28	18	RED	I1-1	*	T1-2	7
29	18	BLK	I1-2	*	PSI-2	*
22	18	RED	PSI-2	*	F1-2	*

NOTES:
 1 ITEM (#24 GRN WIRE TO BE SOLDERED TO ITEM (#19) GND LUG, THEN FASTEN ITEM (#19) GND LUG BETWEEN ITEM (#1) MTG PANEL AND ITEM (#17) SPACER.
 2 * - INDICATES SOLDERED END OF WIRES.



REV.	CHG	BY	DATE
1	A	R GAGNE	11-17-70
2	B	R GAGNE	11-17-70

FIRST USED ON OPTION/MODEL
 AA11-D

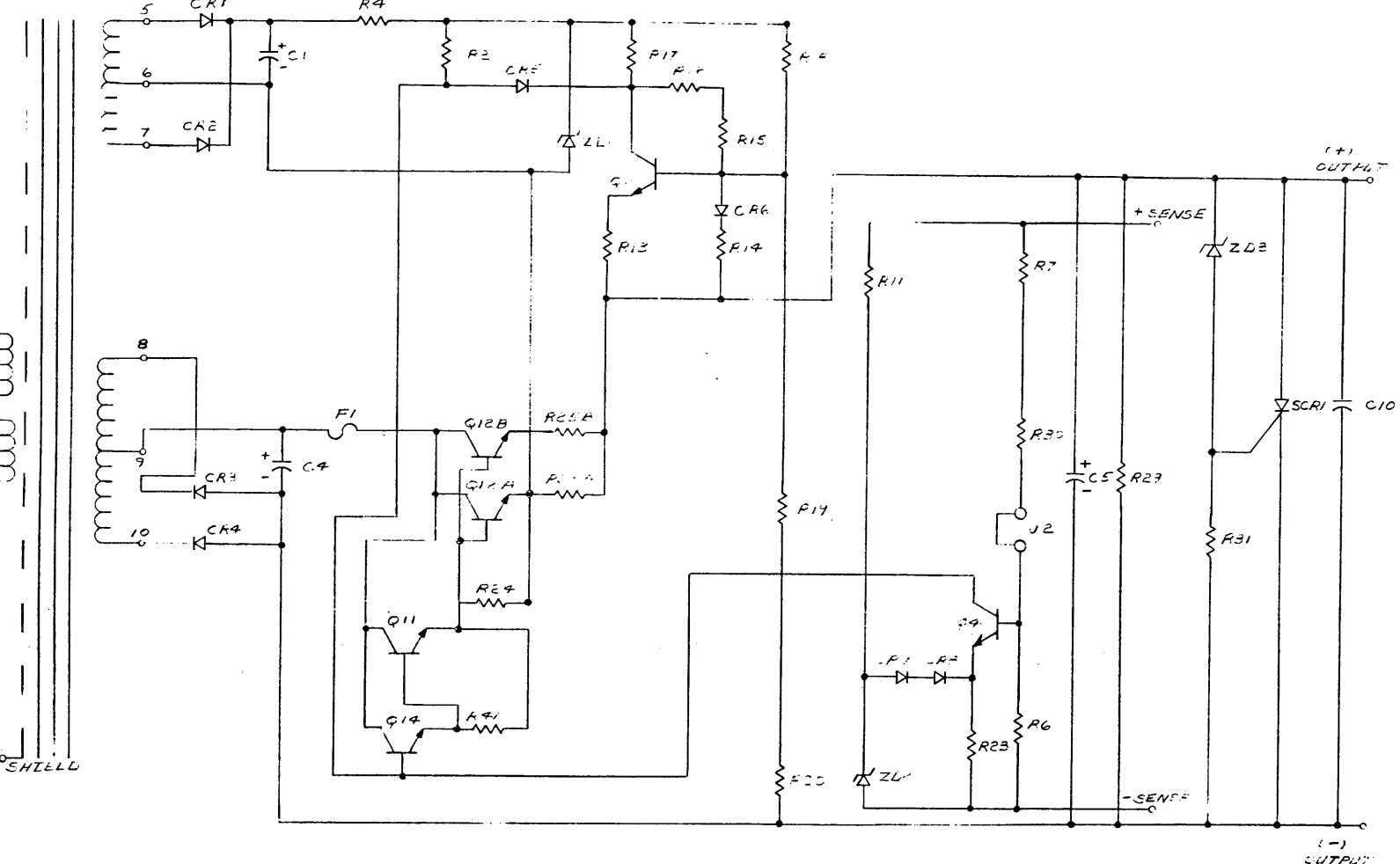
DO NOT SCALE DRAWING
 UNLESS OTHERWISE SPECIFIED
 DIMENSION IN INCHES
 TOLERANCES
 DECIMALS FRACTIONS ANGLES
 ± .005 ± 1/64 ± 9°30'
 FINAL SURFACE QUALITY
 REMOVE BURRS AND BREAK SHARP CORNERS
 MATERIAL
 FINISH

QTY.	DESCRIPTION	PART NO.	ITEM NO.
PARTS LIST			
DRN: <i>[Signature]</i> DATE: 10-7-70		DATE: 7-17-70	
CHK: <i>[Signature]</i> DATE: 10-7-70		DATE: 10-7-70	
ENG: <i>[Signature]</i> DATE: 10-13-70		DATE: 10-13-70	
PROJ. ENG: <i>[Signature]</i> DATE: 10-13-70		DATE: 10-13-70	
PROD. <i>[Signature]</i> DATE: 10-13-70		DATE: 10-13-70	
NEXT HIGHER ASSY			
SCALE: 1/1	SHEET: 1 OF 1	TITLE: POWER SUPPLY ASSY (230 VAC)	
SIZE CODE: DUA H704-H-01		NUMBER: 1	

REV. B
 NUMBER DUA H704-H-01

This drawing and specifications, herein, are the property of Digital Equipment Corporation and shall not be reproduced or copied or used in whole or in part as the basis for the manufacture or sale of items without written permission.

115/250 VAC
47-63 HZ



QTY.	DESCRIPTION	PART NO.	ITEM NO.
1	CIRCUIT BOARD (C62) (CONV. 25)		
1	TRANSFORMER 10,229 (DYNAGE)	10,229	11
2	TRANSISTOR SILICON 2N355	2N355	12
1	TRANSISTOR SILICON 2N320	2N320	13
1	TRANSISTOR SILICON 2N513	2N513	14
2	TRANSISTOR SILICON 40232	40232	15
1	DIODE ZENER 1.0M	1.0M	16
1	DIODE ZENER 1.0M	1.0M	17
1	DIODE ZENER 1.0M	1.0M	18
1	FUSE F1	F1	19
1	RECTIFIER SCR NUC364 OR 2N1842	SCR1	20
2	DIODE SILICON 1N4001	1N4001	21
6	RECTIFIER SILICON 1N4148	1N4148	22
1	CAPACITOR TANT. 33MFD 15VDC	C1	23
1	CAPACITOR ELECT. 1000MFD 115VDC 10% 10"	C2	24
1	CAPACITOR ELECT. 3300MFD 25VDC 10% 10"	C3	25
1	CAPACITOR ELECT. 33MFD 50VDC 10% 10"	C4	26
1	CAPACITOR ELECT. 33MFD 50VDC 10% 10"	C5	27
1	JUMPER	J2	28
1	RESISTOR COMP. 1/4W 10% 562	R1	29
1	RESISTOR COMP. 1/4W 10% 100	R2	30
1	RESISTOR COMP. 1/4W 5% TRIM	R3	31
1	RESISTOR COMP. 1/4W 10% 2.2K	R4	32
2	RESISTOR W.W. 10W 5% 10.43	R5	33
1	RESISTOR COMP. 1/4W 10% 27	R6	34
1	RESISTOR M.F. 1/2W 1% 470	R7	35
1	RESISTOR COMP. 1/4W 5% TRIM	R8	36
1	RESISTOR COMP. 1/4W 10% 10.7K	R9	37
1	RESISTOR COMP. 1/4W 5% 16K	R10	38
1	RESISTOR COMP. 1/4W 10% 620	R11	39
1	RESISTOR COMP. 1/4W 5% TRIM	R12	40
1	RESISTOR COMP. 1/4W 5% 2.4K	R13	41
1	RESISTOR COMP. 1/4W 10% 2.7K	R14	42
1	RESISTOR COMP. 1/4W 5% 51	R15	43
1	RESISTOR M.F. 1/2W 1% 68	R16	44
1	RESISTOR M.F. 1/2W 1% TRIM	R17	45
1	RESISTOR M.F. 1/2W 1% 300	R18	46
1	RESISTOR M.F. 1W 5% 4.30	R19	47
1	RESISTOR COMP. 1/4W 10% 5.1K	R20	48

NOTES:
1. REPRODUCED WITH PERMISSION FROM DYNAGE INC.
2. DRAWING REPRODUCED FROM PRINT NO. 10217 REV C DYNAGE INC.

FIRST USED ON OPTION/MODEL	QTY.	DESCRIPTION	PART NO.	ITEM NO.
PARTS LIST				
UNLESS OTHERWISE SPECIFIED DIMENSION IN INCHES. TOLERANCES		DRN. DATE	 digital EQUIPMENT CORPORATION MAYNARD MASSACHUSETTS	
DECIMALS	ANGLES	CHK'D. DATE		
.XXX = .006	±0° 30'	ENG. DATE		
.XX = .02		PROJ. ENG. DATE		
REMOVE BURRS AND BREAK SHARP CORNERS SURFACE QUALITY		PROD. DATE	TITLE H710 POWER SUPPLY	
MATERIAL		SCALE		
FINISH		SHEET OF	SIZE CODE	NUMBER
			DIST	REV.

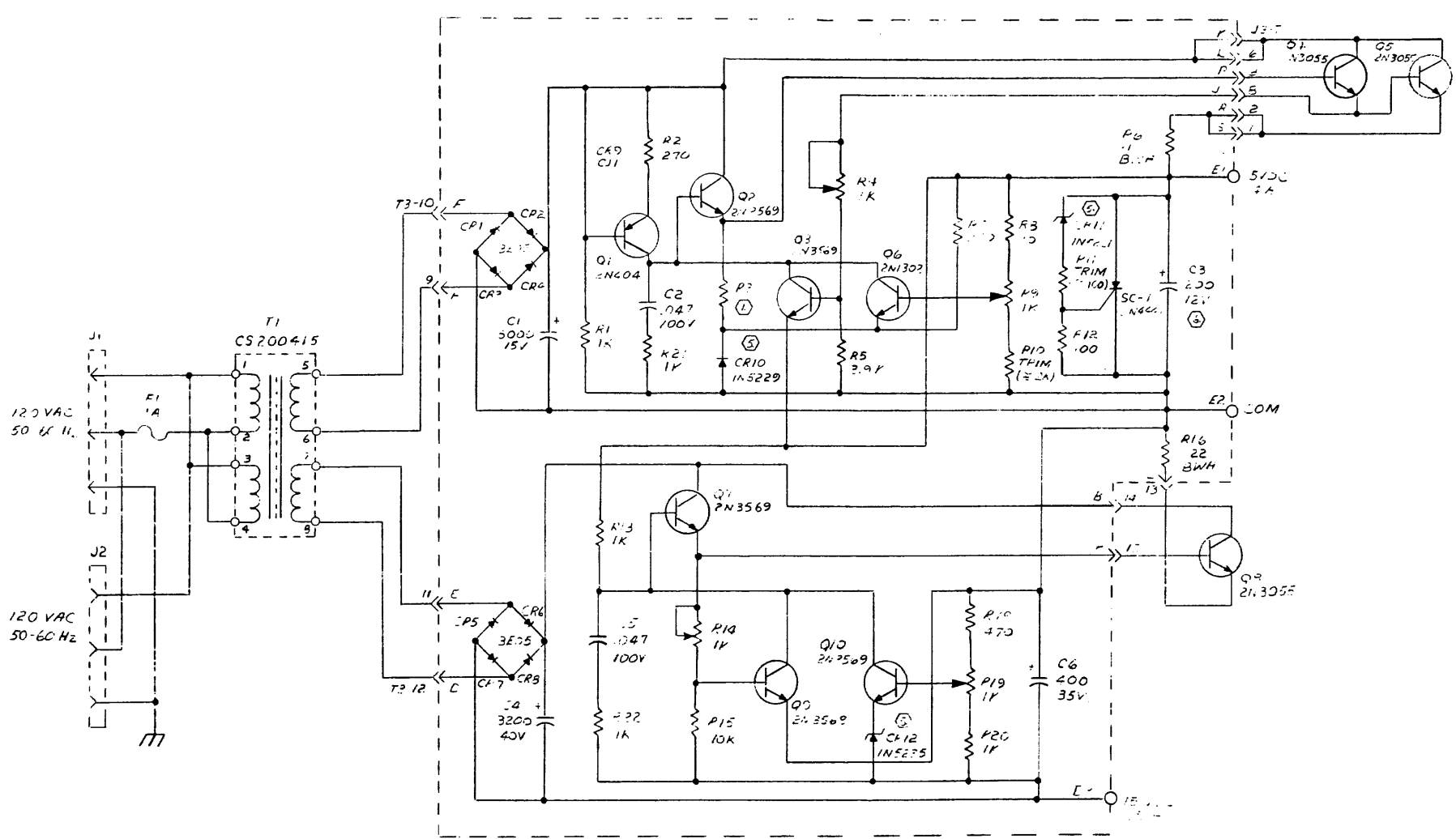
REVISIONS	REV
CHANGE NO.	
CHK	

DLE 100W NO
PWT 102-B

This drawing and specifications, herein, are the property of Digital Equipment Corporation and shall not be reproduced or copied or used in whole or in part as the basis for the manufacture or sale of items without written permission.

REV. 2 NUMBER 3009282-0-0

- NOTES:
- R3 IS A TRIM VALUE RESISTOR WITH AN HI-PICK VALUE OF "OPEN"
 - ALL RESISTANCE VALUES ARE EXPRESSED IN OHMS.
 - ALL RESISTORS ARE FIXED. COMPOSITION 1/2 W, ± 10%
 - ALL CAPACITOR VALUES ARE EXPRESSED IN MICROFARADS
 - CR10 MAY BE MOTOROLA NO. SZ13477-2
CR11 MAY BE MOTOROLA NO. SZ13477-4
CR12 MAY BE MOTOROLA NO. SZ13477-5
 - CAPACITORS C3 MAY BE TANTALUM 47UF, 6.3V
 - RESISTANCE VALUE FOR R10 & R11 MAY BE CHANGED DURING FINAL TEST.

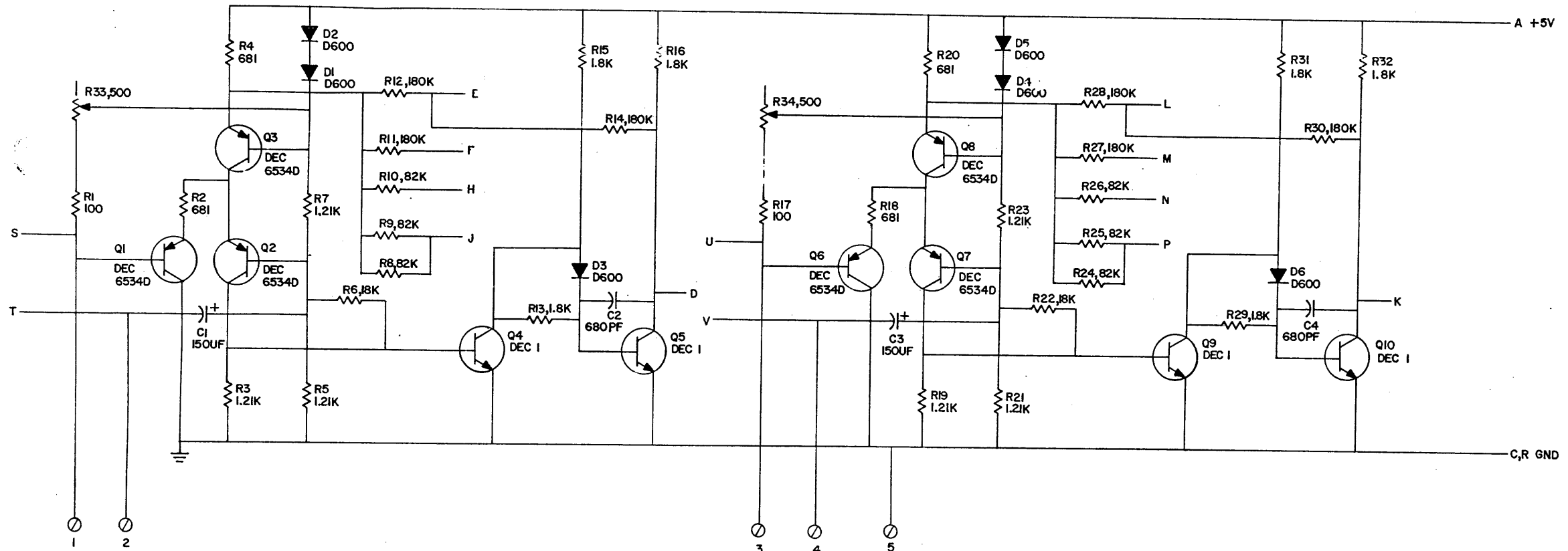


THE INFORMATION CONTAINED HEREIN IS PROPRIETARY TO THE GROUP ELECTRONICS CORPORATION AND IS SUPPLIED AS MAINTENANCE INFORMATION ONLY. THE REPRODUCTION OF THIS PROJECT IN PART OR IN WHOLE IS STRICTLY PROHIBITED. CONTENTS TAKEN FROM TWO SERIES 2004 REV D

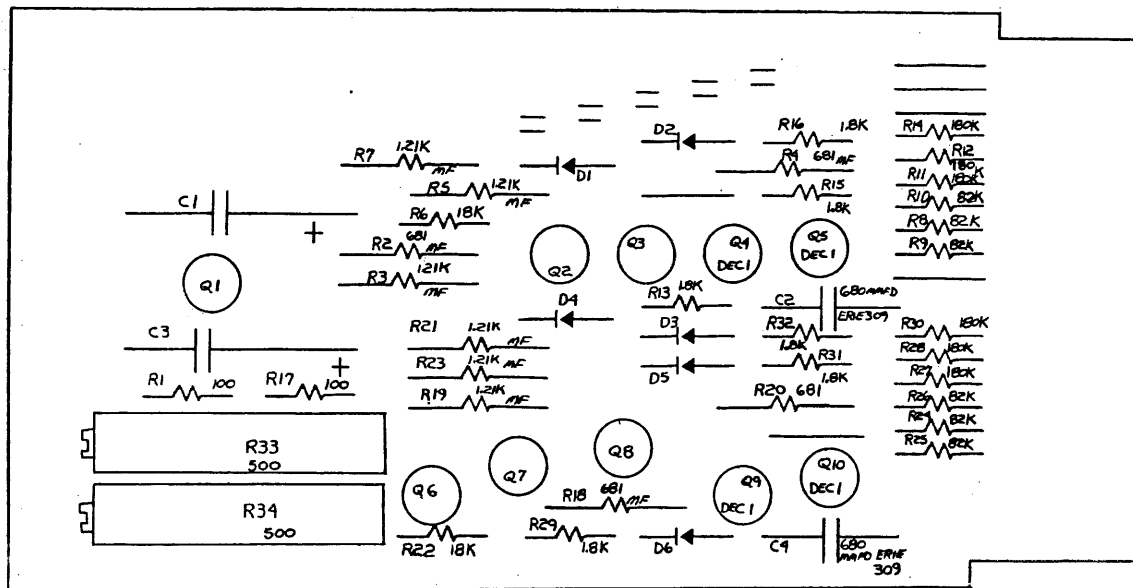
REVISIONS	CHANGE NO.	REV.
1	3009282-0-00001	C
REDRAWN & REVISED		

FIRST USED ON OPTION/MODEL	QTY.	DESCRIPTION	PART NO.	ITEM NO.
PARTS LIST				
UNLESS OTHERWISE SPECIFIED DIMENSION IN INCHES. TOLERANCES	DRN.	DATE	 digital EQUIPMENT CORPORATION <small>MAYNARD MASSACHUSETTS</small>	
DECIMALS	CHK'D.	DATE		
.XXX - .005	ENG.	DATE		
.XX - .02	PRQJ. ENG.	DATE		
.X - .1	PROD.	DATE	TITLE H-716P.S.	
REMOVE BURRS AND BREAK SHARP CORNERS SURFACE QUALITY	NEXT HIGHER ASSY.			
MATERIAL	SCALE NONE		SIZE CODE	NUMBER
FINISH	SHEET OF		D	CS 3009282-0-0
				REV. C

THIS SCHEMATIC IS FURNISHED ONLY FOR TEST AND MAINTENANCE PURPOSES. THE CIRCUITS ARE PROPRIETARY IN NATURE AND SHOULD BE TREATED ACCORDINGLY. COPYRIGHT 1971 BY DIGITAL EQUIPMENT CORPORATION



NOTE:
USES ETCH OF K522



QTY	REF.	DESIGNATION	PARTS LIST	DEC. PART NO.
1		HANDLE FLIP CHIP BLACK	9008337-07	20
5		SPLIT LUGS	9007268	19
2		EYELETS #934-7 E.B. STIMPSON	9006732	18
4	Q4, Q5, Q9, Q10	TRANSISTOR DEC1	1505369	17
6	Q1-Q3, Q6-Q8	TRANSISTOR DEC6534D	1503409	16
2	R33, R34	RES. 500 TRIMPOT	1305631	15
4	R2, R4, R18, R20	RES. 681 1/8W 1% 100MFP	1302872	14
6	R3, R5, R7, R19, R21, R23	RES. 1.21K 1/8W 1% 100MFP	1302873	13
6	R11, R12, R14, R27, R28, R30	RES. 180K 1/4W 10%	1301431	12
6	R13, R15, R16, R29, R31, R32	RES. 1.8K 1/4W 10%	1301428	11
6	R8-R10, R24-R26	RES. 82K 1/4W 10%	1300529	10
2	R6, R22	RES. 18K 1/4W 10%	1300498	9
2	R1, R17	RES. 100 1/4W 10%	1300231	8
4	D1-D6	DIODE D600	1305346	7
2	C2, C4	CAP. 680 PF 500V 10% CERAM	1005726	6
2	C1, C3	CAP. 150 MFD 6V 20% TANT.	1005572	5
1		ETCHED CIRCUIT BOARD	5008136	4
		MODULE ECO HISTORY	B-M-K522-YA-6	3
		ASSY/DRILLING HOLE LAYOUT	C-AH-K522-YA-5	2
		X-Y COORDINATE HOLE LOCATION	K-CO-K522-YA-4	1

REVISIONS
CHK/CHG NO. REV.

DRN. 8.1/10/71
CHK'D N/A Key Hurd 9/9/71
ENG. 12/1/71
PROD. DATE

TRANSISTOR & DIODE CONVERSION CHART			
DEC	EIA	DEC	EIA
D600	1N4009		
DEC1	2N3721		
DEC6534D	MPS6534		

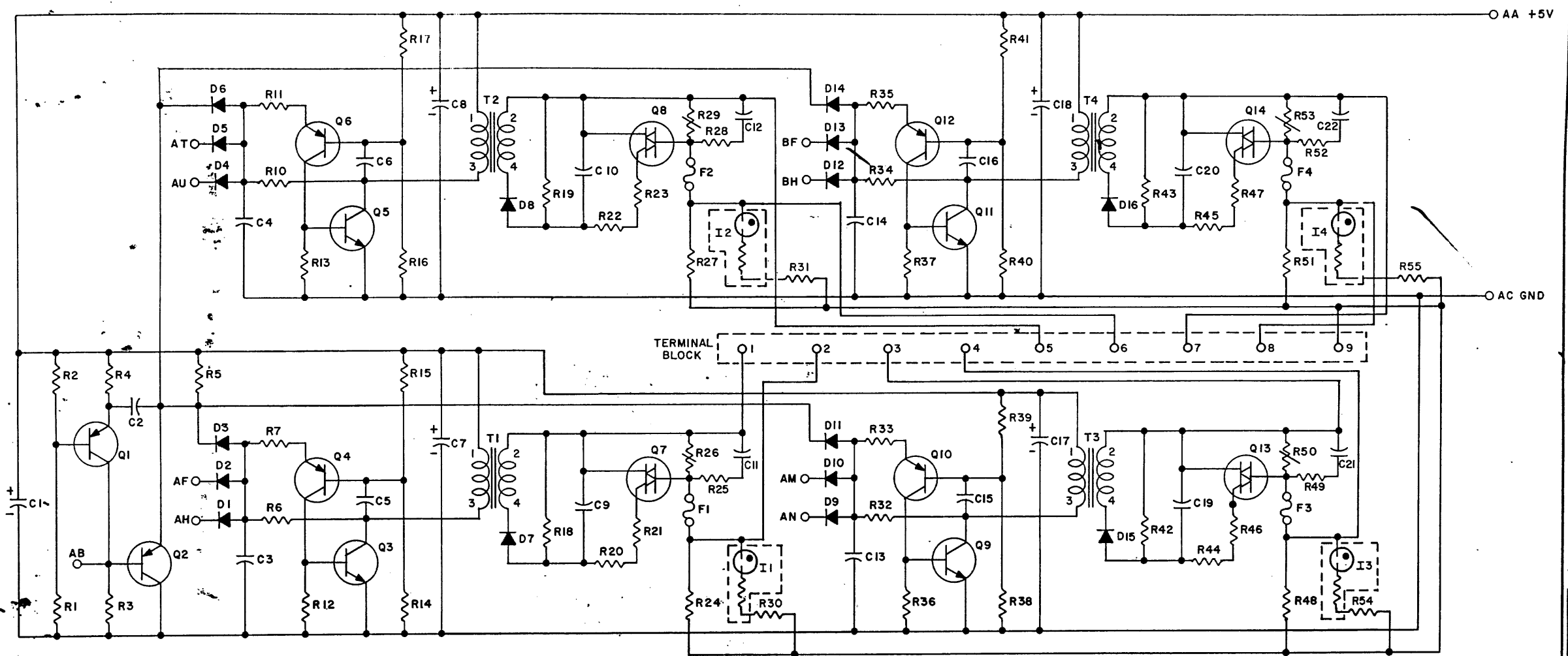
digital EQUIPMENT CORPORATION
MAYNARD, MASSACHUSETTS

TITLE: **COMPARATOR**

SIZE: C CS
NUMBER: K522-YA-1
REV. 1

PRINTED CIRCUIT REV. A

THIS SCHEMATIC IS FURNISHED ONLY FOR TEST AND MAINTENANCE PURPOSES. THE CIRCUITS ARE PROPRIETARY IN NATURE AND SHOULD BE TREATED ACCORDINGLY. COPYRIGHT 1969 BY DIGITAL EQUIPMENT CORPORATION



R3	RES 560 Ω 1/4W 5%	1301890
R5	RES 220 Ω 1/4W 5%	1300271
C2	.022 MFD 100V 10%	1010780
T1-T4	TRANSFORMER	1609751
TERMINAL BLOCK	BLOCK, 9 TERMINAL 699-Z-3701-9	1209083
F1-F4	FUSE, PICO 5A #276005	1209070
Q7, Q8, Q13, Q14	TRIAC RCA 40430	1505564
Q3, Q5, Q9, Q11	TRANSISTOR DEC1008-S	1502155
Q1, Q2, Q4, Q6, Q10, Q12	TRANSISTOR DEC6534D	1503409
R30, R31, R54, R55	RES. 15K 1/4W 10% CC	1300494
R26, R29, R50, R53	VARIATOR 333 BNR-7	1305571
R24, R27, R48, R51	RES. 10K 2W 10% CC	1300482
R44-R47, R49, R52	RES. 10 1/4W 10% CC	1300170
R7, R11, R20-R23, R25, R28, R33, R35, R37, R41, R14-R17, R38-R41	RES. 4.7K 1/4W 10% CC	1300448
R19, R32, R34, R36, R37, R42, R43, R4	RES. 1.2K 1/4W 10% CC	1300386
R1, R2, R3, R6, R8, R9, R10, R12, R13, R18	RES. 1.2K 1/4W 10% CC	1300386
D7, D8, D15, D16	DIODE D672	1105275
D1 - D6, D9 - D14	DIODE D600	1105366
C11, C12, C21, C22	CAP. .047MFD 400V 20%	1009656
C7, C8, C17, C18	CAP. 2.2MFD 20V 10%	1002627
C5, C6, C15, C16	CAP. 100MMF 100V 5% DM	1000016
C3, C4, C13, C14	CAP. 680MMF 500V 10% CER.	1005726
C2, C9, C10, C19, C20	CAP. .047MFD 250V 20%	1003053
C1	CAP. 22MFD 6V 10% TANT	1005636
	PARTS LIST	A-PL-K614-0-0
REFERENCE DESIGNATION	DESCRIPTION	PART NO.

REVISIONS	CHK	CHK NO.	REV.
		00001	A
		00003	B
		00004	C
		00006	E
		00007	F
		00008	H

DRN.	M. Nelson	DATE	1-21-69
CHK'D		DATE	3/12/67
ENG.		DATE	2/1/69
PROD.		DATE	

TRANSISTOR & DIODE CONVERSION CHART			
DEC		EIA	
D600		IN4009	
D672		IN3653	
DEC6534D		MPS6534	
DEC1008		MM1008	

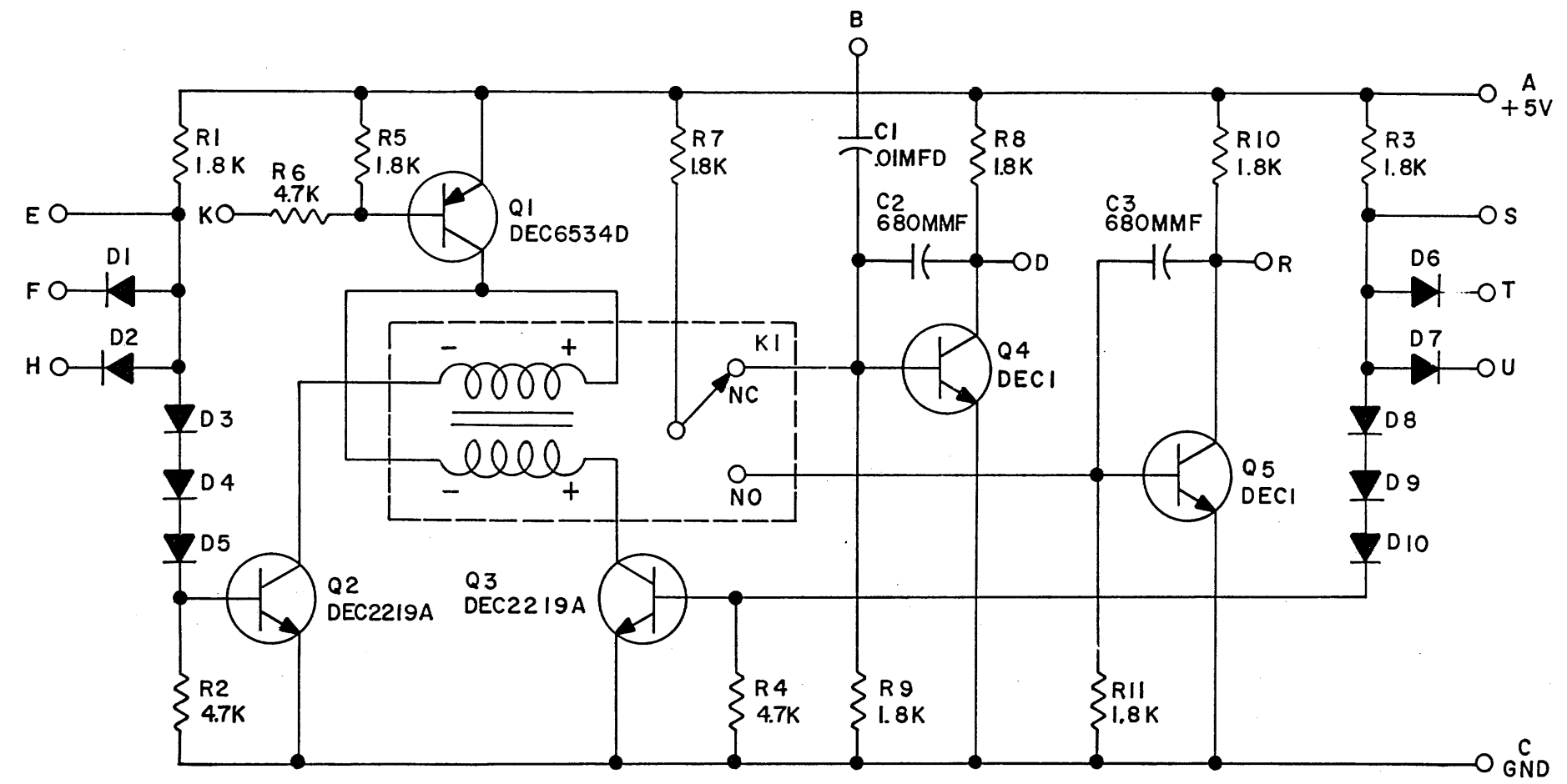
digital EQUIPMENT CORPORATION
MAYNARD, MASSACHUSETTS

TITLE: ISOLATED AC SWITCH K614

SIZE: C CODE: CS NUMBER: K614-0-1 REV: J

PRINTED CIRCUIT REV. D

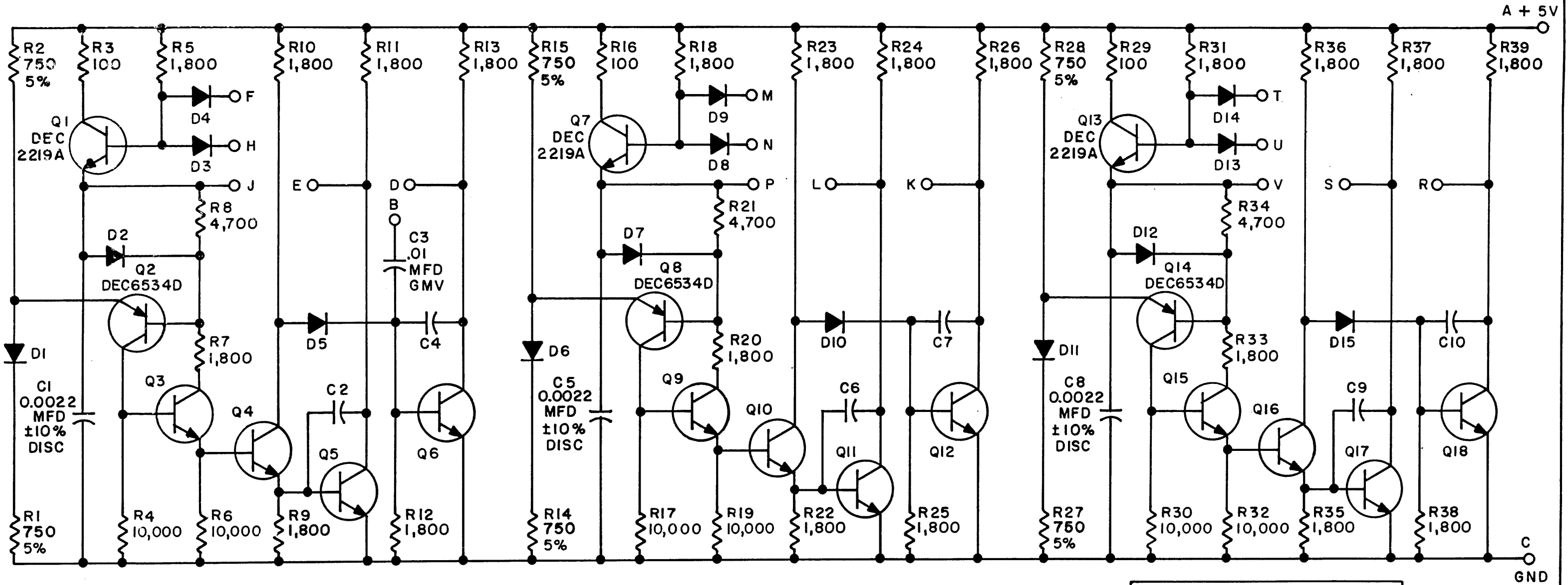
THIS SCHEMATIC IS FURNISHED ONLY FOR TEST AND MAINTENANCE PURPOSES. THE CIRCUITS ARE PROPRIETARY IN NATURE AND SHOULD BE TREATED ACCORDINGLY. COPYRIGHT 1969 BY DIGITAL EQUIPMENT CORPORATION



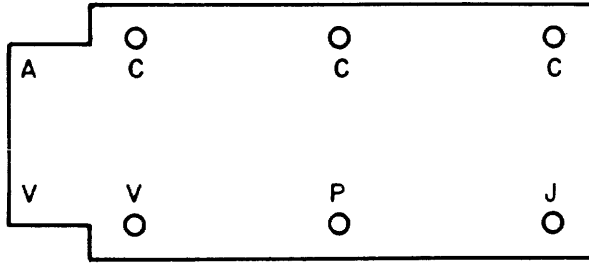
UNLESS OTHERWISE INDICATED:
 DIODES ARE D600
 RESISTORS ARE 1/4 W 10%
 RELAY IS MERCURY HGSM5020

REVISIONS	CHK	CHG NO	REV	DATE	DRN.	DATE	TRANSISTOR & DIODE CONVERSION CHART					TITLE SET-RESET MEMORY K271			
	00001				3-11-69	DATE	DEC	EIA	DEC	EIA		EQUIPMENT CORPORATION MAYNARD, MASSACHUSETTS	SIZE B	CODE CS	NUMBER K271-0-1
					ENG.	DATE	D600	IN4009			PRINTED CIRCUIT REV. A				
					PROD.	DATE	DEC6534D	MPS6534							
							DEC2219A	2N2219							
							DEC1	2N3721							

THIS SCHEMATIC IS FURNISHED ONLY FOR TEST AND MAINTENANCE PURPOSES. THE CIRCUITS ARE PROPRIETARY IN NATURE AND SHOULD BE TREATED ACCORDINGLY. COPYRIGHT 1967 BY DIGITAL EQUIPMENT CORPORATION



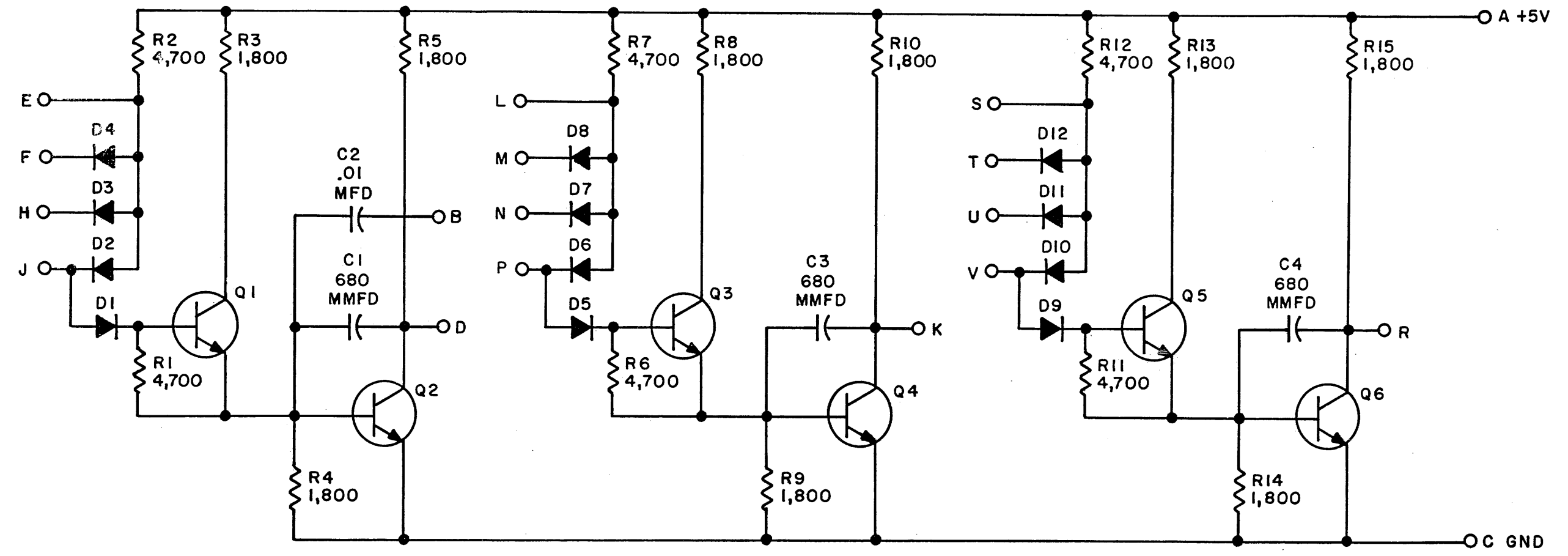
UNLESS OTHERWISE INDICATED:
 TRANSISTORS ARE DECI
 DIODES ARE D600
 RESISTORS ARE 1/4W, 10%
 CAPACITORS ARE 680 MMFD ±10%
 ERIE 309 OR EQUIV.



PARTS LIST IS A-PL- K303-0-0

REVISIONS CHG NO. REV. B C 6437 0001	DRN. <i>M. Haller</i>	DATE 4-18-67	TRANSISTOR & DIODE CONVERSION CHART				digital EQUIPMENT CORPORATION MAYNARD, MASSACHUSETTS	TITLE THREE TIMERS K303			
	CHK'D	DATE 11/11/67	DEC	EIA	DEC	EIA		SIZE B	CODE CS	NUMBER K303-0-1	REV. C
	ENG. <i>R. Coe</i>	DATE 4/21/67	DEC2219A	2N2219				PRINTED CIRCUIT REV. B			
	PROD. 1	DATE									

THIS SCHEMATIC IS FURNISHED ONLY FOR TEST AND MAINTENANCE PURPOSES. THE CIRCUITS ARE PROPRIETARY IN NATURE AND SHOULD BE TREATED ACCORDINGLY. COPYRIGHT 1967 BY DIGITAL EQUIPMENT CORPORATION

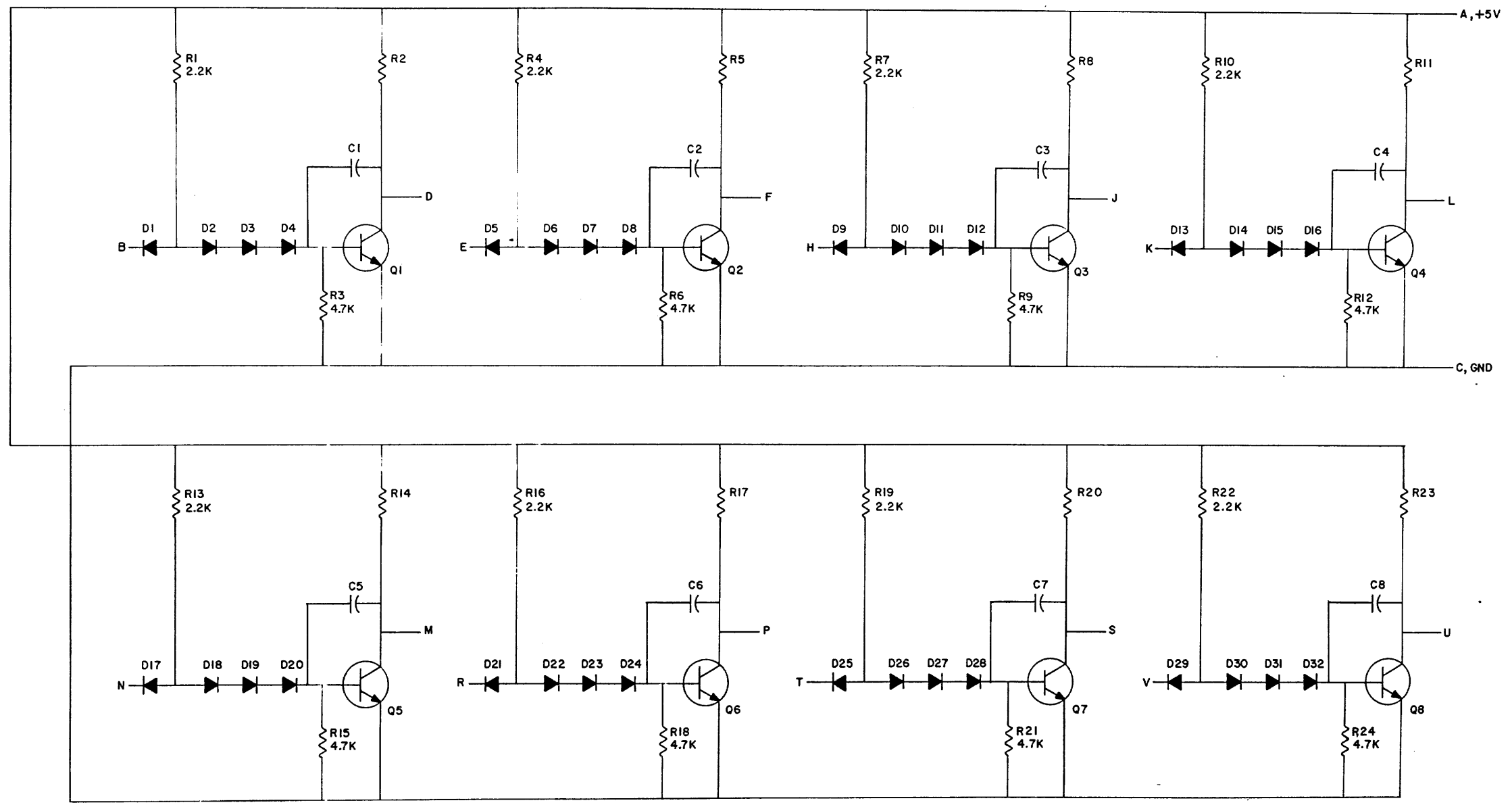


UNLESS OTHERWISE INDICATED:
 DIODES ARE D600
 RESISTORS ARE 1/4W, 10%
 TRANSISTORS ARE DEC1
 MMFD CAPACITORS ARE ERIE 309, 10% OR EQUIV.



REVISIONS CHK CHG NO. REV.	DRN. <i>M. Keller</i>	DATE 3-27-67	TRANSISTOR & DIODE CONVERSION CHART				 EQUIPMENT CORPORATION MAYNARD, MASSACHUSETTS	TITLE INVERTING GATE K113			
	CHK'D	DATE	DEC	EIA	DEC	EIA		SIZE B	CODE CS	NUMBER K113-0-1	REV.
	ENG.	DATE	D600	IN4009							
	PROD.	DATE	DEC1	2N3721							
							PRINTED CIRCUIT REV. A				

THIS SCHEMATIC IS FURNISHED ONLY FOR TEST AND MAINTENANCE PURPOSES. THE CIRCUITS ARE PROPRIETARY IN NATURE AND SHOULD BE TREATED ACCORDINGLY. COPYRIGHT 1970 BY DIGITAL EQUIPMENT CORPORATION



UNLESS OTHERWISE INDICATED:
 RESISTORS ARE 1/8K, 1/4W, 10%
 CAPACITORS ARE 270pf, 100V, 5%
 DIODES ARE D600
 TRANSISTORS ARE DEC6531

REV. A
 NUMBER
 K138-0-1
 CS
 SIZE CODE
 C

REV.	CHG. NO.	REV.

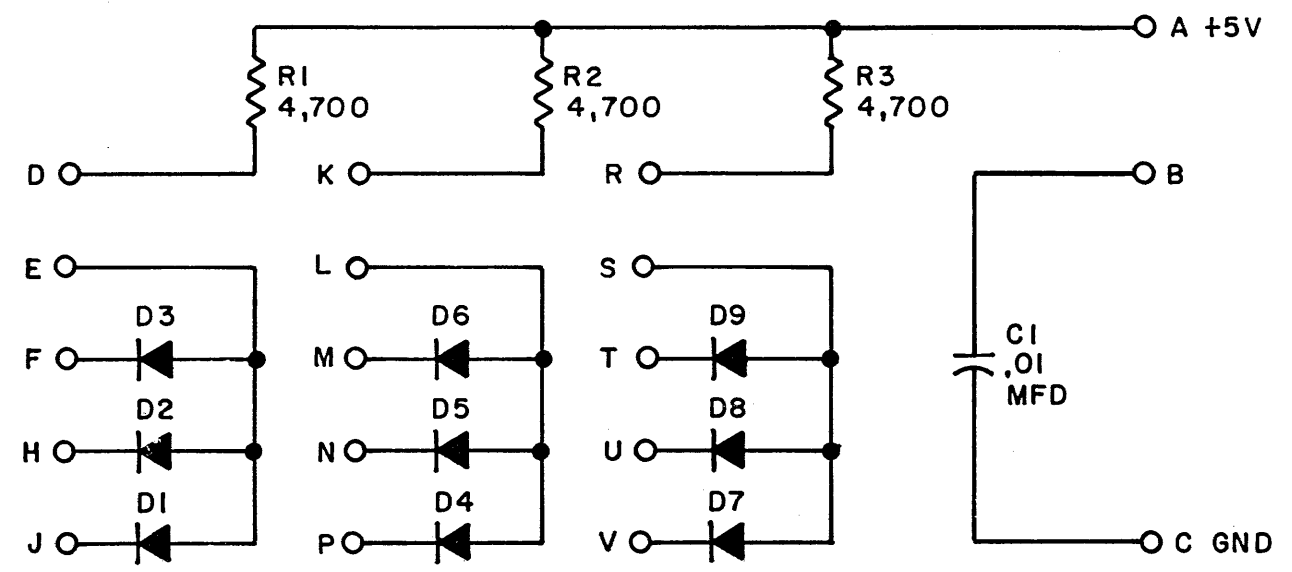
DESIGN	DATE
CHK'D	DATE
PROD.	DATE

TRANSISTOR & DIODE CONVERSION CHART			
DEC	EIA	DEC	EIA
D600	IN4009		
DEC6531	MPS 6531		

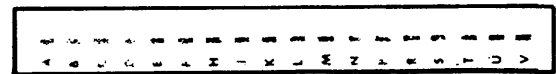
digital
 EQUIPMENT CORPORATION
 MAYNARD, MASSACHUSETTS

TITLE		EIGHT INVERTERS	
NUMBER		K138	
SIZE	CODE	NUMBER	REV.
C	CS	K138-0-1	A
PRINTED CIRCUIT REV.			

THIS SCHEMATIC IS FURNISHED ONLY FOR TEST AND MAINTENANCE PURPOSES. THE CIRCUITS ARE PROPRIETARY IN NATURE AND SHOULD BE TREATED ACCORDINGLY. COPYRIGHT 1967 BY DIGITAL EQUIPMENT CORPORATION

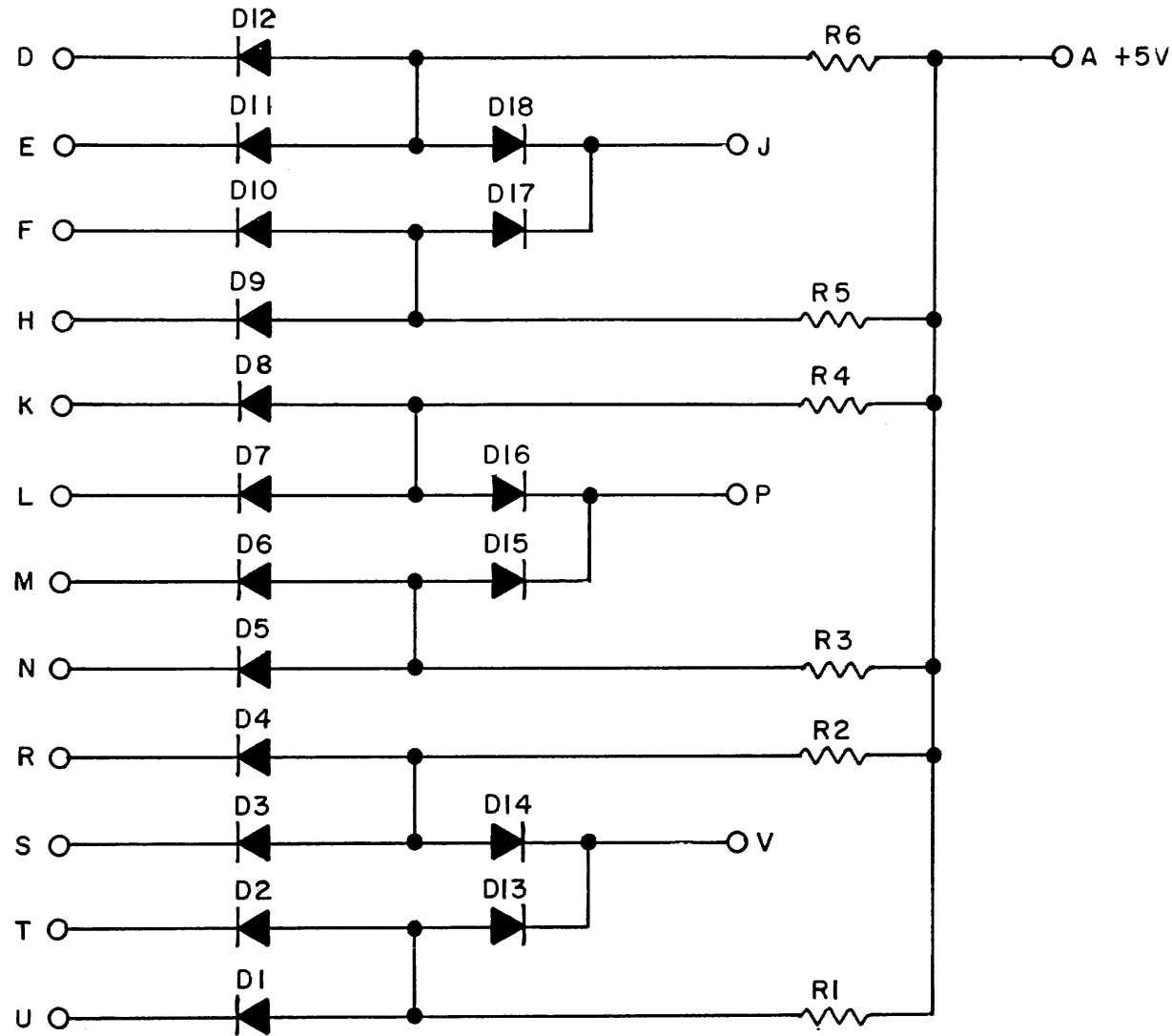


UNLESS OTHERWISE INDICATED:
 DIODES ARE D600
 RESISTORS ARE 1/4W, 10%



REVISIONS CHK CHG NO. REV.	DRN. <i>M. Haller</i>	DATE <i>3-27-67</i>	TRANSISTOR & DIODE CONVERSION CHART				 EQUIPMENT CORPORATION MAYNARD, MASSACHUSETTS	TITLE GATE EXPANDER K003			
	CHK'D <i>[Signature]</i>	DATE <i>[Signature]</i>	DEC	EIA	DEC	EIA		SIZE B	CODE CS	NUMBER K003-0-1	REV.
	ENG. <i>[Signature]</i>	DATE <i>3/27/67</i>	D600	IN4009				PRINTED CIRCUIT REV. A			
	PROD.	DATE									

THIS SCHEMATIC IS FURNISHED ONLY FOR TEST AND MAINTENANCE PURPOSES. THE CIRCUITS ARE PROPRIETARY IN NATURE AND SHOULD BE TREATED ACCORDINGLY. COPYRIGHT 1968 BY DIGITAL EQUIPMENT CORPORATION



 <----->
 <----->

R1 - R6	RES. 4.7K 1/4W 10% CC	1300448
D1 - D18	DIODE D600	1105366
	PARTS LIST	A-PL-K026-0-0
REFERENCE DESIGNATION	DESCRIPTION	PART NO.

REVISIONS	CHK CHG NO. REV.

DRN.	DATE
<i>M. Waller</i>	5-2-68
CHK'D	DATE
ENG.	DATE
<i>R. P. ...</i>	5/1/68
PROD.	DATE

TRANSISTOR & DIODE CONVERSION CHART			
DEC	EIA	DEC	EIA
D600	IN4009		

digital

EQUIPMENT CORPORATION
MAYNARD, MASSACHUSETTS

TITLE: GATE EXPANDER K026

SIZE	CODE	NUMBER	REV.
B	CS	K026-0-1	

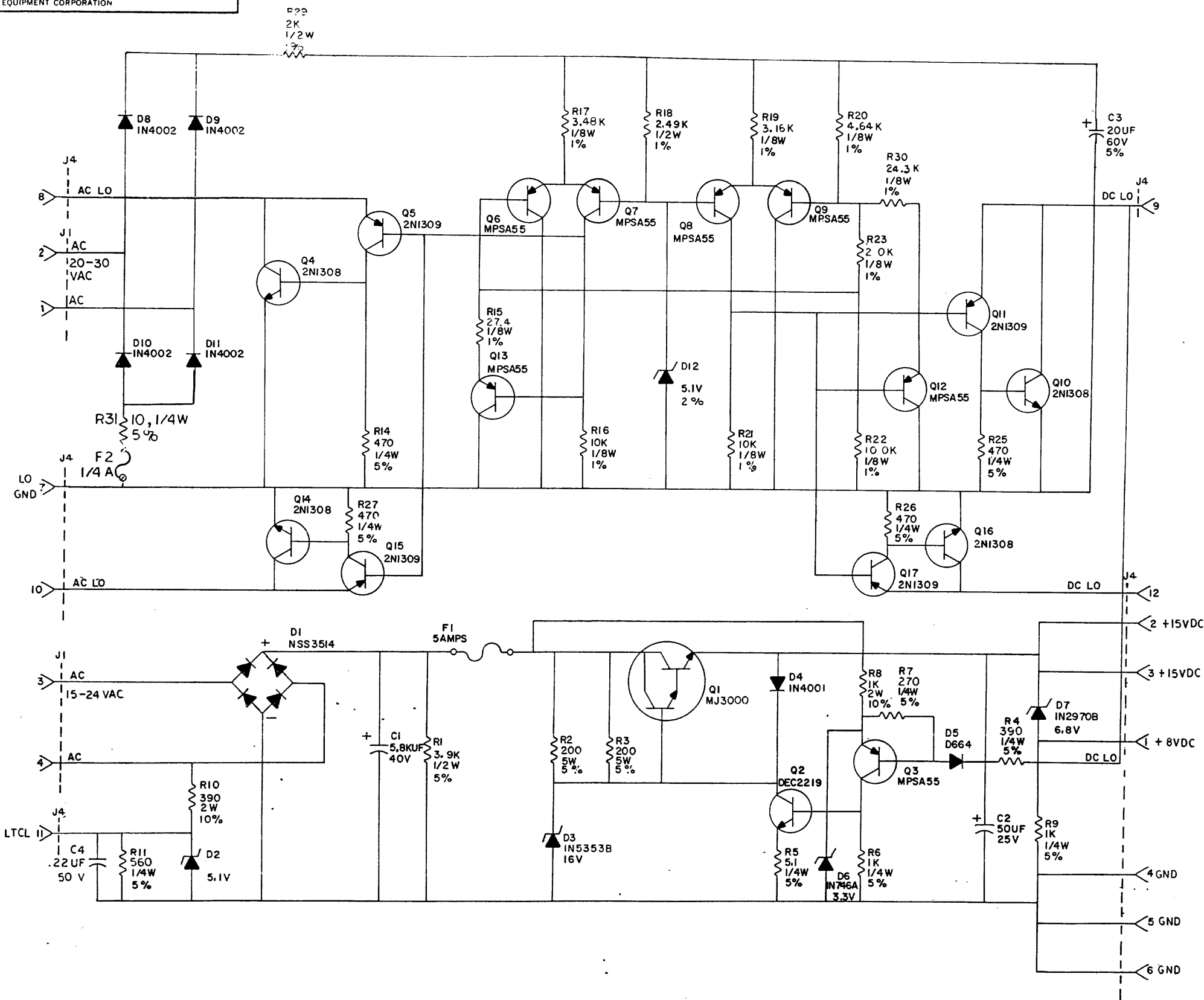
PRINTED CIRCUIT REV. A

2
Connector
Interface (H867)
D-IA-7008968-0-0

1
I/O Bus
Terminator (H867)
D-UA-H867-0-0

TITLE	I/O Bus Terminator (H867)	SHEET 2 OF 3	SIZE	CODE	NUMBER	REV
			B	DD	H867-0	

THIS SCHEMATIC IS FURNISHED ONLY FOR TEST AND MAINTENANCE PURPOSES. THE CIRCUITS ARE PROPRIETARY IN NATURE AND SHOULD BE TREATED ACCORDINGLY. COPYRIGHT 1972 BY DIGITAL EQUIPMENT CORPORATION



REV.	CHG NO.	REV.
1	00001	C
2	00002	D
3	00003	E
4	00004	F
5	00005	G
6	00006	H
7	00007	I
8	00008	J
9	00009	K
10	00010	L
11	00011	M
12	00012	N
13	00013	P
14	00014	Q
15	00015	R
16	00016	S
17	00017	T
18	00018	U
19	00019	V
20	00020	W
21	00021	X
22	00022	Y
23	00023	Z

DEC FORM NO. DRC 102

DRN S. COOPER
 CHK'D G. POTTER
 ENG. G. POTTER
 DATE 3-1-72
 DATE 3-1-72
 DATE 3-1-72

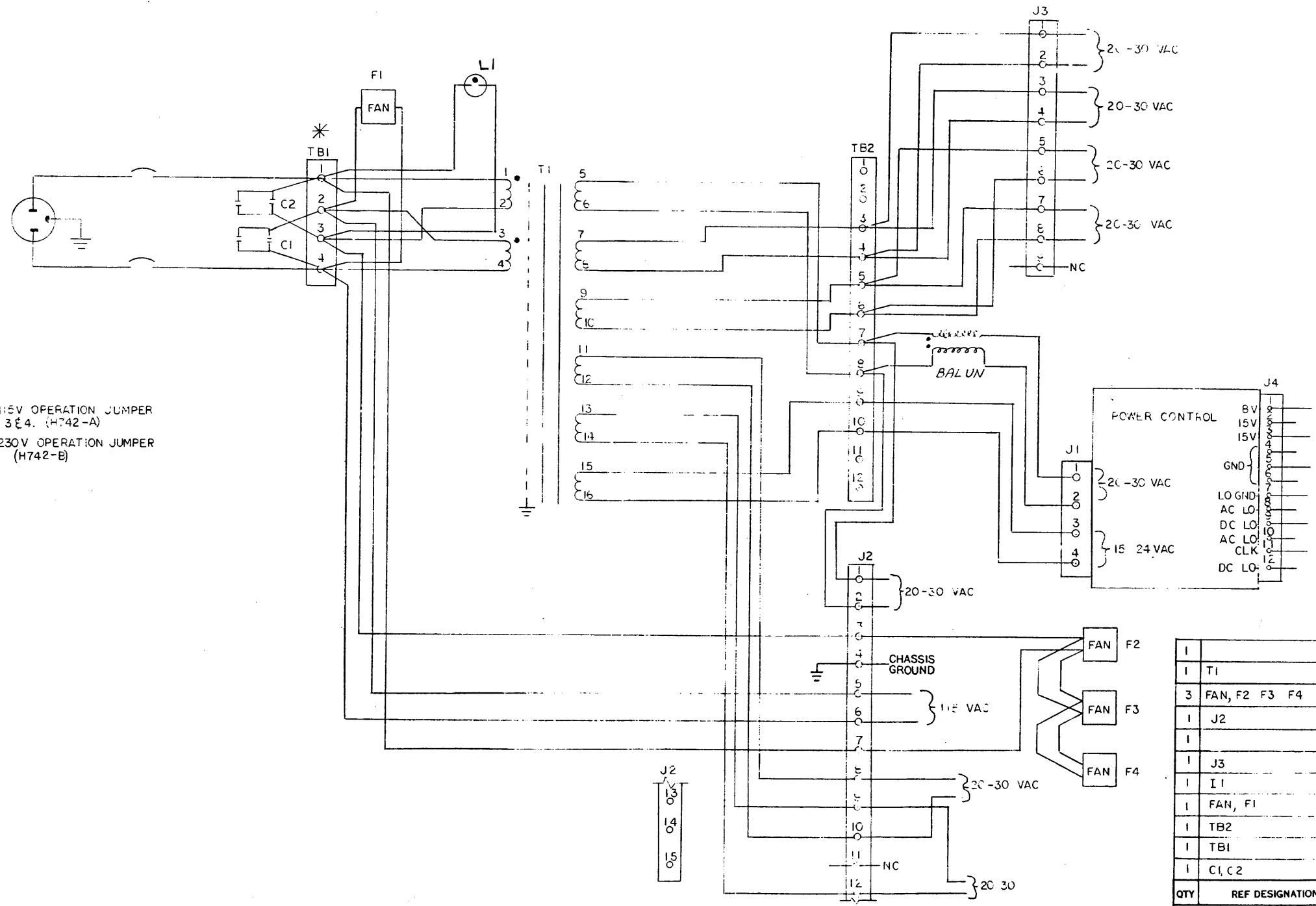
TRANSISTOR & DIODE CONVERSION CHART		
DEC2219	2N2219	IN5231
2N1308	SAME	IN5353B
MPSA55	SAME	IN751A
MJ3000	SAME	IN4001
2N1309	SAME	IN2970B
IN4002	SAME	IN746A
D664	IN3606	

digital
 EQUIPMENT CORPORATION
 MAYNARD, MASSACHUSETTS

TITLE		
POWER CONTROL BD.		
SIZE	CODE	NUMBER
C	CS	5409730-0-1
REV.	PRINTED CIRCUIT REV.	
F	E	

REV. F
 NUMBER 5409730-0-1
 SIZE CODE C CS

This drawing and specifications, herein, are the property of Digital Equipment Corporation and shall not be reproduced or copied or used in whole or in part as the basis for the manufacture or sale of items without written permission. 1277



NOTE
 * FOR 115V OPERATION JUMPER 1&2, 3&4. (H742-A)
 FOR 230V OPERATION JUMPER 2&3. (H742-B)

QTY	REF DESIGNATION	DESCRIPTION	PART NO.	ITEM NO.
1	J4	POWER CONTROL	5409730	11
1	T1	XMFR	1610857	10
3	FAN, F2 F3 F4	FAN SUPER BOXER	1209403-1	9
1	J2	MATE-N-LOCK	1209350-15	8
1		BALUN ASSY	1611444	7
1	J3	MATE-N-LOCK	1209350-9	6
1	I1	LIGHT PILOT	1201280	5
1	FAN, F1	FAN PEWEE	1210719	4
1	TB2	JONES STRIP	9006917	3
1	TB1	JONES STRIP	9006902	2
1	C1, C2	CAPACITOR 2 X 1UF 1000V	1010193	1

REV	CHANGE NO.	DATE	BY	CHK
1	1	1-7-74	R. WOLF	
2	2	1-3-74	R. WOLF	
3	3	6-21-73	R. WOLF	
4	4	6-21-73	R. WOLF	
5	5	6-15-72	R. WOLF	
6	6	5-22-72	R. WOLF	
7	7	5-22-72	R. WOLF	
8	8	5-22-72	R. WOLF	
9	9	5-22-72	R. WOLF	
10	10	5-22-72	R. WOLF	
11	11	5-22-72	R. WOLF	
12	12	5-22-72	R. WOLF	
13	13	5-22-72	R. WOLF	
14	14	5-22-72	R. WOLF	
15	15	5-22-72	R. WOLF	
16	16	5-22-72	R. WOLF	
17	17	5-22-72	R. WOLF	
18	18	5-22-72	R. WOLF	
19	19	5-22-72	R. WOLF	
20	20	5-22-72	R. WOLF	

DRN	DATE	REV
DRN	2-3-72	A
CHK	2-3-72	
ENG	2-3-72	
PROJ. ENG.	2-3-72	
PROD.	2-3-72	

digital EQUIPMENT CORPORATION
 MAYNARD, MASSACHUSETTS

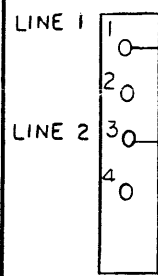
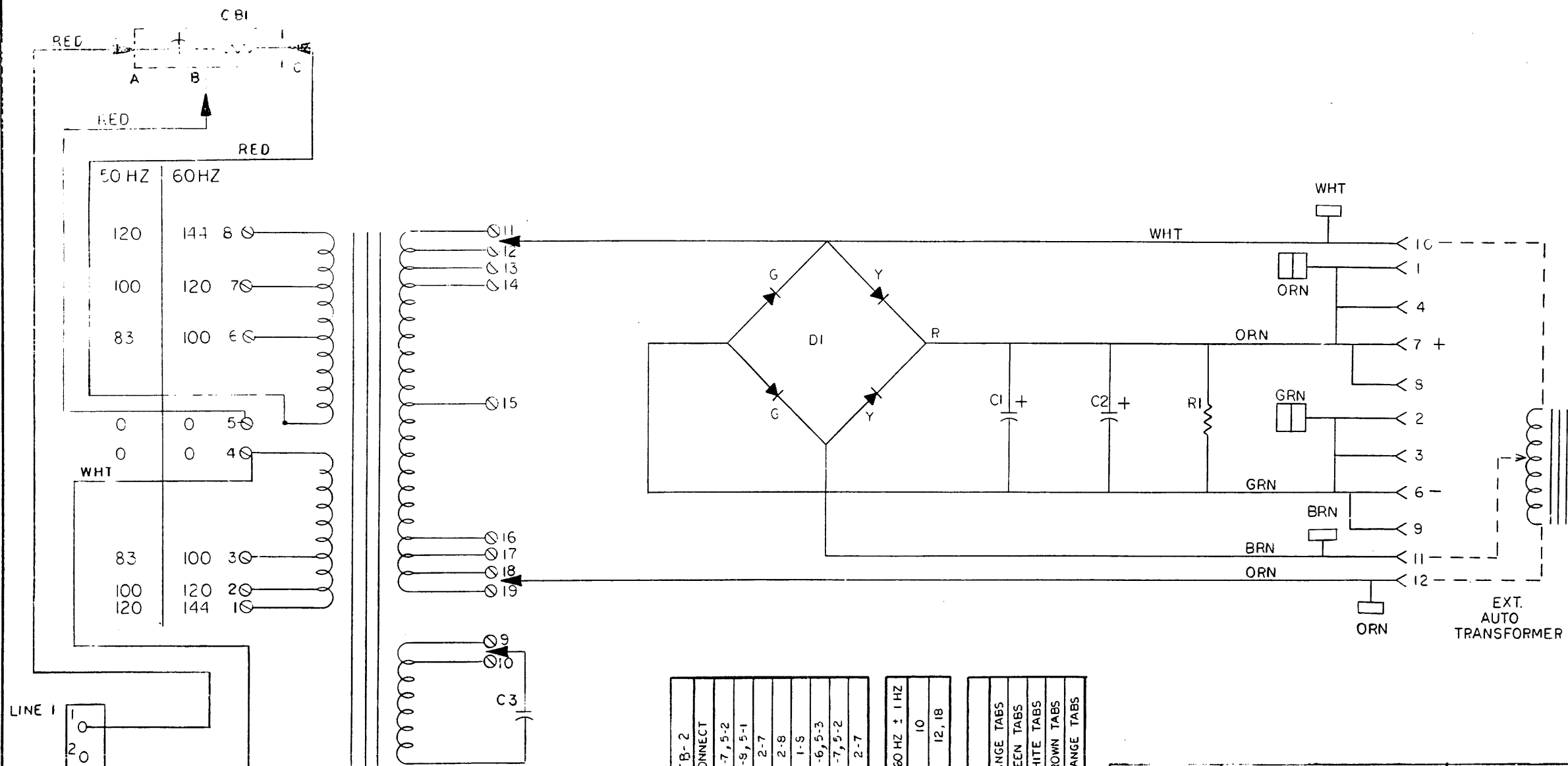
TITLE: CIRCUIT SCHEMATIC
 H742

SIZE CODE: DCS
 NUMBER: H742-0-1
 REV: E

SCALE: _____
 SHEET: _____ OF _____

SEMICONDUCTOR CONVERSION CHART

THIS SCHEMATIC IS FURNISHED ONLY FOR TEST AND MAINTENANCE PURPOSES. THE CIRCUITS ARE PROPRIETARY IN NATURE AND SHOULD BE TREATED ACCORDINGLY. COPYRIGHT 1971 BY DIGITAL EQUIPMENT CORPORATION 1172



- NOTES:
- MAT-N-LOK
 - HEYMAN TABS
 - JONES STRIP (PART OF T1)
 - QUICK-CONNECT

power supply
h732
dec

LINE TERMINAL	CONNECT
1, 3	TB-2
INPUT VOLTAGE ± 15%	
100V 50 HZ	4-7, 5-2
115V 50 HZ	4-8, 5-1
200V 50 HZ	2-7
220V 50 HZ	2-8
240V 50 HZ	1-5
100V 60 HZ	4-6, 5-3
120V 60 HZ	4-7, 5-2
240V 60 HZ	2-7

CONNECT CAPACITOR TO	50 HZ ± 1 HZ	60 HZ ± 1 HZ
RECTIFIER	9	10
	11, 19	12, 18

OUTPUT	PINS	TABS
+V	1, 4, 7, 8	ORANGE TABS
V	2, 3, 6, 9	GREEN TABS
	WHITE	PIN 10
	BROWN	PIN 11
	ORANGE	PIN 12

REF DES	DESCRIPTION	PART NO.
CBI	SHUNT TRIP CB, 2A	12-10896-1
	MAT-N-LOK, AMP	1209350-12
	HEYMAN TAB WHT	9007235
	HEYMAN TAB ORN	9007234
	HEYMAN TAB BRN	9007633
	HEYMAN TAB GRN	9007236
REF	PARTS LIST	A-PL-H732-0-0
DI	DIODE DMI	1102933
R1	50 OHMS, 25W	1300212
C3	CAP	FURN WITH T1
C1, C2	CAP 57,000 µF	1004875
T1	TRANS T68157	1610416

REV	CHG	NO	REV
1	0	1	A
2	1	1	B
3	2	1	C

DRN.	DATE
J. J. Hony	2-2-71
CHK'D	DATE
ENG.	DATE
PROO.	DATE

TRANSISTOR & DIODE CONVERSION CHART			
DEC	EIA	DEC	EIA

digital EQUIPMENT CORPORATION
MAYNARD, MASSACHUSETTS

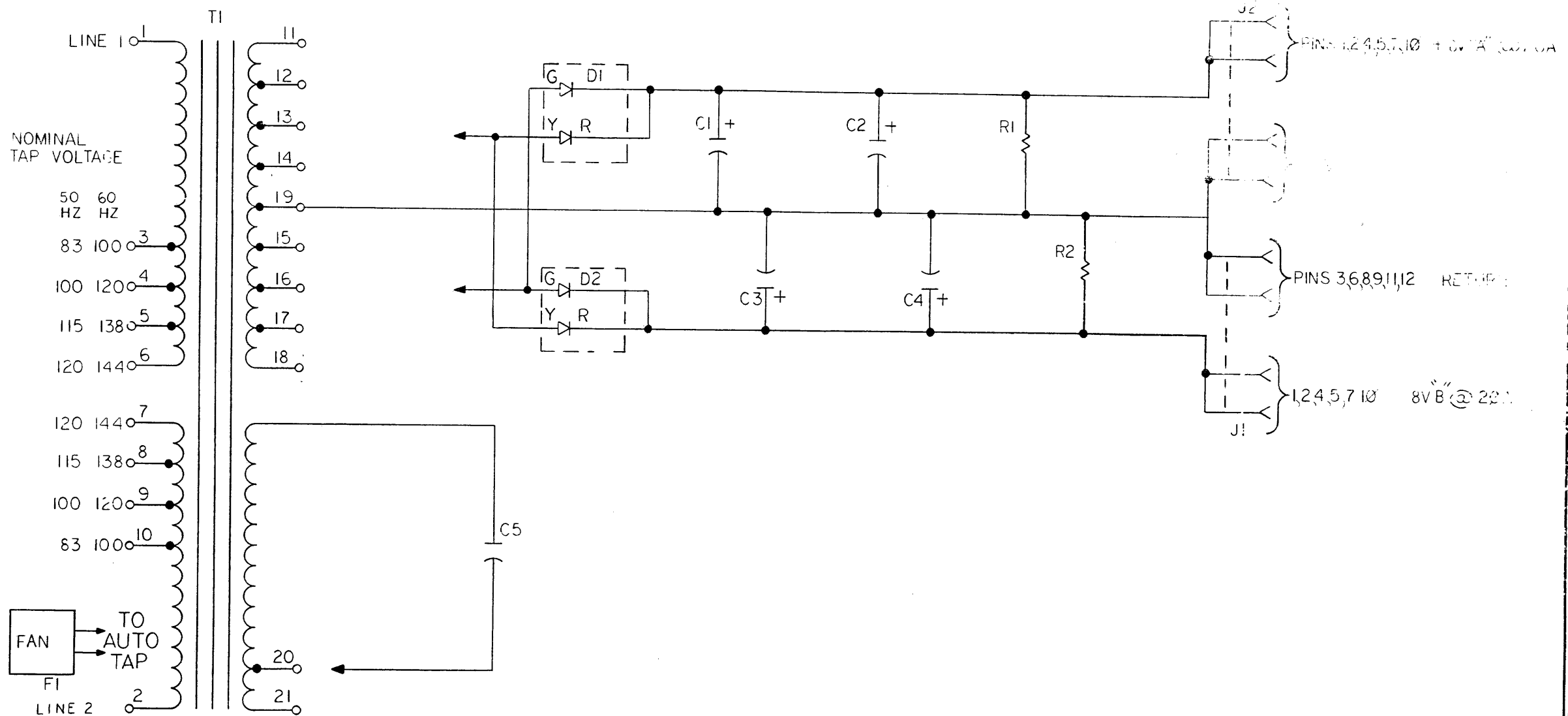
TITLE POWER SUPPLY
H732

SIZE CODE C CS
NUMBER H732-0-1
REV C

PRINTED CIRCUIT REV.

SIZE CODE C CS
NUMBER H732-0-1
REV. C

THIS SCHEMATIC IS FURNISHED ONLY FOR TEST AND MAINTENANCE PURPOSES. THE CIRCUITS ARE PROPRIETARY IN NATURE AND SHOULD BE TREATED ACCORDINGLY. COPYRIGHT 1972 BY DIGITAL EQUIPMENT CORPORATION



NOMINAL INPUT VOLTAGE ±15%	FREQUENCY	JUMPER	LINE
100V 60 HZ	50 HZ	1-10 2-3	1, 2
120V 60 HZ	60 HZ	1-9 2-4	↑
240V 60 HZ	60 HZ	4-9	
100V 50 HZ	50 HZ	1-9 2-4	↓
115V 50 HZ	50 HZ	1-8 2-5	
200V 50 HZ	50 HZ	4-9	1, 2
220V 50 HZ	50 HZ	6-9	
240V 50 HZ	50 HZ	6-7	

	FREQUENCY ±1 HZ	
	50 HZ	60 HZ
AUTOTAP 120V ±3% AT NOMINAL, 3 AMP RECTIFIERS	2, 7	2, 9
6 μF CAP	11, 18 21	13, 16 20

REF. DES.	DESCRIPTION	PART NO.
J1, J2	AMP MATE-N-LOCK	1209350-12
REF	PARTS LIST H723	A-PL-H723-0-0
DI D2	DIODE DMI5	1105799
R1 R2	5R25W.W.L.	1300165
C5	CAP 6 μF 660V AC	FURNISHED W/T!
C1, C2, C3, C4	CAP 160,000 μF 20V	1004874
T1	TRANS	1610144
F1	FAN	1205033 01

REVISIONS
CHK CHG NO. REV

DRN. 27
CHK'D
ENR.
PROD.

DATE
DATE
DATE
DATE

TRANSISTOR & DIODE CONVERSION CHART			
DEC	EIA	DEC	EIA

digital EQUIPMENT CORPORATION
MAYNARD, MASSACHUSETTS

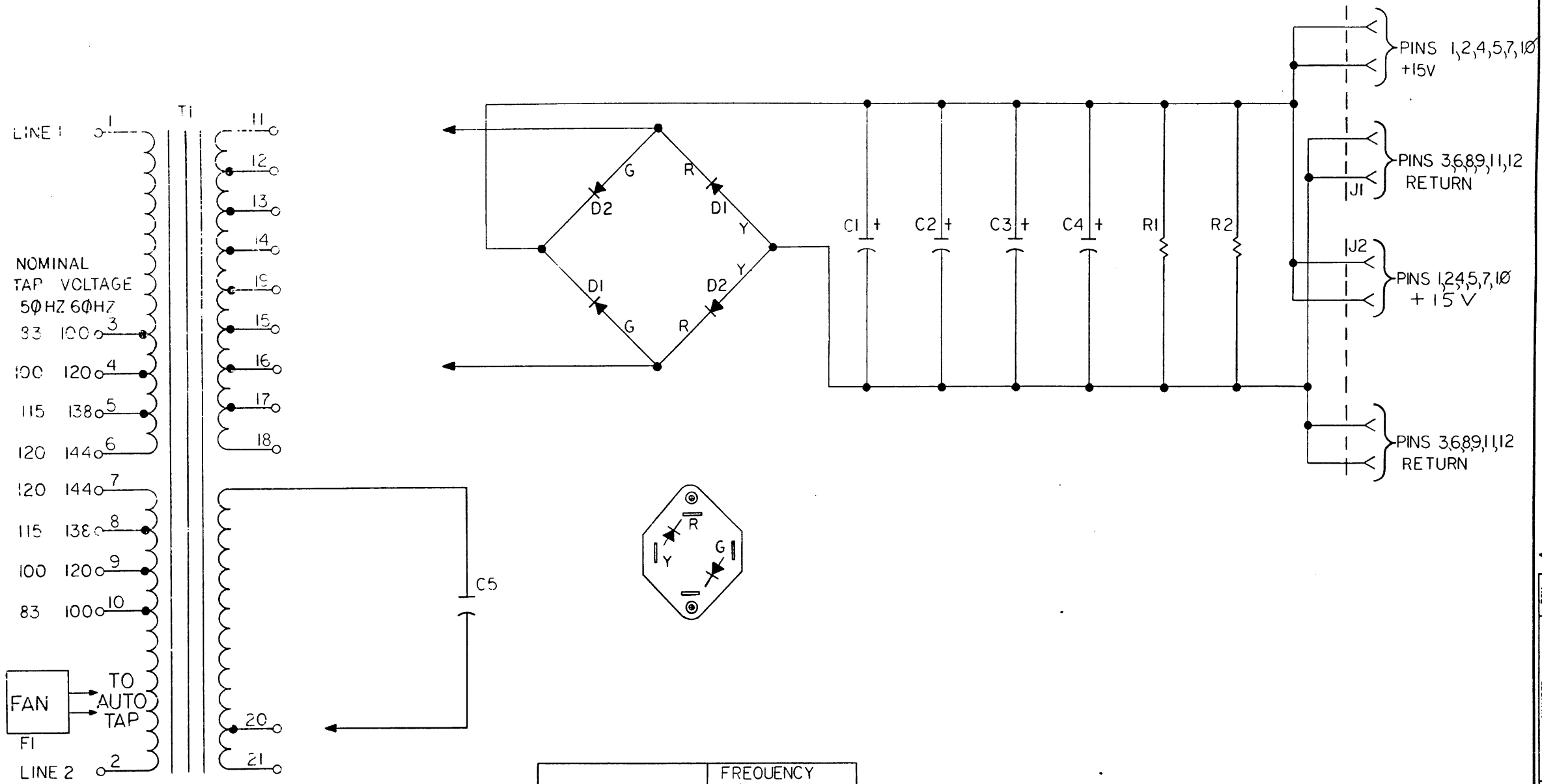
TITLE +8V 40 AMP P.S.
H723

SIZE C CODE CS NUMBER H723-0-1 REV. G

PRINTED CIRCUIT REV. G

SIZE CODE C CS NUMBER H723-0-1 REV.

THIS SCHEMATIC IS FURNISHED ONLY FOR TEST AND MAINTENANCE PURPOSES. THE CIRCUITS ARE PROPRIETARY IN NATURE AND SHOULD BE TREATED ACCORDINGLY. COPYRIGHT © BY DIGITAL EQUIPMENT CORPORATION



NOMINAL TAP VOLTAGE 50 HZ 60 HZ
 83 100 3
 100 120 4
 115 138 5
 120 144 6
 120 144 7
 115 138 8
 100 120 9
 83 100 10

FAN TO AUTO TAP
 FI
 LINE 2 2

NOMINAL INPUT VOLTAGE ±15%	JUMPER	LINE
100V 60 HZ	1-10, 2-3	1, 2
120V 60 HZ	1-9, 2-4	↑
240V 60 HZ	4-9	
100V 50 HZ	1-9, 2-4	
115V 50 HZ	1-8, 2-5	↓
200V 50 HZ	4-9	
220V 50 HZ	6-9	
240V 50 HZ	6-7	

	FREQUENCY ±1HZ	
	50 HZ	60 HZ
AUTOTAP 1% V ±1% AT NOMINAL 3 AMP	2, 7	2, 9
RECTIFIERS	12, 17	14, 15
6 μf CAP	21	20

J1, J2	AMP MATE-N-LOCK	1209350-12
D1, D2	DIODE, DM15	1105799
REF	PARTS LIST H725	A-PL-H725-0-0
R1, R2	RES 15 Ω 25W	1300181
C5	6 μF 60V AC	FURNISHED W/TI
C1, C2, C3, C4	CAP 57,000 μF 50V	1004875
TI	TRANS	1610144
FI	FAN	1205033-01
REF DES	DESCRIPTION	PART NO

REVISIONS	CHK	CHG	NO.	REV.

DRN.	DATE

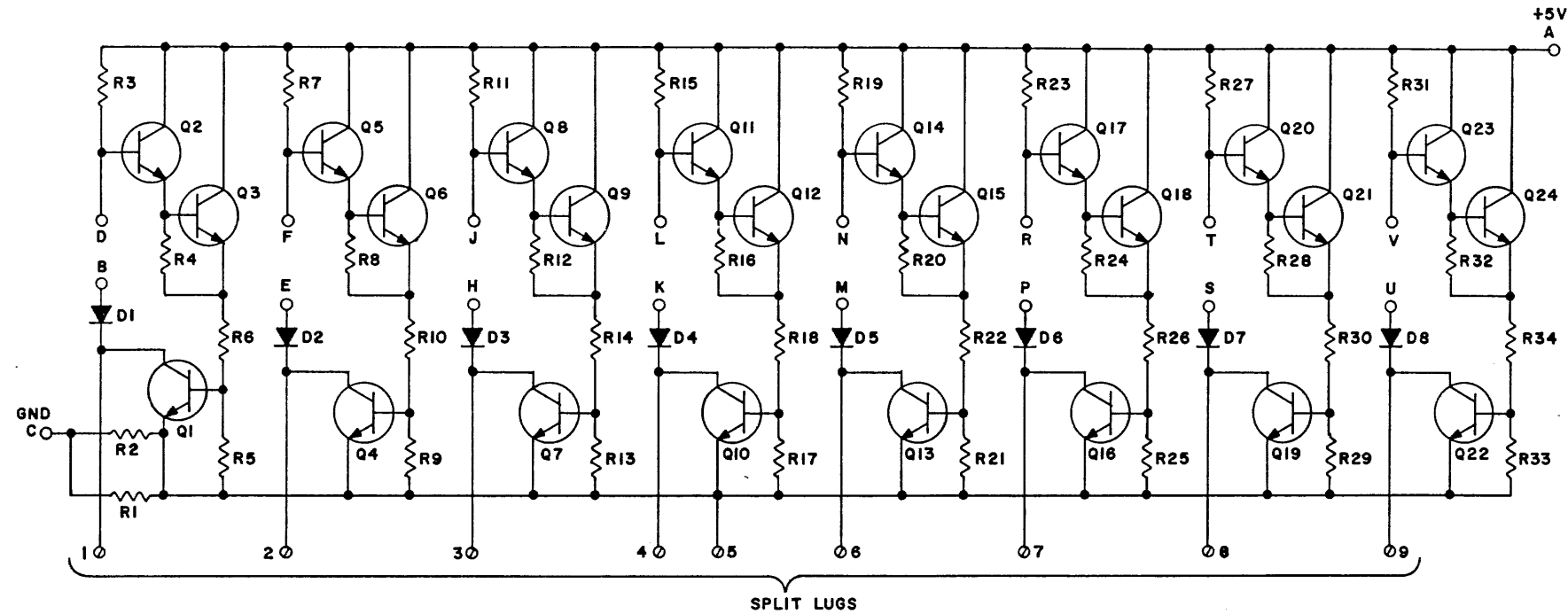
TRANSISTOR & DIODE CONVERSION CHART			
DEC	EIA	DEC	EIA

digital EQUIPMENT CORPORATION
 MAYNARD, MASSACHUSETTS

TITLE: +15V 20A P.S. H725
 SIZE CODE NUMBER: C CS H725-0-1
 PRINTED CIRCUIT REV.

REV. H725-0-1

THIS SCHEMATIC IS FURNISHED ONLY FOR TEST AND MAINTENANCE PURPOSES. THE CIRCUITS ARE PROPRIETARY IN NATURE AND SHOULD BE TREATED ACCORDINGLY. COPYRIGHT 1967 BY DIGITAL EQUIPMENT CORPORATION



Q17, Q18, Q20, Q21, Q23, Q24	TRANSISTOR DECO001	1505369
Q2, Q3, Q5, Q6, Q8, Q9, Q11, Q12, Q14, Q15, Q1, Q4, Q7, Q10, Q13, Q16, Q19, Q22	TRANSISTOR DEC3568	1502937
R1, R2	RES. 0.47 2W 5% WW	1305258
R6, R10, R14, R18, R22, R26, R30, R34	RES. 150 1/4W 10% CC	1300252
R19-R21, R23-R25, R27-R29, R31-R33, R3-R5, R7-R9, R11-R13, R15-R17,	RES. 4.7K 1/4W 10% CC	1300448
D1 - D8	D672	1105275
	PARTS LIST	A-PL-K683-O-O
REFERENCE DESIGNATION	DESCRIPTION	PART NO.

PARTS LIST		TITLE	
DRN. <i>M. Haller</i>	DATE 10-27-67	DRIVER K683	
CHK'D <i>[Signature]</i>	DATE 11/2/67	digital EQUIPMENT CORPORATION	
ENG. <i>R. P. [Signature]</i>	DATE 11/2/67	SIZE C	CODE CS
PROD.	DATE	NUMBER K683-0-1	REV. A
		PRINTED CIRCUIT REV. B	

REVISIONS	CHK	CHG NO.	REV.
		7038	A

DEC FORM NO. DRC 102

TRANSISTOR & DIODE CONVERSION CHART	
DEC	EIA
DEC1	2N3721
DEC3568	2N3568
D672	IN3653

digital EQUIPMENT CORPORATION
MAYNARD, MASSACHUSETTS

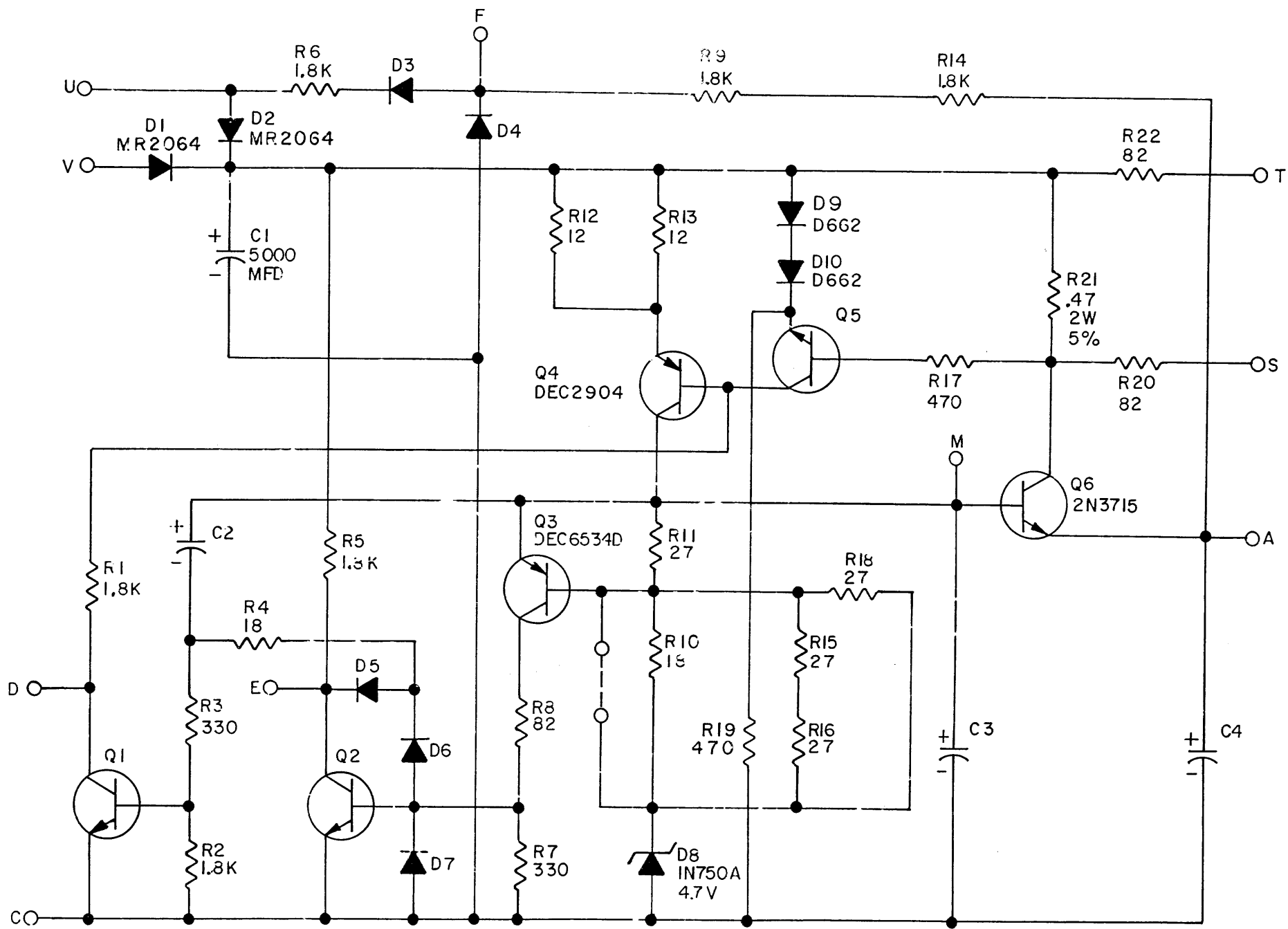
DIST 324 434 425

PINK

SIZE CODE C CS NUMBER K683-0-1 REV. A

THIS SCHEMATIC IS FURNISHED ONLY FOR TEST AND MAINTENANCE PURPOSES. THE CIRCUITS ARE PROPRIETARY IN NATURE AND SHOULD BE TREATED ACCORDINGLY. COPYRIGHT 1967 BY DIGITAL EQUIPMENT CORPORATION

REV. NUMBER SIZE CODE



UNLESS OTHERWISE INDICATED:
 DIODES ARE D600
 RESISTORS ARE 1/4W 10%
 TRANSISTORS ARE DEC I
 CAPACITORS ARE 39MFD 10V 10%

REVISIONS	CHK	CHG NO.	REV
	RMS	6756	C
	REV. B REDR.		
	P.	00001	D
	P.	00002	E
	A. RICKETTS		

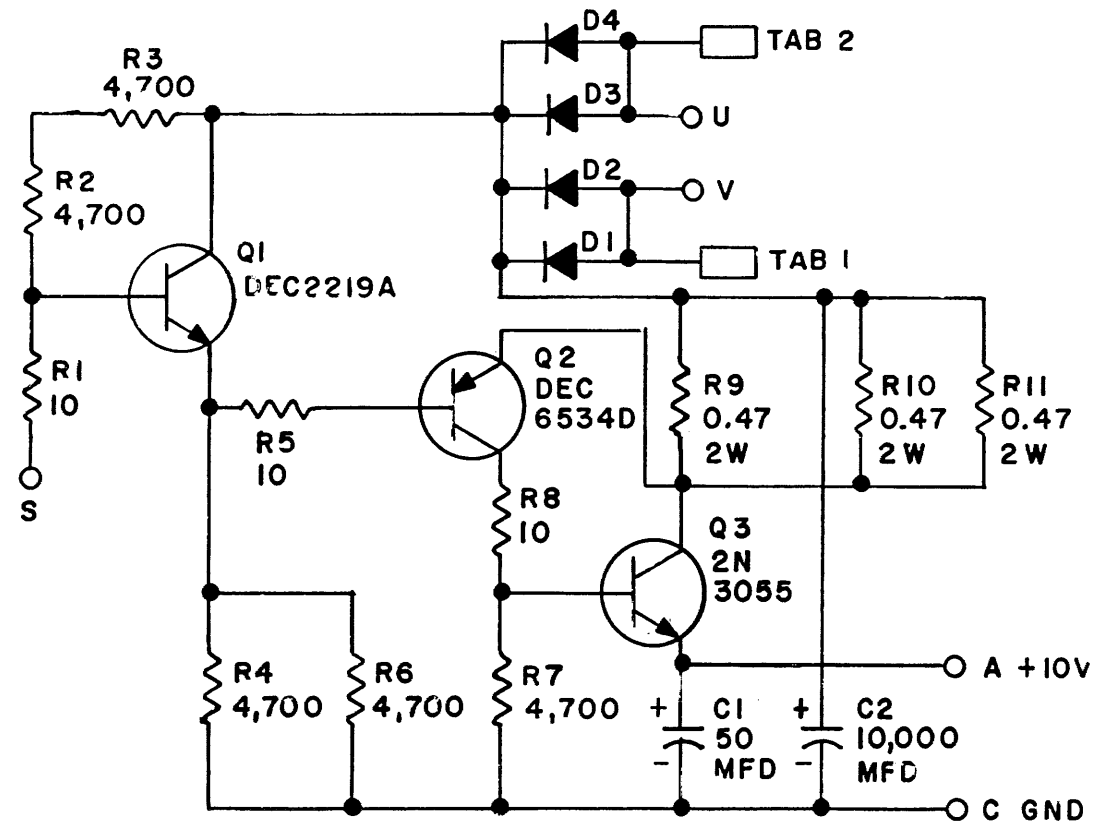
DRN. M. HALLER	DATE 5-2-67
CHK'D R. SILVERMAN	DATE 5-5-67
ENG. R. DOANE	DATE 5-22-67
PROD.	DATE

TRANSISTOR & DIODE CONVERSION CHART			
DEC		EIA	
D600	IN4009	2N3715	NONE
IN750A	SAME	DEC2904	SAME
MR2064	IN4001	DEC1	2N3721
D662	IN645		
DEC6534D	MPS6534		

digital
 EQUIPMENT CORPORATION
 MAYNARD, MASSACHUSETTS

TITLE SOURCE MODULE K731			
SIZE B	CODE CS	NUMBER K731-0-1	REV. E
PRINTED CIRCUIT REV.			E

THIS SCHEMATIC IS FURNISHED ONLY FOR TEST AND MAINTENANCE PURPOSES. THE CIRCUITS ARE PROPRIETARY IN NATURE AND SHOULD BE TREATED ACCORDINGLY. COPYRIGHT 1967 BY DIGITAL EQUIPMENT CORPORATION

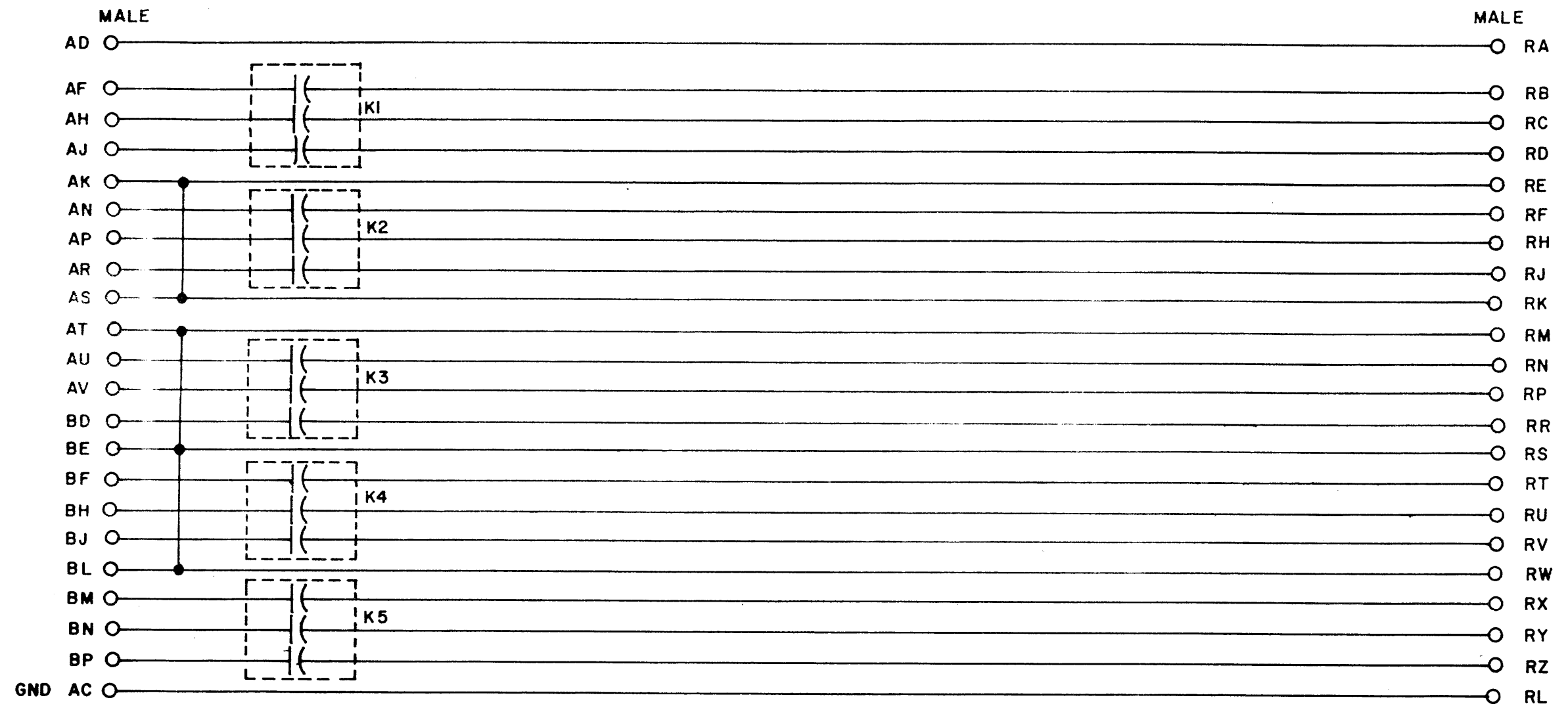


UNLESS OTHERWISE INDICATED:
 RESISTORS ARE 1/4W, 10%
 RECTIFIERS ARE IN4001
 C1 IS A SPRAGUE 30D506G006CBO OR EQUIV.
 C2 IS A SPRAGUE 39D1096010JTO OR EQUIV.
 TABS ARE AMP FASTON SERIES 250

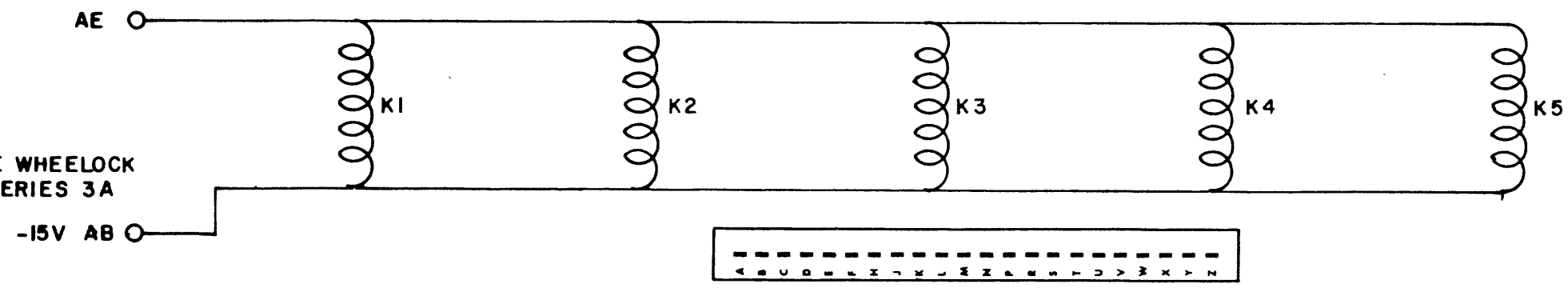


REVISIONS CHK CHG NO. REV.	DRN. <i>M. Walker</i>	DATE <i>8-2-67</i>	TRANSISTOR & DIODE CONVERSION CHART				 digital EQUIPMENT CORPORATION MAYNARD, MASSACHUSETTS	TITLE SLAVE REGULATOR K732			
	CHK'D	DATE	DEC	EIA	DEC	EIA		SIZE B	CODE CS	NUMBER K732-0-1	REV. A
	ENG. <i>n.</i>	DATE	2N3055	SAME							
	PROD. <i>i</i>	DATE	DEC6534D	MPS6534							
			DEC2219A	2N2219							
PRINTED CIRCUIT REV.							A	B			

THIS SCHEMATIC IS FURNISHED ONLY FOR TEST AND MAINTENANCE PURPOSES. THE CIRCUITS ARE PROPRIETARY IN NATURE AND SHOULD BE TREATED ACCORDINGLY. COPYRIGHT 1965 BY DIGITAL EQUIPMENT CORPORATION



AMPHENOL
133-022-03



NOTE:
RELAYS ARE WHEELOCK
REED, 260 SERIES 3A
12V DC

REVISIONS CHK CHG NO. REV. DAW 4613 I REV & REDR. DAW 5196 B G851-1 C	DRN. H.W. PORTER	DATE 1-13-65	TRANSISTOR & DIODE CONVERSION CHART		digital EQUIPMENT CORPORATION MAYNARD, MASSACHUSETTS	TITLE RELAY G851			
	CHK'D N. PERRYMAN	DATE 1-25-65	DEC	EIA		SIZE B	CODE CS	NUMBER G851-0-1	REV. C
	ENG. D. WARDIMAN	DATE 1-25-65	DEC	EIA		PRINTED CIRCUIT REV. B			
	PROD.	DATE							