

"THE MATERIAL HEREIN IS FOR INFORMATION PURPOSES ONLY AND IS SUBJECT TO CHANGE WITHOUT NOTICE. DIGITAL EQUIPMENT CORPORATION ASSUMES NO RESPONSIBILITY FOR ANY ERRORS WHICH MAY APPEAR HEREIN."

# FIELD MAINTENANCE PRINT SET

"THIS DRAWING AND SPECIFICATIONS, HEREIN, ARE THE PROPERTY OF DIGITAL EQUIPMENT CORPORATION AND SHALL NOT BE REPRODUCED OR COPIED OR USED IN WHOLE OR IN PART AS THE BASIS FOR THE MANUFACTURE OR SALE OF ITEMS WITHOUT WRITTEN PERMISSION. COPYRIGHT © 1978 DIGITAL EQUIPMENT CORPORATION."

## TABLE OF CONTENTS

B-TC-MK11-B-1	UNIT ASSY MK11-B
B-DD-MK11-B	UNIT ASSY MK11-B
E-UA-MK11-B-Ø	UNIT ASSY MK11-B
A-PL-MK11-B-Ø	UNIT ASSY MK11-B
E-AR-11/70-0-5	11/70 SYSTEM EXPANSION (MK11)
B-BD-MK11-Ø-3	MK11 BLOCK DIAGRAM
C-TD-MK11-Ø-4	MK11 TIMING DIAGRAM
B-BS-MF11S-K-3	MF11S-K ERROR CHECK CODE
MPØØØ14	H775 BATTERY BACK UP PRINT SET ORDER NO.
C-AD-7014274-0-0	BOX CONTROLLER ASSY MK11
B-DD-5413018-0	MK11 BOX CONTROLLER
B-UA-5413018-0-0	MK11 BOX CONTROLLER
B-PL-5413018-0-0	MK11 BOX CONTROLLER
D-CS-5413018-0-1	MK11 BOX CONTROLLER
D-UA-BCØ6R-Ø-Ø	BCØ6R I/O CABLE
B-DD-861-D	POWER CONTROL 861 (FULL SET)
MPØØØ325	MS11-K MOS STORAGE ARRAY PRINT SET ORDER NO.
B-DD-M8158-Ø	MK11 ADDRESS BUFFER
D-UA-M8158-Ø-Ø	MK11 ADDRESS BUFFER
B-PL-M8158-Ø-Ø	MK11 ADDRESS BUFFER
D-CS-M8158-Ø-1	MK11 ADDRESS BUFFER
B-DD-M8159-Ø	MK11 DATA BUFFER
D-UA-M8159-Ø-Ø	MK11 DATA BUFFER
B-PL-M8159-Ø-Ø	MK11 DATA BUFFER
D-CS-M8159-Ø-1	MK11 DATA BUFFER
B-DD-M816Ø-Ø	MK11 CONTROL A
D-UA-M816Ø-Ø-Ø	MK11 CONTROL A
B-PL-M816Ø-Ø-Ø	MK11 CONTROL A
D-CS-M816Ø-Ø-1	MK11 CONTROL A
B-DD-M8161-Ø	MK11 CONTROL B
D-UA-M8161-Ø-Ø	MK11 CONTROL B
B-PL-M8161-Ø-Ø	MK11 CONTROL B
D-CS-M8161-Ø-1	MK11 CONTROL B
E-AD-7014614-0-0	MK11 MEMORY BOX ASSY
B-PL-7014614-0-0	MK11 MEMORY BOX ASSY
E-IC-MK11-Ø-2	MK11 POWER DISTRIBUTION
E-AD-7014227-0-0	POWER SUPPLY MK11
B-DD-H765-Ø	POWER SUPPLY H765
E-UA-H765-Ø-Ø	POWER SUPPLY H765
D-AD-7009811-0-0	AC INPUT BOX ASSY
D-CS-5410993-0-1	AC POWER CONTROL BOARD

UNIT VARIATIONS COVERED BY THIS PRINT SET
MK11-BA
MK11-BB
MK11-BC
MK11-BD
MK11-BE
MK11-BF
MK11-BG
MK11-BH
MK11-BY
MK11-BZ

### MK11-B Field Maintenance Print Set

### Digital Equipment Corporation

PRINT SET ORDER NO.  
MPØØØ523

<b>REVISIONS</b> EN-01124-10 (REV. 10/76/1327)	REV.	A		USED ON OPTION/MODEL	11/70		DRN.	DATE	<div style="border: 1px solid black; padding: 2px;">digital</div> TITLE: UNIT ASSY MK11
	CHG. NO.	MK11-B-1					D. HEALY	OCT 77	
	DATE	3-78					CHK'D	DATE	
							D. HEALY	OCT 77	
							PROJ. ENG.	DATE	
							A. ZACCONI	11-2-77	
							FIELD SERV.	DATE	
							J. HOLDERBY	11-2-77	
				SHEET 1 OF 2					
		SIZE B	CODE TC	NUMBER MK11-B-1	REV. A				
DIST.									



"THE MATERIAL HEREIN IS FOR INFORMATION PURPOSES ONLY AND IS SUBJECT TO CHANGE WITHOUT NOTICE. DIGITAL EQUIPMENT CORPORATION ASSUMES NO RESPONSIBILITY FOR ANY ERRORS WHICH MAY APPEAR HEREIN."

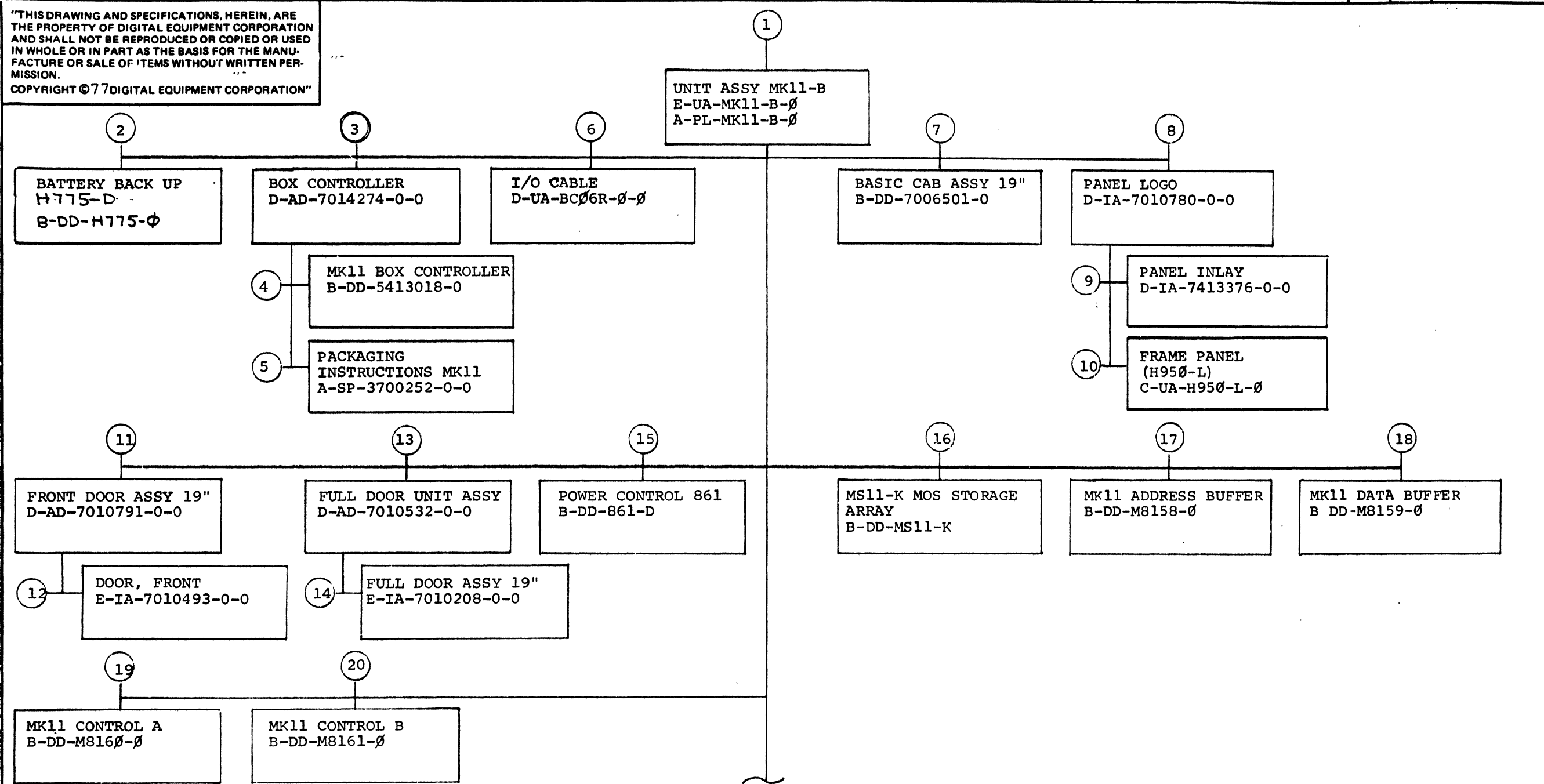
### DRAWING DIRECTORY

"THIS DRAWING AND SPECIFICATIONS, HEREIN, ARE THE PROPERTY OF DIGITAL EQUIPMENT CORPORATION AND SHALL NOT BE REPRODUCED OR COPIED OR USED IN WHOLE OR IN PART AS THE BASIS FOR THE MANUFACTURE OR SALE OF ITEMS WITHOUT WRITTEN PERMISSION. COPYRIGHT © 1977 DIGITAL EQUIPMENT CORPORATION."

UNIT VARIATIONS	
VAR	TITLE
Mk11-BA	64K WORDS ECC MOS MEM CONT AND P.C. SPACE FOR (7) MK11-BE 115V 50/60 HZ
Mk11-BB	SAME AS MK11-BA EXCEPT 230V 50/60 HZ
Mk11-BC	MK11-BA PLUS CAB 115V 50/60 HZ
Mk11-BD	MK11-BB PLUS CAB 230V 50/60 HZ
Mk11-BE	(2) MS11-KE 64 K WORDS (M7984)
Mk11-BF	(8) MS11-KE 256 K WORDS (M7984)
Mk11-BG	MK11-BA PLUS (3) MK11-BE PLUS (1) MK11-BF FULL BOX/CABLES BOX 512 K WORDS 115V 50/60 HZ
Mk11-BH	MK11-BB PLUS (3) MK11-BE PLUS (1) MK11-BF FULL BOX/CABLES BOX 512 K WORDS 230V 50/60 HZ
Mk11-BY	MK11-BA WITH NO CABLES, BATTERY AND CONTROLLER 115V 50/60 HZ
Mk11-BZ	MK11-BB WITH NO CABLES, BATTERY AND CONTROLLER 230V 50/60 HZ

REVISIONS	REV. A	MK11-B-I		USED ON OPTION/MODEL		DRN.	DATE	TITLE		
	CHANGE NO.			11/70-MK & ML	D. HEALY	OCT 77	UNIT ASSY MK11			
	CHK				CHK'D.	DATE				
					D. HEALY	OCT 77				
		PROJ. ENG.	DATE	SIZE CODE	NUMBER	REV				
				B DD	MK11-B	A				
SHEET 1 OF 6			PROD.	DATE	DIST.					
				11-2-77						

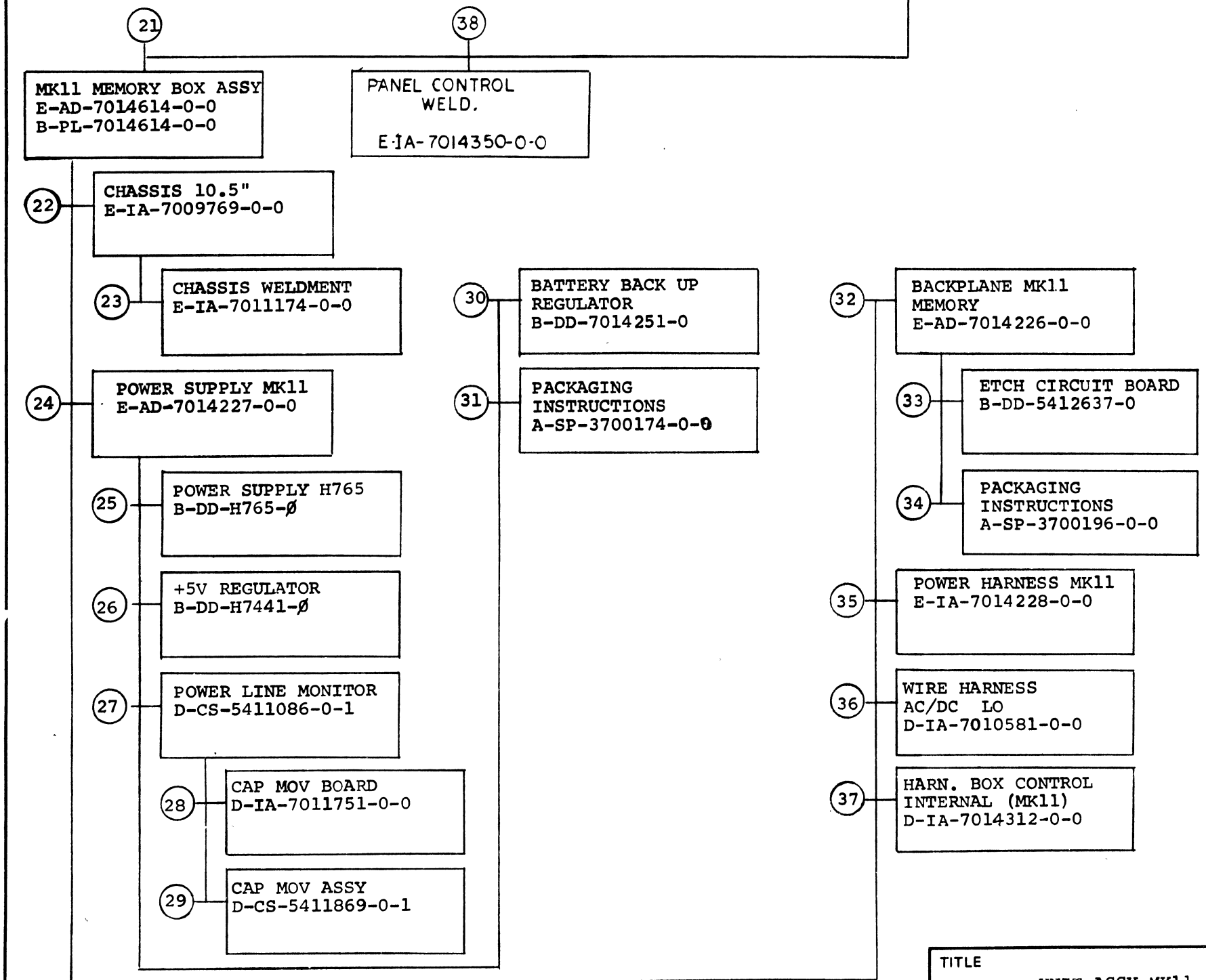
"THIS DRAWING AND SPECIFICATIONS, HEREIN, ARE THE PROPERTY OF DIGITAL EQUIPMENT CORPORATION AND SHALL NOT BE REPRODUCED OR COPIED OR USED IN WHOLE OR IN PART AS THE BASIS FOR THE MANUFACTURE OR SALE OF ITEMS WITHOUT WRITTEN PERMISSION."  
 COPYRIGHT © 77 DIGITAL EQUIPMENT CORPORATION"



SEE SHEET #3

"THIS DRAWING AND SPECIFICATIONS, HEREIN, ARE THE PROPERTY OF DIGITAL EQUIPMENT CORPORATION AND SHALL NOT BE REPRODUCED OR COPIED OR USED IN WHOLE OR IN PART AS THE BASIS FOR THE MANUFACTURE OR SALE OF ITEMS WITHOUT WRITTEN PERMISSION.  
 COPYRIGHT © 77 DIGITAL EQUIPMENT CORPORATION"

CONTINUED FROM SHEET #2



TITLE	UNIT ASSY MK11	SHEET 3 OF 6	SIZE CODE <b>B DD</b>	NUMBER MK11-B	REV A
-------	----------------	--------------	--------------------------	------------------	----------

FIND NO	DRAWING NO.	DESCRIPTION	TYPE	FIND NO.	DRAWING NO.	DESCRIPTION	TYPE
1	MP00523	UNIT ASSY MK11 (PRINT SET ORDER NO)	-	4	B-DD-5413018-0	MK11 BOX CONTROLLER	E/M
	B-TC-MK11-E-1	UNIT ASSY MK11 (FIELD MAINTENANCE PRINT SET)	-				
	E-UA-MK11-B-0	UNIT ASSY MK11	E/M				
	A-PL-MK11-B-0	UNIT ASSY MK11 (PL)	E/M				
	E-AR-11/70-0-5	11/70 SYSTEM EXPANSION (MK11)	E/M				
	D-BS-MF11S-K-3	MF11S BLOCK DIAGRAM	E	5	A-SP-3700252-0-0	PACKAGING INSTRUCTIONS MK11	M
	D-BD-MK11-0-3	MK11 BLOCK DIAGRAM	E				
	D-TD-MK11-0-4	MK11 TIMING DIAGRAMS	E				
	A-PS-3612427-22	DECAL (M8158-J1)	M				
	A-PS-3612427-23	DECAL (M8158-J2)	M				
	A-PS-3612427-24	DECAL (M8158-J3)	M				
	A-PS-3612427-25	DECAL (M8158-J4)	M	6	D-UA-BC06R-0-0	I/O CABLE BC06R	E/M
	A-PS-3612427-26	DECAL (M8159-J5)	M				
	D-IA-7014311-0-0	CABLE, BOX CONTROLLER	E/M				
	D-IA-7014520-0-0	CABLE, POWER BATTERY BACK UP	E/M				
	D-UA-BC08R-0-0	I/O CABLE BC08R	E/M				
	C-MD-7419162-0-0	BAR, CABLE	M	7	B-DD-7006501	BASIC CAB ASSY 19"	M
	C-PS-1214578-0-0	BLANK PANEL	M				
	D-IA-7011223-0-0	BASKET WIRE CABLE	M				
	C-IA-7011222-0-0	BAR ASSY BASKET	M				
	C-MD-7413983-0-0	CLAMP, WIRE BASKET	M	8	D-IA-7010870-0-0	PANEL LOGO	M
	C-MD-7419249-0-0	BAR STRAIN RELIEF (FRONT)	M				
	C-MD-7419176-0-0	BAR STRAIN RELIEF (REAR)	M				
	C-IA-7010695-0-0	861-D TO 861-D HARNESS	E/M				
	C-MD-7413659-0-0	BRACKET SHIPPING	E/M				
	C-MD-7419482-0-0	CABLE HOLDER	E/M	9	D-IA-7413376-0-0	PANEL, INLAY	M
	A-DC-7409873-0-0	DECAL, POWER CONN.	M		C-SS-7413376-0-4	SILK SCREEN (WHITE)	M
	A-PS-3612427-27	DECAL (M8159-J1)	M		C-SS-7413376-0-3	SILK SCREEN (BRITE ROSE)	M
	A-PS-3612427-28	DECAL (M8159-J2)	M		C-SS-7413376-0-2	SILK SCREEN (BRITE ROSE)	M
	A-PS-3612427-29	DECAL (M8159-J3)	M		C-SS-7413376-0-1	SILK SCREEN (MAGNETA)	M
	A-PS-3612427-30	DECAL (M8159-J4)	M				
	A-PS-3612427-31	DECAL (7014274-J1)	M				
2	B-DD-H775-0	BATTERY BACK UP H775-D	E/M	10	C-UA-H950-L-0	FRAME PANEL (H950-L)	M
					A-PL-H950-L-0	FRAME PANEL (H950-L)	M
					D-SC-1209693-0-0	FRAME PANEL (PLASTIC)	M
3	C-AD-7014274-0-0	BOX CONTROLLER	E/M				
	C-PS-7412577-0-0	CONSOLE	M				
				11	D-AD-7010791-0-0	FRONT DOOR ASSY 19"	M
					D-MD-7406763-0-0	PIN SHORT DOOR	M
					D-MD-7406816-0-0	PIN SHORT DOOR	M

TYPE E ELECTRICAL  
M MECHANICAL  
E/M ELECTRO-MECHANICAL



TITLE UNIT ASSY MK11

SHEET 4 OF 6


SIZE CODE B DD

NUMBER MK11-B

REV A

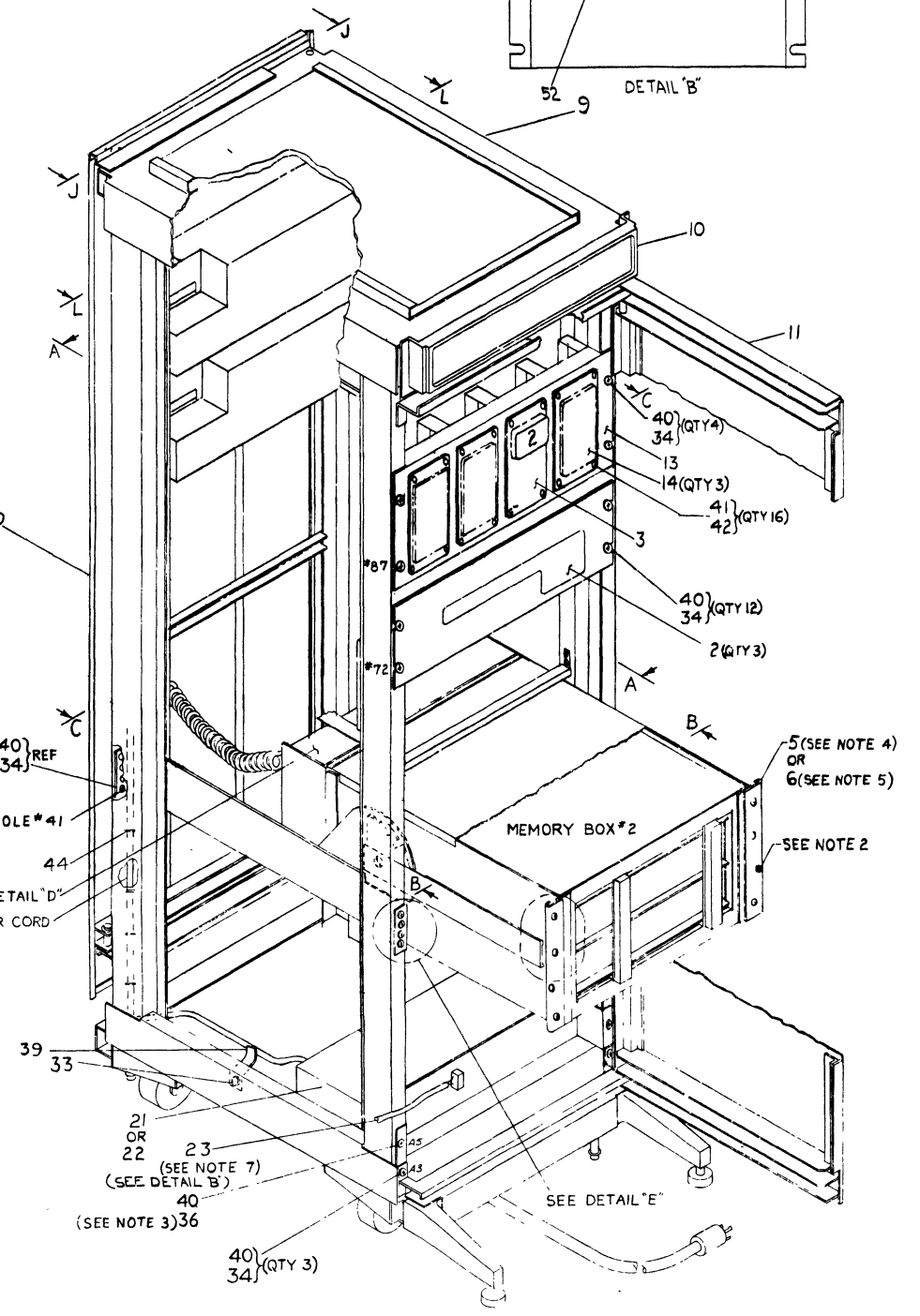
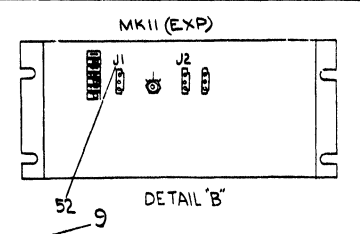
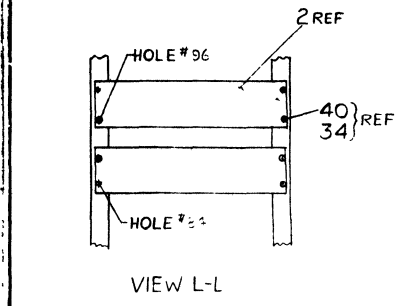
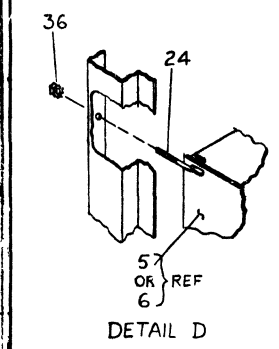
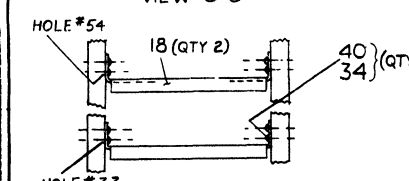
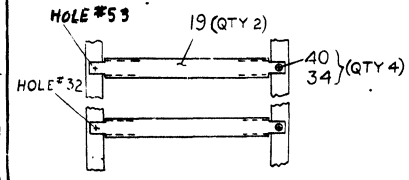
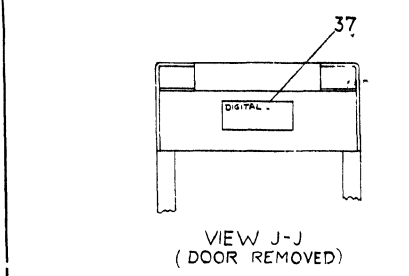
FIND NO	DRAWING NO.	DESCRIPTION	TYPE	FIND NO.	DRAWING NO.	DESCRIPTION	TYPE			
	D-MD-7406807-0-0	SHORT DOOR PIVOT SUPPORT	M							
12	E-IA-7010498-0-0	DOOR FRONT	M	19	B-DD-M8160-0	MK11 CONTROL A	E/M			
	D-MD-7413209-0-0	HAT SECTION	M							
	D-MD-7413210-0-0	SUPPORT SIDE	M							
	D-MD-7412947-0-0	SUPPORT DOOR	M	20	B-DD-M8161-0	MK11 CONTROL B	E/M			
	E-IA-7412945-0-0	DOOR FRONT	M							
13	D-AD-7010532-0-0	FULL DOOR UNIT ASSY	M	21	E-AD-7014614-0-0	MK11 MEMORY BOX ASSY	E/M			
	B-MD-7406816-0-0	PIN SHORT DOOR	M		B-PL-7014614-0-0	MK11 MEMORY BOX ASSY (PL)	E/M			
	B-MD07406671-0-0	PIN DOOR	M		C-MD-7413975-0-0	SPACER SHIM	M			
	C-MD-7406807-0-0	PIVOT SUPPORT, SHORT DOOR	M		C-MD-7414018-0-0	PROTECTOR, RIGHT METAL EDGE	M			
					C-MD-7414016-0-0	PROTECTOR, LEFT METAL EDGE	M			
					D-IA-7009768-0-0	COVER CHASSIS				
14	E-IA-7010208-0-0	FULL DOOR ASSY 19"	M	22	E-IA-7009769-0-0	CHASSIS 10.5	M			
	E-IA-7412520-0-0	FULL DOOR 19"	M		D-IA-7411703-0-0	CHASSIS FRONT	M			
	C-MD-7412523-0-0	HAT SECTION	M		D-MD-7411705-0-0	BRACKET CARD GUIDE	M			
	C-MD-7412522-0-0	SUPPORT UPPER	M							
	C-MD-7412947-0-0	SUPPORT	M							
15	B-DD-861-D	POWER CONTROL 861	E/M	23	E-IA-7011174-0-0	CHASSIS WELDMENT	M			
					E-IA-7411707-0-0	CHASSIS SIDE	M			
					D-MD-7411706-0-0	BRACKET, HAT	M			
16	B-DD-MS11-K	MS11-K MOS STORAGE ARRAY	E/M	24	E-AD-7014227-0-0	POWER SUPPLY MK11	E/M			
					A-DC-5309414-0-0	DECAL UL	M			
					A-DC-5309413-0-0	DECAL NFPA	M			
17	B-DD-M8158-0	MK11 ADDRESS BUFFER	E/M		A-DC-7409872-0-0	DECAL (P)	M			
18	B-DD-M8159-0	MK11 DATA BUFFER	E/M	25	B-DD-H765-0	POWER SUPPLY H765	E/M			
TYPE E ELECTRICAL M MECHANICAL E/M ELECTRO/MECHANICAL				TITLE UNIT ASSY MK11		SHEET 5 OF 6		SIZE CODE <b>B DD</b>	NUMBER MK11-B	REV <b>A</b>

digital

FIND NO.	DRAWING NO.	DESCRIPTION	TYPE	FIND NO.	DRAWING NO.	DESCRIPTION	TYPE				
					A-WT-7014226-0	AWT REV STATUS	M				
					A-DC-7409873-0-0	DECAL ASSY REV	M				
					K-WL-7014226-0-1	WIRE LIST	E				
26	B-DD-H7441-0	+5V REGULATOR	E/M								
27	D-CS-5411086-0-1	POWER LINE MONITOR/15V REGULATOR	E/M	33	B-DD-5412637-0	ETCH CIRCUIT BOARD	E/M				
	A-SP-11/45-TA-2	TEST PROCEDURE	M								
	A-SP-5411086-0-3	ENGINEERING SPECIFICATION	M								
	D-IA-7010138-0-0	HARNESS INTERCONNECTION	E/M	34	A-SP-3700196-0-0	PACKAGING INSTRUCTIONS	M				
28	D-IA-7011751-0-0	CAP MOV BOARD	E/M	35	E-IA-7014228-0-0	POWER HARNESS MK11	E/M				
					A-DC-7409872-0-0	DECAL (P) BLK/CLR	M				
					A-DC-7409873-0-0	DECAL (J) BLK/CLR	M				
29	D-CS-5411689-0-1	CAP MOV ASSY	E/M								
30	B-DD-7014251-0	BATTERY BACK UP REGULATOR	E/M	36	D-IA-7010581-0-0	WIRE HARNESS AC/DC LO	E/M				
				37	D-IA-7014312-0-0	HARNESS, BOX CONTROL INTERNAL (MK11)	E/M				
					A-DC-7409872-0-0	DECALS (P)	M				
				38	E-IA-7014350-0-0	PANEL CONTROL WELD.	M				
					E-MD-7419085-0-0	MTG PANEL CONTROL	M				
					E-MD-7419087-0-0	REAR COVER	M				
31	A-SP-3700174-0-0	PACKAGING INSTRUCTION	M								
32	E-AD-7014226-0-0	BACKPLANE (MK11 MEMORY)	E/M								
	C-MD-7412933-0-0	MEMORY MTG BRACKET	M								
	C-MD-7412943-0-0	MEMORY MTG BAR	M								
	A-DC-7409873-0-0	DECALS (J)	M								
TYPE E ELECTRICAL M MECHANICAL E/M ELECTRO/MECHANICAL						TITLE UNIT ASSY MK11		SHEET 6 OF 6	SIZE CODE <b>B DD</b>	NUMBER MK11 B	REV <b>A</b>

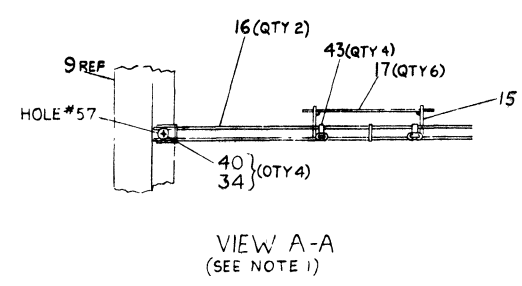
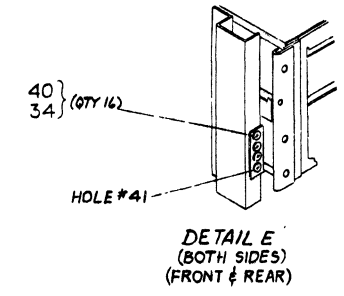


THIS DRAWING AND SPECIFICATIONS, WHETHER AND THE PROPERTY OF ARCADIA ELECTRONIC COMPANY AND SHALL NOT BE REPRODUCED OR COPIED IN ANY MANNER OR FOR ANY PURPOSE WITHOUT THE WRITTEN PERMISSION OF ARCADIA ELECTRONIC COMPANY.



LEGEND		
PART NO	DESCRIPTION	VARIATION
MKII-BA	64K WORD ECC MOS MEM CONT & PS SPACE FOR 7 MKII-BE 115V	115V 50/60 HZ
MKII-BB	SAME AS MKII-BA EXCEPT	230V 50/60 HZ
MKII-BC	MKII-BA + CAB	115V 50/60 HZ
MKII-BD	MKII-BB + CAB	230V 50/60 HZ
MKII-BE	(2)MSII-KE 64K WORD (M7984)	
MKII-BF	(8)MSII-KE 256K WORD (M7984)	
MKII-BG	MKII-BA + 3 MKII-BE + (1)MKII-BF FULL BOX/CABLES BOX 512 K W	115V 50/60 HZ
MKII-BH	MKII-BB + 3 MKII-BE + (1)MKII-BF FULL BOX/CABLES BOX 512 K W	230V 50/60 HZ
MKII-BY	MKII-BA WITH NO CABLES, BTRY + CONTROLLER	115V 50/60 HZ
MKII-BZ	MKII-BB WITH NO CABLES, BTRY + CONTROLLER	230V 50/60 HZ

- NOTES:
- HARDWARE CALLED OUT IN VIEW A-A TO BE SUPPLIED LOOSE IN A PLASTIC BAG.
  - REMOVE SHIPPING HARDWARE BOTH SIDES.
  - KEEP NUT ITEM #36 TO BE USED TO BREAK THRU CABINET FINISH WHERE NEEDED FOR A STATIC GROUND.
  - ITEM #26, 28 THRU 31, (2) ITEM #25 ARE PART OF ITEM 5 (SEE PARTS LIST).
  - ITEM #27, 28 THRU 31 & (2) ITEM #25 ARE PART OF ITEM #6 (SEE PARTS LIST).
  - HOLES SHOWN FOR ACCURIDE SLIDE, HOLES FOR CHASSIS TRACK SLIDE SEE E-AR-11/70-0-5.
  - ITEM #23 (841-DE TO 841-DIE) TO BE SUPPLIED WITH EACH MKII-BC, BD IN PLASTIC BAG.
  - ITEMS 53-60 TO BE ATTACHED TO CABLES AS THEY ARE CONFIGURED INTO THE SYSTEMS.

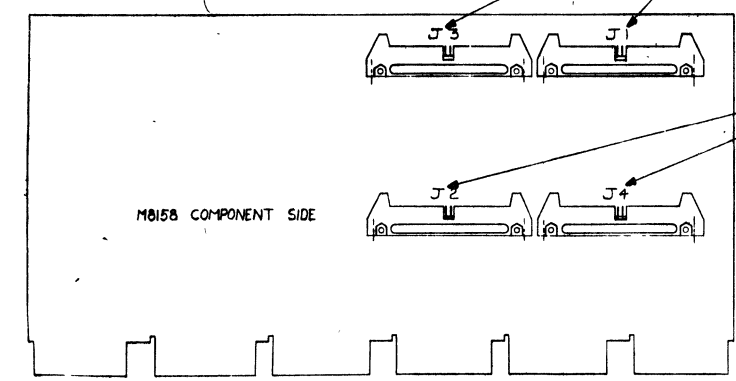
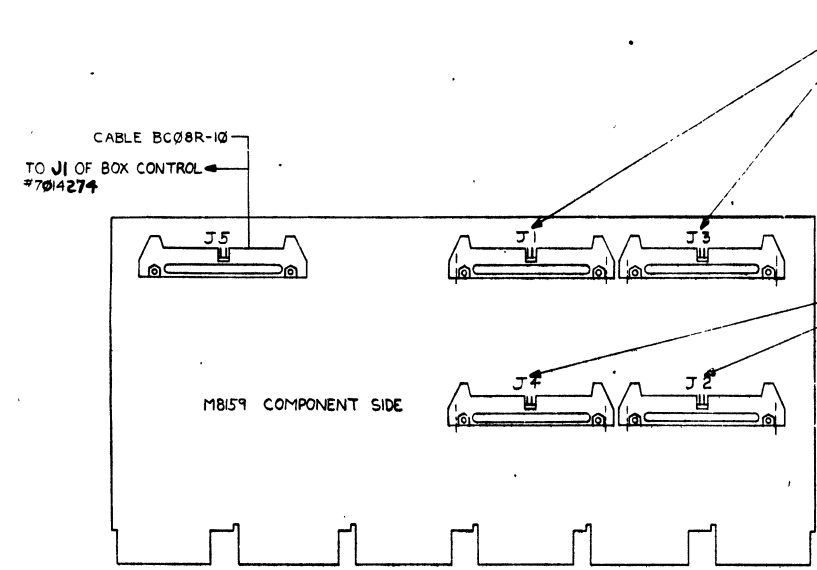


FOR PARTS LIST SEE P.P.L. NO. 3-10

DESCRIPTION		DWG. PART NO.	ITEM NO.
UNLESS OTHERWISE SPECIFIED DIMENSIONS ARE IN INCHES			
SIZE	CLASS OF SURFACE FINISH	QUANTITY	REVISION
QUALITY	FINISH		
QUANTITY & VARIATION	PREFERRED		
THIRD ANGLE PROJECTION	DRN	FIRST USED ON	
REVISES SURF AND BREAK SHAD CORNER	ENG	TITLE	
DO NOT SCALE DWG	PROJ. ENGR.	UNIT ASSY	
MATERIAL	REV. MKII-B	MKII	
FINISH	SCALE	8 VA MKII-B	
	SHEET	OF 3	



THIS DRAWING AND SPECIFICATIONS, HEREIN, ARE THE PROPERTY OF ANALOG CORPORATION. REPRODUCTION OR TRANSMISSION OF ANY PART OF THIS DRAWING OR SPECIFICATIONS IN ANY MANNER OR BY ANY MEANS IS PROHIBITED WITHOUT THE WRITTEN PERMISSION OF ANALOG CORPORATION.

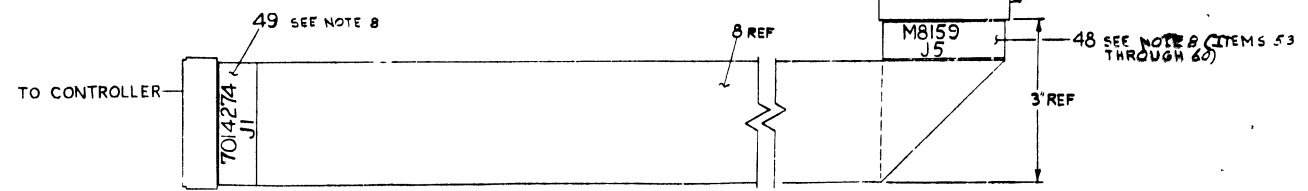
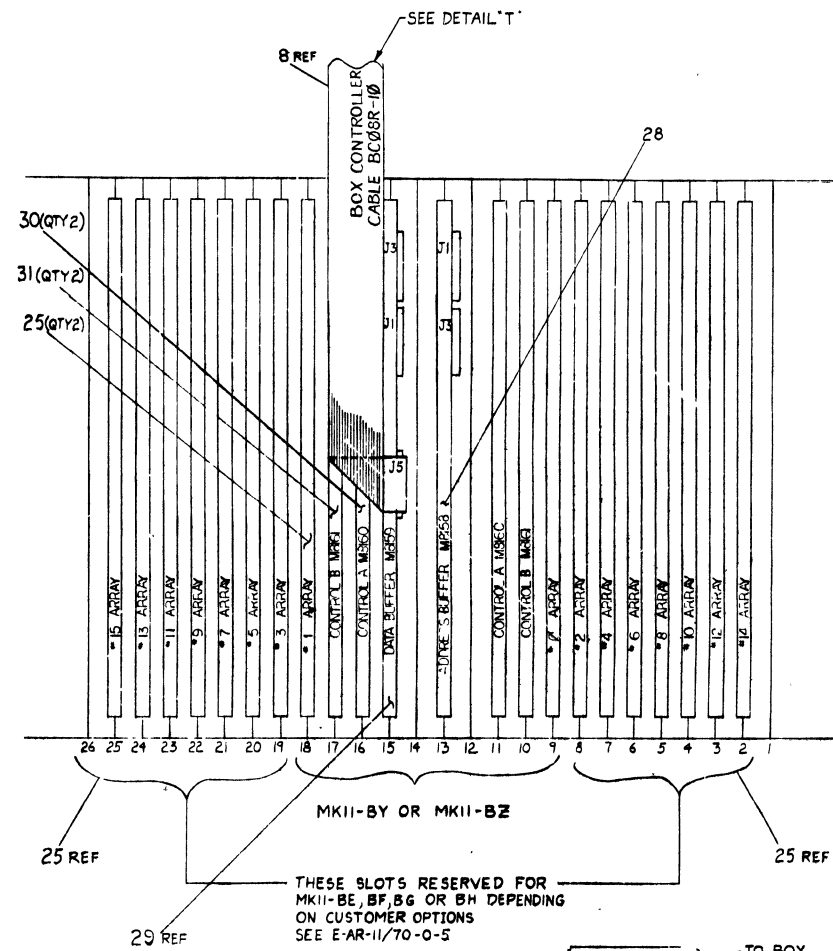


DATA IN FROM OTHER BOX THESE CABLES PART OF EXPANSION SEE E-AR-11/70-0-5

TERMINATOR OR DATA OUT TO NEXT BOX. THESE CABLES PART OF EXPANSION. SEE E-AR-11/70-0-5

ADDRESS IN FROM OTHER BOX THESE CABLES PART OF EXPANSION SEE E-AR-11/70-0-5

TERMINATOR OR ADDRESS OUT TO NEXT BOX THESE CABLES PART OF EXPANSION SEE E-AR-11/70-0-5



DETAIL T

REV	CHG	NO	DATE	BY	CHK	APP	TITLE	SCALE	SHEET	TOTAL	REV	DATE	BY	CHK	APP
							UNIT ASSY MKII		3	3					
							# KJA MKII-B-D								

DIGITAL EQUIPMENT CORPORATION MAYNARD, MASSACHUSETTS PARTS LIST				QUANTITY VARIATION												
MADE BY M. CHOINIERE		CHECKED D. HEALY		SECTION 1		MK11-BA	MK11-BB	MK11-BC	MK11-BD	MK11-BE	MK11-BF	MK11-BG	MK11-BH	MK11-BY	MK11-BZ	
DATE 6 SEPT 77		DATE 20 SEPT 77		ISSUED SECT. 1												
ENG A.M. Zaccari		PROD REV		ISSUED SECT. 1												
DATE 11-1-77		DATE 11-1-77		ISSUED SECT. 1												
ITEM NO.	DWG NO./PART NO.	DESCRIPTION														
1	E-AR-11/70-0-5	11/70 SYSTEM EXPANSION (MK11)				REF	REF	REF	REF	REF	REF	REF	REF	REF	REF	REF
2	E-UA-H775-D-0	BATTERY BACK UP				3	3	3	3	-	-	3	3	-	-	
3	C-AD-7014274-0-0	BOX CONTROLLER				1	1	1	1	-	-	1	1	-	-	
4	D-IA-7014311-9F-0	CABLE, BOX CONTROLLER				1	1	1	1	-	-	1	1	-	-	
5	E-UA-MK11-BY-0	UNIT ASSY MK11 115V 50/60 HZ				1	-	1	-	-	-	1	-	-	-	
6	E-UA-MK11-BZ-0	UNIT ASSY MK11 230V 50/60 HZ				-	1	-	1	-	-	-	1	-	-	
7	D-IA-7014520-08-0	CABLE, POWER BATTERY BACK UP				3	3	3	3	-	-	3	3	-	-	
8	D-UA-BC06R-10-0	I/O CABLE BC06R				1	1	1	1	-	-	1	1	-	-	
9	C-PL-7006501-35-0	BASIC CAB ASSY 19"				-	-	1	1	-	-	-	-	-	-	
10	D-IA-7010780-1-0	PANEL, LOGO				-	-	1	1	-	-	-	-	-	-	
11	D-AD-7010791-0-0	FRONT DOOR ASSY				-	-	1	1	-	-	-	-	-	-	
12	C-MD-7419162-0-0	BAR, CABLE				1	1	1	1	-	-	1	1	-	-	
13	E-IA-7014350-0-0	MTG PANEL CONTROL				-	-	1	1	-	-	-	-	-	-	
14	C-PS-1214578-0-0	BLANK PANEL				-	-	3	3	-	-	-	-	-	-	
15	D-IA-7011223-1-0	BASKET WIRE CABLE (2 BAY)				-	-	1	1	-	-	-	-	-	-	
16	C-IA-7011222-0-0	BAR ASSY BASKET				-	-	2	2	-	-	-	-	-	-	
17	C-MD-7413983-0-0	CLAMP, WIRE BASKET				-	-	6	6	-	-	-	-	-	-	
18	C-MD-7419249-0-0	BAR, STRAIN RELIEF (FRONT)				-	-	2	2	-	-	-	-	-	-	
19	C-MD-7419176-0-0	BAR, STRAIN RELIEF (REAR)				-	-	2	2	-	-	-	-	-	-	
20	D-AD-7010532-0-0	FULL DOOR UNIT ASSY				-	-	1	1	-	-	-	-	-	-	
21	E-UA-861-D-0	POWER CONTROL 115V				-	-	1	1	-	-	-	-	-	-	
22	E-UA-861-E-0	POWER CONTROL 230V				-	-	-	1	-	-	-	-	-	-	
TITLE		ASSY NO.		SIZE	CODE	NUMBER		REV	ECO NO.							
UNIT ASSY MK11		E-UA-MK11-0-0		A	PL	MK11-B-0		A	MK11-B-00001							
		SHEET 1 OF 3		DIST												

DEC FORM  
DRA 110

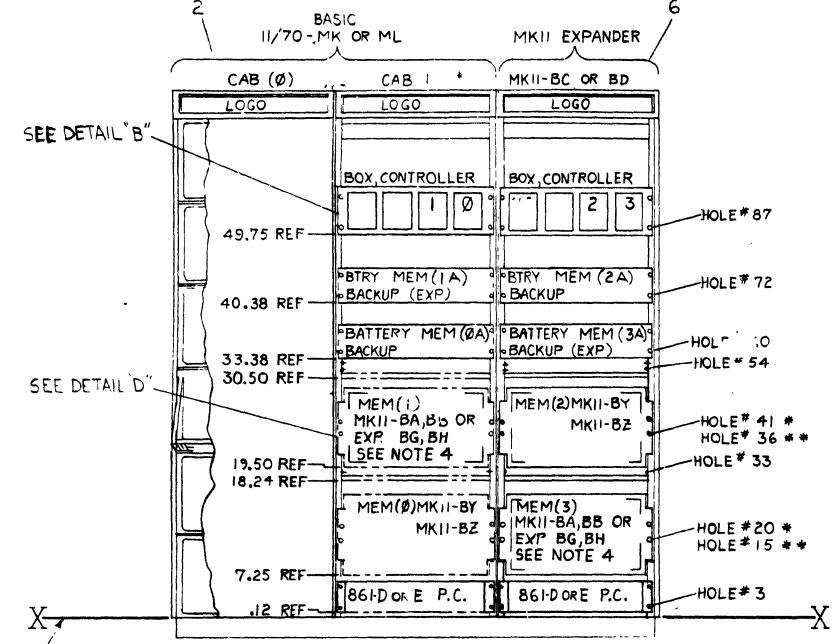
DIGITAL EQUIPMENT CORPORATION MAYNARD, MASSACHUSETTS PARTS LIST				QUANTITY VARIATION												
MADE BY M. CHOINIERE		CHECKED D. HEALY		SECTION 1		MK11-BA	MK11-BB	MK11-BC	MK11-BD	MK11-BE	MK11-BF	MK11-BG	MK11-BH	MK11-BY	MK11-BZ	
DATE 6 SEPT 77		DATE 20 SEPT 77		ISSUED SECT. 1												
ENG A.M. Zaccari		PROD REV		ISSUED SECT. 1												
DATE 11-1-77		DATE 11-1-77		ISSUED SECT. 1												
ITEM NO.	DWG NO./PART NO.	DESCRIPTION														
45	9006570-00	NUT, WING #6 - 32				2	2	2	2	-	-	2	2	-	-	
46	D-UA-BC06R-0F-0	CABLE (8' - 6") (BOX TO BOX)				4	4	-	-	-	-	4	4	-	-	
47	D-UA-BC06R-10-0	CABLE (10' - 0") (CAR TO CAR)				-	-	4	4	-	-	-	-	-	-	
48	3612427-26	DECAL, (M8159-J5)				1	1	1	1	-	-	1	1	-	-	
49	3612427-31	DECAL, (7014274-J1)				1	1	1	1	-	-	1	1	-	-	
50	9008880-00	TAPE, FIBRE GLASS .50 w				A/R	A/R	A/R	A/R	-	-	A/R	A/R	-	-	
51	9007036-00	GROMMET ALLIGATOR				A/R	A/R	A/R	A/R	-	-	A/R	A/R	-	-	
52	A-DC-7409873-1-0	DECAL, POWER CONN.				-	-	A/R	A/R	-	-	-	-	-	-	
53	A-PS-3612427-22	DECAL (M8158-J1)				1	1	1	1	-	-	1	1	-	-	
54	A-PS-3612427-23	DECAL (M8158-J2)				1	1	1	1	-	-	1	1	-	-	
55	A-PS-3612427-24	DECAL (M8158-J3)				1	1	1	1	-	-	1	1	-	-	
56	A-PS-3612427-25	DECAL (M8158-J4)				1	1	1	1	-	-	1	1	-	-	
57	A-PS-3612417-27	DECAL (M8159-J1)				1	1	1	1	-	-	1	1	-	-	
58	A-PS-3612427-28	DECAL (M8159-J2)				1	1	1	1	-	-	1	1	-	-	
59	A-PS-3612427-29	DECAL (M8159-J3)				1	1	1	1	-	-	1	1	-	-	
60	A-PS-3612427-30	DECAL (M8159-J4)				1	1	1	1	-	-	1	1	-	-	
NOTE: MK11-BY, BZ ARE UNIT SUB																
ASSEMBLIES OF MK11-BA, BB																
TITLE		ASSY NO.		SIZE	CODE	NUMBER		REV	ECO NO.							
UNIT ASSY MK11		E-UA-MK11-0-0		A	PL	MK11-B-0		A	MK11-B-00001							
		SHEET 3 OF 3		DIST												

DEC FORM  
DRA 110

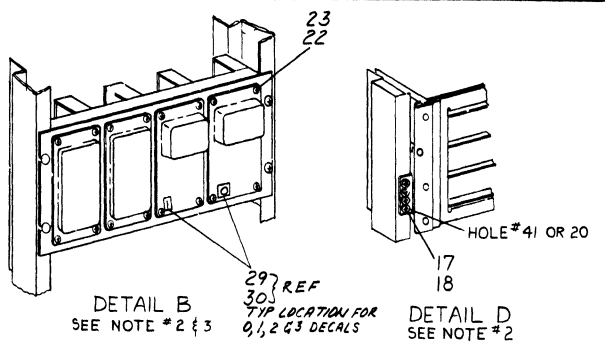
DIGITAL EQUIPMENT CORPORATION MAYNARD, MASSACHUSETTS PARTS LIST				QUANTITY VARIATION												
MADE BY M. CHOINIERE		CHECKED D. HEALY		SECTION 1		MK11-BA	MK11-BB	MK11-BC	MK11-BD	MK11-BE	MK11-BF	MK11-BG	MK11-BH	MK11-BY	MK11-BZ	
DATE 6 SEPT 77		DATE 20 SEPT 77		ISSUED SECT. 1												
ENG A.M. Zaccari		PROD REV		ISSUED SECT. 1												
DATE 11-1-77		DATE 11-1-77		ISSUED SECT. 1												
ITEM NO.	DWG NO./PART NO.	DESCRIPTION														
23	C-IA-7010695-0-0	861-D TO 861-D HARNESS				-	-	1	1	-	-	-	-	-	-	
24	C-MD-7413659-0-0	BRACKET SHIPPING				-	-	1	1	-	-	-	-	-	-	
25	D-UA-MS11-KE-0	MS11-K MOS STORAGE ARRAY 32K WORDS				-	-	-	-	2	8	14	14	2	2	
26	E-AD-7014614-00-0	MK11 MEMORY BOX ASSY 115V 50/60 HZ				-	-	-	-	-	-	-	-	1	-	
27	E-AD-7014614-01-0	MK11 MEMORY BOX ASSY 230V 50/60 HZ				-	-	-	-	-	-	-	-	-	1	
28	D-UA-M8158-0-0	MK11 ADDRESS BUFFER				-	-	-	-	-	-	-	-	1	1	
29	D-UA-M8159-0-0	MK11 DATA BUFFER				-	-	-	-	-	-	-	-	1	1	
30	D-UA-M8160-0-0	MK11 CONTROL A				-	-	-	-	-	-	-	-	2	2	
31	D-UA-M8161-0-0	MK11 CONTROL B				-	-	-	-	-	-	-	-	2	2	
32	C-MD-7419482-0-0	CABLE HOLDER				1	1	1	1	-	-	1	1	-	-	
33	9006568-00	NUT, KEPS, 5/16-18				-	-	1	1	-	-	-	-	-	-	
34	9007786-00	NUT TINNEMAN #10 - 32				-	-	51	51	-	-	-	-	-	-	
35	9007031-00	TIE WRAP				-	-	-	-	-	-	-	-	-	-	
36	9006565-00	NUT, KEPS #10 - 32				A/R	A/R	A/R	A/R	-	-	-	-	-	-	
37		DECAL CABINET DESIGNATION				-	-	-	-	-	-	-	-	-	-	
38						-	-	-	-	-	-	-	-	-	-	
39	9008887-00	JUMPER ASSY				-	-	-	-	-	-	-	-	-	-	
40	9009700-00	SCREW, SEMS PH HD TRUSS #10 - 32 x .50				-	-	52	52	-	-	-	-	-	-	
41	9008301-03	SCR PH HD TRUSS #4 - 40 x .25				-	-	16	16	-	-	-	-	-	-	
42	9006632-00	WASH. EXT. TOOTH LOCK #4				-	-	16	16	-	-	-	-	-	-	
43	9009760-00	CLIP				-	-	4	4	-	-	-	-	-	-	
44	9008264-00	MOUNT, CABLE ADHESIVE BACK				A/R	A/R	A/R	A/R	-	-	A/R	A/R	-	-	
TITLE		ASSY NO.		SIZE	CODE	NUMBER		REV	ECO NO.							
UNIT ASSY MK11		E-UA-MK11-0-0		A	PL	MK11-B-0		A	MK11-B-00001							
		SHEET 2 OF 3		DIST												

DEC FORM  
DRA 110

THIS DRAWING AND SPECIFICATIONS HEREON ARE THE PROPERTY OF ORACLE CORPORATION AND SHALL NOT BE REPRODUCED OR COPIED IN WHOLE OR IN PART AS THE BASIS FOR THE MANUFACTURE OR SALE OF ITEMS WITHOUT WRITTEN PERMISSION. ORACLE CORPORATION

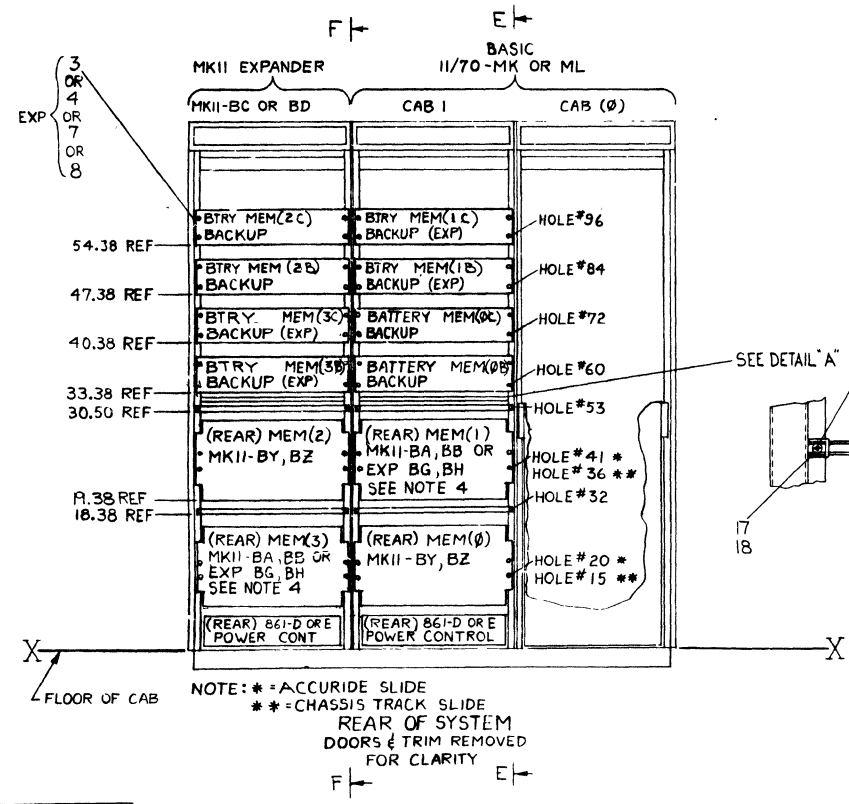


NOTE: \* = ACURIDE SLIDE  
 \*\* = CHASSIS TRACK SLIDE  
 FRONT OF SYSTEM  
 DOORS & TRIM REMOVED  
 FOR CLARITY



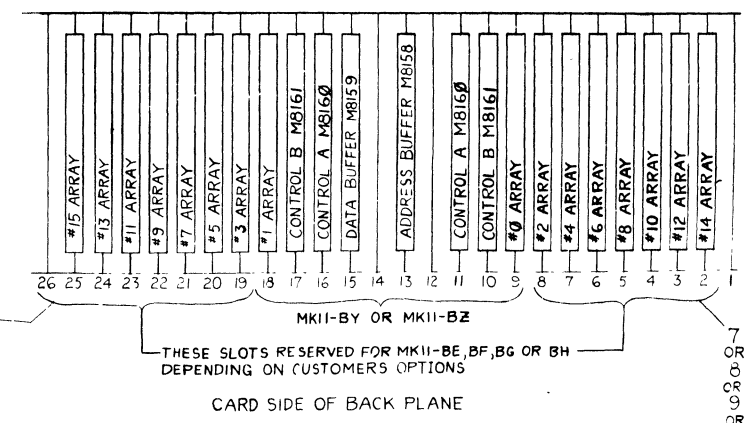
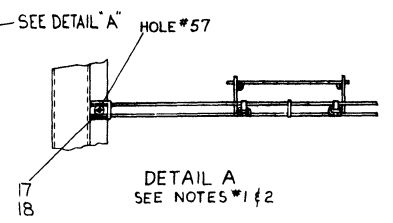
PANEL DESIGNATION	DECAL NAME	ITEM NO
* MKII-BY, BZ	MEM 0	29
* BATTERY MEM BACKUP	BAT 0-A	29
* BATTERY MEM BACKUP	BAT 0-B	29
* BATTERY MEM BACKUP	BAT 0-C	29
* MKII-BA, BB OR EXP BG, BH	MEM 1	30
* BTRY MEM BACKUP (EXP)	BAT 1-A	30
* BTRY MEM BACKUP (EXP)	BAT 1-B	30
* BTRY MEM BACKUP (EXP)	BAT 1-C	30
* MKII-BY, BZ	MEM 2	31
* BTRY MEM BACKUP	BAT 2-A	31
* BTRY MEM BACKUP	BAT 2-B	31
* BTRY MEM BACKUP	BAT 2-C	31
* MKII-BA, BB OR EXP BG, BH	MEM 3	32
* BTRY MEM BACKUP (EXP)	BAT 3-A	32
* BTRY MEM BACKUP (EXP)	BAT 3-B	32
* BTRY MEM BACKUP (EXP)	BAT 3-C	32

- NOTES:
- CABLE HOLDER SUPPLIED WITH ITEM # 5 OR 6 TO BE MOUNTED IN HOLES # 57 BETWEEN CAB # 1 & MKII-BC OR BD EXP CAB.
  - FOR VIEW ORIENTATION SEE E-UA-MKII-B-0 SH#1.
  - FOR MKII EXPANDER CAB ADD BOX 3. FOR 11/70 EXPANSION ADD BOX 1, USING EXISTING HARDWARE SUPPLIED TO MOUNT IN PLACE.
  - THIS EXPANSION BOX USED FOR EITHER MEMORY # 1 OR # 3 WILL BE MKII-BY OR BZ WITH CUSTOMER OPTIONS.
  - ALL BC06R OUTPUT INPUT CABLES MUST BE PLUGGED INTO THE INTERFACE MODULE CARDS WITH THE RED STRIPE VIEWED FROM MODULE SIDE 1 TO THE LEFT OF THE CONNECTOR.
  - ON BC06R CABLES RIBBED SIDE WILL BE VISIBLE ON OUT CABLES AND SMOOTH SIDE ON IN CABLES AS VIEWED FROM SIDE 1 OF BOARD.



NOTE: \* = ACURIDE SLIDE  
 \*\* = CHASSIS TRACK SLIDE  
 REAR OF SYSTEM  
 DOORS & TRIM REMOVED  
 FOR CLARITY

\* INDICATES DECALS APPLIED TO FRONT PANELS  
 ALL OTHERS - REAR PANELS & AS NOTED



AIR CABLE 10'-0"	BC08 R10	33
1 MKII MEMORY BOX DECAL	3614976-03	32
1 MKII MEMORY BOX DECAL	3614976-02	31
1 MKII MEMORY BOX DECAL	3614976-01	30
1 MKII MEMORY BOX DECAL	3614976-00	29
AIR TAPE, FIBRE GLASS 50W	9008880-0-0	28
AIR BRACKET, SHIPPING	CMD 7413659-0-0	27
AIR NUT, KEPS #10-32	9006565-00	26
AIR BAR, CABLE	CMD 7419162-0-0	25
AIR NUT WING #6-32	9006570-00	24
REF WASH EXT TOOTH LOCK #4	9006632-00	23
REF SCR PH HD TRUSS #4-40X.25	9009100-03	22
AIR MOUNT, CABLE, ADH. BACK	9008264-00	21
TIE WRAP	9007031-00	20
CABLE HOLDER	CMD 7419482-0-0	19
NUT, TINNEMAN #10-32	9007786-00	18
SCR SEMS PH HD TRUSS #4-40X.25	9009700-00	17
UNIT ASSY LA36	EUA-LA36-0-0	16
CABLE (10'-0")	BC06R-10	15
CABLE (8'-6")	BC06R-BF	14
CABLES, DATA SET B	D-10-7010824-03-0	13
UNIT ASSY MKII	EUA-MKII-BZ-0	12
UNIT ASSY MKII	EUA-MKII-BY-0	11
UNIT ASSY MKII	EUA-MKII-BH-0	10
UNIT ASSY MKII	EUA-MKII-BG-0	9
UNIT ASSY MKII	EUA-MKII-BF-0	8
UNIT ASSY MKII	EUA-MKII-BE-0	7
UNIT ASSY MKII	EUA-MKII-BD-0	6
UNIT ASSY MKII	EUA-MKII-BC-0	5
UNIT ASSY MKII	EUA-MKII-RB-0	4
UNIT ASSY MKII	EUA-MKII-BA-0	3
UNIT ASSY 11/70 (MKII-BAS.2)	EUA-11/70-ML-0	2
UNIT ASSY 11/70 (MKII-BASIC)	EUA-11/70-MH-0	1

UNLESS OTHERWISE SPECIFIED DIMENSIONS ARE IN INCHES

QUANTITY & VARIATION

THIRD ANGLE PROJECTION

DATE: 11/70

PROJ: ENG

PROD: 11/70

DO NOT SCALE DIMS

SCALE: NONE

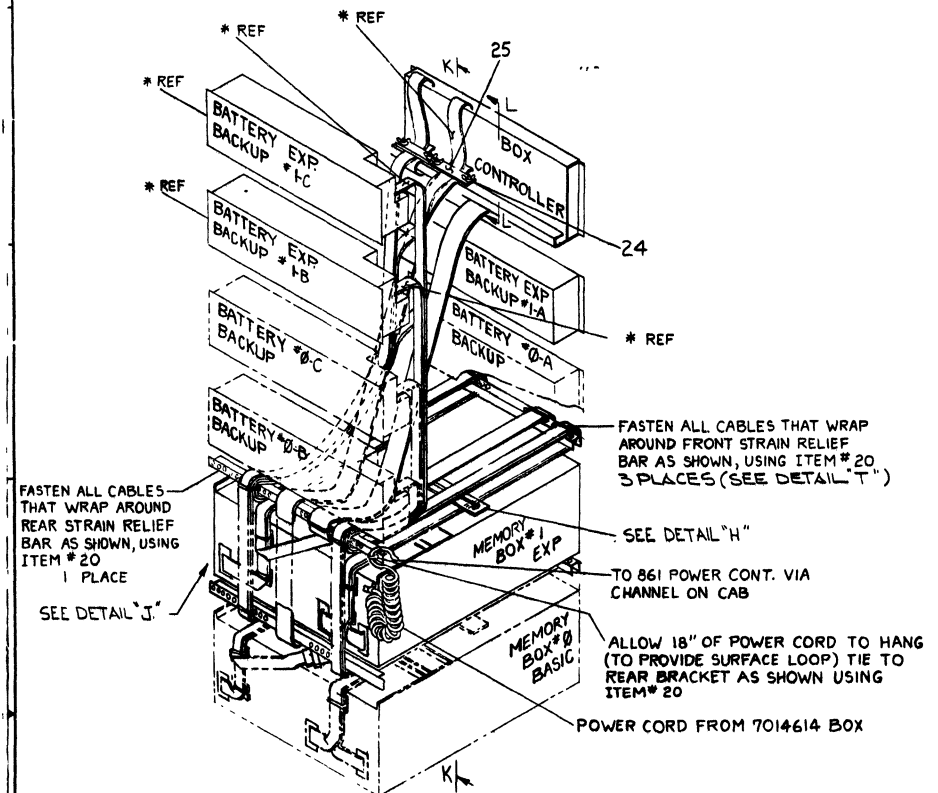
SHEET: 1 OF 5

TITLE: 11/70 SYSTEM EXPANSION (MKII)

NUMBER: AR1170-C-5

REV: 1

THIS DRAWING AND INFORMATION CONTAINED HEREIN ARE THE PROPERTY OF DIGITAL EQUIPMENT CORPORATION AND SHALL NOT BE REPRODUCED OR COPIED IN WHOLE OR IN PART AS THE BASIS FOR THE MANUFACTURE OR SALE OF OTHER EQUIPMENT WITHOUT PERMISSION. COPYRIGHT © 1977, DIGITAL EQUIPMENT CORPORATION.

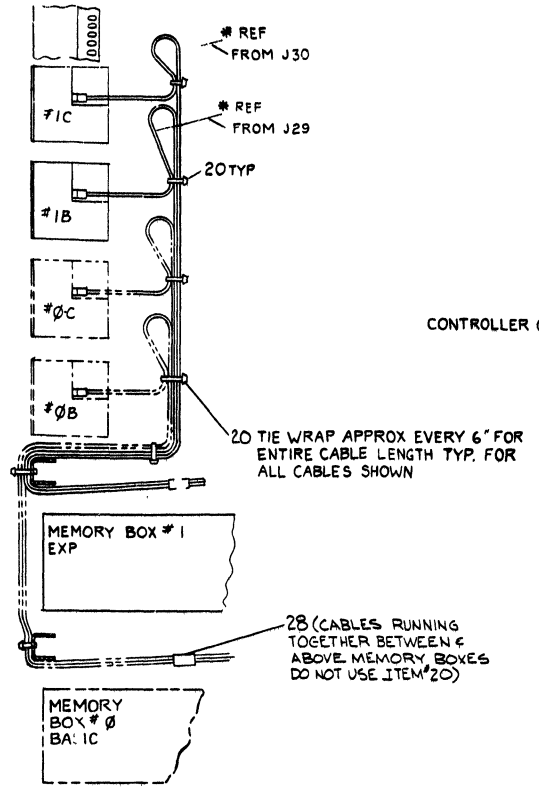


FASTEN ALL CABLES THAT WRAP AROUND REAR STRAIN RELIEF BAR AS SHOWN, USING ITEM # 20 IN PLACE  
SEE DETAIL "J"

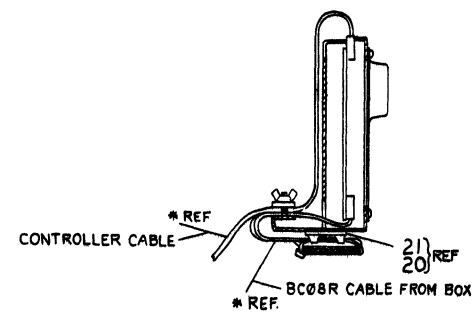
FASTEN ALL CABLES THAT WRAP AROUND FRONT STRAIN RELIEF BAR AS SHOWN, USING ITEM # 20 IN 3 PLACES (SEE DETAIL "T")

SEE DETAIL "H"

TO 861 POWER CONT. VIA CHANNEL ON CAB  
ALLOW 18" OF POWER CORD TO HANG (TO PROVIDE SURFACE LOOP) TIE TO REAR BRACKET AS SHOWN USING ITEM # 20  
POWER CORD FROM 7014614 BOX



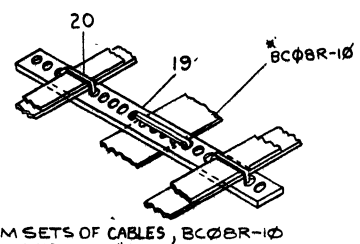
VIEW K-K  
TYP METHOD OF DRESSING BATTERY CABLES AT REAR F 11/70  
\* PART OF 3 OR 4, 9 OR 10



SECTION L-L  
TYP ATTACHMENT OF CABLE TO BOX CONTROLLER  
\* PART OF 3 OR 4, 9 OR 10

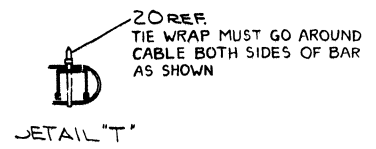
28 (CABLES RUNNING TOGETHER BETWEEN C ABOVE MEMORY BOXES DO NOT USE ITEM # 20)

\* PART OF 3 OR 4, 9 OR 10  
VIEW E-E



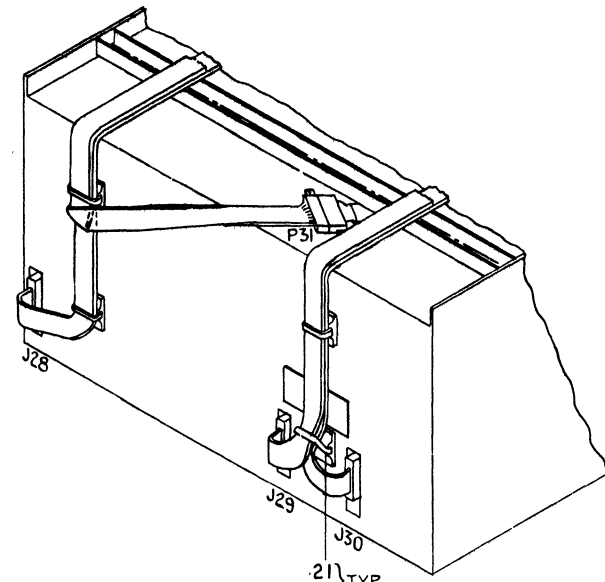
TIE 2 BOTTOM SETS OF CABLES, BC0BR-10 TO ITEM # 19 USING ITEM # 20

DETAIL "H"



20 REF TIE WRAP MUST GO AROUND CABLE BOTH SIDES OF BAR AS SHOWN

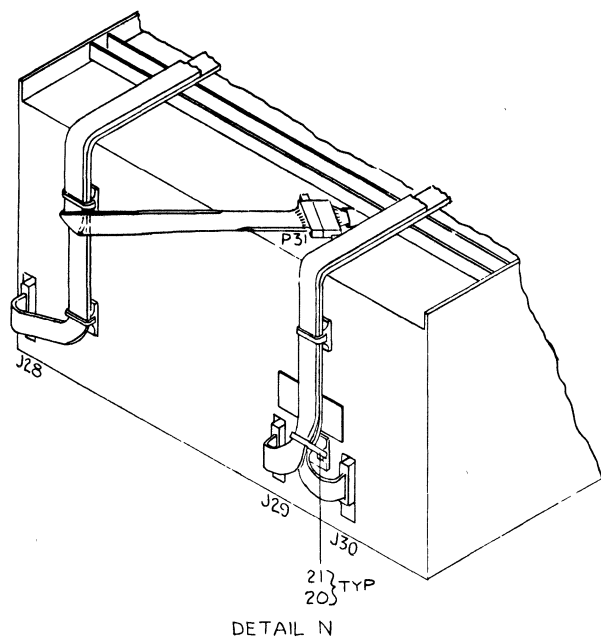
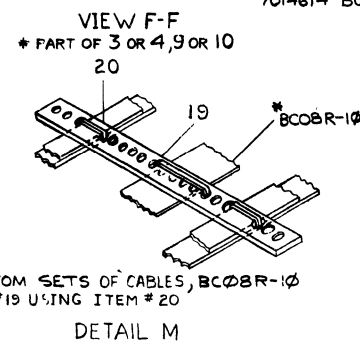
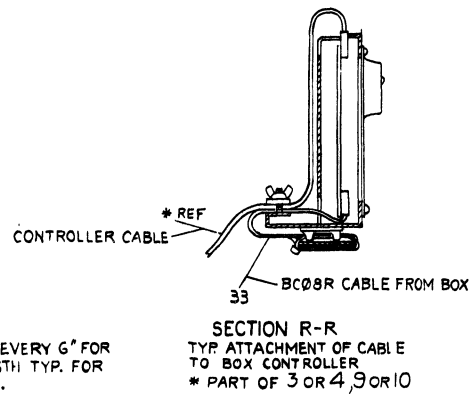
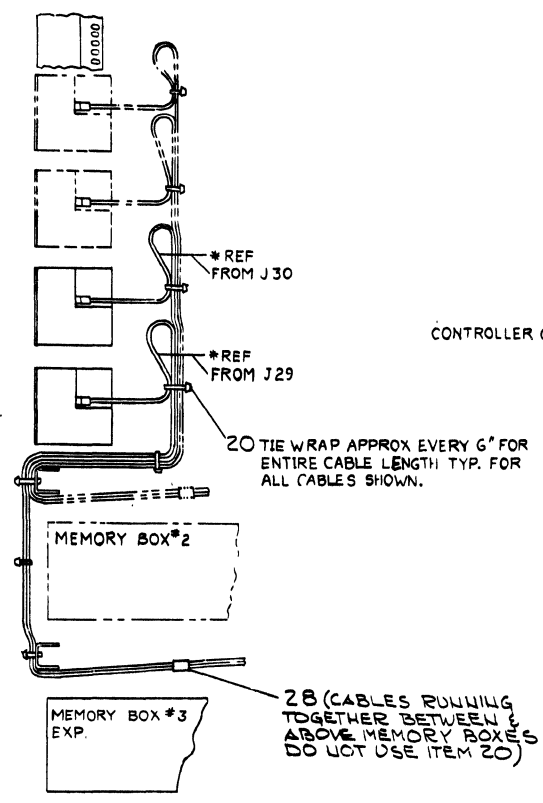
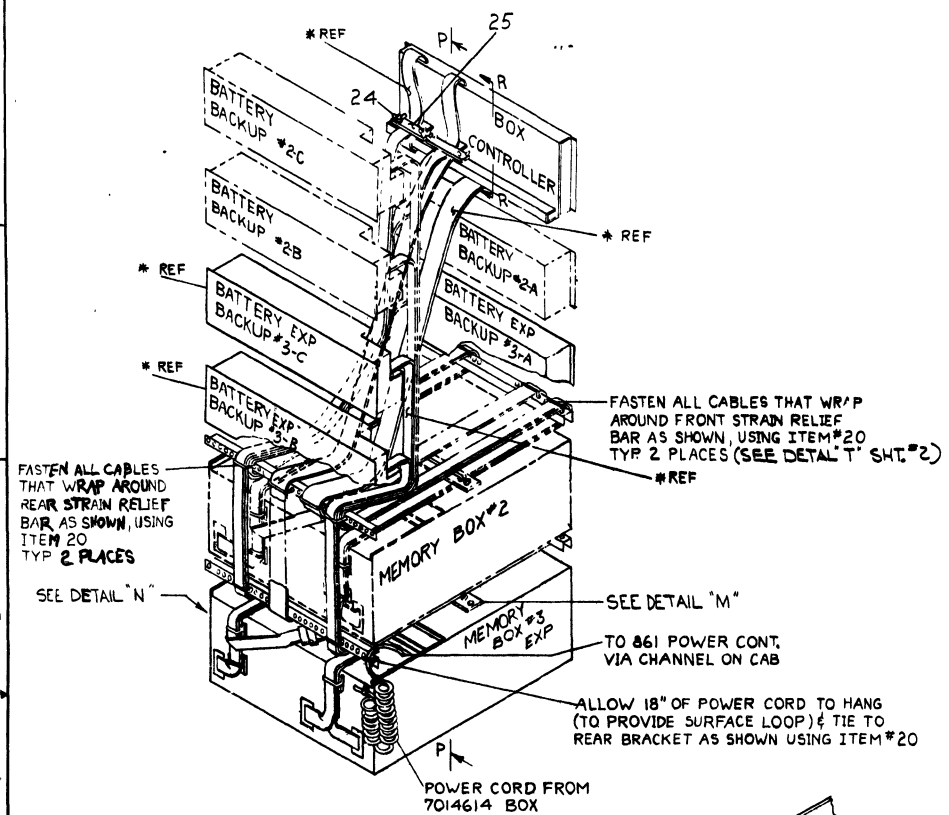
DETAIL "T"



DETAIL "J"  
(TYP 2 PLACES)

REV	CHG	NO	REV

THIS DRAWING AND INFORMATION HEREON ARE THE PROPERTY OF THE UNITED STATES GOVERNMENT AND ARE TO BE REPRODUCED OR TRANSMITTED IN ANY FORM OR BY ANY MEANS, ELECTRONIC OR MECHANICAL, INCLUDING PHOTOCOPYING, RECORDING, OR BY ANY INFORMATION STORAGE AND RETRIEVAL SYSTEM, WITHOUT PERMISSION IN WRITING FROM THE QUALITY ASSURANCE CENTER, WASHINGTON, D.C. 20304-6145



VIEW F-P  
 TYP METHOD OF DRESSING BATTERY CABLES AT REAR OF MKII  
 \* PART OF 3 OR 4, 9 OR 10

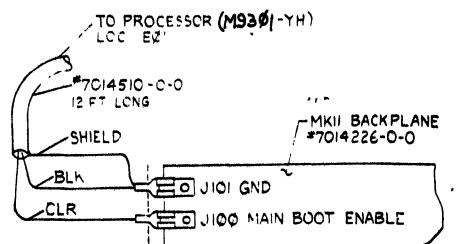
REV	DATE	BY	CHKD	CHANGE NO.

TITLE	11/70 SYSTEM EXPANSION (MKII)	DATE	11/70-0-5
SCALE	AS SHOWN	SHEET	3 OF 5

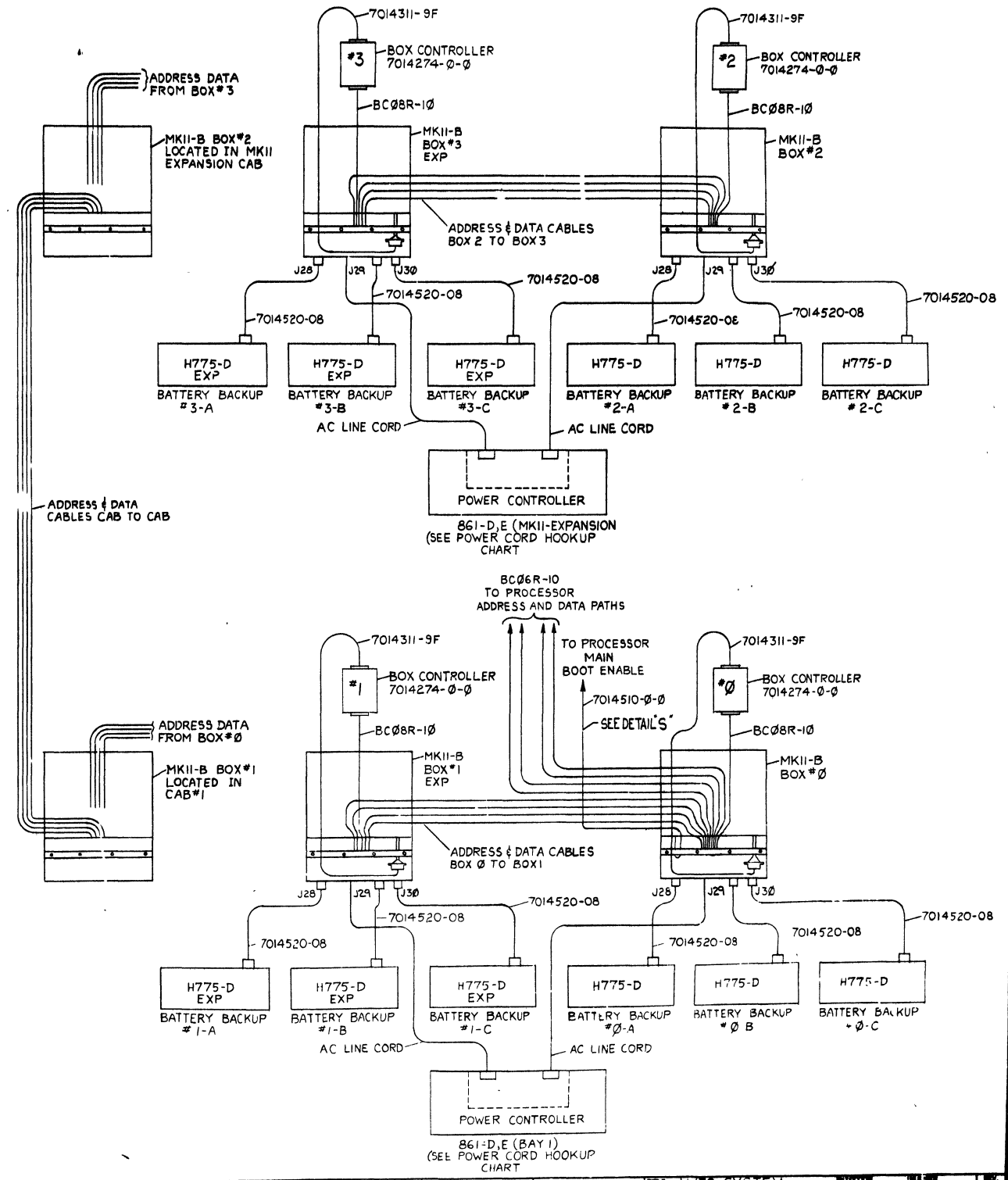
THIS DRAWING IS PREPARED UNDER THE  
 AUTHORITY OF THE FEDERAL GOVERNMENT  
 AND IS HEREBY RELEASED TO THE PUBLIC  
 WITH THE EXCEPTION OF SUCH RIGHTS AS  
 MAY BE CLAIMED BY ANY INDIVIDUAL OR  
 ORGANIZATION WHOSE NAME IS APPEARED  
 THEREON IN CONNECTION WITH THE  
 PERFORMANCE OF ANY CONTRACT WITH  
 THE FEDERAL GOVERNMENT  
 DATE 11/19/77 BY: [REDACTED]

POWER CORD HOOKUP

FROM	TO
MKII-B BOX 0	B61 PHASE 3 (SWITCHED)
MKII-B BOX 1	B61 PHASE 1 (SWITCHED)
MKII-B BOX 2	B61 PHASE 2 (SWITCHED)
MKII-B BOX 3	B61 PHASE 3 (SWITCHED)

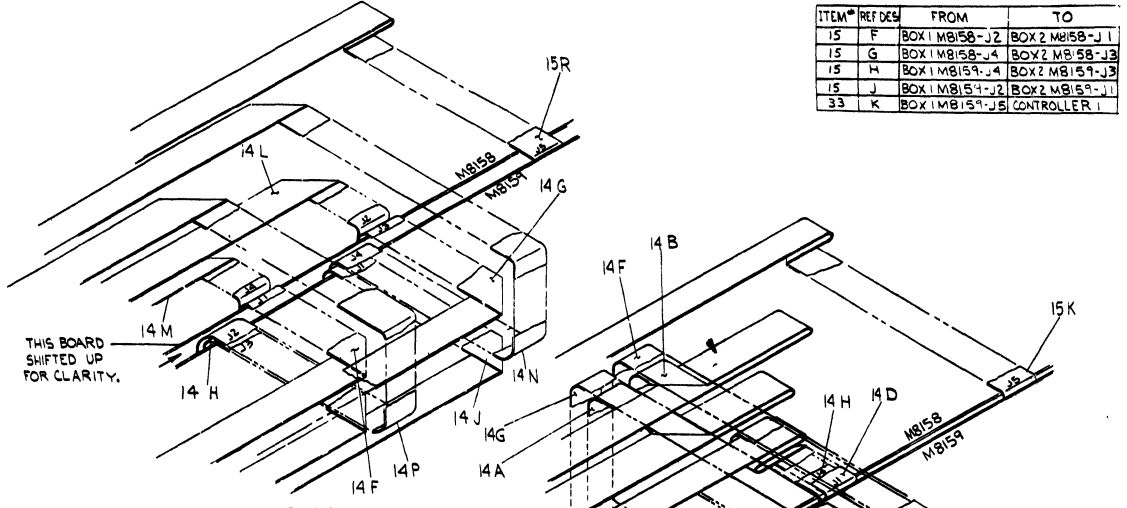
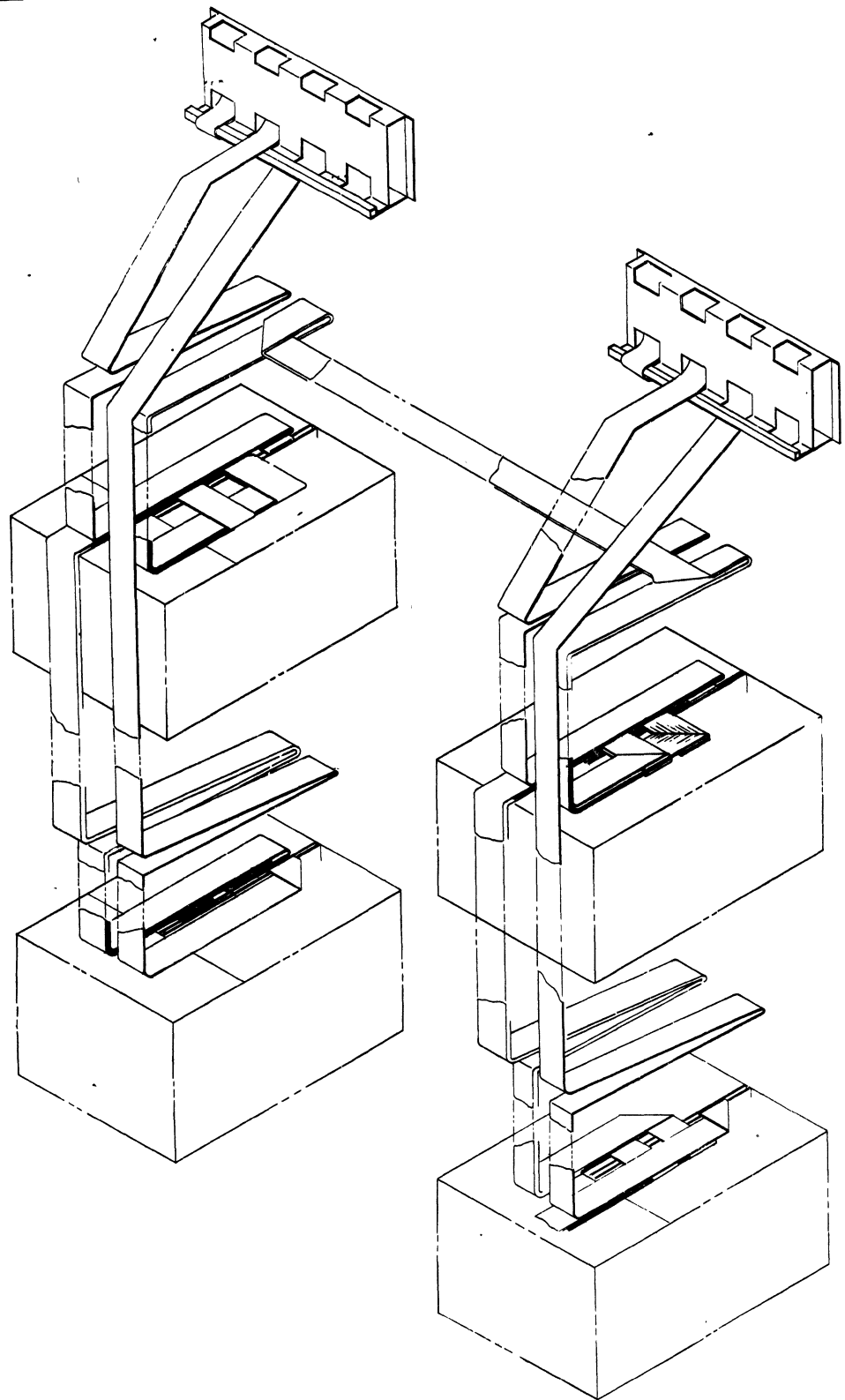


DETAIL 'S'  
 (SEE E-IC-MKII-0-2 FOR REF)

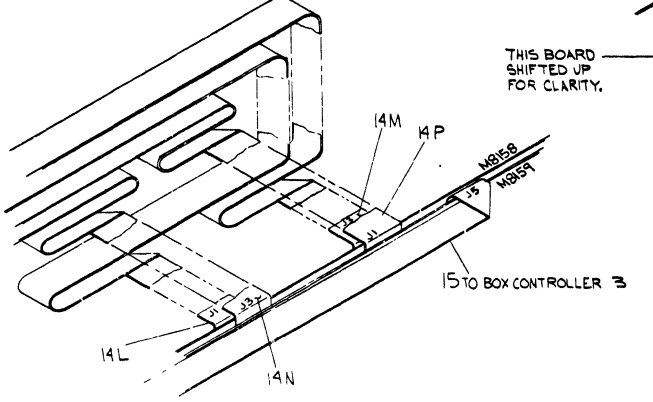
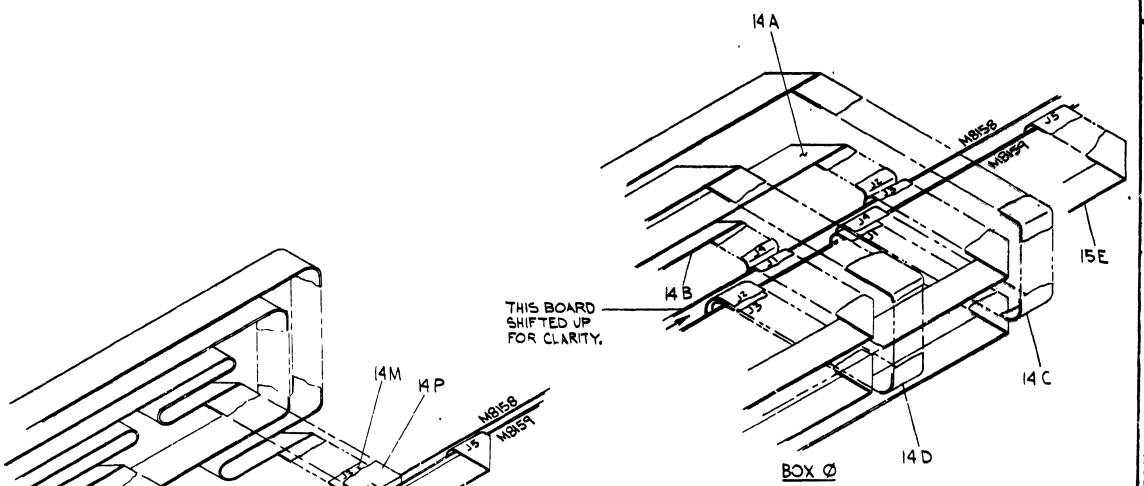
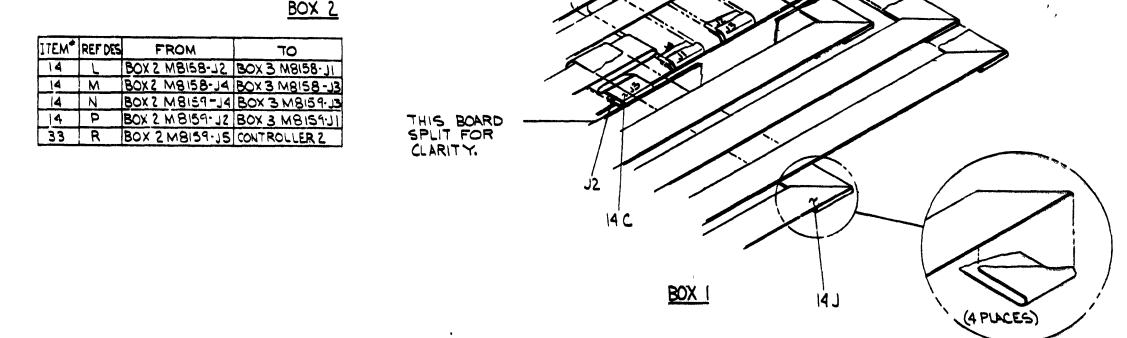




THE DRAWING AND SPECIFICATIONS HEREBY ARE THE PROPERTY OF DIGITAL EQUIPMENT CORPORATION AND SHALL NOT BE REPRODUCED OR TRANSMITTED IN ANY FORM OR BY ANY MEANS, ELECTRONIC OR MECHANICAL, INCLUDING PHOTOCOPYING, RECORDING, OR BY ANY INFORMATION STORAGE AND RETRIEVAL SYSTEM.

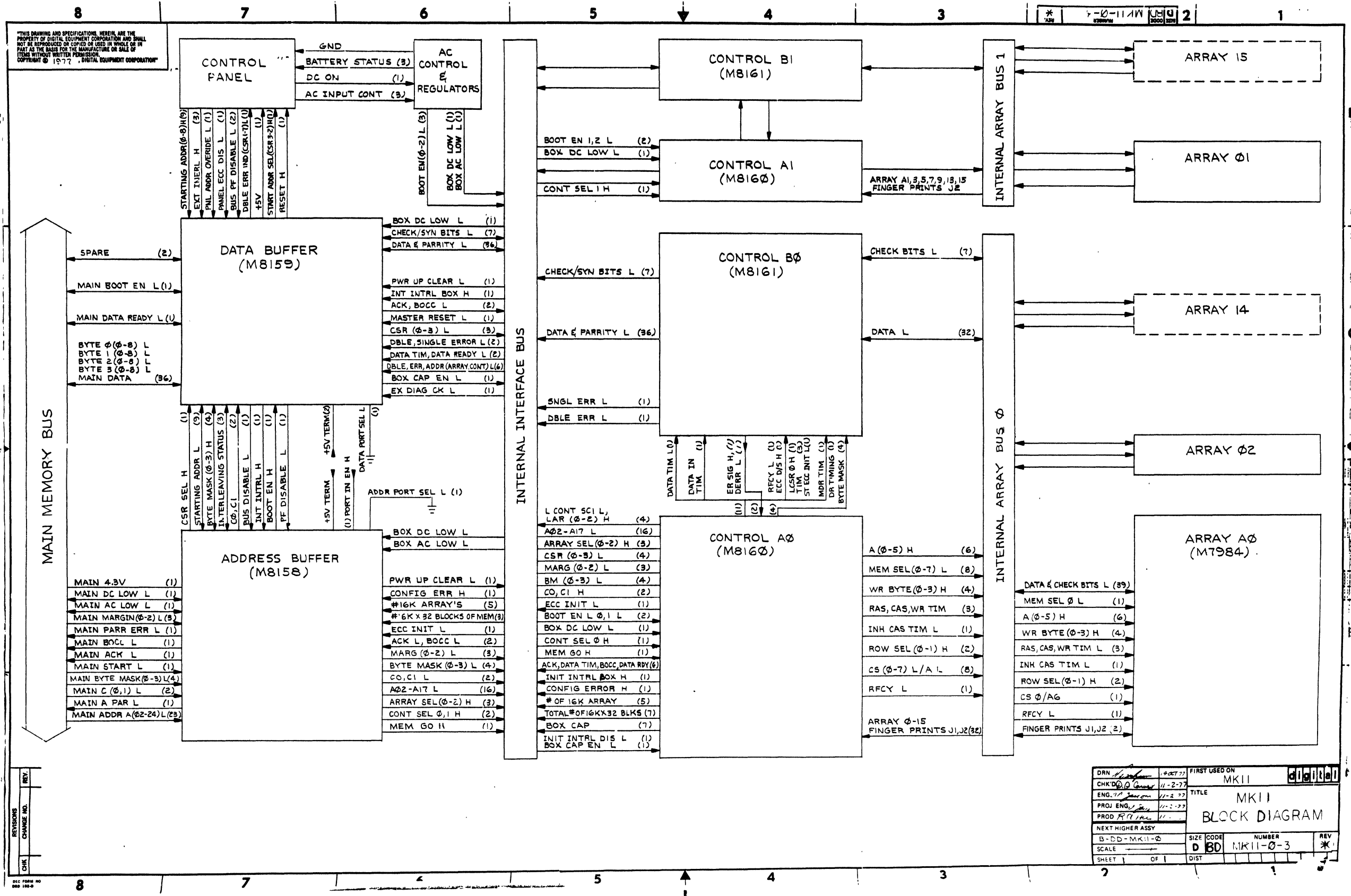


ITEM#	REF DES	FROM	TO
14	L	BOX 2 M8158-J2	BOX 3 M8158-J1
14	M	BOX 2 M8158-J4	BOX 3 M8158-J3
14	N	BOX 2 M8159-J4	BOX 3 M8159-J3
14	P	BOX 2 M8159-J2	BOX 3 M8159-J1
33	R	BOX 2 M8159-J5	CONTROLLER 2



BOX 3

ITEM#	REF DES	FROM	TO
14	A	BOX 0 M8158-J2	BOX 1 M8158-J1
14	B	BOX 0 M8158-J4	BOX 1 M8158-J3
14	C	BOX 0 M8159-J4	BOX 1 M8159-J3
14	D	BOX 0 M8159-J2	BOX 1 M8159-J1
33	E	BOX 0 M8159-J5	CONTROLLER 1

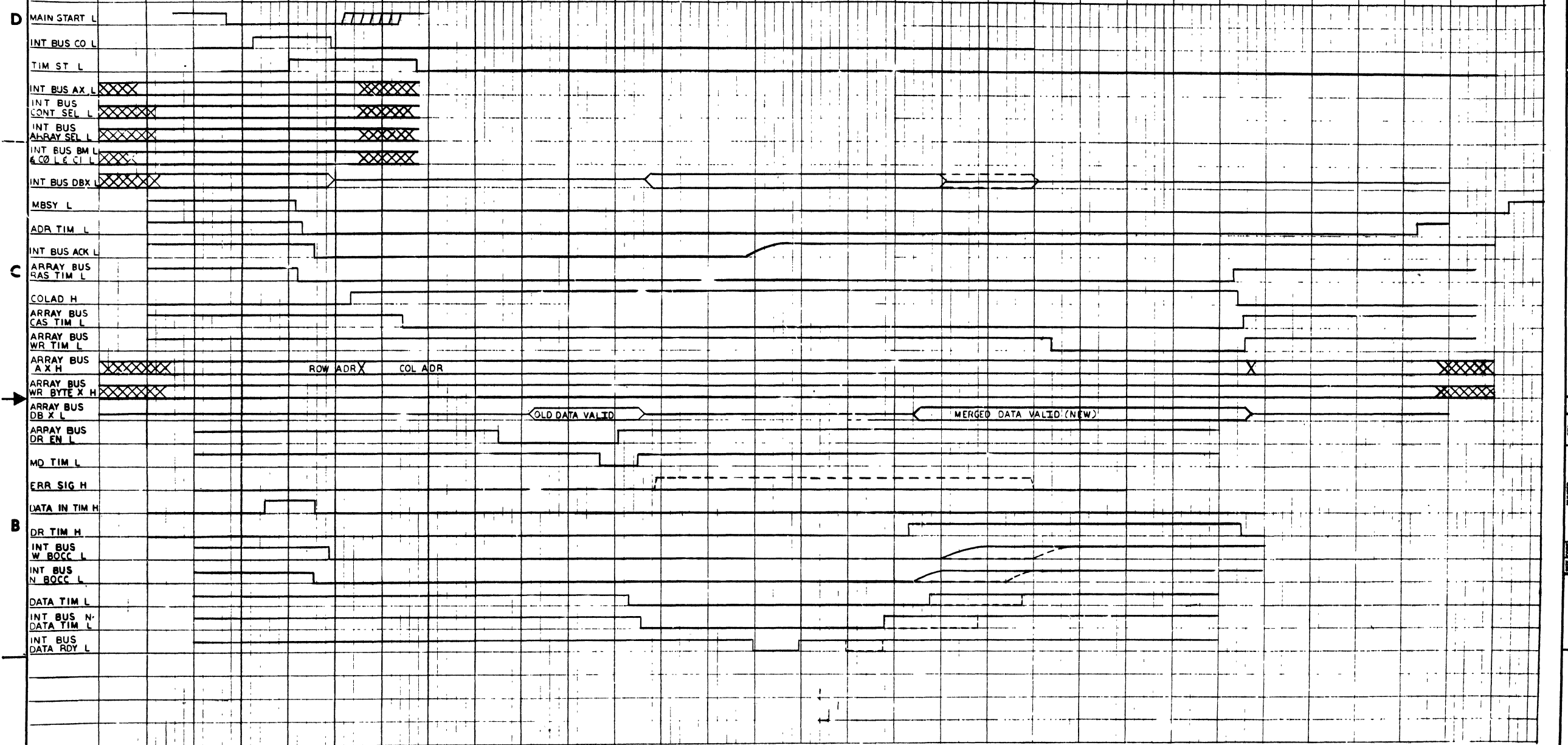


DRN	11-2-77	FIRST USED ON	MK11
CHK'D	11-2-77	TITLE	MK11
ENG	11-2-77	BLOCK DIAGRAM	
PROJ ENG	11-2-77	SIZE	D 30
PROD R	11-2-77	NUMBER	MK11-0-3
NEXT HIGHER ASSY		SCALE	
B-DD-MK11-0		SHEET	1 OF 1
		DIST	

"THIS DRAWING AND SPECIFICATIONS HEREIN ARE THE PROPERTY OF DIGITAL EQUIPMENT CORPORATION AND SHALL NOT BE REPRODUCED OR COPIED OR USED IN WHOLE OR IN PART AS THE BASIS FOR THE MANUFACTURE OR SALE OF ITEMS WITHOUT WRITTEN PERMISSION. COPYRIGHT © 1977, DIGITAL EQUIPMENT CORPORATION."

EXCHANGE CYCLE

-200 -100 0 100 200 300 400 500 600 700 800 900 1000 1100 1200 1300 1350



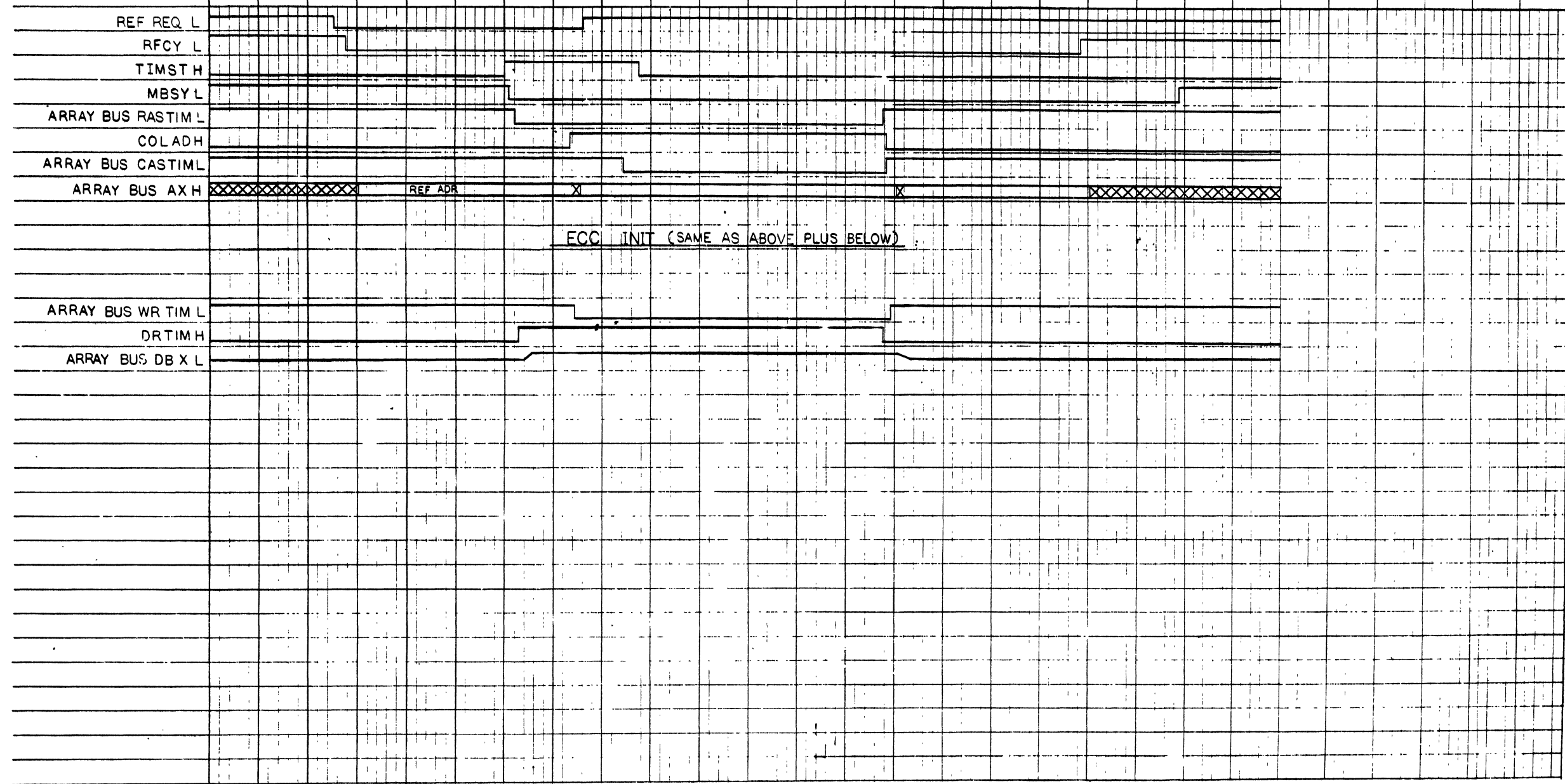
REV.	
CHG.	
CHK.	
REVISED	
CHANGE NO.	

DRN. <i>[Signature]</i>	FIRST USED ON	20-0880
CHK'D <i>[Signature]</i>	MKII	
ENG. <i>[Signature]</i>	TITLE	
PROJ. ENG. <i>[Signature]</i>	MKII	
PROD. RA <i>[Signature]</i>	TIMING DIAGRAM	
NEXT HIGHER ASSY.		
R-DD-MKII-0	SIZE CODE	NUMBER
SCALE NONE	D TD MKII-0-4	*
SHEET 1 OF 5	DIST.	

THIS DRAWING AND SPECIFICATIONS HEREIN ARE THE PROPERTY OF DIGITAL EQUIPMENT CORPORATION AND SHALL NOT BE REPRODUCED OR COPIED OR USED IN WHOLE OR IN PART AS THE BASIS FOR THE MANUFACTURE OR SALE OF ITEMS WITHOUT WRITTEN PERMISSION. COPYRIGHT © 1977, DIGITAL EQUIPMENT CORPORATION

REFRESH CYCLE

-200 -100 0 100 200 300 400 500 600 700 800

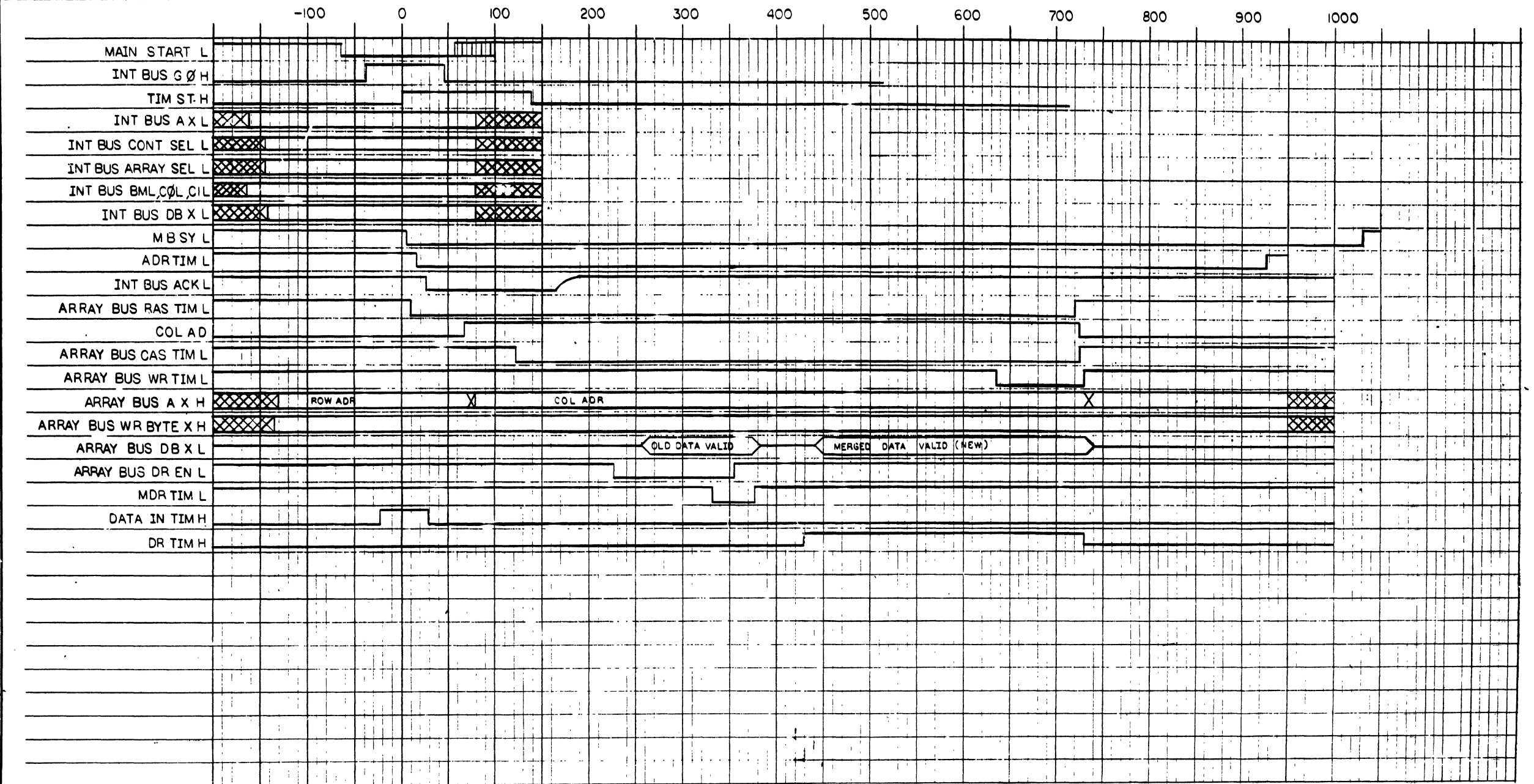


REVISIONS  
 1  
 2  
 3  
 4  
 5  
 6  
 7  
 8

DRN. E. DeVries	10 OCT 77	FIRST USED ON	MKII
CHK'D D. G. Gannon	11-2-77	TITLE	MKII
ENG. J. J. Gannon	11-1-77	TITLE	MKII
PROJ. ENG. J. Gannon	11-1-77	TITLE	MKII
PROD. R. J. Hall	11-2-77	TITLE	MKII
NEXT HIGHER ASSY.		TITLE	TIMING DIAGRAM
B-DD-MKII - 0		SIZE CODE	D
SCALE NONE		NUMBER	2
SHEET 2 OF 5		DIST.	TD MKII - 0 - 4

THIS DRAWING AND SPECIFICATIONS HEREIN ARE THE PROPERTY OF DIGITAL EQUIPMENT CORPORATION AND SHALL NOT BE REPRODUCED OR COPIED OR USED IN WHOLE OR IN PART AS THE BASIS FOR THE MANUFACTURE OR SALE OF ITEMS WITHOUT WRITTEN PERMISSION. COPYRIGHT © 1977, DIGITAL EQUIPMENT CORPORATION

WRITE (Ø-3 BYTES) INTERNAL RMW CYCLE



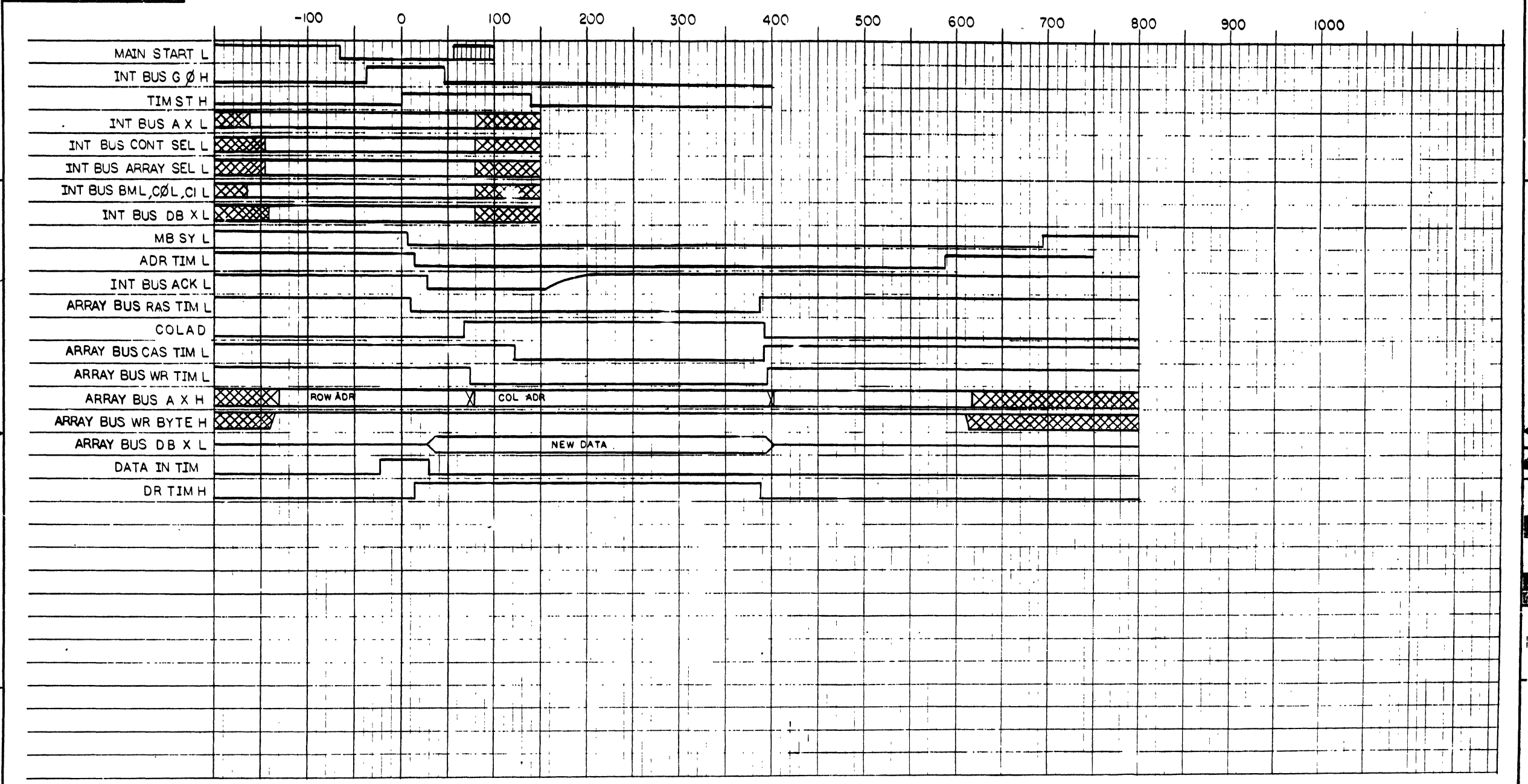
DRN. E DeVolo (130877)	FIRST USED ON	40-06-0
CHK'D Q Conroy 11-2-77	MKII	
END. A B 11-2-77	TITLE	
PROJ. ENG. 11-2-77	MKII	
PROD. ? 11-2-77	TIMING DIAGRAM	
NEXT HIGHER ASSY.	SIZE CODE	NUMBER
B-DD-MKII-Ø	D	TD MKII - Ø - 4
SCALE NONE	SHEET	3 of 5
	DIST.	

REV. 1  
2  
3  
4  
5  
6  
7  
8

8 7 6 5 4 3 2 1

THE DRAWING AND SPECIFICATIONS HEREON ARE THE PROPERTY OF DIGITAL EQUIPMENT CORPORATION AND SHALL NOT BE REPRODUCED OR COPIED OR USED IN WHOLE OR IN PART AS THE BASIS FOR THE MANUFACTURE OR SALE OF ITEMS WITHOUT WRITTEN PERMISSION. COPYRIGHT © 1977, DIGITAL EQUIPMENT CORPORATION

WRITE (4 BYTE) CYCLE

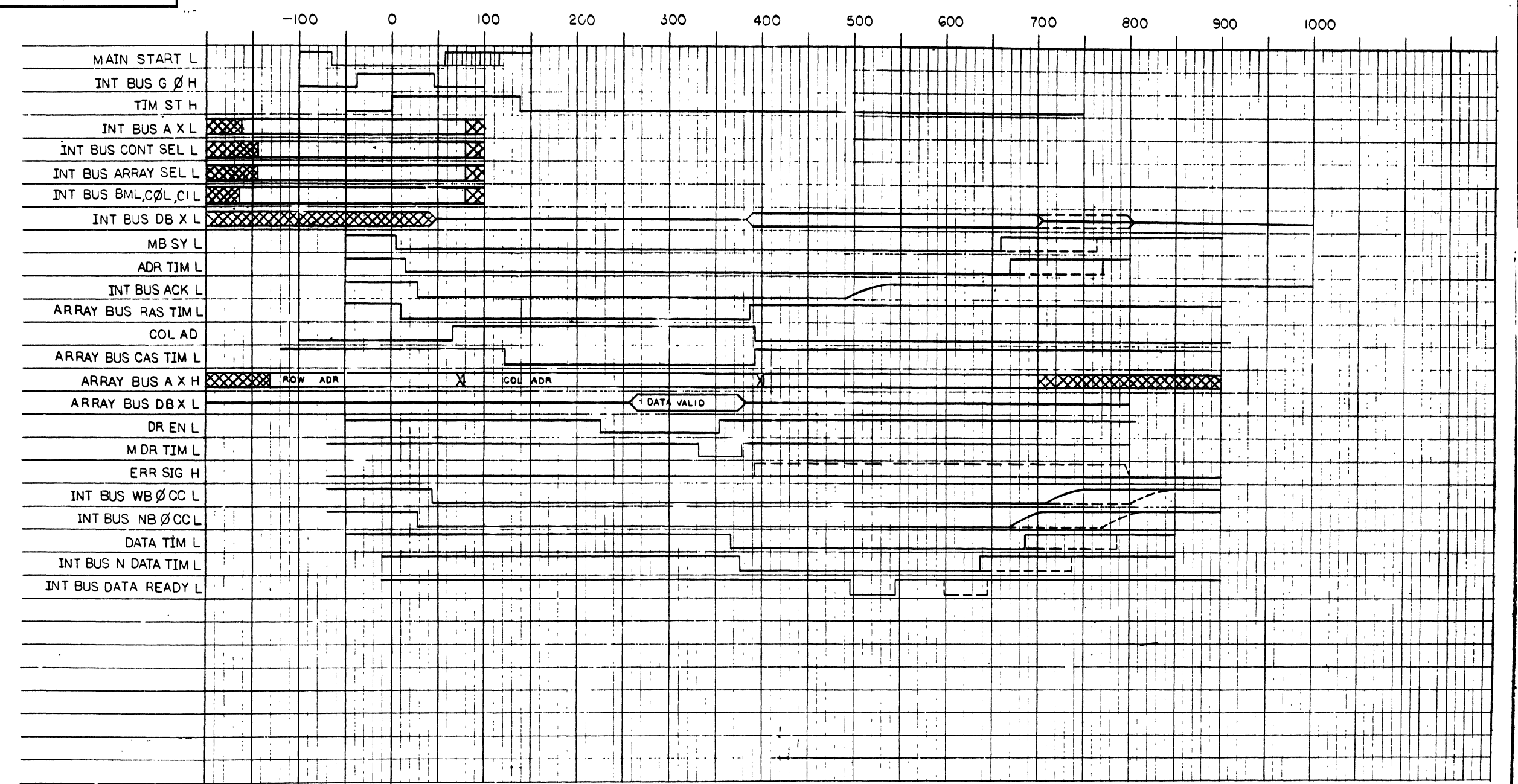


REV.	
CHG.	
REV.	
CHG.	

DRN. E. DeVela	14 OCT 77	FIRST USED ON	MKII
CHK'D. J. Gannon	11-2-77	TITLE	MKII
ENG. J. Gannon	11-2-77		
PROJ. ENG. J. Gannon	11-2-77		
PROD. R. A. Nadeau	2-7-78		
NEXT HIGHER ASSY.		TIMING DIAGRAM	
B-DD-MKII-0		SIZE CODE	NUMBER
SCALE NONE		D TD MKII-0-4	REV.
SHEET 4 OF 5		DIST.	

THIS DRAWING AND SPECIFICATIONS HEREIN ARE THE PROPERTY OF DIGITAL EQUIPMENT CORPORATION AND SHALL NOT BE REPRODUCED OR COPIED OR USED IN WHOLE OR IN PART AS THE BASIS FOR THE MANUFACTURE OR SALE OF ITEMS WITHOUT WRITTEN PERMISSION.  
COPYRIGHT © 1977 DIGITAL EQUIPMENT CORPORATION

READ CYCLE



REV.	
CHK	
CHG	
NO.	

DRN. E. DeVries	40011	FIRST USED ON	MKII
CHK'D D. Q...	11-2-77	TITLE	MKII
ENG. P. ...	11-1-77	NUMBER	4
PROJ. PROJ. ...	11-1-77	DIST.	MKII-0-4
PROD. PROJ. ...	11-2-77	SCALE	NONE
NEXT HIGHER ASSY.		SHEET	5 OF 5
B-00-MKII-0			

4

3

REV. 2 | SIZE B | CODE BS | NUMBER MFIIS-K-3

1

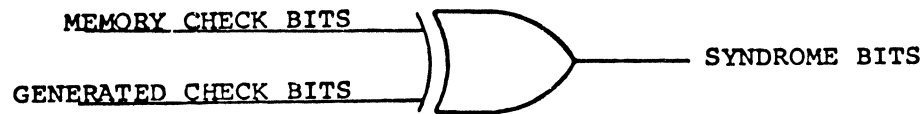
THIS DRAWING AND SPECIFICATIONS, HEREIN, ARE THE PROPERTY OF DIGITAL EQUIPMENT CORPORATION AND SHALL NOT BE REPRODUCED OR COPIED OR USED IN WHOLE OR IN PART AS THE BASIS FOR THE MANUFACTURE OR SALE OF ITEMS WITHOUT WRITTEN PERMISSION  
COPYRIGHT © 1977, DIGITAL EQUIPMENT CORPORATION

### MODIFIED HAMMING CODE MATRIX

DATA BITS	... BYTE 0							BYTE 1							BYTE 2							BYTE 3							CHECK BITS									
	0	1	2	3	4	5	6	7	8	9	10	11	12	13	14	15	16	17	18	19	20	21	22	23	24	25	26	27	28	29	30	31	C <sub>1</sub>	C <sub>2</sub>	C <sub>4</sub>	C <sub>8</sub>	C <sub>16</sub>	C <sub>32</sub>
S <sub>1</sub>	X		X		X		X	X		X		X		X	X		X		X		X	X		X		X		X	X									
S <sub>2</sub>		X	X			X	X		X	X			X	X		X	X			X	X		X	X			X	X	X									
S <sub>4</sub>				X	X	X	X				X	X	X	X				X	X	X	X				X	X	X	X		X								
S <sub>8</sub>	X	X	X	X	X	X	X	X	X	X	X	X	X	X								X	X	X	X	X	X	X	X			X						
S <sub>16</sub>	X	X	X	X	X	X	X								X	X	X	X	X	X	X	X	X	X	X	X	X	X	X					X				
S <sub>32</sub>								X	X	X	X	X	X	X	X	X	X	X	X	X	X	X	X	X	X	X	X	X	X						X			
S <sub>T</sub>	X		X		X	X		X		X		X	X		X		X		X	X		X	X	X		X	X								X			

#### NOTES:

- EACH CHECK BIT IS THE RESULT OF ODD PARITY GENERATED ON THE DATA BITS DESIGNATED BY X. i.e. C<sub>1</sub> IS  $\{1,3,5,7,9,\dots,29,31\}$ . C<sub>32</sub> IS  $\{8 \text{ thru } 31\}$ . THE EXCEPTION IS C<sub>T</sub>, WHICH IS THE RESULT OF EVEN PARITY.
- SYNDROME BITS (S<sub>1</sub> etc.) ARE FORMED BY A COMPARISON OF THE CHECK BITS READ FROM MEMORY AND THE NEW CHECK BITS GENERATED ON THE DATA READ FROM MEMORY.
- A SINGLE ERROR WILL CAUSE AN ODD NUMBER OF SYNDROME BITS TO GO HIGH  
e.g. IF BIT 1 FAILS S<sub>1</sub>, S<sub>8</sub>, & S<sub>16</sub> WILL GO HIGH.  
IF BIT 15 FAILS S<sub>1</sub>, S<sub>2</sub>, S<sub>4</sub>, S<sub>8</sub>, & S<sub>32</sub> WILL GO HIGH.  
A DOUBLE ERROR WILL CAUSE AN EVEN NUMBER OF SYNDROME BITS TO GO HIGH.  
e.g. IF BITS 0 & 1 FAIL S<sub>1</sub> & S<sub>T</sub> WILL GO HIGH; BUT S<sub>8</sub> & S<sub>16</sub> WILL NOT SINCE C<sub>8</sub> & C<sub>16</sub> ARE COMMON TO BITS 0 & 1 AND THE PARITY REMAINS UNCHANGED.



REV.
CHANGE NO.
CHK

DRB 100A

QUANTITY & VARIATION	DESCRIPTION	DWG./PART NO.	ITEM NO.																		
	UNLESS OTHERWISE SPECIFIED DIMENSIONS ARE IN INCHES																				
	ANGLES ±0° 30'	CLASS OF ACCURACY (CHECK ONE)	NOMINAL DIMENSION RANGE INCHES																		
	SURFACE QUALITY IN MICROINCHES	MEDIUM <input type="checkbox"/>	<table border="1"> <tr> <th>OVER 0 TO 0.25</th> <th>OVER 0.25 TO 1.0</th> <th>OVER 1.0 TO 4.0</th> <th>OVER 4.0 TO 16.0</th> <th>OVER 16.0 TO 64.0</th> <th>OVER 64.0 TO 256.0</th> </tr> <tr> <td>±.004</td> <td>±.008</td> <td>±.012</td> <td>±.015</td> <td>±.024</td> <td>±.04</td> </tr> <tr> <td>PREFERRED <input type="checkbox"/></td> <td>±.012</td> <td>±.016</td> <td>±.025</td> <td>±.04</td> <td>±.063</td> </tr> </table>	OVER 0 TO 0.25	OVER 0.25 TO 1.0	OVER 1.0 TO 4.0	OVER 4.0 TO 16.0	OVER 16.0 TO 64.0	OVER 64.0 TO 256.0	±.004	±.008	±.012	±.015	±.024	±.04	PREFERRED <input type="checkbox"/>	±.012	±.016	±.025	±.04	±.063
OVER 0 TO 0.25	OVER 0.25 TO 1.0	OVER 1.0 TO 4.0	OVER 4.0 TO 16.0	OVER 16.0 TO 64.0	OVER 64.0 TO 256.0																
±.004	±.008	±.012	±.015	±.024	±.04																
PREFERRED <input type="checkbox"/>	±.012	±.016	±.025	±.04	±.063																
THIRD ANGLE PROJECTION	DRN: [Signature]	FIRST USED ON																			
REMOVE BURRS AND BREAK SHARP CORNERS	CHK'D: [Signature]	MFIIS-K <b>digital</b>																			
DO NOT SCALE DWG	ENG: [Signature]	TITLE																			
MATERIAL	PROD. [Signature]	MFIIS-K																			
FINISH	NEXT HIGHER ASSY.	ERROR CHECK CODE																			
	A-PL-MFIIS-K-0	SIZE	CODE																		
	SCALE	B	BS																		
	SHEET 1 OF 1	NUMBER	MFIIS-K-3																		
		REV.																			

4

3

2

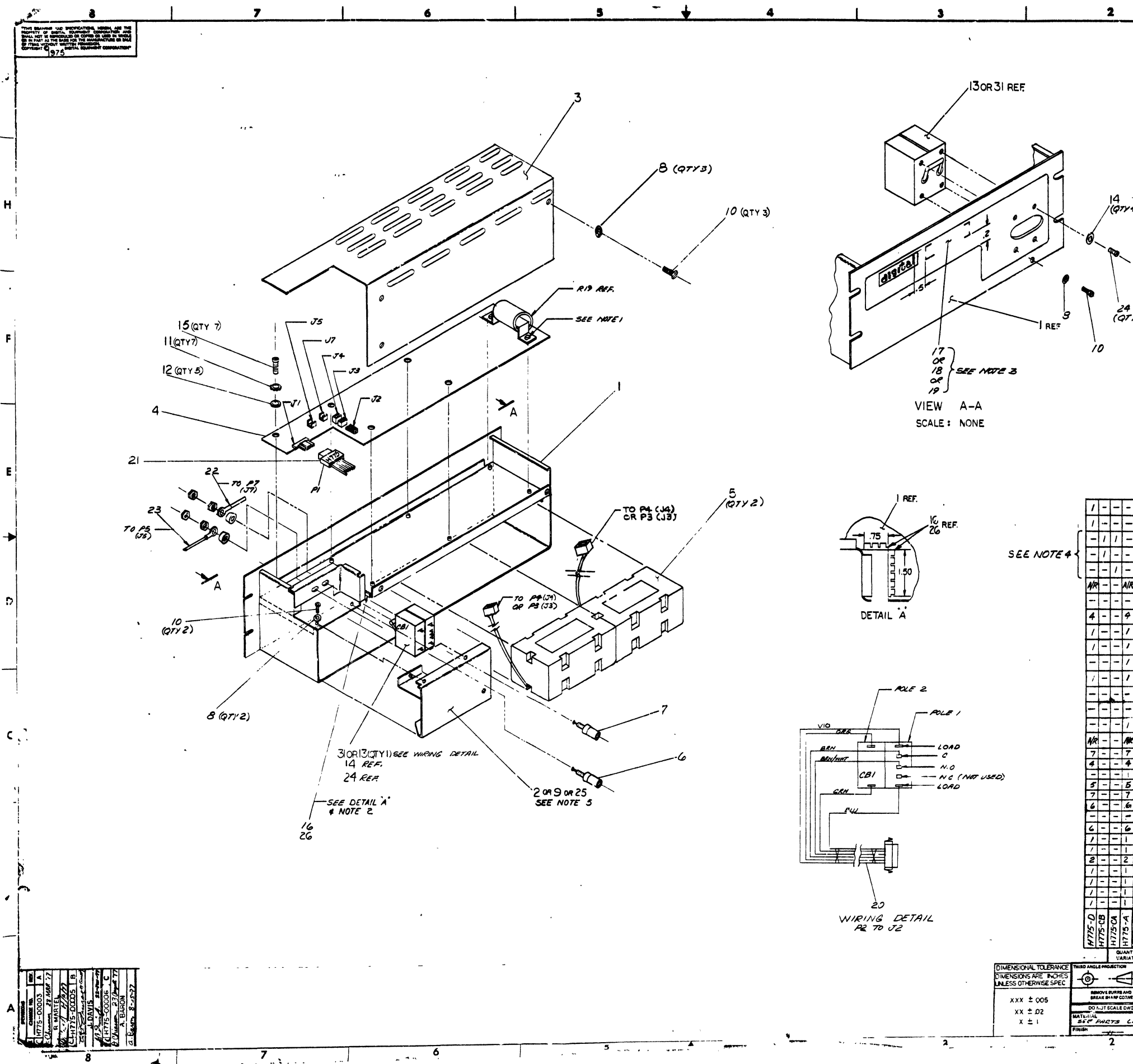
1





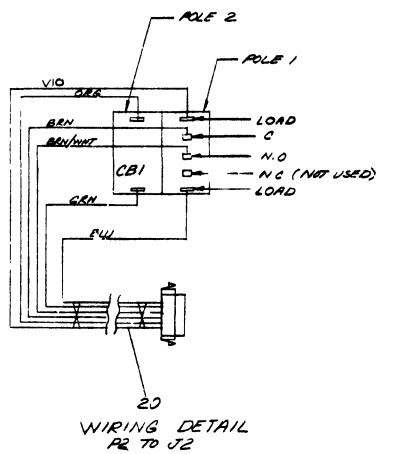
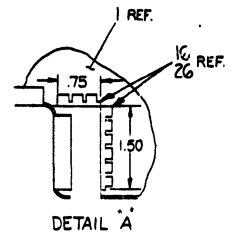
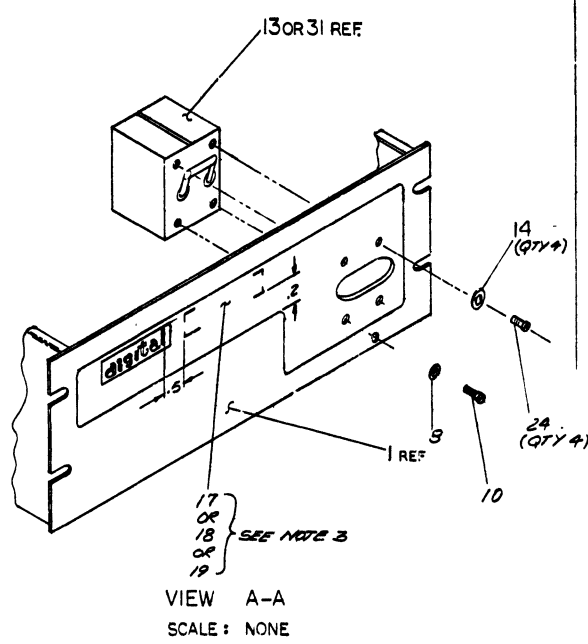


THIS DRAWING AND SPECIFICATIONS, WHETHER FOR THE WHOLE OR IN PART, ARE THE PROPERTY OF THE UNITED STATES GOVERNMENT AND ARE NOT TO BE REPRODUCED OR TRANSMITTED IN ANY FORM OR BY ANY MEANS, ELECTRONIC OR MECHANICAL, INCLUDING PHOTOCOPYING, RECORDING, OR BY ANY INFORMATION STORAGE AND RETRIEVAL SYSTEM, WITHOUT PERMISSION IN WRITING FROM THE UNITED STATES GOVERNMENT.



NOTES:

- ITEM 11 IS ALSO USED TO MOUNT POWER RESISTOR (R19) DO NOT USE FLAT WASHER (ITEM 12).
- INSTALL GRD MET (ITEM 16) ON BOTH EDGES OF CABLE AFTER OPENING.
- CENTER DECAL ON SIDE SCREEN & PLACE APPROX PER DIM INDICATED IN VIEW A-A.
- ASSEMBLY OF H785 TO H775-BB OR BA ARE NOT SHOWN ON THIS DOCUMENT SYSTEM DOCUMENTATION WILL DESIGNATE PLACEMENT OF THESE PARTS.
- WHEN INSTALLING AC BRACKETS, ITEMS 25 OR 9 INTO UNIT, 3 WIRES FROM T1 (REF 7013258) MUST BE ATTACHED TO P.C. BD. (ITEM 4). WIRES 5 & 7 (FITTED WITH MATE N LOCK PINS) MUST BE INSERTED INTO POSITIONS 7 & 8 ON J1 (EITHER POSITION). WIRE 6 (FITTED WITH FAST-ON) MUST PLUG ONTO FREE SIDE OF J7.



SEE NOTE 4

QTY	DESCRIPTION	REF	ITEM NO
1	BREAKER, CIRCUIT	1212625-1	31
1	DECAL H775-D	A-DC-741474-01	30
1	REGULATOR	H785	29
1	BATT. BACKUP 240V	H775-BB	28
1	BATT. BACKUP 120V	H775-BA	27
1	HYBOND B3	9007594-00	26
1	BRACKET, A.C. 220V	E-UA-7013258-01	25
4	SCR PH ND PWR 500V 25	9006020-1	24
1	JUMPER, BTRY BACKUP (RED)	B-3A-702074-01	23
1	JUMPER, BTRY BACKUP (BLK)	B-3A-702074-00	22
1	INTERFACE CABLE	D-3A-701906-00	21
1	WIRELESS P.C. BD/CKT BRK	C-3A-701759-00	20
1	DECAL H775-BA	A-DC-741474-00	19
1	DECAL H775-B3	A-DC-741474-00	18
1	DECAL H775A	A-DC-741474-00	17
1	GRAMMET, INTERPALLAC	9007035	6
7	SCR, PH ND PWR 500V 25	9006022-1	5
4	WASHER LK, INT TOOTH	3006033	4
1	CIRCUIT BREAKER	1212625	13
5	WASHER FLAT #6	3006663	12
7	WASHER LK, G EXT TOOTH	3007642	11
6	SCREW PH ND PWR 324 38	9006037-01	10
1	BRACKET, A.C. ASSY 115V	E-UA-7013258-00	9
6	WASHER, INT TOOTH #8	3006634	8
1	POST BINDING (BLK)	1209352-05	7
1	POST BINDING (RED)	1209352-01	6
2	BATTERY PACK	1212499	5
1	BATTERY CHARGER	D-3A-5062500	4
1	BATTERY WEDGE 1 COVER	D-3A-701853-00	3
1	BRACKET DC	E-3A-7414234-00	2
1	CHASSIS ASS'Y	D-3A-701953-00	1

NO	REV	DESCRIPTION	DATE
1		ISSUED FOR PRODUCTION	11/70
2		REVISED TO ADD PART 11	11/70
3		REVISED TO ADD PART 12	11/70
4		REVISED TO ADD PART 13	11/70
5		REVISED TO ADD PART 14	11/70
6		REVISED TO ADD PART 15	11/70
7		REVISED TO ADD PART 16	11/70
8		REVISED TO ADD PART 17	11/70
9		REVISED TO ADD PART 18	11/70
10		REVISED TO ADD PART 19	11/70
11		REVISED TO ADD PART 20	11/70
12		REVISED TO ADD PART 21	11/70
13		REVISED TO ADD PART 22	11/70
14		REVISED TO ADD PART 23	11/70
15		REVISED TO ADD PART 24	11/70
16		REVISED TO ADD PART 25	11/70
17		REVISED TO ADD PART 26	11/70
18		REVISED TO ADD PART 27	11/70
19		REVISED TO ADD PART 28	11/70
20		REVISED TO ADD PART 29	11/70
21		REVISED TO ADD PART 30	11/70
22		REVISED TO ADD PART 31	11/70
23		REVISED TO ADD PART 32	11/70
24		REVISED TO ADD PART 33	11/70
25		REVISED TO ADD PART 34	11/70
26		REVISED TO ADD PART 35	11/70
27		REVISED TO ADD PART 36	11/70
28		REVISED TO ADD PART 37	11/70
29		REVISED TO ADD PART 38	11/70
30		REVISED TO ADD PART 39	11/70
31		REVISED TO ADD PART 40	11/70
32		REVISED TO ADD PART 41	11/70
33		REVISED TO ADD PART 42	11/70
34		REVISED TO ADD PART 43	11/70
35		REVISED TO ADD PART 44	11/70
36		REVISED TO ADD PART 45	11/70
37		REVISED TO ADD PART 46	11/70
38		REVISED TO ADD PART 47	11/70
39		REVISED TO ADD PART 48	11/70
40		REVISED TO ADD PART 49	11/70
41		REVISED TO ADD PART 50	11/70

UNLESS OTHERWISE SPECIFIED DIMENSIONS ARE IN INCHES

THIRD ANGLE PROJECTION

DATE: 11/70

TITLE: BATTERY BACK-UP ASSY

MATERIAL: 26 FACTS C13

SCALE: 1/2

SHEET: 1 OF 1

DESIGNER: [Signature]

CHECKER: [Signature]

APPROVER: [Signature]

QUALITY CONTROL: [Signature]

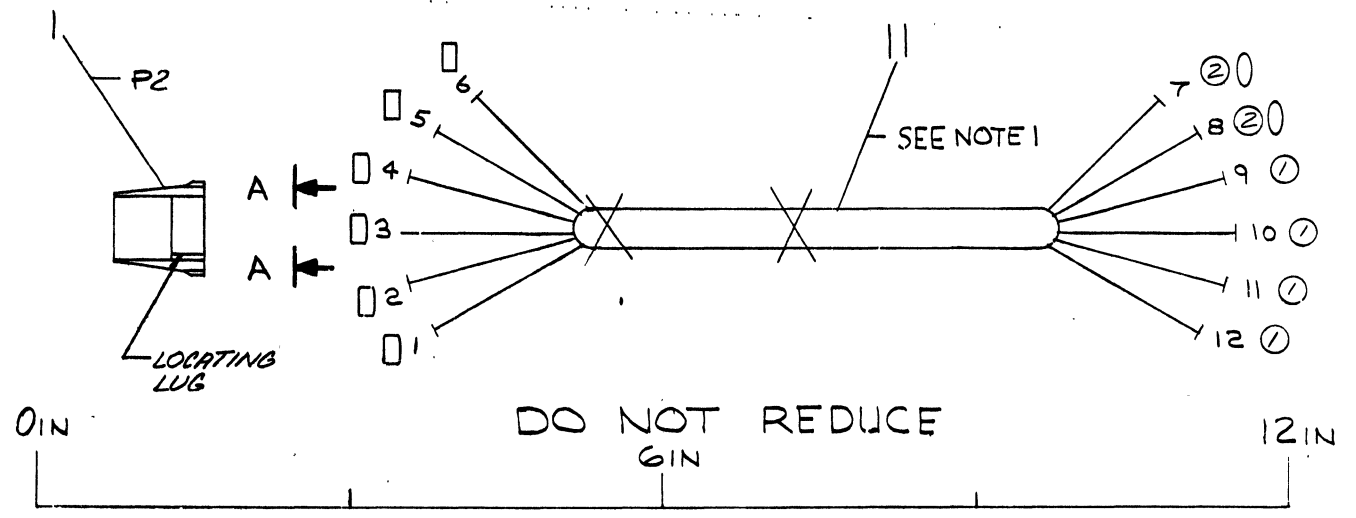
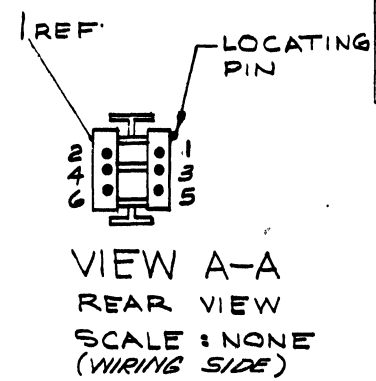
FINISH: [Signature]



"THIS DRAWING AND SPECIFICATIONS, HEREIN, ARE THE PROPERTY OF DIGITAL EQUIPMENT CORPORATION AND SHALL NOT BE REPRODUCED OR COPIED OR USED IN WHOLE OR IN PART AS THE BASIS FOR THE MANUFACTURE OR SALE OF ITEMS WITHOUT WRITTEN PERMISSION. DIGITAL EQUIPMENT CORPORATION" COPYRIGHT © 1975

ITEM NO.	DESCRIPTION	FROM			TO			
		AWG	COLOR	POINT	CONN.	WITH	POINT	CONN.
5	14	ORN	1	P2-1	2	12	-	3
6	14	GRN	2	P2-2	↑	11	↑	3
7	14	BLU	3	P2-3	↑	10	↑	3
8	14	VIO	4	P2-4	↑	9	↑	3
9	18	BRN	5	P2-5	↓	8	↓	4,12
10	18	GRY/BRN	6	P2-6	2	7	-	4,12

NOTES:  
 1. USE CABLE TIES (ITEM #11) APPROX. 2.0 AND 4.0 IN. FROM P2 (ITEM #1).



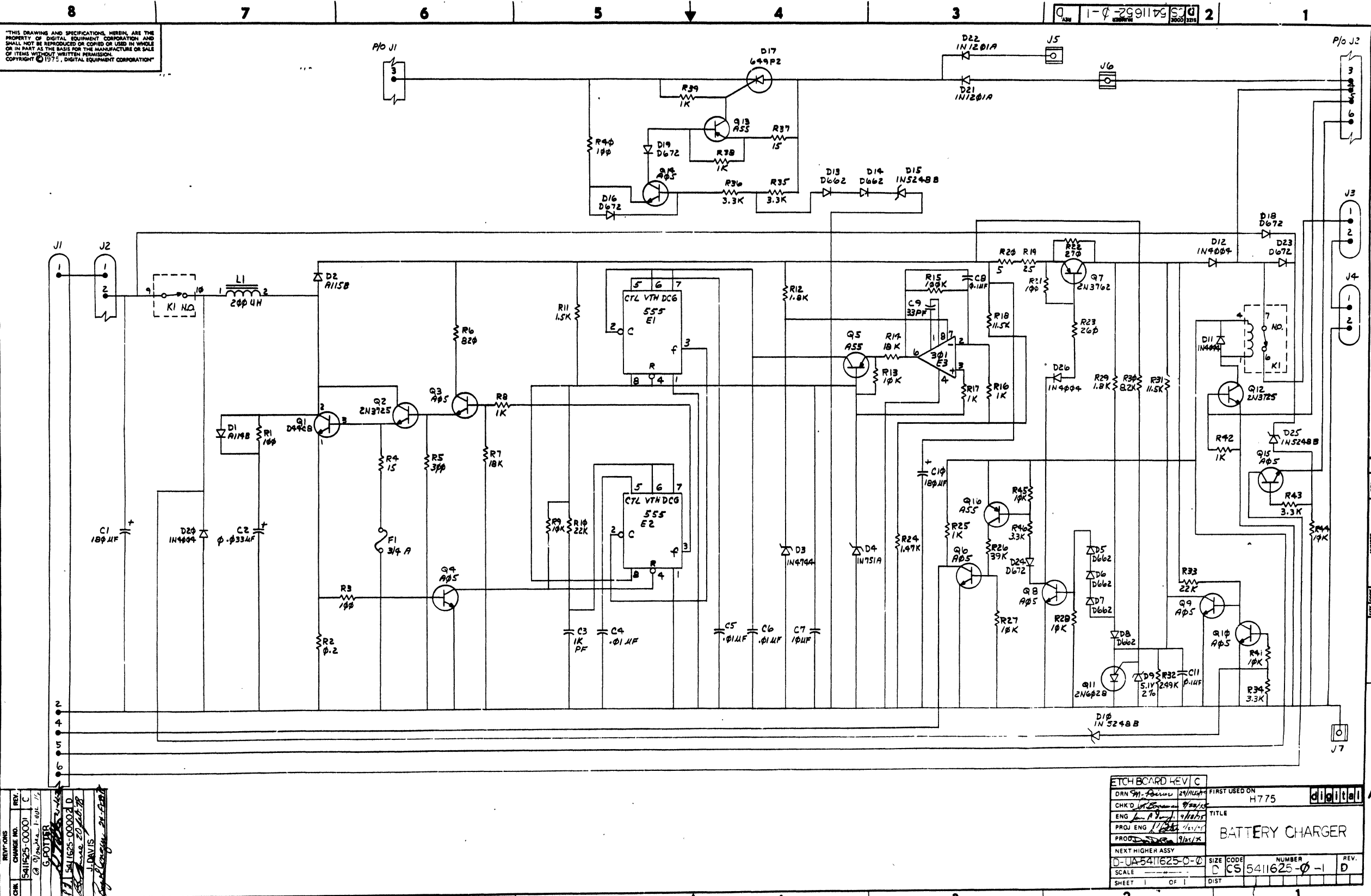
FOR MANUFACTURING PURPOSES ONLY

QTY.	DESCRIPTION	PART NO.	ITEM NO.
0	AIR TUBING, SHRINK 3/16 ID	9107254-00	12
X 2	TIE, CABLE	4007031	11
-	A/R WIRE #18 AWG (GRY/BRN)	9107410-81	10
-	A/R WIRE #18 AWG (BRN)	9107360-11	9
-	A/R WIRE #14 AWG (VIO)	9107370-77	8
-	A/R WIRE #14 AWG (BLUE)	9107370-66	7
-	A/R WIRE #14 AWG (GRN)	9107370-55	6
-	A/R WIRE #14 AWG (ORN)	9107370-33	5
2	TERMINAL, QUICK CONN	9008488	4
4	TERMINAL, QUICK CONNECT	9007969	3
6	PIN (FEMALE)	1209379-00	2
1	CONN, 6 PIN (FEMALE)	1210821-06	1

REV.	CHANGE NO.	DATE	BY
A	0001	1-7-76	J.B. DAVIS JR.

FIRST USED ON OPTION/MODEL H775		PARTS LIST	
DIMENSIONAL TOLERANCE		DRN	DATE
DIMENSIONS ARE INCHES UNLESS OTHERWISE SPECIFIED		CHK'D	DATE
MILLIMETERS	INCHES	ENG.	DATE
X.XX ±0.10	.XXX ±.005	PROJ. ENG.	DATE
X.X ±0.5	.XX ±.02	PROD.	DATE
X ±.2	±.1		
THIRD ANGLE PROJECTION	REMOVE BURRS AND BREAK SHARP CORNERS SURFACE QUALITY	TITLE HARNESS, PC BOARD/CKT. BREAKER	
MATERIAL SEE PARTS LIST	FINISH	SIZE CODE	NUMBER
		CIA	7011759-0-0
		SCALE	REV.
		1/1	A
		SHEET	DIST.
		1	

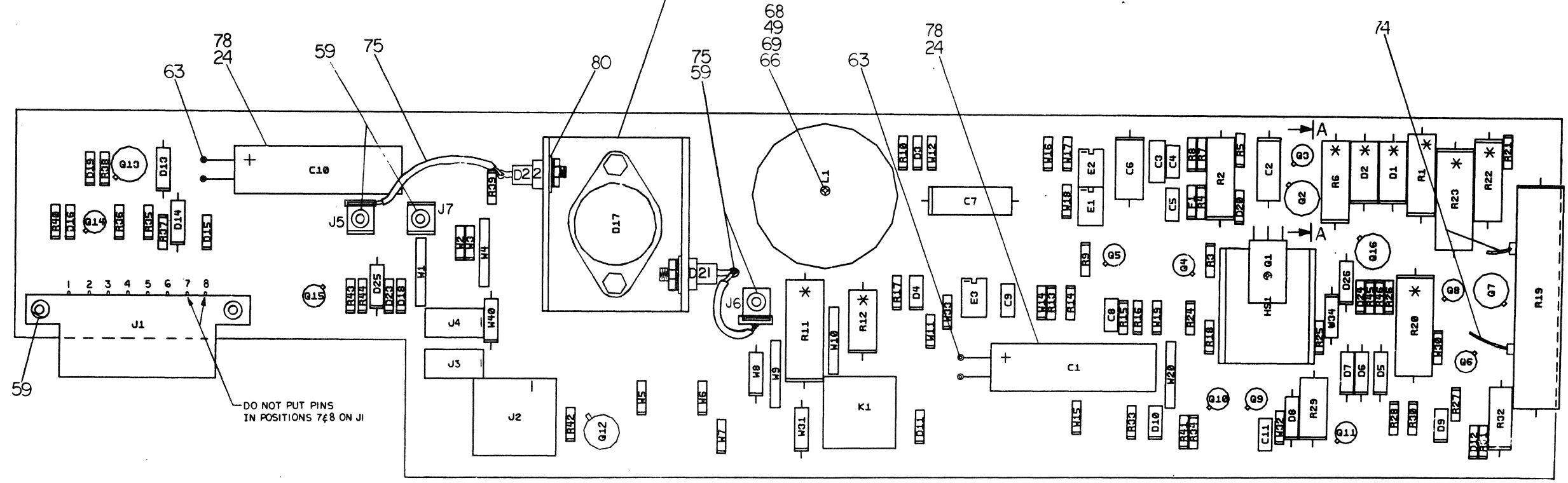
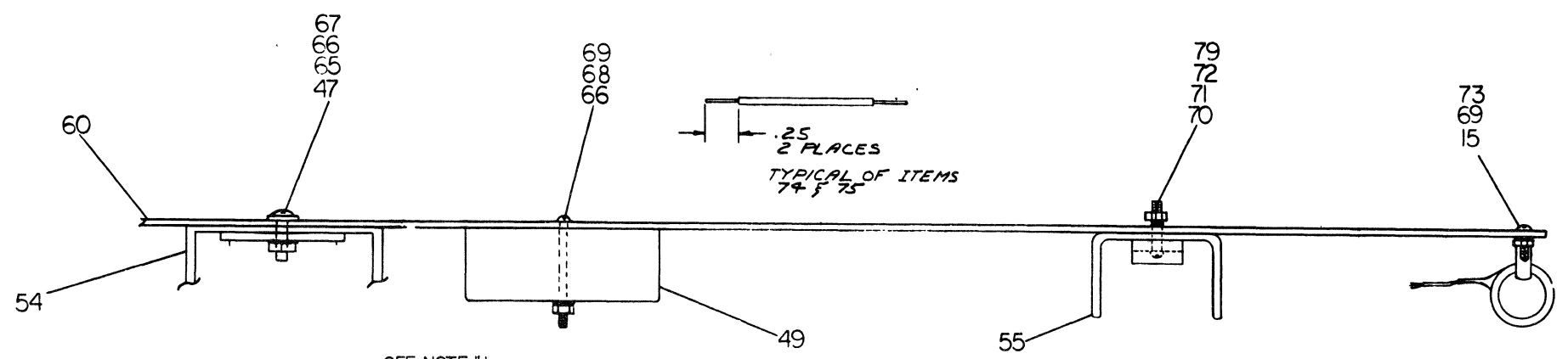
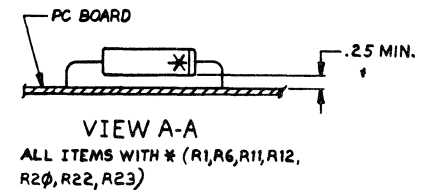
THIS DRAWING AND SPECIFICATIONS HEREIN ARE THE PROPERTY OF DIGITAL EQUIPMENT CORPORATION AND SHALL NOT BE REPRODUCED OR COPIED OR USED IN WHOLE OR IN PART AS THE BASIS FOR THE MANUFACTURE OR SALE OF ITEMS WITHOUT WRITTEN PERMISSION. COPYRIGHT © 1975, DIGITAL EQUIPMENT CORPORATION



REV.	DATE	BY	CHKD.
1	11/15/75	W. J. ...	...
2	11/15/75	...	...
3	11/15/75	...	...
4	11/15/75	...	...
5	11/15/75	...	...
6	11/15/75	...	...
7	11/15/75	...	...

ETCH BOARD REV C		FIRST USED ON	Digital
DRN 5411625-0-0	29/11/75	H775	
CHK'D BY	9/20/75	TITLE	BATTERY CHARGER
ENG	11/15/75	SIZE CODE	D
PROJ ENG	11/15/75	NUMBER	5411625-0-1
PROD	11/15/75	REV.	D
NEXT HIGHER ASSY		SCALE	2%
D-5411625-0-0		SHEET	1 OF 1
		DIST	

THIS DRAWING AND SPECIFICATIONS HEREBY ARE THE PROPERTY OF DIGITAL EQUIPMENT CORPORATION. IT IS TO BE USED ONLY FOR THE PROJECT AND FOR THE QUANTITY AND PURPOSE SPECIFIED THEREIN. IT IS NOT TO BE REPRODUCED, COPIED, OR TRANSMITTED IN ANY FORM OR BY ANY MEANS, ELECTRONIC OR MECHANICAL, INCLUDING PHOTOCOPYING, RECORDING, OR BY ANY INFORMATION STORAGE AND RETRIEVAL SYSTEM. © 1975 DIGITAL EQUIPMENT CORPORATION



NOTES: 1. NO THERMAL COMPOUND.

CHK	CHANGE NO	REV	DATE	BY
SAI	5411625-0-0	C	10/1/75	SAI
G	5411625-0-0	A	9/18/75	G
J	5411625-0-0	D	8/27/75	J

SIGNATURES	DATE	TITLE
DRN <i>M. Lewis</i>	SEP 10 1975	BATTERY CHARGER
CHK'D <i>D. Brown</i>	9/17/75	
PROJ. ENG. <i>J. Davis</i>	9/18/75	
PROD. <i>J. Davis</i>	10/1/75	
SCALE 2:1	SIZE CODE	NUMBER
SHT. 1 OF 1	UA 5411625-0-0	REV
ETCH REV C	FIRST USED ON	

DIGITAL EQUIPMENT CORPORATION MAYNARD, MASSACHUSETTS				PARTS LIST				ETCH REV C				QUANTITY/VARIATION			
MADE BY		CHECKED		SECTION											
JIM DAVIS		P. BOSSMAN		1											
DATE 4-18-75		DATE 11-4-75													
ENG		PROD.		ISSUED SECT.											
JIM DAVIS		D. DEROME		1											
DATE 4-18-75		DATE 9-25-75													
ITEM NO	DWG NO. / PART NO.	DESCRIPTION		QTY	VAR	QTY	VAR	QTY	VAR	QTY	VAR	QTY	VAR		
1	1302380	RESISTOR 100 OHM, 2W 5%		1		R1									
2	1311604	RESISTOR 0.2 OHM, 2W 3%		1		R2									
3	1300229	RESISTOR 100 OHM, 1/4W 5%		3		R3	R21	R40							
4	1301421	RESISTOR 15 OHM, 1/4 10%		2		R4	R37								
5	1301425	RESISTOR 300 OHM, 1/4W 5%		1		R5									
6	1301966	RESISTOR 820 OHM, 2W 10%		1		R6									
7	1302465	RESISTOR 18K, 1/4W 5%		2		R7	R14								
8	1300365	RESISTOR 1K, 1/4W 5%		7		R8	R16	R17	R25	R38	R39	R42			
9	1300479	RESISTOR 10K, 1/4W 5%		7		R9	R13	R27	R28	R41	R44	R45			
10	1301808	RESISTOR 22K, 1/4W 5%		2		R10	R33								
11	1301897	RESISTOR 1.5K, 5W 5%		1		R11									
12	1303122	RESISTOR 1.8K, 1W 5%		2		R12	R29								
13	1302466	RESISTOR 100K, 1/4W 5%		1		R15									
14	1305108	RESISTOR 1.47K, 1%, 1/4W		1		R24									
15	1300190	RESISTOR 25 OHM 25W WITH BRACKETS 1%		1		R19									
16	1305815	RESISTOR 5 OHM, 5W 5%		1		R20									
17	1305380	RESISTOR 270 OHM, 2W 5%		1		R22									
18	1309963	RESISTOR 260 OHM, 5W 1%		1		R23									
19	1303179	RESISTOR 8.2K 1/4W 5%		2		R26	R30								
20	1309415	RESISTOR 11.5K, 1/4W 1%		2		R18	R31								
21	1300424	RESISTOR 2.49K 3/4W 1%		1		R32									
22	1300439	RESISTOR 3.3K, 1/4W 5%		5		R34	R35	R36	R43	R46					

TITLE	BATTERY CHARGER	ASSY NO	D-UA-5411625-0-0	SIZE CODE	A PL	NUMBER	5411625-0-0	REV	D	ECO NO	00002
SHEET	1	OF	4	DIST							

DEC FORM DFC 16 (325) 1031 N870  
DRA 110

DIGITAL EQUIPMENT CORPORATION MAYNARD, MASSACHUSETTS				PARTS LIST				ETCH REV C				QUANTITY/VARIATION			
MADE BY		CHECKED		SECTION											
JIM DAVIS		P. BOSSMAN		1											
DATE 4-18-75		DATE 11-4-75													
ENG		PROD.		ISSUED SECT.											
JIM DAVIS		D. DEROME		1											
DATE 4-18-75		DATE 9-25-75													
ITEM NO	DWG NO. / PART NO.	DESCRIPTION		QTY	VAR	QTY	VAR	QTY	VAR	QTY	VAR	QTY	VAR		
45	1105275	DIODE D672		5		D16	D19	D18	D23	D24					
46	1110006	DIODE 1201A RECT		2		D21	D22								
47	1109465	SCR MCR649P2		1		D17									
48	1210929-03	3/4 AMP. PICOFUSE		1		F1									
49	1612500	INDUCTOR 200 UH		1		L1									
50	1211138-01	RELAY DPDT 6VDC		1		K1									
51	1211139	RELAY SOCKET HOUSING		1		KK1									
52	1211342-06	CONN. MATE-N-LOCK 6 PIN		1		J2									
53	1211342-02	HEADER MATE-N-LOCK 2 PIN		2		J3	J4								
54	1212645	HEAT SINK		1		HS2									
55	1212487	HEAT SINK		1		HS1									
56	1911944	IC LM555 TIMER		2		E1	E2								
57	1910282	IC LM301A OP AMP		1		E3									
58	9008219	QUICK CONNECT 1/4 IN. SINGLE MALE 90°		1		J6									
59	9009000	EYELETS		5											
60	5011624	ETCHED CIRCUIT BOARD		1											
61	1209340	8 PIN MATE-N-LOCK		1		J1									
62	1209456-01	SOCKETS FOR 1209340		6		J1-1	J1-2	J1-3	J1-4	J1-5	J1-6				
63	9009118-03	TERMINAL, SOLDER		4											
64	9007113	DOUBLE MALE QUICK CONNECT 90°		2		J5	J7								

TITLE	BATTERY CHARGER	ASSY NO	D-UA-5411625-0-0	SIZE CODE	A PL	NUMBER	5411625-0-0	REV	D	ECO NO	
SHEET	3	OF	4	DIST							

DEC FORM DEC 16 (325) 1031 N870  
DRA 110

DIGITAL EQUIPMENT CORPORATION MAYNARD, MASSACHUSETTS				PARTS LIST				ETCH REV C				QUANTITY/VARIATION			
MADE BY		CHECKED		SECTION											
JIM DAVIS		P. BOSSMAN		1											
DATE 4-18-75		DATE 11-4-75													
ENG		PROD.		ISSUED SECT.											
JIM DAVIS		D. DEROME		1											
DATE 4-18-75		DATE 9-25-75													
ITEM NO	DWG NO. / PART NO.	DESCRIPTION		QTY	VAR	QTY	VAR	QTY	VAR	QTY	VAR	QTY	VAR		
23	1005784	CAPACITOR 0.01 MFD, 100V, MYLAR		1		C6									
24	1012607-02	CAPACITOR 180 MFD, 50V, 672D SPRAGUE		2		C1	C10								
25	1000050	CAPACITOR .033 MFD, 100V		1		C2									
26	1000042	CAPACITOR 1KPF, 100V		1		C3									
27	1001610-01	CAPACITOR .01 MFD, 100V		2		C4	C5								
28	1004813	CAPACITOR 10 MFD, 20V		1		C7									
29	1000030	CAPACITOR 0.1 MFD 100V		2		C8	C11								
30	1000009	CAPACITOR 33PF, 100V		1		C9									
31	1510421	TRANSISTOR D44C8		1		Q1									
32	1510959	TRANSISTOR 2N3725		2		Q2	Q12								
33	1510705	TRANSISTOR A05		8		Q3	Q4	Q6	Q8	Q9	Q10	Q14	Q15		
34	1510766	TRANSISTOR A55		3		Q5	Q13	Q16							
35	1509649	TRANSISTOR 2N3762		1		Q7									
36	1510877	TRANSISTOR 2N6028		1		Q11									
37	1112595-01	DIODE GE A114B FAST REC RECT.		1		D1									
38	1112594-01	DIODE GE A115B FAST REC RECT.		1		D2									
39	1105648	DIODE IN4744 15V ZENER		1		D3									
40	1110994	DIODE IN751A 5.1V ZENER		1		D4									
41	1100113	DIODE D662		6		D5	D6	D7	D8	D13	D14				
42	1110713	DIODE 5.1V 2% ZENER		1		D9									
43	1105796	DIODE IN4004 RECT.		4		D11	D12	D20	D26						
44	1110766	DIODE IN5248B 18V ZENER		3		D15	D25	D19							

TITLE	BATTERY CHARGER	ASSY NO	D-UA-5411625-0-0	SIZE CODE	A PL	NUMBER	5411625-0-0	REV	D	ECO NO	
SHEET	2	OF	4	DIST							

DEC FORM DFC 16 (325) 1031 N870  
DRA 110

DIGITAL EQUIPMENT CORPORATION MAYNARD, MASSACHUSETTS				PARTS LIST				ETCH REV C				QUANTITY/VARIATION			
MADE BY		CHECKED		SECTION											
JIM DAVIS		P. BOSSMAN		1											
DATE 4-18-75		DATE 11-4-75													
ENG		PROD.		ISSUED SECT.											
JIM DAVIS		D. DEROME		1											
DATE 4-18-75		DATE 9-25-75													
ITEM NO	DWG NO. / PART NO.	DESCRIPTION		QTY	VAR	QTY	VAR	QTY	VAR	QTY	VAR	QTY	VAR		
65	9006024-1	6-32 x 1/4 PPH SCREW		2											
66	9006653	FLAT WASHER		3											
67	9008185	6-32 KEP NUT (1/4 AF)		2											
68	9007853-1	6-32 x 1 1/8 PPH SCREW		1											
69	9006560	6-32 KEP NUT (5/16 AF)		3											
70	9006010-1	4-40 x 5/16 PPH SCREW		1											
71	9006655	FLAT WASHER		1											
72	9006557	4-40 KEP NUT		1											
73	9006020-1	6-32 x 1/4 PPH SCREW		2											
74	9107350-99	WIRE #22 AWG STRANDED IPVC x 1 1/2" L		2											
75	9107360-22	WIRE #18 AWG STRANDED IPVC x 2 1/2" L		2											
77	9007970	FEMALE FAST-ON INSULATED		2											
78	9007834	DOUBLE BACK STICKY TAPE		A/B											
79	9008268	THERMAL COMPOUND		A/B											
80	9006664	FLAT WASHER		2											
81	D-CS-5411625-8-1	CIRCUIT SCHEMATIC		REF											
82	D-AH-5411625-8-5	ASSEMBLING COIE LAYOUT		REF											
83	B-MH-5411625-8-6	MODULE I/O HISTORY		REF											
84	9009185-02	JUMPER, WIRE, WHITE INS. .4 LONG		16								W2,3,5-7,11,12,14-19,30,32,33			
85	9009185-01	JUMPER, WIRE, WHITE INS. .6 LONG		2								W1,4,8,9,10,20,31,34,40			

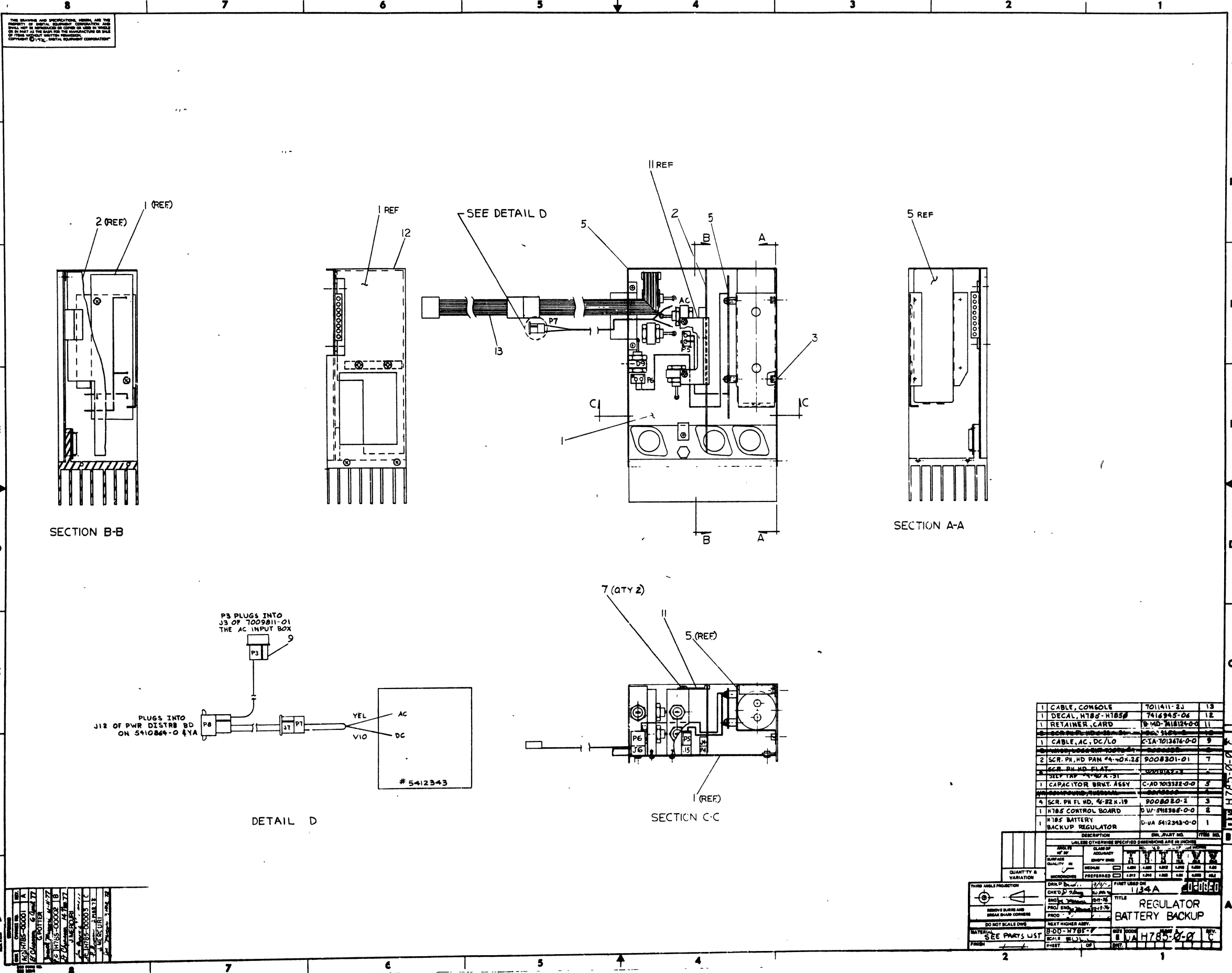
TITLE	BATTERY CHARGER	ASSY NO	D-UA-5411625-0-0	SIZE CODE	A PL	NUMBER	5411625-0-0	REV	D	ECO NO	
SHEET	4	OF	4	DIST							

DEC FORM DEC 16 (325) 1031 N870  
DRA 110









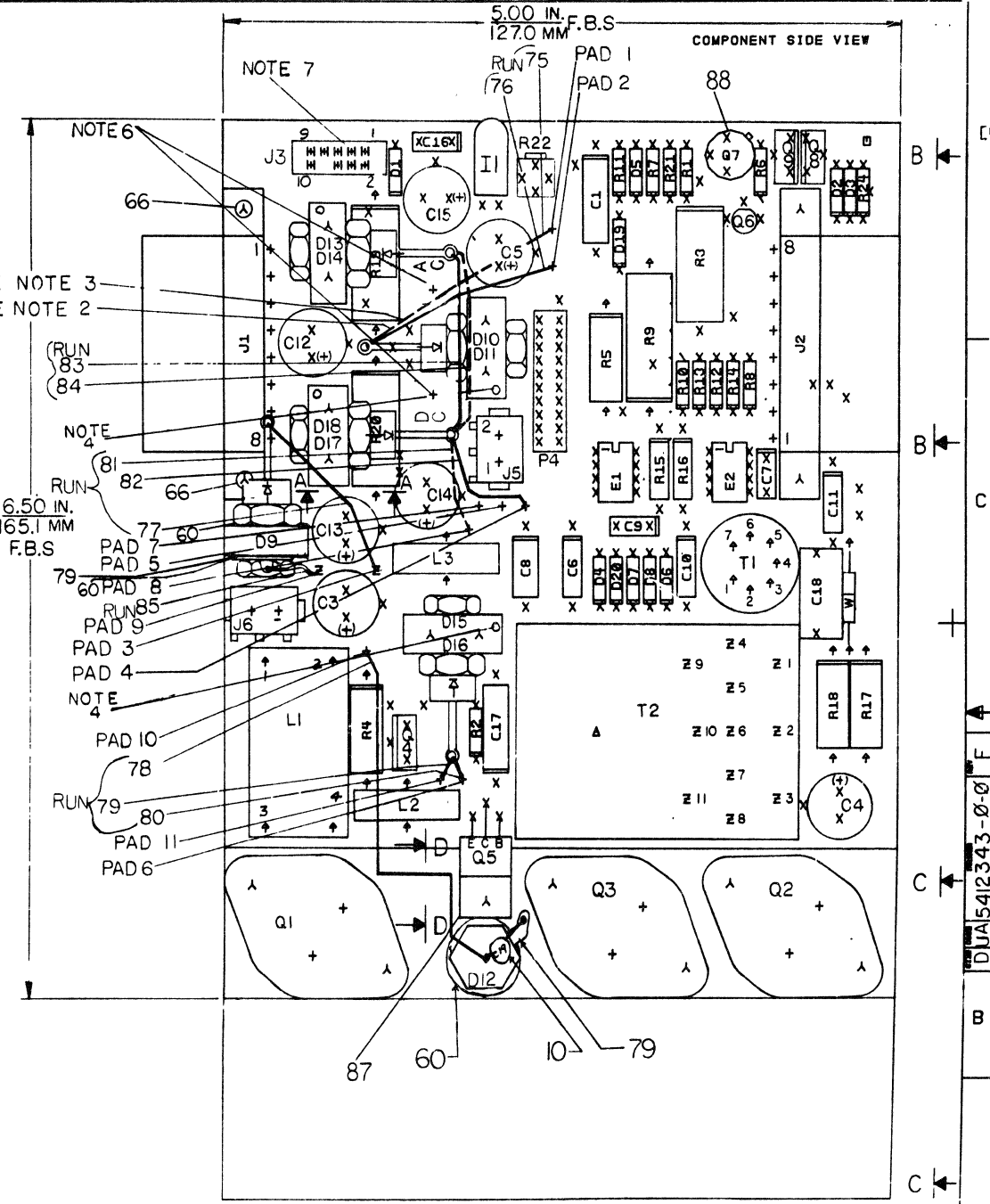
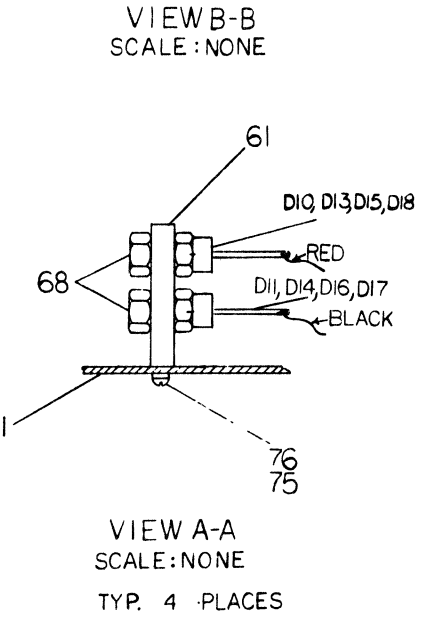
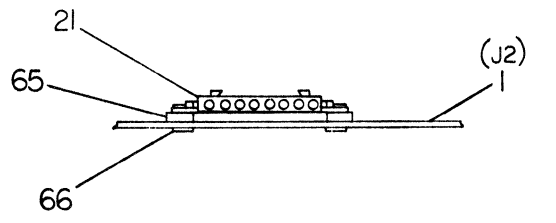
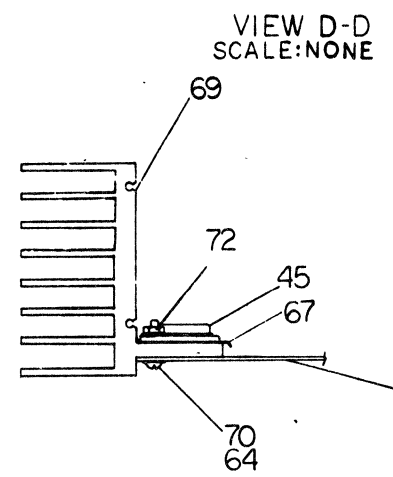
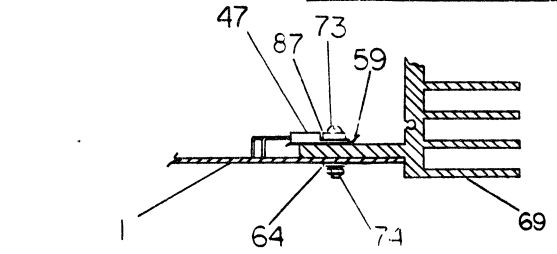
1	REGULATOR BATTERY BACKUP	134A
2	REGULATOR BATTERY BACKUP	134A
3	REGULATOR BATTERY BACKUP	134A
4	REGULATOR BATTERY BACKUP	134A
5	REGULATOR BATTERY BACKUP	134A
6	REGULATOR BATTERY BACKUP	134A
7	REGULATOR BATTERY BACKUP	134A
8	REGULATOR BATTERY BACKUP	134A

THIRD ANGLE PROJECTION	DRINK B...	3/2/72	FIRST USED ON	134A	10010000
DO NOT SCALE DIMS	CHIEF D...	10/20/72	TITLE	REGULATOR BATTERY BACKUP	
MATERIALS LIST	SCALE	1:1	SCALE	1:1	
SEE PARTS LIST	SCALE	1:1	SCALE	1:1	
FRONT	SCALE	1:1	SCALE	1:1	

THIS SHEET IS AN UNCLASSIFIED, UNCONTROLLED, AND THE PROPERTY OF BUSHBAUGH ELECTRONIC CORPORATION AND SHALL NOT BE REPRODUCED OR TRANSMITTED IN ANY FORM OR BY ANY MEANS WITHOUT THE WRITTEN PERMISSION OF BUSHBAUGH ELECTRONIC CORPORATION. COPYRIGHT © 1977

WIRE TABLE								
ITEM NO	RUN NO	DESCRIPT.	COLOR	FROM	TO	H785	H7850	LENGTH
77	75	18TWP	BLK	D 11 ANODE	PAD 1	PAD 1		4.50
	76	18	RED	D 10 ANODE	PAD 2	PAD 2		4.50
77	77	18	RED	D 9 CATHODE	PAD 3	PAD 3		3.00
	78	18	RED	D 12 CATHODE	PAD 10	PAD 10		3.75
77	79	18TWP	BLK	D 16 ANODE	PAD 11	PAD 11		1.50
	80	18TWP	RED	D 15 ANODE	PAD 6	PAD 6		2.00
77	81	18TWP	BLK	D 17 CATHODE	PAD 8	PAD 7		2.75
	82	18TWP	RED	D 18 CATHODE	PAD 4	PAD 5		2.75
77	83	18TWP	RED	D 13 ANODE	D 18 CATHODE	D 18 CAT.		3.50
	84	18TWP	BLK	D 14 ANODE	D 17 CATHODE	D 17 CAT.		3.50
85	18	BLK	D 9 ANODE	PAD 9	PAD 9		3.00	

UNTWIST ITEM NO. 77 AND USE PROPER COLOR.



NOTES:  
 1. SEE SHEET 4 OF 4 FOR DIODE WIRING.  
 2. SOLID LINE INDICATES WIRE FROM THE TOP DIODE.  
 3. DASHED LINE INDICATES WIRE FROM BOTTOM DIODE.  
 4. TAPPED HOLE AT TOP OF HEATSINKS MUST FACE PROPER WAY TO ALLOW INSERTION OF CARD GUIDE.  
 5. TORQUE SPECIFICATIONS:  
 Q1-Q3 10 IN-LBS. INSPECT TO MIN OF 6 TORQUE FROM SCREW HEAD  
 Q5 8 IN-LBS. INSPECT TO MIN OF 5 TORQUE FROM SCREW HEAD  
 D9-D18 16 IN-LBS. INSPECT TO MIN OF 12 TORQUE FROM NUT SIDE

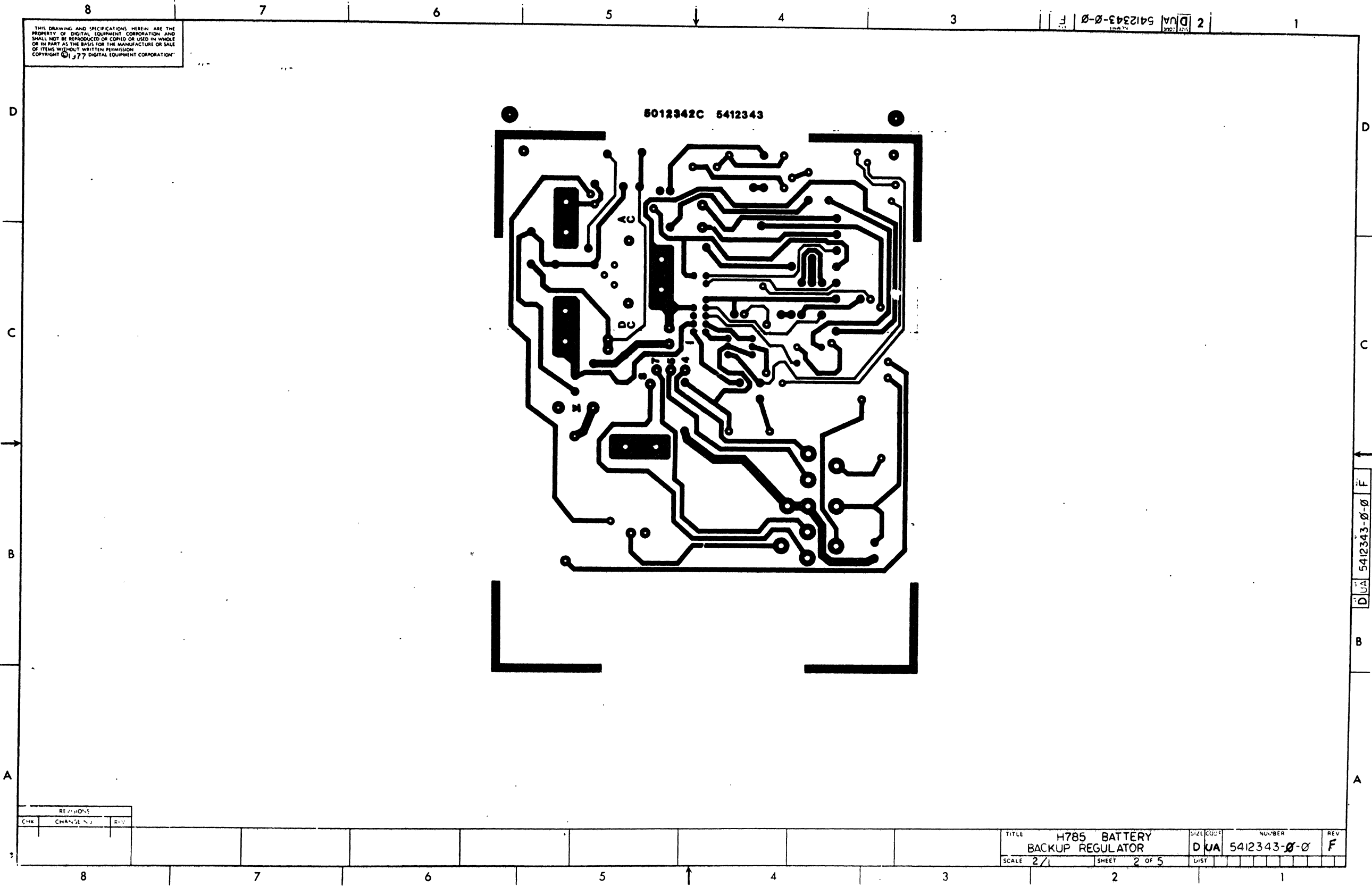
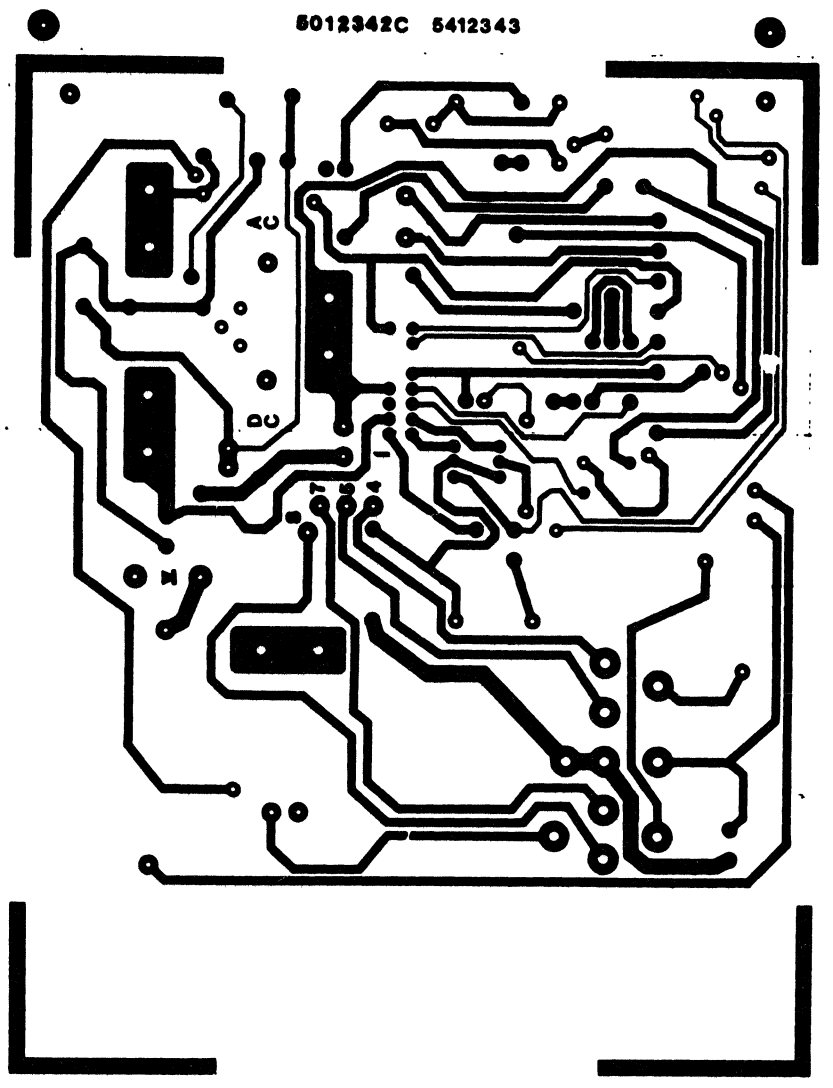
NOTES:  
 6. SOLDER ITEM NO. 55 AC/DC CABLE TO REGULATOR BOARD RED WIRE TO PTH. MARKED DC. BLACK WIRE TO PTH. MARKED AC.  
 7. INSERT ON TO J3 ITEM NO. 58

REV.	DATE	DESCRIPTION
1	1/3/77	INITIAL DESIGN
2	1/3/77	REVISED
3	1/3/77	REVISED
4	1/3/77	REVISED
5	1/3/77	REVISED
6	1/3/77	REVISED
7	1/3/77	REVISED
8	1/3/77	REVISED
9	1/3/77	REVISED
10	1/3/77	REVISED
11	1/3/77	REVISED
12	1/3/77	REVISED
13	1/3/77	REVISED
14	1/3/77	REVISED
15	1/3/77	REVISED
16	1/3/77	REVISED
17	1/3/77	REVISED
18	1/3/77	REVISED
19	1/3/77	REVISED
20	1/3/77	REVISED
21	1/3/77	REVISED
22	1/3/77	REVISED
23	1/3/77	REVISED
24	1/3/77	REVISED
25	1/3/77	REVISED
26	1/3/77	REVISED
27	1/3/77	REVISED
28	1/3/77	REVISED
29	1/3/77	REVISED
30	1/3/77	REVISED
31	1/3/77	REVISED
32	1/3/77	REVISED
33	1/3/77	REVISED
34	1/3/77	REVISED
35	1/3/77	REVISED
36	1/3/77	REVISED
37	1/3/77	REVISED
38	1/3/77	REVISED
39	1/3/77	REVISED
40	1/3/77	REVISED
41	1/3/77	REVISED
42	1/3/77	REVISED
43	1/3/77	REVISED
44	1/3/77	REVISED
45	1/3/77	REVISED
46	1/3/77	REVISED
47	1/3/77	REVISED
48	1/3/77	REVISED
49	1/3/77	REVISED
50	1/3/77	REVISED
51	1/3/77	REVISED
52	1/3/77	REVISED
53	1/3/77	REVISED
54	1/3/77	REVISED
55	1/3/77	REVISED
56	1/3/77	REVISED
57	1/3/77	REVISED
58	1/3/77	REVISED
59	1/3/77	REVISED
60	1/3/77	REVISED
61	1/3/77	REVISED
62	1/3/77	REVISED
63	1/3/77	REVISED
64	1/3/77	REVISED
65	1/3/77	REVISED
66	1/3/77	REVISED
67	1/3/77	REVISED
68	1/3/77	REVISED
69	1/3/77	REVISED
70	1/3/77	REVISED
71	1/3/77	REVISED
72	1/3/77	REVISED
73	1/3/77	REVISED
74	1/3/77	REVISED
75	1/3/77	REVISED
76	1/3/77	REVISED
77	1/3/77	REVISED
78	1/3/77	REVISED
79	1/3/77	REVISED
80	1/3/77	REVISED
81	1/3/77	REVISED
82	1/3/77	REVISED
83	1/3/77	REVISED
84	1/3/77	REVISED
85	1/3/77	REVISED
86	1/3/77	REVISED
87	1/3/77	REVISED
88	1/3/77	REVISED
89	1/3/77	REVISED
90	1/3/77	REVISED
91	1/3/77	REVISED
92	1/3/77	REVISED
93	1/3/77	REVISED
94	1/3/77	REVISED
95	1/3/77	REVISED
96	1/3/77	REVISED
97	1/3/77	REVISED
98	1/3/77	REVISED
99	1/3/77	REVISED
100	1/3/77	REVISED

SIGNATURES	DATE	TITLE
DRN [Signature]	1-8-76	digital
CHK'D [Signature]	1-3-77	
ENG. [Signature]	1-3-77	H785 BATTERY
PROJ. ENG. [Signature]	1-3-77	BACKUP REGULATOR
PRD. [Signature]	2-7-77	
SCALE 2-1		SIZE CODE NUMBER
SHT. 1 OF 5		UA 5412343-0-0 F
NEXT HIGHER ASSY. B-DD-5412343-0		

1 MS# 60129

THIS DRAWING AND SPECIFICATIONS HEREIN ARE THE PROPERTY OF DIGITAL EQUIPMENT CORPORATION AND SHALL NOT BE REPRODUCED OR COPIED OR USED IN WHOLE OR IN PART AS THE BASIS FOR THE MANUFACTURE OR SALE OF ITEMS WITHOUT WRITTEN PERMISSION. COPYRIGHT © 1977 DIGITAL EQUIPMENT CORPORATION.



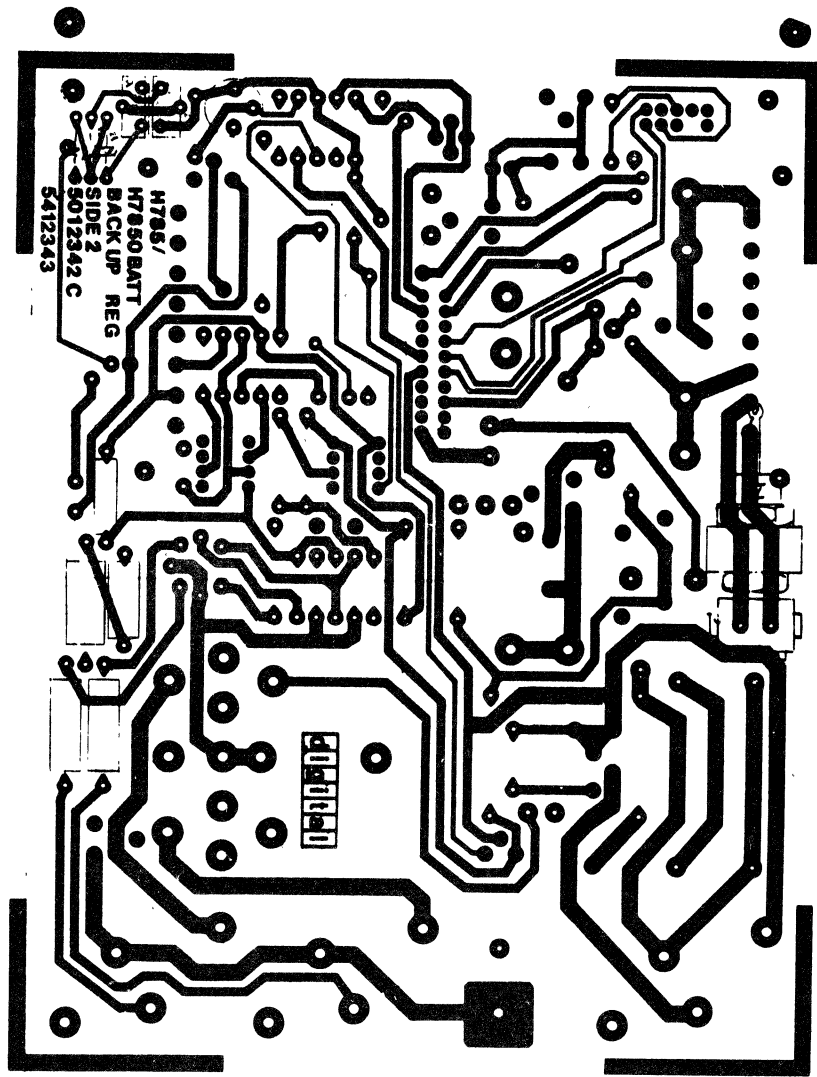
REVISIONS		
CHR	CHANGE NO.	REV

TITLE	H785 BATTERY BACKUP REGULATOR	SIZE CODE	NUMBER	REV
SCALE	2/1	D UA	5412343-0-0	F
SHEET	2 OF 5	LIST		

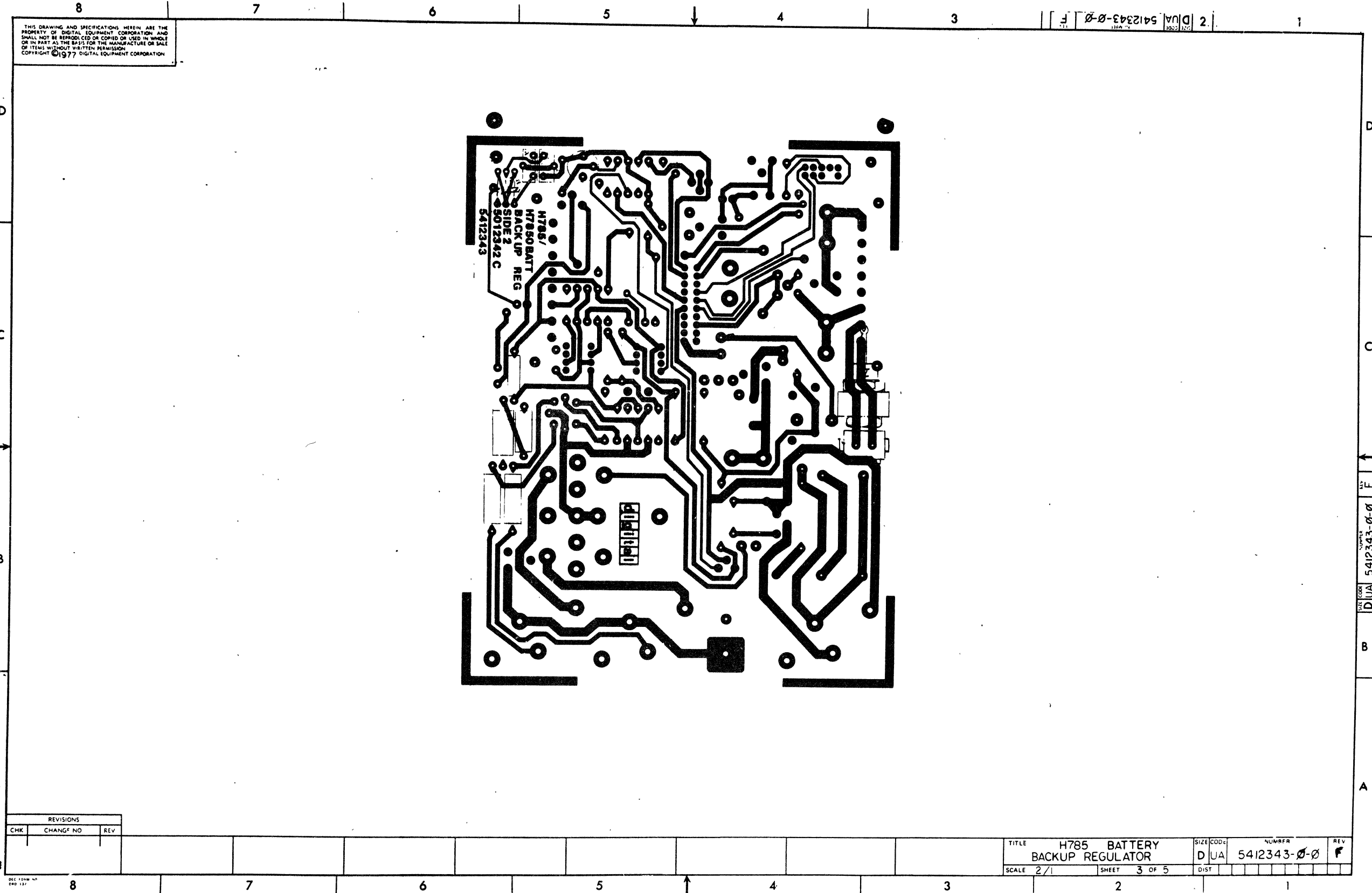
D UA 5412343-0-0 F

THIS DRAWING AND SPECIFICATIONS HEREIN ARE THE PROPERTY OF DIGITAL EQUIPMENT CORPORATION AND SHALL NOT BE REPRODUCED OR COPIED OR USED IN WHOLE OR IN PART AS THE BASIS FOR THE MANUFACTURE OR SALE OF ITEMS WITHOUT WRITTEN PERMISSION. COPYRIGHT © 1977 DIGITAL EQUIPMENT CORPORATION

2 DUA 5412343-0-0



H785/  
H7850 BATT  
BACK UP REG  
SIDE 2  
5012342 C  
5412343



REVISIONS		
CHK	CHANGE NO	REV

TITLE	H785 BATTERY BACKUP REGULATOR	SIZE CODE	DUA	NUMRFR	5412343-0-0	REV	F
SCALE	2/1	SHEET	3 OF 5	DIST			

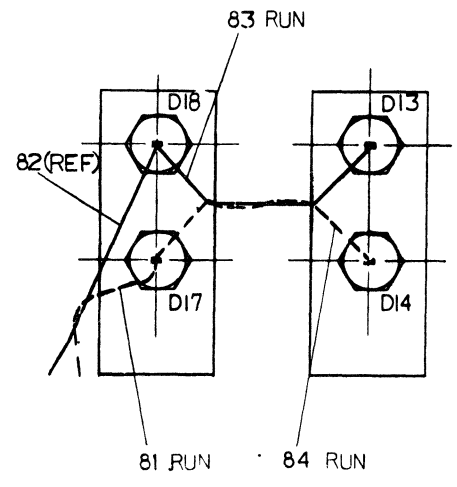
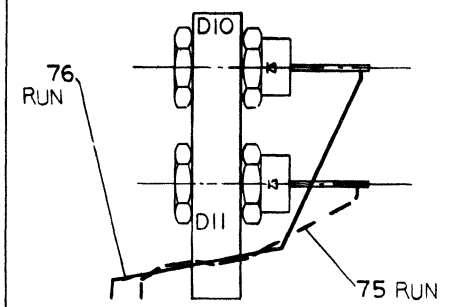
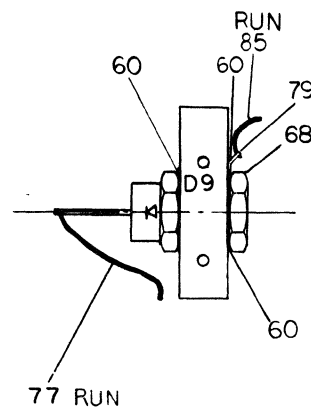
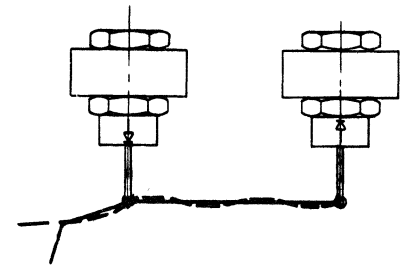
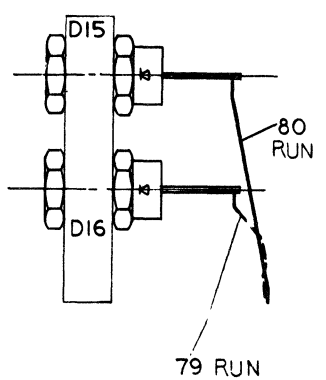
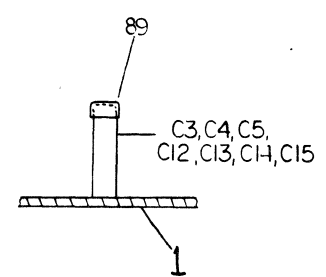
2 DUA 5412343-0-0

8 7 6 5 4 3 2 1

"THIS DRAWING AND SPECIFICATIONS HEREIN ARE THE PROPERTY OF DIGITAL EQUIPMENT CORPORATION AND SHALL NOT BE REPRODUCED OR COPIED OR USED IN WHOLE OR IN PART AS THE BASIS FOR THE MANUFACTURE OR SALE OF ITEMS WITHOUT WRITTEN PERMISSION. COPYRIGHT © 1976 DIGITAL EQUIPMENT CORPORATION"

DUA 5412343-00 2

NOTES:  
 1. WIRING INFORMATION IS ON SHEET 1 OF 4.  
 2. DIODES TO BE ASSEMBLED TO HEAT-SINKS AND WIRED AS SHOWN BEFORE INSTALLING TO BOARD.



REVISIONS		
CHK	CHANGE NO.	REV.

TITLE	H785 BATTERY BACKUP REGULATOR	SIZE CODE	NUMBER	REV.
SCALE	2/1	SHEET	4 OF 5	DUA 5412343-00 F
DIST.				

DUA 5412343-00 F

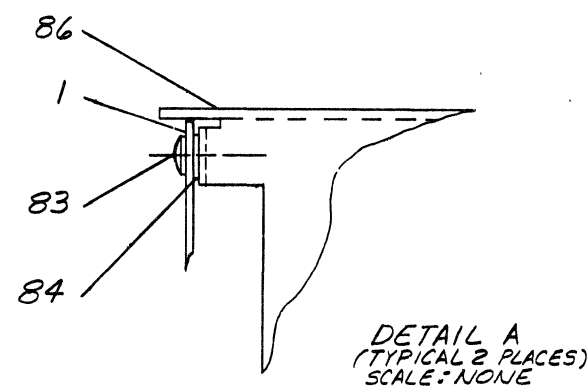
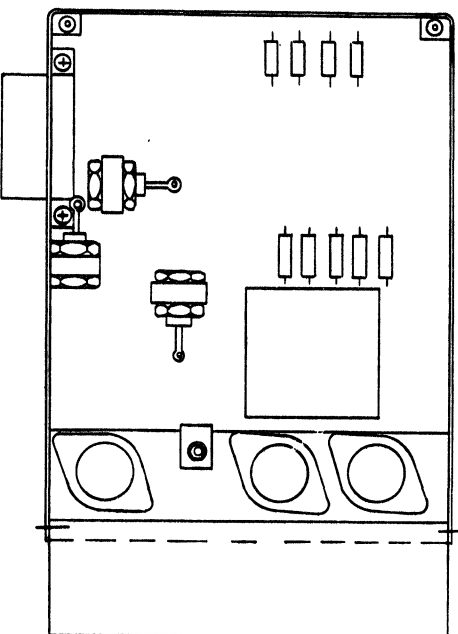
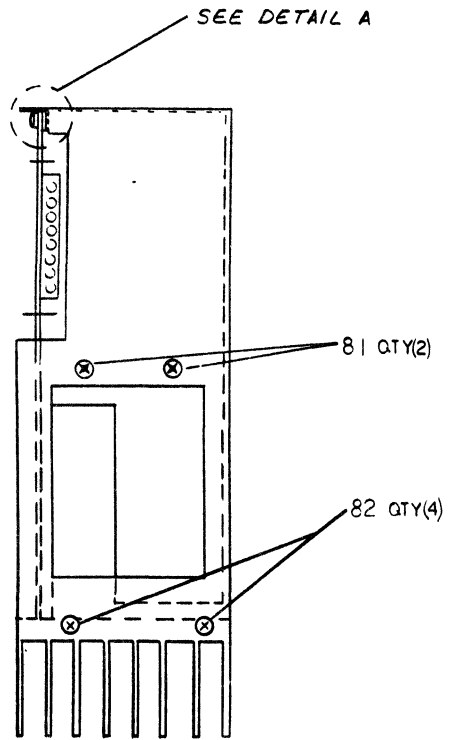
8 7 6 5 4 3 2 1

"THIS DRAWING AND SPECIFICATIONS, HEREIN, ARE THE PROPERTY OF DIGITAL EQUIPMENT CORPORATION AND SHALL NOT BE REPRODUCED OR COPIED OR USED IN WHOLE OR IN PART AS THE BASIS FOR THE MANUFACTURE OR SALE OF ITEMS WITHOUT WRITTEN PERMISSION. COPYRIGHT © 1977 DIGITAL EQUIPMENT CORPORATION"

DJA 5412343-0-0 2

D  
C  
B  
A

D  
C  
B  
A



REVISIONS		
CHK	CHANGE NO.	REV.

TITLE H785 BATTERY BACKUP REGULATOR  
 SIZE CODE DJA NUMBER 5412343-0-0  
 SCALE 1:1 SHEET 5 OF 5 DIST.

8 7 6 5 4 3 2 1

MANUFACTURE DATE

DJA 5412343-0-0 REV F



LINE	ITEM	DOCUMENT NO.	PART NO.	DESCRIPTION	QTY	REFERENCE DESIGNATORS
1	1	D-UD-5412342-0-0	5412342-00	ETCH BRD 54-12343	1	
2	2		1002431-00	2.2MFD 35V 10% 150S S.TA	(10-00)	1 C10
3	3		1012607-02	180 MFD 50V H% 672D AL EL		3 C3-C5
4	4		1000042-00	1000.0 MME 100V 5%200PPM DM15S	(10-00)	1 C7
5	5		1010646-00	.015 MFD 50V 2% M.POLYCARB		1 C8
6	6		1000024-00	470.0 MME 100V 5%200PPM DM15S	(10-00)	1 C9
7	7		1001776-00	1 MFD 35V 10% 150D S.TA	(10-00)	2 C6,C11
8	8		1012607-00	560 MFD 20V H% 672F AL EL		3 C12-C14
9	9		1012607-01	1200 MFD 6.3V H% 672D AL EL		1 C15
10	10		1010621-00	.1 MFD 50V 20% Z5U DISC		2 C16,C19
11	11		1004813-00	10 MFD 20V 10% 150D S.TA	(10-00)	2 C1,C17
12	12		1000030-00	.1 MFD 100V 20% Z5U DISC		1 C18
13	13	BLANK				
14	14		1100125-00	1N 758A VZ= 10.0 5% .40W PPER S.A.V.E.C		2 D2,D3
15	15		1105275-00	D 672 TR= 15NS PIV= 60V SP		7 D1,D4-D8,D20
16	16		1109440-00	1N 3980 PIV=100 I= 6A D04 SM		6 D10,D11,D13-D16
17	17		1113366-00	1N 3880R PIV=100 I=6A S		4 D17,D18,D9,D12
18	18		1105648-00	1N 4744 VZ= 15.0 10% 1W Y		1 D19
19	19	BLANK				
20	20		1211004-02	SOCKET,100 20POS EDGE MOUNT		1 P4
21	21		1209340-00	MATE=N-LOK 8PIN,HOUSING,SKT		2 J1,J2
22	22		1209456-01	MATE=N-LOK SKT PCB TAB LOOSE	16	
23	23		1211342-02	MATE=N-LOK 2PIN PC TYPE	2	J5,J6
24	24		1209219-01	LAMP 6V0200MA,T1-3/4PINS#2319	1	I1
25	25	BLANK				
26	26		1300202-00	47 1/4W 5% CC	(13-00)	1 R2
27	27		1309639-00	200 5W 5% WW	(13-00)	1 R3
28	28		1312682-00	3 3W 5%	(13-00)	1 R4
29	29		1302950-00	1.2 K 1W 10% CC	(13-00)	1 R5
30	30		1300426-00	2.7 K 1/4W 5% CC	(13-00)	2 R6,R7

REVISION HISTORY			VARIATIONS FOR THIS ASSY.		
CHK	ECO NO	REV	FIRST USED ON:		DIGITAL EQUIPMENT CORPORATION MAYNARD, MASSACHUSETTS
B,N	00004	F	MADE BY:	D BILLODEAU	DATE: 31-JUL-78
			CHECKED:	R PUZZO	DATE: 31-JUL-78
			DSN,ENG.:	J MERCURI	DATE: 31-JUL-78
			PROD.:	B KING	DATE: 31-JUL-78
			RESP,ENG.:	J MERCURI	DATE: 31-JUL-78
			TITLE		PARTS LIST
			H785 BATTERY BACKUP REGULATOR		
			SIZE:	CODE:	DOCUMENT NUMBER
			K	PL	5412343-0-0BP
			ASSY. NO.:		D-UA-5412343-0-0
			EDIT#:		3

"THIS DRAWING AND SPECIFICATIONS HEREIN, ARE THE PROPERTY OF DIGITAL EQUIPMENT CORPORATION AND SHALL NOT BE REPRODUCED OR COPIED OR USED IN WHOLE OR IN PART AS THE BASIS FOR THE MANUFACTURE OR SALE OF ITEMS WITHOUT WRITTEN PERMISSION.  
COPYRIGHT 1978. DIGITAL EQUIPMENT CORPORATION"

LINE	ITEM	DOCUMENT NO.	PART NO.	DESCRIPTION	QTY	REFERENCE DESIGNATORS
31	31		1309680-00	2.7 M 1/4W 5% CC (13-00	1	R8
32	32		1313712-00	.01 5W 3% WW (13-00	1	R9
33	33		1300365-00	1 K 1/4W 5% CC (13-00	2	R1,R11
34	34		1300229-00	100 1/4W 5% CC (13-00	1	R12
35	35		1302466-00	100 K 1/4W 5% CC (13-00	2	R13,R14
36	36		1312404-00	2.01 K 1/2W 1% RN60D-F 100PPM	2	R15,R16
37	37		1313579-00	1.5 3W 5% WW (13-00	2	R17,R18
38	38		1309855-00	30W 2W 5% CC (13-00	2	R19,R20
39	39		1300479-00	10 K 1/4W 5% CC (13-00	1	R21
40	40		1310852-00	200 20% FOT S	1	R22
41	41		1300391-00	1.5 K 1/4W 5% CC (13-00	1	R10
42	42		1300316-00	470 1/4W 5% CC (13-00	1	R24
43	43	BLANK				
44	44	BLANK				
45	45		1510969-00	2N 5038 NPN 140WC SI 90 50 Y	3	Q1-Q3
46	46		1510708-00	D 45HP PNP 50WT SI 60 60 Y	2	Q4,Q8
47	47		1512790-00	D 44C11 NPN 30W SI 80 40	2	Q5,Q9
48	48		1511696-00	DFC5433 FET N 350MW 10 25 1A 20U	1	Q6
49	49		1510959-00	2N 3725 NPN 3.5WC SI 50 60 P	1	Q7
50	50	BLANK				
51	51		1612593-00	500 OH 6A S	1	L1
52	52		1613874-00	CHOKF,150H 4A	2	L2,L3
53	53		1613876-00	XFMR,POWER,RATIO 1:2 7PIN S	1	T1
54	54		1613875-00	XFMR,POWER,RATIO 1:2:3 100UH	1	T2
55	55		7013690-00	CABLE 2 PIN AC DC LOW	1	
56	56		1911944-00	555CN TIMER,FUNCT.BLOCK	1	E1
57	57		1910282-00	301AN OP AMP	1	E2
58	58		7013384-1D	10 CONDUCTOR EXTENDER CABLE	1	
59	59		1213071-06	INSULATOR,RUBBER SILICONE	1	
60	60		1213071-05	INSULATOR,RUBBER THERMAL	3	
61	61		7417414-00	HEAT SINK (DUAL)	4	
62	62		7417413-00	HEAT SINK (SINGLE)	1	
63	63		9006655-00	WASHER, FLAT, .312 O.D. X .125 ID X .025 T	1	
64	64		9006656-00	WASHER, FLAT, .312 O.D. X .156 I.D. X .027	6	
65	65		9006706-00	WASHER, NYLON, FLAT #4 .375 OD X .031 THK	2	
66	66		9006745-00	FYELFT, ROLLED FLANGE, .120 OD X .260 LG	4	
67	67		1213071-02	INSULATOR,RUBBER SILICONE SM	3	
68	68		9006565-00	NUT,KEP , 10-32X 3/8 AF CS/	10	
69	69		1210737-04	HEAT SINK,REGULATOR	1	
70	70		9007793-04	SCREW,RIND,SLOT, 6-32X 9/16 SS/PAS	6	
71	71		9007649-00	***** THIS ITEM IS NOT USED *****	-	
72	72		9008185-00	NUT,KEP , 6-32X1/4 AF CS/	6	
73	73		9008033-01	SCREW,FAN ,PHIL, 4-40X 9/16 SS/PAS	1	
74	74		9006557-00	NUT,KEP , 4-40X 1/4 AF CS	1	
75	75		9006632-00	WASHER,LOCK,INT,.260OD X .120ID X .015 THK	8	
76	76		9006010-04	SCREW,RIND,SLOT, 4-40X 5/16 SS/PAS	8	
77	77		9107430-02	WIRE,STRND,18AWG,JPVC (UL1429) (91-00 A/R	1	
78	78		9009185-00	JUMPER, WIRE, INSULATED, BLACK BAND	1	R1

DIGITAL EQUIPMENT CORPORATION MAYFARL, MASSACHUSETTS	TITLE PARTS LIST H785 BATTERY BACKUP REGULATOR	SIZE/CODE K PJ	DOCUMENT NUMBER 5412343-N-CBP	REV 1F
---	--	-------------------	----------------------------------	-----------

APPROVED BY: ERLIST 2F(2)

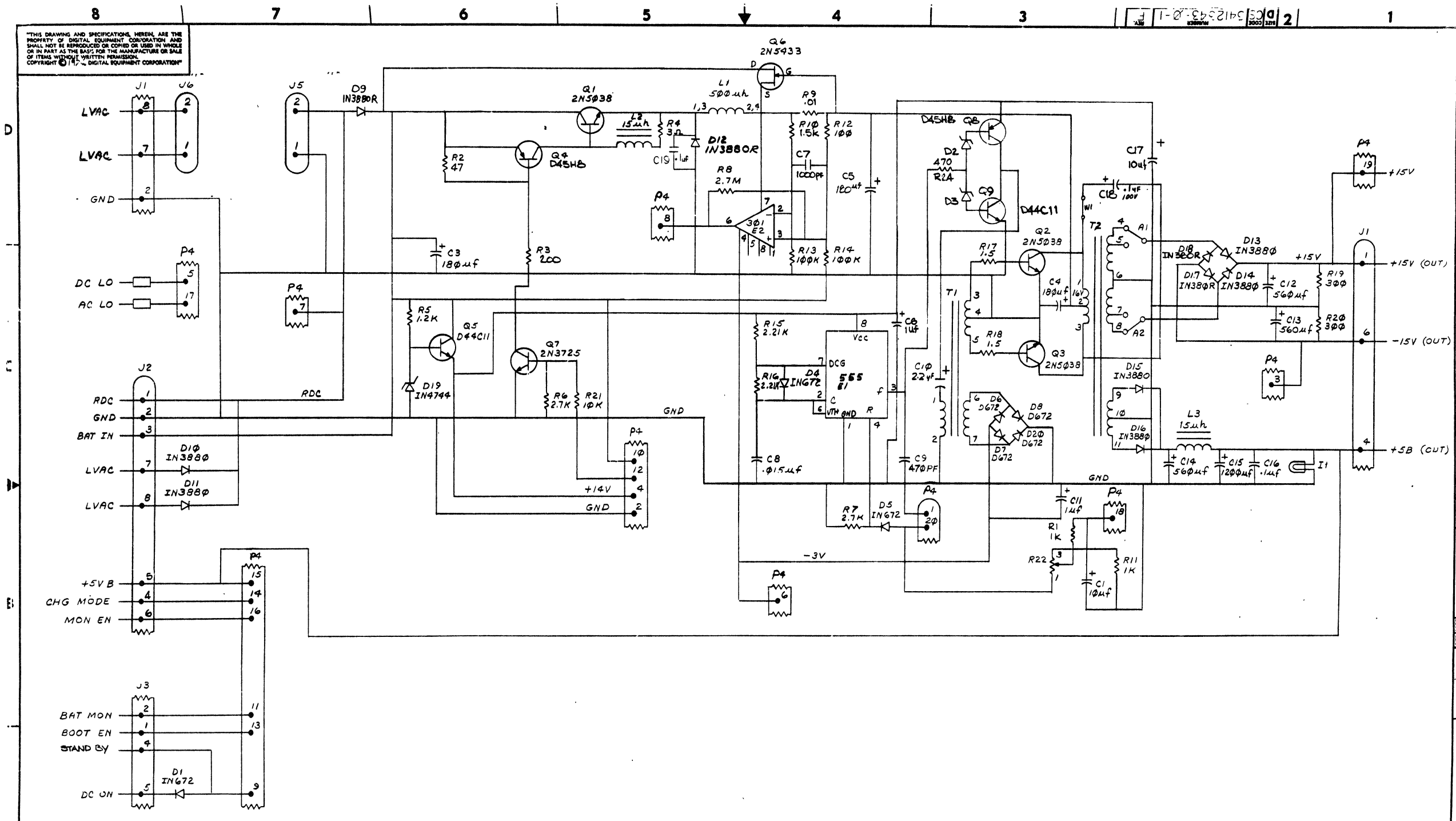
PARTS LIST

SHEET 3 OF 3

LINE ITEM	DOCUMENT NO.	PART NO.	DESCRIPTION	QTY	REFERENCE DESIGNATORS
79	79	9008506-00	TERM LUG 1POS SOLDER,FLAT	2	
80	80	9009149-00	PIN, STAKING, P.C. BOARD, .025 X .025	9	J3
81	81	9008404-02	SCREW,FLAT,PHIL, 6-32X 5/16 SS/PAS 1000	2	
82	82	9009142-02	SCREW, PHILLIPS FLAT HEAD, SELF TAP, 4-40	4	
83	83	9006010-01	SCREW, PAN, PHIL, 4-40X 5/16 SS/PAS	2	
84	84	9008079-00	WASHER, FLAT FIBER OD. 1/4	2	
85	85	9905212-00	CARTON, DIE CUT 2412 100	1	
86	86	7417410-00	REGULATOR BRACKET	1	
87	87	9009769-00	WASHER, RECTANGULAR .405X.225X.060	1	
88	88	9007201-00	TRANSIPADS #10253	1	
89	89	9009731-03	CAP, PLASTIC	7	

DIGITAL EQUIPMENT CORPORATION MAYNARD, MASSACHUSETTS	TITLE H785 BATTERY BACKUP REGULATOR	PARTS LIST	SIZE: COLP K PL	DOCUMENT NUMBER 5412343-0-DBP	REV F
---	--	------------	--------------------	----------------------------------	----------

THIS DRAWING AND SPECIFICATIONS, HEREIN, ARE THE PROPERTY OF DIGITAL EQUIPMENT CORPORATION AND SHALL NOT BE REPRODUCED OR COPIED OR USED IN WHOLE OR IN PART AS THE BASIS FOR THE MANUFACTURE OR SALE OF ITEMS WITHOUT WRITTEN PERMISSION. COPYRIGHT © 1977, DIGITAL EQUIPMENT CORPORATION



REV.	CHANGE NO.	DATE	BY	CHK
1	1	7-6-77	G. POTTER	
2	2	7-22-77	J. M. CLAYTON	
3	3	7-22-77	G. POTTER	
4	4	8-1-77	J. M. CLAYTON	
5	5	8-1-77	J. M. CLAYTON	
6	6	8-1-77	J. M. CLAYTON	
7	7	8-1-77	J. M. CLAYTON	
8	8	8-1-77	J. M. CLAYTON	

DRN. 7-2076	FIRST USED ON	Digital
CHK'D J. M. CLAYTON 7-22-77	TITLE	H785 BATTERY BACKUP REGULATOR
ENG. J. M. CLAYTON 7-22-77	SIZE	D
PROJ. ENG. J. M. CLAYTON 7-22-77	CODE	5412343-0-1
PROD. J. M. CLAYTON 7-22-77	NUMBER	1
NEXT HIGHER ASSY.	REV.	F
SCALE	DIST	
SHEET 1 OF 1		

THIS DRAWING AND SPECIFICATIONS, WHETHER AND THE PROPERTY OF DIGITAL EQUIPMENT CORPORATION AND SHALL NOT BE REPRODUCED OR TRANSMITTED IN ANY FORM OR BY ANY MEANS, WITHOUT WRITTEN PERMISSION. DIGITAL EQUIPMENT CORPORATION © 1977

**REWORK INSTRUCTIONS**

**ECO #1**

- 1-1 CUT ETCH BETWEEN R41 AND D16 (THIS ETCH LINE RUNS OVER TO THE DRAIN OF Q10) SIDE 1
- 1-2 CUT ETCH ON RIGHT SIDE OF C14, ON THE ETCH LINE THAT HAS PREVIOUSLY BEEN CUT, SIDE 1.
- 1-3 INSERT ECO WIRE FROM THE DRAIN OF Q10 TO THE LEFT SIDE OF C14, TACK SOLDER TO ETCH LINE ON THE LEFT SIDE OF C14, SIDE 1. (THIS IS THE SAME ETCH LINE THAT WAS CUT ON THE RIGHT SIDE OF C14). ECO WIRE IS TO BE ROUTED TO THE TOP OF THE BOARD FROM THE DRAIN OF Q10 THEN RUN ALONG THE BOARD AND COME DOWN TO THE LAND OF ETCH THAT IT HAS TO BE SOLDERED TO THE LEFT SIDE OF C14.
- 1-4 DRILL A .0635 DIA. HOLE (DRILL #52) BENEATH R32 (SIDE 1) MAKING SURE THE ONLY ETCH DRILLED IS THE ONE WITH BOTH ITS ENDS CUT (SEE STEPS 1 AND 2 OF REWORK INSTRUCTIONS). THIS HOLE HAS TO HOLD DEC. 12-12416-02. BE SURE OF SPACING BEFORE DRILLING.
- 1-5 DRILL A .0635 DIA. HOLE (DRILL #52) ABOVE Q1 TO THE LEFT SIDE OF R1, SIDE 1. BE SURE OF SPACING. THIS HOLE MUST HOLD DEC. 12-12416-02. DO NOT PIERCE ETCH ON SIDE 2.
- 1-6 ON SIDE 2, CUT ETCH LEADING AWAY FROM PIN 9 OF J4.
- 1-7 INSERT DEC 12-12416-02 IN BOTH HOLES PREVIOUSLY DRILLED. DO NOT INSERT FULLY. INSERT SO THAT ENOUGH OF THE LEAD IS THROUGH THE BOARD THAT WILL PERMIT A COUPLE WRAPS OF AN ECO WIRE. THEN GLUE IN PLACE WITH DEC 9009157. MAKE SURE THAT TABS ON DEC 12-12416-02 ARE FACING EACH OTHER ON SIDE 1. (S1 AND S2)
- 1-8 ON DEC PART 12-12416-02 THE ONE THAT IS LOCATED CLOSEST TO J4 ON SIDE 1, CONNECT THE LEAD THAT GOES THROUGH THE BOARD, TO PIN J4-9 ON SIDE 2. THIS IS DONE WITH AN ECO WIRE INSTALLED ON SIDE 2.
- 1-9 WITH AN ECO WIRE, CONNECT BOTH CASE TABS OF DEC 12-12416-02 ON SIDE 1 TOGETHER
- 1-10 DEC PART 12-12416-02 THAT HAS BEEN INSTALLED BENEATH R32 ON SIDE 1 CONNECT AN ECO WIRE FROM THIS PARTS PIN ON SIDE 2 WITH THE OTHER END OF THE ECO WIRE GOING TO THE P.T.H

- BETWEEN R41 AND D16 (THIS P.T.H HAS AN ETCH RUN CONNECTING THE ANODE OF D16 TO IT ON SIDE 2.)
- 1-11 CHANGE R10 FROM 13-13151 3.6K OHM TO 1300391 1.5K OHM
- 1-12 CHANGE R11 FROM 13-00316 470 OHM TO 13-00439 3.3K OHM.
- 1-13 CHANGE R4 FROM 13-00309 390 OHM TO 13-01322 180 OHM.
- 1-14 REMOVE W2 INSULATED JUMPER 90-09185.
- 1-15 REMOVE D17, IN 758A 11-00125
- 1-16 GLUE ALL ECO WIRES DOWN WITH DEC. 90-09157.

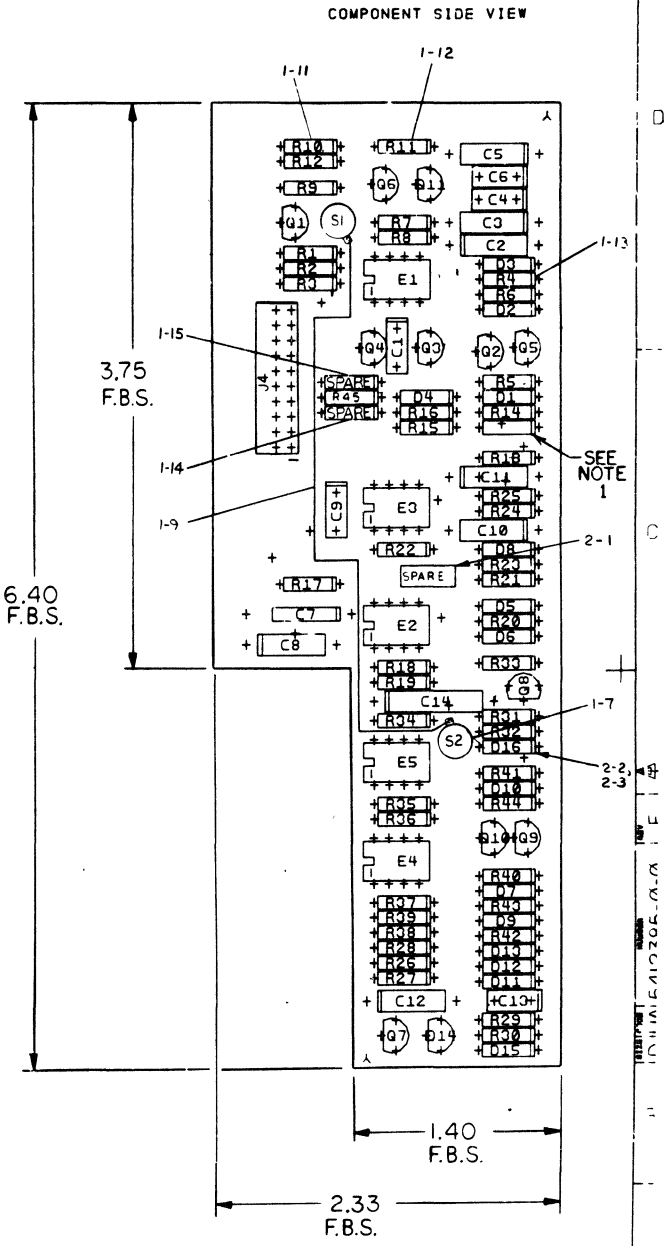
**ECO #2**

- COMPONENT DELETES SIDE 1:
- 2-1. C15 (P/N1000021)
- 2-2. D16 (P/N1110068)
- COMPONENT ADDS SIDE 1:
- 2-3. D16 (ZENER BI-DIRECTIONAL P/N1114913-00)

NOTES:

1	COMPONENT NOT INSERTED

CHANGE NO	REV	DATE	BY	CHKD	DESCRIPTION
15412385-1	C		G. POTTER		
15412385-2	D		G. POTTER		
15412385-3	E		G. POTTER		

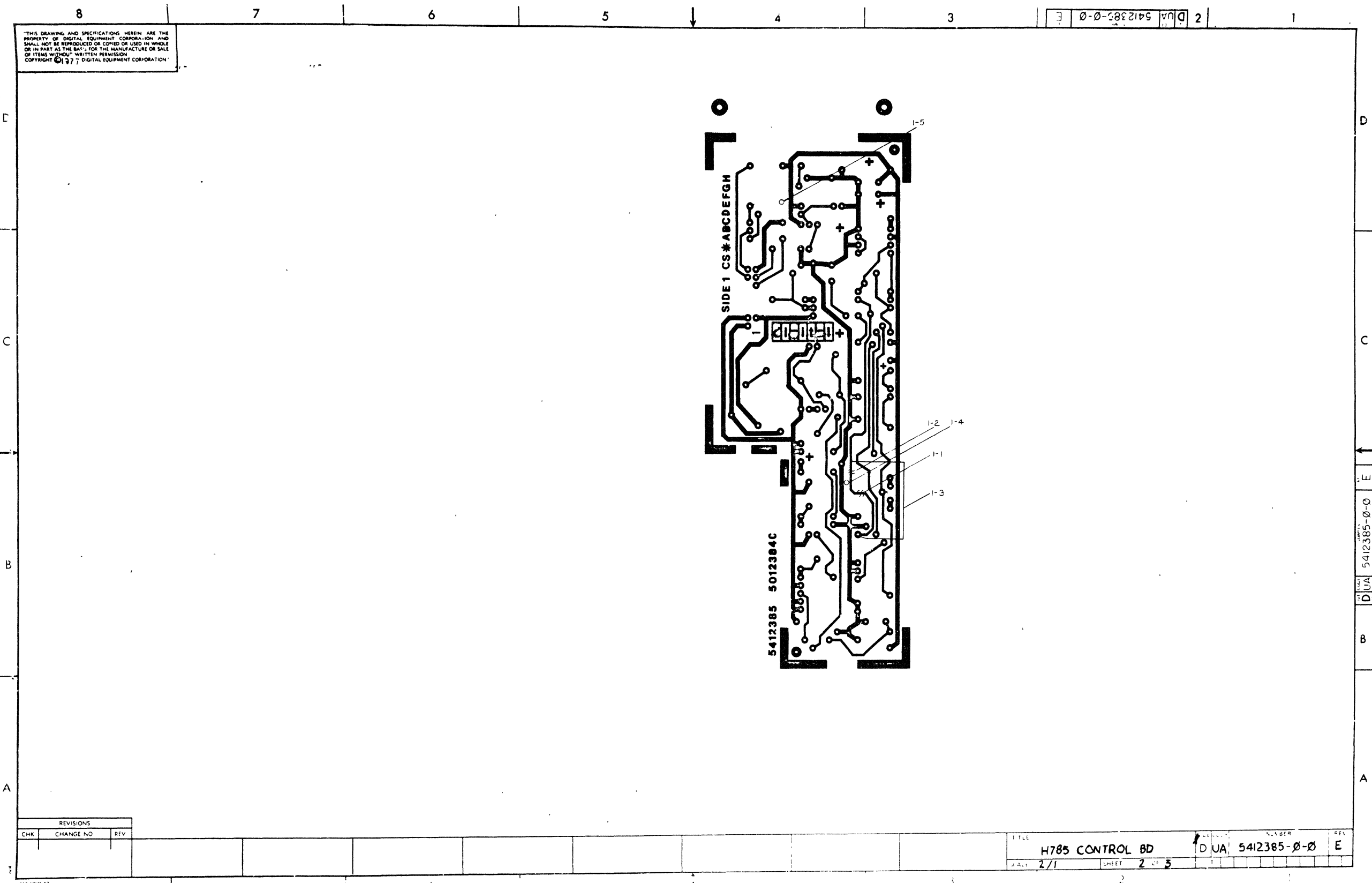
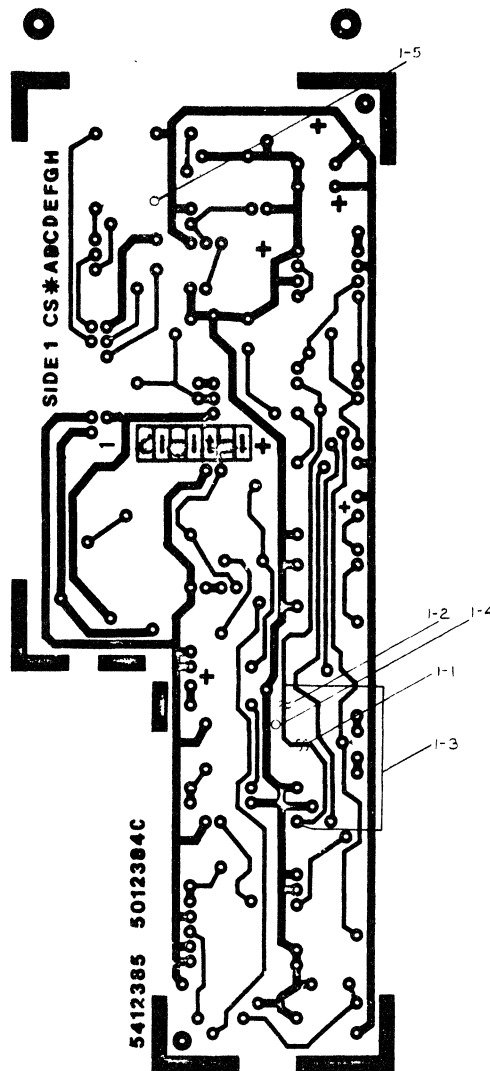


ETCH REV. C	P.C. DESIGN DATA BASE REV. C
-------------	------------------------------

SIGNATURES	DATE	TITLE
DRN. F GAROFALO	12-9-74	H785 CONTROL BD
CHK'D. F SEIDMAN	12-8-74	
ENG. J. J. [Signature]	12 DEC 74	SIZE CODE NUMBER
PROD. [Signature]	12 DEC 74	D UA 5412385-0-0
SCALE 2/1		REV
SHT. 1 OF 3		E
NEXT HIGHER ASSY. B-DD-5412385-0		

THIS DRAWING AND SPECIFICATIONS HEREIN ARE THE PROPERTY OF DIGITAL EQUIPMENT CORPORATION AND SHALL NOT BE REPRODUCED OR COPIED OR USED IN WHOLE OR IN PART AS THE BASIS FOR THE MANUFACTURE OR SALE OF ITEMS WITHOUT WRITTEN PERMISSION. COPYRIGHT © 1977 DIGITAL EQUIPMENT CORPORATION.

DUA 5412385-0-0 E 2



REVISIONS		
CHK	CHANGE NO	REV

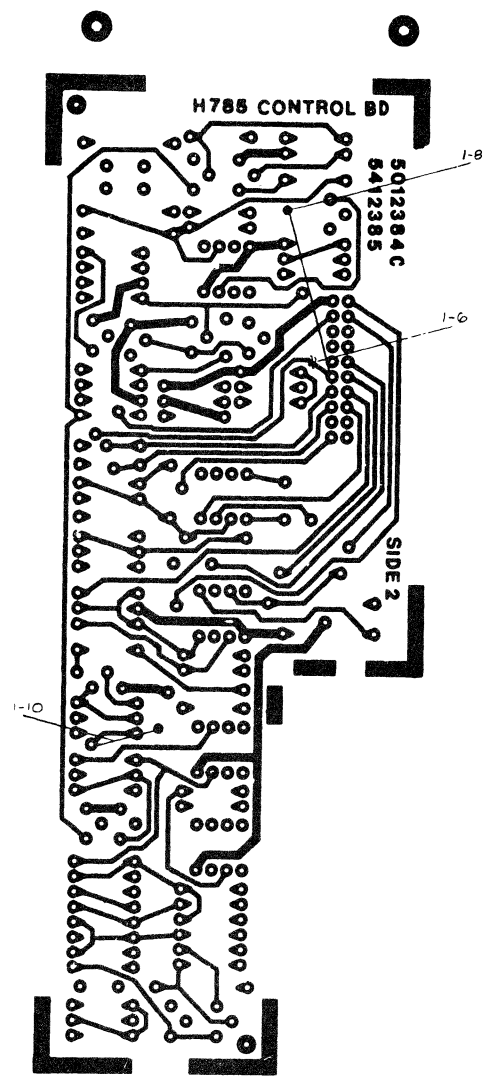
TITLE	H785 CONTROL BD		NUMBER	DUA 5412385-0-0	REV	E
SCALE	2/1	SHEET	2 OF 3			

8 7 6 5 4 3 2 1

THIS DRAWING AND SPECIFICATIONS HEREIN ARE THE PROPERTY OF DIGITAL EQUIPMENT CORPORATION AND SHALL NOT BE REPRODUCED OR COPIED OR USED IN WHOLE OR IN PART AS THE BASIS FOR THE MANUFACTURE OR SALE OF ITEMS WITHOUT WRITTEN PERMISSION. COPYRIGHT © 1971 DIGITAL EQUIPMENT CORPORATION

D U A 5412385-0-0 E

E  
C  
B  
A



D  
C  
B  
A

D U A 5412385-0-0 E

REVISIONS

CHK	CHANGE NO	REV

8	7	6	5	4	3	2	1
---	---	---	---	---	---	---	---

TITLE	H785 CONTROL BD	DATE CODE	D U A	NUMBER	5412385-0-0	REV	E
SCALE	2/1	SHEET	3 OF 3	DATE			

8 7 6 5 4 3 2 1

LINE	ITEM	DOCUMENT NO.	PART NO.	DESCRIPTION	QTY	REFERENCE DESIGNATORS
1	1	D-MD-5012384-0-0	5012384-00	5412385	1	
2	2		1001610-01	.01 MFD 100V DR 50V Z5U DISC/800PF MIN	4	C1,C4,C6,C13
3	3		1004813-00	10 MFD 20V 10% 150D S.TA (10-00)	1	C2
4	4		1001776-00	1 MFD 35V 10% 150D S.TA (10-00)	3	C3,C5,C11
5	5		1000061-00	8200.0 MMF 100V 10% 6630W MYLR (10-00)	1	C7
6	6		1005965-00	.47 MFD 35V 10% 150D S.TA (10-00)	2	C8,C12
7	7		1000009-00	33.0 MMF 100V 5%200PPM DM15S (10-00)	1	C9
8	8		1005306-00	6.8MFD 35V 10% 150D S.TA (10-00)	1	C14
9	9		1105275-00	D 672 TR= 15NS PIV= 60V SF	9	D1,D2,D3,D5,D6,D9,D10,D12,D13
10	10		1109988-00	1N 964B VZ= 13.0 5% .40W Y	1	D4
11	11		1102808-00	1N 752A VZ= 5.6 5% .40W P	2	D11,D15
12	12		1110968-00	2N 5062 SCR@100V I=.8A T092	1	D14
13	13		1110713-00	SZ710910 VZ= 5.1 2% M	1	D7
14	14		1114913-00	VZ= 18.0 10% 1W	1	D16
15	15		1300398-00	1.8 K 1/4W 5% CC (13-00)	2	R32,R38
16	16		1300479-00	10 K 1/4W 5% CC (13-00)	11	R1,R13,R18,R19,R20,R21,R28, CONT R31,R42-R44
17	17		1300229-00	100 1/4W 5% CC (13-00)	5	R3,R5,R25,R29,R45
18	18		1301322-00	180 1/4W 5% CC (13-00)	1	R4
19	19		1302177-00	47 K 1/4W 5% CC (13-00)	1	R6
20	20		1302394-00	30 K 1/4W 5% CC (13-00)	1	R7
21	21		1302091-00	330 K 1/4W 5% CC (13-00)	1	R8
22	22		1300365-00	1 K 1/4W 5% CC (13-00)	6	R2,R9,R12,R14,R37,R40
23	23		1300426-00	2.7 K 1/4W 5% CC (13-00)	1	R16
24	24		1302092-00	220 K 1/4W 5% CC (13-00)	1	R15
25	25		1301423-00	6.8 K 1/4W 5% CC (13-00)	1	R17
26	26		1302871-00	1.21 K 1/4W 1% RN55D-F 100PPM (13-00)	1	R35
27	27		1302955-00	750 1/4W 1% RN55D-F 100PPM (13-00)	1	R34
28	28		1303312-00	10.0 K 1/4W 1% RN55D-F 100PPM (13-00)	1	R36
29	29		1302466-00	100 K 1/4W 5% CC (13-00)	3	R22,R39,R41

REVISION HISTORY			VARIATIONS FOR THIS ASSY.		FIRST USED ON:		DIGITAL EQUIPMENT CORPORATION MAYNARD, MASSACHUSETTS			
CHK	ECD NO	REV					TITLE			
				00			PARTS LIST			
W.H	00003	E			MADE BY: F.MALANSON	DATE: 21-FEB-78	H785 CONTROL BOARD			
					CHECKED: F.SEIDMAN	DATE: 21-FEB-78				
					DSN.ENG.: J.MERCURI	DATE: 21-FEB-78	SIZE	CODE	DOCUMENT NUMBER	REV
					PROD.: R.B.KING	DATE: 21-FEB-78	K	PL	5412385-0-0	E
					RESP.ENG.: J.MERCURI	DATE: 21-FEB-78	ASSY.NO.:		D-UA-5412385-0-0	EDIT#
										4

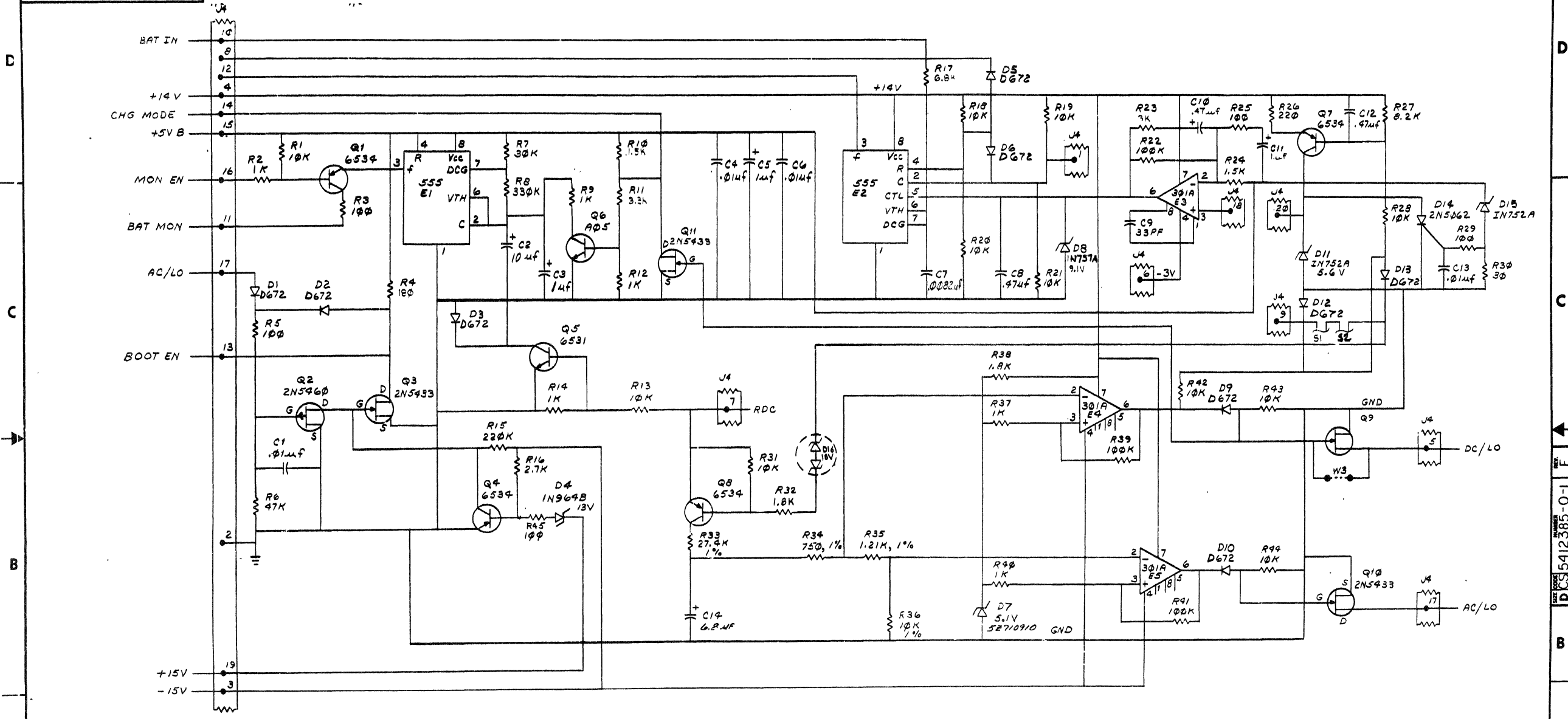
\*THIS DRAWING AND SPECIFICATIONS HEREIN, ARE THE PROPERTY OF DIGITAL EQUIPMENT CORPORATION AND SHALL NOT BE REPRODUCED OR COPIED OR USED IN WHOLE OR IN PART AS THE BASIS FOR THE MANUFACTURE OR SALE OF ITEMS WITHOUT WRITTEN PERMISSION.  
COPYRIGHT 1978. DIGITAL EQUIPMENT CORPORATION \*



LINE	ITEM	DOCUMENT NO.	PART NO.	DESCRIPTION	QTY	REFERENCE DESIGNATORS
30	30		1300271-00	220 1/4W 5% CC (13-00	1	R26
31	31		1303179-00	8.2 K 1/4W 5% CC (13-00	1	R27
32	32		1302751-00	30 1/4W 5% CC (13-00	1	R30
33	33		1309417-00	27.4 K 1/4W 1% RN55D-F 100PPM (13-00	1	R33
34	34		1503409-00	DEC6534D PNP 310MW SI 40 90 P	4	Q1,Q4,Q7,Q8
35	35		1510233-00	2N 5460 FET 310MW SIP CHNHL	1	Q2
36	36		1511686-00	DEC5433 FET N 350MW 10 25 1A 20U	4	Q3,Q9,Q10,Q11
37	37		1509338-00	DEC6531B NPN 310MW SI 40 90 P	1	Q5
38	38		1510705-00	XA 05 NPN 500MW SI 60 50 P	1	Q6
39	39		1911944-00	555CN TIMER,FUNCT.BLOCK	2	E1,E2
40	40		1910282-00	301AN OP AMP	3	E3,E4,E5
41	41		1300391-00	1.5 K 1/4W 5% CC (13-00	2	R10,R24
42	42		1213335-00	HEADER 20POS RT ANGLE FOR 12-13334	1	J4
43	43		1300439-00	3.3 K 1/4W 5% CC (13-00	1	R11
44	44		1212416-02	THERMOSTAT,00160,N/C,SPST,AUTO RESET	2	S1,S2
45	45		1300432-00	3 K 1/4W 5% CC (13-00	1	R23
46	46		1109990-00	1N 757A V <sub>I</sub> = 9.1 5% .40W P	1	D8
47	47		1005965-00	.47 MFD 35V 10% 150D S.TA (10-00	1	C10
48	48		9009157-00	ADHESIVE, PERMABOND #101	A/R	
49	49		9105740-55	WIRE(WRAP)30AWG UL1423 (91-00	A/R	

DIGITAL EQUIPMENT CORPORATION MAYNARD, MASSACHUSETTS	TITLE H785 CONTROL BOARD	PARTS LIST	SIZE K	CODE FL	DOCUMENT NUMBER 5412385-0-0	REV E
---	-----------------------------	------------	-----------	------------	--------------------------------	----------

THIS DRAWING AND SPECIFICATIONS HEREIN ARE THE PROPERTY OF DIGITAL EQUIPMENT CORPORATION AND SHALL NOT BE REPRODUCED OR COPIED OR USED IN WHOLE OR IN PART AS THE BASIS FOR THE MANUFACTURE OR SALE OF ITEMS WITHOUT WRITTEN PERMISSION. COPYRIGHT © 1971, DIGITAL EQUIPMENT CORPORATION



NOTES:  
 1. H785, 15V OPERATION REMOVE JUMPER W2.  
 2. H785, 7V OPERATION REMOVE JUMPER W1.  
 W3 IS AN ENGINEERING OPTION TO BE DETERMINED AT A LATER DATE.

REV	DATE	BY	CHK	DESCRIPTION
1	11/17/71	J. MERCURI		INITIAL DESIGN
2	12/1/71	G. POTTER		REVISION
3	12/1/71	G. POTTER		REVISION
4	12/1/71	G. POTTER		REVISION
5	12/1/71	G. POTTER		REVISION
6	12/1/71	G. POTTER		REVISION
7	12/1/71	G. POTTER		REVISION
8	12/1/71	G. POTTER		REVISION

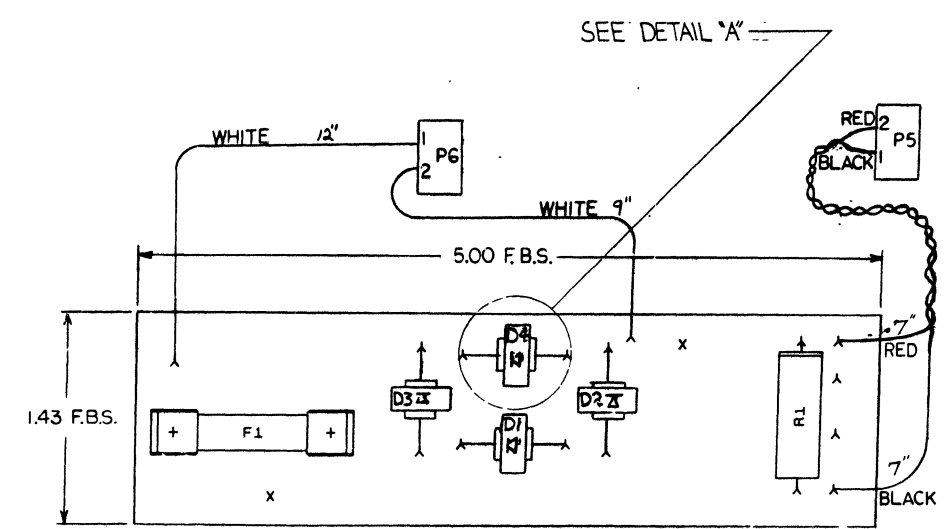
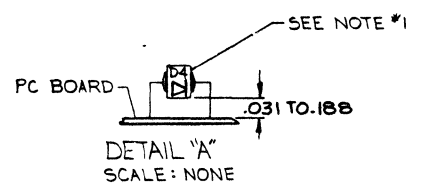
DRN: P. 17-70	FIRST USED ON	Digital
CHK'D	TITLE	H785
ENG.	PROJ. ENG.	CONTROL BOARD
PROD.	NEXT HIGHER ASSY	
SCALE	SIZE CODE	NUMBER
SHEET 1 OF 1	DIST	REV E

THIS DRAWING AND SPECIFICATIONS, HEREIN, ARE THE PROPERTY OF DIGITAL EQUIPMENT CORPORATION AND SHALL REMAIN SO UNLESS SPECIFICALLY STATED OTHERWISE. NO PART OF THIS DRAWING OR THE INFORMATION CONTAINED HEREIN IS TO BE REPRODUCED OR TRANSMITTED IN ANY FORM OR BY ANY MEANS, ELECTRONIC OR MECHANICAL, INCLUDING PHOTOCOPYING, RECORDING, OR BY ANY INFORMATION STORAGE AND RETRIEVAL SYSTEM, WITHOUT PERMISSION IN WRITING FROM DIGITAL EQUIPMENT CORPORATION.

3 0-0-110215 2 1

COMPONENT SIDE VIEW

NOTES:  
1. DIODES D1 THRU D4 MUST BE RAISED FROM THE P.C. BOARD .031 TO .100



NOTES:

CHANGE NO	REV	DATE	BY	CHK'D	APP'D
1	C	9-21-74	G. POTTER		
2	D	11-5-74	G. POTTER		
3	E	11-5-74	G. POTTER		

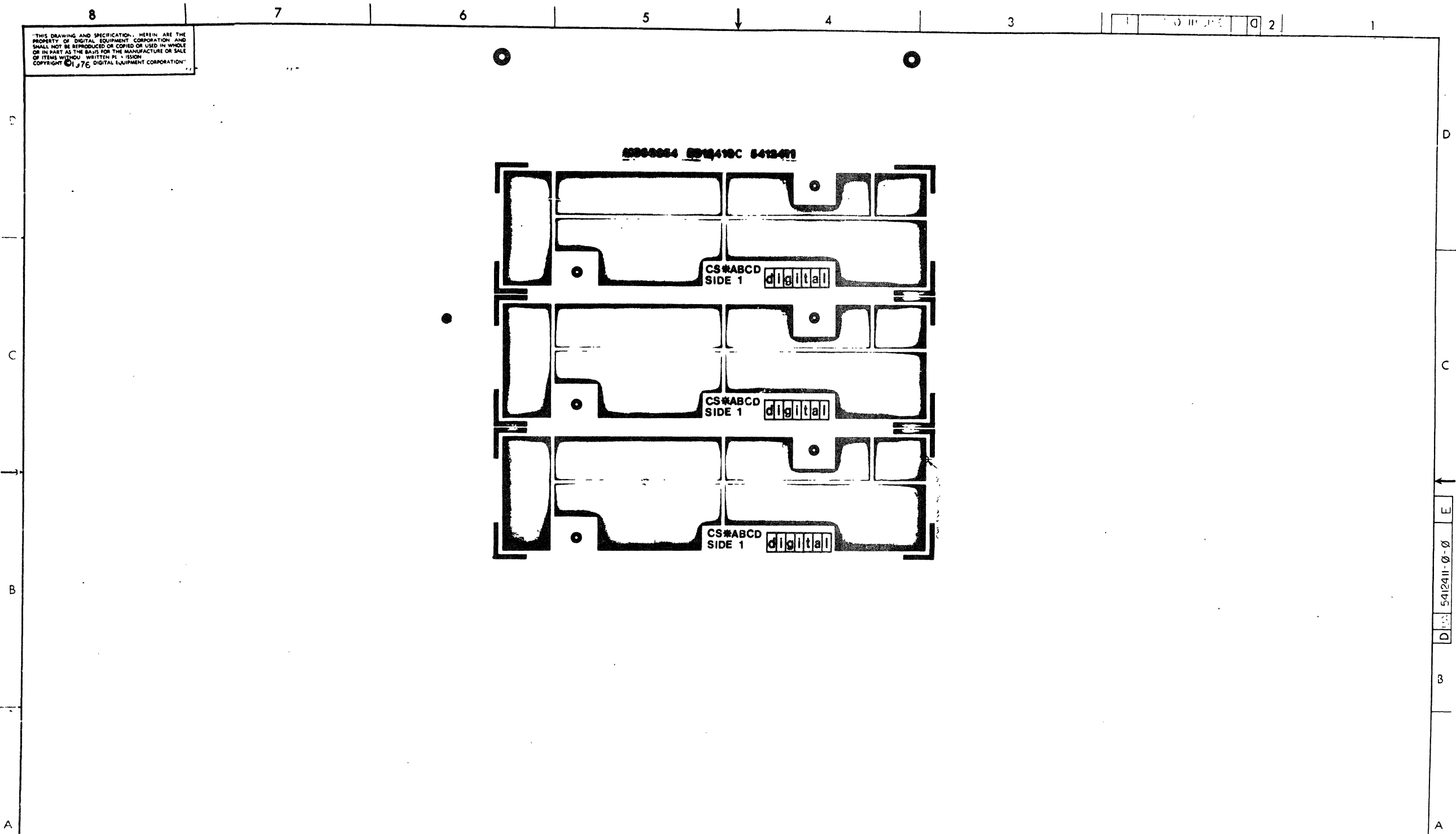
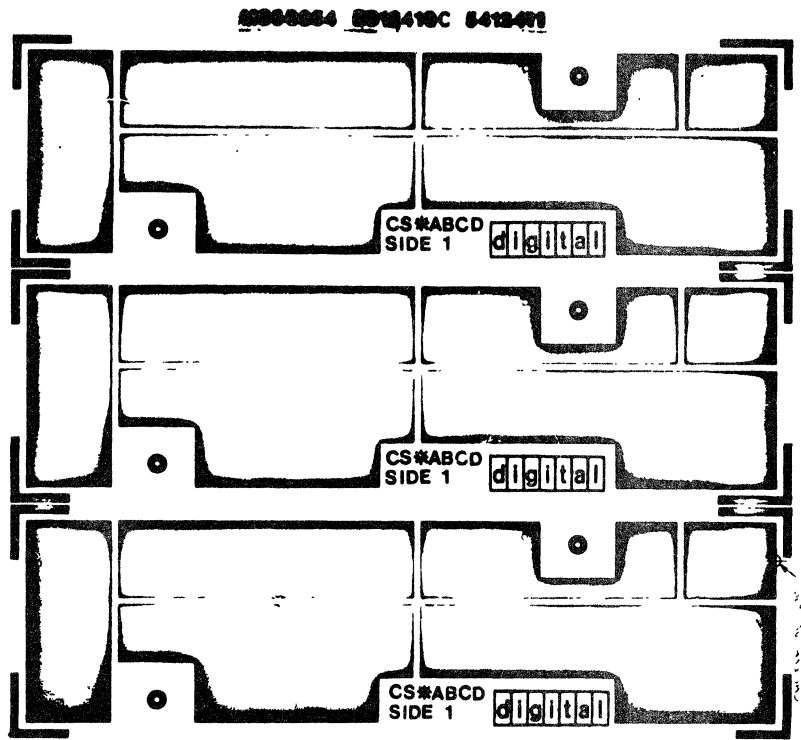
ETCH REV. C	P.C. SIGN DATA BASE REV. C
-------------	----------------------------

SIGNATURES	DATE	TITLE
DRN. <i>[Signature]</i>	9-21-74	digital
CHK'D. <i>[Signature]</i>	9-21-74	
ENG. <i>[Signature]</i>	11-5-74	
PRJ. ENG. <i>[Signature]</i>	11-5-74	
PRD. <i>[Signature]</i>	11-5-74	
SCALE 2/1	1 OF 3	
NEXT NUMBER REV. C		
SIZE CODE		NUMBER
d UA		541241-0-0
		REV E

D UA 541241-0-0

THIS DRAWING AND SPECIFICATION, HEREIN ARE THE PROPERTY OF DIGITAL EQUIPMENT CORPORATION AND SHALL NOT BE REPRODUCED OR COPIED OR USED IN WHOLE OR IN PART AS THE BASIS FOR THE MANUFACTURE OR SALE OF ITEMS WITHOUT WRITTEN PERMISSION FROM DIGITAL EQUIPMENT CORPORATION. COPYRIGHT © 1976 DIGITAL EQUIPMENT CORPORATION.

1 2 3 4 5 6 7 8



REVISIONS		
CHK	CHANGE NO	REV

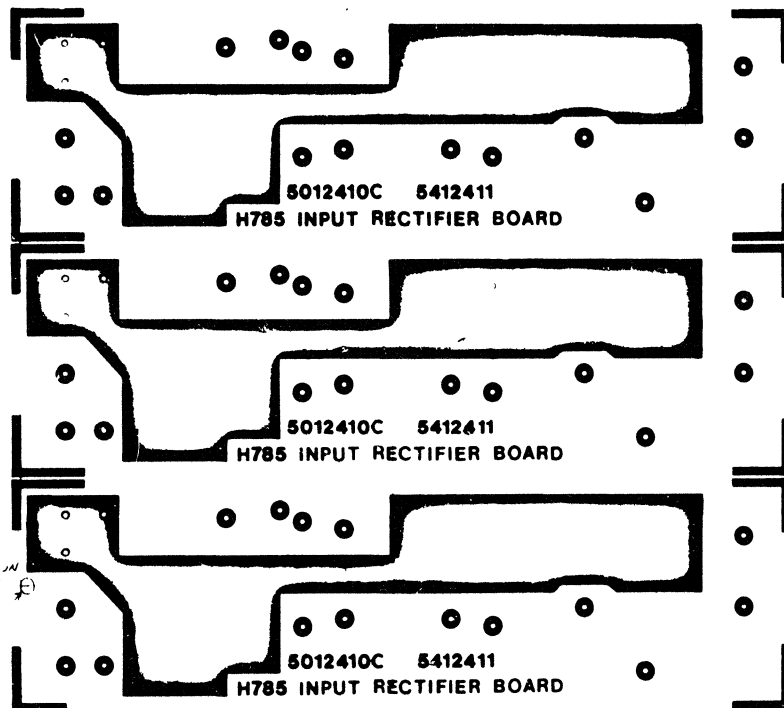
TITLE	INPUT RECTIFIER BOARD	REV	D UA	5412411-0-0	REV	E
SCALE	2/1	SHEET	2	3		

8 7 6 5 4 3 2 1

8 7 6 5 4 3 2 1

THIS DRAWING IS THE PROPERTY OF THE U.S. GOVERNMENT AND SHALL NOT BE REPRODUCED OR TRANSMITTED IN ANY FORM OR BY ANY MEANS, ELECTRONIC OR MECHANICAL, INCLUDING PHOTOCOPYING, RECORDING, OR BY ANY INFORMATION STORAGE AND RETRIEVAL SYSTEM.

DUA 5412411-0 2



CALLER IN POINT. Ⓡ

D  
C  
E  
B  
A

DUA 5412411-0-0

REVISIONS		
CHK	CHANGE TO	BY

TITLE	DUA	NUMBER	REV
INPUT RECTIFIER BOARD	DUA	5412411-0-0	E
DATE	DATE	DATE	DATE
2/1	3-5		

LINE	ITEM	DOCUMENT NO.	PART NO.	DESCRIPTION	QTY	REFERENCE DESIGNATORS
1	1	D-MD-5012410-0-0	5012410-00	5412411	1	
2	2		1110615-00	MR 752 PIV=200 I=22A A264 SM	4	D1-D4
3	3		1210821-02	MATE-N-LOK 2PIN,HOUSING,SKT	2	P5,P6
4	4		1209379-01	MATE-N-LOK PIN 20-14AWG LOOSE	4	
5	5		1302609-00	4.7 K 2W 10% CC (13-00	1	R1
6	6		9009000-00	EYELET, ROLLED FLANGE, .121 OD X .156 LG	2	
7	7		9008390-00	FUSE, REG BLOW, 10.000A, 250V, CERAMIC	1	
8	8		9007203-00	CLIP, FUSE, WITH STOP, SCREW MOUNTED	2	
9	9		9107360-99	WIRE,STRND,18AWG,IPVC UL1429 (91-00 A/R		
10	10		9107430-02	WIRE,STRND,18AWG,IPVC (UL1429) (91-00 A/R		

11 NOTE: MS60954 ETCH REV C CS REV B

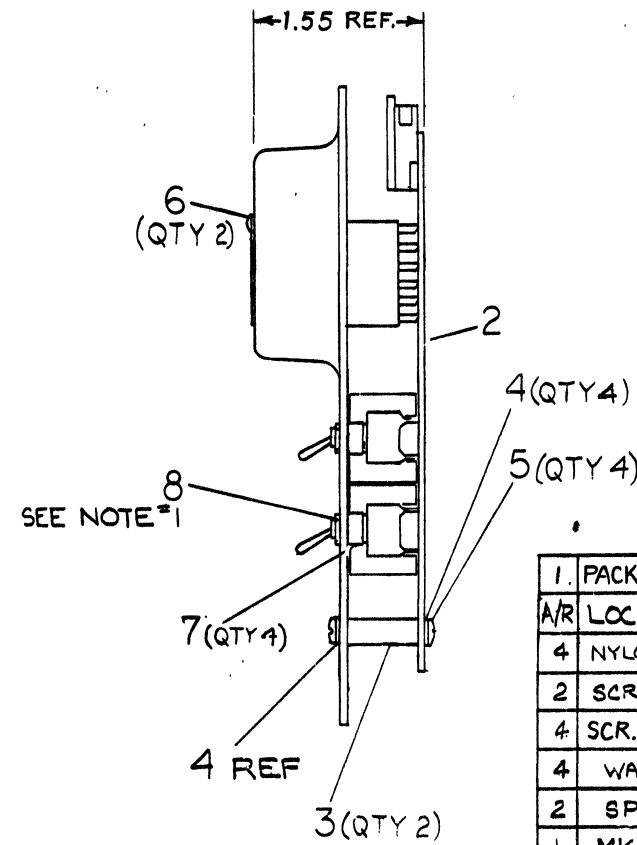
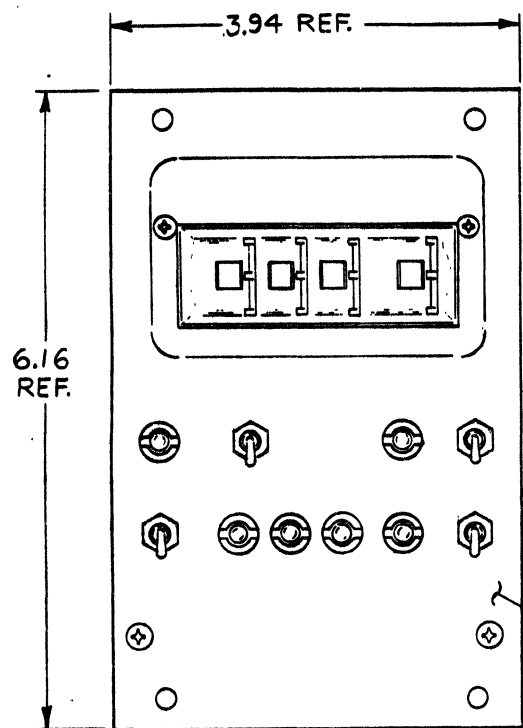
REVISION HISTORY			VARIATIONS FOR THIS ASSY.		FIRST USED ON:		DIGITAL EQUIPMENT CORPORATION MAYNARD, MASSACHUSETTS	
CHK	ECO NO	REV					TITLE	
---	00003	E	00		MADE BY: D.BILODEAU	DATE: 08-MAR-78	PARTS LIST	
					CHECKED: F.GAROFALO	DATE: 08-MAR-78	INPUT RECTIFIER BOARD	
					DSN.ENG.: J.MERCURI	DATE: 08-MAR-78		
					PROD.: R.B.KING	DATE: 08-MAR-78	SIZE   CODE   DOCUMENT NUMBER   REV	
					RESP.ENG.: J.MERCURI	DATE: 08-MAR-78	K   PL   5412411-0-0   E	
							ASSY.NO.: D-UA-5412411-0-0	EDIT#   3

\*THIS DRAWING AND SPECIFICATIONS HEREIN, ARE THE PROPERTY OF DIGITAL EQUIPMENT CORPORATION AND SHALL NOT BE REPRODUCED OR COPIED OR USED IN WHOLE OR IN PART AS THE BASIS FOR THE MANUFACTURE OR SALE OF ITEMS WITHOUT WRITTEN PERMISSION. COPYRIGHT 1978. DIGITAL EQUIPMENT CORPORATION \*



"THIS DRAWING AND SPECIFICATIONS, HEREIN, ARE THE PROPERTY OF DIGITAL EQUIPMENT CORPORATION AND SHALL NOT BE REPRODUCED OR COPIED OR USED IN WHOLE OR IN PART AS THE BASIS FOR THE MANUFACTURE OR SALE OF ITEMS WITHOUT WRITTEN PERMISSION. COPYRIGHT © 1977, DIGITAL EQUIPMENT CORPORATION"

NOTE:  
1-LOCKTITE TO BE APPLIED TO  
THREAD PORTION OF TOGGLE  
SWITCH BEFORE MOUNTING  
CONSOLE (ITEM #1)



ITEM NO.	DESCRIPTION	PART NO.	QTY
1	PACKAGING INSTR MK11	A-SP-3700252-00	9
A/R	LOCKTITE	9009321-00	8
4	NYLON SPACER, 265 IDX.125L6	9009565-02	7
2	SCREW SELF-TAP 4X.25, BLK	9009515-01	6
4	SCR. PH HD TRUSS #6-32 X.31	9006021-03	5
4	WASHER INT TOOTH LOCK #6	9006633-00	4
2	SPACER, 6-32 X.69	9006858-00	3
1	MK11 BOX CONTROLLER	D-UA-5413018-0-0	2
1	CONSOLE	G-PS-1214577-0-0	1

REV.	REV.
00001 A	
7/10/77	28 NOV 77
R. BOURGAIN	

QUANTITY & VARIATION	DESCRIPTION	PART NO.	ITEM NO.
UNLESS OTHERWISE SPECIFIED DIMENSIONS ARE IN INCHES			
ASMTS	CLASS OF ACCURACY	TOLERANCES	
80°/2°	(CHECK G.D.)	FRACTIONAL DECIMAL ANGLES	
SURFACE QUALITY IN MICROINCHES	PREPARED	±.003	±.002
		±.001	±.0005
THIRD ANGLE PROJECTION	DRN. L. Childs	16 JUN 77	FIRST USED ON MK11
REMOVE BURRS AND BREAK SHARP CORNERS	CHK'D BY [Signature]		
DO NOT SCALE DIMS	ENG. [Signature]		
MATERIAL SEE PARTS LIST	PROJ. ENGR. [Signature]		
FINISH	PREPARED BY [Signature]		
	EQU MK11-0-0	SIZE	NUMBER
	SCALE 1/1	G ADU	7014274-0-0
		REV.	A



DRAWING NO.	NO. OF SHTS.	PART NO.	DESCRIPTION	REVISIONS																			
D-UA-5413018-0-0	3		MK11 BOX CONTROLLER	A	B	C																	
B-PL-5413018-0-0	1		MK11 BOX CONTROLLER	A	B	C																	
D-CS-5413018-0-1	1		MK11 BOX CONTROLLER	A	B	C																	
D-MD-5413018-0-0	4		DRILL & ETCH DRAWING	A	A	B																	
		5013017	ETCHED BOARD	B	B	C																	
		5413018-0-L	P.C. DESIGN DATA BASE	REF-																			
B-DD-5413018-0	1		MK11 BOX CONTROLLER	*	A	B																	

**NOTES:**

REVISIONS			REV.	*	A	B
DATE	CHG NO.	ORIG.				
9-77	00001	00001				
11-77	00002	00002				

THIS DRAWING AND SPECIFICATIONS, HEREIN, ARE THE PROPERTY OF DIGITAL EQUIPMENT CORPORATION AND SHALL NOT BE REPRODUCED OR COPIED OR USED IN WHOLE OR IN PART AS THE BASIS FOR THE MANUFACTURE OR SALE OF ITEMS WITHOUT WRITTEN PERMISSION.

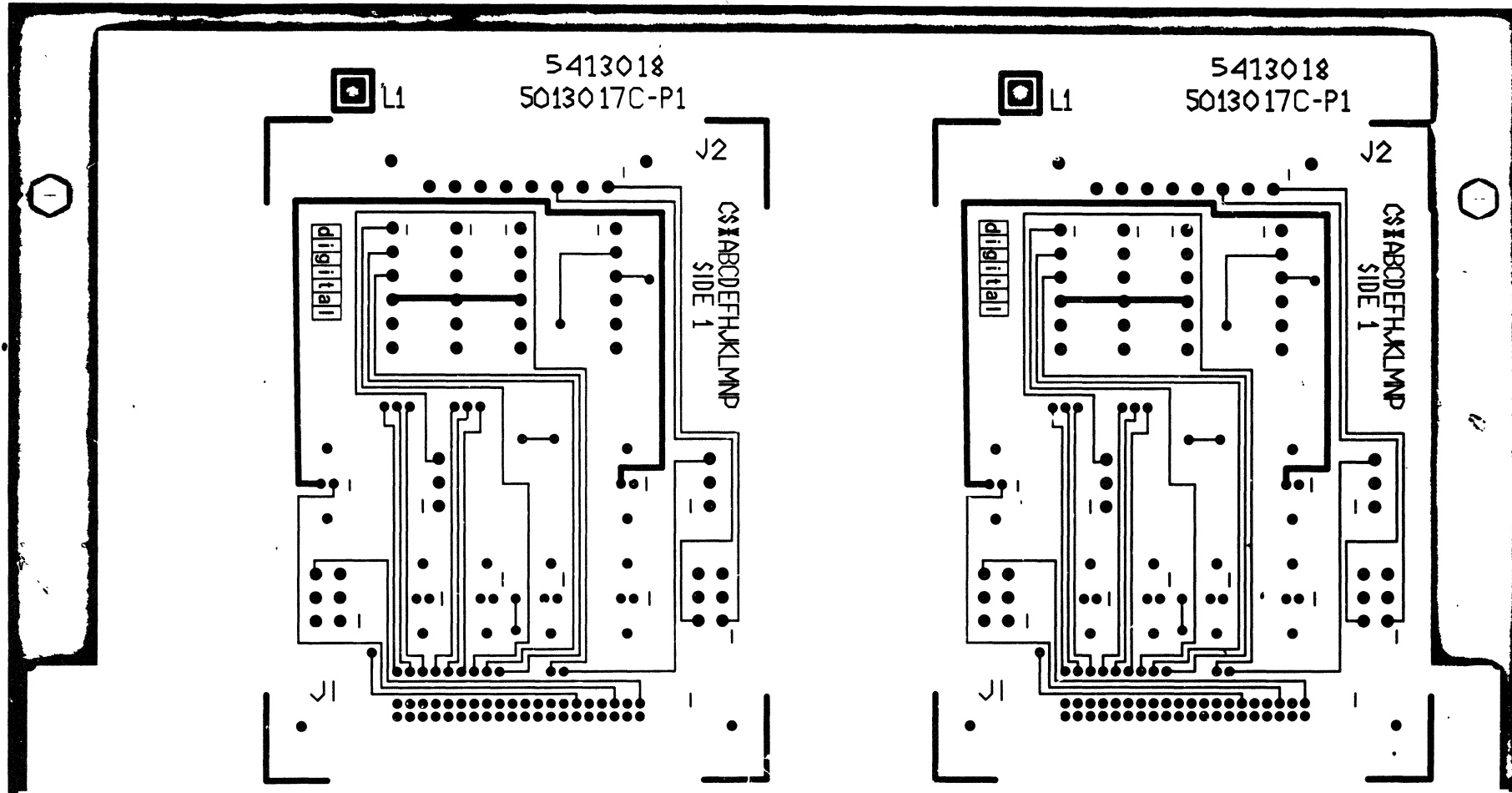
COPYRIGHT © 1977 DIGITAL EQUIPMENT CORPORATION



USED ON OPTION/MODEL	DRN. L.METZGER	AUG 16 77	TITLE MK11 BOX CONTROLLER	
MK11	CHK'D <i>P. Bosman</i>	17 AUG 77	SIZE B DD	NUMBER 5413018-0
	ENG. <i>W. H. ...</i>	23 AUG 77		REV. B
	PROD. <i>...</i>	23 AUG 77	SHEET 1 OF 1	

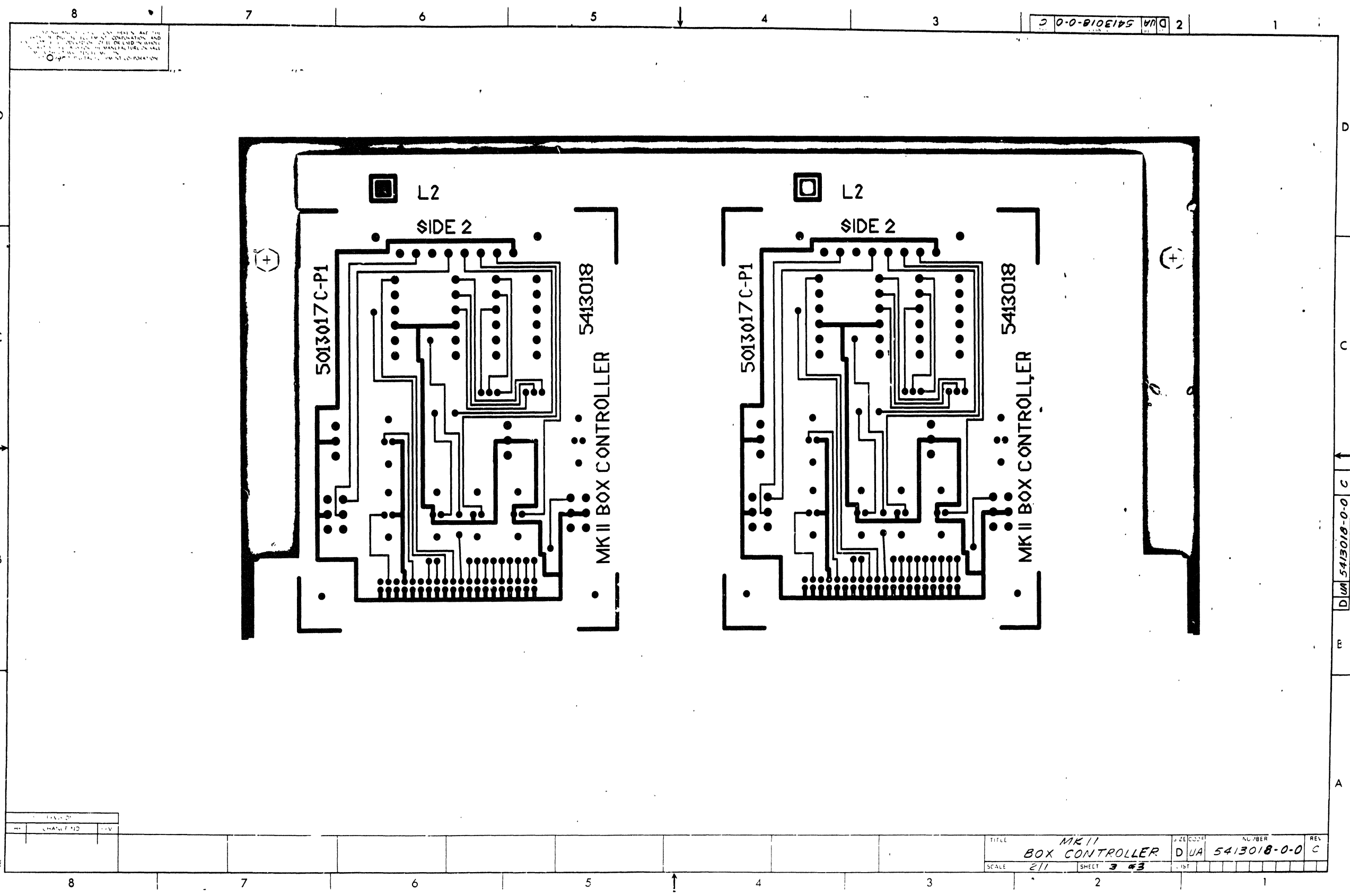


D/UA 5413018-0-0 C 2



D/UA 5413018-0-0 C

MKII  
 BOX CONTROLLER  
 SIZE D/UA NUMBER 5413018-0-0 REV C  
 SHEET 2 OF 3



DWA 5413018-0-0 2

STANDARD INDUSTRIAL EQUIPMENT, INC.  
 10000 INDUSTRIAL AVENUE, BOSTON, MASSACHUSETTS 02124  
 TELEPHONE 617-252-1000  
 FAX 617-252-1001  
 WWW.SIE.COM

REV	DATE	BY	CHKD

TITLE	MK II BOX CONTROLLER		DESIGNER	DWA	NUMBER	5413018-0-0	REV	C
SCALE	2/1	SHEET	3	TOTAL	3			

DWA 5413018-0-0 C

DIGITAL EQUIPMENT CORPORATION PARTS LIST				QUANTITY / VARIATION										NOTES:			
MADE BY C. BEVERLIE DATE 5/5/77		CHECKED W. ANGELL DATE 5/17/77												USED ON: OPTION/MODEL MK11			
ENG W. Angell DATE 23 AUG 77		PROD P. C. Stephens DATE 23 AUG 77															
SECTION 1		ISSUED SECTION 1												REF DESIGNATION			
ITEM NO.	DRAWING NO.	PART NO.	DESCRIPTION	REF													
	D-CS-5413018-0-1		CIRCUIT SCHEMATIC	REF													
	D-UA-5413018-0-0		UNIT ASSEMBLY	REF													
	B-DD-5413018-0		DWG. DIRECTORY	REF													
	D-MD-5013017-0-0		DRILL & ETCH DWG.	REF													
1		5013017	ETCHED BD.	1													
2		11-10324-00	LED MV5054-1	6												D1 thru D6	
3		12-09590-00	SW. TOGGLE 1P	2												S5,S6	
4		12-09592-00	SW. TOGGLE DP	2												S7,S8	
5		12-10848-C2	HOLDER, SINGLE, LED	6													
6		12-09456-01	SOCKET TERMINAL	8													
7		12-09340-00	SOCKET HOUSING 8 PIN	1												J2	
8		12-09941-02	CONN 40 PIN RT ANG. HDR.	1												J1	
9		12-09941-03	LATCH, LEFT (FOR RT ANG. HDR)	1													
10		12-09941-04	LATCH, RIGHT (FOR RT ANG. HDR.)	1													
11		12-14467-00	SWITCH, THUMBWHEEL ASSY	1												S1,S2,S3,S4	
12		90-06732-00	EYELET	2													
13		90-08327-01	PAN HD. SELF TAPPING SCREW	12													
14		<del>91-05740-55</del>	<del>wire, #20 awg, green</del>	<del>1</del>													

E.C.O. NO.  
0001  
0002

"THIS DRAWING AND SPECIFICATIONS, HEREIN, ARE THE PROPERTY OF DIGITAL EQUIPMENT CORPORATION AND SHALL NOT BE REPRODUCED OR COPIED OR USED IN WHOLE OR IN PART AS THE BASIS FOR THE MANUFACTURE OR SALE OF ITEMS WITHOUT WRITTEN PERMISSION. COPYRIGHT © 1977 DIGITAL EQUIPMENT CORPORATION"

TITLE  
MK11 BOX CONTROLLER

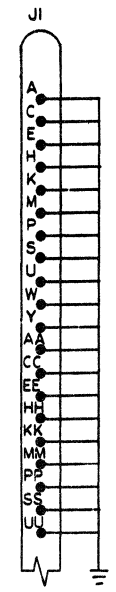
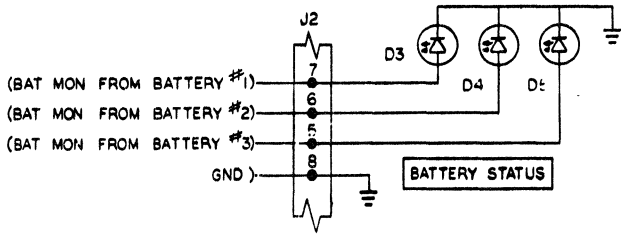
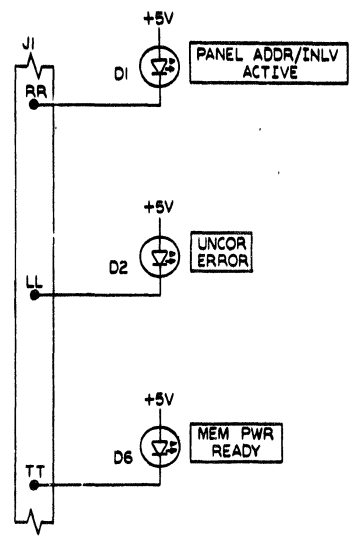
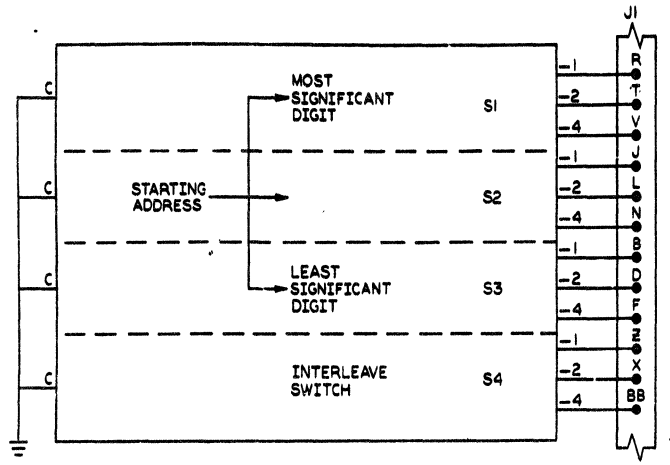
ASSY NO.  
D-UA-5413018-0-0  
SHEET 1 OF 1

SIZE B CODE PL NUMBER 5413018-0-0  
INSERTION PARTS LIST DATA BASE REV

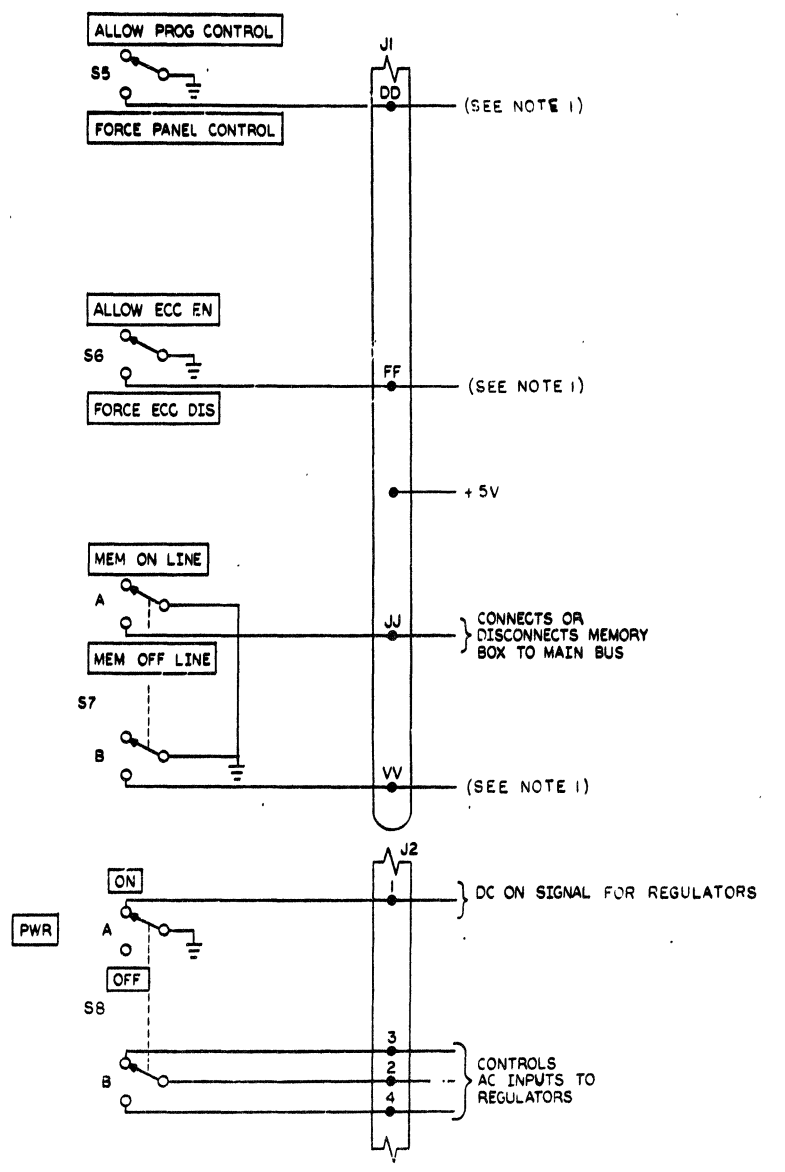
REV. C

THIS DRAWING AND SPECIFICATIONS HEREIN ARE THE PROPERTY OF DIGITAL EQUIPMENT CORPORATION AND SHALL NOT BE REPRODUCED OR COPIED OR USED IN WHOLE OR IN PART AS THE BASIS FOR THE MANUFACTURE OR SALE OF ITEMS WITHOUT WRITTEN PERMISSION.  
 COPYRIGHT © 1971, DIGITAL EQUIPMENT CORPORATION

NOTES:  
 1. J1=40 PIN BERG CONNECTOR--TO DATA BUFFER CARD IN MEMORY BACKPLANE.  
 2. J2=8 PIN MATE-N-LOK CONNECTOR.



SEE NOTE 1



REV.	CHG.	NO.	DATE	BY
1	5413018-00001	B	28 SEP 77	D. BULLOCK
2	5413018-00002	C	21 OCT 77	W. ANGELL
3	5413018-00003	C	21 OCT 77	A. ZACCONE

DRN: <i>Angell</i>	FIRST USED ON	30-0000
CHK'D: <i>Angell</i>	MKII	
ENG: <i>Angell</i>	TITLE	MKII
PROJ. ENG: <i>Angell</i>	BOX CONTROLLER	
PROD: <i>Angell</i>		
NEXT HIGHER ASSY:		
B-DD-5413018-0	SIZE CODE	NUMBER
SCA: <i>CS</i>	D	5413018-0-1
SHEET 1 OF 1	DIST.	REV. C

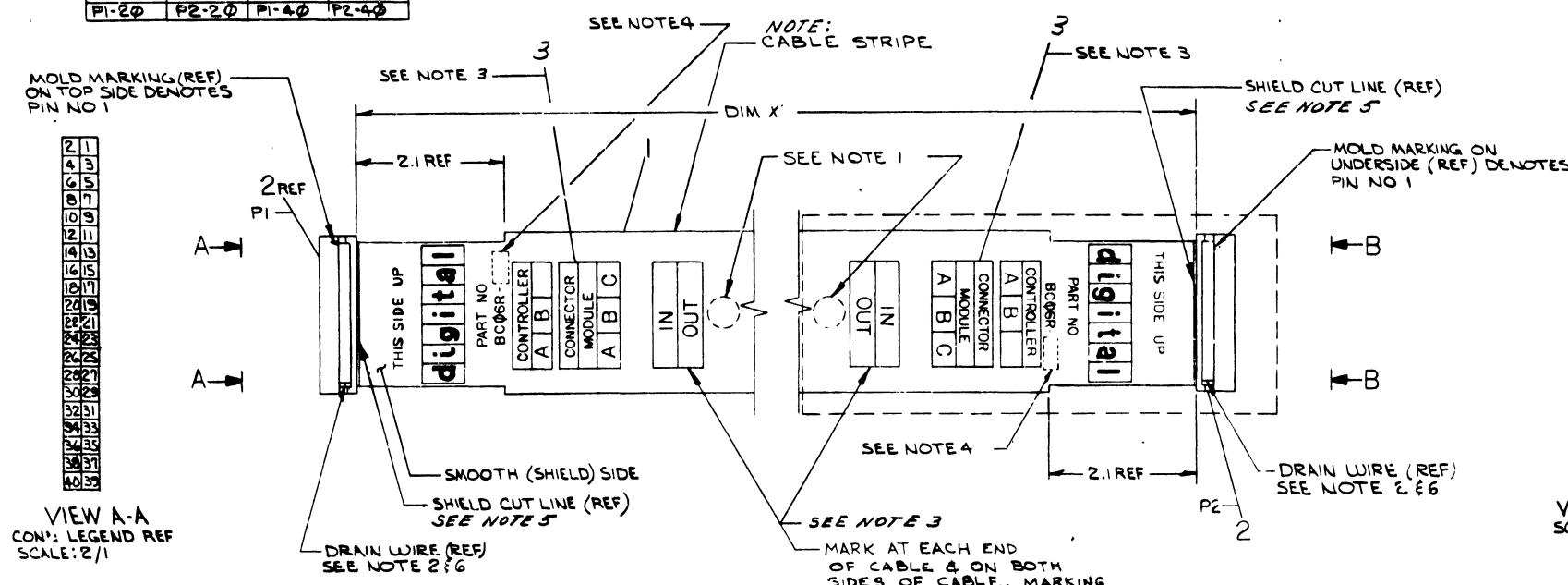
This drawing and specifications herein are the property of Digital Equipment Corporation and shall not be reproduced or copied in whole or in part without the written permission of Digital Equipment Corporation.

COPYRIGHT © 1973  
DIGITAL EQUIP CORP.

WIRE TABLE			
FROM	TO	FROM	TO
P1-1	P2-1	P1-21	P2-21
P1-2	P2-2	P1-22	P2-22
P1-3	P2-3	P1-23	P2-23
P1-4	P2-4	P1-24	P2-24
P1-5	P2-5	P1-25	P2-25
P1-6	P2-6	P1-26	P2-26
P1-7	P2-7	P1-27	P2-27
P1-8	P2-8	P1-28	P2-28
P1-9	P2-9	P1-29	P2-29
P1-10	P2-10	P1-30	P2-30
P1-11	P2-11	P1-31	P2-31
P1-12	P2-12	P1-32	P2-32
P1-13	P2-13	P1-33	P2-33
P1-14	P2-14	P1-34	P2-34
P1-15	P2-15	P1-35	P2-35
P1-16	P2-16	P1-36	P2-36
P1-17	P2-17	P1-37	P2-37
P1-18	P2-18	P1-38	P2-38
P1-19	P2-19	P1-39	P2-39
P1-20	P2-20	P1-40	P2-40

LEGEND			
NUMBER	DIM X"	PRECUT LENGTH	REMARKS
BCØ6R-Ø1	1 FT	1 FT 1.5 IN ± .1 IN	SEE PRE-CUT VIEW C-C
BCØ6R-Ø2	2 FT	2 FT 1.5 IN ± .1 IN	
BCØ6R-Ø3	3 FT	3 FT 1.5 IN ± .1 IN	
BCØ6R-Ø4	4 FT	4 FT 1.5 IN ± .1 IN	
BCØ6R-Ø5	4 FT 6 IN	4 FT 7.5 IN ± .1 IN	SEE NOTE 7
BCØ6R-Ø6	6 FT	6 FT 1.5 IN ± .2 IN	
BCØ6R-Ø8	8 FT	8 FT 1.5 IN ± .2 IN	
BCØ6R-10	10 FT	10 FT 1.5 IN ± .2 IN	
BCØ6R-12	12 FT	12 FT 1.5 IN ± .3 IN	
BCØ6R-20	20 FT	20 FT 1.5 IN ± .3 IN	
BCØ6R-25	25 FT	25 FT 1.5 IN ± .3 IN	
BCØ6R-30	30 FT	30 FT 1.5 IN ± .6 IN	
BCØ6R-50	50 FT	50 FT 1.5 IN ± 1.0 FT	
BCØ6R-60	60 FT	60 FT 1.5 IN ± 1.2 FT	
BCØ6R-75	75 FT	75 FT 1.5 IN ± 1.5 FT	
BCØ6R-100	100 FT	100 FT 1.5 IN ± 2 FT	
BCØ6R-Ø7	7 FT	7 FT 1.5 IN ± .2 IN	
BCØ6R-ØF	Ø FT 6 IN	Ø FT 7.5 IN ± .1 IN	SEE PRE-CUT VIEW C-C

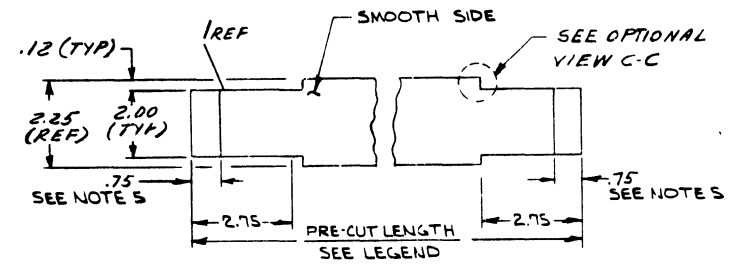
- NOTES:
- INSPECTION & TEST STAMPS TO BE PLACED AT EACH END OF THE CABLE ASSEMBLY.
  - DRAIN WIRE CONNECTS TO PIN NO 40.
  - RUBBER STAMP INFORMATION SHOWN USING INK (ITEM 3) & ART WORK DEC NO A-DC-741699-0-0
  - STAMP APPLICABLE OPTION DASH NO ACCORDING TO LENGTH.
  - REMOVE SHIELD .75" FROM END OF PRECUT CABLE (SEE VIEW C-C).
  - COVER EXPOSED DRAIN WIRE WITH ITEM 4 PRIOR TO ASSY (BOTH ENDS)
  - FOR RPØ4, RPØ5, RPØ6 USE WRAP AROUND VINYL LABEL. SEE VARIATIONS ON DRAWING NUMBER A-PS-3615389-0-0. ALSO SEE NEXT HIGHER ASSEMBLY E-IA-7009807-0-0 AND E-IA-7009808-0-0.



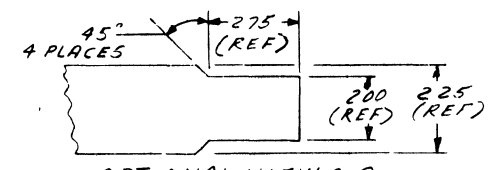
VIEW A-A  
CON: LEGEND REF  
SCALE: 2/1



VIEW B-B  
SCALE: 2/1



VIEW C-C  
PRE-CUT VIEW  
SCALE: NONE



OPTIONAL VIEW C-C  
PRE-CUT VIEW  
SCALE: NONE

A/R	DESCRIPTION	PART NO	QTY
A/R	PLASTIC TAPE	3612511-Ø	4
A/R	INK	49Ø115Ø	3
2	CONNECTOR, 40 SOCKET	12112Ø6	2
A/R	CABLE, 4Ø COND FLAT W/SHIELD	17-ØØØ94	1

FIRST USED ON OPTION/MODEL		DATE		DATE		DATE	
RPØ4		12-22-73					
UNLESS OTHERWISE SPECIFIED DIMENSION IN INCHES TOLERANCES				EQUIPMENT CORPORATION			
DECIMALS	ANGLES	TITLE		BCØ6R I/O CABLE			
XXX - 000	10° 30'						
REMOVE BURRS AND BREAK SHARP CORNERS SURFACE QUALITY				NEXT HIGHER ASSY			
MATERIAL		E-IN-10ØØ3Ø1-Ø-Ø		SIZE CODE		NUMBER	
SEE PARTS LIST		E-IN-10ØØ3Ø1-Ø-Ø		DUA/BCØ6R-Ø-Ø		REV E	
FINISH		SCALE NONE		SHEET 1 OF 1			

REV	CHANGE NO	DATE	BY	APP
1	1	11/1/73	W. DUNN	
2	2	11/1/73	W. DUNN	
3	3	11/1/73	W. DUNN	
4	4	11/1/73	W. DUNN	
5	5	11/1/73	W. DUNN	
6	6	11/1/73	W. DUNN	
7	7	11/1/73	W. DUNN	
8	8	11/1/73	W. DUNN	
9	9	11/1/73	W. DUNN	
10	10	11/1/73	W. DUNN	
11	11	11/1/73	W. DUNN	
12	12	11/1/73	W. DUNN	
13	13	11/1/73	W. DUNN	
14	14	11/1/73	W. DUNN	
15	15	11/1/73	W. DUNN	
16	16	11/1/73	W. DUNN	
17	17	11/1/73	W. DUNN	
18	18	11/1/73	W. DUNN	
19	19	11/1/73	W. DUNN	
20	20	11/1/73	W. DUNN	
21	21	11/1/73	W. DUNN	
22	22	11/1/73	W. DUNN	
23	23	11/1/73	W. DUNN	
24	24	11/1/73	W. DUNN	
25	25	11/1/73	W. DUNN	
26	26	11/1/73	W. DUNN	
27	27	11/1/73	W. DUNN	
28	28	11/1/73	W. DUNN	
29	29	11/1/73	W. DUNN	
30	30	11/1/73	W. DUNN	
31	31	11/1/73	W. DUNN	
32	32	11/1/73	W. DUNN	
33	33	11/1/73	W. DUNN	
34	34	11/1/73	W. DUNN	
35	35	11/1/73	W. DUNN	
36	36	11/1/73	W. DUNN	
37	37	11/1/73	W. DUNN	
38	38	11/1/73	W. DUNN	
39	39	11/1/73	W. DUNN	
40	40	11/1/73	W. DUNN	







CUSTOMER PRINT SET		MECHANICAL					CUSTOMER PRINT SET		ELECTRICAL						
	MFG. SET	FIND NO.	DRAWING NO.	REV	NO OF SHT	DESCRIPTION	OPTION NO./FILE DATE		MFG. SET	FIND NO.	DRAWING NO.	REV	NO OF SHT	DESCRIPTION	OPTION NO./FILE DATE
X		1	E-UA-861-D-Ø	F	2	861-D POWER CONTROL ASSY		X		1	B-DD-861-D	D	2	861-D POWER CONTROL ASSY	
X			A-PL-861-D-Ø	F	3	861-D POWER CONTROL ASSY P.L.		X			D-CS-861-D-1	*	1	861-D POWER CONTROL SCHEMATIC	
			C-MD-7413234-0-0		1	COVER, POWER CONTROL					A-SP-861-D-2		4	861-D TEST PROCEDURE	
			D-MD-7413419-0-0		1	BRACKET, STRAIN RELIEF									
			C-IA-7011052-0-0		1	MOV ASSY									
			C-IA-7011053-0-0		1	PILOT LAMP ASSY									
			D-IA-7010966-0-0		1	HARNESS #1, POWER CONTROL									
			D-IA-7010967-0-0		1	HARNESS #3, POWER CONTROL									
			D-IA-7010969-0-0		1	HARNESS #5, POWER CONTROL									
			D-IA-7010970-0-0		1	HARNESS #6, POWER CONTROL									
			C-IA-7010968-0-0		1	HARNESS #8, POWER CONTROL		X		4	D-CS-5411522-0-1	*	1	PILOT CONTROL	
			D-IA-7010972-0-0		1	JUMPER, WIRE					K-CO-5411522-0-4			DRILL TAPE	
			A-DC-7416582-0-1		1	DECAL (NOT FOR EXTERNAL LOADS)					B-MH-5411522-0-6			MODULE ECO HISTORY	
			A-SP-861-0-3			ENGINEERING SPEC 861/866					A-SP-5411522-0-7			PILOT CONTROL TEST PROCEDURE	
											D-AH-5411522-0-5			ASSY DRILL HOLE LAYOUT	
		2	E-IA-7413232-0-0		2	CHASSIS, POWER CONTROL									
			B-SS-7413232-0-1		1	SILK SCREEN, CHASSIS									
		3	D-IA-7413233-0-0		2	PANEL, FRONT, 861-D									
			B-SS-7413233-0-1		1	SILK SCREEN, FRONT PANEL, 861-D									
X		5	A-SP-3700191-0-0	-	2	PACKAGING INSTRUCTIONS, 861-D									
			A-PS-9905726-0-0	-	2	FULL OVERLAP CARTON									
			A-PS-9905727-0-0	-	2	LAMINATED BUILDUP									
			A-PS-9905729-0-0	-	1	TAPE - GLASFLEX									

CUSTOMER PRINT SET CODES

X = PRINT OF DOCUMENT INCLUDED IN PRINT SET  
 C = INCLUDES ALL PRINTS INDICATED ON DOCUMENT  
 S = CONFIDENTIAL AUTHORIZED SIGNATURE REQUIRED

TITLE  
 861-D POWER CONTROL

SHEET 3 OF 3  
 SIZE CODE B DD

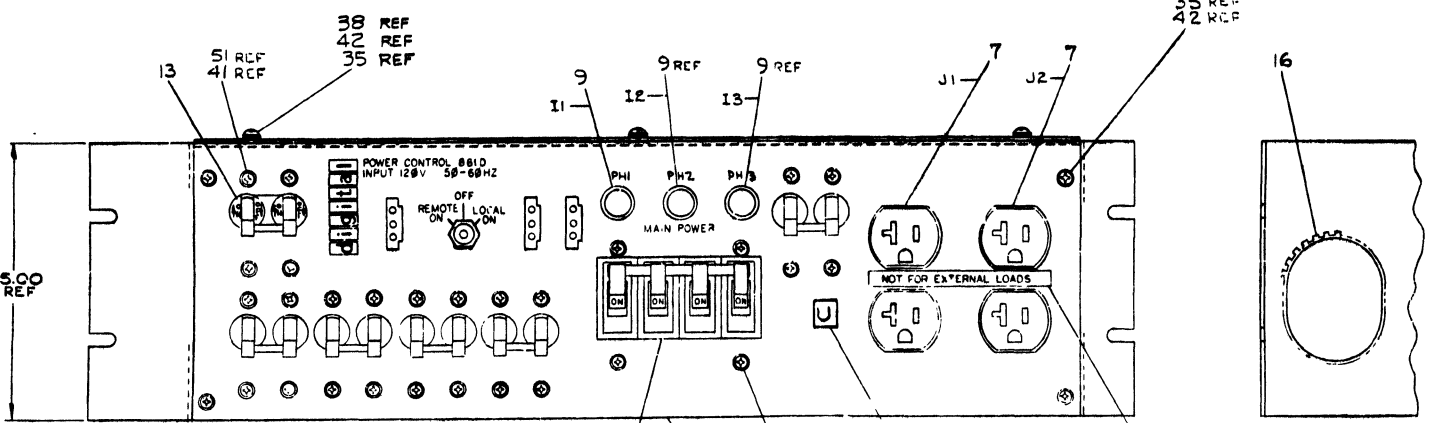
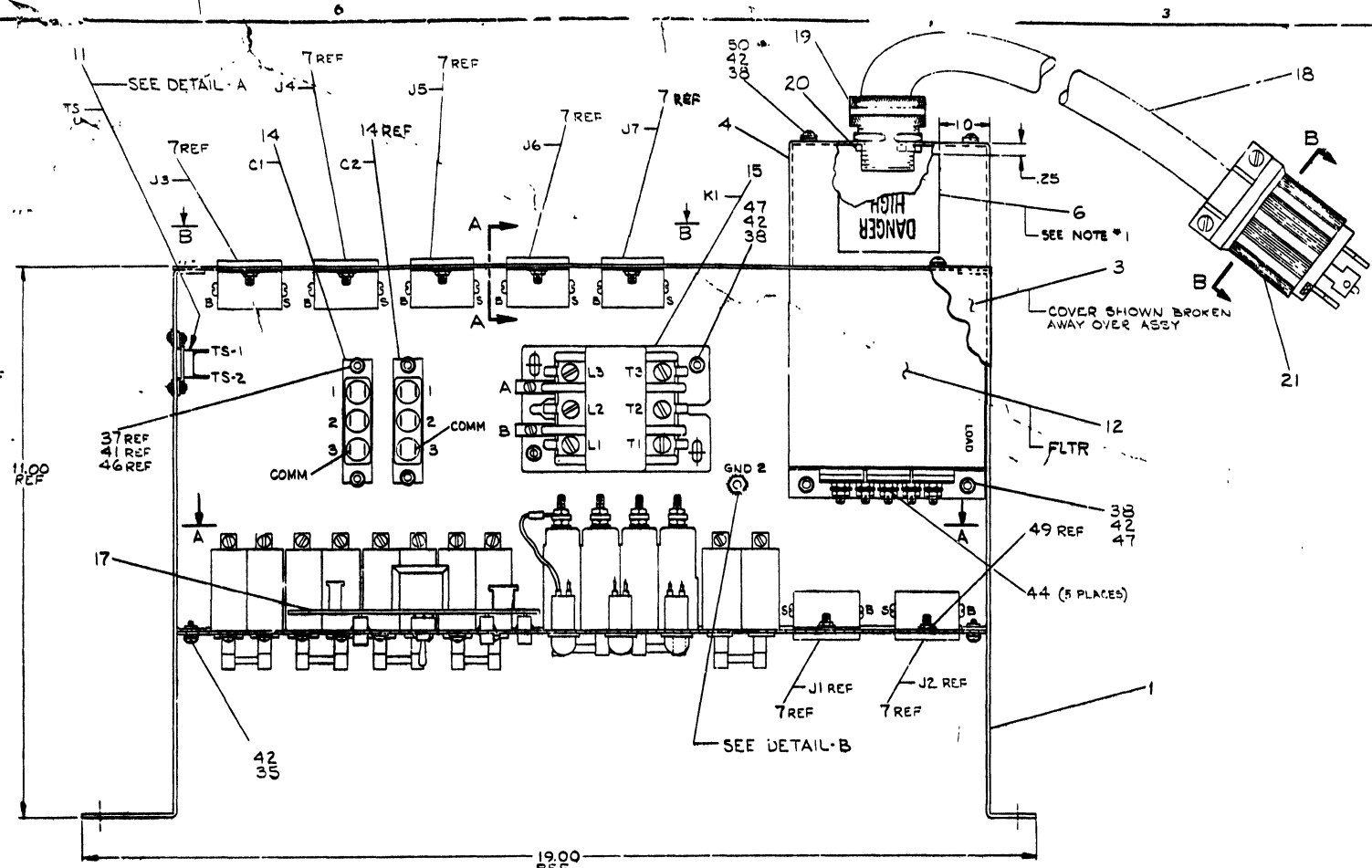
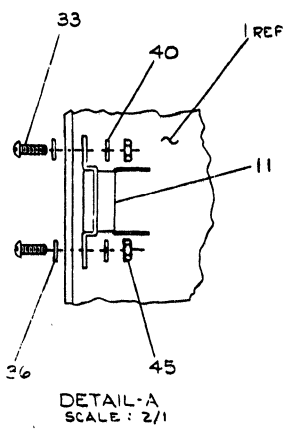
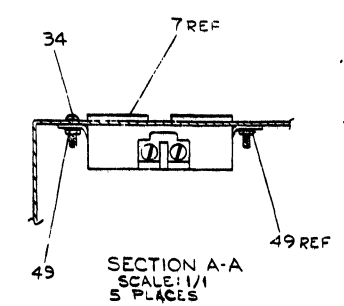
NUMBER  
 861-D

REV  
 D

CUSTOMER PRINT SET		MECHANICAL					CUSTOMER PRINT SET		ELECTRICAL										
	MFG. SET	FIND NO.	DRAWING NO.	REV	NO OF SHT	DESCRIPTION	OPTION NO./FILE DATE		MFG. SET	FIND NO.	DRAWING NO.	REV	NO OF SHT	DESCRIPTION	OPTION NO./FILE DATE				
X		1	E-UA-861-D-Ø	F	2	861-D POWER CONTROL ASSY		X		1	B-DD-861-D	D	2	861-D POWER CONTROL ASSY					
X			A-PL-861-D-Ø	F	3	861-D POWER CONTROL ASSY P.L.		X			D-CS-861-D-1	*	1	861-D POWER CONTROL SCHEMATIC					
			C-MD-7413234-0-0		1	COVER, POWER CONTROL					A-SP-861-D-2		4	861-D TEST PROCEDURE					
			D-MD-7413419-0-0		1	BRACKET, STRAIN RELIEF													
			C-IA-7011052-0-0		1	MOV ASSY													
			C-IA-7011053-0-0		1	PILOT LAMP ASSY													
			D-IA-7010966-0-0		1	HARNESS #1, POWER CONTROL													
			D-IA-7010967-0-0		1	HARNESS #3, POWER CONTROL													
			D-IA-7010969-0-0		1	HARNESS #5, POWER CONTROL													
			D-IA-7010970-0-0		1	HARNESS #6, POWER CONTROL													
			C-IA-7010968-0-0		1	HARNESS #8, POWER CONTROL		X		4	D-CS-5411522-0-1	*	1	PILOT CONTROL					
			D-IA-7010972-0-0		1	JUMPER, WIRE					K-CO-5411522-0-4			DRILL TAPE					
			A-DC-7416582-0-1		1	DECAL (NOT FOR EXTERNAL LOADS)					B-MH-5411522-0-6			MODULE ECO HISTORY					
			A-SP-861-0-3			ENGINEERING SPEC 861/866					A-SP-5411522-0-7			PILOT CONTROL TEST PROCEDURE					
											D-AH-5411522-0-5			ASSY DRILL HOLE LAYOUT					
		2	E-IA-7413232-0-0		2	CHASSIS, POWER CONTROL													
			B-SS-7413232-0-1		1	SILK SCREEN, CHASSIS													
		3	D-IA-7413233-0-0		2	PANEL, FRONT, 861-D													
			B-SS-7413233-0-1		1	SILK SCREEN, FRONT PANEL, 861-D													
X		5	A-SP-3700191-0-0	-	2	PACKAGING INSTRUCTIONS, 861-D													
			A-PS-9905726-0-0	-	2	FULL OVERLAP CARTON													
			A-PS-9905727-0-0	-	2	LAMINATED BUILDUP													
			A-PS-9905729-0-0	-	1	TAPE - GLASFLEX													
CUSTOMER PRINT SET CODES	X = PRINT OF DOCUMENT INCLUDED IN PRINT SET C = INCLUDES ALL PRINTS INDICATED ON DOCUMENT S = CONFIDENTIAL AUTHORIZED SIGNATURE REQUIRED						TITLE	861-D POWER CONTROL		SHEET <sup>3</sup> OF 3	SIZE CODE	B DD		NUMBER	861-D		REV	D	

FOR SERVICE AND REPAIRING, REFER TO THE  
PROPERTY OF DIGITAL EQUIPMENT CORPORATION AND  
SHALL NOT BE REPRODUCED OR TRANSMITTED IN ANY  
FORM OR BY ANY MEANS, ELECTRONIC OR MECHANICAL,  
INCLUDING PHOTOCOPYING, RECORDING, OR BY ANY  
INFORMATION STORAGE AND RETRIEVAL SYSTEM,  
WITHOUT THE WRITTEN PERMISSION OF  
DIGITAL EQUIPMENT CORPORATION.

NOTES:  
1. LOCATE DECALS (ITEMS 5 & 6)  
APPROX AS SHOWN.  
2. PLACE DECAL AFTER ASSY  
OF OUTLETS (ITEM 7).



FOR PARTS LIST, SEE:  
A-PL-86-D-2

REV	DATE	BY	CHKD	DESCRIPTION
1	11/17/70	W. J. ...	...	...
2	12/22/70	...	...	...
3	1/14/71	...	...	...
4	2/10/71	...	...	...
5	3/10/71	...	...	...
6	4/10/71	...	...	...
7	5/10/71	...	...	...
8	6/10/71	...	...	...
9	7/10/71	...	...	...
10	8/10/71	...	...	...
11	9/10/71	...	...	...
12	10/10/71	...	...	...
13	11/10/71	...	...	...
14	12/10/71	...	...	...
15	1/10/72	...	...	...
16	2/10/72	...	...	...
17	3/10/72	...	...	...
18	4/10/72	...	...	...
19	5/10/72	...	...	...
20	6/10/72	...	...	...
21	7/10/72	...	...	...
22	8/10/72	...	...	...
23	9/10/72	...	...	...
24	10/10/72	...	...	...
25	11/10/72	...	...	...
26	12/10/72	...	...	...
27	1/10/73	...	...	...
28	2/10/73	...	...	...
29	3/10/73	...	...	...
30	4/10/73	...	...	...
31	5/10/73	...	...	...
32	6/10/73	...	...	...
33	7/10/73	...	...	...
34	8/10/73	...	...	...
35	9/10/73	...	...	...
36	10/10/73	...	...	...
37	11/10/73	...	...	...
38	12/10/73	...	...	...
39	1/10/74	...	...	...
40	2/10/74	...	...	...
41	3/10/74	...	...	...
42	4/10/74	...	...	...
43	5/10/74	...	...	...
44	6/10/74	...	...	...
45	7/10/74	...	...	...
46	8/10/74	...	...	...
47	9/10/74	...	...	...
48	10/10/74	...	...	...
49	11/10/74	...	...	...
50	12/10/74	...	...	...
51	1/10/75	...	...	...
52	2/10/75	...	...	...
53	3/10/75	...	...	...
54	4/10/75	...	...	...
55	5/10/75	...	...	...
56	6/10/75	...	...	...
57	7/10/75	...	...	...
58	8/10/75	...	...	...
59	9/10/75	...	...	...
60	10/10/75	...	...	...
61	11/10/75	...	...	...
62	12/10/75	...	...	...
63	1/10/76	...	...	...
64	2/10/76	...	...	...
65	3/10/76	...	...	...
66	4/10/76	...	...	...
67	5/10/76	...	...	...
68	6/10/76	...	...	...
69	7/10/76	...	...	...
70	8/10/76	...	...	...
71	9/10/76	...	...	...
72	10/10/76	...	...	...
73	11/10/76	...	...	...
74	12/10/76	...	...	...
75	1/10/77	...	...	...
76	2/10/77	...	...	...
77	3/10/77	...	...	...
78	4/10/77	...	...	...
79	5/10/77	...	...	...
80	6/10/77	...	...	...
81	7/10/77	...	...	...
82	8/10/77	...	...	...
83	9/10/77	...	...	...
84	10/10/77	...	...	...
85	11/10/77	...	...	...
86	12/10/77	...	...	...
87	1/10/78	...	...	...
88	2/10/78	...	...	...
89	3/10/78	...	...	...
90	4/10/78	...	...	...
91	5/10/78	...	...	...
92	6/10/78	...	...	...
93	7/10/78	...	...	...
94	8/10/78	...	...	...
95	9/10/78	...	...	...
96	10/10/78	...	...	...
97	11/10/78	...	...	...
98	12/10/78	...	...	...
99	1/10/79	...	...	...
100	2/10/79	...	...	...

THIRD ANGLE PROJECTION		DESCRIPTION		QTY	UNIT	QTY	UNIT
1	2	3	4	5	6	7	8
9	10	11	12	13	14	15	16
17	18	19	20	21	22	23	24
25	26	27	28	29	30	31	32
33	34	35	36	37	38	39	40
41	42	43	44	45	46	47	48
49	50	51	52	53	54	55	56
57	58	59	60	61	62	63	64
65	66	67	68	69	70	71	72
73	74	75	76	77	78	79	80
81	82	83	84	85	86	87	88
89	90	91	92	93	94	95	96
97	98	99	100				

861-D  
POWER CONTROL  
ASSY

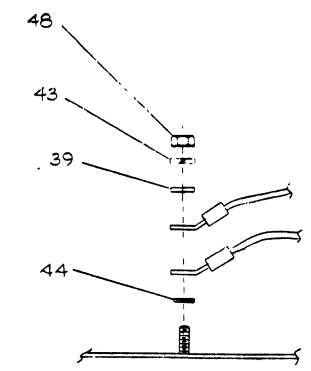
861-D-0

THIS DRAWING AND SPECIFICATIONS HEREAFTER ARE THE PROPERTY OF DIGITAL EQUIPMENT CORPORATION. ANY REPRODUCTION OR TRANSMISSION OF THIS DRAWING OR SPECIFICATIONS IN ANY FORM OR BY ANY MEANS WITHOUT THE WRITTEN PERMISSION OF DIGITAL EQUIPMENT CORPORATION IS PROHIBITED.

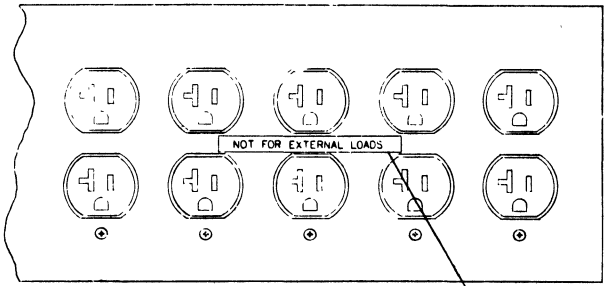
ITEM NO	DESCRIPTION	AWG	CONNECTION FROM	CONNECTION WITH	CONNECTION TO	REMARKS
22	BLU	10	HARNES 1-1	-2	K1-T3	
	BLK			-3	K1-T1	
	RED			-4	K1-T2	
	RED			-5	CB7-C-LOAD	
23	BLU	10	HARNES 1-6	-6	CB7-D-LOAD	
	RED			-7	CB7-B-LOAD	
	BLK			-8	CB7-C-LINE	
	BLU			-9	CB7-D-LINE	
24	WHT		HARNES 3-1	-10	CB7-A-LINE	
	GRN			-11	CB7-B-LINE	
	WHT			-12	GND #2	
	GRN			-13	FLTR-LINE-NEUT	
	GRN			-14	FLTR-LINE-GND	
	BLK			-15	FLTR-LINE-PH1	
	BLU			-16	FLTR-LINE-PH2	
	RED	10	HARNES 3-10	-17	FLTR-LINE-PH3	
	BLK	14	HARNES 5-1	-18	CB2-B-LINE	
	BLK			-19	CB7-D-LOAD	
	WHT			-20	CB2-A-LINE	
	WHT			-21	CB7-A-LINE	
	BLU			-22	PLT CONT-J4	
	WHT			-23	CB7-A-LOAD	
	WHT			-24	CB6-A-LINE	
	RED			-25	CB5-B-LINE	
WHT			-26	CB5-A-LINE		
WHT/BLU			-27	PLT CONT-J5		
RED			-28	CB4-B-LINE		
WHT			-29	CB4-A-LINE		
BLU			-30	CB1-B-LINE		
WHT			-31	CB1-A-LINE		
BLU			-32	CB3-B-LINE		
WHT			-33	CB3-A-LINE		
WHT			-34	CB7-A-LOAD		
WHT			-35	CB7-A-LOAD		
BLU			-36	CI-1		
BLU			-37	K1-L3		
BLU			-38	C2-1		
RED			-39	K1-L2		
RED			-40	C1-2		
RED			-41	K1-L1		
BLK			-42	C2-3		
BLK			-43	K1-B		
WHT			-44	K1-A		
BLU			-45	CB7-A-LOAD		
BLK			-46	CB2-B-LINE		
BLU			-47	CB7-B-LOAD		
RED	14	HARNES 3-42	-48	CB7-C-LOAD		
9	BLK	22	I1-BLK		CB7-A-LINE	
9	RED	22	I1-RED		CB7-D-LINE	
9	BLK	22	I2-BLK		CB7-A-LINE	
9	RED	22	I2-RED		CB7-C-LINE	
9	BLK	22	I3-BLK		CB7-A-LINE	
9	RED	22	I3-RED		CB7-B-LINE	

ITEM NO	DESCRIPTION	AWG	CONNECTION FROM	CONNECTION WITH	CONNECTION TO	REMARKS
	WHT	14	HARNES 6-1		J7-5	
	BLK			-2	J7-B	
	WHT			-3	J6-5	
	RED			-4	J6-B	
	WHT			-5	J5-5	
	RED			-6	J5-B	
	WHT			-7	J4-5	
	BLU			-8	J4-B	
	WHT			-9	J3-5	
	BLU			-10	J3-B	
	WHT			-11	CB1-A-LOAD	
	BLU			-12	CB1-B-LOAD	
	WHT			-13	CB3-A-LOAD	
	BLU			-14	CB3-B-LOAD	
	WHT			-15	CB4-A-LOAD	
	RED			-16	CB4-B-LOAD	
	WHT			-17	CB5-A-LOAD	
	RED			-18	CB5-B-LOAD	
	WHT			-19	CB6-A-LOAD	
	RED			-20	CB6-B-LOAD	
	BLK	14	HARNES 6-20		PLT CONT-J4	
	WHT	14	HARNES 8-PI		TS-1	
	WHT	14	HARNES 8-4		TS-2	
	GRN	10	GND #1		GND #2	
	WHT	14	CI-3		C2-3	
	WHT	14	J1-S		J2-S	
	GRN	14	PLT CONT-J7		GND #1	
	BLK	14	J1-B		J2-B	
	BRN	10	FLTR-LINE-PH1		PLUG-X	
	BLK		FLTR-LINE-PH2		PLUG-Y	
	BLK		FLTR-LINE-PH3		PLUG-Z	
	BLU		FLTR-LINE-NEUT		PLUG-W	
	GRN/VEL	10	FLTR-LINE-GND		PLUG-G	
	8		K1-A	52	K1-B	52

NOTES FOR WIRING:  
1. FOR HARNESS POINT NUMBERS, REFER TO HARNESS DWG.

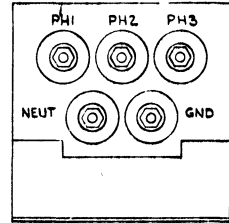


DETAIL B  
TYPICAL FOR GND 1 & GND 2

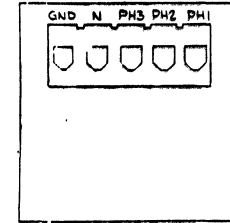


VIEW B-B

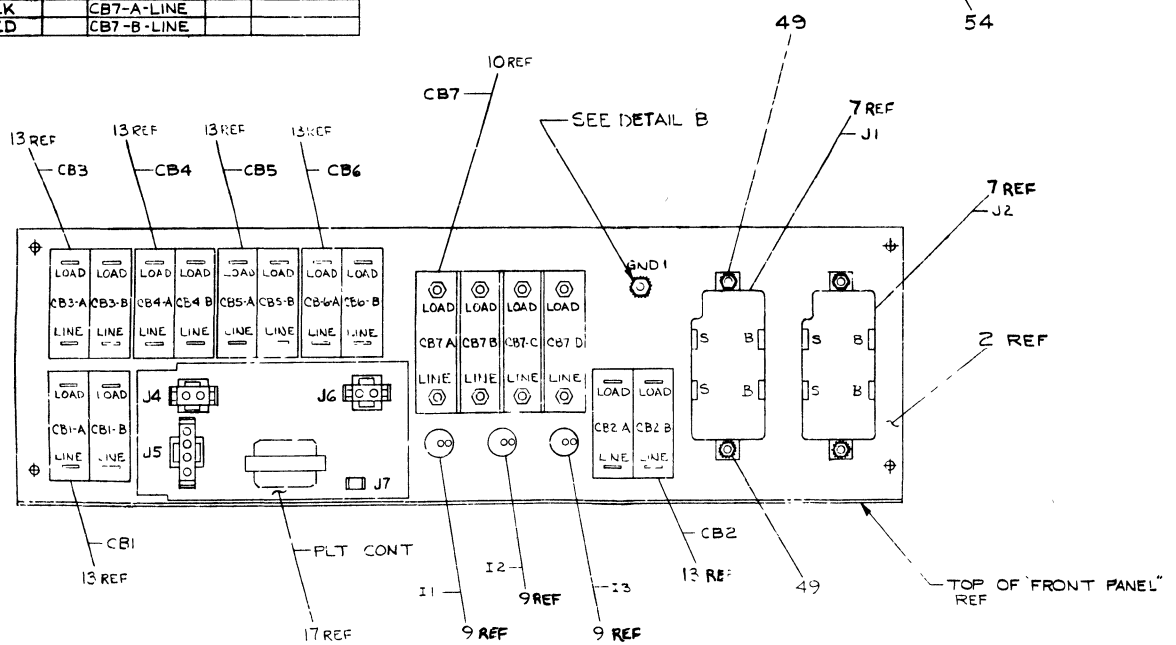
SEE NOTE #2 SHT #1



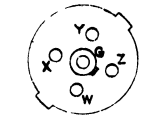
FILTER  
(ITEM 12)  
LOAD SIDE



FILTER  
(ITEM 12)  
LINE SIDE



VIEW A-A



SECTION B-B  
SCALE: NONE  
"TWIST LOCK PLUG" (ITEM 21)

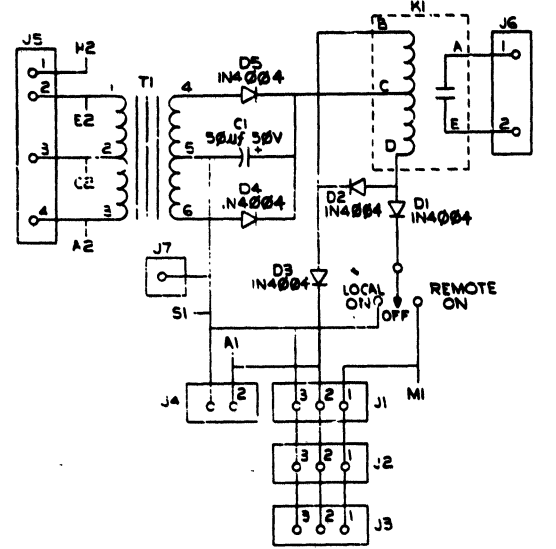
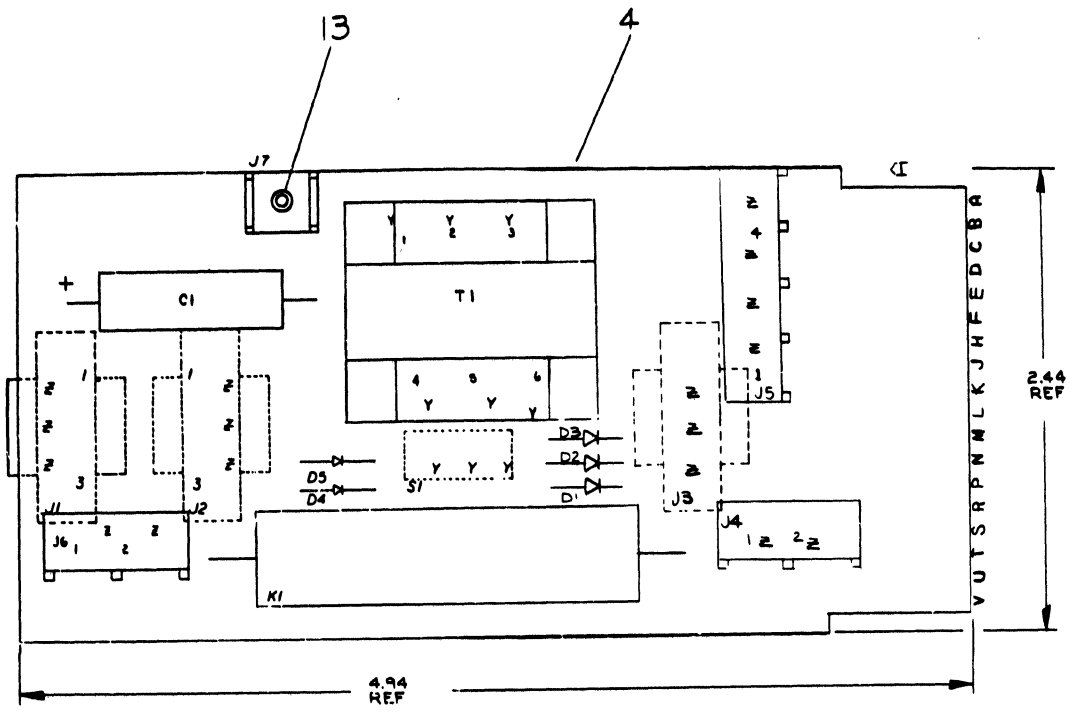
DESCRIPTION	QTY	UNIT	REVISION	DATE
861-D POWER CONTROL ASSY				
861-D-0				
861-D-0				

TITLE: 861-D POWER CONTROL ASSY  
 DRAWN: [Signature]  
 CHECKED: [Signature]  
 ENGINEER: [Signature]  
 PROJECT: [Signature]  
 NEXT HIGHER AUTH: [Signature]

SHEET: 2 OF 2  
 DATE: [Date]

ALL DIMENSIONS AND SPECIFICATIONS HEREIN ARE THE PROPERTY OF DIGITAL EQUIPMENT CORPORATION AND SHALL NOT BE REPRODUCED OR USED IN WHOLE OR IN PART BY ANY OTHER PARTY WITHOUT THE WRITTEN PERMISSION OF DIGITAL EQUIPMENT CORPORATION.

**NOTES:**



IC TYPE	GND	+5V
GND AND 5V ARE USUALLY PIN 7 AND 14 RESPECTIVELY. EXCEPTIONS ARE STATED ABOVE.		
IC PIN LOCATIONS		

REF	X-Y COORDINATE HOLE LOCATION	K-CO-5411522-0-4	1
REF	ASSY/DRILLING HOLE LAYOUT	D-AH-5411522-0-5	2
REF	MODULE ECO HISTORY	B-MM-5411522-0-6	3
1	ETCHED CIRCUIT BOARD	5011521	4
1	K1	RELAY, REED, 48 V COL. 2.5 A CONT.	5
1	T1	TRANSFORMER MMC 5415	6
1	C1	CAP 50 MFD 50V TANT	7
5	D1-D5	DIODE IN4004	8
1	S1	SWITCH	9
3	J1-J3	HOUSING, SOCKET	10
1	J5	CONN, UNIVERSAL, 4 PIN HEADER	11
2	J4, J6	CONN, UNIVERSAL, 2 PIN HEADER	12
1		EYELET	13
9		TERMINAL, SOCKET CONTACT	14
1	J7	TERMINAL, SOLDERLESS	15

FIRST USED ON OPTION MODEL  
861-D / 861-E

ETCH BOARD REV C

REVISIONS

CHK	CHANGE NO	REV

DATE 2/4/75  
DATE 11/25  
DATE 12/25  
DATE 12/25  
DATE 12/25  
DATE 12/25  
DATE 12/25

digital EQUIPMENT CORPORATION

TITLE  
**PILOT CONTROL**

SCALE NONE  
SHEET 1 OF 1

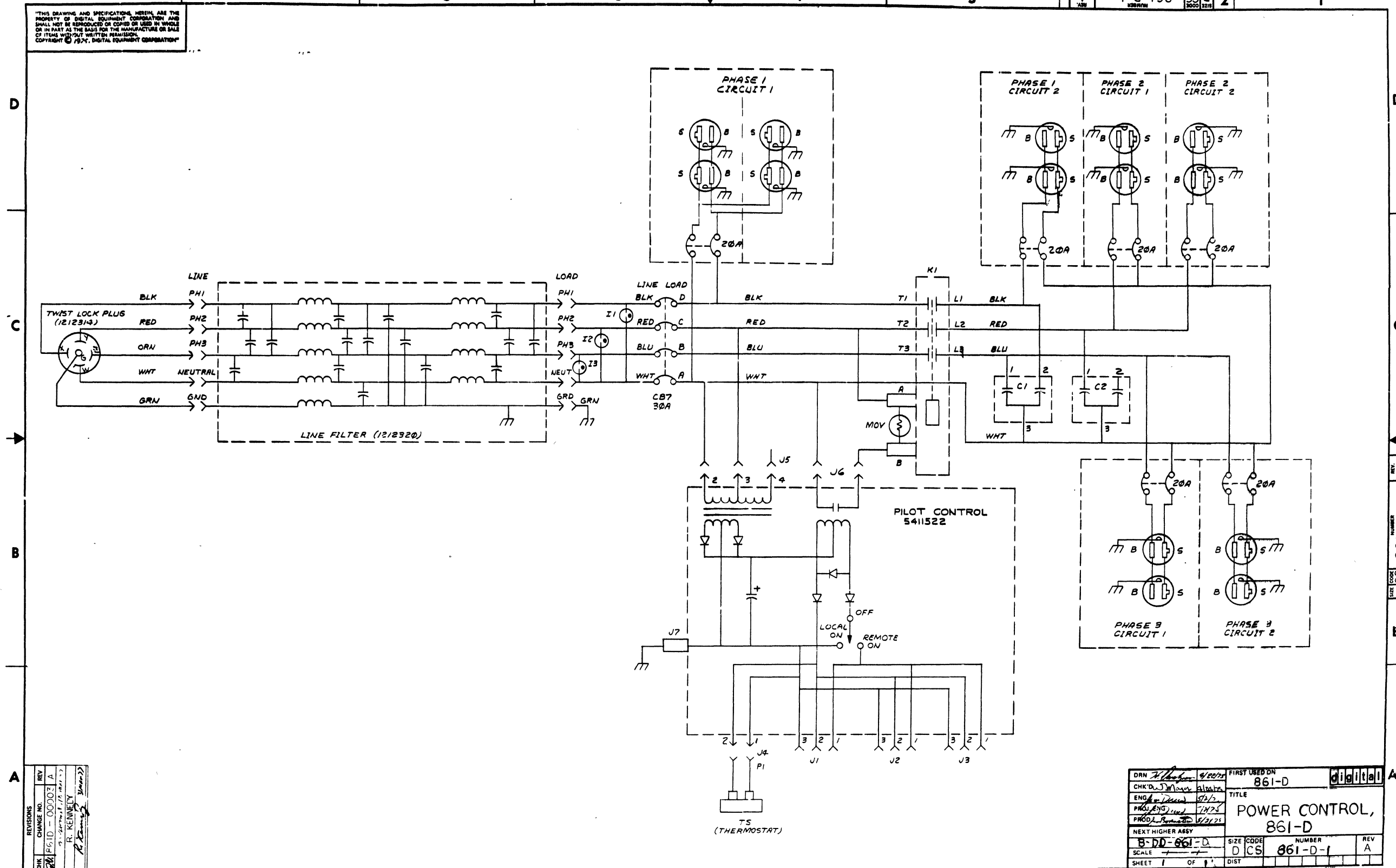
SEMICONDUCTOR CONVERSION CHART

SIZE/CODE NUMBER REV  
DCS5411522-0-1 B

8 7 6 5 4 3 2 1  
D C B A  
A B C D  
V U T S R P N M L K J H F E D C B A  
4.94 REF  
2.44 REF

THIS DRAWING AND SPECIFICATIONS HEREIN ARE THE PROPERTY OF DIGITAL EQUIPMENT CORPORATION AND SHALL NOT BE REPRODUCED OR COPIED OR USED IN WHOLE OR IN PART AS THE BASIS FOR THE MANUFACTURE OR SALE OF ITEMS WITHOUT WRITTEN PERMISSION. COPYRIGHT © 1974, DIGITAL EQUIPMENT CORPORATION

1-U-198 2



REV	CHANGE NO.	BY
1	00002	A
2	00003	A
3	00004	A
4	00005	A
5	00006	A
6	00007	A
7	00008	A
8	00009	A

DRN	4/20/74	FIRST USED ON	861-D	Digital
CHK'D	5/1/74	TITLE	POWER CONTROL, 861-D	
ENG	9/2/74	SIZE	D	CS
PROJ. ENG.	7/2/74	NUMBER	861-D-1	REV
PROD. L.	11/21/74	DIST		A
NEXT HIGHER ASSY				
B-DD-661-D				
SCALE				
SHEET 1	OF 1			

REV. 1  
D CS 861-D-1

DEC FORM NO. DRD 102-0

DIGITAL EQUIPMENT CORPORATION MAYNARD, MASSACHUSETTS				QUANTITY/VARIATION													
PARTS LIST				861-D													
MADE BY Tyrone Quillin		CHECKED McCarthy		SECTION 1													
DATE 3/11/75		DATE 4/9/75		ISSUED SECT. 1													
ENG Jim Drew		PROD Jim Bornatien		ISSUED SECT. 1													
DATE 4/6/75		DATE 4/11/75															
ITEM NO.	DWG NO. / PART NO.	DESCRIPTION															
1	E-IA-7413232-0-0	CHASSIS, POWER CONTROL															
2	D-IA-7413233-0-0	PANEL, FRONT, 861-D															
3	C-MD-7413234-0-0	COVER, POWER CONTROL															
4	D-MD-7413419-0-0	BRACKET, STRAIN RELIEF															
5	3612063-C0	DECAL, UL															
6	3610267-0-0	DECAL, "DANGER HIGH VOLTAGE"															
7	1212265-00	POWER CONN RECEPTACLE, 2ØA, 125VAC															
8	C-IA-7011052-0-0	MOV ASSY															
9	C-IA-7011053-0-0	PILOT LAMP ASSY															
10	1211037-02	CIRCUIT BREAKER 4POL, 5ØA, 24Ø VAC															
11	1211158-00	THERMOSTAT, SPST, FIXED TEMP															
12	1212320-00	FILTER															
13	1212124-05	CIRCUIT BREAKER, 2 POLE, 2Ø AMP															
14	1000034-00	DC PAPER CAPACITOR, 1ØØØ VDC															
15	1212266-01	CONTACTOR, 3 POLE, 4ØA, 6ØØ VAC															
16	9007035-00	GROMMET, CATERPILLAR		A/R													
17	D-CS-5411522-0-1	PILOT CONTROL															
18	1700028-00	POWER CORD, 5 WIRE, 1Ø AWG, (15 FT)		A/R													
19	1212410-00	STRAIN RELIEF															
20	9009309-01	LOCKNUT, 3/4" PIPE THREAD															
21	1212314-00	PLUG, TWIST LOCK, 4 POLE/5 WIRE															
22	D-IA-7010966-0-0	HARNESS #1, POWER CONTROL															

DEC FORM DEC 16-(325)-1031-N870  
DRA 110

DIGITAL EQUIPMENT CORPORATION MAYNARD, MASSACHUSETTS				QUANTITY/VARIATION													
PARTS LIST				861-D													
MADE BY Tyrone Quillin		CHECKED McCarthy		SECTION 1													
DATE 3/11/75		DATE 4/9/75		ISSUED SECT. 1													
ENG Jim Drew		PROD Jim Bornatien		ISSUED SECT. 1													
DATE 4/6/75		DATE 4/11/75															
ITEM NO.	DWG NO. / PART NO.	DESCRIPTION															
45	9006556-00	NUT, HEX #4-40		2													
46	9006558-00	NUT, HEX #6-32		4													
47	9006561-00	NUT, HEX #8-32		4													
48	9006564-00	NUT, HEX #10-32		2													
49	9008185-00	NUT, KEPS #6-32		14													
50	9006051-1	SCR, PHL PAN HD, #8-32 x 3.00 LG		2													
51	9006020-1	SCR, PHL PAN HD, #6-32 x .25 T/G		28													
52	9006633-00	WASHER, INT TOOTH #6		2													
53	A-SP-3700191-0-0	PACKAGING INSTRUCTIONS 861-D (INTERPLANT)		1													
54	A-DC-7416582-0-1	DECAL (NOT FOR EXTERNAL LOADS)		2													
55	A-SP-3700191-2-0	PACKAGING INSTRUCTIONS 861-D (CUSTOMER)		0													
REF	D-CS-861-D-1	861-D POWER CONTROL CIRCUIT SCHEMATIC															

DEC FORM DEC 16-(325)-1031-N870  
DRA 110

DIGITAL EQUIPMENT CORPORATION MAYNARD, MASSACHUSETTS				QUANTITY/VARIATION													
PARTS LIST				861-D													
MADE BY Tyrone Quillin		CHECKED McCarthy		SECTION 1													
DATE 3/11/75		DATE 4/9/75		ISSUED SECT. 1													
ENG Jim Drew		PROD Jim Bornatien		ISSUED SECT. 1													
DATE 4/6/75		DATE 4/11/75															
ITEM NO.	DWG NO. / PART NO.	DESCRIPTION															
23	D-IA-7010967-0-0	HARNESS #3, POWER CONTROL		1													
24	D-IA-7010969-0-0	HARNESS #5, POWER CONTROL		1													
25	D-IA-7010970-0-0	HARNESS #6, POWER CONTROL		1													
26	C-IA-7010968-0-0	HARNESS #8, POWER CONTROL		1													
27																	
28	D-IA-7010972-0-0	JUMPER, WIRE (GRN #10-AWG)		1													
29	D-IA-7010972-1-0	JUMPER, WIRE (WHT #14-AWG)		1													
30	D-IA-7010972-2-0	JUMPER, WIRE (WHT #14-AWG)		2													
31	D-IA-7010972-3-0	JUMPER, WIRE (GRN #14-AWG)		1													
32	D-IA-7010972-4-0	JUMPER, WIRE (BLK #14-AWG)		2													
33	9006010-01	SCR, PHL PAN HD, #4-40 x .31 LG		2													
34	9006021-01	SCR, PHL PAN HD, #6-32 x .31 LG		5													
35	9006037-01	SCR, PHL PAN HD, #8-32 x .38 LG		10													
36	9006655-00	WASHER, FLAT, #4		2													
37	9006653-00	WASHER, FLAT, #6		4													
38	9006660-00	WASHER, FLAT, #8		12													
39	9006664-00	WASHER, FLAT, #10		2													
40	9006688-00	WASHER, SPLIT LOCK #4		2													
41	9007801-00	WASHER, SPLIT LOCK #6		32													
42	9006690-00	WASHER, SPLIT LOCK #8		16													
43	9007906-00	WASHER, SPLIT LOCK #10		2													
44	9007651-00	WASHER, EXT TOOTH LOCK #10		7													

DEC FORM DEC 16-(325)-1031-N870  
DRA 110



This drawing and specifications herein are the property of Digital Equipment Corporation and shall not be reproduced or copied or used in whole or in part as the basis for the manufacture or sale of items without written permission.

DIGITAL EQUIPMENT CORPORATION MAYNARD MASSACHUSETTS				
<b>PACKAGING INSTRUCTION</b>			REV: <u>A</u>	DATE: <u>8/77</u>
TITLE: <u>861-D-E AND 866-D-E POWER CONTROL</u>				
LEGEND				
	3700191-00	861 D & E INTERPLANT		
		866 D & E INTERPLANT		
	3700191-01	861/866 D & E CUSTOMER		
MATERIAL REQUIREMENTS				
3700191-00 INTERPLANT				
Quantity	Purchase Specification No.	Description		
1	9905726	Full-Overlap Carton		
1	9905727	Laminated Buildup		
5 ft.	9905729	Tape, Carton Sealing 3 in. wide		
PACKAGING INSTRUCTIONS				
3700191-00				
Step	Interplant Procedure (Refer to Figures 1 & 2)			
1	Set up and tape Full-Overlap Carton (9905726) using one strip of Carton Sealing Tape (9905729).			
2	Place 861 or 866 Power Control into Laminated Buildup (9905727) as shown in Figure 1, 2. Make sure that the slots in the Laminated Buildup align with the power control chassis.			
3	Pack up Laminated Buildup from both sides and slide it (front end first) into the Full-Overlap Carton.			
4	Coil the cable on the rear of the 861 power control or the separate 866 cable, so that it will fit into the carton.			
5	Close and seal carton with carton sealing tape.			
ENG. <u>Bob Grant 4/95</u>	APPD. <u>Ken Morrison 4/95</u>	SIZE <u>A</u>	CODE <u>SP</u>	NUMBER <u>3700191-0-0</u> REV <u>A</u>
DEC 8-(551)-1031-1-R671 DRA - 129 SHEET 1 OF 4				

PACKAGING INSTRUCTION		CONTINUATION SHEET	
TITLE: <u>861-D-E AND 866-D-E POWER CONTROL</u>			
MATERIAL REQUIREMENTS			
3700191-01 CUSTOMER			
Quantity	Purchase Specification No.	Description	
1	9906058	Full-Overlap Carton	
8	9905044-02	Toro Pad, Corner Cushion	
6 ft.	9905729	Tape, Carton Sealing (3 in. wide)	
Customer Procedure (Refer to Figure 2 & 4)			
3700191-01			
1.	Follow Interplant Procedure Steps 1 through 5.		
2.	Set up and tape Full-Overlap Carton (9906058) using Carton Sealing Tape.		
3.	Place one (1) Toro Pad (9905044-02) in the bottom of each corner of Full-Overlap Carton.		
4.	Place packaged 861 or 866 Power Control into the outer Full-Overlap Carton. Ensure that the package rests on the Toro Pads. (See Figures 2 and 4)		
5.	Place one (1) Toro Pad on top of each corner of the inner Carton.		
6.	Close and seal Carton with Carton Sealing Tape.		
	SIZE <u>A</u>	CODE <u>SP</u>	NUMBER <u>3700191-0-0</u> REV <u>A</u>
DEC 8-1031 SHEET 2 OF 4			

This drawing and specifications herein are the property of Digital Equipment Corporation and shall not be reproduced or copied or used in whole or in part as the basis for the manufacture or sale of items without written permission.

PACKAGING INSTRUCTION				
TITLE: <u>861-D-E AND 866-D-E POWER CONTROL PACKAGING INSTRUCTION</u>			REV: <u>A</u>	DATE: <u>8/77</u>
NOTE: Make change to "C" size original only and rephotograph.				
ENG.	APPD.	SIZE <u>A</u>	CODE <u>SP</u>	NUMBER <u>3700191-0-0</u> REV <u>A</u>
DEC-1031 SHEET 3 OF 4				

PACKAGING INSTRUCTION				
TITLE: <u>861-D-E AND 866-D-E POWER CONTROL PACKAGING INSTRUCTION</u>			REV: <u>A</u>	DATE: <u>8/77</u>
NOTE: Make change to "C" size original only and rephotograph.				
ENG.	APPD.	SIZE <u>A</u>	CODE <u>SP</u>	NUMBER <u>3700191-0-0</u> REV <u>A</u>
DEC-1031 SHEET 4 OF 4				







## CUSTOMER PRINT SET INDEX

SEQUENCE 77

SEQUENCE 77

THIS IS PRINT SET

NOTE: FOR FIELD MAINTENANCE PRINT SET  
SEE B-TC-MS11-K-1

UNIT VARIATIONS		PRINT SET			
VAR	TITLE				
MS11-KA	16K X 39 MOS STORAGE ARRAY (M7934-AA) 4K MOS RAM'S				
MS11-KB	8K X 39 MOS STORAGE ARRAY (M7934-BA) 4K MOS RAM'S				
MS11-KE	16K X 39 MOS STORAGE ARRAY (M7934-EA) 4K MOS RAM'S NOTE: THIS OPTION DIRECTLY REPLACES MS11-KA				

REVISIONS	REV	A	<table border="1"> <tr> <td>UCSD ON OPTION/MODEL</td> <td>CRK H. Daraklian</td> <td>DATE</td> <td>FEB 77</td> <td rowspan="5">TITLE DRAWING DIRECTORY MS11-K MOS STORAGE ARRAY</td> </tr> <tr> <td>MF116-K</td> <td>C. S. G.</td> <td>DATE</td> <td></td> </tr> <tr> <td></td> <td>J. G. G.</td> <td>DATE</td> <td></td> </tr> <tr> <td></td> <td>J. B. M.</td> <td>DATE</td> <td>4/2/77</td> </tr> <tr> <td></td> <td>J. G. G.</td> <td>DATE</td> <td>4/2/77</td> </tr> </table>	UCSD ON OPTION/MODEL	CRK H. Daraklian	DATE	FEB 77	TITLE DRAWING DIRECTORY MS11-K MOS STORAGE ARRAY	MF116-K	C. S. G.	DATE			J. G. G.	DATE			J. B. M.	DATE	4/2/77		J. G. G.	DATE	4/2/77
	UCSD ON OPTION/MODEL	CRK H. Daraklian		DATE	FEB 77	TITLE DRAWING DIRECTORY MS11-K MOS STORAGE ARRAY																		
	MF116-K	C. S. G.		DATE																				
		J. G. G.		DATE																				
		J. B. M.		DATE	4/2/77																			
	J. G. G.	DATE	4/2/77																					
CHG. NO.	MS11-K-1	DATE	9-77	SIZE CODE	D CD	NUMBER	MS11-K-Ø	REV	A															
DATE	9-77																							

EN-01062-1A-16-R9/2-1251



DRAWING NO.	NO. OF SHTS	PART NO.	DESCRIPTION	REVISIONS																		
B-DD-M7984-0	1		MS11-K (ARRAY)	*	A	B	C															
D-UA-M7984-0-0	9		MS11-K (ARRAY)	B	C	D	E															
B-PL-M7984-0-0	13		MS11-K (ARRAY)	B	C	D	E															
D-CS-M7984-0-1	17		MS11-K (ARRAY)	B	C	D	E															
D-MD-5011997-0-0	5		DRILL & ETCH DRAWING	B	B	B	C															
		5011997	ETCHED BOARD	C	C	C	D															
M7984-0-L			P.C. DESIGN DATA BASE	REF	-	-	-															
M7984-0-PL			INSERTION P.L. DATA BASE	REF	-	-	-															

**NOTES:** VARIATIONS DEPENDENT ON MOS VENDOR REFERENCE SHEETS

NO MIXING OF MOS CHIPS VENDORS ALLOWED.

M7984-AA (16K x 39,4K RAM)=M7984-AB,AC,AD,ETC. → B-PL-M7984-0-0 (SHEETS 1-3)  
D-UA-M7984-0-0 (SHEETS 1, 7-11)

M7984-BA (8K x 39,4K RAM)=M7984-BB,BC,BD,ETC. → B-PL-M7984-0-0 (SHEETS 1-3)  
D-UA-M7984-0-0 (SHEETS 2, 7-10,12)

M7984-CA (16K x 39,16K RAM)=M7984-CB,CC,ETC B-PL-M7984-0-0 (SHEETS 4,5)  
D-UA-M7984-0-0 (SHEETS 3,7-11)

M7984-DA (16K x 39,16K RAM)=M7984-DB,DC,DD,ETC. B-PL-M7984-0-0 (SHEETS 4,5)  
D-UA-M7984-0-0 (SHEETS 4,7-10,13)

M7984-EA (16K x 39,4K FAST RAM)=M7984-EB,EC,ETC. B-PL-M7984-0-0 (SHEETS 6,7)  
D-UA-M7984-0-0 (SHEETS 5,7-11)

M7984-FA (32K x 39,16K RAM)=M7984-FB,FC,ETC. B-PL-M7984-0-0 (SHEETS 8,9)  
D-UA-M7984-0-0 (SHEETS 6,7-10,12)

REV	NO	CHG	DATE	ORIG
A	00001	6-77		
B	00002	8-77		
C	00003	1-78		

"THIS DRAWING AND SPECIFICATIONS, HEREIN, ARE THE PROPERTY OF DIGITAL EQUIPMENT CORPORATION AND SHALL NOT BE REPRODUCED OR COPIED OR USED IN WHOLE OR IN PART AS THE BASIS FOR THE MANUFACTURE OR SALE OF ITEMS WITHOUT WRITTEN PERMISSION. COPYRIGHT © 1976 DIGITAL EQUIPMENT CORPORATION"



USED ON OPTION/MODEL	MS11-K	DRN	S. Beltzer	7 DEC 76	TITLE	MS11-K (ARRAY)		
		CHK'D	J. Baseman	7 DEC 76	SIZE CODE	B DD	NUMBER	M7984-0
		ENG.	J. B. Martin	12/20/76	REV.	C		
		PROD.	J. J. Linn	1/18/77	SHEET 1 OF 1			

DIGITAL EQUIPMENT CORPORATION PARTS LIST					QUANTITY / VARIATION										NOTES:
MADE BY P. BOSSMAN DATE 6 DEC 76		CHECKED P. BOSSMAN DATE 15 DEC 76		SECTION 1	M7984-AA*					M7984-BA*					* M7984-AA = M7984-AB, AC, AD, ETC. WITH DIFFERENT 4K MOS DEVICES * M7984-BA = M7984-BB, BC, BD, ETC. WITH DIFFERENT 4K MOS DEVICES
ENG J. MANTON DATE 12/20/76		PROD F.S. LIN DATE 1/18/77		ISSUED SECTION 1	M7984-AB	M7984-AC	M7984-AD	M7984-AE	M7984-AF	M7984-BB	M7984-BC	M7984-BD	M7984-BE	M7984-BF	
ITEM NO.	DRAWING NO.	PART NO.	DESCRIPTION												REF DESIGNATION
	D-CS-M7984-0-1		CIRCUIT SCHEMATIC		REF	REF	REF	REF	REF		REF	REF	REF	REF	
	D-UA-M7984-0-0		UNIT ASSEMBLY		REF	REF	REF	REF	REF		REF	REF	REF	REF	
	B-DD-M7984-0		DWG DIRECTORY		REF	REF	REF	REF	REF		REF	REF	REF	REF	
	D-MD-5011997-0-0	5011997	DRILL & ETCH DRAWING		REF	REF	REF	REF	REF		REF	REF	REF	REF	
1		21-13731-01	4K MOS RAM 16 PIN IN MOSTEK (275NS)		156	-	-	-	-		-	-	-	-	E5 thru E12, E17 thru E24, E28 thru E35, E39 thru E46, E49 thru E56, E60 thru E67, E81 thru E88, E90 thru E97, E99 thru E110, E111 thru E122, E124 thru E135, E137 thru E184, E70 THRU E77
					-	-	-	-	-		78	-	-	-	E5, E6, E9, E10, E17, E18, E21, E22, E28, E29, E32, E33, E39, E40, E43, E44, E49, E50, E53, E54, E60, E61, E64, E65, E70, E71, E74, E75, E81, E82, E85, E86, E90, E91, E94, E95, E99, E100, E103, E104, E107, E108, E111, E112, E115, E116, E119, E120, E124, E125, E128, E129, E132, E133, E137, E138, E141, E142, E145, E146, E149, E150, E153, E154, E157, E158, E161, E162, E165, E166, E169, E170, E173, E174, E177, E178, E181, E182
2		21-13735-01	4K MOS RAM 16 PIN IC MOSTEK (200NS)		-	156	-	-	-		-	-	-	-	SAME AS M7984-AB
					-	-	-	-	-		-	78	-	-	SAME AS M7984-BB
3		90-09185-00	JUMPER. INSULATED		5	5	5	5	5		-	-	-	-	W1, W2, W3, W4, X1
					-	-	-	-	-		6	6	6	6	W1, W2, W3, W4, W6, X1
4		50 11997	ETCH BOARD		1	1	1	1	1		1	1	1	1	
5		10 12084-01	CAP 8 UF 25V 10% S.TANT		13	13	13	13	13		13	13	13	13	C182 thru C186, C188 thru C195
6		10 01610-01	CAP .01 UF 100V DISC		23	23	23	23	23		23	23	23	23	C156, C157, C159 thru C174, C176 thru C179, C181
7		10 10274-01	CAP .22 UF 50V 80% 20% CER		155	155	155	155	155		155	155	155	155	C1 thru C155
8		11 10994-00	DIODE ZENER 1N751A 5.1V - 5%		1	1	1	1	1		1	1	1	1	D1

E.C.O. NO.  
00003

"THIS DRAWING AND SPECIFICATIONS, HEREIN, ARE THE PROPERTY OF DIGITAL EQUIPMENT CORPORATION AND SHALL NOT BE REPRODUCED OR COPIED OR USED IN WHOLE OR IN PART AS THE BASIS FOR THE MANUFACTURE OR SALE OF ITEMS WITHOUT WRITTEN PERMISSION. COPYRIGHT © DIGITAL EQUIPMENT CORPORATION"

TITLE  
MS11-K (ARRAY)

ASSY NO.  
D-UA-M7984-0-0  
SHEET 1 OF 9

SIZE B  
CODE PL  
NUMBER M7984-0-0  
INSERTION PARTS LIST DATA BASE REV

REV. E



DIGITAL EQUIPMENT CORPORATION PARTS LIST				QUANTITY / VARIATION										NOTES: * M7984-AA = M7984-AB, AC, AD, ETC. WITH DIFFERENT 4K MOS DEVICES * M7984-BA = M7984-BB, BC, BD, ETC. WITH DIFFERENT 4K MOS DEVICES			
				M7984-AA*					M7984-BA*								
MADE BY P. BOSSMAN DATE 6 DEC 76		CHECKED P. BOSSMAN DATE 15 DEC 76		SECTION 2		M7984-AB	M7984-AC	M7984-AD	M7984-AE	M7984-AF	M7984-BB	M7984-BC	M7984-BD	M7984-BE	M7984-BF	REF DESIGNATION	
ENG J. MANTON DATE 12/20/76		PROD F.S. LIN DATE 1/18/77		ISSUED SECTION 1													
ITEM NO.	DRAWING NO.	PART NO.	DESCRIPTION														
9		12 10711-02	HANDLE HEX			1	1	1	1	1	1	1	1	1	1		
10		13 01972-00	RES 270 1/4W 5% CC			2	2	2	2	2	2	2	2	2	2	R94, R102	
11		13 02124-00	RES 18 1/4W 5% CC			84	84	84	84	84	84	84	84	84	84	R1 thru R47, R50 thru R53, R56 thru R59, R65 thru R93	
12		13 00365-00	RES 1K 1/4W 5% CC			7	7	7	7	7	7	7	7	7	7	R63, R95, R201 thru R205	
13		13 02177-00	RES 47K 1/4W 5% CC			9	9	9	9	9	9	9	9	9	9	R48, R49, R54, R55, R60, R61, R62, R64, R103	
14		19 10091-00	IC DEC 7437			3	3	3	3	3	3	3	3	3	3	E1, E47, E48	
15		19 10533-00	IC DEC 74S03			1	1	1	1	1	1	1	1	1	1	E3	
16		19 10534-00	IC DEC 74S04			1	1	1	1	1	1	1	1	1	1	E25	
17		19 12746-00	IC DEC 74S37			10	10	10	10	10	10	10	10	10	10	E13, E14, E26, E27, E37, E57, E58, E68, E69, E89	
18		19 12068-00	IC DEC 74128			2	2	2	2	2	2	2	2	2	2	E15, E36	
19		19 11676-00	IC DEC 74S139			1	1	1	1	1	1	1	1	1	1	E2	
20		19 13777-00	IC DEC 74LS240			10	10	10	10	10	10	10	10	10	10	E4, E16, E38, E59, E78, E79, E80, E98, E123, E136	
21		90 06732-00	EYELET			12	12	12	12	12	12	12	12	12	12		
22		91 05740-55	WIRE, #30 AWG (GRN)			A/R	A/R	A/R	A/R	A/R	A/R	A/R	A/R	A/R	A/R		
23		91 07256-11	TUBING, CLEAR			A/R	A/R	A/R	A/R	A/R	A/R	A/R	A/R	A/R	A/R		
24		2113910-01	4K MOS RAM 16 PIN IC FUJITSU (250NS)			-	-	156	-	-	-	-	-	-	-	SAME AS M7984-AB	
						-	-	-	-	-	-	78	-	-	SAME AS M7984-BB		
25		21 13790-01	4K MOS RAM 16 PIN IC INTEL (250NS)			-	-	-	156	-	-	-	-	-	-	SAME AS M7984-AB	
						-	-	-	-	-	-	-	78	-	SAME AS M7984-BB		
26		21 13892-01	4K MOS RAM 16 PIN IC HITACHI (250NS)			-	-	-	-	156	-	-	-	-	-	SAME AS M7984-AB	
						-	-	-	-	-	-	-	-	78	-	SAME AS M7984-BB	

E.C.O. NO.

"THIS DRAWING AND SPECIFICATIONS, HEREIN, ARE THE PROPERTY OF DIGITAL EQUIPMENT CORPORATION AND SHALL NOT BE REPRODUCED OR COPIED OR USED IN WHOLE OR IN PART AS THE BASIS FOR THE MANUFACTURE OR SALE OF ITEMS WITHOUT WRITTEN PERMISSION. COPYRIGHT © DIGITAL EQUIPMENT CORPORATION"

TITLE  
MS11-K (ARRAY)

ASSY NO.  
D-UA-M7984-0-0

SIZE CODE  
B PL

NUMBER  
M7984-0-0

REV.  
E

SHEET 2 OF 9

INSERTION PARTS LIST DATA BASE REV

DIGITAL EQUIPMENT CORPORATION PARTS LIST					QUANTITY / VARIATION										NOTES:	
MADE BY P. BOSSMAN DATE 6 DEC 76		CHECKED P. BOSSMAN DATE 15 DEC 76		SECTION 3	M7984-AA*					M7984-BA*					* M7984-AA = M7984-AB, AC, AD, ETC. WITH DIFFERENT 4K MOS DEVICES * M7984-BA = M7984-BB, BC, BD, ETC. WITH DIFFERENT 4K MOS DEVICES	
ENG J. MANTON DATE 12/20/76		PROD F.S. LIN DATE 1/18/77		ISSUED SECTION 1	M7984-AB	M7984-AC	M7984-AD	M7984-AE	M7984-AF	M7984-BB	M7984-BC	M7984-BD	M7984-BE	M7984-BF		REF DESIGNATION
ITEM NO.	DRAWING NO.	PART NO.	DESCRIPTION		M7984-AB	M7984-AC	M7984-AD	M7984-AE	M7984-AF	M7984-BB	M7984-BC	M7984-BD	M7984-BE	M7984-BF	REF DESIGNATION	
27		11 14384-00	GREEN DIODE, LED		1	1	1	1	1	1	1	1	1	1	D3	
28		11 09991-00	DIODE ZENER, IN754A 6.8V - 5%		1	1	1	1	1	1	1	1	1	1	D2	
29		13 00202-00	RES 47 1/4W 5% CC		1	1	1	1	1	1	1	1	1	1	R1ØØ	
E.C.O. NO.																
"THIS DRAWING AND SPECIFICATIONS, HEREIN, ARE THE PROPERTY OF DIGITAL EQUIPMENT CORPORATION AND SHALL NOT BE REPRODUCED OR COPIED OR USED IN WHOLE OR IN PART AS THE BASIS FOR THE MANUFACTURE OR SALE OF ITEMS WITHOUT WRITTEN PERMISSION. COPYRIGHT © DIGITAL EQUIPMENT CORPORATION"					TITLE MS11-K (ARRAY)					ASSY NO. D-UA-M7984-Ø-Ø			SIZE B	CODE PL	NUMBER M7984-Ø-Ø	REV. E
					SHEET 3 OF 9					INSERTION PARTS LIST DATA BASE REV						

DIGITAL EQUIPMENT CORPORATION PARTS LIST				QUANTITY / VARIATION								NOTES:		
MADE BY P. BOSSMAN DATE 6 DEC 76		CHECKED P. BOSSMAN DATE 15 DEC 76		SECTION 1		M7984-CA*				M7984-DA*				* M7984-CA = M7984-CB, CC WITH DIFFERENT 16K MOS DEVICES * M7984-DA = M7984-DB, DC WITH DIFFERENT 16K MOS DEVICES
ENG J. MANTON DATE 12/20/76		PROD F.S. LIN DATE 1/18/77		ISSUED SECTION 1		M7984-CB	M7984-CC					M7984-DB	M7984-DC	
ITEM NO.	DRAWING NO.	PART NO.	DESCRIPTION	M7984-CB	M7984-CC							M7984-DB	M7984-DC	REF DESIGNATION
	D-CS-M7984- $\emptyset$ -1		CIRCUIT SCHEMATIC	REF	REF							REF	REF	
	D-UA-M7984- $\emptyset$ - $\emptyset$		UNIT ASSEMBLY	REF	REF							REF	REF	
	B-DD-M7984- $\emptyset$		DWG DIRECTORY	REF	REF							REF	REF	
	D-MD-5011997- $\emptyset$ - $\emptyset$	5011997	DRILL & ETCH DRAWING	REF	REF							REF	REF	
1		21-13825-01	16K MOS MEMORY 16 PIN MOSTEK (2 $\emptyset$ NS)	156	-							-	-	E5 thru E12, E17 thru E24, E28 thru E35, E39 thru E46, E49 thru E56, E6 $\emptyset$ thru E67, E7 $\emptyset$ thru E77, E81 thru E88, E9 $\emptyset$ thru E97, E99 thru E11 $\emptyset$ , E111 thru E122, E124 thru E135, E137 thru E184
				-	-							-	-	
				-	-							-	-	
				-	-							-	-	
				-	-							-	-	
				-	-							39	-	E5, E9, E17, E21, E28, E32, E39, E43, E49, E53, E6 $\emptyset$ , E64, E7 $\emptyset$ , E74, E81, E85, E9 $\emptyset$ , E94, E99, E1 $\emptyset$ 3, E1 $\emptyset$ 7, E111, E115, E119, E124, E128, E132, E137, E141, E145, E149, E153, E157, E161, E165, E169, E173, E177, E181
2		21-14408-01	16K MOS MEMORY 16 PIN FUJITSU (2 $\emptyset$ NS)	-	156							-	-	SAME AS M7984-CB
				-	-							-	39	SAME AS M7984-DB
3		90 09185-00	JUMPER, INSULATED	8	8							-	-	W1, W2, W3, W4, W7, W8, W9, X1
				-	-							7	7	W1, W2, W3, W4, W7, W9, X1
4		50 11997	ETCH BOARD	1	1							1	1	
5		10 12084-01	CAP 8 UF 25V 10% S.TANT	13	13							13	13	C182 thru C186, C188 thru C195
6		10 01610-01	CAP .01 UF 1 $\emptyset$ V DISC	23	23							23	23	C156, C157, C159 thru C174, C176 thru C179, C181
7		10 10274-01	CAP .22 UF 50V 80% CER	155	155							155	155	C1 thru C155
8		11 10994-00	DIODE ZENER 1N751A 5.1V - 5%	1	1							1	1	D1
9		12 10711-02	HANDLE HEX	1	1							1	1	
10		13 01972-00	RES 270 1/4W 5% CC	2	2							2	2	R94, R1 $\emptyset$ 2
E.C.O. NO.														
"THIS DRAWING AND SPECIFICATIONS, HEREIN, ARE THE PROPERTY OF DIGITAL EQUIPMENT CORPORATION AND SHALL NOT BE REPRODUCED OR COPIED OR USED IN WHOLE OR IN PART AS THE BASIS FOR THE MANUFACTURE OR SALE OF ITEMS WITHOUT WRITTEN PERMISSION. COPYRIGHT © DIGITAL EQUIPMENT CORPORATION"				TITLE MS11-K (ARRAY)				ASSY NO. D-UA-M7984- $\emptyset$ - $\emptyset$		SIZE B	CODE PL	NUMBER M7984- $\emptyset$ - $\emptyset$		REV. E
				SHEET 4 OF 9				INSERTION PARTS LIST DATA BASE REV						

DIGITAL EQUIPMENT CORPORATION PARTS LIST				QUANTITY / VARIATION								NOTES:			
MADE BY P. BOSSMAN DATE 6 DEC 76		CHECKED P. BOSSMAN DATE 15 DEC 76		SECTION 1				M7984-CA*				* M7984-CA = M7984-CB,CC WITH DIFFERENT 16K MOS DEVICES			
ENG J. MANTON DATE 12/20/76		PROD F.S. LIN DATE 1/18/77		ISSUED SECTION 1				M7984-CB		M7984-CC		M7984-DA*		* M7984-DA = M7984-DB,DC WITH DIFFERENT 16K MOS DEVICES	
ITEM NO.	DRAWING NO.	PART NO.	DESCRIPTION	M7984-CB	M7984-CC					M7984-DB	M7984-DC			REF DESIGNATION	
11		13 02124-00	RES 18 1/4W 5% CC	84	84					84	84			R1 thru R47, R50 thru R53, R56 thru R59, R65 thru R93	
12		13 00365-00	RES 1K 1/4W 5% CC	7	7					7	7			R63, R95, R201 thru R205	
13		13 02177-00	RES 47K 1/4W 5% CC	9	9					9	9			R48, R49, R54, R55, R60, R61, R62, R64, R103	
14		19 10091-00	IC DEC 7437	3	3					3	3			E1, E47, E48	
15		19 10533-00	IC DEC 74S03	1	1					1	1			E3	
16		19 10534-00	IC DEC 74S04	1	1					1	1			E25	
17		19 12746-00	IC DEC 74S37	10	10					10	10			E13, E14, E26, E27, E37, E57, E58, E68, E69, E89	
18		19 12068-00	IC DEC 74128	2	2					2	2			E15, E36	
19		19 11676-00	IC DEC 74S139	1	1					1	1			E2	
20		19 13777-00	IC DEC 74LS240	10	10					10	10			E4, E16, E38, E59, E78, E79, E80, E98, E123, E136	
21		90 06732-00	EYELET	12	12					12	12				
22		91 05740-55	WIRE, #30 AWG (GRN)	A/R	A/R					A/R	A/R				
23		91 07256-11	TUBING, CLEAR	A/R	A/R					A/R	A/R				
24		11 14384-00	GREEN DIODE, LED	1	1					1	1			D3	
25		11 09991-00	DIODE ZENER IN754A 6.8V - 5%	1	1					1	1			D2	
26		13 00202-00	RES 47 1/4W 5% CC	1	1					1	1			R100	
E.C.O. NO.															
"THIS DRAWING AND SPECIFICATIONS, HEREIN, ARE THE PROPERTY OF DIGITAL EQUIPMENT CORPORATION AND SHALL NOT BE REPRODUCED OR COPIED OR USED IN WHOLE OR IN PART AS THE BASIS FOR THE MANUFACTURE OR SALE OF ITEMS WITHOUT WRITTEN PERMISSION. COPYRIGHT © DIGITAL EQUIPMENT CORPORATION"				TITLE MS11-K (ARRAY)				ASSY NO. D-UA-M7984-0-0		SIZE B	CODE PL	NUMBER M7984-0-0		REV. E	
								SHEET 5 OF 9		INSERTION PARTS LIST DATA BASE REV					

DIGITAL EQUIPMENT CORPORATION PARTS LIST				QUANTITY / VARIATION												NOTES: * M7984-EA = M7984-EB,EC,ED,EE WITH DIFFERENT 4K MOS DEVICES				
				M7984-EA*																
MADE BY P. BOSSMAN DATE 6 DEC 76		CHECKED P. BOSSMAN DATE 15 DEC 76		SECTION 1		M7984-EB	M7984-EC	M7984-ED	M7984-EE											
ENG J. MANTON DATE 12/20/76		PROD F.S. LIN DATE 1/18/77		ISSUED SECTION 2																
ITEM NO.	DRAWING NO.	PART NO.	DESCRIPTION																	REF DESIGNATION
	D-CS-M7984-Ø-1		CIRCUIT SCHEMATIC	REF	REF	REF	REF													
	D-UA-M7984-Ø-Ø		UNIT ASSEMBLY	REF	REF	REF	REF													
	B-DD-M7984-Ø		DWG DIRECTORY	REF	REF	REF	REF													
	D-MD-5011997-Ø-Ø	5011997	DRILL & ETCH DRAWING	REF	REF	REF	REF													
1		21 13914-01	4K MOS RAM 16 PIN IC DEC (2ØØNS)	156	-	-	-													E5 thru E12, E17 thru E24, E28 thru E35, E39 thru E46, E49 thru E56, E6Ø thru E67, E7Ø thru E77, E81 thru E88, E9Ø thru E97, E99 thru E122, E124 thru E135, E137 thru E184
2		21 13735-01	4K MOS RAM 16 PIN IC MOSTEK (2ØØNS)	-	156	-	-													SAME AS M7984-EB
3		90 09185-00	JUMPER, INSULATED	6	6	6	6													W1, W2, W3, W4, W8, X1
4		50 11997	ETCH BOARD	1	1	1	1													
5		10 12084-01	CAP, 8 UF 25V 10% S.TANT	13	13	13	13													C182 thru C186, C188 thru C195
6		10 01610-01	CAP, .01 UF 1ØØV DISC	23	23	23	23													C156, C157, C159 thru C174, C176 thru C179, C181
7		10 10274-01	CAP, .22 UF 5ØV 80% 20% CER	155	155	155	155													C1 thru C155
8		11 10994-00	DIODE ZENER 1N751A 5.1V - 5%	1	1	1	1													D1
9		12 10711-02	HANDLE HEX	1	1	1	1													
10		13 01972-00	RES 270 1/4W 5% CC	2	2	2	2													R94, R1Ø2
11		13 02124-00	RES 18 1/4W 5% CC	84	84	84	84													R1 thru R47, R5Ø thru R53, R56 thru R59, R65 thru R93
12		13 00365-00	RES 1K 1/4W 5% CC	7	7	7	7													R63, R95, R2Ø1 thru R2Ø5
13		13 02177-00	RES 47K 1/4W 5% CC	9	9	9	9													R48, R49, R54, R55, R6Ø, R61, R62, R64, R1Ø3
E.C.O. NO.																				
"THIS DRAWING AND SPECIFICATIONS, HEREIN, ARE THE PROPERTY OF DIGITAL EQUIPMENT CORPORATION AND SHALL NOT BE REPRODUCED OR COPIED OR USED IN WHOLE OR IN PART AS THE BASIS FOR THE MANUFACTURE OR SALE OF ITEMS WITHOUT WRITTEN PERMISSION. COPYRIGHT © DIGITAL EQUIPMENT CORPORATION"			TITLE MS11-K (ARRAY)				ASSY NO. D-UA-M7984-Ø-Ø			SIZE B	CODE PL	NUMBER M7984-Ø-Ø				REV. E				
							SHEET 6 OF 9			INSERTION PARTS LIST DATA BASE REV										

# DIGITAL EQUIPMENT CORPORATION PARTS LIST

## QUANTITY / VARIATION

**NOTES:**

\* M7984-EA = M7984-EB,EC,ED,EE WITH DIFFERENT 4K MOS DEVICES

MADE BY DATE	P. BOSSMAN 6 DEC 76	CHECKED DATE	P. BOSSMAN 15 DEC 76
SECTION	1		
ENG DATE	J. MANTON 12/20/76	PROD DATE	F.S. LIN 1/18/77
ISSUED SECTION	1		

ITEM NO.	DRAWING NO.	PART NO.	DESCRIPTION	M7984-EA*														REF DESIGNATION				
				M7984-EB	M7984-EC	M7984-ED	M7984-EE															
14		19 10091-00	IC DEC 7437	3	3	3	3															E1, E47, E48
15		19 10533-00	IC DEC 74S03	1	1	1	1															E3
16		19 10534-00	IC DEC 74S04	1	1	1	1															E25
17		19 12746-00	IC DEC 74S37	10	10	10	10															E13, E14, E26, E27, E37, E57, E58, E68, E69, E83
18		19 12068-00	IC DEC 74128	2	2	2	2															E15, E36
19		19 11676-00	IC DEC 74S139	1	1	1	1															E2
20		19 13777-00	IC DEC 74LS240	10	10	10	10															E4, E16, E38, E59, E78, E79, E80, E98, E123, E136
21		90 06732-00	EYELET	12	12	12	12															
22		91 05740-55	WIRE, #30 AWG (GRN)	A/R	A/R	A/R	A/R															
23		91 07256-11	TUBING, CLEAR	A/R	A/R	A/R	A/R															
24		21 14114-01	4K MOS MEMORY 16 PIN IC MOTOROLA (200NS)	-	-	156	-															SAME AS M7984-EB
25		11 14384-00	GREEN DIODE, LED	1	1	1	1															D3
26		11 09991-00	DIODE ZENER, IN754A 6.8V - 5%	1	1	1	1															D2
27		13 00202-00	RES 47 1/4W 5% CC	1	1	1	1															R100
28		21 14475-01	4K MOS RAM 16 PIN IC FIJITSU (200NS)				156															SAME AS M7984-EB

**E.C.O. NO.**

"THIS DRAWING AND SPECIFICATIONS, HEREIN, ARE THE PROPERTY OF DIGITAL EQUIPMENT CORPORATION AND SHALL NOT BE REPRODUCED OR COPIED OR USED IN WHOLE OR IN PART AS THE BASIS FOR THE MANUFACTURE OR SALE OF ITEMS WITHOUT WRITTEN PERMISSION. COPYRIGHT © DIGITAL EQUIPMENT CORPORATION"

TITLE  
**MS11-K (ARRAY)**

ASSY NO.  
D-UA-M7984-0-0

SIZE  
**B PL**

NUMBER  
M7984-0-0

REV.  
**E**

SHEET **7** OF **9**

INSERTION PARTS LIST DATA BASE REV

DIGITAL EQUIPMENT CORPORATION PARTS LIST				QUANTITY / VARIATION										NOTES:							
MADE BY P. BOSSMAN DATE 6 DEC 76		CHECKED P. BOSSMAN DATE 15 DEC 76		SECTION 1		M7984-FA*										* M7984-FA = M7984-FB, FC WITH DIFFERENT 16K MOS DEVICES					
ENG J. MANTON DATE 12/20/76		PROD F.S. LIN DATE 1/18/77		ISSUED SECTION 1		M7984-FB	M7984-FC														
ITEM NO.	DRAWING NO.	PART NO.	DESCRIPTION		M7984-FB	M7984-FC															REF DESIGNATION
	D-CS-M7984-Ø-1		CIRCUIT SCHEMATIC		REF	REF															
	D-UA-M7984-Ø-Ø		UNIT ASSEMBLY		REF	REF															
	B-DD-M7984-Ø		DWG DIRECTORY		REF	REF															
	D-MD-5011997-Ø-Ø	5011997	DRILL & ETCH DRAWING		REF	REF															
1		21 13825-01	16K MOS MEMORY 16 PIN MOSTEK (2ØØNS)		78	-															E5, E6, E9, E1Ø, E17, E18, E21, E22, E28, E29, E32, E33, E39, E4Ø, E43, E44, E49, E5Ø, E53, E54, E6Ø, E61, E64, E65, E7Ø, E71, E74, E75, E81, E82, E85, E86, E9Ø, E91, E94, E95, E99, E1ØØ, E1Ø3, E1Ø4, E1Ø7, E1Ø8, E111, E112, E115, E116, E119, E12Ø, E124, E125, E128, E129, E132, E133, E137, E138, E141, E142, E145, E146, E149, E15Ø, E153, E154, E157, E158, E151, E162, E165, E166, E169, E17Ø, E173, E174, E177, E178, E181, E182
2		21 14408-01	16K MOS MEMORY 16 PIN FUJITSU (2ØØNS)		-	78															SAME AS M7984-FB
3		90 09185-00	JUMPER, INSULATED		8	8															W1, W2, W3, W4, W7, W9, W1Ø, X1
4		50 11997	ETCH BOARD		1	1															
5		10 12084-01	CAP 8 UF 25V 10% S.TANT		13	13															C182 thru C186, C188 thru C195
6		10 01610-01	CAP .01 UF 1ØØV DISC		23	23															C156, C157, C159 thru C174, C176 thru C179, C181
7		10 10274-01	CAP .22 UF 50V 80% 20% CER		155	155															C1 thru C155
8		11 10994-00	DIODE ZENER 1N751A 5.1V - 5%		1	1															D1
9		12 10711-02	HANDLE HEX		1	1															
10		13 01972-00	RES 270 1/4W 5% CC		2	2															R94, R1Ø2
11		13 02124-00	RES 18 1/4W 5% CC		84	84															R1 thru R47, R5Ø thru R53, R56 thru R59, R65 thru R93
E.C.O. NO.																					
"THIS DRAWING AND SPECIFICATIONS, HEREIN, ARE THE PROPERTY OF DIGITAL EQUIPMENT CORPORATION AND SHALL NOT BE REPRODUCED OR COPIED OR USED IN WHOLE OR IN PART AS THE BASIS FOR THE MANUFACTURE OR SALE OF ITEMS WITHOUT WRITTEN PERMISSION. COPYRIGHT © DIGITAL EQUIPMENT CORPORATION"				TITLE MS11-K (ARRAY)				ASSY NO. D-UA-M7984-Ø-Ø				SIZE B	CODE PL	NUMBER M7984-Ø-Ø				REV. E			
				SHEET 8 OF 9				INSERTION PARTS LIST DATA BASE REV													

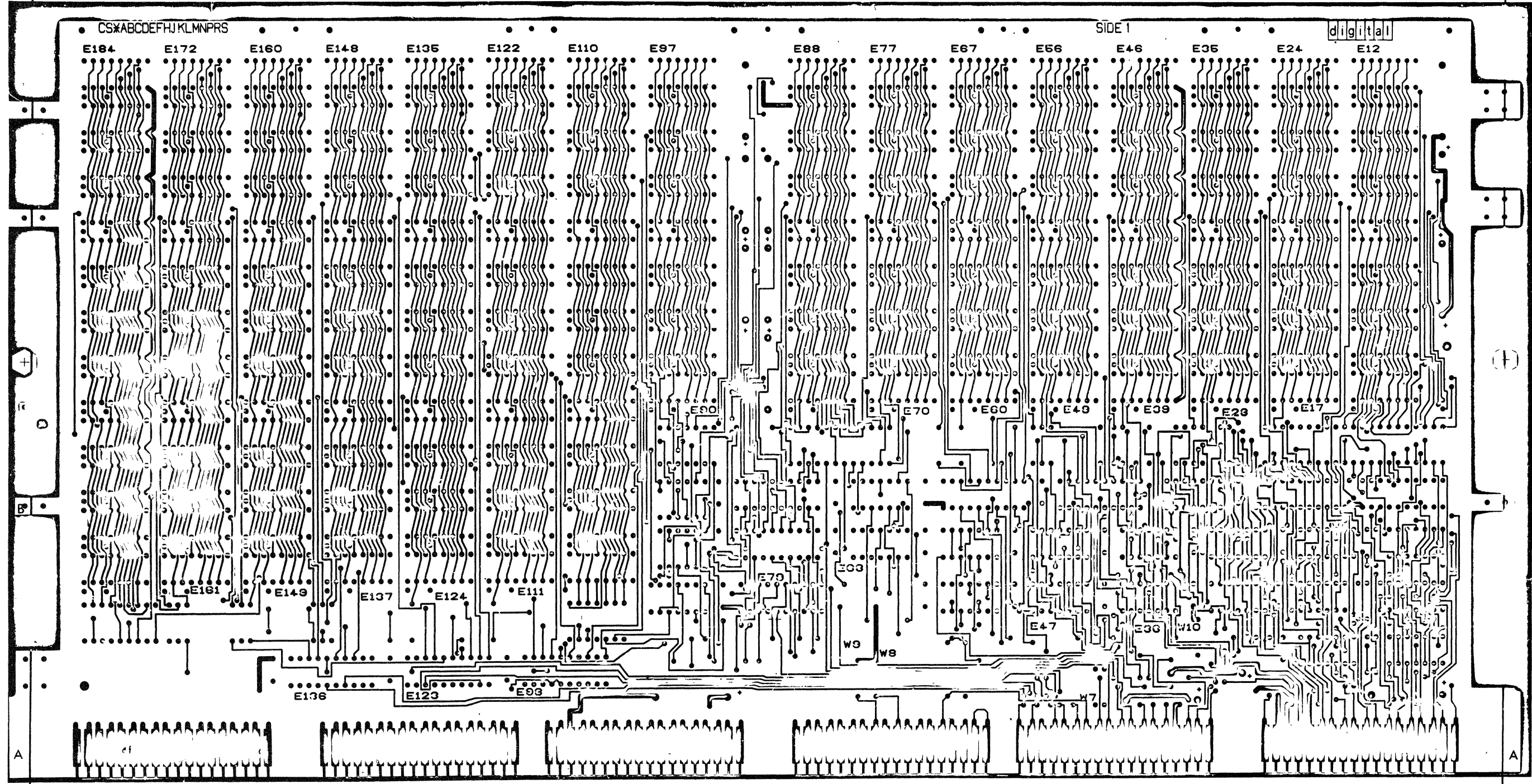
DIGITAL EQUIPMENT CORPORATION PARTS LIST					QUANTITY / VARIATION										NOTES:						
MADE BY P. BOSSMAN DATE 6 DEC 76		CHECKED P. BOSSMAN DATE 15 DEC 76		SECTION 1	M7984-FA*										* M7984-FA = M7984-FB, FC WITH DIFFERENT 16K MOS DEVICES						
ENG J. MANTON DATE 12/20/76		PROD F.S. LIN DATE 1/18/77		ISSUED SECTION 1	M7984-FB	M7984-FC															
ITEM NO.	DRAWING NO.	PART NO.	DESCRIPTION		M7984-FB	M7984-FC															
12		13 00365	RES 1K 1/4W 5% CC		7	7														R63, R95, R201 thru R205	
13		13 02177-00	RES 47K 1/4W 5% CC		9	9														R48, R49, R54, R55, R60, R61, R62, R64, R103	
14		19 10091-00	IC DEC 7437		3	3														E1, E47, E48	
15		19 10533-00	IC DEC 74S03		1	1														E3	
16		19 10534-00	IC DEC 74S04		1	1														E25	
17		19 12746-00	IC DEC 74S37		10	10														E13, E14, E26, E27, E37, E57, E58, E68, E69, E89	
18		19 12068-00	IC DEC 74128		2	2														E15, E36	
19		19 11676-00	IC DEC 74S139		1	1														E2	
20		19 13777-00	IC DEC 74LS240		10	10														E4, E16, E38, E59, E78, E79, E80, E98, E123, E136	
21		90 06732-00	EYELET		12	12															
22		91 05740-55	WIRE, #30 AWG (GRN)		A/R	A/R															
23		91 07256-11	TUBING, CLEAR		A/R	A/R															
24		11 14384-00	GREEN DIODE, LED		1	1														D3	
25		11 09991-00	DIODE ZENER, 1N754A 6.8V - 5%		1	1														D2	
26		13 00202-00	RES 47 1/4W 5% CC		1	1														R100	
E.C.O. NO.																					
"THIS DRAWING AND SPECIFICATIONS, HEREIN, ARE THE PROPERTY OF DIGITAL EQUIPMENT CORPORATION AND SHALL NOT BE REPRODUCED OR COPIED OR USED IN WHOLE OR IN PART AS THE BASIS FOR THE MANUFACTURE OR SALE OF ITEMS WITHOUT WRITTEN PERMISSION. COPYRIGHT © DIGITAL EQUIPMENT CORPORATION"					TITLE MS11-K (ARRAY)					ASSY NO. D-UA-M7984-0-0					SIZE B		CODE PL		NUMBER M7984-0-0		REV. E
SHEET 9 OF 9										INSERTION PARTS LIST DATA BASE REV											



THIS DRAWING AND SPECIFICATIONS HEREIN ARE THE PROPERTY OF DIGITAL EQUIPMENT CORPORATION AND SHALL NOT BE REPRODUCED, COPIED OR USED IN WHOLE OR IN PART AS A BASIS FOR THE MANUFACTURE OR SALE OF ITEMS WITHOUT PERMISSION. COPYRIGHT © 1978 DIGITAL EQUIPMENT CORPORATION.

M7984 6011997 D-P1

LAYER 1



REVISIONS		
CHK	CHANGE NO	REV

TITLE	MSI IK (ARRAY)	SIZE CODE	D UA	NUMBER	M7984-0-0	REV	E
SCALE	2 / 1	SHEET	7 OF 13	DIST			

8 7 6 5 4 3 2 1

8

7

6

5

4

3

2

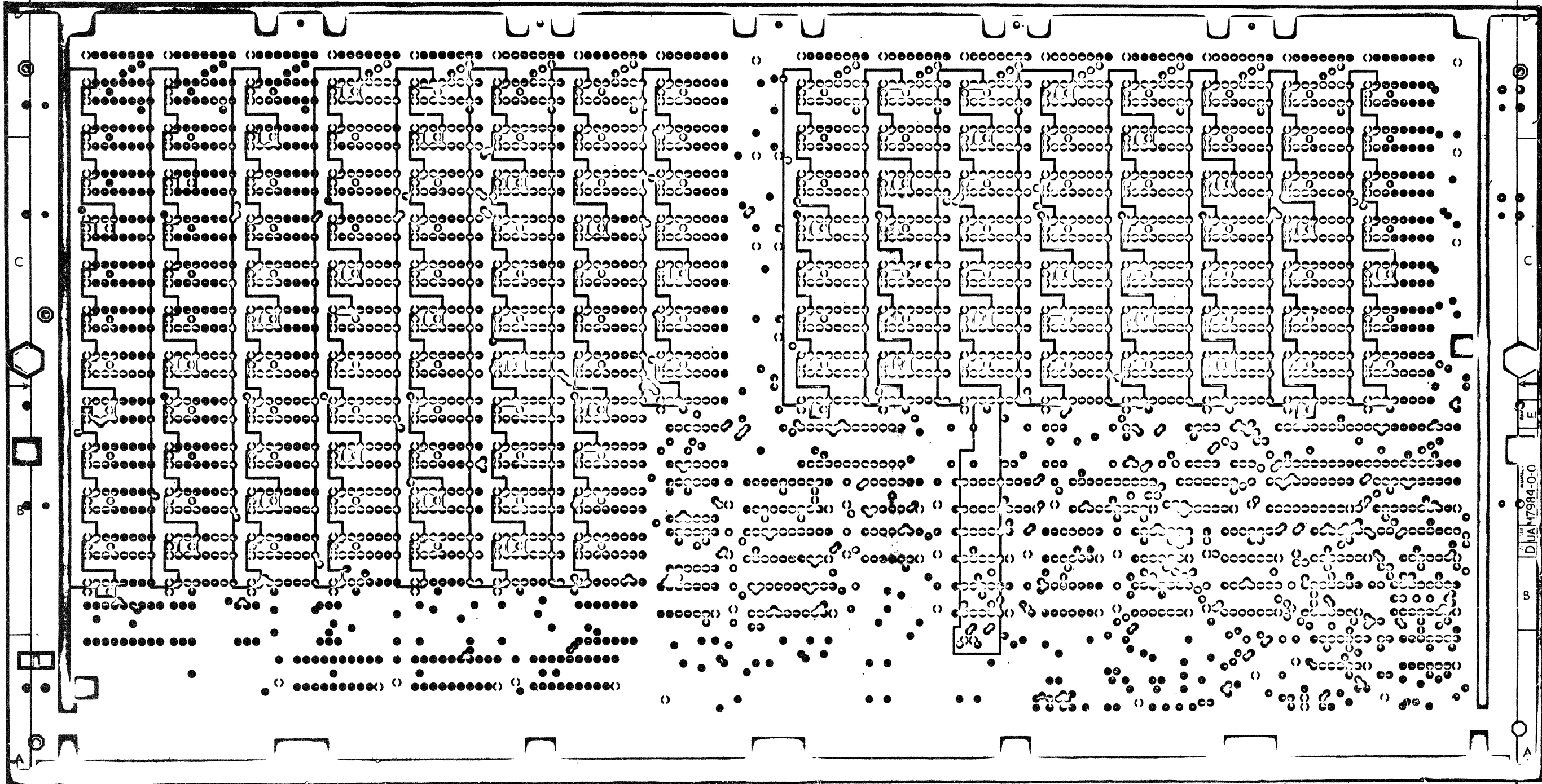
1

THIS DRAWING AND SPECIFICATIONS HEREIN ARE THE PROPERTY OF DIGITAL EQUIPMENT CORPORATION AND SHALL NOT BE REPRODUCED OR USED IN WHOLE OR IN PART AS THE BASIS FOR THE MANUFACTURE OR SALE OF ITEMS WITHOUT THE WRITTEN PERMISSION OF DIGITAL EQUIPMENT CORPORATION.

M7984 5011997 D-P1

DUA M7984-0-0 E

L2



REVISIONS		
CHK	CHANGE NO	REV

TITLE	MSI IK (ARRAY)	SIZE CODE	DUA	NUMBER	M7984-0-0	REV	E
SCALE	2/1	SHEET	8 OF 13	DIST			

8

7

6

5

4

3

2

1

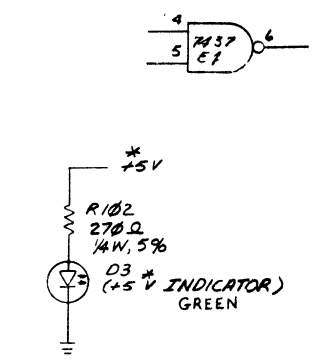
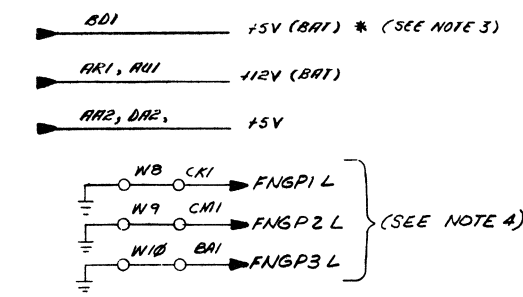
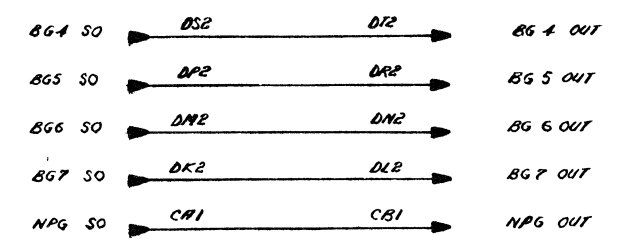
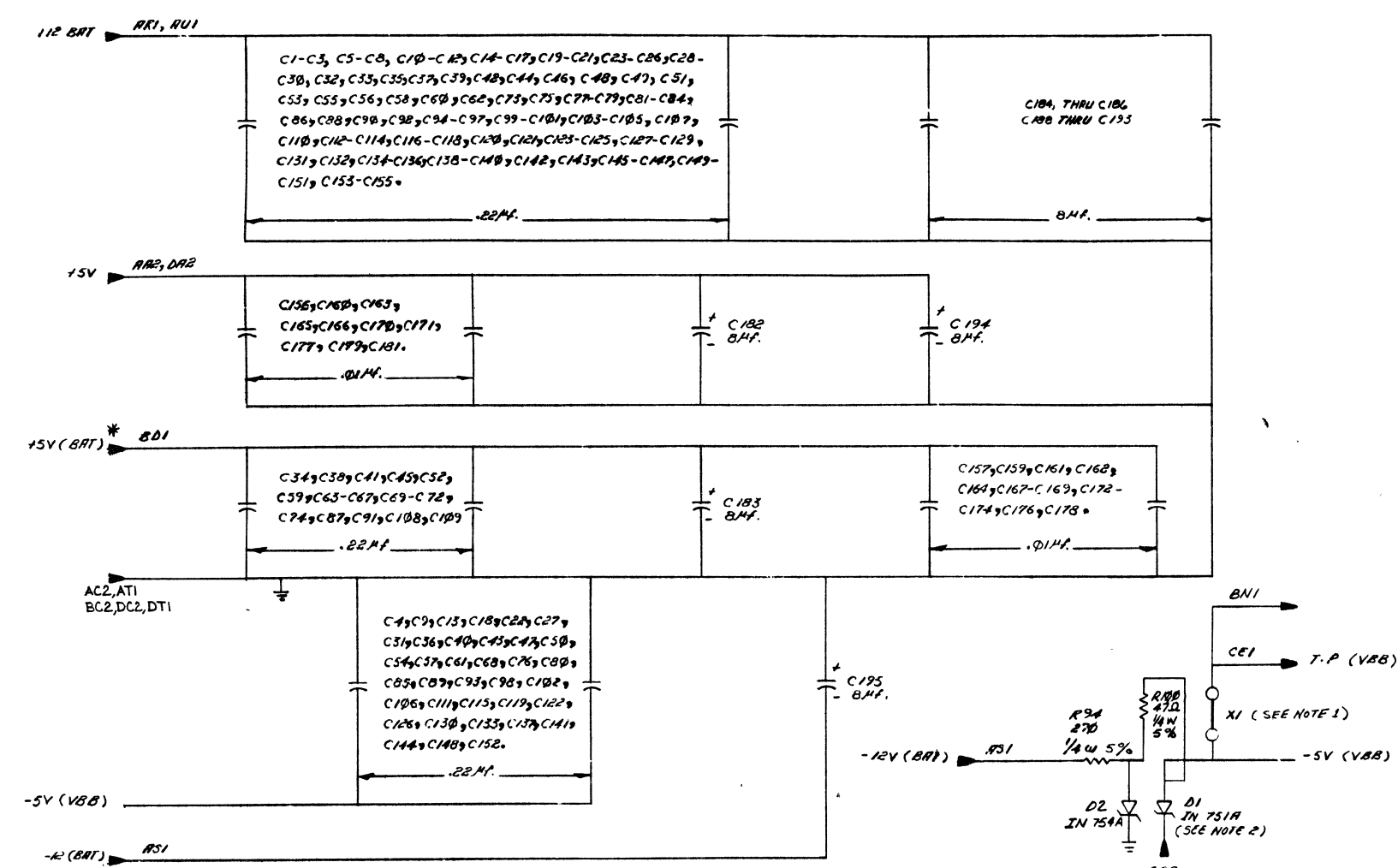
THIS DRAWING AND SPECIFICATIONS HEREIN ARE THE PROPERTY OF DIGITAL EQUIPMENT CORPORATION AND SHALL NOT BE REPRODUCED OR COPIED OR USED IN WHOLE OR IN PART AS THE BASIS FOR THE MANUFACTURE OR SALE OF ITEMS WITHOUT WRITTEN PERMISSION. COPYRIGHT © 1976, DIGITAL EQUIPMENT CORPORATION.

NOTES:  
1. JUMPERS TO BE CONNECTED FOR EACH ARRAY AS FOLLOWS:

MODULE VAR S	JUMPER SETTINGS	ARRAY CONFIGURATION
AB, AC, AD, AE, AF ETC.	W1, W2, W3, W4, XI	16K X 39, 4K RAM'S FULLY POPULATED
BB, BC, BD ETC.	W1, W2, W3, W4, W5, XI	8K X 39, 4K RAM'S 1/2 POPULATED
CB, CC ETC.	W1, W2, W3, W4, W5, W6, W7, W8, W9, XI	16K X 39, 16K RAM'S FULLY POPULATED
DB, DC ETC.	W1, W2, W3, W4, W5, W6, W7, W8, W9, XI	16K X 39, 16K RAM'S 1/4 POPULATED
EB, EC, ED ETC.	W1, W2, W3, W4, W5, W6, W7, W8, W9, XI	16K X 39, 4K RAM'S FULLY POPULATED
FB, FC ETC.	W1, W2, W3, W4, W5, W6, W7, W8, W9, W10, XI	32K X 39, 16K RAM'S 1/2 POPULATED

2. PIN CC2 MAY BE FLOATED TO VARY -5V (VBB). THE VARIABLE (VBB) IS APPLIED TO PIN C.B.1.  
3. (\*) INDICATES +5V BATTERY BACK-UP.  
4. JUMPERS TO BE CONNECTED FOR EACH ARRAY CONFIGURATION AS FOLLOWS:  
1 = JUMPER OUT  
0 = JUMPER IN

MODULE VAR S	FMSB2 (W10)	FMSB1 (W9)	FMSB0 (W8)	ARRAY CONFIGURATION
AB, AC ETC.	1	1	1	16K X 39, 4K RAM'S FULLY POPULATED
BB, BC ETC.	1	1	1	8K X 39, 4K RAM'S 1/2 POPULATED
CB, CC ETC.	1	1	0	16K X 39, 4K RAM'S FULLY POPULATED
DB, DC ETC.	1	0	1	16K X 39, 16K RAM'S 1/4 POPULATED
EB, EC ETC.	0	0	1	32K X 39, 4K RAM'S 1/2 POPULATED
FB, FC ETC.	1	0	0	64K X 39, 16K RAM'S FULLY POPULATED



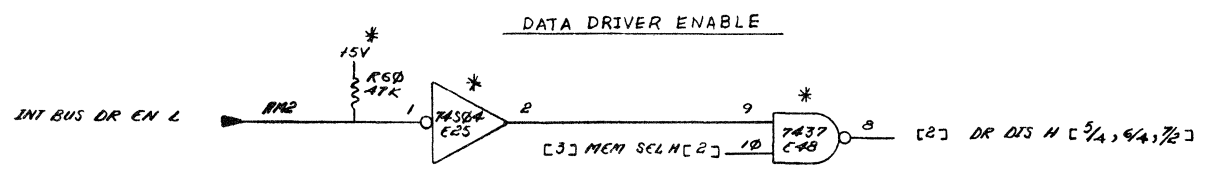
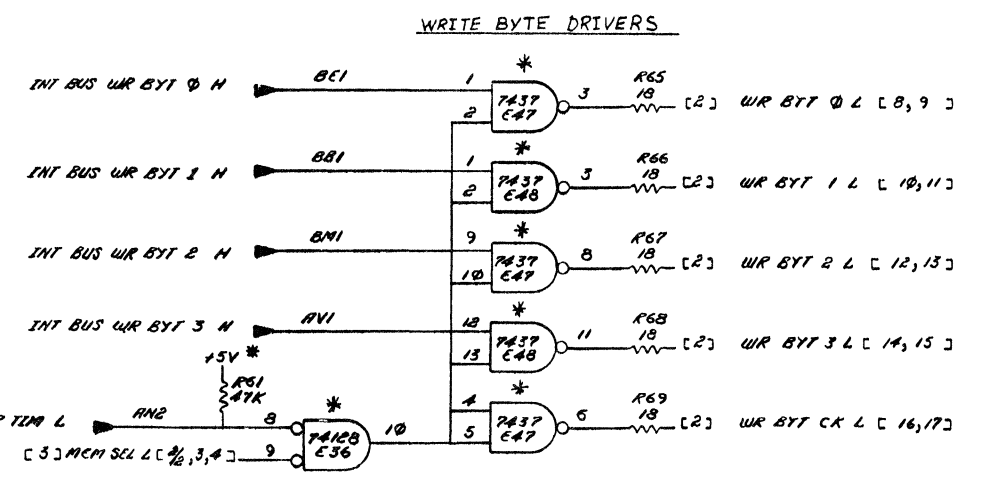
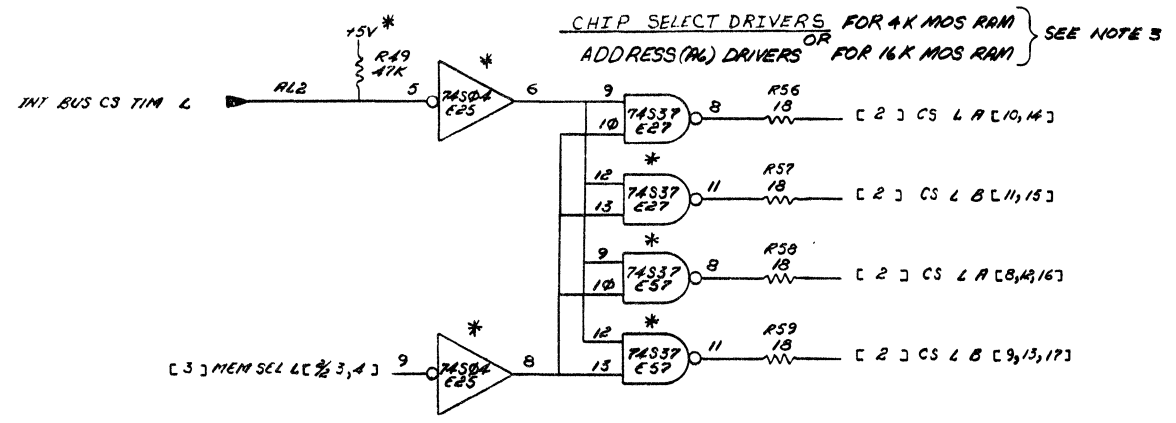
SPARE'S GATES

REV.	CHANGE NO.	BY	DATE
1	1	J. MANTON	12/20/76
2	1	J. MANTON	1/20/77
3	1	J. MANTON	1/20/77
4	1	J. MANTON	1/20/77
5	1	J. MANTON	1/20/77
6	1	J. MANTON	1/20/77
7	1	J. MANTON	1/20/77
8	1	J. MANTON	1/20/77

DRN: <i>[Signature]</i> 17 Dec 76	FIRST USED ON	<b>digital</b>
CHK'D: <i>[Signature]</i> 12/20/76	TITLE	<b>MS11-K (ARRAY)</b>
ENG: <i>[Signature]</i> 12/20/76	SCALE	1:1
PROJ. ENG: <i>[Signature]</i> 12/20/76	SIZE	D
PROD. <i>[Signature]</i> 1/8/77	CODE	CS
NEXT HIGHER ASSY.	NUMBER	M7984-0-1
MFIIS-K	REV.	E
SHEET 1 OF 17	DIST.	

THIS DRAWING AND SPECIFICATIONS, HEREIN, ARE THE PROPERTY OF DIGITAL EQUIPMENT CORPORATION AND SHALL NOT BE REPRODUCED OR COPIED OR USED IN WHOLE OR IN PART AS THE BASIS FOR THE MANUFACTURE OR SALE OF ITEMS WITHOUT WRITTEN PERMISSION. COPYRIGHT © 1976 DIGITAL EQUIPMENT CORPORATION

REV. 1-0-82 M7984-0-1 DCS 2



**NOTES:**

- SIGNAL NAMES WILL BE REFERENCED AS FOLLOWS:  
 [ X ] SIGNAL NAME [ Y / Z ]  
 NUMBER OF CONNECTION POINTS ON DESTINATION SHEET.  
 DESTINATION SHEET NUMBER.  
 SOURCE SHEET NUMBER.

**EXAMPLE:**

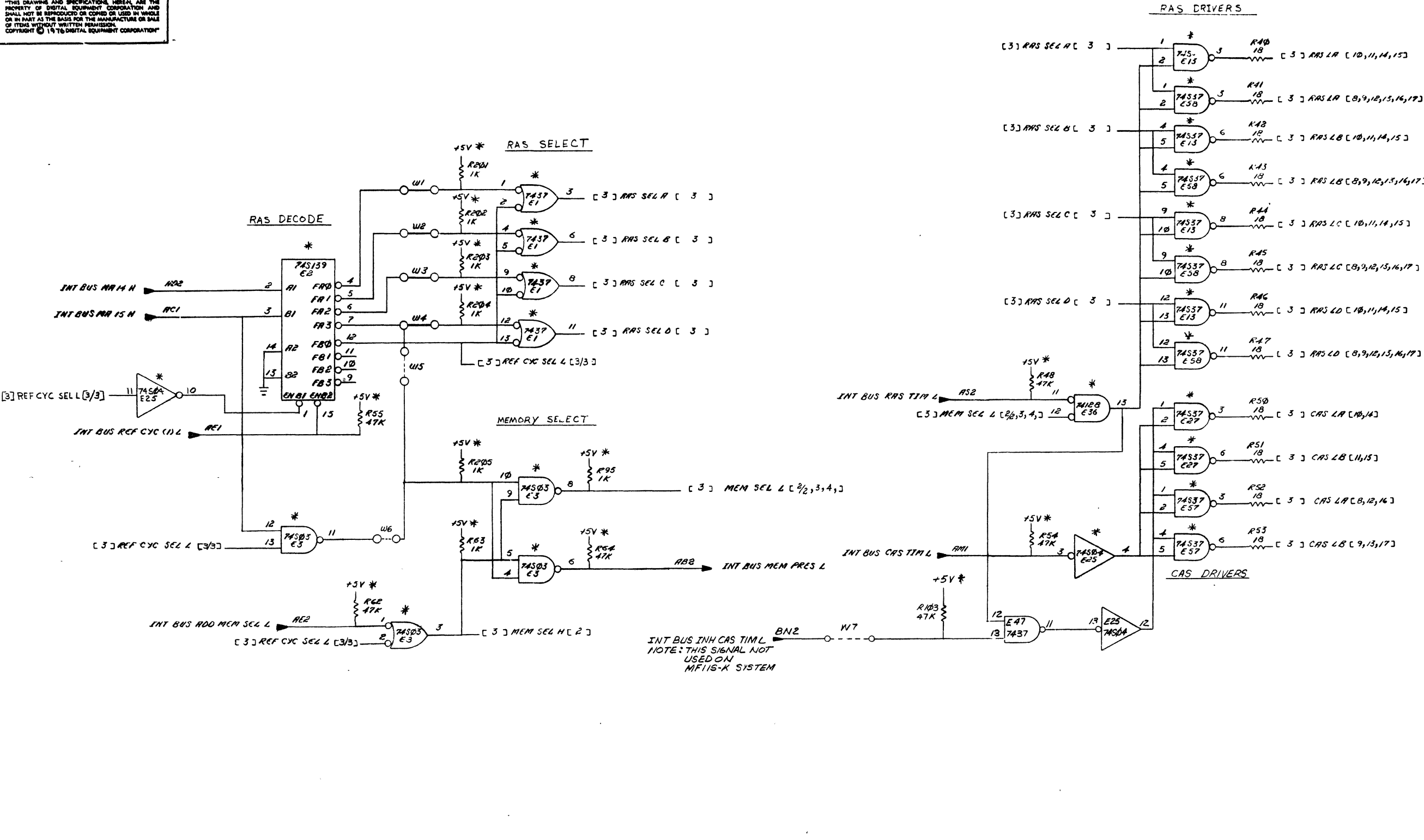
[ 3 ] MEM SEL L [ 3/2, 3, 4 ]  
 DESIGNATION (E) IS AN IMPLIED ONE WHEN NOT SHOWN.

- SIGNALS DESIGNATED (INT BUS) ARE CONNECTED VIA MODULE FINGERS TO INTERNAL BUS A&B.
- FOR 16K MOS RAM SIGNAL CSL IS ADDRESS (A<sub>6</sub>)

REVISIONS		
CHK	CHANGE NO.	REV.

TITLE	MS11-K (ARRAY)	SIZE/CODE	D CS	NUMBER	M7984-0-1	REV.	E
SCALE	NONE	SHEET	2 OF 17	DIST.			

THIS DRAWING AND SPECIFICATIONS HEREIN ARE THE PROPERTY OF DIGITAL EQUIPMENT CORPORATION AND SHALL NOT BE REPRODUCED OR COPIED OR USED IN WHOLE OR IN PART AS THE BASIS FOR THE MANUFACTURE OR SALE OF ITEMS WITHOUT WRITTEN PERMISSION. COPYRIGHT © 1976 DIGITAL EQUIPMENT CORPORATION



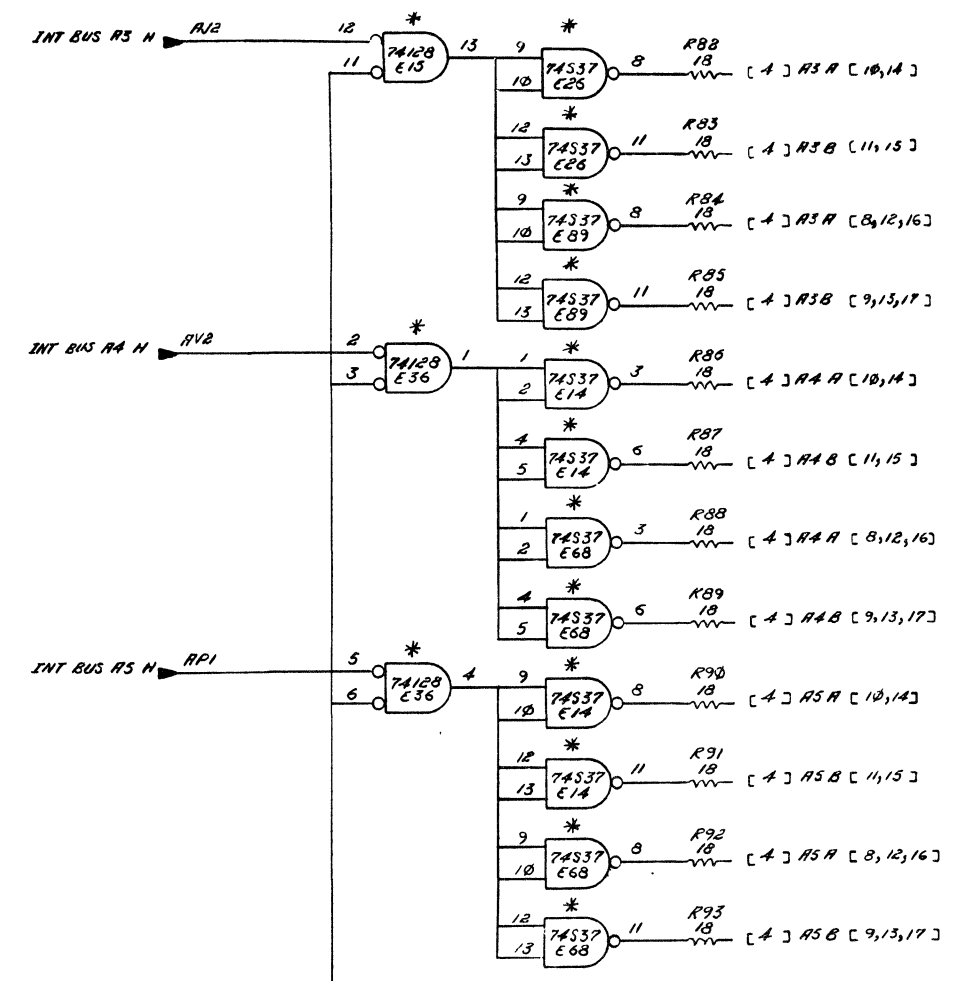
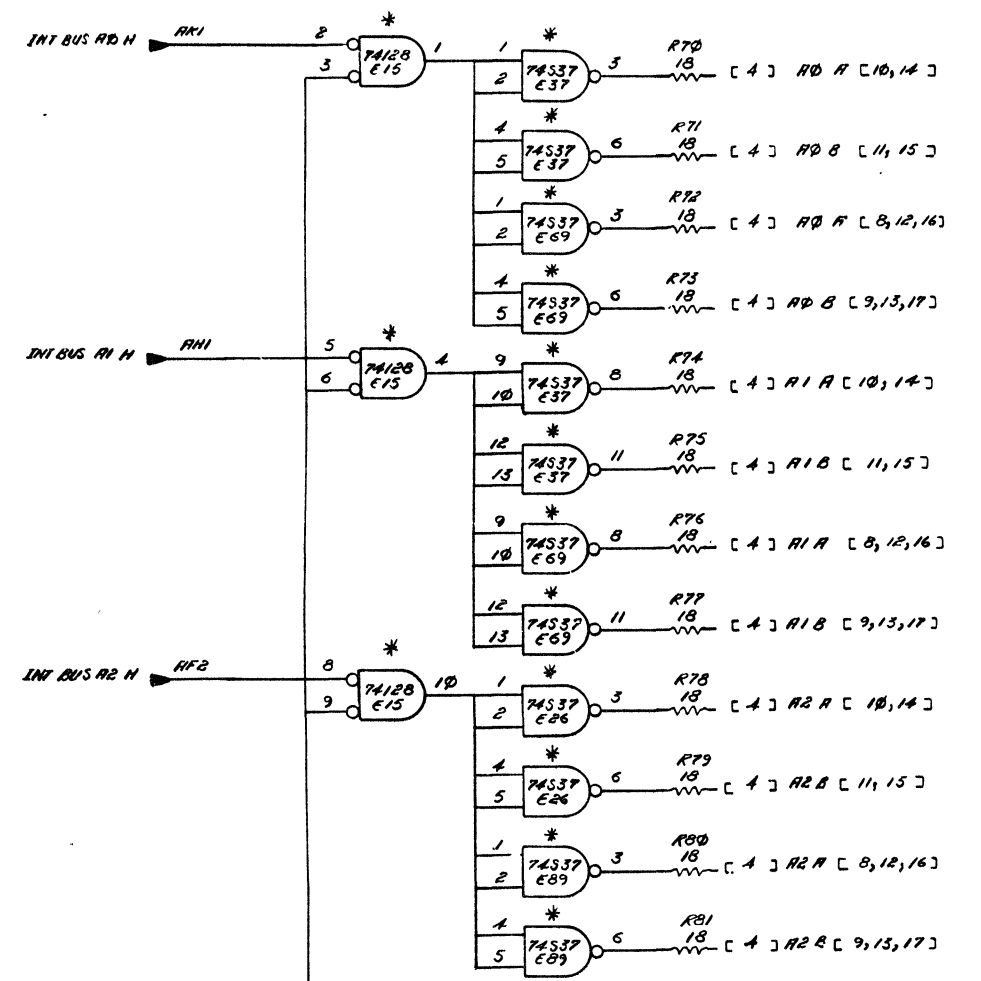
INT BUS INH CAS TIM L  
NOTE: THIS SIGNAL NOT USED ON MF116-K SYSTEM

REVISIONS		
CHK	CHANGE NO.	REV.

TITLE	MS11-K (ARRAY)	SIZE CODE	D CS	NUMBER	M 7984-0-1	REV.	E
SCALE	NONE	SHEET	3	OF	17	DIST	

"THIS DRAWING AND SPECIFICATIONS HEREIN ARE THE PROPERTY OF DIGITAL EQUIPMENT CORPORATION AND SHALL NOT BE REPRODUCED OR COPIED OR USED IN WHOLE OR IN PART AS THE BASIS FOR THE MANUFACTURE OR SALE OF ITEMS WITHOUT WRITTEN PERMISSION. COPYRIGHT © 1970 DIGITAL EQUIPMENT CORPORATION"

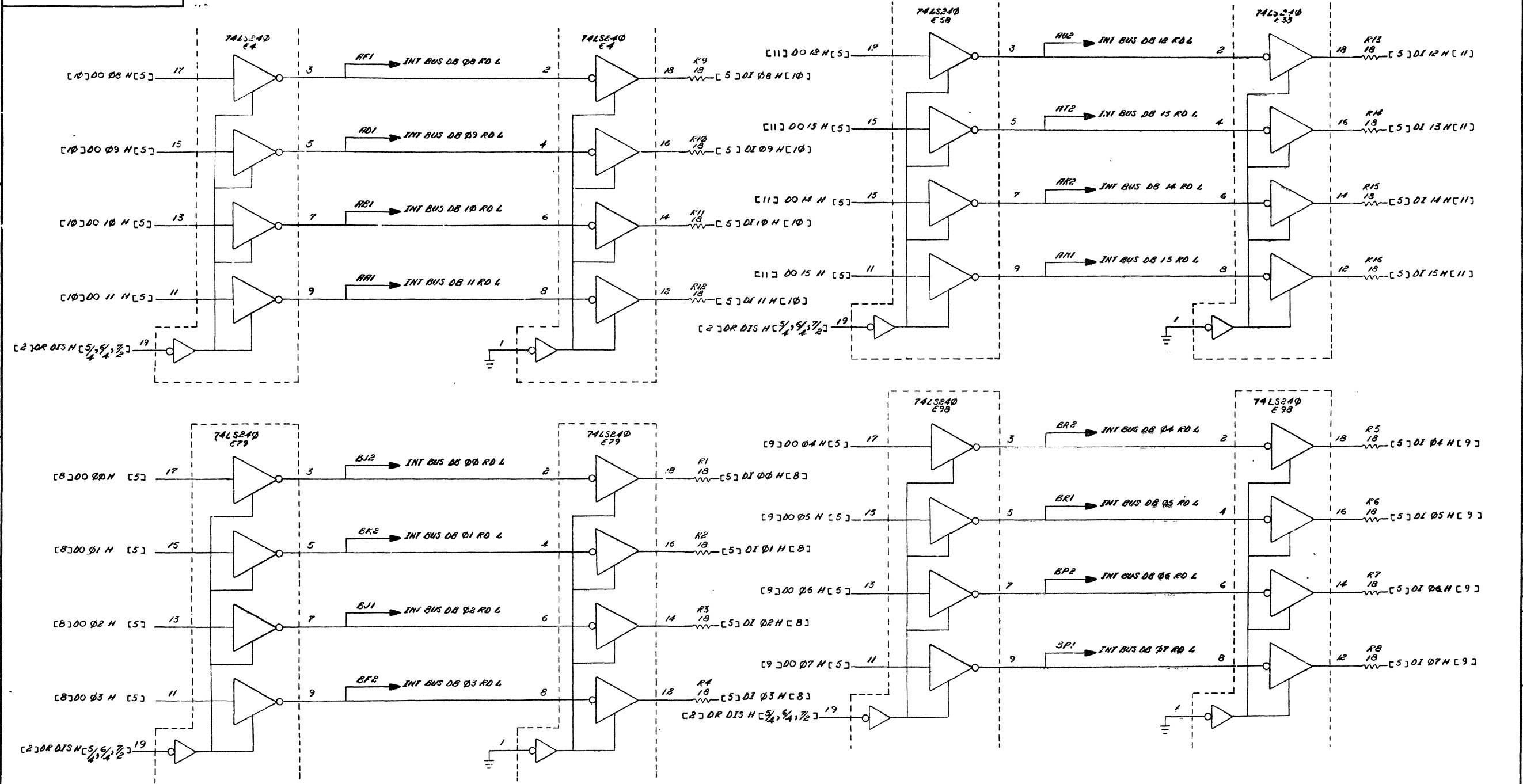
ADDRESS DRIVERS



REVISIONS		
CHK	CHANGE NO.	REV.

TITLE	MS11-K (ARRAY)	SIZE CODE	D CS	NUMBER	M7984-0-1	REV.	E
SCALE	NONE	SHEET	4	OF	17	DIST.	1

"THIS DRAWING AND SPECIFICATIONS HEREIN ARE THE PROPERTY OF DIGITAL EQUIPMENT CORPORATION AND SHALL NOT BE REPRODUCED OR COPIED OR USED IN WHOLE OR IN PART AS THE BASIS FOR THE MANUFACTURE OR SALE OF ITEMS WITHOUT WRITTEN PERMISSION. COPYRIGHT © 1976 DIGITAL EQUIPMENT CORPORATION"

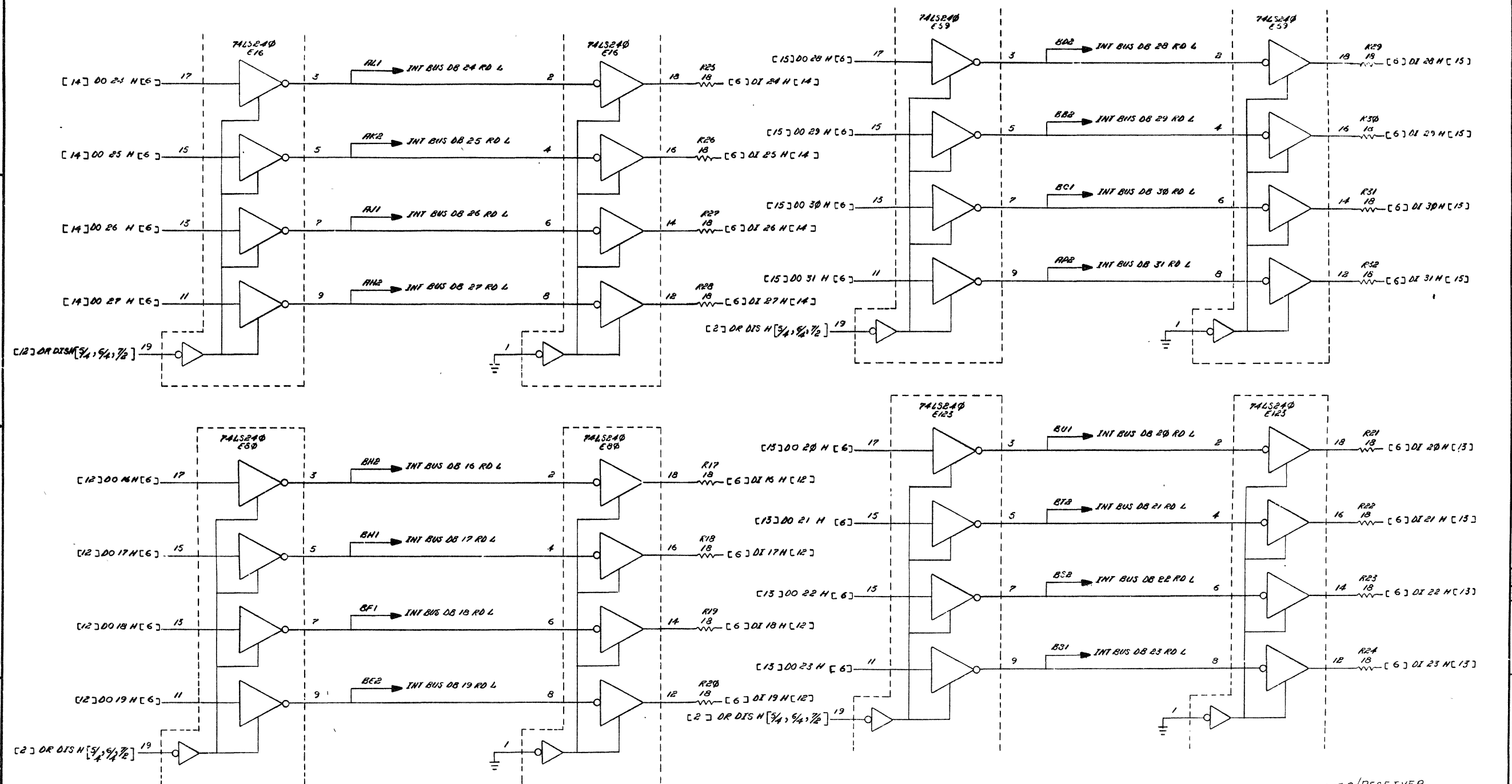


DATA DRIVER/RECEIVER

REVISIONS		
CHK	CHANGE NO.	REV.

TITLE	MS11-K (ARRAY)	SIZE CODE	DCS	NUMBR	M7984-0-1	REV.	E
SCALE	NONE	SHEET	5	OF	17	DIST.	

THIS DRAWING AND SPECIFICATIONS HEREIN ARE THE PROPERTY OF DIGITAL EQUIPMENT CORPORATION AND SHALL NOT BE REPRODUCED OR COPIED OR USED IN WHOLE OR IN PART AS THE BASIS FOR THE MANUFACTURE OR SALE OF ITEMS WITHOUT WRITTEN PERMISSION. COPYRIGHT © 1976 DIGITAL EQUIPMENT CORPORATION

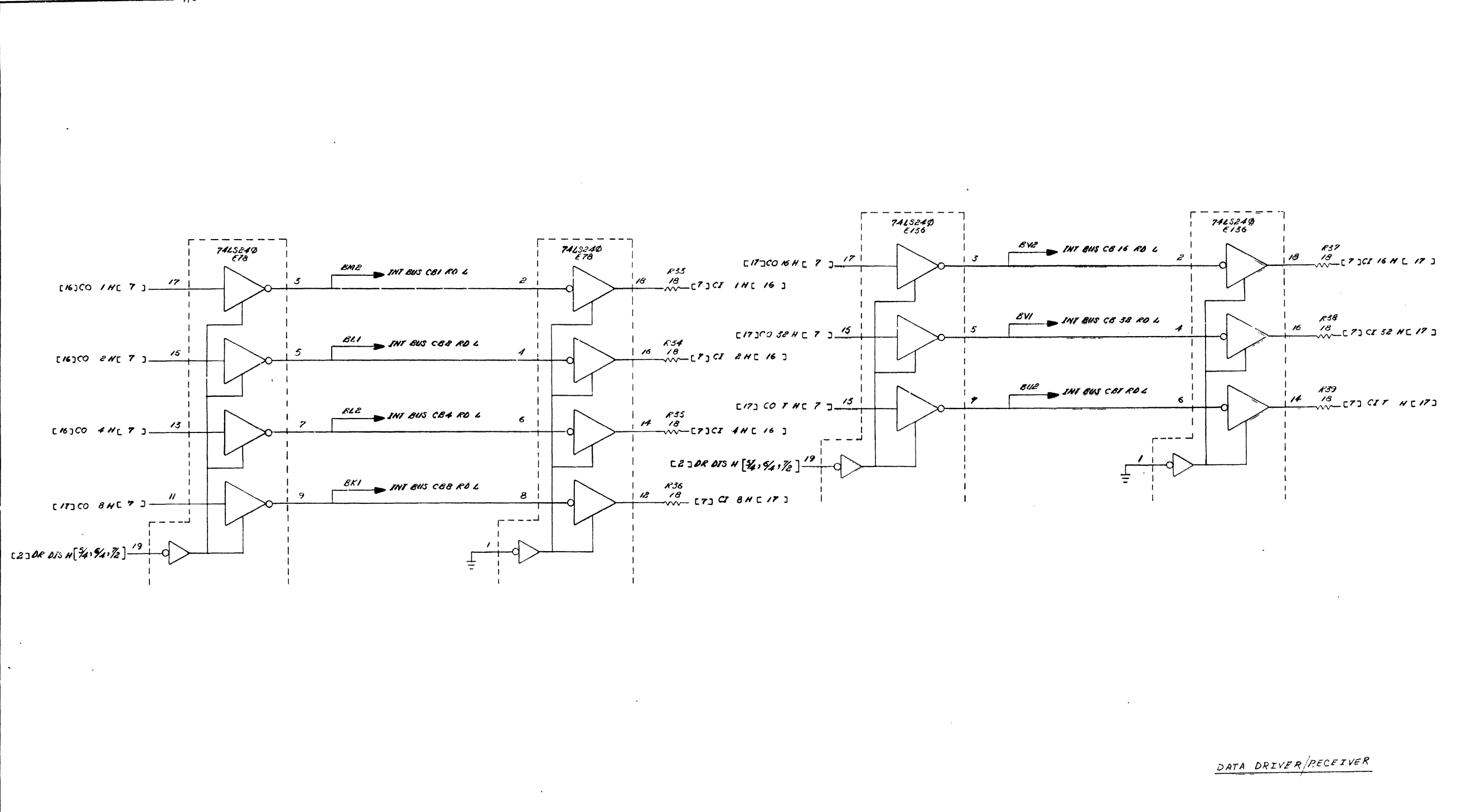


REVISIONS		
CHK	CHANGE NO	REV.

TITLE	MS11-K (ARRAY)	SIZE CODE	DCS	NUMBER	M7984-0-1	REV.	E
SCALE	NONE	SHEET	6	OF	17	DIST.	



"THIS DRAWING AND SPECIFICATIONS HEREIN ARE THE PROPERTY OF DIGITAL EQUIPMENT CORPORATION AND SHALL NOT BE REPRODUCED OR COPIED OR USED IN WHOLE OR IN PART AS THE BASIS FOR THE MANUFACTURE OR SALE OF ITEMS WITHOUT WRITTEN PERMISSION. COPYRIGHT © 1976 DIGITAL EQUIPMENT CORPORATION"



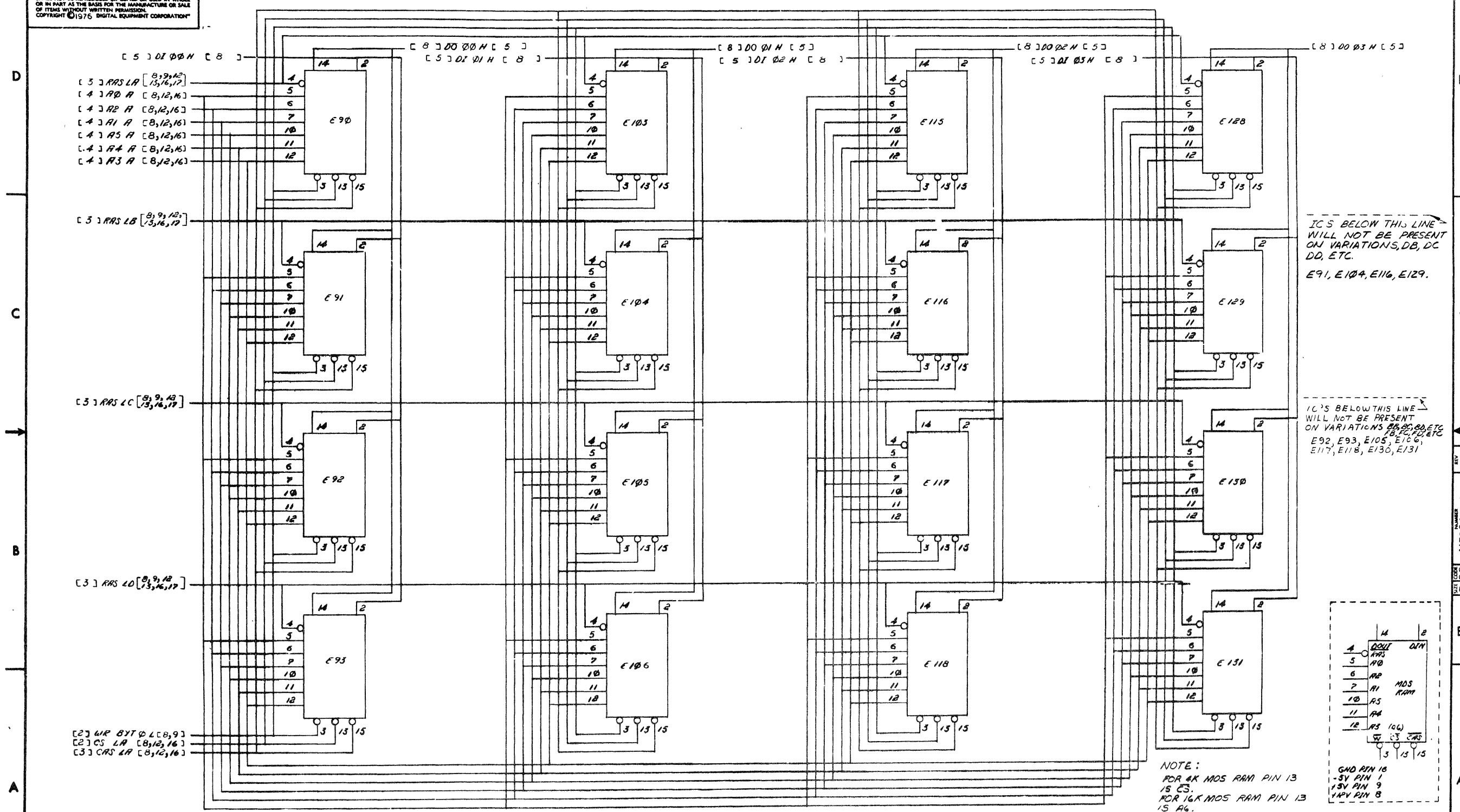
DATA DRIVER/RECEIVER

REVISIONS		
CHK	CHANGE NO	REV.

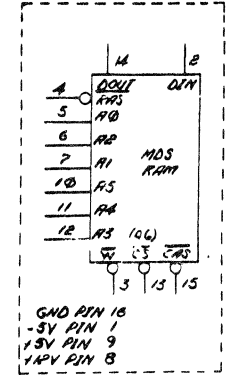
TITLE	MS11-K (ARRAY)	SIZE CODE	DCS	NUMBER	M7984-0-1	REV.	E
SCALE	NONE	SHEET	7	OF	17	DIST	

THIS DRAWING AND SPECIFICATIONS, HEREIN, ARE THE PROPERTY OF DIGITAL EQUIPMENT CORPORATION AND SHALL NOT BE REPRODUCED OR COPIED OR USED IN WHOLE OR IN PART AS THE BASIS FOR THE MANUFACTURE OR SALE OF ITEMS WITHOUT WRITTEN PERMISSION. COPYRIGHT © 1976 DIGITAL EQUIPMENT CORPORATION

REV. 1-0-1 M7984-0-1 DCS 2



NOTE:  
FOR 4K MOS RAM PIN 13 IS CS.  
FOR 16K MOS RAM PIN 13 IS R6.



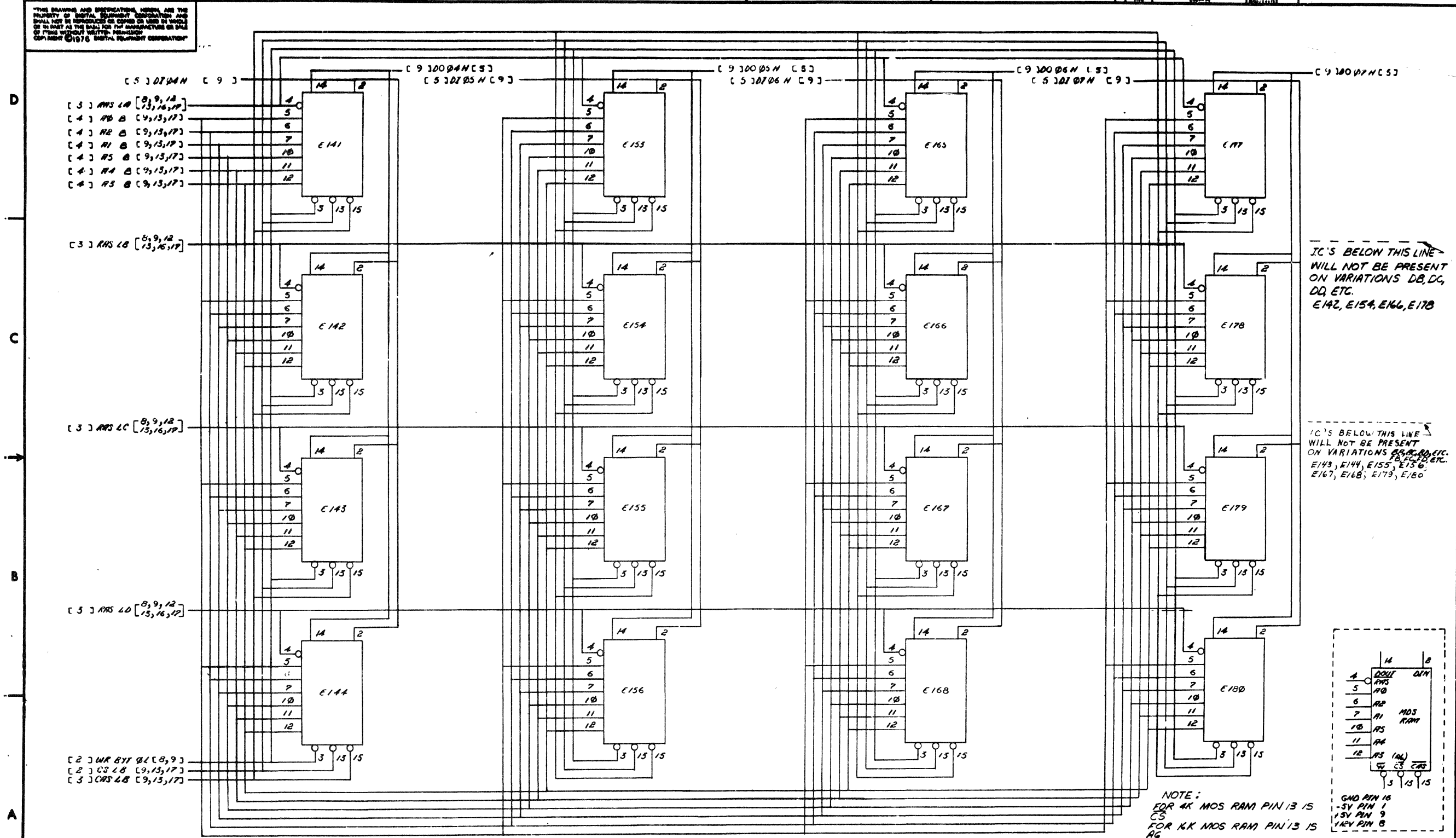
REVISIONS		
CHK	CHANGE NO.	REV.

TITLE MS11-K (ARRAY) SIZE CODE DCS NUMBER M7984-0-1 REV. E  
SCALE NONE SHEET 8 OF 17

REV. 1-0-1 M7984-0-1 DCS

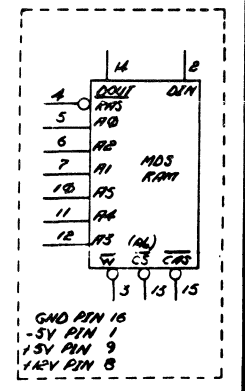
THIS DRAWING AND SPECIFICATIONS HEREIN ARE THE PROPERTY OF DIGITAL EQUIPMENT CORPORATION AND SHALL NOT BE REPRODUCED OR COPIED OR USED IN WHOLE OR IN PART AS THE BASIS FOR THE MANUFACTURE OR SALE OF ITEMS WITHOUT WRITTEN PERMISSION OF DIGITAL EQUIPMENT CORPORATION.

1-0-F82W DCS M7984-0-1 2



IC'S BELOW THIS LINE WILL NOT BE PRESENT ON VARIATIONS DB, DC, DD, ETC. E142, E154, E166, E178

IC'S BELOW THIS LINE WILL NOT BE PRESENT ON VARIATIONS AA, AC, AD, ETC. E143, E144, E155, E156, E167, E168, E179, E180

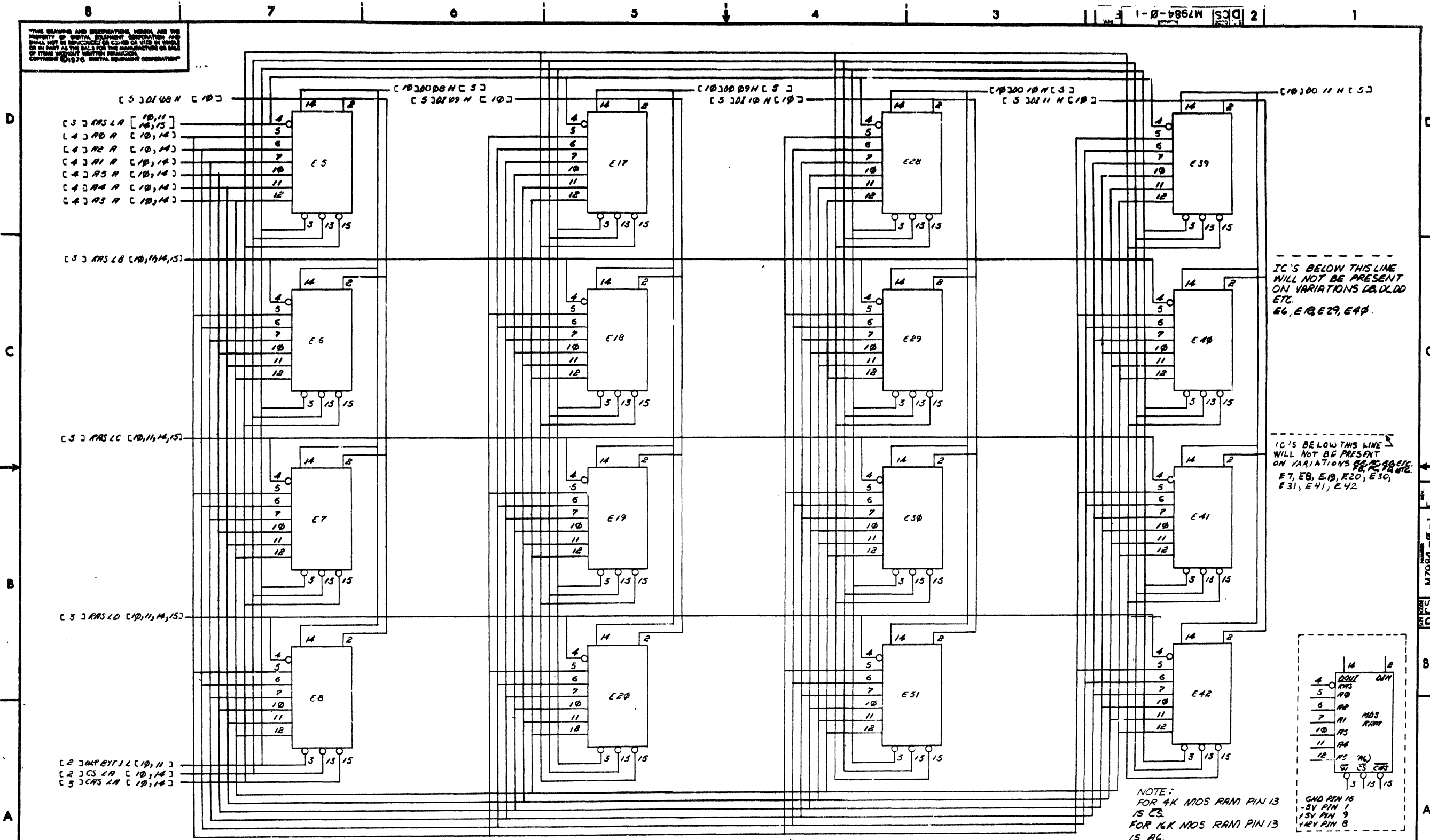


NOTE:  
FOR 4K MOS RAM PIN 13 IS CS  
FOR 8K MOS RAM PIN 13 IS AG

REVISIONS		
CHK	CHANGE NO.	REV.

TITLE	MS11-K (ARRAY)	SIZE/CODE	DCS	NUMBER	M7984-0-1	REV.	E
SCALE	NONE	SHEET	9 OF 17	DIST.			

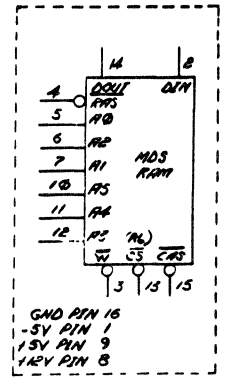
THIS DRAWING AND SPECIFICATIONS HEREIN ARE THE PROPERTY OF DIGITAL EQUIPMENT CORPORATION AND SHALL NOT BE REPRODUCED OR COPIED OR USED IN WHOLE OR IN PART AS THE BASIS FOR THE MANUFACTURE OR SALE OF ITEMS WITHOUT WRITTEN PERMISSION. COPYRIGHT © 1976 DIGITAL EQUIPMENT CORPORATION



IC'S BELOW THIS LINE WILL NOT BE PRESENT ON VARIATIONS LB, DL, DD ETC. E6, E13, E29, E40.

IC'S BELOW THIS LINE WILL NOT BE PRESENT ON VARIATIONS DD, DD-2, DD-3 ETC. E7, E8, E19, E20, E30, E31, E41, E42.

NOTE:  
FOR 4K MOS RAM PIN 13 IS CS.  
FOR 16K MOS RAM PIN 13 IS AG.

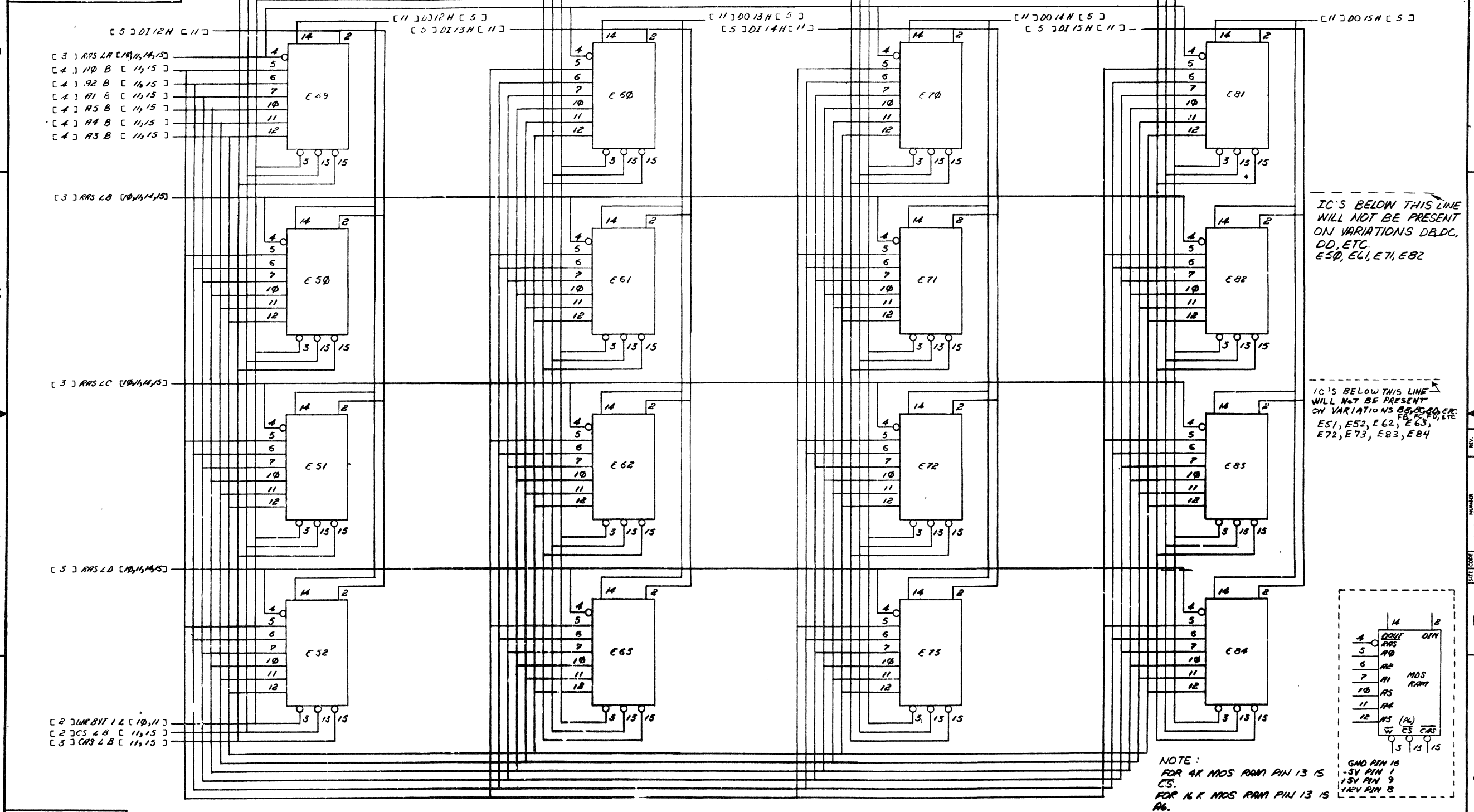


REVISIONS		
CHK	CHANGE NO.	REV.

TITLE	MS11-K (ARRAY)	SIZE CODE	DCS	NUMBER	M7984-0-1	REV.	E
SCALE	NONE	SHEET	10	OF	17	DIST	

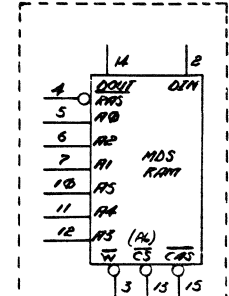
REV. M7984-0-1 E

"THIS DRAWING AND SPECIFICATIONS HEREIN ARE THE PROPERTY OF DIGITAL EQUIPMENT CORPORATION AND SHALL NOT BE REPRODUCED OR COPIED OR USED IN WHOLE OR IN PART AS THE BASIS FOR THE MANUFACTURE OR SALE OF ITEMS WITHOUT WRITTEN PERMISSION. COPYRIGHT © 1976 DIGITAL EQUIPMENT CORPORATION"



IC'S BELOW THIS LINE WILL NOT BE PRESENT ON VARIATIONS DB, DC, DD, ETC. E50, E61, E71, E82

IC'S BELOW THIS LINE WILL NOT BE PRESENT ON VARIATIONS DB, DC, DD, ETC. E51, E52, E62, E63, E72, E73, E83, E84

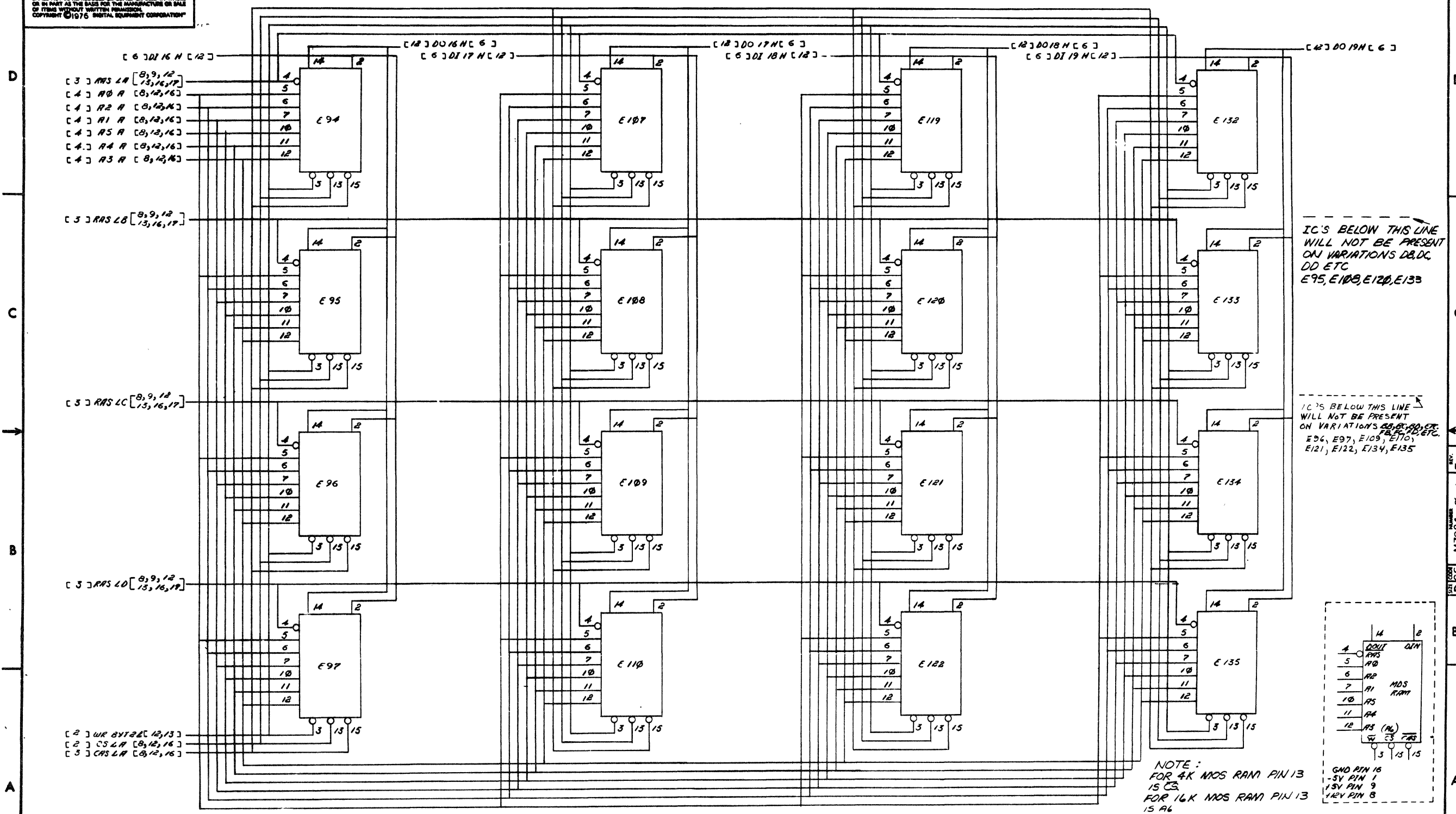


NOTE:  
FOR 4K MOS RAM PIN 13 IS CS.  
FOR 16K MOS RAM PIN 13 IS A6.

REVISIONS		
CHK	CHANGE NO.	REV.

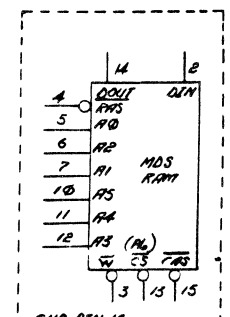
TITLE	MS11-K (ARRAY)	SIZE CODE	DCS	NUMBER	M7984-0-1	REV.	E
SCALE	NONE	SHEET	11	OF	17	DIST	

THIS DRAWING AND SPECIFICATIONS HEREIN ARE THE PROPERTY OF DIGITAL EQUIPMENT CORPORATION AND SHALL NOT BE REPRODUCED OR COPIED OR USED IN WHOLE OR IN PART AS THE BASIS FOR THE MANUFACTURE OR SALE OF ITEMS WITHOUT WRITTEN PERMISSION. COPYRIGHT © 1976 DIGITAL EQUIPMENT CORPORATION



IC'S BELOW THIS LINE WILL NOT BE PRESENT ON VARIATIONS DD, DC, DD ETC. E95, E100, E120, E133

IC'S BELOW THIS LINE WILL NOT BE PRESENT ON VARIATIONS DD, DC, DD ETC. E96, E97, E109, E110, E121, E122, E134, E135



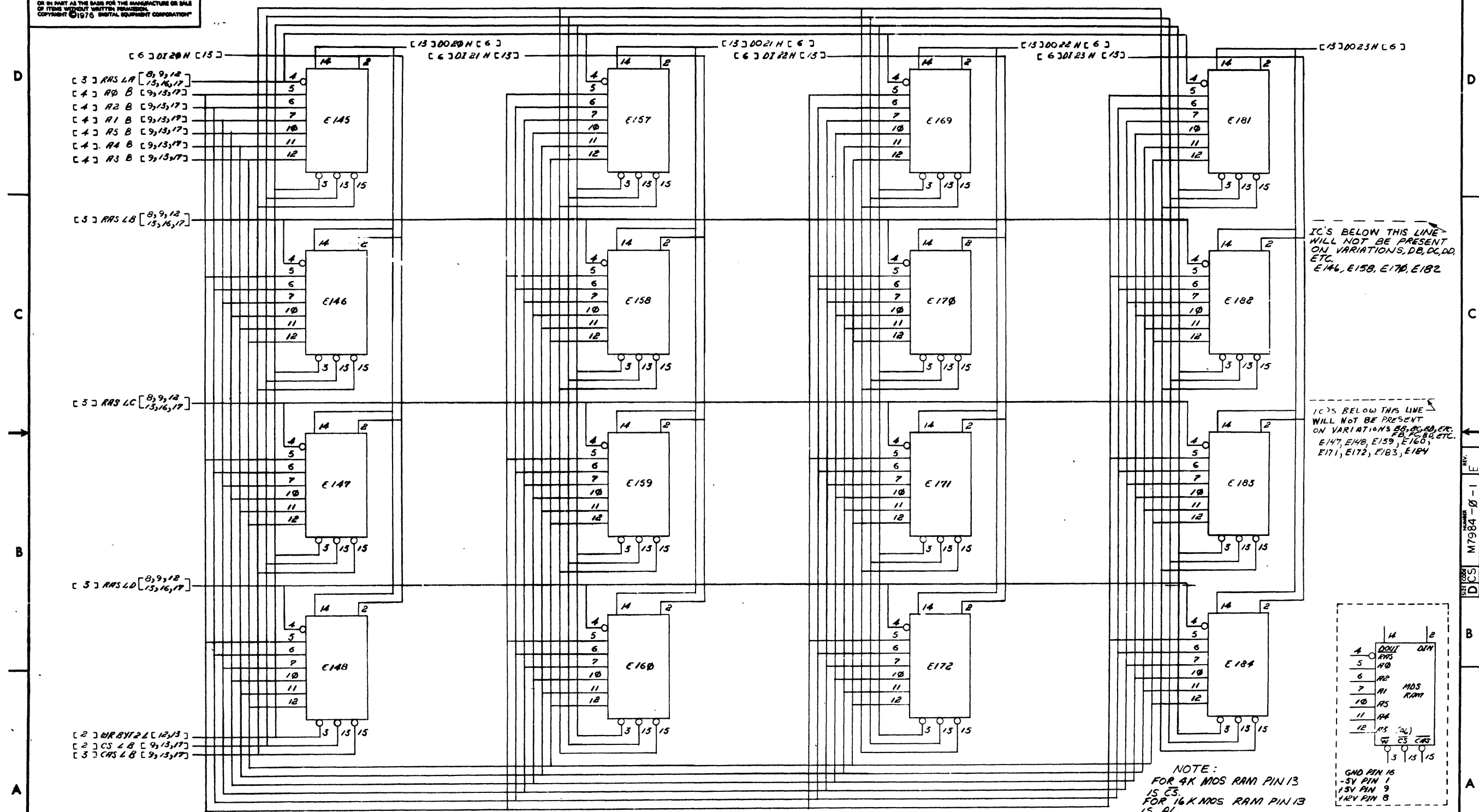
NOTE:  
FOR 4K MOS RAM PIN 13 IS CS.  
FOR 16K MOS RAM PIN 13 IS A6

REVISIONS		
CHK	CHANGE NO.	REV.

TITLE	MS11-K (ARRAY)	SIZE/CODE	DCS	NUMBER	M7984-0-1	REV.	E
SCALE	NONE	SHEET	12	OF	17	DIST.	

THIS DRAWING AND SPECIFICATIONS HEREIN ARE THE PROPERTY OF DIGITAL EQUIPMENT CORPORATION AND SHALL NOT BE REPRODUCED OR COPIED OR USED IN WHOLE OR IN PART AS THE BASIS FOR THE MANUFACTURE OR SALE OF ITEMS WITHOUT WRITTEN PERMISSION. COPYRIGHT © 1976 DIGITAL EQUIPMENT CORPORATION

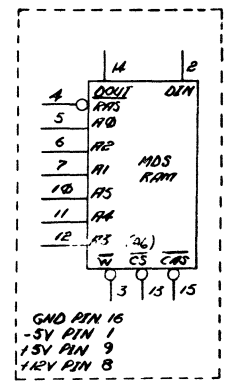
3 1-0-0861W SCS 2



REVISIONS		
CHK	CHANGE NO.	REV.

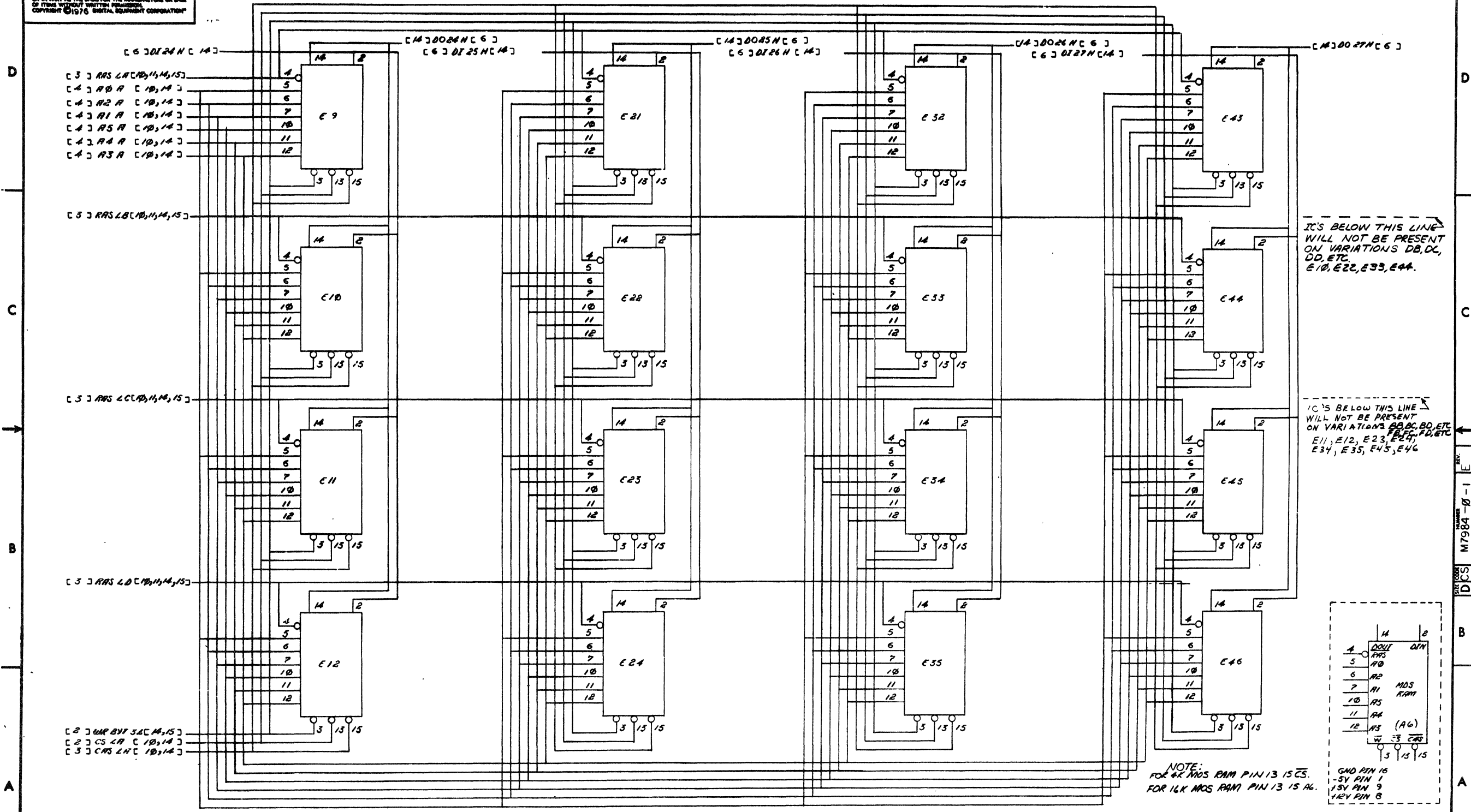
TITLE	MS11-K (ARRAY)	SIZE CODE	DCS	NUMBER	M7984-0-1	REV.	E
SCALE	NONE	SHEET	13	OF	17	DIST.	

NOTE:  
FOR 4K MOS RAM PIN 13 IS CS.  
FOR 16K MOS RAM PIN 13 IS A6.



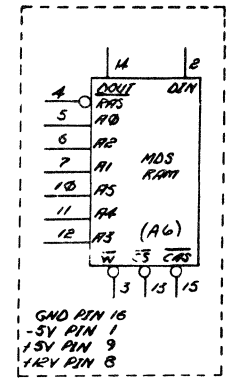
REV. E M7984-0-1

THIS DRAWING AND SPECIFICATIONS, HEREIN, ARE THE PROPERTY OF DIGITAL EQUIPMENT CORPORATION AND SHALL NOT BE REPRODUCED OR COPIED OR USED IN WHOLE OR IN PART AS THE BASIS FOR THE MANUFACTURE OR SALE OF ITEMS WITHOUT WRITTEN PERMISSION. COPYRIGHT © 1976 DIGITAL EQUIPMENT CORPORATION



IC'S BELOW THIS LINE WILL NOT BE PRESENT ON VARIATIONS DB, DC, DD, ETC. E10, E22, E33, E44.

IC'S BELOW THIS LINE WILL NOT BE PRESENT ON VARIATIONS BB, BC, BD, ETC. E11, E12, E23, E24, E34, E35, E45, E46.



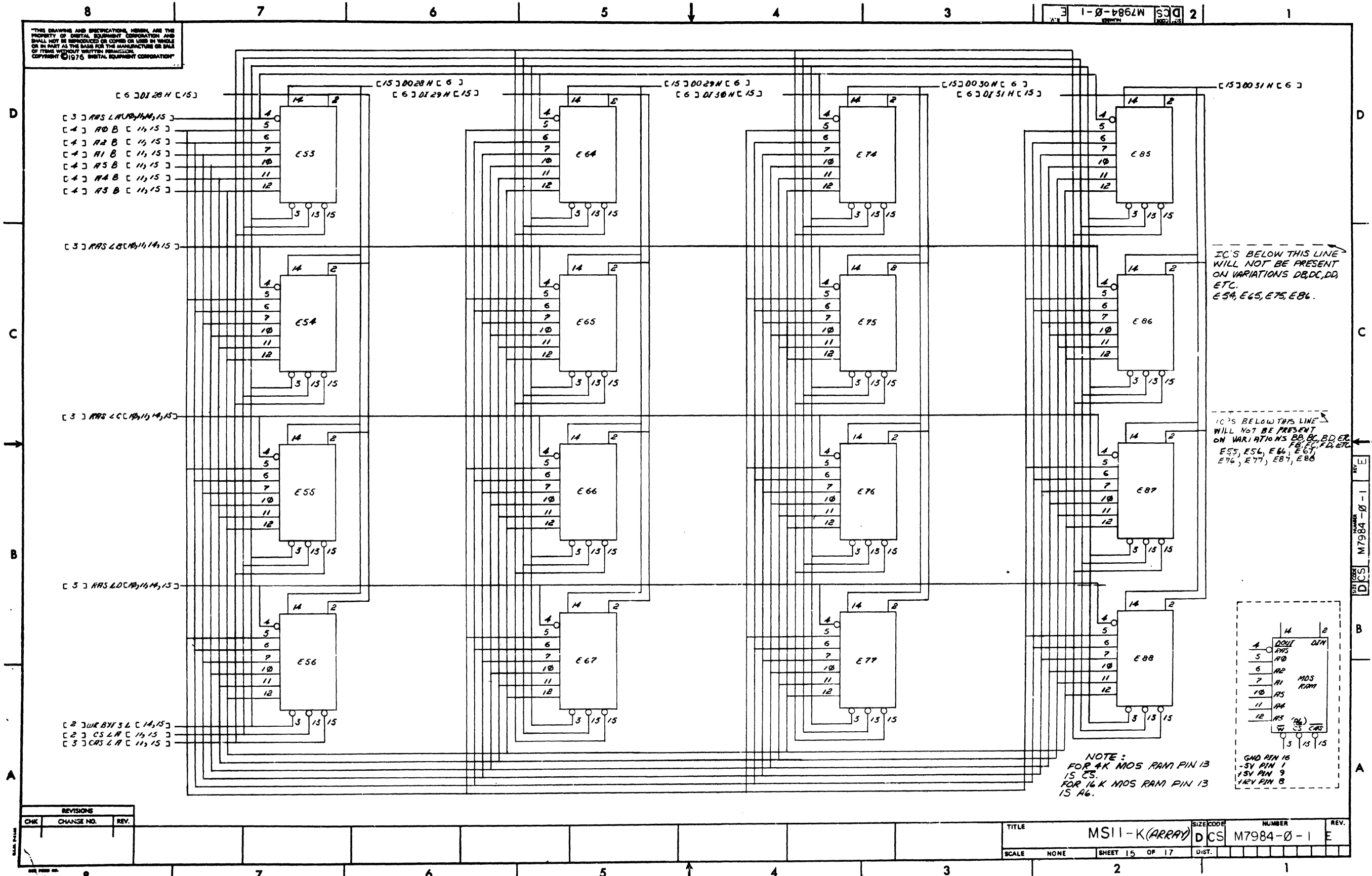
NOTE:  
FOR 4K MOS RAM PIN 13 IS CS.  
FOR 16K MOS RAM PIN 13 IS A6.

REVISIONS		
CHK	CHANGE NO.	REV.

TITLE	MS11-K (ARRAY)	SIZE CODE	DCS	NUMBER	M7984-0-1	REV.	E
SCALE	NONE	SHEET	14	OF	17	DIST.	



THIS DRAWING AND SPECIFICATIONS HEREIN ARE THE PROPERTY OF DIGITAL EQUIPMENT CORPORATION AND SHALL NOT BE REPRODUCED OR COPIED OR USED IN WHOLE OR IN PART AS THE BASIS FOR THE MANUFACTURE OR SALE OF ITEMS WITHOUT WRITTEN PERMISSION. COPYRIGHT © 1976 DIGITAL EQUIPMENT CORPORATION



[ 6 ] 0120H [ 15 ]  
 [ 3 ] AFS LA [ 11, 15 ]  
 [ 4 ] A0 B [ 11, 15 ]  
 [ 4 ] A2 B [ 11, 15 ]  
 [ 4 ] A1 B [ 11, 15 ]  
 [ 4 ] A5 B [ 11, 15 ]  
 [ 4 ] A4 B [ 11, 15 ]  
 [ 4 ] A3 B [ 11, 15 ]

[ 3 ] AFS L0C [ 11, 14, 15 ]

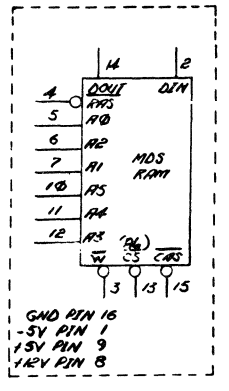
[ 3 ] AFS L0C [ 11, 14, 15 ]

[ 3 ] AFS L0C [ 11, 14, 15 ]

[ 2 ] WR BY 3 L [ 14, 15 ]  
 [ 2 ] CS L A [ 14, 15 ]  
 [ 3 ] CAS L A [ 11, 15 ]

IC'S BELOW THIS LINE  
 WILL NOT BE PRESENT  
 ON VARIATIONS DB, DC, DD,  
 ETC.  
 E54, E65, E75, E86.

IC'S BELOW THIS LINE  
 WILL NOT BE PRESENT  
 ON VARIATIONS BB, BC, BD, EE,  
 ETC.  
 E55, E56, E66, E67,  
 E76, E77, E87, E88



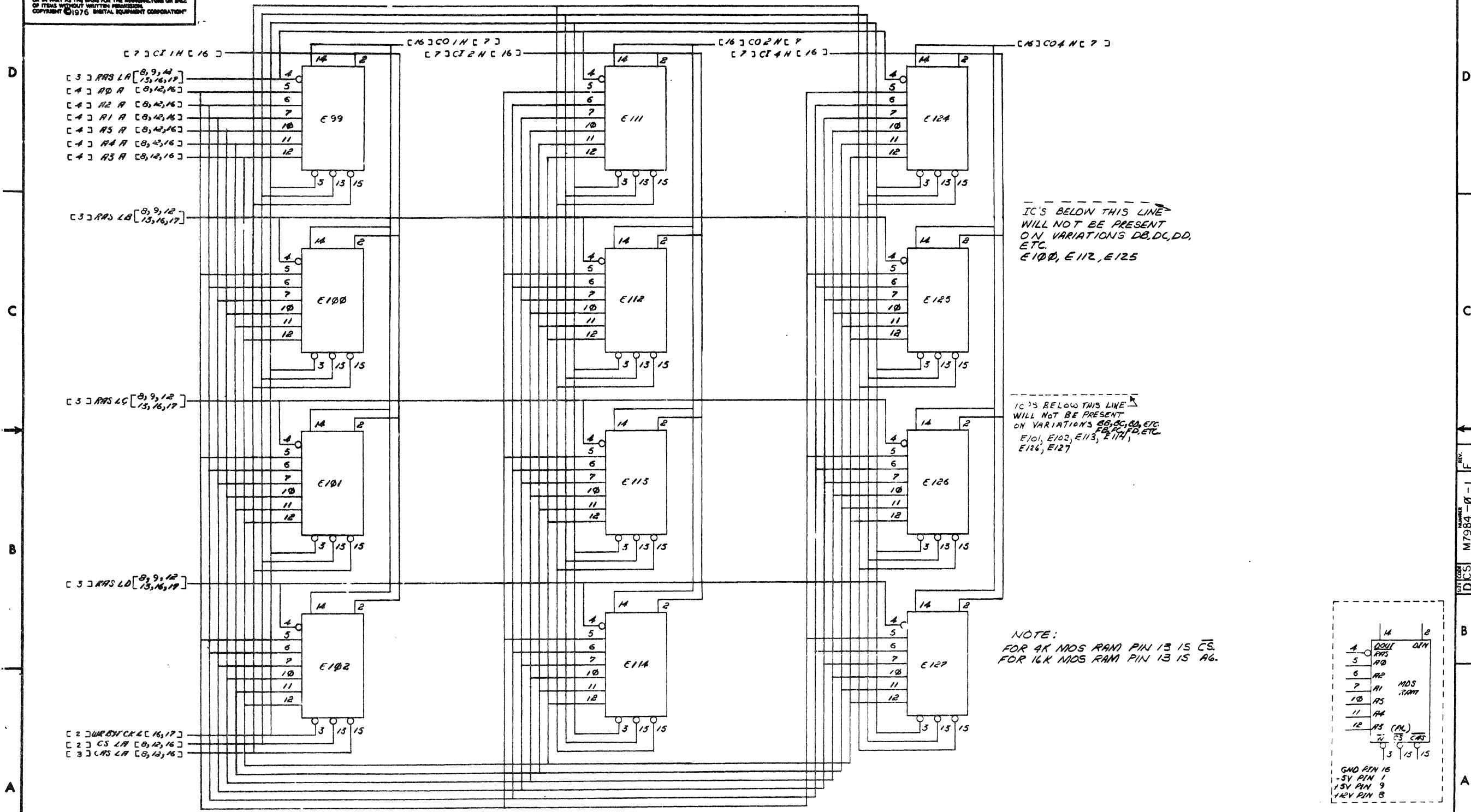
NOTE:  
 FOR 4K MOS RAM PIN 13  
 IS CS.  
 FOR 16K MOS RAM PIN 13  
 IS A6.

REVISIONS		
CHK	CHANGE NO.	REV.

TITLE	MS11-K (ARRAY)	SIZE CODE	DCS	NUMBER	M7984-0-1	REV.	E
SCALE	NONE	SHEET	15	OF	17	DIST.	

DCS M7984-0-1 REV. E

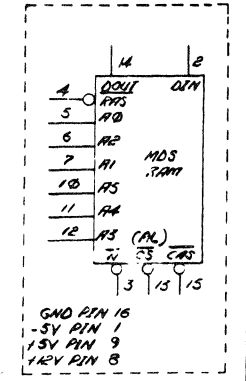
THIS DRAWING AND SPECIFICATIONS HEREIN ARE THE PROPERTY OF DIGITAL EQUIPMENT CORPORATION AND SHALL NOT BE REPRODUCED OR COPIED OR USED IN WHOLE OR IN PART AS THE BASIS FOR THE MANUFACTURE OR SALE OF ITEMS WITHOUT WRITTEN PERMISSION. COPYRIGHT © 1975 DIGITAL EQUIPMENT CORPORATION



IC'S BELOW THIS LINE WILL NOT BE PRESENT ON VARIATIONS DB, DC, DD, ETC. E100, E112, E125

IC'S BELOW THIS LINE WILL NOT BE PRESENT ON VARIATIONS BB, CC, DD, ETC. E101, E102, E113, E114, E116, E127

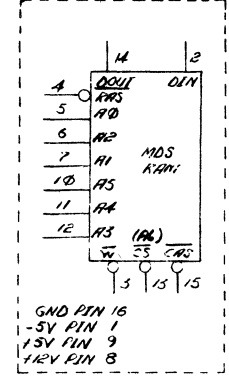
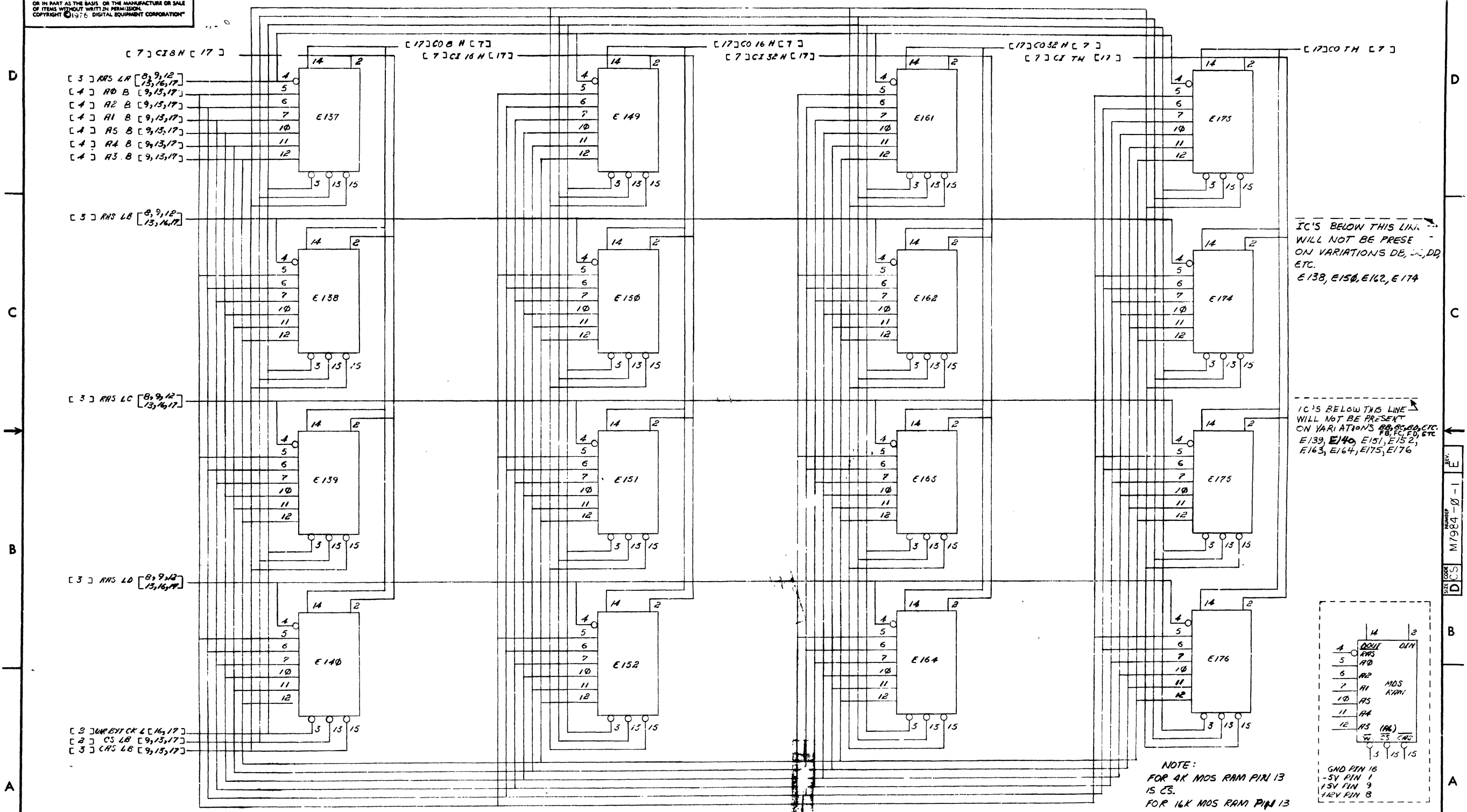
NOTE:  
FOR 4K MDS RAM PIN 13 IS CS.  
FOR 16K MDS RAM PIN 13 IS AG.



REVISIONS		
CHK	CHANGE NO.	REV.

"THIS DRAWING AND SPECIFICATIONS HEREIN ARE THE PROPERTY OF DIGITAL EQUIPMENT CORPORATION AND SHALL NOT BE REPRODUCED OR COPIED OR USED IN WHOLE OR IN PART AS THE BASIS OR THE MANUFACTURE OR SALE OF ITEMS WITHOUT WRITTEN PERMISSION. COPYRIGHT © 1976 DIGITAL EQUIPMENT CORPORATION"

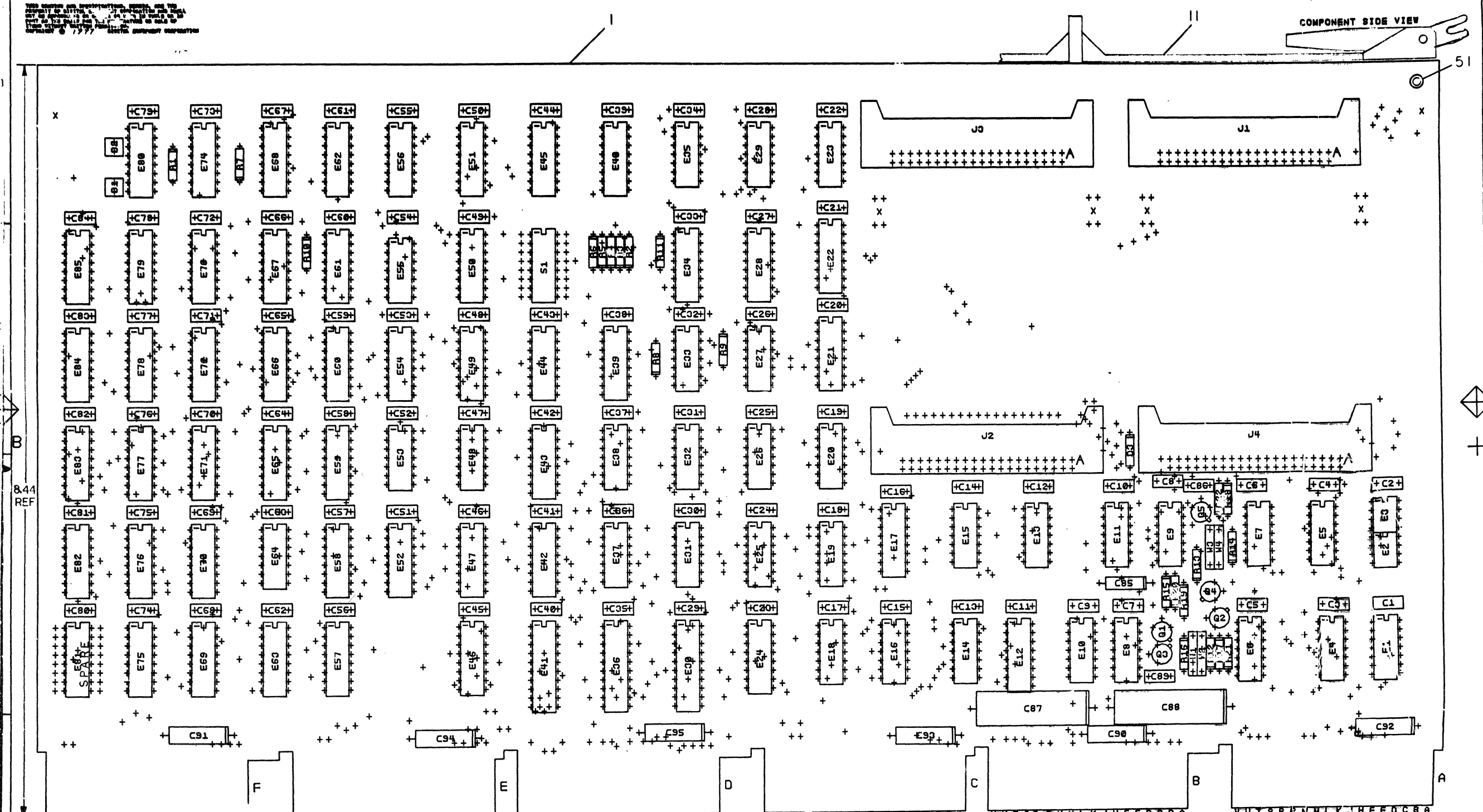
1-0-13-2W DCS 2



REVISIONS		
CHK	CHANGE NO.	REV.

TITLE	MS11-K (ARRAY)	SIZE/COOF	DCS	NUMBER	M7984-0-1	REV.	E
SCALE	NONE	SHEET	17	OF	17	DIST.	





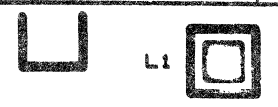
NOTES:  
 1. AT MODULE ASSEMBLY INSTALL  
 W1 & W3, NOT W2 & W4

CHANGE NO	REV

ETCH REV. C  
 P.C. DESIGN DATA BASE REV. CL1, CMI

SIGNATURES	DATE	TITLE
DRN. <i>[Signature]</i>	11-23-72	
CHK. D. <i>[Signature]</i>	11-28-72	
ENG. <i>[Signature]</i>	3-2-73	SIZE CODE NUMBER REV
PROJ. ENG. <i>[Signature]</i>	3-2-73	
SHT. 1 OF 6		

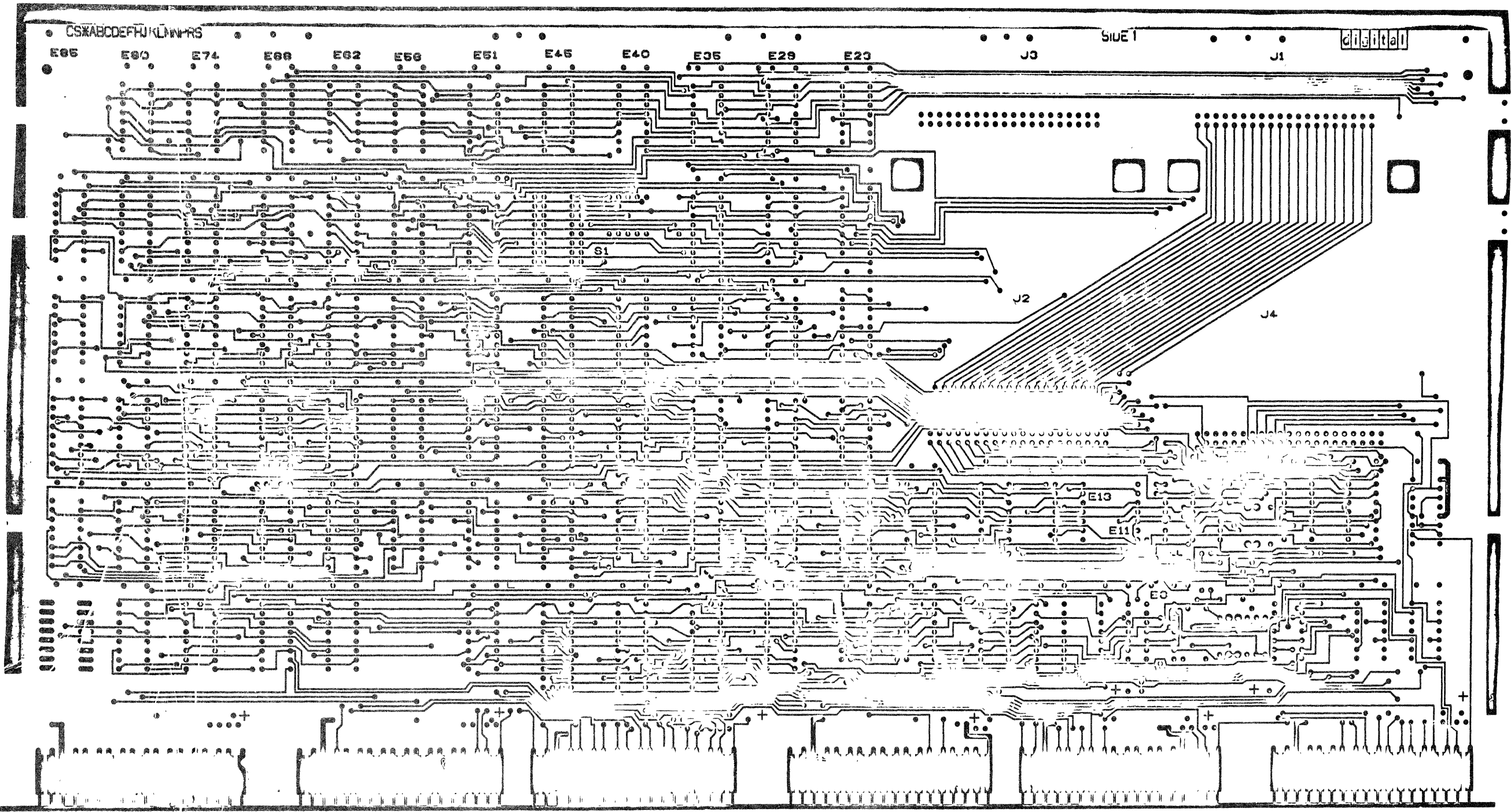
THIS DRAWING AND SPECIFICATIONS HEREIN ARE THE PROPERTY OF DIGITAL EQUIPMENT CORPORATION AND SHALL NOT BE REPRODUCED OR COPIED OR USED IN WHOLE OR IN PART AS THE BASIS FOR THE MANUFACTURE OR SALE OF ANY PRODUCT WITHOUT THE WRITTEN PERMISSION OF DIGITAL EQUIPMENT CORPORATION.



M8158 5012647C-P1

DUA M8158-0-0 2

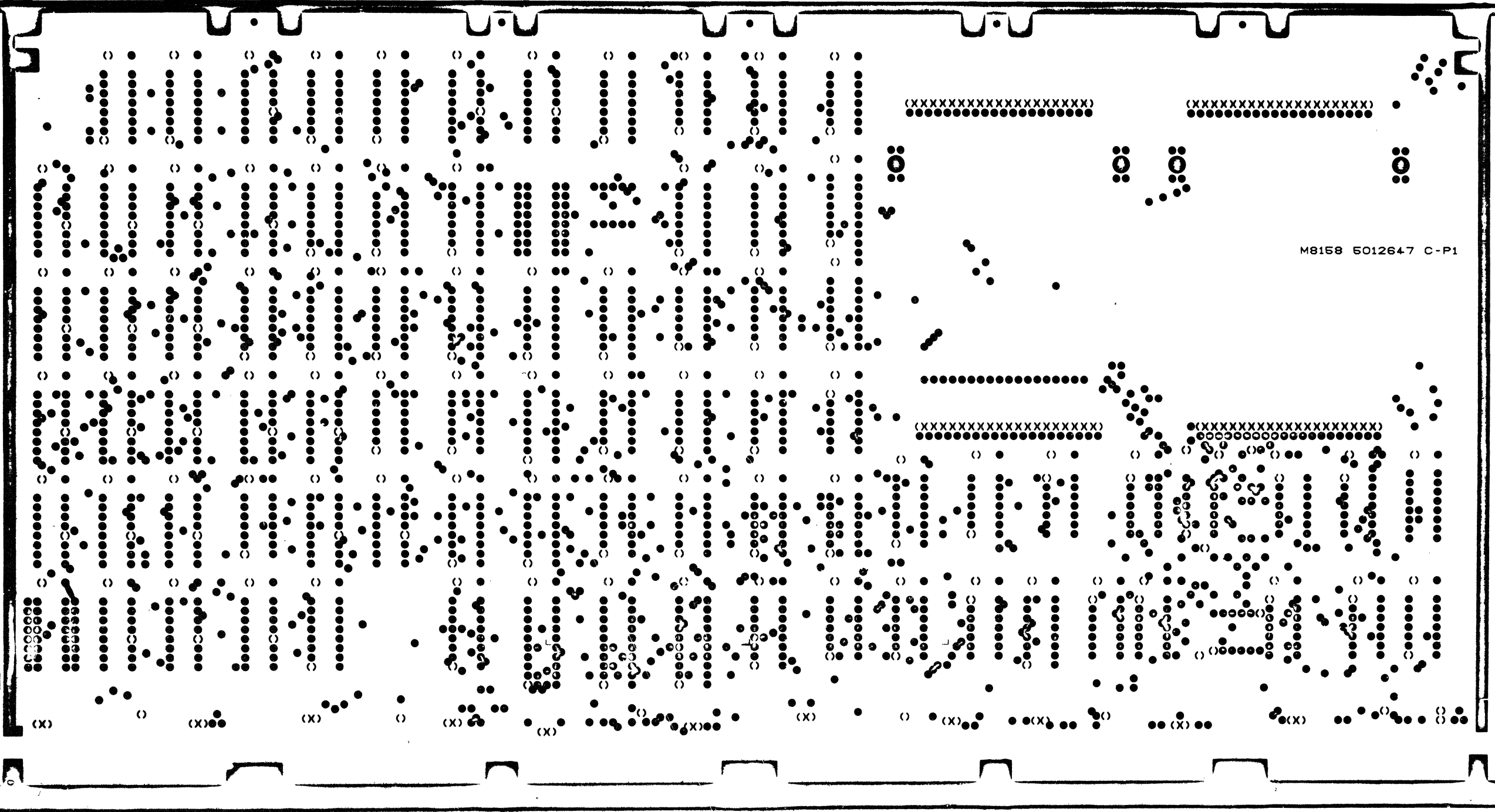
LAYER 1



REVISIONS		
CHK	CHANGE TO	REV

TITLE	MK11 ADDRESS BUFFER	SIZE CODE	DUA	NUMBER	M8158-0-0	REV	B
SCALE	2/1	SHEET	2	OF	6	DIST	

C 1978



(XXXXXXXXXXXXXXXXXXXX)

(XXXXXXXXXXXXXXXXXXXX)

M8158 5012647 C-P1

(XXXXXXXXXXXXXXXXXXXX)

(XXXXXXXXXXXXXXXXXXXX)

(X)

(X)

(X)

(X)

(X)

(X)

(X)

(X)

(X)

(X)

(X)

(X)

(X)

REVISIONS		
CHK	CHANGE NO	REV

TITLE	MKII ADDRESS BUFFER	SIZE CODE	DUA	NUMBER	M8158-0-0	REV	B
SCALE	2/1	SHEET	3	OF	6	DIST	

THIS DRAWING AND SPECIFICATIONS HEREIN ARE THE PROPERTY OF DIGITAL EQUIPMENT CORPORATION AND SHALL NOT BE REPRODUCED OR USED IN WHOLE OR IN PART AT THE MANUFACTURE OR SALE OF ITEMS WITHOUT THE WRITTEN PERMISSION OF DEPT. © 1978, DIGITAL EQUIPMENT CORPORATION

(X) (X) (X) (X)  
(X) (X) (X) (X)

M8158 5012647 C-P1

M8158 5012647C-P1 MK11 ADDRESS BUFFER SIDE 2

REVISIONS		
CHK	CHANGE NO	REV

TITLE	MK11 ADDRESS BUFFER	SIZE CODE	DUA	NUMBER	M8158-0-0	REV	B
SCALE	2/1	SHEET	4	OF	6	DIST	



8

7

6

5

4

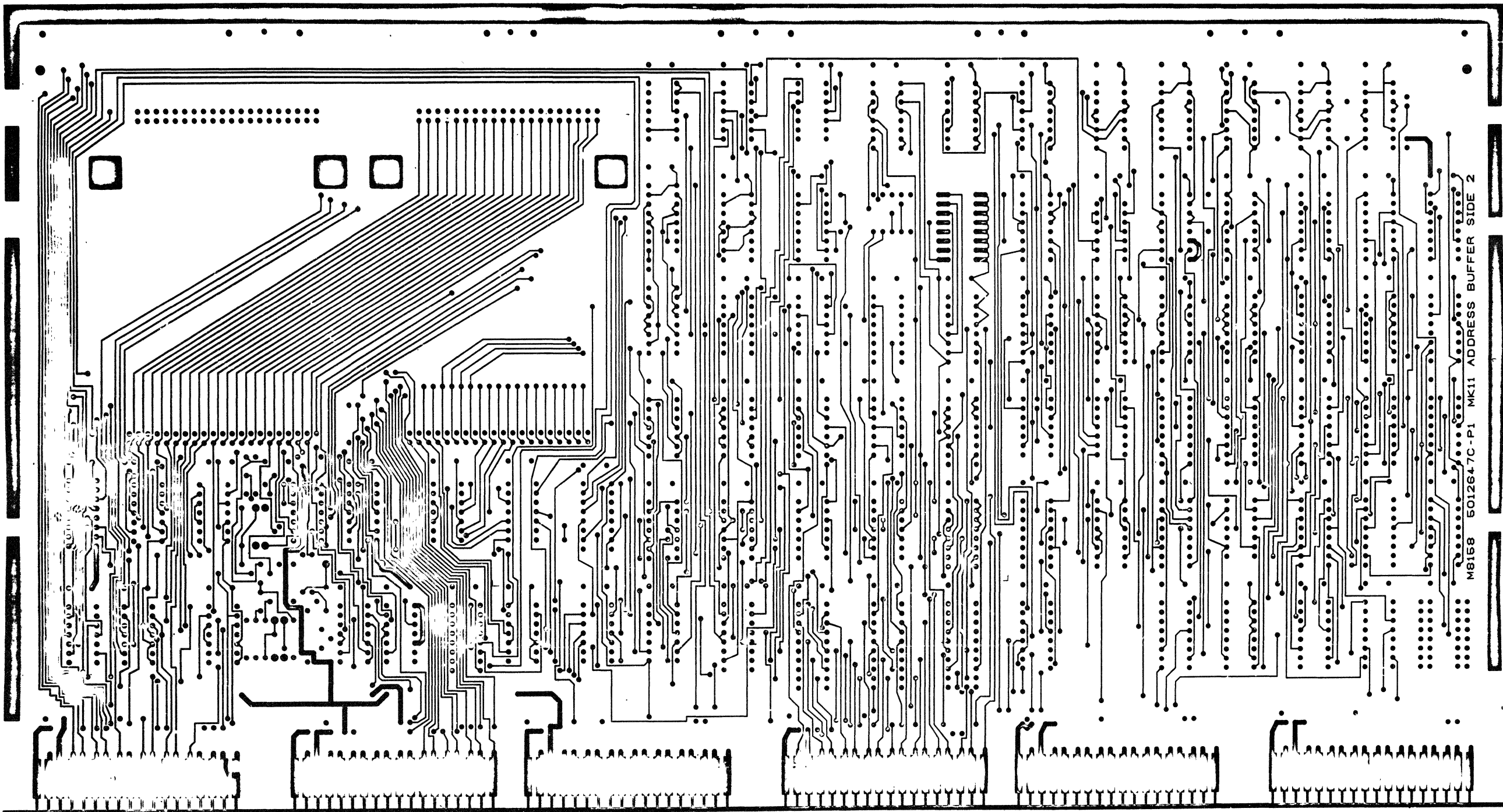
3

8 0-0-8518W DUA 2

1

THIS DRAWING AND TECHNIQUE HEREIN ARE THE PROPERTY OF DIGITAL EQUIPMENT CORPORATION AND SHALL NOT BE REPRODUCED OR COPIED OR USED IN WHOLE OR IN PART AS THE BASIS FOR THE MANUFACTURE OR SALE OF ANY PRODUCT WITHOUT WRITTEN PERMISSION OF DIGITAL EQUIPMENT CORPORATION.

AYER



M8158 501264-7C-P1 MK11 ADDRESS BUFFER SIDE 2

SIZE CODE NUMBER

REVISIONS		
CHK	CHANGE NO	REV

TITLE	MK11 ADDRESS BUFFER	SIZE CODE	DUA	NUMBER	M8158-0-0	REV.	B
SCALE	2/1	SHEET	5	OF	6	DIST	

8

7

6

5

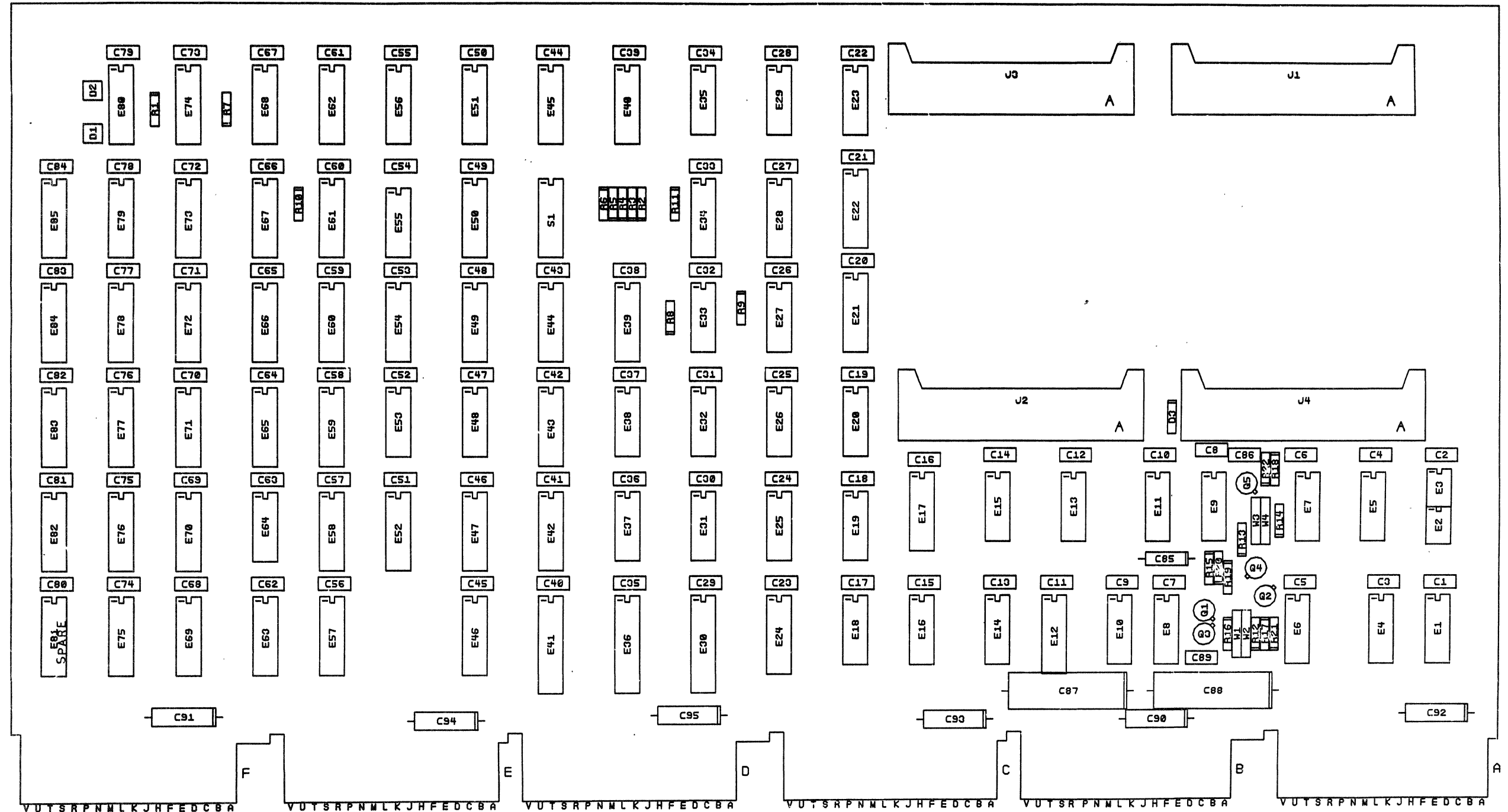
4

3

2

1

THIS DRAWING AND SPECIFICATIONS, HEREIN, ARE THE PROPERTY OF DIGITAL EQUIPMENT CORPORATION AND SHALL NOT BE REPRODUCED OR TRANSMITTED IN ANY FORM OR BY ANY MEANS, ELECTRONIC OR MECHANICAL, INCLUDING PHOTOCOPYING, RECORDING, OR BY ANY INFORMATION STORAGE AND RETRIEVAL SYSTEM, WITHOUT THE WRITTEN PERMISSION OF DIGITAL EQUIPMENT CORPORATION.  
 COPYRIGHT © 1977



NOTES:  
 \_\_\_\_\_  
 \_\_\_\_\_  
 \_\_\_\_\_  
 \_\_\_\_\_  
 \_\_\_\_\_

CHECK	CHANGE	NO.	REV.

SIGNATURES		DATE	digital
DRN. <i>George E. ...</i>		11-23-77	
CHK'D. <i>D. ...</i>		11-30-77	
ENG.			TITLE
PROJ. ENG.			MK11 ADDRESS BUFFER
PROD.			
SCALE 2:1			SIZE CODE
SHT. 6 OF 6			NUMBER
NEXT HIGHER ASSY. B-DD-M8158-0			REV

DIGITAL EQUIPMENT CORPORATION PARTS LIST				QUANTITY / VARIATION										NOTES:				
MADE BY JOAN ROGERS DATE 19 APR 77		CHECKED S. TUTTLE DATE 12 JUL 77		SECTION 1												USED ON: OPTION/MODEL MK11		
ENG <i>D.M. Amaker</i> DATE 10/26/77		PROD <i>RA Hill</i> DATE 26 OCT '77		ISSUED SECTION 1														
ITEM NO.	DRAWING NO.	PART NO.	DESCRIPTION		104690													REF DESIGNATION
	D-CS-M8158-0-1		CIRCUIT SCHEMATIC		REF													
	D-UA-M8158-0-0		UNIT ASSEMBLY		REF													
	B-DD-M8158-0		DWG DIRECTORY		REF													
	D-MD-5012647-0-0		DRILL & ETCH DRAWING		REF													
1		5012647	ETCH BOARD		1													
2		1000064	CAP 3.9UF 10V, 10% TANT		1													C85
3		1001610-01	CAP .01UF, 100V DISK		84													C1 thru C84
4		1010274-00	CAP .22UF, 50V CER		1													C89
5		1011683-00	CAP .022UF, 50V, 10% CER		1													C86
6		1012084-01	CAP 8UF, 25V AL		6													C90 thru C95
7		1012219-00	CAP 47UF, 30V AL		2													C87, C88
8		1105275-00	DIODE D672		1													D3
9		1110324-00	DIODE LED		2													D1, D2
10		1209941-02	CONN 40 PIN		4													J1, J2, J3, J4
11		1210711-02	HANDLE (HEX)		1													
12		1211164-04	SWITCH (DIP) 8 POSITION		1													S1
13		1300250-00	RES 150, 1/4W, 5% CC		1													R15
14		1300271-00	RES 220, 1/4W, 5% CC		2													R1, R7
15		1300316-00	RES 470, 1/4W, 5% CC		1													R8
16		1300426-00	RES 2.7K, 1/4W, 5% CC		2													R9, R10
17		1300447-00	RES 4.7K, 1/4W, 5% CC		6													R2, R3, R4, R5, R6, R11

E.C.O. NO. 1000

# DIGITAL EQUIPMENT CORPORATION PARTS LIST

QUANTITY / VARIATION

NOTES:

*USED ON: OPTION/MODEL  
MK11*

MADE BY DATE	JOAN ROGERS 19 APR 77	CHECKED DATE	S. TUTTLE 12 JUL 77
SECTION	1	ISSUED SECTION	1
ENG DATE	<i>D. M. [Signature]</i> 10/26/77	PROD DATE	<i>R. A. Hill</i> 26 OCT '77

ITEM NO.	DRAWING NO.	PART NO.	DESCRIPTION	QUANTITY	VARIATION	REF DESIGNATION
18		1300479-00	RES 10K. 1/4W, 5%	1		R20
19		1301424-00	RES 680, 1/4W, 5%	2		R17, R18
20		1302388-00	RES 2K 1/4W, 5%	2		R21, R22
21		1302391-00	RES 20K 1/4W, 5%	2		R12, R14
22		1303177-00	RES 2.4K, 1/4W, 5%	2		R19, R16
23		1503409-00	TRANS. DEC 6534D PNP	2		Q2, Q4
24		1509338-00	TRANS. DEC 6531B NPN	3		Q1, Q3, Q5
25		1300365-00	RES 1K 1/4W, 5%	1		R13
26		1909932-01	DEC I.C. 7483A	10		E58, E69, E70, E72, E73, E76, E77, E79, E83, E84
27		1909955-00	DEC I.C. 7412	1		E33
28		1912819-00	DEC I.C. 74LS42	1		E39
29		1910091-00	DEC I.C. 7437	2		E55, E23
30		1912828-00	DEC I.C. 74LS85	1		E44
31		1910532-00	DEC I.C. 74S00	1		E38
32		1910534-00	DEC I.C. 74S04	6		E29, E31, E35, E48, E53, E64
33		1910542-00	DEC I.C. 74S64	2		E26, E37
34		1910544-00	DEC I.C. 74S74	2		E25, E27
35		1910547-00	DEC I.C. 74S153	7		E21, E22, E24, E28, E50, E54, E61
36		1910548-00	DEC I.C. 74S157	1		E34
37		1910549-00	DEC I.C. 74S158	1		E47
38		1910645-00	DEC I.C. 75452	2		E2, E3

E.C.O. NO.

<small>"THIS DRAWING AND SPECIFICATIONS, HEREIN, ARE THE PROPERTY OF DIGITAL EQUIPMENT CORPORATION AND SHALL NOT BE REPRODUCED OR COPIED OR USED IN WHOLE OR IN PART AS THE BASIS FOR THE MANUFACTURE OR SALE OF ITEMS WITHOUT WRITTEN PERMISSION. COPYRIGHT © 1977 DIGITAL EQUIPMENT CORPORATION"</small>	TITLE	ASSY NO.	SIZE	CODE	NUMBER	REV.
	MK11 ADDRESS BUFFER	D-UA-M8158-0-0	B	PL	M8158-0-0	B
			SHEET 2 OF 3	INSERTION PARTS LIST DATA BASE REV		

# DIGITAL EQUIPMENT CORPORATION PARTS LIST

MADE BY DATE	JOAN ROGERS 19 APR 77	CHECKED DATE	S. TUTTLE 12 JUL 77	SECTION 1
ENG DATE	<i>D. M. Amelun</i> 10/26/77	PROD DATE	<i>RA Hill</i> 26 OCT '77	ISSUED SECTION 1

## QUANTITY / VARIATION

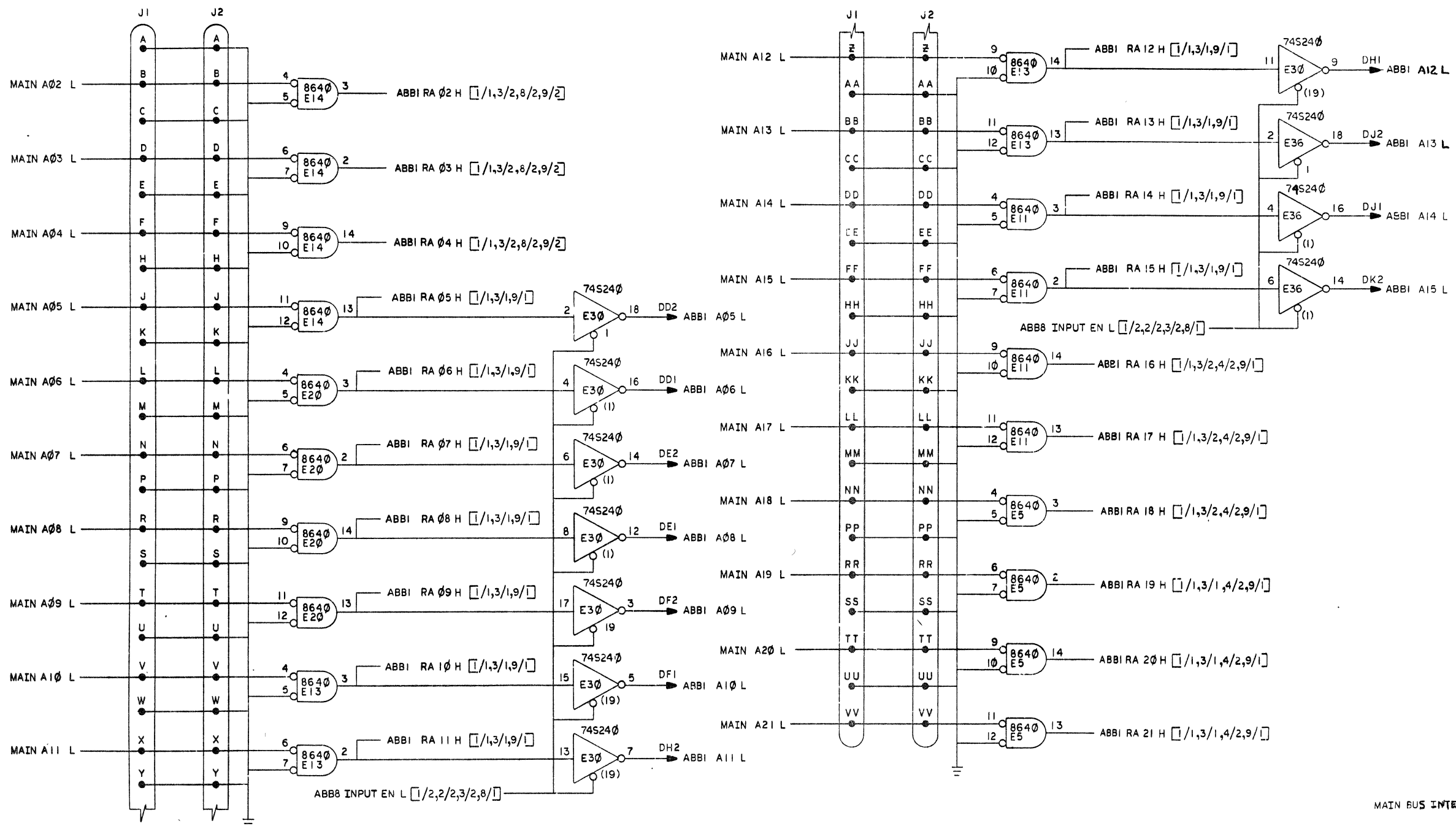
NOTES:

*USED ON: OPTION/MODEL  
MK11*

ITEM NO.	DRAWING NO.	PART NO.	DESCRIPTION	104690									REF DESIGNATION
39		1910878-00	DEC I.C. 7427	1									E18
40		1910956-00	DEC I.C. 74S151	2									E4Ø, E6Ø
41		1911469-00	DEC I.C. 8640	10									E4, E5, E6, E7, E8, E11, E13, E14, E2Ø, E1Ø
42		1911573-00	DEC I.C. 74S280	4									E9, E15, E16, E19
43		1911641-00	DEC I.C. 74S257	2									E46, E57
44		1911983-00	DEC I.C. 74S133	1									E17
45		1912125-00	DEC I.C. 74S135	1									E12
46		1912388-00	DEC I.C. 74S02	2									E1, E32
47		1912827-00	DEC I.C. 74LS83	13									E45, E51, E52, E59 E63, E65, E67, E68, E71, E75, E78, E82, E85
48		1912Ø44-00	DEC I.C. 74LS151	3									E42, E43, E66
49		1912845-00	DEC I.C. 74LS153	5									E49, E56, E62, E74, E8Ø
50		1913462-00	DEC I.C. 74S240	3									E3Ø, E36, E41
51		9000024-01	EYELET (HANDLE)	12									
			I.C. SPARE	REF									E 81
52		9009135-00	JUMPER WIRE WHITE INSULATION	A/R									W1, W2, W3, W4

E.C.O. NO.

THIS DRAWING AND SPECIFICATIONS, HEREIN, ARE THE PROPERTY OF DIGITAL EQUIPMENT CORPORATION AND SHALL NOT BE REPRODUCED OR COPIED OR USED IN WHOLE OR IN PART AS THE BASIS FOR THE MANUFACTURE OR SALE OF ITEMS WITHOUT WRITTEN PERMISSION.  
COPYRIGHT © 1977, DIGITAL EQUIPMENT CORPORATION

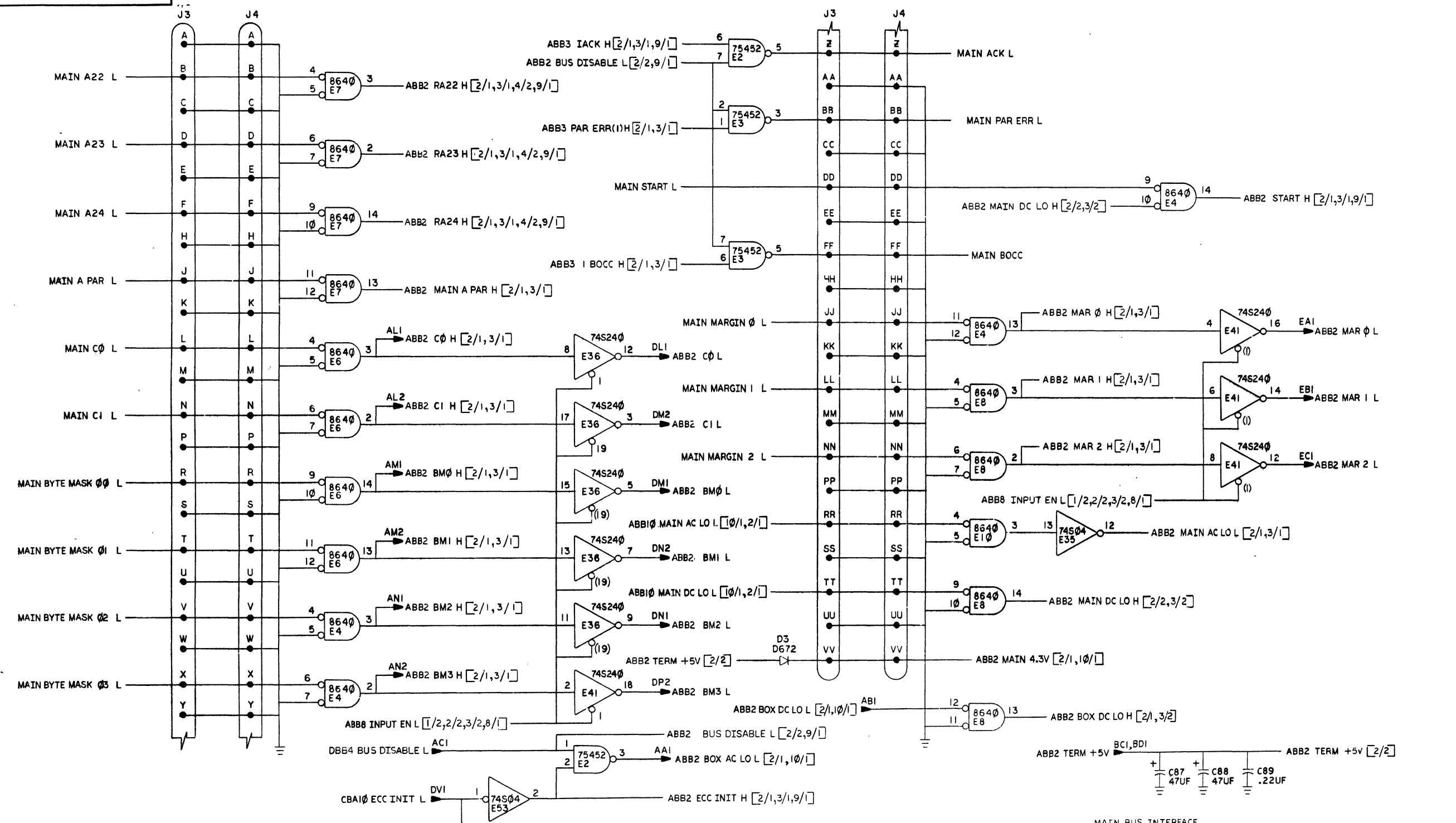


MAIN BUS INTERFACE

REV	BY	DATE
1	RSR	10-26-77
2	RSR	11-26-77
3	RSR	12-26-77

DRN	CHK'D	ENG	PROJ. ENG.	PROD. PLAN	FIRST USED ON	TITLE
736477	10-26-77	11-26-77	12-26-77	10-26-77		MKII ADDRESS BUFFER (ABBI)
NEXT HIGHER ASSY.						
B-DD-M8152-Q	SIZE	CODE	NUMBER	REV.		
	D	CS	M8158-0-1	B		
SCALE						
SHEET 1 OF 10						

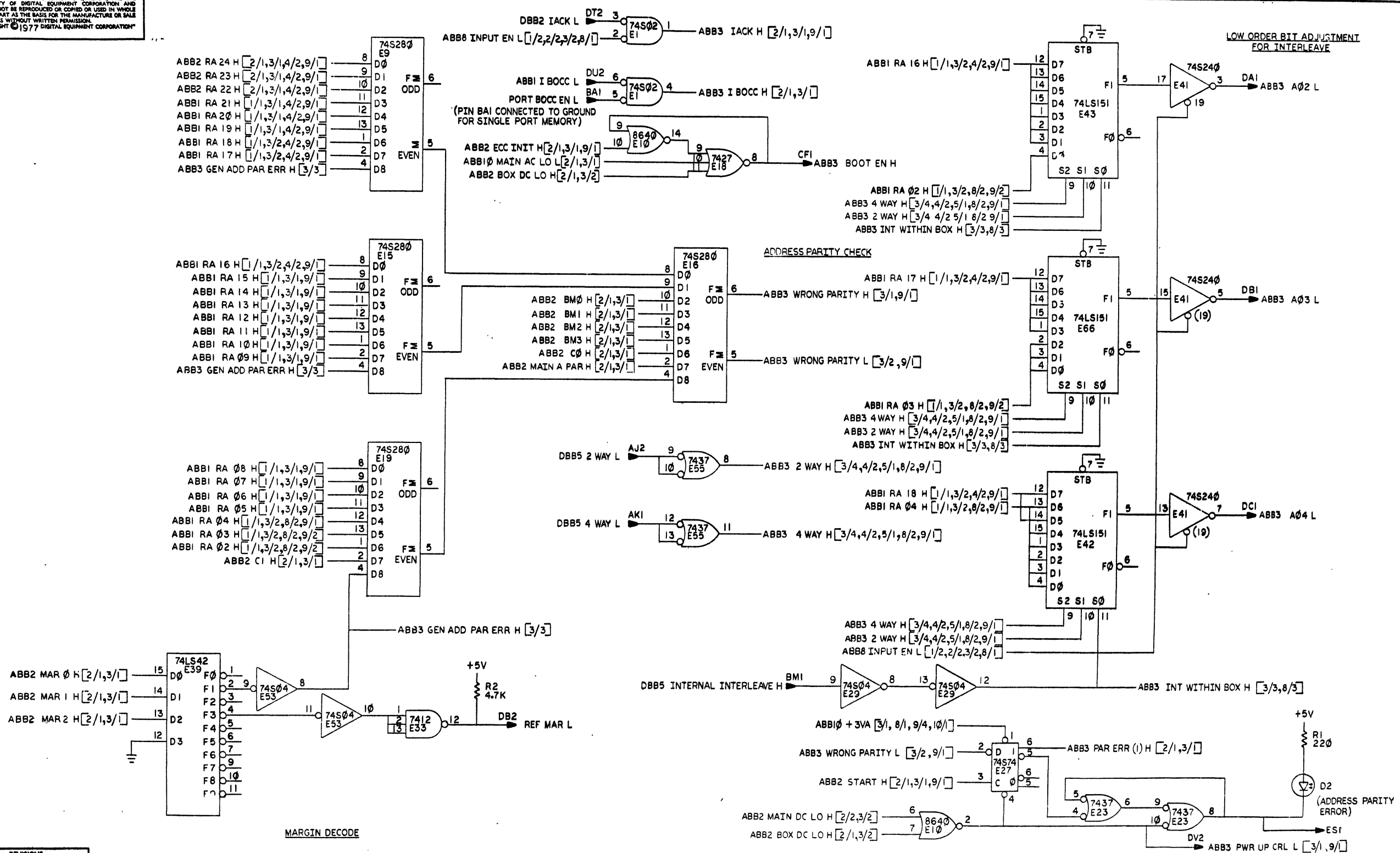
"THIS DRAWING AND SPECIFICATIONS, HEREIN, ARE THE PROPERTY OF DIGITAL EQUIPMENT CORPORATION AND SHALL NOT BE REPRODUCED OR COPIED OR USED IN WHOLE OR IN PART AS THE BASIS FOR THE MANUFACTURE OR SALE OF ITEMS WITHOUT WRITTEN PERMISSION. COPYRIGHT © 1977 DIGITAL EQUIPMENT CORPORATION"



REVISIONS		
CHK	CHANGE NO.	REV.

TITLE	(ABB2) SIZE CODE	NUMBER	REV.
MK11 ADDRESS BUFFER	D CS	M8158-0-1	B
SCALE	SHEET 2 OF 10	DIST.	

THIS DRAWING AND SPECIFICATIONS HEREIN ARE THE PROPERTY OF DIGITAL EQUIPMENT CORPORATION AND SHALL NOT BE REPRODUCED OR COPIED OR USED IN WHOLE OR IN PART AS THE BASIS FOR THE MANUFACTURE OR SALE OF ITEMS WITHOUT WRITTEN PERMISSION. COPYRIGHT © 1977 DIGITAL EQUIPMENT CORPORATION

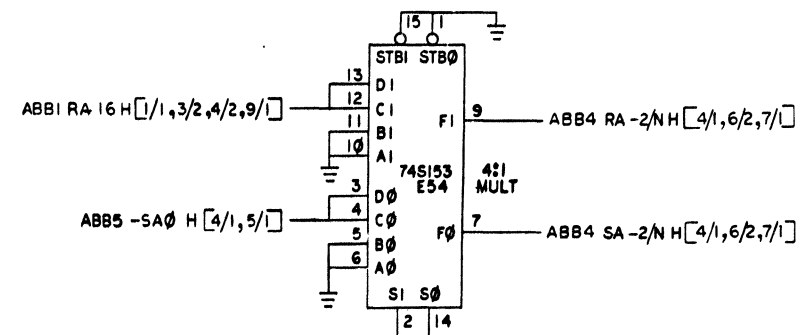
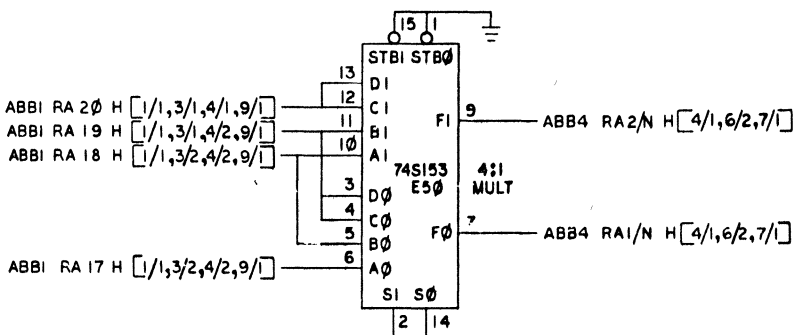
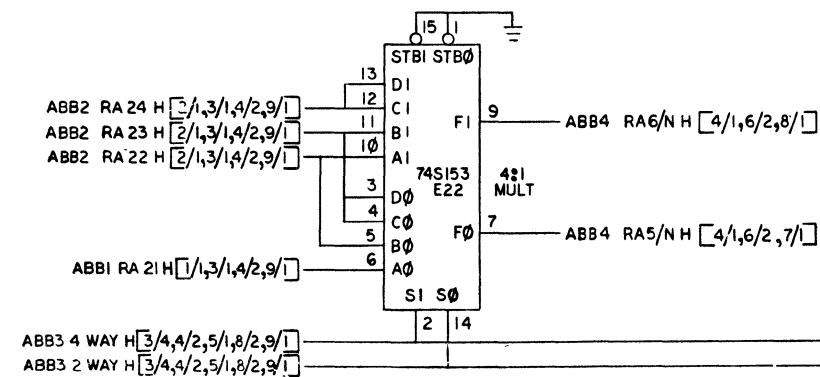
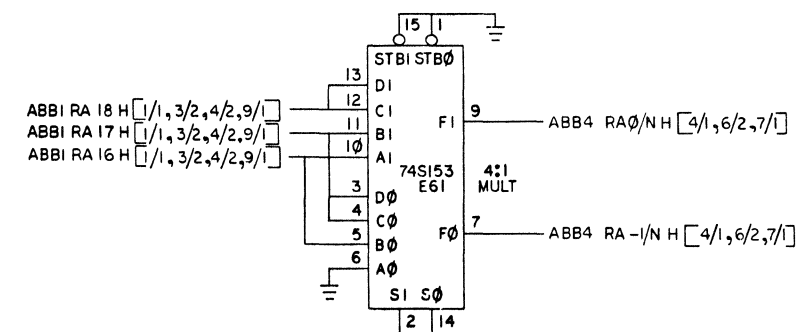
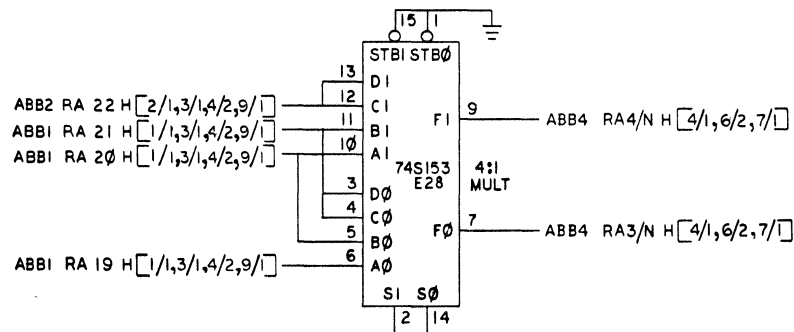
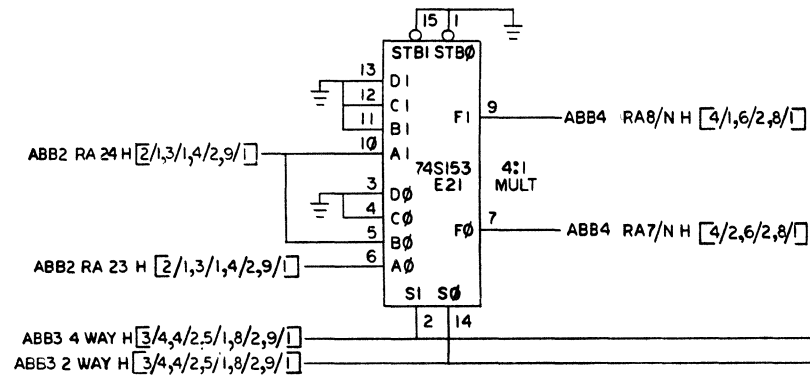


REVISIONS		
CHK	CHANGE NO.	REV.

TITLE	(ABB3)	SIZE CODE	NUMBER	REV.
MKII ADDRESS BUFFER	D CS	M8158-0-1	B	
SCALE	SHEET	3 OF 10	DIST.	



"THIS DRAWING AND SPECIFICATIONS HEREIN ARE THE PROPERTY OF DIGITAL EQUIPMENT CORPORATION AND SHALL NOT BE REPRODUCED OR COPIED OR USED IN WHOLE OR IN PART AS THE BASIS FOR THE MANUFACTURE OR SALE OF ITEMS WITHOUT WRITTEN PERMISSION. COPYRIGHT © 1977 DIGITAL EQUIPMENT CORPORATION"

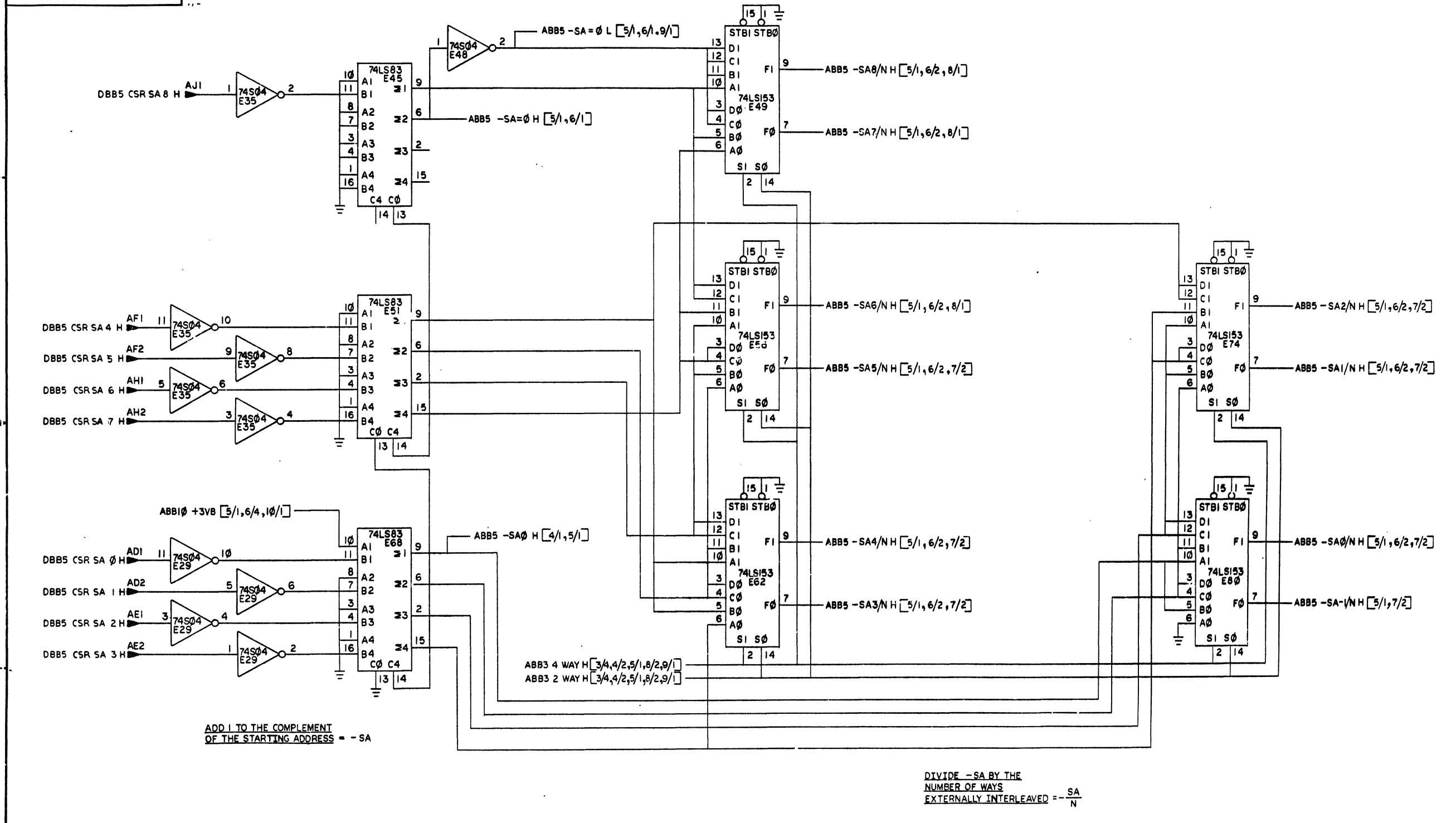


DIVIDE RAW (MAIN BUS) ADDRESS BY THE NUMBER OF WAYS EXTERNALLY INTERLEAVED

REVISIONS		
CHK	CHANGE NO	REV.

TITLE	(ABB4)	SIZE/CODE	NUMBER	REV.
MKII ADDRESS BUFFER	DCS	M8158-0-1	B	
SCALE	SHEET	4 OF 10	DIST	

"THIS DRAWING AND SPECIFICATIONS HEREIN ARE THE PROPERTY OF DIGITAL EQUIPMENT CORPORATION AND SHALL NOT BE REPRODUCED OR COPIED OR USED IN WHOLE OR IN PART AS THE BASIS FOR THE MANUFACTURE OR SALE OF ITEMS WITHOUT WRITTEN PERMISSION. COPYRIGHT © 1977 DIGITAL EQUIPMENT CORPORATION"



ADD 1 TO THE COMPLEMENT OF THE STARTING ADDRESS -- SA

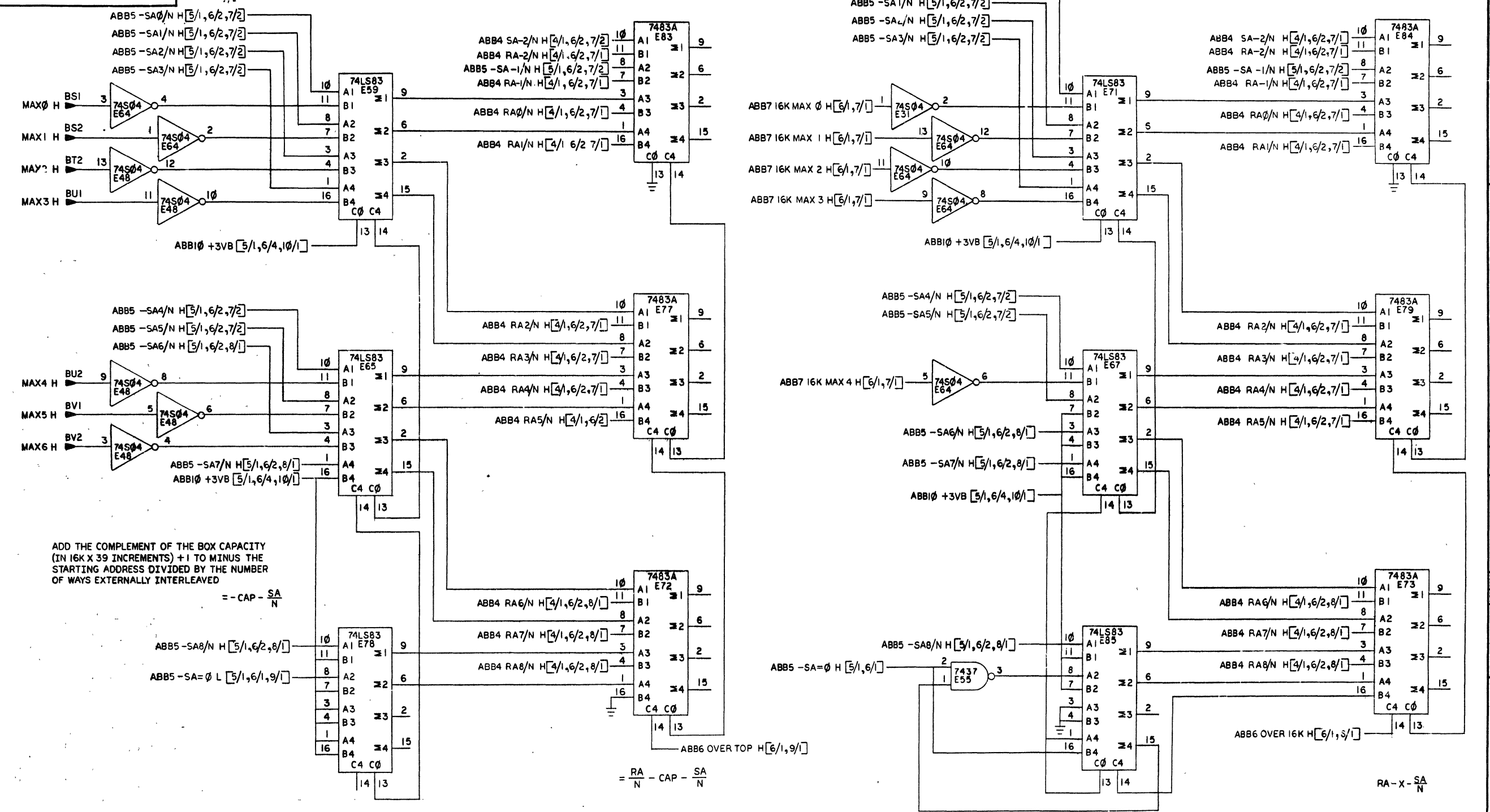
DIVIDE -SA BY THE NUMBER OF WAYS EXTERNALLY INTERLEAVED -- SA/N

REVISIONS		
CHK	CHANGE NO.	REV.

TITLE	(ABB5)	SIZE(CCC)	NUMBER	REV.
MKII ADDRESS BUFFER	D CS	M8158-0-1	B	
SCALE	SHEET 5 OF 10	DIST.		

"THIS DRAWING AND SPECIFICATIONS, HEREIN, ARE THE PROPERTY OF DIGITAL EQUIPMENT CORPORATION AND SHALL NOT BE REPRODUCED OR COPIED OR USED IN WHOLE OR IN PART AS THE BASIS FOR THE MANUFACTURE OR SALE OF ITEMS WITHOUT WRITTEN PERMISSION. COPYRIGHT © 1977 DIGITAL EQUIPMENT CORPORATION"

1-0-8818W SCS DCS



ADD THE COMPLEMENT OF THE BOX CAPACITY (IN 16K X 39 INCREMENTS) + 1 TO MINUS THE STARTING ADDRESS DIVIDED BY THE NUMBER OF WAYS EXTERNALLY INTERLEAVED

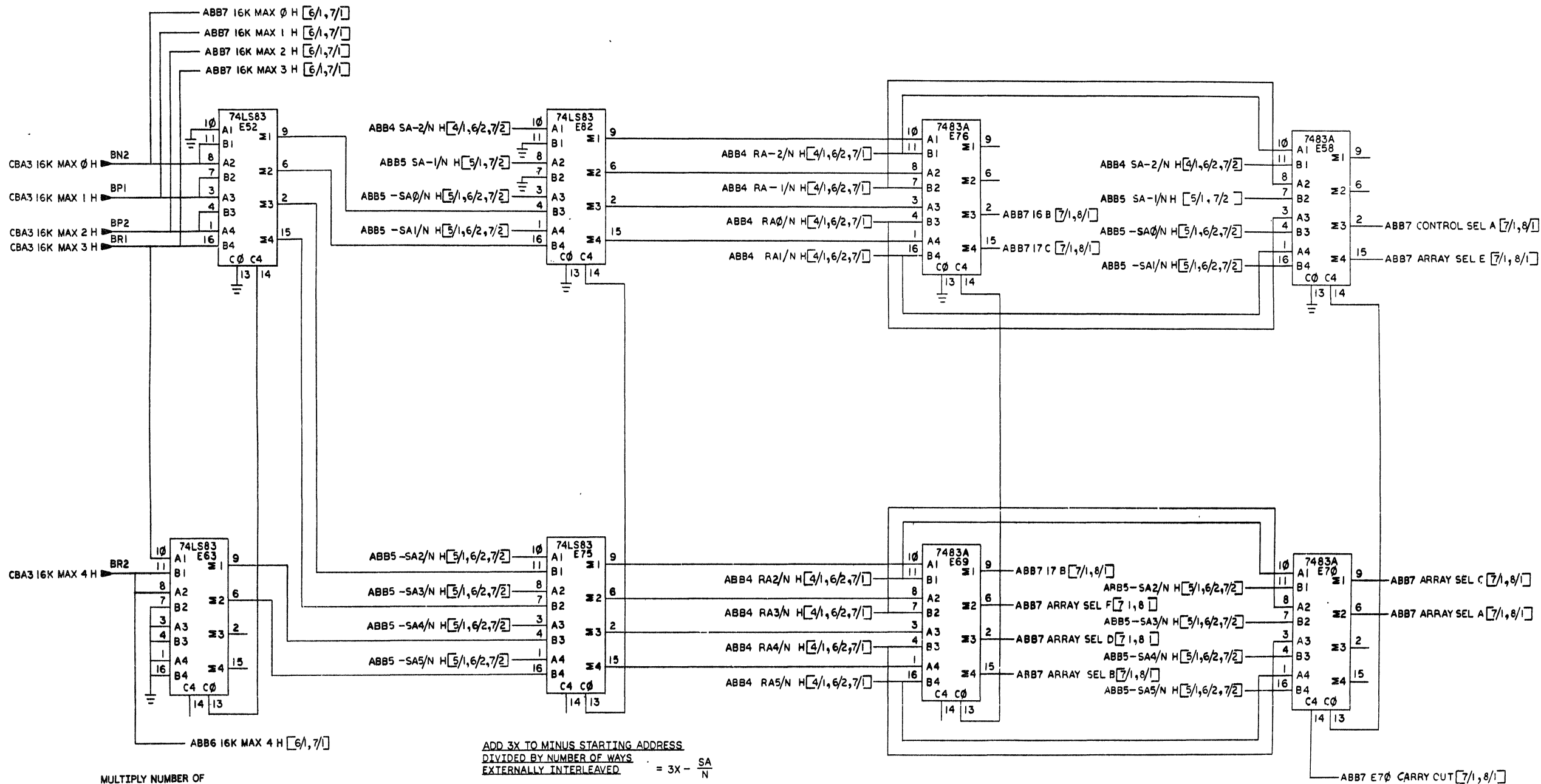
$$= -CAP - \frac{SA}{N}$$

ADD THE COMPLEMENT OF THE NUMBER OF 16K X 39 ARRAY (X) CARDS + 1 TO MINUS THE STARTING ADDRESS DIVIDED BY THE NUMBER OF WAYS EXTERNALLY INTERLEAVED = -X - SA / N

REVISIONS		
CHK	CHANGE NO.	REV.

TITLE	(ABB6) SIZE CODE	NUMBER	REV.
MKII ADDRESS BUFFER	DCS	M8158-01	B
SCALE	SHEET 6 OF 10	DIST.	

"THIS DRAWING AND SPECIFICATIONS, HEREIN, ARE THE PROPERTY OF DIGITAL EQUIPMENT CORPORATION AND SHALL NOT BE REPRODUCED OR COPIED OR USED IN WHOLE OR IN PART AS THE BASIS FOR THE MANUFACTURE OR SALE OF ITEMS WITHOUT WRITTEN PERMISSION. COPYRIGHT © 1977 DIGITAL EQUIPMENT CORPORATION"



MULTIPLY NUMBER OF 16K X 39 ARRAYS IN BOX BY 3 - 3X

ADD 3X TO MINUS STARTING ADDRESS DIVIDED BY NUMBER OF WAYS EXTERNALLY INTERLEAVED =  $3X - \frac{SA}{N}$

ADD  $3X - \frac{SA}{N}$  TO RAW ADDRESS DIVIDED BY NUMBER OF WAYS EXTERNALLY INTERLEAVED =  $\frac{RA}{N} + 3X - \frac{SA}{N}$

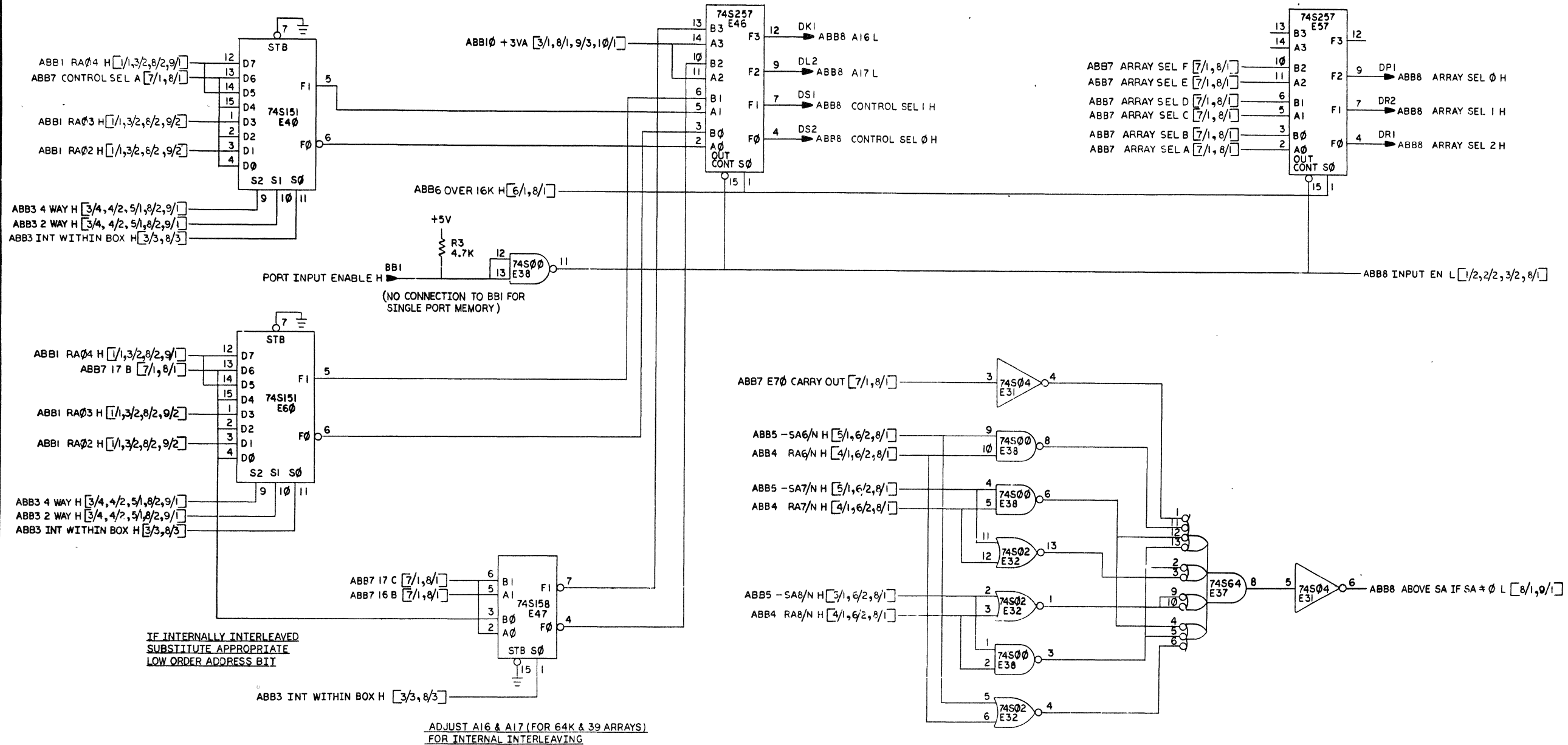
ADD MINUS STARTING ADDRESS DIVIDED BY N TO RAW ADDRESS DIVIDED BY N =  $\frac{RA}{N} - \frac{SA}{N}$

REVISIONS		
CHK	CHANGE NO.	REV.

TITLE	(ABB7) SIZE CODE	NUMBER	REV.
MKII ADDRESS BUFFER	D CS	M8158-0-1	B
SCALE	SHEET 7 OF 10	DIST.	

"THIS DRAWING AND SPECIFICATIONS, HEREIN, ARE THE PROPERTY OF DIGITAL EQUIPMENT CORPORATION AND SHALL NOT BE REPRODUCED OR COPIED OR USED IN WHOLE OR IN PART AS THE BASIS FOR THE MANUFACTURE OR SALE OF ITEMS WITHOUT WRITTEN PERMISSION. COPYRIGHT © 1977 DIGITAL EQUIPMENT CORPORATION"

OUTPUT BOX NORMALIZED ADDRESS FOR CONTROLLER & ARRAY SELECTION



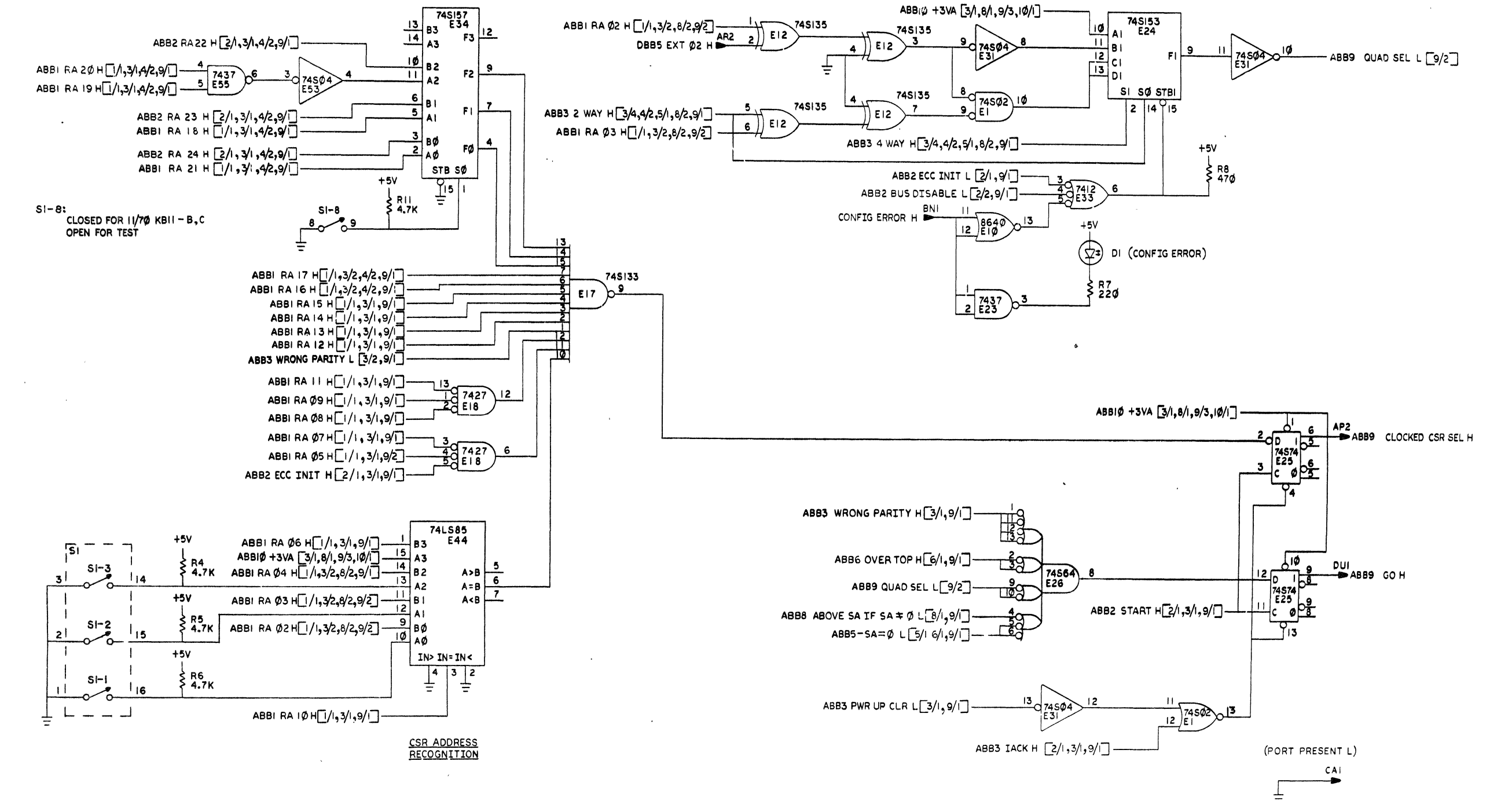
REVISIONS		
CHK	CHANGE NO.	REV.

TITLE	(ABB8)	SIZE CODE	NUMBER	REV.
MKII ADDRESS BUFFER	D CS	M8158-0-1	B	
SCALE	SHEET 8 OF 10	DIST.		

THIS DRAWING AND SPECIFICATIONS HEREIN ARE THE PROPERTY OF DIGITAL EQUIPMENT CORPORATION AND SHALL NOT BE REPRODUCED OR COPIED OR USED IN WHOLE OR IN PART AS THE BASIS FOR THE MANUFACTURE OR SALE OF ITEMS WITHOUT WRITTEN PERMISSION. COPYRIGHT © 1977 DIGITAL EQUIPMENT CORPORATION

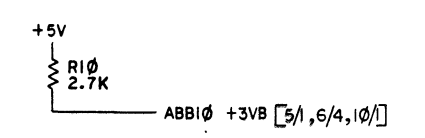
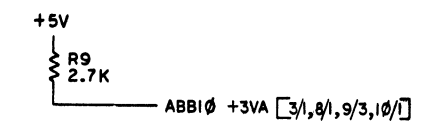
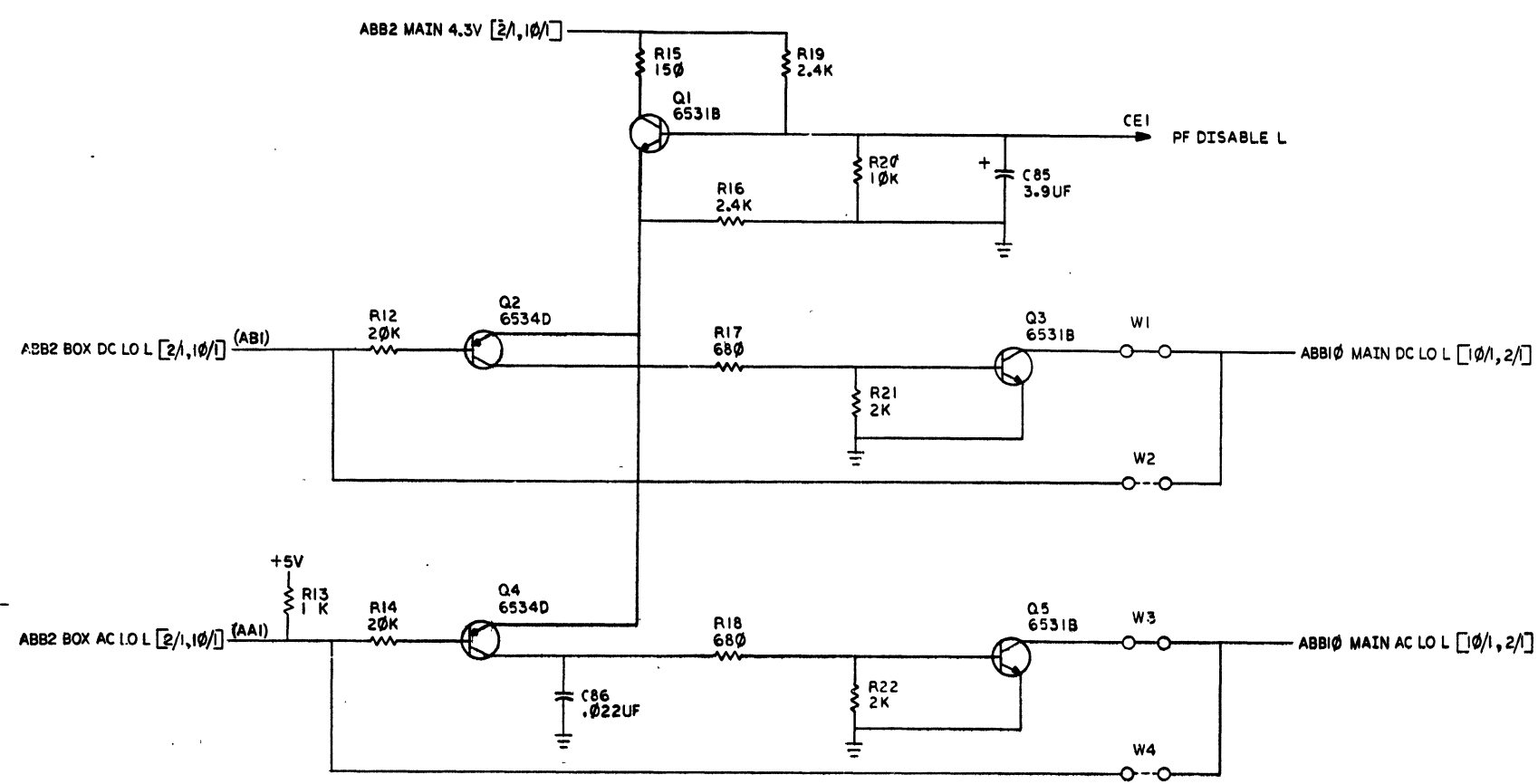
LOW ORDER ADDRESS SELECTION FOR EXTERNAL INTERLEAVE

1-0-8918W

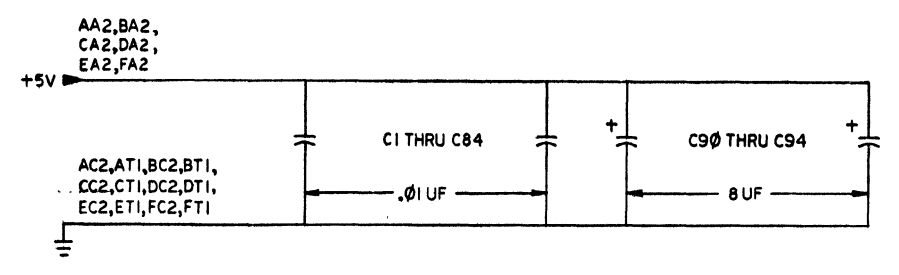
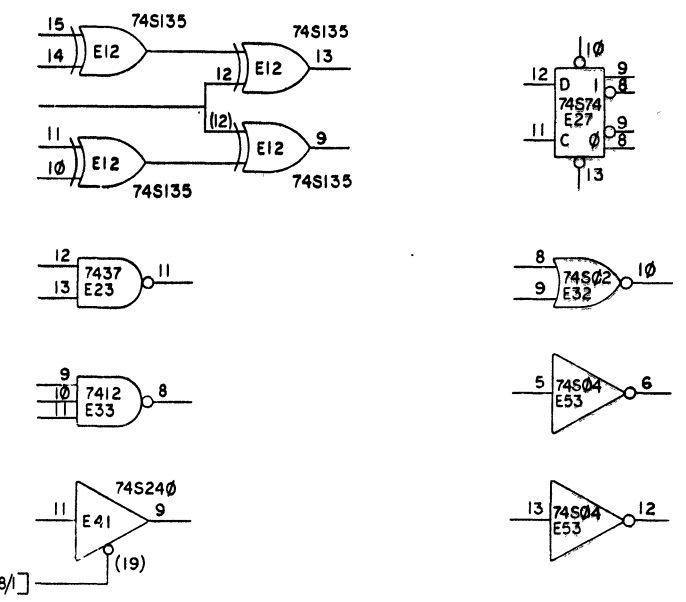


REVISIONS		
CHK	CHANGE NO.	REV.

TITLE	(ABB9)	SIZE/CODE	NUMBER	REV.
MK11 ADDRESS BUFFER	D CS	M8158-01	B	
SCALE	SHEET 9 OF 10	DIST.		



SPARES



REVISIONS		
CHK	CHANGE NO.	REV.





DRAWING NO.	NO. OF SHTS.	PART NO.	DESCRIPTION	REVISIONS																		
				1	2	3	4	5	6	7	8	9	10	11	12							
B-DD-M8159-0	1		MK11 DATA BUFFER	*	A	B	C															
D-UA-M8159-0-0	7		MK11 DATA BUFFER	c	D	E	F															
K-PL-M8159-0-DBP	2		MK11 DATA BUFFER	c	D	E	F															
D-CS-M8159-0-1	15		MK11 DATA BUFFER	c	D	E	F															
D-MD-5012664-0-0	5		DRILL & ETCH DRAWING	c	D	D	D															
		5012664	ETCHED BOARD	d	F	E	E															
K-PC-M8159-0-DBC			P.C. DESIGN DATA BASE	REF	E	-	-															

**NOTES:**

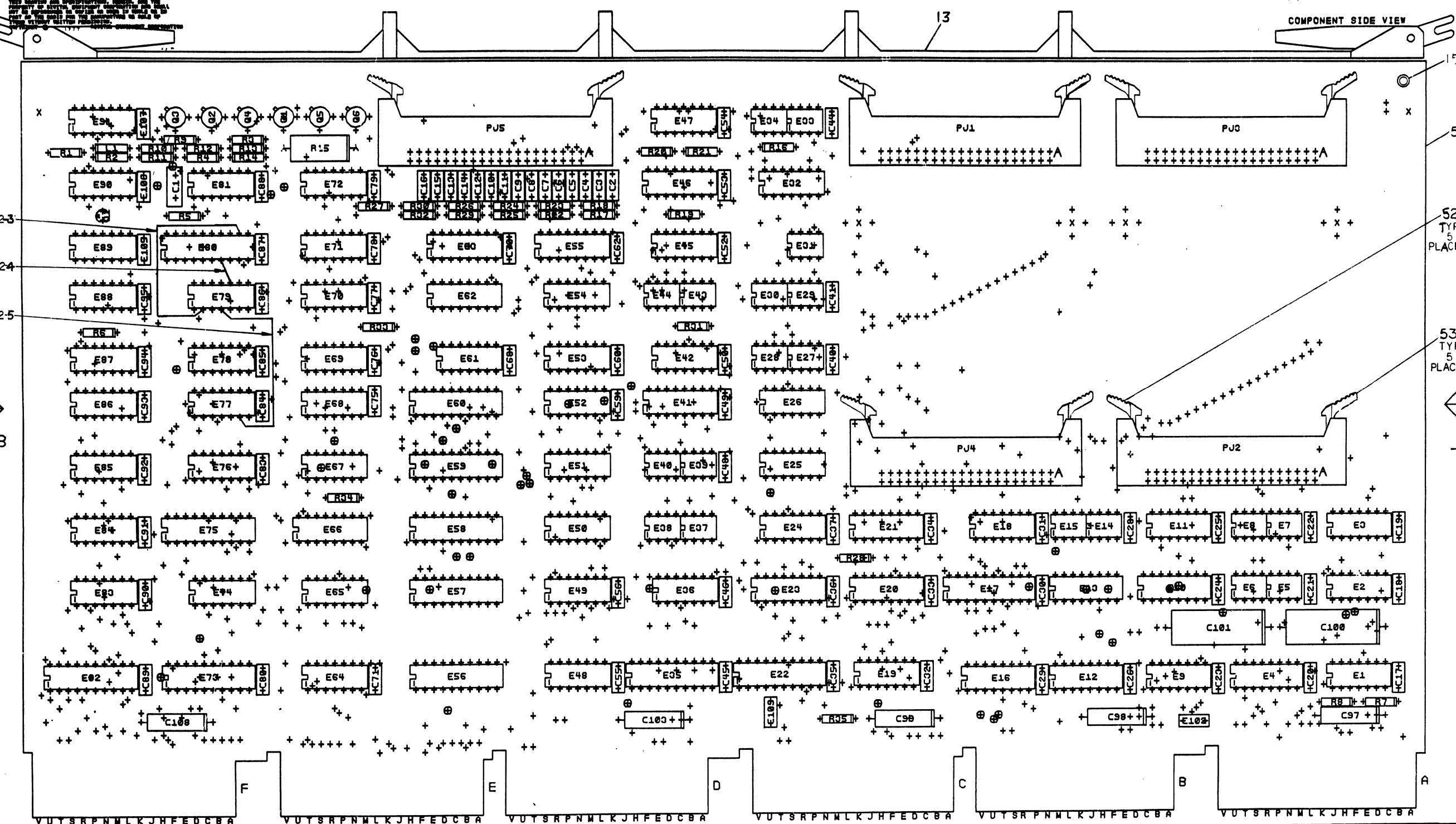
REVISIONS		DATE	CHG NO.	REV.
	ORIG			
4-78	00001	A		
7-78	00002	B		
9-78	ML003	C		

"THIS DRAWING AND SPECIFICATIONS, HEREIN, ARE THE PROPERTY OF DIGITAL EQUIPMENT CORPORATION AND SHALL NOT BE REPRODUCED OR COPIED OR USED IN WHOLE OR IN PART AS THE BASIS FOR THE MANUFACTURE OR SALE OF ITEMS WITHOUT WRITTEN PERMISSION.  
 COPYRIGHT© 1977 DIGITAL EQUIPMENT CORPORATION



USED ON OPTION/MODEL MK11	DRN. LORA METZGER	OCT 13, 77	TITLE MK11 DATA BUFFER
	CHK'D <i>J. Brennan</i>	OCT 13, 77	SIZE CODE B DD
	ENG <i>D. Smaker</i>	11-2-77	NUMBER M8159-0
	PROD. <i>R.A. Hill</i>	Nov 2, 77	REV. C
			SHEET 1 OF 1

COMPONENT SIDE VIEW



NOTES:

1. ALL DIMENSIONS ARE IN MILLIMETERS UNLESS OTHERWISE SPECIFIED.

2. ALL DIMENSIONS ARE TO CENTER UNLESS OTHERWISE SPECIFIED.

3. ALL DIMENSIONS ARE TO CENTER UNLESS OTHERWISE SPECIFIED.

4. ALL DIMENSIONS ARE TO CENTER UNLESS OTHERWISE SPECIFIED.

5. ALL DIMENSIONS ARE TO CENTER UNLESS OTHERWISE SPECIFIED.

6. ALL DIMENSIONS ARE TO CENTER UNLESS OTHERWISE SPECIFIED.

7. ALL DIMENSIONS ARE TO CENTER UNLESS OTHERWISE SPECIFIED.

8. ALL DIMENSIONS ARE TO CENTER UNLESS OTHERWISE SPECIFIED.

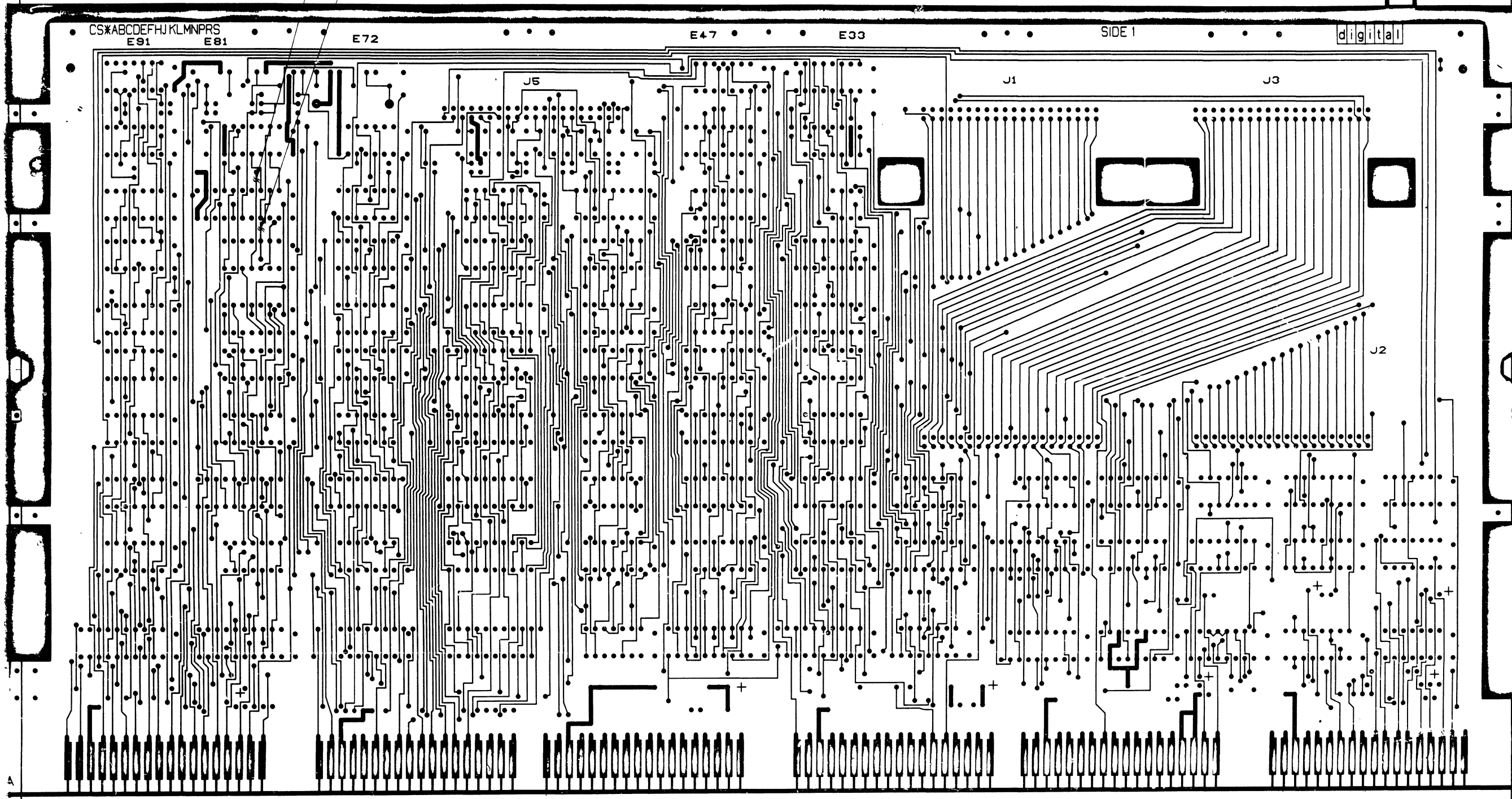
CHG	NO	REV	DATE	BY	CHK'D	APP'D
1	1	1	11/16/78	A. ZACCONI		
2	1	1	11/16/78	A. ZACCONI		
3	1	1	11/16/78	A. ZACCONI		
4	1	1	11/16/78	A. ZACCONI		
5	1	1	11/16/78	A. ZACCONI		
6	1	1	11/16/78	A. ZACCONI		
7	1	1	11/16/78	A. ZACCONI		
8	1	1	11/16/78	A. ZACCONI		

ETCH REV. E-P2  
P.C. DESIGN DATA BASE REV. E1.2 & EM2

SIGNATURES	DATE	TITLE	NUMBER	REV
DRN. <i>Kerry E. Wamborn</i>	11/16/78	digital		
CHK'D. <i>D. D. Smith</i>	11/16/78			
ENG. <i>J. J. Smith</i>	11/16/78			
PROJ. ENG. <i>J. J. Smith</i>	11/16/78			
PHD. <i>Dave Brown</i>	3-7-78			
SCALE 2:1				
SHT. 1 OF 7				
IN (7) HTRXER ASSY. B-DD-M8159-0				

# LAYER 1

5012664E-P2 M8159



NO DIMENSIONS SHOWN ARE THE PROPERTY OF THE MANUFACTURER AND SHALL BE USED IN WHOLE OR IN PART BY ANY OTHER MANUFACTURER OF ALL KINDS WITHOUT THE WRITTEN PERMISSION OF THE MANUFACTURER.  
 © 1978 THE MANUFACTURER COMPANY



L2

5012664E-P2 M8159



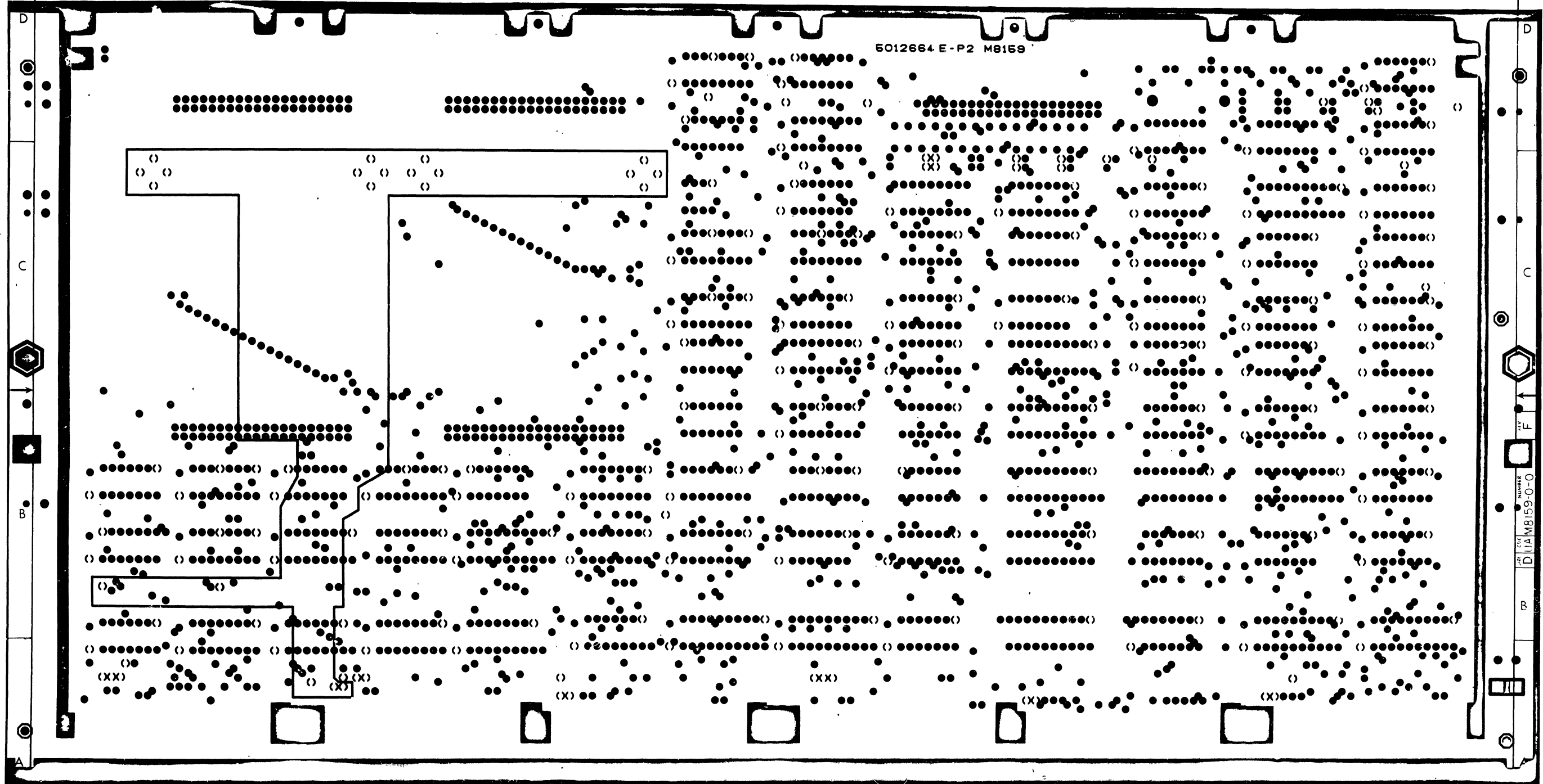
REVISIONS		
REV	CHARACTER	BY

TITLE	MK II DATA BUFFER	SIZE CODE	DUA	NUMBER	M8159-0-0	REV	F
SCALE	2/1	SHEET	3	OF	7		

THE UNITED STATES GOVERNMENT PRINTING OFFICE: 1978

DUA M8159-0-0 2

5012664 E-P2 M8159



DUA M8159-0-0

P

F

D

C

B

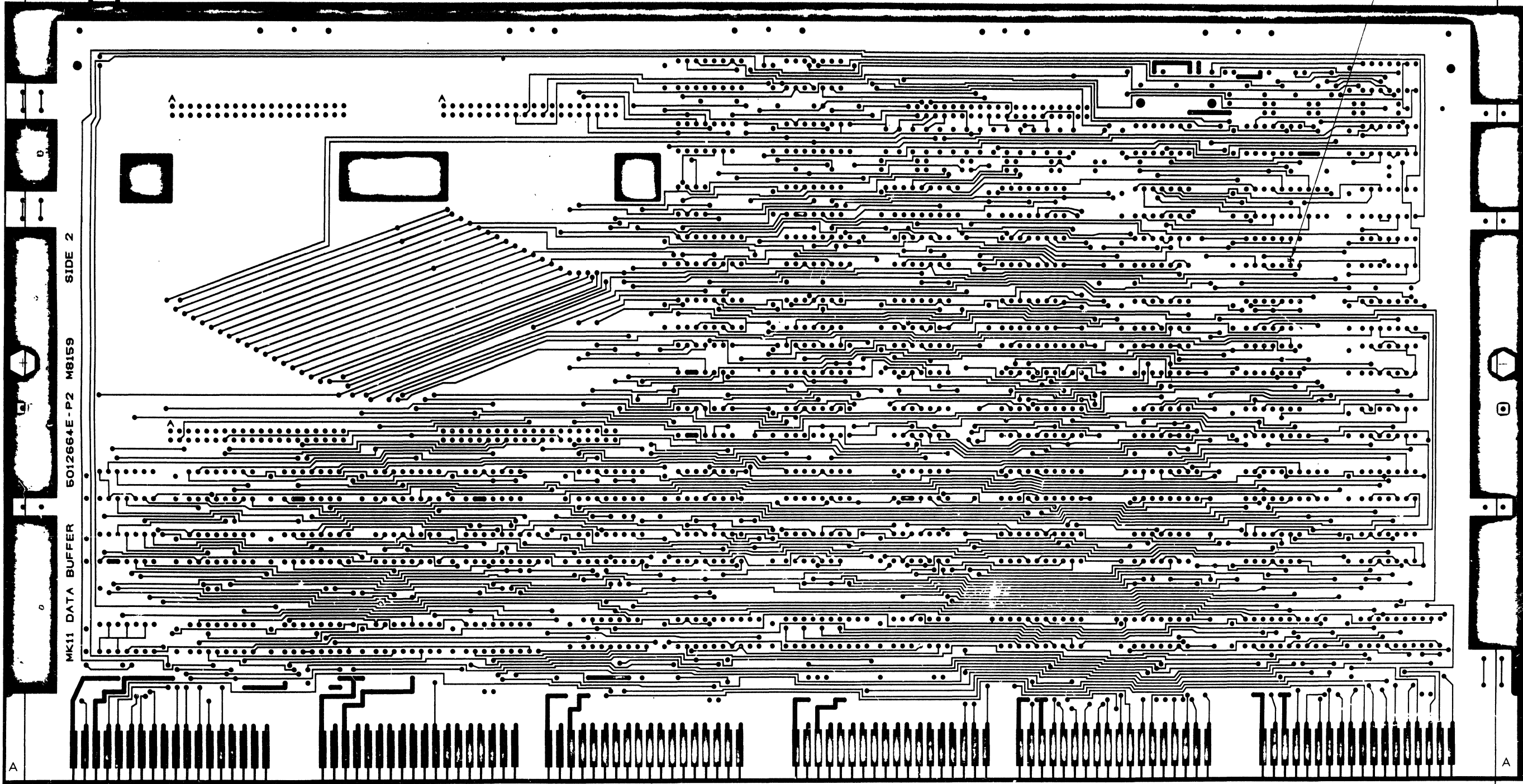
A

1	2	3	4	5	6	7	8

AYERA H

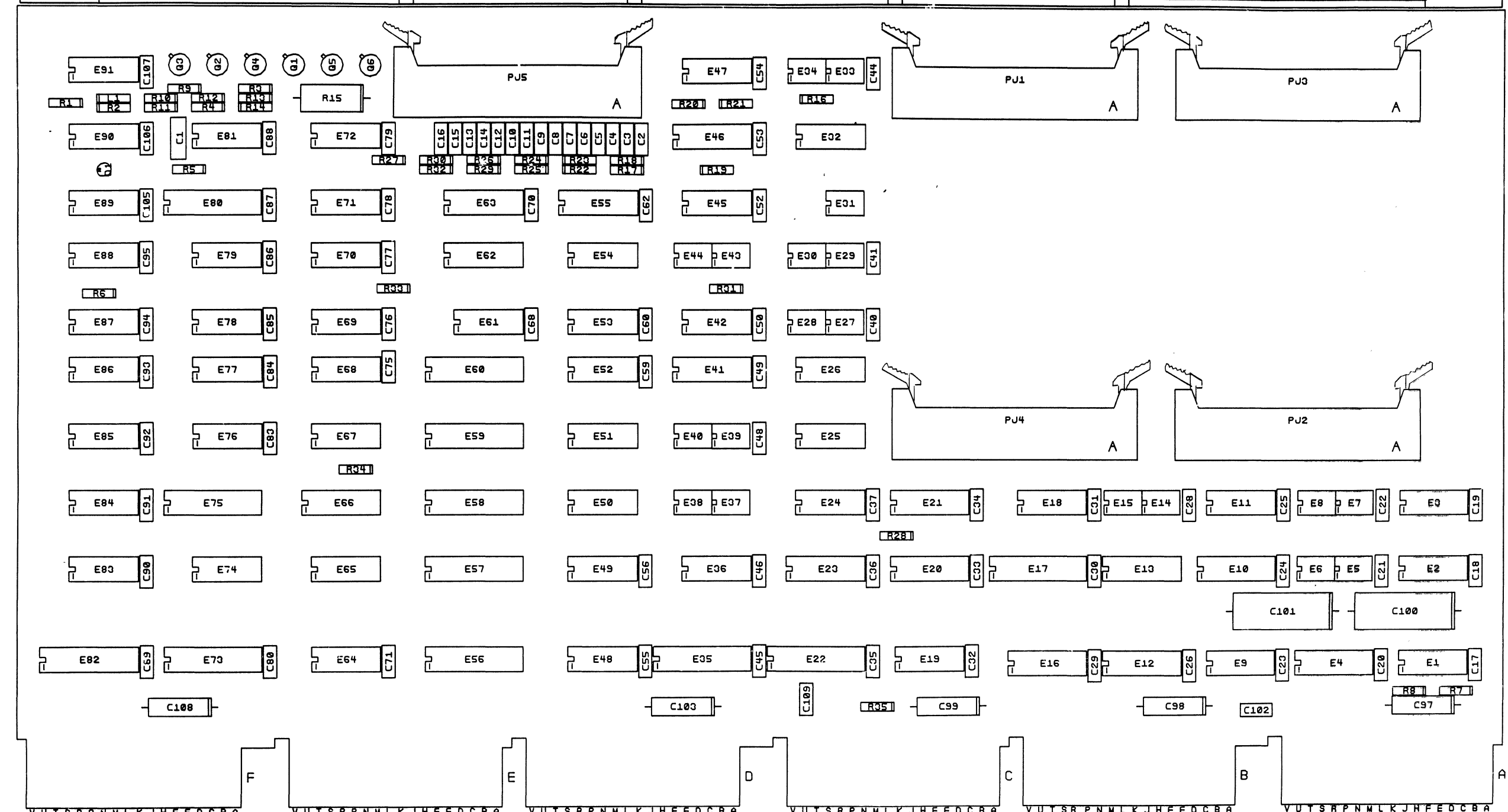
2-2

5012664E-P2 M8159  
SIDE 2  
MK11 DATA BUFFER



TITLE		MK11 DATA BUFFER		REV. NO.		DUA M8159-0-C		MATERIAL		F	
SCALE		2/1		SHEET		5 OF 7					

THIS DRAWING AND SPECIFICATIONS, HEREIN, AND THE PROPERTY OF WESTERN EQUIPMENT CORPORATION AND SHALL NOT BE REPRODUCED OR COPIED OR USED IN WHOLE OR IN PART AS THE BASIS FOR THE MANUFACTURE OR SALE OF ITEMS WITHOUT WRITTEN PERMISSION.  
WESTERN EQUIPMENT CORPORATION



NOTES:  
 \_\_\_\_\_  
 \_\_\_\_\_  
 \_\_\_\_\_  
 \_\_\_\_\_  
 \_\_\_\_\_

CHG	NO	REV

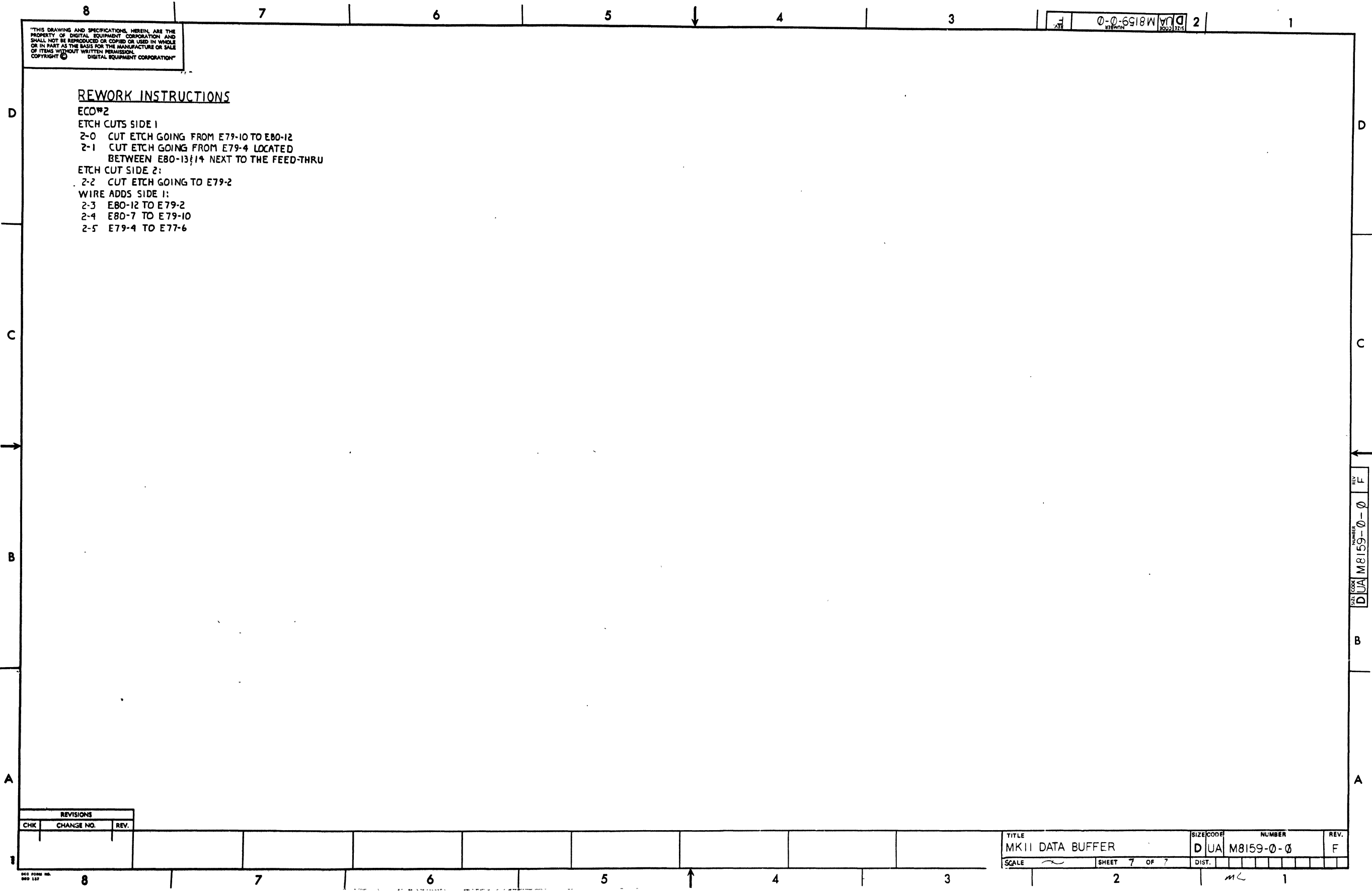
SIGNATURES		DATE	digital
DRN. <i>[Signature]</i>	CHK'D. <i>[Signature]</i>	11/16/75	
ENG. <i>[Signature]</i>	PROJ. ENG. <i>[Signature]</i>	11/16/75	TITLE MK11
PROJ. <i>[Signature]</i>	SCALE 2:1	11/16/75	DATA BUFFER
NEXT HIGHER ASSY. B-DD-M8159-0		SH. 6 OF 7	SIZE CODE NUMBER REV
			0 UA M8159-0-0 F

THIS DRAWING AND SPECIFICATIONS HEREIN ARE THE PROPERTY OF DIGITAL EQUIPMENT CORPORATION AND SHALL NOT BE REPRODUCED OR COPIED OR USED IN WHOLE OR IN PART AS THE BASIS FOR THE MANUFACTURE OR SALE OF ITEMS WITHOUT WRITTEN PERMISSION. COPYRIGHT © DIGITAL EQUIPMENT CORPORATION

0-0-6918W DUA 2

**REWORK INSTRUCTIONS**

ECO#2  
 ETCH CUTS SIDE 1  
 2-0 CUT ETCH GOING FROM E79-10 TO E80-12  
 2-1 CUT ETCH GOING FROM E79-4 LOCATED BETWEEN E80-13;14 NEXT TO THE FEED-THRU  
 ETCH CUT SIDE 2:  
 2-2 CUT ETCH GOING TO E79-2  
 WIRE ADDS SIDE 1:  
 2-3 E80-12 TO E79-2  
 2-4 E80-7 TO E79-10  
 2-5 E79-4 TO E77-6



REVISIONS		
CHK	CHANGE NO.	REV.

DEC FORM NO. 500 127

TITLE	SIZE CODE	NUMBER	REV.
MKII DATA BUFFER	D U A	M8159-0-0	F
SCALE	SHEET 7 OF 7	DIST.	

REV. F  
 NUMBER M8159-0-0  
 SIZE CODE D U A



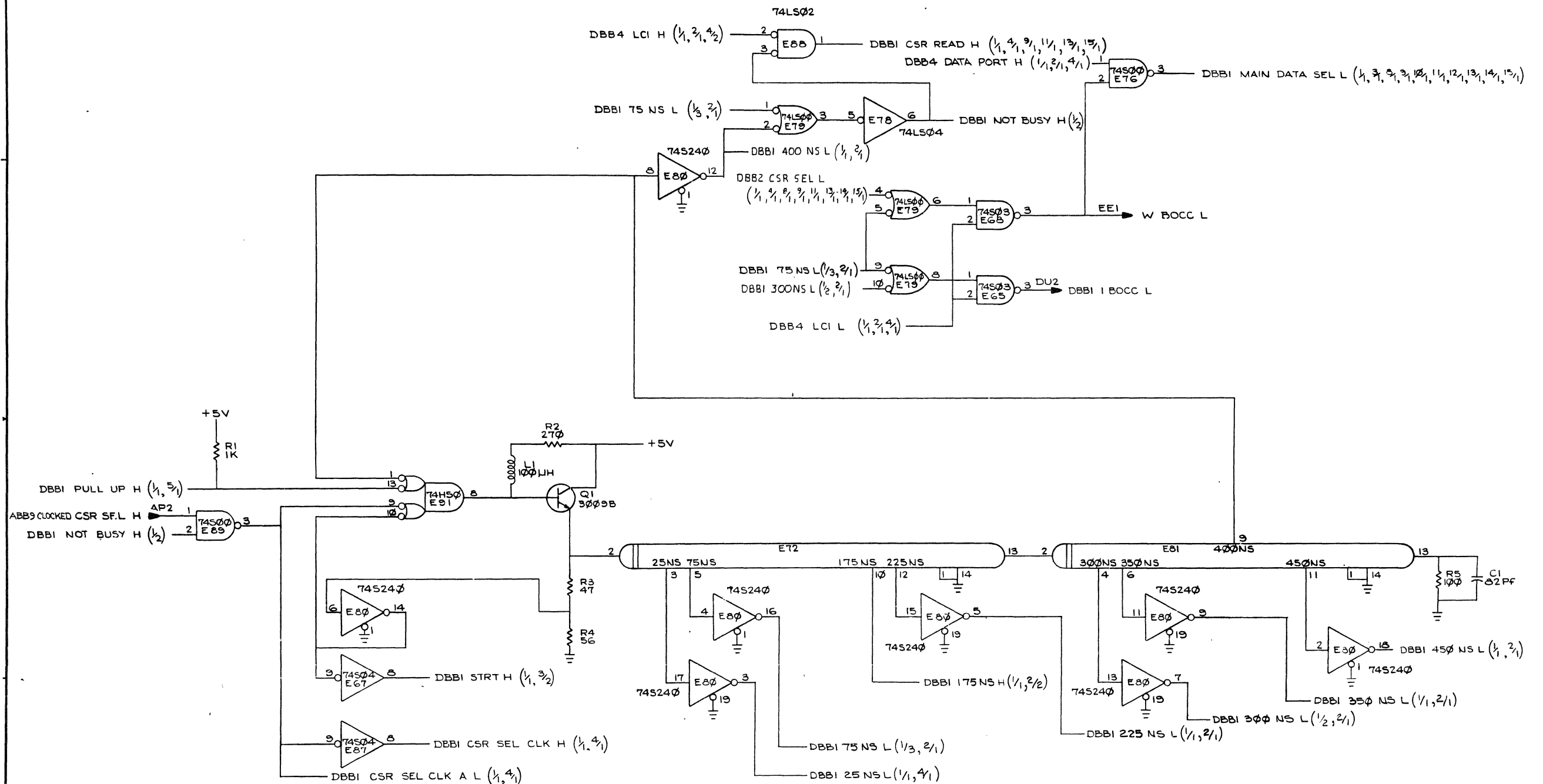
LINE	ITEM	DOCUMENT NO.	PART NO.	DESCRIPTION	QTY	REFERENCE DESIGNATORS
1	1	D-CS-M8159-0-1		CIRCUIT SCHEMATIC	REF	
2	2	D-UA-M8159-0-0		UNIT ASSEMBLY	REF	
3	3	B-DD-M8159-0-0		DWG DIRECTORY	REF	
4	4	D-MD-5012664-0-0		DRILL & FITCH DWG	REF	
5	5		5012664-00	M8159	1	
6	6		1001610-01	.01 MFD 100V OR 50V 250 UTSC/800PF MIN	76	C2-C26,C40,C41,C44,C45,C46, C48,C49,C50,C52,C53-C56,C59, C60,C62,C68,C70,C71,C75-C80, C83-C95,C105,C106,C107,C2R-C37
7	7		1012219-00	47. MFD 30V G% 600D AL EL	2	C100,C101
8	8		1010274-00	.22 MFD 50V X% 7C023 CER.	2	C102,C109
9	9		1000015-00	82.0 MFD 100V 5%200PPM DM15S	1	C1
10	10		1012084-01	H MFD 25V G% 30D AL EL	5	C97,C98,C99,C103,C108
11	11		1110324-00	LED 1MCD@10MA #MV5054-1#HP4882	1	D1
12	12		1209941-02	HEADER 100 40POS RT ANGLE	5	J1,J2,J3,J4,J5
13	13		1210711-02	HANDLE,HEX MODULE,10-1/2	1	
14	14		1211164-04	S-DIP 1P 1A 8POS	2	E46,E55
15	15		9000024-01	EYELET, ROLLED FLANGE, .121 OD X .196 LG	12	
16	16		1300202-00	47 1/4W 5% CC (13-00)	1	R3
17	17		1300229-00	100 1/4W 5% CC (13-00)	2	R5,R35
18	18		1300271-00	220 1/4W 5% CC (13-00)	4	R31,R32,R33,R34
19	19		1300316-00	470 1/4W 5% CC (13-00)	3	R13,R14,R16
20	20		1300365-00	1 K 1/4W 5% CC (13-00)	6	R1,R9,R10,R11,R12,R7
21	21		1300479-00	10 K 1/4W 5% CC (13-00)	16	R6,R8,R17-R30
22	22		1301972-00	270 1/4W 5% CC (13-00)	1	R2
23	23		1302602-00	56 1/4W 5% CC (13-00)	1	R4
24	24		1305281-00	75 1W 5% CC (13-00)	1	R15
25	25		1503100-00	DEC3009B NPN 200MW SI 20 25 P	1	Q1
26	26		1503409-00	DEC6534D PNP 310MW SI 40 90 P	1	Q4
27	27		1509338-00	DEC6531B NPN 310MW SI 40 90 P	4	Q2,Q3,Q5,Q6

REVISION HISTORY			VARIATIONS FOR THIS ASSY.		
CHK	ECO NO	REV	FIRST USED ON: MK11		
BF	00002	E	MADE BY: S TUTTLE DATE: 22-JUN-78		
BHF	00003	F	CHECKED: D CARUSO DATE: 22-JUN-78		
			DESIGN: D SMELSER DATE: 22-JUN-78		
			PROD.: K HILL DATE: 22-JUN-78		
			RESP.ENG.: D SMELSER DATE: 22-JUN-78		
			DIGITAL EQUIPMENT CORPORATION MAYNARD, MASSACHUSETTS		
			TITLE PARTS LIST		
			MK11 DATA BUFFER		
SIZE	CODE	DOCUMENT NUMBER	REV		
K	PL	M8159-0-DWP	F		
			ASSY. NO.: D-UA-M8159-0-0		
			EDIT# 6		
<p>"THIS DRAWING AND SPECIFICATIONS HEREIN, ARE THE PROPERTY OF DIGITAL EQUIPMENT CORPORATION AND SHALL NOT BE REPRODUCED OR COPIED OR USED IN WHOLE OR IN PART AS THE BASIS FOR THE MANUFACTURE OR SALE OF ITEMS WITHOUT WRITTEN PERMISSION. COPYRIGHT 1978, DIGITAL EQUIPMENT CORPORATION"</p>					

LINE ITEM	DOCUMENT NO.	PART NO.	DESCRIPTION	QTY	REFERENCE DESIGNATORS
28	28	1610662-00	100.0 OH 1% 165MA ADD1 00	1	L1
29	29	1611243-00	DELAY=25-250NS, 10TAPS RCT.#1-183 F PE#9R29	2	E72, E81
30	30	1909060-00	DEC 74H50 A=0-I XPNDABLE GATE=DUAL 2X2	1	E91
31	31	1910532-00	74S00 NAND GATE=QUAD 2INS	3	E76, E86, E89
32	32	1910533-00	74S03 NAND GATE=QUAD 2IN, OPN COLLECT	2	E65, E68
33	33	1910534-00	74S04 INVERTER GATE=HEX 1IN	4	E1, E54, E67, E87
34	34	1910536-00	74S10 NAND GATE=TRIPLE 3IN	1	E77
35	35	1910542-00	74S64 A=0-I XPDR GATE, 4-2-3-2 14	1	F9
36	36	1910544-00	74S74 FF-D DUAL, EDGE TRIGGER	2	E42, E69
37	37	1910550-00	74S174 FF-D HEX	1	E4
38	38	1910645-00	75452 DRIVER, PERIPH, DUAL, NAND	19	E5, E6, E7, E8, E14, E15, E27, E28, CONT E29, E30, E31, E33, E34, E37, E38, CONT E39, E40, E43, E44
39	39	1911469-00	DEC 8640 RECEIVER, BUS, QUAD, UNIBUS, Q=BU	9	E2, E11, E18, E25, E26, E32, E45, CONT E47, E50
40	40	1911573-00	74S280 PARITY GEN/CHKR, 9BIT ODD/EVEN	4	E19, E48, E64, E74
41	41	1911712-00	74S51 AND-OR GATE=INVERT DUAL 2W/2IN	1	E90
42	42	1912388-00	74S02 NOR GATE=QUAD 2IN, POS	10	F3, F24, E36, F49, F51, E52, E71, CONT E83, E84, E85
43	43	1912697-00	LS174 FF-D HEX W/CLEAR	1	E21
44	44	1912799-00	LS00 NAND-GATE=QUAD 2IN, POSITIVE	2	E53, E79
45	45	1912801-00	LS02 NOR-GATE=QUAD 2IN	1	E88
46	46	1912803-00	LS04 INVERTER GATE=HEX 1IN	2	E78, E61
47	47	1912813-00	LS27 NOR GATE=TRIPLE 3IN	1	E70
48	48	1912847-00	LS157 MUX 1 OF 2 (QUAD)	4	E20, E23, E12, E13
49	49	1912853-00	LS175 FF-D QUAD	4	E10, E16, E41, E66
50	50	1912867-00	LS298 MUX 1 OF 4, 2IN W/STORAGE	2	E62, E63
51	51	1913462-00	74S240 OCTAL BUFFER, INVERTING TRI-STA	12	E17, E22, E35, E56, E57, E58, E59, CONT E60, E73, E75, E80, E82
52	52	1209941-03	HEADER RT ANGLE LEFT LATCH FOR	5	
53	53	1209941-04	HEADER RT ANGLE, RIGHT LATCH FOR	5	
54	54	9105740-55	WIRE(WRAP)30AWG UL1423 (91-00 A/R		

DIGITAL EQUIPMENT CORPORATION MAYFARL, MASSACHUSETTS	TITLE MK11 DATA BUFFER	PARTS LIST	SIZE(COFF) K PL	DOCUMENT NUMBER M8159-W-08P	REV F
---	---------------------------	------------	--------------------	--------------------------------	----------

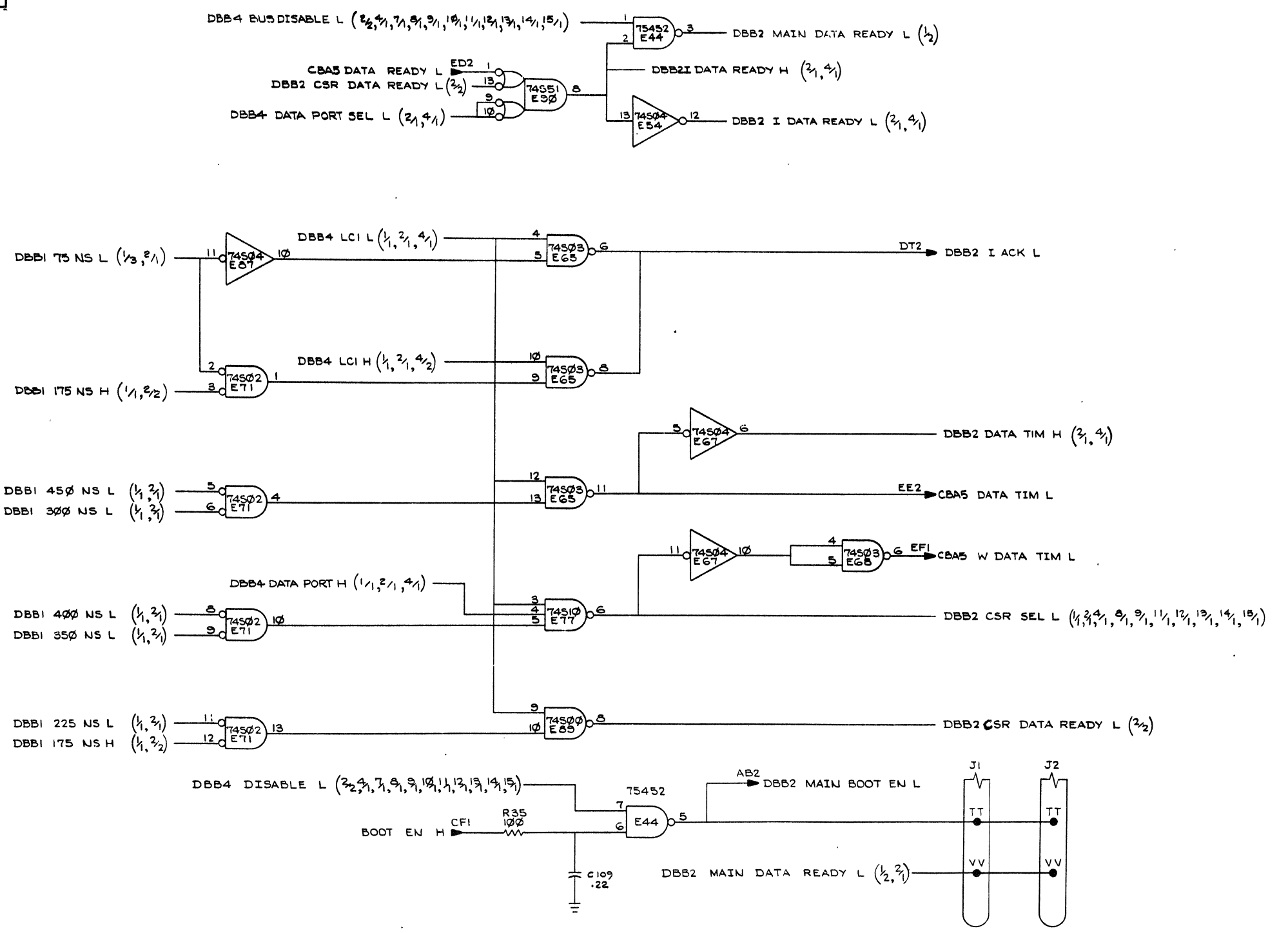
THIS DRAWING AND SPECIFICATIONS HEREIN ARE THE PROPERTY OF DIGITAL EQUIPMENT CORPORATION AND SHALL NOT BE REPRODUCED OR COPIED OR USED IN WHOLE OR IN PART AS THE BASIS FOR THE MANUFACTURE OR SALE OF ITEMS WITHOUT WRITTEN PERMISSION.  
 COPYRIGHT © 1977, DIGITAL EQUIPMENT CORPORATION



REV.	CHG.	NO.	DATE	BY	CHK.
1					
2					
3					
4					
5					
6					
7					
8					

DRN. S. Garity	5-24-77	FIRST USED ON	MKII	digital
CHK'D. P. Garity	11-2-77	TITLE	MKII (DBBI)	
ENG. J. Garity	11-2-77	DATA BUFFER		
PROJ. ENG. J. Garity	11-2-77	NEXT HIGHER ASSY.		
PROD. RA. R. Garity	11-2-77	B-DD-M8159-0		
SCALE	D	SIZE	CS	NUMBER
SHEET	OF 15	DIST.		M8159-0-1
				REV. F

"THIS DRAWING AND SPECIFICATIONS HEREIN ARE THE PROPERTY OF DIGITAL EQUIPMENT CORPORATION AND SHALL NOT BE REPRODUCED OR COPIED OR USED IN WHOLE OR IN PART AS THE BASIS FOR THE MANUFACTURE OR SALE OF ITEMS WITHOUT WRITTEN PERMISSION. COPYRIGHT © 1977 DIGITAL EQUIPMENT CORPORATION"

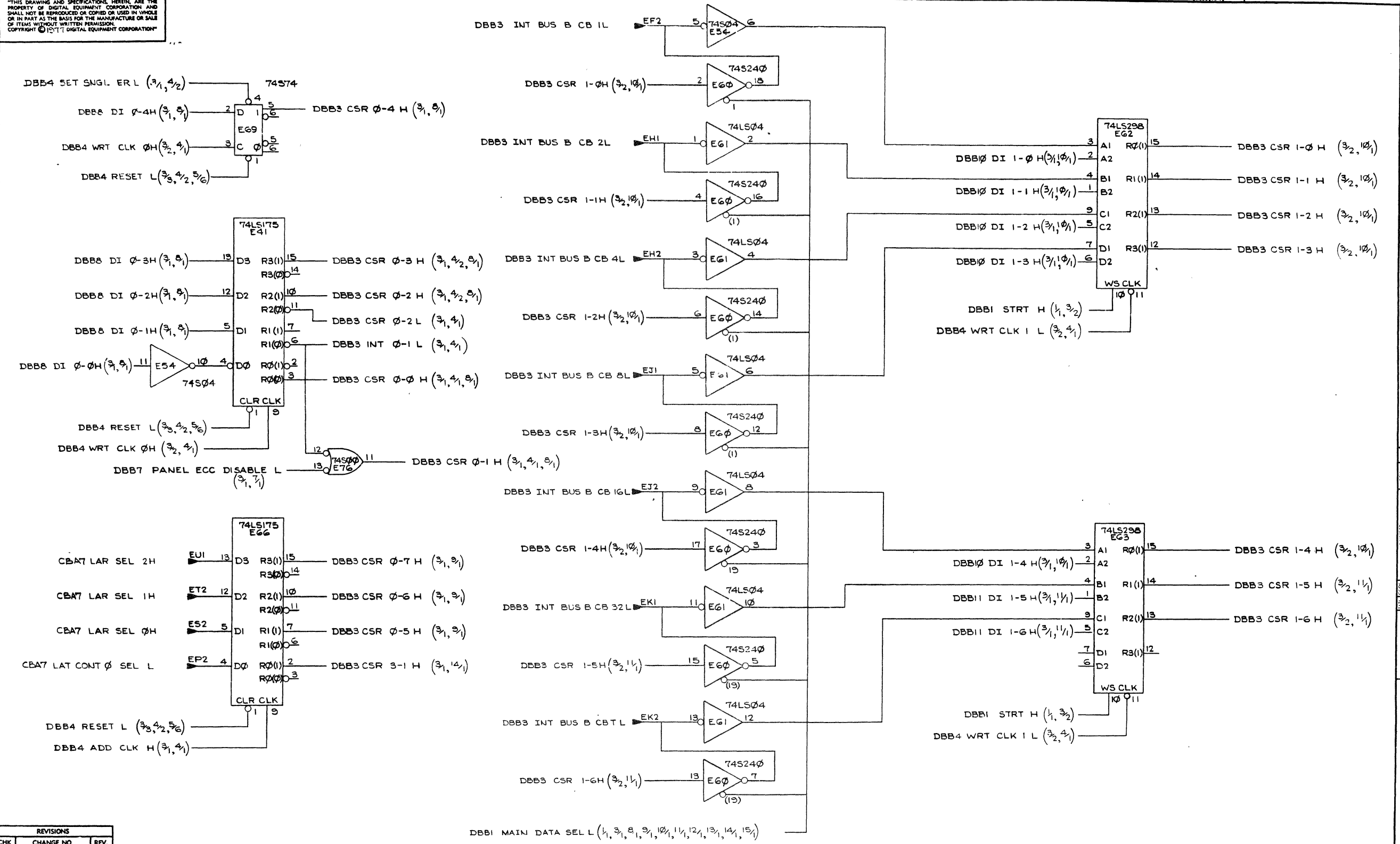


REVISIONS		
CHK	CHANGE NO.	REV.

TITLE	SIZE CODE	NUMBER	REV.
MKII DATA BUFFER (DBB2)	D CS	M8159-0-1	F
SCALE	SHEET	OF	
	2	15	

"THIS DRAWING AND SPECIFICATIONS HEREIN ARE THE PROPERTY OF DIGITAL EQUIPMENT CORPORATION AND SHALL NOT BE REPRODUCED OR COPIED OR USED IN WHOLE OR IN PART AS THE BASIS FOR THE MANUFACTURE OR SALE OF ITEMS WITHOUT WRITTEN PERMISSION. COPYRIGHT © 1977 DIGITAL EQUIPMENT CORPORATION"

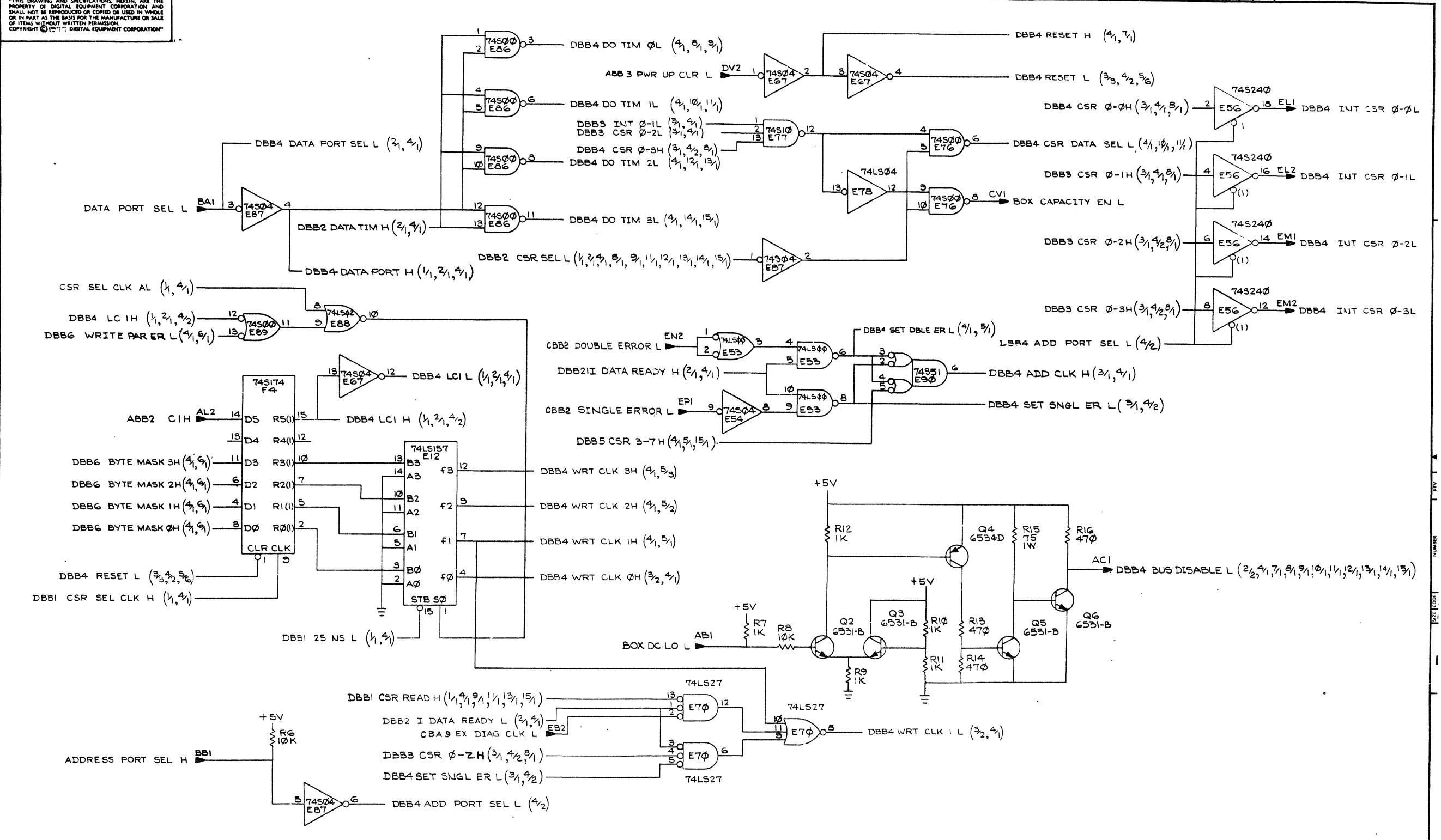
1-0-6918W SCD 2



REVISIONS		
CHK	CHANGE NO.	REV.

TITLE	(DBB3) MKII DATA BUFFER	SIZE CODE	D CS	NUMBER	M8159-0-1	REV.	F
SCALE		SHEET	3	OF	15	DIST.	

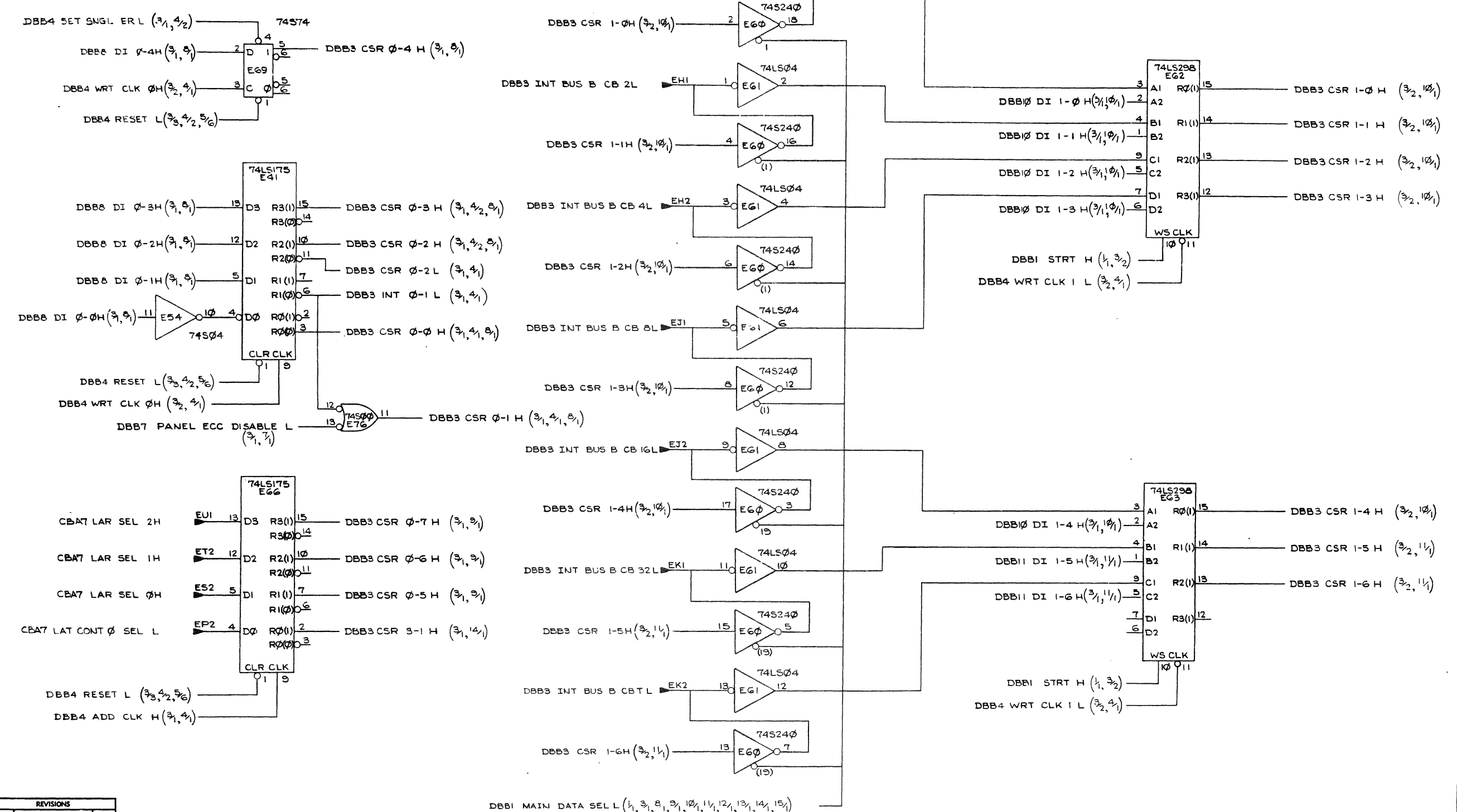
"THIS DRAWING AND SPECIFICATIONS HEREIN ARE THE PROPERTY OF DIGITAL EQUIPMENT CORPORATION AND SHALL NOT BE REPRODUCED OR COPIED OR USED IN WHOLE OR IN PART AS THE BASIS FOR THE MANUFACTURE OR SALE OF ITEMS WITHOUT WRITTEN PERMISSION. COPYRIGHT © 1977 DIGITAL EQUIPMENT CORPORATION"



REVISIONS		
CHK	CHANGE NO.	REV.

TITLE	(DBB4) MKII DATA BUFFER	SIZE CODE	D CS	NUMBER	M8159-0-1	REV.	F
SCALE	---	SHEET	4 OF 15	DIST.			

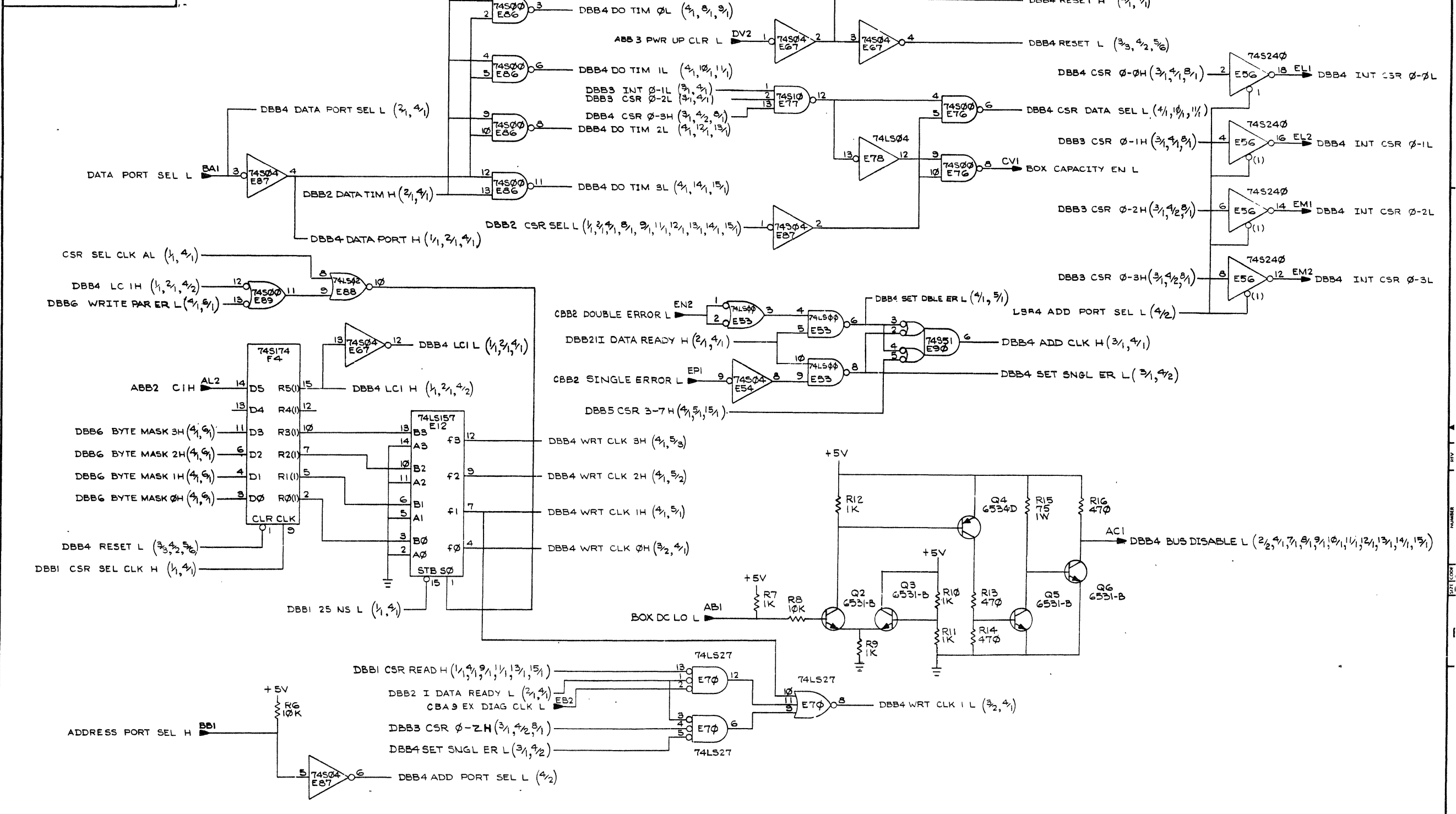
"THIS DRAWING AND SPECIFICATIONS HEREIN ARE THE PROPERTY OF DIGITAL EQUIPMENT CORPORATION AND SHALL NOT BE REPRODUCED OR COPIED OR USED IN WHOLE OR IN PART AS THE BASIS FOR THE MANUFACTURE OR SALE OF ITEMS WITHOUT WRITTEN PERMISSION. COPYRIGHT © 1977 DIGITAL EQUIPMENT CORPORATION"



REVISIONS		
CHK	CHANGE NO.	REV.

8	7	6	5	4	3	2	1	
TITLE (DBB3) MKII DATA BUFFER						SIZE CODE DCS	NUMBER M8159-0-1	REV. F
SCALE						SHEET 3 OF 15	DIST.	ML

"THIS DRAWING AND SPECIFICATIONS, HEREIN, ARE THE PROPERTY OF DIGITAL EQUIPMENT CORPORATION AND SHALL NOT BE REPRODUCED OR COPIED OR USED IN WHOLE OR IN PART AS THE BASIS FOR THE MANUFACTURE OR SALE OF ITEMS WITHOUT WRITTEN PERMISSION. COPYRIGHT © 1971 DIGITAL EQUIPMENT CORPORATION"



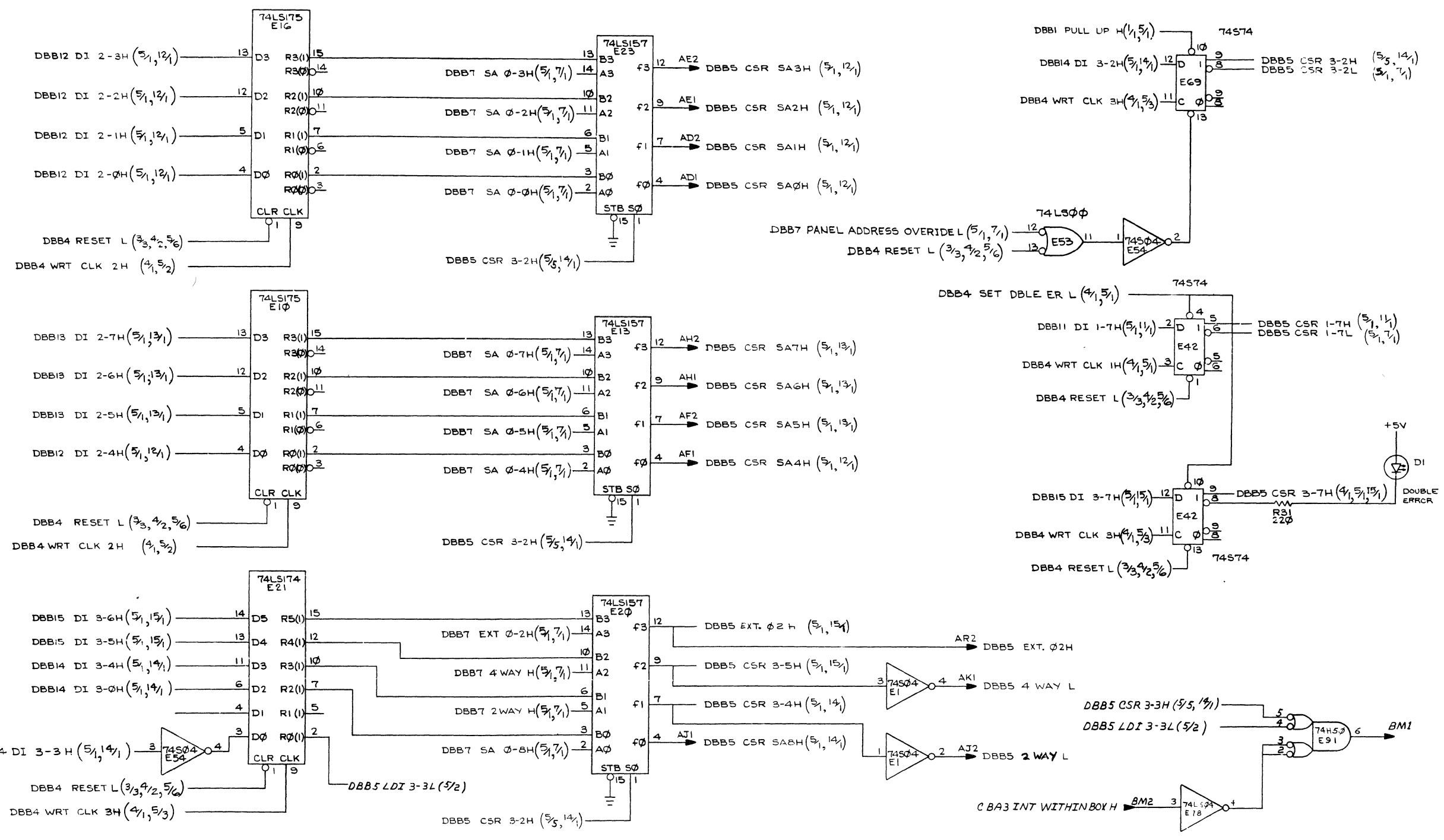
REVISIONS		
CHK	CHANGE NO.	REV.

TITLE	(DBB4) MKII DATA BUFFER	SIZE CODE	DCS	NUMBER	M8159-0-1	REV.	F
SCALE		SHEET	4	OF	15	DIST.	



"THIS DRAWING AND SPECIFICATIONS HEREIN, ARE THE PROPERTY OF DIGITAL EQUIPMENT CORPORATION AND SHALL NOT BE REPRODUCED OR COPIED OR USED IN WHOLE OR IN PART AS THE BASIS FOR THE MANUFACTURE OR SALE OF ITEMS WITHOUT WRITTEN PERMISSION. COPYRIGHT © 1977, DIGITAL EQUIPMENT CORPORATION"

1-0-6918W SC D 2

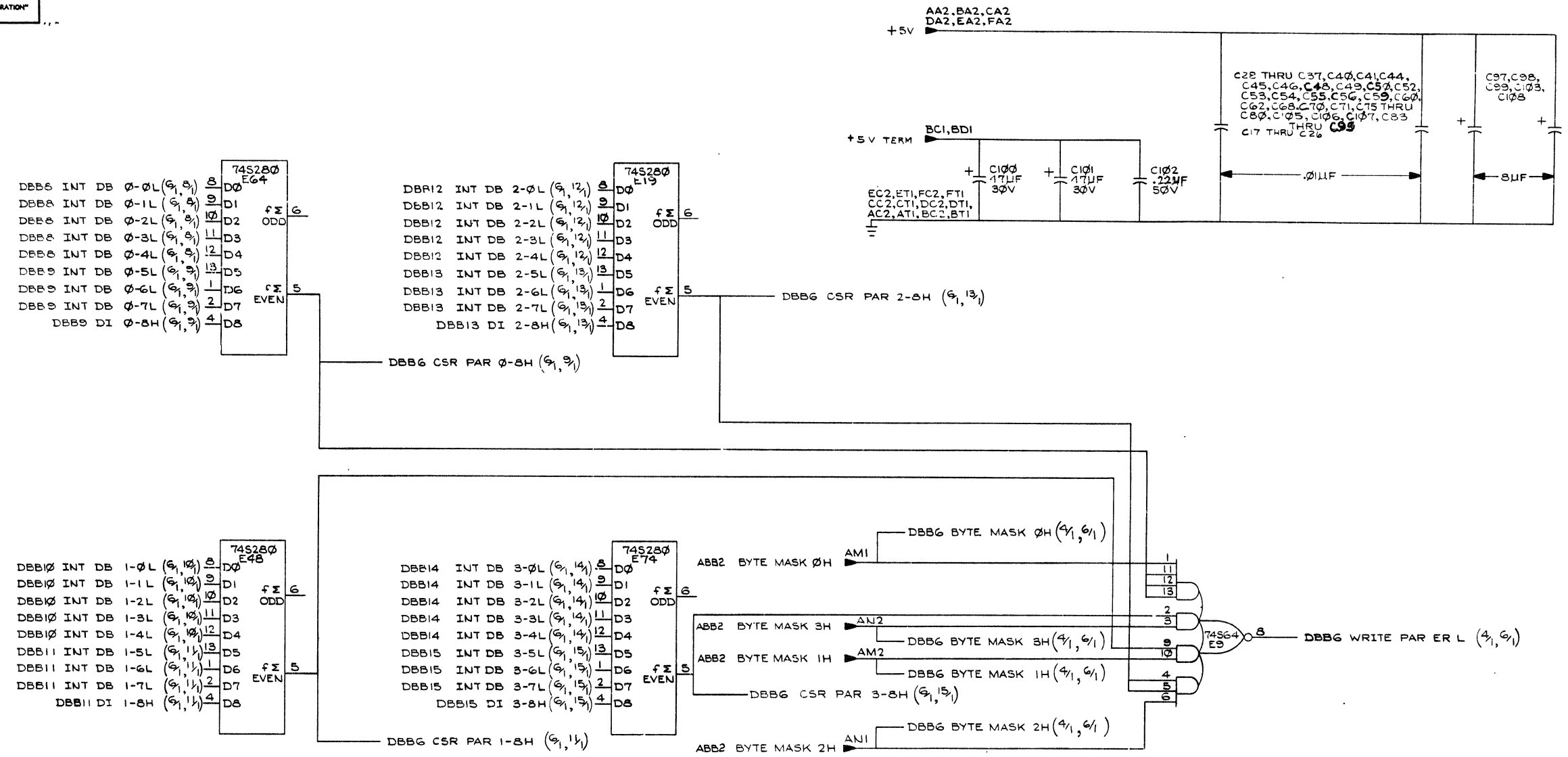


REVISIONS		
CHK	CHANGE NO	REV.

TITLE	(DBB5) MK II DATA BUFFER	SIZE CODE	D CS	NUMBER	M8159-0-1	REV.	F
SCALE		SHEET	5	OF	15	DIST.	

"THIS DRAWING AND SPECIFICATIONS, HEREIN, ARE THE PROPERTY OF DIGITAL EQUIPMENT CORPORATION AND SHALL NOT BE REPRODUCED OR COPIED OR USED IN WHOLE OR IN PART AS THE BASIS FOR THE MANUFACTURE OR SALE OF ITEMS WITHOUT WRITTEN PERMISSION. COPYRIGHT © 1971 DIGITAL EQUIPMENT CORPORATION"

1-0-6918W DCS 2



REVISIONS		
CHK	CHANGE NO.	REV.

TITLE (DBB6) MKII DATA BUFFER  
SIZE CODE DCS NUMBER M8159-0-1 REV. F  
SCALE / / SHEET 6 OF 15 DIST.

8

7

6

5

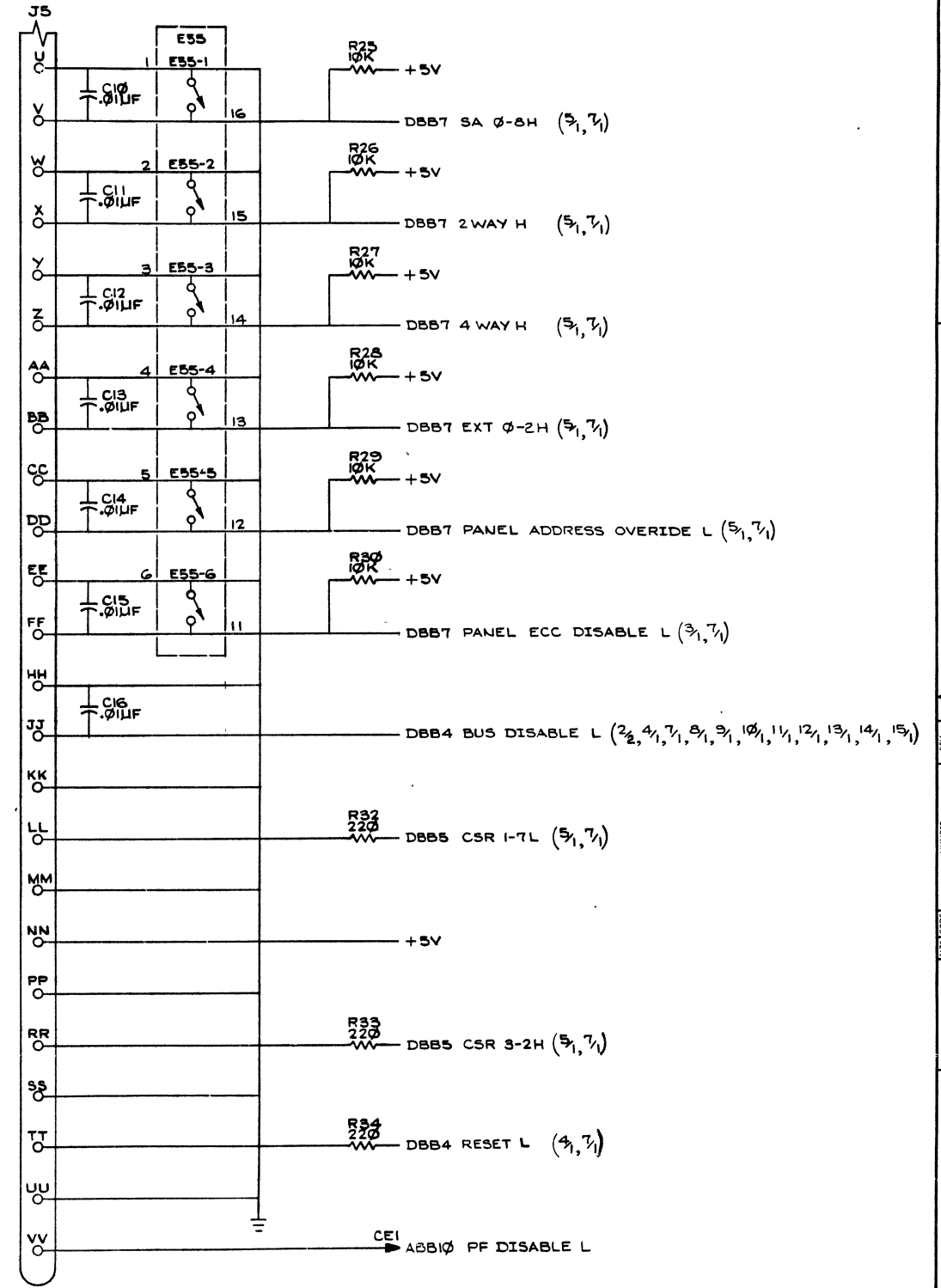
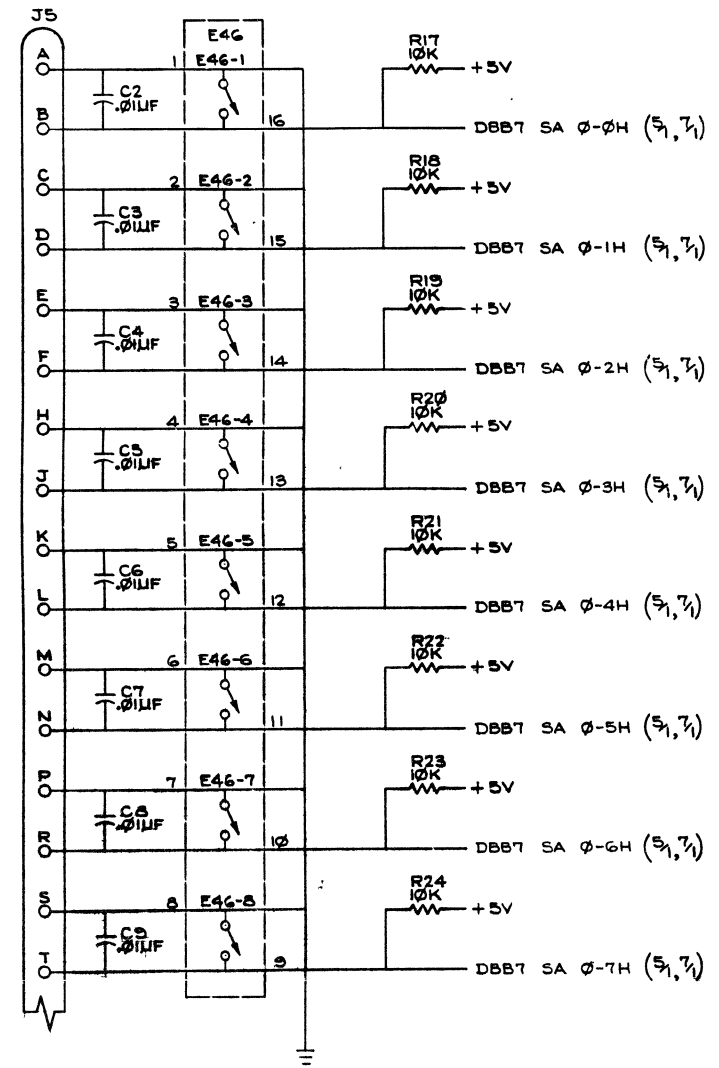
4

3

2

1

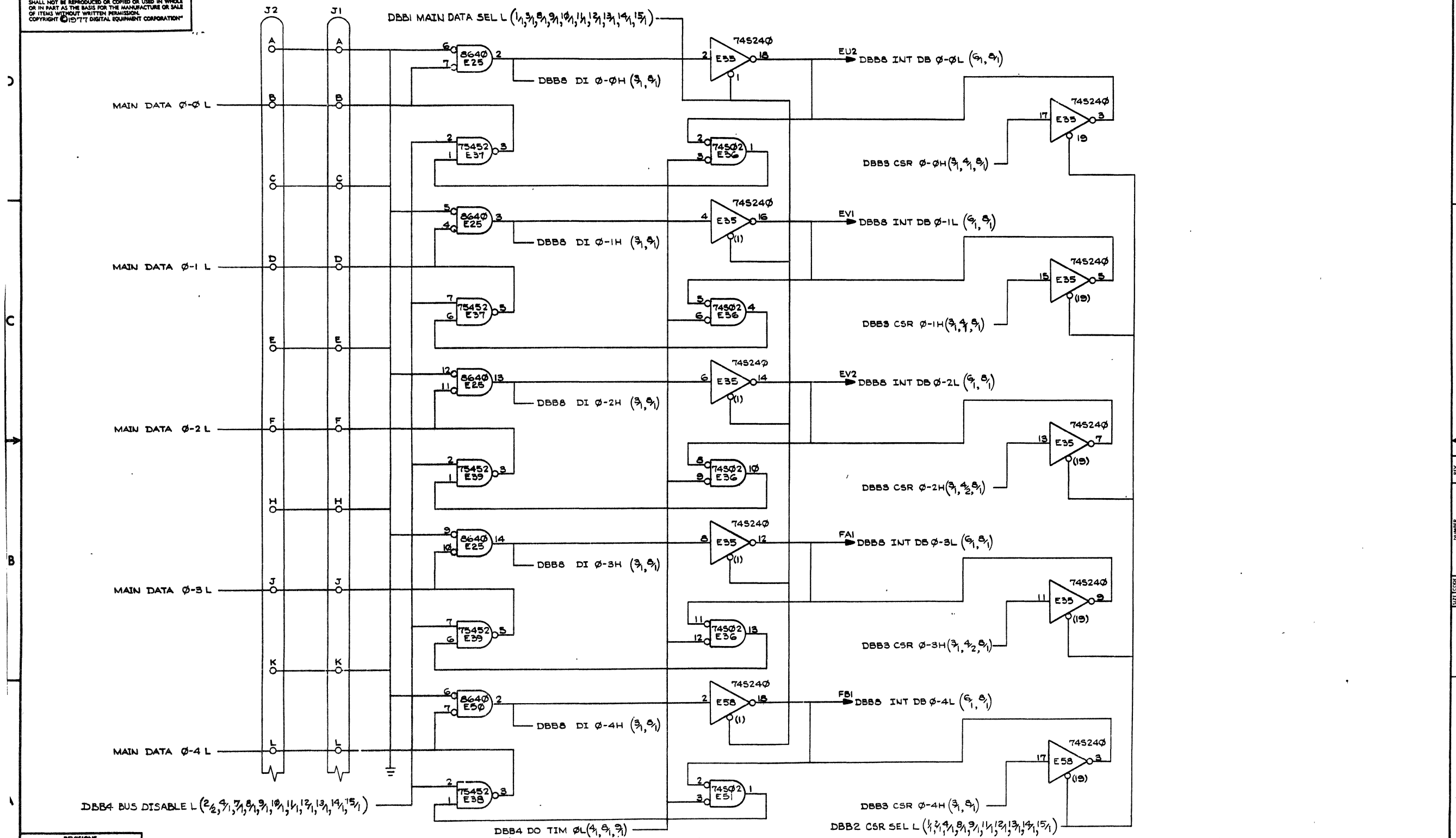
"THIS DRAWING AND SPECIFICATIONS, HEREIN, ARE THE PROPERTY OF DIGITAL EQUIPMENT CORPORATION AND SHALL NOT BE REPRODUCED OR COPIED OR USED IN WHOLE OR IN PART AS THE BASIS FOR THE MANUFACTURE OR SALE OF ITEMS WITHOUT WRITTEN PERMISSION. COPYRIGHT © 1971 DIGITAL EQUIPMENT CORPORATION"



REVISIONS		
CHK	CHANGE NO.	REV.

TITLE	(DBB7) MKII DATA BUFFER	SIZE CODE	D CS	NUMBER	M8159-0-1	REV.	F
SCALE	1:1	SHEET	7	OF	15	DIST.	

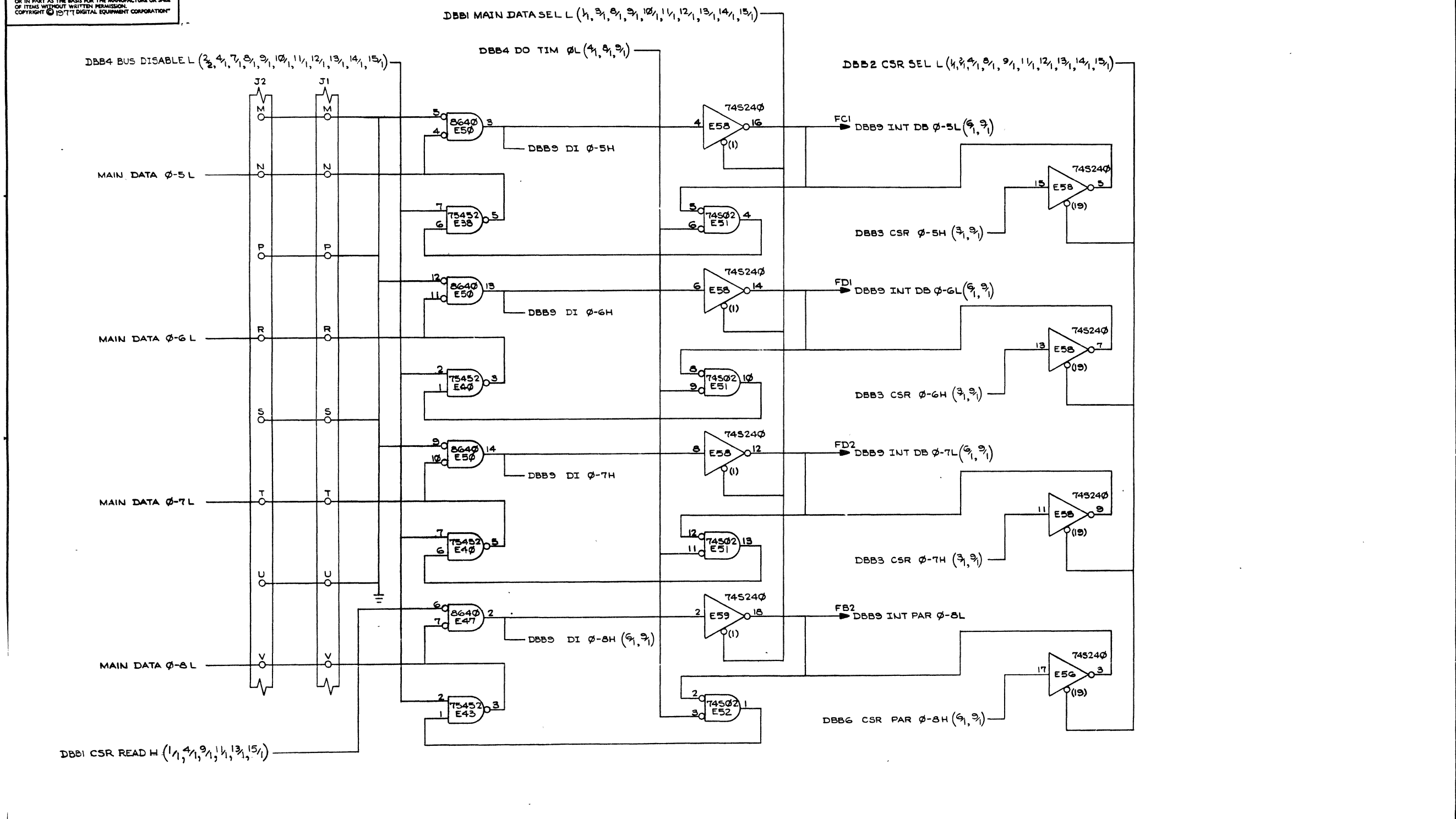
"THIS DRAWING AND SPECIFICATIONS, HEREIN, ARE THE PROPERTY OF DIGITAL EQUIPMENT CORPORATION AND SHALL NOT BE REPRODUCED OR COPIED OR USED IN WHOLE OR IN PART AS THE BASIS FOR THE MANUFACTURE OR SALE OF ITEMS WITHOUT WRITTEN PERMISSION. COPYRIGHT © 1971 DIGITAL EQUIPMENT CORPORATION"



REVISIONS		
CHK	CHANGE NO.	REV.

TITLE	(DBB)	SIZE CODE	NUMBR	REV.
MKII DATA BUFFER	DCS	M8159-0-1	F	
SCALE	SHEET 8 OF 15	DIST.		

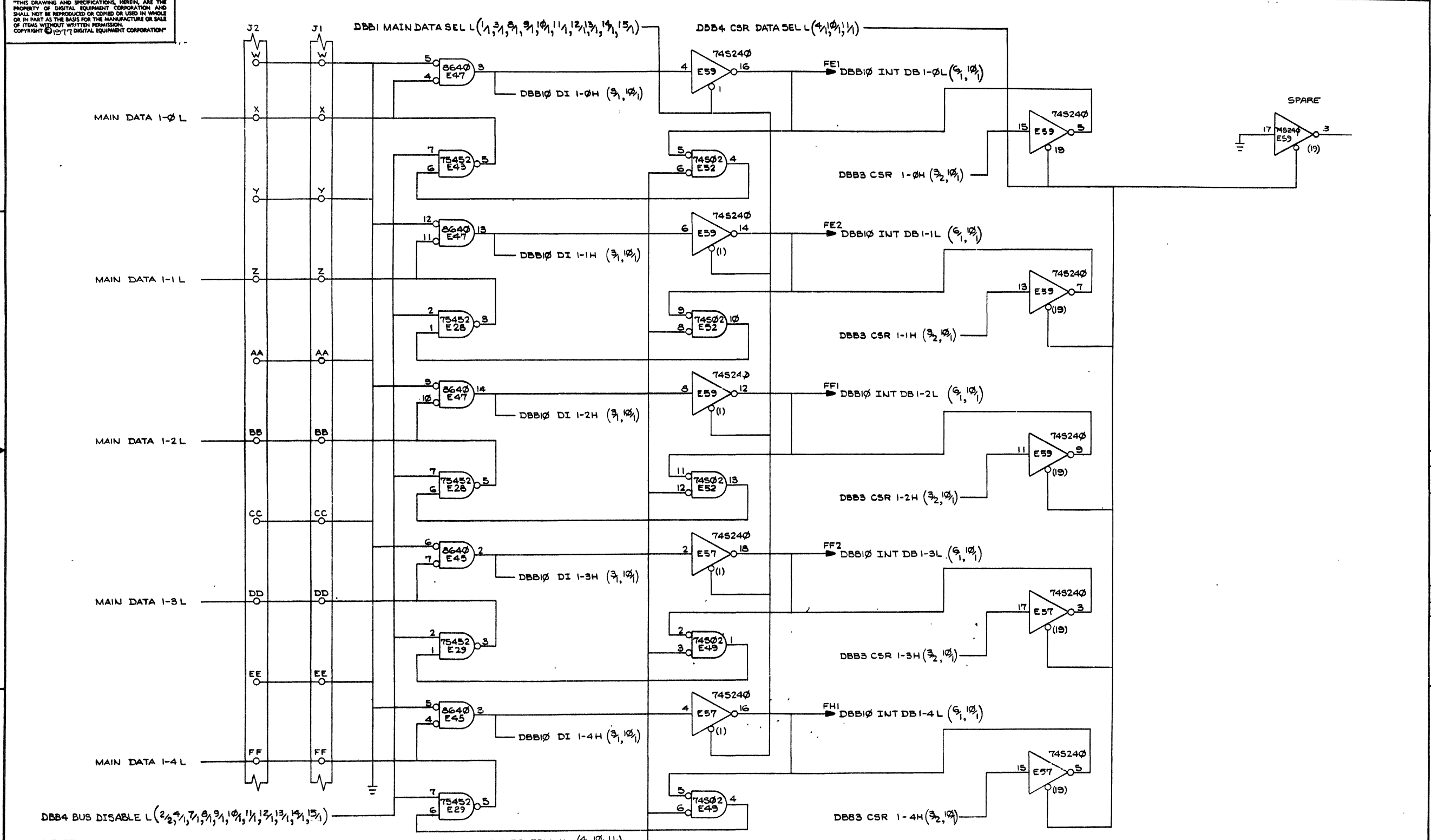
THIS DRAWING AND SPECIFICATIONS HEREIN ARE THE PROPERTY OF DIGITAL EQUIPMENT CORPORATION AND SHALL NOT BE REPRODUCED OR COPIED OR USED IN WHOLE OR IN PART AS THE BASIS FOR THE MANUFACTURE OR SALE OF ITEMS WITHOUT WRITTEN PERMISSION. COPYRIGHT © 1977 DIGITAL EQUIPMENT CORPORATION



REVISIONS		
CHK	CHANGE NO.	REV.

TITLE	(DBB9)	SIZE/CODE	NUMBER	REV.
MK II DATA BUFFER	D CS	M8159-0-1	F	
SCALE	SHEET 9 OF 15	DIST.		

"THIS DRAWING AND SPECIFICATIONS, HEREIN, ARE THE PROPERTY OF DIGITAL EQUIPMENT CORPORATION AND SHALL NOT BE REPRODUCED OR COPIED OR USED IN WHOLE OR IN PART AS THE BASIS FOR THE MANUFACTURE OR SALE OF ITEMS WITHOUT WRITTEN PERMISSION. COPYRIGHT © 1971 DIGITAL EQUIPMENT CORPORATION"



REVISIONS		
CHK	CHANGE NO.	REV.

TITLE	(DBB10)	SIZE/CODE	NUMBR	REV.
MKII DATA BUFFER	D CS	M8159-0-1	F	
SCALE	SHEET 10 OF 15	DIST.		

8

7

6

5

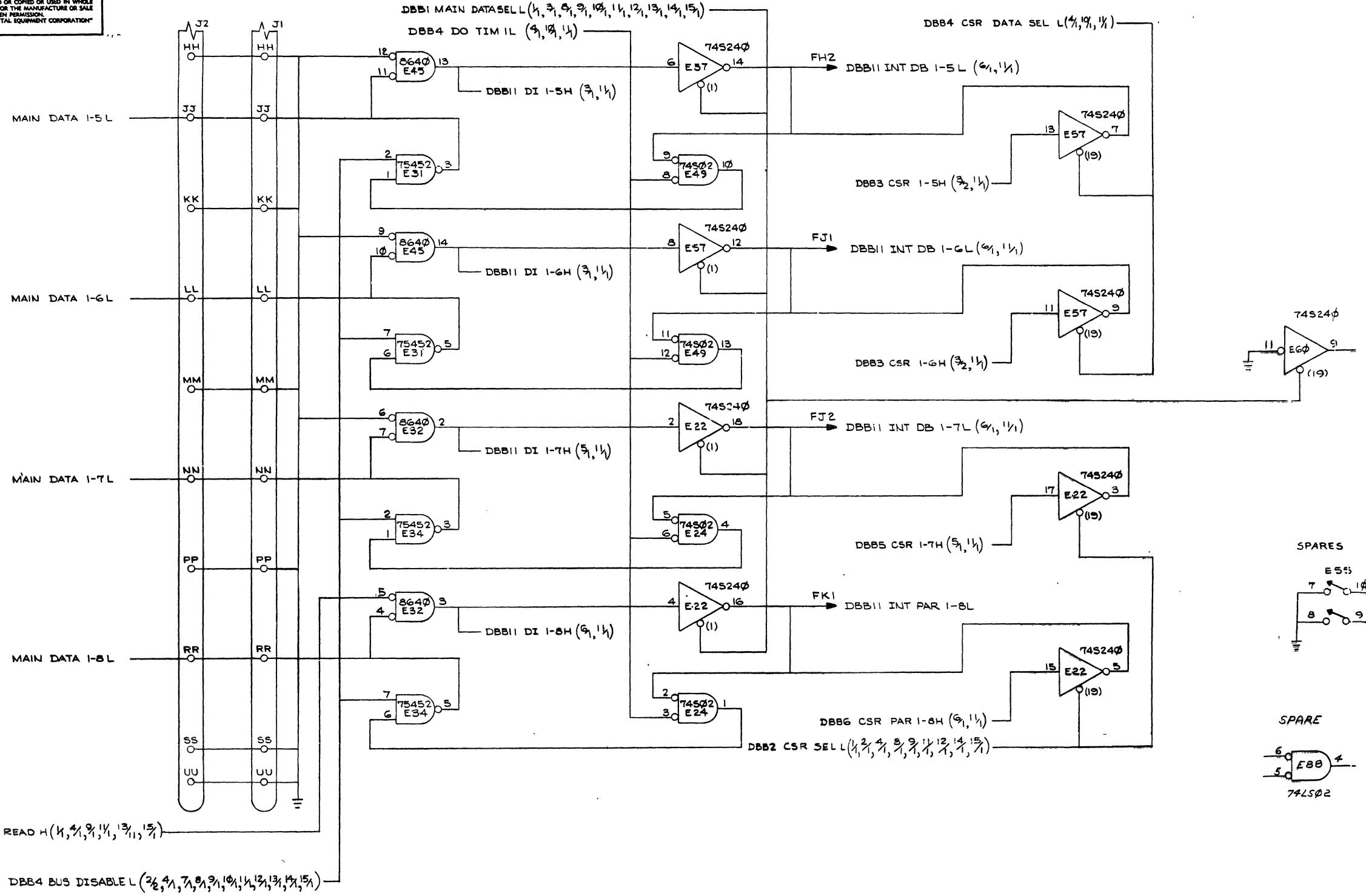
4

3

1-0-6918W DCS 2

1

"THIS DRAWING AND SPECIFICATIONS, HEREIN, ARE THE PROPERTY OF DIGITAL EQUIPMENT CORPORATION AND SHALL NOT BE REPRODUCED OR COPIED OR USED IN WHOLE OR IN PART AS THE BASIS FOR THE MANUFACTURE OR SALE OF ITEMS WITHOUT WRITTEN PERMISSION. COPYRIGHT © 1977 DIGITAL EQUIPMENT CORPORATION"



REVISIONS		
CHK	CHANGE NO.	REV.

TITLE	(DBB11)	SIZE CODE	NUMBER	REV.
MK II DATA BUFFER	DCS	M8159-0-1	F	
SCALE	SHEET	OF	DIST.	
		5		

SEC FORM NO. 288 100

8

7

6

5

4

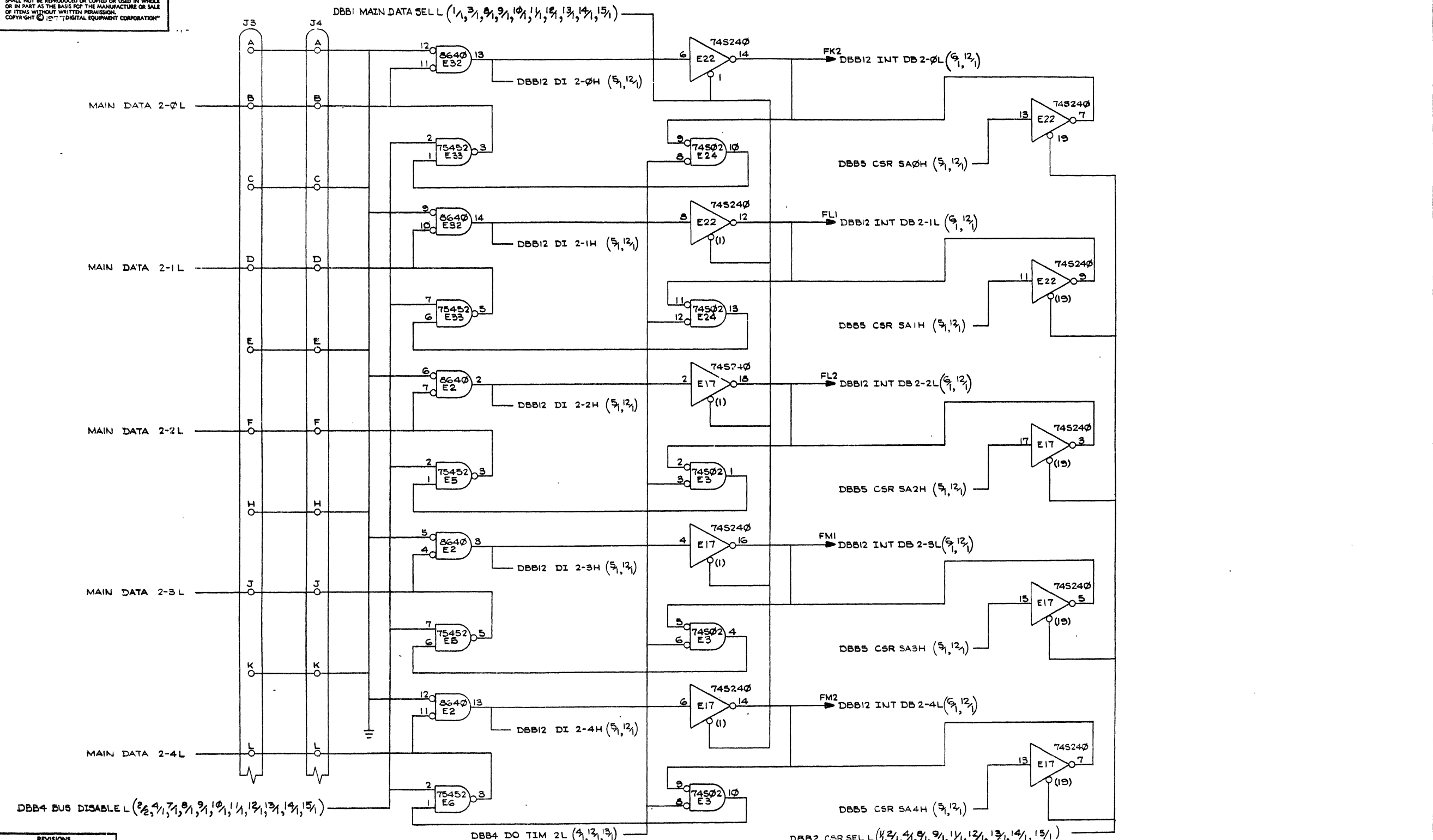
3

2

1

ML

"THIS DRAWING AND SPECIFICATIONS, HEREIN, ARE THE PROPERTY OF DIGITAL EQUIPMENT CORPORATION AND SHALL NOT BE REPRODUCED OR COPIED OR USED IN WHOLE OR IN PART AS THE BASIS FOR THE MANUFACTURE OR SALE OF ITEMS WITHOUT WRITTEN PERMISSION. COPYRIGHT © 1977 DIGITAL EQUIPMENT CORPORATION"

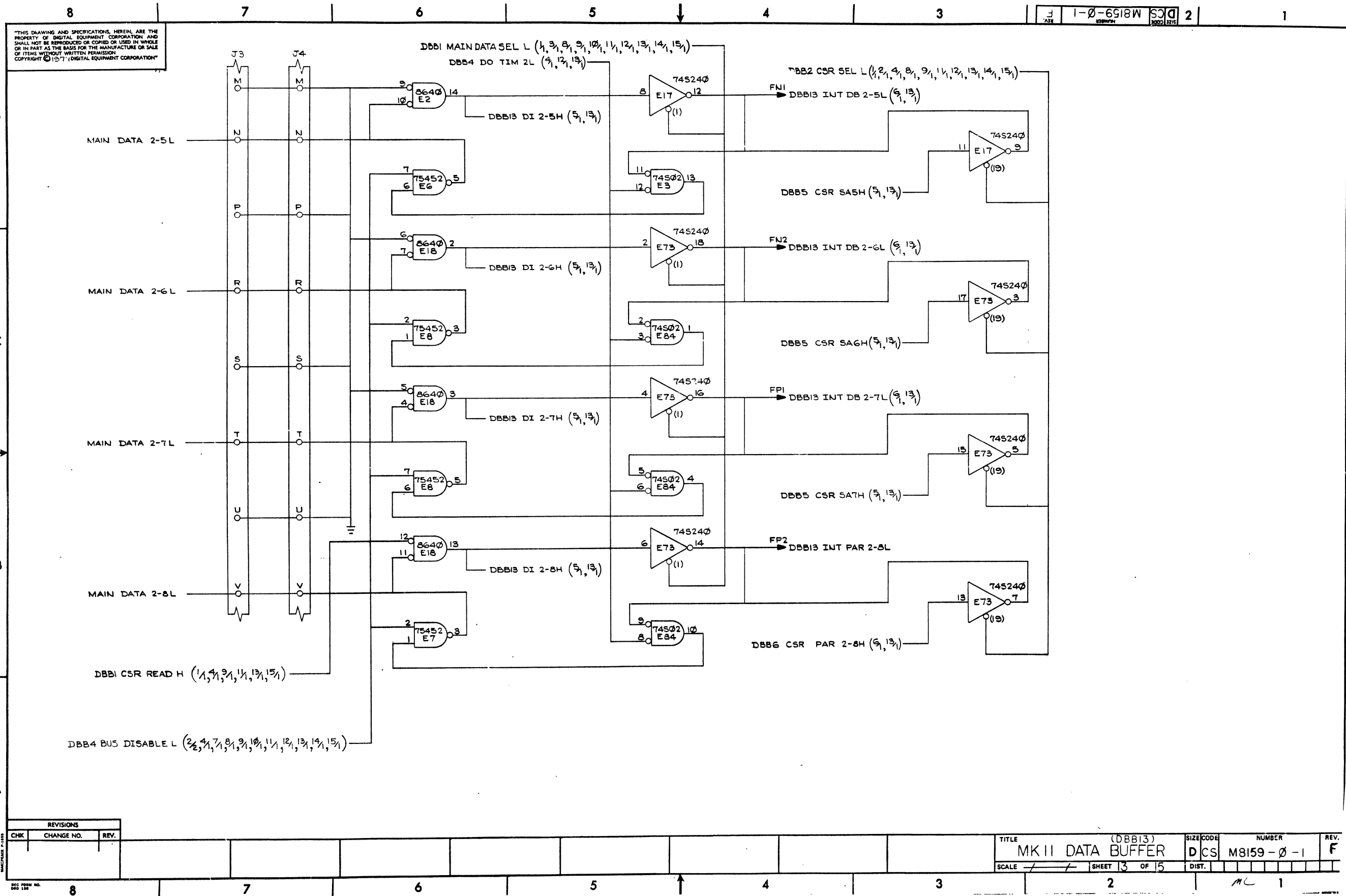


REVISIONS		
CHK	CHANGE NO.	REV.

TITLE	(DBB12)	SIZE CODE	NUMBER	REV.
MK II DATA BUFFER		DCS	M8159-0-1	F
SCALE		SHEET	2 OF 5	DIST.



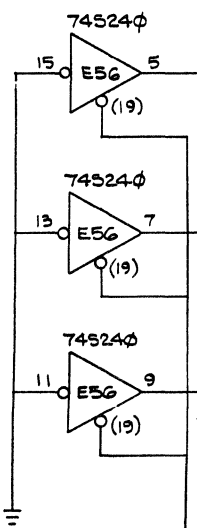
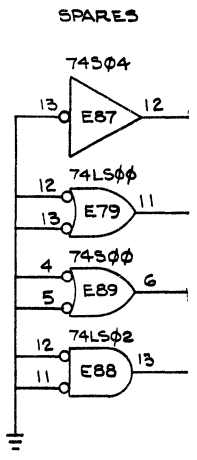
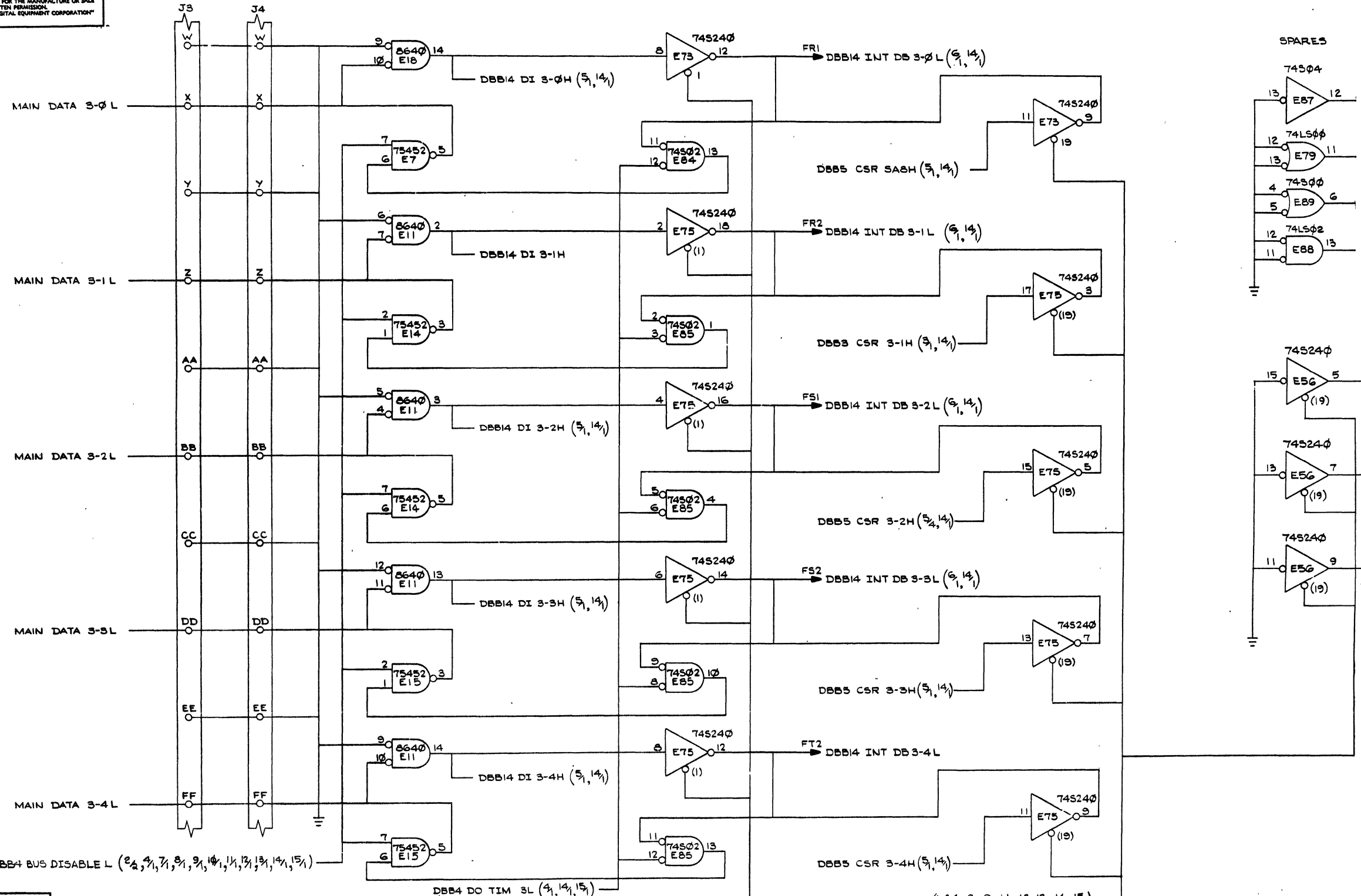
THIS DRAWING AND SPECIFICATIONS HEREIN ARE THE PROPERTY OF DIGITAL EQUIPMENT CORPORATION AND SHALL NOT BE REPRODUCED OR COPIED OR USED IN WHOLE OR IN PART AS THE BASIS FOR THE MANUFACTURE OR SALE OF ITEMS WITHOUT WRITTEN PERMISSION. COPYRIGHT © 1977, DIGITAL EQUIPMENT CORPORATION.



REVISIONS		
CHK	CHANGE NO.	REV.

TITLE	(DBB13) MK II DATA BUFFER	SIZE CODE	D CS	NUMBER	M8159-0-1	REV.	F
SCALE	1:1	SHEET	13	OF	15	DIST.	

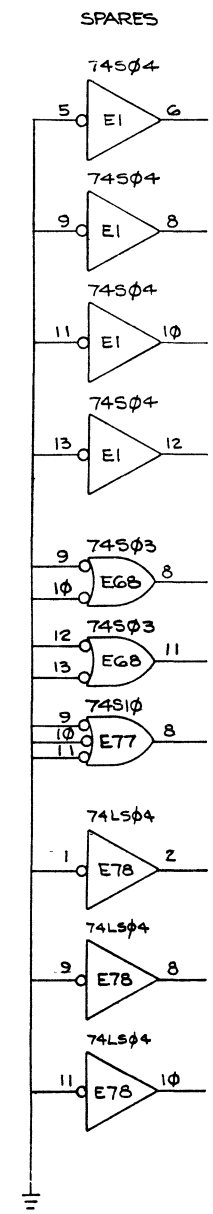
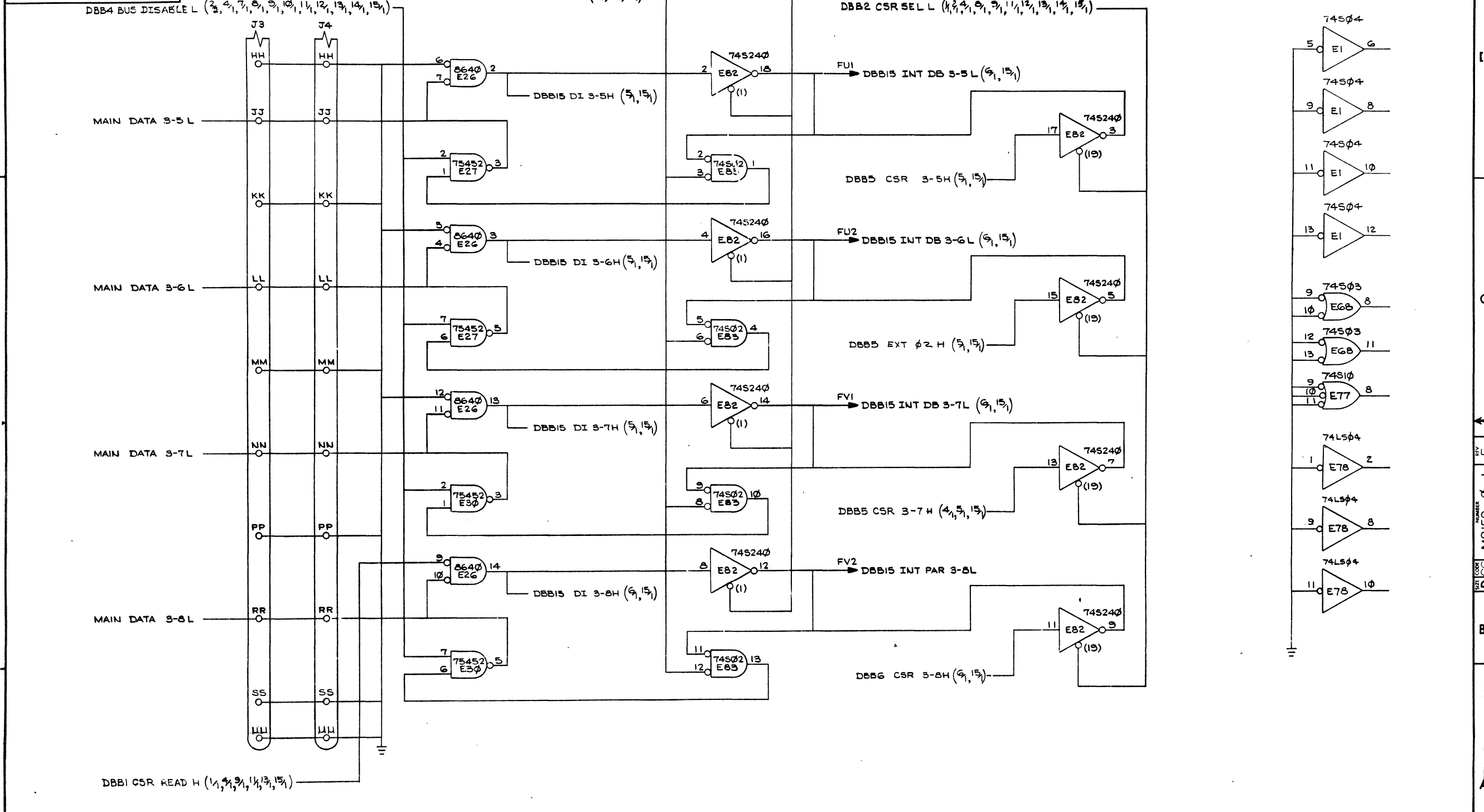
"THIS DRAWING AND SPECIFICATIONS HEREIN ARE THE PROPERTY OF DIGITAL EQUIPMENT CORPORATION AND SHALL NOT BE REPRODUCED OR COPIED OR USED IN WHOLE OR IN PART AS THE BASIS FOR THE MANUFACTURE OR SALE OF ITEMS WITHOUT WRITTEN PERMISSION. COPYRIGHT © 1977, DIGITAL EQUIPMENT CORPORATION"



REVISIONS		
CHK	CHANGE NO.	REV.

TITLE	(DBB14)	SIZE CODE	NUMBER	REV.
MKII DATA BUFFER	DCS	M8159-0-1	F	
SCALE	SHEET 4	OF 15	DIST.	

"THIS DRAWING AND SPECIFICATIONS, HEREIN, ARE THE PROPERTY OF DIGITAL EQUIPMENT CORPORATION AND SHALL NOT BE REPRODUCED OR COPIED OR USED IN WHOLE OR IN PART AS THE BASIS FOR THE MANUFACTURE OR SALE OF ITEMS WITHOUT WRITTEN PERMISSION. COPYRIGHT © 1977 DIGITAL EQUIPMENT CORPORATION"



REVISIONS		
CHK	CHANGE NO.	REV.

DRAWING NO.	NO. OF SHTS	PART NO.	DESCRIPTION	REVISIONS																				
B-DD-M8160-0-0	1		MK11 CONTROL A	*	A	B	C																	
F-UA-M8160-0-0	7		MK11 CONTROL A	B	C	D	E																	
K-PL-M8160-0-DBP	3		MK11 CONTROL A	B	C	D	E																	
D-CS-M8160-0-1	11		MK11 CONTROL A	B	C	D	E																	
E-MD-5012676-0-0	5		DRILL & ETCH DRAWING	B	C	D	D																	
		5012676	ETCHED BOARD	C	D	D	D																	
M8160-0-L			P.C. DESIGN DATA BASE	REF	-	-	-																	

NOTES:

REVISIONS	DATE	CHG NO.	REV.
	3-78	000002	B
	7-78	000003	C

"THIS DRAWING AND SPECIFICATIONS, HEREIN, ARE THE PROPERTY OF DIGITAL EQUIPMENT CORPORATION AND SHALL NOT BE REPRODUCED OR COPIED OR USED IN WHOLE OR IN PART AS THE BASIS FOR THE MANUFACTURE OR SALE OF ITEMS WITHOUT WRITTEN PERMISSION. COPYRIGHT © 1977, DIGITAL EQUIPMENT CORPORATION"

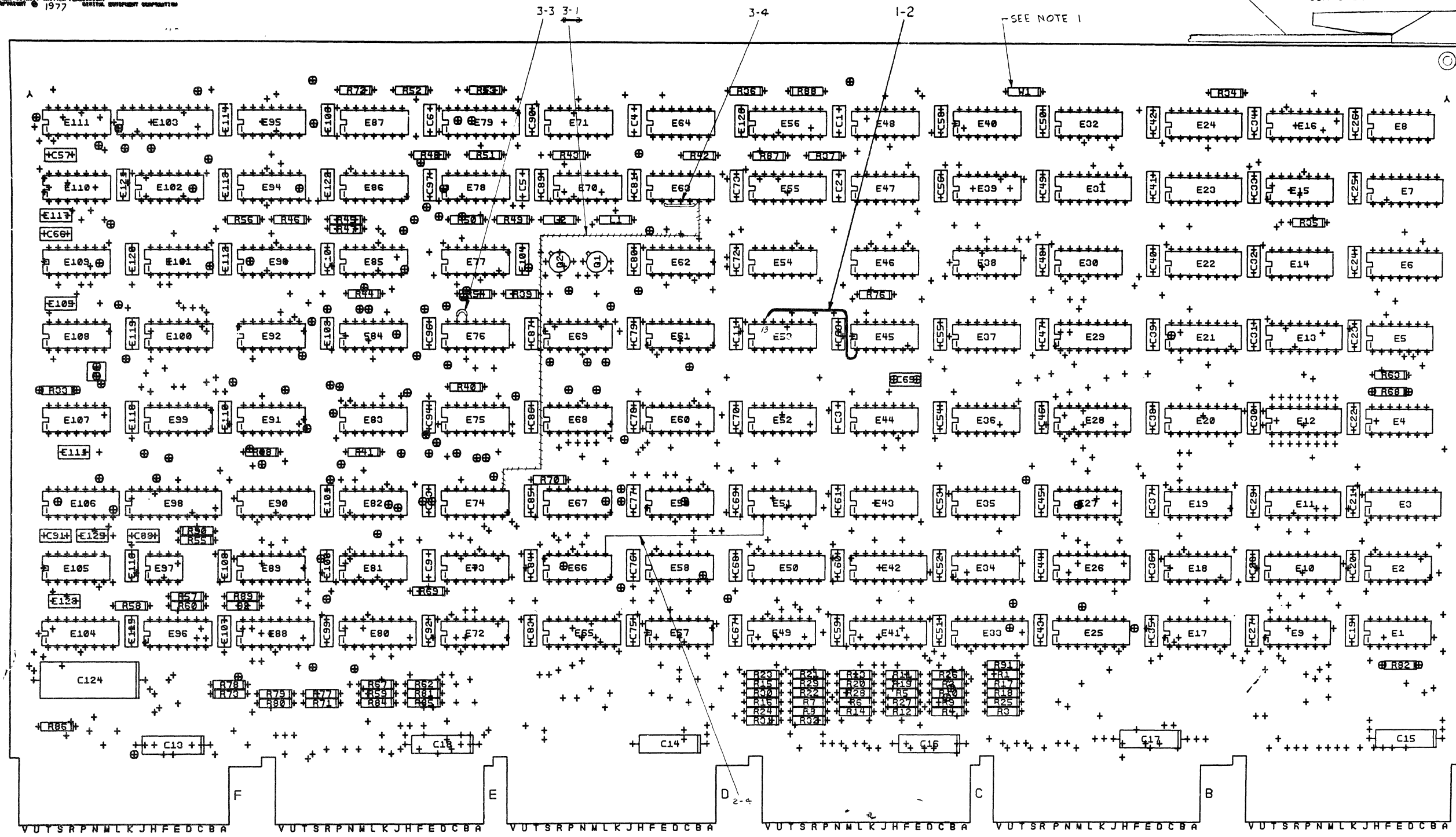


USED ON OPTION/MODEL	MK11	DRN. P. BOSSMAN <i>P.B.</i>	11/2/77	TITLE MK11 CONTROL A			
		CHK'D P. BOSSMAN <i>P.B.</i>	11/2/77				
		ENG. <i>D.M. [unclear]</i>	11/2/77	SIZE CODE <b>BDD</b>	NUMBER M8160-0	REV. <b>C</b>	
		PROD. <i>RA Hill</i>	11/2/77	SHEET 1 OF 1			

THIS DRAWING AND SPECIFICATIONS, HEREIN, ARE THE PROPERTY OF AVITEL EQUIPMENT CORPORATION. IT SHALL NOT BE REPRODUCED OR TRANSMITTED IN ANY FORM OR BY ANY MEANS, ELECTRONIC OR MECHANICAL, INCLUDING PHOTOCOPYING, RECORDING, OR BY ANY INFORMATION STORAGE AND RETRIEVAL SYSTEM, WITHOUT WRITTEN PERMISSION. AVITEL EQUIPMENT CORPORATION 1977

2 DUA M8160-0-0 E

COMPONENT SIDE VIEW



NOTES: 1. W1 NOT INSTALLED AT ASSY FOR REF ONLY.

CHG	NO	REV	DATE	BY	CHKD
1	1	D	1/15/77	A. ZACCONE	
2	2	E	1/22/77	A. ZACCONE	

ETCH REV. DPl	
P.C. DESIGN DATA BASE REV. DLI & DMI	

SIGNATURES	DATE	TITLE
ORN. <i>[Signature]</i>	1/15/77	MKII CONTROL A
CHK'D. <i>[Signature]</i>	1/15/77	
PROJ. ENG. <i>[Signature]</i>	1/15/77	
SCALE 2/1		
SHT. 1 OF 7		SIZE CODE NUMBER REV
NEXT HIGHER ASSY. B-DD-M8160-0		D UA M8160-0-0 E

digital

TITLE MKII CONTROL A

SIZE CODE NUMBER REV  
D UA M8160-0-0 E

1 MS#260954

M8160 5012676DP1

LAYER 1

C-C-0318W/1/G/2

CS\*ABCDEFGHIJKLMNPRS

E111

E103

E95

E87

E79

E71

E64

E48

E40

SIDE 1

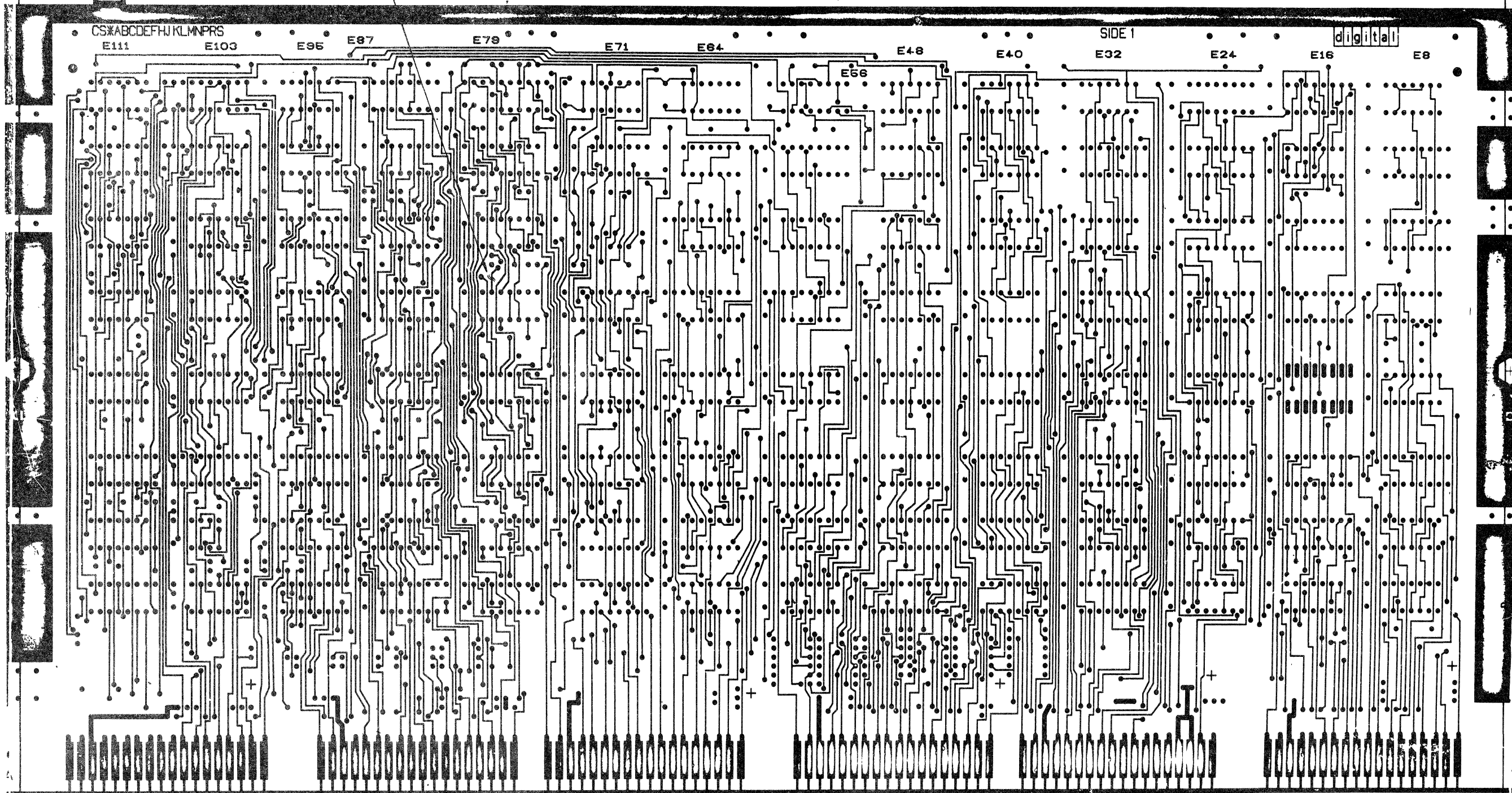
E32

E24

E16

digital

E8



MKII CONTROL A		SIZE/ CODE D UA	NUMBER M8160-0-0	REV E
2/1	SHEET 2 OF 7			

8

7

6

5

4

3

DJA M8160-0-0 2

1

M8160  
5012878DP1



--	--	--	--	--	--	--	--	--	--

TITLE	MKII CONTROL A	SIZE/SCALE	DJA	NUMBER	M8160-0-0	REV	E
SCALE	2/1	SHEET	3	OF	7	DIST	

8

7

6

5

4

3

2

1

8

7

6

5

4

3

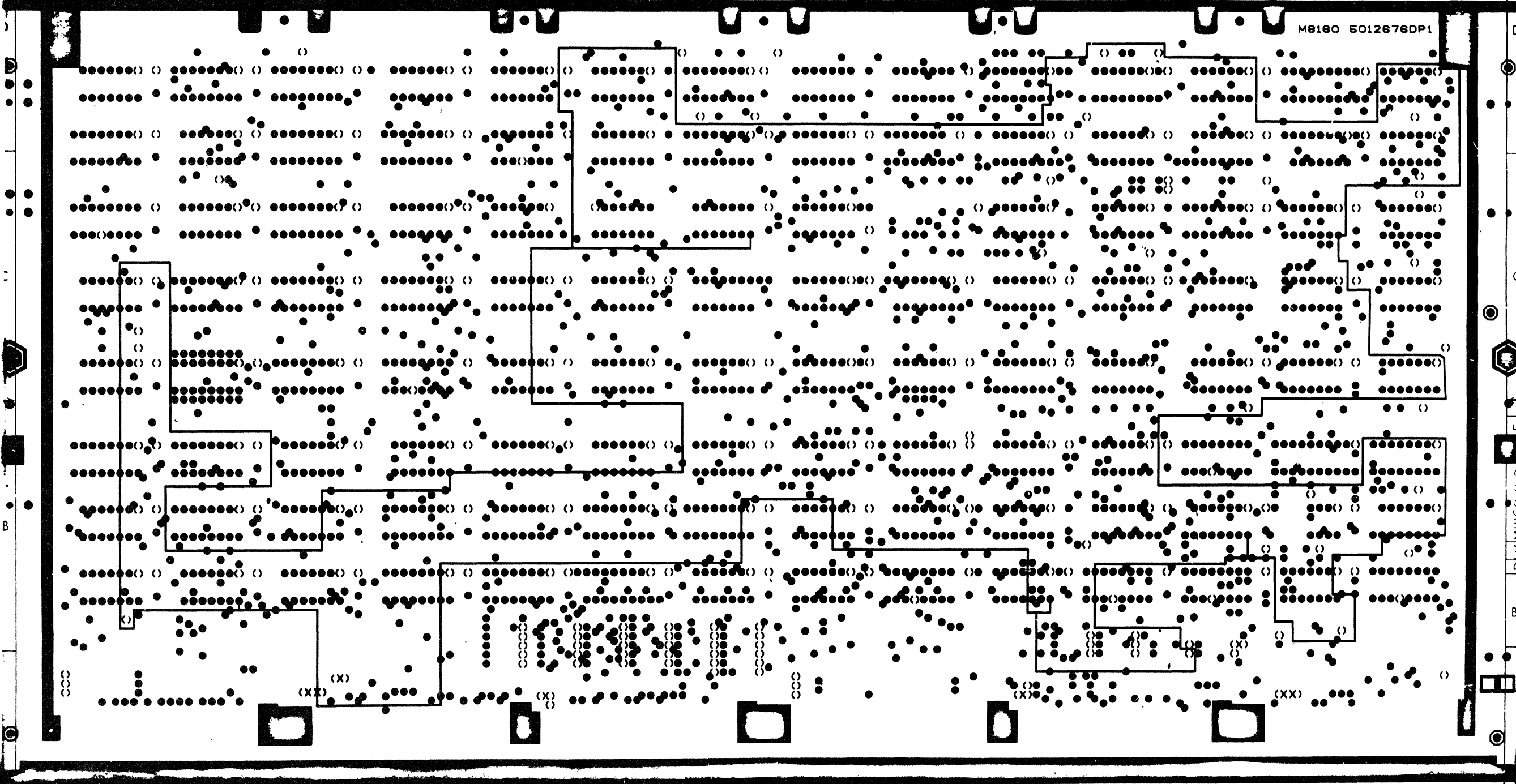
0 0 0918W [M] [0] 2

1

E RANWA

LC

M8160 6012676DP1



TITLE	MKII CONTROL A	SIZE CODE	DUA	NUMBER	M8160-0-0	REV	E
SCALE	2/1	SHEET	4 OF 7	DIST			



8

7

6

5

4

3

DJA M8160-0-0 E 2

1

H 834AJ

1-1

2-1

L4

SIDE 2

6012678DP1  
M8160

MK11 CONTROL A

2-2

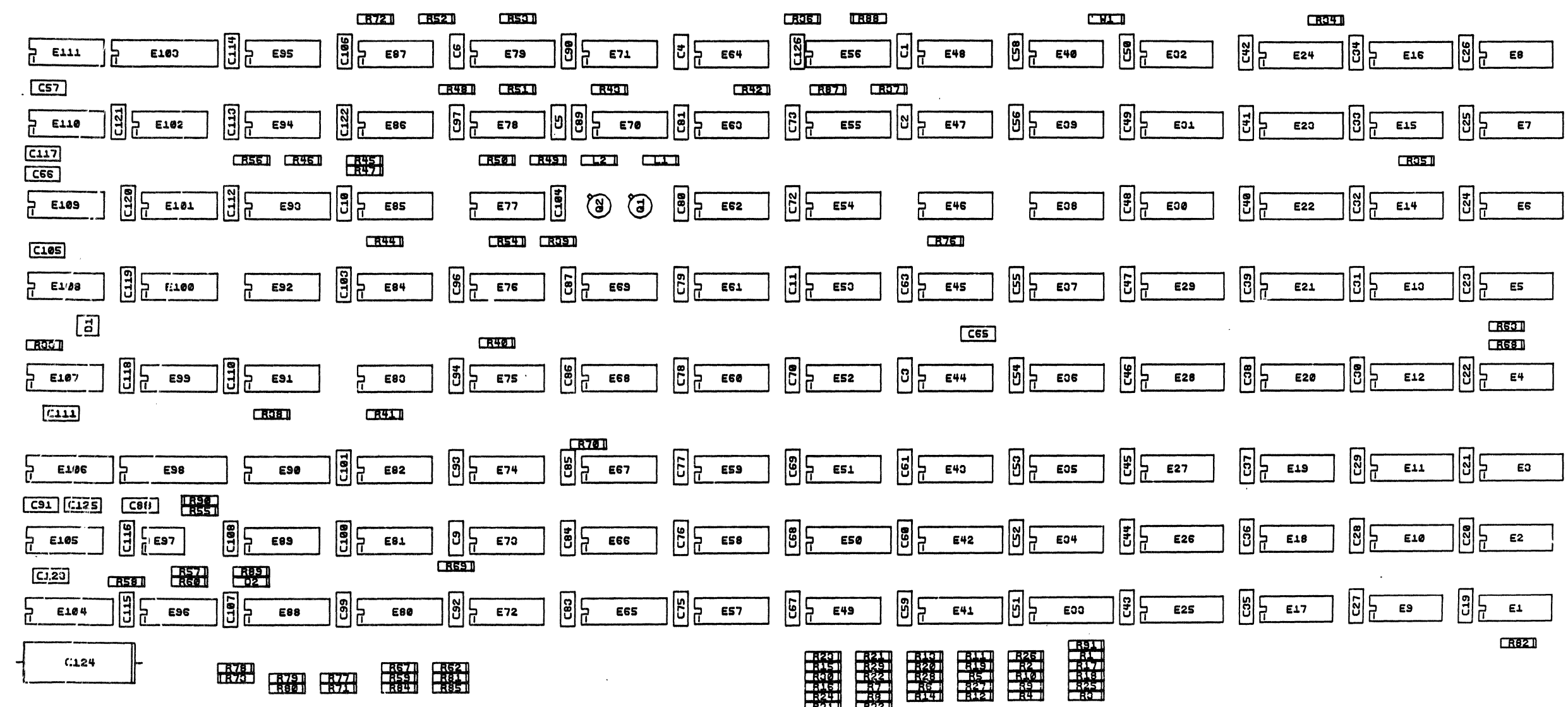
TITLE	MK11 CONTROL A	SIZE CODE	DJA	NUMBER	M8160-0-0	REV	E
SCALE	2/1	SHEET	5	OF	7	DIST	

2

2

1

THIS DRAWING AND DIMENSIONS, WEIGHTS, AND THE PROPERTY OF THE ENGINEERING DEPARTMENT, AND THE PROPERTY OF THE UNITED STATES GOVERNMENT. IT IS TO BE KEPT IN CONFIDENCE AND NOT TO BE REPRODUCED OR TRANSMITTED IN ANY FORM OR BY ANY MEANS, ELECTRONIC OR MECHANICAL, INCLUDING PHOTOCOPYING, RECORDING, OR BY ANY INFORMATION STORAGE AND RETRIEVAL SYSTEM. THIS DRAWING IS THE PROPERTY OF THE UNITED STATES GOVERNMENT. © 1977



VUYSRPNMLKJHFEDCBA VUYSRPNMLKJHFEDCBA VUYSRPNMLKJHFEDCBA VUYSRPNMLKJHFEDCBA VUYSRPNMLKJHFEDCBA VUYSRPNMLKJHFEDCBA

NOTES:

CHANGE NO	REV

REF. DRAWING ONLY

SIGNATURES		DATE	digital
DRN.	<i>J. Brennan</i>	11/24/77	
CHK'D.	<i>J. Brennan</i>	11/24/77	
ENG.	<i>J. Brennan</i>	11/24/77	
PROJ. ENG.	<i>J. Brennan</i>	11/24/77	
PROD.			
SCALE	2/1	SIZE	CODE
SHT.	6 OF 7	NUMBER	UA M8160-0-0
NEXT HIGHER ASSY.		B-DD-M8160-0	REV
			E

8

7

6

5

4

3

1

0-0-0918W M8160-0-0 E 2

D

C

B

A

1

2

3

4

5

6

7

8

"THIS DRAWING AND SPECIFICATIONS HEREIN ARE THE PROPERTY OF DIGITAL EQUIPMENT CORPORATION AND SHALL NOT BE REPRODUCED OR COPIED OR USED IN WHOLE OR IN PART AS THE BASIS FOR THE MANUFACTURE OR SALE OF ITEMS WITHOUT WRITTEN PERMISSION. COPYRIGHT © 1977 DIGITAL EQUIPMENT CORPORATION"

ECO #1  
ETCH CUT, SIDE 2:  
1-1. FROM E45-1 TO E53-11.  
WIRE ADDS, SIDE 1:  
1-2. FROM E45-1 TO E53-13.

ECO #2  
ETCH CUTS SIDE 2:  
2-1. FROM E63-6 TO E19-6  
2-2. FROM E51-2 TO E68-10  
WIRE ADDS SIDE 1:  
2-3. FROM E63-6 TO E74-8  
2-4. FROM E51-2 TO E66-8

ECO #3  
WIRE DELETE SIDE 1:  
3-1 REMOVE WIRE FROM E63-6 TO E74-8  
ETCH CUT SIDE 1:  
3-2 AT E76-13  
WIRE ADDS SIDE 1:  
3-3 FROM E76-13 TO E76-12  
3-4 FROM E63-6 TO E63-2

REVISIONS		
CHK	CHANGE NO.	REV.

TITLE	SIZE CODE	NUMBER	REV.
MKII CONTROL A	D UA	M8160-0-0	E
SCALE	SHEET	OF	DIST.
	7	7	

8

7

6

5

4

3

2

1

END

LINE	ITEM	DOCUMENT NO.	PART NO.	DESCRIPTION	QTY	REFERENCE DESIGNATORS
1	1	D-CS-M8160-0-1		CIRCUIT SCHEMATIC	REF	
2	2	D-UA-M8160-0-0		UNIT ASSEMBLY	REF	
3	3	H-DD-M8160-0-0		DWG DIRECTORY	REF	
4	4		5012676-00	M8160	1	
5	5		1000042-00	1000.0 MMF 100V 5%200PPM DM15S	(10-00) 1	C65
6	6		1000015-00	82.0 MMF 100V 5%200PPM DM15S	(10-00) 6	C1,C2,C4=C6,C11
7	7		1012219-00	47. MFD 30V G% 6000 AL EL	1	C124
8	8		1012121-00	220.0 MMF 100V 1%200PPM DM15S	2	C3,C88
9	9		1012084-01	8 MFD 25V G% 30D AL EL	(10-12) 6	C13-C18
10	10		1001610-01	.01 MFD 100V OR 50V Z5U DISC/800PF MIN	99	C19-C61,C63,C67-C70,C73,C72, CONT C126,C75-C81,C83-C87,C89,C90, CONT C92,C9,C93,C94,C96,C104,C97, CONT C99-C101,C103,C10,C122,C106, CONT C107,C108,C110,C112-C116,C119, CONT C118,C120,C121,C123,C125,C91, CONT C111,C105,C66,C117,C57
11	11		1105275-00	D 672 TR= 15NS PIV= 60V SP	1	D2
12	12		1110324-00	LED 1MCD@10MA #NV5054-1#HP48R2	1	D1
13	13		1210711-02	HANDLE, HEX MODULE, 10-1/2	1	
14	14		1300365-00	1 K 1/4W 5% CC	(13-00) 45	R1-R32,R59,R62,R67,R71,R73, CONT R77,R78,R79,R80,R81,R84,R85, CONT R91
15	15		1300447-00	4.7 K 1/4W 5% CC	(13-00) 15	R44,R47,R54,R55,R56,R69,R82, CONT R68,R86,R70,R87,R88,R34,R72, CONT R63
16	16		1300479-00	10 K 1/4W 5% CC	(13-00) 2	R36,R37
17	17		1300316-00	470 1/4W 5% CC	(13-00) 1	R35
18	18		1302124-00	10 1/4W 5% CC	(13-00) 1	R40
19	19		1300229-00	100 1/4W 5% CC	(13-00) 5	R42,R43,R39,R76,R90
20	20		1300271-00	220 1/4W 5% CC	(13-00) 1	R33

REVISION HISTORY			VARIATIONS FOR THIS ASSY.		
CHK	ECO NO.	REV	FIRST USED ON: MK11		
E,R	000033	F	MADE BY: D. CARUSO DATE: 28-JUN-78		
			CHECKED: D. CARUSO DATE: 28-JUN-78		
			DSN, ENG.: A. ZACCONI DATE: 28-JUN-78		
			PROP.: R. HILL DATE: 28-JUN-78		
			RESP, ENG.: A. ZACCONI DATE: 28-JUN-78		
			DIGITAL EQUIPMENT CORPORATION MAYNARD, MASSACHUSETTS		
			TITLE PARTS LIST		
			MK11 CONTROL A		
			SIZE	CODE	DOCUMENT NUMBER
			K	PL	M8160-0-DAP
			ASSY. NO.: H-DD-M8160-0-0		
			EDITS 2		

"THIS DRAWING AND SPECIFICATIONS HEREIN, ARE THE PROPERTY OF DIGITAL EQUIPMENT CORPORATION AND SHALL NOT BE REPRODUCED OR COPIED OR USED IN WHOLE OR IN PART AS THE BASIS FOR THE MANUFACTURE OR SALE OF ITEMS WITHOUT WRITTEN PERMISSION. COPYRIGHT 1978, DIGITAL EQUIPMENT CORPORATION."

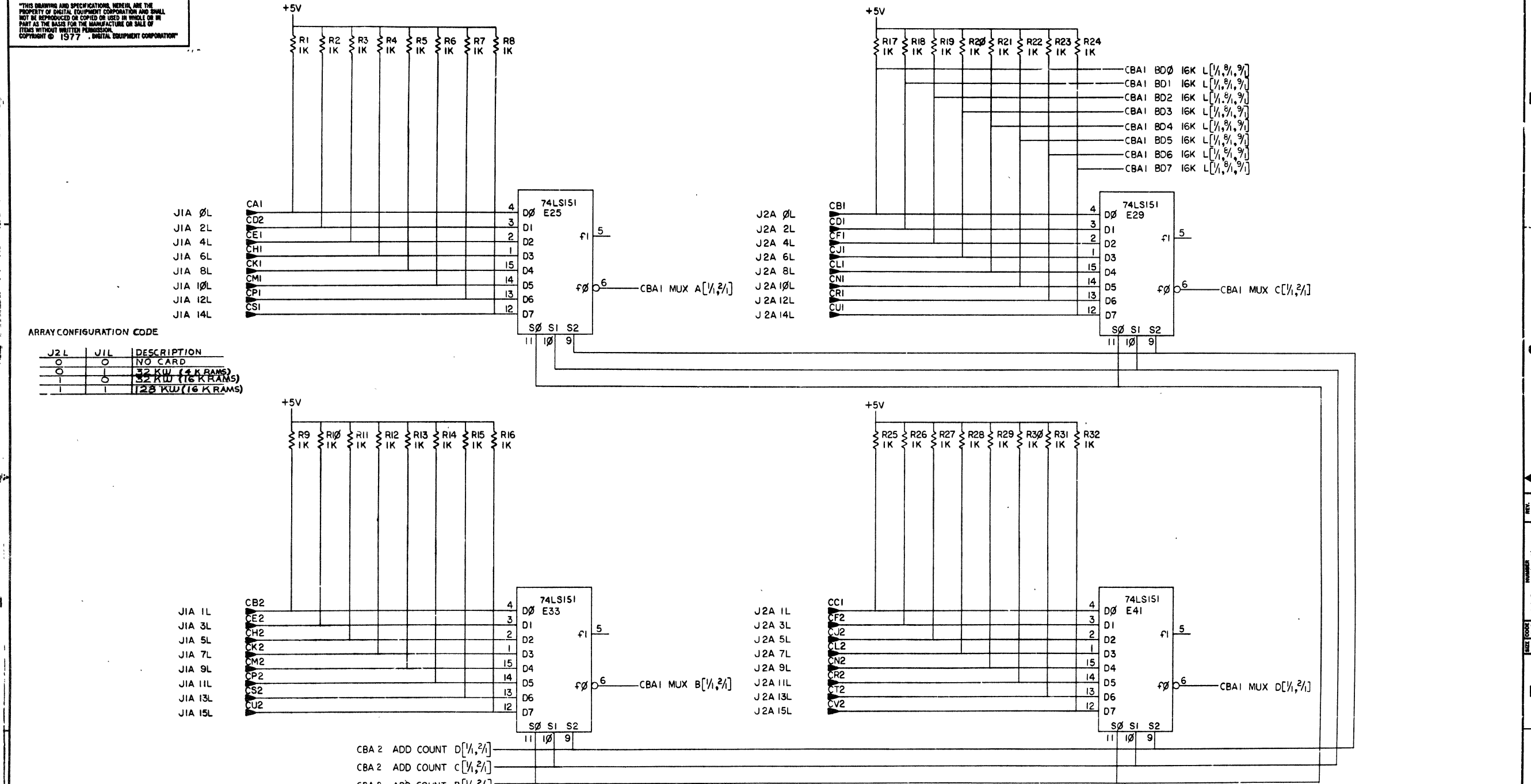
LINE	ITEM	DOCUMENT NO.	PART NO.	DESCRIPTION	QTY	REFERENCE DESIGNATORS
21	21		1300295-00	330 1/4W 5% CC (13-00	1	R41
22	22		1301890-00	560 1/4W 5% CC (13-00	1	R38
23	23		1301972-00	270 1/4W 5% CC (13-00	4	R49,R51,R53,R46
24	24		1301322-00	180 1/4W 5% CC (13-00	4	R45,R48,R50,R52
25	25		1303044-00	100 K 1/4W 1% RN55D-F 100PPM (13-00	1	R57
26	26		1302398-00	470 K 1/4W 5% CC (13-00	1	R60
27	27		1303313-00	12.1 K 1/4W 1% RN55D-F 100PPM (13-00	1	R58
28	28		1311594-00	30.1 K 1/4W 1% RN55D-F 100PPM (13-00	1	RH9
29	29		1503100-00	DEC3009R NPN 200MW SI 20 25 P	2	Q1,Q2
30	30		1610662-00	100.0 UH 10% 165MA R0D1 00	2	L1,L2
31	31		1611243-00	DELAY=25-250NS,10TAPS RCL#1-183 F PE#9R29	5	E53,E54,E64,E70,E71
32	32		1911469-00	DEC R640 RECEIVER,BUS,QUAD,UNIRUS,Q=BU	1	E46
33	33		1909705-00	DEC R881-INAND GATE-QUAD 2IN,OPN COLL.	1	E95
34	34		1910649-00	R885 NOR GATE-QUAD 2IN,FAST	2	E62,E66
35	35		1910532-00	74S00 NAND GATE-QUAD 2IN	14	E9,E37,E48,E51,E69,E75,E82, CONT E100,F108,E109,E60,E105,E76, CONT E67
36	36		1912799-00	1.S00 NAND-GATE-QUAD 2IN,POSITIVE	3	E45,E52,E78
37	37		1912746-00	DEC 74S37 NAND GATE-QUAD 2IN	1	E110
38	38		1912388-00	74S02 NOR GATE-QUAD 2IN,POS	3	E58,E99,E102
39	39		1910533-00	74S03 NAND GATE-QUAD 2IN,OPN COLLECT	2	E91,E96
40	40		1910534-00	74S04 INVERTER GATE=HEX 1IN	14	E4,E17,E36,E32,E47,E49,E57, CONT E59,E61,E68,E81,E89,E101,E111
41	41		1912801-00	1.S02 NOR-GATE-QUAD 2IN	1	E63
42	42		1910535-00	74S05 INVERTER GATE=HEX 1IN,OPEN CO	2	E92,E15
43	43		1912808-00	1.S11 AND GATE=TRIPLE 3IN	1	E40
44	44		1913777-00	LS240 DRIVER,LINE,OCTAL,TRI-ST	1	E103
45	45		1910536-00	74S10 NAND GATE=TRIPLE 3IN	2	E38,E83
46	46		1910878-00	7427 NOR GATE=TRIPLE 3IN	1	E14
47	47		1911712-00	74S51 AND-OR GATE=INVERT DUAL 2W/2IN	5	E1,E2,E9,E18,E30
48	48		1912823-00	LS73 FF=JK DUAL W/CLEAR	1	E39
49	49		1910539-00	74S20 NAND GATE=DUAL 4INPUT	1	E72
50	50		1910548-00	74S157 MUX 1 OF 2 (QUAD)	1	E79
51	51		1909713-00	DEC R815 NOR GATE=DUAL 4IN	14	E44
52	52		1910544-00	74S74 FF=D DUAL,EDGE TRIGGER	5	E74,E84,E85,E86,E87
53	53		1912824-00	LS74 FF=D DUAL,EDGE TRIGGER,POS	3	E73,E94,E107
54	54		1909050-00	7475 LATCH 4BIT	5	E65,E80,E88,E90,E104
55	55		1909932-00	7483 ADDER=4BIT	2	E6,E28
56	56		1912843-00	LS139 DECODER, 2 OF 4(DUAL)& DEMUX	1	F24
57	57		1912844-00	LS151 MUX 1 OF 8 & DATA SELECTOR	4	E25,E29,E33,E41
58	58		1910547-00	74S153 MUX 1 OF 4 (DUAL)	6	E3,E11,E26,E42,E50,E93
59	59		1911675-00	74S138 DECODER=THREE INPUT	1	E10
60	60		1910652-00	74174 FF=D HEX	2	E7,F20
61	61		1911713-00	74163 COUNTER,SYNCHR,4-BIT	1	E31
62	62		1912837-00	LS123 ONE SHOT=DUAL,RETRIGGERABLE	1	E56
63	63		1910035-00	DEC 74197 COUNTER,ASYNCH UP,H1 SPEED R28	4	E27,E19,E43,E35
64	64		1912857-00	LS197 COUNTER,BINARY,PRESETTABLE	2	E5,E34
65	65		1913462-00	74S240 OCTAL BUFFER,INVERTING TRI-ST	1	E98

DIGITAL EQUIPMENT CORPORATION MAYNARD, MASSACHUSETTS	TITLE MK11 CONTROL A	PARTS LIST	SIZE CODE K PL	DOCUMENT NUMBER M8160-0-DRP	REV E
---	-------------------------	------------	-------------------	--------------------------------	----------

LINE ITEM	DOCUMENT NO.	PART NO.	DESCRIPTION	QTY	REFERENCE DESIGNATORS
66	66	1912125-00	74S135 XOR/NOR GATE-QUAD 2IN	1	E106
67	67	1912864-00	LS279 LATCH,QUAD-S-R	1	E16
68	68	1910956-00	74S151 MUX 1 OF 8	1	E21
69	69	1912854-00	LS193 COUNTER,SYNCHR,4BIT,UP/DN,BINA	2	E22,E23
70	70	1910544-01	74S74-60GG-D DUAL,EDGE TRIGGER,SYNCHR	1	E77
71	71	1911944-00	555CN TIMER,FUNCT.BLOCK	1	E97
72	72	9000024-01	EYELEFT, ROLLED FLANGE, .121 OD X .196 LG	12	
73	73	9105740-55	WIRE(WRAP)30AWG UL1423 (91-00 A/R		

DIGITAL EQUIPMENT CORPORATION MAYNARD, MASSACHUSETTS	TITLE PARTS LIST MK11 CONTROL A	SIZE K	CODE PL	DOCUMENT NUMBER M8160-0-D8P	REV E
---	---------------------------------------	-----------	------------	--------------------------------	----------

"THIS DRAWING AND SPECIFICATIONS HEREIN ARE THE PROPERTY OF DIGITAL EQUIPMENT CORPORATION AND SHALL NOT BE REPRODUCED OR COPIED OR USED IN WHOLE OR IN PART AS THE BASIS FOR THE MANUFACTURE OR SALE OF ITEMS WITHOUT WRITTEN PERMISSION. COPYRIGHT © 1977, DIGITAL EQUIPMENT CORPORATION"



ARRAY CONFIGURATION CODE

J2 L	J1 L	DESCRIPTION
0	0	NO CARD
0	1	32 KW (4 K RAMS)
1	0	32 KW (16 K RAMS)
1	1	128 KW (16 K RAMS)

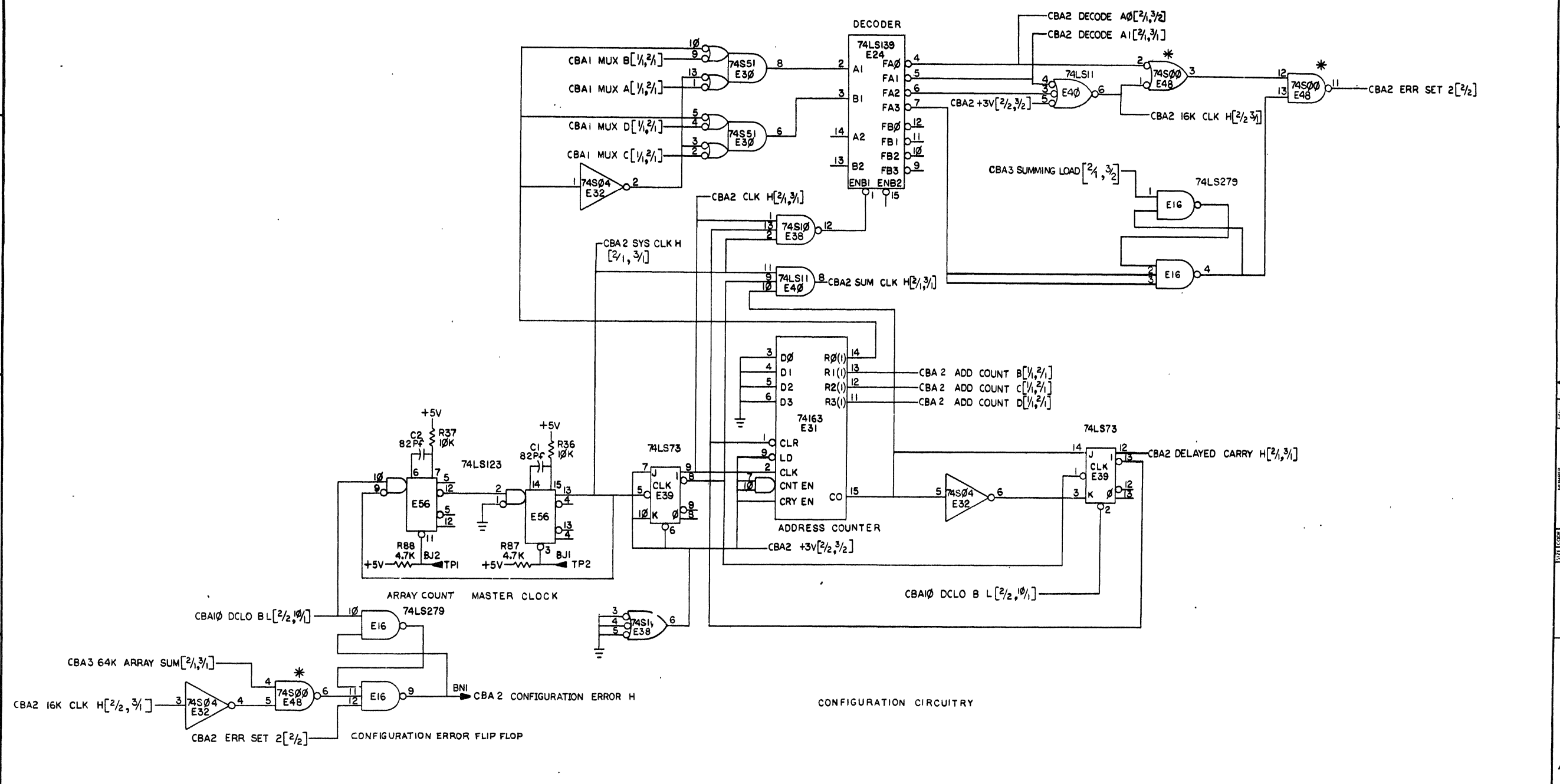
CBA 2 ADD COUNT D [1/2, 2/1]  
 CBA 2 ADD COUNT C [1/2, 2/1]  
 CBA 2 ADD COUNT B [1/2, 2/1]

CONFIGURATION CIRCUITRY  
 ARRAY FINGERPRINT MUX

REV	CHG	NO	DATE	BY	APP
1					
2					
3					
4					
5					
6					
7					
8					

DRN. S. Camity	8-1-77	FIRST USED ON	MK II	digital
CHK'D	8-1-77	TITLE	MK II (CBA1)	
ENG. J. J. ...	11-2-77	SIZE	D	CODE
PROJ. ENG. J. J. ...	11-2-77	NUMBER	M8160-0-1	REV
PROD. R. J. ...	11-2-77	SCALE		E
NEXT HIGHER ASSY.		SHEET	1	OF 11
B-DD-M8160-0		DIST.		

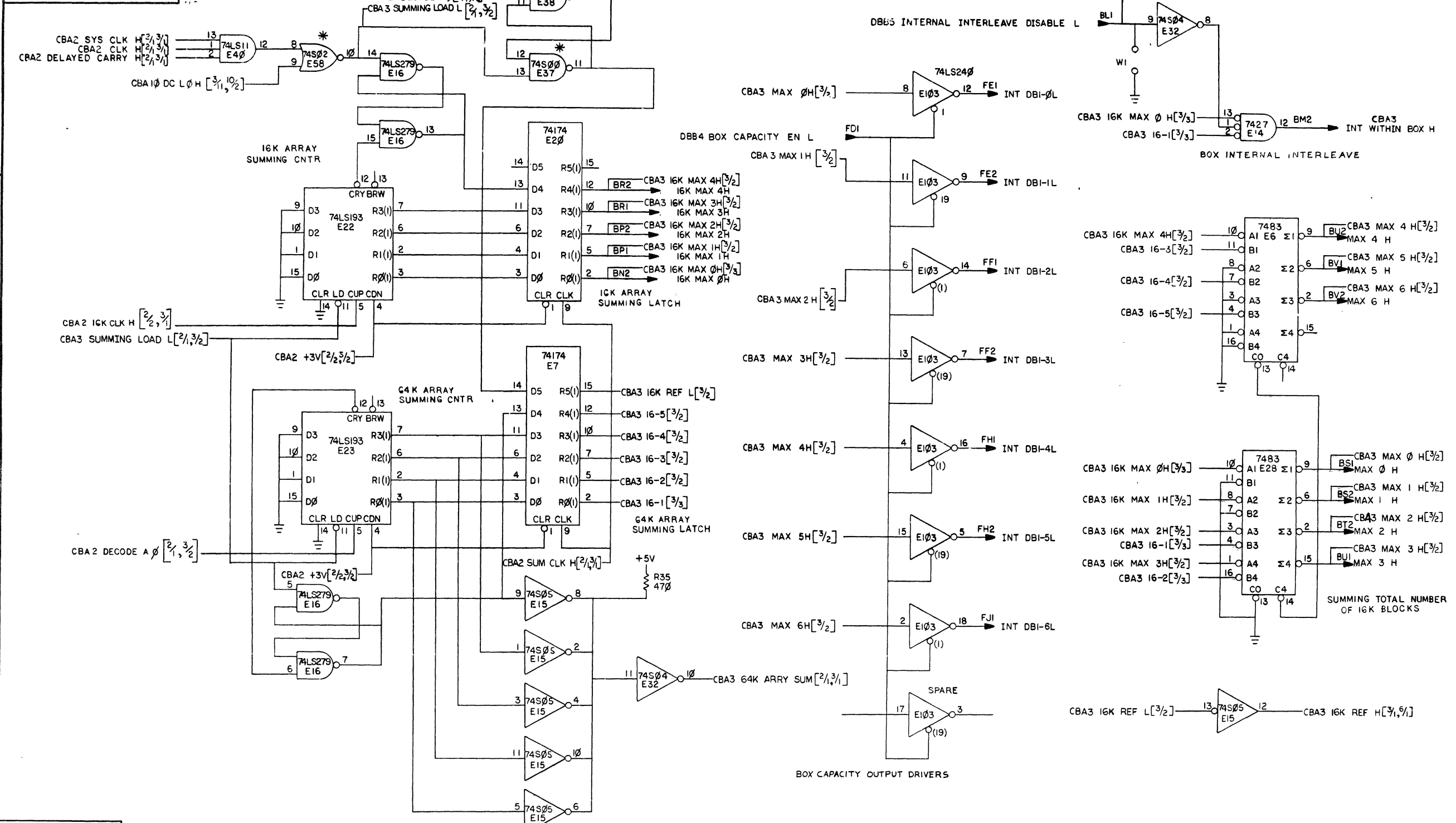
"THIS DRAWING AND SPECIFICATIONS HEREIN ARE THE PROPERTY OF DIGITAL EQUIPMENT CORPORATION AND SHALL NOT BE REPRODUCED OR COPIED OR USED IN WHOLE OR IN PART AS THE BASIS FOR THE MANUFACTURE OR SALE OF ITEMS WITHOUT WRITTEN PERMISSION. COPYRIGHT © 1977 DIGITAL EQUIPMENT CORPORATION"



REVISIONS		
CHK	CHANGE NO.	REV



"THIS DRAWING AND SPECIFICATIONS HEREIN ARE THE PROPERTY OF DIGITAL EQUIPMENT CORPORATION AND SHALL NOT BE REPRODUCED OR COPIED OR USED IN WHOLE OR IN PART AS THE BASIS FOR THE MANUFACTURE OR SALE OF ITEMS WITHOUT WRITTEN PERMISSION. COPYRIGHT © 1977 DIGITAL EQUIPMENT CORPORATION"



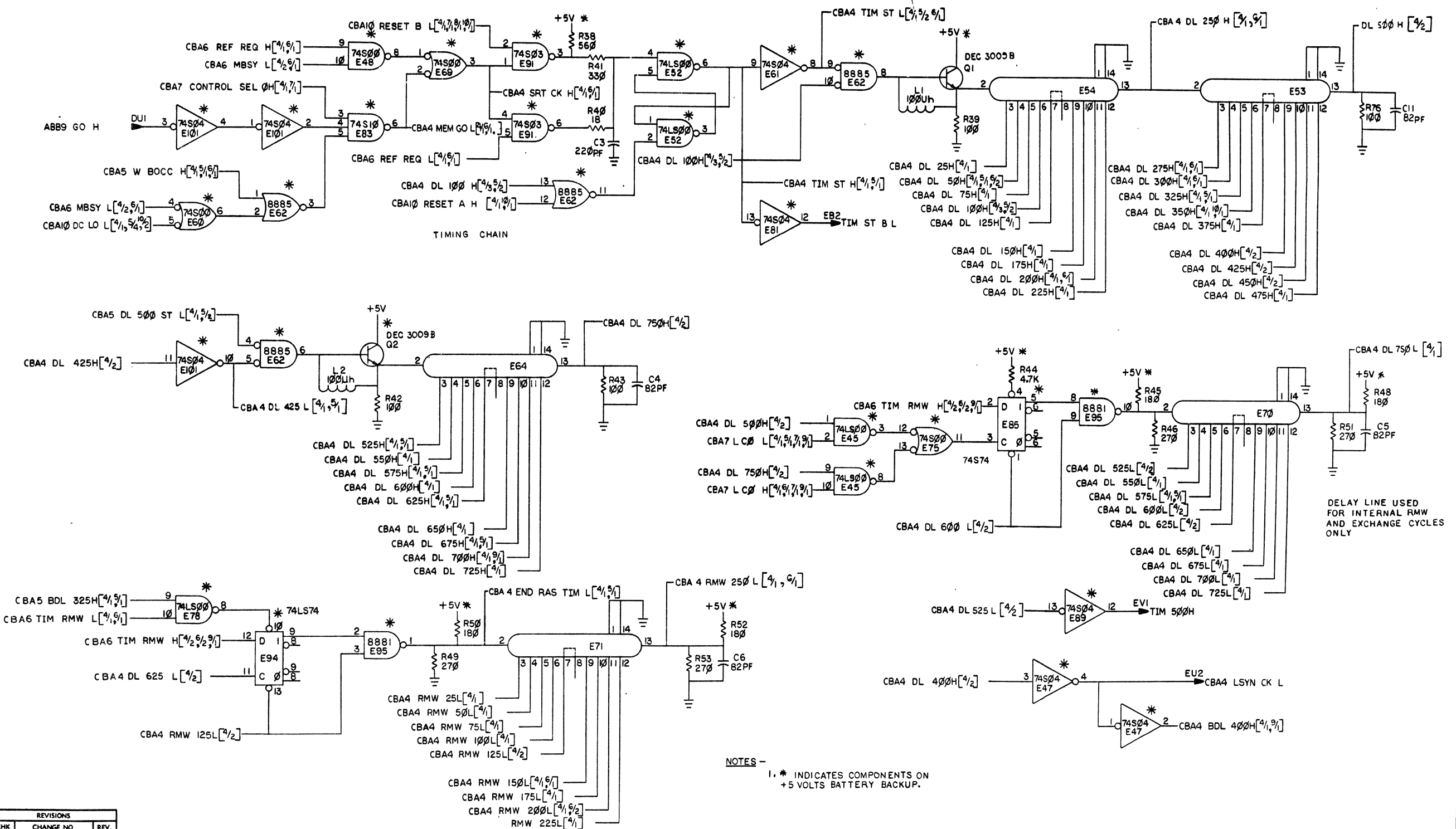
NOTE 1: W1 NOT INSTALLED AT ASSY TIME.

REVISIONS		
CHK	CHANGE NO	REV

DEC FORM NO. DRD 138	8	7	6	5	4	3	2	1	
TITLE MK II CONTROL A (CBA3)							SIZE CODE DCS	NUMBER M8160-0-1	REV E
SCALE			SHEET 3 OF 11		DIST.				

THIS DRAWING AND SPECIFICATIONS HEREIN ARE THE PROPERTY OF DIGITAL EQUIPMENT CORPORATION AND SHALL NOT BE REPRODUCED OR COPIED OR USED IN WHOLE OR IN PART AS THE BASIS FOR THE MANUFACTURE OR SALE OF ITEMS WITHOUT WRITTEN PERMISSION. COPYRIGHT © 1977 DIGITAL EQUIPMENT CORPORATION

1-0-0918W 2



TIMING CHAIN

DELAY LINE USED FOR INTERNAL RMW AND EXCHANGE CYCLES ONLY

NOTES -  
1. \* INDICATES COMPONENTS ON +5 VOLTS BATTERY BACKUP.

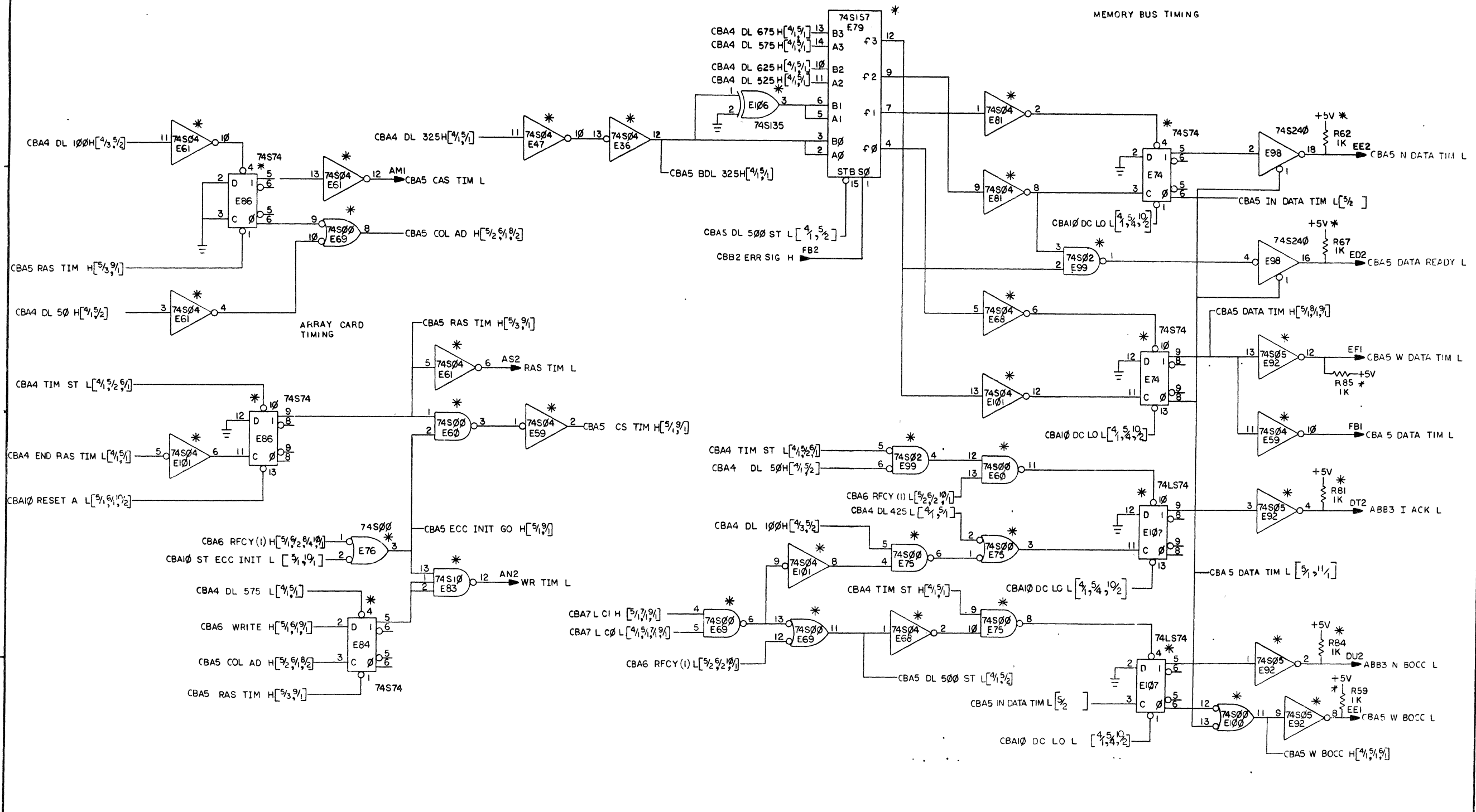
REVISIONS		
CHK	CHANGE NO	REV.

TITLE	(CBA4) MKII CONTROL A	SIZE CODE	D CS	NUMBER	M8160-0-1	REV.	E
SCALE		SHEET	4	OF	11	DIST.	

"THIS DRAWING AND SPECIFICATIONS HEREIN ARE THE PROPERTY OF DIGITAL EQUIPMENT CORPORATION AND SHALL NOT BE REPRODUCED OR COPIED OR USED IN WHOLE OR IN PART AS THE BASIS FOR THE MANUFACTURE OR SALE OF ITEMS WITHOUT WRITTEN PERMISSION. COPYRIGHT © 1977 DIGITAL EQUIPMENT CORPORATION"

SINGLE ERROR TIME EXTENSION

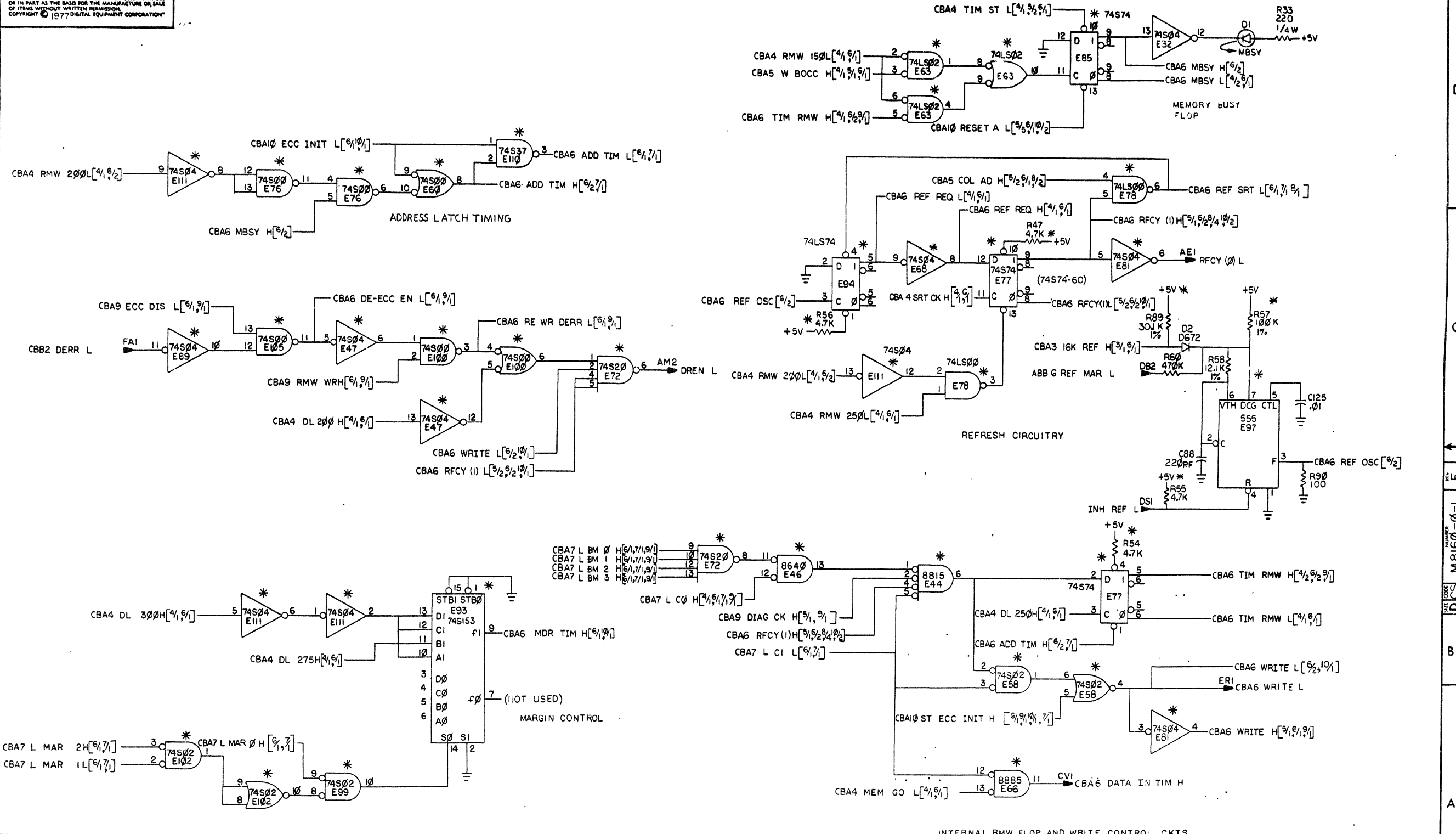
MEMORY BUS TIMING



REVISIONS		
CHK	CHANGE NO	REV

"THIS DRAWING AND SPECIFICATIONS HEREIN ARE THE PROPERTY OF DIGITAL EQUIPMENT CORPORATION AND SHALL NOT BE REPRODUCED OR COPIED OR USED IN WHOLE OR IN PART AS THE BASIS FOR THE MANUFACTURE OR SALE OF ITEMS WITHOUT WRITTEN PERMISSION. COPYRIGHT © 1977 DIGITAL EQUIPMENT CORPORATION"

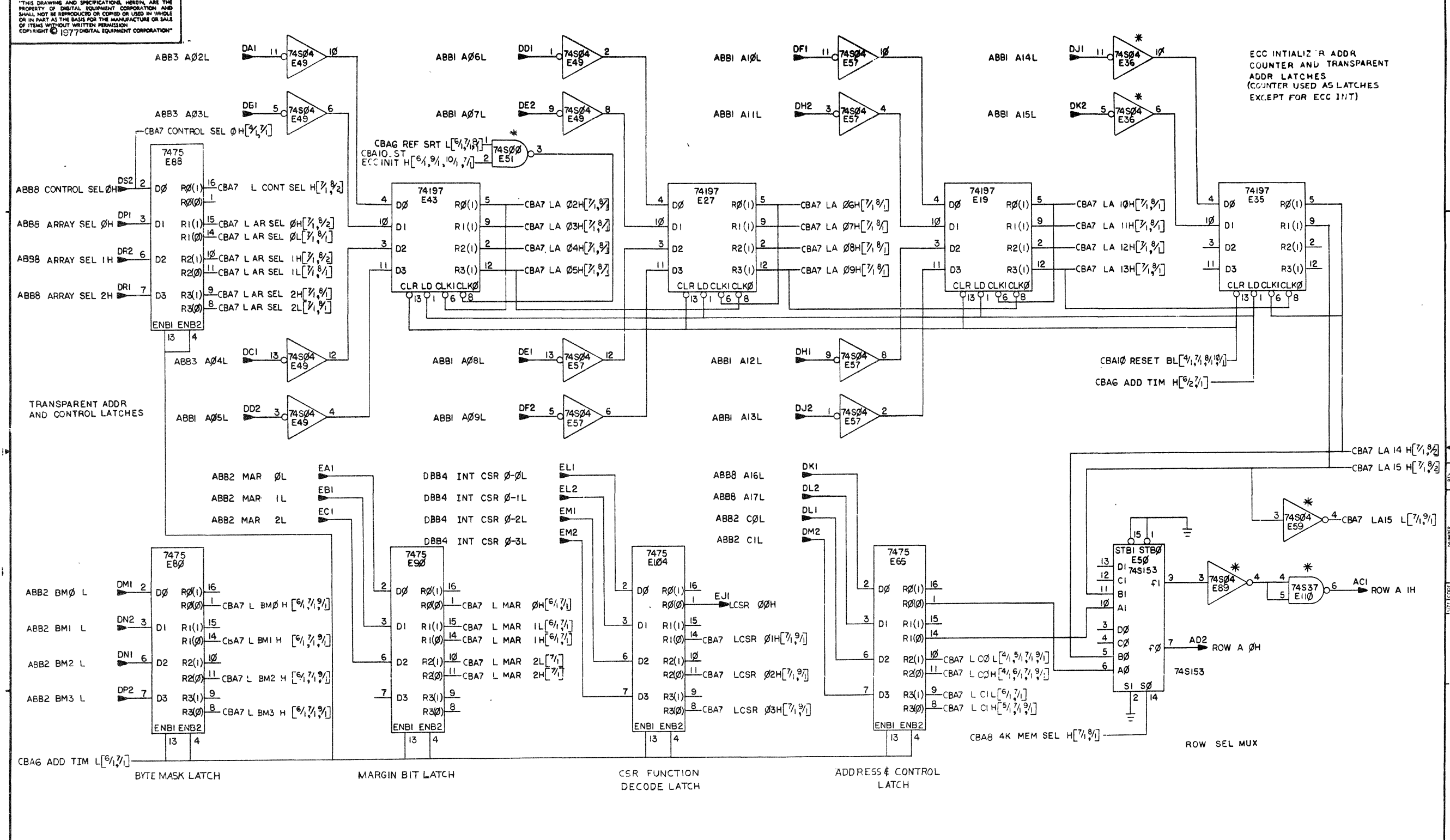
1-0-0918W DCS M8160-0-1



REVISIONS		
CHK	CHANGE NO	REV

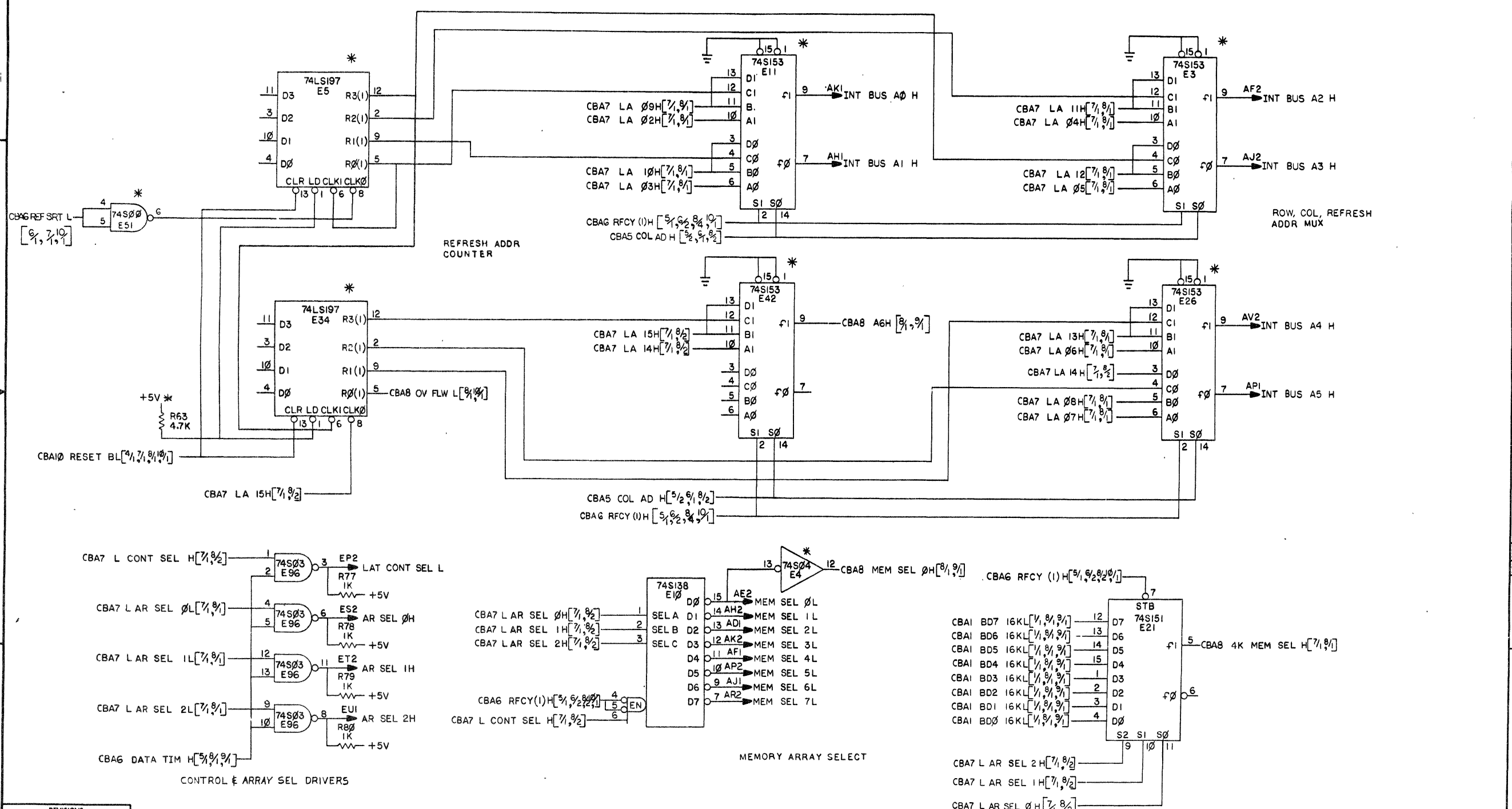
TITLE	(CBA6) MK II CONTROL A	SIZE CODE	D CS	NUMBER	M8160-0-1	REV.	E
SCALE		SHEET	6	OF	11	DIST.	

"THIS DRAWING AND SPECIFICATIONS HEREIN ARE THE PROPERTY OF DIGITAL EQUIPMENT CORPORATION AND SHALL NOT BE REPRODUCED OR COPIED OR USED IN WHOLE OR IN PART AS THE BASIS FOR THE MANUFACTURE OR SALE OF ITEMS WITHOUT WRITTEN PERMISSION. COPYRIGHT © 1977 DIGITAL EQUIPMENT CORPORATION"



CHK	CHANGE NO	REV	TITLE	SCALE	SHEET	OF	DIST	SIZE CODE	NUMBER	REV
			MK II CONTROL A		7	11		D CS	M8160-0-1	E

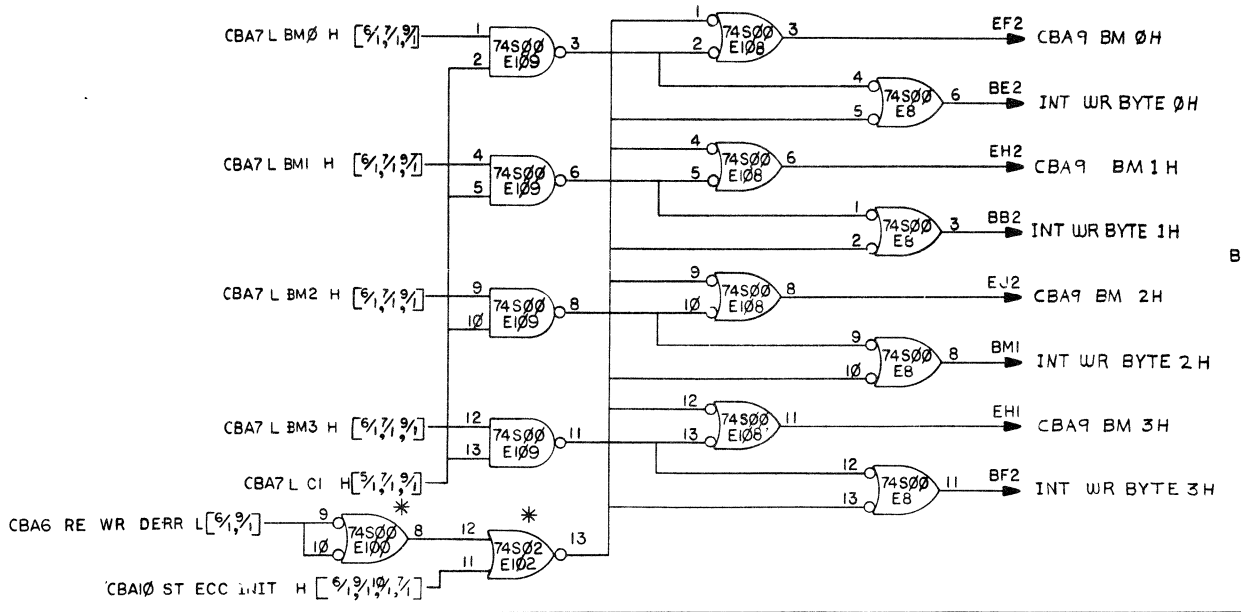
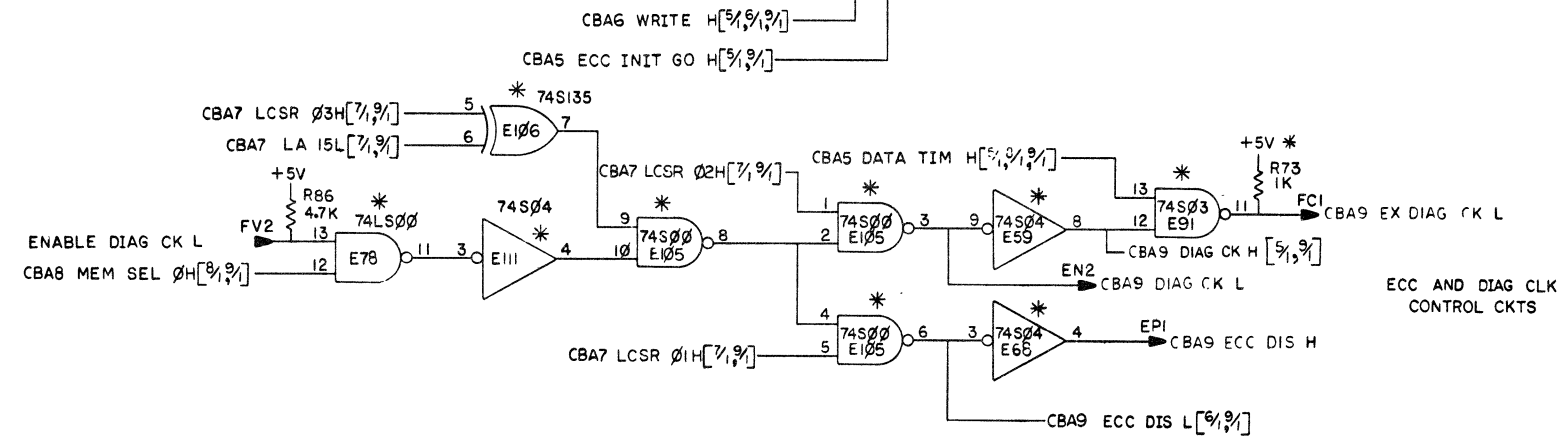
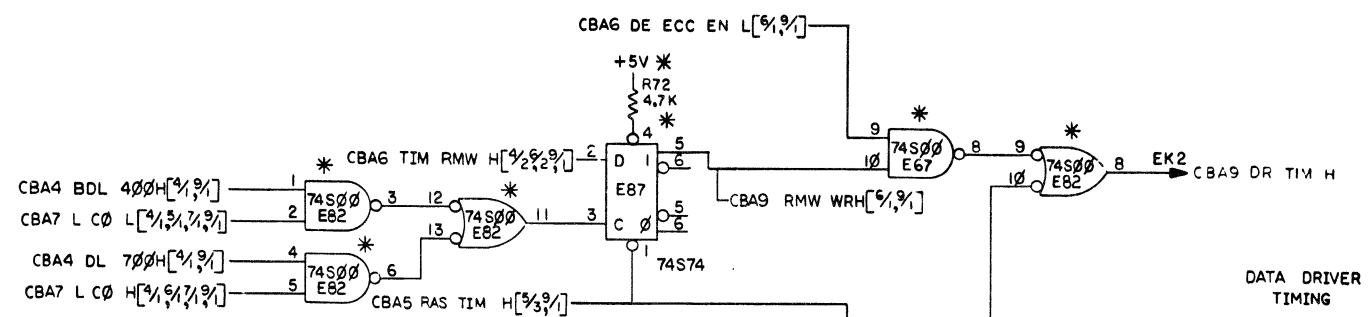
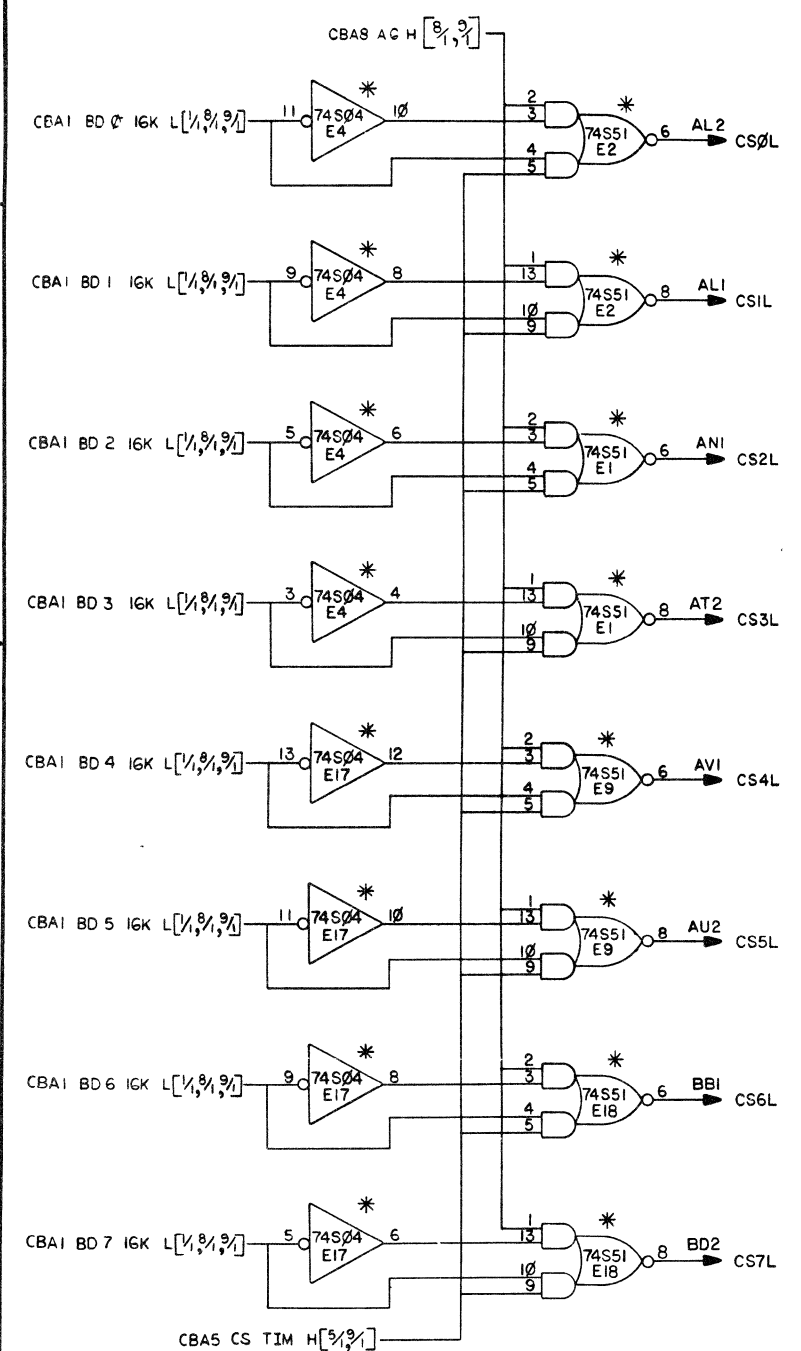
THIS DRAWING AND SPECIFICATIONS HEREIN ARE THE PROPERTY OF DIGITAL EQUIPMENT CORPORATION AND SHALL NOT BE REPRODUCED OR COPIED OR USED IN WHOLE OR IN PART AS THE BASIS FOR THE MANUFACTURE OR SALE OF ITEMS WITHOUT WRITTEN PERMISSION. COPYRIGHT © 1977 DIGITAL EQUIPMENT CORPORATION



REVISIONS		
CHK	CHANGE NO	REV

"THIS DRAWING AND SPECIFICATIONS, HEREIN, ARE THE PROPERTY OF DIGITAL EQUIPMENT CORPORATION AND SHALL NOT BE REPRODUCED OR COPIED OR USED IN WHOLE OR IN PART AS THE BASIS FOR THE MANUFACTURE OR SALE OF ITEMS WITHOUT WRITTEN PERMISSION. COPYRIGHT © 1977 DIGITAL EQUIPMENT CORPORATION"

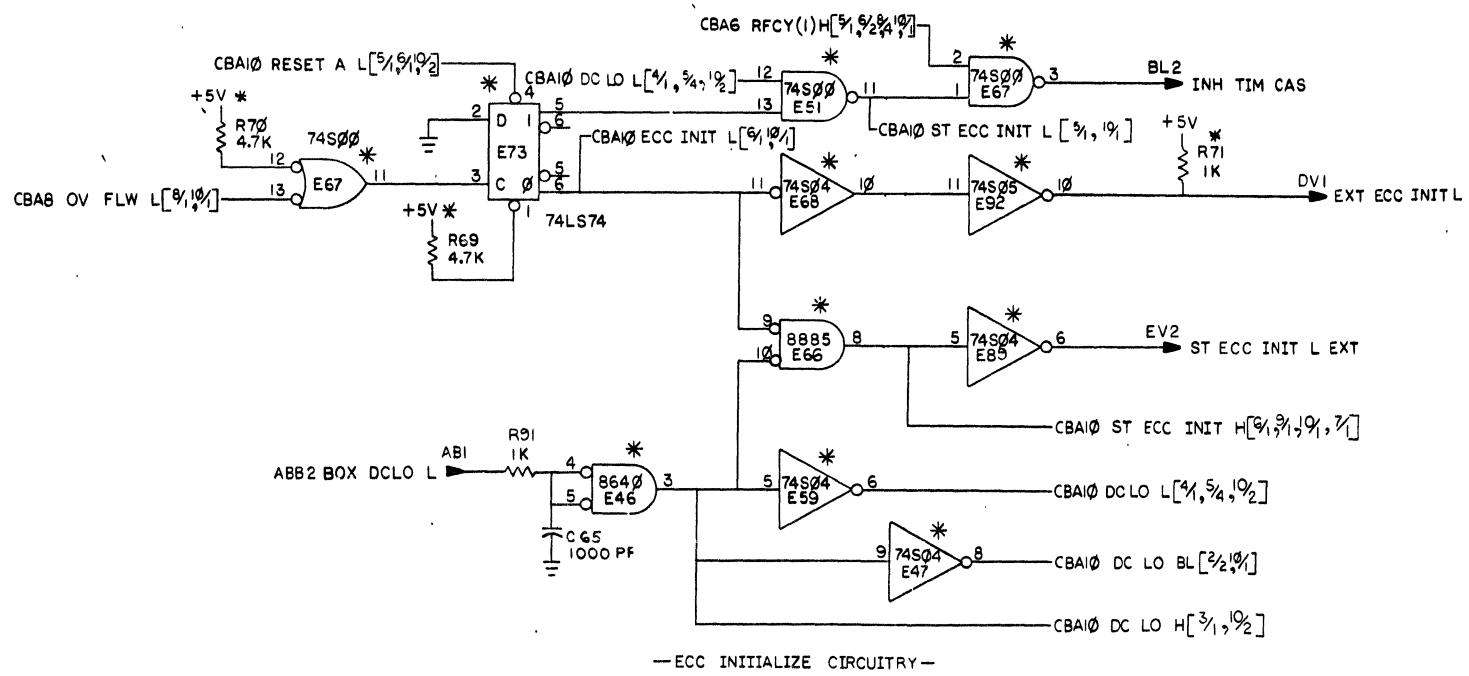
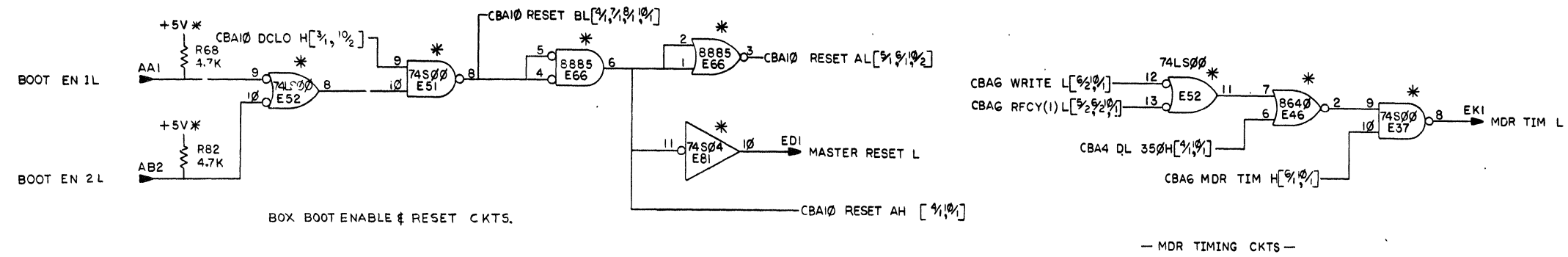
CS TIMING/AG MUX CKTS



REVISIONS		
CHK	CHANGE NO	REV

TITLE	(CBA9) MKII CONTROL A	SIZE CODE	D CS	NUMBER	M8160-0-1	REV.	E
SCALE		SHEET	9	OF	11	DIST.	

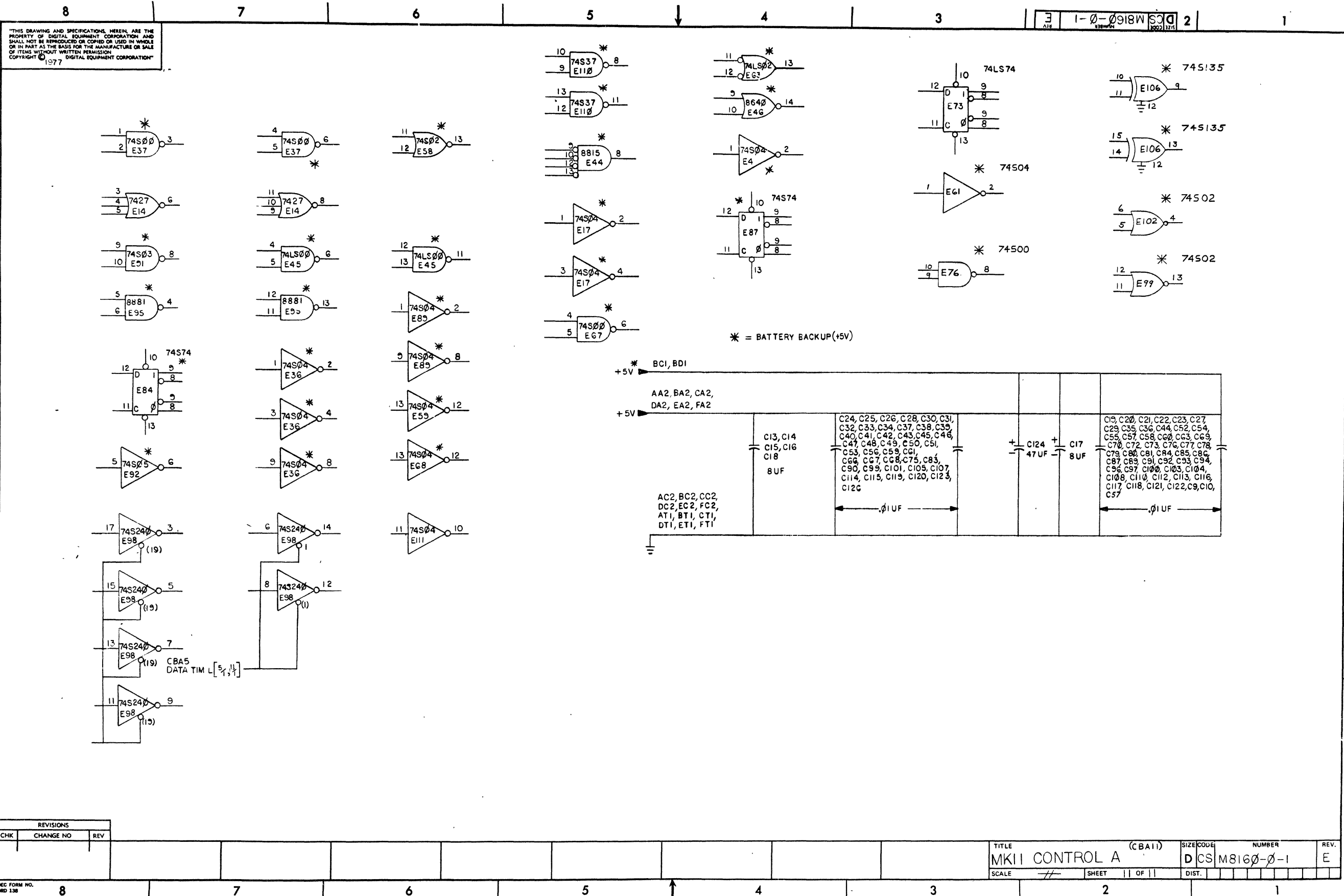
"THIS DRAWING AND SPECIFICATIONS HEREIN ARE THE PROPERTY OF DIGITAL EQUIPMENT CORPORATION AND SHALL NOT BE REPRODUCED OR COPIED OR USED IN WHOLE OR IN PART AS THE BASIS FOR THE MANUFACTURE OR SALE OF ITEMS WITHOUT WRITTEN PERMISSION.  
 © 1977 DIGITAL EQUIPMENT CORPORATION"



REVISIONS		
CHK	CHANGE NO.	REV



"THIS DRAWING AND SPECIFICATIONS HEREIN ARE THE PROPERTY OF DIGITAL EQUIPMENT CORPORATION AND SHALL NOT BE REPRODUCED OR COPIED OR USED IN WHOLE OR IN PART AS THE BASIS FOR THE MANUFACTURE OR SALE OF ITEMS WITHOUT WRITTEN PERMISSION. COPYRIGHT © 1977 DIGITAL EQUIPMENT CORPORATION"



REVISIONS		
CHK	CHANGE NO	REV

TITLE	(CBA11)	SIZE CODE	NUMBER	REV.
MKII CONTROL A		DCS	M8160-0-1	E
SCALE	//	SHEET	11 OF 11	

DRAWING NO.	NO. OF SHTS.	PART NO.	DESCRIPTION	REVISIONS																			
				1	2	3	4	5	6	7	8	9	10	11	12								
B-DD-M8161-0	1		MK11 CONTROL B	*																			
D-UA-M8161-0-0	5		MK11 CONTROL B	A																			
B-PL-M8161-0-0	2		MK11 CONTROL B	A																			
D-MD-M8161-0-0	5		DRILL & ETCH DRAWING	A																			
D-CS-M8161-0-1	9		MK11 CONTROL B	A																			
		5012677	ETCHED BOARD	B																			
M8161-0-L			P.C. DESIGN DATA BASE	REF																			

**NOTES:**

REVISIONS	DATE	CHG NO.	R.V.

THIS DRAWING AND SPECIFICATIONS, HEREIN, ARE THE PROPERTY OF DIGITAL EQUIPMENT CORPORATION AND SHALL NOT BE REPRODUCED OR COPIED OR USED IN WHOLE OR IN PART AS THE BASIS FOR THE MANUFACTURE OR SALE OF ITEMS WITHOUT WRITTEN PERMISSION.

COPYRIGHT © 1977 DIGITAL EQUIPMENT CORPORATION

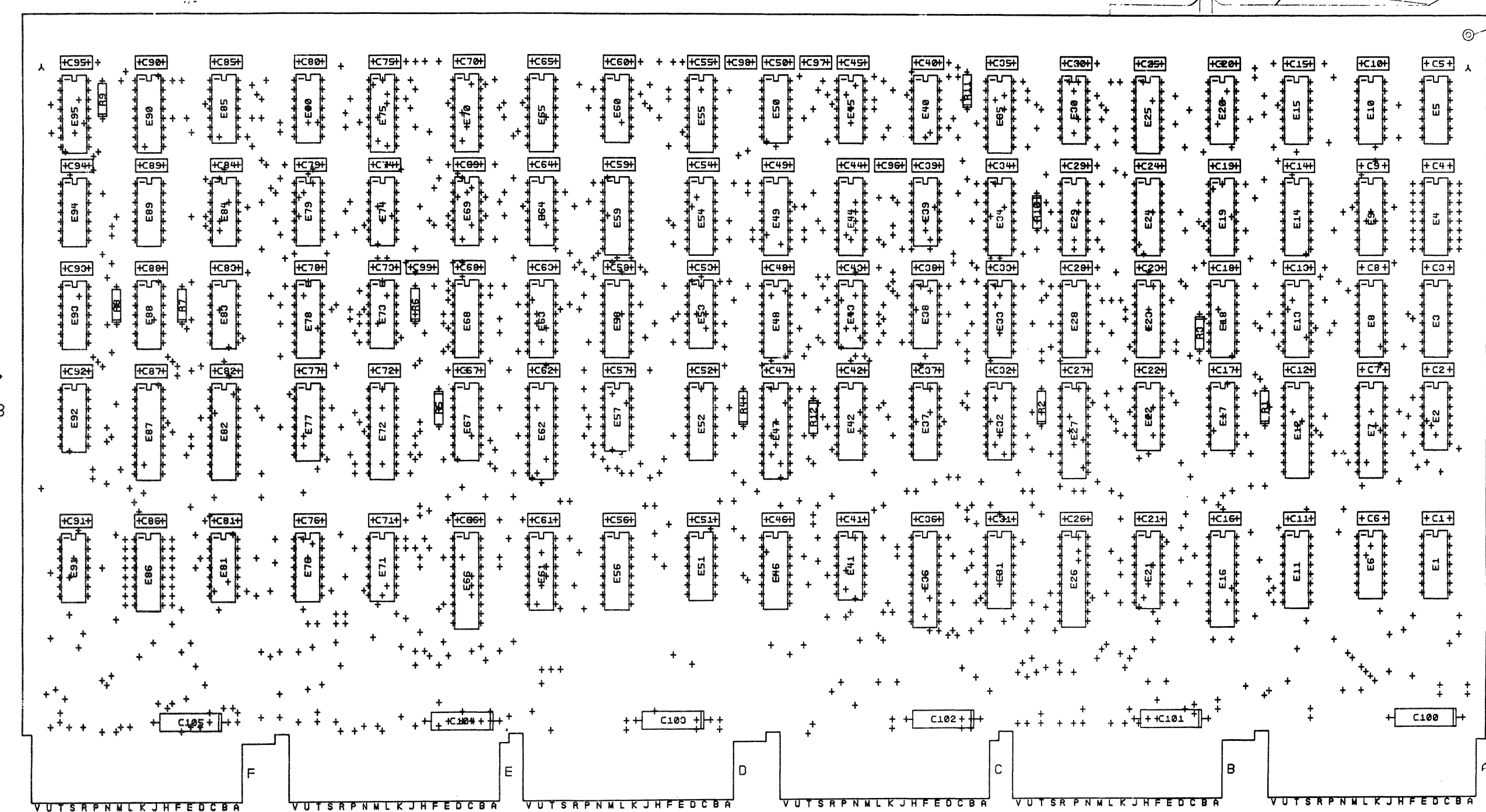


USED ON OPTION/MODEL MK11	DRN.	L. METZGER	7/7/77	TITLE MK11 CONTROL B
	CHK'D	<i>P. Bozman</i>	7/18/77	
	ENG.	<i>A. L. Gauri</i>	10/26/77	SIZE <b>B DD</b>
	PROD.	<i>R. Hill</i>	10/26/77	
				NUMBER M8161-0
				REV.
				SHEET 1 OF 1

THIS DRAWING AND SPECIFICATIONS, HEREIN, AND THE PROPERTY OF DIGITAL EQUIPMENT CORPORATION AND SHALL NOT BE REPRODUCED OR COPIED OR USED IN THIS OR IN ANY PART THEREOF FOR THE MANUFACTURE OF ANY OF THE PRODUCTS OF DIGITAL EQUIPMENT CORPORATION WITHOUT THE WRITTEN PERMISSION OF DIGITAL EQUIPMENT CORPORATION © 1977

0-0-1918W 471 G 2 1

COMPONENT SIDE VIEW



NOTES:  
1. B HOLES .0465 (+.0002-.0015) MAYNARD ONLY

CHG	NO	REV

ETCH REV.	B
P.C. DESIGN DATA BASE REV.	B2, B1

SIGNATURES	DATE	TITLE		
DRN. JOAN ROGERS	11 JUN 77	digital CONTROL B		
CHK'D. C BEVERIS	27 JUN 77			
ENG. J. J. SUTTON	27 JUN 77			
PROJ. ENG. J. J. SUTTON	27 JUN 77			
PROD.		SIZE CODE	NUMBER	REV
SCALE 2/1		D UA	18161-0-0 A	
SHT. 1 OF 6				
NEXT HIGHER ASSY. B-DD-18161-0				

1 MS# 104701

THE DRAWING AND SPECIFICATIONS HEREIN ARE THE PROPERTY OF DIGITAL EQUIPMENT CORPORATION AND SHALL NOT BE REPRODUCED, COPIED OR USED IN WHOLE OR IN PART, IN ANY MANNER, WITHOUT THE WRITTEN PERMISSION OF DIGITAL EQUIPMENT CORPORATION.

M8161 5012677 B

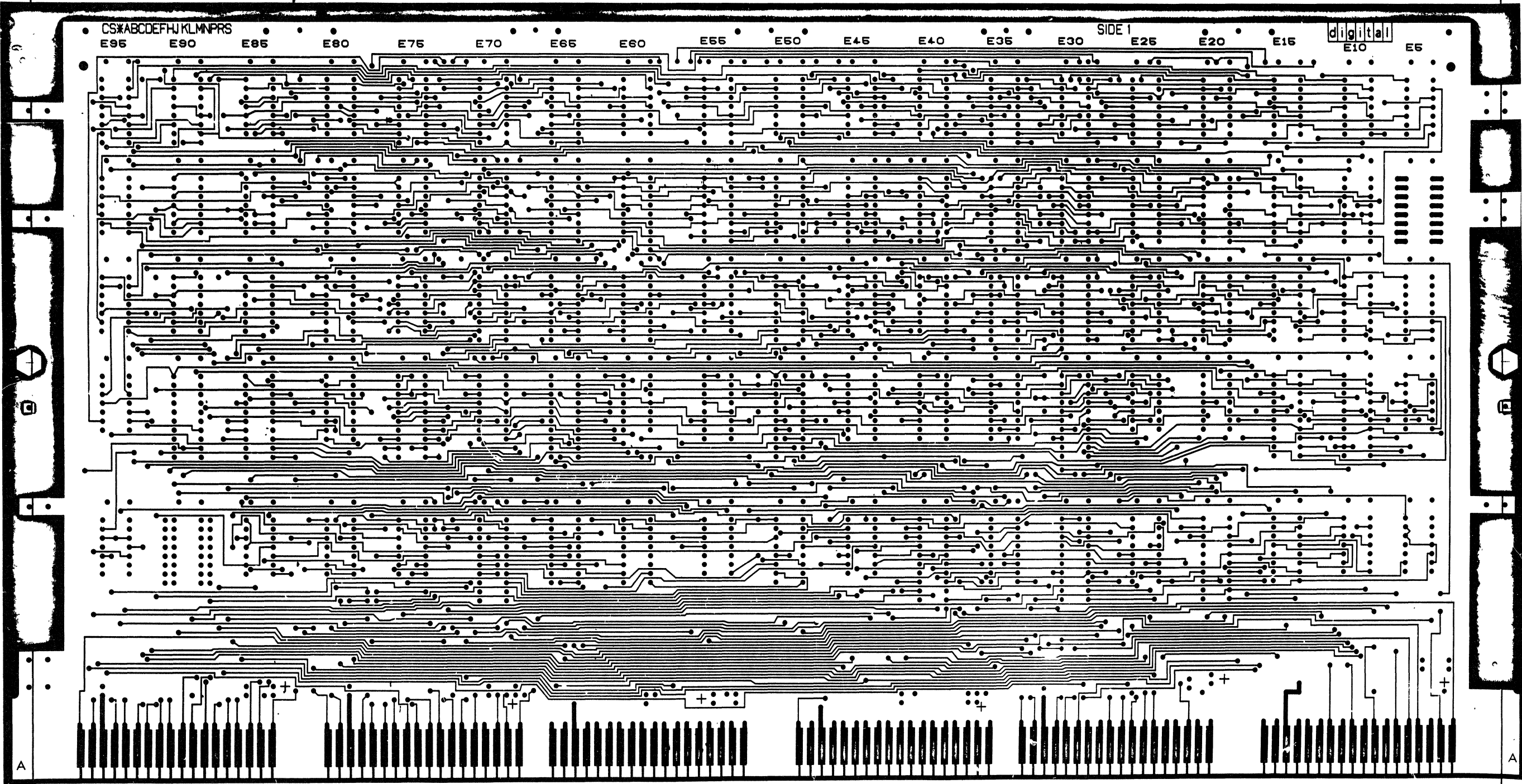
10-0-198W D 2

L1

LAYER 1

CS#ABCDEFGHIJKLMNPRS E95 E90 E85 E80 E75 E70 E65 E60 E55 E50 E45 E40 E35 E30 E25 E20 E15 E10 E5

digital



REV. D'S		
CHK	CHANGE NO	REV

TITLE	MK11 CONTROL B	SIZE CODE	DUA	NUMBER	M8161-0-0	REV.	A
SCALE	2/1	SHEET	2 OF 6	DIST			

8

7

6

5

4

3

0-0-191814 2

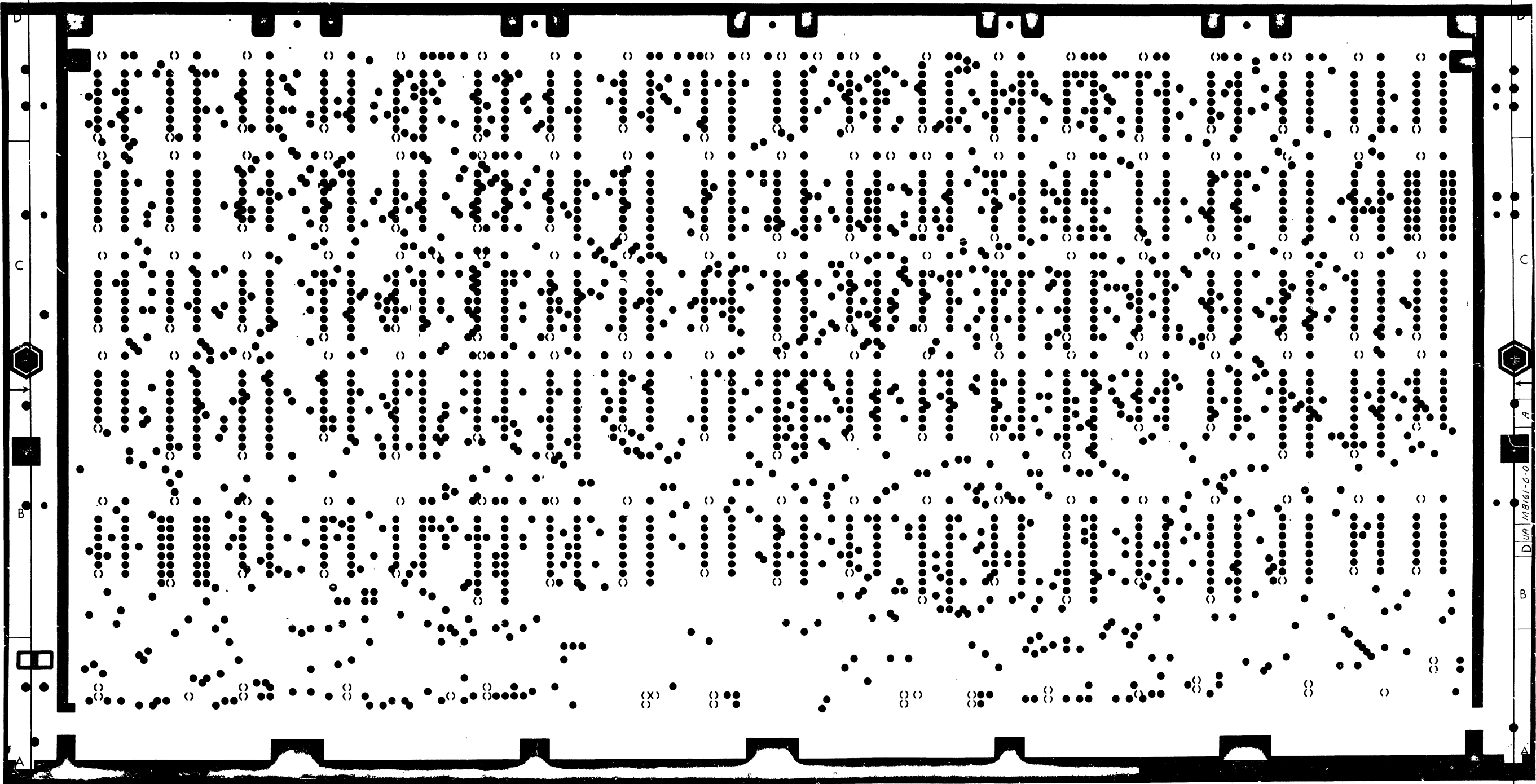
1

NO OTHER MARKS, DIMENSIONS, OR  
NOTES ARE TO BE PLACED ON THIS  
DRAWING UNLESS SPECIFICALLY  
NOTED OTHERWISE.

M8161 5012677 B

LAYER 12

L2




8

7

6

5

4

3

2

1

MKII  
CONTROL B

SCALE	2/1	SHEET	3	OF	6	DATE		BY	
-------	-----	-------	---	----	---	------	--	----	--


A

8

7

6

5

4

3

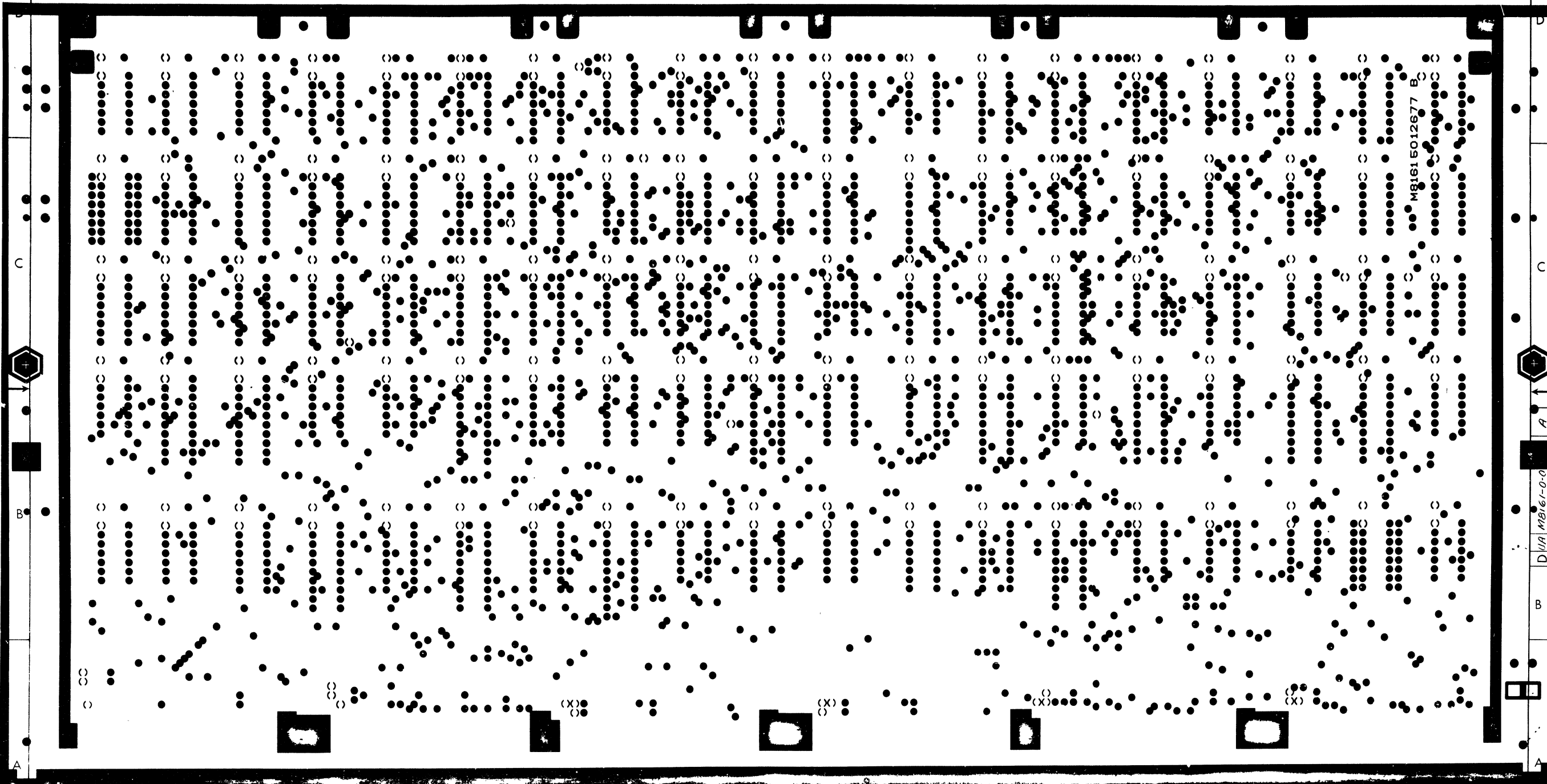
D/UA MB161-0-0 2

1

E R3YA

MB161 5012677 B

D/UA MB161-0-0



8

7

6

5

4

3

2

1

TITLE	MKII CONTROL B	D/UA MB161-0-0	A
REV	2/1	4 OF 6	DIST

8

7

6

5

4

3

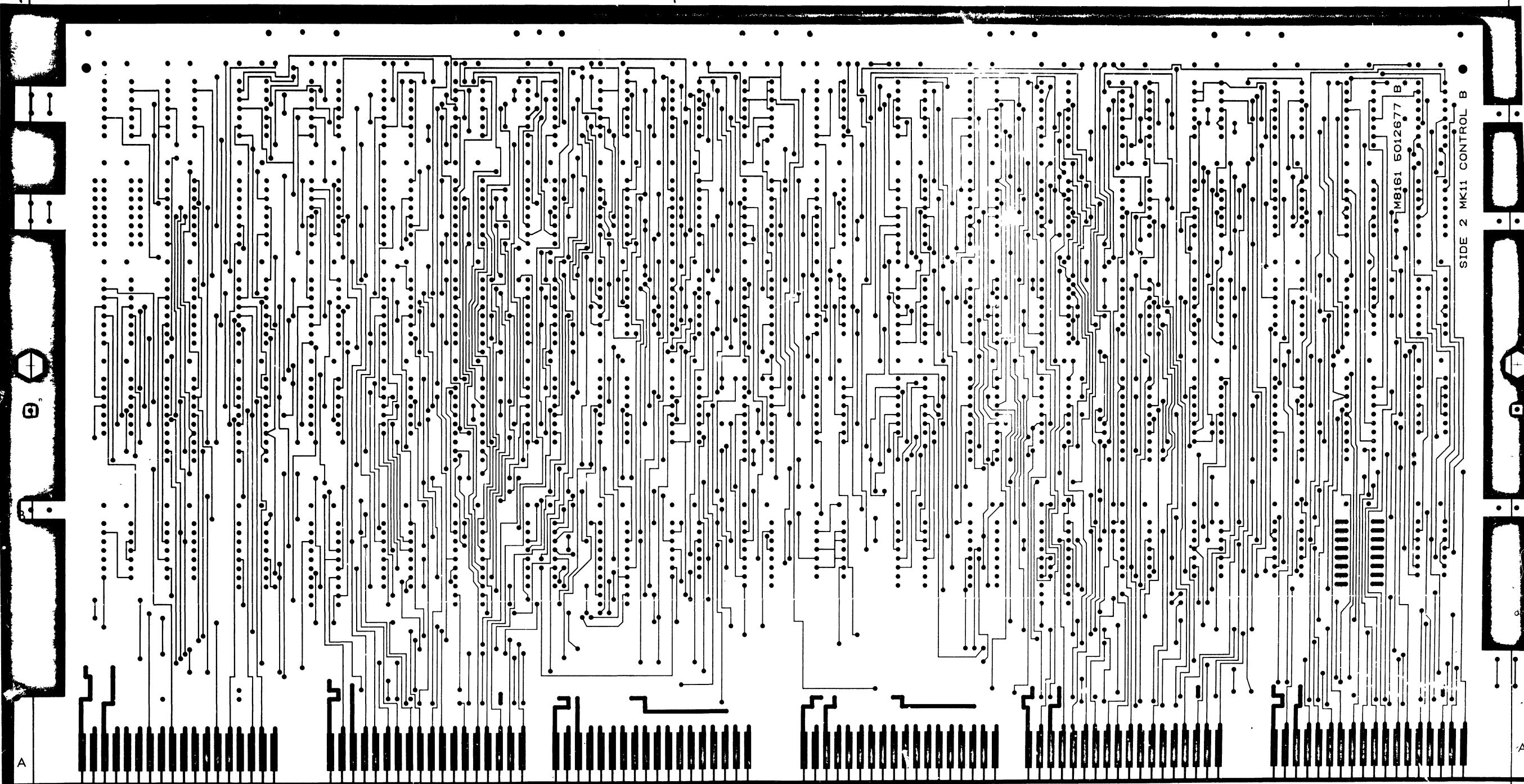
2

1

DUA MB161-0-0 A

THE DRAWING AND SPECIFICATIONS HEREIN ARE THE PROPERTY OF DIGITAL EQUIPMENT CORPORATION AND SHALL NOT BE REPRODUCED OR TRANSMITTED IN ANY FORM OR BY ANY MEANS, ELECTRONIC OR MECHANICAL, INCLUDING PHOTOCOPYING, RECORDING, OR BY ANY INFORMATION STORAGE AND RETRIEVAL SYSTEM, WITHOUT THE WRITTEN PERMISSION OF DIGITAL EQUIPMENT CORPORATION.

H R3YA J



SIDE 2 MK11 CONTROL B

MB161 5012677 B

REV	DATE	BY	CHKD

TITLE	MK11 CONTROL B	SCALE	2/1	SHEET	5 OF 6	DATE				
PROJECT	DUA MB161-0-0	DESIGNER	A							

8

7

6

5

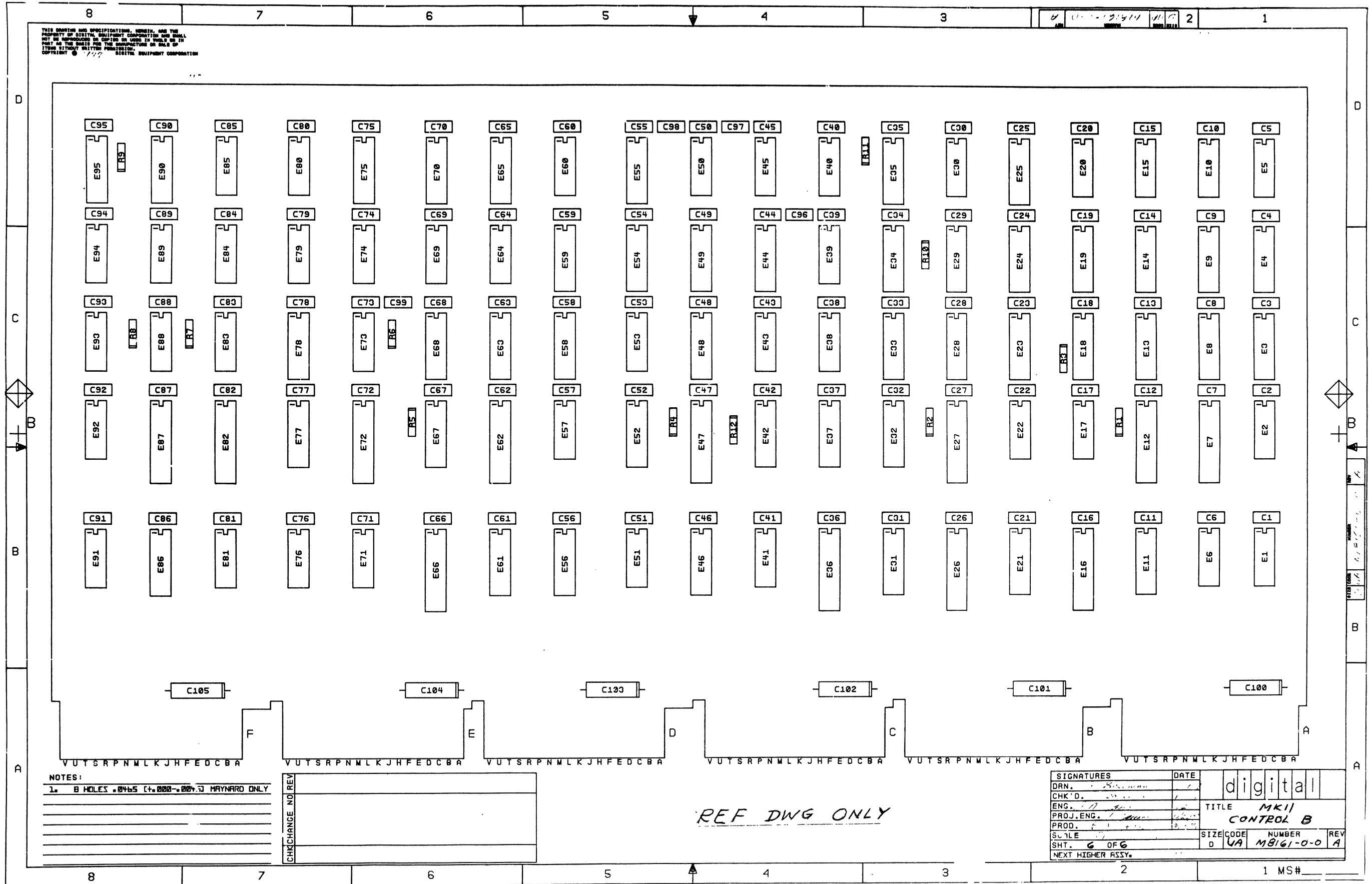
4

3

2

1

THIS DRAWING AND SPECIFICATIONS, HEREIN, ARE THE PROPERTY OF DIGITAL EQUIPMENT CORPORATION AND SHALL NOT BE REPRODUCED OR COPIED OR USED IN WHOLE OR IN PART AS THE BASIS FOR THE CONSTRUCTION OR SALE OF ITEMS WITHOUT WRITTEN PERMISSION.  
COPYRIGHT © 1977 DIGITAL EQUIPMENT CORPORATION



NOTES:  
1. B HOLES .04x.5 (+.000-.004) MAYNARD ONLY

CHG	NO	REV

REF DWG ONLY

SIGNATURES		DATE	digital
DRN.			
CHK'D.			
ENG.			
PROJ. ENG.			
PROD.			
SCALE			
SHT. 6 OF 6			
NEXT HIGHER ASSY.			
TITLE	MKII CONTROL B		
SIZE	CODE	NUMBER	REV
D	VA	M8161-0-0	A

1 MS#



# DIGITAL EQUIPMENT CORPORATION PARTS LIST

QUANTITY / VARIATION

NOTES:

*USED ON: OPTION/MODEL  
MK 11*

MADE BY DATE	J. ROGERS 26 April 77	CHECKED DATE	C. BEVERLIE June 27, 1977
SECTION	1	ISSUED SECTION	1

ITEM NO.	DRAWING NO.	PART NO.	DESCRIPTION
	D-CS-M8161-0-1		CIRCUIT SCHEMATIC
	D-UA-M8161-0-0		UNIT ASSEMBLY
	B-DD-M8161-0		DWG. DIRECTORY
	D-MD-5012677-0-0		DRILL & ETCH DWG.
1		5012677	ETCHED BOARD
2		10-01610-01	CAP .01 <u>UF</u> , 100 V (DISC)
3		10-12084-01	CAP 8.0 35V 10% S.TANT
4		10-12121-00	CAP 220 PF 100V 1% (DM)
5		13-00229-00	RES 100 1/4W 5%
6		13-00365-00	RES 1K 1/4W 5%
7		13-00447-00	RES 4.7K 1/4W 5%
8		19-09713-00	DEC I.C. 8815
9		19-10532-00	DEC I.C. 74S00
10		19-10533-00	DEC I.C. 74S03
11		19-10534-00	DEC I.C. 74S04
12		19-10536-00	DEC I.C. 74S10
13		19-10539-00	DEC I.C. 74S20
14		19-10542-00	DEC I.C. 74S64
15		19- <del>12697</del> -00	DEC I.C. 74LS174
16		19-10655-00	DEC I.C. 74157
17		19-10878-00	DEC I.C. 7427

REF	REF	REF	REF	1	95	6	4	5	6	1	1	5	1	6	1	1	3	8	2	1
-----	-----	-----	-----	---	----	---	---	---	---	---	---	---	---	---	---	---	---	---	---	---

REF DESIGNATION
<p>C1 thru C48, C50 thru C96</p> <p>C100 thru C105</p> <p>C49, C97, C98, C99</p> <p>R1, R2, R4, R6, R9</p> <p>R3, R7, R8, R10, R11, R12</p> <p>R5</p> <p>E64</p> <p>E50, E69, E73, E74, E89</p> <p>E88</p> <p>E1, E51, E71, E76, E85, E92</p> <p>E84</p> <p>E93</p> <p>E80, E81, E94</p> <p>E3, E8, E11, E21, E23, E31, E46, E56</p> <p>E77, E78</p> <p>E83</p>

<p>E.C.O. NO.</p> <p>"THIS DRAWING AND SPECIFICATIONS, HEREIN, ARE THE PROPERTY OF DIGITAL EQUIPMENT CORPORATION AND SHALL NOT BE REPRODUCED OR COPIED OR USED IN WHOLE OR IN PART AS THE BASIS FOR THE MANUFACTURE OR SALE OF ITEMS WITHOUT WRITTEN PERMISSION. COPYRIGHT © 1977 DIGITAL EQUIPMENT CORPORATION"</p>	<p>TITLE</p> <p>MK11 CONTROL B</p>	<p>ASSY NO.</p> <p>D-UA-M8161-0-0</p>	<p>SIZE</p> <p>B</p>	<p>CODE</p> <p>PL</p>	<p>NUMBER</p> <p>M8161-0-0</p>	<p>REV.</p> <p>A</p>
		<p>SHEET 1 OF 2</p>	<p>INSERTION PARTS LIST DATA BASE REV —</p>			

# DIGITAL EQUIPMENT CORPORATION PARTS LIST

QUANTITY / VARIATION

NOTES:

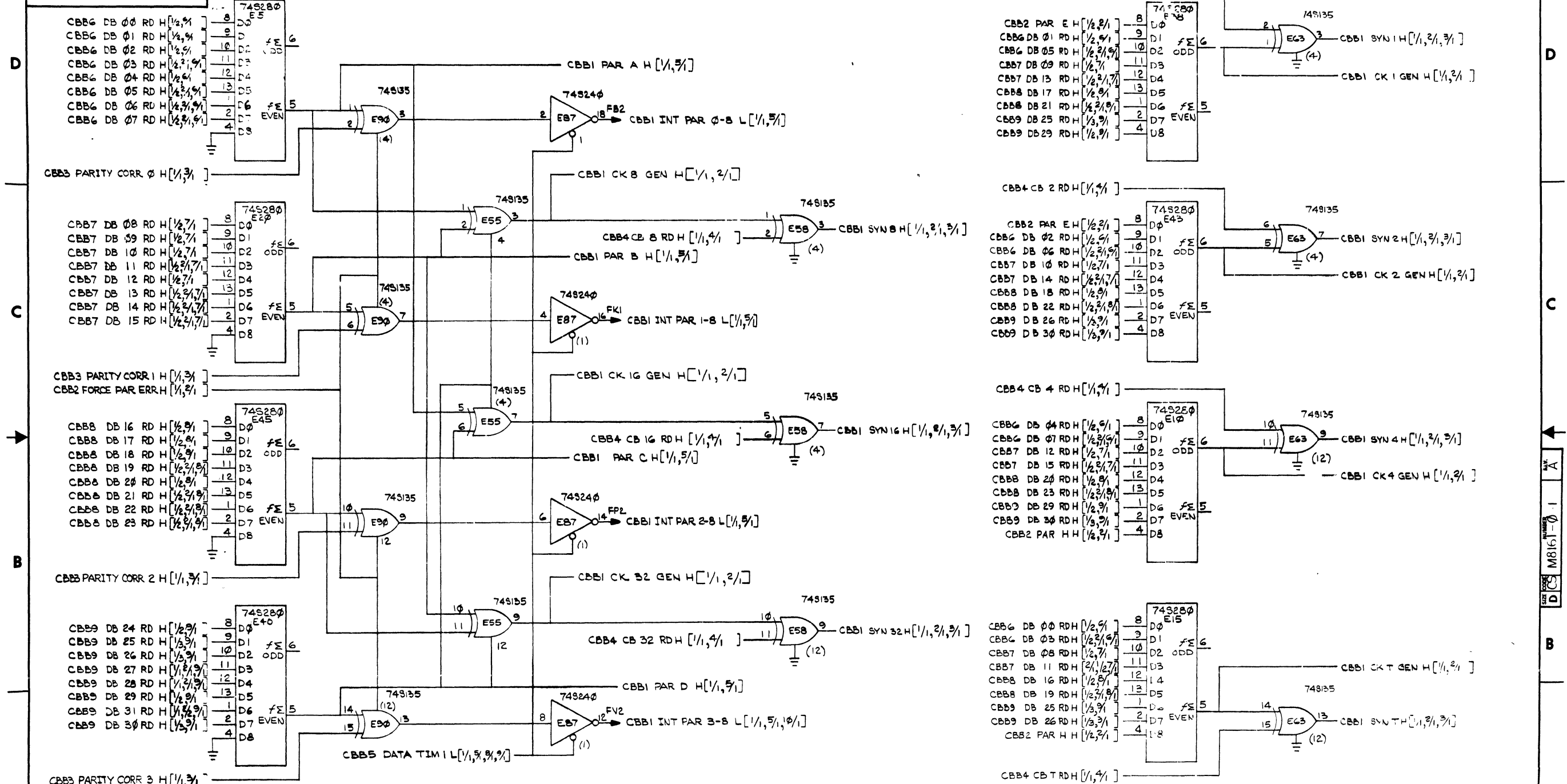
*USED ON: OPTION/MODEL  
MK11*

MADE BY J. ROGERS	CHECKED C. BEVERLIE	SECTION
DATE 26 April 77	DATE June 27, 1977	1
ENG <i>A. D. Zaccari</i>	PROD <i>RA Hill</i>	ISSUED SECTION
DATE <i>10/26/77</i>	DATE <i>OCTOBER 26, 1977</i>	1

ITEM NO.	DRAWING NO.	PART NO.	DESCRIPTION	QUANTITY	VARIATION	REF DESIGNATION
18		19-11573-00	DEC I.C. 74S280	11		E5, E10, E15, E20, E30, E38, E39, E40, E43, E45, E79
19		19-11675-00	DEC I.C. 74S138	5		E19, E34, E54, E59, E75
20		19-12125-00	DEC I.C. 74S135	15		E14, E18, E29, E35, E44, E48, E49, E52, E55, E58, E63, E68, E90, E95, E32
21		19-12388-00	DEC I.C. 74S02	3		E53, E60, E91
22		19-12803-00	DEC I.C. 74LS04	6		E2, E6, E17, E22, E41, E57
23		19-10957-00	DEC I.C. 74S175	12		E9, E13, E24, E25, E28, E33, E37, E42, E61, E65, E67, E70
24		19-13462-00	DEC I.C. 74S240	12		E7, E12, E16, E26, E27, E36, E47, E62, E66, E72, E82, E87
25		12-10711-02	HANDLE METAL (HEX)	1		
26		90-00024-01	EYELET	12		
			SPARE 16 PIN IC	REF		E4, E86

<p style="font-size: small;">"THIS DRAWING AND SPECIFICATIONS, HEREIN, ARE THE PROPERTY OF DIGITAL EQUIPMENT CORPORATION AND SHALL NOT BE REPRODUCED OR COPIED OR USED IN WHOLE OR IN PART AS THE BASIS FOR THE MANUFACTURE OR SALE OF ITEMS WITHOUT WRITTEN PERMISSION. COPYRIGHT © 1977 DIGITAL EQUIPMENT CORPORATION"</p>	<p style="font-size: small;">TITLE</p> <p style="text-align: center;">MK11 CONTROL B</p>	<p style="font-size: small;">ASSY NO.</p> <p style="text-align: center;">D-UA-M8161-0-0</p>	<p style="font-size: small;">SIZE</p> <p style="text-align: center;"><b>B</b></p>	<p style="font-size: small;">CODE</p> <p style="text-align: center;"><b>PL</b></p>	<p style="font-size: small;">NUMBER</p> <p style="text-align: center;">M8161-0-0</p>	<p style="font-size: small;">REV.</p> <p style="text-align: center;">A</p>
		SHEET 2 OF 2	INSERTION PARTS LIST DATA BASE REV —			

THIS DRAWING AND SPECIFICATIONS HEREIN ARE THE PROPERTY OF DIGITAL EQUIPMENT CORPORATION AND SHALL NOT BE REPRODUCED OR COPIED OR USED IN WHOLE OR IN PART AS THE BASIS FOR THE MANUFACTURE OR SALE OF ITEMS WITHOUT WRITTEN PERMISSION. COPYRIGHT © 1977, DIGITAL EQUIPMENT CORPORATION.

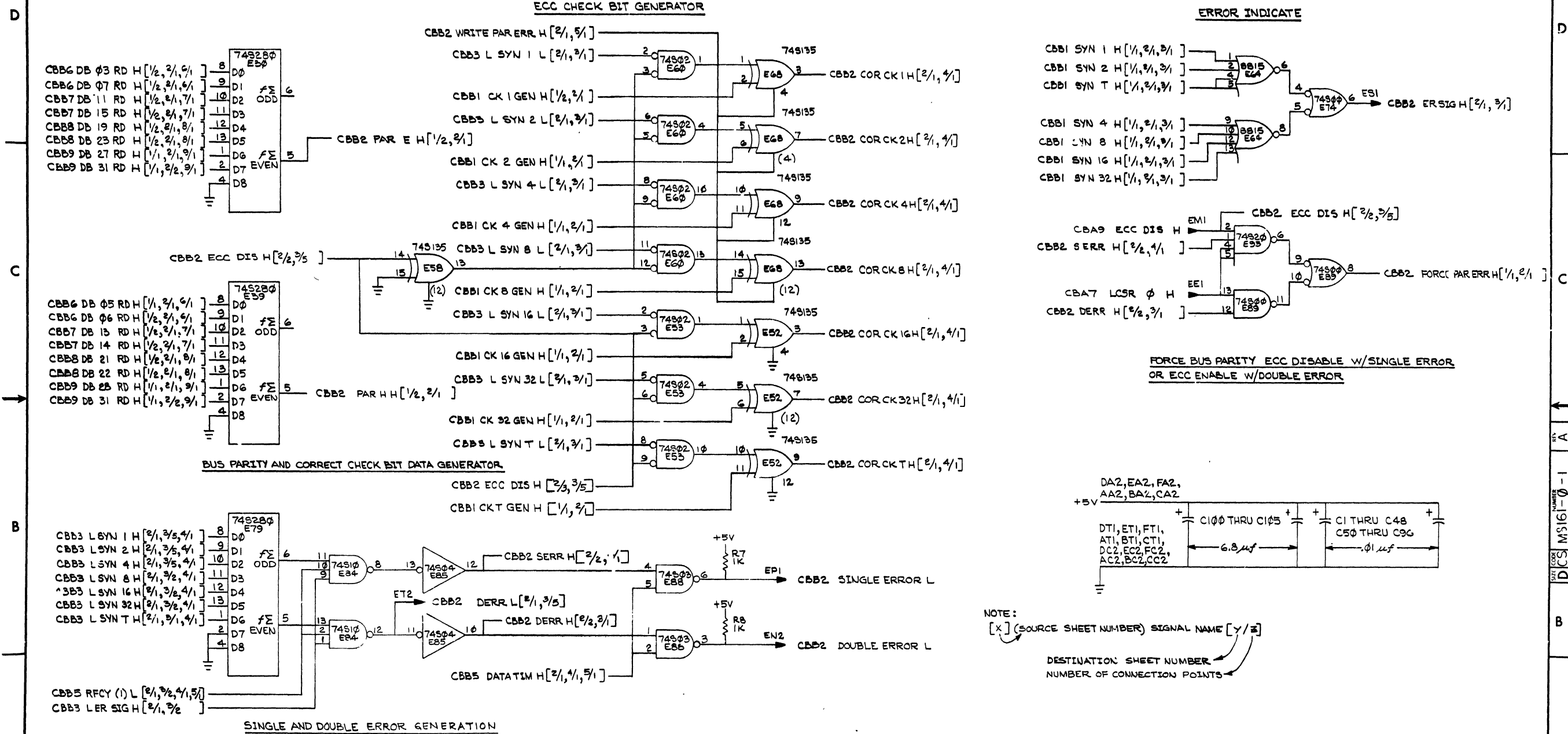


BLS PARITY AND CORRECT CHECK BIT DATA GENERATOR

REV.	
CHG	
CHK	
REVISE	
CHANGE NO.	

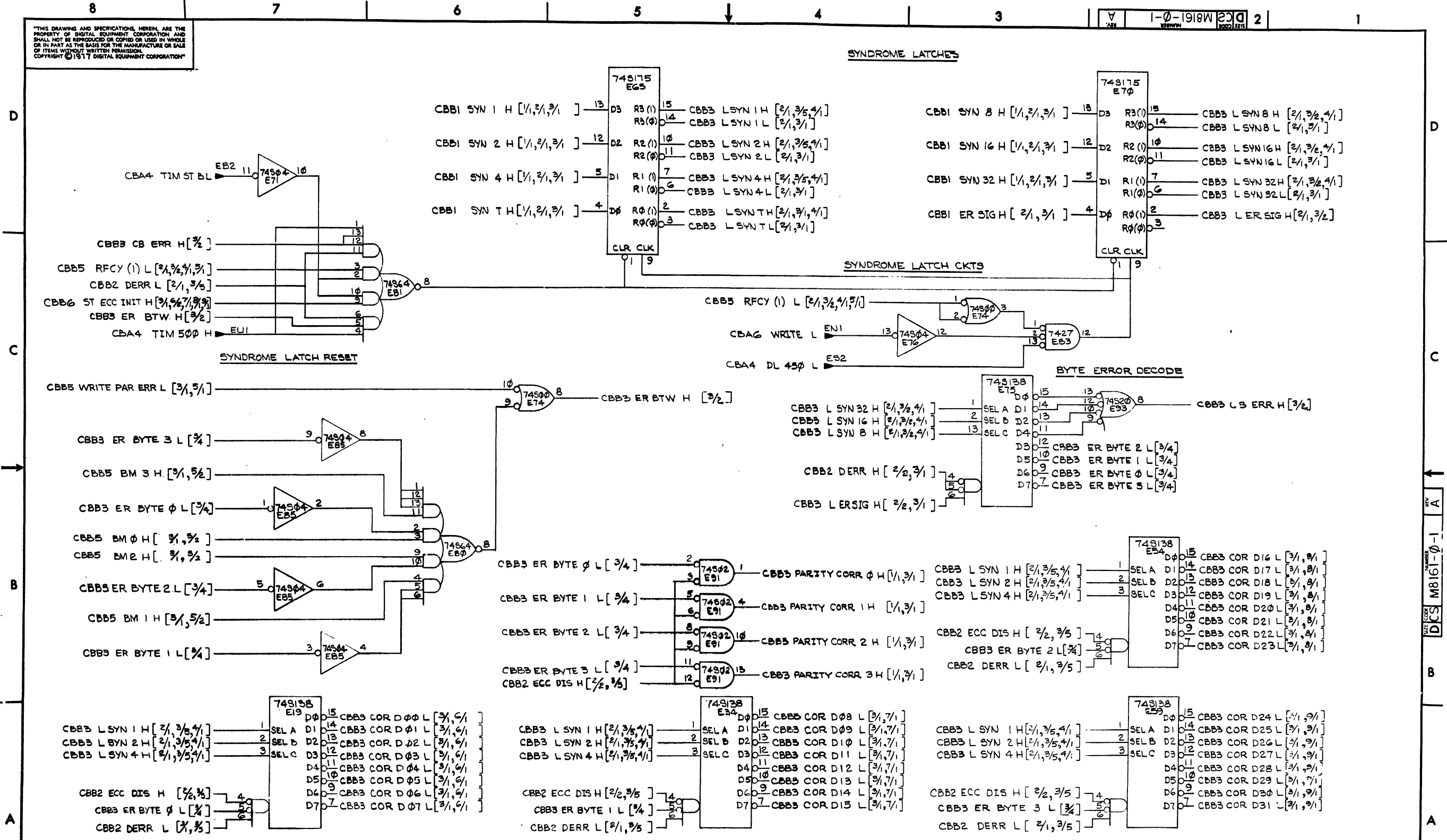
DRN. <i>[Signature]</i>	DATE <i>[Date]</i>	FIRST USED ON	<i>[Blank]</i>
CHK'D <i>[Signature]</i>	DATE <i>[Date]</i>	TITLE	<i>[Blank]</i>
ENG <i>[Signature]</i>	DATE <i>[Date]</i>	MK CONTROL B	
PROJ. ERG. <i>[Signature]</i>	DATE <i>[Date]</i>	CBI	
PROD. REL. <i>[Signature]</i>	DATE <i>[Date]</i>	NEXT HIGHER ASSY	
B-DD-M8161-0		SIZE CODE	NUMBER
SCALE	D CS	18161-0-	REV. A
SHEET 1 OF 10	DATE		

"THIS DRAWING AND SPECIFICATIONS HEREIN ARE THE PROPERTY OF DIGITAL EQUIPMENT CORPORATION AND SHALL NOT BE REPRODUCED OR COPIED OR USED IN WHOLE OR IN PART AS THE BASIS FOR THE MANUFACTURE OR SALE OF ITEMS WITHOUT WRITTEN PERMISSION. COPYRIGHT © 1977, DIGITAL EQUIPMENT CORPORATION"



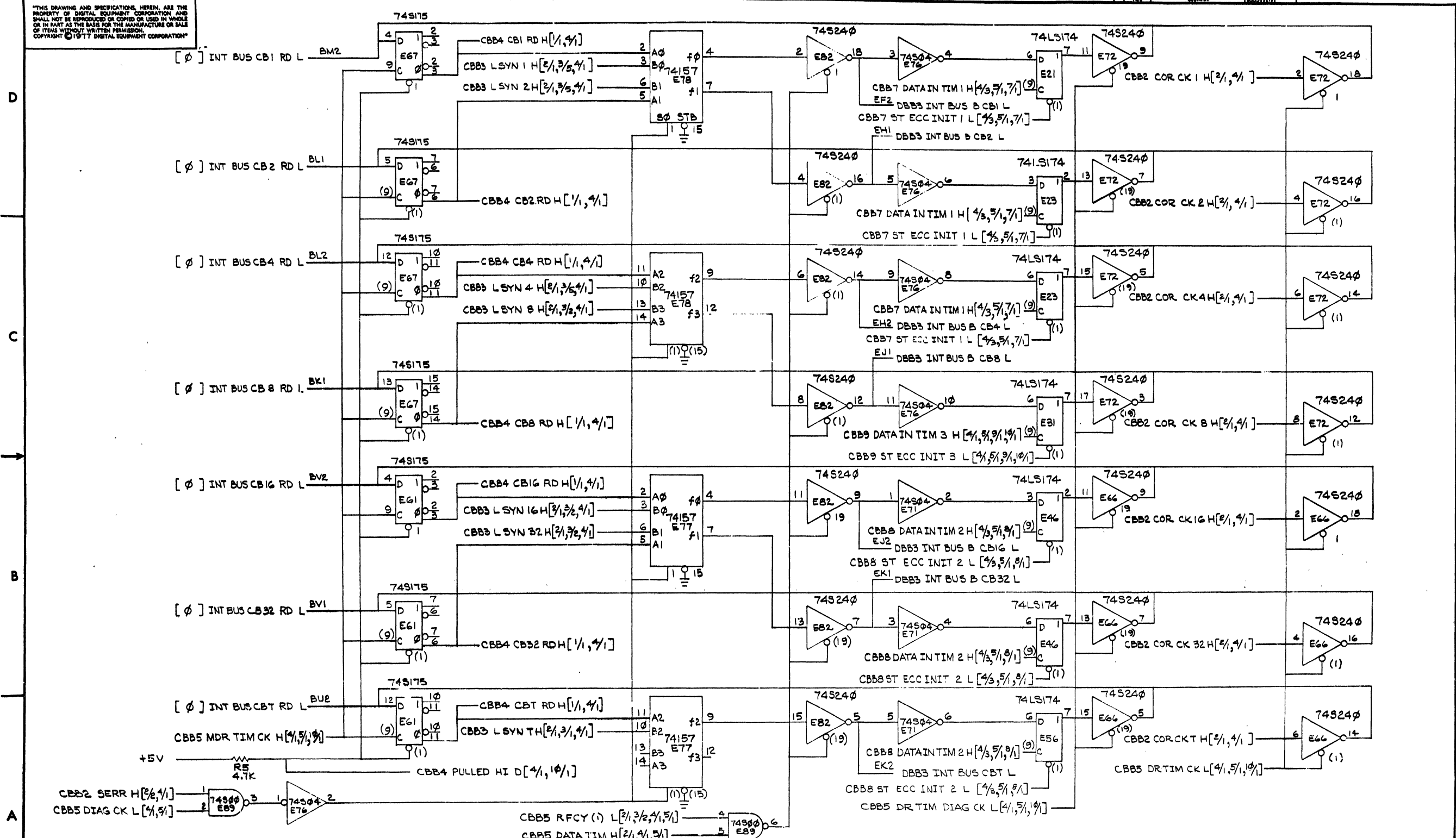
REVISIONS		
CHK	CHANGE NO.	REV.

"THIS DRAWING AND SPECIFICATIONS, HEREIN, ARE THE PROPERTY OF DIGITAL EQUIPMENT CORPORATION AND SHALL NOT BE REPRODUCED OR COPIED OR USED IN WHOLE OR IN PART AS THE BASIS FOR THE MANUFACTURE OR SALE OF ITEMS WITHOUT WRITTEN PERMISSION. COPYRIGHT © 1977 DIGITAL EQUIPMENT CORPORATION"



REVISIONS		
CHK	CHANGE NO.	REV.

THIS DRAWING AND SPECIFICATIONS, HEREIN, ARE THE PROPERTY OF DIGITAL EQUIPMENT CORPORATION AND SHALL NOT BE REPRODUCED OR COPIED OR USED IN WHOLE OR IN PART AS THE BASIS FOR THE MANUFACTURE OR SALE OF ITEMS WITHOUT WRITTEN PERMISSION. COPYRIGHT © 1977 DIGITAL EQUIPMENT CORPORATION

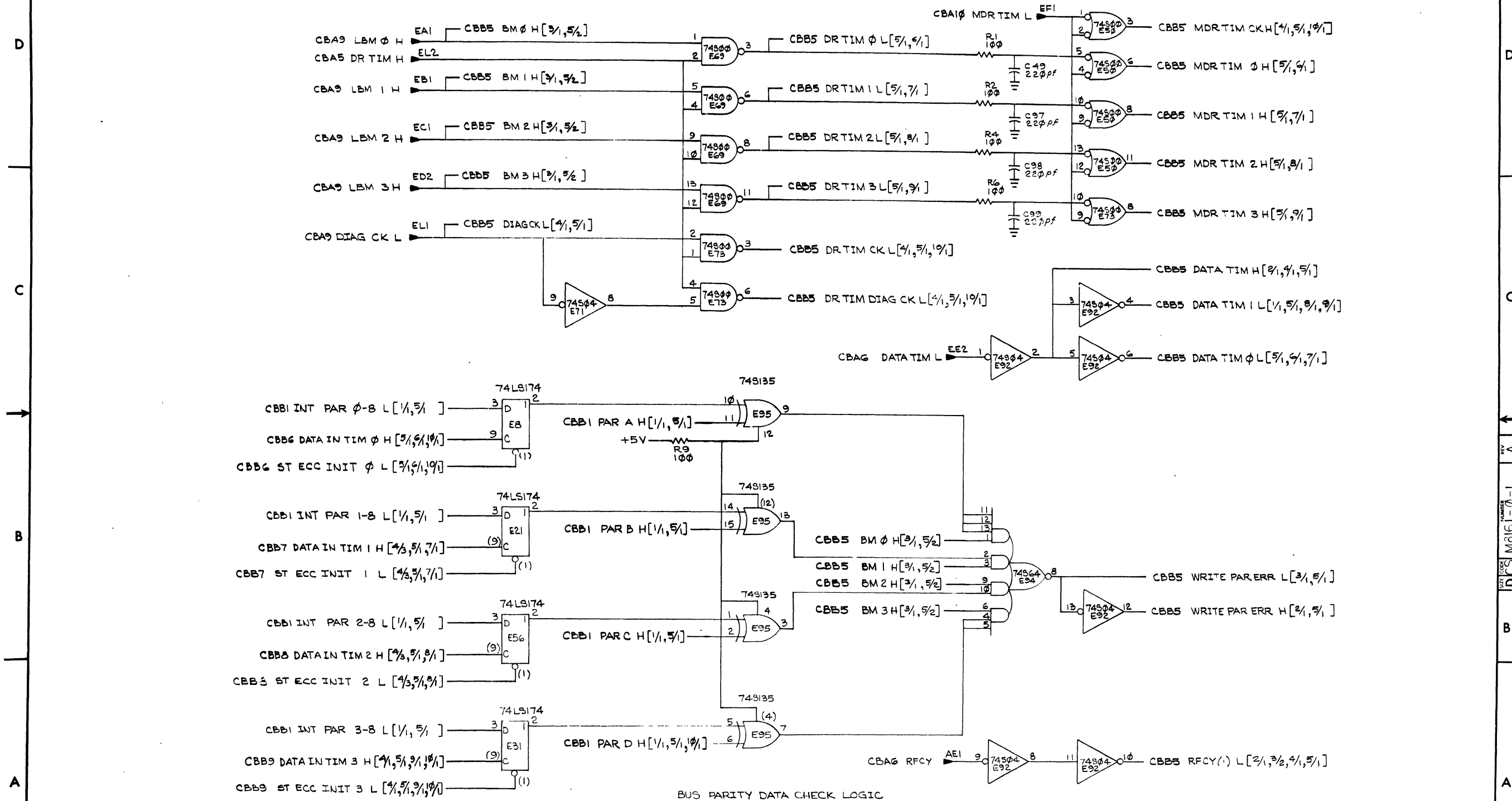


REVISIONS		
CHK	CHANGE NO.	REV.

ECC CHECK BIT INTERNAL BUS RECEIVERS AND TRANSMITTERS (DIAG CSR CONTROL)

"THIS DRAWING AND SPECIFICATIONS, HEREIN, ARE THE PROPERTY OF DIGITAL EQUIPMENT CORPORATION AND SHALL NOT BE REPRODUCED OR COPIED OR USED IN WHOLE OR IN PART AS THE BASIS FOR THE MANUFACTURE OR SALE OF ITEMS WITHOUT WRITTEN PERMISSION. COPYRIGHT © 1977, DIGITAL EQUIPMENT CORPORATION"

TIMING CONTROL FOR DATA PATHS

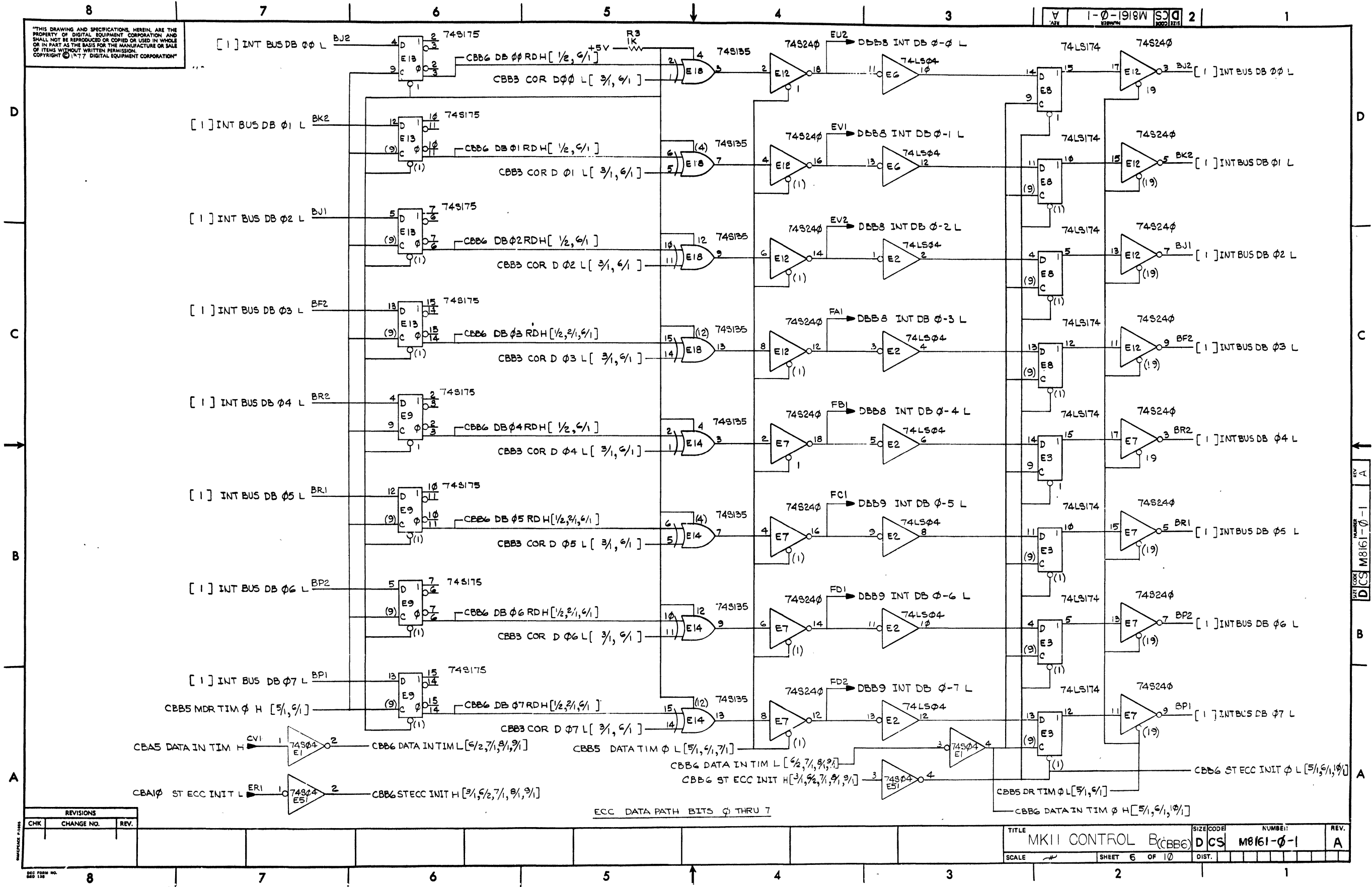


REVISIONS		
CHK	CHANGE NO.	REV.

TITLE	MKII CONTROL B (CBB5)	SIZE CODE	D CS	NUMBER	M8161-0-1	REV.	A
SCALE		SHEET	5	OF	10	DIST.	

REV A  
M8161-0-1  
D CS

THIS DRAWING AND SPECIFICATIONS, HEREIN, ARE THE PROPERTY OF DIGITAL EQUIPMENT CORPORATION AND SHALL NOT BE REPRODUCED OR COPIED OR USED IN WHOLE OR IN PART AS THE BASIS FOR THE MANUFACTURE OR SALE OF ITEMS WITHOUT WRITTEN PERMISSION. COPYRIGHT © 1977 DIGITAL EQUIPMENT CORPORATION



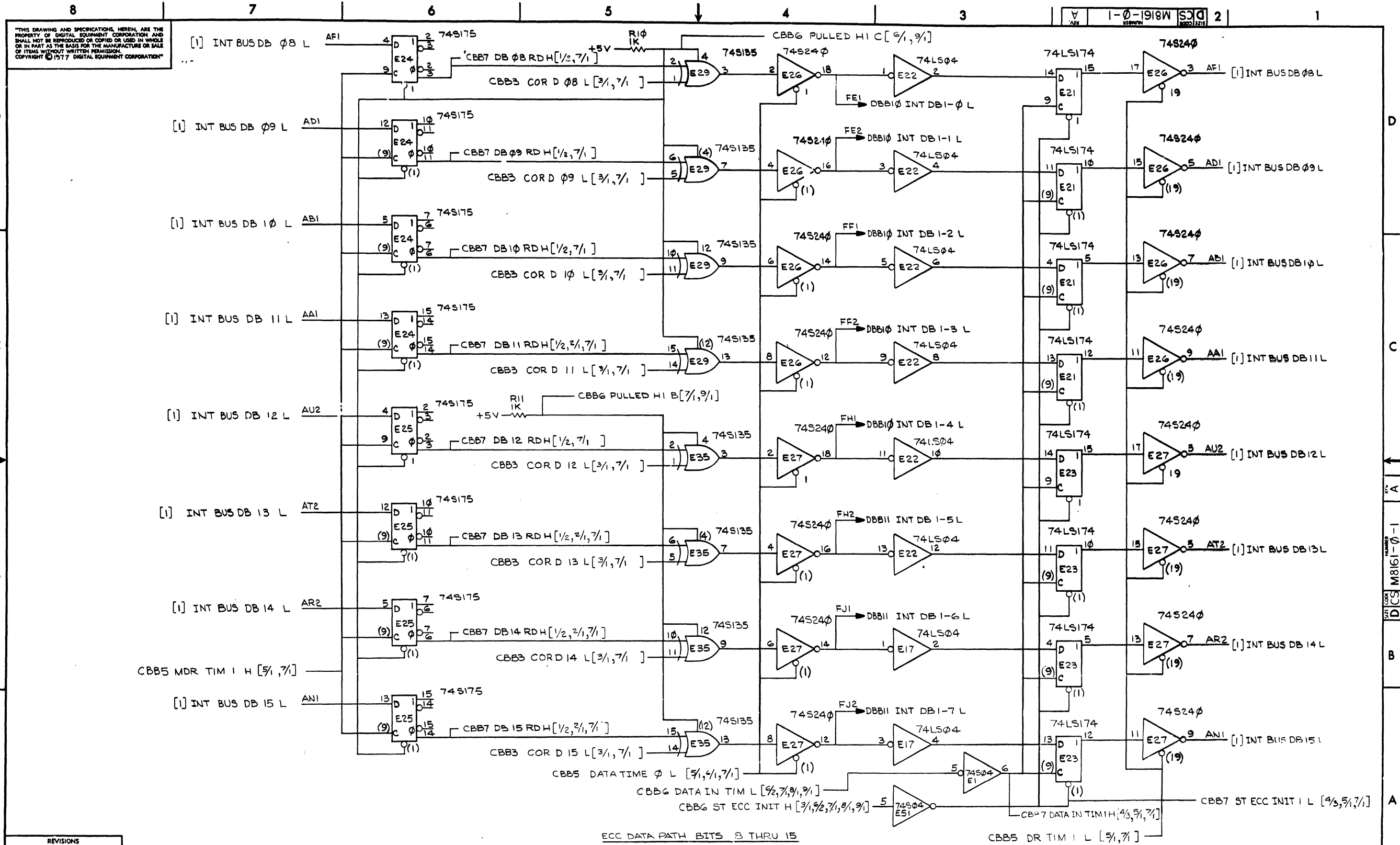
REVISIONS		
CHK	CHANGE NO.	REV.

ECC DATA PATH BITS φ THRU 7

TITLE	MKII CONTROL B(CBB6)	SIZE CODE	D CS	NUMBER	M8161-0-1	REV.	A
SCALE		SHEET	6	OF	10	DIST.	

REV. A  
M8161-0-1  
D CS

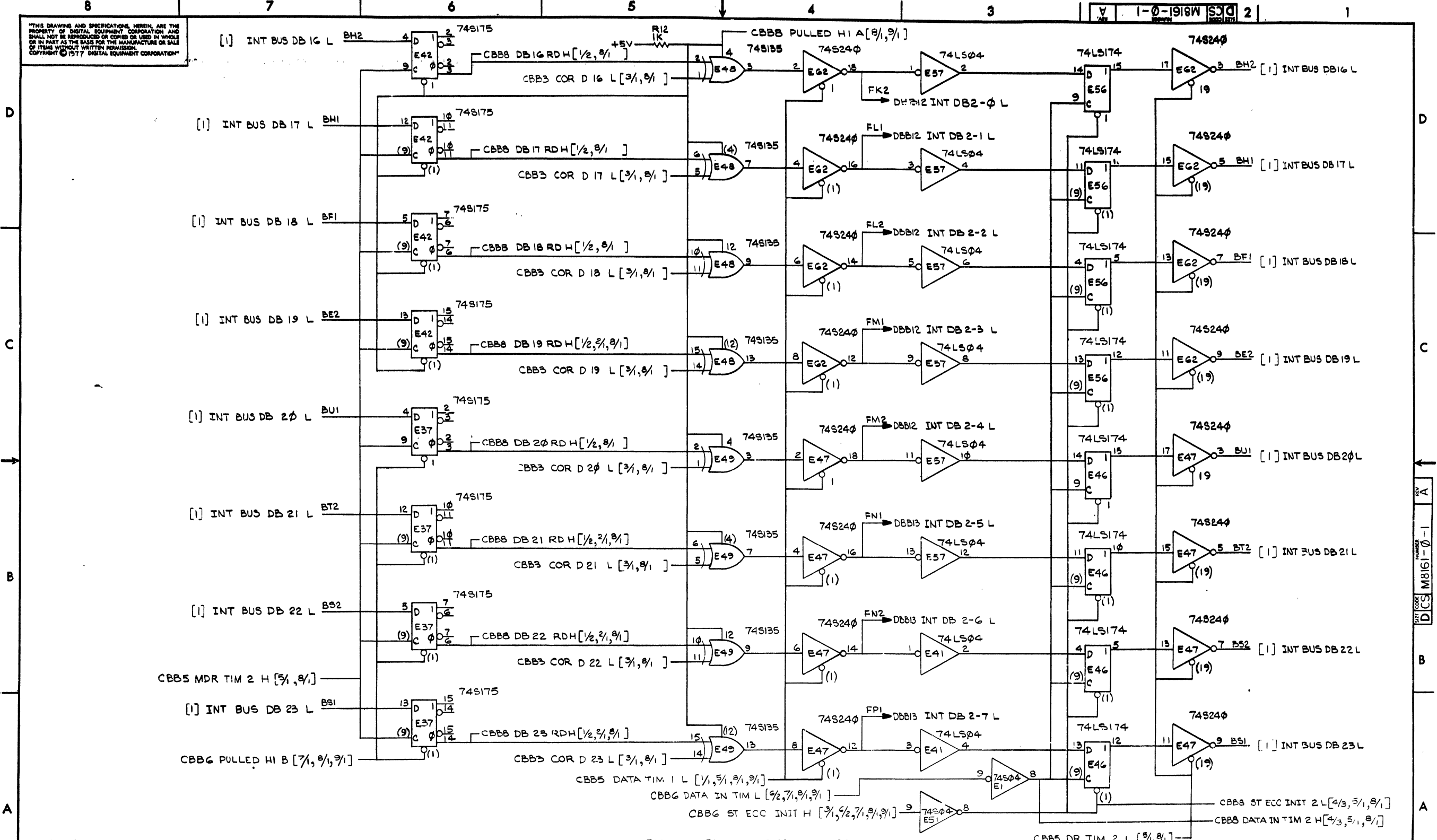




REVISIONS		
CHK	CHANGE NO.	REV.

THIS DRAWING AND SPECIFICATIONS HEREIN ARE THE PROPERTY OF DIGITAL EQUIPMENT CORPORATION AND SHALL NOT BE REPRODUCED OR COPIED OR USED IN WHOLE OR IN PART AS THE BASIS FOR THE MANUFACTURE OR SALE OF ITEMS WITHOUT WRITTEN PERMISSION. COPYRIGHT © 1977 DIGITAL EQUIPMENT CORPORATION

1-0-918W SCD 2



ECC DATA PATH BITS 16 THRU 23

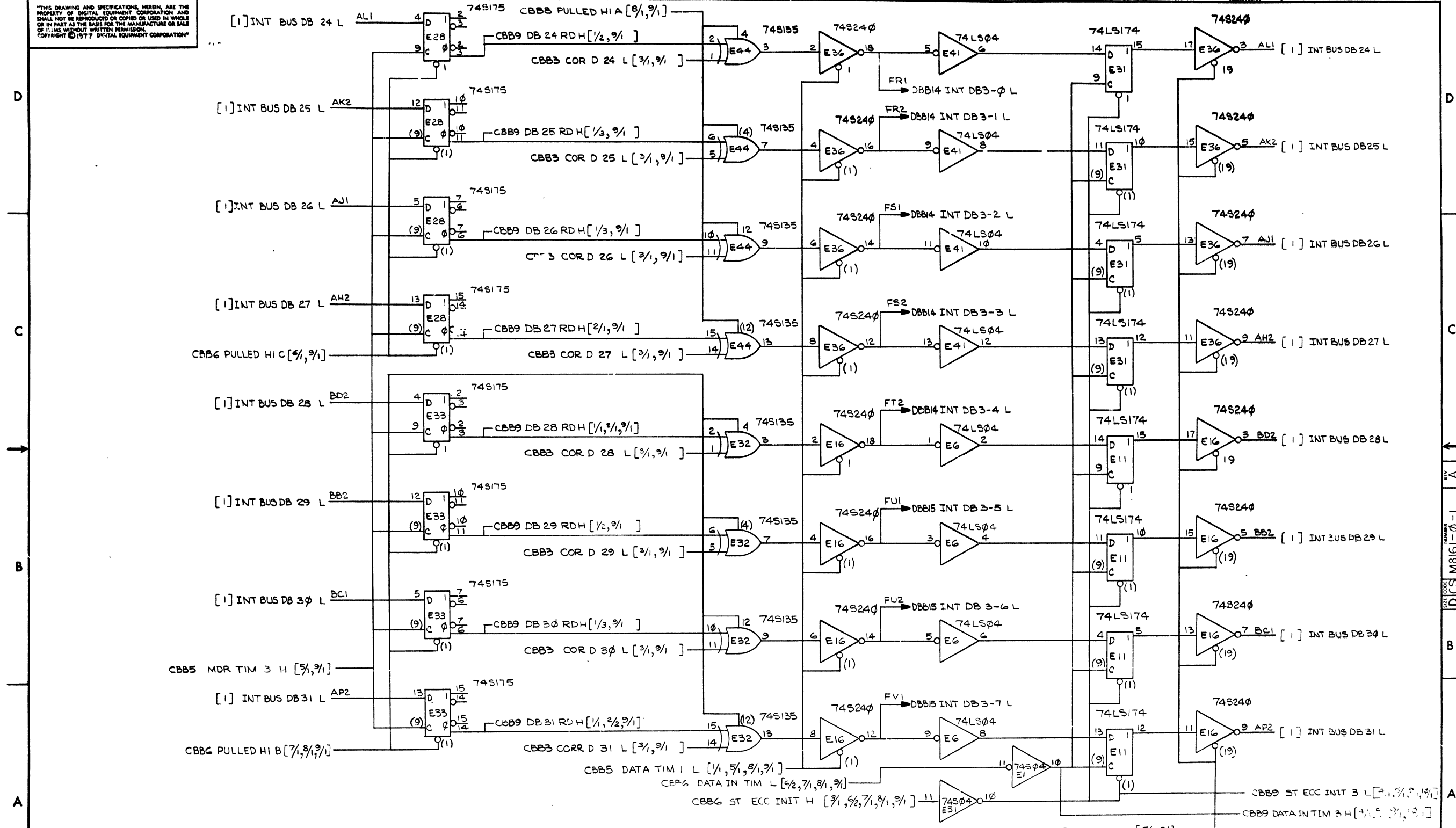
REV A  
M8161-0-1

A

REVISIONS		
CHK	CHANGE NO.	REV.

TITLE	MKII CONTROL B (CBB8)	SIZE CODE	D CS	NUMBER	M8161-0-1	REV.	A
SCALE		SHEET	8 OF 10	DIST.			

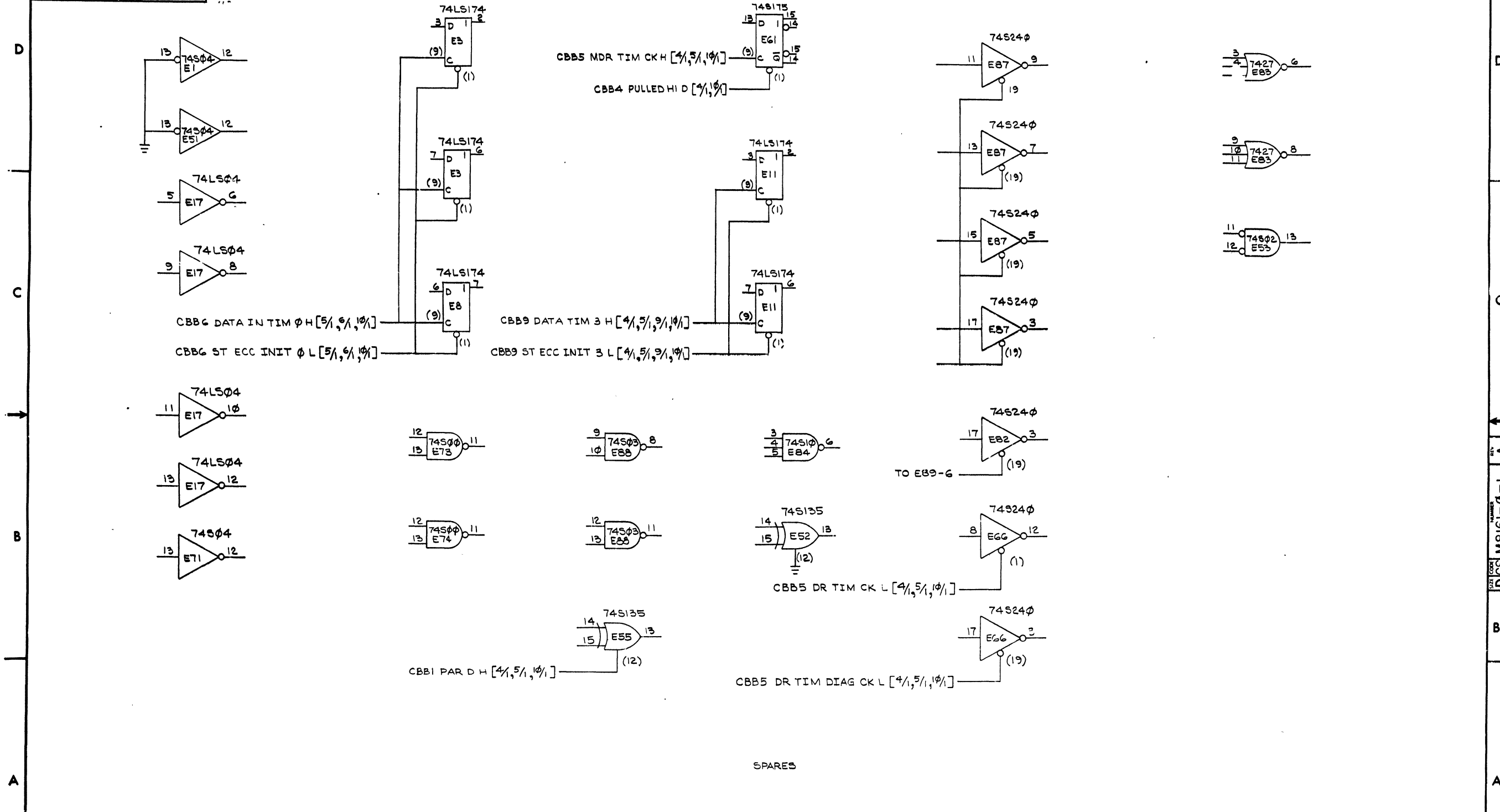
THIS DRAWING AND SPECIFICATIONS, HEREIN, ARE THE PROPERTY OF DIGITAL EQUIPMENT CORPORATION AND SHALL NOT BE REPRODUCED OR COPIED OR USED IN WHOLE OR IN PART AS THE BASIS FOR THE MANUFACTURE OR SALE OF ITEMS WITHOUT WRITTEN PERMISSION. COPYRIGHT © 1977 DIGITAL EQUIPMENT CORPORATION



REVISIONS		
CHK	CHANGE NO.	REV.

TITLE	MKII CONTROL B (CBB9)	SIZE CODE	D CS	NUMBER	M8161-0-1	REV.	A
SCALE		SHEET	9	OF	10	JST	

"THIS DRAWING AND SPECIFICATIONS, HEREIN, ARE THE PROPERTY OF DIGITAL EQUIPMENT CORPORATION AND SHALL NOT BE REPRODUCED OR COPIED OR USED IN WHOLE OR IN PART AS THE BASIS FOR THE MANUFACTURE OR SALE OF ITEMS WITHOUT WRITTEN PERMISSION. COPYRIGHT © 1977 DIGITAL EQUIPMENT CORPORATION"

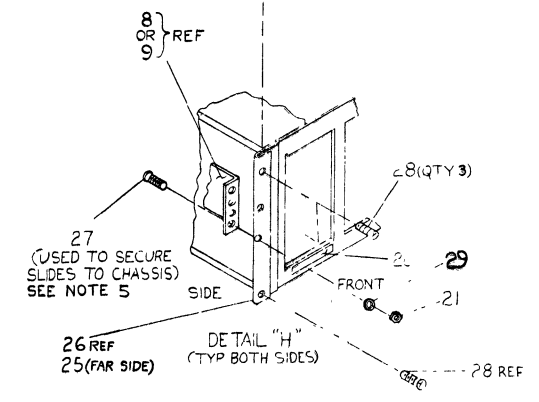
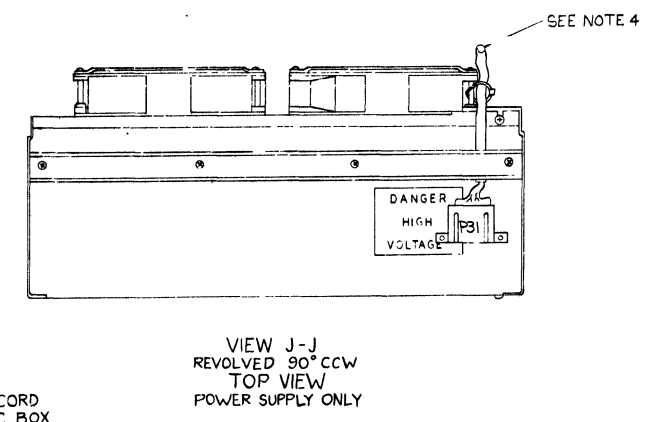
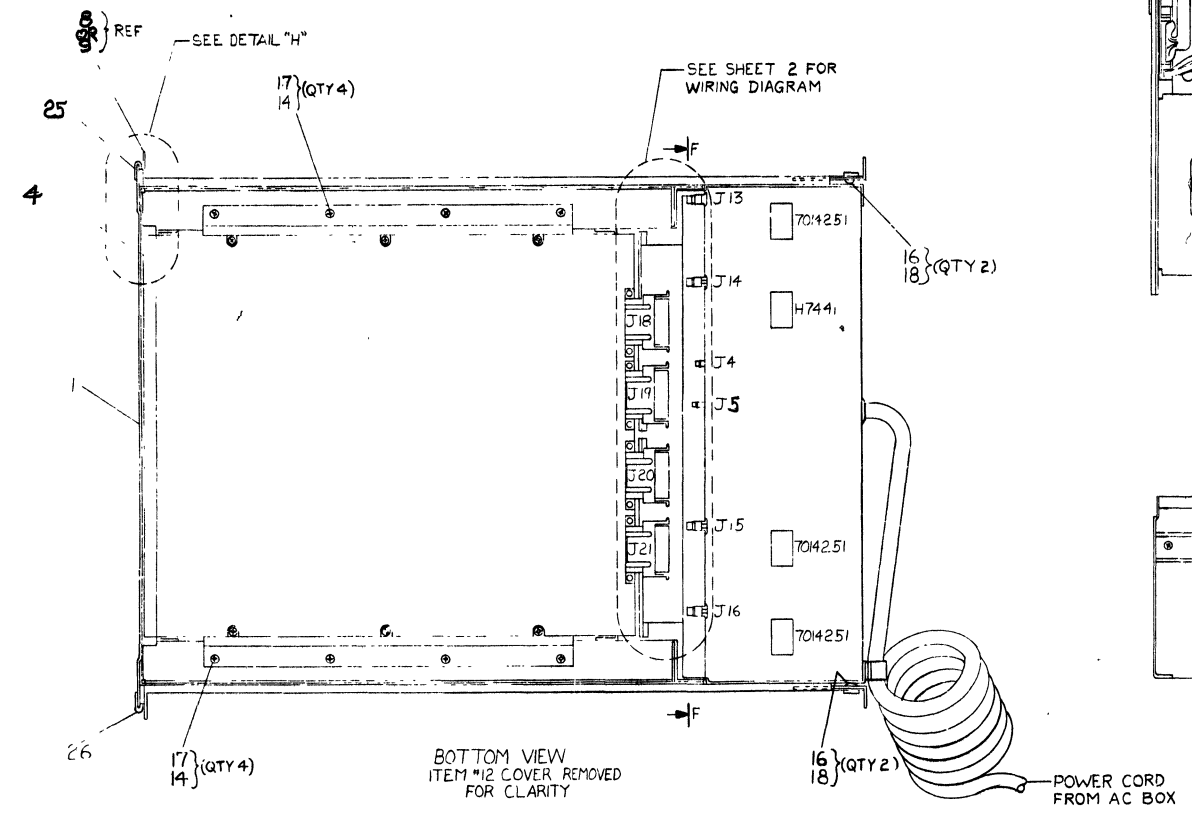
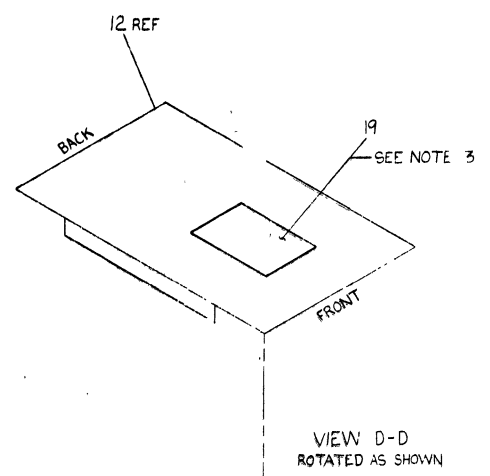
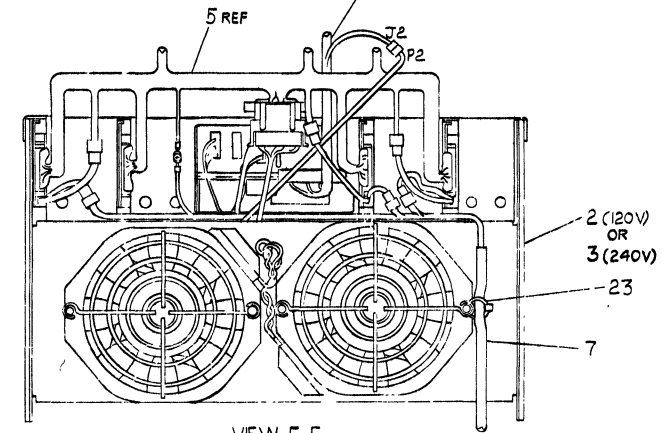
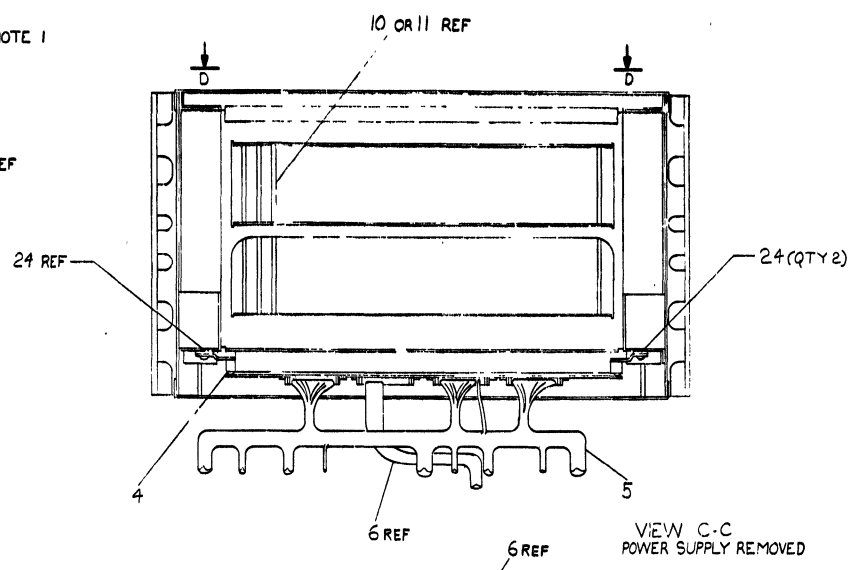
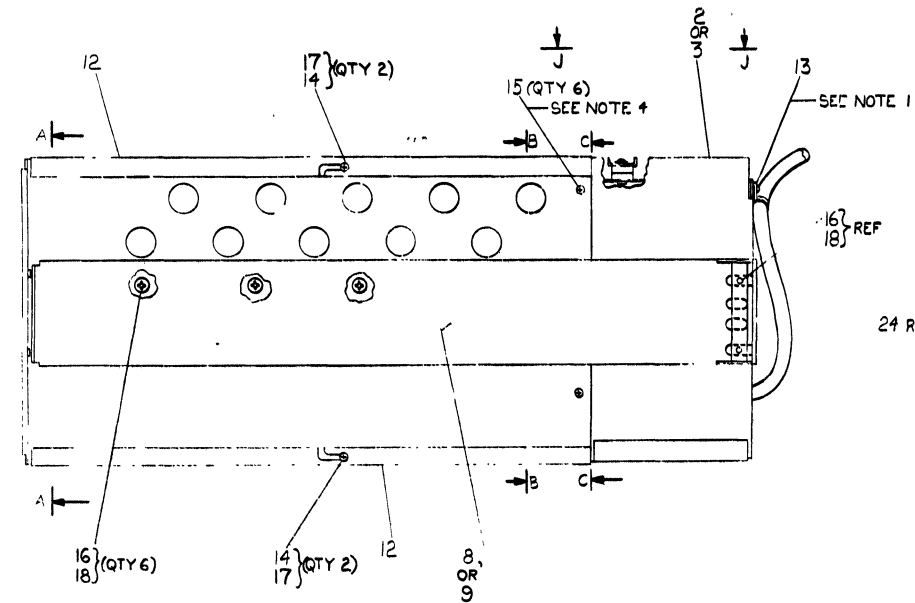


REVISIONS		
CHK	CHANGE NO	REV.

THIS DRAWING AND SPECIFICATIONS HEREBY ARE THE PROPERTY OF MILITARY EQUIPMENT CORPORATION AND WILL BE REPRODUCED OR COPIED IN WHOLE OR IN PART WITHOUT WRITTEN PERMISSION OF MILITARY EQUIPMENT CORPORATION © 1977

LEGEND	
NUMBER	VARIATION
7014614-00	120V 50/60 HZ
7014614-01	240V 50/60 HZ

- NOTES:
1. USE EXISTING HARDWARE TO MOUNT ITEM #13.
  2. INSTALL CARD GUIDES ITEM #10+11 USING TOOL NO 94-1260-2.
  3. LOCATE ITEM #19 APPROXIMATELY AS SHOWN.
  4. INSTALL ITEM #7+23 BEFORE CHASSIS AND POWER SUPPLY SECTIONS ARE SCREWED TOGETHER WITH ITEM #15.
  5. ITEMS #27, 29 & 21 ARE USED FOR HOLDING SLIDES TO BOX (FOR SHIPPING ONLY). DISCARD AT UNIT ASSEMBLY D-UA-MK11-0-0.



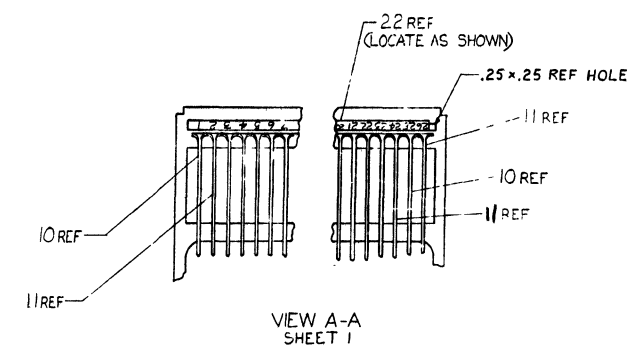
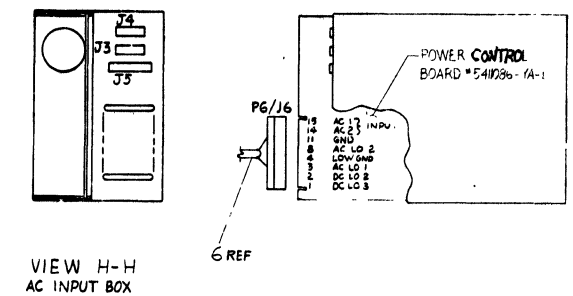
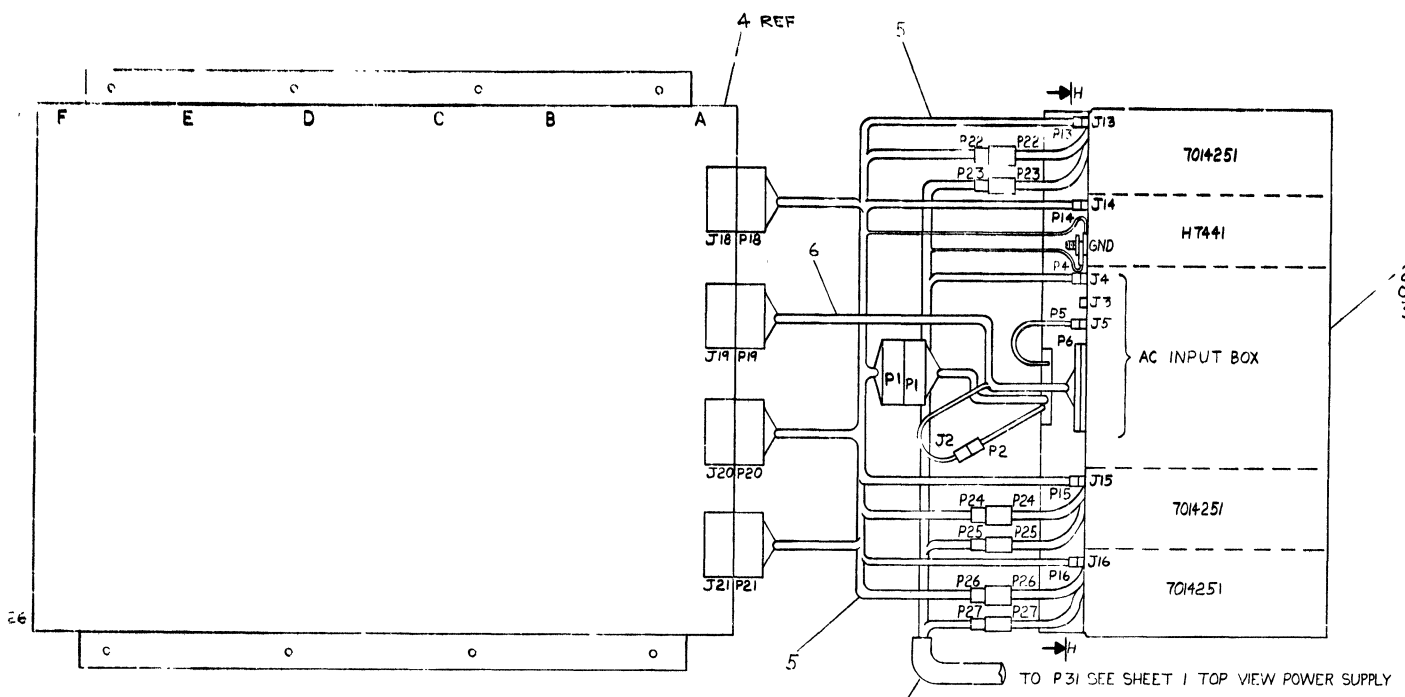
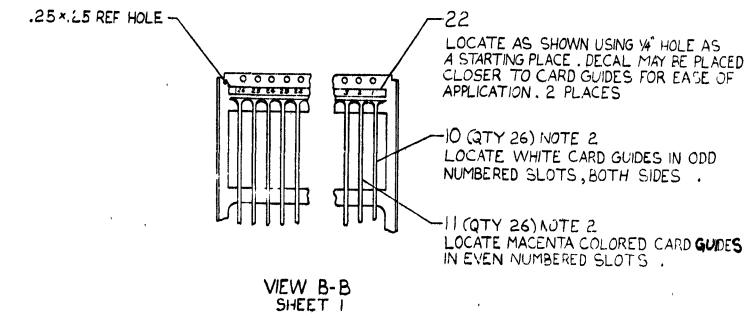
OFF SHEET PARTS LIST EXISTS SEE A-PI-7014614-0-0

QTY	DESCRIPTION	DWG PART NO.	ITEM NO.
1	CHASSIS	7014614-0-0	1
1	POWER SUPPLY	7014614-0-0	2
1	CHASSIS COVER	7014614-0-0	3
1	POWER CORD	7014614-0-0	4
1	SLIDES	7014614-0-0	5
1	WIRING	7014614-0-0	6
1	CONNECTORS	7014614-0-0	7
1	SLIDES	7014614-0-0	8
1	SLIDES	7014614-0-0	9
1	SLIDES	7014614-0-0	10
1	SLIDES	7014614-0-0	11
1	SLIDES	7014614-0-0	12
1	SLIDES	7014614-0-0	13
1	SLIDES	7014614-0-0	14
1	SLIDES	7014614-0-0	15
1	SLIDES	7014614-0-0	16
1	SLIDES	7014614-0-0	17
1	SLIDES	7014614-0-0	18
1	SLIDES	7014614-0-0	19
1	SLIDES	7014614-0-0	20
1	SLIDES	7014614-0-0	21
1	SLIDES	7014614-0-0	22
1	SLIDES	7014614-0-0	23
1	SLIDES	7014614-0-0	24
1	SLIDES	7014614-0-0	25
1	SLIDES	7014614-0-0	26
1	SLIDES	7014614-0-0	27
1	SLIDES	7014614-0-0	28
1	SLIDES	7014614-0-0	29
1	SLIDES	7014614-0-0	30
1	SLIDES	7014614-0-0	31
1	SLIDES	7014614-0-0	32
1	SLIDES	7014614-0-0	33
1	SLIDES	7014614-0-0	34
1	SLIDES	7014614-0-0	35
1	SLIDES	7014614-0-0	36
1	SLIDES	7014614-0-0	37
1	SLIDES	7014614-0-0	38
1	SLIDES	7014614-0-0	39
1	SLIDES	7014614-0-0	40
1	SLIDES	7014614-0-0	41
1	SLIDES	7014614-0-0	42
1	SLIDES	7014614-0-0	43
1	SLIDES	7014614-0-0	44
1	SLIDES	7014614-0-0	45
1	SLIDES	7014614-0-0	46
1	SLIDES	7014614-0-0	47
1	SLIDES	7014614-0-0	48
1	SLIDES	7014614-0-0	49
1	SLIDES	7014614-0-0	50

THIRD ANGLE PROJECTION  
 MKII MEMORY BOX ASSY  
 SEE PARTS LIST  
 7014614-0-0

THIS DRAWING AND INFORMATION CONTAINED HEREIN IS UNCLASSIFIED EXCEPT WHERE SHOWN OTHERWISE AND IS NOT TO BE REPRODUCED OR DISTRIBUTED IN ANY MANNER WITHOUT THE EXPRESS WRITTEN PERMISSION OF THE SECRETARY OF DEFENSE.

WIRE TABLE				
FROM		TO		REMARKS
ITEM NO	CONN	ITEM NO	CONN	
5	P1	2 OR 3	PS-P1	
	P13		PS-J13	
	P14		PS-J14	
	P15		PS-J15	
	P16		PS-J16	
	P22		PS-P22	
	P24		PS-P24	
	P26	2 OR 3	PS-P26	
	P18	4	BP-J18	
	P20	4	BP-J20	
5	P21	4	BP-J21	
6	P19	4	BP-J19	
6	P6	2 OR 3	J6	
6	J2		PS-P2	
7	P23		PS-P23	
7	P25		PS-P25	
7	P27		PS-P27	
5	GND LUG		PS-GND	
7	GND LUG		PS-GND	
7	P31	2 OR 3	TOP-PS	



WIRING DIAGRAM  
BACK PLANE TO MKII  
POWER SUPPLY

MKII POWER SUPPLY  
\* 7014227-00-0 (120V)  
\* 7014227-01-0 (240V)

REV	DESCRIPTION	DATE

<b>DIGITAL EQUIPMENT CORPORATION PARTS LIST</b>				QUANTITY / VARIATION							NOTES:
---	--	--	--	----------------------	--	--	--	--	--	--	--------

MADE BY DATE	Pedro Ortiz 6/24/77	CHECKED DATE	D. Dooly 9 SEP 77	SECTION 1
ENG DATE	W. H. Angell 27 SEP 77	PROD DATE	R. A. Hill 27 SEP 77	ISSUED SECTION 1

ITEM NO.	DRAWING NO.	PART NO.	DESCRIPTION	7014614-00	7014614-01										REF DESIGNATION
1	E-IA-7009769-0-0		CHASSIS 10.5"	1	1										
2	E-AD-7014227-0-0		POWER SUPPLY, MK11 120V	1	-										
3	E-AD-7014227-1-0		POWER SUPPLY, MK11 240V	-	1										
4	E-AD-7014226-0-0		BACK PLANE, (MK11 MEMORY)	1	1										
5	D-IA-7014228-0-0		HARNESS, POWER MK11	1	1										
6	D-IA-7010581-0-0		HARNESS, AC/DC LO	1	1										
7	D-IA-7014312-0-0		HARNESS, BOX CONTROLLER, INTERNAL	1	1										
8	D-PS-1211825-1-0		SLIDE, 3 POSITION, TILT	1	1										
9															
10	D-PS-1212405-0-0		CARD GUIDE, SINGLE, WHITE	26	26										
11	D-PS-1212405-1		CARD GUIDE, SINGLE, MAGENTA	26	26										
12	D-IA-7009768-0-0		COVER, CHASSIS	2	2										
13		9007086-00	CLAMP, CABLE	1	1										
14		9006022-03	SCR, PHL TRUSS HD #6-32 X .38	12	12										
15		9006073-02	SCR, PHL FLAT HD #10-32 X .50	6	6										
16		9006071-03	SCR, PHL TRUSS HD #10-32 X .38	10	10										
17		9006633-00	WASHER INT. TOOTH LOCK #6	8	8										
18		9007651-00	WASHER EXT. TOOTH LOCK #10	12	12										
19		3614422-00	MK11 MEMORY STICKER	-	1										
20		3612493-00	DECAL, WARNING, (DRAWER)	1	1										
21		9009005-00	NUT, HEX #10-32	2	2										
22		3613281-01	DECAL, (SLOT LOCATION)	2	2										

E.C.O. NO.	"THIS DRAWING AND SPECIFICATIONS, HEREIN, ARE THE PROPERTY OF DIGITAL EQUIPMENT CORPORATION AND SHALL NOT BE REPRODUCED OR COPIED OR USED IN WHOLE OR IN PART AS THE BASIS FOR THE MANUFACTURE OR SALE OF ITEMS WITHOUT WRITTEN PERMISSION. COPYRIGHT © 1977 DIGITAL EQUIPMENT CORPORATION"	TITLE MK11 MEMORY BOX ASSY	ASSY NO. E-AD-7014614-0-0	SIZE <b>B</b>	CODE <b>PL</b>	NUMBER 7014614-0-0	REV.
			SHEET 1 OF 2		INSERTION PARTS LIST DATA BASE REV		

DIGITAL EQUIPMENT CORPORATION

PARTS LIST

QUANTITY / VARIATION

NOTES:

MADE BY PEDRO ORTIZ	CHECKED	SECTION 1
DATE 6/24/77	DATE	
ENG W.H. [unclear]	PROD RA Hill	ISSUED SECTION 1
DATE 27 SEP 77	DATE 27 SEP 77	

7014614-C0	7014614-01																		
1	1																		
2	2																		
1	1																		
1	1																		
2	2																		
6	6																		
2	2																		

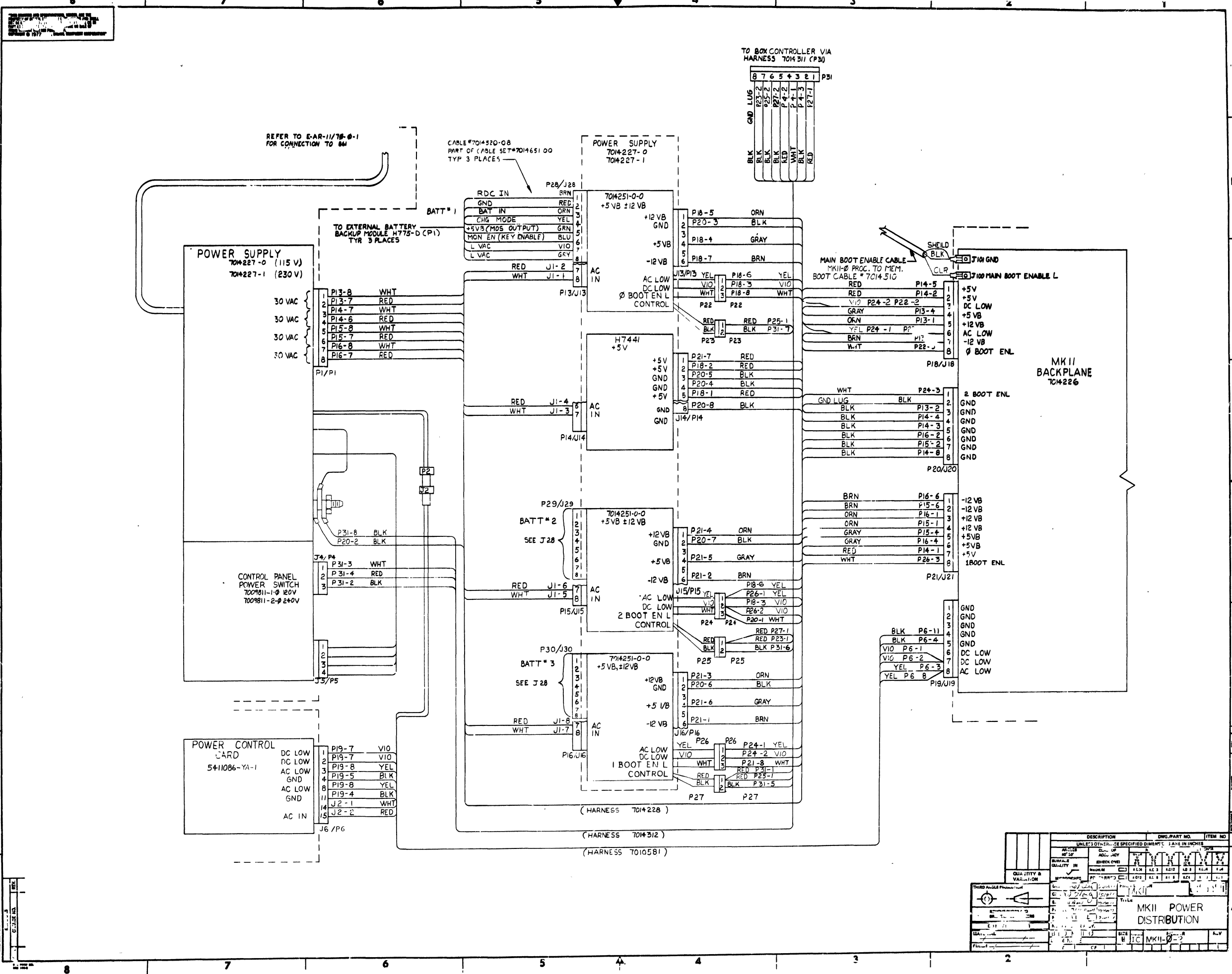
REF DESIGNATION

ITEM NO.	DRAWING NO.	PART NO.	DESCRIPTION
23		9007031-0	CABLE TIE
24	C-MD-7413975-0-0		SPACER, SHIM
25	C-MD-7414018-0-0		PROTECTOR, RIGHT METAL EDGE
26	C-MD-7414016-0-0		PROTECTOR, LEFT METAL EDGE
27		9006074-03	SCR, PHL. TRUSS HD. #10- 32 X .62
28		9009715-00	SCR, PHL. TRUSS HD. #10- 32 X .25 LG. BLK OXIDE
29		9006708-00	WASHER, .38 O.D. X .19 I.D. X .03

E.C.O. NO.

THIS DRAWING AND SPECIFICATIONS, HEREIN, ARE THE PROPERTY OF DIGITAL EQUIPMENT CORPORATION AND SHALL NOT BE REPRODUCED OR COPIED OR USED IN WHOLE OR IN PART AS THE BASIS FOR THE MANUFACTURE OR SALE OF ITEMS WITHOUT WRITTEN PERMISSION. COPYRIGHT © 1977 DIGITAL EQUIPMENT CORPORATION. EN-01140A-16-R276(325)	TITLE MK11 MEMORY BOX ASSY.	ASSY NO. E-AD-7014614-0-0	SIZE B	CODE PL	NUMBER 7014614-0-0	REV.
		SHEET 2 OF 2	INSERTION PARTS LIST DATA BASE REV			





REFER TO E-AR-11/78-0-1 FOR CONNECTION TO BM

CABLE #7014520-08 PART OF CABLE SET #7014510-00 TYP 3 PLACES

TO BOX CONTROLLER VIA HARNESS 7014311 (P30)

TO EXTERNAL BATTERY BACKUP MODULE H775-D (P1) TYR 3 PLACES

MAIN BOOT ENABLE CABLE MKII-0 PROC. TO MEM. BOOT CABLE #7014510

MKII BACKPLANE 704226

POWER CONTROL CARD 5411086-YA-1

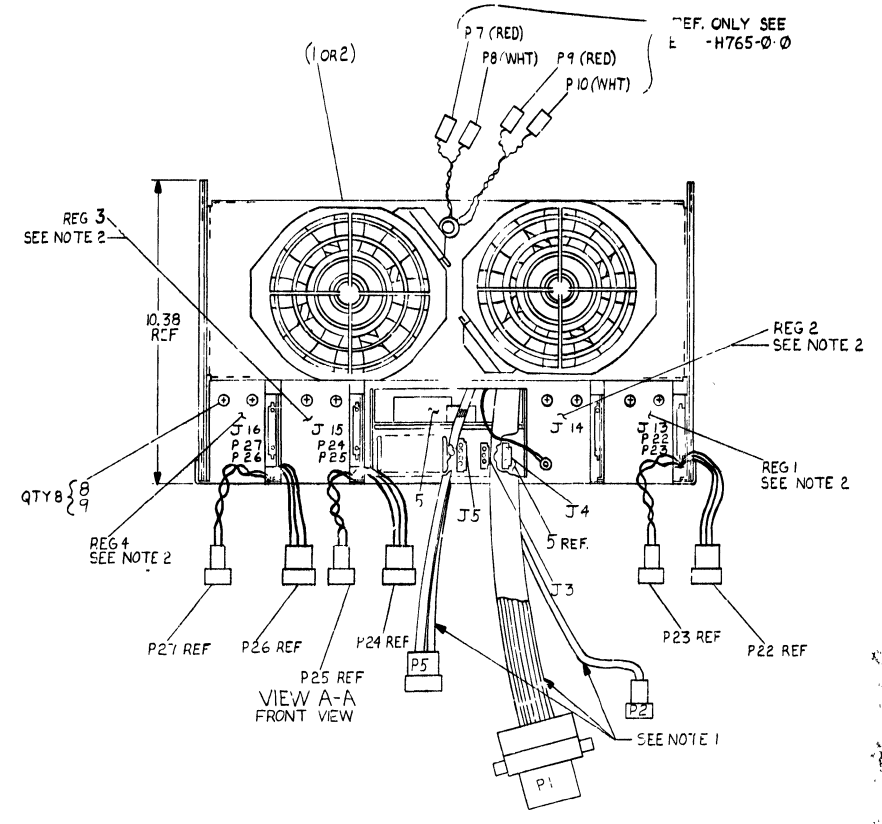
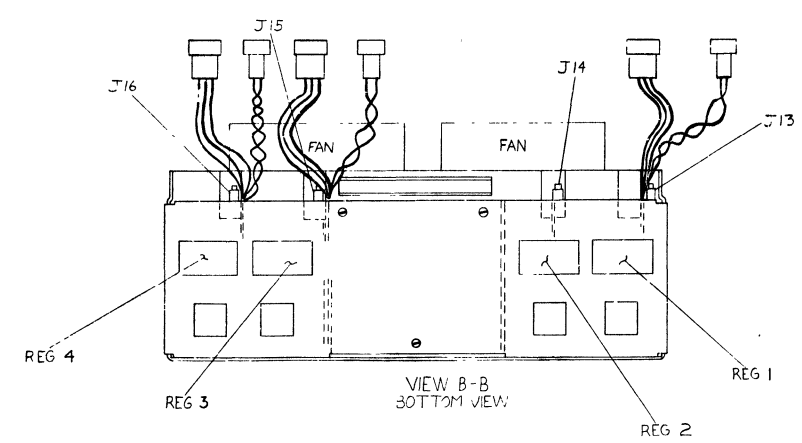
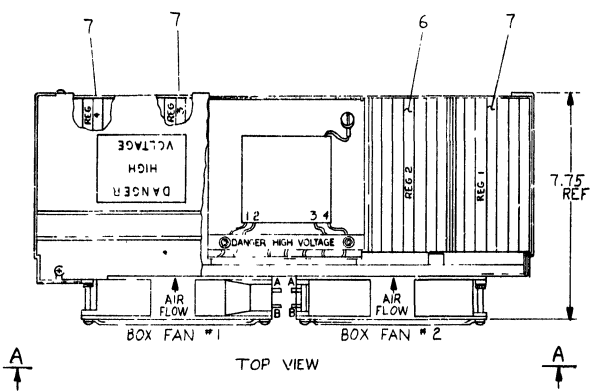
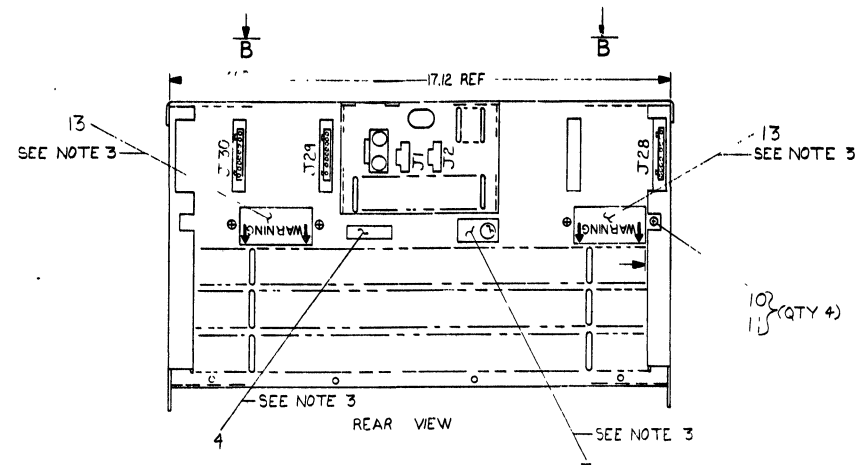
(HARNESS 7014228)  
(HARNESS 7014312)  
(HARNESS 7010581)

DESCRIPTION		QTY	PART NO.	ITEM NO.
UNLESS OTHERWISE SPECIFIED DIMENSIONS ARE IN INCHES				
QTY	DESCRIPTION			
1	POWER SUPPLY 704227-0 (115V)			
1	POWER SUPPLY 704227-1 (230V)			
1	CONTROL PANEL POWER SWITCH 7009811-1-0 120V			
1	POWER CONTROL CARD 5411086-YA-1			
1	704251-0-0 +5V ±12VB			
1	704251-0-0 +5V ±12VB			
1	704251-0-0 +5V ±12VB			
1	H7441 +5V			
1	MKII BACKPLANE 704226			
MKII POWER DISTRIBUTION				

THIS DRAWING AND SPECIFICATIONS HEREBY ARE THE PROPERTY OF DIGITAL EQUIPMENT CORPORATION AND SHALL NOT BE REPRODUCED OR COPIED IN WHOLE OR IN PART AS THE BASIS FOR THE MANUFACTURE OR SALE OF ITEMS WITHOUT WRITTEN PERMISSION. DIGITAL EQUIPMENT CORPORATION. COPYRIGHT © 1977.

LEGEND	
NUMBER	VARIATION
7014227-00	120V 50/60 HZ
7014227-01	240V 50/60 HZ

NOTES:  
 1- WINDS FROM 1 TRANSFORMER ASSEMBLY.  
 2- LABEL CHASSIS ADJACENT TO REGULATOR OR CONNECTORS APPROXIMATELY AS SHOWN USING ITEM #12 #13.  
 3- LOCATE LABELS (ITEM #3 #4 #13) APPROXIMATELY AS SHOWN.



QTY	DESCRIPTION	QTY	DESCRIPTION	QTY	DESCRIPTION
1	PACKAGING INSTRUCTION	A-SP-70074-0-0	15		
1	DECAL (P)	A-DC-7409872-1-0	14		
2	DECAL WARNING	3612422-00	13		
1	DECAL (J)	A-DC-7409873-1-0	12		
4	WASH, INT TOOTH #6	9006633	11		
4	SCR, PHL HD, TRUSS #32-25	9006020-3	10		
8	WASH, INT TOOTH #10	9006633	9		
8	SCR, PHL HD, TRUSS #10-32-25	9008007-3	8		
3	BATTERY BACKUP REGULATOR	D-AD-7014251-0-0	7		
1	+5V REGULATOR	D-UA-H7441-0-0	6		
1	PWR LINE MONITOR	D-CS-541086-YA-1	5		
1	DECAL NFPA	A-DC-5309413-0-0	4		
1	DECAL U/L	A-DC-5309414-0-0	3		
1	POWER SUPPLY CHASSIS 240V AC	E-UA-H-765-R-0	2		
1	POWER SUPPLY CHASSIS 120V AC	E-UA-H-765-P-0	1		

7014227-00

UNLESS OTHERWISE SPECIFIED DIMENSIONS ARE IN INCHES

QUANTITY & VARIATION	DESCRIPTION	QTY	DESCRIPTION	QTY	DESCRIPTION
1	PACKAGING INSTRUCTION	A-SP-70074-0-0	15		
1	DECAL (P)	A-DC-7409872-1-0	14		
2	DECAL WARNING	3612422-00	13		
1	DECAL (J)	A-DC-7409873-1-0	12		
4	WASH, INT TOOTH #6	9006633	11		
4	SCR, PHL HD, TRUSS #32-25	9006020-3	10		
8	WASH, INT TOOTH #10	9006633	9		
8	SCR, PHL HD, TRUSS #10-32-25	9008007-3	8		
3	BATTERY BACKUP REGULATOR	D-AD-7014251-0-0	7		
1	+5V REGULATOR	D-UA-H7441-0-0	6		
1	PWR LINE MONITOR	D-CS-541086-YA-1	5		
1	DECAL NFPA	A-DC-5309413-0-0	4		
1	DECAL U/L	A-DC-5309414-0-0	3		
1	POWER SUPPLY CHASSIS 240V AC	E-UA-H-765-R-0	2		
1	POWER SUPPLY CHASSIS 120V AC	E-UA-H-765-P-0	1		

THIRD ANGLE PROJECTION

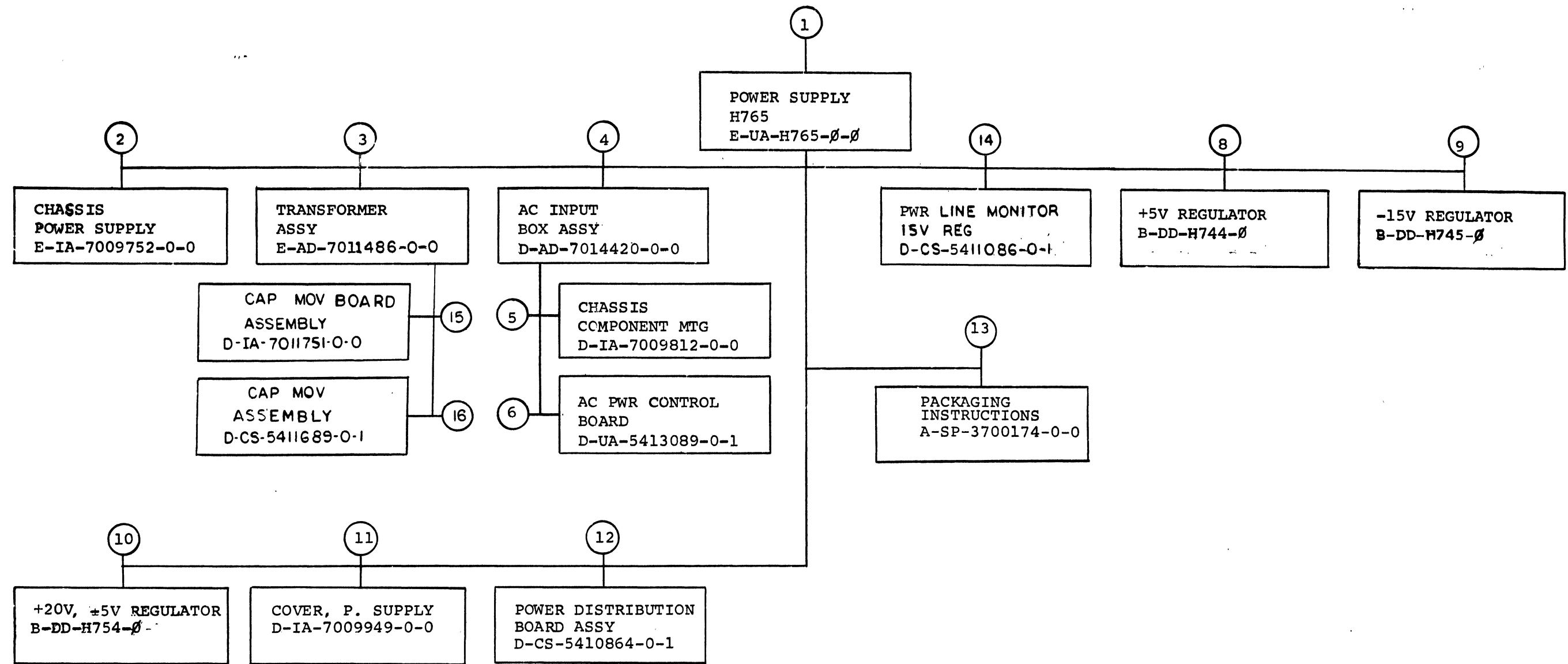
POWER SUPPLY, MKII

DATE: 10/14/77

SCALE: AS SHOWN

REV: 0





TITLE	SIZE	CODE	NUMBER	REV
DRAWING DIRECTORY POWER SUPPLY H765	B	DD	H765-Ø	R
SHEET 2 OF 5				

CUSTOMER PRINT SET		ELECTRICAL					CUSTOMER PRINT SET		ELECTRICAL									
1	MFG. SET	FIND NO.	DRAWING NO.	REV	NO OF SHT	DESCRIPTION	OPTION NO./FILE DATE	1	MFG. SET	FIND NO.	DRAWING NO.	REV	NO OF SHT	DESCRIPTION	OPTION NO./FILE DATE			
X		1	E-UA-H765-0-0 A-SP-H765-0-9	T	2	POWER SUPPLY H765 H765 POWER SUPPLY ASSEMBLY PROCEDURE		X		12	D-CS-5410864-0-1 D-IA-5010863-0-0 A-SP-5410864-0-8 A-SP-5410864-0-9	#	3 # 1	POWER DIST. BD. ASSY ETCHED CIRCUIT BOARD TEST PROCEDURE ASSEMBLY PROCEDURE				
X		3	E-AD-7011486-0-0 A-SP-7010014-0-8 A-CS-7010014-TA-1 A-UA-7010014-TA-0 A-PL-7010014-TA-0 A-SP-7011486-0-9	# A A A		TRANSFORMER ASSY TEST PROCEDURE TESTER C.S. TESTER U.A. TESTER P.L. TRANSFORMER ASSY PROCEDURE		X		14	D-CS-5411086-0-1 A-SP-11/45-TA-2 A-SP-5411086-0-3 D-IA-7010138-0-0	#	4	PWR LINE MONITOR/15V REG TEST PROCEDURE ENGINEERING SPECIFICATION HARNESS INTERCONNECTION				
X		4	D-AD-7014420-0-0 A-SP-7009811-0-8 A-CS-7009811-TA-1 A-UA-7009811-TA-0 A-PL-7009811-TA-0 A-SP-7009811-0-9	#	2	AC INPUT BOX ASSY TEST PROCEDURE TESTER C.S. TESTER U. A. TESTER P.L. AC INPUT BOX ASSY PROCEDURE				15	D-IA-7011751-0-0			CAP MOV BOARD ASSY				
X		6	D-UA-5413089-0-0			PILOT CONTROL BOARD				16	D-CS-5411689-0-1			CAP MOV ASSY				
C		8	B-DD-H744-0	#	2	DRAWING DIRECTORY H744												
C		9	B-DD-H745-0	#	2	DRAWING DIRECTORY H745												
C		10	B-DD-H754-0	#	3	DRAWING DIRECTORY H754												
CUSTOMER PRINT SET CODES		X = PRINT OF DOCUMENT INCLUDED IN PRINT SET C = INCLUDES ALL PRINTS INDICATED ON DOCUMENT S = CONFIDENTIAL AUTHORIZED SIGNATURE REQUIRED					TITLE		DRAWING DIRECTORY POWER SUPPLY H765		SHEET 3 OF 5		SIZE CODE D D7		NUMBER H765-0		REV R	

CUSTOMER PRINT SET		MECHANICAL					CUSTOMER PRINT SET		MECHANICAL							
	MFG. SET	FIND NO.	DRAWING NO.	REV	NO OF SHT	DESCRIPTION	OPTION NO./FILE DATE		MFG. SET	FIND NO.	DRAWING NO.	REV	NO OF SHT	DESCRIPTION	OPTION NO./FILE DATE	
1		1	E-UA-H765-Ø-Ø	R	2	POWER SUPPLY H765				6	D-UA-5413089-0-0			PILOT CONTROL BOARD		
			D-IA-7009950-0-0		1	THROUGH WIRE										
		2	E-IA-7009752-0-0		1	CHASSIS, POWER SUPPLY										
			E-IA-7411682-0-0		1	CHASSIS, POWER SUPPLY										
			D-MD-7411685-0-0		1	SIDE, POWER SUPPLY										
			D-MD-7411684-0-0		1	HOUSING COMP. CHASSIS										
										8	B-DD-H744-Ø		2	DRAWING DIRECTORY H744		
		3	E-AD-7011486-0-0		2	TRANSFORMER ASSY										
			C-MD-7414301-0-0		1	COVER										
										9	B-DD-H745-Ø		2	DRAWING DIRECTORY H745		
		4	D-AD-7014420-0-0		2	AC INPUT BOX ASSY										
			A-DC-7412303-0-1		1	DECAL 115V										
X			D-AD-7012500-0-0		1	POWER CORD				10	B-DD-H754-Ø		3	DRAWING DIRECTORY H754		
			A-DC-7412380-0-1		1	DECAL 230V										
										11	D-IA-7009949-0-0		1	COVER, POWER SUPPLY		
											C-MD-7412473-0-0		1	STRIP, CLAMP		
		5	D-IA-7009812-0-0	A	1	CHASSIS COMPONENT MTG.										
			D-IA-7411765-0-0		1	PLATE SWITCH										
			D-IA-7411766-0-0	B	1	PLATE COMPONENT MTG.										
CUSTOMER PRINT SET CODES	X = PRINT OF DOCUMENT INCLUDED IN PRINT SET C = INCLUDES ALL PRINTS INDICATED ON DOCUMENT S = CONFIDENTIAL AUTHORIZED SIGNATURE REQUIRED						TITLE	DRAWING DIRECTORY POWER SUPPLY H765		SHEET 4 OF 5	SIZE CODE	B DD		NUMBER	H765-Ø	

CUSTOMER PRINT SET		MECHANICAL					CUSTOMER PRINT SET										
		MFG. SET	FIND NO.	DRAWING NO.	REV	NO OF SHT	DESCRIPTION	OPTION NO./FILE DATE			MFG. SET	FIND NO.	DRAWING NO.	REV	NO OF SHT	DESCRIPTION	OPTION NO./FILE DATE
1			12	D-CS-5410864-0-1		3	POWER DIST. BD. ASSY										
				C-MD-7412192-0-0		1	SHIELD										
				D-MD-7411704-0-0		1	BRACKET, CONN. MTG.										
				C-IA-9305937-0-0			MATE-N-LOK FIXTURES										
				D-IA-5010863-0-0		1	ETCHED CIRCUIT BD.										
				K-CO-5410864-0-4			X-Y COORDINATE HOLE LOC.										
				D-AH-5410864-0-5		1	ASSY DRILLING HOLE LAYOUT										
				B-MH-5410864-0-6		1	MODULE ECO HISTORY										
				5010863		REP	ETCH CIRCUIT BOARD										
		X	13	A-SP-3700174-0-0	-	2	PACKAGING INSTRUCTIONS										
				A-PS-9905664-0-0	-	2	REGULAR SLOTTED CARTON										
				A-PS-9905665-0-0	-	2	LAMINATED BULDUP										
			14	D-AH-5411086-0-5		1	ASSY DRILLING HOLE LAYOUT										
				B-MH-5411086-0-6		1	MODULE ECO HISTORY										
			15	D-AD-7011486-0-0		1	ASSEMBLY DRAWING										
			16	D-AH-5411689-0-5		1	ASSY DRILLING HOLE LAYOUT										
				D-MH-5411689-0-6		1	MODULE ECO HISTORY										

CUSTOMER PRINT SET CODES  
X = PRINT OF DOCUMENT INCLUDED IN PRINT SET  
C = INCLUDES ALL PRINTS INDICATED ON DOCUMENT  
S = CONFIDENTIAL AUTHORIZED SIGNATURE REQUIRED

TITLE  
DRAWING DIRECTORY  
POWER SUPPLY H765

SHEET 5 OF 5  
SIZE CODE B DD  
NUMBER H765-Ø  
REV R

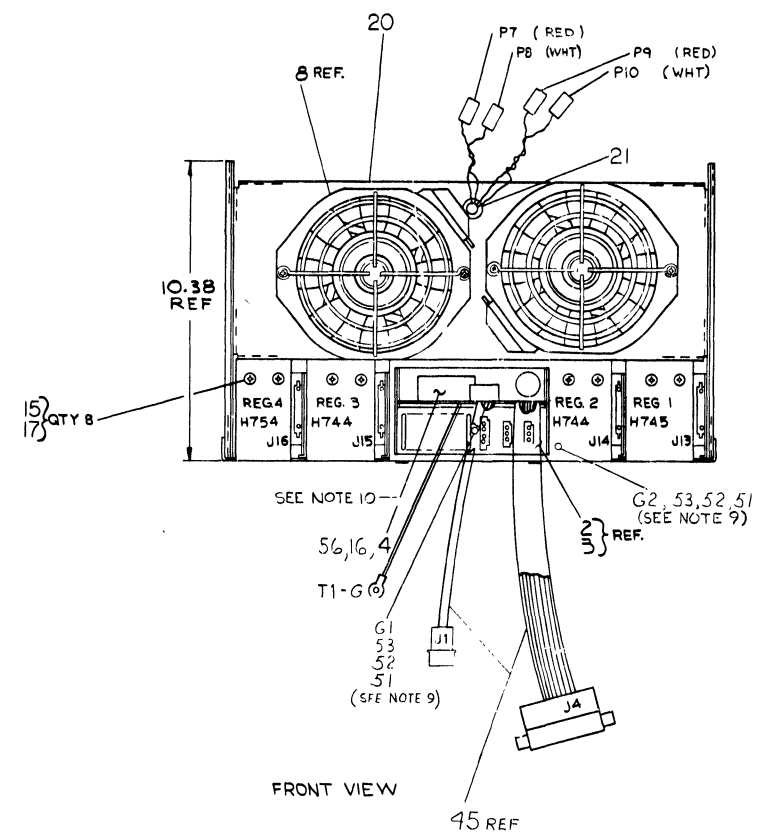
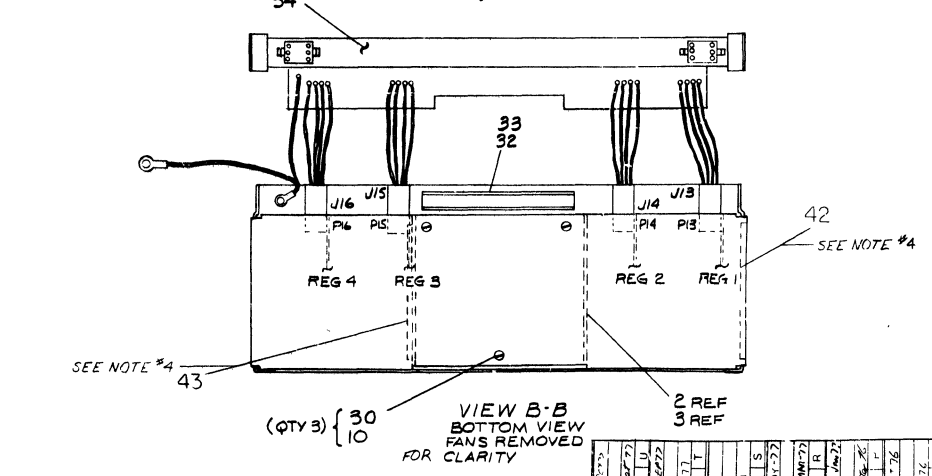
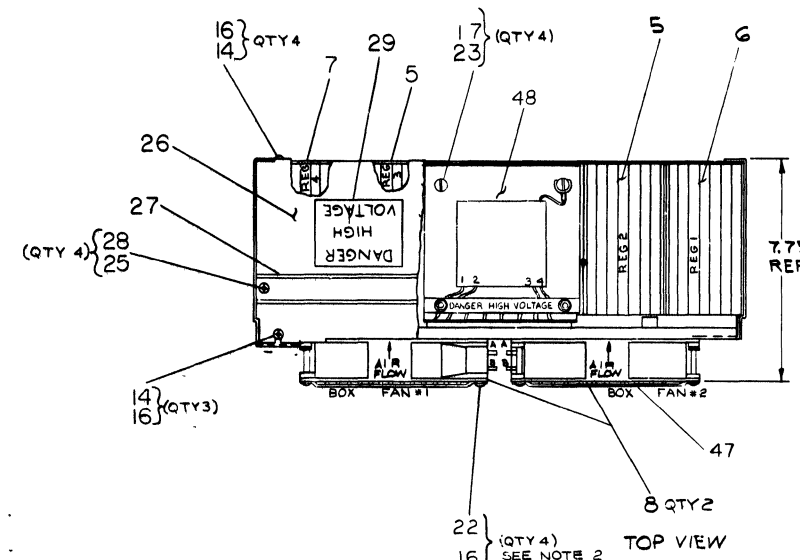
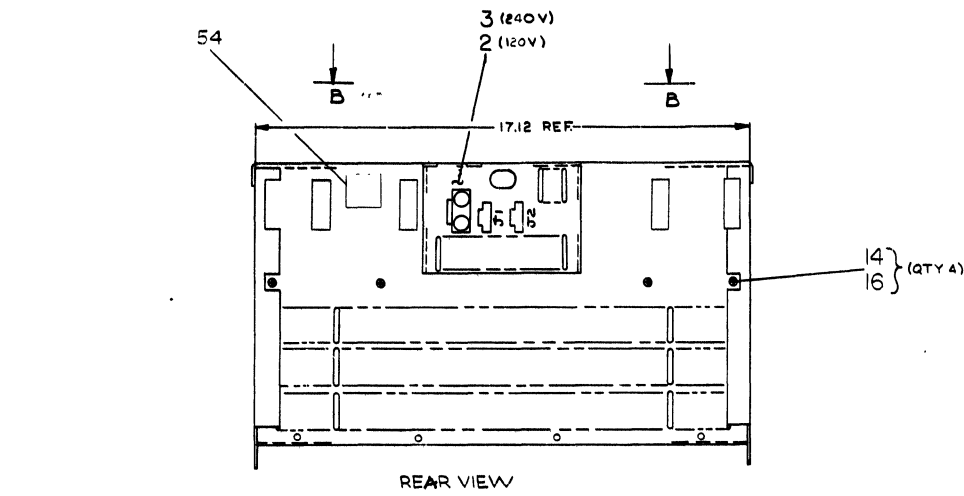
THIS DRAWING AND SPECIFICATIONS HEREBY ARE THE PROPERTY OF DIGITAL EQUIPMENT CORPORATION AND SHALL NOT BE REPRODUCED OR COPIED IN WHOLE OR IN PART AS THE BASIS FOR THE MANUFACTURE OR SALE OF ITEMS WITHOUT WRITTEN PERMISSION. COPYRIGHT © 1971, DIGITAL EQUIPMENT CORPORATION

NUMBER	VARIATION
H765-A	120V 50/60 HZ
H765-B	240V 50/60 HZ
H765-C	120V 50/60 HZ NO H754
H765-D	240V 50/60 HZ NO H754
H765-P	120V 50/60 HZ NO REG
H765-R	240V 50/60 HZ NO REG

- NOTES**
- SEE TRANSFORMER ASSY E AD TO BOX SHEET 2 FOR ISOMETRIC ORIENTATION OF CLAMP & PLUG WIRES.
  - TIGHTEN FAN SCREWS TO 10 IN-LBS WITH A TORQUE SCREW DRIVER.
  - USE ITEM #41 IN PLACE OF ITEM #42 WHEN USING ROTON FANS.
  - INSTALL A.B.S VINYL, VIEW B-B ITEM #42 AND #43, CENTER 1/4 INCH FROM BOTTOM AND SIDES ON INSIDE WALL.
  - USE EXTERNAL TOOTH WASHER UNDER MOUNTING SCREW HEAD OF REGD TRANSFORMERS ONLY.
  - GREEN/YEL GROUND WIRE FROM TRANSFORMERS TO BE FASTENED UNDER REGULATOR MOUNTING SCREWS.
  - IN EARLIER VERSIONS OF THE TRANSFORMER ASSEMBLY A CABLE CLAMP WAS USED IN PLACE OF THE 3 THE WIRTS TO DRESS THE TRANSFORMER WIRES ALONG THE TRANSFORMER BODY.
  - ITEM 7 - H754 IS NOT USED IN VARIATIONS C & D.
  - ITEM 53 IS TO BE USED TO PREVENT CORROSION OF CHASSIS AT GROUND STUD.

**NOTES CON'T**

10. ITEM 16 #56 (SCREW & WASHER) TO BE USED TO MOUNT 54110B (ITEM 4) IN AC INPUT BOX (ITEM 2 OR 3) IN A.B.C.D VERSION. IN P/R VERSION, INSTALL SCREW & WASHER IN MOUNTING HOLES. THEY WILL BE USED ON A HIGHER ASSEMBLY.



QTY	DESCRIPTION	PART NO	ITEM NO
4	SCR PH HD 4.32X.14	9006020-1	56
1	CABLE GND	70.3825-02	55
1	DECAL	ADC 7418241-0	54
A/R	GREASE CONDUCTOR	490173-01	53
2	WASHER 10X INT TOOTH #32	9006072	52
2	NUT, KEP #8-32	9006563	51
2	TERMINAL RING BLUE	9006282	50
A/R	WIRE, NAWG GEN/VOL	910337-34	49
1	TRANSFORMER ASSEMBLY E AD 711486-0	48	
2	FAN GUARD	1212561	47
1	SCR PH HD 4.32X.14	9006020	46
1	HARNESS INTERCONN	D-IA-7010133-0	45
1	WASHER INT TOOTH #10	9006635	44
1	A.B.S VINYL 4.75 X.35	1210984-03	43
1	A.B.S VINYL 4.75 X.6	1210984-04	42
1	SCR PH HD 4.32X.14	9006020	41
REF	TEST PROCEDURE	A-SP-H765-0-1	40
REF	TESTER C.S	A-CS-H765-TA-1	39
REF	TESTER U.A.	E-UA-H765-TA-1	38
REF	TESTER P.L.	A-PL-H765-TA-0	37
REF	H765 POWER SUPPLY ASSEMBLY PROCEDURE	A-SP-H765-0-9	36
REF	PACKAGING INSTRUCTIONS	A-SP-370074-00	35
1	PWR DISTRIBUTION BD	D-CS-51084-0-1	34
A/R	PERMA BOND	9009157	33
A/R	GROMMET STRIP	9008291	32
4	TIE WRAP 1/8 W	9007880	31
3	WASH, C'SK # 6	9006270	30
1	STICKER DANGER HIGH VOLTAGE	3610267	29
4	WASH, INT TOOTHLOCK #8	9006634	28
1	TROUGH WIRE	D-IA-7009450-0	27
1	COVER, POWER SUPPLY	D-IA-7009449-0	26
4	SCR PH HD TRUSS #32X.52	9006040-3	25
1	WASHER INT TOOTH #10	9006635	24
4	SCR PH HD TRUSS 10-32X.52	9006072-3	23
4	SCR PH HD TRUSS 6-32X.1.75	9006031-3	22
1	GROMMET 50 I D	9007016	21
1	CHASSIS, POWER SUPPLY	E-IA-7009752-0	20
1	CLAMP CABLE	B-IA-712853-0	19
1	SCR PH HD 4.32X.14	9006020	18
10	WASH INT TOOTH #10	9006635	17
11	WASH INT TOOTH #6	9006633	16
6	SCR PH HD TRUSS 10-32X.52	9006072-3	15
7	SCR PH HD TRUSS 6-32X.25	9006020-3	14
1	DECAL NEPA	ADC 5309132-13	13
1	WASHER INT TOOTH #10	9006635	12
3	SCR PH FLT HD #32X.3	9008404-2	10
1	WASHER INT TOOTH #10	9006635	9
2	FAN, 115 V AC 50/60HZ	1211714	8
1	+20V REGULATOR (H754)	B-DD-H754-0	7
1	+15V REGULATOR (H745)	R-DD-H745-0	6
2	+5V REGULATOR (H744)	B-DD-H744-0	5
1	PWR BD (+15V REG)	E-IA-5411086	4
1	AC INPUT BOX ASSY 230V	D-AD-754420-2-0	3
1	AC INPUT BOX ASSY 115V	D-AD-7C14420-1-0	2
1	TRANSFORMER ASSEMBLY E AD 711486-0	48	
H765-R			
H765-C			
H765-D			
H765-A			

REV	DATE	DESCRIPTION
1	6/24/74	REVISED TO ADD H765-R
2	7/27/74	REVISED TO ADD H765-C
3	8/1/74	REVISED TO ADD H765-D
4	8/1/74	REVISED TO ADD H765-P
5	8/1/74	REVISED TO ADD H765-R
6	8/1/74	REVISED TO ADD H765-A
7	8/1/74	REVISED TO ADD H765-B
8	8/1/74	REVISED TO ADD H765-P
9	8/1/74	REVISED TO ADD H765-R
10	8/1/74	REVISED TO ADD H765-A
11	8/1/74	REVISED TO ADD H765-B
12	8/1/74	REVISED TO ADD H765-P
13	8/1/74	REVISED TO ADD H765-R
14	8/1/74	REVISED TO ADD H765-A
15	8/1/74	REVISED TO ADD H765-B
16	8/1/74	REVISED TO ADD H765-P
17	8/1/74	REVISED TO ADD H765-R
18	8/1/74	REVISED TO ADD H765-A
19	8/1/74	REVISED TO ADD H765-B
20	8/1/74	REVISED TO ADD H765-P
21	8/1/74	REVISED TO ADD H765-R
22	8/1/74	REVISED TO ADD H765-A
23	8/1/74	REVISED TO ADD H765-B
24	8/1/74	REVISED TO ADD H765-P
25	8/1/74	REVISED TO ADD H765-R
26	8/1/74	REVISED TO ADD H765-A
27	8/1/74	REVISED TO ADD H765-B
28	8/1/74	REVISED TO ADD H765-P
29	8/1/74	REVISED TO ADD H765-R
30	8/1/74	REVISED TO ADD H765-A
31	8/1/74	REVISED TO ADD H765-B
32	8/1/74	REVISED TO ADD H765-P
33	8/1/74	REVISED TO ADD H765-R
34	8/1/74	REVISED TO ADD H765-A
35	8/1/74	REVISED TO ADD H765-B
36	8/1/74	REVISED TO ADD H765-P
37	8/1/74	REVISED TO ADD H765-R
38	8/1/74	REVISED TO ADD H765-A
39	8/1/74	REVISED TO ADD H765-B
40	8/1/74	REVISED TO ADD H765-P
41	8/1/74	REVISED TO ADD H765-R
42	8/1/74	REVISED TO ADD H765-A
43	8/1/74	REVISED TO ADD H765-B
44	8/1/74	REVISED TO ADD H765-P
45	8/1/74	REVISED TO ADD H765-R
46	8/1/74	REVISED TO ADD H765-A
47	8/1/74	REVISED TO ADD H765-B
48	8/1/74	REVISED TO ADD H765-P
49	8/1/74	REVISED TO ADD H765-R
50	8/1/74	REVISED TO ADD H765-A
51	8/1/74	REVISED TO ADD H765-B
52	8/1/74	REVISED TO ADD H765-P
53	8/1/74	REVISED TO ADD H765-R
54	8/1/74	REVISED TO ADD H765-A
55	8/1/74	REVISED TO ADD H765-B
56	8/1/74	REVISED TO ADD H765-P
57	8/1/74	REVISED TO ADD H765-R
58	8/1/74	REVISED TO ADD H765-A
59	8/1/74	REVISED TO ADD H765-B
60	8/1/74	REVISED TO ADD H765-P
61	8/1/74	REVISED TO ADD H765-R
62	8/1/74	REVISED TO ADD H765-A
63	8/1/74	REVISED TO ADD H765-B
64	8/1/74	REVISED TO ADD H765-P
65	8/1/74	REVISED TO ADD H765-R
66	8/1/74	REVISED TO ADD H765-A
67	8/1/74	REVISED TO ADD H765-B
68	8/1/74	REVISED TO ADD H765-P
69	8/1/74	REVISED TO ADD H765-R
70	8/1/74	REVISED TO ADD H765-A
71	8/1/74	REVISED TO ADD H765-B
72	8/1/74	REVISED TO ADD H765-P
73	8/1/74	REVISED TO ADD H765-R
74	8/1/74	REVISED TO ADD H765-A
75	8/1/74	REVISED TO ADD H765-B
76	8/1/74	REVISED TO ADD H765-P
77	8/1/74	REVISED TO ADD H765-R
78	8/1/74	REVISED TO ADD H765-A
79	8/1/74	REVISED TO ADD H765-B
80	8/1/74	REVISED TO ADD H765-P

**POWER SUPPLY, H765**

DATE: 6/24/74  
 DRAWN BY: [Signature]  
 CHECKED BY: [Signature]  
 APPROVED BY: [Signature]

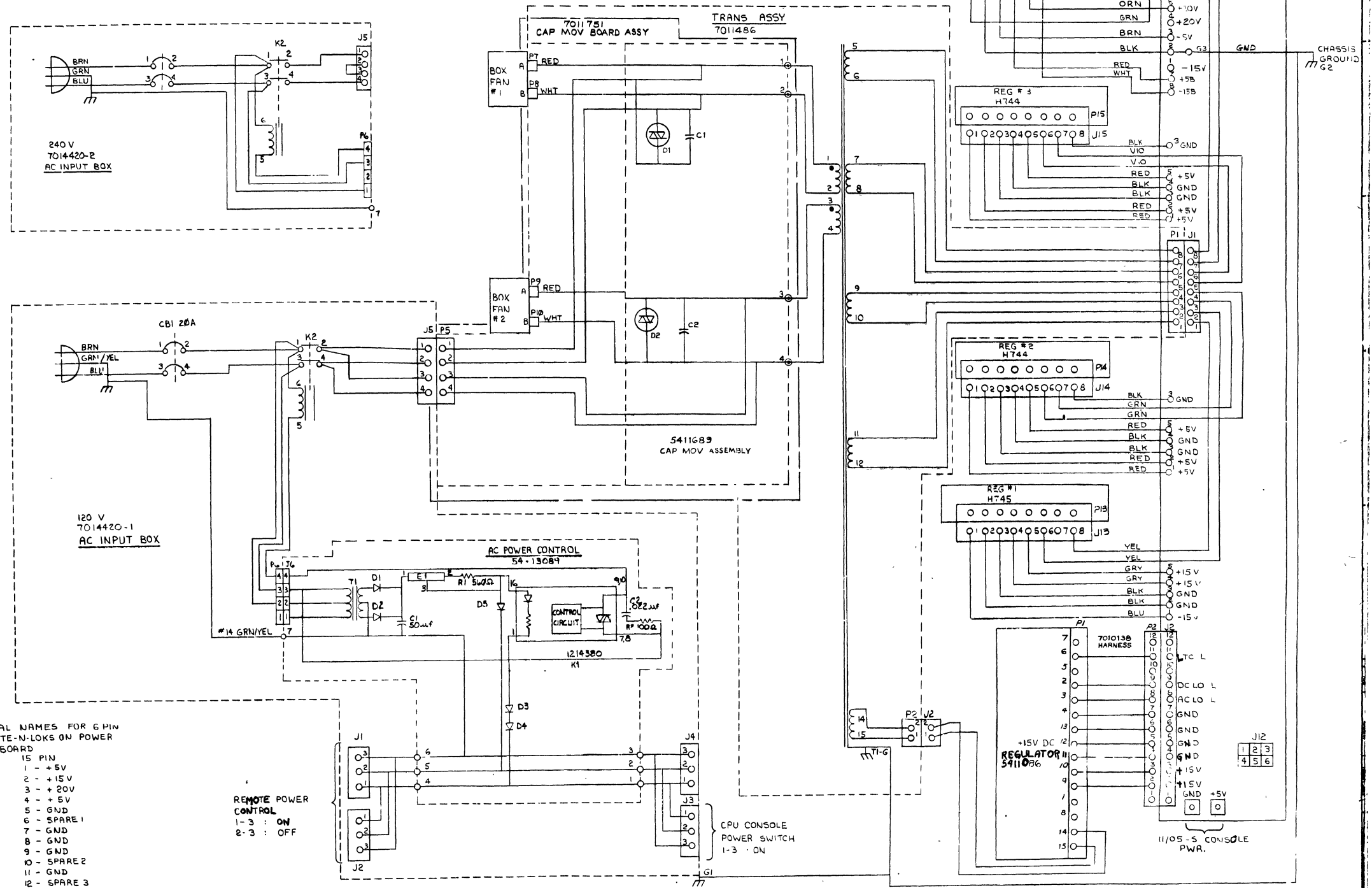
SCALE: NONE  
 SHEET: 1 OF 2

REV: 4



THIS DRAWING AND SPECIFICATIONS HEREON ARE THE PROPERTY OF DIGITAL EQUIPMENT CORPORATION AND SHALL NOT BE REPRODUCED OR COPIED IN WHOLE OR IN PART WITHOUT THE WRITTEN PERMISSION OF DIGITAL EQUIPMENT CORPORATION.

CONNECTION TABLE			CONNECTION TABLE		
FROM CONNECTION	TO CONNECTION	SIGNALS	FROM CONNECTION	TO CONNECTION	SIGNALS
P2 FROM TRANS. ASSY	J2 FROM +15V REG.	28 VAC	P4 FROM +15V REG.	J2 LOCATED ON PWR. DIST. BD	-15V, LTC L, AC LO L, DC LO L, GND
J16 FROM PWR. DIST. BD	P16 LOCATED ON REG. #4 (H754)	GND, -5V, +20V, 28 VAC			
J15 FROM PWR. DIST. BD	P15 LOCATED ON REG. #3 (H744)	GND, +5V, 28 VAC	P5 FROM TRANS. ASSY	J5 LOCATED ON AC INPUT BOX	120/240 VAC
J14 FROM PWR. DIST. BD	P14 LOCATED ON REG. #2 (H744)	GND, +5V, 28 VAC	P7 (RED)	FAN #1-A	120 VAC - HOT
J13 FROM PWR. DIST. BD	P13 LOCATED ON REG. #1 (H745)	GND, +15V, -15V, 28 VAC	P8 (WHT)	FAN #1-B	120 VAC - NEUTRAL
GND LUG LOCATED ON PWR. DIST. BD, G3	G1 YEL LUG	SAFETY GROUND	P9 (RED)	FAN #2-A	120 VAC - HOT
P1 FROM TRANS. ASSY	J1 LOCATED ON PWR. DIST. BD	28 VAC	P10 (WHT)	FAN #2-B	120 VAC - NEUTRAL
			T1 G	G1	SAFETY GROUND
			G1	G2	ITEM 55



- COMMON SIGNAL NAMES FOR 6-PIN AND 15-PIN MATE-N-LOKS ON POWER DISTRIBUTION BOARD
- |             |              |
|-------------|--------------|
| 6-PIN       | 15-PIN       |
| 1 - GND     | 1 - +5V      |
| 2 - LTC L   | 2 - +15V     |
| 3 - DC LO L | 3 - +20V     |
| 4 - AC LO L | 4 - +5V      |
| 5 - SPARE 4 | 5 - GND      |
| 6 - SPARE 5 | 6 - SPARE 1  |
|             | 7 - GND      |
|             | 8 - GND      |
|             | 9 - GND      |
|             | 10 - SPARE 2 |
|             | 11 - GND     |
|             | 12 - SPARE 3 |
|             | 13 - -15V    |
|             | 14 - -5V     |
|             | 15 - SPARE 3 |

REMOTE POWER CONTROL  
1-3 : ON  
2-3 : OFF

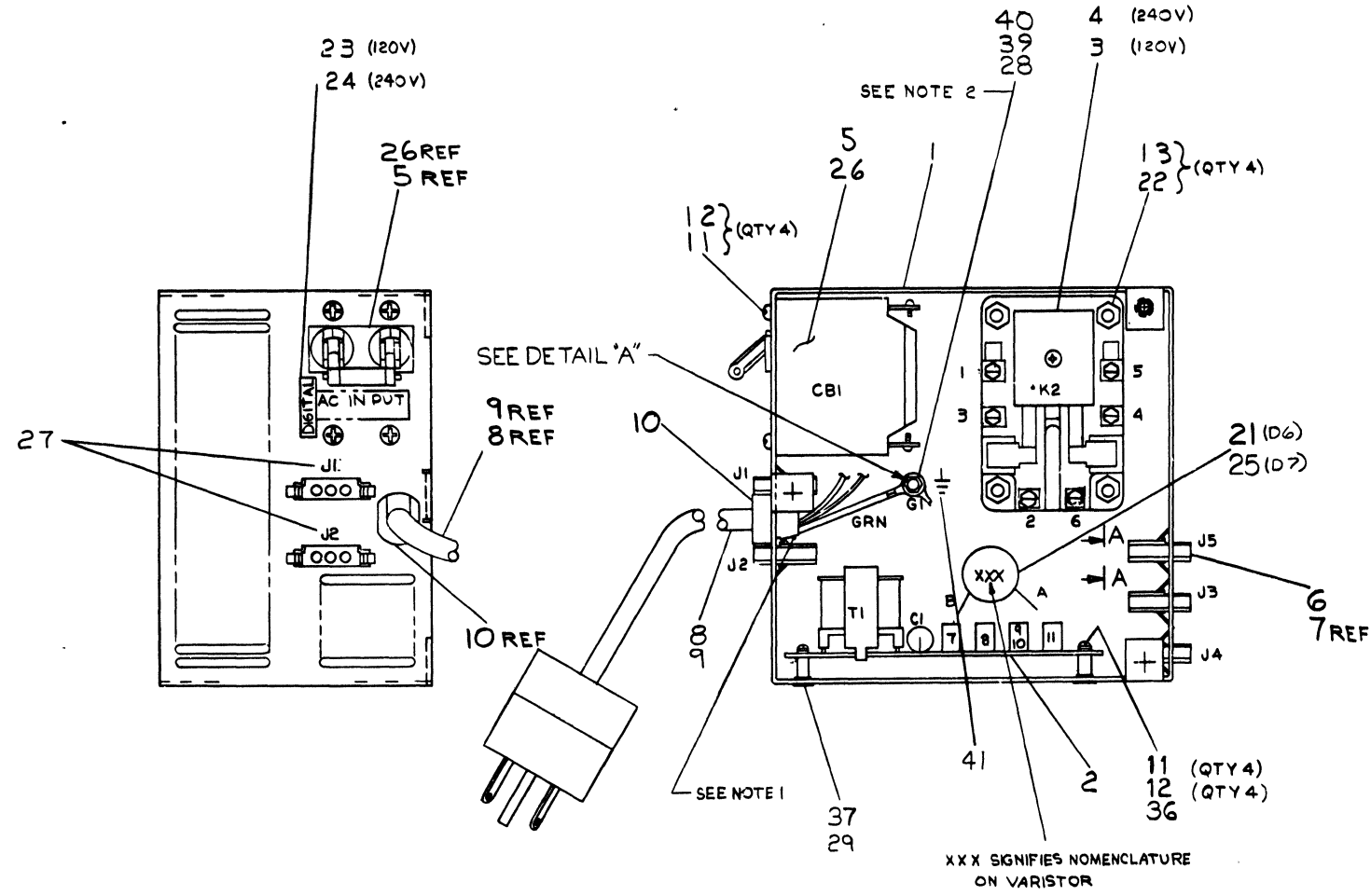
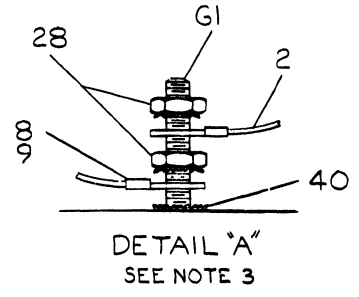
CPU CONSOLE POWER SWITCH  
1-3 - ON

THIS DRAWING AND SPECIFICATIONS HEREIN ARE THE PROPERTY OF DIGITAL EQUIPMENT CORPORATION AND SHALL NOT BE REPRODUCED OR COPIED OR USED IN WHOLE OR IN PART AS THE BASIS FOR THE MANUFACTURE OR SALE OF ITEMS WITHOUT WRITTEN PERMISSION. COPYRIGHT © 1974, DIGITAL EQUIPMENT CORPORATION

NOTES:

1. LEAVE .5 IN ±2 IN OF OUTER INSULATION OF LINE CORD INSIDE BOX.
2. REMOVE PAINT MASK FROM G1 ONLY AND APPLY CONDUCTIVE GREASE TO AREA AROUND STUD G1 BEFORE INSTALLING ITEMS 40 (LOCKWASHER), LUG ON GRN/YEL WIRE, AND 28 (KEPNUT).
3. ENSURE THAT LUG CONNECTED TO GRN/YEL WIRE FROM LINE CORD, WASHER ITEM 40, AND KEPNUT ITEM 28 ARE THE FIRST ITEMS INSTALLED ON G1. SEE DETAIL A.

LEGEND	
NUMBER	VARIATION
7009811-1	120V47-63HZ 12A
7009811-2	240V47-63HZ 6A



XXX SIGNIFIES NOMENCLATURE ON VARISTOR

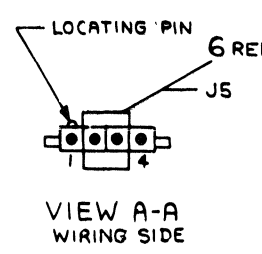
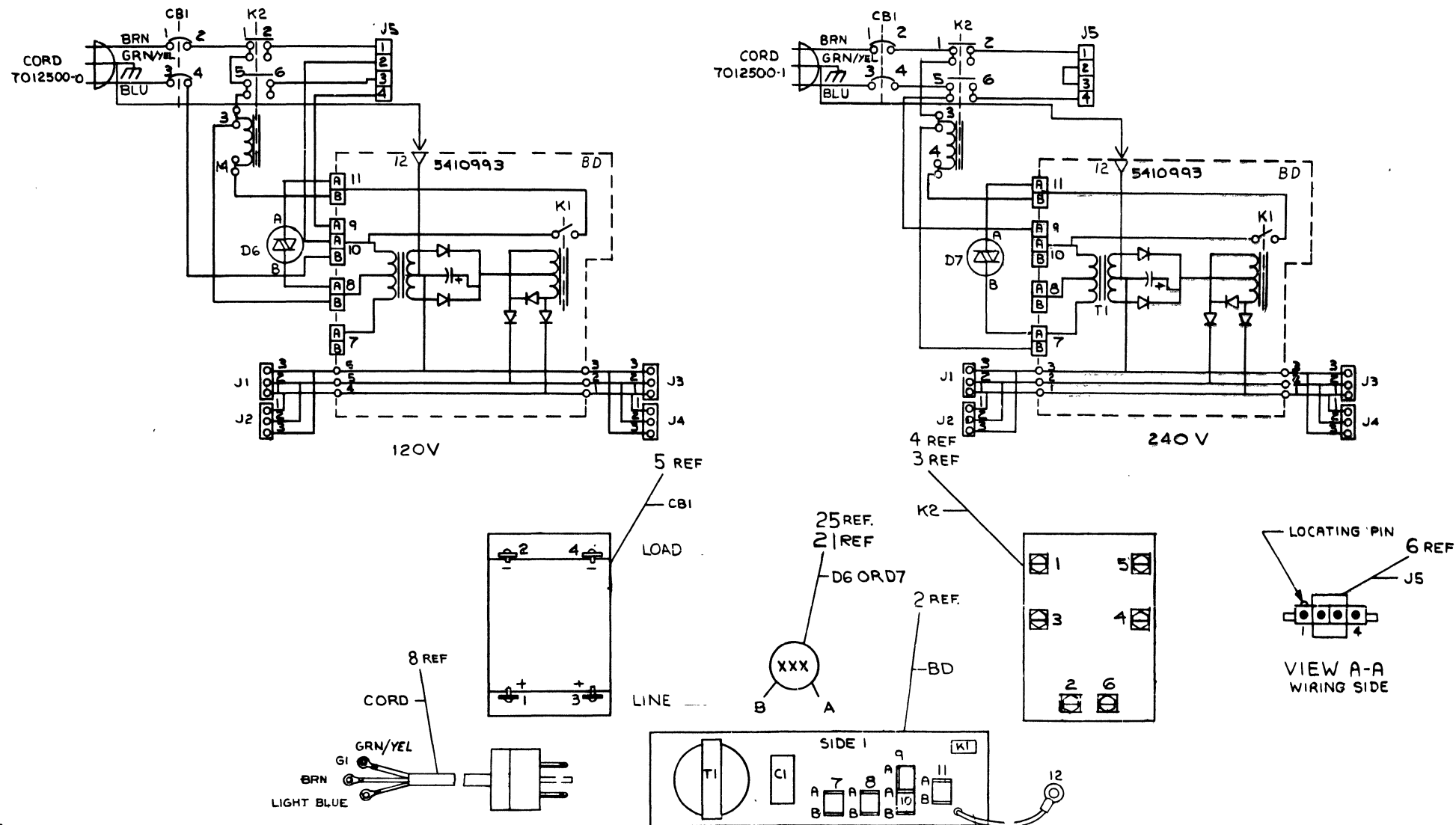
QTY.	DESCRIPTION	PART NO.	ITEM NO.
1	DECAL, SAFTY GROUND	A-DC-3612680-01	41
1	WASHER, EXT TOOTH #8	9008072	40
A/R	A/R GREASE, CONDUCTIVE	4901173-01	39
1	JUMPER, POWER (WHT)	7010301-8	38
4	SCR PH. FL. HD. 6-32x1/4	9006020-02	37
4	WASHER, FLAT	9006653	36
REF	A.C. INPUT BOX ASSEMBLY PROCEDURE	A-SP-7009811-0-9	35
REF	TESTER PARTS LIST	A-PL-7009811-7A-0	34
REF	TESTER TEST PROCEDURE	A-SP-7009811-0-8	33
REF	TESTER U.A.	A-UA-7009811-0-8	32
REF	TESTER C.S.	A-CS-7009811-0-8	31
4	SPACER 6-32x 3/8"	9006844	29
3	NUT, KEPS #8-32	9006963	28
1	DECAL	A-DC-7409873-0-0	27
1	CIRCUIT BRK 10 A	1212124-03	26
1	VARISTOR (D7) ASSY	C-IA-7010300-2-0	25
1	DECAL 230V 47-63 HZ 6A	A-DC-7412300-0-0	24
1	DECAL 115V 47-63 HZ 12A	A-DC-7412303-0-0	23
4	SCR PH FL HD #6-32 X 50	9006024-2	22
1	VARISTOR (D6) ASSY	C-IA-7010300-1-0	21
2	POWER JUMPER (BLK)	D-IA-7010301-2-0	20
1	POWER JUMPER (BLK)	D-IA-7010301-3-0	19
2	POWER JUMPER (BLK)	D-IA-7010301-4-0	18
1	POWER JUMPER (WHT)	D-IA-7010301-5-0	17
2	POWER JUMPER (WHT)	D-IA-7010301-6-0	16
1	POWER JUMPER (BRN)	D-IA-7010301-7-0	15
1	POWER JUMPER (BLK)	D-IA-7010301-1-0	14
4	NUT KEPS #6-32	9008185	13
8	WASHER, INT TOOTH #6	9006633	12
8	SCR PHL PAN HD #6-32X25	9006020-1	11
1	STRAIN RELIEF	9008309	10
1	POWER CORD 240V	D-AD-7012500-1	9
1	POWER CORD 120V	D-AD-7012500-0	8
1	PWR CONTROL HARN 240V	D-IA-7010302-2-0	7
1	PWR CONTROL HARN 120V	D-IA-7010302-1-0	6
1	CIRCUIT BREAK 20A	1212124-05	5
1	RELAY 240V	1211222-02	4
1	RELAY 120V	1211222-01	3
1	AC PWR CONTR BOARD	D-CS-5410993-0-1	2
1	CHASSIS, COMP MTG	D-IA-7009812-0-0	1

FIRST USED ON OPTION/MODEL		QTY.	DESCRIPTION	PART NO.	ITEM NO.
B11-K					
DIMENSIONAL TOLERANCE		DATE			
DIMENSIONS ARE UNLESS OTHERWISE SPECIFIED		DATE			
MILLIFEET		DATE			
X.XX ±0.10		DATE			
X.X ±0.8		DATE			
X ±0.2		DATE			
THIRD ANGLE PROJECTION		DATE			
MATERIAL FINISH		DATE			
SEE PARTS LIST		DATE			
E-UA-H 765-0-0		DATE			
NONE		DATE			
C.T.		DATE			

REV.	CHANGE NO.	BY	DATE
A	HT65-00003	RY	1-10-75
B	7009811-00001	RY	1-10-75
C	7009811-00002	RY	1-10-75
D	7009811-00003	RY	1-10-75
E	7009811-00004	RY	1-10-75
F	7009811-00005	RY	1-10-75
G	7009811-00006	RY	1-10-75
H	7009811-00007	RY	1-10-75
I	7009811-00008	RY	1-10-75
J	7009811-00009	RY	1-10-75
K	7009811-00010	RY	1-10-75
L	7009811-00011	RY	1-10-75
M	7009811-00012	RY	1-10-75
N	7009811-00013	RY	1-10-75
O	7009811-00014	RY	1-10-75
P	7009811-00015	RY	1-10-75
Q	7009811-00016	RY	1-10-75
R	7009811-00017	RY	1-10-75
S	7009811-00018	RY	1-10-75
T	7009811-00019	RY	1-10-75
U	7009811-00020	RY	1-10-75
V	7009811-00021	RY	1-10-75
W	7009811-00022	RY	1-10-75
X	7009811-00023	RY	1-10-75
Y	7009811-00024	RY	1-10-75
Z	7009811-00025	RY	1-10-75

"THIS DRAWING AND SPECIFICATIONS, HEREIN, ARE THE PROPERTY OF DIGITAL EQUIPMENT CORPORATION AND SHALL NOT BE REPRODUCED OR COPIED OR USED IN WHOLE OR IN PART AS THE BASIS FOR THE MANUFACTURE OR SALE OF ITEMS WITHOUT WRITTEN PERMISSION. COPYRIGHT © 1974, DIGITAL EQUIPMENT CORPORATION"

D AD 7009811-0-0 2



REVISIONS		
CHK	CHANGE NO	REV

TITLE: AC INPUT BOX ASS'Y. SIZE CODE: D AD NUMBER: 7009811-0-0 REV: K  
 SCALE: NOTE SHEET 2 OF 3

"THIS DRAWING AND SPECIFICATIONS HEREIN ARE THE PROPERTY OF DIGITAL EQUIPMENT CORPORATION AND SHALL NOT BE REPRODUCED OR COPIED OR USED IN WHOLE OR IN PART AS THE BASIS FOR THE MANUFACTURE OR SALE OF ITEMS WITHOUT WRITTEN PERMISSION. COPYRIGHT © 1976 DIGITAL EQUIPMENT CORPORATION"

WIRE TABLE (120V)						
ITEM NO.	DESCRIPTION	CONNECTION FROM	CONNECTION WITH	CONNECTION TO	CONNECTION WITH	REMARKS
8	14 BRN	CORD	---	CBI-1(+)	---	
8	14 BLU	CORD	---	CBI-3(+)	---	
14	BLK	CBI-2(-)	---	K2-1	---	
18	BLK	K2-5	---	K2-3	---	
19	BLK	BD-8B	---	K2-3	---	
17	WHT	CBI-4(-)	---	BD-10B	---	
6	WHT	BD-10A	---	J5-2(REF)	---	
6	WHT	BD-9A	---	J5-4(REF)	---	
15	BRN	K2-4	---	BD-11B	---	
6	BLK	K2-6	---	J5-3(REF)	---	
6	14 BLK	K2-2	---	J5-1(REF)	---	
21	22 RED	D6-A	---	BD-11A	---	
21	22 RED	D6-B	---	BD-8A	---	
8	14 GRN/YEL	CORD	---	G1	---	SEE NOTE 2
2	14 GRN/YEL	BD-12	---	G1	---	SEE DETAIL A AND NOTE 2-3

WIRE TABLE (240V)						
ITEM NO.	DESCRIPTION	CONNECTION FROM	CONNECTION WITH	CONNECTION TO	CONNECTION WITH	REMARKS
8	14 BRN	CORD	---	CBI-1(+)	---	
8	14 BLU	CORD	---	CBI-3(+)	---	
14	BLK	CBI-2	---	K2-1	---	
20	BLK	K2-3	---	K2-1	---	
19	BLK	K2-3	---	BD-7B	---	
38	WHT	K2-5	---	CBI-4(-)	---	
16	WHT	K2-5	---	BD-9A	---	
15	BRN	K2-4	---	BD-11B	---	
7	BLK	K2-2	---	J5-1(REF)	---	
7	BLK	J5-2(REF)	---	J5-3(REF)	---	
7	14 WHT	K2-6	---	J5-4(REF)	---	
25	22 RED	D7-A	---	BD-11A	---	
25	22 RED	D7-B	---	BD-7A	---	
8	14 GRN/YEL	CORD	---	G1	---	SEE NOTE 2
2	14 GRN/YEL	BD-12	---	G1	---	SEE DETAIL A AND NOTE 2-3

REVISIONS		
CHK	CHANGE NO.	REV.



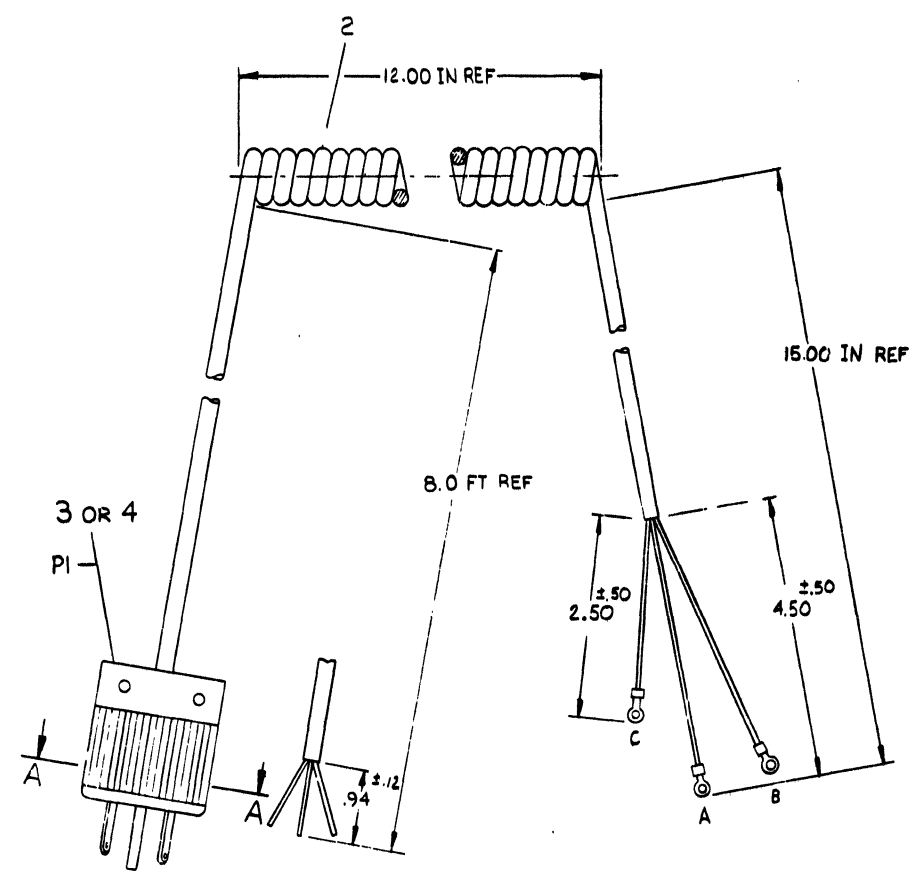
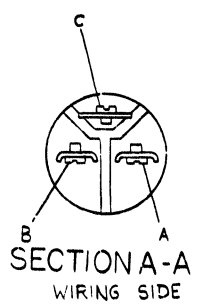
THIS DRAWING AND SPECIFICATIONS HEREIN ARE THE PROPERTY OF DIGITAL EQUIPMENT CORPORATION AND SHALL NOT BE REPRODUCED OR COPIED OR USED IN WHOLE OR IN PART AS THE BASIS FOR THE MANUFACTURE OR SALE OF ITEMS WITHOUT WRITTEN PERMISSION. COPYRIGHT © 1976, DIGITAL EQUIPMENT CORPORATION

**LEGEND**

NUMBER	VARIATION
7012500-0	120V
7012500-1	240V

ITEM NO.	DESCRIPTION	COLOR	CONNECTION	WITH	CONNECTION	WITH	REMARKS
2	14	BRN	PI-B	---	B	6	AC LINE
2	14	LT BLU	PI-A	---	A	6	AC NEUTRAL
2	14	BRN/YEL	PI-C	---	C	6	AC SAFETY GND

ITEM NO.	DESCRIPTION	COLOR	CONNECTION	WITH	CONNECTION	WITH	REMARKS
2	14	BRN	PI-B	---	B	6	LINE
2	14	LT BLU	PI-A	---	A	6	NEUTRAL
2	14	GRN/YEL	PI-C	---	C	6	AC SAFETY GND



3	B	TERMINAL RING TORQUE	9007929	6
2	A	TERMINAL QUICK CONNECT	9007919-0	5
1	-	PLUG, 240 V	9008853	4
1	-	PLUG, 120 V	9008938	3
1	I	POWER CORD	1700065-0	2
1	-	POWER CORD	1700065-1	1

DESCRIPTION	DWG./PART NO.	ITEM NO.
UNLESS OTHERWISE SPECIFIED DIMENSIONS ARE IN INCHES		
ANGLES 90° 30'	CLASS OF ACCURACY	NOMINAL DIMENSION RANGE INCHES
SURFACE QUALITY IN	(CHECK ONE)	OVER 12.0 TO 40.0 12.0 TO 40.0 40.0 TO 80.0
MICROINCHES	PREFERRED	±.012 ±.018 ±.025 ±.04 ±.069 ±.1

THIRD ANGLE PROJECTION

REMOVE BURRS AND BREAK SHARP CORNERS

DO NOT SCALE DWG

MATERIAL SEE PARTS LIST

FINISH

DRN. R 3/24/76 2-27 76

CHK'D BY [Signature] 3/24/76

ENG. [Signature] 3/24/76

PROJ. ENG. [Signature] 5/24/76

PROD. [Signature] 1/24/76

NEXT HIGHER ASSY.

7009811-0-0

SCALE NONE

SHEET 1 OF 1

FIRST USED ON 3A11-K

TITLE POWER CORD 120V 240V

SIZE CODE D IA

NUMBER 7012500-0-0

REV. B

REV.	DESCRIPTION
1	INITIAL DESIGN
2	REVISED TO MEET REQUIREMENTS
3	REVISED TO MEET REQUIREMENTS
4	REVISED TO MEET REQUIREMENTS
5	REVISED TO MEET REQUIREMENTS
6	REVISED TO MEET REQUIREMENTS
7	REVISED TO MEET REQUIREMENTS
8	REVISED TO MEET REQUIREMENTS
9	REVISED TO MEET REQUIREMENTS
10	REVISED TO MEET REQUIREMENTS

DRAWING NUMBER 7012500-0-0

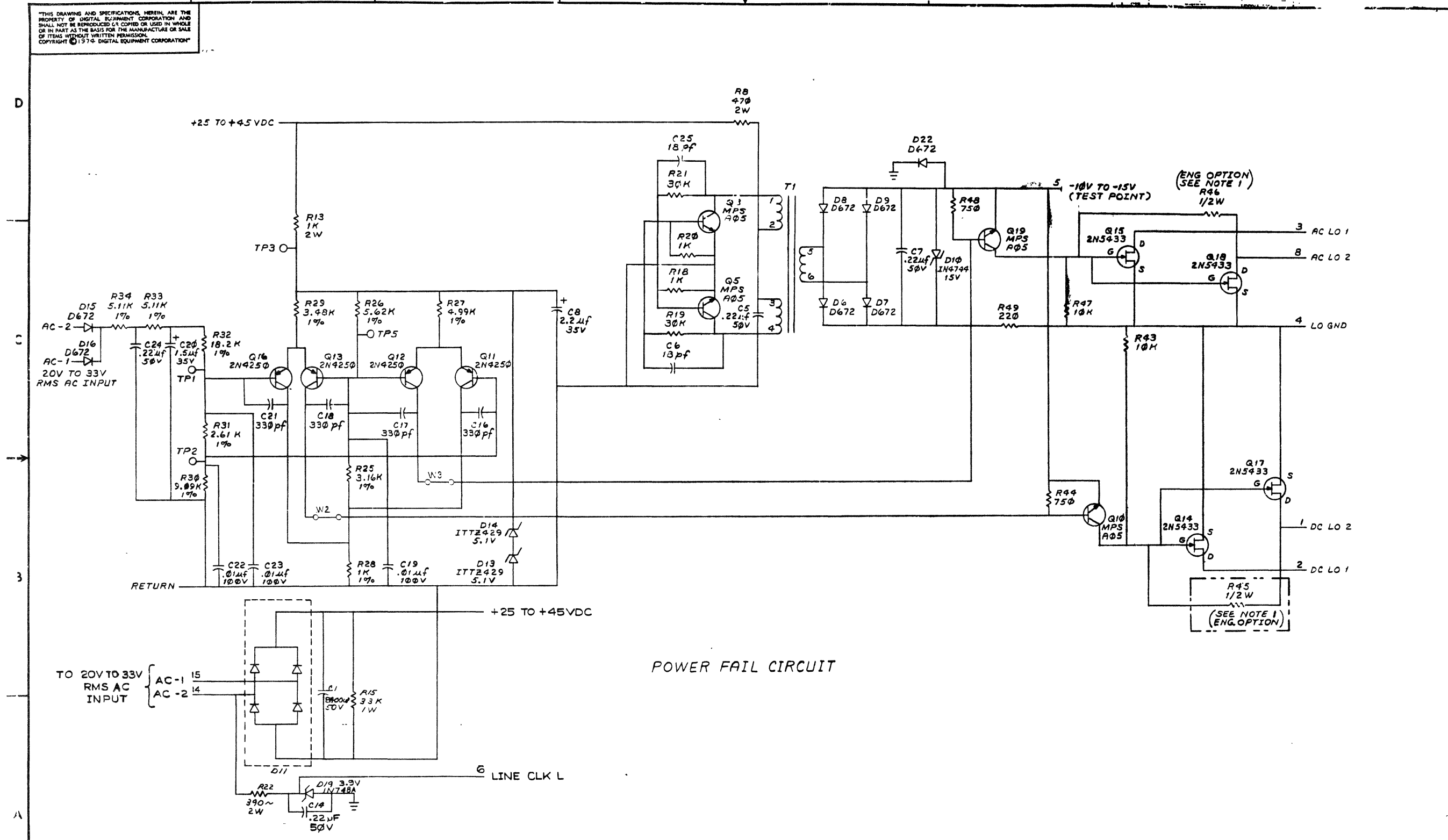






"THIS DRAWING AND SPECIFICATIONS, HEREIN, ARE THE PROPERTY OF DIGITAL EQUIPMENT CORPORATION AND SHALL NOT BE REPRODUCED OR COPIED OR USED IN WHOLE OR IN PART AS THE BASIS FOR THE MANUFACTURE OR SALE OF ITEMS WITHOUT WRITTEN PERMISSION. COPYRIGHT © 1974 DIGITAL EQUIPMENT CORPORATION"

1-0-98011-01-01 2



POWER FAIL CIRCUIT

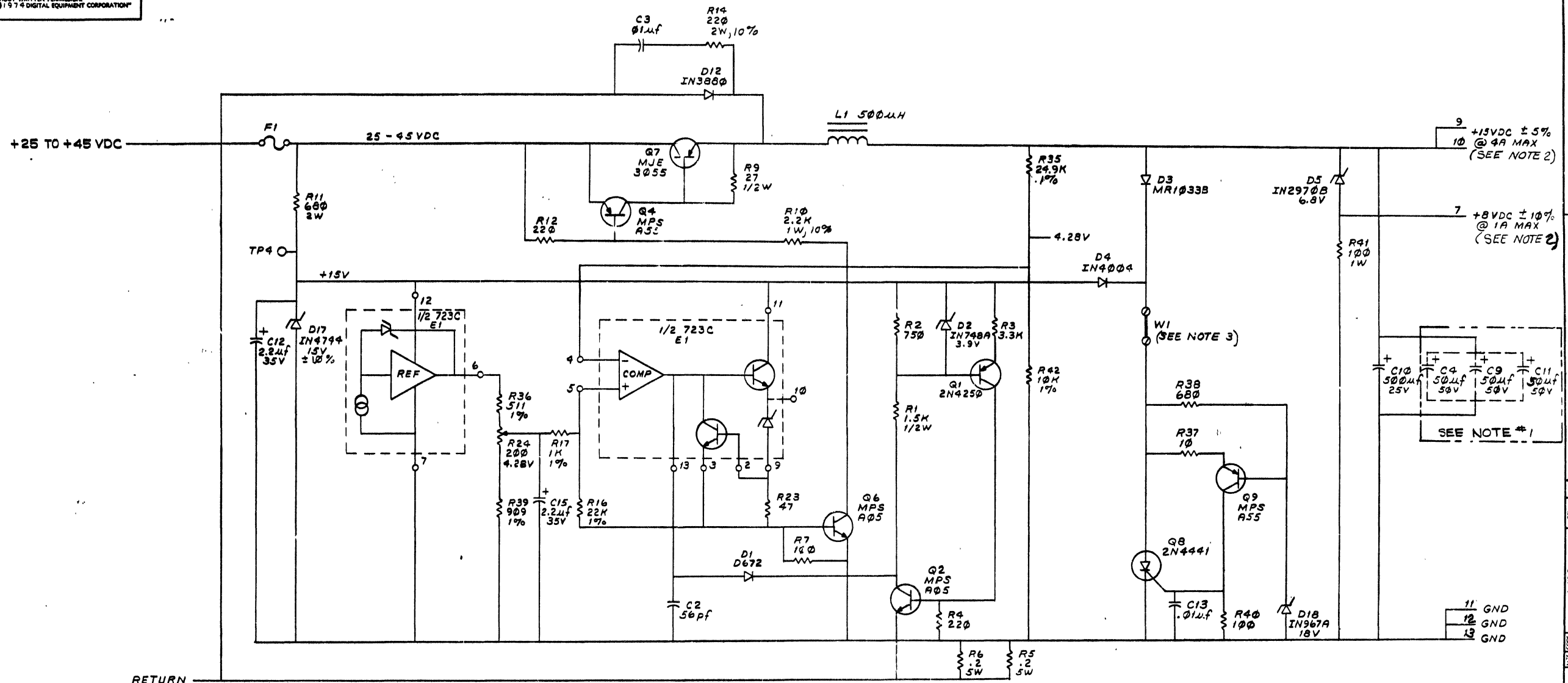
REVISIONS		
CHK	CHANGE NO	REV.

TITLE	PWR. LINE MONITOR/15V REG.	SIZE CODE	N°/MBEI	REV.
SCALE	SHEET 3 OF 4	DIST.	DCS 5411086-0-1	

8 7 6 5 4 3 2 1

"THIS DRAWING AND SPECIFICATIONS, HEREIN, ARE THE PROPERTY OF DIGITAL EQUIPMENT CORPORATION AND SHALL NOT BE REPRODUCED OR COPIED OR USED IN WHOLE OR IN PART AS THE BASIS FOR THE MANUFACTURE OR SALE OF ITEMS WITHOUT WRITTEN PERMISSION. COPYRIGHT © 1974 DIGITAL EQUIPMENT CORPORATION"

DCS5411086-0-1 2



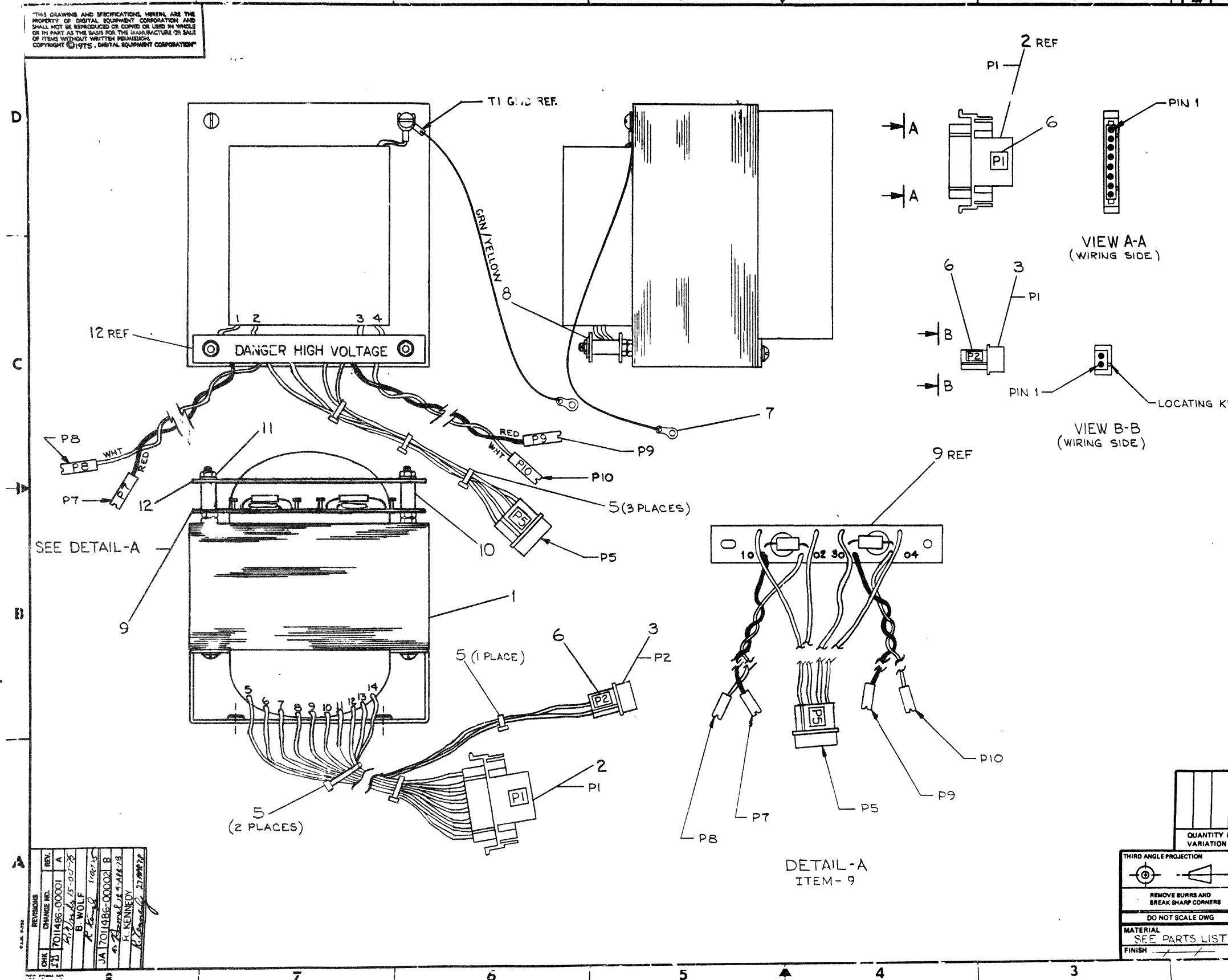
15V REGULATOR  
(SEE NOTE #4)

REVISIONS		
CHK	CHANGE NO.	REV.

TITLE	PWR. LINE MONITOR/15V REG.	SIZE CODE	NUMBER	REV.
SCALE	1/1	SHEET	2 OF 4	1
DISTR.		D.C.S. 5411086-0-1		

DCS5411086-0-1 REV. 1

THIS DRAWING AND SPECIFICATIONS HEREIN ARE THE PROPERTY OF DIGITAL EQUIPMENT CORPORATION AND SHALL NOT BE REPRODUCED OR COPIED OR USED IN WHOLE OR IN PART AS THE BASIS FOR THE MANUFACTURE OR SALE OF ITEMS WITHOUT WRITTEN PERMISSION. COPYRIGHT © 1975, DIGITAL EQUIPMENT CORPORATION



REF	DESCRIPTION	DWG./PART NO.	ITEM NO.
	TRANSFORMER ASSY PROCEDURE	A-SP-7011486-0-9	13
1	COVER	C-IA-7414301-0-0	12
2	NUT, KEP*10-32	9006565	11
2	SPACER, 3/80D X 1/2LG	9007831	10
1	CAP MOV BOARD ASSY	D-IA-7017510-0-0	9
2	WASHER, FLAT #37X.218ID	9006664	8
1	GROUND LUG	9008150	7
1	DECAL	A-DC7409872-0-0	6
10	CABLE TIES 5/4L X 1/8W	9007880	5
10	PIN, MALE	1209378-1	4
1	CONN., 2 PIN	1210822-2	3
1	CONN., 8 PIN	1209340-01	2
1	TRANSFORMER	1612524	1

QUANTITY & VARIATION	CLASS OF ACCURACY		NOMINAL DIMENSION RANGE INCHES					
<input type="checkbox"/> MEDIUM <input checked="" type="checkbox"/> PREFERRED	ANGLES 30°-30'	CLASS OF ACCURACY	OVER .01 TO .02	.02 TO .03	.03 TO .04	OVER .04 TO .05	OVER .05 TO .10	
	SURFACE QUALITY IN	(CHECK ONE)	±.004	±.008	±.012	±.016	±.024	±.04
	MICRONCHES	PREFERRED	±.012	±.016	±.020	±.04	±.083	±.1

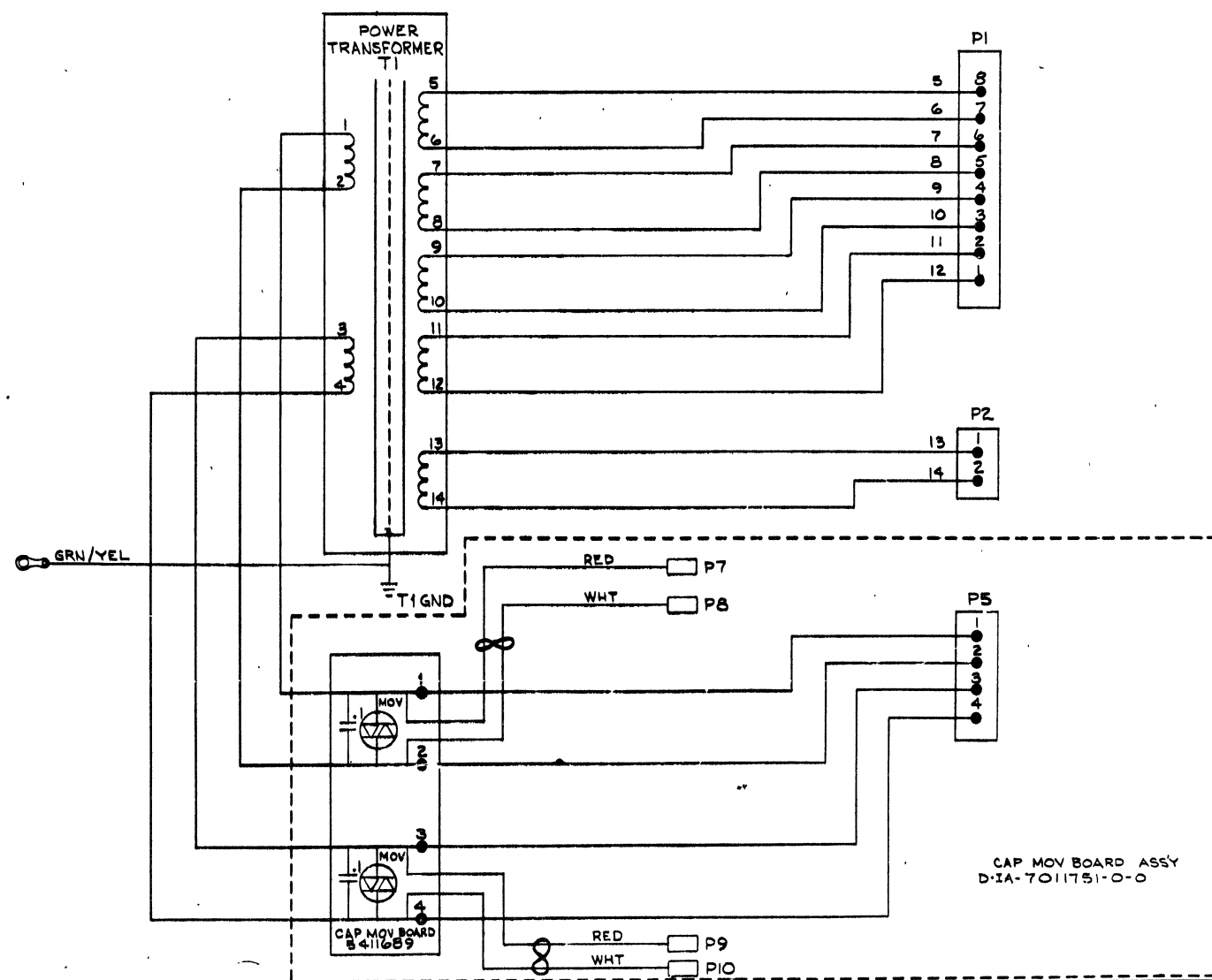
THIRD ANGLE PROJECTION	DRN: [Signature]	FIRST USED ON	H782
REMOVE BURRS AND BREAK SHARP CORNERS	CHK'D: [Signature]	TITLE	TRANSFORMER ASSY
DO NOT SCALE DWG	ENG: [Signature]	SIZE CODE	D AD
MATERIAL SEE PARTS LIST	PROJ ENG: [Signature]	NUMBER	7011486-0-0
FINISH	PROD: [Signature]	REV.	B
	NEXT HIGHER ASSY.	SHEET	1 OF 2

REV.	CHG.	DATE	BY	APP.
1	A	12/15/75	B. WOLF	[Signature]
2	B	1/14/76	R. KENNEDY	[Signature]

DRI 100 C

"THIS DRAWING AND SPECIFICATIONS, HEREIN, ARE THE PROPERTY OF DIGITAL EQUIPMENT CORPORATION AND SHALL NOT BE REPRODUCED OR COPIED OR USED IN WHOLE OR IN PART AS THE BASIS FOR THE MANUFACTURE OR SALE OF ITEMS WITHOUT WRITTEN PERMISSION. COPYRIGHT © 1975 DIGITAL EQUIPMENT CORPORATION"

WIRE TABLE							
ITEM NO.	DESCRIPTION		FROM		TO		WIRE LENGTH
	AWG	COLOR	CONNECTION	WITH	CONNECTION	WITH	
↑	14	BLK	T1-1	---	CAP MOV BD-1	SOLDER	1.5 IN
↑	↑	↑	T1-2	---	CAP MOV BD-2	SOLDER	2.0 IN
↑	↑	↑	T1-3	---	CAP MOV BD-3	SOLDER	2.0 IN
↑	↑	↑	T1-4	---	CAP MOV BD-4	SOLDER	1.5 IN
			T1-5	---	P1-8	ITEM 4	12.0 IN
			T1-6	---	P1-7	↑	↑
			T1-7	---	P1-6	↑	↑
			T1-8	---	P1-5	↑	↑
			T1-9	---	P1-4	↑	↑
			T1-10	---	P1-3	↑	↑
			T1-11	---	P1-2	↑	↑
			T1-12	---	P1-1	ITEM 4	↑
↓	↓	↓	T1-13	---	P2-1	ITEM 4	↓
↓	14	BLK	T1-14	---	P2-2	ITEM 4	12.0 IN
↓	14	GRN/YEL	T1-GND	---	GND LUG (ITEM 7)	SOLDER	16.0 IN



REVISIONS		
CHK	CHANGE NO	REV.

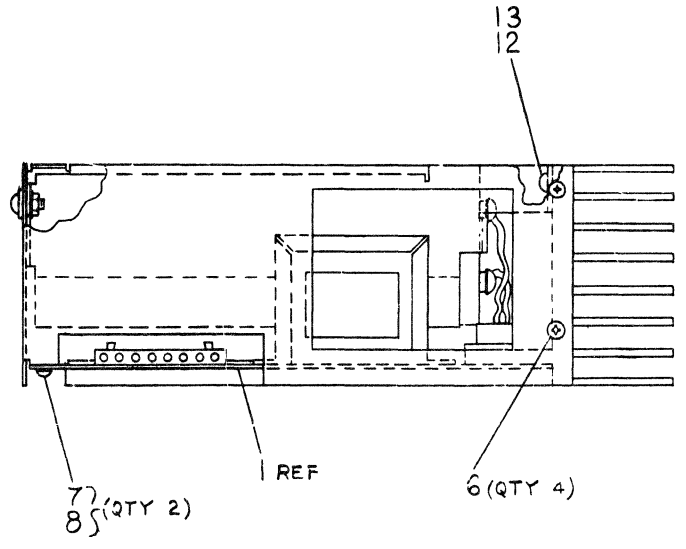
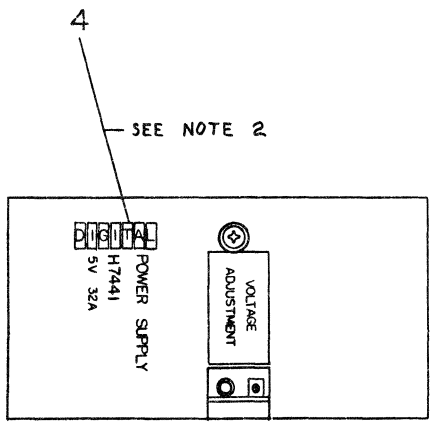
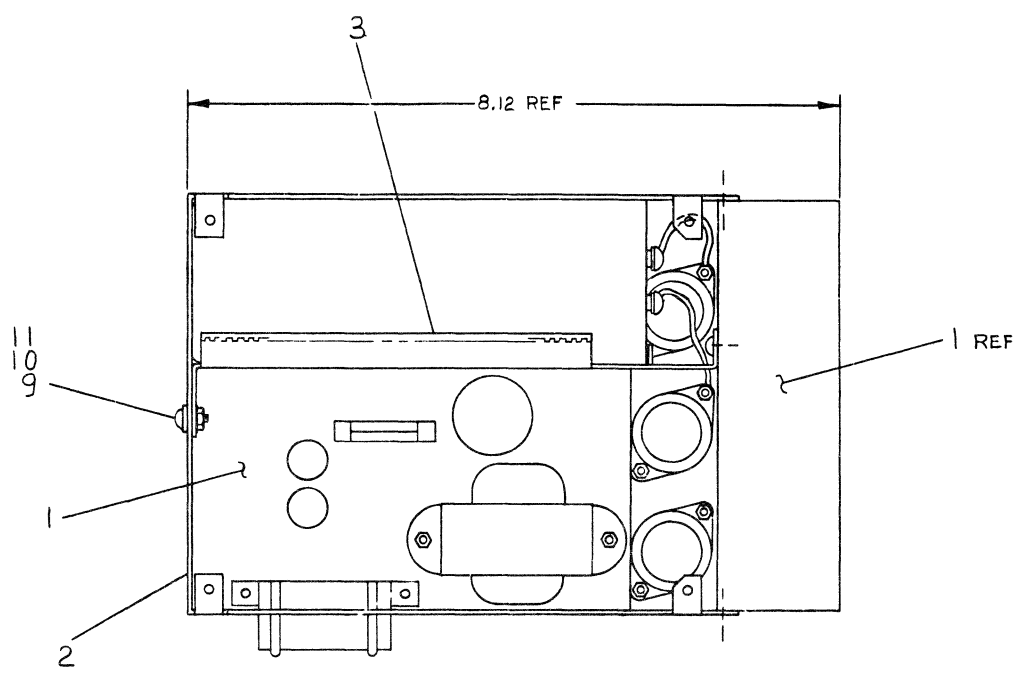
TITLE: TRANSFORMER ASSY  
 SIZE CODE: D  
 NUMBER: AD7011486-0-0  
 REV: B  
 SCALE: / / SHEET 2 OF 2





"THIS DRAWING AND SPECIFICATIONS, HEREIN, ARE THE PROPERTY OF DIGITAL EQUIPMENT CORPORATION AND SHALL NOT BE REPRODUCED OR COPIED OR USED IN WHOLE OR IN PART AS THE BASIS FOR THE MANUFACTURE OR SALE OF ITEMS WITHOUT WRITTEN PERMISSION. COPYRIGHT © 1976, DIGITAL EQUIPMENT CORPORATION"

NOTES:  
 1. ATTACH (RED) WIRE FROM ITEM (1) REG. TO POSITIVE (+) TERM. OF CAPACITOR ITEM (5). ATTACH REMAINING (BLK) WIRE TO THE (-) TERMINAL OF THE CAP. (ITEM 5).  
 2. PEEL AND ATTACH ITEM 4 TO ITEM 2 AS SHOWN.



1	WASHER, LOCK INT. TOOTH #6	9006633	13
1	SCR, PHL PAN HD. #6-32x.38	9006022-01	12
1	NUT, KEPS #6-32x.31	9006560	11
1	WASHER, FLAT #6	9006659	10
1	SCR, PHL PAN HD. #6-32x.31	9006021-01	9
2	WASHER FLAT #4	9008172	8
2	SCR, PHL PAN HD #4-40x.26	9008301-01	7
4	SCR, SELF TAPPING #4-40x.31	9009142-2	6
1	CAPACITOR, 24K, 50 VDC	1010702-00	5
1	DECAL	B-1A-7416945-10	4
1	BRACKET, CAPACITOR	D-1A-7417543-0-0	3
1	BRACKET, REGULATOR	D-1A-5309756-09	2
1	REGULATOR, +5V, 32 A	D-1A-5412441-0-0	1

QUANTITY & VARIATION	DESCRIPTION	DWG / PART NO.	ITEM NO.
	UNLESS OTHERWISE SPECIFIED DIMENSIONS ARE IN INCHES		
ANGLES 90° 30'	CLASS OF ACCURACY	NOMINAL DIMENSIONS PER PAGE INCHES	
SURFACE QUALITY IN	(CHECK ONE)	OVER 0 TO 0.2	OVER 0.2 TO 0.5
MICROINCHES	PREFERRED	±0.004	±0.012
		±0.016	±0.025
		±0.04	±0.08
		±0.1	±0.1

THIRD ANGLE PROJECTION

REMOVE BURRS AND BREAK SHARP CORNERS

DO NOT SCALE DWG

MATERIAL SEE PARTS LIST

FINISH

DRN: *[Signature]* H7441  
 CHK'D: *[Signature]* 2 NOV 76  
 ENG: *[Signature]* H7441  
 PROJ. ENG: *[Signature]* 5 V 32 A  
 PROD: *[Signature]* 5 V 32 A

FIRST USED ON 1134 A

TITLE H7441 UNIT ASSY

digital

SIZE CODE D UA NUMBER H7441-0-0 REV C

SHEET 1 OF 1 DIST 1

REVISIONS

CHK	CHANGE NO.	REV.
1	H7441-00001	A
2	H7441-00003	B
3	H7441-00004	C

DATE: 31 JAN 77

R. DAY

5 FEB 77

D. ZWISCHER

B. GIST

H7441-00004

A. BROWN

E. CROCKER

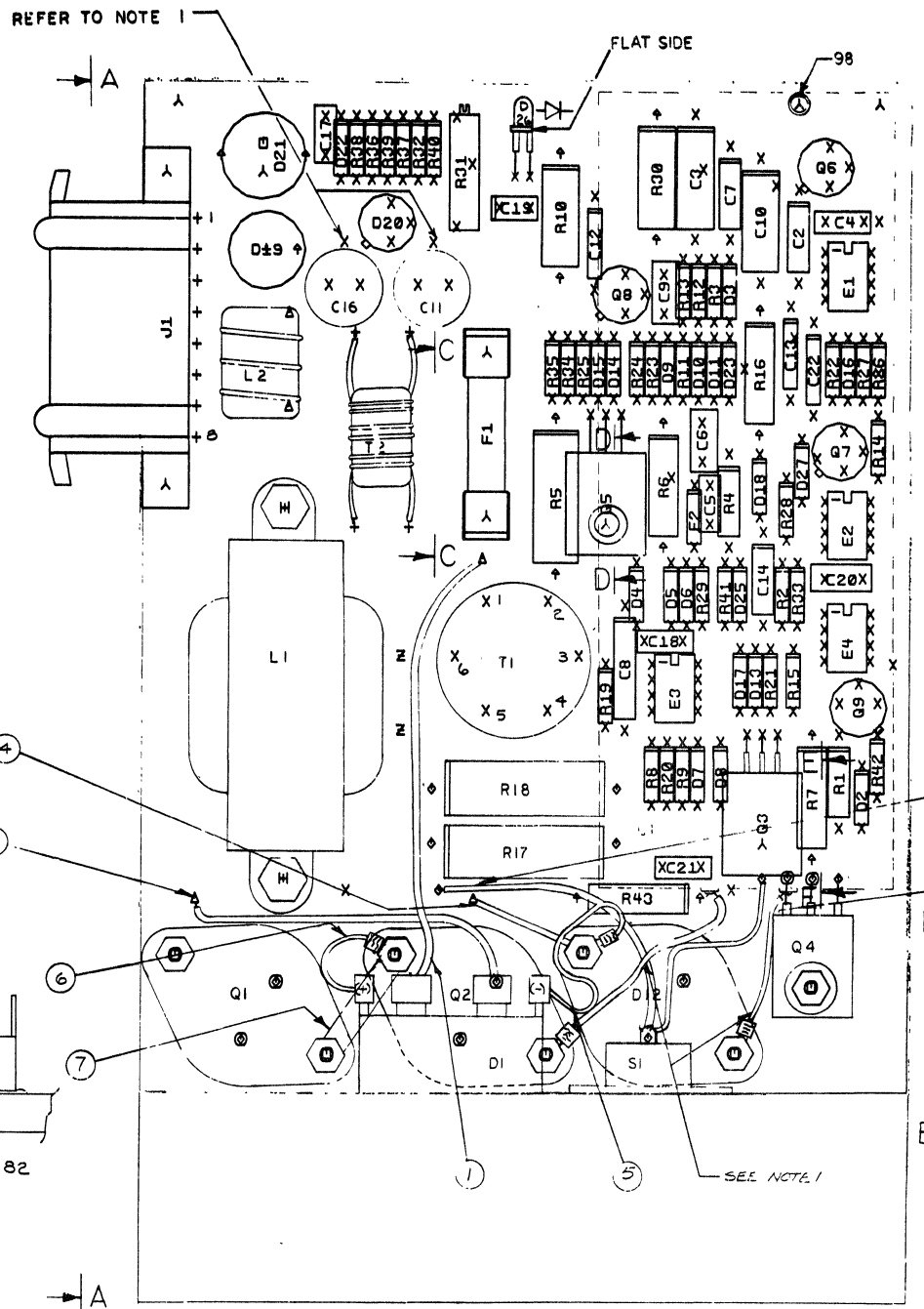
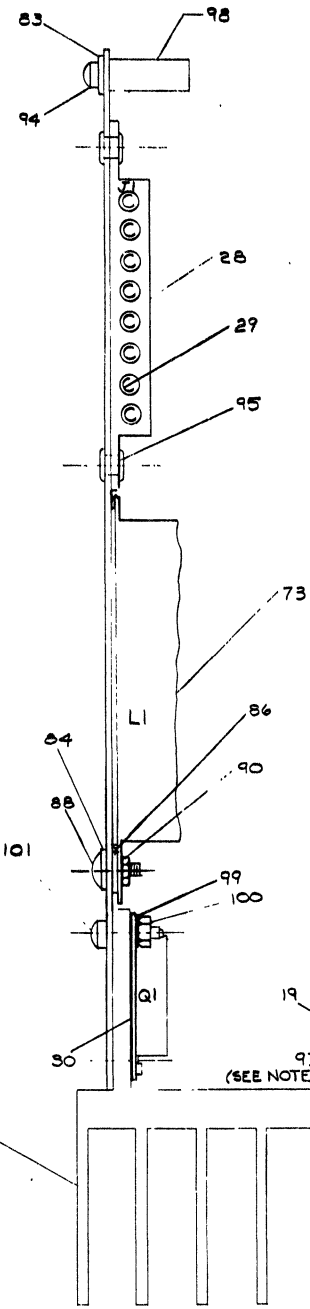
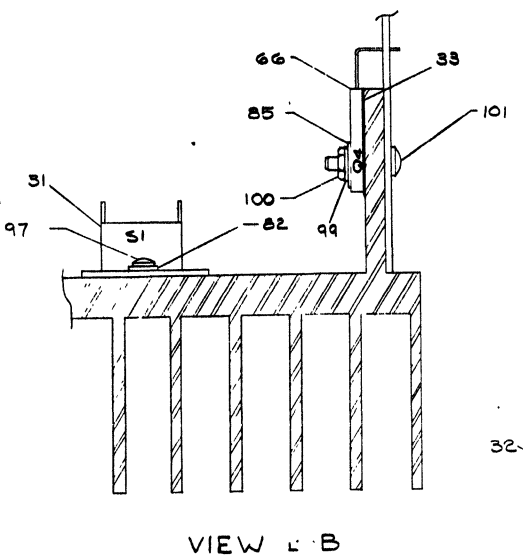
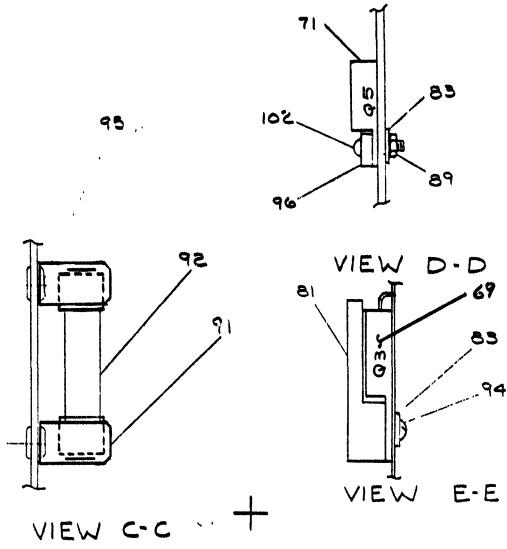
B. GIST

THIS DRAWING AND SPECIFICATIONS, HEREIN, ARE THE PROPERTY OF WESTINGHOUSE ELECTRIC AND MANUFACTURING COMPANY, and shall not be used, in whole or in part, for any other purpose without the written consent of the company.

WIRE & BUS STRAP RUNS

NO	FROM	TO	WIRE OR BUS LENGTH
①	FEEDTHRU AT F1	TERMINAL D1	#14 AWG 4" SEE NOTE 3
②	S1	FEEDTHRU SHOWN	#18 AWG 3"
③	S1	FEEDTHRU SHOWN	#18 AWG 2.5"
④	D12	FEEDTHRU SHOWN	DEC PT #1214074-05 SEE NOTE 4
⑤	TERMINAL D1	D12	#14 AWG 3" SEE NOTE 5
⑥	TERMINAL D1	Q2	#14 AWG 2" SEE NOTE 6
⑦	Q2	Q1	DEC PT #1214074-04 SEE NOTE 7
⑧	TERMINAL D1	FEEDTHRU SHOWN	#14 AWG 2.75" SEE NOTE 2

NOTES: 1. MOUNT WIRES PER IA DRAWING NO. IA 7013274. RED WIRE TO CASE Q2 AND POSITIVE TERMINAL C1 & BLACK WIRE TO CASE D12 AND NEGATIVE TERMINAL C1.  
 2. WIRE RUN ② IS SOLDERED AT D1  
 3. WIRE RUN ③ IS SOLDERED AT D1  
 4. STRAP ④ (ITEM #26) IS SOLDERED AT FEEDTHROUGH SHOWN AND MOUNTED UNDER RING LUG OF D12.  
 5. WIRE RUN ⑤ IS SOLDERED AT D1 AND CRIMPED TO RING LUG ITEM #87 OF D12.  
 6. WIRE RUN ⑥ IS SOLDERED AT D1 AND CRIMPED TO RING LUG ITEM #87 OF Q2.  
 7. BUS STRAP ⑦ (ITEM #25) IS MOUNTED UNDER RING LUG OF Q2 AND ON CASE OF Q1.  
 8. TORQUE HARDWARE ON Q1, Q2, Q4 AND D12 TO BINCH-LBS. FROM NUT SIDE ONLY. TORQUE OTHER HARDWARE TO DEC STD VALUES.  
 9. APPLY THERMAL COMPOUND TO D1 (ITEM 19) ONLY.



NOTES:  
 1. INDICATED DRILL POINTS AT C11 AND C16 SHOULD NOT BE USED FOR DRILL ALIGNMENT DURING MANUFACTURE. THESE OVERSIZED PADS WILL NOT CENTER WITH DRILL BORING.

CHANGE NO	REV	DATE	BY	CHK'D
1	1	5/20/77	B. G. J.	
2	1	5/20/77	B. G. J.	
3	1	5/20/77	B. G. J.	
4	1	5/20/77	B. G. J.	
5	1	5/20/77	B. G. J.	

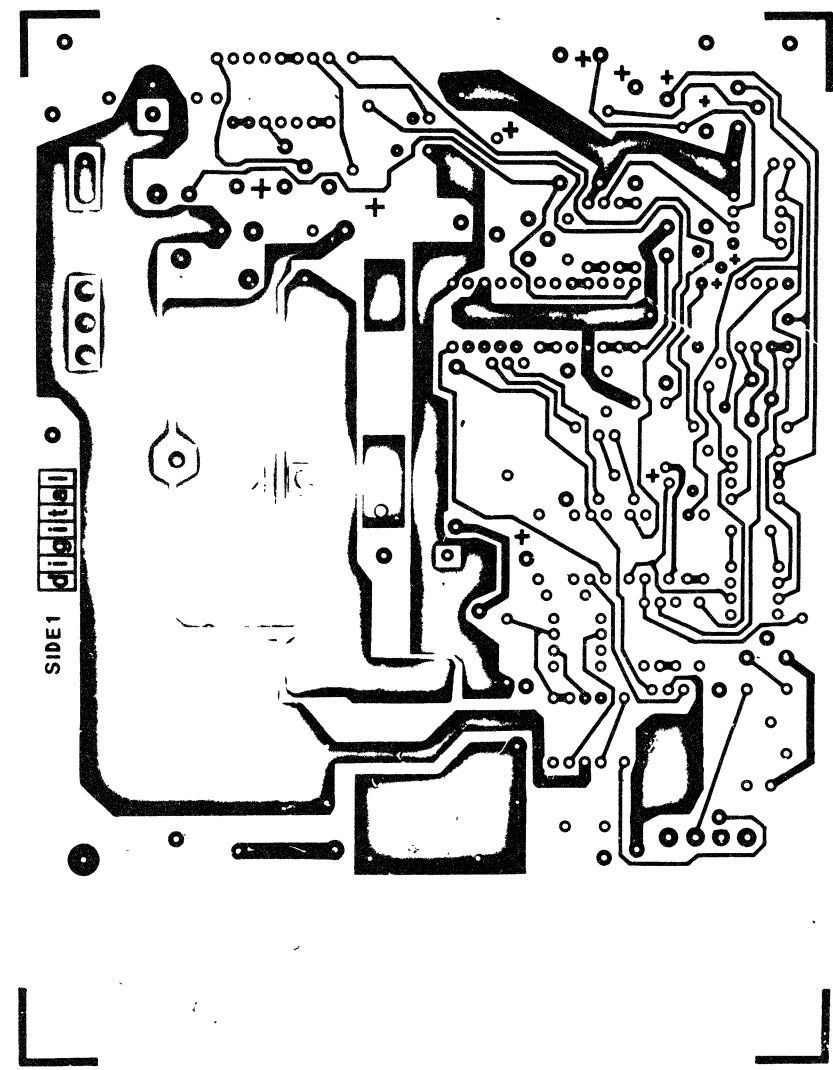
ETCH REV. F.  
 P.C. DESIGN DATA BASE REV. B-P4

SIGNATURES	DATE	TITLE
DRN. Burt G. H.	5/20/77	digital
CHK'D. [Signature]	5/20/77	
ENG. [Signature]	5/20/77	
PROJ. ENG. [Signature]	5/20/77	
PROD. [Signature]	5/20/77	
SCALE 2/1		
SHT. 1 OF 3		
NEXT HIGHER ASSY. B-27-5412441-0		

SIZE	CODE	NUMBER	REV
D	UA	5412441-00	J



THIS DRAWING AND ALL RIGHTS HEREIN ARE THE PROPERTY OF DIGITAL CORPORATION AND SHALL NOT BE REPRODUCED OR TRANSMITTED IN ANY FORM OR BY ANY MEANS, ELECTRONIC OR MECHANICAL, INCLUDING PHOTOCOPYING, RECORDING, OR BY ANY INFORMATION STORAGE AND RETRIEVAL SYSTEM, WITHOUT THE WRITTEN PERMISSION OF DIGITAL CORPORATION.

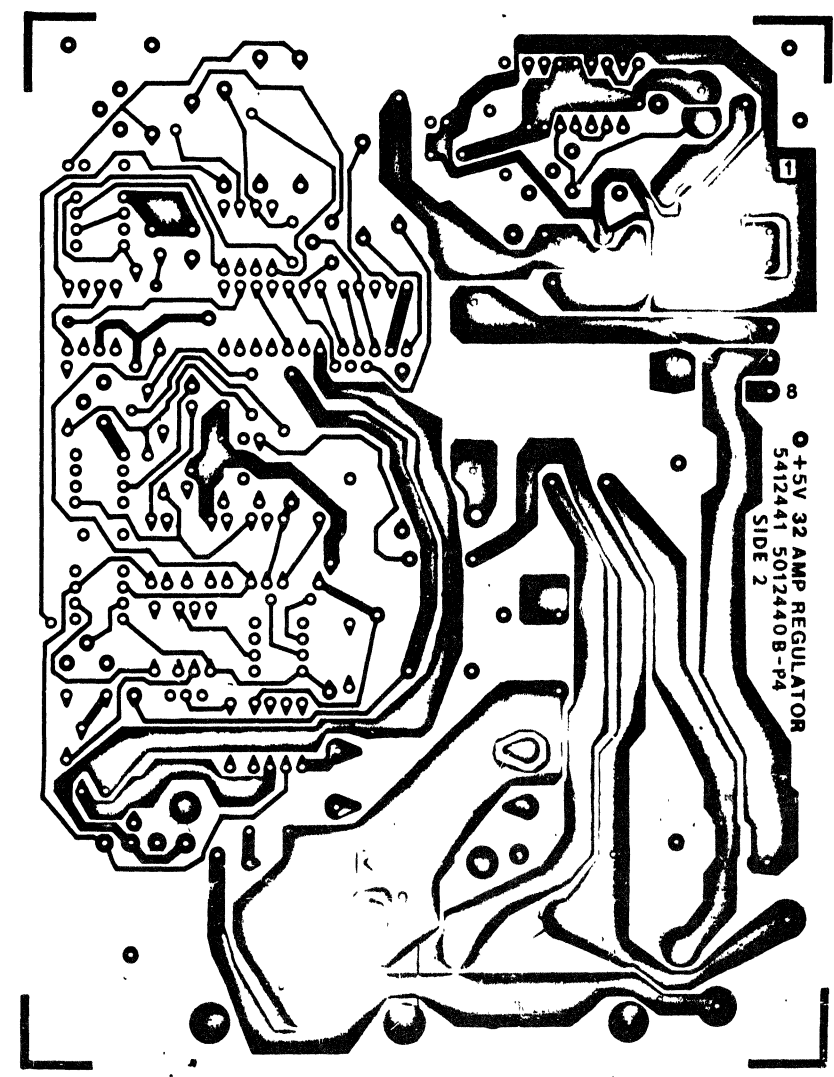


UNIVERSITY MICROFILMS

REVISIONS		
CHK	CHANGE NO	REV

+5V, 32AMP, REGULATOR    DUA 5412441-0-0    J  
 271    2    3

THIS DRAWING AND SPECIFICATIONS HEREIN ARE THE PROPERTY OF DUAL INC. AND SHALL NOT BE REPRODUCED OR USED IN ANY MANNER WITHOUT THE WRITTEN PERMISSION OF DUAL INC. A TEXAS INSTRUMENTS COMPANY.



REVISIONS		
CHK	CHANGE NO	REV

+5V, 32AMP REGULATOR		D UA 5412441-0-0	J
2/1	3	3	

LINE ITEM	DOCUMENT NO.	PART NO.	DESCRIPTION	QTY	REFERENCE DESIGNATORS
1	1	D-MD-5012440-0-0	5012440-00	5412441	1
2	2		1000009-00	33.0 MMF 100V 5%200PPM DM15S (10-00	1 C20
3	3		1000021-00	220.0 MMF 100V 5%200PPM DM15S (10-00	1 C9
4	4		1001610-01	.01 MFD 100V DR 50V Z5U DISC/800PF MIN	5 C4,C5,C17,C18,C21
5	5		1002627-00	2.2MFD 20V 10% 150D S.TA (10	2 C2,C7
6	6		1004813-00	10 MFD 20V 10% 150D S.TA (10-00	1 C8
7	7		1010279-00	.47 MFD 25V 20% 2C023 CER.	1 C19
8	8		1010646-00	.015 MFD 50V 2% M.POLYCARB	2 C3,C10
9	9		1010702-00	24,000 MFD 50V GZ 36D AL EL	1 C1
10	10		1012607-00	560 MFD 20V HZ 672D AL EL	1 C11
11	11		1012607-01	1200 MFD 6.3V HZ 672D AL EL	1 C16
12	12		1009964-00	.68 MFD 35V 10% 150D S.TA	1 C12
13	13		1001776-00	1 MFD 35V 10% 150D S.TA (10-00	3 C13,C14,C22
14	14		1000024-00	470.0 MMF 100V 5%200PPM DM15S (10-00	1 C6
15	15		1105508-00	1N 823 VZ= 6.2 5% .40W Y	1 D18
16	16		1102808-00	1N 752A VZ= 5.6 5% .40W P	1 D22
17	17		1103341-00	MR1033B PIV=300 I= 3A Z44 SM	1 D19
18	18		1105275-00	D 672 TR= 15NS FIV= 60V SP	15 D3-D6,D9-D11,D13-D17,D23,D25, CONT D27
19	19		1110051-00	DM 16 ASSY@200V & 25A #990-3	1 D1
20	20		1110324-00	LED 1MCD@10MA #MV5054-1#HP4882	1 D26
21	21		1110836-00	1N 759A VZ= 12.0 5% .40W P	1 D2
22	22		1110968-00	2N 5062 SCR@100V I=.8A T092	1 D20
23	23		1112595-01	A114B PIV=200 I= 1A	2 D7,D8
24	24		1113496-00	UES602R PIV=100 I=30A T03	1 D12
25	25		1214074-04	STRAP,THERMAL 2 HOLE	1
26	26		1214074-05	STRAP,THERMAL LUG .815	1
27	27		1209070-00	FUSE, SUB-MINI, 5.000A, 125V, RADIAL LEAD	1 F2
28	28		1209340-00	MATE-N-LOK 8PIN,HOUSING,SKT	1 J1
29	29		1209456-01	MATE-N-LOK SKT PCB TAB LOOSE	8

REVISION HISTORY			VARIATIONS FOR THIS ASSY.		
CHK	ECO NO	REV	FIRST USED ON:		
SC	00008	00	DIGITAL EQUIPMENT CORPORATION MAYNARD, MASSACHUSETTS		
			MADE BY: D.SIREEN	DATE: 10-MAR-78	TITLE
			CHECKED: F.GAROFALO	DATE: 10-MAR-78	PARTS LIST
			DSN.ENG.: R.DAY	DATE: 10-MAR-78	+5V 32 AMP REGULATOR
			PROD.: R.B.KING	DATE: 10-MAR-78	SIZE CODE DOCUMENT NUMBER REV
			RESP.ENG.: R.DAY	DATE: 10-MAR-78	K PL 3412441-0-0 J
					ASSY.NO.: D-UA-5412441-0-0 EDIT# 6

\*THIS DRAWING AND SPECIFICATIONS HEREIN, ARE THE PROPERTY OF DIGITAL EQUIPMENT CORPORATION AND SHALL NOT BE REPRODUCED OR COPIED OR USED IN WHOLE OR IN PART AS THE BASIS FOR THE MANUFACTURE OR SALE OF ITEMS WITHOUT WRITTEN PERMISSION.  
COPYRIGHT 1978, DIGITAL EQUIPMENT CORPORATION \*

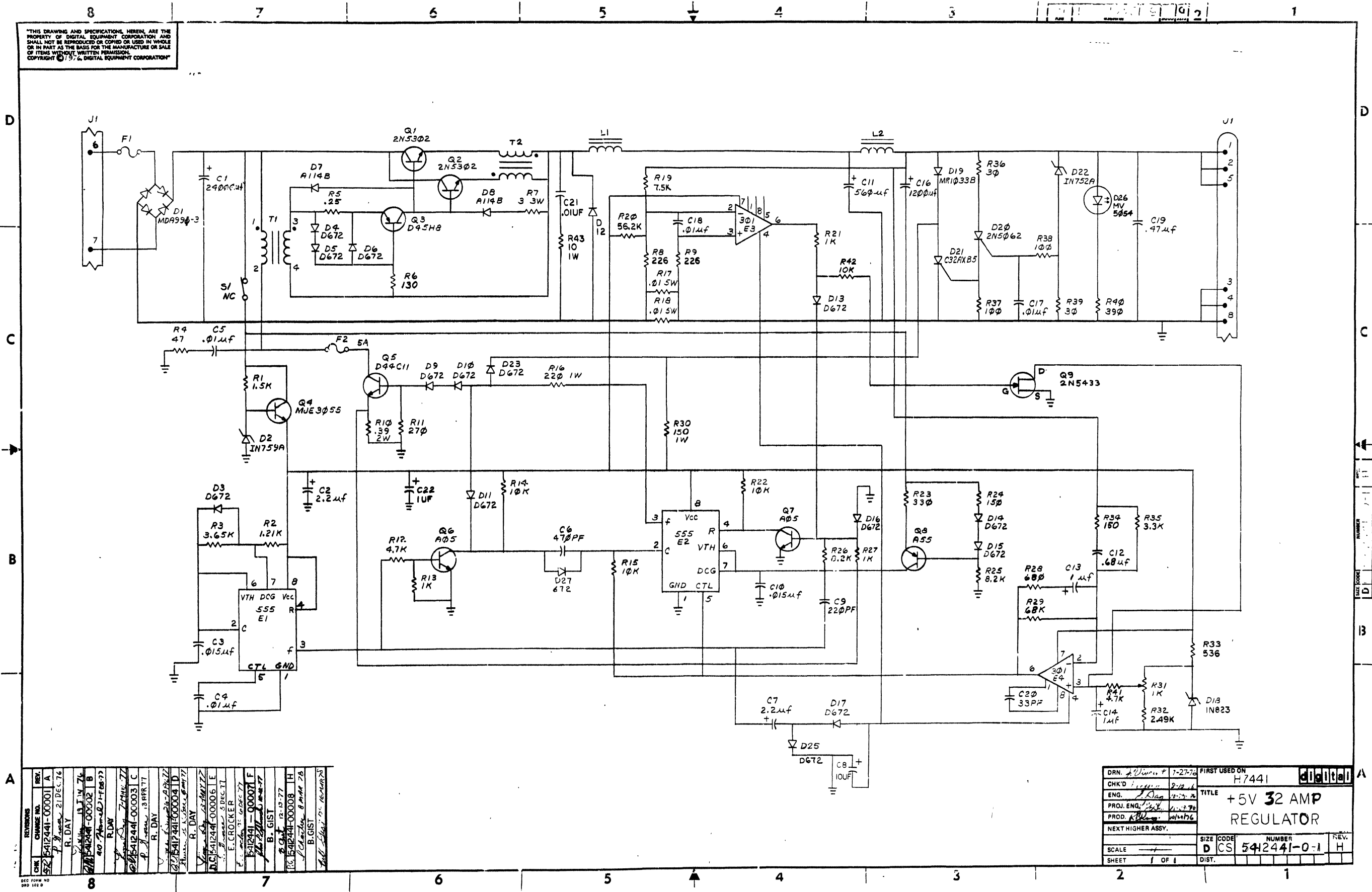
LINE ITEM	DOCUMENT NO.	PART NO.	DESCRIPTION	QTY	REFERENCE DESIGNATORS
30	30	1213071-02	INSULATOR,RUBBER SILICONE SM	3	
31	31	1212787-00	THERMOSTAT,00212,C0182,NC	1	S1
32	32	1210737-02	HEAT SINK,REGULATOR	1	
33	33	1213071-06	INSULATOR,RUBBER SILICONE	1	
34	34	1312626-00	2.49 K 1/4W 1% RN55D-F 100PPM	1	R32
35	35	1300229-00	100 1/4W 5% CC	2	R37,R38
36	36	1300250-00	150 1/4W 5% CC	2	R24,R34
37	37	1305322-00	7.5 K 1/4W 1% RN55D-F 100PPM	1	R19
38	38	1300295-00	330 1/4W 5% CC	1	R23
39	39	1301424-00	680 1/4W 5% CC	1	R28
40	40	1301327-00	68 K 1/4W 5% CC	1	R29
41	41	1300439-00	3.3 K 1/4W 5% CC	1	R35
42	42	1310219-00	.25 3W 1% WW	1	R5
43	43	1300248-00	130 1W 5% CC	1	R6
44	44	1302644-00	226 1/4W 1% RN55D-F 100PPM	2	R8,R9
45	45	1300277-00	220 1W 10% CC	1	R16
46	46	1300309-00	390 1/4W 5% CC	1	R40
47	47	1312922-00	536 1/4W 1% RN55D-F 100PPM	1	R33
48	48	1300365-00	1 K 1/4W 5% CC	3	R13,R21,R27
49	49	1300394-00	1.5 K 1/2W 5% CC	1	R1
50	50	1300447-00	4.7 K 1/4W 5% CC	2	R12,R41
51	51	1300479-00	10 K 1/4W 5% CC	4	R14,R15,R22,R42
52	52	1301695-00	47 1/2W 5% CC	1	R4
53	53	1301972-00	270 1/4W 5% CC	1	R11
54	54	1312747-00	56.2 K 1/4W 1% RN55D-F 100PPM	1	R20
55	55	1302751-00	30 1/4W 5% CC	2	R36,R39
56	56	1302871-00	1.21 K 1/4W 1% RN55D-F 100PPM	1	R2
57	57	1303179-00	8.2 K 1/4W 5% CC	2	R25,R26
58	58	1305337-00	3.65 K 1/4W 1% RN55D-F 100PPM	1	R3
59	59	1309143-07	1 K 3/4W10% POT 100PPM	1	R31
60	60	1310868-00	.39 2W 5% WW	1	R10
61	61	1313712-00	.01 5W 3% WW	2	R17,R18
62	62	1312682-00	3 3W 5% CC	1	R7
63	63	1300256-00	150 1W 10% CC	1	R30
64	64	1300171-00	10 1W 5% CC	1	R43
65	65	1510196-00	2N 5302/HSNPN 200WC SI 60 40 M	2	Q1,Q2
66	66	1510555-00	MJE3055 NPN 90WC SI 60 20 Y	1	Q4
67	67	1510705-00	XA 05 NPN 500MW SI 60 50 P	2	Q6,Q7
68	68	1510706-00	XA 55 PNP 500MW SI 60 50 P	1	Q8
69	69	1510708-00	D 45HB PNP 50WT SI 60 60 Y	1	Q3
70	70	1510928-00	C32AX135 SCR@100V I=25A	1	D21
71	71	1512790-00	D 44C11 NPN 30W SI 80 40	1	Q5
72	72	1511686-00	DECS433 FET N 350MW 10 25 1A 20U	1	Q9
73	73	1612584-00	50 UH 30A	1	L1
74	74	1612592-00	PULSE XFMR,RATIO 4:1	1	T1
75	75	1613713-00	CHOKER, 5 UH 32A	1	L2
76	76	1613714-00	2 UH 20A	1	T2
77	77	1910282-00	301AN OP AMP	2	E3,E4

DIGITAL EQUIPMENT CORPORATION MAYNARD, MASSACHUSETTS	TITLE +5V 32 AMP REGULATOR	PARTS LIST	SIZE K	CODE FL	DOCUMENT NUMBER 5412441-0-0	REV J
---	-------------------------------	------------	-----------	------------	--------------------------------	----------

LINE ITEM	DOCUMENT NO.	PART NO.	DESCRIPTION	QTY	REFERENCE DESIGNATORS
78	78	1911944-00	555CN TIMER,FUNCT.BLOCK	2	E1,E2
79	79	7013274-00	JUMPER CAP TRAWS	1	
80	80	7013274-01	JUMPER CAP TRAWS	1	
81	81	7414765-00	HEATSINK	1	
82	82	9006633-00	WASHER,LOCK,INT,.2800D X .146ID X .018 THK	3	
83	83	9008172-00	WASHER, FLAT,SS .250 OD X .125 ID X .022 T	3	
84	84	9006660-00	WASHER, FLAT, .375 O.D. X .187 I.D. X .036	2	
85	85	9006653-00	WASHER, FLAT, .375 O.D. X .156 I.D. X .036	1	
86	86	9008082-00	WASHER, FLAT, FIBER OD. 1/2	2	
87	87	9007927-00	TERM RING 1POS INSULATED,16-14AWG,ROLL	2	
88	88	9006037-03	SCREW,TRUS,PHIL, 8-32X 3/8 SS/PAS	2	
89	89	9006557-00	NUT,KEP , 4-40X 1/4 AF CS	1	
90	90	9006563-00	NUT,KEP , 8-32 X11/32AF CS	2	
91	91	9007203-00	CLIP, FUSE, WITH STOP, SCREW MOUNTED	2	
92	92	9007226-00	FUSE, REG BLOW, 15.000A, 32V, GLASS	1	F1
93	93	9008268-00	COMPOUND, THERMAL JOINT		A/R
94	94	9006012-01	SCREW,PAN PHIL, 4-40X 7/16 SS/PAS	2	
95	95	9009000-00	EYELET, ROLLED FLANGE, .121 OD X .156 LG	4	
96	96	9009769-00	WASHER, RECTANGULAR .405X.225X.060	1	
97	97	9006021-01	SCREW,PAN PHIL, 6-32X 5/16 SS/PAS	2	
98	98	9007660-00	SPACER, FIBER, RND, 4-40, .250 X .500 LG	1	
99	99	9007801-00	WASHER, LOCK, S.S. #6	7	
100	100	9008957-00	NUT,HEX , 6-32X 1/4 AF X 3/32 THK SS	7	
101	101	9007773-01	SCREW,PAN PHIL, 6-32X 9/16 SS/PAS	8	
102	102	9006010-01	SCREW,PAN PHIL, 4-40X 5/16 SS/PAS	1	
103	103	9107360-99	WIRE,STRND,18AWG,IPVC UL1429 (91-00 A/R		
104	104	9107370-00	WIRE,STRND,14AWG,IPVC UL1534 (91-00 A/R		

DIGITAL EQUIPMENT CORPORATION MAYNARD, MASSACHUSETTS	TITLE PARTS LIST +5V 32 AMP REGULATOR	SIZE CODE K PL	DOCUMENT NUMBER 5412441-0-0	REV J
---	---	-------------------	--------------------------------	----------

"THIS DRAWING AND SPECIFICATIONS, HEREIN, ARE THE PROPERTY OF DIGITAL EQUIPMENT CORPORATION AND SHALL NOT BE REPRODUCED OR COPIED OR USED IN WHOLE OR IN PART AS THE BASIS FOR THE MANUFACTURE OR SALE OF ITEMS WITHOUT WRITTEN PERMISSION. COPYRIGHT © 1974, DIGITAL EQUIPMENT CORPORATION"



REV.	DATE	BY	CHK'D
1	12-10-77	B. GIST	B. GIST
2	12-10-77	B. GIST	B. GIST
3	12-10-77	B. GIST	B. GIST
4	12-10-77	B. GIST	B. GIST
5	12-10-77	B. GIST	B. GIST
6	12-10-77	B. GIST	B. GIST
7	12-10-77	B. GIST	B. GIST
8	12-10-77	B. GIST	B. GIST

DRN. 1-27-76	FIRST USED ON	H7441
CHK'D 1-27-76	TITLE	+5V 32 AMP REGULATOR
ENG. 1-27-76	SCALE	1 OF 1
PROJ. ENG. 1-27-76	SHEET	1 OF 1
PROD. 1-27-76	SIZE	D
NEXT HIGHER ASSY.	CODE	CS
	NUMBER	542441-0-1
	REV.	H

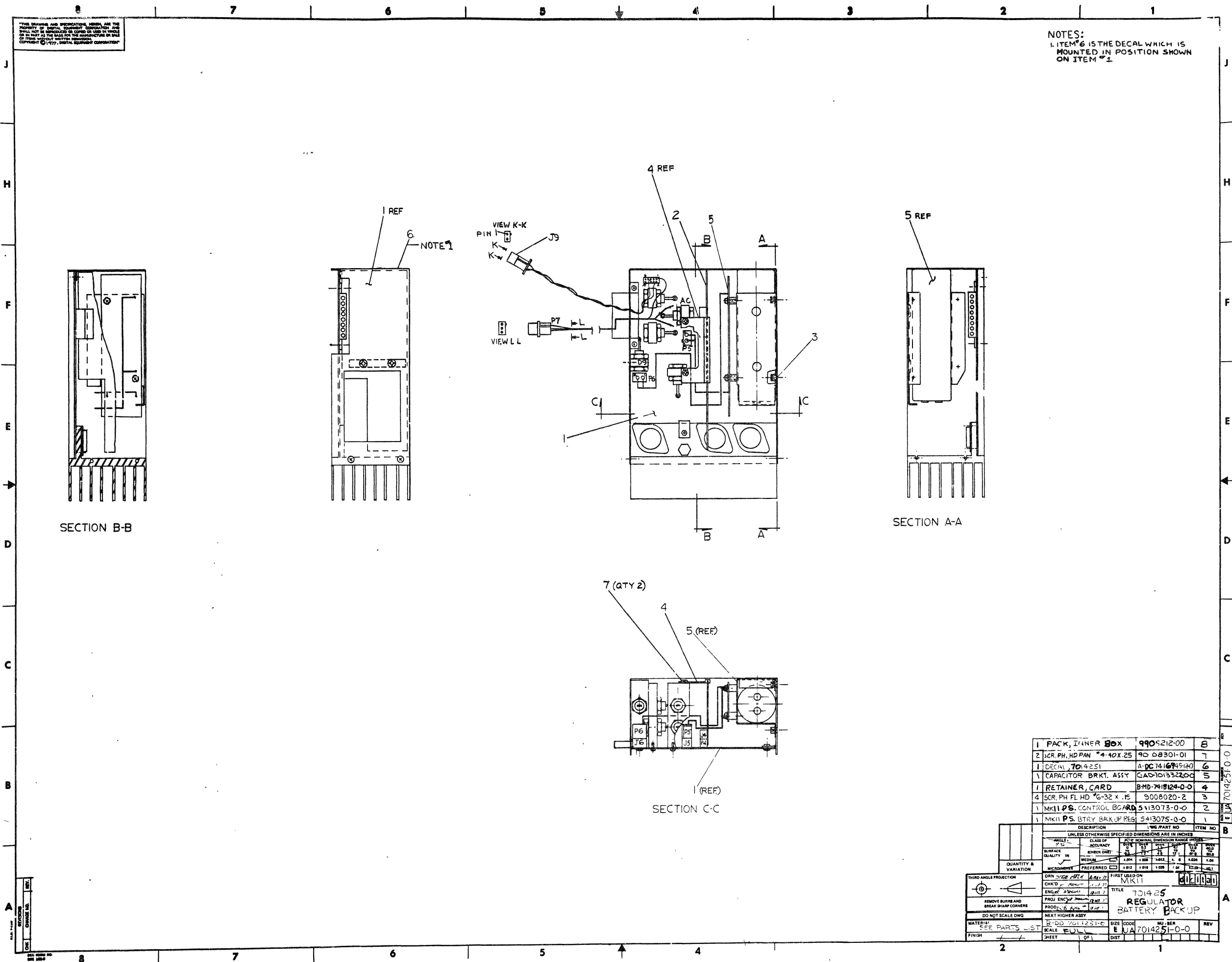






THIS DRAWING AND SPECIFICATIONS HEREAFTER ARE THE PROPERTY OF DIGITAL EQUIPMENT CORPORATION AND SHALL NOT BE REPRODUCED OR COPIED OR USED IN WHOLE OR IN PART AT THE BIDDING FOR THE MANUFACTURE OR SALE OF THIS EQUIPMENT WITHOUT THE WRITTEN PERMISSION OF DIGITAL EQUIPMENT CORPORATION.

NOTES:  
1. ITEM #6 IS THE DECAL WHICH IS MOUNTED IN POSITION SHOWN ON ITEM #1.



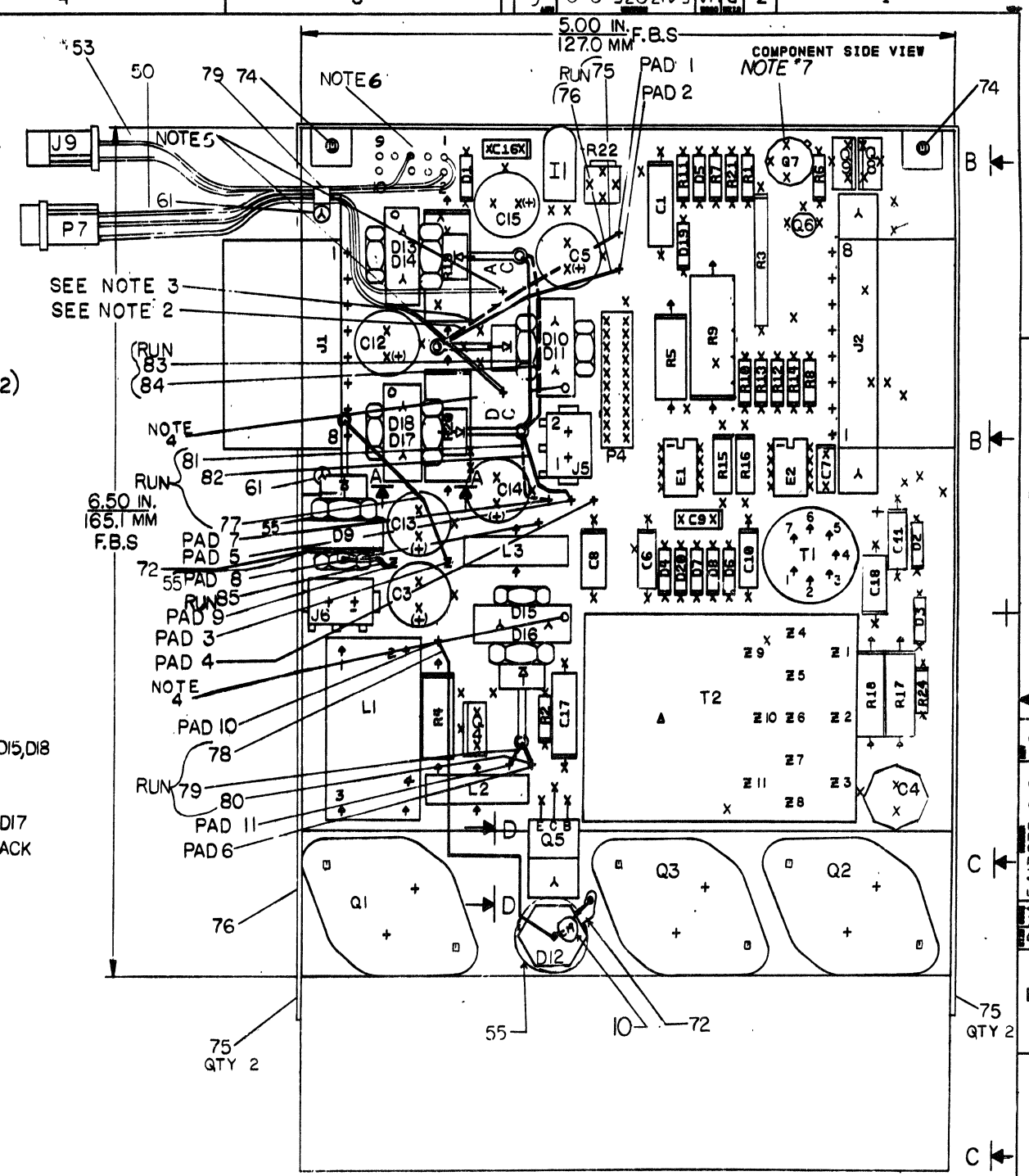
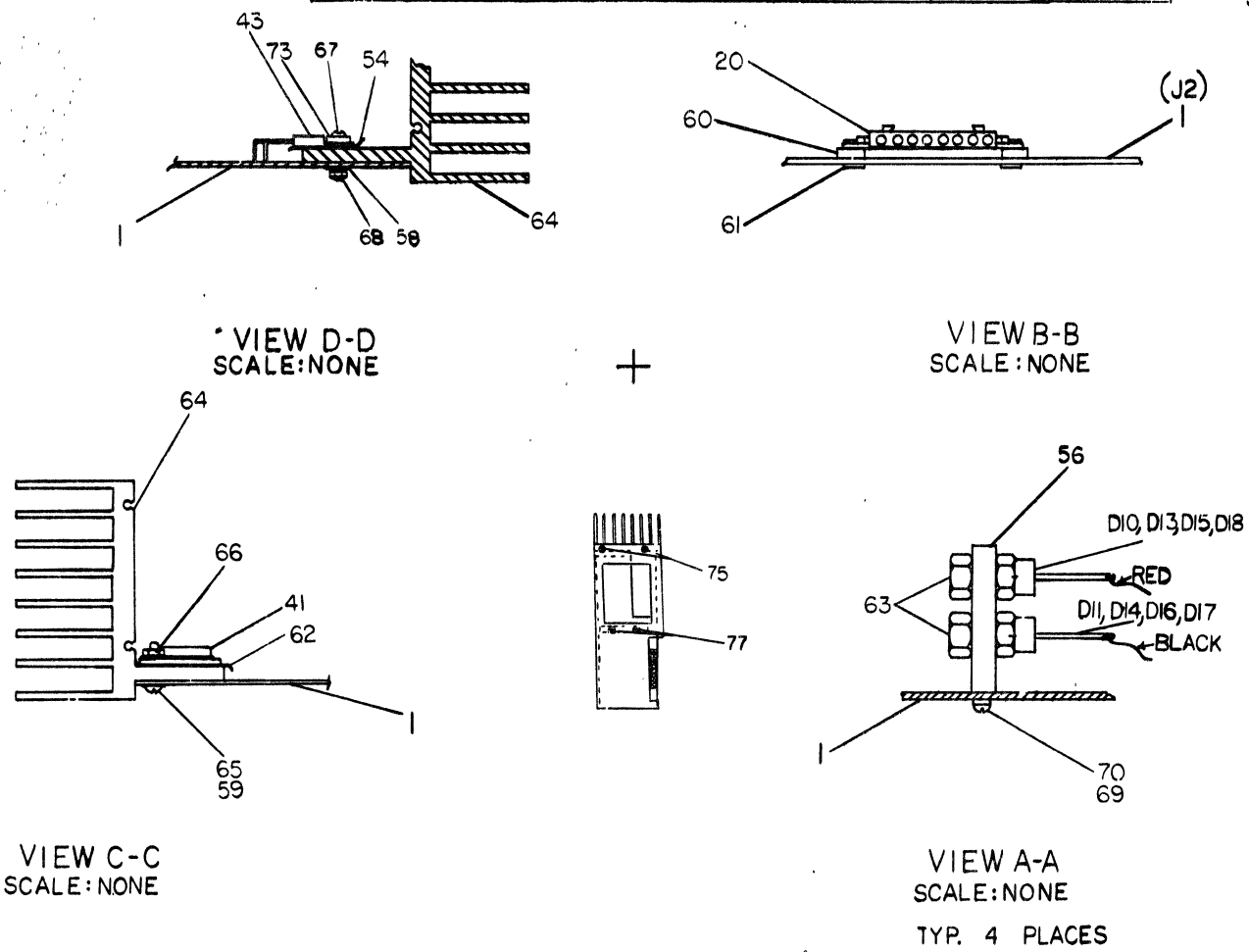
ITEM NO	DESCRIPTION	QTY	PART NO
1	PACK, INNER BOX	1	9905212-00
2	SCR, PH, HD PAN #4-40X.25	90	088301-01
3	DECAL 7014251	1	A-DC7416745120
4	CAPACITOR BRKT. ASSY	1	CAD-10133220
5	RETAINER, CARD	1	B-MD-7918124-0-0
6	SCR, PH FL HD #6-32 x .15	1	9008020-2
7	MKII PS. CONTROL BOARD	1	5413073-0-0
8	MKII PS. BTRY BACKUP REG	1	5413075-0-0

THIRD ANGLE PROJECTION		UNLESS OTHERWISE SPECIFIED DIMENSIONS ARE IN INCHES	
QUANTITY & VARIATION	DRN: <i>SLC/SLC</i> <i>1/1/77</i>	FIRST LEGON ON: MKII	
REMOVE BURRS AND BREAK SHARP CORNERS	CHK'D: <i>AS/SLC</i> <i>11/1/77</i>	TITLE: 701425 REGULATOR BATTERY BACKUP	
DO NOT SCALE DWG	ENG'D: <i>AS/SLC</i> <i>1/1/77</i>	SCALE: EUA7014251-0-0	
MATERIAL: SEE PARTS LIST	PROD. BY: <i>AS/SLC</i> <i>1/1/77</i>	SIZE CODE: NI, SER	
FINISH: <i>1/1/77</i>	NEXT HIGHER ASSY: B-DD 7014251-C	REV: 1	
	SCALE: EUL	SHEET: 1 OF 1	

THIS SHEET IS A PART OF THE DRAWING FOR THE MK-II PS. BATTERY BACKUP REGULATOR. IT IS THE PROPERTY OF THE U.S. GOVERNMENT AND IS LOANED TO YOU BY THE U.S. GOVERNMENT. IT IS TO BE RETURNED TO THE U.S. GOVERNMENT OFFICE OF PERSONNEL MANAGEMENT, WASHINGTON, D.C. 20535.

WIRE TABLE						
ITEM NO	RUN NO	DESCRPT.	COLOR	FROM	TO	LENGTH
71	75	18TWP	BLK	D11 ANODE	PAD 1	4.50
	76	18TWP	RED	D10 ANODE	PAD 2	4.50
	77	18	RED	D9 CATHODE	PAD 3	3.00
71	78	18	RED	D12 CATHODE	PAD 10	3.75
	79	18TWP	BLK	D16 ANODE	PAD 11	1.50
71	80	18TWP	RED	D15 ANODE	PAD 6	2.00
	81	18TWP	BLK	D17 CATHODE	PAD 7	2.75
71	82	18TWP	RED	D18 CATHODE	PAD 5	2.75
	83	18TWP	RED	D13 ANODE	D18 CAT.	3.50
71	84	18TWP	BLK	D14 ANODE	D17 CAT.	3.50
85	18	BLK	D9 ANODE	PAD 9	3.00	

UNTWIST ITEM NO. 71 AND USE PROPER COLOR.



- NOTES:
- SEE SHEET 4 OF 4 FOR DIODE WIRING.
  - SOLID LINE INDICATES WIRE FROM THE TOP DIODE.
  - DASHED LINE INDICATES WIRE FROM BOTTOM DIODE.
  - TAPPED HOLE AT TOP OF HEATSINKS MUST FACE PROPER WAY TO ALLOW INSERTION OF CARD GUIDE.

5. CABLE #7014303 SOLDER YELLOW WIRE TO PTH MARKED AC. SOLDER WHITE WIRE TO PTH MARKED DC. SOLDER WHITE WIRE TO PTH (SEE NOTE 6 FOR LOCATION OF PTH #1)

6. SOLDER TO PTH HOLE #5, RED WIRE. SOLDER TO PTH HOLE #2, BLACK WIRE OF CABLE #7014301 ITEM #53

7. ADD TRANS. PAD 90-07201 ITEM #13

8. REV # UA DOES NOT EXIST. THE CABINET IS IDENTICAL TO REV # UA.

REV	DATE	BY	CHK
1	14 MAR 78	J. MERCURI	
2	15 MAR 78	J. MERCURI	
3	15 MAR 78	J. MERCURI	
4	15 MAR 78	J. MERCURI	
5	15 MAR 78	J. MERCURI	
6	15 MAR 78	J. MERCURI	
7	15 MAR 78	J. MERCURI	
8	15 MAR 78	J. MERCURI	
9	15 MAR 78	J. MERCURI	

9. TORQUE SPECIFICATIONS

Q1-Q3 10 IN.-LBS. INSPECT TO MIN OF 6 TORQUE FROM SCREW HEAD

Q5 8 IN.-LBS. INSPECT TO MIN OF 5 TORQUE FROM SCREW HEAD

D9-D18 16 IN.-LBS. INSPECT TO MIN OF 12 TORQUE FROM NUT SIDE

REV	DATE	BY	CHK
1			
2			
3			
4			
5			
6			
7			
8			
9			

SIGNATURES	DATE	TITLE
DRN. STEVE KITE	14 MAR 78	digital
CHK'D. G. GIDDINGS	14 MAR 78	
ENG. J. MERCURI	28 MAR 78	
PROJ. ENG. J. MERCURI	28 MAR 78	
PROD. BOB KING	28 MAR 78	
SCALE 2-1		
SHT. 1 OF 4		
NEXT HIGHER ASSY. B-DD-5413075-0		

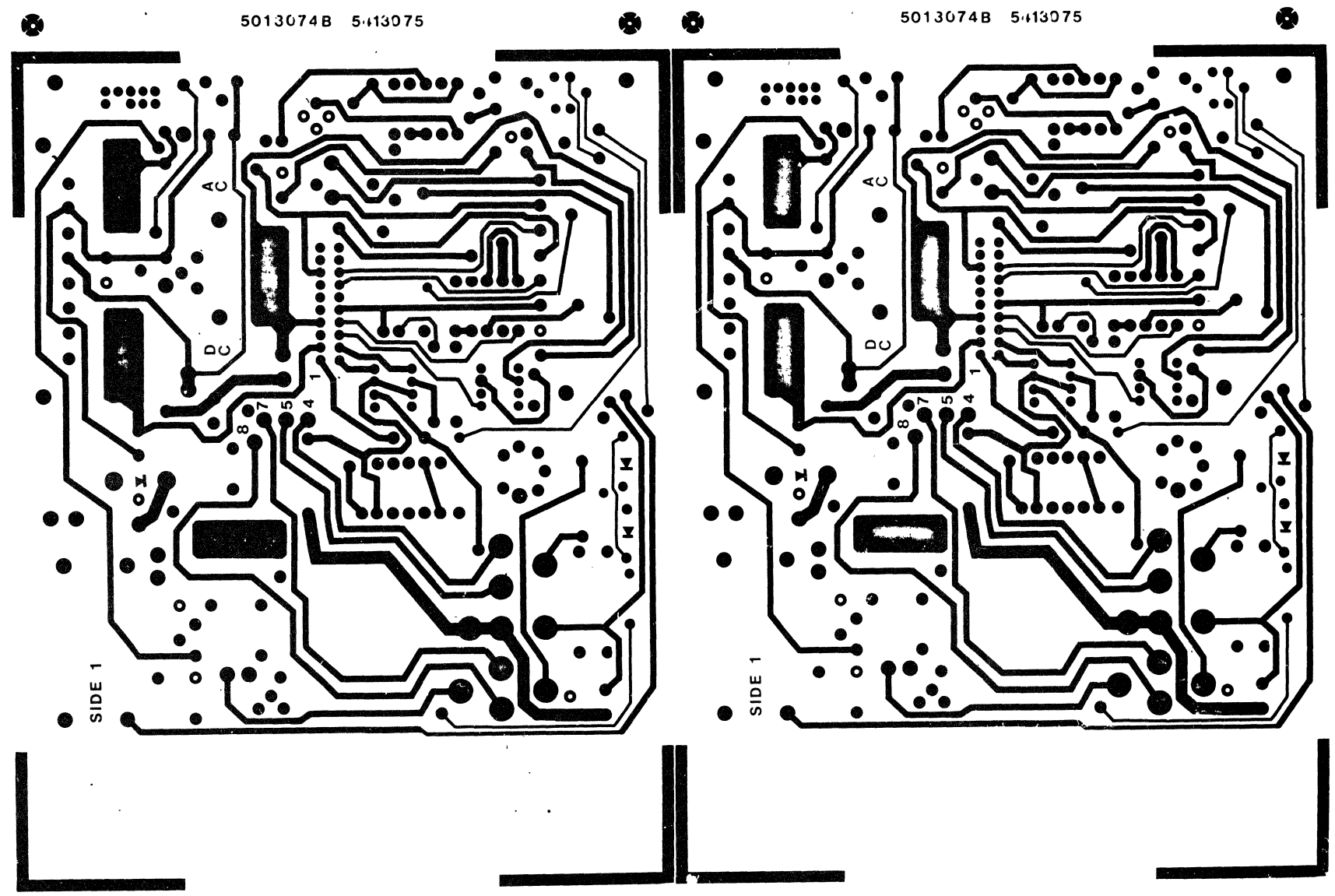
TITLE MK-II PS. BATTERY BACKUP REGULATOR

SIZE CODE NUMBER REV

D UA 5413075-0-0 C

"THIS DRAWING AND SPECIFICATIONS HEREIN ARE THE PROPERTY OF DIGITAL EQUIPMENT CORPORATION AND SHALL NOT BE REPRODUCED OR COPIED OR USED IN WHOLE OR IN PART AS THE BASIS FOR THE MANUFACTURE OR SALE OF ITEMS WITHOUT WRITTEN PERMISSION. COPYRIGHT © DIGITAL EQUIPMENT CORPORATION"

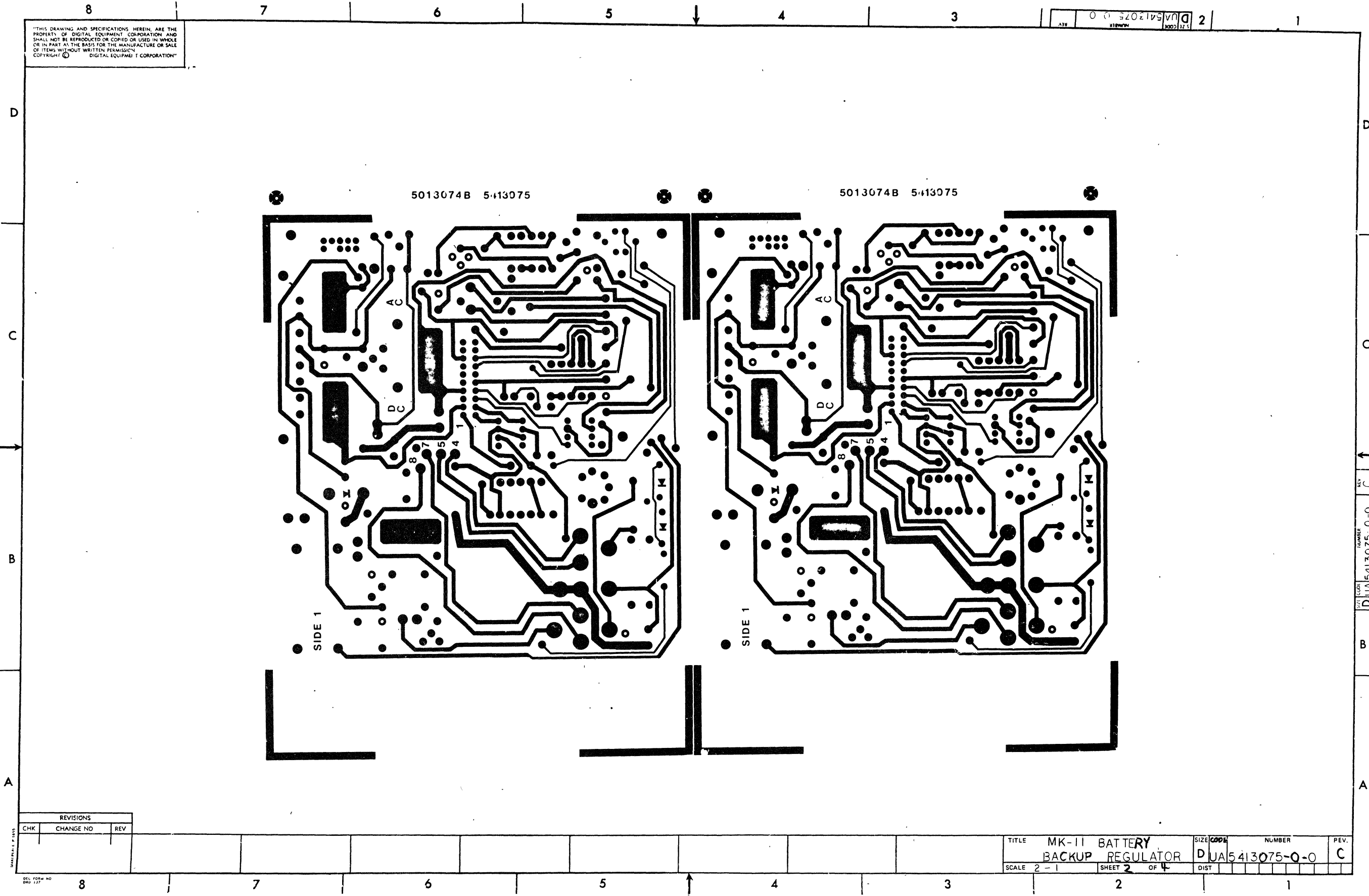
SIZE CODE NUMBER  
DUA5413075-0-0 2



REVISIONS		
CHK	CHANGE NO	REV

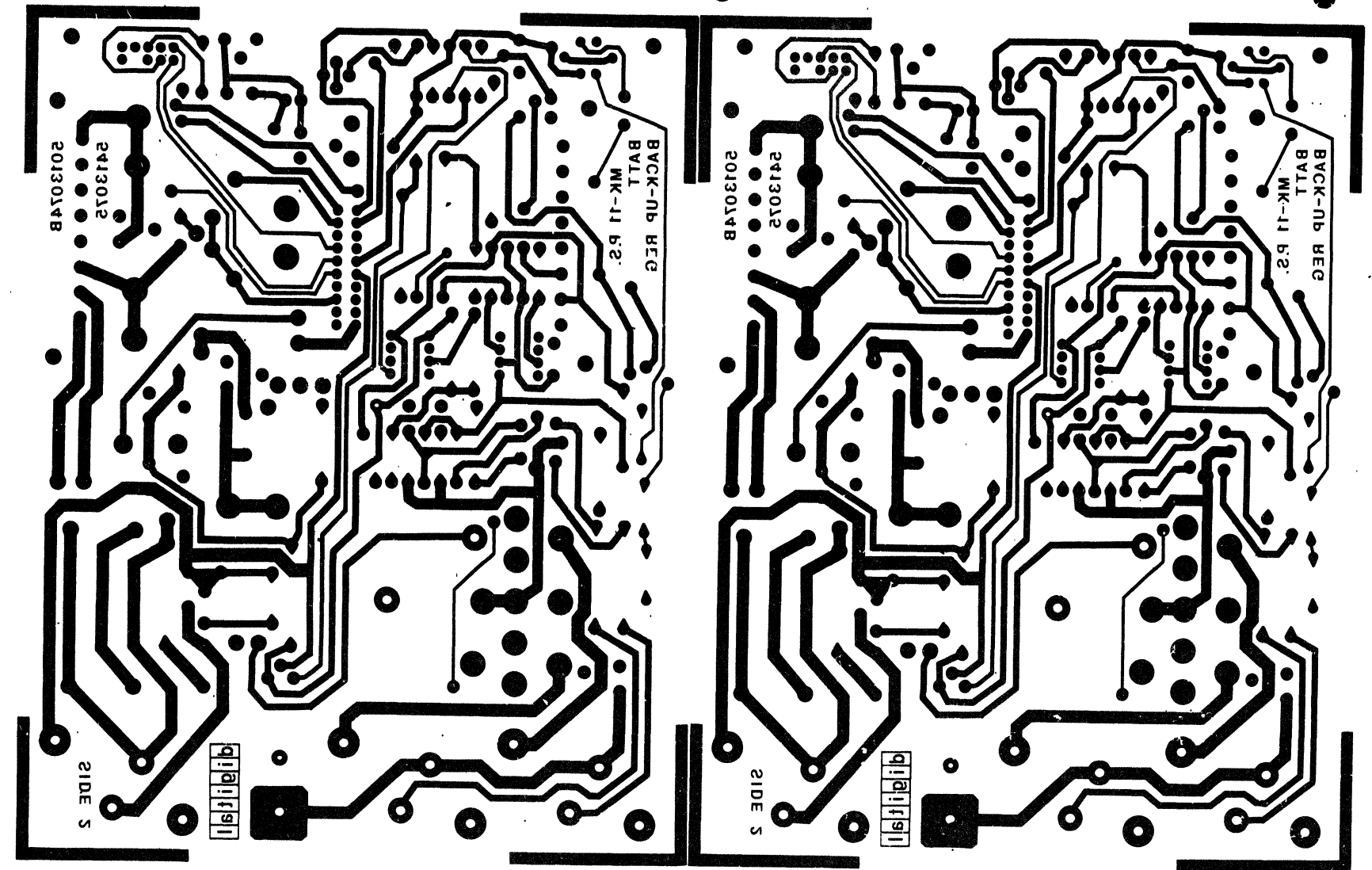
TITLE MK-II BATTERY BACKUP REGULATOR  
 SCALE 2-1 SHEET 2 OF 4  
 SIZE CODE NUMBER DUA5413075-0-0  
 DIST PEV. C

REV. C  
 NUMBER DUA5413075-0-0  
 DIST. C



"THIS DRAWING AND SPECIFICATIONS HEREIN ARE THE PROPERTY OF DIGITAL EQUIPMENT CORPORATION AND SHALL NOT BE REPRODUCED OR COPIED OR USED IN WHOLE OR IN PART AS THE BASIS FOR THE MANUFACTURE OR SALE OF ITEMS WITHOUT WRITTEN PERMISSION. COPYRIGHT © DIGITAL EQUIPMENT CORPORATION"

00 5413075-0 2

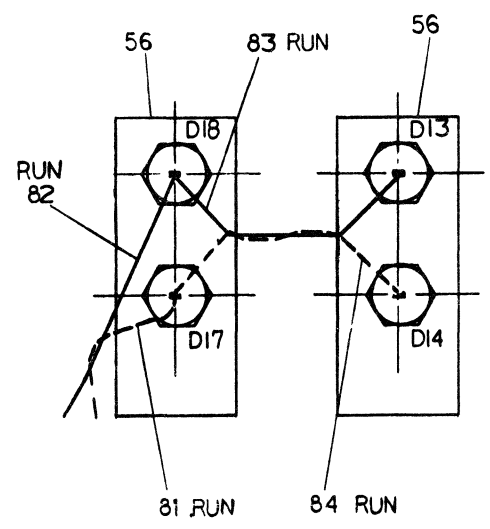
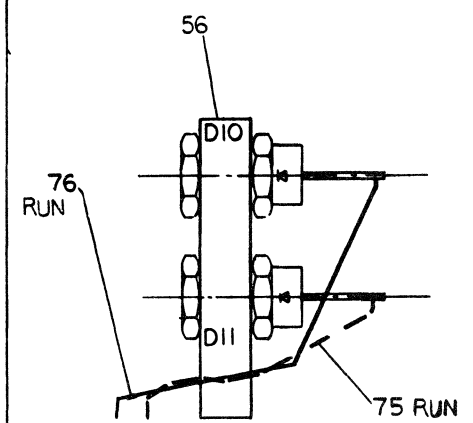
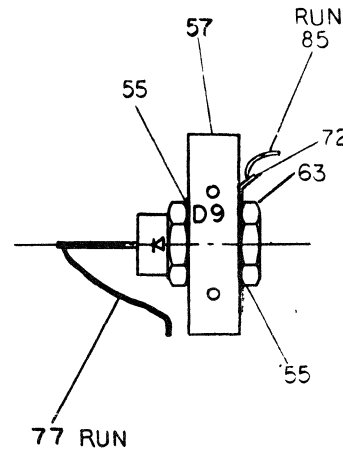
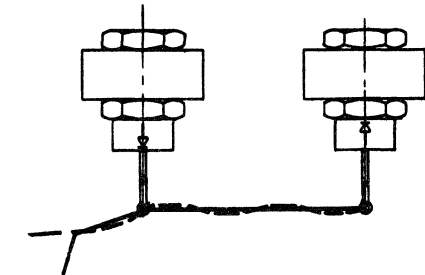
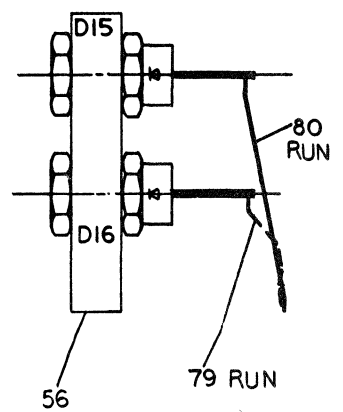
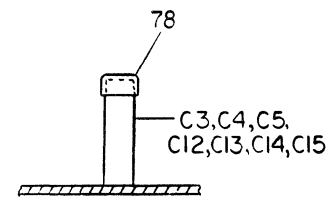


REVISIONS		
CHK	CHANGE NO.	REV

TITLE MK-11 BATTERY BACKUP REGULATOR  
 SCALE 2-1 SHEET 3 OF 4  
 SIZE (COURT) NUMBER DUA5413075-0-0 REV. C

THE DRAWING AND SPECIFICATIONS HEREIN ARE THE PROPERTY OF DIGITAL EQUIPMENT CORPORATION AND SHALL NOT BE REPRODUCED OR COPIED OR USED IN WHOLE OR IN PART AS THE BASIS FOR THE MANUFACTURE OR SALE OF ITEMS WITHOUT WRITTEN PERMISSION. COPYRIGHT © 1977 DIGITAL EQUIPMENT CORPORATION.

NOTES:  
 1. WIRING INFORMATION IS ON SHEET 1 OF 4.  
 2. DIODES TO BE ASSEMBLED TO HEAT-SINKS AND WIRED AS SHOWN BEFORE INSTALLING TO BOARD.



REVISIONS		
CHK	CHANGE NO.	REV.

LINE	ITEM	DOCUMENT NO.	PART NO.	DESCRIPTION	QTY	REFERENCE DESIGNATORS
1	1	D-UD-5413074-0-0	5413074-00	MK11 PS BATTERY BACKUP REGULATOR	1	
2	2		1002431-00	2.2MFD 35V 10% 150S S.TA	(10-00)	1 C10
3	3		1012607-02	1R0 MFD 50V H% 672D AL EL		3 C3-C5
4	4		1000042-00	1000.0 MFD 100V 5%200PPM DM15S	(10-00)	1 C7
5	5		1010646-00	.015 MFD 50V 2% M. POLYCARB		1 C8
6	6		1000024-00	470.0 MFD 100V 5%200PPM DM15S	(10-00)	1 C9
7	7		1001776-00	1 MFD 35V 10% 150D S.TA	(10-00)	2 C6,C11
8	8		1012607-00	560 MFD 20V H% 672D AL EL		3 C12,C13,C14
9	9		1012607-01	1200 MFD 6.3V H% 672D AL EL		1 C15
10	10		1010621-00	.1 MFD 50V 20% Z5U DISC		2 C16,C19
11	11		1004813-00	10 MFD 20V 10% 150D S.TA	(10-00)	2 C1,C17
12	12		1000030-00	.1 MFD 100V 20% Z5U DISC		1 C18
13	13		9007201-00	TRANSIPADS #10253		1
14	14		1100125-00	1N 758A VZ= 10.0 5% .40W PPER S.A.V.EC		2 D2,D3
15	15		1105275-00	D 672 TR= 15NS PIV= 60V SP		7 D1,D4-D8,D20
16	16		1109440-00	1N 3880 PIV=100 I= 6A D04 SM		6 D10,D11,D13,D14,D15,D16
17	17		1113366-00	1N 3880R PIV=100 I=6A S		4 D17,D18,D19,D12
18	18		1105648-00	1N 4744 VZ= 15.0 10% 1W Y		1 D19
19	19		1211004-02	SOCKET,100 20POS EDGE MOUNT		1 P4
20	20		1209340-00	MATE-N-LOK 8PIN,HOUSING,SKT		2 J1,J2
21	21		1209456-01	MATE-N-LOK SKT PCB TAR LOOSE	16	
22	22		1211342-02	MATE-N-LOK 2PIN PC TYPE		2 J5,J6
23	23		1209219-01	LAMP 6V@200MA,T1-3/4PINS#2319		1 I1
24	24		1300202-00	47 1/4W 5% CC	(13-00)	1 R2
25	25		1309639-00	200 5W 5% WW	(13-00)	1 R3
26	26		1312682-00	3 3W 5% CC	(13-00)	1 R4
27	27		1302950-00	1.2 K 1W 10% CC	(13-00)	1 R5
28	28		1300426-00	2.7 K 1/4W 5% CC	(13-00)	2 R6,R7
29	29		1309680-00	2.7 M 1/4W 5% CC	(13-00)	1 R8
30	30		1313712-00	.01 5W 3% WW	(13-00)	1 R9

REVISION HISTORY			VARIATIONS FOR THIS ASSY.		
CHK	ECO NO	REV	FIRST USED ON: 5413075		
---	INIT	A	DIGITAL EQUIPMENT CORPORATION		
S.C	00001	B	MAYNARD, MASSACHUSETTS		
---	ML002	C	MADE BY: S KITTLE	DATE: 18-NOV-77	TITLE
BN	ML002	C	CHECKED: G GIDDINGS	DATE: 18-NOV-77	PARTS LIST
			DSN,ENG.: JOE MERCURI	DATE: 18-NOV-77	MK-11 BATTERY
					BACKUP REGULATOR
			PROD.: ROB KING	DATE: 18-NOV-77	SIZE CODE   DOCUMENT NUMBER   REV
			RESP,ENG.: JOE MERCURI	DATE: 18-NOV-77	K   PL   5413075-0-DAP   C
					ED1#
					19

"THIS DRAWING AND SPECIFICATIONS HEREIN, ARE THE PROPERTY OF DIGITAL EQUIPMENT CORPORATION AND SHALL NOT BE REPRODUCED OR COPIED OR USED IN WHOLE OR IN PART AS THE BASIS FOR THE MANUFACTURE OR SALE OF ITEMS WITHOUT WRITTEN PERMISSION. COPYRIGHT 1978, DIGITAL EQUIPMENT CORPORATION"

LINE	ITEM	DOCUMENT NO.	PART NO.	DESCRIPTION	QTY	REFERENCE DESIGNATORS
31	31		1300365-00	1 K 1/4W 5% CC (13-00	2	R1,R11
32	32		1300229-00	100 1/4W 5% CC (13-00	1	R12
33	33		1302466-00	100 K 1/4W 5% CC (13-00	2	R13,R14
34	34		1312404-00	2.21 K 1/2W 1% RN60D-F 100PPM (13-00	2	R15,R16
35	35		1313579-00	1.5 3W 5% UN (13-00	2	R17,R18
36	36		1309855-00	300 2W 5% CC (13-00	2	R19,R20
37	37		1300479-00	10 K 1/4W 5% CC (13-00	1	R21
38	38		1310852-00	200 20% POT \$	1	R22
39	39		1300391-00	1.5 K 1/4W 5% CC (13-00	1	R10
40	40		1300316-00	470 1/4W 5% CC (13-00	1	R24
41	41		1510969-00	2N 5038 NPN 140WC SI 90 50 Y	3	Q1-Q3
42	42		1510708-00	D 45H8 PNP 50WT SI 60 60 Y	2	Q4,Q8
43	43		1512790-00	D 44C11 NPN 30W SI 80 40	2	Q5,Q9
44	44		1511686-00	DEC5433 FET N 350MW 10 25 1A 20U	1	Q6
45	45		1510959-00	2N 3725 NPN 3.5WC SI 50 60 P	1	Q7
46	46		1612593-00	500 HR 6A \$	1	U1
47	47		1613874-00	CHOKER, 15UH 4A	2	L2,L3
48	48		1613876-00	XFRM, POWER, RATIO 1:2 7PIN \$	1	T1
49	49		1613875-00	XFRM, POWER, RATIO 1:2:3 100UH	1	T2
50	50		7014303-00	AC/DC LOW BOOT ENABLE CABLE	1	
51	51		1911944-00	555CN TIMER, FUNCT. BLOCK	1	B1
52	52		1910282-00	301AN OP AMP	1	B2
53	53		7014301-00	DC CABLE	1	
54	54		1213071-06	INSULATOR, RUBBER SILICONE	1	
55	55		1213071-05	INSULATOR, RUBBER THERMAL	3	
56	56		7417414-00	HEAT SINK (DUAL)	4	
57	57		7417413-00	HEAT SINK (SINGLE)	1	
58	58		9006655-00	WASHER, FLAT, .312 O.D. X .125 I.D. X .025 T	1	
59	59		9006656-00	WASHER, FLAT, .312 O.D. X .156 I.D. X .027	6	
60	60		9006706-00	WASHER, NYLON, FLAT #4 .375 OD X .031 THK	2	
61	61		9006745-00	EYFLET, ROLLED FLANGE, .120 OD X .260 LG	4	
62	62		1213071-02	INSULATOR, RUBBER SILICONE SM	3	
63	63		9006505-00	NUT, KEP , 10-32X 3/8 AF CS/	14	
64	64		1210737-04	HEAT SINK, REGULATOR	1	
65	65		9007793-04	SCREW, BIND, SLOT, 6-32X 9/16 SS/PAS	6	
66	66		9008185-00	NUT, KEP , 6-32X 1/4 AF CS/	6	
67	67		9008033-01	SCREW, PAN, PHIL, 4-40X 9/16 SS/PAS	1	
68	68		9006557-00	NUT, KEP , 4-40X 1/4 AF CS	1	
69	69		9006632-00	WASHER, LOCK, INT, .260OD X .120ID X .015 THK	9	
70	70		9006010-04	SCREW, BIND, SLOT, 4-40X 5/16 SS/PAS	8	
71	71		9107430-02	WIRE, STRND, 18AWG, IPVC (UL1429) (91-00 A/R		
72	72		9009909-00	TERM LUG 1POS SOLDER, FLAT .196 HOLE	2	
73	73		9009769-00	WASHER, RECTANGULAR .405X.225X.060	1	
74	74		9006010-01	SCREW, PAN, PHIL, 4-40X 5/16 SS/PAS	2	
75	75		9009142-02	SCREW, PHILLIPS FLAT HEAD, SELF TAP, 4-40	4	
76	76		7417410-00	REGULATOR BRACKET	1	
77	77		9008404-02	SCREW, FLAT, PHIL, 6-32X 5/16 SS/PAS 1000	2	
78	78		9009731-03	CAP, PLASTIC	7	

DIGITAL EQUIPMENT CORPORATION MAYNARD, MASSACHUSETTS	TITLE MK-11 BATTERY BACKUP REGULATOR	PARTS LIST	SIZE CODE K PL	DOCUMENT NUMBER 5413075-A-DBP	REV IC
---	--	------------	-------------------	----------------------------------	-----------

AUTOMATED BY PRTLST 1C(4)

PARTS LIST

SHEET 3 OF 3

LINE ITEM DOCUMENT NO.

PART NO.

DESCRIPTION

QTY REFERENCE DESIGNATORS

79 79

9007031-00

TIE, CABLE, SST1 M

S

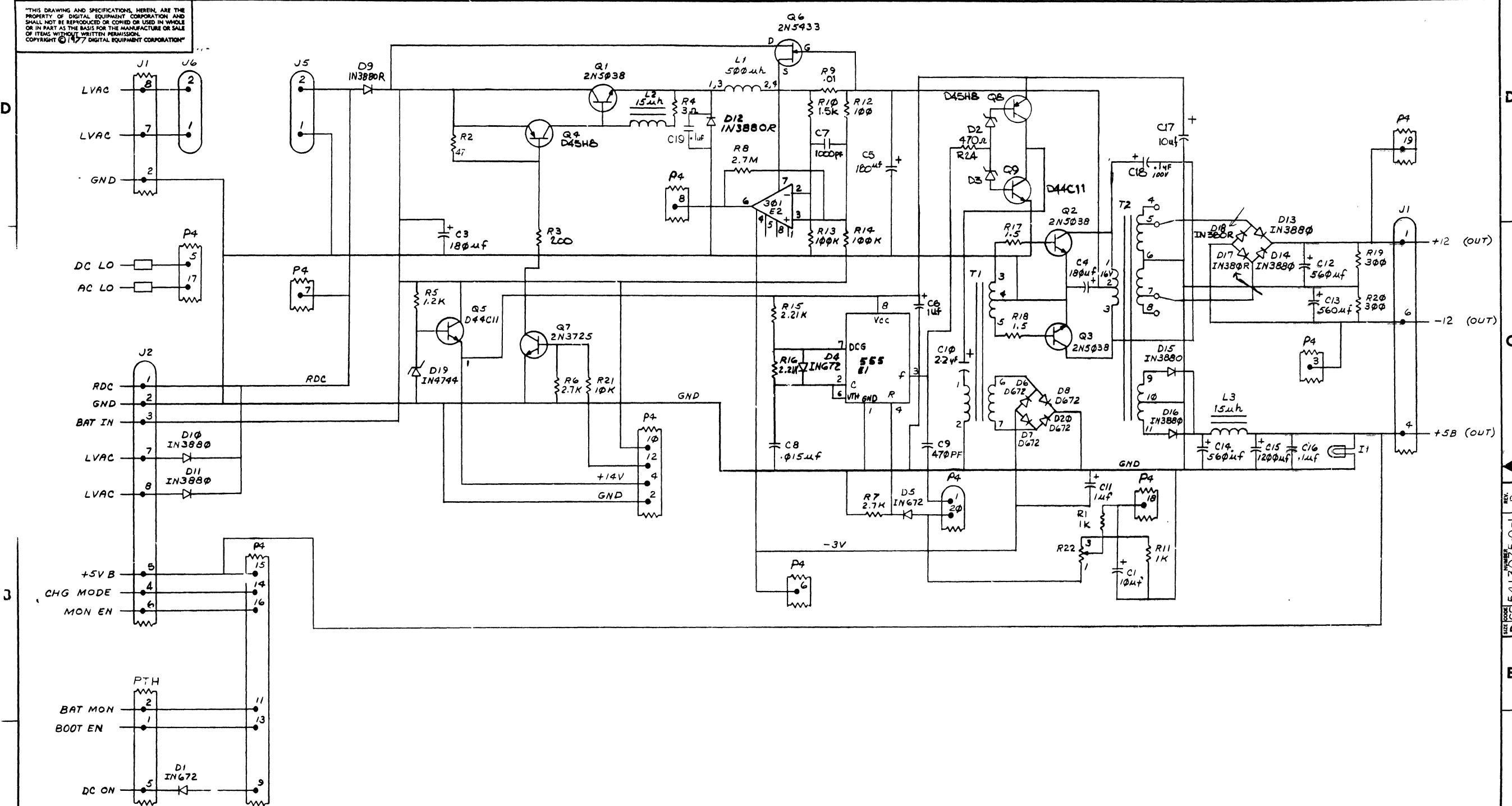
1

DIGITAL EQUIPMENT CORPORATION MAYNARD, MASSACHUSETTS	TITLE MK-11 BATTERY BACKUP REGULATOR	PARTS LIST	SIZE K	CODE PL	DOCUMENT NUMBER 5413075-0-DBP	REV IC
---	--	------------	-----------	------------	----------------------------------	-----------



"THIS DRAWING AND SPECIFICATIONS, HEREIN, ARE THE PROPERTY OF DIGITAL EQUIPMENT CORPORATION AND SHALL NOT BE REPRODUCED OR COPIED OR USED IN WHOLE OR IN PART AS THE BASIS FOR THE MANUFACTURE OR SALE OF ITEMS WITHOUT WRITTEN PERMISSION. COPYRIGHT © 1977 DIGITAL EQUIPMENT CORPORATION"

D CS 5413075-0-1



REV.	B
CHANGE NO.	1
REVISED BY	W.F. BAUSHA
DATE	1/10/78

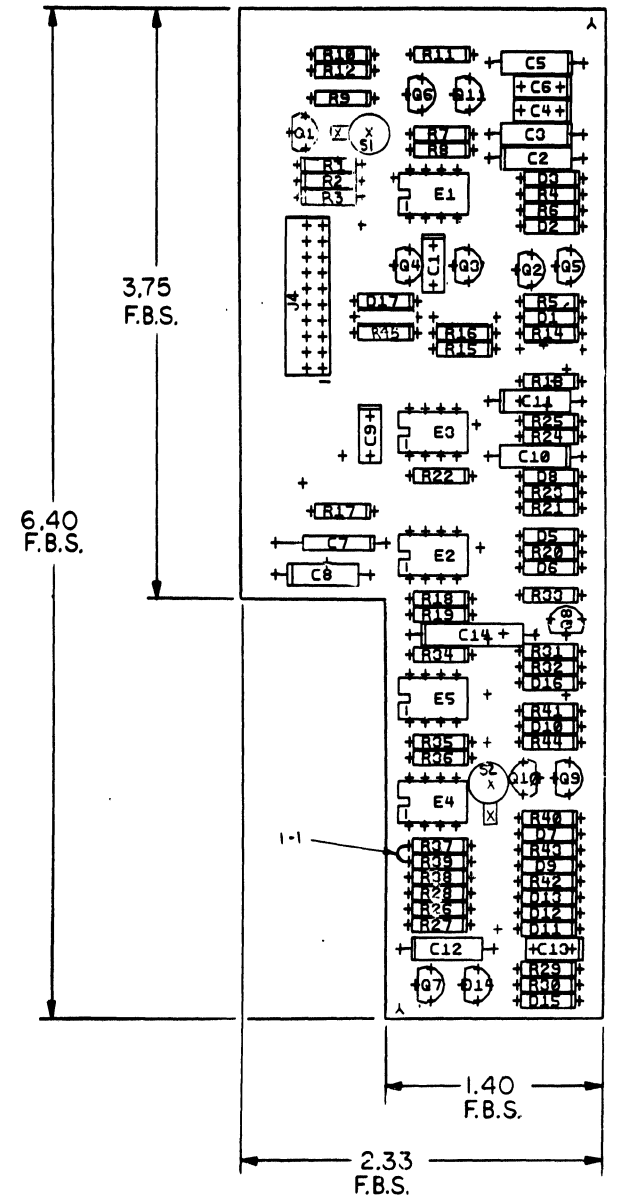
DRN. STEVE KIRK (6 MAY 77)	FIRST USED ON	Digital
CHK'D JIM BROWN (14 JUN 77)	TITLE	MK-II P.S. BATTERY BACKUP REGULATOR
ENG. FOR MANUFACTURE (18 OCT 77)	PROJECT	18 OCT 77
PROD. FOR KING (18 OCT 77)	SCALE	1:1
NEXT HIGHER ASSY.	SIZE CODE	D
B-DD-5413075-0	NUMBER	5413075-0-1
SHEET 1 OF 1	DIST.	B

REV. B D CS 5413075-0-1

THIS DRAWING AND SPECIFICATIONS, HEREON, ARE THE PROPERTY OF DIGITAL EQUIPMENT CORPORATION AND SHALL REMAIN THE PROPERTY OF THIS COMPANY IN WHOLE OR IN PART. THIS DRAWING IS NOT TO BE REPRODUCED OR TRANSMITTED IN ANY FORM OR BY ANY MEANS, ELECTRONIC OR MECHANICAL, INCLUDING PHOTOCOPYING, RECORDING, OR BY ANY INFORMATION STORAGE AND RETRIEVAL SYSTEM. © 1977 DIGITAL EQUIPMENT CORPORATION

COMPONENT SIDE VIEW

REWORK INSTRUCTIONS  
ECO #1  
WIRE ADDS SIDE 1:  
1-1. BETWEEN R37 AND R39 AT THE R37  
END THAT CONNECTS TO E4-3.



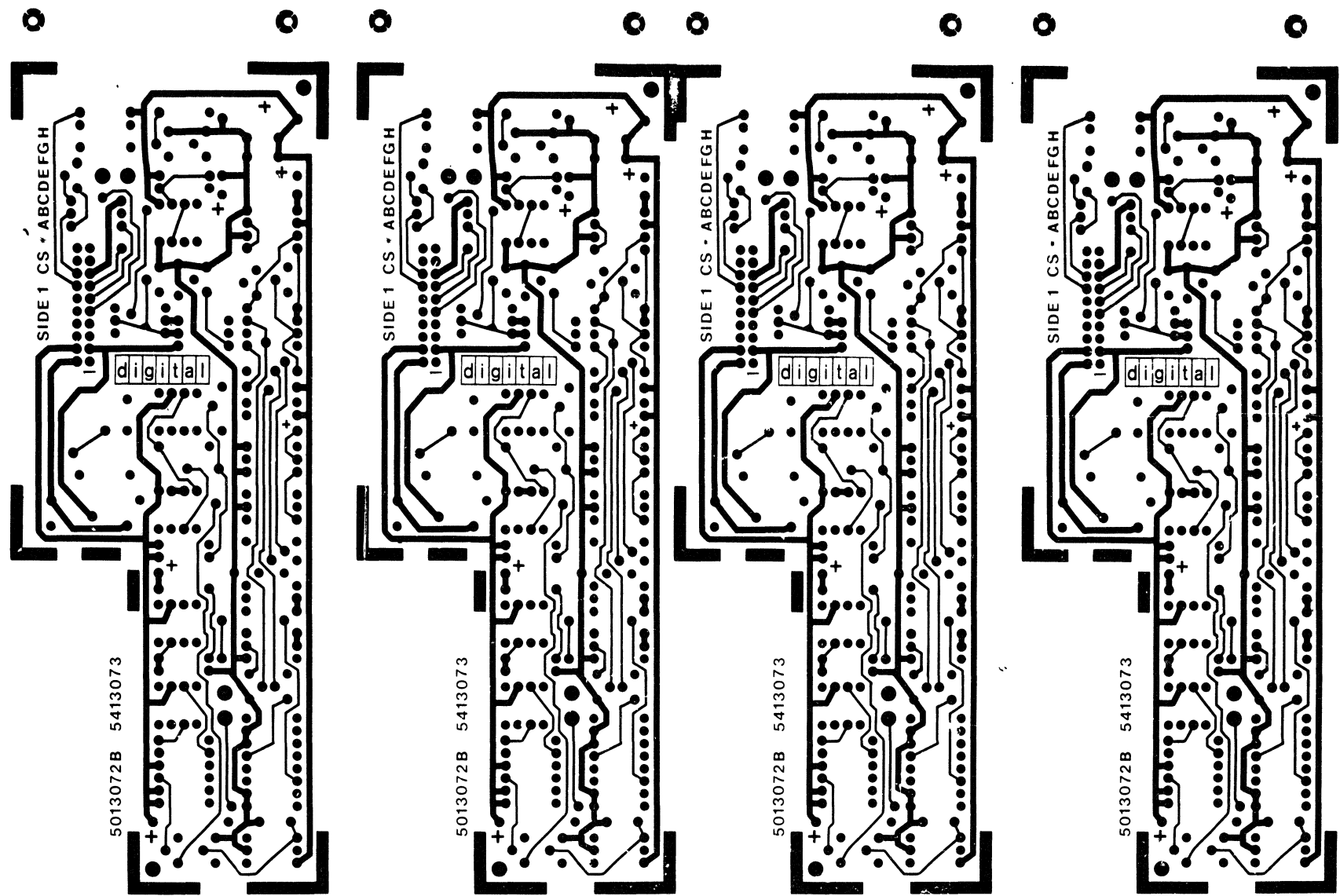
NOTES:  
1. REV # UA DOES NOT EXIST. THE LAYOUT IS IDENTICAL TO REV A UA.  
2. C1C8, C1C12 TO BE HAND INSERTED.  
3. C15, D15, W1 NOT USED.

CHK	CHANGE NO	REV	DATE
P	5413073-1	B	2 FEB 78
J	MERCURY		
P	5413073-2	C	5 MAR 78
J	MERCURY		

ETCH REV.	REV
P.C. DESIGN DATA BASE REV.	B

SIGNATURES	DATE	TITLE
DRN. <i>[Signature]</i>	26 MAY 77	MK-11 P.S. CONTROL BD.
CHK'D. <i>[Signature]</i>	9 JUN 77	
ENG. <i>[Signature]</i>	26 MAY 77	
PROJ. ENG. <i>[Signature]</i>	28 JUN 77	
PROD. <i>[Signature]</i>	27 JUN 77	
SCALE 2/1	SIZE CODE	NUMBER
SHT. 1 OF 3	D UA	5413073-0-0
NEXT HIGHER ASSY. B-DD-5413073-0		

THIS DRAWING AND SPECIFICATIONS HEREIN ARE THE PROPERTY OF DIGITAL EQUIPMENT CORPORATION AND SHALL NOT BE REPRODUCED OR COPIED OR USED IN WHOLE OR IN PART AS THE BASIS FOR THE MANUFACTURE OR SALE OF ITEMS WITHOUT WRITTEN PERMISSION. COPYRIGHT © DIGITAL EQUIPMENT CORPORATION



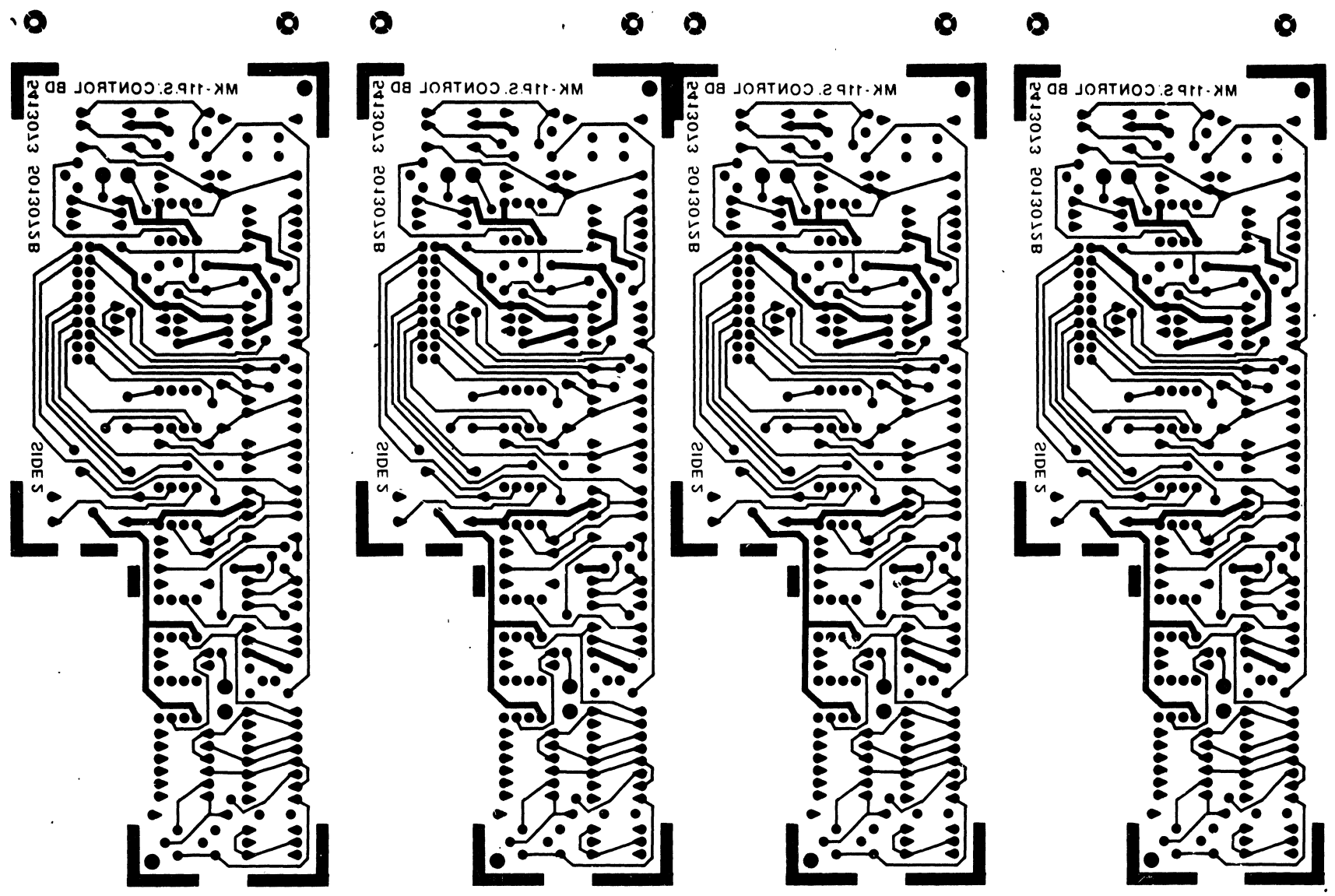
REVISIONS		
CHK	CHANGE NO	REV

TITLE MK-II P.S. CONTROL BOARD  
 SCALE 2 - SHEET 2 OF 3  
 SIZE CODE D UA5413073-0-0  
 NUMBER  
 REV. C

8 7 6 5 4 3 2 1

THIS DRAWING AND SPECIFICATIONS HEREIN ARE THE PROPERTY OF DIGITAL EQUIPMENT CORPORATION AND SHALL NOT BE REPRODUCED OR COPIED OR USED IN WHOLE OR IN PART AS THE BASIS FOR THE MANUFACTURE OR SALE OF ITEMS WITHOUT WRITTEN PERMISSION. © DIGITAL EQUIPMENT CORPORATION

DUA 5413073-0-0 2



REVISIONS		
CHK	CHANGE NO	REV.

TITLE MK-11 P.S. CONTROL BOARD  
 SCALE 2-1 SHEET 3 OF 3  
 SIZE CODE NUMBER DUA 5413073-0-0  
 DIST REV. C

8 7 6 5 4 3 2 1

LINE ITEM	DOCUMENT NO.	PART NO.	DESCRIPTION	QTY	REFERENCE DESIGNATORS
1	1	D-MD-5013072-0-0	5013072-00	5413073	1
2	2		1001610-01	.01 MFD 100V DR 50V Z5U DISC/800PF MIN	4 C1,C4,C6,C13
3	3		1004813-00	10 MFD 20V 10% 150D S.TA (10-00)	1 C2
4	4		1001776-00	1 MFD 35V 10% 150D S.TA (10-00)	3 C5,C11,C3
5	5		1000061-00	8200.0 MMF 100V 10% 663UW MYLR (10-00)	1 C7
6	6		1005965-00	.47 MFD 35V 10% 150D S.TA (10-00)	3 C8,C10,C12
7	7		1000009-00	33.0 MMF 100V 5% 200PPM DM15S (10-00)	1 C9
8	8		1005306-00	6.8MFD 35V 10% 150D S.TA (10-00)	1 C14
9	9		1105275-00	D 672 TR= 15NS PIV= 60V SP	9 D1,D2,D3,D5,D6,D9,D10,D12,D13
10	10		1109990-00	1N 757A VZ= 9.1 5% .40W P	1 D8
11	11		1102808-00	1N 752A VZ= 5.6 5% .40W P	2 D11,D15
12	12		1110968-00	2N 5062 SCR@100V I=.8A T092	1 D14
13	13		1110713-00	SZ710910 VZ= 5.1 2% M	1 D7
14	14		1114913-00	VZ= 18.0 10% 1W	1 D16
15	15		1100125-00	1N 758A VZ= 10.0 5% .40W PPER S.A.U.E.	1 D17
16	16		1300398-00	1.8 K 1/4W 5% CC (13-00)	1 R38
17	17		1300479-00	10 K 1/4W 5% CC (13-00)	11 R1,R13,R18,R19,R20,R21,R28, CONT R31,R42-R44
18	18		1300229-00	100 1/4W 5% CC (13-00)	5 R3,R5,R25,R29,R45
19	19		1300432-00	3 K 1/4W 5% CC (13-00)	1 R23
20	20		1301322-00	180 1/4W 5% CC (13-00)	1 R4
21	21		1302177-00	47 K 1/4W 5% CC (13-00)	1 R6
22	22		1302394-00	30 K 1/4W 5% CC (13-00)	1 R7
23	23		1302091-00	330 K 1/4W 5% CC (13-00)	1 R8
24	24		1300365-00	1 K 1/4W 5% CC (13-00)	6 R9,R12,R14,R37,R40,R2
25	25		1300426-00	2.7 K 1/4W 5% CC (13-00)	1 R16
26	26		1302092-00	220 K 1/4W 5% CC (13-00)	1 R15
27	27		1301423-00	6.8 K 1/4W 5% CC (13-00)	1 R17
28	28		1302871-00	1.21 K 1/4W 1% RN55D-F 100PPM (13-00)	1 R35
29	29		1302955-00	750 1/4W 1% RN55D-F 100PPM (13-00)	1 R34

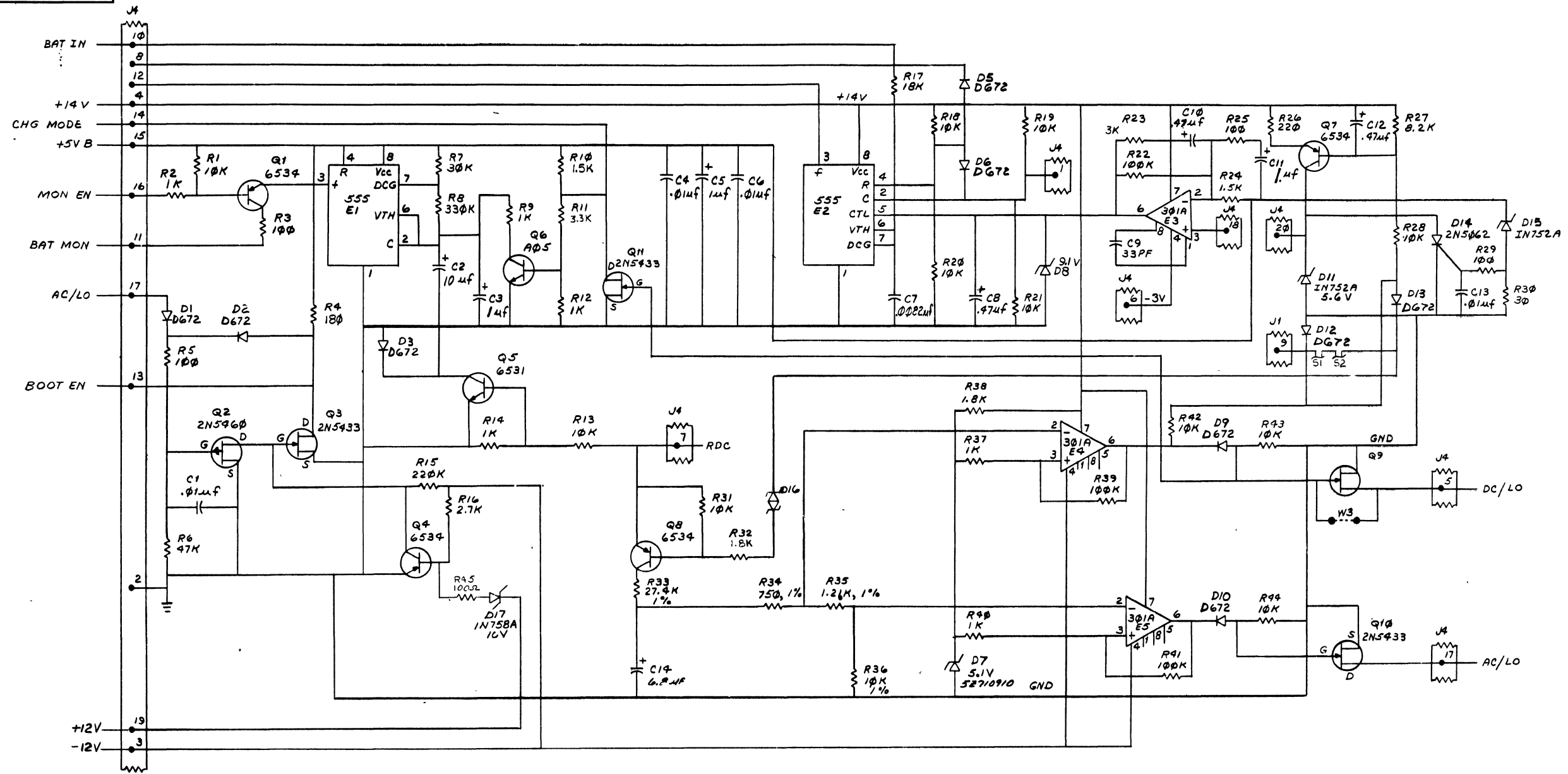
REVISION HISTORY			VARIATIONS FOR THIS ASSY.		
CHK	ECD NO	REV	FIRST USED ON: 5413073		
---	INIT	A	DIGITAL EQUIPMENT CORPORATION		
F.S	00001	B	MAYNARD, MASSACHUSETTS		
PG	00002	C	TITLE		
			MADE BY: S KITTLE	DATE: 24-OCT-77	PARTS LIST
			CHECKED: F SMART	DATE: 24-OCT-77	MK11-PS CONTROL BOARD
			DSN.ENG.: JOE MERCURI	DATE: 24-OCT-77	
			PROD.: BOB KING	DATE: 24-OCT-77	SIZE   CODE   DOCUMENT NUMBER   REV
			RESP.ENG.: JOE MERCURI	DATE: 24-OCT-77	K   PL   5413073-0-0   C
					ASSY.NO.: D-UA-5413073-0-0   EDIT#   11

\*THIS DRAWING AND SPECIFICATIONS HEREIN, ARE THE PROPERTY OF DIGITAL EQUIPMENT CORPORATION AND SHALL NOT BE REPRODUCED OR COPIED OR USED IN WHOLE OR IN PART AS THE BASIS FOR THE MANUFACTURE OR SALE OF ITEMS WITHOUT WRITTEN PERMISSION.  
COPYRIGHT 1978, DIGITAL EQUIPMENT CORPORATION \*

LINE	ITEM	DOCUMENT NO.	PART NO.	DESCRIPTION	QTY	REFERENCE DESIGNATORS
30	30		1303312-00	10.0 K 1/4W 1% RN55D-F 100PPM (13-00	1	R36
31	31		1302466-00	100 K 1/4W 5% CC (13-00	3	R22,R39,R41
32	32		1300271-00	220 1/4W 5% CC (13-00	1	R26
33	33		1302751-00	30 1/4W 5% CC (13-00	1	R30
34	34		1309417-00	27.4 K 1/4W 1% RN55D-F 100PPM (13-00	1	R33
35	35		1503409-00	DEC6534D PNP 310MW SI 40 90 P	4	Q1,Q4,Q7,Q8
36	36		1510233-00	2N 5460 FET 310MW SIP CHNNL	1	Q2
37	37		1511686-00	DEC5433 FET N 350MW 10 25 1A 20U	4	Q3,Q9,Q10,Q11
38	38		1509338-00	DEC6531B NPN 310MW SI 40 90 P	1	Q5
39	39		1510705-00	XA 05 NPN 500MW SI 60 50 P	1	Q6
40	40		1911944-00	555CN TIMER,FUNCT.BLOCK	2	E1,E2
41	41		1910282-00	DEC 301AN OP AMP	3	E3,E4,E5
42	42		1300398-00	1.8 K 1/4W 5% CC (13-00	1	R32
43	43		1300391-00	1.5 K 1/4W 5% CC (13-00	2	R10,R24
44	44		1213335-00	HEADER 20POS RT ANGLE FOR 12-13334	1	J4
45	45		9009185-00	***** THIS ITEM IS NOT USED *****	0	
46	46		1300439-00	3.3 K 1/4W 5% CC (13-00	1	R11
47	47		1212416-03	THERMOSTAT,00170,140,SPST	2	S1,S2
48	48		1303179-00	8.2 K 1/4W 5% CC (13-00	1	R27
49	49		9107560-01	WIRE,BUSS,22AWG	A/R	

DIGITAL EQUIPMENT CORPORATION MAYNARD, MASSACHUSETTS	TITLE PARTS LIST MK11-PS CONTROL BOARD	SIZE K	CODE PL	DOCUMENT NUMBER 5413073-0-0	REV 1C
---	--	-----------	------------	--------------------------------	-----------

"THIS DRAWING AND SPECIFICATIONS, HEREIN, ARE THE PROPERTY OF DIGITAL EQUIPMENT CORPORATION AND SHALL NOT BE REPRODUCED OR COPIED OR USED IN WHOLE OR IN PART AS THE BASIS FOR THE MANUFACTURE OR SALE OF ITEMS WITHOUT WRITTEN PERMISSION. COPYRIGHT © 1977, DIGITAL EQUIPMENT CORPORATION"



NOTES:  
 1. W3 IS AN ENGINEERING OPTION TO BE DETERMINED AT A LATER DATE.  
 2. C15, D4 & W1 NOT USED.

REV.	REV.
5413073-00002 C	5413073-00002 C
J. MERCURI	J. MERCURI
5-28-78	5-28-78

DRN: SEVE KITTLE	FIRST USED ON	digital
CHK'D: J. MERCURI		
ENG: J. MERCURI	TITLE	MK-II P.S. CONTROL BOARD
PROD ENG: J. MERCURI		
NEXT HIGHER ASSY:	SIZE CODE	D CS
B-DD-5413073-0	NUMBER	
SCALE	DIST.	5413073-0-1
SHEET 1 OF 1		

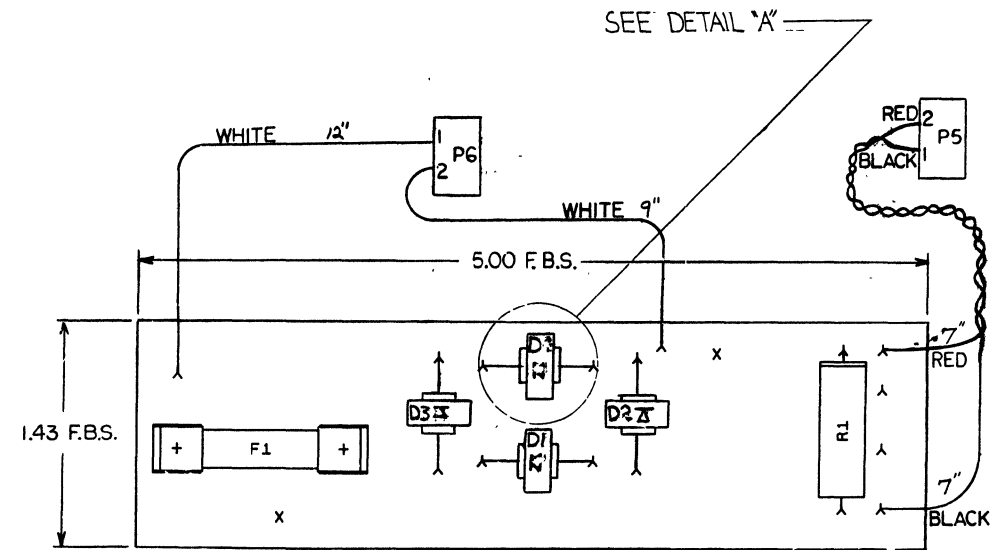
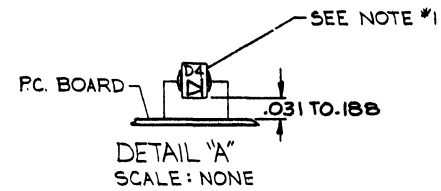
8 7 6 5 4 3 2 1

THIS DRAWING AND SPECIFICATIONS HEREBY ARE THE PROPERTY OF DIGITAL EQUIPMENT CORPORATION AND SHALL NOT BE REPRODUCED OR TRANSMITTED IN ANY FORM OR BY ANY MEANS, ELECTRONIC OR MECHANICAL, INCLUDING PHOTOCOPYING, RECORDING, OR BY ANY INFORMATION STORAGE AND RETRIEVAL SYSTEM WITHOUT PERMISSION IN WRITING FROM DIGITAL EQUIPMENT CORPORATION.  
COPYRIGHT © 1976

3 0-0-1162145 10/0 2

COMPONENT SIDE VIEW

NOTES:  
1. DIODES D1 THRU D4 MUST BE RAISED FROM THE P.C. BOARD .031 TO .108



NOTES:

\_\_\_\_\_

\_\_\_\_\_

\_\_\_\_\_

\_\_\_\_\_

CHANGE NO	REV	DATE	BY	CHK'D
1	C	7-21-76	G. POTTER	
2	D	11-5-76	G. POTTER	
3	E	11-5-76	G. POTTER	
4	F			
5	G			
6	H			
7	I			
8	J			
9	K			
10	L			

ETCH REV. C
P.C. DESIGN DATA BASE REV. C

SIGNATURES	DATE	digital
DRN. <i>[Signature]</i>	9-21-76	
CHK'D. <i>[Signature]</i>	7-21-76	
ENG. <i>[Signature]</i>	11-5-76	
PLD. <i>[Signature]</i>	11-5-76	
SCALE 2/1		
SHEET 1 OF 3		
TITLE INPUT		
RECTIFIER BOARD		
SIZE CODE d UA	NUMBER 541241-0-0	REV E
NEXT NUMBER ASSY.		



8

7

6

5

4

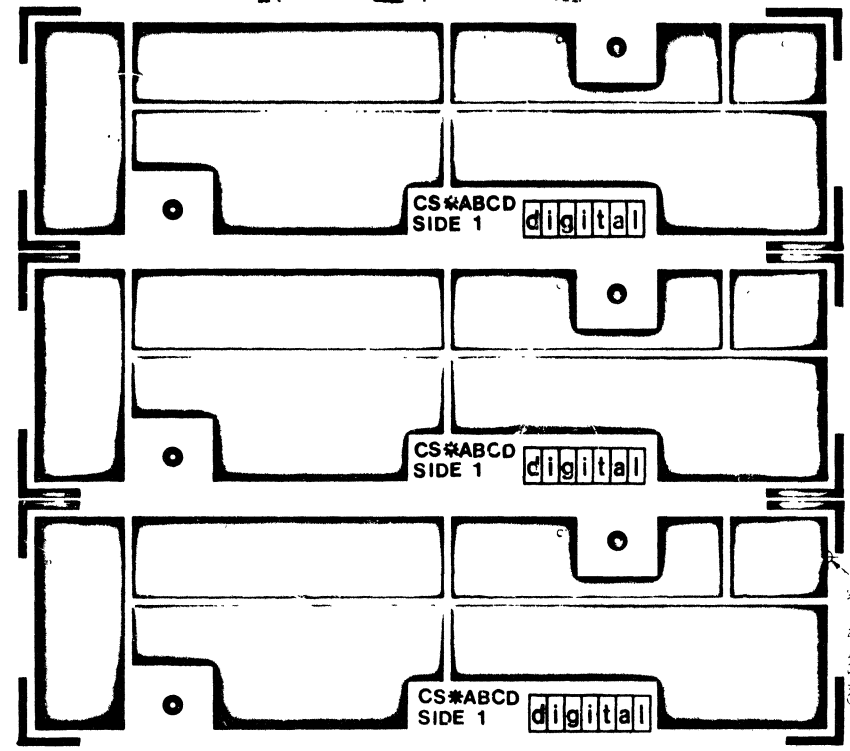
3

2

1

"THIS DRAWING AND SPECIFICATION HEREIN ARE THE PROPERTY OF DIGITAL EQUIPMENT CORPORATION AND SHALL NOT BE REPRODUCED OR COPIED OR USED IN WHOLE OR IN PART AS THE BASIS FOR THE MANUFACTURE OR SALE OF ITEMS WITHOUT WRITTEN PERMISSION. COPYRIGHT © 1972 DIGITAL EQUIPMENT CORPORATION"

60000054 (5412410C 5412411)



D  
C  
B  
A

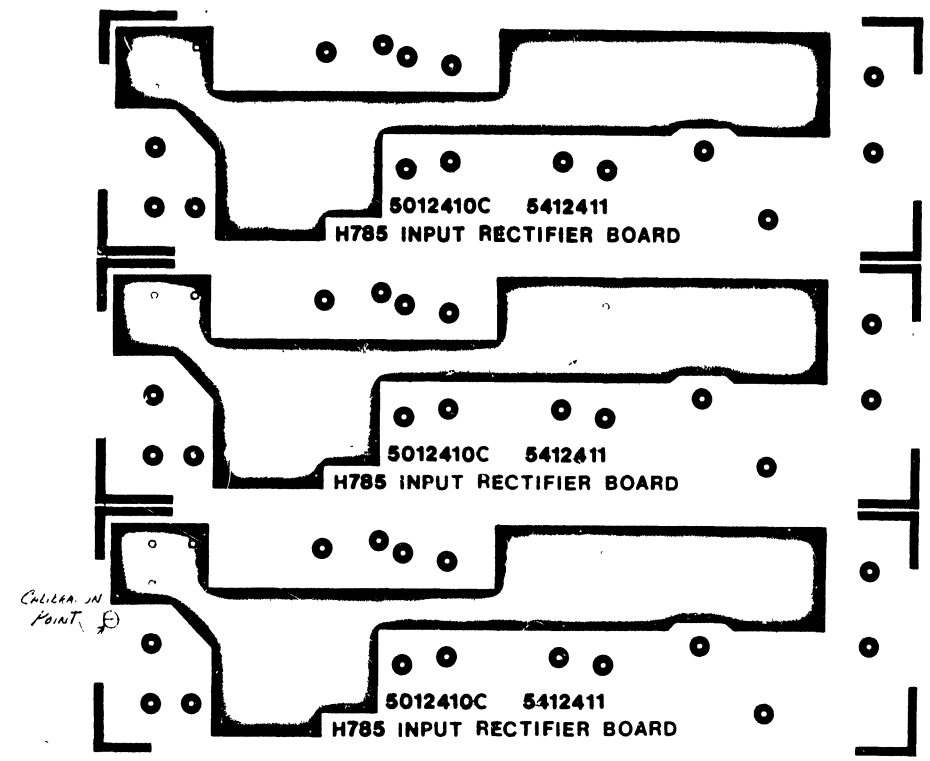
5412411-0-0

REVISIONS		
CHK	CHANGE NO	REV

TITLE	INPUT RECTIFIER BOARD	SIZE CODE	D UA	QUANTITY	5412411-0-0	REV	E
SCALE	2:1	SHEET	2 OF 3	DATE			

THIS DRAWING AND SPECIFICATION HEREIN ARE THE PROPERTY OF DIGITAL EQUIPMENT CORPORATION, AND SHALL NOT BE REPRODUCED OR USED IN WHOLE OR IN PART AS THE BASIS FOR THE MANUFACTURE OF ANY ITEM WITHOUT THE WRITTEN PERMISSION OF DIGITAL EQUIPMENT CORPORATION.

DUA 5412411-0 2



D  
C  
E  
B  
A

REVISIONS		
CHK	CHANGE	REV

TITLE	INPUT RECTIFIER BOARD	SIZE	DUA	NUMBER	5412411-0-0	REV	E
SCALE	2/1	SHEET	3	OF	3	DATE	

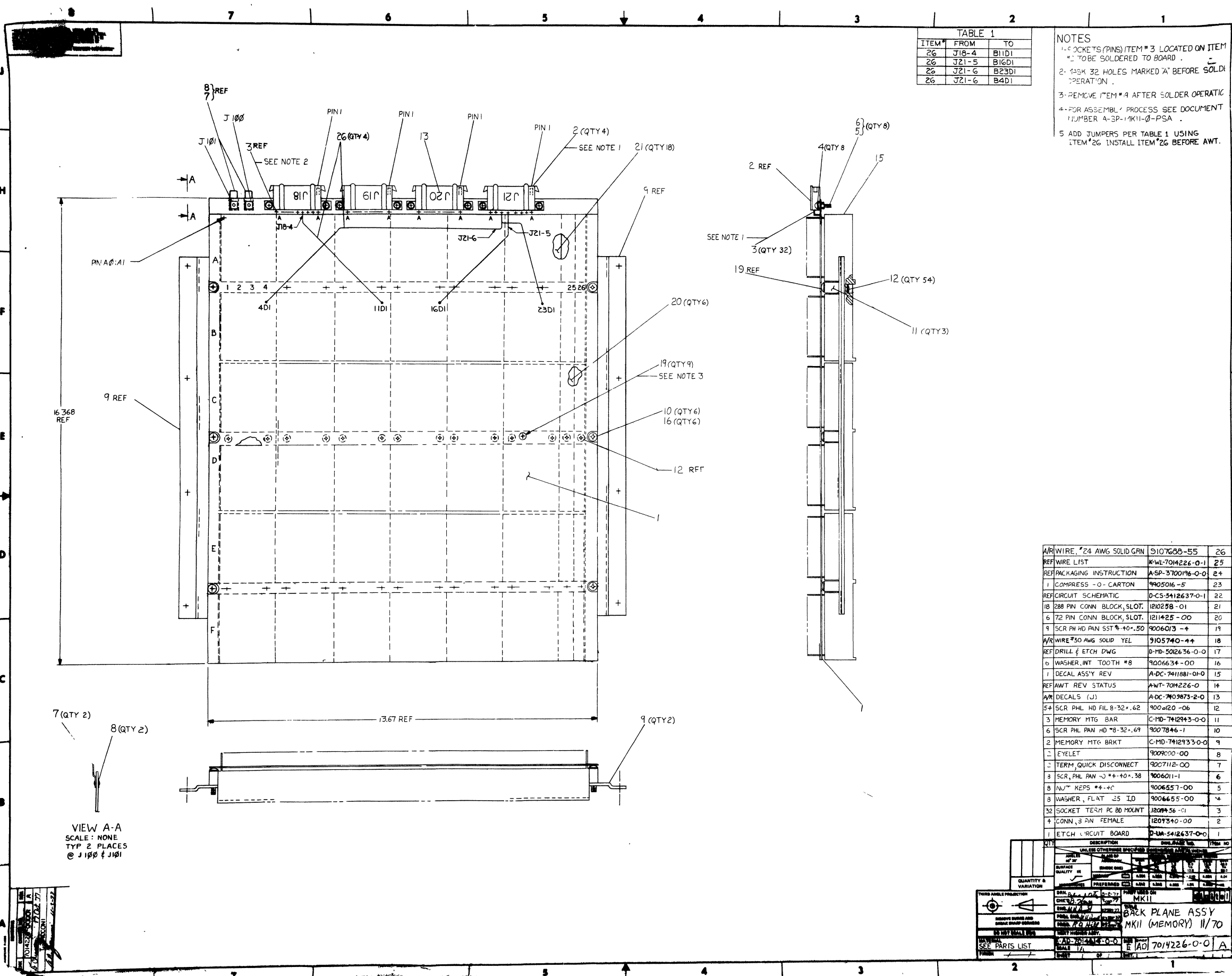
LINE	ITEM	DOCUMENT NO.	PART NO.	DESCRIPTION	QTY	REFERENCE DESIGNATORS
1	1	D-MD-5012410-0-0	5012410-00	5412411	1	
2	2		1110615-00	MR 752 PIV=200 I=22A A264 SM	4	D1-D4
3	3		1210821-02	MATE-N-LOK 2PIN,HOUSING,SKT	2	P5,P6
4	4		1209379-01	MATE-N-LOK PIN 20-14AWG LOOSE	4	
5	5		1302609-00	4.7 K 2W 10% CC (13-00	1	R1
6	6		9009000-00	EYELET, ROLLED FLANGE, .121 OD X .156 LG	2	
7	7		9008390-00	FUSE, REG BLOW, 10.000A, 250V, CERAMIC	1	
8	8		9007203-00	CLIP, FUSE, WITH STOP, SCREW MOUNTED	2	
9	9		9107360-99	WIRE,STRND,18AWG,IPVC UL1429 (91-00 A/R		
10	10		9107430-02	WIRE,STRND,18AWG,IPVC (UL1429) (91-00 A/R		

11 NOTE: MS60954 ETCH REV C CS REV B

REVISION HISTORY			VARIATIONS FOR THIS ASSY.		DIGITAL EQUIPMENT CORPORATION MAYNARD, MASSACHUSETTS			
CHK	ECD NO	REV	FIRST USED ON:		TITLE			
---	00003	E	00		PARTS LIST			
			MADE BY: D.BILODEAU		INPUT RECTIFIER BOARD			
			DATE: 08-MAR-78					
			CHECKED: F.GAROFALO					
			DATE: 08-MAR-78					
			DSN.ENG.: J.MERCURI					
			DATE: 08-MAR-78		SIZE	CODE	DOCUMENT NUMBER	REV
			PROD.: R.B.KING		K	PL	5412411-0-0	E
			DATE: 08-MAR-78					
			RESP.ENG.: J.MERCURI		ASSY.NO.: D-UA-5412411-0-0			
			DATE: 08-MAR-78		EDIT#			
					3			

\*THIS DRAWING AND SPECIFICATIONS HEREIN, ARE THE PROPERTY OF DIGITAL EQUIPMENT CORPORATION AND SHALL NOT BE REPRODUCED OR COPIED OR USED IN WHOLE OR IN PART AS THE BASIS FOR THE MANUFACTURE OR SALE OF ITEMS WITHOUT WRITTEN PERMISSION. COPYRIGHT 1978. DIGITAL EQUIPMENT CORPORATION \*





ITEM #	FROM	TO
26	J18-4	B11D1
26	J21-5	B16D1
26	J21-6	B23D1
26	J21-6	B4D1

**NOTES**  
 1- SOCKETS (PINS) ITEM # 3 LOCATED ON ITEM # 2 TO BE SOLDERED TO BOARD.  
 2- DRILL 32 HOLES MARKED "A" BEFORE SOLDER OPERATION.  
 3- REMOVE ITEM # 4 AFTER SOLDER OPERATION.  
 4- FOR ASSEMBLY PROCESS SEE DOCUMENT NUMBER A-3P-1K11-0-PSA.  
 5- ADD JUMPERS PER TABLE 1 USING ITEM # 26. INSTALL ITEM # 26 BEFORE AWT.

AW	WIRE #24 AWG SOLID GRN	9107600-55	26
REF	WIRE LIST	KWL-7014226-0-1	25
REF	PACKAGING INSTRUCTION	ASP-3700196-0-0	24
1	COMPRESS -O- CARTON	9905016-5	23
REF	CIRCUIT SCHEMATIC	D-CS-5412637-0-1	22
18	288 PIN CONN BLOCK, SLOT.	120258-01	21
6	72 PIN CONN BLOCK, SLOT.	1211425-00	20
9	SCR PH HD PAN SST #+0.50	9006013-4	19
AW	WIRE #30 AWG SOLID YEL	9105740-44	18
REF	DRILL & ETCH DWG	D-MD-502636-0-0	17
6	WASHER, INT TOOTH #8	9006634-00	16
1	DECAL ASSY REV	A-DC-7411881-010	15
REF	AWT REV STATUS	AWT-7014226-0	14
AW	DECALS (J)	A-DC-7409873-2-0	13
54	SCR PHL HD FIL 8-32 x .62	9006120-06	12
3	MEMORY MTG BAR	C-MD-7412943-0-0	11
6	SCR PHL PAN HD #8-32 x .69	9007846-1	10
2	MEMORY MTG BRKT	C-MD-7412933-0-0	9
2	EYELET	9009000-00	8
2	TERM, QUICK DISCONNECT	9007112-00	7
8	SCR, PHL PAN -O #+ +0.38	9006011-1	6
8	NUT KEPS #4-40	9006657-00	5
8	WASHER, FLAT .25 ID	9006655-00	4
32	SOCKET TERM PC BD MOUNT	1209156-01	3
4	CONN, 3 PIN FEMALE	1207340-00	2
1	ETCH CIRCUIT BOARD	D-MD-5412637-0-0	1

VIEW A-A  
 SCALE: NONE  
 TYP 2 PLACES  
 @ J100 & J101

UNLESS OTHERWISE SPECIFIED	DRILL	PHYSICAL	ITEM NO
ASSEMBLY	DATE	REV	
SIZE			
SURFACE QUALITY			
QUANTITY & VARIATION			
DRILL	PHYSICAL	ITEM NO	
DATE			
REV			
SIZE			
SURFACE QUALITY			
QUANTITY & VARIATION			
DRILL	PHYSICAL	ITEM NO	
DATE			
REV			
SIZE			
SURFACE QUALITY			
QUANTITY & VARIATION			
DRILL	PHYSICAL	ITEM NO	
DATE			
REV			
SIZE			
SURFACE QUALITY			
QUANTITY & VARIATION			
DRILL	PHYSICAL	ITEM NO	
DATE			
REV			
SIZE			
SURFACE QUALITY			
QUANTITY & VARIATION			
DRILL	PHYSICAL	ITEM NO	
DATE			
REV			
SIZE			
SURFACE QUALITY			
QUANTITY & VARIATION			
DRILL	PHYSICAL	ITEM NO	
DATE			
REV			
SIZE			
SURFACE QUALITY			
QUANTITY & VARIATION			
DRILL	PHYSICAL	ITEM NO	
DATE			
REV			
SIZE			
SURFACE QUALITY			
QUANTITY & VARIATION			

BACK PLANE ASSY  
 MKII (MEMORY) 11/70  
 A-3P-1K11-0-0  
 E AD 7014226-0-0 A



DRAWING NO.	NO. OF SHTS.	PART NO.	DESCRIPTION	REVISIONS																	
				1	2	3	4	5	6	7	8	9	10								
B-DD-5412637-0	1		MK11 SP MOS BACKPLANE	*	A																
D-CS-5412637-0-1	1		MK11 SP MOS BACKPLANE	B	B																
E-UA-5412637-0-0	5		MK11 SP MOS BACKPLANE	B	B																
E-MD-5012636-0-0	6		DRILL & ETCH DRAWING	B	C																
		5012636	ETCHED BOARD	C	C																
5412637-0-L			P.C. DESIGN DATA BASE	REF																	
B-PL-5412637-0-0	1		MK11 SP MOS BACKPLANE	B	B																

**NOTES:**

DATE	CHG NO.	REV.	DESCRIPTION	REVISIONS																	
				1	2	3	4	5	6	7	8	9	10								
11-77	00001	A																			

"THIS DRAWING AND SPECIFICATIONS, HEREIN, ARE THE PROPERTY OF DIGITAL EQUIPMENT CORPORATION AND SHALL NOT BE REPRODUCED OR COPIED OR USED IN WHOLE OR IN PART AS THE BASIS FOR THE MANUFACTURE OR SALE OF ITEMS WITHOUT WRITTEN PERMISSION.  
COPYRIGHT© 1977 DIGITAL EQUIPMENT CORPORATION



USED ON OPTION/MODEL MK11	DRN. P. BOSSMAN 7/19/77	TITLE MK11 SP MOS BACKPLANE
	CHK'D <i>P. Bossman</i> 7/21/77	SIZE CODE B DD
	ENG. <i>W. Angell</i> 8/8/77	NUMBER 5412637-0
	PROD. <i>R.A. Hill</i> 8/10/77	REV. A
SHEET 1 OF 1		

# DIGITAL EQUIPMENT CORPORATION PARTS LIST

QUANTITY / VARIATION

NOTES:

USED ON: OPTION/MODEL  
MK11

MADE BY H. WEINBRENNER  
DATE 6/24/77

CHECKED W. ANGELL  
DATE 6/30/77

SECTION 1

ENG W. Angell 8/13/77  
DATE

PROD R A Hill  
DATE 8/10/77

ISSUED SECTION 1

ITEM NO.	DRAWING NO.	PART NO.	DESCRIPTION	REF	QTY	UNIT	QTY	UNIT	QTY	UNIT	QTY	UNIT	QTY	UNIT	QTY	UNIT	QTY	UNIT	REF DESIGNATION	
1	D-CS-5412637-0-1	5012636	CIRCUIT SCHEMATIC	REF																
	E-UA-5412637-0-0		UNIT ASSEMBLY	REF																
	B-DD-5412637-0		DRAWING DIRECTORY	REF																
	E-MD-5012636-0-0		DRILL & ETCH DRAWING	REF																
				ETCHED BOARD		1														

E.C.O. NO.

"THIS DRAWING AND SPECIFICATIONS, HEREIN, ARE THE PROPERTY OF DIGITAL EQUIPMENT CORPORATION AND SHALL NOT BE REPRODUCED OR COPIED OR USED IN WHOLE OR IN PART AS THE BASIS FOR THE MANUFACTURE OR SALE OF ITEMS WITHOUT WRITTEN PERMISSION. COPYRIGHT © 1977 DIGITAL EQUIPMENT CORPORATION"

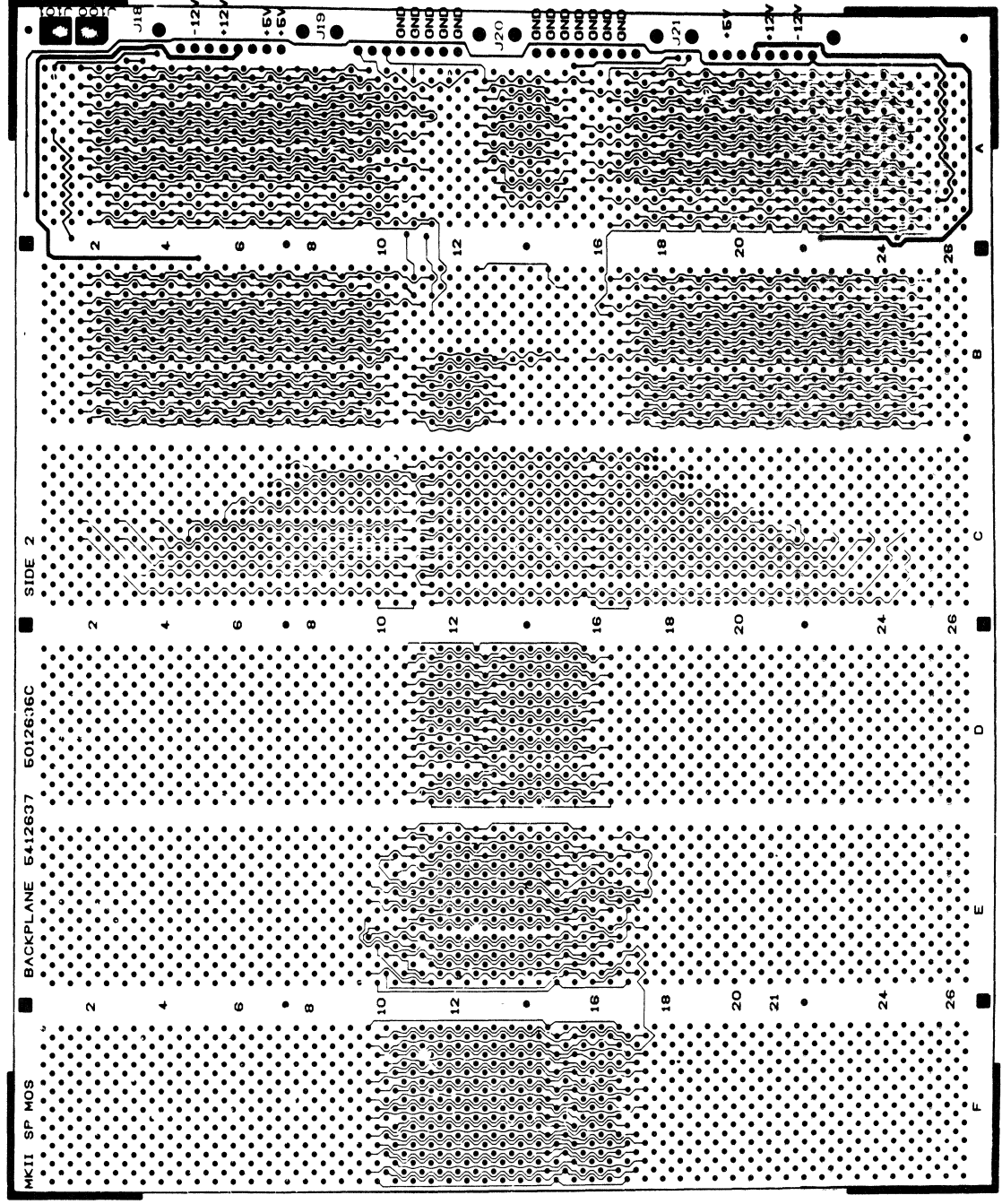
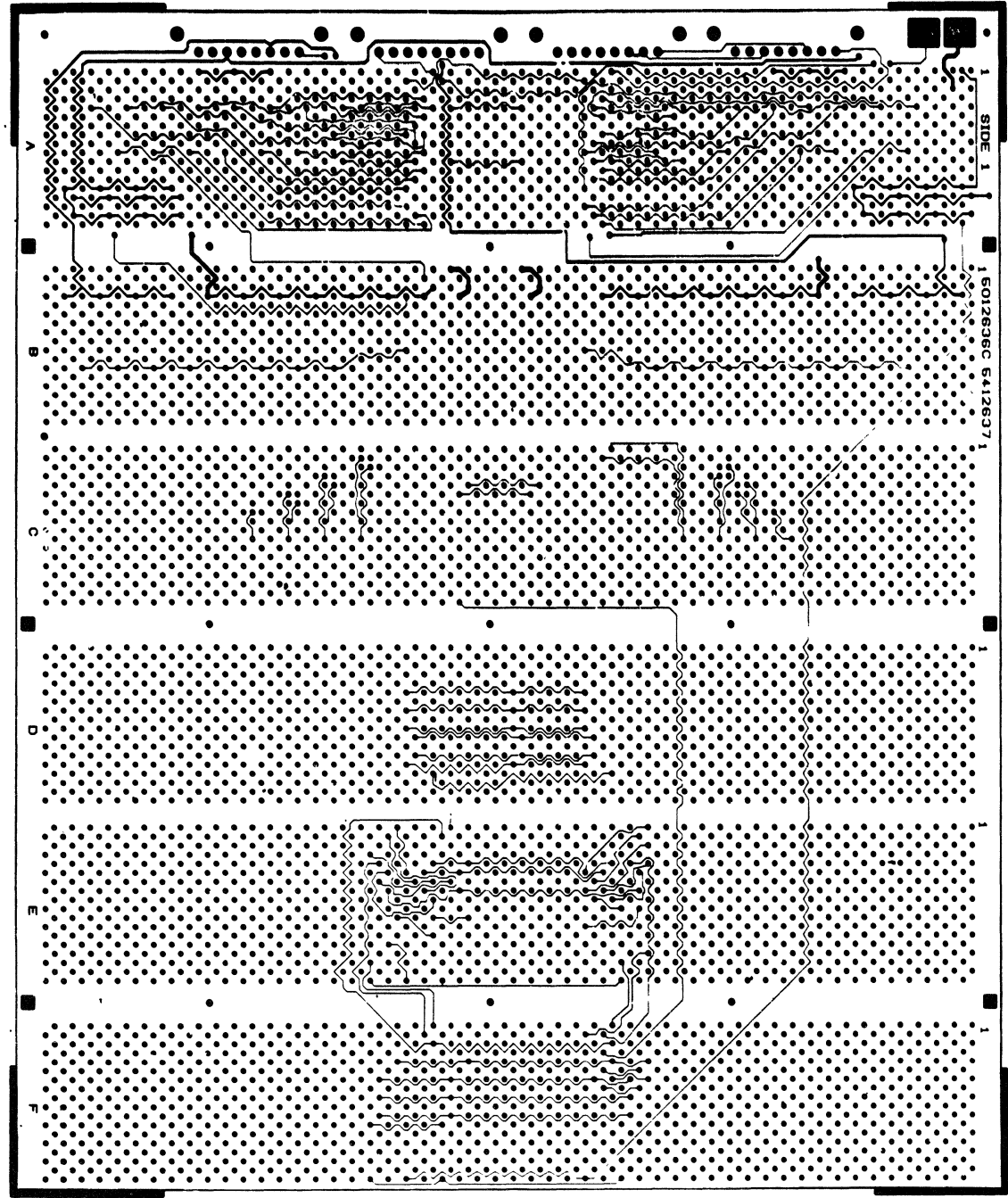
TITLE  
MK11 GP. MOS BACKPLANE

ASSY NO.  
E-UA-5412637-0-0  
SHEET 1 OF 1

SIZE CODE NUMBER REV.  
B PL 5412637-0-0 B  
INSERTION PARTS LIST DATA BASE REV



THIS DRAWING AND SPECIFICATIONS, HEREIN, AND THE PROPERTY OF DIGITAL EQUIPMENT CORPORATION AND SHALL NOT BE REPRODUCED OR COPIED IN WHOLE OR IN PART IN ANY MANNER OR FOR ANY PURPOSES WITHOUT WRITTEN PERMISSION.  
 COPYRIGHT © 1977 DIGITAL EQUIPMENT CORPORATION



NOTES:

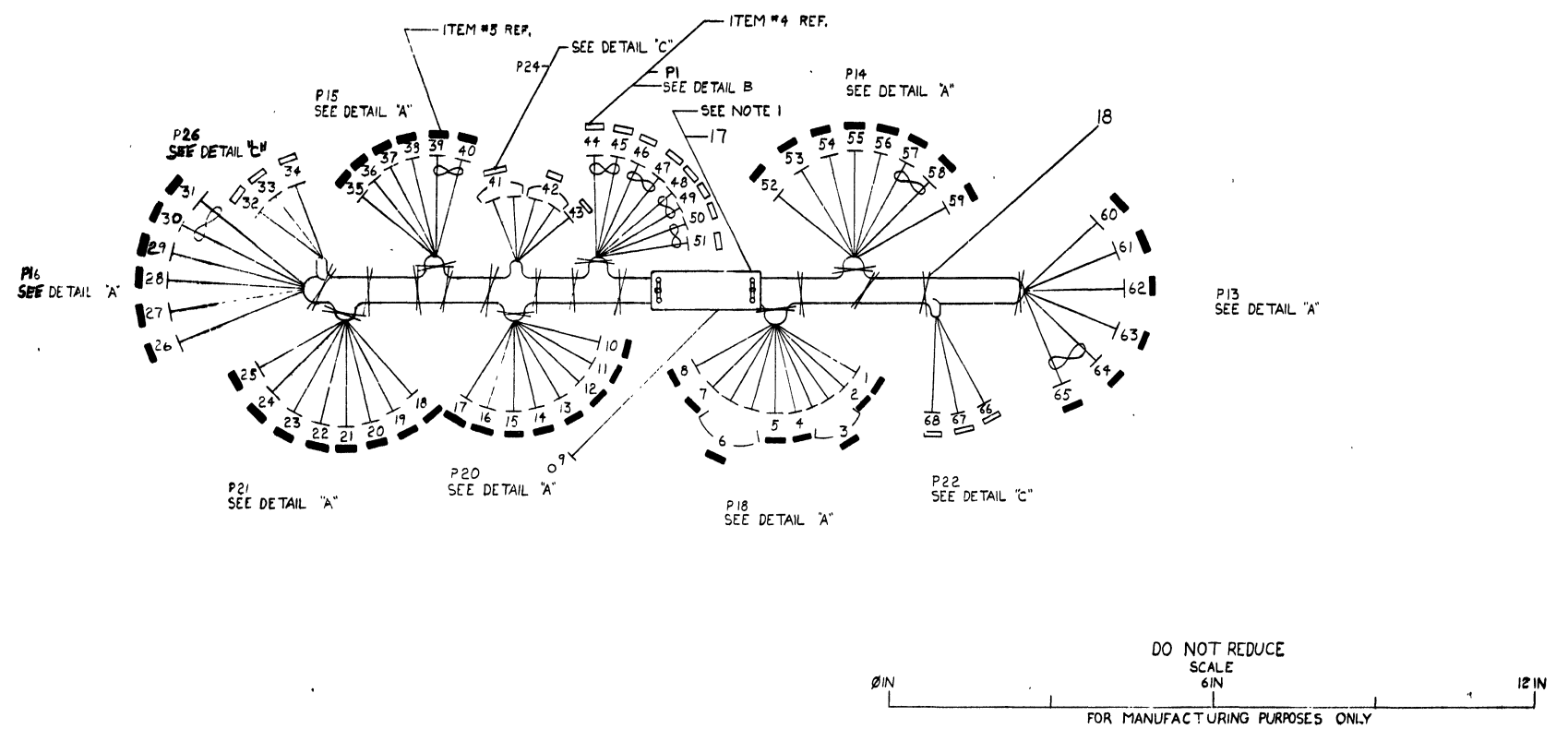
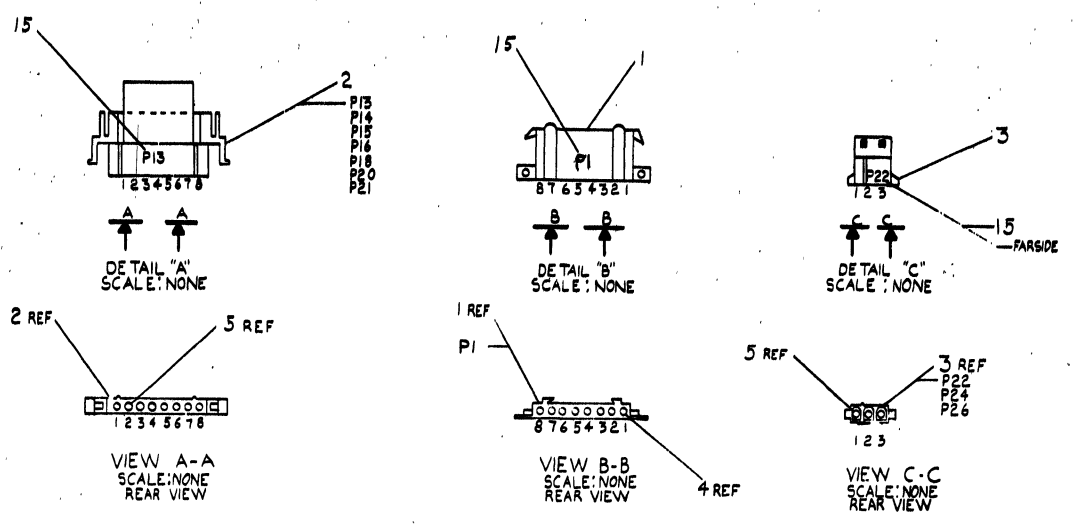

CHG	CHANGE NO	REV

SIGNATURES		DATE	digital
DRN. <i>W. Benjamin</i>		7/29/77	
CHK. <i>D. J. Benjamin</i>		7/29/77	TITLE MKII SP MOS BACKPLANE
ENG. <i>W. Angell</i>		8/9/77	
PROJ. ENG. <i>W. Angell</i>		8/9/77	SCALE 1-1
PROD. RD. <i>H. R.</i>		8/14/77	
SIZE CODE		NUMBER	REV
SHT. 1	OF 1	0	CS 5412637-0-1 B
ETCH REV C FIRST USED ON MKII			

SIZE CODE NUMBER  
 DCS 5412637-0-1 B

WIRE TABLE								
ITEM NO.	DESCRIPTION	FROM	TO					
NO.	AWG	COLOR	POINT	CONNECTION	WITH	POINT	CONNECTION	WITH
10	14	RED	1	P18-1	5	55	P14-5	5
10	14	RED	2	P18-2	5	55	P14-2	5
10	14	RED	24	P21-7	5	52	P14-1	5
11		GRAY	4	P18-4	5	62	P13-4	5
11		GRAY	22	P21-3	5	57	P13-4	5
11		GRAY	23	P21-6	5	28	P16-4	5
9		ORN	5	P18-5	5	60	P13-1	5
9		ORN	20	P21-3	5	26	P16-1	5
9		ORN	21	P21-4	5	35	P13-1	5
8		BRN	7	P18-7	5	63	P13-6	5
8		BRN	18	P21-1	5	29	P16-6	5
8		BRN	19	P21-2	5	38	P15-6	5
7		BLK	18	P20-3	5	61	P13-2	5
7		BLK	13	P20-4	5	55	P14-4	5
7		BLK	14	P20-5	5	54	P14-3	5
7		BLK	15	P20-6	5	27	P16-2	5
7		BLK	16	P20-7	5	36	P15-2	5
7		BLK	17	P20-8	5	59	P14-8	5
12	14	RED	30	P16-7	5	44	P1-8	4
12	TWP	WHT	31	P16-8	5	45	P1-7	4
12	14	RED	39	P15-7	5	46	P1-6	4
12	TWP	WHT	40	P15-8	5	47	P1-5	4
12	14	RED	57	P14-6	5	48	P1-4	4
12	TWP	WHT	58	P14-7	5	49	P1-3	4
12	14	RED	64	P13-7	5	50	P1-2	4
12	TWP	WHT	65	P13-8	5	51	P1-1	4
14	18	WHT	34	P24-3	4	25	P21-8	5
14	18	WHT	43	P24-3	4	10	P20-1	5
14	18	WHT	66	P22-3	4	8	P18-8	5
7		BLK	11	P20-2	5	9	LUG	6
20		VIO	32	P24-2	4	41	P24-2	4
20		VIO	3	P18-3	5	68	P22-2	5
13		YEL	33	P26-1	4	42	P24-1	4
13	18	YEL	6	P18-6	5	67	P22-1	4

NOTES:  
 1-MOUNT LABEL HARN (ITEM #17) APPROX.  
 AS SHOWN USING CABLE TIES (ITEM #3)  
 2-STRIP + CRIMP PER DWG  
 #7665267-0-0

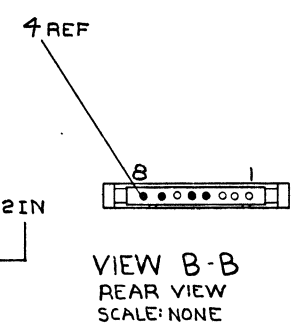
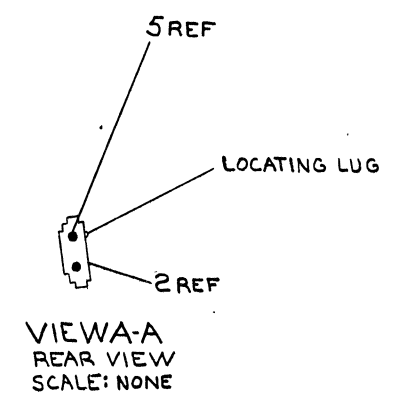
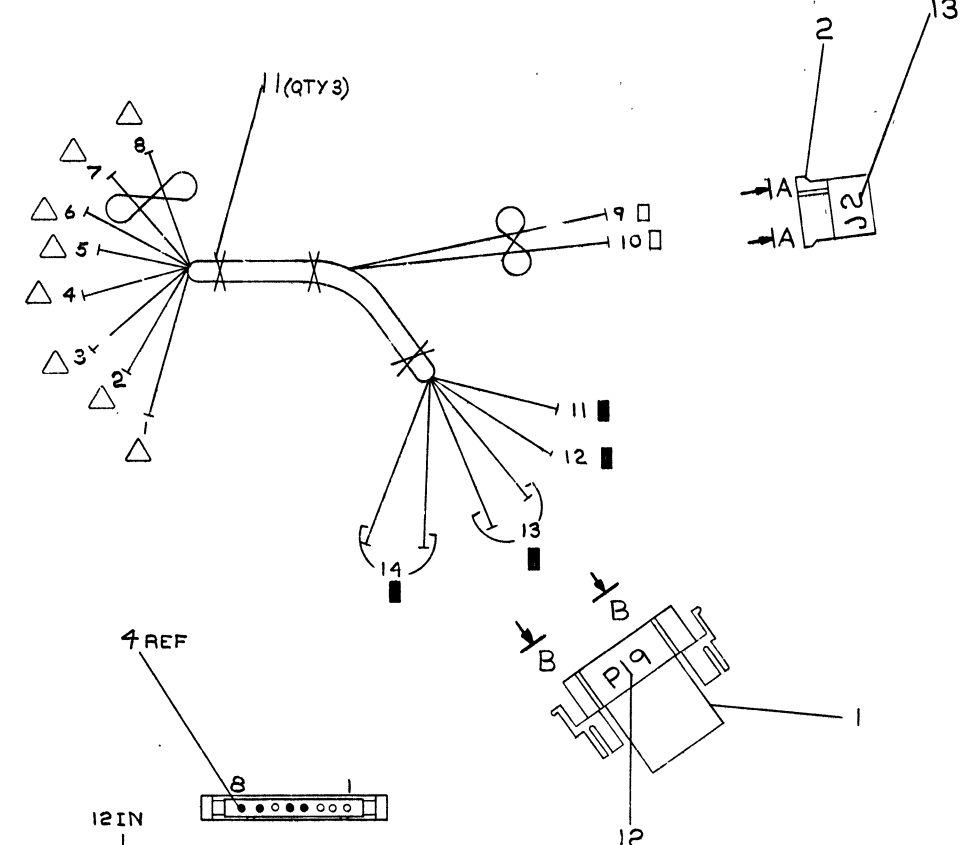
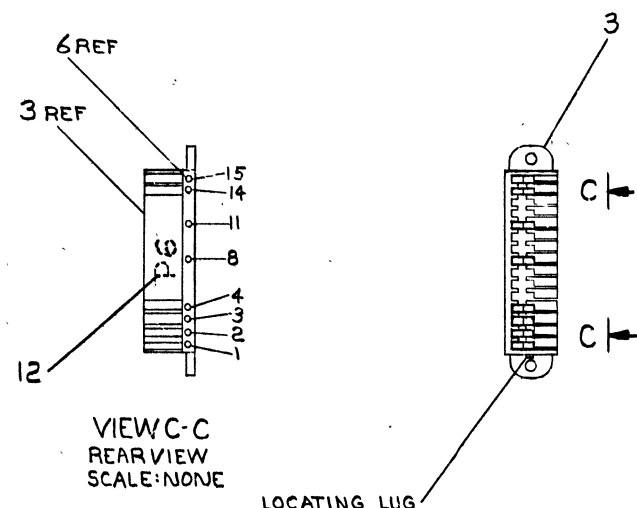


DESCRIPTION	DWG PART NO.	ITEM NO.
AW/WIRE #18 STRD, INS VIO	9107360-77	20
AW/WIRE #14 STRD, INS BLK	9107370-00	19
AW/WIRE #14 STRD, INS WHT	9107360-99	14
AW/WIRE #8 STRD, INS TEL	9107360-44	15
AW/WIRE #14 AWG, TWP RED/WHT	9107440-29	12
AW/WIRE #14 STRD, INS GRAY	9107370-88	11
AW/WIRE #14 STRD, INS RED	9107370-22	10
AW/WIRE #14 STRD, INS ORN	9107370-33	9
AW/WIRE #14 STRD, INS BRN	9107370-11	8
AW/WIRE #18 STRD, INS BLK	9107360-00	7
TERMINAL, 10 HOLE	9107930-01	6
TERMINAL (MALE)	9109378-01	5
TERMINAL (FEMALE)	9109379-02	4
CONNECTOR (FEMALE) 3 PIN	9120821-03	3
CONNECTOR (MALE) 8 PIN	9109340-01	2
CONNECTOR (FEMALE) 6 PIN	9109340-00	1

UNLESS OTHERWISE SPECIFIED DIMENSIONS ARE IN INCHES	
ANGLE	CLASS OF ACCURACY
SURFACE	FINISH
QUALITY	IN
QUANTITY & VARIATION	PREFERRED
THIRD ANGLE PROJECTION	FIRST USED ON
REMOVE BURRS AND BREAK SHARP CORNERS	DO NOT SCALE DWG
MATERIAL	SEE PARTS LIST
FINISH	

DRN: [ ]  
 CHK'D: [ ]  
 ENG: [ ]  
 PROJ. ENG: [ ]  
 PAID: [ ]  
 NEXT HIGHER ASBY: [ ]  
 TITLE: PWR HARNESS MKII  
 SIZE CODE: [ ]  
 NUMBER: 70420-0-0  
 REV: [ ]

WIRE TABLE								
ITEM NO	AWG	COLOR	FROM			TO		
			POINT	CONNECTION	TERM	POINT	CONNECTION	TERM
10	18	VIO	1	P6-1	6	13	P19-7	4
10		VIO	2	P6-2				
9		YEL	3	P6-3		14	P19-8	
9		YEL	5	P6-8				
8		BLK	4	P6-4		12	P19-5	
8		BLK	6	P6-11		11	P19-4	4
7		WHT	7	P6-14		10	J2-1	5
TWP	18	RED	8	P6-15	6	9	J2-2	5



DO NOT REDUCE SCALE

0 IN 6 IN 12 IN

FOR MANUFACTURING PURPOSES ONLY

A/R	DESCRIPTION	PART NO	QTY
A/R	PWR HARN. DECAL (J)	A-DC-7409873-00	13
A/R	PWR HARN. DECAL (P)	A-DC-7409872-00	12
3	TIE, CABLE	9007880	11
70"	WIRE, #18 AWG, VIOLET	9107360-77	10
70"	WIRE, #18 AWG, YEL	9107360-44	9
70"	WIRE, #18 AWG, BLK	9107360-00	8
70"	WIRE, TWP #18 AWG, RED/WHT	9107430-29	7
△	8 TERMINAL, RIGHT ANGLE	1210381	6
□	2 TERMINAL, FEMALE	1209379-01	5
■	4 TERMINAL, MALE	1209378-01	4
1	HOUSING, TERMINAL	1210380-07	3
1	CONN, 2 PIN FEMALE	1210821-2	2
1	CONN, 8 PIN MALE	1209340-01	1

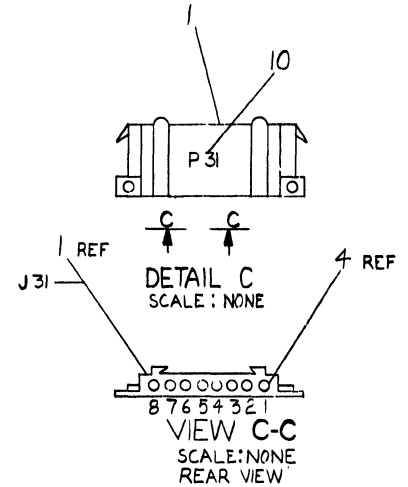
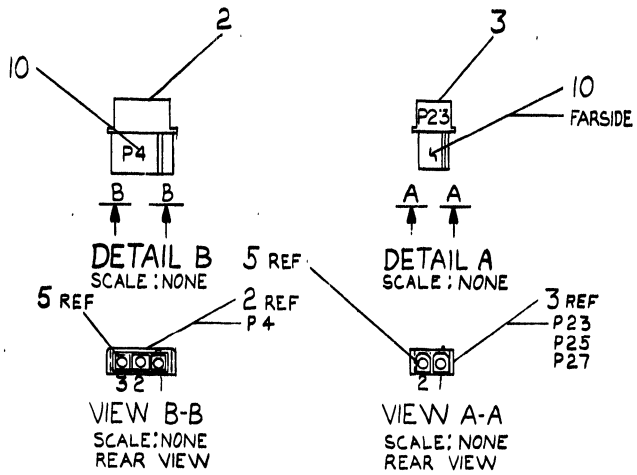
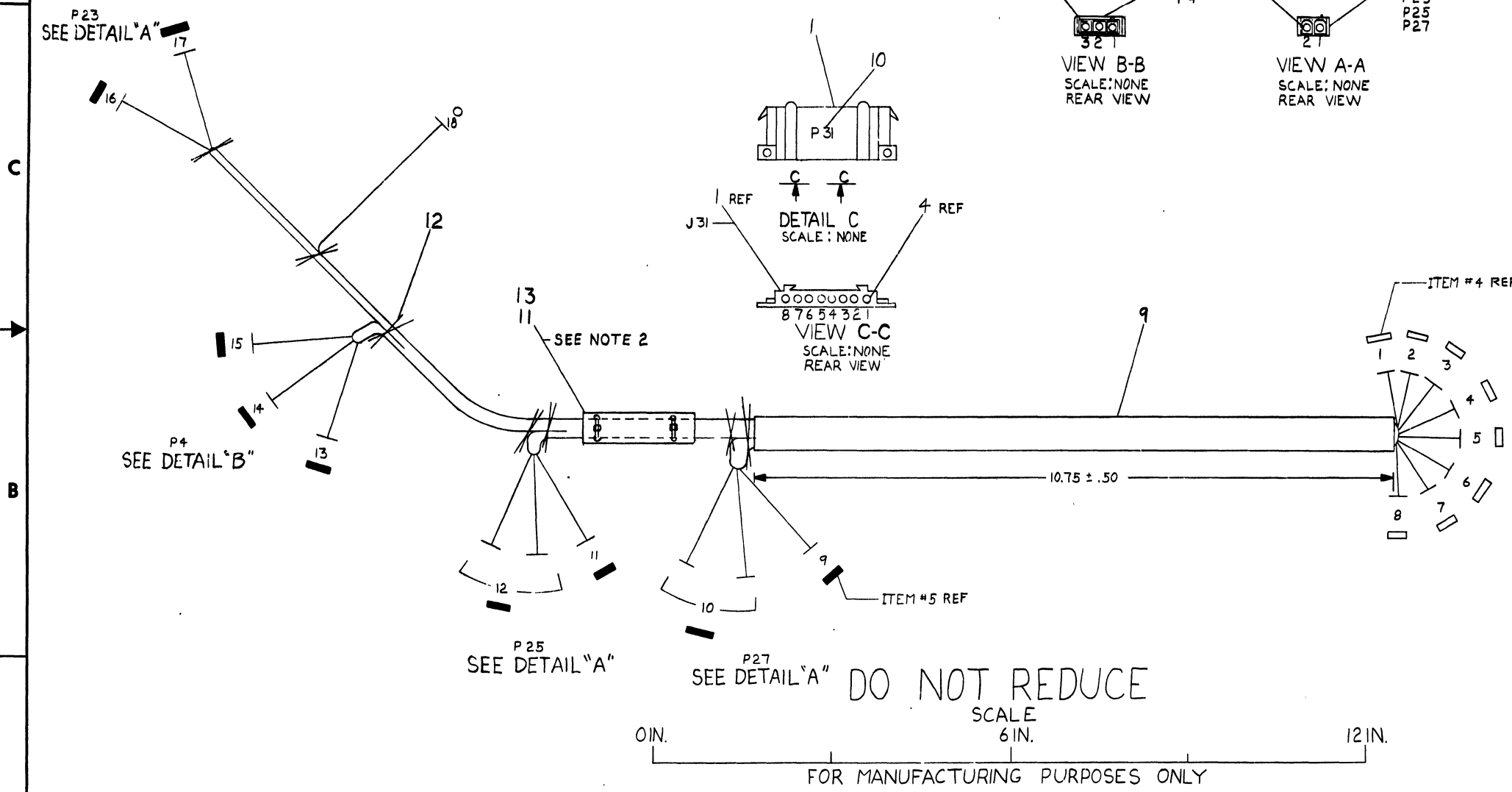
OPTION / MODEL		SYMBOL	QTY.	DESCRIPTION	PART NO	ITEM NO
MJ11-A						
UNLESS OTHERWISE SPECIFIED DIMENSION IN INCHES. TOLERANCES				PARTS LIST		
DECIMALS	ANGLES	DRN	DATE	digital EQUIPMENT CORPORATION		
.XXX - .006	±0° 30'	CHK'D	DATE	TITLE		
.XX - .02		ENG	DATE	WIRE HARNESS		
X - 1		PROJ. ENG	DATE	A.C./D.C. LOW		
REMOVE BURRS AND BREAK SHARP CORNERS SURFACE QUALITY				NEXT HIGHER ASSY.		
MATERIAL				SCALE		
SEE PARTS LIST				D-UA-MJ11-A-0		
FINISH				SHEET 1 OF 1		
				DIA 7010581-0-0		

REVISIONS  
 CHANGE NO  
 CHK

THIS DRAWING AND SPECIFICATIONS HERIN ARE THE PROPERTY OF DIGITAL EQUIPMENT CORPORATION AND SHALL NOT BE REPRODUCED OR COPIED IN WHOLE OR IN PART AS THE BASIS FOR THE MANUFACTURE OR SALE OF ITEMS WITHOUT WRITTEN PERMISSION. COPYRIGHT © 1977, DIGITAL EQUIPMENT CORPORATION

WIRE TABLE									
ITEM NO	DESCRIPTION	FROM			TO			REMARKS	
		AWG	COLOR	POINT	CONNECTOR	WITH	POINT		CONNECTOR
7	#18	RED	17	P23-1	5	12	P25-1	5	
7		RED	10	P27-1	5	8	P31-1	4	
7		RED	15	P4-2		6	P31-4		
6		BLK	16	P23-2		2	P31-7		
4		BLK	13	P4-3		7	P31-2		
		BLK	11	P25-2		3	P31-6		
		BLK	9	P27-2	5	4	P31-5	4	
6		BLK	1	P31-8	4	18	LUG	13	
8	#18	WHT	14	P4-1	5	5	P31-3	4	

NOTES  
 1. STRIP + CRIMP PER DWG 7665267-0-0.  
 2. MOUNT SERIAL TAG (ITEM #11) APPROX. AS SHOWN USING CABLE TIES (ITEM #12) CABLE TIES TO BE SNUG, DO NOT CRUSH CABLE.



P31 SEE DETAIL "C"

ITEM NO.	DESCRIPTION	DWG./PART NO.	ITEM NO.
1	TERMINAL, #10 HOLE	9007930-00	13
X	A/R TIE, CABLE	9007031-00	12
1	LABEL, HARNESS IDENT	9009532-00	11
A/R	DECALS (P)	A-DC-7409872-2-0	10
A/R	SLEEVING, .425 DIA	9107646-00	9
A/R	WIRE, #18 STRD, INS WHT	9107360-99	8
A/R	WIRE, #18 STRD, INS RED	9107360-22	7
A/R	WIRE, #18 STRD, INS BLK	9107360-00	6
9	TERMINAL (MALE)	1209378-01	5
8	TERMINAL (FEMALE)	1209379-01	4
3	CONNECTOR (MALE) 2 PIN	1210822-02	3
1	CONNECTOR (MALE) 3 PIN	1209351-03	2
1	CONNECTOR (FEMALE) 8 PIN	1209340-00	1

SYMBOLS	UNLESS OTHERWISE SPECIFIED DIMENSIONS ARE IN INCHES	
	CLASS OF ACCURACY	NOMINAL DIMENSION RANGE INCHES
QUANTITY & VARIATION	ANGLES 40° 30'	OVER 0 TO 1.2
	SURFACE QUALITY IN	1.2 TO 3.0
THIRD ANGLE PROJECTION	MEDIUM	3.0 TO 12.0
	MICROINCHES	12.0 TO 40.0
REMOVE BURRS AND BREAK SHARP CORNERS	PREFERRED	40.0 TO 80.0
	±.012 ±.016 ±.025 ±.0 ±.003 ±.01	
DO NOT SCALE DWG	DRN. P. [Signature]	FIRST USED ON
	CHK'D [Signature]	MK II
MATERIAL SEE PARTS LIST	ENG. [Signature]	TITLE
	PROD. [Signature]	HARNESS, BOX CONTROL, INTERNAL (MK II)
FINISH	NEXT HIGHER ASSY.	NUMBER
		D-AD-7014614-0-0
	SCALE 1/1	REV.
	SHEET OF DIST.	D LA 7014312-0-0

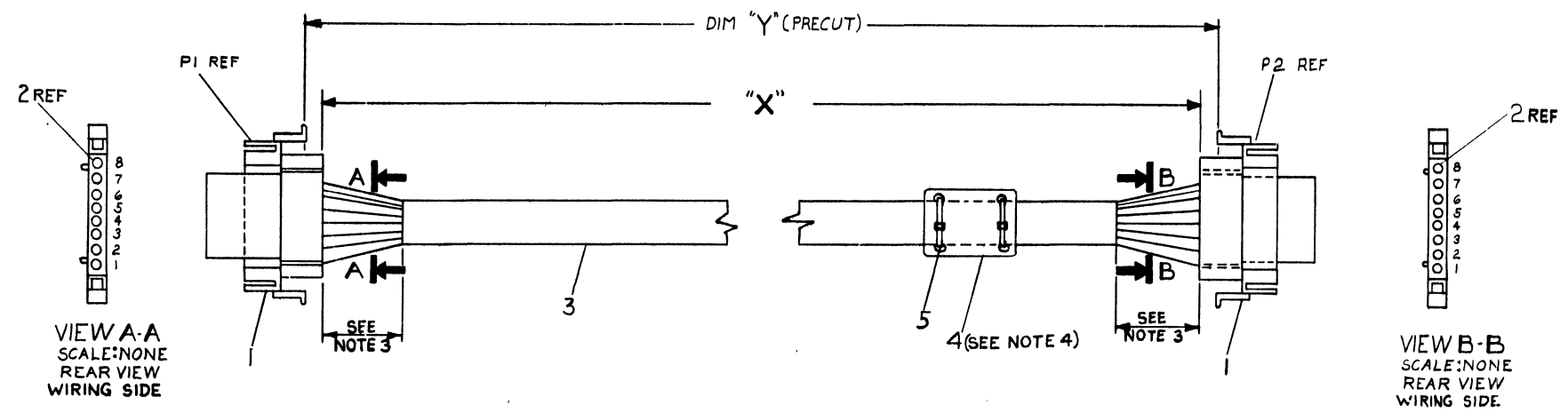
REV.	CHANGE NO.

DEC FORM NO. 155-4

WIRE TABLE						
ITEM NO.	DESCRIPTION	FROM	TO	WITH	CONNECTION	WITH
5	14	BROWN	P1-1	2	P2-1	2
		RED	-2		-2	
		ORN	-3		-3	
		YEL	-4		-4	
		GRN	-5		-5	
		BLUE	-6		-6	
		VIO	-7		-7	
3	14	GREY	P1-8	2	P2-8	2

LEGEND		
NUMBER	DIM "X" VARIATION	DIM "Y" (PRECUT) REF.
7014520-08	8 FT 0 IN ± 2 IN	8 FT. 5 IN
7014520-05	5 FT 0 IN ± 2 IN	5 FT. 5 IN

- NOTES:
1. STRIP & CRIMP PER DWG NO 7665267-0-0
  2. SLITTING FIXTURE
  3. LENGTH OF SLIT 1.25 INCHES
  4. MOUNT LABEL, CABLE APPROX AS SHOWN USING CABLE TIES ITEM #5. CABLE TIES TO BE SNUG, DO NOT CRUSH CABLE.



QTY	DESCRIPTION	DWG./PART NO.	ITEM NO.
2	TIE, CABLE	9007031-00	5
1	LABEL, CABLE IDENT.	9009532-00	4
1	CABLE, FLAT 8 COND #14 AWG	1730098-00	3
1	TERMINAL (MALE)	1209378-01	2
2	CONNECTOR (MALE)	1209340-01	1

UNLESS OTHERWISE SPECIFIED DIMENSIONS ARE IN INCHES					
ANGLE	CLASS OF ACCURACY	NOMINAL DIMENSION RANGE INCHES			
30° 30'	F	0	0.25	0.5	0.75
	G	0.25	0.5	0.75	1.0
	H	0.5	1.0	1.5	2.0
	K	1.0	2.0	3.0	4.0
	M	2.0	3.0	4.0	6.0
	N	3.0	6.0	12.0	24.0
	P	6.0	12.0	24.0	48.0
	R	12.0	24.0	48.0	96.0
	S	24.0	48.0	96.0	192.0
	T	48.0	96.0	192.0	384.0
	U	96.0	192.0	384.0	768.0
	V	192.0	384.0	768.0	1536.0
	W	384.0	768.0	1536.0	3072.0
	X	768.0	1536.0	3072.0	6144.0
	Y	1536.0	3072.0	6144.0	12288.0
	Z	3072.0	6144.0	12288.0	24576.0

THIRD ANGLE PROJECTION

REMOVE BURRS AND BREAK SHARP CORNERS

DO NOT SCALE DWG

MATERIAL SEE PARTS LIST

FINISH

DRN. *R. B. [Signature]* 6-10-77

CHK'D. *[Signature]* 9-29-77

ENG. *[Signature]* 9-29-77

PROJ. ENG. *[Signature]*

PROD. *[Signature]*

NEXT HIGHER ASSY.

E-JA-MKII-3-0

SCALE 1/1

SHEET 1 OF 1

FIRST USED ON MKII

TITLE CABLE, POWER BATTERY BACKUP

SIZE CODE D ITA

NUMBER 7014520-00

REV. A

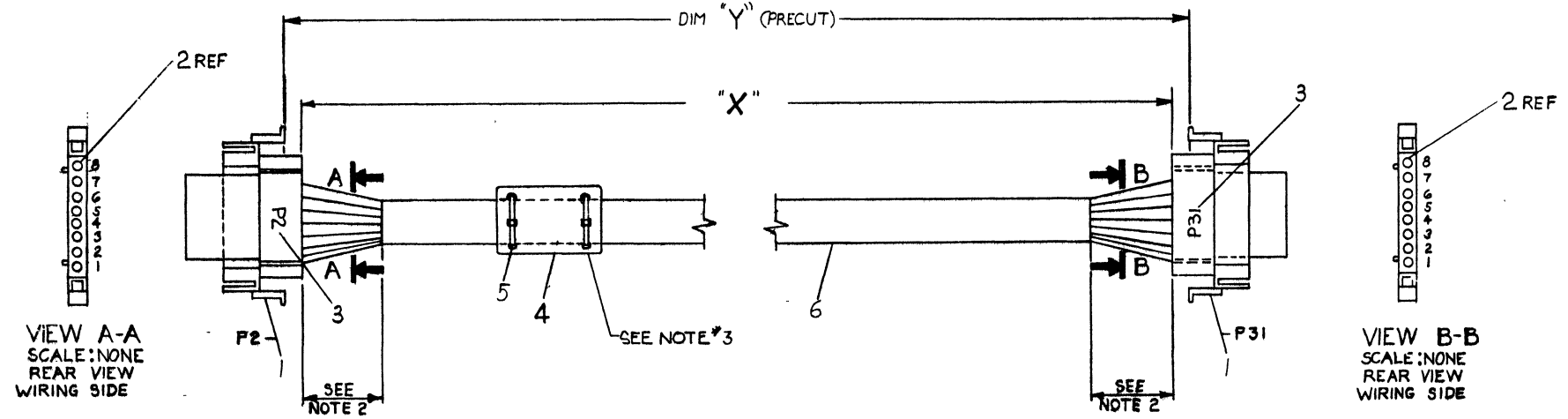
REV.	CHANGE NO.	DESCRIPTION
A	7014520-TW(00)	1. L. [Signature] 3/27/77
B		R. WOLF
C		R. WOLF / F. [Signature] 5/17/75

THIS DRAWING AND SPECIFICATIONS HEREAFTER ARE THE PROPERTY OF DIGITAL EQUIPMENT CORPORATION AND SHALL NOT BE REPRODUCED OR COPIED OR USED IN WHOLE OR IN PART AS THE BASIS FOR THE MANUFACTURE OR SALE OF ITEMS WITHOUT WRITTEN PERMISSION. COPYRIGHT © 1977, DIGITAL EQUIPMENT CORPORATION

WIRE TABLE						
ITEM NO.	DESCRIPTION	FROM	TO	WITH	CONNECTION	WITH
6	.18	BROWN	P2-1	2	P31-1	2
		RED	P2-2		P31-2	
		ORN	P2-3		P31-3	
		YEL	P2-4		P31-4	
		GRN	P2-5		P31-5	
		BLUE	P2-6		P31-6	
		VIO	P2-7		P31-7	
		18	GREY	P2-8	2	P31-8

LEGEND		
NUMBER	DIM "X" VARIATION	DIM "Y" (PRECUT) REF
70:4311-9F	9 FT 6 IN ± 2 IN	9 FT 6.5 IN
70:4311-1F	1 FT 6 IN ± 2 IN	1 FT 6.5 IN
70:4311-4F	4 FT 6 IN ± 2 IN	4 FT 6.5 IN
70:4311-5	5 FT 0 IN ± 2 IN	5 FT 0.5 IN

- NOTES:
- STRIP & CRIMP PER DWG NO 7665267-0
  - LENGTH OF SLIT 1.25 INCHES
  - MOUNT LABEL, CABLE APPROX. AS SHOWN USING CABLE TIES ITEM #5. CABLE TIES TO BE SNUG, DO NOT CRUSH CABLE



REV	DATE	BY	CHKD
A	10/14/77	R. WOLF	P. PORRECA
B	11/14/77	P. PORRECA	

QTY	DESCRIPTION	DWG. PART NO.	ITEM NO.
2	CABLE FLAT & COND. STRD #18 AWG	1700098-01	6
2	TIE, CABLE	9007031-00	5
1	LABEL, CABLE IDENT	9009532-00	4
1	DECAL (P)	A-DC-7409372-0	3
1	TERMINAL (MALE)	1209378-01	2
2	CONNECTOR, MALE	1209340-01	1

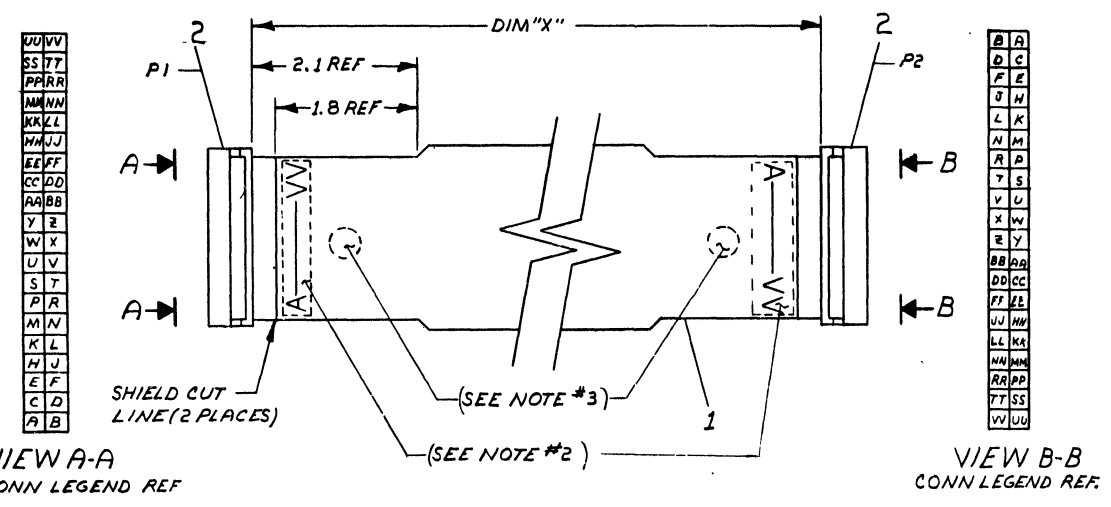
THIRD ANGLE PROJECTION		DRN. <i>R. Wolf</i>	6-10-77	FIRST USED ON	MK II
REMOVE BURRS AND BREAK SHARP CORNERS		CHK'D. <i>R. Wolf</i>	9-28-77	TITLE	
DO NOT SCALE DWG		ENG. <i>R. Wolf</i>	9/28/77	CABLE, BOX CONTROLLER EXT	
MATERIAL SEE PARTS LIST		PROJ. ENG. <i>R. Wolf</i>		SIZE	CODE
FINISH		DO NOT SCALE DWG		NUMBER	REV
				D IA	7014311-0-0
				SHEET	OF
				DIST.	

"THIS DRAWING AND SPECIFICATIONS, HEREIN, ARE THE PROPERTY OF DIGITAL EQUIPMENT CORPORATION AND SHALL NOT BE REPRODUCED OR COPIED OR USED IN WHOLE OR IN PART AS THE BASIS FOR THE MANUFACTURE OR SALE OF ITEMS WITHOUT WRITTEN PERMISSION. COPYRIGHT © 1976 DIGITAL EQUIPMENT CORPORATION"

WIRE TABLE			
FROM	TO	FROM	TO
P1-A	P2-VV	P1-Y	P2-X
P1-B	P2-UU	P1-Z	P2-W
P1-C	P2-TT	P1-AA	P2-V
P1-D	P2-SS	P1-BB	P2-U
P1-E	P2-RR	P1-CC	P2-T
P1-F	P2-PP	P1-DD	P2-S
P1-H	P2-NN	P1-EE	P2-R
P1-J	P2-MM	P1-FF	P2-P
P1-K	P2-LL	P1-HH	P2-N
P1-L	P2-KK	P1-JJ	P2-M
P1-M	P2-JJ	P1-KK	P2-L
P1-N	P2-II	P1-LL	P2-K
P1-P	P2-FF	P1-MM	P2-J
P1-R	P2-EE	P1-NN	P2-H
P1-S	P2-DD	P1-PP	P2-F
P1-T	P2-CC	P1-RR	P2-E
P1-U	P2-BB	P1-SS	P2-D
P1-V	P2-AA	P1-TT	P2-C
P1-W	P2-Z	P1-UU	P2-B
P1-X	P2-Y	P1-VV	P2-A

LEGEND		
NUMBER	DIM "X"	PRECUT LENGTH
BC0BR-01	1.00 FT.	1.00 FT. 1.5 IN. 1.00 IN
BC0BR-02	2.00 FT.	2.00 FT. 1.5 IN. 1.00 IN
BC0BR-03	3.00 FT.	3.00 FT. 1.5 IN. 1.00 IN
BC0BR-04	4.00 FT.	4.00 FT. 1.5 IN. 1.00 IN
BC0BR-05	5.00 FT.	5.00 FT. 1.5 IN. 1.00 IN
BC0BR-06	6.00 FT.	6.00 FT. 1.5 IN. 2.00 IN
BC0BR-07	7.00 FT.	7.00 FT. 1.5 IN. 2.00 IN
BC0BR-08	8.00 FT.	8.00 FT. 1.5 IN. 2.00 IN
BC0BR-09	9.00 FT.	9.00 FT. 1.5 IN. 2.00 IN
BC0BR-10	10.00 FT.	10.00 FT. 1.5 IN. 2.00 IN
BC0BR-11	11.00 FT.	11.00 FT. 1.5 IN. 3.00 IN
BC0BR-12	12.00 FT.	12.00 FT. 1.5 IN. 3.00 IN
BC0BR-13	13.00 FT.	13.00 FT. 1.5 IN. 3.00 IN
BC0BR-14	14.00 FT.	14.00 FT. 1.5 IN. 3.00 IN
BC0BR-15	15.00 FT.	15.00 FT. 1.5 IN. 3.00 IN
BC0BR-16	16.00 FT.	16.00 FT. 1.5 IN. 3.00 IN
BC0BR-17	17.00 FT.	17.00 FT. 1.5 IN. 3.00 IN
BC0BR-18	18.00 FT.	18.00 FT. 1.5 IN. 3.00 IN
BC0BR-19	19.00 FT.	19.00 FT. 1.5 IN. 3.00 IN
BC0BR-20	20.00 FT.	20.00 FT. 1.5 IN. 3.00 IN
BC0BR-25	25.00 FT.	25.00 FT. 1.5 IN. 3.00 IN
BC0BR-30	30.00 FT.	30.00 FT. 1.5 IN. 3.00 FT
BC0BR-35	35.00 FT.	35.00 FT. 1.5 IN. 3.00 FT
BC0BR-50	50.00 FT.	50.00 FT. 1.5 IN. 1.00 FT
BC0BR-60	60.00 FT.	60.00 FT. 1.5 IN. 1.20 FT
BC0BR-75	75.00 FT.	75.00 FT. 1.5 IN. 1.50 FT
BC0BR-90	90.00 FT.	90.00 FT. 1.5 IN. 2.00 FT
BC0BR-A3	130.00 FT.	130.00 FT. 1.5 IN. 2.00 FT
BC0BR-A6	160.00 FT.	160.00 FT. 1.5 IN. 2.00 FT

1. ASSEMBLE THIS CABLE PER PROCESS SPEC #7606485-0-0.
2. CONNECTOR LEGEND IDENTIFICATION TO BE PLACED ON SHIELD SIDE OF CABLE IN THIS AREA AS SHOWN.
3. INSPECTION & TEST STAMPS TO BE PLACED AT EACH END OF THE CABLE ASSY.
4. STRIP LENGTH SHOULD BE .62 ± 4/32.



REV.	CHG	NO.	DATE	BY	CHK
1	BC0BR-0000E	L			
2	BC0BR-0000E	L			
3	BC0BR-0000E	L			
4	BC0BR-0000E	L			
5	BC0BR-0000E	L			
6	BC0BR-0000E	L			
7	BC0BR-0000E	L			
8	BC0BR-0000E	L			
9	BC0BR-0000E	L			
10	BC0BR-0000E	L			

2	CONNECTOR, 40 SOCKET	1211206	2
1	WIRE CABLE, 40 COND. FLAT W/SHIELD	1700004	1
DESCRIPTION		DWG./PART NO.	ITEM NO.
UNLESS OTHERWISE SPECIFIED DIMENSIONS ARE IN INCHES			
ANGLE	CLASS OF ACCURACY	NOMINAL DIMENSION RANGE INCHES	
30° 30'	(CHECK /N/E)	OVER	UNDER
SURFACE QUALITY	IN	TO	TO
IN	MEDIUM	±.004	±.008
QUANTITY & VARIATION	MICROINCHES	PREFERRED	±.012 ±.016 ±.025 ±.04 ±.063 ±0.1
THIRD ANGLE PROJECTION	DRND. FONTAINE 5-28-70	FIRST USED ON	
REMOVE BURRS AND BREAK SHARP CORNERS	CHK'D J. FLEMING 5-3-70	digital	
DO NOT SCALE DWG	ENGR. GARDNER 6-3-70	TITLE	
MATERIAL	PROJ. ENG. GARDNER 9-2-70	BC0BR TO CABLE	
FINISH	PROD. DONALD 9-4-70	SIZE CODE	NUMBER
	NEXT HIGHER ASSY.	D UA	BC0BR-0-0
		SCALE	REV.
		SHEET	M