

ILLUSTRATED PARTS BREAKDOWN

PDP 11/45 16 BIT COMPUTER (Basic)

HOW TO USE THE IPB

GENERAL

This IPB is compiled following the organization and nomenclature of the engineering drawing structure.

MAJOR ASSEMBLY LOCATOR

The Major Assembly Locator (first illustration) is an index that provides a description and a figure reference for all illustrations used in this manual.

INDENTED PARTS LIST

This manual identifies each assembly being broken down (figure reference callout) and all parts of that assembly. Further breakdown of an assembly is shown by an asterisk (*) preceding the item callouts in the Description Column. The number of asterisks preceding an item is used to denote the subordination of that item with respect to the Major Assembly. A single asterisk preceding an item description indicates that the item is part of the major assembly being illustrated. Items that are subordinate to single asterisk items, are denoted by two asterisks (**), and immediately follow the related single asterisk item. Additional asterisks are used, as required, to denote further subordination. This system of part identification, provides a means for the user to identify the next higher assembly item and make alternate selections for parts when the required replacement part or assembly is not immediately available.

COLUMN CALLOUT DESCRIPTION

Figure & Item - Indicates the figure number and item number of each part.

Description - Lists the name of the part and pertinent specifications (when required). Asterisks preceding the description denote the subordination of the part to the next higher assembly.

DEC Part No. - Lists the DEC part ordering number. A blank in this column indicates a DEC part number was not assigned at the time of publication.

ECO Cut-In - The notation at the top of this column indicates the ECO level of the system (option), at which the IPB was initially prepared. Subsequent ECO level designations, that modify existing parts or add new parts to the device, are inserted in the ECO Cut-In column next to the part that is added or modified. A bracket ([]) preceding the item description is used to indicate the parts affected by ECO's.

Vendor Code/Part No. - Indicates vendor parts that are not stocked by DEC. Refer to the Field Service Spares Catalog (vendor part number to DEC part number) for the vendor code cross-reference.

Used On Code - Letters in this column correspond to the variation codes assigned in Figure 1. Parts with an Alpha notation(s) are used only in those option variations. A blank indicates that the part is used on all option variations.

Ref Fig No. - A cross reference between illustrations. For each Major Assembly, the number in this column denotes the figure of the next higher assembly. For all subassemblies, the number in this column denotes the figure showing additional detailed breakdown.

SYMBOL USAGE

Hardware Designators - Alpha designators for screws (S), washers (W), nuts (N), and retaining rings (R) are inserted after the item number callouts on the illustration when stacked item numbers are used.

Attaching Hardware - The @ symbol is inserted before any part that is used as attaching hardware. Attaching hardware is denoted as those parts that are not an integral part of the referenced assembly.

(NFR) Not Field Repairable - The (NFR) symbol is inserted after any assembly that is not to be field dismantled.

Other Symbols - Any other symbols that are required for kits, accessories, etc., will be explained and appear as part of the item description.

REVISION HISTORY

PRINTING	ECO LEVEL	DATE	PAGES AFFECTED
1st Printing	PDP 11/45 00021 00058 H960C 00000 00001 H950 00100 00102 H950A 00000 00001 54 09684 00000 00005 70 08784 00000 00002 70 09540 00000 00000 70 08860 00000 00000 70 08853 00000 00003	10 8 74	N A

Copyright © 1974, by Digital Equipment Corporation

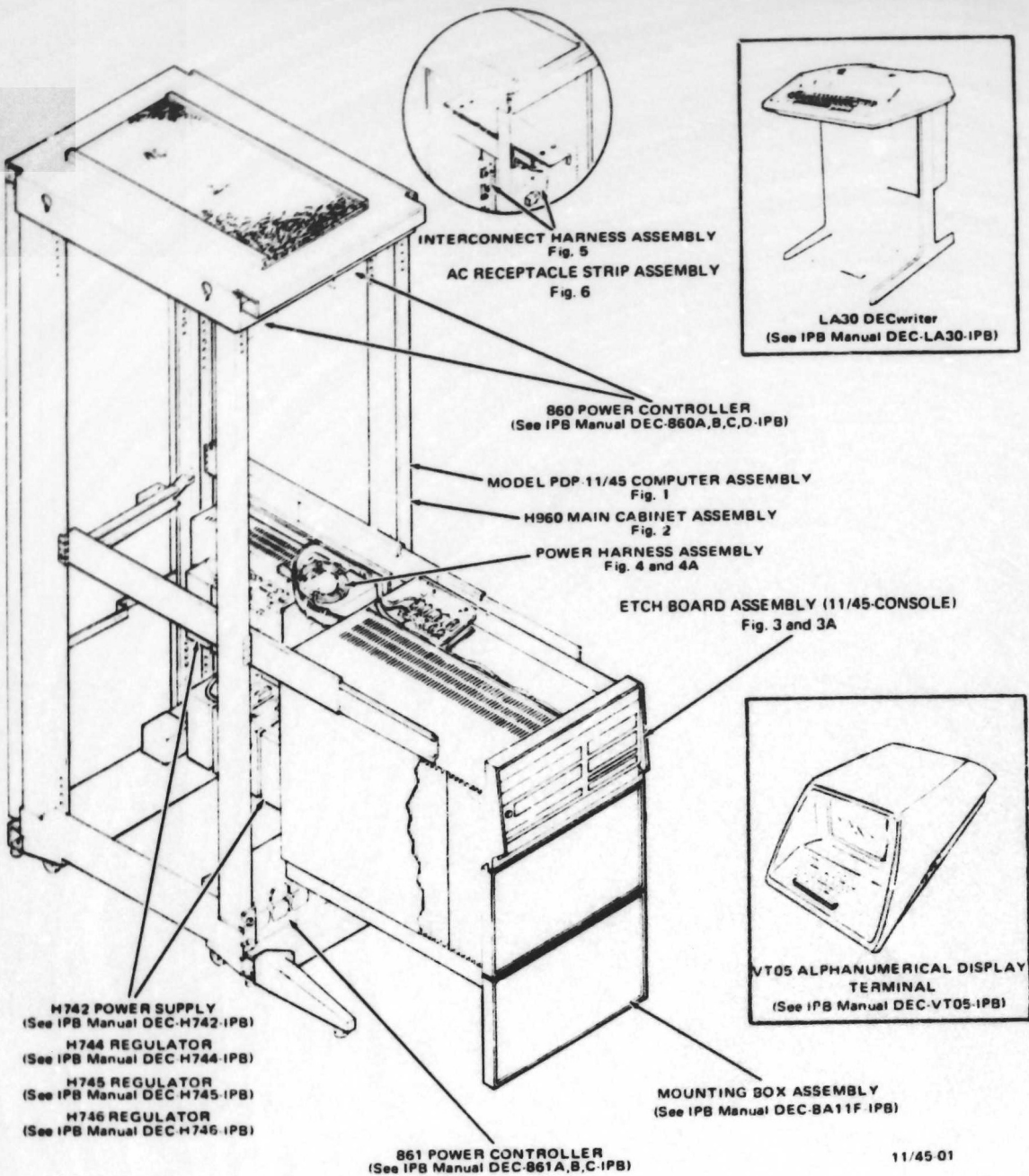
DEC reserves the right, without notice, to make substitutions and modifications in the specifications of products documented in this manual and further reserves the right to withdraw any of these products from the market without notice.

DEC is not responsible for errors which may appear in the technical description (including illustrations and photographs) of the products covered by this manual.

None of the descriptions contained in this manual imply the granting of any license whatsoever to make, use or sell equipment constructed in accordance therewith.

Printed in U.S.A.

PDP 11/45 - 1



NOTE: DOOR AND PANELS NOT SHOWN FOR PURPOSE OF CLARITY

Major Assembly Locator, PDP-11/45 Computer

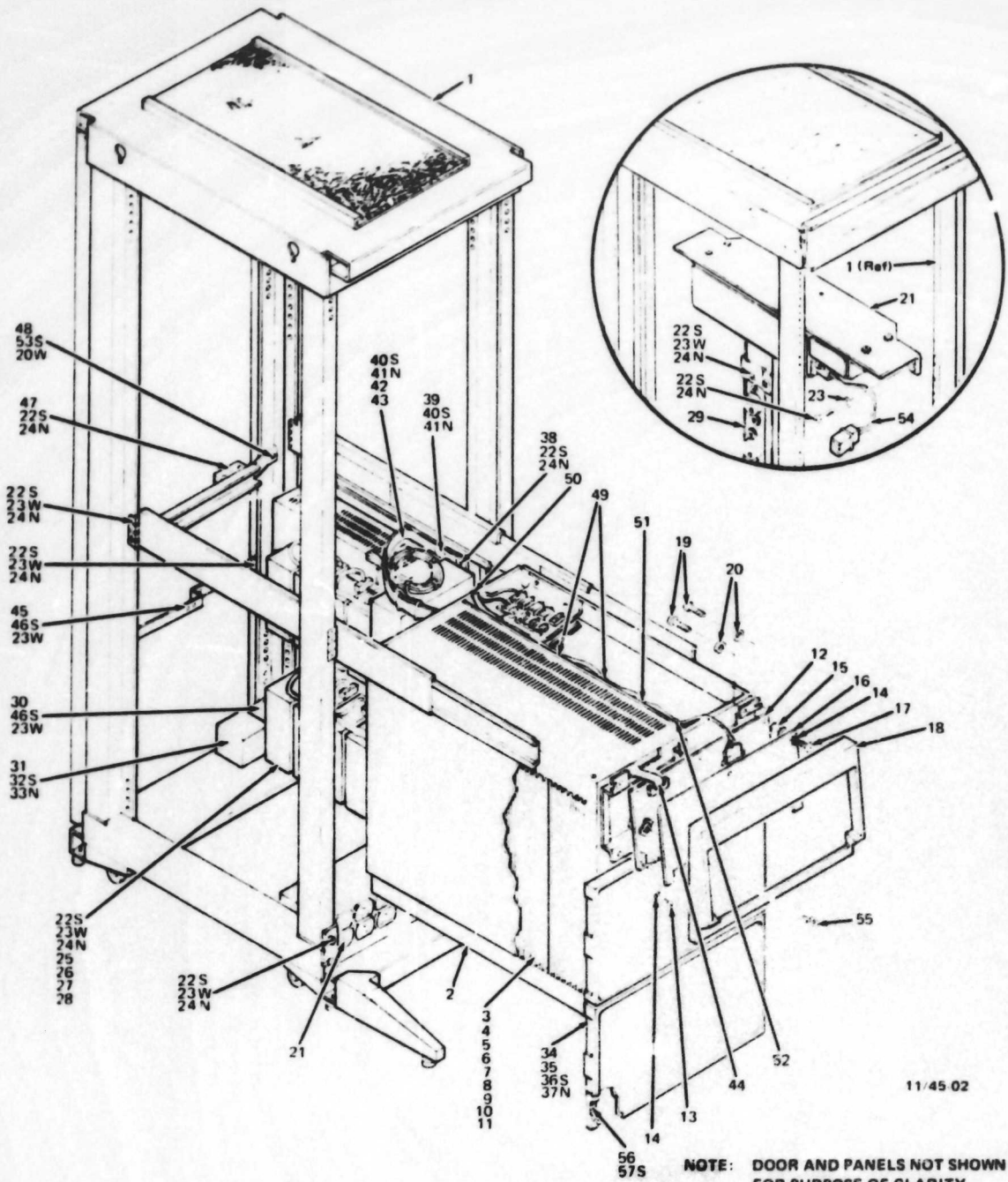


Figure 1. Model PDP-11/45 Computer Assembly (16 Bit)



FIG & ITEM NO.	DESCRIPTION	DEC PART NO.	ECO CUT-IN PDP11/45 00021	USED ON CODE	VENDOR		REF FIG NO.
					CODE	PART NO.	
1-	MODEL PDP 11/45 COMPUTER ASSY (16 Bit)						
	Code A used on PDP 11/45 CA (Basic Assy) 115V	PDP 11/45 CA		A			
	Code B used on PDP 11/45 CB (Basic Assy) 230V	PDP 11/45 CB		B			
	Code C used on PDP 11/45 CC (Basic Assy and LA30) 115V	PDP 11/45 CC		C			
	Code D used on PDP 11/45 CD (Basic Assy and LA30) 230V	PDP 11/45 CD		D			
	Code E used on PDP 11/45 CE (Basic Assy and VT05B) 115V	PDP 11/45 CE		E			
	Code F used on PDP 11/45 CF (Basic Assy and VT05B) 230V	PDP 11/45 CF		F			
	Code H used on PDP 11/45 CH (Basic Assy and LA30) 115V	PDP 11/45 CH		H			
	Code J used on PDP 11/45 CJ (Basic Assy and LA30) 230V	PDP 11/45 CJ		J			
	Code K used on PDP 11/45 CK (Basic Assy and VT05B) 115V	PDP 11/45 CK		K			
	Code L used on PDP 11/45 CL (Basic Assy and VT05B) 230V	PDP 11/45 CL		L			
	Code M used on PDP 11/45 FA (Basic Assy) 115V (OEM) (added)	PDP 11/45 FA	00048	M			
	Code N used on PDP 11/45 FB (Basic Assy) 230V (OEM) (added)	PDP 11/45 FB	00048	N			
	Code P used on PDP 11/45 GA (Basic Assy and LA30) 115V (OEM) (added)	PDP 11/45 GA	00048	P			
	Code Q used on PDP 11/45 GB (Basic Assy and LA30) 230V (OEM) (added)	PDP 11/45 GB	00048	Q			
	Code R used on PDP 11/45 GE (Basic Assy and LA30) 115V (OEM) (added)	PDP 11/45 GE	00048	R			
	Code S used on PDP 11/45 GF (Basic Assy and LA30) 230V (OEM) (added)	PDP 11/45 GF	00048	S			
1	*CABINET ASSEMBLY (PDP 11)	H960 CD					
2	*MOUNTING BOX ASSEMBLY	BA11 FA					2
3	*PROCESSOR(16 Bit)Refer to Module Utilization Dwg E MU KB11-A 01	KB11 A				See Manual DEC BA11 F-1PB	
	** Wired Assembly (KB11-A)	70 08871 00					
4	*MEMORY and CONTROL, 8K	MF 11-L		HJKLMN			
	** Backplane Assy (MF 11-L)	70-08872 00					
5	*MEMORY and CONTROL, 8K (with parity)	MF 11-LP		CDEF			
	** Backplane Assy (MF 11 LP)	70 09193 00					
6	*MEMORY, 8K	MM 11 L		HJKL			
7	*MEMORY, 8K (with parity)	MM 11-LP		CDEF			
8	*MOS MEMORY, 4K (added)	MS 11-BM	00048	PQ			
9	*MEMORY CONTROL, 1st MOS (added)	MS 11 BC	00048	PQRS			
10	*MEMORY, 4K (with parity)	MS 11 BP	00048	RS			
11	*ASYNCHRONOUS INTERFACE	DL 11-A		CDEFGHJ KLMNPRS			
12	*ETCH BOARD ASSY (11/45 Console)	54 09684 00					3
13	*Screw, Phi Pan Hd No. 6 32 x .31	90-06021 01					
14	*Washer, Lock Int Tooth No. 6	90 06633 00					
15	*Spacer, Hex Special	90 09120-01					
16	*Panel, Indicator	74-09271 00					
17	*Screw, Phi Pan Hd No. 8 32 x .31 (deleted)	90-06021 02					
	*Screw, Phi Pan Hd No. 6 32 x .31 (added)	90-06021 01	00054				
18	*Bezel	12-10710 00					
19	*Screw, Phi Pan Hd No. 8 32 x 50	90 06039-01					
20	*Washer, Lock Ext Tooth No. 8	90 08072-00					

000000
PARTS LIST

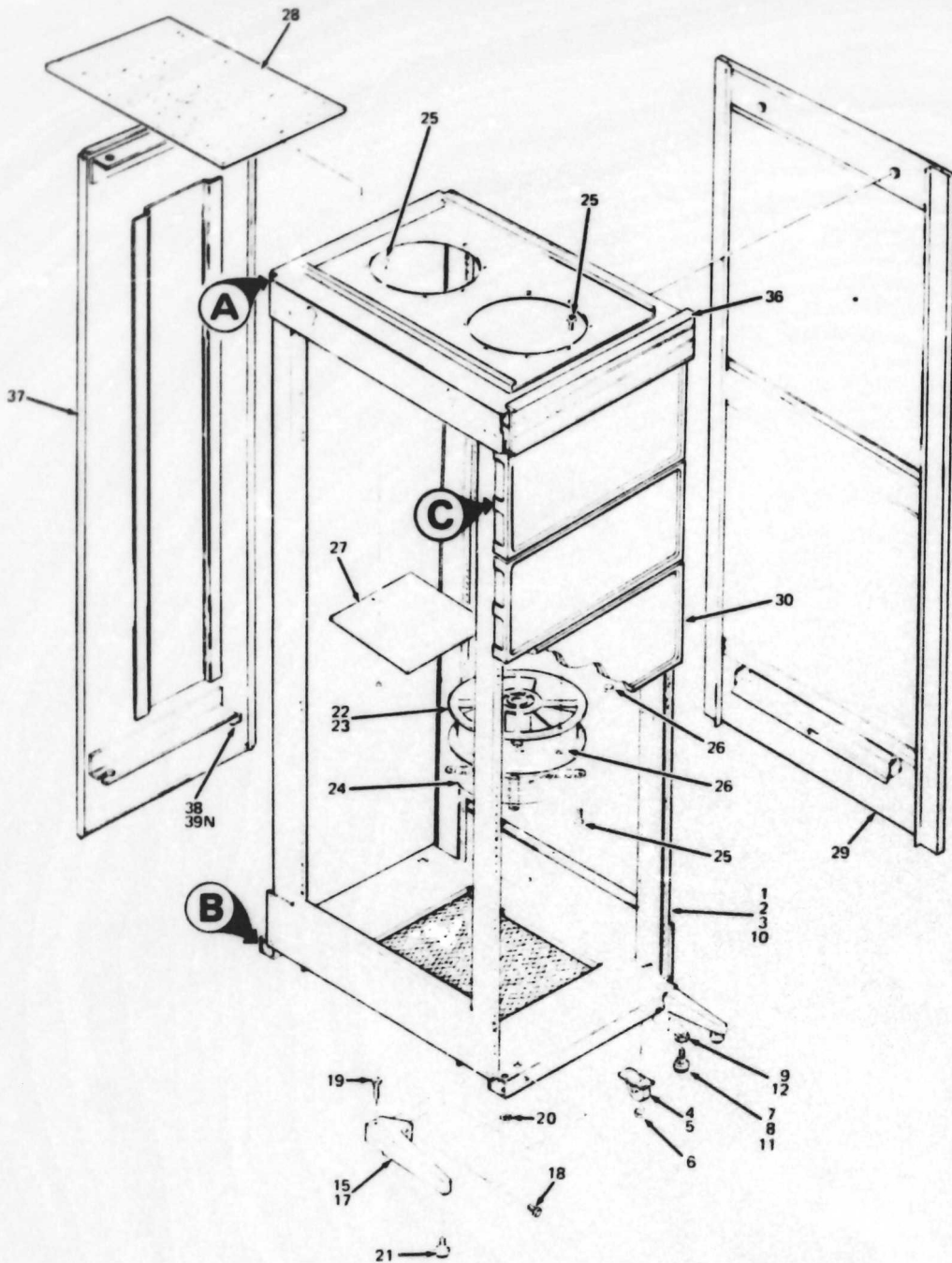
FIG & ITEM NO.	DESCRIPTION	DEC PART NO.	ECO CUT-IN PDP 11/45 00021	USED ON CODE	VENDOR		REF FIG NO.
					CODE	PART NO.	
1-21	*POWER CONTROL ASSY (115V) (deleted) *POWER CONTROL ASSY (230V) (deleted) *POWER CONTROL ASSY (115V) (added)	860 A 860 B 861 A			ACEHK BDFJL ACEHK MPR	See Manual DEC 860 A,B,C,D IPB See Manual DEC 860 A,B,C,D IPB See Manual DEC 861 A,B,C IPB	
22	*POWER CONTROL ASSY (230V) (added)	861 B	00047		BDFJLNQS	See Manual DEC 861 A,B,C IPB	
23	*Screw, Phi Pan Hd No. 10 32 x 62	90 06074 01					
24	*Washer, Lock Ext Tooth No. 10	90 07651 00					
25	*Nut, Tinnerman *POWER SUPPLY ASSEMBLY (115V)	90 07786 00 H742 A			ACEHK MPR	See Manual DEC H742 IPB	
	*POWER SUPPLY ASSEMBLY (230V)	H742 B			BDFJL NQS	See Manual DEC H742 IPB	
26	*REGULATOR ASSEMBLY (+5V)	H744 00				See Manual DEC H744 IPB	
27	*REGULATOR ASSEMBLY (-15V)	H745 00				See Manual DEC H745 IPB	
28	*REGULATOR ASSEMBLY (MOS)	H746 00				See Manual DEC H746 IPB	
29	*AC RECEPTACLE STRIP ASSY (deleted) *AC RECEPTACLE STRIP ASSY (deleted)	70 08853 01 70 08853 02			PQRS ACEHK BDFJL		6 6
30	*Bracket, Meter Mounting	74 09622 00					
31	*Meter, Elapsed Time (M1906) *Meter, Elapsed Time (M1908) (deleted) *Meter, Elapsed Time (M1905) (added)	12 01208 00 12 02270 00 12 02234 00		00058	ACEHK MPR BDFJL NQS BDFJL NQS		
32	*Screw, Phi Pan Hd No. 4 40	90 08301 01					
33	*Nut, Kep No. 4 40	90 06557 00					
34	*Bracket, Mounting 10 1/2 inch panel	74 09289 00					
35	*Cover, Panel 10 1/2 inch	H950 QA					
36	*Screw, Phi Pan Hd No. 8 32 x .38	90 06037 01					
37	*Nut, Kep No. 8 32	90 06563 00					
38	*Bracket, Harness Support	74 09445 00					
39	*Plate, Support	74 09447 00					
40	*Screw, Phi Pan Hd No. 10 32 x 50	90 06073 01					
41	*Nut, Kep No. 10 32	90 06565 00					
42	*HARNESSES, Power (11/45) (deleted) Used on equipment with serial numbers up to 1999 *HARNESSES, Power (11/45) (added) Used on equipment with serial numbers 2000 and above	70 08784 00 70 09540 00		00054			4 4A
43	*Support, Harness	74 09446 00					
44	*Cable, Indicator (Rework)	70 09864 00					
45	*Bracket, Shipping	74 09312 00					
46	*Screw, Phi Pan Hd No. 10 32 x 38	90 06071 01					
47	*Bracket, Cable Holddown (added)	74 10581 00		00034			
48	*Clamp and Strap, Cable	12 11215 00					
49	*Clamp, Cable 7 8 inch	90 07090 00					
50	*Tie Wrap	90 07880 00					
51	*Clamp, Cable 5 8 inch	90 07087 00					
52	*Clamp, Cable 3 16 inch	90 07080 00					
53	*Screw, Phi Pan Hd No. 8 32 x 1 00	90 06043 01					
54	*HARNESSES, ASSEMBLY, Interconnecting (860 P C)	70 08860 00					5
55	*Key	29 15843 00				99 XX2247	
56	*Molding, Latch	12 09224 00					
57	*Screw, Phi Pan Hd No. 8 32 x 1 4	90 06035 00					

000000
PARTS LIST

IPB 11/45

PDP 11/45-5

FIG & ITEM NO.	DESCRIPTION	DEC PART NO.	ECO CUT-IN PDP 11/45 00021	USED ON CODE	VENDOR		REF FIG NO.
					CODE	PART NO.	
1-	*Serial DECwriter, 115 V 60 Hz (Not shown) *Serial DECwriter, 230 V 50 Hz (Not shown) *CRT Alphanumeric Terminal, 115 V 60 Hz (Not shown) *CRT Alphanumeric Terminal, 230 V 50 Hz (Not shown)	LA30-CA LA30-CD VT05B-AA VT05B AD	CHPR DJQS EK FL			See Manual DEC-LA30-IPB See Manual DEC-LA30-IPB See Manual VT05-IPB See Manual VT05-IPB	
	DECALS (Not Shown)						
	†Decal, Power Supply (Upper P.S.)	53 10049 00					
	†Decal, Power Supply (Lower P.S.)	53 10048 00					
	†Decal, MUL (Top of BA11-F) DEC 3 378 1474 N272						
	†Decal, H742 P.S. (A) (deleted)	53-09993-00					
	†Decal, 11/45-11/50 Reg. Config. A (Back of BA11-F) (added)	53-10709-00			00054		
	†Decal, H742 P.S. (A) (deleted)	53-09994-00					
	†Decal, 11/45-11/50 Reg. Config. B (Back of BA11-F) (added)	53-10710-00					
	†Decal, Patent (Back of BA11-F) (added)	74-09478-00			00054 00055		
	†Decal, Back Panel Caution (on exposed panel of BA11-F behind Console) (added)	74-11170-00			00053		



11/45-03

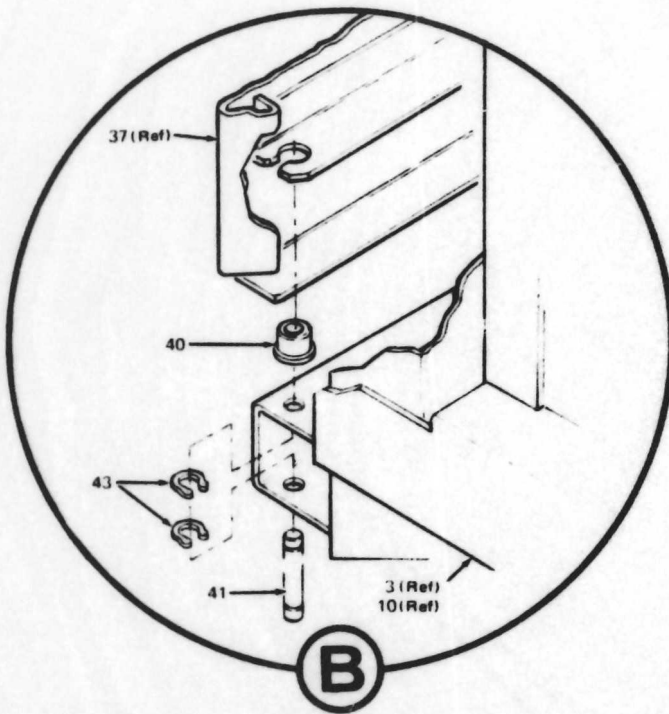
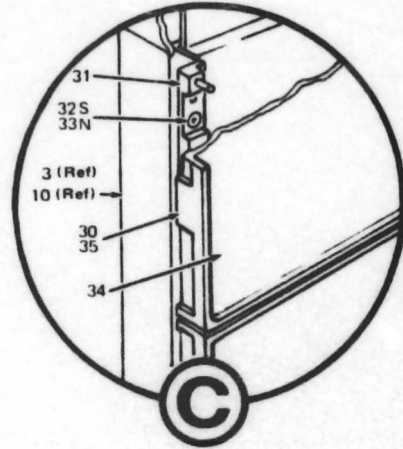
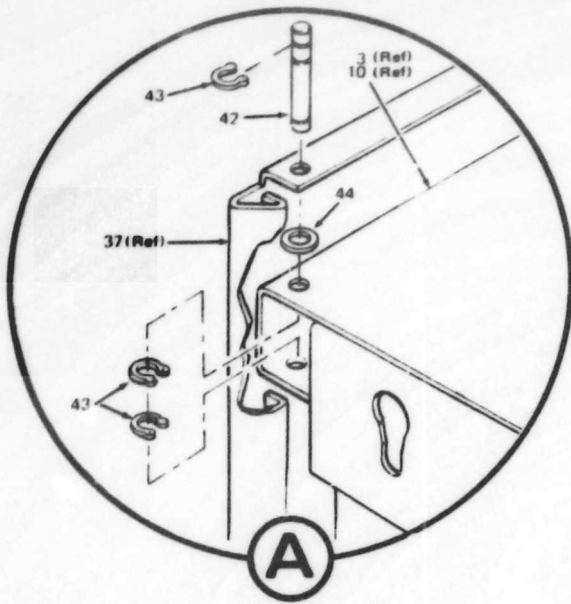
Figure 2. H960C Main Cabinet Assembly (Sheet 1 of 2)

7

7
PARTS LIST

IPB-11/45

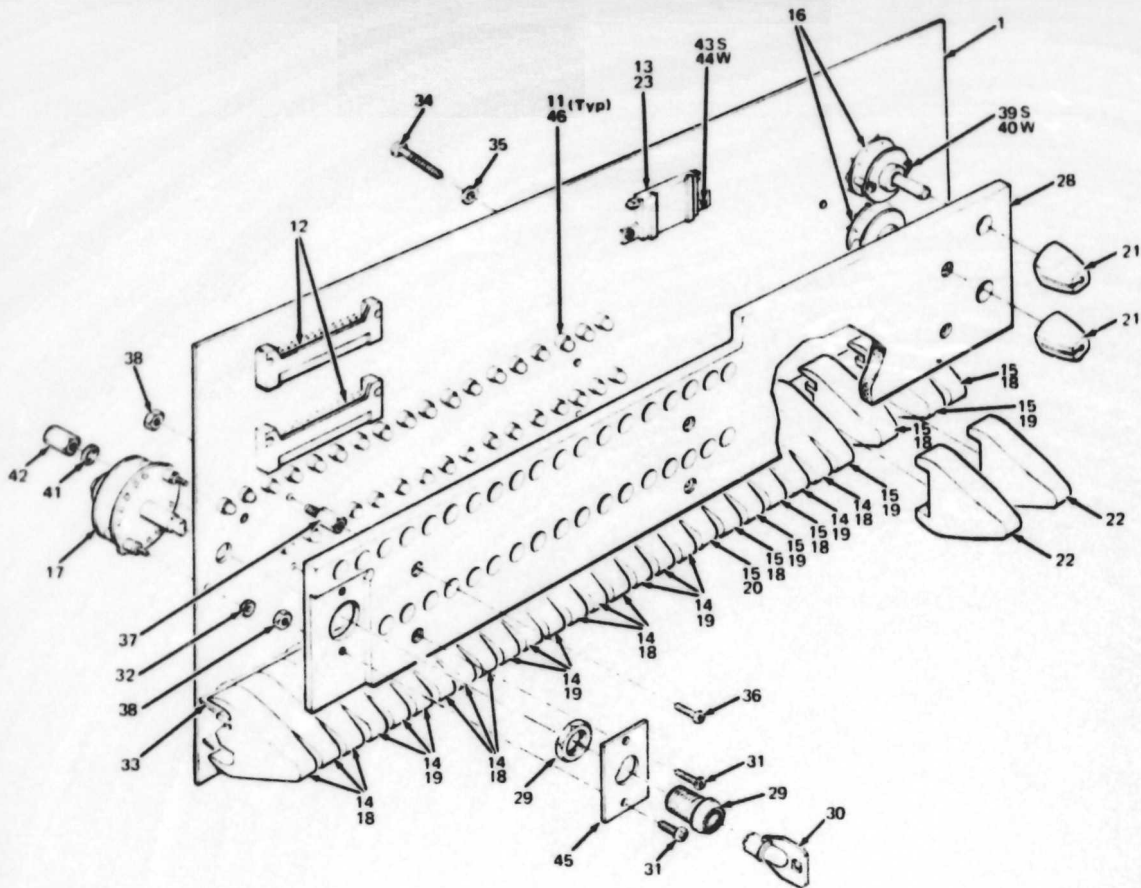
PDP 11/45-7



11/45 04

Figure 2 H960C Main Cabinet Assembly (Sheet 2 of 2)

FIG & ITEM NO.	DESCRIPTION	DEC PART NO.	ECO CUT IN H960C 00000	USED ON CODE	VENDOR		REF FIG NO.
					CODE	PART NO.	
2-	H960C MAIN CABINET ASSEMBLY	H960-CD					1
1	*BASIC CABINET ASSEMBLY, 19 inch	70-06501-27					
2	**CABINET ASSEMBLY (19 inch) with Casters and Levelers (deleted)	70-06478-00					
3	***FRAME ASSEMBLY, 19 inch (deleted)	H950-AA					
4	***Caster Set (deleted) See Note 1.	H952 E					
5	****Caster (deleted)	90-05835-00					
6	****Nut, Kep No. 5/16-18 (deleted)	90-06568-00					
7	***Leveler Set (deleted)	H952 F					
8	****Leveler (deleted)	90-07600-00	H950				
9	****Nut, Hex Lock No. 1/2-13 (deleted)	90-06596-00	00101				
10	**FRAME ASSEMBLY (19 inch) with Casters and Levelers (added) See Note 1.	H950-AA					
11	***Leveler (added)	90-07600-00	H950 00101				
12	***Nut, Hex Lock No. 1/2-13 NC (added)	90-06596 00	H950A 00001				
13	***Screen, Bottom Pan (added)		H950 00102				
14	***Screw, Sems Sltd Hd No. 10-32 x 5/8 (added)		H950 00102				
15	**STABILIZER FOOT ASSEMBLY	H952-BA					
16	***Foot, Stabilizer (R.H.)	74-06699-01					
17	***Foot, Stabilizer (L.H.)	74-06699-02					
18	***Screw, Phi Truss Hd No. 10-32 x 3/4 (Passivate)	90-07630-00					
19	***Screw, Shoulder Fit Hd No. 1/4-20 x 2 5/8	90-08370-00					
20	***Nut, Kep No. 1/4-20	90-08203-00					
21	***Leveler	90-07601-00					
22	**FAN ASSEMBLY, 115V	H952-CA		ACEHKMPR			
	**FAN ASSEMBLY, 230V	H952-CB		BDFJLNQS			
23	***Fan, Caravel, 115V	12-04826-00		ACEHKMPR			
	***Fan, Caravel, 230V	12-09798-00		BDFJLNQS			
24	***Guard, Finger	12-09175-00					
25	***Screw, Phi Fan Hd No. 6-32 x 1/2	90-06022-01					
26	***Nut, Kep No. 6-32	90-06560-00					
27	***Cover, Fan Hole	74-06706-00					
28	**Filter	H950-SA					
29	*Panel, End	H952-AA					
30	*Panel, Cover (10 1/2 inch)	H950-QA					
31	**Molding, Thick Latch	12-11386 00					
32	**Screw, Phi Fit Hd No. 10 32 x 1/2	90-06073 02					
33	**Nut, Tinnerman No. 10 32	90-07786 00					
34	**Inlay	12-09176 02					
35	**Bezel, Snap on (10 1/2 inch)	12-09225 00					
36	*Logo, PDP 11	74-07936 04					
37	*Door, Full Length (R H)	H950-BA					
38	**Magnet	12-09165 00					
39	**Nut, Kep No. 6 32	90-06560 00					
40	**Bushing, Pivot	74-06702 00					
41	**Pin, Door	74-06672 00					
42	**Pin, Door	74-06671 00					
43	**Ring, Retaining	90-07184 00					
44	**Washer, Nylon 1/2 OD x 11/32 ID x 1/16	12-09163 00					
	Note 1: On new cabinets, casters are welded to the frame						



ETCH REV B

11/45 05

Figure 3. Etch Board Assembly (Etch Rev B) (Sheet 1 of 2)



PDP 11/45 - 14

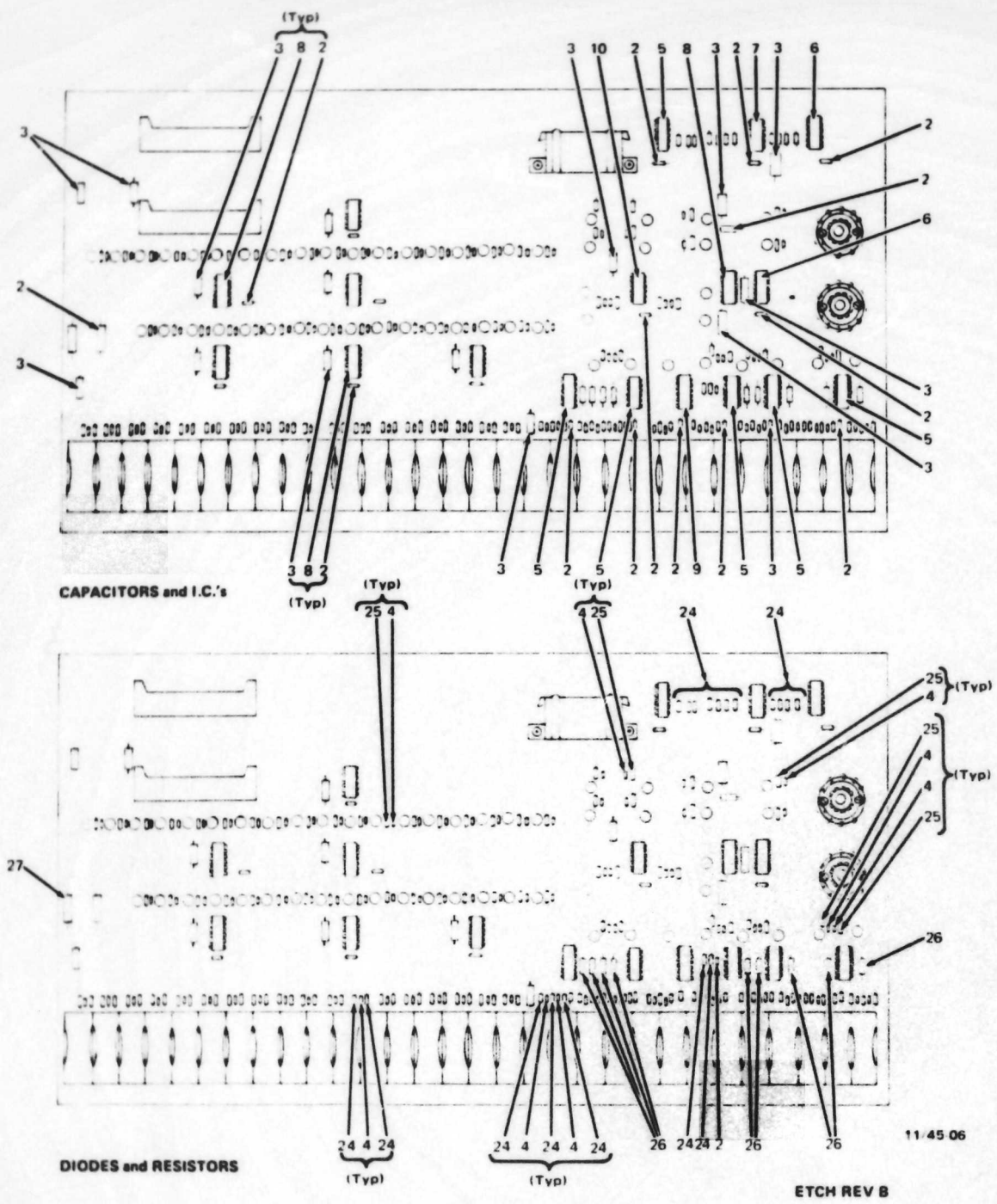
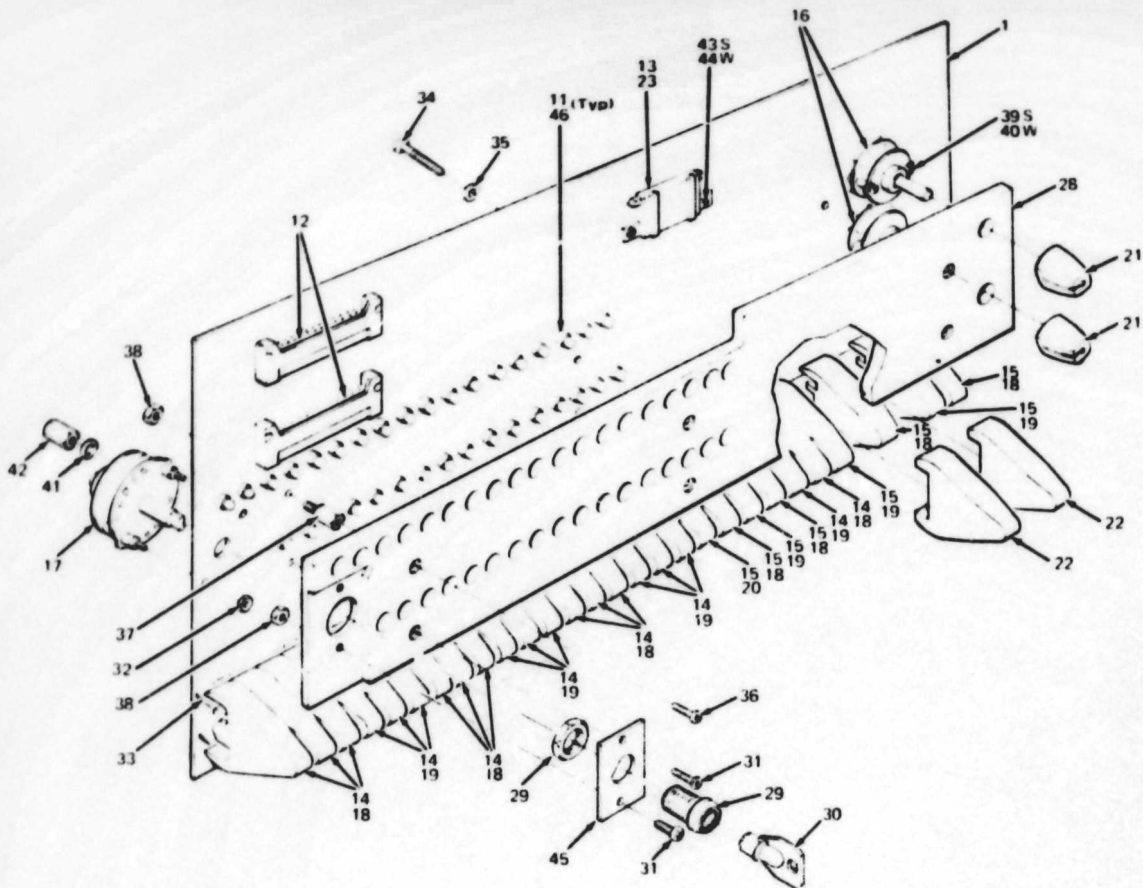


Figure 3. Etch Board Assembly (Etch Rev B) (Sheet 2 of 2)

FIG & ITEM NO.	DESCRIPTION	DEC PART NO.	ECO CUT-IN	USED ON CODE	VENDOR		REF FIG NO.
			54 09684 00000		CODE	PART NO.	
3-	ETCH BOARD ASSEMBLY (ETCH REV 8)	54-09684 00					1
1	*Board, Etched Circuit	50-09603 00					
2	*Capacitor (C1 - C18,C34) 01 MFD 100V 20%	10-01610-00	00001				
3	*Capacitor (C19 - C33) 6.8 MFD 35V 20% (C25 - C33 added)	10-00067 00	00001				
4	*Diode (D1 - D91) D664	11-00114-00					
5	*I.C. (E1,E3,E6,E10 - E12) DEC 7400	19-05575-00					
6	*I.C. (E2,E4) DEC 7417	19-09929-00					
7	*I.C. (E5) DEC 9318	19-10454-00					
8	*I.C. (E7,E13 - E18) DEC 7416	19-09928-00					
9	*I.C. (E8) DEC 7404	19-09686-00					
10	*I.C. (E9) MC 3001	19-09514-00					
11	*Lamp (I1 - I54) 2309 G Hudson Blue	12-09219-00					
12	*Connector (J1,J2) Right Angle Header	12-09941-00					
13	*Connector (J3) (Pin Housing) Mate-N-Lok	12-09340-00					
14	*Switch (S1 - S18,S23 S24) Toggle, Momentary	12-10840-00					
15	*Switch (S19 - S22,S25 - S28) Toggle, Momentary	12-10841-00					
16	*Switch (S29,S31) Rotary, 8 Position	12-10775-00					
17	*Switch (S30) Rotary, 3 Position	12-10753-00					
18	*Knob, Switch (Rose)	12-10796-01					
19	*Knob, Switch (Magenta)	12-10796-02					
20	*Knob, Switch (Gray)	12-10796-03					
21	*Knob, Function (Black)	12-10773-00					
22	*Knob, Dummy (Gray)	12-10825-00					
23	*Pin, Socket AMP No. 61320 1	12-09456-00					
24	*Resistor (R1 - R36,R55 - R57,R62 - R78, R111 - R119,R123 - R131,R135,R136) 22K Ohm 1/4W 10%	13-00418-00					
25	*Resistor (R37 - R54,R58 - R61,R82 - R109, R137 - R140) 220 Ohm, 1/4W 10%	13-00275-00					
26	*Resistor (R79 - R81,R120 - R122,R132 - R134) 100 Ohm 1/4W 10% (deleted)	13-00231-00	00001				
27	*Resistor (R141) 270 Ohm 1/4W 10% (added)	13-00286-00	00001				
28	*Support, Indicator Panel	74-09485-00					
29	*Lock, Power	12-10754-00					
30	*Key, Power Lock	29-15843-00			99	XX2247	
31	*Screw, Phi Pan Hd No. 6 32 x .38	90-06022-01					
32	*Nut, Kep No. 4 40	90-06557-00					
33	*Support, Switch	74-09270-01					
34	*Screw, Phi Pan Hd No. 8 32 x .31 (deleted)	90-06036-01					
	*Screw, Self Tapping No. 8 32 x 1 4 (added)	90-08143-00	00001				
35	*Washer, Lock Int Tooth No. 8	90-06634-00					
36	*Screw, Phi Pan Hd No. 6 32 x .50	90-06024-01					
37	*Standoff, Male-Female No. 6 32	90-09120-01					
38	*Nut, Kep No. 6 32	90-06560-00					
39	*Washer, Lock Int Tooth No. 2	90-06631-00					
40	*Nut, Hex No. 2 56	90-06555-00					
41	*Washer, Lock Int Tooth No. 6	90-06633-00					
42	*Spacer, No. 32 x 88	90-06861-00					
43	*Screw, Phi Pan Hd No. 4 40 x .38	90-06011-01					
44	*Washer, Fiber H.H. Smith No. 2162	90-06693-00					
45	*Strap, Lock Mounting	74-09489-00					
46	*Socket, Lamp	90-07812-00					



ETCH REV C, D and E

11:45 05

Figure 3A. Etch Board Assembly (Etch Rev C,D and E) (Sheet 1 of 2)

15



IPB 11/45

PDP 11/45-13

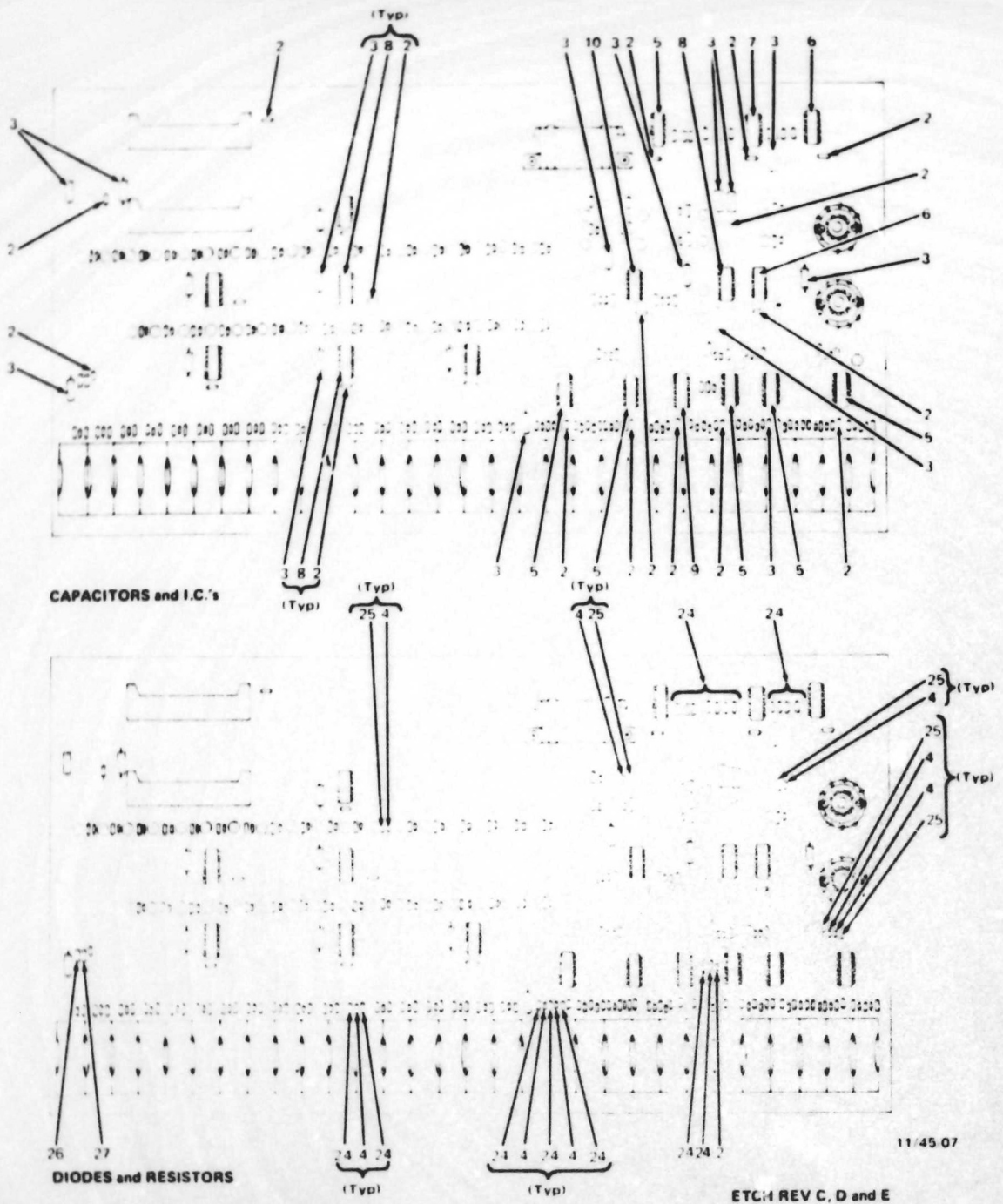
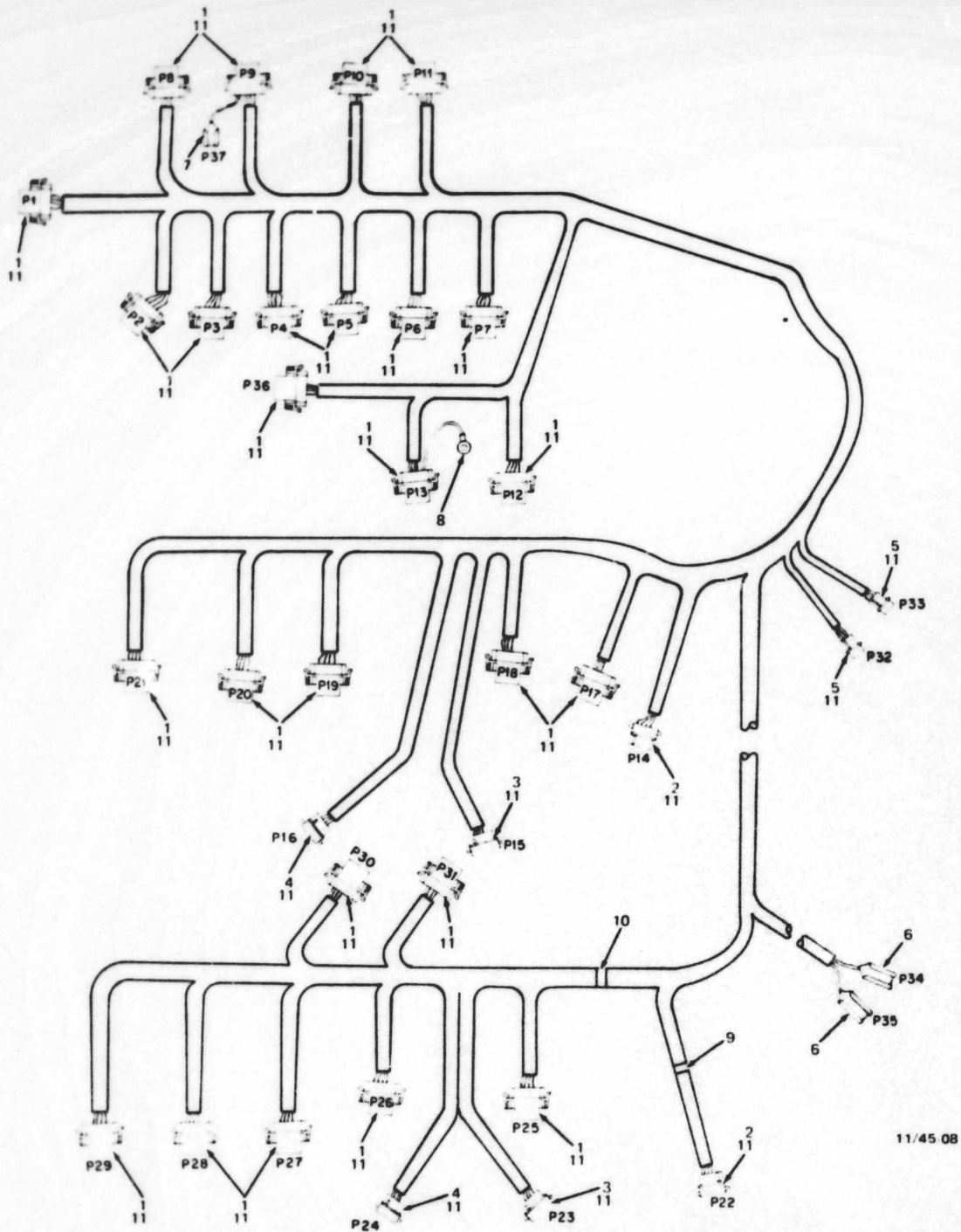


Figure 3A. Etch Board Assembly (Etch Rev C,D and E) (Sheet 2 of 2)

FIG & ITEM NO.	DESCRIPTION	DEC PART NO.	ECO CUT-IN 54-09684 00002	USED ON CODE	VENDOR		REF FIG NO.
					CODE	PART NO.	
3A--	ETCH BOARD ASSEMBLY (ETCH REV C)	54-09684-00					1
	ETCH BOARD ASSEMBLY (ETCH REV D)	54-09684-00	00004				1
	ETCH BOARD ASSEMBLY (ETCH REV E)	54-09684-00	00005				1
1	*Board, Etched Circuit	50-09603-00					
	*Board, Etched Circuit	50-09503-00	00004				
	*Board, Etched Circuit	50-09603-00	00005				
2	*Capacitor (C1-C18, C34-C36) 01 MFD 100V 20%	10-01610-00					
3	*Capacitor (C19-C33) 6.8 MFD 35V 20%	10-00067-00					
4	*Diode (D1-C91) D664	11-00114-00					
5	*I.C. (E1,E3,E6,E10-E12) DEC7400	19-05575-00					
6	*I.C. (E2,E4) DEC 7417	19-09929-00					
7	*I.C. (E5) DEC 9318	19-10454-00					
8	*I.C. (E7,E13-E18) DEC 7416	19-09928-00					
9	*I.C. (E8) DEC 7404	19-09686-00					
10	*I.C. (E9) MC 3001	19-09514-00					
11	*Lamp (I1-I54) 2309G Hudson Blue	12-09219-00					
12	*Connector (J1,J2) Right Angle Header	12-09941-00					
13	*Connector (J3) (Pin Housing) Mate-N-Lok	12-09340-00					
14	*Switch (S1-S18,S23,S24) Toggle, Momentary	12-10840-00					
15	*Switch (S19-S22,S25-S28) Toggle, Momentary	12-10841-00					
16	*Switch (S29,S31) Rotary, 8 Position	12-10775-00					
17	*Switch (S30) Rotary, 3 Position	12-10753-00					
18	*Knob, Switch (Rose)	12-10796-01					
19	*Knob, Switch (Magenta)	12-10796-02					
20	*Knob, Switch (Gray)	12-10796-03					
21	*Knob, Function (Black)	12-10773-00					
22	*Knob, Dummy (Gray)	12-10825-00					
23	*Pin, Socket AMP No. 61320-1	12-09456-00					
24	*Resistor (R1-R36,R55-R57,R62-R78, R111-R119, R123-R131,R135,R136) 22K Ohm 1/4W 10%	13-00418-00					
25	*Resistor (R37-R54,R58-R61,R82-R109, R137-R140) 220 Ohm, 1/4W 10%	13-00275-00					
26	*Resistor (R120) 68 Ohm 1/4W 10%	13-00221-00					
27	*Resistor (R121) 56 Ohm 1/4W 10%	13-01429-00					
28	*Support, Indicator Panel	74-09485-00					
29	*Lock, Power	12-10754-00					
30	*Key, Power Lock	29-15843-00			99	XX247	
31	*Screw, Phi Pan Hd. No. 6-32 x .38	90-06022-01					
32	*Nut, Kep No. 4-40 (deleted)	90-06557-00					
	*Nut, Nylon No. 4-40 (added)	90-07992-00	00003				
33	*Support, Switch	74-09270-01					
34	*Screw, Self Tapping No. 8-32 x 1.4	90-08143-00					
35	*Washer, Lock Int Tooth No. 8	90-06634-00					
36	*Screw, Phi Pan Hd No. 6-32 x .50	90-06024-01					
37	*Standoff, Male-Female No. 6-32	90-09120-01					
38	*Nut, Kep No. 6-32	90-06560-00					
39	*Washer, Lock Int Tooth No. 2	90-06631-00					
40	*Nut, Hex No. 2-56	90-06555-00					
41	*Washer, Lock Int Tooth No. 6	90-06633-00					
42	*Spacer No. 6-32 x .88	90-06861-00					
43	*Screw, Phi Pan Hd No. 4-40 x .38	90-06011-01					
44	*Washer, Fiber H.M. Smith No. 2162	90-06693-00					
45	*Strap, Lock Mounting	74-09489-00					
46	*Socket Lamp	90-07812-00					



11/45 08

USED ON EQUIPMENT SERIAL NO. 1999 AND BELOW

Figure 4. Power Harness Assembly (11/45)

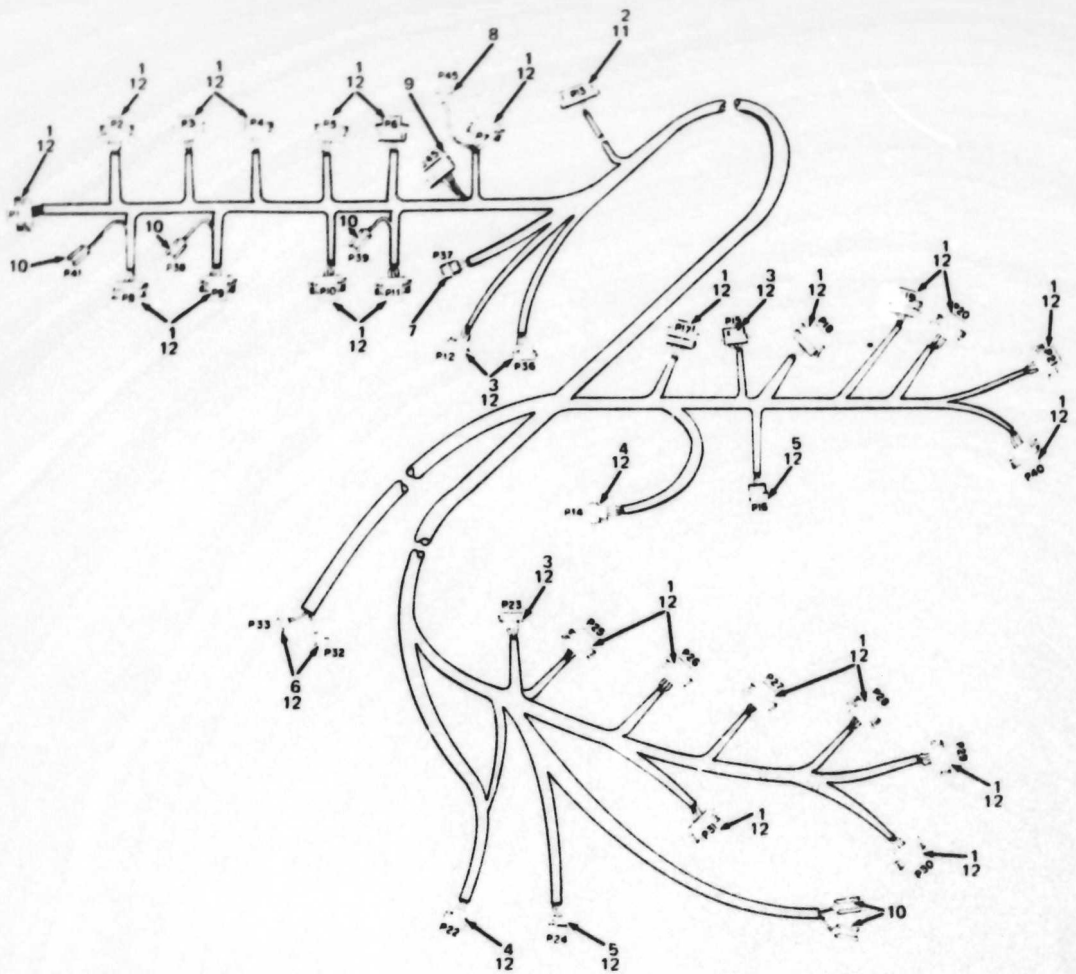


PARTS LIST

PDP 11/45-13

IPB-11/45

FIG & ITEM NO.	DESCRIPTION	DEC PART NO.	ECO	USED ON CODE	VENDOR		REF FIG NO.
			CJT-IN 70 08784 00000		CODE	PART NO.	
4-	POWER HARNESS ASSEMBLY (11/45)	70-08784 00					1
1	*Connector (P1-P13, P17-P21, P25-P31, P36) (Pin Housing) Mate-N-Lok (P36 added)	12-09340-01	00001				
2	*Connector (P14, P22)(Pin Housing) Mate-N-Lok	12 09351 12					
3	*Connector (P15, P23)(Pin Housing) Mate-N-Lok (added)	12-09351-15	11 45 0004				
4	*Connector (P16, P24)(Pin Housing) Mate-N-Lok	12-09351-09					
5	*Connector (P32, P33)(Pin Housing) Mate-N-Lok	12-09351-03					
6	*Connector (P34, P35) Arkless No. 50325 (added)	90-07927-00					
7	*Connector (P37) Arkless (added)	90-07928-00	11 45-00022				
8	*Connector, Arkless (added)	90-07928-01	11 45 00051				
9	*Tie Wrap, Panduit SST 1.5M	90-07880-00					
10	*Tie Wrap, Panduit SST2-M	90-07032-00					
11	*Terminal, Pin Contact	12 09378 01					



11/45 09

USED ON EQUIPMENT SERIAL NO. 2000 AND ABOVE

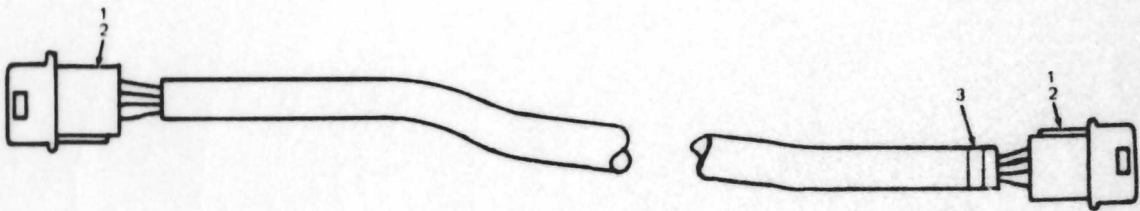
Figure 4A. Power Harness Assembly (11/45)



PDP 11/45-18

FIG & ITEM NO.	DESCRIPTION	DEC PART NO.	ECO CUT-IN	USED ON CODE	VENDOR		REF FIG NO.
			70 09540 00000		CODE	PART NO.	
4A-	POWER HARNESS ASSEMBLY (11/45)	70 09540 00					1
1	*Connector (P1 P11, P17 P21, P25 P31, P40) (Pin Housing) Mate N Lok	12 09340 01					
2	*Connector (P13) (Socket Housing) Mate N Lok	12 09340 00					
3	*Connector (P12, P15, P23, P26) (Pin Housing) Mate N Lok	12 09351 15					
4	*Connector (P14, P22) (Pin Housing) Mate N Lok	12 09351 12					
5	*Connector (P16, P24) (Pin Housing) Mate N Lok	12 09351 09					
6	*Connector (P32, P33) (Pin Housing) Mate N Lok	12 09351 03					
7	*Connector (P37) (Pin Housing) Mate-N Lok	12 09351 06					
8	*Connector (P45) (Pin Housing) Mate N Lok	12 09351 04					
9	*Connector (J45) (Socket Housing) Mate N Lok	12 09350 04					
10	*Connector, Solderless	90 07928 00					
11	*Terminal, Socket Contact	12 09379 00					
12	*Terminal, Pin Contact	12 09378 00					
13	*Tie Wrap	90 07032 00					

FIG & ITEM NO.	DESCRIPTION	DEC PART NO.	ECO CUT-IN 70-08860 00000	USED ON CODE	VENDOR		REF FIG NO.
					CODE	PART NO.	
5-	INTERCONNECT HARNESS ASSEMBLY (860 Power Control)	70-08860-00					1
1	*Connector (P1,P2) (Pin Housing) Mate-N-Lok	12-09351-06					
2	*Pin, Male Mate-N-Lok	12-09378-00					
3	*Tie, Cable, Panduit SST-1.5M	90-07880-00					



11/45 10

Figure 5. Interconnect Harness Assembly (860 P.C.)

FIG & ITEM NO.	DESCRIPTION	DEC PART NO.	ECO CUT-IN 70-08853 00000	USED ON CODE	VENDOR		REF FIG NO.
					CODE	PART NO.	
6-	AC RECEPTACLE STRIP ASSEMBLY						1
	Receptacle Strip Assembly (115 v)	70-08853-01		ACEHK			
	Receptacle Strip Assembly (230V)	70-08853-02		BDFJL			
1	@Screw, Phi Hd Truss No. 10-32 x .62	90-06074-01					
2	@Washer, Int Tooth Lock No. 10	90-07651-00					
3	@Nut, Tinnerman, No. 10	90-07786-00					
4	*Strip, AC Receptacle	74-09494-01					
5	*Strip, Terminal	12-10987-00					
6	*Spacer, No. 6-32 x .50	90-06851-00					
7	*Cover, Terminal Strip	74-09664-00					
8	*Washer, Int Tooth Lock No. 6	90-06633-00					
9	*Screw, Phi Hd Pan No. 6-32 x .25	90-06020-01					
10	*Bushing, Nylon	90-07149-00					
11	*Connector, AC Receptacle (115V)	12-01251-00		ACEHK			
	*Connector, AC Receptacle (230V)	12-01251-01		BDFJL			
12	*Washer, Int Tooth Lock No. 8 (added)	90-06634-00	00002				
13	*Screw, Phi Hd Pan No. 8-32 x .25 (added)	90-06035-01	00002				
14	*Bracket, Mounting, AC Receptacle	74-09275-00					
15	*Screw, Phi Hd Pan No. 10-32 x .38	90-08010-01					
16	*Washer, Int Tooth Lock No. 10	90-06635-00					
							DEC

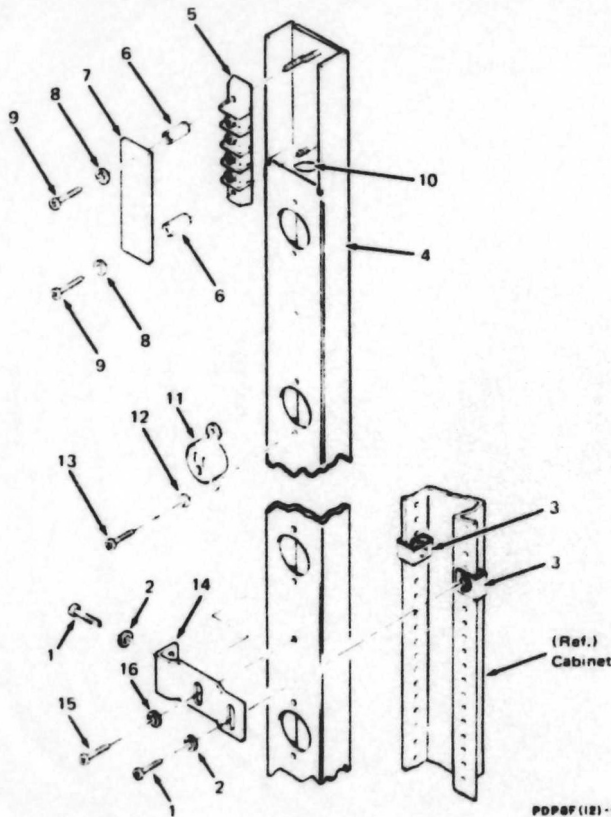


Figure 6. AC Receptacle Strip Assembly