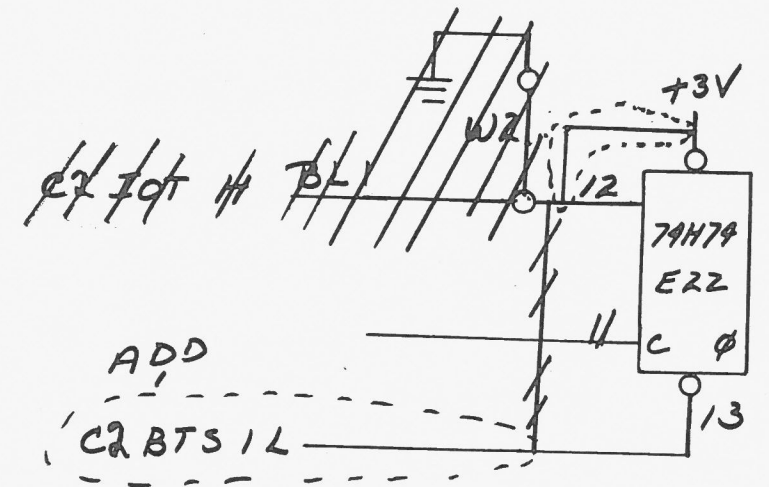
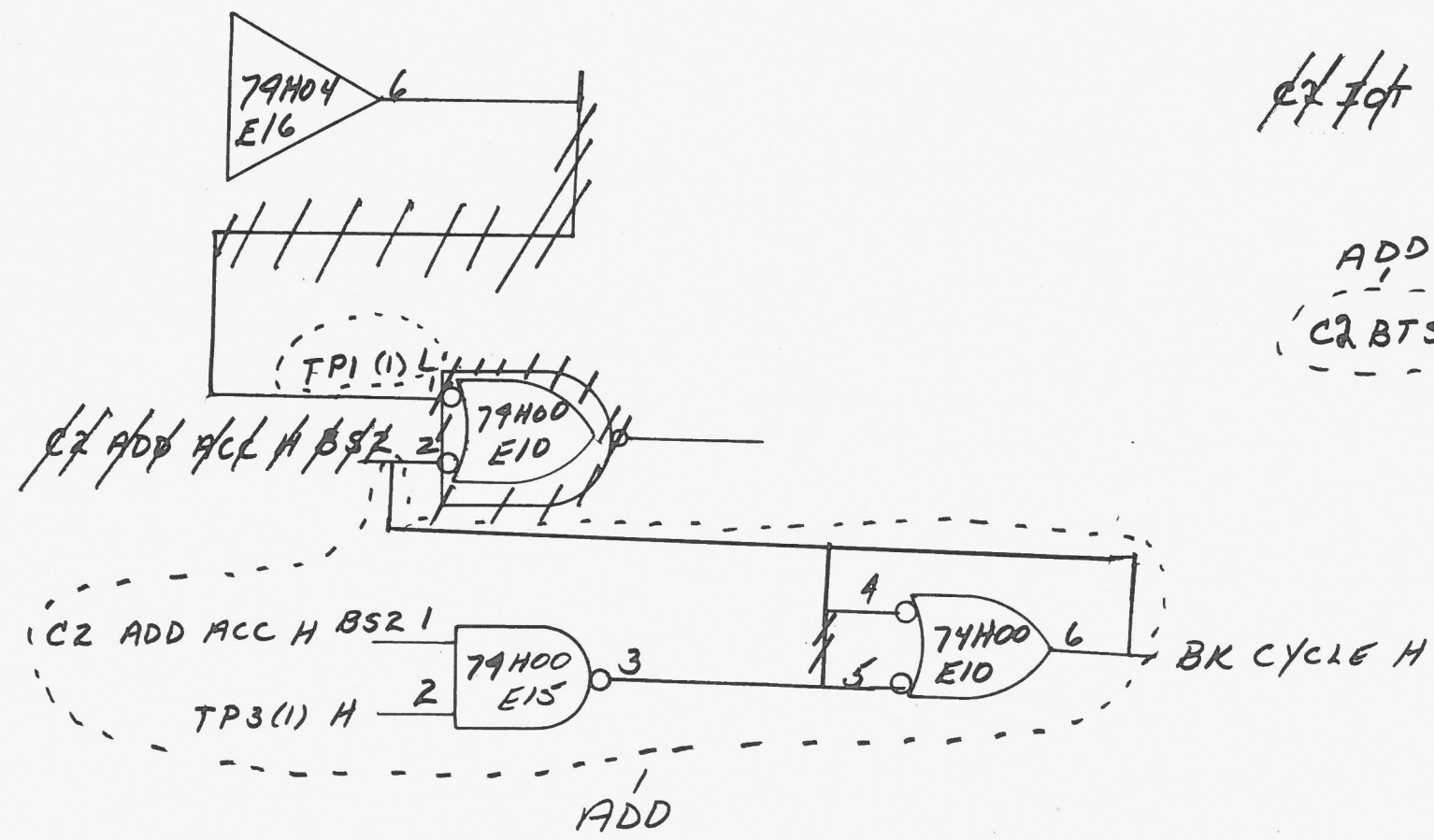
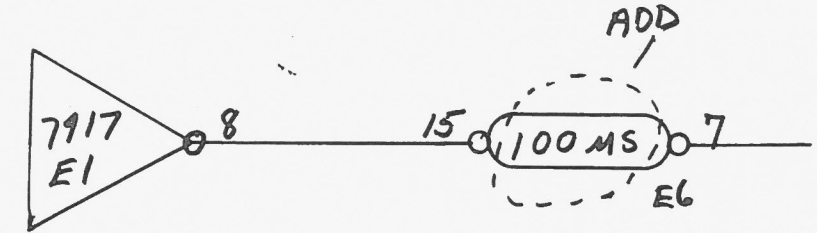
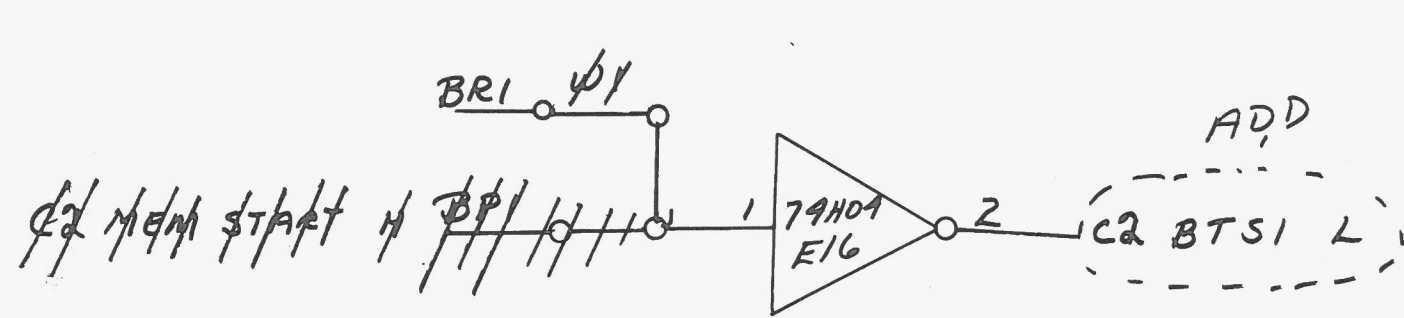
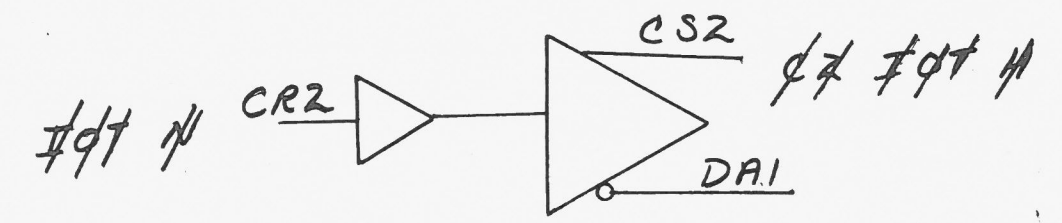
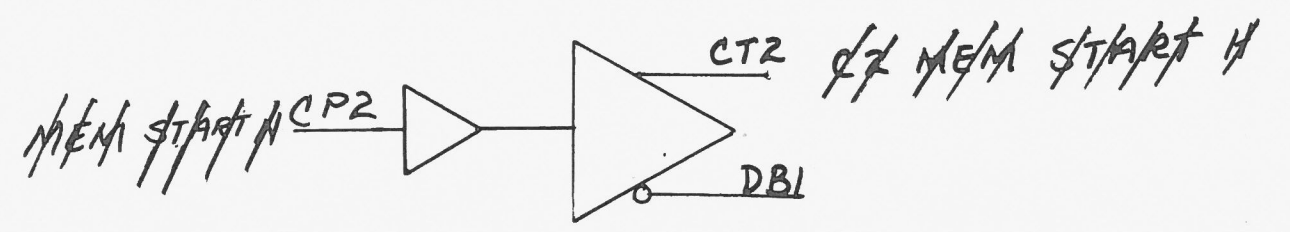


digital ENGINEERING CHANGE ORDER		ORIGINATOR Ed Reed 5-3 TEL EXT 3827 DATE 4/17/73 DISC PROJ NO. E99-06213 COST CENTER NO. 376 W.O. 2177		ECO NO. DWBE-00002 SHEET 1 OF DATE RECEIVED 4-18-73 FIRST ISSUE 4-19-73 FINAL ISSUE 6-5-73	
PROBLEM 1. Changes to M7101 module affect control drawings. 2. Minor errors and vague areas in print set.				UNIT TO BE CHANGED OMNIBUS INTERFACE DW8-E SEE DISP CODE BELOW OPTIONS AFFECTED DWBE-N DWBE-P	
CORRECTION 1. Change control drawings to reflect latest revision of M7101 module. 2. Clean up print set & wire list.				PRODUCT LINES AFFECTED TPL	
BREAK-IN/EFFECTIVITY Do not retrofit add/delete unless requested by customer.					
ITEM NO.	DOCUMENT/PART NO.	OLD REV	NEW REV	DISP CODE	DESCRIPTION OF CHANGE
1	B-DD-DW8-E	-	A	06	see final print
2	D-UA-DW8-E-0	-	A	06	" " "
3	D-MU-DW8-E-1	-	A	06	" " "
4	D-BS-DW8-E-3	-	A	06	" " "
5	D-BS-DW8-E-4	-	A	06	" " "
6	D-IC-DW8-E-5	-	A	06	" " "
7	D-BS-DW8-E-6	-	A	06	" " "
8	D-BS-DW8-E-7	-	A	06	" " "
9	D-IC-DW8-E-8	-	A	06	" " "
10	D-IC-DW8-E-2	-	A	06	see final print
11	K-WL-DW8-E-11	-	A	06	Update per add/delete sheet.
12	A-PL-DW8-E-1	-	A	06	update revision level.
				DOCUMENTATION AFFECTED <input type="checkbox"/> MODEL <input type="checkbox"/> DIAGNOSTICS <input type="checkbox"/> TECH MANUAL <input type="checkbox"/> TESTER <input type="checkbox"/> TEST PROG <input type="checkbox"/> TOOLING <input type="checkbox"/> PKG INST <input type="checkbox"/> ENG SPEC <input type="checkbox"/> PURCH SPEC	
				FIELD SERVICE AFFECTED <input checked="" type="checkbox"/> YES <input type="checkbox"/> NO <input type="checkbox"/> Customer Charge <input checked="" type="checkbox"/> Product Line Charge	
				TYPE OF CHANGE <input checked="" type="checkbox"/> ELECTRICAL <input type="checkbox"/> MECHANICAL <input type="checkbox"/> MODULE ORDER PR MODEL <input type="checkbox"/> YES <input checked="" type="checkbox"/> NO	
DISPOSITION CODES			APPROVAL SIGNATURES		
00 - RETURN TO STOCK 01 - (DELETED) 02 - USE PRESENT STOCK UNTIL NEW STOCK AVAILABLE (PHASE IN) 03 - REWORK IMMEDIATELY (RETROFIT) 04 - (DELETED) 05 - (DELETED) 06 - DOCUMENT CORRECTION 07 - NEW ITEM (THIS ASSEMBLY) 08 - NEW ITEM (THIS COMPANY) 09 - SCRAP IMMEDIATELY			Typewritten Ed Reed Hand Signature <i>Ed Reed</i> DESIGN ENGR _____ ENG MGR (OPT) _____ FIELD SERVICE (OPT) Ken Quinn CHIEF ENGR (MODULES ONLY) _____		

digital	ENGINEERING CHANGE ORDER ADD/DELETE SHEET		ECO NO. DWBE-00002 Sheet 2 of		
WIRE LIST NO. K-WL-DW8-E-11		TITLE DW8-E OMNIBUS INTERFACE NEW REV. A Mandatory			
MAKE ALL DELETIONS FIRST WHEN INSTALLING					
SIGNAL NAME	FROM PIN	TO PIN	COMPONENTS	ADD	DEL
C1 IOT H	A20S2	B16L1			X
C1 MEM START H	A20T2	B16P1			X
C2 IOT H	C14S2	B13L1			X
C2 MEM START H	C14T2	B13P1			X
MEM START H	C14P2	C15T2			X
	A20P2	C14P2			X
IOT H	C14R2	C15V2			X
	A20R2	C14R2			X

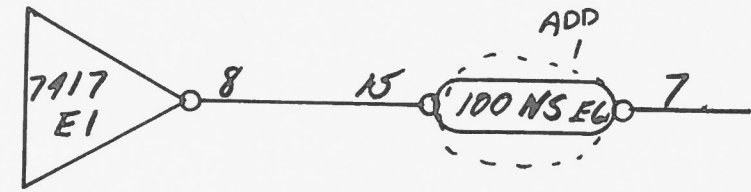
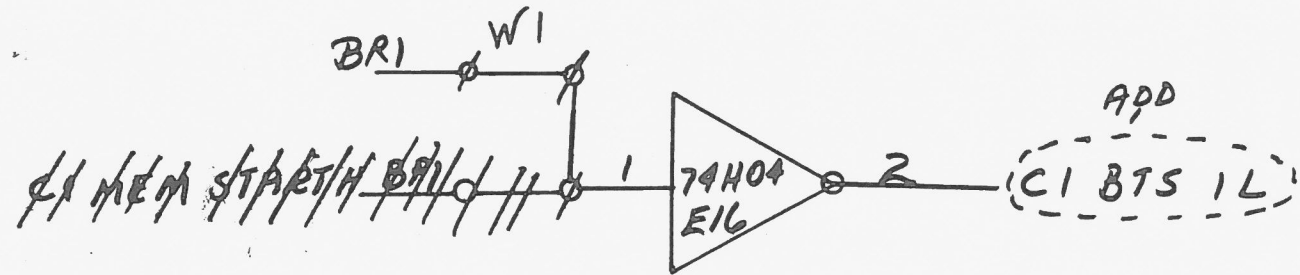


digital	DW8-E EXPANDER		D-BS-DW8-E-6	NEW REV A
	TITLE CONTROL			
ENGINEERING CHANGE ORDER	DRN	CHK ID		GRAPHIC DESCRIPTION
	DWG LOC.			

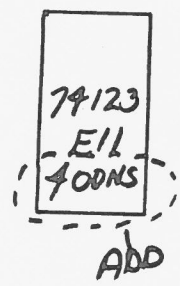
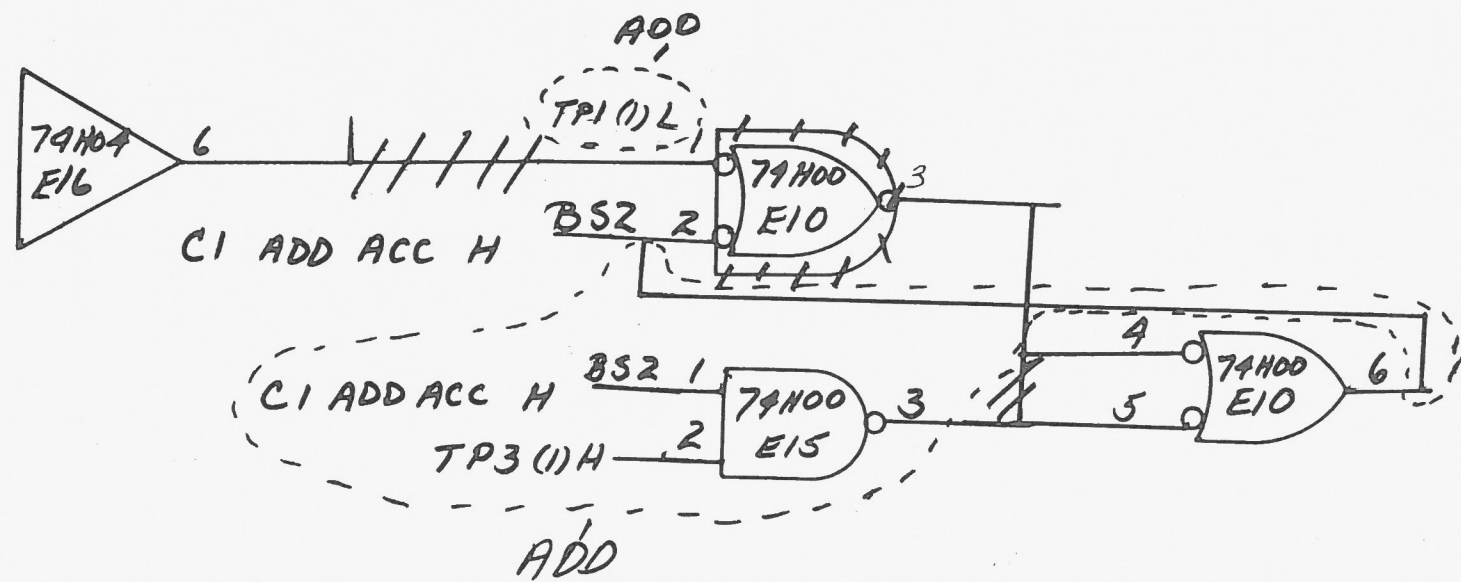
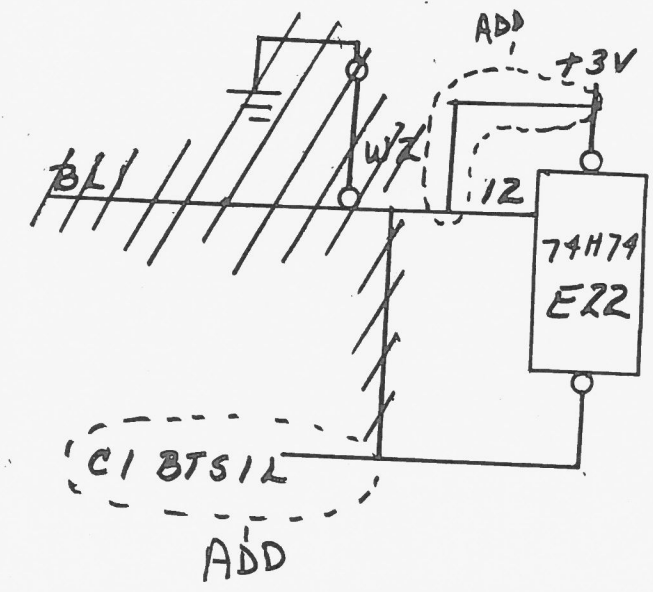


M7102
C, D14

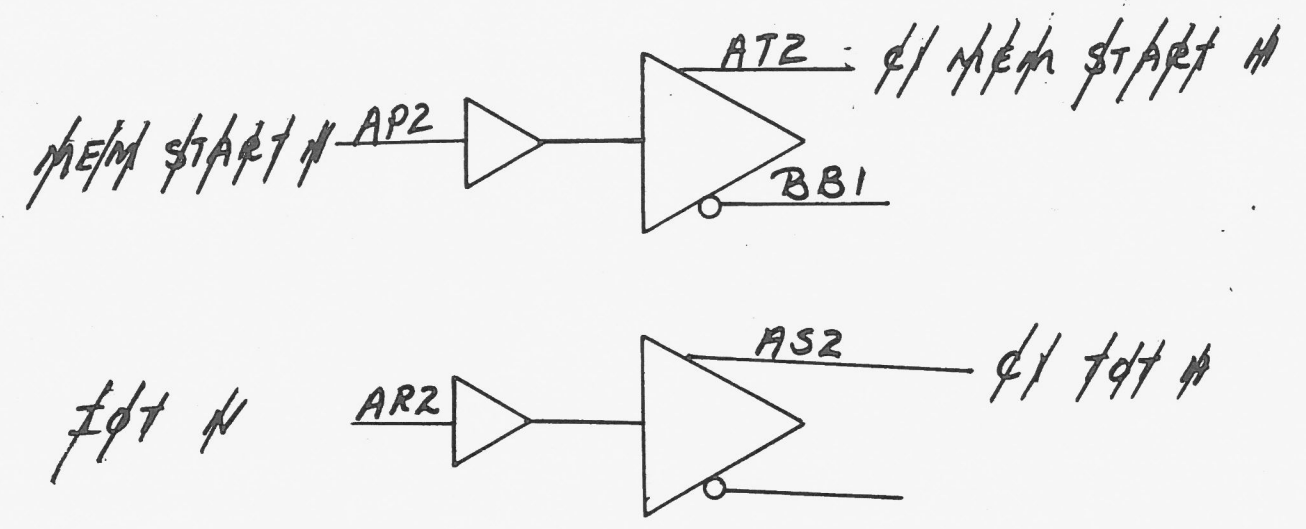
	I/O BUS EXPANDER POS BUS	D-BS-DW8-E-7	A
	TITLE	DWG NO.	NEW REV
ENGINEERING CHANGE ORDER	DRN Jane Cathy	DWG LOC.	GRAPHIC DESCRIPTION



~~CI TOT H~~

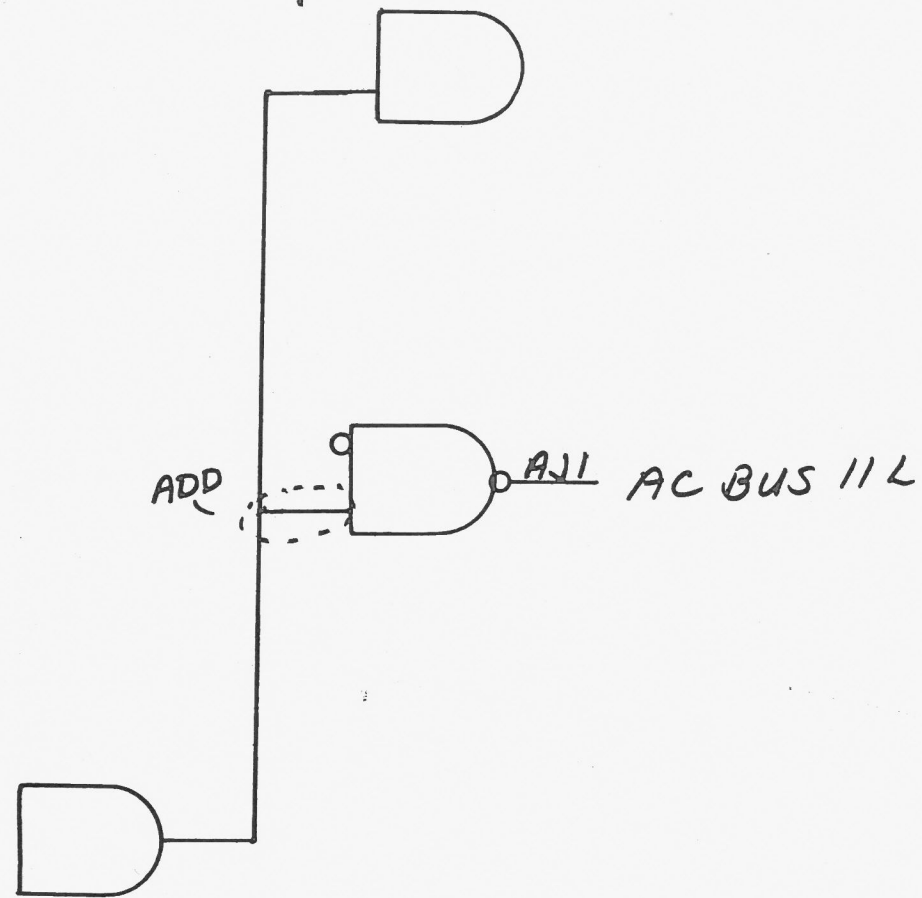


	TITLE	DW8-E CONTROL	DWG NO.	D-BS-DW8-E-3	NEW REV A
	ENGINEERING CHANGE ORDER	DRN	CHK ID	DWG LOC.	
		<i>Jane Cathy</i>			



M7102
A, B20

digital	I/O BUS CONVERTER		D-BS-DW8-E-4	NEW REV A
	POS BUS			
ENGINEERING CHANGE ORDER	DRN <i>Jane</i>	CHK'D	DWG LOC.	GRAPHIC DESCRIPTION



M710Z
A, B20

digital

ENGINEERING
CHANGE ORDER

TITLE
I/O BUS CONVERTER
POS BUS

DRN
Jane
Cathy

CHK ID

DWG NO.
D-BS-DW8-E-4

DWG LOC.

GRAPHIC
DESCRIPTION

NEW REV
A

ahp 1

digital

**FIELD
CHANGE ORDER**

FCO DW8E-E 0002
PAGE OF

DATA PROCESSING AND DEC-ECO-LOG WILL POST THIS FCO WITH THE LEVEL OF URGENCY CODE REPLACING THE LEADING ZERO.

FIELD EFFECTIVITY
Retrofit all DW8-E's with revision * Wire List

FIELD RETROFIT IS ANTICIPATED IN 100 % OF UNITS DEFINED ABOVE

ALL DEC INSTALLATION LABOR AND MATERIAL ARE TO BE REPORTED UNDER A "W" CHARGE CODE.

STANDARD APPLICABILITY - THIS FCO IS TO BE INSTALLED AT NO CHARGE FOR WARRANTY AND MAINTENANCE CONTRACT CUSTOMERS IN ACCORDANCE WITH THE TECHNICAL EFFECTIVITY ABOVE, OTHERWISE AT CUSTOMER EXPENSE.

DOCUMENTATION \$ 5.00 PARTS \$ None DEC ON-SITE LABOR \$ 30.00

DEC'S MINIMUM BILLING APPLIES IF THIS FCO IS INSTALLED BY DEC. THE DEC LABOR CHARGE ASSUMES FCO INSTALLATION DURING REGULAR WORKING HOURS. IF INSTALLATION OUTSIDE OF REGULAR WORKING HOURS IS ORDERED, DEC'S LATEST SCHEDULE OF HOURLY RATES WILL APPLY.

FIELD OFFICE FCO DISTRIBUTION CODE

F IMMEDIATE FCO DISTRIBUTION TO ALL DEC FIELD OFFICES
 DF IMMEDIATE FCO DISTRIBUTION TO REGIONAL PRODUCT SUPPORT

FCO KIT DISTRIBUTION

KITS, AS DEFINED BELOW, MAY BE ORDERED AS REQUIRED.

CONTENTS OF AN FSIC INITIATED KIT

FIO	FCO	PRINTS	PARTS

FSIC INITIATED FCO KITS WILL BE DISTRIBUTED FOR ALL UNITS LISTED ON THE EDP CONFIGURATION FILE WITH THE FOLLOWING SERVICE STATUS CODES:

CONTENTS OF A FIELD ORDERED KIT

FIO	FCO	PRINTS	PARTS
	X	X	

D	H	K	W
---	---	---	---

INSTALLATION AND TEST PROCEDURES

NOTES This FCO does not affect the operation of the DW8-E

FIELD SERVICE APPROVAL

Kenneth Quinn

ASK
(x) 5-17 (325/275) 600

digital EQUIPMENT CORPORATION
WAYNARD, MASSACHUSETTS

DRAWING DIRECTORY

"THIS DRAWING AND SPECIFICATIONS, HEREIN, ARE THE PROPERTY OF DIGITAL EQUIPMENT CORPORATION AND SHALL NOT BE REPRODUCED OR COPIED OR USED IN WHOLE OR IN PART AS THE BASIS FOR THE MANUFACTURE OR SALE OF ITEMS WITHOUT WRITTEN PERMISSION. COPYRIGHT © 1972, DIGITAL EQUIPMENT CORPORATION"

CUSTOMER PRINT SET INDEX

THIS IS PRINT SET

SEQUENCE		SEQUENCE	
DRAWING DIRECTORY	B-DD-DW8-E		
FIELD INSTALLATION & ACCEPTANCE	A-SP-DW8-E-9		
ACCESSORY LIST	A-AL-DW8-E-10		
UNIT ASSY (DW8-E) (INCL. PL)	D-UA-DW8-E-1		
DW8-E CONTROL	D-BS-DW8-E-3		
I/O BUS CONVERTER	D-BS-DW8-E-4		
I/O BUS CONVERTER SIGNALS	D-IC-DW8-E-5		
DW8-E EXPANDER CONTROL	D-BS-DW8-E-6		
I/O BUS EXPANDER	D-BS-DW8-E-7		
I/O BUS EXPANDER SIGNALS	D-IC-DW8-E-8		
I/O CONNECTORS	D-IC-DW8-E-2		
MODULE UTILIZATION	D-MU-DW8-E-1		
WIRED ASSY	D-AD-7009154-0-0		
WIRE LIST	K-WL-DW8-E-11		
CONTROL	D-CS-M7101-0-1		
POSITIVE I/O BUS CONVERTER	D-CS-M7102-0-1		
NEGATIVE I/O BUS CONVERTER	D-CS-M7103-0-1		
BUS LOADS	E-CS-M8320-0-1		
POWER SUPPLY ASSY (INCL. PL)	D-AD-7009287-0-0		
REGULATOR BOARD	D-CS-5409728-0-1		
REGULATOR BOARD ASSY	E-IA-5409728-0-0		
LINE SET 115 VAC 7 AMP	C-UA-BC05H-0-0		
LINE SET 230 VAC 4 AMP	C-UA-BC05J-0-0		
DW8E ENGINEERING SPECIFICATION	A-SP-DW8-E-12		
MODULE UTILIZATION P.L.	A-PL-DW8-E-1		
DW8E ACCEPTANCE	A-SP-DW8-E-13		

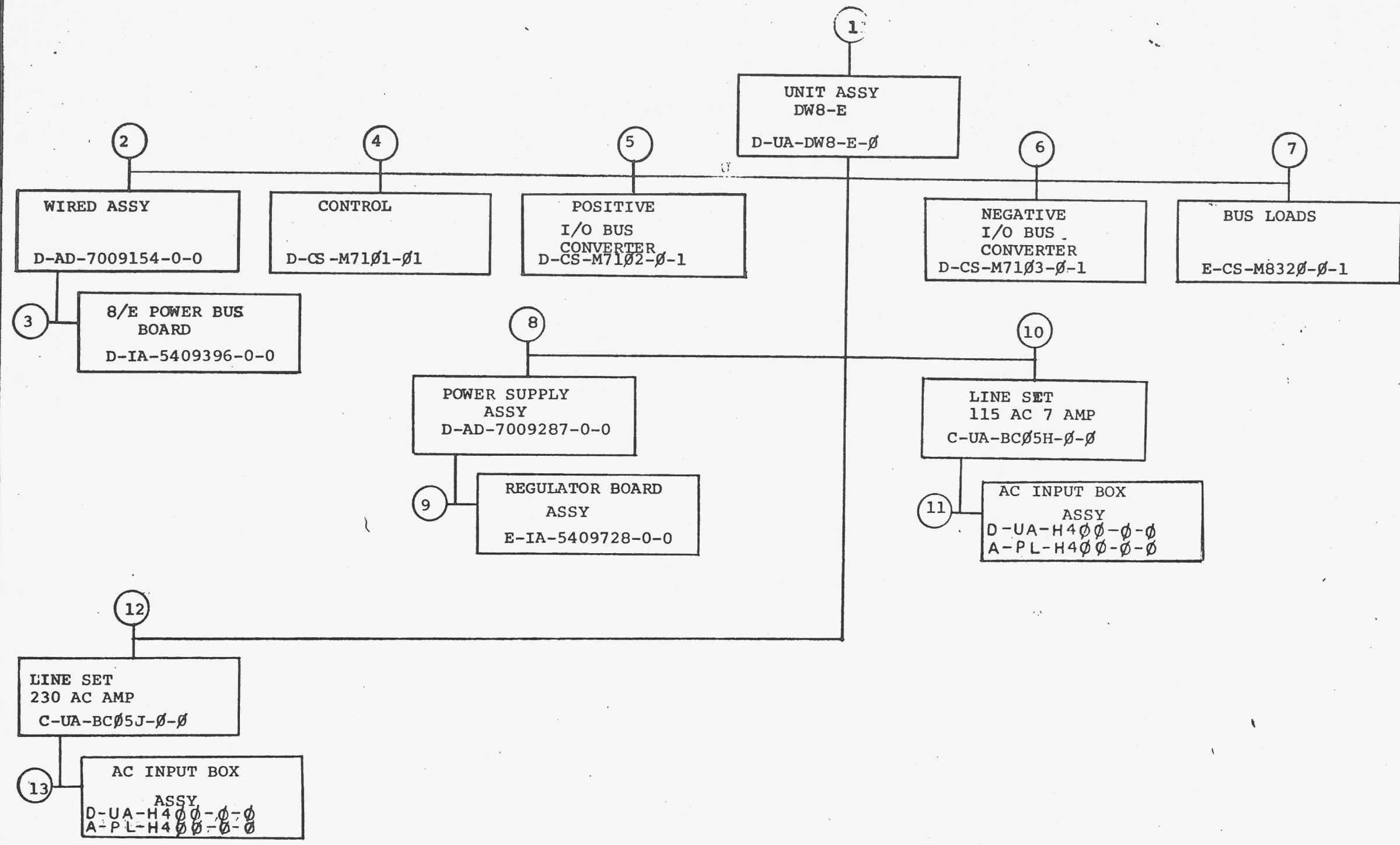
MFG. PRINT SET
DW8E ACCEPTANCE A-SP-DW8-E-13

UNIT VARIATIONS		PRINT SET
VAR	TITLE	
DW8-E-NA	8 NEG BUS TO OMNIBUS INTER 115V	1
DW8-E-NB	8 NEG BUS TO OMNIBUS INTER 230V	1
DW8-E-NX	5 SLOT EXPANDER MODULE SET	1
DW8-E-PA	8 POS BUS TO OMNIBUS INTER 115V	1
DW8-E-PB	8 POS BUS TO OMNIBUS INTER 230V	1
DW8-E-PX	5 SLOT EXPANDER MODULE SET	1

REVISIONS	DATE	4/73	CHG. NO.	DW8E-2	REV	A
	USED ON OPTION/MODEL		DRN.	E. WILSON	DATE	3/5/73
			CHK'D.	<i>[Signature]</i>	DATE	<i>[Date]</i>
			PROJ ENG.	<i>[Signature]</i>	DATE	<i>[Date]</i>
			PROD.	<i>[Signature]</i>	DATE	<i>[Date]</i>
			FIELD SERV.	<i>[Signature]</i>	DATE	<i>[Date]</i>

SHEET 1	OF	5	TITLE					
			OMNIBUS INTERFACE					
			SIZE	CODE	NUMBER	REV		
			B	DD	DW8-E	A		
			DIST					

DPB 106



TITLE	SIZE	CODE	NUMBER	REV
DW8-E	B	DD	DW8-E	A

SHEET 2 OF 5

ELECTRICAL						ELECTRICAL									
CUSTOMER PRINT SET	MFG. SET	FIND NO.	DRAWING NO.	REV	NO OF SHT	DESCRIPTION	OPTION NO./FILE DATE	CUSTOMER PRINT SET	MFG. SET	FIND NO.	DRAWING NO.	REV	NO OF SHT	DESCRIPTION	OPTION NO./FILE DATE
X		1	D-UA-DW8-E-0	A	3	UNIT ASSY (DW8-E)		X		5	D-CS-M7102-0-1	#	2	POSITIVE I/O BUS CONVERTER	
X			D-MU-DW8-E-1	A	1	MODULE UTILIZATION					K-CO-M7102-0-4		1	X-Y COORDINATE HOLE LOCATION	
X			A-PL-DW8-E-1	A	1	MODULE UTILIZATION (PL)					D-AH-M7102-0-5		1	ASSY DRILLING HOLE LOCATION	
X			D-BS-DW8-E-3	A	1	DW8-E CONTROL					B-MH-M7102-0-6		1	MODULE ECO HISTORY	
X			D-BS-DW8-E-4	A	2	I/O BUS CONVERTER									
X			D-IC-DW8-E-5	A	1	I/O BUS CONVERTER SIGNALS									
X			D-BS-DW8-E-6	A	1	DW8-E EXPANDER CONTROL		X		6	D-CS-M7103-0-1	#	1	NEGATIVE I/O BUS CONVERTER	
X			D-BS-DW8-E-7	A	2	I/O BUS EXPANDER					K-CO-M7103-0-4		1	X-Y COORDINATE HOLE LOCATION	
X			D-IC-DW8-E-8	A	1	I/O BUS EXPANDER SIGNALS					D-AH-M7103-0-5		1	ASSY DRILLING HOLE LOCATION	
			D-IA-7009155-0-0		1	HARNESS AC					B-MH-M7103-0-6		1	MODULE ECO HISTORY	
			D-IA-7009288-0-0		1	HARNESS DC									
X			A-SP-DW8-E-12	*	18	DW8-E ENGINEERING SPEC									
X			A-SP-DW8-E-13	*	1	DW8E ACCEPTANCE		X		7	E-CS-M8320-0-1	#	2	BUS LOADS	
X			A-AL-DW8-E-10	*	1	DW8-E ACCESSORY LIST					K-CO-M8320-0-4		1	X-Y COORDINATE HOLE LOCATION	
X			D-IC-DW8-E-2	A	2	I/O CONNECTORS					D-AH-M8320-0-5		1	ASSY DRILLING HOLE LOCATION	
X			A-SP-DW8-E-9	*		FIELD INSTALLATION & ACCEPTANCE					B-MH-M8320-0-6		1	MODULE ECO HISTORY	
								X		8	D-AD-7009287-0-0	#	1	POWER SUPPLY	
											D-IA-7409376-0-0		2	CHASSIS (P.S.)	
X		2	D-AD-7009154-0-0	*	1	WIRED ASSY		X		9	E-IA-5409728-0-0	#	1	REGULATOR BD ASSY	
			A-PL-7009154-0-0		2	WIRED ASSY (PL)		X			D-CS-5409728-0-1	#	1	REGULATOR BD	
X			K-WL-DW8-E-11	A	1	WIRE LIST					K-CO-5409728-0-4		1	X-Y COORDINATE HOLE LOCATION	
			C-MD-7409056-0-0		1	OMNICASTING (BM8-L)					D-AH-5409728-0-5		1	ASSY DRILLING HOLE LOCATION	
			E-SC-1205348-0-0		1	288 PIN CONNECTOR BLOCK (H803)					B-MH-5409728-0-6		1	MODULE ECO HISTORY	
								X		10	C-UA-BC05H-0-0	#	1	LINE SET 115V AC 7 AMP	
		3	D-IA-5409396-0-0		1	8/E POWER BUS BOARD				11	D-UA-H400-0-0		1	AC INPUT BOX ASSY (H400-R)	
			B-CS-5409396-0-1		1	CIRCUIT SCHEMATIC					A-PL-H400-0-0		1	AC INPUT BOX ASSY (H400-A) (PL)	
			K-CO-5409396-0-4		1	X-Y COORDINATE HOLE LOCATION					D-IA-5309845-0-0		1	BOX AC INPUT	
			D-AH-5409396-0-5		1	ASSY DRILLING HOLE LOCATION					C-MD-5309849-0-0		1	COVER	
			B-MH-5409396-0-6		1	MODULE ECO HISTORY					A-DC-5309899-0-0		1	POWER CTRL DECAL 115V	
			D-IA-5009395-0-0		1	ETCH BOARD 8/E					C-IA-5409824-0-0		1	POWER CTRL BOARD 115V	
X		4	D-CS-M7101-0-1	#	2	CONTROL					D-AH-5409824-0-5		1	ASSY DRILLING HOLE LOCATION	
			K-CO-M7101-0-4		1	X-Y COORDINATE HOLE LOCATION					B-MH-5409824-0-6		1	MODULE ECO HISTORY	
			D-AH-M7101-0-5		1	ASSY DRILLING HOLE LOCATION									
			B-MH-M7101-0-6		1	MODULE ECO HISTORY									

CUSTOMER PRINT SET CODES	X = PRINT OF DOCUMENT INCLUDED IN PRINT SET	TITLE	SHEET 3 OF 5	SIZE	CODE	NUMBER	REV
	C = INCLUDES ALL PRINTS INDICATED ON DOCUMENT						
	S = CONFIDENTIAL AUTHORIZED SIGNATURE REQUIRED	DW8-E					

ELECTRICAL					ELECTRICAL													
CUSTOMER PRINT SET		MFG. SET	FIND NO.	DRAWING NO.	REV	NO OF SHT	DESCRIPTION	OPTION NO./FILE DATE	CUSTOMER PRINT SET		MFG. SET	FIND NO.	DRAWING NO.	REV	NO OF SHT	DESCRIPTION	OPTION NO./FILE DATE	
X			12	C-UA-BC05J-0-0	#	1	LINE SET 230V AC 4 AMP											
			13	D-UA-H400-0-0		1	AC INPUT BOX ASSY (H400-B)											
				A-PL-H400-0-0		1	AC INPUT BOX ASSY (H400-B)(PL)											
				D-IA-5309845-0-0		1	BOX AC INPUT											
				C-MD-5309849-0-0		1	COVER											
				A-DC-5309900-0-0		1	PWR CTRL DECAL 230V											
				C-IA-5409825-0-0		1	PWR CTRL BOARD 230V											
				D-AH-5409825-0-5		1	ASSY DRILLING HOLE LOCATION											
				B-MH-5409825-0-6		1	MODULE ECO HISTORY											

CUSTOMER PRINT SET CODES: X = PRINT OF DOCUMENT INCLUDED IN PRINT SET, C = INCLUDES ALL PRINTS INDICATED ON DOCUMENT, S = CONFIDENTIAL AUTHORIZED SIGNATURE REQUIRED

TITLE: DW8-E

SHEET 4 OF 5

SIZE CODE: B DD

NUMBER: DW8-E

REV: A

CUSTOMER PRINT SET		MECHANICAL					CUSTOMER PRINT SET		MECHANICAL						
	MFG. SET	FIND NO.	DRAWING NO.	REV	NO OF SHT	DESCRIPTION	OPTION NO./FILE DATE		MFG. SET	FIND NO.	DRAWING NO.	REV	NO OF SHT	DESCRIPTION	OPTION NO./FILE DATE
		1	D-UA-DW8-E-0	A	3	UNIT ASSY (DW8-E)				8	D-AD-7009287-0-0	#	1	POWER SUPPLY	
			D-IA-7009155-0-0		1	HARNESS AC					D-IA-7409376-0-0		2	CHASSIS (P.S.)	
			D-IA-7009288-0-0		1	HARNESS DC									
			E-IA-7410650-0-0		2	CHASSIS									
		2	D-AD-7009154-0-0	*	1	WIRED ASSY				9	E-IA-5409728-0-0	#	1	REGULATOR BD ASSY	
			A-PL-7009154-0-0		2	WIRED ASSY (PL)					D-CS-5409728-0-1	#	1	REGULATOR BD	
			C-MD-7409056-0-0		1	OMNICASTING (BM8-L)					K-CO-5409728-0-4		1	X-Y COORDINATE HOLE LOCATION	
			E-SC-1205348-0-0		1	288 PIN CONNECTOR BLOCK (H803)					D-AH-5409728-0-5		1	ASSY DRILLING HOLE LOCATION	
		3	D-IA-5409396-0-0		1	8/E POWER BUS BOARD					B-MH-5409728-0-6		1	MODULE ECO HISTORY	
			B-CS-5409396-0-1		1	CIRCUIT SCHEMATIC					C-IA-7409375-0-0		1	BRKT SUPPORT ETCH BD	
			K-CO-5409356-0-4		1	X-Y COORDINATE HOLE LOCATION									
			D-AH-5409396-0-5		1	ASSY DRILLING HOLE LOCATION									
			B-MH-5409396-0-6		1	MODULE ECO HISTORY									
			D-IA-5009395-0-0		1	ETCH BOARD 8/E									
		4	D-CS-M7101-0-1	#	2	CONTROL				10	C-UA-BC05H-0-0	#	1	LINE SET 115V AC 7 AMP	
			K-CO-M7101-0-4		1	X-Y COORDINATE HOLE LOCATION									
			D-AH-M7101-0-5		1	ASSY DRILLING HOLE LOCATION									
			B-MH-M7101-0-6		1	MODULE ECO HISTORY									
		5	D-CS-M7102-0-1	#	2	POSITIVE I/O BUS CONVERTER									
			K-CO-M7102-0-4		1	X-Y COORDINATE HOLE LOCATION									
			D-AH-M7102-0-5		1	ASSY DRILLING HOLE LOCATION									
			B-MH-M7102-0-6		1	MODULE ECO HISTORY									
		6	D-CS-M7103-0-1	#	2	NEGATIVE I/O BUS CONVERTER									
			K-CO-M7103-0-4		1	X-Y COORDINATE HOLE LOCATION									
			D-AH-M7103-0-5		1	ASSY DRILLING HOLE LOCATION									
			B-MH-M7103-0-6		1	MODULE ECO HISTORY									
		7	E-CS-M8320-0-1	#	2	BUS LOADS									
			K-CO-M8320-0-4		1	X-Y COORDINATE HOLE LOCATION									
			D-AH-M8320-0-5		1	ASSY DRILLING HOLE LOCATION									
			B-MH-M8320-0-6		1	MODULE ECO HISTORY									

CUSTOMER PRINT SET CODES	X = PRINT OF DOCUMENT INCLUDED IN PRINT SET	TITLE	SIZE	CODE	NUMBER	REV
	C = INCLUDES ALL PRINTS INDICATED ON DOCUMENT					
	S = CONFIDENTIAL AUTHORIZED SIGNATURE REQUIRED					

DIGITAL EQUIPMENT CORPORATION

PARTS LIST

MADE BY: E. REED
 DATE: 2/7/73
 ENG: [Signature]
 DATE: 3-6-73

CHECKED: [Signature]
 DATE: [Signature]
 PROB: [Signature]
 DATE: [Signature]

SECTION
 ISSUED SECT.

ITEM NO.	DWG NO. / PART NO.	DESCRIPTION	DWG	QTY	UNIT
1	M7101	CONTROL	1	1	
2	M7102	I/O BUS CONVERTER POS.	-	4	
3	M7103	I/O BUS CONVERTER NEG.	4	-	4
4	M8320	BUS LOADS	1	1	1

TITLE			SIZE	CODE	NUMBER	REV.	ECO NO.
MODULE UTILIZATION			A	PL	DW8-E-1	A	DW8-E-00002
ASSY NO. B-DD-DW8-E			DIST.				
SHEET 1 OF 1							

DEC FORM DEC 16-(325)-1031-N870
 DRA 110

4


3

11-E-8MD KWL
REVISION 2002 203

ECO No. DW8E-00002 Sheet 13 of 27

This drawing and specifications, herein, are the property of Digital Equipment Corporation and shall not be reproduced or copied or used in whole or in part as the basis for the manufacture or sale of items without express permission. COPYRIGHT © 1973

DIGITAL EQUIPMENT CORPORATION

FIRST USED ON OPTION MODEL	QTY.	DESCRIPTION	PART. NO.	ITEM NO.
DW8-E				
PARTS LIST				
DRD <i>Ed Reed</i>	DATE 3/27/73	 <p>DIGITAL EQUIPMENT CORPORATION MAYNARD, MASSACHUSETTS</p> <p>TITLE DW8-E - WIRE LIST</p>		
CHKD. <i>Ed Reed</i>	DATE 3/27/73			
ENG. <i>Ed Reed</i>	DATE 4-9-73			
PROJ. ENG. <i>Ed Reed</i>	DATE 4-9-73			
PROD. <i>G. S. ...</i>	DATE 4/9/73			
NEXT HIGHER ASSEMBLY B-DD-DW8-E		SIZE	CODE	NUMBER
SCALE	---	K	WL	DW8-E-11
SHEET	1 OF 1	DIST.		REV. A

REVISIONS	CHANGE NO.	REV.
	DW8E-00002	A
G. S. ... 5-1-73		
ED REED		
Ed Reed 5-8-73		

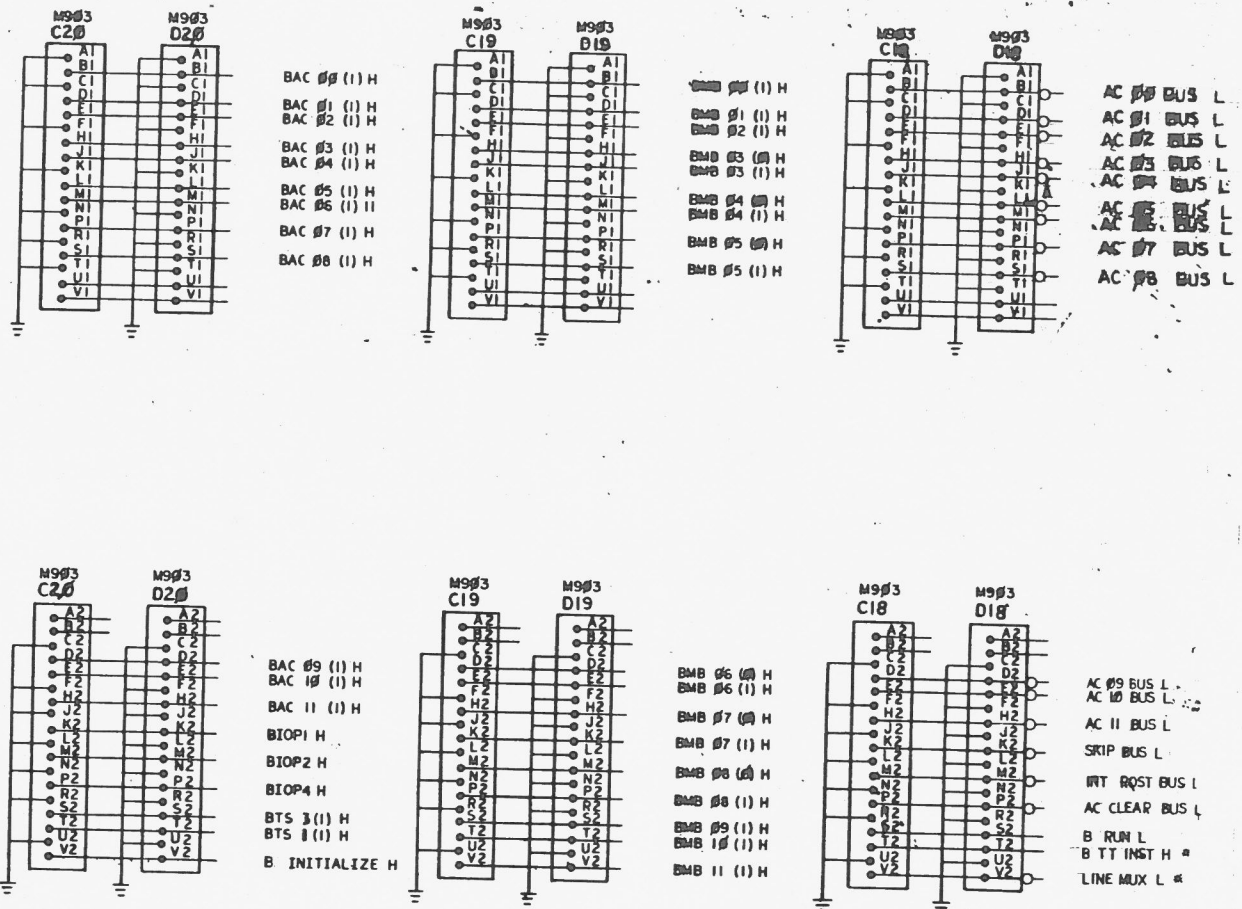
DEC FORM NO. DRB 100

4

3

2

1



NOTES:
 1. SIGNALS MARKED WITH AN ANTERISK ARE NOT USED IN PDP 8/L BUT RESERVED FOR SPECIFIC USE IN PDP 8/I.
 2. ~~BC08A IN C15 USED ONLY ON A PDP 8 OR LINE 8 AND ADD 100-Ω FROM C15 TO GND.~~

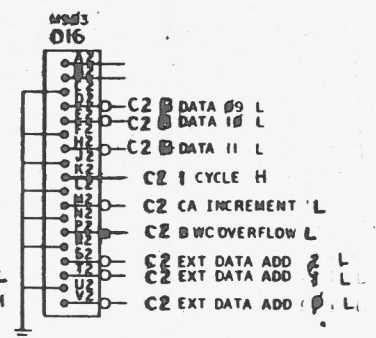
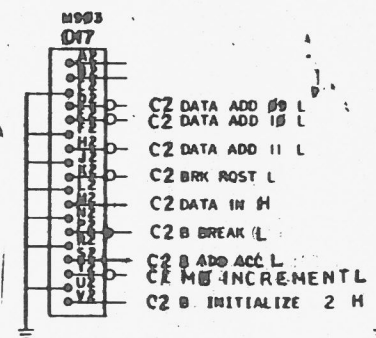
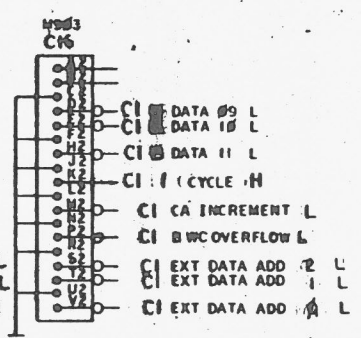
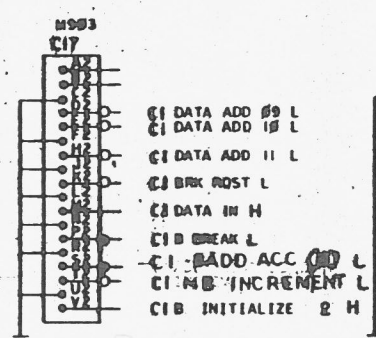
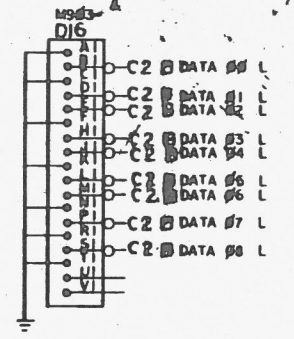
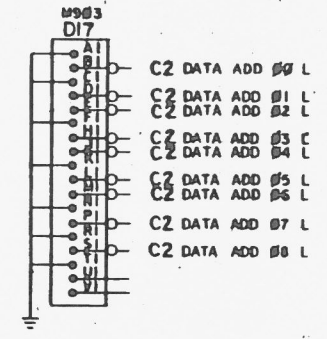
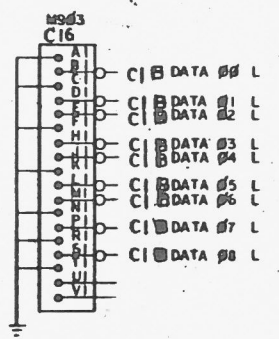
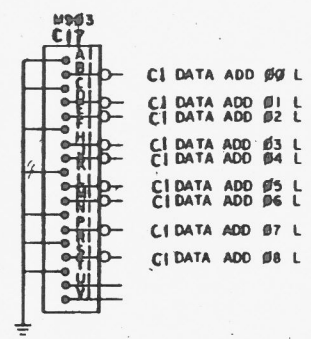
REV.	REV.
1	1
2	2
3	3
4	4
5	5
6	6
7	7
8	8

FIRST USED ON OPTION/ MODEL
DW8-E

DO NOT SCALE DRAWING
 UNLESS OTHERWISE SPECIFIED
 DIMENSIONS IN INCHES
 TOLERANCES
 DECIMALS FRACTIONS ANGLES
 ±.005 ±.004 ±.020
 FINISH
 MATERIAL
 FINISH

QTY.	DESCRIPTION	PART NO.	REV.
PARTS LIST		digital EQUIPMENT CORPORATION	
TITLE		1/O CONNECTORS	
HEAT TREATING		B-DD-DW8-E	
SCALE	SHEET	SUB CODE	REV.
1 OF 2	1 OF 2	DW8-E-2	A

DIGITAL EQUIPMENT CORPORATION



REV. 1
CHG. 1

FIRST USED ON OPTION/MODEL
DW8-E

DO NOT SCALE DIMENSIONS UNLESS OTHERWISE SPECIFIED
DIMENSIONS IN INCHES
TOLERANCES
ANGLES
SURFACE FINISH
HOLE SURFACE QUALITY
REMOVE BURRS AND BREAK EDGES
CORNERS

QTY.	DESCRIPTION	PART NO.	ITEM NO.
	PARTS LIST		
	digital EQUIPMENT CORPORATION MAYFIELD, MASSACHUSETTS		
	TITLE I/O CONNECTORS		
	NEXT HIGHER LEVEL B-DD-DW8-E		
	SCALE	PROJECT NO.	REV.
	SHEET 2 OF 2	DW8-E-2	A

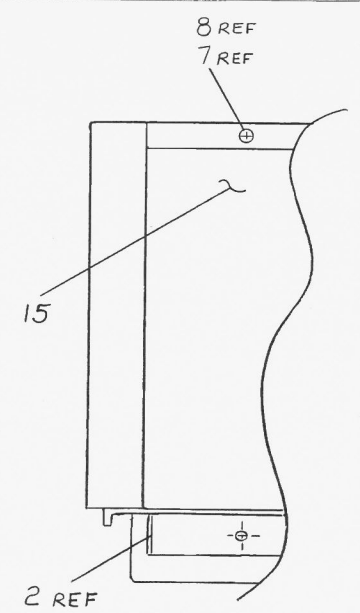
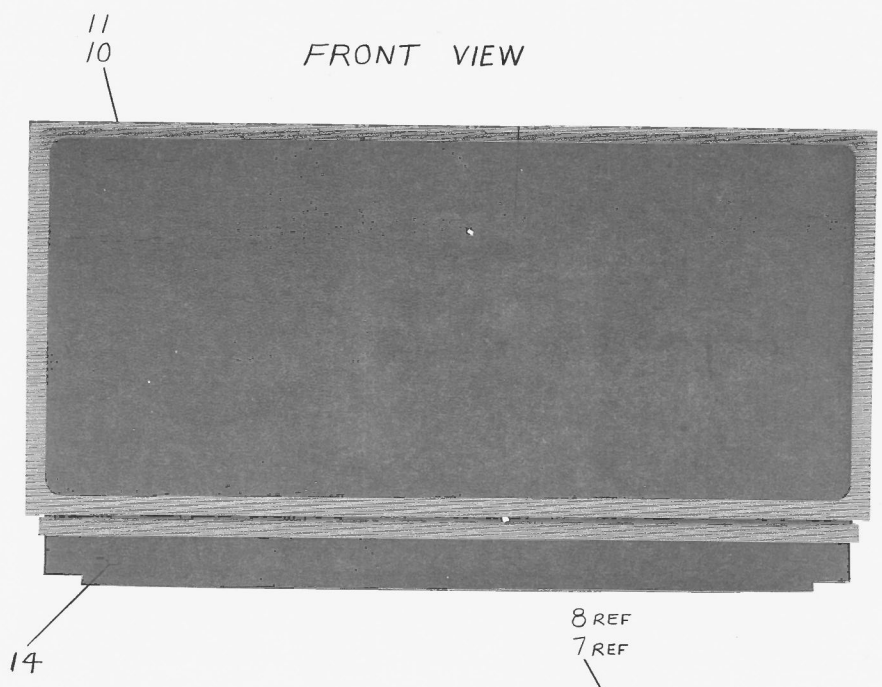
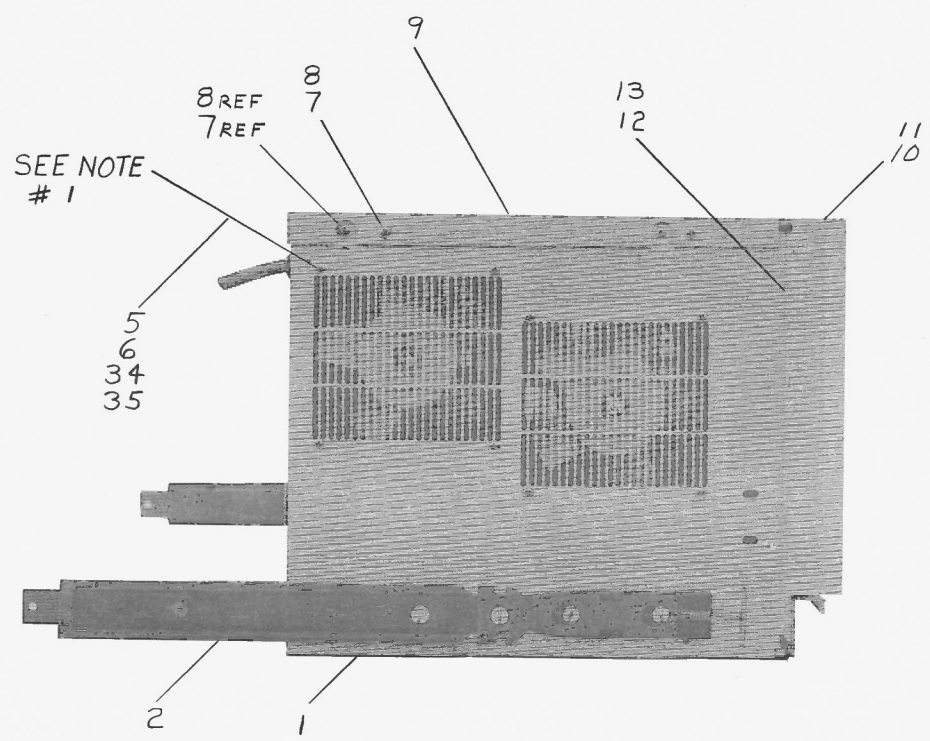
DW8-E-2

This drawing and specifications, herein, are the property of Digital Equipment Corporation and shall not be reproduced or copied or used in whole or in part as the basis for the manufacture or sale of items without written permission. COPYRIGHT © 1973 DIGITAL EQUIPMENT CORPORATION

LEGEND	
NUMBER	VARIATION
DWB-E-NA	NEGATIVE BUS, 115 VAC
DWB-E-NB	NEGATIVE BUS, 230 VAC
DWB-E-NX	NEGATIVE BUS, EXPANDER; M7101, 4-M7103'S, M8320 ADDED TO NA OR NB
DWB-E-PA	POSITIVE BUS, 115 VAC
DWB-E-PB	POSITIVE BUS, 230 VAC
DWB-E-PX	POSITIVE BUS, EXPANDER; M7101, 4-M7102'S, M8320 ADDED TO PA OR PB

NOTES:
1. MOUNTING HARDWARE VARIATION FOR ITEM 16 (FAN) ARE AS FOLLOWS

ITEM #16 (FAN)	MOUNTING HARDWARE	
	ITEM NO	DISCRIPTION
1205033-1 ROTRON	34	MOUNTING CLIP
	5	#6-32X.36 SCREW
1205033-2 I MC	35	#8-32 X .38 SELF TAPPING SCR.



VIEW A-A
SCALE: NONE

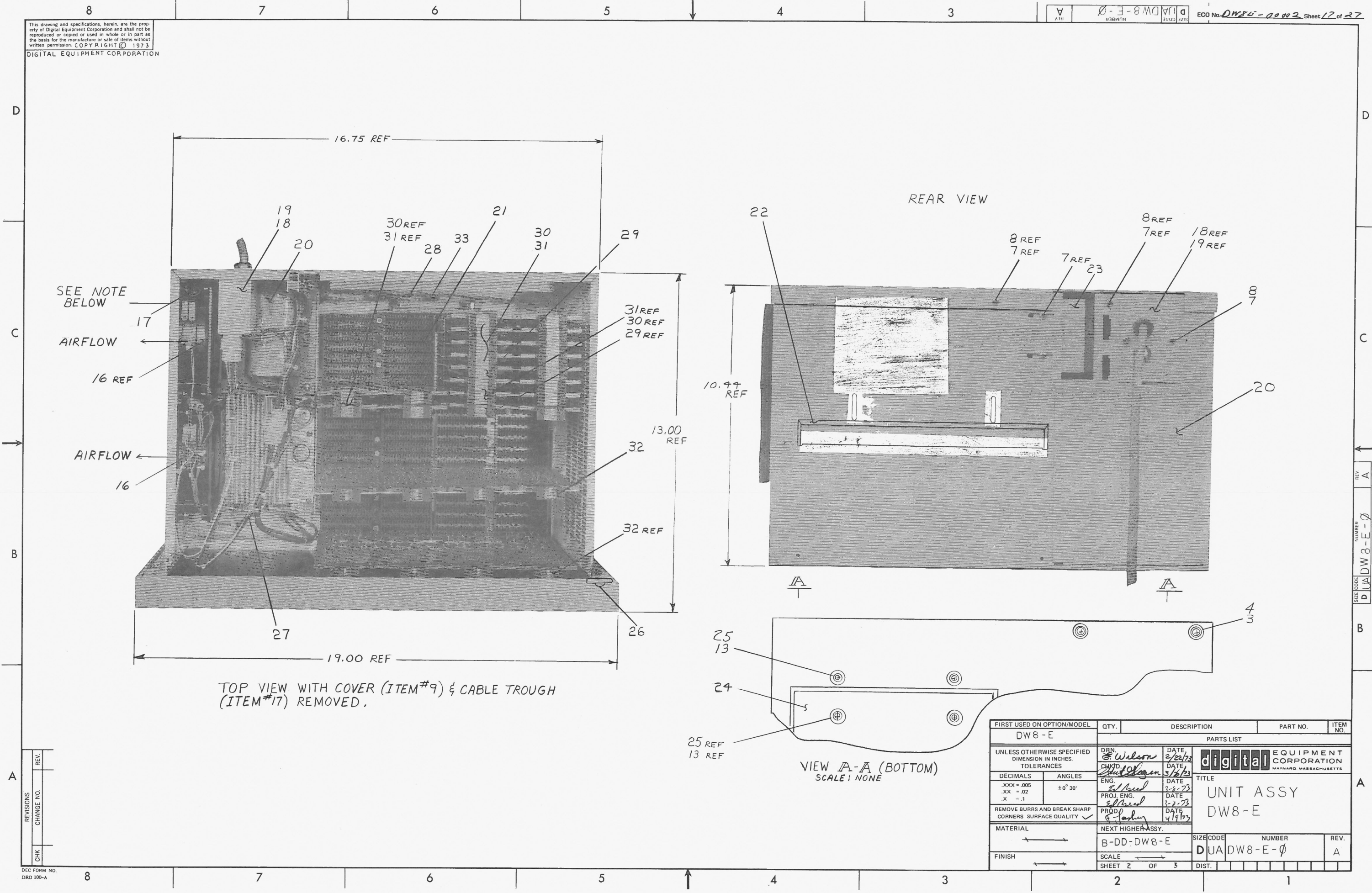
QTY.	DESCRIPTION	PART NO.	ITEM NO.
8	#8-32X3/8 LG SELF TAPPING SCREW	9006121	35
8	MTG CLIP	9008202	34
1	STRAIN RELIEF	9008442	33
1	BUS LOADS	D-CS-M8320-04	32
4	NEG I/O BUS CONV.	D-CS-M7103-0-1	31
4	POS I/O BUS CONV.	D-CS-M7102-0-1	30
1	CONTROL	D-CS-M7101-0-1	29
1	HARNESS, DC	D-IA-7009288-00	28
1	HARNESS, A.C.	D-IA-7009155-00	27
4	BUMPER, RUBBER	9008525	26
8	SCR PHIL HD PAN #8-32X.50	9006037-1	25
1	PROTECTION PLATE	B-MD-7409025-00	24
1	STRAIN RELIEF, CABLE	C-IA-7409387-0-0	23
A/R	GROMMET, NYLON G52A	9008291	22
1	DWB-E WIRED ASSY	D-AD-7009154-00	21
1	POWER SUPPLY ASSY	D-AD-7009287-00	20
1	LINE SET 230V 5 AMP	E-VA-BC05J-0-0	19
1	LINE SET 115V 7 AMP	E-VA-BC05H-0-0	18
1	BRKT, CABLE TROUGH	D-IA-7409919-0-0	17
2	FAN, BOXER	1205033	16
1	FILTER, SIDE	C-IA-7409424-0-0	15
1	COVER STRIP	C-MD-7409490-0	14
12	WASHER, INT TOOTH LOCK #8	9006634	13
4	SCR, PHIL HD PAN #8-32X.25	9006035-1	12
2	PANEL, FRONT	1209278-02	11
1	BEZEL	1210065	10
1	COVER	D-IA-7409380-00	9
10	WASHER, EXT TOOTH LOCK #6	9007649	8
12	SCR, PHIL HD PAN #6-32X.25	9006020-1	7
8	NUT KEPS #6-32X.5/16X.5/32	9006560	6
8	SCR, PHIL HD PAN #6-32X.56	9007793-1	5
4	WASHER, INT TOOTH LOCK #10	9006636	4
4	SCR, PHL HD TRUSS #10-32X.38	9006071-3	3
1	SLIDE, CHASSIS	D-MD-7409100-10	2
1	CHASSIS, DWB-E	E-IA-7410650-00	1

FIRST USED ON OPTION/MODEL	QTY.	DESCRIPTION	PART NO.	ITEM NO.
DWB-E				

UNLESS OTHERWISE SPECIFIED DIMENSION IN INCHES. TOLERANCES	DRN 2/15/73 DATE	DATE 3/1/73	
DECIMALS .XXX = .005 .XX = .02 .X = .1	ENG 3/1/73 DATE	DATE 3-1-73	
REMOVE BURRS AND BREAK SHARP CORNERS SURFACE QUALITY	PROJ. ENG. 3/1/73 DATE	DATE 4/1/73	
	PROD. DATE		
MATERIAL	NEXT HIGHER ASSY.		TITLE UNIT ASSY DW8-E
FINISH	B-DD-DW8-E	SIZE CODE DUA	NUMBER DW8-E-0
	SCALE		REV. A
	SHEET 1 OF 3		

REV.	CHG	NO.
A	3X	DWB-E-00002
		5-1-73
		5-P-73

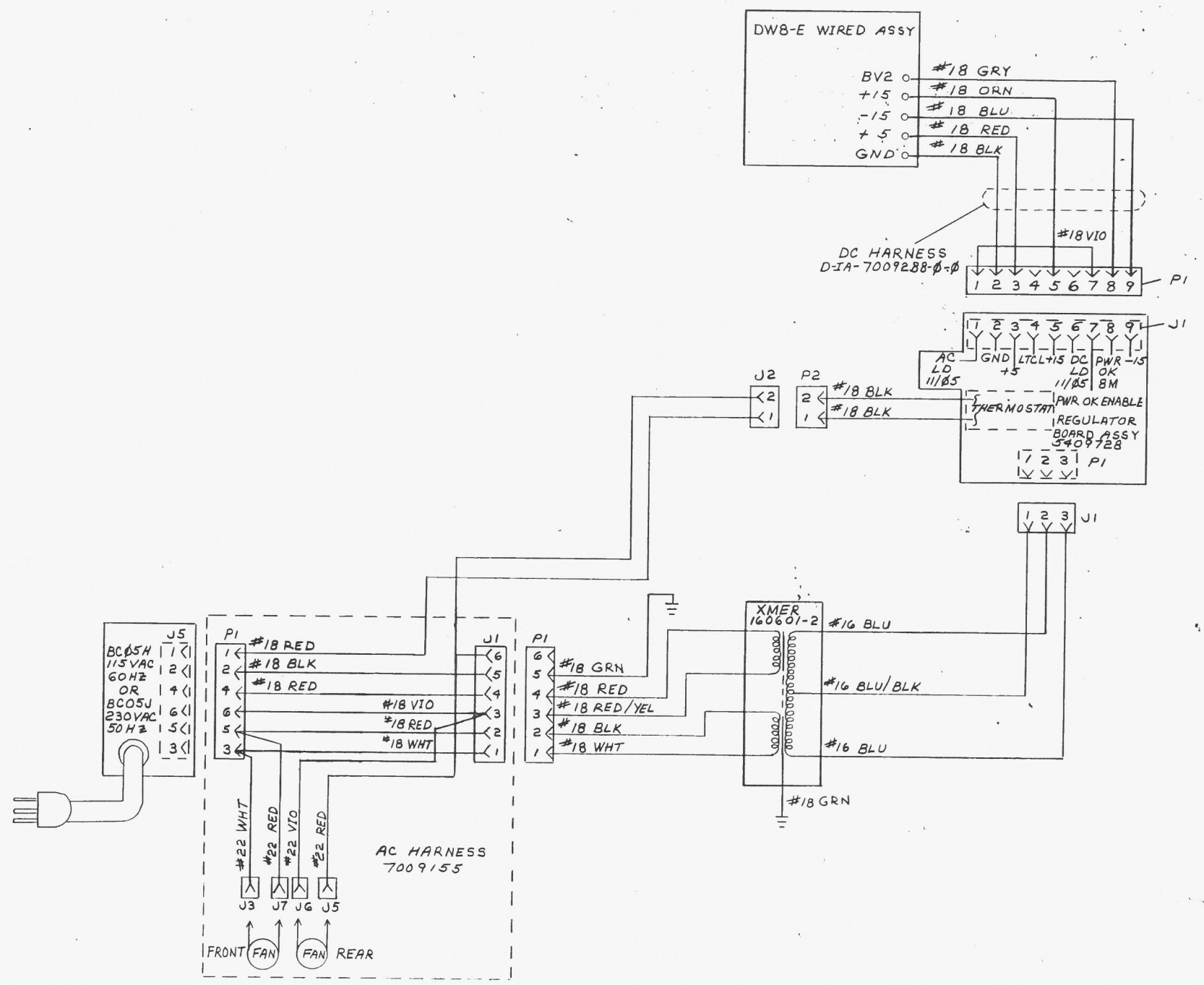
This drawing and specifications, herein, are the property of Digital Equipment Corporation and shall not be reproduced or copied or used in whole or in part as the basis for the manufacture or sale of items without written permission. COPYRIGHT © 1973
DIGITAL EQUIPMENT CORPORATION



FIRST USED ON OPTION/MODEL	QTY.	DESCRIPTION	PART NO.	ITEM NO.
DW8-E				
PARTS LIST				
UNLESS OTHERWISE SPECIFIED DIMENSION IN INCHES. TOLERANCES		DRN. <i>Wilson</i> DATE 2/22/73	digital EQUIPMENT CORPORATION MAYNARD, MASSACHUSETTS	
		CHKD. <i>Wilson</i> DATE 5/2/73		
DECIMALS	ANGLES	ENG. DATE 2/22/73	TITLE UNIT ASSY DW8-E	
.XXX = .005	±0° 30'	PROJ. ENG. DATE 3-2-73		
.XX = .02		PROD. DATE 4/19/73	MATERIAL NEXT HIGHER ASSY. B-DD-DW8-E	
.X = .1				
REMOVE BURRS AND BREAK SHARP CORNERS SURFACE QUALITY ✓			SCALE	NUMBER
			SHEET 2 OF 3	DUA DW8-E-0
			DIST.	REV. A

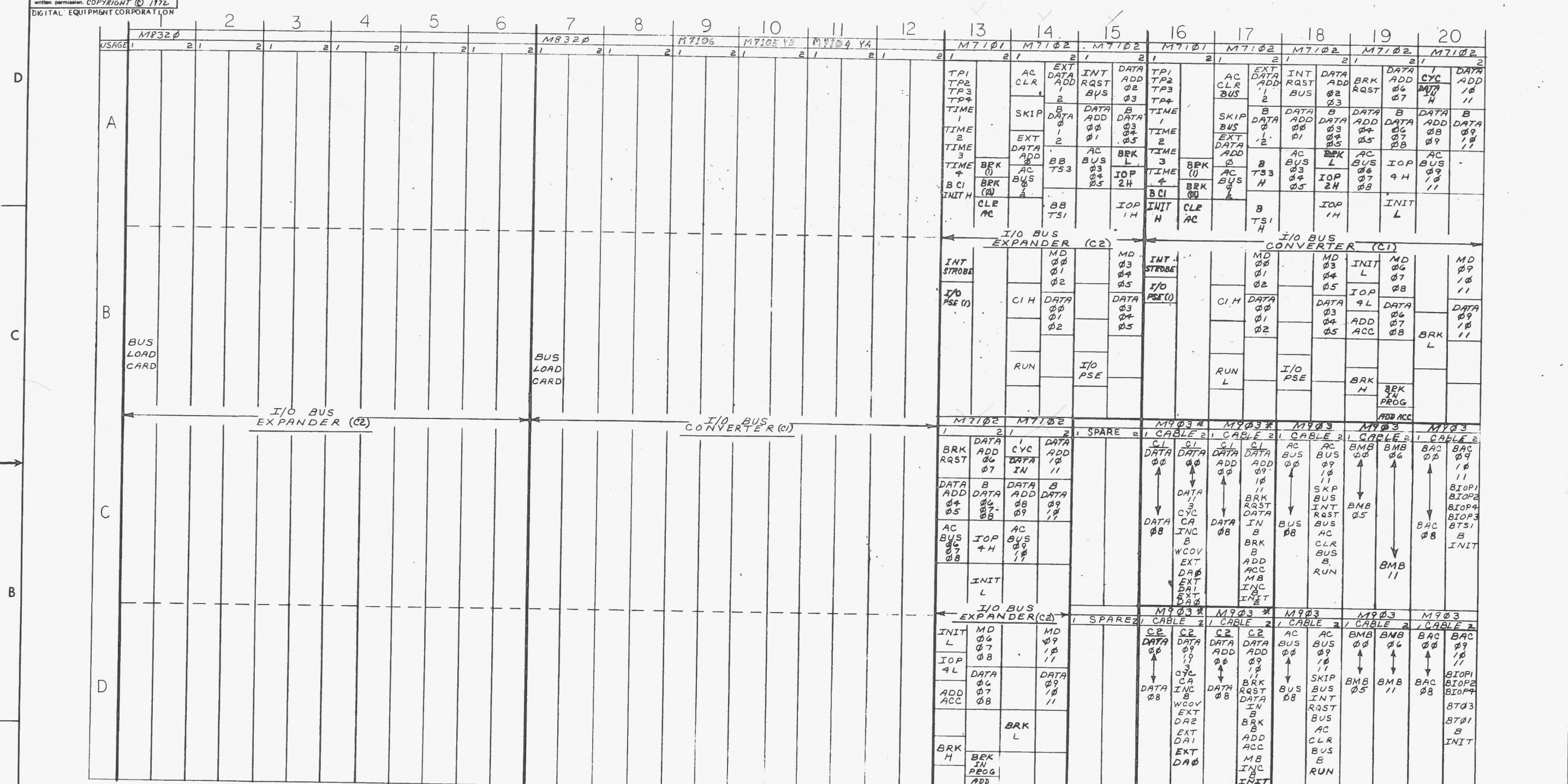
REV.	CHANGE NO.

"THIS DRAWING AND SPECIFICATIONS, HEREIN, ARE THE PROPERTY OF DIGITAL EQUIPMENT CORPORATION AND SHALL NOT BE REPRODUCED OR COPIED OR USED IN WHOLE OR IN PART AS THE BASIS FOR THE MANUFACTURE OR SALE OF ITEMS WITHOUT WRITTEN PERMISSION. COPYRIGHT © 1973, DIGITAL EQUIPMENT CORPORATION"



REVISIONS		
CHK	CHANGE NO.	REV.

The drawing and specifications, herein, are the property of Digital Equipment Corporation and shall not be reproduced or copied or used in whole or in part as the basis for the manufacture or sale of items without written permission. COPYRIGHT © 1972. DIGITAL EQUIPMENT CORPORATION



- NOTES:
1. IN NEGATIVE BUS VERSION THE M7102'S ARE REPLACED BY M7103'S
 2. * DATA CABLES IN C16 AND C17 ARE FOR I/O BUS CONVERTER (C1) DATA CABLES IN D16 AND D17 ARE FOR I/O BUS EXPANDER (C2)
 3. SC08A CABLE IN C15 IS FOR PDP-8 OR LINC-8 ONLY
 4. QUAD-SLOTS 07-12 AND SLOTS A,B16-A,B20 ARE THE BASIC CONVERTER SECTION. (SIGNAL NAMES PREFIXED BY "C1")
 5. QUAD-SLOTS 01-06 AND SLOTS A,B13-A,B15 & C,D13-C,D14 ARE THE EXPANDER SECTION. (SIGNAL NAMES PREFIXED BY "C2")

REV.	CHANGE NO.	DATE
A	DW8-E-0002	5-2-73
	ED REED	5-1-73

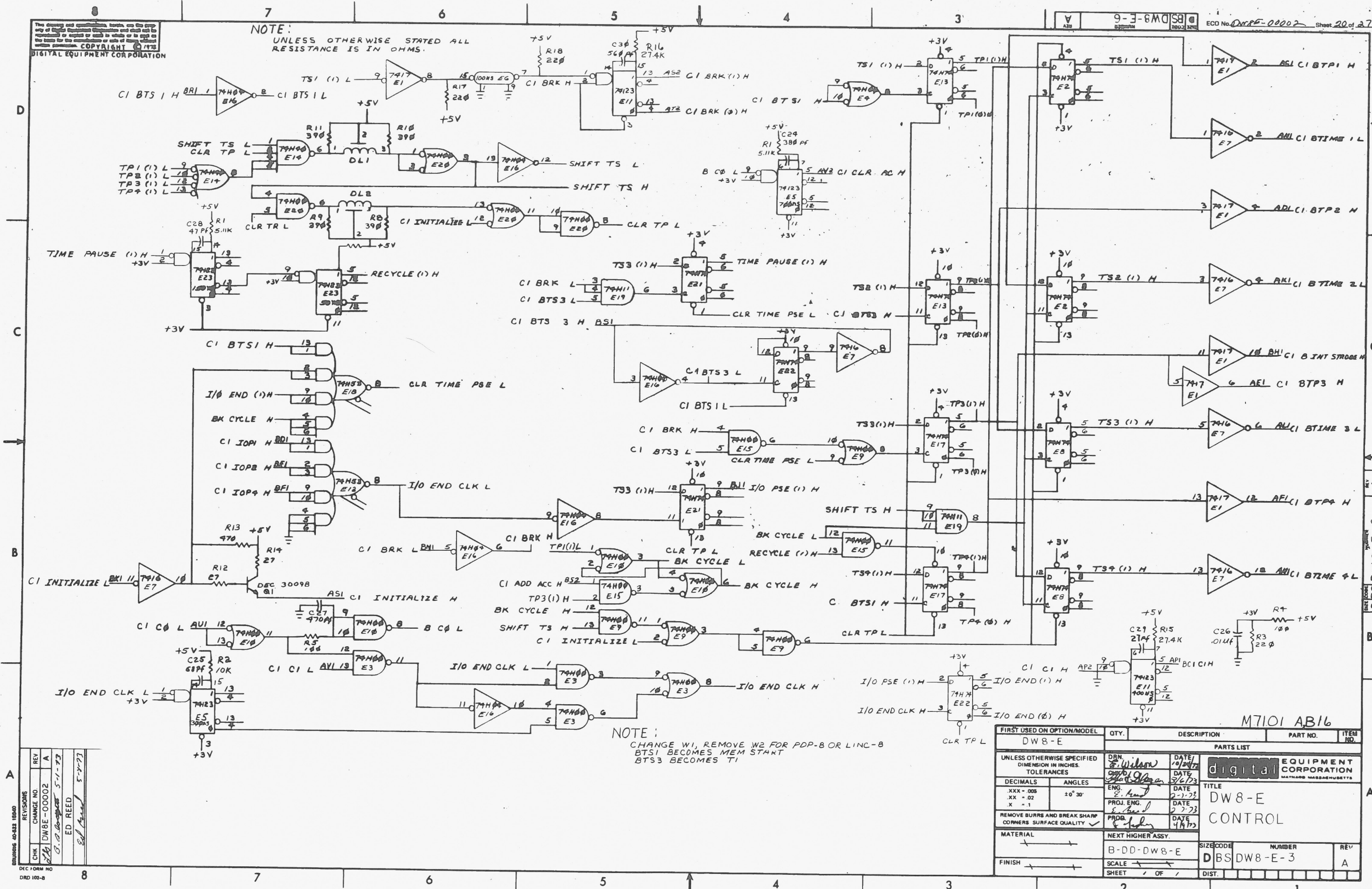
FIRST USED ON OPTION/MODEL
DW8-E

DO NOT SCALE DRAWING
UNLESS OTHERWISE SPECIFIED
DIMENSION IN INCHES
TOLERANCES
DECIMALS FRACTIONS ANGLES
± .005 ± 1/64 ± 0°30'
FINAL SURFACE QUALITY
REMOVE BURRS AND BREAK SHARP CORNERS

QTY.	DESCRIPTION	PART NO.	ITEM NO.
	PARTS LIST		
	digital EQUIPMENT CORPORATION MAYNARD, MASSACHUSETTS		
	TITLE MODULE UTILIZATION		
	SCALE NONE	SIZE CODE DMU DW8-E-1	REV. A
	SHEET OF 1	DIST.	

This drawing and specifications herein are the property of Digital Equipment Corporation and shall not be reproduced or copied in whole or in part on any other medium without the written permission of Digital Equipment Corporation. COPYRIGHT © 1973 DIGITAL EQUIPMENT CORPORATION

NOTE:
UNLESS OTHERWISE STATED ALL RESISTANCE IS IN OHMS.

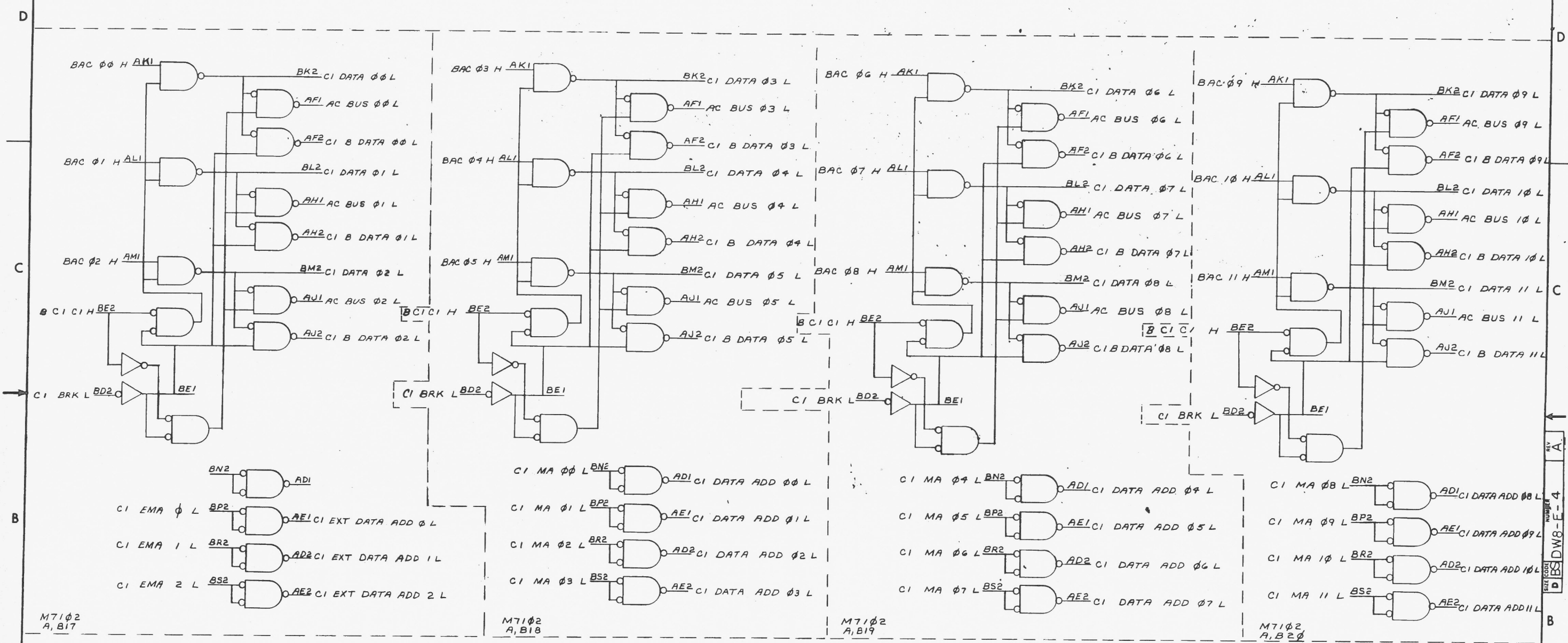


NOTE:
CHANGE W1, REMOVE W2 FOR PDP-8 OR LINC-8
BTS1 BECOMES MEM START
BTS3 BECOMES T1

REV	5-2-73
ED REED	5-2-73
CHK	5-1-73
CHANGE NO	5-1-73
REV	A
DW8-E-0002	
REV	5-1-73
CHK	5-1-73
CHANGE NO	5-1-73
REV	A
DW8-E-0002	
REV	5-1-73
CHK	5-1-73
CHANGE NO	5-1-73
REV	A
DW8-E-0002	

FIRST USED ON OPTION/MODEL	QTY.	DESCRIPTION	PART NO.	ITEM NO.
DW8-E				
PARTS LIST				
UNLESS OTHERWISE SPECIFIED DIMENSION IN INCHES. TOLERANCES				
DECIMALS	ANGLES	DATE	DIGITAL EQUIPMENT CORPORATION	
.XXX - .005	± 0° 30'	10/24/72	MAYNARD MASSACHUSETTS	
.XX - .02		3/6/73	TITLE	
X - .1		2-1-73	DW8-E	
REMOVE BURRS AND BREAK SHARP CORNERS SURFACE QUALITY				
MATERIAL				
NEXT HIGHER ASSY.				
FINISH				
SCALE			SHEET	OF
DIST.			OF	
M7101 AB16				
DW8-E-3				
A				

This drawing and specifications, herein, are the property of Digital Equipment Corporation and shall not be reproduced or copied in whole or in part as the basis for the manufacture or sale of items without written permission. COPYRIGHT © 1972 DIGITAL EQUIPMENT CORPORATION



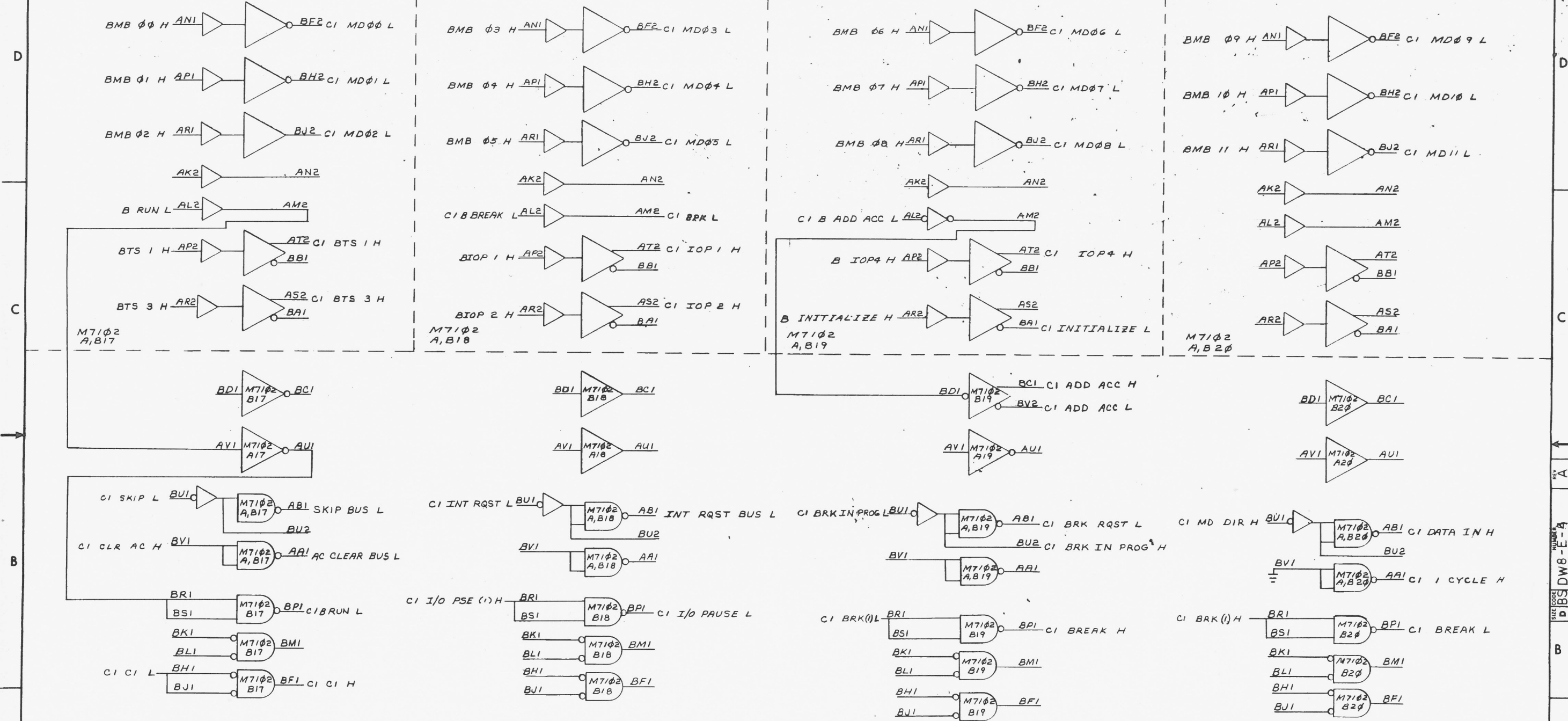
NOTE: NEGATIVE BUS VERSION REPLACES M7102'S WITH M7103'S

REV	CHG	NO	DATE
A	1	0002	5-1-73
ED REED		5-8-73	

FIRST USED ON OPTION/MODEL	QTY.	DESCRIPTION	PART NO.	ITEM NO.
DW8-E				
PARTS LIST				
UNLESS OTHERWISE SPECIFIED DIMENSION IN INCHES TOLERANCES		DRN. <i>S. Wilson</i> DATE 10/3/72	digital EQUIPMENT CORPORATION	
DECIMALS	ANGLES	CHK'D. <i>S. Wilson</i> DATE 3/7/73	MAYNARD MASSACHUSETTS	
.XXX - .005	± 0° 30'	ENG. <i>S. Wilson</i> DATE 2-2-73	TITLE	
.XX - .02		PROJ. ENG. <i>S. Wilson</i> DATE 2-2-73	I/O BUS CONVERTER	
.X - .01		PROD. <i>S. Wilson</i> DATE 4/19/73	POS BUS	
MATERIAL		NEXT HIGHER ASSY.	SIZE CODE	NUMBER
FINISH		B-DD-DW8-E	D	DW8-E-4
		SCALE NONE	SHEET	REV
		SHEET 1 OF 2	DIST.	A

This drawing and specifications, herein, are the property of Digital Equipment Corporation and shall not be reproduced or used in whole or in part as the basis for the manufacture or sale of items without written permission. COPYRIGHT © 1972

DIGITAL EQUIPMENT CORPORATION



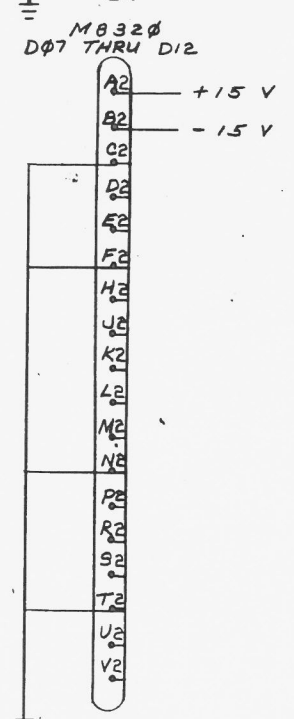
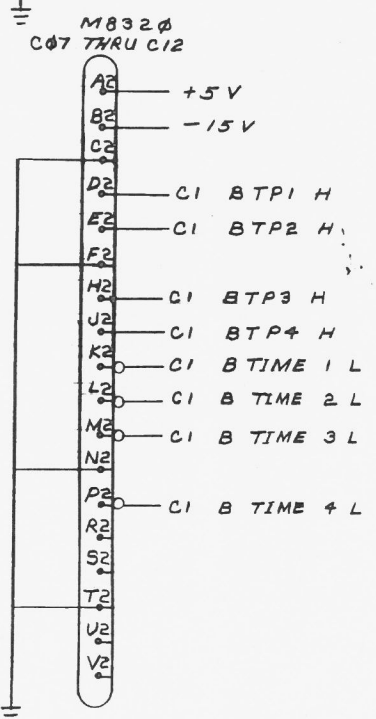
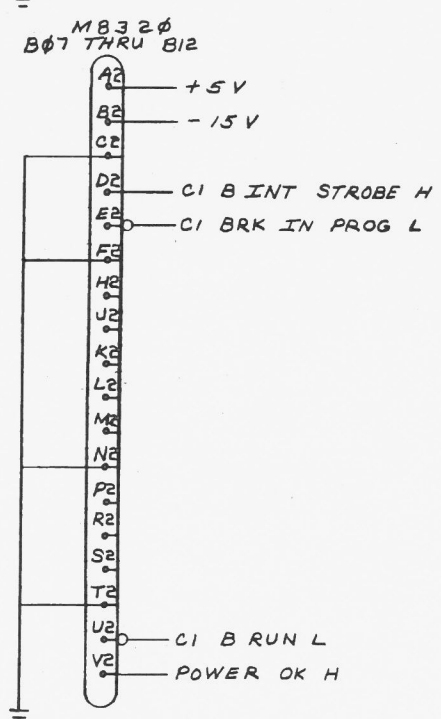
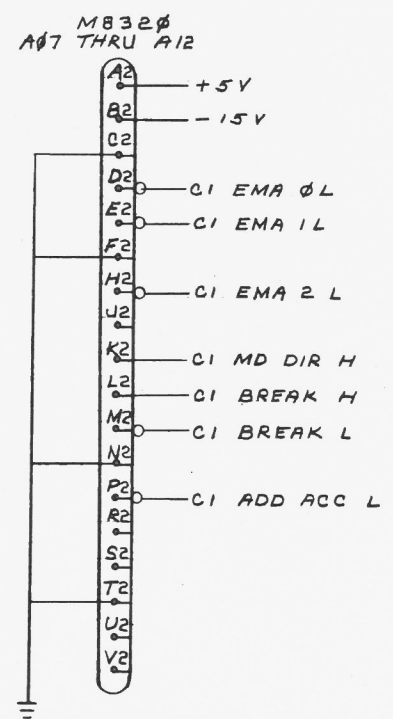
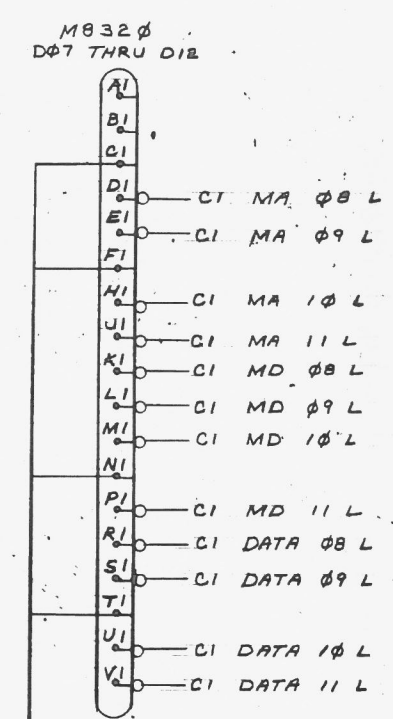
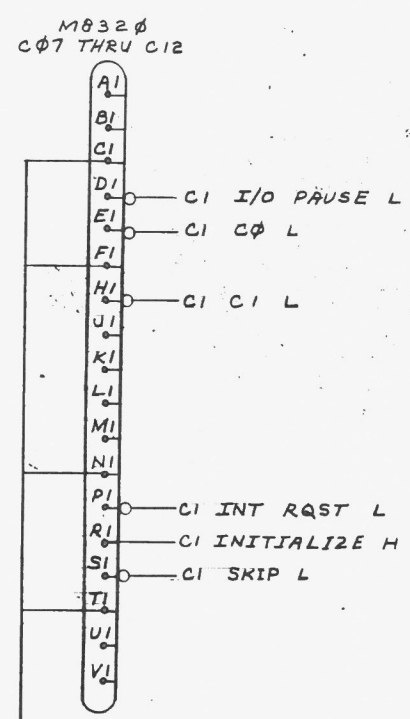
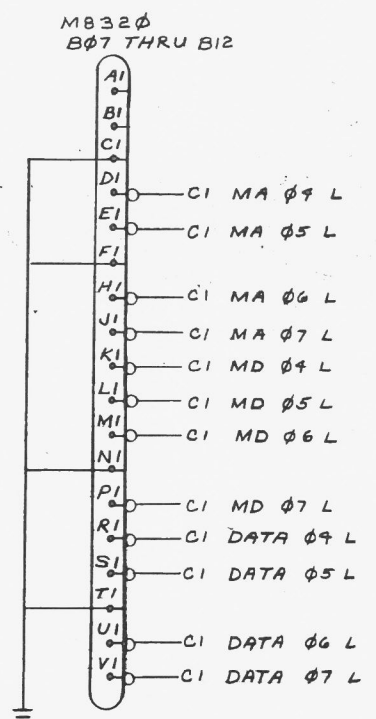
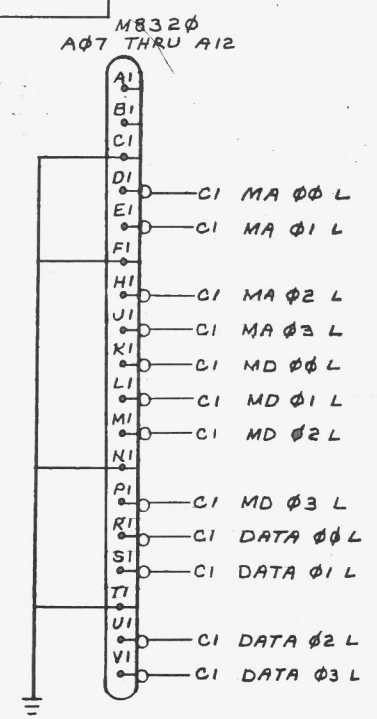
NOTE:
NEGATIVE BUS VERSION REPLACES
M7102'S WITH M7103'S

FIRST USED ON OPTION/MODEL	QTY.	DESCRIPTION	PART NO.	ITEM NO.
DW8-E				
PARTS LIST				
UNLESS OTHERWISE SPECIFIED DIMENSION IN INCHES TOLERANCES	DBN E. Wilson	DATE 10/6/72	digital EQUIPMENT CORPORATION MAYNARD MASSACHUSETTS TITLE I/O BUS CONVERTER POS BUS	
DECIMALS	CHKD S. Reed	DATE 3/6/73		
ANGLES	ENG. S. Reed	DATE 2-7-73		
.XX - .005 .XX - .02 .X - .1	PROJ. ENG. S. Reed	DATE 2-7-73		
REMOVE BURRS AND BREAK SHARP CORNERS SURFACE QUALITY	PROD. S. Reed	DATE 1/1/73		
MATERIAL	NEXT HIGHER ASSY.			
FINISH	B-DD-DW8-E	SCALE NONE	SIZE CODE D	NUMBER BS DW8-E-4
	SHEET 2 OF 2	DIST.		REV. A

BRUSHING 45-922 19840
 REVISIONS
 CHANGE NO.
 DEC FORM NO
 DRD 102-B

"THIS DRAWING AND SPECIFICATIONS, HEREIN, ARE THE PROPERTY OF DIGITAL EQUIPMENT CORPORATION AND SHALL NOT BE REPRODUCED OR COPIED OR USED IN WHOLE OR IN PART AS THE BASIS FOR THE MANUFACTURE OR SALE OF ITEMS WITHOUT WRITTEN PERMISSION. COPYRIGHT © 1973, DIGITAL EQUIPMENT CORPORATION"

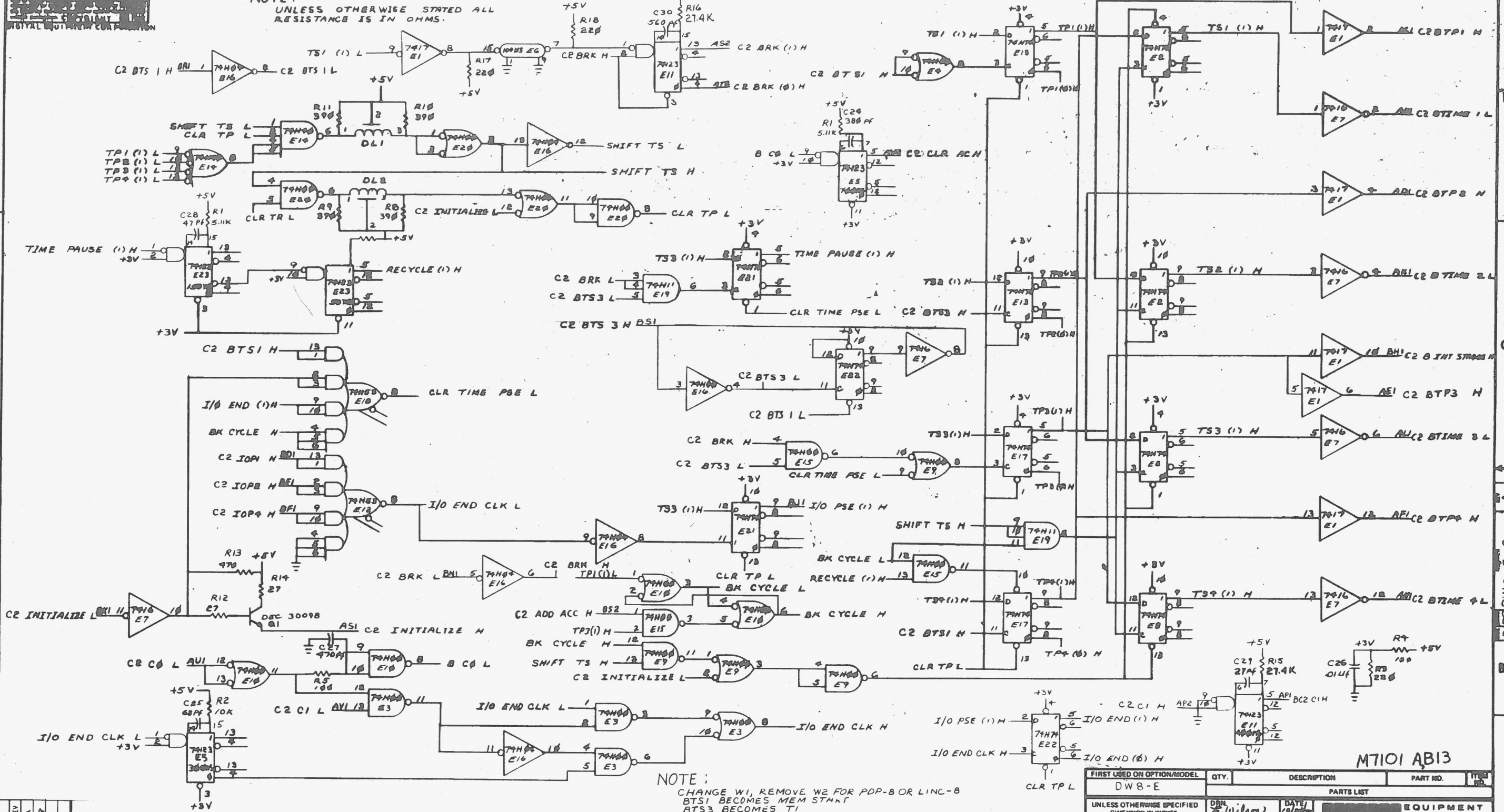
NOTES:
1. THE SIGNAL NAMES OF AN OPTION WHICH IS PLUGGED INTO THE CONVERTER SECTION WILL ASSUME THE PREFIX "CI"



REV. 3	DATE 2/1/73	DRN. E. Wilson
CHK. J. B. Reed	DATE 3/21/73	CHK. J. B. Reed
ED. REED	DATE 2-2-73	PROJ. ENG. J. B. Reed
	DATE 4/19/73	PROP. J. B. Reed

FIRST USED ON OPTION/MODEL DWS-E	QTY.	DESCRIPTION	PART NO.	ITEM NO.
PARTS LIST				
UNLESS OTHERWISE SPECIFIED DIMENSION IN INCHES		digital EQUIPMENT CORPORATION MAYNARD, MASSACHUSETTS		
DECIMALS .xxx = .005 .xx = .02 .x = .1	ANGLES +0° 30'	TITLE I/O BUS CONVERTER SIGNALS		
REMOVE BURRS AND BREAK SHARP CORNERS SURFACE QUALITY Y		MATERIAL NEXT HIGHER ASSY. B-DD-DW8-E		
FINISH		SCALE	SHEET 1 OF 1	DIST.
		SIZE CODE D I C DW8-E-5	NUMBER	REV. A

NOTE: UNLESS OTHERWISE STATED ALL RESISTANCE IS IN OHMS.



NOTE: CHANGE W1, REMOVE W2 FOR PDP-8 OR LINC-8
BTS1 BECOMES MEM START
BTS3 BECOMES T1

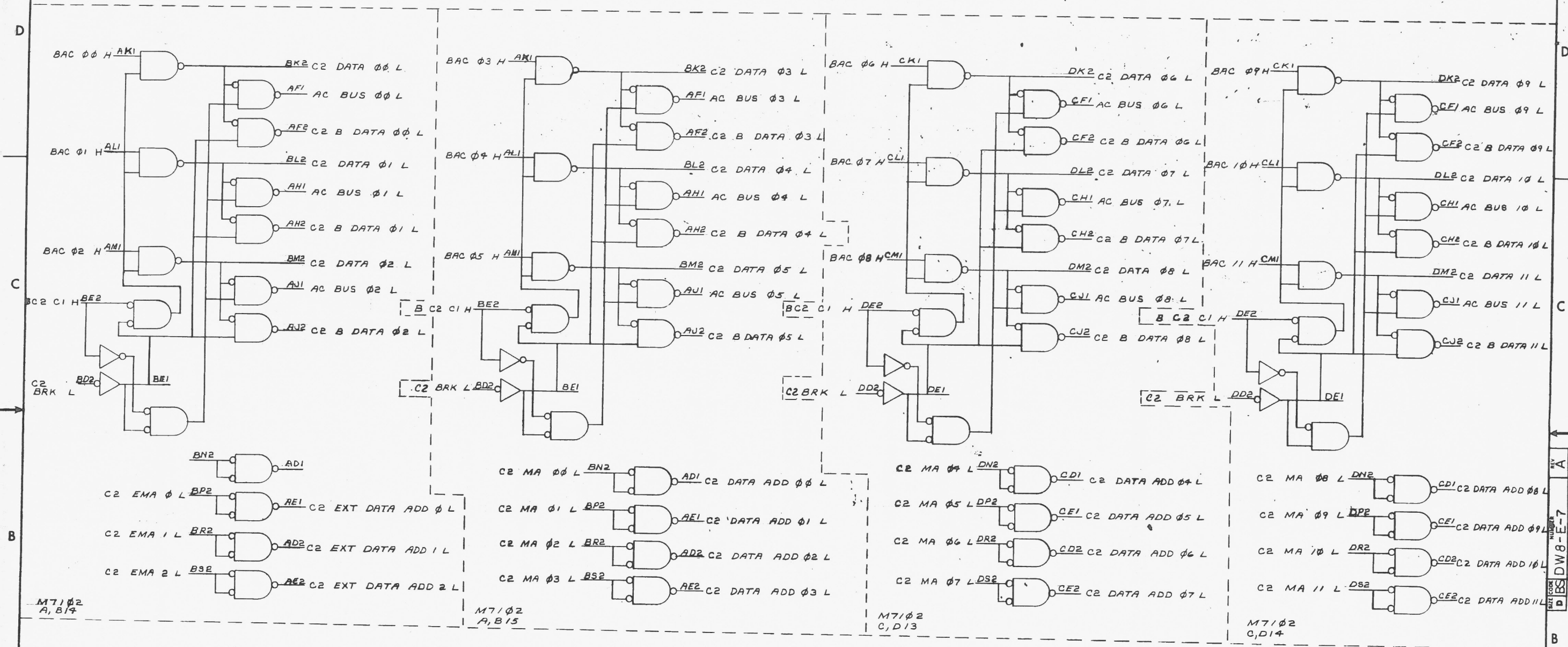
REVISIONS

REV	DESCRIPTION	DATE
1	DW8-E-00002	5-1-73
2	ED REED	5-8-73

MT101 AB13

FIRST USED ON OPTION/MODEL	QTY.	DESCRIPTION	PART NO.	ITEM NO.
DW8-E				
UNLESS OTHERWISE SPECIFIED DIMENSION IN INCHES				
DECIMALS	ANGLES	EQUIPMENT CORPORATION		
.XXX - 0.005	±0°30'	DATE 2-7-73		
.XX - .02		DATE 2-7-73		
.X - .1		DATE 4/16/73		
REMOVE BURRS AND BREAK SHARP CORNERS SURFACE QUALITY				
MATERIAL	NEXT HIGHER ASSY.	SIZE CODE	NUMBER	REV
	B-DD-DW8-E	DBS	DW8-E-6	A
FINISH	SCALE	SHEET	OF	
		1	OF 1	

This drawing and specifications, herein, are the property of Digital Equipment Corporation and shall not be reproduced or copied in whole or in part as the basis for the manufacture or sale of items without written permission. COPYRIGHT © 1972 DIGITAL EQUIPMENT CORPORATION

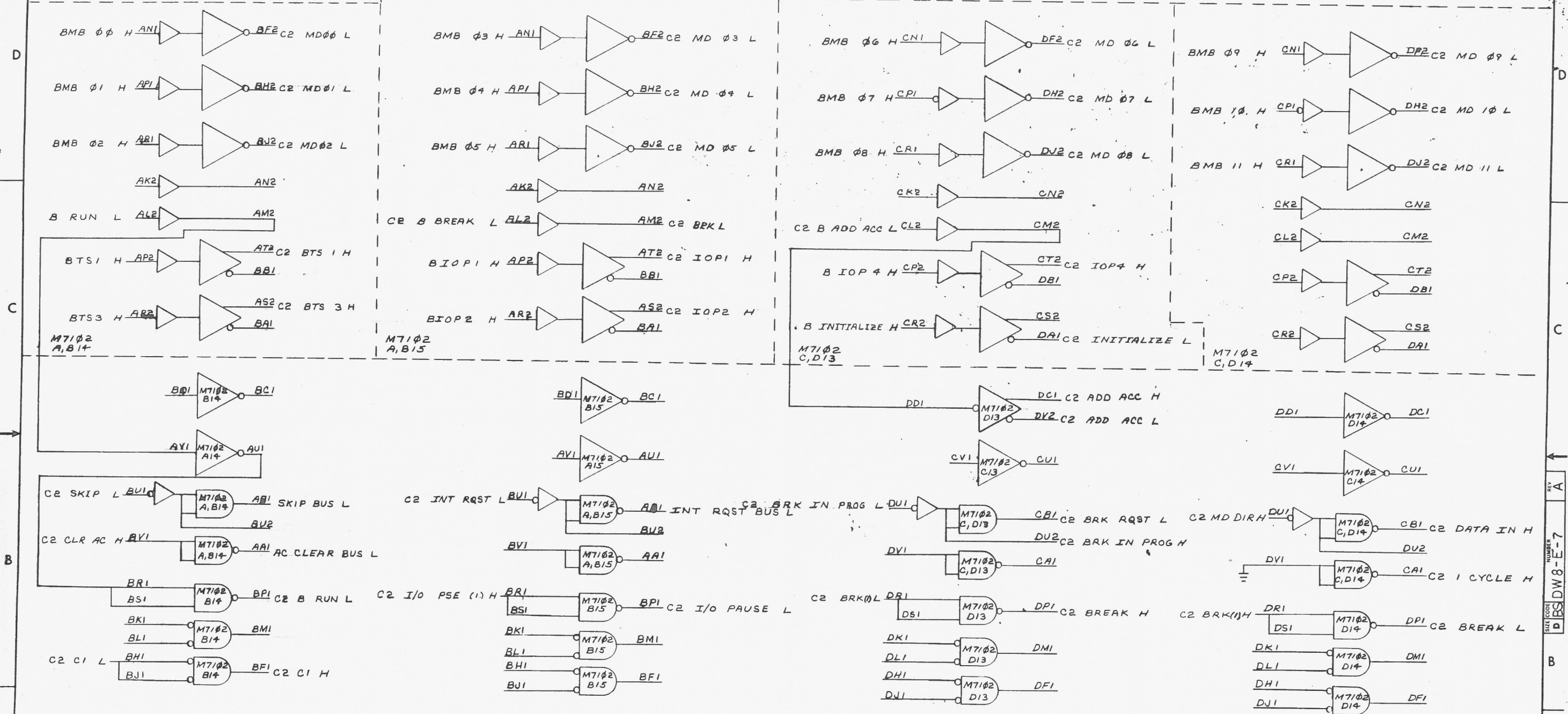


NOTE:
NEGATIVE BUS VERSION REPLACES
M7102'S WITH M7103'S

REVISIONS	REV	A
CHANGE NO.	DWB8-E-7	
DATE	5-1-72	
ED REED		
DATE	5-1-72	

FIRST USED ON OPTION/MODEL	QTY.	DESCRIPTION	PART NO.	ITEM NO.
DWB8-E				
PARTS LIST				
UNLESS OTHERWISE SPECIFIED DIMENSION IN INCHES TOLERANCES	DRN <i>E. Wilson</i>	DATE 10/11/72	 digital EQUIPMENT CORPORATION MAYNARD, MASSACHUSETTS	
DECIMALS	CHK'D <i>Paul Martin</i>	DATE 3/1/73		
ANGLES	ENG. <i>E. Reed</i>	DATE 2-2-73		
XXX = .005 XX = .02 X = .1	PROJ. ENG. <i>E. Reed</i>	DATE 2-2-73		
REMOVE BURRS AND BREAK SHARP CORNERS SURFACE QUALITY	PROD. <i>E. Reed</i>	DATE 4/1/73	TITLE I/O BUS EXPANDER POS BUS	
MATERIAL	NEXT HIGHER ASSY.			
FINISH	SCALE NONE			
SHEET 1 OF 2		SIZE CODE	NUMBER	REV.
		DWB8-E-7		A

This drawing and specifications, herein, are the property of Digital Equipment Corporation and shall not be reproduced or copied in whole or in part as the basis for the manufacture or sale of items without written permission. COPYRIGHT © 1972 DIGITAL EQUIPMENT CORPORATION



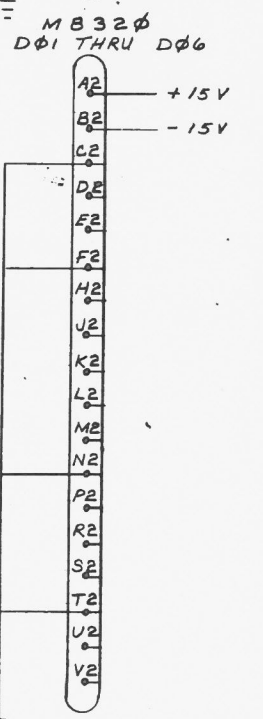
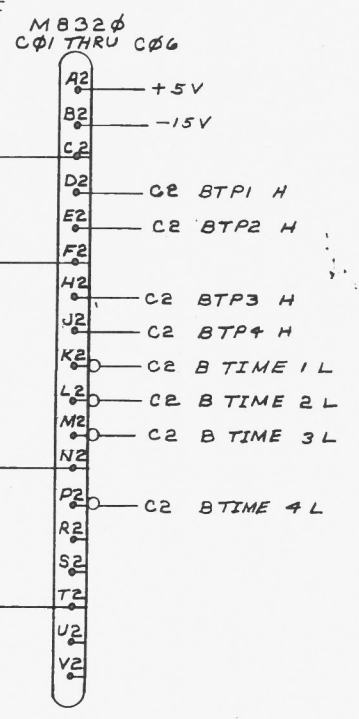
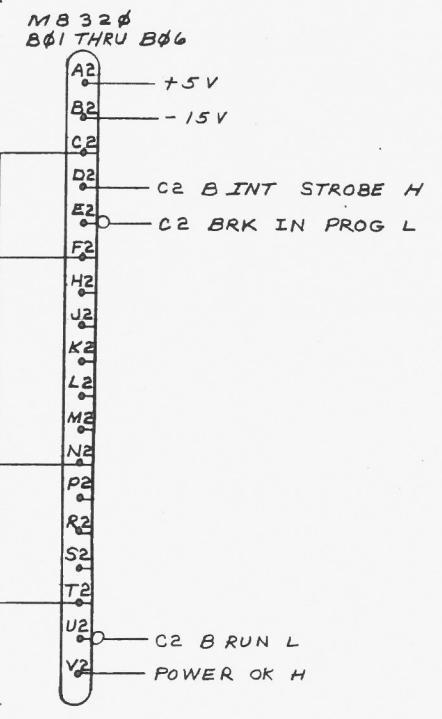
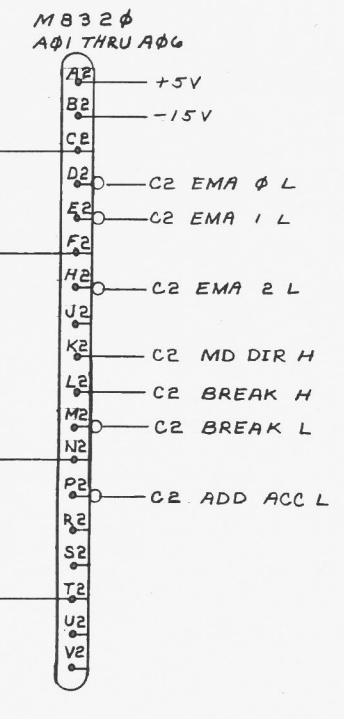
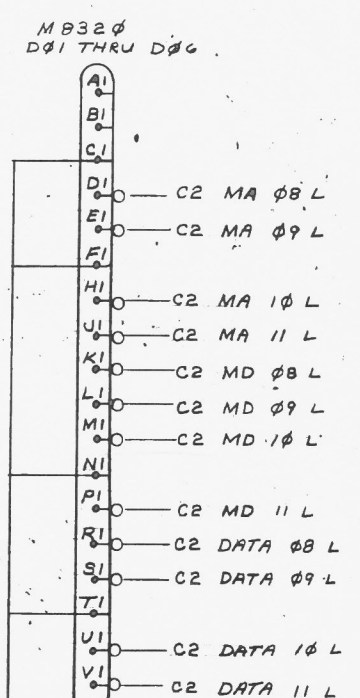
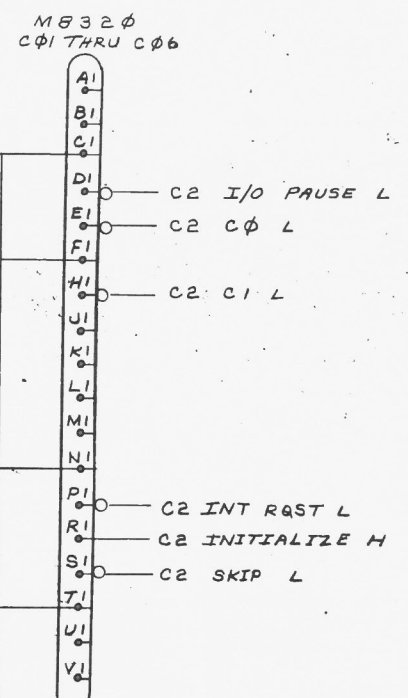
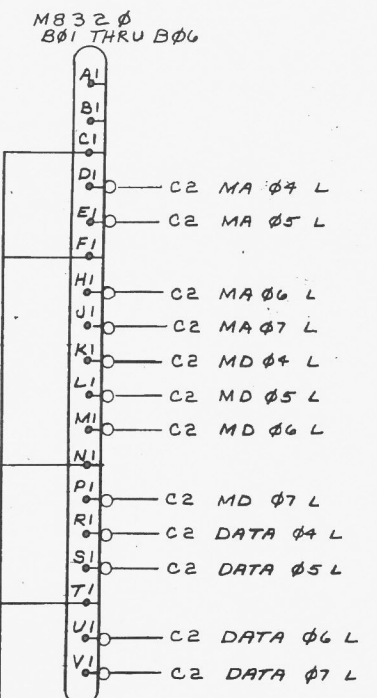
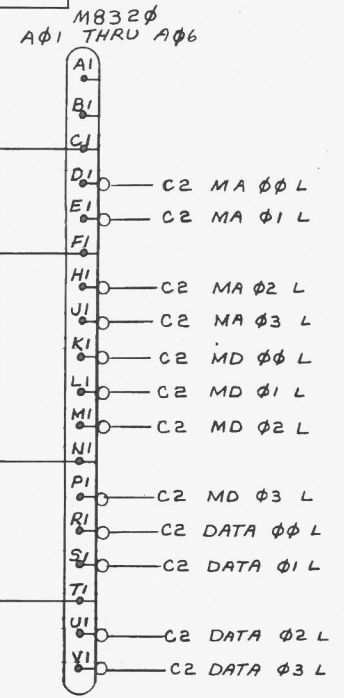
NOTE:
NEGATIVE BUS VERSION REPLACES M7102'S WITH M7103'S.

REV	CHANCE NO
CHK	

FIRST USED ON OPTION/MODEL	QTY.	DESCRIPTION	PART NO.	ITEM NO.
DW8-E				
PARTS LIST				
UNLESS OTHERWISE SPECIFIED DIMENSION IN INCHES. TOLERANCES				
DECIMALS	ANGLES	DATE		
.XXX = .005	° 30'	10/10/72		
.XX = .02		DATE		
.X = .1		27/72		
REMOVE BURRS AND BREAK SHARP CORNERS SURFACE QUALITY				
MATERIAL				
NEXT HIGHERassy.				
FINISH				
TITLE				
I/O BUS EXPANDER POS BUS				
MATERIAL		SIZE CODE	NUMBER	REV.
B-DD-DW8-E		D	BS	A
FINISH		SCALE	NONE	
		SHEET	2 OF 2	
		DIST.		

THIS DRAWING AND SPECIFICATIONS HEREIN ARE THE PROPERTY OF DIGITAL EQUIPMENT CORPORATION AND SHALL NOT BE REPRODUCED OR COPIED OR USED IN WHOLE OR IN PART AS THE BASIS FOR THE MANUFACTURE OR SALE OF ITEMS WITHOUT WRITTEN PERMISSION. COPYRIGHT © 1973, DIGITAL EQUIPMENT CORPORATION.

NOTES:
1. THE SIGNAL NAMES OF AN OPTION WHICH IS PLUGGED INTO THE EXPANDER SECTION WILL ASSUME THE PREFIX "C2"



REV	CHANGE NO	DATE
A	DW8E-00002	5-1-73
B	5-1-73	
C		
D		
E		
F		
G		
H		
I		
J		
K		
L		
M		
N		
O		
P		
Q		
R		
S		
T		
U		
V		

FIRST USED ON OPTION/MODEL	QTY.	DESCRIPTION	PART NO.	ITEM NO.
DW8-E				
UNLESS OTHERWISE SPECIFIED DIMENSION IN INCHES				
TOLERANCES		PARTS LIST		
DECIMALS	ANGLES	digital EQUIPMENT CORPORATION MAYNARD, MASSACHUSETTS		
.xxx = .005	±0° 30'	TITLE		
.xx = .02		I/O BUS EXPANDER SIGNALS		
.x = .1		REV. A		
REMOVE BURRS AND BREAK SHARP CORNERS SURFACE QUALITY Y				
MATERIAL NEXT HIGHER ASSY.				
FINISH		B-DD-DW8-E	SIZE CODE	NUMBER
		SCALE	DIC DW8-E-8	REV. A
		SHEET / OF /	DIST.	