

**PDP-15 Systems**

# **RP15 Disk Pack Control Engineering Drawings**

**Volume 2**

**PDP-15 SYSTEMS**  
RP15 DISK PACK CONTROL  
MAINTENANCE MANUAL  
VOLUME 2

1st Printing December 1970

Copyright © 1970 by Digital Equipment Corporation

The material in this manual is for information purposes and is subject to change without notice.

The following are trademarks of Digital Equipment Corporation, Maynard, Massachusetts:

DEC	PDP
FLIP CHIP	FOCAL
DIGITAL	COMPUTER LAB

## RP15 Disk Pack Control Maintenance Manual

### INTRODUCTION

Volume 2 of the maintenance manual includes a complete set of engineering drawings for the RP15 Disk Pack Control. The drawings supplied with each RP15 will include the latest engineering change orders (ECOs) applicable to that system. The drawing number index, Table 1-1, lists the complete set of drawings and the order in which they are provided.

### ENGINEERING DRAWING ORGANIZATION

Each engineering drawing is assigned a coded drawing identification number that indicates the size, the drawing type, a system identification, the manufacturing variation, and the drawing number in the series.

For example, the drawing identification number D-BS-RP15-0-03 provides the following information:

D	D-size (22 x 34 inches) drawing
BS	Block Schematic (drawing type)
RP15	Pertains to overall RP15 System
0	Manufacturing variation
03	The third in the series of RP15 Block Schematics

### Drawing Codes

The codes assigned to each type of engineering drawing are listed in the following chart:

Type Code	Definition	Type Code	Definition
AD	Assembly Drawing	MU	Module utilization drawing
BS	Block Schematic	PL	Parts List
DI	Drawing Index	UA	Unit assembly
ML	Master Drawing List		

### Drawing Number Index

Table 1-1 is an index to the engineering drawings.

Table 1-1  
Drawing Number Index

Size (Original)	Type	Number	Title
D	AD	7006820-0-0	Max Configuration H963-C
A	PL	7006820-0-0	Max Configuration H963-C (PL)
D	UA	RP15-0-0	RP15 Unit Assembly
A	PL	RP15-0-0	RP15 Unit Assembly (PL)
D	DI	RP15-0-1	Drawing Index RP15
D	AD	7006259-0-0	Switch Plate Assembly
A	PL	7006259-0-0	Switch Plate Assembly (PL)
C	CS	716-0-1	Ind. Power Supply 716
A	PL	716-0-0	Ind. Power Supply 716 (PL)
B	CS	841-B-1	841-B Power Control
A	PL	841-B-0	841-B Power Control (PL)
D	AD	7006821-0-0	RP15 Wired Assembly
A	PL	7006821-0-0	RP15 Wired Assembly (PL)
A	ML	RP15-0	RP15
D	MU	RP15-0-02	Module Utilization
A	PL	RP15-0-02	Module Utilization (PL)
D	BS	RP15-0-03	Maintenance Control
D	BS	RP15-0-04	Maintenance Control Buffer
D	BS	RP15-0-05	Read/Write Control No. 1
D	BS	RP15-0-06	Read/Write Control No. 2
D	BS	RP15-0-07	Read/Write Control No. 3
D	BS	RP15-0-08	Data Separator Control
D	BS	RP15-0-09	Status Control No. 1
D	BS	RP15-0-10	Status Control No. 2
D	BS	RP15-0-11	Status Control No. 3
D	BS	RP15-0-12	API Control
D	BS	RP15-0-13	Buffer Register Control
D	BS	RP15-0-14	DCH Control
D	BS	RP15-0-15	Shift & Long. Register Control

Table 1-1 (Cont)  
Drawing Number Index

Size (Original)	Type	Number	Title
D	BS	RP15-0-16	Tag & Bus Line Control
D	BS	RP15-0-17	WC & CA Control
D	BS	RP15-0-18	Major State Control
D	BS	RP15-0-19	Major State
D	BS	RP15-0-20	IOT Selection
D	BS	RP15-0-21	Function Register
D	BS	RP15-0-22	Write Format Generator
D	BS	RP15-0-23	Sector Word Count
D	BS	RP15-0-24	Write Check Comparator 00-15
D	BS	RP15-0-25	Write Check Comparator 16-31
D	BS	RP15-0-26	Write Check Comparator 32-35
D	BS	RP15-0-27	Cylinder Comparator
D	BS	RP15-0-28	Cylinder Address Register
D	BS	RP15-0-29	Head Address Register
D	BS	RP15-0-30	Sector Address Register
D	BS	RP15-0-31	Word Count Register
D	BS	RP15-0-32	Current Address Register
D	BS	RP15-0-33	Buffer Register 00-05, 18-23
D	BS	RP15-0-34	Buffer Register 06-11, 24-29
D	BS	RP15-0-35	Buffer Register 12-17, 30-35
D	BS	RP15-0-36	Shift Register 00-11
D	BS	RP15-0-37	Shift Register 12-23
D	BS	RP15-0-38	Shift Register 24-35
D	BS	RP15-0-39	Long. Parity Register 00-17
D	BS	RP15-0-40	Long. Parity Register 18-26
D	BS	RP15-0-41	Long. Parity Register 27-35
D	BS	RP15-0-42	Bus Multiplexer 00-05
D	BS	RP15-0-43	Bus Multiplexer 06-11
D	BS	RP15-0-44	Bus Multiplexer 12-17
D	BS	RP15-0-45	Multiplexer Terminator 00-17
D	BS	RP15-0-46	Unit Disk Drivers
D	BS	RP15-0-47	Bus Disk Drivers

Table 1-1 (Cont)  
Drawing Number Index

Size (Original)	Type	Number	<i>Delete</i> Title
D	BS	RP15-0-48	<del>Unit</del> Disk Drivers
D	BS	RP15-0-49	I/O Bus Drivers 00-17
D	BS	RP15-0-50	I/O Address Drivers
D	BS	RP15-0-51	I/O Bus Receivers
D	BS	RP15-0-52	I/O Bus Interface
D	BS	RP15-0-53	Drive-Control Cable Interface
D	BS	RP15-0-54	Indicator Interface
D	BS	RP15-0-55	Lockout Interface
D	TD	RP15-0-56	Timing Diagrams
D	SP	RP15-0-57	Adjustment & Maintenance
D	CS	5408458-0-1	Peripheral Indicator Panel Circuit Schematic
A	PL	5408458-0-1	Peripheral Indicator Panel Parts List
D	CS	H721-0-1	H721 Power Supply Circuit Schematic with Parts List

**DIGITAL EQUIPMENT CORPORATION**  
MAYNARD, MASSACHUSETTS  
**PARTS LIST**

MADE BY P. LEBLANC	CHECKED V. DAMBRAUSKAS	SECTION
DATE 3-2-70	DATE 4-21-70	1
ENG <i>W. Burt</i>	PROD <i>George Burt</i>	ISSUED SECT.
DATE 4-24-70	DATE 4-27-70	1

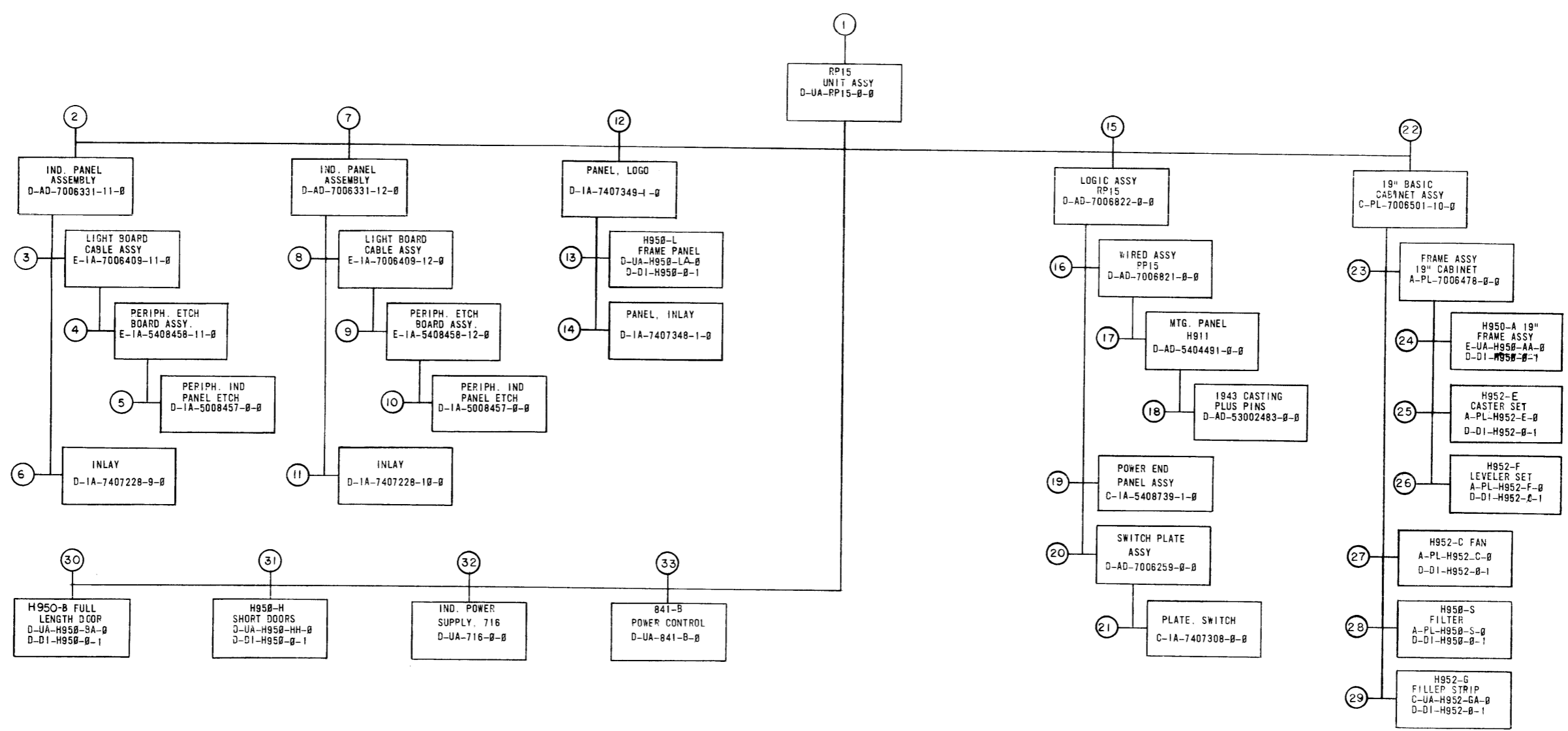
QUANTITY / VARIATION

ITEM NO.	DWG NO. / PART NO.	DESCRIPTION	QTY	VAR	QTY	VAR	QTY	VAR	QTY	VAR	QTY	VAR	QTY	VAR
1	D-IA-7407349-1-0	PANEL LOGO	1											
2	D-AD-7006331-11-0	INDICATOR PANEL ASSEMBLY	1											
3	D-AD-7006821-0-0	LOGIC ASSEMBLY RP15	1											
4	B5100	BLANK, PANEL (5½) 7402016	1											
5	B5100	BLANK PANEL (10½) 7402027	2											
6	1209603	POWER SUPPLY (H721)	1											
7	C-PL-7006501-10-0	BASIC CABINET ASSEMBLY	1											
8	D-UA-716-0-0	INDICATOR POWER SUPPLY 716	2											
9	D-UA-H95Ø-BA-Ø	H95Ø-B FULL LENGTH DOOR	1											
10	D-UA-841-B-Ø	POWER CONTROL 841-B	1											
11	D-MD-7407841-0-0	MTG Panel (841-GØ)	1											
12	D-UA-H95Ø-HH-Ø	H95Ø-H SHORT DOORS	1											
13	9008887	GROUND STRAP	A/R											
14	D-AD-7006331-12-0	INDICATOR PANEL ASSEMBLY	1											
15	9107673-25	POWER CORD 25 FT	1											
16	9006568	NUT 5/16-18 KEPS	A/R											
17	D-MD-7408352-0-0	CABLE, BRACKET	1											

TITLE	ASSY NO.	SIZE CODE	NUMBER	REV.	ECO NO.
RP15 UNIT ASSEMBLY	D-UA-RP15-Ø-Ø	A PL	RP15-Ø-Ø	D	RP15-ØØØ7
SHEET 1 OF 1	DIST.				

This drawing and specifications, herein, are the property of Digital Equipment Corporation and shall not be reproduced or copied or used in whole or in part as the basis for the manufacture or sale of items without written permission.

REV. 1  
 2  
 3  
 4  
 5  
 6  
 7  
 8



REV.	CHANGE NO.	DATE	BY	CHK.
1	1	11/20	J. ZEH	
2	2	11/20	J. ZEH	
3	3	11/20	J. ZEH	
4	4	11/20	J. ZEH	
5	5	11/20	J. ZEH	
6	6	11/20	J. ZEH	
7	7	11/20	J. ZEH	
8	8	11/20	J. ZEH	

FIRST USED ON OPTION/MODEL  
 RP15

DO NOT SCALE DRAWING  
 UNLESS OTHERWISE SPECIFIED  
 DIMENSION IN INCHES  
 TOLERANCES  
 DECIMALS FRACTIONS ANGLES  
 ± .005 ± 1/64 ± 0°30'  
 FINAL SURFACE QUALITY  
 REMOVE BURRS AND BREAK SHARP CORNERS

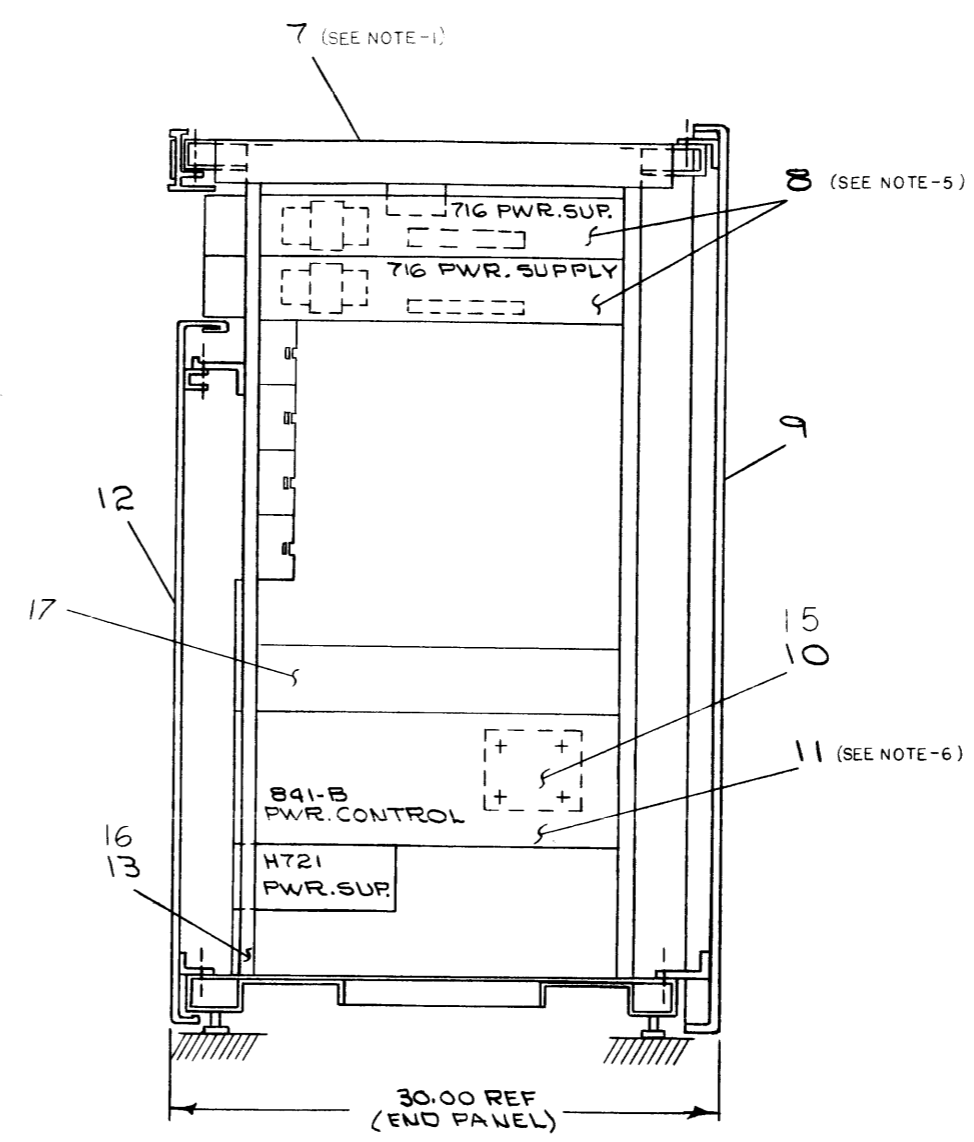
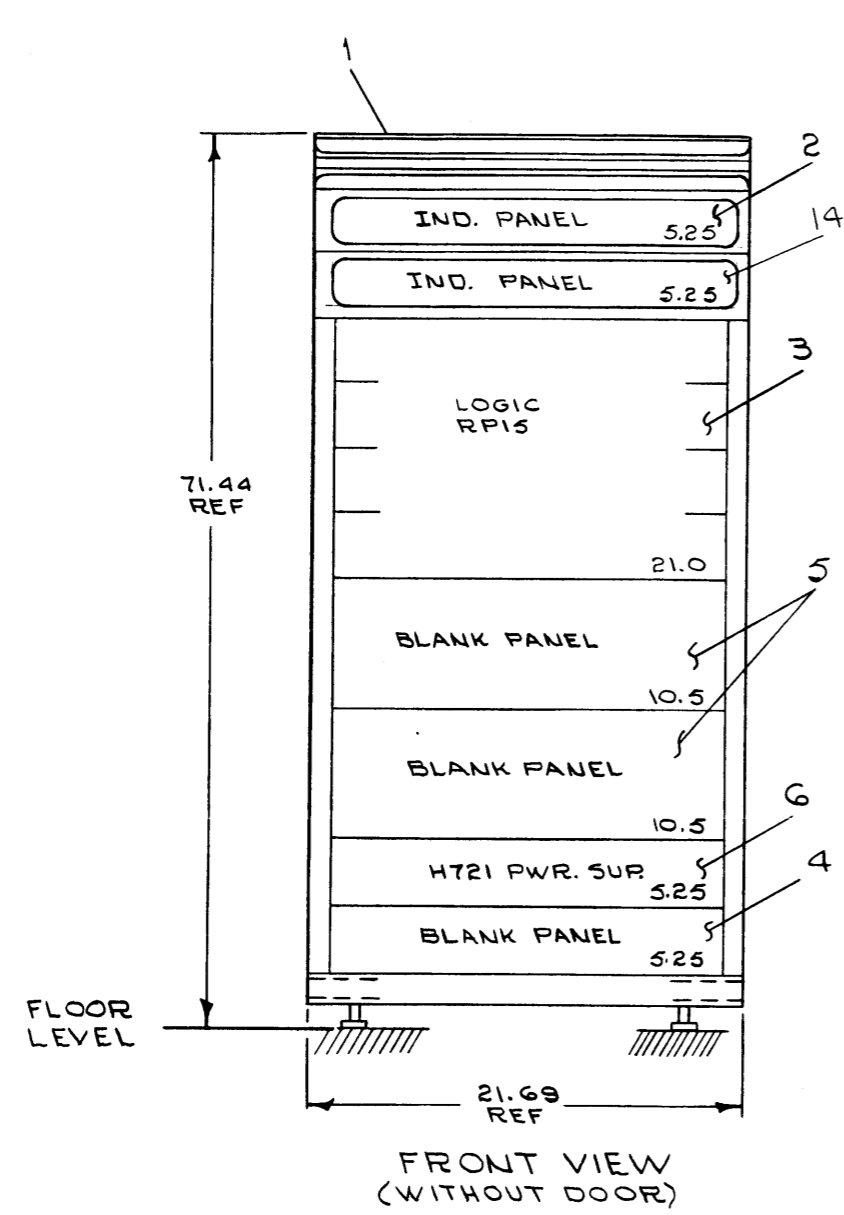
QTY.	DESCRIPTION	PART NO.	ITEM NO.
PARTS LIST			
<b>DWG INDEX</b> <b>RP15</b>			
NEXT HIGHER ASSY D-UA-RP15-0-0		SCALE	SHEET
MATERIAL		DATE	OF
FINISH		DATE	1
SIZE CODE DDI RP15 0 1		NUMBER	REV.
DIST.			

REV. 1  
 2  
 3  
 4  
 5  
 6  
 7  
 8

This drawing and specifications, herein, are the property of Digital Equipment Corporation and shall not be reproduced or copied or used in whole or in part as the basis for the manufacture or sale of items without written permission.

DUA RP15-0-0 2

- NOTES:
- FOR DRAWING INDEX LIST, REFER TO: D-DI-RP15-0-1.
  - ~~GROUND STRAP (NOT SHOWN ITEM #13) TO BE LOCATED AS CLOSE TO BOTTOM OF CABINET AS POSSIBLE BEFORE INSTALLATION OF STRAP. REMOVE PAINT AND CLEAN AREA TO INSURE GOOD GROUND.~~
  - FOR INSTALLATION OF GROUND STRAP, SEE DRAWING NUMBER D-OC-H950-0-0 (SHEET 4 OF 5).
  - FAN MOUNTING IN FRONT OF CABINET
  - 716 PS. MOUNTED ON THE LEFT SIDE OF THE CABINET LOOKING FROM THE FRONT.
  - 841-B PC MOUNTED ON THE RIGHT SIDE OF THE CABINET LOOKING FROM THE FRONT.



FRONT VIEW (WITHOUT DOOR)

30.00 REF (END PANEL)

REV.	CHANGE NO.	DATE	BY	CHKD.
A	15-00002	7-14-70	J. ZEH	
B	15-00058	7-14-70	J. ZEH	
C				
D				

FIRST USED ON OPTION / MODEL  
PDP 15

DO NOT SCALE DRAWING  
UNLESS OTHERWISE SPECIFIED  
DIMENSION IN INCHES  
TOLERANCES  
DECIMALS FRACTIONS ANGLES  
± .005 ± 1/64 ± 0'30"  
FINAL SURFACE QUALITY  
REMOVE BURRS AND BREAK SHARP CORNERS

QTY.	DESCRIPTION	PART NO.	ITEM NO.
	PARTS LIST		
	digital EQUIPMENT CORPORATION MAYNARD, MASSACHUSETTS		
	TITLE RP15 UNIT ASSEMBLY		
	NEXT HIGHER ASSY D-AD-7006820-0-0		
	SCALE	SHEET 1 OF 2	DIST.

DUA RP15-0-0



This drawing and specifications, herein, are the property of Digital Equipment Corporation and shall not be reproduced or copied or used in whole or in part as the basis for the manufacture or sale of items without written permission.

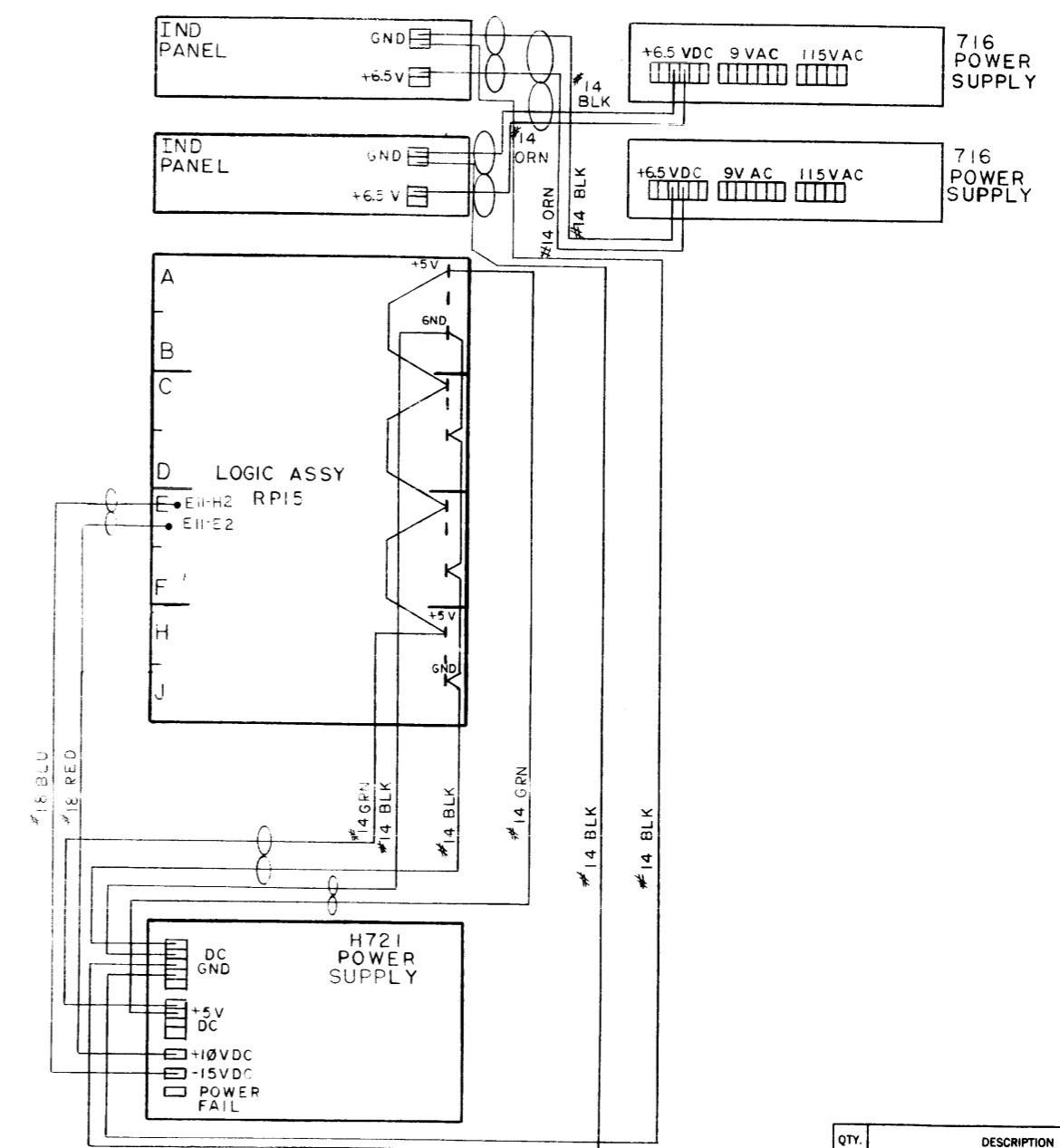
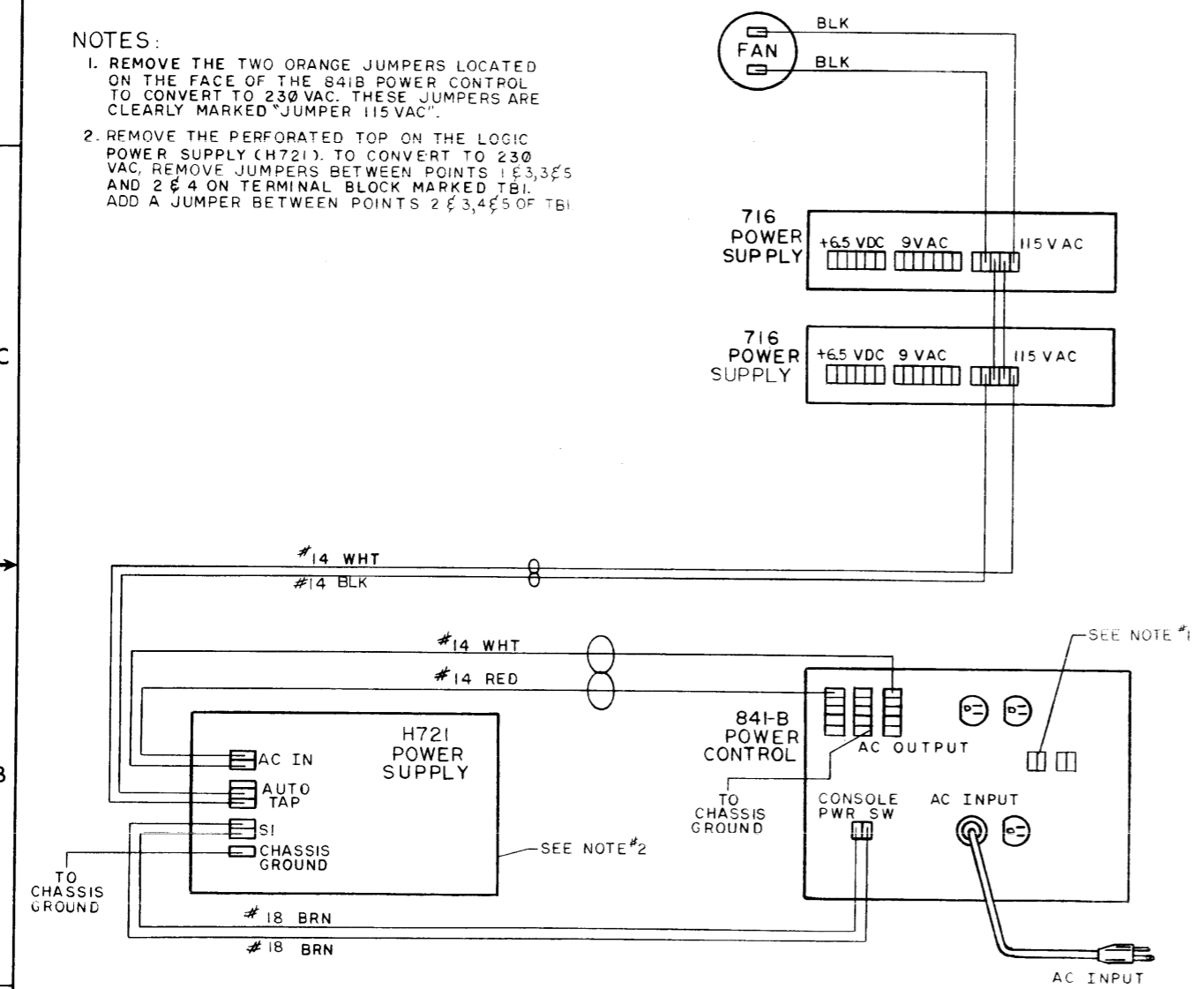
AC/DC POWER WIRING

NOTES:

1. REMOVE THE TWO ORANGE JUMPERS LOCATED ON THE FACE OF THE 841B POWER CONTROL TO CONVERT TO 230 VAC. THESE JUMPERS ARE CLEARLY MARKED "JUMPER 115 VAC".
2. REMOVE THE PERFORATED TOP ON THE LOGIC POWER SUPPLY (H721). TO CONVERT TO 230 VAC, REMOVE JUMPERS BETWEEN POINTS 1 & 3, 3 & 5 AND 2 & 4 ON TERMINAL BLOCK MARKED TBI. ADD A JUMPER BETWEEN POINTS 2 & 3, 4 & 5 OF TBI.

AC

DC



REV	NO	CHG	NO

FIRST USED ON OPTION / MODEL  
PDP 15

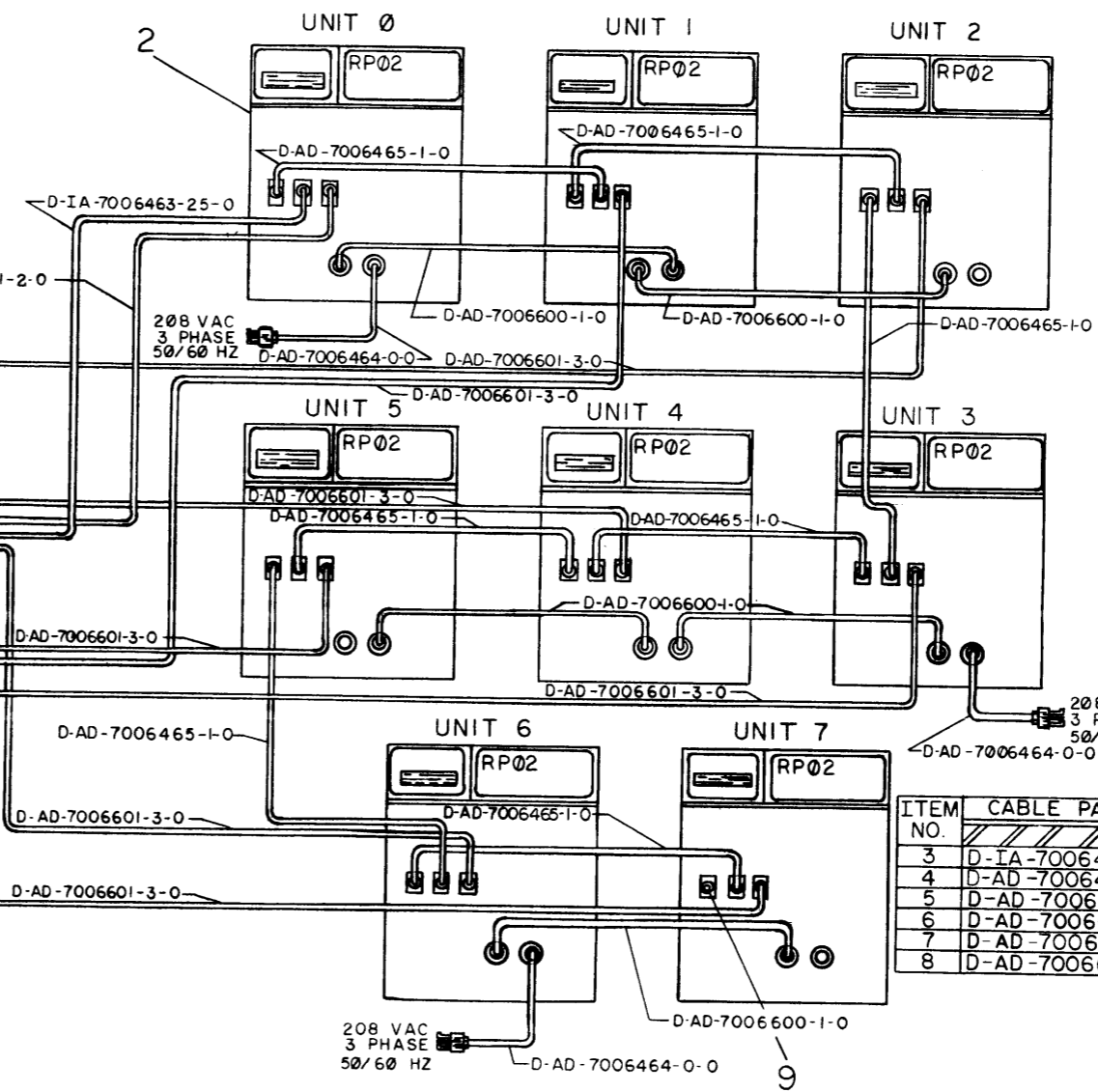
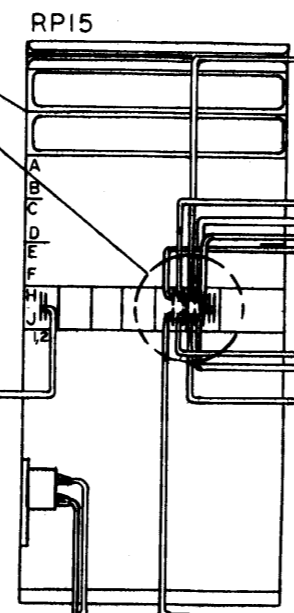
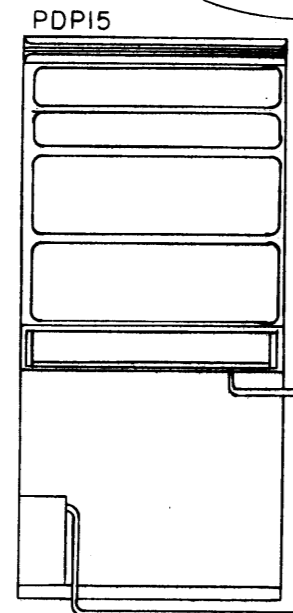
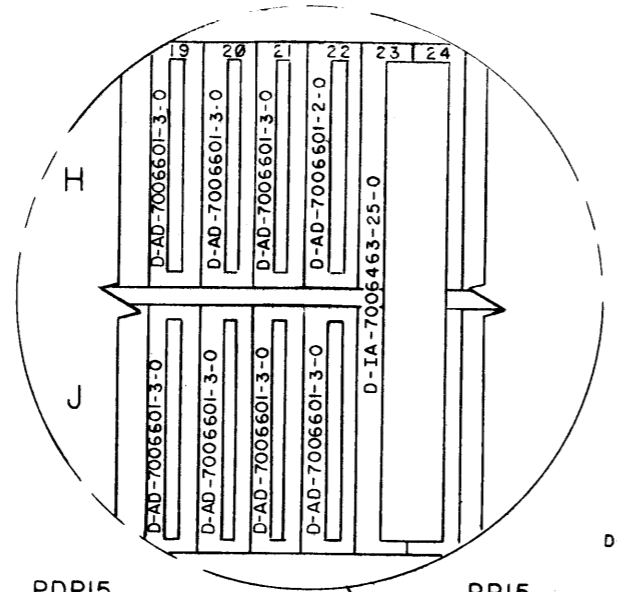
DO NOT SCALE DRAWING  
UNLESS OTHERWISE SPECIFIED  
DIMENSION IN INCHES  
TOLERANCES  
DECIMALS FRACTIONS ANGLES  
± .005 ± 1/64 ± 0°30'  
FINAL SURFACE QUALITY  
REMOVE BURRS AND BREAK SHARP CORNERS

QTY.	DESCRIPTION	PART NO.	ITEM NO.
PARTS LIST			
DRN: <i>L. (Blane)</i> DATE: <i>4-2-70</i> CHJOD: <i>W. Dambrosio</i> DATE: <i>4-2-70</i> ENG: <i>W. Dambrosio</i> DATE: <i>4-2-70</i> PROJ. ENG. DATE: <i>4-2-70</i> PROD. DATE: <i>4-2-70</i>		digital EQUIPMENT CORPORATION MAYNARD, MASSACHUSETTS	
MATERIAL: <i> </i> FINISH: <i> </i>		TITLE: <b>RP15 UNIT ASSEMBLY</b> NEXT HIGHER ASSY: <i>D-AD-7006920 0-0</i> SCALE: <i> </i> SHEET 2 OF 2	
SIZE CODE: <b>DUA RP15-0-D</b> NUMBER: <i> </i> DIST. <i> </i>		REV. <i> </i>	

This drawing and specifications, herein, are the property of Digital Equipment Corporation and shall not be reproduced or copied or used in whole or in part as the basis for the manufacture or sale of items without written permission.

REV. 2  
D-AD-7006820-0-0

- NOTES:
- FOR DRAWING INDEX LIST, REFER TO: C-DI-7006820-0-1.
  - FOR AC/DC POWER WIRING OF RPI5, REFER TO: D-UA-RPI5-0-0 (SHEET 2).
  - FOR LOCATION FROM THE PDP15 AND LENGTH OF BC09B CABLE, REFER TO: D-AR-PDP15-0-2 (SHEET 3 & 4).



ITEM NO.	CABLE PART NO.	UNIT NUMBER
3	D-IA-7006463-25-0	0 1 2 3 4 5 6 7
4	D-AD-7006465-1-0	
5	D-AD-7006601-2-0	
6	D-AD-7006601-3-0	
7	D-AD-7006464-0-0	
8	D-AD-7006600-1-0	

REV.	CHANGE NO.	CHK.	DATE
A	0001	RP02	4-27-70

FIRST USED ON OPTION/MODEL  
RPI5

DO NOT SCALE DRAWING  
UNLESS OTHERWISE SPECIFIED  
DIMENSION IN INCHES  
TOLERANCES  
DECIMALS FRACTIONS ANGLES  
± .005 ± 1/64 ± 0°30'  
FINAL SURFACE QUALITY  
REMOVE BURRS AND BREAK SHARP CORNERS  
MATERIAL  
FINISH

QTY.	DESCRIPTION	PART NO.	ITEM NO.
	PARTS LIST		
	digital EQUIPMENT CORPORATION MAYNARD, MASSACHUSETTS		
	TITLE MAX. CONFIG. H963-C		
	SIZE CODE	NUMBER	REV.
	DAD	7006820-0-0	A
SHEET 1	OF 1	DIST.	

DIGITAL EQUIPMENT CORPORATION MAYNARD, MASSACHUSETTS <b>PARTS LIST</b>					QUANTITY / VARIATION						
<b>MADE BY</b> P. LEBLANC		<b>CHECKED</b> V. DAMBRAUSKAS		<b>SECTION</b>							
<b>DATE</b> 3-30-70		<b>DATE</b> 4-21-70		1							
<b>ENG</b> W. <i>Mino</i>		<b>PROD</b> <i>G. Basely</i>		<b>ISSUED SECT.</b>							
<b>DATE</b> 4-24-70		<b>DATE</b> 4 27 70		1							
ITEM NO.	DWG NO. / PART NO.	DESCRIPTION									
1	D-UA-RP15-0-0	RP15 UNIT ASSEMBLY			1						
2	D-UA-RP02-0-0	*RP02 ASSEMBLY			8						
3	D-IA-7006463-25-0	I/O CABLE (RP10)			1						
4	D-AD-7006465-1-0	DISK SIGNAL CABLE			7						
5	D-AD-7006601-2-0	(RP01/RP02) UNIT CABLE			1						
6	D-AD-7006601-3-0	(RP01/RP02) UNIT CABLE			7						
7	D-AD-7006464-0-0	POWER CABLE			3						
8	D-AD-7006600-1-0	POWER JUMPER (RP01)			5						
9	D-AD-7006932-0-0	TERMINATOR CARD ASSY			1						
10	D-UA-BC09B-0-0	BC09B CABLE ASSY			1						
11	9107673-6	CORD, 14/3 WIRE			1						
12	D-IA-7005702-0-0	CABLE POWER			1						
		* FOR 60 HZ USE RP02-A									
		FOR 50 HZ USE RP02-B									
<b>TITLE</b> MAX. CONFIGURATION H963-C,				<b>ASSY NO.</b> D-AD-7006820-0-0		<b>SIZE CODE</b> <b>A PL</b>		<b>NUMBER</b> 7006820-0-0		<b>REV.</b> A	<b>ECO NO.</b> RPO9-00011
SHEET 1 OF 1				DIST. <i>6</i>							

DEC FORM NO.  
DRA 110

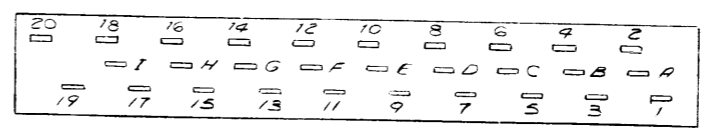
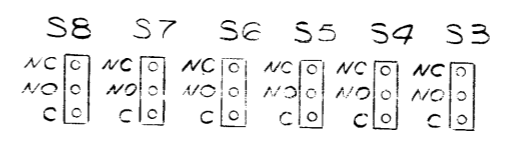
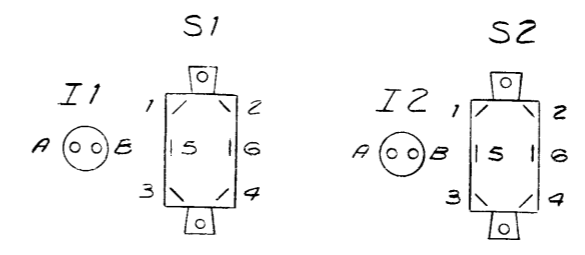
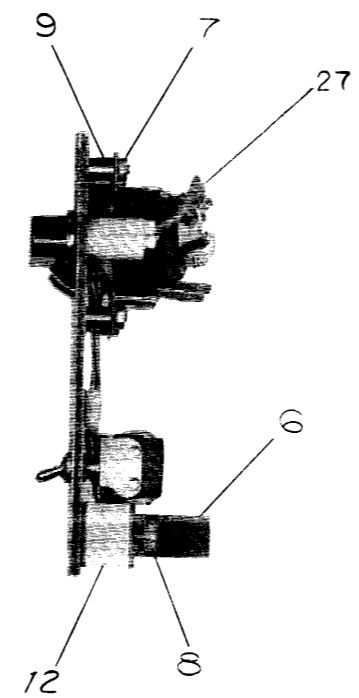
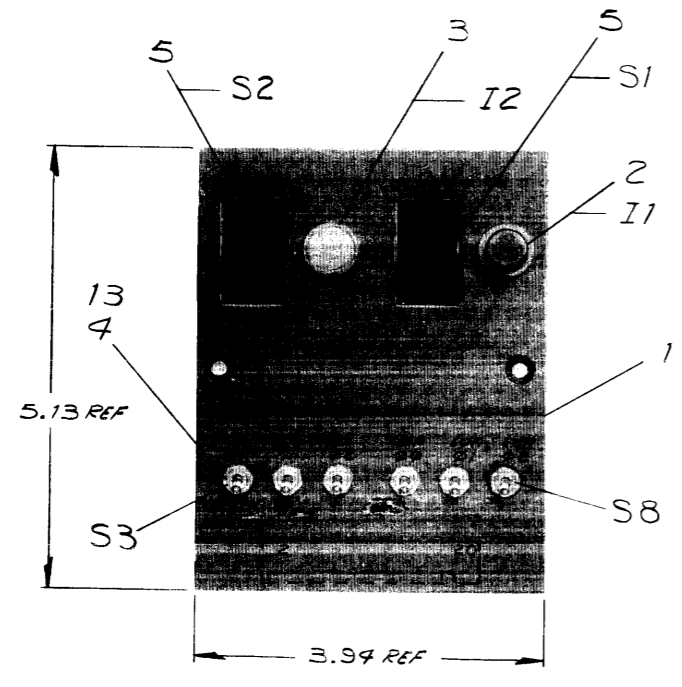
This drawing and specifications herein, are the property of Digital Equipment Corporation and shall not be reproduced or copied or used in whole or in part as the basis for the manufacture or sale of items without written permission.

MECHANICAL					DEPT USAGE			MECHANICAL					DEPT USAGE			MECHANICAL					DEPT USAGE																																																														
FIND NO.	DESCRIPTION	PART NO.	PROD	CUST	F/C	FIND NO.	DESCRIPTION	PART NO.	PROD	CUST	F/C	FIND NO.	DESCRIPTION	PART NO.	PROD	CUST	F/C	FIND NO.	DESCRIPTION	PART NO.	PROD	CUST	F/C																																																												
1.	RP15 UNIT ASSEMBLY RP15 UNIT ASSEMBLY (PL) POWER SUPPLY (H721) BLANK PANEL (5 1/4) 7402016 BLANK PANEL (10 1/2) 7402027 MOUNTING PANEL (841B) BRACKET, CABLE	D-UA-RP15-0-0 A-PL-RP15-0-0 1209603 B-5100 9-5100 D-4D-7407841-0-0 D-MD-7408352-0-0				15.	LOGIC ASSY RP15 LOGIC ASSY RP15 (PL) RIGHT END PANEL #033 TO #033 CABLE RETAINER BLOCK (7H) RETAINER BLOCK	D-AD-7006822-0-0 A-PL-7006822-0-0 C-MD-5302486-0-0 C-IA-7405553-0-0 B-IA-7406257-0-0 C-IA-7405575-0-0				29.	H950-G FILLER STRIP H950-G FILLER STRIP (PL) DWG INDEX H950	C-UA-H950-GA-0 A-PL-H950-GA-0 D-DI-H950-0-1				30.	H950-B FULL LENGTH DOOR H950-B FULL LENGTH DOOR (PL) DWG INDEX H950	D-UA-H950-BA-0 A-PL-H950-BA-0 D-DI-H950-0-1				31.	H950-H SHORT DOORS H950-H SHORT DOORS (PL) DWG INDEX H950	D-UA-H950-HH-0 A-PL-H950-HH-0 D-DI-H950-0-1				32.	IND. POWER SUPPLY, 716 IND. POWER SUPPLY 716 (PL)	D-UA-716-0-0 A-PL-716-0-0				33.	841-B POWER CONTROL 841-B POWER CONTROL (PL)	D-UA-841-B-0 A-PL-841-B-0																																													
2.	IND. PANEL ASSEMBLY IND. PANEL ASSEMBLY (PL) 5 1/4" SNAP ON BEZEL BENELEX MTG BRKT BENELEX	D-AD-7006331-11-0 C-PL-7006331-11-0 D-SC-1209226-0-0 D-IA-7407222-0-0 C-MD-7407086-3-0				16.	WIRED ASSY RP15 WIRED ASSY RP15 (PL) LOGIC FFRAME DECALS 288 PIN BLOCK TYPE #H800	D-AD-7006821-0-0 A-PL-7006821-0-0 A-CC-7406371-0-0 E-SC-1205348-0-0				17.	H911 MTG PANEL H911 MTG PANEL (PL)	D-AD-5404491-0-0 A-PL-5404491-0-0				18.	1943 CASTING PLUS PINS 1943 CASTING PLUS PINS (PL) 1943 FRAME CASTING	D-AD-5302483-0-0 A-PL-5302483-0-0 E-MD-1202885-0-0				19.	POWER END PANEL ASSY LEFT END PANEL MTG PANEL LABEL	D-IA-5408739-1-0 C-MD-5302485-0-0 A-SS-5408739-0-1				20.	SWITCH PLATE ASSY SWITCH PLATE ASSY (PL) 18 PIN RECEPTOR WORK BRKT, SWITCH PLATE	D-AD-7006259-0-0 A-PL-7006259-0-0 B-MD-5503954-0-0 C-MD-7407595-0-0				21.	PLATE SWITCH SILK SCREEN	C-IA-7407308-0-0 A-SS-7407308-0-1				22.	191N. BASIC CAB. ASSY	C-PL-7006501-10-0				23.	FRAME ASSY 191N CAB	A-PL-7006478-0-0				24.	H950-A 191N FRAME ASSY H950-A 191N FRAME ASSY (PL) DWG INDEX H950	E-UA-H950-AA-0 A-PL-H950-AA-0 D-DI-H950-0-1				25.	H952-E CASTER SET DWG INDEX H952	A-PL-H952-E-0 D-DI-H952-0-1				26.	H952-F LEVELER SET DWG INDEX H952	A-PL-H952-F-0 D-DI-H952-0-1				27.	H952-C FAN DWG INDEX H952	A-PL-H952-C-0 D-DI-H952-0-1				28.	H950-S FILTER DWG INDEX H950	A-PL-H950-S-0 C-DI-H950-0-1			
3.	LIGHT BOARD CABLE ASSY	E-IA-7006409-11-0				19.	POWER END PANEL ASSY LEFT END PANEL MTG PANEL LABEL	D-IA-5408739-1-0 C-MD-5302485-0-0 A-SS-5408739-0-1				20.	SWITCH PLATE ASSY SWITCH PLATE ASSY (PL) 18 PIN RECEPTOR WORK BRKT, SWITCH PLATE	D-AD-7006259-0-0 A-PL-7006259-0-0 B-MD-5503954-0-0 C-MD-7407595-0-0				21.	PLATE SWITCH SILK SCREEN	C-IA-7407308-0-0 A-SS-7407308-0-1				22.	191N. BASIC CAB. ASSY	C-PL-7006501-10-0				23.	FRAME ASSY 191N CAB	A-PL-7006478-0-0				24.	H950-A 191N FRAME ASSY H950-A 191N FRAME ASSY (PL) DWG INDEX H950	E-UA-H950-AA-0 A-PL-H950-AA-0 D-DI-H950-0-1				25.	H952-E CASTER SET DWG INDEX H952	A-PL-H952-E-0 D-DI-H952-0-1				26.	H952-F LEVELER SET DWG INDEX H952	A-PL-H952-F-0 D-DI-H952-0-1				27.	H952-C FAN DWG INDEX H952	A-PL-H952-C-0 D-DI-H952-0-1				28.	H950-S FILTER DWG INDEX H950	A-PL-H950-S-0 C-DI-H950-0-1																					
4.	PERIPH. ETCH BOARD ASSY	E-IA-5408458-11-0				19.	POWER END PANEL ASSY LEFT END PANEL MTG PANEL LABEL	D-IA-5408739-1-0 C-MD-5302485-0-0 A-SS-5408739-0-1				20.	SWITCH PLATE ASSY SWITCH PLATE ASSY (PL) 18 PIN RECEPTOR WORK BRKT, SWITCH PLATE	D-AD-7006259-0-0 A-PL-7006259-0-0 B-MD-5503954-0-0 C-MD-7407595-0-0				21.	PLATE SWITCH SILK SCREEN	C-IA-7407308-0-0 A-SS-7407308-0-1				22.	191N. BASIC CAB. ASSY	C-PL-7006501-10-0				23.	FRAME ASSY 191N CAB	A-PL-7006478-0-0				24.	H950-A 191N FRAME ASSY H950-A 191N FRAME ASSY (PL) DWG INDEX H950	E-UA-H950-AA-0 A-PL-H950-AA-0 D-DI-H950-0-1				25.	H952-E CASTER SET DWG INDEX H952	A-PL-H952-E-0 D-DI-H952-0-1				26.	H952-F LEVELER SET DWG INDEX H952	A-PL-H952-F-0 D-DI-H952-0-1				27.	H952-C FAN DWG INDEX H952	A-PL-H952-C-0 D-DI-H952-0-1				28.	H950-S FILTER DWG INDEX H950	A-PL-H950-S-0 C-DI-H950-0-1																					
5.	PERIPH. IND. PANEL ETCH X-Y COORDINATE HOLE LOCATION ASSY DRILLING HOLE LAYOUT	D-IA-5008457-0-0 K-CO-5408458-0-4 J-AH-5408458-0-5				19.	POWER END PANEL ASSY LEFT END PANEL MTG PANEL LABEL	D-IA-5408739-1-0 C-MD-5302485-0-0 A-SS-5408739-0-1				20.	SWITCH PLATE ASSY SWITCH PLATE ASSY (PL) 18 PIN RECEPTOR WORK BRKT, SWITCH PLATE	D-AD-7006259-0-0 A-PL-7006259-0-0 B-MD-5503954-0-0 C-MD-7407595-0-0				21.	PLATE SWITCH SILK SCREEN	C-IA-7407308-0-0 A-SS-7407308-0-1				22.	191N. BASIC CAB. ASSY	C-PL-7006501-10-0				23.	FRAME ASSY 191N CAB	A-PL-7006478-0-0				24.	H950-A 191N FRAME ASSY H950-A 191N FRAME ASSY (PL) DWG INDEX H950	E-UA-H950-AA-0 A-PL-H950-AA-0 D-DI-H950-0-1				25.	H952-E CASTER SET DWG INDEX H952	A-PL-H952-E-0 D-DI-H952-0-1				26.	H952-F LEVELER SET DWG INDEX H952	A-PL-H952-F-0 D-DI-H952-0-1				27.	H952-C FAN DWG INDEX H952	A-PL-H952-C-0 D-DI-H952-0-1				28.	H950-S FILTER DWG INDEX H950	A-PL-H950-S-0 C-DI-H950-0-1																					
6.	INLAY FRONT SCREEN REAR SCREEN	D-IA-7407228-9-0 C-SS-7407228-0-10 C-SS-7407228-0-2				19.	POWER END PANEL ASSY LEFT END PANEL MTG PANEL LABEL	D-IA-5408739-1-0 C-MD-5302485-0-0 A-SS-5408739-0-1				20.	SWITCH PLATE ASSY SWITCH PLATE ASSY (PL) 18 PIN RECEPTOR WORK BRKT, SWITCH PLATE	D-AD-7006259-0-0 A-PL-7006259-0-0 B-MD-5503954-0-0 C-MD-7407595-0-0				21.	PLATE SWITCH SILK SCREEN	C-IA-7407308-0-0 A-SS-7407308-0-1				22.	191N. BASIC CAB. ASSY	C-PL-7006501-10-0				23.	FRAME ASSY 191N CAB	A-PL-7006478-0-0				24.	H950-A 191N FRAME ASSY H950-A 191N FRAME ASSY (PL) DWG INDEX H950	E-UA-H950-AA-0 A-PL-H950-AA-0 D-DI-H950-0-1				25.	H952-E CASTER SET DWG INDEX H952	A-PL-H952-E-0 D-DI-H952-0-1				26.	H952-F LEVELER SET DWG INDEX H952	A-PL-H952-F-0 D-DI-H952-0-1				27.	H952-C FAN DWG INDEX H952	A-PL-H952-C-0 D-DI-H952-0-1				28.	H950-S FILTER DWG INDEX H950	A-PL-H950-S-0 C-DI-H950-0-1																					
7.	IND. PANEL ASSEMBLY IND. PANEL ASSEMBLY (PL) 5 1/4" SNAP ON BEZEL BENELEX MTG BRKT BENELEX	D-AD-7006331-12-0 C-PL-7006331-12-0 D-SC-1209226-0-0 D-IA-7407222-0-0 C-MD-7407086-3-0				19.	POWER END PANEL ASSY LEFT END PANEL MTG PANEL LABEL	D-IA-5408739-1-0 C-MD-5302485-0-0 A-SS-5408739-0-1				20.	SWITCH PLATE ASSY SWITCH PLATE ASSY (PL) 18 PIN RECEPTOR WORK BRKT, SWITCH PLATE	D-AD-7006259-0-0 A-PL-7006259-0-0 B-MD-5503954-0-0 C-MD-7407595-0-0				21.	PLATE SWITCH SILK SCREEN	C-IA-7407308-0-0 A-SS-7407308-0-1				22.	191N. BASIC CAB. ASSY	C-PL-7006501-10-0				23.	FRAME ASSY 191N CAB	A-PL-7006478-0-0				24.	H950-A 191N FRAME ASSY H950-A 191N FRAME ASSY (PL) DWG INDEX H950	E-UA-H950-AA-0 A-PL-H950-AA-0 D-DI-H950-0-1				25.	H952-E CASTER SET DWG INDEX H952	A-PL-H952-E-0 D-DI-H952-0-1				26.	H952-F LEVELER SET DWG INDEX H952	A-PL-H952-F-0 D-DI-H952-0-1				27.	H952-C FAN DWG INDEX H952	A-PL-H952-C-0 D-DI-H952-0-1				28.	H950-S FILTER DWG INDEX H950	A-PL-H950-S-0 C-DI-H950-0-1																					
8.	LIGHT BOARD CABLE ASSY	E-IA-7006409-12-0				19.	POWER END PANEL ASSY LEFT END PANEL MTG PANEL LABEL	D-IA-5408739-1-0 C-MD-5302485-0-0 A-SS-5408739-0-1				20.	SWITCH PLATE ASSY SWITCH PLATE ASSY (PL) 18 PIN RECEPTOR WORK BRKT, SWITCH PLATE	D-AD-7006259-0-0 A-PL-7006259-0-0 B-MD-5503954-0-0 C-MD-7407595-0-0				21.	PLATE SWITCH SILK SCREEN	C-IA-7407308-0-0 A-SS-7407308-0-1				22.	191N. BASIC CAB. ASSY	C-PL-7006501-10-0				23.	FRAME ASSY 191N CAB	A-PL-7006478-0-0				24.	H950-A 191N FRAME ASSY H950-A 191N FRAME ASSY (PL) DWG INDEX H950	E-UA-H950-AA-0 A-PL-H950-AA-0 D-DI-H950-0-1				25.	H952-E CASTER SET DWG INDEX H952	A-PL-H952-E-0 D-DI-H952-0-1				26.	H952-F LEVELER SET DWG INDEX H952	A-PL-H952-F-0 D-DI-H952-0-1				27.	H952-C FAN DWG INDEX H952	A-PL-H952-C-0 D-DI-H952-0-1				28.	H950-S FILTER DWG INDEX H950	A-PL-H950-S-0 C-DI-H950-0-1																					
9.	PERIPH. ETCH BOARD ASSY	E-IA-5408458-12-0				19.	POWER END PANEL ASSY LEFT END PANEL MTG PANEL LABEL	D-IA-5408739-1-0 C-MD-5302485-0-0 A-SS-5408739-0-1				20.	SWITCH PLATE ASSY SWITCH PLATE ASSY (PL) 18 PIN RECEPTOR WORK BRKT, SWITCH PLATE	D-AD-7006259-0-0 A-PL-7006259-0-0 B-MD-5503954-0-0 C-MD-7407595-0-0				21.	PLATE SWITCH SILK SCREEN	C-IA-7407308-0-0 A-SS-7407308-0-1				22.	191N. BASIC CAB. ASSY	C-PL-7006501-10-0				23.	FRAME ASSY 191N CAB	A-PL-7006478-0-0				24.	H950-A 191N FRAME ASSY H950-A 191N FRAME ASSY (PL) DWG INDEX H950	E-UA-H950-AA-0 A-PL-H950-AA-0 D-DI-H950-0-1				25.	H952-E CASTER SET DWG INDEX H952	A-PL-H952-E-0 D-DI-H952-0-1				26.	H952-F LEVELER SET DWG INDEX H952	A-PL-H952-F-0 D-DI-H952-0-1				27.	H952-C FAN DWG INDEX H952	A-PL-H952-C-0 D-DI-H952-0-1				28.	H950-S FILTER DWG INDEX H950	A-PL-H950-S-0 C-DI-H950-0-1																					
10.	PERIPH. IND. PANEL ETCH X-Y COORDINATE HOLE LOCATION ASSY DRILLING HOLE LAYOUT	D-IA-5008457-0-0 K-CO-5408458-0-4 J-AH-5408458-0-5				19.	POWER END PANEL ASSY LEFT END PANEL MTG PANEL LABEL	D-IA-5408739-1-0 C-MD-5302485-0-0 A-SS-5408739-0-1				20.	SWITCH PLATE ASSY SWITCH PLATE ASSY (PL) 18 PIN RECEPTOR WORK BRKT, SWITCH PLATE	D-AD-7006259-0-0 A-PL-7006259-0-0 B-MD-5503954-0-0 C-MD-7407595-0-0				21.	PLATE SWITCH SILK SCREEN	C-IA-7407308-0-0 A-SS-7407308-0-1				22.	191N. BASIC CAB. ASSY	C-PL-7006501-10-0				23.	FRAME ASSY 191N CAB	A-PL-7006478-0-0				24.	H950-A 191N FRAME ASSY H950-A 191N FRAME ASSY (PL) DWG INDEX H950	E-UA-H950-AA-0 A-PL-H950-AA-0 D-DI-H950-0-1				25.	H952-E CASTER SET DWG INDEX H952	A-PL-H952-E-0 D-DI-H952-0-1				26.	H952-F LEVELER SET DWG INDEX H952	A-PL-H952-F-0 D-DI-H952-0-1				27.	H952-C FAN DWG INDEX H952	A-PL-H952-C-0 D-DI-H952-0-1				28.	H950-S FILTER DWG INDEX H950	A-PL-H950-S-0 C-DI-H950-0-1																					
11.	INLAY FRONT SCREEN REAR SCREEN	D-IA-7407228-10-0 C-SS-7407228-0-11 C-SS-7407228-0-2				19.	POWER END PANEL ASSY LEFT END PANEL MTG PANEL LABEL	D-IA-5408739-1-0 C-MD-5302485-0-0 A-SS-5408739-0-1				20.	SWITCH PLATE ASSY SWITCH PLATE ASSY (PL) 18 PIN RECEPTOR WORK BRKT, SWITCH PLATE	D-AD-7006259-0-0 A-PL-7006259-0-0 B-MD-5503954-0-0 C-MD-7407595-0-0				21.	PLATE SWITCH SILK SCREEN	C-IA-7407308-0-0 A-SS-7407308-0-1				22.	191N. BASIC CAB. ASSY	C-PL-7006501-10-0				23.	FRAME ASSY 191N CAB	A-PL-7006478-0-0				24.	H950-A 191N FRAME ASSY H950-A 191N FRAME ASSY (PL) DWG INDEX H950	E-UA-H950-AA-0 A-PL-H950-AA-0 D-DI-H950-0-1				25.	H952-E CASTER SET DWG INDEX H952	A-PL-H952-E-0 D-DI-H952-0-1				26.	H952-F LEVELER SET DWG INDEX H952	A-PL-H952-F-0 D-DI-H952-0-1				27.	H952-C FAN DWG INDEX H952	A-PL-H952-C-0 D-DI-H952-0-1				28.	H950-S FILTER DWG INDEX H950	A-PL-H950-S-0 C-DI-H950-0-1																					
12.	PANEL LOGO	D-IA-7407349-1-0				19.	POWER END PANEL ASSY LEFT END PANEL MTG PANEL LABEL	D-IA-5408739-1-0 C-MD-5302485-0-0 A-SS-5408739-0-1				20.	SWITCH PLATE ASSY SWITCH PLATE ASSY (PL) 18 PIN RECEPTOR WORK BRKT, SWITCH PLATE	D-AD-7006259-0-0 A-PL-7006259-0-0 B-MD-5503954-0-0 C-MD-7407595-0-0				21.	PLATE SWITCH SILK SCREEN	C-IA-7407308-0-0 A-SS-7407308-0-1				22.	191N. BASIC CAB. ASSY	C-PL-7006501-10-0				23.	FRAME ASSY 191N CAB	A-PL-7006478-0-0				24.	H950-A 191N FRAME ASSY H950-A 191N FRAME ASSY (PL) DWG INDEX H950	E-UA-H950-AA-0 A-PL-H950-AA-0 D-DI-H950-0-1				25.	H952-E CASTER SET DWG INDEX H952	A-PL-H952-E-0 D-DI-H952-0-1				26.	H952-F LEVELER SET DWG INDEX H952	A-PL-H952-F-0 D-DI-H952-0-1				27.	H952-C FAN DWG INDEX H952	A-PL-H952-C-0 D-DI-H952-0-1				28.	H950-S FILTER DWG INDEX H950	A-PL-H950-S-0 C-DI-H950-0-1																					
13.	H950-L FRAME PANEL H950-L FRAME PANEL (PL) DWG INDEX H950	C-UA-H950-LA-0 A-PL-H950-LA-0 D-DI-H950-0-1				19.	POWER END PANEL ASSY LEFT END PANEL MTG PANEL LABEL	D-IA-5408739-1-0 C-MD-5302485-0-0 A-SS-5408739-0-1				20.	SWITCH PLATE ASSY SWITCH PLATE ASSY (PL) 18 PIN RECEPTOR WORK BRKT, SWITCH PLATE	D-AD-7006259-0-0 A-PL-7006259-0-0 B-MD-5503954-0-0 C-MD-7407595-0-0				21.	PLATE SWITCH SILK SCREEN	C-IA-7407308-0-0 A-SS-7407308-0-1				22.	191N. BASIC CAB. ASSY	C-PL-7006501-10-0				23.	FRAME ASSY 191N CAB	A-PL-7006478-0-0				24.	H950-A 191N FRAME ASSY H950-A 191N FRAME ASSY (PL) DWG INDEX H950	E-UA-H950-AA-0 A-PL-H950-AA-0 D-DI-H950-0-1				25.	H952-E CASTER SET DWG INDEX H952	A-PL-H952-E-0 D-DI-H952-0-1				26.	H952-F LEVELER SET DWG INDEX H952	A-PL-H952-F-0 D-DI-H952-0-1				27.	H952-C FAN DWG INDEX H952	A-PL-H952-C-0 D-DI-H952-0-1				28.	H950-S FILTER DWG INDEX H950	A-PL-H950-S-0 C-DI-H950-0-1																					
14.	PANEL INLAY	D-IA-7407348-1-0				19.	POWER END PANEL ASSY LEFT END PANEL MTG PANEL LABEL	D-IA-5408739-1-0 C-MD-5302485-0-0 A-SS-5408739-0-1				20.	SWITCH PLATE ASSY SWITCH PLATE ASSY (PL) 18 PIN RECEPTOR WORK BRKT, SWITCH PLATE	D-AD-7006259-0-0 A-PL-7006259-0-0 B-MD-5503954-0-0 C-MD-7407595-0-0				21.	PLATE SWITCH SILK SCREEN	C-IA-7407308-0-0 A-SS-7407308-0-1				22.	191N. BASIC CAB. ASSY	C-PL-7006501-10-0				23.	FRAME ASSY 191N CAB	A-PL-7006478-0-0				24.	H950-A 191N FRAME ASSY H950-A 191N FRAME ASSY (PL) DWG INDEX H950	E-UA-H950-AA-0 A-PL-H950-AA-0 D-DI-H950-0-1				25.	H952-E CASTER SET DWG INDEX H952	A-PL-H952-E-0 D-DI-H952																																							

This drawing and specifications herein are the property of Digital Equipment Corporation and shall not be reproduced, or copied or used in whole or in part as the basis for the manufacture or sale of items without written permission.

0-0-6929002 2 1

WIRED TABLE						WIRED TABLE							
ITEM NO	DESCRIPTION	CONNECTIONS	EQUIP FROM WITH ITEMS	EQUIP TO WITH ITEMS		ITEM NO	DESCRIPTION	CONNECTIONS	EQUIP FROM WITH ITEMS	EQUIP TO WITH ITEMS			
11	*22	YEL	S1-6	S1-1	27	27	24	*22	Y/O	S6-NC	PC-8	SOLDER	SOLDER
11		YEL	S1-1	S2-2	27	27	25		GRY	S7-NO	PC-9		
14		WHI/BLK	S1-2	PC-17			17		WHI/GRN	S7-NC	PC-10		
20		WHI/BLU	S1-4	PC-16			16		WHI/PED	S8-NO	PC-11		
15		WHI/BRN	S2-1	PC-14			19		WHI/GRN	S8-NC	PC-12		
11		YEL	S2-2	S6-C			11		YEL	S3-C	S4-C		
22		WHI/GRN	S2-3	PC-15			11		YEL	S4-C	S5-C		
11		YEL	S2-5	S2-2	27	27	11		YEL	S5-C	S6-C		
19		WHI/GRN	S3-NO	PC-13	SOLDER	SOLDER	11		YEL	S6-C	S7-C		
17		WHI/GRN	S3-NC	PC-2			11		YEL	S7-C	S8-C		
16		WHI/PED	S4-NC	PC-18			11	*22	YEL	S8-C	S6-PC-3	SOLDER	SOLDER
21		WHI/WD	S4-NC	PC-4			2		BLK	I1-A	S1-5		
23		BRN	S5-NC	PC-5			2		RED	I1-A	S1-1		
26		WHT	S6-NC	PC-7			3		BLK	I2-B	S2-2		
12	*22	WHI/YEL	S6-NC	PC-7	SOLDER	SOLDER	3		RED	I2-A	S2-6		



WIRING DIAGRAM

REV	CHG	NO.	DATE	BY	CHKD
A	0002		2-6-70	J. ZEH	
B	0004		3-12-70	T. G. Sullivan	
C	0007		5-6-70	J. ZEH	
D	0010		5-7-70	J. ZEH	

**TOLERANCES DECIMALS**  
 .XXX = ± .005  
 .XX = ± .02  
 .X = ± .1

FIRST USED ON OPTION/MODEL RPO9-A	QTY.	DESCRIPTION	PART NO.	ITEM NO.
UNLESS OTHERWISE SPECIFIED				
DIMENSION IN INCHES				
TOLERANCES				
DECIMALS	FRACTIONS	ANGLES		
± .005	± 1/64	± 0°30'		
FINAL SURFACE QUALITY				
REMOVE BURRS AND BREAK SHARP CORNERS				
MATERIAL	NEXT HIGHER ASSY			
FINISH	D-AD-7006259-0-0			
SCALE NONE		SIZE CODE DAD		NUMBER 7006259-0-0
SHEET 1 OF 1		DIST. G		REV. 0

**digital** EQUIPMENT CORPORATION  
 MAYNARD, MASSACHUSETTS  
 SWITCH PLATE ASSY

REV. D  
 NUMBER DAD 7006259-0-0

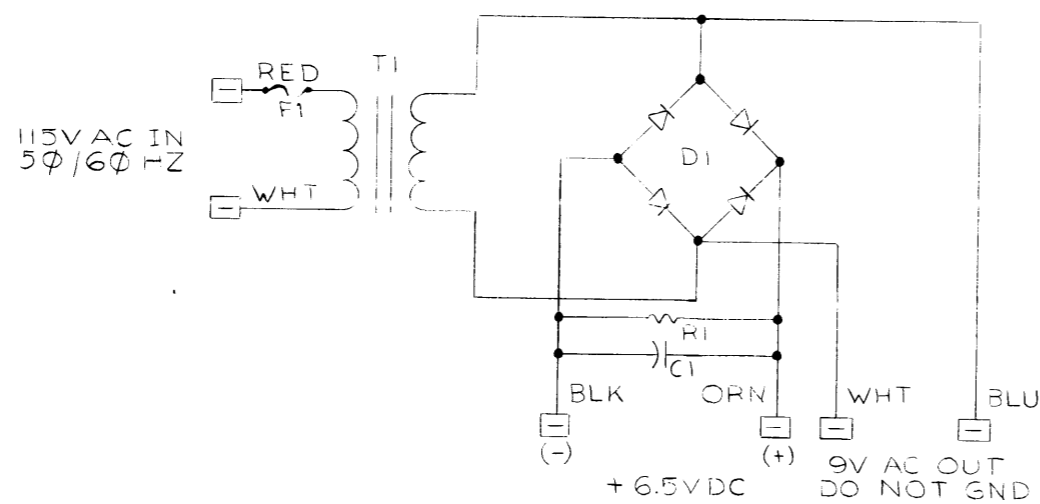
DIGITAL EQUIPMENT CORPORATION MAYNARD, MASSACHUSETTS <b>PARTS LIST</b>					QUANTITY / VARIATION															
MADE BY R. ROBICHAUD		CHECKED D. HEALY		SECTION	7006259-0															
DATE 9/10/69		DATE 9/12/69		1																
ENG <i>J. Zel</i>		PROD <i>J. B. Smith</i>		ISSUED SECT.																
DATE 1-5-70		DATE		1																
ITEM NO.	DWG NO. / PART NO.	DESCRIPTION																		
1	C-IA-7407308-0-0	PLATE, SWITCH			1															
2	1205299	LAMP#1090C24 IND DEV INC			1															
3	1202749	LAMP, #1090B44 IND DEV INC			1															
4	1201165	SWITCH #6AT1-T2 MICROSWITCH			6															
5	1204908	SWITCH, ROCKER #8132-K2 DDPDT C.H.			2															
6	B-MD-5503954-0-0	16 PIN RECEPT REWORK			1															
7	9006560	NUT KEP #6-32			4															
8	9006563	NUT KEP #8-32			2															
9	9006799	SPACER 1/4A.F. X #6 HOLE X 5/16 LG			4															
10	9107560-01	BUS WIRE #22 AWG			A/R															
11	9107350-44	WIRE #22 AWG TEF INS STRD YEL			A/R															
12	C-MD-7407595-0-0	BRKT, SWITCH PLATE			1															
13	9006712	WASH, NYLON 3/8 O.D. X 1/4 I.D. X 1/32 THK			6															
14	9107400-9 0	WIRE #22 AWG TEF INS STRD WHI / BLK			A/R															
15	9107400-9 1	WIRE #22 AWG TEF INS STRD WHI/BRN			A/R															
16	9107400-9 2	WIRE #22 AWG TEF INS STRD WHI/RED			A/R															
17	9107400-9 3	WIRE #22 AWG TEF INS STRD WHI/ORG			A/R															
18	9107400-9 4	WIRE #22 AWG TEF INS STRD WHI/YEL			A/R															
19	9107400-9 5	WIRE #22 AWG TEF INS STRD WHI/GRN			A/R															
20	9107400-9 6	WIRE #22 AWG TEF INS STRD WHI/BLU			A/R															
21	9107400-9 7	WIRE #22 AWG TEF INS STRD WHI/VIO			A/R															
22	9107400-9 8	WIRE #22 AWG TEF INS STRD WHI/GRY			A/R															
TITLE		ASSY NO.		SIZE	CODE	NUMBER				REV.	ECO. NO.									
SWITCH PLATE ASSY		D-AD-7006259-0-0		A	PL	7006259-0-0				D	RP09-00010									
SHEET 1 OF 2		DIST.																		

DEC FORM NO.  
DRA 110

DIGITAL EQUIPMENT CORPORATION MAYNARD, MASSACHUSETTS <b>PARTS LIST</b>					QUANTITY / VARIATION																	
MADE BY R. ROPICHAUD		CHECKED D. HEALY		SECTION		7006259-0																
DATE 9/10/69		DATE 9/12/69																				
ENG J. ZEH		PROD G. BUNDY		ISSUED SECT.																		
DATE 1/5/70		DATE 1/6/70																				
ITEM NO.	DWG NO. / PART NO.	DESCRIPTION																				
23	9107350-11	WIRE #22 AWG TEF INS STRD BRN			A/R																	
24	9107350-77	WIRE #22 AWG TEF INS STRD VIO			A/R																	
25	9107135-88	WIRE #22 AWG TEF INS STRD GRY			A/R																	
26	9107135-99	WIRE #22 AWG TEF INS STRD WHI			A/R																	
27	9007919	CONN ARKLES #50906			12																	
<del>28</del>	<del>90-07925</del>	<del>CONN. ARKLES#50321</del>			<del>2</del>																	
TITLE SWITCH PLATE ASSY				ASSY NO. D-AD-7006259-0-0		SIZE CODE A PL		NUMBER 7006259-0-0				REV. D		ECO NO.								
				SHEET 2 OF 2		DIST. G																

DEC FORM NO.  
DRA 110

THIS SCHEMATIC IS FURNISHED ONLY FOR TEST AND MAINTENANCE PURPOSES. THE CIRCUITS ARE PROPRIETARY IN NATURE AND SHOULD BE TREATED ACCORDING TO COPYRIGHT BY DIGITAL EQUIPMENT CORPORATION



F1	1/2 AMP S.B. FUSE	9007209
R1	50hm 25W RES	1300165
C1	18000MFD 10V DCCAP	1009437
	PARTS LIST	D-UA-716-0-0
T1	XMFR #E64-U TRIAD	1609588
D1	DIODE PACK DM-2	1105397
REF DESIGNATION	DESCRIPTION	PART NO

PARTS LIST

REV	CHG NO	CHK
A	0001	716
B		
C		

DEC FORM NO. DRC 102

DRN	DATE
RAYMOND D.	7-25-68
HEALY	7-25-68
VONADA	7-25-68
ANTONUCCIO	7-25-68

TRANSISTOR & DIODE CONVERSION CHART

DEC	EIA	DEC	EIA

**digital**  
EQUIPMENT CORPORATION  
MAYNARD, MASSACHUSETTS

TITLE  
CIRCUIT SCHEMATIC  
716  
SIZE CODE NUMBER REV.  
C CS 716-0-1 C  
PRINTED CIRCUIT REV

REV. C  
NUMBER 716-0-1  
SIZE CODE C CS

Pink



DIGITAL EQUIPMENT CORPORATION MAYNARD, MASSACHUSETTS <b>PARTS LIST</b>					QUANTITY / VARIATION															
MADE BY ROBIJARD		CHECKED D. HEALY		SECTION																
DATE 6/5/69		DATE 6/6/69		1																
ENG <i>Styammer</i>		PROD <i>R. J. ...</i>		ISSUED SECT.																
DATE 6/6/69		DATE 6/12/69		1																
ITEM NO.	DWG NO. / PART NO.	DESCRIPTION				716-0														
1	D-MD-5308466-0-0	PANEL, MTG 716 P.S.				1														
2	B-MD-5308465-0-0	BRACKET MTG. TERMINAL				1														
3	1105397	DIODE PACK DM-2				1														
4	1609588	TRANSFORMER #F64-U TRIAD				1														
5	9007919	CONN SOLDERLESS #50906 ARKLESS				20														
6	9007234	BUSHING JUNC TERM ORN, #DC-202-1 HEYMAN				3														
7	9007237	BUSHING JUNC TERM BLK, #DC-202-1 HEYMAN				3														
8	9007232	BUSHING JUNC TERM BLU, #DC-202-1 HEYMAN				4														
9	9007235	BUSHING JUNC TERM WHT, #DC-202-1 HEYMAN				7														
10	9007231	BUSHING JUNC TERM RED, #DC-202-1 HEYMAN				3														
11	9007238	TERM TAB T-202-S HEYMAN				20														
12	9006022-1	SCR PHL HD PAN #6-32 x 3/8 LG SST				5														
13	9007794-1	SCR PHL HD PAN #6-32 x 11/16 LG SST				2														
14	9006633	WASH INT TOOTH LOCK #6 SST				8														
15	9006071-1	SCR PHL HD PAN #10-32 x 3/8 LG SST				4														
16	9006635	WASH INT TOOTH LOCK #10 SST				4														
17	9007031	TIE WRAP SST-1B PANDUIT				4														
18	9107560-1	WIRE BUSSING #22 AWG				A/R														
19	9107305-02	TUBING, SHRINKABLE, RED 3/16 D x 9/16 LG				2														
20	9107370-99	WIRE, STRANDED #14 TEF INS WHT				A/R														
21	9107370-66	WIRE, STRANDED #14 TEF INS BLU				A/R														
22	9107370-33	WIRE, STRANDED #14 TEF INS ORN				A/R														
TITLE					ASSY NO.	SIZE	CODE	NUMBER				REV.	ECO NO.							
INDICATOR POWER SUPPLY 716					D-UA-716-0-0	A	PL	716-0-0				D	716-00006							
					SHEET 1 OF 2	DIST.	G													

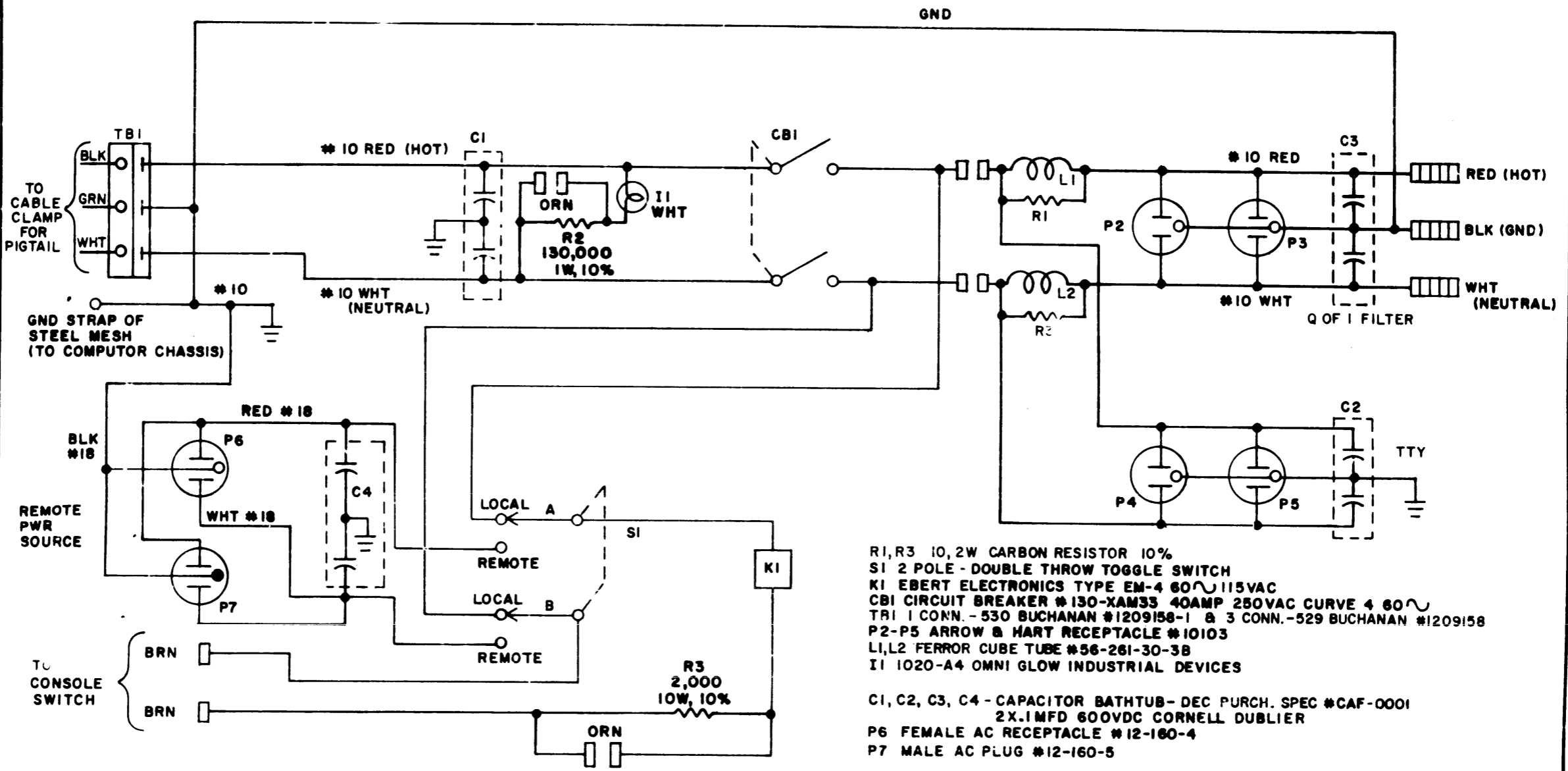
DEC FORM NO.  
DRA 110

DIGITAL EQUIPMENT CORPORATION MAYNARD, MASSACHUSETTS <b>PARTS LIST</b>					QUANTITY / VARIATION															
MADE BY ROBICHARD		CHECKED D. HEALY		SECTION																
DATE 6/5/69		DATE 6/6/69		1																
ENG <i>[Signature]</i>		PROD <i>[Signature]</i>		ISSUED SECT.																
DATE 6/10/69		DATE 6/10/69		1																
ITEM NO.	DWG NO. / PART NO.	DESCRIPTION			716-0															
23	9107370-00	WIRE, STRANDED #14 TEF INS BLK			A/R															
24	A-DC-5308448-0-0	DECAL, 716 POWER SUPPLY			A/R															
25		THERMAL COMPOUND #340 DOW CORNING			A/R															
26	1009437	CAP 18000 MFD 10V			1															
27	1300165	RESISTOR 5ohm 25W 5%			1															
28	9006033	SCR PHL PAN HD 6-32 x 2-1/2 SST			1															
29	9009052	CAP MOUNTING BRKT			1															
30	9006829	SPACER 1/2AEV x 3/8JG # 10 HOLE AL			1															
31	9007776	TAB #61349-1 AMP			2															
32	9006674	WASH #916 CORE WARD LEONARD			2															
33	9006996	#4405 FUSE HOLDER			1															
34	9007209	1/2 AMP S.B. FUSE			1															
REF	C-CS-716-0-1	CIRCUIT SCHEMATIC																		
TITLE		ASSY NO.		SIZE	CODE	NUMBER				REV. ECO NO.										
INDICATOR POWER SUPPLY 716		D-UA-716-0-0		A	PL	716-0-0				D										
		SHEET 2 OF 2		DIST.	G															

DEC FORM NO.  
DRA 110

REV NUMBER 841-B-1 CS 302 B

THIS SCHEMATIC IS FURNISHED ONLY FOR TEST AND MAINTENANCE PURPOSES. THE CIRCUITS ARE PROPRIETARY IN NATURE AND SHOULD BE TREATED ACCORDINGLY. COPYRIGHT 1969 BY DIGITAL EQUIPMENT CORPORATION



- R1, R3 10, 2W CARBON RESISTOR 10%
- SI 2 POLE - DOUBLE THROW TOGGLE SWITCH
- KI EBERT ELECTRONICS TYPE EM-4 60 $\sim$ 115VAC
- CBI CIRCUIT BREAKER #130-XAM33 40AMP 250VAC CURVE 4 60 $\sim$
- TBI 1 CONN. - 530 BUCHANAN #1209158-1 & 3 CONN. - 529 BUCHANAN #1209158
- P2-P5 ARROW & HART RECEPTACLE #10103
- L1, L2 FERRON CUBE TUBE #56-261-30-38
- I1 1020-A4 OMNI GLOW INDUSTRIAL DEVICES
- C1, C2, C3, C4 - CAPACITOR BATHTUB - DEC PURCH. SPEC #CAF-0001  
2X.1MFD 600VDC CORNELL DUBLIER
- P6 FEMALE AC RECEPTACLE #12-160-4
- P7 MALE AC PLUG #12-160-5

REV	CHG	NO

DRN <i>M. Waller</i>	DATE 2-17-69
CHK'D <i>[Signature]</i>	DATE 2-20-69
ENC <i>V. Mangano</i>	DATE 2-25-69
PROD.	DATE

TRANSISTOR & DIODE CONVERSION CHART			
DEC	EIA	DEC	EIA

**digital**  
EQUIPMENT CORPORATION  
MAYNARD, MASSACHUSETTS

TITLE <b>POWER CONTROL 841B</b>			
SIZE 3	CODE CS	NUMBER 841-B-1	REV.
PRINTED CIRCUIT REV.			

DEC FORM NO. DRB 102

DIST. 324 434 435 436 PINK

DIGITAL EQUIPMENT CORPORATION MAYNARD, MASSACHUSETTS <b>PARTS LIST</b>				QUANTITY / VARIATION																	
MADE BY K. GULICK		CHECKED DICK REIMY		SECTION 1		841-B		841-C													
DATE 9/19/66		DATE 2/19/69																			
ENG K. M.../...		PROD		ISSUED SECT. 1																	
DATE 3-11-69		DATE 3/2/69																			
ITEM NO.	DWG NO. / PART NO.	DESCRIPTION																			
1	E-IA-5308295-0-0	CHASSIS-841-B		1	1																
2	9007231	BUSH TERM DC-202-1 RED		5	5																
3	9007238	TAB SOLDER T-202-S		15	15																
4	9007237	BUSH TERM DC-202-1 BLK		5	5																
5	9007235	BUSH TERM DC-202-1 WHT		5	5																
6	9107560-5	WIRE #14 AWG SOLID BUSSING		A	PA	R															
7	B-IA-5304373-0-0	RECEPTACLE ASSEMBLY		2	2																
8	9006024-1	SCR PHL H PAN 6-32 x 1/2 SST		10	10																
9	9006633	WASH INT TOOTH LOCK		12	12																
10	10-02153	CAP-BATH 1000VDC 440 AC 2 x .1 MFD		4	4																
11	9006022-1	SCR PHL H PAN 6-32 x 3/8 SST		18	18																
12	9006560	NUT KEPS <del>HEX</del> 6-32		16	16																
13	9007089	CLAMP 3/4 NYLON		1	1																
14	1209158	BARRIER STRIP 3 BUCHANNAN 529 MD		3	3																
15	9006656	WASH FLAT #6		2	2																
16	9006997	TERMINAL #41774 AMP		49	49																
17	9007113	TERMINAL #41290 AMP		2	2																
18	1201219-02	CIR BREAKER AM33MG6 40 AMP 250V		1	1																
19	12-05303	LAMP #1020A4 (WHT) OMNI GLOW		1	1																
20	1204816	SW TOGGLE 7592K9 CUTLER HAM		1	1																
21	9007633	BUSH TERM DC-202-1 BRN		2	2																
22	9007239	TAB DOUB MALE T-202-D		6	6																

TITLE	ASSY NO.	SIZE	CODE	NUMBER	REV	ECO NO.
POWER CONTROL 841-B&C	D-UA-841-B-0	A	PL	841-B-0	B	841B-00002
SHEET	1 OF 3	DIST.				

DEC FORM NO. DRA 110

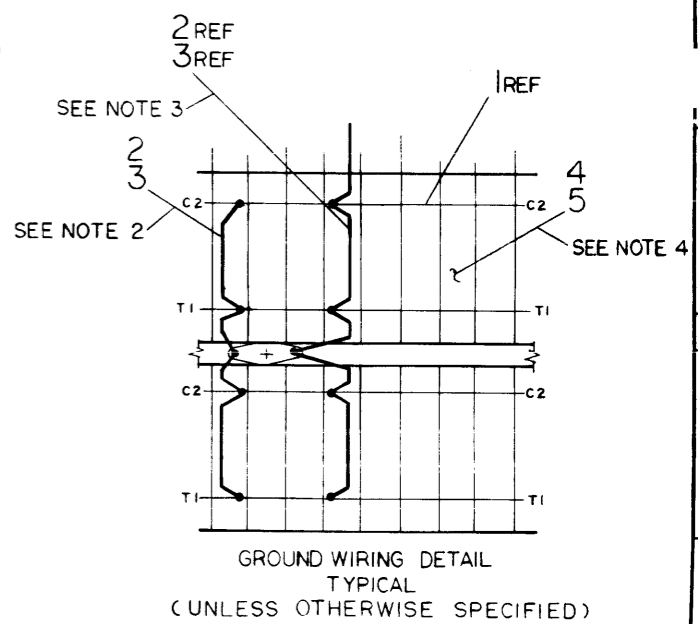
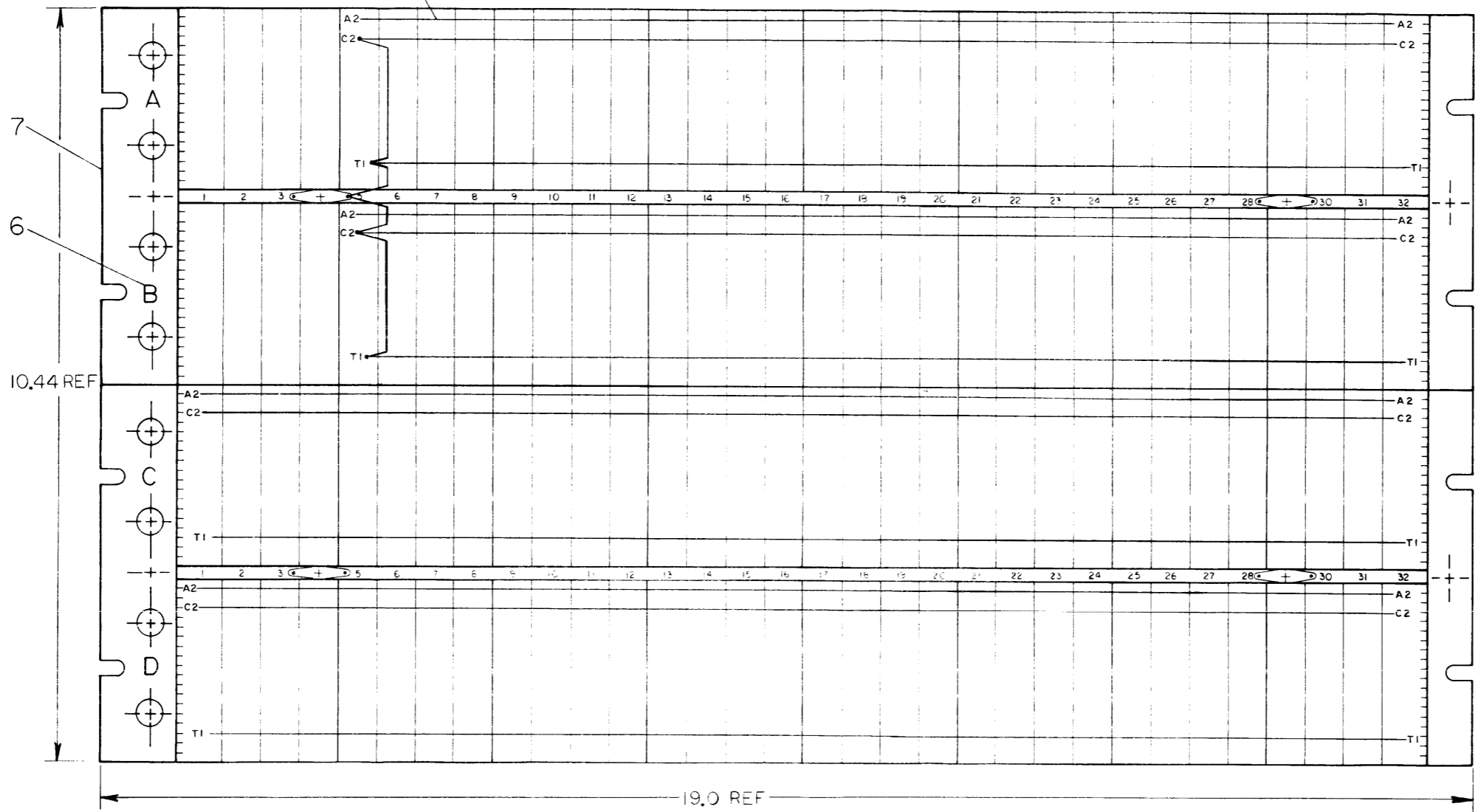
DIGITAL EQUIPMENT CORPORATION MAYNARD, MASSACHUSETTS				QUANTITY / VARIATION														
PARTS LIST																		
MADE BY K. GULICK		CHECKED D. REILLY		SECTION 1														
DATE 9/19/66		DATE 2/19/69																
ENG K. MORGANSON		PROC P. HULLMAN		ISSUED SECT. 1														
DATE 3-11-69		DATE																
ITEM NO.	DWG NO. / PART NO.	DESCRIPTION		841-B	841-C													
23	B-SS-5308302-0-0	DECAL 841-B		1	1													
24	D-MD-5308214-0-0	COVER		1	1													
25	9007035	GROMMET CATAPILLA 1/16		A/RA/R														
26	1201252	PLUG #160-5 AMPHENOL		1	1													
27	1201251	RECP #160-4 AMPHENOL		1	1													
28	9107440-4	WIRE #14 RED & WHT STRD		A/RA/R														
29	9107370-1	WIRE #14 BLK STRD		A/RA/R														
30	9107278-10	TUBING #18 WHITE		A/RA/R														
31	1305603	RESISTOR 2K 10W 10%		2	2													
32	1305604	RESISTOR 130K 1W 5%		1	1													
33	9107360-3	WIRE #18 RED STRD		A/RA/R														
34	9107360-10	WIRE #18 WHT STRD		A/RA/R														
35	9107255	SHRINK TUBING WHT		A/RA/R														
36	9107430-2	WIRE #18 RED & WHT STRD		A/RA/R														
37	12-05768	RELAY EM-4 120 VAC		1	-													
38	9006071-1	PHL H PAN 10-32 x 3/8 SST		2	3													
39	9006565	NUT KEPS HEX 10-32		2	3													
40	1300172	RESISTOR 10 OHMS 2W 10%		2	2													
41	1605147	FERRITE CUBE TUBE #56-261-30-38		2	2													
42	9007234	BUSH TERM DC-202-1 ORN		4	4													
43	9107278-3	TUBING #18 RED		A/RA/R														
44	9007015	GROMMET #1043-M		1	1													
TITLE		ASSY NO.		SIZE	CODE	NUMBER						REV.	ECO NO.					
POWER CONTROL 841-B&C		D-UA-841-B-0		A	PL	841-B-0						B						
		SHEET 2 OF 3		DIST.														

DEC FORM NO. DRA 110



This drawing and specifications, herein, are the property of Digital Equipment Corporation and shall not be reproduced or copied or used in whole or in part as the basis for the manufacture or sale of items without written permission.

- NOTES:
1. CONNECTIONS ON ITEM NUMBER 1#2 TO BE LOCATED AND SOLDERED AT MINIMUM PRACTICAL HEIGHT ABOVE BLOCK
  2. ALL CONNECTOR BLOCKS TO BE GROUND TO GROUND LUGS AS SHOWN, 4 PLACES
  3. JUMPER GROUND BUSSING AS SHOWN, 8 PLACES.
  4. USE YELLOW WIRE (ITEM#4) FOR MACHINE WRAPPED AND BLUE WIRE (ITEM#5) FOR HAND WRAPPED WIRING.

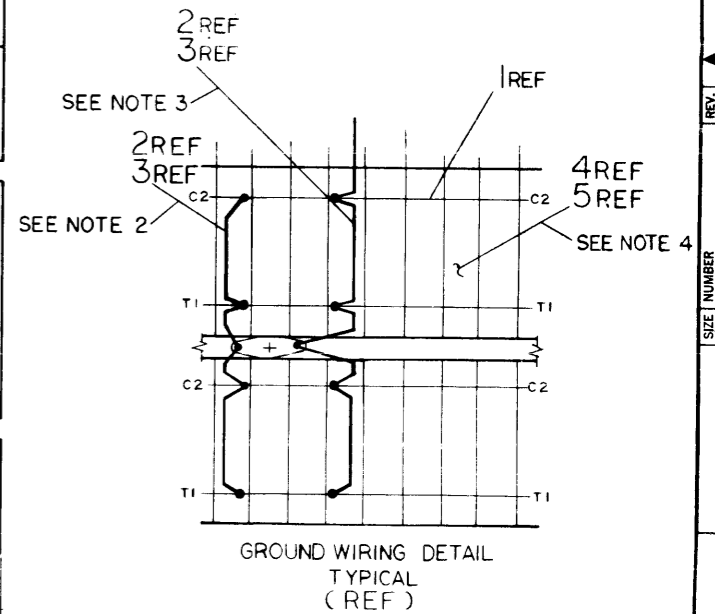
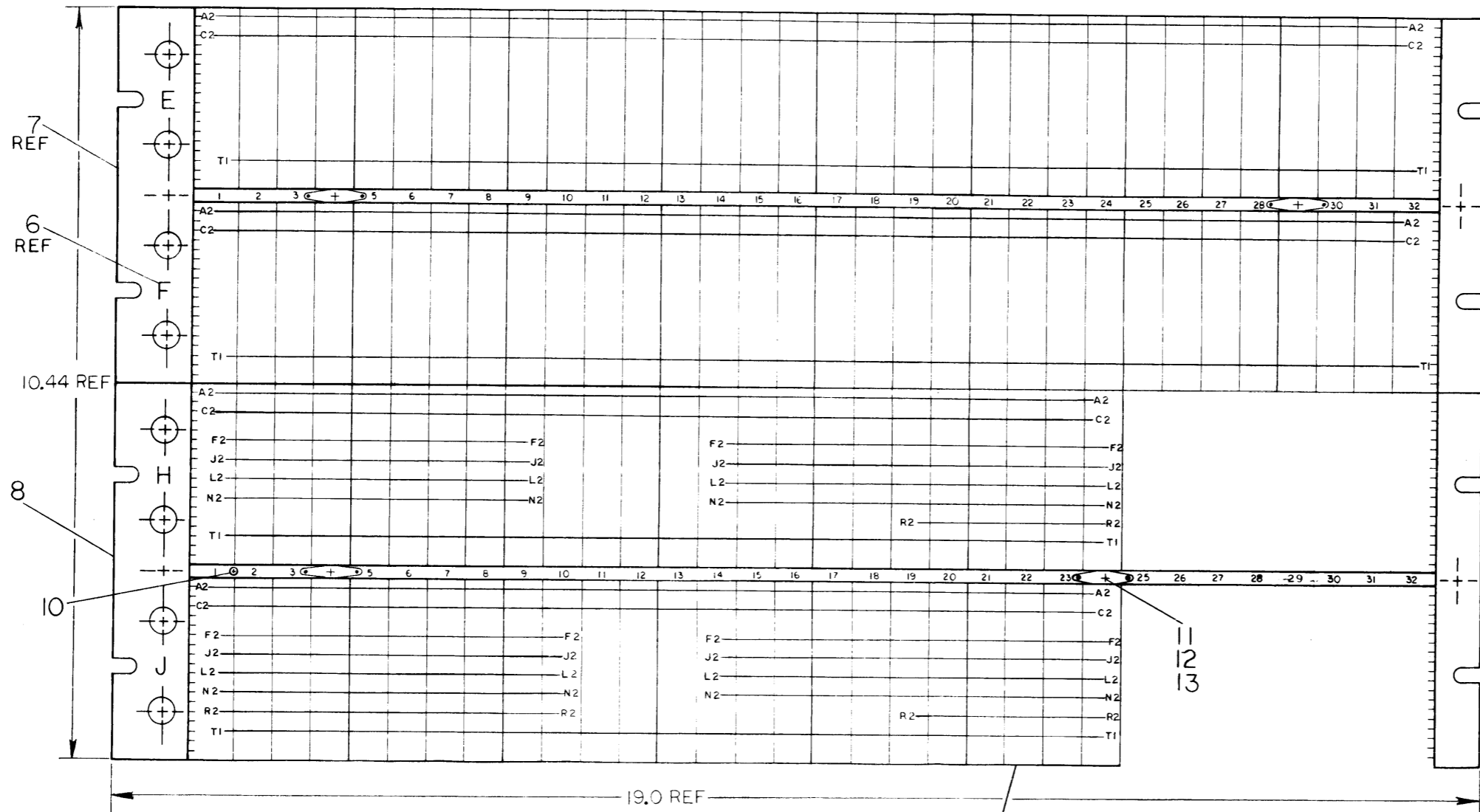


REV	
CHG	
CHK	

FIRST USED ON OPTION/MODEL RP15	QTY.	DESCRIPTION	PART NO.	ITEM NO.
DO NOT SCALE DRAWING	DRN	DATE	PARTS LIST	
UNLESS OTHERWISE SPECIFIED DIMENSION IN INCHES	CHK'D	DATE	digital EQUIPMENT CORPORATION MAYNARD, MASSACHUSETTS	
TOLERANCES	ENG.	DATE	TITLE	
DECIMALS FRACTIONS ANGLES	PROJ. ENG.	DATE	WIRED ASS'Y RP15	
+ .005 ± 1/64 = 0°30'	PROD.	DATE	NEXT HIGHER ASSY	
FINAL SURFACE QUALITY			D-AD-7006822-0-0	
REMOVE BURRS AND BREAK SHARP CORNERS			SIZE CODE NUMBER	
MATERIAL			D AD 7006821-0-0	
FINISH	SCALE NONE		DIST.	
	SHEET 1 OF 2			

This drawing and specifications, herein, are the property of Digital Equipment Corporation and are not to be reproduced or copied or used in whole or in part as the basis for the manufacture or sale of items without written permission.

- NOTES:
1. CONNECTIONS ON ITEM NUMBER 1 & 2 TO BE LOCATED AND SOLDERED AT MINIMUM PRACTICAL HEIGHT ABOVE BLOCKS.
  2. ALL CONNECTOR BLOCKS TO BE GROUNDED TO GROUND LUGS AS SHOWN, 4 PLACES.
  3. JUMPER GROUND BUSSING AS SHOWN, 8 PLACES.
  4. USE YELLOW WIRE (ITEM #4) FOR MACHINE WRAPPED AND BLUE WIRE (ITEM #3) FOR HAND WRAPPED WIRING.



REV.	
CHANGE NO.	
CHK	
FORM NO. 117	

FIRST USED ON OPTION/MODEL RP15	QTY.	DESCRIPTION	PART NO.	ITEM NO.
PARTS LIST				
digital EQUIPMENT CORPORATION				
WIRED ASS'Y RP15				
DAD 7006822 0-0				
DAD 7006821-0-0				
SHEET 2 OF 2				

SIZE NUMBER DAD-7006821-0-C REV.



DIGITAL EQUIPMENT CORPORATION MAYNARD, MASSACHUSETTS <b>PARTS LIST</b>				QUANTITY/VARIATION														
MADE BY P.J. LeBlanc		CHECKED V. DAMBRAUSKAS		SECTION														
DATE 3-31-70		DATE 4-22-70		1														
ENG W. Minor		PROD G. Bundy		ISSUED SECT.														
DATE 4-24-70		DATE 4-27-70		1														
ITEM NO.	DWG NO. / PART NO.	DESCRIPTION																
1	1205541	BUS STRIP			A/R													
2	9107560-01	22 AWG BUS WIRE			A/R													
3	9107256-09	#22 TUBING, TEFLON, WHITE			A/R													
4	9105740-44	30 AWG SOLID TEF INS. WIRE, YELLOW			A/R													
5	9105740-66	30 AWG SOLID TEF INS. WIRE, BLUE			A/R													
6	A-DC-7406371-0-0	LOGIC FRAME DECALS			A/R													
7	D-AD-5404491-0-0	H911 MTG PANEL			3													
8	D-AD-5302483-0-0	1943 CASTING			1													
9	E-SC-1205398-0-0	288 PIN CONN BLOCK TYPE #H803			6													
10	9006040-1	SCR PH HD #8-32 x 5/8 LG			12													
11	9007597	TERM #2116-08-00 SHAKEPROOF			2													
12	9006035-1	SCR PH HD #8-32 x 1/4 LG			2													
13	9006634	WASHER INT TOOTH #8			4													
TITLE				ASSY NO.		SIZE CODE		NUMBER				REV.		ECO NO.				
WIRED ASSY RP15				D-AD-7006821-0-0		A PL		7006821-0-0										
				SHEET 1 OF 1		DIST.												

DEC FORM NO.  
DRA 110

This drawing and specifications, herein, are the property of Digital Equipment Corporation and shall not be reproduced or copied in whole or in part as the basis for the manufacture or sale of items without written permission.

## MASTER DRAWING LIST

DWG. NO.	REV. LET.	NO. OF SHEETS	TITLE
D-UA-RP15-0-0	D	2	RP15 UNIT ASSEMBLY
A-PL-RP15-0-0	D	1	RP15 UNIT ASSEMBLY (PL)
D-DI-RP15-0-1	C	2	RP15 DRAWING INDEX
D-AD-7006821-0-0		2	RP15 WIRED ASSY
A-PL-7006821-0-0		1	RP15 WIRED ASSY (PL)
D-MU-RP15-0-02	B	4	MODULE UTILIZATION
A-PL-RP15-0-02	B	2	MODULE UTILIZATION
D-BS-RP15-0-03		1	MAINTENANCE CONTROL
D-BS-RP15-0-04	A	1	MAINTENANCE CONTROL BUFFER
D-BS-RP15-0-05	B	1	READ/WRITE CONTROL #1
D-BS-RP15-0-06	A	1	READ/WRITE CONTROL #2
D-BS-RP15-0-07	B	1	READ/WRITE CONTROL #3
D-BS-RP15-0-08	B	1	DATA SEPERATOR CONTROL
D-BS-RP15-0-09	B	1	STATUS CONTROL #1
D-BS-RP15-0-10	A	1	STATUS CONTROL #2
D-BS-RP15-0-11		1	STATUS CONTROL #3
D-BS-RP15-0-12		1	API CONTROL
D-BS-RP15-0-13	B	1	BUFFER REGISTER CONTROL
D-BS-RP15-0-14		1	DCH CONTROL
D-BS-RP15-0-15	B	1	SHIFT & LONG. REGISTER CONTROL
D-BS-RP15-0-16	B	1	TAG AND BUS LINE CONTROL
D-BS-RP15-0-17	A	1	WC & CA CONTROL
D-BS-RP15-0-18	A	1	MAJOR STATE CONTROL
D-BS-RP15-0-19		1	MAJOR STATE
D-BS-RP15-0-20		1	IOT SELECTION
D-BS-RP15-0-21		1	FUNCTION REGISTER
D-BS-RP15-0-22	A	1	WRITE FORMAT GENERATOR
D-BS-RP15-0-23		1	SECTOR WORD COUNT
D-BS-RP15-0-24		1	WRITE CHECK COMPARATOR 00-15
D-BS-RP15-0-25		1	WRITE CHECK COMPARATOR 16-31
D-BS-RP15-0-26		1	WRITE CHECK COMPARATOR
D-BS-RP15-0-27		1	CYLINDER COMPARATOR
D-BS-RP15-0-28		1	CYLINDER ADDRESS REGISTER
D-BS-RP15-0-29		1	HEAD ADDRESS REGISTER

REVISIONS				DRN. P. LEBLANC	DATE 7/17/70	<b>digital</b> CORPORATION MAYNARD, MASSACHUSETTS	TITLE  RP15 CONTROL FOR RP02
REV.	DATE	CHG. NO.	APP'D.	CHK'D.	DATE		
A	9/70	RP15-5	J.Z.	<i>[Signature]</i>	7-23-70		
B	11/70	RP15-7	J.Z.	<i>[Signature]</i>	7-24-70		
				ENG. <i>[Signature]</i>	7-24-70		
				PROJ. ENG. <i>[Signature]</i>	7-24-70		
				PROD. <i>[Signature]</i>	7-24-70		
FIRST USED ON				PDP15		SIZE	CODE
						A	ML
SCALE				NONE		NUMBER	
						RP15-0	
SHEET				1 OF 2		DIST.	

This drawing and specifications, herein, are the property of Digital Equipment Corporation and shall not be reproduced or copied in whole or in part as the basis for the manufacture or sale of items without written permission.

## MASTER DRAWING LIST

DWG. NO.	REV. LET.	NO. OF SHEETS	TITLE
D-BS-RP15-0-30		1	SECTOR ADDRESS REGISTER
D-BS-RP15-0-31		1	WORD COUNT REGISTER 00-17
D-BS-RP15-0-32		1	CURRENT ADDRESS REGISTER
D-BS-RP15-0-33		1	BUFFER REGISTER 00-05, 18-23
D-BS-RP15-0-34		1	BUFFER REGISTER 06-11, 24-29
D-BS-RP15-0-35		1	BUFFER REGISTER 12-17, 30-35
D-BS-RP15-0-36		1	SHIFT REGISTER 00-11
D-BS-RP15-0-37		1	SHIFT REGISTER 12-23
D-BS-RP15-0-38		1	SHIFT REGISTER 24-35
D-BS-RP15-0-39		1	LONG. PARITY REGISTER 00-17
D-BS-RP15-0-40		1	LONG. PARITY REGISTER 18-26
D-BS-RP15-0-41		1	LONG. PARITY REGISTER 27-35
D-BS-RP15-0-42		1	BUS MULTIPLEXER 00-05
D-BS-RP15-0-43	A	1	BUS MULTIPLEXER 06-11
D-BS-RP15-0-44		1	BUS MULTIPLEXER 12-17
D-BS-RP15-0-45	A	1	MULTIPLEXER TERMINATOR 00-17
D-BS-RP15-0-46		1	UNIT DISK DRIVERS
D-BS-RP15-0-47		1	BUS DISK DRIVERS
D-BS-RP15-0-48	A	1	DISK RECELVERS
D-BS-RP15-0-49	A	1	I/O BUS DRIVERS 00-17
D-BS-RP15-0-50		1	I/O ADDRESS DRIVERS
D-BS-RP15-0-51		1	I/O BUS RECEIVERS
D-IC-RP15-0-52	A	1	I/O BUS INTERFACE
D-IC-RP15-0-53	A	1	DRIVE-CONTROL CABLE INTERFACE
D-IC-RP15-0-54		1	INDICATOR INTERFACE
D-BS-RP15-0-55		1	LOCKOUT INTERFACE
D-TD-RP15-0-56	B	5	RP15 TIMING DIAGRAM
D-SP-RP15-0-57	A	1	ADJUSTMENT & MAINTENANCE
K-WL-RP15-0-58	B		WIRE LIST
A-SP-RP15-0-59		81	RP15 SPECIFICATION

REVISIONS				DRN. P. LEBLANC	DATE 7/17/70	<b>digital</b> CORPORATION MAYNARD, MASSACHUSETTS	TITLE  RP15
REV.	DATE	CHG. NO.	APP'D.	CHK'D.	DATE		
				<i>[Signature]</i>	7-23-70		
				ENG. <i>[Signature]</i>	7-24-70		
				PROJ. ENG. <i>[Signature]</i>	7-24-70		
				PROD. <i>[Signature]</i>	7-24-70		
FIRST USED ON				PDP15		SIZE	CODE
						A	ML
SCALE				NONE		NUMBER	
						RP15-0	
SHEET				2 OF 2		DIST.	



This drawing and specifications shall not be reproduced or copied or used in part as the basis for the manufacture or sale of items without written permission.

	1	2	3	4	5	6	7	8	9	10	11	12	13	14	15	16	17	18	19	20	21	22
USAGE	M216	M113	M216	M113	M216	M401	MC02	M113	M115	M117	M113	M119	M119	M606	M212	M602	M627	M216	M216	M602	M216	M111
C	CA 00	CA 02	CA 00	CA 02	CA 06	CA 08	CA 10	CA 12	CA 14	CA 16	CA 18	CA 20	CA 22	CA 24	CA 26	CA 28	CA 30	CA 32	CA 34	CA 36	CA 38	CA 40
	CA 01	CA 03	CA 01	CA 03	CA 05	CA 07	CA 09	CA 11	CA 13	CA 15	CA 17	CA 19	CA 21	CA 23	CA 25	CA 27	CA 29	CA 31	CA 33	CA 35	CA 37	CA 39
	CA 04	CA 05	CA 04	CA 05	CA 06	CA 07	CA 08	CA 09	CA 10	CA 11	CA 12	CA 13	CA 14	CA 15	CA 16	CA 17	CA 18	CA 19	CA 20	CA 21	CA 22	CA 23
USAGE	M216	M113	M216	M113	M216	M311	M111	M113	M119	M119	M216	M216	M627	M135	M117	M119	M611	M133	M119	M119	M117	M216
D	WC 00	WC 02	WC 00	WC 02	WC 06	WC 08	WC 10	WC 12	WC 14	WC 16	WC 18	WC 20	WC 22	WC 24	WC 26	WC 28	WC 30	WC 32	WC 34	WC 36	WC 38	WC 40
	WC 01	WC 03	WC 01	WC 03	WC 05	WC 07	WC 09	WC 11	WC 13	WC 15	WC 17	WC 19	WC 21	WC 23	WC 25	WC 27	WC 29	WC 31	WC 33	WC 35	WC 37	WC 39
	WC 04	WC 05	WC 04	WC 05	WC 06	WC 07	WC 08	WC 09	WC 10	WC 11	WC 12	WC 13	WC 14	WC 15	WC 16	WC 17	WC 18	WC 19	WC 20	WC 21	WC 22	WC 23
USAGE	M606	M302	M302	M216	M117	M204	M204	M212	M212	M212												
C	HDP DLYD	GO (1)	SECTOR DLYD	SECTOR DLYD	SECTOR DLYD	CLP SWC	INC SWC															
	+3V																					
USAGE	M113	M113	M115	M216	M606			M212	M212	M212												
D	FIRST DATA BIT	SECTOR END	HEADER	FMT GEN 04	DATA FIELD	FMT GEN 02	SWC 06	SWC 0VFLD	INC WC													
	FIRST DATA BIT	DATA FIELD EN	CLP SWC	FMT GEN 04	HEADER	FMT GEN 02																
	VFO ENABLE	EXECUTE	INC FMT GEN	WSBE	INC FMT GEN																	

REV.	
CHG.	
NO.	

FIRST USED ON OPTION/MODEL  
PDP15

DO NOT SCALE DRAWING  
UNLESS OTHERWISE SPECIFIED  
DIMENSION IN INCHES  
TOLERANCES  
DECIMALS FRACTIONS ANGLES  
= .005 = 1/64 = 0°30'  
FINAL SURFACE QUALITY  
REMOVE BURRS AND BREAK SHARP CORNERS

MATERIAL  
FINISH

DRN. A. KAMOSI  
CHK'D. DATE 7-22-70  
ENG. DATE 1-8-71  
PROJ. ENG. DATE 1-8-71  
DATE 1-8-71

NEXT HIGHER ASSY  
A-ML-RP15-0

SCALE 1-1  
SHEET 2 OF 4

**digital** CORPORATION  
MAYNARD, MASSACHUSETTS

TITLE  
**MODULE UTILIZATION (RP15)**

SIZE CODE NUMBER REV.  
**DMU RP15-0-02 B**

REV. B  
DMU RP15-0-02

This drawing and specifications, herein, are the property of Digital Equipment Corporation and shall not be reproduced or copied or used in whole or in part as the basis for the manufacture or sale of items without written permission.

REV. 20-0-02  
 SIZE CODE  
 NUMBER  
 2

	1	2	3	4	5	6	7	8	9	10	11	12	13	14	15	16	17	18	19	20	21	22
USAGE	M149	M149	M149	M149	M002	M115	M113	M117	M117	M111	M420	M312	M627	M216	M216	M002	MTT9					
BUS 00	BUS 02	BUS 00	BUS 02	BUS 00	BUS 02	BUS 00	BUS 02	BUS 00	BUS 02	BUS 00	BUS 02	VFO SYNC CLOCK	CLOCK PULSE	CLOCK PULSE	BRS SYNC		CLR BR					
BUS 01	BUS 03	BUS 01	BUS 03	BUS 01	BUS 03	BUS 01	BUS 03	BUS 01	BUS 03	BUS 01	BUS 03	VFO OSC	CLOCK									
BUS 03	BUS 04	BUS 03	BUS 04	BUS 03	BUS 04	BUS 03	BUS 04	BUS 03	BUS 04	BUS 03	BUS 04											
BUS 05	BUS 06	BUS 05	BUS 06	BUS 05	BUS 06	BUS 05	BUS 06	BUS 05	BUS 06	BUS 05	BUS 06											
BUS 07	BUS 08	BUS 07	BUS 08	BUS 07	BUS 08	BUS 07	BUS 08	BUS 07	BUS 08	BUS 07	BUS 08											
BUS 08																						

	23	24	25	26	27	28	29	30	31	32	33	34	35	36	37	38	39	40	41	42	43	44
USAGE	M121	M121	M121	M207	M207	M207	M207	M207	M207	M207												
BUS 09	BUS 11	BUS 09	BUS 11	BUS 09	BUS 11	BUS 09	BUS 11	BUS 09	BUS 11	BUS 09	BUS 11											
BUS 10	BUS 12	BUS 10	BUS 12	BUS 10	BUS 12	BUS 10	BUS 12	BUS 10	BUS 12	BUS 10	BUS 12											
BUS 12	BUS 13	BUS 12	BUS 13	BUS 12	BUS 13	BUS 12	BUS 13	BUS 12	BUS 13	BUS 12	BUS 13											
BUS 14	BUS 15	BUS 14	BUS 15	BUS 14	BUS 15	BUS 14	BUS 15	BUS 14	BUS 15	BUS 14	BUS 15											
BUS 16	BUS 17	BUS 16	BUS 17	BUS 16	BUS 17	BUS 16	BUS 17	BUS 16	BUS 17	BUS 16	BUS 17											

	23	24	25	26	27	28	29	30	31	32	33	34	35	36	37	38	39	40	41	42	43	44
USAGE	M011	M011	M121	M212	M212	M212	M212	M212	M212	M212												
SU CAP 07	ATT 01	SU INDEX 02	RD DATA COAX 02	LPR 30	LPR 33	SP 00	SP 02	SR 06	SP 08	SR 12	SP 14	SR 18	SR 20	SR 24	SR 26	SR 30	SR 32					
		SU FTLE UNSAFE	SU SEEM INC	LPR 31	LPR 34	SP 01	SR 03	SR 07	SR 09	SR 13	SR 15	SR 19	SR 21	SR 25	SR 27	SR 31	SR 33					
		SU END OF CYL	THRU SU SECTOR	LPR 32	LPR 35	SP 05	SR 04	SR 11	SR 10	SR 17	SR 16	SR 23	SR 22	SR 29	SR 28	SR 35	SR 34					

REV.	
CHK	
CHG	
NO.	

FIRST USED ON OPTION/MODEL  
 -#

DO NOT SCALE DRAWING	DRN. A. Raymond	DATE 7-22-70
UNLESS OTHERWISE SPECIFIED DIMENSION IN INCHES	CHKD. A. Raymond	DATE 7-23-70
TOLERANCES	ENG. A. Raymond	DATE 7-23-70
DECIMALS FRACTIONS ANGLES	PROG. ENG. A. Raymond	DATE 7-24-70
± .005 ± 1/64 ± 0°30'	PROP. A. Raymond	DATE 7-24-70
FINAL SURFACE QUALITY /		
REMOVE BURRS AND BREAK SHARP CORNERS		
MATERIAL		
FINISH		

SCALE	#
SHEET	3 OF 4

**digital** EQUIPMENT CORPORATION  
 MAYNARD, MASSACHUSETTS

TITLE  
**MODULE UTILIZATION (RP15)**

SIZE CODE  
**DMU**

NUMBER  
**RP15-0-02**

DIST.

This drawing and specifications are the property of Digital Equipment Corporation and are not to be reproduced or copied or used in whole or in part without the written permission of Digital Equipment Corporation.

	1	2	3	4	5	6	7	8	9	10	11	12	13	14	15	16	17	18	19	20	21	22	
D H	USAGE CABLE 2	M912 CABLE 2	M912 CABLE 2	M912 CABLE 2	M510 CABLE 2	M510 CABLE 2	M510 CABLE 2	M510 CABLE 2	M510 CABLE 2	M104 CABLE 2	M104 CABLE 2			M622 CABLE 2	M622 CABLE 2	M622 CABLE 2	M622 CABLE 2	M510 CABLE 2	M028 CABLE 2	M028 CABLE 2	M028 CABLE 2	M028 CABLE 2	
	1/0 BUS 08 THRU 1/0 BUS 17	1/0 SYNC IOP 1, 2, 4 SKIP RQ PROG INT RQ RD RQ STATUS 1/0 PWR CLR	DS 00 THRU DS 05 SING CY RQ SD 00 SD 01	1/0 BUS 08 THRU 1/0 BUS 17	1/0 SYNC IOP 1, 2, 4 SKIP RQ PROG INT RQ RD RQ STATUS 1/0 PWR CLR	1/0 BUS 08 THRU 1/0 BUS 17	1/0 SYNC IOP 1, 2, 4 SKIP RQ PROG INT RQ RD RQ STATUS 1/0 PWR CLR	1/0 BUS 08 THRU 1/0 BUS 17	1/0 SYNC IOP 1, 2, 4 SKIP RQ PROG INT RQ RD RQ STATUS 1/0 PWR CLR	1/0 BUS 08 THRU 1/0 BUS 17	1/0 SYNC IOP 1, 2, 4 SKIP RQ PROG INT RQ RD RQ STATUS 1/0 PWR CLR	1/0 SYNC IOP 1, 2, 4 SKIP RQ PROG INT RQ RD RQ STATUS 1/0 PWR CLR	1/0 SYNC IOP 1, 2, 4 SKIP RQ PROG INT RQ RD RQ STATUS 1/0 PWR CLR	1/0 SYNC IOP 1, 2, 4 SKIP RQ PROG INT RQ RD RQ STATUS 1/0 PWR CLR	1/0 SYNC IOP 1, 2, 4 SKIP RQ PROG INT RQ RD RQ STATUS 1/0 PWR CLR	1/0 SYNC IOP 1, 2, 4 SKIP RQ PROG INT RQ RD RQ STATUS 1/0 PWR CLR	1/0 SYNC IOP 1, 2, 4 SKIP RQ PROG INT RQ RD RQ STATUS 1/0 PWR CLR	1/0 SYNC IOP 1, 2, 4 SKIP RQ PROG INT RQ RD RQ STATUS 1/0 PWR CLR	1/0 SYNC IOP 1, 2, 4 SKIP RQ PROG INT RQ RD RQ STATUS 1/0 PWR CLR	1/0 SYNC IOP 1, 2, 4 SKIP RQ PROG INT RQ RD RQ STATUS 1/0 PWR CLR	1/0 SYNC IOP 1, 2, 4 SKIP RQ PROG INT RQ RD RQ STATUS 1/0 PWR CLR	1/0 SYNC IOP 1, 2, 4 SKIP RQ PROG INT RQ RD RQ STATUS 1/0 PWR CLR	1/0 SYNC IOP 1, 2, 4 SKIP RQ PROG INT RQ RD RQ STATUS 1/0 PWR CLR
C J	USAGE CABLE 2	M912 CABLE 2	M912 CABLE 2	M912 CABLE 2	M622 CABLE 2	M622 CABLE 2	M622 CABLE 2	M622 CABLE 2	M622 CABLE 2	M622 CABLE 2	M622 CABLE 2	M622 CABLE 2	M622 CABLE 2	M622 CABLE 2	M622 CABLE 2	M622 CABLE 2	M622 CABLE 2	M510 CABLE 2	M510 CABLE 2	M028 CABLE 2	M028 CABLE 2	M028 CABLE 2	M028 CABLE 2
	1/0 RUN DATA 1 OVFLO 1/0 ADDP 03 THRU 1/0 ADDP 08	1/0 ADDR 09 1/0 ADDR 17	WR RQ INC MB +1- CA INH API 0 GR API 0 EN API 1 RD API 1 GR API 1 EN OUT	API 2 RQ API 2 GR API 2 EN API 3 RQ API 3 GR API 3 EN API 1 RD API 1 GR API 1 EN OUT	1/0 RUN DATA 1 OVFLO 1/0 ADDP 03 THRU 1/0 ADDP 08	1/0 BUS 08 THRU 1/0 BUS 15	1/0 BUS 08 THRU 1/0 BUS 15	1/0 BUS 08 THRU 1/0 BUS 15	1/0 BUS 08 THRU 1/0 BUS 15	1/0 BUS 08 THRU 1/0 BUS 15	1/0 ADDR 13 1/0 ADDR 14 1/0 ADDR 15 1/0 ADDR 16 1/0 ADDR 17 1/0 ADDR 17 1/0 ADDR 16 1/0 ADDR 12	1/0 ADDR 08 1/0 ADDR 15	1/0 ADDR 08 1/0 ADDR 15	1/0 ADDR 08 1/0 ADDR 15	1/0 ADDR 08 1/0 ADDR 15	1/0 ADDR 08 1/0 ADDR 15	1/0 ADDR 08 1/0 ADDR 15	1/0 ADDR 08 1/0 ADDR 15	1/0 ADDR 08 1/0 ADDR 15	1/0 ADDR 08 1/0 ADDR 15	1/0 ADDR 08 1/0 ADDR 15	1/0 ADDR 08 1/0 ADDR 15	1/0 ADDR 08 1/0 ADDR 15
B H	USAGE CABLE 2	M850 CABLE 2	M850 CABLE 2																				
	UNIT BUS 08 THRU UNIT BUS 07	SEG OUT SET HEAD SET CYL CONTROL SU READ ONLY																					
A J	USAGE CABLE 2	M850 CABLE 2	M850 CABLE 2																				
	SU CAR 07 THRU SU CAR 08	SU PBY SU ON LINE SU INDEX SU FILE SU UNSAFE SU SEEK SU INC SU ENC OF CYL SU SECTOR																					

\* NOTE WHILE IN MAINTENANCE MODE SLOT J01, J04, AND H17 ARE OCCUPIED BY M622 MODULES

REVISIONS CHK CHANGE NO.	REV.	FIRST USED ON OPTION/MODEL	DO NOT SCALE DRAWING UNLESS OTHERWISE SPECIFIED DIMENSION IN INCHES TOLERANCES DECIMALS FRACTIONS ANGLES ± .005 ± 1/64 ± 0'30" FINAL SURFACE QUALITY REMOVE BURRS AND BREAK SHARP CORNERS	DRN- CHK'D. ENG. PROL ENG. PROB.	DATE DATE DATE DATE DATE	digital EQUIPMENT CORPORATION MAYNARD MASSACHUSETTS	TITLE MODULE UTILIZATION (RP15)	SIZE CODE DMU RP15-0-02	NUMBER 1	REV. B
--------------------------------	------	----------------------------	--	--	--------------------------------------	--	------------------------------------	----------------------------	-------------	-----------

DIGITAL EQUIPMENT CORPORATION MAYNARD, MASSACHUSETTS <b>PARTS LIST</b>					QUANTITY / VARIATION															
MADE BY K. RUSS		CHECKED K. RUSS		SECTION																
DATE 7-22-70		DATE 7-22-70		1																
ENG <i>J. Zee</i>		PROD <i>J. Burch</i>		ISSUED SECT.																
DATE 7-24-70		DATE 7-24-70		1																
ITEM NO.	DWG NO. / PART NO.	DESCRIPTION																		
	M002	LOGIC 1 SOURCE			3															
	M104	I/O BUS MULTIPLEXER			2															
	M111	INVERTER			7															
	M112	NOR GATE			5															
	M113	TEN 2-INPUT NAND GATES			17															
	M115	EIGHT 3-INPUT NAND GATES			8															
	M117	SIX 4-INPUT NAND GATES			8															
	M119	THREE 8-INPUT NAND GATES			17															
	M121	AND/NOR GATE			14															
	M149	9 X 2 NAND WIRED OR MATRIX			8															
	M160	AND/NOR GATE			1															
	M161	BINARY TO OCTAL/DECIMAL DECODER			1															
	M203	8 R/S FLIP FLOP			2															
	M204	GENERAL PURPOSE BUFFER AND COUNTER			2															
	M207	GENERAL PURPOSE FLIP FLOP			8															
	M212	SIX BIT L-R SHIFT REGISTER			13															
	M216	SIX FLIP FLOPS			24															
	M302	ONE SHOT DELAY			3															
	M311	TAP DELAY			1															
	M312	DELAY MODULE			2															
	M401	VARIABLE CLOCK			1															
	M405	CRYSTAL CLOCK MODIFIED TO 5 MC			1															
TITLE		ASSY NO.		SIZE	CODE	NUMBER				REV.	ECO NO.									
MODULE UTILIZATION (COUNT)		D-MU-RP15-0-02		A	PL	RP15-0-02				B	RP15-0007									
		SHEET 1 OF 2		DIST.																

DEC FORM NO.  
DRA 110

**DIGITAL EQUIPMENT CORPORATION**  
MAYNARD, MASSACHUSETTS  
**PARTS LIST**

MADE BY K. RUSS	CHECKED K. RUSS	SECTION 1
DATE 7-22-70	DATE 7-22-70	
ENG J. Zel	PROD J. Bundy	ISSUED SECT. 1
DATE 7-24-70	DATE 7-24-70	

QUANTITY / VARIATION

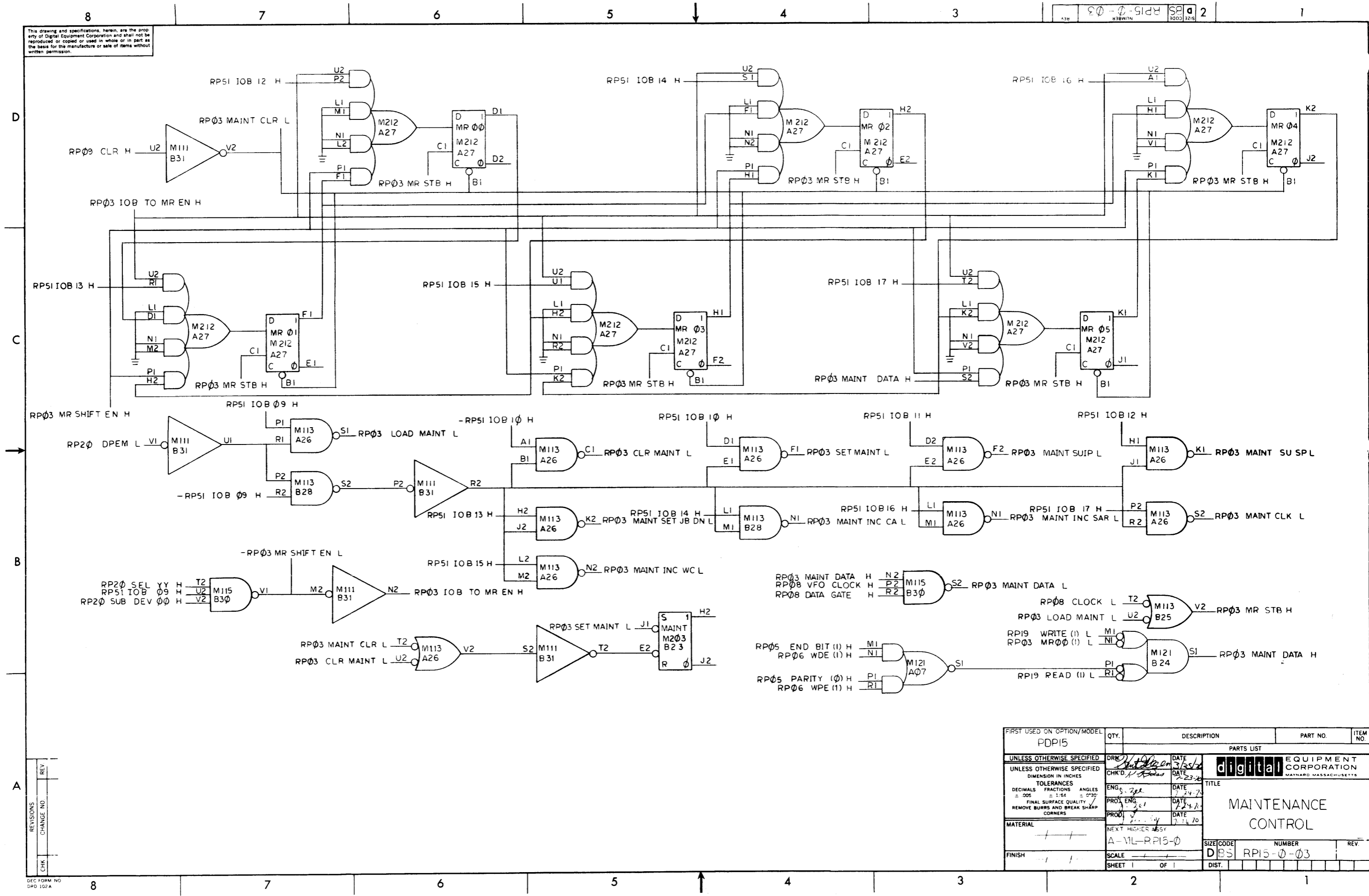
ITEM NO.	DWG NO. / PART NO.	DESCRIPTION
	M420	CLOCK
	M510	I/O BUS RECEIVER
	M602	PULSE AMPLIFIER
	M606	PULSE GENERATOR
	M611	HIGH SPEED POWER INVERTER
	M622	8 BIT POS. INPUT/OUTPUT BUS DRIVER
	M627	NAND POWER AMPLIFIER
	M911	MEMORY BUS CP TERMINATOR
	M133	TEN 2-INPUT NAND GATES
	M135	EIGHT 3-INPUT NAND GATES

1																				
8																				
4																				
6																				
2																				
15																				
3																				
2																				
1																				
1																				

TITLE MODULE UTILIZATION (COUNT)	ASSY NO. D-MU-RP15-0-02	SIZE CODE <b>A PL</b>	NUMBER RP15-0-02	REV. <b>B</b>	ECO NO.
	SHEET 2 OF 2	DIST.			



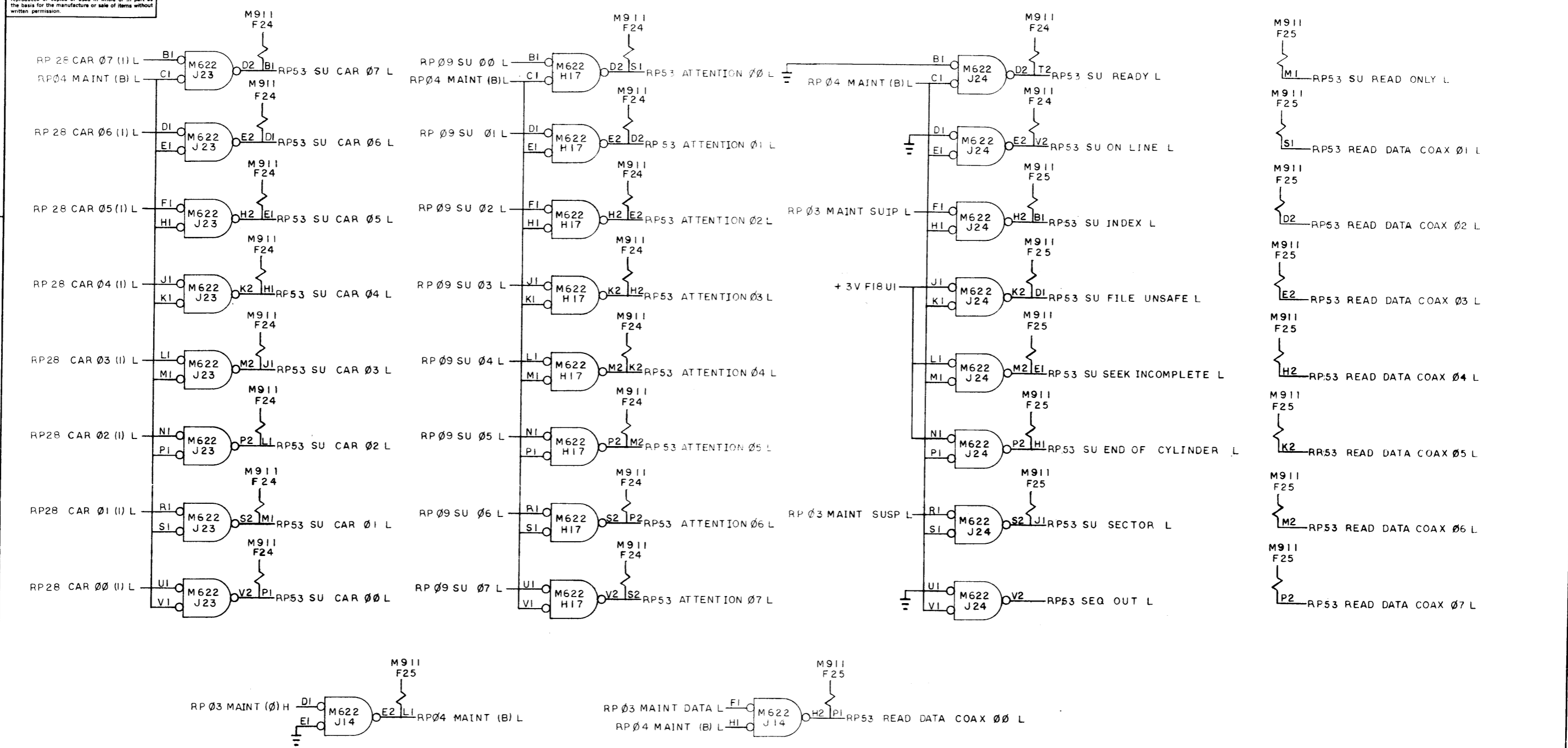
This drawing and specifications, herein, are the property of Digital Equipment Corporation and shall not be reproduced or copied or used in whole or in part as the basis for the manufacture or sale of items without written permission.



REV	CHANGE NO

FIRST USED ON OPTION/MODEL PDP15	QTY.	DESCRIPTION	PART NO.	ITEM NO.
PARTS LIST				
UNLESS OTHERWISE SPECIFIED	DRN	DATE	digital EQUIPMENT CORPORATION MAYNARD, MASSACHUSETTS	
TOLERANCES	CHK'D	DATE	TITLE	
DECIMALS FRACTIONS ANGLES	ENG	DATE	MAINTENANCE CONTROL	
± .005 ± .01 ± .020	PROJ. ENG.	DATE	SIZE CODE D B S NUMBER RP15-0-03 REV.	
FINAL SURFACE QUALITY REMOVE BURRS AND BREAK SHARP CORNERS	PROD.	DATE	SCALE OF 1 DIST.	
MATERIAL	NEXT HIGHER ASSY			
FINISH	A-ML-RP15-0			

This drawing and specifications of Digital Equipment Corporation are to be used in whole or in part as the basis for the manufacture or sale of items without written permission.



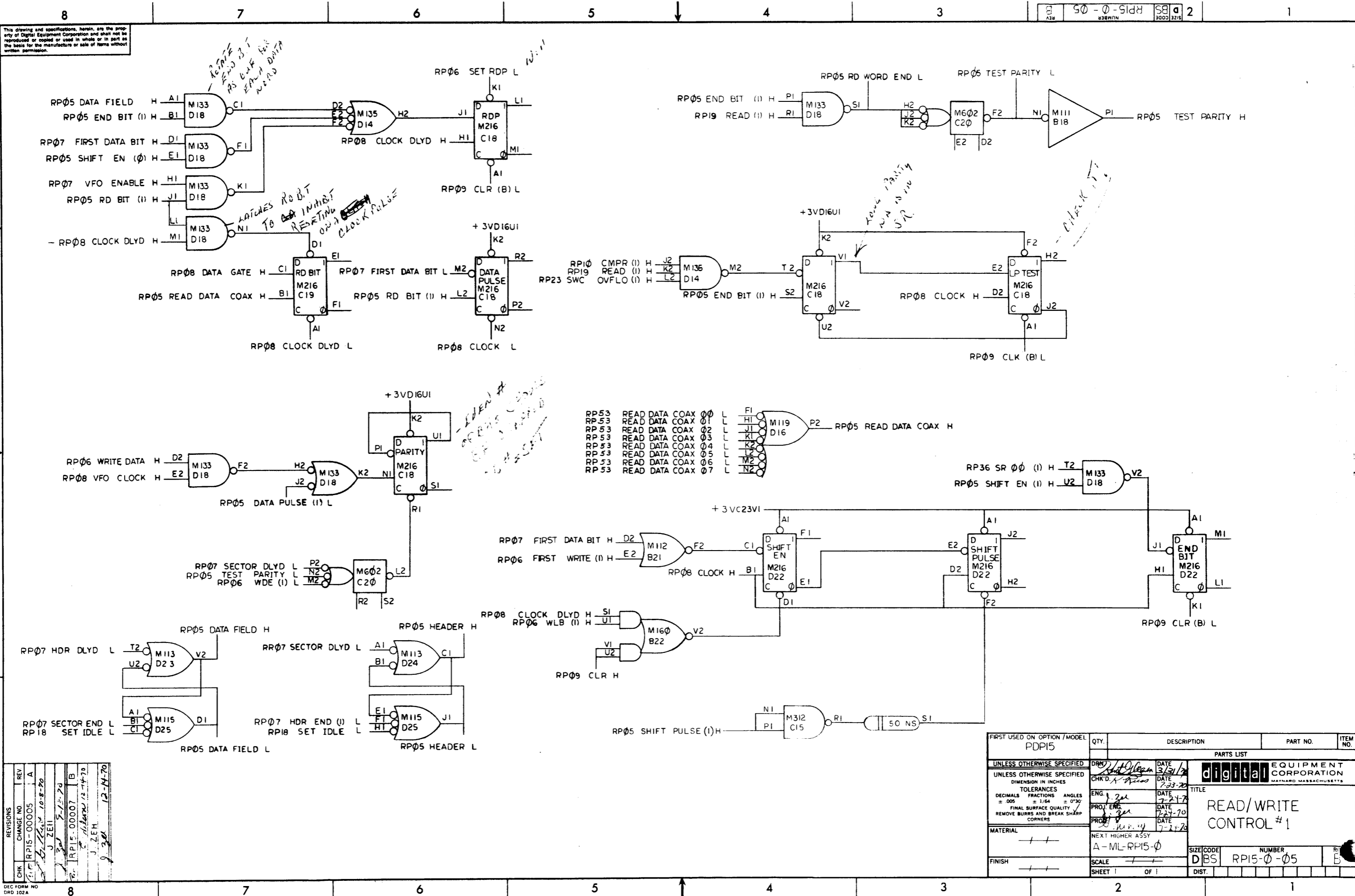
REV	DATE	BY	CHK	CHANGE NO
1	9-16-70	K.D.	A	
2	7-24-70	A.P.		
3	7-24-70	J.P.		
4	7-24-70	J.P.		

DEC FORM NO. 1024

FIRST USED ON OPTION/MODEL	QTY.	DESCRIPTION	PART NO.	ITEM NO.
PDP 15				
UNLESS OTHERWISE SPECIFIED				
DIMENSION IN INCHES		DRN. <i>K.D.</i> DATE 9-16-70	PARTS LIST	
TOLERANCES		CHK'D. <i>A.P.</i> DATE 7-23-70	digital EQUIPMENT CORPORATION	
DECIMALS = .005	FRACTIONS = 1/64	ENG. <i>J.P.</i> DATE 7-24-70	TITLE	
ANGLES = 0°30'		PROJ. ENG. <i>J.P.</i> DATE 7-24-70	MAINTENANCE CONTROL BUFFERS	
FINAL SURFACE QUALITY		PREP. <i>J.P.</i> DATE 7-24-70	NEXT HIGHER ASSY. A-ML-RP15-0	
REMOVE BURRS AND BREAK SHARP CORNERS		MATERIAL	SIZE CODE NUMBER	
		FINISH	D BSRP15-0-04	
		SCALE	REV. A	
		SHEET 1 OF 1	DIST.	

D  
C  
B  
A  
REV. A  
NUMBER  
D BSRP15-0-04  
SIZE CODE

This drawing and specifications herein are the property of Digital Equipment Corporation and shall not be reproduced or copied or used in whole or in part as the basis for the manufacture or sale of items without written permission.



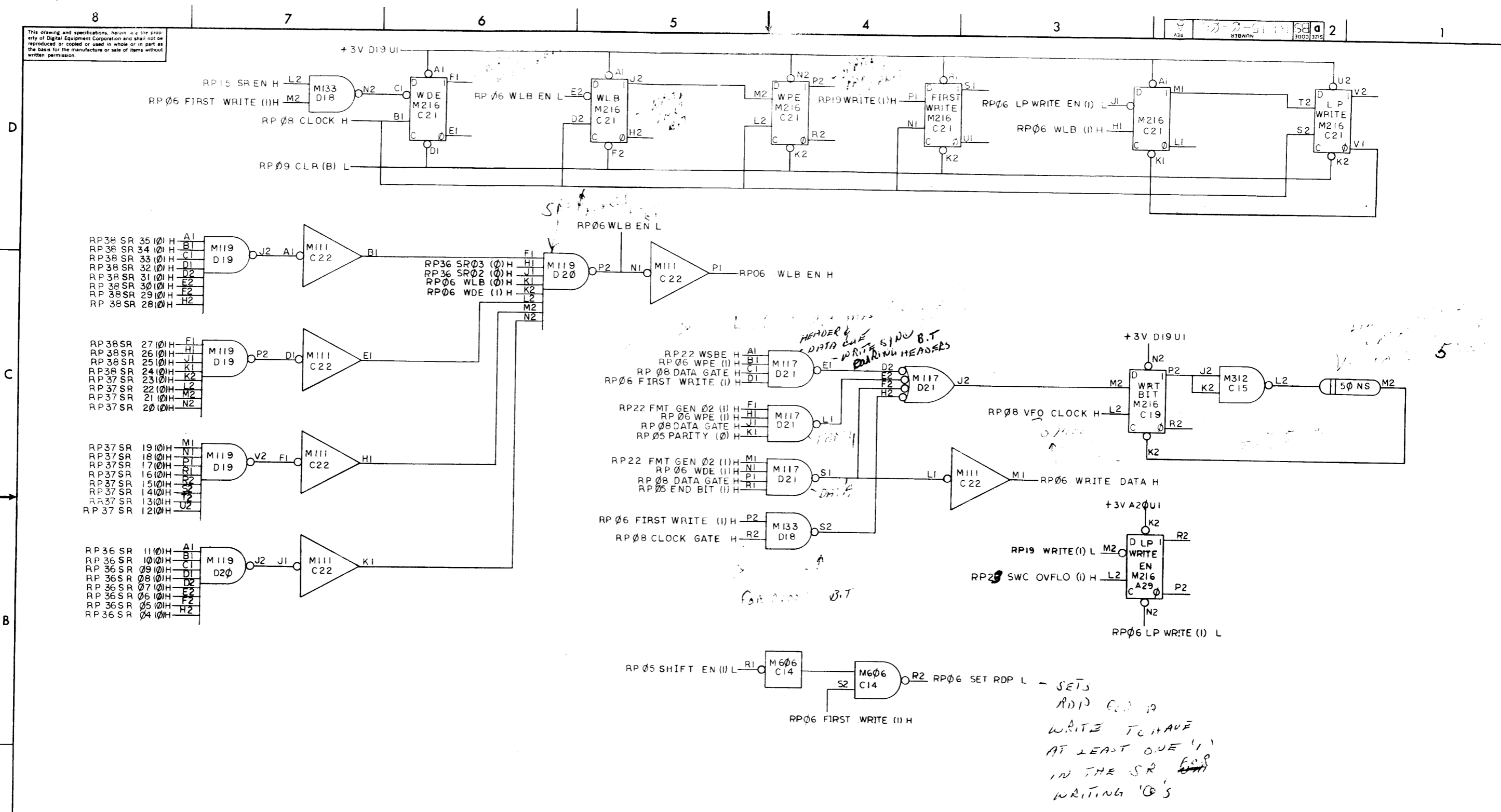
REV	NO	DATE	BY	CHKD
1	A	10-8-70	J. ZELI	
2	B	12-14-70	J. ZELI	

REV	NO	DATE	BY	CHKD
1	A	3-21-71		
2	B	7-23-70		
3	C	7-24-70		
4	D	7-27-70		
5	E	7-28-70		

FIRST USED ON OPTION / MODEL	PDP15	QTY.		DESCRIPTION	PART NO.	ITEM NO.
UNLESS OTHERWISE SPECIFIED						
UNLESS OTHERWISE SPECIFIED						
DIMENSION IN INCHES						
TOLERANCES						
DECIMALS						
FRACTIONS						
ANGLES						
± .005						
± 1/64						
± 0°30'						
FINAL SURFACE QUALITY						
REMOVE BURRS AND BREAK SHARP CORNERS						
MATERIAL						
FINISH						

digital EQUIPMENT CORPORATION MAYNARD, MASSACHUSETTS	TITLE	READ/WRITE CONTROL #1
SIZE CODE	DBS	NUMBER
SCALE		RP15-0-05
SHEET 1	OF 1	DIST.

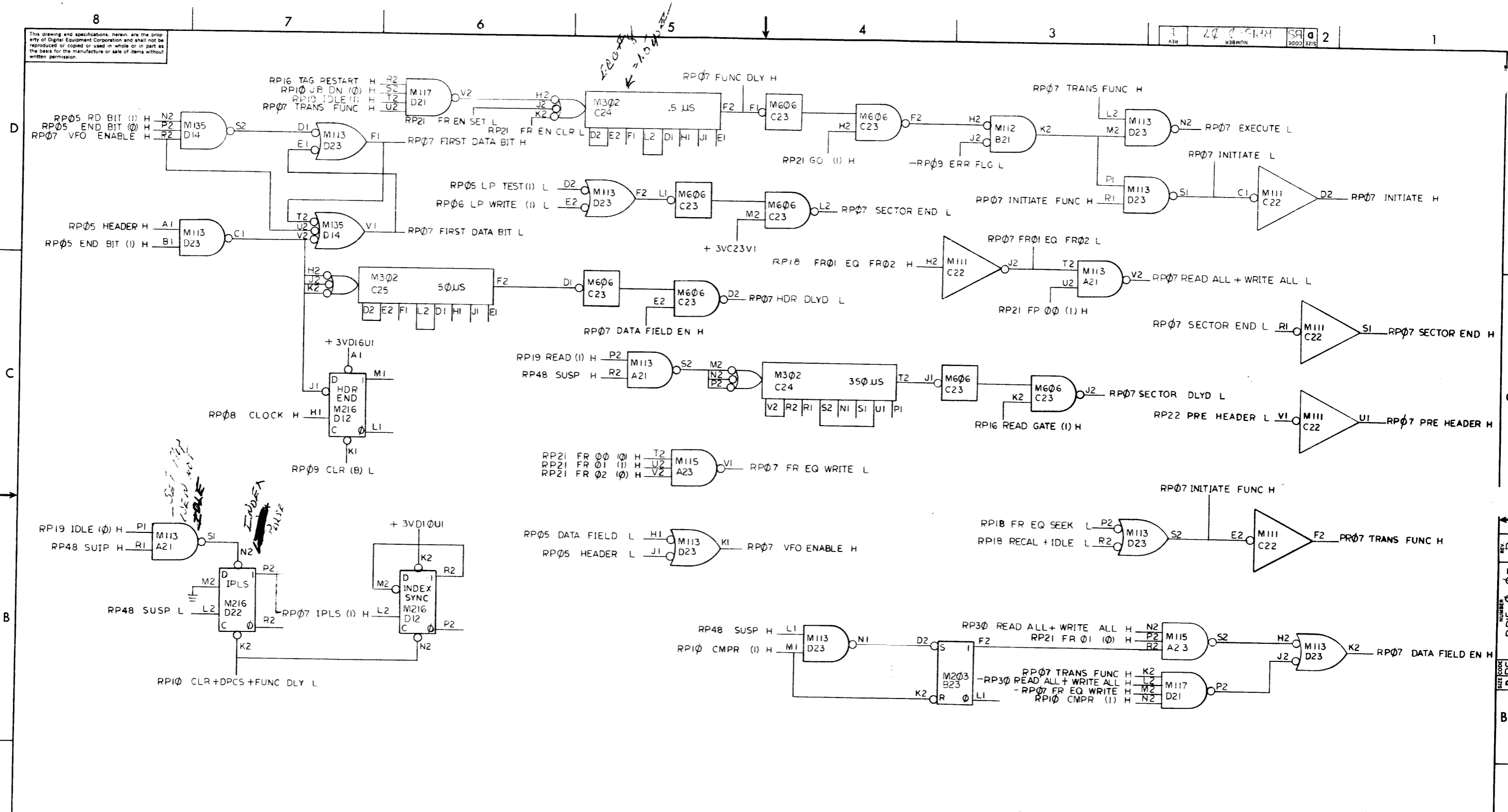
This drawing and specifications, herein, are the property of Digital Equipment Corporation and shall not be reproduced or copied or used in whole or in part as the basis for the manufacture or sale of items without written permission.



REV	CHANGE NO	CHK
1		
2		
3		
4		
5		
6		
7		
8		

FIRST USED ON OPTION/MODEL		QTY.	DESCRIPTION	PART NO.	ITEM NO.
PDP15					
PARTS LIST					
UNLESS OTHERWISE SPECIFIED	DRN	DATE	<b>digital</b> EQUIPMENT CORPORATION NAYARD MASSACHUSETTS		
UNLESS OTHERWISE SPECIFIED	CHK'D	DATE			
TOLERANCES	ENG	DATE			
DECIMALS FRACTIONS ANGLES	PROJ. ENG.	DATE			
= .005 = 1/64 = 0°30'	PROB.	DATE			
REMOVE BURRS AND BREAK SHARP CORNERS			TITLE <b>READ/WRITE CONTROL #2</b>		
MATERIAL	NEXT HIGH ASSEMBLY				
FINISH	SCALE				
	SHEET OF				
	DIST.				

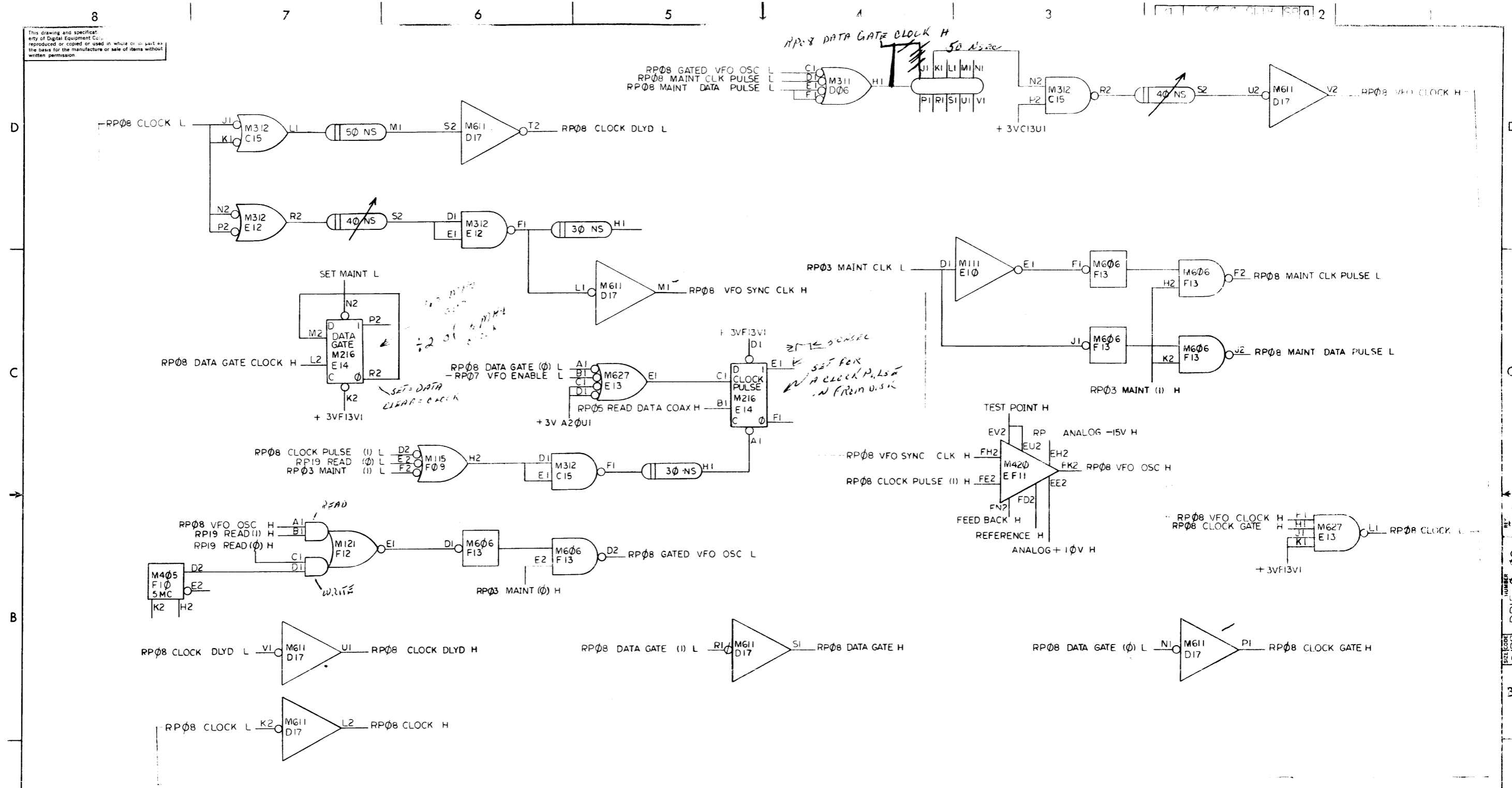
This drawing and specifications herein are the property of Digital Equipment Corporation and shall not be reproduced or copied in whole or in part as the basis for the manufacture or sale of items without written permission.



REV	CHANGE NO.	DATE
1	415-00005	7-23-70
2	JZEH	7-24-70
3	JZEH	7-24-70
4	JZEH	7-24-70
5	JZEH	7-24-70

FIRST USED ON OPTION / MODEL	QTY.	DESCRIPTION	PART NO.	ITEM NO.
PDP15				
UNLESS OTHERWISE SPECIFIED				
DRW	DATE	PARTS LIST		
CHK'D	DATE	digital EQUIPMENT CORPORATION MAYNARD, MASSACHUSETTS		
ENG	DATE	TITLE		
PROJ. ENG.	DATE	READ/WRITE CONTROL # 3		
PROD.	DATE	NEXT HIGHER ASSY		
MATERIAL		A-VL-RP15-0		SIZE CODE
FINISH		SCALE		NUMBER
		SHEET 1 OF 1		REV B
		DIST.		

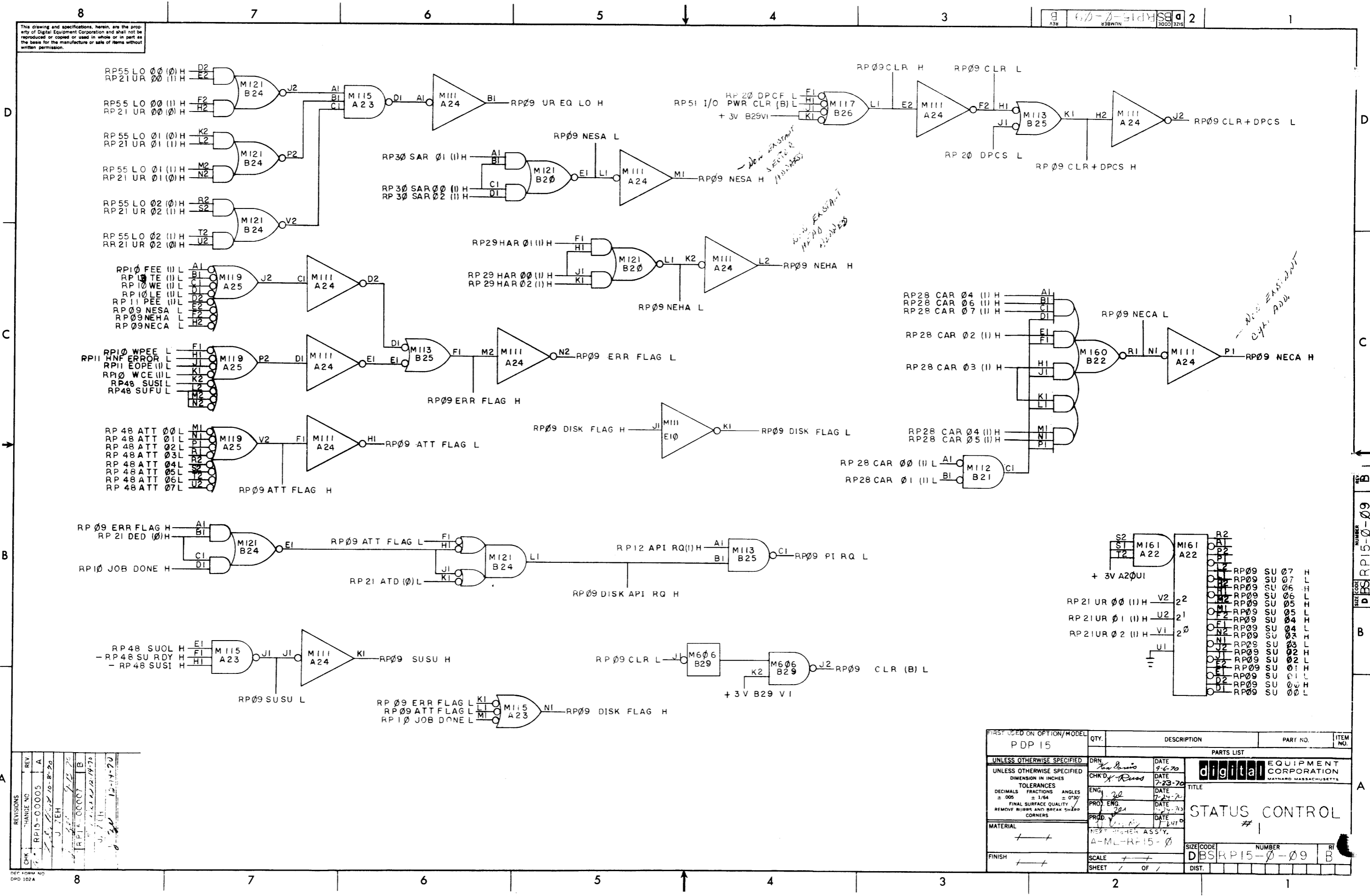
This drawing and specifications of Digital Equipment Corporation are reproduced or copied or used in whole or in part as the basis for the manufacture or sale of items without written permission.



REV	CHG	NO	DATE	BY	APP
1					
2					
3					
4					
5					
6					
7					
8					

FIRST USED ON OPTION MODEL	QTY.	DESCRIPTION	PART NO.	ITEM NO.
PDP 15				
PARTS LIST				
UNLESS OTHERWISE SPECIFIED	DRN	DATE	<b>digital</b> EQUIPMENT CORPORATION TITLE: DATA SIMULATOR CONTROL SIZE CODE: DBS RP15-0-08 NUMBER: 1 OF 1	
DIMENSION IN INCHES	CHK'D	DATE		
TOLERANCES	ENG	DATE		
DECIMALS FRACTIONS ANGLES	PROJ. ENG	DATE		
005 1/64 1/32	PROD	DATE		
FINAL SURFACE QUALITY				
REMOVE BURRS AND BREAK SHARP CORNERS				
MATERIAL	NEXT HIGHER ASSY			
FINISH	SCALE			
	SHEET 1 OF 1			

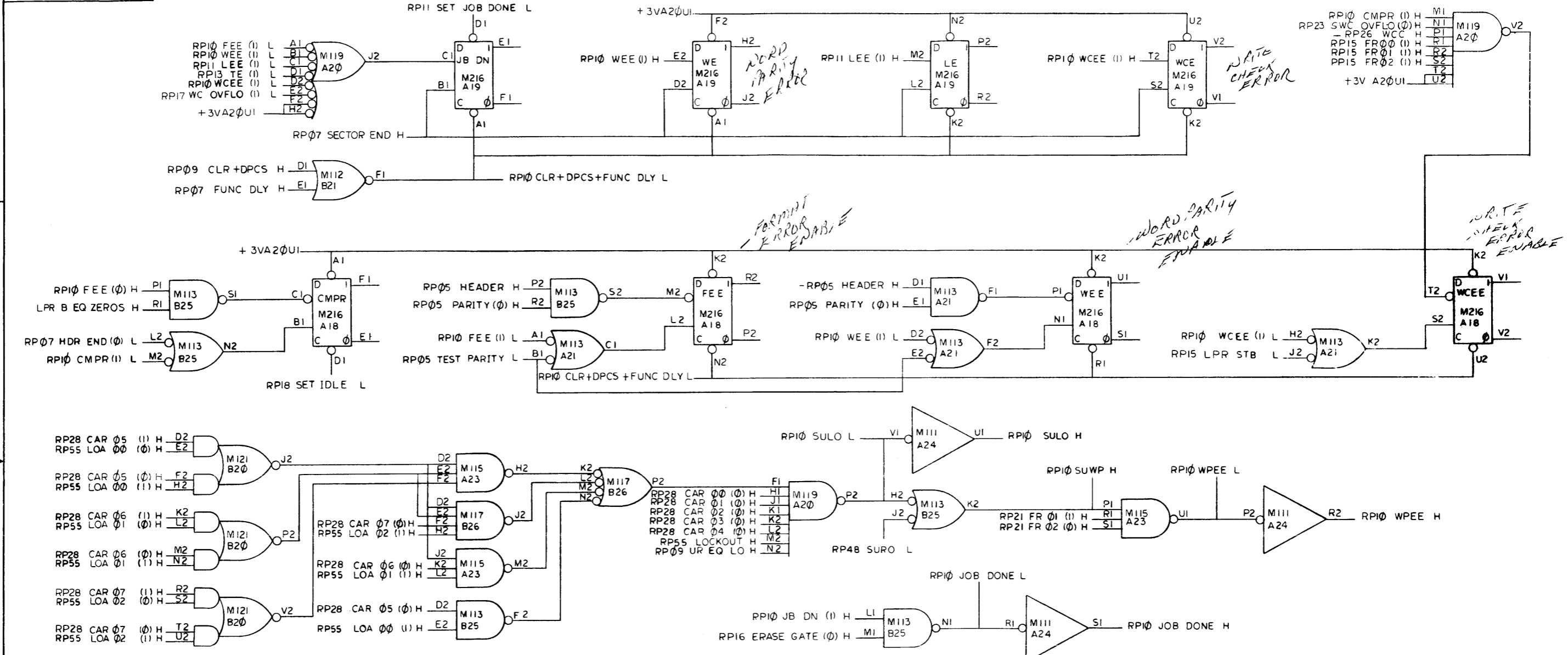
This drawing and specifications, herein, are the property of Digital Equipment Corporation and shall not be reproduced or copied or used in whole or in part as the basis for the manufacture or sale of items without written permission.



REV	DESCRIPTION	DATE
1	REVISED	12-14-70
2	REVISED	1-14-71
3	REVISED	2-14-71
4	REVISED	3-14-71
5	REVISED	4-14-71
6	REVISED	5-14-71
7	REVISED	6-14-71
8	REVISED	7-14-71

QTY.	DESCRIPTION	PART NO.	ITEM NO.
PDP 15			
PARTS LIST			
UNLESS OTHERWISE SPECIFIED DRN DATE 9-6-70			
UNLESS OTHERWISE SPECIFIED CHK'D DATE 7-23-70			
DIMENSION IN INCHES TOLERANCES			
DECIMALS FRACTIONS ANGLES			
± .005 ± 1/64 ± 0°30'			
FINAL SURFACE QUALITY / REMOVE BURRS AND BREAK SHARP CORNERS			
MATERIAL			
FINISH			
SCALE			
SHEET / OF /			
TITLE			
STATUS CONTROL			
NEXT HIGHER ASSY.			
A-ML-RP15-0			
SIZE CODE NUMBER			
DBSRP15-0-09 B			
DIST.			

This drawing and specifications, herein, are the property of Digital Equipment Corporation and shall not be reproduced or copied or used in whole or in part as the basis for the manufacture or sale of items without written permission.

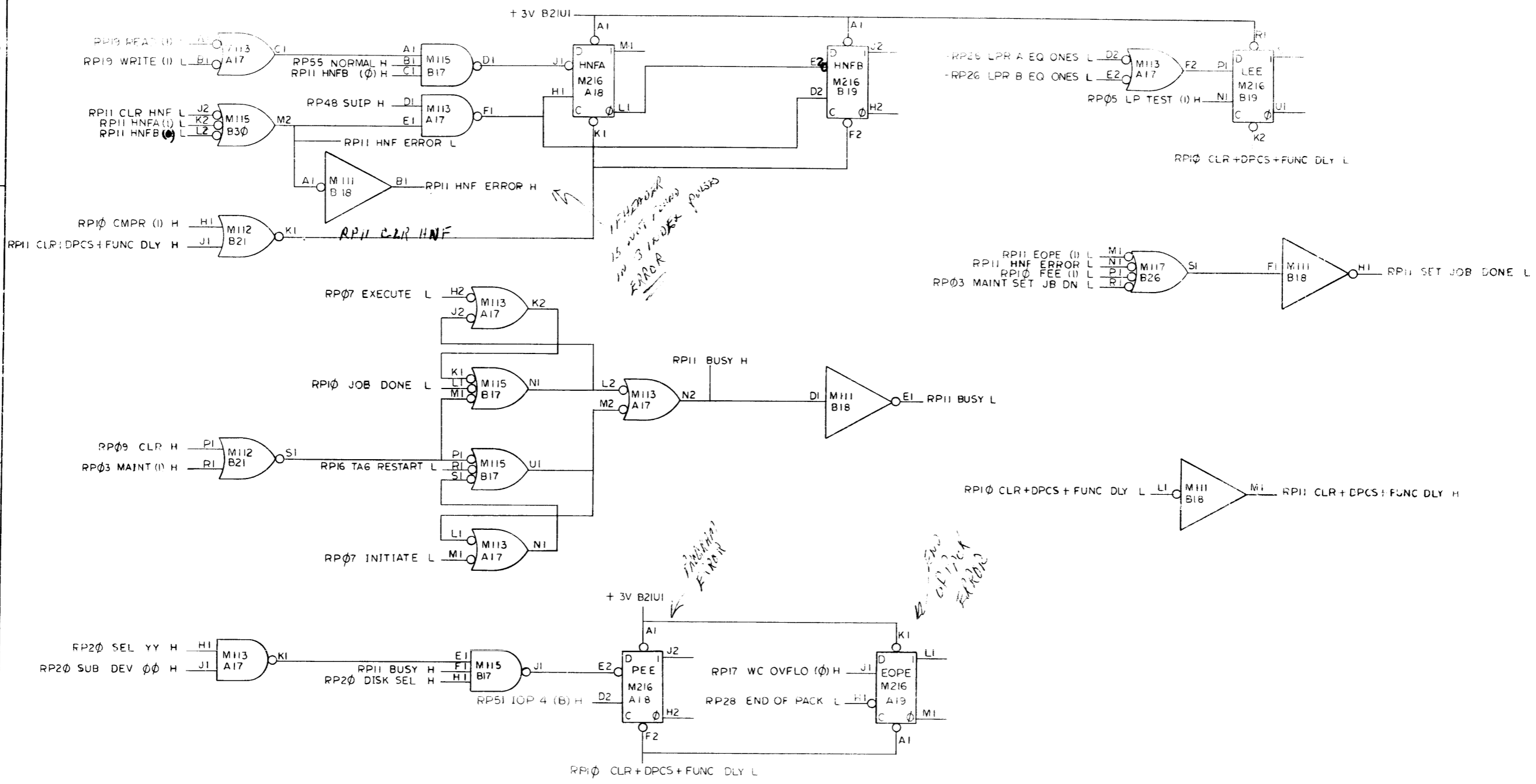


REV	DESCRIPTION	DATE
1	INITIAL	12-14-70
2	CHANGES	12-14-70
3	REVISIONS	12-14-70
4	REVISIONS	12-14-70
5	REVISIONS	12-14-70

FIRST USED ON OPTION/MODEL	QTY.	DESCRIPTION	PART NO.	ITEM NO.
PDP15				
PARTS LIST				
UNLESS OTHERWISE SPECIFIED				
DIMENSION IN INCHES				
TOLERANCES				
DECIMALS FRACTIONS ANGLES				
± .005 ± 1/64 ± 0°30'				
FINAL SURFACE QUALITY REMOVE BURRS AND BREAK SHARP CORNERS				
MATERIAL				
FINISH				
NEXT THICKNESS				
SCALE				
SHEET OF				
TITLE				
#2				
SIZE CODE				
NUMBER				
REV				
DIST.				



The basis for the manufacture or sale of items without written permission.

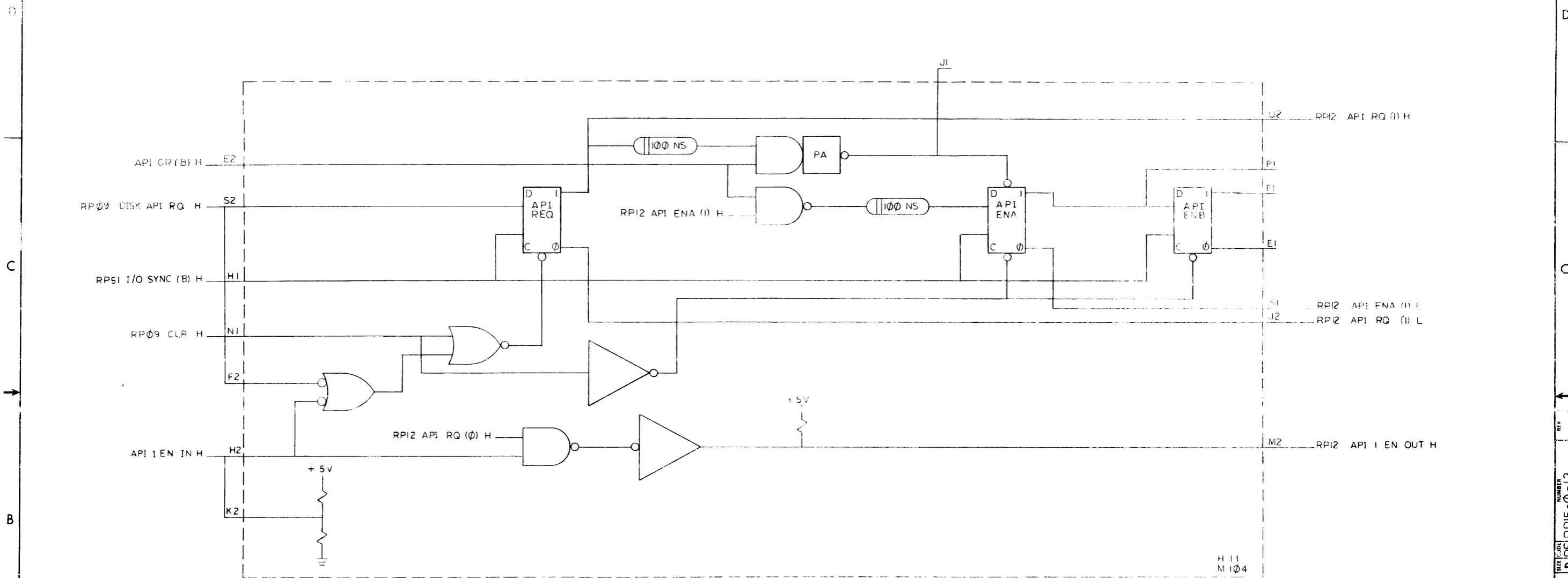


REVISIONS	CHANGE NO.	BY

FIRST USED ON: PDP 15		QTY.	DESCRIPTION	PART NO.	ITEM NO.
UNLESS OTHERWISE SPECIFIED		DRN	DATE	PARTS LIST	
UNLESS OTHERWISE SPECIFIED		CHKD	DATE	digital EQUIPMENT CORPORATION	
DIMENSION IN INCHES		ENG	DATE	MAYNARD, MASSACHUSETTS	
TOLERANCES		PROJ. ENG.	DATE	TITLE	
DECIMALS FRACTIONS ANGLES		PRD.	DATE	STATUS CONTROL	
= .006 ± .006 ± .030				# 3	
FINAL SURFACE QUALITY					
REMOVE BURRS AND BREAK SHARP CORNERS					
MATERIAL					
FINISH					
SCALE				SIZE CODE	
SHEET OF				DBS RP15-0-11	
				NUMBER	
				REV	

8  
 1. Drawing is to identify  
 2. Equipment  
 3. Equipment  
 4. Basis for the manufacture of  
 5. Written permission.

7 | 6 | 5 | 4 | 3



H 11  
 M 104

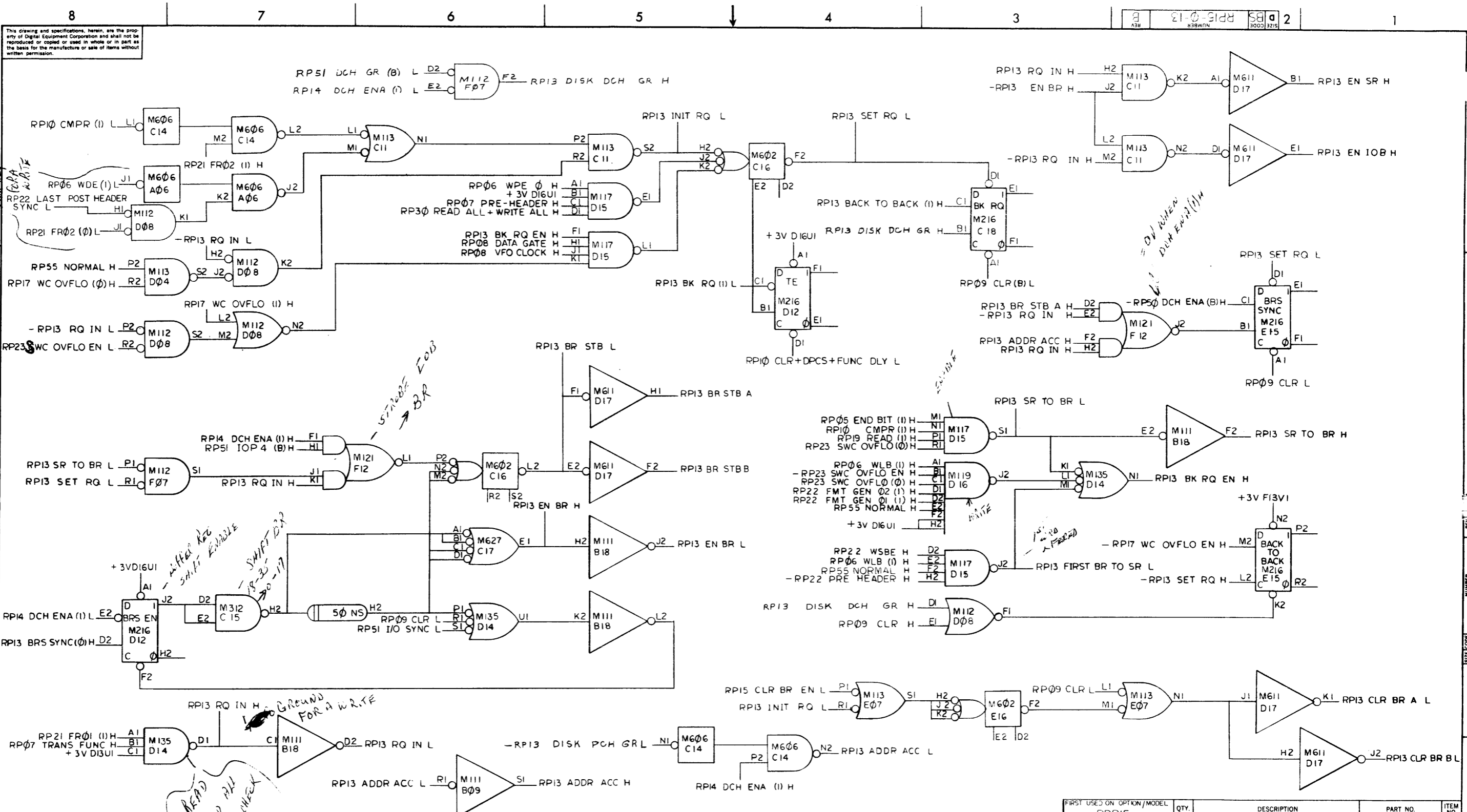
REVISION	NO.	DATE
1		
2		
3		
4		
5		
6		
7		
8		

FIRST USED ON OPTION / MODEL R0005	QTY	DESCRIPTION	PART NO	ITEM NO.
PARTS LIST				
UNLESS OTHERWISE SPECIFIED	DRN	DATE	<b>digital</b> EQUIPMENT CORPORATION TITLE <b>API CONTROL</b>	
UNLESS OTHERWISE SPECIFIED	CHK'D	DATE		
DIMENSION IN INCHES	ENG	DATE		
TOLERANCES	PRD	DATE		
DECIMALS FRACTIONS ANGLES	PRD	DATE		
FINAL SURFACE QUALITY				
REMOVE BURRS AND BLEMISH				
CORNERS				
MATERIAL	NEXT FINISHED BY		SIZE CODE	NUMBER
			D BS	RPI5-0-12
FINISH	SCALE		DIST.	REV
	SHEET 1	OF 1		

8 | 7 | 6 | 5 | 4 | 3 | 2 | 1

REV. NO. 1  
 NUMBER  
 D BS RPI5-0-12

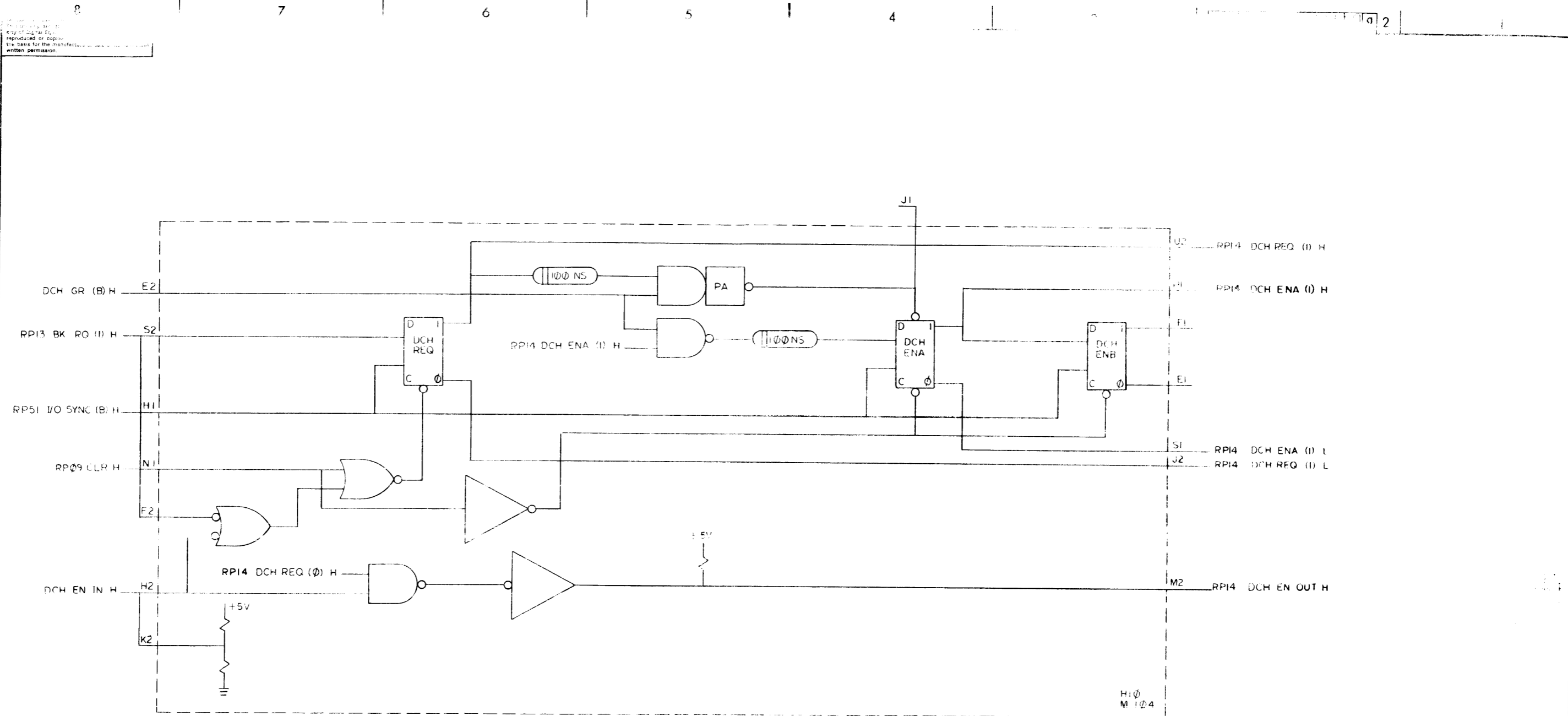
This drawing and specifications, herein, are the property of Digital Equipment Corporation and shall not be reproduced or copied or used in whole or in part as the basis for the manufacture or sale of items without written permission.



REV	CHANGE NO	DATE	BY
A	1	12-14-70	J ZEH
B	1	12-14-70	J ZEH

FIRST USED ON OPTION/MODEL	QTY.	DESCRIPTION	PART NO.	ITEM NO.
PDP15				
PARTS LIST				
UNLESS OTHERWISE SPECIFIED	DRY	DATE	7/1/70	
UNLESS OTHERWISE SPECIFIED	CHK'D	DATE	7-23-70	
DIMENSION IN INCHES	ENG	DATE	7-24-70	
TOLERANCES	PROV. ENG	DATE	7-24-70	
DECIMALS	PROV.	DATE		
FRACTIONS				
ANGLES				
± .005				
± 1/64				
± 0°30'				
FINAL SURFACE QUALITY REMOVE BURRS AND BREAK SHARP CORNERS				
MATERIAL	NEXT HIGHER ASSY			
	A-ML-RP15-φ			
FINISH	SCALE	SIZE CODE		NUMBER
		D BS RP15-φ-13		RE
	SHEET	OF	DIST.	
	1	1		B

REV. B DBS RP15-φ-13

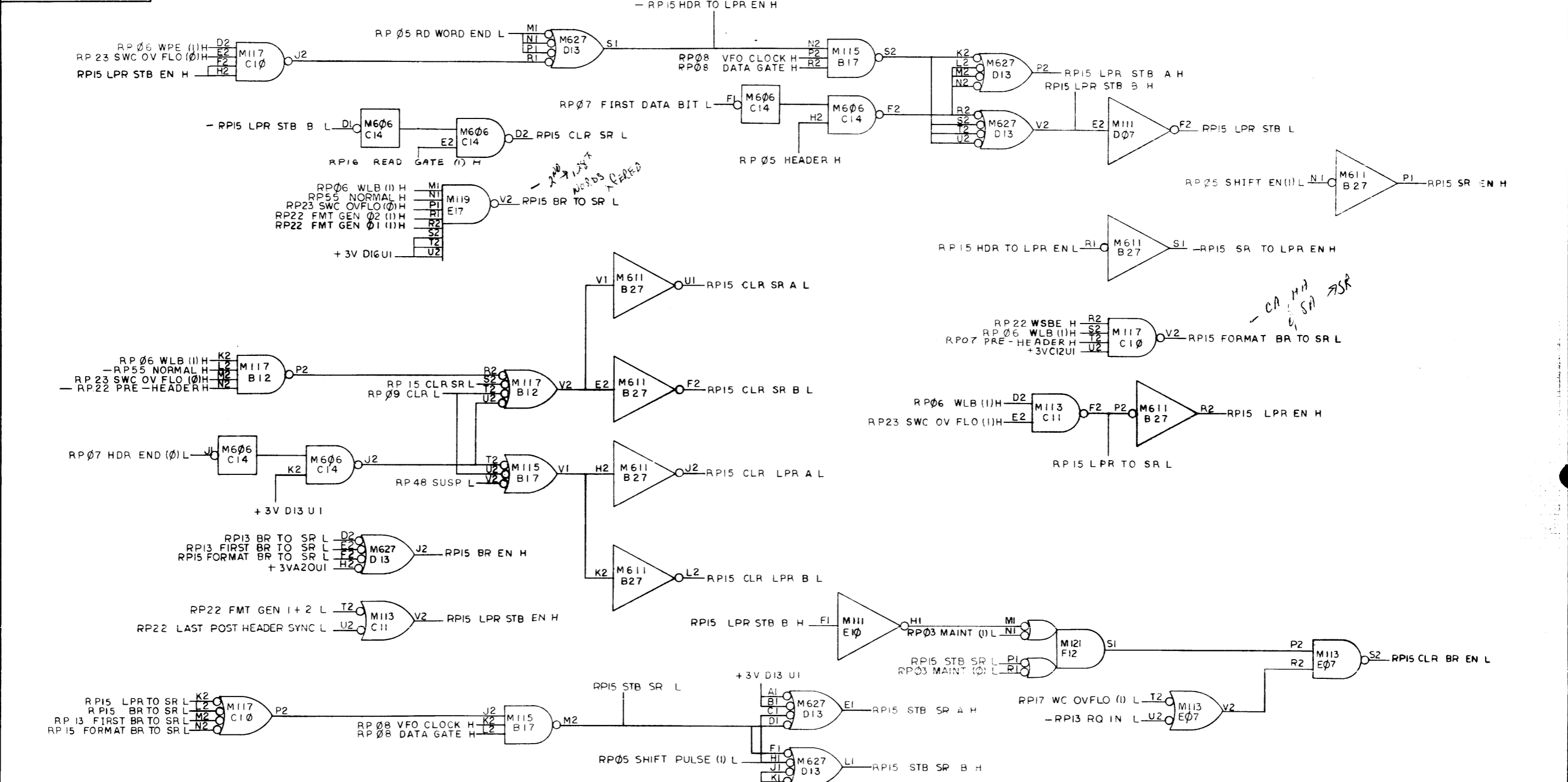


REVISIONS  
 CHG CHANGE NO. REV.

REVISED ON	OPTION	MODEL	QTY	DESCRIPTION	PART NO.	ITEM NO.
UNLESS OTHERWISE SPECIFIED						
DIMENSION			DRN	DATE	PARTS LIST	
TOLERANCES			CHK'D	DATE	digital CORPORATION	
DECIMAL	FRACTION	ANGLE	ENG	DATE	TITLE	
±.001	±.001	±.001	PROJ ENG	DATE	DCH CONTROL	
±.002	±.002	±.002	PROD	DATE	SIZE CODE NUMBER	
±.005	±.005	±.005			DBS RPI5-Ø-14	
MATERIAL			NEXT FINISHES		SCALE	
A - MIL-RP15 Ø					SHEET 1 OF 1	
FINISH			DIST			

BSI RPI5-Ø-14

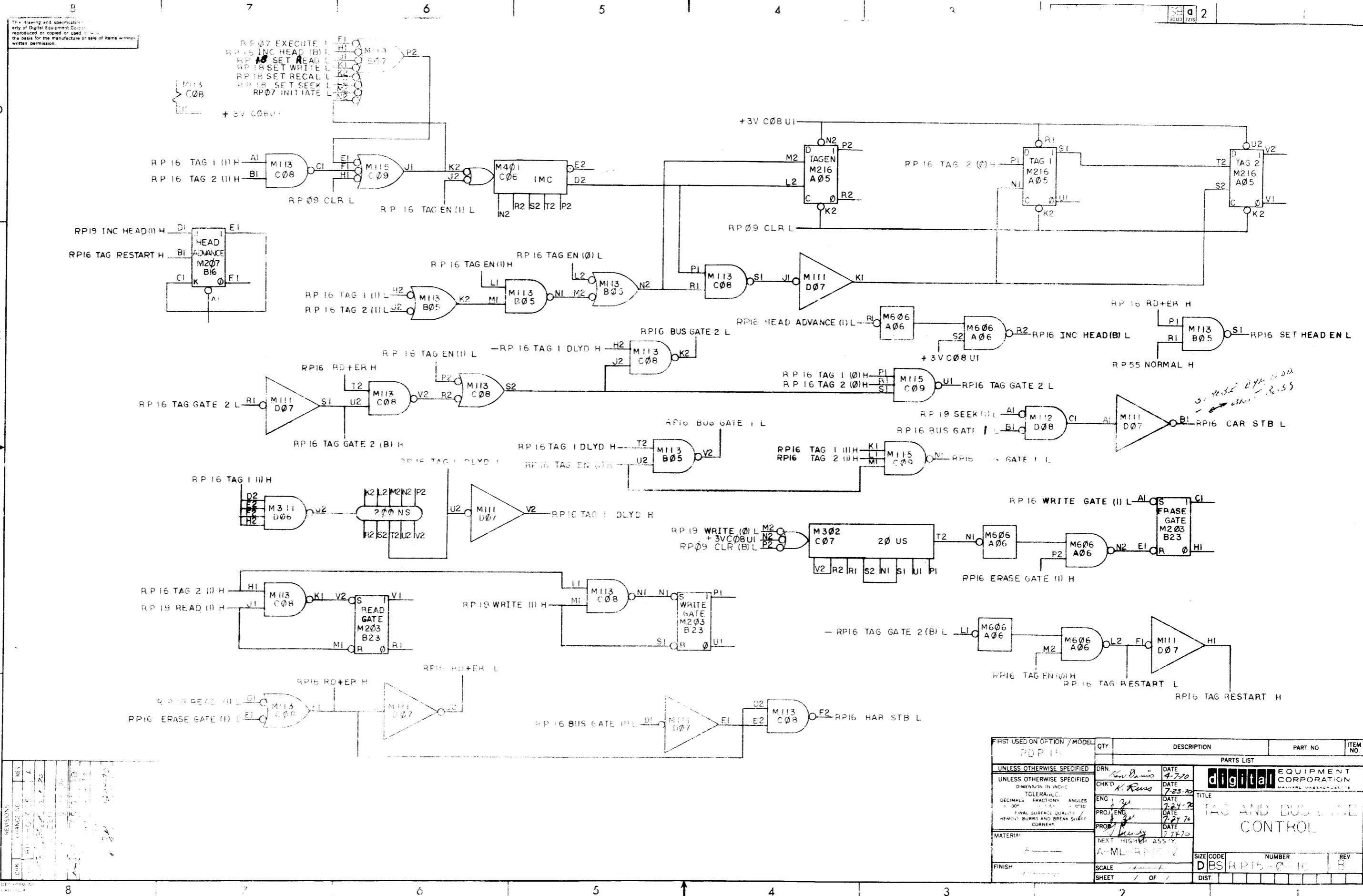
This drawing and specifications, herein, are the property of Digital Equipment Corporation and shall not be reproduced or copied or used in whole or in part as the basis for the manufacture or sale of items without written permission.



REV	CHG NO	DATE
A	RP15-0005	7-23-70
B	RP15-0007	7-24-70
C	RP15-0008	7-24-70
D	RP15-0009	7-24-70

QTY.	DESCRIPTION	PART NO.	ITEM NO.
	PARTS LIST		
	UNLESS OTHERWISE SPECIFIED		
	DIMENSION IN INCHES		
	TOLERANCES		
	DECIMALS FRACTIONS ANGLES		
	± .005 ± 1/64 ± 0°30'		
	FINAL SURFACE QUALITY		
	REMOVE BURRS AND BREAK SHARP CORNERS		
	MATERIAL		
	NEXT HIGHER ASSY.		
	A-ML-RP15-0		
	SCALE		
	SHEET 1 OF 1		
	TITLE		
	SHIFT & LONG REGISTER CONTROL		
	SIZE CODE		
	NUMBER		
	DPS/RP15-0-15		
	REV		
	B		

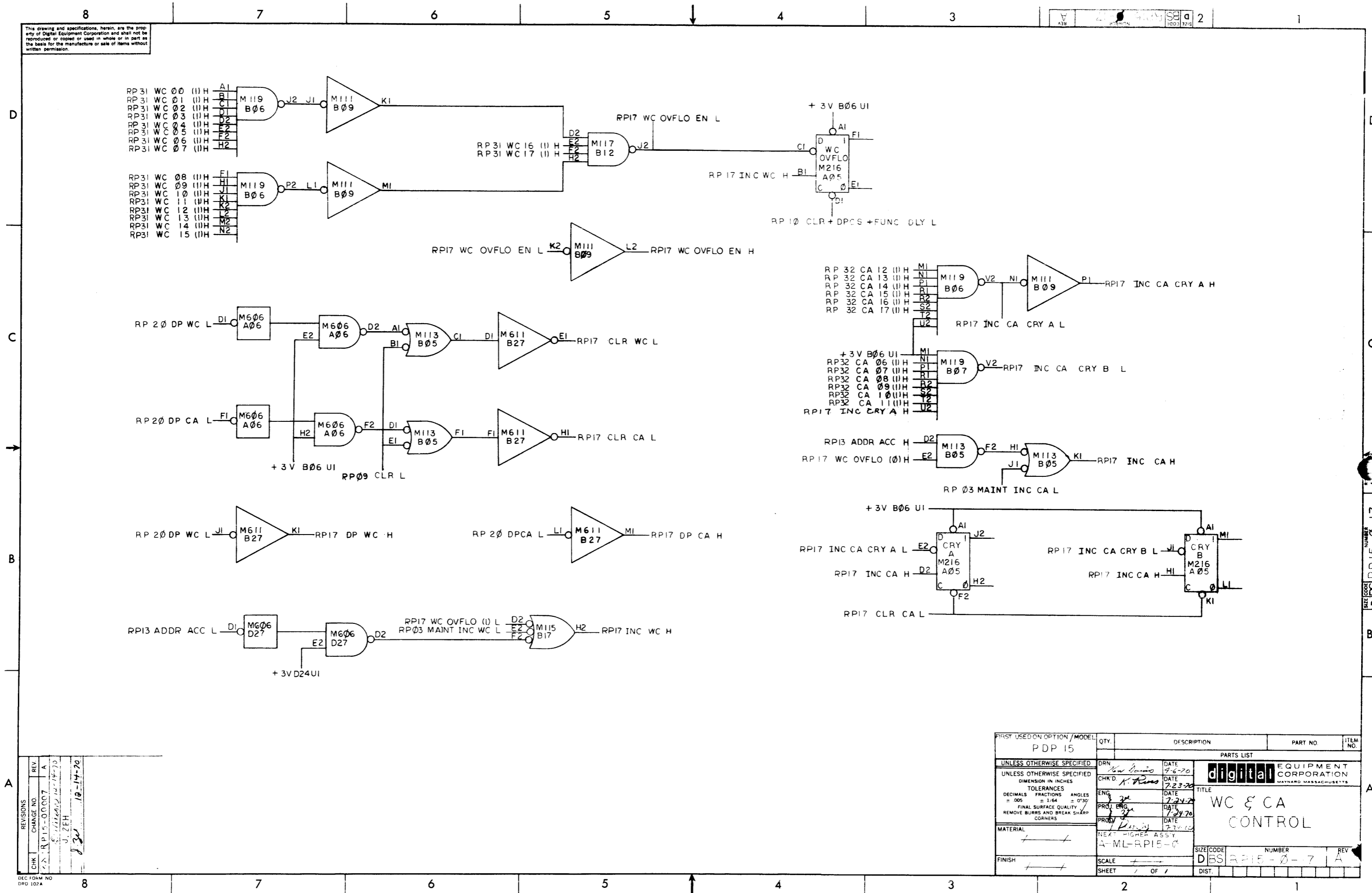
DPS/RP15-0-15



REV	DATE	BY	CHK
1			
2			
3			
4			
5			
6			
7			
8			

FIRST USED ON OPTION / MODEL	QTY	DESCRIPTION	PART NO	ITEM NO.
PDP 15				
PARTS LIST				
UNLESS OTHERWISE SPECIFIED	DRN	DATE	digital EQUIPMENT CORPORATION	
UNLESS OTHERWISE SPECIFIED	CHK'D	DATE	NATIONAL MANUFACTURING	
DIMENSION IN INCHES			TITLE	
TOLERANCE:			TAG AND BUS LINE CONTROL	
DECIMALS FRACTIONS ANGLES			DATE	
FINAL SURFACE QUALITY			DATE	
REMOVE BURRS AND BREAK SHARP CORNERS			DATE	
MATERIAL:	NEXT HIGHER ASSY		SIZE CODE	NUMBER
FINISH:	A-ML-RP15-2		D B S R P 1 5 - 0 - 1 0	REV
SCALE			DIST.	B
SHEET	OF			

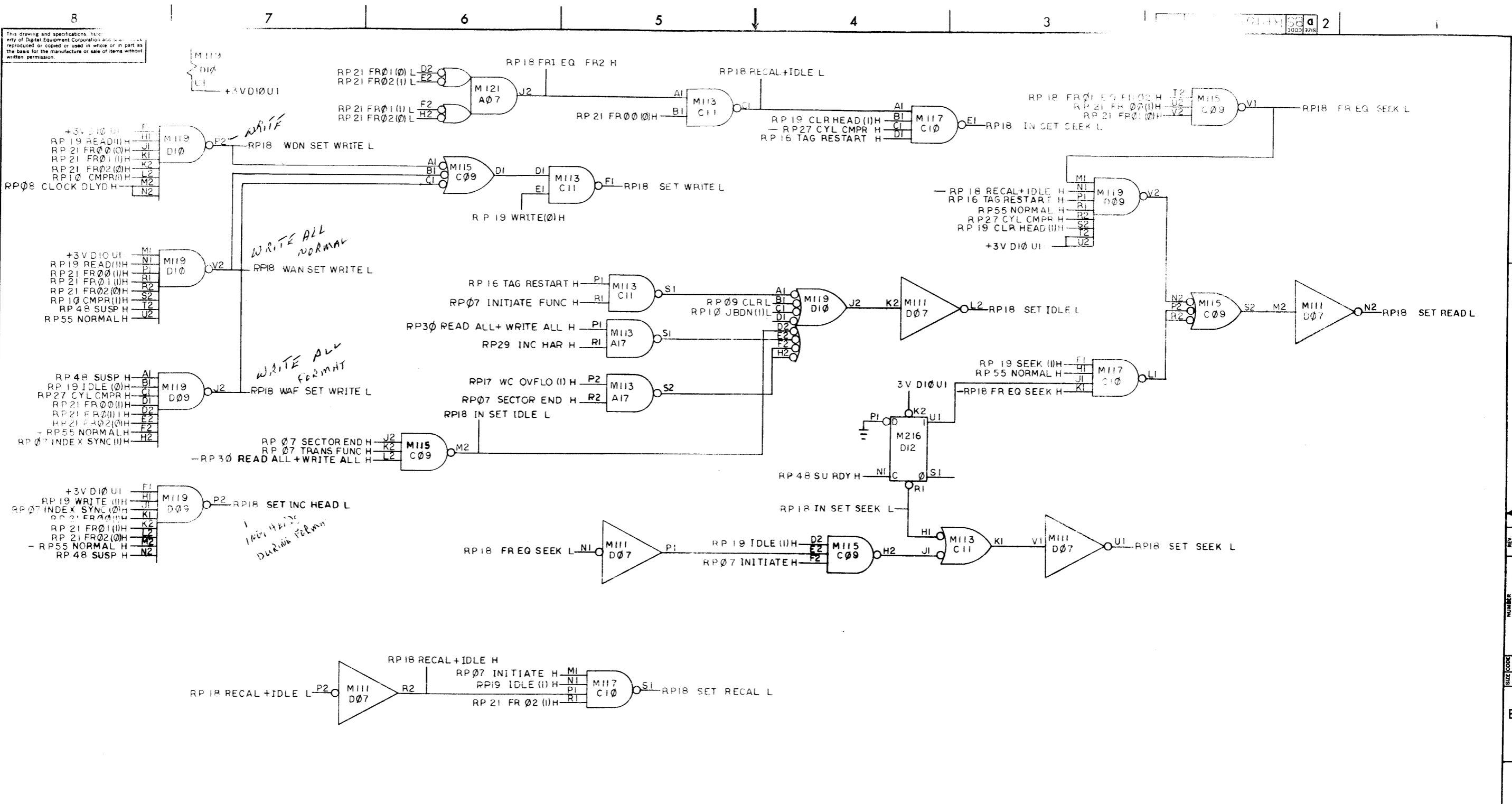
This drawing and specifications, herein, are the property of Digital Equipment Corporation and shall not be reproduced or copied or used in whole or in part as the basis for the manufacture or sale of items without written permission.



CHK	CHANGE NO	REV
		A
	00007	
		J. ZEH
		8/31/70

FIRST USED ON OPTION / MODEL	QTY.	DESCRIPTION	PART NO.	ITEM NO.
PDP 15				
PARTS LIST				
UNLESS OTHERWISE SPECIFIED				
DIMENSION IN INCHES				
TOLERANCES				
DECIMALS FRACTIONS ANGLES				
± .005 ± 1/64 ± 0°30'				
FINAL SURFACE QUALITY				
REMOVE BURRS AND BREAK SHARP CORNERS				
MATERIAL				
FINISH				
NEXT HIGHER ASSY				
A-ML-RP15-0				
SCALE				
SHEET 1 OF 1				
TITLE				
WC & CA CONTROL				
DATE				
7-23-70				
DATE				
7-24-70				
DATE				
7-31-70				
SIZE CODE				
NUMBER				
D BS RP15-0-7				
REV				
A				

This drawing and specifications, hereinafter referred to as "specifications," are the property of Digital Equipment Corporation and are not to be reproduced or copied in whole or in part without the written permission of Digital Equipment Corporation.



REV	DATE	BY	CHKD
A	7-23-70	K. Russ	K. Russ
B	7-24-70	J. Zelt	J. Zelt
C	7-24-70	J. Zelt	J. Zelt
D	7-24-70	J. Zelt	J. Zelt

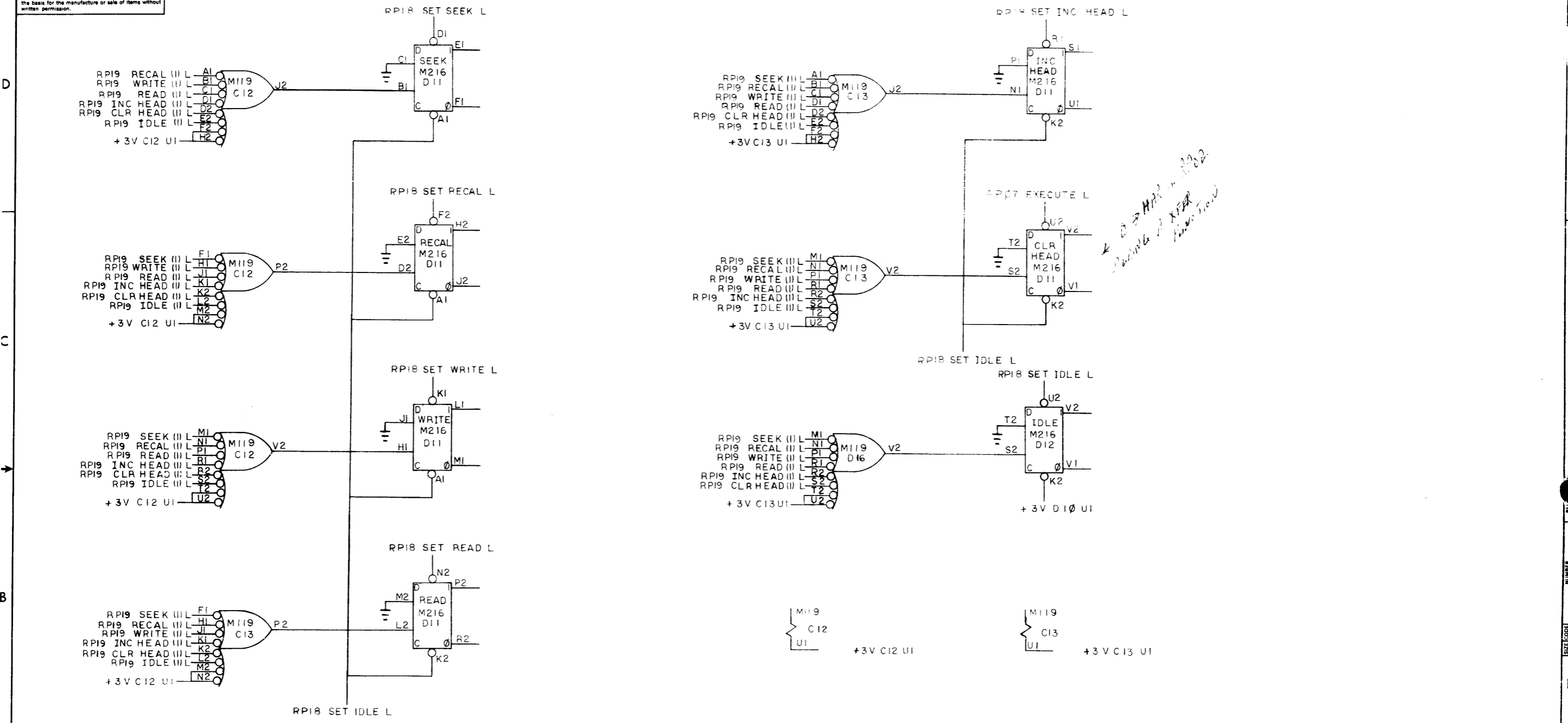
DEC FORM NO. 790 1024

FIRST USED ON OPTION/MODEL	QTY.	DESCRIPTION	PART NO.	ITEM NO.
PDP 15				
PARTS LIST				
UNLESS OTHERWISE SPECIFIED	DRN	DATE	digital EQUIPMENT CORPORATION	
UNLESS OTHERWISE SPECIFIED	CHK'D	DATE	MAJOR STATE CONTROL	
UNLESS OTHERWISE SPECIFIED	ENG	DATE	CONTROL	
UNLESS OTHERWISE SPECIFIED	PROJ ENG	DATE		
UNLESS OTHERWISE SPECIFIED	PROJ	DATE		
MATERIAL	NEXT HIGHER ASSY.			
FINISH	A ML-RP15-0			
SCALE		SHEET		OF
DIST.		REV		A

REV A  
NUMBER  
PDP RP15-0-18  
SIZE CODE



This drawing and specifications, herein, are the property of Digital Equipment Corporation and shall not be reproduced or copied or used in whole or in part as the basis for the manufacture or sale of items without written permission.



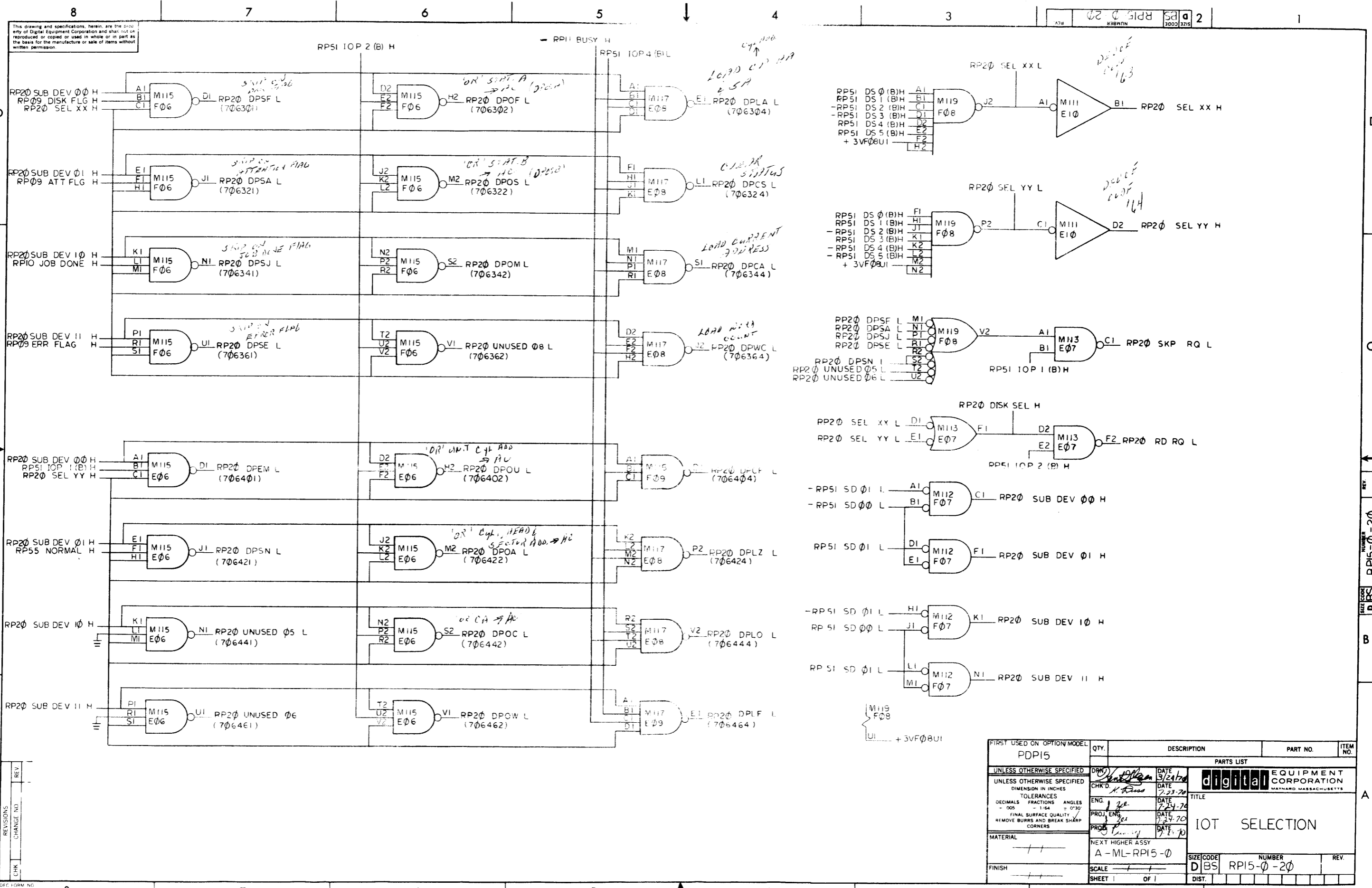
*Handwritten note:* ← D → M119 in PDP-15  
 ← D → M216 in PDP-15  
 ← D → M216 in PDP-15

REV	CHANGE NO

DEC FORM NO DFD 102A

QTY	DESCRIPTION	PART NO	ITEM NO.
PDP 15			
PARTS LIST			
UNLESS OTHERWISE SPECIFIED	DRN	DATE	<b>digital</b> EQUIPMENT CORPORATION MAYNARD, MASSACHUSETTS TITLE <b>MAJOR STATE</b>
UNLESS OTHERWISE SPECIFIED	CHK'D	DATE	
DIMENSION IN INCHES	ENG	DATE	
TOLERANCES	PROJ. ENG.	DATE	
DECIMALS FRACTIONS ANGLES	PROD.	DATE	
= .005 = 1/64 = 0°30'			
REMOVE BURRS AND BREAK SHARP CORNERS			
MATERIAL	NEXT WORKING DAY		
FINISH	SCALE	NUMBER	REV
	SHEET / OF /	DIST	

SIZE CODE NUMBER  
**D** BS P15-0-19

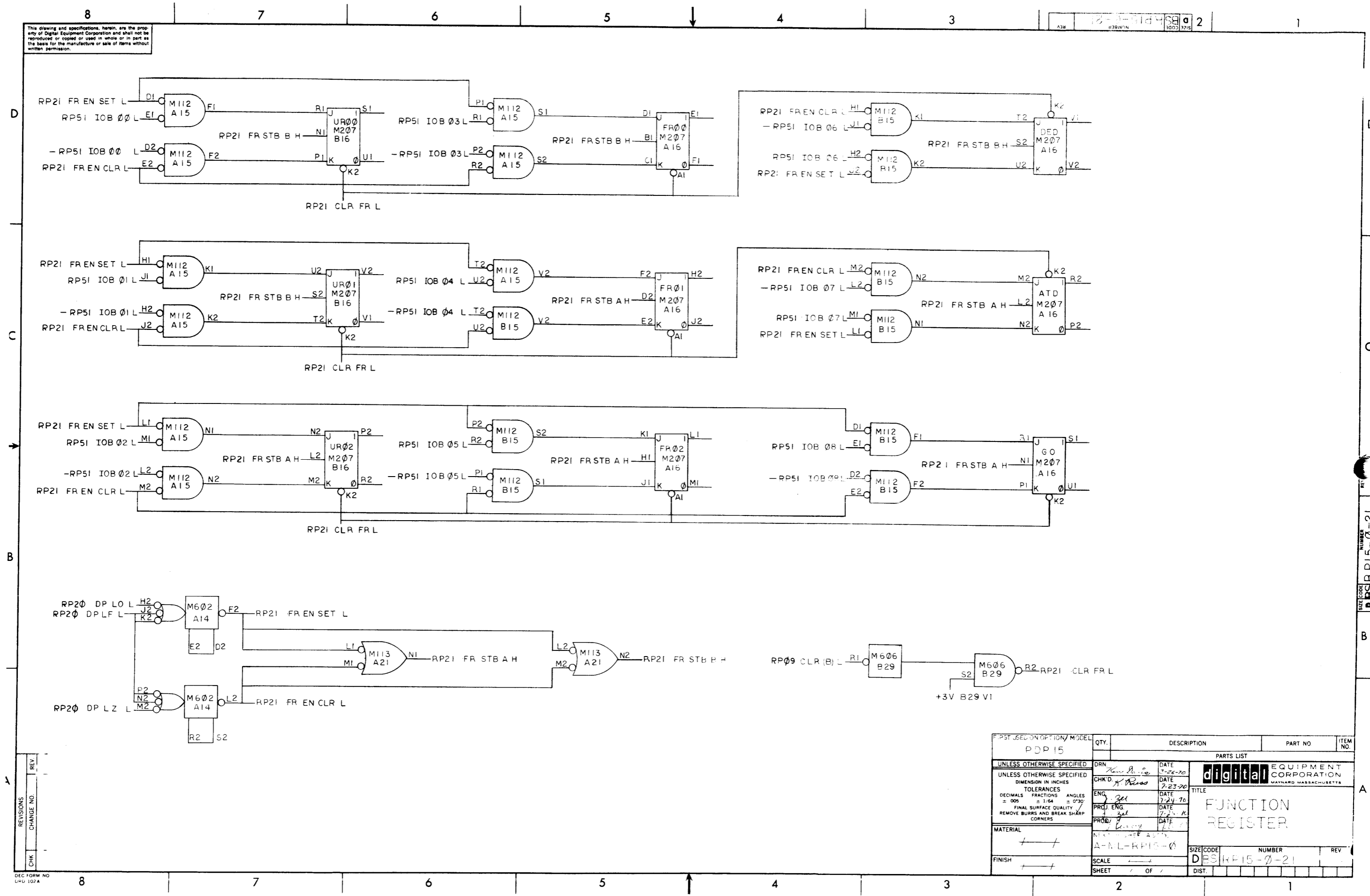


This drawing and specifications, herein, are the property of Digital Equipment Corporation and shall not be reproduced or copied or used in whole or in part as the basis for the manufacture or sale of items without written permission.

FIRST USED ON OPTION MODEL		QTY.	DESCRIPTION	PART NO.	ITEM NO.
PDP15					
PARTS LIST					
UNLESS OTHERWISE SPECIFIED		DRY	DATE 3/24/70	digital EQUIPMENT CORPORATION MAYNARD MASSACHUSETTS	
UNLESS OTHERWISE SPECIFIED		CHK'D. H. Davis	DATE 7-23-70	TITLE	
DIMENSION IN INCHES		ENG. J. Lee	DATE 7-24-70	IOT SELECTION	
TOLERANCES		PROJ. ENG. J. Lee	DATE 7-24-70		
DECIMALS FRACTIONS ANGLES		PROJ. ENGR. J. Lee	DATE 7-24-70		
- .005 - 1/64 = 0°30'					
REMOVE BURRS AND BREAK SHARP CORNERS					
MATERIAL	NEXT HIGHER ASSY	A - ML - RPI5 - 0			
FINISH	SCALE	SIZE CODE DBS NUMBER RPI5-0-20 REV.			
	SHEET 1 OF 1	DIST.			

REV.	CHANGE NO.

This drawing and specifications, herein, are the property of Digital Equipment Corporation and shall not be reproduced or copied or used in whole or in part as the basis for the manufacture or sale of items without written permission.

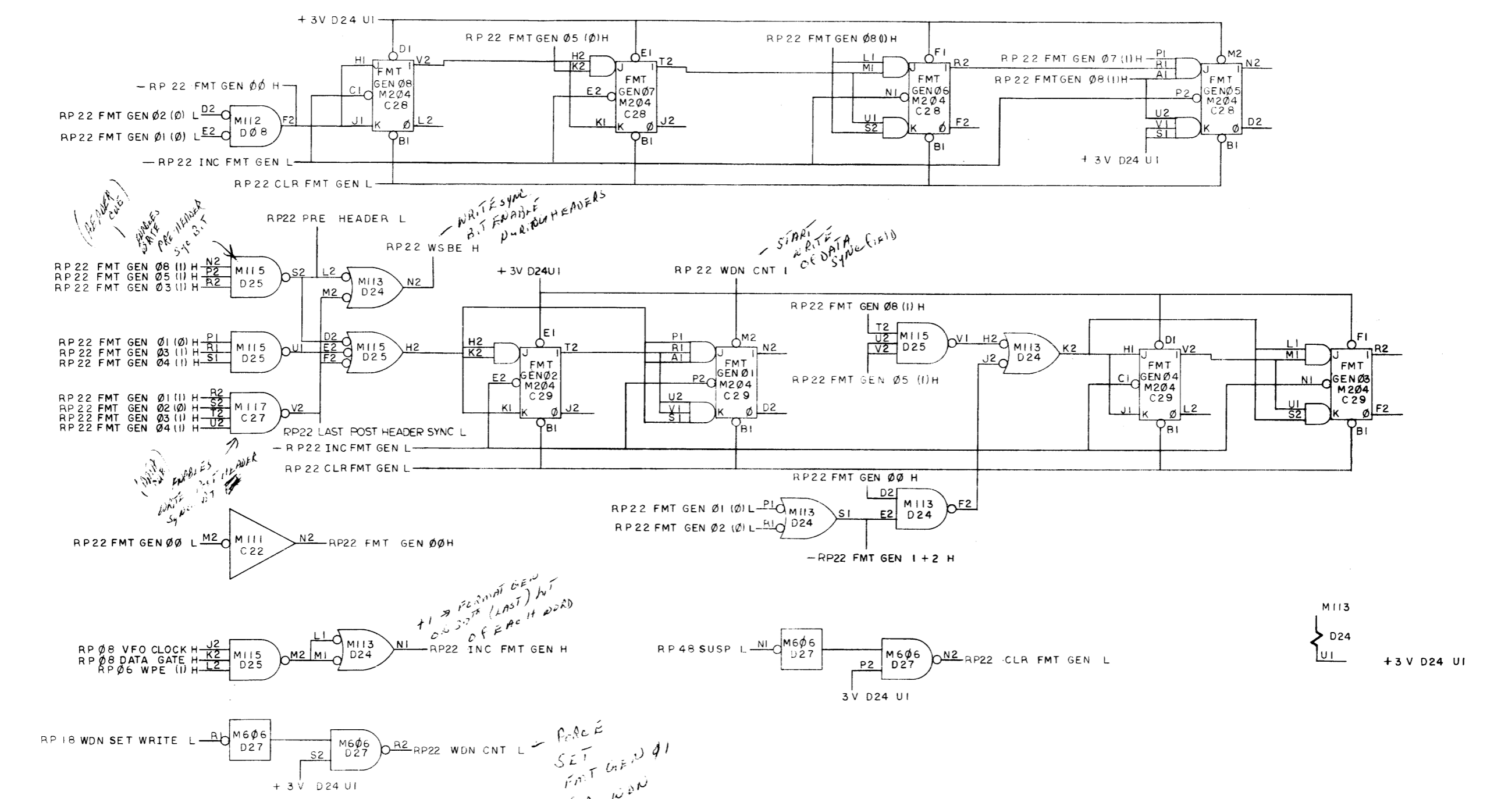


REV	CHANGE NO.

QTY.	DESCRIPTION	PART NO.	ITEM NO.
PARTS LIST			
UNLESS OTHERWISE SPECIFIED:			
DIMENSION IN INCHES			
TOLERANCES			
DECIMALS FRACTIONS ANGLES			
= .005 = 1/64 = 0°30'			
FINAL SURFACE QUALITY / REMOVE BURRS AND BREAK SHARP CORNERS			
MATERIAL			
FINISH			
DRN DATE 3-26-70			
CHK'D DATE 7-23-70			
ENG DATE 7-24-70			
PRJ ENG DATE 7-25-70			
PROJ DATE 7-25-70			
NEXT SHEET ASSY.			
A-N-L-RP15-0-21			
SCALE		NUMBER	
SHEET 1 OF 1		REV	
DIST.		REV	

PART NO. BSRP15-0-21

This drawing and specifications, herein, are the property of Digital Equipment Corporation and shall not be reproduced or copied or used in whole or in part as the basis for the manufacture or sale of items without written permission.

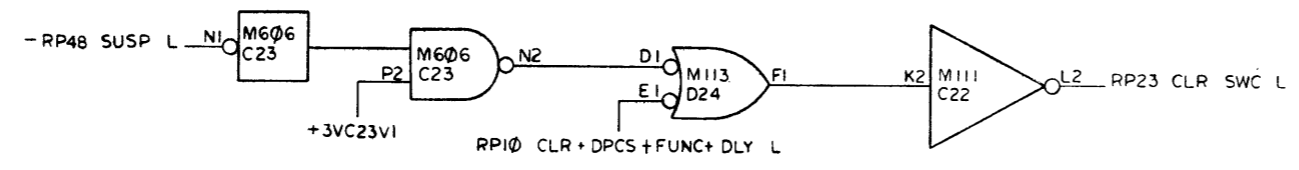
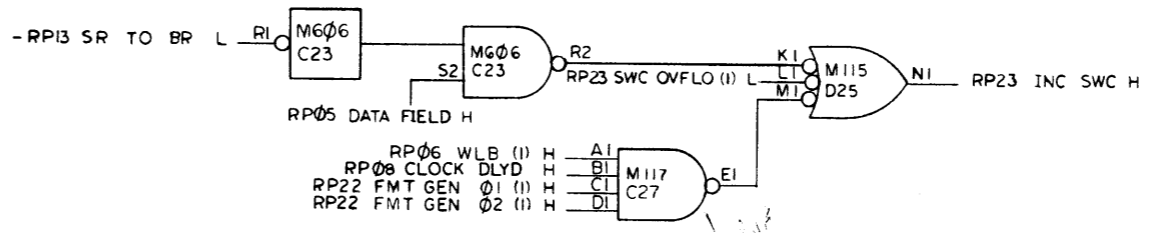
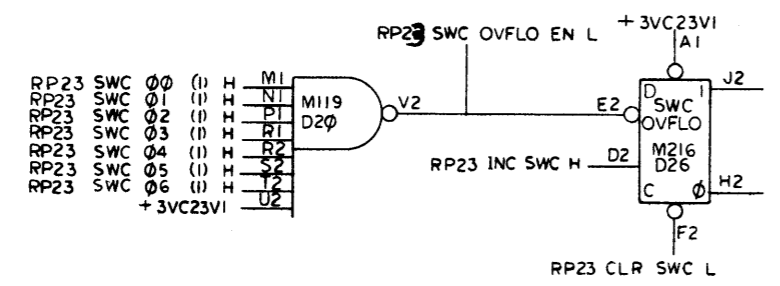
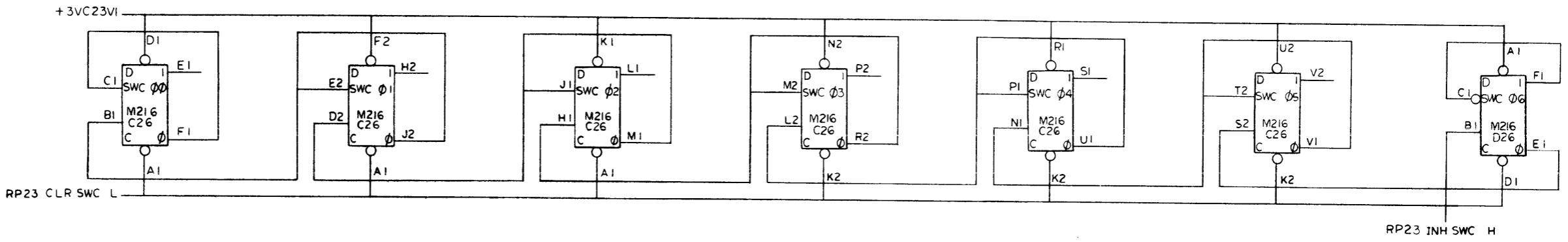


REV	CHANGE NO.	DATE
A	1	12-17-70

FIRST USED ON OPTION MODEL PDP 15	QTY.	DESCRIPTION	PART NO.	ITEM NO.
PARTS LIST				
UNLESS OTHERWISE SPECIFIED	DRN.	DATE	<b>digital</b> EQUIPMENT CORPORATION MAYNARD, MASSACHUSETTS <b>WRITE FORMAT GENERATOR</b>	
UNLESS OTHERWISE SPECIFIED	CHK'D	DATE		
TOLERANCES	ENG	DATE		
DECIMALS FRACTIONS ANGLES	PROJ. ENG.	DATE		
± .005 ± .001 ± .030	PROD.	DATE		
FINAL SURFACE QUALITY REMOVE BURRS AND BREAK SHARP CORNERS				
MATERIAL	NEXT HIGHER ASSY.			
FINISH	A-NL-RP15-0			
SCALE	SIZE CODE NUMBER REV DBSRP15-0-22 A			
SHEET	DIST.			

REV A DBSRP15-0-22

This drawing and specifications, herein, are the property of Digital Equipment Corporation and shall not be reproduced or copied or used in whole or in part as the basis for the manufacture or sale of items without written permission.



REV	NO.
CHANGE NO.	

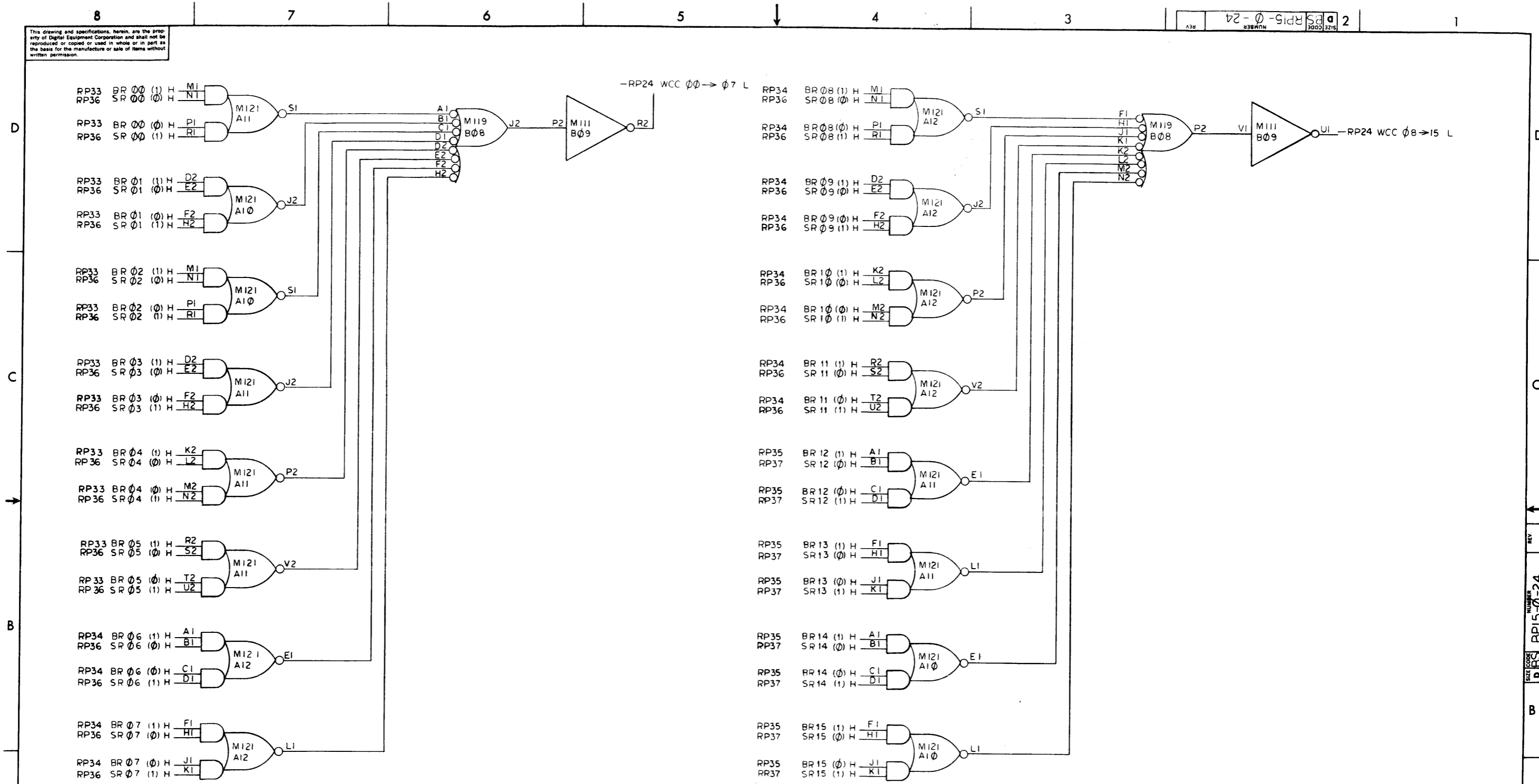
FIRST USED ON OPTION / MODEL PDP15	QTY.	DESCRIPTION	PART NO.	ITEM NO.
PARTS LIST				
UNLESS OTHERWISE SPECIFIED	DRN	DATE	digital EQUIPMENT CORPORATION MAYNARD, MASSACHUSETTS	
UNLESS OTHERWISE SPECIFIED	CHK'D	DATE	TITLE	
DIMENSION IN INCHES				
TOLERANCES	ENG	DATE		
DECIMALS FRACTIONS ANGLES				
= .005 = 1/64 = 0°30'				
FINAL SURFACE QUALITY	PROJ. ENG.	DATE		
REMOVE BURRS AND BREAK SHARP CORNERS				
MATERIAL	PROB	DATE		
FINISH	NEXT HIGHER ASSEMBY			
SCALE	A - ML - RP15-0			
SHEET 1 OF 1	SIZE CODE	NUMBER		
	DBS	RP15-0-23		
	DIST.			

REV. NO. RP15-0-23 DBS

B

A

This drawing and specifications, herein, are the property of Digital Equipment Corporation and shall not be reproduced or copied or used in whole or in part as the basis for the manufacture or sale of items without written permission.

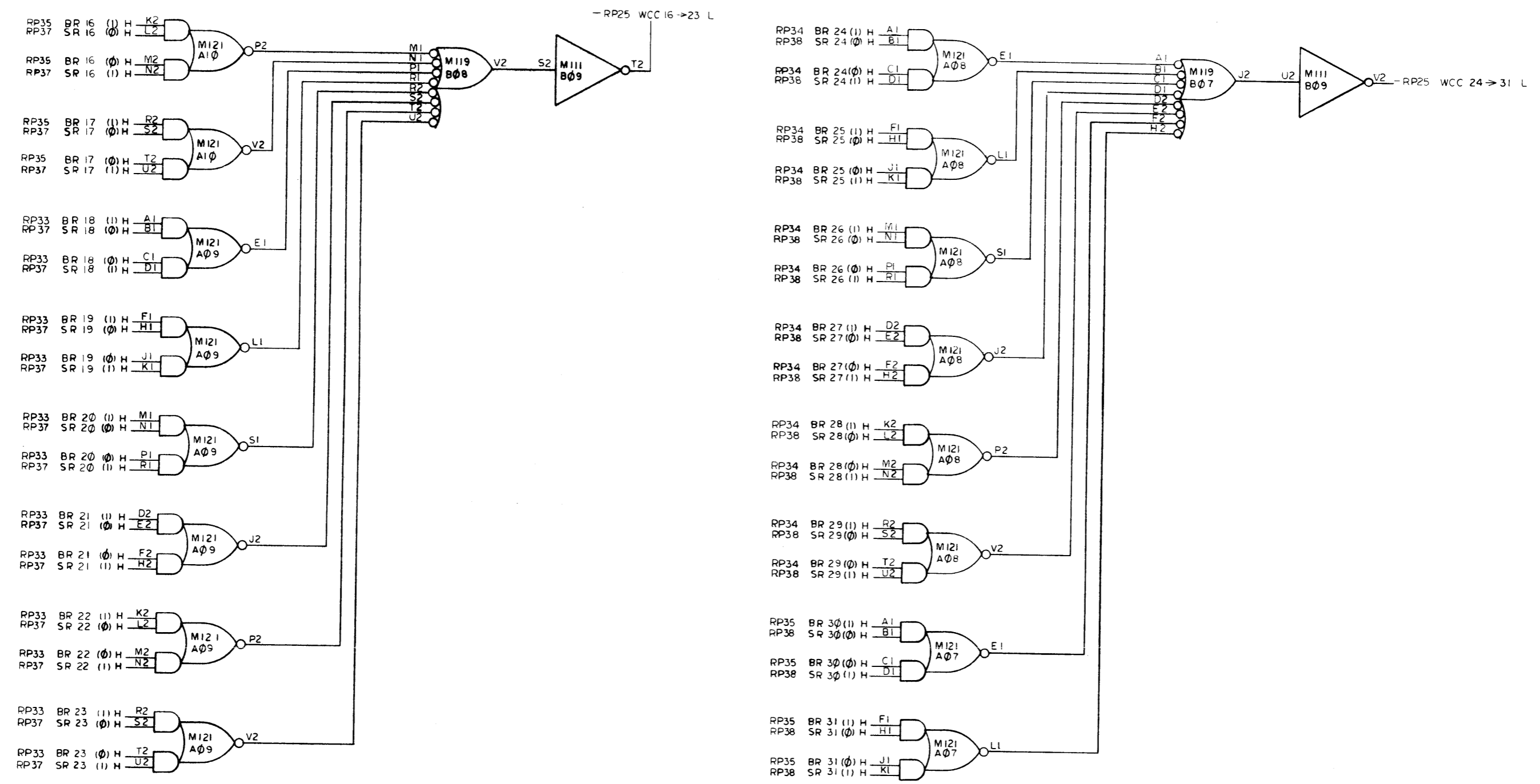


REV	
CHK	
CHG	
NO	

FIRST USED ON OPTION/MODEL PDP15	QTY.	DESCRIPTION	PART NO.	ITEM NO.
PARTS LIST				
UNLESS OTHERWISE SPECIFIED	DRN	DATE	digital EQUIPMENT CORPORATION MAYNARD, MASSACHUSETTS	
UNLESS OTHERWISE SPECIFIED	CHK'D	DATE	TITLE	
DIMENSION IN INCHES			WRITE CHECK	
TOLERANCES	ENG	DATE	COMPARATOR 00 - 15	
DECIMALS FRACTIONS ANGLES	PROJ. ENG.	DATE	A - ML-RP15-0	
= .005 ± 1/64 = 0°30'	PROD.	DATE	SIZE CODE NUMBER REV.	
FINAL SURFACE QUALITY			D BS RP15-0-24	
REMOVE BURRS AND BREAK SHARP CORNERS			SCALE OF	
MATERIAL	NEXT HIGHER ASSY		DIST.	
FINISH	A - ML-RP15-0			

This drawing and specifications, herein, are the property of Digital Equipment Corporation and shall not be reproduced or copied in whole or in part as the basis for the manufacture or sale of items without written permission.

REV 25  
 NUMBER  
 RP15-0-25  
 SIZE CODE  
 D BS



REV	
CHANGE NO.	
CHK	

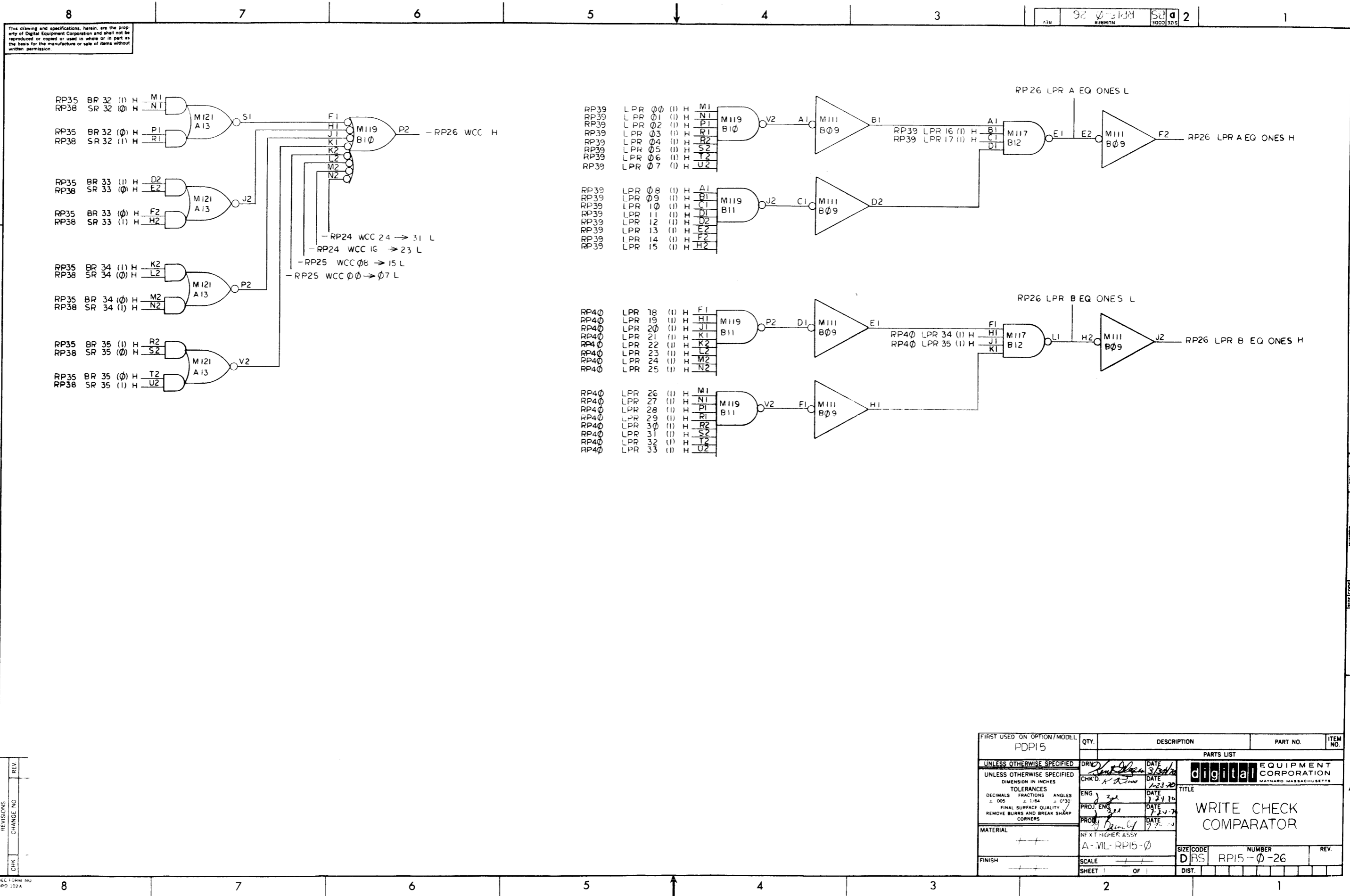
FIRST USED ON OPTION/MODEL PDPI5	QTY.	DESCRIPTION	PART NO.	ITEM NO.
PARTS LIST				
UNLESS OTHERWISE SPECIFIED				
UNLESS OTHERWISE SPECIFIED				
DIMENSION IN INCHES				
TOLERANCES				
DECIMALS	FRACTIONS	ANGLES		
± .005	± 1/64	± 0°30'		
FINAL SURFACE QUALITY / REMOVE BURRS AND BREAK SHARP CORNERS				
MATERIAL	---	NEXT HIGHER ASSY		
FINISH	---	SCALE		
		SHEET 1 OF 1		
		DIST.		
		SIZE CODE	NUMBER	REV.
		D BS	RP15-0-25	

DEC FORM NO. DRD 102A

REV 25  
 NUMBER  
 RP15-0-25  
 SIZE CODE  
 D BS

digital EQUIPMENT CORPORATION  
 MAYNARD, MASSACHUSETTS  
 TITLE  
 WRITE CHECK  
 COMPARATOR 16-31  
 A - ML-RP15-0

This drawing and specifications herein are the property of Digital Equipment Corporation and shall not be reproduced or copied or used in whole or in part as the basis for the manufacture or sale of items without written permission.



REV	NO
CHK	NO

DEC FORM NO. 1024

FIRST USED ON OPTION/MODEL PDP15	QTY.	DESCRIPTION	PART NO.	ITEM NO.
UNLESS OTHERWISE SPECIFIED				
UNLESS OTHERWISE SPECIFIED	DRN	DATE	PARTS LIST	
DIMENSION IN INCHES	CHK'D	DATE	digital EQUIPMENT CORPORATION MAYNARD, MASSACHUSETTS	
TOLERANCES	ENG	DATE	TITLE	
DECIMALS FRACTIONS ANGLES	PROJ. ENG.	DATE	WRITE CHECK	
± .005 ± 1/64 ± 0'30"	PROJ. DRN	DATE	COMPARATOR	
FINAL SURFACE QUALITY / REMOVE BURRS AND BREAK SHARP CORNERS	MATERIAL	DATE	SIZE CODE	
	FINISH	DATE	NUMBER	
			D BS RP15-0-26	
	SCALE		REV.	
	SHEET 1 OF 1		DIST.	

REV. NO. RP15-0-26

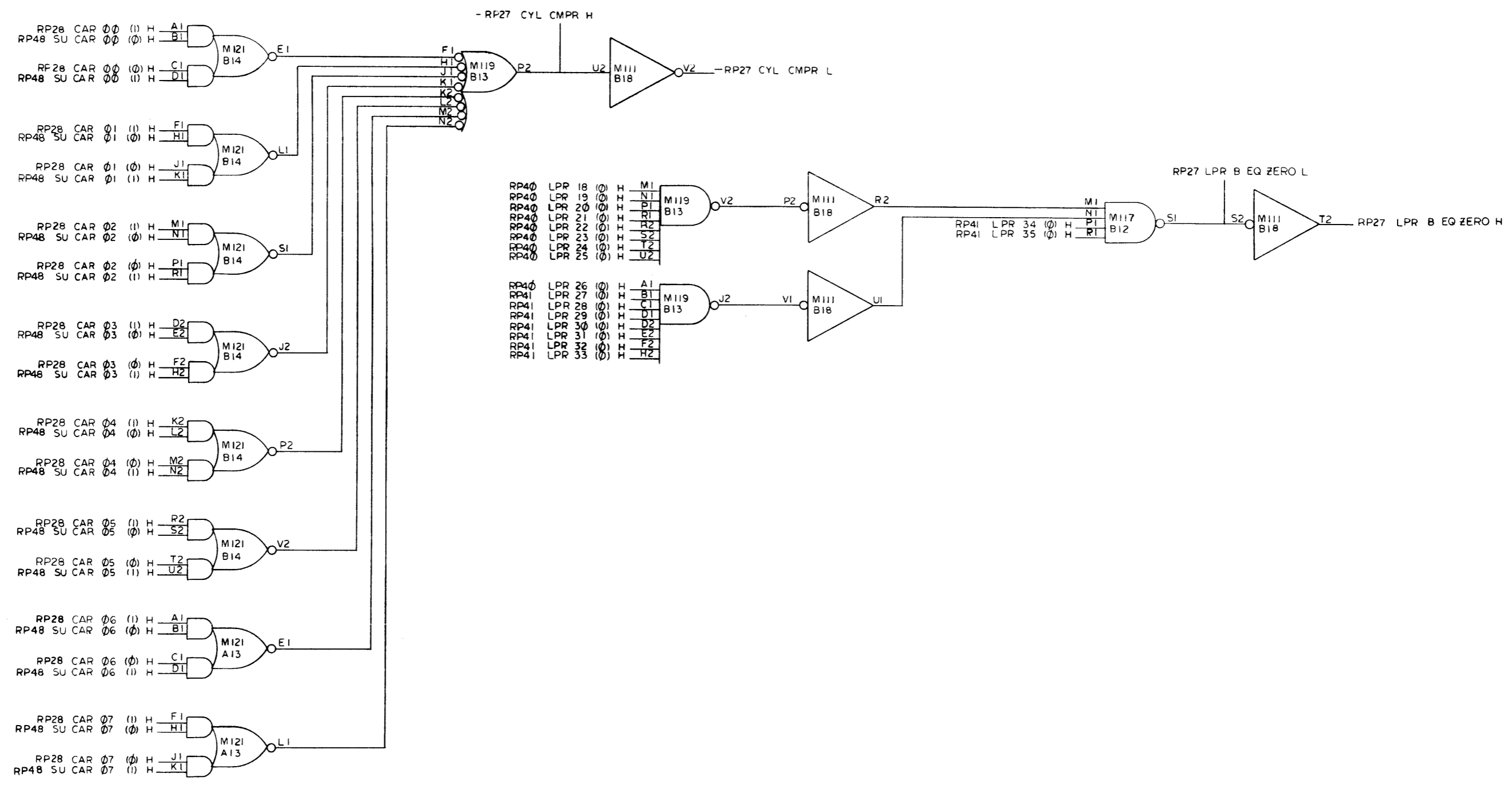
B

A



This drawing and specifications herein are the property of Digital Equipment Corporation and shall not be reproduced or copied or used in whole or in part as the basis for the manufacture or sale of items without written permission.

D  
 C  
 B  
 A

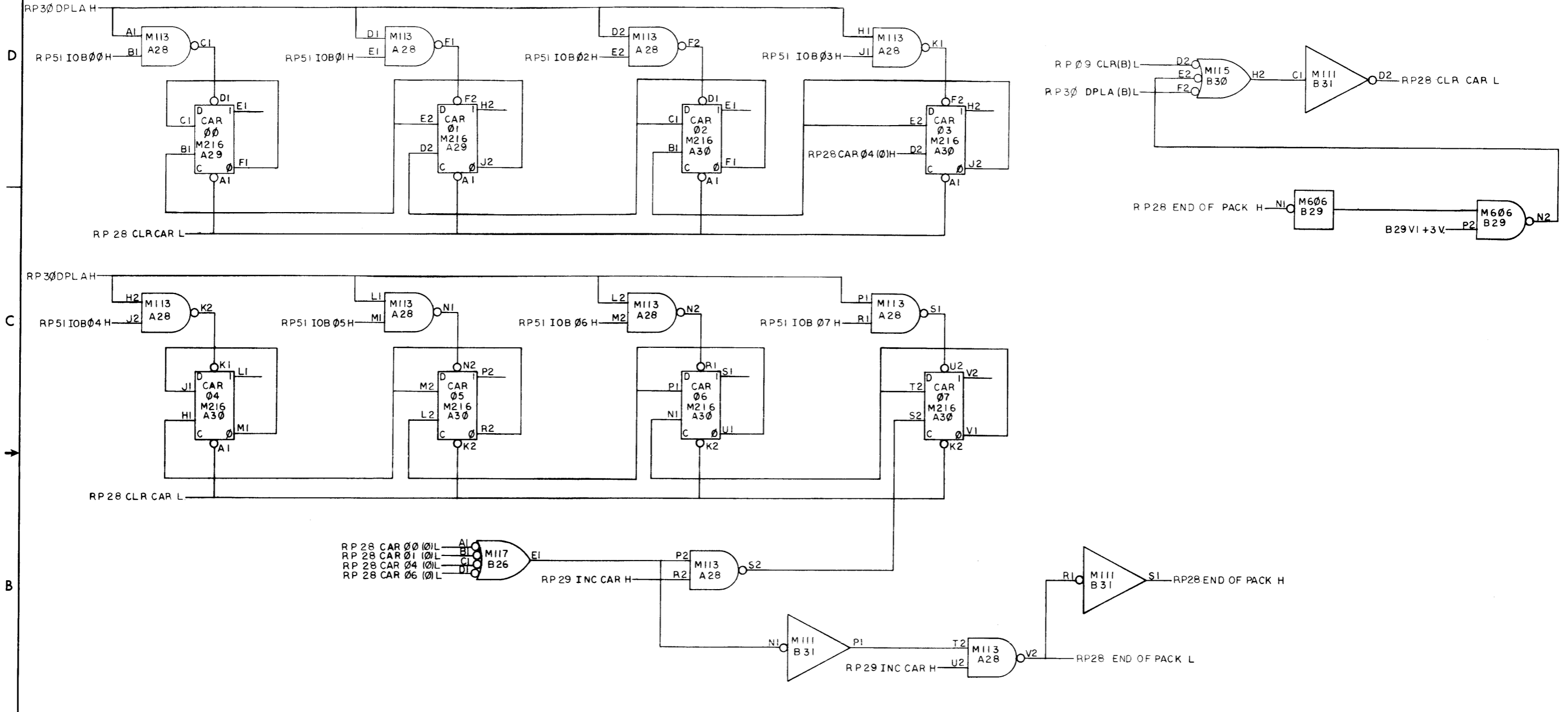


D  
 C  
 B  
 A

REV	
CHG	

FIRST USED ON OPTION/MODEL PDP15	QTY.	DESCRIPTION	PART NO.	ITEM NO.
PARTS LIST				
UNLESS OTHERWISE SPECIFIED DIMENSION IN INCHES	DRN A. Reiss	DATE 7-23-70	TITLE CYLINDER COMPARATOR	
TOLERANCES DECIMALS FRACTIONS ANGLES ± .005 ± 1/64 ± 0°30'	ENG J. J. Reilly	DATE 7-24-70	NEXT HIGHER ASSY A-ML-RP15-0	
MATERIAL ++	PROJ. ENG. J. J. Reilly	DATE 7-21-70	SCALE ++	
FINISH ++	PROD. J. J. Reilly	DATE 7-9-70	SHEET 1 OF 1	
SIZE CODE DBS		NUMBER RP15-0-27		REV.

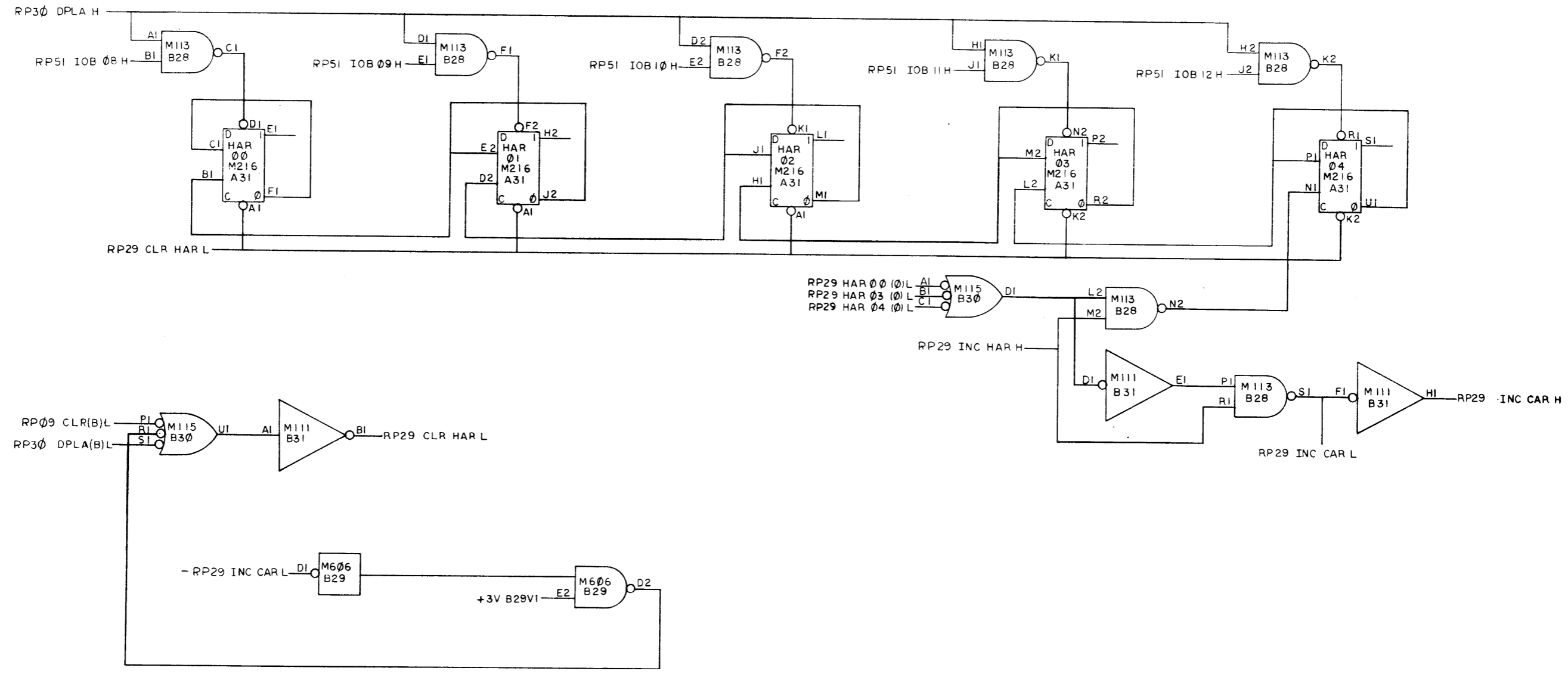
This drawing and specifications, herein, are the property of Digital Equipment Corporation and shall not be reproduced or copied or used in whole or in part as the basis for the manufacture or sale of items without written permission.



REV	
CHG	
NO	

FIRST USED ON OPTION/MODEL	QTY.	DESCRIPTION	PART NO.	ITEM NO.
PDP 15				
PARTS LIST				
UNLESS OTHERWISE SPECIFIED	DRN	DATE	digital EQUIPMENT CORPORATION MAYNARD, MASSACHUSETTS	
UNLESS OTHERWISE SPECIFIED	CHK'D	DATE	TITLE	
DIMENSION IN INCHES		7-23-70	CYLINDER ADDRESS REGISTER	
TOLERANCES	ENG	DATE	REV.	
DECIMALS FRACTIONS ANGLES		7-24-70		
= .005 = 1/64 = 0°30'	PROJ. ENG	DATE		
FINAL SURFACE QUALITY / REMOVE BURRS AND BREAK SHARP CORNERS		7-24-70		
MATERIAL	PROB	DATE		
		7-24-70		
FINISH	SCALE	NEXT HIGHER ASSY.		
		A-ML-RP15-0		
	SHEET	SIZE CODE NUMBER		
	OF	D BSRP15-0-28		
		DIST.		

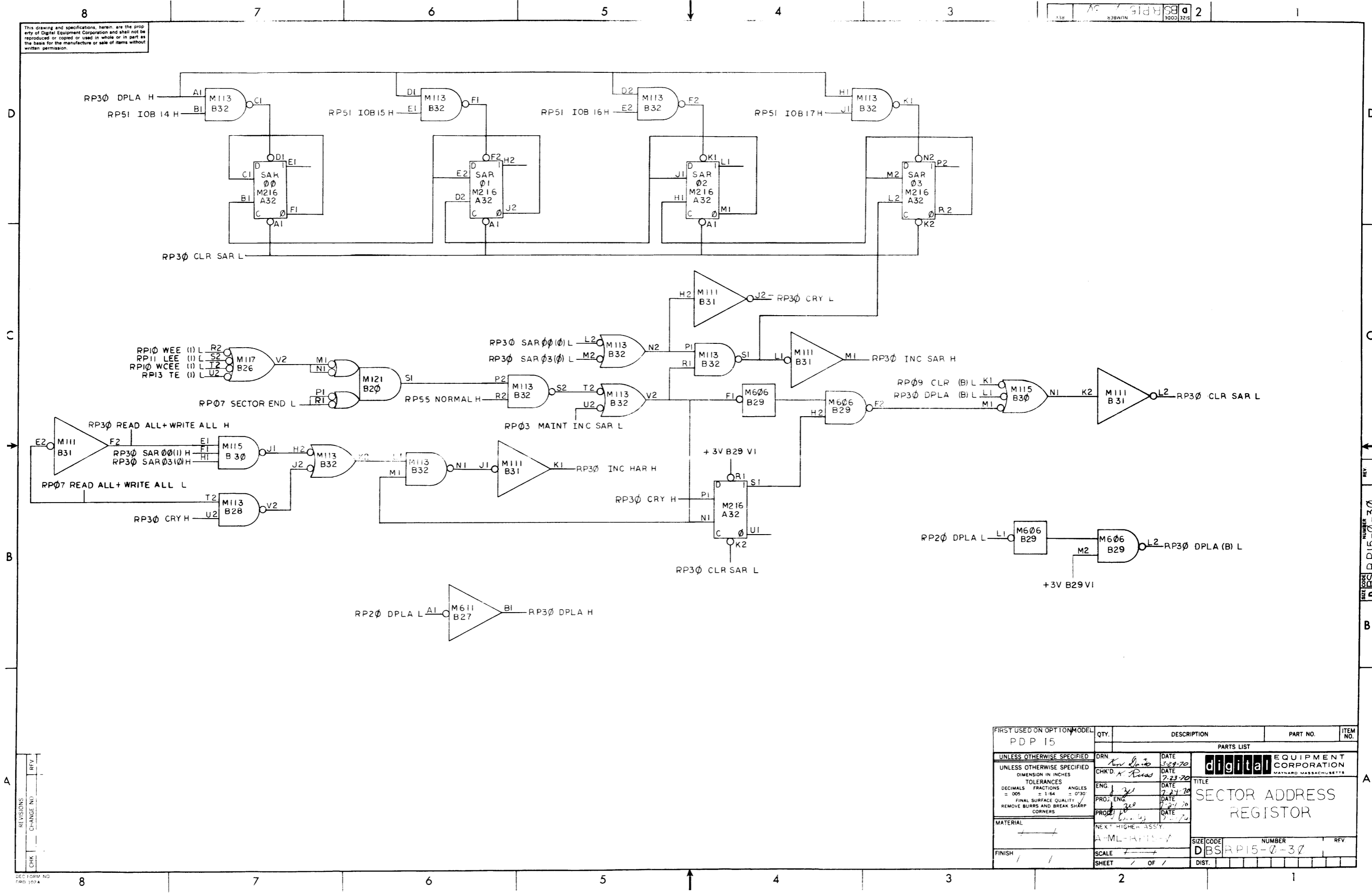
This drawing and specifications, herein, are the property of Digital Equipment Corporation and shall not be reproduced or copied or used in whole or in part as the basis for the manufacture or sale of items without written permission.



REV	CHANGE NO.	REVISIONS

FIRST USED ON OPTION MODEL PDP 15	QTY.	DESCRIPTION	PART NO.	ITEM NO.
PARTS LIST				
UNLESS OTHERWISE SPECIFIED	DRN	DATE	<b>digital</b> EQUIPMENT CORPORATION MAYNARD, MASSACHUSETTS	
UNLESS OTHERWISE SPECIFIED	CHK'D	DATE		
TOLERANCES	ENG	DATE		
DECIMALS FRACTIONS ANGLES	PROJ. ENG.	DATE		
± .005 ± 1/64 ± 0°30'	PROJ. (Rev. 1)	DATE	TITLE <b>HEAD ADDRESS REGISTER</b>	
FINAL SURFACE QUALITY REMOVE BURRS AND BREAK SHARP CORNERS				
MATERIAL	NEXT HIGHER ASSY.	DATE	SIZE CODE	NUMBER
FINISH	A-ML-RP15-0		D BS R P 15 - 0 - 29	REV.
SCALE	SHEET	OF	DIST.	

This drawing and specifications, herein are the property of Digital Equipment Corporation and shall not be reproduced or copied or used in whole or in part as the basis for the manufacture or sale of items without written permission.

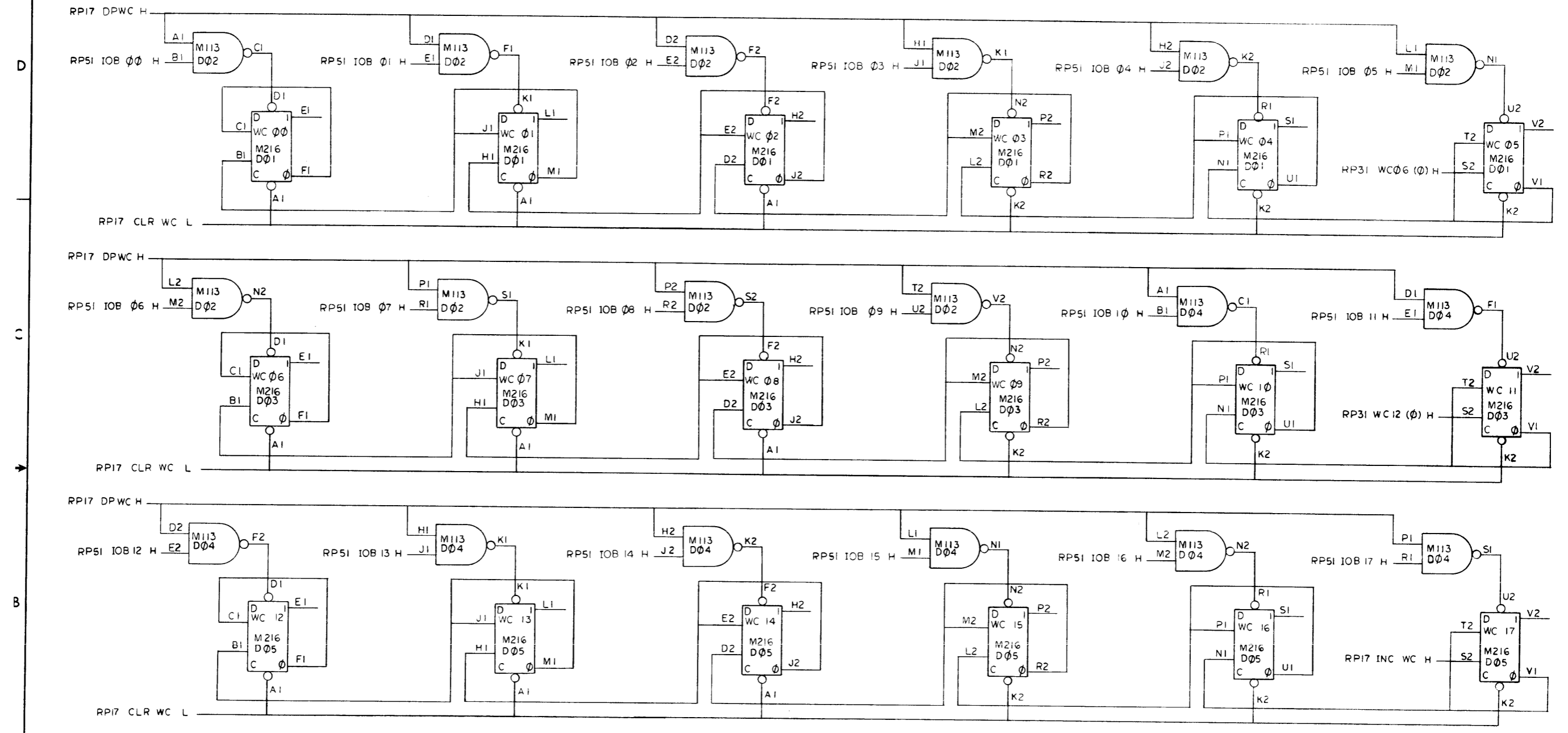


FIRST USED ON OPTION MODEL	QTY.	DESCRIPTION	PART NO.	ITEM NO.
PDP 15				
PARTS LIST				
UNLESS OTHERWISE SPECIFIED:	DRN	DATE	<b>digital</b> EQUIPMENT CORPORATION MAYNARD, MASSACHUSETTS	
UNLESS OTHERWISE SPECIFIED:	CHK'D	DATE		
UNLESS OTHERWISE SPECIFIED:	ENG	DATE	TITLE <b>SECTOR ADDRESS REGISTER</b>	
DIMENSION IN INCHES	PROJ. ENG.	DATE		
TOLERANCES	PROD.	DATE	SIZE CODE NUMBER REV <b>D B S R P 15 - 0 - 30</b>	
DECIMALS FRACTIONS ANGLES				
= .005 = 1/64 = 0°30'			SCALE SHEET / OF /	
FINAL SURFACE QUALITY / REMOVE BURRS AND BREAK SHARP CORNERS				
MATERIAL	NEXT HIGHER ASSY.		DIST. / /	
FINISH				

REV.	CHANGE NO.	DATE

SEC FORM NO 1074

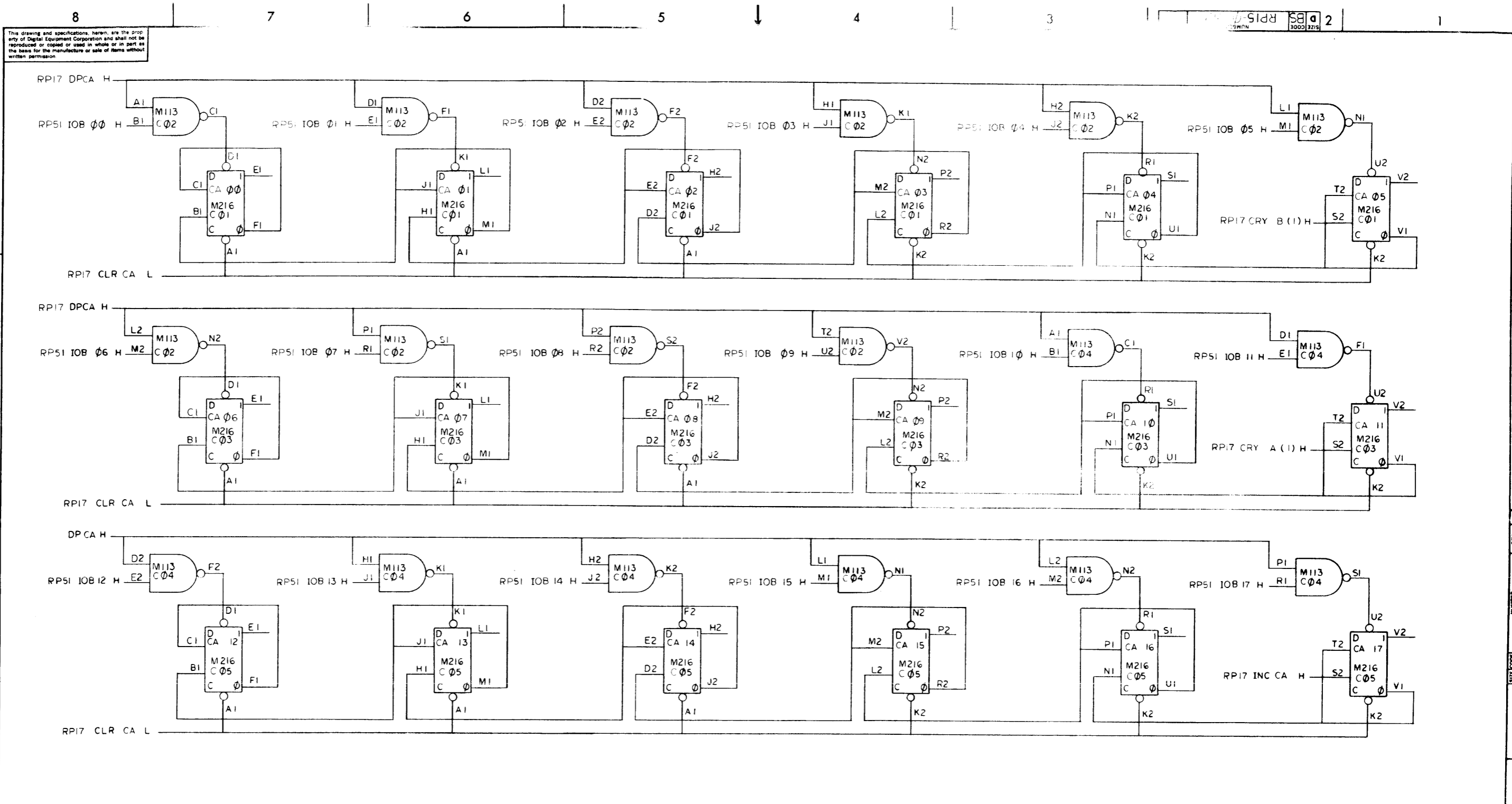
This drawing and specifications, herein, are the property of Digital Equipment Corporation and shall not be reproduced or copied or used in whole or in part as the basis for the manufacture or sale of items without written permission.



REV	
CHANGE NO.	
CHK	

FIRST USED ON OPTION / MODEL <b>PDP15</b>	QTY.	DESCRIPTION	PART NO.	ITEM NO.
UNLESS OTHERWISE SPECIFIED	PARTS LIST			
UNLESS OTHERWISE SPECIFIED DIMENSION IN INCHES TOLERANCES DECIMALS FRACTIONS ANGLES ± .005 ± 1/64 ± 0°30' FINAL SURFACE QUALITY REMOVE BURRS AND BREAK SHARP CORNERS	DRW'G CHK'D. ENG. PROJ. ENG. PROD.	DATE 4/13/70 DATE 7-23-70 DATE 7-24-70 DATE 7-24-70 DATE 7-24-70	<b>digital</b> EQUIPMENT CORPORATION NAYARD, MASSACHUSETTS	
MATERIAL	NEXT HIGHER ASSY			
FINISH	SCALE			
SIZE CODE <b>D15</b>		NUMBER <b>RP15-0-31</b>		
SHEET 1 OF 1		DIST.		

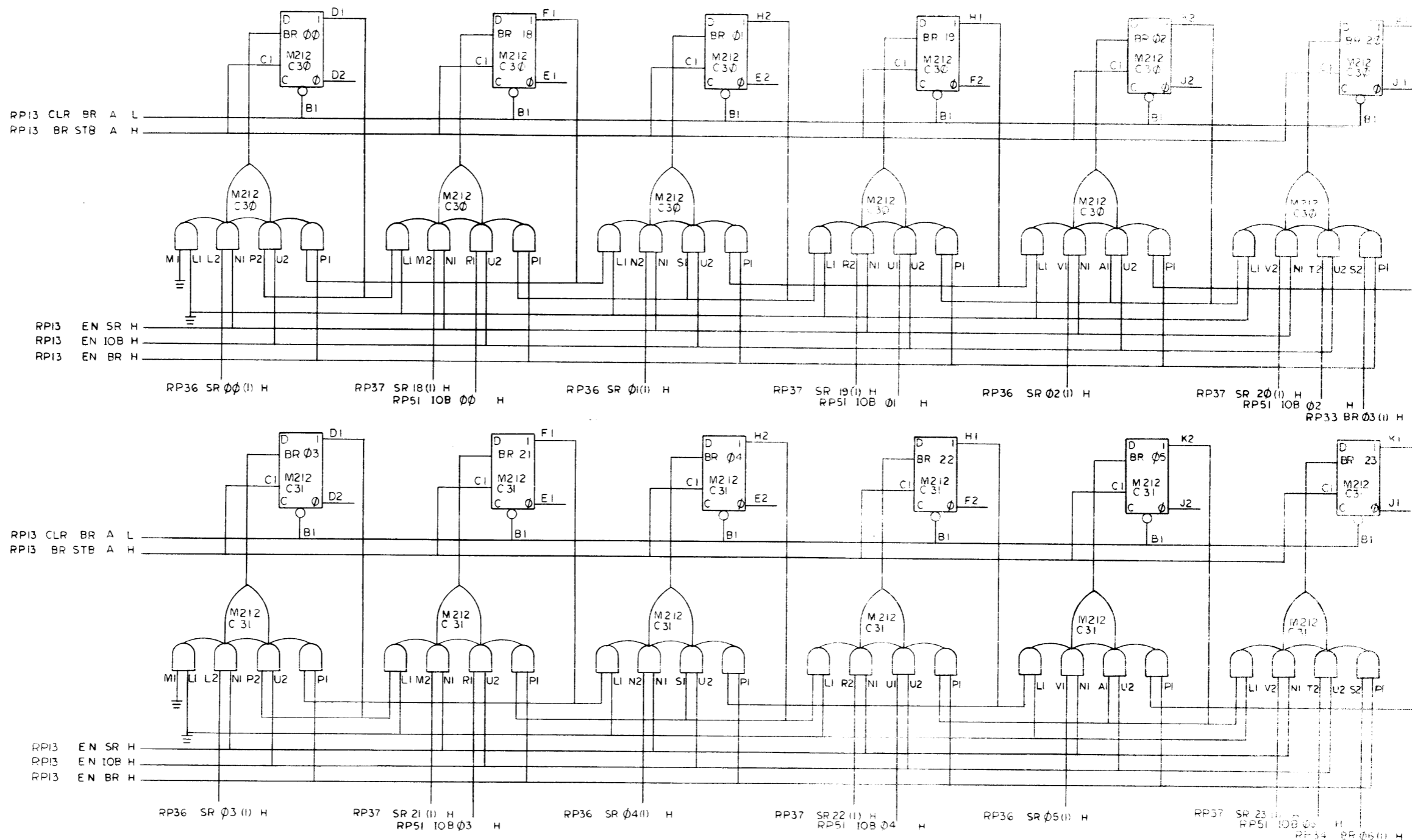
This drawing and specifications, herein, are the property of Digital Equipment Corporation and shall not be reproduced or copied or used in whole or in part as the basis for the manufacture or sale of items without written permission.



REV	
CHANGE NO	
CHK	

FIRST USED ON OPTION / MODEL	QTY.	DESCRIPTION	PART NO.	ITEM NO.
RP15				
PARTS LIST				
UNLESS OTHERWISE SPECIFIED	DRN	DATE	<b>digital</b> EQUIPMENT CORPORATION <small>WATYARD MASSACHUSETTS</small>	
UNLESS OTHERWISE SPECIFIED	CHK'D	DATE		
DIMENSION IN INCHES	ENG	DATE		
TOLERANCES	PROJ. ENG.	DATE		
DECIMALS FRACTIONS ANGLES	PROD.	DATE		
+ .005 - .004 - .030			TITLE <b>CURRENT ADDRESS REGISTER 00 - 17</b>	
FINAL SURFACE QUALITY / REMOVE BURRS AND BREAK SHARP CORNERS				
MATERIAL				
FINISH			SIZE CODE NUMBER REV. <b>DBS RP15-0-32</b>	
SCALE			DIST.	
SHEET 1 OF 1				

This drawing and specifications, herein, are the property of Digital Equipment Corporation and shall not be reproduced or copied or used in whole or in part as the basis for the manufacture or sale of items without written permission.



FIRST USED ON OPTION, MODEL	QTY.	DESCRIPTION	PART NO.
PDP15			
UNLESS OTHERWISE SPECIFIED:			
DIMENSION IN INCHES		DRN	DATE
DECIMALS	FRACTIONS	CHKD	DATE
± .005	± 1/64	ENG	DATE
TOLERANCES		PROJ. ENG.	DATE
ANGLES		PROD.	DATE
± 0°30'		MATERIAL	
FINAL SURFACE QUALITY			
REMOVE BURRS AND BREAK SHARP CORNERS			
FINISH		SCALE	
		SHEET OF	
		DST	

**digital** EQUIPMENT CORPORATION  
MAYNARD, MASSACHUSETTS

**BUFFER REGISTER**  
15-05, 16-23

NUMBER  
D155 PDP15 0-33

REV	CHANGE NO.

DEL FORM NO. 1024

REV. NUMBER 0-33

This drawing and specifications herein are the property of Digital Equipment Corporation and shall not be reproduced or copied or used in whole or in part as the basis for the manufacture or sale of items without written permission.

8

7

6

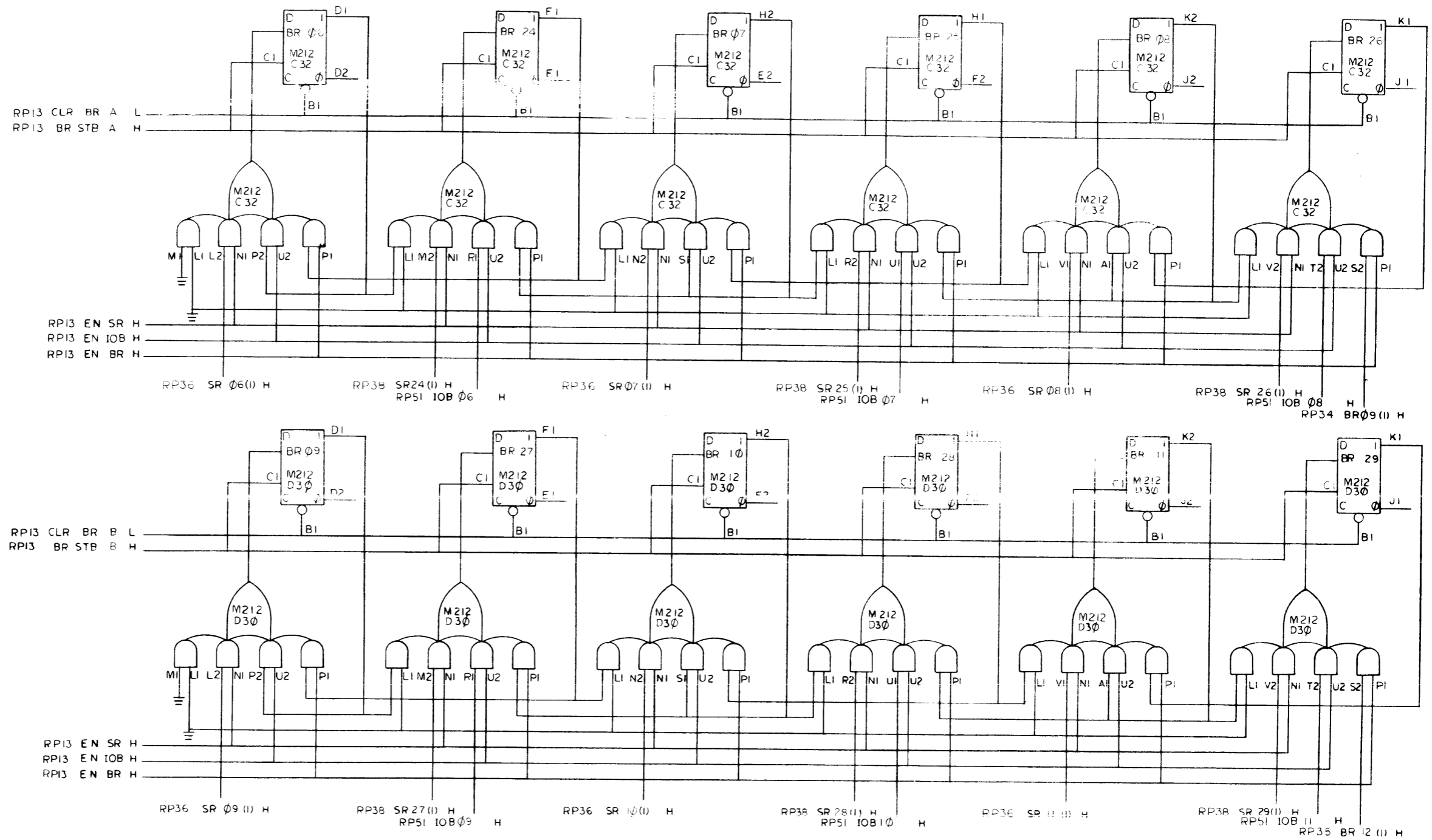
5

4

3

SIJY SB a 2  
30033215

1



REVISIONS	NO.	REV.
CHK		

FIRST USED ON OPTION / MODEL PDP15	QTY.	DESCRIPTION	PART NO.	ITEM NO.
UNLESS OTHERWISE SPECIFIED	DRN	DATE	PARTS LIST	
UNLESS OTHERWISE SPECIFIED	CHKD	DATE	digital EQUIPMENT CORPORATION MAYNARD, MASSACHUSETTS	
TOLERANCES	ENG	DATE	TITLE	
DECIMALS FRACTIONS ANGLES	PROJ ENG	DATE	BUFFER REGISTER	
FINAL SURFACE QUALITY	PROD	DATE	06-11, 24-29	
REMOVE BURRS AND BREAK SHARP CORNERS			NEXT HIGHER ASSY	
MATERIAL			A - ML - RP15-φ	
FINISH	SCALE		SIZE CODE	NUMBER
	SHEET	OF	D BS	RP15-φ-34
			DIST.	REV.

DEC FORM NO. DRD 102A

8

7

6

5

4

3

2

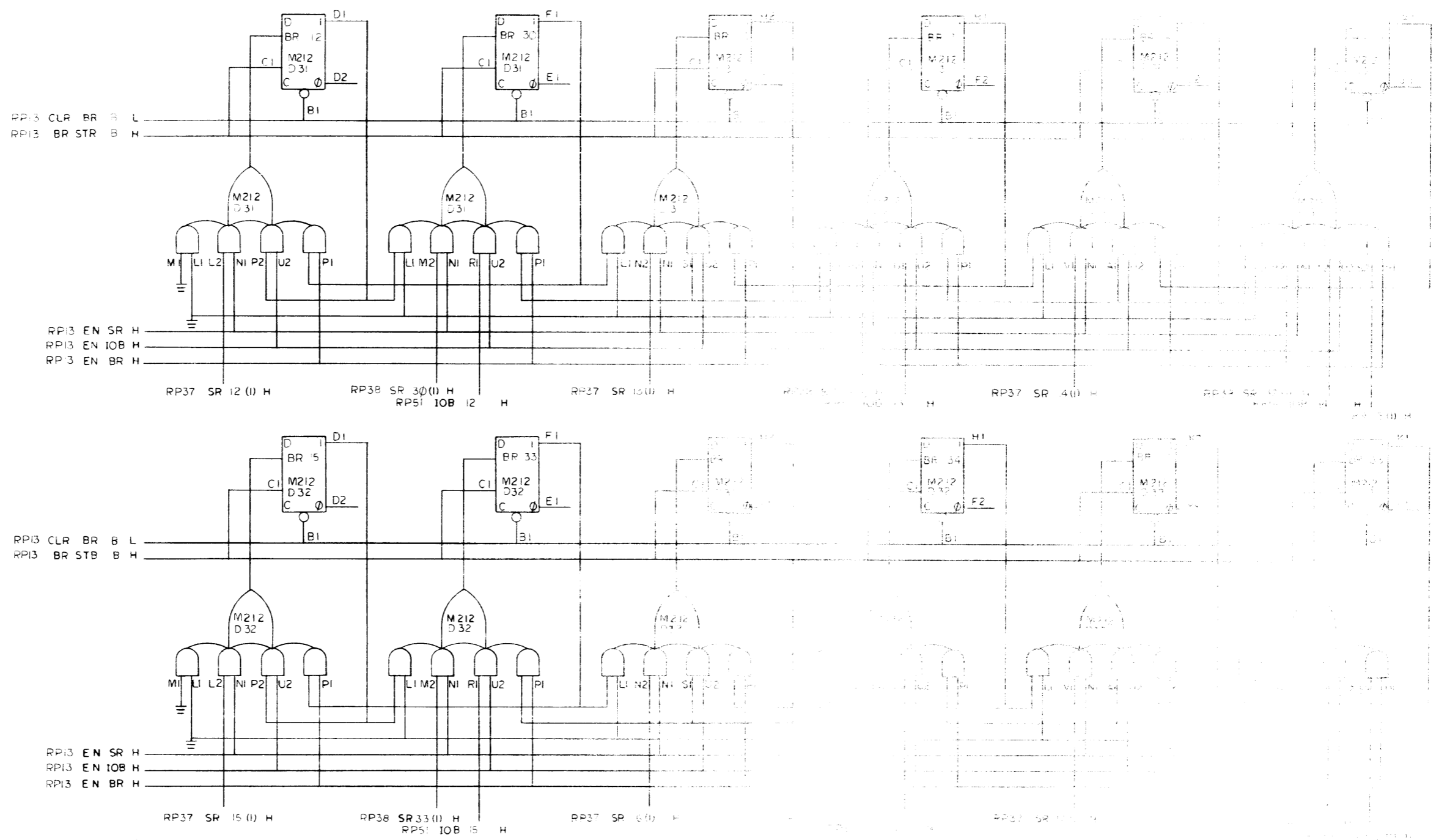
1

REV. NO. 1  
SIZE CODE D BS  
NUMBER RP15-φ-34



This drawing and specifications herein are the property of Digital Equipment Corporation and shall not be reproduced or copied or used in whole or in part as the basis for the manufacture or sale of items without written permission.

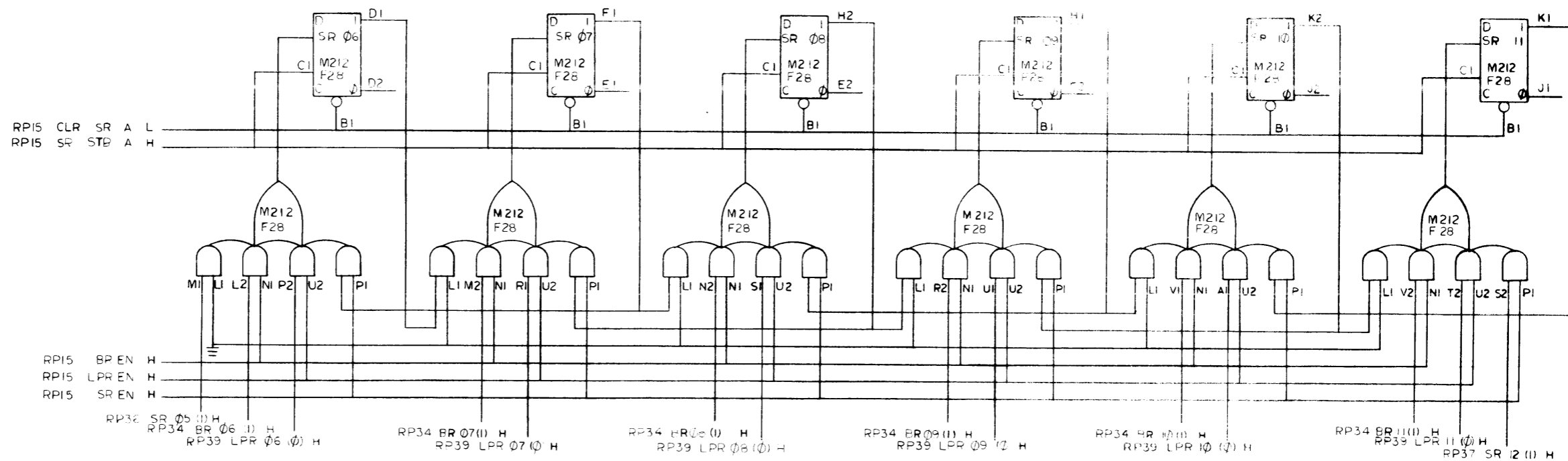
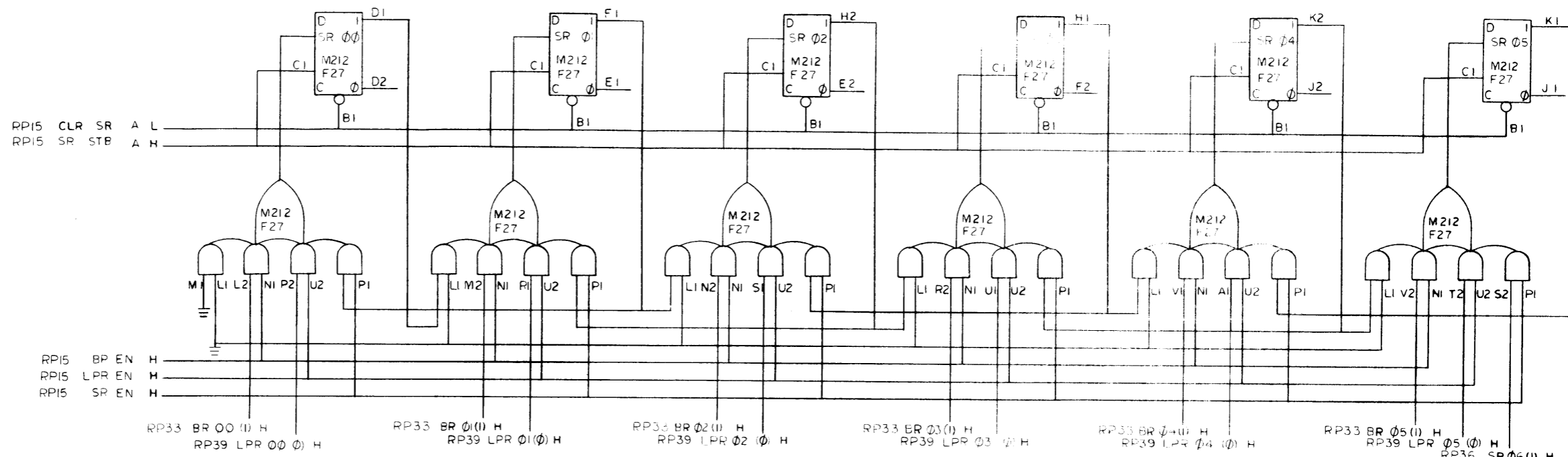
D  
C  
B  
A



REV	CHANGE NO	REVISIONS

UNLESS OTHERWISE SPECIFIED		MINIMUMS	MAXIMUMS
TOLERANCES		MINIMUMS	MAXIMUMS
DECIMAL FRACTIONS	± .005	± .005	± .005
ANGLES	± .005	± .005	± .005
DIGITAL EQUIPMENT CORPORATION			

This drawing and specifications are the property of Digital Equipment Corporation and shall not be reproduced or copied or used in whole or in part as the basis for the manufacture or sale of items without written permission.



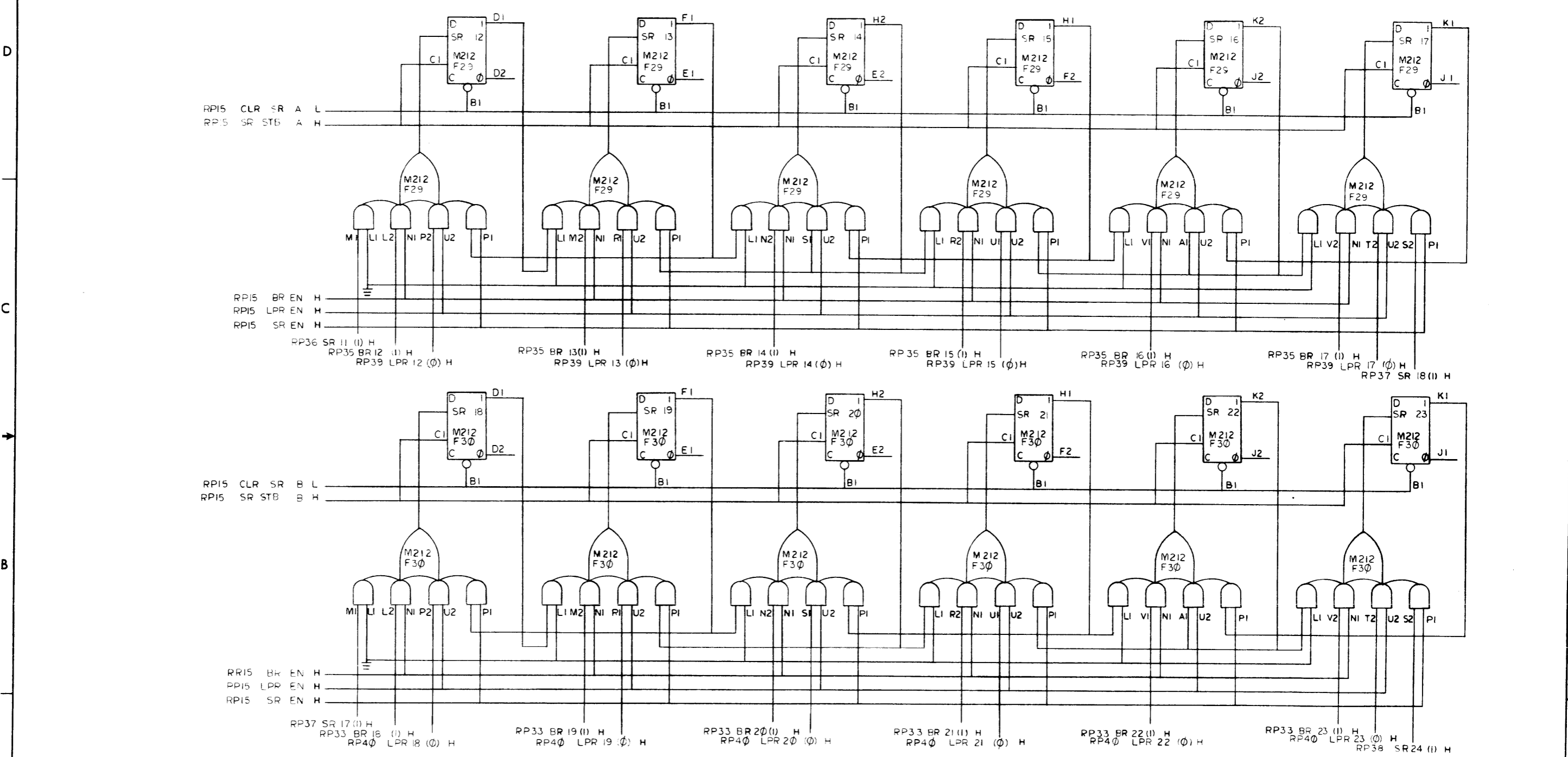
REV	
CHANGE NO.	
CHK	

FIRST USED ON OPTION / MODEL	QTY	DESCRIPTION	PART NO	ITEM NO
PDP15				
UNLESS OTHERWISE SPECIFIED				
DRM	DATE	PARTS LIST		
CHK'D	DATE	digital EQUIPMENT CORPORATION		
ENG	DATE	CORPORATION		
PROJ. ENG	DATE	MAYNARD, MASSACHUSETTS		
PROB.	DATE	TITLE		
		SHIFT REGISTER 00-11		
MATERIAL	NEXT HIGHER ASSY	SCALE	SIZE CODE	NUMBER
	A - ML - RP15-0	SHEET	D BS	RP15-0-36
FINISH		OF 1	DIST.	REV

REV. NUMBER  
D BS RP15-0-36

A

This drawing and specifications herein are the property of Digital Equipment Corporation and shall not be reproduced or copied or used in whole or in part as the basis for the manufacture or sale of items without written permission.

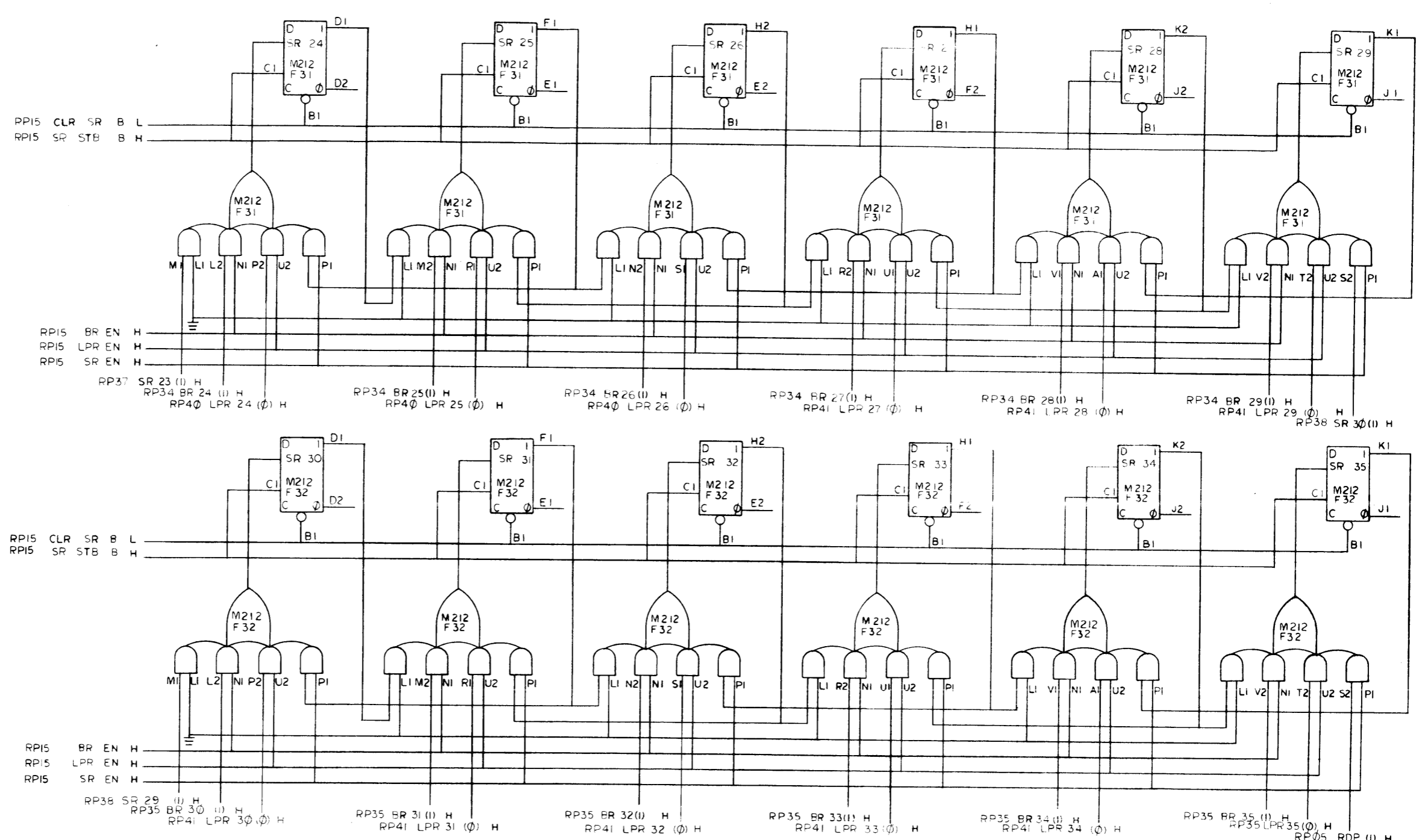


REV	
CHANGE NO.	
CHK	

FIRST USED ON OPTION / MODEL PDP15	QTY.	DESCRIPTION	PART NO.	ITEM NO.
PARTS LIST				
UNLESS OTHERWISE SPECIFIED DIMENSION IN INCHES TOLERANCES DECIMALS FRACTIONS ANGLES = .005 = 1/64 = 0°30' FINAL SURFACE QUALITY REMOVE BLURS AND BREAK SHARP CORNERS	DRN CHK'D ENG PROJ. ENG PROD.	DATE DATE DATE DATE DATE	digital EQUIPMENT CORPORATION MAYNARD MASSACHUSETTS	
MATERIAL FINISH	NEXT HIGHER ASSY SCALE SHEET 1 OF 1		TITLE SHIFT REGISTER 12-23 SIZE CODE D/BS RP15-0-37 NUMBER RE	

DATE CODE NUMBER  
D/BS RP15-0-37

This drawing and specifications, herein, are the property of Digital Equipment Corporation and shall not be reproduced or copied or used in whole or in part as the basis for the manufacture or sale of items without written permission.



REV	
CHANGE NO	
CHK	

FIRST USED ON OPTION / MODEL PDP15	QTY	DESCRIPTION	PART NO.	ITEM NO.
UNLESS OTHERWISE SPECIFIED	DRN	DATE	PARTS LIST	
UNLESS OTHERWISE SPECIFIED	CHK'D	DATE	digital EQUIPMENT CORPORATION MAYNARD, MASSACHUSETTS	
TOLERANCES	ENG.	DATE	TITLE	
DECIMALS FRACTIONS ANGLES	PROJ. ENG.	DATE	SHIFT REGISTER 24 - 35	
FINAL SURFACE QUALITY	PROD.	DATE	NEXT HIGH-LEVEL ASSY	
REMOVE BURRS AND BREAK SHARP CORNERS			A - ML - RP15-0	
MATERIAL			SIZE CODE	NUMBER
			D BS	RP15-0-38
FINISH	SCALE		DIST.	REV

310 FORM NO 390 1024

REV  
NUMBER  
RP15-0-38

B

A

This drawing and specifications, herein, are the property of Digital Equipment Corporation and shall not be reproduced or copied or used in whole or in part as the basis for the manufacture or sale of items without written permission.

62-0-914 SE 2  
 3000 3219



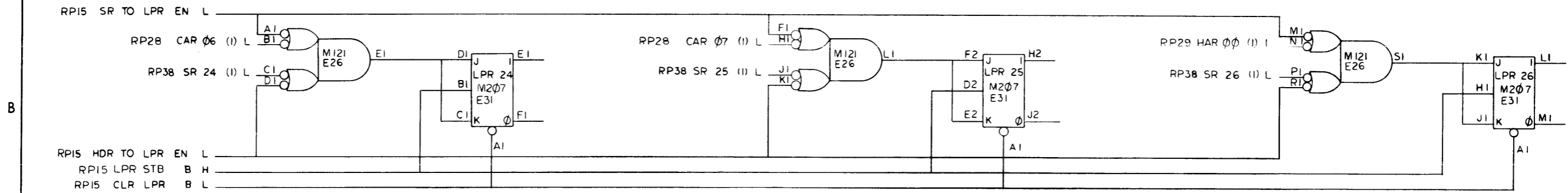
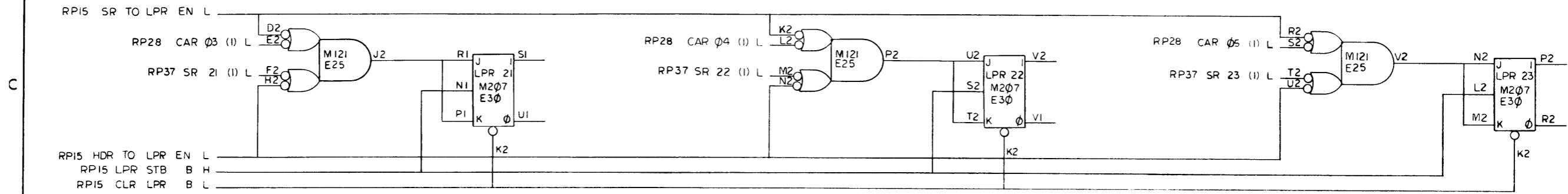
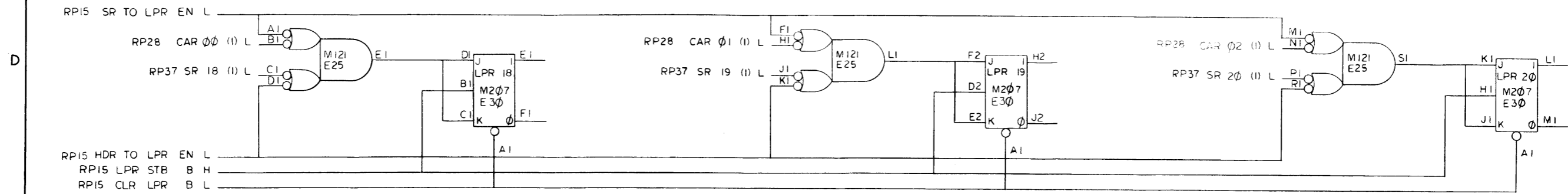
REVISIONS	NO.	REV.
CHK	CHANGE NO.	

FIRST USED ON OPTION/MODEL PDP 15	QTY.	DESCRIPTION	PART NO.	ITEM NO.
UNLESS OTHERWISE SPECIFIED	DRN: <i>K. Davis</i>	DATE: 4-18-70	PARTS LIST	
UNLESS OTHERWISE SPECIFIED	CHK'D: <i>K. Davis</i>	DATE: 7-23-70	<b>digital</b> EQUIPMENT CORPORATION MAYNARD, MASSACHUSETTS	
TOLERANCES	ENG: <i>J. J.</i>	DATE: 7-24-70	TITLE	
DECIMALS FRACTIONS ANGLES	PROJ. ENG. <i>J. J.</i>	DATE: 7-24-70	LONGITUDINAL	
± 005 ± 1/64 ± 0'30"	PROJ. <i>J. J.</i>	DATE: 7-24-70	PARITY REG.	
FINAL SURFACE QUALITY		DATE: 7-24-70	LPR00-LPR17	
REMOVE BURRS AND BREAK SHARP CORNERS		DATE: 7-24-70	SIZE CODE NUMBER	
MATERIAL	NEXT HIGHER ASSY.		D B S R P 1 5 - 0 - 3 9	
FINISH	A-M-L-4-1-2		SCALE	
			SHEET / OF /	
			DIST.	

REV. NUMBER  
D B S R P 1 5 - 0 - 3 9

This drawing and specifications are the property of Digital Equipment Corporation and shall not be reproduced or copied or used in whole or in part as the basis for the manufacture or sale of items without written permission.

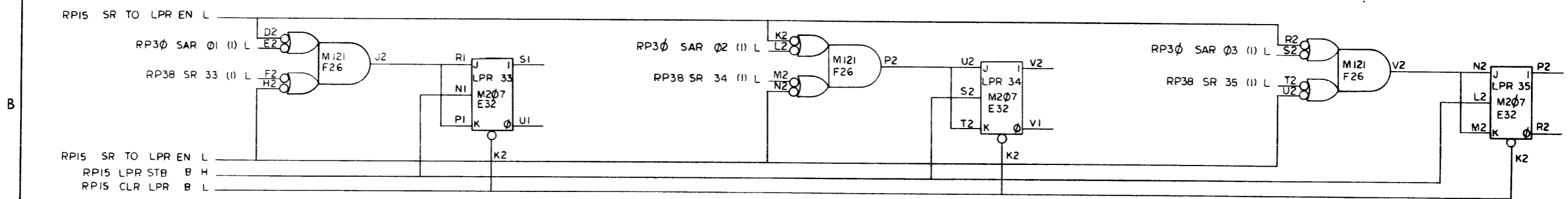
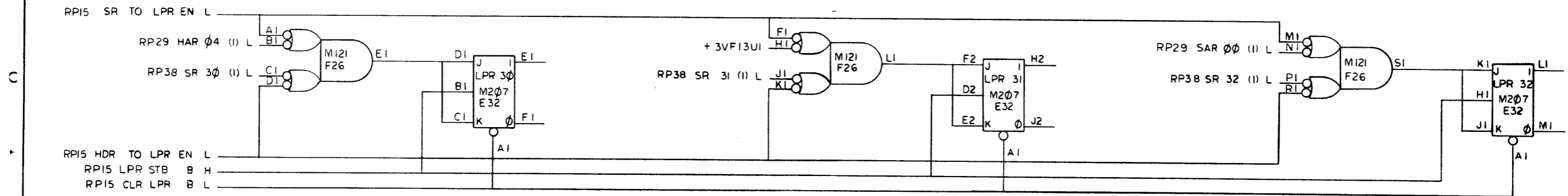
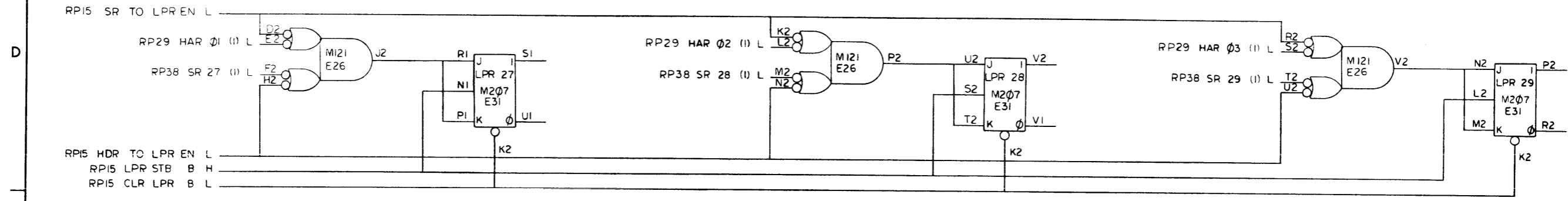
9144 2



REV	
CHANGE NO	
CHK	
REVISIONS	

FIRST USED ON OPTION / MODEL PDP15	QTY.	DESCRIPTION	PART NO.	ITEM NO.
PARTS LIST				
UNLESS OTHERWISE SPECIFIED	DRW	DATE	<b>digital</b> EQUIPMENT CORPORATION MAYNARD, MASSACHUSETTS	
UNLESS OTHERWISE SPECIFIED	CHK'D	DATE		
DIMENSION IN INCHES			TITLE <b>LONGITUDINAL PARITY</b> REG. LPR 18 — LPR 26	
TOLERANCES	ENG	DATE		
DECIMALS = 005	PROJ. ENG	DATE		
FRACTIONS = 1/64	PROD	DATE		
ANGLES = 0°30'			NEXT HIGHER ASSY A-ML-RP15-0	
FINAL SURFACE QUALITY			SIZE CODE	NUMBER
REMOVE BURRS AND BREAK SHARP CORNERS			DBS	RP15-0-40
MATERIAL			DIST.	
FINISH				
	SCALE			
	SHEET 1	OF 1		

This drawing and specifications, herein, are the property of Digital Equipment Corporation and shall not be reproduced or copied or used in whole or in part as the basis for the manufacture or sale of items without written permission.

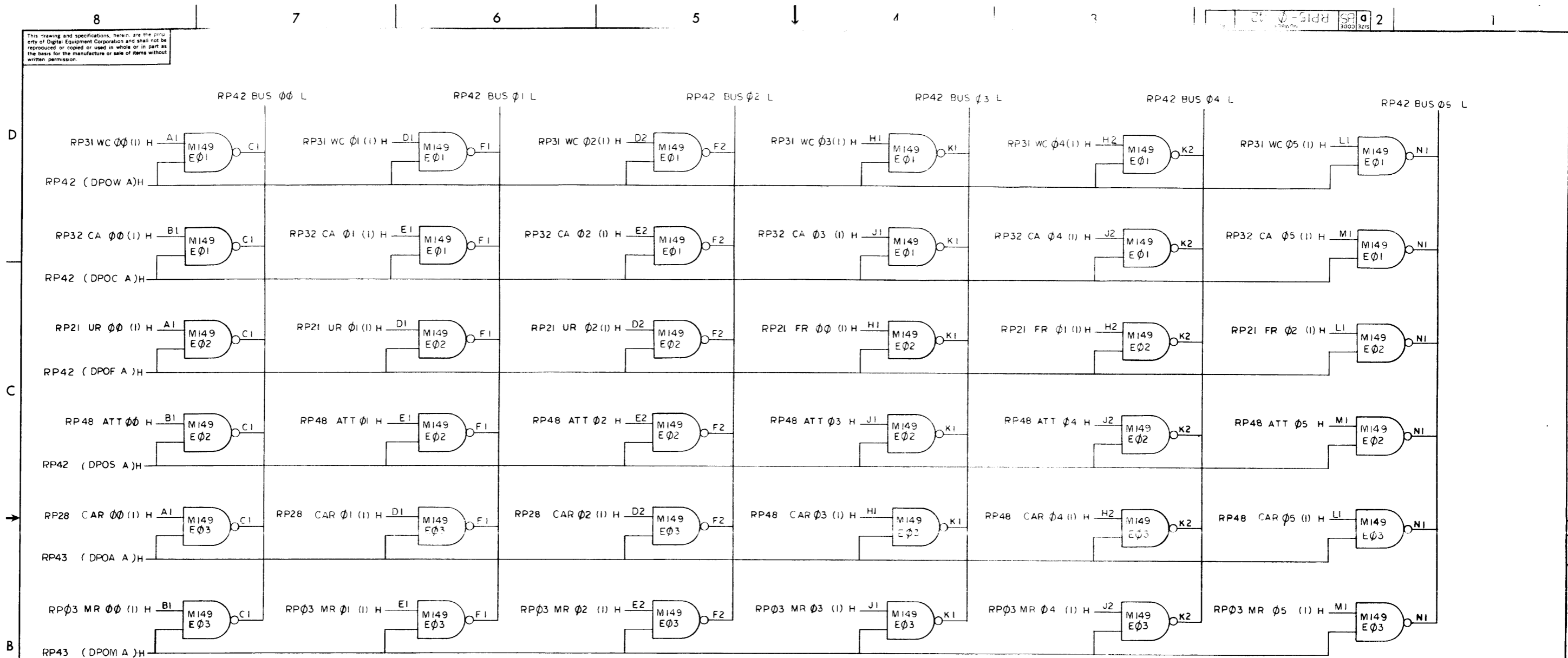


REV	
CHK	

FIRST USED ON OPTION / MODEL PDP15	QTY.	DESCRIPTION	PART NO.	ITEM NO.
UNLESS OTHERWISE SPECIFIED	DRM	DATE	PARTS LIST	
UNLESS OTHERWISE SPECIFIED	CHK'D. <i>K. Rios</i>	DATE	digital EQUIPMENT CORPORATION MAYNARD MASSACHUSETTS	
TOLERANCES	ENG. <i>J. Ze</i>	DATE	TITLE	
DECIMALS FRACTIONS ANGLES	PROJ. ENG. <i>J. Ze</i>	DATE	LONGITUDINAL PARITY	
= .005 = 1/64 = 0°30'	PROB. <i>J. Ze</i>	DATE	REG. LPR 27 - LPR 35	
REMOVE BURRS AND BREAK SHARP CORNERS				
MATERIAL	NEXT HIGHER ASSY		SIZE CODE	NUMBER
FINISH	A-ML-RP15-0		DBS	RP15-0-41
	SCALE		DIST	
	SHEET 1	OF 1		

REV. NUMBER DBS RP15-0-41

This drawing and specifications herein are the property of Digital Equipment Corporation and shall not be reproduced or copied or used in whole or in part as the basis for the manufacture or sale of items without written permission.



REV	
CHANGE NO	
CHK	

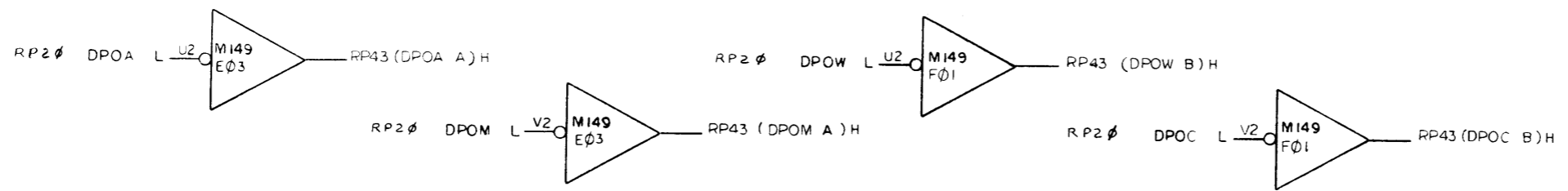
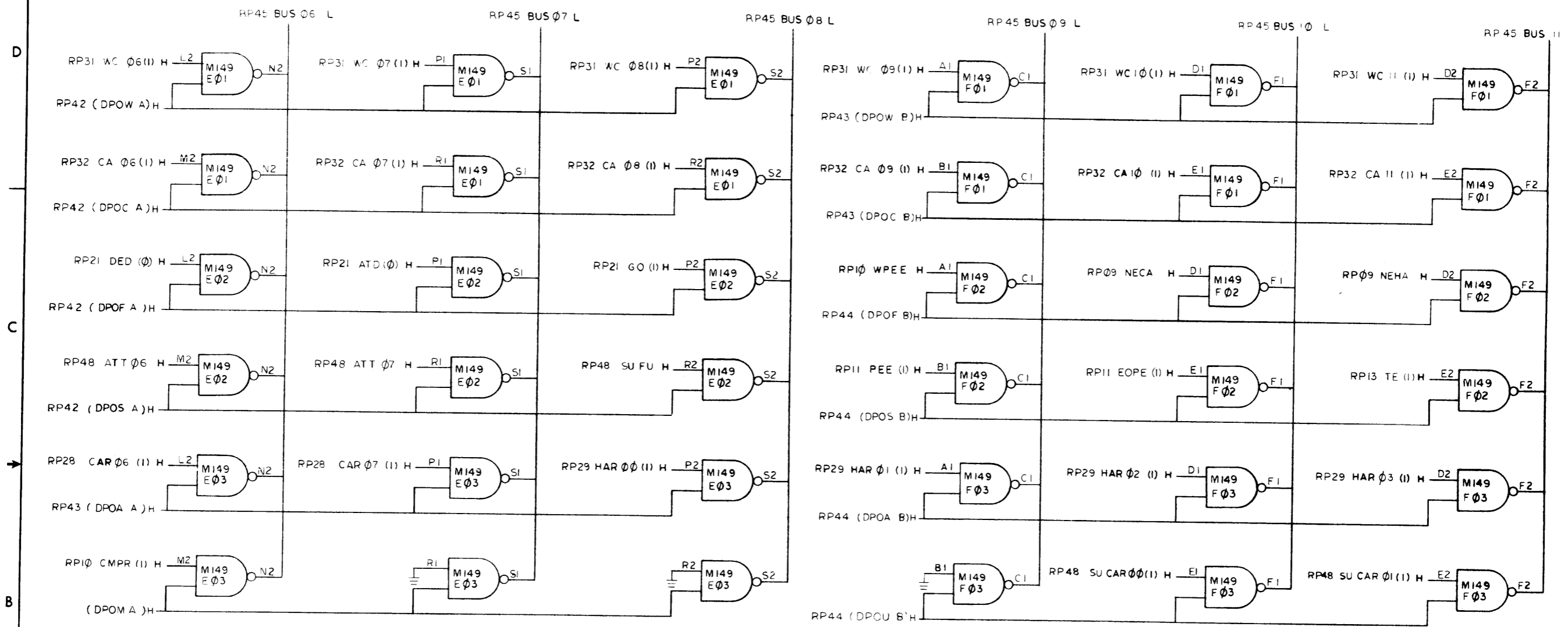
FIRST USED ON OPTION / MODEL PDP15	QTY.	DESCRIPTION	PART NO.	ITEM NO.
PARTS LIST				
UNLESS OTHERWISE SPECIFIED	DRN	DATE	 <b>digital</b> EQUIPMENT CORPORATION MAYNARD, MASSACHUSETTS	
UNLESS OTHERWISE SPECIFIED	CHK'D	DATE		
UNLESS OTHERWISE SPECIFIED	ENG	DATE		
UNLESS OTHERWISE SPECIFIED	PROJ. ENG.	DATE		
UNLESS OTHERWISE SPECIFIED	PROJ. MGR.	DATE		
TOLERANCES	TITLE		BUS	
DECIMALS FRACTIONS ANGLES	BUS		MULTIPLEXER 00-05	
± .005 ± .164 ± 0°30'	MATERIAL		SIZE CODE	
FINAL SURFACE QUALITY / REMOVE BURRS AND BREAK SHARP CORNERS	NEXT HIGHER ASSY		NUMBER	
	A-ML-RP15-0		D B S RP15-0-42	
FINISH	SCALE		REV	
	SHEET 1 OF 1		DIST.	

NUMBER RP15-0-42  
 SIZE CODE D B S



This drawing and specifications, herein, are the property of Digital Equipment Corporation and shall not be reproduced or copied or used in whole or in part as the basis for the manufacture or sale of items without written permission.

3000 3275 2



REV	CHG	NO	DATE
1	A	1	12-14-70
2	A	2	12-14-70

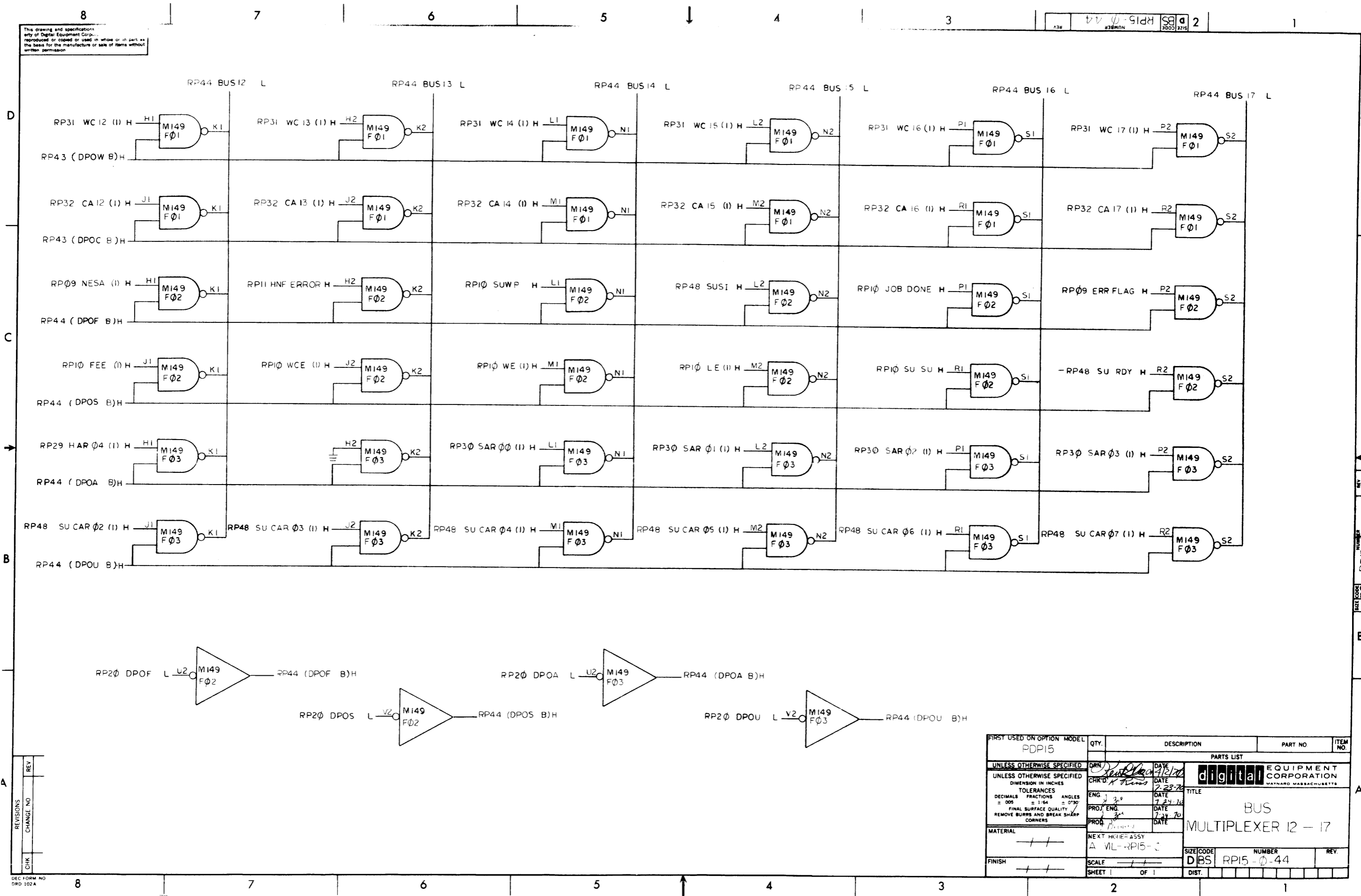
QTY.	DESCRIPTION	PART NO.	ITEM NO.
	PDP15		
PARTS LIST			
digital EQUIPMENT CORPORATION MAYNARD, MASSACHUSETTS			
TITLE: BUS MULTIPLEXER 06-11			
MATERIAL: A-MIL RP15-0			
FINISH: ---			
SCALE: ---			
SHEET 1 OF 1			
SIZE CODE: DBS		NUMBER: RP15-0-43	REV: 4

DBS RP15-0-43

A

This drawing and specifications are the property of Digital Equipment Corporation. It is to be used in whole or in part as the basis for the manufacture or sale of items without written permission.

REV 2  
 DBS RPI5-0-44  
 3003 (2/76)

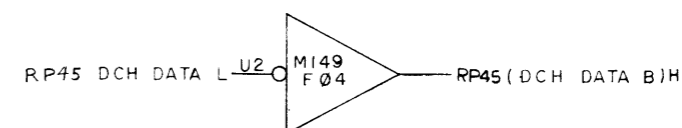
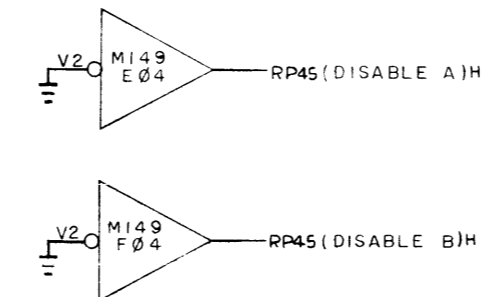
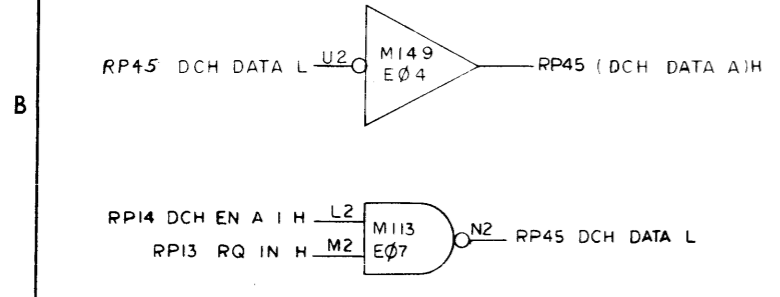
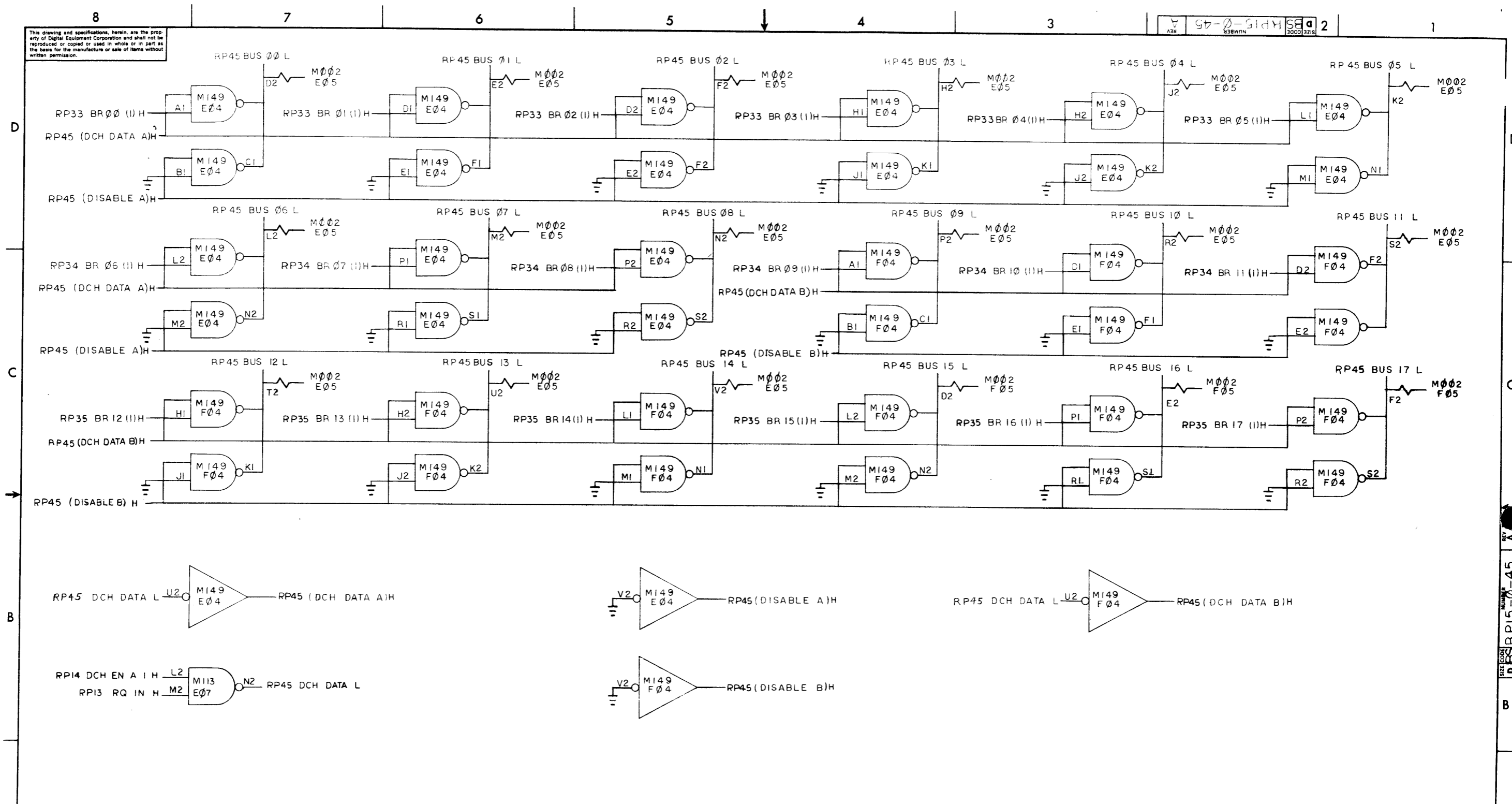


REV	
CHANGE NO	
CHK	

FIRST USED ON OPTION MODEL RDP15	QTY.	DESCRIPTION	PART NO.	ITEM NO.
UNLESS OTHERWISE SPECIFIED DIMENSION IN INCHES	DRN DATE 7/23/70	PARTS LIST		
TOLERANCES DECIMALS FRACTIONS ANGLES ± .005 ± 1/64 ± 0°30'	CHR'D DATE 7/24/70	digital EQUIPMENT CORPORATION MAYNARD MASSACHUSETTS		
FINAL SURFACE QUALITY REMOVE BURRS AND BREAK SHARP CORNERS	ENG DATE 7/24/70	TITLE BUS MULTIPLEXER 12 - 17		
MATERIAL ++	PROJ. ENG DATE 7/24/70	NEXT HIGHER ASSY A WL-RP15-C		
FINISH ++	PROG DATE	SCALE ++	SIZE CODE DBS	NUMBER RPI5-0-44
	SHEET 1 OF 1	DIST.		REV.

This drawing and specifications, herein, are the property of Digital Equipment Corporation and shall not be reproduced or copied or used in whole or in part as the basis for the manufacture or sale of items without written permission.

DBSRP15-0-45

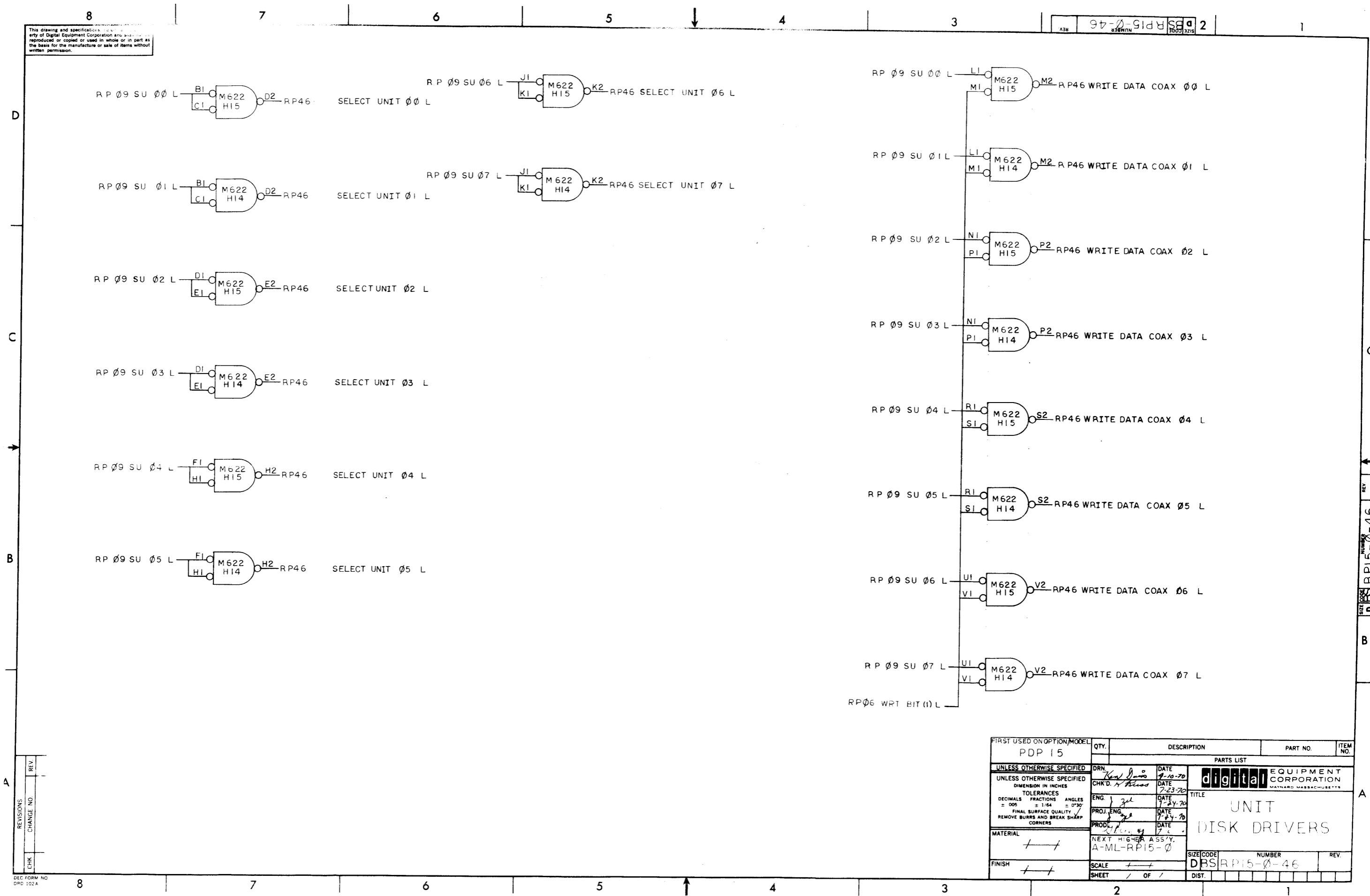


REV	CHANGE NO.	DATE	BY	CHK'D
1	1	7-24-70	J. ZEH	
2	2	8-14-70	J. ZEH	

REV	QTY.	DESCRIPTION	PART NO.	ITEM NO.
1				
PARTS LIST				
UNLESS OTHERWISE SPECIFIED		DRN. <i>Tom Davis</i>	DATE 9-21-70	<b>digital</b> EQUIPMENT CORPORATION MAYNARD, MASSACHUSETTS
DIMENSION IN INCHES		CHK'D. <i>Tom Davis</i>	DATE 7-23-70	
TOLERANCES		ENG. <i>J. Zeh</i>	DATE 7-24-70	
DECIMALS FRACTIONS ANGLES		PROJ. ENG. <i>J. Zeh</i>	DATE 7-24-70	
MATERIAL		PROD. <i>J. Zeh</i>	DATE 7-24-70	TITLE <b>MULTIPLEXER TERMINATOR</b> 00-17
FINISH		SCALE	NUMBER	
		SHEET 1 OF 1	DIST.	DBSRP15-0-45 A

This drawing and specifications are the property of Digital Equipment Corporation and shall not be reproduced or copied or used in whole or in part as the basis for the manufacture or sale of items without written permission.

97-0-915-0-46

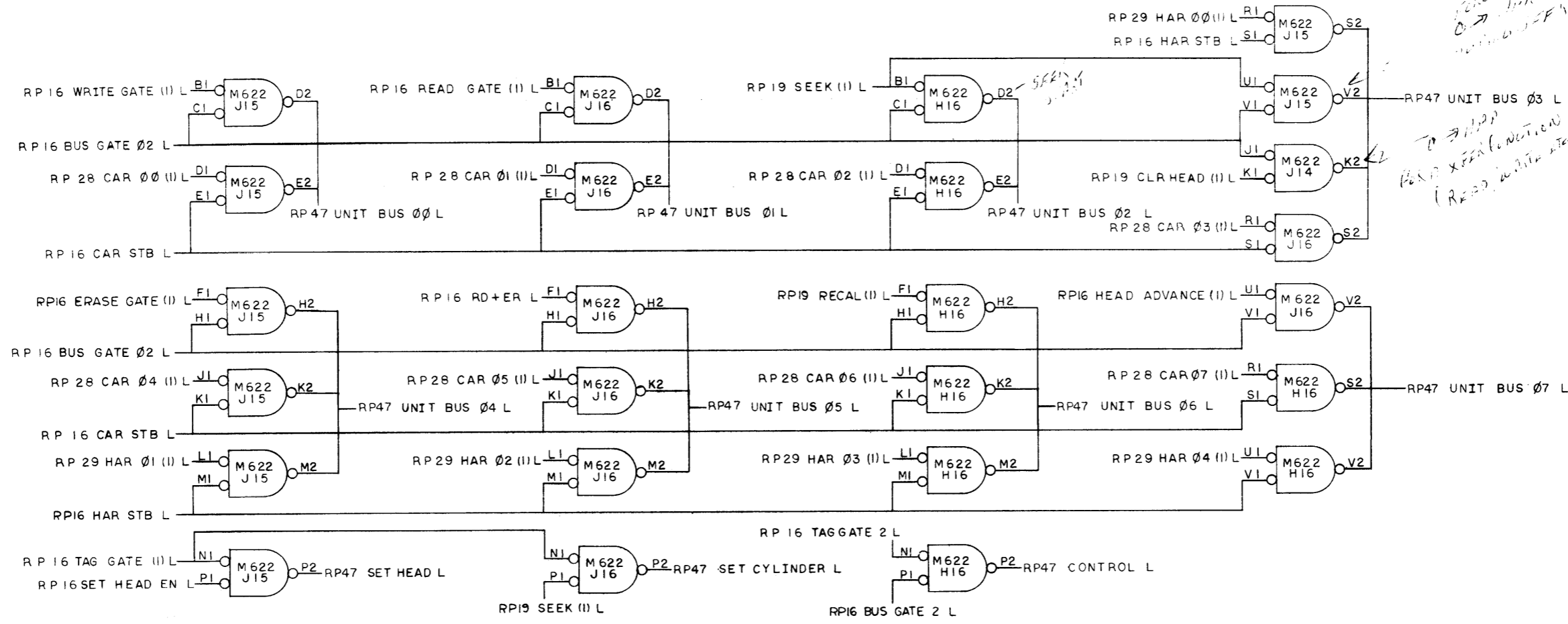


REVISIONS	NO.	REV.
CHK	CHANGE NO.	

FIRST USED ON OPTION/MODEL PDP 15	QTY.	DESCRIPTION	PART NO.	ITEM NO.
PARTS LIST				
UNLESS OTHERWISE SPECIFIED	DRN. <i>Real Jones</i>	DATE 7-10-70	digital EQUIPMENT CORPORATION MAYNARD MASSACHUSETTS	
UNLESS OTHERWISE SPECIFIED	CHK'D. <i>A. Bliss</i>	DATE 7-23-70		
TOLERANCES			TITLE	
DIMENSION IN INCHES			UNIT	
DECIMALS FRACTIONS ANGLES			DISK DRIVERS	
± .005 ± 1/64 ± 0'30"			NEXT HIGHER ASS'Y.	
FINAL SURFACE QUALITY			A-ML-RP15-0	
REMOVE BURRS AND BREAK SHARP CORNERS			SIZE CODE NUMBER REV.	
MATERIAL	SCALE		DPS RP15-0-46	
FINISH	SHEET / OF /		DIST.	

DEC FORM NO. DRD 102A

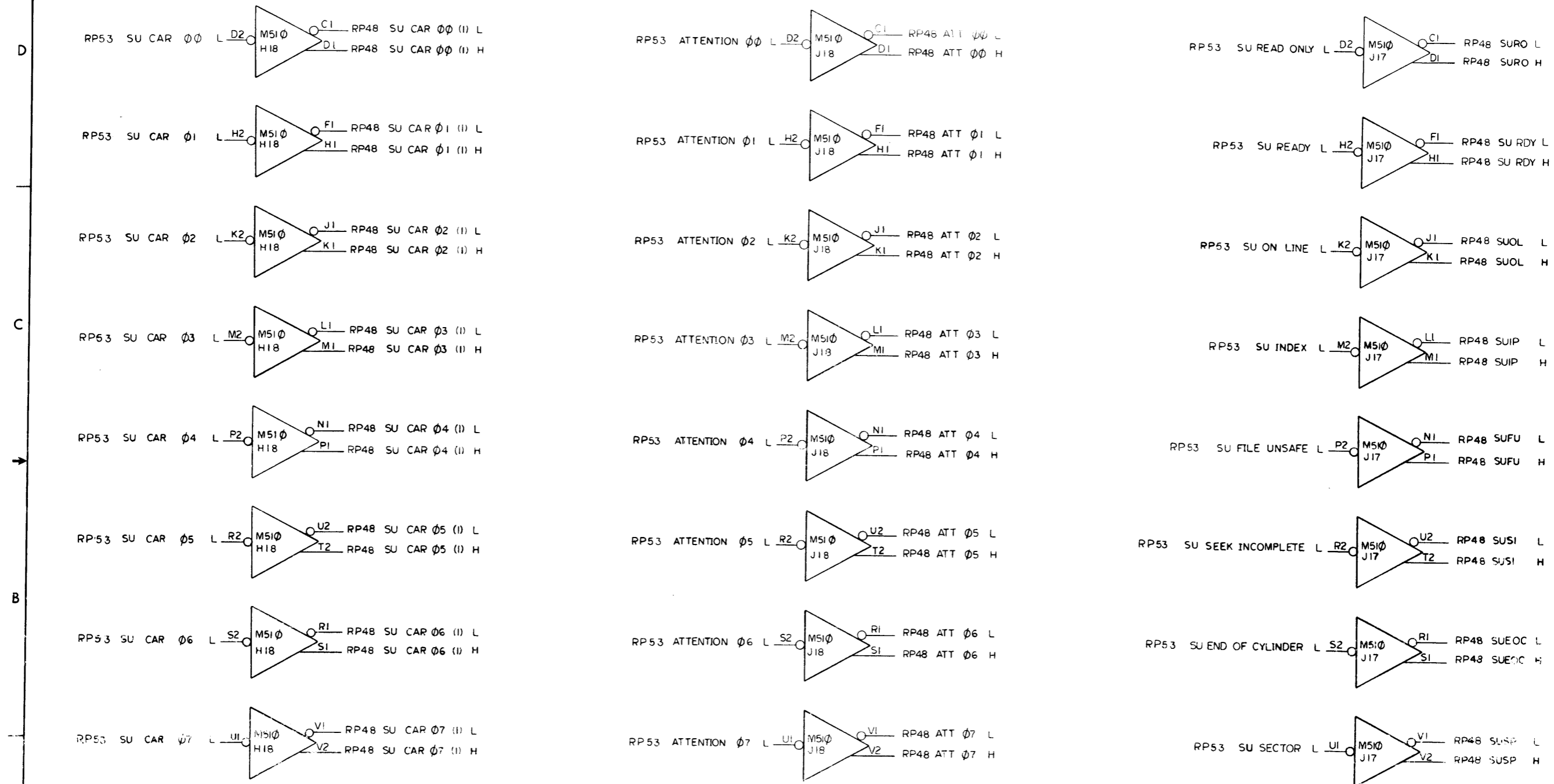
This drawing and specifications herein are the property of Digital Equipment Corporation and shall not be reproduced or copied or used in whole or in part as the basis for the manufacture or sale of items without written permission.



REV.	CHG.	NO.

FIRST USED ON OPTION / MODEL	QTY.	DESCRIPTION	PART NO.	ITEM NO.
PDP 15				
PARTS LIST				
UNLESS OTHERWISE SPECIFIED	DRN.	DATE	digital EQUIPMENT CORPORATION MAYNARD, MASSACHUSETTS	
UNLESS OTHERWISE SPECIFIED	CHK'D.	DATE		
DIMENSION IN INCHES	ENG.	DATE	TITLE <b>BUS DISK DRIVERS</b>	
TOLERANCES	PROJ. ENG.	DATE		
DECIMALS FRACTIONS ANGLES	PROD.	DATE		
± .005 ± 1/64 ± 0°30'				
FINAL SURFACE QUALITY / REMOVE BURRS AND BREAK SHARP CORNERS			NEXT HIGHER ASSY.	
MATERIAL			A-ML-RP15-0	
FINISH			SCALE	
			SHEET	OF
			DIST.	

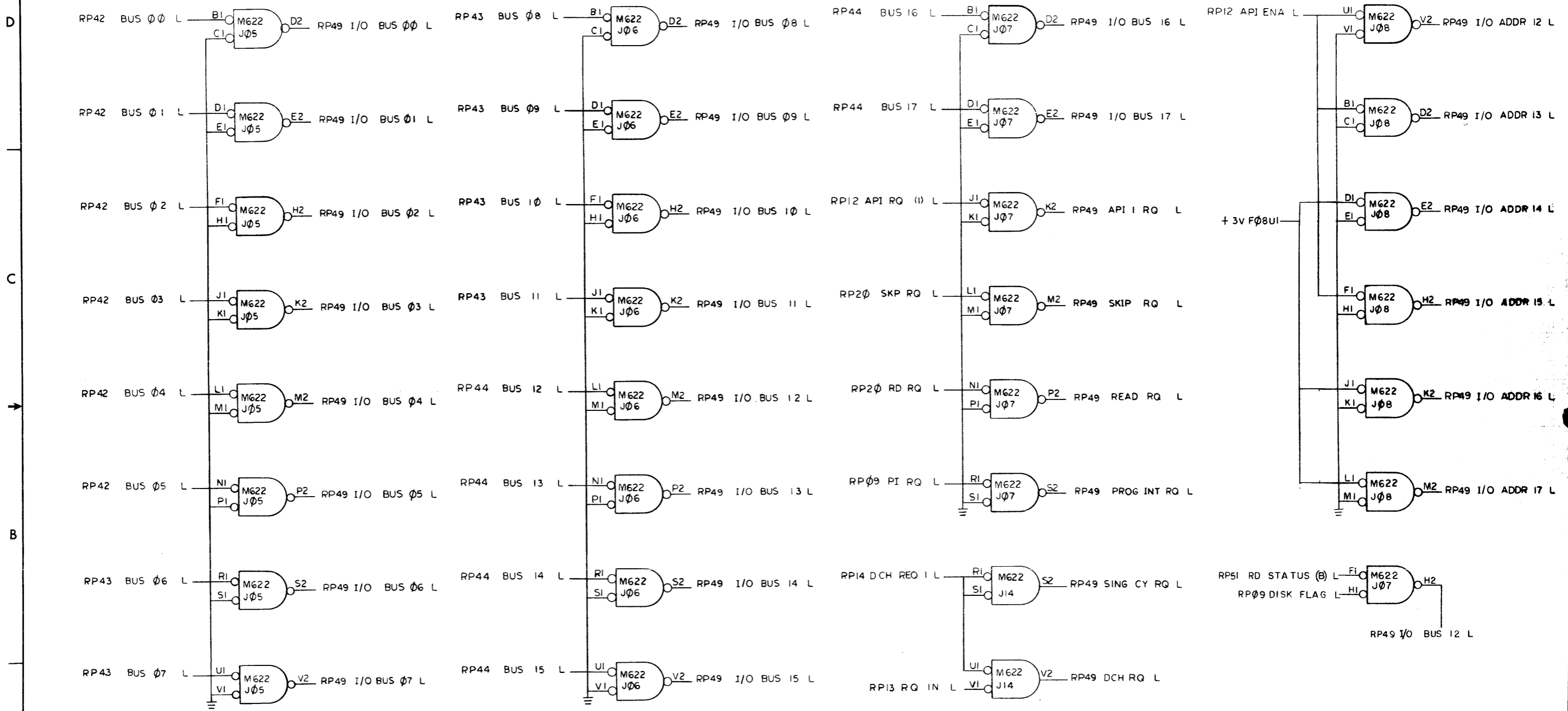
This drawing and specifications, herein, are the property of Digital Equipment Corporation and shall not be reproduced or copied or used in whole or in part as the basis for the manufacture or sale of items without written permission.



REV	NO	DATE	BY
A	1	9-13-70	J ZEH
CHG	NO	DATE	BY
1	1	10-9-70	J ZEH

FIRST USED ON OPTION/ MODEL PDP15	QTY.	DESCRIPTION	PART NO.	ITEM NO.
UNLESS OTHERWISE SPECIFIED DIMENSION IN INCHES TOLERANCES DECIMALS FRACTIONS ANGLES = .005 = 1/64 = 0°30' FINAL SURFACE QUALITY / REMOVE BURRS AND BREAK SHARP CORNERS	DRW CHK'D ENG PROJ ENG PROJ	DATE DATE DATE DATE DATE	PARTS LIST <b>digital</b> EQUIPMENT CORPORATION MILFORD, MASSACHUSETTS	
MATERIAL FINISH	NEXT HIGHER ASSY A-ML-RP15-0		TITLE <b>DISK RECIEVERS</b>	
SCALE SHEET 1 OF 1	SIZE CODE DIBS	NUMBER RP15-0-48	REV A	

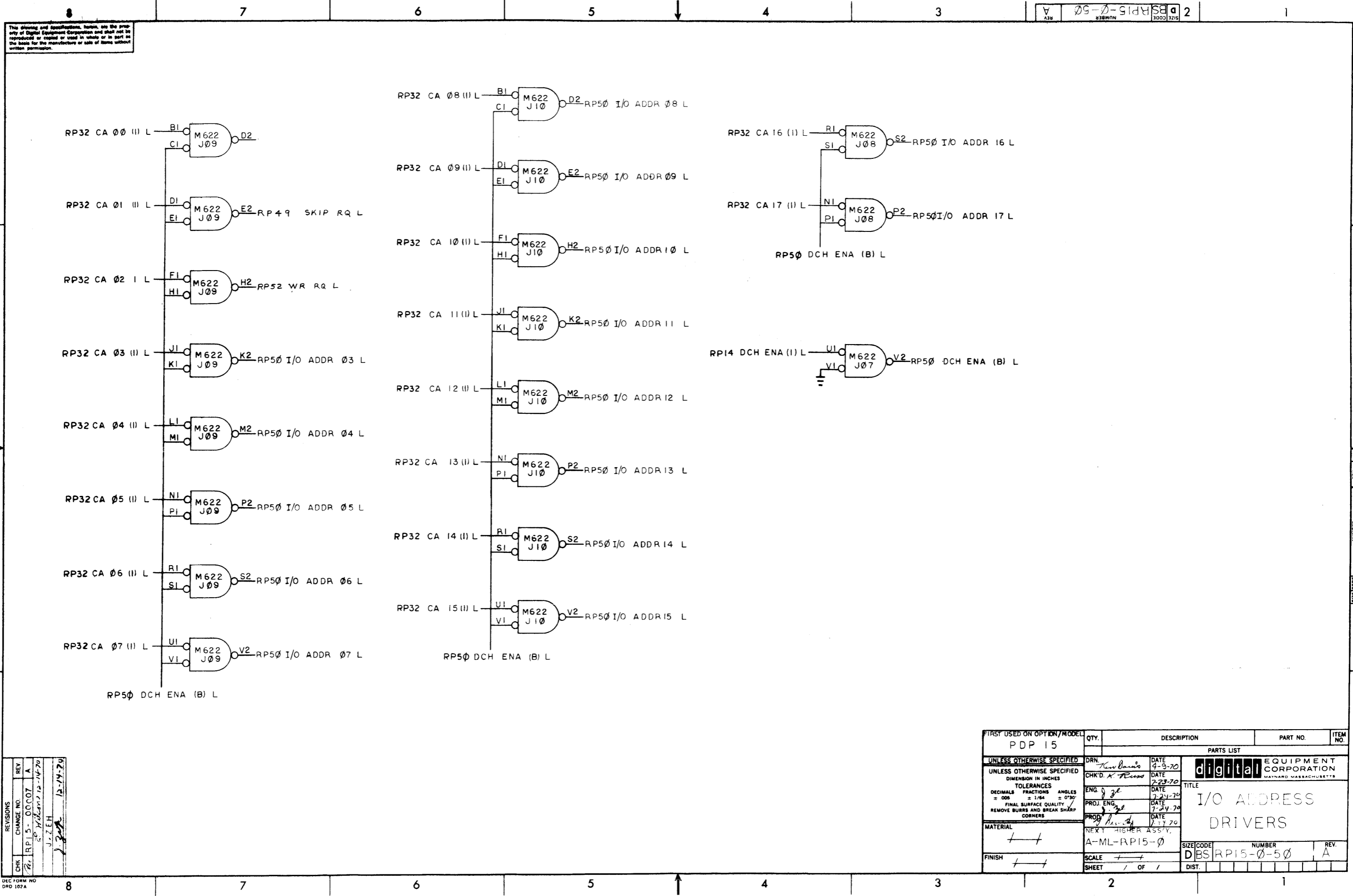
This drawing and specifications, herein, are the property of Digital Equipment Corporation and shall not be reproduced or copied in whole or in part as the basis for the manufacture or sale of items without written permission.



REV	REV
1	A
2	A
3	A
4	A
5	A
6	A
7	A
8	A

FIRST USED ON OPTION / MODEL	QTY.	DESCRIPTION	PART NO.	ITEM NO.
PDP15				
PARTS LIST				
UNLESS OTHERWISE SPECIFIED	DRM	DATE	digital EQUIPMENT CORPORATION MAYNARD MASSACHUSETTS	
UNLESS OTHERWISE SPECIFIED	CHK'D.	DATE	TITLE	
TOLERANCES	ENG.	DATE	I/O BUS DRIVERS	
DECIMALS FRACTIONS ANGLES	PROL. ENG.	DATE	00 - 17	
± .005 ± 1/64 ± 0°30'	PROD.	DATE	SIZE CODE	
FINAL SURFACE QUALITY / REMOVE BURRS AND BREAK SHARP CORNERS			D/BS RP15-0-49	
MATERIAL	NEXT HIGHER ASSY		SCALE	REV.
+	A-ML-RP15-0		+	A
FINISH			SHEET	OF
+			1	1

The drawings and specifications, herein, are the property of Digital Equipment Corporation and shall not be reproduced or copied or used in whole or in part as the basis for the manufacture or sale of items without written permission.



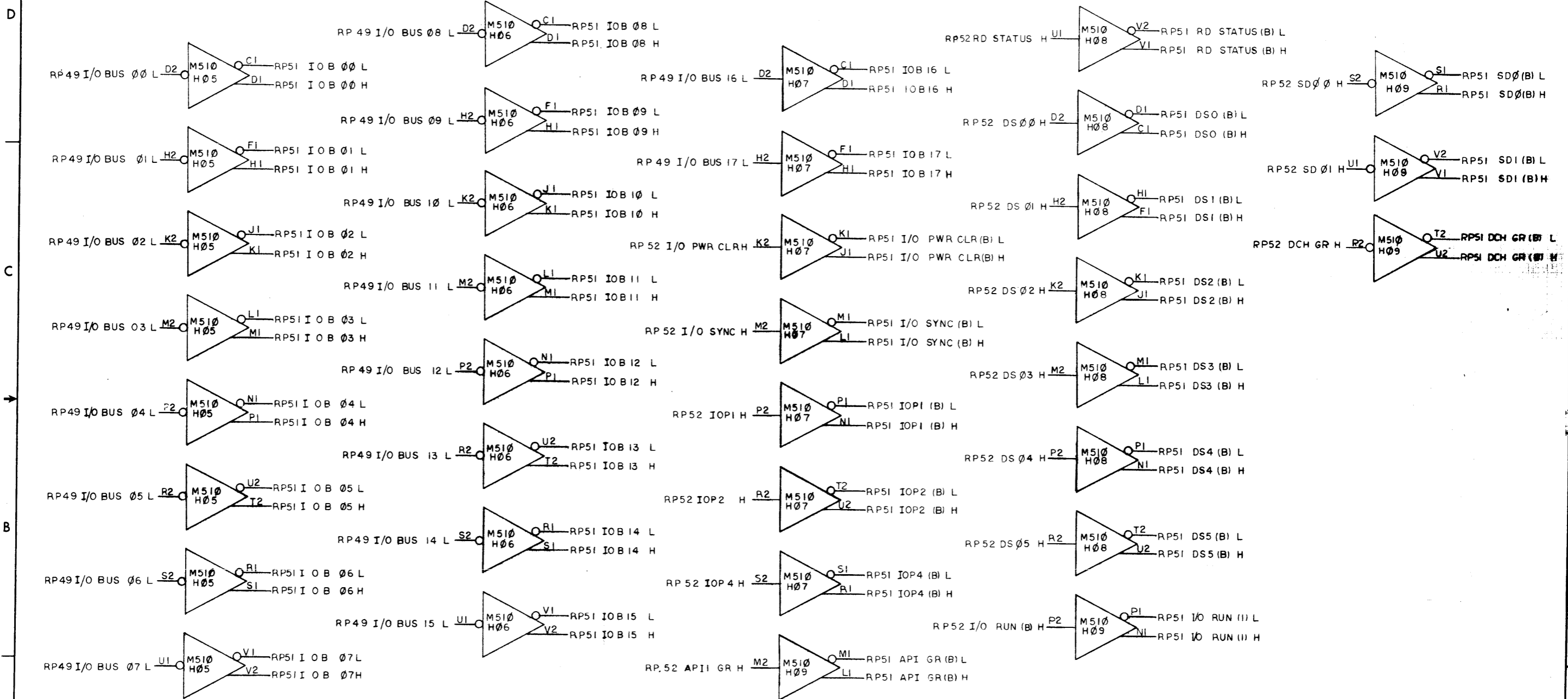
REVISIONS	CHANGE NO.	REV.
CHK	RP15-00007	A
	12-14-70	
	J. ZEH	

DEC FORM NO. DRD 102A

FIRST USED ON OPTION/MODEL PDP 15	QTY.	DESCRIPTION	PART NO.	ITEM NO.
PARTS LIST				
UNLESS OTHERWISE SPECIFIED	DRN.	DATE	digital EQUIPMENT CORPORATION MAYNARD, MASSACHUSETTS	
UNLESS OTHERWISE SPECIFIED	CHK'D.	DATE	TITLE	
DIMENSION IN INCHES	A. Boss	7-23-70	I/O ADDRESS DRIVERS	
TOLERANCES	ENG.	DATE	SIZE CODE	NUMBER
DECIMALS FRACTIONS ANGLES	J. Z.	7-21-70	D	BS/ RP15-0-50
± 0.05 ± 1/64 ± 0°30'	PROJ. ENG.	DATE	DIST.	REV.
FINAL SURFACE QUALITY	J. Z.	7-24-70		A
REMOVE BURRS AND BREAK SHARP CORNERS	PROD.	DATE		
MATERIAL	Res. 4	7-17-70		
FINISH	NEXT HIGHER ASS'Y.			
	A-ML-RP15-0			
	SCALE			
	1 OF 1			



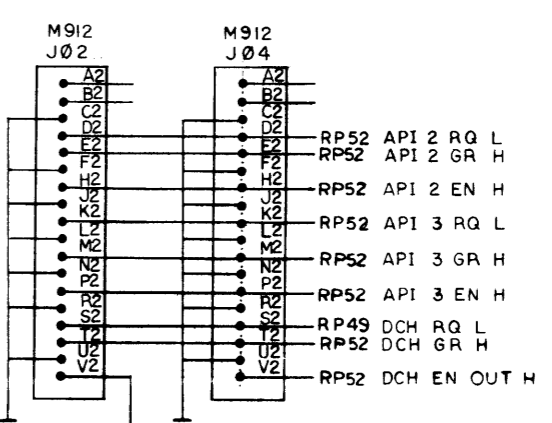
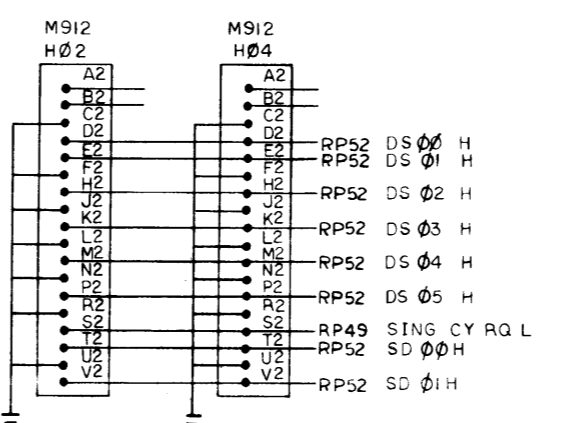
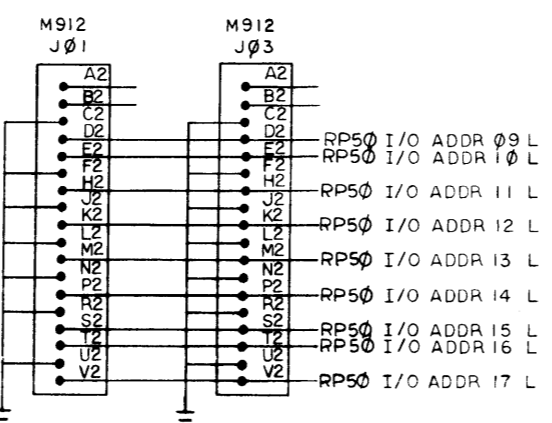
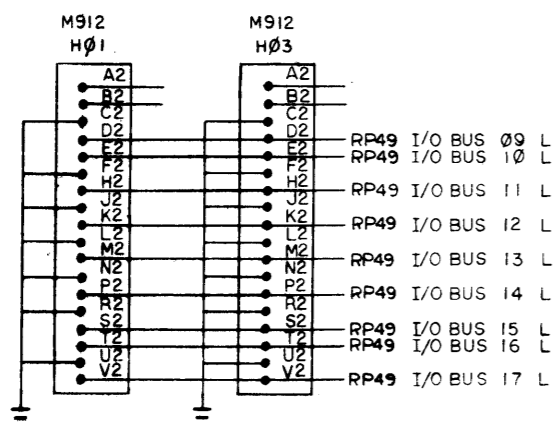
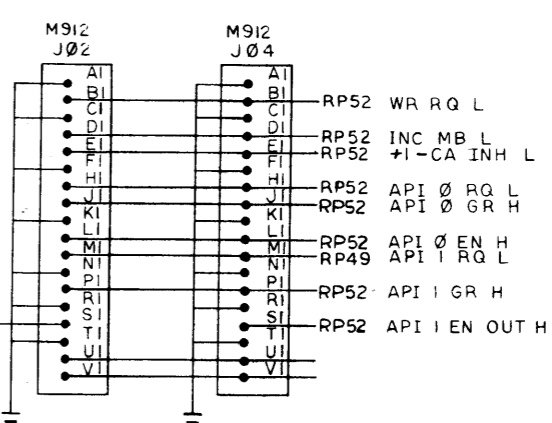
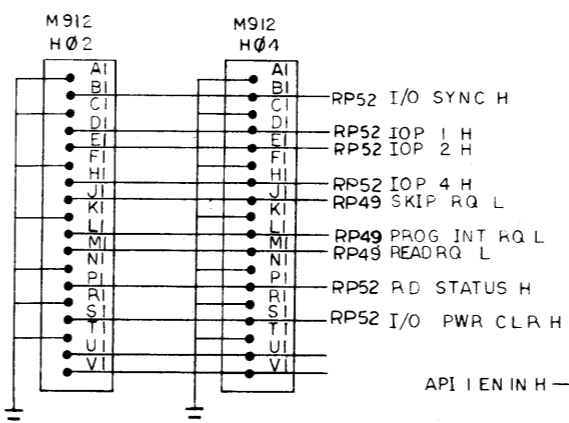
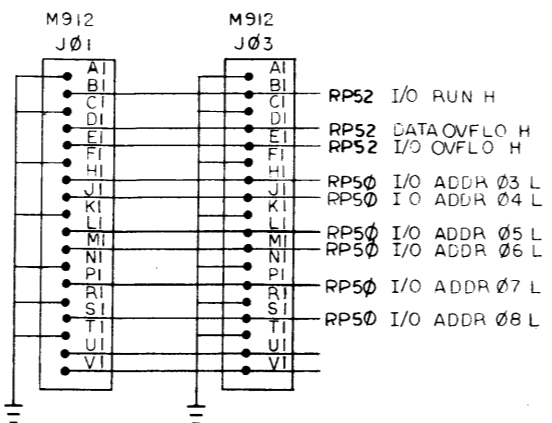
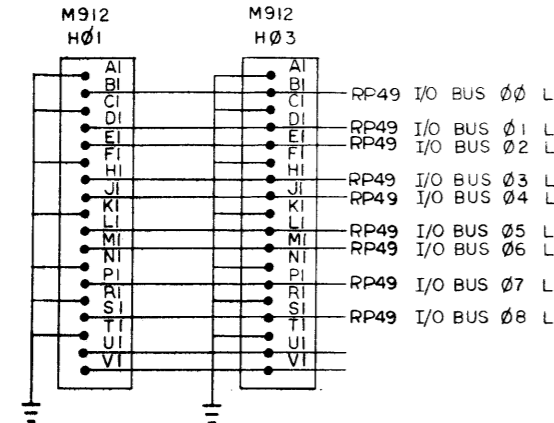
This drawing and specifications, herein, are the property of Digital Equipment Corporation and shall not be reproduced or copied or used in whole or in part as the basis for the manufacture or sale of items without written permission.



REVISIONS	REV
CHANGE NO.	
CHK	

FIRST USED ON OPTION/MODEL	QTY.	DESCRIPTION	PART NO.	ITEM NO.
PDP 15				
PARTS LIST				
UNLESS OTHERWISE SPECIFIED	DRN	DATE	 <b>digital EQUIPMENT CORPORATION</b> MAYNARD, MASSACHUSETTS	
UNLESS OTHERWISE SPECIFIED	CHK'D	DATE		
DIMENSION IN INCHES	ENG.	DATE		
TOLERANCES	PROJ. ENG.	DATE		
DECIMALS FRACTIONS ANGLES	PROJ. ENGR.	DATE	TITLE <b>I/O BUS RECEIVERS</b>	
± .005 ± 1/64 ± 0°30'	DATE	DATE		
FINAL SURFACE QUALITY			SIZE CODE NUMBER REV <b>D51RP15-0-51</b>	
REMOVE BURRS AND BREAK SHARP CORNERS				
MATERIAL		NEXT HIGHER ASSY.	SCALE OF SHEET 1 OF 1	
FINISH			DIST.	

This drawing and specifications herein are the property of Digital Equipment Corporation and shall not be reproduced or copied or used in whole or in part as the basis for the manufacture or sale of items without written permission.



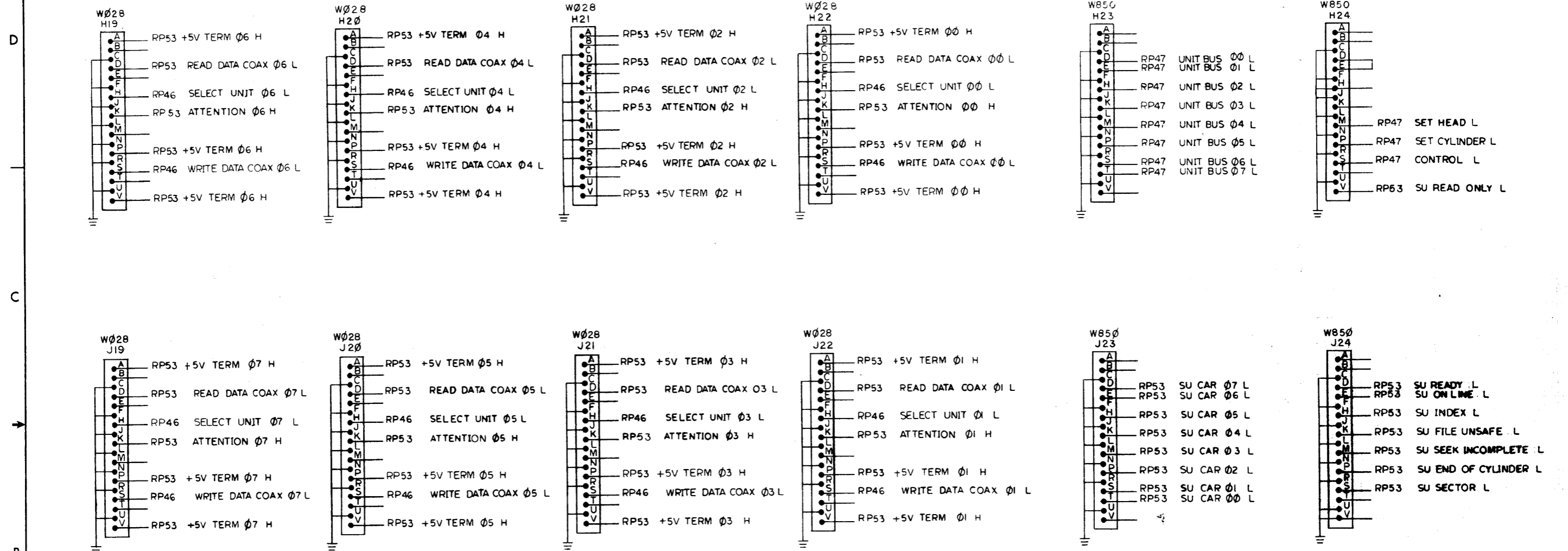
REV.	CHG. NO.	DATE
1	RP15-00003	10-8-70
2		11-18-70

DEC 10, 1970  
 DRD 10, A

FIRST USED ON OPTION/MODEL	QTY.	DESCRIPTION	PART NO.	ITEM NO.
PDP 15				
UNLESS OTHERWISE SPECIFIED				
DRN. <i>New Davis</i>	DATE 7-23-70	PARTS LIST		
CHK'D. <i>A. Ruddy</i>	DATE 7-23-70	digital EQUIPMENT CORPORATION MAYNARD, MASSACHUSETTS		
ENG. <i>J. Zil</i>	DATE 7-24-70	TITLE		
PROJ. ENG. <i>J. Zil</i>	DATE 7-24-70	I/O BUS INTERFACE		
PROV. <i>J. Zil</i>	DATE 7-24-70	MATERIAL		
		NEXT HIGHER ASSY.		
		A-ML-RP15-0		
		SCALE	SIZE CODE	NUMBER
			D I C	RP15 0 52
		SHEET 1 OF 1	DIST.	REV. A

REV. A  
 NUMBER 29-0-52  
 CODE D I C  
 SIZE 3000 3715  
 2

This drawing and specifications, herein, are the property of Digital Equipment Corporation and shall not be reproduced or copied or used in whole or in part as the basis for the manufacture or sale of items without written permission.

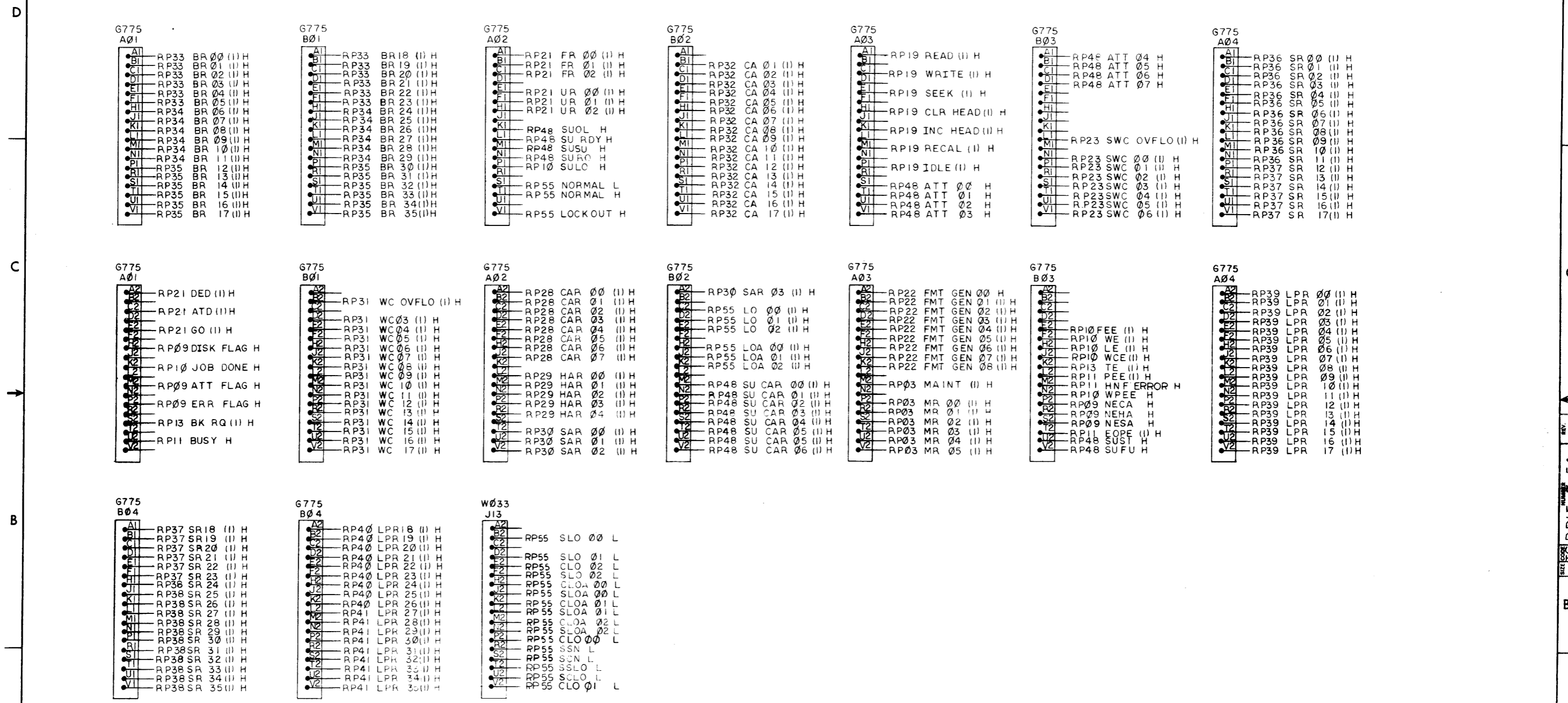


REV	CHANGE NO.	DATE
A	RP15-0005	10-9-70
J ZEH		5-13-70

DEC FORM NO. 102A

FIRST USED ON OPTION MODEL PDP15	QTY. 1	DESCRIPTION	PART NO.	ITEM NO.
PARTS LIST				
UNLESS OTHERWISE SPECIFIED	DRN	DATE	 <b>digital</b> EQUIPMENT CORPORATION MAYNARD, MASSACHUSETTS	
UNLESS OTHERWISE SPECIFIED	CHK'D.	DATE		
DIMENSION IN INCHES		7-23-70	TITLE <b>DRIVE CONTROL CABLE INTERFACE</b>	
TOLERANCES	ENG.	DATE		
DECIMALS FRACTIONS ANGLES		7-24-70		
± FINAL SURFACE QUALITY REMOVE BURRS AND BREAK SHARP CORNERS	PROJ. ENG.	DATE		
MATERIAL		7-1-70	SIZE CODE NUMBER <b>D I C RP15-0-53</b>	
FINISH				
	NEXT HIGHER ASSY		SHEET 1 OF 1	
	A-ML-RP15-0			

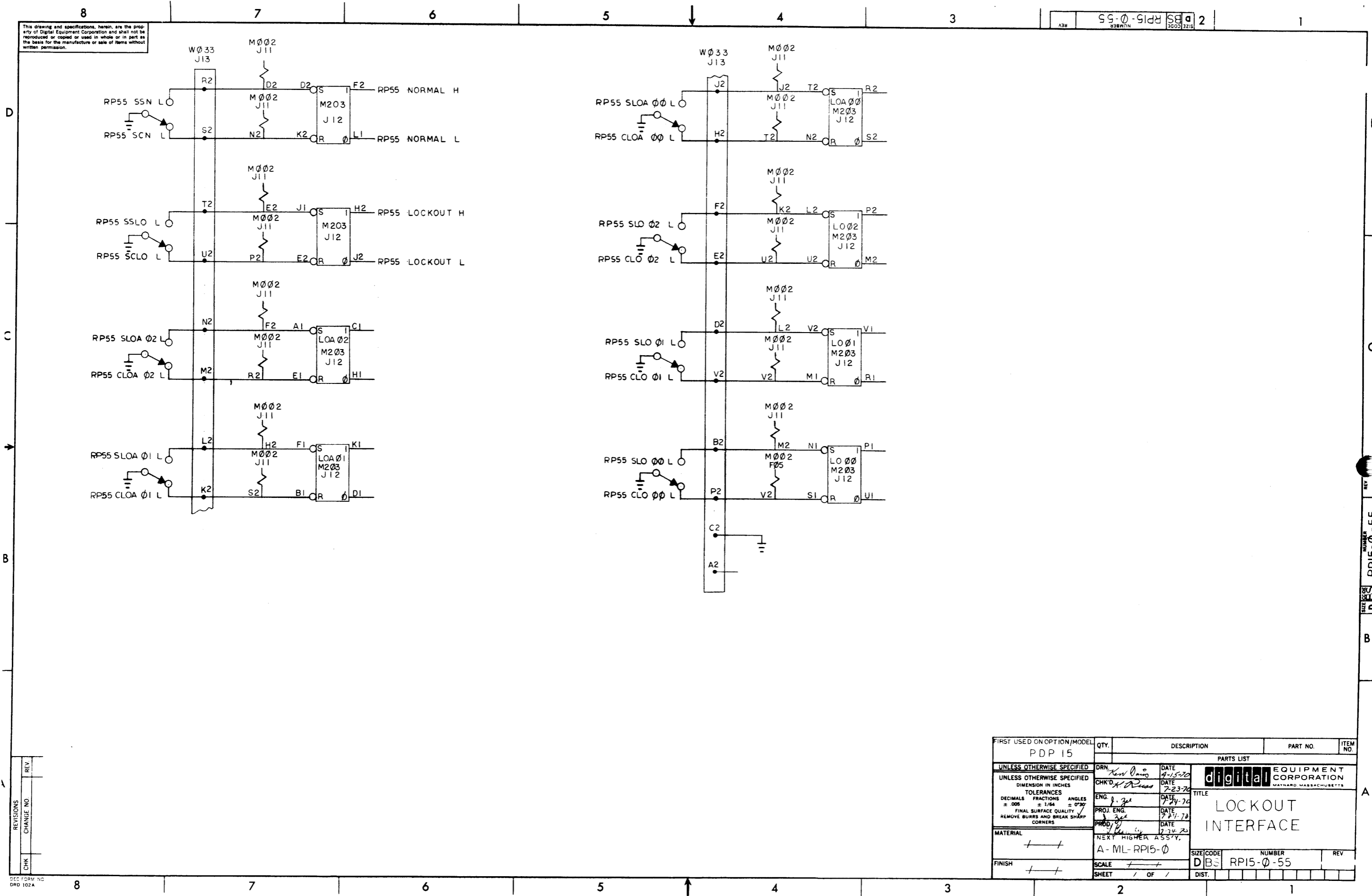
This drawing and specifications, herein, are the property of Digital Equipment Corporation and shall not be reproduced or copied or used in whole or in part as the basis for the manufacture or sale of items without written permission.



REV	NO.
CHK	NO.

FIRST USED ON OPTION/MODEL PDP 15	QTY.	DESCRIPTION	PART NO.	ITEM NO.
PARTS LIST				
UNLESS OTHERWISE SPECIFIED	DRN.	DATE	digital EQUIPMENT CORPORATION MAYNARD, MASSACHUSETTS	
UNLESS OTHERWISE SPECIFIED	CHK'D.	DATE	TITLE	
TOLERANCES	ENG.	DATE	INDICATOR INTERFACE	
DECIMALS FRACTIONS ANGLES	PROJ. ENG.	DATE	SIZE CODE NUMBER	
= .005 ± .154 ± 0°30'	PROJ. MGR.	DATE	D I C R P 1 5 - 0 - 5 4	
FINAL SURFACE QUALITY REMOVE BURRS AND BREAK SHARP CORNERS	DATE	SHEET / OF /		
MATERIAL	NEXT HIGHER ASSY.			
FINISH	A-ML-RP15-0			

This drawing and specifications, herein, are the property of Digital Equipment Corporation and shall not be reproduced or copied or used in whole or in part as the basis for the manufacture or sale of items without written permission.



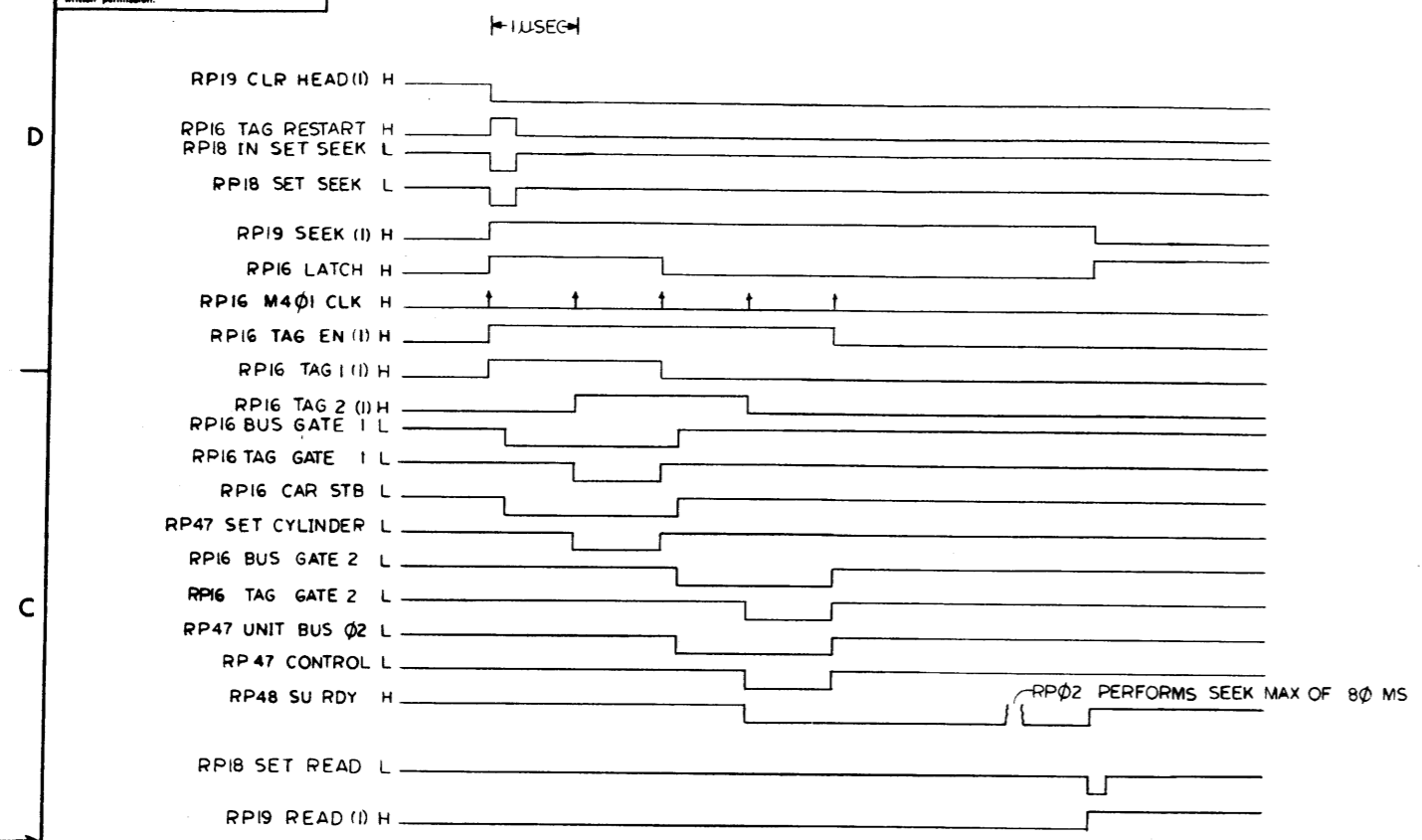
REVISIONS	REV
CHANGE NO	
CHK	

DEC FORM NO  
 DRD 102A

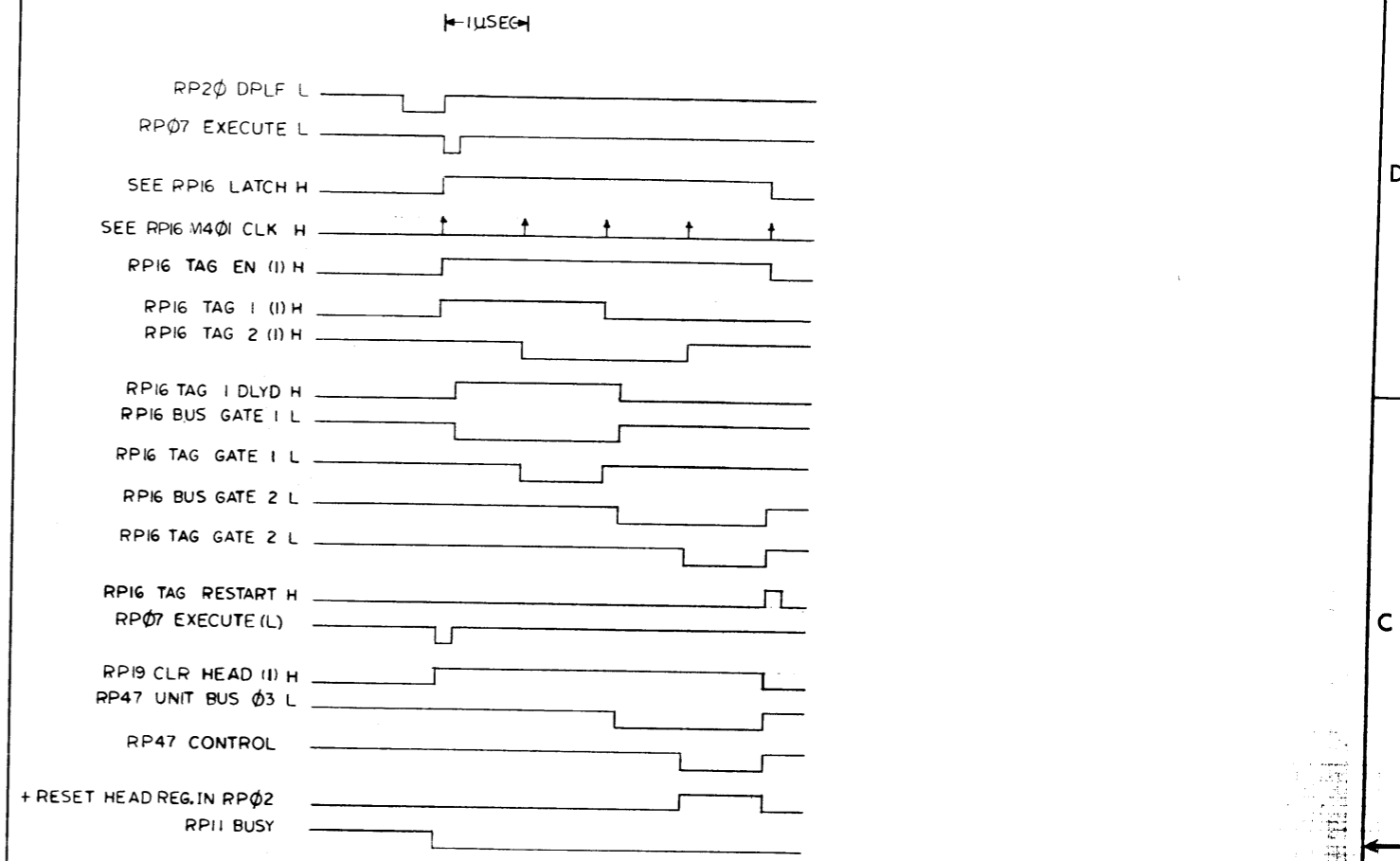
FIRST USED ON OPTION/MODEL PDP 15	QTY.	DESCRIPTION	PART NO.	ITEM NO.
PARTS LIST				
UNLESS OTHERWISE SPECIFIED	DRN. <i>Ken Davis</i>	DATE 4-15-70	 <b>digital</b> EQUIPMENT CORPORATION MAYNARD, MASSACHUSETTS  <b>LOCKOUT INTERFACE</b>	
UNLESS OTHERWISE SPECIFIED	CHK'D. <i>K. Davis</i>	DATE 7-23-70		
TOLERANCES	ENG. <i>J. Zel</i>	DATE 7-24-70		
DECIMALS FRACTIONS ANGLES	PROJ. ENG. <i>J. Zel</i>	DATE 7-24-70		
± .005 ± 1/64 ± 0°30'	PROD. <i>J. Zel</i>	DATE 7-24-70		
FINAL SURFACE QUALITY REMOVE BURRS AND BREAK SHARP CORNERS	NEXT HIGHER ASSY. A-ML-RP15-0		SIZE/CODE DBS	NUMBER RP15-0-55
MATERIAL + + +	SCALE + + +	SHEET / OF /	REV	

REV  
 DBS RP15-0-55

This drawing and specifications, herein, are the property of Digital Equipment Corporation and shall not be reproduced or copied or used in whole or in part as the basis for the manufacture or sale of items without written permission.



SEEK TAG GATE TIMING



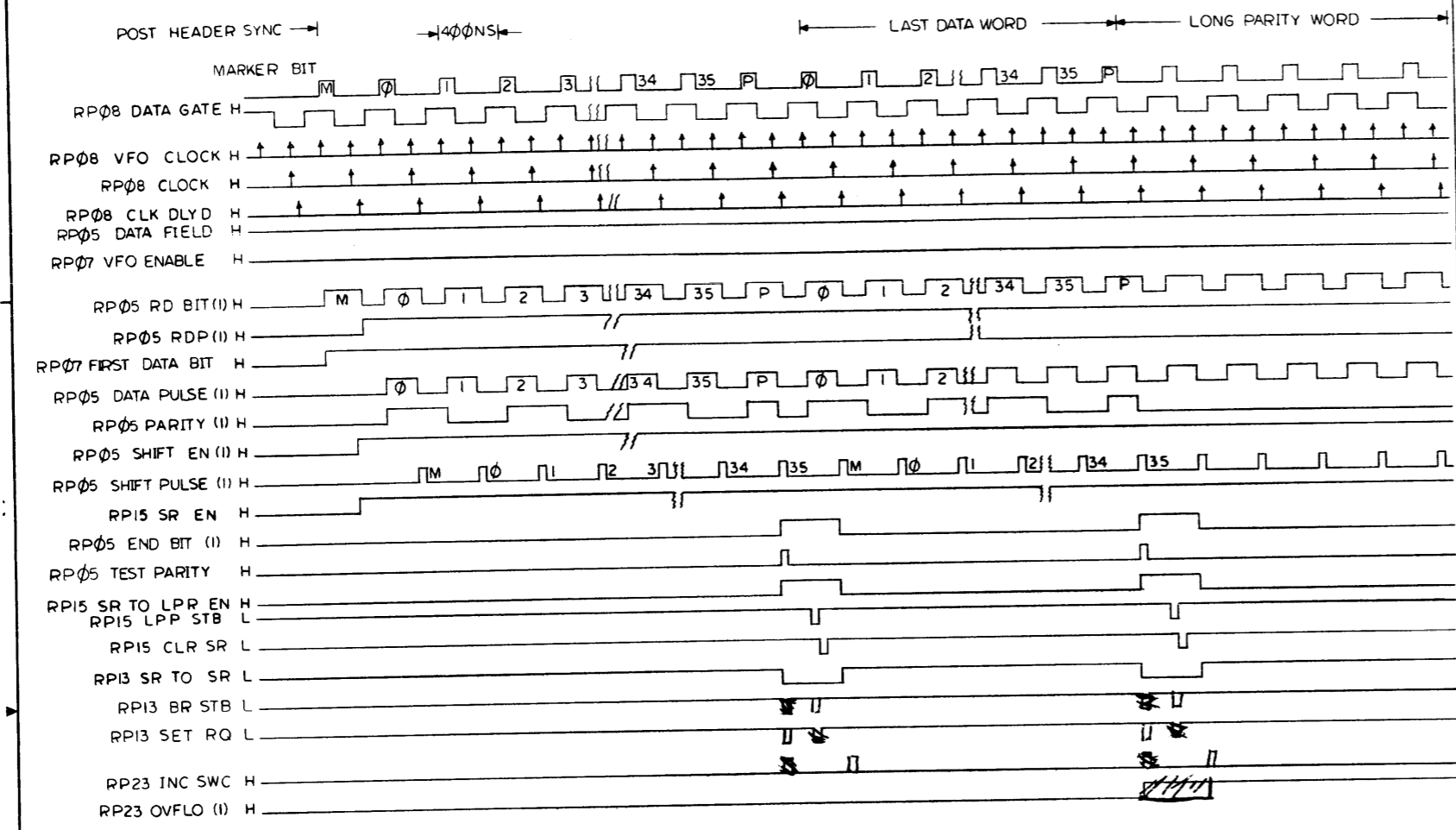
CLR HEADS TAG GATE TIMING

REV	CHANGE NO.	DATE
A	RPI-00005	12-13-70
B	5-00007	12-14-70

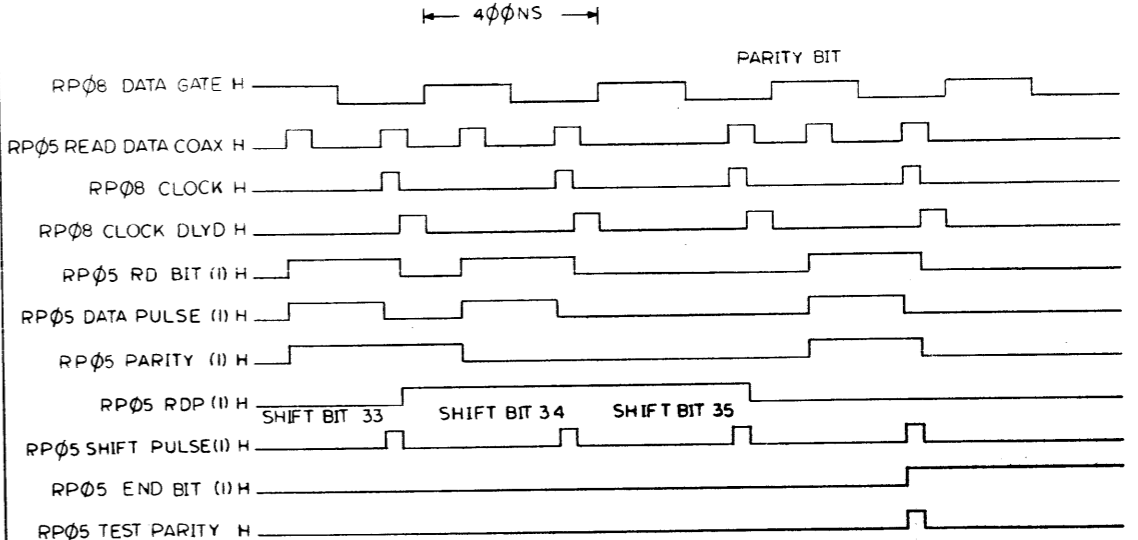
DEC FORM NO. DRD 102A

FIRST USED ON OPTION MODEL PDP15	QTY.	DESCRIPTION	PART NO.	ITEM NO.
PARTS LIST				
UNLESS OTHERWISE SPECIFIED				
DIMENSION IN INCHES				
TOLERANCES				
DECIMALS FRACTIONS ANGLES				
± .005 ± 1/64 ± 0°30'				
FINAL SURFACE QUALITY				
REMOVE BURRS AND BREAK SHARP CORNERS				
MATERIAL	+	+	+	+
FINISH	+	+	+	+
NEXT HIGHER ASSY		A-ML-RPI5-Ø		
SCALE		SHEET 1 OF 5		
TITLE		TIMING DIAGRAM		
DRAWN		DATE 1/13/70		
CHK'D		DATE 1/13/70		
ENG.		DATE 1/24/70		
PROJ. ENG.		DATE 1/24/70		
PROB.		DATE 2-14-70		
DIGITAL EQUIPMENT CORPORATION		MAYNARD, MASSACHUSETTS		
SIZE CODE		NUMBER		
DTD		RPI5-Ø-56		
REV		B		

This drawing and specifications, herein, are the property of Digital Equipment Corporation and shall not be reproduced or copied or used in whole or in part as the basis for the manufacture or sale of items without written permission.



READ TIMING



AT THIS TIME PARITY ERROR WOULD BE DETECTED FOR THE WORD SETTING EITHER FEE OR WEE F/F

WORD PARITY SENSE TIMING

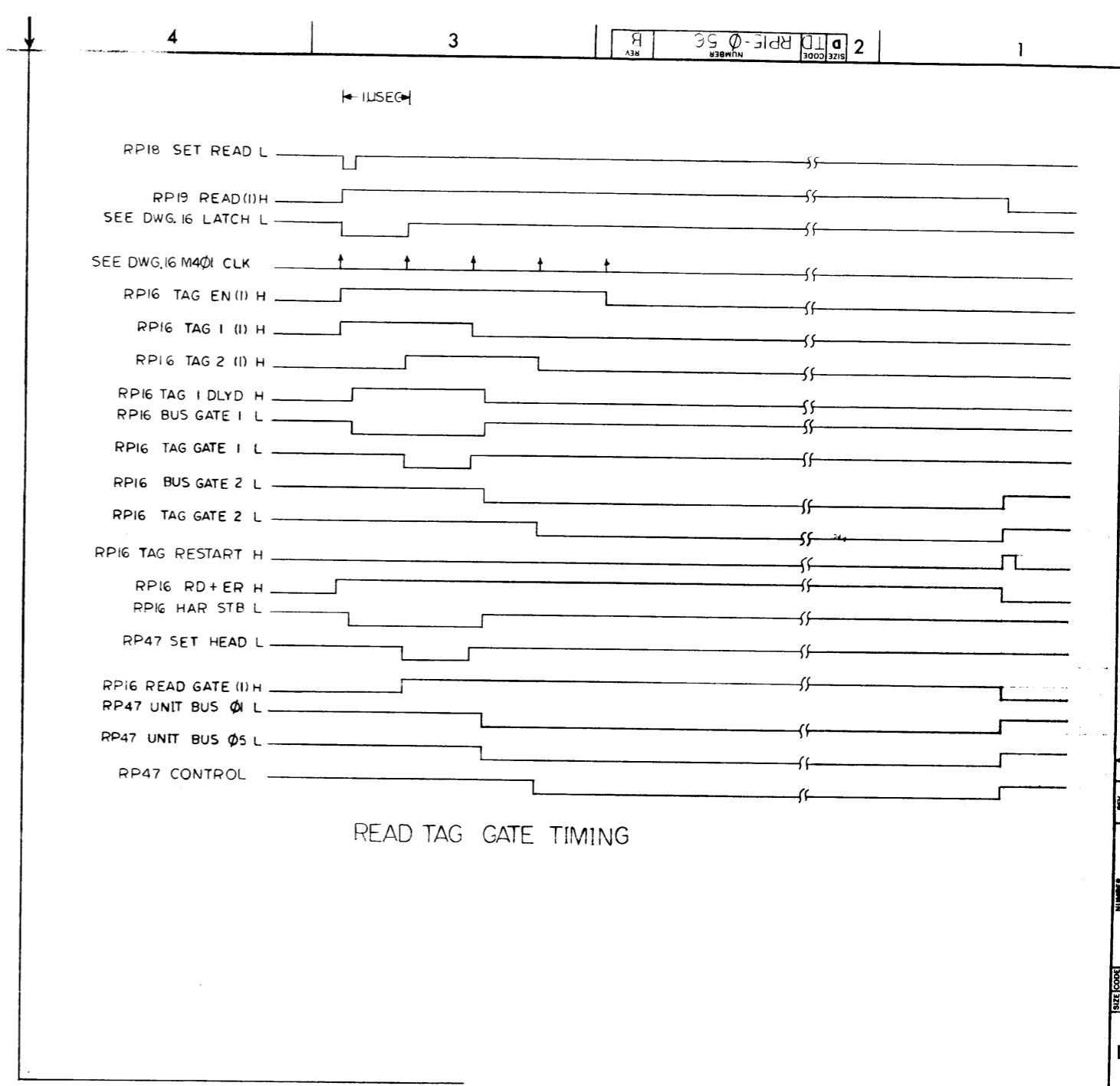
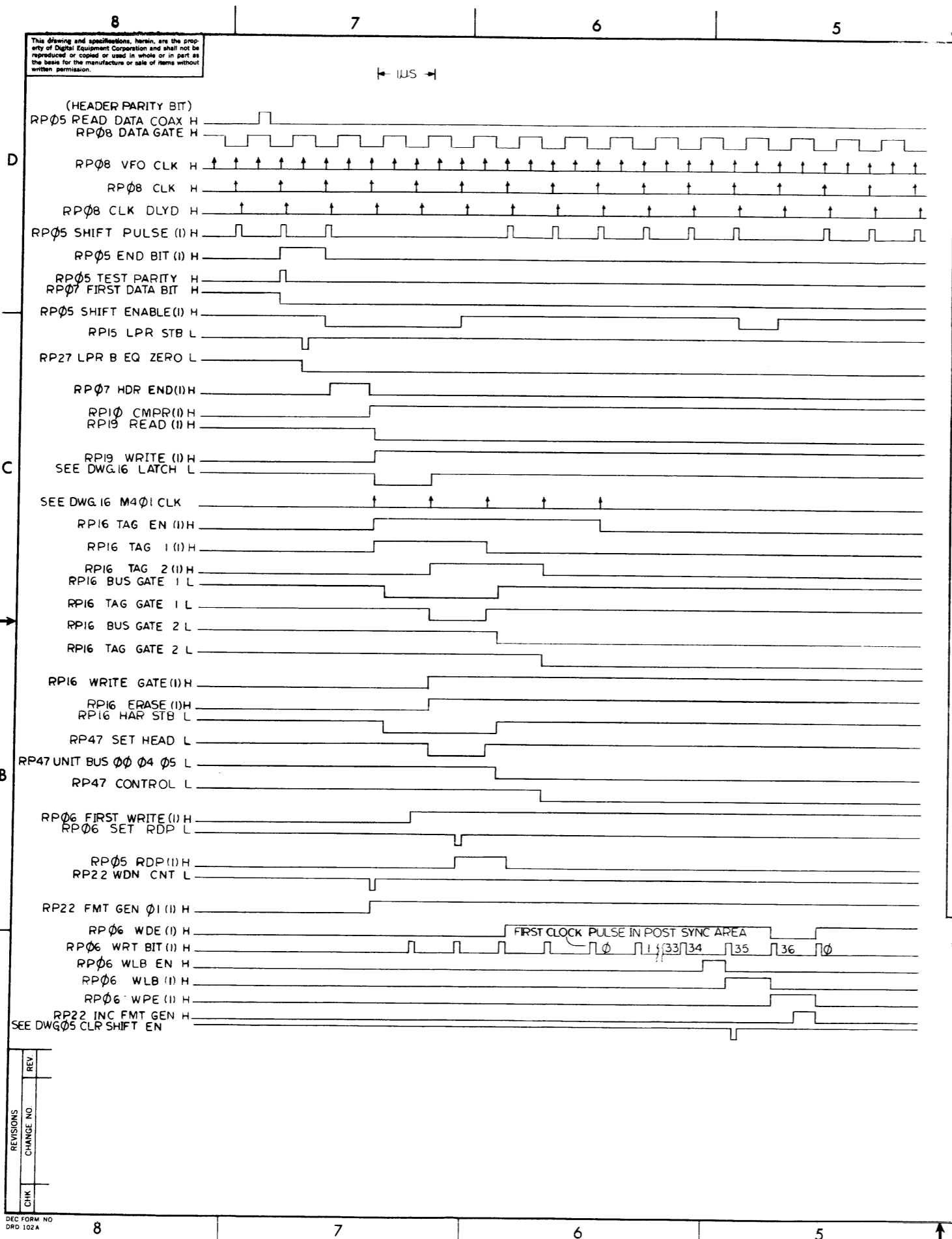
REV	CHANGE NO
CHK	

FIRST USED ON OPTION/ MODEL PDP15	QTY.	DESCRIPTION	PART NO.	ITEM NO.
UNLESS OTHERWISE SPECIFIED	DRN	DATE	PARTS LIST	
UNLESS OTHERWISE SPECIFIED	CHK'D	DATE	digital EQUIPMENT CORPORATION MAYNARD, MASSACHUSETTS	
UNLESS OTHERWISE SPECIFIED	ENG	DATE	TITLE	
TOLERANCES	PROJ. ENG	DATE	TIMING DIAGRAM	
DECIMALS FRACTIONS ANGLES	PROB	DATE	SIZE CODE NUMBER REV	
± .005 ± 1/64 ± 0°30'			DITD	RP15-0-56 B
FINAL SURFACE QUALITY REMOVE BURRS AND BREAK SHARP CORNERS	MATERIAL	NEXT HIGHER ASSY	SCALE	SHEET
	+	A-ML-RP15-0	2 OF 5	2 OF 5
	FINISH			
	+			

REV. 138 NUMBER 95-0-56 CODE 3003218 2 1

B

A



WRITE TAG GATE TIMING & CONTROL

READ TAG GATE TIMING

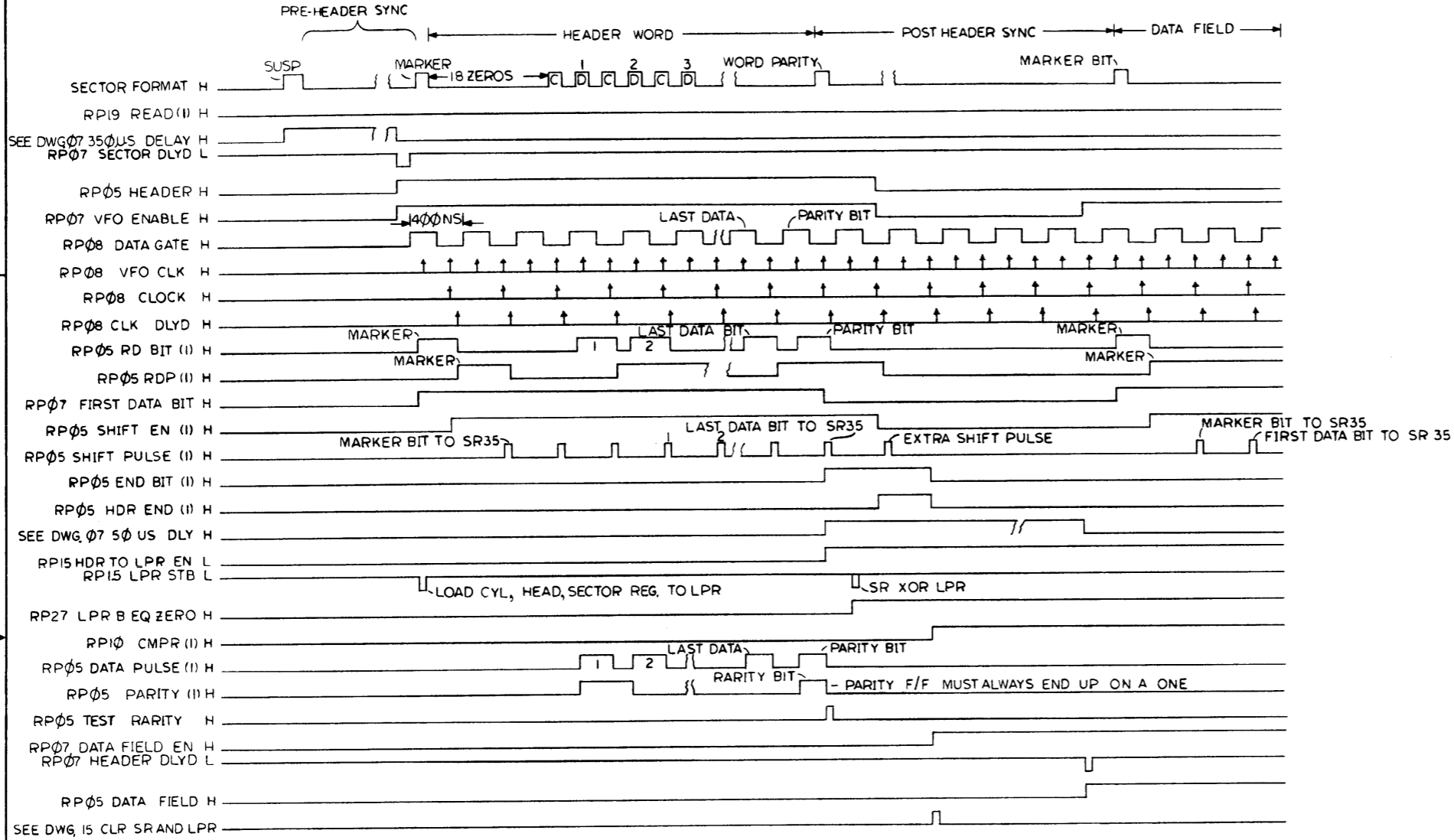
REV	
CHG	

FIRST USED ON OPTION / MODEL PDP15	QTY.	DESCRIPTION	PART NO.	ITEM NO.
PARTS LIST				
UNLESS OTHERWISE SPECIFIED	DRN	DATE	<b>digital</b> CORPORATION MAYNARD, MASSACHUSETTS	
UNLESS OTHERWISE SPECIFIED	CHKD.	DATE		
UNLESS OTHERWISE SPECIFIED	ENG.	DATE		
UNLESS OTHERWISE SPECIFIED	PROJ. ENG.	DATE		
UNLESS OTHERWISE SPECIFIED	PROD.	DATE	TITLE	
MATERIAL			TIMING DIAGRAM	
FINISH			REV. B	
NEXT HIGHER ASSY			NUMBER	
A-ML-RP15-0			RP15-0-56	
SCALE			SHEET	
3 OF 5			3 OF 5	

SIZE CODE DTD  
 NUMBER RP15-0-56  
 REV B



This drawing and specifications, herein, are the property of Digital Equipment Corporation and shall not be reproduced or copied or used in whole or in part as the basis for the manufacture or sale of items without written permission.



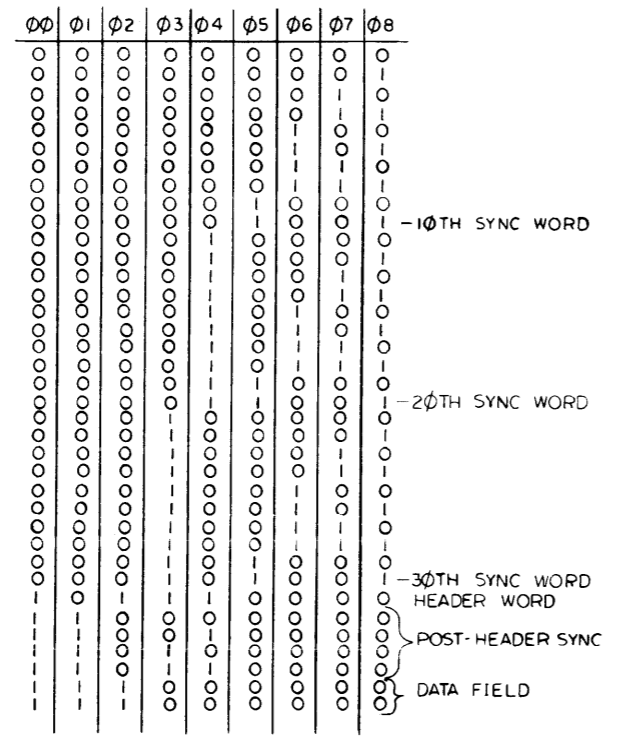
HEADER TIMING

REV	CHANGE NO.

FIRST USED ON OPTION / MODEL PDP15	QTY.	DESCRIPTION	PART NO.	ITEM NO.
PARTS LIST				
UNLESS OTHERWISE SPECIFIED DIMENSION IN INCHES TOLERANCES DECIMALS FRACTIONS ANGLES ± .005 ± 1/64 ± 0°30' FINAL SURFACE QUALITY REMOVE BURRS AND BREAK SHARP CORNERS	DRN. <i>[Signature]</i> CHK'D. <i>[Signature]</i> ENG. <i>[Signature]</i> PROJ. ENG. <i>[Signature]</i> PROD. <i>[Signature]</i>	DATE 7/23/70 7/24/70 7/24/70 7/24/70	<b>digital</b> EQUIPMENT CORPORATION MAYNARD, MASSACHUSETTS TITLE <b>TIMING DIAGRAM</b>	
MATERIAL + + +	NEXT HIGHER ASSY A-ML-RP15-0		SIZE CODE DTD	NUMBER RP15-0-56
FINISH + + +	SCALE + + +	SHEET 4 OF 5	DIST.	REV. B

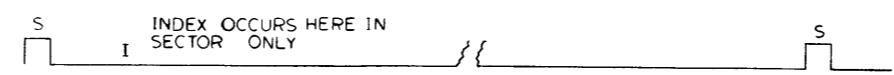
This drawing and specifications, herein, are the property of Digital Equipment Corporation and shall not be reproduced or copied or used in whole or in part as the basis for the manufacture or sale of items without written permission.

FORMAT GENERATOR COUNT



	FMT GEN 01	FMT GEN 02
PRE-HEADER	0	0
HEADER	0	1
POST-HEADER	1	0
DATA	1	1

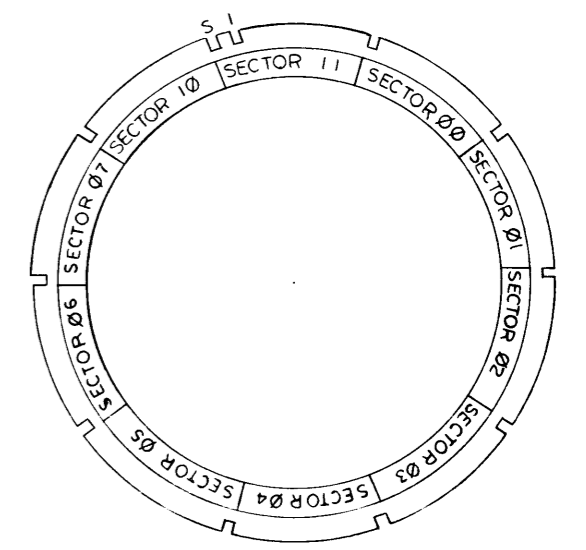
RP15 FORMAT



PRE HEADER SYNC	HEADER	POST HEADER SYNC	127 P	128 P	LPCC P	GUARD BITS	PREHEAD SYNC
PRE HEADER SYNC 30 37 BIT WORDS ALL ZEROS EXCEPT LAST BIT (110910 ZEROS FOLLOWED BY 1 ONE BIT)	HEADER 1-36 BIT WORDS AND A PARITY BIT BITS 0-17 NOT USED BITS 18-25 CYLINDER ADDRESS (8 BITS) BITS 26-30 HEAD ADDRESS (5 BITS) BITS 31 NOT USED BITS 32-35 SECTOR ADDRESS (4 BITS)	4-37 BIT WORDS ALL ZERO EXCEPT LAST BIT 1470 ZEROS FOLLOWED BY 1 ONE BIT	128 36 BIT DATA WORDS AND 1 PARITY BIT PER WORD	LONG PARITY 1 WORD 36 BITS PLUS PARITY BIT	PREVENT WRITE/ERASE CURRENT SHUT DOWN FROM DESTROYING LPCC WORD		

- \* PRE HEADER SYNC USED TO SYNC UP VFO WRITTEN DURING FORMATTING
- \*\* POST HEADER SYNC USED TO SYNC VFO WRITTEN FOR EACH WRITE OPERATION
- \*\*\* THE SINGLE 1 BIT IN SYNC AREA'S ARE USED TO MARK START OF READ OPERATION MARKS END OF WORD IN THE SHIFT REGISTER

RP15 DISK SECTOR LAYOUT



REVISIONS

CHK	CHANGE NO.	REV

FIRST USED ON OPTION/MODEL	QTY.	DESCRIPTION	PART NO.	ITEM NO.
PDP 15				
UNLESS OTHERWISE SPECIFIED				
DRN	DATE	PARTS LIST		
CHK'D	DATE	digital EQUIPMENT CORPORATION MAYNARD MASSACHUSETTS		
ENG	DATE	TITLE		
PROJ. ENG.	DATE	TIMING DIAGRAM		
PROD.	DATE	NEXT HIGHER ASSY		
MATERIAL		A-ML-RP15-0		
FINISH		SCALE	SIZE CODE	NUMBER
			DITD	RP15-0-56
		SHEET	DIST.	REV
		5 OF 5		B

This drawing and specifications herein are the property of Digital Equipment Corporation and shall not be reproduced or copied or used in whole or in part as the basis for the manufacture or sale of items without written permission.

RP15 ADJUSTMENT PROCEDURE

1. POWER DOWN SYSTEM. REMOVE ALL CABLES IN SLOTS H19 — H24 AND SLOTS J19 — J24. CABLES SHOULD BE MARKED WITH APPROPRIATE LOCATIONS.
2. REMOVE M622 MODULES LOCATED IN H14, H15, AND H16. PLACE M622 MODULES IN SLOTS H17, J23, AND J24.
3. POWER UP SYSTEM. SET ACCUMULATOR SWITCHES TO 760032. LOAD RP15 INSTRUCTION TEST. AFTER TAPE IS LOADED AND THE TELETYPE BELL RINGS, LOWER AC SWITCH 00.
4. SET UP OSCILLOSCOPE FOR INTERNAL SYNC ON PROBE #1. PLACE PROBE #1 ON C24F2. ADJUST TOP POT IN SLOT C24 UNTIL TRACE ON SCOPE IS A .5 USEC HIGH LEVEL.
5. PLACE PROBE #1 ON C24T2. ADJUST LOWER POT IN SLOT C24 UNTIL TRACE ON SCOPE IS A 350 USEC HIGH LEVEL.
6. PLACE PROBE #1 ON C25F2. ADJUST TOP POT C25 UNTIL TRACE ON SCOPE IS A 50 USEC HIGH LEVEL.
7. SET ACCUMULATOR SWITCHES TO 760130. AFTER BELL RINGS, LOWER AC SWITCH 00.
8. PLACE PROBE #1 ON C07T2. ADJUST LOWER POT IN C07 UNTIL TRACE ON SCOPE IS A 20 USEC HIGH LEVEL.
9. PLACE PROBE #1 ON A05P2. ADJUST POT IN C06 UNTIL TRACE ON SCOPE IS A 4 USEC HIGH LEVEL.
10. POWER DOWN SYSTEM. REMOVE M622 MODULES LOCATED IN SLOTS H17, J23, AND J24. REPLACE M622 MODULES IN LOCATIONS H14, H15, AND H16.
11. REPLACE ALL CABLES REMOVED IN STEP #1.
12. POWER UP SYSTEM. RP02 DISK DRIVE MUST BE ON LINE AND READY.
13. PRESS I/O RESET. PLACE PROBE #1 ON CLOCK H, D17L2. PLACE PROBE #2 ON CLOCK GATE H, D17P1. ADJUST POT IN SLOT C15 UNTIL LEADING EDGE OF PULSE ON PROBE #1 FALLS EXACTLY IN THE MIDDLE OF THE HIGH LEVEL ON PROBE #2.
14. LOAD THE FOLLOWING PROGRAM FROM THE ACCUMULATOR SWITCHES. DISK PACK MUST BE FORMATTED CORRECTLY PRIOR TO THIS STEP.
 

100/	703302	CAF
	200000	LAC 0
	706344	OPCA
	777400	LAW -400
	706384	DPWC
	200001	LAC 1
	708464	DPLF
	706341	DPSJ
	600107	JMP -1
	600100	JMP 100
0/	010000	CA = 10000
	011000	FUNCTION = READ & GO
15. START PROGRAM AT LOCATION 100. PLACE PROBE #1 ON E14B1. PLACE PROBE #2 ON F11E2. MEASURE THE DELAY BETWEEN THE LEADING EDGES OF PROBE #1 AND PROBE #2 (MEASURE AT THE 50% POINTS OF THE FIRST PULSES IN TRACE ONLY.) RECORD THE DELAY ON PAPER. (~20 NSEC)
16. PLACE PROBE #1 ON D17L2. PLACE PROBE #2 ON F11H2. ADJUST POT IN LOCATION E12 UNTIL THE DELAY BETWEEN PROBE #1 AND PROBE #2 IS EQUAL TO THE RECORDED DELAY FROM STEP #15.

TO CONVERT FROM DISK OPERATION TO DISKLESS. FOLLOW STEPS 1-3


1. POWER DOWN SYSTEM. REMOVE ALL CABLES IN SLOTS H19-H24 AND SLOTS J19-J24. CABLES SHOULD BE MARKED WITH APPROPRIATE LOCATIONS.
2. REMOVE M622 MODULES LOCATED H14, H15, AND H16. PLACE M622 MODULES IN SLOTS H17, J23, J24.
3. POWER UP SYSTEM

TO CONVERT FROM DISKLESS OPERATION TO DISK. FOLLOW STEPS 4-6

4. POWER DOWN SYSTEM. REMOVE M622 MODULES LOCATED IN SLOTS H17, J23, AND J24. REPLACE M622 MODULES IN LOCATIONS H14, H15, AND H16
5. REPLACE ALL CABLES REMOVED IN STEP #1.
6. POWER UP SYSTEM.

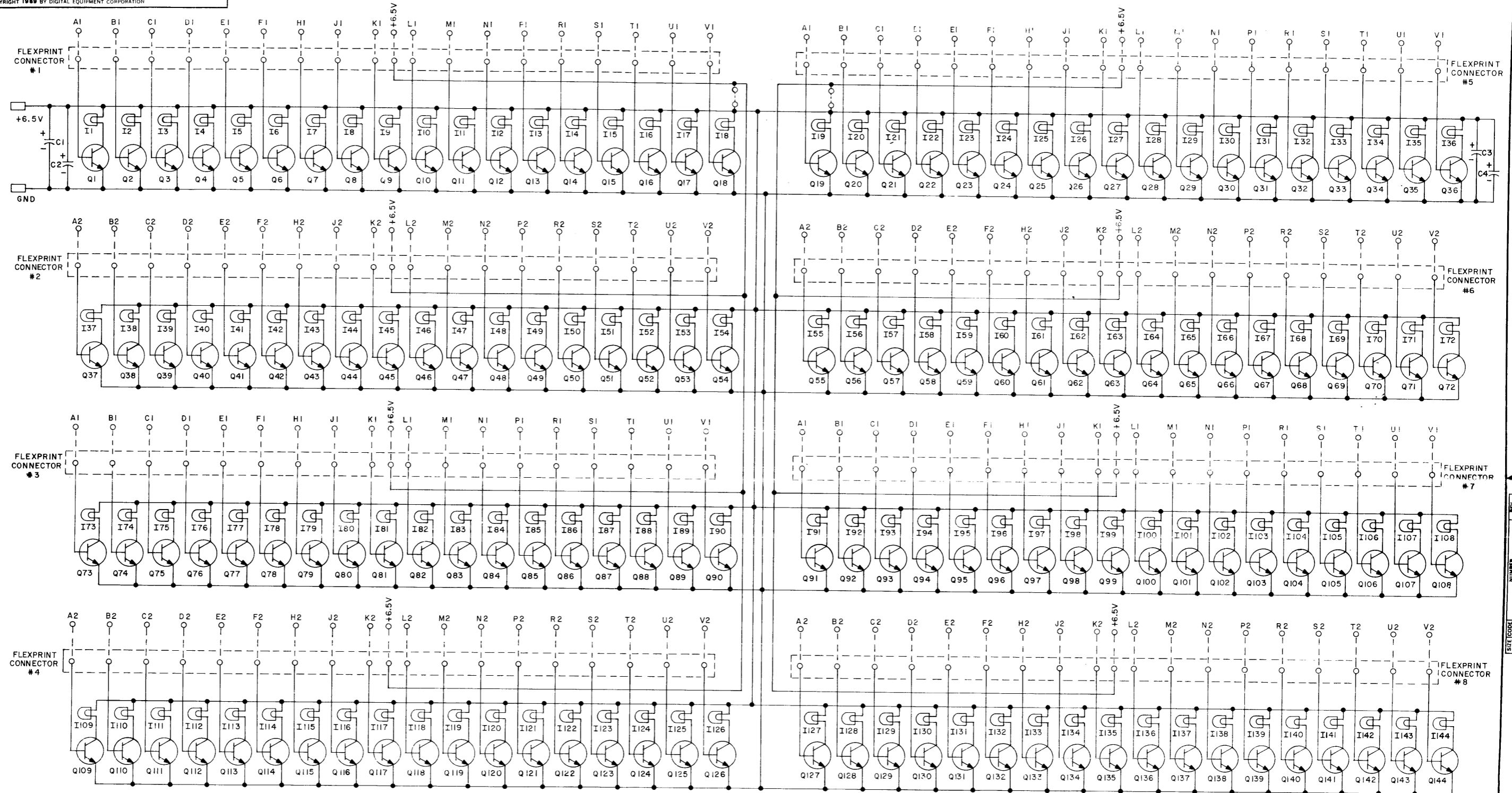
REV	A
CHANGE NO	RP15-0007
CHK	20

DEC FORM NO 102A

FIRST USED ON OPTION / MODEL PDP15	QTY.	DESCRIPTION	PART NO.	ITEM NO.
PARTS LIST				
UNLESS OTHERWISE SPECIFIED	DRN	DATE	 <b>digital</b> EQUIPMENT CORPORATION MATTAPOISETT, MASSACHUSETTS	
UNLESS OTHERWISE SPECIFIED	CHK'D	DATE		
TOLERANCES	ENG	DATE		
DECIMALS FRACTIONS ANGLES	PROJ. ENG	DATE		
± .005 ± 1/64 ± 0°30'	PROJ. ENG	DATE	TITLE <b>ADJUSTMENT &amp; MAINTENANCE</b>	
FINAL SURFACE QUALITY REMOVE BURRS AND BREAK SHARP CORNERS	PROJ. ENG	DATE		
MATERIAL	NEXT HIGHER ASSY			
FINISH	SCALE			
	SHEET 1 OF 1			
	SIZE CODE		NUMBER	REV.
	DISP		RP15-0-57	A
	DIST.			

REV. A  
 NUMBER  
 RP15-0-57  
 SIZE CODE  
 DISP

THIS SCHEMATIC IS FURNISHED ONLY FOR TEST AND MAINTENANCE PURPOSES. THE CIRCUITS ARE PROPRIETARY IN NATURE AND SHOULD BE TREATED ACCORDINGLY. COPYRIGHT 1969 BY DIGITAL EQUIPMENT CORPORATION



UNLESS OTHERWISE INDICATED:  
 TRANSISTORS ARE DEC3009B  
 O--O INDICATES JUMPER  
 CAPACITORS ARE 39MFD 10V 10%  
 LAMPS ARE 1209219

REV	DATE	BY	CHKD
1			
2			

DRN	DATE	TRANSISTOR & DIODE CONVERSION CHART			
2	9-3-69	DEC	EIA	DEC	EIA
CHKD	DATE	DEC3009B	LN3009		
ENG	DATE				
PROD	DATE				



TITLE PERIPHERAL INDICATOR  
 PANEL 5408458  
 EQUIPMENT CORPORATION  
 MAINARD MASSACHUSETTS  
 SIZE CODE NUMBER REV  
 D CS 5408458-0-1 B P