

" THE MATERIAL HEREIN IS FOR INFORMATION PURPOSES ONLY AND IS SUBJECT TO CHANGE WITHOUT NOTICE. DIGITAL EQUIPMENT CORPORATION ASSUMES NO RESPONSIBILITY FOR ANY ERRORS WHICH MAY APPEAR HEREIN."

TABLE OF CONTENTS

" THIS DRAWING AND SPECIFICATIONS, HEREIN, ARE THE PROPERTY OF DIGITAL EQUIPMENT CORPORATION AND SHALL NOT BE REPRODUCED OR COPIED OR USED IN WHOLE OR IN PART AS THE BASIS FOR THE MANUFACTURE OR SALE OF ITEMS WITHOUT WRITTEN PERMISSION." COPYRIGHT © 1984 DIGITAL EQUIPMENT CORPORATION.

FIELD MAINTENANCE PRINT SET

B-TC-KLESI-0-0	FIELD MAINTENANCE PRINT SET-KLESI
B-PL-KLESI-0-DBU	SHIPPING LIST, KLESI
B-DD-KLESI-0-0	DRAWING DIRECTORY-KLESI
D-UA-KLESI-0-DBU	LOW END STORAGE INTERCONNECT, Q-BUS/UNI-BUS
K-PL-KLESI-0-DBP	PARTS LIST, LOW END STORAGE INTERCONNECT
A-PS-1700445-0-0	CABLE, SHIELDED 50 CONNECTOR ROUND
D-1A-7018652-0-0	CABLE, 50 POSITION D-SUB. CONNECTOR
K-PL-7018652-0-DBP	PARTS LIST, CABLE 50 POSITION D-SUB. CONNECTOR
D-UA-M8739-0-0	KLESI, UNI-BUS ADAPTER MODULE
K-PL-M8739-0-DBP	PARTS LIST, KLESI UNI-BUS ADAPTER MODULE
D-CS-M8739-0-1	KLESI, UNI-BUS ADAPTER MODULE
D-UA-M7740-0-0	KLESI, Q-BUS ADAPTER MODULE
K-PL-M7740-0-DBP	PARTS LIST, KLESI Q-BUS ADAPTER MODULE
K-CS-M7740-0-1	KLESI, Q-BUS ADAPTER MODULE

UNIT VARIATIONS COVERED BY THIS PRINT SET
KLESI-UA
KLESI-QA

KLESI
FIELD MAINTENANCE
PRINT SET

DIGITAL EQUIPMENT
CORPORATION
PRINT SET
NO. MP-01876-0-0

REVISIONS			USED ON OPTION/MODEL	DRN.	DATE	TITLE	SIZE	CODE	NUMBER	REV.
CHK		A								
			KLESI-UA	G. DRAYTON	8/9/84	FIELD MAINTENANCE PRINT SET KLESI (UNI-BUS/Q-BUS ADAPTER)				
			KLESI-QA	R. BERTHIAUME	8/9/84					
				PROJ. ENG.	DATE					
				R. BERTHIAUME	8/9/84					
				FIELD SERV.	DATE					
				R. HRUBY	8/9/84					
				MFG. ENG.						
				B. UPPSTROM	8/9/84		B	TC	KLESI-0-DBU	A
SHEET OF				DIST.						



PARTS LIST

QUANTITY/VARIATION

NOTES:

DRN. G. DRAYTON DATE 5/11/84	DES. ENGR. BERTHAUME DATE 5/11/84	MFG. ENGR. UPPSTROM DATE 7/13/84
CHK'D F. ASTUTI DATE 7/13/84	RESP. ENGR. BERTHAUME DATE 7/13/84	NEXT HIGHER DOC. B-DD-KLESI-O-DBU

1. DRAWING NO. D-UA-KLESI-O-DBU SHALL BE SHIPPED WITH ALL KLESI VARIATIONS (UA AND OA).

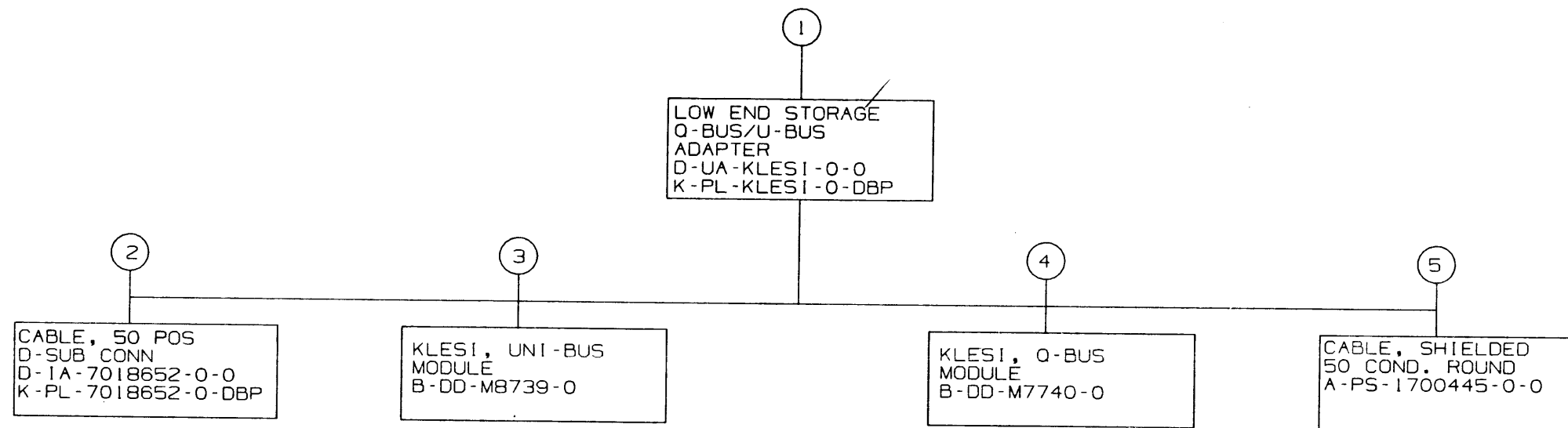
2. THE B-TC-KLESI-O-1, TABLE OF CONTENTS, SHALL BE SHIPPED WITH ALL KLESI VARIATIONS.

ITEM NO.	DRAWING NO.	PART NO.	DESCRIPTION	QUANTITY/VARIATION												REFERENCE DESIGNATION
				KLESI-UA	KLESI-OA											
1	D-UA-KLESI-O-DBU	KLESI-UA	LOW END STORAGE INTERCONNECT UNI-BUS ADAPTER	1	-											
2	D-UA-KLESI-O-DBU	KLESI-OA	LOW END STORAGE INTERCONNECT O-BUS ADAPTER	-	1											
3	D-UA-KLESI-O-DBU		KLESI UNIT ASSEMBLY (DRAWING)	1	1	/										
4	A-PS-3700806-0-0	3700806-04	PACKAGING INSTRUCTIONS	1	1											
5	B-TC-KLESI-O-1	SEE NOTE 2	TABLE OF CONTENTS, KLESI	1	1											
6	EK-ORC25-IN	EKORC25-IN	RC25 DISK SUBSYSTEM INSTALLATION GUIDE	1	1											
7	EK-ORC25-UG	EKORC25-UG	RC25 DISK SUBSYSTEM USER GUIDE	1	1											

ECO NO. INITIAL A

<small>"THIS DRAWING AND SPECIFICATION, HEREIN, ARE THE PROPERTY OF DIGITAL EQUIPMENT CORPORATION AND SHALL NOT BE REPRODUCED OR COPIED OR USED IN WHOLE OR IN PART AS THE BASIS FOR THE MANUFACTURE OR SALE OF ITEMS WITHOUT WRITTEN PERMISSION. COPYRIGHT © 1984 DIGITAL EQUIPMENT CORPORATION"</small>			TITLE LOW END STORAGE INTERCONNECT SHIPPING LIST			ASSY. NO. B-PL-KLESI-O-DBU		SIZE B	CODE PL	NUMBER KLESI-O-DBU		REV. A
SECTION						OF		SHEET		OF		

SHO

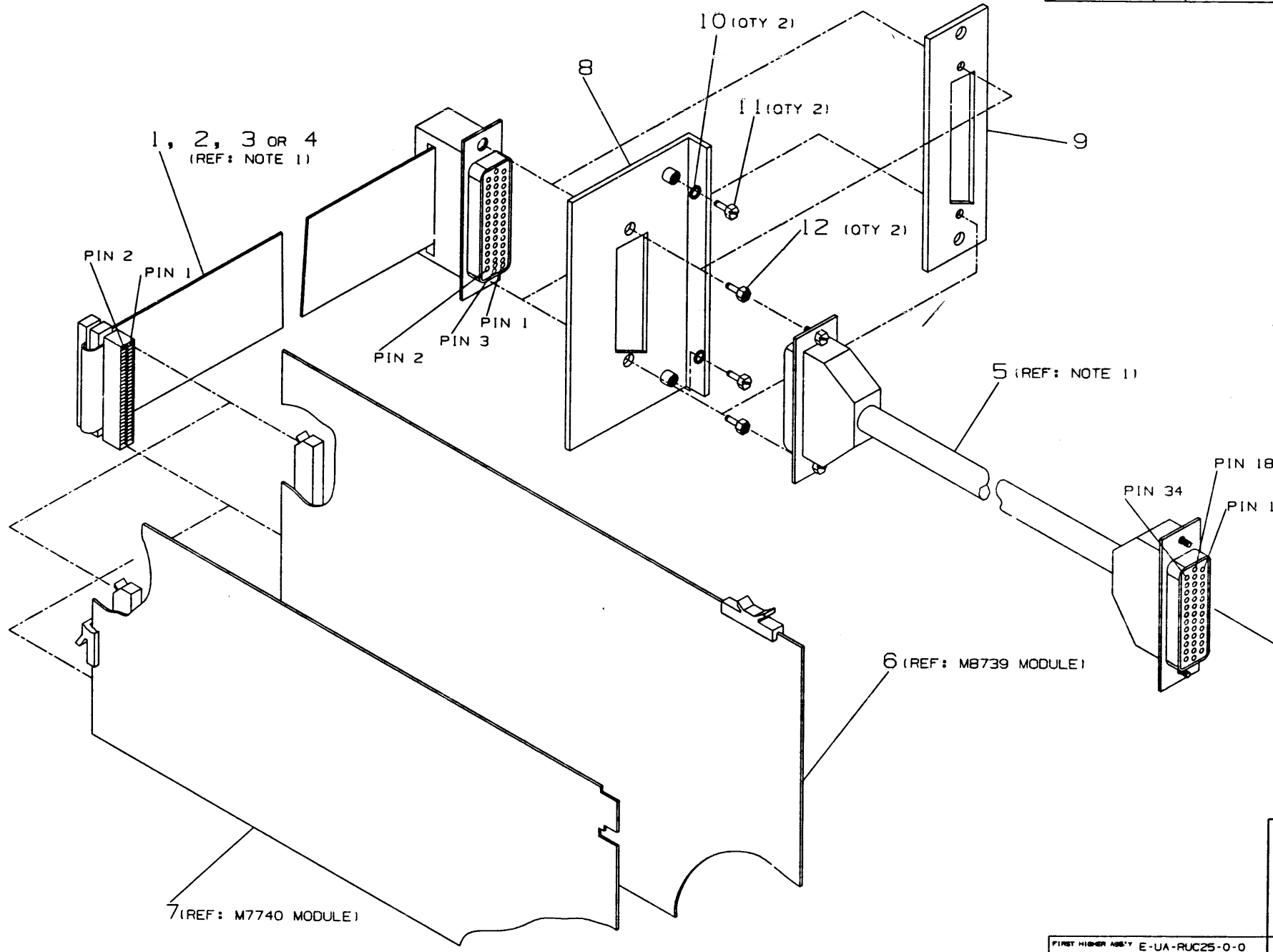


TITLE: LOW END INTERCONNECT Q-BUS/U-BUS ADAPTER	SHEET 2 OF 3	SIZE CODE BDD	NUMBER KLESI-0-DBU	REV. A
--	--------------	------------------	-----------------------	-----------

THIS DRAWING AND THE SPECIFICATIONS CONTAINED HEREIN ARE CONFIDENTIAL AND PROPRIETARY. THEY ARE THE PROPERTY OF DIGITAL EQUIPMENT CORPORATION AND SHALL NOT BE REPRODUCED OR COPIED OR USED IN WHOLE OR IN PART AS THE BASIS FOR THE MANUFACTURE OR SALE OF ITEMS WITHOUT WRITTEN PERMISSION. THIS IS AN UNPUBLISHED WORK PROTECTED UNDER THE FEDERAL COPYRIGHT LAWS. COPYRIGHT © 1984 DIGITAL EQUIPMENT CORPORATION

LEGEND		
PART NO.	REV	VARIATION
KLES1-UA	A1	
KLES1-CA	A1	SEE PARTS LIST

NOTE:
 1. IF THE DOCUMENTED KLES1 VARIATIONS (UA AND CA) DO NOT MEET YOUR SPECIFIC SUB-SYSTEM CABLING NEEDS, REFERENCE THE ENGINEERING DRAWINGS FOR EACH CABLE, (A-PS-1700445-00 AND D-1A-7018652-0-0), TO DETERMINE THE APPROPRIATE CABLE LENGTHS.
 CAUTION: TOTAL CABLE LENGTH FROM THE KLES1 MODULE (ITEM 6 OR 7) TO THE REAR BULKHEAD CONNECTION OF THE RC25 DISK DRIVE SHALL NOT EXCEED 23 FEET.



CAUTION
 OFF SHEET PARTS LIST EXISTS
 SEE K-PL-KLES1-0-DBP

DESCRIPTION	DRAWING NO.	PART NO.	ITEM NO.
UNLESS OTHERWISE SPECIFIED DIMENSIONS ARE IN INCHES AND THE FOLLOWING TOLERANCES APPLY (PER DEC STD 114)			
INCHES TOLERANCES	DIMENSION RANGE IN INCHES		
	OVER 0.2 TO 0.5	OVER 0.5 TO 1.2	OVER 1.2 TO 4.0
ANGLES ±0° 30'	OVER 1.2 TO 12.0	OVER 12.0 TO 40.0	OVER 40.0 TO 80.0
APPROX. CABLE DIMENSION RANGE	OVER 0.2 TO 0.5	OVER 0.5 TO 1.2	OVER 1.2 TO 4.0
SURFACE QUALITY	OVER 1.2 TO 12.0	OVER 12.0 TO 40.0	OVER 40.0 TO 80.0
QUANTITY & VARIATION	OVER 12.0 TO 40.0	OVER 40.0 TO 80.0	OVER 80.0 TO 160.0
FINISH	OVER 160.0 TO 320.0	OVER 320.0 TO 640.0	OVER 640.0 TO 1280.0

DRN G. DRAYTON	DATE 3 MAR 84	TITLE LOW END STORAGE INTERCONNECT, 0-BUS/UNI-BUS ADAPTER
CHK'D F. ASTUTI	DATE 18 JULY 84	DOCUMENT NUMBER D UA KLES1-0-DBU A
DES. ENG. R. BERTHIAUME	DATE 3 MAR 84	SCALE NONE
REP. ENG. R. BERTHIAUME	DATE 18 JULY 84	SHEET 1 OF 1
MATERIAL SEE PARTS LIST	DATE 18 JULY 84	
FINISH	DATE 18 JULY 84	
TOP DOC. B-DD-KLES1-0-DBU		

REV.	INITIAL
A	

KLES1-0-DBU



LOW END STORAGE INTERCONNECT, 0-BUS/UNI-BUS ADAPTER

DOCUMENT NUMBER
 D UA KLES1-0-DBU A
 SCALE NONE SHEET 1 OF 1

SHO

				VARIATION REVISION LEVEL :		UN	UN
				N/A	N/A		
1	1	D-IA-7018652-0-0	7018652-00	CABLE, 50 POSITION D-SUB CONN	-	1	
2	2	D-IA-7018652-0-0	7018652-01	CABLE, 50 POSITION D-SUB CONN	1	-	
3	3	D-IA-7018652-0-0	7018652-02	CABLE, 50 POSITION D-SUB CONN	-	1	
4	4	D-IA-7018652-0-0	7018652-05	CABLE, 50 POSITION D-SUB CONN	1	-	
5	5	D-PS-1700445-0-0	1700445-03	CABLE ASSY W/D SUB CONN,50 COND	1	1	
6	6	D-UA-M8739-0-0	M8739-00	KLESI-UA (LESI TO UNIBUS INTERFA	1	-	
7	7	D-UA-M7740-0-0	M7740-00	Q22 TO LESI BUS ADAPTOR(REPLACES	-	1	
8	8	D-IA-7426407-0-DBU	7426407-35	PANEL,DOUBLE,I/O BULKHEAD	1	-	
9	9	D-MD-7428666-0-DBU	7428666-01	BULKHEAD,"Q"	-	1	
10	10	A-PS-9006688-0-0	9006688-00	WASHER,HELICAL SPLIT SST	2	-	
11	11	A-PS-1219534-0-0	1219534-01	SCREW, CAPTV SLOT 4-	2	-	
12	12	A-PS-9008451-0-0	9008451-04	SCREW LOCK,STANDOFF ONLY .080TH	2	2	

REVISION HISTORY			BASIC PART NO: KLESI	DRN:	C. FIELDS	DATE:	12-MAR-84	D I G I T A L			
ENG	ECO NUMBER	REV	SECTION A OF A	CHK'D:	C. FIELDS	DATE:	12-MAR-84	TITLE PARTS LIST			
	INITIAL	A	SECTION.VARIATION INDEX [A]UA,QA					LOW END STORAGE INTERCONNECT, Q-BUS/UNI-BUS ADAPTER			
			[B]	DES.ENG:	R. BERTHIAUME	DATE:	12-MAR-84	DOCUMENT NUMBER			
			[C]					SIZE	CODE	NUMBER	REV
			[D]	RESP.ENG.:	R. BERTHIAUME	DATE:	12-MAR-84	K	PL	KLESI-O-DBP	A
			[E]	MFG.ENG.:	B. UPPSTROM	DATE:	24-MAY-84	RELEASE DATE: 15-AUG-84			
			[F]	ASSEMBLY NUMBER:	D-UA-KLESI-O-DBU	TOP DOCUMENT NUMBER:	B-DD-KLESI-O-DBU	FILE NAME:	Z8724A.PLS	EDIT #	6

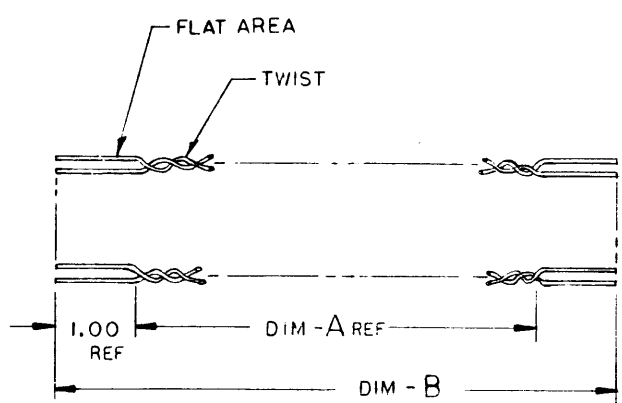
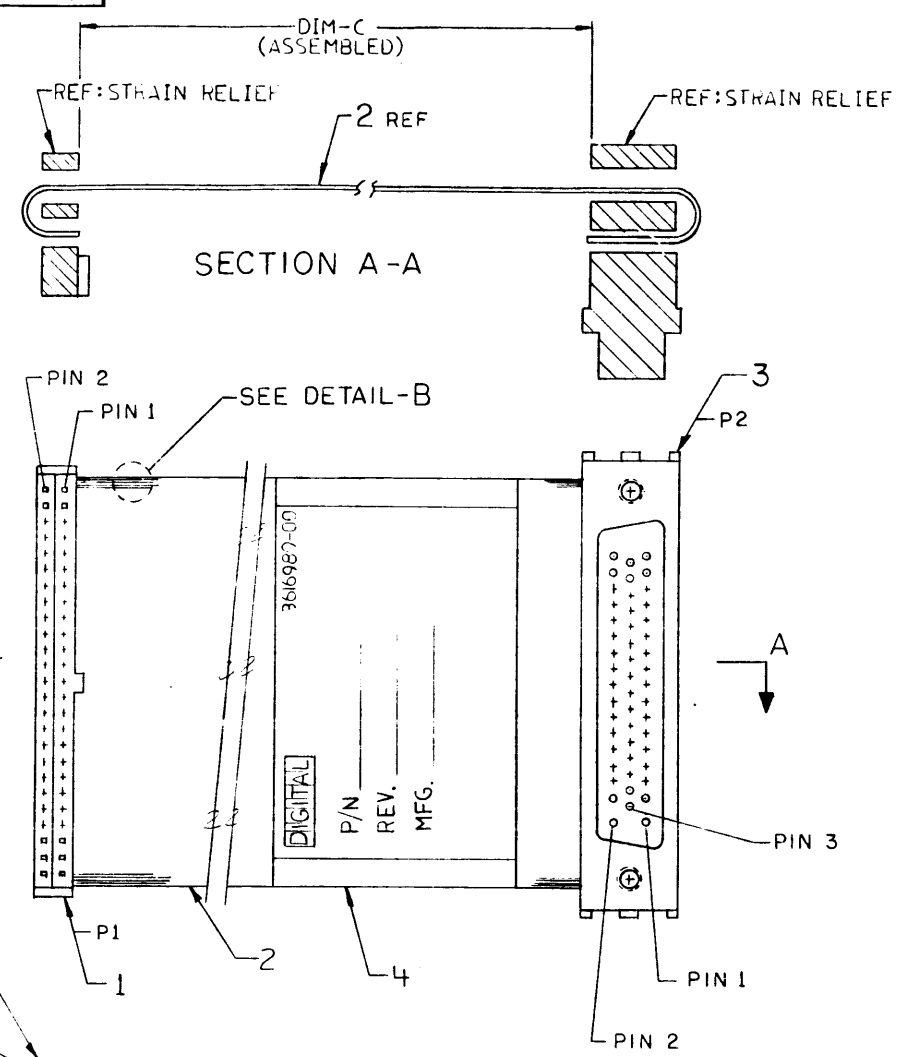
"THIS DRAWING AND THE SPECIFICATIONS CONTAINED HEREIN ARE CONFIDENTIAL AND PROPRIETARY. THEY ARE THE PROPERTY OF DIGITAL EQUIPMENT CORPORATION AND SHALL NOT BE REPRODUCED OR COPIED OR USED IN WHOLE OR IN PART AS THE BASIS FOR THE MANUFACTURE OR SALE OF ITEMS WITHOUT WRITTEN PERMISSION. THIS IS AN UNPUBLISHED WORK PROTECTED UNDER THE FEDERAL COPYRIGHT LAWS."

8 0-0-259810Z DIA 7018652-0-0

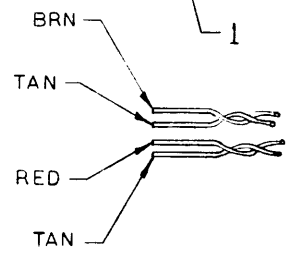
THIS DRAWING AND SPECIFICATIONS HEREIN ARE THE PROPERTY OF DIGITAL EQUIPMENT CORPORATION AND SHALL NOT BE REPRODUCED OR COPIED OR USED IN WHOLE OR IN PART AS THE BASIS FOR THE MANUFACTURE OR SALE OF ITEMS WITHOUT WRITTEN PERMISSION. COPYRIGHT © 1983 DIGITAL EQUIPMENT CORPORATION

PART NO.	REV	VARIATION		
		DIM-A	DIM-B	DIM-C
7018652-00	A2	14.00	16.00 ± .75	14.30 ± .80
7018652-01	A2	30.00	32.00 ± 1.5	30.30 ± 1.55
7018652-02	A2	46.00	48.00 ± 2.25	46.30 ± 2.30
7018652-03	A2	62.00	64.00 ± 3.00	62.30 ± 3.05
7018652-04	A2	78.00	80.00 ± 3.75	78.30 ± 3.80
7018652-05	A2	94.00	96.00 ± 4.50	94.30 ± 4.55
7018652-06	A2	110.00	112.00 ± 5.25	110.30 ± 5.30
7018652-07	A2	126.00	128.00 ± 6.00	126.30 ± 6.05

NOTES:
1. LABEL (ITEM 4) TO BE MARKED WITH PART NUMBER, REVISION AND VENOR IDENTIFICATION, THEN ATTACHED TO CABLE (ITEM 2) APPROXIMATELY AS SHOWN.



CABLE PRECUT DETAIL
SCALE: NONE



DETAIL - B

CAUTION
OFF SHEET PARTS LIST EXISTS
SEE K-PL-7018652-0-DBP

DATE	REV	ECO NUMBER	INITIAL	DESCRIPTION
	A			7018652-SH001
	B			7018652-SH002
	C			7018652-SH003
	D			7018652-SH004

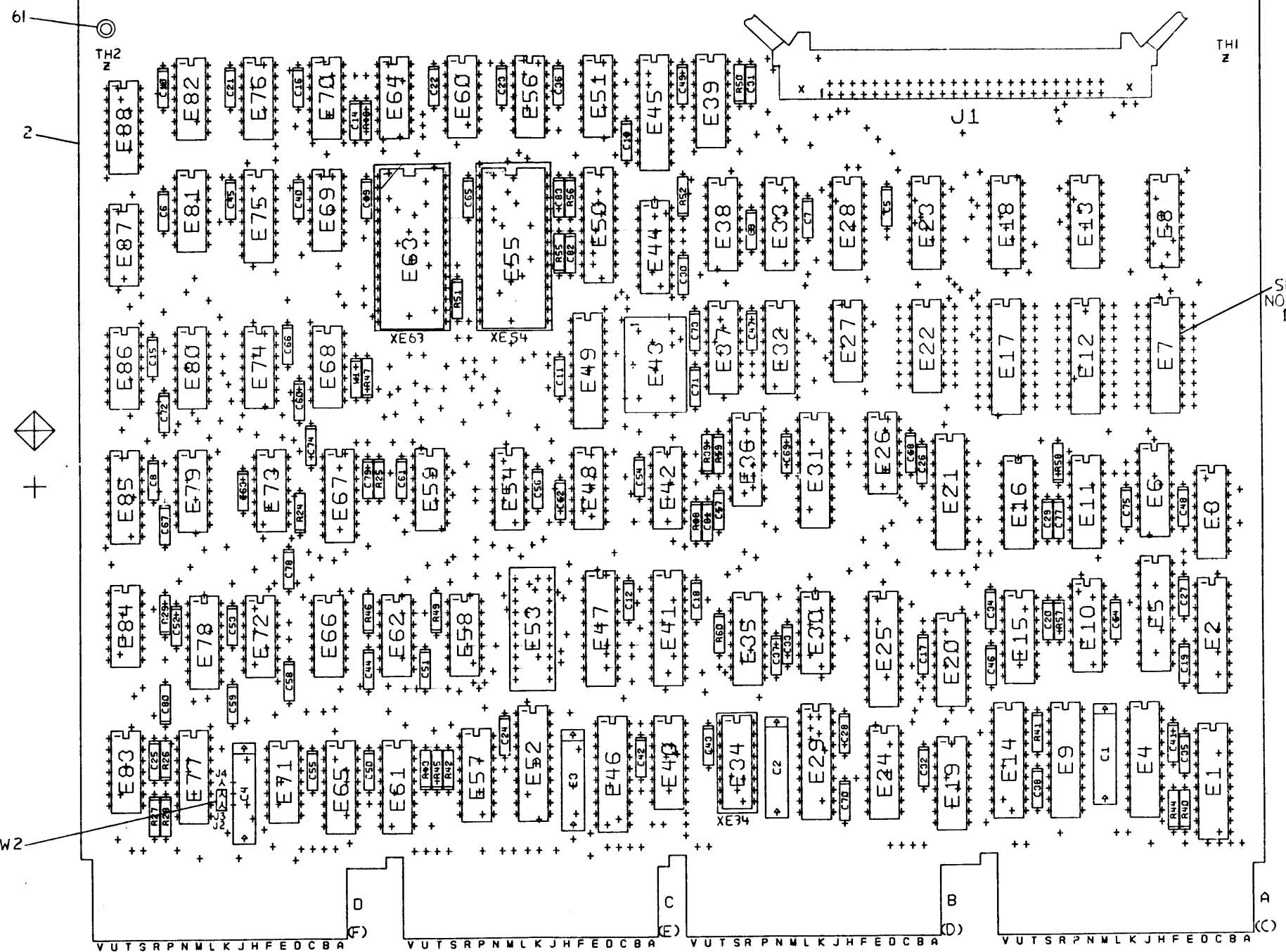
QUANTITY & VARIATION	THIRD ANGLE PROJECTION	DRN	DATE	TITLE
X = .1 XX = .02 XXX = .005		F. FASTUTI	16 JUL 83	
	DO NOT SCALE DRAWING	CHK D	DATE	CABLE, 50 POSITION
	REMOVE BURRS AND BREAK SHARP CORNERS	R. HUTNAK	11 NOV 83	D-SUB CONN
	MATERIAL	DES ENG	DATE	DOCUMENT NUMBER
	SEE PARTS LIST	R. HUTNAK	11 NOV 83	
	FINISH	RESP ENG	DATE	SIZE CODE
		P. HEARN	11 NOV 83	DIA
		MFG ENG	DATE	NUMBER
		D. KLOSS	11 NOV 83	7018652-0-0
		NEXT HIGHER DOC		REV
		E-UA-RC25-D-3		C
				SCALE 2/1
				SHEET 1 OF 1

SIZE CODE DIA 7018652-0-0 REV C

THIS DRAWING AND SPECIFICATIONS, HEREIN, ARE THE PROPERTY OF DIGITAL EQUIPMENT CORPORATION AND SHALL NOT BE REPRODUCED OR COPIED OR USED IN WHOLE OR IN PART AS THE BASIS FOR THE MANUFACTURE OR SALE OF ITEMS WITHOUT WRITTEN PERMISSION.
 COPYRIGHT © 1974 DIGITAL EQUIPMENT CORPORATION

8 7 6 5 4 3 2 1
 E D UA M8739-0-0

COMPONENT SIDE VIEW 56



NOTES: 1. E7, E12, E17, E22 ARE SPARE IC LOCATIONS.

STEP C	→ Y AXIS	STEP	TIMES
REPEAT	→ X AXIS	STEP	TIMES

CHANCE NO	REV
REVIS	E
AND	
REDRAWN	
M8739-	
SH004	

ETCH REV.	E1-P1
-----------	-------

SIGNATURES		DATE	digital
DRN.	S. EVANS / v.m	14 MAR 74	
CHK D.		2/20/74	TITLE KLESI-UA
MECH. ENG.	Byron Wilton	8/20/74	
PROJ. ENG.	Byron Wilton	8/20/74	
PROD.	Byron Wilton	8/20/74	
SCALE	2/1	SIZE CODE	NUMBER
SHT.	1 OF 1	D UA	M8739-0-0
NEXT HIGHER ASSY.			REV
R-00-M8739-0			E

SHR 1 MS#

SEE NOTE 1

8 7 6 5 4 3 2 1
 E D UA M8739-0-0

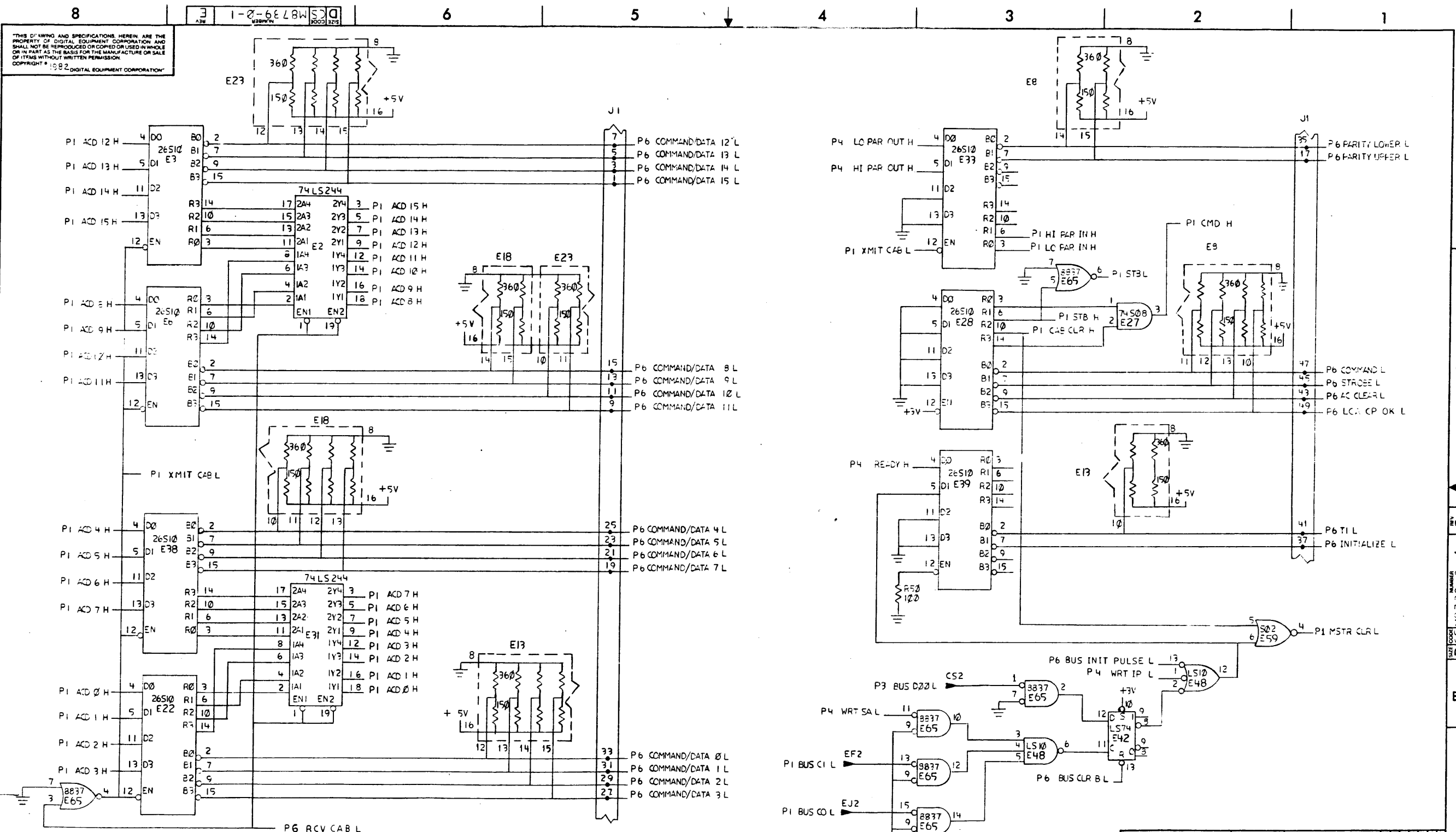
LINE	ITEM	TOP DOCUMENT	PART NUMBER	MIN REV	DESCRIPTION	QTY	PER VARIATION	REFERENCE DESIGNATOR
						00		
1	1	BLANK			*** THIS ITEM IS NOT USED ***	-		
2	2	D-MD-5014691-0-0	5014691-00		DRILL AND ETCH BD.	1		
3	3		1012084-01		8 MFD 25V +75-10% AL EL	4		C1-C4
4	4		1012784-00		.047 MFD 50V +80-20% CER	75		C5-C75,C77,C81-C83
5	5		1013466-09		1000.0 MMF 50V 10% X7R CER	2		C79,C78
6	6		1013466-30		560.0 MMF 50V 5% CER	1		C80
7	8		1211164-06		SW,DIP 10POS/1PST 5VDC100MA F	1		E53
8	9		1216832-03		PCB,HEADER 50POS(2X25).100CC 90D	1		J1
9	10		1300229-00		100.0 .25 W 5.0 % CF	10		R26,R50,R51,R52,R55-R60
10	12		1300295-00		330.0 .25 W 5.0 % CF	1		R38
11	13		1300365-00		1.0 K .25 W 5.0 % CF	7		R27-R29,R46-P49
12	15		1301401-00		750.0 .25 W 5.0 % CF	1		R39
13	16		1304838-00		43.0 K .25 W 5.0 % CF	2		R25,R24
14	17		1305125-00		383.0 .25 W 1.0 % RN55D-F10	2		R44,R45
15	18		1311422-00		178.0 .25 W 1.0 % RN55D-F10	4		R40-R43
16	19		1811660-13		OSCILLATOR, XTAL 15.360 MHZ	1		E43
17	20		1909705-00		DEC 8881 NAND GATE-QUAD 2IN 0	2		E62,E83
18	21		1910532-00		74S00 NAND GATE-QUAD 2IN	1		E86
19	23		1910536-00		74S10 NAND GATE-TRIPLE 3IN	1		E76
20	24		1910539-00		74S20 NAND GATE-DUAL 4INPU	1		E70
21	25		1910544-00		74S74 FF-D DUAL,EDGE TRIGG	3		E69,E74,E82
22	26		1910544-01		74S74-60GG-D DUAL,EDGE TRIG	1		E60
23	27		1911116-00		DEC 8837 RECEIVER,BUS,HEX,UN	2		E40,E65
24	28		1911573-00		74S280 PARITY GEN/CHKR,9BIT	2		E26,E30
25	29		1911579-00		8641 TRANSCEIVER,BUS,QUA	1		E77
26	30		1911675-00		74S138 DECODER/DEMUX 3-8 LI	1		E78
27	31		1911676-00		74S139 DECODER-DUAL TWO-INP	1		E75
28	32		1912661-00		74S189 MEMORY READ/WRITE	4		E10,E11,E35,E36
29	33		1912799-00		LS00 NAND-GATE-QUAD 2IN,P	1		E66
30	34		1910534-00		74S04 INVERTER GATE-HEX 1I	1		E71

REVISION HISTORY			BASIC PART NO: M8739			DRN: DAVID MILLEY			DATE: 23-NOV-81			D I G I T A L		
ENG	ECO NUMBER	REV	SECTION A OF A			CHK'D: PHIL BOSSMAN			DATE: 30-MAR-82			TITLE PARTS LIST		
---	INITIAL	A	SECTION VARIATION INDEX			DES.ENG: BRYAN WALTERS			DATE: 30-MAR-82			AZTEC UNIBUS ADAPTER CARD		
B.W	M8739-SH001	B	[A] 00			RESP.ENG.: BRYAN WALTERS			DATE: 30-MAR-82			DOCUMENT NUMBER		
E.H	M8739-SH002	C	[B]			MFG.ENG.: DOUG SWIFT			DATE: 27-AUG-82			SIZE CODE NUMBER REV		
B.W	M8739-SH003	D	[C]			ASSEMBLY NUMBER:			TOP DOCUMENT NUMBER:			FILE NAME:		
B.W	M8739-SH004	E	[D]			D-UA-M8739-0-0			#B-DD-M8739-0			Z1815E.PLS		
			[E]									RELEASE DATE: 30-AUG-84		
			[F]											
			[G]											
			[H]											
			[I]											
			[J]											
			[K]											
			[L]											
			[M]											
			[N]											
												EDIT #		
												31		

"THIS DRAWING AND THE SPECIFICATIONS CONTAINED HEREIN ARE CONFIDENTIAL AND PROPRIETARY. THEY ARE THE PROPERTY OF DIGITAL EQUIPMENT CORPORATION AND SHALL NOT BE REPRODUCED OR COPIED OR USED IN WHOLE OR IN PART AS THE BASIS FOR THE MANUFACTURE OR SALE OF ITEMS WITHOUT WRITTEN PERMISSION. THIS IS AN UNPUBLISHED WORK PROTECTED UNDER THE FEDERAL COPYRIGHT LAWS."

LINE	ITEM	TOP DOCUMENT	PART NUMBER	MIN REV	DESCRIPTION	QTY PER VARIATION	REFERENCE DESIGNATOR
						00	
						VARIATION REVISION LEVEL:	
31	35		1912805-00		LS08 AND GATE-QUAD 2IN,PO	3	E68,E73,E87
32	36		1912807-00		LS10 NAND GATE-TRIPLE 3IN	1	E48
33	37		1912811-00		LS21 AND GATE-DUAL 4IN,PO	1	E54
34	38		1912824-00		LS74 FF-D DUAL,EDGE TRIGG	4	E42,E58,E64,E81
35	39		1912834-00		LS112 FF-JK,DUAL,EDGE TRIG	1	E85
36	40		1912837-00		LS123 ONE SHOT-DUAL,RETRIG	1	E67
37	41		1912847-00		LS157 MUX 1 OF 2(QUAD)	1	E44
38	42		1912850-00		LS164 SHIFT REG. 8BIT SERI	1	E56
39	43		1912854-00		LS193 COUNTER,SYNCHR,4BIT,	6	E15,E16,E19,E20,E24,E37
40	44		1912863-00		LS273 FF-D OCTAL W/CLEAR	3	E21,E45,E49
41	45		1913040-00	DC	005 TRANSCEIVER 4BIT	8	E1,E4,E9,E14,E41,E46,E47,E52
42	46		1913340-00		74S32 OR GATE-QUAD 2IN	1	E80
43	47		1913414-00		LS14 INVERTER GATE-HEX SC	1	E79
44	48		1913462-00		74S240 OCTAL BUFFER,INVERTI	2	E5,E25
45	49		1913671-00		74S374 FF-D,OCTAL,TR1 STATE	1	E29
46	50		1913788-00		26S10 TRANSCEIVER.BUS,QUA	7	E3,E6,E32,E33,E28,E38,E39
47	51		1914085-00		74S260 NOR GATE-DUAL,POS	1	E51
48	52		1914214-00		LS374 FF-D OCTAL EDGE TRIG	1	E50
49	53		1914438-00	DC	013 UNIBUS INTERRUPT-BIP	2	E57,E61
50	54		1915193-00		LS244 DRIVER,LINE,OCTAL,T	2	E2,E31
51	55		23086C6-00	C6-01		1	E55
52	56		1213543-01		HANDLE,UNIBUS MODULE,MAGENTA	2	
53	57		9009185-00		JUMPER, WIRE, INSULATED, BLACK B	1	W1
54	58		1912388-00		74S02 NOR GATE-QUAD 2IN,PO	1	E59
55	59		1910537-00		74S11 AND GATE-TRIPLE 3INP	1	E72
56	60		1215006-07		SKT,IC 28PIN DIP TIN SOLD	2	XE55,XE63
57	61		9006732-00		EYELET,ROLLED 0.1210DX0.219	4	
58	62	BLANK			*** THIS ITEM IS NOT USED ***	-	
59	63	BLANK			*** THIS ITEM IS NOT USED ***	-	
60	64	BLANK			*** THIS ITEM IS NOT USED ***	-	
61	65	BLANK			*** THIS ITEM IS NOT USED ***	-	
62	66		1320309-01		R NETWORK 14-150 14-360 16PIN	4	E8,E13,E18,E23
63	67		1912801-00		LS02 NOR-GATE-QUAD 2IN	1	E84
64	68	BLANK			*** THIS ITEM IS NOT USED ***	-	
65	69		1318784-01		R NETWORK MULTI-VALUE 16PIN	1	E34
66	70		1215006-02		SKT,IC 16PIN DIP TIN SOLD	1	XE34
67	71		1912649-00		LS75 LATCH 4BIT,BISTABLE	1	E88
68	72		23087C6-00	C6-01		1	E63
69	73		1218783-00		JUMPER 02POS(1X02).100CC	1	W2
70	74		9009149-00		PIN,STAKNG 0.0250DX0.345LG SQUAR	3	J2-J4
71	75		1912389-00		74S08 AND GATE-QUAD 2IN,PO	1	E27
72	76		9105740-55		*** THIS ITEM IS NOT USED ***	-	
73	77		3621739-03		LABEL,COUNTRY OF ORIGIN SINGAPOR	1	

D	I	G	I	T	A	L	TITLE	SECTION A	OF A	SIZE	CODE	DOCUMENT NUMBER	REV
							AZTEC UNIBUS ADAPTER CARD			K	PL	M8739-0-DBP	E



THIS DRAWING AND SPECIFICATIONS HEREIN ARE THE PROPERTY OF DIGITAL EQUIPMENT CORPORATION AND SHALL NOT BE REPRODUCED OR COPIED OR USED IN WHOLE OR IN PART AS THE BASIS FOR THE MANUFACTURE OR SALE OF ITEMS WITHOUT WRITTEN PERMISSION. COPYRIGHT © 1982 DIGITAL EQUIPMENT CORPORATION

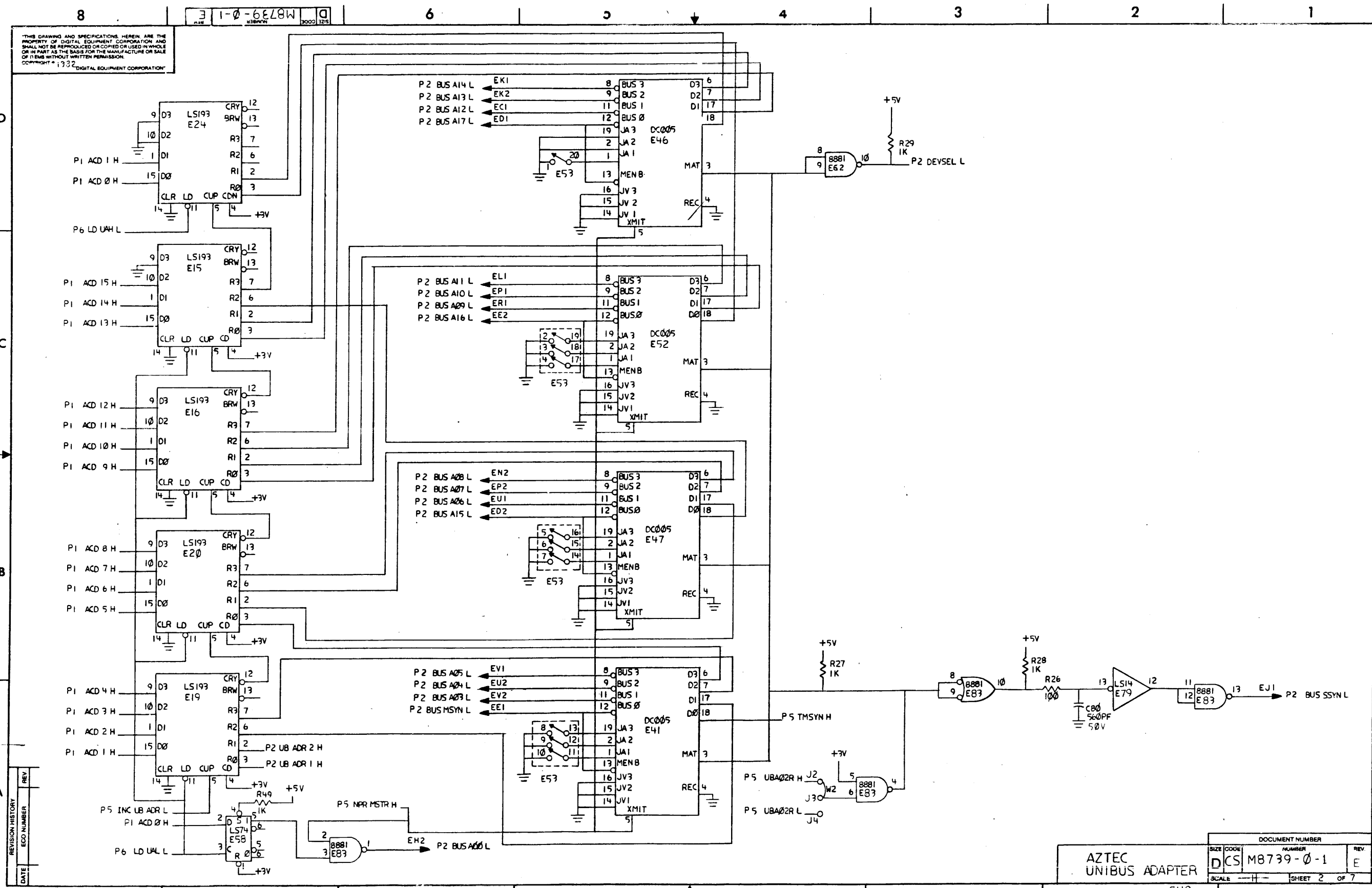
NOTE: UNLESS OTHERWISE SPECIFIED: ALL RESISTORS ARE 1/4W, 5% CC.

DATE	ECO NUMBER	REV	DATE	ECO NUMBER	REV	DATE	ECO NUMBER	REV
1/27/82	M8739-SH001	B	2/2/82	M8739-SH002	C	2/2/82	M8739-SH003	D
2/2/82	M8739-SH002	C	2/2/82	M8739-SH003	D	2/2/82	M8739-SH004	E
2/2/82	M8739-SH003	D	2/2/82	M8739-SH004	E			

DRN: ANTL ASSOC	DATE: 9 SEP 82	TITLE: AZTEC UNIBUS ADAPTER
CHKD: J. Williams	DATE: 17 SEP 82	
DESIGN: J. Williams	DATE: 17 SEP 82	
REP ENG: J. Williams	DATE: 17 SEP 82	
MFG ENG: J. Williams	DATE: 6 OCT 82	
DOCUMENT NUMBER: DCS M8739-0-1 E		SCALE: 1 OF 7

DRAWING NUMBER: DCS M8739-0-1

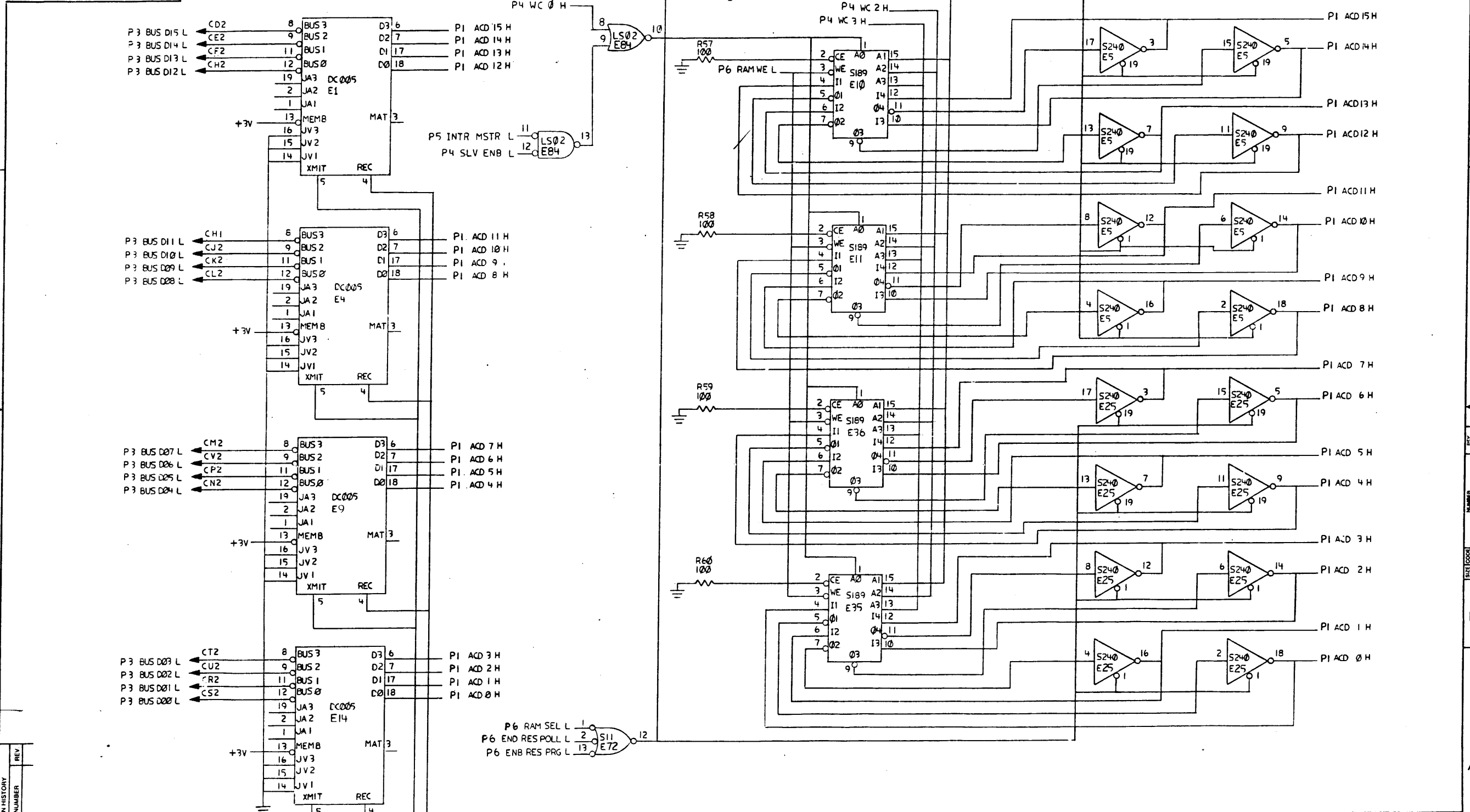
THIS DRAWING AND SPECIFICATIONS HEREIN ARE THE PROPERTY OF DIGITAL EQUIPMENT CORPORATION AND SHALL NOT BE REPRODUCED OR COPIED OR USED IN WHOLE OR IN PART AS THE BASIS FOR THE MANUFACTURE OR SALE OF ITEMS WITHOUT WRITTEN PERMISSION.
 COPYRIGHT © 1972 DIGITAL EQUIPMENT CORPORATION



DATE	REV	ECO NUMBER

AZTEC UNIBUS ADAPTER		DOCUMENT NUMBER	
SIZE CODE	NUMBER	REV	
DCS	M8739-0-1	E	
SCALE	SHEET	OF	
—H—	2	7	

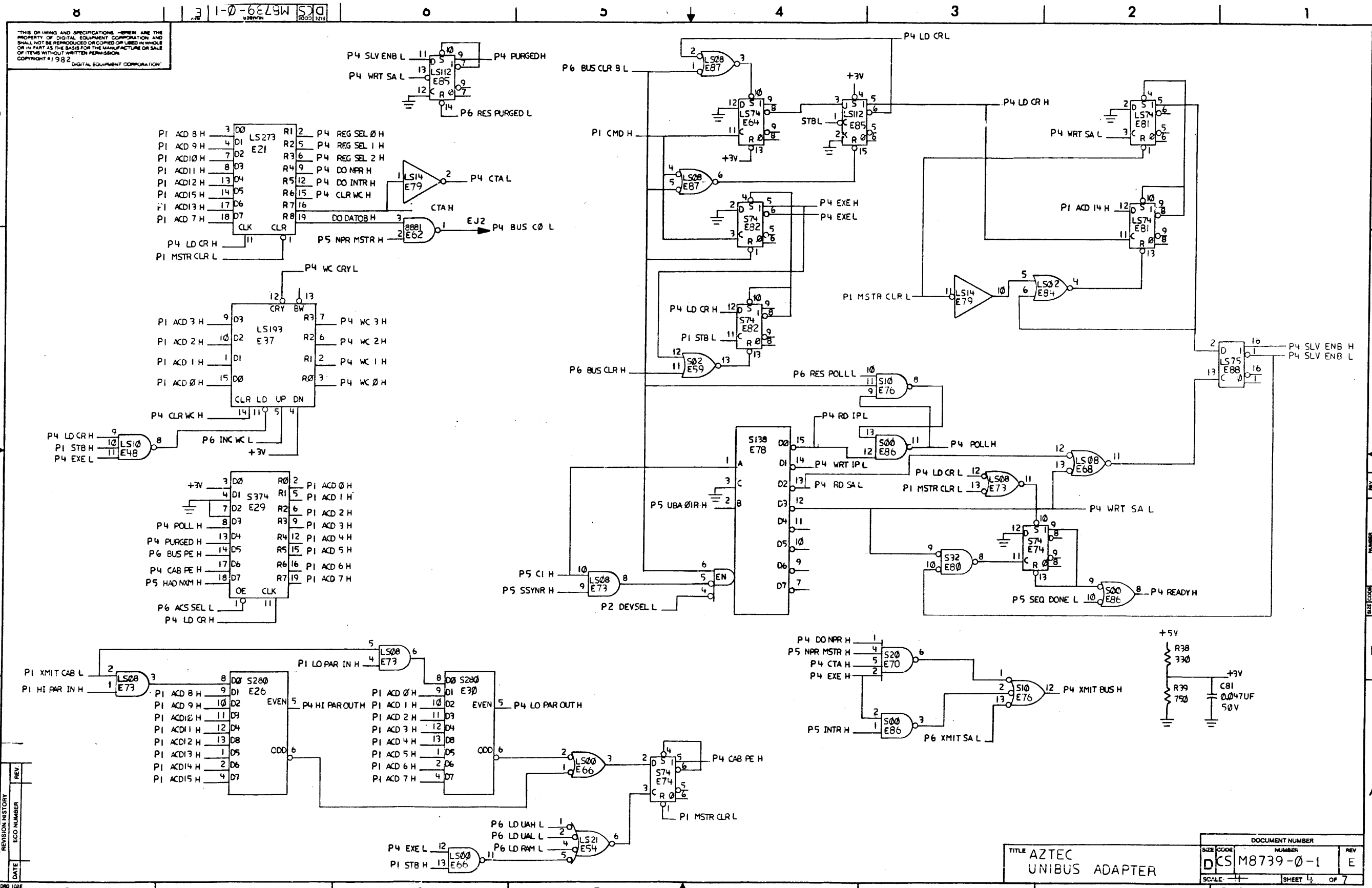
THIS DRAWING AND SPECIFICATIONS HEREIN ARE THE PROPERTY OF DIGITAL EQUIPMENT CORPORATION AND SHALL NOT BE REPRODUCED OR COPIED OR USED IN WHOLE OR IN PART AS THE BASIS FOR THE MANUFACTURE OR SALE OF ITEMS WITHOUT WRITTEN PERMISSION. COPYRIGHT © 1972 DIGITAL EQUIPMENT CORPORATION.



REV	ECO NUMBER	DATE

TITLE			DOCUMENT NUMBER		
AZTEC UNIBUS ADAPTER			SIZE CODE	NUMBER	REV.
			DCS	M8739-0-1	E
			SCALE	SHEET	3 OF 7

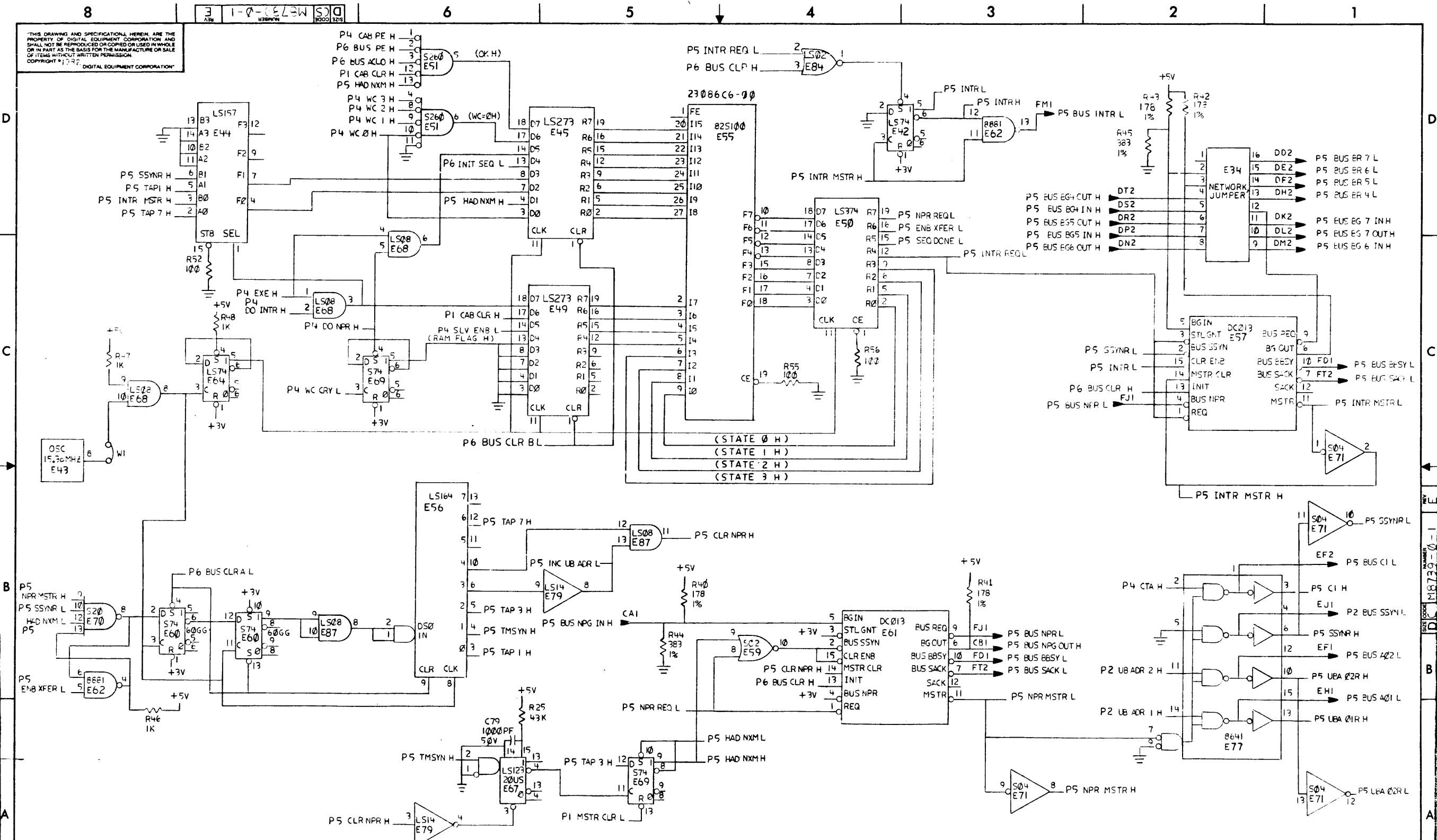
REV. E
NUMBER DCS M8739-0-1
SHEET 3 OF 7



THIS DRAWING AND SPECIFICATIONS HEREIN ARE THE PROPERTY OF DIGITAL EQUIPMENT CORPORATION AND SHALL NOT BE REPRODUCED OR COPIED OR LIBERED IN WHOLE OR IN PART AS THE BASIS FOR THE MANUFACTURE OR SALE OF ITEMS WITHOUT WRITTEN PERMISSION. COPYRIGHT # 1982. DIGITAL EQUIPMENT CORPORATION.

REV	ECO NUMBER	DATE

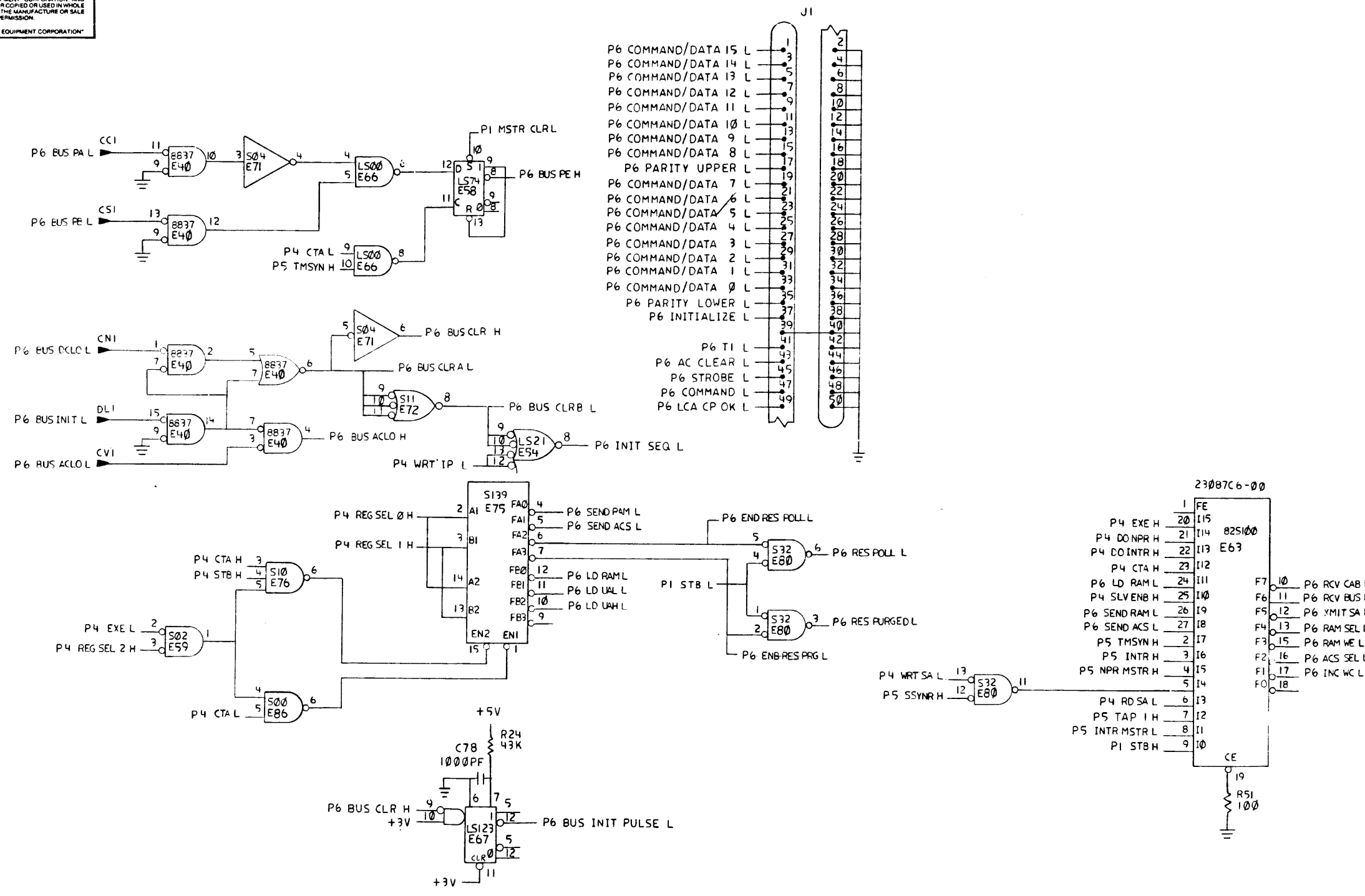
TITLE AZTEC UNIBUS ADAPTER		DOCUMENT NUMBER DCS M8739-0-1	
SCALE SHO	SHEET 1	REV E	of 7



REVISION HISTORY			DOCUMENT NUMBER		
DATE	ECO NUMBER	REV.	SIZE	NUMBER	REV.
			D	CS	M8739-0-1
			SCALE	H	SHEET 5 OF 7

TITLE **AZTEC UNIBUS ADAPTER**

THIS DRAWING AND SPECIFICATIONS, HEREIN, ARE THE PROPERTY OF DIGITAL EQUIPMENT CORPORATION AND SHALL NOT BE REPRODUCED OR COPIED OR USED IN WHOLE OR IN PART AS THE BASIS FOR THE MANUFACTURE OR SALE OF ITEMS WITHOUT WRITTEN PERMISSION.
 COPYRIGHT © 1977 DIGITAL EQUIPMENT CORPORATION



- P6 COMMAND/DATA 15 L
- P6 COMMAND/DATA 14 L
- P6 COMMAND/DATA 13 L
- P6 COMMAND/DATA 12 L
- P6 COMMAND/DATA 11 L
- P6 COMMAND/DATA 10 L
- P6 COMMAND/DATA 9 L
- P6 COMMAND/DATA 8 L
- P6 PARITY UPPER L
- P6 COMMAND/DATA 7 L
- P6 COMMAND/DATA 6 L
- P6 COMMAND/DATA 5 L
- P6 COMMAND/DATA 4 L
- P6 COMMAND/DATA 3 L
- P6 COMMAND/DATA 2 L
- P6 COMMAND/DATA 1 L
- P6 COMMAND/DATA 0 L
- P6 PARITY LOWER L
- P6 INITIALIZE L
- P6 TI L
- P6 AC CLEAR L
- P6 STROBE L
- P6 COMMAND L
- P6 LCA CPOK L

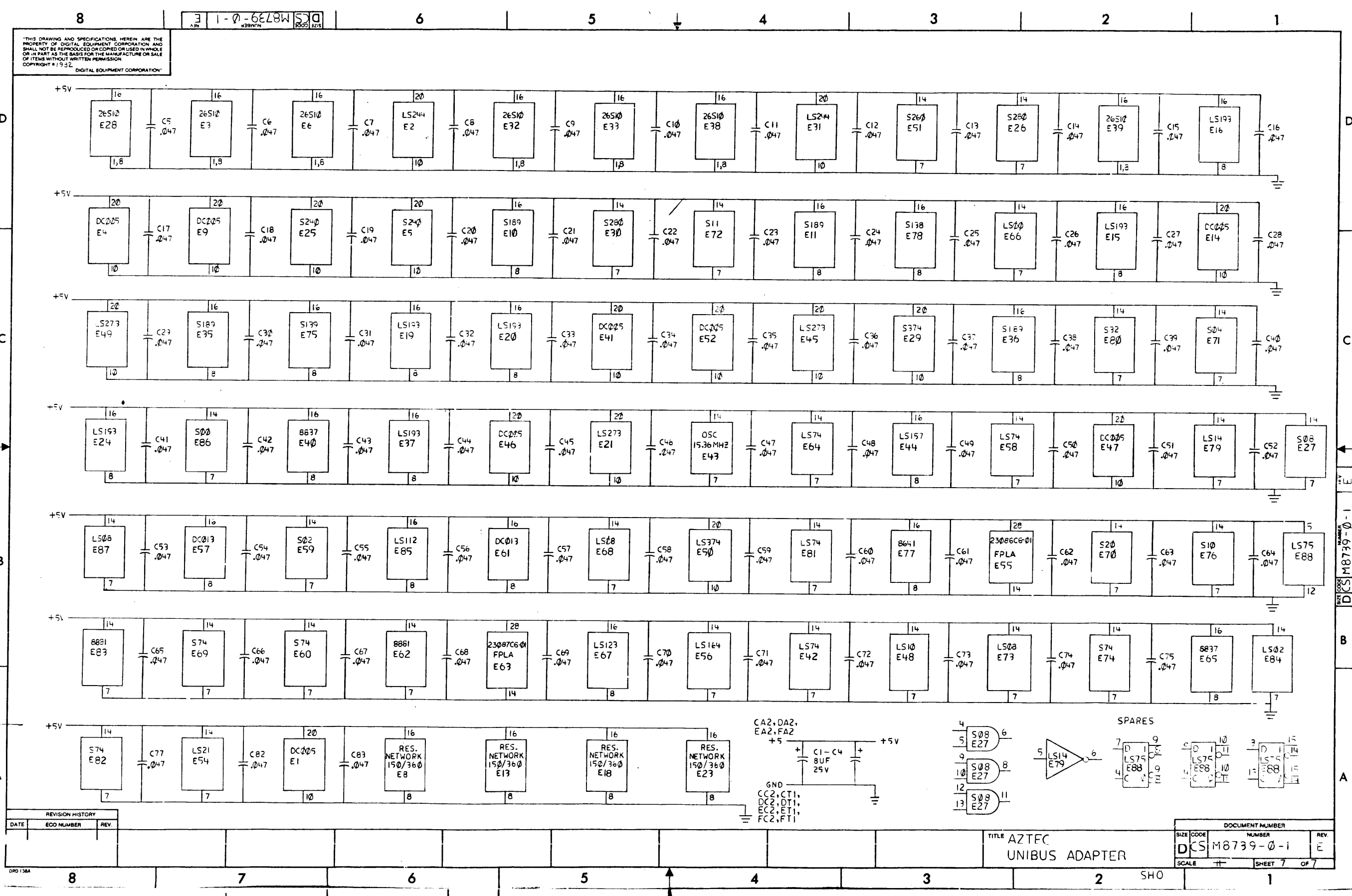
23087C6-00

1	FE	
20	I15	
21	I14	825100
22	I13	E63
23	I12	
24	I11	
25	I10	
19	I9	
18	I8	
17	I7	
16	I6	
15	I5	
14	I4	
13	I3	
12	I2	
11	I1	
10	I0	

REVISION HISTORY		
DATE	ECO NUMBER	REV.

TITLE AZTEC UNIBUS ADAPTER

SIZE CODE	NUMBER	REV.
DCS	M8739-0-1	E
SCALE	SHEET 6	OF 7

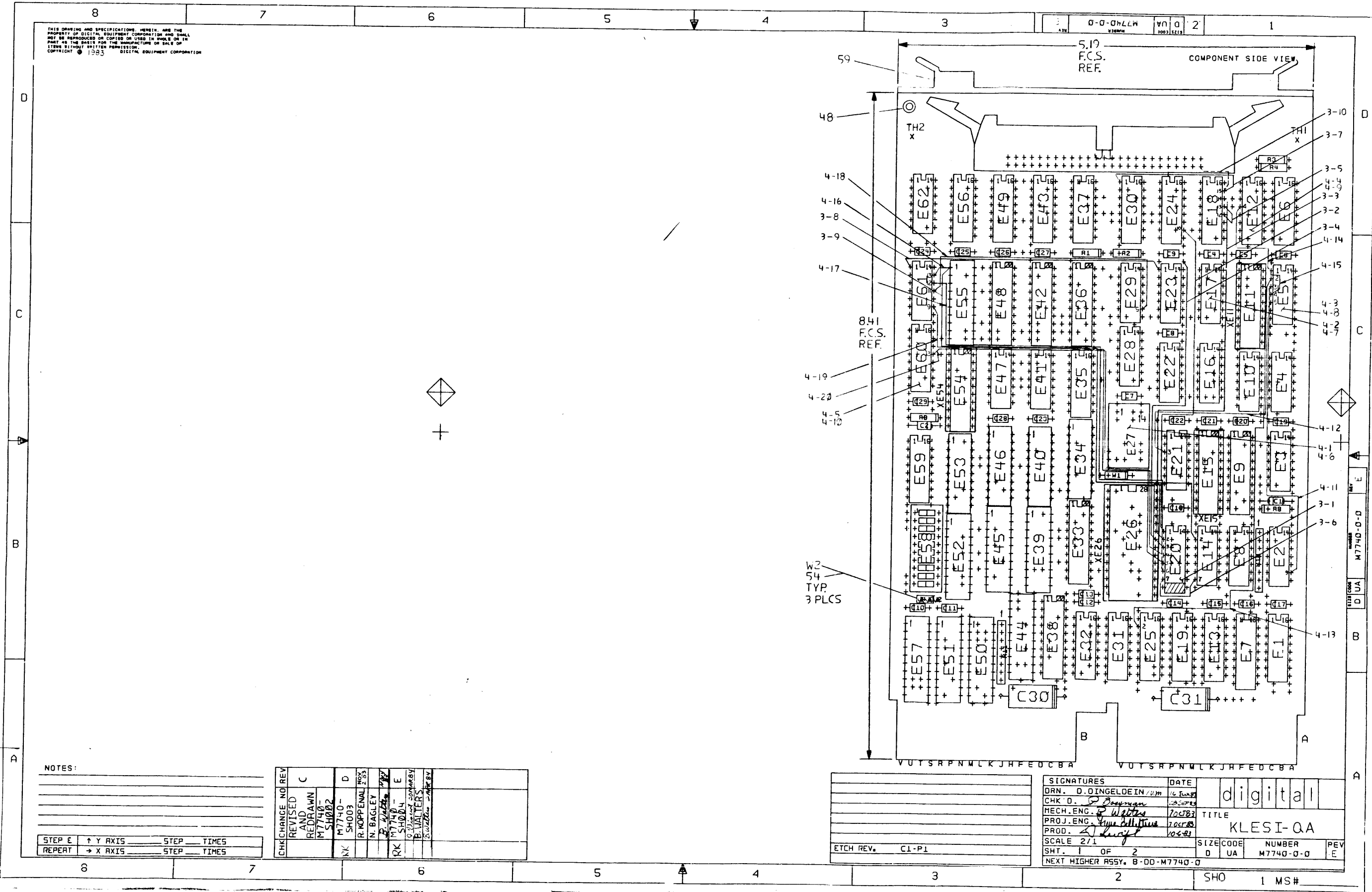


THIS DRAWING AND SPECIFICATIONS HEREIN ARE THE PROPERTY OF DIGITAL EQUIPMENT CORPORATION AND SHALL NOT BE REPRODUCED OR COPIED OR USED IN WHOLE OR IN PART AS THE BASIS FOR THE MANUFACTURE OR SALE OF ITEMS WITHOUT WRITTEN PERMISSION.
 COPYRIGHT © 1982
 DIGITAL EQUIPMENT CORPORATION

REVISION HISTORY		
DATE	ECO NUMBER	REV.

TITLE AZTEC UNIBUS ADAPTER		DOCUMENT NUMBER DCS M8739-0-1	
SCALE 1:1	SHEET 7	OF 7	REV. E

THIS DRAWING AND SPECIFICATIONS HEREIN ARE THE PROPERTY OF DIGITAL EQUIPMENT CORPORATION AND SHALL NOT BE REPRODUCED OR COPIED OR USED IN WHOLE OR IN PART AS THE BASIS FOR THE MANUFACTURE OR SALE OF ITEMS WITHOUT WRITTEN PERMISSION.
 COPYRIGHT © 1983 DIGITAL EQUIPMENT CORPORATION



NOTES:

STEP E	↑ Y AXIS	STEP	TIMES
REPEAT	→ X AXIS	STEP	TIMES

CHANGE NO	REV	DESCRIPTION
	C	REVISED AND REDRAWN M7740-SH002
	D	M7740-SH003
	E	M7740-SH004

ETCH REV.	CL-P1
-----------	-------

SIGNATURES	DATE	TITLE
DRN. D. OINGELDEIN	16 Jun 83	digital
CHK'D. [Signature]	16 Jun 83	
MECH. ENG. [Signature]	16 Jun 83	
PROJ. ENG. [Signature]	16 Jun 83	
PROD. [Signature]	16 Jun 83	

SCALE 2/1
 SHT. 1 OF 2
 NEXT HIGHER ASSY. 8-00-M7740-0

SIZE CODE	NUMBER	REV
D UA	M7740-0-0	E

SHO 1 MS#

8

3 0-0-0 M7740-0-0 E

6

5

4

3

2

1

ALL RIGHTS RESERVED. NO PART OF THIS DOCUMENT IS TO BE REPRODUCED OR TRANSMITTED IN ANY FORM OR BY ANY MEANS, ELECTRONIC OR MECHANICAL, INCLUDING PHOTOCOPYING, RECORDING, OR BY ANY INFORMATION STORAGE AND RETRIEVAL SYSTEM. THIS DOCUMENT IS UNCLASSIFIED EXCEPT WHERE SHOWN OTHERWISE. THE RIGHTS OF THE MANUFACTURER OR SALE OF THIS DOCUMENT ARE HEREBY EXTENDED TO THE PUBLIC IN FULL UNDER THE PROVISIONS OF THE PATENT AND COPYRIGHT LAWS OF THE UNITED STATES OF AMERICA. THIS DOCUMENT IS UNCLASSIFIED EXCEPT WHERE SHOWN OTHERWISE. THE RIGHTS OF THE MANUFACTURER OR SALE OF THIS DOCUMENT ARE HEREBY EXTENDED TO THE PUBLIC IN FULL UNDER THE PROVISIONS OF THE PATENT AND COPYRIGHT LAWS OF THE UNITED STATES OF AMERICA.

1983

ECO # 3 REWORK

COMPONENT ADD

3-1. ADD COMPONENT 74508 IN LOCATION E20 (UPPER HOLES).

WIRE ADD SIDE 1

- 3-2. ADD WIRE FROM E24-10 TO E20-1.
- 3-3. ADD WIRE FROM E18-14 TO E20-2.
- 3-4. ADD WIRE FROM E20-3 TO FEEDTHRU ABOVE E23-14.
- 3-5. ADD WIRE FROM E18-13 TO E18-12.
- 3-6. ADD WIRE FROM E20-7 TO E14-7.
- 3-7. ADD WIRE FROM E18-15 TO E30-1.
- 3-8. ADD WIRE FROM E61-1 TO E23-1.
- 3-9. ADD WIRE FROM E55-1 TO E14-2.

WIRE ADD SIDE 2

3-10. ADD WIRE FROM J-49 TO E13-15.

ECO # 4, REWORK:

COMPONENT DELETES, SIDE 1:

- 4-1. DELETE E27 8.2MHZ OSC.
- 4-2. DELETE E17 74LS74.
- 4-3. DELETE E5 74LS74.
- 4-4. DELETE E12 74LS112.
- 4-5. DELETE E60 74LS138.

COMPONENT ADDS:

- 4-6. ADD E27 10 MHZ OSC.
- 4-7. ADD E17 74S74.
- 4-8. ADD E5 74S74.
- 4-9. ADD E12 74S112.
- 4-10. ADD E60 74S138

WIRE ADDS:

- 4-11. ADD A WIRE FROM E2-9 TO E5-3.
- 4-12. ADD A WIRE FROM E21-3 TO E5-5.
- 4-13. ADD A WIRE FROM E25-2 TO E5-2.
- 4-14. ADD A WIRE FROM E5-1 TO E12-4.
- 4-15. ADD A WIRE FROM E5-1 TO E5-4.
- 4-16. ADD A WIRE FROM E55-1 TO E61-13.
- 4-17. ADD A WIRE FROM E20-6 TO E61-12.
- 4-18. ADD A WIRE FROM E61-11 TO E29-9.
- 4-19. ADD A WIRE FROM E61-9 TO E20-4.
- 4-20. ADD A WIRE FROM E60-13 TO E20-5.

NOTE: A NEW PLS FOR E26 HAS TO BE BLASTED.

D

C

E

B

A

DUA M7740-0-0 E

REV.	ECO NUMBER	DATE

TITLE
KLESI-QA

DOCUMENT NUMBER		
SIZE	TITLE	REV.
DUA	M7740-0-0	E
SCALE 1:1		SHEET 2 OF 2

SHR 1

8

7

6

5

4

3

2

1

PARTS LIST

LINE	ITEM	TOP DOCUMENT	PART NUMBER	MIN REV DESCRIPTION	QTY PER VARIATION	REFERENCE DESIGNATOR
				VARIATION REVISION LEVEL:	00	
1	1		5015681-00	CIRCUIT DRILL AND ETCH	1	
2	2		1000022-00	*** THIS ITEM IS NOT USED ***	-	
3	3		1012784-00	.047 MFD 50V +80-20% CER	26	C4-C29
4	4		1012084-01	8 MFD 25V +75-10% AL EL	?	C30,C31
5	5		1013466-18	*** THIS ITEM IS NOT USED ***	-	
6	6		1211164-06	SW,DIP 10POS/1PST 5VDC100MA F	1	E58
7	7		1216832-03	PCB,HEADER 50POS(2X25).100CC 90D	1	J1
8	8		1300295-00	330.0 .25 W 5.0 % CF	3	R1,R3,R8
9	9		1300439-00	*** THIS ITEM IS NOT USED ***	-	
10	10		1301424-00	680.0 .25 W 5.0 % CF	2	R2,R4
11	11		1310636-00	32.50 K .25 W 1.0 % RN55D-F10	1	R9
12	12		1311003-02	R NETWORK 14-330 14-680 16PIN	1	E13
13	13		1320309-01	R NETWORK 14-150 14-360 16PIN	4	E49,E37,E30,E43
14	14		1811660-01	OSCILLATOR, XTAL 10.000 MHZ	1	E27
15	15		*910534-00	74S04 INVERTER GATE-HEX 1I	2	E10,E8
16	16		1911573-00	74S280 PARITY GEN/CHKR,9BIT	2	E41,E47
17	17		1911579-00	8641 TRANSCEIVER,BUS,GUA	5	E1,E31,E19,E25,E32
18	18		1912649-00	LS75 LATCH 4BIT,BISTABLE	1	E6
19	19		1912729-00	DC 004 PROTOCOL,REG. SELECT	1	E9
20	20		1912730-00	DC 003 INTERRUPT,2 CIRCUIT	1	E7
21	21		1912799-00	LS00 NAND-GATE-QUAD 2IN,P	1	E14
22	22		1912801-00	LS02 NOR-GATE-QUAD 2IN	1	E21
23	23		1912805-00	LS08 AND GATE-QUAD 2IN,PC	2	E2,E29
24	24		1912816-00	LS32 OR GATE-QUAD 2IN,POS	1	E3
25	25		1912824-00	LS74 FF-D DUAL,EDGE TRIGG	2	E23,E61
26	26		1910545-00	74S112 FF-JK DUAL,EDGE TRIG	1	E12
27	27		1912837-00	LS123 ONE SHOT-DUAL,RETRIG	1	E59
28	28		1911675-00	74S138 DECODER/DEMUX 3-8 LI	1	E60
29	29		1912854-00	LS193 COUNTER,SYNCHR,4BIT,	1	E35
30	30		1912863-00	LS273 FF-D OCTAL W/CLEAR	1	E55

REVISION HISTORY		BASIC PART NO: M7740		DRN: D.DINGELDEIN		DATE: 26-JAN-83		DIGITAL	
ENGI	ECU NUMBER	REV	SECTION A OF A	CHK'D:	P.BOSSMAN	DATE:	26-MAR-83	TITLE PARTS LIST	
IN.81	INITIAL	IA	SECTION VARIATION INDEX	DES.ENG:	N.BAGLEY	DATE:	26-MAR-83	DOCUMENT NUMBER	
IN.B1M	M7740-SH001	IB	[A] 00	RESP.ENG.:	N.BAGLEY	DATE:	26-MAR-83	SIZE	CODE
IN.B1M	M7740-SH002	IC	[B]	MFG.ENG.:	N.BAGLEY	DATE:	26-MAR-83	K	PL
IN.B1M	M7740-SH003	ID	[C]	ASSEMBLY NUMBER:		TOP DOCUMENT NUMBER:		M7740-0-DBP	REV
II.B1M	M7740-SH004	IE	[D]			RELEASE DATE:	20-MAR-84		E
			[E]						
			[F]						
			[G]						
			[H]						
			[I]						
			[J]						
			[K]						
			[L]						
			[M]						
			[N]						
FILE NAME:		EDIT #		FILE NAME:		EDIT #			
#8-D-M7740-0		19		Z5781E.PLS		19			

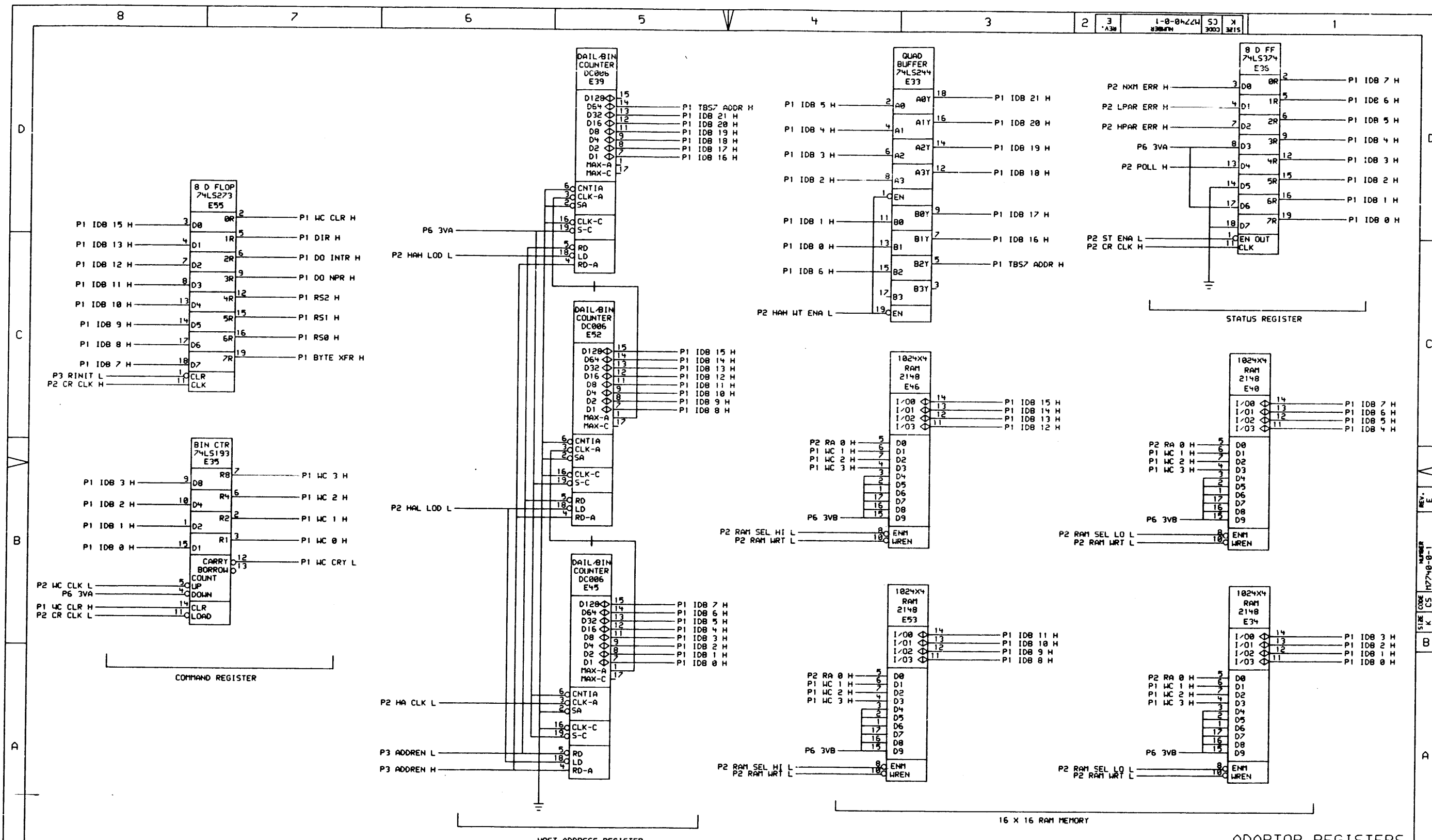
"THIS DRAWING AND THE SPECIFICATIONS CONTAINED HEREIN ARE CONFIDENTIAL AND PROPRIETARY. THEY ARE THE PROPERTY OF DIGITAL EQUIPMENT CORPORATION AND SHALL NOT BE REPRODUCED OR COPIED OR USED IN WHOLE OR IN PART AS THE BASIS FOR THE MANUFACTURE OR SALE OF ITEMS WITHOUT WRITTEN PERMISSION. THIS IS AN UNPUBLISHED WORK PROTECTED UNDER THE FEDERAL COPYRIGHT LAWS."

SHR

P A R T S L I S T

LINE ITEM	TOP DOCUMENT	PART NUMBER	MIN REV DESCRIPTION	QTY PER VARIATION	REFERENCE DESIGNATOR
31	31	1913040-00	DC 005 TRANSCEIVER 48BIT	4	E57,E51,E50,E44
32	32	1913789-00	26S10 TRANSCEIVER,BUS,QUA	3	E56,E24,E18
33	33	1914035-00	DC 006 BIPOLAR,BUS ADDRESS	3	E39,E52,E45
34	34	1914214-00	LS374 FF-D OCTAL EDGE TRIG	1	E36
35	35	1915193-00	LS244 DRIVER,LINE,OCTAL,T	2	E33,E38
36	36	1919015-00	DC 021 BUS TRANSCEIVER,20PI	2	E48,E42
37	37	1920456-01	*** THIS ITEM IS NOT USED ***	-	
38	38	9009185-00	JUMPER, WIRE, INSULATED, BLACK B	1	#1
39	39	23094J5-00	J5-01 PAL,LOGIC	1	E11
40	40	23001L1-00	L1-01 82S105 SEQUENCE	1	E26
41	41	1913340-00	74S32 OR GATE-QUAD 2IN	1	E28
42	42	1912389-00	74S08 AND GATE-QUAD 2IN,PO	4	E4,E16,E62,E20
43	43	1215006-04	SKT,IC 20PIN DIP TIN SGLD	3	X954,XE11,XF15
44	44	1215006-07	SKT,IC 28PIN DIP TIN SGLD	1	XE26
45	45	1300447-00	*** THIS ITEM IS NOT USED ***	-	
46	46	23095J5-00	J5-01 PAL,LOGIC	1	E54
47	47	23096J5-00	J5-01 PAL,LOGIC	1	E15
48	48	9006732-00	EYELET,ROLLED 0.1210DX0.219	2	
49	49	9008337-06	*** THIS ITEM IS NOT USED ***	-	
50	50	9105740-55	WIRE(WPAP) 30AWG KYNAR UL14	A/R	
51	51	1218783-00	JUMPER 02POS(1X02).100CC	1	W2
52	52	1318532-00	R NETWORK 4-100 2.0 % 8PIN	1	R11
53	53	1910532-00	74S00 NAND GATE-QUAD 2IN	1	E22
54	54	9009149-00	PIN,STAKNG 0.0250DX0.345LG SQUAR	3	J2-J4
55	55	1013466-40	270.0 MMF 50V 5% NP0 CER	1	C2
56	56	1013466-31	15.0 MMF 50V 5% CER	1	C1
57	57	2116957-03	1K MOS RAM 55NS 1	4	E34,E40,E46,E53
58	58	1316254-01	R NETWORK 7-4.7K 2.0 % 8PIN	1	R10
59	59	1213543-01	HANDLE,UNIBUS MODULE,MAGENTA	1	
60	60	1910544-00	74S74 FF-D DUAL,EDGE TRIGG	2	E5,E17

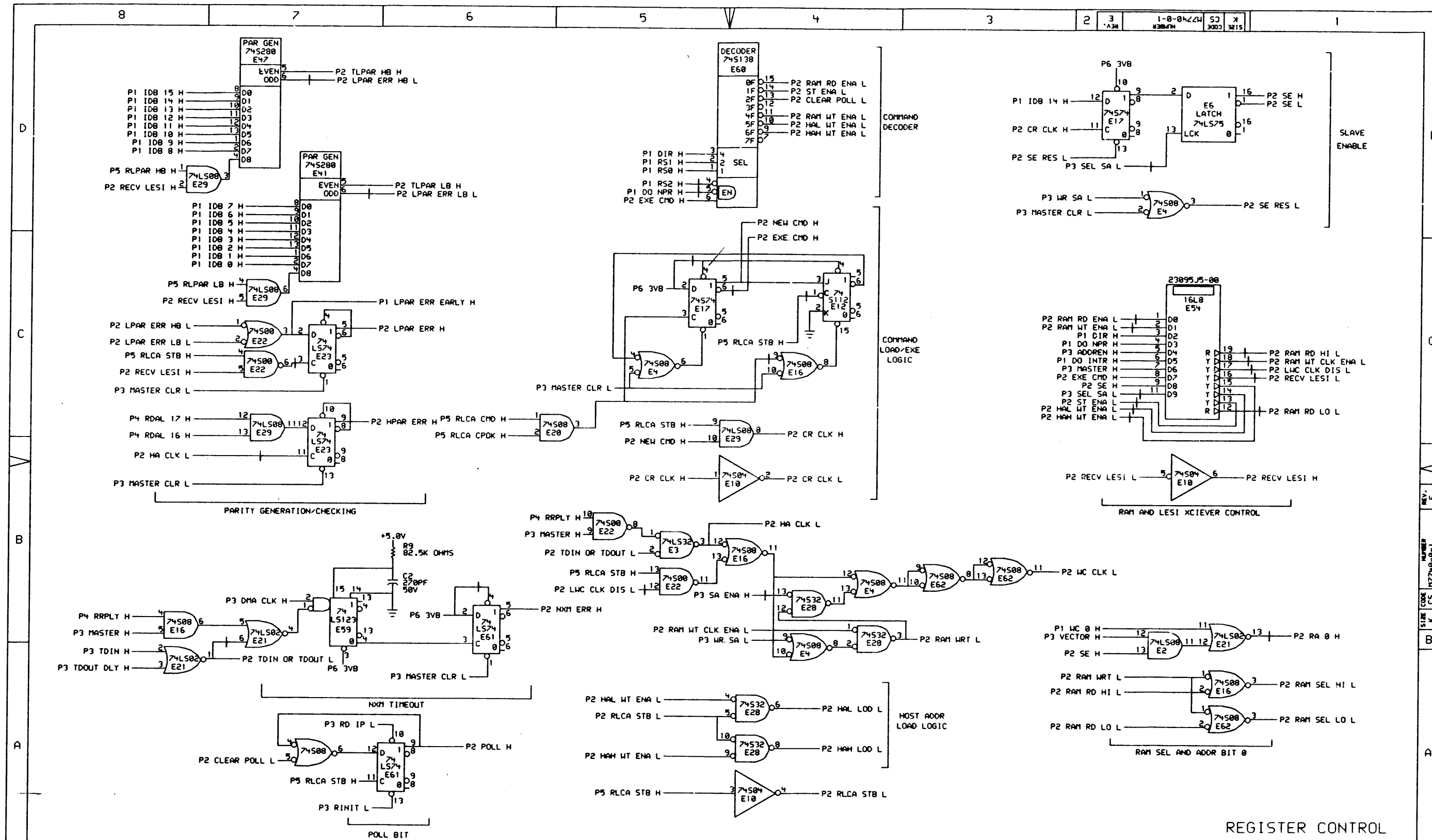
D I G I T A L	TITLE	SECTION A OF A	SIZE	CODE	DOCUMENT NUMBER	REV
	KLES1-QA		K	PL	M7740-0-D3P	E



THIS DRAWING AND SPECIFICATIONS ARE THE PROPERTY OF DIGITAL EQUIPMENT CORPORATION AND SHALL NOT BE REPRODUCED OR COPIED OR USED IN WHOLE OR IN PART AS THE BASIS FOR THE MANUFACTURE OR SALE OF ITEMS WITHOUT WRITTEN PERMISSION. COPYRIGHT © 1984, DIGITAL EQUIPMENT CORPORATION.

REVISIONS	
CHK	CHANGE NO. REV

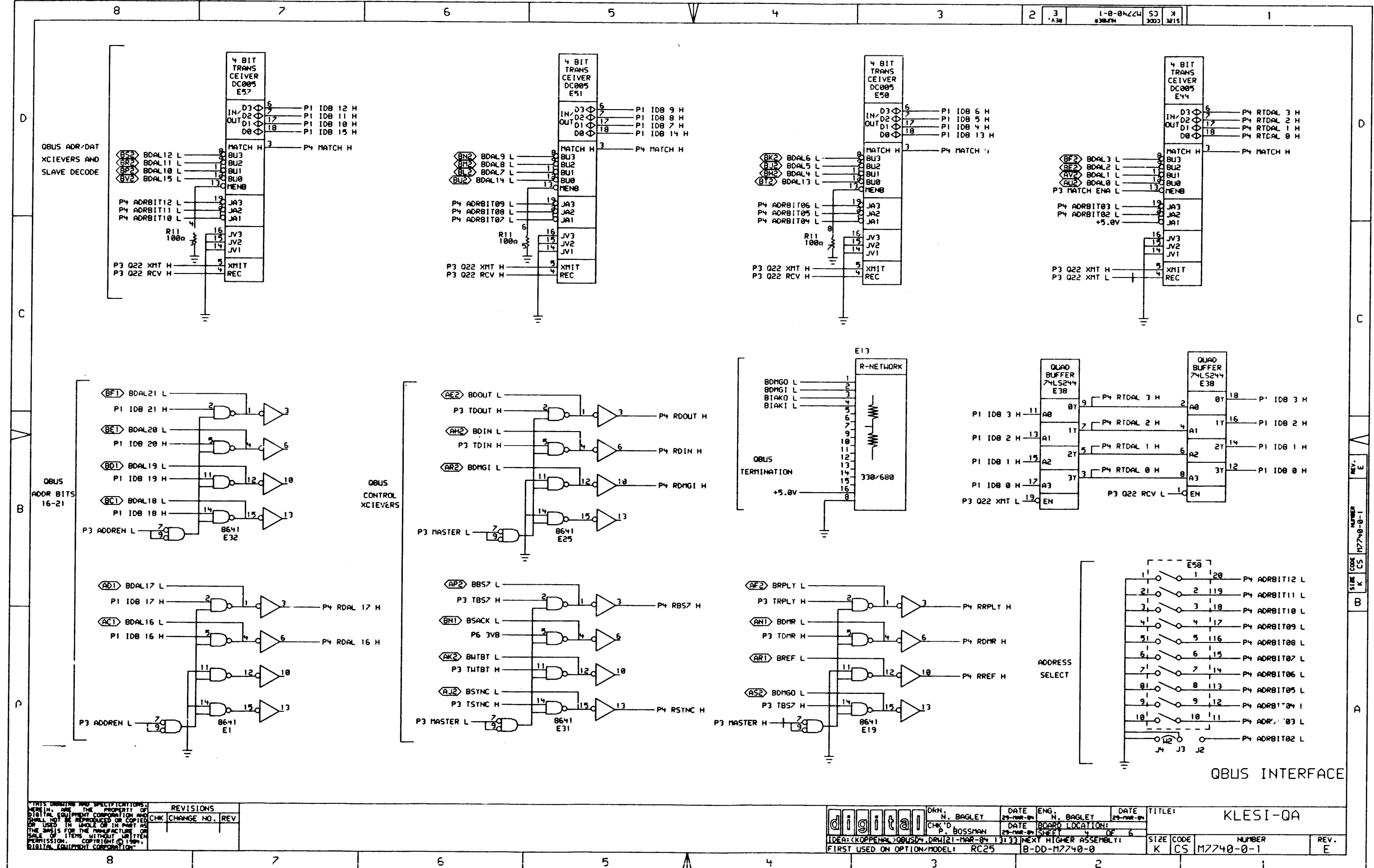
digital	DRN. N. BAGLEY	DATE 29-MAR-84	ENG. N. BAGLEY	DATE 29-MAR-84	TITLE: KLESI-QA
	CHK'D P. BOSSMAN	DATE 29-MAR-84	BOARD LOCATION: SHEET 1 OF 6	SIZE CODE K CS	NUMBER M7740-0-1
IDEAL: KOPPENH, 20BUSD1, DRN121-MAR-84 12:46 NEXT HIGHER ASSEMBLY: B-DD-M7740-0			SIZE CODE K CS	NUMBER M7740-0-1	REV. E



THIS DRAWING AND SPECIFICATIONS ARE THE PROPERTY OF DIGITAL EQUIPMENT CORPORATION AND SHALL NOT BE REPRODUCED OR COPIED OR USED IN WHOLE OR IN PART AS THE BASIS FOR THE MANUFACTURE OR SALE OF ITEMS WITHOUT WRITTEN PERMISSION. COPYRIGHT © 1980, DIGITAL EQUIPMENT CORPORATION.

REVISIONS	
CHK	CHANGE NO. REV

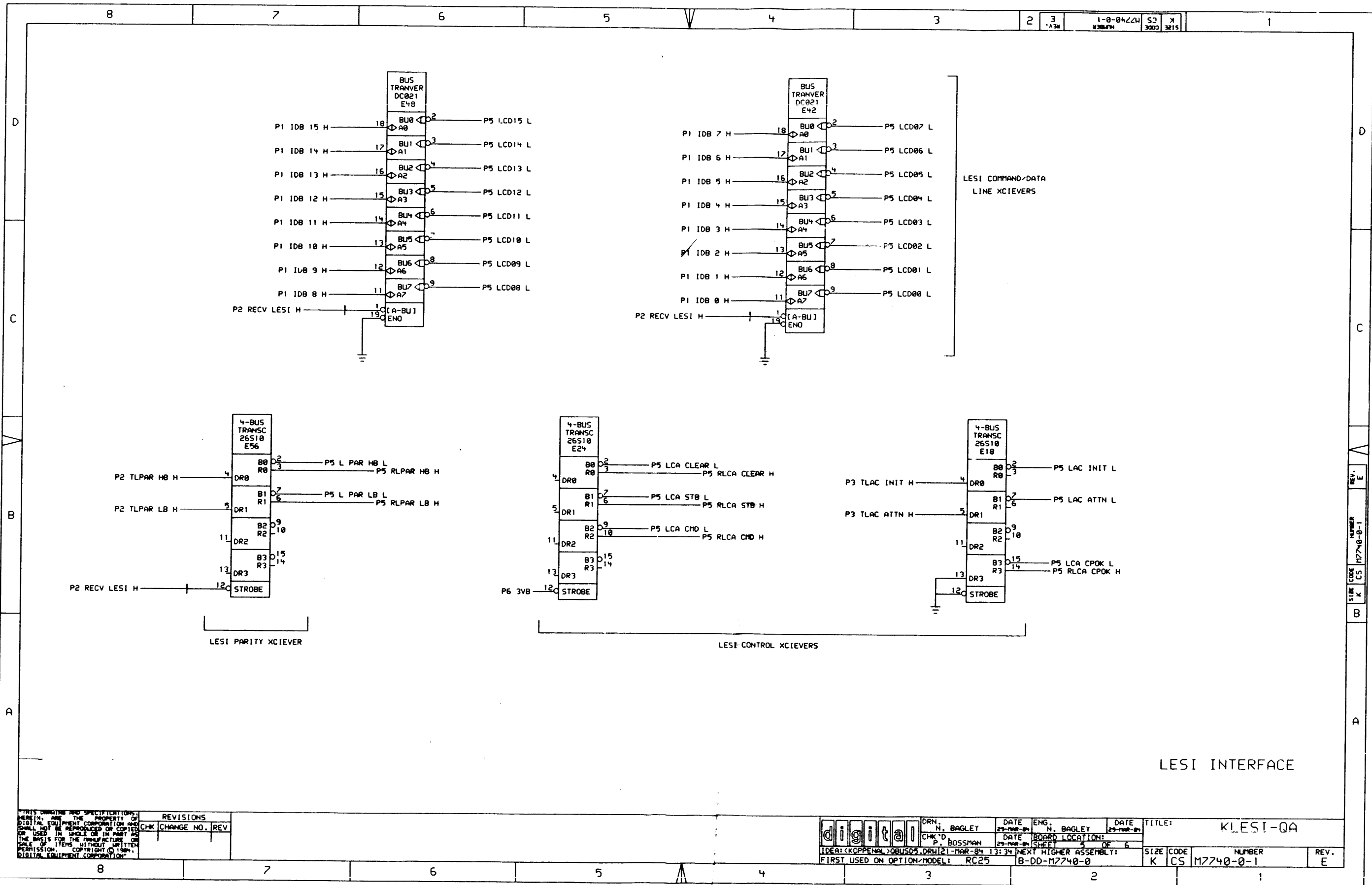
digital	DRN. N. BAGLEY	DATE 29-MAR-80	ENG. N. BAGLEY	DATE 29-MAR-80	TITLE: KLESI-QA
	CHK'D P. BOSSMAN	DATE 29-MAR-80	BOARD LOCATION: 2 OF 6	SHEET 2 OF 6	
FIRST USED ON OPTION/MODEL: RC25 B-DD-M7740-0					SIZE CODE NUMBER REV
K	CS	M7740-0-1		E	



REVISIONS	
CHK	CHANGE NO. REV

digital	DKN. N. BAGLEY	DATE 23-MAR-84	ENG. N. BAGLEY	DATE 23-MAR-84	TITLE: KLESI-QA
	CHK'D P. BOSSMAN	DATE 23-MAR-84	BOARD LOCATION: SHEET 4 OF 6	SIZE CODE K CS	NUMBER M7740-0-1
IDEA: KOPPENHA QBUS4, DRW: 21-MAR-84 13133 NEXT HIGHER ASSEMBLY: B-DD-M7740-0			FIRST USED ON OPTION/MODEL: RC25		

REV. E
 NUMBER M7740-0-1
 SIZE CODE K CS
 BOARD LOCATION: SHEET 4 OF 6



THIS DRAWING AND SPECIFICATIONS ARE THE PROPERTY OF DIGITAL EQUIPMENT CORPORATION AND SHALL NOT BE REPRODUCED OR COPIED FOR USE IN WHOLE OR IN PART AS THE BASIS FOR THE MANUFACTURE OR SALE OF ITEMS WITHOUT WRITTEN PERMISSION. COPYRIGHT © 1984, DIGITAL EQUIPMENT CORPORATION.

REVISIONS		
CHK	CHANGE NO.	REV

digital

DRN. N. BAGLEY
 CHK'D P. BOSSMAN
 DATE 29-MAR-84
 DATE 29-MAR-84
 SHEET 5 OF 6

ENG. N. BAGLEY
 DATE 29-MAR-84
 BOARD LOCATION: B-DD-M7740-0
 TITLE: KLES1-QA

IDEA: (KOPPENH) > BUS05.DRW [21-MAR-84 13:34] NEXT HIGHER ASSEMBLY: RC25
 FIRST USED ON OPTION/MODEL: B-DD-M7740-0

SIZE	CODE	NUMBER	REV.
K	CS	M7740-0-1	E