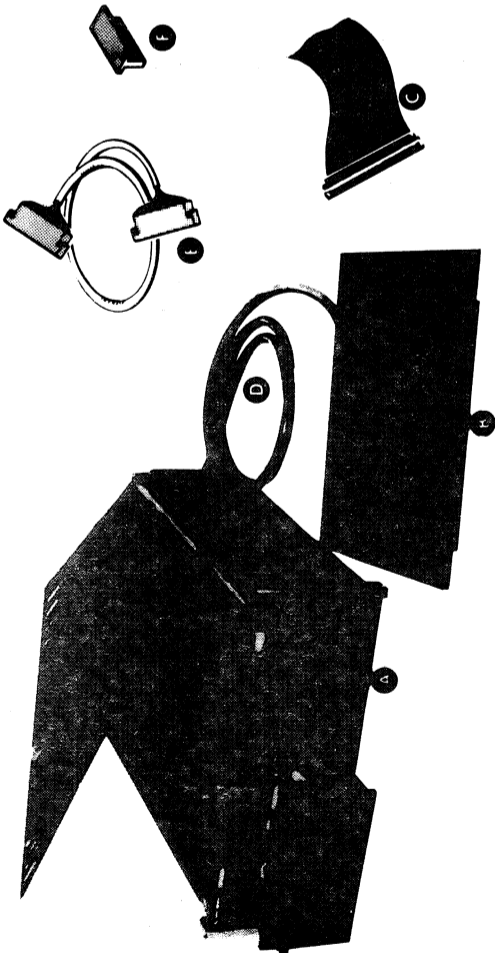


SUBSYSTEM COMPONENT BREAKDOWN



Item	Component	Mounting Location	Notes
A	DISKETTE CHASSIS	CABINET	MAY CONTAIN 2 DRIVE UNITS PER CHASSIS
B	CONTROLLER	COMPUTER CHASSIS	

Item	Cable	Connecting	Max Allowed Lg ft / m	Notes
C	INTERNAL CABLE	CONTROLLER and DEVICE	-	
D	DEVICE CABLE	" FIRST DR UNIT	*	MAY HAVE 2 DRIVE UNITS IN FIRST CHAS
E	INTERDEVICE CABLE	" ADD'L DR UNITS	*	ADD'L DR'S MAY BE SINGLE OR DOUBLE UNITS (MAX OF 4 IN SUBSYSTEM)

Item	Terminator	Location	Notes
F	SIGNAL BUS TERM	LAST DR UNIT IN DAISY-CHAIN	

SPECIFICATIONS OF THE CHASSIS-MOUNTED COMPONENTS

Item	Component	Chassis	COMP.	Slots Required	Max Allowable Data Channel Latency (µ sec)	Type of Data Channel Service Desired	Controller's +5 Volt Current Draw (Amps)
B	CONTROLLER	COMP.	1	128	128	High Speed Standard	4.0

REV	1	2	3	4	5	6	7
ECO	4/2/79	5/23/79	6/25/79	7/23/79	8/23/79	9/23/79	10/23/79
APP							
DATE	5-1-79	5-14-79	5-23-79	6-14-79	6-23-79	7-23-79	8-23-79

THIS DRAWING AND SPECIFICATIONS HEREIN ARE THE PROPERTY OF DATA GENERAL CORPORATION AND SHALL NOT BE REPRODUCED OR COPIED OR USED IN WHOLE OR IN PART AS THE BASIS FOR ANY OTHER DRAWING OR ITEMS WITHOUT WRITTEN PERMISSION.

SPECIFICATIONS OF THE CABINET-MOUNTED COMPONENTS

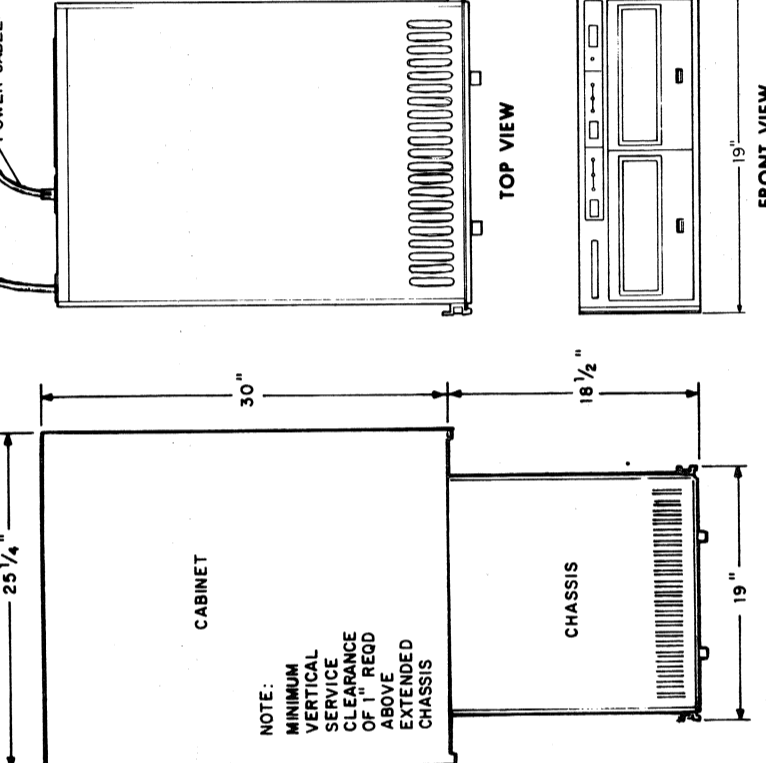
Item	Component	Number in Sub-system	Maximum Operating Temperature		Primary Power	Cabinet Height Required		Weight	Power Dissipation (Max Watts)	Preferred Location Or Remarks	Operating Humidity (Relative)
			°C	°F		in.	cm				
A	SINGLE DR	1	100	38	3.0	4	17.8	24.5	300	6-9	20
	DUAL DR		100	38	4.9	7	30.4	475	80		
	SINGLE DR		100	38	2.6						
	DUAL DR		100	38	3.8						
	SINGLE DR		100	38	1.9						
	DUAL DR		100	38	2.1						

DG-0194

Voltage	Power Cable Length ft	Power Cable Plug	Mating Receptacle on Power Drop	Mating Receptacle in Wall
100V	6	NEMA 5-15P	NEMA 5-15R	NEMA 5-15R
120V	6	NEMA 5-15P	NEMA 5-15R	NEMA 5-15R
220V	6	NEMA 6-15P	NEMA 6-15R	NEMA 6-15R
240V	6	NEMA 6-15P	NEMA 6-15R	NEMA 6-15R

DG-0277

NOTE: THE READ/WRITE HEADS ARE CAREFULLY ALIGNED AT THE FACTORY, AND THE EQUIPMENT IS PACKED IN PROTECTIVE CONTAINERS TO PREVENT DAMAGE DURING SHIPMENT. HOWEVER, ROUGH HANDLING MAY MOVE THE HEADS, SO THAT RE-ALIGNMENT ON-SITE MAY BE REQUIRED. IF THE HEADS DO REQUIRE ALIGNMENT, REFER TO THE PROCEDURE INCLUDED IN THE DOCUMENTATION SUPPLIED WITH THE EQUIPMENT.



DG-02069

DG-02068

DATA GENERAL CORPORATION
SOUTHBORO, MASSACHUSETTS 01772

DISKETTE DRIVE SERIES
6030, 6031

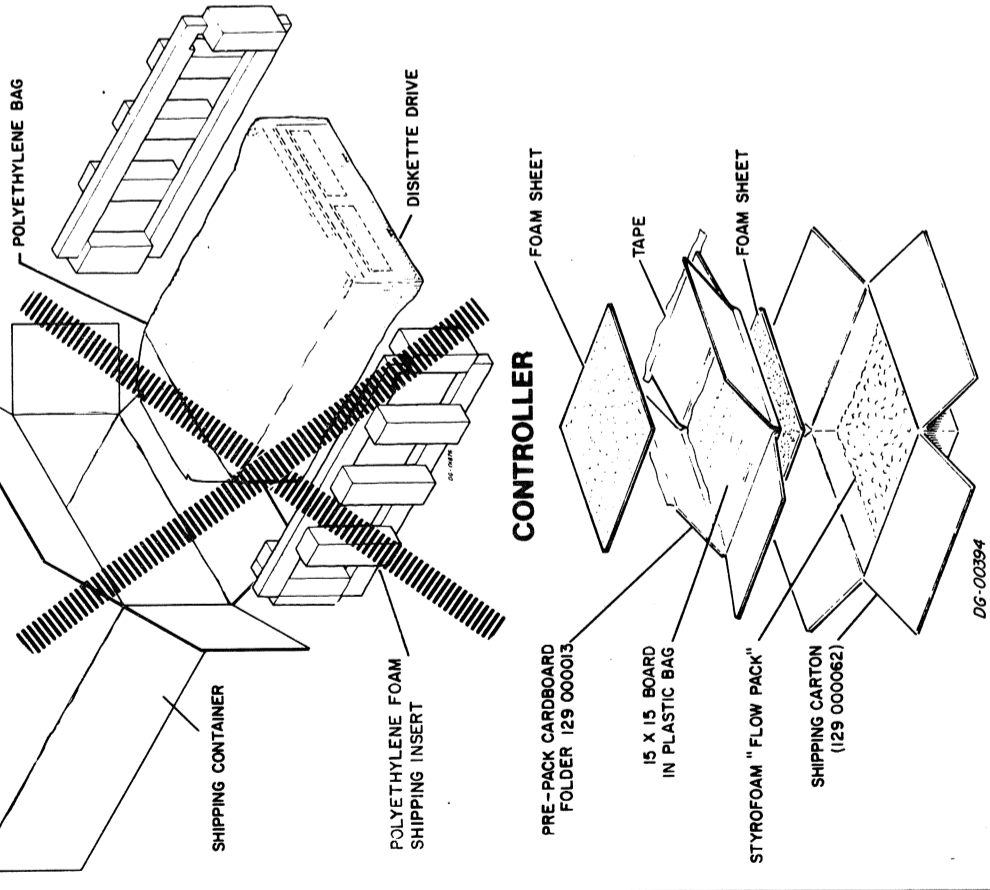
APPROVED
FIRST USED ON
CODE IDENT 34984
ENGINEER D. BLONDIN 9/14/78

SIZE C 010
DRAWING NUMBER 000064
REV. 07

PACKING KIT

6030 CHASSIS

OBSOLETE
 Replaced By Foam In Place Procedure
 SEE 037-000029



Shipping Specifications		
Temperature Range °F	Relative Humidity (Non-condensing)	Maximum Altitude
-30 to +150	5-95%	15,000

Storage Specifications		
Temperature Range °F	Relative Humidity (Non-condensing)	Maximum Period
-30 to +150	5-95%	90 days

THIS DRAWING AND SPECIFICATIONS, HEREIN, ARE THE PROPERTY OF DATA GENERAL CORPORATION AND SHALL NOT BE REPRODUCED OR COPIED OR IN ANY MANNER IN ANY MANNER WITHOUT WRITTEN PERMISSION OF DATA GENERAL CORPORATION.

REV	DI	DATE
ECO	4/5/70	
APP		

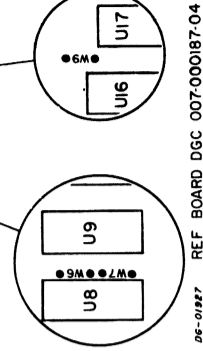
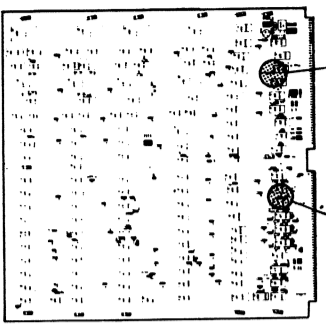
INTERNAL CABLING

Signal Names	Destination Pins On Computer Back Panel			Socket Connector Pin Numbers
	NOVA 2	NOVA 820, 1210 & 1220	NOVA & SUPERNOVA 800 & 1200 Computers	
GND	A-48	A99	A100	50
TA8	1	A91	A78	16
ATTEN2	3	A77	A76	30
RESTORE	4	A76	A75	11
ATTEN3	5	A75	A73	12
LFT SEL	6	A73	A71	6
TA32	7	A63	A61	4
TA128	8	A59	A57	2
TA16	9	A57	A49	27
RD CLK	13	A49	A47	13
RD DATA	14	A47	A41	14
DISKETTE	15	A41	A39	5
SECT PULSE	16	A39	A37	33
SK ERROR	18	A37	A35	31
D0	19	A35	A33	37
TA2	20	A33	A31	17
HD1	21	A31	A29	39
TAS	22	A29	A27	40
RD/WR DISKETTE	23	A27	A25	46
TA4	24	A25	A23	47
TA1	26	A23	A21	18
D1	27	A21	A19	41
RD GATE	31	A19	A17	38
TA256	32	A17	A15	42
WR GATE	33	A15	A13	43
FINISH	34	A13	A11	20
WD CLK	35	A11	A9	45
TA64	36	A9	A7	44
DUR	37	A7	A5	15
SA1	38	A5	A3	34
CPU REQ	40	A3	A1	19
ATTEN0	41	A1	A0	35
ATTEN1	42	A0	A-1	36
SA2	43	A-1	A-2	49
WR CHECK	44	A-2	A-3	22
CPU SELECT	46	A-3	A-4	29
SA8	47	A-4	A-5	28
SA4	48	A-5	A-6	3
HD2 (not used)	49	A-6	A-7	21
"	50	A-7	A-8	

Computer	Internal Cable Part Number
NOVA 2, 3	005-1802
ECLIPSE Line Computers	005-1802
NOVA 820, 1210 and 1220 Computers	005-469
NOVA 840, 1200 and 800 Jumbo Computers	005-469
NOVA 800 and 1200 Computers	005-469
NOVA, SUPERNOVA Computers	005-469
NOVA 830 Computer	005-469

D6-01922

JUMPERS



REF BOARD DGC 007-000187-04

Jumper Position	Device Code	Device Code
W6	Jumper inserted	Jumper removed
W7	Jumper removed	Jumper inserted
W8	Jumper removed	Jumper inserted

DATA GENERAL CORPORATION
 SOUTH-BORO, MASSACHUSETTS 01772

DISKETTE DRIVE SERIES
 6030, 6031

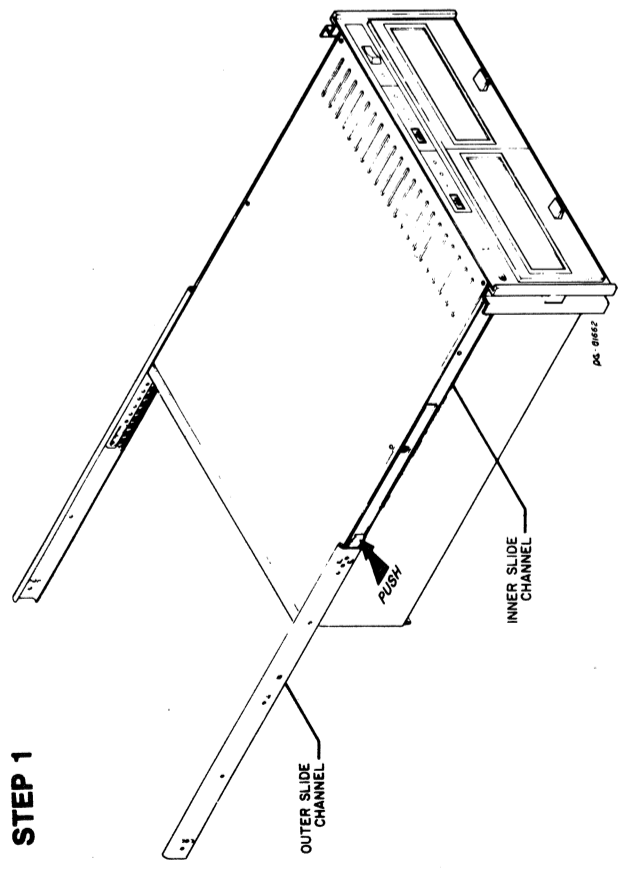
DISKETTE DRIVE SERIES
 6030, 6031

REV ECO 4/5/70
 APP DATE

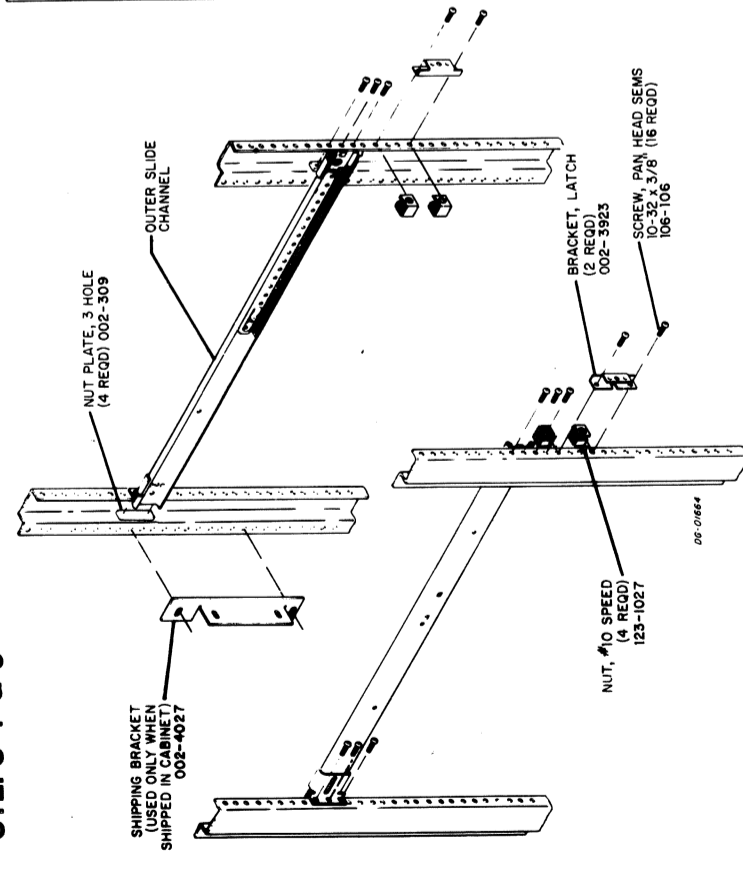
013-000840
 BRUNING 40-526 27928

SLIDE RAILS

STEP 1

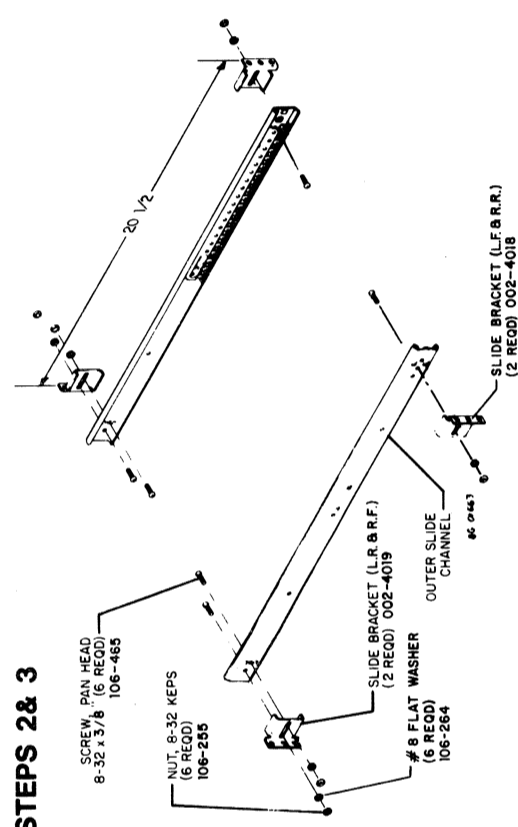


STEPS 4 & 5



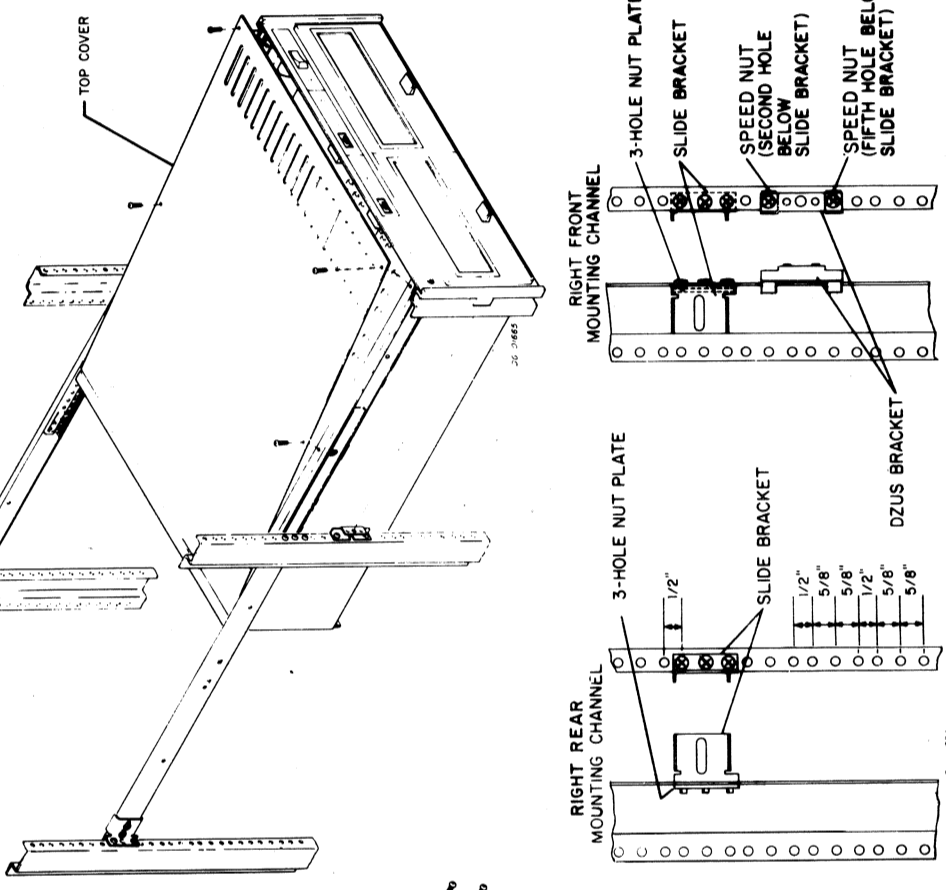
Torque Requirements	
Screw no.	in./lb
8-32	12-14
10-32	23-25

MOUNTING KIT 005 005762



STEPS 2 & 3

STEPS 6 & 7



VIEW FROM INSIDE THE CABINET

APPROVED	3/15/76
FIRST USED ON	3/15/76
ENGINEER	JPB
CODE IDENT	34984

- REMOVE THE OUTER SLIDE CHANNELS FROM BOTH SIDES OF THE CHASSIS BY PULLING EACH SLIDE CHANNEL BACK UNTIL THE DETENT ENGAGES. PRESSING THE DETENT INDICATED BY ARROW TO RELEASE IT, AND PULLING THE SLIDE CHANNELS OFF THE CHASSIS. LEAVE THE INNER SLIDE CHANNELS FASTENED TO THE CHASSIS.
- ATTACH A SLIDE BRACKET TO THE REAR OF EACH OUTER SLIDE CHANNEL. (THE FRONT OF THE SLIDE CHANNEL IS IDENTIFIED BY THE NYLON OR METAL INSERTS.) NOTE THAT THE BRACKETS ARE NOT SYMMETRICAL, AND MUST BE POSITIONED AS SHOWN WITH THE ELONGATED SIDE EXTENDED DOWNWARD FROM BOTH SLIDE CHANNELS. SECURE EACH BRACKET WITH TWO 8-32 KEPS AND AN 8-32 X 3/8" PAN HEAD SCREW. USE THE MIDDLE OF THE 3 HOLES IN THE FRONT SLIDE CHANNEL. BEFORE TIGHTENING THE SCREW, ADJUST THE BRACKET'S POSITION TO ALIGN THE OUTSIDE FACES OF THE BRACKETS. TIGHTEN THE SCREWS SECURELY, AND TIGHTEN IT IN THIS POSITION.
- ATTACH A SLIDE BRACKET TO THE FRONT OF EACH SLIDE CHANNEL. NOTE THAT THE BRACKETS ARE NOT SYMMETRICAL, AND MUST BE POSITIONED AS SHOWN ON BOTH SLIDE CHANNELS. SECURE EACH BRACKET WITH AN 8-32 X 3/8" PAN HEAD SCREW, A # 8 FLAT WASHER AND AN 8-32 KEPS NUT WITH THE NUT AND WASHER ON THE OUTSIDE OF THE SLIDE CHANNEL. USE THE MIDDLE OF THE 3 HOLES IN THE FRONT SLIDE CHANNEL. BEFORE TIGHTENING THE SCREW, ADJUST THE BRACKET'S POSITION TO ALIGN THE OUTSIDE FACES OF THE BRACKETS. TIGHTEN THE SCREWS SECURELY, AND TIGHTEN IT IN THIS POSITION.
- FASTEN THE OUTER SLIDE CHANNELS TO THE MOUNTING CHANNELS AT THE REAR AND FRONT OF THE CHASSIS. THE UPPER END OF THE SLIDE BRACKET SHOULD ALIGN WITH THE LOWER OF A PAIR OF MOUNTING CHANNEL HOLES SPACED ON 1/2" CENTERS. THE TOP OF THE FRONT PANEL WILL THEN LIE BETWEEN THE TWO 1/2" SPACED HOLES.
- NOTE: THE ORDER OF ASSEMBLY OF THE SLIDE BRACKET AND NUT PLATE ONTO THE MOUNTING CHANNEL IS DIFFERENT AT EACH END OF A SLIDE CHANNEL. THE PROPER ORDER OF ASSEMBLY OF THE SLIDE BRACKET AND NUT PLATE TO THE MOUNTING CHANNELS IS ESSENTIAL FOR FRONT PANEL CLEARANCE. REFER TO THE ILLUSTRATION FOR THE PROPER SEQUENCE.
- SECURE EACH BRACKET TO A MOUNTING CHANNEL WITH A 3-HOLE NUT PLATE AND THREE 10-32 X 3/8" SEMS SCREWS. TIGHTEN ALL SCREWS SECURELY.
- SLIDE TWO #10 SPEED NUTS ONTO EACH FRONT MOUNTING CHANNEL. POSITION ONE AT THE SECOND HOLE AND ONE AT THE FIFTH HOLE BELOW THE BOTTOM SCREW OF THE SLIDE BRACKET. ATTACH A DZUS BRACKET TO EACH MOUNTING CHANNEL, USING TWO #10 SPEED NUTS AND TWO 10-32 X 3/8" PAN HEAD SEMS SCREWS FOR EACH BRACKET. THE OPEN SIDE OF THE BRACKET SHOULD FACE OUTWARD. TIGHTEN THE SCREW SECURELY.
- SLIDE THE DISKETTE UNIT INTO THE CABINET BY ALIGNING THE CHASSIS SLIDES AND PUSHING THE UNIT INTO THE CABINET UNTIL THE DETENTS STOP IT. RELEASE THE DETENTS IF IT BINDS OR DOESN'T FIT PROPERLY. THE SLIDE CHANNELS ARE NOT ALIGNED CORRECTLY. THE UNIT FROM THE CABINET BEFORE ADJUSTING THE SLIDE CHANNELS. THE DZUS BRACKETS MAY ALSO NEED TO BE ADJUSTED IN A SIMILAR FASHION.
- ONCE THE UNIT MOVES BACK AND FORTH FREELY PULL IT OUT UNTIL THE DETENTS STOP IT. REMOVE THE TOP COVER FROM THE CABINET BY PULLING IT FORWARD AND UPWARD. OF THE COVER AND SLIDING IT FORWARD AND UPWARD.
- REMOVE THE DEVICE CABLE COVER PLATE ON THE REAR OF THE UNIT AND INSERT THE DEVICE CABLE(S) INTO THE CHASSIS THROUGH THE OPENING. PLUG THE EDGE CONNECTOR INTO THE 100 PIN ETCH (P1 OR P2) ON THE LARGE PCB. THE CONNECTOR MUST BE ORIENTED AS SHOWN IN THE DRAWING.
- RELEASE THE DETENTS ON BOTH SIDES OF THE UNIT AND SLIDE IT BACK INTO ITS CABINET.
- WORK FROM THE REAR OF THE CABINET, AND INSTALL A CABLE TIE MOUNT ON THE REAR OF THE CHASSIS IN THE POSITION SHOWN. ONE CABLE TIE MOUNT IS REQUIRED FOR EACH DEVICE CABLE EXTENDING FROM THE CHASSIS. USE ONE 6-32 X 1/2 PAN HEAD SEMS SCREW FOR EACH MOUNT.
- THE EACH DEVICE CABLE TO ITS MOUNT, SO THAT THE CABLE DOES NOT STRAIN ITS CONNECTION INSIDE THE CHASSIS.
- INSTALL THE OFFSET CABLE COVER PLATE, AND SECURE IT WITH THE TWO SEMS SCREWS (6-32 X 5/16").
- SLIDE THE DISKETTE UNIT FORWARD UNTIL THE DETENTS STOP IT, AND CHECK THAT THE DEVICE CABLES ARE FREE TO FLEX DURING THIS OPERATION.
- WORK FROM THE FRONT OF THE CABINET, AND RECHECK THAT THE DEVICE CABLES (OR CABLE AND TERMINATOR BOARD) ARE SECURE.
- REPLACE THE TOP COVER. ENSURE THAT THE OFFSET REAR EDGE OF THE COVER ENGAGES THE FLANGE ON THE REAR OF THE CHASSIS. SECURE THE COVER WITH THE FOUR SEMS SCREWS (6-32 X 5/16").

DATA GENERAL CORPORATION
SOUTH-BORO, MASSACHUSETTS 01772

DISKETTE DRIVE SERIES
6030, 6031

REV 01
ECO 1/8/76
APP
DATE

THIS DRAWING AND SPECIFICATIONS HEREIN ARE THE PROPERTY OF DATA GENERAL CORPORATION AND SHALL NOT BE REPRODUCED OR COPIED OR USED IN WHOLE OR IN PART AS THE BASIS FOR MANUFACTURE OR SALE OF ITEMS WITHOUT WRITTEN PERMISSION

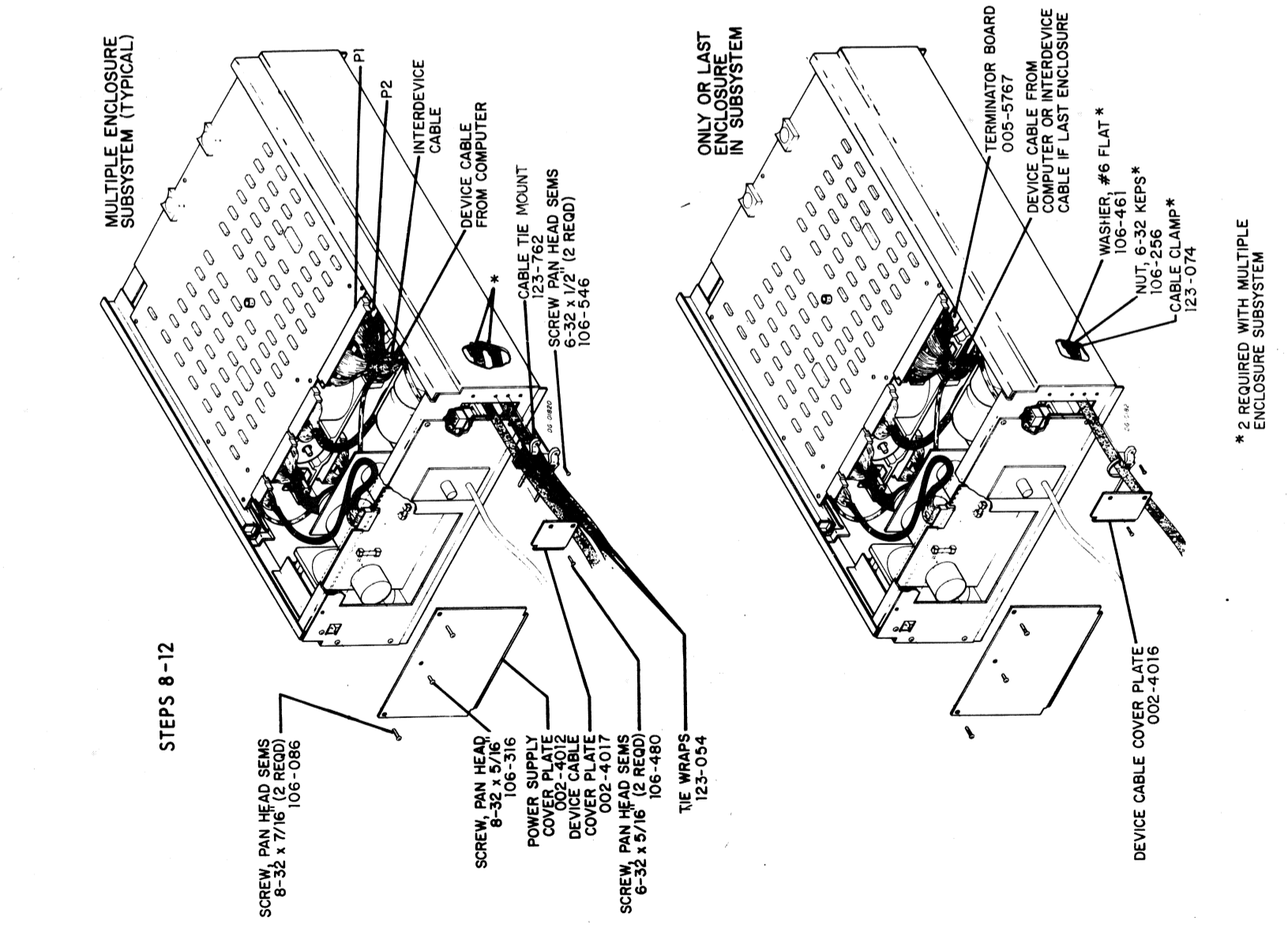
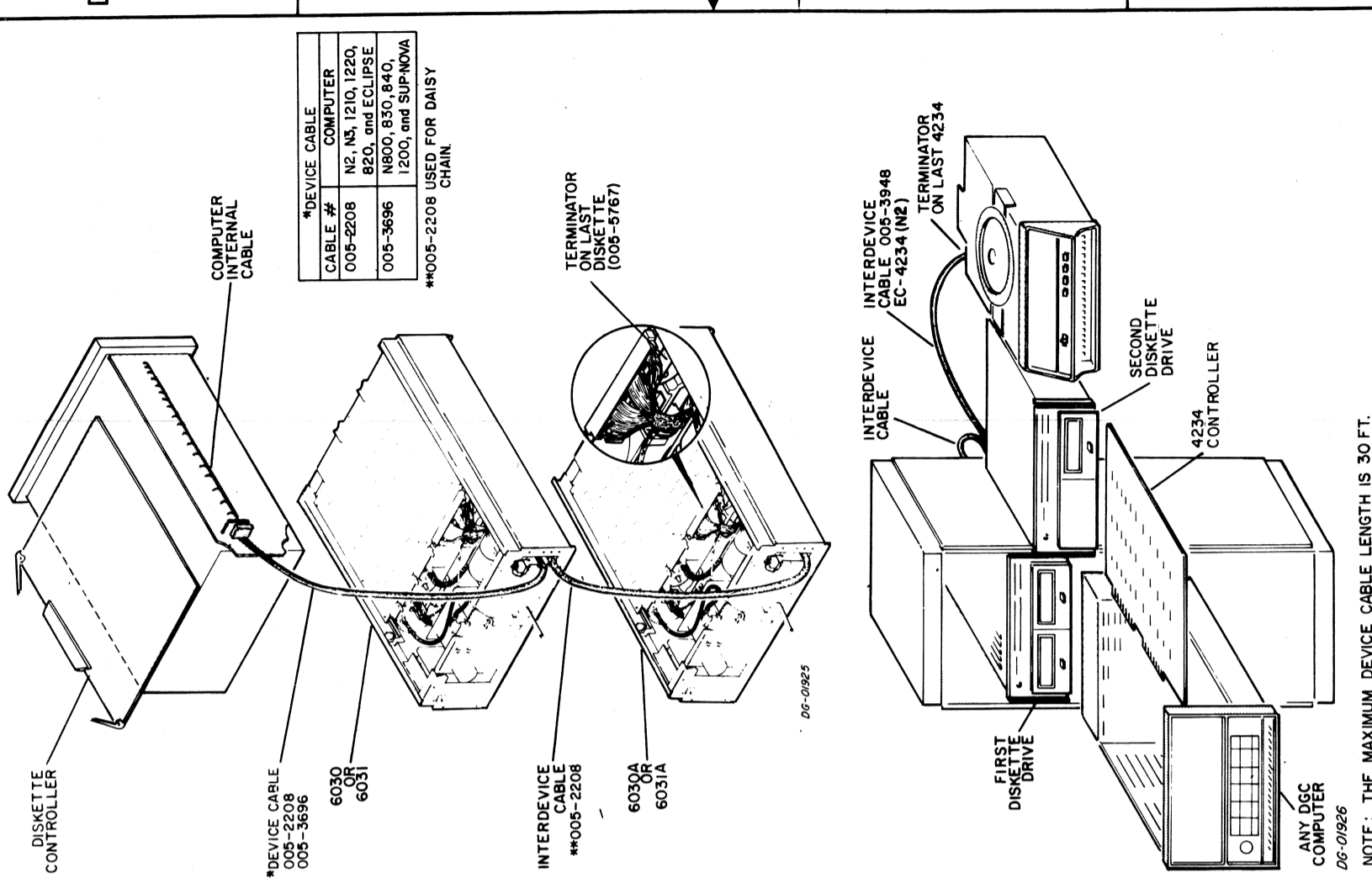
REV 01
ECO 1/8/76
APP
DATE

SIZE CODE
C 100

DRAWING NUMBER
000064

REV 07

EXTERNAL CABLING



*DEVICE CABLE	COMPUTER
CABLE #	N2, N5, 1210, 1220, 820, and ECLIPSE
005-2208	
005-3696	N800, 830, 840, 1200, and SUP-NOVA

**005-2208 USED FOR DAISY CHAIN

NOTE: THE MAXIMUM DEVICE CABLE LENGTH IS 30 FT.

06-01925

06-01926

013-000640
BRUNNING 40-526 27928

REV	D.I.	DATE
ECO	15/40	
APP		
DATE		

* 2 REQUIRED WITH MULTIPLE ENCLOSURE SUBSYSTEM

TITLE
DISKETTE DRIVE SERIES
6030, 6031

DATA GENERAL CORPORATION
SOUTHBORO, MASSACHUSETTS 01772

SIZE CODE
C 010

DRAWING NUMBER
000064

REV
07

013-000640

013-000640

013-000640

013-000640