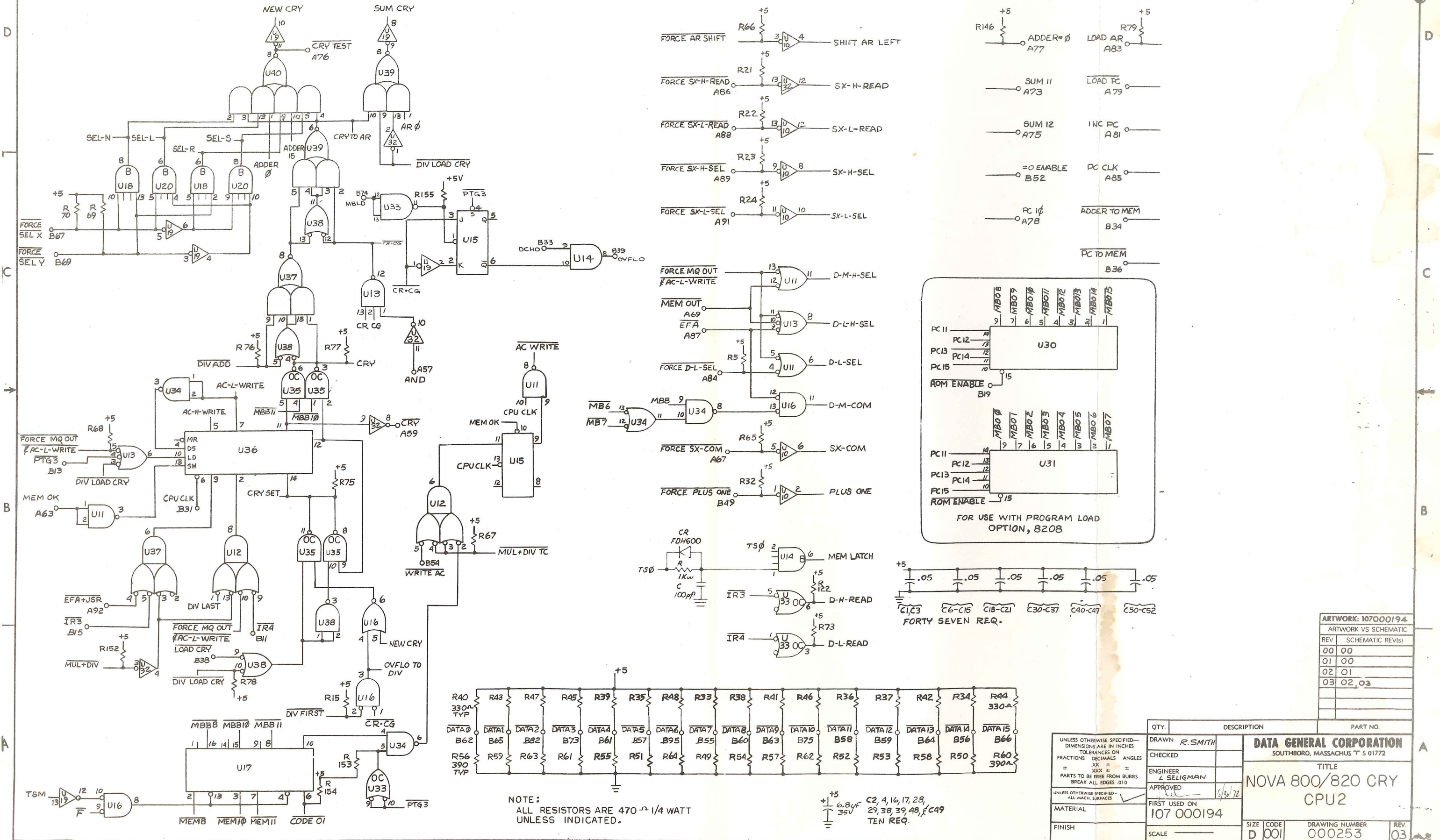


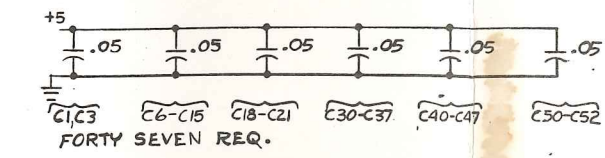
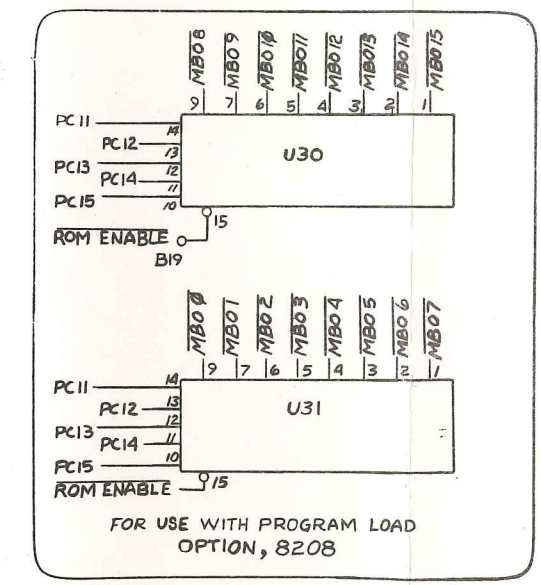
THIS DRAWING AND SPECIFICATIONS, HEREIN, ARE THE PROPERTY OF DATA GENERAL CORPORATION AND SHALL NOT BE REPRODUCED OR COPIED OR USED IN WHOLE OR IN PART AS THE BASIS FOR MANUFACTURE OR SALE OF ITEMS WITHOUT WRITTEN PERMISSION.

REVISIONS				
REV.	DESCRIPTION	DRFTG	APP BY	DATE
01	ECO # 2603	R.W.C		5-24-75
02	ECO # 3596	WLS	J.L.W	5-26-75
03	ECO # 6086	WLS	D.L.W	5-13-77



NOTE:
ALL RESISTORS ARE 470 Ω 1/4 WATT
UNLESS INDICATED.

+5V
6.8 μ F 35V
C2, 4, 16, 17, 28,
29, 38, 39, 48, C49
TEN REQ.



R40	R43	R47	R45	R39	R35	R48	R33	R38	R41	R46	R36	R37	R42	R34	R44
330 Ω															330 Ω
DATA0	DATA1	DATA2	DATA3	DATA4	DATA5	DATA6	DATA7	DATA8	DATA9	DATA10	DATA11	DATA12	DATA13	DATA14	DATA15
B62	B65	B62	B73	B61	B57	B95	B55	B60	B63	B75	B58	B59	B64	B56	B66
R56	R59	R63	R61	R55	R51	R64	R49	R54	R57	R62	R52	R53	R58	R50	R60
390															390 Ω
TYP															TYP

UNLESS OTHERWISE SPECIFIED— DIMENSIONS ARE IN INCHES TOLERANCES ON FRACTIONS DECIMALS ANGLES = .XX ± = PARTS TO BE FREE FROM BURRS BREAK ALL EDGES .010		QTY.	DESCRIPTION	PART NO.
DRAWN R. SMITH				
CHECKED				
ENGINEER L. SELIGMAN				
APPROVED				
FIRST USED ON 107 000194				
MATERIAL				
FINISH				
SCALE				
DRAWING NUMBER 000253				
REV. 03				

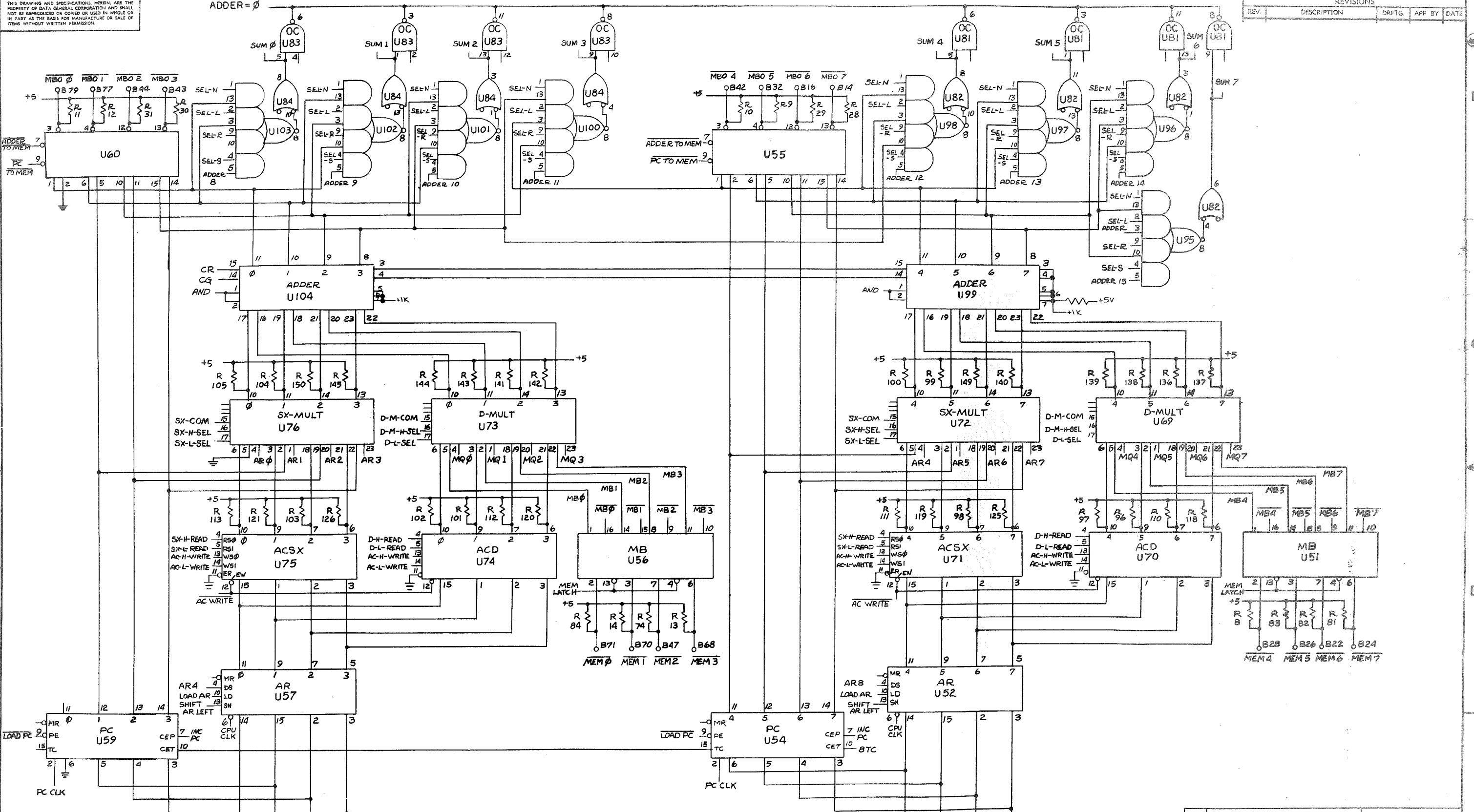
ARTWORK: 107000194	
ARTWORK VS SCHEMATIC	
REV.	SCHEMATIC REV(S)
00	00
01	00
02	01
03	02, 03

DATA GENERAL CORPORATION
SOUTHBORO, MASSACHUSETTS 01772

TITLE
NOVA 800/820 CRY CPU2

THIS DRAWING AND SPECIFICATIONS, HEREIN, ARE THE PROPERTY OF DATA GENERAL CORPORATION AND SHALL NOT BE REPRODUCED OR COPIED OR USED IN WHOLE OR IN PART AS THE BASIS FOR MANUFACTURE OR SALE OF ITEMS WITHOUT WRITTEN PERMISSION.

REVISIONS				
REV.	DESCRIPTION	DRAFTG	APP BY	DATE



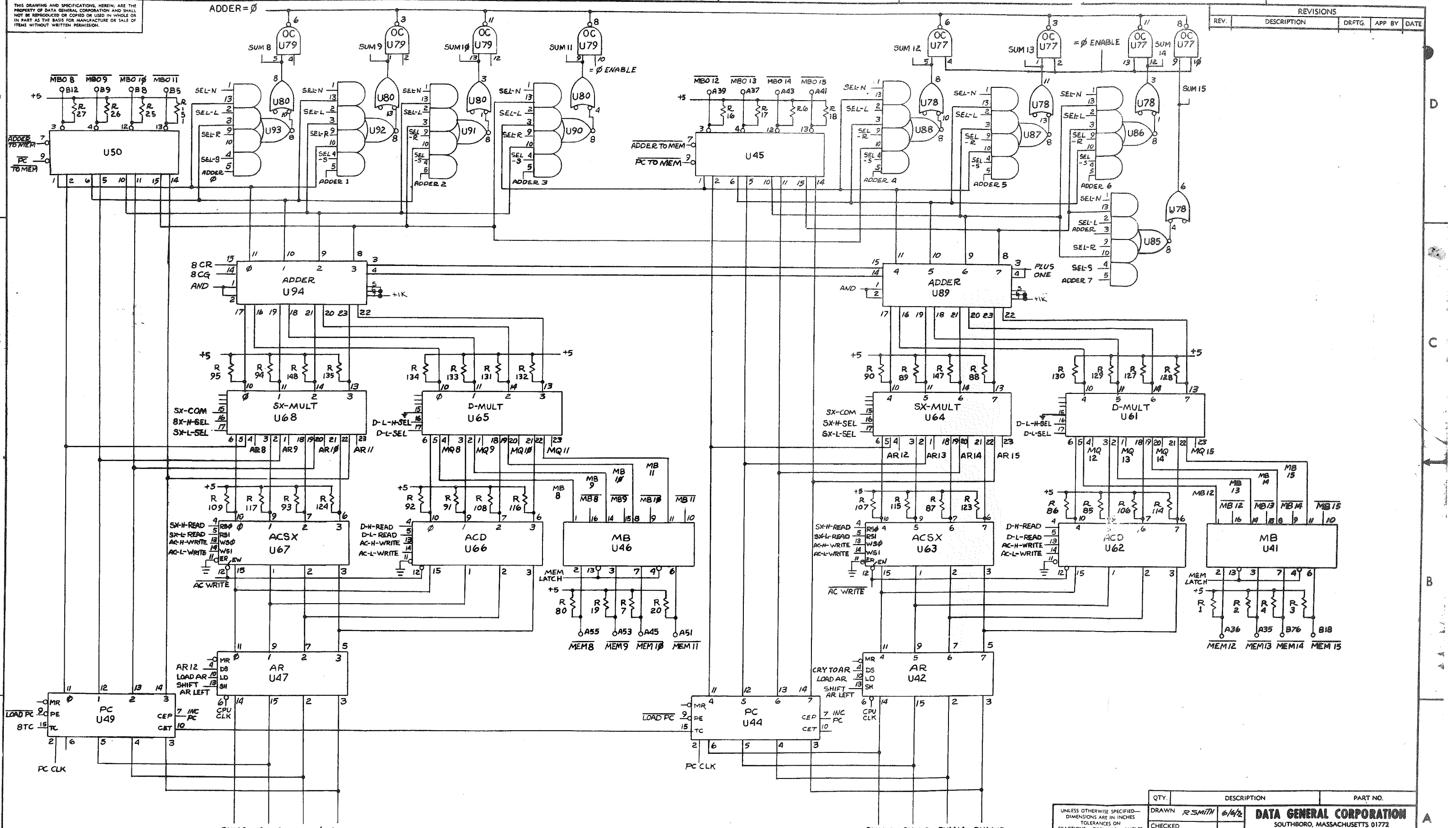
NOTE
ALL RESISTORS ARE
470Ω 1/4 WATT UNLESS
INDICATED.

QTY.	DESCRIPTION	PART NO.

DRAWN	R SMITH	6/6/72	DATA GENERAL CORPORATION SOUTHBORO, MASSACHUSETTS 01772 TITLE NOVA 800/820 ALU BITS 0-7
CHECKED			
ENGINEER			
APPROVED			
FIRST USED ON	107-000194		SIZE CODE D 001
SCALE			DRAWING NUMBER 000253
			REV 03

THIS DRAWING AND SPECIFICATIONS, HEREIN, ARE THE PROPERTY OF DATA GENERAL CORPORATION AND SHALL NOT BE REPRODUCED OR COPIED OR USED IN WHOLE OR IN PART AS THE BASIS FOR MANUFACTURE OR SALE OF ITEMS WITHOUT WRITTEN PERMISSION.

REVISIONS			
REV.	DESCRIPTION	DRFTG.	APP BY DATE



NOTE:
ALL RESISTORS ARE
470Ω, 1/4 WATT UNLESS
INDICATED.

QTY.	DESCRIPTION	PART NO.

UNLESS OTHERWISE SPECIFIED— DIMENSIONS ARE IN INCHES TOLERANCES ON FRACTIONS DECIMALS ANGLES ± .010 ± .005 ± .002 PARTS TO BE FREE FROM BURRS BREAK ALL EDGES .010	DRAWN R SMITH 6/4/72 CHECKED ENGINEER APPROVED FIRST USED ON 107-000194	DATA GENERAL CORPORATION SOUTHBORO, MASSACHUSETTS 01772 TITLE NOVA 800/820 ALU BITS 8-15
UNLESS OTHERWISE SPECIFIED— ALL MACH. SURFACES	MATERIAL	FINISH

SIZE	CODE	DRAWING NUMBER	REV.
D	001	000253	03