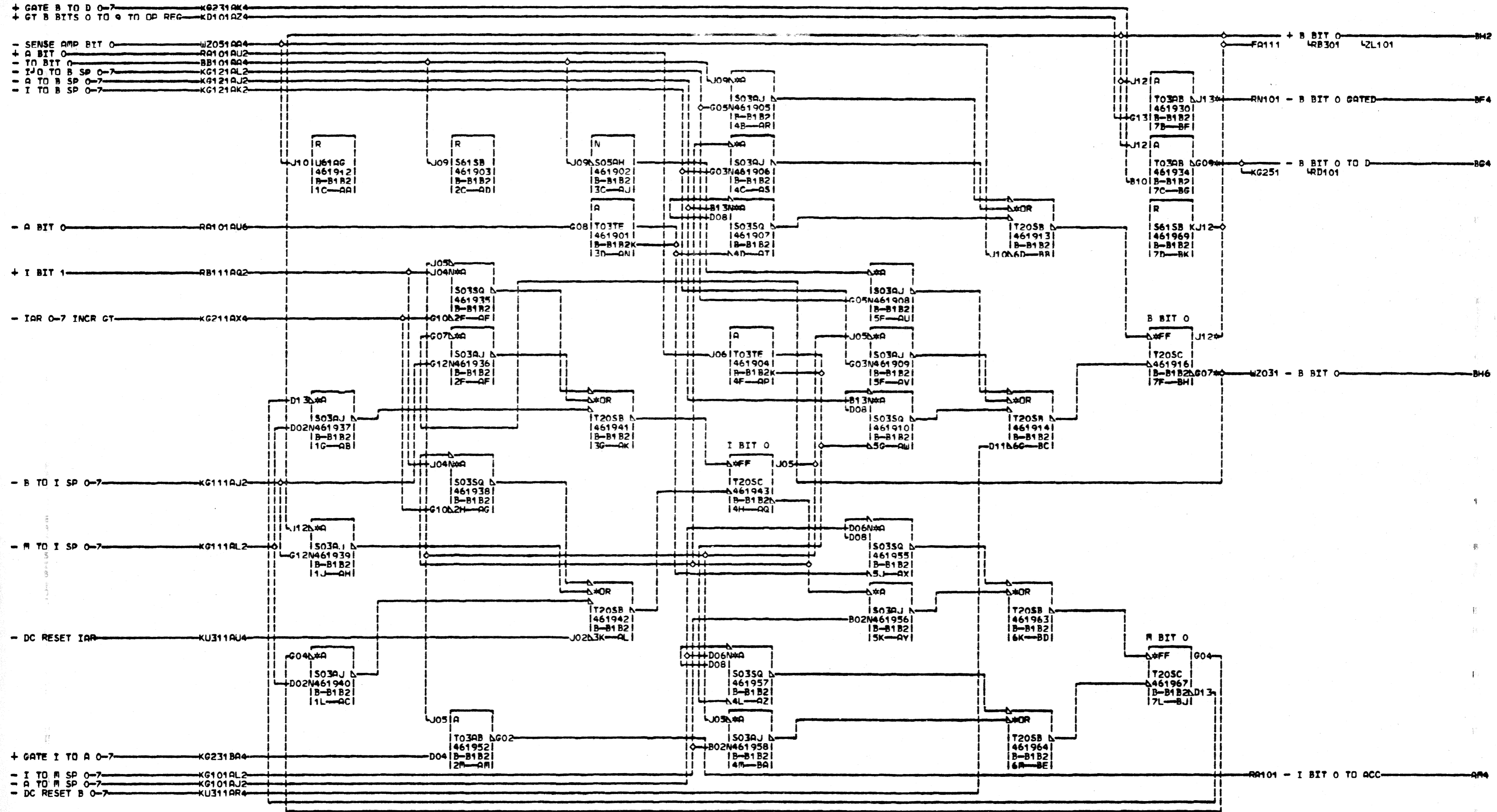


PAGE NO. SH TITLE PART NO EC NO. FEATURE B/M OR B/MS

** LOGIC TYPE SYSTEM DIAGRAMS 0

RB101	I B AND M REGISTERS BIT 0	2231160	419644	.W.	2197250
RB111	I B AND M REGISTERS BIT 1	2231161	419644	.W.	2197250
RB121	I B AND M REGISTERS BIT 2	2231162	419644	.W.	2197250
RB131	I B AND M REGISTERS BIT 3	2231163	419644	.W.	2197250
RB141	I B AND M REGISTERS BIT 4	2231164	419644	.W.	2197250
RB151	I B AND M REGISTERS BIT 5	2231165	419644	.W.	2197250
RB161	I B AND M REGISTERS BIT 6	2231166	419644	.W.	2197250
RB171	I B AND M REGISTERS BIT 7	2231167	419644	.W.	2197250
RB201	I B AND M REGISTERS BIT 8	2231168	419644	.W.	2197250
RB211	I B AND M REGISTERS BIT 9	2231169	419644	.W.	2197250
RB221	I B AND M REGISTERS BIT 10	2231170	419644	.W.	2197250
RB231	I B AND M REGISTERS BIT 11	2231171	419644	.W.	2197250
RB241	I B AND M REGISTERS BIT 12	2231172	419644	.W.	2197250
RB251	I B AND M REGISTERS BIT 13	2231173	419644	.W.	2197250
RB261	I B AND M REGISTERS BIT 14	2231174	419644	.W.	2197250
RB271	I B AND M REGISTERS BIT 15	2231175	419644	.W.	2197250
RB301	B REG POWER BITS 0-7	2231176	419689	.W.	2197250
RB311	B REG POWERING BITS 8-15	2231177	419689	.W.	2197250
RB321	B REGISTER TERMINATORS	2231178	419689	.W.	2197250
RD101	D REGISTER BITS 0 AND 1	2231384	419644	.W.	2197250
RD111	D REGISTER BITS 2 AND 3	2231385	419644	.W.	2197250
RD121	D REGISTER BITS 4 AND 5	2231386	419644	.W.	2197250
RD131	D REGISTER BITS 6 AND 7	2231387	419644	.W.	2197250
RD141	D REGISTER BITS 8 AND 9	2231388	419644	.W.	2197250
RD151	D REGISTER BITS 10 AND 11	2231389	419644	.W.	2197250
RD161	D REGISTER BITS 12 AND 13	2231390	419644	.W.	2197250
RD171	D REGISTER BITS 14 AND 15	2231391	419644	.W.	2197250
RN101	OP-FORMAT-TAG REGISTER	2231392	419689	.W.	2197250
RN111	MOD 8 MOD 9 WAIT	2231188	419631	.W.	2197250
RQ101	Q REGISTER BITS 0 AND 1	2231393	419644	.W.	2197250
RQ111	Q REGISTER BITS 2 AND 3	2231394	419644	.W.	2197250
RQ121	Q REGISTER BITS 4 AND 5	2231395	419644	.W.	2197250
RQ131	Q REGISTER BITS 6 AND 7	2231396	419644	.W.	2197250
RQ141	Q REGISTER BITS 8 AND 9	2231397	419644	.W.	2197250
RQ151	Q REGISTER BITS 10 AND 11	2231398	419644	.W.	2197250
RQ161	Q REGISTER BITS 12 AND 13	2231399	419644	.W.	2197250
RQ171	Q REGISTER BITS 14 AND 15	2231400	419644	.W.	2197250
RS101	CYCLE CONTROL COUNTER 1-2	2231401	419644	.W.	2197250
RS111	CYCLE CONTROL COUNTER 4-8	2231402	419644	.W.	2197250
RS121	CYCLE CONTROL COUNTER 16-32	2231403	419644	.W.	2197250
WA201	FILE - PROCESSOR INTERFACE	2231988	419664	.W.	2197250
WF391	SJ-4 STORAGE INTERFACE	2231404	419664	.W.	2197250
WZ011	SJ-4 STORAGE INTERFACE	2231405	419664	.W.	2197250
WZ021	SJ-4 STORAGE INTERFACE	2231202	419664	.W.	2197250
WZ031	SJ-4 STORAGE INTERFACE	2231406	419664	.W.	2197250
WZ041	SJ-4 STORAGE INTERFACE	2231407	419664	.W.	2197250
WZ051	SJ-4 STORAGE INTERFACE	2231408	419664	.W.	2197250
WZ061	SJ-4 STORAGE INTERFACE	2231206	419664	.W.	2197250
XC101	CONSOLE DSM DATA BITS 0 2 4 6	2231409	419631	.W.	2197250
XC111	CONSOLE DATA BITS 8 10 12 14	2231410	419631	.W.	2197250
XC121	CONSOLE DSM DATA BITS 1 3 5 7	2231411	419631	.W.	2197250
XC131	CONSOLE DATA BITS 9 11 13 15	2231412	419631	.W.	2197250
XC141	PROG LOAD RESET COND	2231211	419664	.W.	2197250
XF011	FILE ACCESS	2231990	419664	.W.	2197250
XF021	FILE SHIFT SP COUNTER	2231991	419664	.W.	2197250
XF101	B REGISTER INVERTERS	2231413	419631	.W.	2197250
XF111	FILE R W SEL R W	2231214	419648	.W.	2197250
XF121	FILE R W COND	2231215	419689	.W.	2197250
XF131	FILE SHIFT GATE	2231216	419689	.W.	2197250
XF141	FILE ERROR	2231217	419689	.W.	2197250
XF151	FILE WRITE DATA GATE	2231218	419631	.W.	2197250
XF161	FILE ACCESS	2231219	419689	.W.	2197250
XF171	FILE SECTOR COUNTER	2231415	419631	.W.	2197250
XF181	FILE HEAD SELECT	2231221	419631	.W.	2197250
XF191	FILE WORD COUNT	2231222	419664	.W.	2197250
XF201	FILE WORD COUNT	2231223	419664	.W.	2197250
XF211	FILE WORD COUNT	2231223	419664	.W.	2197250
XF221	FILE CORE ADDRESS REG BITS 9-15	2231416	419631	.W.	2197250
XF231	FILE CORE ADDRESS REG BITS 2-8	2231417	419664	.W.	2197250
XF241	FILE BIT COUNTER	2231418	419631	.W.	2197250
XF251	FILE CHECK COUNTER X10 INVERTERS	2231227	419631	.W.	2197250
XF261	FILE INPUT BUSS ASS BITS 0-7	2231419	419648	.W.	2197250
XF271	FILE INPUT BUSS ASS BITS 8-15	2231420	419631	.W.	2197250
XF301	FILE DATA REGISTER BITS 0-3	2231421	419631	.W.	2197250
XF311	FILE DATA REGISTER BITS 4-7	2231422	419631	.W.	2197250
XF321	FILE DATA REGISTER BITS 8-11	2231423	419631	.W.	2197250
XF331	FILE DATA REGISTER BITS 12-15	2231424	419631	.W.	2197250
XG101	PLOTTER DRUM AND CARR DRIVE	2231425	419631	.W.	2197250
XG111	PLOTTER PEN DRIVE-RESPONSE	2231235	419631	.W.	2197250
XK101	KBD RESTORE RESPONSE	2231236	419668	.W.	2197250
XK111	KBD RESTORE RESPONSE	2231426	419644	.W.	2197250

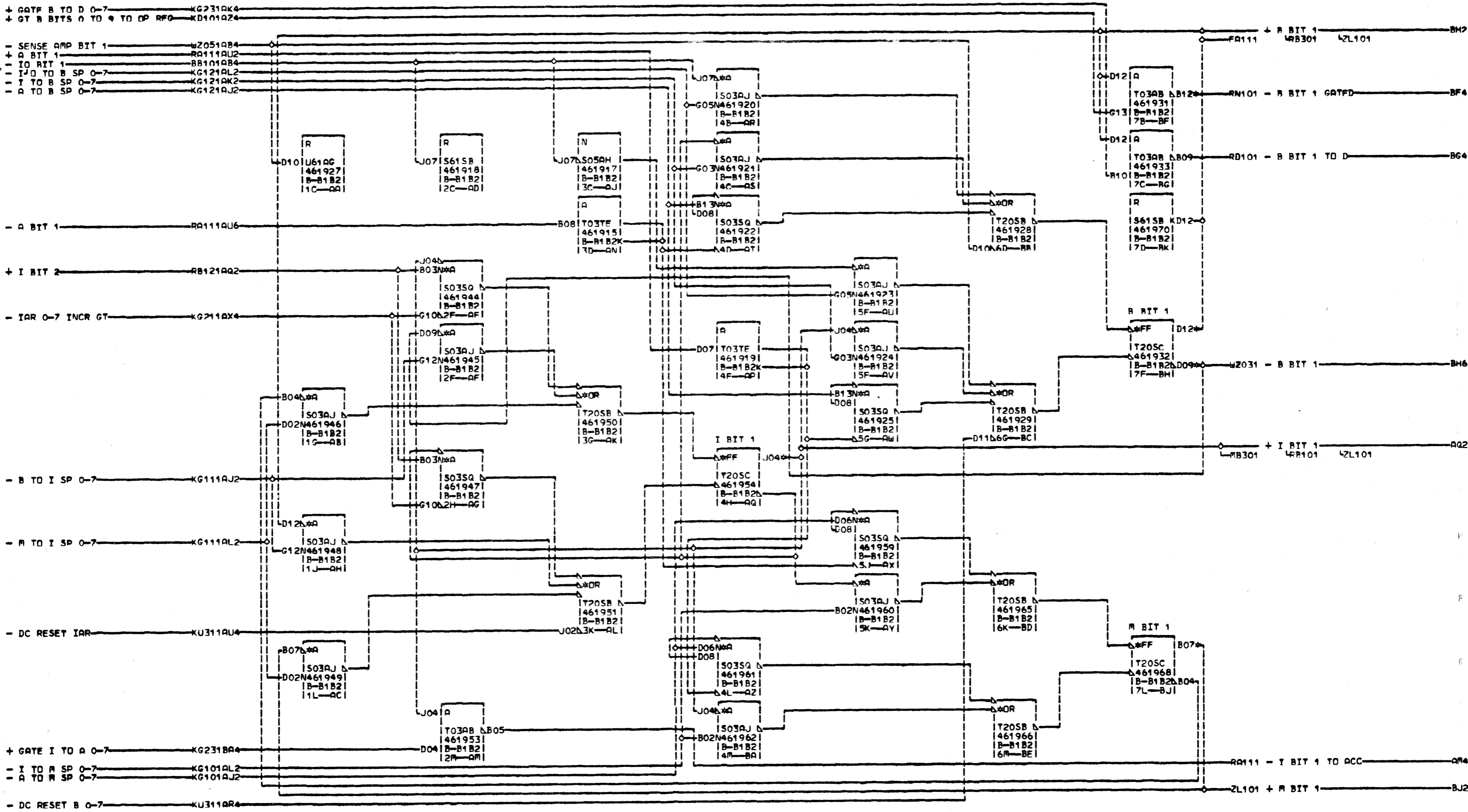


R
B
1
0
1
000

- BF4 B-B1A2B09
- 01B-A1N2B09
- BG4 B-B1A4B03
- 01B-A1N4B03
- BH2 B-B1M3B02
- BH6 B-B1B1A09
- 01B-B1A1E09
- 01B-C1A1E09
- 01B-C1A2D02
- 01B-C1A2D03
- 01D-B1A1E09
- 01D-B1B1A09
- 01D-A1A1E09
- 01D-A1B1A09
- 01E-B1A1E09
- 01E-B1B1A09
- 01E-A1B1A09

08-30-66 419631
11-11-66 419644

I B AND M REGISTERS			
BIT 0			
DATE	11-17-66	MACH.	1131-B
LOG	308J	FRAME	0110
		P.No.	2231160

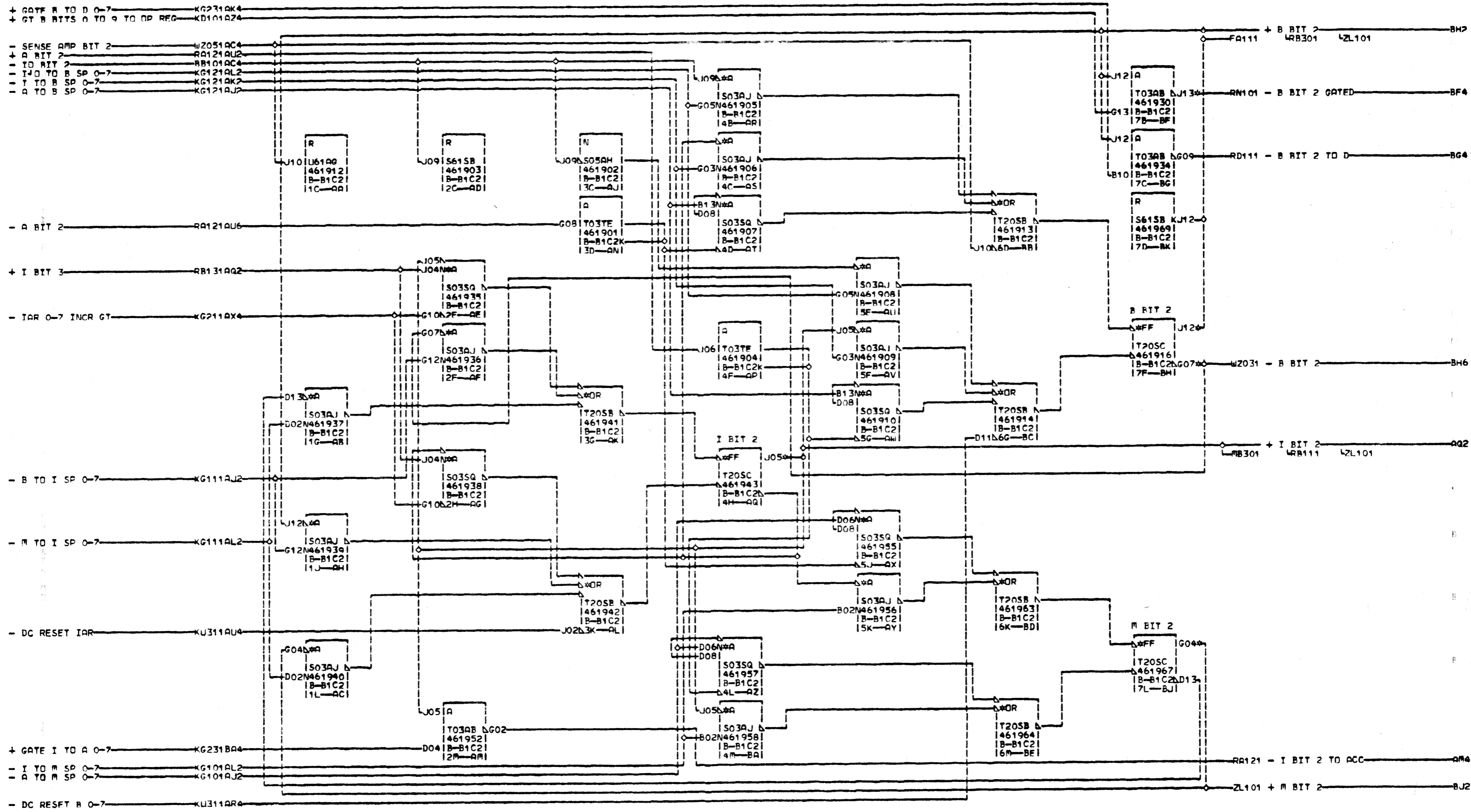


R
B
1
1
1
000

AQ2 B-B1N4D13 01D-B1B1B09
 01B-B1M1A09 01D-A1B1B09
 01B-C1M1A09 01E-B1B1B09
 BF4 B-B1A2B10 01E-A1B1B09
 01B-A1N2B10 BJ2 B-B1N4B13
 BH2 B-B1M3D02
 BH6 B-B1B1B09
 01B-C1B1B09
 01B-C1A2D04

08-30-66 419631
 11-11-66 419644

I B AND M REGISTERS			
BIT 1			
DATE	11-17-66	MACH.	1131-B
LOG	308J	FRAME	01
		P.N.	2231161
IBM CORP.	GPD	BLK.	SA

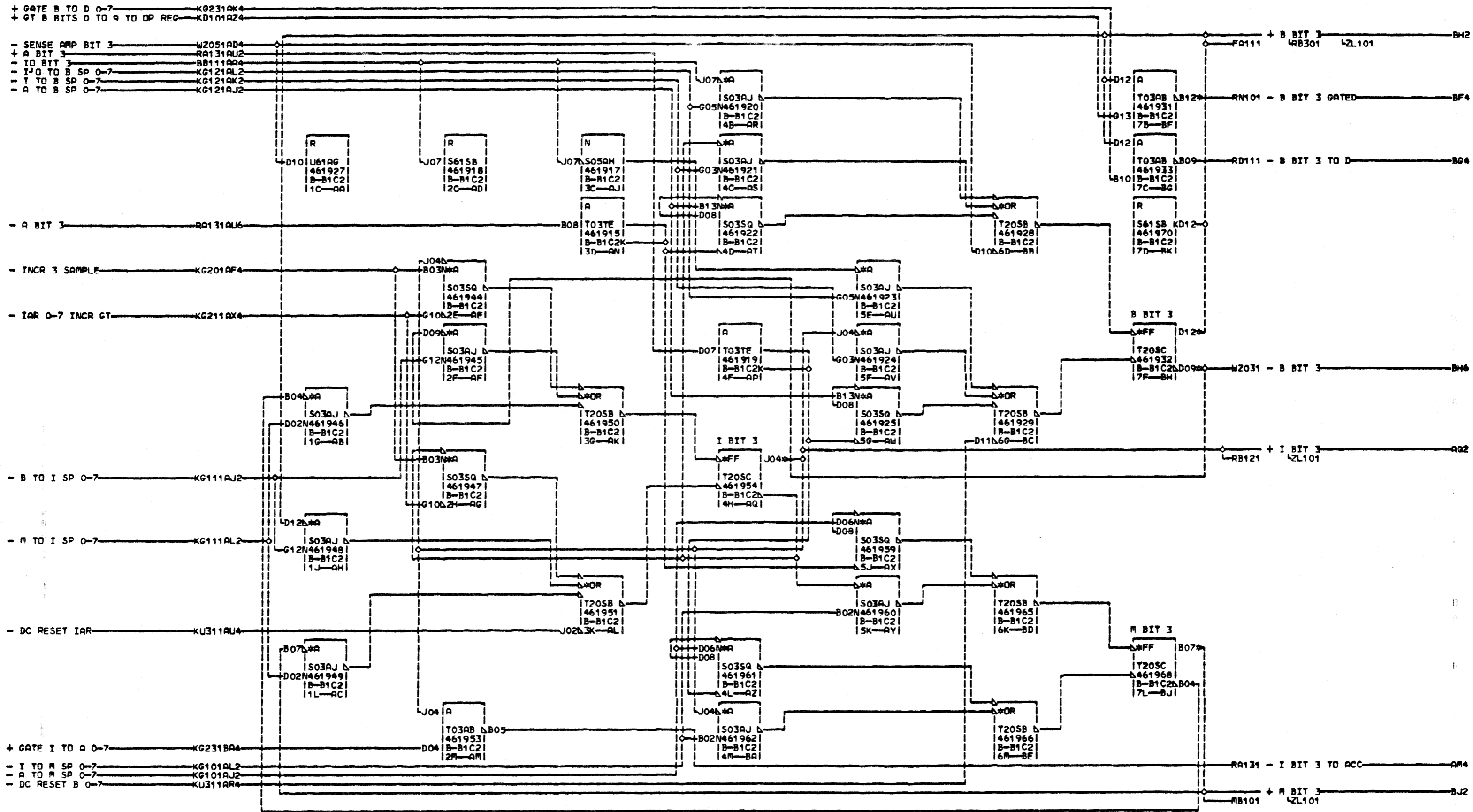


000
R
B
1
2
1

AQ2 B-B1N2B02 01D-B1B1C09
01B-B1M1E09 01D-A1B1C09
01B-C1M1E09 01E-B1B1C09
BF4 B-B1A2B11 01E-A1B1C09
01B-A1N2B11 BJ2 B-B1M2B02
BH2 B-B1M3B03
BH6 B-B1B1C09
01B-C1B1C09
01B-C1A2D05

08-30-66 419631
11-11-66 419644

I B AND M REGISTERS			
BIT 2			
DATE	11-17-66	MACH.	1131-B
LOG	308J	FRAME	01
P.N.		2231162	
IBM CORP.	GPD	BLK.	SA

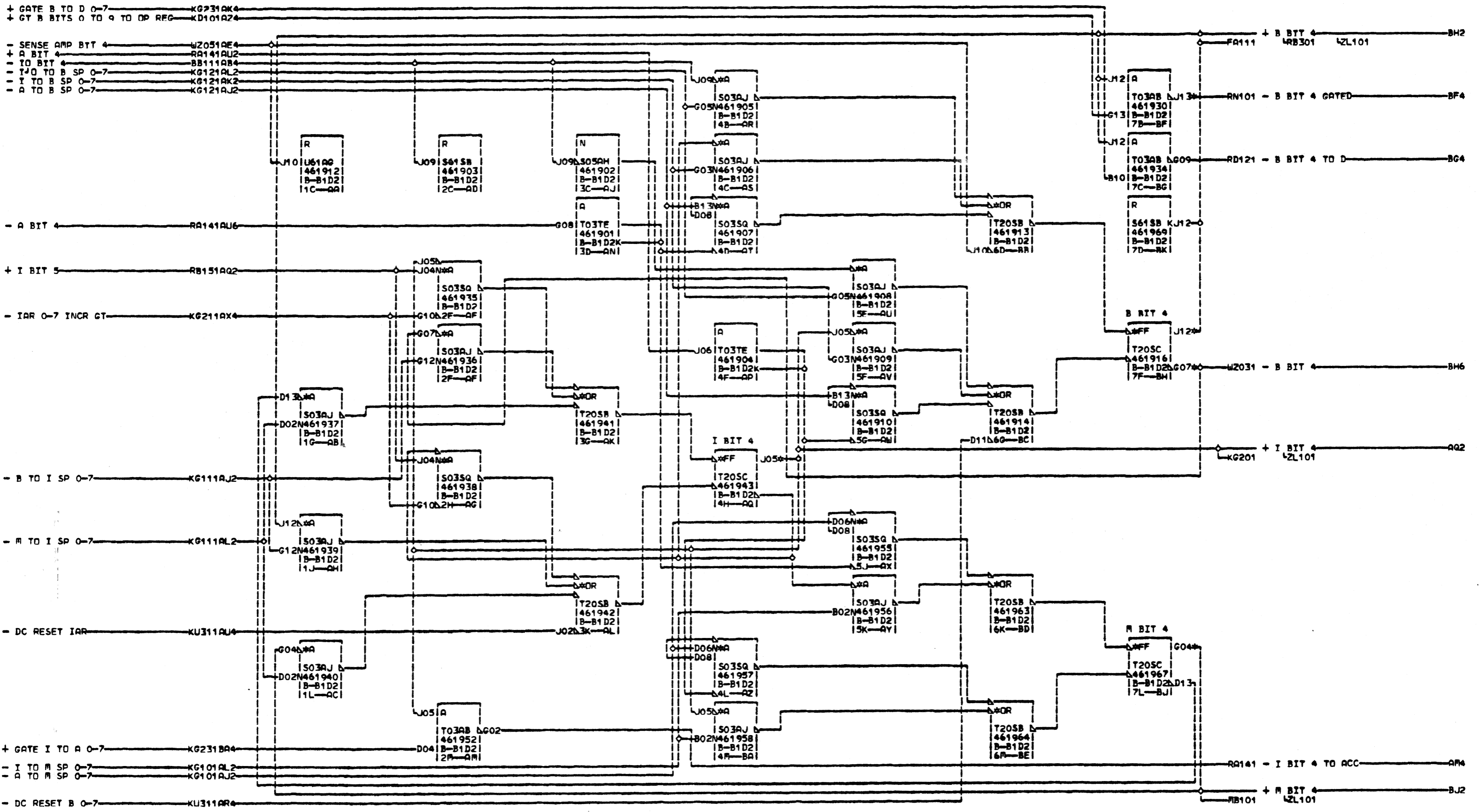


R
B
1
3
1
000

AQ2 B-B1N2D02 01E-B1B1D09
 BF4 B-B1A2B12 01E-A1B1D09
 01B-A1N2B12 BJ2 B-B1M2D02
 BH2 B-B1M3D04
 BH6 B-B1B1D09
 01B-C1B1D09
 01B-C1A2D06
 01D-B1B1D09
 01D-A1B1D09

08-30-66 419631
11-11-66 419644

I B AND M REGISTERS
 BIT 3
 DATE 11-17-66 MACH. 1131-B
 LOG 30BJ FRAME 01
 P.N. 2231163
 IBM CORP. GPD BLK. SAI



+ GATE B TO D 0-7 — KG231AK4
 + GT B BITS 0 TO 9 TO OP REG — KD101A24
 - SENSE AMP BYT 4 — WZ051AE4
 + A BIT 4 — RA141AU2
 - IO BIT 4 — BB111AB4
 - I/O TO B SP 0-7 — KG121AL2
 - I TO B SP 0-7 — KG121AK2
 - A TO B SP 0-7 — KG121AJ2
 - A BIT 4 — RA141AU6
 + I BIT 5 — RB151AQ2
 - IAR 0-7 INCR CT — KG211AX4
 - B TO I SP 0-7 — KG111AJ2
 - M TO I SP 0-7 — KG111AL2
 - DC RESET IAR — KU311AU4
 + GATE I TO A 0-7 — KG231BA4
 - I TO M SP 0-7 — KG101AL2
 - A TO M SP 0-7 — KG101AJ2
 - DC RESET B 0-7 — KU311AR4

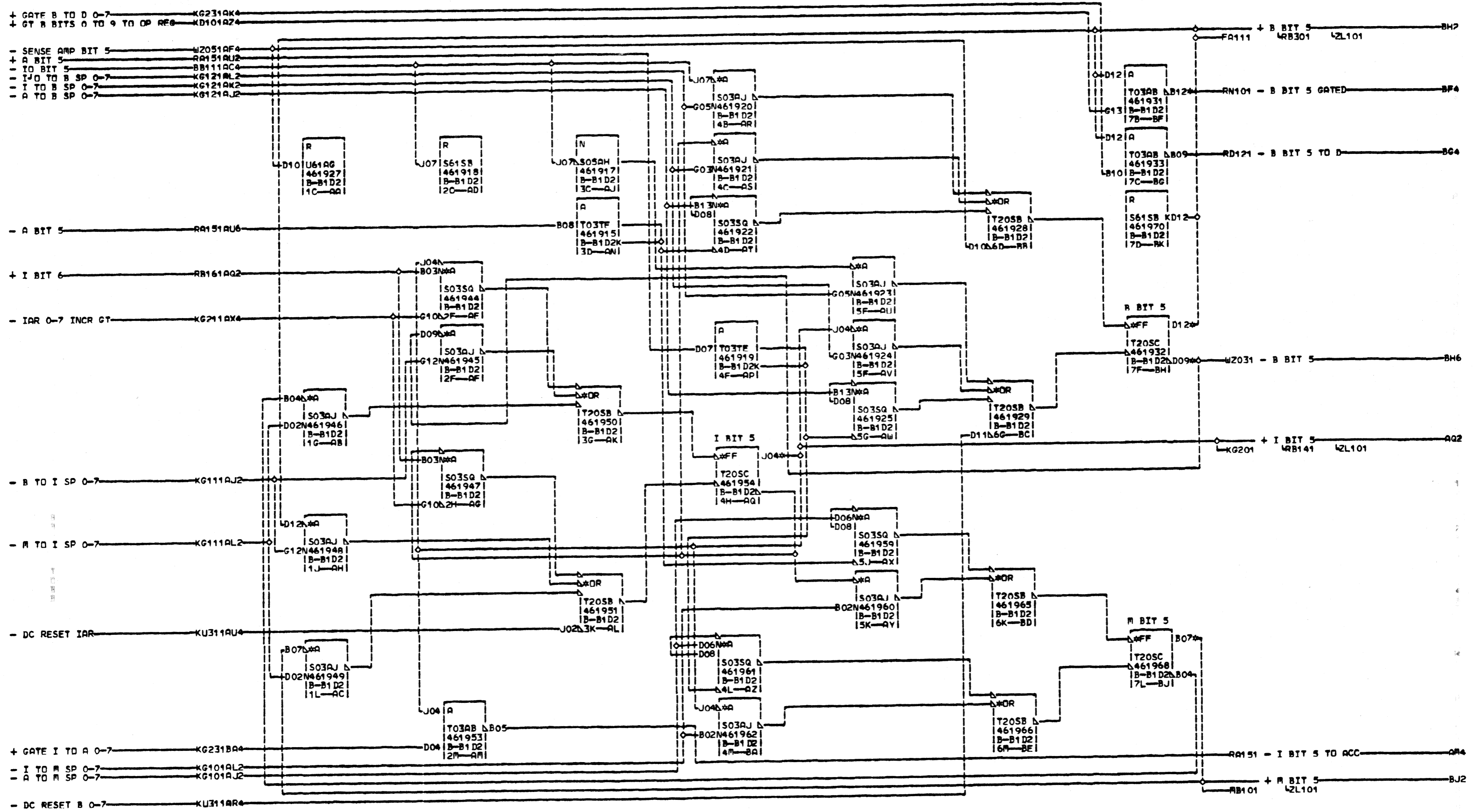
+ B BIT 4 — BH2
 - B BIT 4 GATED — BF4
 - B BIT 4 TO D — BG4
 - B BIT 4 — BH6
 + I BIT 4 — AQ2
 - I BIT 4 TO ACC — AM4
 + M BIT 4 — BJ2

R
 B
 1
 4
 1
 000

AQ2 B-B1N2B03 01E-B1B1E09
 BF4 B-B1A2B13 01E-A1B1E09
 01B-A1N2B13 BJ2 B-B1M2B03
 BH2 B-B1M3B04
 BH6 B-B1B1E09
 01B-C1B1E09
 01B-C1A2D07
 01D-B1B1E09

08-30-66 419631
 11-11-66 419644

I B AND M REGISTERS		
BIT 4		
DATE	11-17-66	MACH. 1131-B
LOG	308J	FRAME 01
P.N. 2231164		
IBM CORP.	TPD BLK.	SA



R
B
1
5
1
000

AQ2 B-B1N2D04 01E-B1C1B09
 BF4 B-B1A2D09 01E-A1C1B09
 01B-A1N2D09 BJ2 B-B1M2D04
 BH2 B-B1M3D05
 BH6 B-B1C1B09
 01B-C1C1B09
 01B-C1A2D09
 01D-B1C1B09
 01D-C1C1B09

08-30-66 419631
11-11-66 419644

I B AND M REGISTERS			
BIT 5			
DATE	11-17-66	MACH.	1131-B
LOG	30BJ	FRAME	01
		P.No.	2231165
IBM CORP.	GPD	BLK.	SAI

R
B
1
5
1
000

* GT B BITS 0 TO 9 TO OP REG - KD101A24
- SENSE AMP BIT 8 - W2051AJ4
* GATE B TO D 8-15 - KG231AL4

- A TO B SP 8-15 - KG121AM2
- I TO B SP 8-15 - KG121AP2
- I/O TO B SP 8-15 - KG121AM2
+ A BIT 8 - RA201AU2

- IO BIT 8 - BB121AC4

- A BIT 8 - RA2C1AU6

+ I BIT 9 - RB211AQ2
- IAR 8-15 INCR GT - KG211AY4

- B TO I SP 8-15 - KG111AN2

- M TO I SP 8-15 - KG111AM2

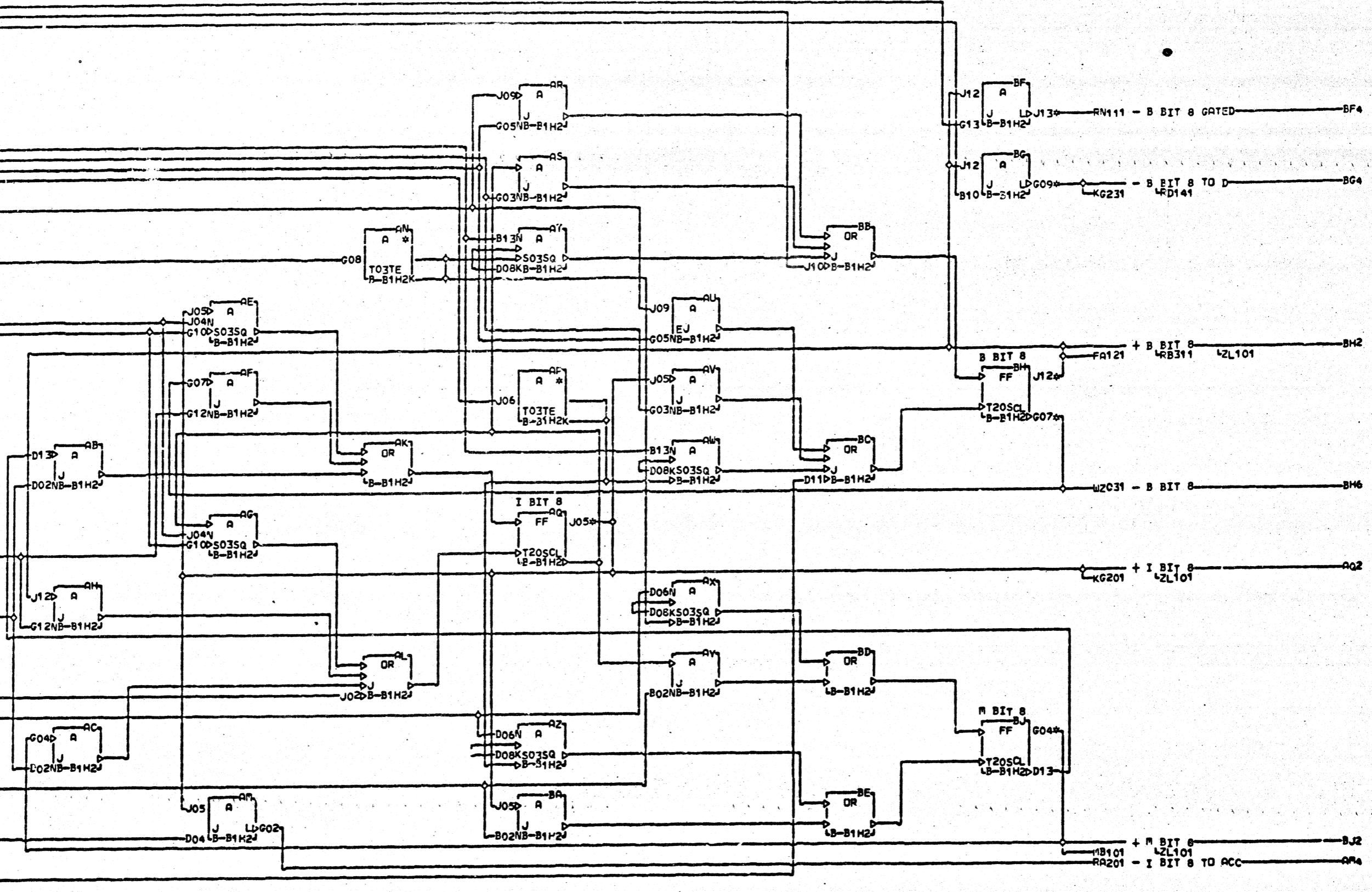
- DC RESET IAR - KU311AU4

- A TO M SP 8-15 - KG101AK2

- I TO M SP 8-15 - KG101AM2

+ GATE I TO A 8-15 - KG231BA6

- DC RESET B 8-15 - KU311AQ4

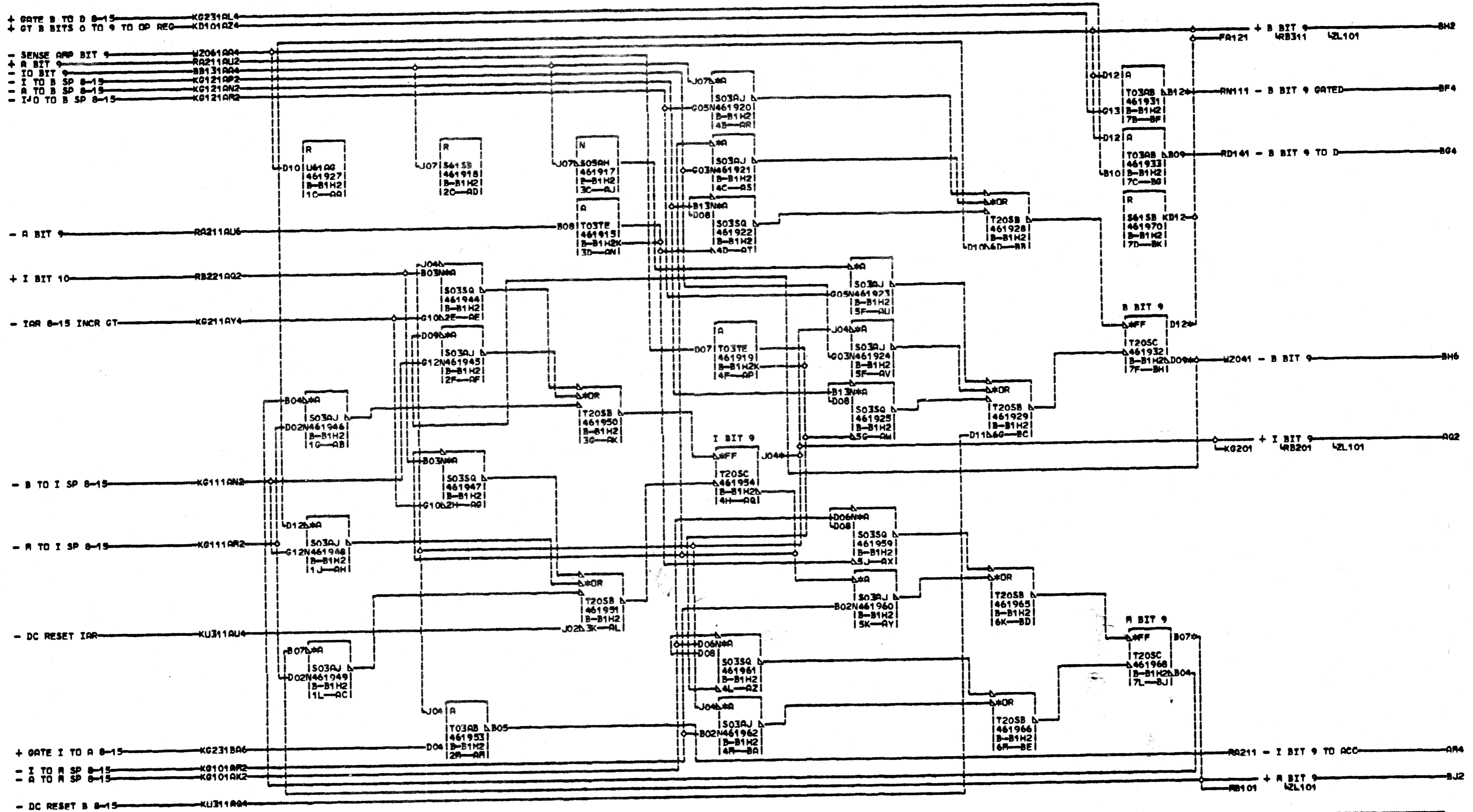


BB121AC4	BG4 B-B1A4D03	01D-A1C1E09
RESISTOR	01B-A1N4D03	01E-B1C1E09
B-B1H2J09	BH2 B-B1M3B07	01E-A1C1E09
W2051AJ4	RESISTOR	BJ2 B-B1M2B05
RESISTOR	B-B1H2J12	
B-B1H2J10	BH6 B-B1C1E09	
AQ2 B-B1N2B05	01B-C1C1E09	
BF4 B-B1E1A11	01B-C1A2D12	
01B-A1F1A11	01D-B1C1E09	

LOC. TYPE
B-B1H2 4619

I B AND M REGISTERS BIT 8	
E.C. HISTORY 419631	FRAME 01
DATE LAST EC 11-11-66 419644	IBM CORP. GPD PoNo 2231168

R
B
2
0
1
0
0
0

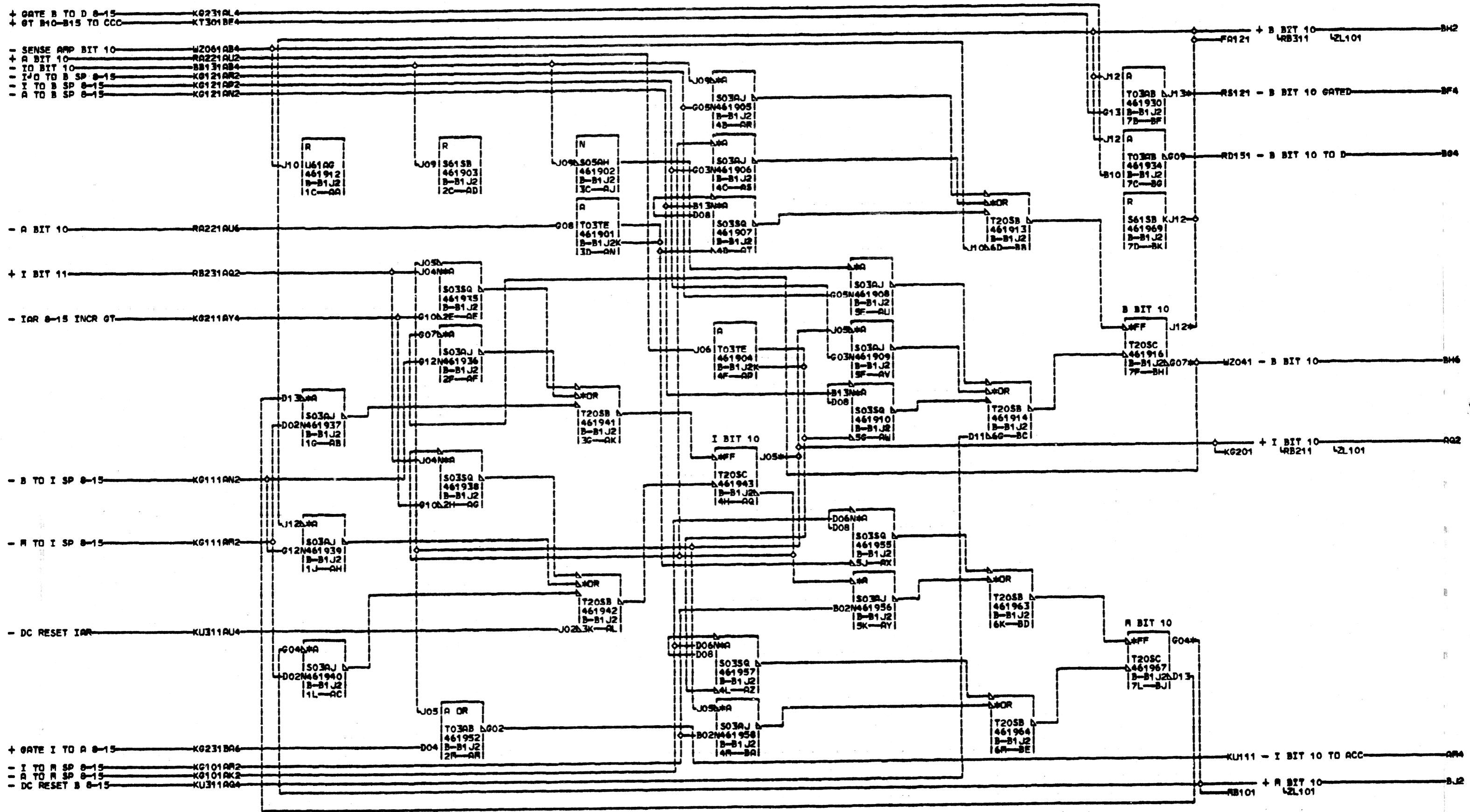


A22 B-B1N2D06 01E-B1D1A09
 BF4 B-B1E1B11 01E-A1D1A09
 01 B-A1E1B11 B/J2 B-B1R2D06
 BH2 B-B1A3D07
 BH6 B-B1D1A09
 01 B-C1D1A09
 01 B-C1A2D13
 01 D-B1D1A09

09-02-66 419631
 11-11-66 419644

I B AND M REGISTERS BIT 9			
DATE	11-17-66	FRAM. 1131-B	R
LOG	308J FRAME	01	B
			2
			1
			1
			000
IBA CORP.	GPD BLK.	SA	

000



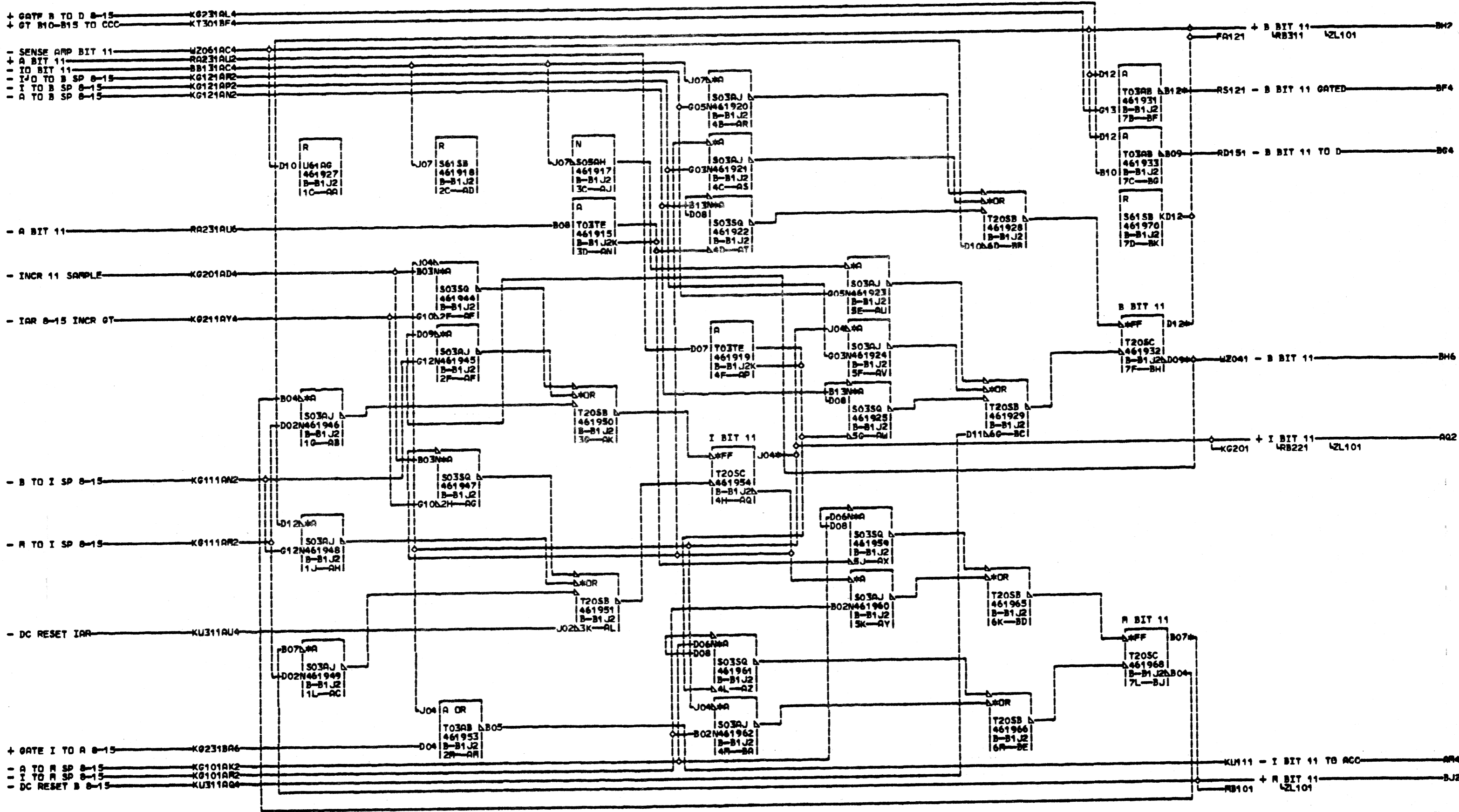
+ GATE B TO D 8-15 K0231A4
 + GT B10-B15 TO CCC KT301BF4
 - SENSE AMP BIT 10 W2061AB4
 + A BIT 10 RA221AU2
 - IO BIT 10 BB131AB4
 - I/O TO B SP 8-15 K0121AR2
 - I TO B SP 8-15 K0121AR2
 - A TO B SP 8-15 K0121AR2
 - A BIT 10 RA221AU6
 + I BIT 11 RB231AQ2
 - IAR 8-15 INCR GT K0211AY4
 - B TO I SP 8-15 K0111AN2
 - R TO I SP 8-15 K0111AR2
 - DC RESET IAR KU311AU4
 + GATE I TO A 8-15 K0231BA6
 - I TO R SP 8-15 K0101AR2
 - A TO R SP 8-15 K0101AK2
 - DC RESET B 8-15 KU311AQ4

+ B BIT 10 LRB311 L2L101 BH2
 - RS121 - B BIT 10 GATED BF4
 - RD151 - B BIT 10 TO D B04
 - W2041 - B BIT 10 BH6
 + I BIT 10 LRB211 L2L101 AQ2
 + I BIT 10 TO ACC KU111 AR4
 + A BIT 10 RB101 L2L101 B12

AQ2 B-B1N2B07
 BF4 B-B1D1E09
 01B-B1D1E09
 BH2 B-B1M3B08
 BH6 B-B1L1A09
 01B-B1K1E09
 01B-C1K1E09
 01B-C1L1A09
 01B-C1A0D03
 01D-B1K1E09
 01D-B1L1A09
 01D-A1K1E09
 01D-A1L1A09
 01E-B1K1E09
 01E-B1L1A09
 01E-A1K1E09
 01E-A1L1A09

09-02-66 419631
 11-11-66 419644

I B AND A REGISTERS			
DATE	11-17-66	MACH.	1131-B
LOG	308J	FRAME	01
		P.No.	2231170
IBM CORP.	BLK.		SA

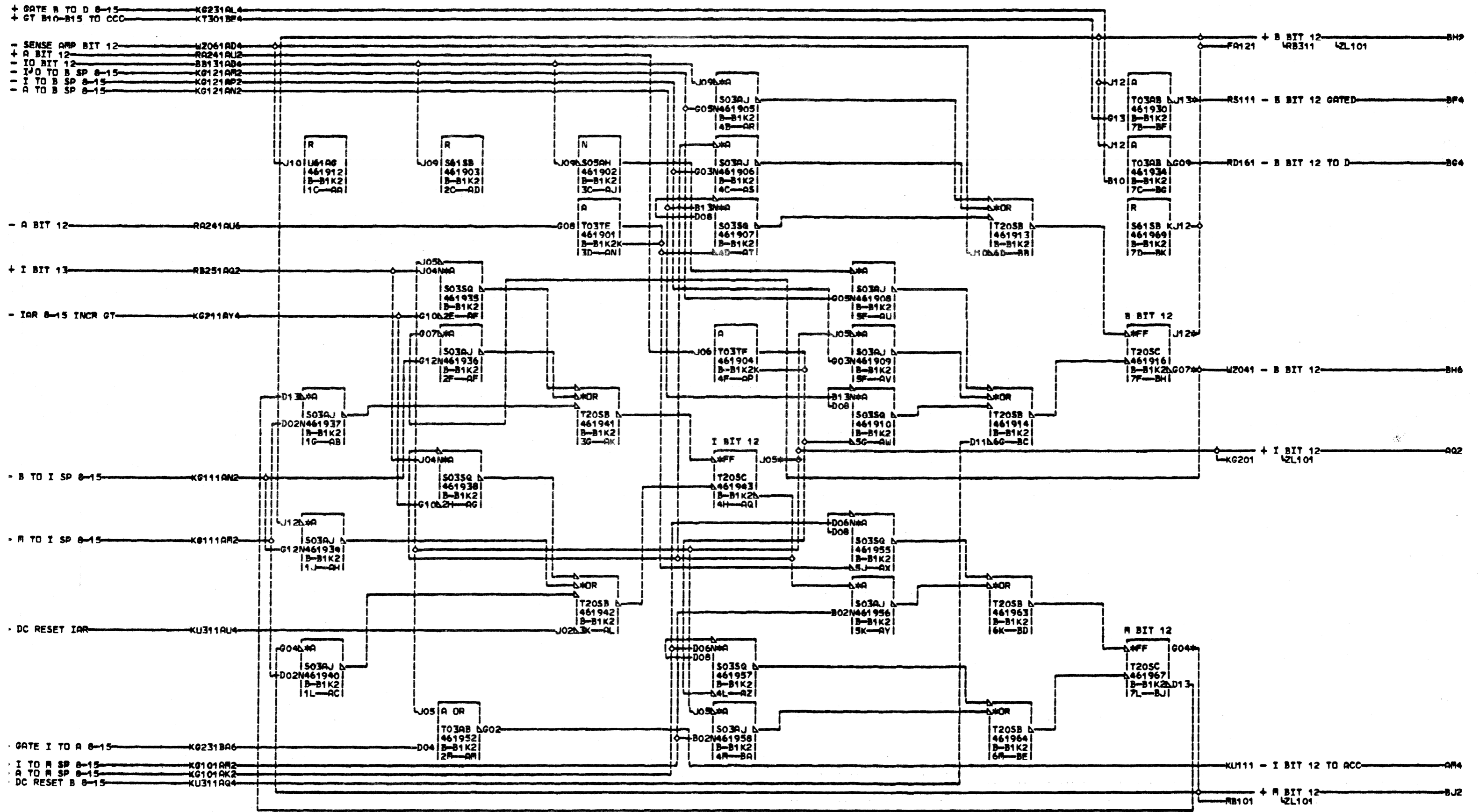


1-1488
200

AQ2 B-B1N2D07 01E-B1L1B09
 BF4 B-B1M8C04 01E-A1L1B09
 01B-A1M8C04 B J2 B-B1M2D07
 BH2 B-B1M3D09
 BH6 B-B1L1B09
 01B-C1L1B09
 01B-C1A4D04
 01D-B1L1B09

09-02-66 419631
 11-11-66 419644

I B AND M REGISTERS			
BIT 11			
DATE	11-17-66	RACH.	1131-B
LOG	308J	FRAME	01
P.No		2231171	000
IBM CORP.	OPD	BLK.	SA

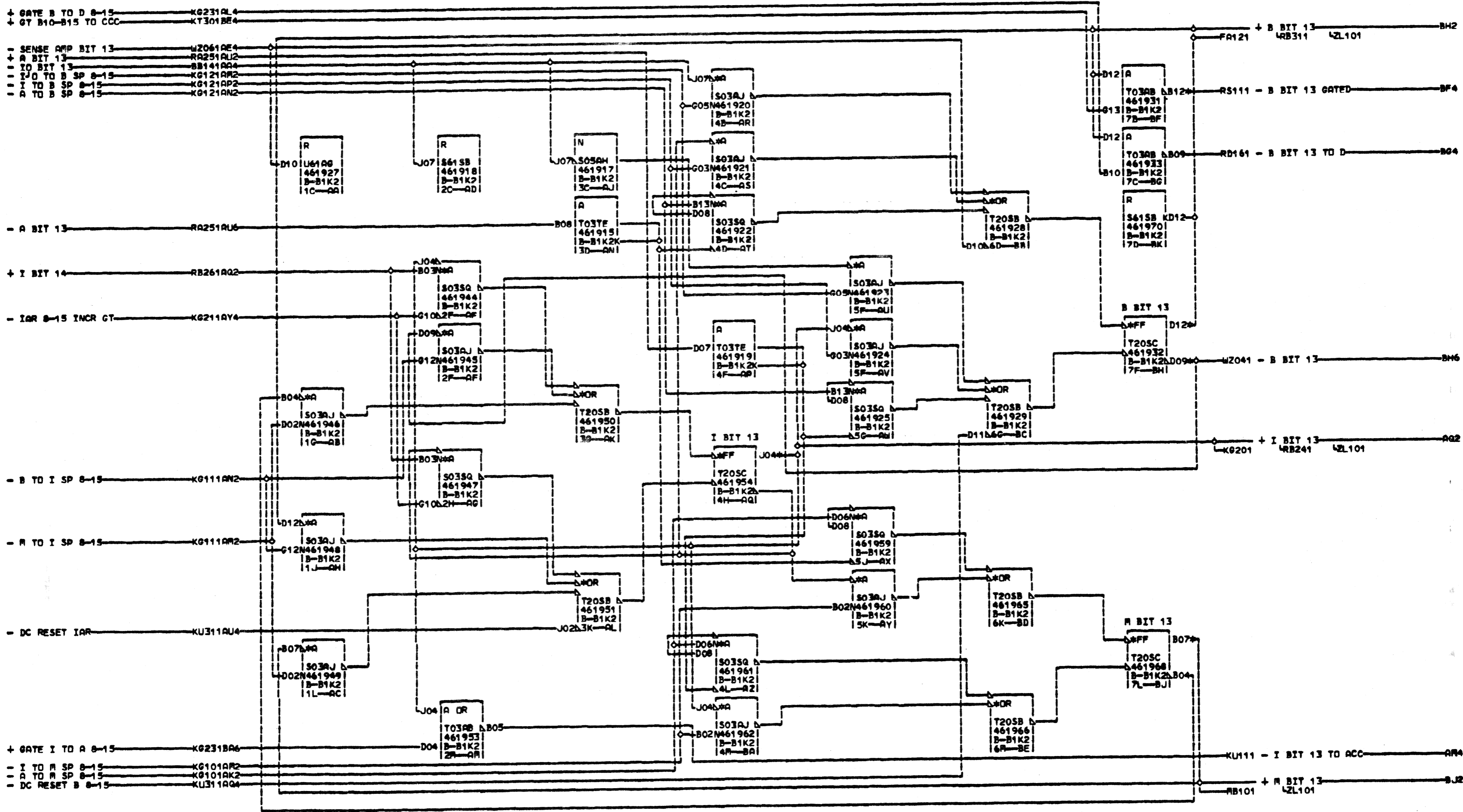


AQ2 B-B1N2B08 01E-B1L1C09
 BF4 B-B1E1B09 01E-A1L1C09
 01B-A1E1B09 BJ2 B-B1M2B08
 BH2 B-B1M3B09
 BH6 B-B1L1C09
 01B-C1L1C09
 01B-C1A4D05
 01D-B1L1C09

09-02-66 419631
 11-11-66 419644

I B AND M REGISTERS	
BIT 12	
DATE	11-17-66 MACH. 1131-B
LOG	308J FRAME 01
P.No. 2231172	

R
 B
 2
 4
 1
 00



AQ2 B-B1N2D09 01E-B1L1D09
 BF4 B-B1E1C09 01E-A1L1D09
 01B-A1E1C09 BJ2 B-B1R2D09
 BH2 B-B1R3D10
 BH6 B-B1L1D09
 01B-C1L1D09
 01B-C1A4D06
 01D-B1L1D09

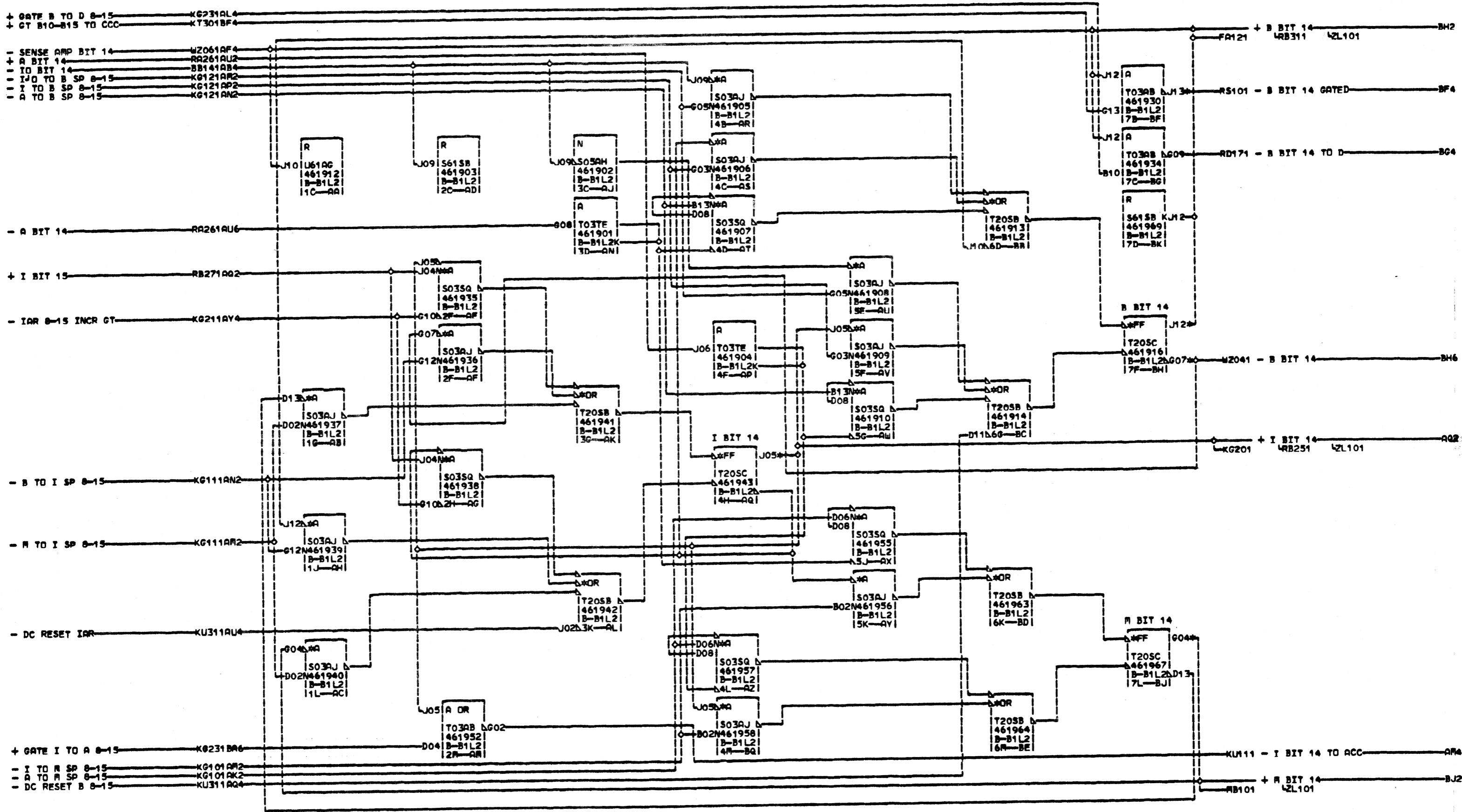
09-02-66 419631
 11-11-66 419644

I B AND M REGISTERS		
BIT 13		
DATE	11-17-66	PACH. 1131-B
LOG	308J FRAME	01
	P.No.	2231173
IBM CORP.	GPD BLK.	SAI

REVISION

000

R
B
S
U
N
B
1
000

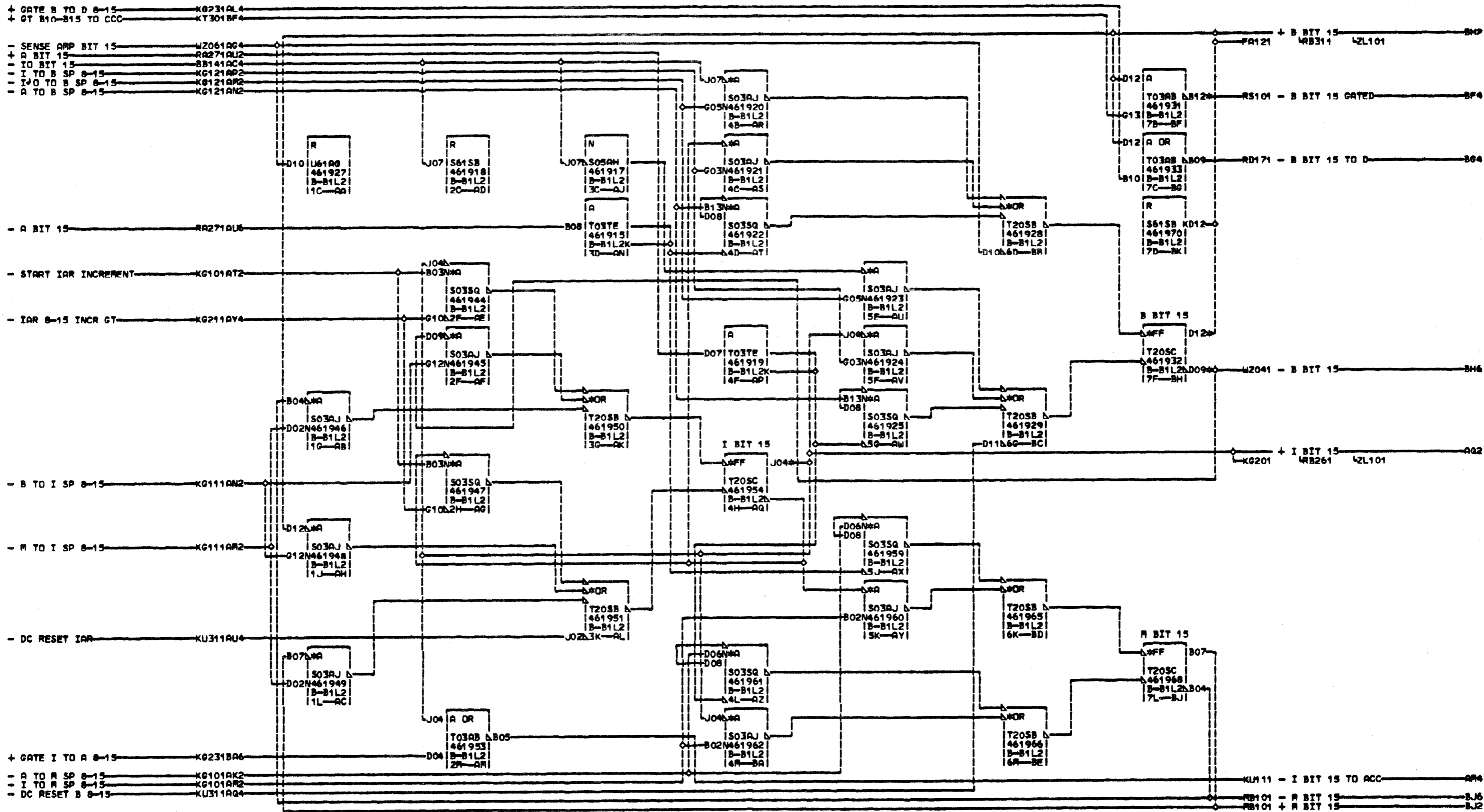


AQ2 B-B1N2B09 01E-B1L1E09
 BF4 B-B1E1D09 01E-A1L1E09
 01B-A1E1D09 BJ2 B-B1M2B09
 BH2 B-B1M3B10
 BH6 B-B1L1E09
 01B-C1L1E09
 01B-C1A4D07
 01D-B1L1E09

09-02-66 419631
 11-11-66 419644

I B AND M REGISTERS		
DATE	11-17-66	MACH. 1131-B
LOG	308J	FRAME 01
		P.N. 2231174
IBM CORP.	OPD BLK.	SA

R B 2 6 1



R
B
2
7
1

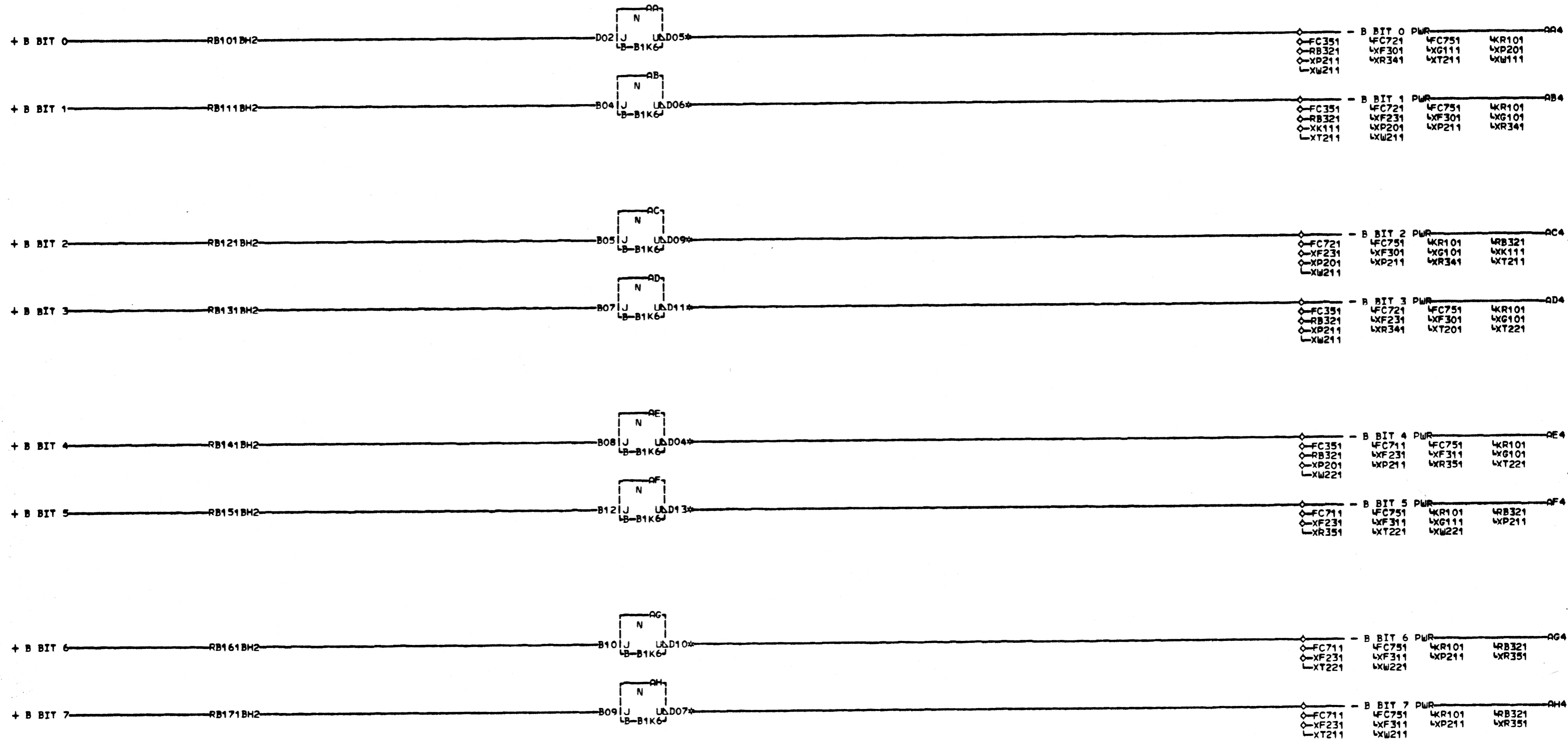
AQ2 B-B1N2D10
 BF4 B-B1E1E09
 01B-A1E1E09
 BH2 B-B1R3D11
 BH6 B-B1R1B09
 01B-C1R1B09
 01B-C1A4D09
 01D-A1R1B09

01E-B1R1B09
 01E-A1R1B09

09-02-66 419631
 11-11-66 419644

I B AND A REGISTERS		
BIT 15		
DATE	11-17-66	FRAM# 1131-B
LOG	308J FRAME	01
P#No		2231175

R
B
2
7
1
000



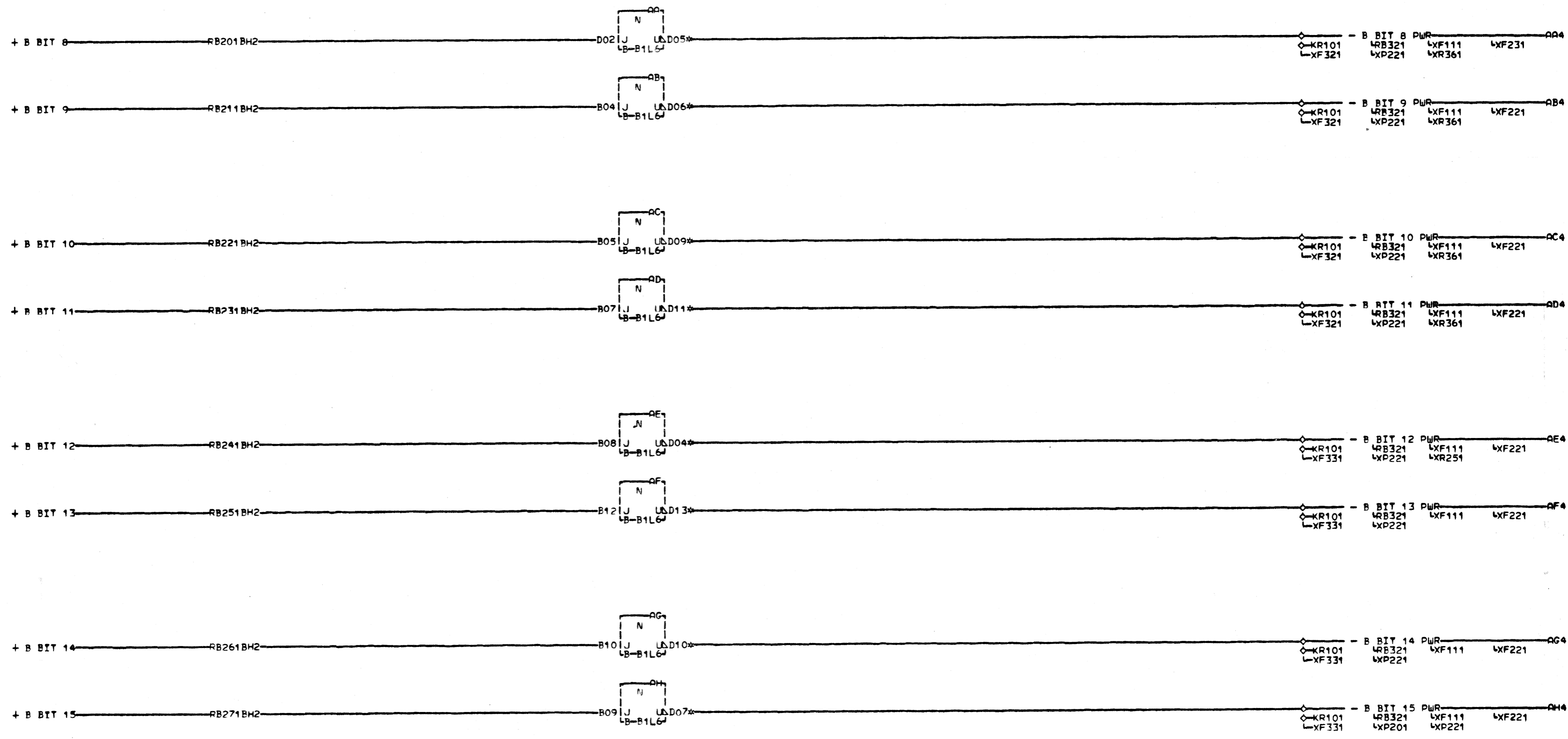
R
B
3
0
1

000

AA4 B-B1N6B02	01A-C1A6D02	01A-B1M6B03	01C-A1N6D04	01A-C1B6D05	01A-B1N6B06	01A-A1N3D06
01A-C1B6B02	01A-B1N6D02	01A-A1N3B03	AE4 B-B1N6B04	01A-C1A6D04	01A-B1M6B05	01C-A1N6D06
01A-C1A6B03	01A-B1M6D02	01C-A1N6B03	01A-C1B6B04	01A-B1N6D04	01A-A1N3B05	
01A-B1N6B03	01A-A1N3D02	AD4 B-B1N6D04	01A-C1A6B05	01A-B1M6D05	01C-A1N6B05	
01A-B1M6B02	01C-A1N6D02	01A-C1B6D04	01A-B1N6B05	01A-A1N3D05	AH4 B-B1N6D06	
01A-A1N3B02	AC4 B-B1N6B03	01A-C1A6D03	01A-B1M6B04	01C-A1N6D05	01A-C1B6D06	
01C-A1N6B02	01A-C1B6B03	01A-B1N6D03	01A-A1N3B04	AG4 B-B1N6B05	01A-C1A6D05	
AB4 B-B1N6D02	01A-C1A6B04	01A-B1M6D04	01C-A1N6B04	01A-C1B6B05	01A-B1N6D05	
01A-C1B6D02	01A-B1N6B04	01A-A1N3D04	AF4 B-B1N6D05	01A-C1A6B06	01A-B1M6D06	

LOC. TYPE
B-B1K6 3024

B REGISTER POWERING		R
BITS 0-7		B
E.C. HISTORY	MACH. 1131-B	3
419631		0
419644	FRAME	01
	IBM CORP. GPD	1
DATE	LAST EC	000
01-26-68	419689	
	P.N. 2231176	



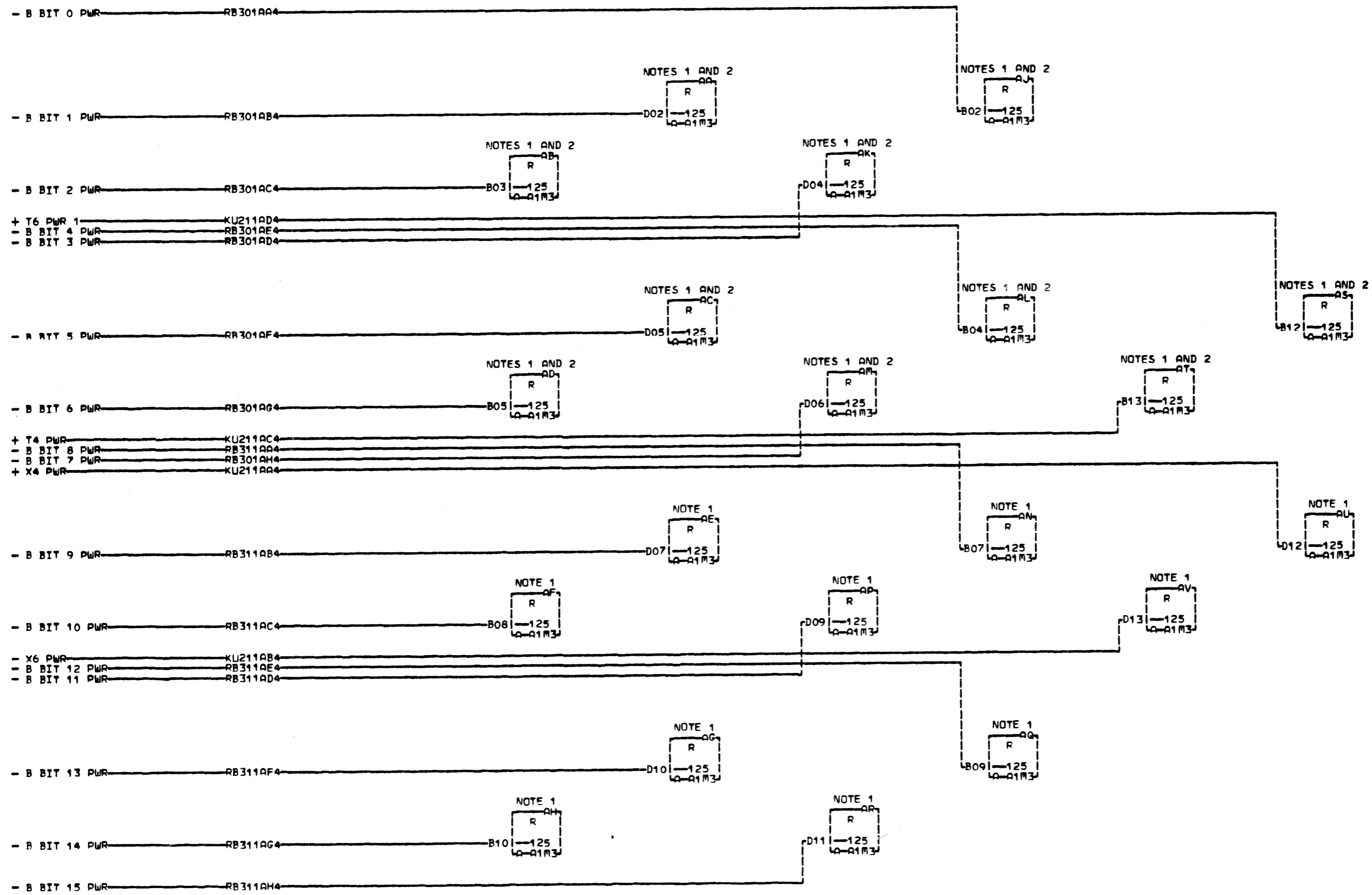
RE
3
1
1
COO

AA4 B-B1N6B07	01A-B1N6D06	AD4 B-B1N6D09	01A-B1N6E09	AG4 B-B1N6B10	01A-B1N6D10
01A-C1B6B07	01A-B1M6D07	01A-C1B6D09	01A-B1M6B09	01A-C1B6B10	01A-B1M6D11
01A-C1A6B07	01A-B1N3D07	01A-C1A6D07	01A-A1N3B09	01A-C1A6B10	01A-A1N3D11
01A-B1N6B07	AC4 B-B1N6B08	01A-B1N6D07	AF4 B-B1N6D10	01A-B1N6B10	
01A-B1M6B07	01A-C1B6B08	01A-B1M6D09	01A-C1B6D10	01A-B1M6B10	
01A-A1N3B07	01A-C1A6B08	01A-A1N3D09	01A-C1A6D09	01A-A1N3B10	
AB4 B-B1N6D07	01A-B1N6B08	AE4 B-B1N6B09	01A-B1N6D09	AH4 B-B1N6D11	
01A-C1B6D07	01A-B1M6B08	01A-C1B6B09	01A-B1M6D10	01A-C1B6D11	

LDC. TYPE
B-B1L6 3024

B REGISTER POWERING		MACH.1131-B	01
BITS 8-15			
E.C. HISTORY		FRAME	
419631		IBM CORP. GPD	
DATE	LAST EC	P.N. 2231177	
01-26-68	419689		

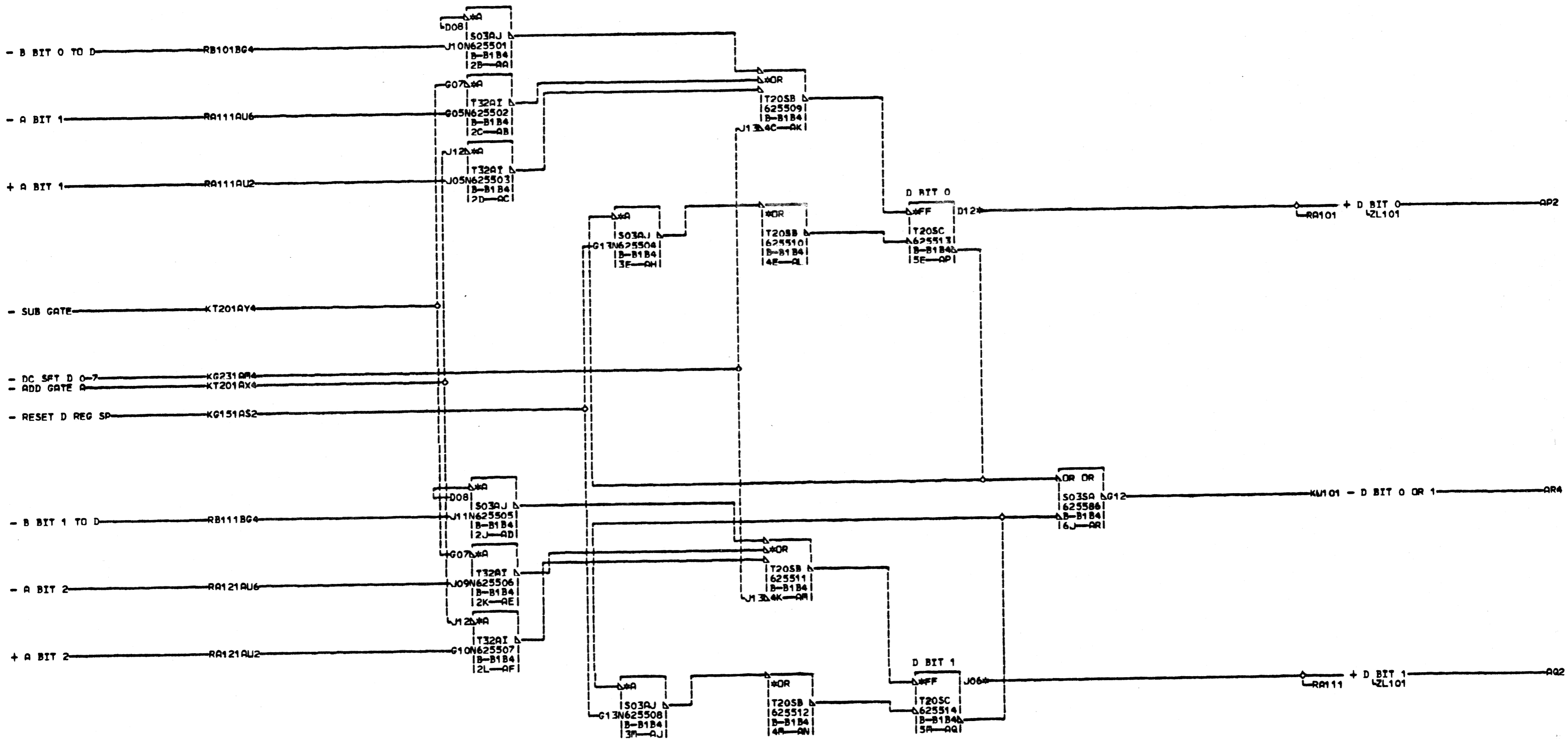
R
B
3
1
1
000



NOTE 1 SYSTEMS WITHOUT AN
 A-01 BOARD WILL HAVE
 R THIS CARD AT A-B1M6.
 B NOTE 2 ON SYSTEMS WITH SCA
 3 THE RESISTOR WILL BE
 2 DISCONNECTED FROM THE NET.
 1

LOC. TYPE
 A-A1M3 0410

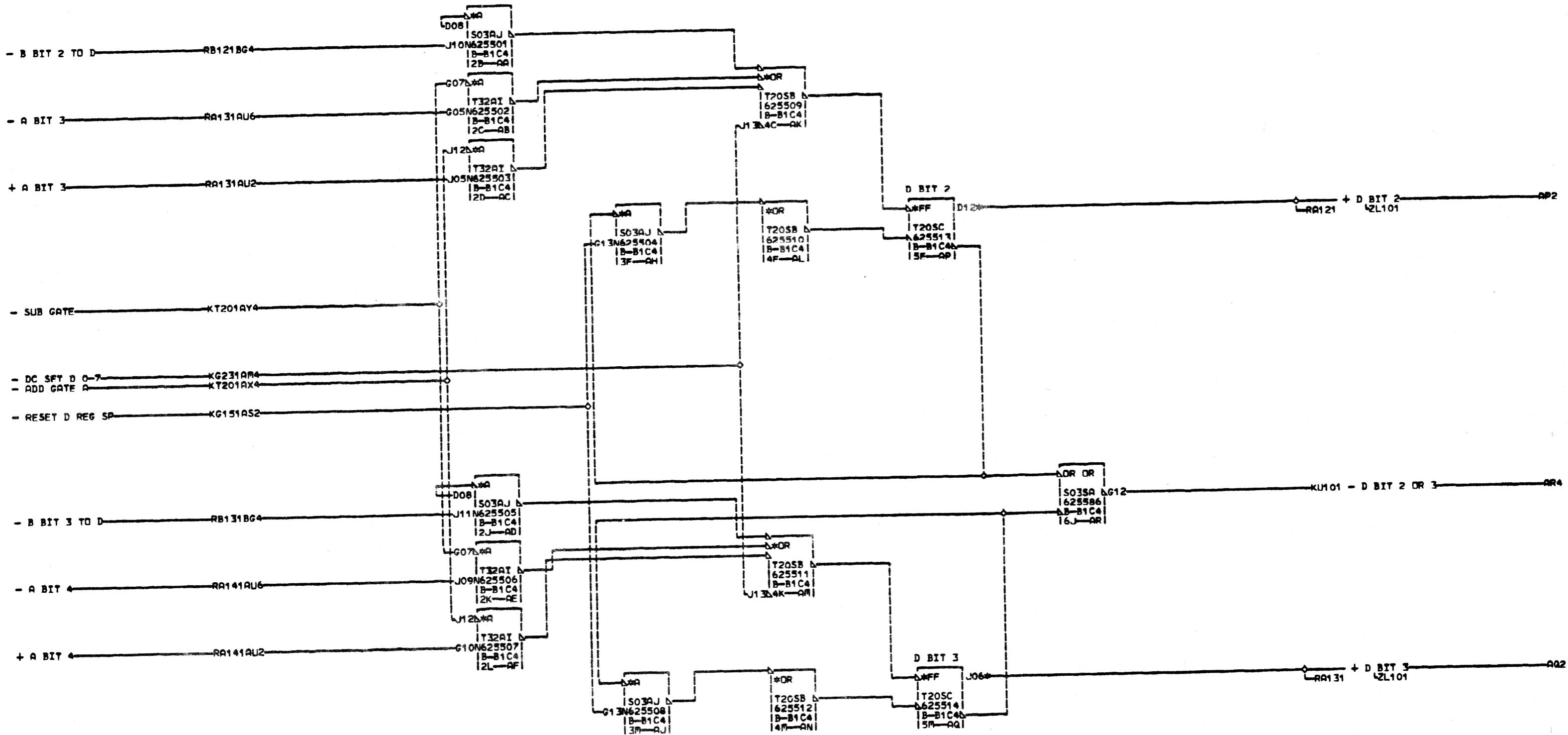
-B POWER TERMINATORS	
E.C. HISTORY	MACH.1131-B
419631	FRAME 01
419644A	IBM CORP.
419664	
DATE LAST EC	P.N. 2231178
01-26-68 419689	



AP2 B-B1N4B02
 AQ2 B-B1N4D02

09-02-66 419631
 11-11-66 419644

D REGISTER			R
BITS 0 AND 1			
DATE	11-17-66	MACH. 1131-B	D
LOG	308K FRAME	01	0
		PaNo. 2231384	1
IBM CORP.	GPD BLK.	AS1	000

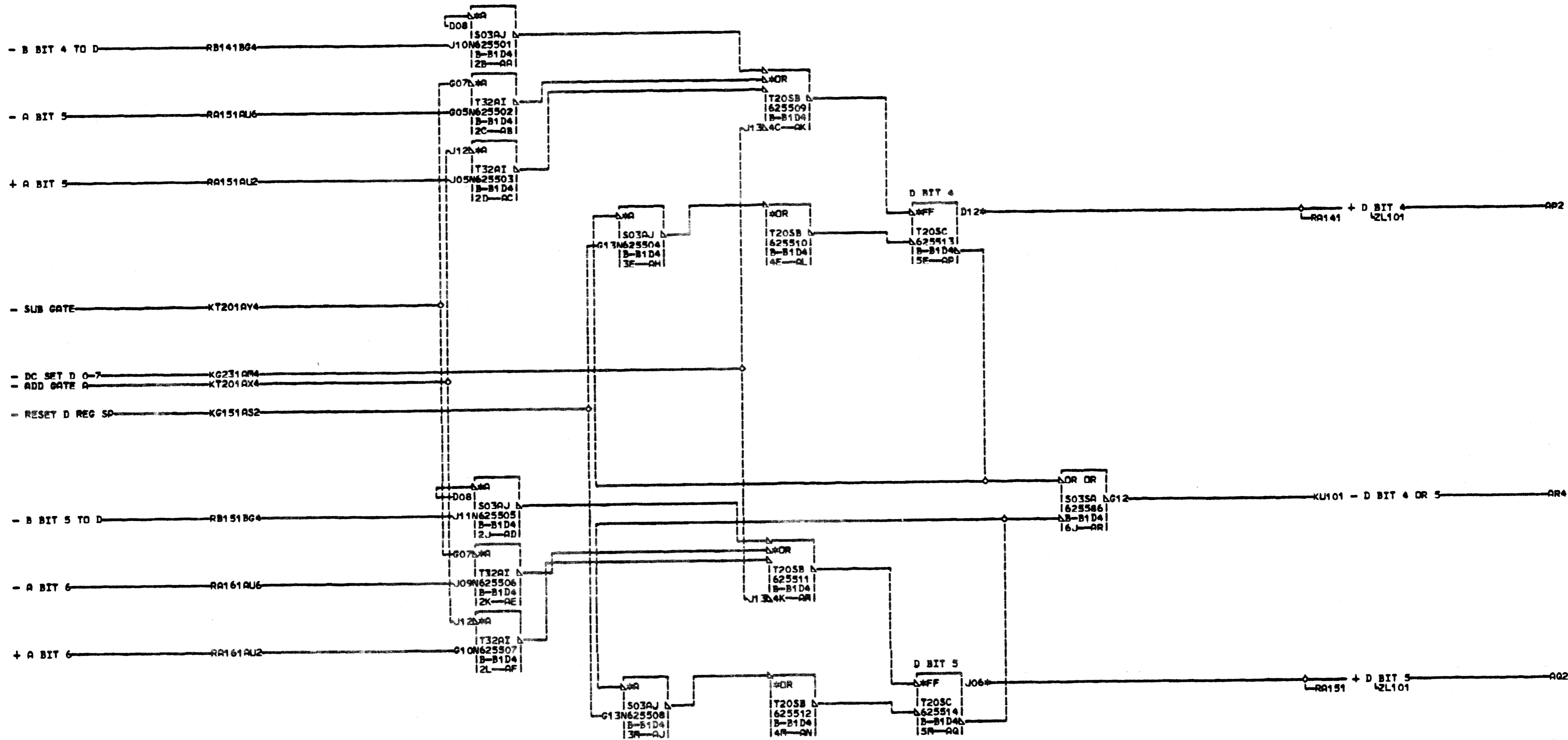


AP2 B-B1N4B03
 AQ2 B-B1N4D04

09-02-66 419631
 11-11-66 419644

D REGISTER			
BITS 2 AND 3			
DATE	11-17-66	MACH.	1131-B
LOG	308K	FRAME	01
		P.No.	2231385
IBM CORP.	GPD BLK.		AS1

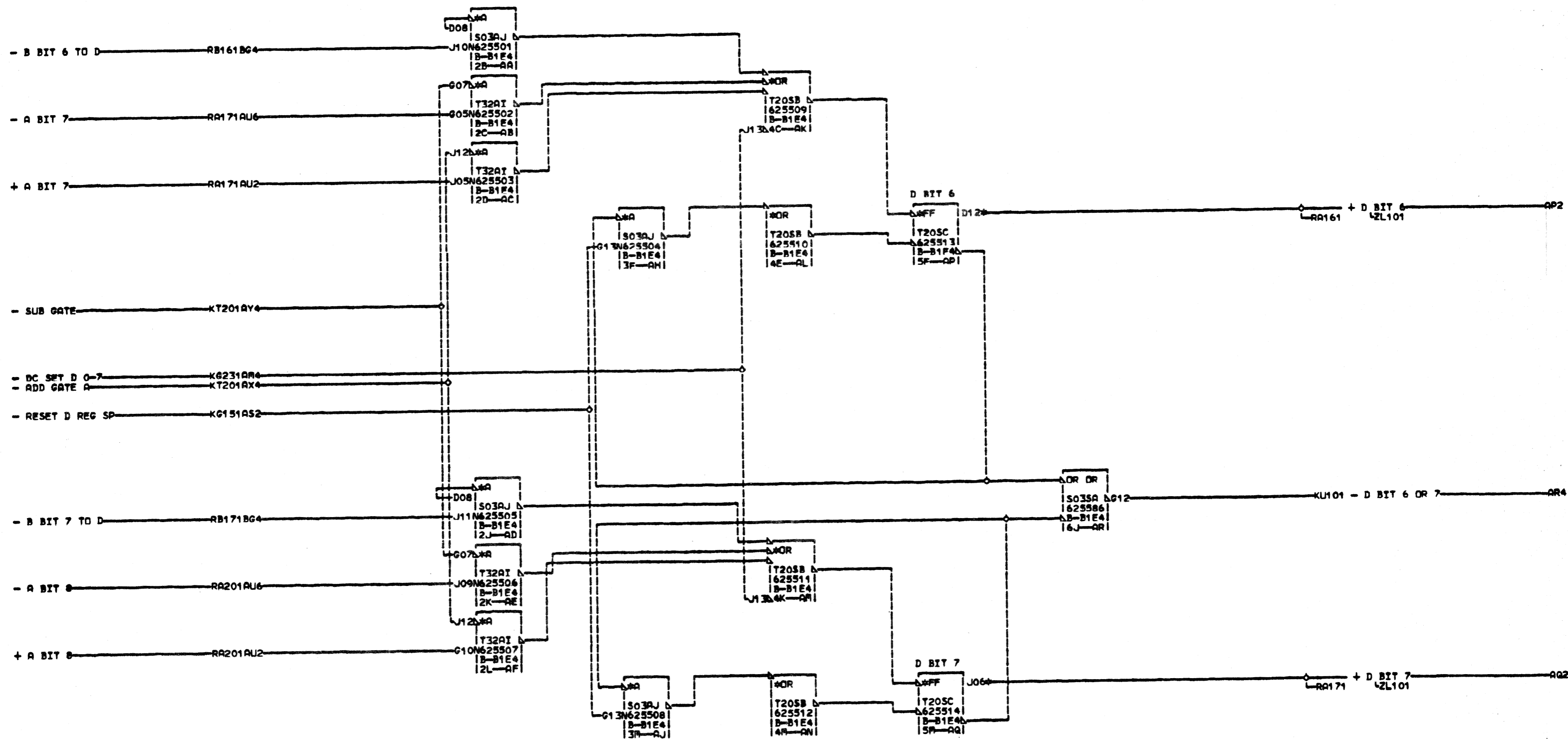
RD111



AP2 B-B1N4B04
AQ2 B-B1N4D05

09-02-66 419631
11-11-66 419644

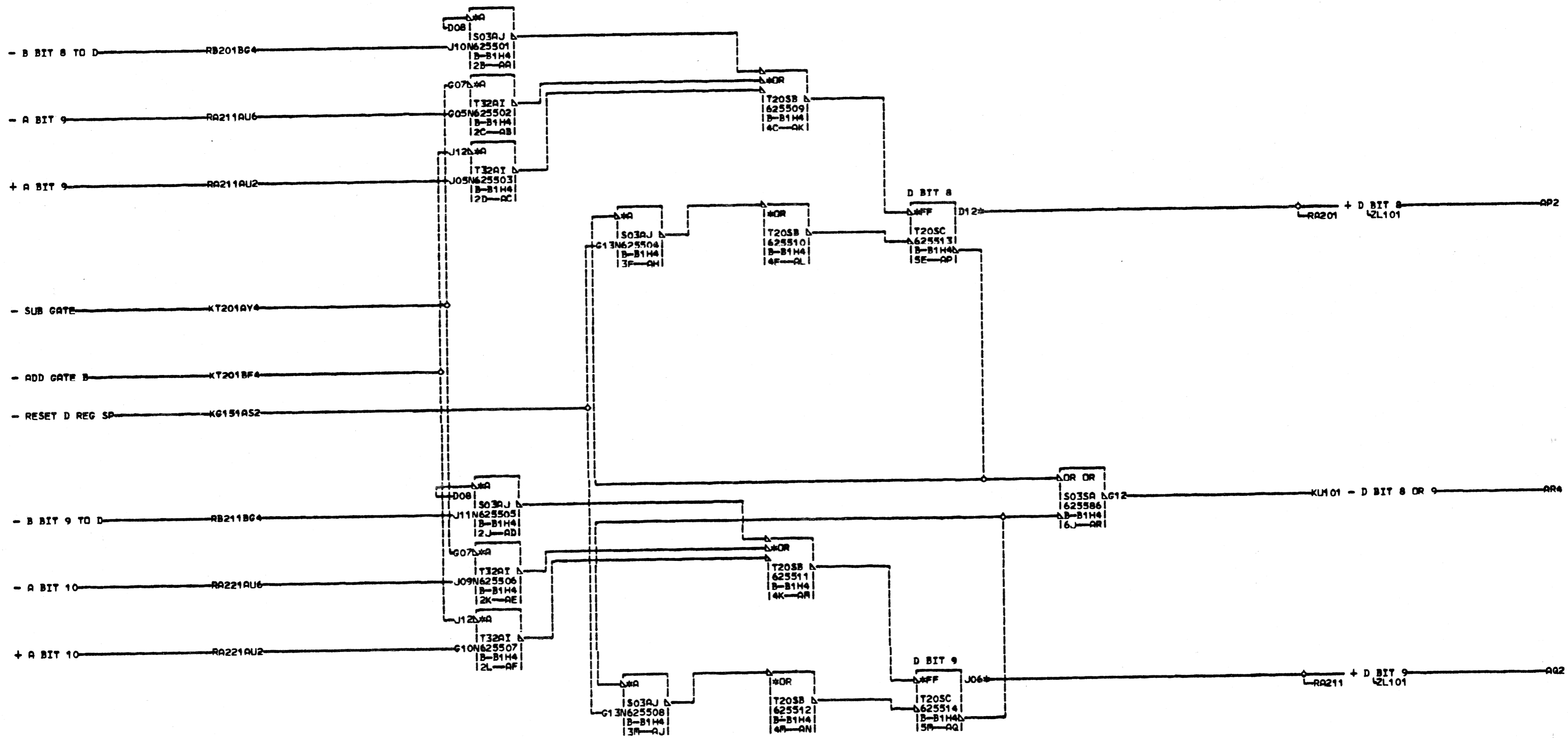
D REGISTER			R
BITS 4 AND 5			
DATE	11-17-66	ARCH. 1131-B	D
LDG	308K FRAME	01	1
P.N. 2231386			1



AP2 B-B1N4B05
 AQ2 B-B1N4D06

09-02-66 419631
 11-11-66 419644

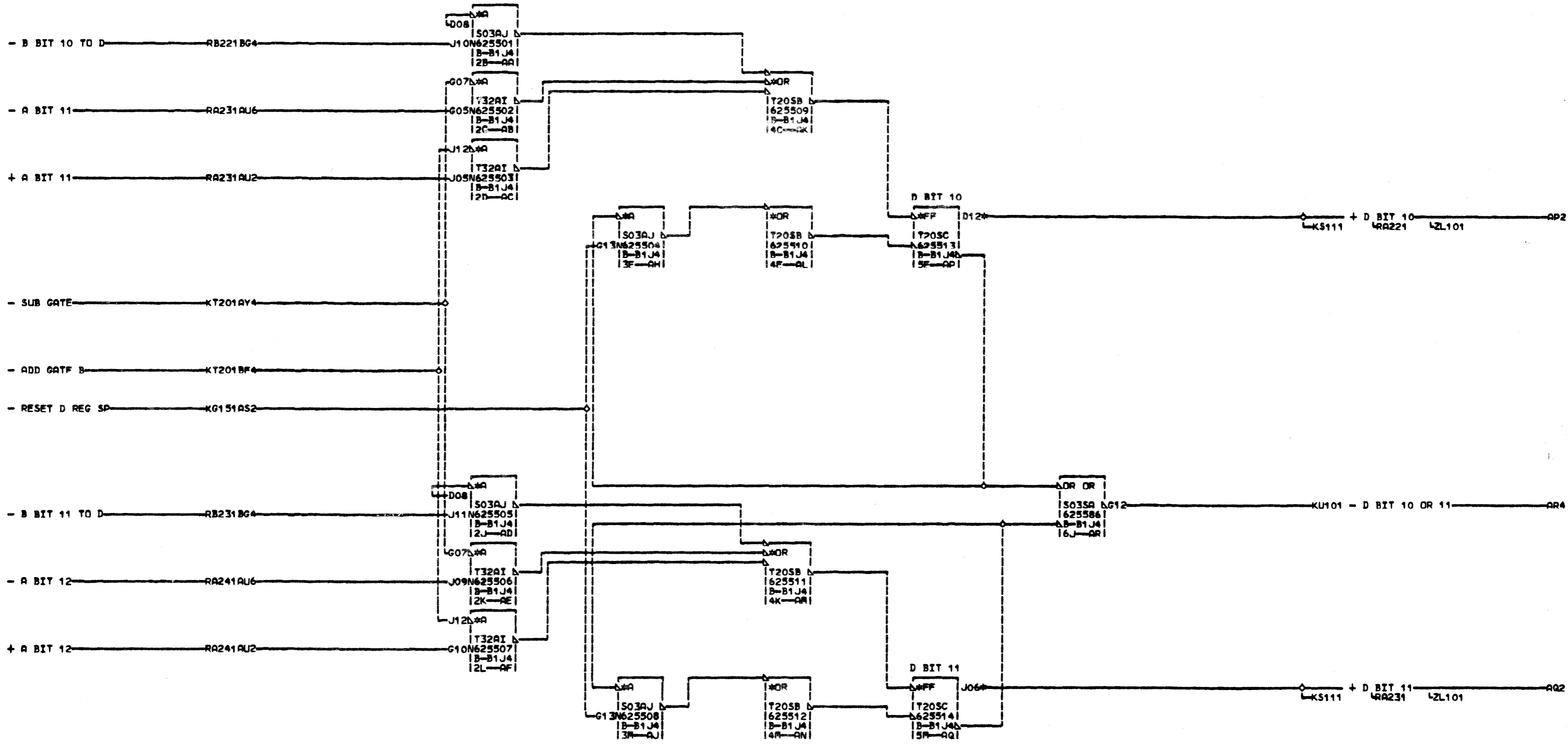
D REGISTER				R
BITS 6 AND 7				
DATE	11-17-66	MACH.	1131-B	D
LOG	308K	FRAME	01	3
		P.N.	2231387	1
TRM CORR.	GPD	BLK.	AS	000



AP2 B-B1N4B07
 AQ2 B-B1N4D07

09-02-66 419631
 11-11-66 419644

D REGISTER			
BITS 8 AND 9			
DATE	11-17-66	MACH.	1131-B
LOG	308K	FRAME	01
		P.No.	2231388



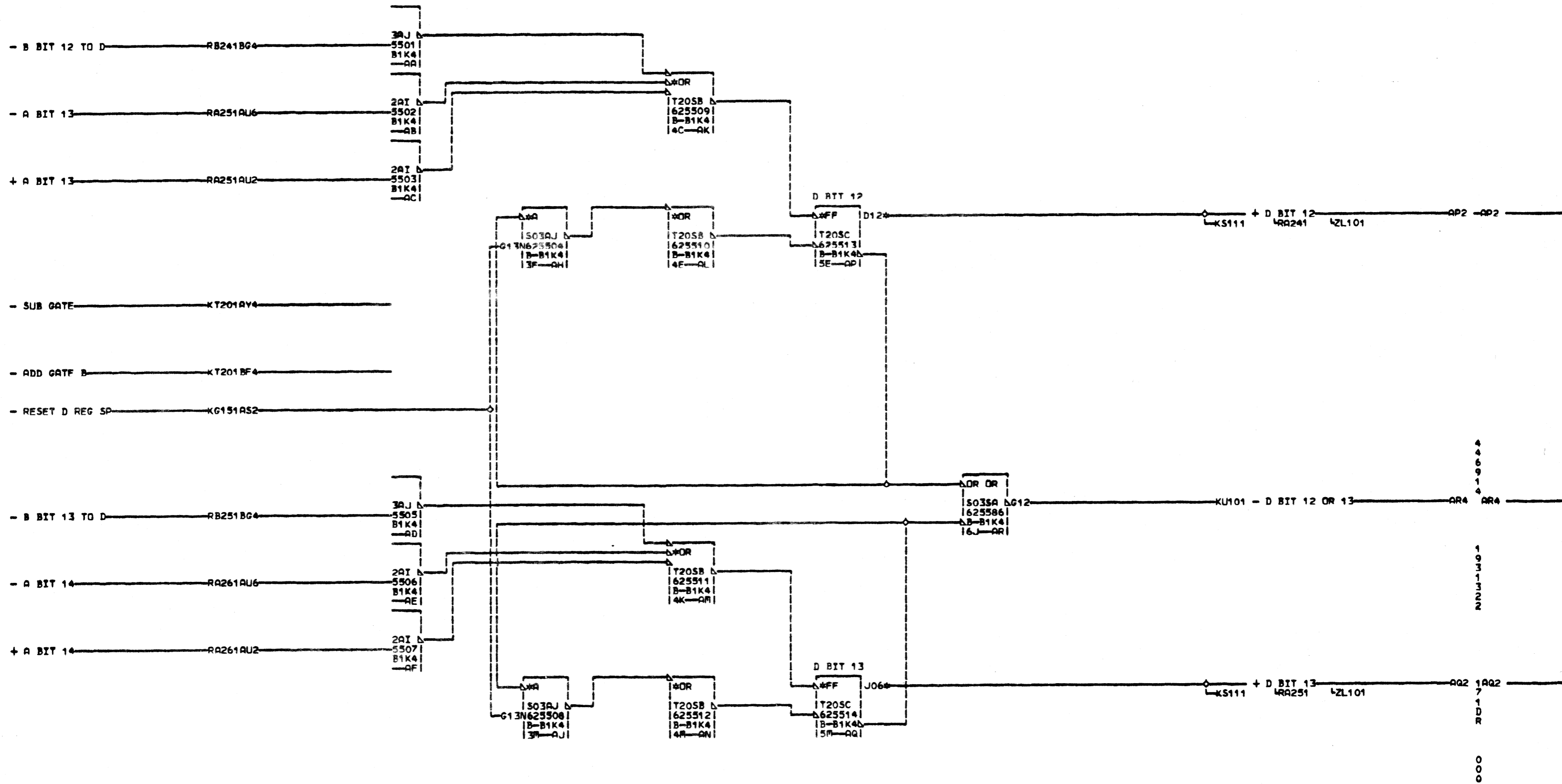
R
D
1
5
1
000

AP2 B-B1N4B08
 01 B-B1A5B03
 01 B-A1N5B03
 AQ2 B-B1N4D09
 01 B-B1A5D03
 01 B-A1N5D03

09-02-66 419631
 11-11-66 419644

D REGISTER			R
BITS 10 AND 11			D
DATE	11-17-66	MACH. 1131-B	1
LOG	308K FRAME	01	5
P.No. 2231389			1

000

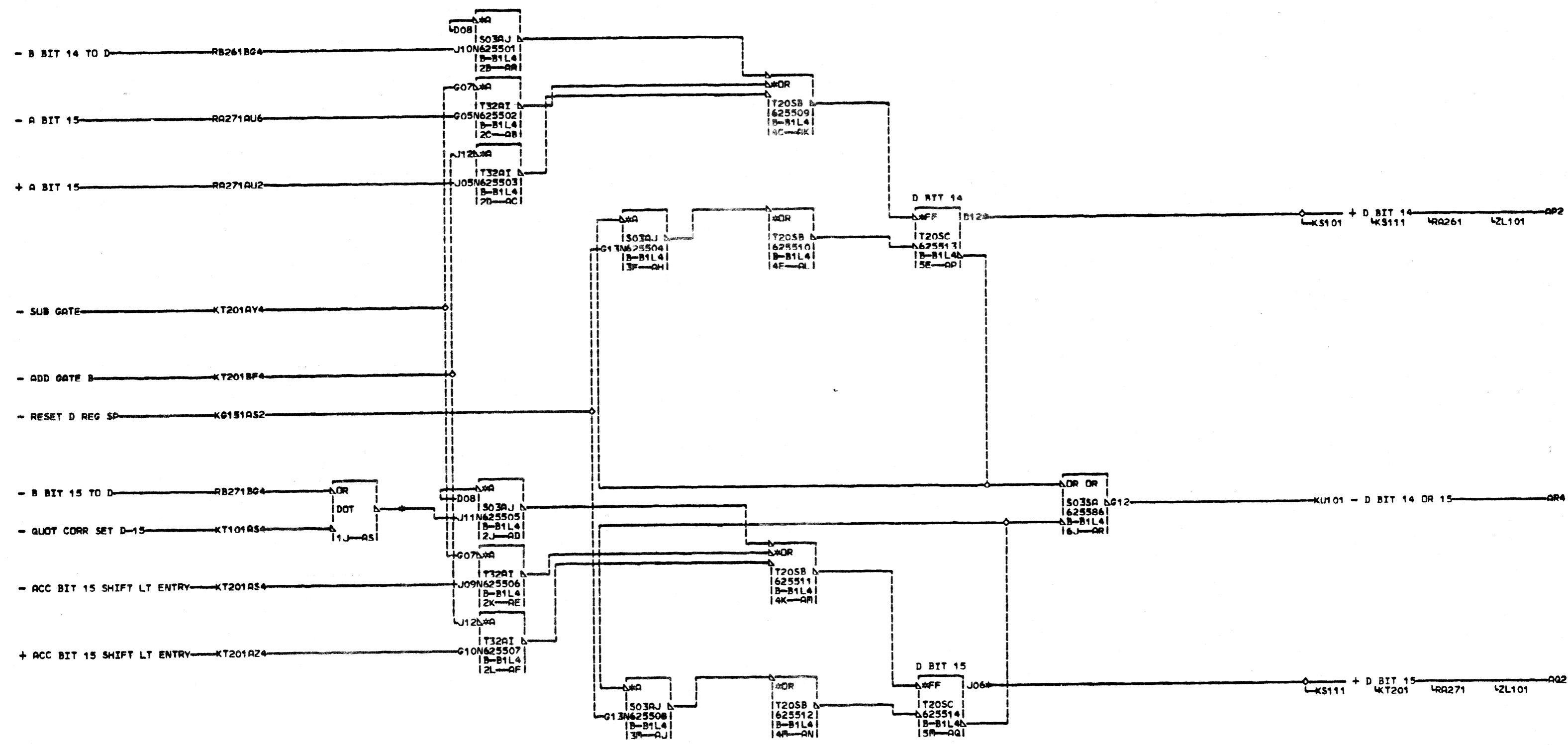


RD
161

AP2 B-B1N4B09
01B-B1A5B04
01B-A1N5B04
AQ2 B-B1N4D10
01B-B1A5D04
01B-A1N5D04

09-02-66 419631
11-11-66 419644

D REGISTER				BITS 12 AND 13	
DATE	11-17-66	MACH.	1131-B	R	R 13
LOG	308K FRAME	01	6	D	1131-B
			1	B	1
			1	6	E 0
			1	1	
			3	1	2231390
			000	1000	

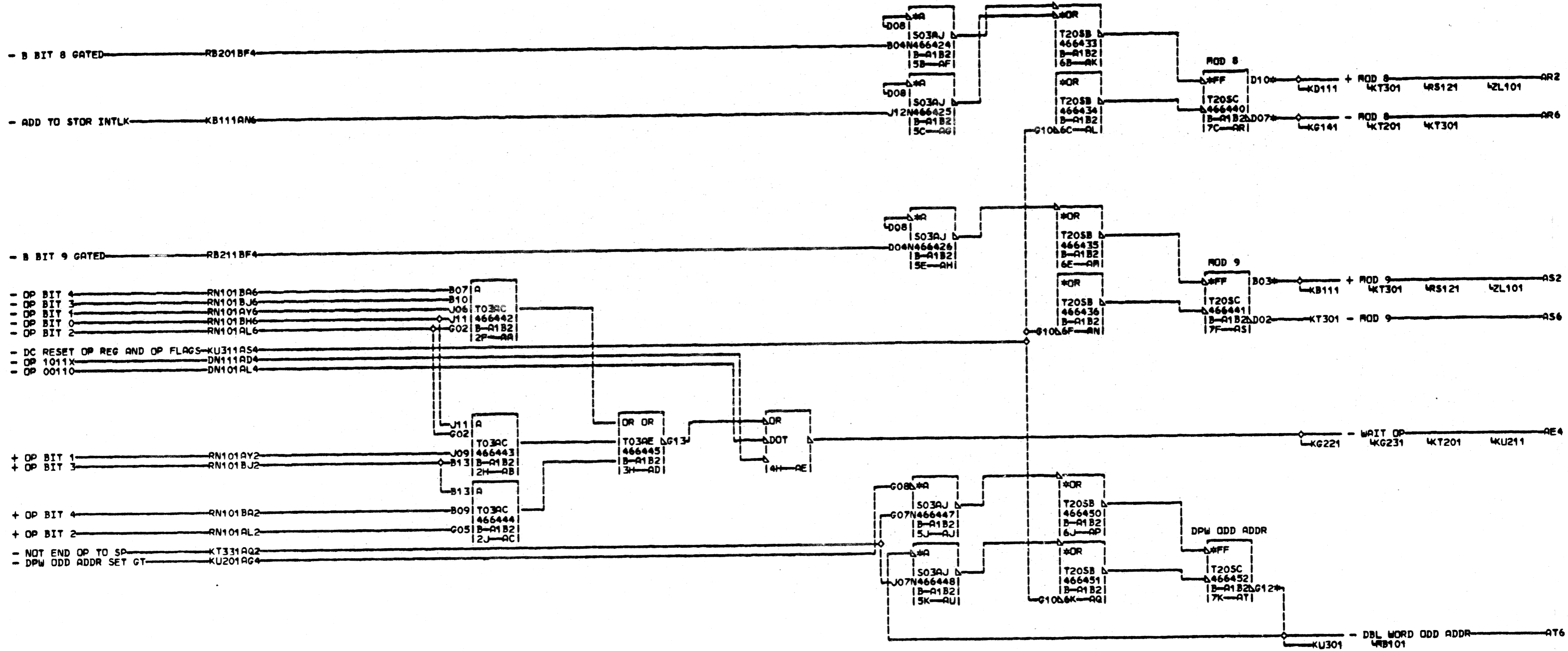


R
D
1
7
1

AP2 B-B1N4B10
 01B-B1A5B05
 01B-A1N5B05
 AQ2 B-B1N4D11
 01B-B1A5D05
 01B-A1N5D05
 AS4 B-B1E1C11
 A1B-B1E1C11

09-02-66 419631
 11-11-66 419644

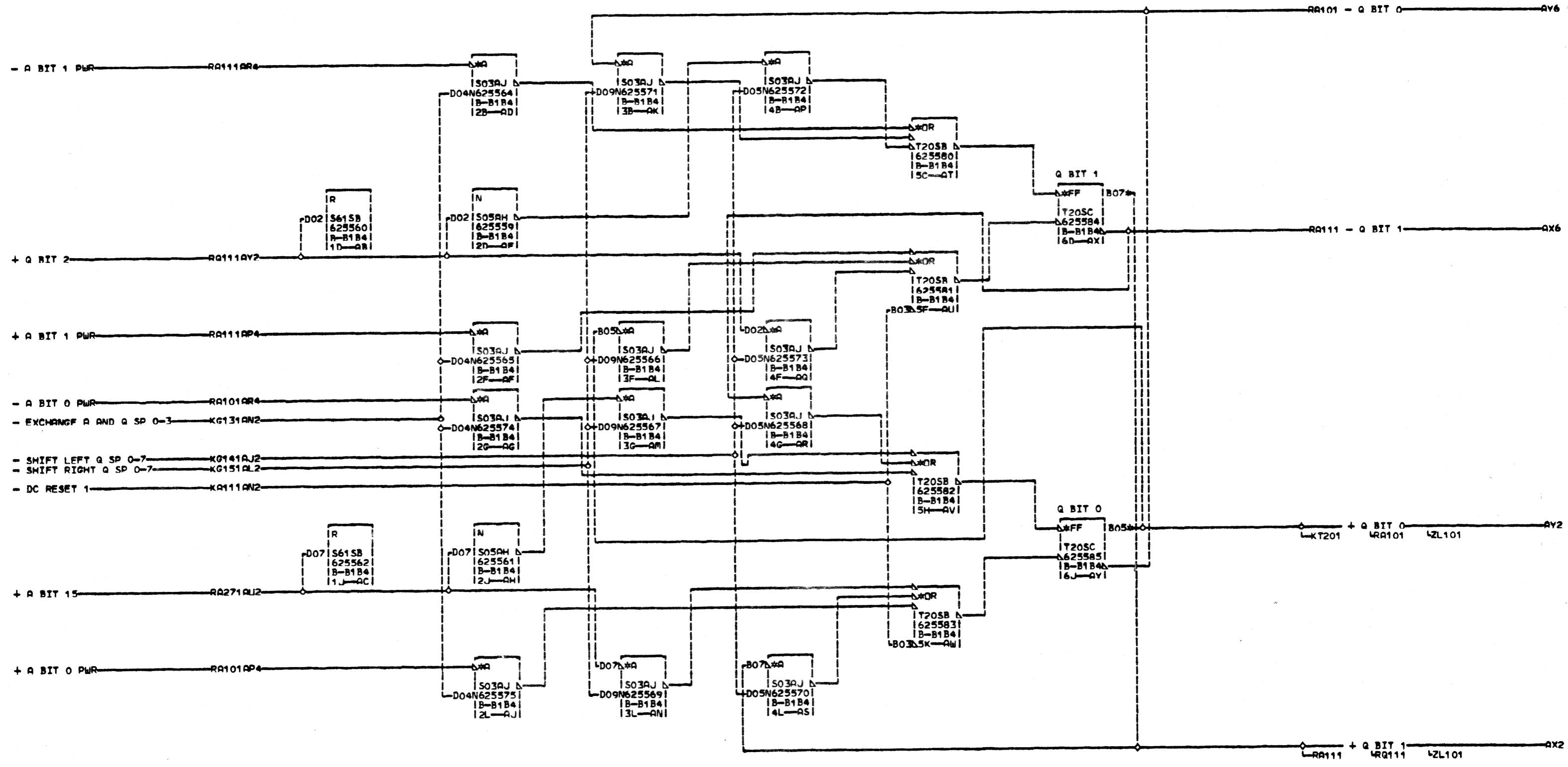
D REGISTER			R
BITS 14 AND 15			D
DATE	11-17-66	MACH. 1131-B	1
LOG	308K FRAME	01	7
		P.No. 2231391	1
			000
TRM CORR.	ADD RLK.		AT



AR2 B-A1A2D06
 AR6 B-A1N3B09
 O1B-B1A3B09
 AS2 B-A1A2D07
 AT6 B-A1M8B06
 O1B-B1M8B06

08-30-66 419631

MOD 8	MOD 9	WAIT OP	
DBL WORD ODD ADDR			
DATE	09-13-66	FRAC#	1131-B
LOG	242U	FRAME	01
		P.N.	2239188
IBM CORP.	GPD	BLK.	SAI

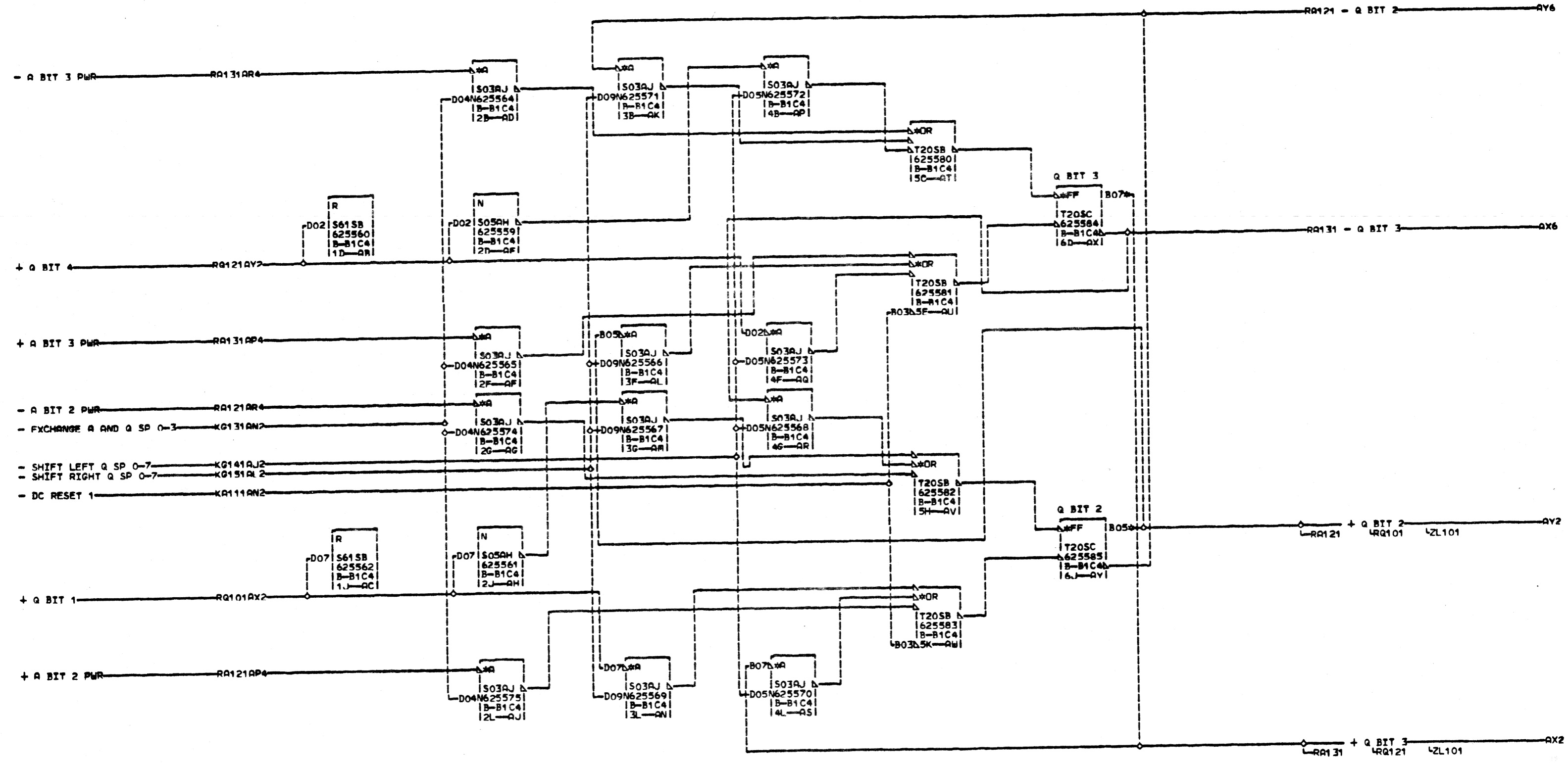


AX2 B-B1N3D02
 AY2 B-B1N3B02
 01 B-B1A5B08
 01 B-A1N5B08

09-02-66 419631
 11-11-66 419644

Q REGISTER		
BITS 0 AND 1		
DATE	11-17-66	MACH. 1131-B
LOG	308K FRAME	01
P.N. 2231393		000
IBM CORP.	GPD BLK.	AZ1

R
Q
1
0
1
000

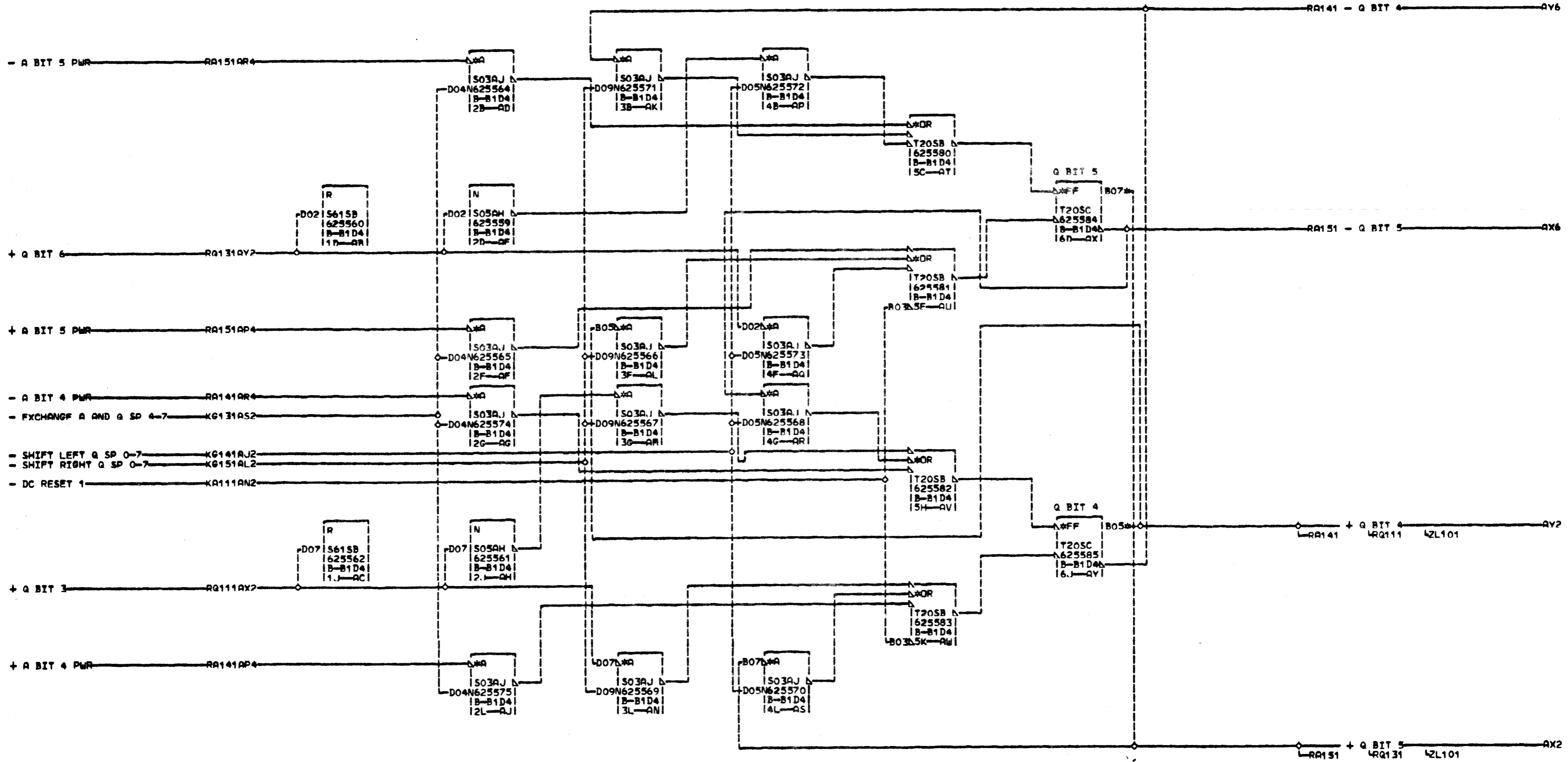


AX2 B-B1N3D04
 AY2 B-B1N3B03

09-02-66 419631
 11-11-66 419644

Q REGISTER				R
BITS 2 AND 3				Q
DATE	11-17-66	MACH.	1131-B	1
LOG	308K	FRAME	01	1
		P.N.	2231394	1
IBM CORP.	GPD	BLK.	AZ	000

R
Q
1
1
1
000

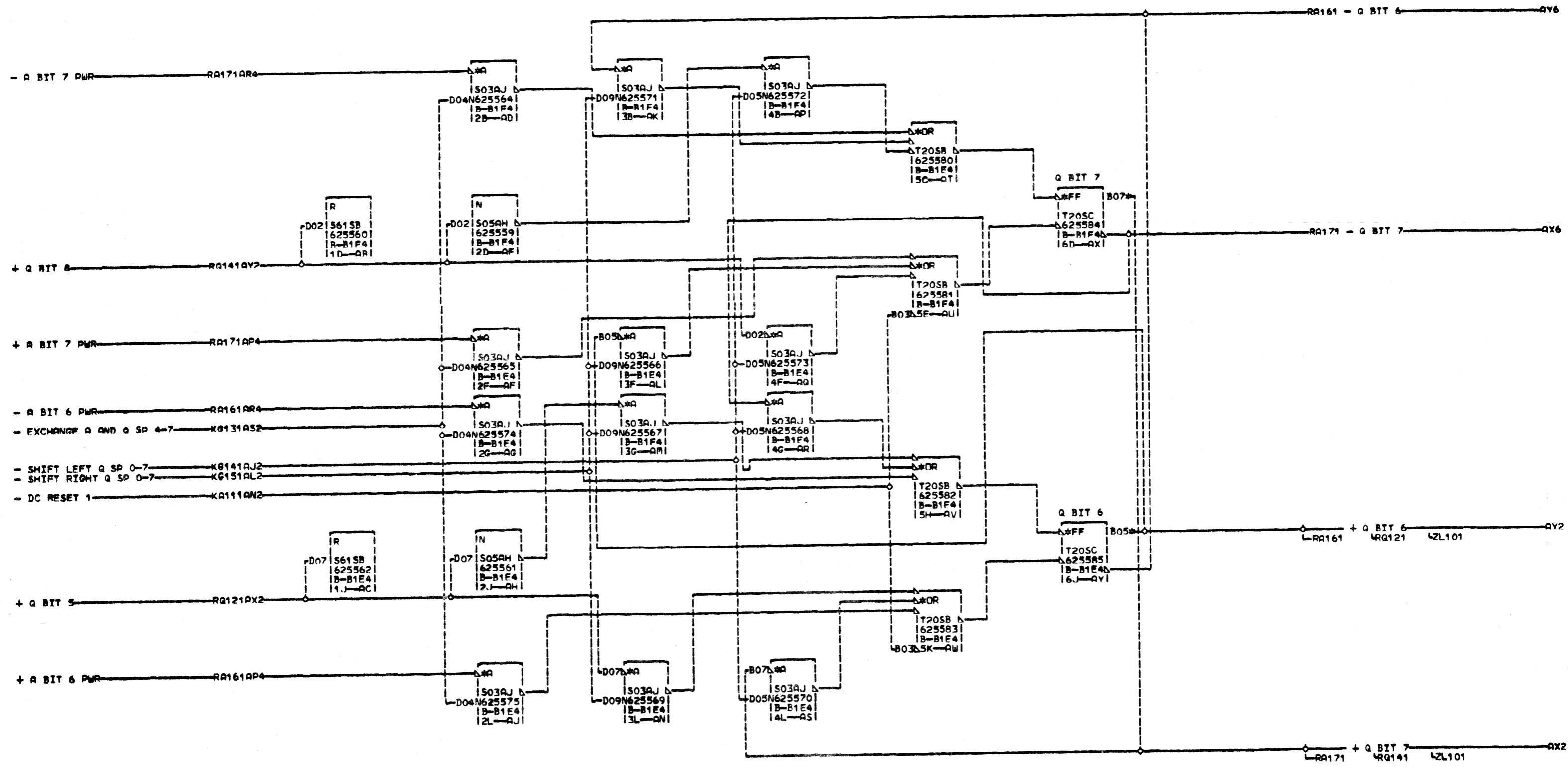


AX2 B-B1N3D05
 AY2 B-B1N3B04

09-02-66 419631
 11-11-66 419644

Q REGISTER BITS 4 AND 5			R
DATE	11-17-66	MACH. 1131-B	Q
LOG	308K FRAME	01	2
	P.No.	2231395	1
IBA CORP.	GPD BLK.	AZ	000

R
Q
1
2
1

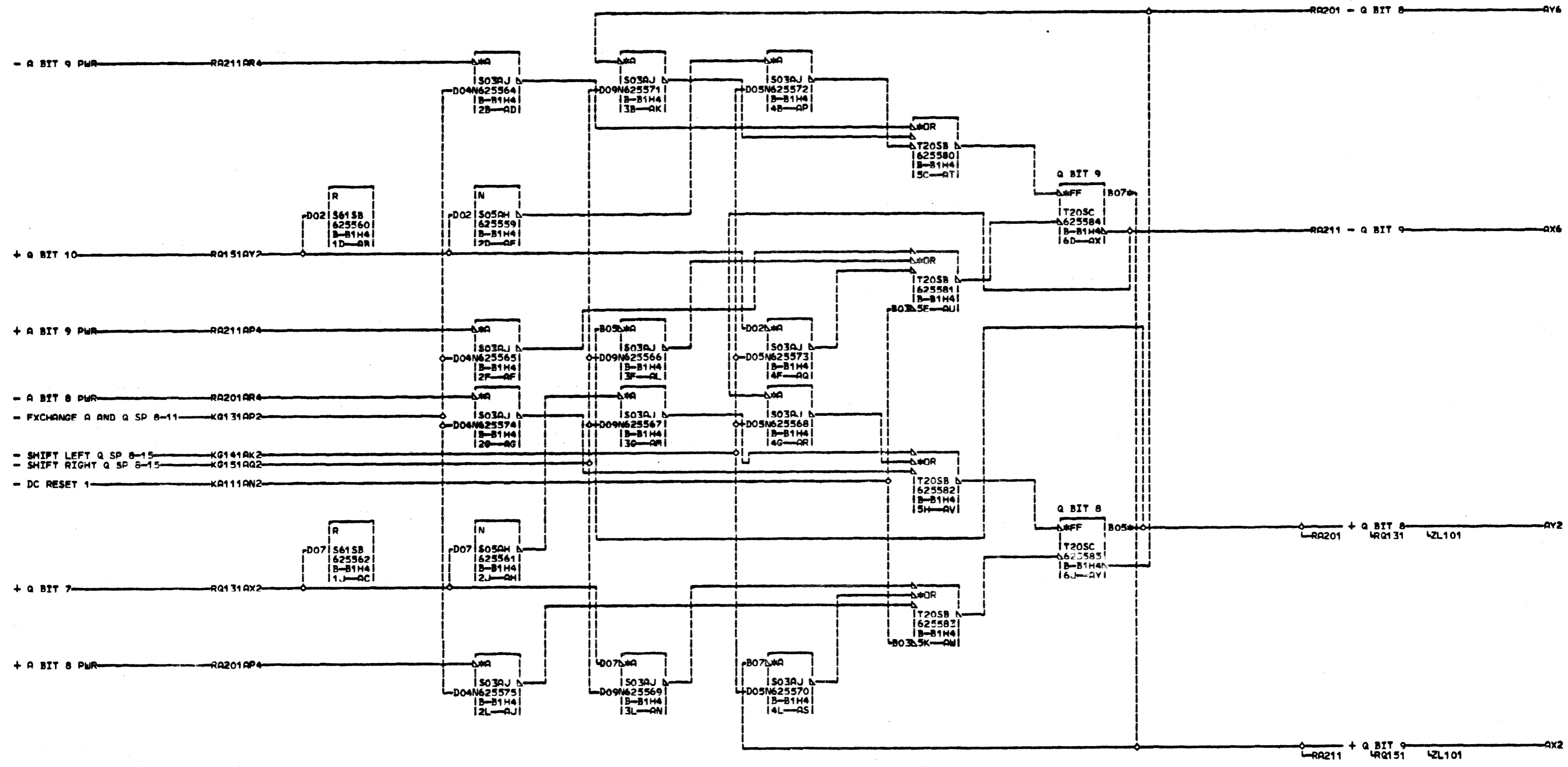


AX2 B-B1N3D06
 AY2 B-B1N3B05

09-02-66 419631
 11-11-66 419644

Q REGISTER			
BITS 6 AND 7			
DATE	11-17-66	MACH.	1131-B
LOG	308K	FRAME	01
		P.No.	2231396
IBM CORP.	GPD	BLK.	AZ

R
 Q
 1
 3
 1
 000



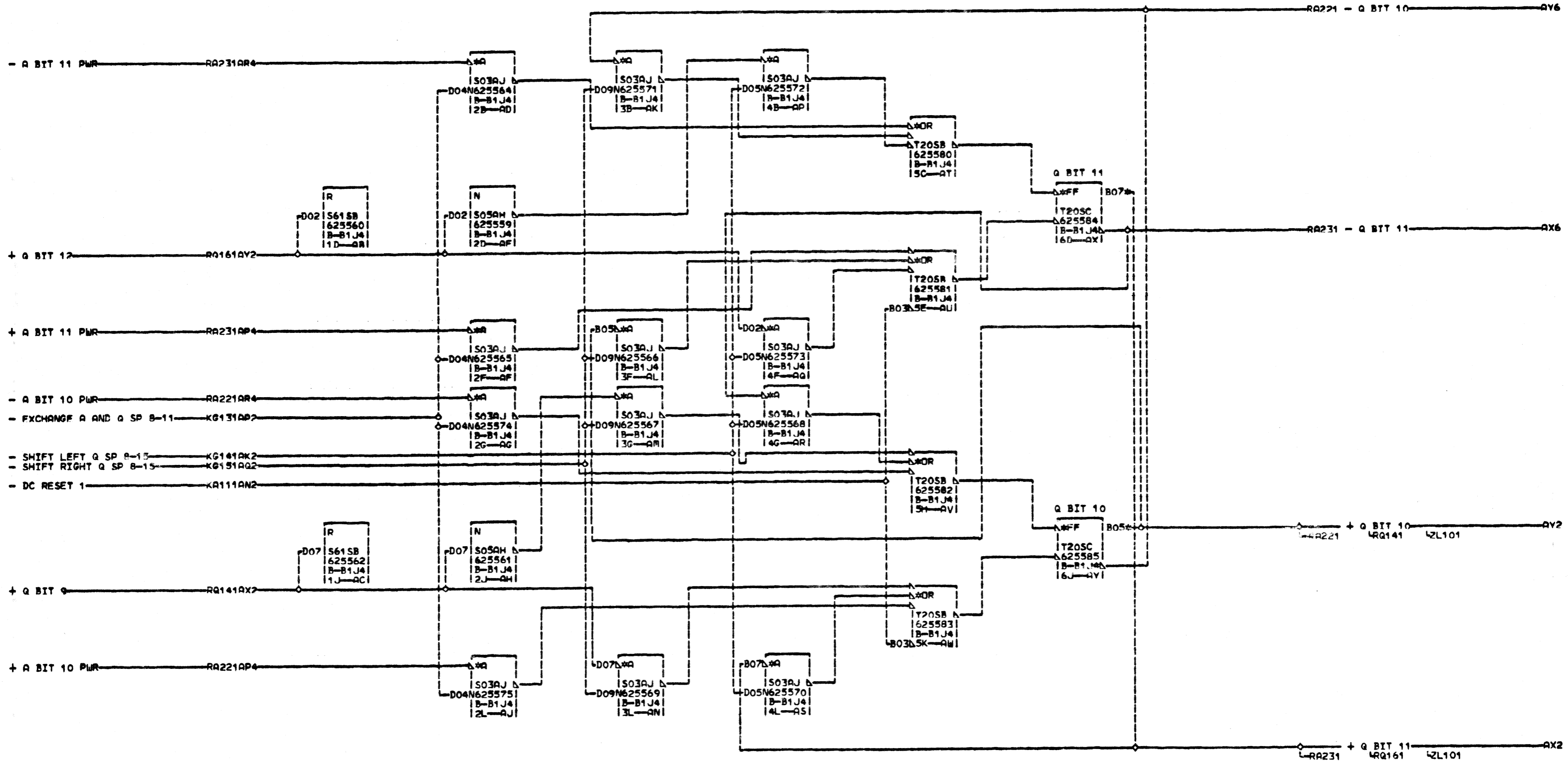
AX2 B-B1N3D07
 AY2 B-B1N3B07

09-02-66 419631
 11-11-66 419644

Q REGISTER			R
BITS 8 AND 9			Q
DATE	11-17-66	MACH. 1131-B	1
LOG	308K FRAME	01	4
		P.N. 2231397	1
IBM CORP.	GPD BLK.	AZ	000

R
Q
1
4
1

000

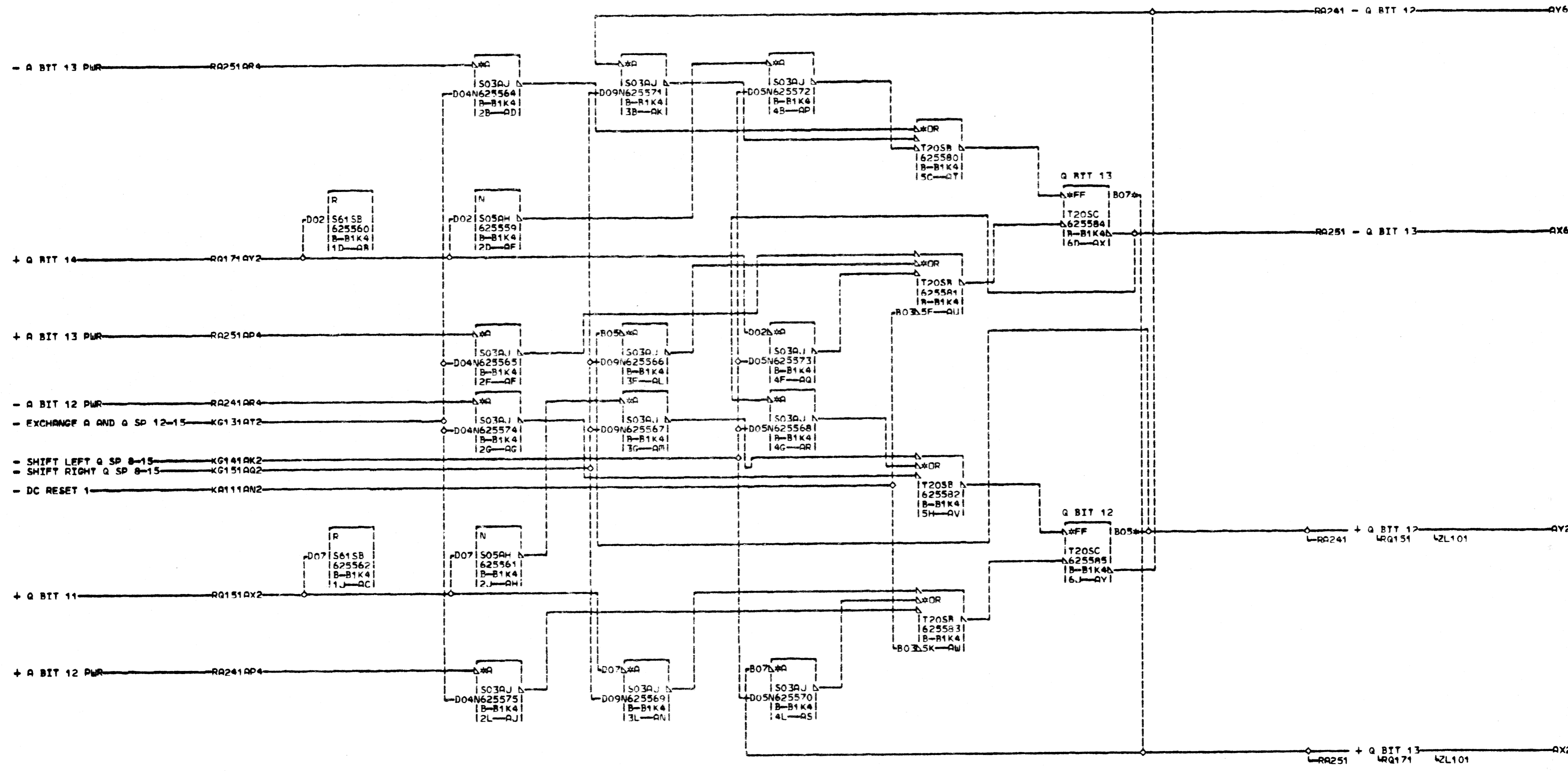


AX2 B-B1N3D09
 AY2 B-B1N3B08

09-02-66 419631
 11-11-66 419644

Q REGISTER BITS 10 AND 11		
DATE	11-17-66	RACH. 1131-B
LOG	308K FRAMP	01
		P.N. 2231398
IBM CORP.	CPD BLK.	AZ1

R
Q
1
5
1

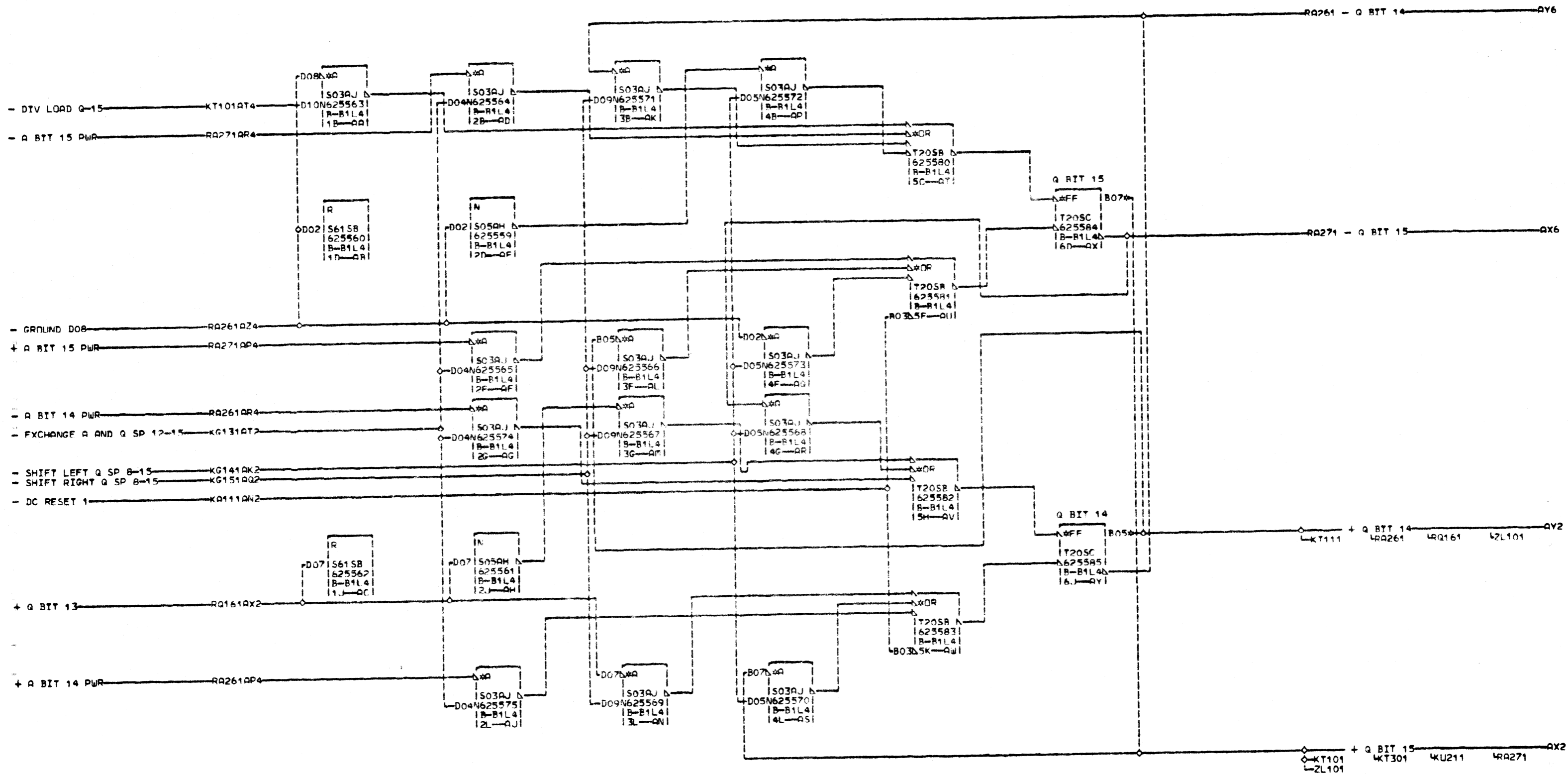


AX2 B-B1N3D10
 AY2 B-B1N3B09

09-02-66 419631
 11-11-66 419644

Q REGISTER			
BITS 12 AND 13			
DATE	11-17-66	MACH.	1131-B
LOG	308K FRAME	01	6
		P.N.	2231399
IBM CORP.	GPD BLK.	AZ	1

R
 Q
 1
 6
 1
 000

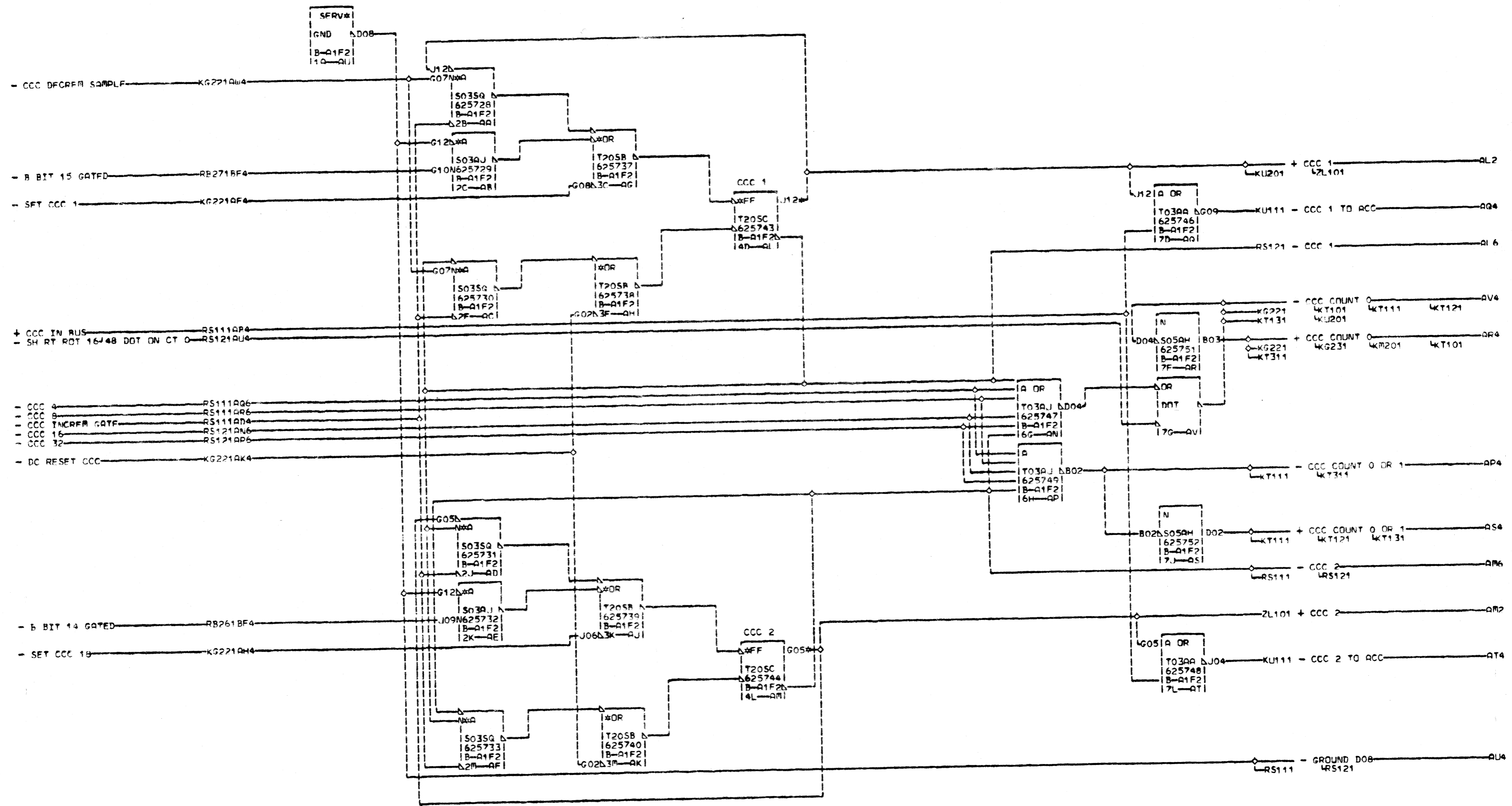


R
Q
1
7
1

AX2 B-B1N3D11
 01B-B1A5D09
 01B-A1N5D09
 AY2 B-B1N3B10
 01B-B1A5B09
 01B-A1N5B09

09-02-66 419631
 11-11-66 419644

Q REGISTER			
BITS 14 AND 15			
DATE	11-17-66	MACH. 1131-B	R
LOG	308K FRAME	01	Q
			7
			1
		P.N. 2231400	000
IBM CORP.	GPD BLK.		AZ1

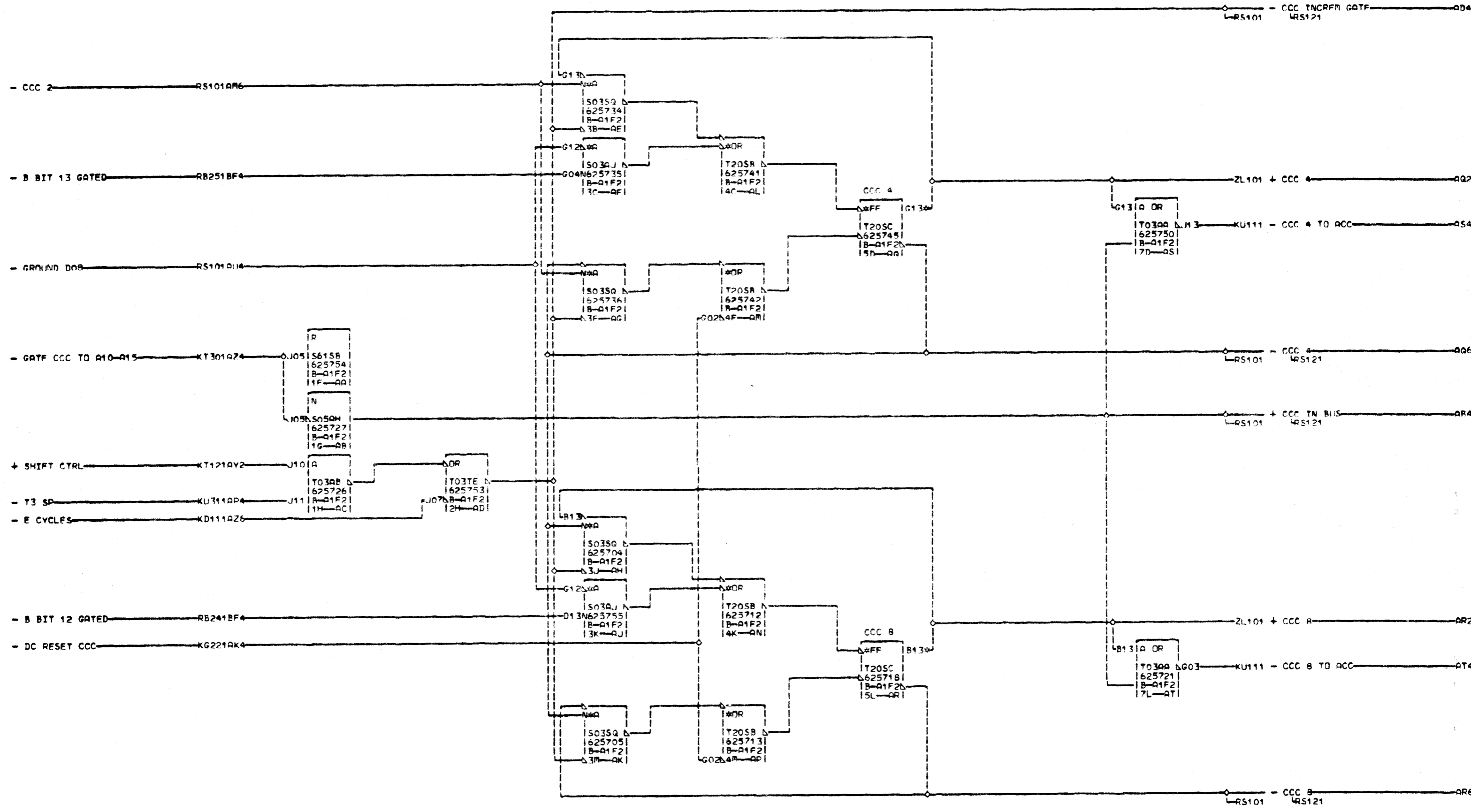


AL2 B-A1A2B08
 AM2 B-A1A2B09

09-02-66 419631
 11-11-66 419644

CYCLE CONTROL COUNTER 1 - 2			
DATE	11-17-66	MACH.	1131-B
LOG	308K	FRAMF	01
		P.N.	2231401
IBM CORP.	GPD	BLK.	AM

RS101

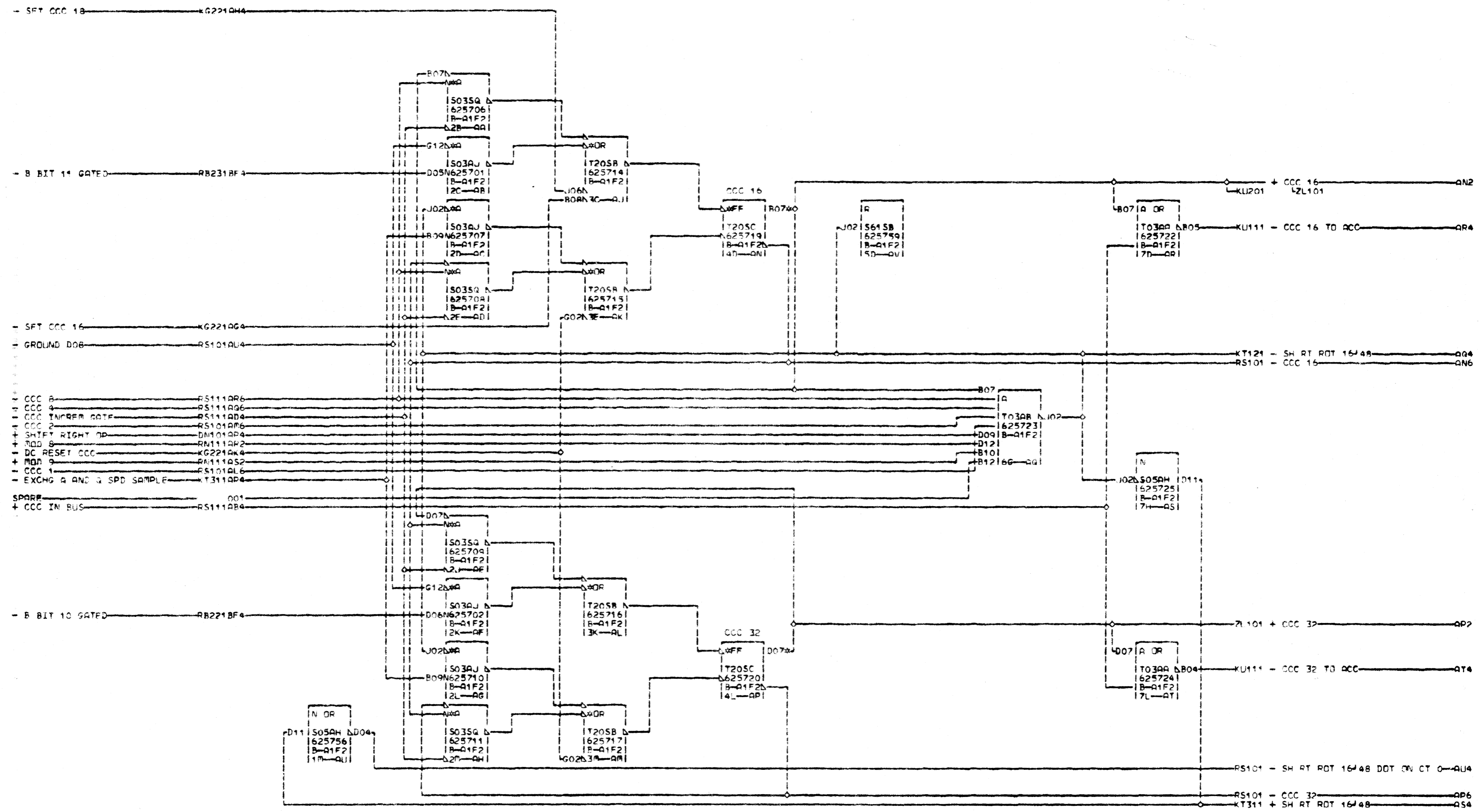


AQ2 B-A1A2B10
 AR2 B-A1A2D09

09-02-66 419631
 11-11-66 419644

CYCLE CONTROL COUNTER 4 - 8			R
DATE	11-17-66	MACH. 1131-B	S
LOG	308K FRAME	01	1
			1
		P.N. 2231402	000
TRM CORR.	CDR RIK		

R
 S
 1
 1
 1
 1
 000

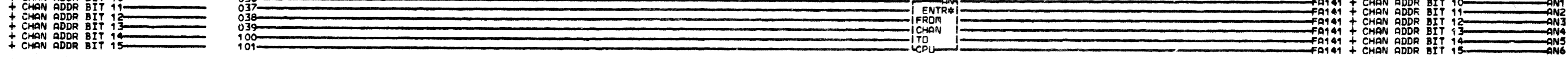
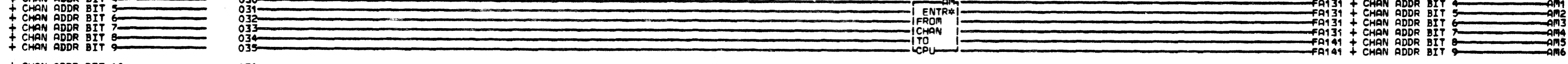
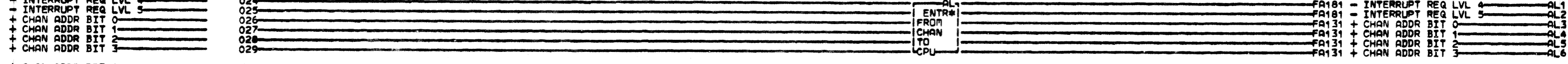
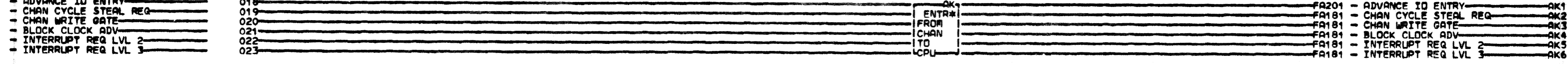
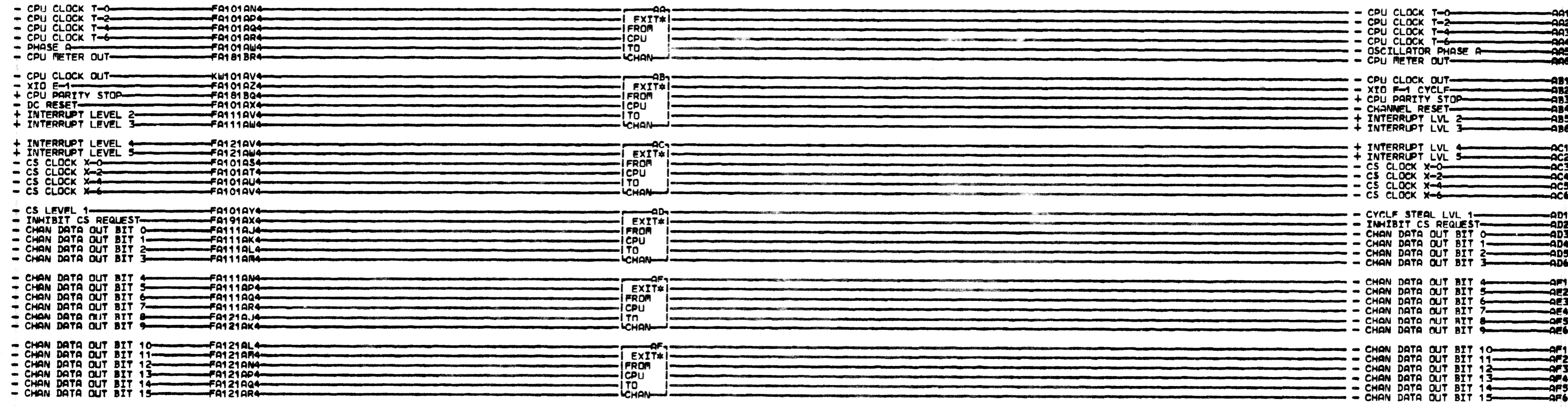


AN2 B-A1A2D10
 AP2 B-A1A2D11

09-02-66 419631
 11-11-66 419644

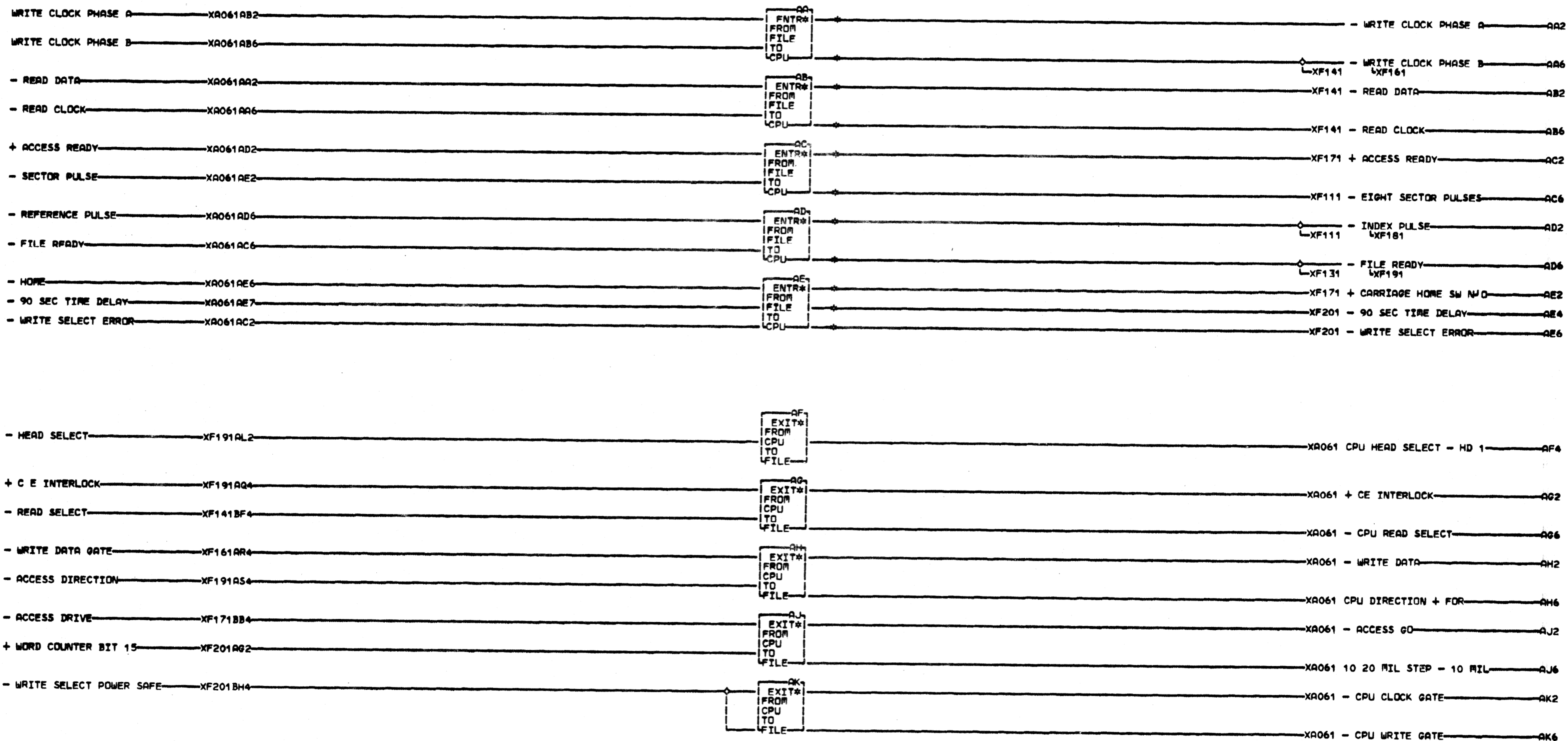
CYCLE CONTROL COUNTER 16 - 32			
DATE	11-17-66	MACH.	1131-B
LOG	308K	FRAME	01
		P.N.	2231403
IBM CORP.	GPD	BLK.	AY

000



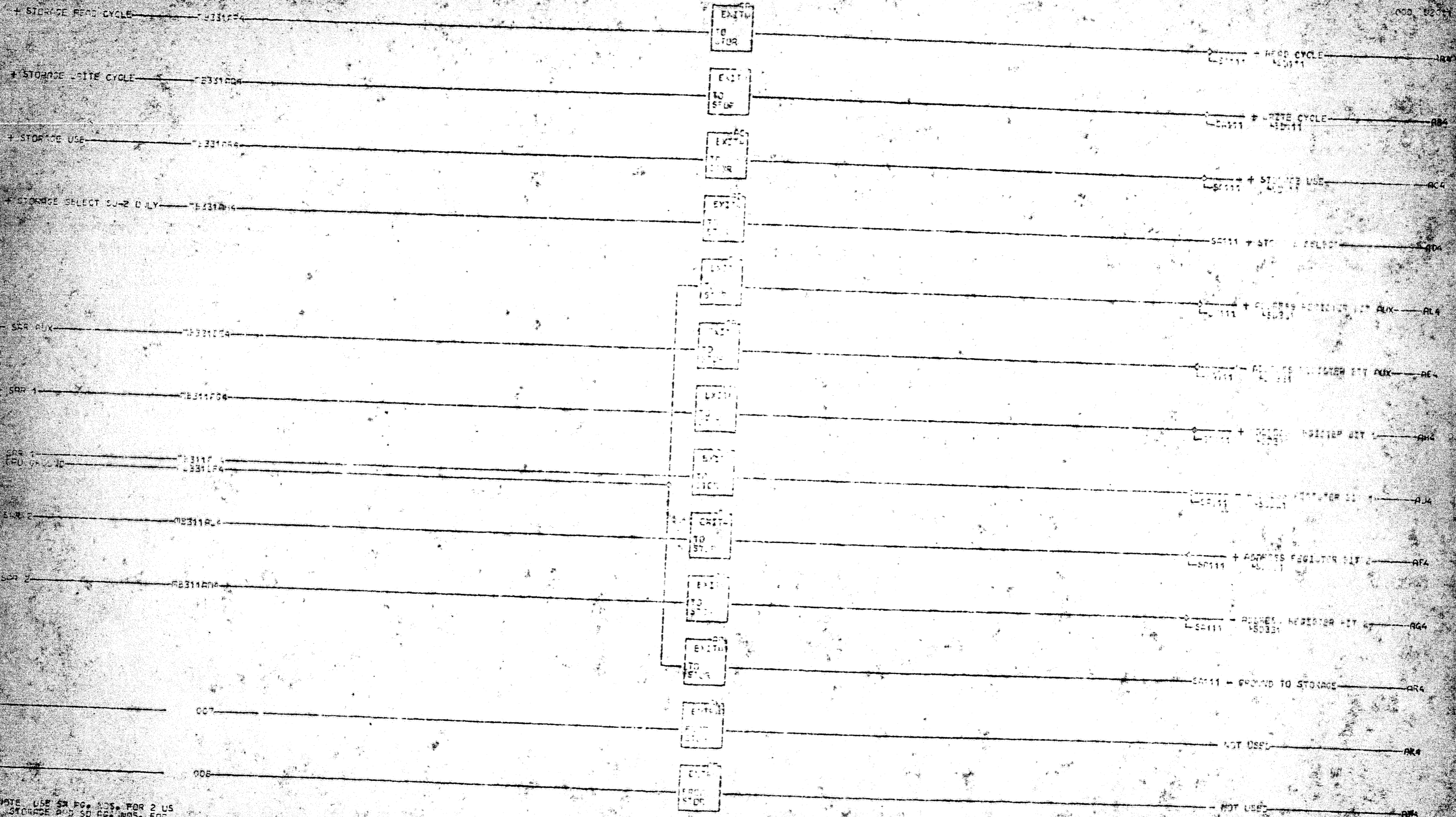
NOTE WHEN THE 1133 IS ATTACHED THE ABOVE SIGNALS WILL BE SHOWN ON PAGE WA200 OF THE 1133 LOGICS.

STORAGE ACCESS CHANNEL INTERFACE		WA201
E.C.-HISTORY	MACH-1131-B	
	FRAME	01
	IBM CORP. SDD	
DATE	LAST EC	000



AA2 A-C1N7D05 AE4 A-C1N7D12
 AA6 A-C1N7B05 AE6 A-C1N7B08
 AB2 A-C1N7B03
 AB6 A-C1N7D02
 AC2 A-C1N7B07
 AC6 A-C1N7D06
 AD2 A-C1N7B12
 AD6 A-C1N7D13
 AE2 A-C1N7B02

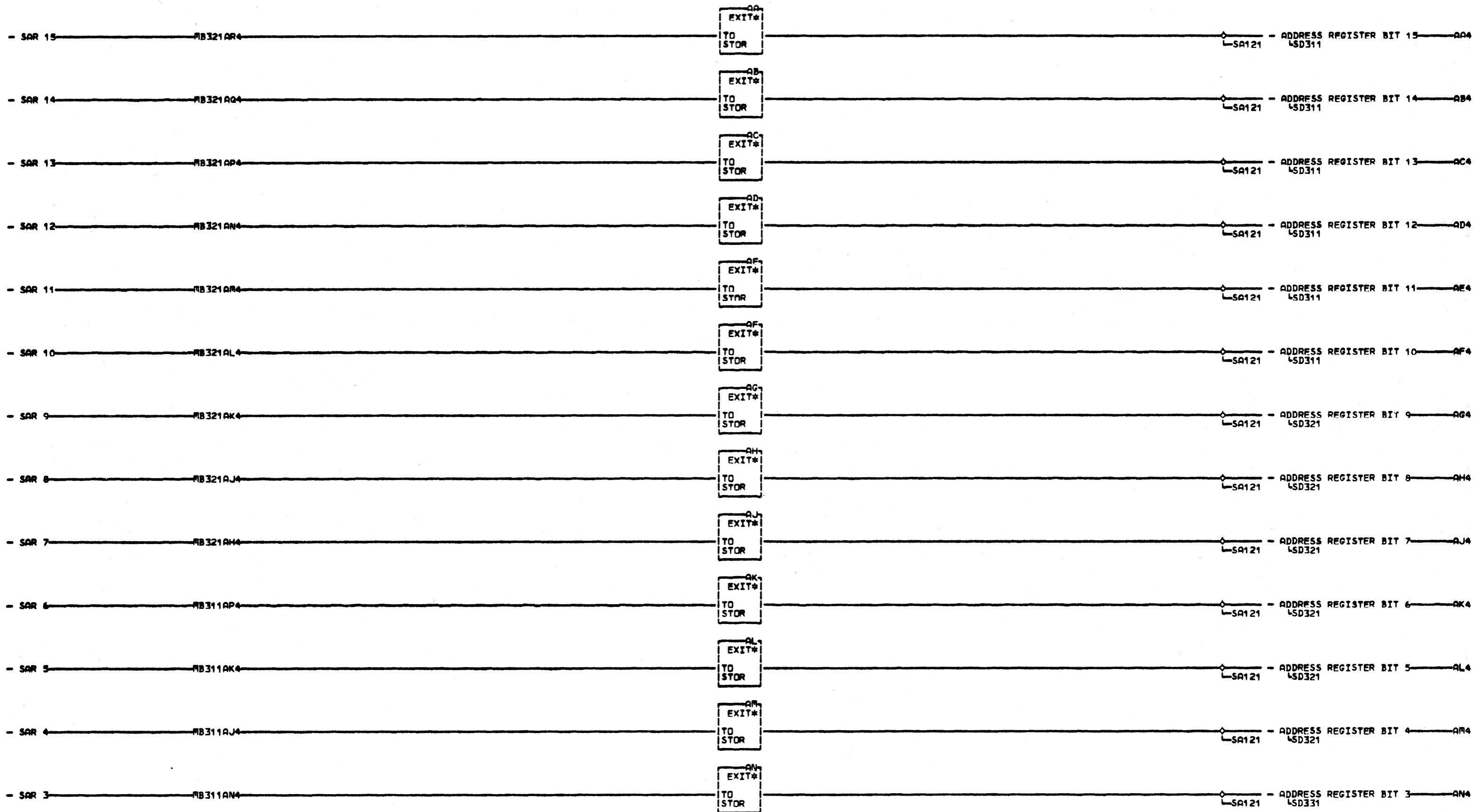
FILE - PROCESSOR INTERFACE
 E.C. HISTORY: 419631, 419648
 FRAME: 01
 IBM CORP. GPD
 DATE: 10-27-67
 LAST EC: 419664
 P.N.: 237400A



NOTE: USE SR PC NOS. FOR 2 US STORAGE AND SR PC NOS. FOR 4 US STORAGE.

000
001
002
003
004
005
006
007

SU-2 OR SU-1 STORAGE INTERFACE	
415001	FRAM. 1131-E
415002	FRAM. 01
415003	FRAM. 01
415004	FRAM. 01
415005	FRAM. 01
415006	FRAM. 01
415007	FRAM. 01
415008	FRAM. 01
415009	FRAM. 01
415010	FRAM. 01
415011	FRAM. 01
415012	FRAM. 01
415013	FRAM. 01
415014	FRAM. 01
415015	FRAM. 01
415016	FRAM. 01
415017	FRAM. 01
415018	FRAM. 01
415019	FRAM. 01
415020	FRAM. 01
415021	FRAM. 01
415022	FRAM. 01
415023	FRAM. 01
415024	FRAM. 01
415025	FRAM. 01
415026	FRAM. 01
415027	FRAM. 01
415028	FRAM. 01
415029	FRAM. 01
415030	FRAM. 01
415031	FRAM. 01
415032	FRAM. 01
415033	FRAM. 01
415034	FRAM. 01
415035	FRAM. 01
415036	FRAM. 01
415037	FRAM. 01
415038	FRAM. 01
415039	FRAM. 01
415040	FRAM. 01
415041	FRAM. 01
415042	FRAM. 01
415043	FRAM. 01
415044	FRAM. 01
415045	FRAM. 01
415046	FRAM. 01
415047	FRAM. 01
415048	FRAM. 01
415049	FRAM. 01
415050	FRAM. 01
415051	FRAM. 01
415052	FRAM. 01
415053	FRAM. 01
415054	FRAM. 01
415055	FRAM. 01
415056	FRAM. 01
415057	FRAM. 01
415058	FRAM. 01
415059	FRAM. 01
415060	FRAM. 01
415061	FRAM. 01
415062	FRAM. 01
415063	FRAM. 01
415064	FRAM. 01
415065	FRAM. 01
415066	FRAM. 01
415067	FRAM. 01
415068	FRAM. 01
415069	FRAM. 01
415070	FRAM. 01
415071	FRAM. 01
415072	FRAM. 01
415073	FRAM. 01
415074	FRAM. 01
415075	FRAM. 01
415076	FRAM. 01
415077	FRAM. 01
415078	FRAM. 01
415079	FRAM. 01
415080	FRAM. 01
415081	FRAM. 01
415082	FRAM. 01
415083	FRAM. 01
415084	FRAM. 01
415085	FRAM. 01
415086	FRAM. 01
415087	FRAM. 01
415088	FRAM. 01
415089	FRAM. 01
415090	FRAM. 01
415091	FRAM. 01
415092	FRAM. 01
415093	FRAM. 01
415094	FRAM. 01
415095	FRAM. 01
415096	FRAM. 01
415097	FRAM. 01
415098	FRAM. 01
415099	FRAM. 01
415100	FRAM. 01

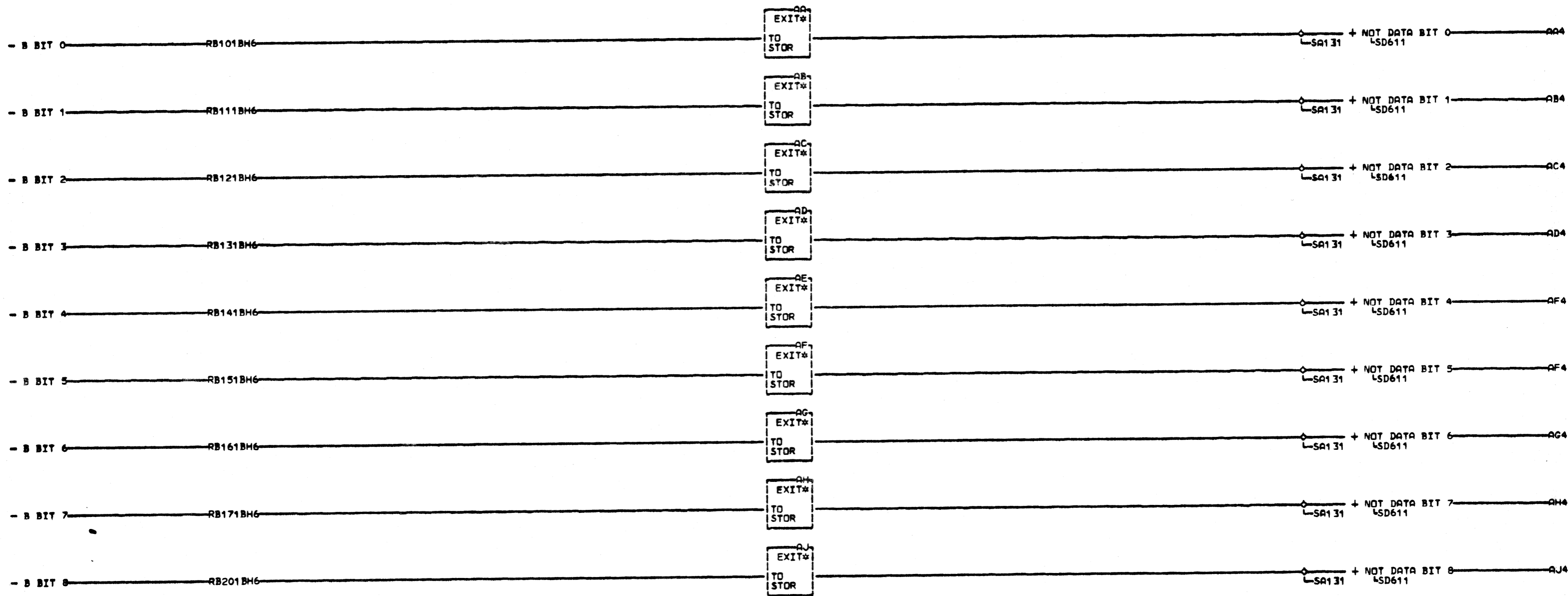


NOTE USE SA PG. NOS. FOR 2 US
STORAGE AND SD PG. NOS. FOR
4 US STORAGE.

ZONE
1

SJ-2 OR SJ-4 STORAGE INTERFACE	
E.C. HISTORY	MACH.1131-B
419631	
419644	FRAME 01
419644A	IBM CORP. GPD

ZONE
1

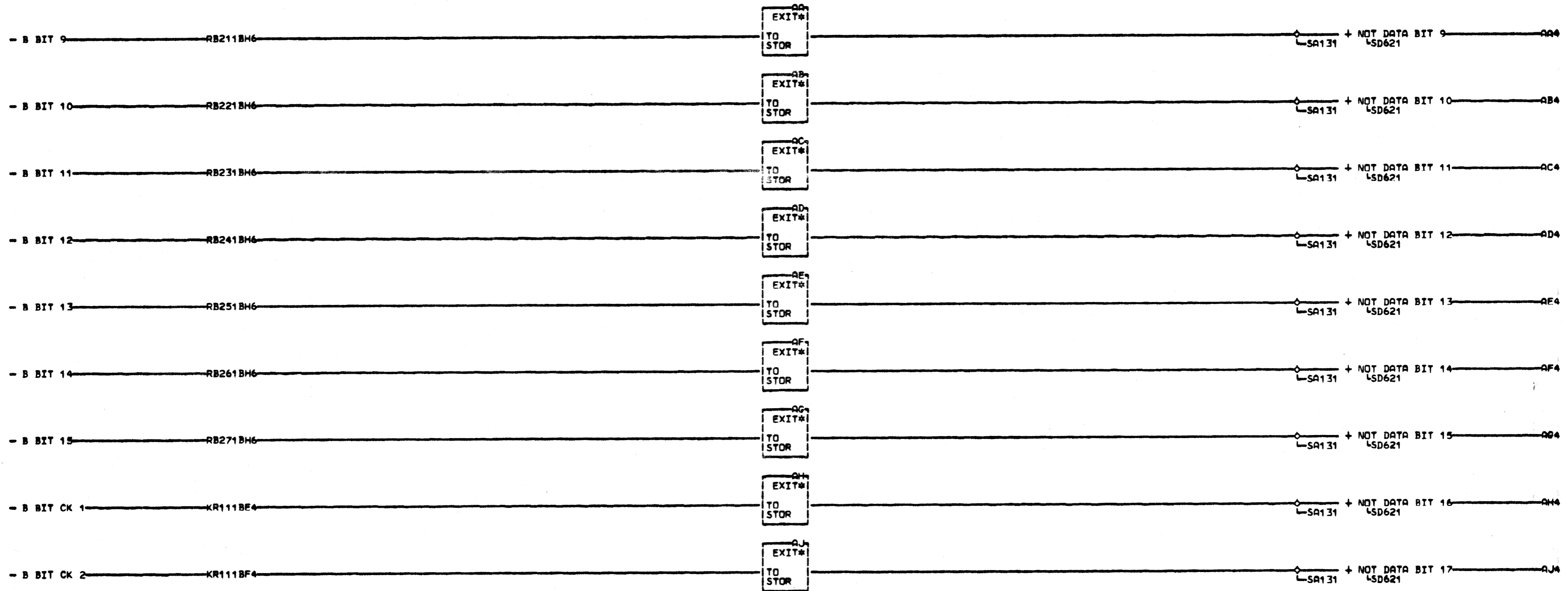


NOTE USE SA PG. NOS. FOR 2 US STORAGE AND SD PG. NOS. FOR 4 US STORAGE.

-WONE

SJ-2 OR SJ-4 STORAGE INTERFACE	
E.C. HISTORY	MACH. 1131-B
419631	FRAME 01
419644	1
419644A	IBM CORP. GPD
DATE LAST EC	

3
1
000

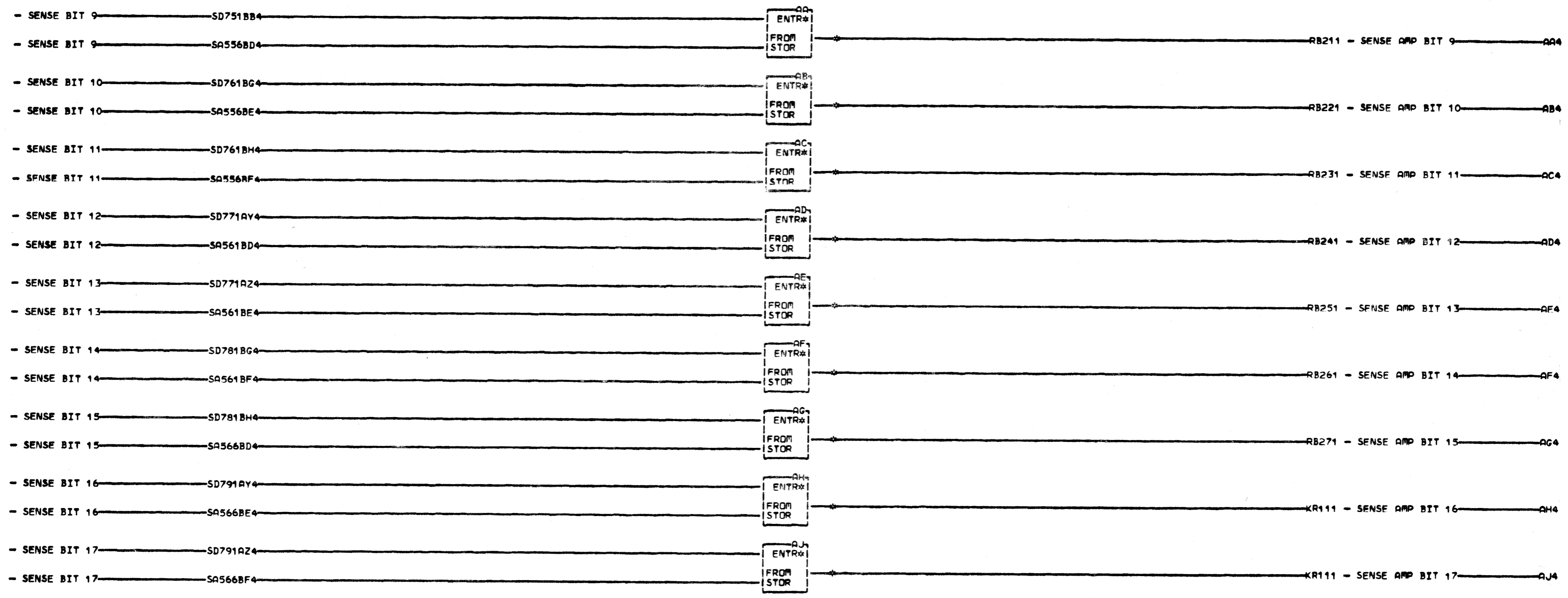


NOTE USE SA PG. NOS. FOR 2 US STORAGE AND SD PG. NOS. FOR 4 US STORAGE.

1-2041

SJ-2 OR SJ-4 STORAGE INTERFACE	
E.C. HISTORY	MACH. 1131-B
419631	
419644	FRAME 01
419644A	IBM CORP. GPD

W
2
0
4
1

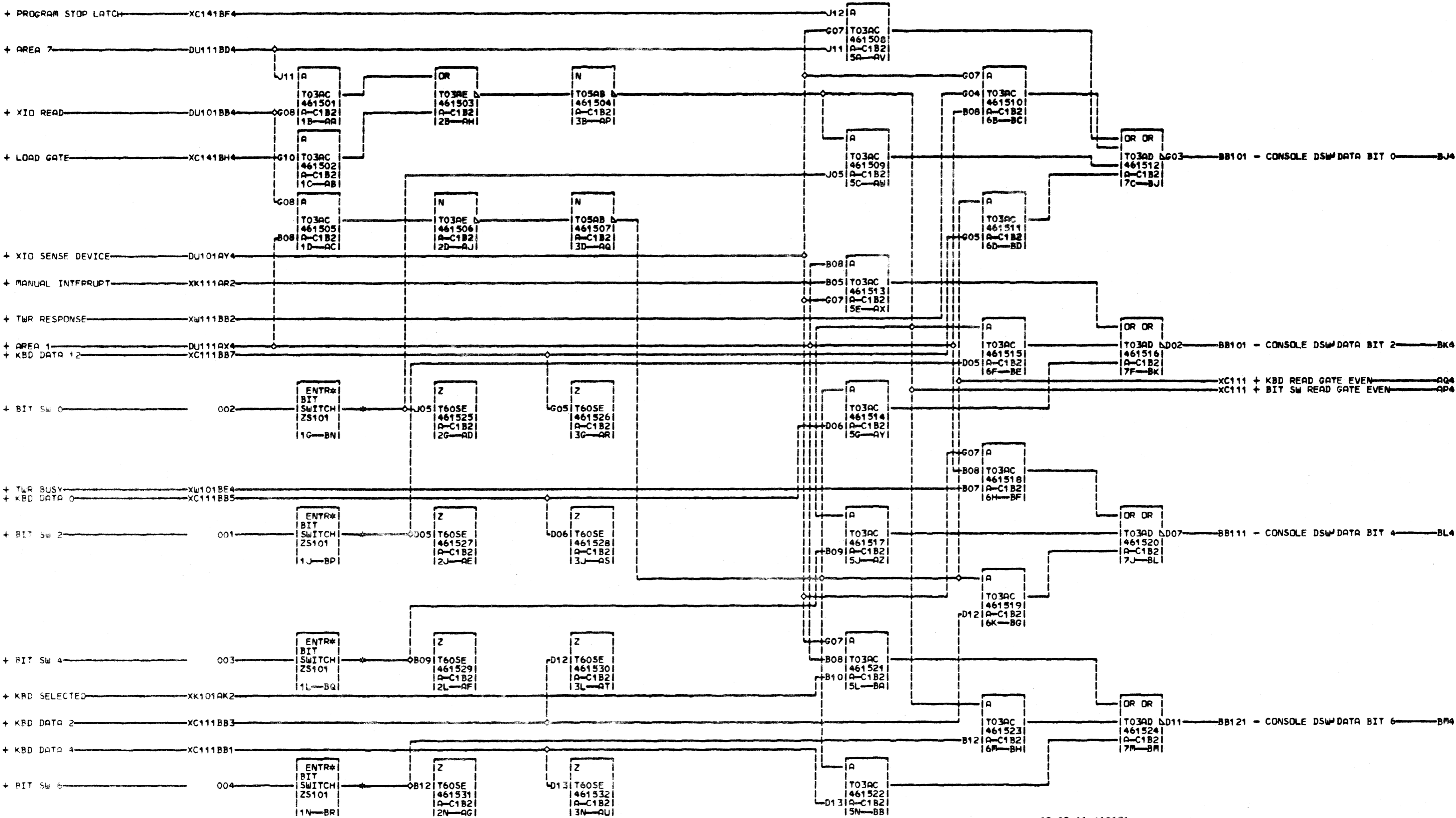


NOTE USE SA PG. NOS. FOR 2 US STORAGE AND SD PG. NOS. FOR 4 US STORAGE.

AA4 B-C1D1A11	01B-C1A4B03	01D-A1L1B11	01E-A1L1C11	01D-A1L1D11	01D-B1L1E11	01E-B1M1B11	01E-B1M1C11	01B-A1L8A04	01E-A1M1A11
01B-B1D1A11	01D-B1L1A11	01E-B1L1B11	AE4 B-C1L1D11	01D-A1K1E11	01D-A1L1E11	01E-A1M1B11	01E-A1M1C11	01B-C1A4B08	01E-A1M1D11
01B-C1A2B13	01D-A1L1A11	01E-A1L1B11	01B-C1K1E11	01E-B1L1D11	01E-B1L1E11	AH4 B-C1M1C11	AJ4 B-C1M1D11	01B-C1A4B11	
01D-B1D1A11	01E-B1L1A11	AD4 B-C1L1C11	01B-B1K1E11	01E-B1K1E11	01E-A1L1E11	01B-B1M1C11	01B-C1M1A11	01D-B1M1A11	
01D-A1D1A11	01E-A1L1A11	01B-B1L1C11	01B-B1L1D11	01E-A1L1D11	AG4 B-C1M1B11	01B-B1F1C11	01B-B1M1A11	01D-B1M1D11	
01E-B1D1A11	AC4 B-C1L1B11	01B-C1A4B05	01B-C1A4B02	01E-A1K1E11	01B-B1M1B11	01B-A1F1C11	01B-B1M1D11	01D-A1M1A11	
01E-A1D1A11	01B-B1L1B11	01D-B1L1C11	01B-C1A4B06	AF4 B-C1L1E11	01B-C1A4B09	01B-C1A4B10	01B-B1K8E06	01D-A1M1D11	
AB4 B-C1L1A11	01B-C1A4B04	01D-A1L1C11	01D-B1L1D11	01B-B1L1E11	01D-B1M1B11	01D-B1M1C11	01B-B1L8A04	01E-B1M1A11	
01B-B1L1A11	01D-B1L1B11	01E-B1L1C11	01D-B1K1E11	01B-C1A4B07	01D-A1M1B11	01D-A1M1C11	01B-A1K8E06	01E-B1M1D11	

WZ061
000

SJ-2 OR SJ-4 STORAGE INTERFACE		W
E-C-HISTORY	MACH.1131-B	Z
419631	FRAME 01	0
419644		6
419644A	IBM CORP. GPD	1
DATE LAST EC		
10-27-67 41966A	IB-N-2274204	000

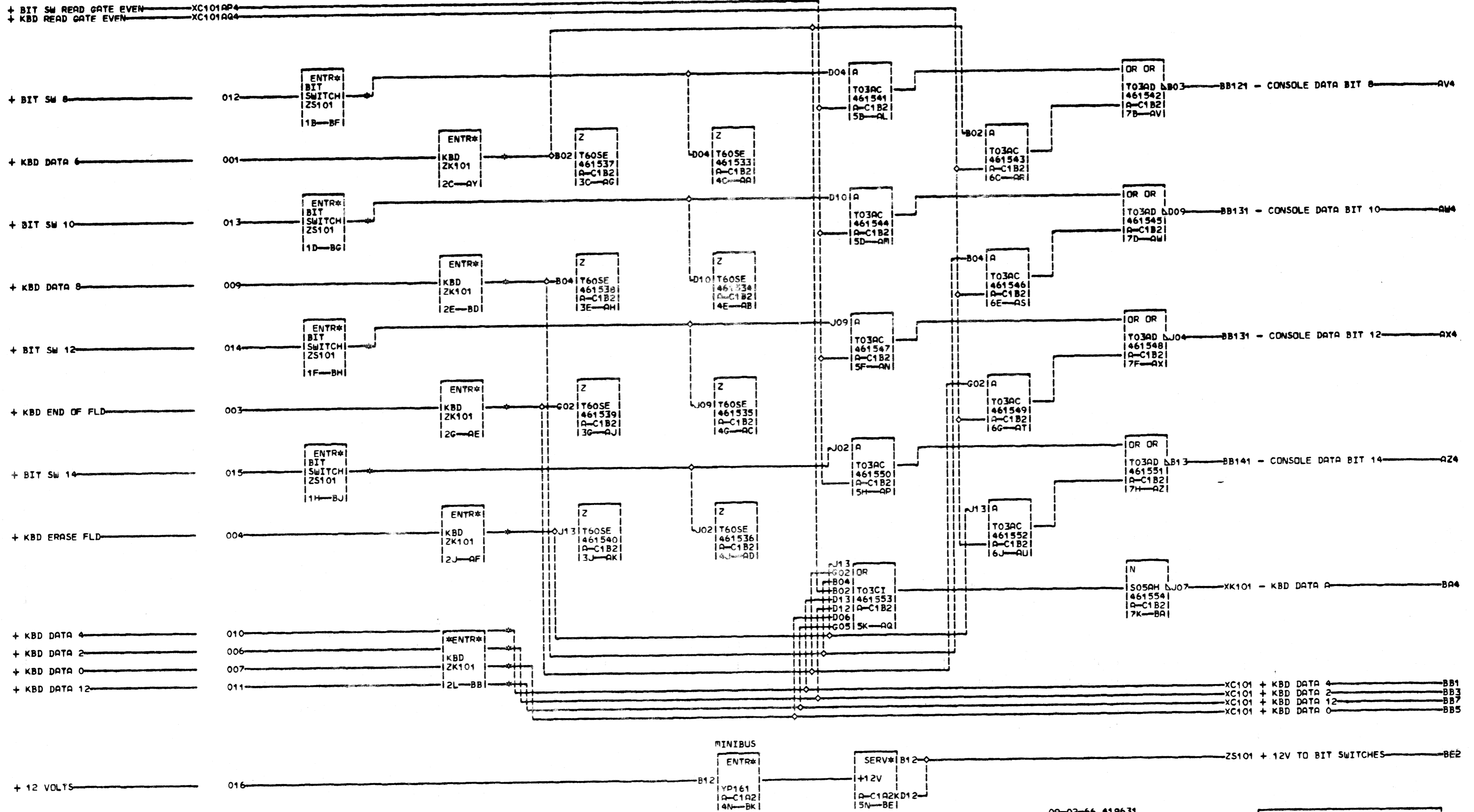


BN4 A-C1A2B02
 BP4 A-C1A2B03
 BQ4 A-C1A2B04
 BR4 A-C1A2B05

09-02-66 419631

CONSOLE DSW DATA BITS 0 2 4 6			
DATE	09-13-66	MACH.	1131-B
LOG	245N	FRAME	01
		P.No.	2231409
IBM CORP.	GPD	BLK.	BS

X
C
1
0
1

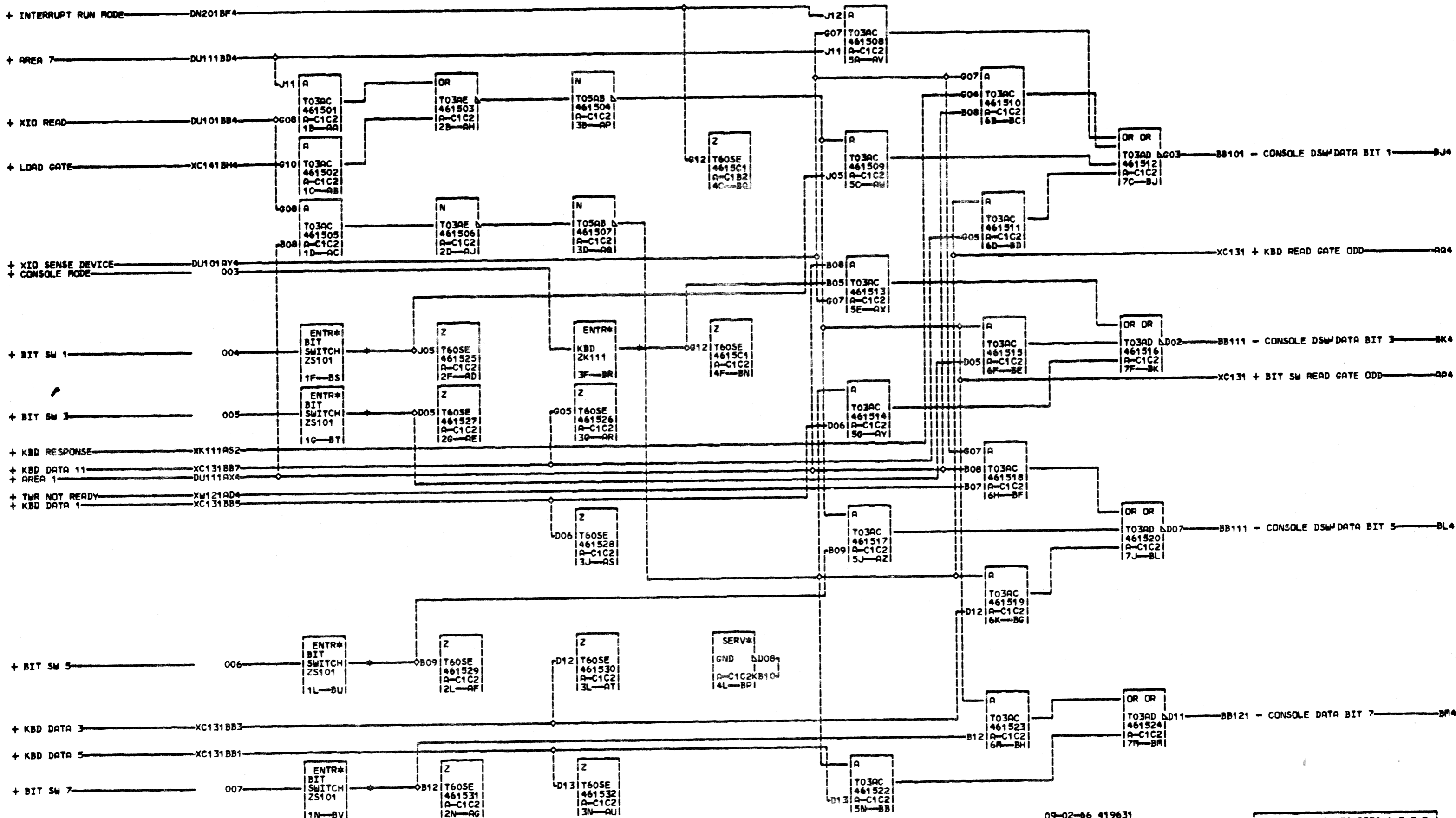


AE4 A-C1A3B09 BG4 A-C1A2B08
 AF4 A-C1A3B10 BH4 A-C1A2B09
 AY4 A-C1A3B07 BJ4 A-C1A2B10
 BB1 A-C1A3B05
 BB3 A-C1A3B04
 BB5 A-C1A3B03
 BB7 A-C1A3B02
 BD4 A-C1A3B08

09-02-66 419631

DATE	09-13-66	MACH.	1131-B	X
LOG	245N	FRAME	01	1
		P.N.	2231410	1
IBM CORP.	GPD	BLK.	BL	000

X
C
1
1
1
000

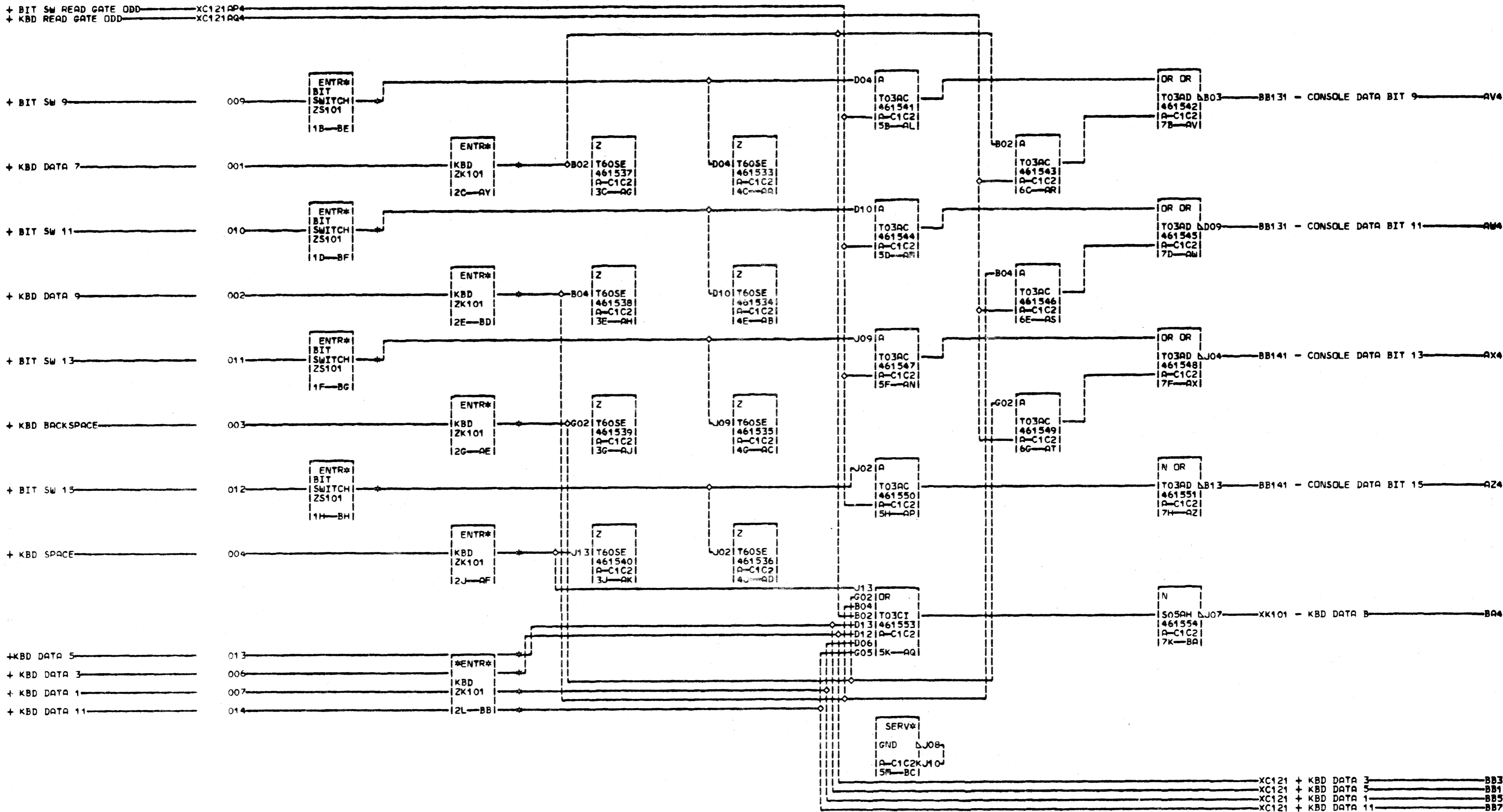


BR4 A-C1A5D02
 BS4 A-C1A2D02
 BT4 A-C1A2D04
 BU4 A-C1A2D05
 BV4 A-C1A2D06

09-02-66 419631

CONSOLE DSW DATA BITS 1 3 5 7			
DATE	09-13-66	MACH	1131-B
LOG	245N	FRAME	01
		P#N	2231411

X
2-1
4



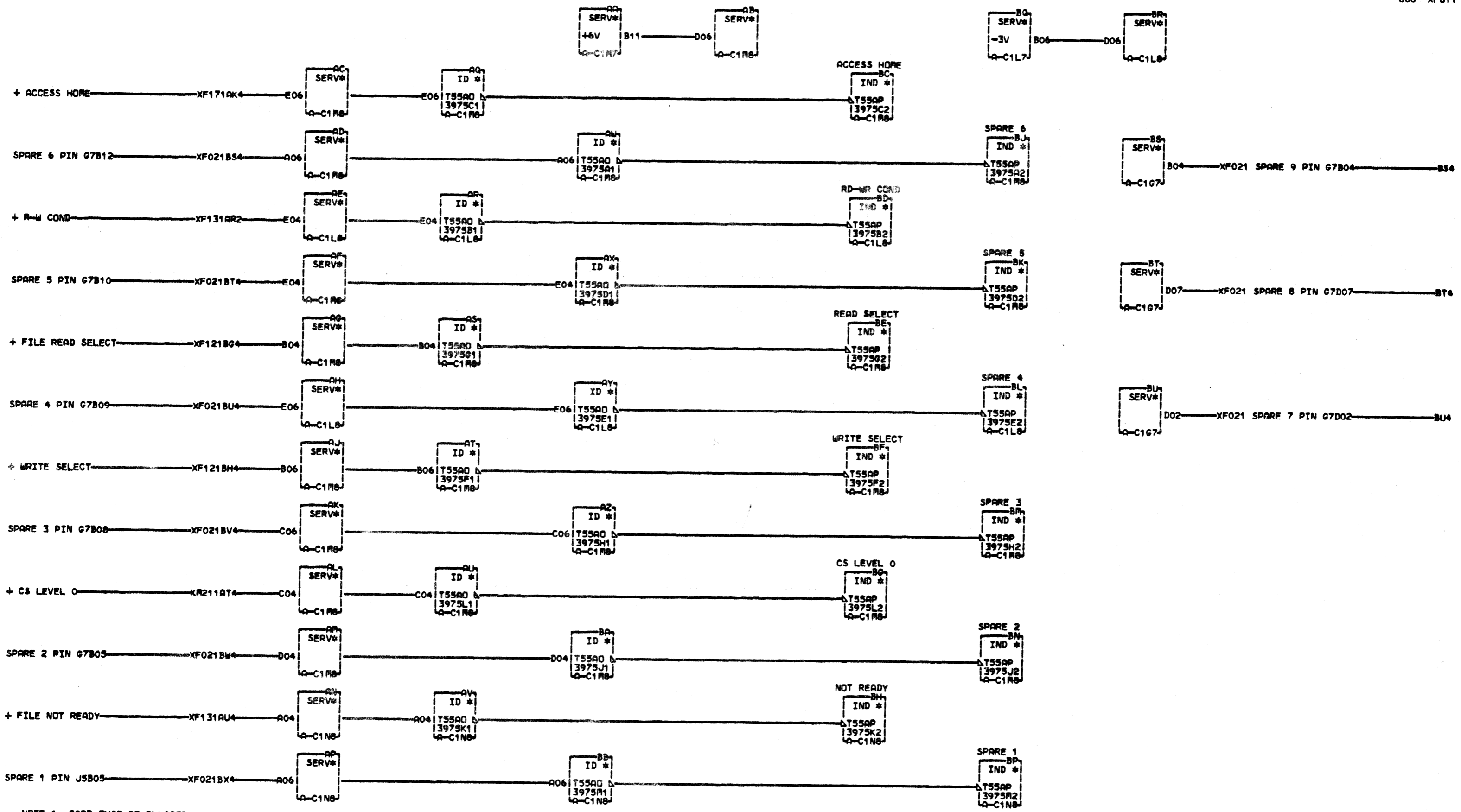
X
C
1
3
1
000

AE4 A-C1A3D10 BF4 A-C1A2D09
 AF4 A-C1A3D11 BG4 A-C1A2D10
 AY4 A-C1A3D07 BH4 A-C1A2D11
 BB1 A-C1A3D06
 BB3 A-C1A3D05
 BB5 A-C1A3D04
 BB7 A-C1A3D02
 BD4 A-C1A3D09

09-02-66 419631

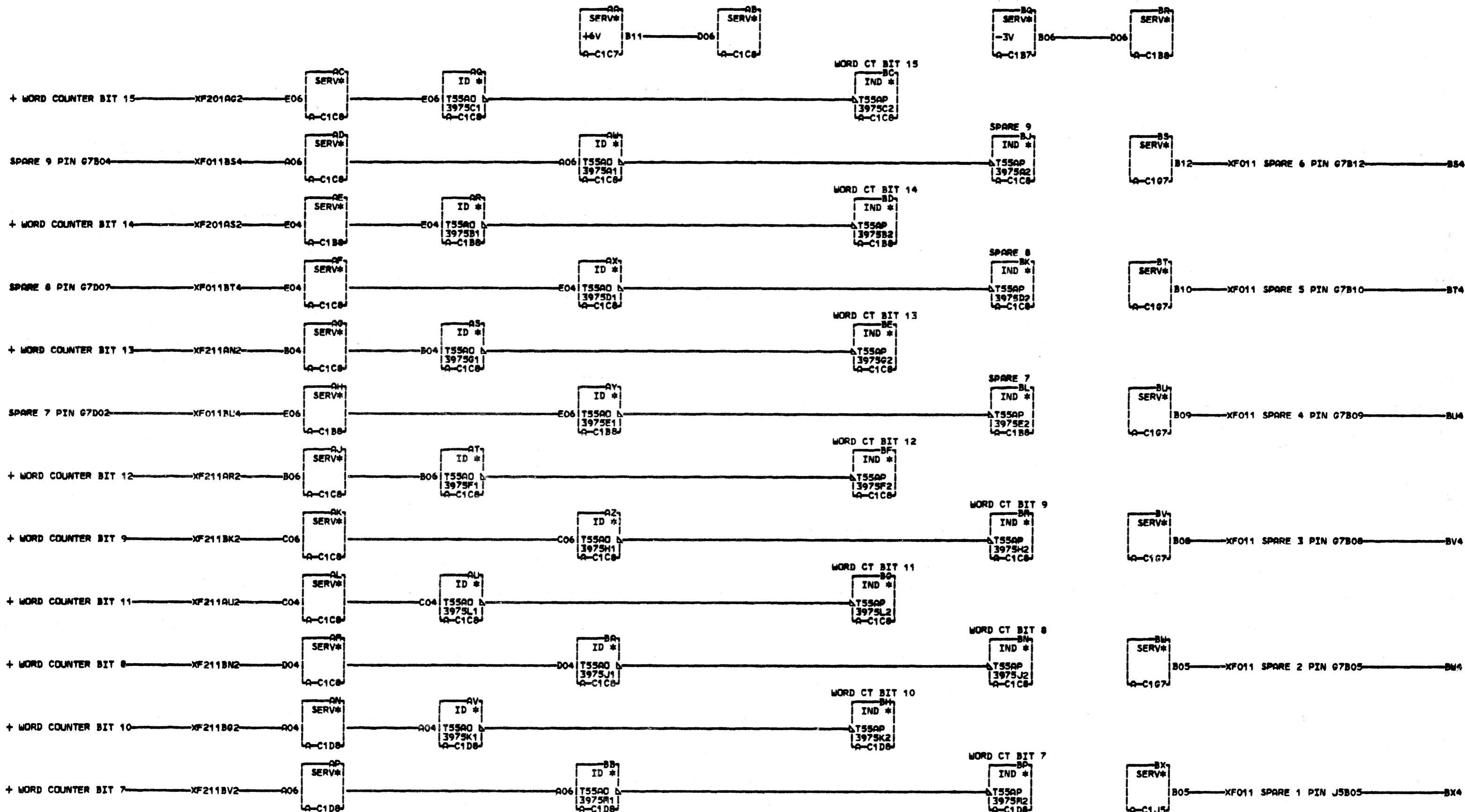
XC121 + KBD DATA 3	BB3
XC121 + KBD DATA 5	BB1
XC121 + KBD DATA 1	BB5
XC121 + KBD DATA 11	BB7

CONSOLE DATA BITS 9 11 13 15		X
KBD DATA B		C
DATE	09-13-66 MACH. 1131-B	1
LOG	245N FRAME	3
	P.No. 2231412	1
		000



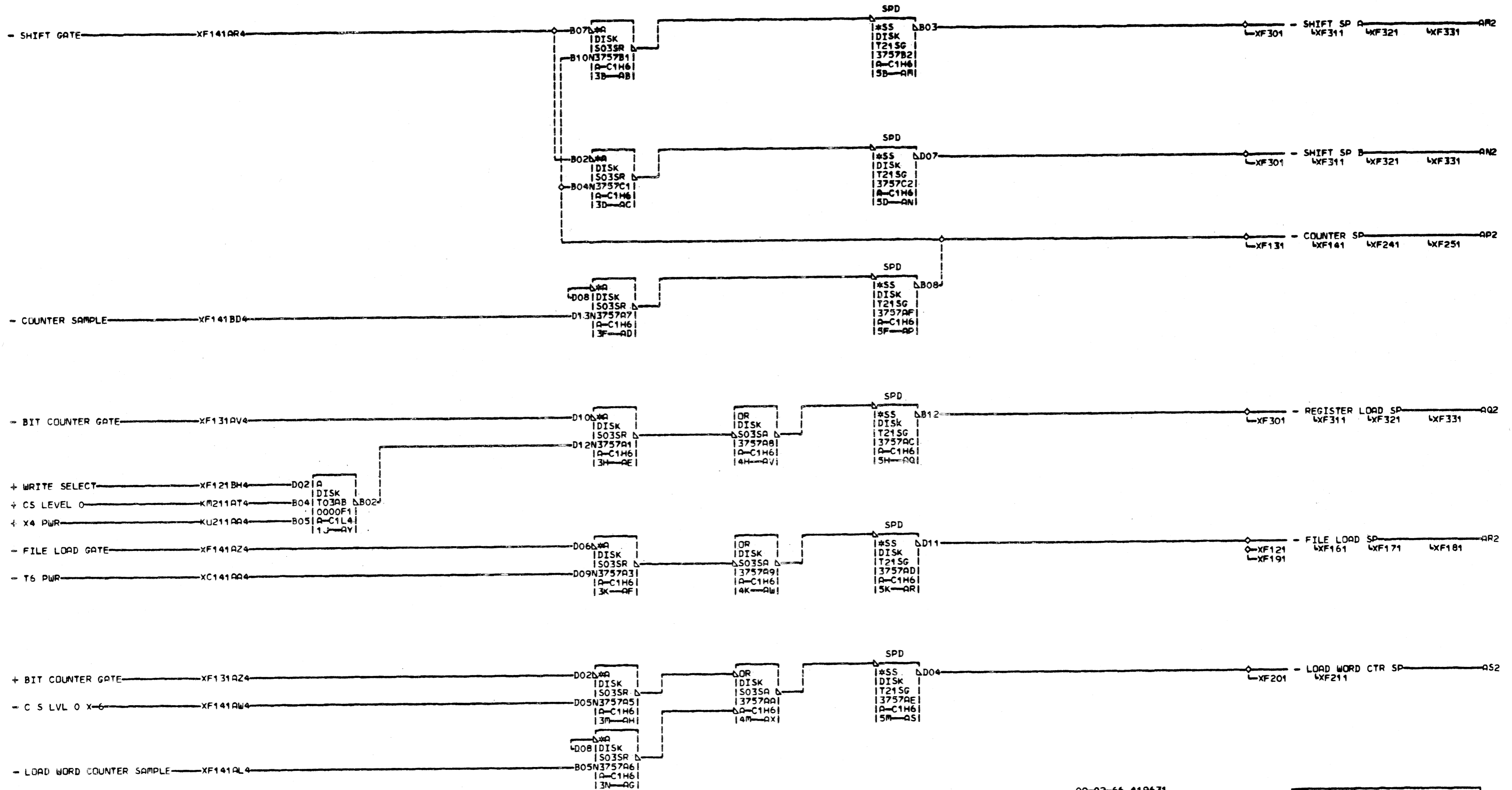
NOTE 1 CARD MUST BE PLUGGED
ON WIRE SIDE OF BOARD AT
X SOCKET A-C1T8
NOTE 2 SPARE LIGHTS WILL BE
ON WHEN NOT USED
NOTE 3 REFER TO PAGE ADOO2
FOR LAYOUT OF INDICATORS

CE INDICATORS DISK STATUS		X F 0 1 1
E.C.-HISTORY	RACH.1131-B	
DATE	LAST EC	IBM CORP. SDD
		000



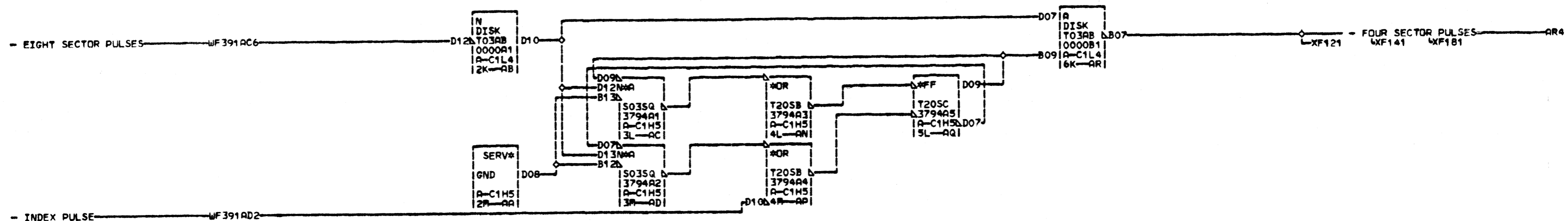
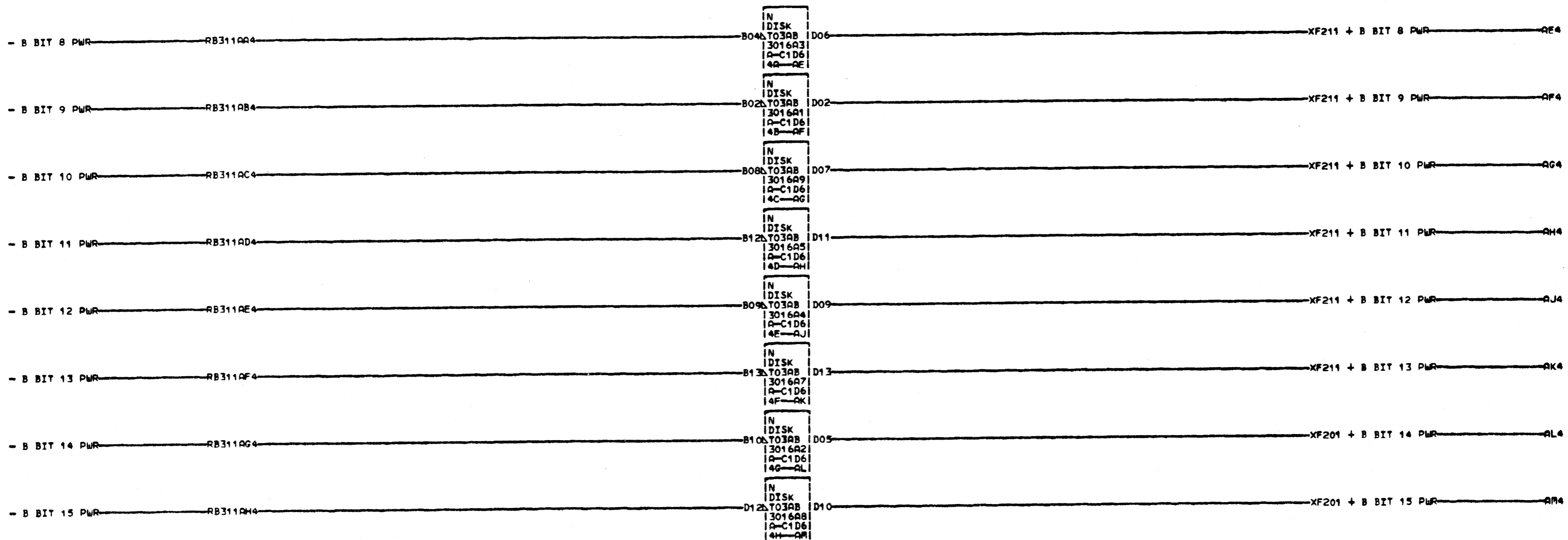
NOTE 1 CARD MUST BE PLUGGED
ON WIRE SIDE OF BOARD AT
X SOCKET A-C1T5
NOTE 2 SPARE LIGHTS WILL BE
ON WHEN NOT USED
NOTE 3 REFER TO PAGE AD002
FOR LAYOUT OF INDICATORS

CE INDICATORS		X F 0 2 1
DISK WC BITS 7-15		
E-C-HISTORY	FRAME 01	IBM CORP. SDD
DATE	LAST #	



09-02-66 419631

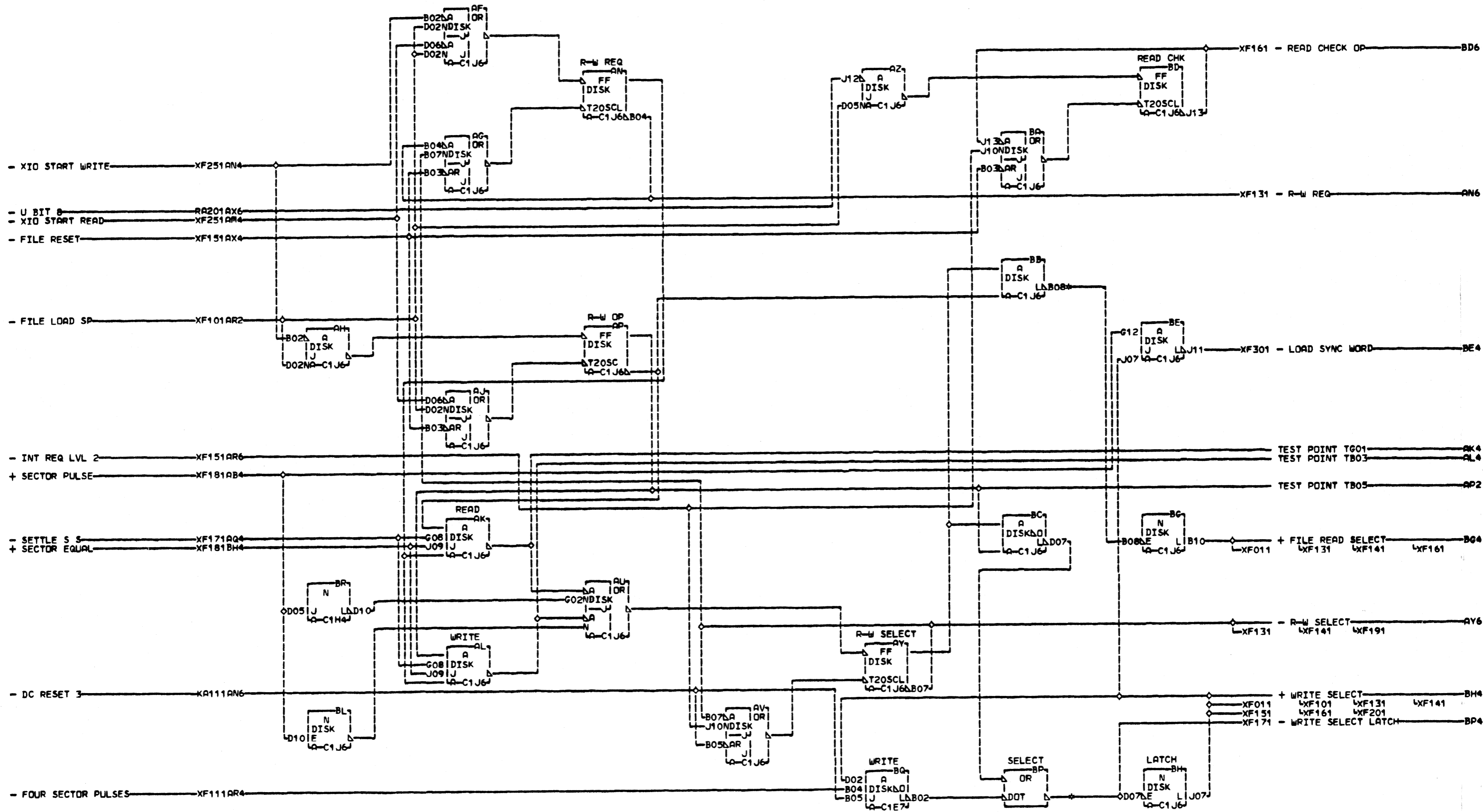
FILE SHIFT SP	COUNTER SP		
LOAD WORD CTR SP	FILE LOAD SP		
DATE 09-13-66	MACH. 1131-B		
LOG	245N FRAME	01	0
	P.No. 2231413		1
			000
TRM CORR.	GPD RIK.		AZ



09-02-66 419631
03-10-67 419648

B REGISTER INVERTERS		
SECTOR PULSE FILTER		
DATE	03-21-67	MACH. 1131-B
LOG	060H FRAME	01
P.N. 2231414		
IBM CORP.	GPD BLK.	AT

X
F
1
1
1
000

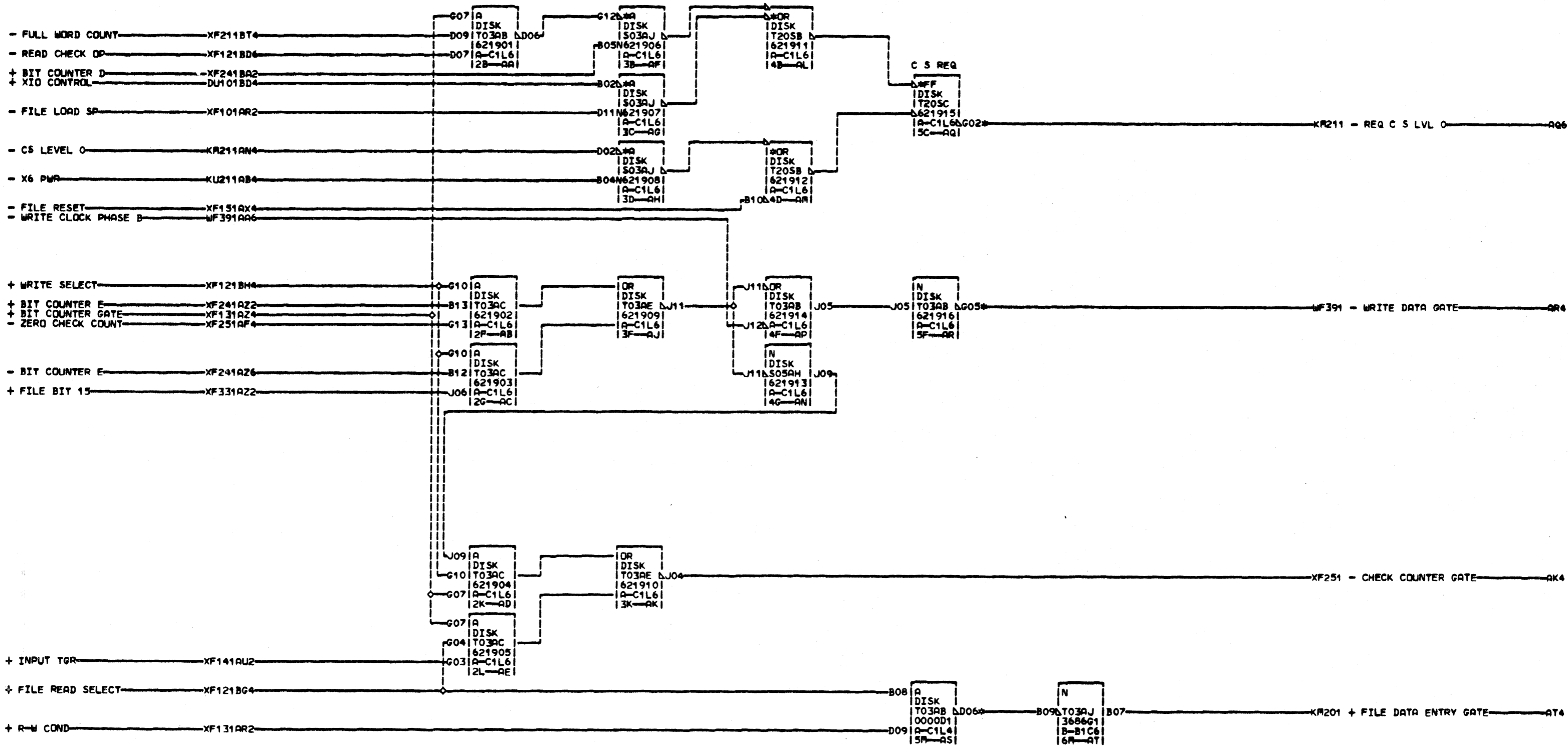


BB4 RESISTOR
A-C1J6B08
BP4 RESISTOR
A-C1J6D07

LOC. TYPE
A-C1E7 0000
A-C1H4 3421
A-C1J6 6217

FILE	R/W SEL	R/W REQ	
419631	READ CHK OP	LOAD SYNC WORD	X
419648	E-C-HISTORY	MACH.1131-B	F
419664		FRAME	01
		IBN CORP. GPD	1
	DATE	LAST EC	000

XF 1 2 1



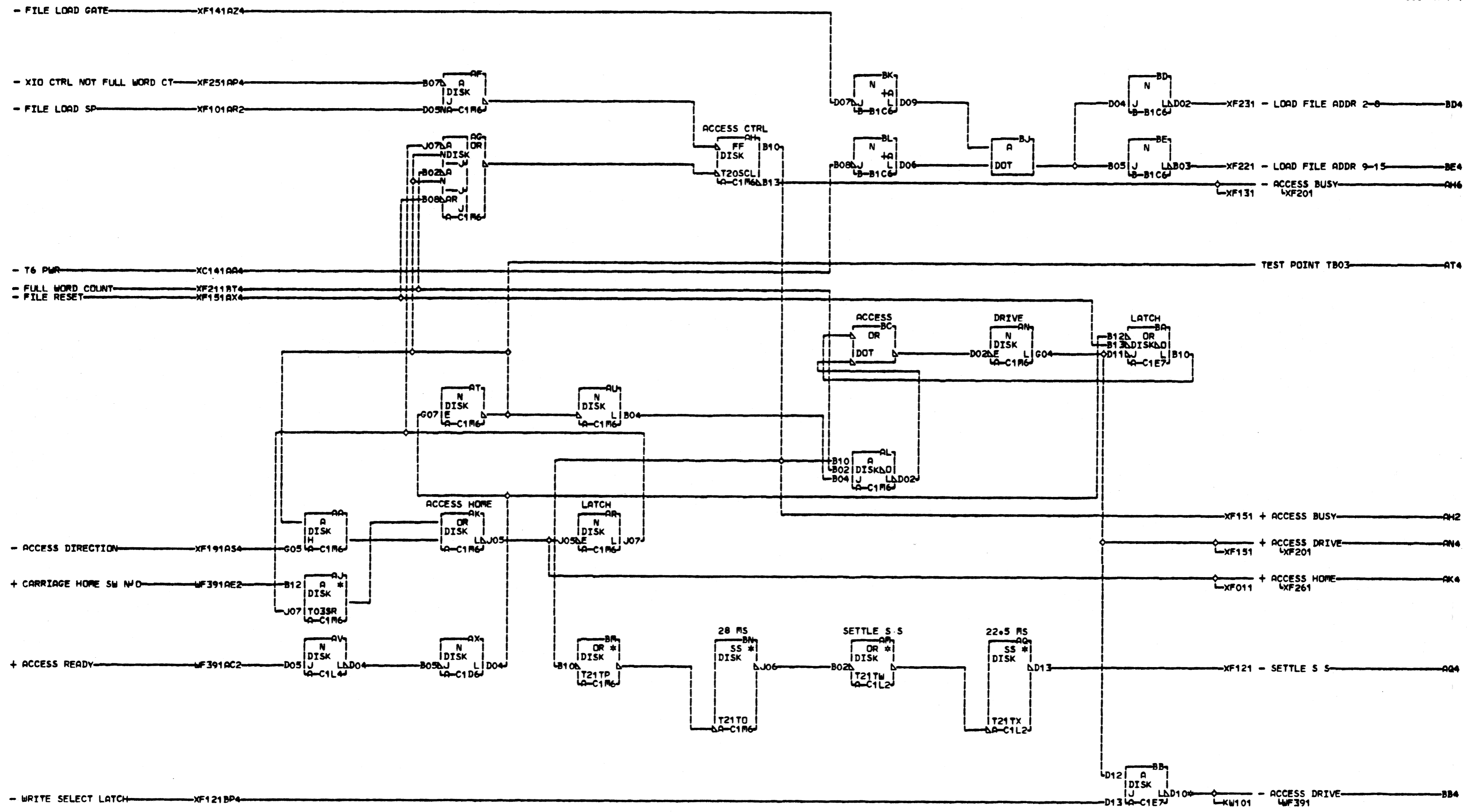
X
1
6
1

000

AQ6 A-C1N4B07
 01B-A1A6B07
 AR4 A-C1N7B13
 AS4 A-C1N3B12
 01B-B1C8E06

09-02-66 419631

FILE WRITE DATA GATE	CHK	X
COUNTER GATE	REQ CS LVL 0	F
DATE	09-13-66 RACH# 1131-B	1
LOG	241C FRAME	01
		6
		1
	P#N# 2237218	000



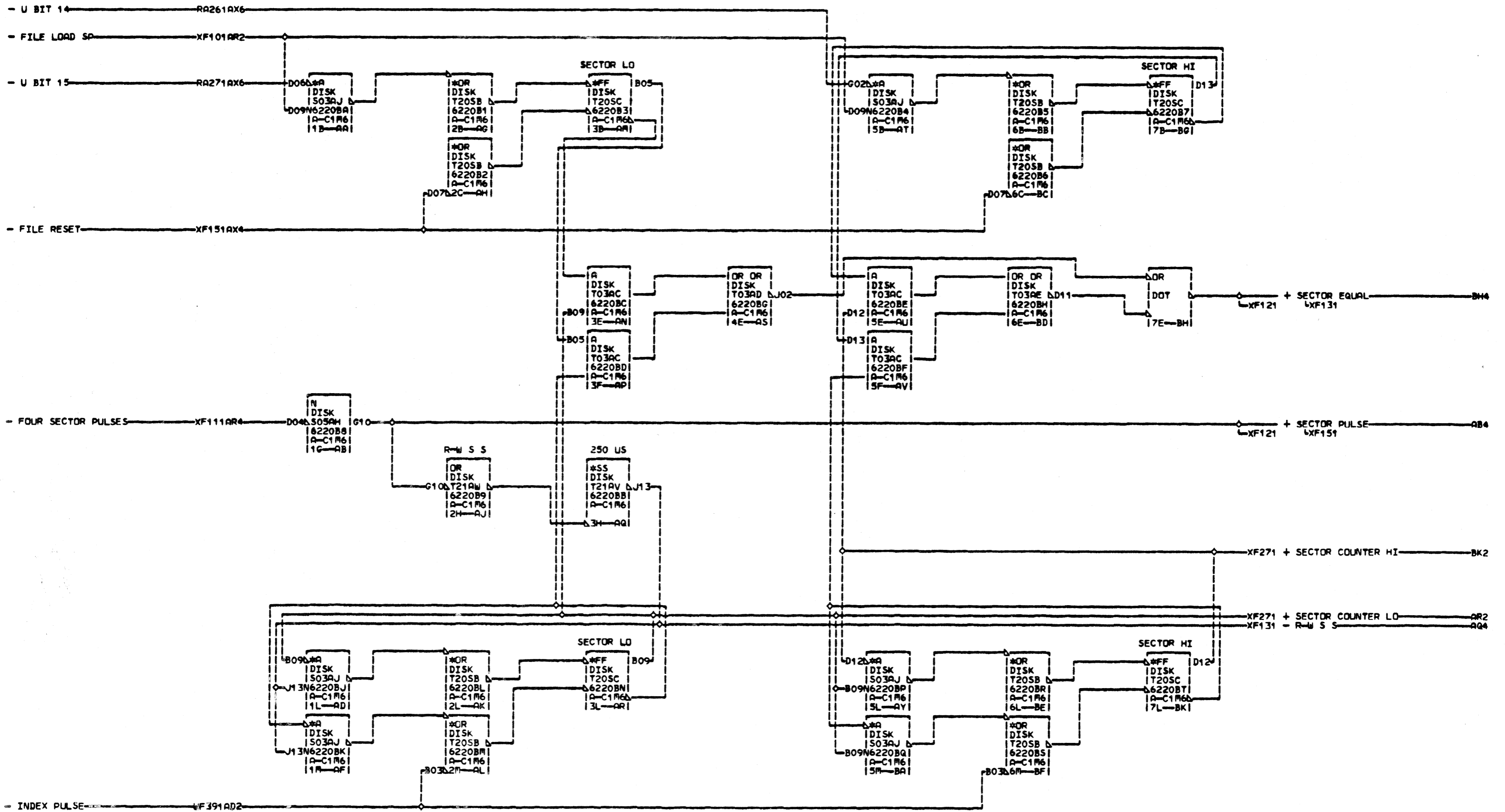
BB4 A-C1N7D04

LOC.	TYPE
A-C1D6	3016
A-C1E7	0000
A-C1L2	7509
A-C1L4	0000
A-C1M6	6220
B-B1C6	3686

FILE ACCESS BUSY HOME RDY		ACCESS GO SETTLE S S		X
E-C-HISTORY	MACH-1131-B			F
419631				1
419648	FRAME	01		7
419664	IBR CORP. GPD			1
DATE	LAST EC			000

X
F
1
7
1

000



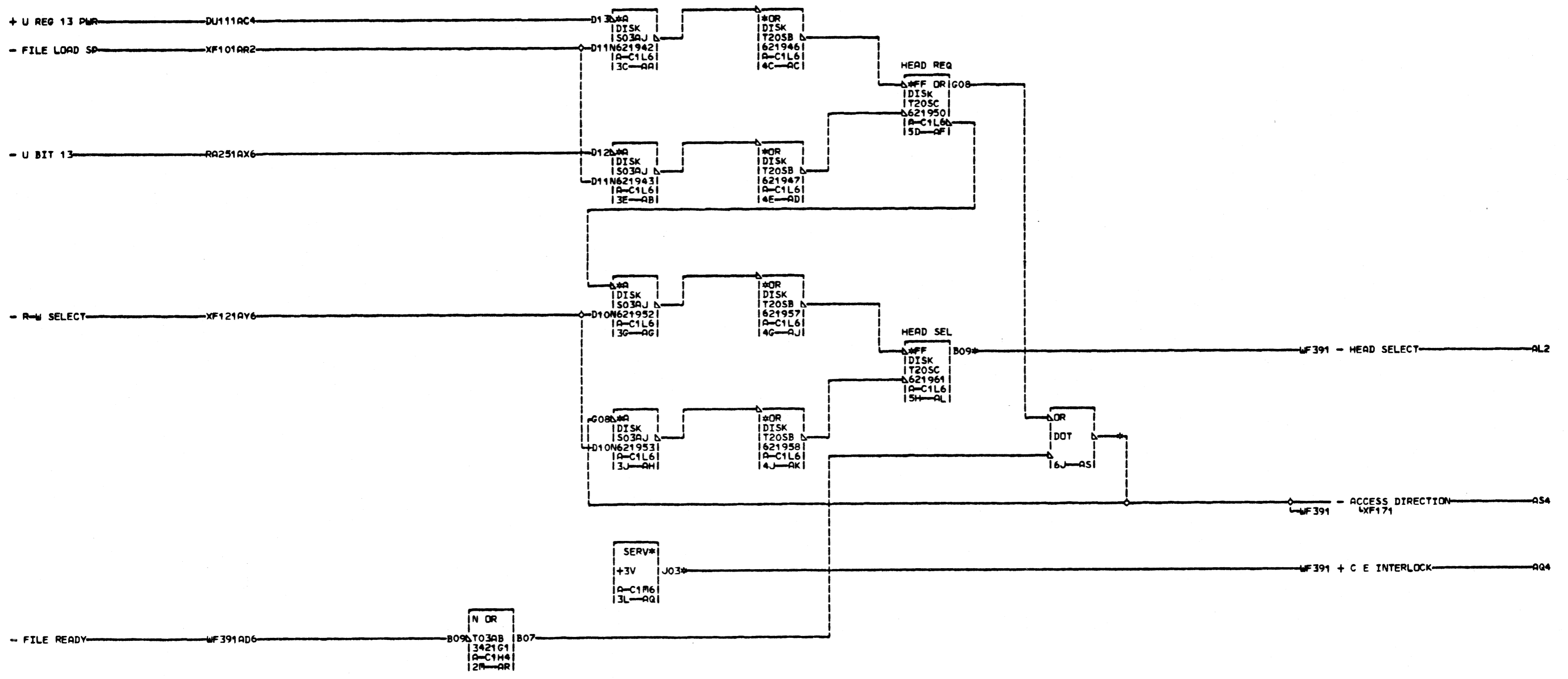
- INDEX PULSE - XF391AD2

09-02-66 419631

FILE SECTOR COUNTER	
R-W S S	SECTOR EQUAL
DATE	09-13-66 MACH. 1131-B
LOG	245N FRAME 01
P.No. 2231415	

XF181

XF181



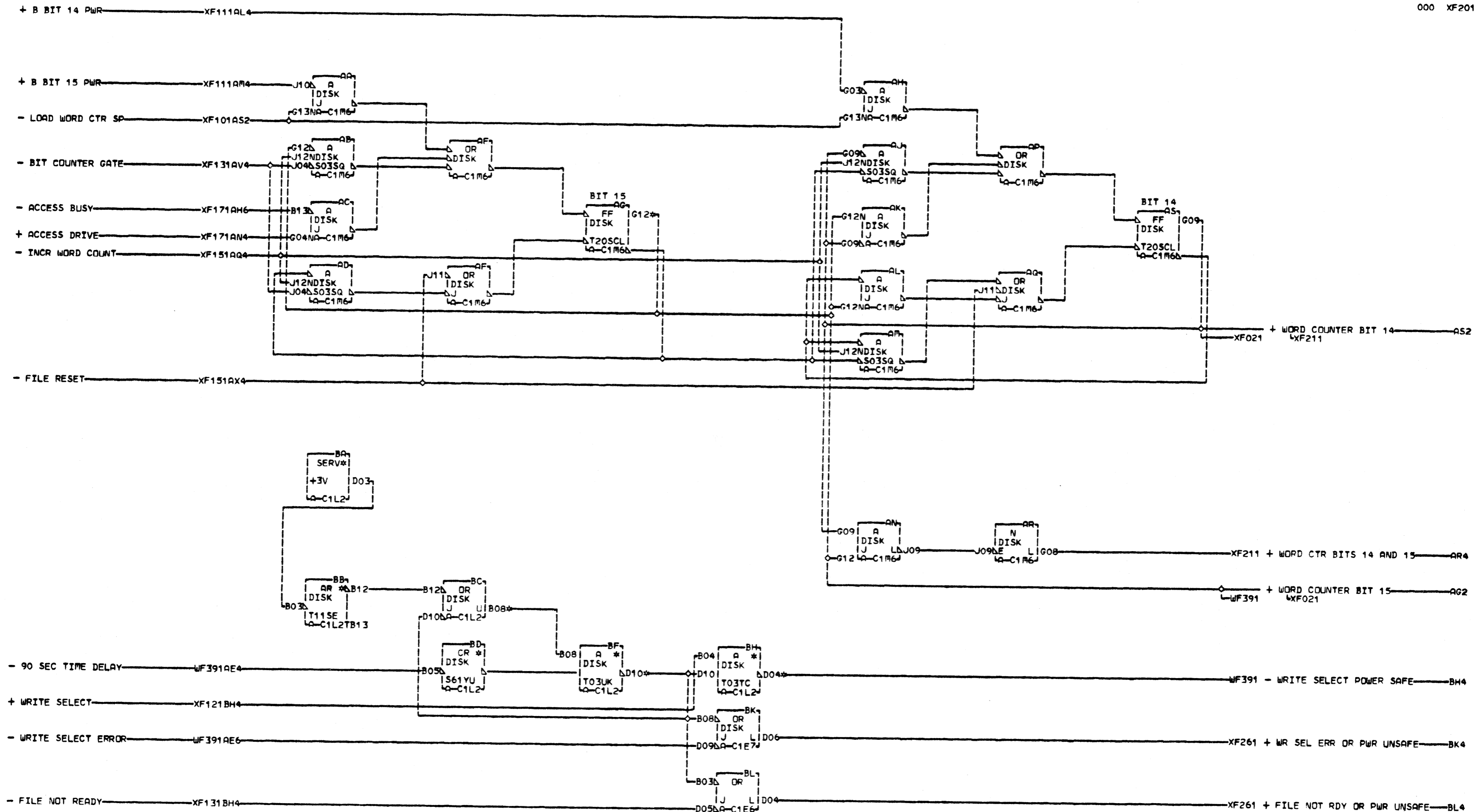
AL2 A-C1N7D09
 AQ4 A-C1N7D07
 AS4 A-C1N7B04

09-02-66 419631

FILE HEAD SELECT		
ACCESS DIRECTION		
DATE	09-13-66	MACH. 1131-B
LOG	241C FRAME	01
	P.N.	2231221
TRM	COOP	GD

X
F
1
9
1
000

X
F
1
9
1
000

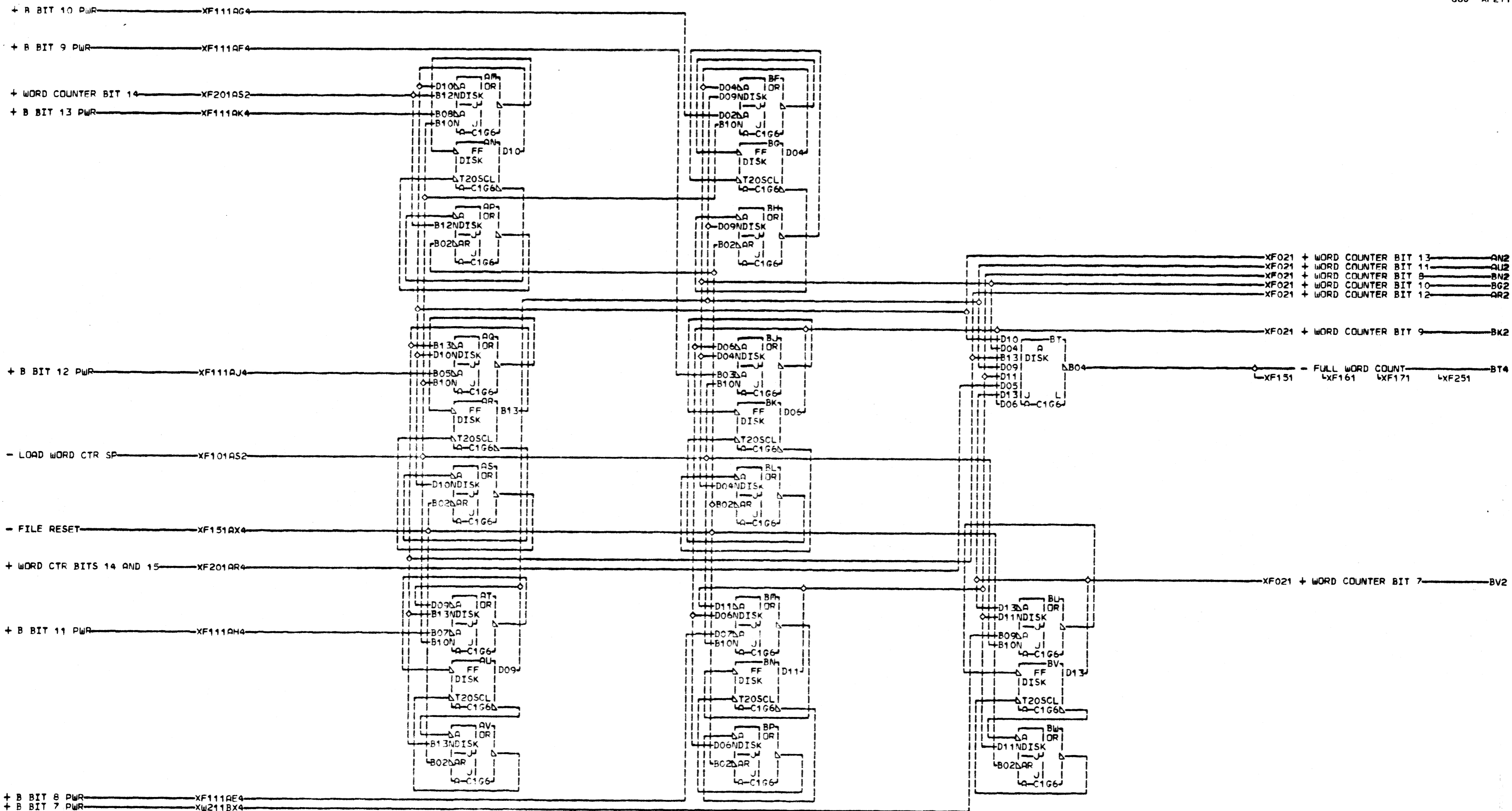


000

- AG2 A-C1N7B10
- BC4 RESISTOR
- A-C1L2B08
- BF4 RESISTOR
- A-C1L2D10
- BH4 A-C1N7D11
- O1A-C1N7D10
- RESISTOR
- A-C1L2D04

- LDC. TYPE
- A-C1E6 0000
- A-C1E7 0000
- A-C1L2 7509
- A-C1M6 6220

FILE WORD COUNT REGISTER			
STEP MODE			
E.C. HISTORY	MACH. 1131-B		X
419631			F
419648	FRAME	01	2
			0
			1
DATE	LAST EC	IBM CORP. GPD	
06-23-67	419664	IP.N. 2231222	000

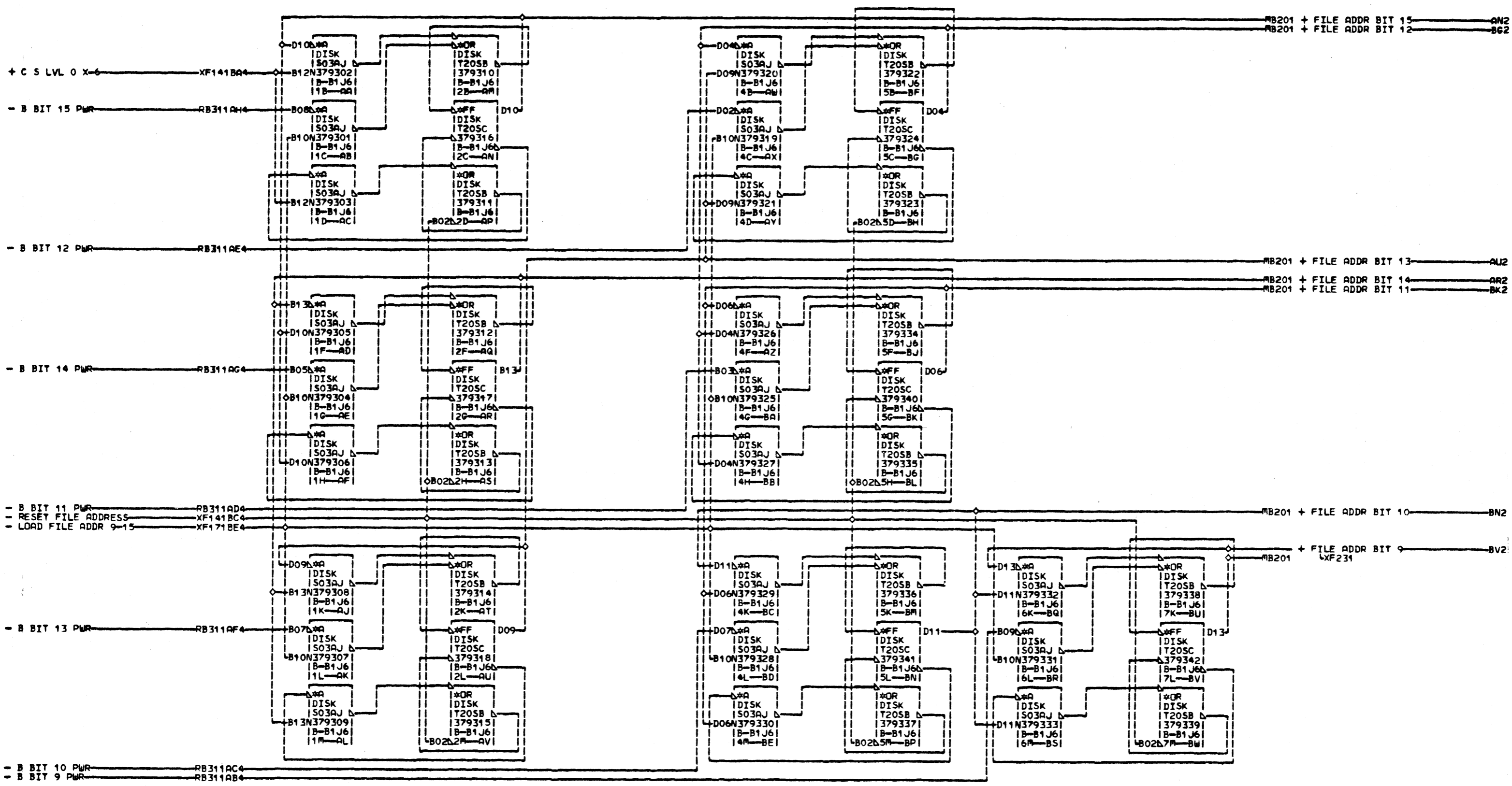


XF211

LOC. TYPE
A-C166 3793

FILE WORD COUNT REGISTER	
E.C. HISTORY 419631	MACH. 1131-B FRAME 01
DATE 06-23-67	LAST EC 419664
	IBM CORP. GPD P.N. 2231223

XF211

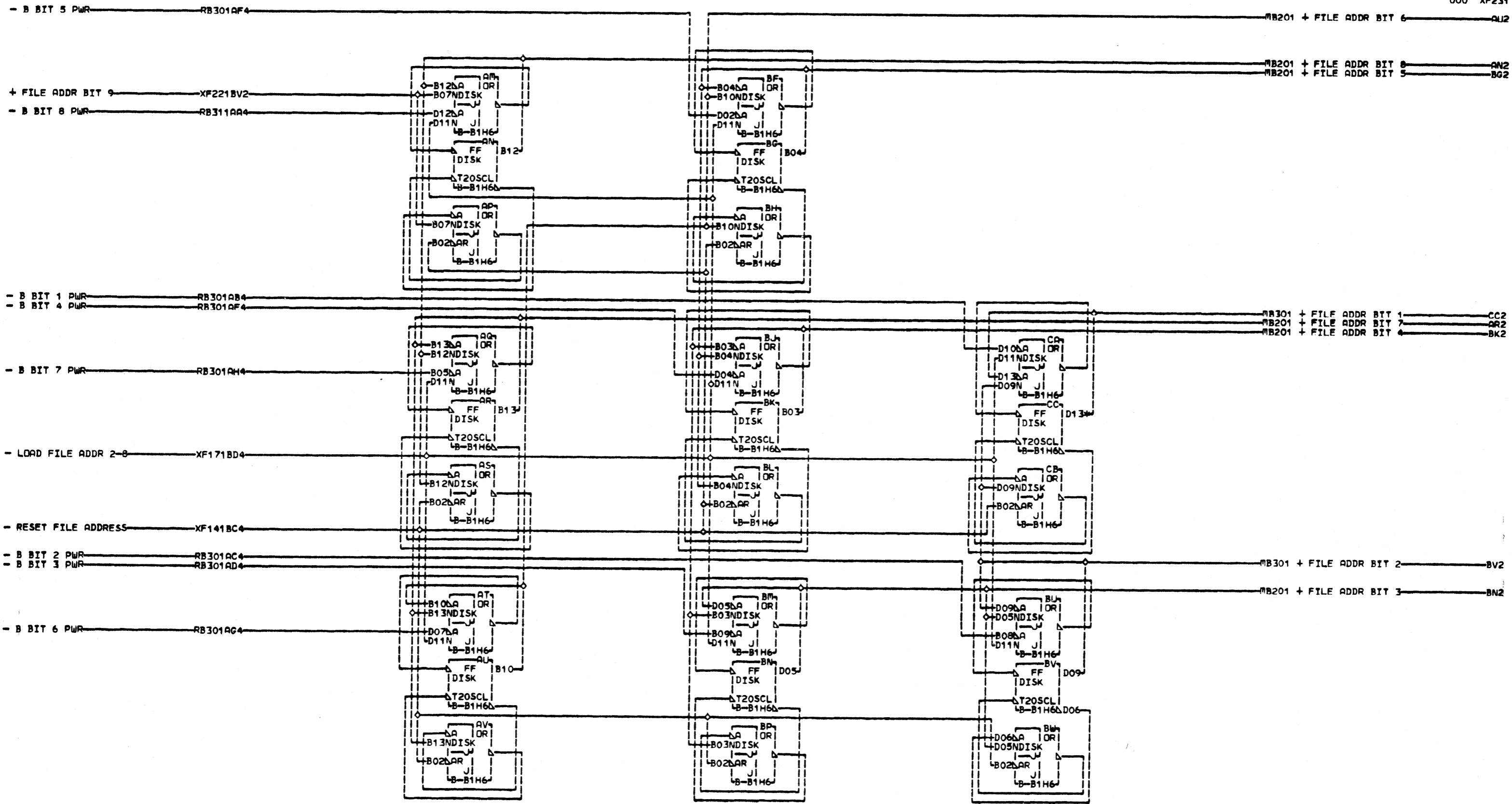


09-02-66 419631

FILE CORE ADDRESS REGISTER		
BITS 9-15		
DATE	09-13-66	MACH. 1131-B
LOG	245N FRAME	01
P.No. 2231416		

X
2
2
1
000

X
2
2
1

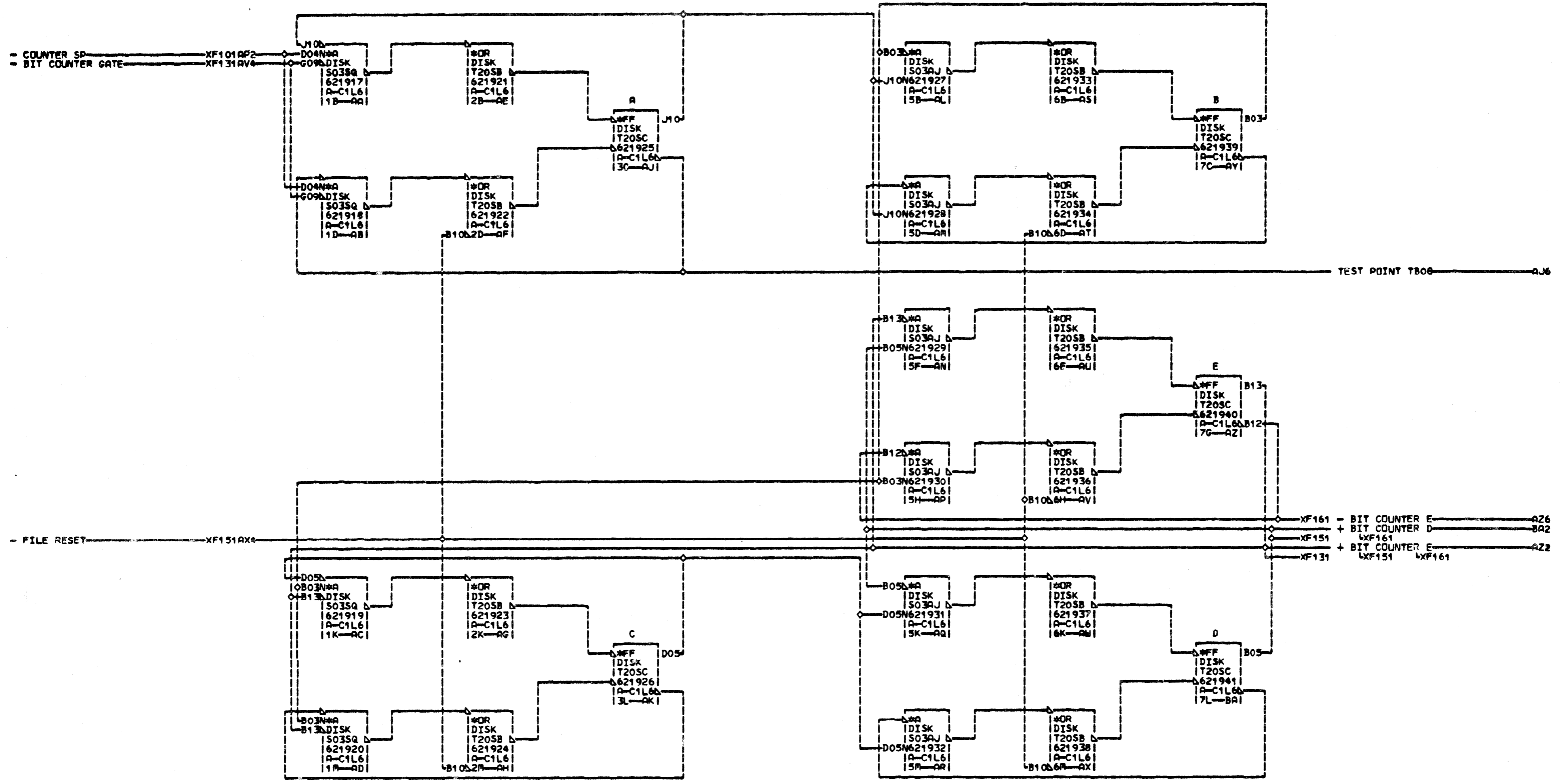


X
F
E
R
N
U
M
1
000

CC2 B-B1H1A11
01B-C1H1A11

LOC. TYPE
B-B1H6 3796

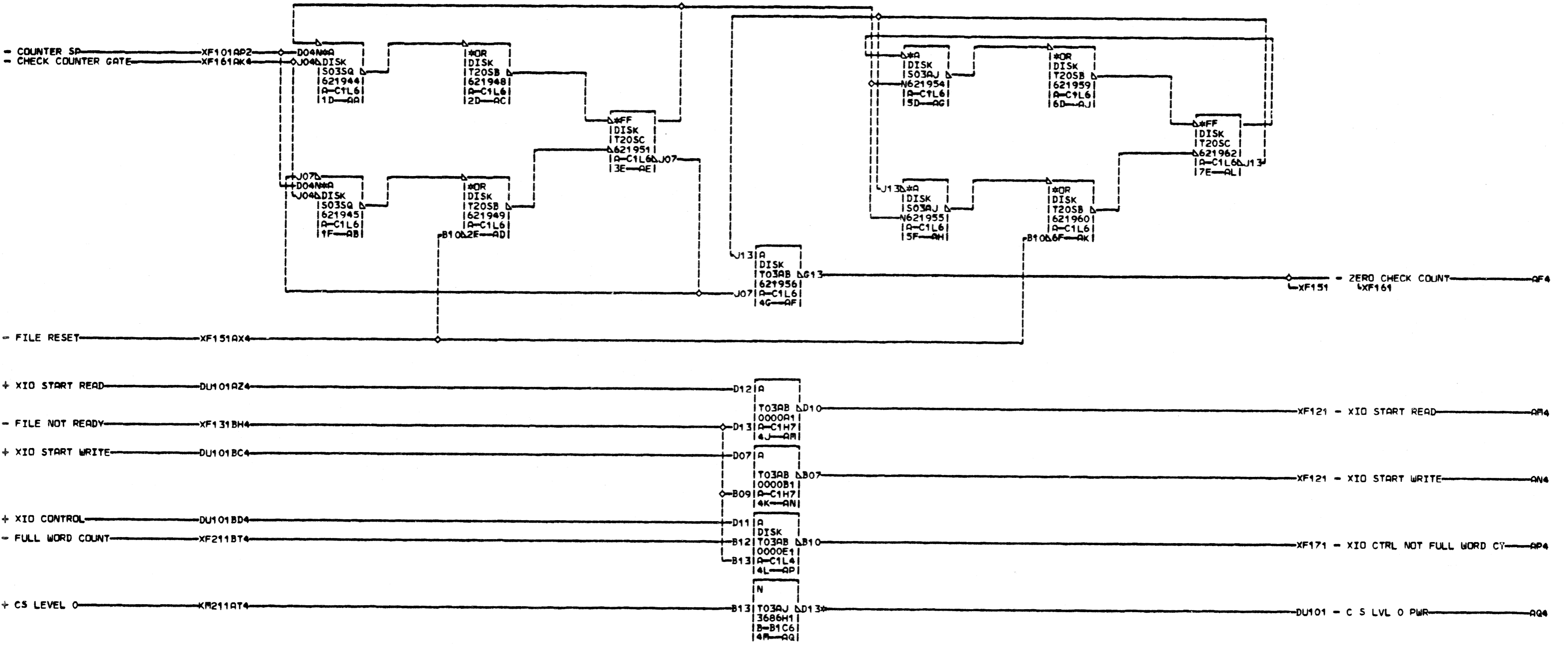
FILE CORE ADDRESS REGISTER		BITS 1-8	
E-C-HISTORY	MACH.1131-B	X	F
419631		2	3
419644	FRAME	01	1
419644A			
419648	IBM CORP. GPD		
DATE	LAST EC		000



09-02-66 419631

FILE BIT COUNTER			
DATE	09-13-66	MACH.	1131-B
LOG	245N	FRAME	01
		PoNo	2237478
IBM CORP.	GPD	BLK.	BB

XF241



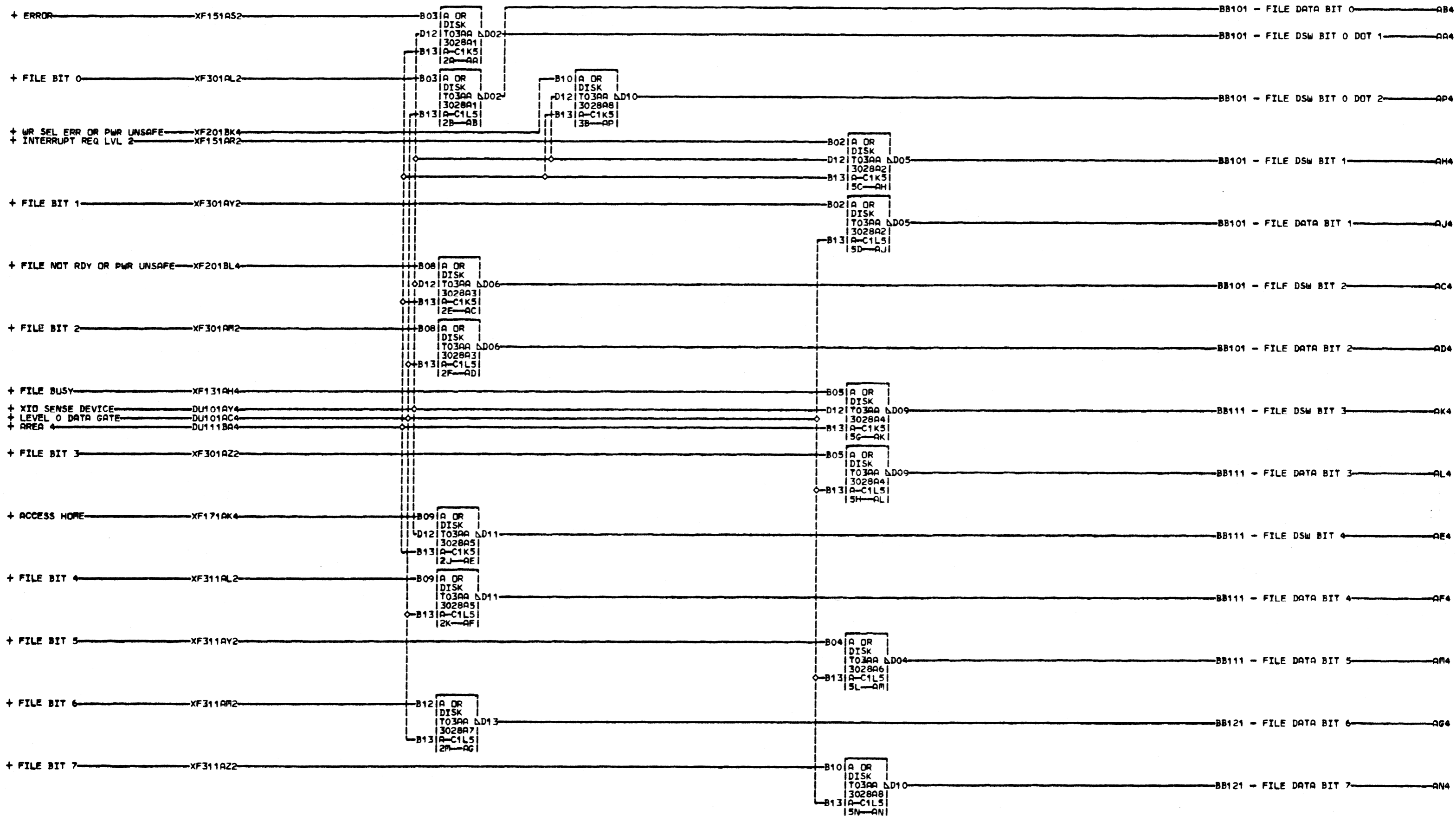
AQ4 B-B1N5B12
01A-C1N2B12

09-02-66 419639

FILE CHECK COUNTER			
XIO INVERTERS			
DATE	09-13-66	MACH.	1131-B
LOG	241C FRAME	01	5
			1
			P.N. 2231227

XF251-000

XF251-000

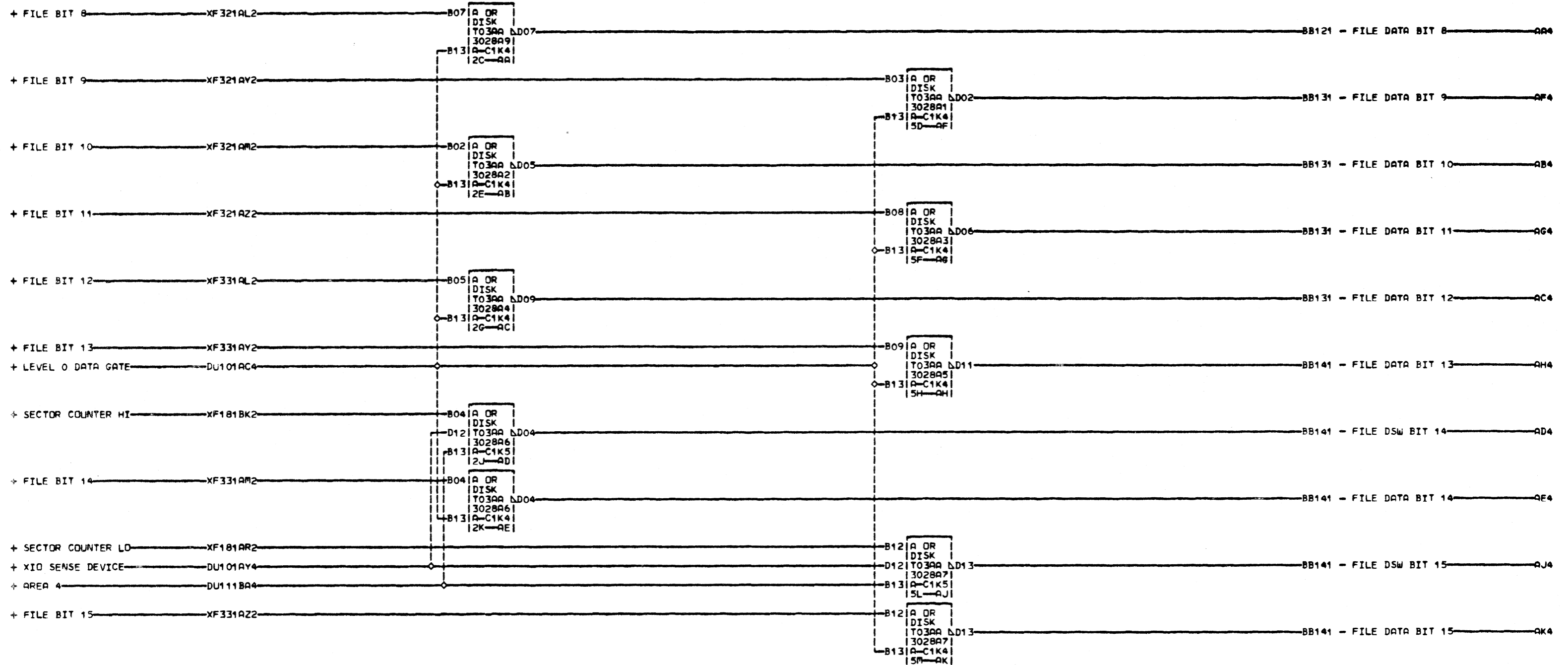


X
F
2
6
1

000

09-02-66 419631
03-10-67 419648

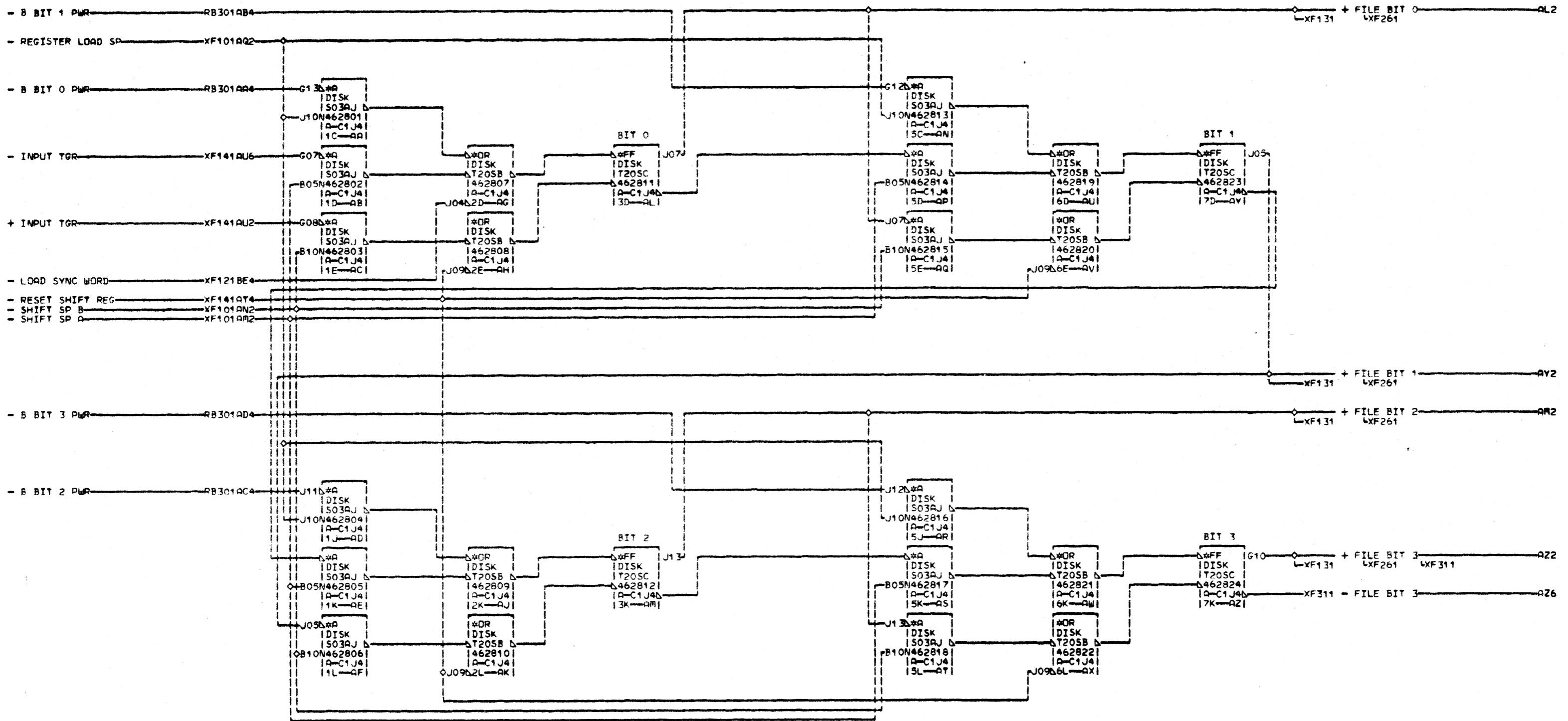
FILE INPUT BUSS ASSEMBLY		
BITS 0-7		
DATE	03-21-67	MACH. 1131-B
LOG	060H FRAME	01
P.N. 2231419		000
IBM CORP.	GPD BLK.	AQ



09-02-66 419631

FILE INPUT BUSS ASSEMBLY			
BITS 8-15			
DATE	09-13-66	MACH.	1131-B
LOG	245N FRAME	01	1
P.N.		2231420	
TBM CORP.	GPD BIK.	AI	000

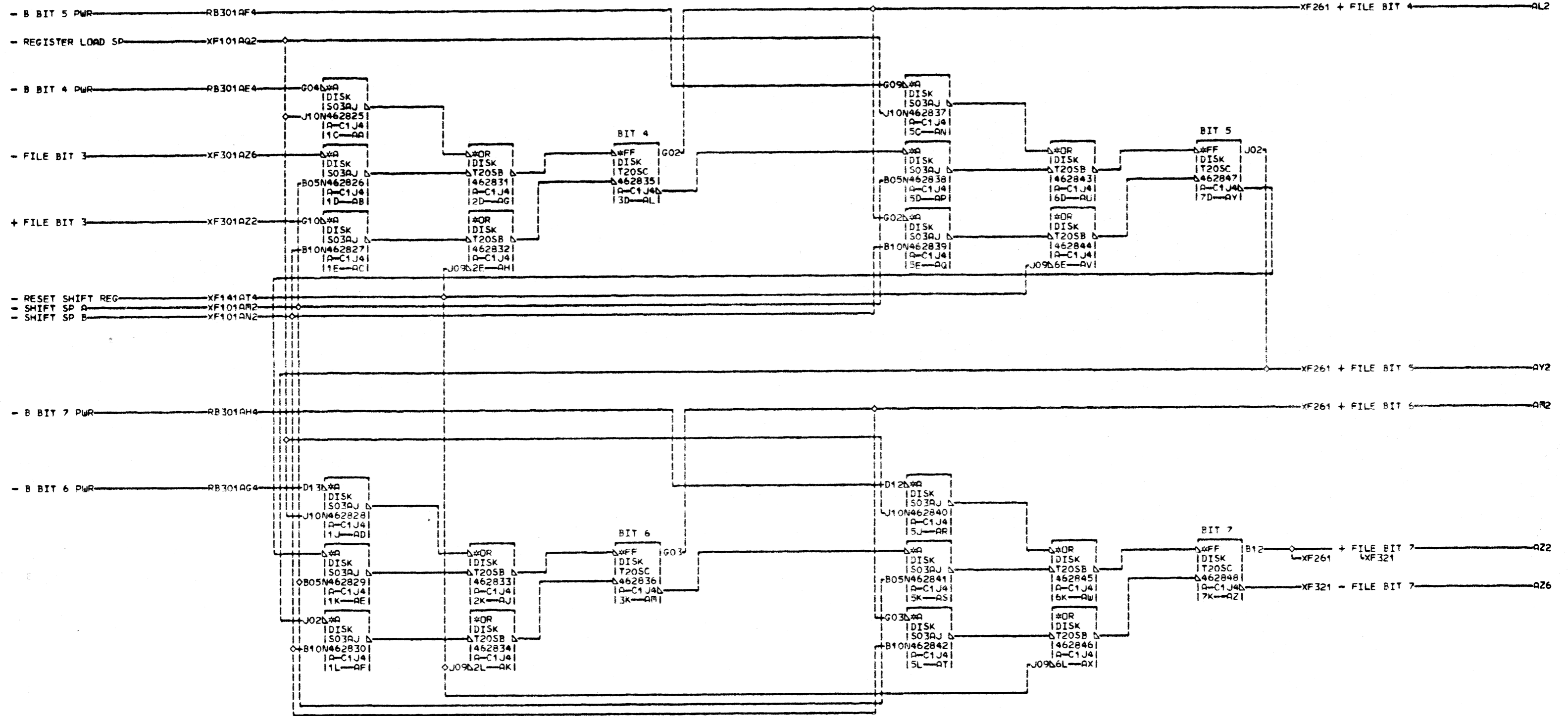
X
F
2
7
1



09-02-66 419631

FILE DATA REGISTER			
BITS 0-3			
DATE	09-13-66	MACH.	1131-B
LOG	245N	FRAME	01
		P.N.	2231421
TRM CORP.	GDD RIK.		000

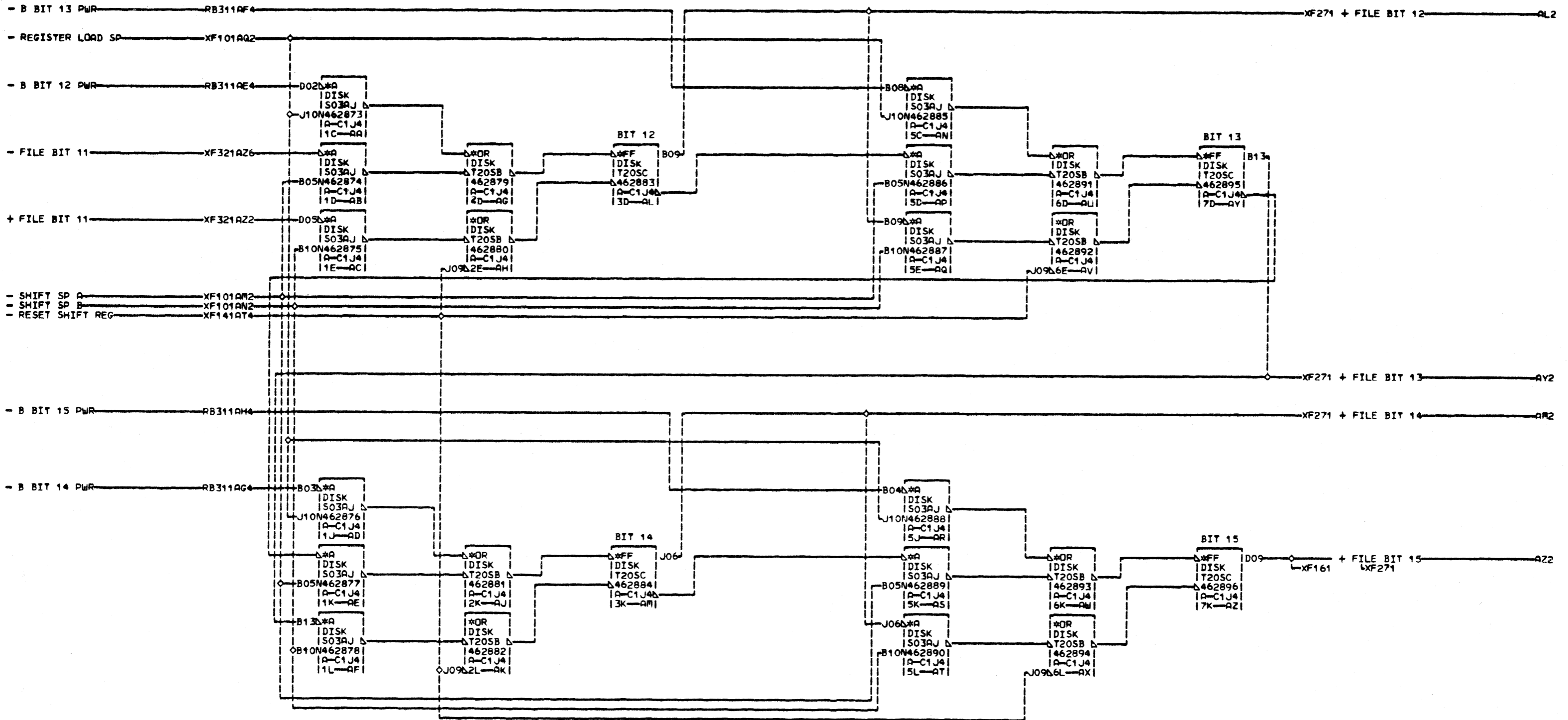
X
F
3
0
1



09-02-66 419631

FILE DATA REGISTER			
BITS 4-7			
DATE	09-13-66	MACH. 1131-B	X
LOG	245N	FRAME 01	F
		P.N. 2231422	1
			1
IBM CORP.	GPD BLK.		000
			BAI

X
F
3
1
1

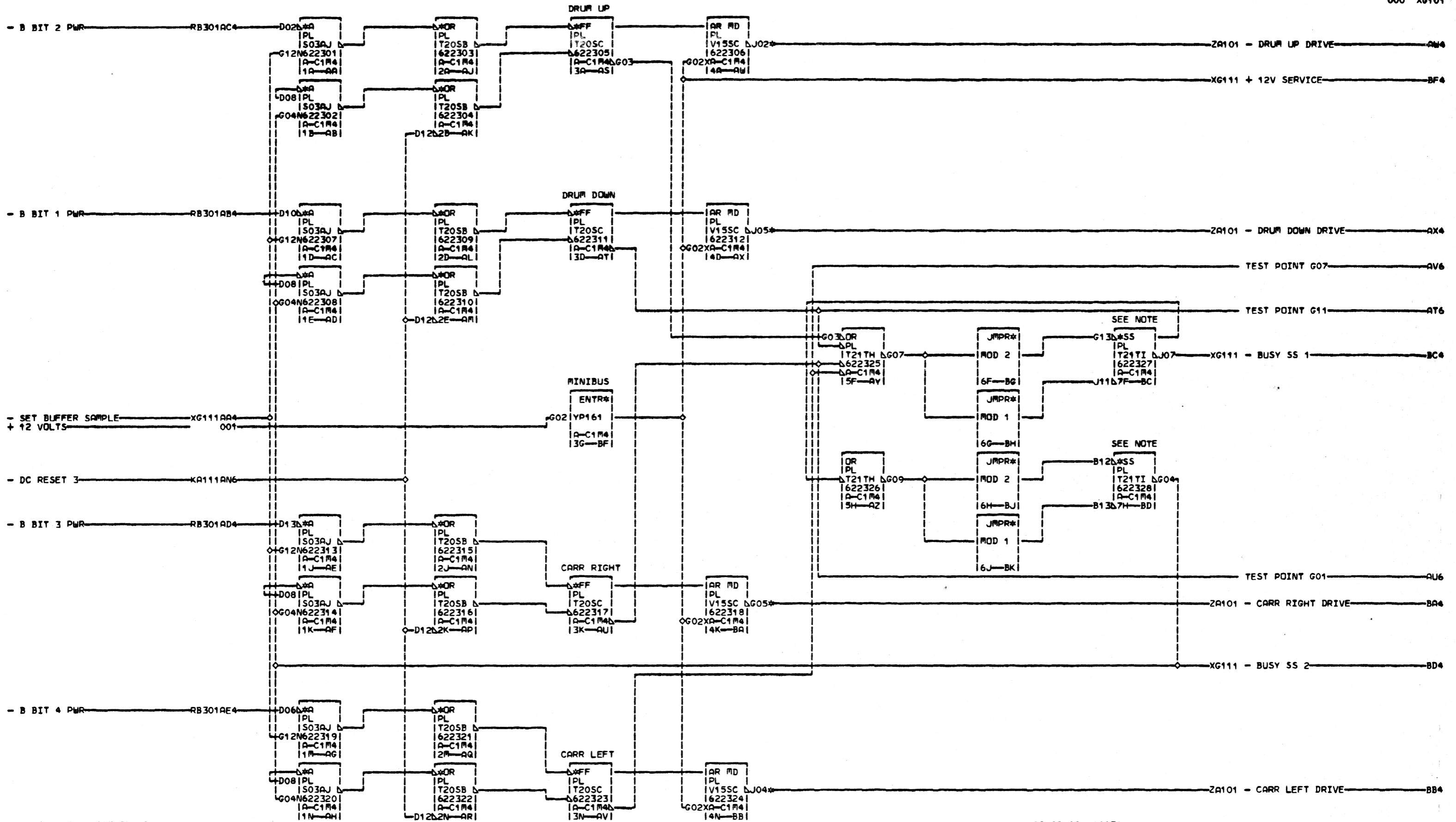


09-02-66 419631

FILE DATA REGISTER		
BITS 12-15		
DATE	09-13-66	MACH. 1131-B
LOG	245N FRAME	01
P.No. 2231424		

X
F
3
3
1

X
F
3
3
1



NOTE. FOR 1627 MOD I
SS TIME IS 1.9 MS

FOR 1627 MOD II
SS TIME IS 2.9 MS

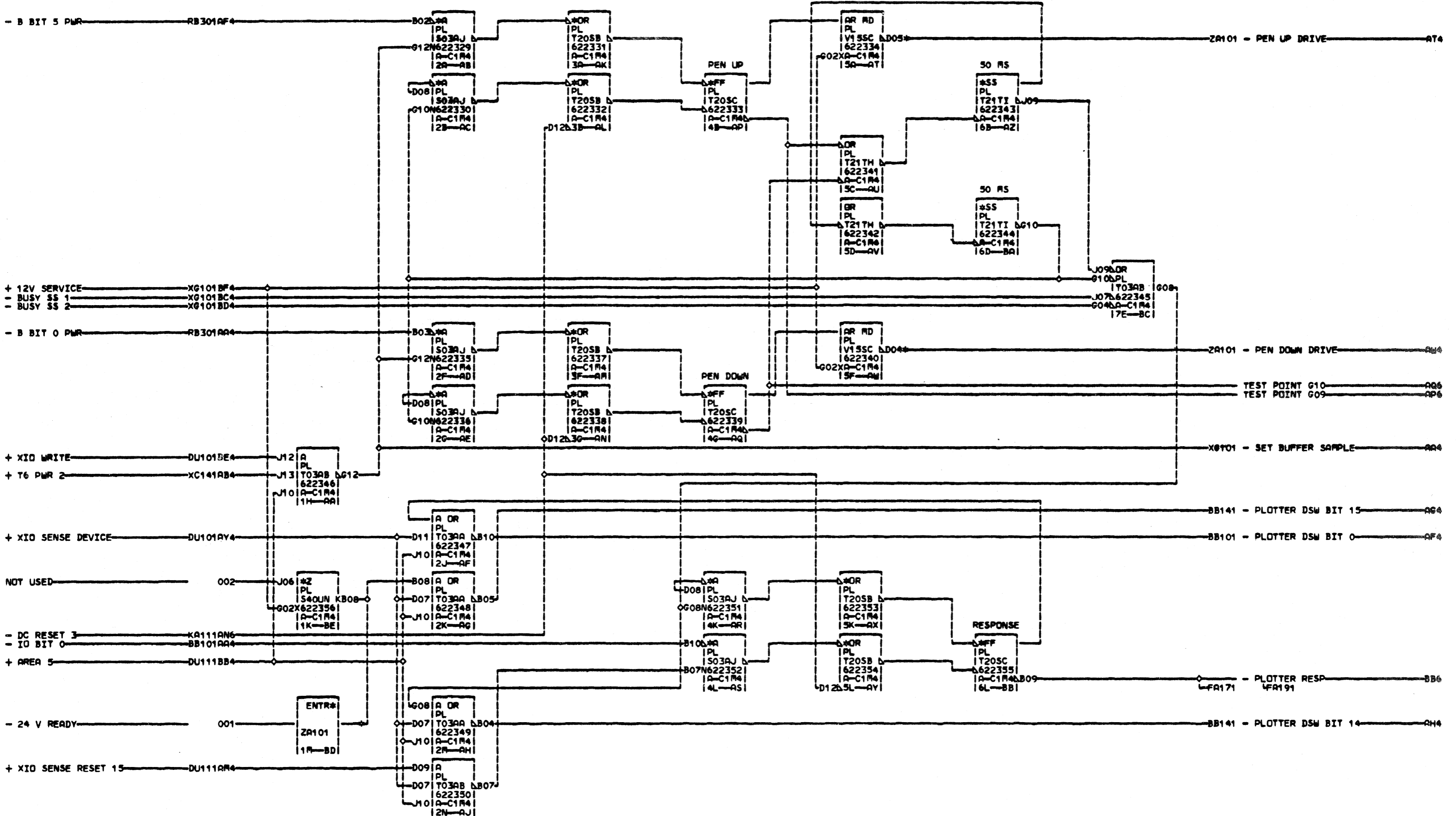
AW4 A-C1N5B02
AX4 A-C1N5D02
BA4 A-C1N5B03
BB4 A-C1N5D04

09-02-66 419631

PLOTTER DRUM AND CARR DRIVE		
BUSY SS 1 AND 2		
DATE	09-13-66	MACH# 1131-B
LOG	245N FRAME	01
P.N.		2231425

X
G
1
0
1
000

X
G
1
0
1
000

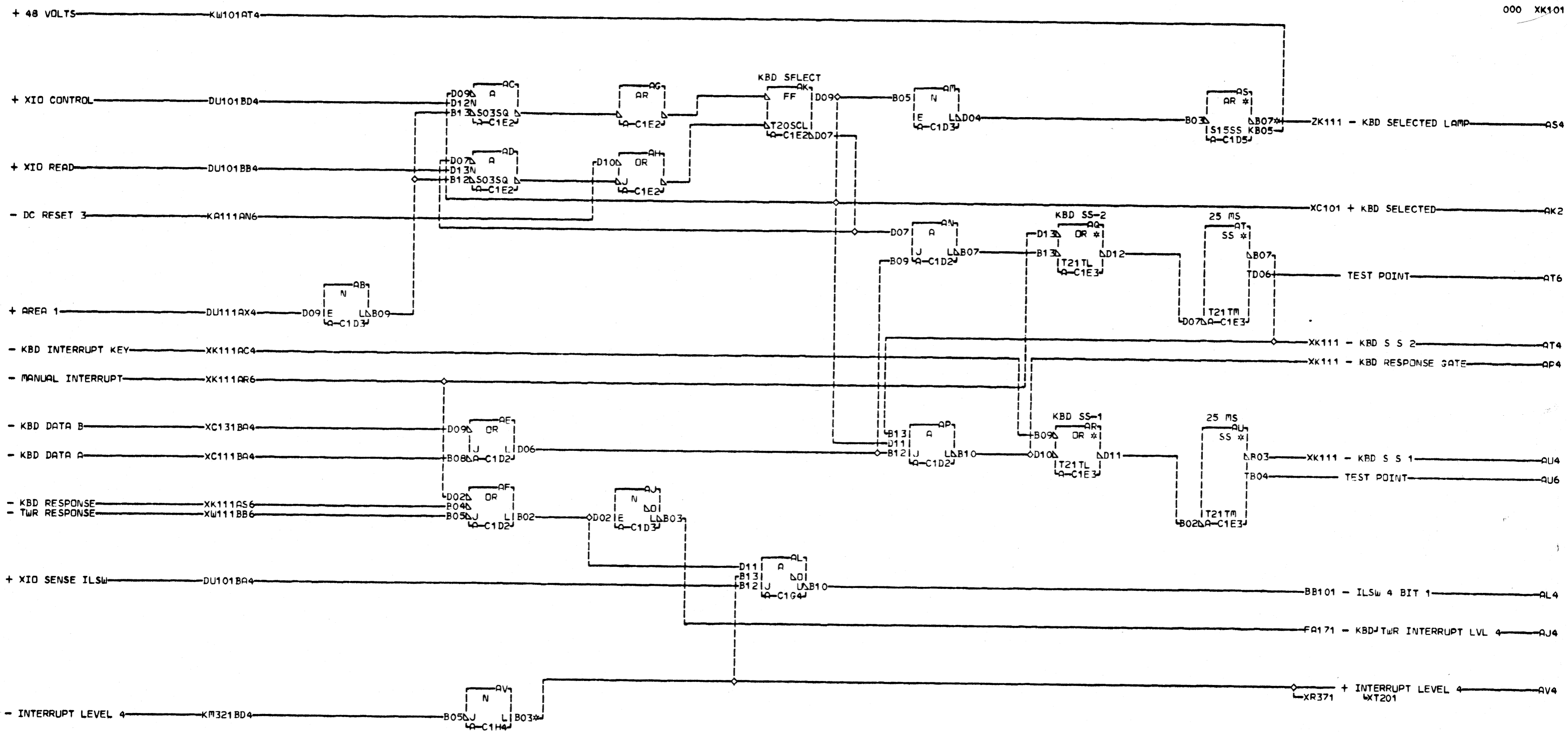


AT4 A-C1N5B04
 AM4 A-C1N5D05
 BD4 A-C1N5B10

09-02-66 419631

PLOTTER PEN DRIVE-RESPONSE		
BUSY SS 3 AND 4-READY		
DATE	09-13-66	MACH. 1131-B
LOG	241C FRAME	01
	P.N.	2231235
IBM CORP.	GPD BLK.	SA

X
G
1
1
1
000



NOTE: SINGLE SHOT
ADJUSTMENT POTS ARE
SITUATED AS FOLLOWS
X KBD SS-1 - UPPER POT
K KBD SS-1 - UPPER POT
1 KBD SS-2 - LOWER POT
0
1

AS4 A-C1A5D10
AV4 A-C1A7B03
01A-B1N7B03
01A-C1E8D04

LDC. TYPE
A-C1D2 0000
A-C1D3 0509
A-C1D5 3819
A-C1E2 3794
A-C1E3 3816
A-C1G4 0236
A-C1H4 3421

KBD SELECT RESPONSE GATE			
SS 1	SS 2	INT LVL 4	X
E.C. HISTORY		MACH. 1131-B	K
419631			1
419664	FRAME	01	0
			1
DATE LAST EC		IBM CORP. GPD	000
11-17-67	419668	P.N. 2231236	

