

Maintenance Library

4341

**Processor
Parts Catalog**

PREFACE

This Parts Catalog contains listings and illustrations of all replaceable assemblies, subassemblies, and detail parts released on or before January 1982.

Fifth Edition, February 1982

This is a major revision of, and obsoletes, S124-0152-3.

The drawings and specifications contained herein shall not be reproduced in whole or in part without written permission.

IBM has prepared this maintenance manual for the use of IBM customer engineers in the installation, maintenance and repair of the specific machines indicated. IBM makes no representations that it is suitable for any other purpose.

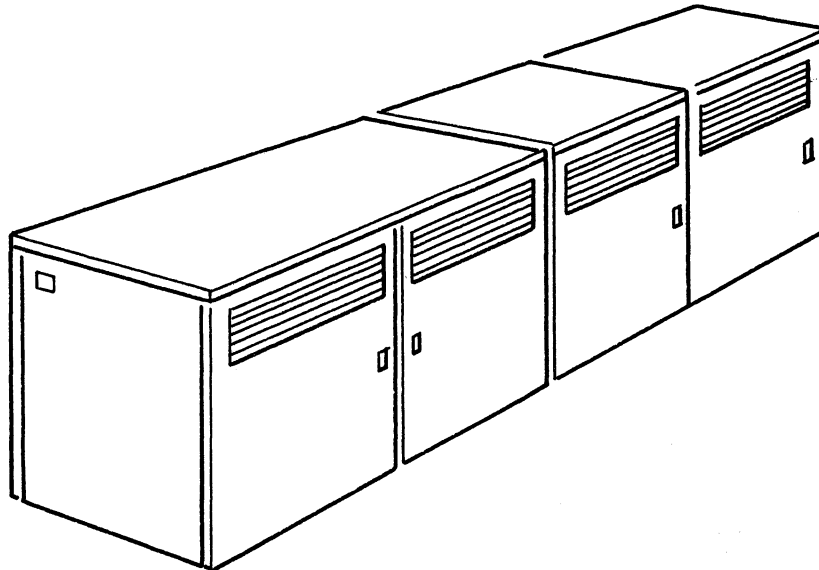
Information contained in this manual is subject to change from time to time. Any such changes will be reported in subsequent revisions or through the System Library Subscription Service.

It is possible that this material may contain reference to, or information about, IBM products (machines and programs), programming, or services that are not announced in your country. Such references or information must not be construed to mean that IBM intends to announce such IBM products, programming, or services in your country.

Requests for copies of IBM publications should be made to your IBM representative or to the IBM branch office servicing your locality.

A form for reader's comments is provided at the back of this publication. If the form has been removed, comments may be addressed to IBM General Technology Division, Dept. K10, P.O. Box 6, Endicott, NY 13760. IBM may use or distribute any of the information you supply in any way it believes appropriate without incurring any obligation whatever. You may, of course, continue to use the information you supply.

HOW TO USE THIS PARTS CATALOG



- To find a part in this catalog, go to the Visual Index pages V-1 through V-8.

LOCATE THE ILLUSTRATION ON THE VISUAL INDEX PAGE CONTAINING THE PART THAT YOU ARE INTERESTED IN. THEN GO TO THE FIGURE AND PAGE INDICATED FOR THE SPECIFIC PART NUMBER.

- For additional information on catalog structure, see page ii.
- For Cable Assemblies and Component Parts, see page 97.
- For NUMERICAL LISTING of all part numbers, see pages X-1 through X-9.

GLOSSARY

1 **INDENTURE** The indentation of items under the numerals 1 through 4 at the head of the Description column shows the relationship between assemblies, subassemblies and detail parts. For example:

- | | |
|-------------|--|
| (No dot) | MAIN ASSEMBLY |
| (One dot) | ● Detail parts of main assembly |
| (One dot) | ● Assembly within main assembly |
| (Two dot) | ● ● Detail part of one dot assembly |
| (Two dot) | ● ● Assembly within one dot assembly |
| (Three dot) | ● ● ● Detail parts of two dot assembly |

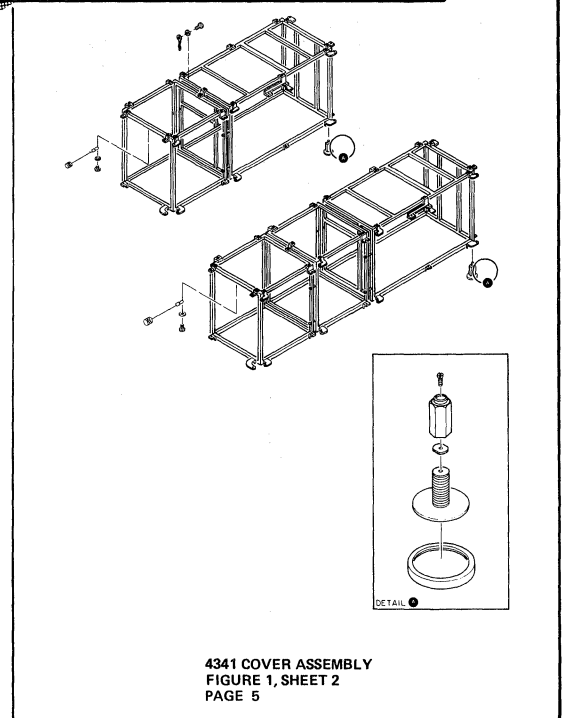
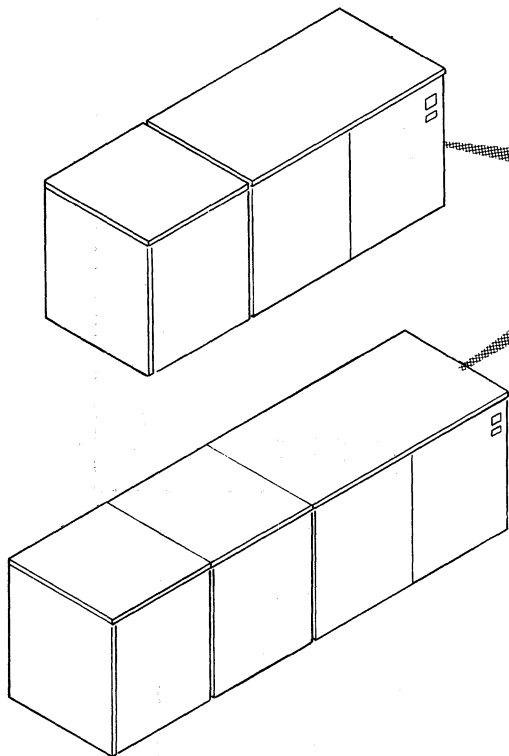
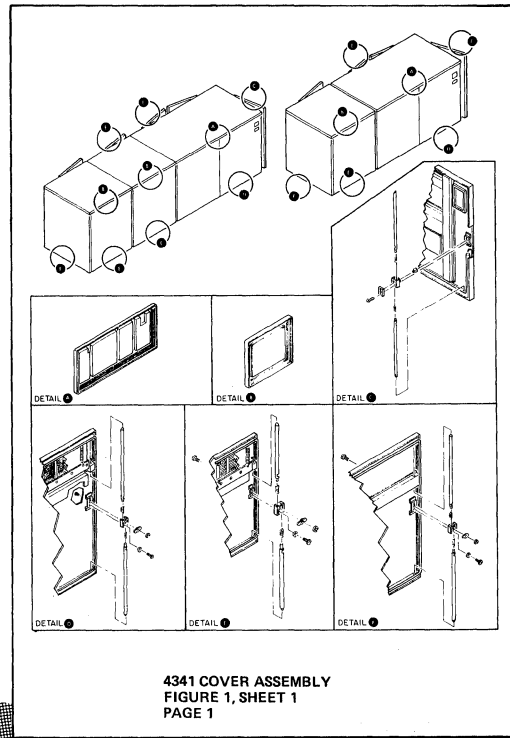
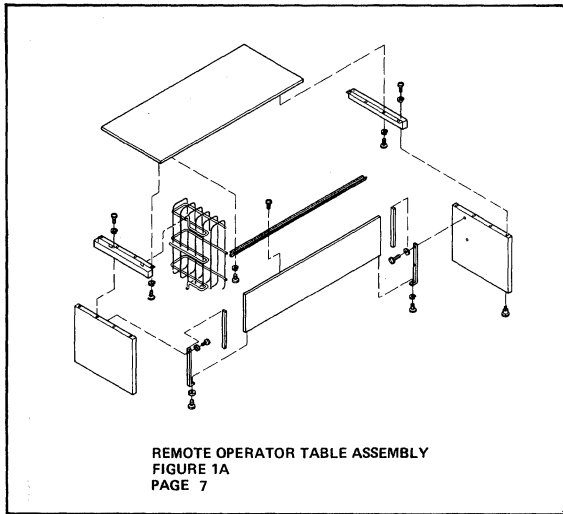
2 **AR** The notation AR in the Units Per Asm column indicates that the quantity of the part is used as required.

3 **SIMILAR ASSEMBLIES** If two or more assemblies contain a majority of identical parts, they are combined in the same listing. Parts common to assemblies are illustrated and listed by one index number. Parts peculiar to one or the other of the assemblies are listed separately and identified by a descriptive trailer line.

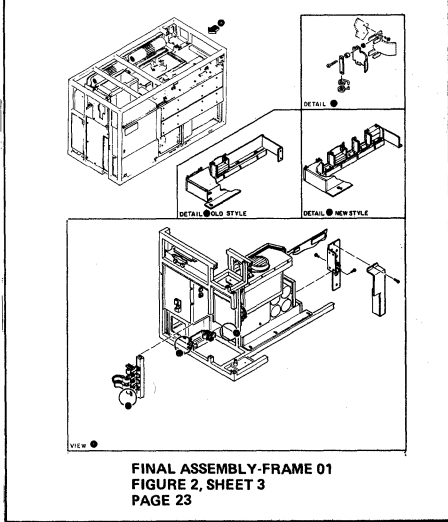
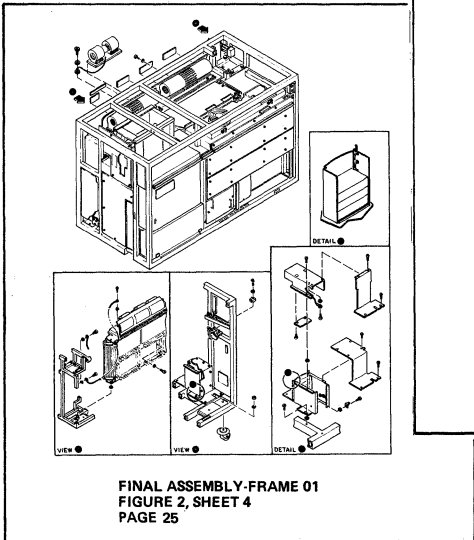
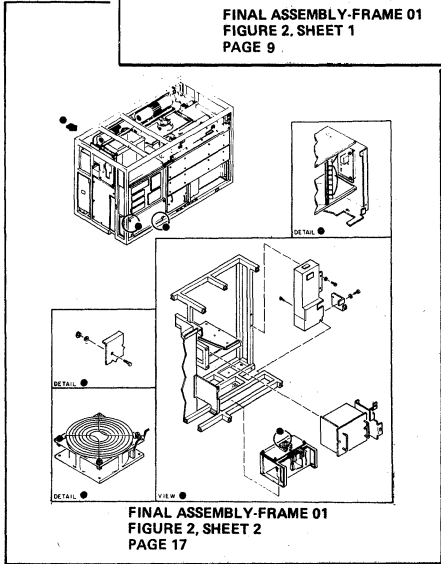
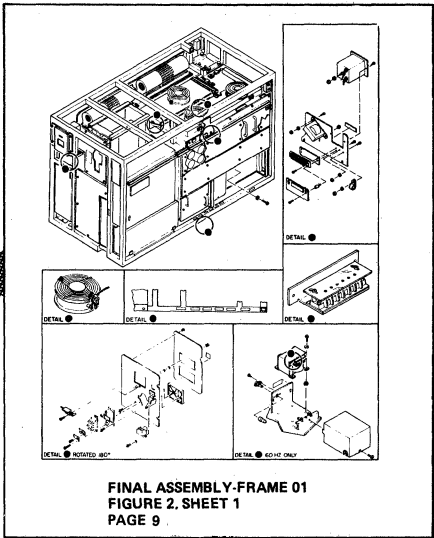
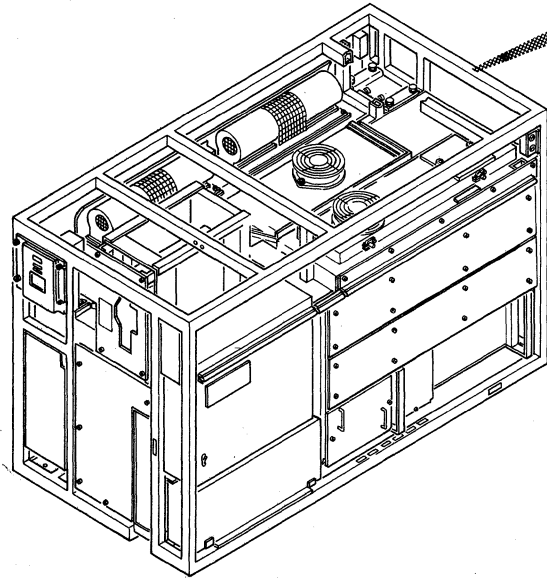
4 **NP** denotes the part is nonprocurable

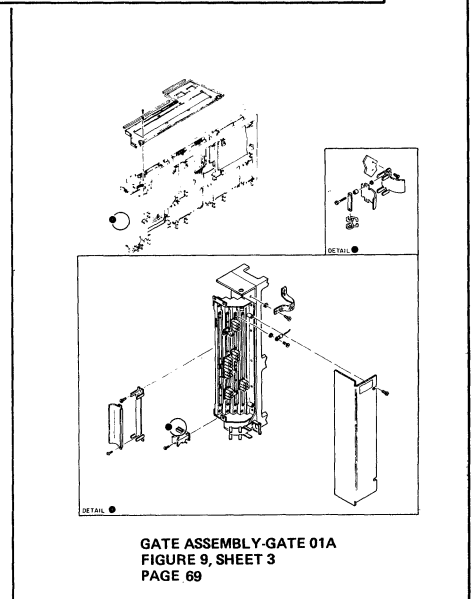
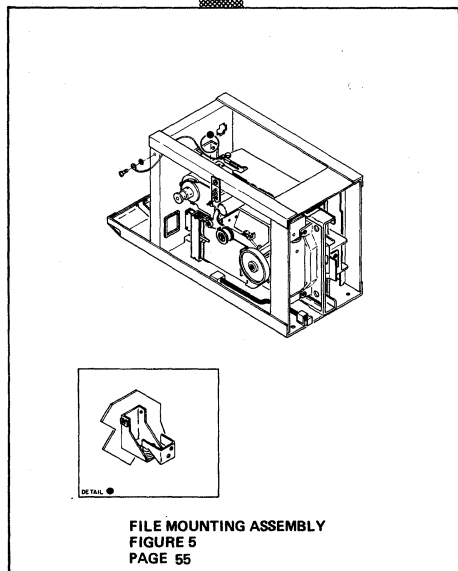
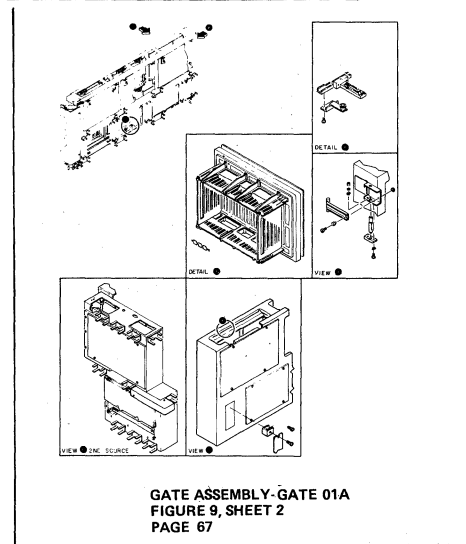
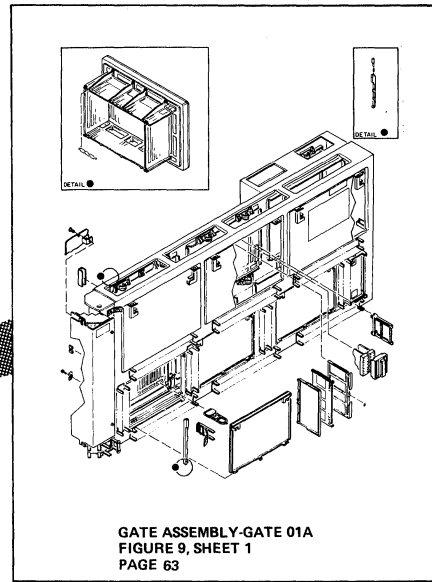
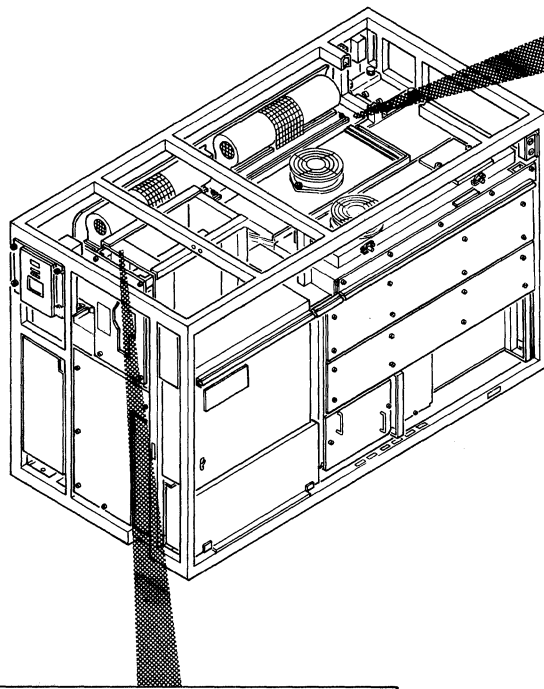
5 **NR** denotes the part is not recommended for field replacement, and the next higher assembly should be ordered.

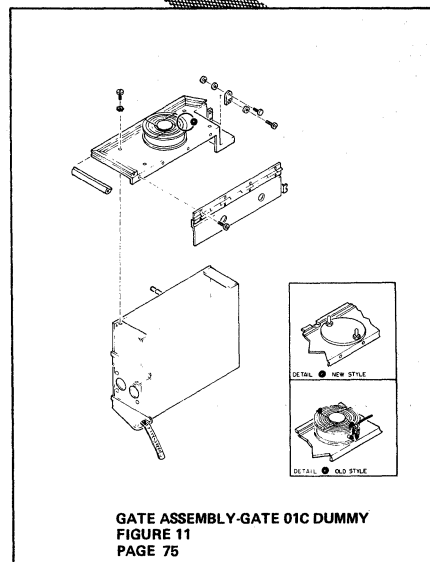
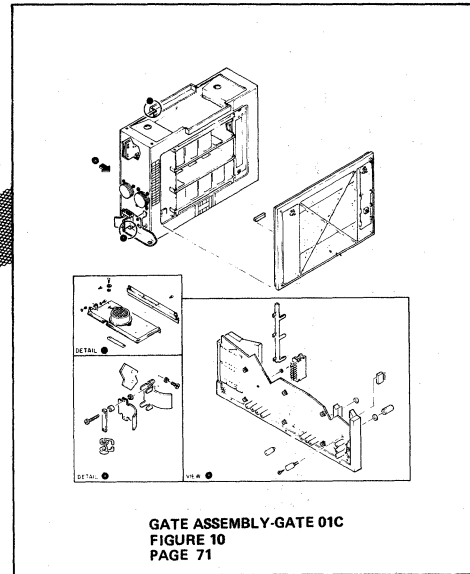
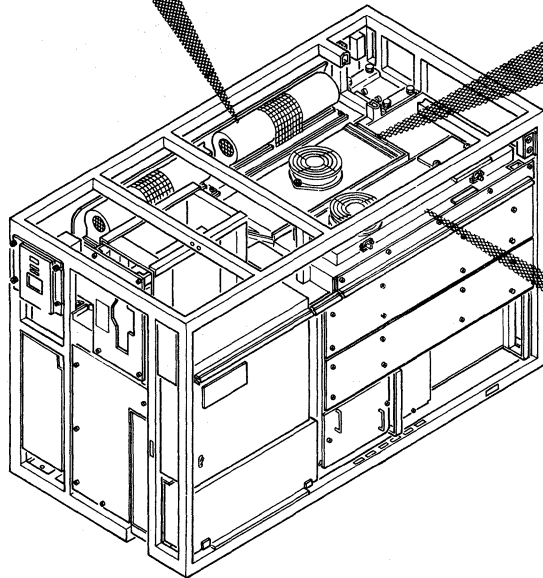
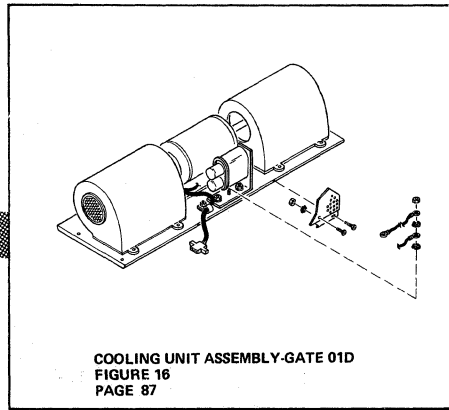
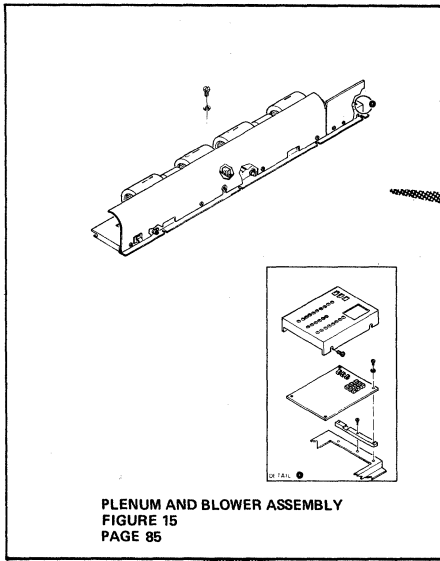
FIGURE INDEX NUMBER	PART NUMBER	UNITS PER ASM.	DESCRIPTION			
			1	2	3	4
22 -			TRANSPORT AND VACUUM ASM THIS ASSEMBLY CANNOT BE ORDERED FOR REPLACEMENT, SEE LIST 2-252 FOR NEXT HIGHER ASM			
- 1	1846187	1	● DOOR ASSEMBLY, VACUUM COLUMN USED ON MODELS 6 AND 8			
- 1	1846188	1	● DOOR ASSEMBLY, VACUUM COLUMN USED ON MODEL 4 SEE LIST 23A FOR DETAIL BREAKDOWN			
- 2	55918	5	● SCREW, MACH BD HD - 10-32 X 0.625 LG			
- 3	45690	5	● WASHER, FL - 0.203 ID X 0.408 OD			
- 4	2512946	AR	● SHIM, DOOR VAC COLUMN 0.015 THK			
- 4	2512948	AR	● SHIM, DOOR VAC COLUMN 0.030 THK			
- 5		AR	● PNEUMATIC HOSES TRANSPORT ASM SEE LIST 24 FOR DETAIL BREAKDOWN			
- 9	2523727	1	● DISC, DECORATIVE			
- 10	1767707	1	● COVER			
- 11	322562	3	● SCREW, BD HD - 10-32 X 2.000 INCHES LG			
- 12	1767705	1	● CAM			
- 13	1766920	1	● SPRING, COMP 1.190 OD X 2.750 LG			
- 14	1767720	1	● HUB ASSEMBLY			
- 15	356742	3	● ● CLAMP, 0.375 ID X 0.173 MTG HOLE			
- 16	5489002	3	● SCREW, MACH BD HD - 6-32 X 0.250 LG			
- 17	1090873	6	● ● LOCKWASHER, SPLIT - 0.168 ID X 0.296 OD			
- 18	1767703	3	● ● ROLLER, TRIPLE			
- 19	1767711	3	● ● ROLLER, SINGLE			

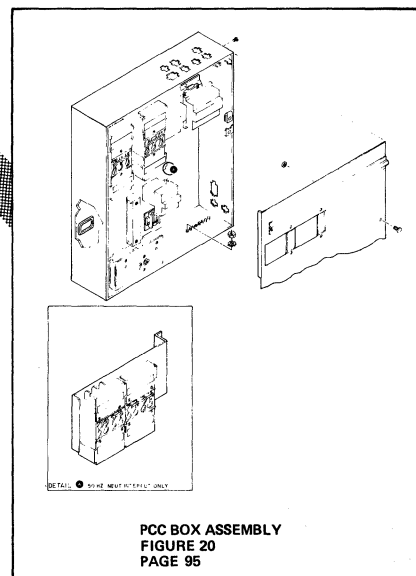
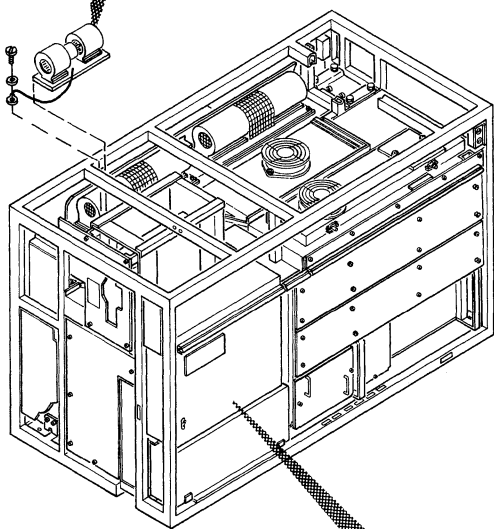
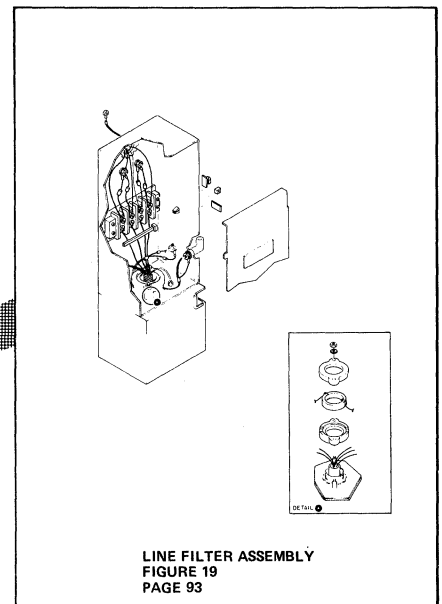
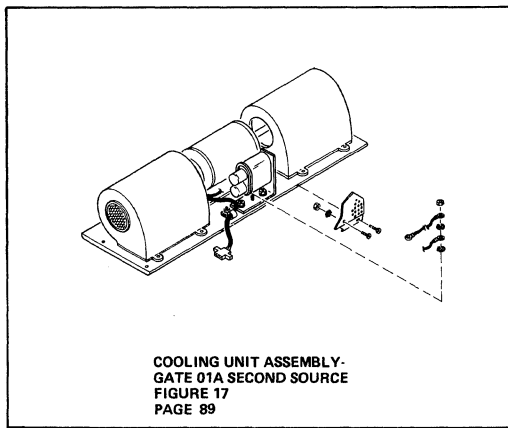


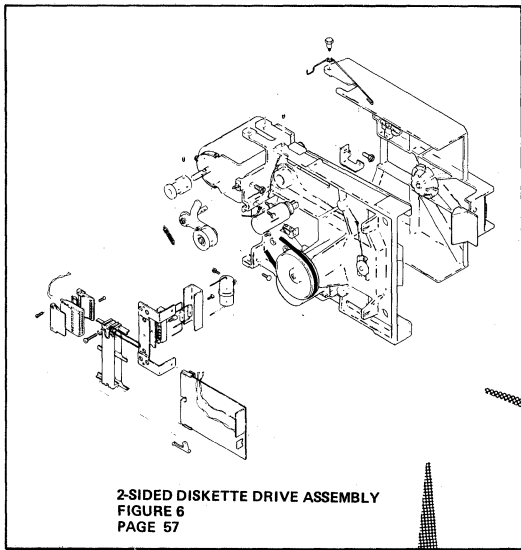
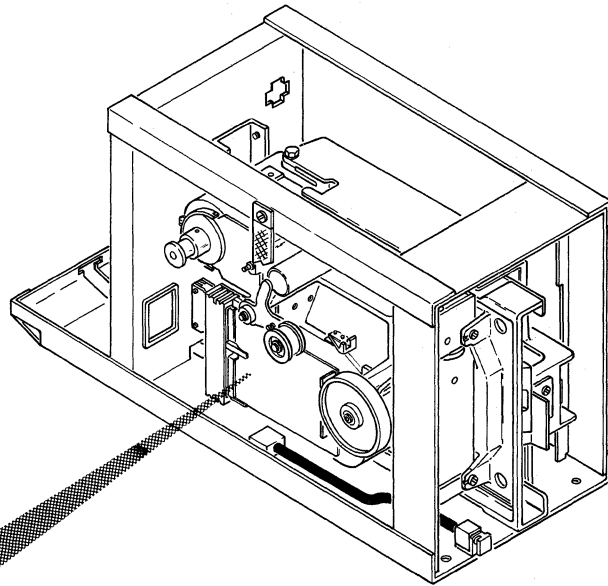
CABLE ASSEMBLIES
WITH COMPONENT PARTS
FIGURE 21 (6 SHEETS)
PAGE 97



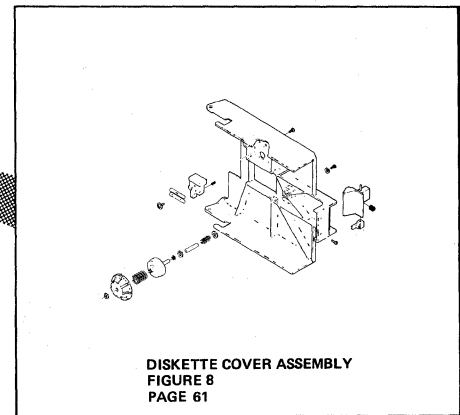




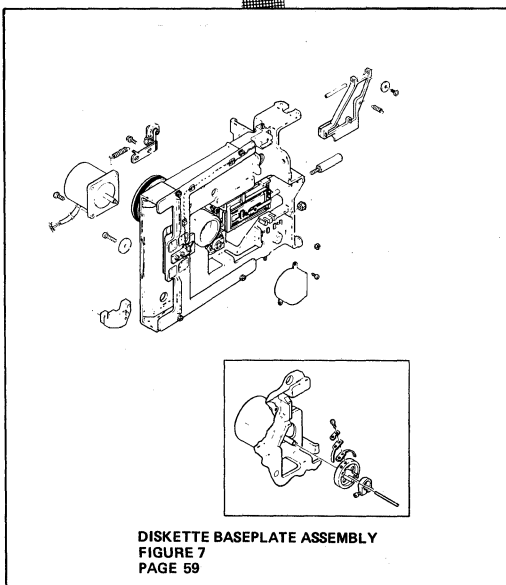




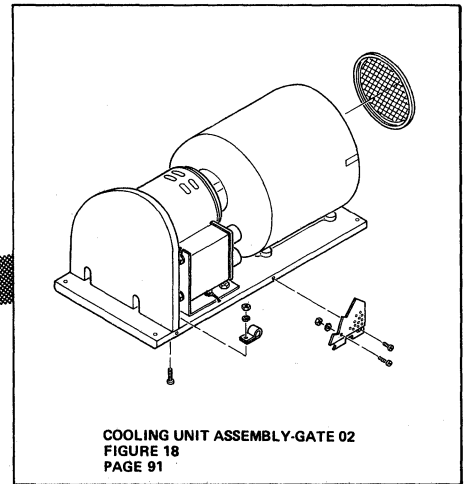
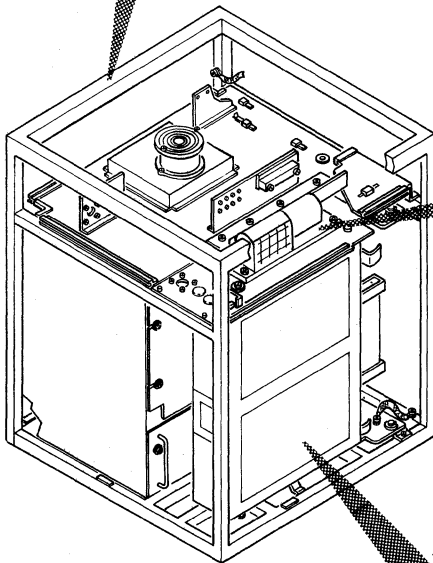
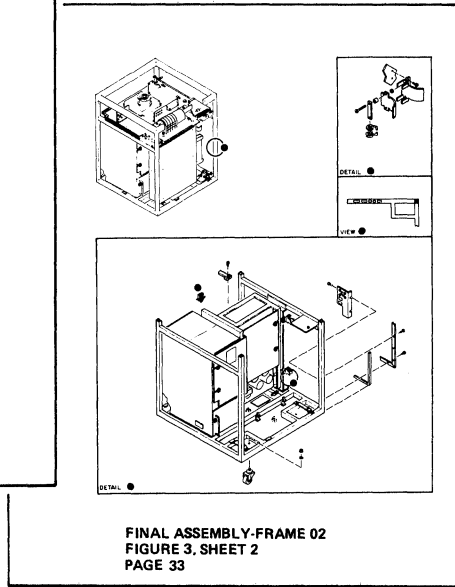
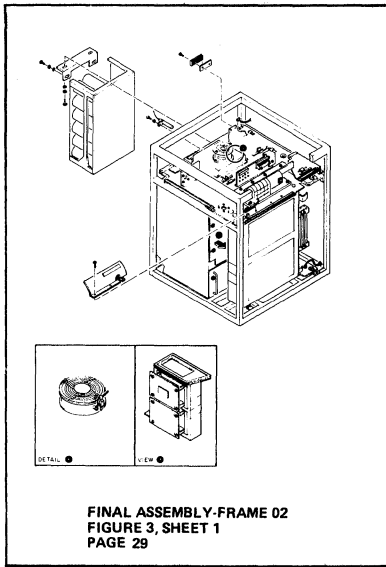
2-SIDED DISKETTE DRIVE ASSEMBLY
FIGURE 6
PAGE 57



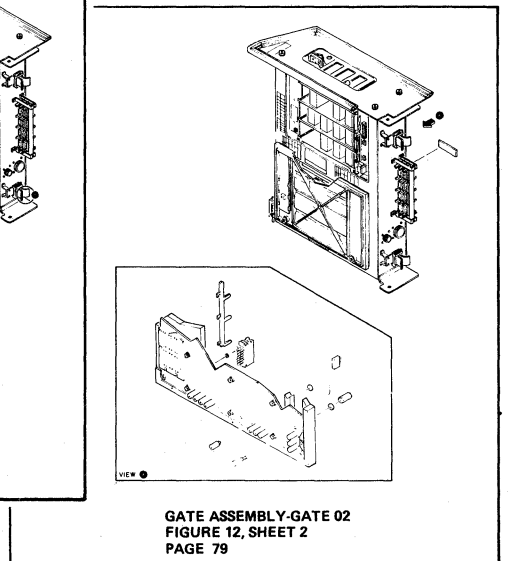
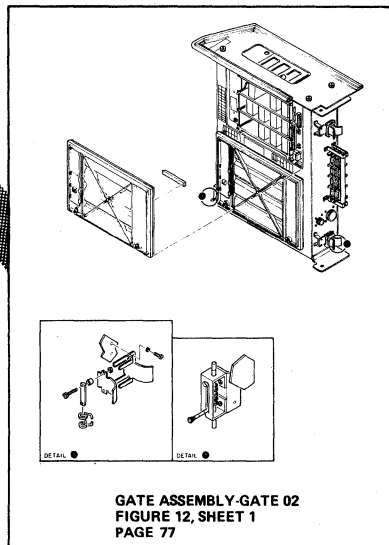
DISKETTE COVER ASSEMBLY
FIGURE 8
PAGE 61

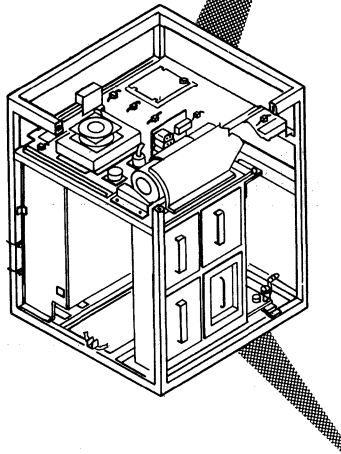
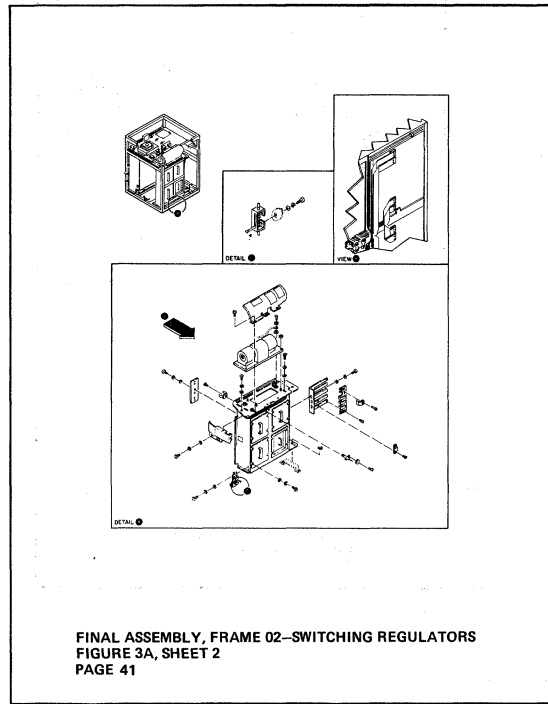
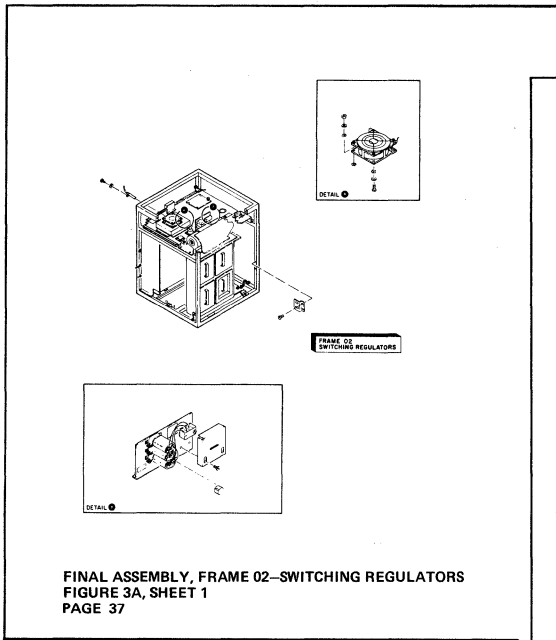


DISKETTE BASEPLATE ASSEMBLY
FIGURE 7
PAGE 59

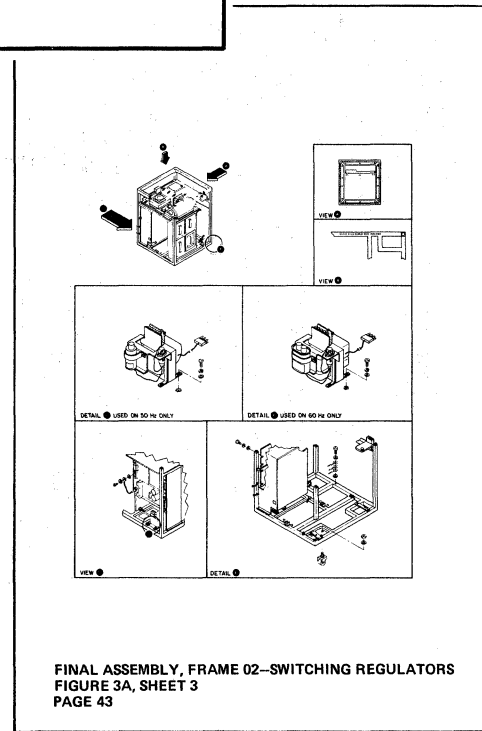
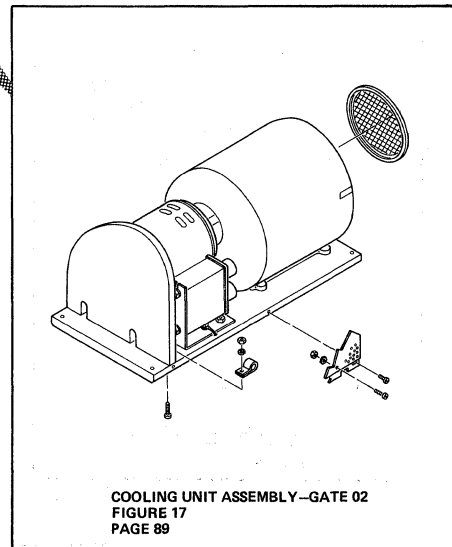


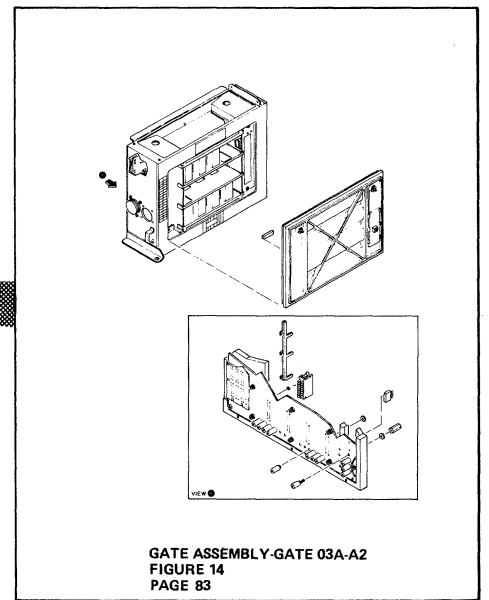
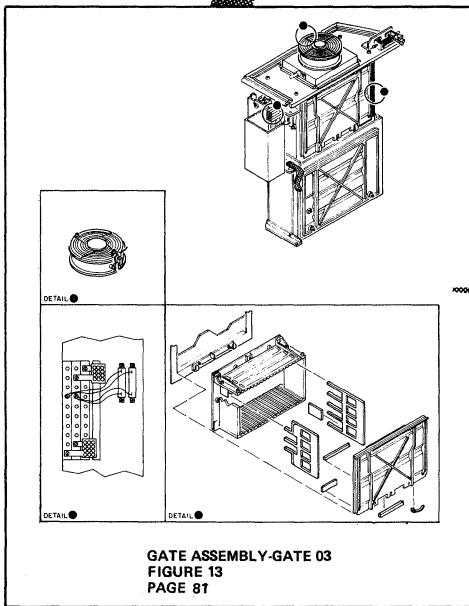
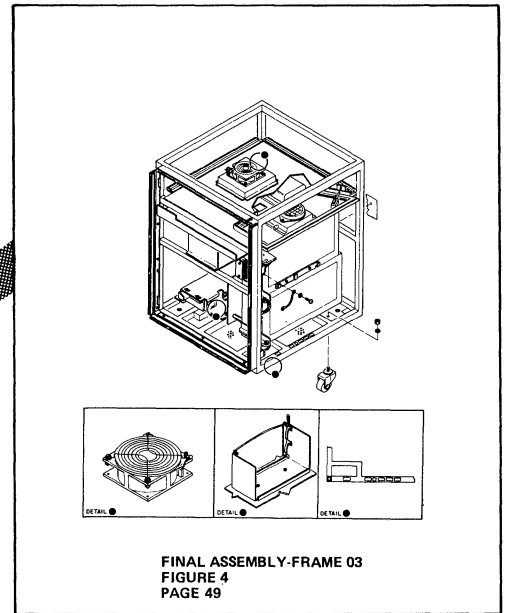
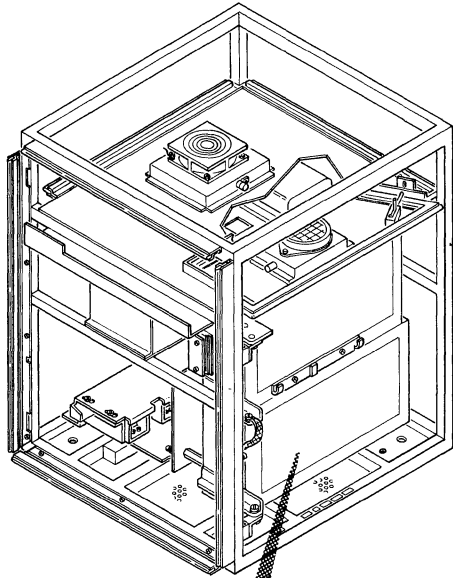
SEE VISUAL INDEX 8
FOR FRAME 02 WITH
SWITCHING REGULATORS

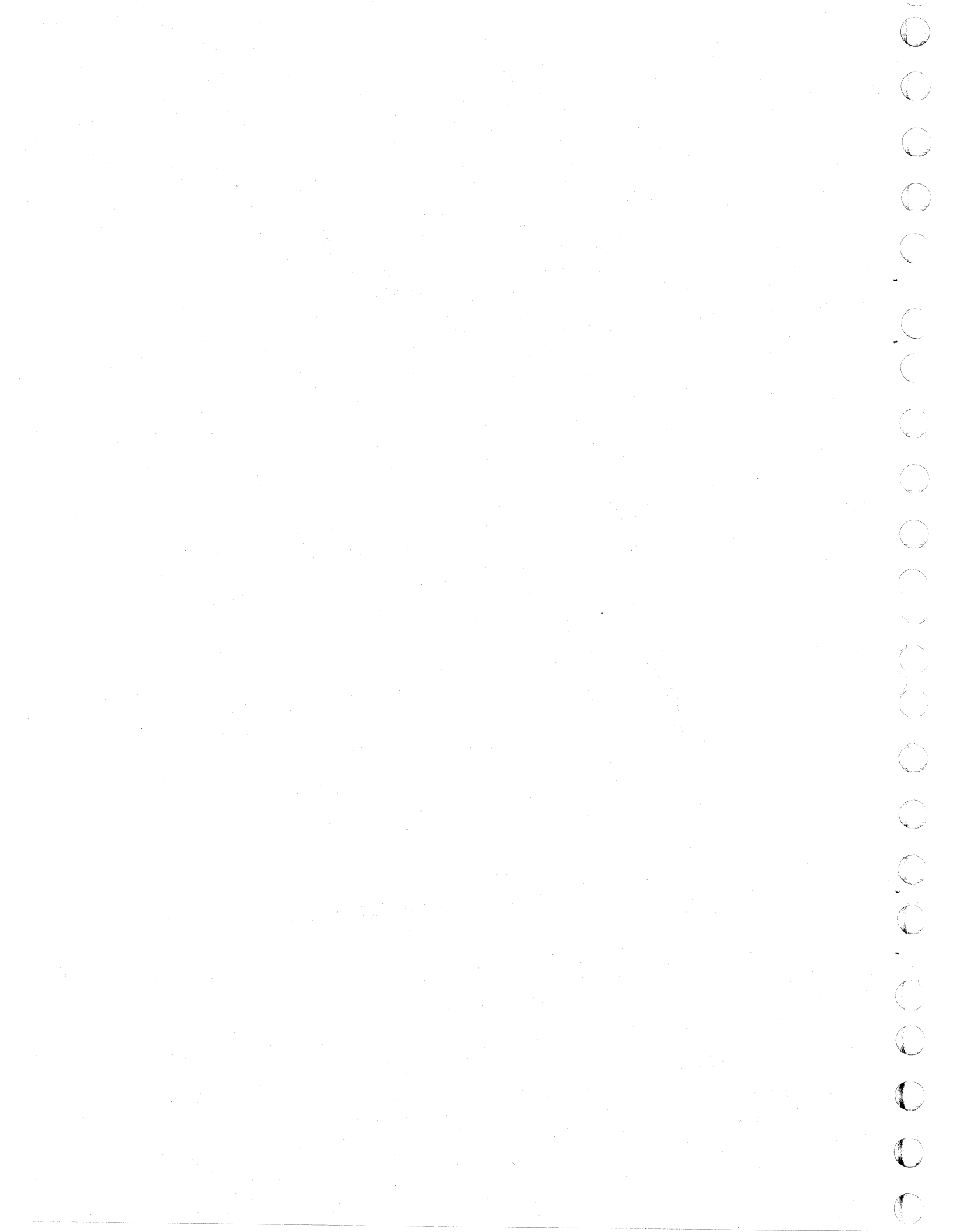




FRAME 02 WITH SWITCHING REGULATORS







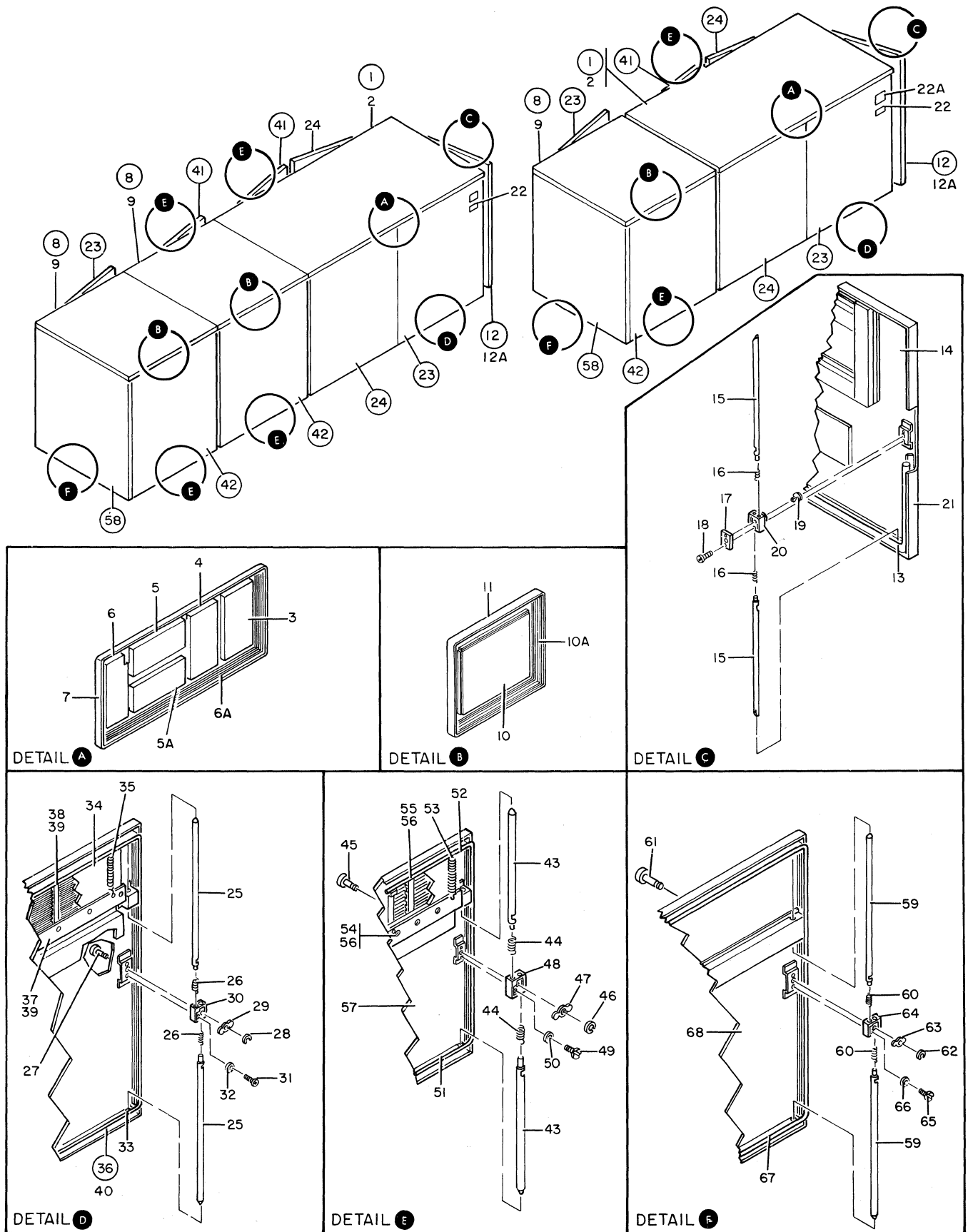


FIGURE 1. 4341 COVER ASSEMBLY. SHEET 1 OF 2. INDEX NOS. 1-68. SEE LIST 1.

4341 COVER ASSEMBLY

FIGURE- INDEX NUMBER	PART NUMBER	UNITS PER ASM.	DESCRIPTION			
			1	2	3	4
1 -	1310484 NP	1	4341 COVER ASSEMBLY FOR ILLUSTRATION SEE FIGURE 1			
- 1	5578623	1	. COVER ASM, TOP-WHITE			
- 2	1621190	6	. SCREW, PAN HD- M4 X 8 LG			
- 3	4124095	1	. . . PAD, FOAM			
- 4	4124094	1	. . . PAD, FOAM			
- 5	4124093	1	. . . PAD, FOAM			
- 5A	4109378	1	. . . PAD, FOAM			
- 6	4124092	1	. . . PAD, FOAM			
- 6A	8483347	AR	. . . SEAL			
- 7	5578578	1	. . . COVER, TOP-WHITE			
- 8	1310009	AR	. COVER ASM, TOP			
- 9	1621190	AR	. SCREW, PAN HD- M4 X 8 LG			
- 10	1310008	1	. . . PAD, FOAM			
- 10A	8483347	AR	. . . SEAL			
- 11	1310007	1	. . . COVER, TOP			
- 12	8330644	1	. COVER ASM, END IPO-BLUE			
- 12	8330646	1	. COVER ASM, END IPO-YELLOW			
- 12	8330648	1	. COVER ASM, END IPO-GREY			
- 12	8330650	1	. COVER ASM, END IPO-ROSE			
- 12	8330652	1	. COVER ASM, END IPO-BROWN			
- 12	8330654	1	. COVER ASM, END IPO-GREEN			
- 12A	2676717	1	. LABEL, 200V FINLAND ONLY			
- 12A	2676718	1	. LABEL, 380/400/415V (FINLAND ONLY)			
- 12A	2676715	1	. LABEL, CANADA ONLY			
- 12A	960766	1	. LABEL, CANADIAN STDS. ASSOC (CANADA ONLY)			
- 13	8483347	AR	. . . SEAL			
- 15	8483368	2	. . . SHAFT, LATCH-BOLT			
- 16	2154451	2	. . . SPRING			
- 17	8483370	1	. . . PLATE, STOP			
- 18	8483361	2	. . . SCREW, THREAD FORMING-M3.5 X 30 LG			
- 19	8483369	1	. . . BOLT			
- 20	8483371	1	. . . HOUSING			
- 21	8330660	1	. . . COVER, END IPO-BLUE			
- 21	8330662	1	. . . COVER, END IPO-YELLOW			
- 21	8330664	1	. . . COVER, END IPO-GREY			
- 21	8330666	1	. . . COVER, END IPO-ROSE			
- 21	8330668	1	. . . COVER, END IPO-BROWN			
- 21	8330670	1	. . . COVER, END IPO-GREEN			
- 22	960766	1	. PLATE-CSA			
- 22	2676715	2	. LABEL-CANADA PWR			
- 22	4109377	2	. LABEL-CSA, CANADA PWR			
- 22	4447204	2	. PLATE-FCC, US ONLY			
- 22A	4109355	1	. NAMEPLATE			
- 22A	4154560	1	. NAMEPLATE-MODEL 2			
- 22A	4154698	1	. NAMEPLATE-MODEL 10			
- 22A	4154699	1	. NAMEPLATE-MODEL 11			
- 23	8483454	2	. COVER ASM			
- 24	8483455	2	. COVER ASM			
INDEX NOS. 25-32 ARE USED ON 8483454 COVER ASM ONLY						
- 25	8483488	2	. . . SHAFT, LATCH-BOLT			
- 26	2154459	2	. . . SPRING, COMPRESSION- 0.543 LG X 0.218 DIA			
- 27	4109678	1	. . . KNOB			
- 28	1092125	1	. . . CLIP			
- 29	8483353	1	. . . LATCH			
- 30	8483352	1	. . . HOUSING			
- 31	1621061	2	. . . SCREW, CHEESE HD- M4 X 10 LG			
- 32	1622346	2	. . . LOCKWASHER, EXT STAR- M4, 8 OD X .5			
- 33	8483347	AR	. . . SEAL			
- 34	8483343	1	. . . FILTER, AIR			
- 35	307984	5	. . . SPRING			
- 36	8483469	1	. . . COVER ASM-USED ON 8483454 COVER ASM			
- 36	8483482	1	. . . COVER ASM-USED ON 8483455 COVER ASM			
- 37	8483356	1	. . . FLANGE			
- 38	8483355	1	. . . LOUVER			
- 39	1621852	14	. . . SCREW, SELF TAP PAN HD-M4 X 10 LG			
- 40	8483486	1	. . . COVER-USED ON 8483454 COVER ASM			
- 40	8483487	1	. . . COVER-USED ON 8483455 COVER ASM			
- 41	4124006	AR	. COVER ASM			
- 42	1310488	AR	. COVER ASM			
- 43	8483488	2	. . . SHAFT, LATCH-BOLT			
- 44	2154459	2	. . . SPRING, COMPRESSION- 0.543 LG X 0.218 DIA			
- 45	4109678	1	. . . KNOB			
- 46	1092125	1	. . . CLIP			

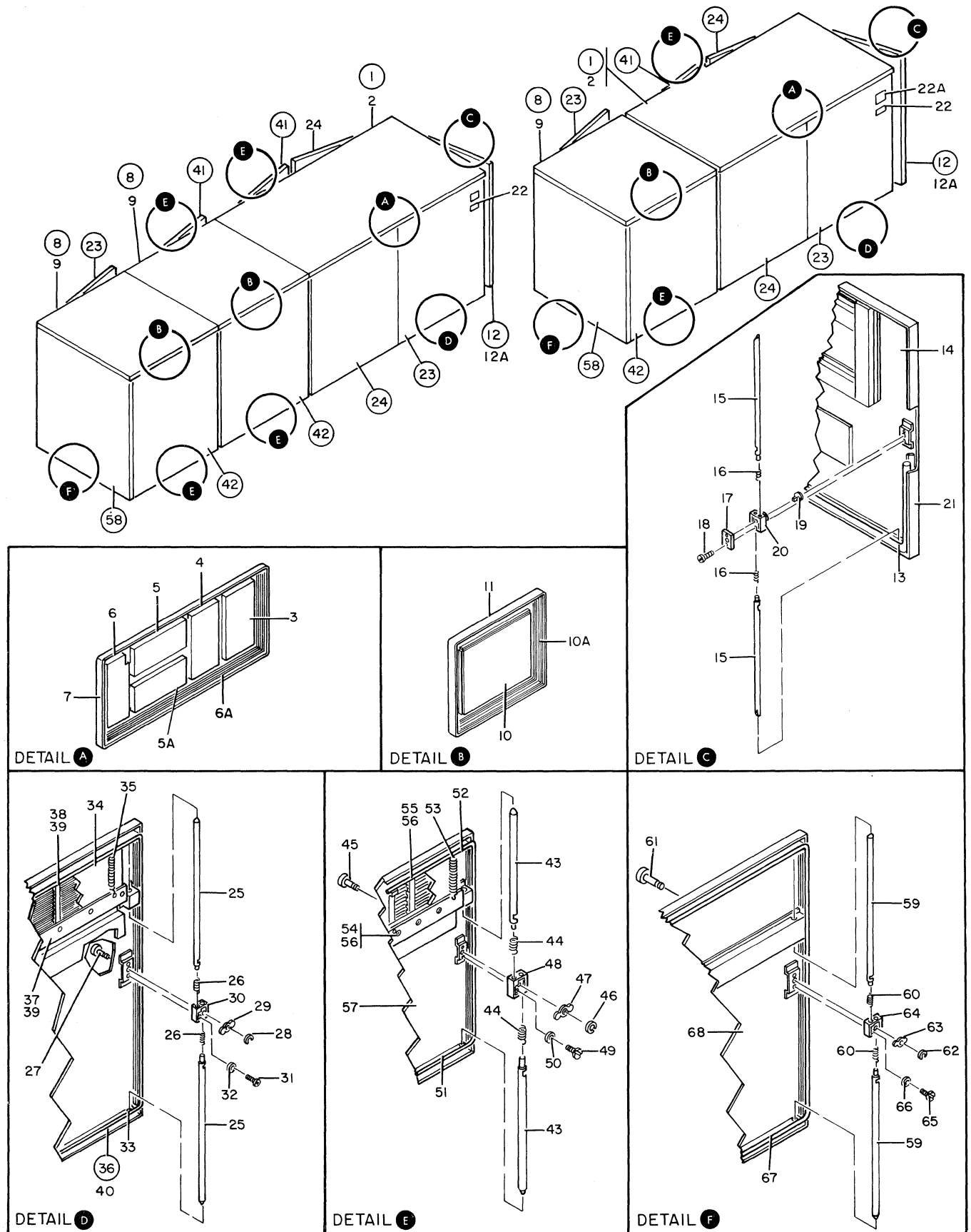


FIGURE 1. 4341 COVER ASSEMBLY. SHEET 1 OF 2. INDEX NOS. 1-68. SEE LIST 1.

4341 COVER ASSEMBLY

FIGURE- INDEX NUMBER	PART NUMBER	UNITS PER ASM.	DESCRIPTION			
			1	2	3	4
1 - 47	8483353	1	. .	LATCH		
- 48	8483352	1	. .	HOUSING		
- 49	1621061	2	. .	SCREW,CHEESE HD- M4 X 10 LG		ATT PT
- 50	1622346	2	. .	LOCKWASHER,EXT STAR- M4, 8 OD X .5		ATT PT
- 51	8483347	AR	. .	SEAL		
- 52	8483343	1	. .	FILTER,AIR		
- 53	307984	5	. .	SPRING		
- 54	8483356	1	. .	FLANGE		
- 55	8483355	1	. .	LOUVER		
- 56	1621852	7	. .	SCREW,SELF TAP PAN HD-M4 X 10 LG		ATT PT
- 57	4124004	1	. .	COVER-USED ON 4124006 COVER ASM		
- 57	1310006	1	. .	COVER-USED ON 1310488 COVER ASM		
- 58	8330643	1	. .	COVER ASM,END-BLUE		
- 58	8330645	1	. .	COVER ASM,END-YELLOW		
- 58	8330647	1	. .	COVER ASM,END-GREY		
- 58	8330649	1	. .	COVER ASM,END-ROSE		
- 58	8330651	1	. .	COVER ASM,END-BROWN		
- 58	8330653	1	. .	COVER ASM,END-GREEN		
- 59	8383488	2	. .	BOLT		
- 60	2154459	2	. .	SPRING,COMPRESSION- 0.543 LG X 0.218 DIA		
- 61	4109678	1	. .	KNOB		
- 62	1092125	1	. .	CLIP		ATT PT
- 63	8483353	1	. .	LATCH		
- 64	8483352	1	. .	HOUSING		
- 65	1621061	2	. .	SCREW,CHEESE HD- M4 X 10 LG		ATT PT
- 66	1622346	2	. .	LOCKWASHER,EXT STAR- M4, 8 OD X .5		ATT PT
- 67	8483347	AR	. .	SEAL		
- 68	8330661	1	. .	COVER,END-BLUE		
- 68	8330663	1	. .	COVER,END-YELLOW		
- 68	8330665	1	. .	COVER,END-GREY		
- 68	8330667	1	. .	COVER,END-ROSE		
- 68	8330669	1	. .	COVER,END-BROWN		
- 68	8330671	1	. .	COVER,END-GREEN		

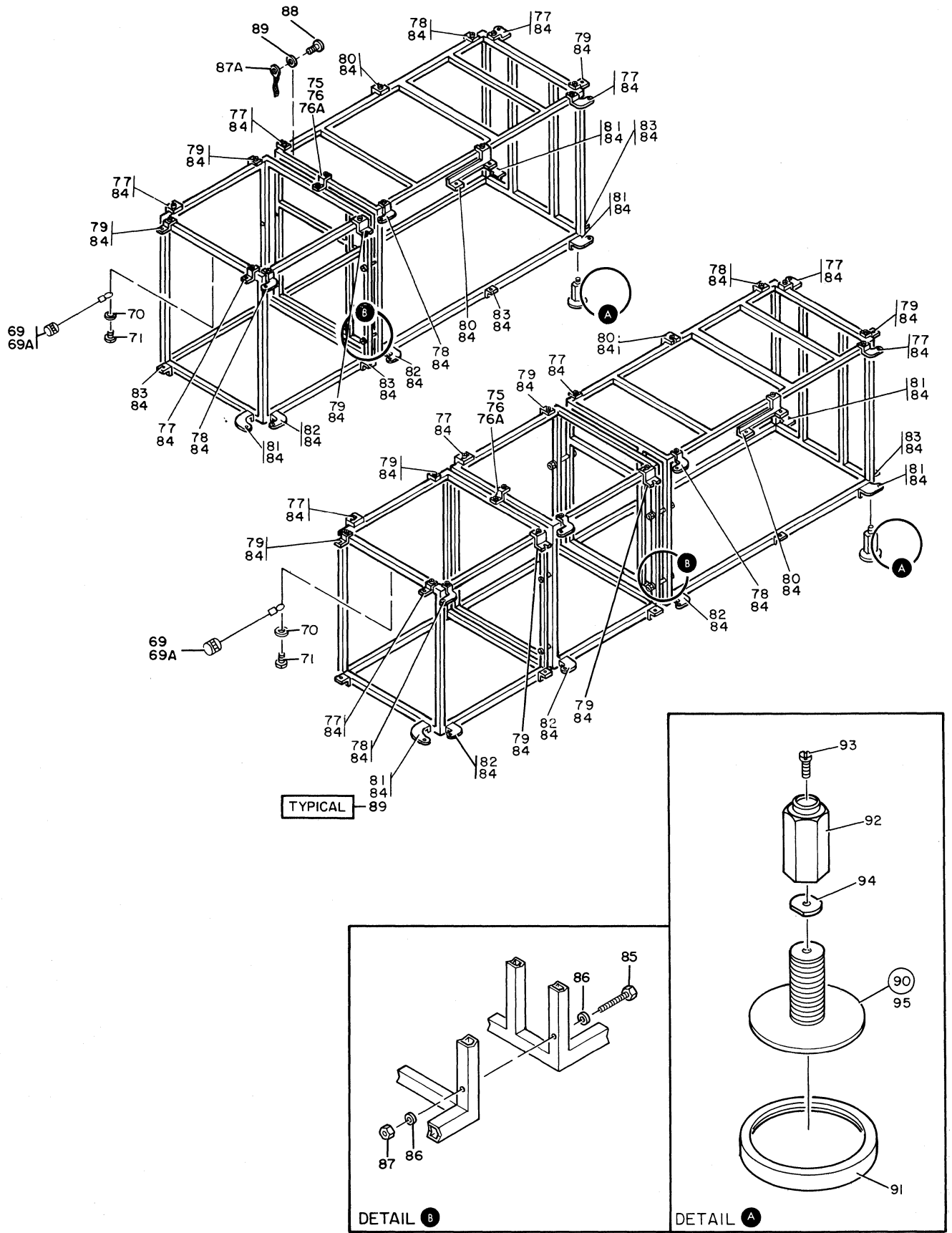


FIGURE 1. 4341 COVER ASSEMBLY. SHEET 2 OF 2. INDEX NOS. 69-95. SEE LIST 1.

4341 COVER ASSEMBLY

FIGURE- INDEX NUMBER	PART NUMBER	UNITS PER ASM.	DESCRIPTION			
			1	2	3	4
1 - 69	8483495	AR	.	STOP ASM,COVER		
- 69A	53193	AR	.	GROMET		
- 70	1622305	AR	.	WASHER,FL- M5 10 OD X 1 THK	ATT PT	
- 71	1621210	AR	.	SCREW,PAN HD- M5 X 10 LG	ATT PT	
- 75	5578577	AR	.	BRACKET		
- 76	1621190	AR	.	SCREW,PAN HD- M4 X 8 LG	ATT PT	
- 76A	1622318	AR	.	WASHER,SPRING-M4 9.2 OD X 1.2 THK	ATT PT	
- 77	8483491	AR	.	HINGE-TOP RIGHT		
- 78	8483489	AR	.	HINGE-TOP LEFT		
- 79	8483493	AR	.	BRACKET,LATCH-TOP		
- 80	8483497	2	.	BRACKET,LATCH-DOUBLE TOP		
- 81	8483492	AR	.	HINGE-BOTTOM RIGHT		
- 82	8483490	AR	.	HINGE-BOTTOM LEFT		
- 83	8483494	AR	.	BRACKET,LATCH-BOTTOM		
- 84	1621210	AR	.	SCREW,PAN HD- M5 X 10 LG	ATT PT	
- 85	6831319	AR	.	BOLT,HEX SLOT HD-M6 X 110 LG X 35 THD		
- 86	1622306	16	.	WASHER,FLAT,M6- 12.5 OD X 2 THK		
- 87	1622405	8	.	NUT,HEX-M6 X 10 FL W		
- 87A	4154642	1	.	STRAP		
- 88	1621210	1	.	SCREW,PAN HD- M5 X 10 LG	ATT PT	
- 89	1622347	1	.	LOCKWASHER EXT STAR- M5, 10 OD X .6	ATT PT	
- 90	1310170	AR	.	LEVELER ASM.		
- 91	1310167	1	.	PAD		
- 92	1310168	1	.	NUT,HEX-M20 X 25 FLW X 51 LG		
- 93	1621210	1	.	SCREW,PAN HD- M5 X 10 LG		
- 94	1310169	1	.	WASHER,FL-M5 X 20 OD X 2.5 THK		
- 95	1310171	1	.	PLATE ASM		

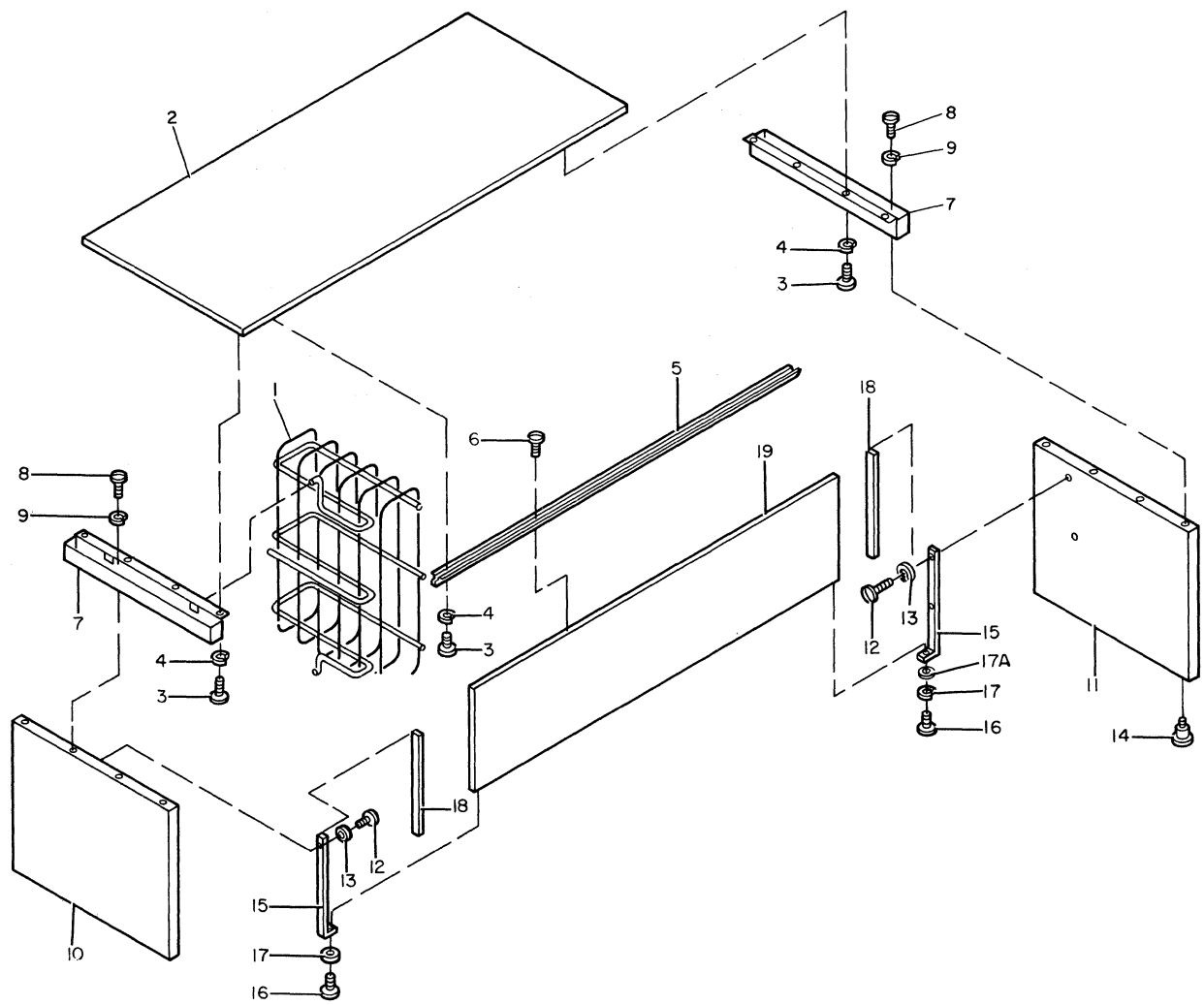


FIGURE 1A. REMOTE OPERATOR TABLE ASSEMBLY. SEE LIST 1A.

REMOTE OPERATOR TABLE ASSEMBLY

FIGURE- INDEX NUMBER	PART NUMBER	UNITS PER ASM.	DESCRIPTION			
			1	2	3	4
1A-	5578613	1	TABLE ASM-REMOTE OPERATOR, PEBBLE GRAY			
-	5578614	1	TABLE ASM-REMOTE OPERATOR, CHARCOAL BROWN			
-	5578615	1	TABLE ASM-REMOTE OPERATOR, CLASSIC BLUE			
-	5578616	1	TABLE ASM-REMOTE OPERATOR, WILLOW GREEN			
-	5578617	1	TABLE ASM-REMOTE OPERATOR, GARNET ROSE			
-	5578618	1	TABLE ASM-REMOTE OPERATOR, SUNRISE YELLOW			
			FOR ILLUSTRATION SEE FIGURE 1A			
- 1	8330678	AR	. RACK, WIRE			
- 2	1310163	1	. BOARD ASM, READING			
- 3	1621190	8	. LOCKWASHER			
- 4	1622346	8	. WASHER			
- 5	5578591	1	. SPACER			
- 6	1621190	4	. SCREW, PAN HD- M4 X 8 LG			
- 7	5578593	2	. SPACER			
- 8	1621190	16	. SCREW, PAN HD- M4 X 8 LG			
- 9	1622346	16	. LOCKWASHER, EXT STAR- M4, 8 OD X .5			
- 10	1310165	1	. LEG ASSEMBLY			
- 11	1310164	1	. LEG ASSEMBLY			
- 12	1621190	8	. SCREW, PAN HD- M4 X 8 LG			
- 13	1622346	8	. LOCKWASHER, EXT STAR- M4, 8 OD X .5			
- 14	5717999	4	. FOOT			
- 15	5578592	2	. SPACER			
- 16	1621192	4	. SCREW, MACH PAN HD-M4 X 12 LG			
- 17	1622346	4	. LOCKWASHER, EXT STAR- M4, 8 OD X .5			
- 17A	150390	4	. WASHER, FL- 0.250 ID X 0.625 OD			
- 18	353598	AR	. FOAM			
- 19	5578597	1	. SKIRT ASM, MOD.			
			SPECIFY COLOR WHEN ORDERING-PEBBLE GRAY, CHARCOAL BROWN, CLASSIC BLUE, WILLOW GREEN, GARNET ROSE OR SUNRISE YELLOW.			

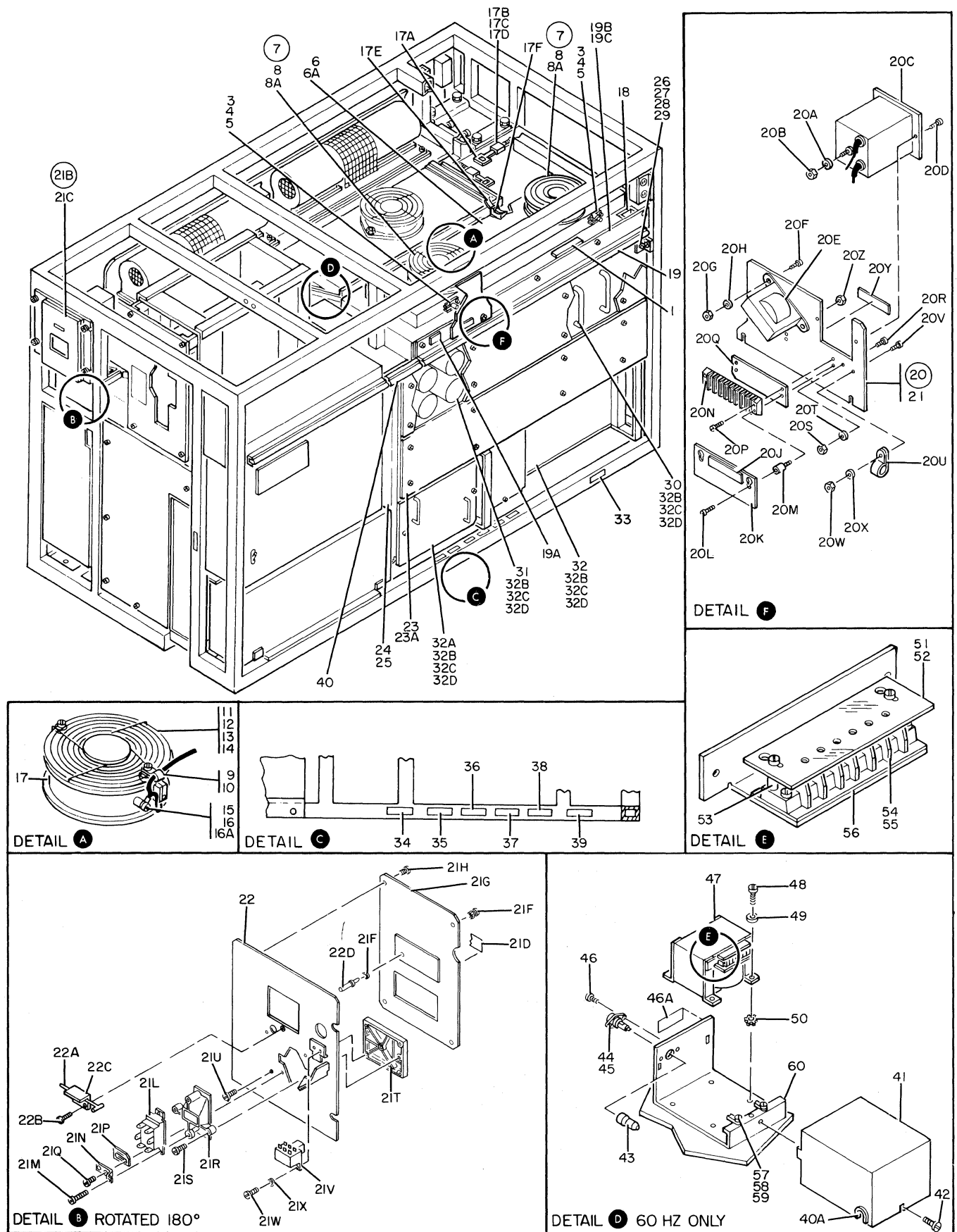


FIGURE 2. FINAL ASSEMBLY-FRAME 01. SHEET 1 OF 4. INDEX NOS. 1-60. SEE LIST 2.

FINAL ASSEMBLY-FRAME 01

FIGURE- INDEX NUMBER	PART NUMBER	UNITS PER ASM.	DESCRIPTION			
			1	2	3	4
2 -	6831440 NP		FINAL ASSEMBLY FRAME- 01 FOR ILLUSTRATION SEE FIGURE 2			
- 1	369207	1	. LABEL-ENGLISH/NORWEGIAN			
- 1	4056733	1	. LABEL-GERMAN			
- 1	1743548	1	. LABEL-CANADIAN			
- 1	6815182	1	. LABEL-FRENCH			
- 1	5685244	1	. LABEL-FRENCH DUTCH			
- 1	8326801	1	. LABEL-FINNISH			
- 1	6815181	1	. LABEL-ITALIAN			
- 1	8551904	1	. LABEL-SWEDISH			
- 1	6815180	1	. LABEL-SPANISH			
- 1	6815183	1	. LABEL-BRAZILIAN/PORTUGUESE			
- 1	8236797	1	. LABEL-JAPANESE			
- 3	5578666	2	. SENSOR,AIR FLOW SECOND SOURCE ONLY			
- 4	1621170	AR	. SCREW,PAN HD- M3 X L 6A			
- 5	1622344	AR	. LOCKWASHER,EXT STAR- M3 X 294 THK			
- 6	2676665	1	. PLATE			
- 6	2676666	1	. FIRST SOURCE ONLY PLENUM SECOND SOURCE ONLY-REPLACES PLATE			
- 6A	1621198	AR	. SCREW,PAN HD-M4 X 4 LG			
- 7	4123900	2	. FAN ASM SECOND SOURCE ONLY			
- 8	1622403	4	. NUT,DBL CHAMFERED HEX M4 X 3.2 THK			
- 8A	1622346	4	. LOCKWASHER,EXT STAR- M4, 8 OD X .5			
- 9	825559	1	. CLAMP			
- 10	1621195	1	. SCREW,PAN HD-M4 X 30 LG			
- 11	4123902	1	. GUARD,FAN			
- 12	1621194	1	. SCREW,PAN HD-M4 X 20 LG			
- 13	1622346	2	. LOCKWASHER,EXT STAR- M4, 8 OD X .5			
- 14	1622403	2	. NUT,DBL CHAMFERED HEX M4 X 3.2 THK			
- 15	4109474	1	. CABLE ASM-FAN			
- 16	1673983	1	. SCREW,PAN HD-M5 X 6 LG-BLUE ZINC COATED			
- 16A	1622347	1	. LOCKWASHER EXT STAR- M5, 10 OD X .6			
- 17	2549540	1	. FAN,TUBE AXIAL- 200/240 V 50/60 HZ			
- 17A	1159519	2	. STRAP			
- 17B	4154638	2	. CLAMP			
- 17C	1621192	2	. SCREW, MACH PAN HD-M4 X 12 LG			
- 17D	1622403	2	. NUT,DBL CHAMFERED HEX M4 X 3.2 THK			
- 17E	524519	3	. TIE,CABLE			
- 17F	2277082	3	. PUSHMOUNT			
- 18	730432	AR	. GROMMET,CATERPILLAR			
- 19	8483347	AR	. SEAL			
- 19A	2542403	1	. LABEL-ENGLISH			
- 19A	984117	1	. LABEL, WARNING-CANADIAN			
- 19B	2676698	1	. PLATE,SECOND SOURCE			
- 19B	6831334	1	. PLATE			
- 19C	1621190	5	. SCREW,PAN HD- M4 X 8 LG			
- 20	4432876	1	. METER ASM- 60HZ			
- 20	4432877	1	. METER ASM- 50HZ			
- 20A	1622346	1	. WASHER,LOCK			
- 20B	257189	1	. NUT,HEX- 8-32			
- 20C	740503	1	. METER- 60HZ			
- 20C	740608	1	. METER- 50HZ			
- 20D	1621191	1	. SCREW,PAN HD- M4 X 10 LG			
- 20E	1310267	1	. TRANSFORMER- 60HZ			
- 20E	4119729	1	. TRANSFORMER- 50HZ			
- 20F	1621191	2	. SCREW,PAN HD- M4 X 10 LG			
- 20G	1622403	2	. NUT,DBL CHAMFERED HEX M4 X 3.2 THK			
- 20H	1622346	2	. LOCKWASHER,EXT STAR- M4, 8 OD X .5			
- 20J	124943	1	. LABEL			
- 20K	351237	1	. SHIELD			
- 20L	10170	2	. SCREW,BD HD- 6-32 X 0.250 LG			
- 20M	210883	2	. STUD			
- 20N	322766	1	. TERMINAL BOARD			
- 20P	81693	2	. SCREW,BD HD- 6-32 X 0.375 LG			
- 20Q	126036	1	. MARKER STRIP			
- 20R	1621191	1	. SCREW,PAN HD- M4 X 10 LG			
- 20S	1622403	1	. NUT,DBL CHAMFERED HEX M4 X 3.2 THK			
- 20T	1622346	1	. LOCKWASHER,EXT STAR- M4, 8 OD X .5			
- 20U	356742	1	. CLAMP			
- 20V	1621191	1	. SCREW,PAN HD- M4 X 10 LG			
- 20W	1622403	1	. NUT,DBL CHAMFERED HEX M4 X 3.2 THK			
- 20X	1622304	1	. WASHER,FL- M4 9 OD X 0.8 THK			
- 20Y	124943	1	. LABEL			
- 20Z	257187	2	. NUT,HEX- 6-32			

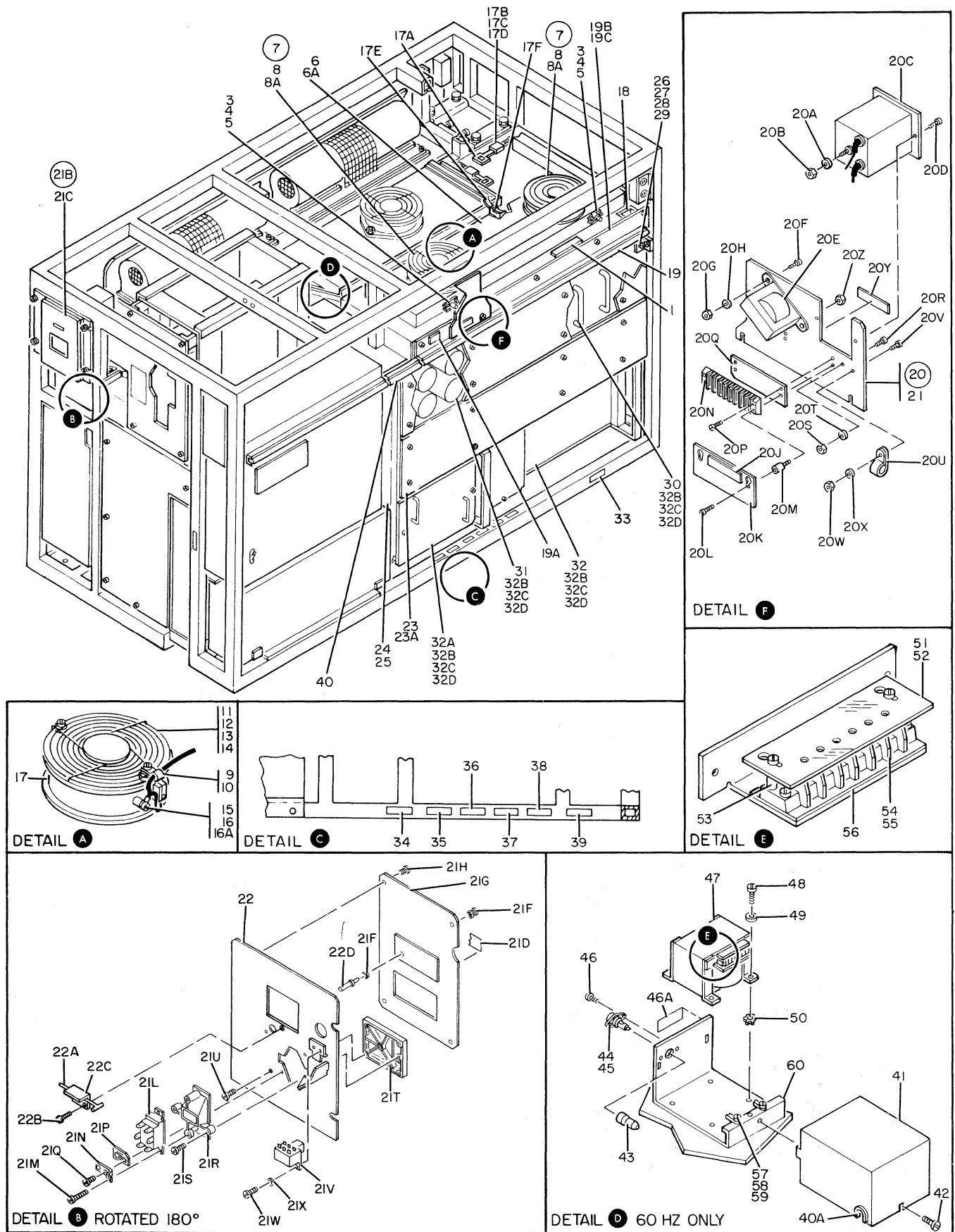


FIGURE 2. FINAL ASSEMBLY-FRAME 01. SHEET 1 OF 4. INDEX NOS. 1-60. SEE LIST 2.

FINAL ASSEMBLY-FRAME 01

FIGURE- INDEX NUMBER	PART NUMBER	UNITS PER ASM.	DESCRIPTION			
			1	2	3	4
2 - 21	4432879	2	.	.	PLATE	ATT PT
- 21B	4432881	1	.	.	SWITCH ASM,IPO/CE-ENGLISH	
- 21B	4432886	1	.	.	SWITCH ASM,IPO/CE-BRAZIL/PORTUGUESE	
- 21B	4432884	1	.	.	SWITCH ASM,IPO/CE-GERMAN	
- 21B	4432890	1	.	.	SWITCH ASM,IPO/CE-ITALIAN	
- 21B	4432892	1	.	.	SWITCH ASM,IPO/CE-SPANISH	
- 21B	4432888	1	.	.	SWITCH ASM,IPO/CE-CANADIAN FRENCH	
- 21C	1621210	4	.	.	SCREW,PAN HD- M5 X 10 LG	ATT PT
- 21D	8330683	1	.	.	PLATE,IDENTIFICATION-ENGLISH	
- 21D	8330685	1	.	.	PLATE,IDENTIFICATION-GERMAN	
- 21D	8330686	1	.	.	PLATE,IDENTIFICATION-ITALIAN	
- 21D	8330687	1	.	.	PLATE,IDENTIFICATION-SPANISH	
- 21D	8330684	1	.	.	PLATE,IDENTIFICATION-BRAZIL/PORTUGAL	
- 21D	8330688	1	.	.	PLATE, IDENT.-CANADIAN FRENCH	
- 21F	2744256	1	.	.	MOUNT,LED	
- 21G	4432872	1	.	.	PLATE	
- 21H	1621197	4	.	.	SCREW,PAN HD-M4 X 6 LG	ATT PT
- 21L	4521305	1	.	.	SWITCH,IPO	
- 21M	1621181	2	.	.	SCREW	ATT PT
- 21N	4796840	1	.	.	BRACKET	
- 21P	4521307	1	.	.	SPRING	
- 21Q	1621197	2	.	.	SCREW,PAN HD-M4 X 6 LG	ATT PT
- 21R	4521357	1	.	.	HOUSING,IPO SWITCH	
- 21S	1621184	2	.	.	SCREW	ATT PT
- 21T	4521358	1	.	.	COVER,IPO SWITCH-ENGLISH	
- 21T	4797001	1	.	.	COVER,IPO SWITCH-GERMAN	
- 21T	4797370	1	.	.	COVER,IPO SWITCH-CANADIAN FRENCH	
- 21T	4797005	1	.	.	COVER,IPO SWITCH-ITALIAN	
- 21T	4797003	1	.	.	COVER,IPO SWITCH-SPANISH	
- 21T	4797367	1	.	.	COVER,IPO SWITCH-BRAZIL/PORTUGUESE	
- 21U	1621181	4	.	.	SCREW	ATT PT
- 21V	740513	4	.	.	SWITCH,CE	ATT PT
- 21W	1621170	2	.	.	SCREW,PAN HD- M3 X L 6A	
- 21X	1622344	2	.	.	LOCKWASHER,EXT STAR- M3 X 294 THK	ATT PT
- 22	4432871	1	.	.	SUPPORT PLATE	
- 22A	524219	1	.	.	CLAMP	
- 22B	1621197	2	.	.	SCREW,PAN HD-M4 X 6 LG	ATT PT
- 22C	2637524	1	.	.	MOUNT	
- 22D	4432775	1	.	.	CABLE/LED	
- 23	6831338	AR	.	.	PLATE	
- 23A	1621210	6	.	.	SCREW,PAN HD- M5 X 10 LG	ATT PT
- 24	4432849	1	.	.	SHIELD	
- 25	1673983	2	.	.	SCREW,PAN HD-M5 X 6 LG-BLUE ZINC COATED	ATT PT
- 26	4109503	2	.	.	BRACKET	
- 27	1621210	2	.	.	SCREW,PAN HD- M5 X 10 LG	ATT PT
- 28	150390	2	.	.	WASHER,FL- 0.250 ID X 0.625 OD	ATT PT
- 29	1622320	2	.	.	LOCKWASHER,SPLIT- M6,11.8 OD X 1.6 THK	ATT PT
- 30	1310300	1	.	.	T/R PAC ASM- 60HZ SECOND SOURCE ONLY	
- 30	1310315	1	.	.	T/R PAC ASM- 50HZ SECOND SOURCE ONLY	
- 31	1310281	1	.	.	POWER SUPPLY ASM (PS102)	
- 32	8482651	1	.	.	POWER SUPPLY ASM- 50/60HZ (PS 101)	ATT PT
- 32A	8482691	1	.	.	T/P PAC ASM- 60HZ (TR 101)	
- 32A	8482681	1	.	.	T/P PAC ASM- 50HZ (TR 101)	
- 32B	1621210	10	.	.	SCREW,PAN HD- M5 X 10 LG	ATT PT
- 32C	150390	10	.	.	WASHER,FL- 0.250 ID X 0.625 OD	ATT PT
- 32D	1622320	10	.	.	LOCKWASHER,SPLIT- M6,11.8 OD X 1.6 THK	ATT PT
- 33	6004802	1	.	.	LABEL	
- 34	855282	1	.	.	PLATE,SERIAL NO. LEFT	
- 35	855283	1	.	.	PLATE,SERIAL NO. RIGHT	
- 36	855264	1	.	.	PLATE,MANUFACTURED BY USA	
- 36	855265	1	.	.	PLATE,MFG BY IBM-CANADA	
- 36	855266	1	.	.	PLATE,MFG BY WTC	
- 36	855267	1	.	.	PLATE,MANUFACTURED FOR USA	
- 36	855268	1	.	.	PLATE,MANUFACTURED FOR	
- 36	855269	1	.	.	PLATE,MANUFACTURED FOR WT	
- 36	855270	1	.	.	PLATE,RECONDITIONED BY USA	
- 36	855272	1	.	.	PLATE,RECONDITIONED BY WT	
- 36	855273	1	.	.	PLATE,RENOVATED BY USA	
- 36	855275	1	.	.	PLATE,RENOVATED BY WT	
- 36	855276	1	.	.	PLATE,RECONDITIONED FOR USA	
- 36	855278	1	.	.	PLATE,RECONDITIONED FOR WT	
- 36	855279	1	.	.	PLATE,RENOVATED FOR USA	
- 36	855281	1	.	.	PLATE,RENOVATED FOR WT	
- 36	855284	1	.	.	PLATE,MFG EXPORT	

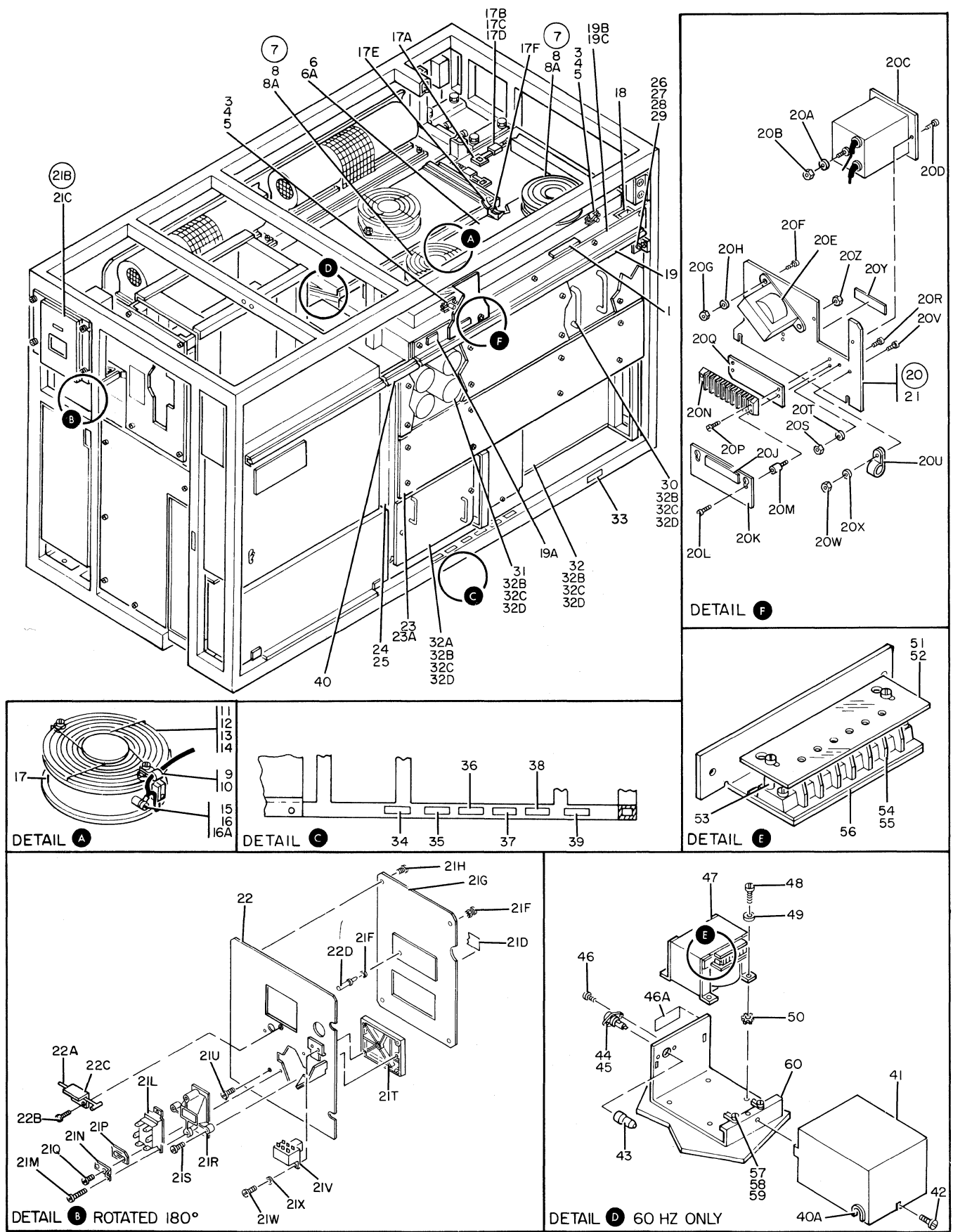


FIGURE 2. FINAL ASSEMBLY-FRAME 01. SHEET 1 OF 4. INDEX NOS. 1-60. SEE LIST 2.

FINAL ASSEMBLY-FRAME 01

FIGURE- INDEX NUMBER	PART NUMBER	UNITS PER ASM.	DESCRIPTION			
			1	2	3	4
2						
						THE FOLLOWING PLATES ARE FOR WT AND CANADIAN USE
- 36	4056395	1	.			PLATE, RECONDITIONED BY CANADA
- 36	4056397	1	.			PLATE, RECONDITIONED BY WT
- 36	4056399	1	.			PLATE, RECONDITIONED FOR CANADA
- 36	4056401	1	.			PLATE, RECONDITIONED FOR WT
- 36	4056403	1	.			PLATE, RENOVATED BY CANADA
- 36	4056405	1	.			PLATE, RENOVATED BY WT
+ 36	4056407	1	.			PLATE, RENOVATED FOR CANADA
- 36	4056409	1	.			PLATE, RENOVATED FOR WT
- 36	4056413	1	.			PLATE, MANUFACTURED BY CANADA
- 36	4056415	1	.			PLATE, MANUFACTURED BY WT
- 36	4056417	1	.			PLATE, MANUFACTURED FOR CANADA
- 36	4056419	1	.			PLATE, MANUFACTURED FOR WT
						THE FOLLOWING PLATES ARE FOR WORLD TRADE SUMARE BRAZIL USE ONLY
- 36	6003013	1	.			PLATE MANUFACTURED BY SUMARE
- 36	6003012	1	.			PLATE, MANUFACTURED FOR SUMARE
						THE FOLLOWING ARE PROPERTY PLATES FOR DOMESTIC AND WORLD TRADE USE
- 36	855262	1	.			PLATE, PROP IBM ARM
- 36	855263	1	.			PLATE, PROP IBM W.T.
- 36	960746	1	.			PLATE, PROPERTY OF CANADA
- 36	1310782	1	.			PLATE, PROPERTY-ARGENTINA
- 36	1976194	1	.			PLATE, PROPERTY-JAPAN
- 36	2418180	1	.			PLATE, PROPERTY-ITALIA
- 36	2992717	1	.			PLATE, PROPERTY-FRENCH
- 36	4056393	1	.			PLATE, PROPERTY-WT
- 36	4134351	1	.			PLATE, PROPERTY-AUSTRALIA
- 36	4134352	1	.			PLATE, PROPERTY-BAHAMAS
- 36	4134353	1	.			PLATE, PROPERTY-BELGIUM
- 36	4134354	1	.			PLATE, PROPERTY-BOLIVIA
- 36	4134355	1	.			PLATE, PROPERTY-CHILE
- 36	4134356	1	.			PLATE, PROPERTY-COLUMBIA
- 36	4134357	1	.			PLATE, PROPERTY-COSTA RICA
- 36	4134358	1	.			PLATE, PROPERTY-DENMARK
- 36	4134359	1	.			PLATE, PROPERTY-ECUADOR
- 36	4134360	1	.			PLATE, PROPERTY-FINLAND
- 36	4134361	1	.			PLATE, PROPERTY-GUATEMALA
- 36	4134362	1	.			PLATE, PROPERTY-IRELAND
- 36	4134363	1	.			PLATE, PROPERTY-KOREA
- 36	4134364	1	.			PLATE, PROPERTY-MEXICO
- 36	4134365	1	.			PLATE, PROPERTY-NORWAY
- 36	4134366	1	.			PLATE, PROPERTY-PANAMA
- 36	4134367	1	.			PLATE, PROPERTY-PERU
- 36	4134368	1	.			PLATE, PROPERTY-PHILLIPINES
- 36	4134369	1	.			PLATE, PROPERTY-PORTUGAL
- 36	4134370	1	.			PLATE, PROPERTY-SOUTH AFRICA
- 36	4134371	1	.			PLATE, PROPERTY-SPAIN
- 36	4134372	1	.			PLATE, PROPERTY-SWITZERLAND
- 36	4134373	1	.			PLATE, PROPERTY-TAIWAN
- 36	4134374	1	.			PLATE, PROPERTY-THAILAND
- 36	4134375	1	.			PLATE, PROPERTY-URUGUAY
- 36	4134376	1	.			PLATE, PROPERTY-VENEZUELA
- 36	4134580	1	.			PLATE, PROPERTY-AFE
- 36	4134581	1	.			PLATE, PROPERTY-EMEA
- 36	4134582	1	.			PLATE, PROPERTY-AUSTRIA
- 36	4134583	1	.			PLATE, PROPERTY-NEW ZEALAND
- 36	4134584	1	.			PLATE, PROPERTY-NIGERIA
- 36	4135783	1	.			PLATE, PROPERTY-NETHERLANDS
- 36	5054478	1	.			PLATE, PROPERTY-SWEDEN
- 36	5576379	1	.			PLATE, PROPERTY-MADAGASCAR
- 36	5966292	1	.			PLATE, PROPERTY-INDIA
- 36	8112294	1	.			PLATE, PROPERTY-UNITED KINGDOM
- 36	8330628	1	.			PLATE, PROPERTY-WHITE PLAINS
- 36	4135783	1	.			PLATE, PROPERTY-NETHERLANDS
- 37	855286	1	.			PLATE, U. L. APPROVAL
- 37	960766	1	.			PLATE, CSA INSIGNIA
- 38	4433023	1	.			PLATE, VOLTAGE- 200V, 50 HZ
- 38	4433024	1	.			PLATE, VOLTAGE- 220V, 50 HZ
- 38	4433025	1	.			PLATE, VOLTAGE- 380/400-415V, 50 HZ

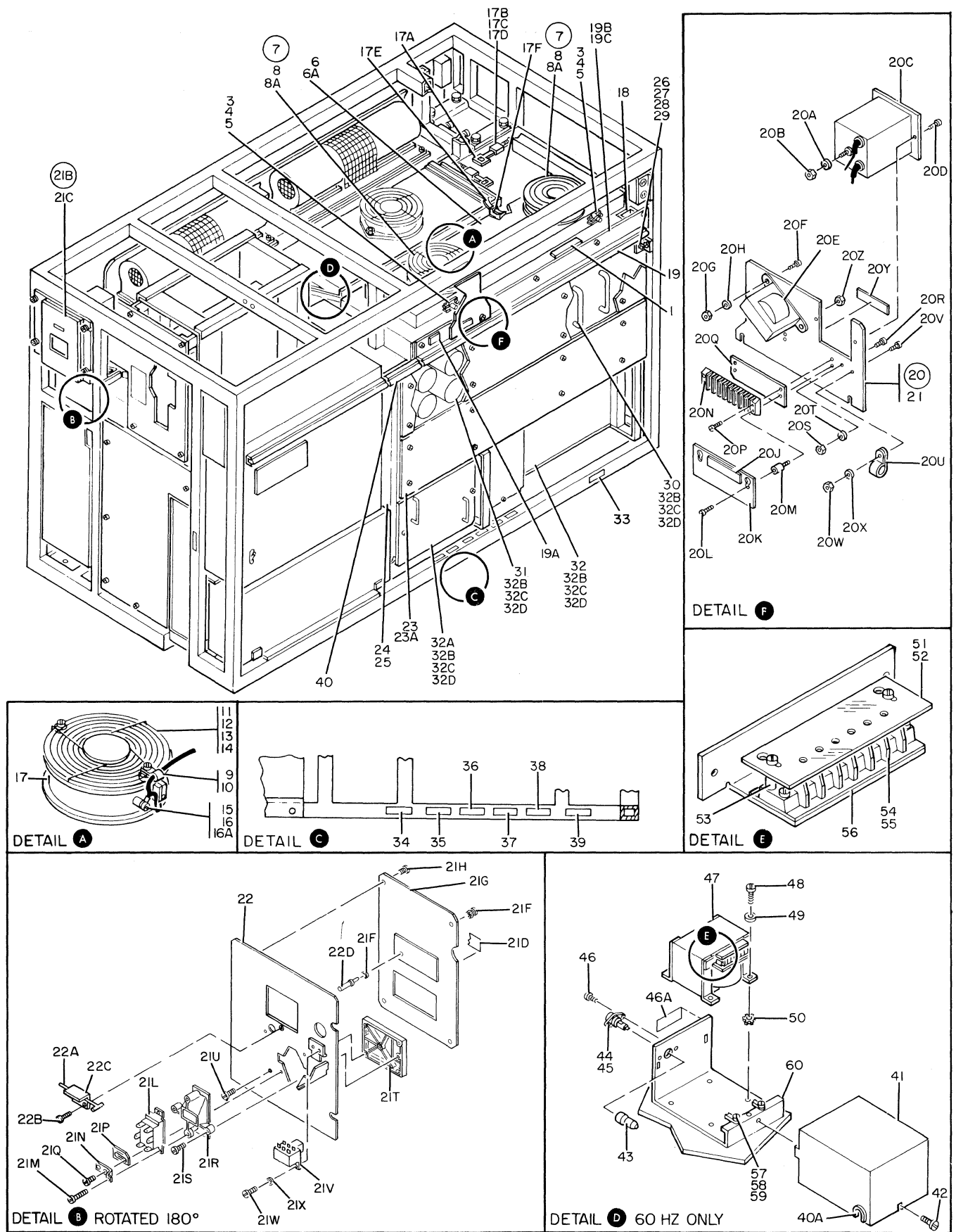


FIGURE 2. FINAL ASSEMBLY-FRAME 01. SHEET 1 OF 4. INDEX NOS. 1-60. SEE LIST 2.

FINAL ASSEMBLY-FRAME 01

FIGURE- INDEX NUMBER	PART NUMBER	UNITS PER ASM.	DESCRIPTION			
			1	2	3	4
2 - 38	4433026	1	.	PLATE,VOLTAGE- 200V,60 HZ		
- 38	4433027	1	.	PLATE,VOLTAGE- 208/240V,60 HZ		
- 38	4433028	1	.	PLATE,VOLTAGE- 220V,60 HZ		
- 39	4056411	1	.	PLATE,MANUFACTURING EXPORT		
- 39	6003011	1	.	PLATE MANUFACTURE EXPORT-SUMARE		
- 40	8483347	AR	.	SEAL		
- 40A	825880	AR	.	TAPE,FOAM		
- 41	6831317	1	.	COVER		
- 42	1621210	1	.	SCREW,PAN HD- M5 X 10 LG	ATT	PT
- 43	4061290	1	.	CAP,INSULATOR		
- 44	218793	1	.	FUSE		
- 45	92752	1	.	FUSEHOLDER		
- 46	1621172	2	.	SCREW,PAN HD- M3 X 10 LG	ATT	PT
- 46A	2542403	1	.	LABEL,FUSE WARNING		
- 46A	984117	1	.	LABEL, WARNING-CANADIAN		
- 47	5252645	1	.	TRANSFORMER ASM		
- 48	1621211	4	.	SCREW,PAN HD- M5 X 12 LG	ATT	PT
- 49	2125974	4	.	SPACER	ATT	PT
- 50	179966	1	.	LOCKWASHER,EXT- .312 ID X .610 OD	ATT	PT
- 50	1622347	1	.	WASHER,STAR-USED FOR GROUNDING		
- 51	337193	1	.	. SHIELD,TERMINAL BOARD 6 POS		
- 52	10170	2	.	. SCREW,BD HD- 6-32 X 0.250 LG	ATT	PT
- 53	210883	2	.	. STUD		
- 54	317131	1	.	. BLOCK		
- 55	322550	2	.	. SCREW,BD HD- 6-32 X 0.500 LG	ATT	PT
- 56	322266	1	.	. STRIP,MARKER,6 POS NOS.		
- 57	825559	2	.	STRAP		
- 58	1621210	3	.	SCREW,PAN HD- M5 X 10 LG	ATT	PT
- 59	1622347	1	.	LOCKWASHER EXT STAR- M5, 10 OD X .6	ATT	PT
- 60	6831316	1	.	BRACKET	ATT	PT

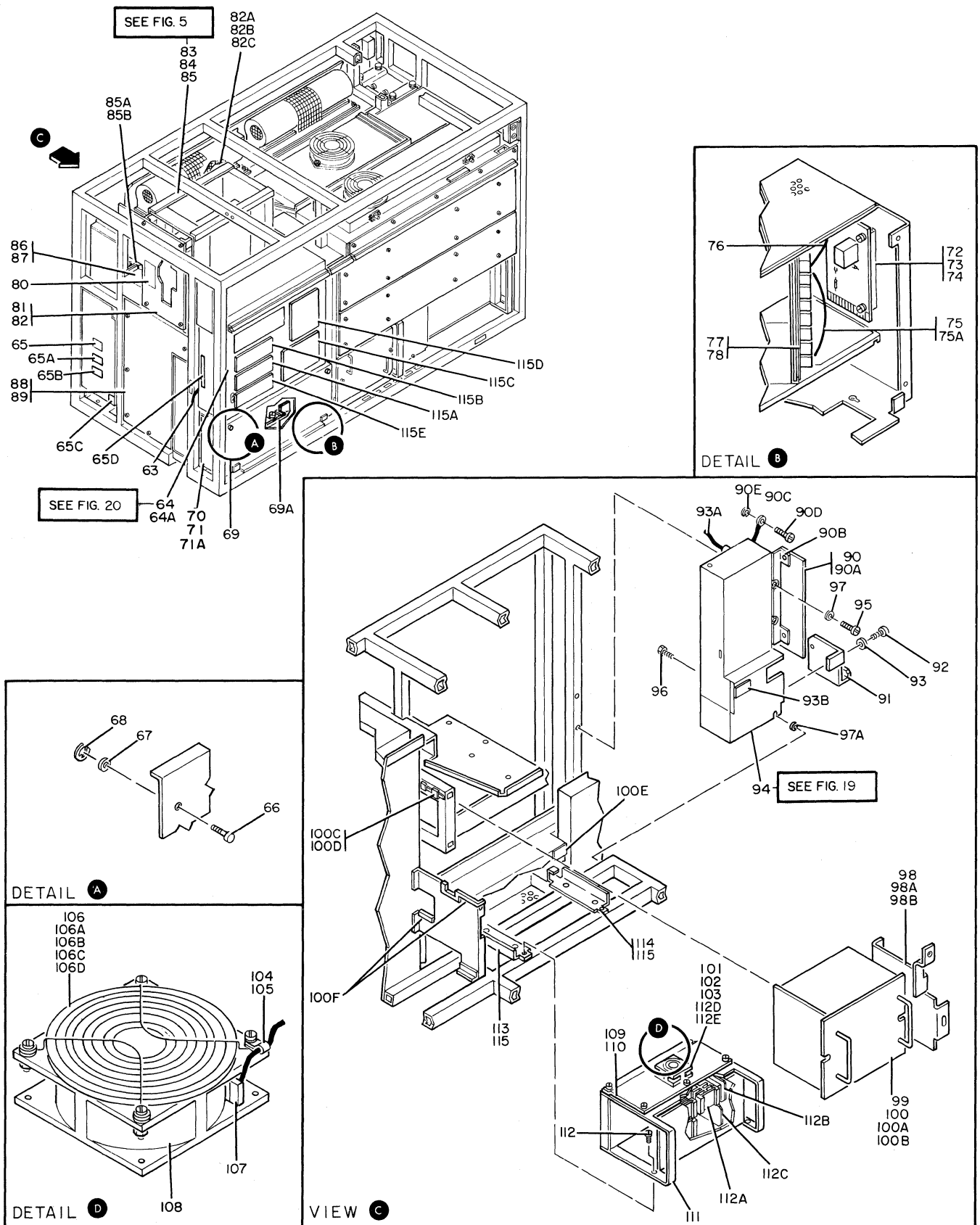


FIGURE 2. FINAL ASSEMBLY-FRAME 01. SHEET 2 OF 4. INDEX NOS. 63-115E. SEE LIST 2.

FINAL ASSEMBLY-FRAME 01

FIGURE- INDEX NUMBER	PART NUMBER	UNITS PER ASM.	DESCRIPTION			
			1	2	3	4
2 - 63	4109469	1	.	JUMPER ASM		
- 64	6831445	1	.	PCC BOX ASSEMBLY- 60 HZ	ATT PT	
- 64	6831446	1	.	PCC BOX ASSEMBLY- 50 HZ		
				FOR DETAIL BREAKDOWN SEE FIGURE 2D		
- 64A	1673983	5	.	SCREW,PAN HD-M5 X 6 LG-BLUE ZINC COATED	ATT PT	
- 65	369207	1	.	LABEL-ENGLISH/NORWEGIAN		
- 65	1743548	1	.	LABEL-CANADIAN		
- 65	6815182	1	.	LABEL-FRENCH		
- 65	5685244	1	.	LABEL-FRENCH DUTCH		
- 65	4056733	1	.	LABEL-GERMAN		
- 65	8326801	1	.	LABEL-FINNISH		
- 65	6815181	1	.	LABEL-ITALIAN		
- 65	8551904	1	.	LABEL-SWEDISH		
- 65	6815180	1	.	LABEL-SPANISH		
- 65	6815183	1	.	LABEL-BRAZILIAN/PORTUGUESE		
- 65	8236797	1	.	LABEL-JAPANESE		
- 65A	4433023	1	.	LABEL- 50HZ,200V,17.7A		
- 65A	4433024	1	.	LABEL- 50HZ,220V,15.7A		
- 65A	4433025	1	.	LABEL- 50HZ,380/400/415V,9.3/8.6/8.4A		
- 65A	2676716	1	.	LABEL- 50HZ,200V,19.4A		
- 65A	2676717	1	.	LABEL- 50HZ,220V,17.7A		
- 65A	2676718	1	.	LABEL- 50HZ,380/400/415V,10.2/9.8/9.4A		
- 65A	4433026	1	.	LABEL- 60HZ,200V,14A		
- 65A	4433027	1	.	LABEL- 60HZ,208/240V,13.2/11.6A		
- 65A	4433028	1	.	LABEL- 60HZ,220V,12.6A		
- 65A	2676719	1	.	LABEL- 60HZ,200V,16.6A		
- 65A	2676720	1	.	LABEL- 60HZ,208/240V,15.9/13.7A		
- 65A	2676721	1	.	LABEL- 60HZ,220V,15A		
- 65B	855286	1	.	LABEL-UL USA		
- 65C	8547121	1	.	LABEL		
- 65D	5397579	1	.	LABEL		
- 66	8267564	2	.	SCREW,THUMB-M5 X 10 LG		
- 67	25009	2	.	WASHER, FLAT		
- 68	264641	2	.	RING,RETAINING EXT 0.114 ID X 0.025 THK		
- 69	1310250	1	.	COVER		
- 69A	4432869	2	.	SHIELD		
- 70	1310239	NP	.	CHASSIS ASM		
- 71	1621210	3	.	SCREW,PAN HD- M5 X 10 LG	ATT PT	
- 71A	1622347	1	.	LOCKWASHER EXT STAR- M5, 10 OD X .6		
- 72	8482761	1	.	CARD ASM,PANEL		
- 73	1621170	4	.	SCREW,MACH SLOT PAN HD-M3 X 6 LG		
- 74	1622304	4	.	WASHER,FL- M4 9 OD X 0.8 THK		
- 75	4109359	1	.	CABLE ASM,IO		
- 75A	8482759	AR	.	CABLE ASM,SPI CARD TO CARD		
				FOR CABLE COMPONENT PARTS SEE FIGURE 21		
- 76	4109360	1	.	CABLE ASM		
- 77	8482757	AR	.	CARD ASM,RELAY		
- 78	1621193	AR	.	SCREW,PAN HD- M4 X 16LG		
- 80	4432854	1	.	LABEL		
- 81	6831339	1	.	PLATE		
- 82	1621194	4	.	SCREW,PAN HD-M4 X 20 LG	ATT PT	
- 82A	4109539	1	.	JUMPER	ATT PT	
- 82B	1621210	1	.	SCREW,PAN HD- M5 X 10 LG		
- 82C	1622347	1	.	LOCKWASHER EXT STAR- M5, 10 OD X .6	ATT PT	
- 83	6831442	NP	.	FILE MOUNTING ASSEMBLY- 60 HZ		
- 83	6831443	NP	.	FILE MOUNTING ASSEMBLY- 50 HZ		
				FOR DETAIL BREAKDOWN SEE FIGURE 5		
- 84	1621210	4	.	SCREW,PAN HD- M5 X 10 LG	ATT PT	
- 85	1622347	3	.	LOCKWASHER EXT STAR- M5, 10 OD X .6		
- 85	2125974	1	.	WASHER,STAR-USED FOR GROUNDING		
- 85A	825559	1	.	TIE,CABLE		
- 85B	1621191	1	.	SCREW,PAN HD- M4 X 10 LG	ATT PT	
- 86	6831311	1	.	HOUSING,FILE		
- 87	1621210	6	.	SCREW,PAN HD- M5 X 10 LG	ATT PT	
- 88	6831473	1	.	SHIELD		
- 88	4154663	1	.	SHIELD,MODEL 10 AND 11 ONLY		
- 89	1621198	5	.	SCREW,PAN HD-M4 X 4 LG	ATT PT	
- 90	4109524	1	.	SHIELD		
- 90A	1673984	2	.	SCREW	ATT PT	
- 90B	4109537	1	.	BRACKET		
- 90C	4109506	1	.	JUMPER		
- 90D	1673983	1	.	SCREW,PAN HD-M5 X 6 LG-BLUE ZINC COATED	ATT PT	
- 90E	1622347	1	.	LOCKWASHER EXT STAR- M5, 10 OD X .6	ATT PT	
- 91	1310059	1	.	COVER		
- 91	4154674	1	.	COVER,MODEL 10 AND 11 ONLY		
- 92	1621190	2	.	SCREW,PAN HD- M4 X 8 LG	ATT PT	
- 93	2125963	2	.	WASHER,FL SQUARE-M4	ATT PT	

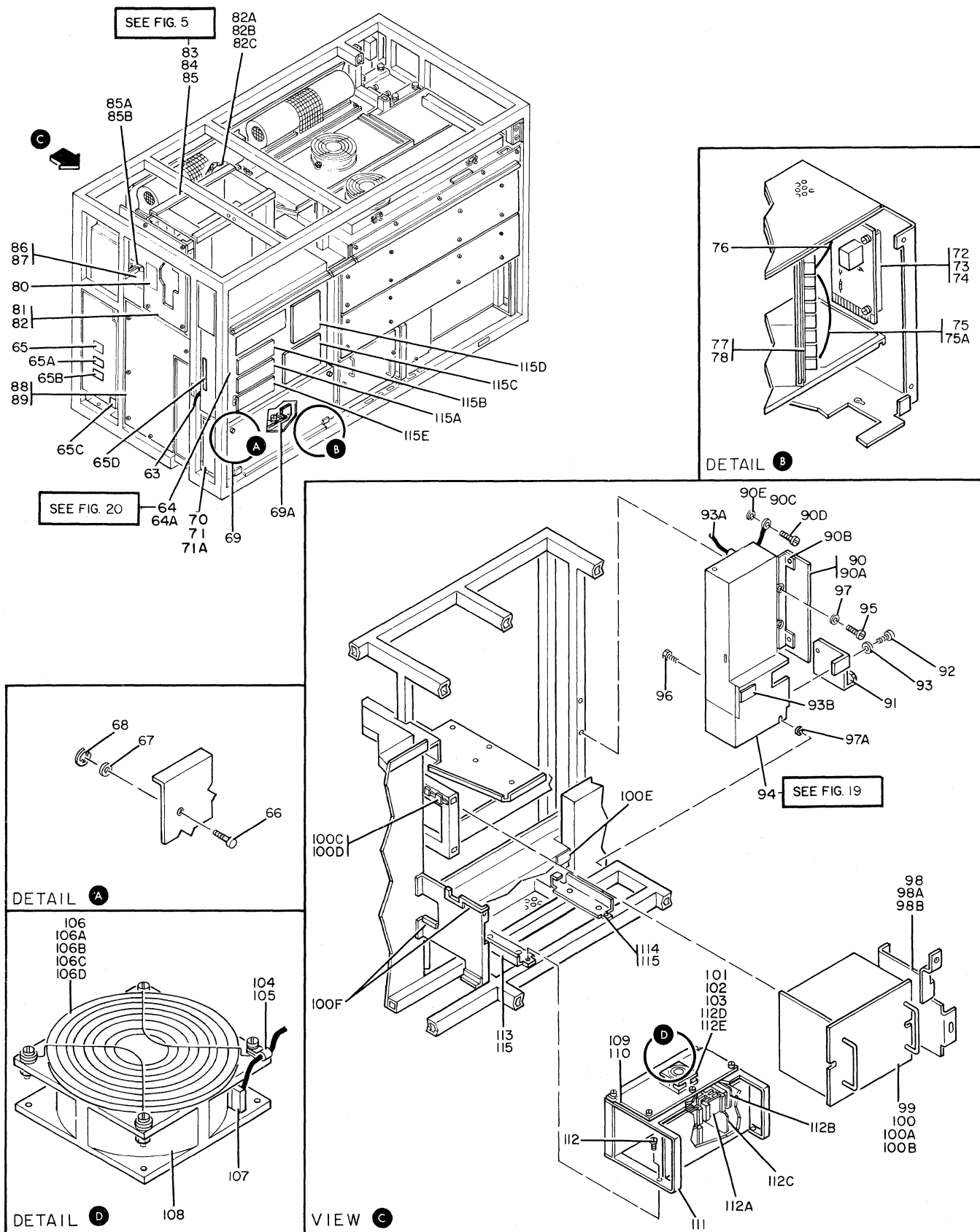


FIGURE 2. FINAL ASSEMBLY-FRAME 01. SHEET 2 OF 4. INDEX NOS. 63-115E. SEE LIST 2.

FINAL ASSEMBLY-FRAME 01

FIGURE- INDEX NUMBER	PART NUMBER	UNITS PER ASM.	DESCRIPTION			
			1	2	3	4
2 - 93A	4109469	1	.	JUMPER ASM		
- 93B	5731697	AR	.	LABEL, ENGLISH		
- 93B	4154583	AR	.	LABEL, CANADIAN		
- 93B	6825908	AR	.	LABEL, FRENCH		
- 93B	6825879	AR	.	LABEL, FINNISH		
- 93B	4154584	AR	.	LABEL, GERMAN		
- 93B	4154587	AR	.	LABEL, FRENCH/DUTCH		
- 93B	6825906	AR	.	LABEL, ITALIAN		
- 93B	5731697	AR	.	LABEL, NORWEGIAN		
- 93B	4154589	AR	.	LABEL, SPANISH		
- 93B	4154586	AR	.	LABEL, SWEDISH		
- 93B	4154585	AR	.	LABEL, BRAZILIAN/PORTUGUESE		
				USED ON SWITCHING REGULATORS ONLY		
- 94	6831458	1	.	LINE FILTER ASSEMBLY- 50 HZ		
- 94	6831460	1	.	LINE FILTER ASSEMBLY- 60 HZ		
				FIRST SOURCE ONLY		
- 94	6831464	1	.	LINE FILTER ASM, 200V 50/60 HZ WTC		
- 94	6831462	1	.	LINE FILTER ASM, 60 HZ		
- 94	4109477	1	.	LINE FILTER ASM-CANADA ONLY		
				SECOND SOURCE ONLY		
				FOR DETAIL BREAKDOWN SEE FIGURE 19		
- 95	1621210	2	.	SCREW, PAN HD- M5 X 10 LG	ATT	PT
- 96	1621594	1	.	SCREW, HEX HD- M6 X 10 LG	ATT	PT
- 97	2125974	2	.	LOCKWASHER	ATT	PT
- 97A	1622348	2	.	WASHER, LOCK	ATT	PT
- 98	4432848	1	.	SHIELD		
- 98A	1621199	2	.	SCREW, PAN HD-M4 X 35 LG	ATT	PT
- 98B	4109439	1	.	NUT, SPEED	ATT	PT
- 99	1310280	1	.	T/R PAC ASM- 60 HZ (TR 104)		
- 99	1310290	1	.	T/R PAC ASM- 50 HZ (TR 104)		
-100	1621212	2	.	SCREW, PAN HD- M5 X 10 LG	ATT	PT
-100A	150390	2	.	WASHER	ATT	PT
-100B	1622320	2	.	WASHER, LOCK	ATT	PT
-100C	524519	1	.	TIE, CABLE		
-100D	2277082	1	.	CLIP, CABLE		
-100E	138756	1	.	LABEL, ENGLISH		
-100E	4057827	1	.	LABEL, GERMAN		
-100E	984123	1	.	LABEL, CANADIAN		
-100E	6825828	1	.	LABEL, FRENCH		
-100E	6121851	1	.	LABEL, FRENCH/DUTCH		
-100E	6825818	1	.	LABEL, FINNISH		
-100E	6825820	1	.	LABEL, ITALIAN		
-100E	4418722	1	.	LABEL, NORWEGIAN		
-100E	8551903	1	.	LABEL, SWEDISH		
-100E	4154591	1	.	LABEL, SPANISH		
-100E	6815188	1	.	LABEL, BRAZILIAN/PORTUGUESE		
-100E	6825840	1	.	LABEL, JAPANESE		
-100F	825880	1	.	TAPE, FOAM		
-101	8330692	1	.	FAN ASM		
				SECOND SOURCE ONLY		
-102	1621172	4	.	SCREW, PAN HD- M3 X 10 LG		
-103	1622332	4	.	WASHER-LOCK INT STAR-M3, 6 OD X .4		
-104	825559	1	.	CLAMP		
-105	1621175	1	.	SCREW-MACH PAN HD, M3 X 20 LG		
-106	2172166	1	.	GUARD		
-106A	1621173	3	.	SCREW, PAN HD-M3 X 12 LG		
-106B	1622302	4	.	WASHER, FL-M3 7 OD X 0.5 THK		
-106C	1622344	4	.	LOCKWASHER, EXT STAR- M3 X 294 THK		
-106D	1622401	4	.	NUT, DBL CHAMFERED HEX M3 X 2.4 THK		
-107	8330691	1	.	CABLE ASM, FAN		
				FOR CABLE COMPONENT PARTS SEE FIGURE 21		
-108	4109480	1	.	FAN		
-109	4432815	1	.	PLATE-SECOND SOURCE ONLY		
-110	1621191	4	.	SCREW, PAN HD- M4 X 10 LG		
-111	4432590	1	.	POWER SUPPLY ASM, 50/60 HZ		
-112	1621190	2	.	SCREW, PAN HD- M4 X 8 LG		
-112A	375522	4	.	MODULE, POWER-SECOND SOURCE ONLY		
-112B	375520	1	.	CARD ASSEMBLY		
-112C	372422	1	.	CARD ASSEMBLY		
-112D	5501993	1	.	SWITCH, THERMAL		
-112E	5501997	1	.	CLIP		
-113	4432383	1	.	RAIL-SECOND SOURCE ONLY		
-114	4432384	1	.	RAIL		
-115	1621308	4	.	SCREW, FL HD-M4 X 8 LG		
				INDEX NOS. 109 THRU 115 ARE		
				SECOND SOURCE ONLY		
-115A	845762	1	.	PLATE, VOLTAGE		

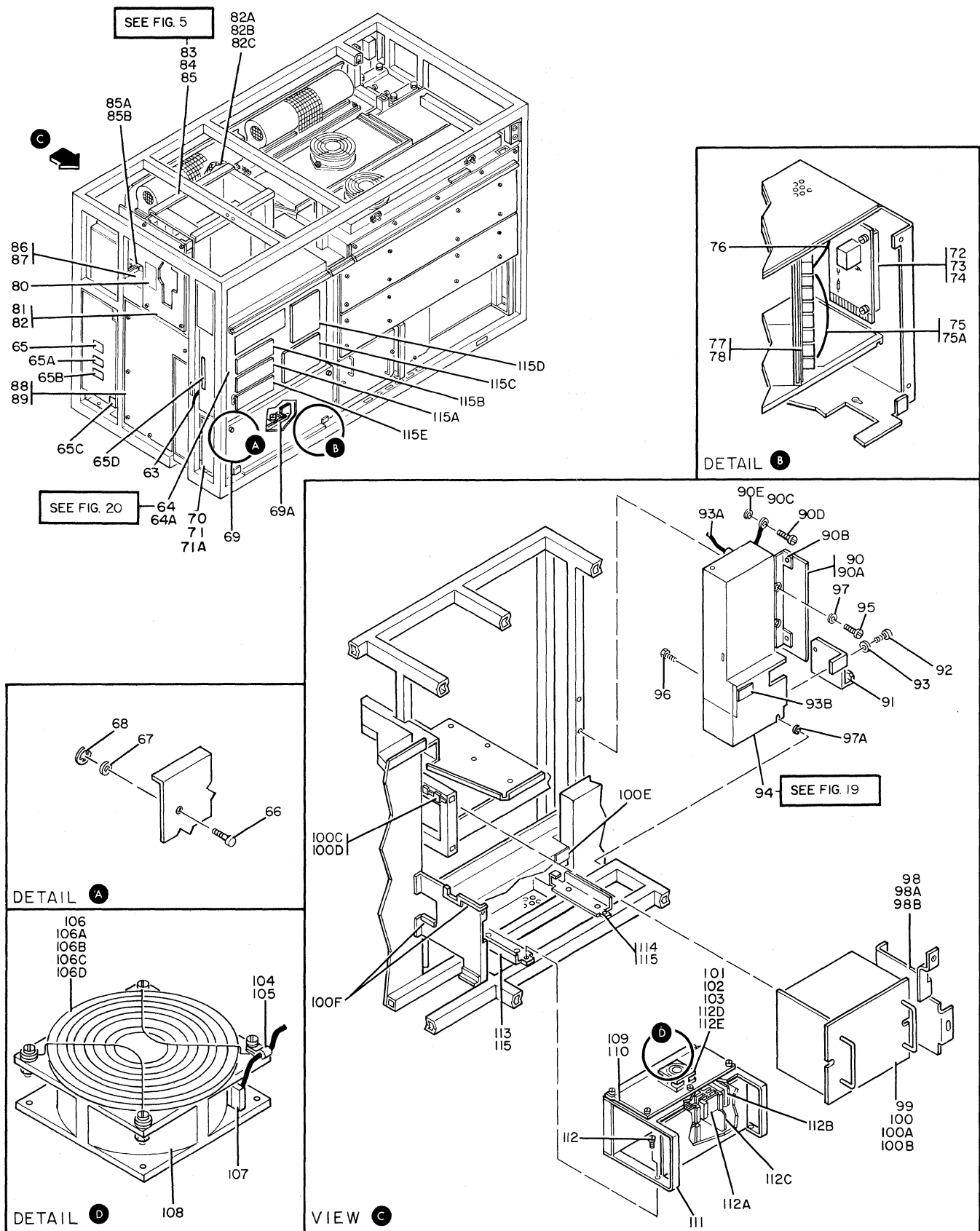
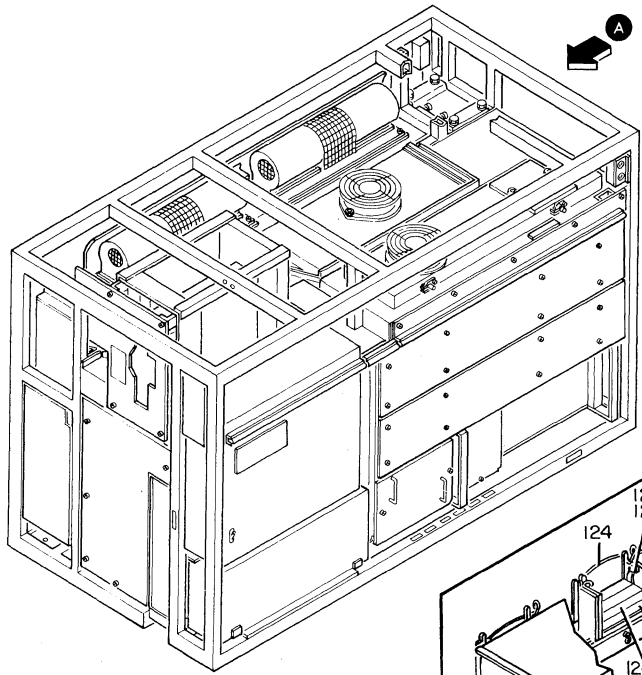


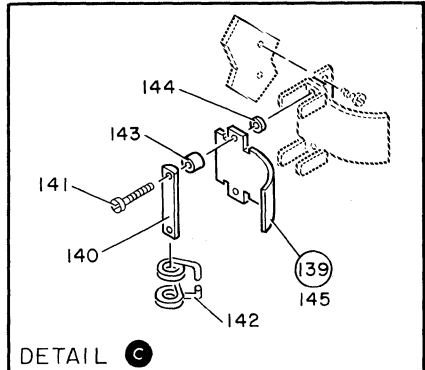
FIGURE 2. FINAL ASSEMBLY-FRAME 01. SHEET 2 OF 4. INDEX NOS. 63-115E. SEE LIST 2.

FINAL ASSEMBLY-FRAME 01

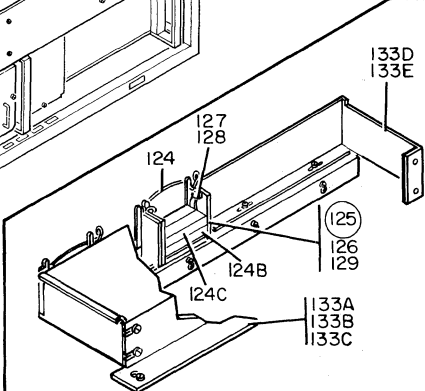
FIGURE- INDEX NUMBER	PART NUMBER	UNITS PER ASM.	DESCRIPTION			
			1	2	3	4
2	-115B	138756	1	.	LABEL, ENGLISH	
	-115B	4057827	1	.	LABEL, GERMAN	
	-115B	984123	1	.	LABEL, CANADIAN	
	-115B	6121851	1	.	LABEL, FRENCH DUTCH	
	-115B	6825818	1	.	LABEL, FINNISH	
	-115B	6825820	1	.	LABEL, ITALIAN	
	-115B	4418722	1	.	LABEL, NORWEGIAN	
	-115B	8551903	1	.	LABEL, SWEDISH	
	-115B	4154591	1	.	LABEL, SPANISH	
	-115B	6815188	1	.	LABEL, BRAZILIAN/PORTUGUESE	
	-115B	6825840	1	.	LABEL, JAPANESE	
	-115C	4109341	1	.	LABEL	
					FIRST SOURCE ONLY	
	-115C	4109390	1	.	LABEL	
					SECOND SOURCE ONLY	
	-115C	4109400	1	.	LABEL	
					MODEL 2	
	-115D	4109346	1	.	LABEL	
	-115E	369207	1	.	LABEL, ENGLISH/NORWEGIAN	
	-115E	4056733	1	.	LABEL, GERMAN	
	-115E	1743548	1	.	LABEL, CANADIAN	
	-115E	6815182	1	.	LABEL, FRENCH	
	-115E	5685244	1	.	LABEL, FRENCH DUTCH	
	-115E	8326801	1	.	LABEL, FINNISH	
	-115E	6815181	1	.	LABEL, ITALIAN	
	-115E	8551904	1	.	LABEL, SWEDISH	
	-115E	6815180	1	.	LABEL, SPANISH	
	-115E	6815183	1	.	LABEL, BRAZILIAN/PORTUGUESE	
	-115E	8236797	1	.	LABEL, JAPANESE	



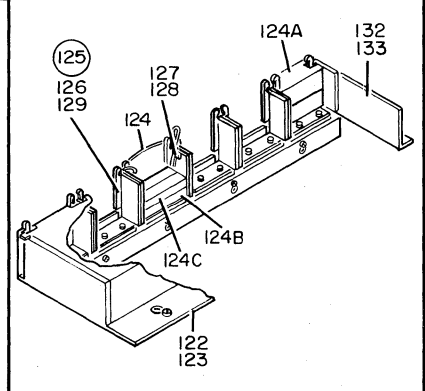
A



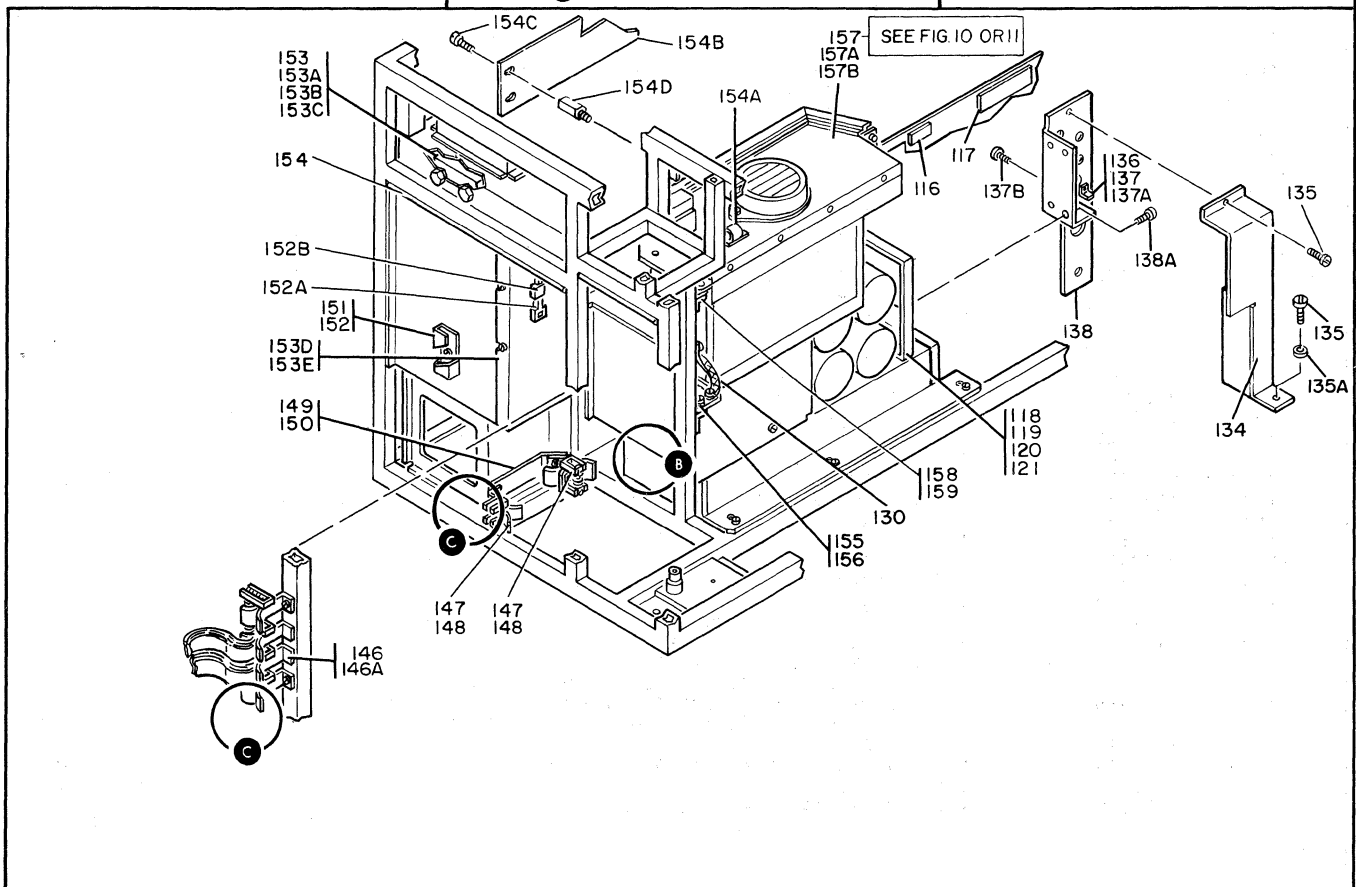
DETAIL **C**



DETAIL **B** OLD STYLE



DETAIL **B** NEW STYLE



VIEW **A**

FIGURE 2. FINAL ASSEMBLY-FRAME 01. SHEET 3 OF 4. INDEX NOS. 116-159. SEE LIST 2.

FINAL ASSEMBLY-FRAME 01

FIGURE- INDEX NUMBER	PART NUMBER	UNITS PER ASM.	DESCRIPTION				
			1	2	3	4	
2 -116	2542403	1	
-116	984117	1	
-117	4432799	1	
-118	1310288	1	
-119	1621210	4	ATT PT
-120	150390	4	ATT PT
-121	1622320	4	ATT PT
-122	4109372	1	
-123	1673983	3	ATT PT
-124	6831342	6	
-124A	8483040	6	
-124B	2282675	1	
-124C	2282676	1	
-125	4432803	6	
-126	1621197	12	ATT PT
-127	6831349	2	
-128	4432389	2	ATT PT
-129	6831341	1	
-130	4154632	1	
-132	4109371	1	
-133	1621210	6	ATT PT
-133A	6831346	1	
-133B	1621060	4	ATT PT
-133C	1621010	3	ATT PT
-133D	6831344	1	
-133E	1621210	5	ATT PT
-134	6831348	1	
-135	1621190	2	ATT PT
-135A	150390	1	
-136	5271288	2	
-137	1621170	1	ATT PT
-137A	1622344	1	ATT PT
-137B	1621170	4	ATT PT
-138	6831347	1	ATT PT
-138A	1621060	4	ATT PT
-139	815225	7	
-140	815220	1	
-141	815174	2	ATT PT
-142	813321	1	
-143	815219	2	
-144	816649	2	
-145	815217	1	
-146	815375	2	
-146A	1621210	2	ATT PT
-147	815171	3	
-148	1621190	6	ATT PT
-149	4109523	1	
-150	1621190	2	ATT PT
-151	4432450	1	
-152	1621308	1	ATT PT
-152A	524519	2	
-152B	2277082	2	
-153	4109507	1	
-153	4109509	1	
-153A	1621595	4	ATT PT
-153B	1622320	4	ATT PT
-153C	1622306	4	ATT PT
-153D	4109376	1	
-153E	1621198	4	ATT PT
-154	8483347	AR	
-154A	825557	1	
-154B	8330658	1	
-154C	1621170	4	ATT PT
-154D	8330659	4	
-155	1621210	1	
-156	1622347	1	
-157	1310329	NP	
-157	6831365	1	
-157A	1621210	1	ATT PT
-157B	1622306	1	ATT PT
-158	5578567	2	
-159	1621210	4	ATT PT

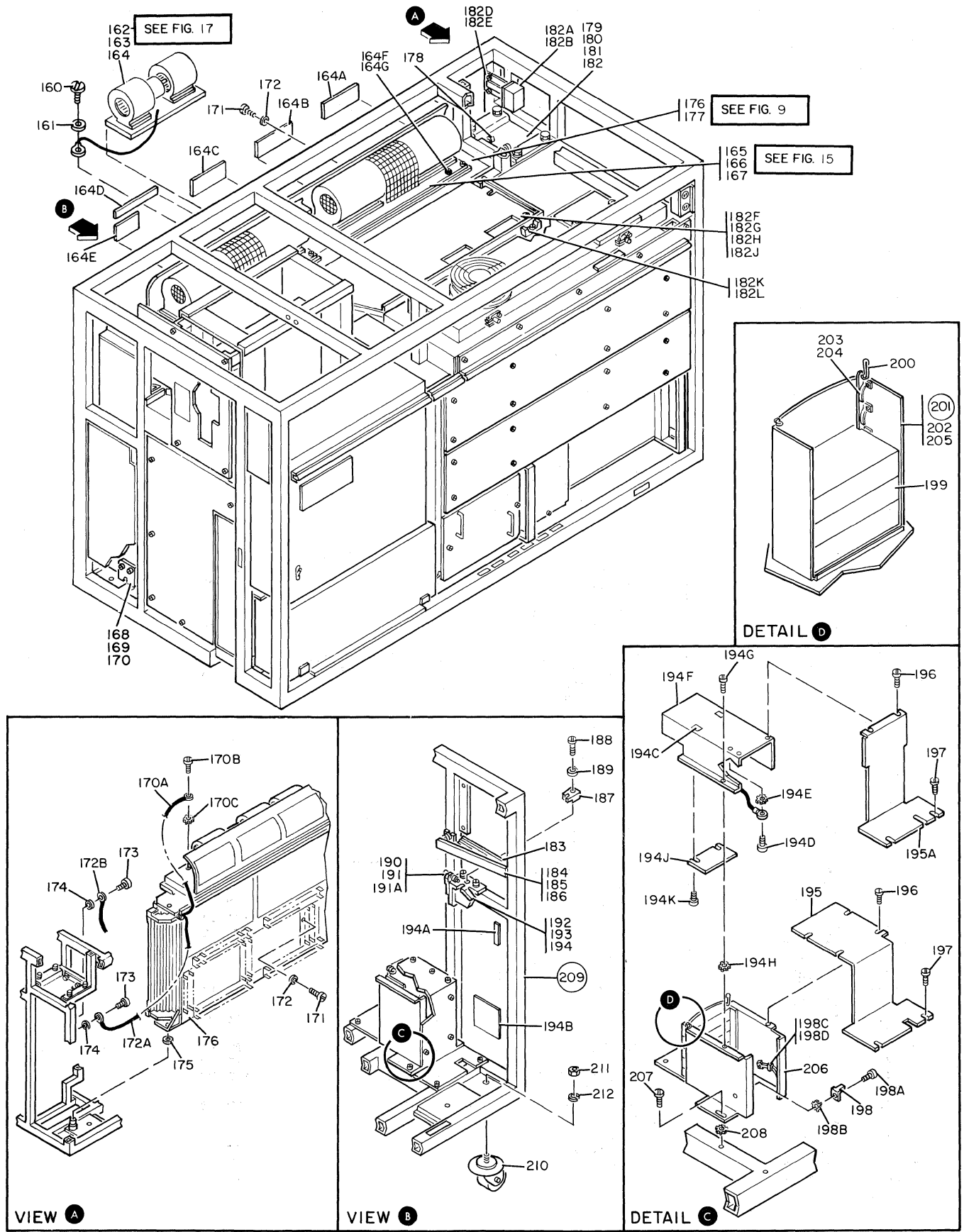


FIGURE 2. FINAL ASSEMBLY-FRAME 01. SHEET 4 OF 4. INDEX NOS. 160-212. SEE LIST 2.

FINAL ASSEMBLY-FRAME 01

FIGURE- INDEX NUMBER	PART NUMBER	UNITS PER ASM.	DESCRIPTION			
			1	2	3	4
2 -160	1621170	1	. SCREW,PAN HD- M3 X L 6A			
-161	1622344	1	. LOCKWASHER,EXT STAR- M3 X 294 THK			
-162	4432800	1	. COOLING UNIT ASSEMBLY-GATE 01A, 60HZ			
-162	4432810	1	. COOLING UNIT ASSEMBLY-GATE 01A, 50HZ			
			USED ON SECOND SOURCE GATE 01C ONLY FOR DETAIL BREAKDOWN SEE FIGURE 17			
-163	1621212	4	. SCREW,PAN HD-M5 X 16 LG			
-164	1622306	2	. WASHER,FLAT,M6- 12.5 OD X 2 THK			
-164A	4109340	1	. LABEL-MOD 1,FIRST SOURCE			
-164A	4109389	1	. LABEL-MOD 1,SECOND SOURCE			
-164A	4109394	1	. LABEL-MOD 2,FIRST SOURCE			
-164B	4109346	1	. LABEL			
-164C	4109392	1	. LABEL,MOD 1-SECOND SOURCE ONLY			
-164D	4109452	1	. LABEL,ENGLISH/NORWEGIAN			
-164D	2676662	1	. LABEL, GERMAN			
-164D	2676657	1	. LABEL, CANADIAN			
-164D	2676664	1	. LABEL, FRENCH			
-164D	2676660	1	. LABEL, FRENCH DUTCH			
-164D	2676659	1	. LABEL, FINNISH			
-164D	2676658	1	. LABEL, ITALIAN			
-164D	2676661	1	. LABEL, SPANISH			
-164D	4154580	1	. LABEL,BRAZILLIAN/PORTUGUESE			
-164D	2676663	1	. LABEL, SWEDISH			
-164D	4154598	1	. LABEL,JAPANESE			
-164E	4109354	1	. LABEL-MOD 1,FIRST SOURCE			
-164E	4109441	1	. LABEL-MOD 1,SECOND SOURCE			
-164E	4109440	1	. LABEL-MOD 2,FIRST SOURCE			
-165	4124228	1	. PLENUM AND BLOWER ASSEMBLY- 60 HZ			
-165	4124227	1	. PLENUM AND BLOWER ASSEMBLY- 50 HZ			
			FIRST SOURCE			
-165	6831412	1	. PLENUM AND BLOWER ASM, 60 HZ			
-165	6831411	1	. PLENUM AND BLOWER ASM, 50 HZ			
			SECOND SOURCE ONLY FOR DETAIL BREAKDOWN SEE FIGURE 15			
-166	1621190	5	. SCREW,PAN HD- M4 X 8 LG			
-167	1622304	5	. WASHER,FL- M4 9 OD X 0.8 THK			
-168	8483728	1	. PLATE			
-169	1621518	2	. SCREW,HEX SOC HD- M5 X 10 LG			
-170	2125974	2	. SPACER			
-170A	4609539	1	. JUMPER ASM			
-170B	1673983	1	. SCREW,PAN HD-M5 X 6 LG-BLUE ZINC COATED			
-170C	1622347	1	. LOCKWASHER EXT STAR- M5, 10 OD X .6			
-171	1621210	1	. SCREW,PAN HD- M5 X 10 LG			
-172	1622335	1	. LOCKWASHER,INT STAR- M5, 10 OD X .6			
-172A	4154642	1	. JUMPER ASM			
-172B	5578899	1	. JUMPER ASM			
-173	1621210	2	. SCREW,PAN HD- M5 X 10 LG			
-174	1622347	2	. LOCKWASHER EXT STAR- M5, 10 OD X .6			
-175	4014244	1	. SPACER			
-176	5578810	NP	. GATE ASSEMBLY-GATE 01A,60 HZ			
-176	6831355	NP	. GATE ASSEMBLY-GATE 01A,50 HZ			
			FIRST SOURCE			
-176	6831357	1	. GATE ASSEMBLY, 01A			
			SECOND SOURCE ONLY FOR DETAIL BREAKDOWN SEE FIGURE 9			
-178	1621539	2	. SCREW,HEX SOC CAP HD-M8 X 25 LG			
-179	4124215	1	. HINGE			
-180	1621596	4	. SCREW			
-181	1622320	4	. LOCKWASHER,SPLIT- M6,11.8 OD X 1.6 THK			
-182	1622306	4	. WASHER,FLAT,M6- 12.5 OD X 2 THK			
-182A	4109387	2	. OUTLET-EMEA,60 HZ			
-182A	6831485	1	. OUTLET,DOM- 60 HZ			
-182A	5578873	2	. OUTLET-WORLD TRADE,50 HZ			
-182B	1621210	4	. SCREW,PAN HD- M5 X 10 LG			
-182D	4109361	1	. PLATE			
-182E	1621210	2	. SCREW,PAN HD- M5 X 10 LG			
-182F	2676639	1	. BARRIER			
-182G	1621211	2	. SCREW,PAN HD- M5 X 12 LG			
-182H	150390	4	. WASHER,FL- 0.250 ID X 0.625 OD			
-182J	1622403	2	. NUT,DBL CHAMFERED HEX M4 X 3.2 THK			
-182K	4154638	2	. CLAMP			
-182L	1621192	2	. SCREW, MACH PAN HD-M4 X 12 LG			
-183	8483347	AR	. SEAL			
-184	5578824	1	. BRACKET			
-185	1621210	2	. SCREW,PAN HD- M5 X 10 LG			
-186	2125974	2	. SPACER			
-187	8483524	1	. CLAMP,BOARD			

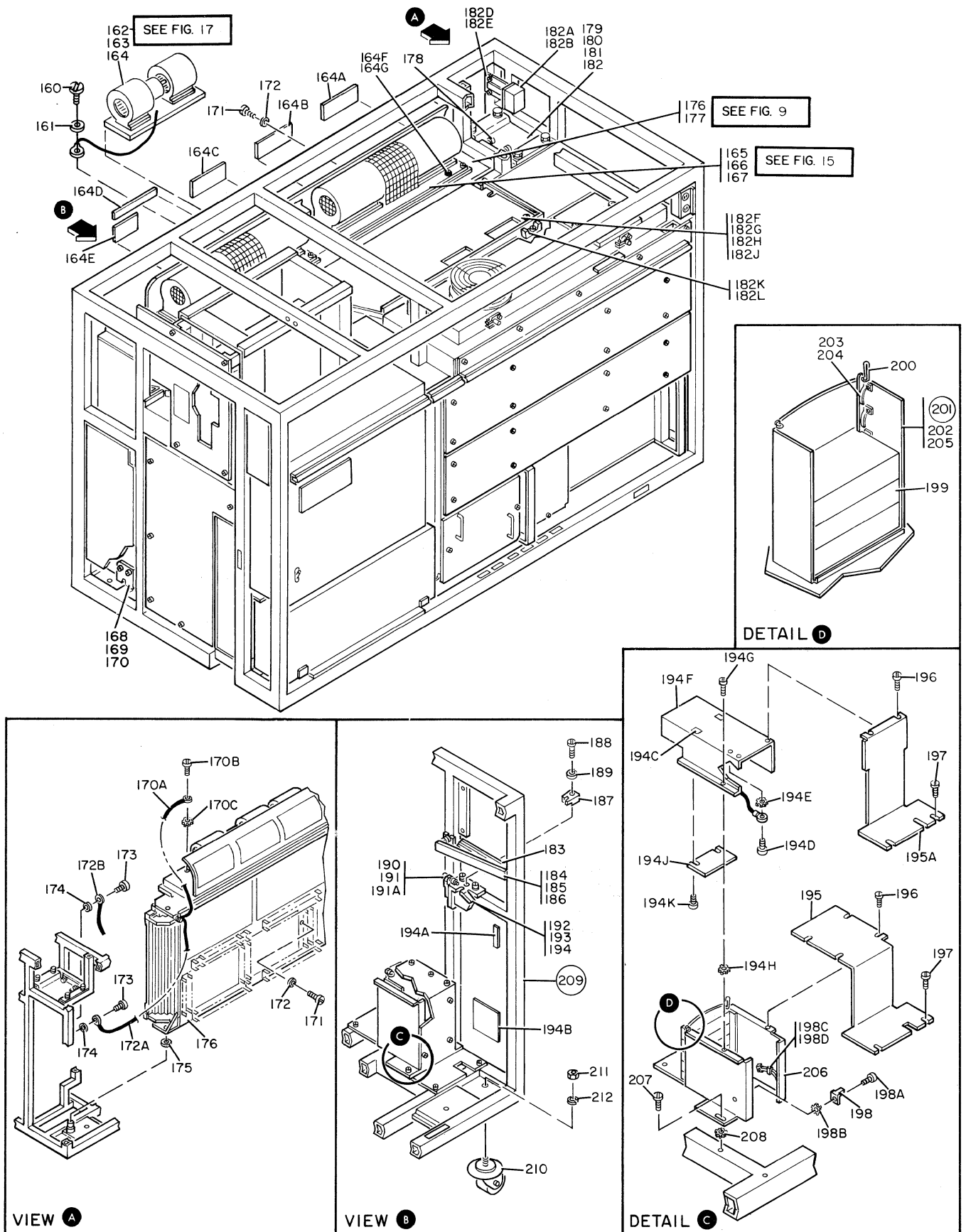
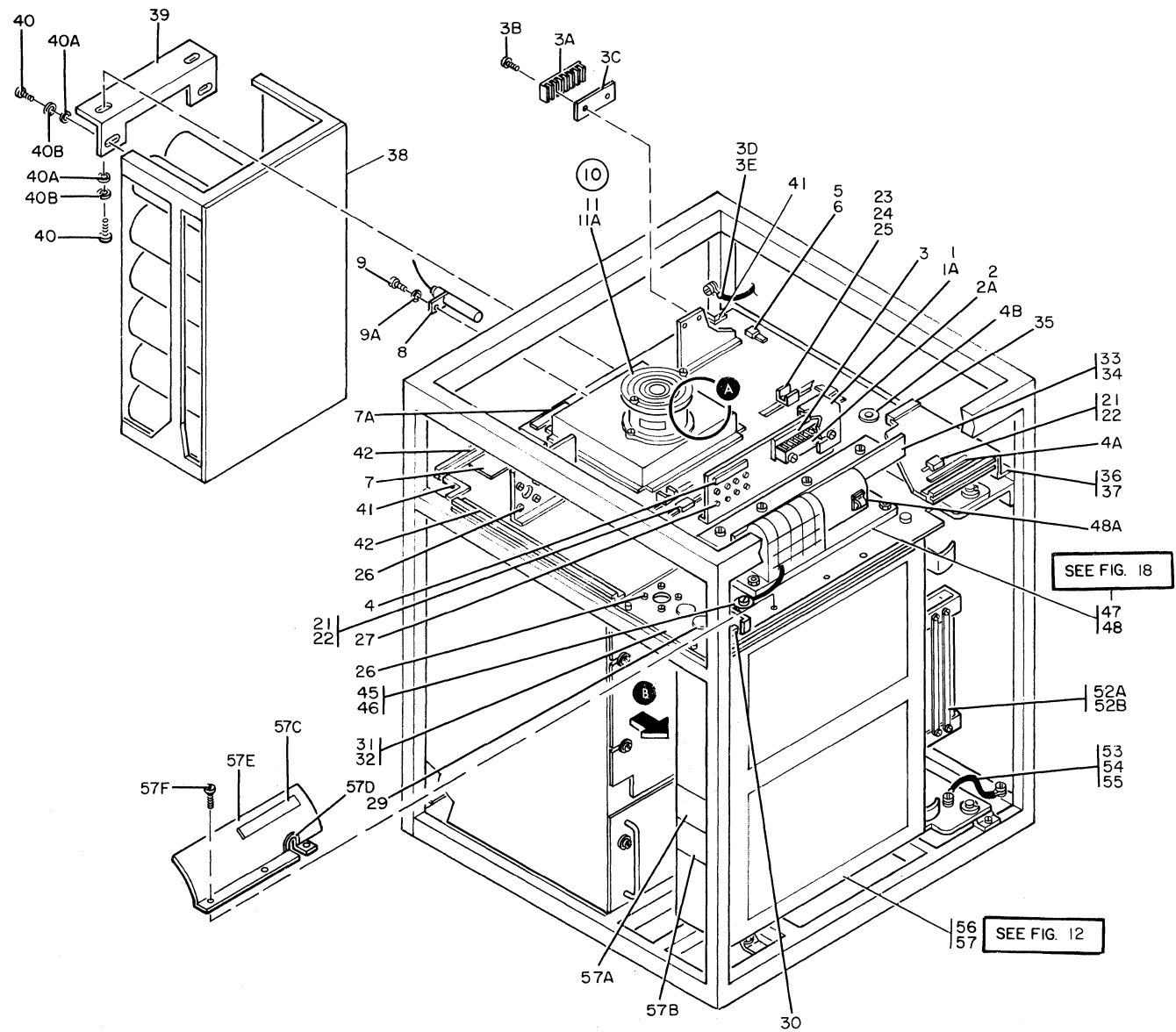


FIGURE 2. FINAL ASSEMBLY-FRAME 01. SHEET 4 OF 4. INDEX NOS. 160-212. SEE LIST 2.

FINAL ASSEMBLY-FRAME 01

FIGURE- INDEX NUMBER	PART NUMBER	UNITS PER ASM.	DESCRIPTION			
			1	2	3	4
2 -188	1621523	1	.	SCREW		ATT PT
-189	2125974	1	.	LOCKWASHER		ATT PT
-190	223781	1	.	BUMPER		
-191	3960	1	.	NUT,HEX- 1/4-20		ATT PT
-191A	6935	1	.	LOCKWASHER,SPLIT- 0.250 ID X 0.493 OD		ATT PT
-192	8483096	1	.	BRACKET		
-193	1621210	3	.	SCREW,PAN HD- M5 X 10 LG		ATT PT
-194	2125974	3	.	WASHER,LOCK		ATT PT
-194A	369207	1	.	LABEL,ENGLISH/NORWEGIAN		
-194A	4056733	1	.	LABEL, GERMAN		
-194A	1743548	1	.	LABEL, CANADIAN		
-194A	6815182	1	.	LABEL, FRENCH		
-194A	5685244	1	.	LABEL, FRENCH DUTCH		
-194A	8326801	1	.	LABEL, FINNISH		
-194A	6815181	1	.	LABEL, ITALIAN		
-194A	8551904	1	.	LABEL, SWEDISH		
-194A	6815180	1	.	LABEL, SPANISH		
-194A	6815183	1	.	LABEL,BRAZILIAN/PORTUGUESE		
-194A	8236797	1	.	LABEL,JAPANESE		
-194B	6331474	1	.	LABEL		
-194C	825880	AR	.	TAPE,FOAM		
-194D	1621199	1	.	SCREW,PAN HD-M4 X 35 LG		
-194E	1622346	1	.	LOCKWASHER,EXT STAR- M4, 8 OD X .5		
-194F	4432867	1	.	HOUSING-USED ON 01G GATE SHIELD WITH BARRIER		
-194G	1621020	4	.	SCREW,CHEESE HD- M3 X 6 LG		ATT PT
-194H	1622344	4	.	LOCKWASHER,EXT STAR- M3 X 294 THK		ATT PT
-194J	41C9520	1	.	BRACKET-USED ON 01G GATE SHIELD WITH BARRIER		
-194K	1621020	1	.	SCREW,CHEESE HD- M3 X 6 LG		ATT PT
-195	6831345	1	.	COVER-USED ON 01G GATE SHIELD WITHOUT BARRIER		
-195A	4432868	1	.	COVER-USED ON 01G GATE SHIELD GROUP WITH BARRIER		
-196	1621210	2	.	SCREW,PAN HD- M5 X 10 LG		ATT PT
-197	1621020	4	.	SCREW,CHEESE HD-M3 X 6 LG- USED ON 01G GATE SHIELD WITHOUT BARRIER		ATT PT
-197	1621190	2	.	SCREW-USED ON 01G GATE SHIELD GROUP WITH BARRIER		ATT PT
-198	5271288	1	.	TERMINAL-USED ON 01G GATE SHIELD WITHOUT BARRIER		
-198A	1621170	1	.	SCREW,PAN HD- M3 X L 6A		ATT PT
-198B	1622344	1	.	LOCKWASHER,EXT STAR- M3 X 294 THK		
-198C	524519	1	.	TIE,CABLE		
-198D	2277082	1	.	PUSHMOUNT		
-199	8483040	AR	.	BLOCK,DUMMY		
-200	6831342	1	.	CLIP,RETAINER		
-201	4432802	1	.	BRACKET ASM		
-202	1621197	2	.	SCREW,PAN HD-M4 X 6 LG		ATT PT
-203	6831349	5	.	SPRING		
-204	4432389	5	.	RIVET		ATT PT
-205	6831340	1	.	BRACKET		
-206	6831343	1	.	BRACKET		
-207	1621210	4	.	SCREW,PAN HD- M5 X 10 LG		ATT PT
-208	1622347	1	.	LOCKWASHER EXT STAR- M5, 10 OD X .6		
-209	6831310	1	.	FRAME ASM		
-210	471901	4	.	CASTER,GATE		
-211	186950	4	.	NUT,HEX 8-32		ATT PT
-212	130987	4	.	LOCKWASHER,SPLIT- 0.500 ID X 0.879 OD		ATT PT



FRAME 02

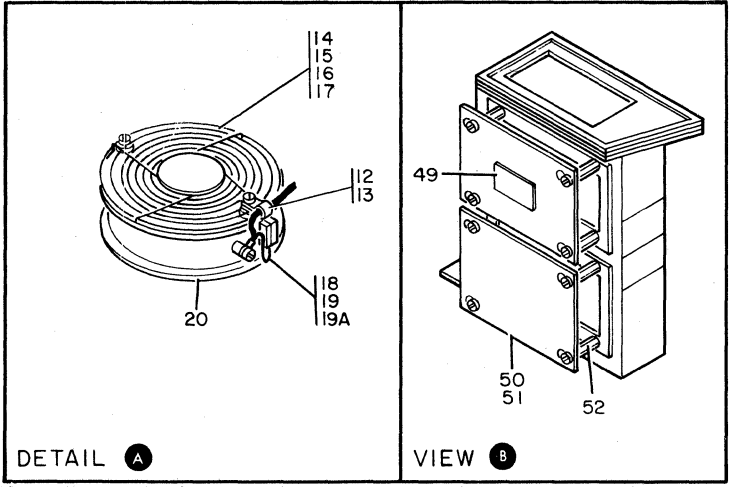
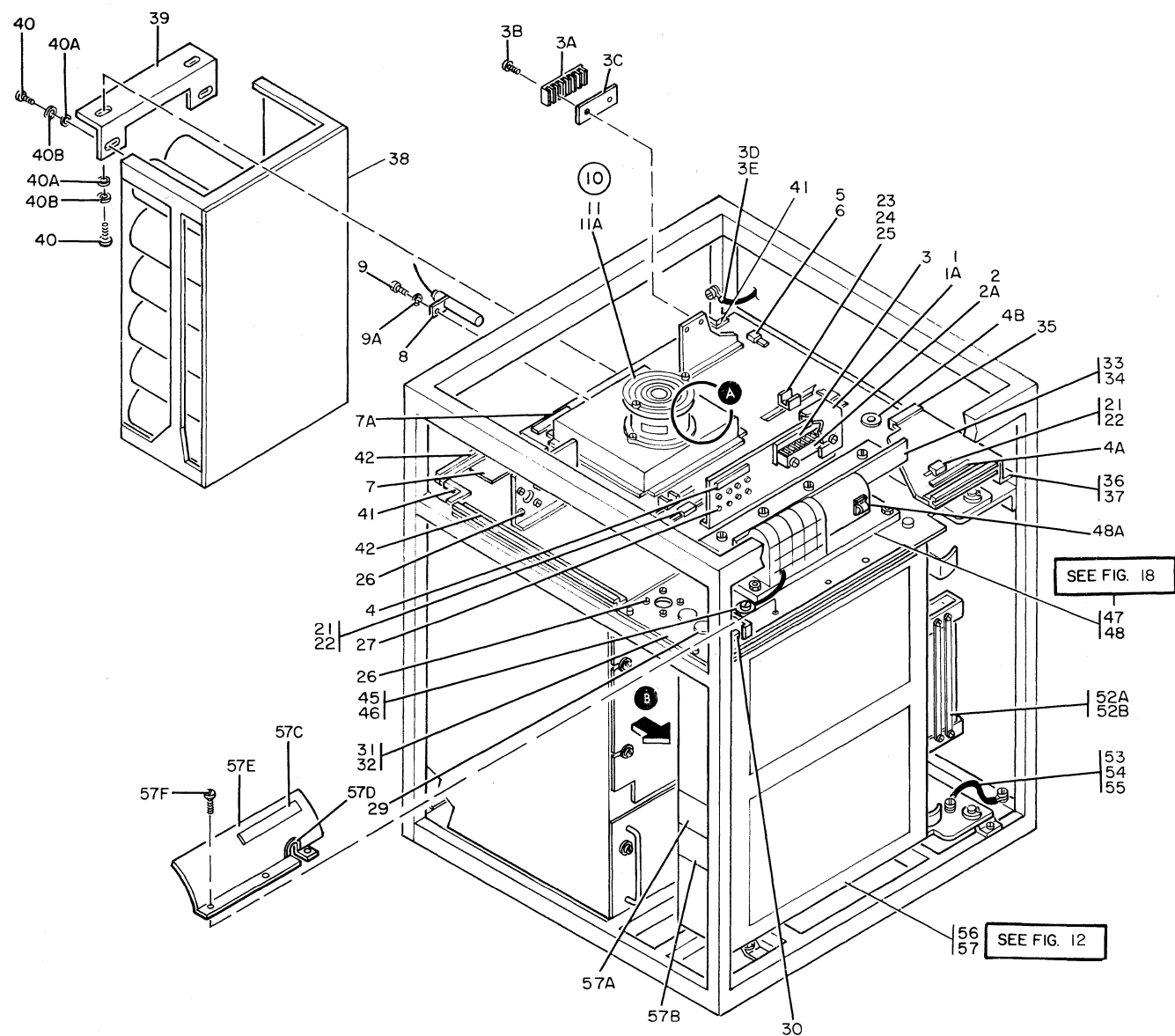


FIGURE 3. FINAL ASSEMBLY-FRAME 02. SHEET 1 OF 2. INDEX NOS. 1-57F. SEE LIST 3.

FINAL ASSEMBLY-FRAME 02

FIGURE- INDEX NUMBER	PART NUMBER	UNITS PER ASM.	DESCRIPTION			
			1	2	3	4
3 -	NO NO.		FINAL ASSEMBLY-FRAME 02 FOR ILLUSTRATION SEE FIGURE 3			
- 1	2676633	1	. SHIELD			
- 1A	1621216	1	. SCREW ATT PT			
- 2	1799218	1	. BLOCK, TERMINAL ATT PT			
- 2A	1624357	1	. SCREW, SPECIAL-NYLON ATT PT			
- 3	1799206	1	. INSULATOR, TERMINAL BOARD			
- 3A	1799218	1	. BLOCK, TERMINAL			
- 3B	1621216	2	. SCREW ATT PT			
- 3C	1799206	1	. INSULATOR			
- 3D	4154642	1	. STRAP, GROUND			
- 3E	1621210	1	. SCREW, PAN HD- M5 X 10 LG ATT PT			
- 4	845762	1	. LABEL, VOLTAGE			
- 4A	369207	1	. LABEL, ENGLISH/NORWEGIAN			
- 4A	4056733	1	. LABEL, GERMAN			
- 4A	1743548	1	. LABEL, CANADIAN			
- 4A	6815182	1	. LABEL, FRENCH			
- 4A	5865244	1	. LABEL, FRENCH DUTCH			
- 4A	8326801	1	. LABEL, FINNISH			
- 4A	6815181	1	. LABEL, ITALIAN			
- 4A	8551904	1	. LABEL, SWEDISH			
- 4A	6815180	1	. LABEL, SPANISH			
- 4A	6815183	1	. LABEL, BRAZILIAN/PORTUGUESE			
- 4A	8236797	1	. LABEL, JAPANESE			
- 4B	730432	AR	. GROMMET			
- 5	524519	1	. STRAP			
- 6	2277082	1	. CLAMP ATT PT			
- 7	4109344	1	. LABEL ATT PT			
- 7A	2542403	1	. LABEL-ENGLISH			
- 7A	984117	1	. LABEL-CANADIAN FRENCH			
- 8	5578666	1	. SENSOR, AIR FLOW			
- 9	1621170	1	. SCREW, PAN HD- M3 X L 6A ATT PT			
- 9A	1622344	1	. LOCKWASHER, EXT STAR- M3 X 294 THK ATT PT			
- 10	4109519	1	. FAN ASM- 50/60 HZ			
- 11	1622403	2	. NUT, DBL CHAMFERED HEX M4 X 3.2 THK ATT PT			
- 11A	1622346	1	. LOCKWASHER, EXT STAR- M4, 8 OD X .5 ATT PT			
- 12	825559	1	. CLAMP			
- 13	1621195	1	. . SCREW, PAN HD-M4 X 30 LG ATT PT			
- 14	4123902	1	. . GUARD, FAN			
- 15	1621194	1	. . SCREW, PAN HD-M4 X 20 LG ATT PT			
- 16	1622346	2	. . LOCKWASHER, EXT STAR- M4, 8 OD X .5 ATT PT			
- 17	1622403	2	. . NUT, DBL CHAMFERED HEX M4 X 3.2 THK ATT PT			
- 18	4109774	1	. . CABLE ASM, FAN			
			FOR CABLE COMPONENT PARTS SEE FIGURE 21			
- 19	1673983	1	. . SCREW ATT PT			
- 19A	1622347	1	. . LOCKWASHER EXT STAR- M5, 10 OD X .6 ATT PT			
- 20	4120598	1	. . FAN, AXIAL- 200/240V, 50/60HZ			
- 21	524519	2	. TIE, CABLE			
- 22	2277082	2	. MOUNT, PUSH SWITCH			
- 23	524519	3	. STRAP			
- 24	2637669	2	. CLAMP			
- 25	1621190	2	. SCREW, PAN HD- M4 X 8 LG. ATT PT			
- 26	1621170	AR	. SCREW, PAN HD- M3 X L 6A			
- 27	1621210	16	. SCREW, PAN HD- M5 X 10 LG			
- 29	850070	AR	. PLUG- 1.50 HOLE			
- 30	8483347	AR	. SEAL			
- 31	5578545	1	. BARRIER			
- 32	1693983	4	. SCREW ATT PT			
- 33	5578546	1	. BRACKET			
- 34	1693983	4	. SCREW ATT PT			
- 35	8483347	AR	. SEAL			
- 36	5578551	1	. BARRIER			
- 37	1621210	2	. SCREW, PAN HD- M5 X 10 LG ATT PT			
- 38	4151659	1	. POWER SUPPLY ASM- 50/60 HZ (PS 201)			
- 39	1310161	1	. BRACKET ATT PT			
- 40	1621210	4	. SCREW, PAN HD- M5 X 10 LG ATT PT			
- 40A	150390	4	. WASHER, FL- 0.250 ID X 0.625 OD			
- 40B	1622320	4	. LOCKWASHER, SPLIT- M6, 11.8 OD X 1.6 THK ATT PT			
- 41	730432	AR	. GROMMET, CATERPILLAR			
- 42	8483347	1	. SEAL			
- 45	1621170	1	. SCREW, PAN HD- M3 X L 6A			
- 46	1622344	1	. LOCKWASHER, EXT STAR- M3 X 294 THK			
- 47	8330712	1	. COOLING UNIT ASSEMBLY-GATE 02, 60 HZ			
- 47	8330711	1	. COOLING UNIT ASSEMBLY-GATE 02, 50 HZ			
			FOR DETAIL BREAKDOWN, SEE FIGURE 18			
- 48	1622404	4	. NUT, DBL CHAMFERED HEX-M5 X 4 THK ATT PT			
- 48A	825557	1	. CLAMP			



FRAME 02

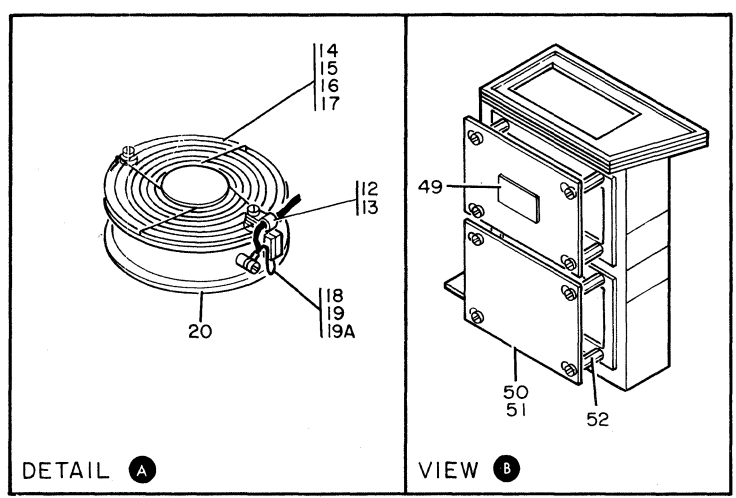


FIGURE 3. FINAL ASSEMBLY-FRAME 02. SHEET 1 OF 2. INDEX NOS. 1-57F. SEE LIST 3.

FINAL ASSEMBLY-FRAME 02

FIGURE- INDEX NUMBER	PART NUMBER	UNITS PER ASM.	DESCRIPTION			
			1	2	3	4
3 - 49	4109396	1	.	LABEL		
- 50	8330658	2	.	COVER, SAFETY	ATT	PT
- 51	1621170	8	.	SCREW, PAN HD- M3 X L 6A	ATT	PT
- 52	8330659	8	.	STANDOFF		
- 52A	4109483	4	.	STRAP		
- 52B	1621171	8	.	SCREW, PAN HD- M3 X 8 LG	ATT	PT
- 53	4154632	1	.	STRAP		
- 54	1621198	2	.	SCREW, PAN HD-M4 X 4 LG	ATT	PT
- 55	1622346	2	.	LOCKWASHER, EXT STAR- M4, 8 OD X .5	ATT	PT
- 56	4432600	1	.	GATE ASSEMBLY-GATE 02		
				FIRST SOURCE		
- 56	1310330	1	.	GATE ASSEMBLY, 02		
				SECOND SOURCE ONLY		
				FOR DETAIL BREAKDOWN SEE FIGURE 12		
- 57	219743	2	.	RING, RETAINING EXT- 0.392 ID X 0.042 THK	ATT	PT
- 57A	6831364	1	.	LABEL-MODEL 1		
- 57A	4109443	1	.	LABEL-MODEL 2		
- 57B	4109347	1	.	LABEL-MODEL 1 FIRST SOURCE		
- 57B	4109393	1	.	LABEL-MODEL 1 SECOND SOURCE		
- 57B	4109398	1	.	LABEL-MODEL 2 FIRST SOURCE		
- 57C	4109452	1	.	LABEL, ENGLISH/NORWEGIAN		
- 57C	2676662	1	.	LABEL, GERMAN		
- 57C	2676657	1	.	LABEL, CANADIAN		
- 57C	2676664	1	.	LABEL, FRENCH		
- 57C	2676660	1	.	LABEL, FRENCH DUTCH		
- 57C	2676659	1	.	LABEL, FINNISH		
- 57C	2676658	1	.	LABEL, ITALIAN		
- 57C	2676663	1	.	LABEL, SWEDISH		
- 57C	2676661	1	.	LABEL, SPANISH		
- 57C	4154580	1	.	LABEL, BRAZILIAN/PORTUGUESE		
- 57C	4154598	1	.	LABEL, JAPANESE		
- 57D	825880	AR	.	TAPE, FOAM		
- 57E	4109379	1	.	BARRIER		
- 57F	1621198	3	.	SCREW, PAN HD-M4 X 4 LG		

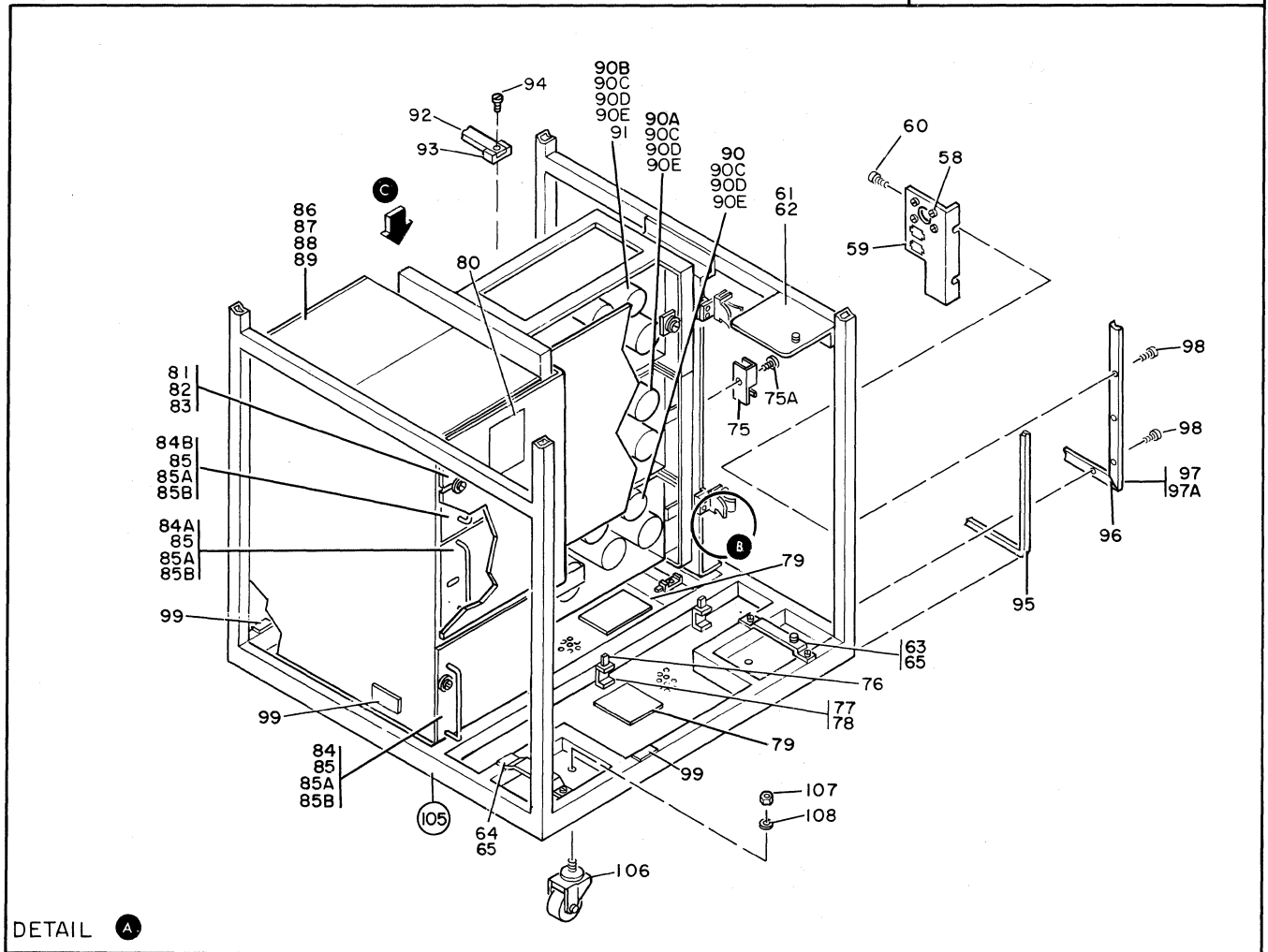
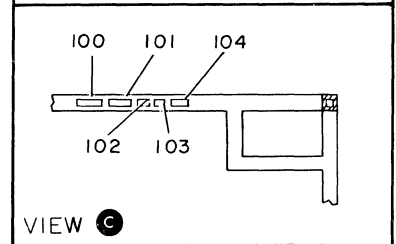
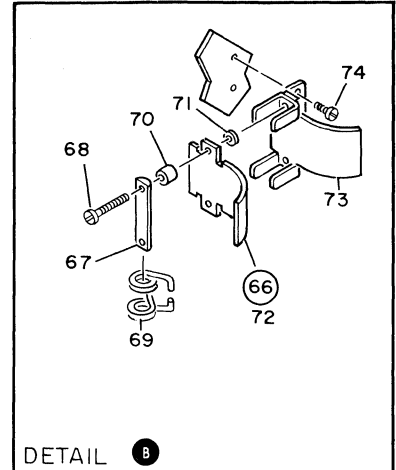
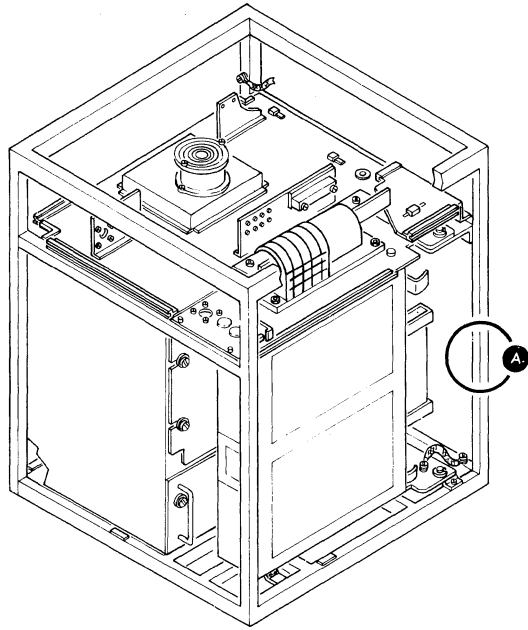


FIGURE 3. FINAL ASSEMBLY-FRAME O2. SHEET 2 OF 2. INDEX NOS. 58-108. SEE LIST 3.

FINAL ASSEMBLY-FRAME 02

FIGURE- INDEX NUMBER	PART NUMBER	UNITS PER ASM.	DESCRIPTION			
			1	2	3	4
3 - 58	1621170	4	.	SCREW,PAN HD- M3 X L 6A		ATT PT
- 59	1310483	1	.	BRACKET		
- 60	1621210	2	.	SCREW,PAN HD- M5 X 10 LG		ATT PT
- 61	5578550	1	.	BRACKET,HINGE		
- 62	1621210	2	.	SCREW,PAN HD- M5 X 10 LG		ATT PT
- 63	5578549	1	.	BRACKET		
- 64	5578556	1	.	BRACKET		
- 65	1621210	5	.	SCREW,PAN HD- M5 X 10 LG		ATT PT
- 66	815224	2	.	CLAMP ASM		
- 67	815220	1	.	BAR		
- 68	815174	2	.	SCREW,HEX SOC HD 8-32 X 1.750 LG		ATT PT
- 69	813321	1	.	SPRING		
- 70	815219	2	.	SPACER		
- 71	816649	2	.	RETAINER		
- 72	815217	1	.	PLATE		
- 73	815171	2	.	BACKPLATE		
- 74	1621190	4	.	SCREW,PAN HD- M4 X 8 LG		ATT PT
- 75	4432450	1	.	CLAMP-MODEL 2		
- 75A	1621308	1	.	SCREW,FL HD-M4 X 8 LG		
- 76	524519	AR	.	STRAP		
- 77	2637669	AR	.	CLAMP		
- 78	1621190	AR	.	SCREW,PAN HD- M4 X 8 LG		ATT PT
- 79	2542403	1	.	LABEL,FUSE WARNING-ENGLISH		
- 79	984117	1	.	LABEL,FUSE WARNING-CANADIAN		
- 80	4109342	1	.	LABEL-MODEL 1 ONLY		
- 81	4432866	1	.	COVER-MODEL 1 ONLY		
- 82	1621210	6	.	SCREW,PAN HD- M5 X 10 LG		ATT PT
- 83	150390	6	.	WASHER,FL- 0.250 ID X 0.625 OD		ATT PT
- 84	4151648	1	.	T/R PAC ASM- 60 HZ (TR 202)		
- 84	4151647	1	.	T/R PAC ASM- 50 HZ (TR 202)		
- 84A	1310270	1	.	T/R PAC ASM- 60 HZ (TR 206) MODEL 2 ONLY		
- 84A	1310273	1	.	T/R PAC ASM- 50 HZ (TR 206) MODEL 2 ONLY		
- 84B	5576248	1	.	T/R PAC ASM- 60 HZ (TR 204) MODEL 2 ONLY		
- 84B	5576247	1	.	T/R PAC ASM- 50 HZ (TR 204) MODEL 2 ONLY		
- 85	1621210	6	.	SCREW,PAN HD- M5 X 10 LG		ATT PT
- 85A	150390	6	.	WASHER,FL- 0.250 ID X 0.625 OD		ATT PT
- 85B	1622320	6	.	LOCKWASHER,SPLIT- M6,11.8 OD X 1.6 THK		ATT PT
- 86	4124198	1	.	T/R PAC ASM- 60 HZ (TR 201)		
- 86	4124208	1	.	T/R PAC ASM- 50 HZ (TR 201)		
				ALL TR 201 T/R PAC ASMS MUST BE REPLACED TOGETHER IN SETS OF 3,WITH MATCHING SERIAL NUMBERS		
- 87	1621210	6	.	SCREW,PAN HD- M5 X 10 LG		ATT PT
- 88	150390	6	.	WASHER,FL- 0.250 ID X 0.625 OD		ATT PT
- 89	1622320	6	.	LOCKWASHER,SPLIT- M6,11.8 OD X 1.6 THK		ATT PT
- 90	1310260	1	.	POWER SUPPLY ASM- 60 HZ (PS 205)		
- 90	1310255	1	.	POWER SUPPLY ASM- 50 HZ (PS 205)		
- 90A	1310275	1	.	POWER SUPPLY ASM (PS 206) MODEL 2 ONLY		
- 90B	5576249	1	.	POWER SUPPLY ASM (PS 204) MODEL 2 ONLY		
- 90C	1621210	6	.	SCREW,PAN HD- M5 X 10 LG		ATT PT
- 90D	150390	6	.	WASHER,FL- 0.250 ID X 0.625 OD		ATT PT
- 90E	1622320	6	.	LOCKWASHER,SPLIT- M6,11.8 OD X 1.6 THK		ATT PT
- 91	117403	1	.	FUSE-.4A,240V		ATT PT
- 92	524519	1	.	STRAP		
- 93	2637669	1	.	CLAMP		
- 94	1621190	1	.	SCREW,PAN HD- M4 X 8 LG		ATT PT
- 95	8483347	1	.	SEAL		
- 96	1310012	2	.	FILLER,FRAME		
- 97	1310011	2	.	FILLER,FRAME		
- 97A	1310013	1	.	BARRIER		
- 98	1673983	AR	.	SCREW,PAN HD-M5 X 6 LG-BLUE ZINC COATED		ATT PT
- 99	369207	1	.	LABEL,ENGLISH/NORWEGIAN		
- 99	4056733	1	.	LABEL, GERMAN		
- 99	1743548	1	.	LABEL, CANADIAN		
- 99	6815182	1	.	LABEL, FRENCH		
- 99	5685244	1	.	LABEL, FRENCH DUTCH		
- 99	8326801	1	.	LABEL, FINNISH		
- 99	6815181	1	.	LABEL, ITALIAN		
- 99	8551904	1	.	LABEL, SWEDISH		
- 99	6815180	1	.	LABEL,SPANISH		
- 99	6815183	1	.	LABEL,BRAZILIAN/PORTUGUESE		
- 99	8236797	1	.	LABEL,JAPANESE		
-100	855284	1	.	PLATE,MFG EXPORT		
-101	855264	1	.	PLATE,MANUFACTURED BY USA		
-101	855265	1	.	PLATE,MFG BY IBM-CANADA		
-101	855266	1	.	PLATE,MFG BY WTC		
-101	855267	1	.	PLATE,MANUFACTURED FOR USA		

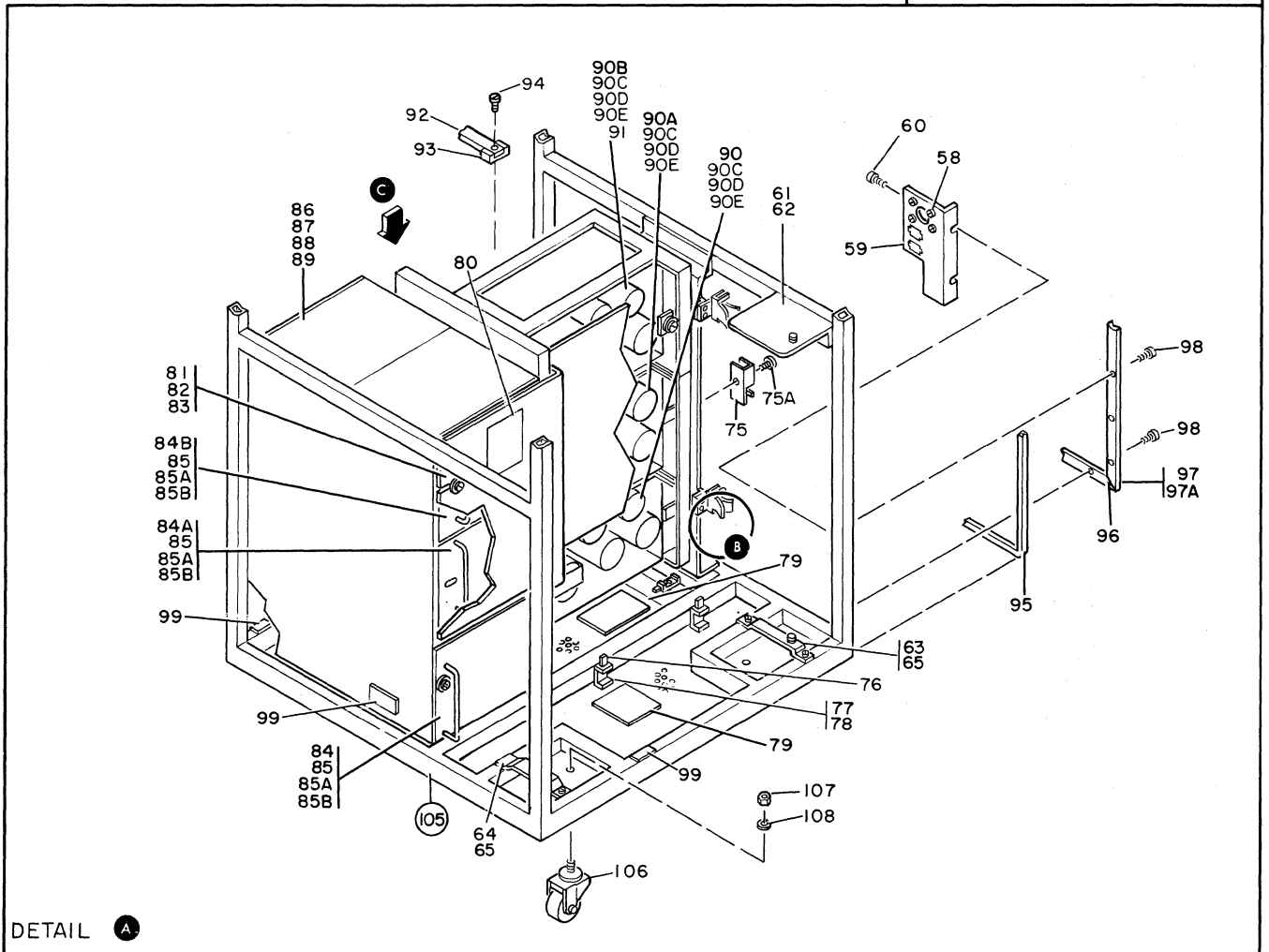
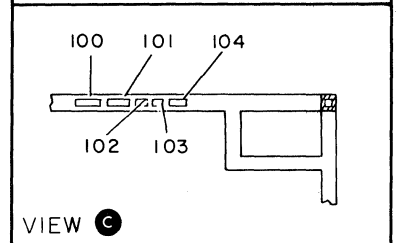
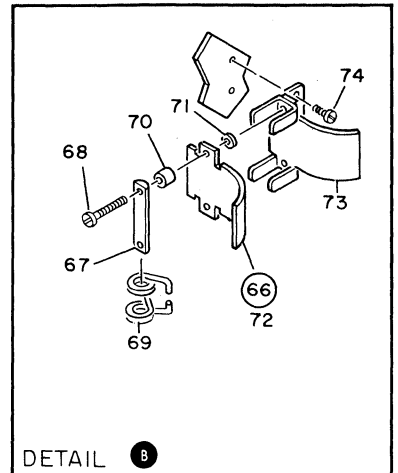
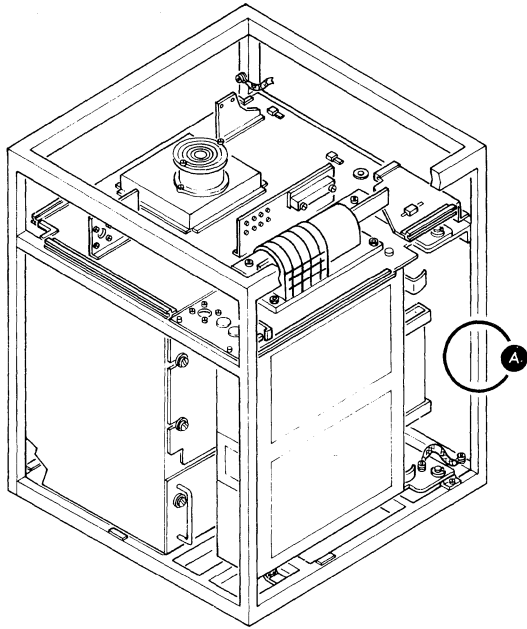
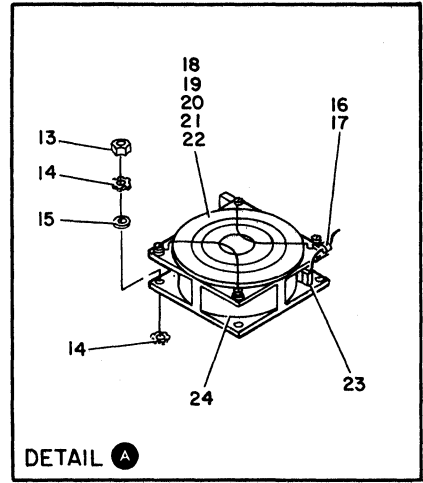
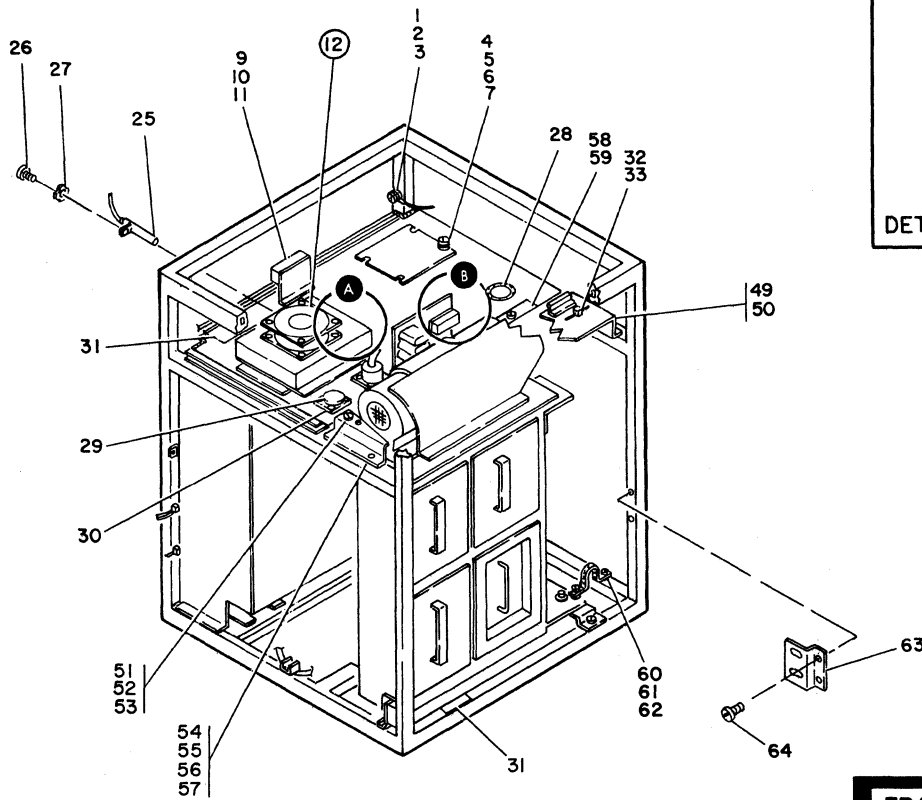


FIGURE 3. FINAL ASSEMBLY-FRAME 02. SHEET 2 OF 2. INDEX NOS. 58-108. SEE LIST 3.

FINAL ASSEMBLY-FRAME 02

FIGURE- INDEX NUMBER	PART NUMBER	UNITS PER ASM.	DESCRIPTION			
			1	2	3	4
3	-101	855268	1	.	PLATE,MANUFACTURED FOR	
	-101	855269	1	.	PLATE,MANUFACTURED FOR WT	
	-101	855270	1	.	PLATE,RECONDITIONED BY USA	
	-101	855272	1	.	PLATE,RECONDITIONED BY WT	
	-101	855273	1	.	PLATE,RENOVATED BY USA	
	-101	855275	1	.	PLATE,RENOVATED BY WT	
	-101	855276	1	.	PLATE,RECONDITIONED FOR USA	
	-101	855278	1	.	PLATE,RECONDITIONED FOR WT	
	-101	855279	1	.	PLATE,RENOVATED FOR USA	
	-101	855281	1	.	PLATE,RENOVATED FOR WT	
					THE FOLLOWING PROPERTY PLATES ARE FOR DOMESTIC AND WORLD TRADE USE	
	-101	855262	1	.	PLATE,PROP IBM ARM	
	-101	855263	1	.	PLATE,PROP IBM W.T.	
	-101	960746	1	.	PLATE,PROPERTY OF CANADA	
	-101	1310782	1	.	PLATE,PROPERTY-ARGENTINA	
	-101	1976194	1	.	PLATE,PROPERTY-JAPAN	
	-101	2418180	1	.	PLATE,PROPERTY-ITALIA	
	-101	2992717	1	.	PLATE,PROPERTY-FRENCH	
	-101	4056393	1	.	PLATE,PROPERTY-WT	
	-101	4134351	1	.	PLATE,PROPERTY-AUSTRALIA	
	-101	4134352	1	.	PLATE,PROPERTY-BAHAMAS	
	-101	4134353	1	.	PLATE,PROPERTY-BELGIUM	
	-101	4134354	1	.	PLATE,PROPERTY-BOLIVIA	
	-101	4134355	1	.	PLATE,PROPERTY-CHILE	
	-101	4134356	1	.	PLATE,PROPERTY-COLUMBIA	
	-101	4134357	1	.	PLATE,PROPERTY-COSTA RICA	
	-101	4134358	1	.	PLATE,PROPERTY-DENMARK	
	-101	4134359	1	.	PLATE,PROPERTY-ECUADOR	
	-101	4134360	1	.	PLATE,PROPERTY-FINLAND	
	-101	4134361	1	.	PLATE,PROPERTY-GUATEMALA	
	-101	4134362	1	.	PLATE,PROPERTY-IRELAND	
	-101	4134363	1	.	PLATE,PROPERTY-KOREA	
	-101	4134364	1	.	PLATE,PROPERTY-MEXICO	
	-101	4134365	1	.	PLATE,PROPERTY-NORWAY	
	-101	4134366	1	.	PLATE,PROPERTY-PANAMA	
	-101	4134367	1	.	PLATE,PROPERTY-PERU	
	-101	4134368	1	.	PLATE,PROPERTY-PHILLIPINES	
	-101	4134369	1	.	PLATE,PROPERTY-PORTUGAL	
	-101	4134370	1	.	PLATE,PROPERTY-SOUTH AFRICA	
	-101	4134371	1	.	PLATE,PROPERTY-SPAIN	
	-101	4134372	1	.	PLATE,PROPERTY-SWITZERLAND	
	-101	4134373	1	.	PLATE,PROPERTY-TAIWAN	
	-101	4134374	1	.	PLATE,PROPERTY-THAILAND	
	-101	4134375	1	.	PLATE,PROPERTY-URUGUAY	
	-101	4134376	1	.	PLATE,PROPERTY-VENEZUELA	
	-101	4134580	1	.	PLATE,PROPERTY-WT/AMER/FAR EAST	
	-101	4134581	1	.	PLATE,PROPERTY-WT EUROPE/MID	
	-101	4134582	1	.	PLATE,PROPERTY-AUSTRIA	
	-101	4134583	1	.	PLATE,PROPERTY-NEW ZEALAND	
	-101	4134584	1	.	PLATE,PROPERTY-NIGERIA	
	-101	4135783	1	.	PLATE,PROPERTY-NETHERLANDS	
	-101	5054478	1	.	PLATE,PROPERTY-SWEDEN	
	-101	5576379	1	.	PLATE,PROPERTY-MADAGASCAR	
	-101	5966292	1	.	PLATE,PROPERTY-INDIA	
	-101	6003013	1	.	PLATE,PROPERTY-BRAZIL	
	-101	8112294	1	.	PLATE,PROPERTY-UNITED KINGDOM	
	-101	8330628	1	.	PLATE,PROPERTY-WHITE PLAINS	
	-102	855286	1	.	PLATE,U.L. APPROVAL	
	-102	960766	1	.	PLATE,CSA INSIGNIA	
	-103	855283	1	.	PLATE,SERIAL NO. RIGHT	
	-104	855282	1	.	PLATE,SERIAL NO. LEFT	
	-105	1310005	1	.	FRAME ASM	
	-106	471901	4	.	CASTER,GATE	
	-107	186950	4	.	NUT,HEX 8-32	ATT PT
	-108	130987	4	.	LOCKWASHER,SPLIT- 0.500 ID X 0.879 OD	ATT PT



**FRAME 02
SWITCHING REGULATORS**

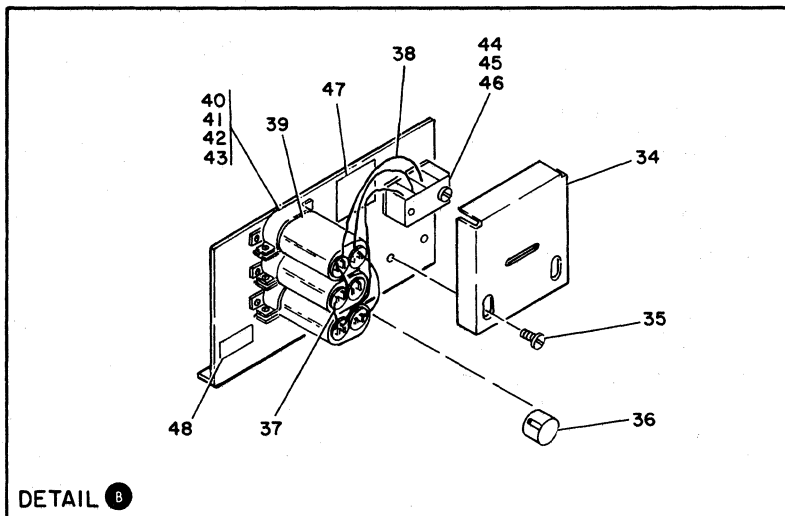
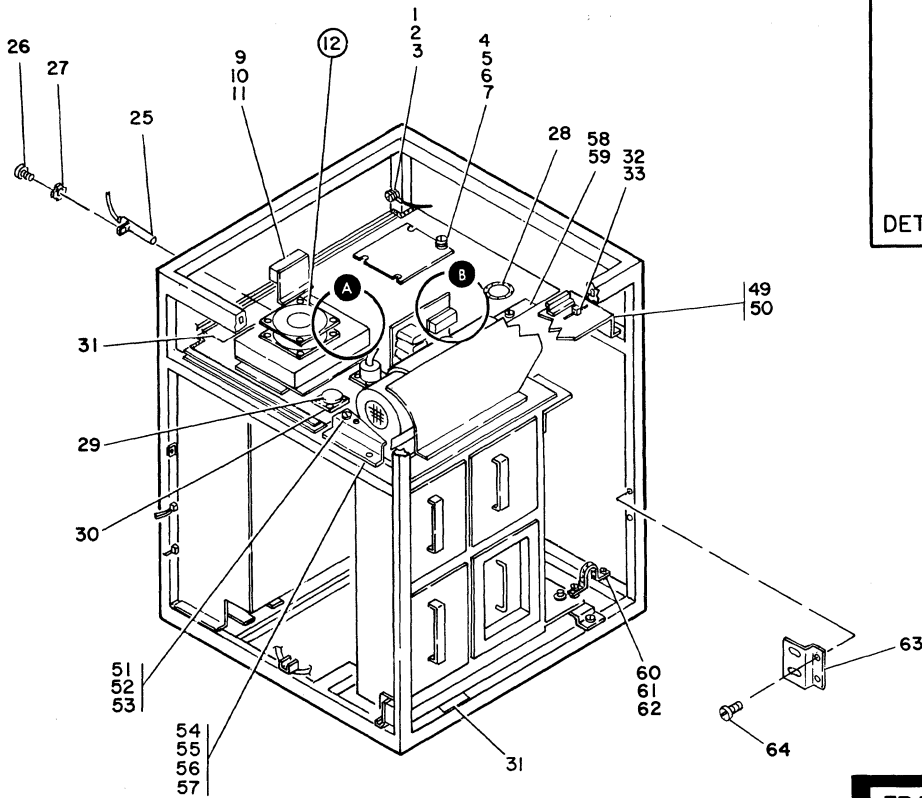


FIGURE 3A. FINAL ASSEMBLY, FRAME 02- SWITCHING REGULATORS. SHEET 1 OF 3. INDEX NOS. 1-64. SEE LIST 3A.

FINAL ASSEMBLY, FRAME 02-SWITCHING REGULATORS

FIGURE- INDEX NUMBER	PART NUMBER	UNITS PER ASM.	DESCRIPTION				
			1	2	3	4	
3A-	4154555	NP				. FINAL ASSEMBLY,60 HZ	
-	4154476	NP				FINAL ASSEMBLY,50 HZ	
- 1	4154642		1			. STRAP, GROUND	
- 2	1621210		1			. SCREW,PAN HD- M5 X 10 LG	ATT PT
- 3	1622347		2			. LOCKWASHER EXT STAR- M5, 10 OD X .6	ATT PT
- 4	4154618		1			. PLATE	
- 5	1622403		4			. NUT,DBL CHAMFERED HEX M4 X 3.2 THK	ATT PT
- 6	1622318		4			. WASHER,SPRING-M4 9.2 OD X 1.2 THK	ATT PT
- 7	1622305		4			. WASHER,FL- M5 10 OD X 1 THK	ATT PT
- 9	1726314		1			. BLOCK, TERMINAL	
- 10	1621066		2			. SCREW-MACH CHEESE HD,M4 X 30 LG	ATT PT
- 11	1726315		1			. INSULATOR	
- 12	8330692		1			. FAN ASM	
- 13	1622401		4			. NUT,DBL CHAMFERED HEX M3 X 2.4 THK	ATT PT
- 14	1622344		8			. LOCKWASHER,EXT STAR- M3 X 294 THK	ATT PT
- 15	1622302		4			. WASHER,FL-M3 7 OD X 0.5 THK	ATT PT
- 16	825559		1			. CLAMP	
- 17	1621175		1			. . SCREW-MACH PAN HD,M3 X 20 LG	ATT PT
- 18	2172166		1			. . GUARD	
- 19	1621173		3			. . SCREW,PAN HD-M3 X 12 LG	ATT PT
- 20	1622302		4			. . WASHER,FL-M3 7 OD X 0.5 THK	ATT PT
- 21	1622344		4			. . LOCKWASHER,EXT STAR- M3 X 294 THK	ATT PT
- 22	1622401		4			. . NUT,DBL CHAMFERED HEX M3 X 2.4 THK	ATT PT
- 23	8330691		1			. . CABLE ASM, FAN	
						FOR COMPONENT PARTS SEE FIGURE 21	
- 24	4109480		1			. . FAN, 50/60HZ	
- 25	5578666		1			. SENSOR,AIR FLOW	
- 26	1621170		1			. SCREW,MACH SLOT PAN HD-M3 X 6 LG	ATT PT
- 27	1622344		1			. LOCKWASHER,EXT STAR- M3 X 294 THK	ATT PT
- 28	730432	AR				. GROMMET,CATERPILLAR	
- 29	850070	AR				. PLUG- 1.50 HOLE	
- 30	1621170	AR				. SCREW,MACH SLOT PAN HD-M3 X 6 LG	
- 31	369207		1			. LABEL,ENGLISH/NORWEGIAN	
- 31	4056733		1			. LABEL,HAZARDOUS AREA-GERMAN	
- 31	1743548		1			. LABEL, HAZARDOUS AREA-CANADIAN	
- 31	6815182		1			. LABEL, HAZARDOUS AREA-FRENCH	
- 31	5685244		1			. LABEL, HAZARDOUS AREA-FRENCH DUTCH	
- 31	8326801		1			. LABEL, HAZARDOUS AREA-FINNISH	
- 31	6815181		1			. LABEL, HAZARDOUS AREA-ITALIAN	
- 31	8551904		1			. LABEL, HAZARDOUS AREA-SWEDISH	
- 31	6815180		1			. LABEL,HAZARDOUS AREA-SPANISH	
- 31	6815183		1			. LABEL,HAZARDOUS AREA-BRAZILIAN PORTUGUESE	
- 31	8326797		2			. LABEL,HAZARDOUS AREA-JAPANESE	
- 32	1159519		11			. STRAP,CABLE	
- 33	2277082		11			. CLAMP	
- 34	4154634		1			. SHIELD	
- 35	1621216		2			. SCREW	ATT PT
- 36	526378		6			. INSULATOR	
- 37	4154643		3			. JUMPER ASM	
- 38	4154644		3			. JUMPER ASM	
- 39	5252850		3			. CAPACITOR	
- 40	737732		3			. BRACKET	
- 41	1621190		6			. SCREW,PAN HD- M4 X 8 LG	ATT PT
- 42	1622318		6			. WASHER,SPRING-M4 9.2 OD X 1.2 THK	ATT PT
- 43	1622305		6			. WASHER,FL- M5 10 OD X 1 THK	ATT PT
- 44	1726314		1			. BLOCK, TERMINAL	
- 45	1621066		2			. SCREW-MACH CHEESE HD,M4 X 30 LG	ATT PT
- 46	1726315		1			. INSULATOR	
- 47	2582954		1			. LABEL,DANGER-ENGLISH CANADIAN	
- 47	5718485		1			. LABEL, DANGER-GERMAN	
- 47	4422117		1			. LABEL, DANGER-FRENCH DUTCH	
- 47	6825833		1			. LABEL, DANGER-FINNISH	
- 47	5718487		1			. LABEL, DANGER-ITALIAN	
- 47	8551902		1			. LABEL, DANGER-SWEDISH	
- 47	5718488		1			. LABEL,DANGER-BRAZILIAN/PORTUGUESE	
- 47	6825839		1			. LABEL, DANGER-JAPANESE	
- 47	6825830		1			. LABEL, DANGER-SPANISH	
- 48	845762		1			. PLATE,VOLTAGE	
- 49	4154601		1			. BARRIER	
- 50	1621210		3			. SCREW,PAN HD- M5 X 10 LG	ATT PT
- 51	1621599		2			. SCREW	ATT PT
- 52	1622320		2			. LOCKWASHER,SPLIT- M6,11.8 OD X 1.6 THK	ATT PT
- 53	150390		2			. WASHER,FL- 0.250 ID X 0.625 OD	ATT PT
- 54	4154604		1			. BARRIER	
- 55	1621596		2			. SCREW,HEX HD-M6 X 16 LG	ATT PT
- 56	1622320		2			. LOCKWASHER,SPLIT- M6,11.8 OD X 1.6 THK	ATT PT



**FRAME 02
SWITCHING REGULATORS**

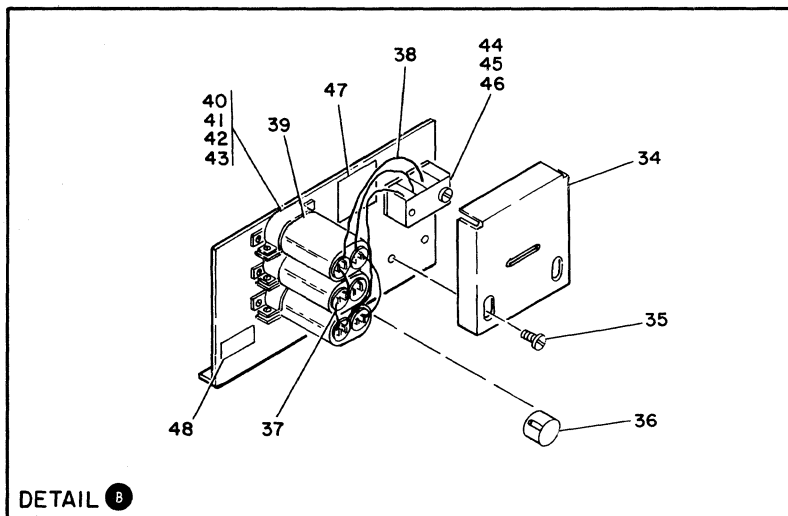


FIGURE 3A. FINAL ASSEMBLY, FRAME 02- SWITCHING REGULATORS. SHEET 1 OF 3. INDEX NOS. 1-64. SEE LIST 3A.

FINAL ASSEMBLY, FRAME 02-SWITCHING REGULATORS

FIGURE- INDEX NUMBER	PART NUMBER	UNITS PER ASM.	DESCRIPTION			
			1	2	3	4
3A - 57	150390	2	.	WASHER,FL- 0.250 ID X 0.625 OD		ATT PT
- 58	4154603	1	.	BRACKET		
- 59	1673983	3	.	SCREW,PAN HD-M5 X 6 LG-BLUE ZINC COATED		ATT PT
- 60	4154632	1	.	JUMPER ASM		
- 61	1621197	2	.	SCREW,PAN HD-M4 X 6 LG		ATT PT
- 62	1622346	4	.	LOCKWASHER,EXT STAR- M4, 8 OD X .5		ATT PT
- 63	4154619	1	.	BRACKET		
- 64	1621210	2	.	SCREW,PAN HD- M5 X 10 LG		ATT PT

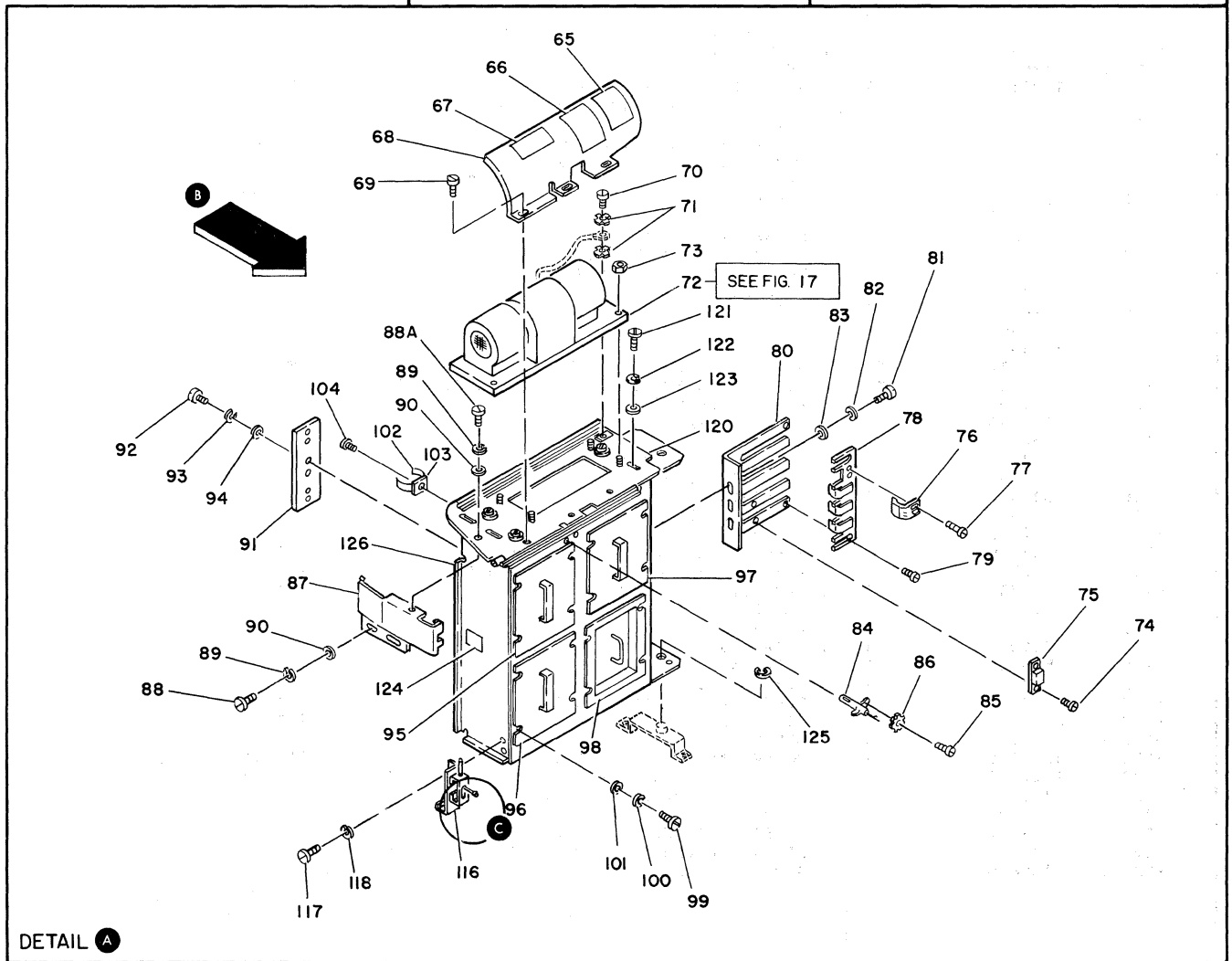
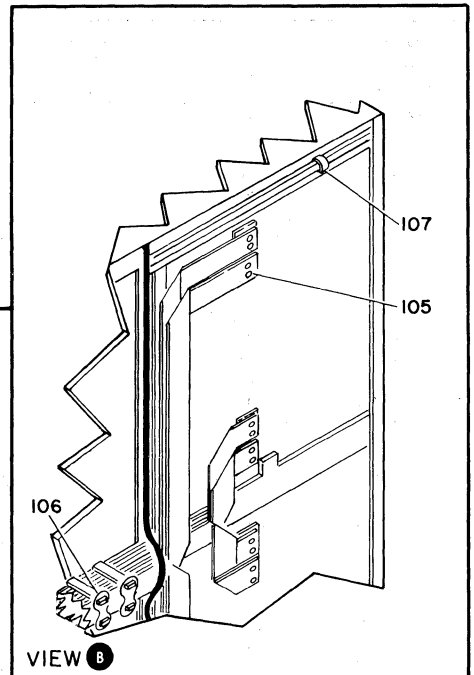
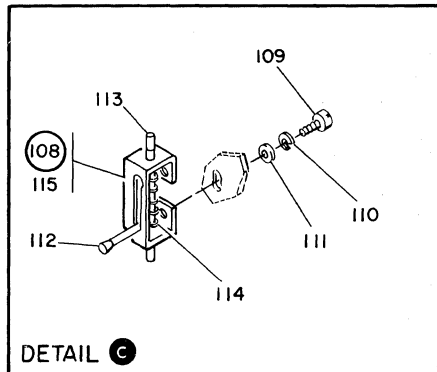
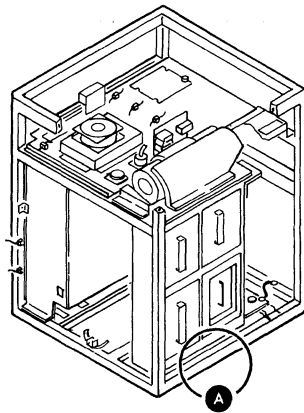
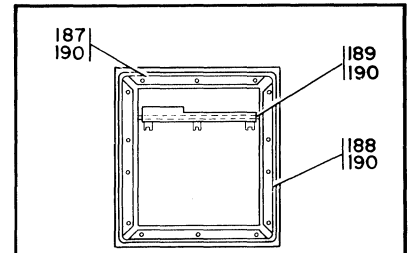
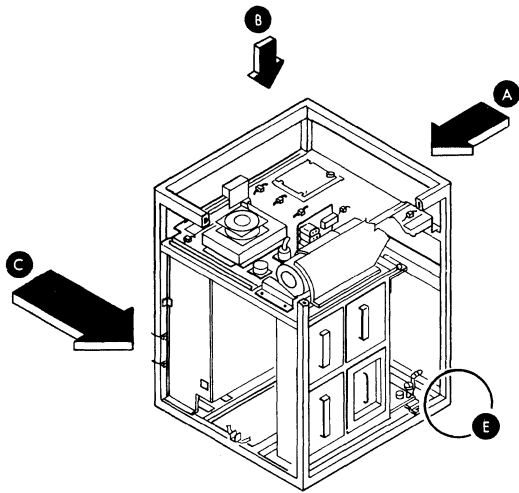


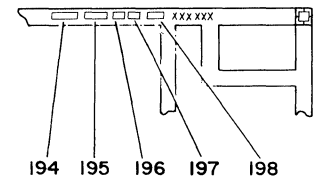
FIGURE 3A. FINAL ASSEMBLY, FRAME 02- SWITCHING REGULATORS. SHEET 2 OF 3. INDEX NOS. 65-126. SEE LIST 3A.

FINAL ASSEMBLY, FRAME 02-SWITCHING REGULATORS

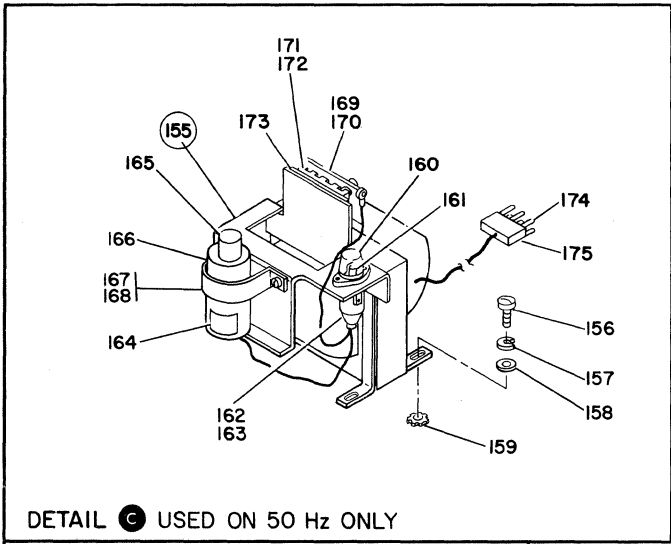
FIGURE- INDEX NUMBER	PART NUMBER	UNITS PER ASM.	DESCRIPTION			
			1	2	3	4
3A- 65	4154611	1	.	LABEL		
- 66	4154613	1	.	LABEL		
- 67	4109452	1	.	LABEL, WARNING-ENGLISH NORWEGIAN		
- 67	2676662	1	.	LABEL, WARNING-GERMAN		
- 67	2676657	1	.	LABEL, WARNING-CANADIAN		
- 67	2676664	1	.	LABEL, WARNING-FRENCH		
- 67	2676660	1	.	LABEL, WARNING-FRENCH DUTCH		
- 67	2676659	1	.	LABEL, WARNING-FINNISH		
- 67	2676658	1	.	LABEL, WARNING-ITALIAN		
- 67	2676663	1	.	LABEL, WARNING-SWEDISH		
- 67	4154580	1	.	LABEL, WARNING-BRAZILIAN/PORTUGUESE		
- 67	4154598	1	.	LABEL, WARNING-JAPANESE		
- 67	2676661	1	.	LABEL, WARNING-SPANISH		
- 68	4154626	1	.	BARRIER		
- 69	1621198	3	.	SCREW, PAN HD-M4 X 4 LG		ATT PT
- 70	1673984	1	.	SCREW		
- 71	1622347	2	.	LOCKWASHER EXT STAR- M5, 10 OD X .6		
- 72	4432800	1	.	COOLING UNIT ASM, GATE 01A-60 HZ		
- 72	4432810	1	.	COOLING UNIT ASM, GATE 01A-50 HZ		
				FOR DETAIL BREAKDOWN SEE FIGURE 17		
- 73	1622404	4	.	NUT, DBL CHAMFERED HEX-M5 X 4 THK		ATT PT
- 74	1621182	30	.	SCREW, PAN HD-M3.5 X 8 LG		
- 75	8268897	AR	.	HOUSING		
- 76	4154629	4	.	BRACKET		
- 77	1621210	8	.	SCREW, PAN HD- M5 X 10 LG		ATT PT
- 78	4154616	1	.	CLAMP		
- 79	1621211	2	.	SCREW, PAN HD- M5 X 12 LG		ATT PT
- 80	4154615	1	.	BRACKET		
- 81	1621210	3	.	SCREW, PAN HD- M5 X 10 LG		ATT PT
- 82	1622320	3	.	LOCKWASHER, SPLIT- M6, 11.8 OD X 1.6 THK		ATT PT
- 83	150390	3	.	WASHER, FL- 0.250 ID X 0.625 OD		ATT PT
- 84	5578667	1	.	SENSOR		
- 85	1621170	1	.	SCREW, MACH SLOT PAN HD-M3 X 6 LG		ATT PT
- 86	1622344	1	.	LOCKWASHER, EXT STAR- M3 X 294 THK		ATT PT
- 87	4154636	1	.	COVER		
- 88	1621170	2	.	SCREW, MACH SLOT PAN HD-M3 X 6 LG		ATT PT
- 88A	1621172	1	.	SCREW, PAN HD- M3 X 10 LG		ATT PT
- 89	1622318	3	.	WASHER, SPRING-M4 9.2 OD X 1.2 THK		ATT PT
- 90	1090448	3	.	WASHER		ATT PT
- 91	4154639	2	.	SHIELD		
- 92	1621210	4	.	SCREW, PAN HD- M5 X 10 LG		ATT PT
- 93	1622320	4	.	LOCKWASHER, SPLIT- M6, 11.8 OD X 1.6 THK		ATT PT
- 94	150390	4	.	WASHER, FL- 0.250 ID X 0.625 OD		ATT PT
- 95	2674400	1	.	REGULATOR		
- 96	2674401	1	.	REGULATOR		
- 97	2674402	1	.	REGULATOR		
- 98	2674410	1	.	REGULATOR		
- 99	1621212	16	.	SCREW, PAN HD-M5 X 16 LG		ATT PT
-100	1622320	16	.	LOCKWASHER, SPLIT- M6, 11.8 OD X 1.6 THK		ATT PT
-101	150390	16	.	WASHER, FL- 0.250 ID X 0.625 OD		ATT PT
-102	1159519	11	.	STRAP, CABLE		
-103	4154638	11	.	CLAMP		
-104	1621198	11	.	SCREW, PAN HD-M4 X 4 LG		ATT PT
-105	1621191	32	.	SCREW, PAN HD- M4 X 10 LG		
-106	811427	2	.	RETAINER		
-107	1159519	10	.	STRAP, CABLE		
-108	2172092	1	.	LATCH ASM		
-109	35739	2	.	SCREW, BD HD- 6-32 X 0.438 LG		ATT PT
-110	1622318	2	.	WASHER, SPRING-M4 9.2 OD X 1.2 THK		ATT PT
-111	1622304	2	.	WASHER, FL- M4 9 OD X 0.8 THK		ATT PT
-112	528013	1	.	STUD		
-113	528014	1	.	PIN		
-114	528012	1	.	SPRING		
-115	528011	1	.	BRACKET		
-116	4154609	1	.	BRACKET, LATCH MTG.		
-117	1621210	2	.	SCREW, PAN HD- M5 X 10 LG		ATT PT
-118	2125974	2	.	LOCKWASHER		ATT PT
-120	4154602	1	.	BARRIER		
-121	1621210	4	.	SCREW, PAN HD- M5 X 10 LG		ATT PT
-122	1622320	4	.	LOCKWASHER, SPLIT- M6, 11.8 OD X 1.6 THK		ATT PT
-123	150390	4	.	WASHER, FL- 0.250 ID X 0.625 OD		ATT PT
-124	2542403	1	.	LABEL, FUSE WARNING		
-124	984117	1	.	LABEL, WARNING-CANADIAN		
-125	219743	2	.	RING, RETAINING EXT- 0.392 ID X 0.042 THK		
-126	4154605	1	.	GATE		



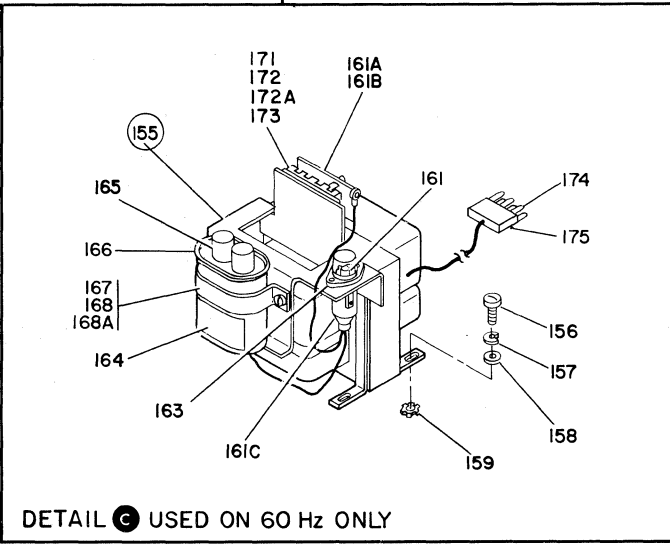
VIEW A



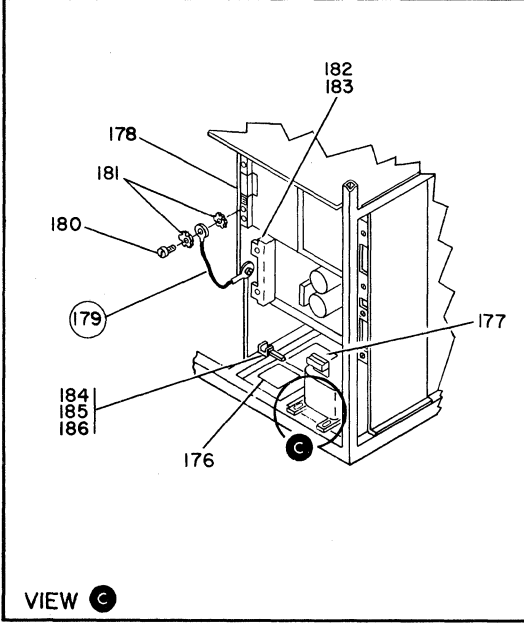
VIEW B



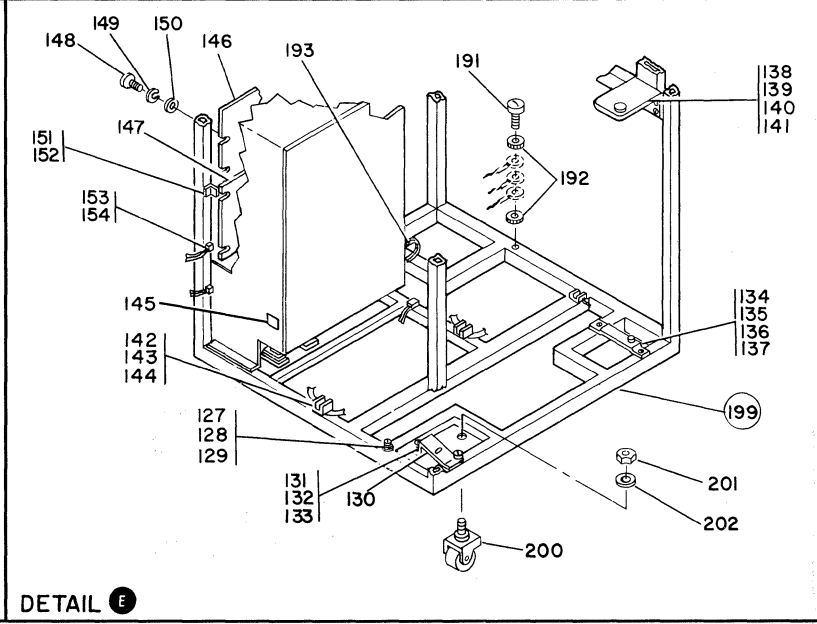
DETAIL C USED ON 50 Hz ONLY



DETAIL C USED ON 60 Hz ONLY



VIEW C

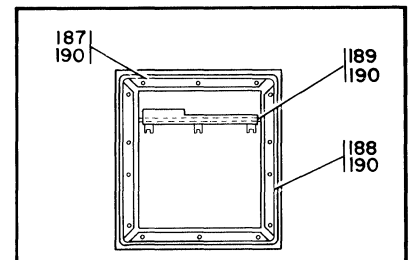
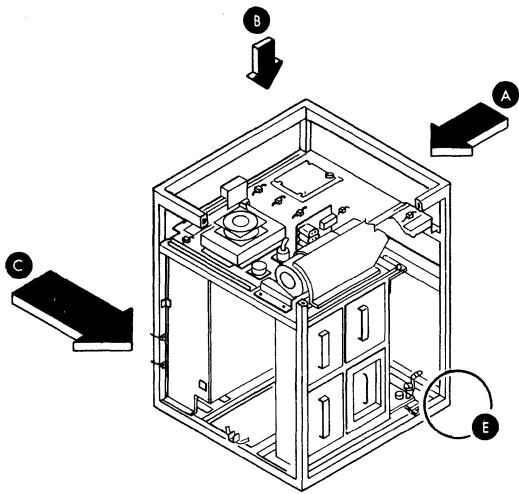


DETAIL F

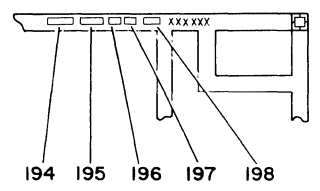
FIGURE 3A. FINAL ASSEMBLY, FRAME 02- SWITCHING REGULATORS. SHEET 3 OF 3. INDEX NOS. 127-202. SEE LIST 3A.

FINAL ASSEMBLY, FRAME 02-SWITCHING REGULATORS

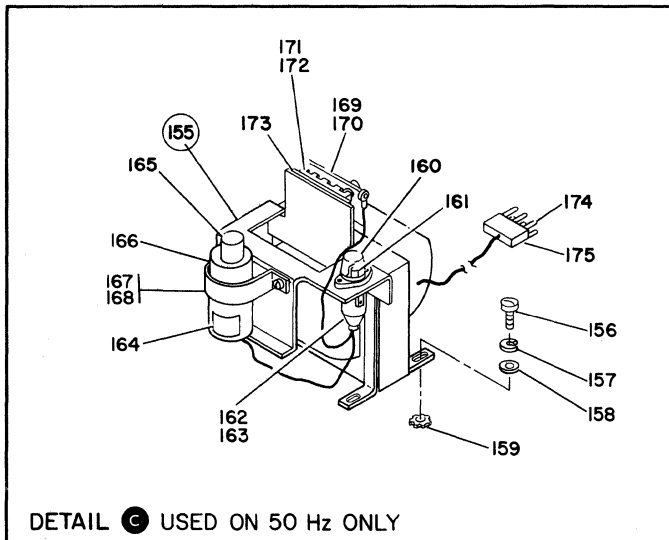
FIGURE- INDEX NUMBER	PART NUMBER	UNITS PER ASM.	DESCRIPTION				
			1	2	3	4	
3A-127	1621527	1	
-128	1622320	1	
-129	150390	1	
-130	4154608	1	
-131	1621211	3	ATT PT
-132	1622320	2	ATT PT
-133	150390	2	ATT PT
-134	4154606	1	
-135	1621211	2	ATT PT
-136	1622320	2	ATT PT
-137	150390	2	ATT PT
-138	4154607	1	
-139	1621596	4	ATT PT
-140	1622320	4	ATT PT
-141	150390	4	ATT PT
-142	1159519	4	
-143	2637669	4	
-144	1621190	4	ATT PT
-145	369207	1	
-145	4056733	1	
-145	1743548	1	
-145	6815182	1	
-145	5685244	1	
-145	8326801	1	
-145	6815181	1	
-145	8551904	1	
-145	6815183	1	
-145	8326797	1	
-145	6815180	1	
-146	2674425	1	
-147	2532500	1	
-148	1621211	8	ATT PT
-149	1622320	8	ATT PT
-150	150390	8	ATT PT
-151	5271288	1	
-152	1621170	1	ATT PT
-153	1159519	2	
-154	2277082	2	
-155	2532510	1	
-155	4119849	1	
-156	1621596	4	ATT PT
-157	1622320	4	ATT PT
-158	150390	4	ATT PT
-159	1622349	1	ATT PT
-160	4061290	1	
-161	107663	1	
-161A	350966	1	
-161B	10170	2	ATT PT
-161C	8544812	1	
-162	92752	1	
-163	1621060	2	ATT PT
-163	4432610	2	ATT PT
-164	4120650	1	
-164	8483959	1	
-165	2722507	1	
-165	526378	2	
-166	4120824	1	
-166	6814311	1	
-167	4120492	1	
-167	1310297	1	
-168	1621060	2	ATT PT



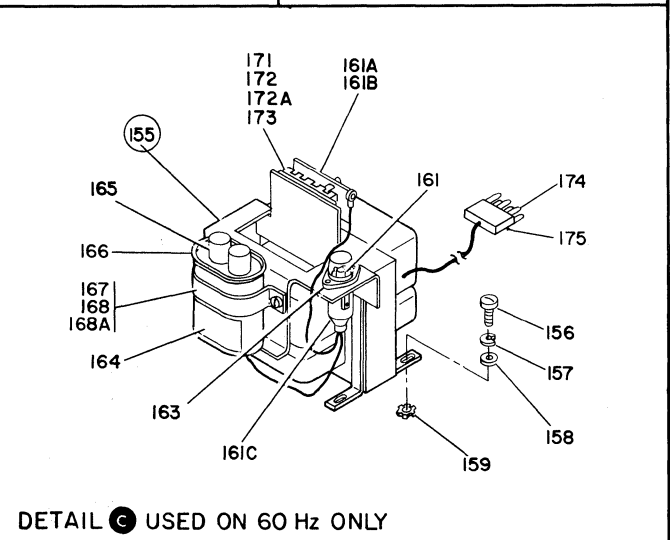
VIEW A



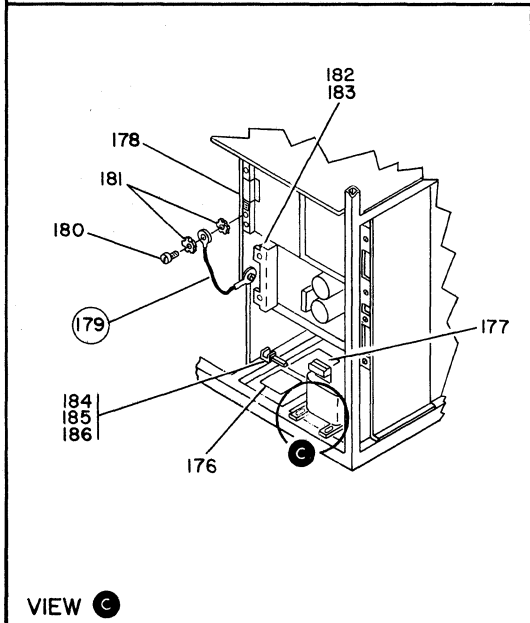
VIEW B



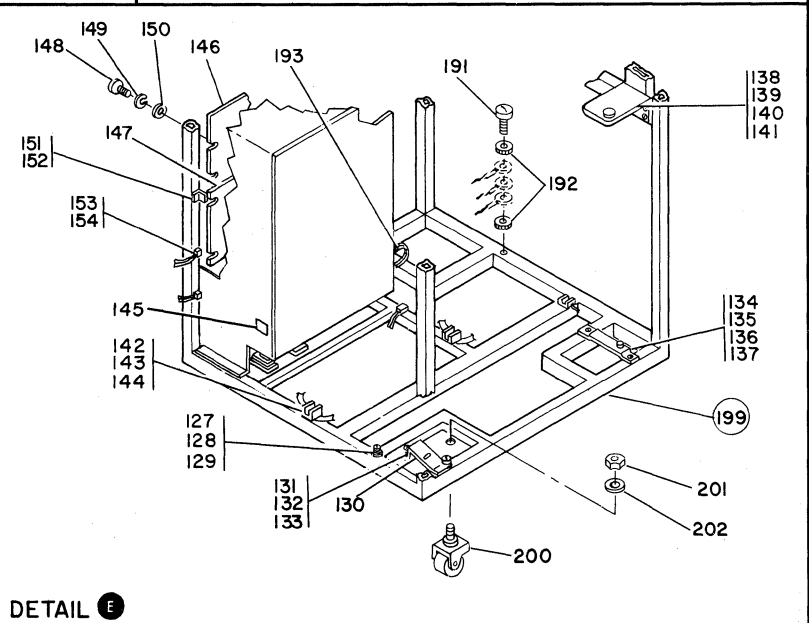
DETAIL C USED ON 50 Hz ONLY



DETAIL C USED ON 60 Hz ONLY



VIEW C

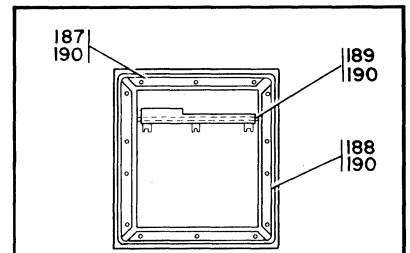
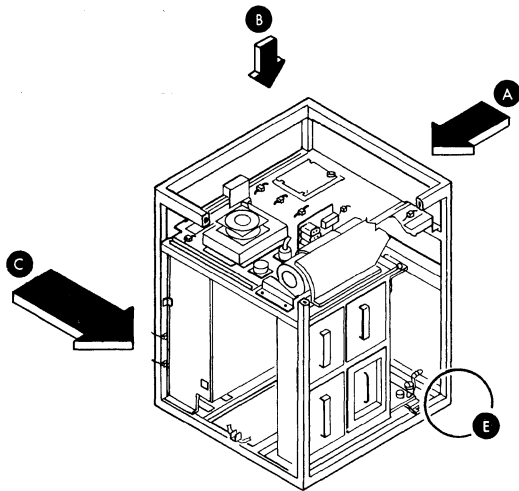


DETAIL E

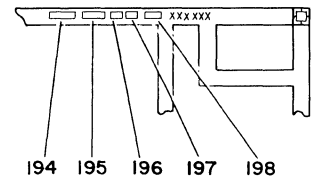
FIGURE 3A. FINAL ASSEMBLY, FRAME 02- SWITCHING REGULATORS. SHEET 3 OF 3. INDEX NOS. 127-202. SEE LIST 3A.

FINAL ASSEMBLY, FRAME 02-SWITCHING REGULATORS

FIGURE- INDEX NUMBER	PART NUMBER	UNITS PER ASM.	DESCRIPTION			
			1	2	3	4
3A-168	1621191	2	. .	SCREW,PAN HD- M4 X 10 LG		ATT PT
				USED ON 60HZ ONLY		
-168A	1622318	2	. .	WASHER,SPRING-M4 9.2 OD X 1.2 THK		
				USED ON 60HZ ONLY		
-169	5236656	1	. .	COVER,TERMINAL BLOCK		
				USED ON 50HZ ONLY		
-170	1621181	2	. .	SCREW,PAN HEAD-M3.5 X 6 LG		ATT PT
				USED ON 50HZ ONLY		
-171	317310	1	. .	BLOCK, 5 DEL SCREW TERMINAL		
				USED ON 50HZ ONLY		
-171	317485	1	. .	BLOCK,TERMINAL		
				USED ON 60HZ ONLY		
-172	4120570	2	. .	STUD		ATT PT
				USED ON 50HZ ONLY		
-172	210883	2	. .	STUD		ATT PT
				USED ON 60HZ ONLY		
-172A	38354	2	. .	SCREW,FIL HD- 6-32 X 0.500 LG		ATT PT
				USED ON 60HZ ONLY		
-173	4120303	1	. .	STRIP,MARKER		
				USED ON 50HZ ONLY		
-173	322280	1	. .	STRIP,MARKER- 4 POS 50 HZ		
				USED ON 60HZ ONLY		
-174	4123689	12	. .	TERMINAL,PIN		
-175	1847534	1	. .	PLUG		
-176	2542403	1	. .	LABEL,FUSE WARNING		
-176	984117	1	. .	LABEL, WARNING-CANADIAN		
-177	4154612	1	. .	LABEL		
-178	4441141	1	. .	LABEL		
-179	4154641	1	. .	JUMPER ASM		
-180	518704	1	. .	SCREW,BIND HD .250- 20 UNC 2A X 0.250 LG		ATT PT
-181	1622348	2	. .	LOCKWASHER,EXT STAR- M6 11 OD X .7		ATT PT
-182	1673983	1	. .	SCREW,PAN HD-M5 X 6 LG-BLUE ZINC COATED		ATT PT
-183	1622347	2	. .	LOCKWASHER EXT STAR- M5, 10 OD X .6		ATT PT
-184	1159519	1	. .	STRAP,CABLE		
-185	2637669	1	. .	CLAMP		
-186	1621190	1	. .	SCREW,PAN HD- M4 X 8 LG		ATT PT
-187	1310012	2	. .	FILLER,FRAME		
-188	1310011	2	. .	FILLER,FRAME		
-189	1310013	1	. .	BARRIER		
-190	1673983	17	. .	SCREW,PAN HD-M5 X 6 LG-BLUE ZINC COATED		ATT PT
-191	1621191	1	. .	SCREW,PAN HD- M4 X 10 LG		
-192	1622346	2	. .	LOCKWASHER,EXT STAR- M4, 8 OD X .5		
-193	1159519	13	. .	STRAP,CABLE		
-194	855284	1	. .	PLATE,MFG EXPORT		
-195	855264	1	. .	PLATE,MANUFACTURED BY USA		
-195	855265	1	. .	PLATE,MFG BY IBM-CANADA		
-195	855266	1	. .	PLATE,MFG BY WTC		
-195	855267	1	. .	PLATE,MANUFACTURED FOR USA		
-195	855268	1	. .	PLATE,MANUFACTURED FOR		
-195	855269	1	. .	PLATE,MANUFACTURED FOR WT		
-195	855270	1	. .	PLATE,RECONDITIONED BY USA		
-195	855272	1	. .	PLATE,RECONDITIONED BY WT		
-195	855273	1	. .	PLATE,RENOVATED BY USA		
-195	855275	1	. .	PLATE,RENOVATED BY WT		
-195	855276	1	. .	PLATE,RECONDITIONED FOR USA		
-195	855278	1	. .	PLATE,RECONDITIONED FOR WT		
-195	855279	1	. .	PLATE,RENOVATED FOR USA		
-195	855281	1	. .	PLATE,RENOVATED FOR WT		
-195	855262	1	. .	PLATE,PROP IBM ARM		
-195	855263	1	. .	PLATE,PROP IBM W.T.		
-195	960746	1	. .	PLATE,PROPERTY OF CANADA		
-195	1310782	1	. .	PLATE,PROPERTY-ARGENTINA		
-195	1976194	1	. .	PLATE,PROPERTY-JAPAN		
-195	2418180	1	. .	PLATE, PROPERTY-ITALIA		
-195	2992717	1	. .	PLATE,PROPERTY-FRENCH		
-195	4056393	1	. .	PLATE,PROPERTY-WT		
-195	4134351	1	. .	PLATE,PROPERTY-AUSTRALIA		
-195	4134352	1	. .	PLATE,PROPERTY-BAHAMAS		
-195	4134353	1	. .	PLATE,PROPERTY-BELGIUM		
-195	4134354	1	. .	PLATE,PROPERTY-BOLIVIA		
-195	4134355	1	. .	PLATE,PROPERTY-CHILE		
-195	4134356	1	. .	PLATE,PROPERTY-COLUMBIA		
-195	4134357	1	. .	PLATE,PROPERTY-COSTA RICA		
-195	4134358	1	. .	PLATE,PROPERTY-DENMARK		
-195	4134359	1	. .	PLATE,PROPERTY-ECUADOR		
-195	4134360	1	. .	PLATE,PROPERTY-FINLAND		
-195	4134361	1	. .	PLATE,PROPERTY-GUATEMALA		



VIEW A



VIEW B

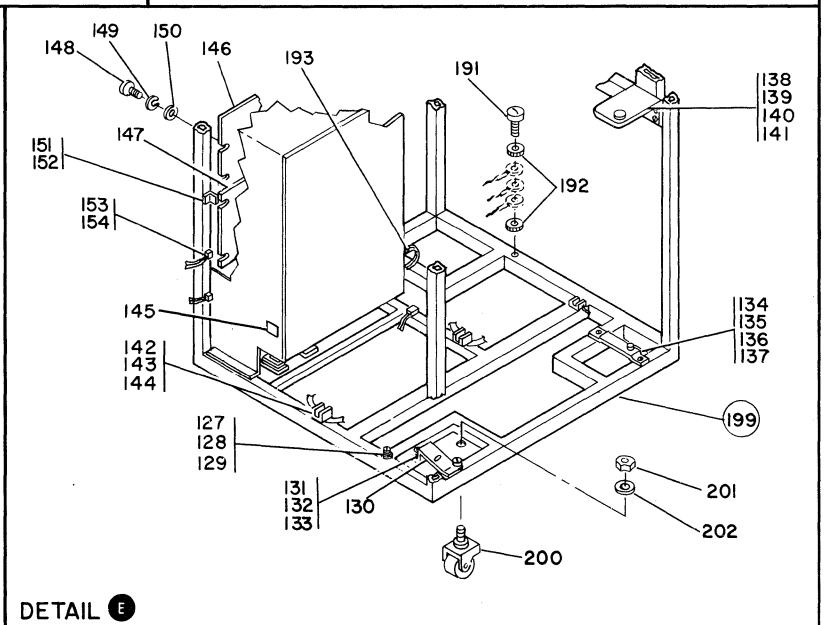
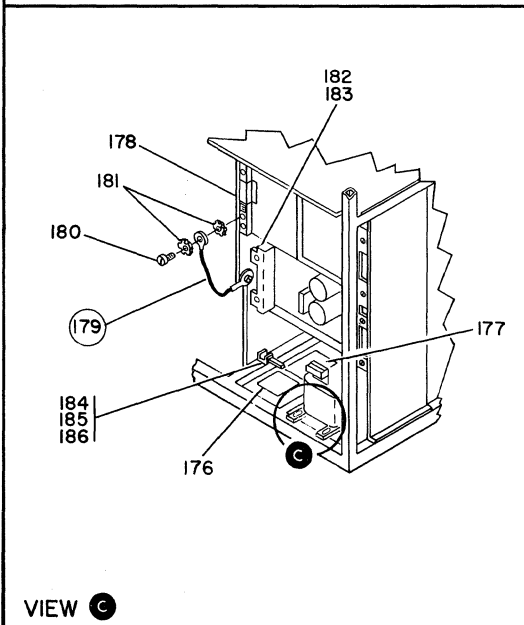
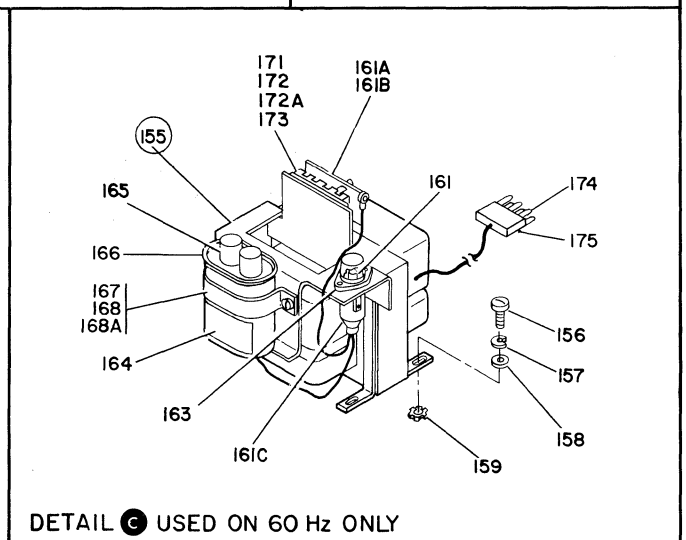
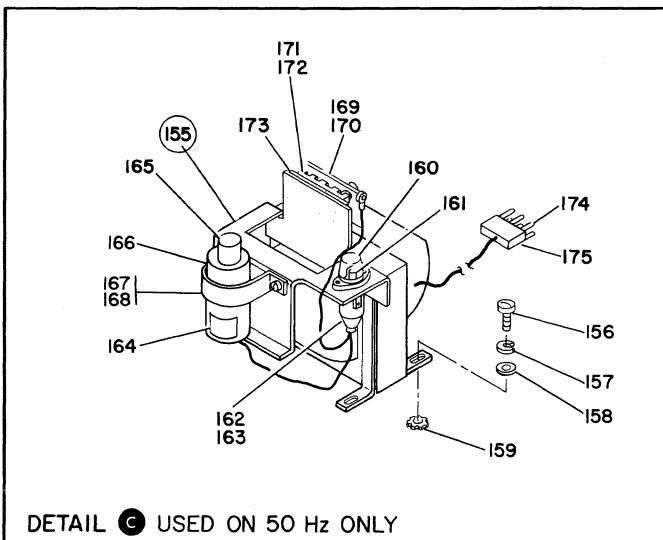
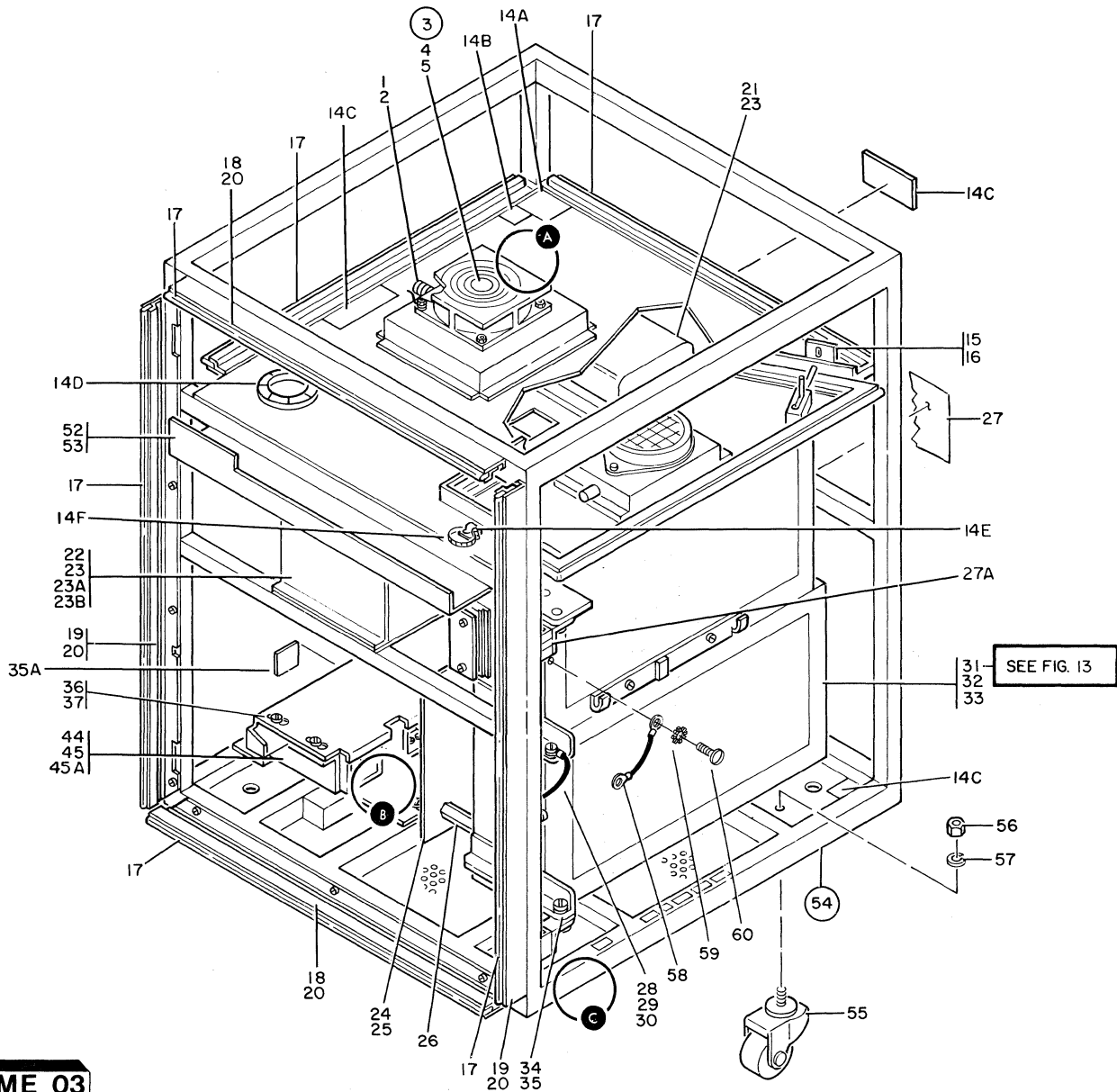


FIGURE 3A. FINAL ASSEMBLY, FRAME 02- SWITCHING REGULATORS. SHEET 3 OF 3. INDEX NOS. 127-202. SEE LIST 3A.

FINAL ASSEMBLY, FRAME 02-SWITCHING REGULATORS

FIGURE- INDEX NUMBER	PART NUMBER	UNITS PER ASM.	DESCRIPTION				
			1	2	3	4	
3A -195	4134362	1	
-195	4134363	1	
-195	4134364	1	
-195	4134366	1	
-195	4134367	1	
-195	4134368	1	
-195	4134369	1	
-195	4134370	1	
-195	4134371	1	
-195	4134372	1	
-195	4134373	1	
-195	4134374	1	
-195	4134375	1	
-195	4134376	1	
-195	4134580	1	
-195	4134581	1	
-195	4134582	1	
-195	4134583	1	
-195	4134384	1	
-195	4135783	1	
-195	5054478	1	
-195	5576379	1	
-195	5966292	1	
-195	6003013	1	
-195	8112294	1	
-195	8330628	1	
-196	855286	1	
-196	960766	1	
-197	855283	1	
-198	855282	1	
-199	4154459	1	
-200	471901	4	
-201	186950	4	ATT PT
-202	130987	4	ATT PT



FRAME 03

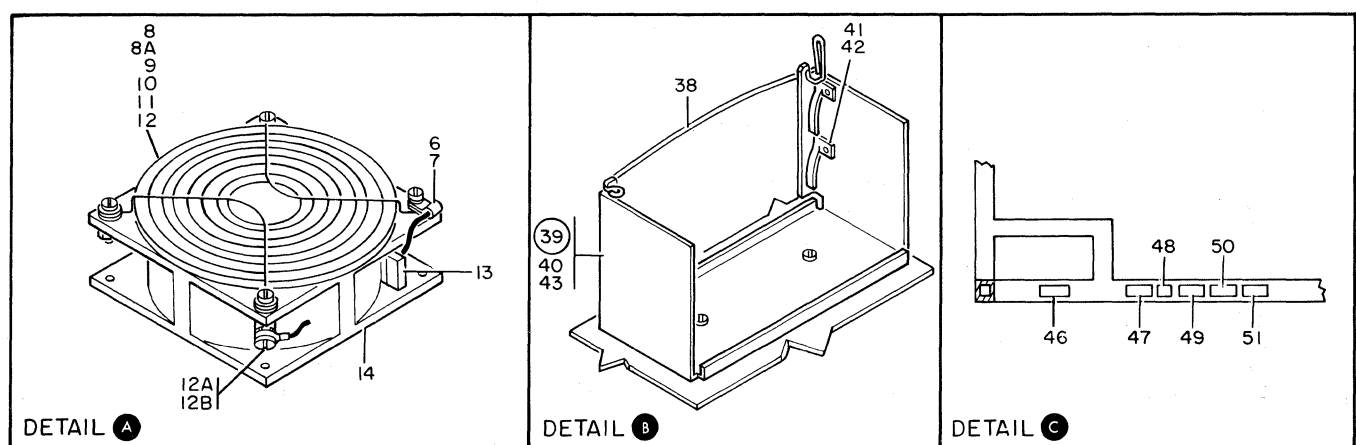
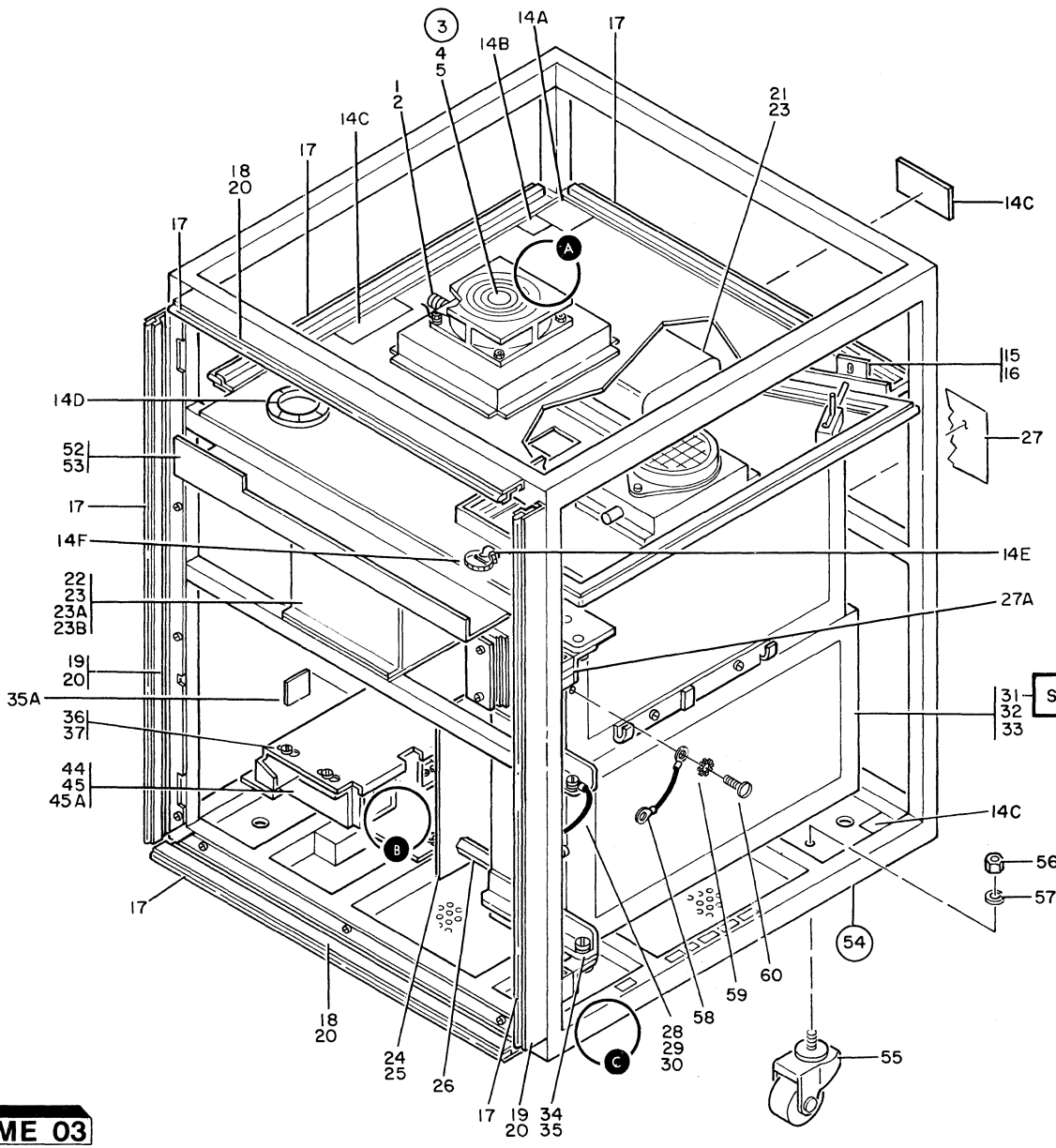


FIGURE 4. FINAL ASSEMBLY-FRAME 03. SEE LIST 4.

FINAL ASSEMBLY-FRAME 03

FIGURE- INDEX NUMBER	PART NUMBER	UNITS PER ASM.	DESCRIPTION			
			1	2	3	4
4 -	6831471 NP	REF	FINAL ASSEMBLY-FRAME 03, 60 HZ			
-	6831383 NP	REF	FINAL ASSEMBLY-FRAME 03, 50 HZ			
			FOR ILLUSTRATION SEE FIGURE 4			
- 1	5578666	1	. SENSOR,AIR FLOW			
- 2	1621170	1	. SCREW,PAN HD- M3 X L 6A			
- 3	8330692	1	. FAN ASM			
- 4	1622401	4	. NUT,DBL CHAMPERED HEX M3 X 2.4 THK			
- 5	1622344	1	. LOCKWASHER,EXT STAR- M3 X 294 THK			
- 6	825559	1	. CLAMP			
- 7	1621175	1	. SCREW-MACH PAN HD,M3 X 20 LG			
- 8	2172166	1	. GUARD			
- 8A	177946	1	. GUARD,SUB 25-GERMANY			
- 9	1621173	3	. SCREW,PAN HD-M3 X 12 LG			
- 10	1622302	4	. WASHER,FL-M3 7 OD X 0.5 THK			
- 11	1622344	4	. LOCKWASHER,EXT STAR- M3 X 294 THK			
- 12	1622401	4	. NUT,DBL CHAMPERED HEX M3 X 2.4 THK			
- 12A	1621197	1	. SCREW,PAN HD-M4 X 6 LG			
- 12B	1622346	1	. LOCKWASHER,EXT STAR- M4, 8 OD X .5			
- 13	8330691	1	. CABLE ASM-FAN			
- 14	4109480	1	. FAN			
- 14A	4109452	1	. LABEL,ENGLISH/NORWEGIAN			
- 14A	2676662	1	. LABEL-GERMAN			
- 14A	2676657	1	. LABEL-CANADIAN			
- 14A	2676664	1	. LABEL-FRENCH			
- 14A	2676660	1	. LABEL-FRENCH/DUTCH			
- 14A	2676659	1	. LABEL-FINNISH			
- 14A	2676658	1	. LABEL-ITALIAN			
- 14A	2676663	1	. LABEL-SWEDISH			
- 14A	2676661	1	. LABEL,SPANISH			
- 14A	4154580	1	. LABEL,BRAZILIAN/PORTUGUESE			
- 14A	4154598	1	. LABEL,JAPANESE			
- 14B	2542403	1	. LABEL-ENGLISH			
- 14B	984117	1	. LABEL-CANADIAN			
- 14C	369207	1	. LABEL-ENGLISH/NORWEGIAN			
- 14C	4056733	1	. LABEL-GERMAN			
- 14C	1743548	1	. LABEL-CANADIAN			
- 14C	6815182	1	. LABEL-FRENCH			
- 14C	5685244	1	. LABEL-FRENCH/DUTCH			
- 14C	8326801	1	. LABEL-FINNISH			
- 14C	6815181	1	. LABEL-ITALIAN			
- 14C	8551904	1	. LABEL-SWEDISH			
- 14C	6815180	1	. LABEL,SPANISH			
- 14C	6815183	1	. LABEL,BRAZILIAN/PORTUGUESE			
- 14C	8236797	1	. LABEL,JAPANESE			
- 14D	730432	AR	. GROMMET			
- 14E	2277082	1	. CLAMP			
- 14F	524519	1	. STRAP			
- 15	4124231	1	. BRACKET			
- 16	1621210	2	. SCREW,PAN HD- M5 X 10 LG			
- 17	8483347	AR	. SEAL			
- 18	1310012	2	. FILLER,FRAME			
- 19	1310011	2	. FILLER,FRAME			
- 20	1673983	14	. SCREW,PAN HD-M5 X 6 LG-BLUE ZINC COATED			
- 21	4151668	1	. T/R PAC ASM- 60 HZ (TR 301)			
- 21	4151656	1	. T/R PAC ASM- 50 HZ (TR 301)			
- 22	4151669	1	. POWER SUPPLY ASM- 50/60 HZ (PS 301)			
- 23	1621210	2	. SCREW,PAN HD- M5 X 10 LG			
- 23A	150390	2	. WASHER,FL- 0.250 ID X 0.625 OD			
- 23B	1622320	2	. LOCKWASHER,SPLIT- M6,11.8 OD X 1.6 THK			
- 24	8330658	1	. COVER,SAFETY			
- 25	1621170	4	. SCREW,PAN HD- M3 X L 6A			
- 26	8330659	4	. STANDOFF			
- 27	6831327	1	. LABEL			
- 27A	1141554	1	. LABEL-ENGLISH/NORWEGIAN			
- 27A	6825823	1	. LABEL-GERMAN			
- 27A	984119	1	. LABEL-CANADIAN			
- 27A	1731460	1	. LABEL-FRENCH			
- 27A	5685245	1	. LABEL-FRENCH/DUTCH			
- 27A	6825834	1	. LABEL-FINNISH			
- 27A	6825822	1	. LABEL-ITALIAN			
- 27A	8551905	1	. LABEL-SWEDISH			
- 27A	4154588	1	. LABEL,SPANISH			
- 27A	4154581	1	. LABEL,BRAZILIAN/PORTUGUESE			
- 27A	6825838	1	. LABEL,JAPANESE			
- 28	4154632	1	. STRAP			
- 29	1621210	1	. SCREW,PAN HD- M5 X 10 LG			
- 30	1622347	1	. LOCKWASHER EXT STAR- M5, 10 OD X .6			



FRAME 03

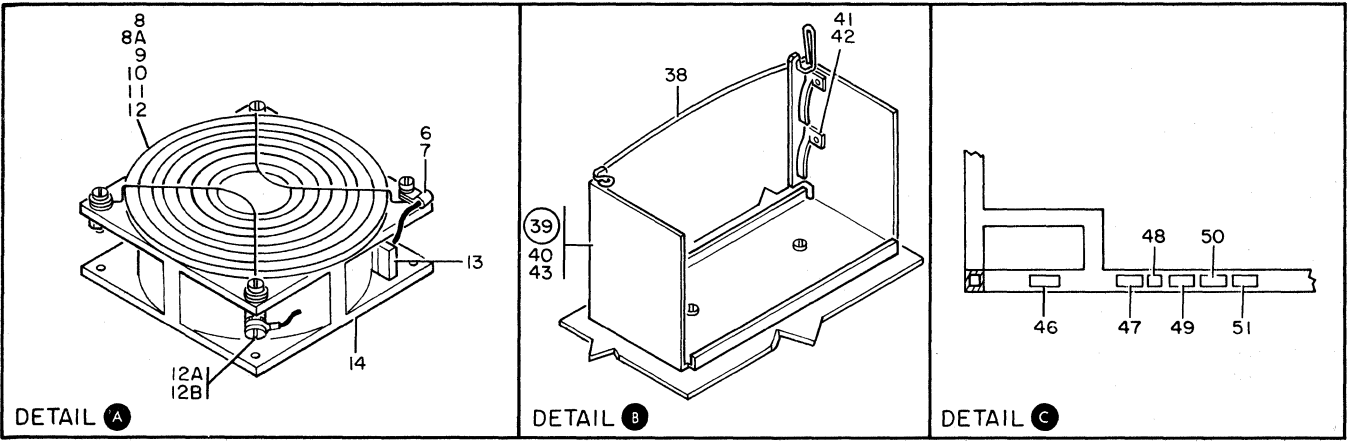
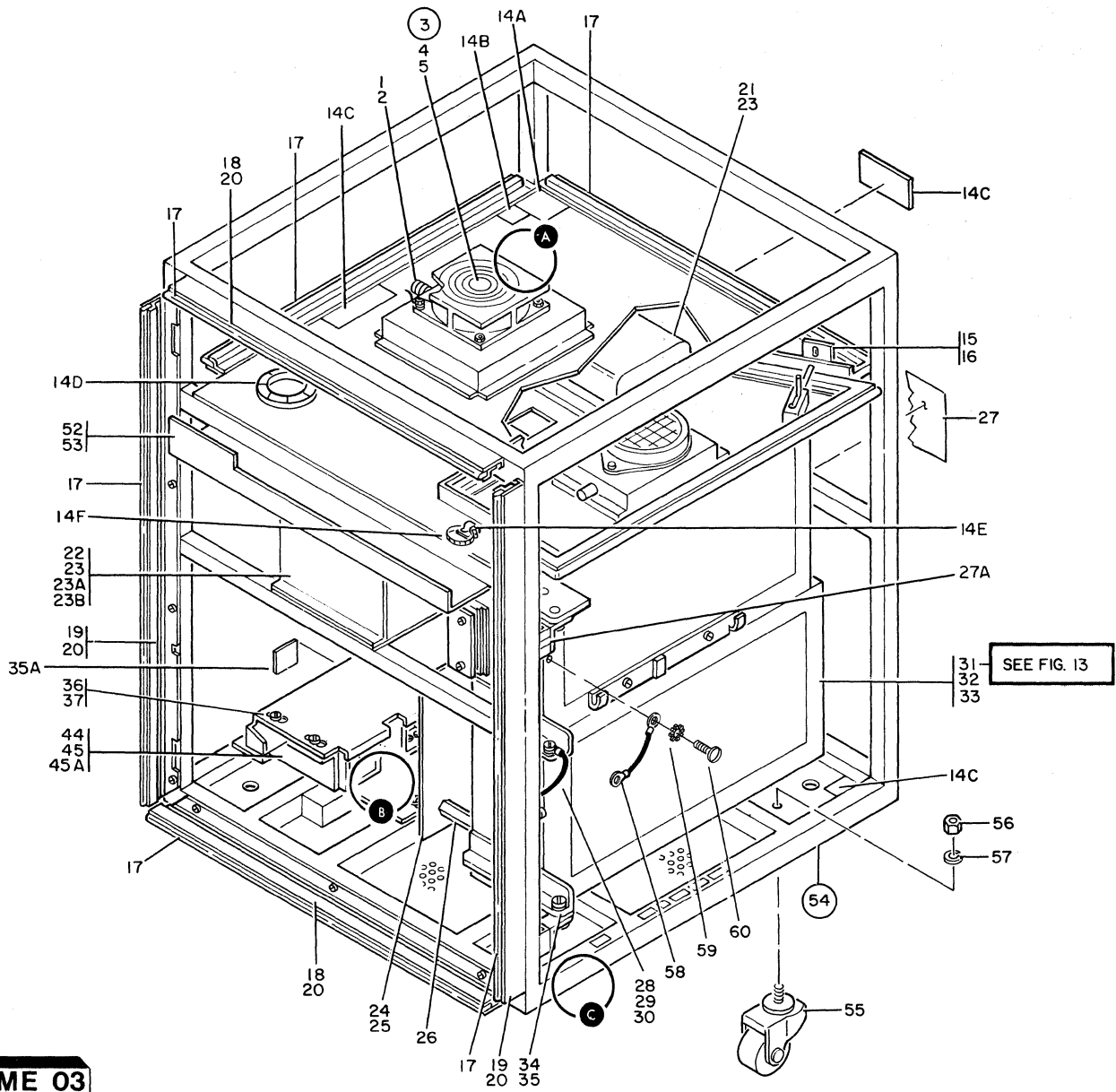


FIGURE 4. FINAL ASSEMBLY-FRAME 03. SEE LIST 4.

FINAL ASSEMBLY-FRAME 03

FIGURE- INDEX NUMBER	PART NUMBER	UNITS PER ASM.	DESCRIPTION			
			1	2	3	4
4 - 31	6831336	1	. GATE ASSEMBLY-GATE 03 FOR DETAIL BREAKDOWN SEE FIGURE 13			
- 32	1621210	1	. SCREW,PAN HD- M5 X 10 LG ATT PT			
- 33	1622306	1	. WASHER,FLAT,M6- 12.5 OD X 2 THK ATT PT			
- 34	5578567	2	. HINGE			
- 35	1621230	4	. SCREW,PAN HD-M6 X 12 LG ATT PT			
- 35A	4109349	2	. LABEL			
- 36	4432851	1	. COVER			
- 37	1673983	7	. SCREW,PAN HD-M5 X 6 LG-BLUE ZINC COATED ATT PT			
- 38	6831342	4	. CLIP,RETAINER			
- 39	4432803	4	. BRACKET ASM			
- 40	1673983	8	. SCREW,PAN HD-M5 X 6 LG-BLUE ZINC COATED ATT PT			
- 41	6831349	2	. . SPRING			
- 42	4432389	2	. . RIVET ATT PT			
- 43	6831341	1	. . BRACKET			
- 44	4432852	1	. FRAME			
- 45	1673984	5	. SCREW ATT PT			
- 45A	1622347	5	. LOCKWASHER EXT STAR- M5, 10 OD X .6			
- 47	855282	1	. PLATE,SERIAL NO. LEFT			
- 48	855283	1	. PLATE,SERIAL NO. RIGHT			
- 49	855286	1	. PLATE,U.L. APPROVAL			
- 49	960766	1	. PLATE,CSA INSIGNIA			
- 50	855264	1	. PLATE,MANUFACTURED BY USA			
- 50	855265	1	. PLATE,MFG BY IBM-CANADA			
- 50	855266	1	. PLATE,MFG BY WTC			
- 50	855267	1	. PLATE,MANUFACTURED FOR USA			
- 50	855268	1	. PLATE,MANUFACTURED FOR			
- 50	855269	1	. PLATE,MANUFACTURED FOR WT			
- 50	855270	1	. PLATE,RECONDITIONED BY USA			
- 50	855272	1	. PLATE,RECONDITIONED BY WT			
- 50	855273	1	. PLATE,RENOVATED BY USA			
- 50	855275	1	. PLATE,RENOVATED BY WT			
- 50	855276	1	. PLATE,RECONDITIONED FOR USA			
- 50	855278	1	. PLATE,RECONDITIONED FOR WT			
- 50	855279	1	. PLATE,RENOVATED FOR USA			
- 50	855281	1	. PLATE,RENOVATED FOR WT			
THE FOLLOWING PROPERTY PLATES ARE FOR DOMESTIC AND WORLD TRADE USE						
- 50	855262	1	. PLATE,PROP IBM ARM			
- 50	855263	1	. PLATE,PROP IBM W.T.			
- 50	960746	1	. PLATE,PROPERTY OF CANADA			
- 50	1310782	1	. PLATE,PROPERTY-ARGENTINA			
- 50	1976194	1	. PLATE,PROPERTY-JAPAN			
- 50	2418180	1	. PLATE, PROPERTY-ITALIA			
- 50	2992717	1	. PLATE,PROPERTY-FRENCH			
- 50	4056393	1	. PLATE,PROPERTY-WT			
- 50	4134351	1	. PLATE,PROPERTY-AUSTRALIA			
- 50	4134352	1	. PLATE,PROPERTY-BAHAMAS			
- 50	4134353	1	. PLATE,PROPERTY-BELGIUM			
- 50	4134354	1	. PLATE,PROPERTY-BOLIVIA			
- 50	4134355	1	. PLATE,PROPERTY-CHILE			
- 50	4134356	1	. PLATE,PROPERTY-COLUMBIA			
- 50	4134357	1	. PLATE,PROPERTY-COSTA RICA			
- 50	4134358	1	. PLATE,PROPERTY-DENMARK			
- 50	4134359	1	. PLATE,PROPERTY-ECUADOR			
- 50	4134360	1	. PLATE,PROPERTY-FINLAND			
- 50	4134361	1	. PLATE,PROPERTY-GUATEMALA			
- 50	4134362	1	. PLATE,PROPERTY-IRELAND			
- 50	4134363	1	. PLATE,PROPERTY-KOREA			
- 50	4134364	1	. PLATE,PROPERTY-MEXICO			
- 50	4134365	1	. PLATE,PROPERTY-NORWAY			
- 50	4134366	1	. PLATE,PROPERTY-PANAMA			
- 50	4134367	1	. PLATE,PROPERTY-PERU			
- 50	4134368	1	. PLATE,PROPERTY-PHILLIPINES			
- 50	4134369	1	. PLATE,PROPERTY-PORTUGAL			
- 50	4134370	1	. PLATE,PROPERTY-SOUTH AFRICA			
- 50	4134371	1	. PLATE,PROPERTY-SPAIN			
- 50	4134372	1	. PLATE,PROPERTY-SWITZERLAND			
- 50	4134373	1	. PLATE,PROPERTY-TAIWAN			
- 50	4134374	1	. PLATE,PROPERTY-THAILAND			
- 50	4134375	1	. PLATE,PROPERTY-URUGUAY			
- 50	4134376	1	. PLATE,PROPERTY-VENEZUELA			
- 50	4134580	1	. PLATE,PROPERTY-WT/AMER/FAR EAST			
- 50	4134581	1	. PLATE,PROPERTY-WT EUROPE/MID			
- 50	4134582	1	. PLATE,PROPERTY-AUSTRIA			



FRAME 03

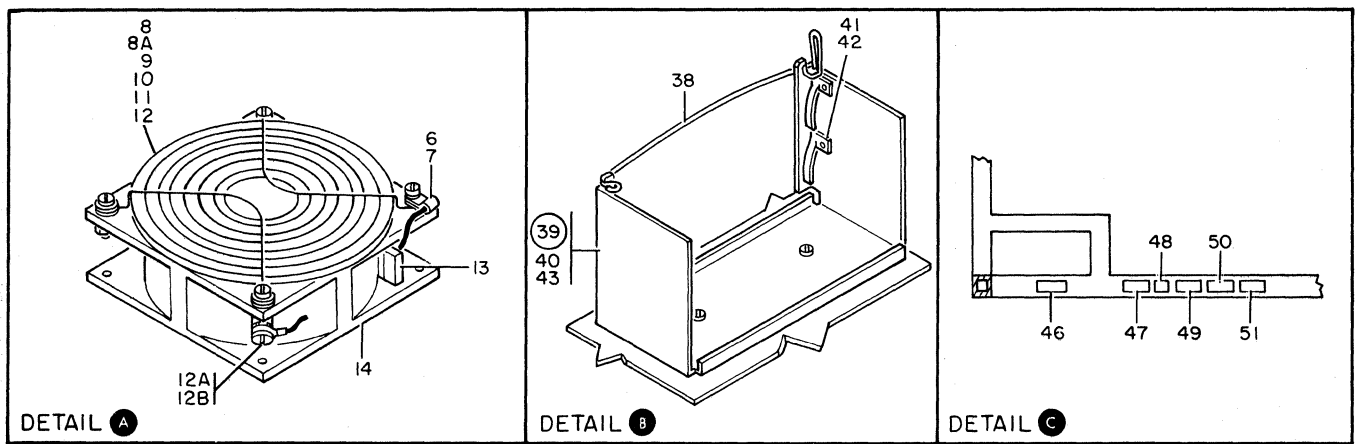


FIGURE 4. FINAL ASSEMBLY-FRAME 03. SEE LIST 4.

FINAL ASSEMBLY-FRAME 03

FIGURE- INDEX NUMBER	PART NUMBER	UNITS PER ASM.	DESCRIPTION			
			1	2	3	4
4 - 50	4134583	1	.	PLATE, PROPERTY-NEW ZEALAND		
- 50	4134584	1	.	PLATE, PROPERTY-NIGERIA		
- 50	4135783	1	.	PLATE, PROPERTY-NETHERLANDS		
- 50	5576379	1	.	PLATE, PROPERTY-MADAGASCAR		
- 50	5966292	1	.	PLATE, PROPERTY-INDIA		
- 50	6003013	1	.	PLATE, PROPERTY-BRAZIL		
- 50	8112294	1	.	PLATE, PROPERTY-UNITED KINGDOM		
- 50	8330628	1	.	PLATE, PROPERTY-WHITE PLAINS		
- 50	855264	1	.	PLATE, MANUFACTURED BY USA		
- 51	855284	1	.	PLATE, EXPORT		
- 52	1310013	1	.	BARRIER		
- 53	1673983	3	.	SCREW, PAN HD-M5 X 6 LG-BLUE ZINC COATED	ATT	PT
- 54	6831330	1	.	FRAME ASM		
- 55	471901	4	.	CASTER, GATE		
- 56	186950	4	.	NUT, HEX 8-32	ATT	PT
- 57	130987	4	.	LOCKWASHER, SPLIT- 0.500 ID X 0.879 OD	ATT	PT
- 58	4154642	1	.	JUMPER ASM		
- 59	1622347	1	.	LOCKWASHER EXT STAR- M5, 10 OD X .6	ATT	PT
- 60	1621210	1	.	SCREW, PAN HD- M5 X 10 LG	ATT	PT

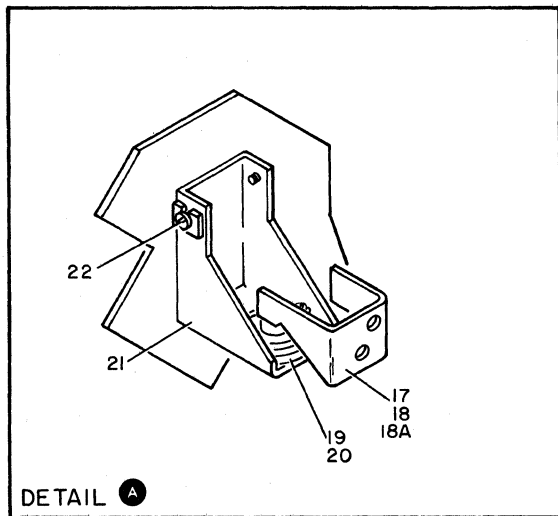
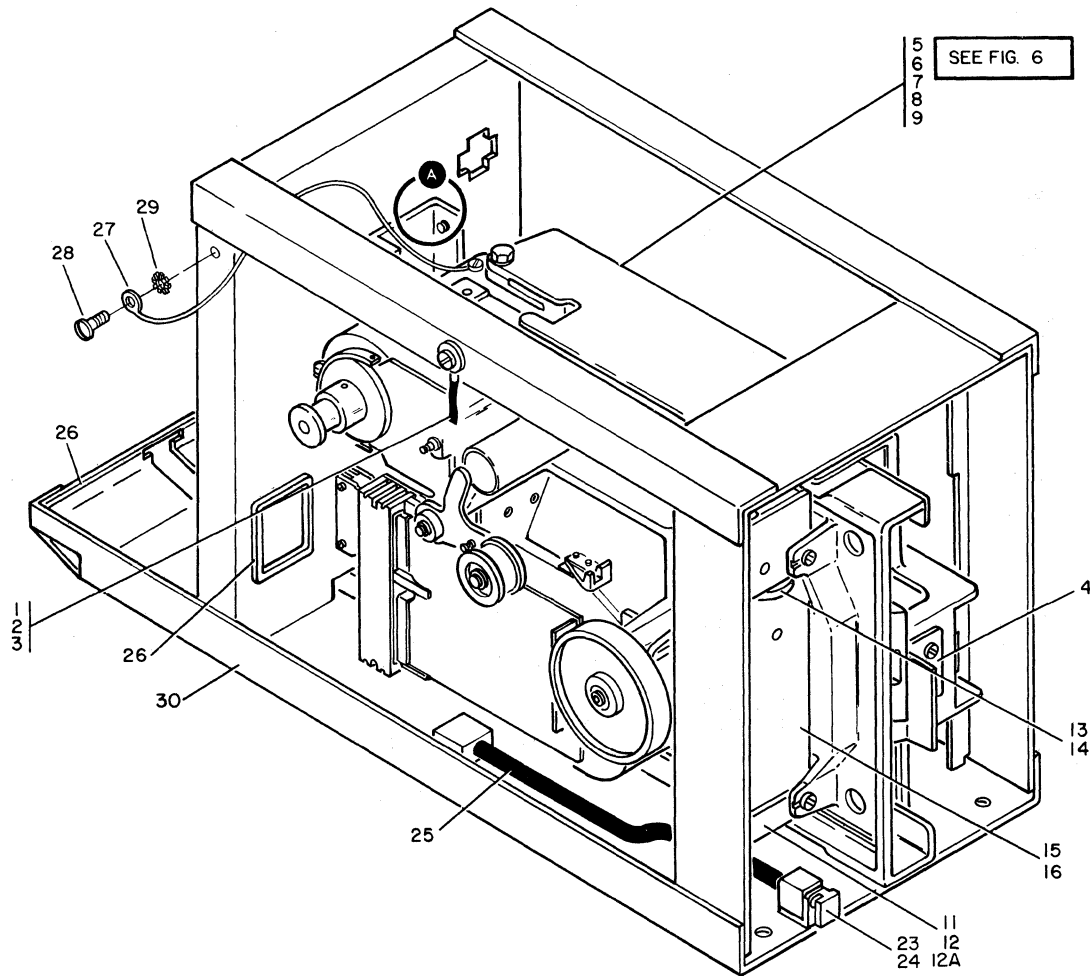


FIGURE 5. FILE MOUNTING ASSEMBLY. SEE LIST 5.

FILE MOUNTING ASSEMBLY

FIGURE- INDEX NUMBER	PART NUMBER	UNITS PER ASM.	DESCRIPTION			
			1	2	3	4
5 -	6831442 NP	REP	FILE MOUNTING ASSEMBLY- 60 HZ			
-	6831443 NP	REP	FILE MOUNTING ASSEMBLY- 50 HZ			
			FOR NEXT HIGHER ASM SEE FIGURE 2-83			
			AND FOR ILLUSTRATION SEE FIGURE 5			
- 1	4109539	1	. JUMPER ASM			
- 2	1621190	1	. SCREW,PAN HD- M4 X 8 LG			
- 3	1622346	1	. LOCKWASHER,EXT STAR- M4, 8 OD X .5			
- 4	4432386	1	. HANDLE			
- 5	4178009	1	. 2 SIDED DISKETTE DRIVE ASM- 60 HZ			
- 5	4178011	1	. 2 SIDED DISKETTE DRIVE ASM- 50 HZ			
			FOR DETAIL BREAKDOWN SEE FIGURE 6			
- 6	25627	2	. SCREW,BD HD- 8-32 X 0.500 LG			
- 7	55901	2	. LOCKWASHER,EXT TEETH- 0.176 ID X .381 OD			
- 8	5677	2	. SCREW,BD HD- 10-32 X 0.750 LG			
- 9	125930	2	. LOCKNUT			
- 11	5562336	1	. BRACKET			
- 12	226162	2	. SCREW,SOC HD- 8-32 X 0.750 LG			
- 12A	72828	2	. LOCKNUT			
- 13	2455575	2	. SHOCKMOUNT			
- 14	2181005	4	. SCREW,HEX HD- 6-32 X 0.375 LG			
- 15	5562328	1	. BRACKET			
- 16	1621190	2	. SCREW,PAN HD- M4 X 8 LG			
- 17	5562337	1	. BRACKET			
- 18	256106	1	. SCREW,SOC HD0 8032 X 0.875 LG			
- 18A	72828	1	. NUT, STOP ELASTIC HEX- 8-32			
- 19	2455576	1	. SHOCKMOUNT			
- 20	2181005	2	. SCREW,HEX HD- 6-32 X 0.375 LG			
- 21	5562338	1	. BRACKET			
- 22	58207	2	. SCREW,BD HD- 8-32 X 0.250 LG			
- 23	1831799	1	. BUTTON, SWITCH			
- 24	5578637	1	. ADAPTER, SWITCH			
- 25	5578904	1	. CABLE ASM-LOGIC RESET SWITCH			
			FOR CABLE COMPONENT PARTS SEE FIGURE 21			
- 26	825880	AR	. TAPE, FOAM			
- 27	4109471	1	. JUMPER ASM			
- 28	1621190	1	. SCREW,PAN HD- M4 X 8 LG			
- 29	1622346	1	. LOCKWASHER,EXT STAR- M4, 8 OD X .5			
- 30	6831312	1	. FRAME			

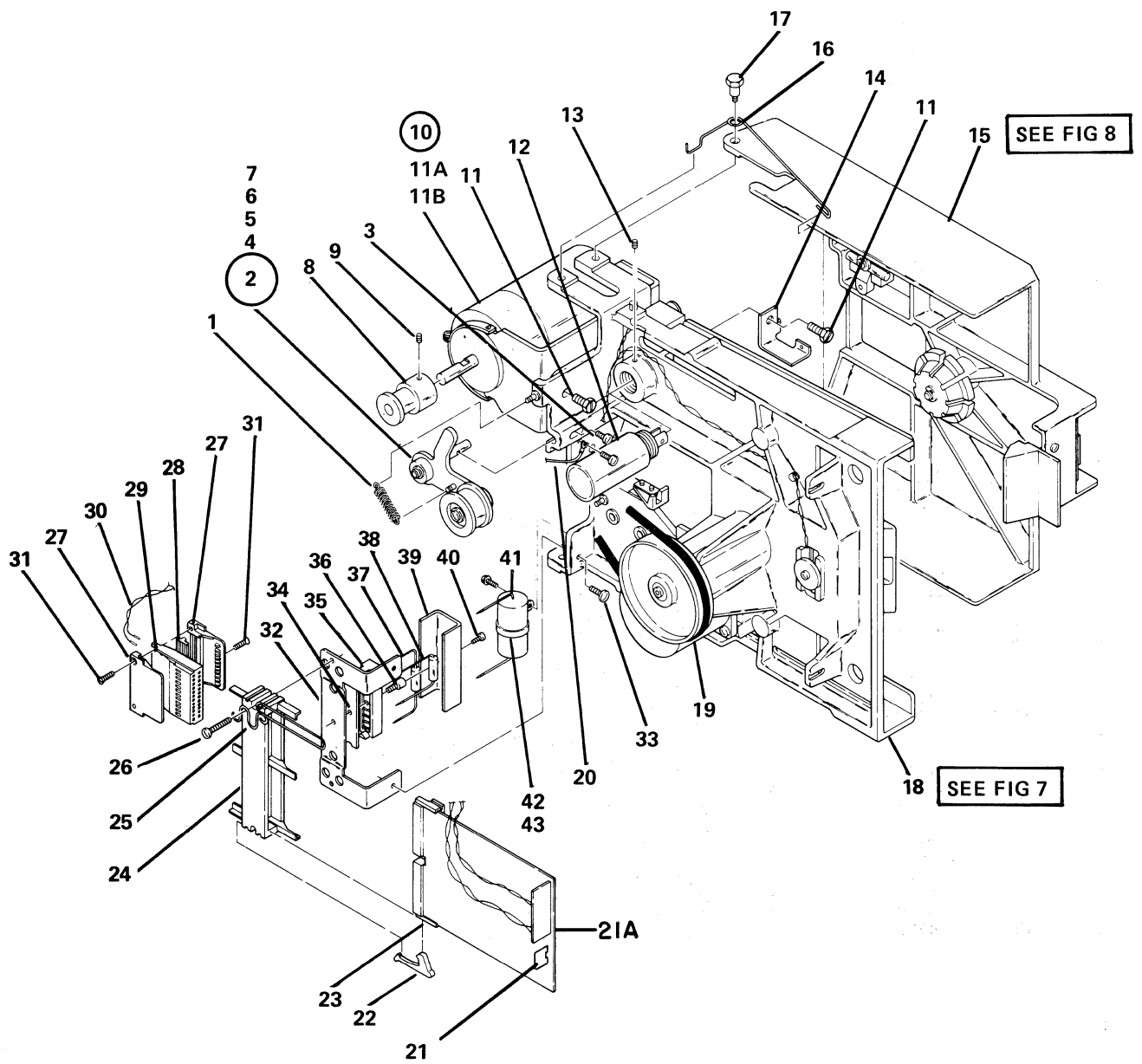


FIGURE 6. 2 SIDED DISKETTE DRIVE ASSEMBLY. SEE LIST 6.

2 SIDED DISKETTE DRIVE ASSEMBLY

FIGURE- INDEX NUMBER	PART NUMBER	UNITS PER ASM.	DESCRIPTION				
			1	2	3	4	
6 -	4178009	REF	2				2 SIDED DISKETTE DRIVE ASM- 60 HZ
-	4178011	REF	2				2 SIDED DISKETTE DRIVE ASM- 50 HZ FOR NEXT HIGHER ASM SEE FIGURE 5-5 AND FOR ILLUSTRATION SEE FIGURE 6
- 1	2305726	1					. SPRING
- 2	5562020	1					. IDLER ASM, BELT
- 3	81693	1					. SCREW, BD HD- 6-32 X 0.375 LG ATT PT
- 4	2305720	1					. . ROLL ASM
- 5	22478	1					. . WASHER, FL- 0.170 ID X 0.375 OD
- 6	58207	1					. . SCREW, BD HD- 8-32 X 0.250 LG
- 7	5562022	1					. . ARM ASM
- 8	2305597	1					. PULLEY- 60 HZ
- 8	2305540	1					. PULLEY- 50 HZ
- 9	257970	1					. SCREW, SET, SPLINE DR FP- 6-32 X 0.250 LG ATT PT
- 10	4178053	1					. MOTOR ASM- 60 HZ
- 10	4178057	1					. MOTOR ASM- 50 HZ
- 11	234341	2					. SCREW, ASMD FIL HD- 1/4-20 X 0.625 LG ATT PT
- 11A	4178052	1					. . MOTOR- 60 HZ
- 11A	4178056	1					. . MOTOR- 50 HZ
- 11B	2305632	1					. . BRACKET
- 12	5562064	1					. SOLENOID-USED ON ASMS. WITHOUT EC 829696
- 12	4178047	1					. SOLENOID-USED ON ASMS. WITH EC 829696
- 13	5562115	1					. SETSCREW, 6 FLUTE, CUP PT- 10.32 X .19 LG ATT PT
- 14	5562046	1					. BRACKET, BAIL SPRING
- 15	4178027	1					. DISKETTE COVER ASSEMBLY FOR DETAIL BREAKDOWN SEE FIGURE 8
- 16	5562313	1					. SPRING
- 17	2305553	2					. PIVOT ATT PT
- 18	NO NO. NP	1					. DISKETTE BASEPLATE ASSEMBLY FOR DETAIL BREAKDOWN SEE FIGURE 7
- 19	2305616	1					. BELT
- 20	2305598	1					. JUMPER ASM
- 21	1794401	1					. JUMPER ASM
- 21A	4178065	1					. CARD ASM
- 22	5562116	2					. RETAINER
- 23	811804	1					. GUIDE, CARD- 2 WIDE
- 24	2274833	1					. CONNECTOR
- 25	5562102	1					. GUIDE, CABLE
- 26	438567	2					. SCREW, BD HD- 6-32 X 1.000 LG ATT PT
- 27	5466397	2					. STRAIN RELIEF
- 28	5466393	2					. CLAMP, STRAIN RELIEF
- 29	5447741	1					. HOUSING, SINGLE HI
- 30	5562071	1					. SCREW USED ON ASSEMBLIES WITHOUT EC 829696
- 31	109918	2					. SCREW, FL HD- 0.500 LG ATT PT
- 32	5562066	1					. BRACKET
- 33	81693	2					. SCREW, BD HD- 6-32 X 0.375 LG THE FOLLOWING PARTS ARE ONLY USED ON ASSEMBLIES WITHOUT EC 829696
- 34	302131	1					. STRIP, INSULATOR 2.094 LG
- 35	302090	1					. BLOCK, TERMINAL
- 36	2592384	1					. STUD ATT PT
- 37	2127635	1					. RESISTOR ASM
- 38	5562096	1					. RESISTOR ASM
- 39	4178058	1					. SHIELD
- 40	38235	1					. SCREW, BD HD- 6-32 X 0.312 LG ATT PT
- 41	2103010	1					. CAPACITOR ASM
- 42	532393	1					. TIE, CABLE
- 43	5349929	1					. SCREW, THD FORMING 8-32 X 0.500 LG ATT PT

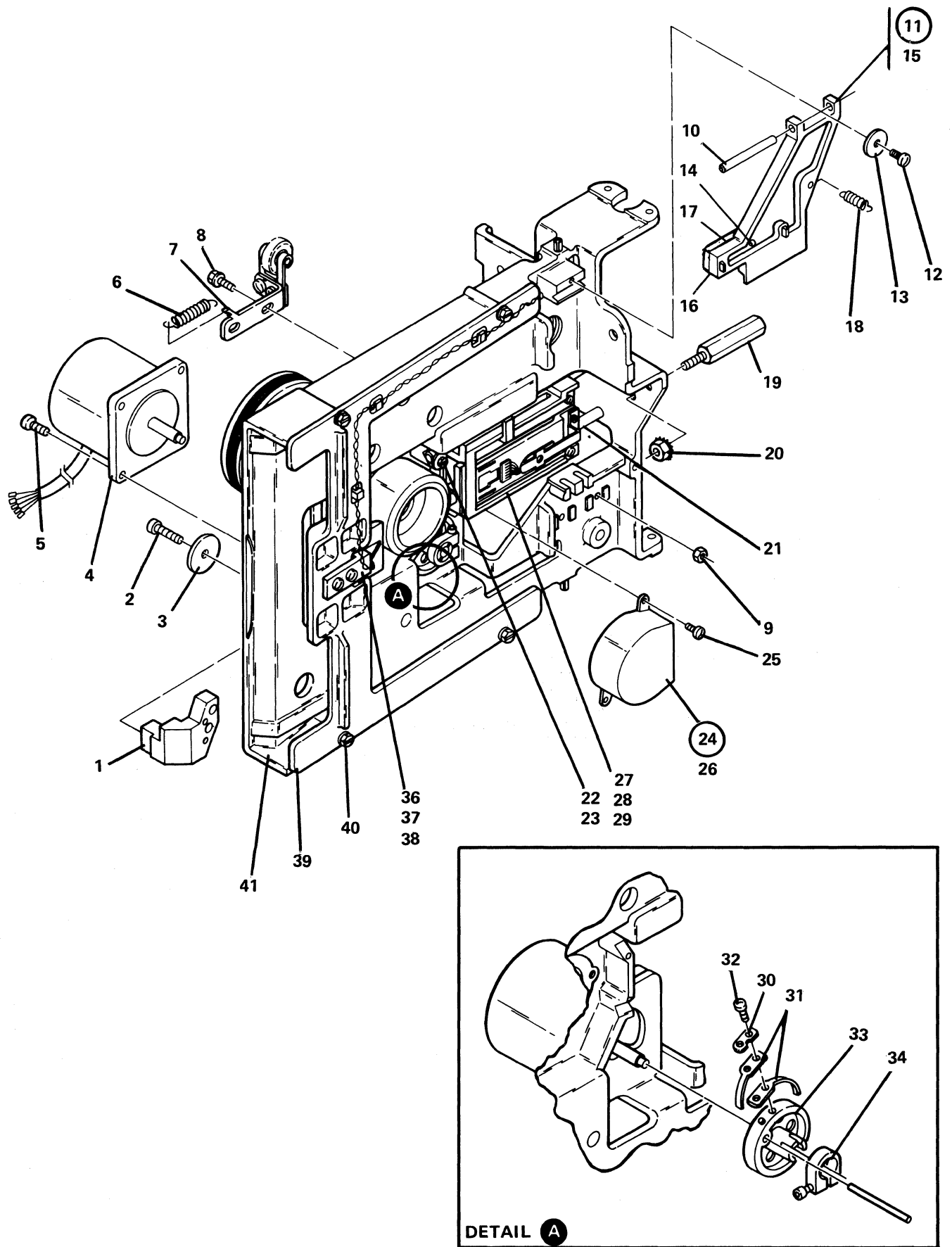


FIGURE 7. DISKETTE BASEPLATE ASSEMBLY. SEE LIST 7.

DISKETTE BASEPLATE ASSEMBLY

FIGURE- INDEX NUMBER	PART NUMBER		UNITS PER ASM.	DESCRIPTION			
	NO	NP		1	2	3	4
7 -	NO	NP	REF	DISKETTE BASEPLATE ASSEMBLY FOR NEXT HIGHER ASM SEE FIGURE 6-18 AND FOR ILLUSTRATION SEE FIGURE 7			
- 1	5562083		1	. TRANSISTOR ASM, PHOTO			
- 2	170241		1	. SCREW, SEMS- 6-32 X 0.750 LG			
- 3	2130285		1	. WASHER, FLAT			
- 4	2462606		1	. MOTOR, STEPPER			
- 5	81693		3	. SCREW, BD HD- 6-32 X 0.375 LG			
- 6	5562051		1	. SPRING			
- 7	5562085		1	. PULLEY ASM			
- 8	5562103		2	. SCREW			
- 9	257189		2	. NUT, HEX- 8-32			
- 10	5562098		1	. PIN			
- 11	4178060		1	. BAIL ASM			
- 12	10170		1	. SCREW, BD HD- 6-32 X 0.250 LG			
- 13	110029		1	. WASHER, FL NO 8 X 5/8 OD X 1/16 THK			
- 14	651858		1	. . BUMPER			
- 15	4178061		1	. . BAIL			
- 16	4178063		1	. . SPRING			
- 17	4178062		1	. . SHOE			
- 18	150676		1	. SPRING-USED ON ASMS WITHOUT EC 829696			
- 18	4178067		1	. SPRING-USED ON ASMS WITH EC 829696			
- 19	2305697		1	. STANDOFF			
- 20	602721		1	. NUT, LOCK- 10-32			
- 21	5562038		2	. ROD-GUIDE			
- 22	2181011		2	. SCREW, THD FORMING- 6-32 X 0.500 LG			
- 23	1591469		2	. WASHER, FL NO. 6			
- 24	5562088		1	. COVER/WIPER ASM			
- 25	55726		2	. SCREW, BD HD- 6-32 X 0.188 LG			
- 26	5562035		1	. . WIPER			
- 27	4178035		1	. CARRIAGE ASM, HEAD			
- 28	236550		2	. SCREW, BD HD- 4-40 X 0.375 LG			
- 29	5562041		1	. CLAMP			
- 30	5562037		1	. CLAMP			
- 31	5562044		1	. BAND			
- 32	438548		1	. SCREW, BD HD- 4-40 X 0.188 LG			
- 33	5562086		1	. PULLEY DRIVE			
- 34	5562099		1	. CLAMP			
- 35	186925		1	. SCREW, CAP, SOC HD, FLU- 4-40 X 0.625 LG			
- 36	5562081		1	. L.E.D. ASM			
- 37	81693		2	. SCREW, BD HD- 6-32 X 0.375 LG			
- 38	257187		2	. NUT, HEX- 6-32			
- 39	5562061		1	. GUIDE			
- 40	5700484		4	. SCREW, HEX WASHER HEAD-THD FORMING			
- 41	5562082		1	. CASTING ASM			

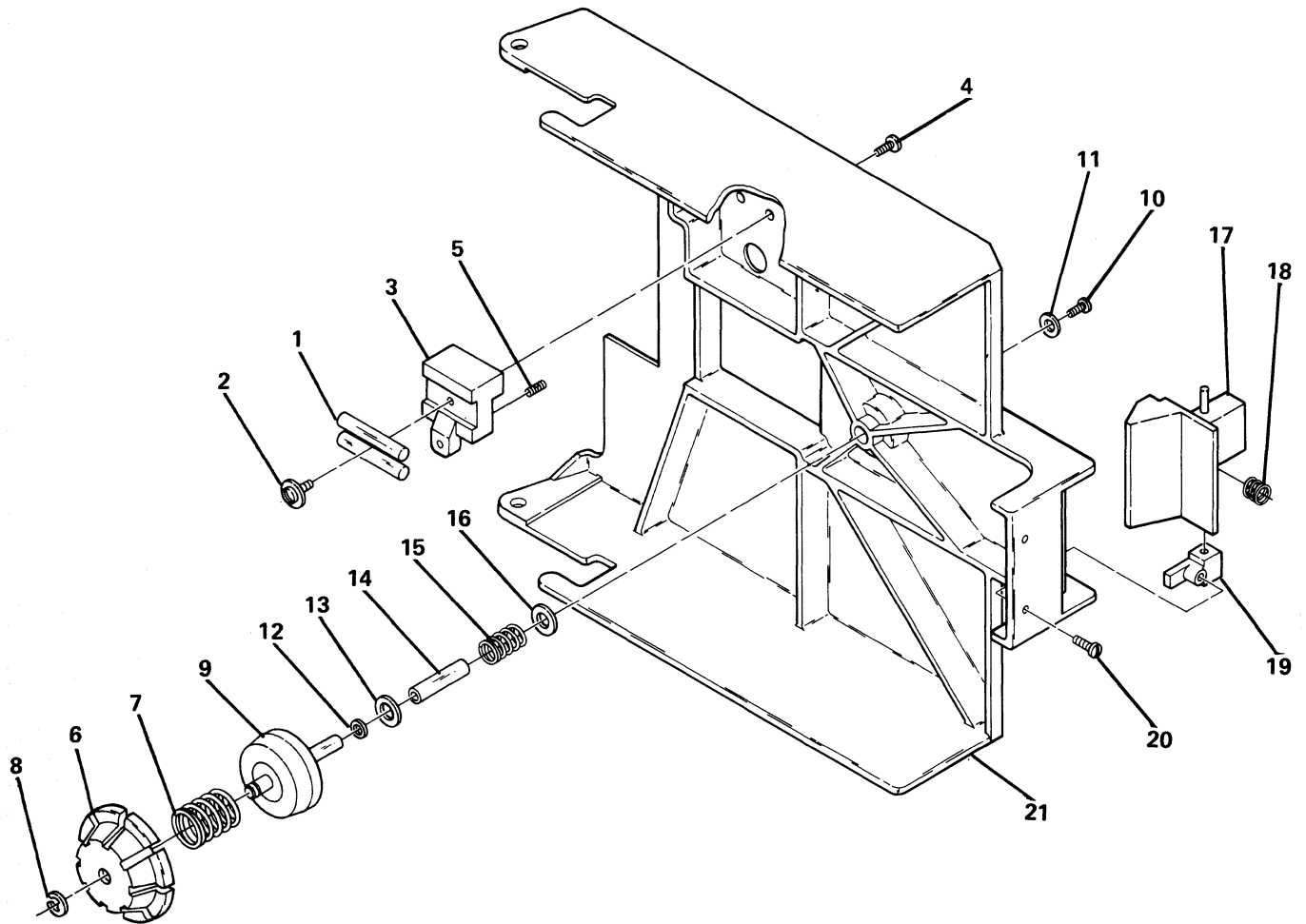


FIGURE 8. DISKETTE COVER ASSEMBLY. SEE LIST 8.

DISKETTE COVER ASSEMBLY

FIGURE- INDEX NUMBER	PART NUMBER	UNITS PER ASM.	DESCRIPTION			
			1	2	3	4
8 -	4178027	REP	DISKETTE COVER ASSEMBLY FOR NEXT HIGHER ASM SEE FIGURE 6-15 AND FOR ILLUSTRATION SEE FIGURE 8			
- 1	5562019	2	. TIMING PIN			
- 2	1164265	1	. SCREW			
- 3	5562084	1	. BACKSTOP			
- 4	81693	2	. SCREW,BD HD- 6-32 X 0.375 LG			
- 5	311167	1	. SCREW,SET-NYLOK			
- 6	2305644	1	. COLLET			
- 7	2305647	1	. SPRING,COMPRESSION			
- 8	332747	1	. CLIP			
- 9	2305526	1	. CONE AND SHAFT ASM			
- 10	34512	1	. SCREW,BD HD- 8-32 X 0.375 LG			
- 11	2903	1	. WASHER,FL- 0.172 ID X 0.500 OD			
- 12	555427	1	. SHIM			
- 13	25018	1	. WASHER,FL- 0.250 ID X 0.500 OD			
- 14	2305462	1	. SLEEVE			
- 15	2305646	1	. SPRING,CCMPRESSION			
- 16	120571	1	. WASHER			
- 17	4236352	1	. LATCH			
- 18	736822	1	. SPRING			
- 19	2305523	2	. PIVOT			
- 20	322550	2	. SCREW,BD HD- 6-32 X 0.500 LG			
- 21	5562062	1	. PLATE			

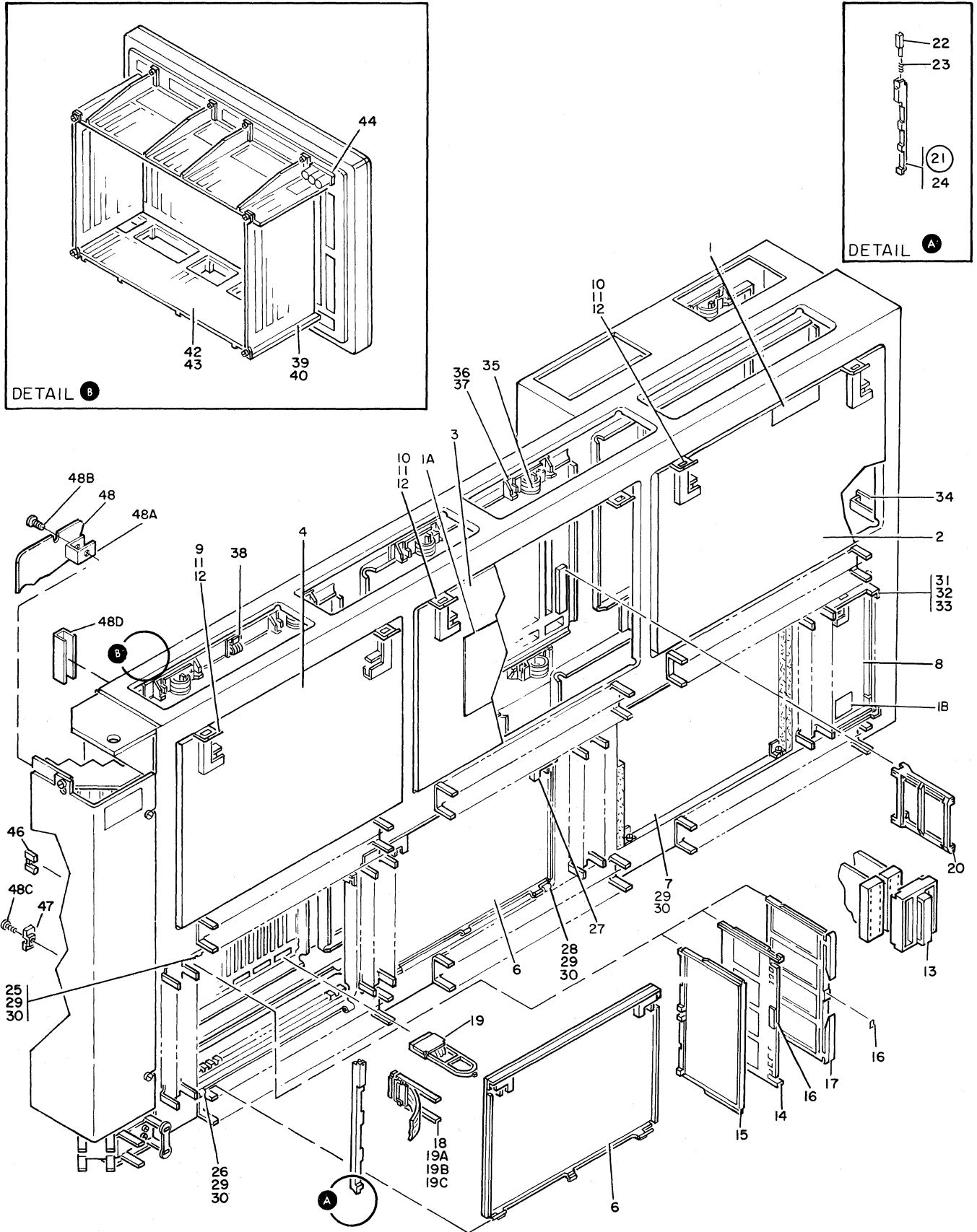


FIGURE 9. GATE ASSEMBLY-GATE 01A. SHEET 1 OF 3. INDEX NOS. 1-48D. SEE LIST 9.

GATE ASSEMBLY-GATE 01A

FIGURE- INDEX NUMBER	PART NUMBER	UNITS PER ASM.	DESCRIPTION			
			1	2	3	4
9 -	5578810 NP	REF	GATE ASSEMBLY-GATE 01A,60 HZ,1ST SOURCE			
-	6831355 NP	REF	GATE ASSEMBLY-GATE 01A,50 HZ,1ST SOURCE FIRST SOURCE ONLY			
-	6831357 NP	REF	GATE ASSEMBLY, 01A SECOND SOURCE ONLY FOR NEXT HIGHER ASM SEE FIGURE 2-176 FOR ILLUSTRATION SEE FIGURE 9			
- 1	6831354	3	. LABEL			
- 1A	4432392	1	. LABEL-MODEL 1,B1 POSITION ONLY			
- 1A	4109508	1	. LABEL-MODEL 2,B1 POSITION ONLY			
- 1A	4432399	1	. LABEL-MODEL 1 SECOND SOURCE,B1 POS ONLY			
- 1B	8330642	1	. LABEL			
- 2	1310002	1	. COVER ASM FIRST SOURCE ONLY			
- 2	4432395	1	. COVER ASM SECOND SOURCE ONLY			
- 2	819251	1	. COVER ASM,MODEL 2 ONLY			
- 3	1310002	1	. COVER			
- 4	4123913	1	. COVER-FIRST SOURCE			
- 4	4432395	1	. COVER-SECOND SOURCE			
- 6	819251	2	. COVER ASM,GATE			
- 7	819013	1	. COVER ASM-GATE FIRST SOURCE ONLY			
- 7	819251	1	. COVER ASM-GATE SECOND SOURCE ONLY			
- 8	8483376	1	. COVER ASM			
- 9	4138593	2	. BRACKET USED ON FIRST SOURCE THIN COVERS			
- 10	8330637	4	. BRACKET USED ON FIRST AND SECOND SOURCE THICK COVERS			
- 11	1621170	1	. SCREW,PAN HD- M3 X L 6A ATT PT			
- 12	1622344	1	. WASHER,LOCK ATT PT			
- 13	2399086	AR	. CROSSOVER ASM- 1 POSITION			
- 13	1794410	AR	. CROSSOVER ASM- 2 POSITION USED ON LOWER BOARDS			
- 13	4134831	AR	. CROSSOVER ASM,3 POS			
- 13	4138552	AR	. CROSSOVER ASM, 2 POS. USED ON UPPER BOARDS			
- 14	2766708	AR	. HOLDER, TOP CARD CONNECTOR- 2W,3H			
- 14	2766709	AR	. HOLDER, TOP CARD CONNECTOR- 4W,3H			
- 15	819632	AR	. CARD,DUMMY- 4W,3H			
- 15	816983	AR	. CARD,DUMMY- 2W,3H			
- 15	819412	AR	. CARD,DUMMY- 1W,3H			
- 15	4138564	AR	. CARD,DUMMY			
- 16	818579	AR	. LABEL			
- 17	819408	AR	. HOLDER,CARD- 4W,3H			
- 17	818002	AR	. HOLDER,CARD- 2W,3H			
- 17	819407	AR	. HOLDER,CARD- 1W,3H			
- 17	819033	AR	. HOLDER,CARD- 4W,6H SECOND SOURCE ONLY			
- 18	4150776	AR	. EXTENDER- TRI LEAD			
- 18	819411	AR	. EXTENDER- FLAT CABLE			
- 19	4150496	AR	. HOLDER, CABLE 3 HIGH- TRI LEAD			
- 19	819410	AR	. HOLDER, FLAT CABLE- 1 AND 6 ROW 3 HIGH			
- 19A	740459	1	. STIFFENER			
- 19B	438549	2	. SCREW,BD HD- 4-40 X 0.437 LG ATT PT			
- 19C	6831356	1	. BRACKET, STRAIN RELIEF			
- 20	4138527	AR	. GUIDE,TOOL			
- 21	819284	11	. BRACKET ASM			
- 22	819282	1	. . LATCH			
- 23	753317	1	. . SPRING			
- 24	819283	1	. . BRACKET			
- 25	819268	1	. BRACKET,HINGE			
- 26	815879	1	. BRACKET,HINGE			
- 27	819268	1	. BRACKET,HINGE-TOP FIRST SOURCE ONLY			
- 27	2731306	1	. GUIDE SECOND SOURCE ONLY			
- 28	815879	1	. BRACKET,HINGE-BOTTOM FIRST SOURCE ONLY			
- 28	4139582	1	. BRACKET,LOWER HINGE SECOND SOURCE ONLY			
- 29	811417	12	. SCREW,HEX SOCKET HD 6-32 X 0.500 LG ATT PT			
- 30	257986	12	. WASHER ATT PT			
- 31	8483375	2	. GUIDE			
- 32	811417	4	. SCREW,HEX SOCKET HD 6-32 X 0.500 LG ATT PT			
- 33	257986	4	. WASHER ATT PT			

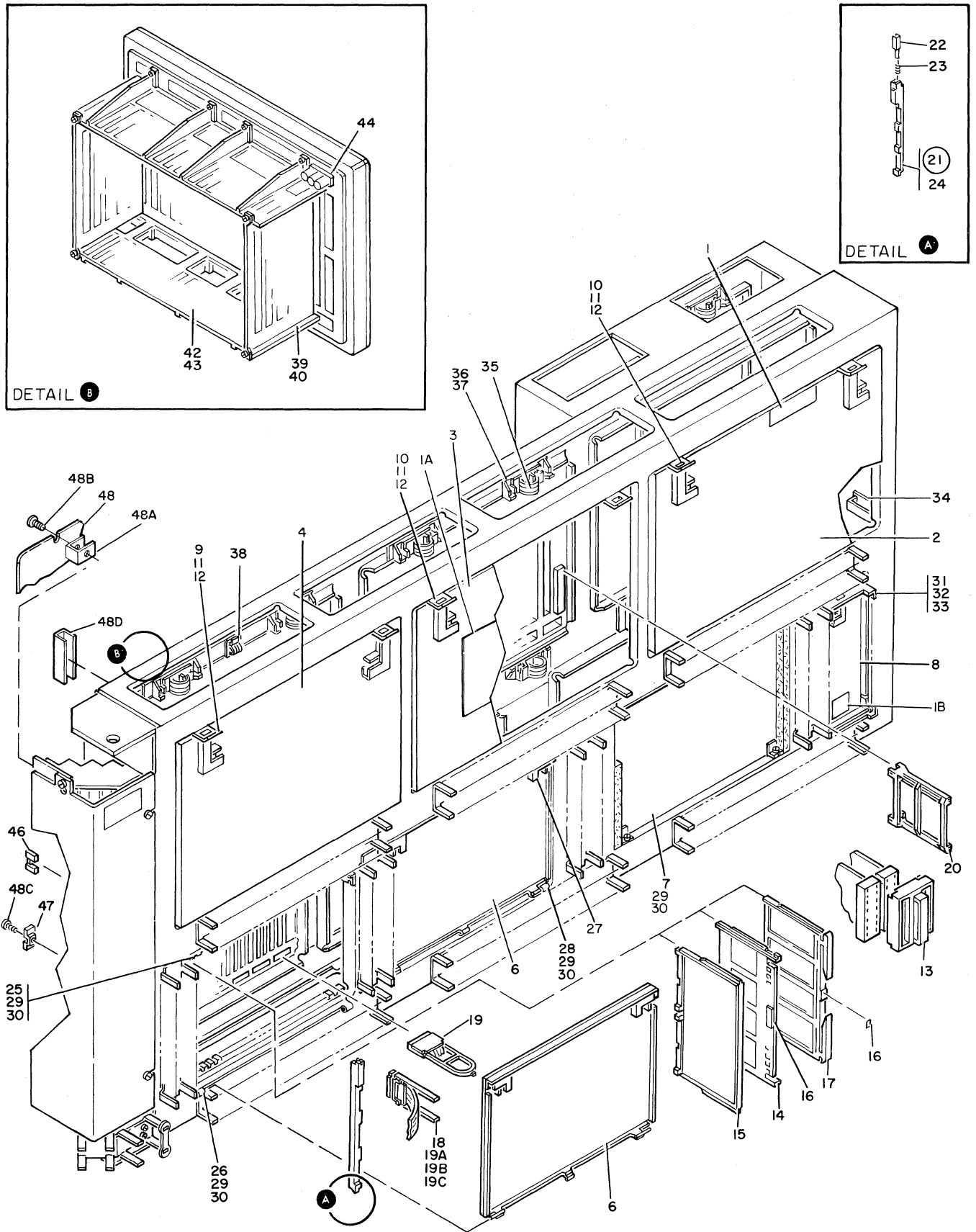


FIGURE 9. GATE ASSEMBLY-GATE 01A. SHEET 1 OF 3. INDEX NOS. 1-48D. SEE LIST 9.

GATE ASSEMBLY-GATE 01A

FIGURE- INDEX NUMBER	PART NUMBER	UNITS PER ASM.	DESCRIPTION			
			1	2	3	4
9 - 34	1310209	6	.	CLAMP,CABLE		
- 35	4138566	8	.	CLAMP		
- 36	4138565	8	.	BRACKET		
- 37	1621181	16	.	SCREW,PAN HEAD-M3.5 X 6 LG	ATT PT	
- 38	4123928	AR	.	CLIP,CABLE		
- 39	4138524	4	.	PLATE		
- 40	1621170	8	.	SCREW,PAN HD- M3 X L 6A	ATT PT	
- 42	4138523	4	.	GUIDE,CARD		
- 43	2360072	16	.	SCREW AND LOCKWASHER,THD FORM PAN HD-M4	ATT PT	
- 44	4138522	4	.	CAPACITOR HOUSING ASM		
- 46	816645	3	.	JUMPER ASM		
				FIRST SOURCE ONLY		
- 47	813179	32	.	SPACER		
- 48	4109434	1	.	COVER	ATT PT	
- 48A	4109436	AR	.	BRACKET		
- 48B	1673984	4	.	SCREW		
- 48C	811417	32	.	SCREW,HEX SOCKET HD 6-32 X 0.500 LG		
- 48D	4109427	1	.	INSULATOR		
				FIRST SOURCE ONLY		

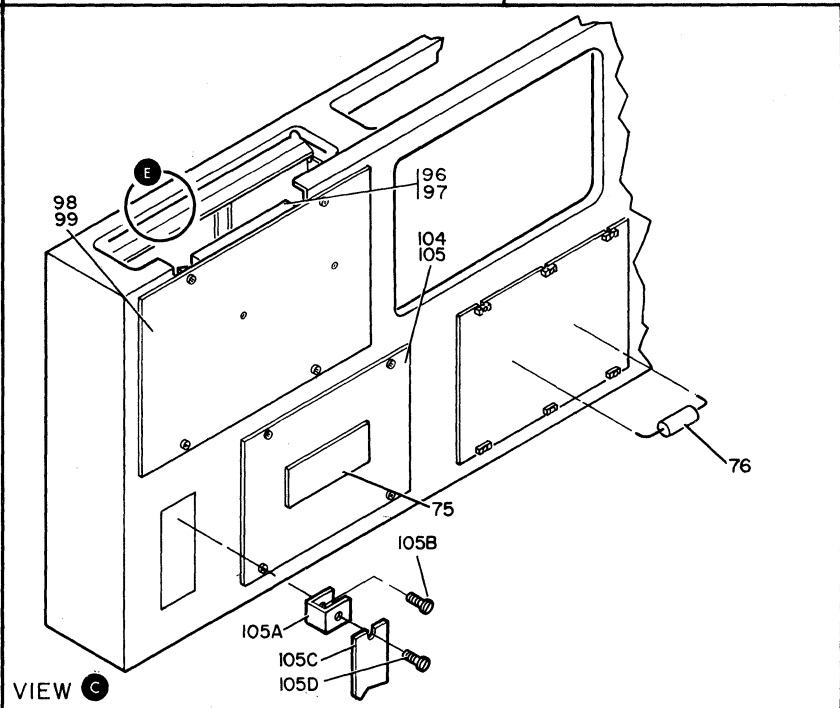
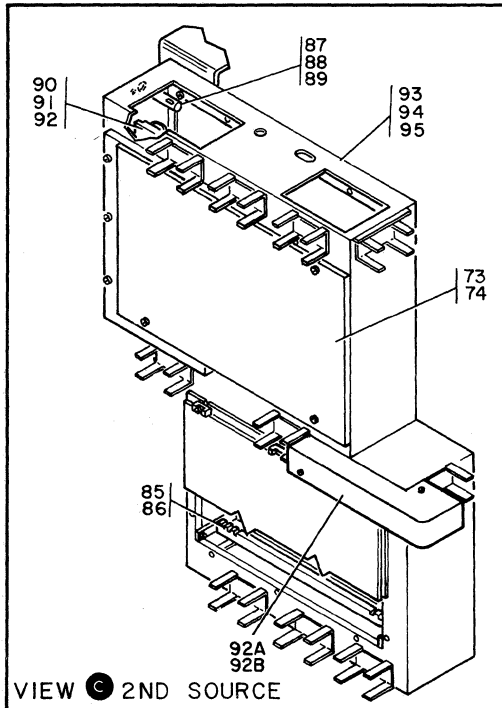
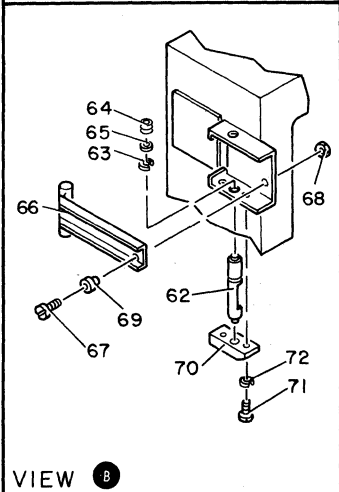
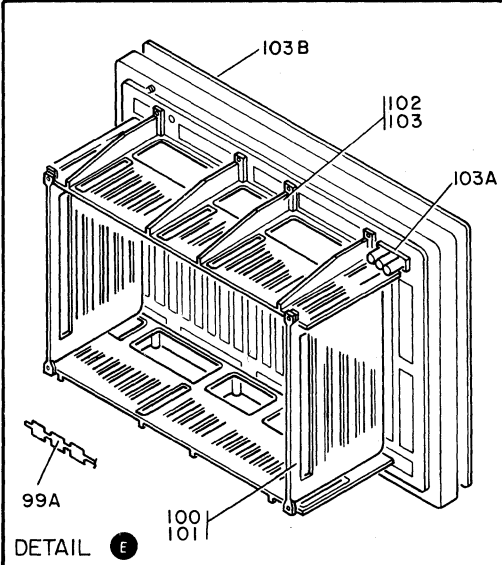
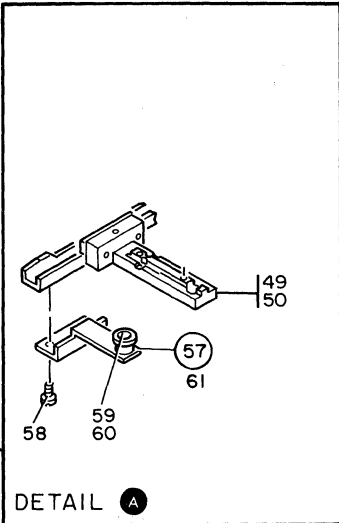
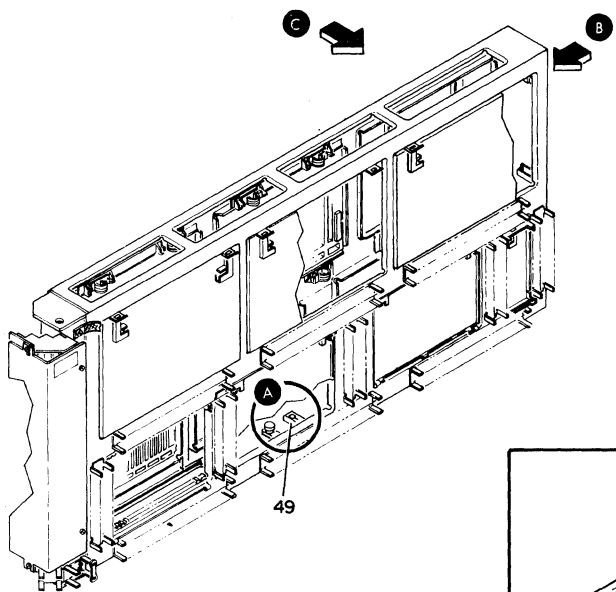


FIGURE 9. GATE ASSEMBLY-GATE 01A. SHEET 2 OF 3. INDEX NOS. 49-105D. SEE LIST 9.

GATE ASSEMBLY-GATE 01A

FIGURE- INDEX NUMBER	PART NUMBER	UNITS PER ASM.	DESCRIPTION			
			1	2	3	4
9 - 49	8483012	3	.	THERMISTOR ASM		
- 50	1621173	6	.	SCREW,PAN HD-M3 X 12 LG	ATT PT	
- 57	1310001	1	.	SWITCH ASM,THERMAL		
- 58	1621190	2	.	SCREW,PAN HD- M4 X 8 LG	ATT PT	
- 59	5501995	1	.	SWITCH,THERMAL- 140 F		
- 60	5501997	1	.	CLIP,RETAINING	ATT PT	
- 61	1310000	1	.	BRACKET		
- 62	8483089	1	.	SHAFT		
- 63	251015	1	.	CLIP	ATT PT	
- 64	2181052	1	.	SPRING		
- 65	161351	1	.	WASHER,FL 0.330 ID X 0.625 OD X 0.05 THK		
- 66	8483503	1	.	HANDLE		
- 67	1621211	1	.	SCREW,PAN HD- M5 X 12 LG	ATT PT	
- 68	1622404	1	.	NUT,DEL CHAMFERED HEX-M5 X 4 THK	ATT PT	
- 69	8483504	1	.	HUB		
- 70	8483091	1	.	GUIDE		
- 71	1621060	2	.	SCREW,CHEESE HD- M4 X 8 LG	ATT PT	
- 72	1622318	1	.	WASHER,SPRING-M4 9.2 OD X 1.2 THK	ATT PT	
- 73	819431	1	.	COVER,DUMMY	ATT PT	
- 74	731626	4	.	SCREW,6-32	ATT PT	
- 75	4109343	1	.	LABEL,MOD 1 FIRST SOURCE		
- 75	4109397	1	.	LABEL,MOD 2 FIRST SOURCE		
- 76	174861	AR	.	CAPACITOR ASM, B2 BOARD (SW REG MACHINES ONLY)		
- 85	2733280	4	.	RAIL ASM,GUIDE		
- 86	1621181	8	.	SCREW,PAN HEAD-M3.5 X 6 LG		
- 87	5578667	1	.	SENSOR		
- 88	1621170	1	.	SCREW,PAN HD- M3 X L 6A		
- 89	1622344	1	.	LOCKWASHER,EXT STAR- M3 X 294 THK		
- 90	4138577	2	.	CLAMP,CABLE		
- 91	4138565	2	.	BRACKET		
- 92	1621181	4	.	SCREW,PAN HEAD-M3.5 X 6 LG		
- 92A	4109468	1	.	SHIELD		
- 92B	1621198	1	.	SCREW,PAN HD-M4 X 4 LG	ATT PT	
- 93	6831350	1	.	ADAPTER,GATE		
- 94	1621181	12	.	SCREW,PAN HEAD-M3.5 X 6 LG		
- 95	811417	12	.	SCREW,HEX SOCKET HD 6-32 X 0.500 LG		
- 96	4432899	1	.	BAFFLE ASM,C1		
- 97	1621176	5	.	SCREW,PAN HD-M3 X 4 LG	ATT PT	
- 98	5578827	1	.	COVER,DUMMY		
- 99	1621181	4	.	SCREW,PAN HEAD-M3.5 X 6 LG	ATT PT	
- 99A	4138559	2	.	LABEL		
- 99A	4138559	6	.	LABEL-MODEL 2		
-100	4138524	4	.	PLATE		
-101	1621170	8	.	SCREW,PAN HD- M3 X L 6A	ATT PT	
-102	4138523	4	.	GUIDE,CARD		
-103	2360072	16	.	SCREW AND LOCKWASHER,THD FORM PAN HD-M4	ATT PT	
-103A	4138522	AR	.	CAPACITOR HOUSING ASM,SECOND SOURCE		
-103A	4138587	AR	.	CAPACITOR HOUSING ASM		
-103B	4138580	1	.	PROBE MASK		
-104	819431	1	.	COVER		
-105	731626	4	.	SCREW,PAN HD- 6-32 X 0.250 LG	ATT PT	
-105A	4109436	AR	.	BRACKET		
-105B	811417	AR	.	SCREW,HEX SOCKET HD 6-32 X 0.500 LG		
-105C	4109434	1	.	COVER		
-105D	1673984	4	.	SCREW	ATT PT	

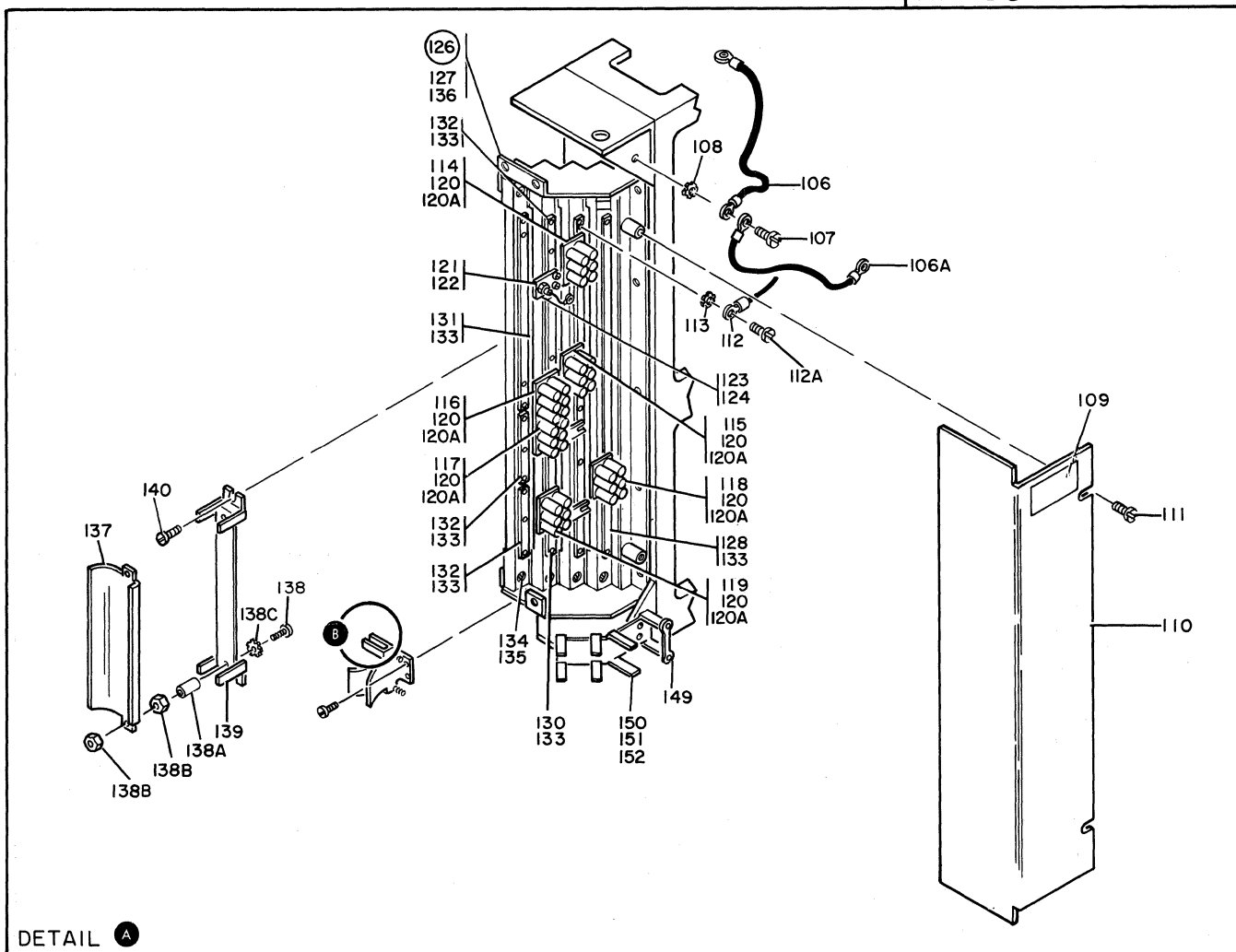
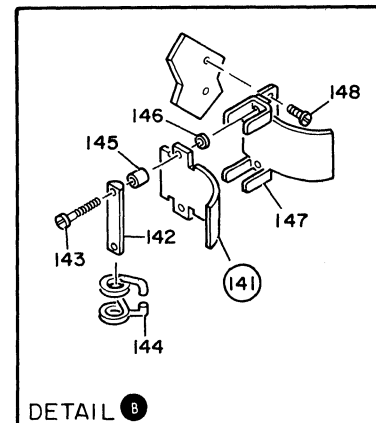
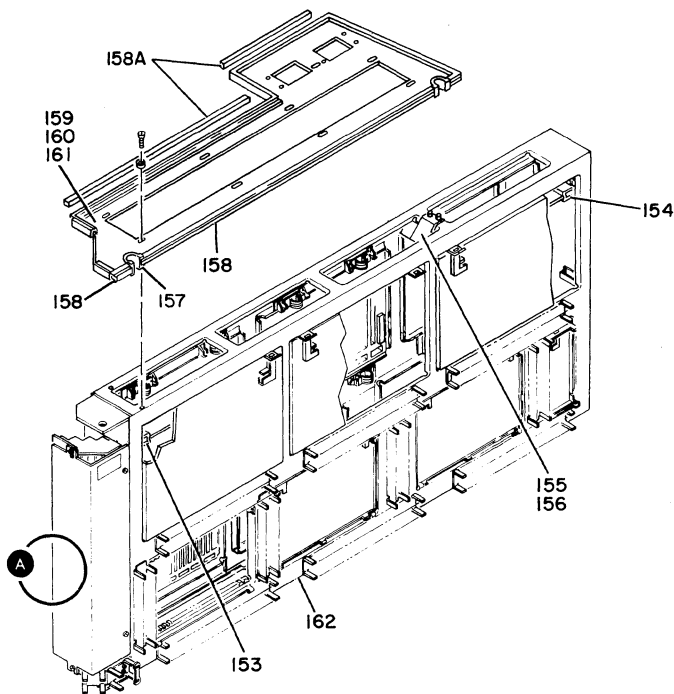


FIGURE 9. GATE ASSEMBLY-GATE 01A. SHEET 3 OF 3. INDEX NOS. 106-162. SEE LIST 9.

GATE ASSEMBLY-GATE 01A

FIGURE- INDEX NUMBER	PART NUMBER	UNITS PER ASM.	DESCRIPTION			
			1	2	3	4
9 -106	4109539	1	.	STRAP		
-106A	4154642	1	.	STRAP		
-107	1621211	1	.	SCREW,PAN HD- M5 X 12 LG		ATT PT
-108	1622347	1	.	LOCKWASHER EXT STAR- M5, 10 OD X .6		ATT PT
-109	8330638	1	.	LABEL		
-110	4109517	1	.	SHIELD		
-111	1621210	2	.	SCREW,PAN HD- M5 X 10 LG		ATT PT
-112	5578899	1	.	JUMPER ASM		
-112A	1621191	1	.	SCREW,PAN HD- M4 X 10 LG		
-113	1622347	2	.	LOCKWASHER EXT STAR- M5, 10 OD X .6		
-114	4124218	1	.	CAPACITOR ASM		
				FIRST SOURCE ONLY		
-114	4124217	1	.	CAPACITOR ASM.		
				SECOND SOURCE ONLY		
-115	4124217	1	.	CAPACITOR ASM		
				FIRST SOURCE ONLY		
-115	1310234	1	.	CAPACITOR ASM.		
				SECOND SOURCE ONLY		
-116	4124217	1	.	CAPACITOR ASM		
-117	1310234	1	.	CAPACITOR ASM		
-118	4124218	1	.	CAPACITOR ASM		
-119	4124219	1	.	CAPACITOR ASM		
-120	1621191	12	.	SCREW,PAN HD- M4 X 10 LG		ATT PT
-120A	1622304	12	.	WASHER,FL- M4 9 OD X 0.8 THK		ATT PT
-121	4109590	1	.	DIODE ASM		
				FIRST SOURCE ONLY		
-122	1621191	1	.	SCREW,PAN HD- M4 X 10 LG		ATT PT
-123	8330718	1	.	PLATE		
				FIRST SOURCE ONLY		
-124	1621191	2	.	SCREW,PAN HD- M4 X 10 LG		ATT PT
-126	2676628	1	.	BLOCK ASM,TERMINAL		
-127	1621210	5	.	SCREW,PAN HD- M5 X 10 LG		ATT PT
-128	5578696	2	.	STRIP,TERMINAL- 15 POSITION		
-130	4123924	1	.	STRIP,TERMINAL- 10 POSITION		
-131	1310235	1	.	BUS BAR		
-132	4123923	3	.	BUS BAR		
-133	1621230	14	.	SCREW,PAN HD-M6 X 12 LG		
-134	4123925	4	.	BLOCK,TERMINAL		
-135	1621231	8	.	SCREW, MACH.		ATT PT
-136	2676627	1	.	BRACKET		
-137	4123930	1	.	FRONT PLATE		
-138	1621216	2	.	SCREW,PAN HD-M5 X 35 LG		ATT PT
-138A	4154574	2	.	BUSHING		ATT PT
-138B	1622404	4	.	NUT,DBL CHAMFERED HEX-M5 X 4 THK		
-138C	1622347	2	.	LOCKWASHER EXT STAR- M5, 10 OD X .6		
-139	4123931	1	.	BACKPLATE		
-140	1621210	2	.	SCREW,PAN HD- M5 X 10 LG		ATT PT
-141	815225	1	.	CLAMP ASM		
-142	815220	1	.	BAR		
-143	815174	2	.	SCREW,HEX SOC HD 8-32 X 1.750 LG		ATT PT
-144	813321	1	.	SPRING		
-145	815219	2	.	SPACER		
-145A	816649	2	.	RETAINER		
-146	815217	1	.	PLATE		
-147	815214	1	.	BACKPLATE,CABLE CLAMP		
-148	1621210	2	.	SCREW,PAN HD- M5 X 10 LG		ATT PT
-149	811427	AR	.	RETAINER		
-150	4109516	1	.	RACEWAY		
-151	1621230	1	.	SCREW,PAN HD-M6 X 12 LG		ATT PT
-152	1621333	2	.	SCREW,FL HD-M6 X 12 LG		ATT PT
-153	1310201	2	.	BAFFLE ASM,AIR		
-154	1310204	1	.	BAFFLE ASM,AIR		
-155	1310207	1	.	BAFFLE ASM		
-156	1621190	2	.	SCREW,PAN HD- M4 X 8 LG		ATT PT
-157	825880	AR	.	TAPE,FOAM		
-158	8483347	AR	.	SEAL		
-158A	475465	AR	.	SEAL		
-159	4124216	1	.	BARRIER- 60 HZ		
-159	6831351	1	.	BARRIER- 50 HZ		
				FIRST SOURCE ONLY		
-159	6831353	1	.	BARRIER, 50/60 HZ		
				SECOND SOURCE ONLY		
-160	1622305	8	.	WASHER,FL- M5 10 OD X 1 THK		ATT PT
-161	1621190	8	.	SCREW,PAN HD- M4 X 8 LG		ATT PT
-162	4155181	1	.	GATE		
				FIRST SOURCE ONLY		
-162	6831358	1	.	GATE		
				SECOND SOURCE ONLY		

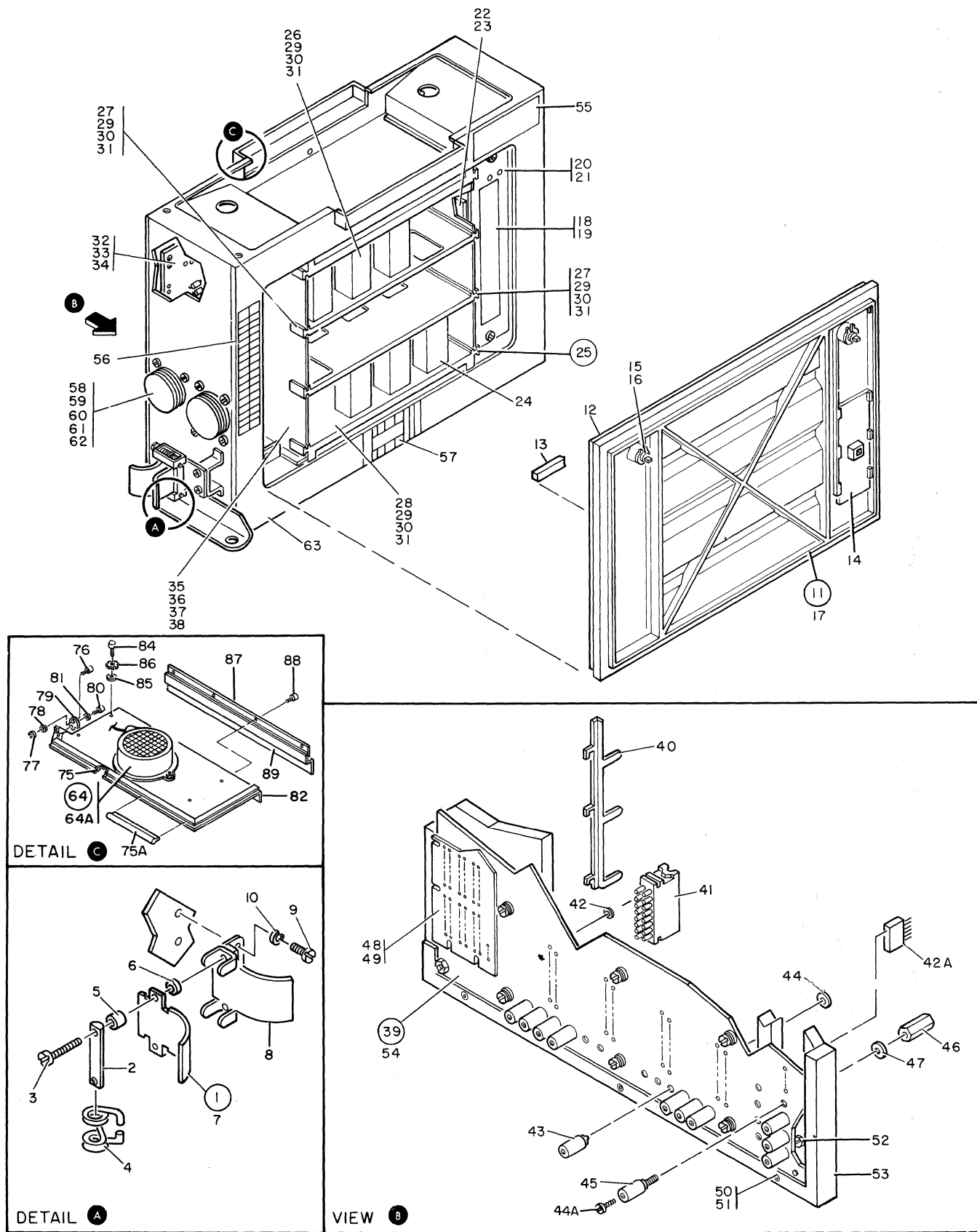


FIGURE 10. GATE ASSEMBLY-GATE 01C. SEE LIST 10.

GATE ASSEMBLY-GATE 01C

FIGURE- INDEX NUMBER	PART NUMBER	UNITS PER ASM.	DESCRIPTION			
			1	2	3	4
10 -	1310329 NP	REF	GATE ASSEMBLY, IPS FOR NEXT HIGHER ASM SEE FIGURE 2-157 AND FOR ILLUSTRATION SEE FIGURE 10			
- 1	815225	1	. CLAMP			
- 2	815220	1	. . BAR			
- 3	815174	2	. . SCREW, HEX SOC HD 8-32 X 1.750 LG			
- 4	813321	1	. . SPRING			
- 5	815219	2	. . SPACER			
- 6	816649	2	. . RETAINER			
- 7	815217	1	. . PLATE			
- 8	815171	1	. BACKPLATE			
- 9	1621062	2	. SCREW, CHEESE HD- M4 X 12 LG			
- 10	1622346	2	. LOCKWASHER, EXT STAR- M4, 8 OD X .5			
- 11	5576260	1	. COVER ASM, CARD			
- 12	5576286	1	. . SEAL			
- 13	5576209	2	. . SEAL			
- 14	5576289	1	. . COVER-SLIDE			
- 15	5576281	2	. . STUD			
- 16	139766	2	. . CLIP			
- 17	5576285	1	. . COVER			
- 18	317296	1	. LABEL			
- 19	598381	1	. LABEL			
- 20	5576245	1	. RETAINER, CARD			
- 21	1621192	2	. SCREW, MACH PAN HD-M4 X 12 LG			
- 22	1310350	AR	. CARD ASM, CONTROL			
- 23	811804	AR	. GUIDE, CARD			
- 24	1310340	AR	. MODULE ASM, POWER			
- 25	1310320	1	. IPS ASM			
- 26	5576264	1	. . SUPPORT, CARD			
- 27	5576265	2	. . SUPPORT, CARD			
- 28	5576266	1	. . SUPPORT, CARD			
- 29	1621211	12	. . SCREW, PAN HD- M5 X 12 LG			
- 30	1622305	12	. . WASHER, FL- M5 10 OD X 1 THK			
- 31	5576199	12	. . WASHER, FL INSULATING-M5 17 OD X 1.6 THK			
- 32	5576202	1	. . CARD ASM			
- 33	1621192	5	. . SCREW, MACH PAN HD-M4 X 12 LG			
- 34	2125963	5	. . WASHER, FL SQUARE-M4			
- 35	5576267	2	. . SUPPORT, CARD-VERTICAL			
- 36	1622405	4	. . NUT, HEX-M6 X 10 FL W			
- 37	1622320	4	. . LOCKWASHER, SPLIT- M6, 11.8 OD X 1.6 THK			
- 38	1622306	4	. . WASHER, FLAT, M6- 12.5 OD X 2 THK			
- 39	1310321	1	. . STIFFENER AND BOARD ASM			
- 40	811781	3	. . . GUIDEPOST			
- 41	5576219	12	. . . RECEPACLE			
- 42	839413	24	. . . WASHER, FLAT NO. 14			
- 42A	5922113	1	. . . HEADER			
- 43	5576282	31	. . . STUD			
- 44	5576287	31	. . . WASHER 5.8 ID X 2 THK			
- 44A	1621191	1	. . SCREW, PAN HD- M4 X 10 LG			
- 45	5576284	5	. . . STUD			
- 46	5576288	5	. . . STANDOFF			
- 47	5576287	5	. . . WASHER 5.8 ID X 2 THK			
- 48	1310322 NR	1	. . . PERSONALIZATION CARD ASM			
- 49	5576283	4	. . . SPACER			
- 50	4138473	8	. . . SCREW, SHOULDER			
- 51	1177332	8	. . . RING, RETAINER-C			
- 52	1621596	4	. . . SCREW, HEX HD-M6 X 16 LG			
- 53	5576268	1	. . . STIFFENER-BOARD			
- 54	5576296 NR	1	. . . BOARD ASM			
- 55	4432593	1	. LABEL			
- 56	4432591	1	. LABEL, SOCKET LOCATION			
- 57	4432592	1	. LABEL			
- 58	4123928	6	. CLAMP			
- 59	4432780	1	. CABLE ASM			
- 60	1621034	8	. SCREW, PAN HEAD-M3.5 X 12 LG			
- 61	1622345	8	. LOCKWASHER EXT STAR- M3.5, 7 OD			
- 62	1622402	8	. NUT, DBL CHAMFERED HEX-M 3.5 X 2.8 THK			
- 63	4124211	1	. GATE			
- 64	4123900	1	. FAN ASM			
- 64A	1622403	2	. NUT, DBL CHAMFERED HEX M4 X 3.2 THK			
- 65	825559	1	. . CLAMP			
- 66	1621195	1	. . SCREW, PAN HD-M4 X 30 LG			
- 67	4123902	1	. . GUARD, FAN			
- 68	1621194	2	. . SCREW, PAN HD-M4 X 20 LG			
- 69	1622346	2	. . LOCKWASHER, EXT STAR- M4, 8 OD X .5			
- 70	1622403	2	. . NUT, DBL CHAMFERED HEX M4 X 3.2 THK			
- 71	4124247	1	. . CABLE ASM-FAN			

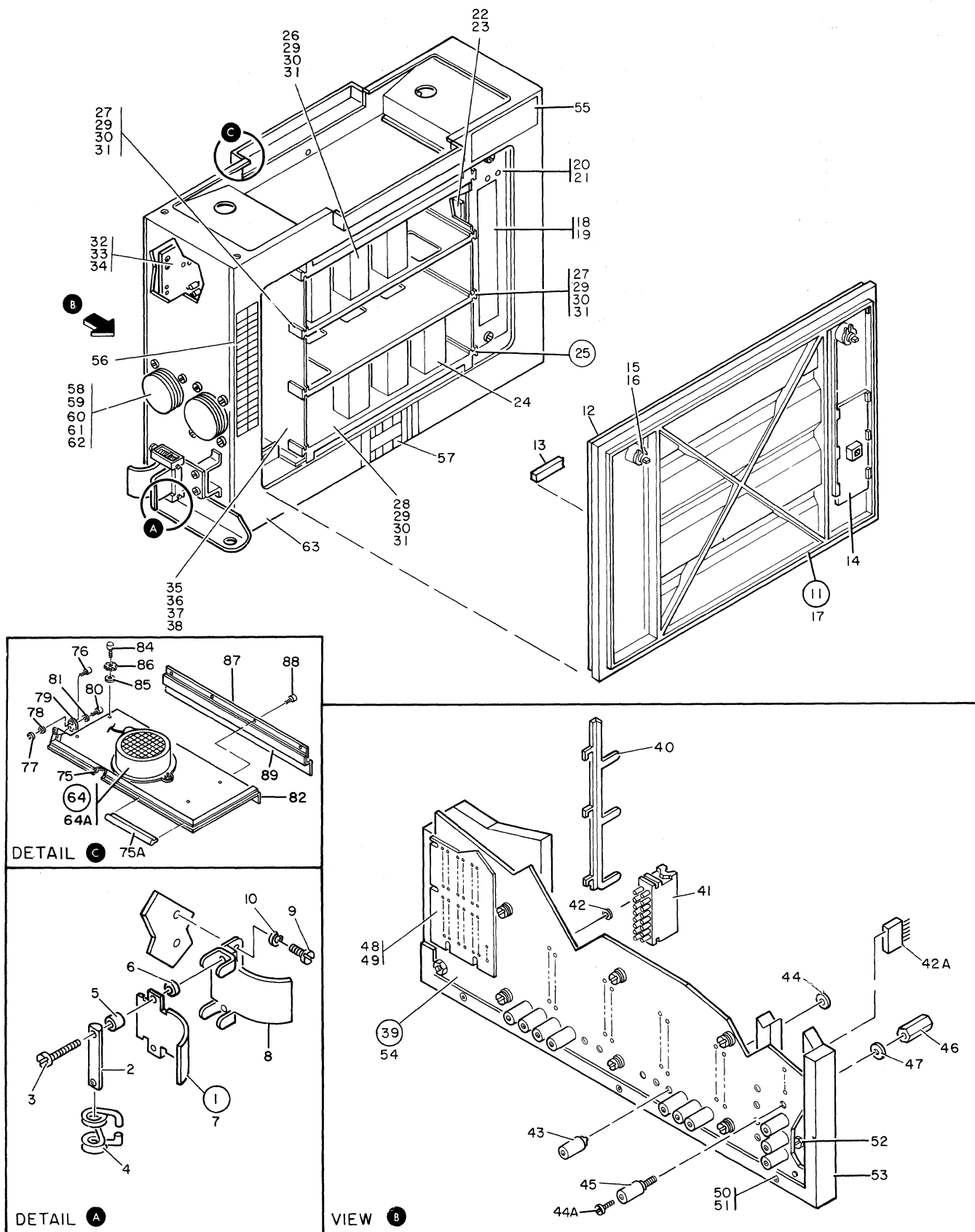


FIGURE 10. GATE ASSEMBLY-GATE 01C. SEE LIST 10.

GATE ASSEMBLY-GATE 01C

FIGURE- INDEX NUMBER	PART NUMBER	UNITS PER ASM.	DESCRIPTION			
			1	2	3	4
10			FOR CABLE COMPONENT PARTS SEE FIGURE 11			
- 72	1673983	1	. .	SCREW,PAN HD-M5 X 6 LG-BLUE ZINC COATED	ATT PT	
- 73	1622347	1	. .	LOCKWASHER EXT STAR- M5, 10 OD X .6	ATT PT	
- 74	2549540	1	. .	FAN		
- 75	825880	AR	. .	TAPE,FOAM		
- 75A	8483347	AR	. .	SEAL		
- 76	8267564	1	. .	SCREW,THUMB-M5 X 10 LG		
- 77	264641	1	. .	RING,RETAINING EXT 0.114 ID X 0.025 THK	ATT PT	
- 78	45690	1	. .	WASHER,FL- 0.203 ID X 0.438 OD		
- 79	4109453	1	. .	PLATE		
- 80	1621198	2	. .	SCREW,PAN HD-M4 X 4 LG	ATT PT	
- 81	1622304	2	. .	WASHER,FL- M4 9 OD X 0.8 THK	ATT PT	
- 82	6831326	1	. .	BARRIER ASM		
- 84	1621190	4	. .	SCREW,PAN HD- M4 X 8 LG	ATT PT	
- 85	1622304	4	. .	WASHER,FL- M4 9 OD X 0.8 THK	ATT PT	
- 86	1622346	4	. .	LOCKWASHER,EXT STAR- M4, 8 OD X .5	ATT PT	
- 87	6831421	1	. .	HINGE		
- 88	1673983	8	. .	SCREW,PAN HD-M5 X 6 LG-BLUE ZINC COATED	ATT PT	
- 89	6831366	1	. .	BRACKET		

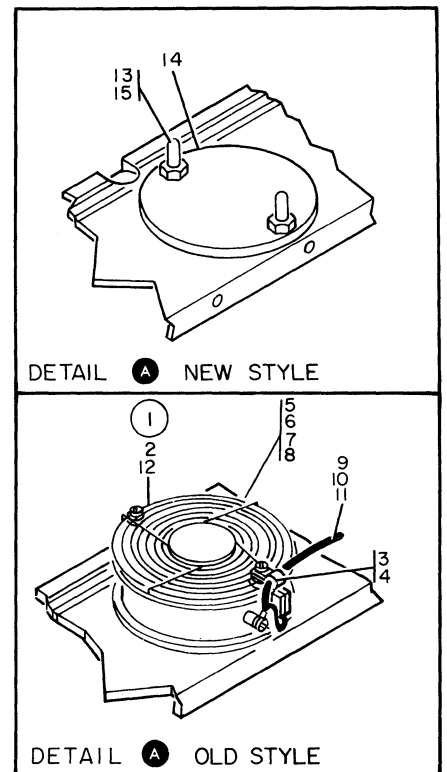
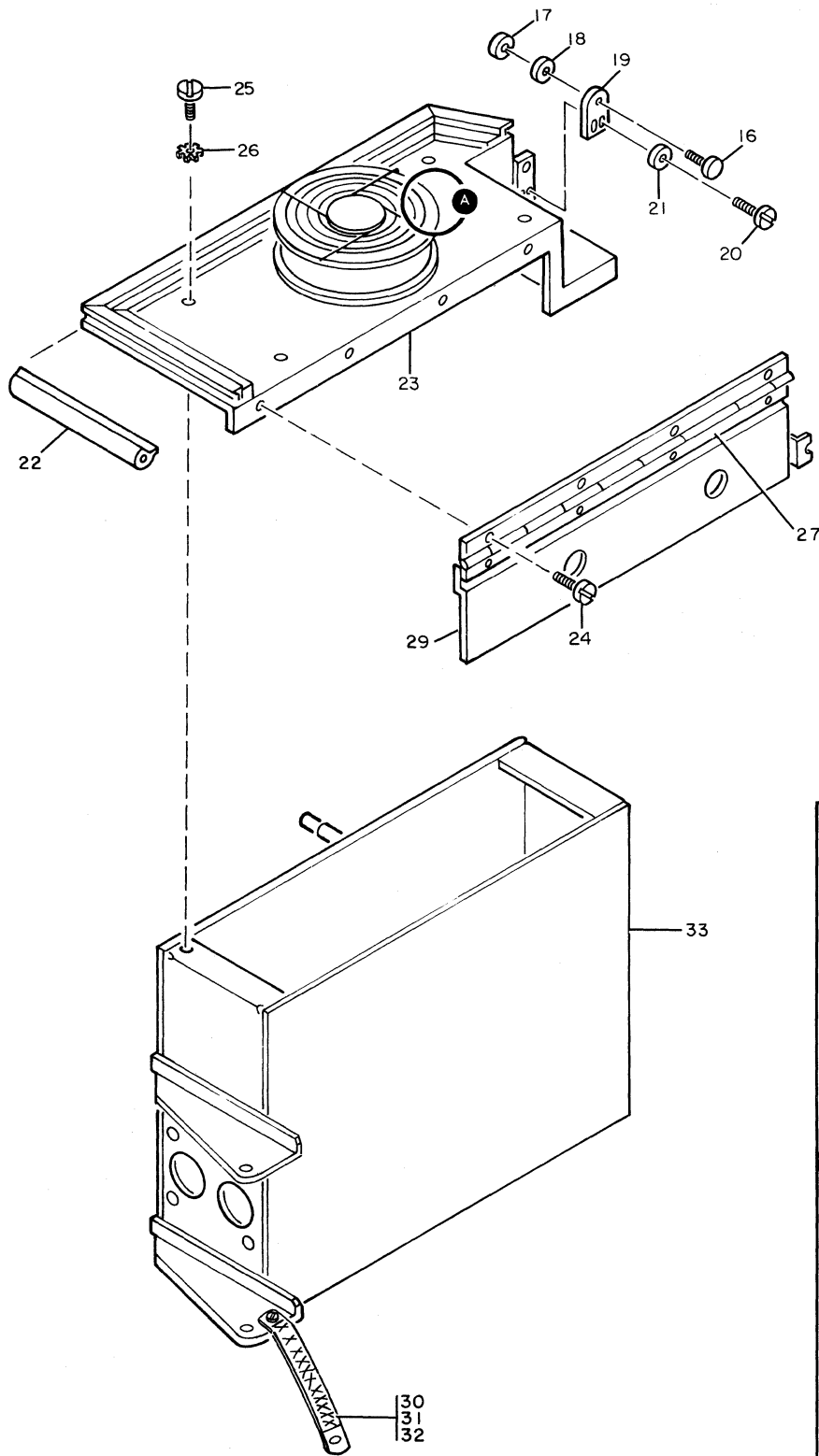


FIGURE 11. GATE ASSEMBLY-GATE 01C DUMMY. SEE LIST 11.

GATE ASSEMBLY-GATE 01C DUMMY

FIGURE- INDEX NUMBER	PART NUMBER	UNITS PER ASM.	DESCRIPTION			
			1	2	3	4
11 -	6831365		GATE ASSEMBLY-GAT 01C DUMMY FOR NEXT HIGHER ASM SEE FIGURE 2-157 AND FOR ILLUSTRATION SEE FIGURE 11			
- 1	4123900	1	. FAN ASM			
- 2	1622403	2	. NUT,DBL CHAMFERED HEX M4 X 3.2 THK			
- 3	825559	1	. . CLAMP			
- 4	1621195	1	. . SCREW			
- 5	4123902	1	. . GUARD FAN			
- 6	1621194	2	. . SCREW			
- 7	1622346	2	. . LOCKWASHER			
- 8	1622403	2	. . NUT			
- 9	4109474	1	. . CABLE ASM,FAN			
- 10	1673983	1	. . SCREW			
- 11	1622347	1	. . LOCKWASHER			
- 12	2549540	1	. . FAN,TUBE AXIAL			
- 13	2568941	2	. CAP,PROTECTIVE			
- 14	6831333	1	. PLATE			
- 15	1622403	2	. NUT,DBL CHAMFERED HEX M4 X 3.2 THK			
- 16	8267564	1	. SCREW-THUMB			
- 17	264641	1	. RING,RETAINING EXT 0.114 ID X 0.025 THK			
- 18	25009	1	. WASHER			
- 19	4109453	1	. LATCH PLATE			
- 20	1621198	2	. SCREW			
- 21	1622304	2	. WASHER			
- 22	8483347	AR	. SEAL			
- 23	6831326	1	. BARRIER ASM			
- 24	1673983	8	. SCREW			
- 25	1621190	4	. SCREW			
- 26	2125963	4	. LOCKWASHER			
- 27	6831421	1	. HINGE			
- 29	6831366	1	. BRACKET			
- 30	526098	1	. STRAP-USED ON GATES WITH FAN			
- 31	1621210	1	. SCREW,PAN HD- M5 X 10 LG			
- 32	1622347	1	. LOCKWASHER			
- 33	4432811	1	. GATE,01C DUMMY			

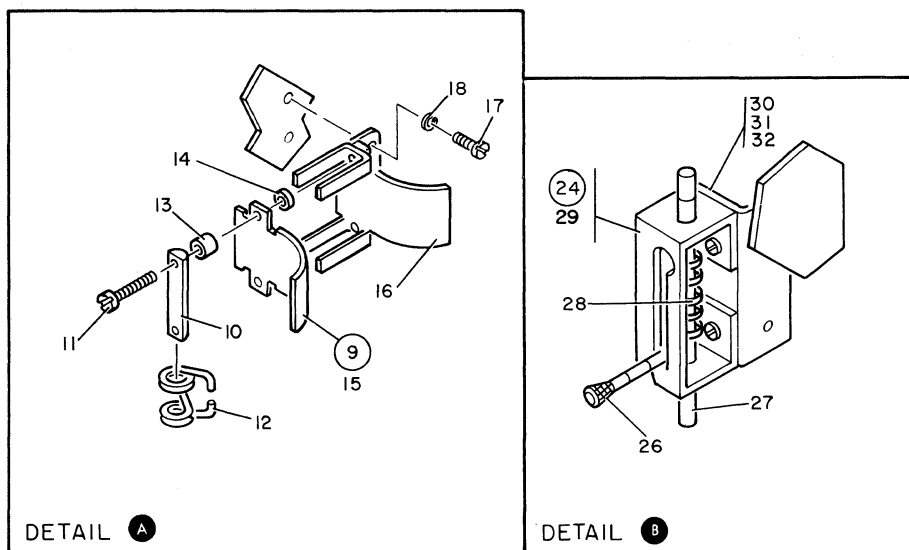
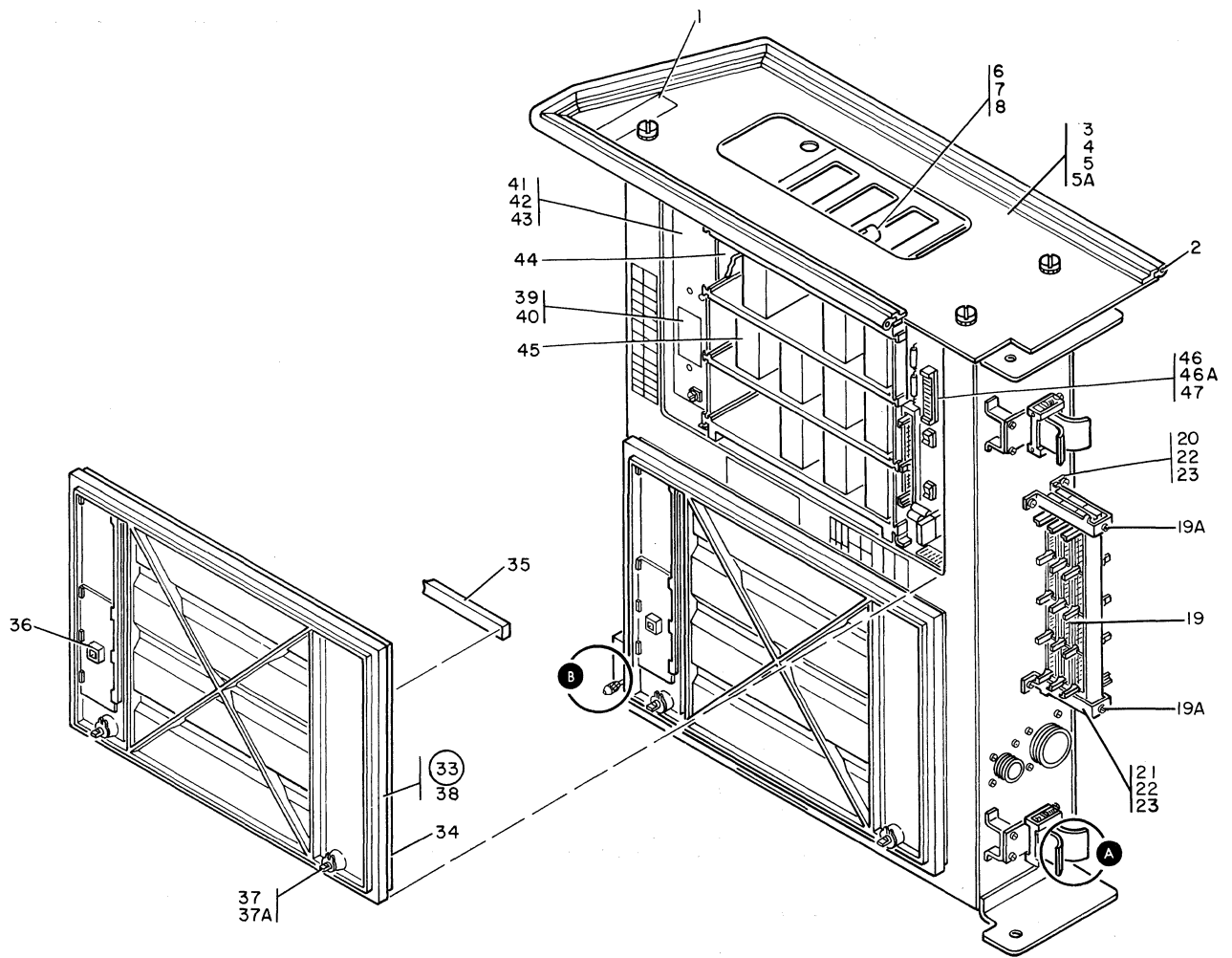


FIGURE 12. GATE ASSEMBLY-GATE 02. SHEET 1 OF 2. INDEX NOS. 1-47. SEE LIST 12.

GATE ASSEMBLY-GATE 02

FIGURE- INDEX NUMBER	PART NUMBER	UNITS PER ASM.	DESCRIPTION			
			1	2	3	4
12 -	4432600	REF	GATE ASSEMBLY-GATE 02			
-	1310330	REF	FIRST SOURCE ONLY			
			GATE ASSEMBLY, 02			
			SECOND SOURCE ONLY			
			FOR NEXT HIGHER ASM, SEE FIGURE 3-56			
			FOR ILLUSTRATION SEE FIGURE 12			
- 1	4432595	1	. LABEL-IMPORTANT,BOTH BOARDS INVERTED			
- 2	8483347	1	. SEAL,GASKET			
- 3	4432814	1	. BARRIER ASM			
- 4	1621210	4	. SCREW,PAN HD- M5 X 10 LG			
- 5	1622347	4	. LOCKWASHER EXT STAR- M5, 10 OD X .6			
- 5A	1622305	4	. WASHER,FL- M5 10 OD X 1 THK			
- 6	5578666	1	. SENSOR,AIR FLOW			
- 7	1621021	1	. SCREW,CHEESE HD- M3 X 8 LG			
- 8	1622344	1	. LOCKWASHER,EXT STAR- M3 X 294 THK			
- 9	815225	2	. CLAMP			
- 10	815220	1	. . BAR			
- 11	815174	2	. . SCREW,HEX SOC HD 8-32 X 1.750 LG			
- 12	813321	1	. . SPRING			
- 13	815219	2	. . SPACER			
- 14	816649	2	. . RETAINER			
- 15	815217	1	. . PLATE			
- 16	815171	2	. BACKPLATE			
- 17	1621062	4	. SCREW,CHEESE HD- M4 X 12 LG			
- 18	1622346	4	. LOCKWASHER,EXT STAR- M4, 8 OD X .5			
- 19	2732364	4	. BLOCK,CONNECTOR			
- 19A	1621210	2	. SCREW,PAN HD- M5 X 10 LG			
- 20	4109481	1	. CLAMP			
- 21	4109482	1	. CLAMP			
- 22	1621062	4	. SCREW,CHEESE HD- M4 X 12 LG			
- 23	1622346	4	. LOCKWASHER,EXT STAR- M4, 8 OD X .5			
- 24	2172092	1	. LATCH ASM			
- 26	528013	1	. . STUD			
- 27	528014	1	. . PIN			
- 28	528012	1	. . SPRING			
- 29	528011	1	. . BRACKET			
- 30	5578548	1	. BRACKET			
- 31	1621062	2	. SCREW,CHEESE HD- M4 X 12 LG			
- 32	1622346	2	. LOCKWASHER,EXT STAR- M4, 8 OD X .5			
- 33	5576260	1	. COVER ASM,IPS			
- 34	5576286	AR	. . SEAL			
- 35	5576209	AR	. . SEAL			
- 36	5576289	1	. . COVER-SLIDE			
- 37	5576281	2	. . STUD			
- 37A	139766	2	. . CLIP			
- 38	5576285	1	. . COVER			
- 39	317296	1	. LABEL			
- 40	598381	1	. LABEL			
- 41	5576245	2	. RETAINER,CARD			
- 42	1621192	4	. SCREW, MACH PAN HD-M4 X 12 LG			
- 43	1310350	AR	. CARD ASM, CONTROL			
- 44	811804	AR	. GUIDE,CARD			
- 45	1310340	AR	. MODULE ASM,POWER			
- 46	5576207	1	. CARD ASM-TEST STATION			
- 46A	1621193	2	. SCREW,PAN HD- M4 X 16LG			
- 47	2125963	2	. WASHER,FL SQUARE-M4			

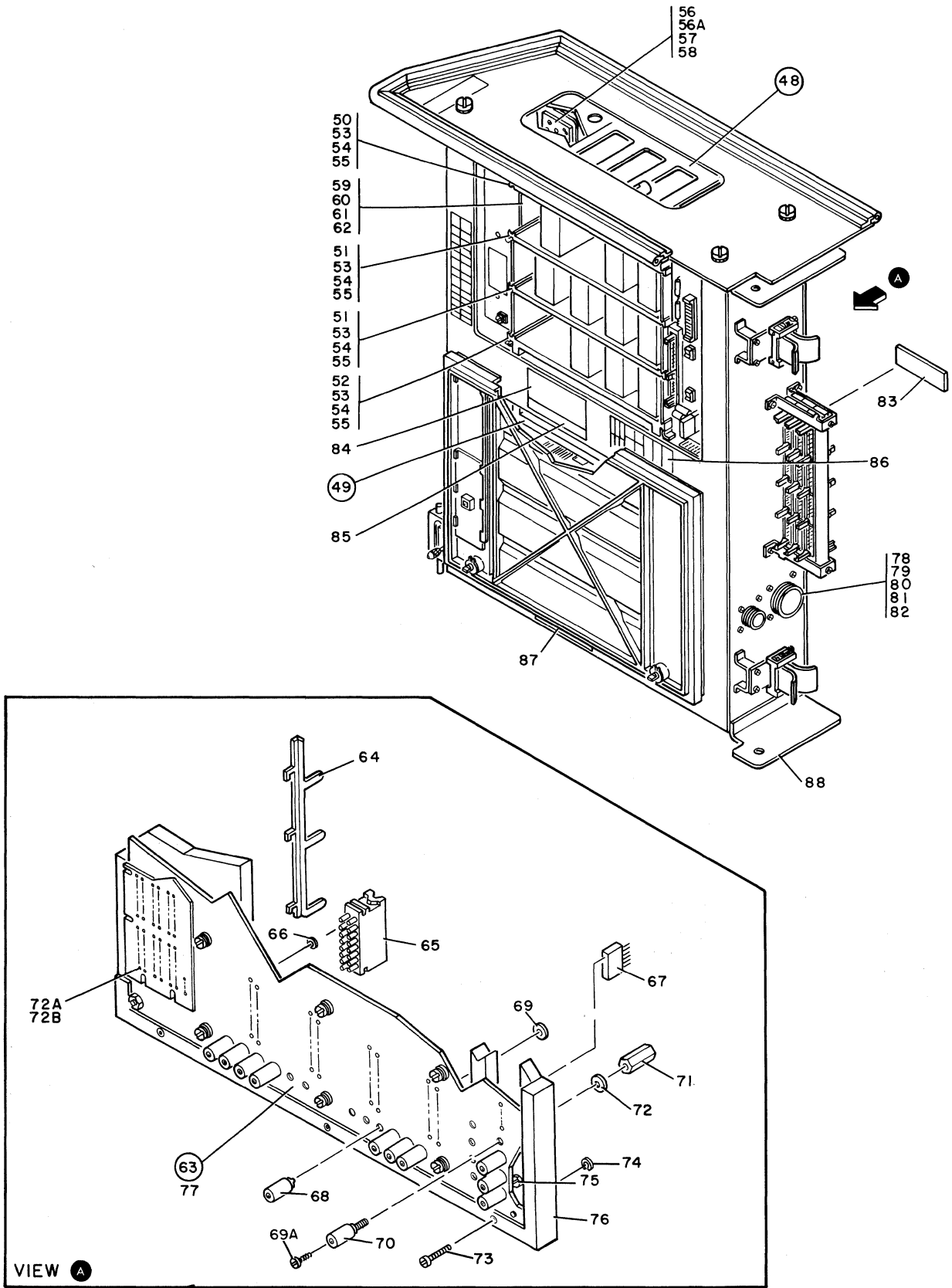
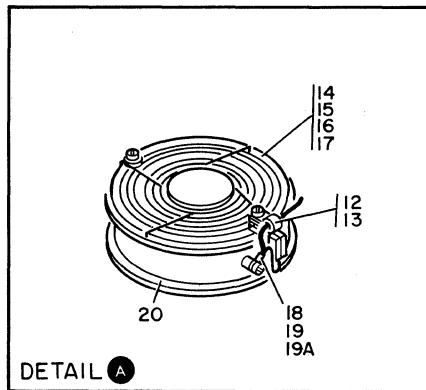
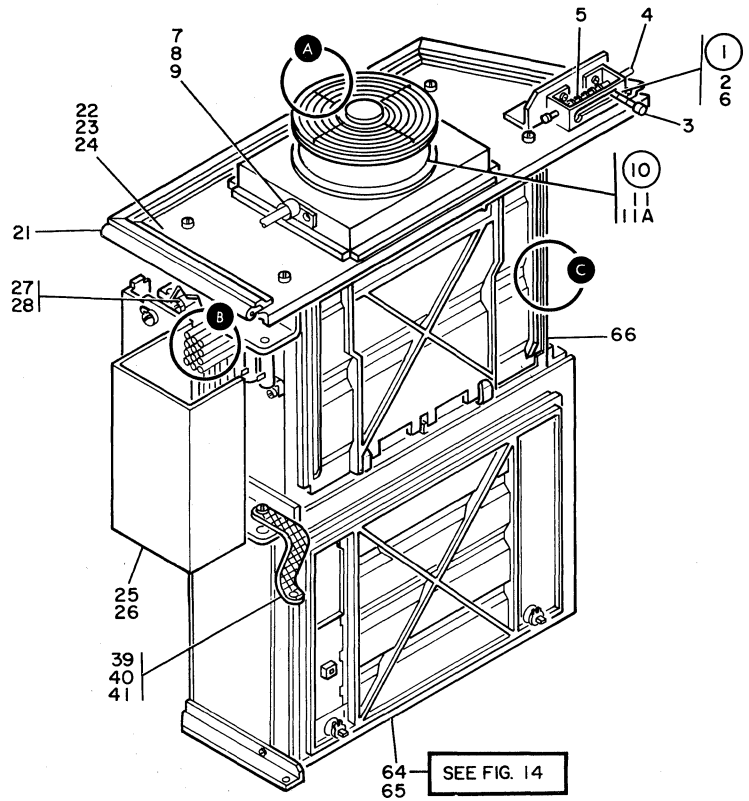


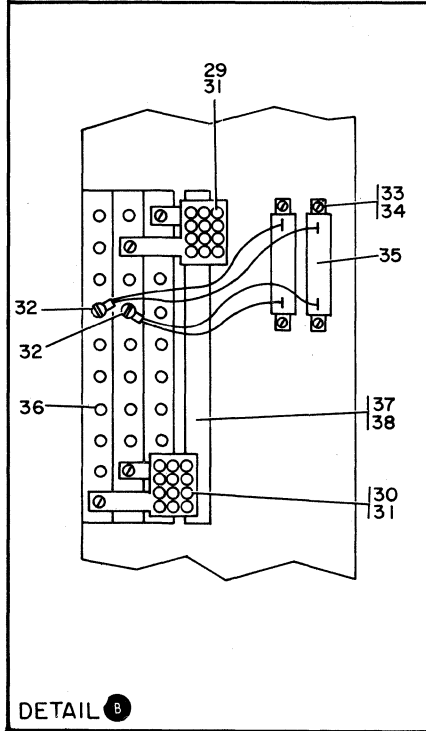
FIGURE 12. GATE ASSEMBLY-GATE 02. SHEET 2 OF 2. INDEX NOS. 48-88. SEE LIST 12.

GATE ASSEMBLY-GATE 02

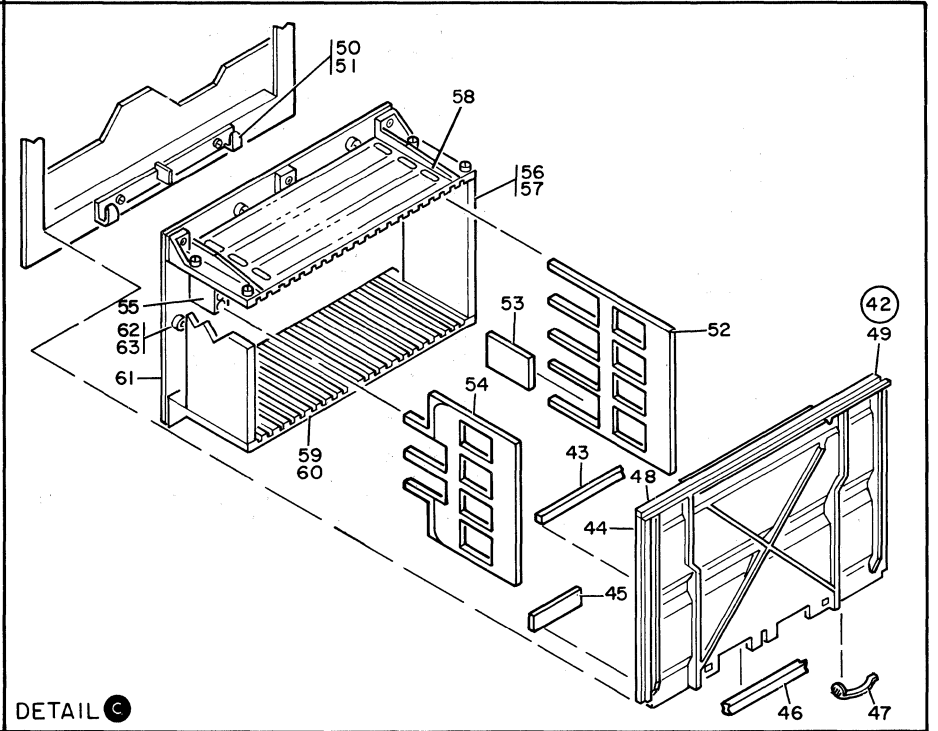
FIGURE- INDEX NUMBER	PART NUMBER	UNITS PER ASM.	DESCRIPTION					
			1	2	3	4		
12 - 48	5576271	1	IPS ASM-A1 BOARD	
- 49	5576272	1	IPS ASM-A2 BOARD	
- 49	1310331	1	FIRST SOURCE ONLY IPS ASM. AZ BOARD	
- 50	5576264	1	SECOND SOURCE ONLY	
- 51	5576265	1	SUPPORT,CARD	
- 52	5576266	1	SUPPORT,CARD	
- 53	1621211	12	SCREW,PAN HD- M5 X 12 LG	ATT PT
- 54	1622305	12	WASHER,FL- M5 10 OD X 1 THK	ATT PT
- 55	5576199	12	WASHER,FL INSULATING-M5 17 OD X 1.6 THK	ATT PT
- 56	5576202	1	CARD ASM, 02A-A1	
- 56A	5576203	1	CARD ASM,CROWBAR	
- 57	1621192	8	SCREW, MACH PAN HD-M4 X 12 LG	ATT PT
- 58	2125963	8	WASHER,FL SQUARE-M4	ATT PT
- 59	5576267	2	SUPPORT,CARD-VERTICAL	
- 60	1622405	4	NUT,HEX-M6 X 10 FL W	ATT PT
- 61	1622320	4	LOCKWASHER,SPLIT- M6,11.8 OD X 1.6 THK	ATT PT
- 62	1622306	4	WASHER,FLAT,M6- 12.5 OD X 2 THK	ATT PT
- 63	5576261	1	STIFFENER AND BOARD ASM-A1 BOARD (USED ON 5576271 IPS ASM)	
- 63	4432629	1	STIFFENER AND BOARD ASM. (USED ON 5576272 IPS ASM)	
- 63	1310332	1	FIRST SOURCE ONLY STIFFENER AND BOARD ASM, A2 BOARD USED ON 1310331 IPS ASSEMBLY	
- 64	811781	3	GUIDEPOST	
- 65	5576219	12	RECEPTACLE	
- 66	839413	24	SPACER	
- 67	5922113	1	HEADER	
- 68	5576282	AR	STUD	
- 69	5576287	AR	WASHER 5.8 ID X 2 THK	
- 69A	1621191	1	SCREW,PAN HD- M4 X 10 LG	
- 70	5576284	AR	STUD	
- 71	5576288	AR	STANDOFF	ATT PT
- 72	5576287	AR	WASHER 5.8 ID X 2 THK	ATT PT
- 72A	1310257	NR	CARD ASM.PERSONALIZATION-A1 BOARD (USED ON 5576261 STIFFENER AND BOARD ASM)	
- 72A	4432589	NR	CARD ASM. PERSONALIZATION-A2 BOARD FIRST SOURCE (USED ON 5575672) STIF & BD ASM)	
- 72A	1310333	NR	CARD ASM. PERSONALIZATION-A2 BOARD USED ON 1310332 STIFFENER AND BOARD ASM SECOND SOURCE ONLY	
- 72B	5576283	4	SPACER	
- 73	4138473	8	SCREW,SHOULDER	
- 74	1177332	8	RING,RETAINER-C	ATT PT
- 75	1621596	4	SCREW,HEX HD-M6 X 16 LG	
- 76	5576268	1	STIFFENER-BOARD	
- 77	5576296	1	BOARD ASM	
- 78	4123928	6	CLAMP	
- 79	1310360	1	CABLE ASM-PS240-242 TO 02A-A1,A2 FOR CABLE COMPONENT PARTS SEE FIGURE 21	
- 80	1621034	8	SCREW,PAN HEAD-M3.5 X 12 LG	ATT PT
- 81	1622345	8	LOCKWASHER EXT STAR- M3.5, 7 OD	ATT PT
- 82	1622402	8	NUT,DBI CHAMFERED HEX-M 3.5 X 2.8 THK	ATT PT
- 83	4432595	1	LABEL-IMPORTANT,BOTH BOARDS INVERTED	
- 84	4432593	1	LABEL	
- 85	4432594	1	LABEL-CAUTION	
- 86	4432592	2	LABEL	
- 87	4432595	1	LABEL-IMPORTANT,BOTH BOARDS INVERTED	
- 88	5576294	1	GATE	



DETAIL A



DETAIL B



DETAIL C

FIGURE 13. GATE ASSEMBLY-GATE 03. SEE LIST 13.

GATE ASSEMBLY-GATE 03

FIGURE- INDEX NUMBER	PART NUMBER	UNITS PER ASM.	DESCRIPTION			
			1	2	3	4
13 -	6831336	REF	GATE ASSEMBLY-GATE 03 FOR NEXT HIGHER ASM SEE FIGURE 4-31 AND FOR ILLUSTRATION SEE FIGURE 13			
- 1	2172092	1	. LATCH ASM			
- 2	10170	2	. SCREW,BD HD- 6-32 X 0.250 LG ATT PT			
- 3	528013	1	. . STUD			
- 4	528014	1	. . PIN			
- 5	528012	1	. . SPRING			
- 6	528011	1	. . BRACKET			
- 7	5578666	1	. SENSOR,AIR FLOW			
- 8	1621170	1	. SCREW,PAN HD- M3 X L 6A ATT PT			
- 9	1622344	1	. LOCKWASHER,EXT STAR- M3 X 294 THK ATT PT			
- 10	4123900	1	. FAN ASM- 50/60 HZ			
- 11	1622403	2	. NUT,DBL CHAMFERED HEX M4 X 3.2 THK ATT PT			
- 11A	1622347	2	. LOCKWASHER EXT STAR- M5, 10 OD X .6			
- 12	825559	1	. . CLAMP			
- 13	1621195	1	. . SCREW,PAN HD-M4 X 30 LG ATT PT			
- 14	4123902	1	. . GUARD,FAN			
- 15	1621194	1	. . SCREW,PAN HD-M4 X 20 LG ATT PT			
- 16	1622346	2	. . LOCKWASHER,EXT STAR- M4, 8 OD X .5 ATT PT			
- 17	1622403	2	. . NUT,DBL CHAMFERED HEX M4 X 3.2 THK ATT PT			
- 18	4109474	1	. . CABLE ASM,FAN			
- 19	1673983	1	. . SCREW,PAN HD-M5 X 6 LG-BLUE ZINC COATED ATT PT			
- 19A	1622347	1	. . LOCKWASHER EXT STAR- M5, 10 OD X .6 ATT PT			
- 20	2549540	1	. . FAN,TUBE AXIAL- 200/240 V 50/60 HZ			
- 21	8483347	AR	. SEAL			
- 22	6831321	1	. BARRIER ASM			
- 23	1621190	4	. SCREW,PAN HD- M4 X 8 LG ATT PT			
- 24	2125963	5	. WASHER,FL SQUARE-M4 ATT PT			
- 25	4124233	1	. SHIELD			
- 26	32042	2	. SCREW,BD HD- 10-32 X 0.375 LG ATT PT			
- 27	819778	2	. STUD- 10-32 X 0.470LG			
- 28	819779	2	. SLEEVE,TERMINAL BLOCK STUD			
- 29	2637335	1	. CAPACITOR ASM,12PAC-(-3V)			
- 30	2637340	1	. CAPACITOR ASM, 12 PAC-(+1.25V)			
- 31	819765	4	. SCREW,BD HD- 8-32 X 0.375 LG ATT PT			
- 32	819765	2	. SCREW,BD HD- 8-32 X 0.375 LG			
- 33	510316	4	. BRACKET			
- 34	1621198	4	. SCREW,PAN HD-M4 X 4 LG ATT PT			
- 35	5896531	2	. RESISTOR ASM			
- 36	819030	1	. BLOCK ASM,TERMINAL			
- 37	819770	1	. BLOCK ASM			
- 38	92050	2	. SCREW,THD CTG PAN HD- 10-32 X 0.750 LG ATT PT			
- 39	4154632	1	. STRAP			
- 40	1621210	1	. SCREW,PAN HD- M5 X 10 LG ATT PT			
- 41	1622347	1	. LOCKWASHER EXT STAR- M5, 10 OD X .6 ATT PT			
- 42	2637563	1	. COVER ASM			
- 43	2637576	3	. . SEAL,0.250 X 12.984 LG			
- 44	2637578	2	. . SEAL,0.400 X 9.06 LG			
- 45	2637577	2	. . SEAL,0.438 X 2.625 LG			
- 46	2637579	1	. . SEAL,0.375 X 8.875 LG			
- 47	2637568	2	. . SPRING			
- 48	2637580	1	. . SEAL,0.375 X 13.9 LG			
- 49	2637565	1	. . COVER			
- 50	2637567	1	. BRACKET			
- 51	731626	2	. SCREW,PAN HD- 6-32 X 0.250 LG ATT PT			
- 52	819078	AR	. EXTENDER,CARD HOLDER			
- 53	818575	33	. HOUSING AND DUMMY CARD			
- 54	5298109	2	. HOLDER,CARD			
- 55	817388	4	. CAPACITOR ASM			
- 56	819075	2	. SPACER,BRACKET			
- 57	2181005	4	. SCREW,HEX HD- 6-32 X 0.375 LG ATT PT			
- 58	819074	1	. GUIDE,UPPER CARD			
- 59	819076	1	. GUIDE,LOWER CARD			
- 61	4145588	NR	. BOARD ASM			
- 62	2457745	6	. SCREW,HEX SOC HD- 6-32 X 1.00 LG ATT PT			
- 63	220666	6	. WASHER- 0.140 ID X 0.281 OD ATT PT			
- 64	4432630	1	. GATE ASSEMBLY-GATE 03A-A2 FOR DETAIL BREAKDOWN SEE FIGURE 14			
- 65	1621190	4	. SCREW,PAN HD- M4 X 8 LG ATT PT			
- 66	5578611	1	. GATE			

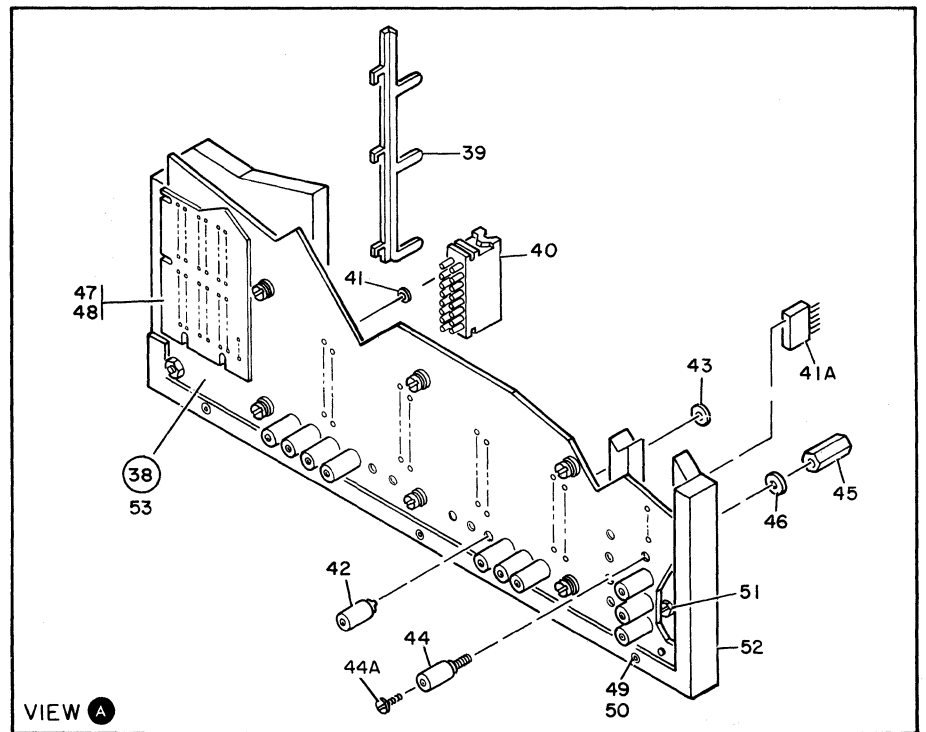
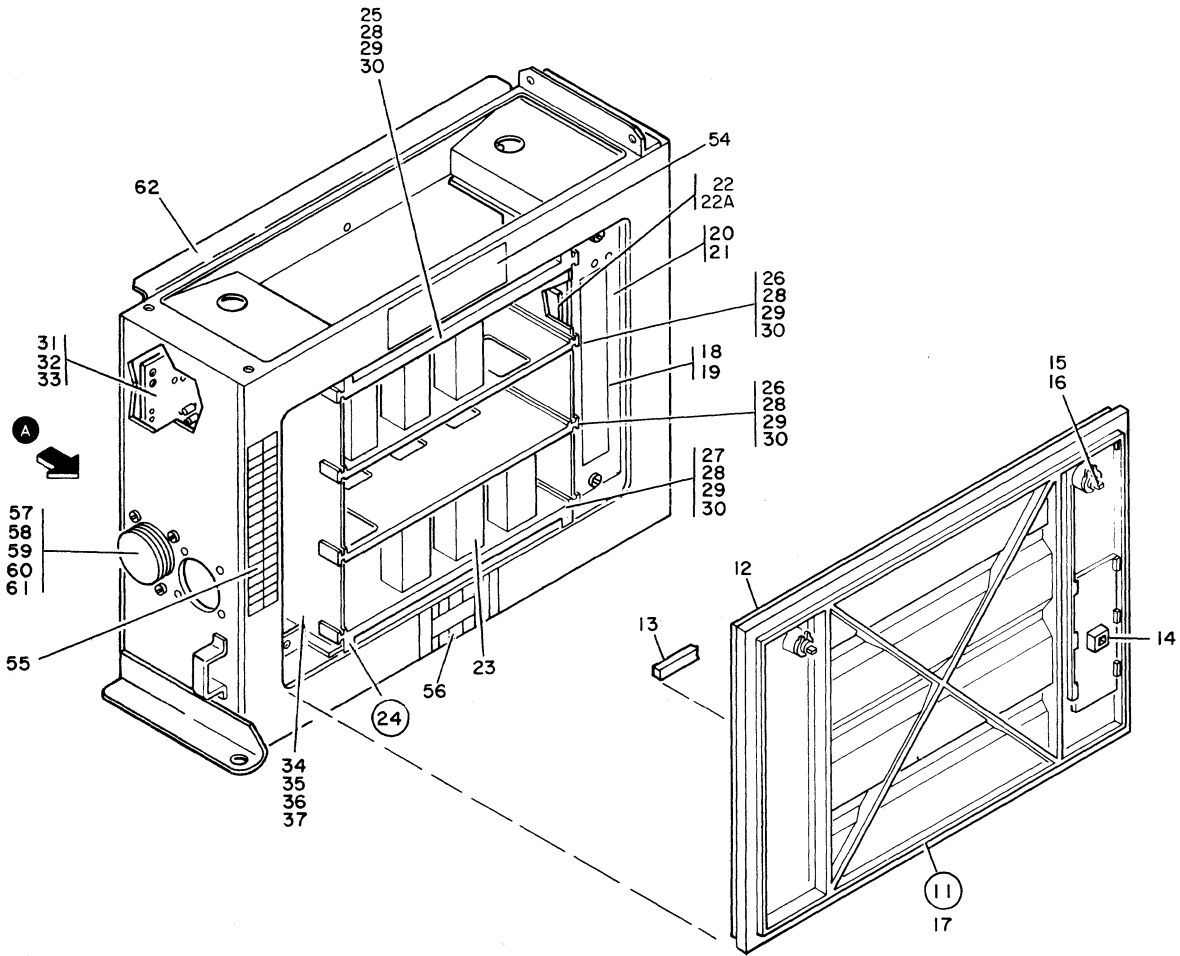


FIGURE 14. GATE ASSEMBLY-GATE 03A-12. SEE LIST 14.

GATE ASSEMBLY-GATE 03A-A2

FIGURE- INDEX NUMBER	PART NUMBER	UNITS PER ASM.	DESCRIPTION			
			1	2	3	4
14 -	4432630	REF	GATE ASSEMBLY-GATE 03A-A2 FOR NEXT HIGHER ASM SEE FIGURE 13-64 AND FOR ILLUSTRATION SEE FIGURE 14			
- 11	5576260	1	. COVER ASM,CARD			
- 12	5576286	1	. . SEAL			
- 13	5576209	2	. . SEAL			
- 14	5576289	1	. . COVER-SLIDE			
- 15	5576281	2	. . STUD			
- 16	139766	2	. . CLIP			
- 17	5576285	1	. . COVER			
- 18	317296	1	. LABEL			
- 19	598381	1	. LABEL			
- 20	5576245	1	. RETAINER,CARD			
- 21	1621192	2	. SCREW, MACH PAN HD-M4 X 12 LG			
- 22	1310350	2	. CARD ASM, CONTROL			
- 22A	811804	2	. GUIDE,CARD- 2 WIDE			
- 23	1310340	2	. MODULE ASM,POWER			
- 24	4432588	1	. IPS ASM			
- 25	5576264	1	. . SUPPORT,CARD			
- 26	5576265	2	. . SUPPORT,CARD			
- 27	5576266	1	. . SUPPORT,CARD			
- 28	1621211	12	. . SCREW,PAN HD- M5 X 12 LG			
- 29	1622305	12	. . WASHER,FL- M5 10 OD X 1 THK			
- 30	5576199	12	. . WASHER,FL INSULATING-M5 17 OD X 1.6 THK			
- 31	5576205	1	. CARD ASM			
- 32	1621192	6	. . SCREW, MACH PAN HD-M4 X 12 LG			
- 33	2125963	6	. . WASHER,FL SQUARE-M4			
- 34	5576267	2	. . SUPPORT,CARD-VERTICAL			
- 35	1622405	4	. . NUT,HEX-M6 X 10 FL W			
- 36	1622320	4	. . LOCKWASHER,SPLIT- M6,11.8 OD X 1.6 THK			
- 37	1622306	4	. . WASHER,FLAT,M6- 12.5 OD X 2 THK			
- 38	4432587	1	. . STIFFNER AND BOARD ASM			
- 39	811781	3	. . . GUIDEPOST			
- 40	5576219	12	. . . RECEPACLE			
- 41	839413	24	. . . WASHER,FLAT NO. 14			
- 41A	5922113	NR	. . . HEADER			
- 42	5576282	24	. . . STUD			
- 43	5576287	24	. . . WASHER 5.8 ID X 2 THK			
- 44	5576284	6	. . . STUD			
- 44A	1621191	1	. . . SCREW,PAN HD- M4 X 10 LG			
- 45	5576288	6	. . . STANDOFF			
- 46	5576287	6	. . . WASHER 5.8 ID X 2 THK			
- 47	4432586	NR	. . . PERSONALIZATION CARD ASM			
- 48	5576283	4	. . . SPACER			
- 49	4138473	8	. . . SCREW,SHOULDER			
- 50	1177332	8	. . . RING,RETAINER-C			
- 51	1621596	4	. . . SCREW,HEX HD-M6 X 16 LG			
- 52	5576268	1	. . . STIFFENER-BOARD			
- 53	5576296	1	. . . BOARD ASM			
- 54	4432593	1	. LABEL			
- 55	4432591	1	. LABEL,SOCKET LOCATION			
- 56	4432592	1	. LABEL			
- 57	825557	6	. CLAMP			
- 58	6831431	1	. CABLE ASM-J342 TO 3AA2B4,3AA2B5 FOR CABLE COMPONENT PARTS SEE FIGURE 21			
- 59	1621034	4	. SCREW,PAN HEAD-M3.5 X 12 LG			
- 60	1622345	4	. LOCKWASHER EXT STAR- M3.5. 7 OD			
- 61	1622402	4	. NUT,DBL CHAMFERED HEX-M 3.5 X 2.8 THK			
- 62	5576259	1	. GATE			

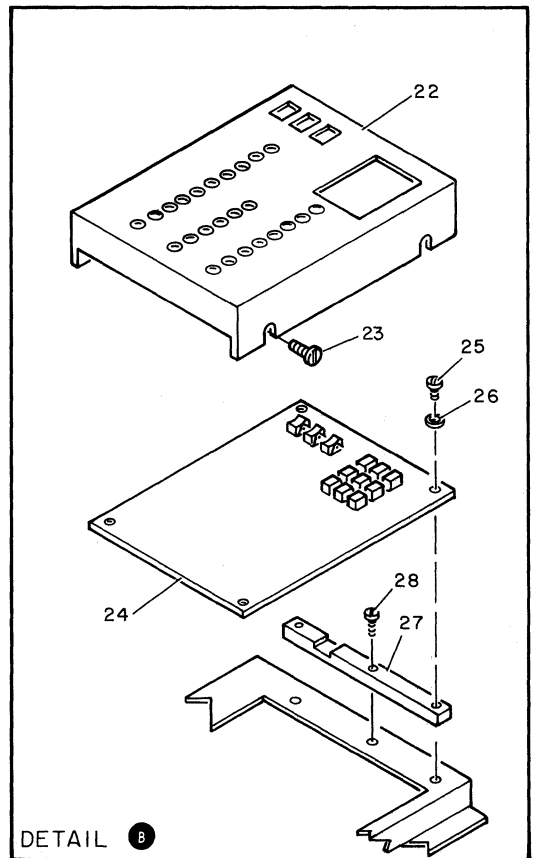
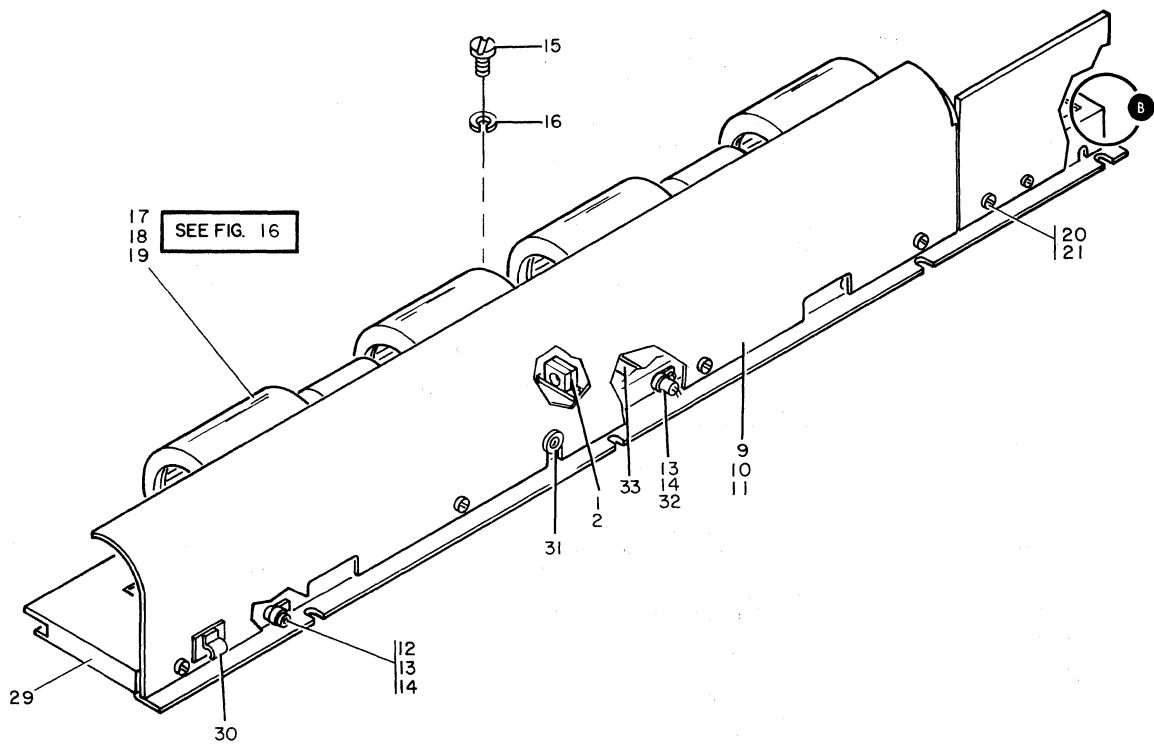


FIGURE 15. PLENUM AND BLOWER ASSEMBLY. SEE LIST 15.

PLENUM AND BLOWER ASSEMBLY

FIGURE- INDEX NUMBER	PART NUMBER	UNITS PER ASM.	DESCRIPTION			
			1	2	3	4
15 -	4124228	REF	PLENUM AND BLOWER ASSEMBLY- 60 HZ			
-	4124227	REF	PLENUM AND BLOWER ASSEMBLY- 50 HZ			
-	6831412	REF	FIRST SOURCE ONLY			
-	6831411	REF	PLENUM AND BLOWER ASM, 60 HZ			
			PLENUM AND BLOWER ASM, 50 HZ			
			SECOND SOURCE ONLY			
			FOR NEXT HIGHER ASM, SEE FIGURE 2-165			
			FOR ILLUSTRATION SEE FIGURE 15			
- 1	8483012	1	. THERMISTOR ASM			
- 2	1621173	2	. SCREW,PAN HD-M3 X 12 LG			
- 9	8330641	1	. BAFFLE			
- 10	1621190	4	. SCREW,PAN HD- M4 X 8 LG			
- 11	1622304	4	. WASHER,FL- M4 9 OD X 0.8 THK			
- 12	5578667	1	. SENSOR			
- 13	1621170	2	. SCREW,PAN HD- M3 X 1 6A			
- 14	1622344	2	. LOCKWASHER,EXT STAR- M3 X 294 THK			
- 15	2549780	1	. SCREW AND LOCKWASHER-THD FORM-M3 X 6 LG			
- 16	1622347	1	. LOCKWASHER EXT STAR- M5, 10 OD X .6			
- 17	5578672	2	. COOLING UNIT ASSEMBLY-GATE 01A, 60 HZ			
- 17	5578671	2	. COOLING UNIT ASSEMBLY-GATE 01A, 50 HZ			
			FOR DETAIL BREAKDOWN SEE FIGURE 16			
- 18	1621212	8	. SCREW,PAN HD-M5 X 16 LG			
- 19	1622306	8	. WASHER,FLAT.M6- 12.5 OD X 2 THK			
- 20	4432863	1	. BARRIER,CE PANEL			
- 21	1621190	1	. SCREW,PAN HD- M4 X 8 LG			
- 22	8483510	1	. HOUSING-CE PANEL			
- 23	1621190	2	. SCREW,PAN HD- M4 X 8 LG			
- 24	4123644	1	. PANEL ASM,CE			
- 25	1621174	4	. SCREW-MACH PAN HD,M3 X 16 LG			
- 26	1622302	4	. WASHER,FL-M3 7 OD X 0.5 THK			
- 27	8483505	2	. SPACER			
- 28	1621170	2	. SCREW,MACH SLOT PAN HD-M3 X 6 LG			
- 29	4123898	1	. PLENUM			
			FIRST SOURCE ONLY			
- 29	6831352	1	. PLENUM			
			SECOND SOURCE ONLY			
- 30	825557	3	. CLAMP			
- 31	53193	1	. GROMMET			
- 32	2676700	1	. SENSOR			
- 33	2676722	2	. BAFFLE			

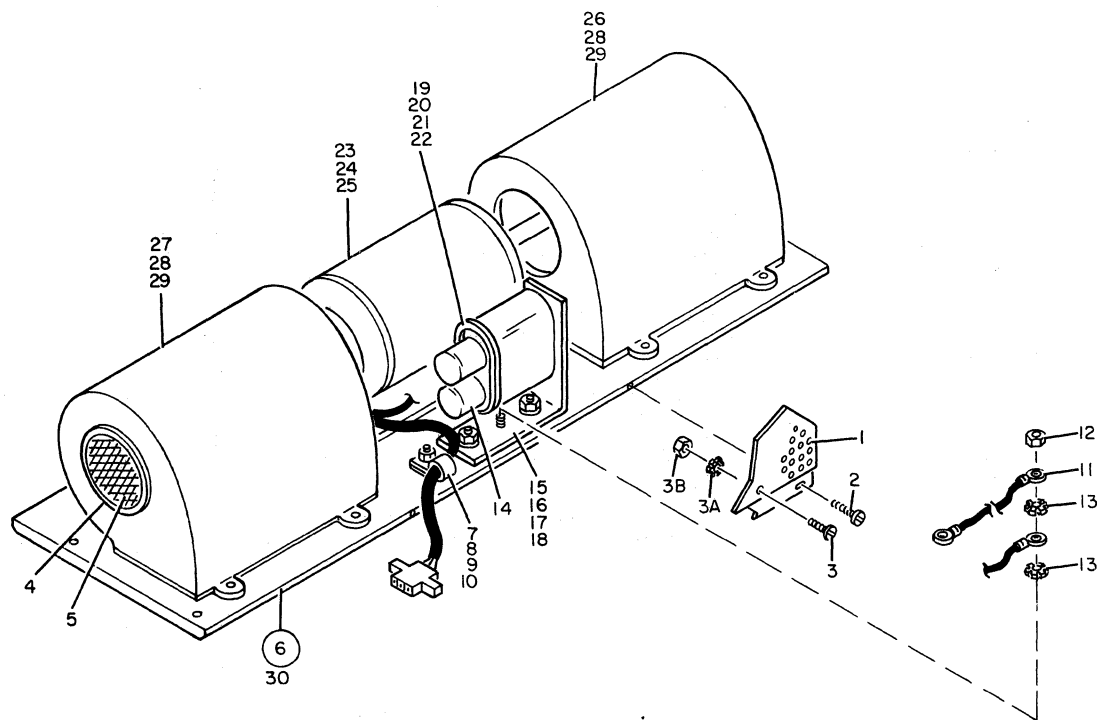


FIGURE 16. COOLING UNIT ASSEMBLY-GATE 01A. SEE LIST 16.

COOLING UNIT ASSEMBLY-GATE 01A

FIGURE- INDEX NUMBER	PART NUMBER	UNITS PER ASM.	DESCRIPTION			
			1	2	3	4
16 -	5578672	REF	COOLING UNIT ASSEMBLY, 60 HZ			
-	5578671	REF	COOLING UNIT ASSEMBLY, 50 HZ FOR NEXT HIGHER ASM SEE FIGURE 15-17 AND FOR ILLUSTRATION SEE FIGURE 16			
- 1	5578663	1	. SCREEN			
- 2	4154675	4	. SCREW			
- 2	1621171	4	. SCREW, GERMAN SUBSTITUTE			
- 2	1621685	4	. SCREW, JAPANESE SUBSTITUTE			
- 3	1621182	1	. SCREW, PAN HD-M3.5 X 8 LG			
- 3A	1622345	1	. LOCKWASHER EXT STAR- M3.5, 7 OD			
- 3B	1622402	1	. NUT, DBL CHAMFERED HEX-M 3.5 X 2.8 THK			
- 4	5578511	2	. HUB			
- 5	5578512	2	. SCREEN			
- 6	4123904	1	. BLOWER ASM- 60 HZ			
- 6	4123905	1	. BLOWER ASM- 50 HZ			
- 6	4123906	1	. BLOWER ASM-60 HZ			
- 6	4123907	1	. BLOWER ASM-50 HZ			
- 7	804109	1	. . CLAMP, 0.375 ID X 0.173 MTG HOLE			
- 8	322551	1	. . SCREW, BD HD- 6-32 X 0.750 LG			
- 9	56722	1	. . LOCKWASHER, EXT TEETH NO. 6			
- 10	257187	1	. . NUT, HEX- 6-32			
- 11	2676706	1	. . JUMPER ASM			
- 12	257187	1	. . NUT, HEX- 6-32			
- 13	56722	2	. . LOCKWASHER, EXT TEETH NO. 6			
- 14	526378	2	. . INSULATOR			
- 15	5252824	1	. . CAPACITOR			
- 16	11598	2	. . NUT, HEX- 10-32			
- 17	56079	2	. . LOCKWASHER, EXT TEETH- 0.204 ID X 0.410 O			
- 18	47242	2	. . WASHER, FL- 0.219 ID X 0.500 OD			
- 19	5468318	1	. . BRACKET, CAPACITOR			
- 20	322551	2	. . SCREW, BD HD- 6-32 X 0.750 LG			
- 21	56722	4	. . LOCKWASHER, EXT TEETH NO. 6			
- 22	257187	2	. . NUT, HEX- 6-32			
- 23	4109449 NR	1	. . MOTOR ASM			
- 24	5677	2	. . SCREW, BD HD- 10-32 X 0.750 LG			
- 25	56079	2	. . LOCKWASHER, EXT TEETH- 0.204 ID X 0.410 O			
- 26	2561584	1	. . SCROLL ASM, LEFT- 60 HZ			
- 26	1574353	1	. . SCROLL ASM, LEFT- 50 HZ			
- 27	2561585	1	. . SCROLL ASM, RIGHT- 60 HZ			
- 27	1574352	1	. . SCROLL ASM, RIGHT- 50 HZ			
- 28	322065	8	. . SCREW, BD HD- 6-32 X 0.625 LG			
- 29	56722	8	. . LOCKWASHER, EXT TEETH NO. 6			
- 30	4123903	1	. . PLATE			
- 30	4056221	1	. . PLATE GERMAN AND JAPANESE SUBSTITUTE			
- 31	1159519	1	. . TIE, CABLE			

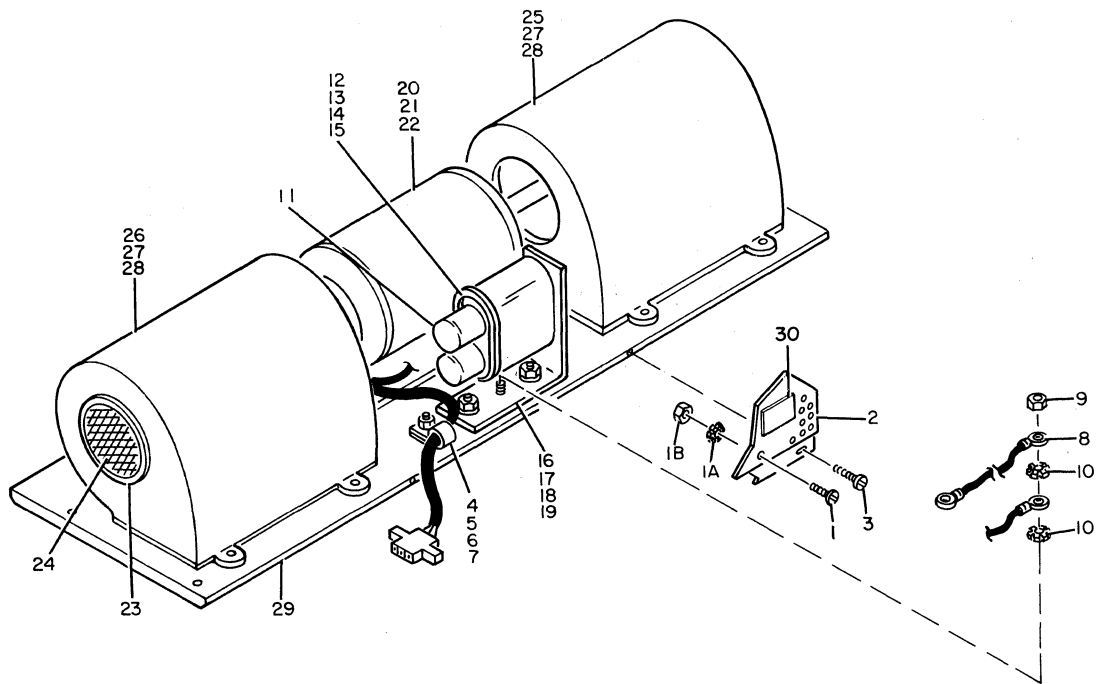


FIGURE 17. COOLING UNIT ASSEMBLY-GATE 01A SECOND SOURCE. SEE LIST 17.

COOLING UNIT ASSEMBLY-GATE 01A SECOND SOURCE

FIGURE- INDEX NUMBER	PART NUMBER	UNITS PER ASM.	DESCRIPTION			
			1	2	3	4
17 -	4432800	REF	COOLING UNIT ASSEMBLY, 60 HZ			
-	4432810	REF	COOLING UNIT ASSEMBLY, 50 HZ FOR NEXT HIGHER ASM SEE FIGURE 2-162 AND 3A-72 AND FOR ILLUSTRATION SEE FIGURE 17			
- 1	1621182	1	. SCREW, PAN HD-M3.5 X 8 LG			
- 1A	1622345	1	. LOCKWASHER EXT STAR- M3.5, 7 OD			
- 1B	1622402	1	. NUT, DBL CHAMFERED HEX-M 3.5 X 2.8 THK			
- 2	8330707	1	. SCREEN			
- 3	4154675	4	. SCREW ATT PT			
- 3	1621685	4	. SCREW, GERMAN SUBSTITUTE			
- 4	804109	1	. CLAMP, 0.375 ID X 0.173 MTG HOLE			
- 5	322551	1	. SCREW, BD HD- 6-32 X 0.750 LG ATT PT			
- 6	56722	1	. LOCKWASHER, EXT TEETH NO. 6 ATT PT			
- 7	257187	1	. NUT, HEX- 6-32 ATT PT			
- 8	2676706	1	. JUMPER ASM			
- 9	257187	1	. NUT, HEX- 6-32 ATT PT			
- 10	56722	2	. LOCKWASHER, EXT TEETH NO. 6 ATT PT			
- 11	526378	2	. INSULATOR			
- 12	5252823	1	. CAPACITOR, 60 HZ NON PCB			
- 12	8279060	1	. CAPACITOR, 50 HZ			
- 13	11598	2	. NUT, HEX- 10-32 ATT PT			
- 14	56079	2	. LOCKWASHER, EXT TEETH- 0.204 ID X 0.410 O ATT PT			
- 15	47242	2	. WASHER, FL- 0.219 ID X 0.500 OD ATT PT			
- 16	5468318	1	. BRACKET, CAPACITOR			
- 17	322551	2	. SCREW, BD HD- 6-32 X 0.750 LG ATT PT			
- 18	56722	4	. LOCKWASHER, EXT TEETH NO. 6 ATT PT			
- 19	257187	2	. NUT, HEX- 6-32 ATT PT			
- 20	4109445	1	. MOTOR ASM, 60HZ			
- 20	4109446	1	. MOTOR ASM, 50HZ			
- 21	322620	2	. SCREW ATT PT			
- 22	56079	2	. LOCKWASHER, EXT TEETH- 0.204 ID X 0.410 O ATT PT			
- 23	5578511	2	. HUB			
- 24	5578512	2	. SCREEN			
- 25	5357145	1	. SCROLL AND WHEEL ASM- RIGHT, 60HZ			
- 25	5468305	1	. SCROLL ASM- RIGHT, 50HZ			
- 26	5357144	1	. SCROLL AND WHEEL ASM- LEFT, 60HZ			
- 26	5468306	1	. SCROLL ASM- LEFT, 50HZ			
- 27	322550	6	. SCREW, BD HD- 6-32 X 0.500 LG ATT PT			
- 28	56722	6	. LOCKWASHER, EXT TEETH NO. 6 ATT PT			
- 29	8330704	1	. PLATE			
- 30	4411141	1	. LABEL, GROUND			

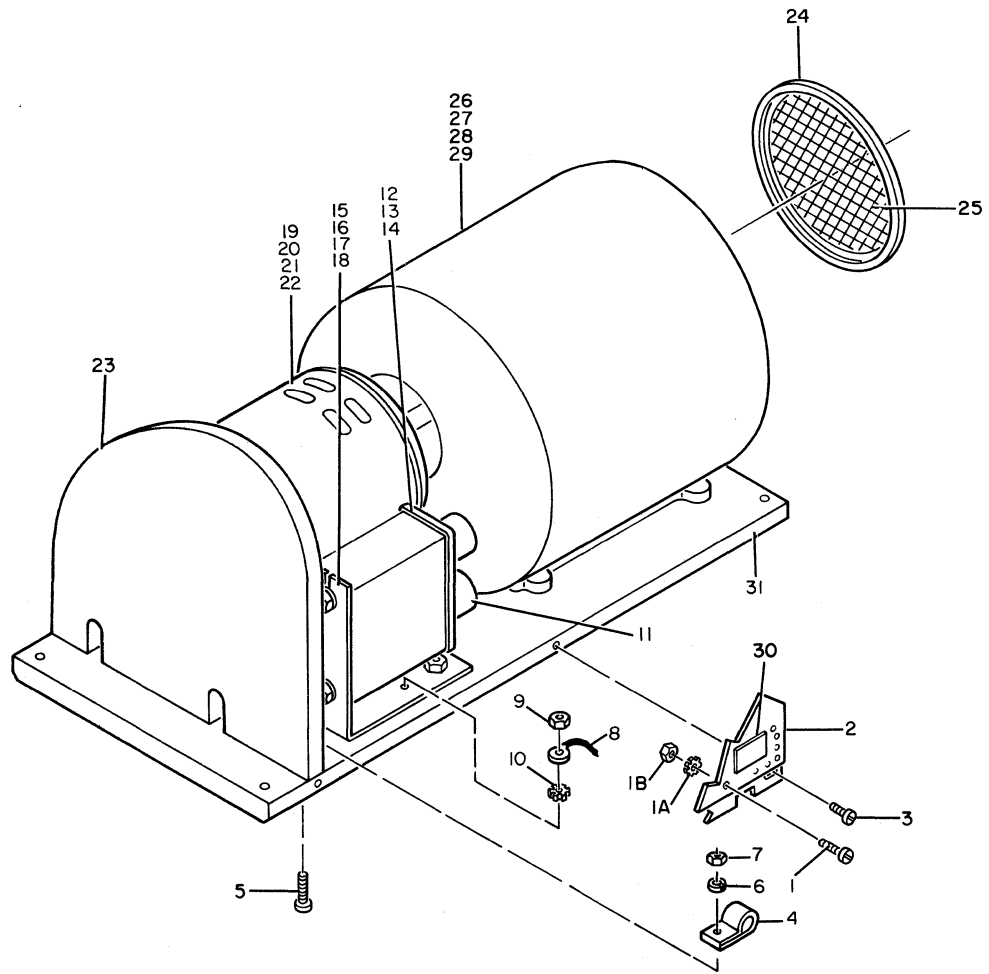


FIGURE 18. COOLING UNIT ASSEMBLY-GATE 02. SEE LIST 18.

COOLING UNIT ASSEMBLY-GATE 02

FIGURE- INDEX NUMBER	PART NUMBER	UNITS PER ASM.	DESCRIPTION			
			1	2	3	4
18 -	8330712	REF	COOLING UNIT ASSEMBLY, 60 HZ			
-	8330711	REF	COOLING UNIT ASSEMBLY, 50 HZ			
			FOR NEXT HIGHER ASM SEE FIGURE 3-47			
			AND FOR ILLUSTRATION SEE FIGURE 18			
- 1	1621182	1	. SCREW, PAN HD-M3.5 X 8 LG			
- 1A	1622345	1	. LOCKWASHER EXT STAR- M3.5, 7 OD			
- 1B	1622402	1	. NUT, DBL CHAMFERED HEX-M 3.5 X 2.8 THK			
- 2	5578663	1	. SCREEN			
- 3	4154675	4	. SCREW			
- 3	1621685	4	. SCREW, GERMAN SUBSTITUTE			
- 4	804109	1	. CLAMP, 0.375 ID X 0.173 MTG HOLE			
- 5	322551	1	. SCREW, BD HD- 6-32 X 0.750 LG			
- 6	56722	1	. LOCKWASHER, EXT TEETH NO. 6			
- 7	257187	1	. NUT, HEX- 6-32			
- 8	2676725	1	. JUMPER ASM			
- 9	257187	1	. NUT, HEX- 6-32			
- 10	56722	2	. LOCKWASHER, EXT TEETH NO. 6			
- 11	526378	2	. INSULATOR			
- 12	5252857	1	. CAPACITOR, NON PCB			
- 13	11598	2	. NUT, HEX- 10-32			
- 14	56079	2	. LOCKWASHER, EXT TEETH- 0.204 ID X 0.410 O			
- 15	1573510	1	. BRACKET			
- 16	322065	2	. SCREW, BD HD- 6-32 X 0.625 LG			
- 17	257986	2	. WASHER			
- 18	56722	2	. LOCKWASHER, EXT TEETH NO. 6			
- 19	8330713	1	. MOTOR ASM, 60HZ			
- 19	4109444	1	. MOTOR ASM, 50HZ			
- 20	10295	2	. SCREW, BD HD- 10-32 X 1.125 LG			
- 21	56079	2	. LOCKWASHER, EXT TEETH- 0.204 ID X 0.410 O			
- 22	45690	2	. WASHER, FL- 0.203 ID X 0.438 OD			
- 23	8330708	1	. SHIELD			
- 24	5578511	1	. HUB			
- 25	5578512	1	. SCREEN			
- 26	5468388	1	. SCROLL ASM- 60 HZ			
- 26	2561584	1	. SCROLL ASM- 50 HZ			
- 27	322065	4	. SCREW, BD HD- 6-32 X 0.625 LG			
- 28	56722	4	. LOCKWASHER, EXT TEETH NO. 6			
- 29	257986	4	. WASHER			
- 30	4441141	1	. LABEL			
- 31	8330709	1	. PLATE			

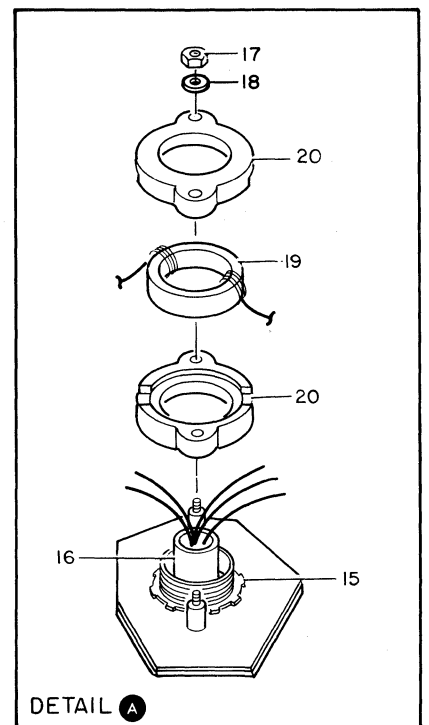
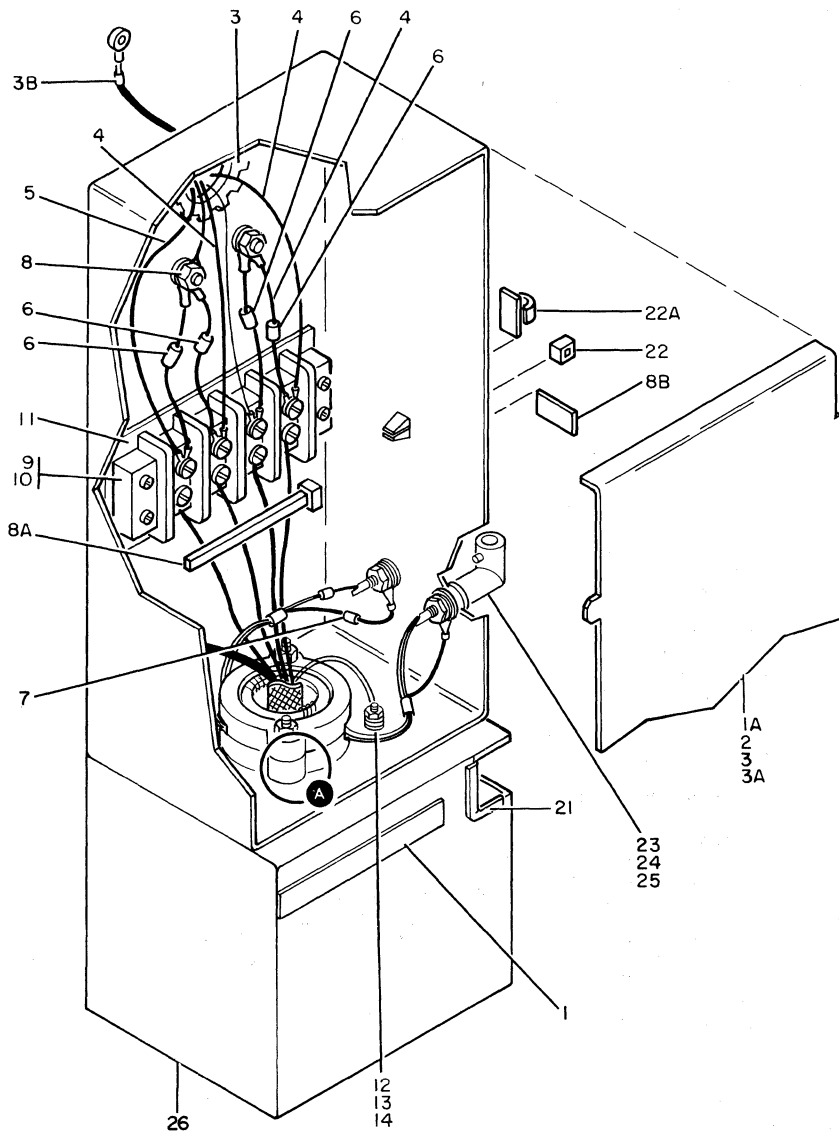
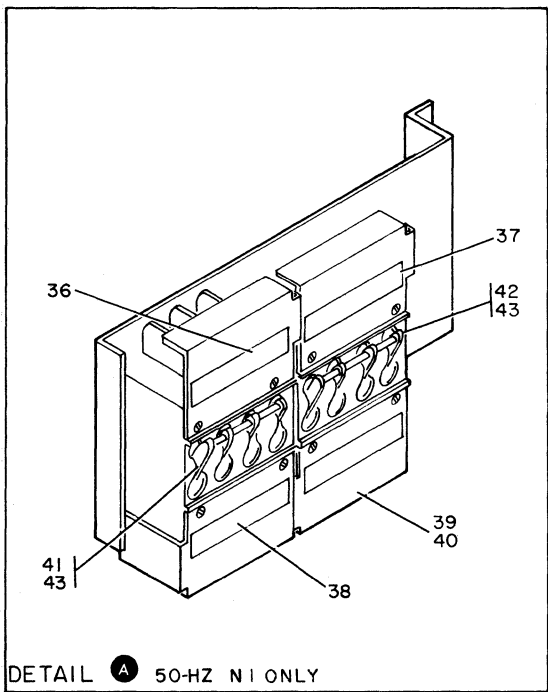
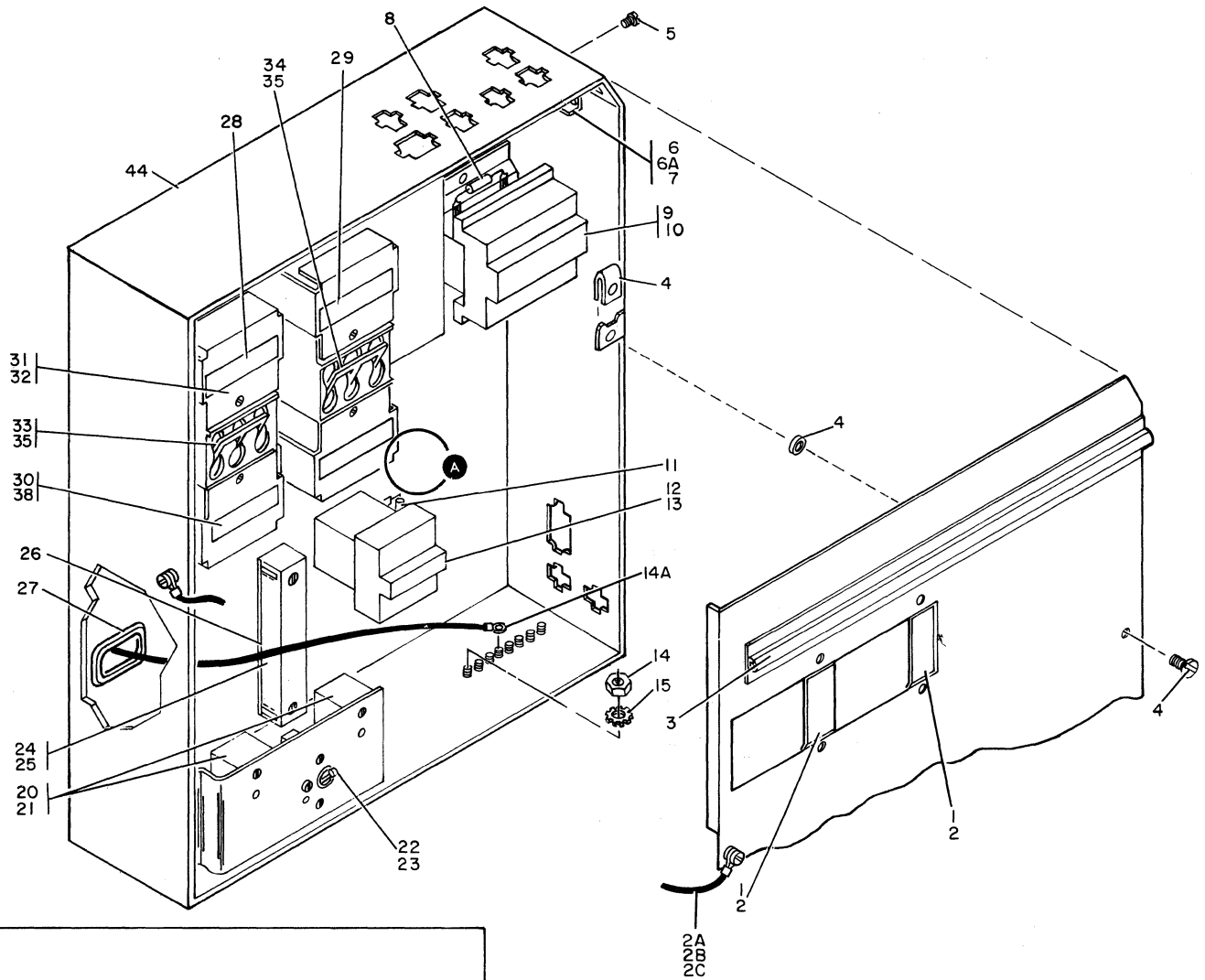


FIGURE 19. LINE FILTER ASSEMBLY. SEE LIST 19.

LINE FILTER ASSEMBLY

FIGURE- INDEX NUMBER	PART NUMBER	UNITS PER ASM.	DESCRIPTION			
			1	2	3	4
19 -	6831458	REF	LINE FILTER ASSEMBLY- 50HZ W/O 200V			
-	6831460	REF	LINE FILTER ASSEMBLY- 60 HZ FIRST SOURCE ONLY			
-	6831462	REF	LINE FILTER ASM, 60 HZ			
-	6831464	REF	LINE FILTER ASM, 200V 50/60 HZ WTC SECOND SOURCE ONLY FOR NEXT HIGHER ASM, SEE FIGURE 2-94 FOR ILLUSTRATION SEE FIGURE 19			
- 1	5731697	1	. LABEL, ENGLISH/NORWEGIAN			
- 1	4154584	1	. LABEL, GERMAN			
- 1	4154583	1	. LABEL, CANADIAN			
- 1	6825908	1	. LABEL, FRENCH			
- 1	4154587	1	. LABEL, FRENCH DUTCH			
- 1	6825879	1	. LABEL, FINNISH			
- 1	6825906	1	. LABEL, ITALIAN			
- 1	4154586	1	. LABEL, SWEDISH			
- 1	4154589	1	. LABEL, SPANISH			
- 1	4154585	1	. LABEL, BRAZILIAN/PORTUGUESE			
- 1A	6831368	1	. COVER			
- 2	1621519	2	. SCREW, HEX SOCKET CAP HD-M5 X 12 LG			
- 3	1622305	2	. WASHER,			
- 3A	1622319	2	. WASHER, LOCKING SPRING, M5- 9.2 OD X 1.2 T			
- 3B	352870	1	. LABEL			
- 4	6831497	3	. JUMPER			
- 5	6831498	3	. JUMPER, USED ON 50HZ ONLY			
- 6	4154659	3	. CAPACITOR ASM			
- 7	4432847	1	. CAPACITOR-USED ON 50 HZ 1ST SOURCE ONLY			
- 8	1622405	2	. NUT, HEX-M6 X 10 FL W			
- 8A	524519	1	. STRAP, CABLE			
- 8B	4109521	2	. LABEL			
- 9	323845	1	. BLOCK, TERMINAL- 4 POS			
- 10	1621193	4	. SCREW, PAN HD- M4 X 16LG			
- 11	21C1400	1	. STRIP, MARKER			
- 12	1622405	2	. NUT, HEX-M6 X 10 FL W			
- 13	1622320	2	. LOCKWASHER, SPLIT- M6, 11.8 OD X 1.6 THK			
- 14	1622306	2	. WASHER, FLAT, M6- 12.5 OD X 2 THK			
- 15	342250	1	. CLAMP, BOX CONNECTOR TYPE			
- 16	6831493	1	. CABLE ASM, 30A, 3P, 50HZ WITHOUT 200V, 4.3M FIRST SOURCE ONLY			
- 16	4109478	1	. CABLE ASM, 30A 3P 60 HZ- 4.26 M			
- 16	6831495	1	. CABLE ASM, 30A, 3P 60 HZ 60HZ 1.8M SECOND SOURCE ONLY			
- 16	6831496	1	. CABLE ASM, 30A, 3P 50 HZ 200V 50/60HZ, 4.3M SECOND SOURCE ONLY FOR CABLE COMPONENT PARTS SEE FIGURE 21			
- 17	1622403	1	. NUT, DBL CHAMFERED HEX M4 X 3.2 THK			
- 18	1622305	1	. WASHER, FL- M5 10 OD X 1 THK			
- 19	8483180	1	. CORE ASM, FERRITE			
- 20	6831367	2	. SPACER			
- 21	473442	1	. GROMMET, CATERPILLAR			
- 22	2277082	1	. CLAMP			
- 22A	825557	2	. CLAMP			
- 23	1310058	2	. RECEPTACLE			
- 24	1310482	2	. INSULATOR			
- 25	846555	1	. WASHER, LOCK			
- 26	6831369	1	. BOX			



DETAIL A 50-HZ NI ONLY

FIGURE 20. PCC BOX ASSEMBLY. SEE LIST 20.

PCC BOX ASSEMBLY

FIGURE- INDEX NUMBER	PART NUMBER	UNITS PER ASM.	DESCRIPTION			
			1	2	3	4
20 -	6831445	REF	PCC BOX ASSEMBLY- 60 HZ			
-	6831446	REF	PCC BOX ASSEMBLY- 50 HZ			
-	6831454	REF	PCC BOX ASSEMBLY, 50 HZ W/O NI			
-	6831453	REF	PCC BOX ASSEMBLY, 50 HZ W NI FOR NEXT HIGHER ASM SEE FIGURE 2-63 AND FOR ILLUSTRATION SEE FIGURE 20			
- 1	8483160	2	. BRACKET			
- 2	1621170	4	. SCREW, PAN HD- M3 X L 6A			
- 2A	4109506	1	. JUMPER			
- 2B	1621198	2	. SCREW, PAN HD-M4 X 4 LG			
- 2C	1622346	2	. LOCKWASHER, EXT STAR- M4, 8 OD X .5			
- 3	8483347	AR	. SEAL			
- 4	4204962	1	. FASTENER ASM			
- 5	1621171	4	. SCREW, PAN HD- M3 X 8 LG			
- 6	5271288	1	. TAB			
- 6A	1622344	1	. WASHER, LOCK			
- 7	1621170	1	. SCREW, PAN HD- M3 X L 6A			
- 8	2542049	1	. RESISTOR, DIODE ASM WITH SPADE TERMINALS			
- 9	2561149	1	. CONTACTOR ASM USED ON 50HZ			
- 9	2128748	1	. CONTACTOR, MAGNETIC 24 VOLT COIL USED ON 60HZ			
- 10	1621198	2	. SCREW, PAN HD-M4 X 4 LG			
- 11	2542049	1	. RESISTOR, DIODE ASM WITH SPADE TERMINALS			
- 12	5276701	1	. CONTACTOR, MAGNETIC 24 VDC			
- 13	1621170	2	. SCREW, PAN HD- M3 X L 6A			
- 14	1622403	8	. NUT, DBL CHAMFERED HEX M4 X 3.2 THK			
- 14A	4109469	1	. JUMPER, GROUND			
- 15	1622346	8	. LOCKWASHER, EXT STAR- M4, 8 OD X .5			
- 20	2242321	2	. RELAY			
- 21	81693	2	. SCREW, BD HD- 6-32 X 0.375 LG			
- 22	2574136	1	. CIRCUIT PROTECTOR, 60HZ			
- 22	2676638	1	. CIRCUIT PROTECTOR, 50HZ			
- 23	38442	2	. SCREW, FL HD- 6-32 X 0.250 LG			
- 24	1799218	1	. BLOCK, TERMINAL			
- 25	1621066	2	. SCREW-MACH CHEESE HD, M4 X 30 LG			
- 26	1799206	1	. INSULATOR, TERMINAL BOARD			
- 27	730432	1	. GROMMET, CATERPILLAR			
- 28	8483171	1	. LABEL-CB1 USED ON 60HZ			
- 29	8483173	1	. LABEL-CB2 USED ON 60HZ			
- 30	8483177	2	. LABEL-T1/T4 USED ON 60HZ			
- 31	1570563	2	. COVER USED ON 60HZ			
- 32	38443	4	. SCREW, FL CSK HD- 6-32 X 0.312 LG			
- 33	5214256	1	. CIRCUIT PROTECTOR-USED ON ALL 60HZ			
- 33	4120541	1	. CIRCUIT PROTECTOR USED ON 50HZ W/O N.I.			
- 34	5252506	1	. CIRCUIT PROTECTOR-USED ON 60 HZ			
- 34	4120543	1	. CIRCUIT PROTECTOR USED ON 50HZ W/O N.I.			
- 35	1621191	8	. SCREW, PAN HD- M4 X 10 LG USED ON 50HZ ONLY			
- 36	8483163	1	. LABEL-CB1 USED ON 50HZ			
- 37	8483165	1	. LABEL-CB2 USED ON 50HZ			
- 38	8483169	2	. LABEL-T1/T4 USED ON 50HZ			
- 39	1896820	2	. COVER USED ON 50HZ			
- 40	38443	4	. SCREW, FL CSK HD- 6-32 X 0.312 LG			
- 41	4109388	1	. CIRCUIT PROTECTOR, 50 HZ USED ON 50HZ WITH N.I.			
- 42	4120601	1	. CIRCUIT PROTECTOR, 50 HZ USED ON 50HZ WITH N.I.			
- 43	1621191	8	. SCREW, PAN HD- M4 X 10 LG			
- 44	6831332	1	. BOX ASM, PCC			

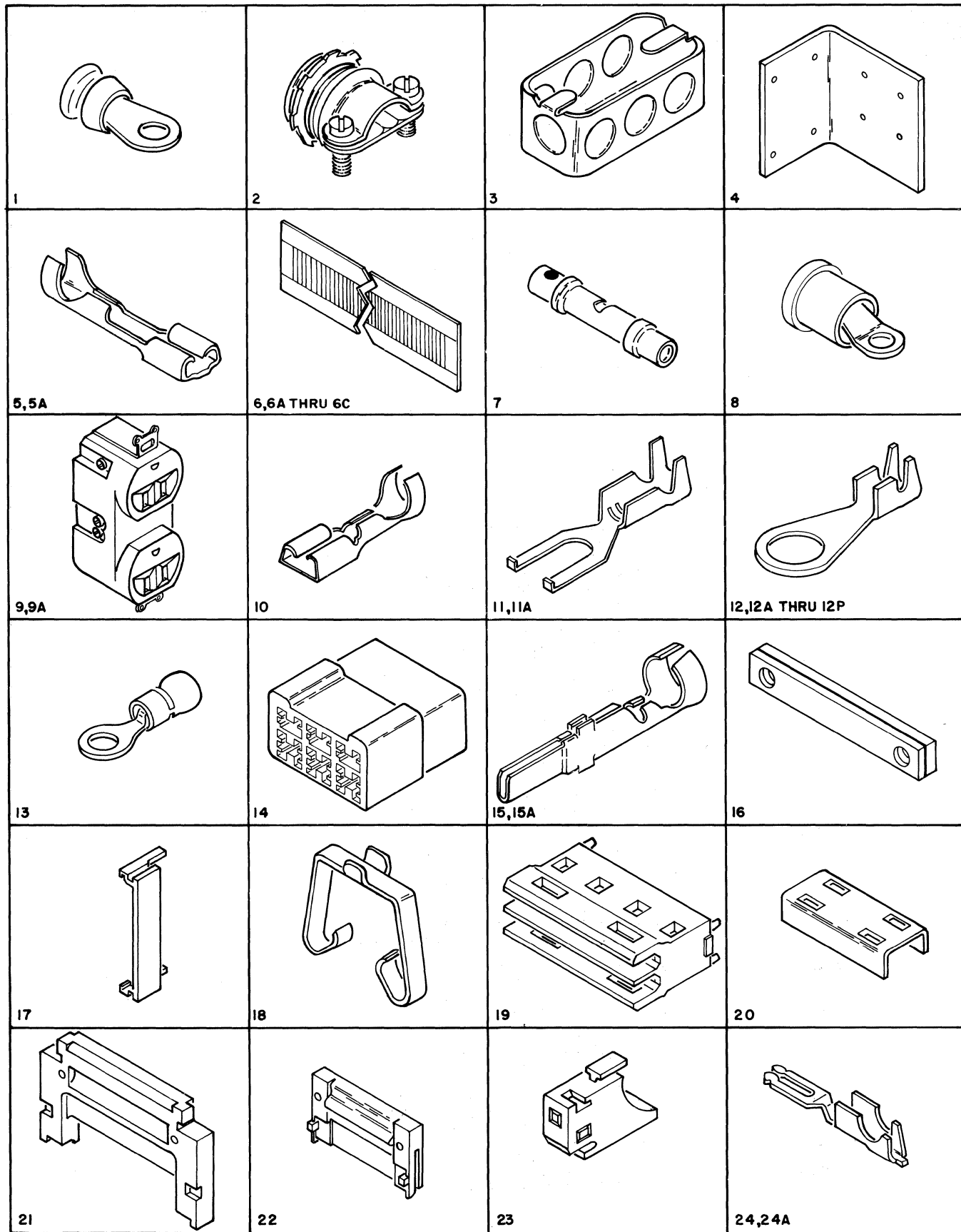


FIGURE 21. CABLE ASSEMBLIES WITH COMPONENT PARTS. SHEET 1 OF 5. INDEX NOS. 1-24A. SEE LIST 21.

CABLE ASSEMBLIES WITH COMPONENT PARTS

FIGURE- INDEX NUMBER	PART NUMBER	UNITS PER ASM.	DESCRIPTION			
			1	2	3	4
21			LINE CORD ASSEMBLIES			
- A	4109478	1	LINE CORD AND PLUG ASM,30A 3P CANADA ONLY			
- A	6831493	1	LINE CORD ASM,30A 3P 50HZ WITHOUT 200V WORLD TRADE EXCEPT CANADA			
- A	6831494	1	LINE CORD AND PLUG ASM,30A 3P 60HZ 208/240V 4.26M LONG			
- A	6831495	1	LINE CORD AND PLUG ASM,30A 3P 60HZ 208/240V 1.83M LONG			
- A	6831496	1	LINE CORD ASM,30A 3P 50HZ 200/208/220V AND 240V WORLD TRADE EXCEPT CANADA			
- B	1310304	1	CABLE ASM-CONN 26 TO TB1 FOR COMPONENT PARTS SEE INDEXES 6,12C,12M,29A,43,63,64			
- B	1310352	1	HARNESS ASM-A1V2-B1A2 FOR COMPONENT PARTS SEE INDEXES 30,92,111			
- B	1310353	1	HARNESS ASM- 3 CHANNEL BASIC FOR COMPONENT PARTS SEE INDEXES 30,92			
- B	1310354	1	HARNESS ASM- 3 CHANNEL FEATURE FOR COMPONENT PARTS SEE INDEXES 30,92,111			
- B	1310355	1	HARNESS ASM 1AA1-1AA1-1AB1,LOWER FOR COMPONENT PARTS SEE INDEXES 30,92,111			
- B	1310357	1	CABLE ASM- 01A B2 TO FRAME 02 HSC FOR COMPONENT PARTS SEE INDEXES 16,17,30,35,54B,55,65,71,80,81A,81D,119			
- B	1310360	1	CABLE ASM- PS240,242 TO 02A-A1,A2 FOR COMPONENT PARTS SEE INDEXES 16,30,36,54A,54C,71,72,81A,81G,119			
- B	1310363	1	CABLE ASM-METER FOR COMPONENT PARTS SEE INDEXES 5,12,30,34,44			
- B	1310366	1	CABLE ASM-RSF- 1AA2 BY 1G CCA2 FOR COMPONENT PARTS SEE INDEXES 16,17,65,81A,86,94,98			
- B	2674294	1	CABLE ASM- 01A B2 TO FRAME 02 FOR COMPONENT PARTS SEE INDEXES 16,17,30,35,54A,65,81A,81L,117,119			
- B	4109347	1	CABLE ASM-P142 TO 1AB2B5 FOR COMPONENT PARTS SEE INDEXES 16,17,30,35,54,65,81A			
- B	4109359	1	CABLE ASM-I/O COMPLETE FOR SPI FOR COMPONENT PARTS SEE INDEXES 14,28,43,63			
- B	4109387	1	CABLE ASM-CONV OUTLET- 60HZ EMEA FOR COMPONENT PARTS SEE INDEXES 2,3,9,11,11A,30,33C,39,85,113			
- B	4109438	1	CABLE ASM- 01 FRAME SENSORS FOR COMPONENT PARTS SEE INDEXES 16,17,30,33G,41,57,68B,91			
- B	4109459	1	CABLE ASM-PS 103-02 TO PS 105-03 FOR COMPONENT PARTS SEE INDEXES 30,32,33,41			
- B	4109460	1	CABLE ASM-TB 205 TO TR 102-1 FOR COMPONENT PARTS SEE INDEXES 12K,15A,29A,30,55B,61			
- B	4109461	1	CABLE ASM-TBB1 TO 01A-C1 FOR COMPONENT PARTS SEE INDEXES 12F,12G,18,19,20,30			
- C	4109462	1	CABLE ASM-TBB1 TO CONN 245 FOR COMPONENT PARTS SEE INDEXES 12E,30,31D,37			
- C	4109463	1	CABLE ASM-PS206 TO IPS 201 TO CON 245 FOR COMPONENT PARTS SEE INDEXES 30,31E,38,41,56,67,68			
- C	4109499	1	JUMPER ASM-IPS 201 FOR COMPONENT PARTS SEE INDEX 87			
- C	4109500	1	JUMPER ASM-IPS 201 FOR COMPONENT PARTS SEE INDEX 87			

CABLE ASSEMBLIES WITH COMPONENT PARTS

FIGURE- INDEX NUMBER	PART NUMBER	UNITS PER ASM.	DESCRIPTION			
			1	2	3	4
21 - C	4109505	1	CABLE ASM-CABLE ADAPTER FOR COMPONENT PARTS SEE INDEXES 12P,36,121A,124,125,126,127,128			
- C	4109511	1	CABLE ASM- 03A TO 03E FOR COMPONENT PARTS SEE INDEXES 6C,16,24A,27,72A,81A,95,96,97			
- C	4109512	1	CABLE ASM- 01AA2 TO 01E, 3 CHANNEL BASIC FOR COMPONENT PARTS SEE INDEXES 16,17,65,65A,81A,88,96,115			
- C	4109513	1	CABLE ASM- 01AA2 TO 01E, 3 CHANNEL FEAT. FOR COMPONENT PARTS SEE INDEXES 16,17,65,65A,81A,96,115			
- C	4109522	1	CABLE ASM- PCC- 20 TO AMD 107 FOR COMPONENT PARTS SEE INDEXES 30,43,44,63,64			
- C	4109532	1	CABLE ASM- 01AA2B4 TO 01GCCA2 FOR COMPONENT PARTS SEE INDEXES 16,17,30,65,81A,90,94,98			
- C	4109533	1	CABLE ASM-AC CONN 54 (CONV OUTLET) FOR COMPONENT PARTS SEE INDEXES 6,10,12E,30,32,44			
- C	4123750	1	CABLE ASM-PS205-CONN 2-IPS 201 FOR COMPONENT PARTS SEE INDEXES 30,33,49,56,67,68A			
- C	4123752	1	CABLE ASM-CONN 57 TO TE205 (60HZ) FOR COMPONENT PARTS SEE INDEXES 12K,15,29A,30,62			
- C	4123753	1	CABLE ASM-TB 205 TO TR 201-A-P1 FOR COMPONENT PARTS SEE INDEXES 12K,15A,29A,30,61			
- C	4123754	1	CABLE ASM-TB 205 TO TR 202-P1 FOR COMPONENT PARTS SEE INDEXES 12K,15A,29A,55A,61			
- C	4123755	1	CABLE ASHCONN 24 TO PRO2 BLOWERS FOR COMPONENT PARTS SEE INDEXES 30,32,33,40,43,44			
- D	4123765	1	CABLE ASM-PRO2 SENSORS TO J241 FOR COMPONENT PARTS SEE INDEXES 30,31B,33B,36,40,41,45,54A			
- D	4123774	1	CABLE ASM- FOR COMPONENT PARTS SEE INDEXES 16,17,30,33E,47,51,65,81A			
- D	4123824	1	CABLE ASM-TR 201 FOR COMPONENT PARTS SEE INDEXES 12D,12N,15,29A,55A,62			
- D	4123827	1	CABLE ASM-BIAS FOR COMPONENT PARTS SEE INDEXES 12B,12L,29,33,39			
- D	4123828	1	CABLE ASM-TR 202 FOR COMPONENT PARTS SEE INDEXES 12B,12N,15,55A,62			
- D	4124112	1	CABLE ASM-PCC GATE AMD'S FOR COMPONENT PARTS SEE INDEXES 30,39,43,63,64			
- D	4124138	1	CABLE ASM-CH/CH FOR COMPONENT PARTS SEE INDEXES 12D,12N,15,29A,55A,62			
- D	4124178	1	CABLE ASM-THERMAL SWITCH FOR COMPONENT PARTS SEE INDEXES 30,31,37			
- D	4124179	1	CABLE ASM-THERMAL SWITCH FOR COMPONENT PARTS SEE INDEXES 30,31,37			
- D	4124182	1	CABLE ASM-THERMAL SWITCH			
- D	4124183	1	CABLE ASM-THERMAL SWITCH FOR COMPONENT PARTS SEE INDEXES 30,31,37			
- D	4124192	1	CABLE ASM-TR 201-C FOR COMPONENT PARTS SEE INDEXES 1,6,8,30,52,53			
- D	4124193	1	CABLE ASM-TR 201-B FOR COMPONENT PARTS SEE INDEXES 6,8,30,52,53,66			
- D	4124194	1	CABLE ASM-TR 201-B FOR COMPONENT PARTS SEE INDEXES 1,6,8,30,52,53			
- D	4124195	1	CABLE ASM-TR 201-A			

CABLE ASSEMBLIES WITH COMPONENT PARTS

FIGURE- INDEX NUMBER	PART NUMBER	UNITS PER ASM.	DESCRIPTION			
			1	2	3	4
21						FOR COMPONENT PARTS SEE INDEXES 1,6,8,30,52,53
- E	4124196	1				CABLE ASM-TR 201-C 6,8,30,52,53,66
- E	4124197	1				CABLE ASM-TR 202 FOR COMPONENT PARTS SEE INDEXES 6,12J,30,49,64
- E	4124202	1				CABLE ASM-TR 202 FOR COMPONENT PARTS SEE INDEXES 6,12J,30,49,63
- E	4124203	1				CABLE ASM-TR 201-A FOR COMPONENT PARTS SEE INDEXES 6,8,30,52,53,66
- E	4124240	1				CABLE ASM-CONN 57 TO TB 205 (50HZ) FOR COMPONENT PARTS SEE INDEXES 12K,15,29A,30,62
- E	4124241	1				CABLE ASM-TB 205 TO TR 201-B-P1 FOR COMPONENT PARTS SEE INDEXES 12K,15A,29A,30,61
- E	4124242	1				CABLE ASM-TB 205 TO TR 201-C-P1 FOR COMPONENT PARTS SEE INDEXES 12K,15A,29A,30,61
- E	4124247	1				CABLE ASM-FAN FOR COMPONENT PARTS SEE INDEXES 6,10,12H,30,32,43
- E	4154645	1				CABLE ASM-PS104-CON 03 TO 01A-B2 FOR COMPONENT PARTS SEE INDEXES 16,17,18,19,20,30,33C,49,65,81A,99
- E	4155354	1				CABLE ASM-CONN 1 FOR COMPONENT PARTS SEE INDEXES 12D,12N,16,29A,55A,62
- E	4155374	1				CABLE ASM-CONN 1 TO CR3,4 W1-1 FOR COMPONENT PARTS SEE INDEXES 6,8,13,30,52,53
- E	4432400	1				CABLE ASM-CONN 224 TO IPS 201 FOR COMPONENT PARTS SEE INDEXES 30,32,48,56,67,68
- E	4432401	1				CABLE ASM-TBB1 TO CONN 224 FOR COMPONENT PARTS SEE INDEXES 12E,30,33,47
- E	4432402	1				CABLE ASM-PS 205-CONN 2-IPS 201 AND CONN FOR COMPONENT PARTS SEE INDEXES 30,32,33,42,49,56,67,68A
- E	4432403	1				CABLE ASM-CONN 246 TO IPS-101 FOR COMPONENT PARTS SEE INDEXES 30,32,41,56,67,68A
- E	4432404	1				CABLE ASM-IPS 101 REMOTE SENSE FOR COMPONENT PARTS SEE INDEXES 12E,30,56,67,68
- F	4432405	1				CABLE ASM-J243 TO IPS 101 (01C-AL) FOR COMPONENT PARTS SEE INDEXES 12E,12F,30,33,45,59,67
- F	4432406	1				CABLE ASM-PS 201 AND TB 206 TO P 243 FOR COMPONENT PARTS SEE INDEXES 12F,29,30,32,46
- F	4432408	1				CABLE ASM-TB 205-TR 102- 1 FOR COMPONENT PARTS SEE INDEXES 12K,15A,29A,30,55A,61
- F	4432409	1				CABLE ASM-PCC- 20 TO AMD'S 101,107 FOR COMPONENT PARTS SEE INDEXES 33,43,44,63
- F	4432410	1				CABLE ASM-PCC- 20 TO AMD'S 101,106,107 FOR COMPONENT PARTS SEE INDEXES 30,32,33,43,44,64
- F	4432411	1				CABLE ASM-PCC TO GATE AMD'S FOR COMPONENT PARTS SEE INDEXES 30,39,43,63,64
- F	4432471	1				CABLE ASM-TB 205-TR 204-PI FOR COMPONENT PARTS SEE INDEXES 12K,15A,29A,30,61,112
- F	4432472	1				CABLE ASM-TB205-TR206-P1 FOR COMPONENT PARTS SEE INDEXES 12K,15A,29A,30,61,112
- F	4432473	1				CABLE ASM-IPS 101-PS206-03 AND P243 FOR COMPONENT PARTS SEE INDEXES 12E,30,33,37,48,56,59,67,68,68A,118
- F	4432474	1				CABLE ASM- +5 VOLT AND +24 VOLT DIST

CABLE ASSEMBLIES WITH COMPONENT PARTS

FIGURE- INDEX NUMBER	PART NUMBER	UNITS PER ASM.	DESCRIPTION			
			1	2	3	4
21						FOR COMPONENT PARTS SEE INDEXES 29,30,32,33C,37,47
- F	4432624	1				CABLE ASM-TR204 12D,12N,15,29B,55A,62
- F	4432626	1				CABLE ASM-TR206 FOR COMPONENT PARTS SEE INDEXES 12D,12N,15,29C,55A,62
- F	4432775	1				CABLE ASM-1A,D2,F3 TO PS101,104,AFS 103 THS 101 FOR COMPONENT PARTS SEE INDEXES 5,10,16,17,30,34,40,43,45,65,81,99
- F	4432777	1				CABLE ASM-01F-J2 TO 01A-D2 FOR COMPONENT PARTS SEE INDEXES 6,23,24A,27,30,35,54D,60,73,74,75,78
- F	4432780	1				CABLE ASM-J142,J150 TO 1CA1B4,1CA1B5 FOR COMPONENT PARTS SEE INDEXES 16,17,30,36,54A,71,72,81A,81G,93,117
- F	4432781	1				CABLE ASM- 01A B2 TO FRAME 02 FOR COMPONENT PARTS SEE INDEXES 16,17,30,35,54A,54B,55,65,80,81,81A,81D,117
- F	4432784	1				CABLE ASM-1AB2A5 TO 1AC2V5,AFS 106 FOR COMPONENT PARTS SEE INDEXES 16,17,30,33A,33B,40,65,77,81A,117
- G	4432785	1				CABLE ASM-FR01 SENSORS 01A B2 B4 FOR COMPONENT PARTS SEE INDEXES 5,5A,7,16,17,30,31A,33B,40,44,57
- G	4432786	1				CABLE ASM-IAA 2B4-IAA2B4-IGCCA2 (RSP) FOR COMPONENT PARTS SEE INDEXES 16,17,30,65,81A,90,94,98
- G	4432787	1				HARNESS ASM-A1V2-B1A2 FOR COMPONENT PARTS SEE INDEXES 30,92
- G	4432788	1				HARNESS ASM-IAAI-IABI-IACI LOWER FOR COMPONENT PARTS SEE INDEXES 30,92
- G	4432790	1				HARNESS ASM-B1V2-C1A2 FOR COMPONENT PARTS SEE INDEXES 30,92
- G	4432794	1				HARNESS ASM-B1V-C1A3 FOR COMPONENT PARTS SEE INDEXES 30,92,111
- G	5576244	1				CABLE ASM-TEST STATION FOR COMPONENT PARTS SEE INDEXES 31,33,41,42
- G	5578478	1				CABLE ASM-F1LE FOR COMPONENT PARTS SEE INDEXES 12H,16,17,37,51,63,64,65A,71,81A
- G	5578479	1				CABLE ASM,COAX- 01A B2Y5 TO 01F FOR COMPONENT PARTS SEE INDEXES 6,16,30,65A,69,81A
- G	5578846	1				CABLE ASM-CONN 244 TO IPS 201 FOR COMPONENT PARTS SEE INDEXES 30,32,48,56,67,68
- G	5578847	1				CABLE ASM-TBB1 TO CONN 244 FOR COMPONENT PARTS SEE INDEXES 12E,30,33,47
- G	5578870	1				CABLE ASM-CB2 TO K4 WITH NEUP INTERRUPT FOR COMPONENT PARTS SEE INDEXES 12K,30
- G	5578871	1				CABLE ASM-CB2 TO K4 WITH NEUP INTERRUPT FOR COMPONENT PARTS SEE INDEXES 12K,30
- G	5578873	1				CABLE ASM-CONV OUTLET (50HZ) FOR COMPONENT PARTS SEE INDEXES 2,3,9A,11,11A,30,33,43
- G	5578876	1				CABLE ASM-AC CONN 20,21,24,25 (AMD) FOR COMPONENT PARTS SEE INDEXES 6,10,12E,29,30,44,64
- H	5578879	1				CABLE ASM-PCC CONN 47 TO DISK FOR COMPONENT PARTS SEE INDEXES 44,45,63,64
- H	5578880	1				CABLE ASM-CB1 TO TB2 FOR COMPONENT PARTS SEE INDEXES 12J,29,30
- H	5578881	1				CABLE ASM-AC DIST FOR COMPONENT PARTS SEE INDEXES 12B,12C,12F,29,30,32,33,44,46,48,64

CABLE ASSEMBLIES WITH COMPONENT PARTS

FIGURE- INDEX NUMBER	PART NUMBER	UNITS PER ASM.	DESCRIPTION			
			1	2	3	4
21 -	H 5578882	1	CABLE ASM-AC. CONN 54 (CONV OUTLET) FOR COMPONENT PARTS SEE INDEXES 6, 10, 12E, 29, 30, 32, 44 FOR COMPONENT PARTS SEE INDEXES 16, 17, 30, 33, 49, 65, 81A			
-	H 5578886	1	JUMPER ASM-CB1-CB2 FOR COMPONENT PARTS SEE INDEX 12K			
-	H 5578887	1	JUMPER ASM-TB205 FOR COMPONENT PARTS SEE INDEX 12K			
-	H 5578888	1	CABLE ASM-K4 TO CONN 57 FOR COMPONENT PARTS SEE INDEXES 12G, 12K, 15A, 29A, 30, 61			
-	H 5578889	1	CABLE ASM-K4 TO CONN 57 WITH NEUP INTRP FOR COMPONENT PARTS SEE INDEXES 12G, 12K, 15A, 29A, 30, 61			
-	H 5578890	1	CABLE ASM-TB2 TO CONN 27 (TR 101) FOR COMPONENT PARTS SEE INDEXES 12E, 29, 30, 44, 64			
-	H 5578901	1	JUMPER ASM-TB205 FOR COMPONENT PARTS SEE INDEX 29A			
-	H 5578909	1	JUMPER ASM-02A-A2 FOR COMPONENT PARTS SEE INDEX 87A			
-	H 5578917	1	JUMPER ASM-TB2-CB1/TB1 (50HZ) FOR COMPONENT PARTS SEE INDEXES 12K, 29A			
-	H 5578919	1	CABLE ASM-TR 206 TO PS 201, 205 FOR COMPONENT PARTS SEE INDEXES 29, 30, 33, 37, 43			
-	H 5578920	1	CABLE ASM-J243 TO IPS 101 FOR COMPONENT PARTS SEE INDEXES 29, 30, 33, 41, 59, 67			
-	J 5578922	1	CABLE ASM- 24 VOLT DIST FOR COMPONENT PARTS SEE INDEXES 5, 6, 10, 12A, 12B, 12C, 30, 32, 50			
-	J 5578931	1	CABLE ASM-J243 TO IPS 101 FOR COMPONENT PARTS SEE INDEXES 12F, 12G, 30, 33, 45, 59, 67			
-	J 5578932	1	CABLE ASM-PS 203 TO IPS 101 FOR COMPONENT PARTS SEE INDEXES 30, 33, 43, 56, 67, 68A			
-	J 5578933	1	CABLE ASM-IPS 101 TO TBB2 FOR COMPONENT PARTS SEE INDEXES 12F, 12G, 30			
-	J 5578934	1	CABLE ASM-TBB2 TO IPS 101 (REMOTE SENSE) FOR COMPONENT PARTS SEE INDEXES 12E, 30, 56, 57, 68			
-	J 5578939	1	CABLE ASM-MPP-01 TO IPO SWITCH FOR COMPONENT PARTS SEE INDEXES 29, 30, 32, 42			
-	J 5579770	1	CABLE ASM- 01F-P2 DISPLAY P3- 15.25M FOR COMPONENT PARTS SEE INDEXES 6C, 12D, 29, 35, 36, 55, 121, 122, 123			
-	J 5579771	1	CABLE ASM-EXTERNAL COAX- 15.25M FOR COMPONENT PARTS SEE INDEXES 6C, 120			
-	J 5579772	1	CABLE ASM- 01F-P2 DISPLAY P3- 22.86M FOR COMPONENT PARTS SEE INDEXES 6C, 12D, 29, 35, 36, 55, 121, 122, 123			
-	J 5579773	1	CABLE ASM-EXTERNAL COAX- 22.86M FOR COMPONENT PARTS SEE INDEXES 6C, 120			
-	J 5802225	1	CABLE ASM- 20SIG (POLYETHYLENE) FOR COMPONENT PARTS SEE INDEXES 6A, 21, 22, 81B			
-	J 5896504	1	JUMPER ASM-IPS 201 FOR COMPONENT PARTS SEE INDEX 87B			
-	J 5896506	1	JUMPER ASM-IPS 201 FOR COMPONENT PARTS SEE INDEX 87C			
-	J 5896524	1	JUMPER ASM- 02A-A2 FOR COMPONENT PARTS SEE INDEX 87D			
-	J 6831425	1	HARNESS ASM- 1AA2 TO 01E 3 CHANNEL BASIC FOR COMPONENT PARTS SEE INDEXES 30, 76, 77, 79			
-	J 6831426	1	HARNESS ASM- 1AA2 TO 01E 3 CHAN FEATURE FOR COMPONENT PARTS SEE INDEXES 30, 76, 77, 79			
-	J 6831427	1	HARNESS ASM- 1AA1-1AB1 UPPER FOR COMPONENT PARTS SEE INDEXES			

CABLE ASSEMBLIES WITH COMPONENT PARTS

FIGURE- INDEX NUMBER	PART NUMBER	UNITS PER ASM.	DESCRIPTION			
			1	2	3	4
21						30,76,77,79A,92,111
- J	6831428	1				HARNES ASM- 03A-03E (CH-CH) FOR COMPONENT PARTS SEE INDEXES
- J	6831430	1				CABLE ASM- 1AB2-A4 TO FR 03 AND CH-CH FOR COMPONENT PARTS SEE INDEXES
- K	6831431	1				CABLE ASM-J342 TO 3AA2B4,3AA2B5 FOR COMPONENT PARTS SEE INDEXES
- K	6831432	1				CABLE ASM-J300 TO FR 03 SENSE FOR COMPONENT PARTS SEE INDEXES
- K	6831475	1				CABLE ASM-PS 301 TO IPS 301 FOR COMPONENT PARTS SEE INDEXES
- K	6831476	1				CABLE ASM-PS 301 CONN 05 TO 03A-A1 FOR COMPONENT PARTS SEE INDEXES
- K	6831477	1				CABLE ASM-TBB2 TO IPS 301 03AA2 FOR COMPONENT PARTS SEE INDEXES
- K	6831478	1				CABLE ASM-IPS 301 TO TBB2 FOR COMPONENT PARTS SEE INDEXES
- K	6831479	1				CABLE ASM-PS 301 AND J247 TO IPS 301 FOR COMPONENT PARTS SEE INDEXES
- K	6831480	1				CABLE ASM-TB 206 TO P247 +5V BIAS FOR COMPONENT PARTS SEE INDEXES
- K	6831481	1				CABLE ASM-TB 205 TO TR 301-P1 FOR COMPONENT PARTS SEE INDEXES
- K	6831482	1				CABLE ASM-PCC-25 TO FR 03 AMD'S FOR COMPONENT PARTS SEE INDEXES
- K	6831483	1				CABLE ASM-TB 206 TO PS 301-01 FOR COMPONENT PARTS SEE INDEXES
- K	6831484	1				CABLE ASM-CONN 54 TO TR 107 FOR COMPONENT PARTS SEE INDEXES
- K	6831485	1				CABLE ASM-CONV OUTLET (60HZ) FOR COMPONENT PARTS SEE INDEXES
- K	6831486	1				CABLE ASM-TR 107 TO TR 107 CONN 1 FOR COMPONENT PARTS SEE INDEXES
- K	6831487	1				CABLE ASM-TBB1,PS 104 TO 01A-A2 FOR COMPONENT PARTS SEE INDEXES
- K	6831488	1				CABLE ASM-PS 104-CON03 TO 01A-B2 FOR COMPONENT PARTS SEE INDEXES
- L	6831489	1				CABLE ASM-PS 101-03 TO PS 104-02 FOR COMPONENT PARTS SEE INDEXES
- L	6831490	1				CABLE ASM-PS 101-07 TO TB 206 FOR COMPONENT PARTS SEE INDEXES
- L	6831491	1				CABLE ASM-PS 101 TO SPI AND MPP-01 FOR COMPONENT PARTS SEE INDEXES
- L	6831492	1				CABLE ASM-PS 101 TO 01A-D2 FOR COMPONENT PARTS SEE INDEXES
- L	6831497	1				JUMPER ASM-LINE FILTER-CB1 FOR COMPONENT PARTS SEE INDEX 12K
- L	6831498	1				JUMPER ASM-LF-4 TO CB1-4 (50HZ) FOR COMPONENT PARTS SEE INDEX 12J
- L	8330695	1				JUMPER ASM- 02A-A2 FOR COMPONENT PARTS SEE INDEX 87E
- L	8330696	1				JUMPER ASM- 02A-A2 FOR COMPONENT PARTS SEE INDEX 87F
- L	8482220	1				JUMPER ASM-TB2 FOR COMPONENT PARTS SEE INDEX 29
- L	8482247	1				CABLE ASM-01A D2 TO LINE FILTER

CABLE ASSEMBLIES WITH COMPONENT PARTS

FIGURE- INDEX NUMBER	PART NUMBER	UNITS PER ASM.	DESCRIPTION			
			1	2	3	4
21			FOR COMPONENT PARTS SEE INDEXES 16, 17, 65, 81A			
- L	8482759	1	CABLE ASM-SPI 43, 63, 64			
- 1	82725	AR	. TERMINAL, INSULATED- 17/64 ID			
- 2	151598	AR	. CLAMP			
- 3	194335	AR	. OUTLET BOX			
- 4	194356	AR	. BRACKET			
- 5	236915	AR	. TERMINAL, CONTACT-FEMALE 20-18 AWG			
- 5A	236916	AR	. TERMINAL, CONTACT-FEMALE 24-22 AWG			
- 6	317296	AR	. LABEL			
- 6A	811825	AR	. LABEL			
- 6B	813769	AR	. DECAL			
- 6C	483770	AR	. LABEL			
- 7	321051	AR	. CONNECTOR, TWO WAY INSULATED			
- 8	335970	AR	. TERMINAL, LUG 8 AWG 1/4 MTG HOLE			
- 9	357995	AR	. OUTLET, CONVENIENCE 115V 60HZ			
- 9A	418835	AR	. OUTLET, CONVENIENCE 220V 50 CY			
- 10	430798	AR	. TERMINAL, RECEPTACLE 20-18 AWG			
- 11	483651	AR	. TERMINAL, FLANGED SPADE- NO.8 STUD			
- 11A	483652	AR	. TERMINAL, FLANGED SPADE- 14-16 AWG			
- 12	483673	AR	. TERMINAL, RING, NO.2 STUD, 18-20 AWG			
- 12A	483675	AR	. TERMINAL, RING, NO.4 STUD, 18-20 AWG			
- 12B	483677	AR	. TERMINAL, RING, NO.6 STUD, 18-20 AWG			
- 12C	483678	AR	. TERMINAL, RING, NO.6 STUD, 14-16 AWG			
- 12D	483679	AR	. TERMINAL, RING, NO.6 STUD, 10-12 AWG			
- 12E	483681	AR	. TERMINAL, RING, NO.8 STUD, 18-20 AWG			
- 12F	483682	AR	. TERMINAL, RING, NO.8 STUD, 14-16 AWG			
- 12G	483683	AR	. TERMINAL, RING, NO.8 STUD, 10-12 AWG			
- 12H	483685	AR	. TERMINAL, RING, NO.10 STUD, 18-20 AWG			
- 12J	483686	AR	. TERMINAL, RING, NO.10 STUD, 14-16 AWG			
- 12K	483687	AR	. TERMINAL, RING, NO.10 STUD, 10-12 AWG			
- 12L	483688	AR	. TERMINAL, RING, NO.0.250 STUD, 18-20 AWG			
- 12M	483689	AR	. TERMINAL, RING, NO.0.250 STUD, 14-16 AWG			
- 12N	483690	AR	. TERMINAL, RING, NO.0.250 STUD, 10-12 AWG			
- 12P	483676	AR	. TERMINAL, RING, NO.6 STUD, 22-26 AWG			
- 13	504879	AR	. TERMINAL, LUG			
- 14	523268	AR	. CONNECTOR			
- 15	738254	AR	. TERMINAL ASM, MALE, 12-14 AWG			
- 15A	738255	AR	. TERMINAL ASM, FEMALE, 12-14 AWG			
- 16	740459	AR	. STIFFENER			
- 17	811802	AR	. CARD GUIDE			
- 18	813681	AR	. CONTACT			
- 19	813801	AR	. HOUSING			
- 20	813802	AR	. COVER, VOLTAGE CROSSOVER			
- 21	813803	AR	. RELIEF			
- 22	813804	AR	. RELIEF			
- 23	815688	AR	. LABEL-6 PAC			
- 24	816883	AR	. CONNECTOR-18-20AWG			
- 24A	817770	AR	. CONNECTOR-22-24AWG			

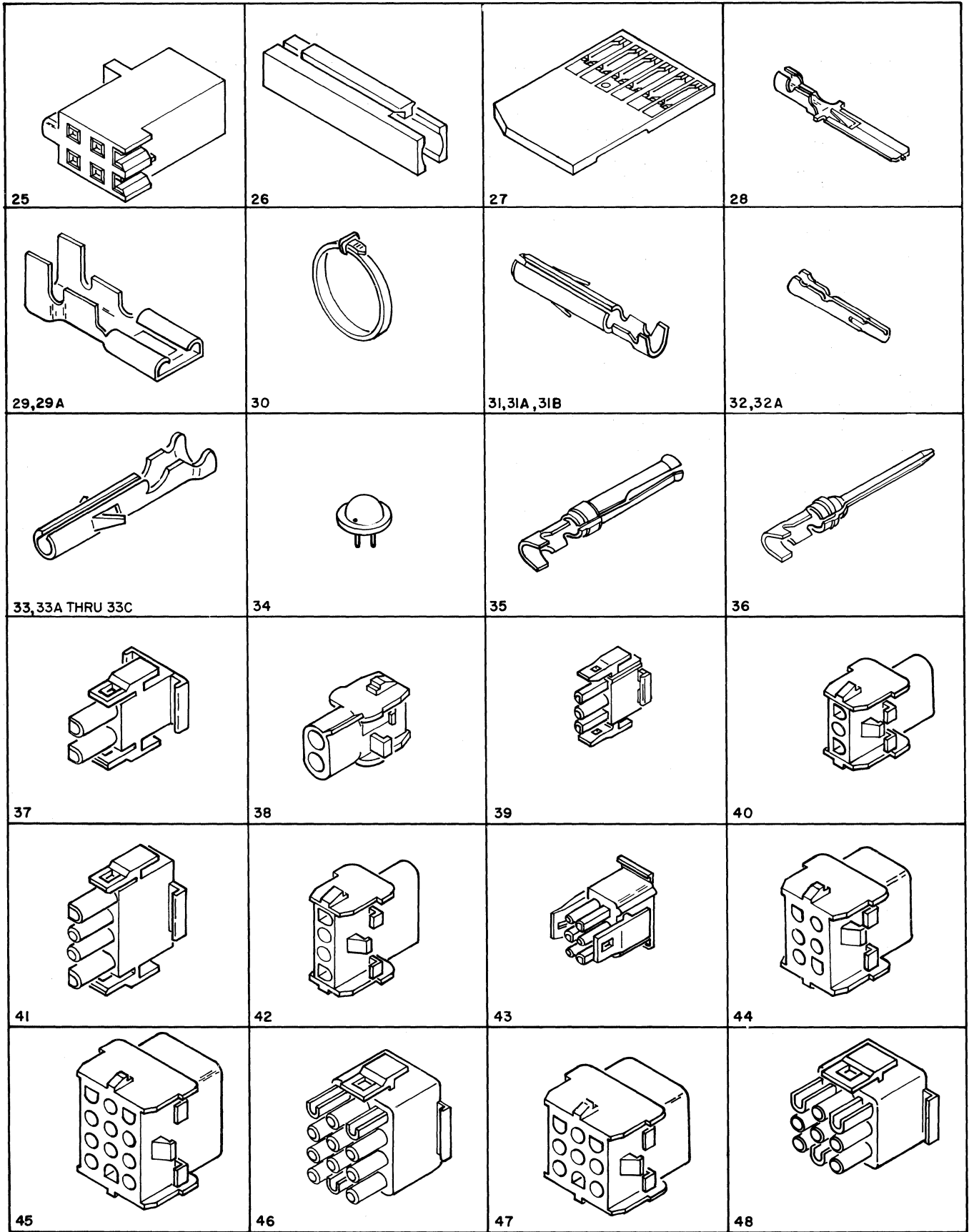


FIGURE 21. CABLE ASSEMBLIES WITH COMPONENT PARTS. SHEET 2 OF 5. INDEX NOS. 25-48. SEE LIST 21.

CABLE ASSEMBLIES WITH COMPONENT PARTS

FIGURE- INDEX NUMBER	PART NUMBER	UNITS PER ASM.	DESCRIPTION			
			1	2	3	4
21 - 25	8 18101	AR	.	HOUSING,CROSSOVER CONNECTOR		
- 26	8 18268	AR	.	RETAINER,CONNECTOR HOUSING-GREY BLACK		
- 27	8 18686	AR	.	RETAINER,CONNECTOR HOUSING-NATURAL		
- 28	8 27991	AR	.	CONNECT,TAB TERMINAL		
- 29	11 27037	AR	.	TERMINAL,WIRE		
- 29A	25 02307	AR	.	TERMINAL		
- 30	11 59913	AR	.	CLAMP,STRAP CAM STAY		
- 31	14 71018	AR	.	TERMINAL,SOCKET		
- 31A	16 61131	AR	.	TERMINAL,SOCKET		
- 31B	16 61132	AR	.	TERMINAL,SOCKET		
- 32	14 71027	AR	.	PIN,TERMINAL		
- 32A	16 61129	AR	.	TERMINAL		
- 33	14 71028	AR	.	CONTACT		
- 33A	16 61128	AR	.	TERMINAL,SOCKET		
- 33B	16 61130	AR	.	TERMINAL		
- 33C	8 267334	AR	.	TERMINAL,SOCKET,MATE-N-LOK,14-18 AWG		
- 34	15 89880	AR	.	L.E.D.		
- 35	16 55337	AR	.	CONTACT SOCKET		
- 36	16 55339	AR	.	PIN,CONTACT		
- 37	18 47524	AR	.	PLUG		
- 38	18 47525	AR	.	HOUSING		
- 39	18 47526	AR	.	CONNECTOR		
- 40	18 47527	AR	.	CONNECTOR		
- 41	18 47528	AR	.	PLUG,UNIVERSAL- 4 CIRCUIT		
- 42	18 47529	AR	.	HOUSING,UNIVERSAL- 4 CIRCUIT		
- 43	18 47530	AR	.	PLUG		
- 44	18 47531	AR	.	HOUSING,CONNECTOR 6 POS MALE		
- 45	18 47535	AR	.	HOUSING,12 POSITION		
- 46	18 47534	AR	.	PLUG,12 POSITION		
- 47	18 47533	AR	.	HOUSING,9 POSITION		
- 48	18 47532	AR	.	PLUG,9 POSITION		

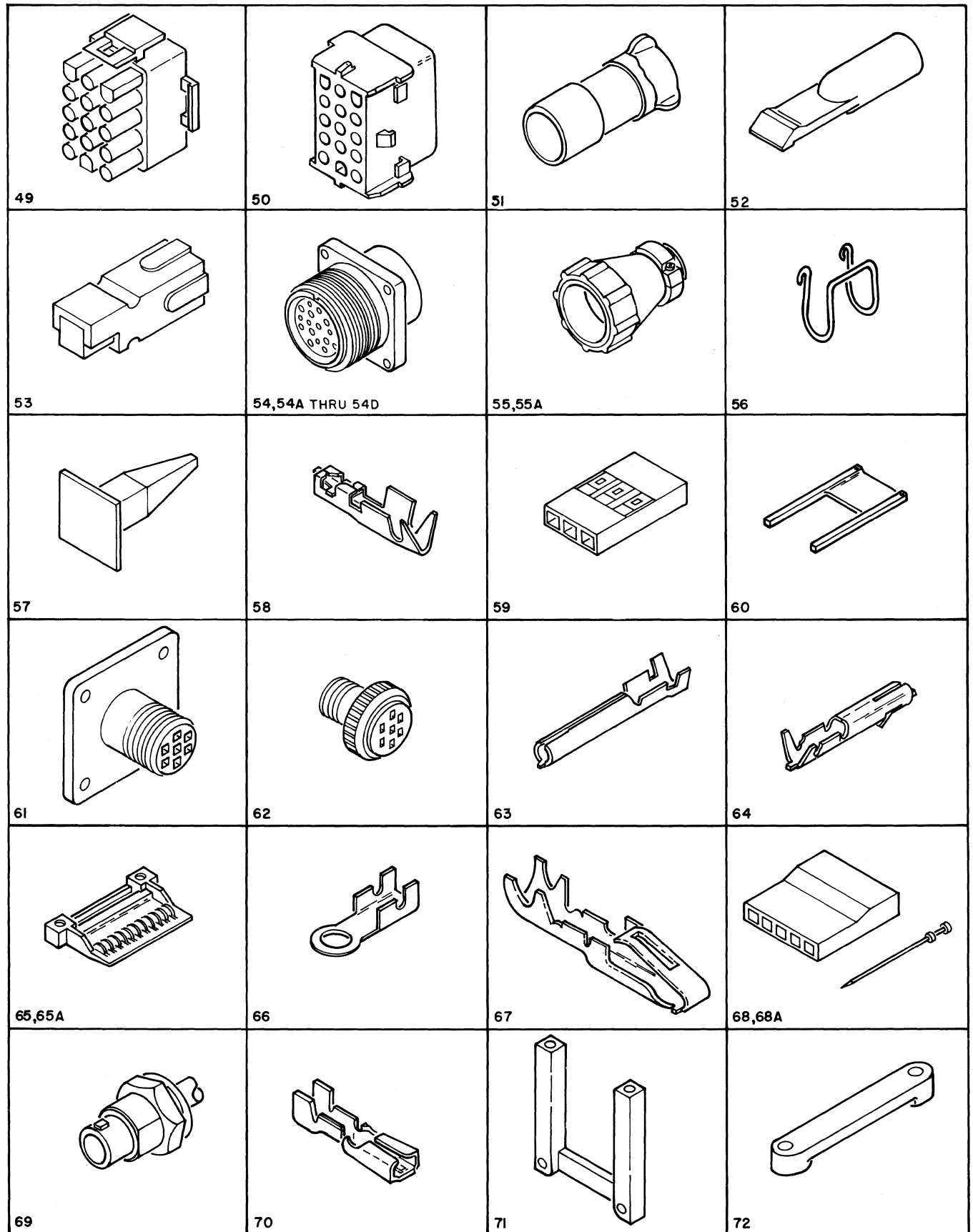


FIGURE 21. CABLE ASSEMBLIES WITH COMPONENT PARTS. SHEET 3 OF 5. INDEX NOS. 49-72. SEE LIST 21.

CABLE ASSEMBLIES WITH COMPONENT PARTS

FIGURE- INDEX NUMBER	PART NUMBER	UNITS PER ASM.	DESCRIPTION			
			1	2	3	4
21 - 49	1847536	AR	.	PLUG, UNIVERSAL-15 CIRCUIT		
- 50	1847537	AR	.	HOUSING- 15 POS FEMALE		
- 51	2103412	AR	.	CONNECTOR		
- 52	2281128	AR	.	CONTACT		
- 53	2281129	AR	.	HOUSING		
- 54	2462057	AR	.	PLUG, HOUSING 28 POSITION-FEMALE		
- 54A	4123761	AR	.	RECEPTACLE, HOUSING 28 POSITION-MALE		
- 54B	2462054	AR	.	CONNECTOR- 63 POSITION-FOR SOCKET		
				CONTACTS		
- 54C	4123762	AR	.	CONNECTOR- 63 POSITION-FOR PIN CONTACTS		
- 54D	5578491	AR	.	CONNECTOR- 28 POSITION-FEMALE		
- 55	2462055	AR	.	CLAMP		
- 55A	2745029	AR	.	STRAIN RELIEF, CLAMP		
- 56	2565041	AR	.	CLIP, SPRING		
- 57	2637689	AR	.	INSERT		
- 58	2637691	AR	.	CONNECTOR, DISCRETE WIRE-22-26 AWG		
- 59	2744805	AR	.	HOUSING- 3 POSITION		
- 60	2744811	AR	.	STRAIN RELIEF		
- 61	2745023	AR	.	CONNECTOR- 7 POSITION		
- 62	2745024	AR	.	CONNECTOR- 7 POSITION		
- 63	4123688	AR	.	TERMINAL, SOCKET		
- 64	4123689	AR	.	TERMINAL, PIN		
- 65	4123780	AR	.	STRAIN RELIEF		
- 65A	4124485	AR	.	STRAIN RELIEF		
- 66	4124210	AR	.	TERMINAL, RING		
- 67	5252582	AR	.	TERMINAL-NO. 18		
- 68	5252584	AR	.	HOUSING- 5 POSITION		
- 68A	5252587	AR	.	HOUSING, CONNECTOR- 9 POS		
- 69	5252661	AR	.	CONNECTOR		
- 70	430799	AR	.	RECEPTACLE-TERMINAL		
- 71	5352960	AR	.	STRAIN RELIEF		
- 72	5353922	AR	.	STRAIN REL		

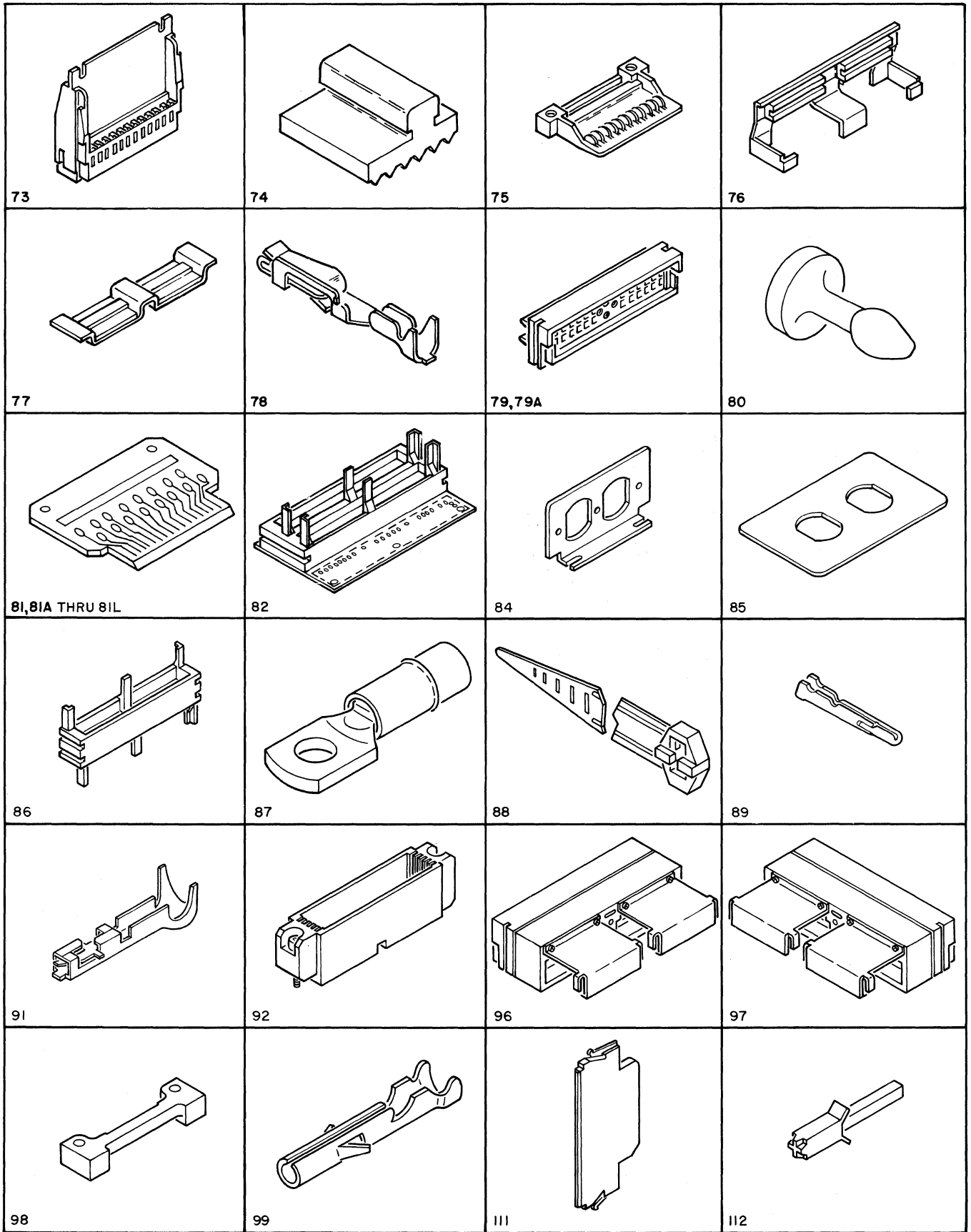


FIGURE 21. CABLE ASSEMBLIES WITH COMPONENT PARTS. SHEET 4 OF 5. INDEX NOS. 73-112. SEE LIST 21.

CABLE ASSEMBLIES WITH COMPONENT PARTS

FIGURE- INDEX NUMBER	PART NUMBER	UNITS PER ASM.	DESCRIPTION			
			1	2	3	4
21 - 73	5447741	AR	.	HOUSING,SINGLE HI		
- 74	5466393	AR	.	CLAMP,STRAIN RELIEF		
- 75	5466397	AR	.	STRAIN RELIEF		
- 76	5466467	AR	.	GUIDE		
- 77	5466468	AR	.	BRACKET,STRAIN RELIEF		
- 78	5486851	AR	.	CONTACT,SERPENT-SINGLE HI,22-26 RNG		
- 79	5529190	AR	.	BLOCK, CONNECTOR-LIGHT GREY		
- 79A	5529191	AR	.	BLOCK, CONNECTOR-DARK GREY		
- 80	5578489	AR	.	PLUG,KEYING		
- 81	5800610	AR	.	CARD ASM		
- 81A	5800634	AR	.	CARD ASM-TERMINATOR,TWISTED PR.		
- 81B	5800660	AR	.	CARD ASM		
- 81C	8254915	AR	.	CARD ASM		
- 81D	8254918	AR	.	CARD ASM		
- 81E	8254919	AR	.	CARD ASM		
- 81F	8565297	AR	.	CARD ASM		
- 81G	8565268	AR	.	CARD ASM		
- 81H	8565269	AR	.	CARD ASM		
- 81J	8565273	AR	.	CARD ASM		
- 81K	8565274	AR	.	CARD ASM		
- 81L	4433048	AR	.	CARD ASM		
- 82	838166	AR	.	GUIDE,CARD		
- 84	4432862	AR	.	BRACKET		
- 85	2502115	AR	.	SHROUD		
- 86	813392	AR	.	BLOCK		
- 87	335327	AR	.	TERMINAL		
- 88	524519	AR	.	TIE,CABLE		
- 89	813392	AR	.	CONNECTOR		
- 91	1661528	AR	.	TERMINAL,CONTACT		
- 92	1726285	AR	.	RETAINER ASM		
- 96	2676631	AR	.	CONNECTOR ASM-LIGHT GREY		
- 97	2676632	AR	.	CONNECTOR ASM-DARK GREY		
- 98	2757868	AR	.	STRAIN RELIEF		
- 99	1635821	AR	.	SOCKET,PIN 0.760 LG		
-111	4150495	AR	.	HOUSING,DUMMY		
-112	4155126	AR	.	PLUG,KEYING		

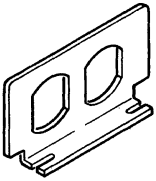
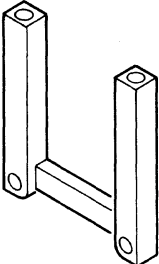
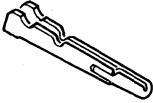
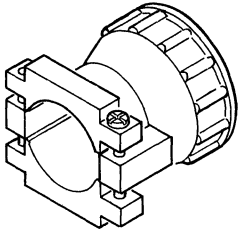
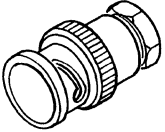
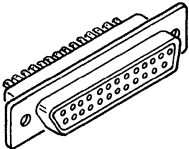
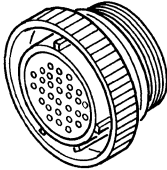
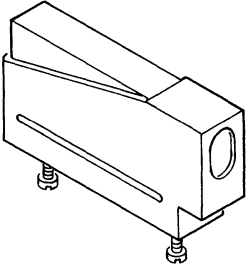
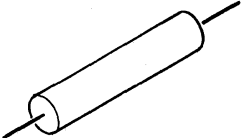
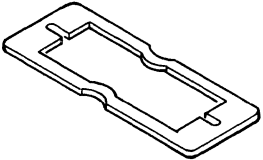
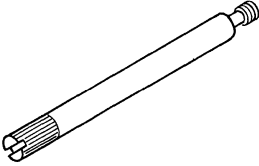
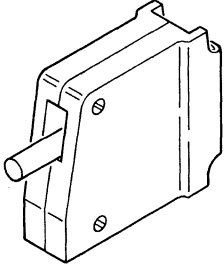
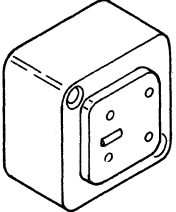
 <p>113</p>	 <p>117</p>	 <p>118</p>	 <p>119</p>
 <p>120</p>	 <p>121, 121A</p>	 <p>122</p>	 <p>123</p>
 <p>124</p>	 <p>125</p>	 <p>126</p>	 <p>127</p>
 <p>128</p>			

FIGURE 21. CABLE ASSEMBLIES WITH COMPONENT PARTS. SHEET 5 OF 5. INDEX NOS. 113-128. SEE LIST 21.

CABLE ASSEMBLIES WITH COMPONENT PARTS

FIGURE- INDEX NUMBER	PART NUMBER	UNITS PER ASM.	DESCRIPTION			
			1	2	3	4
21 -113	4432862	AR	.	BRACKET		
-117	6831356	AR	.	BRACKET, STRAIN RELIEF		
-118	8267333	AR	.	TERMINAL, PIN		
-119	8645426	AR	.	STRAIN RELIEF		
-120	1836444	AR	.	CONNECTOR-BNC		
-121	1655336	AR	.	CONNECTOR, HOUSING- 25 POSITION RECPT		
-121A	1608649	AR	.	CONNECTOR, HOUSING- 15 POSITION PLUG		
-122	2462062	AR	.	HOUSING, PLUG- 28 POS		
-123	5717874	AR	.	HOOD		
-124	216449	AR	.	RESISTOR		
-125	1754004	AR	.	RETAINER		
-126	1754257	AR	.	STUD, TP CONNECTOR		
-127	4943864	AR	.	HOOD		
-128	5612880	AR	.	PLUG		

NUMERICAL INDEX

PART NO.	LIST AND INDEX NO.	PART NO.	LIST AND INDEX NO.	PART NO.	LIST AND INDEX NO.	PART NO.	LIST AND INDEX NO.
2903	8 - 11	126036	2 - 20Q	257986	9 - 30	483678	21 - 12C
3960	2 - 191	130987	2 - 212		9 - 33	483679	21 - 12D
5677	5 - 8		3 - 108		18 - 17	483681	21 - 12E
	16 - 24		3A-202		18 - 29	483682	21 - 12F
6935	2 - 191A		4 - 57	264641	2 - 68	483683	21 - 12G
10170	2 - 20L	138756	2 - 100E		10 - 77	483685	21 - 12H
	2 - 52		2 - 115B		11 - 17	483686	21 - 12J
	3A-161B	139766	10 - 16	302090	6 - 35	483687	21 - 12K
	7 - 12		12 - 37A	302131	6 - 34	483688	21 - 12L
	13 - 2	150390	14 - 16	307984	1 - 35	483689	21 - 12M
10295	18 - 20		1A- 17A		1 - 53	483690	21 - 12N
11598	16 - 16		2 - 28	311167	8 - 5	483770	21 - 6C
	17 - 13		2 - 32C	317131	2 - 54	504879	21 - 13
	18 - 13		2 - 100A	317296	10 - 18	510316	13 - 33
22066	13 - 63		2 - 120		12 - 39	518704	3A-180
22478	6 - 5		2 - 135A		14 - 18	523268	21 - 14
25009	2 - 67		2 - 182H		21 - 6	524219	2 - 22A
	11 - 18		3 - 40A	317310	3A-171	524519	2 - 17E
25018	8 - 13		3 - 83	317485	3A-171		2 - 100C
25627	5 - 6		3 - 85A	321051	21 - 7		2 - 152A
32042	13 - 26		3 - 88	322065	16 - 28		2 - 198C
34512	8 - 10		3 - 90D		18 - 16		3 - 5
35739	3A-109		3A- 53		18 - 27		3 - 21
38235	6 - 40		3A- 57	322266	2 - 56		3 - 23
38354	3A-172A		3A- 83	322280	3A-173		3 - 76
38442	20 - 23		3A- 94	322550	2 - 55		3 - 92
38443	20 - 32		3A-101		8 - 20		4 - 14F
	20 - 40		3A-123		17 - 27		19 - 8A
45690	10 - 78		3A-129	322551	16 - 8		21 - 88
	18 - 22		3A-133		16 - 20	526098	11 - 30
47242	16 - 18		3A-137		17 - 5	526378	3A- 36
	17 - 15		3A-141		17 - 17		3A-165
53193	1 - 69A		3A-150		18 - 5		16 - 14
	15 - 31		3A-158	322620	17 - 21		17 - 11
55726	7 - 25		4 - 23A	322766	2 - 20N		18 - 11
55901	5 - 7	150676	7 - 18	323845	19 - 9	528011	3A-115
56079	16 - 17	151598	21 - 2	332747	8 - 8		12 - 29
	16 - 25	161351	9 - 65	335327	21 - 87		13 - 6
	17 - 14	170241	7 - 2	335970	21 - 8	528012	3A-114
	17 - 22	174861	9 - 76	337193	2 - 51		12 - 28
	18 - 14	177946	4 - 8A	342250	19 - 15		13 - 5
	18 - 21	179966	2 - 50	350966	3A-161A	528013	3A-112
56722	16 - 9	186925	7 - 35	351237	2 - 20K		12 - 26
	16 - 13	186950	2 - 211	352870	19 - 3B		13 - 3
	16 - 21		3 - 107	353598	1A- 18	528014	3A-113
	16 - 29		3A-201	356742	2 - 20U		12 - 27
	17 - 6		4 - 56	357995	21 - 9		13 - 4
	17 - 10	194335	21 - 3	369207	2 - 1	532393	6 - 42
	17 - 18	194356	21 - 4		2 - 65	555427	8 - 12
	17 - 28	210883	2 - 20M		2 - 115E	598381	10 - 19
	18 - 6		2 - 53		2 - 194A		12 - 40
	18 - 10		3A-172		3 - 4A		14 - 19
	18 - 18	216449	21 - 124		3 - 99		7 - 20
	18 - 28	218793	2 - 44		3A- 31	602721	7 - 14
58207	5 - 22	219743	3 - 57		3A-145	651858	7 - 14
	6 - 6		3A-125		4 - 14C	730432	2 - 18
72828	5 - 12A	223781	2 - 190	372422	2 - 112C		3 - 4B
	5 - 18A	226162	5 - 12	375520	2 - 112B		3 - 41
81693	2 - 20P	234341	6 - 11	375522	2 - 112A		3A- 28
	6 - 3	236550	7 - 28	418835	21 - 9A		4 - 14D
	6 - 33	236915	21 - 5	430798	21 - 10	731626	20 - 27
	7 - 5	236916	21 - 5A	430799	21 - 70		9 - 74
	7 - 37	251015	9 - 63	438548	7 - 32		9 - 105
	8 - 4	256106	5 - 18	438549	9 - 19B	736822	13 - 51
	20 - 21	257187	2 - 20Z	438567	6 - 26	737732	8 - 18
82725	21 - 1		7 - 38	471901	2 - 210	738254	3A- 40
92050	13 - 38		16 - 10		3 - 106	738255	21 - 15
92752	2 - 45		16 - 12		3A-200	740459	21 - 15A
	3A-162		16 - 22		4 - 55		9 - 19A
107663	3A-161		17 - 7	473442	19 - 21		21 - 16
109918	6 - 31		17 - 9	475465	9 - 158A	740503	2 - 20C
110029	7 - 13		17 - 19	483651	21 - 11	740513	2 - 21V
117403	3 - 91		18 - 7	483652	21 - 11A	740608	2 - 20V
120571	8 - 16		18 - 9	483673	21 - 12	753317	9 - 23
124943	2 - 20J	257189	2 - 20B	483675	21 - 12A	804109	16 - 7
	2 - 20Y		7 - 9	483676	21 - 12P		17 - 4
125930	5 - 9	257970	6 - 9	483677	21 - 12B	811417	18 - 4
							9 - 29

PART NO.	LIST AND INDEX NO.	PART NO.	LIST AND INDEX NO.	PART NO.	LIST AND INDEX NO.	PART NO.	LIST AND INDEX NO.
811417-CONT	9 - 32	818579	9 - 16	855265-CONT	3 - 101	960766-CONT	3A-196
	9 - 48C	818686	21 - 27		3A-195		4 - 49
	9 - 95	819013	9 - 7		4 - 50	984117	2 - 19A
	9 - 105B	819030	13 - 36	855266	2 - 36		2 - 46A
811427	3A-106	819033	9 - 17		3 - 101		2 - 116
	9 - 149	819074	13 - 58		3A-195		3 - 7A
811781	10 - 40	819075	13 - 56		4 - 50		3 - 79
	12 - 64	819076	13 - 59	855267	2 - 36		3A-124
	14 - 39	819078	13 - 52		3 - 101		3A-176
811802	21 - 17	819251	9 - 2		3A-195		4 - 14B
811804	6 - 23		9 - 6		4 - 50	984119	4 - 27A
	10 - 23		9 - 7	855268	2 - 36	984123	2 - 100E
	12 - 44	819268	9 - 25		3 - 101		2 - 115B
	14 - 22A		9 - 27		3A-195		3 - REF
811825	21 - 6A	819282	9 - 22		4 - 50	NO NO.	6 - 18
813179	9 - 47	819283	9 - 24	855269	2 - 36		7 - REF
813321	2 - 142	819284	9 - 21		3 - 101	1090448	3A- 90
	3 - 69	819407	9 - 17		3A-195	1092125	1 - 28
	9 - 144	819408	9 - 17		4 - 50		1 - 46
	10 - 4	819410	9 - 19	855270	2 - 36		1 - 62
	12 - 12	819411	9 - 18		3 - 101	1127037	21 - 29
813392	21 - 86	819412	9 - 15		3A-195	1141554	4 - 27A
	21 - 89	819431	9 - 73		4 - 50	1159519	2 - 17A
813681	21 - 18		9 - 104	855272	2 - 36		3A- 32
813769	21 - 6B	819632	9 - 15		3 - 101		3A-102
813801	21 - 19	819765	13 - 31		3A-195		3A-107
813802	21 - 20		13 - 32		4 - 50		3A-142
813803	21 - 21	819770	13 - 37	855273	2 - 36		3A-153
813804	21 - 22	819778	13 - 27		3 - 101		3A-184
815171	2 - 147	819779	13 - 28		3A-195		3A-193
	3 - 73	825557	2 - 154A		4 - 50		16 - 31
	10 - 8		3 - 48A	855275	2 - 36	1159913	21 - 30
	12 - 16		14 - 57		3 - 101	1164265	8 - 2
815174	2 - 141		15 - 30		3A-195	1177332	10 - 51
	3 - 68		19 - 22A		4 - 50		12 - 74
	9 - 143	825559	2 - 9	855276	2 - 36		14 - 50
	10 - 3		2 - 57		3 - 101	1310000	9 - 61
	12 - 11		2 - 85A		3A-195	1310001	9 - 57
815214	9 - 147		2 - 104		4 - 50	1310002	9 - 2
815217	2 - 145		3 - 12	855278	2 - 36		9 - 3
	3 - 72		3A- 16		3 - 101	1310005	3 - 105
	9 - 146		4 - 6		3A-195	1310006	1 - 57
	10 - 7		10 - 65		4 - 50	1310007	1 - 11
	12 - 15		11 - 3	855279	2 - 36	1310008	1 - 10
815219	2 - 143		13 - 12		3 - 101	1310009	1 - 8
	3 - 70	825880	2 - 40A		3A-195	1310011	3 - 97
	9 - 145		2 - 100F		4 - 50		3A-188
	10 - 5		2 - 194C	855281	2 - 36		4 - 19
	12 - 13		3 - 57D		3 - 101	1310012	3 - 96
815220	2 - 140		5 - 26		3A-195		3A-187
	3 - 67		9 - 157		4 - 50		4 - 18
	9 - 142		10 - 75	855282	2 - 34	1310013	3 - 97A
	10 - 2	827991	21 - 28		3 - 104		3A-189
	12 - 10	838166	21 - 82		3A-198		4 - 52
815224	3 - 66	839413	10 - 42		4 - 47	1310058	19 - 23
815225	2 - 139		12 - 66	855283	2 - 35	1310059	2 - 91
	9 - 141		14 - 41		3 - 103	1310161	3 - 39
	10 - 1	845762	2 - 115A		3A-197	1310163	1A- 2
	12 - 9		3 - 4		4 - 48	1310164	1A- 11
815375	2 - 146		3A- 48	855284	2 - 36	1310165	1A- 10
815688	21 - 23	846555	19 - 25		2 - 39	1310167	1 - 91
815879	9 - 26	850070	3 - 29		3 - 100	1310168	1 - 92
	9 - 28		3A- 29		3A-194	1310169	1 - 94
816645	9 - 46	855262	2 - 36		4 - 51	1310170	1 - 90
816649	2 - 144		3 - 101	855286	2 - 37	1310171	1 - 95
	3 - 71		3A-195		2 - 65B	1310201	9 - 153
	9 - 145A		4 - 50		3 - 102	1310204	9 - 154
	10 - 6	855263	2 - 36		3A-196	1310207	9 - 155
	12 - 14		3 - 101		4 - 49	1310209	9 - 34
816883	21 - 24		3A-195	960746	2 - 36	1310234	9 - 115
816983	9 - 15		4 - 50		3 - 101		9 - 117
817388	13 - 55	855264	2 - 36		3A-195	1310235	9 - 131
817770	21 - 24A		3 - 101		4 - 50	1310239	2 - 70
818002	9 - 17		3A-195	960766	1 - 12A	1310250	2 - 69
818101	21 - 25		4 - 50		1 - 22	1310255	3 - 90
818268	21 - 26		4 - 50		2 - 37	1310257	12 - 72A
818575	13 - 53	855265	2 - 36		3 - 102	1310260	3 - 90

PART NO.	LIST AND INDEX NO.	PART NO.	LIST AND INDEX NO.	PART NO.	LIST AND INDEX NO.	PART NO.	LIST AND INDEX NO.
1310267	2 - 20E	1621066-CONT	20 - 25	1621190-CONT	3 - 78	1621198-CONT	20 - 2B
1310270	3 - 84A	1621170	2 - 4		3 - 94		20 - 10
1310273	3 - 84A		2 - 21W		3A- 41	1621199	2 - 98A
1310275	3 - 90A		2 - 73		3A-144		2 -194D
1310280	2 - 99		2 -137		3A-186	1621210	1 - 71
1310281	2 - 31		2 -137B		5 - 2		1 - 84
1310288	2 -118		2 -154C		5 - 16		1 - 88
1310290	2 - 99		2 -160		5 - 28		1 - 93
1310297	3A-167		2 -198A		9 - 58		2 - 21C
1310300	2 - 30		3 - 9		9 -156		2 - 23A
1310304	21 - B		3 - 26		9 -161		2 - 27
1310315	2 - 30		3 - 45		10 - 84		2 - 32B
1310320	10 - 25		3 - 51		11 - 25		2 - 42
1310321	10 - 39		3 - 58		13 - 23		2 - 58
1310322	10 - 48		3A- 26		13 - 65		2 - 71
1310329	2 -157		3A- 30		15 - 10		2 - 82B
	10 - REF		3A- 85		15 - 21		2 - 84
1310330	3 - 56		3A- 88		15 - 23		2 - 87
	12 - REF		3A-152	1621191	2 - 20D		2 - 95
1310331	12 - 49		4 - 2		2 - 20F		2 -119
1310332	12 - 63		4 - 25		2 - 20R		2 -133
1310333	12 - 72A		9 - 11		2 - 20V		2 -133E
1310340	10 - 24		9 - 40		2 - 85B		2 -146A
	12 - 45		9 - 88		2 -110		2 -155
	14 - 23		9 -101		3A-105		2 -157A
1310350	10 - 22		13 - 8		3A-168		2 -159
	12 - 43		15 - 13		3A-191		2 -171
	14 - 22		15 - 28		9 -112A		2 -173
1310352	21 - B		20 - 2		9 -120		2 -182B
1310353	21 - B		20 - 7		9 -122		2 -182E
1310354	21 - B		20 - 13		9 -124		2 -185
1310355	21 - B	1621171	3 - 52B		10 - 44A		2 -193
1310357	21 - B		16 - 2		12 - 69A		2 -196
1310360	12 - 79		20 - 5		14 - 44A		2 -207
	21 - B	1621172	2 - 46		20 - 35		3 - 3E
1310363	21 - B		2 -102		20 - 43		3 - 27
1310366	21 - B		3A- 88A	1621192	1A- 16		3 - 37
1310482	19 - 24	1621173	2 -106A		2 - 17C		3 - 40
1310483	3 - 59		3A- 19		2 -182L		3 - 60
1310484	1 - REF		4 - 9		10 - 21		3 - 62
1310488	1 - 42		9 - 50		10 - 33		3 - 65
1310782	2 - 36		15 - 2		12 - 42		3 - 82
	3 -101	1621174	15 - 25		12 - 57		3 - 85
	3A-195	1621175	2 -105		14 - 21		3 - 87
	4 - 50		3A- 17		14 - 32		3 - 90C
1471018	21 - 31		4 - 7	1621193	2 - 78		3A- 2
1471027	21 - 32	1621176	9 - 97		12 - 46A		3A- 50
1471028	21 - 33	1621181	2 - 21M		19 - 10		3A- 64
1570563	20 - 31		2 - 21U	1621194	2 - 12		3A- 77
1573510	18 - 15		3A-170		2 - 82		3A- 81
1574352	16 - 27		9 - 37		3 - 15		3A- 92
1574353	16 - 26		9 - 86		10 - 68		3A-117
1589880	21 - 34		9 - 92		11 - 6		3A-121
1591469	7 - 23		9 - 94		13 - 15		4 - 16
1608649	21 -121A		9 - 99	1621195	2 - 10		4 - 23
1621010	2 -133C	1621182	3A- 74		3 - 13		4 - 29
1621020	2 -194G		16 - 3		10 - 66		4 - 32
	2 -194K		17 - 1		11 - 4		4 - 60
	2 -197		18 - 1		13 - 13		9 -111
1621021	12 - 7	1621184	2 - 21S	1621197	2 - 21H		9 -127
1621034	10 - 60	1621190	1 - 2		2 - 21Q		9 -140
	12 - 80		1 - 9		2 - 22B		9 -148
	14 - 59		1 - 76		2 -126		11 - 31
1621060	2 -133B		1A- 3		2 -202		12 - 4
	2 -138A		1A- 6		3A- 61		12 - 19A
	3A-163		1A- 8		4 - 12A		13 - 40
	3A-168		1A- 12	1621198	2 - 6A		2 - 48
	9 - 71		2 - 19C		2 - 89		2 -182G
1621061	1 - 31		2 - 92		2 -153E		3A- 79
	1 - 49		2 -112		3 - 54		3A-131
	1 - 65		2 -135		3 - 57F		3A-135
1621062	10 - 9		2 -148		3A- 69		3A-148
	12 - 17		2 -150		3A-104		9 - 67
	12 - 22		2 -166		9 - 92B		9 -107
	12 - 31		2 -197		10 - 80		10 - 29
1621066	3A- 10		3 - 25		11 - 20		12 - 53
	3A- 45		3 - 74		13 - 34		14 - 28

PART NO.	LIST AND INDEX NO.	PART NO.	LIST AND INDEX NO.	PART NO.	LIST AND INDEX NO.	PART NO.	LIST AND INDEX NO.
1621212	2 -100	1622318-CONT	9 - 72	1622346-CONT	5 - 3	1622404-CONT	9 - 68
	2 -163	1622319	19 - 3A		5 - 29		9 -138B
	3A- 99	1622320	2 - 29		10 - 10	1622405	1 - 87
	15 - 18		2 - 32D		10 - 69		10 - 36
1621216	3 - 1A		2 -100B		10 - 86		12 - 60
	3 - 3B		2 -121		11 - 7		14 - 35
	3A- 35		2 -153B		12 - 18		19 - 8
	9 -138		2 -181		12 - 23		19 - 12
1621230	4 - 35		3 - 40B		12 - 32	1624357	3 - 2A
	9 -133		3 - 85B		13 - 16	1635821	21 - 99
	9 -151		3 - 89		20 - 2C	1655336	21 -121
1621231	9 -135		3 - 90E		20 - 15	1655337	21 - 35
1621308	2 -115		3A- 52	1622347	1 - 89	1655339	21 - 36
	2 -152		3A- 56		2 - 16A	1661128	21 - 33A
	3 - 75A		3A- 82		2 - 50	1661129	21 - 32A
1621333	9 -152		3A- 93		2 - 59	1661130	21 - 33B
1621518	2 -169		3A-100		2 - 71A	1661131	21 - 31A
1621519	19 - 2		3A-122		2 - 82C	1661132	21 - 31B
1621523	2 -188		3A-128		2 - 85	1661528	21 - 91
1621527	3A-127		3A-132		2 - 90E	1673983	2 - 16
1621539	2 -178		3A-136		2 -156		2 - 25
1621594	2 - 96		3A-140		2 -170C		2 - 64A
1621595	2 -153A		3A-149		2 -174		2 - 90D
1621596	2 -180		3A-157		2 -208		2 -123
	3A- 55		4 - 23B		3 - 19A		2 -170B
	3A-139		10 - 37		3A- 3		3 - 19
	3A-156		12 - 61		3A- 71		3 - 98
	10 - 52		14 - 36		3A-183		3A- 59
	12 - 75		19 - 13		4 - 30		3A-182
1621599	14 - 51	1622332	2 -103		4 - 45A		3A-190
1621685	3A- 51	1622335	2 -172		4 - 59		4 - 20
	16 - 2	1622344	2 - 5		9 -108		4 - 37
	17 - 3		2 - 21X		9 -113		4 - 40
	18 - 3		2 -106C		9 -138C		4 - 53
1621852	1 - 39		2 -137A		10 - 73		10 - 72
	1 - 56		2 -161		11 - 11		10 - 88
1622302	2 -106B		2 -194H		11 - 32		11 - 10
	3A- 15		2 -198B		12 - 5		11 - 24
	3A- 20		3 - 9A		13 - 11A		13 - 19
	4 - 10		3 - 46		13 - 19A	1673984	2 - 90A
	15 - 26		3A- 14		13 - 41		3A- 70
1622304	2 - 20X		3A- 21		15 - 16		4 - 45
	2 - 74		3A- 27	1622348	2 - 97A		9 - 48B
	2 -167		3A- 86		3A-181		9 -105D
	3A-111		4 - 5	1622349	3A-159	1693983	3 - 32
	9 -120A		4 - 11	1622401	2 -106D		3 - 34
	10 - 81		9 - 12		3A- 13	1726285	21 - 92
	10 - 85		9 - 89		3A- 22	1726314	3A- 9
	11 - 21		12 - 8		4 - 4		3A- 44
	15 - 11		13 - 9		4 - 12	1726315	3A- 11
1622305	1 - 70		15 - 14	1622402	10 - 62		3A- 46
	3A- 7		20 - 6A		12 - 82	1731460	4 - 27A
	3A- 43	1622345	10 - 61		14 - 61	1743548	2 - 1
	9 -160		12 - 81		16 - 3B		2 - 65
	10 - 30		14 - 60		17 - 1B		2 -115E
	12 - 5A		16 - 3A		18 - 1B		2 -194A
	12 - 54		17 - 1A	1622403	2 - 8		3 - 4A
	14 - 29		18 - 1A		2 - 14		3 - 99
	19 - 3	1622346	1 - 32		2 - 17D		3A- 31
	19 - 18		1 - 50		2 - 20G		3A-145
1622306	1 - 86		1 - 66		2 - 20S		4 - 14C
	2 -153C		1A- 4		2 - 20W	1754004	21 -125
	2 -157B		1A- 9		2 -182J	1754257	21 -126
	2 -164		1A- 13		3 - 11	1794401	6 - 21
	2 -182		1A- 17		3 - 17	1794410	9 - 13
	4 - 33		2 - 8A		3A- 5	1799206	3 - 3
	10 - 38		2 - 13		10 - 64A		3 - 3C
	12 - 62		2 - 20A		10 - 70		20 - 26
	14 - 37		2 - 20H		11 - 2	1799218	3 - 2
	15 - 19		2 - 20T		11 - 8		3 - 3A
	19 - 14		2 -194E		11 - 15		20 - 24
1622318	1 - 76A		3 - 11A		13 - 11	1831799	5 - 23
	3A- 6		3 - 16		13 - 17	1836444	21 -120
	3A- 42		3 - 55		19 - 17	1847524	21 - 37
	3A- 89		3A- 62		20 - 14	1847525	21 - 38
	3A-110		3A-192	1622404	3 - 48	1847526	21 - 39
	3A-168A		4 - 12B		3A- 73	1847527	21 - 40

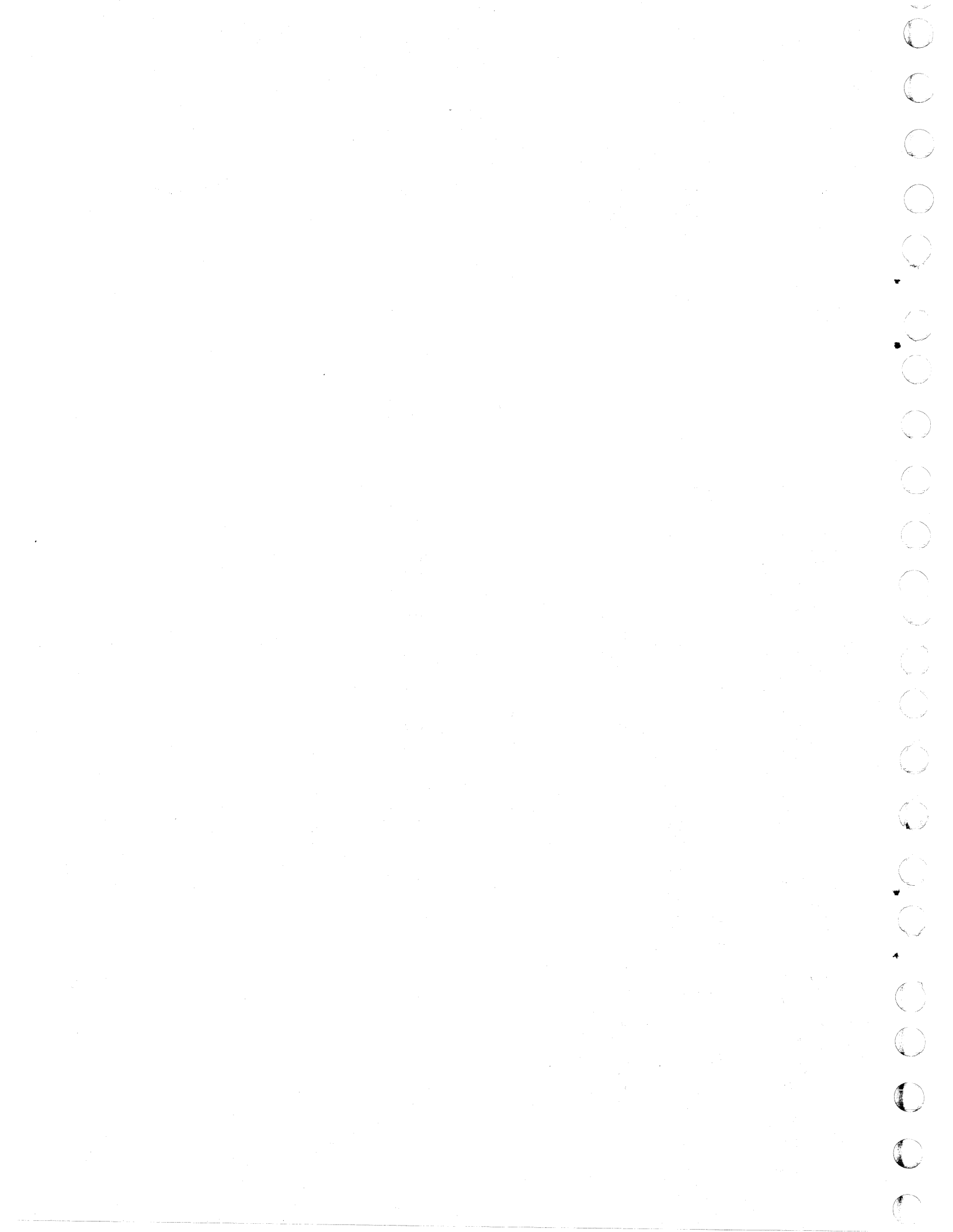
PART NO.	LIST AND INDEX NO.	PART NO.	LIST AND INDEX NO.	PART NO.	LIST AND INDEX NO.	PART NO.	LIST AND INDEX NO.
1847528	21 - 41	2305644	8 - 6	2676632	21 - 97	4056395	2 - 36
1847529	21 - 42	2305646	8 - 15	2676633	3 - 1	4056397	2 - 36
1847530	21 - 43	2305647	8 - 7	2676638	20 - 22	4056399	2 - 36
1847531	21 - 44	2305697	7 - 19	2676639	2 - 182F	4056401	2 - 36
1847532	21 - 48	2305720	6 - 4	2676657	2 - 164D	4056403	2 - 36
1847533	21 - 47	2305726	6 - 1		3 - 57C	4056405	2 - 36
1847534	3A-175	2360072	9 - 43		3A- 67	4056407	2 - 36
	21 - 46		9 - 103		4 - 14A	4056409	2 - 36
1847535	21 - 45	2399086	9 - 13	2676658	2 - 164D	4056411	2 - 39
1847536	21 - 49	2418180	2 - 36		3 - 57C	4056413	2 - 36
1847537	21 - 50		3 - 101		3A- 67	4056415	2 - 36
1896820	20 - 39		3A-195		4 - 14A	4056417	2 - 36
1976194	2 - 36		4 - 50	2676659	2 - 164D	4056419	2 - 36
	3 - 101	2455575	5 - 13		3 - 57C	4056733	2 - 1
	3A-195	2455576	5 - 19		3A- 67		2 - 65
	4 - 50	2457745	13 - 62		4 - 14A		2 - 115E
2101400	19 - 11	2462054	21 - 54B	2676660	2 - 164D		2 - 194A
2103010	6 - 41	2462055	21 - 55		3 - 57C		3 - 4A
2103412	21 - 51	2462057	21 - 54		3A- 67		3 - 99
2125963	2 - 93	2462062	21 - 122		4 - 14A		3A- 31
	10 - 34	2462606	7 - 4	2676661	2 - 164D		3A-145
	11 - 26	2502115	21 - 85		3 - 57C		4 - 14C
	12 - 47	2502307	21 - 29A		3A- 67	4057827	2 - 100E
	12 - 58	2532500	3A-147		4 - 14A		2 - 115B
	13 - 24	2532510	3A-155	2676662	2 - 164D	4061290	2 - 43
	14 - 33	2542049	20 - 8		3 - 57C		3A-160
2125974	2 - 49		20 - 11		3A- 67	4109340	2 - 164A
	2 - 85	2542403	2 - 19A		4 - 14A	4109341	2 - 115C
	2 - 97		2 - 46A	2676663	2 - 164D	4109342	3 - 80
	2 - 170		2 - 116		3 - 57C	4109343	9 - 75
	2 - 186		3 - 7A		3A- 67	4109344	3 - 7
	2 - 189		3 - 79		4 - 14A	4109346	2 - 115D
	2 - 194		3A-124	2676664	2 - 164D		2 - 164B
	3A-118		3A-176		3 - 57C	4109347	3 - 57B
2127635	6 - 37		4 - 14B		3A- 67		21 - B
2128748	20 - 9	2549540	2 - 17		4 - 14A	4109349	4 - 35A
2130285	7 - 3		10 - 74	2676665	2 - 6	4109354	2 - 164E
2154451	1 - 16		11 - 12	2676666	2 - 6	4109355	1 - 22A
2154459	1 - 26		13 - 20	2676698	2 - 19B	4109359	2 - 75
	1 - 44	2549780	15 - 15	2676700	15 - 32		21 - B
	1 - 60	2561149	20 - 9	2676706	16 - 11	4109360	2 - 76
2172092	3A-108	2561584	16 - 26		17 - 8	4109361	2 - 182D
	12 - 24		18 - 26	2676715	1 - 12A	4109371	2 - 132
	13 - 1	2561585	16 - 27		1 - 22	4109372	2 - 122
2172166	2 - 106	2565041	21 - 56	2676716	2 - 65A	4109376	2 - 153D
	3A- 18	2568941	11 - 13	2676717	1 - 12A	4109377	1 - 22
	4 - 8	2574136	20 - 22		2 - 65A	4109378	1 - 5A
2181005	5 - 14	2582954	3A- 47	2676718	1 - 12A	4109379	3 - 57E
	5 - 20	2592384	6 - 36		2 - 65A	4109387	2 - 182A
	13 - 57	2637335	13 - 29	2676719	2 - 65A		21 - B
2181011	7 - 22	2637340	13 - 30	2676720	2 - 65A	4109388	20 - 41
2181052	9 - 64	2637524	2 - 22C	2676721	2 - 65A	4109389	2 - 164A
2242321	20 - 20	2637563	13 - 42	2676722	15 - 33	4109390	2 - 115C
2274833	6 - 24	2637565	13 - 49	2676725	18 - 8	4109392	2 - 164C
2277082	2 - 17F	2637567	13 - 50	2722507	3A-165	4109393	3 - 57B
	2 - 100D	2637568	13 - 47	2731306	9 - 27	4109394	2 - 164A
	2 - 152B	2637576	13 - 43	2732364	12 - 19	4109396	3 - 49
	2 - 198D	2637577	13 - 45	2733280	9 - 85	4109397	9 - 75
	3 - 6	2637578	13 - 44	2744256	2 - 21F	4109398	3 - 57B
	3 - 22	2637579	13 - 46	2744805	21 - 59	4109400	2 - 115C
	3A- 33	2637580	13 - 48	2744811	21 - 60	4109427	9 - 48D
	3A-154	2637669	3 - 24	2745023	21 - 61	4109434	9 - 48
	4 - 14E		3 - 77	2745024	21 - 62		9 - 105C
	19 - 22		3 - 93	2745029	21 - 55A	4109436	9 - 48A
2281128	21 - 52		3A-143	2757868	21 - 98		9 - 105A
2281129	21 - 53		3A-185	2766708	9 - 14	4109438	21 - B
2282675	2 - 124B	2637689	21 - 57	2766709	9 - 14	4109439	2 - 98B
2282676	2 - 124C	2637691	21 - 58	2992717	2 - 36	4109440	2 - 164E
2305462	8 - 14	2674294	21 - B		3 - 101	4109441	2 - 164E
2305523	8 - 19	2674400	3A- 95		3A-195	4109443	3 - 57A
2305526	8 - 9	2674401	3A- 96		4 - 50	4109444	18 - 19
2305540	6 - 8	2674402	3A- 97	4014244	2 - 175	4109445	17 - 20
2305553	6 - 17	2674410	3A- 98	4056221	16 - 30	4109446	17 - 20
2305597	6 - 8	2674425	3A-146	4056393	2 - 36	4109449	16 - 23
2305598	6 - 20	2676627	9 - 136		3 - 101	4109452	2 - 164D
2305616	6 - 19	2676628	9 - 126		3A-195		3 - 57C
2305632	6 - 11B	2676631	21 - 96		4 - 50		3A- 67

PART NO.	LIST AND INDEX NO.	PART NO.	LIST AND INDEX NO.	PART NO.	LIST AND INDEX NO.	PART NO.	LIST AND INDEX NO.
4109452-CONT	4 - 14A	4123762	21 - 54C	4134351-CONT	3A-195	4134370-CONT	4 - 50
4109453	10 - 79	4123765	21 - D		4 - 50	4134371	2 - 36
	11 - 19	4123774	21 - D	4134352	2 - 36		3 -101
4109459	21 - B	4123780	21 - 65		3 -101		3A-195
4109460	21 - B	4123824	21 - D		3A-195		4 - 50
4109461	21 - B	4123827	21 - D		4 - 50	4134372	2 - 36
4109462	21 - C	4123828	21 - D	4134353	2 - 36		3 -101
4109463	21 - C	4123898	15 - 29		3 -101		3A-195
4109468	9 - 92A	4123900	2 - 7		3A-195		4 - 50
4109469	2 - 63		10 - 64	4134354	4 - 50	4134373	2 - 36
	2 - 93A		11 - 1		2 - 36		3 -101
	20 - 14A		13 - 10		3 -101		3A-195
4109471	5 - 27	4123902	2 - 11		3A-195		4 - 50
4109474	2 - 15		3 - 14	4134355	4 - 50	4134374	2 - 36
	11 - 9		10 - 67		2 - 36		3 -101
	13 - 18		11 - 5		3 -101		3A-195
4109477	2 - 94		13 - 14		3A-195		4 - 50
4109478	19 - 16	4123903	16 - 30		4 - 50	4134375	2 - 36
	21 - A	4123904	16 - 6	4134356	2 - 36		3 -101
4109480	2 -108	4123905	16 - 6		3 -101		3A-195
	3A- 24	4123906	16 - 6		3A-195		4 - 50
	4 - 14	4123907	16 - 6	4134357	4 - 50	4134376	2 - 36
4109481	12 - 20	4123913	9 - 4		2 - 36		3 -101
4109482	12 - 21	4123923	9 -132	4134358	3 -101		3A-195
4109483	3 - 52A	4123924	9 -130		3A-195		4 - 50
4109499	21 - C	4123925	9 -134		4 - 50	4134384	3A-195
4109500	21 - C	4123928	9 - 38		2 - 36	4134580	2 - 36
4109503	2 - 26		10 - 58		3 -101		3 -101
4109505	21 - C		12 - 78		3A-195		3A-195
4109506	2 - 90C	4123930	9 -137		4 - 50		4 - 50
	20 - 2A	4123931	9 -139	4134359	2 - 36	4134581	2 - 36
4109507	2 -153	4124004	1 - 57		3 -101		3 -101
4109508	9 - 1A	4124006	1 - 41		3A-195		3A-195
4109509	2 -153	4124092	1 - 6		4 - 50		4 - 50
4109511	21 - C	4124093	1 - 5	4134360	2 - 36	4134582	2 - 36
4109512	21 - C	4124094	1 - 4		3 -101		3 -101
4109513	21 - C	4124095	1 - 3		3A-195		3A-195
4109516	9 -150	4124112	21 - D		4 - 50		4 - 50
4109517	9 -110	4124138	21 - D	4134361	2 - 36	4134583	2 - 36
4109519	3 - 10	4124178	21 - D		3 -101		3 -101
4109520	2 -194J	4124179	21 - D		3A-195		3A-195
4109521	19 - 8B	4124182	21 - D		4 - 50		4 - 50
4109522	21 - C	4124183	21 - D	4134362	2 - 36	4134584	2 - 36
4109523	2 -149	4124192	21 - D		3 -101		3 -101
4109524	2 - 90	4124193	21 - D		3A-195		4 - 50
4109532	21 - C	4124194	21 - D		4 - 50	4134831	9 - 13
4109533	21 - C	4124195	21 - D	4134363	2 - 36	4135783	2 - 36
4109537	2 - 90B	4124196	21 - E		3 -101		2 - 36
4109539	2 - 82A	4124197	21 - E		3A-195		3 -101
	5 - 1	4124198	3 - 86		4 - 50		3A-195
	9 -106	4124202	21 - E	4134364	2 - 36		4 - 50
4109590	9 -121	4124203	21 - E		3 -101	4138473	10 - 50
4109678	1 - 27	4124208	3 - 86		3A-195		12 - 73
	1 - 45	4124210	21 - 66		4 - 50		14 - 49
	1 - 61	4124211	10 - 63	4134365	2 - 36	4138522	9 - 44
4109774	3 - 18	4124215	2 -179		3 -101		9 -103A
4119729	2 - 20E	4124216	9 -159		3A-195	4138523	9 - 42
4119849	3A-155	4124217	9 -114		4 - 50		9 -102
4120303	3A-173		9 -115	4134366	2 - 36	4138524	9 - 39
4120492	3A-167		9 -116		3 -101		9 -100
4120541	20 - 33	4124218	9 -114		3A-195	4138527	9 - 20
4120543	20 - 34		9 -118		4 - 50	4138552	9 - 13
4120570	3A-172	4124219	9 -119	4134367	2 - 36	4138559	9 - 99A
4120598	3 - 20	4124227	2 -165		3 -101		9 - 99A
4120601	20 - 42		15 - REF		3A-195	4138564	9 - 15
4120650	3A-164	4124228	2 -165		4 - 50	4138565	9 - 36
4120824	3A-166		15 - REF	4134368	2 - 36		9 - 91
4123644	15 - 24	4124231	4 - 15		3 -101	4138566	9 - 35
4123688	21 - 63	4124233	13 - 25		3A-195	4138577	9 - 90
4123689	3A-174	4124240	21 - E		4 - 50	4138580	9 -103B
	21 - 64	4124241	21 - E	4134369	2 - 36	4138587	9 -103A
		4124242	21 - E		3 -101	4138593	9 - 9
4123750	21 - C	4124247	10 - 71		3A-195	4139582	9 - 28
4123752	21 - C		21 - E		4 - 50	4145588	13 - 61
4123753	21 - C		21 - E	4134370	2 - 36	4150495	21 -111
4123754	21 - C	4124485	21 - 65A		3 -101	4150496	9 - 19
4123755	21 - C	4134351	2 - 36		3A-195	4150776	9 - 18
4123761	21 - 54A		3 -101				

PART NO.	LIST AND INDEX NO.	PART NO.	LIST AND INDEX NO.	PART NO.	LIST AND INDEX NO.	PART NO.	LIST AND INDEX NO.
4151647	3 - 84	4154675	16 - 2	4432595-CONT	12 - 87	4521307	2 - 21P
4151648	3 - 84		17 - 3	4432600	3 - 56	4521357	2 - 21R
4151656	4 - 21		18 - 3		12 - REF	4521358	2 - 21T
4151659	3 - 38	4154698	1 - 22A	4432610	3A-163	4609539	2 -170A
4151668	4 - 21	4154699	1 - 22A	4432624	21 - F	4796840	2 - 21N
4151669	4 - 22	4155126	21 -112	4432626	21 - F	4797001	2 - 21T
4154459	3A-199	4155181	9 -162	4432629	12 - 63	4797003	2 - 21T
4154476	3A- REF	4155354	21 - E	4432630	13 - 64	4797005	2 - 21T
4154555	3A- REF	4155374	21 - E		14 - REF	4797367	2 - 21T
4154560	1 - 22A	4178009	5 - 5	4432775	2 - 22D	4797370	2 - 21T
4154574	9 -138A		6 - REF		21 - F	4943864	21 -127
4154580	2 - 164D	4178011	5 - 5	4432777	21 - F	5054478	2 - 36
	3 - 57C		6 - REF	4432780	10 - 59		3 -101
	3A- 67	4178027	6 - 15		21 - F		3A-195
	4 - 14A		8 - REF	4432781	21 - F		4 - 50
4154581	4 - 27A	4178035	7 - 27	4432784	21 - F	5214256	20 - 33
4154583	2 - 93B	4178047	6 - 12	4432785	21 - G	5236656	3A-169
	19 - 1	4178052	6 - 11A	4432786	21 - G	5252506	20 - 34
4154584	2 - 93B	4178053	6 - 10	4432787	21 - G	5252582	21 - 67
	19 - 1	4178056	6 - 11A	4432788	21 - G	5252584	21 - 68
4154585	2 - 93B	4178057	6 - 10	4432790	21 - G	5252587	21 - 68A
	19 - 1	4178058	6 - 39	4432794	21 - G	5252645	2 - 47
4154586	2 - 93B	4178060	7 - 11	4432799	2 -117	5252661	21 - 69
	19 - 1	4178061	7 - 15	4432800	2 -162	5252823	17 - 12
4154587	2 - 93B	4178062	7 - 17		3A- 72	5252824	16 - 15
	19 - 1	4178063	7 - 16		17 - REF	5252850	3A- 39
4154588	4 - 27A	4178065	6 - 21A	4432802	2 -201	5252857	18 - 12
4154589	2 - 93B	4178067	7 - 18	4432803	2 -125	5271288	2 -136
	19 - 1	4204962	20 - 4		4 - 39		2 -198
4154591	2 -100E	4236352	8 - 17	4432810	2 -162		3A-151
	2 -115B	4411141	17 - 30		3A- 72		20 - 6
4154598	2 -164D	4418722	2 -100E		17 - REF	5276701	20 - 12
	3 - 57C		2 -115B	4432811	11 - 33	5298109	13 - 54
	3A- 67	4422117	3A- 47	4432814	12 - 3	5349929	6 - 43
	4 - 14A	4432383	2 -113	4432815	2 -109	5352960	21 - 71
4154601	3A- 49	4432384	2 -114	4432847	19 - 7	5353922	21 - 72
4154602	3A-120	4432386	5 - 4	4432848	2 - 98	5357144	17 - 26
4154603	3A- 58	4432389	2 -128	4432849	2 - 24	5357145	17 - 25
4154604	3A- 54		2 -204	4432851	4 - 36	5357579	2 - 65D
4154605	3A-126		4 - 42	4432852	4 - 44	5447741	6 - 29
4154606	3A-134	4432392	9 - 1A	4432854	2 - 80		21 - 73
4154607	3A-138	4432395	9 - 2	4432862	21 - 84	5466393	6 - 28
4154608	3A-130		9 - 4		21 -113		21 - 74
4154609	3A-116	4432399	9 - 1A	4432863	15 - 20	5466397	6 - 27
4154611	3A- 65	4432400	21 - E	4432866	3 - 81		21 - 75
4154612	3A-177	4432401	21 - E	4432867	2 -194F	5466467	21 - 76
4154613	3A- 66	4432402	21 - E	4432868	2 -195A	5466468	21 - 77
4154615	3A- 80	4432403	21 - E	4432869	2 - 69A	5468305	17 - 25
4154616	3A- 78	4432404	21 - E	4432871	2 - 22	5468306	17 - 26
4154618	3A- 4	4432405	21 - F	4432872	2 - 21G	5468318	16 - 19
4154619	3A- 63	4432406	21 - F	4432876	2 - 20		17 - 16
4154626	3A- 68	4432408	21 - F	4432877	2 - 20	5468388	18 - 26
4154629	3A- 76	4432409	21 - F	4432879	2 - 21	5486851	21 - 78
4154632	2 -130	4432410	21 - F	4432881	2 - 21B	5501993	2 -112D
	3 - 53	4432411	21 - F	4432884	2 - 21B	5501995	9 - 59
	3A- 60	4432450	2 -151	4432886	2 - 21B	5501997	2 -112E
	4 - 28		3 - 75	4432888	2 - 21B		9 - 60
	13 - 39	4432471	21 - F	4432890	2 - 21B	5529190	21 - 79
4154634	3A- 34	4432472	21 - F	4432892	2 - 21B	5529191	21 - 79A
4154636	3A- 87	4432473	21 - F	4432899	9 - 96	5562019	8 - 1
4154638	2 - 17B	4432474	21 - F	4433023	2 - 38	5562020	6 - 2
	2 -182K	4432586	14 - 47		2 - 65A	5562022	6 - 7
	3A-103	4432587	14 - 38	4433024	2 - 38	5562035	7 - 26
4154639	3A- 91	4432588	14 - 24		2 - 65A	5562037	7 - 30
4154641	3A-179	4432589	12 - 72A	4433025	2 - 38	5562038	7 - 21
4154642	1 - 87A	4432590	2 -111		2 - 65A	5562041	7 - 29
	2 -172A	4432591	10 - 56	4433026	2 - 38	5562044	7 - 31
	3 - 3D		14 - 55		2 - 65A	5562046	6 - 14
	3A- 1	4432592	10 - 57	4433027	2 - 38	5562051	7 - 6
	4 - 58		12 - 86		2 - 65A	5562061	7 - 39
	9 -106A		14 - 56	4433028	2 - 38	5562062	8 - 21
4154643	3A- 37	4432593	10 - 55		2 - 65A	5562064	6 - 12
4154644	3A- 38		12 - 84	4433048	21 - 81L	5562066	6 - 32
4154645	21 - E		14 - 54	4441141	3A-178	5562071	6 - 30
4154659	19 - 6	4432594	12 - 85		18 - 30	5562081	7 - 36
4154663	2 - 88	4432595	12 - 1	4447204	1 - 22	5562082	7 - 41
4154674	2 - 91		12 - 83	4521305	2 - 21L	5562083	7 - 1

PART NO.	LIST AND INDEX NO.	PART NO.	LIST AND INDEX NO.	PART NO.	LIST AND INDEX NO.	PART NO.	LIST AND INDEX NO.
5562084	8 - 3	5576287	10 - 44	5578871	21 - G	6814311	3A-166
5562085	7 - 7		10 - 47	5578873	2 - 182A	6815180	2 - 1
5562086	7 - 33		12 - 69		21 - G		2 - 65
5562088	7 - 24		12 - 72	5578876	21 - G		2 - 115E
5562096	6 - 38		14 - 43	5578879	21 - H		2 - 194A
5562098	7 - 10		14 - 46	5578880	21 - H		3 - 4A
5562099	7 - 34	5576288	10 - 46	5578881	21 - H		3 - 99
5562102	6 - 25		12 - 71	5578882	21 - H		3A- 31
5562103	7 - 8		14 - 45	5578884	21 - H		3A-145
5562115	6 - 13	5576289	10 - 14	5578886	21 - H	6815181	4 - 14C
5562116	6 - 22		12 - 36	5578887	21 - H		2 - 1
5562313	6 - 16		14 - 14	5578888	21 - H		2 - 65
5562328	5 - 15	5576294	12 - 88	5578889	21 - H		2 - 115E
5562336	5 - 11	5576296	10 - 54	5578890	21 - H		2 - 194A
5562337	5 - 17		12 - 77	5578899	2 - 172B		3 - 4A
5562338	5 - 21		14 - 53		9 - 112		3 - 99
5576199	10 - 31	5576379	2 - 36	5578901	21 - H		3A- 31
	12 - 55		3 - 101	5578904	5 - 25		3A-145
	14 - 30		3A-195	5578909	21 - H	6815182	4 - 14C
5576202	10 - 32		4 - 50	5578917	21 - H		2 - 1
	12 - 56	5578478	21 - G	5578919	21 - H		2 - 65
5576203	12 - 56A	5578479	21 - G	5578920	21 - H		2 - 115E
5576205	14 - 31	5578489	21 - 80	5578922	21 - J		2 - 194A
5576207	12 - 46	5578491	21 - 54D	5578931	21 - J		3 - 4A
5576209	10 - 13	5578511	16 - 4	5578932	21 - J		3 - 99
	12 - 35		17 - 23	5578933	21 - J		3A- 31
	14 - 13		18 - 24	5578934	21 - J		3A-145
5576219	10 - 41	5578512	16 - 5	5578939	21 - J	6815183	4 - 14C
	12 - 65		17 - 24	5579770	21 - J		2 - 1
	14 - 40		18 - 25	5579771	21 - J		2 - 65
5576244	21 - G	5578545	3 - 31	5579772	21 - J		2 - 115E
5576245	10 - 20	5578546	3 - 33	5579773	21 - J		2 - 194A
	12 - 41	5578548	12 - 30	5612880	21 - 128		3 - 4A
	14 - 20	5578549	3 - 63	5685244	2 - 1		3 - 99
5576247	3 - 84B	5578550	3 - 61		2 - 65		3A- 31
5576248	3 - 84B	5578551	3 - 36		2 - 115E		3A-145
5576249	3 - 90B	5578556	3 - 64		2 - 194A		4 - 14C
5576259	14 - 62	5578567	2 - 158		3 - 99	6815188	2 - 100E
5576260	10 - 11		4 - 34		3A- 31		2 - 115B
	12 - 33	5578577	1 - 75		3A-145	6825818	2 - 100E
	14 - 11	5578578	1 - 7		4 - 14C		2 - 115B
5576261	12 - 63	5578591	1A- 5	5685245	4 - 27A	6825820	2 - 100E
5576264	10 - 26	5578592	1A- 15	5700484	7 - 40		2 - 115B
	12 - 50	5578593	1A- 7	5717874	21 - 123	6825822	4 - 27A
	14 - 25	5578597	1A- 19	5717999	1A- 14	6825823	4 - 27A
5576265	10 - 27	5578611	13 - 66	5718485	3A- 47	6825828	2 - 100E
	12 - 51	5578613	1A- REF	5718487	3A- 47		2 - 115B
	14 - 26	5578614	1A- REF	5718488	3A- 47	6825830	3A- 47
5576266	10 - 28	5578615	1A- REF	5731697	2 - 93B	6825833	3A- 47
	12 - 52	5578616	1A- REF		2 - 93B	6825834	4 - 27A
	14 - 27	5578617	1A- REF		19 - 1	6825838	4 - 27A
5576267	10 - 35	5578618	1A- REF	5800610	21 - 81	6825839	3A- 47
	12 - 59	5578623	1 - 1	5800634	21 - 81A	6825840	2 - 100E
	14 - 34	5578637	5 - 24	5800660	21 - 81B		2 - 115B
5576268	10 - 53	5578663	16 - 1	5802225	21 - J	6825879	2 - 93B
	12 - 76		18 - 2	5865244	3 - 4A		19 - 1
	14 - 52	5578666	2 - 3	5896504	21 - J	6825906	2 - 93B
5576271	12 - 48		3 - 8	5896506	21 - J		19 - 1
5576272	12 - 49		3A- 25	5896524	21 - J	6825908	2 - 93B
5576281	10 - 15		4 - 1	5896531	13 - 35		19 - 1
	12 - 37		12 - 6	5922113	10 - 42A	6831310	2 - 209
	14 - 15		13 - 7		12 - 67	6831311	2 - 86
5576282	10 - 43	5578667	3A- 84		14 - 41A	6831312	5 - 30
	12 - 68		9 - 87	5966292	2 - 36	6831316	2 - 60
	14 - 42		15 - 12		3 - 101	6831317	2 - 41
5576283	10 - 49	5578671	15 - 17		3A-195	6831319	1 - 85
	12 - 72B		16 - REF		4 - 50	6831321	13 - 22
	14 - 48	5578672	15 - 17	6003011	2 - 39	6831326	10 - 82
5576284	10 - 45		16 - REF	6003012	2 - 36		11 - 23
	12 - 70	5578696	9 - 128	6003013	2 - 36	6831327	4 - 27
	14 - 44	5578810	2 - 176		3 - 101	6831330	4 - 54
5576285	10 - 17		9 - REF		3A-195	6831332	20 - 44
	12 - 38	5578824	2 - 184		4 - 50	6831333	11 - 14
	14 - 17	5578827	9 - 98	6004802	2 - 33	6831334	2 - 19B
5576286	10 - 12	5578846	21 - G	6121851	2 - 100E	6831336	4 - 31
	12 - 34	5578847	21 - G		2 - 115B		13 - REF
	14 - 12	5578870	21 - G	6331474	2 - 194B	6831338	2 - 23

PART NO.	LIST AND INDEX NO.	PART NO.	LIST AND INDEX NO.	PART NO.	LIST AND INDEX NO.	PART NO.	LIST AND INDEX NO.
6831339	2 - 81	6831480	21 - K	8330658	2 -154B	8483347-CONT	2 - 40
6831340	2 -205	6831481	21 - K		3 - 50		2 -154
6831341	2 -129	6831482	21 - K		4 - 24		2 -183
	4 - 43	6831483	21 - K	8330659	2 -154D		3 - 30
6831342	2 -124	6831484	21 - K		3 - 52		3 - 35
	2 -200	6831485	2 -182A		4 - 26		3 - 42
	4 - 38		21 - K	8330660	1 - 21		3 - 95
6831343	2 -206	6831486	21 - K		1 - 68		4 - 17
6831344	2 -133D	6831487	21 - K	8330661	1 - 21		9 -158
6831345	2 -195	6831488	21 - K	8330662	1 - 68		10 - 75A
6831346	2 -133A	6831489	21 - L	8330663	1 - 68		11 - 22
6831347	2 -138	6831490	21 - L	8330664	1 - 21		12 - 2
6831348	2 -134	6831491	21 - L	8330665	1 - 68		13 - 21
6831349	2 -127	6831492	21 - L	8330666	1 - 21		20 - 3
	2 -203	6831493	19 - 16	8330667	1 - 68		
	4 - 41		21 - A	8330668	1 - 21	8483352	1 - 30
6831350	9 - 93	6831494	21 - A	8330669	1 - 68		1 - 48
6831351	9 -159	6831495	19 - 16	8330670	1 - 21		1 - 64
6831352	15 - 29		21 - A	8330671	1 - 68	8483353	1 - 29
6831353	9 -159	6831496	19 - 16	8330678	1A- 1		1 - 47
6831354	9 - 1		19 - 16	8330683	2 - 21D		1 - 63
6831355	2 -176	6831497	19 - 4	8330684	2 - 21D	8483355	1 - 38
	9 - REF		21 - L	8330685	2 - 21D		1 - 55
6831356	9 - 19C	6831498	19 - 5	8330686	2 - 21D	8483356	1 - 37
	21 -117		21 - L	8330687	2 - 21D		1 - 54
6831357	2 -176	8112294	2 - 36	8330688	2 - 21D	8483361	1 - 18
	9 - REF		3 -101	8330691	2 -107	8483368	1 - 15
6831358	9 -162		3A-195		3A- 23	8483369	1 - 19
6831364	3 - 57A		4 - 50	8330692	2 -101	8483370	1 - 17
6831365	2 -157	8236797	2 - 1		3A- 12	8483371	1 - 20
	11 - REF		2 - 65		4 - 3	8483375	9 - 31
6831366	10 - 89		2 -115E	8330695	21 - L	8483376	9 - 8
	11 - 29		2 -194A	8330696	21 - L	8483454	1 - 23
6831367	19 - 20		3 - 4A	8330704	17 - 29	8483455	1 - 24
6831368	19 - 1A		3 - 99	8330707	17 - 2	8483469	1 - 36
6831369	19 - 26		4 - 14C	8330708	18 - 23	8483482	1 - 36
6831383	4 - REF	8254915	21 - 81C	8330709	18 - 31	8483486	1 - 40
6831411	2 -165	8254918	21 - 81D	8330711	3 - 47	8483487	1 - 40
	15 - REF	8254919	21 - 81E		18 - REF	8483488	1 - 25
6831412	2 -165	8267333	21 -118	8330712	3 - 47		1 - 43
	15 - REF	8267334	21 - 33C		18 - REF	8483489	1 - 78
6831421	10 - 87	8267564	2 - 66	8330713	18 - 19	8483490	1 - 82
	11 - 27		10 - 76	8330718	9 -123	8483491	1 - 77
6831425	21 - J		11 - 16	8383488	1 - 59	8483492	1 - 81
6831426	21 - J	8268897	3A- 75	8482220	21 - L	8483493	1 - 79
6831427	21 - J	8279060	17 - 12	8482247	21 - L	8483494	1 - 83
6831428	21 - J	8326797	3A- 31	8482651	2 - 32	8483495	1 - 69
6831430	21 - J		3A-145	8482681	2 - 32A	8483497	1 - 80
6831431	14 - 58	8326801	2 - 1	8482691	2 - 32A	8483503	9 - 66
	21 - K		2 - 65	8482757	2 - 77	8483504	9 - 69
6831432	21 - K		2 -115E	8482759	2 - 75A	8483505	15 - 27
6831440	2 - REF		2 -194A		21 - L	8483510	15 - 22
6831442	2 - 83		3 - 4A	8482761	2 - 72	8483524	2 -187
	5 - REF		3 - 99	8483012	9 - 49	8483728	2 -168
6831443	2 - 83		3A- 31		15 - 1	8483959	3A-164
	5 - REF		3A-145	8483040	2 -124A	8544812	3A-161C
6831445	2 - 64	8330628	4 - 14C		2 -199	8547121	2 - 65C
	20 - REF		2 - 36	8483089	9 - 62	8551902	3A- 47
6831446	2 - 64		3 -101	8483091	9 - 70	8551903	2 -100E
	20 - REF		3A-195	8483096	2 -192		2 -115B
6831453	20 - REF		4 - 50	8483160	20 - 1	8551904	2 - 1
6831454	20 - REF	8330637	9 - 10	8483163	20 - 36		2 - 65
6831458	2 - 94	8330638	9 -109	8483165	20 - 37		2 -115E
	19 - REF	8330641	15 - 9	8483169	20 - 38		2 -194A
6831460	2 - 94	8330642	9 - 18	8483171	20 - 28		3 - 4A
	19 - REF	8330643	1 - 58	8483173	20 - 29		3 - 99
6831462	2 - 94	8330644	1 - 12	8483177	20 - 30		3A- 31
	19 - REF	8330645	1 - 58	8483180	19 - 19		3A-145
6831464	2 - 94	8330646	1 - 12	8483343	1 - 34		4 - 14C
	19 - REF	8330647	1 - 58		1 - 52	8551905	4 - 27A
6831471	4 - REF	8330648	1 - 12		1 - 6A	8565268	21 - 81G
6831473	2 - 88	8330649	1 - 58	8483347	1 - 10A	8565269	21 - 81H
6831475	21 - K	8330650	1 - 12		1 - 13	8565273	21 - 81J
6831476	21 - K	8330651	1 - 58		1 - 33	8565274	21 - 81K
6831477	21 - K	8330652	1 - 12		1 - 51	8565297	21 - 81F
6831478	21 - K	8330653	1 - 58		1 - 67	8645426	21 -119
6831479	21 - K	8330654	1 - 12		2 - 19		



4341 Processor
Parts Catalog
Order No. S124-0152-4

**READER'S
COMMENT
FORM**

This form may be used to communicate your views about this publication. They will be sent to the author's department for whatever review and action, if any, is deemed appropriate. Comments may be written in your own language; use of English is not required.

IBM may use or distribute any of the information you supply in any way it believes appropriate without incurring any obligation whatever. You may, of course, continue to use the information you supply.

Note: *Copies of IBM publications are not stocked at the location to which this form is addressed. Please direct any requests for copies of publications, or for assistance in using your IBM system, to your IBM representative or to the IBM branch office serving your locality.*

- Did you find the part you needed in the catalog?
- If you *did not* find the part in the catalog, how did you obtain the correct part number?
- What parts were you unable to find? (Include numbers if you were able to determine them by an alternate means.)
- If you *did* find the part you needed in the catalog, but had unusual difficulty locating it, please send us the part number and page number. Include a description of your difficulty if you wish.

Please contact your local IBM branch office for address and subscription service changes.

Your comments:

Note: *Staples can cause problems with automated mail sorting equipment. Please use pressure sensitive or other gummed tape to seal this form. If you would like a reply, please supply your name and address on the reverse side of this form.*

Thank you for your cooperation. No postage stamp necessary if mailed in the U.S.A. (Elsewhere, an IBM office or representative will be happy to forward your comments.)

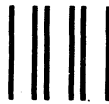
Reader's Comment Form

Cut or Fold Along Line

Fold and Tape

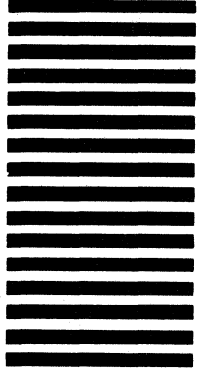
Please Do Not Staple

Fold and Tape



NO POSTAGE
NECESSARY
IF MAILED
IN THE
UNITED STATES

BUSINESS REPLY MAIL
FIRST CLASS PERMIT NO. 40 ARMONK, N.Y.



POSTAGE WILL BE PAID BY ADDRESSEE:

International Business Machines Corporation
Department K10
P.O. Box 6
Endicott, New York 13760

4341 Processor (PC) Printed in U.S.A. S124-0152-4

Fold

Fold

If you would like a reply, please print:

Your Name _____

Company Name _____ Department _____

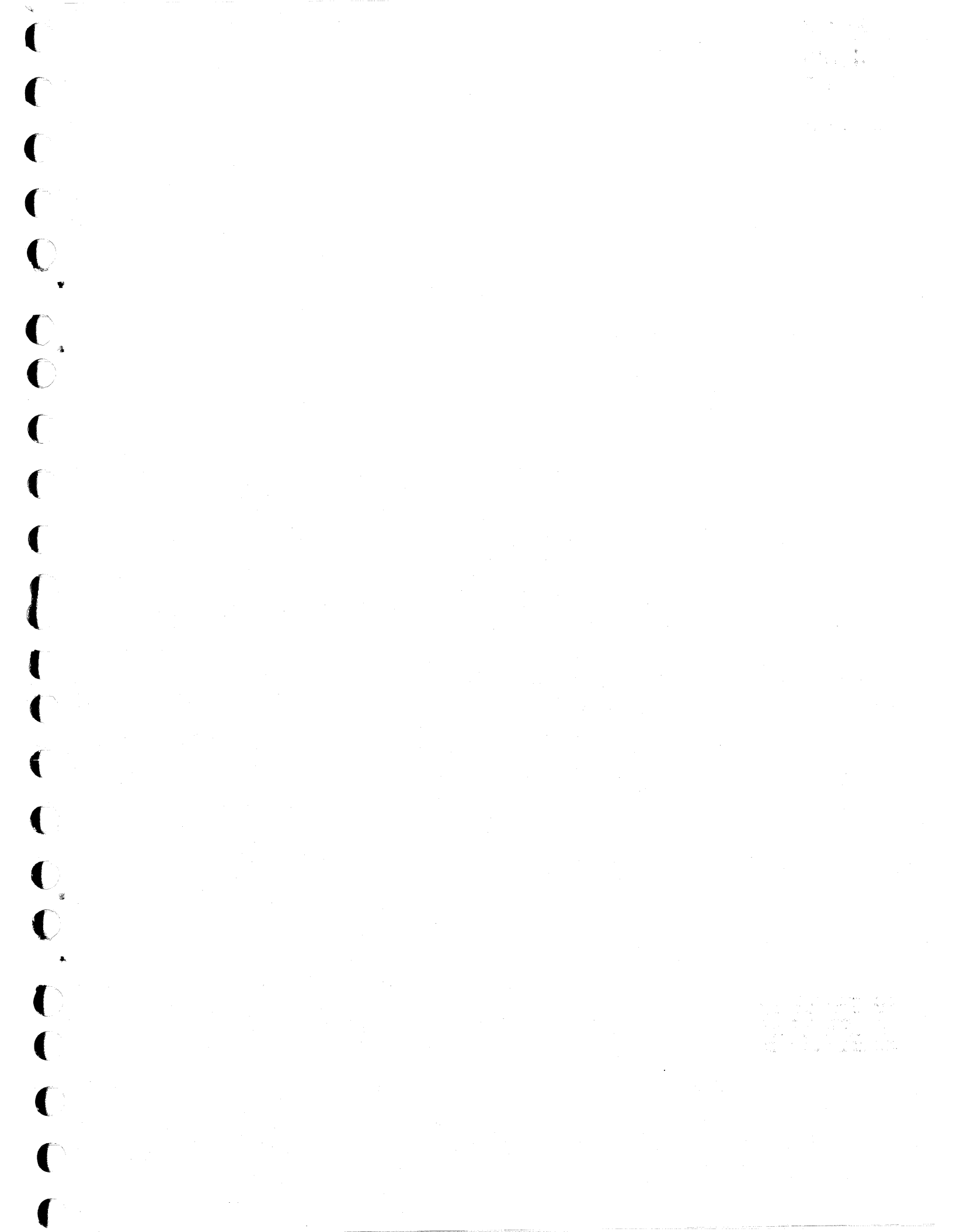
Street Address _____

City _____

State _____ Zip Code _____

IBM Branch Office serving you _____





4341

4341

Cut

Fold

Use clear acetate tab
obtained locally.

S124-0152-4

4341 Processor (PC) Printed in U.S.A. S124-0152-4

