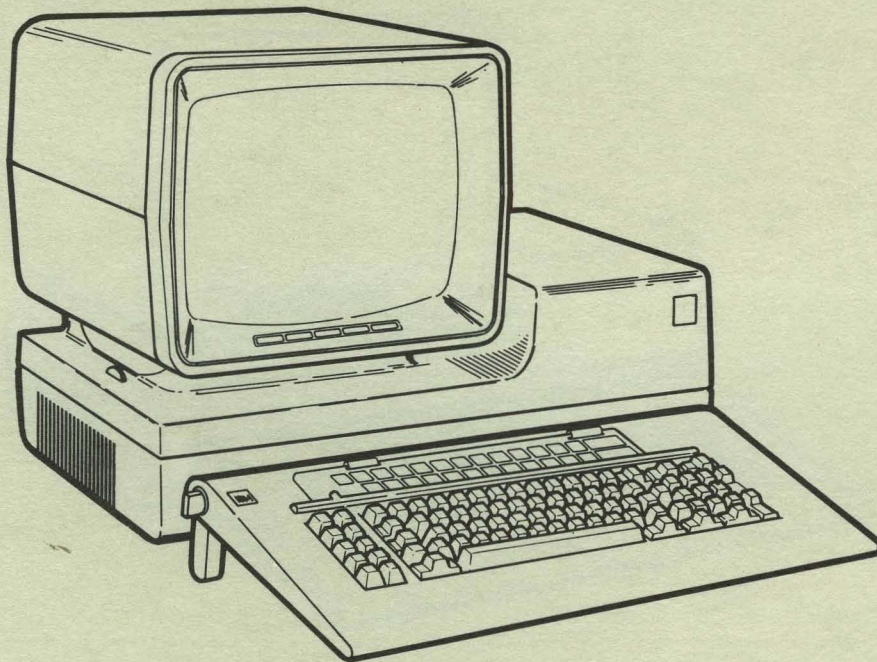


S131-0635-0

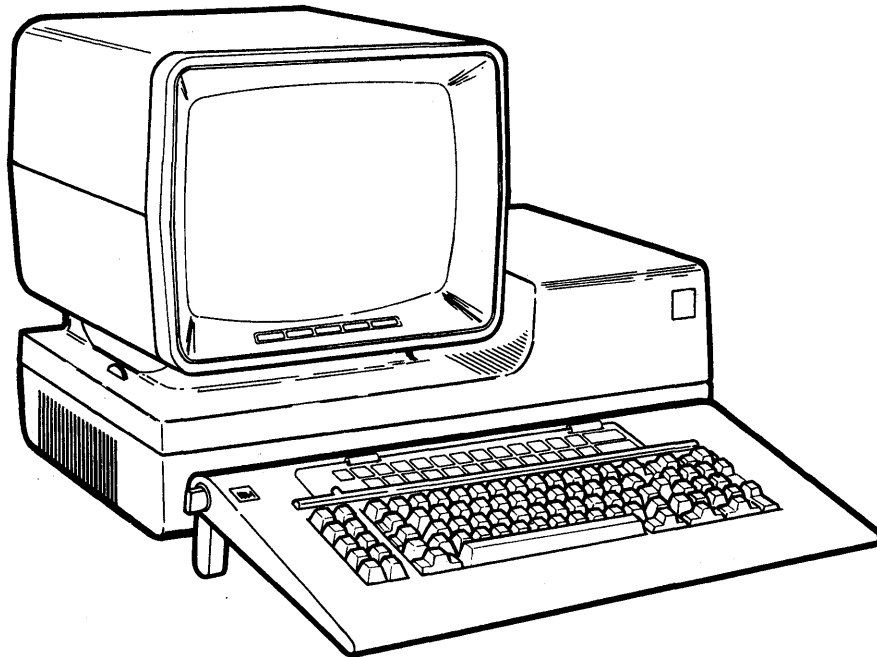
**IBM 5291 Display Station
Parts Catalog**





S131-0635-0

IBM 5291 Display Station Parts Catalog



Preface

The purpose of this publication is to list and to show illustrations of all replaceable assemblies, subassemblies and detail parts released to Production Control on or before 1 January 1982 of the IBM 5291 Display Station. This publication is for the use of an IBM customer engineer or a service representative.

First Edition (January 1982)

Changes are periodically made to the information herein; before using this publication in connection with the operation of IBM systems, be sure you have the latest edition.

Use this publication only for the purposes stated in the *Preface*.

This publication could contain technical inaccuracies or typographical errors. Use the Reader's Comment Form at the back of this publication. If the form has been removed address your comments to IBM Corporation, Publications, Department 245, Rochester, Minnesota 55901. IBM may use and distribute any of the information you supply in any way it believes appropriate without incurring any obligation whatever. You may, of course, continue to use the information you supply.

HOW TO USE A PARTS CATALOG	ii
CATALOG SECTION	1
Figure 1. Final Assembly	2
Figure 2. Base Assembly	4
Figure 3. Base Plate Assembly	6
Figure 4. Keyboard Assembly	8
Figure 5. Line Cord Chart	10
NUMERICAL INDEX	X-1

FRU List

I/O Attach Assembly	5642953
Keyboard (U.S.A.)	5642852
Display Assembly	5642867
Status Indicator Template (U.S.A.)	5642973
Retainer Ring	5642885
Planar	7362917
Fuse 2A SB	615683
Fuse 5A	855251
Fuse 1A	855253
Transformer, Domestic	2777440
Power Supply Board	2777444
Capacitor, AC	5252850
Primary Power Assembly, Domestic	5642972
Line Cord 1.8 M (U.S.A.) Non-Locking	6838234
Line Cord 1.8 M (U.S.A.) Locking	5642987
Line Cord 2.5 M (U.S.A.) Non-Locking	6841461
Line Cord 2.5 M (U.S.A.) Locking	5642988
Keylock Assembly	5642857
Adjustable Audible Alarm	7363022
Adjustable Audible Alarm Brk	7363015
Document Storage Tray	7362999

HOW TO USE THIS PARTS CATALOG

PART 1

To find parts quickly, a general understanding of the structure of this catalog is necessary. The catalog is divided into three major sections:

- The Visual Index, containing overall views of the machine, with call-outs pointing to detailed figures.
- The Catalog Section, containing a pictorial breakdown of assemblies and subassemblies.
- The Numerical Index, which is a numerical list of all parts used in the machine, with cross-references to the figure on which the part is found.

VISUAL INDEX

The Visual Index, located before the Catalog Section, contains a reduced illustration of every figure in the Catalog Section. The reduced illustrations are tied together with flow arrows to form a natural progression from large assemblies to small assemblies and possibly subassemblies. In effect, a visual table of contents is formed by the Visual Index illustrations.

CATALOG SECTION

The Catalog Section contains the full-sized illustrations previously noted in the Visual Index. Index numbers on figures refer to corresponding entries in the Group Assembly Parts List accompanying each figure. Refer to part II for explanation of terms used in the Group Assembly Parts List.

ATTACHING PARTS LIST

The Attaching Parts List contains common screws, nuts, washers, etc. that are used in the machine. Index numbers for attaching parts are on the illustration, and the description is in the Attaching Parts List.

NUMERICAL INDEX

The Numerical Index is located after the Catalog Section and contains a complete list, in numerical order, of all part numbers used on the machine. Listed with the part number is the index and figure number on which the part is illustrated. The numerical index makes it possible to locate a part when only the part number is known.

STACKED INDEX NUMBERS

Stacked Index numbers are used when showing a part and its attaching hardware. The sequence of a typical stack is shown at the right. The circled index number indicates the assembly is broken down within the figure.

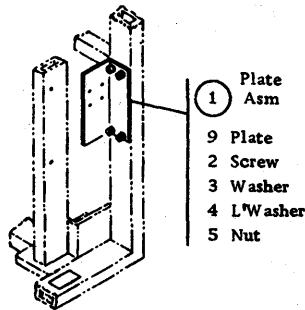


ILLUSTRATION NOTES

Cross-reference notes are directly on the illustration. The illustration's next higher assembly reference, normally located in the upper left corner of the page will read: "For Parts Not Shown See Figure X". If an assembly is referenced to a lower level figure, the note located next to the index number will read: "5 See Figure X."

DOUBLE LINED DETAIL BOX

The double lined box differentiates between parts shown on the basic model and parts related to a level and/or feature difference. An explanation of the level or feature difference is given in the double lined box.

FINDING A PART

The Visual Index is the starting point for locating a part. The illustrations in the Visual Index are reduced versions of all illustrations in the Catalog Section; therefore, the illustrations can be used to find the assembly containing the desired part. Use references to the detailed figure in the Catalog Section, or to another Visual Index illustration, to determine location of part number.

Once the detailed figure in the catalog section is determined, finding the part on the figure and referring to the listing for the part number and description is all that is required in most cases. If the first catalog section figure referenced shows the assembly containing the required part, the index number for the assembly will reference a lower-level figure where the assembly is broken down to its component parts. If the figure referenced by the Visual Index contains neither the part nor an assembly containing the part, it is then necessary to go to the next higher assembly figure. This figure should then contain the part or an assembly containing the part; if not, an even higher level figure must be used. Refer back to the Visual Index for some other figure that could show the desired part.

Note: Many detailed parts are unavailable, because they are part of an inseparable assembly (two or more parts welded or bonded together), or because they are part of an assembly purchased as a unit. If parts are found on a welded or bonded assembly, the following note follows the description of the assembly: "Assembly components are not replaceable." If the part is found on a purchased assembly, and the detail parts of this assembly do not have IBM part numbers, the note following the assembly description will read: "Assembly components are not available." In either case, you need to obtain the part number of the assembly, rather than the detailed part.

EXAMPLE FOR ORDERING PARTS

FIGURE INDEX NUMBER	PART NUMBER	UNITS PER ASM.	DESCRIPTION FOR FIGURE 25			
			1	2	3	4
25	2592881		FAN ASM. 60 HZ FOR NEXT HIGHER ASM SEE LIST 23 AND FOR ILLUSTRATION SEE FIG. 25			
- 1	2172188	1	•	•	•	•
- 2	2591483	AR	•	•	•	•
- 3	2592892	1	•	•	•	•
- 4	2591431	1	•	•	•	•
- 5	324832	1	•	•	•	•
- 6	1108117	1	•	•	•	•
- 7	1108114	3	•	•	•	•
- 8	2591402	1	•	•	•	•
FOR ATTACHING PARTS, INDEX NOS. 151 AND ABOVE, SEE LIST 78						

If the entire fan is required, part number 2592881 should be ordered (all one dot items will be received). If only the subassembly is required, part number 2591431 should be ordered (all two dot items will be received). Each part may be ordered individually.

Note: If you order a part that requires a label, make sure you order the label in the correct language. For example: A part of a Quebec machine should have a French Canadian language label rather than a French language label.

HOW TO USE THIS PARTS CATALOG

Part II

A

AR
As Required (AR) in the units per assembly column denotes that the quantity is used as required.

B

ATT PT
Attaching Parts: These parts are used to attach a subassembly to an assembly. The attaching parts are listed in the last list just before the numeric index. Special attaching parts are listed with the figure.

C

INDENTURE
The relationship of a part to its next higher assembly is indicated by indentures. For example:

- 1 2 3 4
- Unit
- . Assemblies and Detail Parts of Unit
- . Attaching Parts for Assemblies & Detail Parts
- . . Subassemblies
- . . Attaching Parts of Subassemblies
- . . . Detail Parts for Subassemblies, etc.

D

NR
The NR in the part number column denotes the part is procurable but not recommended for field replacement, and that the next higher assembly should be ordered.

E

NP
The entry NP in the part number column denotes the assembly is non-procurable and the detail parts should be ordered separately.

F

NO NO.
When this indication appears in the part number column, it denotes a group of parts for which no assembly part number has been assigned, and the detail parts should be ordered separately.

EXAMPLE OF PARTS LIST

FIGURE-INDEX NUMBER	PART NUMBER	UNITS PER ASM.	DESCRIPTION FOR FIGURE 5			
			1	2	3	4
5	NO NO.		BEZEL AND OPERATOR PANEL ASM FOR NEXT HIGHER ASM SEE FIGURE 1-4 AND FOR ILLUSTRATION FIGURE 5			
- 1	7362008	1	• BRACKET,LED AND SWITCH			
- 2	2767289 NR	1	• POTENTIOMETER			
- 3	7362248	1	• POTENTIOMETER			
- 4	7362263	2	• KNOB ASM			
- 5	2397045	5	• LED,LIGHT			
- 6	7362200	1	• BLOCK,LED			
- 7	2632773	AR	• CLIP			
- 8	1608427	2	• SCREW,THD FORM-HEX WSHR HD 6-19 X 1/2 LG			
- 9	7362158	1	• CABLE ASM,CE DIAG IND AND SWITCH			
- 10	7361265	1	• CABLE ASM,AC DISTRIBUTION			
- 11	1608571	1	• SWITCH			
- 12	7362254 NP	1	• BEZEL,ENGLISH			
- 12	7362255 NP	1	• BEZEL,FRENCH			
- 12	7362256 NP	1	• BEZEL,JAPANESE			
- 12	7362257 NP	1	• BEZEL,SPANISH			
- 12	7362258 NP	1	• BEZEL,GERMAN			
- 12	7362259 NP	1	• BEZEL,ITALIAN			

E

This page intentionally left blank.

CATALOG SECTION

5291

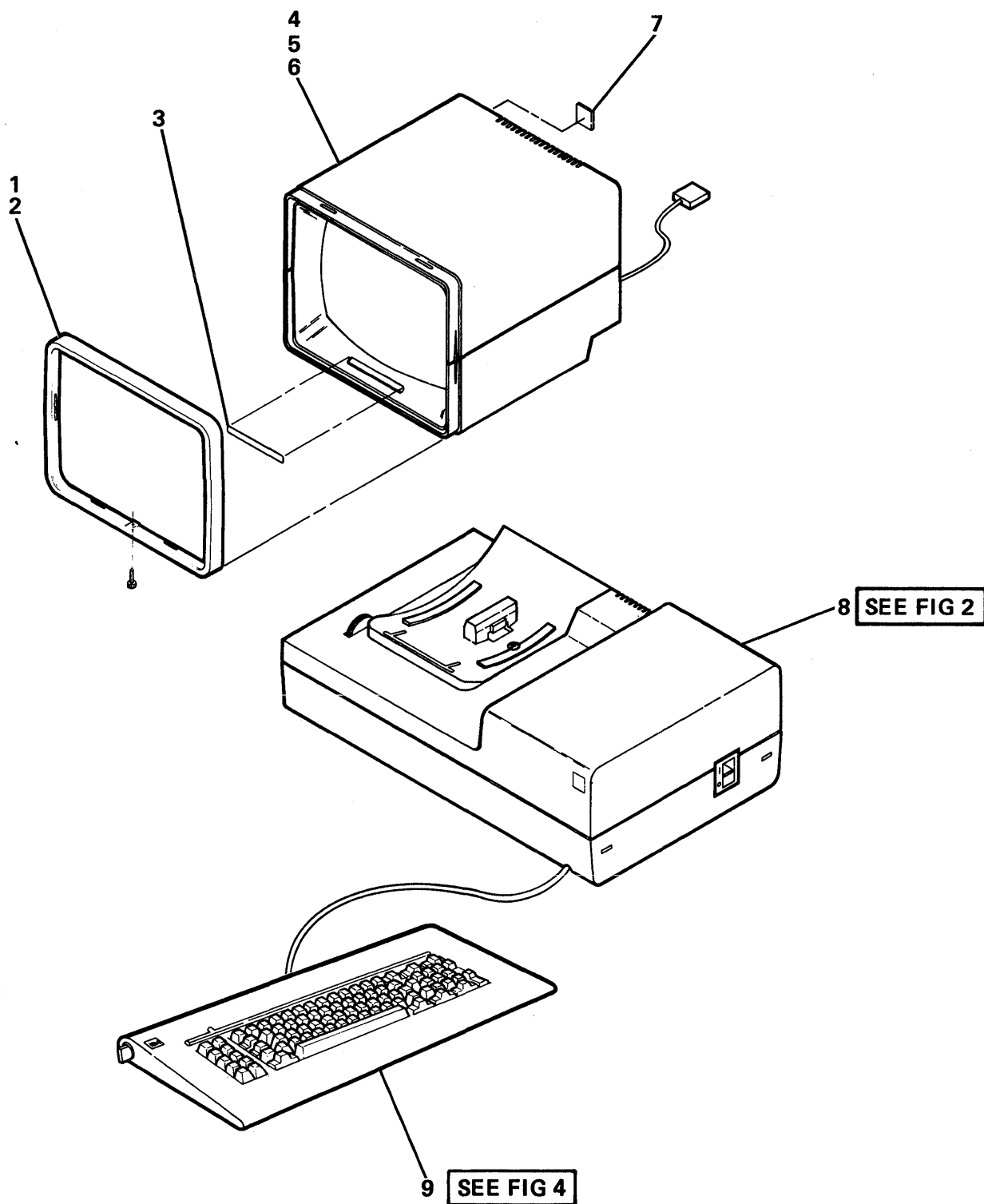


FIGURE 1. FINAL ASSEMBLY. SEE LIST 1.

FIGURE- INDEX NUMBER	PART NUMBER	UNITS PER ASM.	DESCRIPTION FOR FIGURE 1			
			1	2	3	4
1	NO NO.		FINAL ASSEMBLY			
- 1	5642885	1	• Retainer Ring			
- 2	5642985	1	• Screw,Thd-Form Hex Wshr Hd 3.63 x 1.34 x 12 Lg			
- 3	5642973	1	• Status Indicator Template (U.S.A)			
- 3	5642974	1	• Status Indicator Template (French)			
- 3	5642975	1	• Status Indicator Template (Italy)			
- 3	5642976	1	• Status Indicator Template (Spain)			
- 3	5642977	1	• Status Indicator Template (Germany)			
- 3	5642978	1	• Status Indicator Template (Japanese/English)			
- 3	5642979	1	• Status Indicator Template (French/Canada)			
- 3	5642980	1	• Status Indicator Template (Katakana)			
- 4	5642867	1	• Display Assembly (USA/AFE)			
- 4	5642876	1	• Display Assembly (EMEA)			
- 5	5642881	1	• Top Cover			
- 6	5642882	1	• Bottom Cover			
- 6			(Not Recommended For Replacement)			
- 7	5642889	1	• IBM Logo			
- 8	No No.	1	• Base Assembly			
- 9	5642852	1	• Keyboard Assembly (USA & Canada)			
- 9	5643009	1	• Keyboard Assembly (French Azerty)			
- 9	5643010	1	• Keyboard Assembly (Italy)			
- 9	5643011	1	• Keyboard Assembly (Spanish Speaking)			
- 9	5643012	1	• Keyboard Assembly (Germany/Austria)			
- 9	5643013	1	• Keyboard Assembly (Japanese/English)			
- 9	5643014	1	• Keyboard Assembly (French/Canadian)			
- 9	5643015	1	• Keyboard Assembly (Katakana)			
- 9	5643016	1	• Keyboard Assembly (French Querty)			
- 9	5643017	1	• Keyboard Assembly (Belgium)			
- 9	5643018	1	• Keyboard Assembly (Denmark)			
- 9	5643019	1	• Keyboard Assembly (Norway)			
- 9	5643020	1	• Keyboard Assembly (Finland)			
- 9	5643021	1	• Keyboard Assembly (Portugal)			
- 9	5643022	1	• Keyboard Assembly (Spain)			
- 9	5643023	1	• Keyboard Assembly (Sweden)			
- 9	5643024	1	• Keyboard Assembly (United Kingdom)			
- 9	5643025	1	• Keyboard Assembly (Brazil)			
- 9	5643026	1	• Keyboard Assembly (International)			
- 9	7363290	1	• Keyboard Assembly (ASCII)			

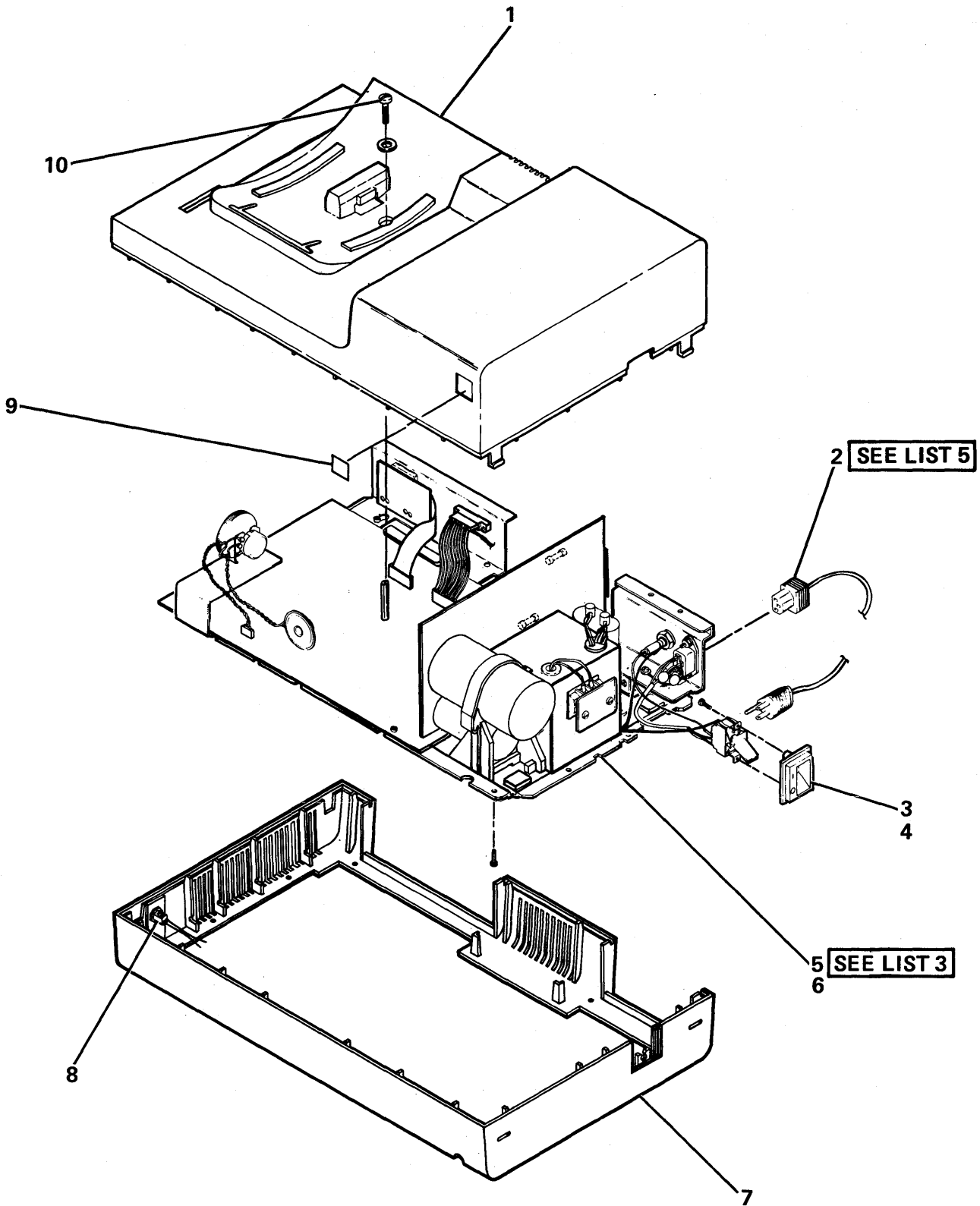


FIGURE 2. BASE ASSEMBLY. SEE LIST 2.

FIGURE- INDEX NUMBER	PART NUMBER	UNITS PER ASM.	DESCRIPTION FOR FIGURE 2			
			1	2	3	4
2	NO NO.		BASE ASSEMBLY			
- 1	7363030	1	• Cover Kit			
- 1	7363035	1	• Top Cover (To Be Ordered Via An Mes)			
- 2	No No.	1	• Line Cord (See Figure 4)			
- 3	5642963	1	• Switch Cover			
- 4	5552876	2	• Screw,Thd-Form Hex Wshr Hd 6-19 x 9/16 Lg			
- 5	5642855	1	• Base Plate			
- 6	1621812	12	• Screw,Thd-Form Hex Wshr Hd M4 x .7 x 8 Lg			
- 7	7363030	1	• Cover Kit			
- 7	7363034	1	• Bottom Cover			
- 8	5642857	1	• Keylock Assembly			
- 9	5642889	1	• IBM Logo			
- 10	1621811	1	• Screw,Thd-Form Hex-Wshr Hd M4 x .7 x 10 Lg			

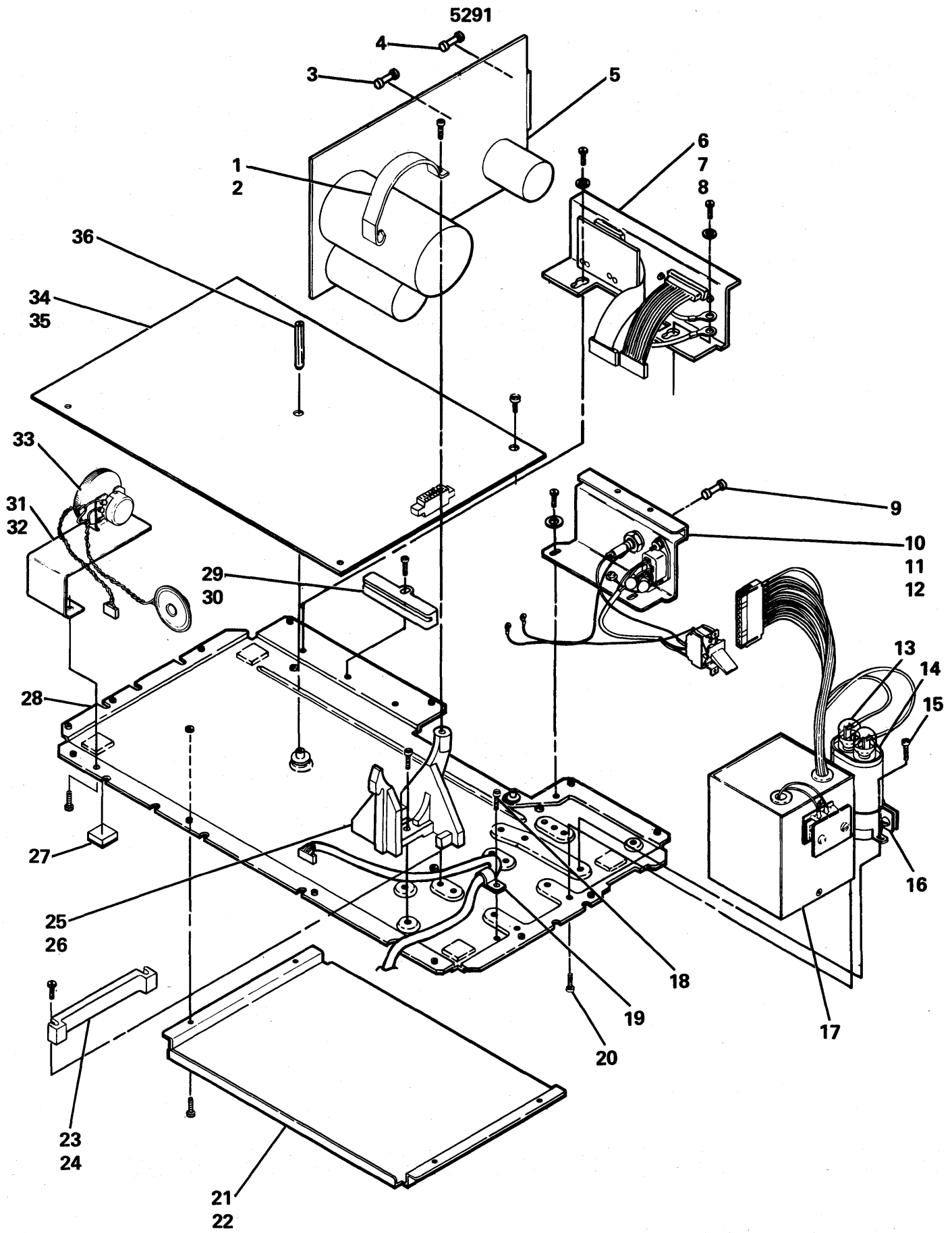


FIGURE 3. BASE PLATE ASSEMBLY. SEE LIST 3.

FIGURE- INDEX NUMBER	PART NUMBER	UNITS PER ASM.	DESCRIPTION FOR FIGURE 3			
			1	2	3	4
3	NO NO.		BASE PLATE ASSEMBLY			
- 1	5642866	1	• Strap			
- 2	5552875	1	• Screw,Thd-Form Hex Hd 8-16 x 9/16 Lg			
- 3	855253	1	• Fuse, F3 1A DC			
- 4	855251	1	• Fuse, F2 5A DC			
- 5	2777444	1	• Power Supply Board Assembly			
- 6	5642953	1	• I/O Assembly			
- 7	7362130	2	• Screw,Thd-Form Hex Hd M4 x .7 x 6 Lg			
- 8	1622346	2	• Washer,Lock-Ext Star 4.3 ID x 8 OD x .5 Thk			
- 9	615683	1	• Fuse, 250 Vac 2A SB			
- 10	5642972	1	• Primary Power Assembly, Domestic			
- 10	5643040	1	• Primary Power Assembly, World Trade			
- 11	7362130	2	• Screw,Thd-Form Hex Hd M4 x .7 x 6 Lg			
- 12	1622346	2	• Washer,Lock-Ext Star 4.3 ID x 8 OD x .5 Thk			
- 13	526378	2	• Insulating Cap			
- 14	5252850	1	• Capacitor			
- 15	7362130	2	• Screw,Thd-Form Hex Hd M4 x .7 x 6 Lg			
- 16	737732	1	• Clamp Capacitor (Bracket Assembly)			
- 17	2777440	1	• Transformer, 60 Hz Domestic			
- 17	2777441	1	• Transformer, 60 Hz World Trade			
- 17	2777442	1	• Transformer, 50 Hz World Trade (Multi-Tap)			
- 17	2777439	1	• Transformer, 50 Hz World Trade (220 Vac Only)			
- 18	7362385	1	• Screw,Thd Form Wshr Hd M4 x .7 x 8 Lg			
- 19	7363003	1	• Clamp, Keyboard Cable			
- 20	1621812	4	• Screw,Thd-Form Hex Wshr Hd M4 x .7 x 10 Lg			
- 21	7362999	1	• Document Storage Tray			
- 22	7362385	4	• Screw,Mach-Slot Pan Hd M4 x .7 x 12 Lg			
- 23	5642921	1	• Clamp			
- 24	5643034	2	• Screw,Thd-Form Slot Hex Hd M4 x .7 x 18 Lg			
- 25	5642920	1	• Holder			
- 26	7362507	1	• Screw,Hex Wshr Hd M4 x .7 x 12 Lg			
- 27	5554146	4	• Pad			
- 28	5642855	1	• Base Plate			
- 29	5642922	1	• Clamp			
- 30	5643034	1	• Screw,Thd-Form Slot Hex Hd M4 x .7 x 18 Lg			
- 31	7363015	1	• Adjustable Audible Alarm Bracket			
- 32	2462685	2	• Screw,Thd-Form M4 x .7 x 10 Lg			
- 33	7363022	1	• Adjustable Audible Alarm Assembly			
- 34	7362917	1	• Planar Assembly			
- 35	1621190	1	• Screw,Thd-Form Hex Hd M4 x .7 x 6 Lg			
- 36	5642996	1	• Standoff			

5291

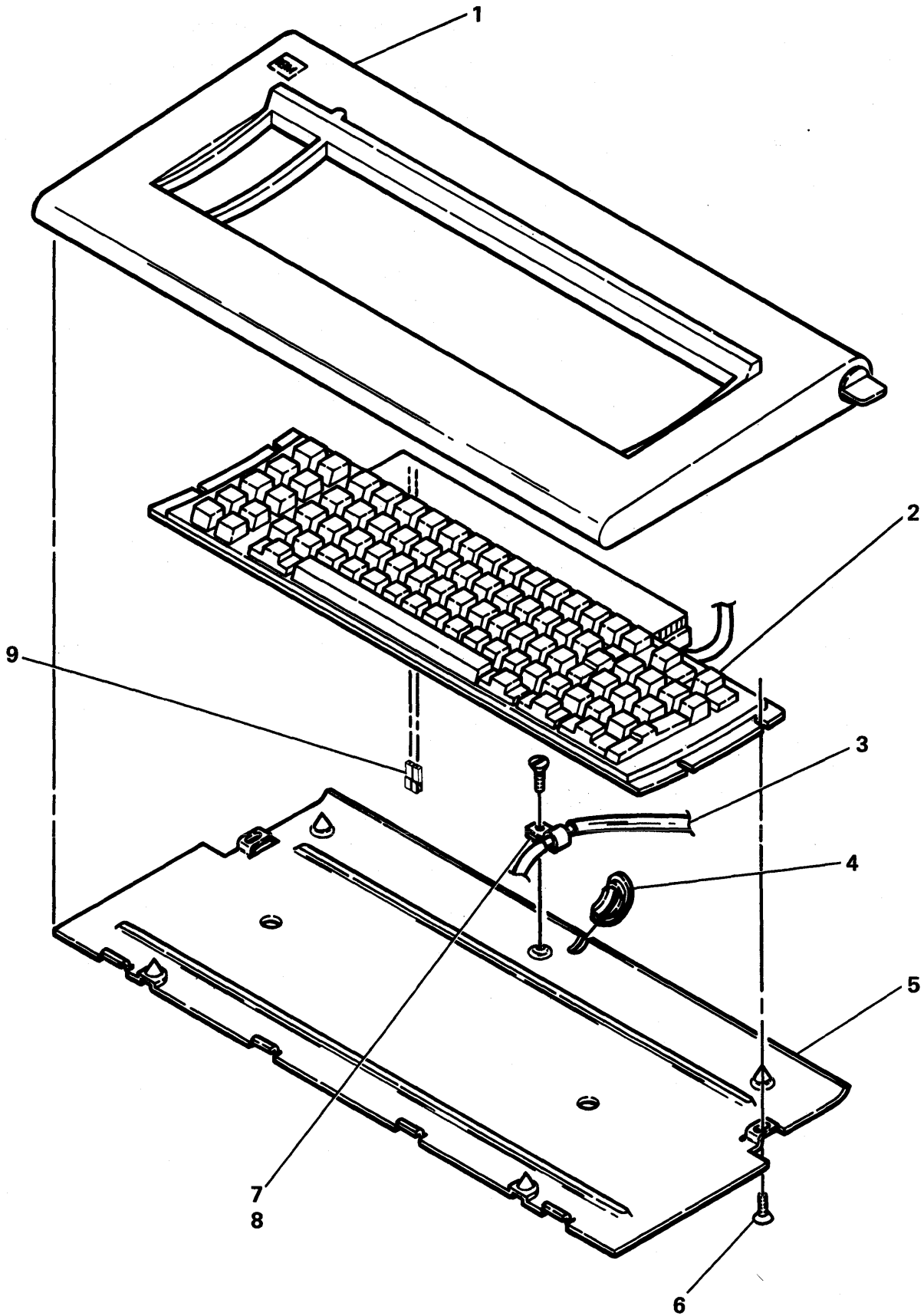


FIGURE 4. KEYBOARD ASSEMBLY. SEE LIST 4.

FIGURE- INDEX NUMBER	PART NUMBER	UNITS PER ASM.	DESCRIPTION FOR FIGURE 4			
			1	2	3	4
4			KEYBOARD ASSEMBLY			
- 1	7363227	1	• Cover Assembly			
- 2	2688831	1	• Keyboard (USA & Canada)			
- 2	1761215	1	• Keyboard (French Azerty)			
- 2	1761218	1	• Keyboard (Italy)			
- 2	1761208	1	• Keyboard (Spanish Speaking)			
- 2	1761211	1	• Keyboard (Germany/Austria)			
- 2	1761209	1	• Keyboard (Japanese/English)			
- 2	1761206	1	• Keyboard (French/Canadian)			
- 2	1761210	1	• Keyboard (Katakana)			
- 2	1761216	1	• Keyboard (French Querty)			
- 2	1761212	1	• Keyboard (Belgium)			
- 2	1761213	1	• Keyboard (Denmark)			
- 2	1761219	1	• Keyboard (Norway)			
- 2	1761214	1	• Keyboard (Finland)			
- 2	1761220	1	• Keyboard (Portugal)			
- 2	1761221	1	• Keyboard (Spain)			
- 2	1761222	1	• Keyboard (Sweden)			
- 2	1761223	1	• Keyboard (United Kingdom)			
- 2	1761205	1	• Keyboard (Brazil)			
- 2	1761217	1	• Keyboard (International)			
- 2	4496152	1	• Keyboard (ASCII)			
- 3	5642997	1	• Cable Assembly			
- 4	7363014	1	• Grommet			
- 5	7363228	1	• Base Assembly			
- 6	5552875	2	• Screw,Thd-Form Hex Hd 8-16 x 9/16 Lg			
- 7	7363003	1	• Clamp, Cable			
- 8	7362130	1	• Screw,Thd-Form Hex Hd M4 x .7 x 6 Lg			
- 9	1650667	1	• Jumper			

Line Cord Chart









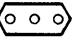



Plug	P/N	Country
 Lock	5642987	1.8 M Lg., U.S./Canada
	5642988	2.5 M Lg., U.S./Canada
 Non-Lock	6838234	1.8 M Lg., U.S./Canada
	6841461	2.5 M Lg., U.S., Bahamas, Barbados, Bermuda, Bolivia, Costa Rica, Brazil, Dominican Republic, Ecuador, El Salvador, Guatemala, Honduras, Jamaica, Japan, Mexico, Trinidad, Netherlands, Antilles, Nicaragua, Panama, Peru, Phillipines, Taiwan, Thailand
No Plug	5642989	WTC, 60 Hz
No Plug	6842371	WTC, 50 Hz
	6841728	Australia, Argentina, Chile, Columbia, New Zealand, Paraguay, Uruguay, Venezuela, Trinidad
	6841720	Finland, Germany, Norway, Netherlands, Sweden, Austria, Spain, Indonesia, Iran, Bulgaria, Portugal, Iceland, Poland, Rumania
	6841726	United Kingdom, Ireland
	6841724	France, Belgium, Malaysia, Algeria, Hungary, Yugoslavia, Greece
	6841722	Switzerland
	6841732	Denmark
	6841730	Italy
	5642990	South Africa
	5642991	Israel
	5642992	Japan, 15A maximum 200V

FIGURE 5. LINE CORD CHART.

This page intentionally left blank.

NUMERICAL INDEX

PART NUMBER	LIST AND INDEX NO.	PART NUMBER	LIST AND INDEX NO.	PART NUMBER	LIST AND INDEX NO.	PART NUMBER	LIST AND INDEX NO.
526378	3 - 13	1761221	4 - 2	5642920	3 - 25	5643021	1 - 9
615683	3 - 9	1761222	4 - 2	5642921	3 - 23	5643022	1 - 9
737732	3 - 16	1761223	4 - 2	5642922	3 - 29	5643023	1 - 9
855251	3 - 4	2462685	3 - 32	5642953	3 - 6	5643024	1 - 9
855253	3 - 3	2688831	4 - 2	5642963	2 - 3	5643025	1 - 9
No No.	1 - 8	2777439	3 - 17	5642972	3 - 10	5643026	1 - 9
No No.	2 - 2	2777440	3 - 17	5642973	1 - 3	5643034	3 - 24
1621190	3 - 35	2777441	3 - 17	5642974	1 - 3	5643034	3 - 30
1621811	2 - 10	2777442	3 - 17	5642975	1 - 3	5643040	3 - 10
1621812	2 - 6	2777444	3 - 5	5642976	1 - 3	7362130	3 - 7
1621812	3 - 20	4496152	4 - 2	5642977	1 - 3	7362130	3 - 11
1622346	3 - 8	5252850	3 - 14	5642978	1 - 3	7362130	3 - 15
1622346	3 - 12	5552875	3 - 2	5642979	1 - 3	7362130	4 - 8
1650667	4 - 9	5552875	4 - 6	5642980	1 - 3	7362385	3 - 18
1761205	4 - 2	5552876	2 - 4	5642985	1 - 2	7362385	3 - 22
1761206	4 - 2	5554146	3 - 27	5642996	3 - 36	7362507	3 - 26
1761208	4 - 2	5642852	1 - 9	5642997	4 - 3	7362917	3 - 34
1761209	4 - 2	5642855	2 - 5	5643009	1 - 9	7362999	3 - 21
1761210	4 - 2	5642855	3 - 28	5643010	1 - 9	7363003	3 - 19
1761211	4 - 2	5642857	2 - 8	5643011	1 - 9	7363003	4 - 7
1761212	4 - 2	5642866	3 - 1	5643012	1 - 9	7363014	4 - 4
1761213	4 - 2	5642867	1 - 4	5643013	1 - 9	7363015	3 - 31
1761214	4 - 2	5642876	1 - 4	5643014	1 - 9	7363022	3 - 33
1761215	4 - 2	5642881	1 - 5	5643015	1 - 9	7363030	2 - 1
1761216	4 - 2	5642882	1 - 6	5643016	1 - 9	7363030	2 - 7
1761217	4 - 2	5642885	1 - 1	5643017	1 - 9	7363034	2 - 7
1761218	4 - 2	5642889	1 - 7	5643018	1 - 9	7363035	2 - 1
1761219	4 - 2	5642889	2 - 9	5643019	1 - 9	7363227	4 - 1
1761220	4 - 2			5643020	1 - 9	7363228	4 - 5
						7363290	1 - 9

Please use this form only to identify publication errors or to request changes in publications. Direct any requests for additional publications, technical questions about IBM systems, changes in IBM programming support, and so on, to your IBM representative or to your nearest IBM branch office.

If your comment does not need a reply (for example, pointing out a typing error) check this box and do not include your name and address below. If your comment is applicable, we will include it in the next revision of the manual.

If you would like a reply, check this box. Be sure to print your name and address below.

Page number(s):

Comment(s):

Please contact your nearest IBM branch office to request additional publications.

Name _____

Company or Organization _____

Address _____

IBM may use and distribute any of the information you supply in any way it believes appropriate without incurring any obligation whatever. You may, of course, continue to use the information you supply.

No postage necessary if mailed in the U.S.A.

City

State

Zip Code

Cut Along Line

Fold and tape

Please do not staple

Fold and tape

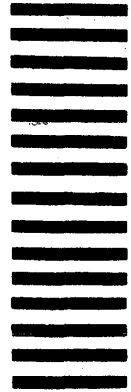


NO POSTAGE
NECESSARY IF
MAILED IN THE
UNITED STATES

BUSINESS REPLY MAIL
FIRST CLASS PERMIT NO. 40 ARMONK, N. Y.

POSTAGE WILL BE PAID BY . . .

IBM CORPORATION
General Systems Division
Development Laboratory
Publications, Dept. 245
Rochester, Minnesota 55901



Fold and tape

Please do not staple

Fold and tape



International Business Machines Corporation

**General Systems Division
4111 Northside Parkway N.W.
P.O. Box 2150
Atlanta, Georgia 30031
(U.S.A. only)**

**General Business Group/International
44 South Broadway
White Plains, New York 10601
U.S.A.
(International)**



International Business Machines Corporation

**General Systems Division
4111 Northside Parkway N.W.
P.O. Box 2150
Atlanta, Georgia 30031
(U.S.A. only)**

**General Business Group/International
44 South Broadway
White Plains, New York 10601
U.S.A.
(International)**

IBM 5291 Display Station Parts Catalog Printed in USA S131-0635-0