

FIELD ENGINEERING

20/20-7000

REFERENCE DIAGRAM



65 WALNUT STREET, WELLESLEY HILLS, MA 02181 (617) 237-2100

This document contains information proprietary to INCOTERM Corporation and is delivered on the express condition that it is not to be disclosed, reproduced in whole or in part, or used for manufacture for anyone other than INCOTERM Corporation without its written consent, and that no right is granted to disclose or so use any information obtained in said document. This restriction does not limit the right to use information obtained from another source.

FOREWORD

This document contains the Document Trees, Schematic Diagrams, and Logic Diagrams required to support the Description of Operation and maintenance on the SPD 20/20 and 7000 Banking System.

20/20 - 7000 Reference Diagrams

Table of Contents

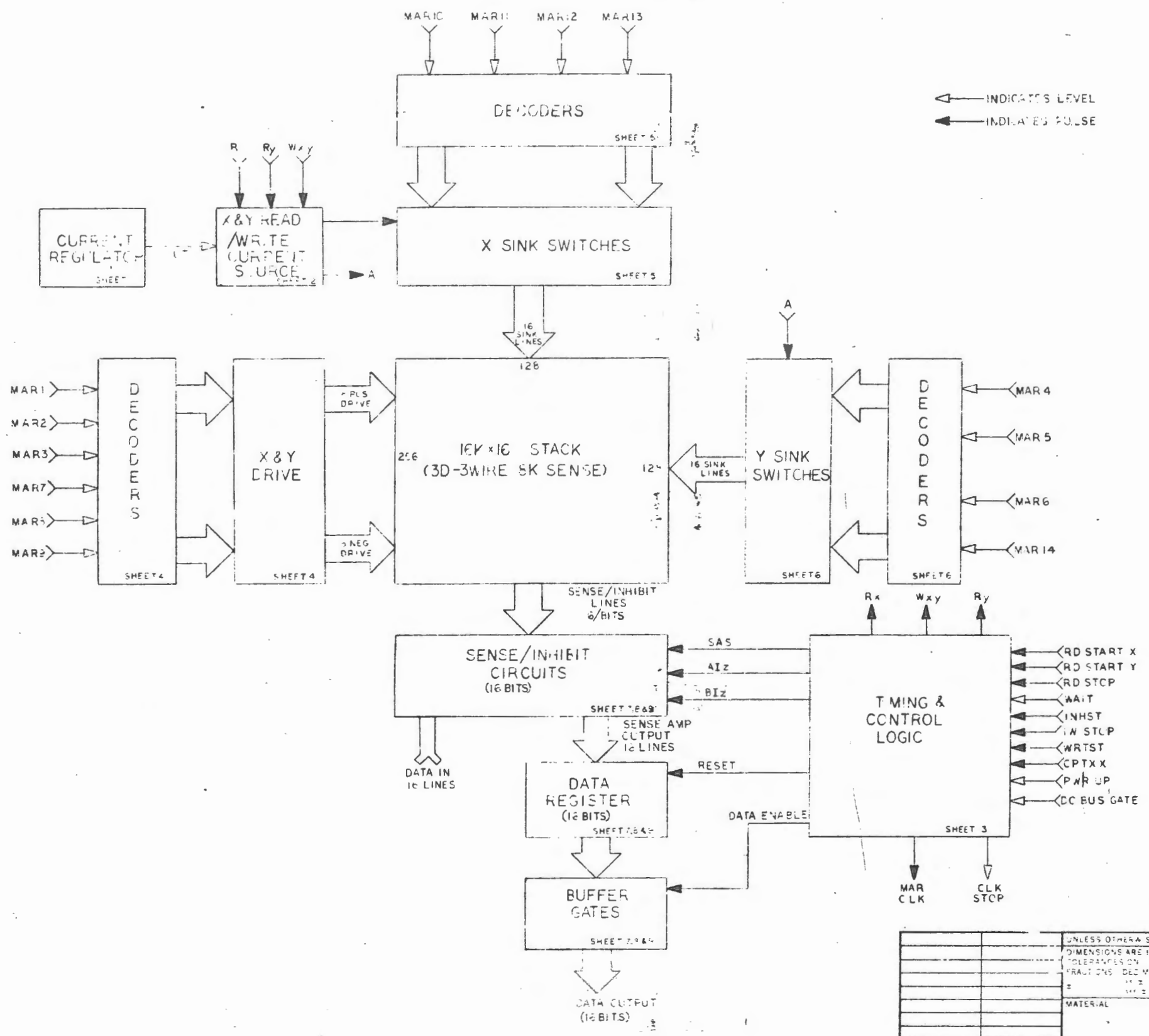
<u>Drawing No.</u>	<u>Title</u>	<u>Page</u>	<u>Drawing No.</u>	<u>Title</u>	<u>Page</u>
03020	DR 107 Memory System		047-46-01	64K Data Flow Logic Diagram	
003-01-01	Paper Tape Input Unit		047-47-01	64K TPU Instruction Reg. and Decoder	
047-01-01	Document Tree		047-49-01	20/20 Banking Refresh Slave II Logic	
047-10-61	Tape Cassette Assembly		055-10-00	Keyboard Document Tree	
047-10-56	Power Wiring Schematic		055-10-06	Keyboard Cable Assembly	
047-13-01	TCI Power Supply Schematic		055-13-07	Extended Drive Keyboard Logic	
047-19-01	Refresh Slave Logic		058-10-00	20/20 Display Unit Document Tree	
047-20-01	32K Data Flow Logic Diagram		058-10-02	Keyboard Power Supply Interconnection Diagram	
047-21-01	Tape Cassette		058-13-01	Keyboard Power Supply Schematic	
047-22-01	Multiple Keyboard Controller		058-14-02	Display Unit Interconnection Diagram	
047-23-01	TPU Control Instruction Reg. and Decoder		058-15-01	Relay Board Schematic	
047-26-01	64/80 Refresh Master Logic		058-16-02	Split Screen Power Supply Interconnection Diagram	
047-27-01	Tape Cassette Preamplifier		067-10-00	64 Key Keyboard Document Tree	
047-35-01	Programmable Baud Rate MPC		067-11-01	Swiss Air Keyboard Logic	
047-36-01	Screen Buffer II Logic		067-13-01	SAK Logic	
047-37-01	SMCTC II I/O Control Logic		072-01-01	TEU Board A Keyboard Status Logic	
047-38-01	Multiple Printer Local Logic		072-02-01	TEU Board B I/O Logic	
047-40-01	SPD 20/20 SMCTC Logic		072-03-01	TEU Board C Mag. I Logic	
047-41-01	Screen Buffer		072-07-01	TEU Board B A Sync Interface II Logic	
047-42-01	Refresh Master 40/80 Character				

20/20 - 7000 Reference Diagrams

Table of Contents (cont'd)

<u>Drawing No.</u>	<u>Title</u>	<u>Page</u>	<u>Drawing No.</u>	<u>Title</u>	<u>Page</u>
072-08-01	TEU Board D Mag. Card Reader Interface With Buffer		077-01-01	Pin Pad Logic	
072-10-00	Teller Expansion Unit Document Tree		077-10-00	Pin Pad Document Tree	
072-10-17	TEU Power Wiring Schematic		079-10-00	Card Reader Document Tree	
072-12-01	TEU Board E Printer Interface		080-10-00	20/20 Compact Keyboard Document Tree	
073-10-00	Printer Document Tree		080-11-01	20/20 Compact Keyboard Logic	
074-10-00	Banking System Aux Document Tree		080-12-01	Numeric Pad Logic	
076-01-01	Teller Keyboard Logic		086-16-01	76 Key A/N Keyboard Logic	
076-02-01	NK - 20/20 Standalone Piggyback Board		094-10-00	AT 8 Document Tree	
076-10-00	Teller Keyboard Document Tree				

REVISIONS				
IC/REV	LTR	DESCRIPTION	DATE	APPROVED
	A	RELEASED TO PRODUCTION		
	E	ECN 337 433		
	C	ECN 480		
	D	ECN 767		
	E	ECN 872		



← INDICATES LEVEL
 ← INDICATES PULSE

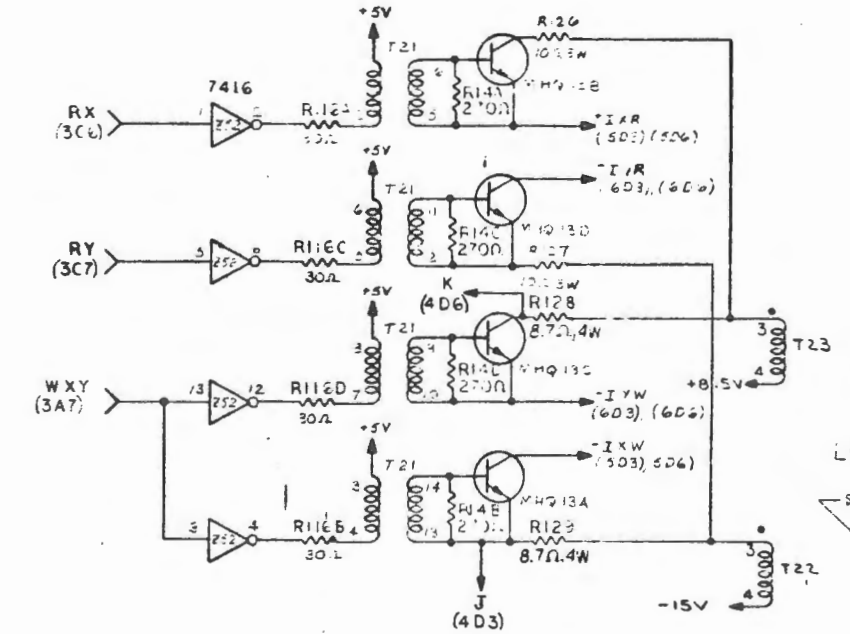
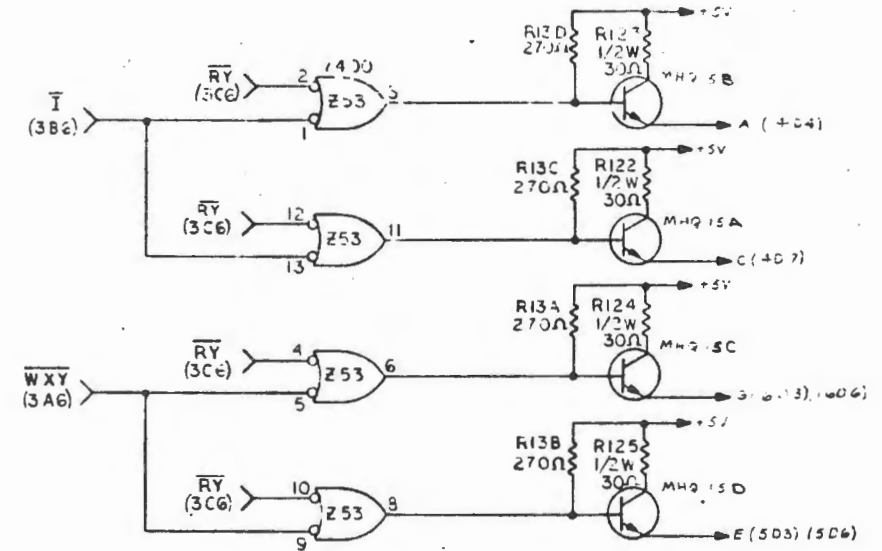
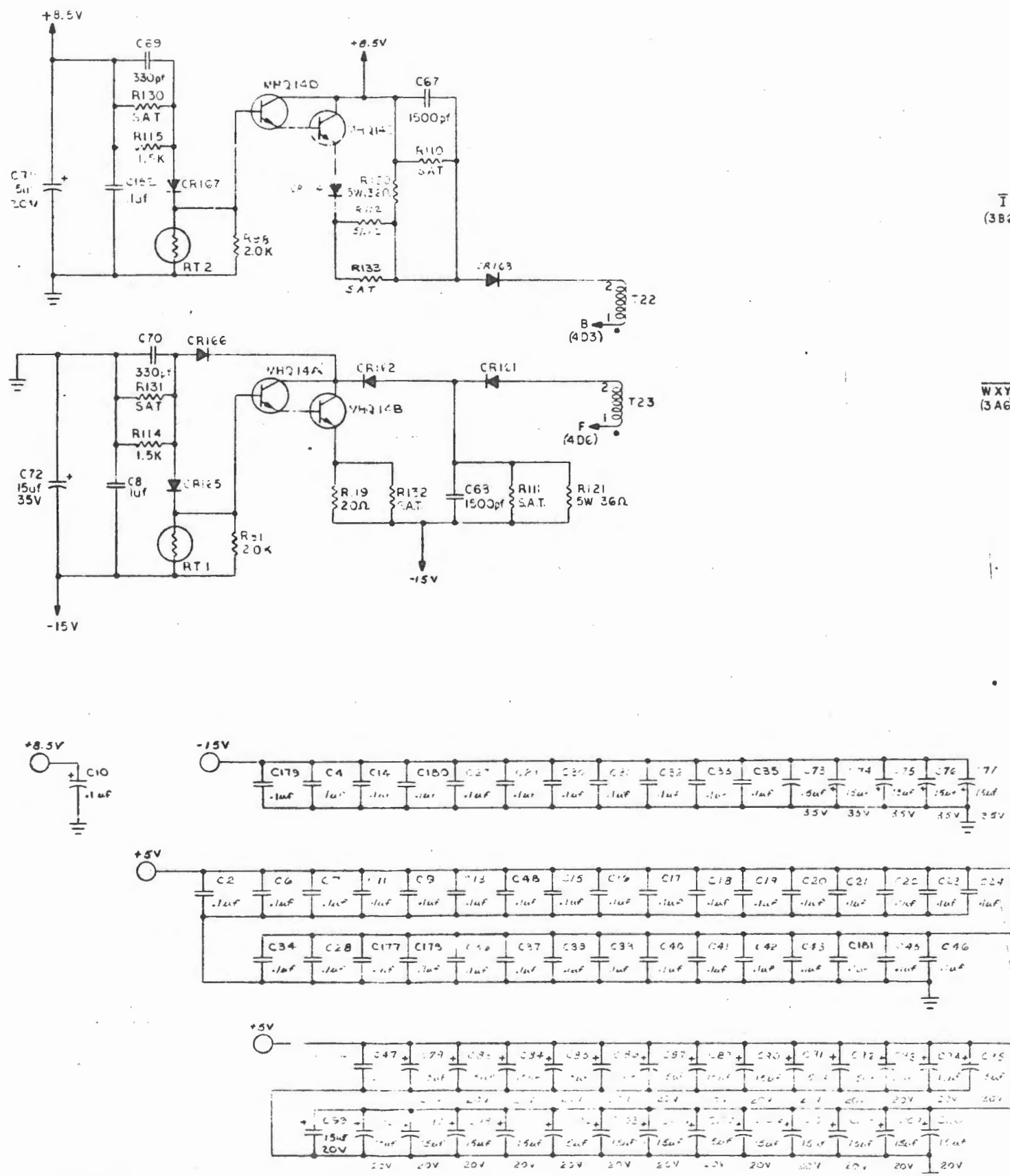
"UNCONTROLLED"
 COPY
 NOT SUBJECT TO UPDATING
 MAR 23 1977

—BLOCK DIAGRAM—

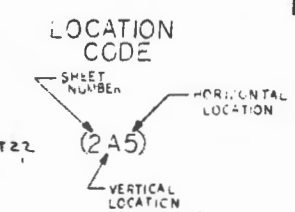
UNLESS OTHERWISE SPECIFIED DIMENSIONS ARE IN INCHES TOLERANCES ON FRACTIONS DECIMALS ANGLES		DATARAM CORPORATION	
MATERIAL		SCHEMATIC DIAGRAM DR 107 MEMORY SYSTEM 16K x 16	
DATE	BY	DESIGNER NO.	DRAWING NO.
		D 50473	Q3020
APPROVED	DATE	SCALE	SHEET 7 OF 7
NEAT ASST.	USED ON	APPLICATION	

WHEN REFERRING TO THIS DRAWING STATE DRAWING NO., APPLICABLE REVISION LETTER IF ANY AND DATE

REVISIONS				
ZONE	LTR	DESCRIPTION	DATE	APPROVED



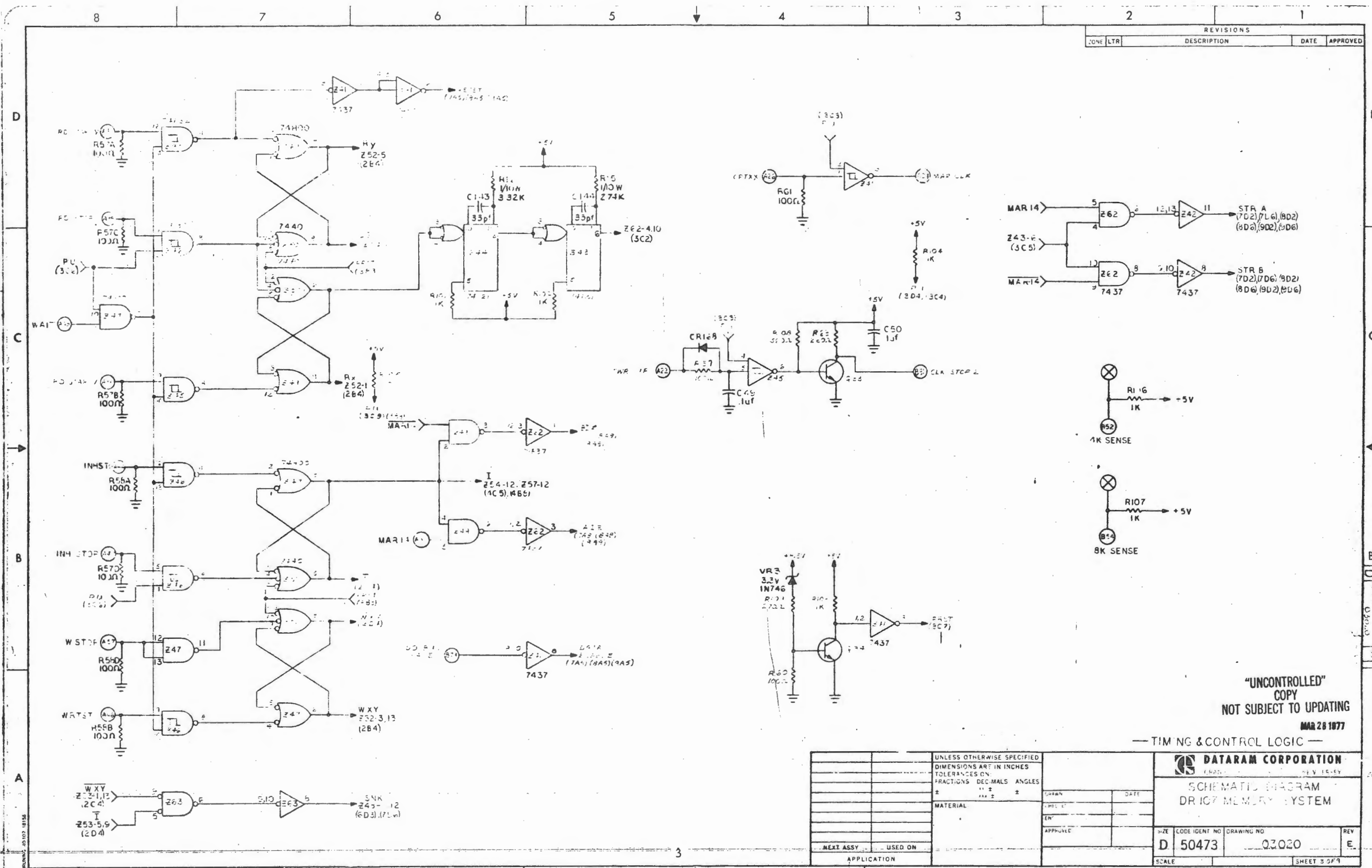
"UNCONTROLLED" COPY NOT SUBJECT TO UPDATING
MAR 28 1977



UNLESS OTHERWISE SPECIFIED DIMENSIONS ARE IN INCHES TOLERANCES ON FRACTIONS DECIMALS ANGLES		DRAWN		DATE	
MATERIAL		ENGR		APPROVED	
NEXT ASSY		USED ON		APPLICATION	
SCALE		SHEET		OF 7	
— CURRENT SOURCE —					
DATARAM CORPORATION CORPORATION NEW JERSEY					
SCHEMATIC DIAGRAM DR 101 MEMPH SYSTEM					
SIZE	CODE IDENT NO	DRAWING NO	REV	E	
D	50473	03020	E	E	

WHEN REFERRING TO THIS DRAWING STATE DRAWING NO., APPLICABLE REVISION LETTER IF ANY, AND DATE

REVISIONS				
ONE	LTR	DESCRIPTION	DATE	APPROVED

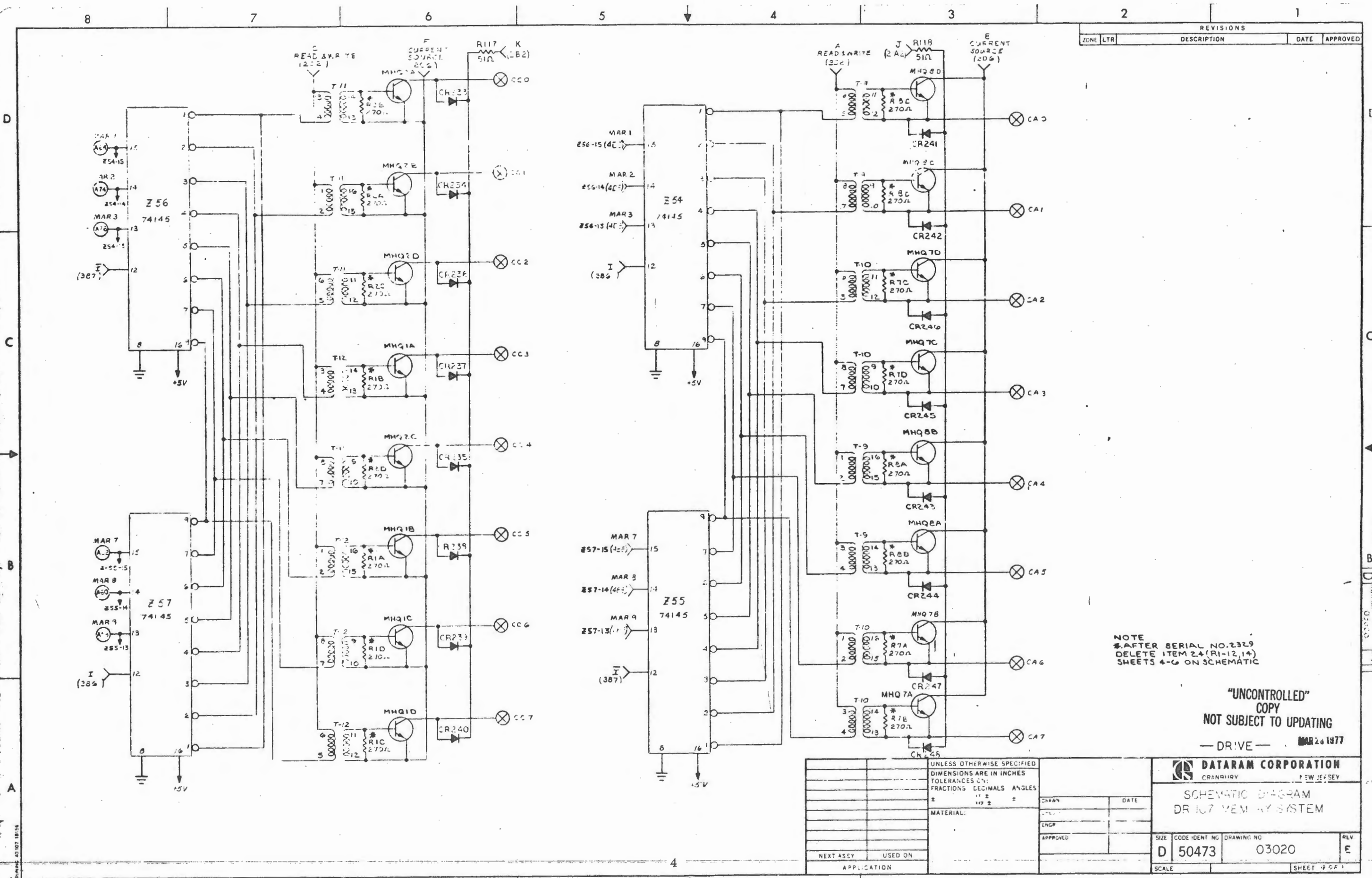


"UNCONTROLLED"
COPY
NOT SUBJECT TO UPDATING
MAR 28 1977

— TIMING & CONTROL LOGIC —

UNLESS OTHERWISE SPECIFIED DIMENSIONS ARE IN INCHES TOLERANCES ON: FRACTIONS DECIMALS ANGLES		DRAWN _____ DATE _____	
MATERIAL _____		CHK'D _____	
NEXT ASSY _____ USED ON _____		EN'G _____	
APPLICATION _____		APPROVED _____	
DATE _____		SCALE _____	
DRAWING NO. 50473		DRAWING NO. 03020	
REV. E		SHEET 3 OF 9	

WHEN REFERRING TO THIS DRAWING STATE DRAWING NO., APPLICABLE REVISION LETTER IF ANY, AND DATE



REVISIONS			
ZONE	LTR	DESCRIPTION	DATE

NOTE
 *AFTER SERIAL NO. 2329
 DELETE ITEM 24 (R1-12, 14)
 SHEETS 4-6 ON SCHEMATIC

"UNCONTROLLED"
 COPY
 NOT SUBJECT TO UPDATING
 — DRIVE — MAR 26 1977

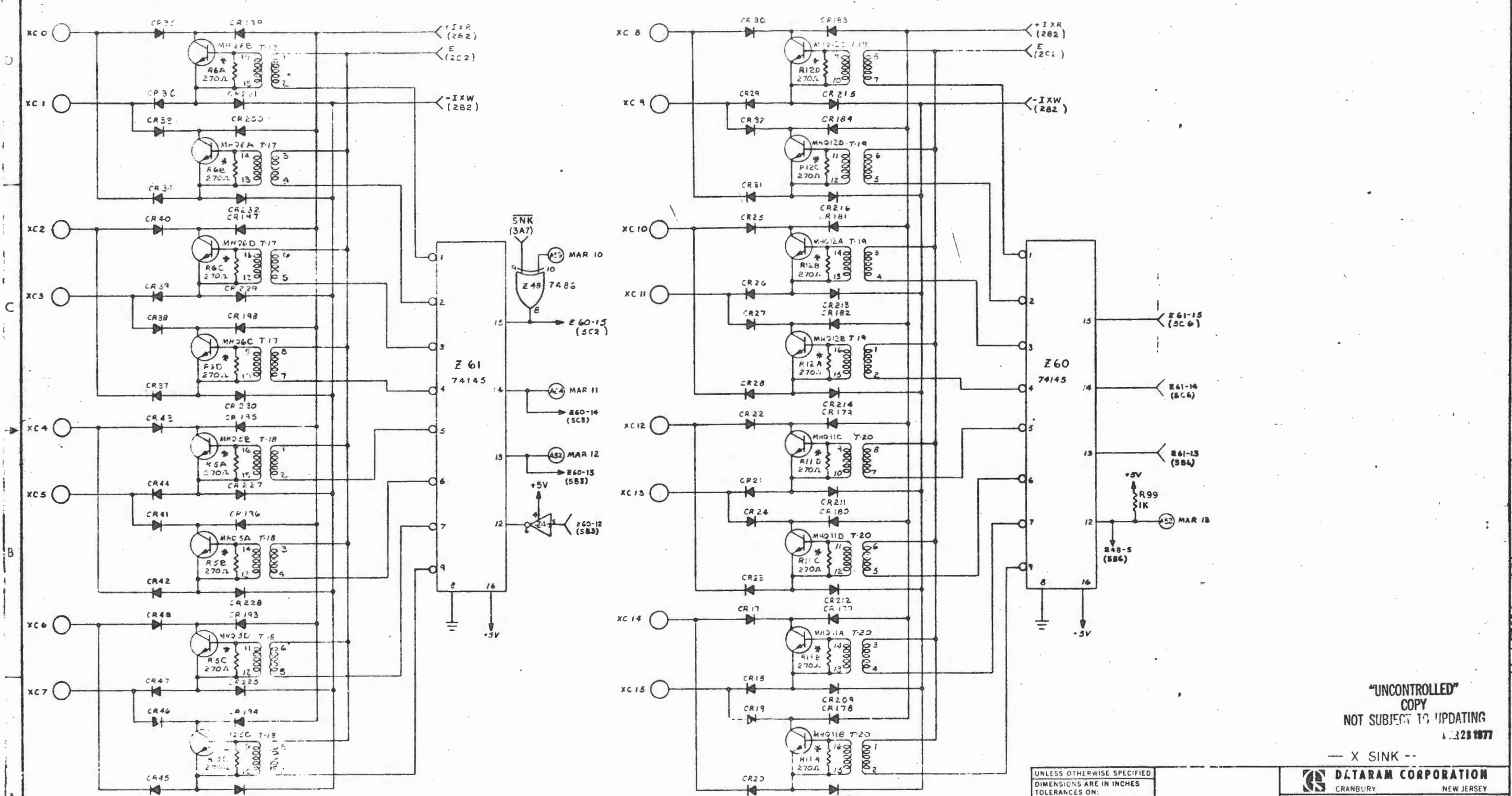
UNLESS OTHERWISE SPECIFIED DIMENSIONS ARE IN INCHES TOLERANCES ON: FRACTIONS DECIMALS ANGLES ± .010 ± .005 ±		DATE
MATERIAL:		SCALE
NEXT ASSY USED ON		APPROVED
APPLICATION		DATE
D 50473		03020
SCALE		SHEET 4 OF 5

DATARAM CORPORATION
 CRANFORD NEW JERSEY

SCHEMATIC DIAGRAM
 DR 107 MEMORY SYSTEM

SIZE CODE IDENT NO DRAWING NO RLV
 D 50473 03020 E

REVISIONS				
ZONE	LTR	DESCRIPTION	DATE	APPROVED



"UNCONTROLLED"
COPY
NOT SUBJECT TO UPDATING
1.128.1877

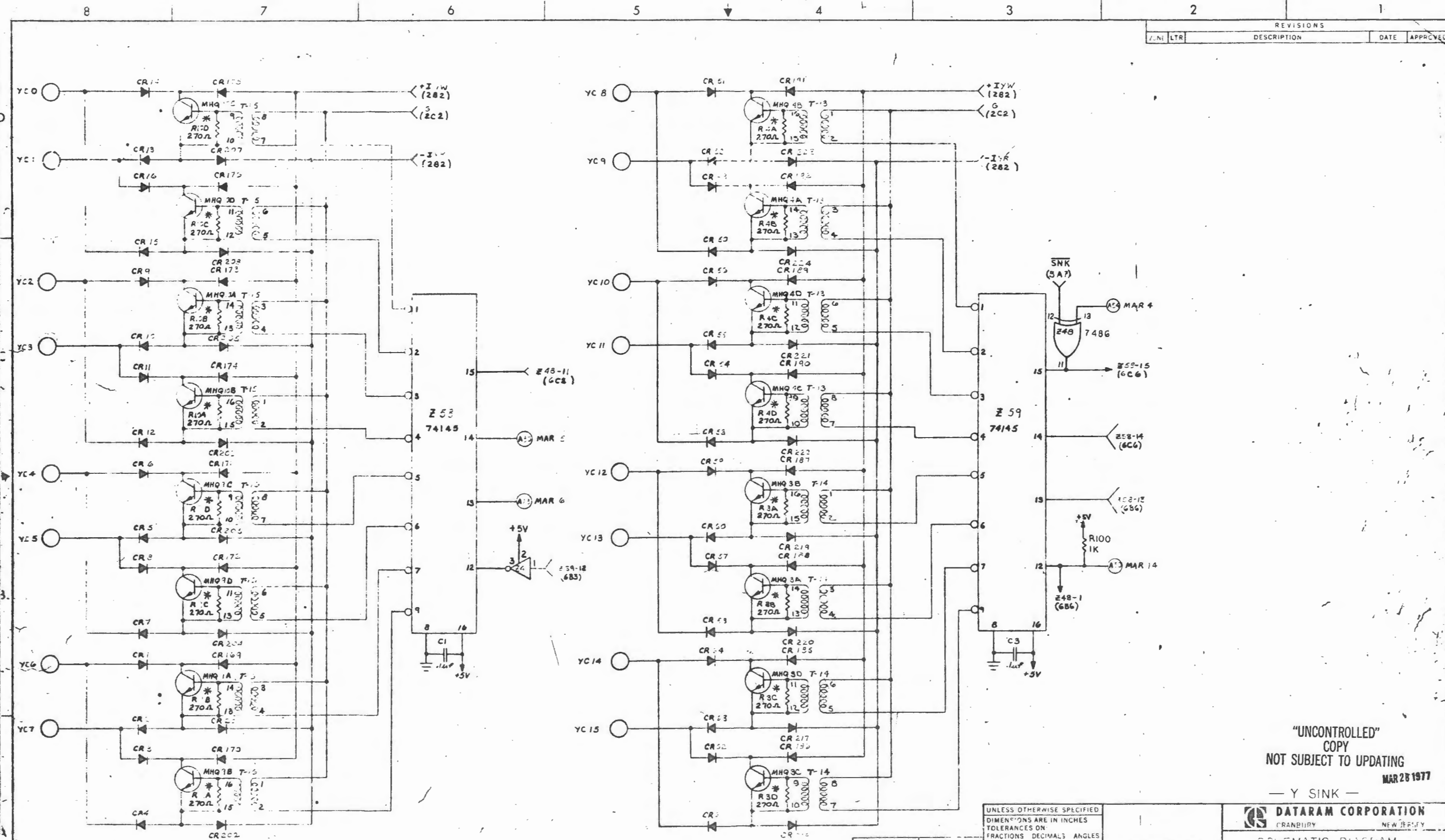
-- X SINK --

UNLESS OTHERWISE SPECIFIED DIMENSIONS ARE IN INCHES TOLERANCES ON: FRACTIONS DECIMALS ANGLES ± .010 ± .005 ± .010		DRAWN: _____ DATE: _____	
MATERIAL: _____		CHECKED: _____	
NEXT ASSY: _____ USED ON: _____		ENGR: _____	
APPLICATION: _____		APPROVED: _____	
		SIZE: D CODE IDENT NO: 50473 DRAWING NO: 03020 REV: E	
		SCALE: _____ SHEET 5 OF 9	

WHEN REFERRING TO THIS DRAWING STATE DRAWING NO. APPLICABLE REVISION LETTER IF ANY, AND DATE

D 50473 REV 03020

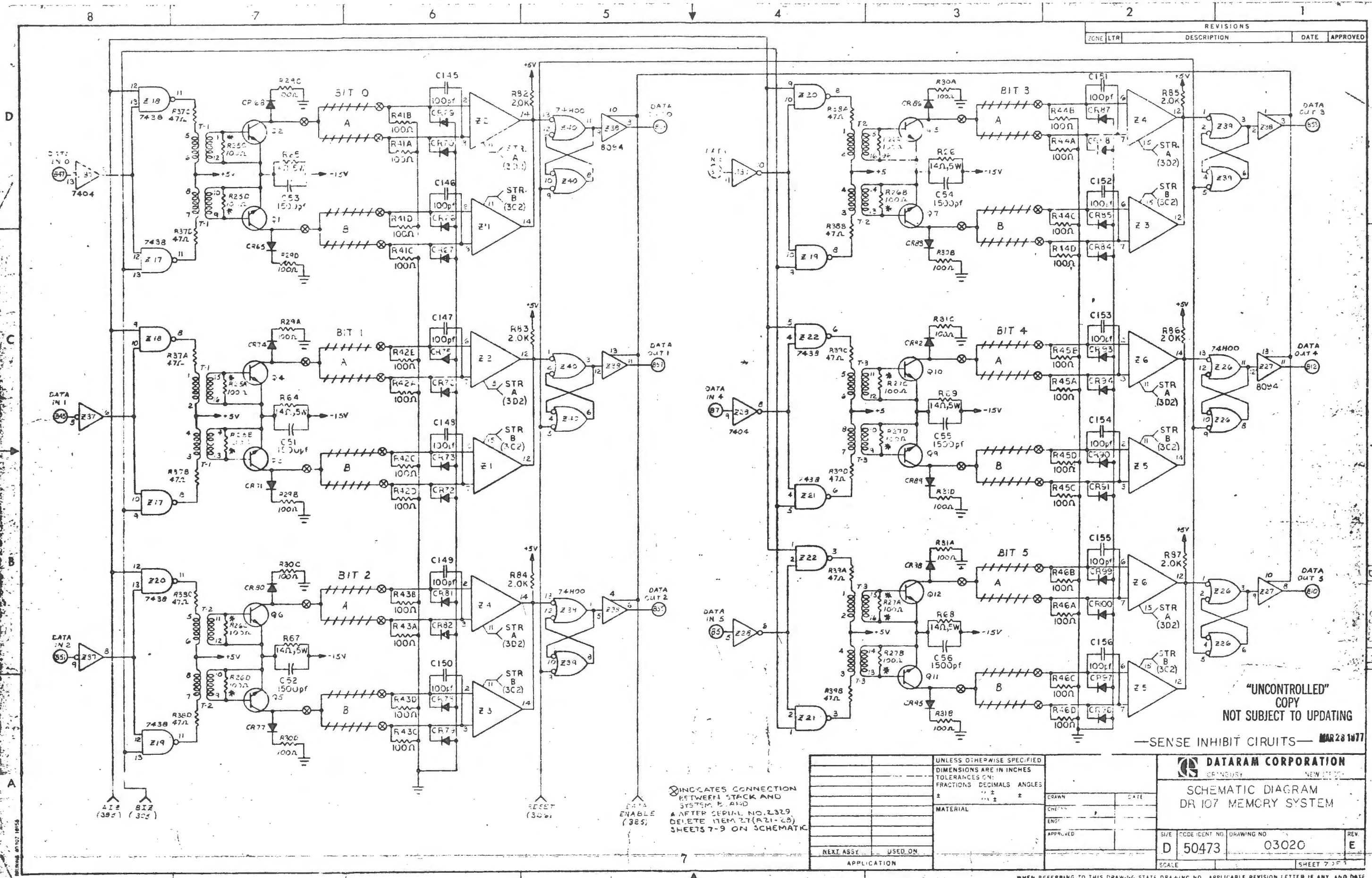
REVISIONS				
LINE	LTR	DESCRIPTION	DATE	APPROVED



"UNCONTROLLED"
COPY
NOT SUBJECT TO UPDATING
MAR 28 1977
— Y SINK —

UNLESS OTHERWISE SPECIFIED DIMENSIONS ARE IN INCHES TOLERANCES ON FRACTIONS DECIMALS ANGLES		DATE	
MATERIAL		DESIGNED	DATE
NEXT ASSY USED ON		APPROVED	DATE
APPLICATION		SIZE	CODE IDENT NO. DRAWING NO.
		D	50473 03020
		SCALE	SHEET OF 9

WHEN REFERRING TO THIS DRAWING STATE DRAWING NO., APPLICABLE REVISION LETTER IF ANY AND DATE



ZONE		LTR		DESCRIPTION	DATE	APPROVED

"UNCONTROLLED"
COPY
NOT SUBJECT TO UPDATING

—SENSE INHIBIT CIRCUITS— MAR 28 1977

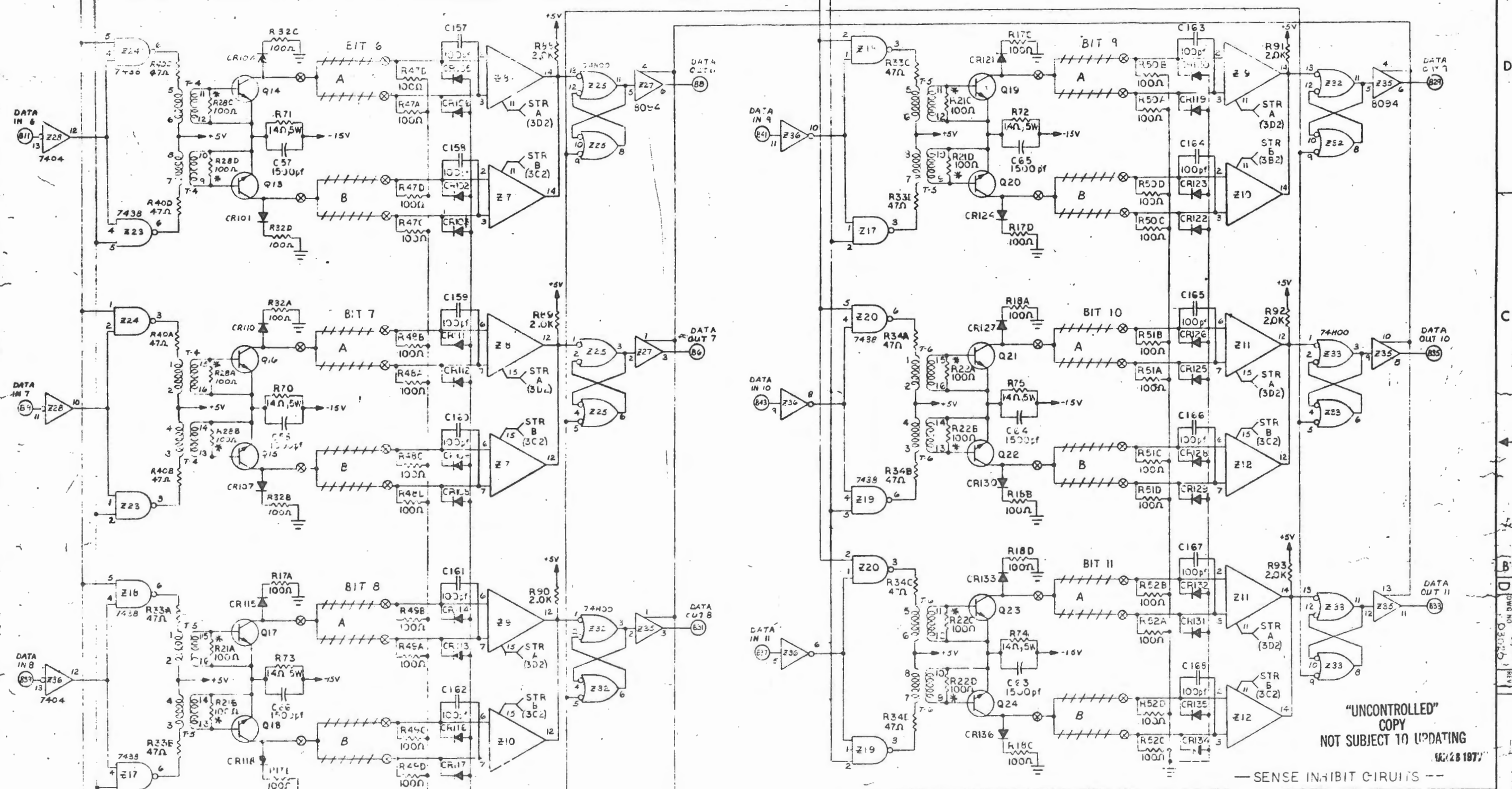
INDICATES CONNECTION BETWEEN STACK AND SYSTEM BOARD
AFTER SERIAL NO. 2329
DELETE ITEM 27 (R21-28)
SHEETS 7-9 ON SCHEMATIC

UNLESS OTHERWISE SPECIFIED DIMENSIONS ARE IN INCHES TOLERANCES ARE: FRACTIONS DECIMALS ANGLES		DRAWN		DATE	
MATERIAL		CREATED		ENGIN	
NEXT ASSY		USED ON		APPROVED	
APPLICATION		SCALE		SHEET 7 OF 7	

DATARAM CORPORATION		NEW YORK	
SCHEMATIC DIAGRAM			
DR 107 MEMORY SYSTEM			
SIZE	CODE IDENT NO.	DRAWING NO.	REV.
D	50473	03020	E

WHEN REFERRING TO THIS DRAWING STATE DRAWING NO., APPLICABLE REVISION LETTER IF ANY, AND DATE

REVISEMENTS		DATE	APPROVED
ZONE	LTR		
DESCRIPTION			

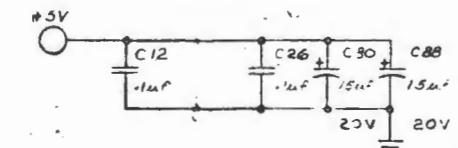
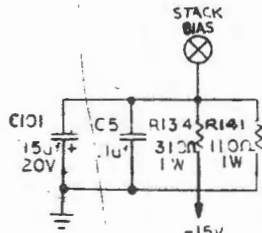
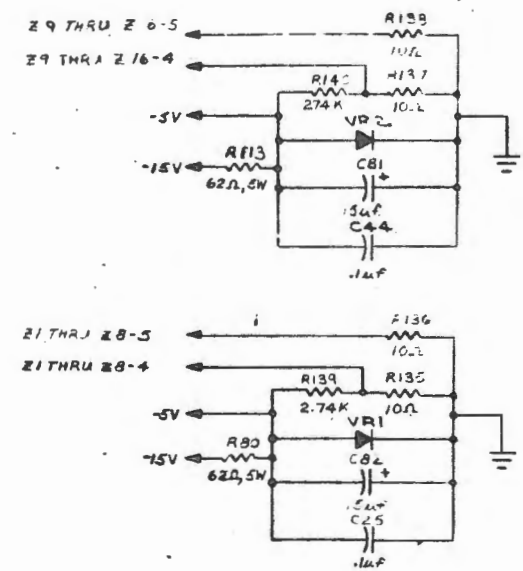
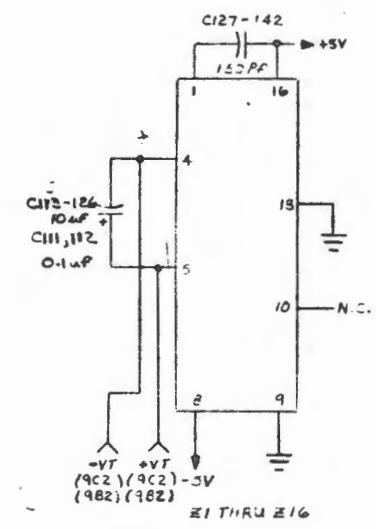
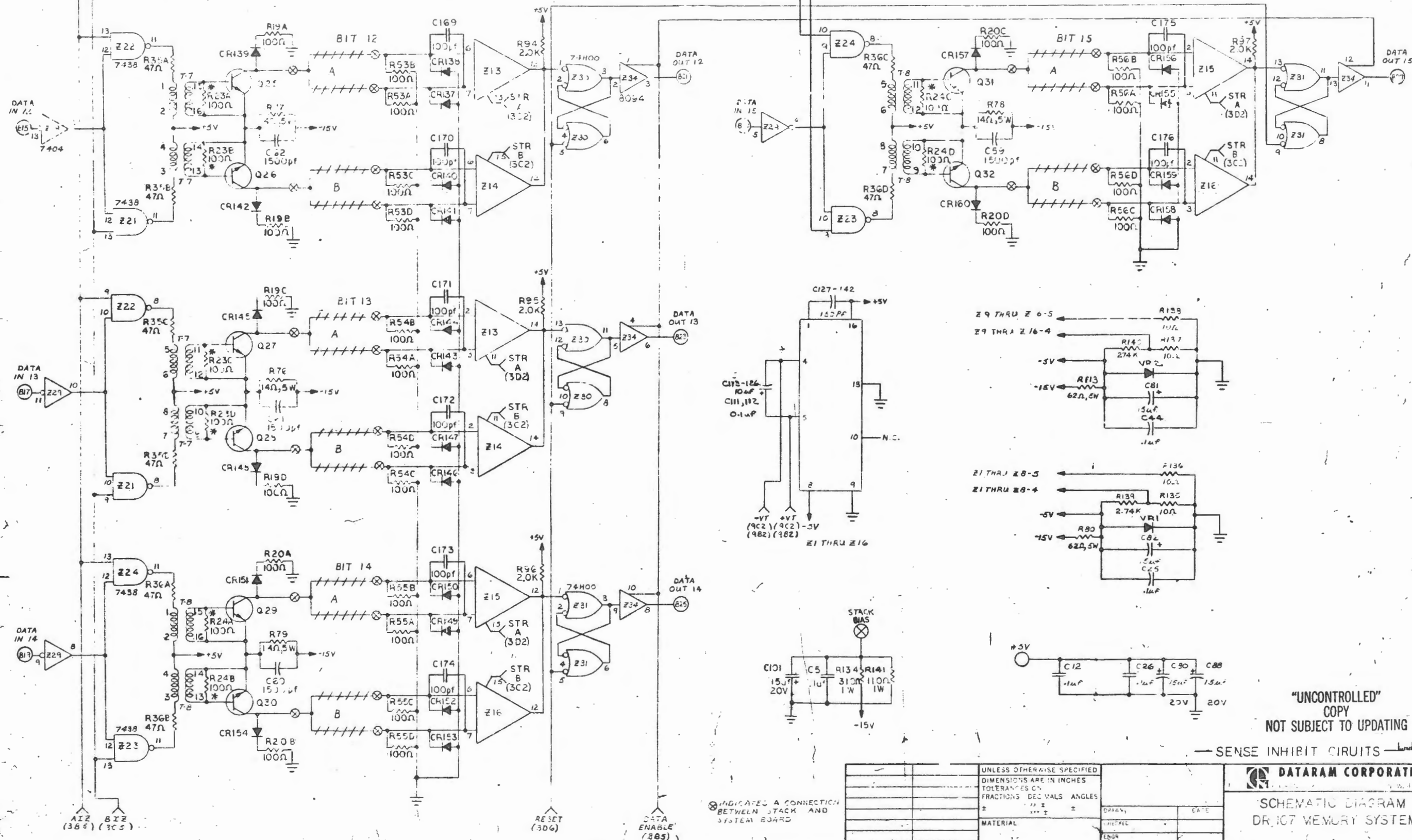


"UNCONTROLLED"
COPY
NOT SUBJECT TO UPDATING
16/28 1977

— SENSE INHIBIT CIRCUITS —

UNLESS OTHERWISE SPECIFIED DIMENSIONS ARE IN INCHES TOLERANCES ON: FRACTIONS DECIMALS ANGLES * 1/16 ± 0.005 1/8 ± 0.005 1/4 ± 0.005 3/8 ± 0.005 1/2 ± 0.005 3/4 ± 0.005 1 ± 0.005 2 ± 0.005 3 ± 0.005 4 ± 0.005 5 ± 0.005 6 ± 0.005 7 ± 0.005 8 ± 0.005 9 ± 0.005 10 ± 0.005 11 ± 0.005 12 ± 0.005 13 ± 0.005 14 ± 0.005 15 ± 0.005		DRAWN _____ DATE _____		DATARAM CORPORATION CRANFORTH, NEW JERSEY	
MATERIAL:		CHECKED _____		SCHEMATIC DIAGRAM DR107 MEMORY SYSTEM	
NEXT ASSY _____ USED ON _____		APPROVE _____		D 50473 03020	
APPLICATION _____		SCALE _____		SHEET 8 OF 9	

REVISIONS				
ZONE	LTR	DESCRIPTION	DATE	APPROVED



"UNCONTROLLED" COPY
NOT SUBJECT TO UPDATING

— SENSE INHIBIT CIRCUITS —

INDICATES A CONNECTION BETWEEN STACK AND SYSTEM BOARD

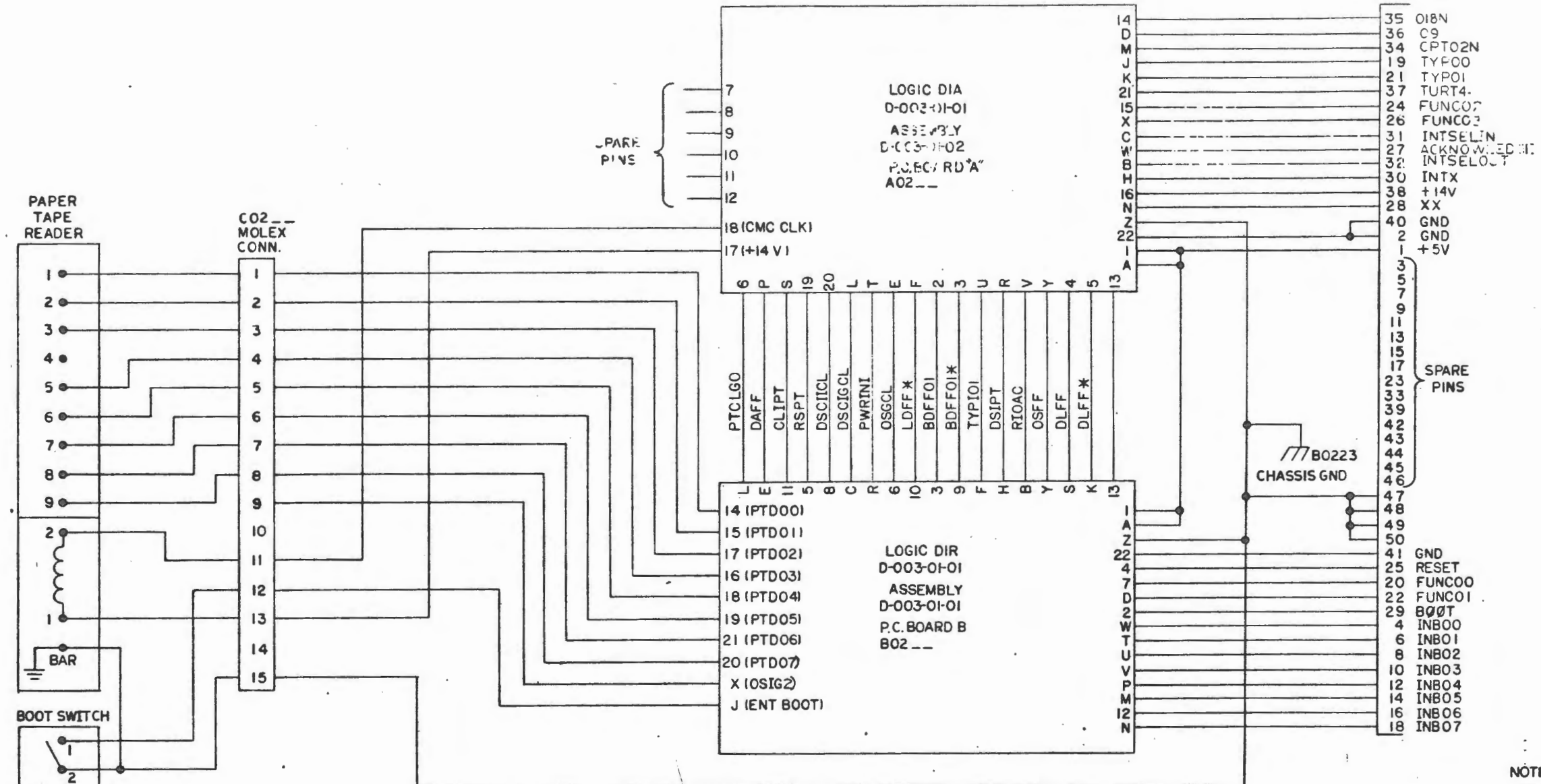
UNLESS OTHERWISE SPECIFIED DIMENSIONS ARE IN INCHES TOLERANCES GV FRACTIONS DEC VALS ANGLES		DRAWN: DATE:	
MATERIAL:		CHECKED: DATE:	
NEXT ASSY: USED ON:		APPROVED: DATE:	
APPLICATION:		SCALE: SHEET 9 OF 9	

DATARAM CORPORATION
SCHEMATIC DIAGRAM
DR 107 MEMORY SYSTEM

SIZE: CODE IDENT NO: DRAW NO NO: REV: E
D 50473 03020

WHEN REFERRING TO THIS DRAWING STATE DRAWING NO., APPLICABLE REVISION LETTER, IF ANY, AND DATE

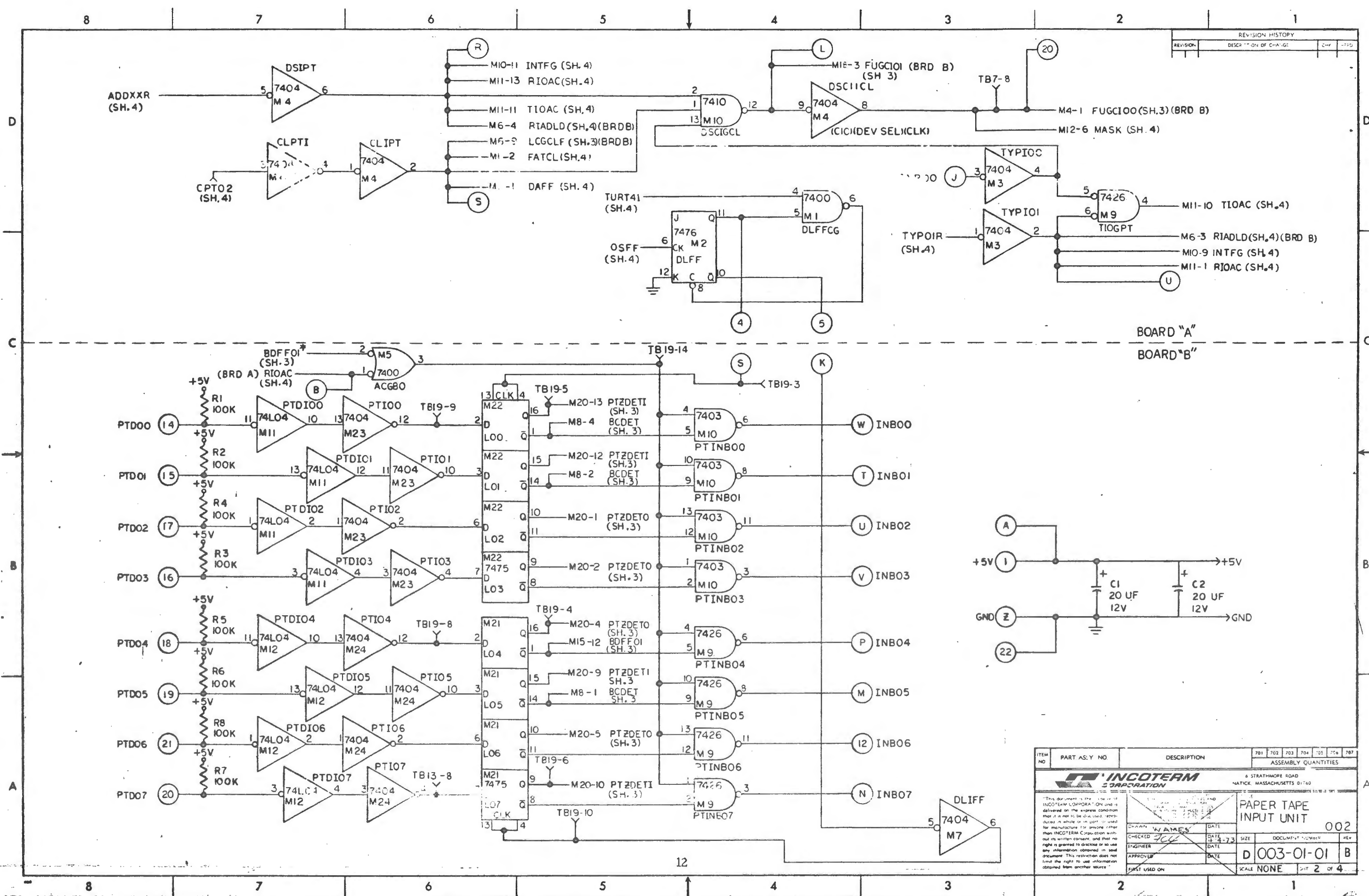
REVISION		DATE	BY
A1	REV. & REDRAWN/ECO 2643		
B	REVISED/ECO 323*	5/22/74	cut



WIRE LIST
A-003-10-23

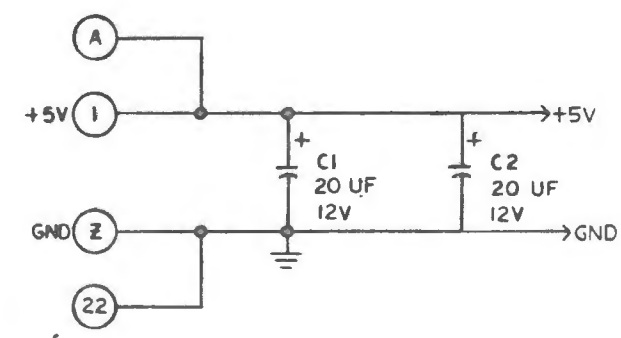
NOTES:
1. UNLESS OTHERWISE SPECIFIED ALL RESISTORS 1/4W

ITEM NO.	PART/ASSY NO.	DESCRIPTION	701	702	703	704	705	706	707	
			ASSEMBLY QUANTITIES							
			6 STRATHMORE ROAD NANTUCKET, MASSACHUSETTS 01906							
"This document is the property of INCOTERM CORPORATION and is delivered on the express condition that it is not to be disclosed, reproduced in whole or in part, or used for manufacture for anyone other than INCOTERM Corporation without its written consent, and that no right is granted to disclose or to use any information obtained in said document. This restriction does not limit the right to use information obtained from another source."			TITLE PAPER TAPE INPUT UNIT 002		DATE 4-8-73		SIZE D		DOCUMENT NUMBER 003-01-01	
DRAWN W. AMES			CHECKED JCC		ENGINEER J. B. ...		APPROVED J. B. ...		REV B	
FIRST USED ON			SCALE NONE		SHEET 1 OF 4					



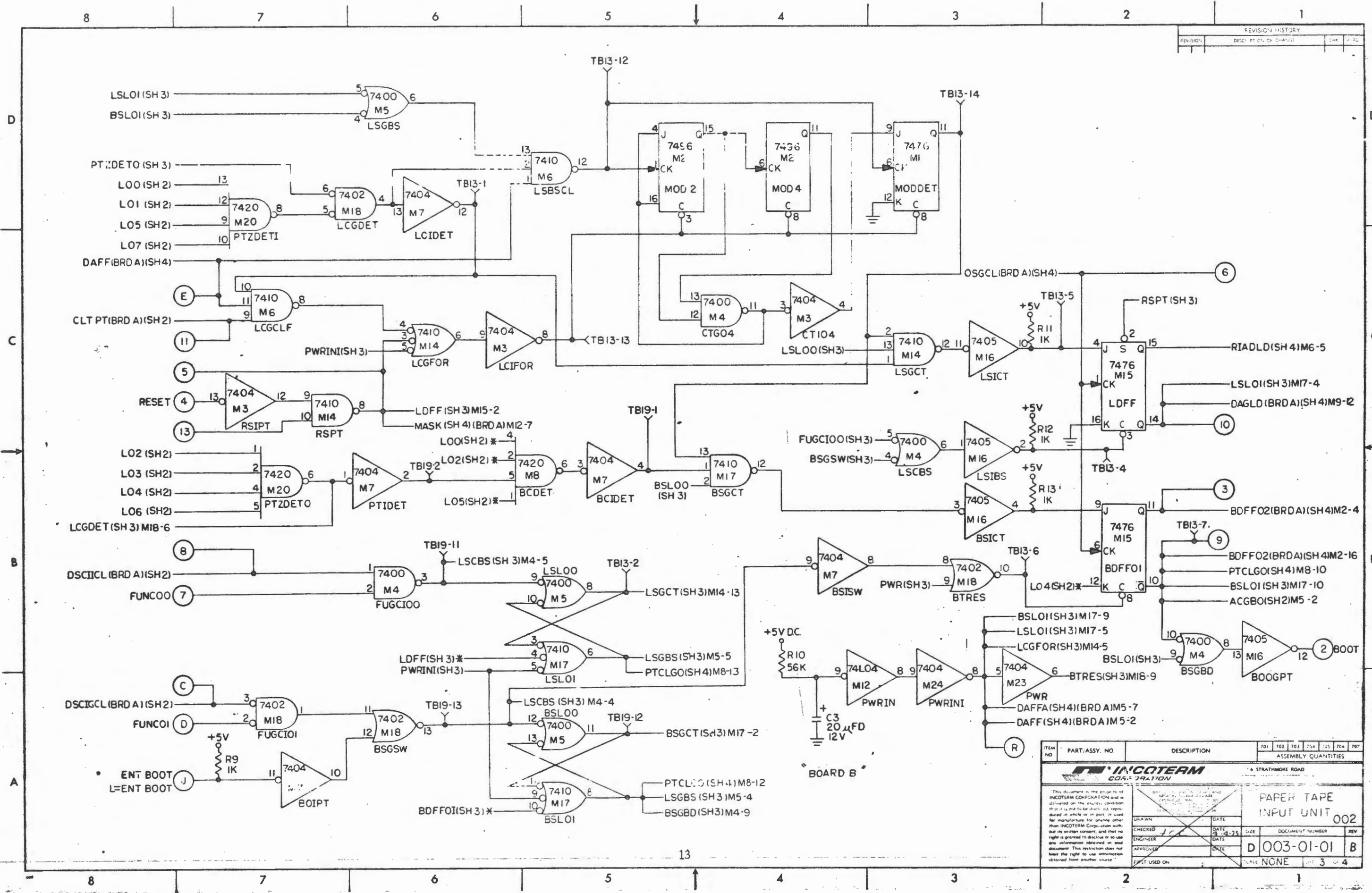
REVISION HISTORY			
REVISION	DESCRIPTION OF CHANGE	CHK	DATE

BOARD "A"
BOARD "B"

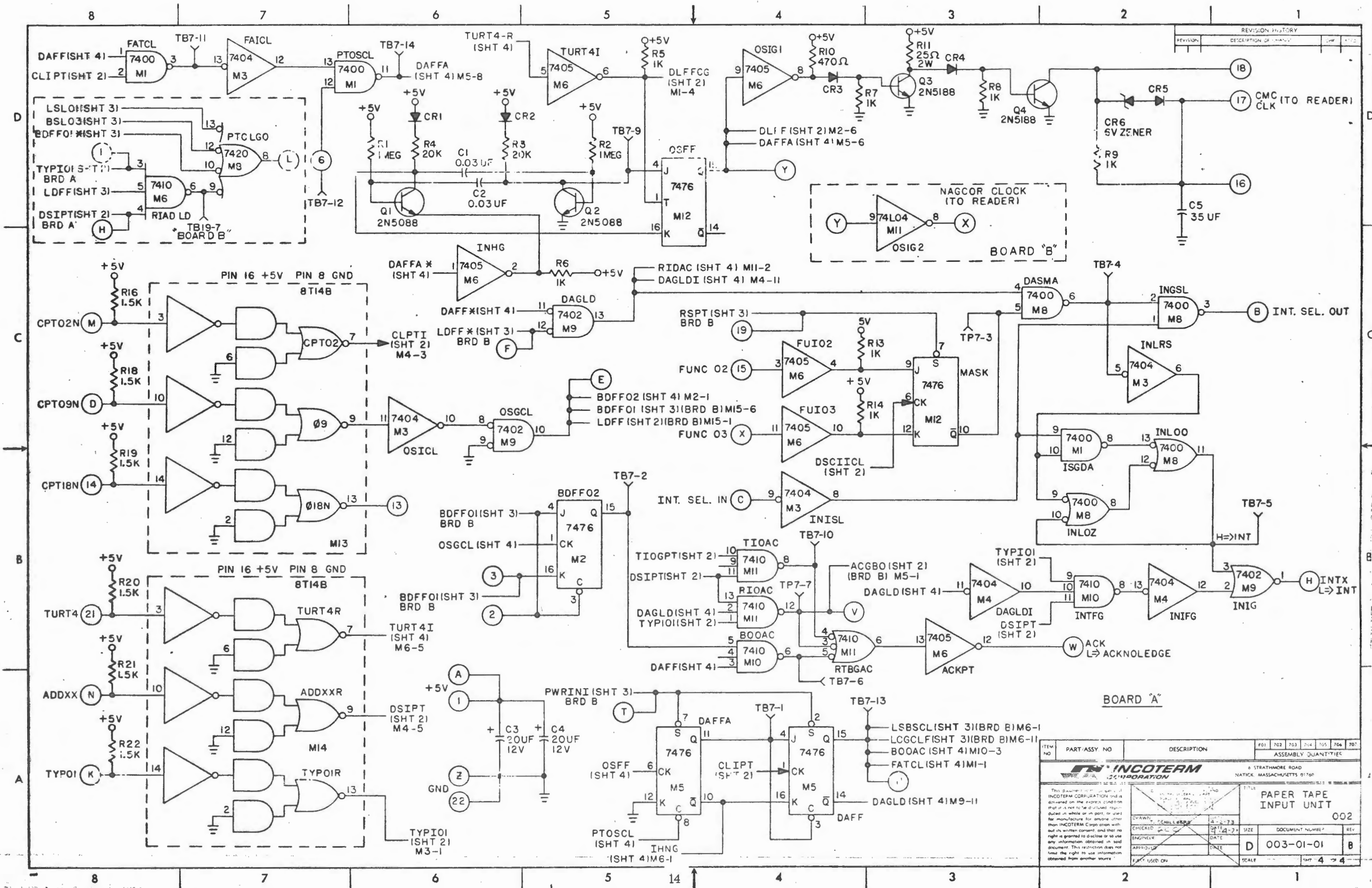


ITEM NO	PART ASLY NO	DESCRIPTION	701	702	703	704	705	706	707
INCOTERM CORPORATION			ASSEMBLY QUANTITIES						
PAPER TAPE INPUT UNIT			002						
DRAWN BY: JAMES			DATE: 4-73						
CHECKED BY: JCC			DATE: 4-73						
ENGINEER			DATE						
APPROVER			DATE						
FIRST USED ON			SCALE: NONE						
			SHEET 2 OF 4						

REVISION HISTORY			
REVISION	DESCRIPTION OF CHANGE	CHK	DATE



ITEM NO	PART/ASSY. NO	DESCRIPTION	701	702	703	704	705	706	707
ASSEMBLY QUANTITIES									
INCOTERM CORPORATION									
6 STRATHMORE ROAD									
This document is the property of INCOTERM CORPORATION and is delivered on the express condition that it is not to be checked, reproduced in whole or in part, or used for manufacture for anyone other than INCOTERM CORPORATION without its written consent, and that no right is granted to disclose or to use any information obtained in and document. This restriction does not limit the right to use information obtained from another source.									
DRAWN	DATE	SIZE	DOCUMENT NUMBER	REV					
CHECKED	DATE								
ENGINEER	DATE								
APPROVER	DATE								
FIRST USED ON									
PAPER TAPE INPUT UNIT 002									
D 003-01-01									
SCALE NONE									
PAGE 3 OF 4									



REV	DESCRIPTION	DATE	BY	CHKD	APP'D
1	INITIAL				
2	REVISED				
3	REVISED				
4	REVISED				
5	REVISED				
6	REVISED				
7	REVISED				
8	REVISED				
9	REVISED				
10	REVISED				

ITEM NO	PART/ASSY. NO	DESCRIPTION	QTY
1	7400	NAND	1
2	7401	NAND	1
3	7402	NAND	1
4	7403	NAND	1
5	7404	NOT	1
6	7405	NOT	1
7	7410	NAND	1
8	7411	NAND	1
9	7412	NAND	1
10	7413	NAND	1
11	7414	NAND	1
12	7420	NAND	1
13	7421	NAND	1
14	7422	NAND	1
15	7423	NAND	1
16	7424	NAND	1
17	7425	NAND	1
18	7426	NAND	1
19	7427	NAND	1
20	7428	NAND	1
21	7429	NAND	1
22	7430	NAND	1
23	7431	NAND	1
24	7432	NAND	1
25	7433	NAND	1
26	7434	NAND	1
27	7435	NAND	1
28	7436	NAND	1
29	7437	NAND	1
30	7438	NAND	1
31	7439	NAND	1
32	7440	NAND	1
33	7441	NAND	1
34	7442	NAND	1
35	7443	NAND	1
36	7444	NAND	1
37	7445	NAND	1
38	7446	NAND	1
39	7447	NAND	1
40	7448	NAND	1
41	7449	NAND	1
42	7450	NAND	1
43	7451	NAND	1
44	7452	NAND	1
45	7453	NAND	1
46	7454	NAND	1
47	7455	NAND	1
48	7456	NAND	1
49	7457	NAND	1
50	7458	NAND	1
51	7459	NAND	1
52	7460	NAND	1
53	7461	NAND	1
54	7462	NAND	1
55	7463	NAND	1
56	7464	NAND	1
57	7465	NAND	1
58	7466	NAND	1
59	7467	NAND	1
60	7468	NAND	1
61	7469	NAND	1
62	7470	NAND	1
63	7471	NAND	1
64	7472	NAND	1
65	7473	NAND	1
66	7474	NAND	1
67	7475	NAND	1
68	7476	NAND	1
69	7477	NAND	1
70	7478	NAND	1
71	7479	NAND	1
72	7480	NAND	1
73	7481	NAND	1
74	7482	NAND	1
75	7483	NAND	1
76	7484	NAND	1
77	7485	NAND	1
78	7486	NAND	1
79	7487	NAND	1
80	7488	NAND	1
81	7489	NAND	1
82	7490	NAND	1
83	7491	NAND	1
84	7492	NAND	1
85	7493	NAND	1
86	7494	NAND	1
87	7495	NAND	1
88	7496	NAND	1
89	7497	NAND	1
90	7498	NAND	1
91	7499	NAND	1
92	7500	NAND	1

ITEM NO	PART/ASSY. NO	DESCRIPTION	QTY
1	7400	NAND	1
2	7401	NAND	1
3	7402	NAND	1
4	7403	NAND	1
5	7404	NOT	1
6	7405	NOT	1
7	7410	NAND	1
8	7411	NAND	1
9	7412	NAND	1
10	7413	NAND	1
11	7414	NAND	1
12	7420	NAND	1
13	7421	NAND	1
14	7422	NAND	1
15	7423	NAND	1
16	7424	NAND	1
17	7425	NAND	1
18	7426	NAND	1
19	7427	NAND	1
20	7428	NAND	1
21	7429	NAND	1
22	7430	NAND	1
23	7431	NAND	1
24	7432	NAND	1
25	7433	NAND	1
26	7434	NAND	1
27	7435	NAND	1
28	7436	NAND	1
29	7437	NAND	1
30	7438	NAND	1
31	7439	NAND	1
32	7440	NAND	1
33	7441	NAND	1
34	7442	NAND	1
35	7443	NAND	1
36	7444	NAND	1
37	7445	NAND	1
38	7446	NAND	1
39	7447	NAND	1
40	7448	NAND	1
41	7449	NAND	1
42	7450	NAND	1
43	7451	NAND	1
44	7452	NAND	1
45	7453	NAND	1
46	7454	NAND	1
47	7455	NAND	1
48	7456	NAND	1
49	7457	NAND	1
50	7458	NAND	1
51	7459	NAND	1
52	7460	NAND	1
53	7461	NAND	1
54	7462	NAND	1
55	7463	NAND	1
56	7464	NAND	1
57	7465	NAND	1
58	7466	NAND	1
59	7467	NAND	1
60	7468	NAND	1
61	7469	NAND	1
62	7470	NAND	1
63	7471	NAND	1
64	7472	NAND	1
65	7473	NAND	1
66	7474	NAND	1
67	7475	NAND	1
68	7476	NAND	1
69	7477	NAND	1
70	7478	NAND	1
71	7479	NAND	1
72	7480	NAND	1
73	7481	NAND	1
74	7482	NAND	1
75	7483	NAND	1
76	7484	NAND	1
77	7485	NAND	1
78	7486	NAND	1
79	7487	NAND	1
80	7488	NAND	1
81	7489	NAND	1
82	7490	NAND	1
83	7491	NAND	1
84	7492	NAND	1
85	7493	NAND	1
86	7494	NAND	1
87	7495	NAND	1
88	7496	NAND	1
89	7497	NAND	1
90	7498	NAND	1
91	7499	NAND	1
92	7500	NAND	1

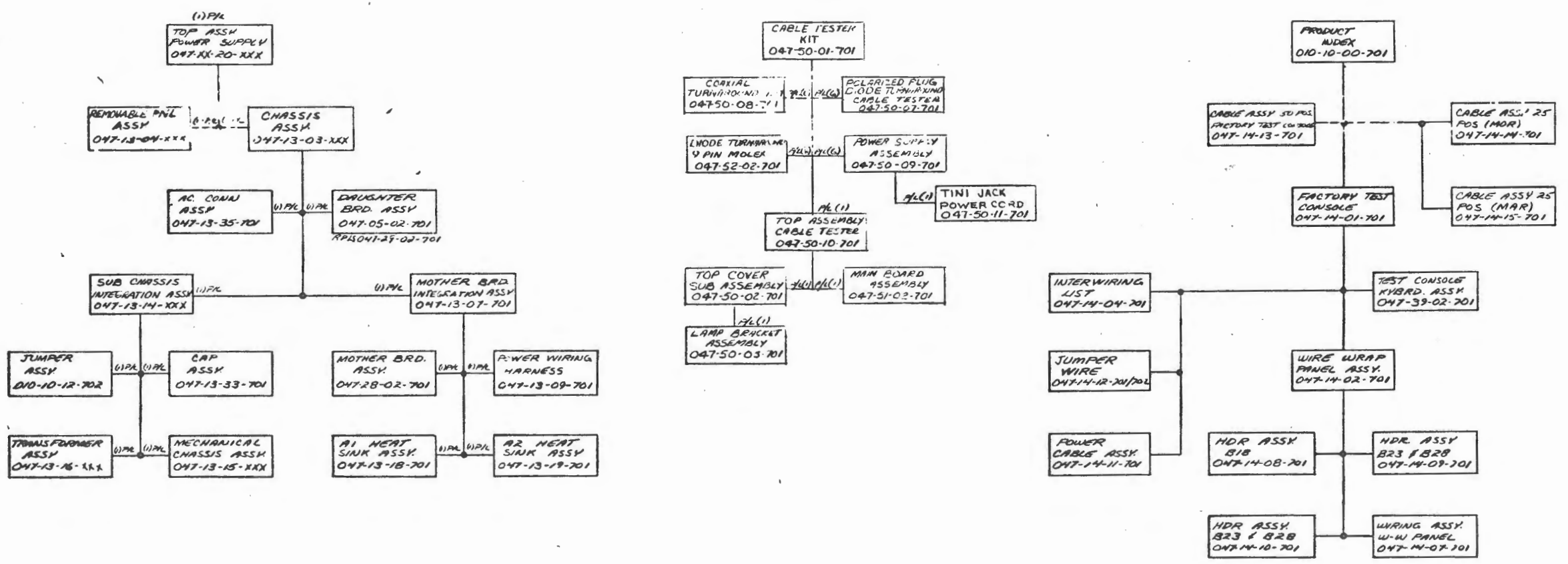
INCOTERM CORPORATION
 4 STRATHMORE ROAD
 NATICK, MASSACHUSETTS 01750

PAPER TAPE INPUT UNIT
 002

SCALE: 1/4" = 1"

REVISION HISTORY			
REVISION	DESCRIPTION OF CHANGE	CHK	ATTD

XX - SEE TABLE BELOW FOR VARIATIONS



TOP ASSEMBLY POWER SUPPLY	REMOVABLE PNL ASSY	POWER SUPPLY CHASSIS ASSEMBLY	DAUGHTER BRD ASSEMBLY	POWER SUPPLY S.B. ASSEMBLY INTEGRATION ASSY	POWER SUPPLY MECHANICAL CHASSIS ASSEMBLY	POWER SUPPLY TRANSFORMER ASSEMBLY
047-13-20-701 REPLACED BY 047-09-20-701	047-13-04-701	047-13-03-701	047-05-02-701	047-13-14-701	047-13-15-701	047-13-16-701
047-13-20-702 REPLACED BY 047-09-20-702		047-13-03-702		047-13-14-702	047-13-15-702	047-13-16-701
047-09-20-701		047-13-03-703		047-13-14-703	047-13-15-703	047-13-16-702
047-09-20-702	047-13-04-701	047-13-03-704		047-13-14-704	047-13-15-704	
047-09-20-703	047-13-04-702	047-13-03-703		047-13-14-703	047-13-15-703	
047-09-20-704	047-13-04-702	047-13-03-704	047-05-02-701	047-13-14-704	047-13-15-704	047-13-16-702
047-13-20-703	047-13-04-701	047-13-03-705	047-05-02-701	047-13-14-705	047-13-15-703	047-13-16-701

INCOTERM CORPORATION
6 STRATHMORE ROAD
NANTUCKET, MASSACHUSETTS 02550

DOCUMENT TREE
TEI POWER SUPPLY

001

CHECKED BY: [Signature]	DATE: 11/2/74
FRAGMENTS: [Signature]	DATE: 11/2/74
APPROVED: [Signature]	DATE: 11/2/74

FIRST USED ON: [Blank]

SCALE: 1/2" = 1"

DATE: 11/2/74

SIZE: [Blank]

DOCUMENT NUMBER: D 047-01-01

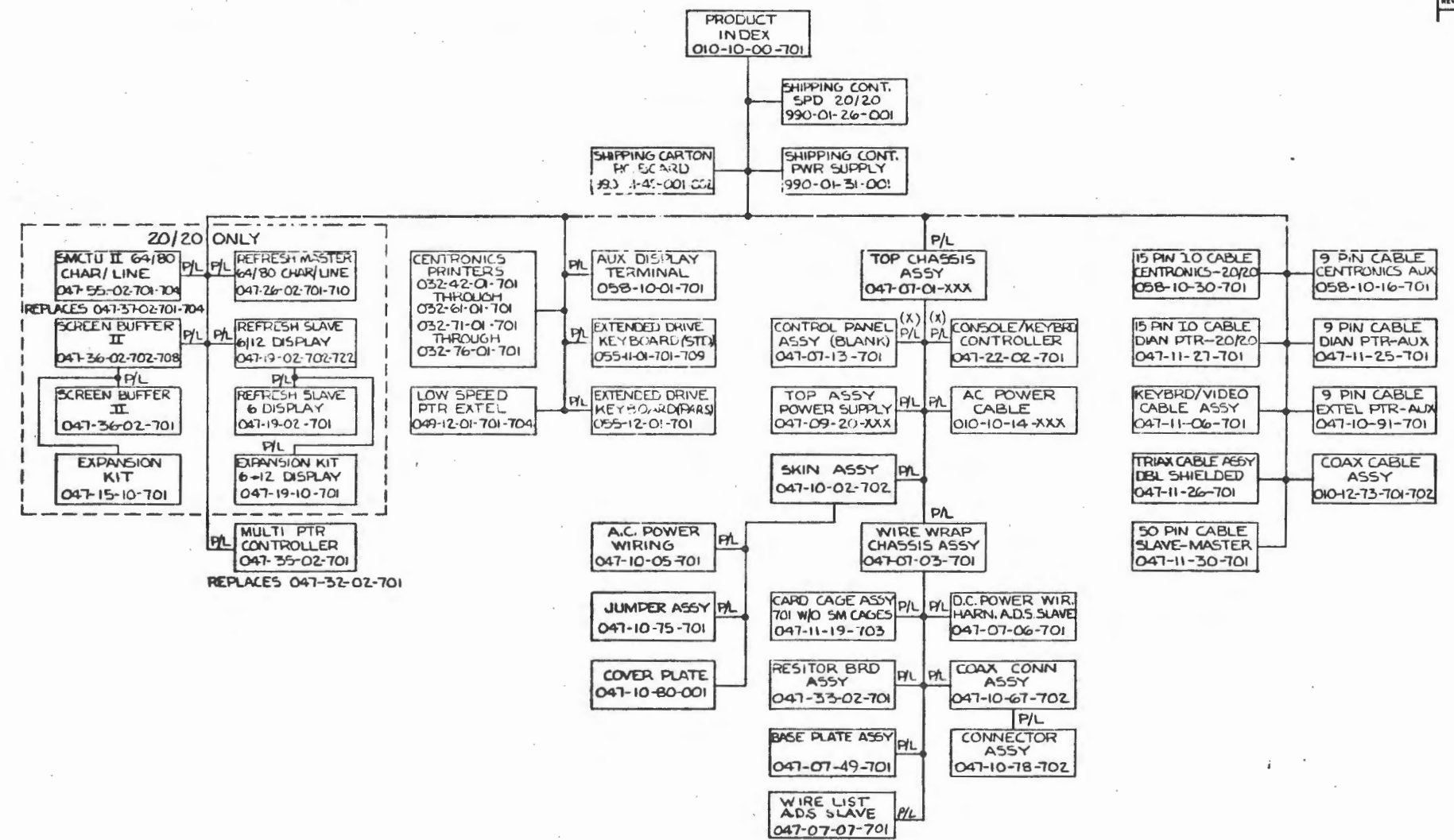
REV: AP

REVISION HISTORY			
REVISION	DESCRIPTION OF CHANGE	CHK	APPD

TOP ASSY	FUNCTIONAL DESCRIPTION	SKIN ASSY	DOOR ASSY 047-10-57-701	CASSETTE CONTROLLER 047-21-02-701	RIGID DISC CONTROLLER 084-01-02-701	POWER CABLE	POWER SUPPLY	TAPE CASSETTE ASSY 047-10-61-701	WIRE WRAP CHASSIS ASSY	D.C. POWER WIRING HARNESS	CARD CAGE ASSY	BASE PLATE ASSY WITH POWER WIRING	WIRE LIST
047-10-01 (32K MEM)	701 STANDARD UNITS (20/20 (95-137 VAC) REPLACED BY 047-12-01-701	047-10-02-701	I	I	—	010-10-14-XXX	047-13-20-701 REPLACED BY 047-09-20-701	I	047-10-03-702	047-10-06-701	047-10-51-701	047-10-49-702	047-10-50-701
	702 CANADIAN UNITS (20/20 (95-137 VAC) REPLACED BY 047-12-01-702					010-10-14-705	047-13-20-702 REPLACED BY 047-09-20-702		047-10-03-702				047-10-50-701
047-12-01 (32K MEM)	701 STANDARD UNITS (20/20 (95-137 VAC) REPLACED BY 047-12-01-703					010-10-14-XXX	047-13-20-701 REPLACED BY 047-09-20-701		047-10-03-703				047-11-05-701
	702 CANADIAN UNITS (20/20 (95-137 VAC) REPLACED BY 047-12-01-704					010-10-14-705	047-13-20-702 REPLACED BY 047-09-20-702						
	703 STANDARD UNITS (20/20 (90-137 VAC)					010-10-14-XXX	047-09-20-701						
	704 CANADIAN UNITS (20/20 (90-137 VAC)					010-10-14-705	047-09-20-702		047-10-03-703		047-10-51-701	047-10-49-702	
	705 STANDARD UNIT (20/20 WITH 64K MECHANICAL ASSY (90-137 VAC)	047-10-02-701	I	I	—	010-10-14-XXX	047-09-20-701	I	047-10-03-704	047-10-06-701	047-11-19-702	047-10-49-703	047-11-05-701
047-08-01 (64K MEM REPLACED BY 047-04-01	701 STANDARD UNITS (20/20 WITH CASSETTE (90-137 VAC)	047-10-02-701	I	I	—	010-10-14-XXX	047-09-20-701	I	047-10-03-705	047-10-06-701	047-11-19-701	047-10-49-704	047-08-05-701
	702 CANADIAN UNITS (20/20 WITH CASSETTE (90-137 VAC)	047-10-02-701	I	I	—	010-10-14-705	047-09-20-702	I					
	703 STANDARD UNITS (20/20 WITH RIGID DISK (90-137 VAC)	047-10-02-702	—	—	I	010-10-14-XXX	047-09-20-701	—					
	704 CANADIAN UNITS (20/20 WITH RIGID DISK (90-137 VAC)	047-10-02-702	—	—	I	010-10-14-705	047-09-20-702	—	047-10-03-705	047-10-06-701	047-11-19-701	047-10-49-704	047-08-05-701
047-04-01 SPD 20/20 OR ITC OR SPD 20/30 OR SPD 20/40 ADS	701 SAME AS 047-08-01-701 WITH AUXILIARY DISPLAY SYSTEM	047-10-02-701	I	I	—	010-10-14-XXX	047-09-20-703	I	047-10-03-706	047-10-06-702	047-11-19-701	047-10-49-704	047-08-07-701
	702 SAME AS 047-08-01-702 WITH AUXILIARY DISPLAY SYSTEM	047-10-02-701	I	I	—	010-10-14-705	047-09-20-704	I					
	703 SAME AS 047-08-01-703 WITH AUXILIARY DISPLAY SYSTEM	047-10-02-702	—	—	—	010-10-14-XXX	047-09-20-703	—					
	704 SAME AS 047-08-01-704 WITH AUXILIARY DISPLAY SYSTEM	047-10-02-702	—	—	—	010-10-14-705	047-09-20-704	—	047-10-03-706	047-10-06-702	047-11-19-701	047-10-49-704	047-08-07-701

ITEM NO	PART/ASSY. NO	DESCRIPTION	701	702	703	704	705	706	707
			ASSEMBLY QUANTITIES						
			6 STRATHMORE BLVD NATICK, MASSACHUSETTS 01741						
<small>"This document is the property of INCOTERM CORPORATION and is delivered on the express condition that it is not to be disclosed, reproduced or whole or in part, or used for manufacture for anyone other than INCOTERM Corporation without its written consent, and that no right is granted to disclose or reuse any information obtained in and disclosed. This restriction does not limit the right to use information obtained from another source."</small>			TITLE DOCUMENT TREE SPD 20/20 OOI						
CHECKED	DATE	DATE	SIZE	DOCUMENT NUMBER		REV			
ENGINEER	DATE	DATE	D	047-01-01		AR			
APPROVED	DATE	DATE	SCALE: NONE		SHT 3 OF 4				
FIRST USED ON									

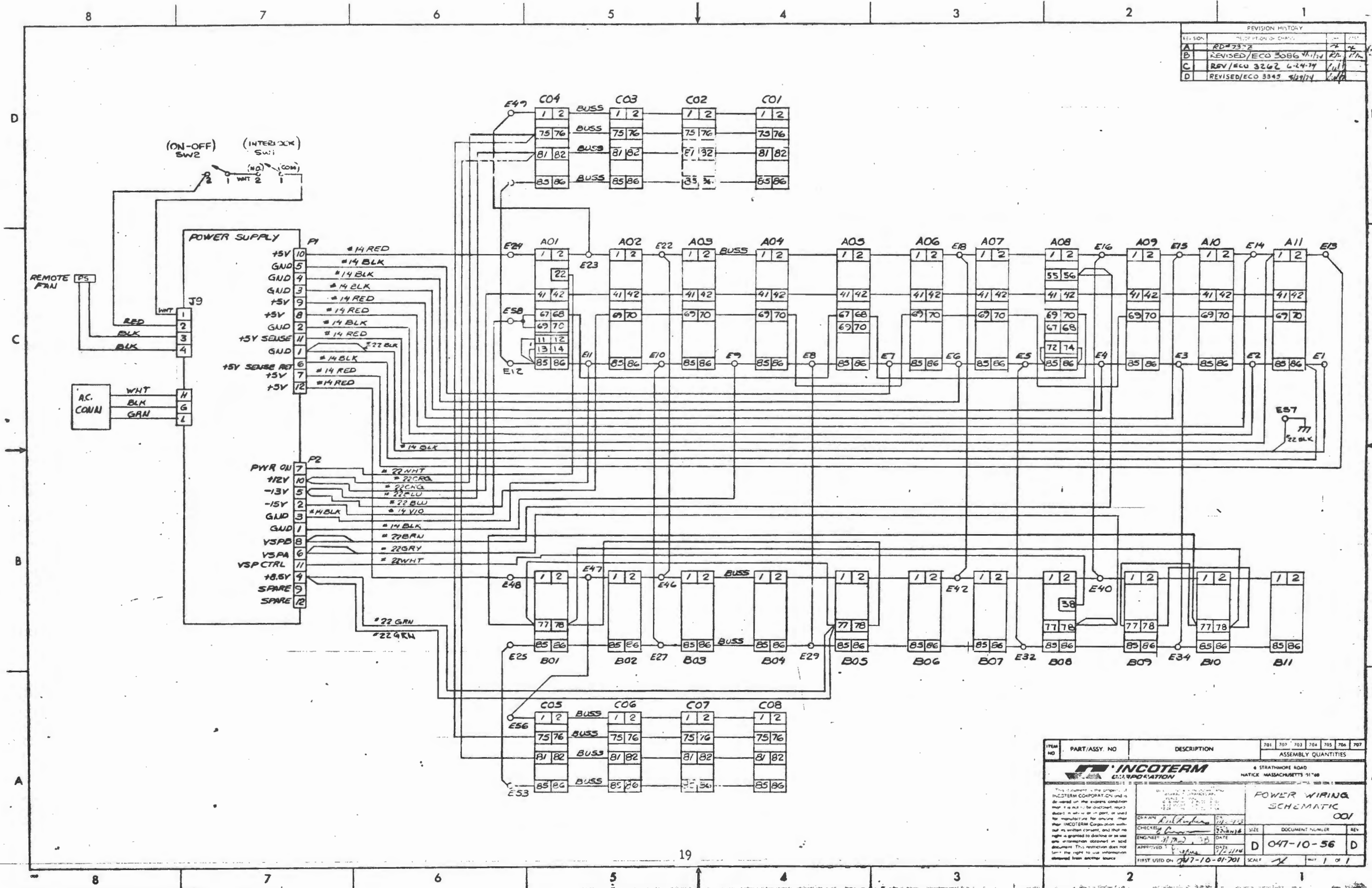
REVISION HISTORY			
REVISION	DESCRIPTION OF CHANGE	CHK	APPD



TOP ASSEMBLY	FUNCTIONAL DESCRIPTION	CONSOLE/KEYBD CTRLR 047-22-02-701	BLANK CONSOLE ASSY 047-07-13-701	POWER SUPPLY 047-09-20-XXX	AC POWER CABLE 010-10-14-XXX
047-07-01 AUX DISPLAY SYSTEM SLAVE	701 STANDARD A.D.S. SLAVE (90-137 V.A.C.) WITHOUT CONSOLE/KEYBD CTRLR	—	1	047-09-20-703	010-10-14-XXX
	702 CANADIAN A.D.S. SLAVE (90-137 V.A.C.) WITHOUT CONSOLE/KEYBD CTRLR	—	1	047-09-20-704	010-10-14-705
	703 STANDARD A.D.S. SLAVE (90-137 V.A.C.) WITH CONSOLE/KEYBD CTRLR	1	—	047-09-20-703	010-10-14-XXX
	704 CANADIAN A.D.S. SLAVE (90-137 V.A.C.) WITH CONSOLE/KEYBD CTRLR	1	—	047-09-20-704	010-10-14-705

ITEM NO.	PART/ASSY. NO.	DESCRIPTION	701	702	703	704	705	706	707
INCOTERM CORPORATION 6 STRATHMORE ROAD NATICK, MASSACHUSETTS, U.S.A.									
DOCUMENT TREE CLUSTER SPD 20/20 A.D.S. SLAVE 001									
DRAWN BY: [Signature]		DATE: 7/7/70	SIZE: [] DOCUMENT NUMBER: [] REV: []						
CHECKED BY: [Signature]		DATE: 7/7/70	FIRST USED ON: 047-07-01-XXX SCALE: NONE SHEET 4 OF 4						
ENGINEER: [Signature]		DATE: 7/7/70	APPROVED BY: [Signature]						
APPROVED BY: [Signature]		DATE: 7/7/70							

REVISION HISTORY			
REV. NO.	DESCRIPTION OF CHANGES	DATE	BY
A	RD# 73-2	7/1/74	RL
B	REVISED/ECO 3086	7/1/74	RL
C	REV/ECO 3262	6-24-74	RL
D	REVISED/ECO 3345	8/19/74	RL

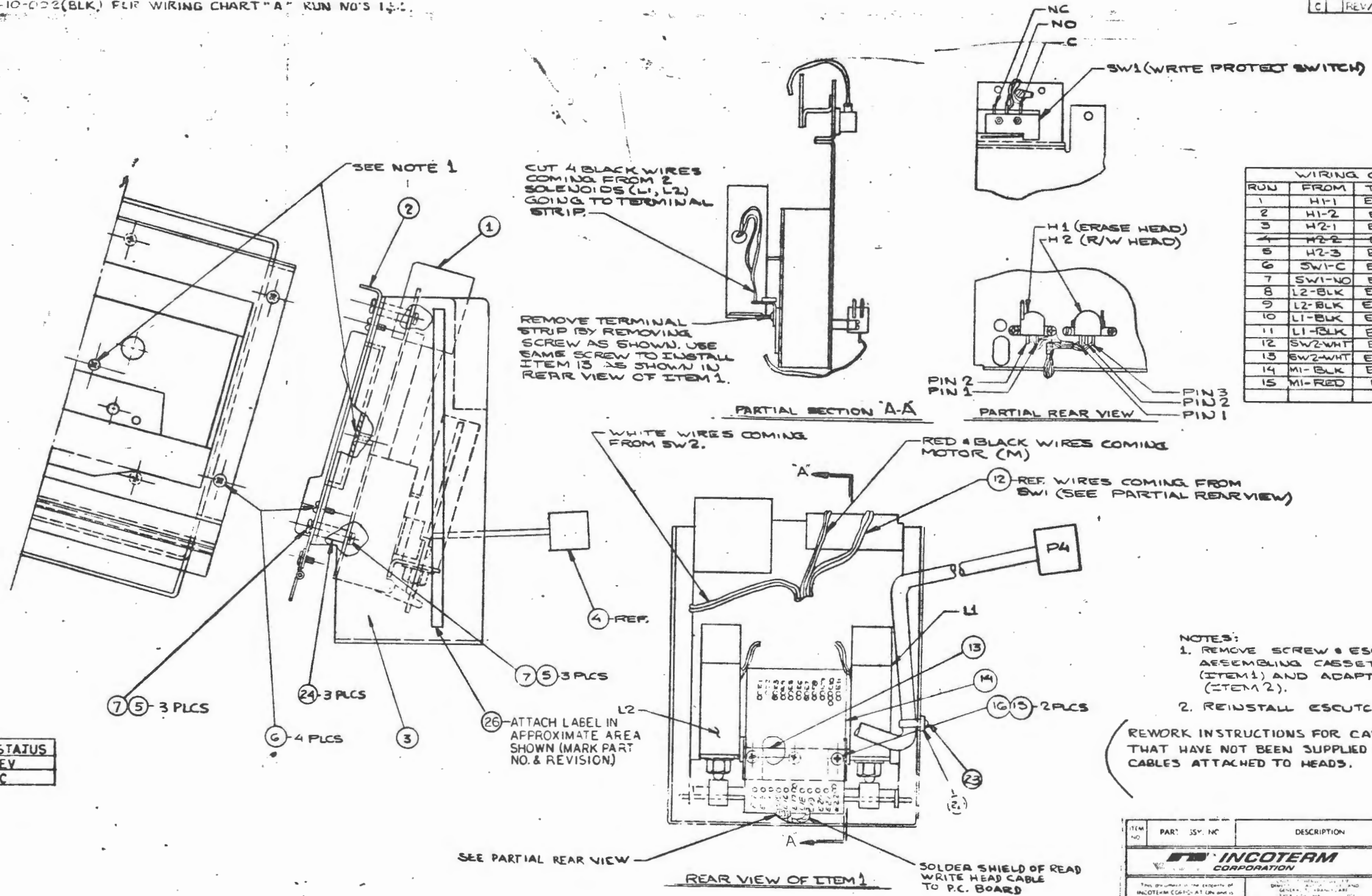


ITEM NO.	PART/ASSY. NO.	DESCRIPTION	701	702	703	704	705	706	707
			ASSEMBLY QUANTITIES						
			4 STRATHMORE ROAD NATICK, MASSACHUSETTS 01908						
This document is the property of INCOTERM CORPORATION and is loaned on the express condition that it is not to be distributed, reproduced, or in any way used for purposes other than those for which it was originally prepared without the written consent of INCOTERM Corporation. No right is granted to disclose or to use any information contained in this document. This restriction does not limit the right to use information obtained from another source.			POWER WIRING SCHEMATIC 001						
DESIGNED BY	DATE	SIZE	DOCUMENT NUMBER	REV.					
CHECKED BY	DATE		D	047-10-56			D		
ENGINEER	DATE								
APPROVED BY	DATE								
FIRST USED ON	DATE	SCALE							

REWORK INSTRUCTIONS

1. REMOVE TWO CONDUCTOR SHIELDED CABLE FROM H2 (READ /WRITE HEAD)
2. ATTACH 3 CONDUCTOR SHIELDED CABLE (BELDEN PART NO. 8643) TO H2 PER WIRING CHART "A" RUN NO. 3 & 5, SOLDIER SHIELD TO GND PLANE ON P.C. BOARD.
3. ATTACH 30 GA STRANDED WIRE PART NO. 945-01-10-001 (WHT) & 945-01-10-002 (BLK) PER WIRING CHART "A" RUN NO'S 1 & 2.

REVISION HISTORY			
REV	DESCRIPTION OF CHANGE	CHK	APPD
A2	RELEASED /RD# 7373		
A3	REV CHANGE ONLY/ECO 3021		
B	REV/ECO # 3219		
B1	REV CHG/ECO 3289		
B2	REV CHG/ECO 3467		
B3	REV CHG/ECO 3879		
C	REV/ECO 3942		

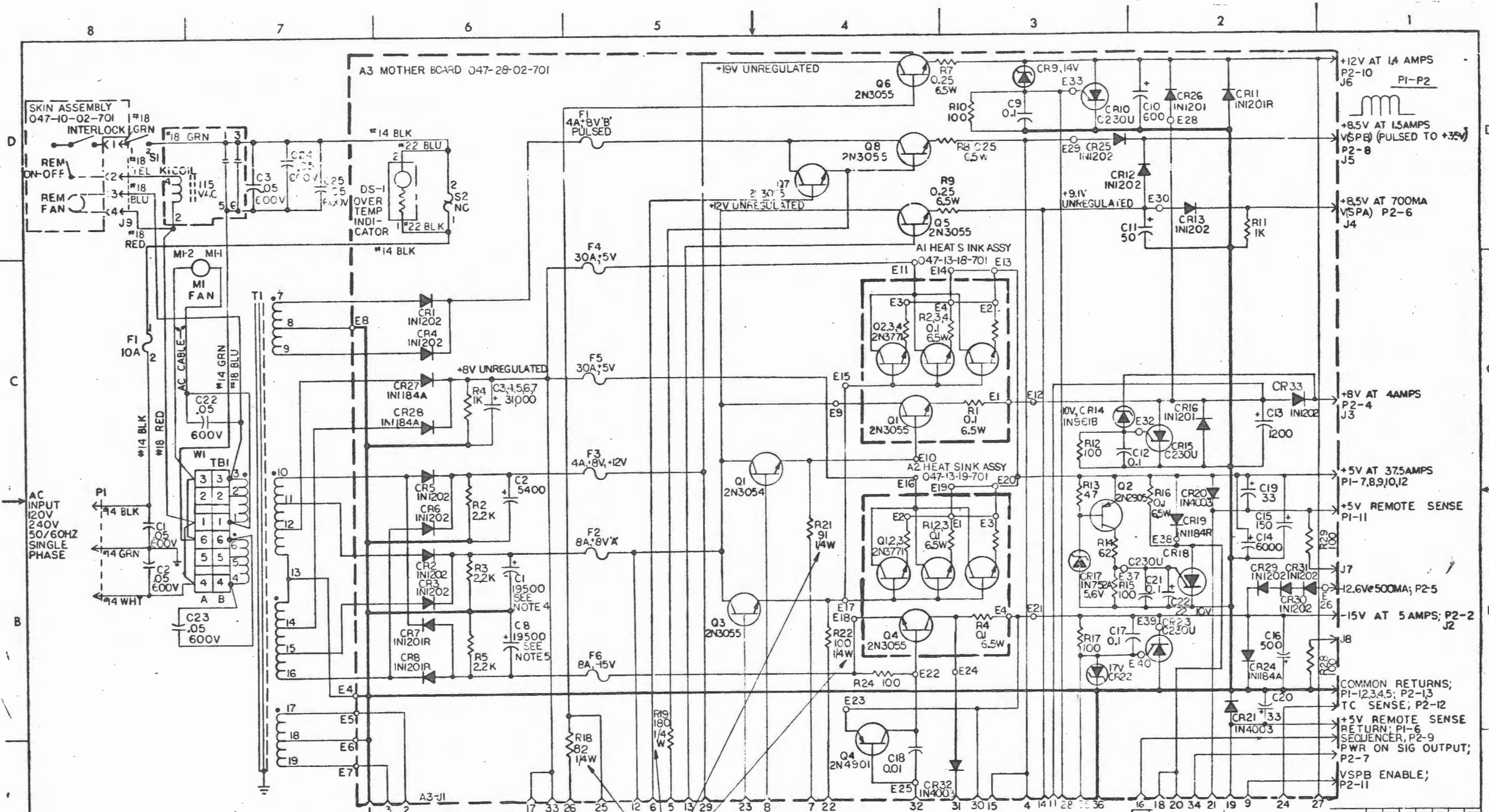


WIRING CHART A				
RUN	FROM	TO	WIRE COLOR	ITEM NO.
1	H1-1	E17	WHT	8
2	H1-2	E19	BLK	9
3	H2-1	E16	BLK	9
4	H2-2	E21	WHT	10
5	H2-3	E18	RED	11
6	SW1-C	E3	YEL	12
7	SW1-NO	E11	YEL	12
8	L2-BLK	E8	BLK	—
9	L2-BLK	E5	BLK	—
10	L1-BLK	E7	BLK	—
11	L1-BLK	E6	BLK	—
12	SW2-WHT	E1	WHT	—
13	SW2-WHT	E2	WHT	—
14	M1-BLK	E2	BLK	—
15	M1-RED	E4	RED	—

SUB ASSY REVISION STATUS	
NUMBER	REV
047-17-1 2-701	C

- NOTES:**
1. REMOVE SCREW & ESCUTCHON PRIOR TO ASSEMBLING CASSETTE MECHANISM (ITEM 1) AND ADAPTOR ASSEMBLY (ITEM 2).
 2. REINSTALL ESCUTCHON AS SHOWN.
- (REWORK INSTRUCTIONS FOR CASSETTE UNITS THAT HAVE NOT BEEN SUPPLIED WITH SHIELDED CABLES ATTACHED TO HEADS.)

ITEM NO.	PART ASSY NO.	DESCRIPTION	QTY	207	317	701	706	707
		INCOTERM CORPORATION 8 STRATHMORE ROAD NATICK, MASSACHUSETTS 01908						
		TAPE CASSETTE ASSY 701						
		047-10-61 C						

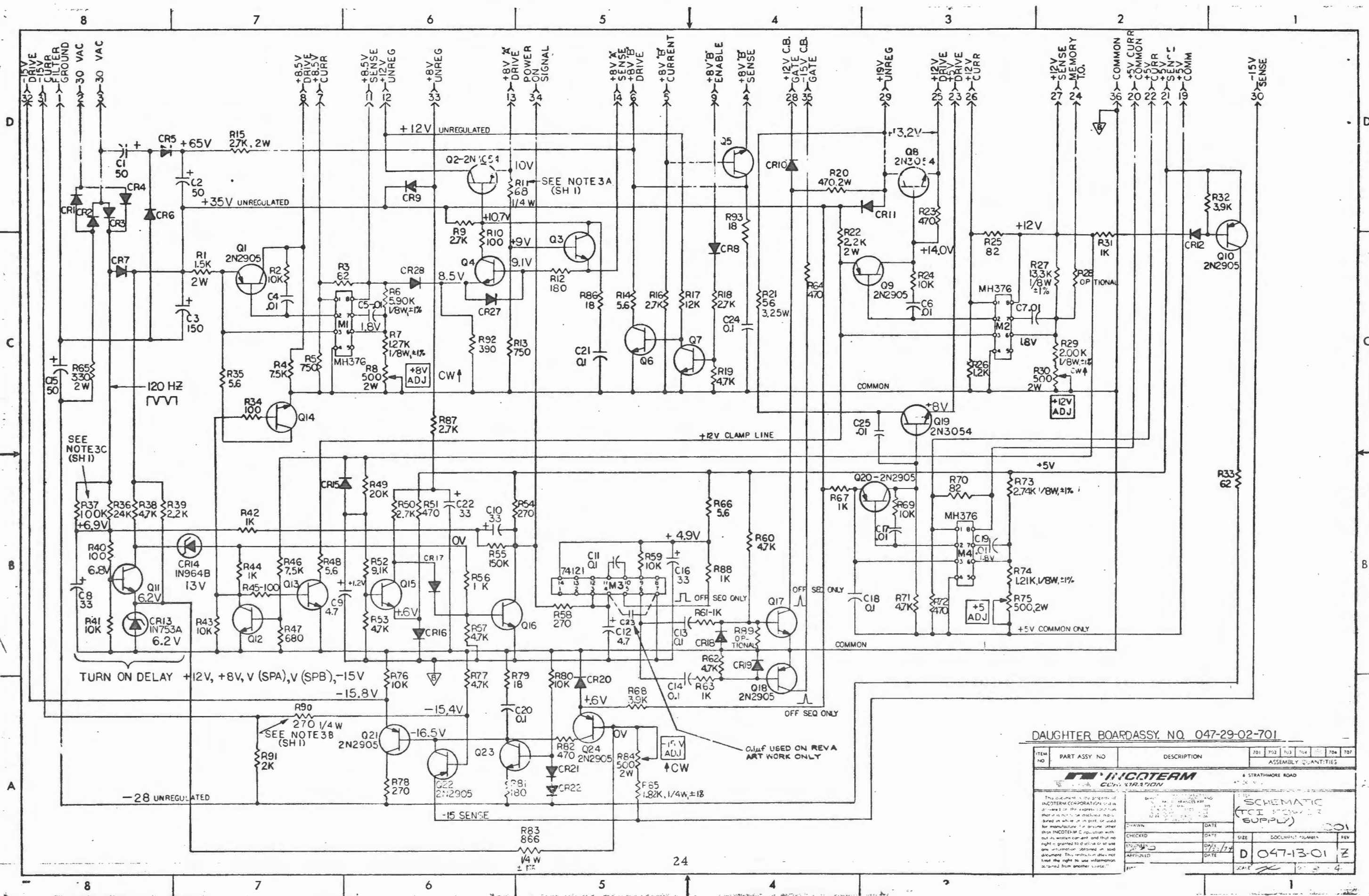


A TBI INPUT INTERCONNECTION TABLE

NOMINAL AC LINE VOLTAGE	TRANSFORMER (TBI) JUMPER CONNECTIONS	AC INPUT WI CONN
105 VRMS	1-4, 2-5	TBIA-5
120 VRMS	1-4, 3-6	TBIA-6
210 VRMS	1-5	TBIA-2
240 VRMS	1-6	TBIA-3

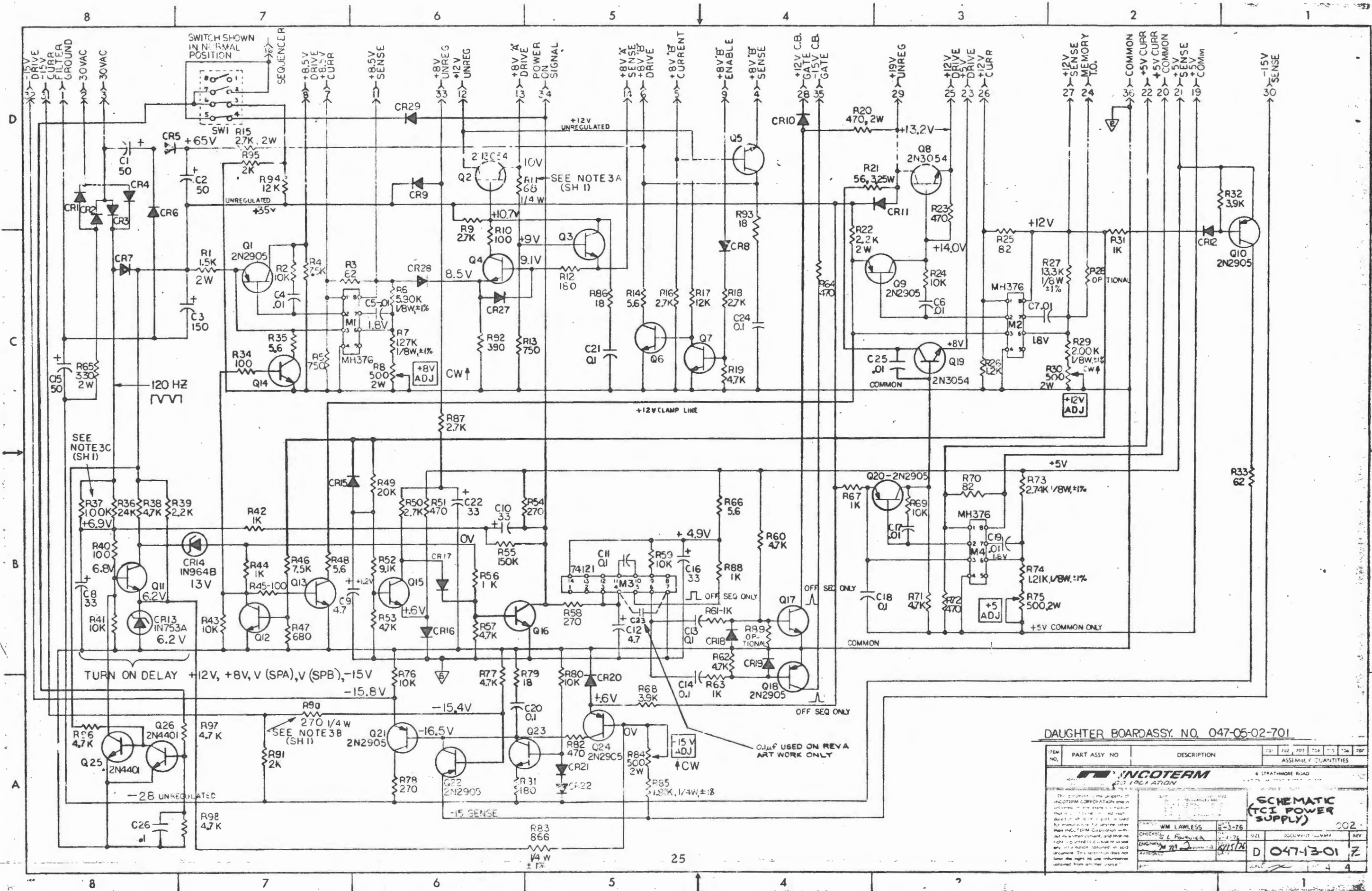
SEE NOTE 2 (SH 1)

ITEM NO	PART ASSY. NO	DESCRIPTION	701	702	703	704	705	706	707
INCOTERM									
A STRATHMORE BOARD									
SCHEMATIC (DC POWER SUPPLY)									
DRAWN	DATE								
CHECKED	DATE	SIZE	DOCUMENT NUMBER	REV					
ENGINEER	DATE								
APPROVED	DATE								
FIRST USED ON									
SCALE 2 OF 4									



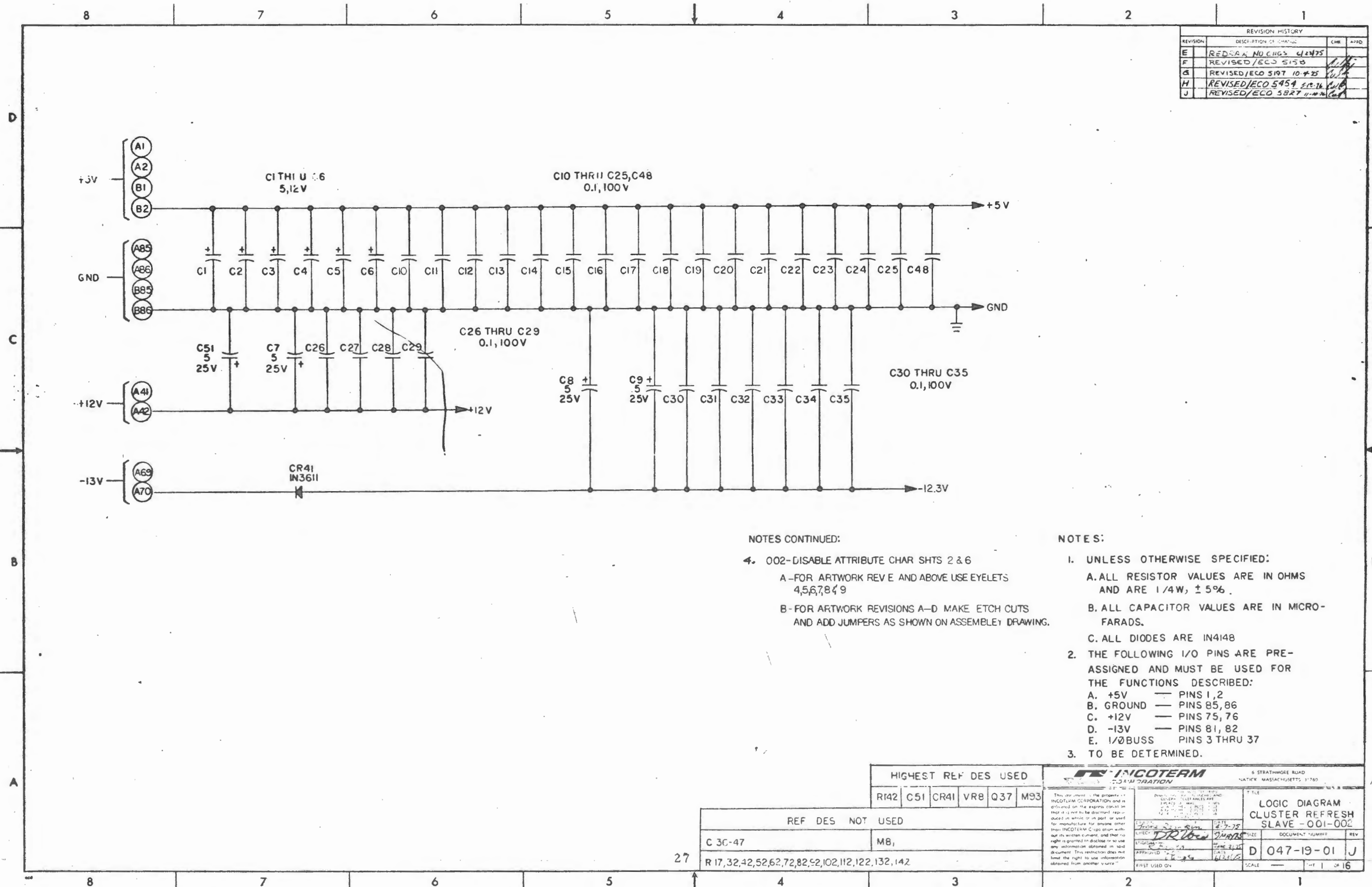
DAUGHTER BOARD ASSY. NO. 047-29-02-701

ITEM NO	PART ASSY NO	DESCRIPTION	701	702	703	704	705	706	707
		ASSEMBLY QUANTITIES							
SCHEMATIC (DCI POWER SUPPLY)									
DRAWN	DATE	SIZE	DOCUMENT NUMBER	REV					
CHECKED	DATE	DATE	D 047-13-01	Z					
APPROVED	DATE	DATE							



DAUGHTER BOARD ASSY. NO. 047-05-02-701

ITEM NO.	PART ASSY NO.	DESCRIPTION	QTY	REV	DATE
INCOTERM					
6 STRATHMORE ROAD					
SCHEMATIC (TCI POWER SUPPLY)					
WM LAWLESS	6-3-76	SIZE	QUANTITY	REV	
ENGINEER					
D 047-13-01 Z			4	4	



REVISION HISTORY			
REVISION	DESCRIPTION OF CHANGE	CHK	APPD
E	REDRAW NO CHGS 6/24/75		
F	REVISED/ECO 5158		
G	REVISED/ECO 5197 10-7-75		
H	REVISED/ECO 5454 5-19-76		
J	REVISED/ECO 5827 11-17-76		

NOTES CONTINUED:

- 4. 002-DISABLE ATTRIBUTE CHAR SHTS 2 & 6
 - A-FOR ARTWORK REV E AND ABOVE USE EYELETS 4,5,6,7,8 & 9
 - B-FOR ARTWORK REVISIONS A-D MAKE ETCH CUTS AND ADD JUMPERS AS SHOWN ON ASSEMBLY DRAWING.

NOTES:

- 1. UNLESS OTHERWISE SPECIFIED:
 - A. ALL RESISTOR VALUES ARE IN OHMS AND ARE 1/4W, ± 5%.
 - B. ALL CAPACITOR VALUES ARE IN MICRO-FARADS.
 - C. ALL DIODES ARE IN4148
- 2. THE FOLLOWING I/O PINS ARE PRE-ASSIGNED AND MUST BE USED FOR THE FUNCTIONS DESCRIBED:
 - A. +5V — PINS 1, 2
 - B. GROUND — PINS 85, 86
 - C. +12V — PINS 75, 76
 - D. -13V — PINS 81, 82
 - E. I/O BUSS — PINS 3 THRU 37
- 3. TO BE DETERMINED.

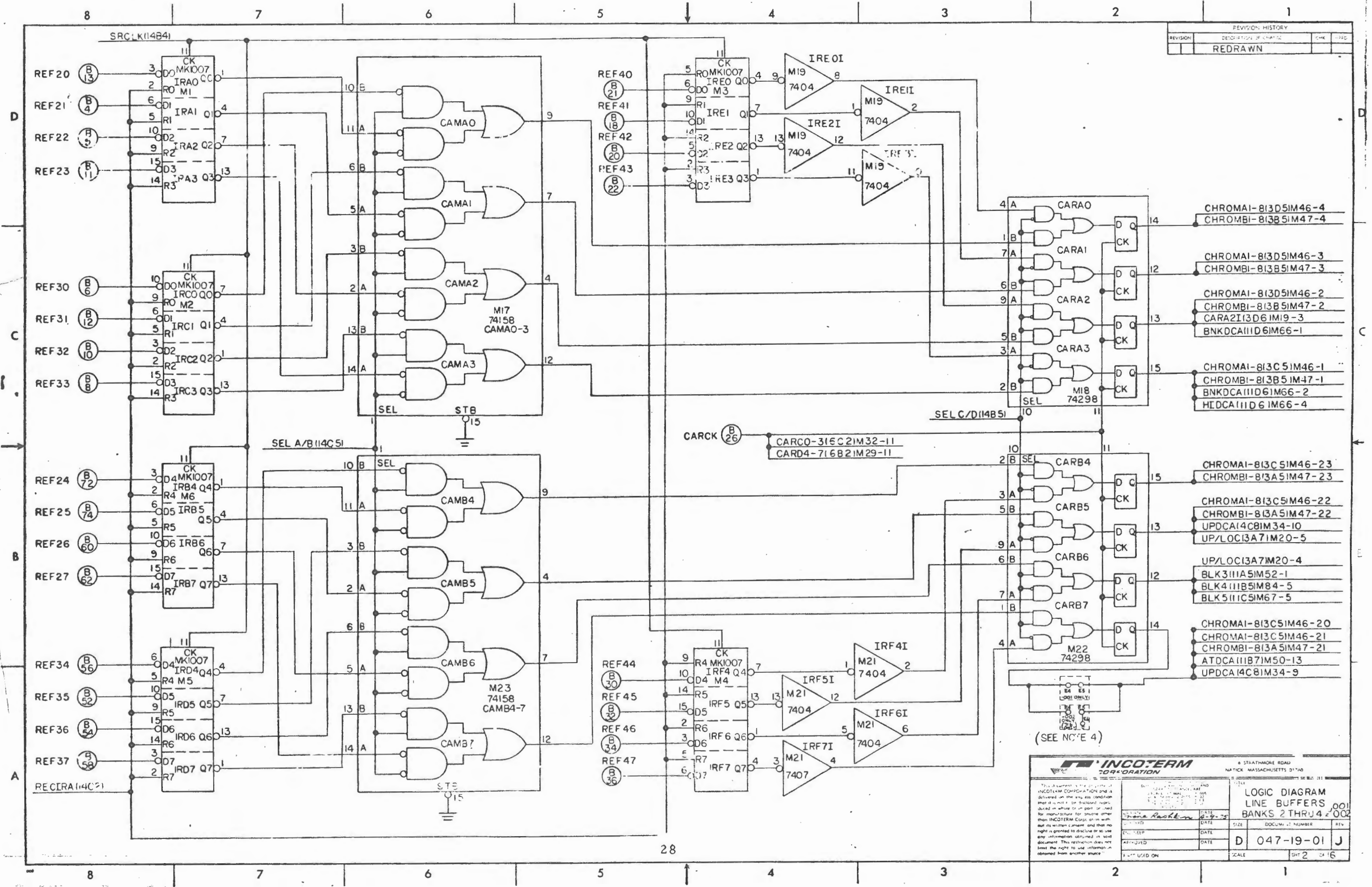
HIGHEST REF DES USED					
RI42	C51	CR41	VR8	Q37	M93

REF DES NOT USED	
C 30-47	M8,
R 17, 32, 42, 52, 62, 72, 82, 92, 102, 112, 122, 132, 142	

INCOTERM CORPORATION		5 STRATHMORE ROAD NATICK, MASSACHUSETTS 01760	
<small>This document is the property of INCOTERM CORPORATION and is delivered on the express basis that it is not to be distributed, reproduced in whole or in part, or used for manufacture for anyone other than INCOTERM CORPORATION without the written consent, and that no right is granted to disclose or use any information obtained in said document. This restriction does not limit the right to use information obtained from another source.</small>		TITLE LOGIC DIAGRAM CLUSTER REFRESH SLAVE - 001-002	
DESIGNED BY <i>DR/low</i>	DATE 7/1/75	CHECKED BY <i>DR/low</i>	DATE 7/1/75
APPROVED BY <i>[Signature]</i>	DATE 7/1/75	DOCUMENT NUMBER D 047-19-01	REV J
FIRST USED ON	SCALE	SHEET 1 OF 16	

27

REVISION HISTORY			
REVISION	DESCRIPTION OF CHANGE	CHKD	APPD
1	REDRAWN		

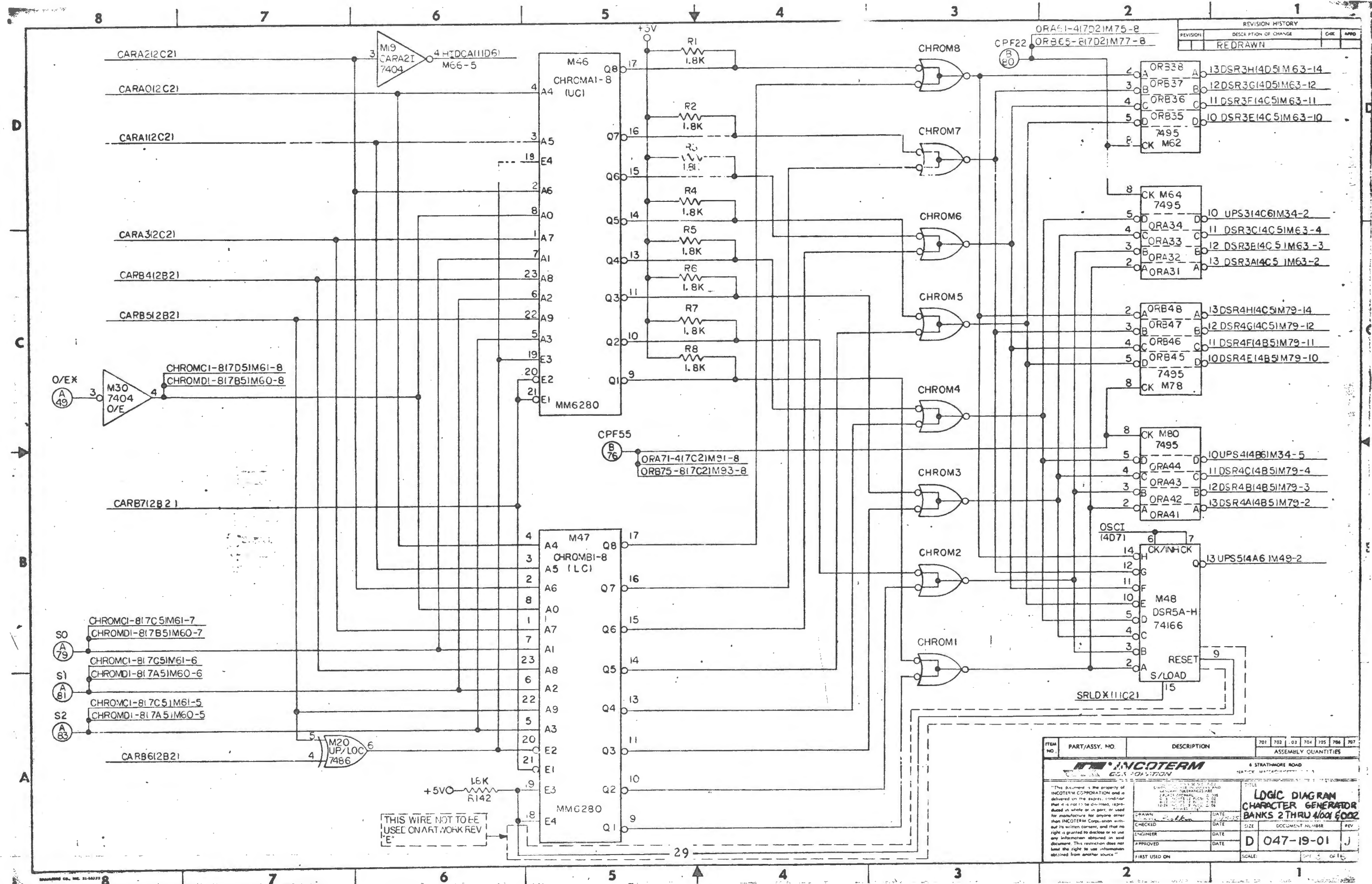


(SEE NOTE 4)

INCOTERM CORPORATION
 6 STATHAM ROAD
 NATICK, MASSACHUSETTS 01740

LOGIC DIAGRAM
 LINE BUFFERS
 BANKS 2 THRU 4

DATE: 10/15/70
 SIZE: 11x17
 DOCUMENT NUMBER: D 047-19-01
 SHEET: 2 OF 16

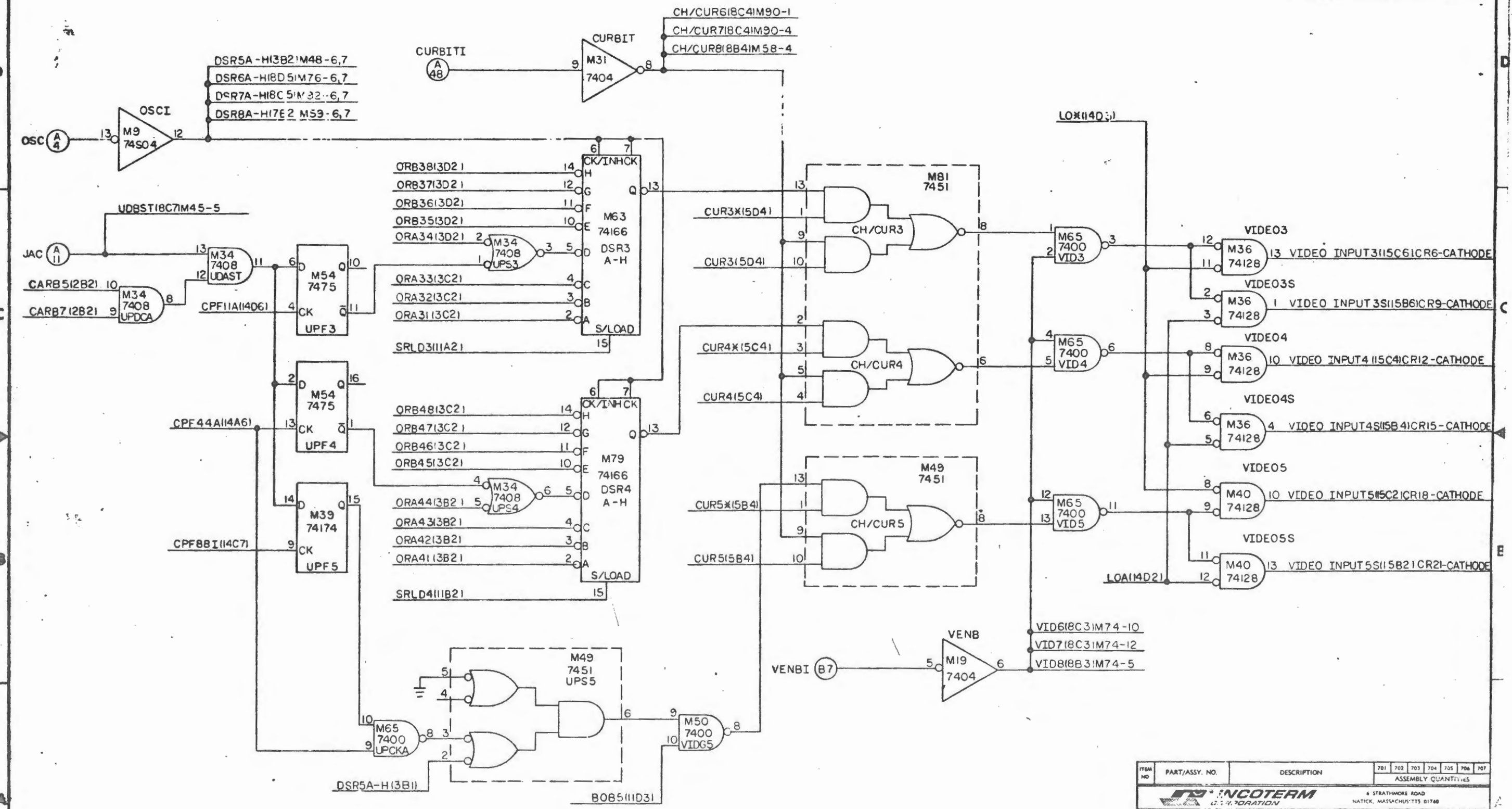


REVISION HISTORY			
REVISION	DESCRIPTION OF CHANGE	CHK	APPD
	REDRAWN		

ITEM NO.	PART/ASSY. NO.	DESCRIPTION	701	702	703	704	705	706	707
INCOTERM									
6 STRATHMORE ROAD, HAVICK, MARYLAND									
<p>This document is the property of INCOTERM CORPORATION and is delivered on the express condition that it is not to be disclosed, reproduced in whole or in part, or used for manufacture for anyone other than INCOTERM CORPORATION without its written consent, and that no right is granted to disclose or to use any information obtained in and this document. This restriction does not limit the right to use information obtained from another source.</p>									
DRAWN		DATE		TITLE		LOGIC DIAGRAM CHARACTER GENERATOR BANKS 2 THRU 4002			
CHECKED		DATE		SIZE		DOCUMENT NUMBER REV			
ENGINEER		DATE		D		047-19-01 J			
APPROVED		DATE		SCALE:		1 OF 15			
FIRST USED ON		SCALE:							

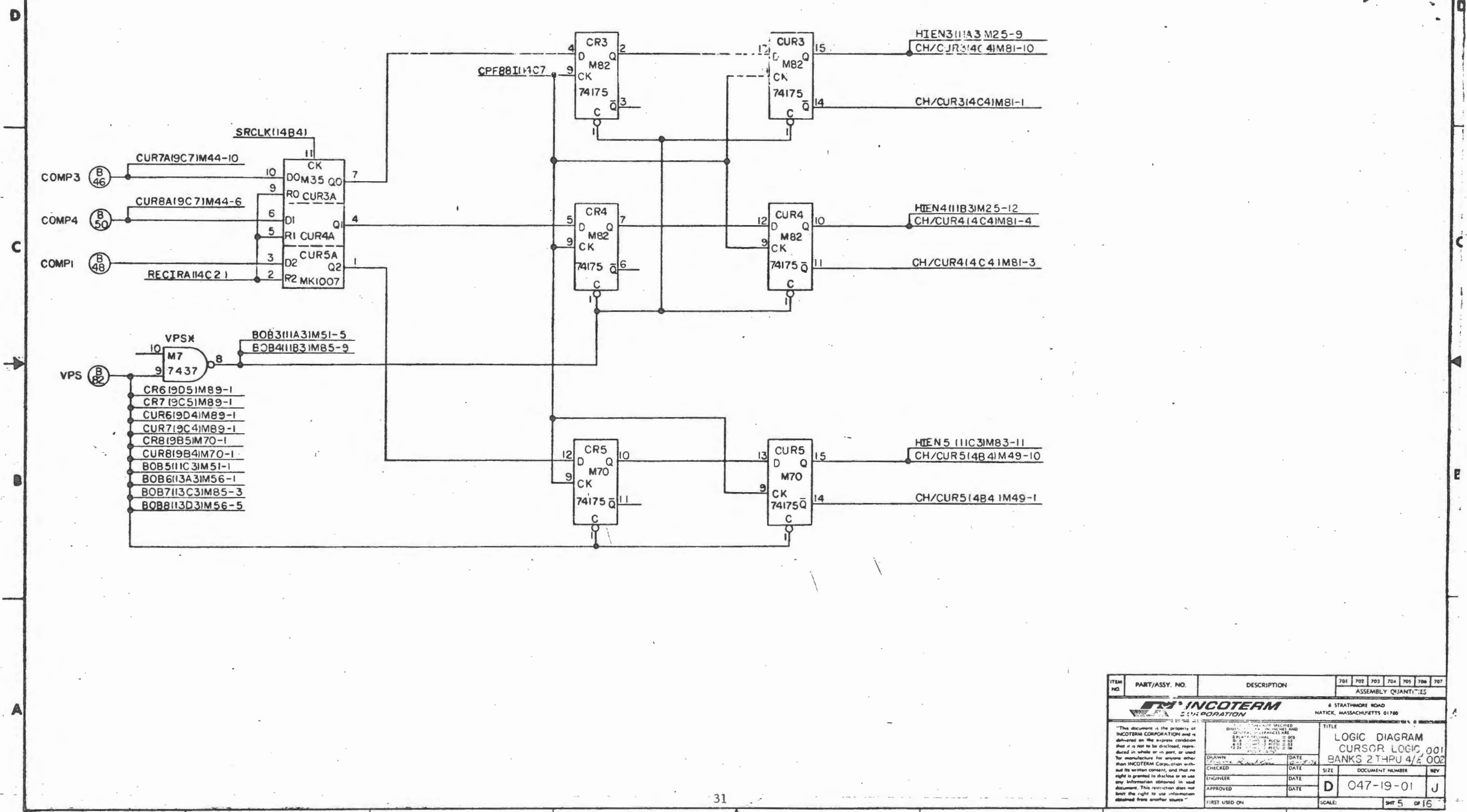
THIS WIRE NOT TO BE USED ON ART. WORK REV "E"

REVISION HISTORY			
REVISION	DESCRIPTION OF CHANGE	CHK	APPD
	REDRAWN		



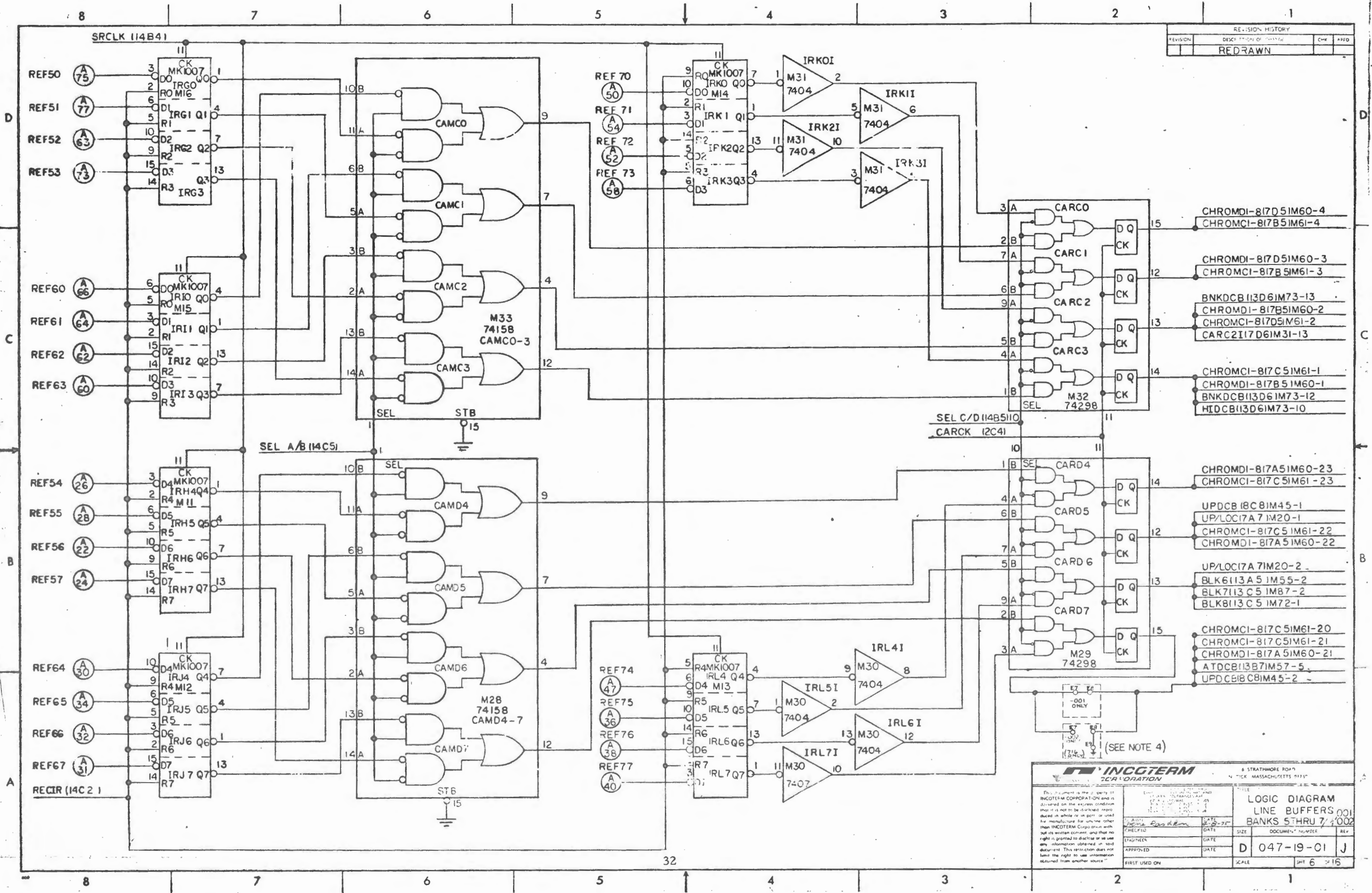
ITEM NO.	PART/ASSY. NO.	DESCRIPTION	701	702	703	704	705	706	707
			ASSEMBLY QUANTITIES						
			4 STRATHMORE ROAD NATICK, MASSACHUSETTS 01740						
<small>"This document is the property of INCOTERM CORPORATION and is delivered on the express condition that it is not to be disclosed, reproduced in whole or in part, or used for manufacture for anyone other than INCOTERM Corporation without its written consent, and that no right is granted to disclose or to use any information obtained in said document. This restriction does not limit the right to use information obtained from another source."</small>			<small>DRAWN BY: [Signature]</small> <small>CHECKED BY: [Signature]</small> <small>ENGINEER BY: [Signature]</small> <small>APPROVED BY: [Signature]</small>			<small>DATE: 1/27/75</small> <small>DATE: [Blank]</small> <small>DATE: [Blank]</small> <small>DATE: [Blank]</small>			
<small>FIRST USED ON: [Blank]</small>			<small>SCALE: [Blank]</small>			<small>SHEET 4 OF 16</small>			
<small>TITLE: LOGIC DIAGRAM VIDEO GATES BANK 2 THRU 4</small>			<small>REV: 001</small>						
<small>DOCUMENT NUMBER: D 047-19-01</small>			<small>REV: J</small>						

REVISION HISTORY			
REVISION	DESCRIPTION OF CHANGE	CHK	APPD
1	REDRAWN		



ITEM NO.	PART/ASSY. NO.	DESCRIPTION	701	702	703	704	705	706	707
INCOTERM CORPORATION 4 STRATHMORE ROAD NATICK, MASSACHUSETTS 01760									
"This document is the property of INCOTERM CORPORATION and is loaned on the express condition that it is not to be disclosed, reproduced in whole or in part, or used for manufacture for anyone other than INCOTERM CORPORATION without its written consent, and that no right is granted to disclose or to use any information obtained in said document. This restriction does not limit the right to use information obtained from another source."									
DRAWN		DATE	TITLE		ASSEMBLY QUANTITIES				
CHECKED	DATE	DATE	LOGIC DIAGRAM						
ENGINEER	DATE	DATE	CURSOR LOGIC 001						
APPROVED	DATE	DATE	BANKS 2-THPU 4/5 002						
FIRST USED ON	SCALE:	D		047-19-01	REV J				
SHEET 5 OF 15									

REVISION HISTORY			
REVISION	DESCRIPTION OF CHANGE	CHK	APPD
1	REDRAWN		



INCOTERM CORPORATION
 5 STRATHMORE ROAD
 WILMINGTON, MASSACHUSETTS 01897

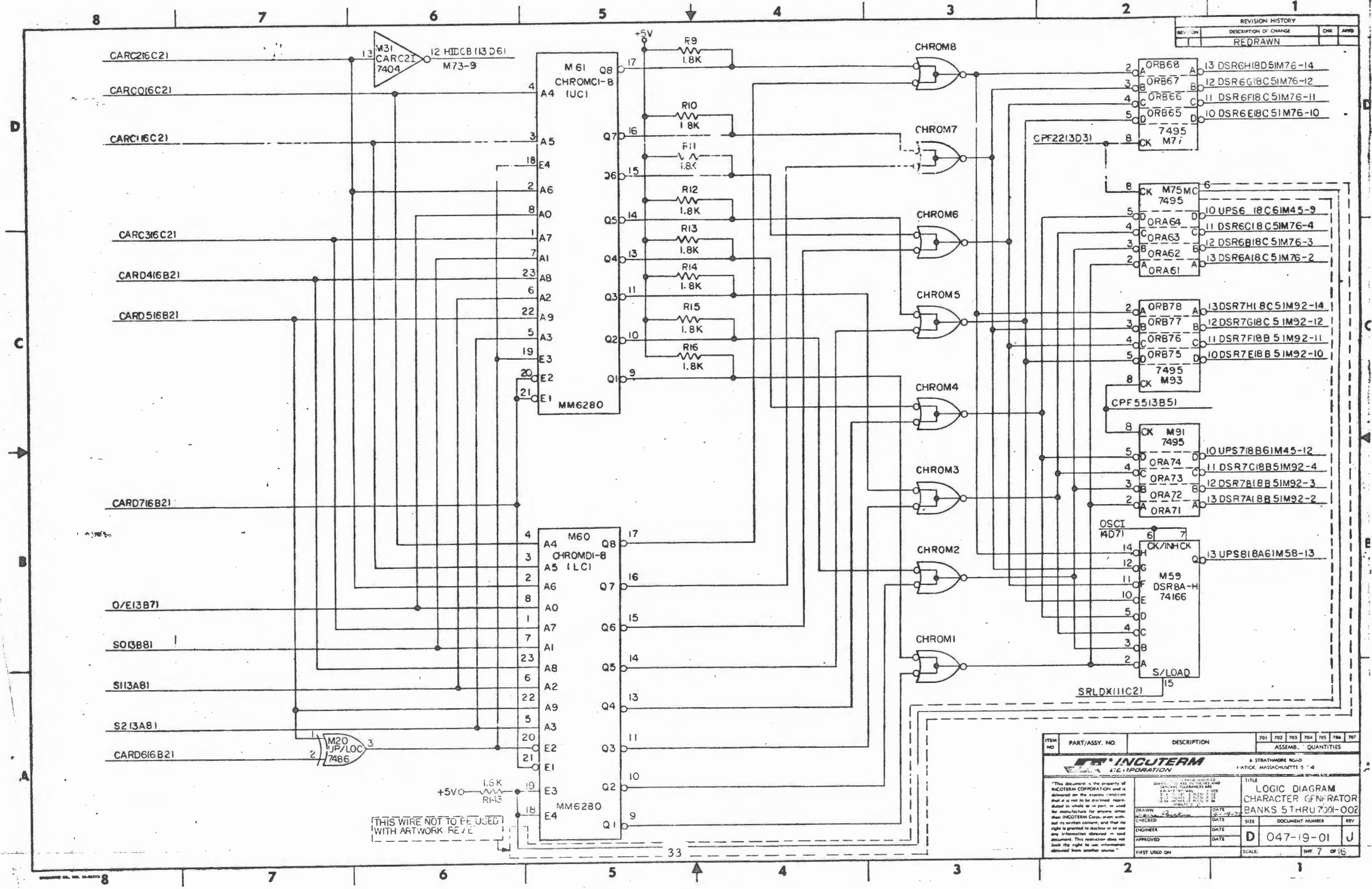
LOGIC DIAGRAM
 LINE BUFFERS
 BANKS 5THRU 7

DATE: 8-15-77
 CHECKED: [Signature]
 ENGINEER: [Signature]
 APPROVED: [Signature]
 FIRST USED ON: [Blank]

SCALE: 1/8" = 1"

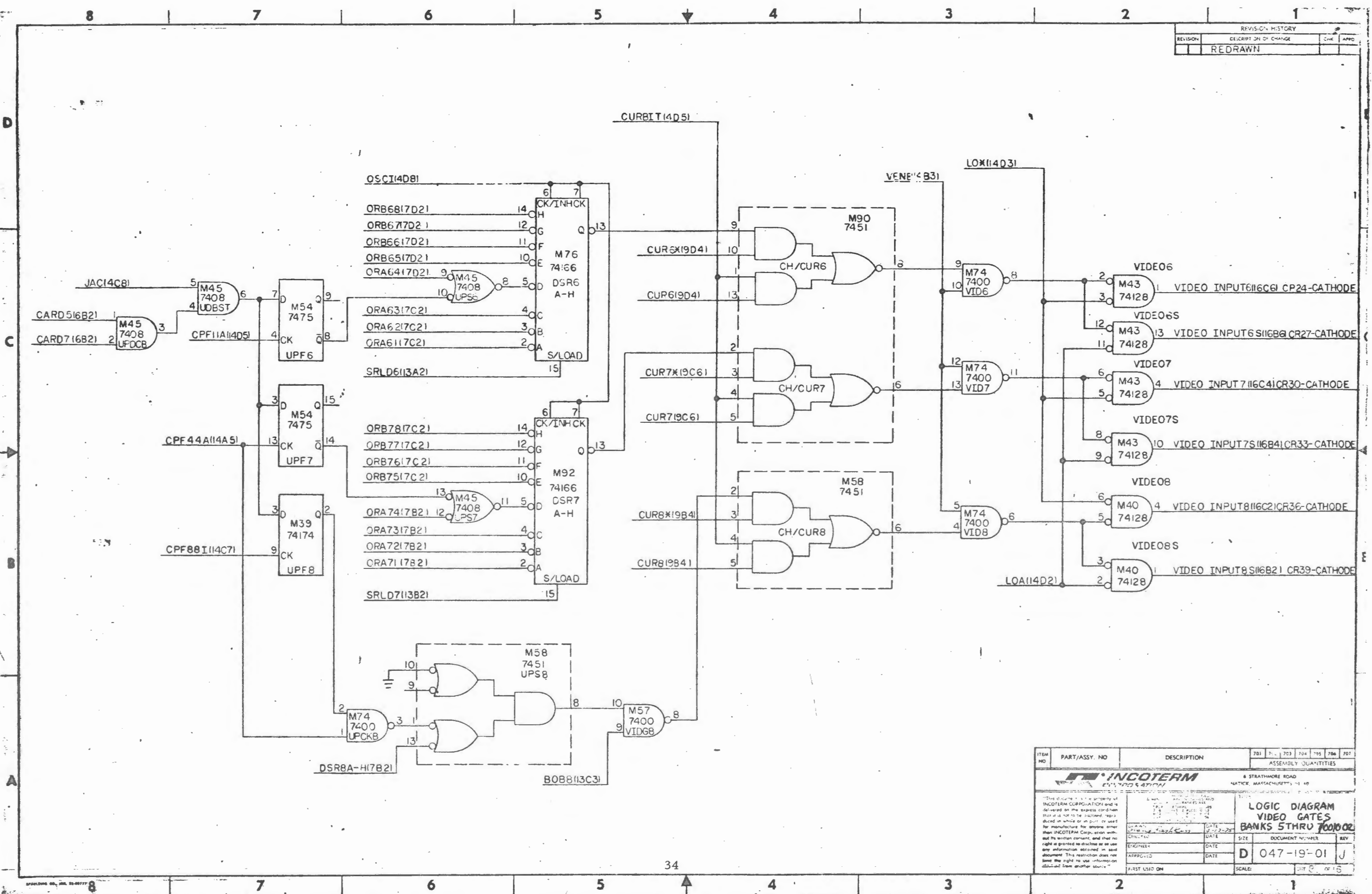
SHIT 6 OF 16

REVISION HISTORY			
REV. NO.	DESCRIPTION OF CHANGE	CHK.	APP.
1	REDRAWN		



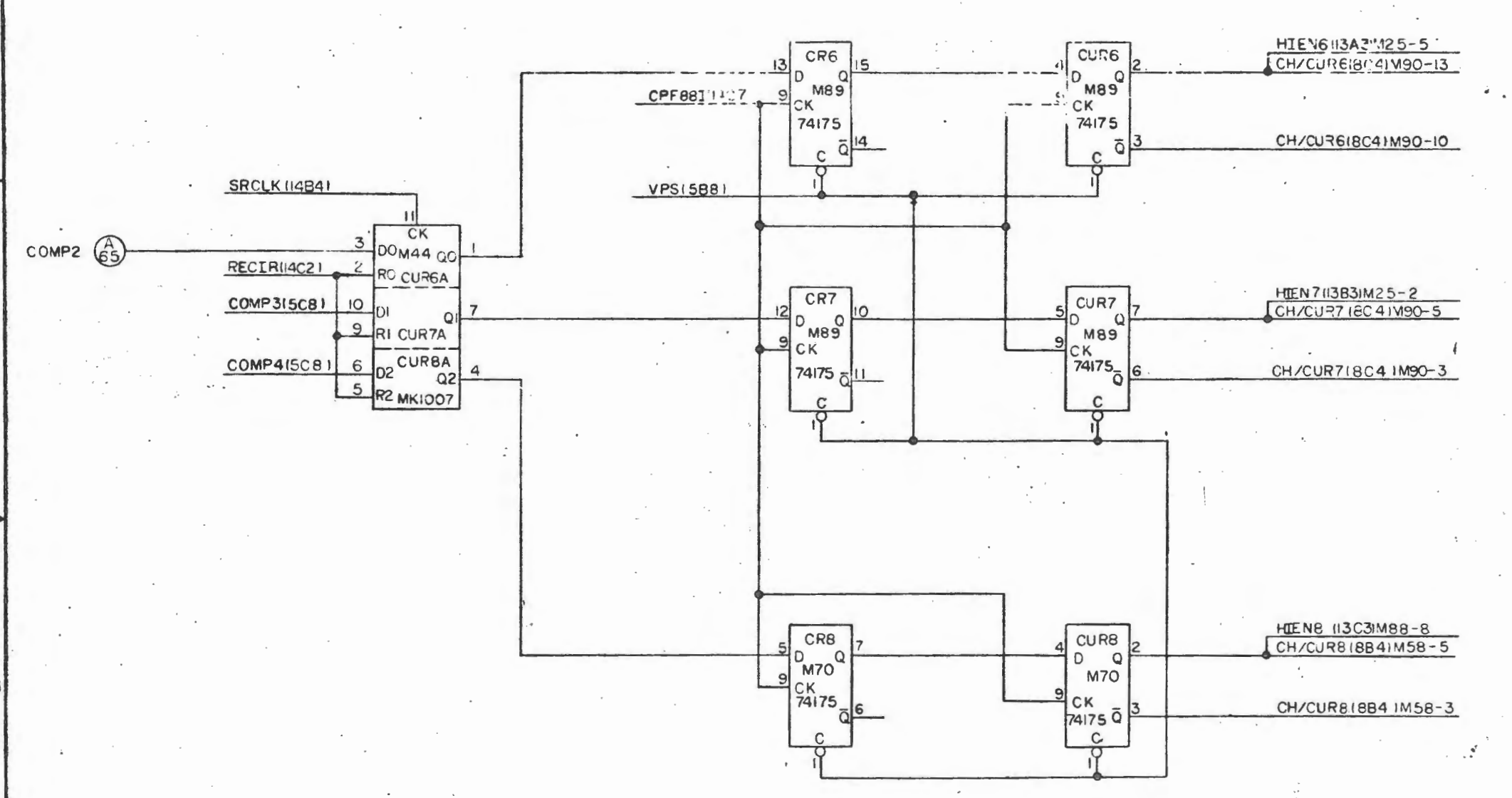
ITEM NO.	PART/ASSY. NO.	DESCRIPTION	701	702	703	704	705	706	707
			ASSEMBL. QUANTITIES						
			6 STRATHMORE RD FAYETTE, MASSACHUSETTS 01704						
"This document is the property of INCOTERM CORPORATION and is loaned on the express condition that it is not to be disclosed, reproduced in whole or in part, or used for manufacture for anyone other than INCOTERM Corporation without its written consent, and that no right is granted to disclose or use any information observed in said document. This restriction does not limit the right to use information obtained from another source."			TITLE LOGIC DIAGRAM CHARACTER GENERATOR BANKS 5 THRU 7001-002						
DRAWN	DATE	CHECKED	DATE	ENGINEER	DATE	APPROVED	DATE	SIZE	DOCUMENT NUMBER
	12-19-71								D 047-19-01
FIRST USED ON	SCALE:	SHEET 7 OF 16							

REVISION HISTORY			
REVISION	DESCRIPTION OF CHANGE	CHK	APP
1	REDRAWN		



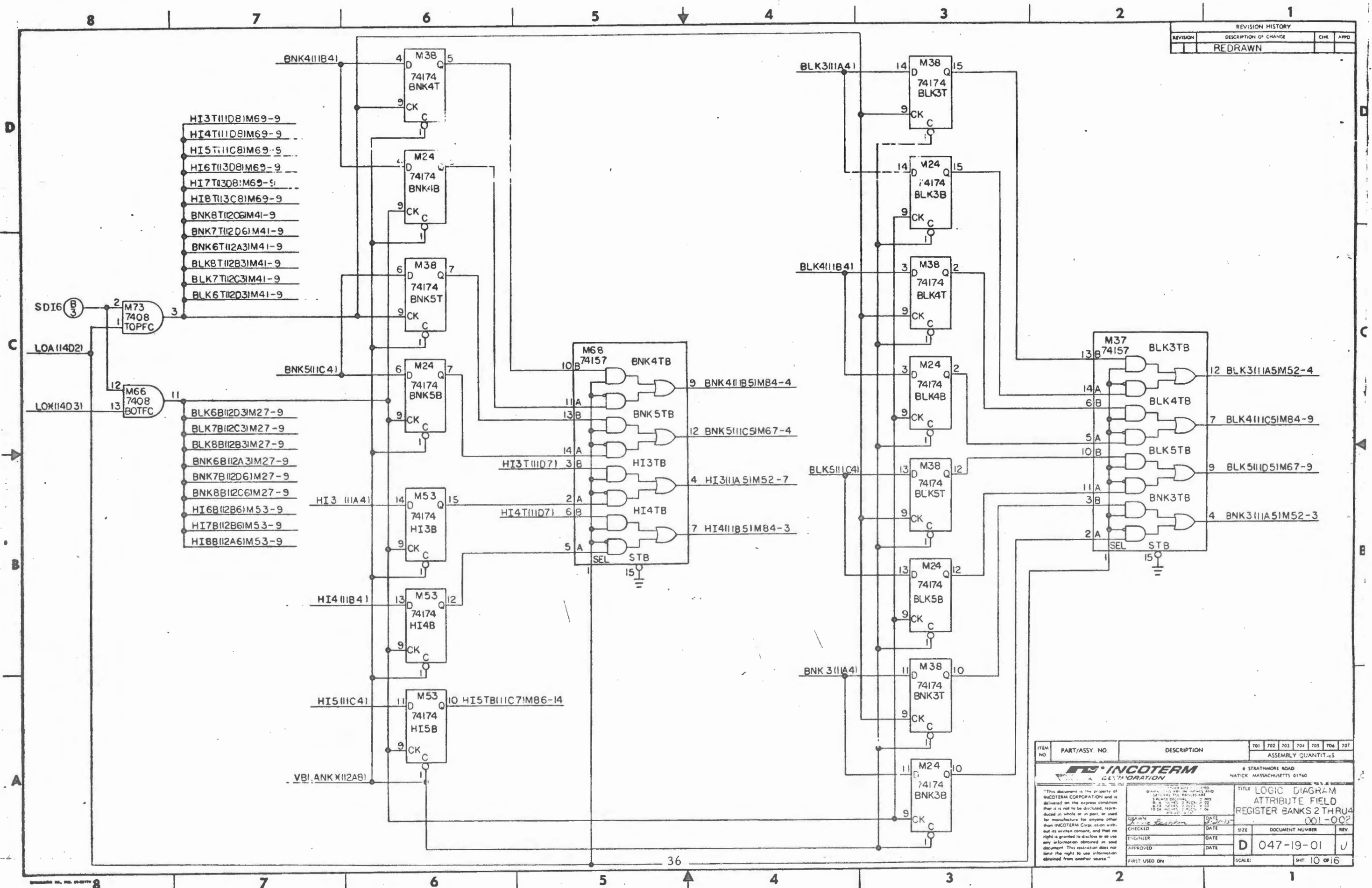
ITEM NO	PART/ASSY. NO	DESCRIPTION	701	702	703	704	705	706	707
			ASSEMBLY QUANTITIES						
			8 STRATHMORE ROAD NATICK, MASSACHUSETTS 01908						
This document is the property of INCOTERM CORPORATION and is delivered on the express condition that it is not to be disclosed, reproduced in whole or in part, or used for manufacture for anyone other than INCOTERM Corporation without its written consent, and that no right is granted to disclose or use any information obtained in and through this document. This restriction does not limit the right to use information obtained from another source.			DATE: 10-2-78 CHECKED: [Signature]		DATE: 10-2-78 ENGINEER: [Signature]		DATE: [] APPROVED: [Signature]		DATE: []
			LOGIC DIAGRAM VIDEO GATES BANKS 5 THRU 7		SIZE: [] DOCUMENT NUMBER:		REV:		D 047-19-01 J
FIRST USED ON			SCALE:		SHEET 2 OF 15				

REVISION HISTORY			
REVISION	DESCRIPTION OF CHANGE	CHK	APPD
1	REDRAWN		



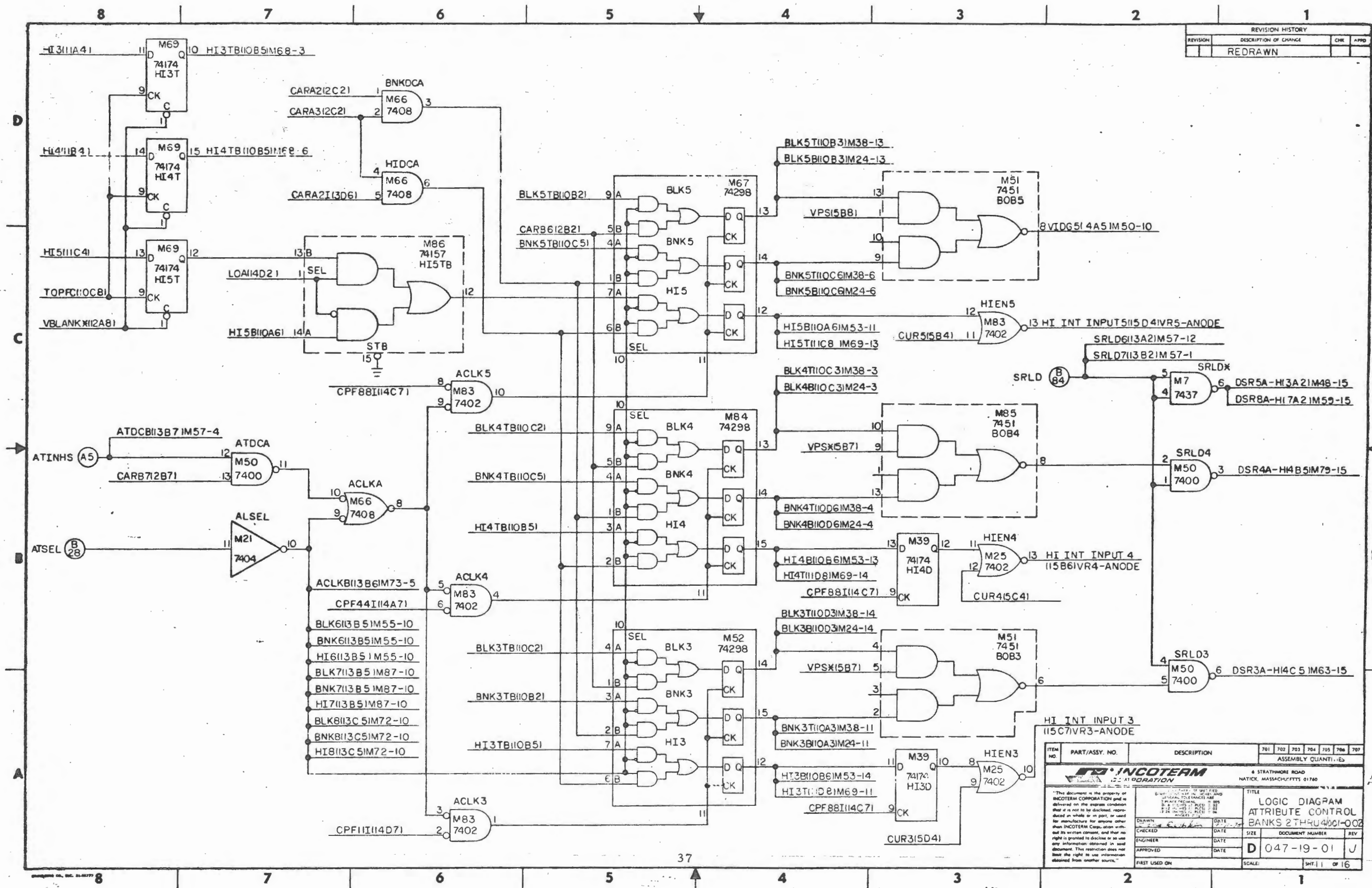
ITEM NO	PART/ASSY. NO	DESCRIPTION	ASSEMBLY QUANTITIES						
			701	702	703	704	705	706	707
			4 STRATHMORE ROAD NANTUCKET, MASSACHUSETTS 02546						
<small>This document is the property of INCOTERM CORPORATION and is loaned on the express condition that it is not to be distributed, reproduced in whole or in part, or used for manufacture for anyone other than INCOTERM Corporation without its written consent, and that no right is granted to disclose or use any information contained in and disclosed by this document. This restriction does not limit the right to use information obtained from another source.</small>			TITLE LOGIC DIAGRAM CURSOR LOGIC BANKS5THRU 7001-002		DATE 047-19-01		REV U		
DRAWN: <i>Randall</i> DATE: <i>04/78</i> CHECKED: DATE: ENGINEER: DATE: APPROVED: DATE: FIRST USED ON:			SCALE:		SHEET 9 OF 16				

REVISION HISTORY			
REVISION	DESCRIPTION OF CHANGE	CHK	APPD
	REDRAWN		

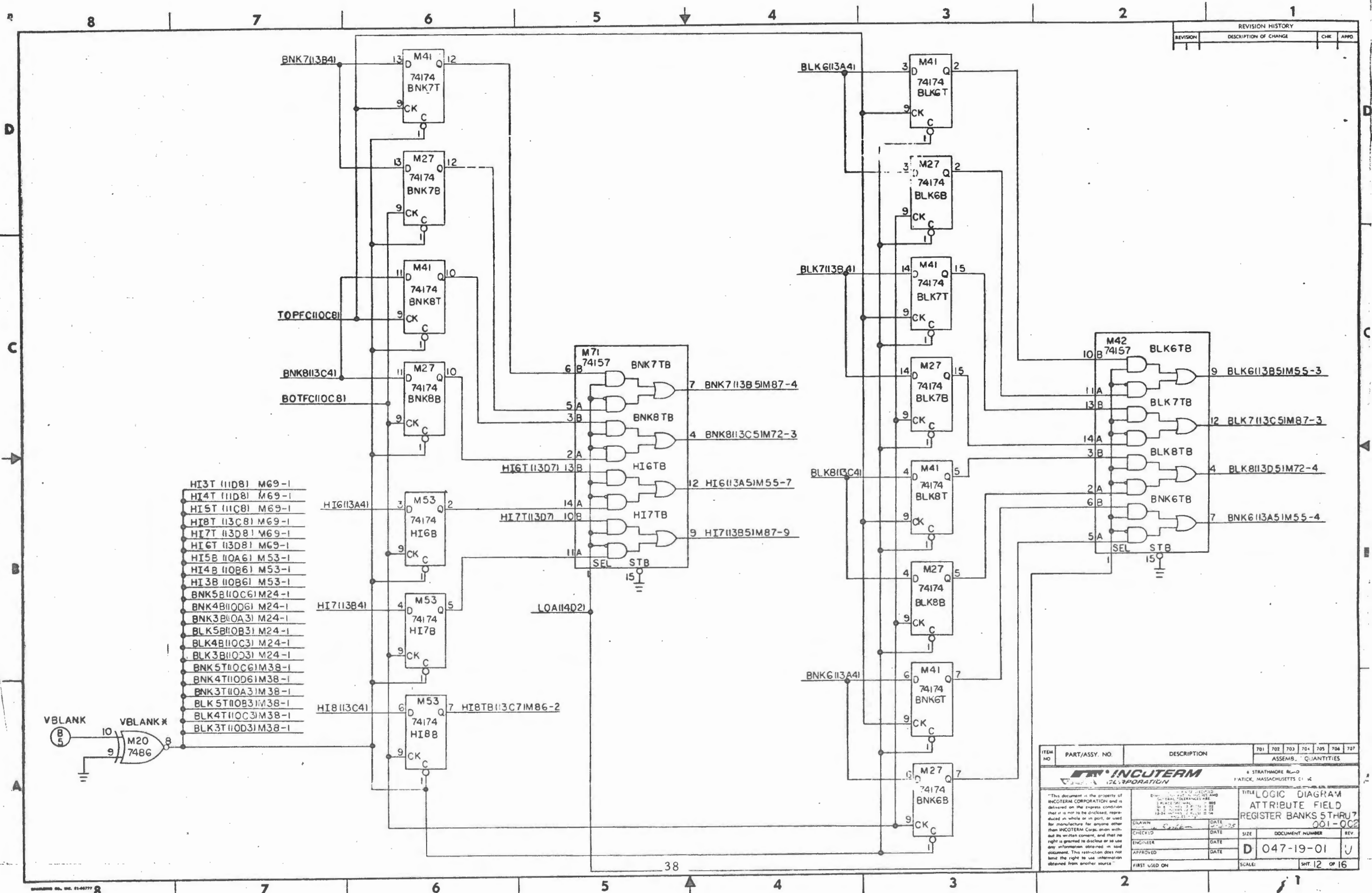


ITEM NO.	PART/ASSY. NO.	DESCRIPTION	701	702	703	704	705	706	707
			ASSEMBLY QUANTITIES						
INCOTERM CORPORATION 4 STRATHMORE ROAD NATICK, MASSACHUSETTS 01740									
<small>"This document is the property of INCOTERM CORPORATION and is delivered on the express condition that it is not to be disclosed, reproduced in whole or in part, or used for manufacture for anyone other than INCOTERM Corp. alone without its written consent, and that no right is granted to disclose or use any information obtained in said document. This restriction does not limit the right to use information obtained from another source."</small>									
DESIGNED BY	DATE	TITLE	SIZE	DOCUMENT NUMBER	REV				
CHECKED BY	DATE	LOGIC DIAGRAM	D	047-19-01	J				
APPROVED BY	DATE	ATTRIBUTE FIELD							
FIRST USED ON			SCALE:	SHT. 10 OF 16					

REVISION HISTORY			
REVISION	DESCRIPTION OF CHANGE	CHK	APPD
	REDRAWN		



ITEM NO.	PART/ASSY. NO.	DESCRIPTION	701	702	703	704	705	706	707
INCOTERM CORPORATION 6 STRATHMORE ROAD NATICK, MASSACHUSETTS 01740									
TITLE: LOGIC DIAGRAM ATTRIBUTE CONTROL BANKS 2 THRU 4									
DRAWN	DATE	DATE	DATE	DATE	DATE	DATE	DATE	DATE	DATE
CHECKED	DATE	DATE	DATE	DATE	DATE	DATE	DATE	DATE	DATE
APPROVED	DATE	DATE	DATE	DATE	DATE	DATE	DATE	DATE	DATE
FIRST USED ON		SCALE:	SHT. 11 OF 16						

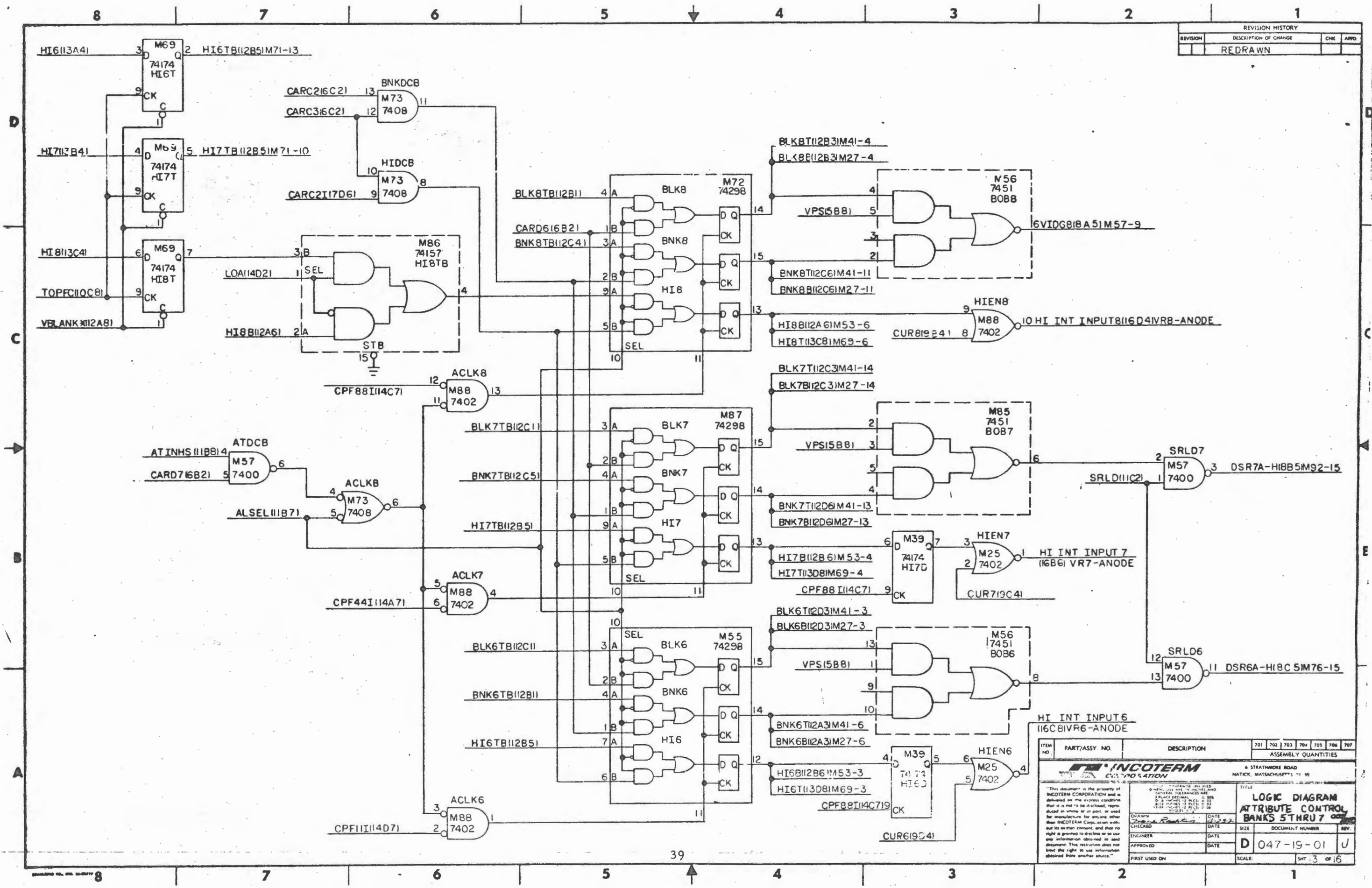


- HI3T (11D8) M69-1
- HI4T (11D8) M69-1
- HI5T (11C8) M69-1
- HI6T (113C8) M69-1
- HI7T (113D8) M69-1
- HI6T (113D8) M69-1
- HI5B (110A6) M53-1
- HI4B (110B6) M53-1
- HI3B (110B6) M53-1
- BNK5B (110C6) M24-1
- BNK4B (110D6) M24-1
- BNK3B (110A3) M24-1
- BLK5B (110B3) M24-1
- BLK4B (110C3) M24-1
- BLK3B (110D3) M24-1
- BNK5T (110C6) M38-1
- BNK4T (110D6) M38-1
- BNK3T (110A3) M38-1
- BLK5T (110B3) M38-1
- BLK4T (110C3) M38-1
- BLK3T (110D3) M38-1

REVISION HISTORY			
REVISION	DESCRIPTION OF CHANGE	CHK	APPD

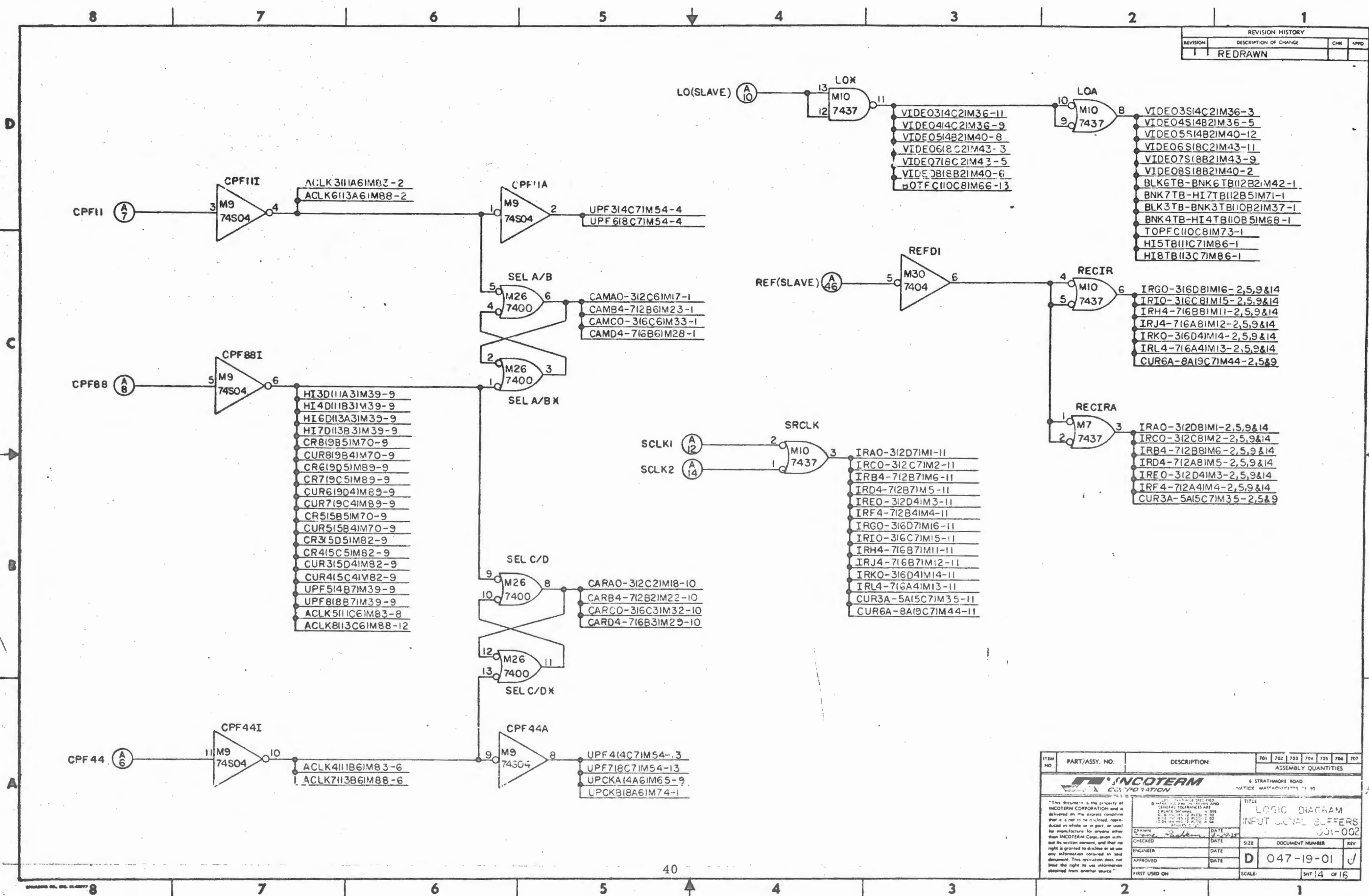
ITEM NO	PART/ASSY. NO.	DESCRIPTION	701	702	703	704	705	706	707
			ASSEMBLY QUANTITIES						
			4 STRATHMORE BLVD FAYETTE, MASSACHUSETTS 01540						
<small>This document is the property of INCOTERM CORPORATION and is delivered on the express condition that it is not to be disclosed, reproduced in whole or in part, or used for manufacture for anyone other than INCOTERM Corporation without its written consent, and that no right is granted to disclose or to use any information obtained in said document. This restriction does not limit the right to use information obtained from another source.</small>			TITLE LOGIC DIAGRAM ATTRIBUTE FIELD REGISTER BANKS 5 THRU 7			001-002			
DRAWN	DATE	SIZE	DOCUMENT NUMBER	REV.					
CHECKED	DATE	D	047-19-01	U					
ENGINEER	DATE								
APPROVED	DATE								
FIRST USED ON	SCALE:		SHT 12 OF 16						

REVISION HISTORY			
REVISION	DESCRIPTION OF CHANGE	CHK	APPD.
	REDRAWN		



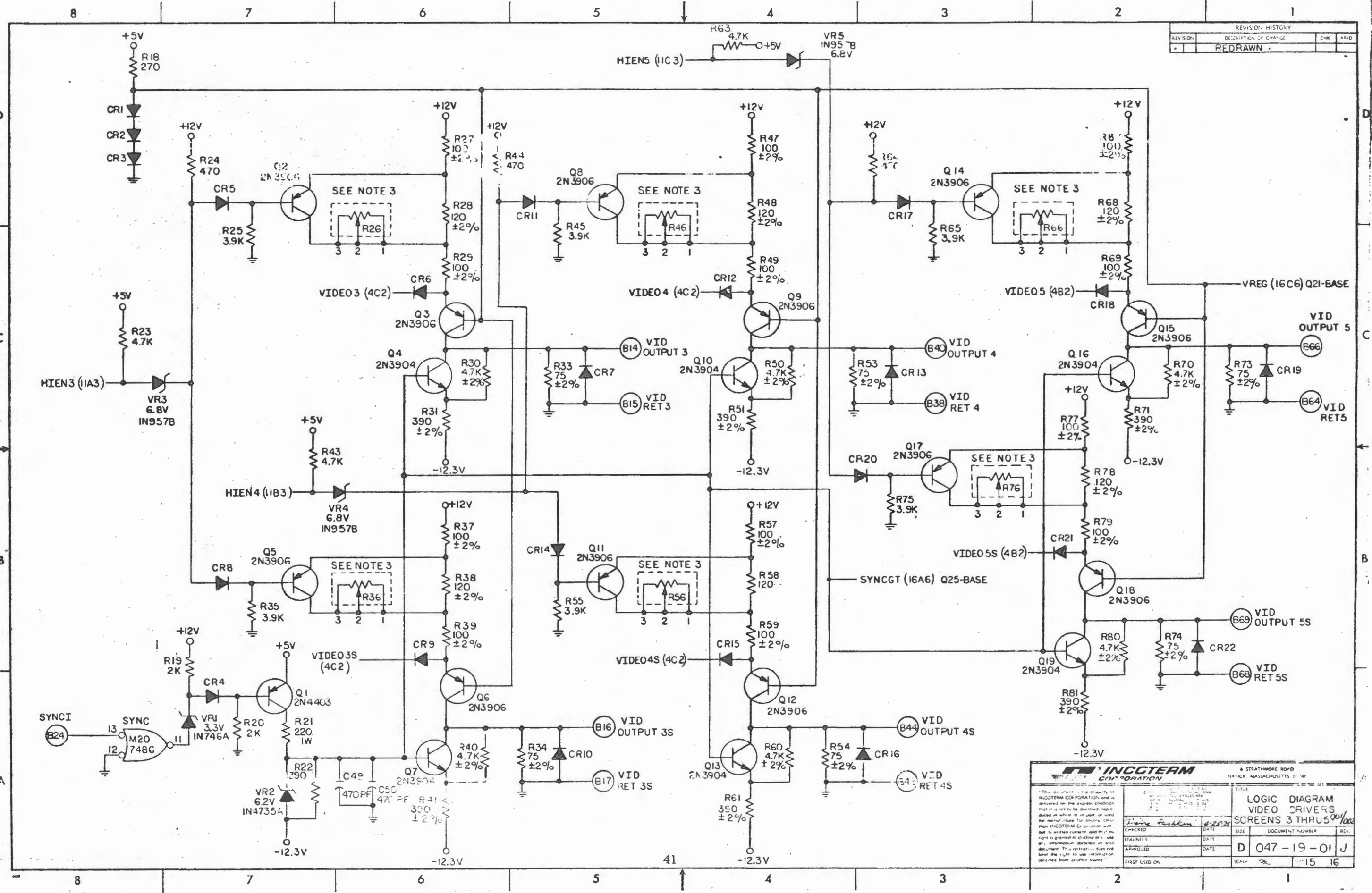
ITEM NO.	PART/ASSY. NO.	DESCRIPTION	701	702	703	704	705	706	707
			ASSEMBLY QUANTITIES						
INCOTERM CORPORATION 6 STRATHMORE ROAD NATICK, MASSACHUSETTS 01908									
TITLE LOGIC DIAGRAM ATTRIBUTE CONTROL BANKS 5 THRU 7									
DRAWN	DATE	DATE	DATE	DATE	DATE	DATE	DATE	DATE	DATE
CHECKED	DATE	DATE	DATE	DATE	DATE	DATE	DATE	DATE	DATE
ENGINEER	DATE	DATE	DATE	DATE	DATE	DATE	DATE	DATE	DATE
APPROVED	DATE	DATE	DATE	DATE	DATE	DATE	DATE	DATE	DATE
FIRST USED ON	SCALE	SHT 13 OF 16							

REVISION HISTORY			
REVISION	DESCRIPTION OF CHANGE	CHK	APPD
1	REDRAWN		



ITEM NO.	PART/ASSY. NO.	DESCRIPTION	701	702	703	704	705	706	707
			ASSEMBLY QUANTITIES						
			6 STRATHMORE ROAD NATICK, MASSACHUSETTS 01908						
<small>"This document is the property of INCOTERM CORPORATION and is delivered on the express condition that it is not to be copied, reproduced in whole or in part, or used for manufacture for anyone other than INCOTERM Corporation without its written consent, and that no right is granted to disclose or use any information obtained in said document. This restriction does not limit the right to use information obtained from another source."</small>			DATE: 12-22-81 TIME: 10:00 AM		TITLE: LOGIC DIAGRAM INPUT SIGNAL BUFFERS 001-002		SCALE: 1:1 SHEET 14 OF 16		
DRAWN	DATE	SIZE	DOCUMENT NUMBER		REV				
CHECKED	DATE	D	047-19-01		J				
ENGINEER	DATE								
APPROVED	DATE								
FIRST USED ON									

REVISION HISTORY			
REVISION	DESCRIPTION OF CHANGE	CHK	APPD
1	REDRAWN		



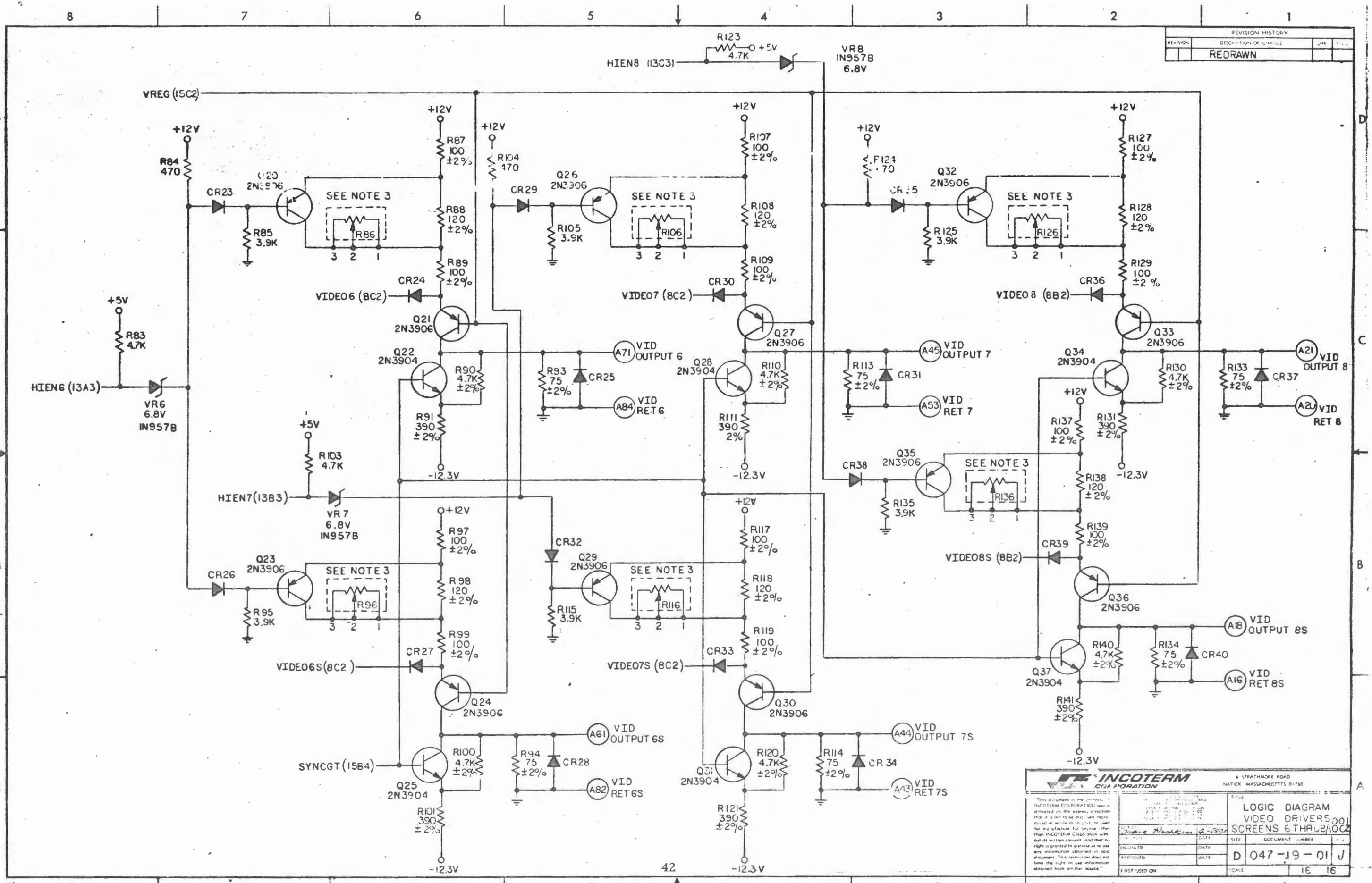
INCOTERM CORPORATION
 6 STRATHMORE ROAD
 NATICK, MASSACHUSETTS 01907

LOGIC DIAGRAM
 VIDEO DRIVERS
 SCREENS 3 THRU 5

CHECKED	DATE	SIZE	DOCUMENT NUMBER	REV.
ENGINEER	DATE		D 047-19-01 J	
APPROVED	DATE			

FIRST USED ON: _____ SCALE: 1/15 16

REVISION HISTORY		
REVISION	DESCRIPTION OF CHANGE	DATE



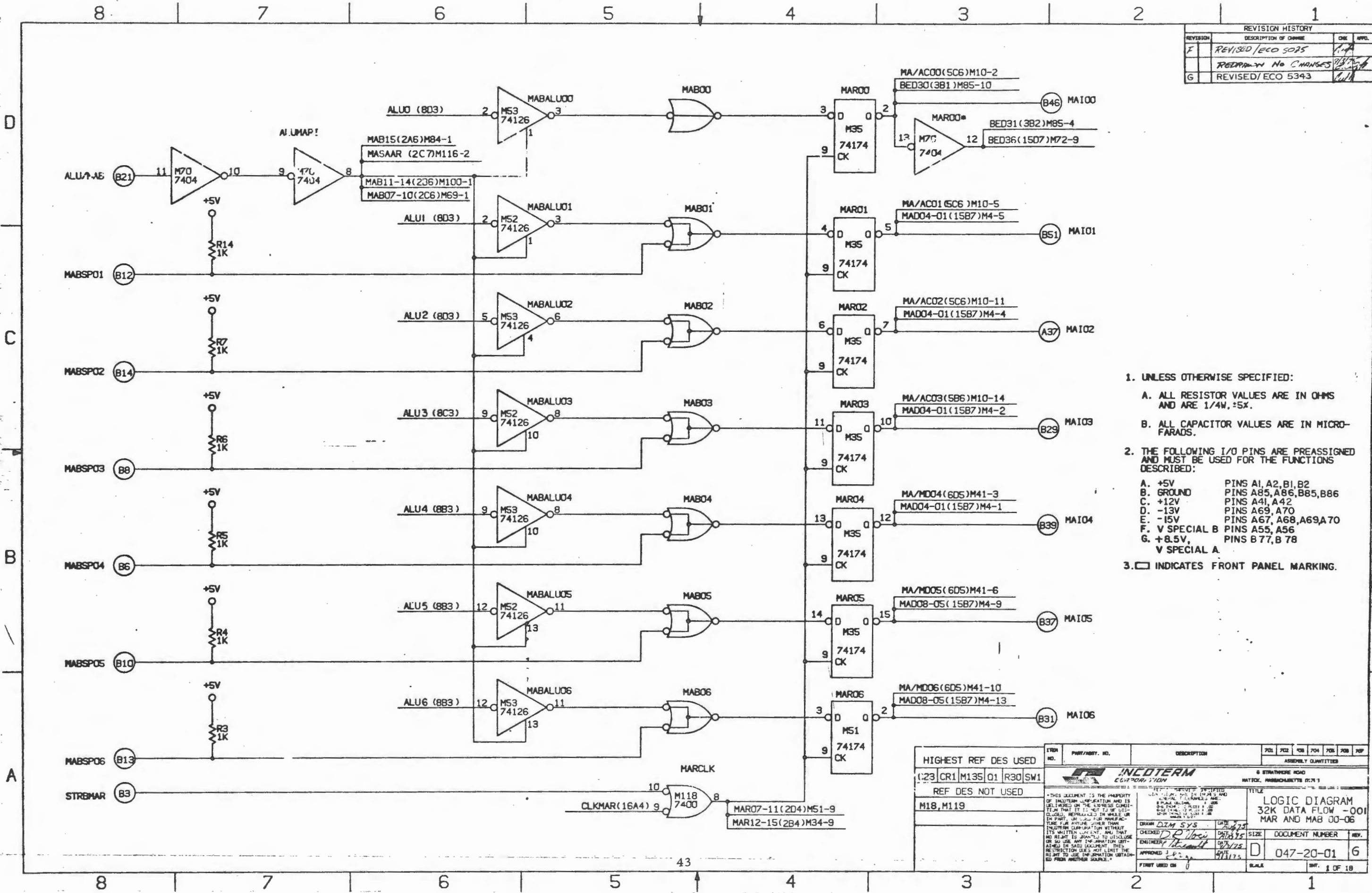
INCOTERM CORPORATION
 6 STRATHMORE ROAD
 NATICK, MASSACHUSETTS 01780

LOGIC DIAGRAM
 VIDEO DRIVERS 001
 SCREENS 6 THROUGH 8

DESIGNED BY	DATE	SIZE	DOCUMENT NUMBER
ENGINNER	DATE		
APPROVED	DATE		
FIRST USED ON	SCALE		

D 047-19-01 J
 1E 16"

REVISION HISTORY			
REVISION	DESCRIPTION OF CHANGE	CHK	APPL.
F	REVISED/ECO 5025	1/4	
	REPAIR - NO CHANGES		
G	REVISED/ECO 5343	1/1	

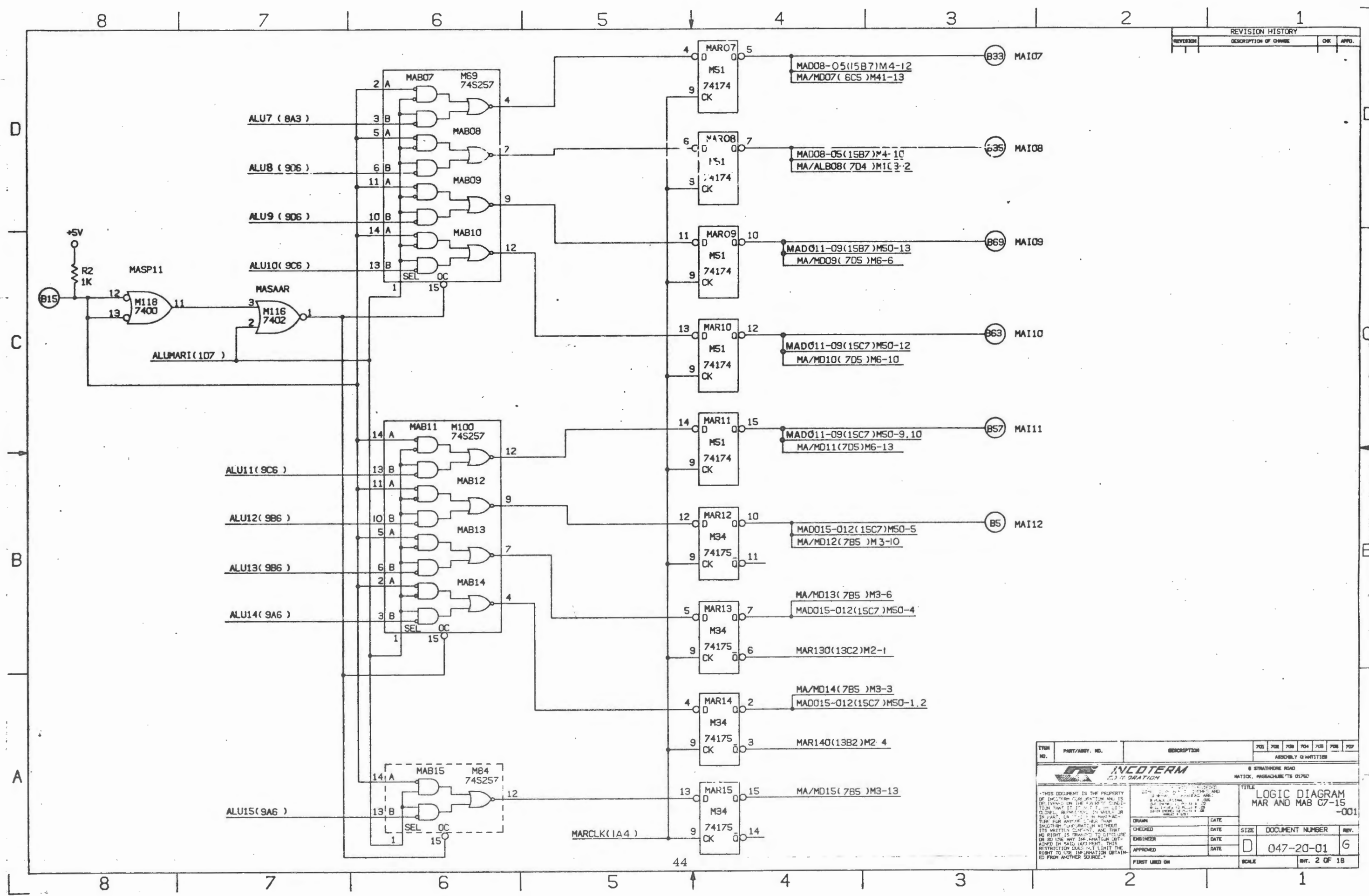


- UNLESS OTHERWISE SPECIFIED:
 - ALL RESISTOR VALUES ARE IN OHMS AND ARE 1/4W, ±5%.
 - ALL CAPACITOR VALUES ARE IN MICRO-FARADS.
- THE FOLLOWING I/O PINS ARE PREASSIGNED AND MUST BE USED FOR THE FUNCTIONS DESCRIBED:

A. +5V	PINS A1, A2, B1, B2
B. GROUND	PINS A85, A86, B85, B86
C. +12V	PINS A41, A42
D. -13V	PINS A69, A70
E. -15V	PINS A67, A68, A69, A70
F. V SPECIAL B	PINS A55, A56
G. +8.5V, V SPECIAL A	PINS B77, B78
- INDICATES FRONT PANEL MARKING.

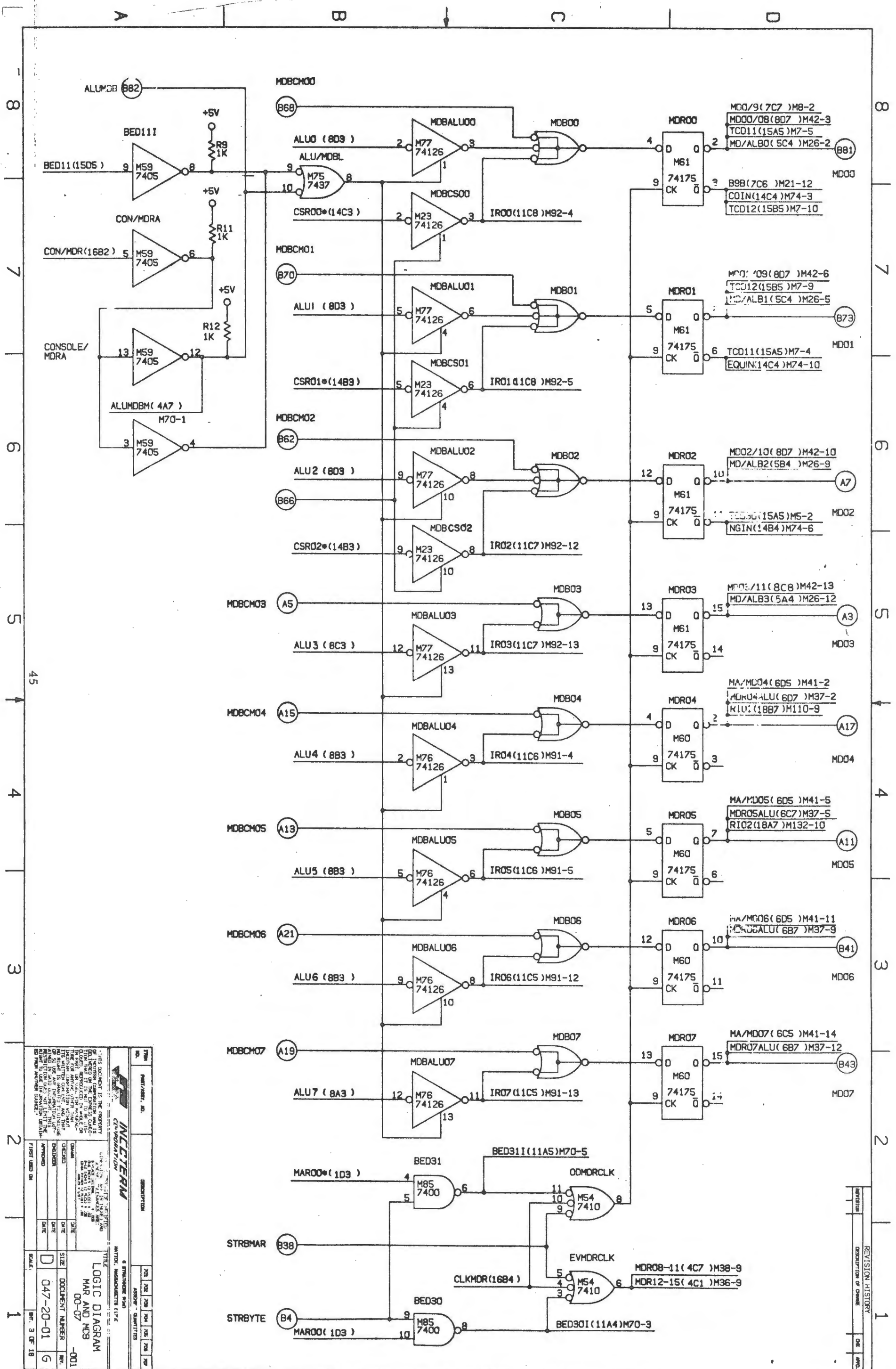
HIGHEST REF DES USED	ITER NO.	PART/ASSEMBLY NO.	DESCRIPTION	701	702	703	704	705	706	707
(23) CR1 M135 01 R30 SW1										
REF DES NOT USED										
M18, M119										

INCOTERM CORPORATION		8 STRATHMORE ROAD	
MILK, MASSACHUSETTS 02171			
THIS DOCUMENT IS THE PROPERTY OF INCOTERM CORPORATION AND IS LOANED TO THE USER UNDER THE EXPRESS CONDITION THAT IT IS NOT TO BE REPRODUCED, REPAIRED, IN WHOLE OR IN PART, OR FOR ANY MANUFACTURE FOR ANY OTHER THAN THE USER'S OPERATION WITHOUT THE WRITTEN CONSENT AND THAT NO RIGHT IS GRANTED TO REPRODUCE OR TO USE ANY INFORMATION OBTAINED IN THIS DOCUMENT. THIS RESTRICTION DOES NOT LIMIT THE USER'S RIGHT TO USE INFORMATION OBTAINED FROM OTHER SOURCES.		TITLE LOGIC DIAGRAM 32K DATA FLOW - 001 MAR AND MAB 00-06	
DATE 2/18/75	SIZE D	DOCUMENT NUMBER 047-20-01	REV. 6
APPROVED [Signature]	DATE 2/18/75	SCALE	SHEET 1 OF 18



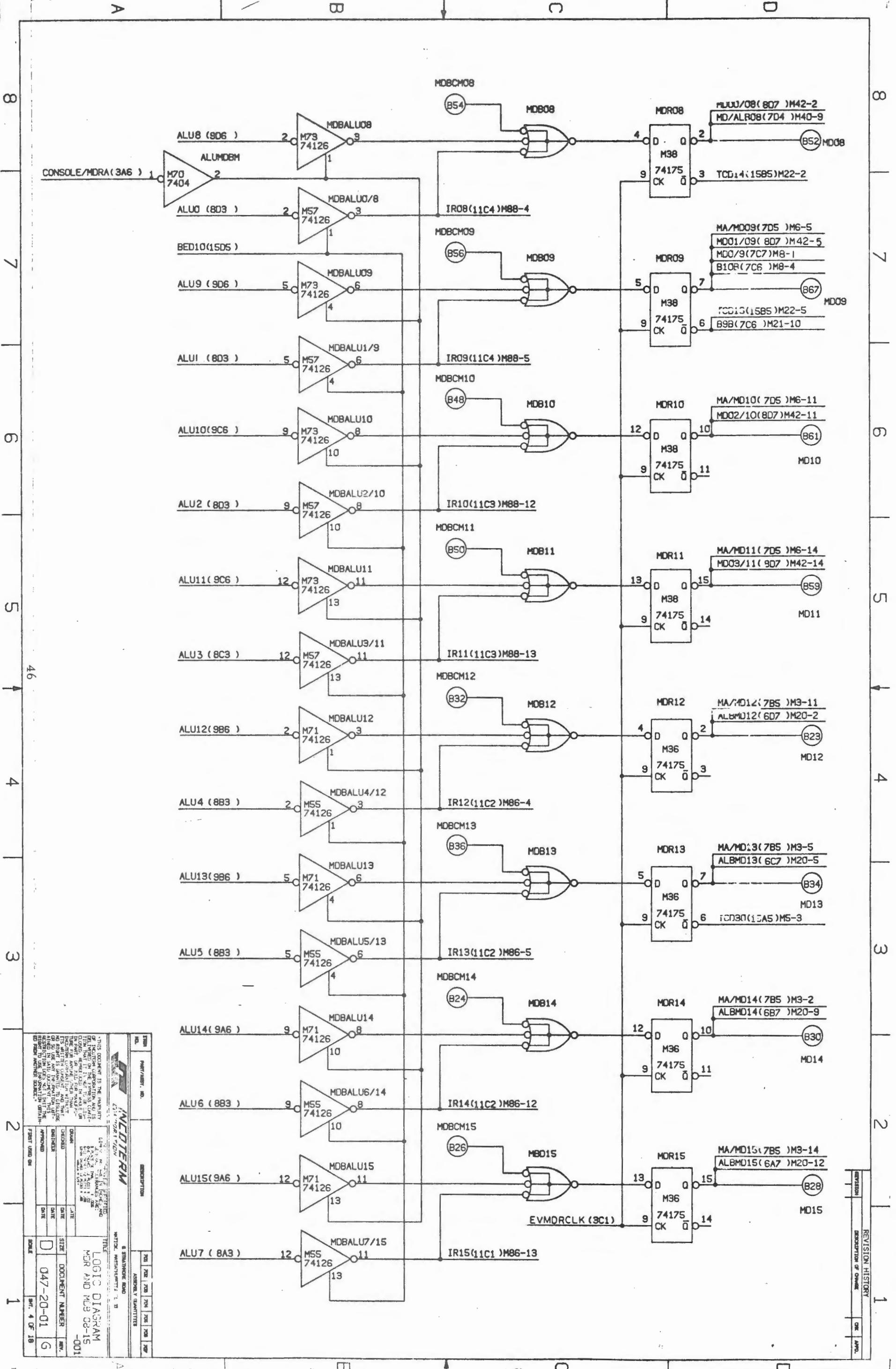
REVISION HISTORY			
REVISION	DESCRIPTION OF CHANGE	CHK	APPR.

FORM NO.	PART/ASSEMBLY NO.	DESCRIPTION	POS	POS	POS	POS	POS	POS	POS
INCOTERM CORPORATION			8 STRATHMORE ROAD MATTICK, MASSACHUSETTS 01760						
THIS DOCUMENT IS THE PROPERTY OF INCOTERM CORPORATION AND IS LOANED TO THE USER OF THIS DOCUMENT. IT IS TO BE KEPT IN CLOSELY CONTROLLED AND SECURED IN A SAFE PLACE. IT IS TO BE RETURNED TO INCOTERM CORPORATION FOR ANY USE OTHER THAN THAT FOR WHICH IT WAS LOANED. NO PART OF THIS DOCUMENT IS TO BE REPRODUCED OR TRANSMITTED IN ANY FORM OR BY ANY MEANS, ELECTRONIC OR MECHANICAL, INCLUDING PHOTOCOPYING, RECORDING, OR BY ANY INFORMATION STORAGE AND RETRIEVAL SYSTEM, WITHOUT THE WRITTEN PERMISSION OF INCOTERM CORPORATION. THIS RESTRICTION DOES NOT LIMIT THE RIGHT TO USE INFORMATION OBTAINED FROM ANOTHER SOURCE.			TITLE			REV.			
			LOGIC DIAGRAM MAR AND MAB 07-15			-001			
DESIGNED	DATE	SIZE	DOCUMENT NUMBER	REV.					
			047-20-01	6					
APPROVED	DATE	SCALE	BY: 2 OF 18						



INCERTUM CUSTOMER SERVICE	
TITLE LOGIC DIAGRAM MAR AND MDR	DATE 047-20-01
DRAWN DATE	CHECKED DATE
DESIGNED DATE	APPROVED DATE
SCALE 1:1	SHEET NO. 3 OF 18

REVISION	DESCRIPTION OF CHANGE	DATE	BY
1			

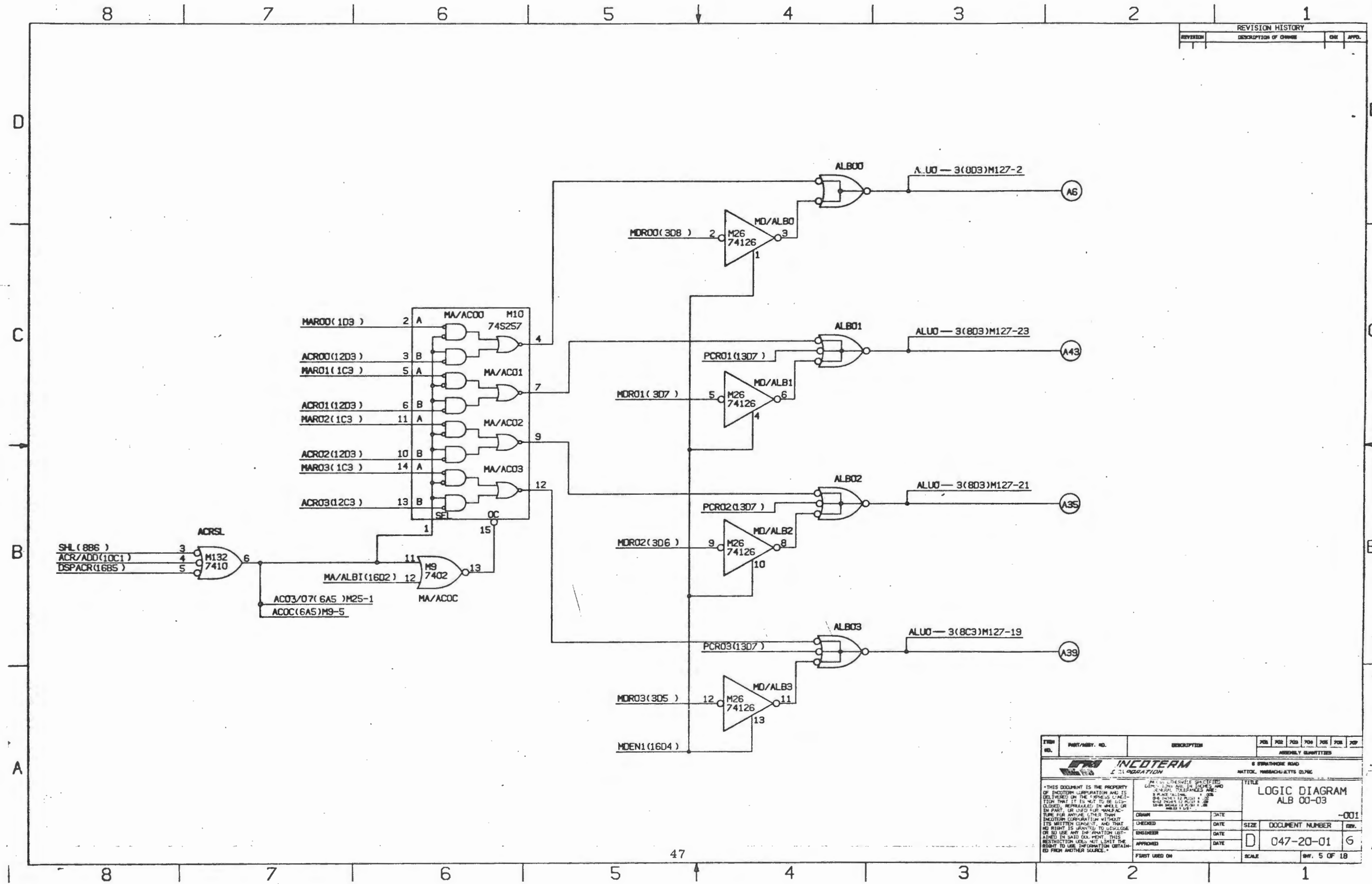


INCORPORATED		REVISION HISTORY	
NO.	DESCRIPTION	DATE	BY
1	INITIAL DESIGN	047-20-01	6
2	DESIGN CHANGES		
3	DESIGN CHANGES		
4	DESIGN CHANGES		
5	DESIGN CHANGES		
6	DESIGN CHANGES		
7	DESIGN CHANGES		
8	DESIGN CHANGES		

THIS DOCUMENT IS THE PROPERTY
 OF INTERTECH, INC. AND IS
 LOANED TO YOU BY INTERTECH,
 INC. IT IS NOT TO BE
 REPRODUCED OR TRANSMITTED
 IN ANY FORM OR BY ANY
 MEANS, ELECTRONIC OR
 MECHANICAL, INCLUDING
 PHOTOCOPYING, RECORDING,
 OR BY ANY INFORMATION
 STORAGE AND RETRIEVAL
 SYSTEMS. INTERTECH, INC.
 WILL BE HELD RESPONSIBLE
 FOR ANY DAMAGE TO
 ORIGINAL DOCUMENTS
 RETURNED TO INTERTECH,
 INC. FROM ANY SOURCE.

NO.	DESCRIPTION	DATE	BY
1	INITIAL DESIGN	047-20-01	6

REVISION HISTORY		
REVISION	DESCRIPTION OF CHANGE	CHK APPD.

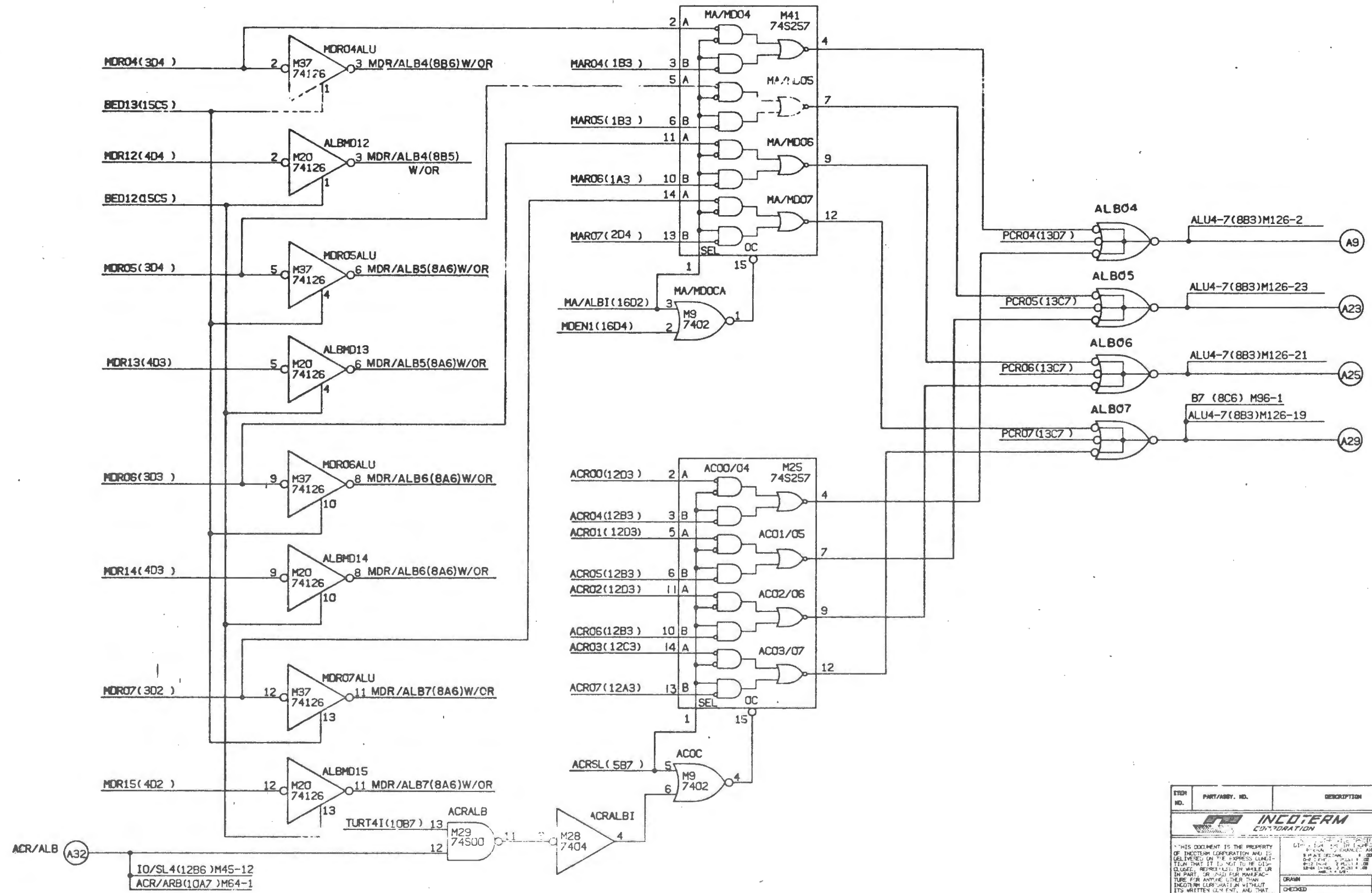


ITEM NO.	PART/ASSEMBLY NO.	DESCRIPTION	QTY	QTY	QTY	QTY	QTY	QTY	QTY
INCOTERM CORPORATION									
6 SPRINGFIELD ROAD, WATUOK, MASSACHUSETTS 01746									
<small>THIS DOCUMENT IS THE PROPERTY OF INCOTERM CORPORATION AND IS DELIVERED ON THE EXPRESS UNDERSTANDING THAT IT IS NOT TO BE REPRODUCED, REPAIRED, RECALIBRATED, REWORKED, OR USED FOR MANUFACTURE FOR ANY OTHER THAN THE ORIGINAL PURPOSE. NO PART OR PORTION OF THIS DOCUMENT IS TO BE REPRODUCED, REPAIRED, RECALIBRATED, REWORKED, OR USED FOR MANUFACTURE FOR ANY OTHER THAN THE ORIGINAL PURPOSE WITHOUT THE WRITTEN CONSENT OF INCOTERM CORPORATION. NO PART OR PORTION OF THIS DOCUMENT IS TO BE REPRODUCED, REPAIRED, RECALIBRATED, REWORKED, OR USED FOR MANUFACTURE FOR ANY OTHER THAN THE ORIGINAL PURPOSE WITHOUT THE WRITTEN CONSENT OF INCOTERM CORPORATION.</small>			TITLE LOGIC DIAGRAM ALB 00-03			REV. -001			
DESIGNED	DATE	SIZE	DOCUMENT NUMBER	REV.					
ENGINEER	DATE	D	047-20-01	G					
APPROVED	DATE	FIRST USED ON							
SCALE		REV. 5 OF 18							

8 7 6 5 4 3 2 1

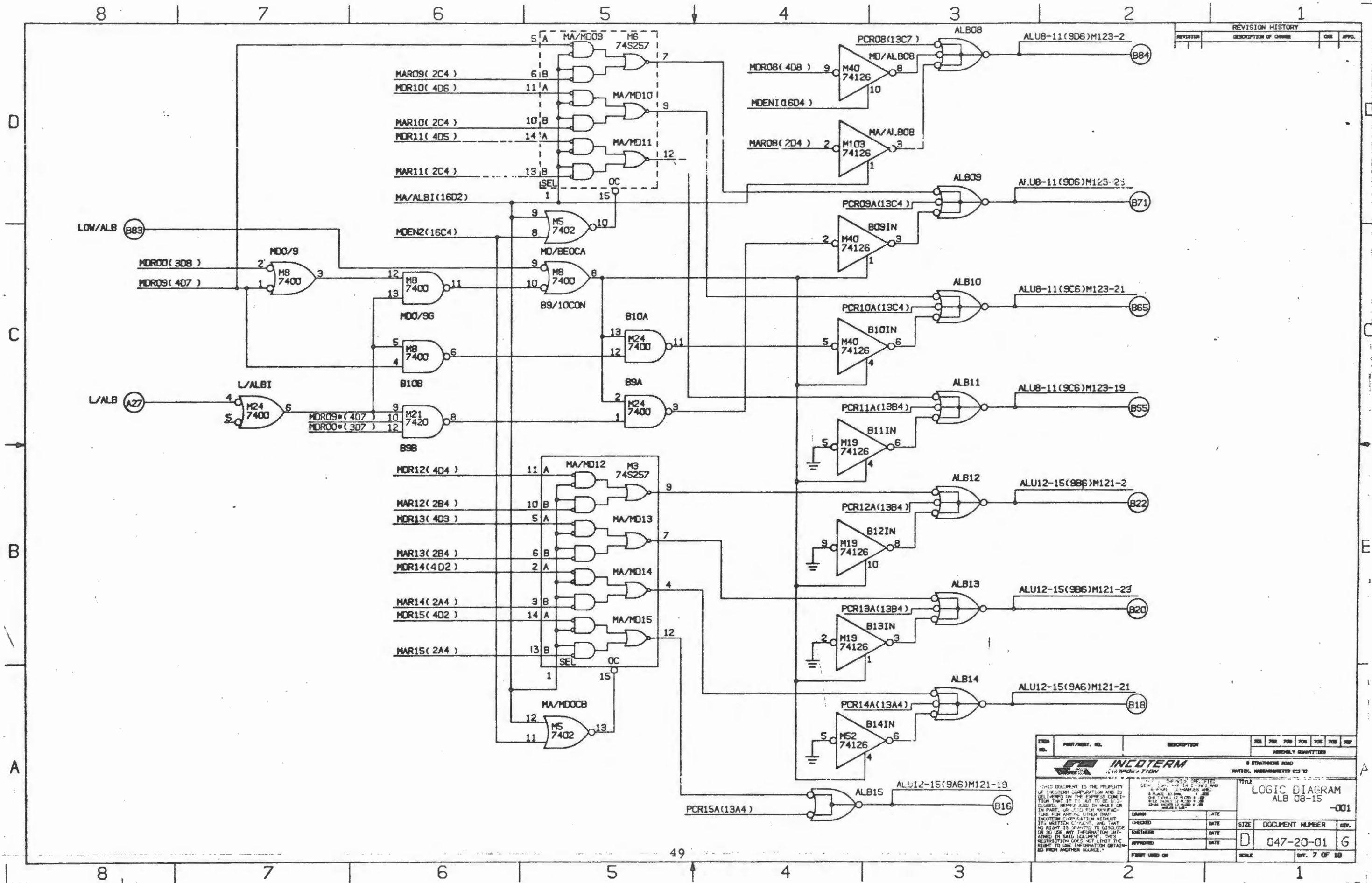
REVISION HISTORY			
REVISION	DESCRIPTION OF CHANGE	CHK	APPD.

D
C
B
A



STEP NO.	PART/ASBY. NO.	DESCRIPTION	701	702	704	705	708	709

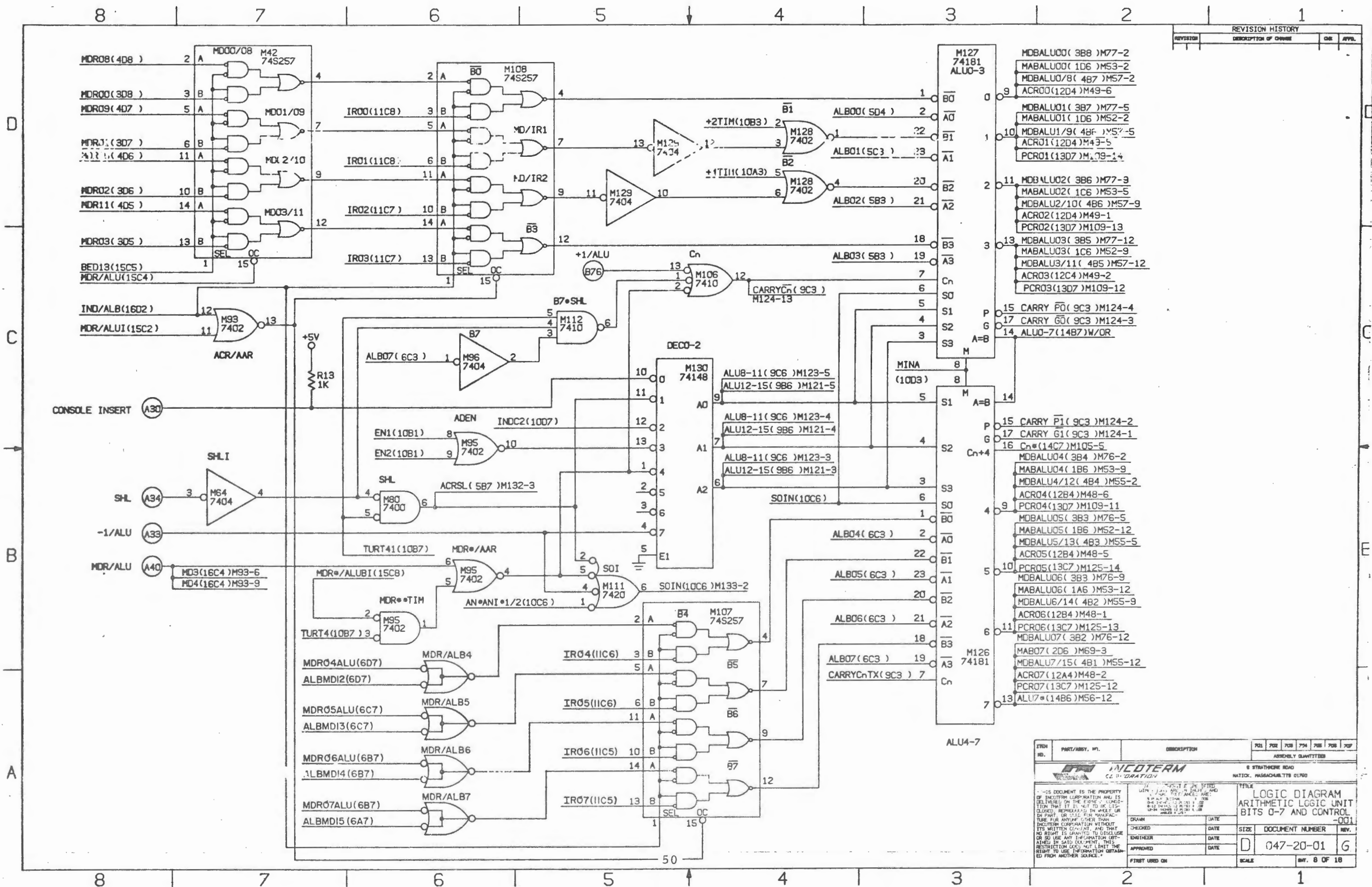
INCOTERM <small>INCOTERM CORPORATION</small> <small>8 STRATHMORE ROAD</small> <small>WATON, MASSACHUSETTS 01970</small>		TITLE LOGIC DIAGRAM ALB 04-07 -001	
<small>THIS DOCUMENT IS THE PROPERTY OF INCOTERM CORPORATION AND IS BELONGED ON THE EXPRESS UNDERSTANDING THAT IT IS NOT TO BE DISCLOSED, REPRODUCED, IN WHOLE OR IN PART, OR FOR ANY MANUFACTURE FOR ANY OTHER THAN INCOTERM CORPORATION WITHOUT ITS WRITTEN PERMISSION. NO RIGHT IS GRANTED TO DISCLOSE OR TO USE ANY INFORMATION OBTAINED IN THIS DOCUMENT. THIS RESTRICTION DOES NOT LIMIT THE RIGHT TO USE INFORMATION OBTAINED FROM ANOTHER SOURCE.</small>	CHECKED _____ DATE _____ ENGINEER _____ DATE _____ APPROVED _____ DATE _____ FIRST USED ON _____	SIZE _____ DOCUMENT NUMBER D C47-20-01 SCALE _____	REV. _____ 6 SHEET 6 OF 18



REVISION HISTORY			
REVISION	DESCRIPTION OF CHANGE	CHK	APP.

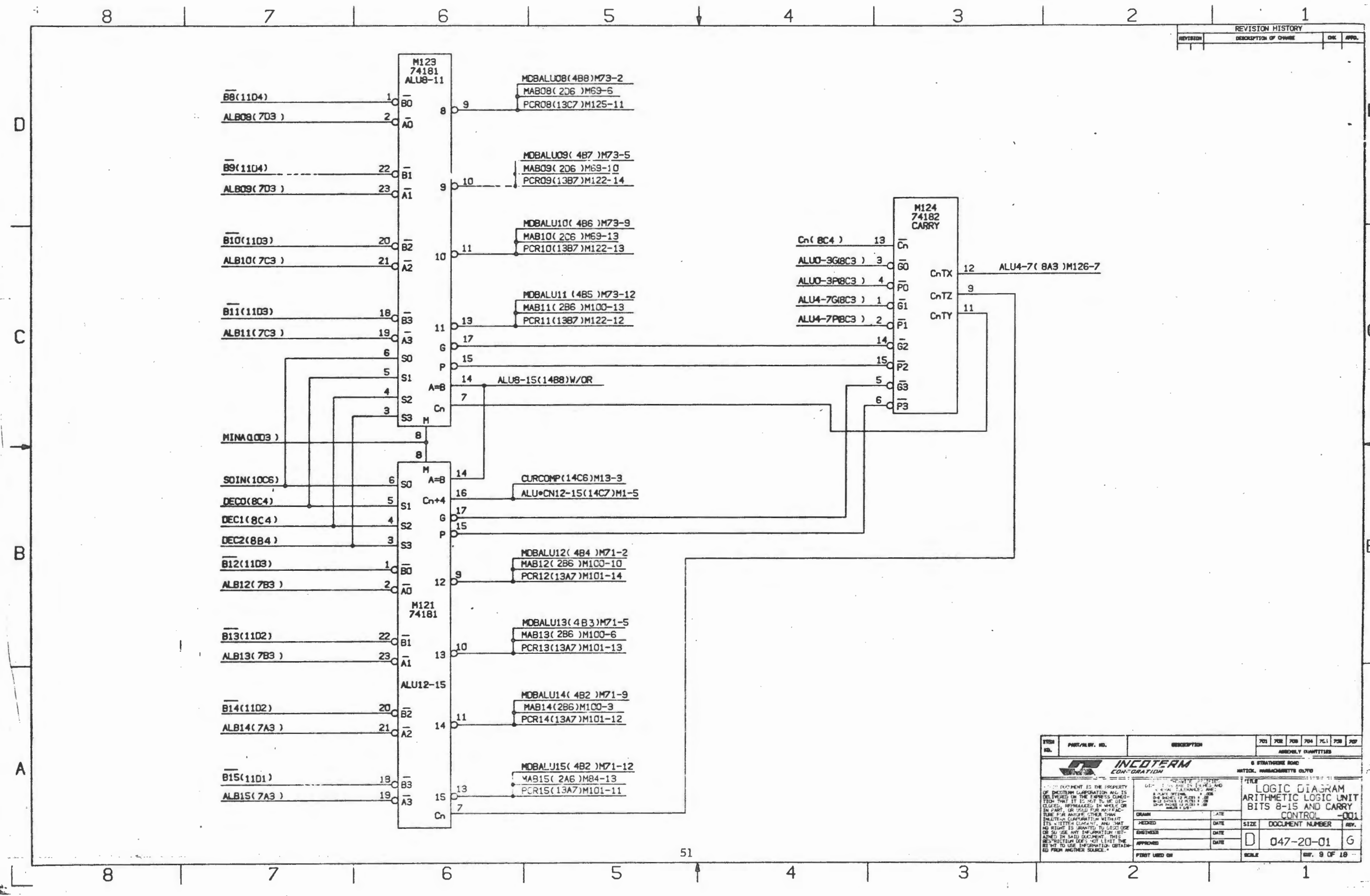
ITEM NO.	PART/ASSEMBLY NO.	DESCRIPTION	QTY	POS	POS	POS	POS	POS	POS	POS
8 STANTON ROAD WATKIN, MASSACHUSETTS 02150										
THIS DOCUMENT IS THE PROPERTY OF INCOTERM CORPORATION AND IS LOANED TO YOU ON THE EXPRESS CONDITION THAT IT IS NOT TO BE REPRODUCED, COPIED, REPRODUCED, OR IN ANY MANNER DISCLOSED TO OTHERS WITHOUT THE WRITTEN CONSENT OF INCOTERM CORPORATION. THIS RESTRICTION DOES NOT LIMIT THE RIGHT TO USE INFORMATION OBTAINED FROM ANOTHER SOURCE.			TITLE LOGIC DIAGRAM ALB 08-15		DRAWN: _____ DATE: _____ CHECKED: _____ DATE: _____ DESIGNED: _____ DATE: _____ APPROVED: _____ DATE: _____ FIRST USED ON: _____					
SCALE: _____				DOCUMENT NUMBER: 047-20-01 REV: G SHEET: 7 OF 18						

REVISION HISTORY			
REVISION	DESCRIPTION OF CHANGE	OR	APPR.



ITEM NO.	PART/ASSEMBLY NO.	DESCRIPTION	Q13	Q14	Q15	Q16	Q17	Q18	Q19
INCOTERM CORPORATION									
8 STRATHMORE ROAD, MATICK, MASSACHUSETTS 01700									
THIS DOCUMENT IS THE PROPERTY OF INCOTERM CORPORATION AND IS LOANED TO YOU ON THE CONDITION THAT IT IS NOT TO BE REPRODUCED, COPIED, OR DISCLOSED IN ANY MANNER WITHOUT THE WRITTEN CONSENT OF INCOTERM CORPORATION. ANY UNAUTHORIZED DISCLOSURE OR USE OF THIS INFORMATION IS STRICTLY PROHIBITED.									
DATE	DATE	DATE	DATE	DATE	DATE	DATE	DATE	DATE	DATE
DRAWN	CHECKED	DATE	DATE	DATE	DATE	DATE	DATE	DATE	DATE
ENGINEER	DATE	DATE	DATE	DATE	DATE	DATE	DATE	DATE	DATE
APPROVED	DATE	DATE	DATE	DATE	DATE	DATE	DATE	DATE	DATE
FIRST USED ON	SCALE	REV.	8 OF 18						

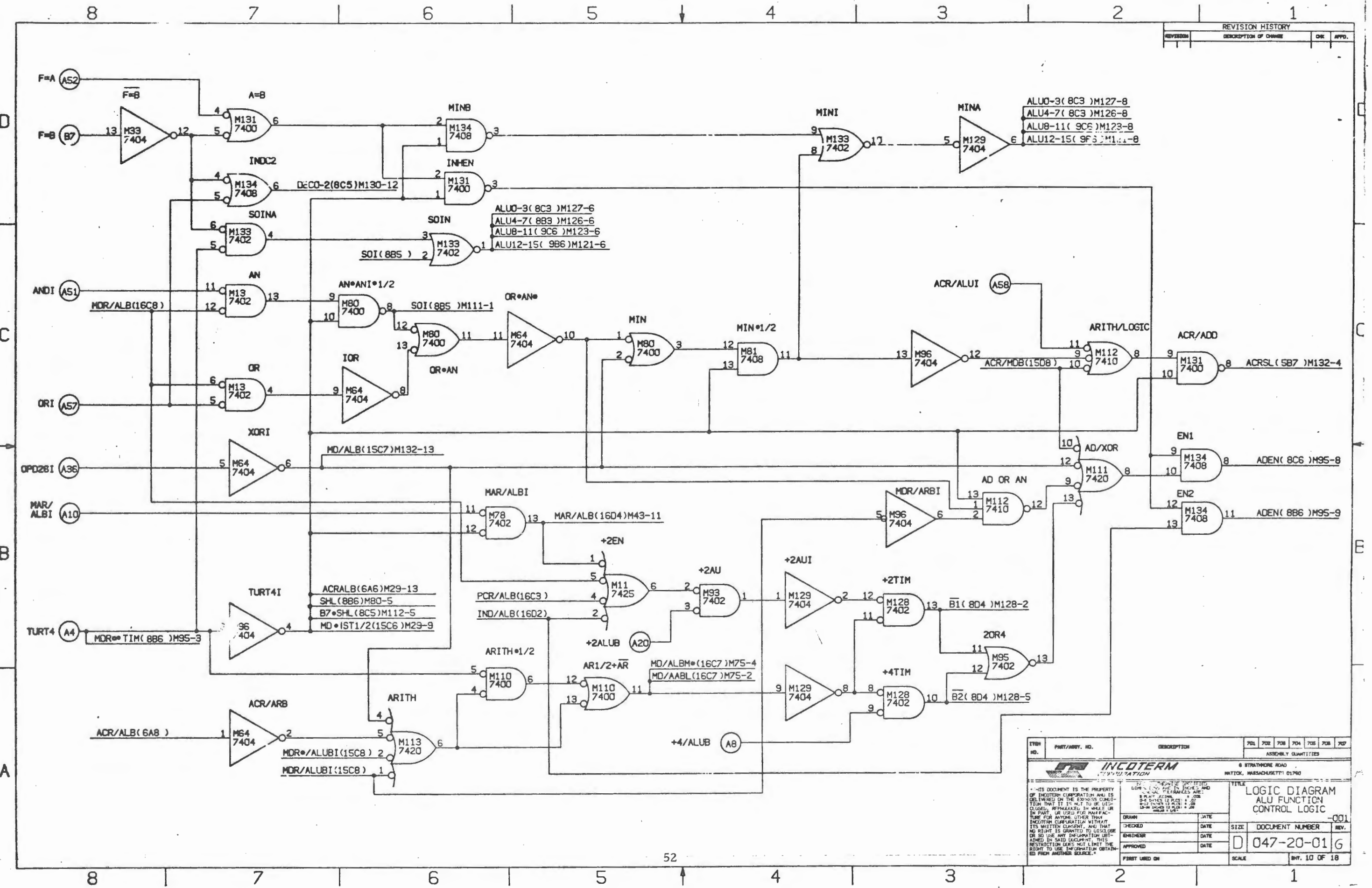
REVISION HISTORY		
REVISION	DESCRIPTION OF CHANGE	CHK. APPR.



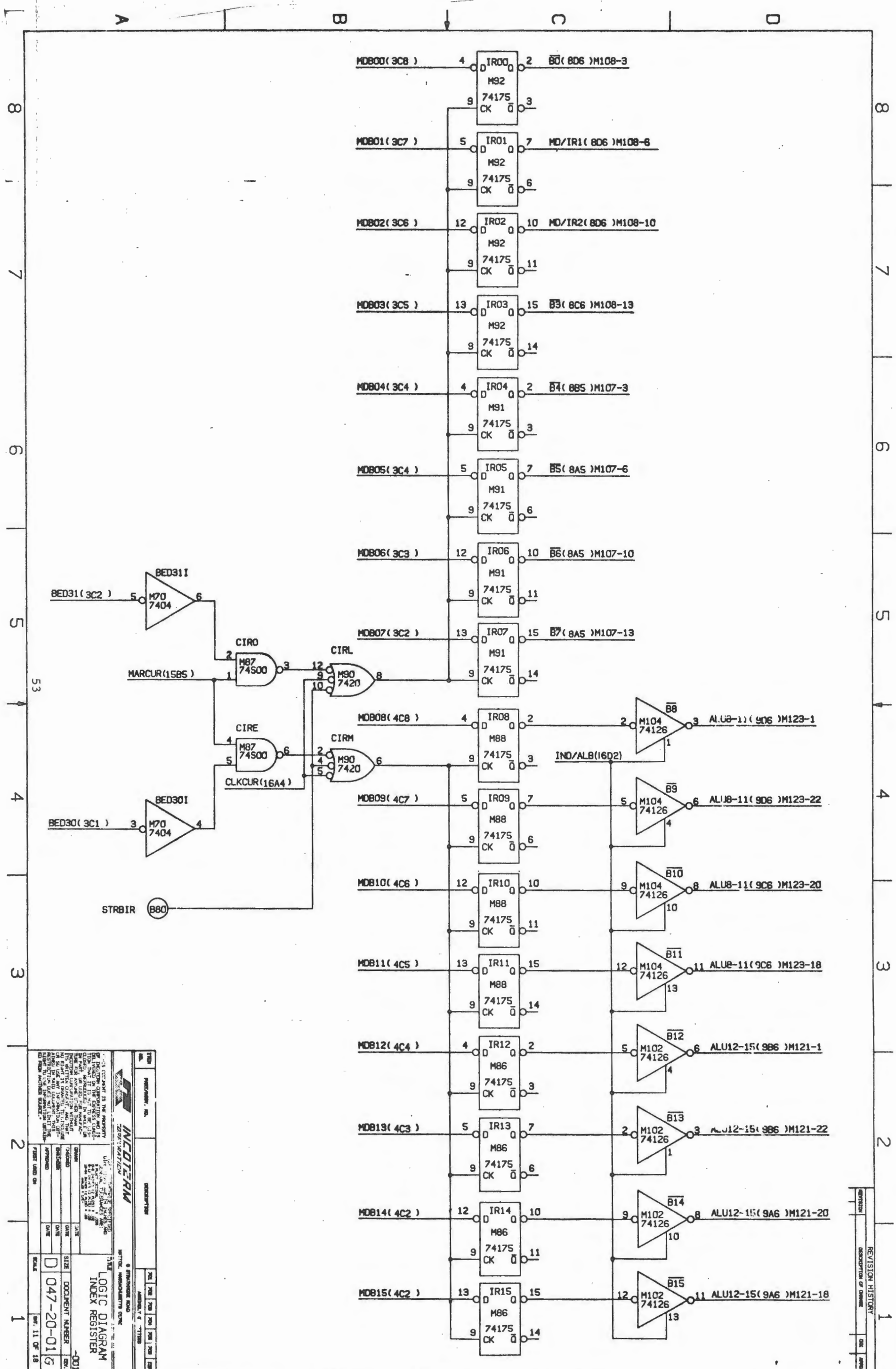
51

ITEM NO.	PART/REV. NO.	DESCRIPTION	701	702	703	704	705	706
INCOTERM CORPORATION 6 STRATHMORE ROAD METHUEN, MASSACHUSETTS 01754			ASSEMBLY QUANTITIES					
<small>THIS DOCUMENT IS THE PROPERTY OF INCOTERM CORPORATION AND IS LOANED TO THE USER UNDER THE CONDITION THAT IT IS NOT TO BE DISCLOSED, REPRODUCED, IN WHOLE OR IN PART, OR USED FOR MANUFACTURE FOR ANY OTHER THAN THE SPECIFIC APPLICATION WITH WHICH IT IS LOANED. ANY OTHER USE OR SO USE ANY INFORMATION CONTAINED IN THIS DOCUMENT, WITHOUT THE WRITTEN PERMISSION OF INCOTERM CORPORATION, IS STRICTLY PROHIBITED.</small>			LOGIC DIAGRAM ARITHMETIC LOGIC UNIT BITS 8-15 AND CARRY CONTROL -001			DRAWN: [] DATE: [] CHECKED: [] DATE: [] ENGINEER: [] DATE: [] APPROVED: [] DATE: []		
FIRST USED ON			SCALE			REV. 9 OF 18		

REVISION HISTORY			
REVISED	DESCRIPTION OF CHANGE	OK	APP.

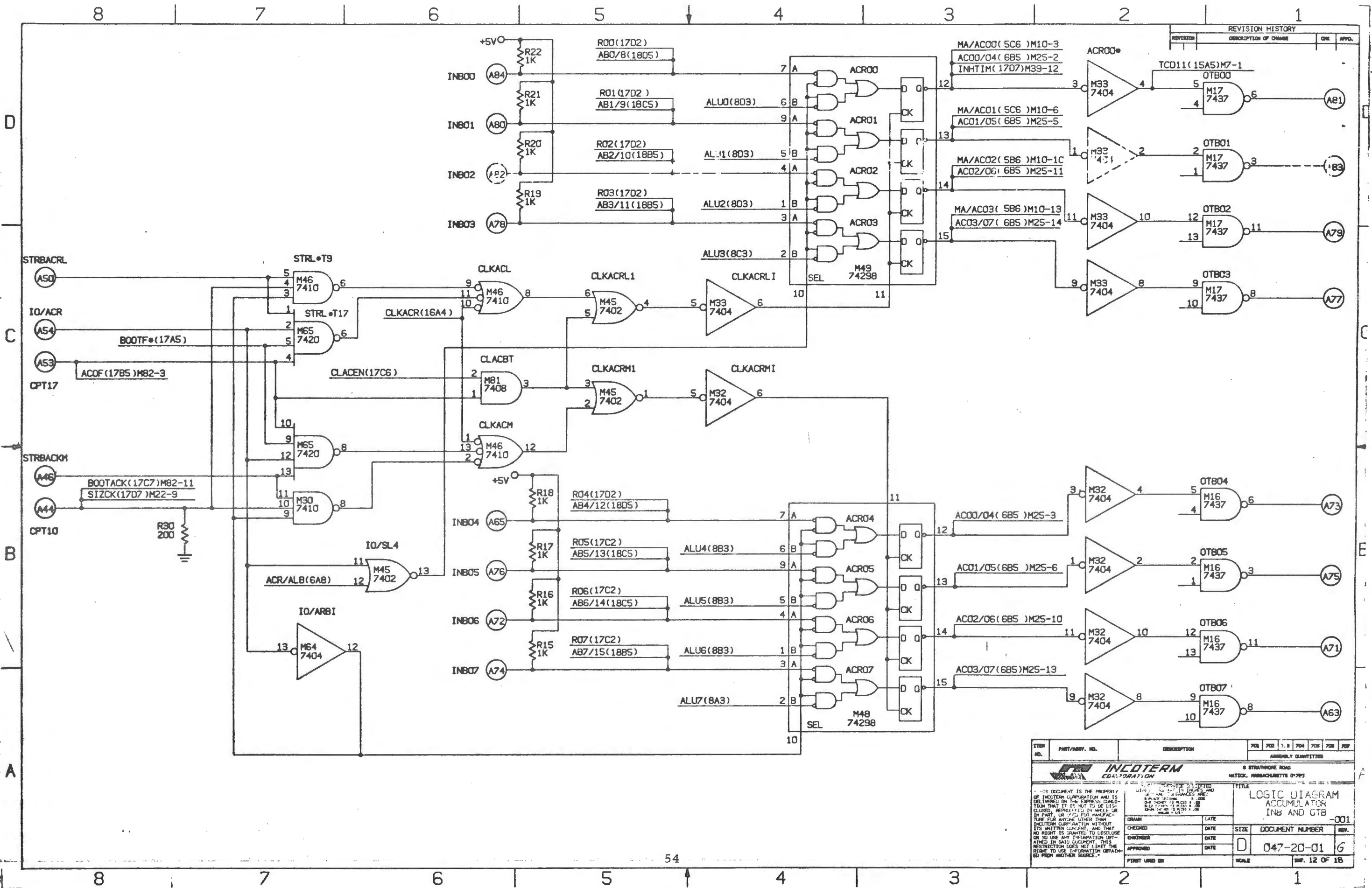


ITEM NO.	PART/ASBY. NO.	DESCRIPTION	701	702	703	704	705	706	707
INCOTERM CORPORATION 6 STRATHMORE ROAD MATTOK, MASSACHUSETTS 01760			ASSEMBLY QUANTITIES						
THIS DOCUMENT IS THE PROPERTY OF INCOTERM CORPORATION AND IS LOANED TO THE EXHIBITOR. IT IS NOT TO BE DISCLOSED, REPRODUCED, IN WHOLE OR IN PART, OR USED FOR MANUFACTURE FOR ANYONE OTHER THAN INCOTERM CORPORATION WITHOUT ITS WRITTEN CONSENT. AND THAT NO RIGHT IS GRANTED TO DISCLOSE OR SO USE ANY INFORMATION OBTAINED IN SAID DOCUMENT. THIS RESTRICTION DOES NOT LIMIT THE RIGHT TO USE INFORMATION OBTAINED FROM ANOTHER SOURCE.									
DESIGNED	DATE	SIZE	DOCUMENT NUMBER		REV.				
ENGINEER	DATE		D 047-20-01		6				
APPROVED	DATE								
FIRST USED ON		SCALE	BHT. 10 OF 18						



<p>INCOTERM</p> <p>LOGIC DIAGRAM INDEX REGISTER</p> <p>047-20-01 G</p>	
<p>DATE</p> <p>01/11/68</p>	<p>SCALE</p> <p>11 OF 18</p>

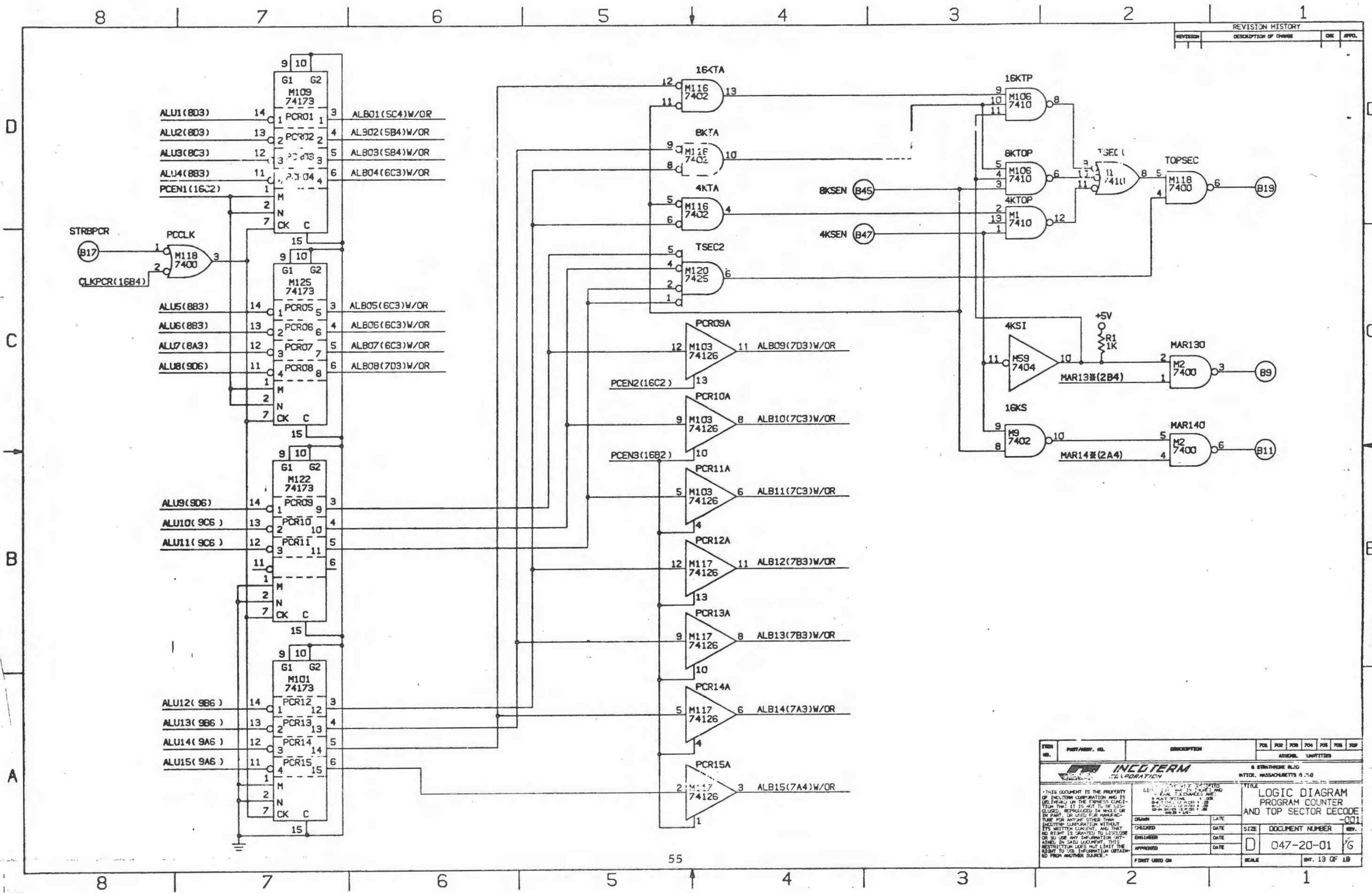
<p>REVISION HISTORY</p> <p>DATE</p> <p>DESCRIPTION OF CHANGE</p>
--



REVISION HISTORY			
REVISION	DESCRIPTION OF CHANGE	CHK	APVD.

ITEM NO.	PART/REV. NO.	DESCRIPTION	QTY	QTY 1	QTY 2	QTY 3	QTY 4	QTY 5	QTY 6	QTY 7	QTY 8	QTY 9	QTY 10	QTY 11	QTY 12	QTY 13	QTY 14	QTY 15	QTY 16	QTY 17	QTY 18	QTY 19	QTY 20
INCOTERM CORPORATION 8 STRATHMORE ROAD MATINECK, MASSACHUSETTS 01929																							
<small>THIS DOCUMENT IS THE PROPERTY OF INCOTERM CORPORATION AND IS LOANED TO YOU ON THE EXPRESS CONDITION THAT IT IS NOT TO BE REPRODUCED, REPRINTED, IN WHOLE OR IN PART, OR FOR MANUFACTURE FOR ANYONE OTHER THAN INCOTERM CORPORATION WITHOUT ITS WRITTEN CONSENT, AND THAT NO RIGHT IS GRANTED TO DISCLOSE OR SO USE ANY INFORMATION OBTAINED IN SAID EQUIPMENT. THIS RESTRICTION DOES NOT LIMIT THE RIGHT TO USE INFORMATION OBTAINED FROM ANOTHER SOURCE.</small>												TITLE LOGIC DIAGRAM ACCUMULATOR INB AND OTB											
DESIGNED	DATE	CHECKED	DATE	SIZE	DOCUMENT NUMBER	REV.																	
					047-20-01	6																	
APPROVED	DATE	FIRST USED ON	SCALE																				

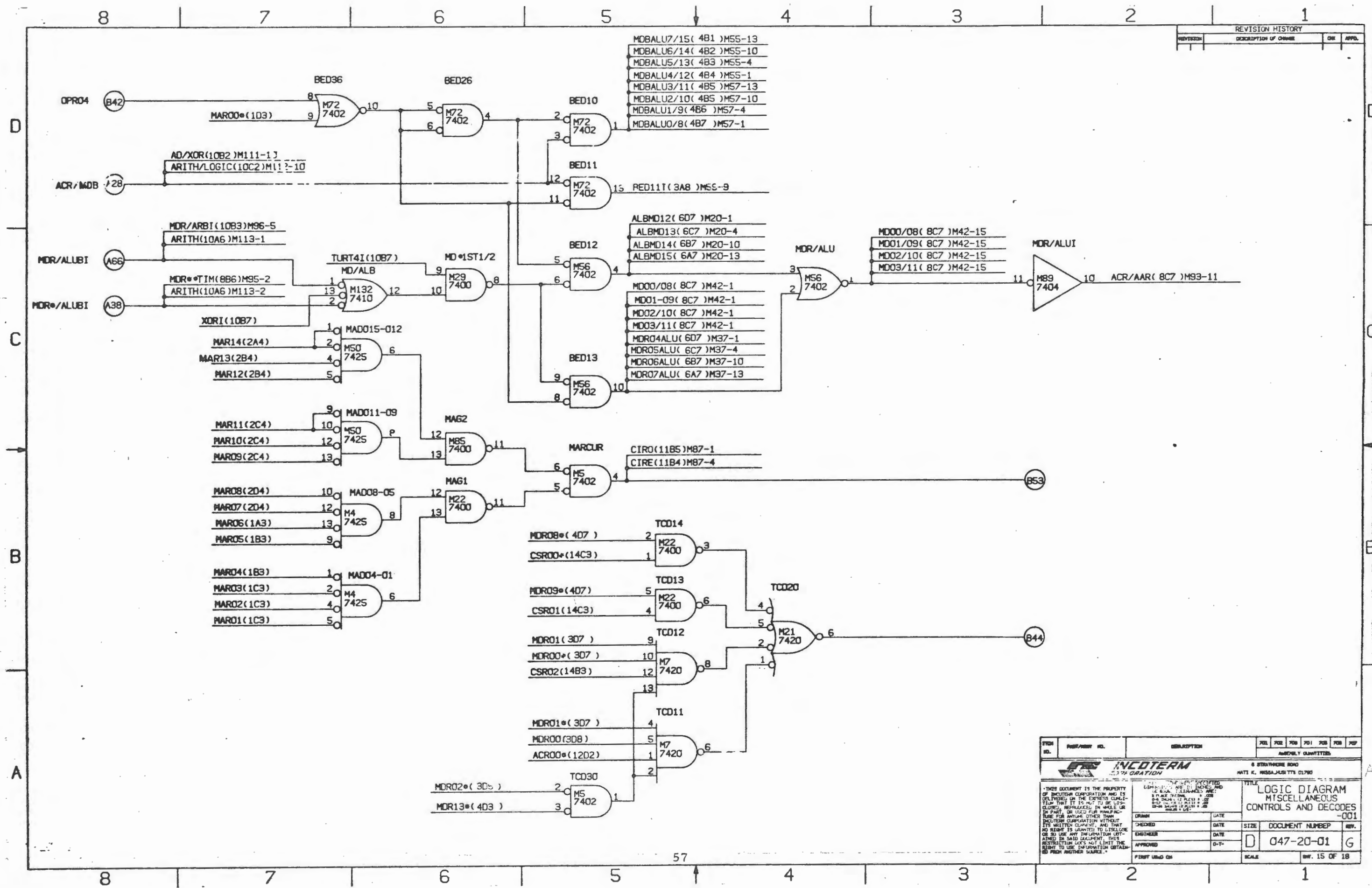
REVISION HISTORY			
REVISION	DESCRIPTION OF CHANGE	CHK	APPL.



REV. NO.	PREPARED BY	DESCRIPTION	703	704	705	706	707

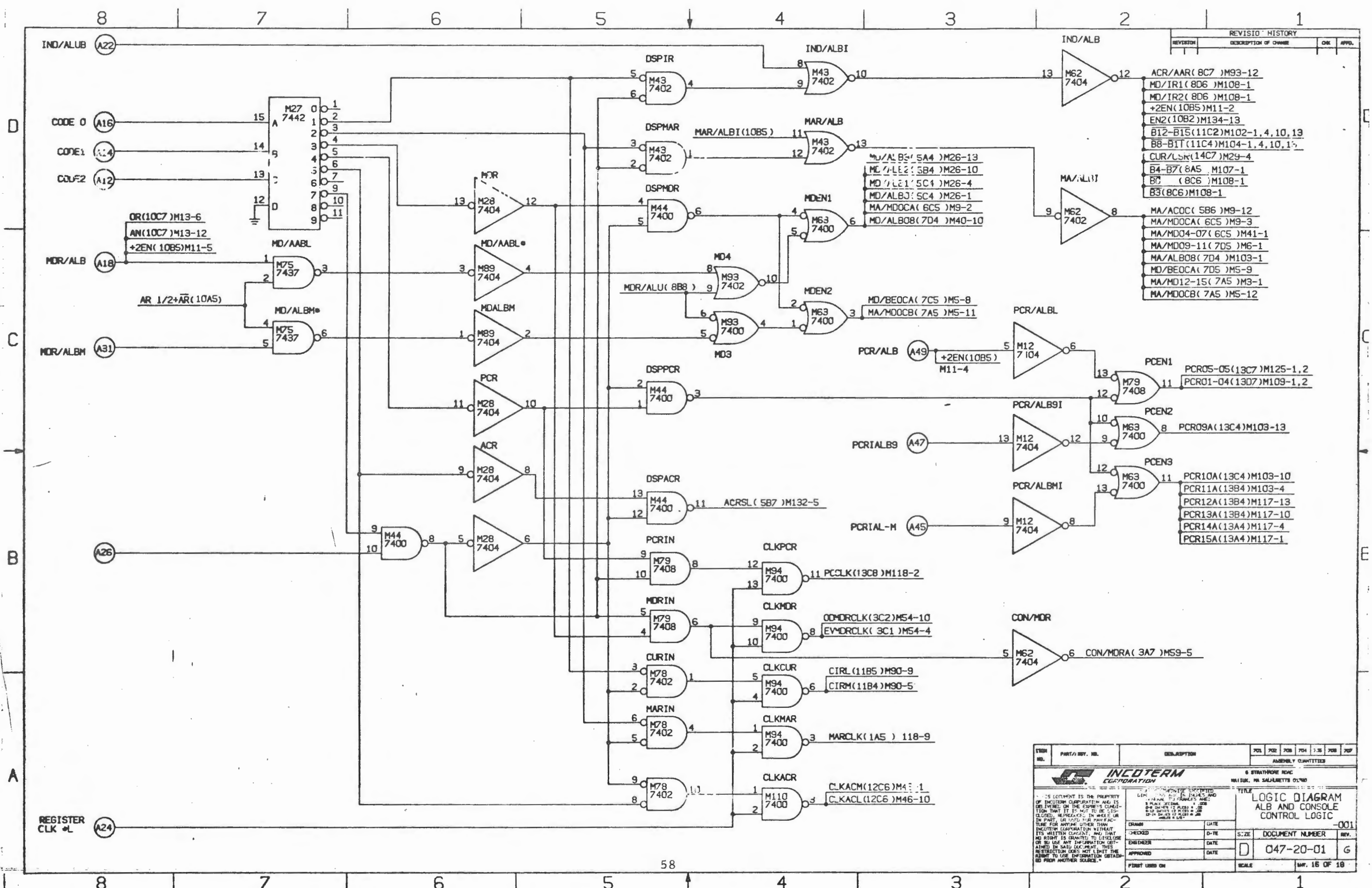
		6 STATE STREET BLDG WATON, MASSACHUSETTS 01710	
THIS DOCUMENT IS THE PROPERTY OF INGTERM CORPORATION AND IS LOANED TO YOU UNDER THE EXPRESS UNDERSTANDING THAT IT IS NOT TO BE REPRODUCED, REPRODUCED IN WHOLE OR IN PART, OR USED FOR MANUFACTURE FOR ANY OTHER THAN INGTERM CORPORATION WITHOUT ITS WRITTEN CONSENT, AND THAT NO RIGHT IS GRANTED TO DISCLOSE OR SO USE ANY INFORMATION OBTAINED IN SAID DOCUMENT. THIS RESTRICTION DOES NOT LIMIT THE RIGHT TO USE INFORMATION OBTAINED FROM ANOTHER SOURCE.		TITLE LOGIC DIAGRAM PROGRAM COUNTER AND TOP SECTOR DECODE -001	
DRAWN CHECKED ENGLISH APPROVED	DATE DATE DATE	SIZE D	DOCUMENT NUMBER 047-20-01
FIRST USED ON	SCALE	SHEET 13 OF 18	

REVISION HISTORY			
NO.	DESCRIPTION OF CHANGE	CHK	APP.



REV. NO.	REV. DATE	DESCRIPTION	REV. NO.	REV. DATE	DESCRIPTION

		6 STRATHMORE ROAD WATT K. MISSA, JUSITTS OJ780	
THIS DOCUMENT IS THE PROPERTY OF INCOTERM CORPORATION AND IS LOANED TO THE USER UNDER THE EXPRESS CONDITION THAT IT IS NOT TO BE REPRODUCED, REPAIRED, OR USED FOR ANY OTHER PURPOSE WITHOUT THE WRITTEN CONSENT OF INCOTERM CORPORATION. THIS RESTRICTION DOES NOT LIMIT THE RIGHT TO USE INFORMATION OBTAINED FROM OTHER SOURCES.			
DRAWN DATE ENGINEER DATE APPROVED DATE FIRST USED ON	TITLE LOGIC DIAGRAM MISCELLANEOUS CONTROLS AND DECODES -001	SIZE D	DOCUMENT NUMBER 047-20-01
SCALE DWG. NO. OF 18	REV.	G	15 OF 18

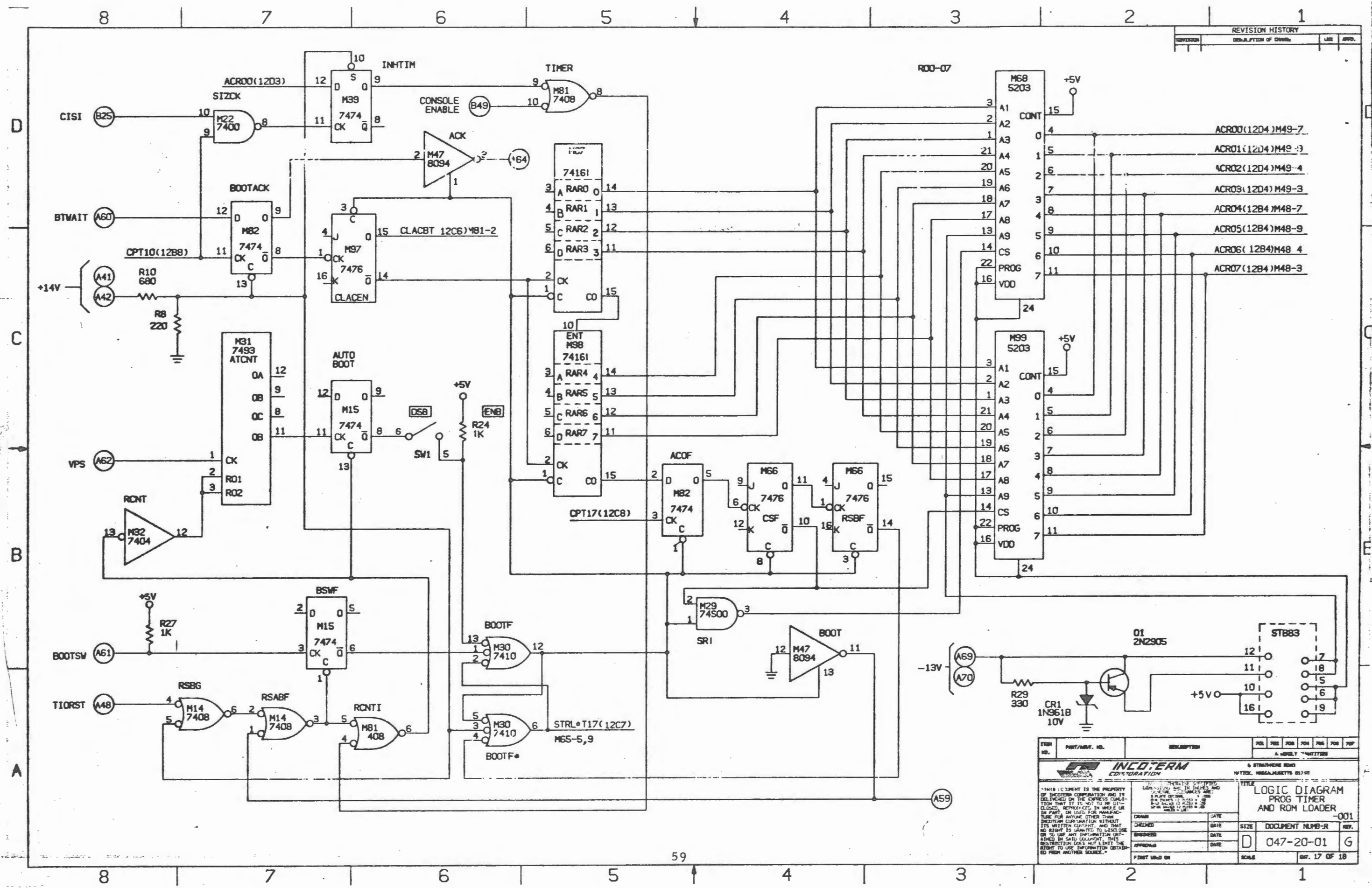


REVISION HISTORY		REV.	APPR.

ACR/AAR (8C7) M93-12
MD/IR1 (8D6) M108-1
MD/IR2 (8D6) M108-1
+2EN (10B5) M11-2
EN2 (10B2) M134-13
B12-B15 (11C2) M102-1, 4, 10, 13
B8-B11 (11C4) M104-1, 4, 10, 13
CUR/LSR (14C7) M29-4
B4-B7 (8A5) M107-1
BC (8C6) M108-1
B3 (8C6) M108-1
MA/ACOC (5B6) M9-12
MA/MDOCA (6C5) M9-3
MA/MDO4-07 (6C5) M41-1
MA/MDO9-11 (7D5) M6-1
MA/ALB08 (7D4) M103-1
MD/BECCA (7D5) M5-9
MA/MD12-15 (7A5) M3-1
MA/MDOCB (7A5) M5-12

ITEM NO.	PART/REV. NO.	DESCRIPTION	701	702	703	704	705	706	707
INCOTERM CORPORATION									
6 STRATHMORE ROAD, MILBURN, NEW JERSEY 07046									
LOGIC DIAGRAM ALB AND CONSOLE CONTROL LOGIC -001									
DRN									
CHEK									
ENGR									
APPR									
FIRST USED ON									
SCALE									

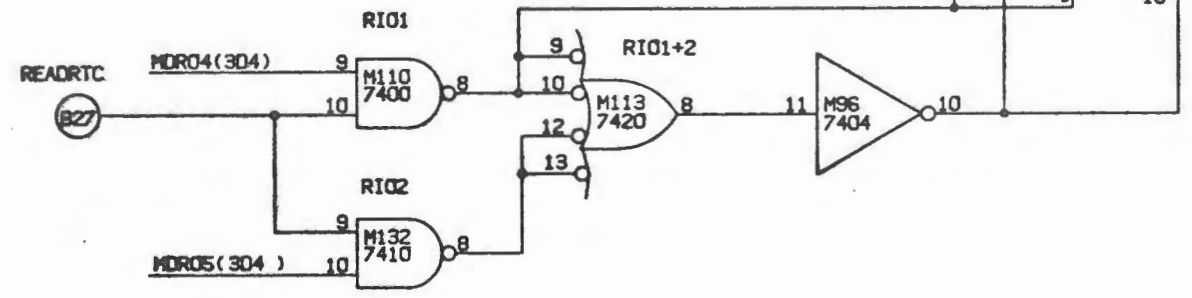
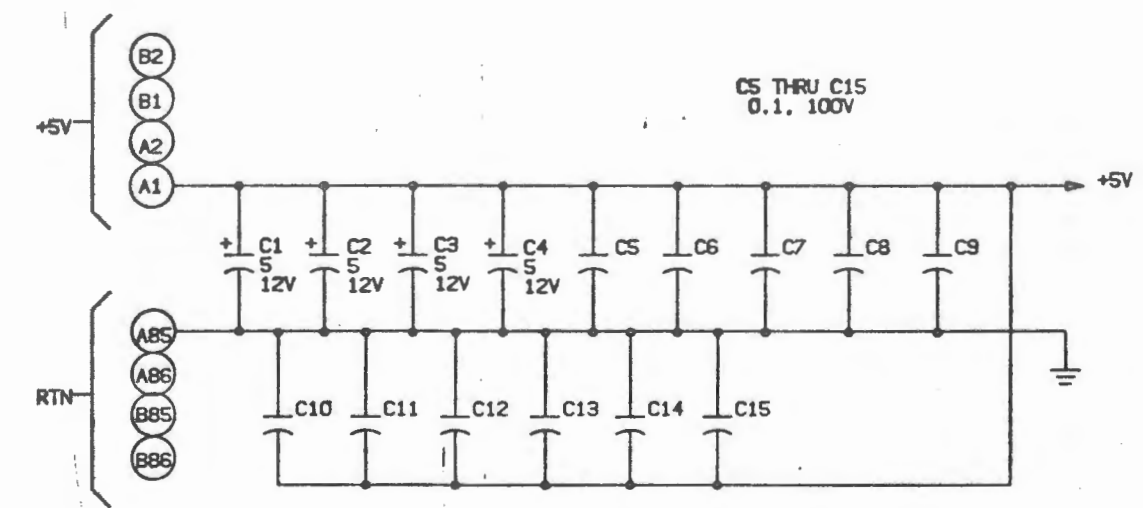
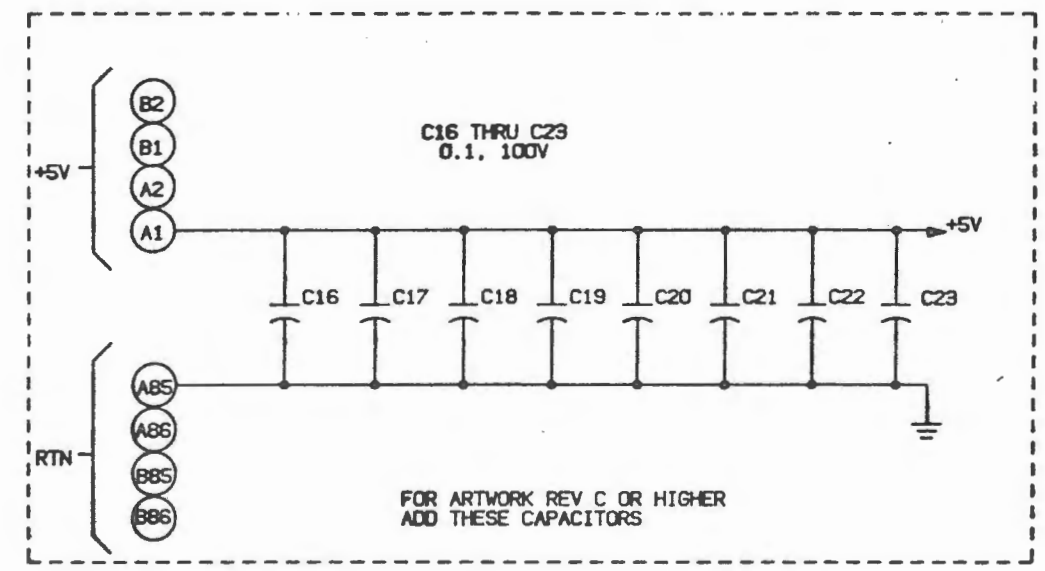
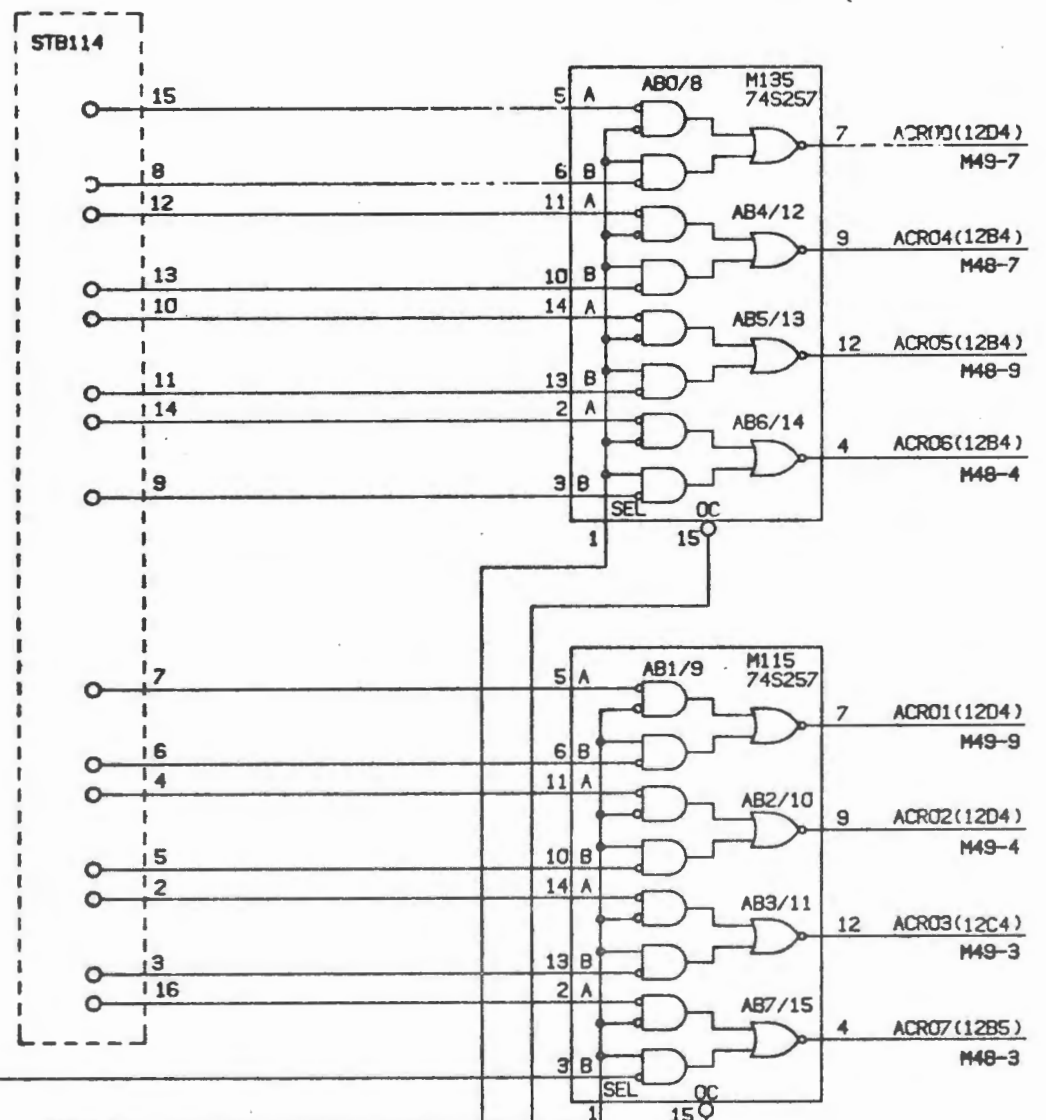
REVISION HISTORY			
REVISION	DESCRIPTION OF CHANGES	DATE	APP.



FORM NO.	REV.	DATE	DESCRIPTION	DESIGNED BY	CHECKED BY	DATE	SIZE	DOCUMENT NO.	REV.
				TITLE: LOGIC DIAGRAM PROG TIMER AND ROM LOADER					
DRAWN: [] DATE: [] CHECKED: [] DATE: [] ENGINEER: [] DATE: [] APPROVED: [] DATE: []				047-20-01 G					
FIRST WRD ON				SCALE		SHEET 17 OF 18			

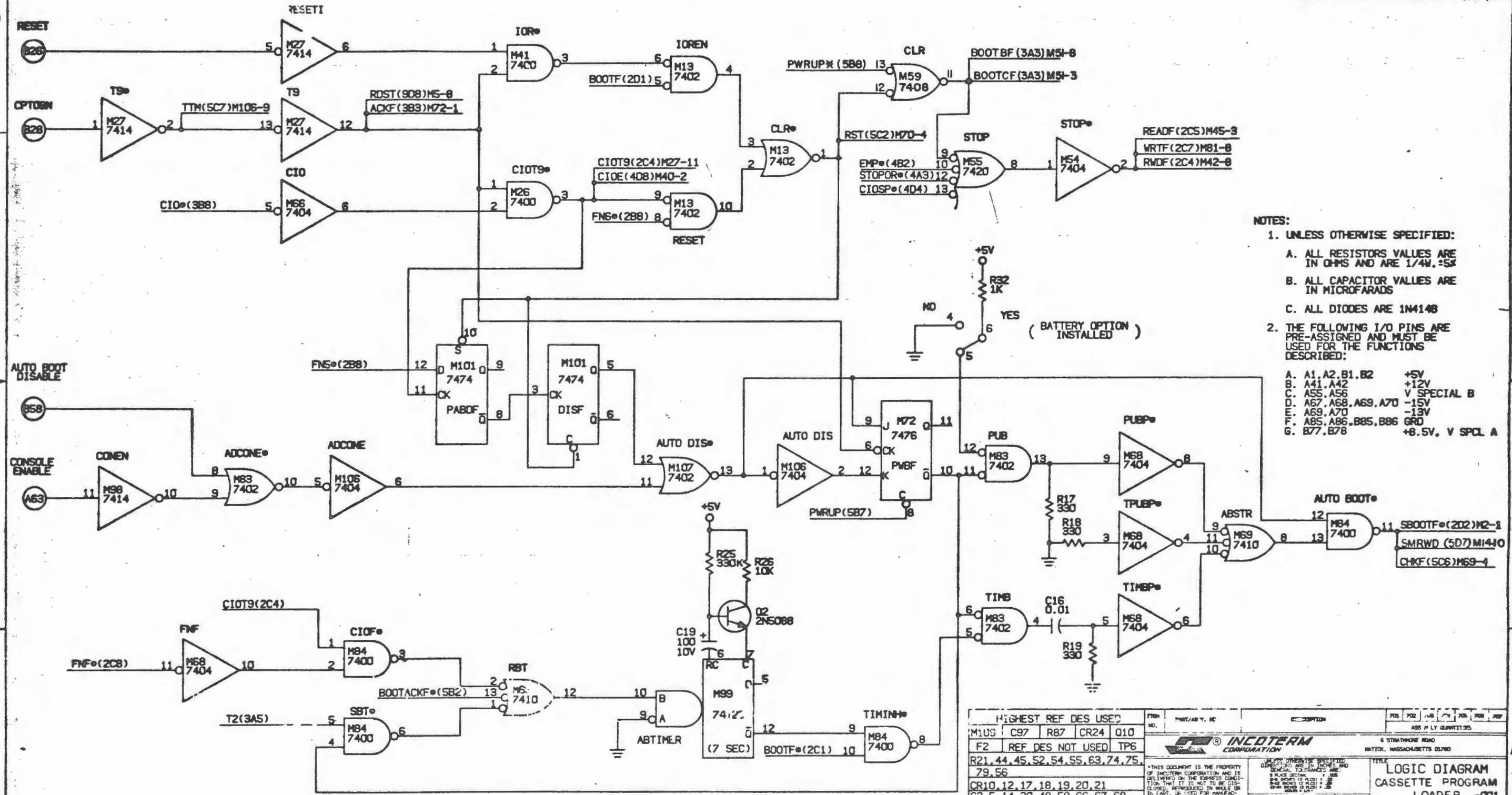
REVISION HISTORY

REVISION	DESCRIPTION OF CHANGE	CHK	APPV.



STEP NO.	PART/REV. NO.	DESCRIPTION	701	702	703	704	705	706	707
INCOTERM CORPORATION 8 STRATHMORE ROAD MATTLE, MASSACHUSETTS 02170			ASSEMBLY QUANTITIES						
TITLE		LOGIC DIAGRAM ADDRESS OPTIONS							
DRAWN		DATE		SIZE		DOCUMENT NUMBER		REV.	
CHECKED		DATE		D		047-20-01		G	
ENGINEER		DATE		SCALE		REV. 18 OF 18			
APPROVED		DATE							
FIRST USED ON									

REVISION HISTORY			
REVISION	DESCRIPTION OF CHANGE	CHK	APPR.
P1	REV E REDRAWN 11/11	AS	
G	REVISED/ECO 5107		
R	REVISED/ECO 5147		
S	REVISED/ECO 5450		
T	REVISED/ECO 5464		
U	REVISED/ECO 5565		

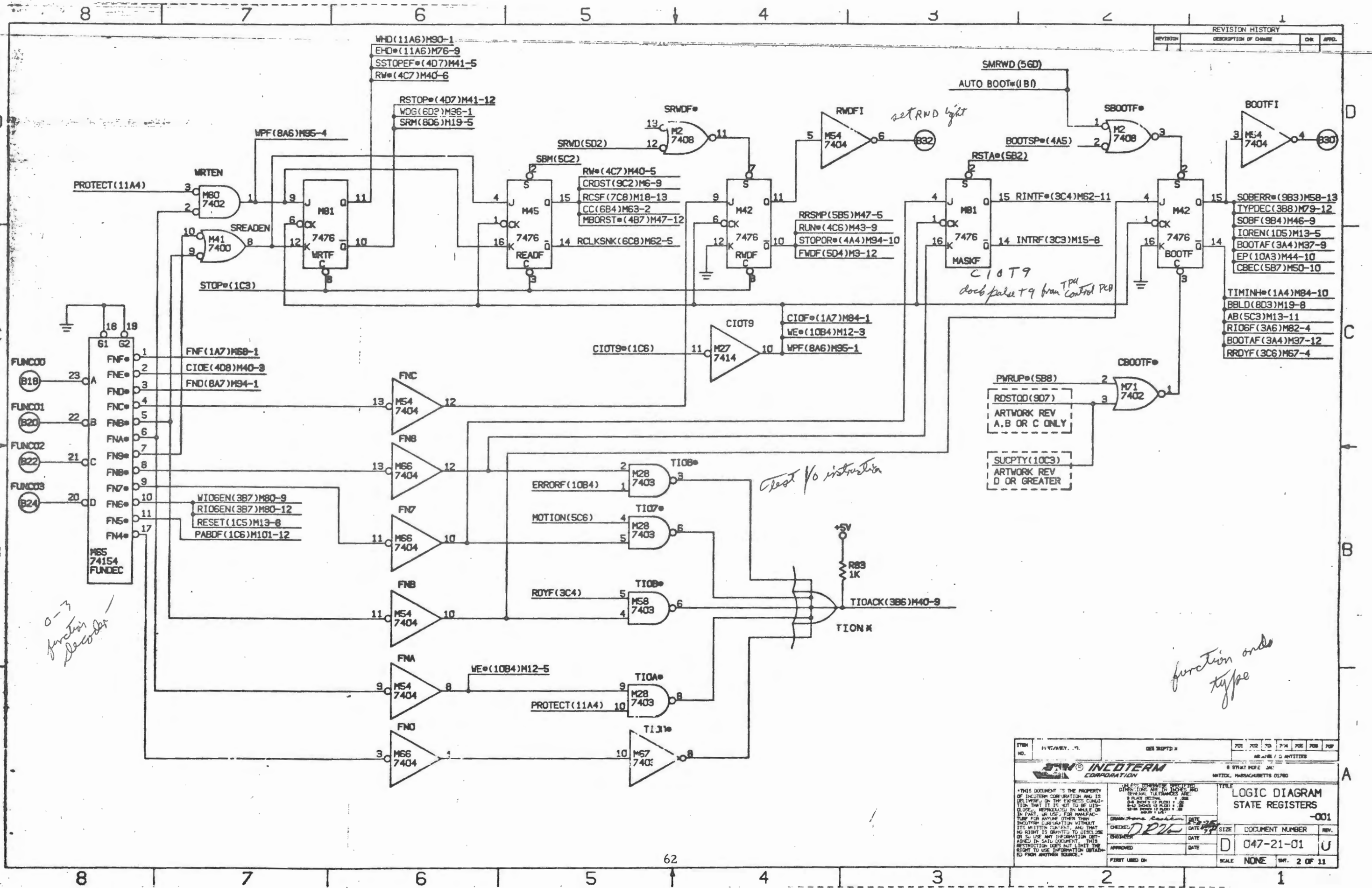


- NOTES:
- UNLESS OTHERWISE SPECIFIED:
 - ALL RESISTORS VALUES ARE IN OHMS AND ARE 1/4W, 5%.
 - ALL CAPACITOR VALUES ARE IN MICROFARADS.
 - ALL DIODES ARE 1N4148.
 - THE FOLLOWING I/O PINS ARE PRE-ASSIGNED AND MUST BE USED FOR THE FUNCTIONS DESCRIBED:

A.	A1, A2, B1, B2	+5V
B.	A41, A42	+12V
C.	A55, A56	V SPECIAL B
D.	A67, A68, A69, A70	-15V
E.	A69, A70	-13V
F.	A85, A86, B85, B86	GRD
G.	B77, B78	+8.5V, V SPCL A

HIGHEST REF DES USED				PINS		PART/AD T. NO.		DESCRIPTION		QTY	
NO.	NO.	NO.	NO.	NO.	NO.	NO.	NO.	NO.	NO.	NO.	NO.
M109	C97	R87	CR24	Q10							
F2	REF DES NOT USED TP6										
R21, 44, 45, 52, 54, 55, 63, 74, 75, 79, 56											
CR10, 12, 17, 18, 19, 20, 21											
C3, 5, 14, 20, 48, 59, 66, 67, 68,											
69, 70, 73, 74, 76, 78, 79, 15,											
18, 82, 83, 85, 86											
Q1											
M38											

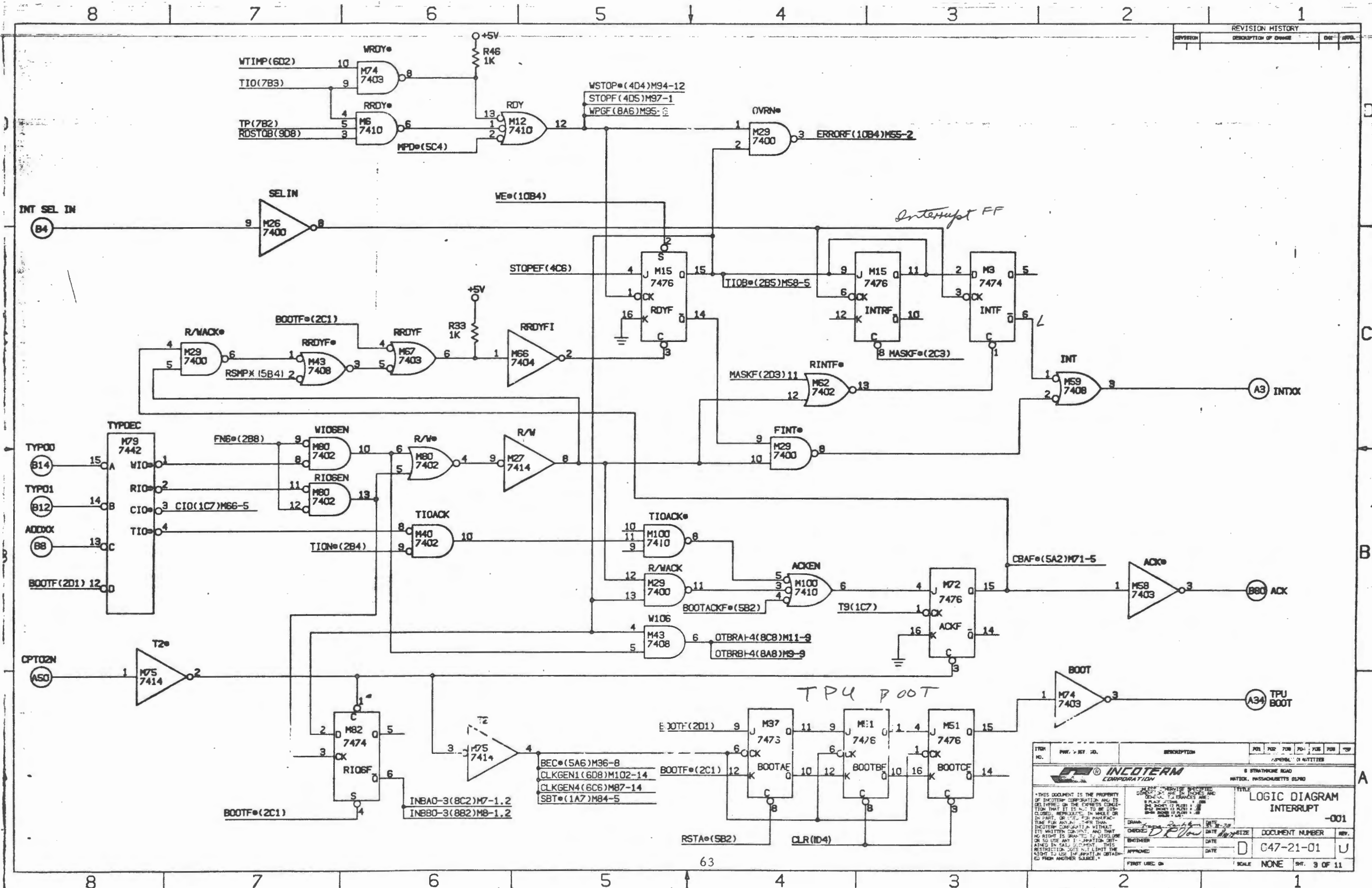
THIS DOCUMENT IS THE PROPERTY OF INCOTERM CORPORATION AND IS DELIVERED ON THE EXPRESS CONDITION THAT IT IS NOT TO BE DISCLOSED, REPRODUCED IN WHOLE OR IN PART, OR USED FOR MANUFACTURE FOR ANY OTHER THAN INCOTERM CORPORATION WITHOUT ITS WRITTEN CONSENT. ANY RIGHT IS GRANTED TO DISCLOSE OR USE ANY INFORMATION OBTAINED IN SAID DOCUMENT. THIS RESTRICTION DOES NOT LIMIT THE RIGHT TO USE INFORMATION OBTAINED FROM ANOTHER SOURCE.		IF ANY DIMENSIONS SPECIFIED ON THIS DRAWING ARE IN CONFLICT WITH THE GENERAL TOLERANCES ARE:		TITLE LOGIC DIAGRAM CASSETTE PROGRAM LOADER -001	
CHECKED: <i>[Signature]</i> DATE: 8/15/75	DATE: 8/15/75	SIZE: D	DOCUMENT NUMBER: 047-21-01	REV: U	SCALE: NONE
APPROVED: <i>[Signature]</i> DATE: 8/15/75	DATE: 8/15/75	SCALE: NONE	INT: 1 OF 11	FIRST USED ON:	SCALE: NONE



REVISION HISTORY			
REVISION	DESCRIPTION OF CHANGE	CHK	APPD.

ITEM NO.	REV. NO.	DES. SHEET NO.	REV. NO.	DATE	BY	CHKD.	APPD.
				8 STATE ROAD, SUITE 200 WATICK, MASSACHUSETTS 01780			
THIS DOCUMENT IS THE PROPERTY OF INCOTERM CORPORATION AND IS LOANED TO THE USER UNDER THE CONDITION THAT IT IS NOT TO BE REPRODUCED, COPIED, OR IN ANY MANNER USED FOR MANUFACTURE FOR ANYONE OTHER THAN THE USER'S COMPANY WITHOUT THE WRITTEN CONSENT AND THAT NO RIGHT IS GRANTED TO OTHERS OR TO USE ANY INFORMATION OBTAINED IN SAID DOCUMENT. THIS RESTRICTION DOES NOT LIMIT THE RIGHT TO USE INFORMATION OBTAINED FROM ANOTHER SOURCE.				TITLE: LOGIC DIAGRAM STATE REGISTERS DRAWN BY: <i>DPW</i> DATE: <i>1-25-78</i> CHECKED BY: <i>DPW</i> DATE: <i>1-25-78</i> BUSINESS: DATE: <i>1-25-78</i> APPROVED: DATE: <i>1-25-78</i> FIRST USED ON:			
SCALE: NONE				SHEET: 2 OF 11			

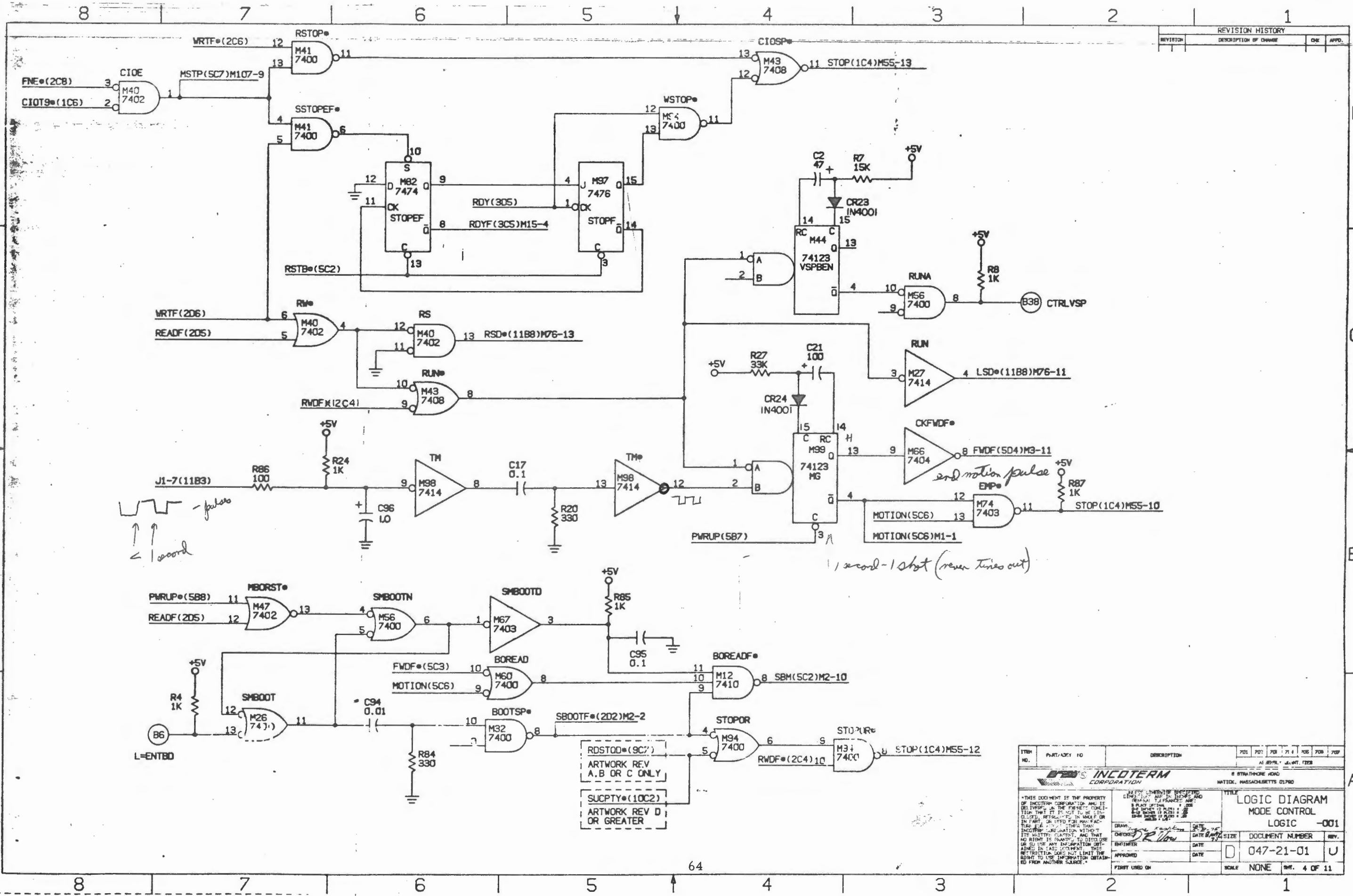
REVISION HISTORY			
REVISION	DESCRIPTION OF CHANGE	DATE	APP'D.



ITEM NO.	REV. NO.	DESCRIPTION	POS.	POS.	POS.	POS.	POS.	POS.

		8 STRATHMORE ROAD WESTOX, MASSACHUSETTS 01936	
THIS DOCUMENT IS THE PROPERTY OF INCOTERM CORPORATION AND IS LOANED TO YOU UNDER THE CONDITION THAT IT IS TO BE KEPT IN CONFIDENCE, REPRODUCED, IN WHOLE OR IN PART, OR USED FOR MANUFACTURE FOR ANY OTHER PURPOSE WITHOUT THE WRITTEN CONSENT OF INCOTERM CORPORATION. THIS RESTRICTION DOES NOT LIMIT THE RIGHT TO USE INFORMATION OBTAINED FROM ANY OTHER SOURCE.			
DRAWN: <i>DRP</i> CHECKED: <i>DRP</i> APPROVED: <i>DRP</i>	DATE: <i>11-28-79</i> DATE: <i>11-28-79</i> DATE: <i>11-28-79</i>	TITLE: LOGIC DIAGRAM INTERRUPT -001	DOCUMENT NUMBER: C47-21-01 REV: U SCALE: NONE SH: 3 OF 11

REVISION HISTORY			
REVISION	DESCRIPTION OF CHANGE	CHK	APPD.

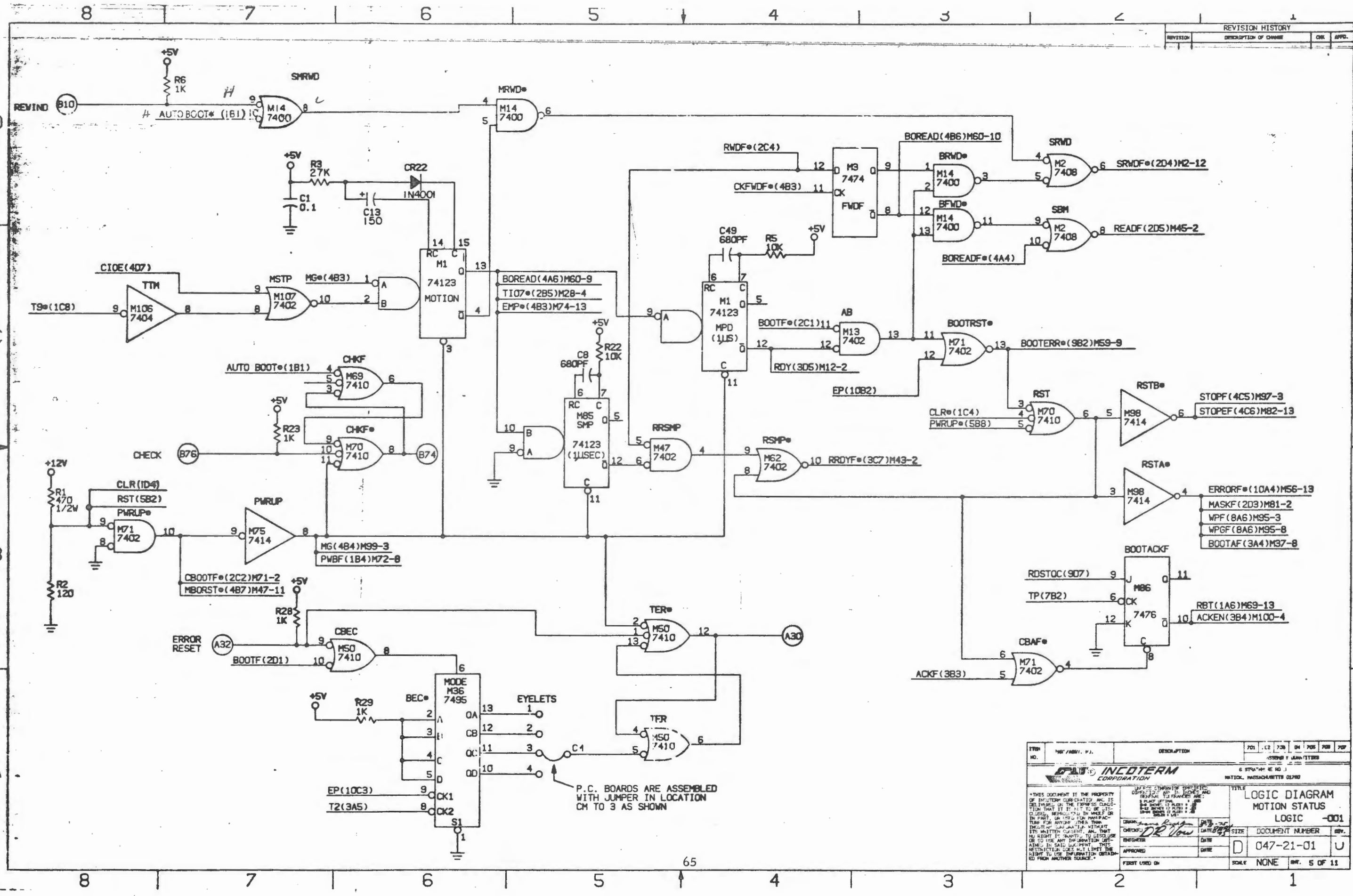


RDSTOD*(9C2)
ARTWORK REV
A, B OR C ONLY

SUCPTY*(10C2)
ARTWORK REV D
OR GREATER

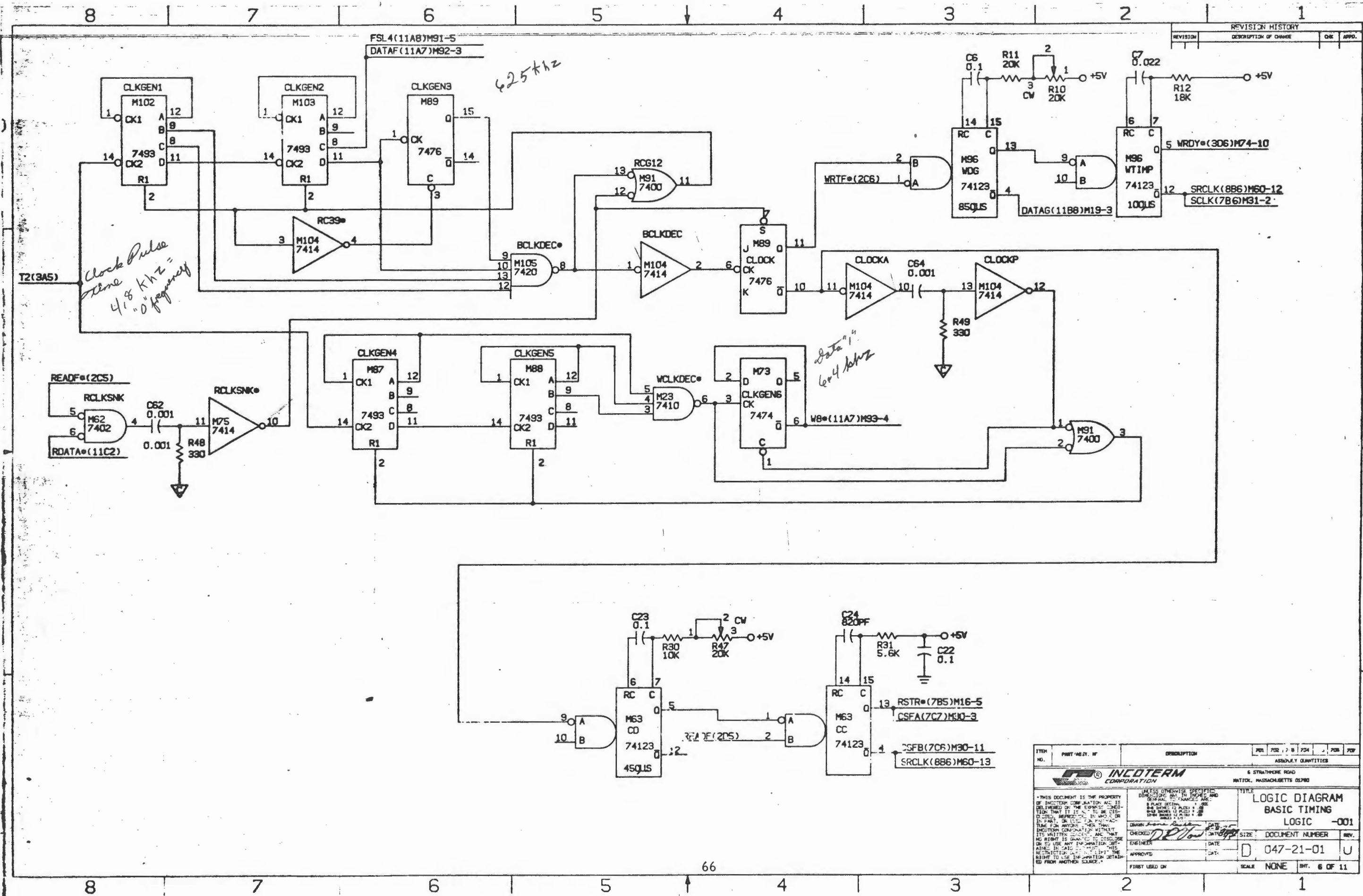
ITEM NO.	PART/ Assy NO	DESCRIPTION	701	702	703	704	705	706	707
<p>INCOTERM CORPORATION 8 STRATHMORE ROAD MATTUCK, MASSACHUSETTS 01760</p>									
<p>*THIS DOCUMENT IS THE PROPERTY OF INCOTERM CORPORATION AND IS LOANED TO THE USER'S FACILITY. IT IS NOT TO BE REPRODUCED, COPIED, OR IN ANY MANNER DISSEMINATED WITHOUT THE WRITTEN CONSENT OF INCOTERM CORPORATION. THIS RESTRICTION DOES NOT LIMIT THE USER'S RIGHT TO USE INFORMATION OBTAINED FROM ANOTHER SOURCE.*</p>			<p>DATE: 5/2/76</p>		<p>SIZE: 11x17</p>		<p>DOCUMENT NUMBER: 047-21-01</p>		<p>REV: U</p>
<p>DRAWN: [Signature]</p>			<p>DATE: 5/2/76</p>		<p>SCALE: NONE</p>		<p>SHT: 4 OF 11</p>		<p>FIRST USED ON:</p>

REVISION HISTORY			
REVISION	DESCRIPTION OF CHANGE	CHK	APP.



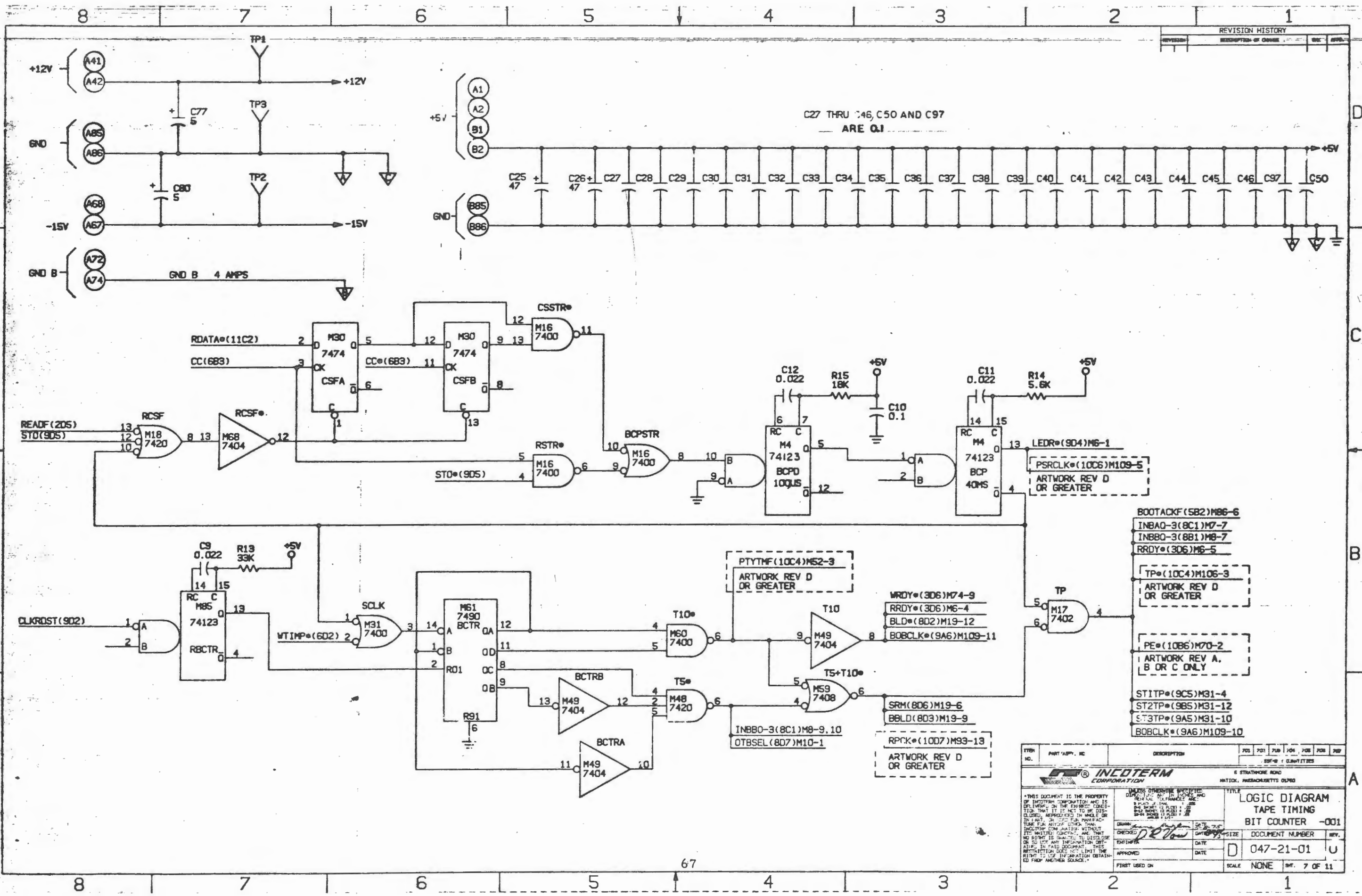
P.C. BOARDS ARE ASSEMBLED WITH JUMPER IN LOCATION CM TO 3 AS SHOWN

<p>INCOTERM CORPORATION 6 STATE STREET MATTLE, MASSACHUSETTS 02109</p>	<p>LOGIC DIAGRAM MOTION STATUS LOGIC -001</p>
<p>DATE: 8/25/75 DRAWN: [Signature] CHECKED: [Signature] ENGINEER: [Signature] APPROVED: [Signature]</p>	<p>SIZE: [] DOCUMENT NUMBER: 047-21-01 SCALE: NONE REV. 5 OF 11</p>



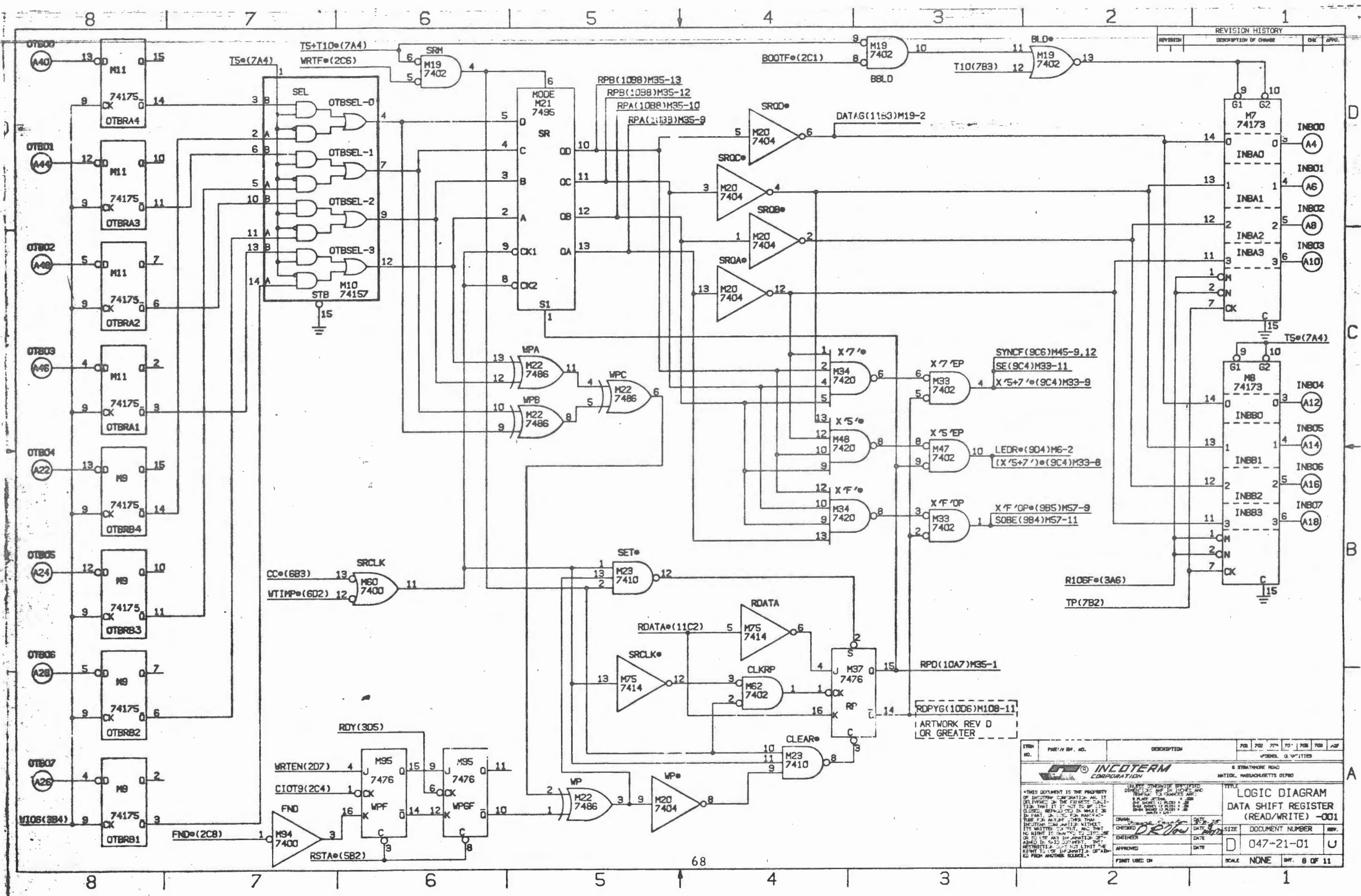
ITEM NO.	PART/ASST. NO.	DESCRIPTION	QTY	UNIT	QTY	UNIT
INCOTERM CORPORATION 6 STRATHMORE ROAD NANTUCKET, MASSACHUSETTS 02580						
*THIS DOCUMENT IS THE PROPERTY OF INCOTERM CORPORATION AND IS LOANED TO YOUR COMPANY. IT IS TO BE RETURNED TO THE SOURCE OF ORIGIN. NO PART OF THIS DOCUMENT IS TO BE REPRODUCED OR TRANSMITTED IN ANY FORM OR BY ANY MEANS, ELECTRONIC OR MECHANICAL, INCLUDING PHOTOCOPYING, RECORDING, OR BY ANY INFORMATION STORAGE AND RETRIEVAL SYSTEM, WITHOUT THE WRITTEN PERMISSION OF INCOTERM CORPORATION. NO PART OF THIS DOCUMENT IS TO BE REPRODUCED OR TRANSMITTED IN ANY FORM OR BY ANY MEANS, ELECTRONIC OR MECHANICAL, INCLUDING PHOTOCOPYING, RECORDING, OR BY ANY INFORMATION STORAGE AND RETRIEVAL SYSTEM, WITHOUT THE WRITTEN PERMISSION OF INCOTERM CORPORATION.		LOGIC DIAGRAM BASIC TIMING LOGIC -001		DOCUMENT NUMBER 047-21-01		
CHECKED <i>[Signature]</i>	DATE 1/1/80	ENGINEER [Blank]	DATE [Blank]	APPROVED [Blank]	DATE [Blank]	REV. U
FIRST USED ON [Blank]		SCALE NONE	SHEET 6 OF 11			

REVISION HISTORY			
REVISION	DESCRIPTION OF CHANGE	BY	DATE



ITEM NO.	PART / ASSY. NO.	DESCRIPTION	QTY	UNIT	QTY	UNIT	QTY	UNIT	QTY	UNIT	QTY	UNIT

		6 STRATHMORE ROAD MILFORD, MASSACHUSETTS 01930	
* THIS DOCUMENT IS THE PROPERTY OF INCOTERM CORPORATION AND IS LOANED TO THE USER UNDER THE CONDITION THAT IT IS NOT TO BE DISCLOSED, REPRODUCED IN WHOLE OR IN PART, OR COPIED FOR ANY PURPOSE OTHER THAN THAT FOR WHICH IT WAS LOANED. NO PART IS TO BE REPRODUCED OR SO LOANED TO ANY OTHER PARTY. IN THE EVENT OF SUCH REPRODUCTION OR LOAN, THE USER SHALL BE RESPONSIBLE FOR OBTAINING THE NECESSARY PERMISSION FROM INCOTERM CORPORATION.		UNLESS OTHERWISE SPECIFIED: DIMENSIONS ARE IN INCHES AND DECIMAL FRACTIONS ARE TO BE USED UNLESS OTHERWISE SPECIFIED. DIMENSIONS IN PARENTHESES ARE FOR INFORMATION ONLY. DIMENSIONS IN PARENTHESES ARE FOR INFORMATION ONLY.	
DRAWN: <i>[Signature]</i> CHECKED: <i>[Signature]</i> DATE: 02/07/75	TITLE: LOGIC DIAGRAM TAPE TIMING BIT COUNTER -001	SIZE: 11" x 17" DOCUMENT NUMBER: 047-21-01 REV: U	SCALE: NONE SHEET: 7 OF 11

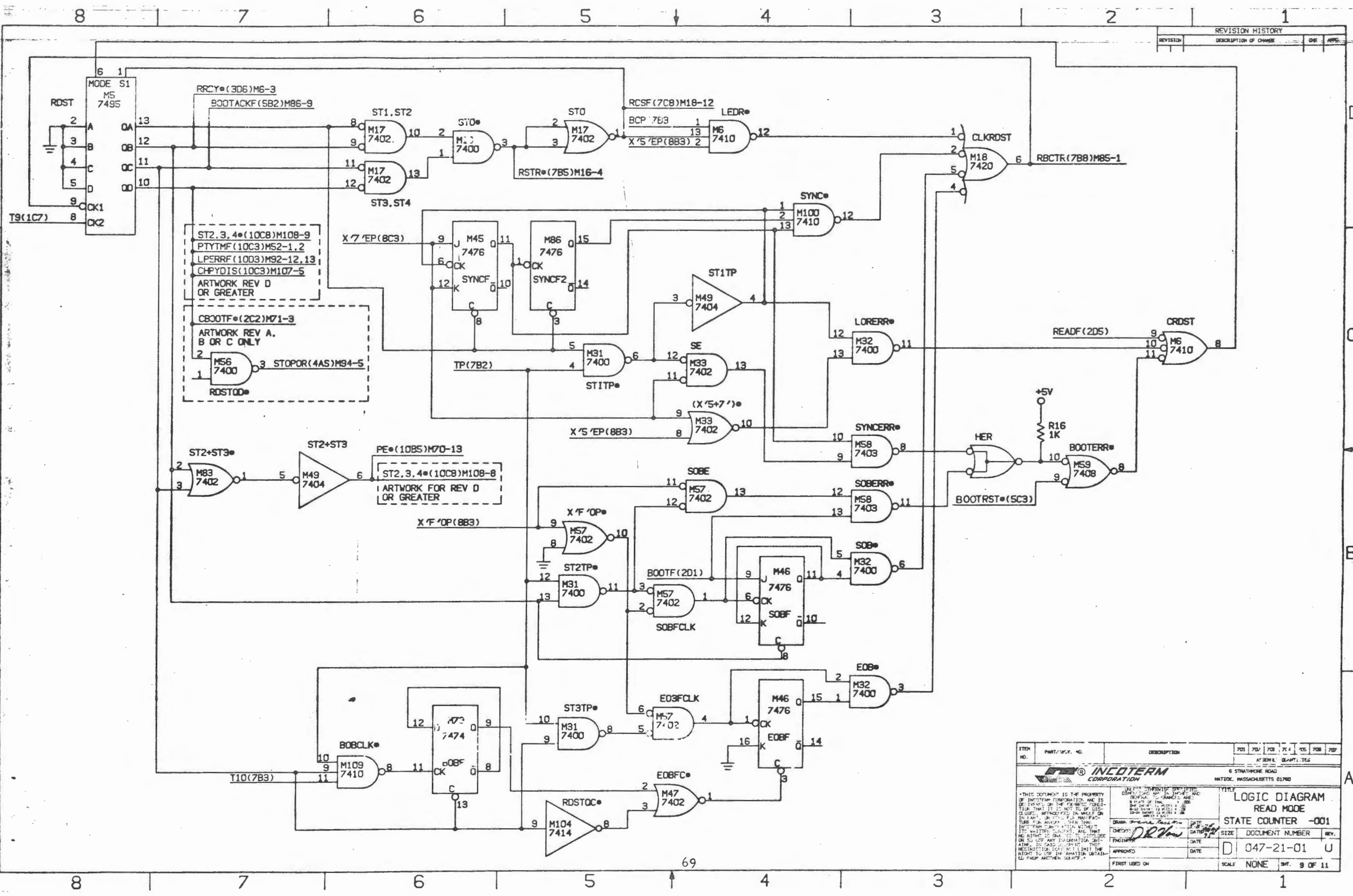


REVISION HISTORY			
REVISION	DESCRIPTION OF CHANGE	CHK	APP.

ITEM NO.	REV. NO.	DESCRIPTION	REV. 1	REV. 2	REV. 3	REV. 4	REV. 5	REV. 6	REV. 7	REV. 8	REV. 9	REV. 10

		6 STRATHMORE ROAD WINTHROP, MASSACHUSETTS 02190	
*THIS DOCUMENT IS THE PROPERTY OF INCOTERM CORPORATION AND IS LOANED TO YOU FOR YOUR USE ONLY. IT IS NOT TO BE REPRODUCED, COPIED, OR DISTRIBUTED IN ANY MANNER WITHOUT THE WRITTEN PERMISSION OF INCOTERM CORPORATION. RETURN TO THE SOURCE FROM WHICH IT WAS OBTAINED. IF YOU ARE NOT THE ORIGINAL USER, YOU MUST RETURN IT TO THE SOURCE FROM WHICH YOU OBTAINED IT. IF YOU ARE THE ORIGINAL USER, YOU MUST RETURN IT TO THE SOURCE FROM WHICH YOU OBTAINED IT. IF YOU ARE THE ORIGINAL USER, YOU MUST RETURN IT TO THE SOURCE FROM WHICH YOU OBTAINED IT.		TITLE LOGIC DIAGRAM DATA SHIFT REGISTER (READ/WRITE) -001	
DRAWN <i>[Signature]</i>	DATE 3/27/75	CHECKED <i>[Signature]</i>	DATE 3/27/75
DESIGNED <i>[Signature]</i>	DATE 3/27/75	APPROVED <i>[Signature]</i>	DATE 3/27/75
FIRST USED ON 047-21-01	SCALE NONE	DOCUMENT NUMBER 047-21-01	REV. U
PRINTED ON 047-21-01	SCALE NONE	DOCUMENT NUMBER 047-21-01	REV. U

REVISED	DESCRIPTION OF CHANGE	CHK	APP.

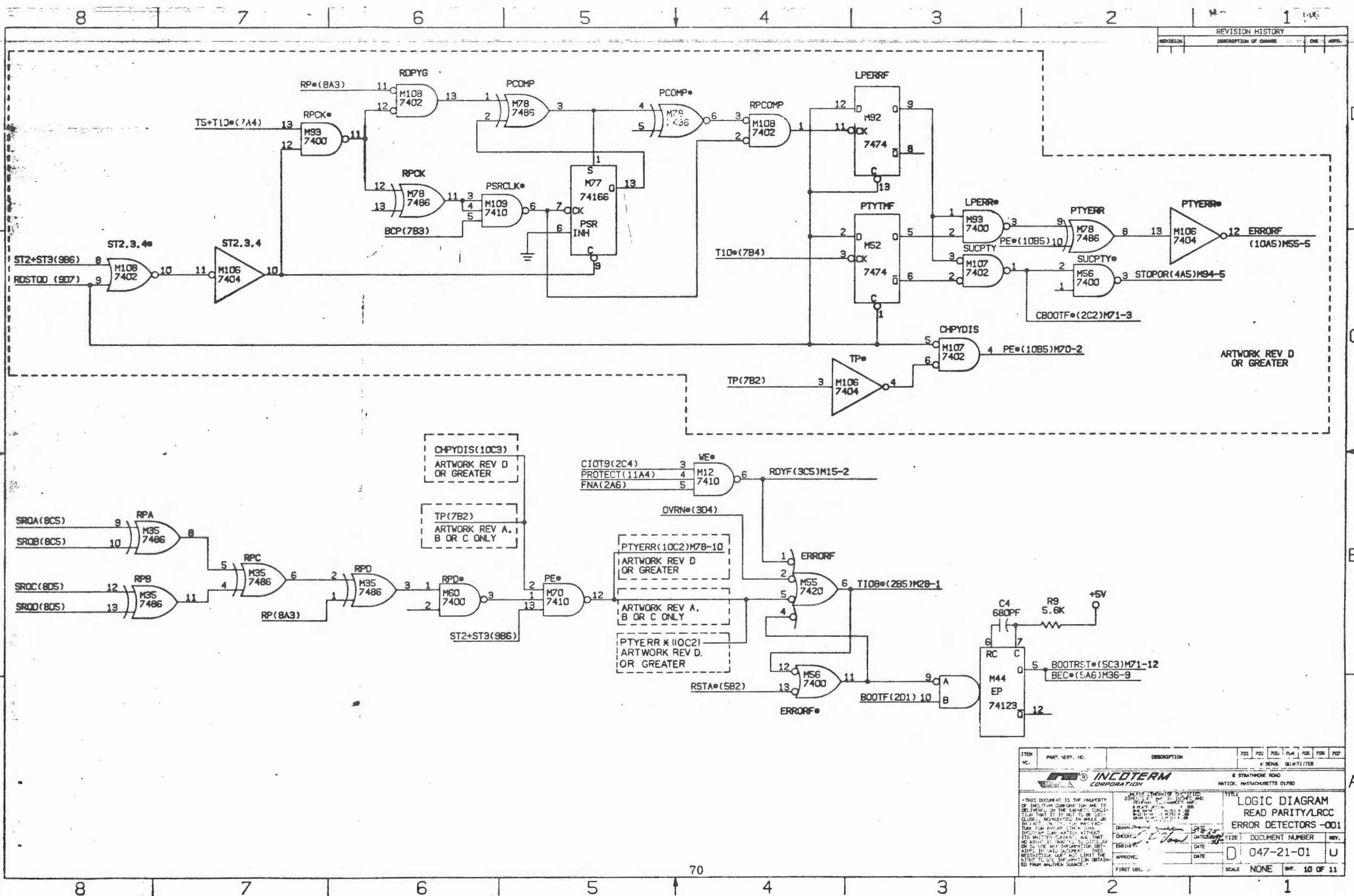


ITEM NO.	PART/REV. NO.	DESCRIPTION	QTY	P1	P2	P3	P4	P5	P6	P7

INCOTERM CORPORATION
6 STRATHMORE ROAD
MATTOK, MASSACHUSETTS 01780

*THIS DOCUMENT IS THE PROPERTY OF INCOTERM CORPORATION AND IS LOANED TO YOU BY INCOTERM CORPORATION. IT IS NOT TO BE DISTRIBUTED OUTSIDE YOUR FACILITY OR TO ANY OTHER PERSON OR ORGANIZATION WITHOUT THE WRITTEN CONSENT OF INCOTERM CORPORATION. ANY INFORMATION CONTAINED HEREIN IS UNCLASSIFIED EXCEPT WHERE SHOWN OTHERWISE. IT IS THE POLICY OF INCOTERM CORPORATION TO MAKE THIS INFORMATION AVAILABLE TO THE PUBLIC THROUGH THE NATIONAL ARCHIVES.		DATE: <i>10/2/88</i>		SIZE: <i>11x17</i>		DOCUMENT NUMBER: <i>047-21-01</i>		REV. <i>U</i>	
ENGINEER: <i>DR/...</i>	DATE: <i>10/2/88</i>	APPROVED: <i>[Signature]</i>	DATE: <i>10/2/88</i>	FIRST USED ON: <i> </i>	SCALE: <i>NONE</i>	SHT. 9 OF 11			

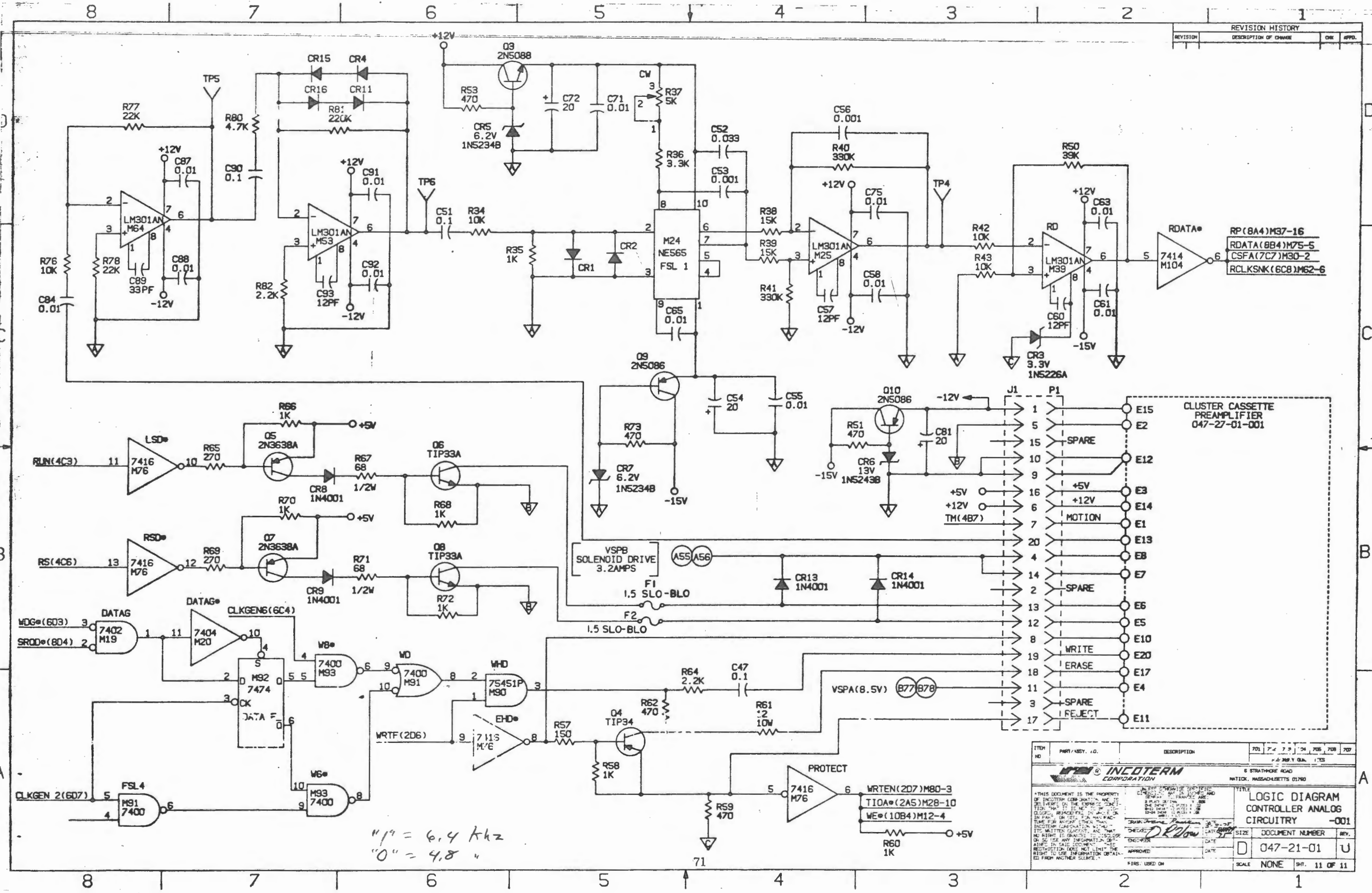
69



REVISION HISTORY			
REVISION	DESCRIPTION OF CHANGE	CHK	APP.

ITEM NO.	PART. VER. NO.	DESCRIPTION	701	702	703	704	705	706	707
INCOTERM CORPORATION									
6 STRATHMORE ROAD MAYTOK, MASSACHUSETTS 01700									
<small>THIS DOCUMENT IS THE PROPERTY OF INCOTERM CORPORATION AND IS LOANED TO YOU FOR YOUR USE ONLY. IT IS TO BE RETURNED TO INCOTERM CORPORATION WHEN YOU ARE THROUGH WITH IT. IT IS NOT TO BE REPRODUCED, COPIED, OR TRANSMITTED IN ANY FORM OR BY ANY MEANS, ELECTRONIC OR MECHANICAL, INCLUDING PHOTOCOPYING, RECORDING, OR BY ANY INFORMATION STORAGE AND RETRIEVAL SYSTEM. THIS RESTRICTION DOES NOT LIMIT THE RIGHT TO USE INFORMATION OBTAINED FROM ANY OTHER SOURCE.</small>		<small>DATE: 10/25/78</small> <small>DATE: 10/25/78</small> <small>DATE: 10/25/78</small>		<small>SIZE: 11x17</small> <small>DOCUMENT NUMBER: 047-21-01</small> <small>REV: U</small>		<small>SCALE: NONE</small> <small>SHEET: 10 OF 11</small>		<small>DATE: 10/25/78</small> <small>DATE: 10/25/78</small>	

REVISION HISTORY			
REVISION	DESCRIPTION OF CHANGE	CHK	APPL

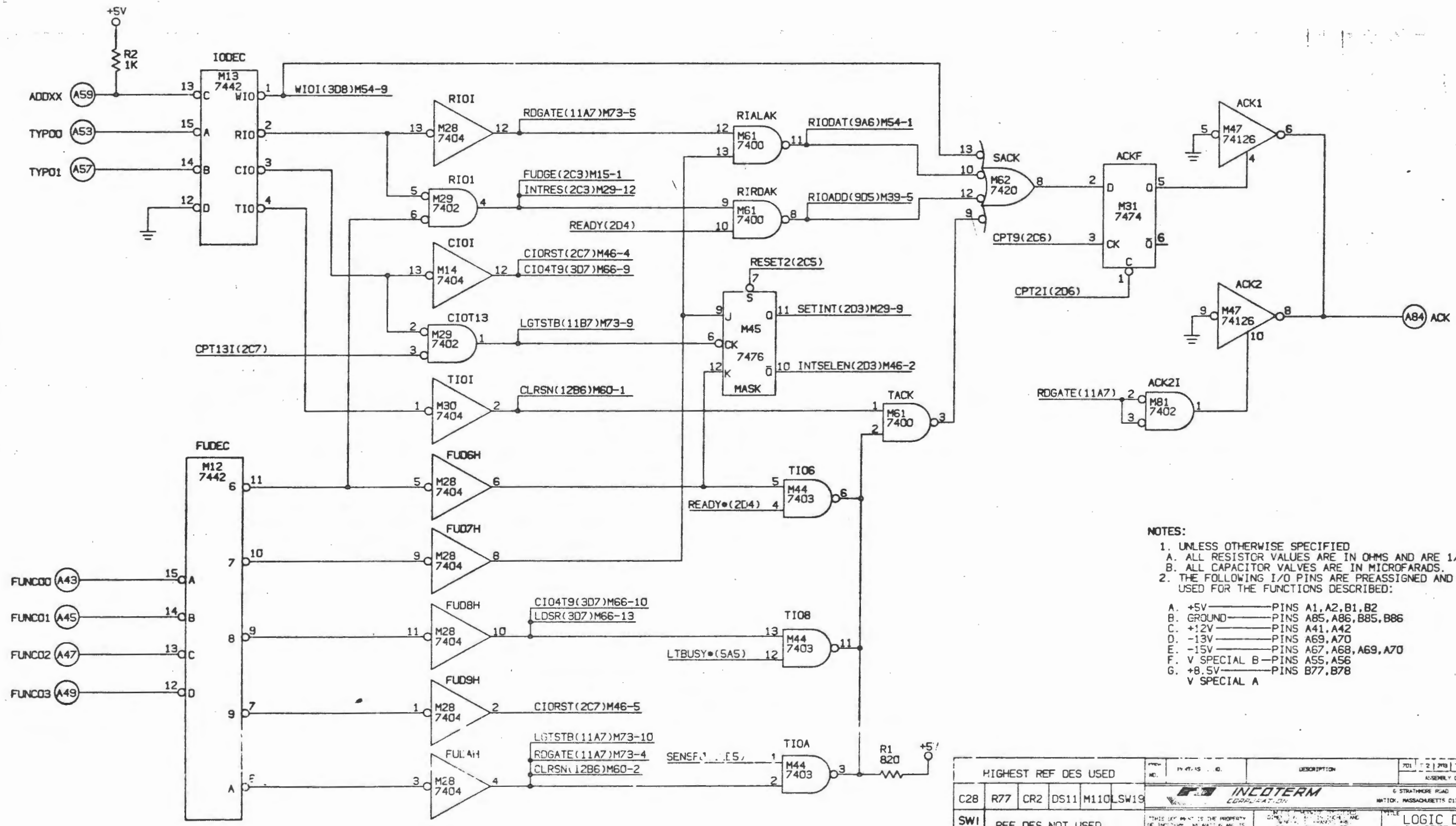


"1" = 6.4 Khz
 "0" = 4.8 "

ITEM NO	PART / ASSY. NO.	DESCRIPTION	701	702	703	704	705	706	707

INCOTERM CORPORATION 6 STRATHMORE ROAD WATUCK, MASSACHUSETTS 01780		TITLE LOGIC DIAGRAM CONTROLLER ANALOG CIRCUITRY -001
THIS DOCUMENT IS THE PROPERTY OF INCOTERM CORPORATION AND IS TO BE KEPT IN THE STRICTEST CONFIDENCE. IT IS TO BE USED ONLY FOR THE PURPOSES SPECIFIED HEREIN. IT IS NOT TO BE REPRODUCED, COPIED, OR TRANSMITTED IN ANY FORM OR BY ANY MEANS, ELECTRONIC OR MECHANICAL, INCLUDING PHOTOCOPYING, RECORDING, OR BY ANY INFORMATION STORAGE AND RETRIEVAL SYSTEM, WITHOUT THE WRITTEN PERMISSION OF INCOTERM CORPORATION. NO PART OF THIS DOCUMENT IS TO BE REPRODUCED OR TRANSMITTED IN ANY FORM OR BY ANY MEANS, ELECTRONIC OR MECHANICAL, INCLUDING PHOTOCOPYING, RECORDING, OR BY ANY INFORMATION STORAGE AND RETRIEVAL SYSTEM, WITHOUT THE WRITTEN PERMISSION OF INCOTERM CORPORATION.	ENGINEER <i>[Signature]</i>	DATE 11/78
APPROVED _____	DATE 11/78	SIZE D
DOCUMENT NUMBER 047-21-01	REV. U	SCALE NONE
SHEET NO. 11 OF 11	TOTAL SHEETS 11	DATE 11/78

REVISION HISTORY			
REVISION	DESCRIPTION OF CHANGE	CHK	APPD.
L	REV/ECO 5060 REDRAWN NO CHNGS	CWF	



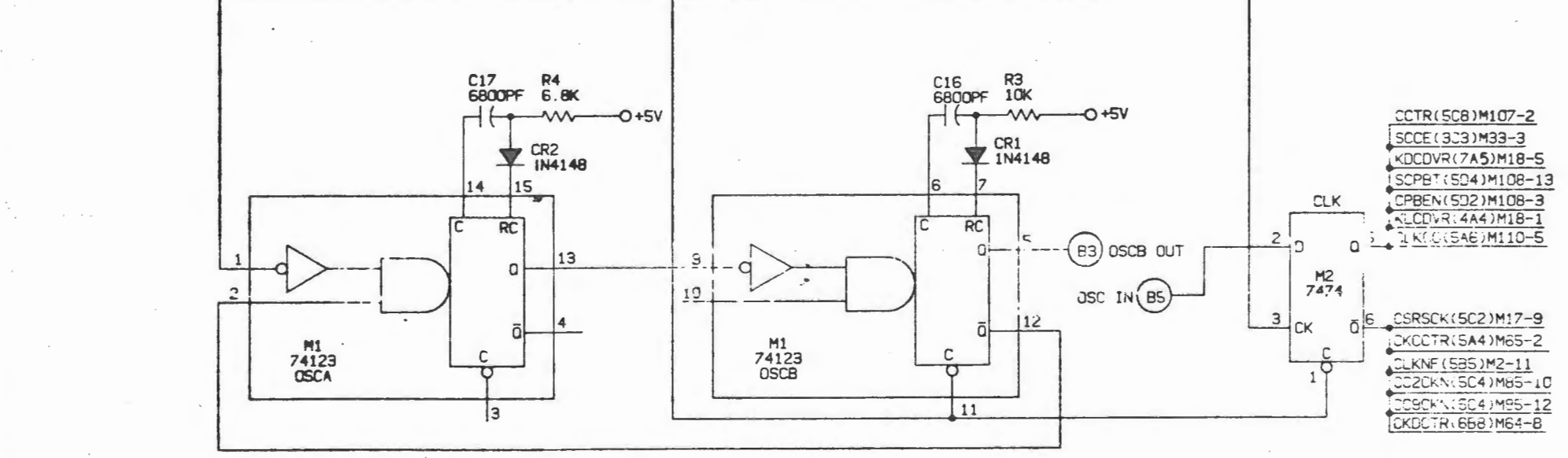
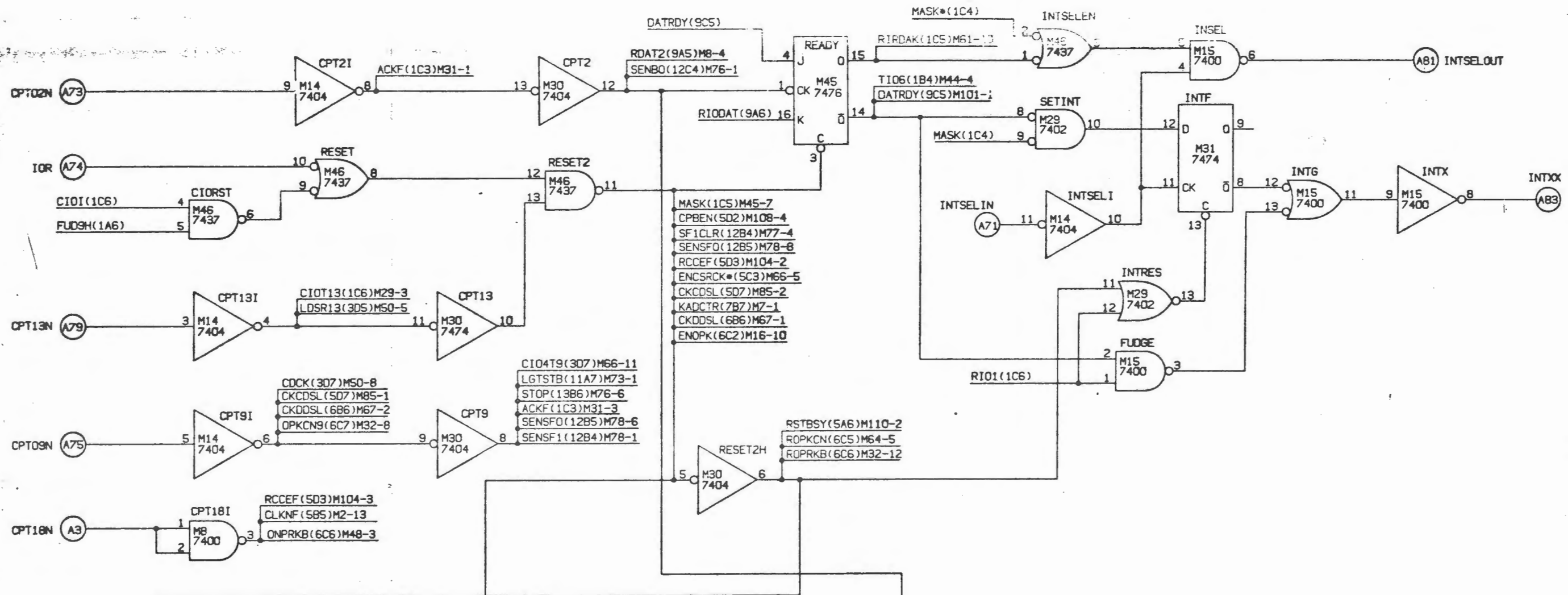
- NOTES:**
- UNLESS OTHERWISE SPECIFIED
 - ALL RESISTOR VALUES ARE IN OHMS AND ARE 1/4W, ±5%.
 - ALL CAPACITOR VALUES ARE IN MICROFARADS.
 - THE FOLLOWING I/O PINS ARE PREASSIGNED AND MUST BE USED FOR THE FUNCTIONS DESCRIBED:

A.	+5V	—	PINS	A1, A2, B1, B2
B.	GROUND	—	PINS	A85, A86, B85, B86
C.	+12V	—	PINS	A41, A42
D.	-13V	—	PINS	A69, A70
E.	-15V	—	PINS	A67, A68, A69, A70
F.	V SPECIAL B	—	PINS	A55, A56
G.	+8.5V	—	PINS	B77, B78

HIGHEST REF DES USED		DESCRIPTION		ASSEMBLY QUANTITIES	
C28	R77	CR2	DS11	M110	LSW19
REF DES NOT USED					
C20	R65				

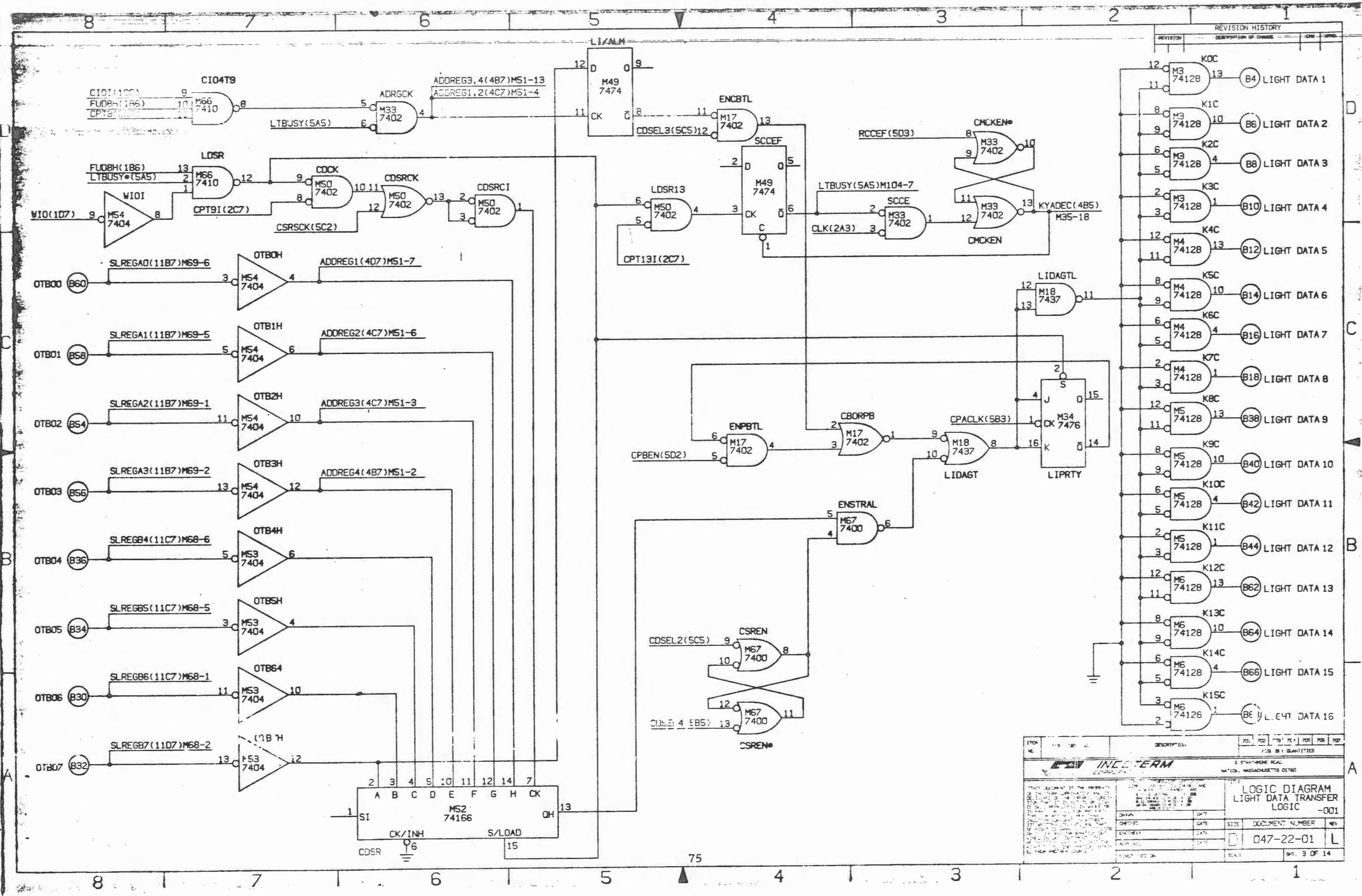
		6 STRATHMORE ROAD WINTON, MASSACHUSETTS 01790	
THIS DOCUMENT IS THE PROPERTY OF INCOTERM AND IS LOANED TO THE REPRODUCING OFFICE. IT IS TO BE RETURNED TO THE SOURCE OF ORIGIN.		TITLE LOGIC DIAGRAM CLUSTER KBD AND CONSOLE INSTRUCTION DECODE	
DATE DRY	DRAWN DRY	CHECKED DRY	DOCUMENT NUMBER 047-22-01
SCALE		REV. L	
SHEET NO. 1		OF 14	

REVISION HISTORY			
REVISION	DESCRIPTION OF CHANGE	DATE	APPD.



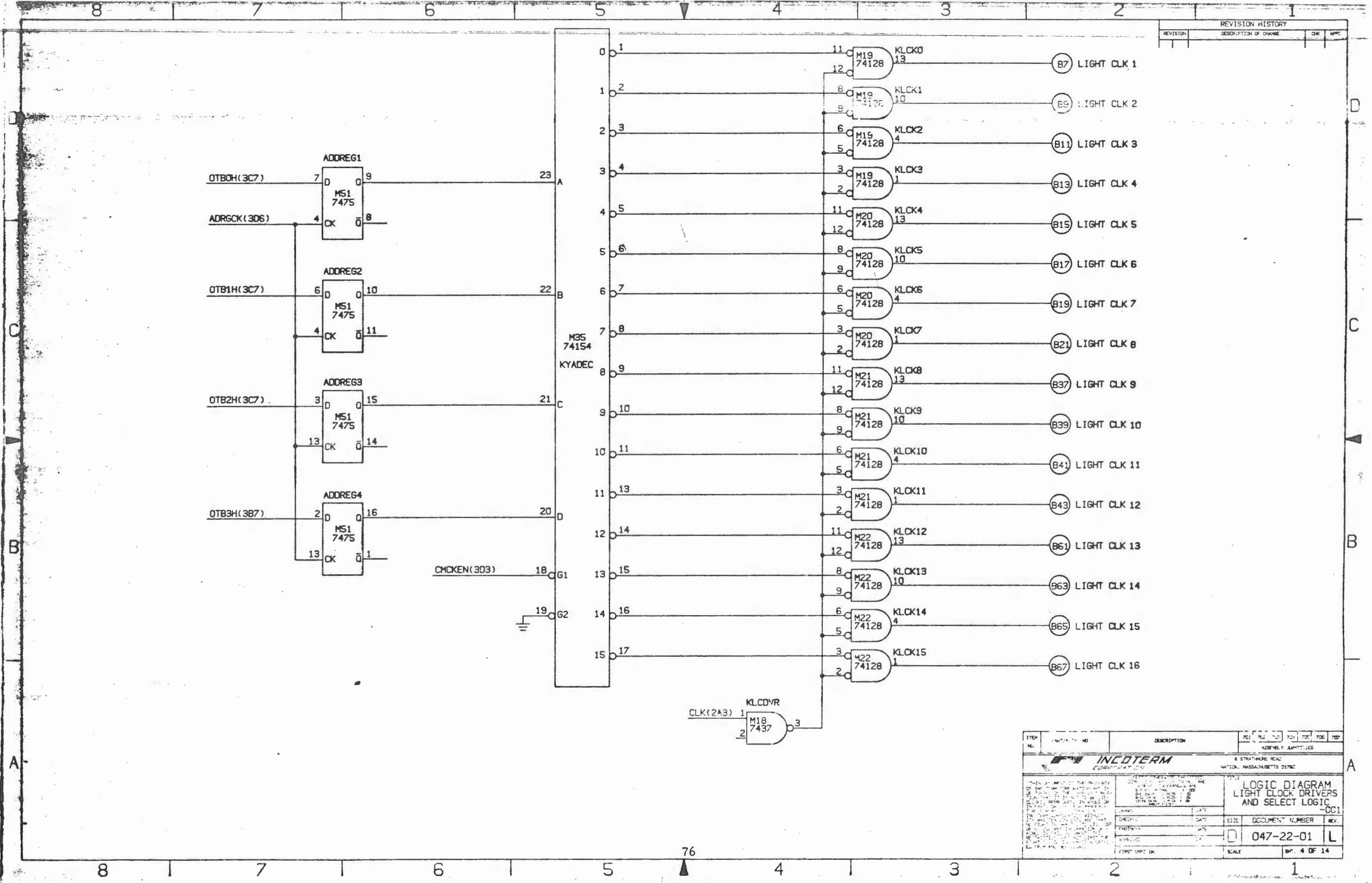
INCOTERM CORPORATION		E STATE WARE HOUSE	
DATE	TIME	DATE	TIME

LOGIC DIAGRAM READY AND INTERRUPT LOGIC AND OSCILLATOR -001			
REV.	DATE	SIZE	DOCUMENT NUMBER



REVISION HISTORY	
REVISION	DESCRIPTION OF CHANGE

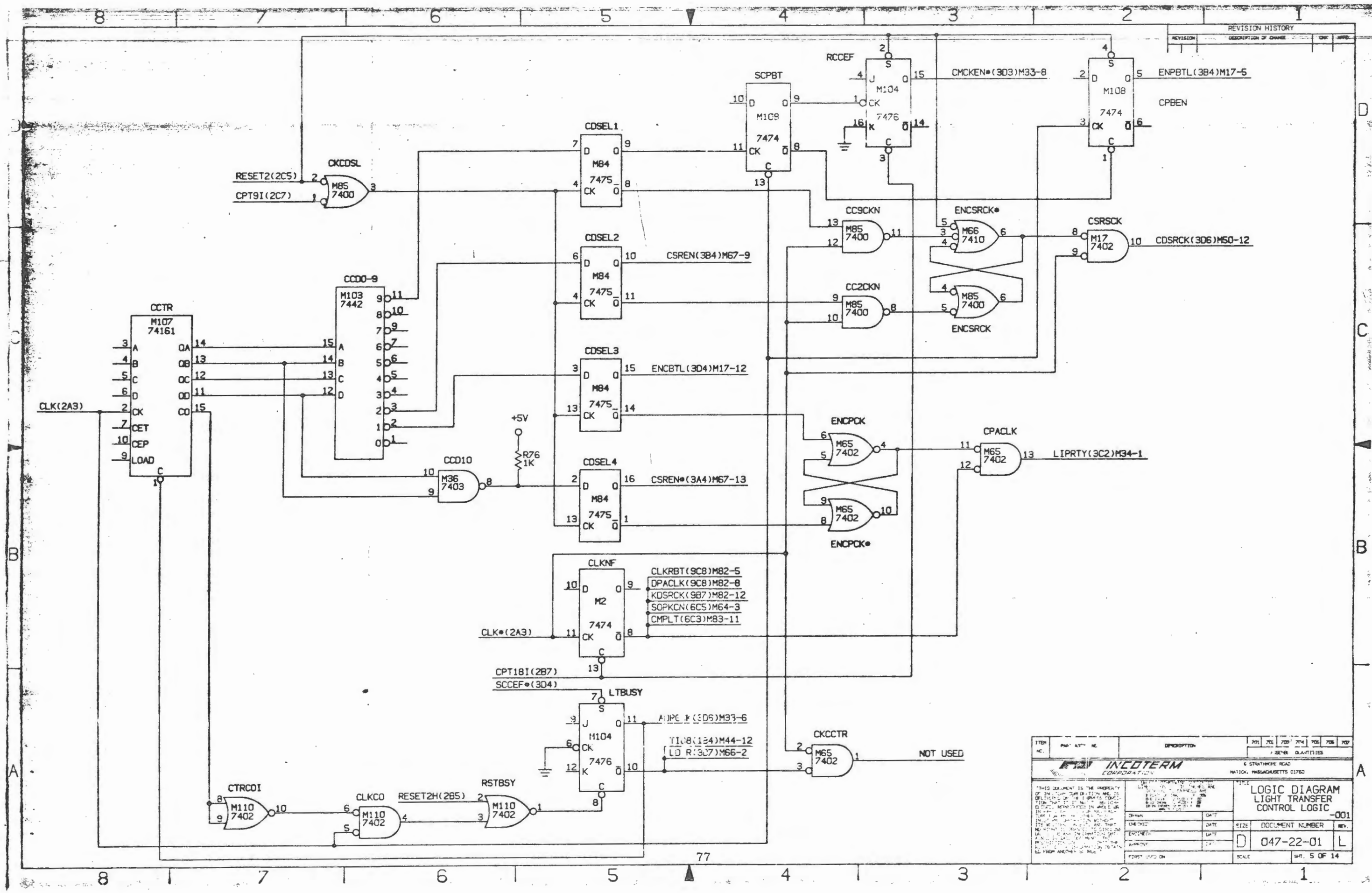
INTEC		LOGIC DIAGRAM	
LIGHT DATA TRANSFER		LOGIC	
-001			
DATE	DATE	SIZE	DOCUMENT NUMBER
			047-22-01
			L
SCALE		SHEET 3 OF 14	



REVISION HISTORY			
REVISION	DESCRIPTION OF CHANGE	CHK	APP

ITEM NO.	DESCRIPTION	QTY	UNIT
INCOTERM CORPORATION 8 STRATHMORE ROAD NORTON, MASSACHUSETTS 01918			
LOGIC DIAGRAM LIGHT CLOCK DRIVERS AND SELECT LOGIC -CC1			
DATE	SIZE	DOCUMENT NUMBER	REV.
		047-22-01	L
FIRST USE ON	SCALE	SHEET 4 OF 14	

REVISION	DESCRIPTION OF CHANGE	CHK	APPD



ITEM NO.	REV.	DESCRIPTION	QTY	UNIT	DATE	BY	CHKD	APPD

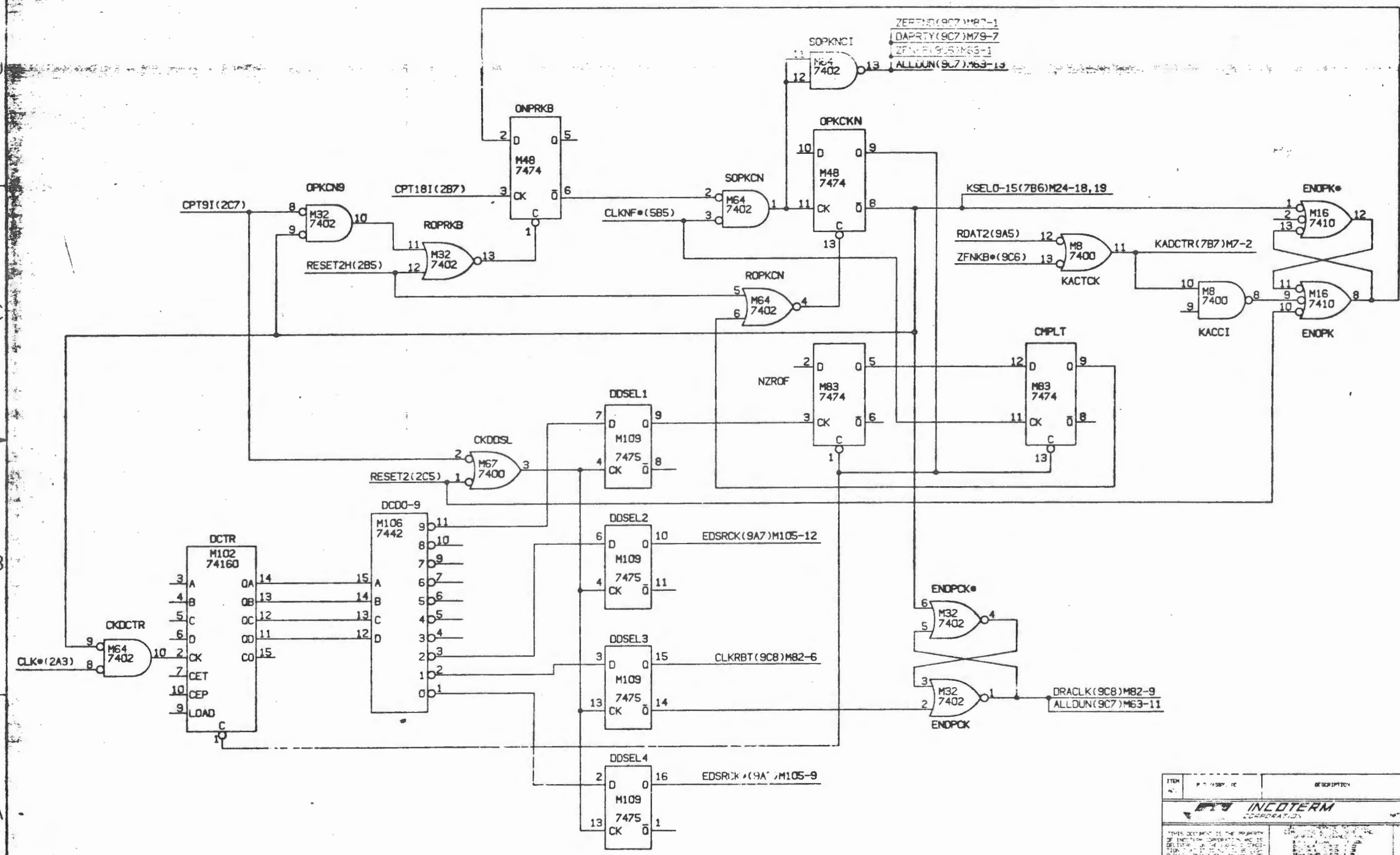
INCOTERM CORPORATION
6 STRATHMORE ROAD
MATTAPAN, MASSACHUSETTS 01760

LOGIC DIAGRAM
LIGHT TRANSFER
CONTROL LOGIC -001

DATE	DATE	SIZE	DOCUMENT NUMBER	REV.

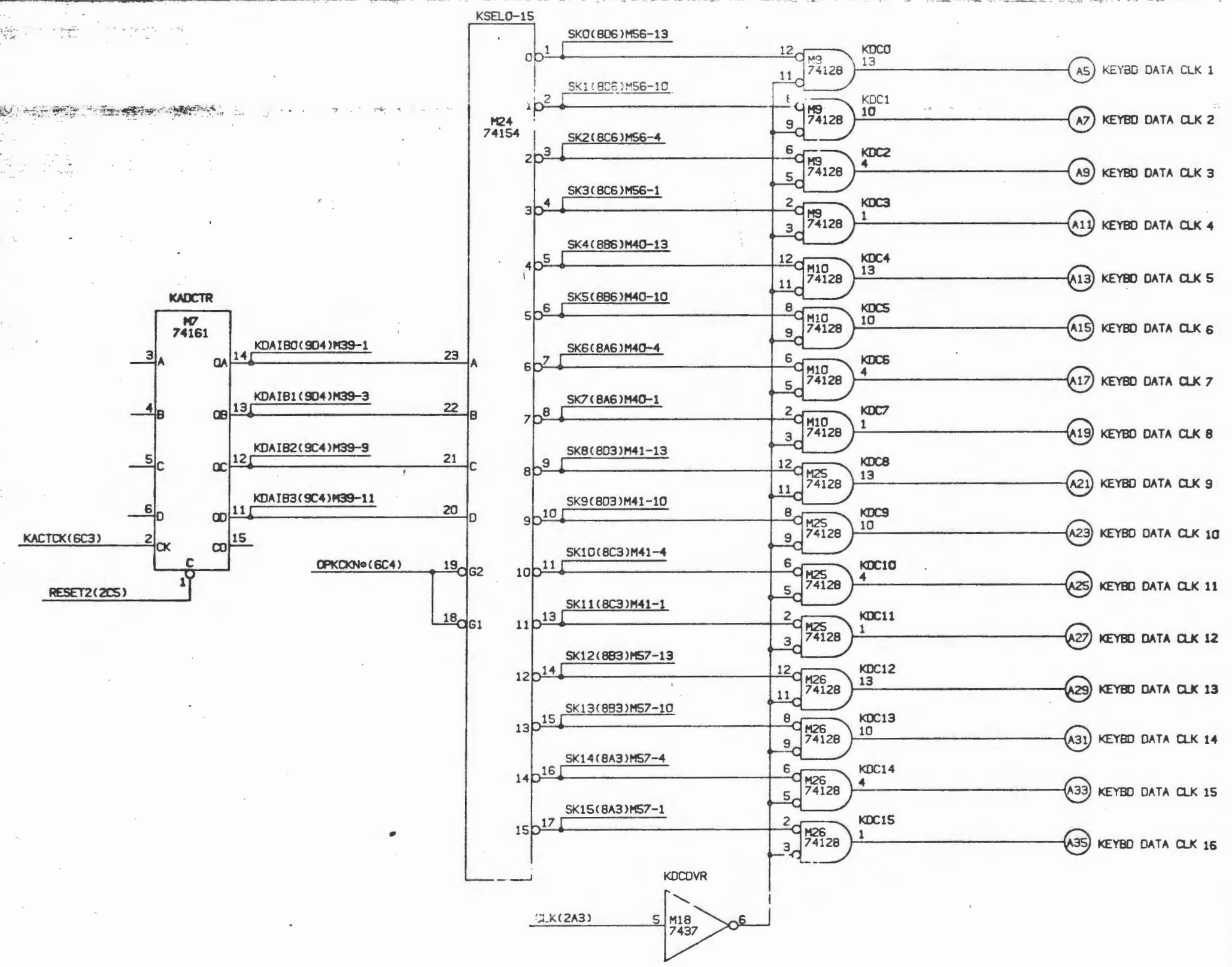
SCALE: 5 OF 14

REVISION	DESCRIPTION OF CHANGE	DATE	APPROVED

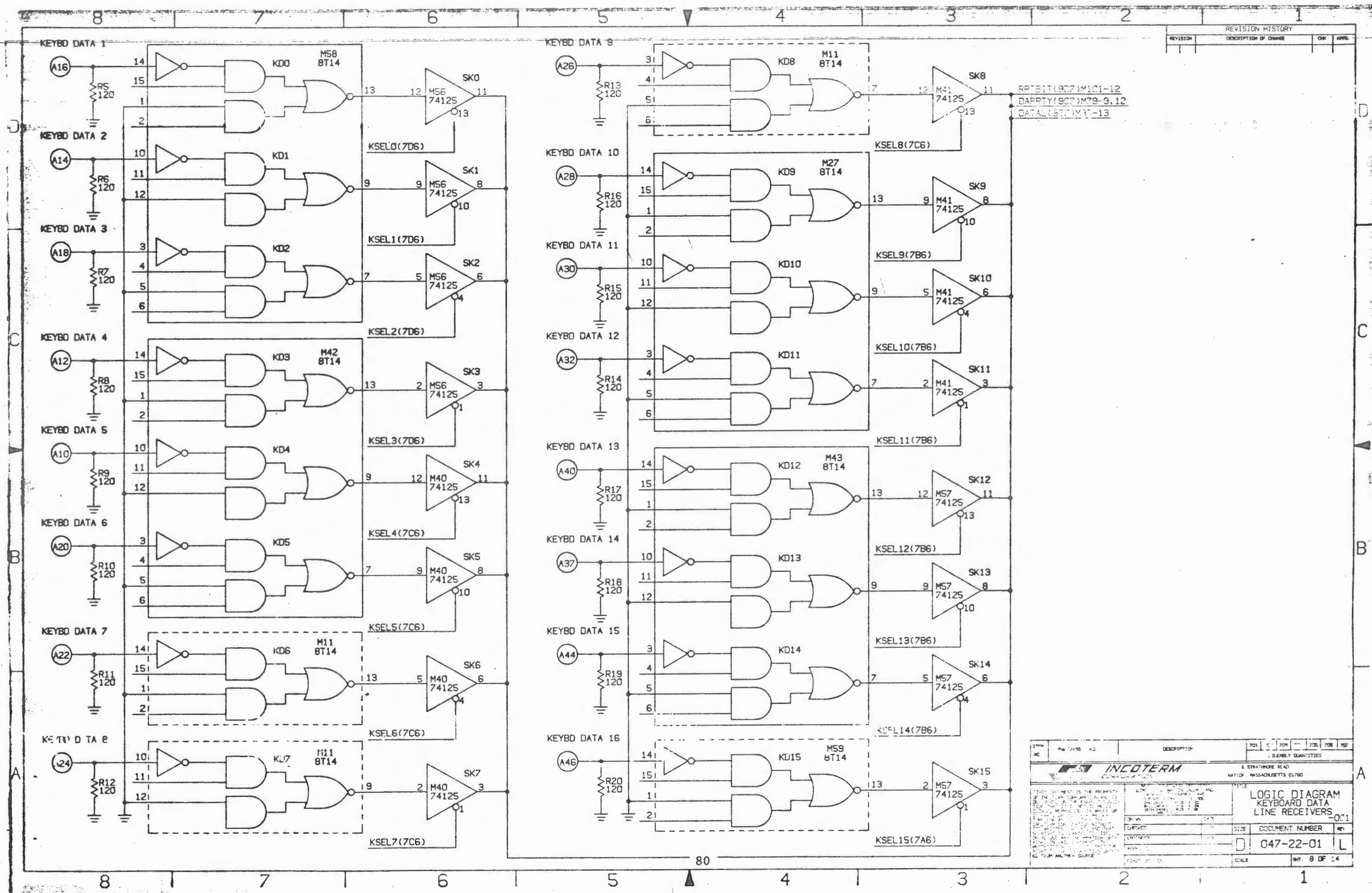


ITEM NO.	REV.	DATE	DESCRIPTION	701	702	703	704	705	706	707
INCOTERM CORPORATION 6 STAMFORD ROAD MILTON, MASSACHUSETTS 01704										
THIS DOCUMENT IS THE PROPERTY OF INCOTERM CORPORATION AND IS LOANED TO YOU. IT IS TO BE RETURNED TO THE OFFICE OF ORIGIN UPON REQUEST.			DATE		SCALE		DOCUMENT NUMBER		REV.	
DRAWN	DATE	SCALE	047-22-01		L		-001		REV.	
CHECKED	DATE	SCALE	047-22-01		L		-001		REV.	
ENGINEER	DATE	SCALE	047-22-01		L		-001		REV.	
APPROVED	DATE	SCALE	047-22-01		L		-001		REV.	
FIRST USE IN	SCALE	REV. 6 OF 14								

REVISION HISTORY			
REV	DESCRIPTION OF CHANGE	CHK	APPV



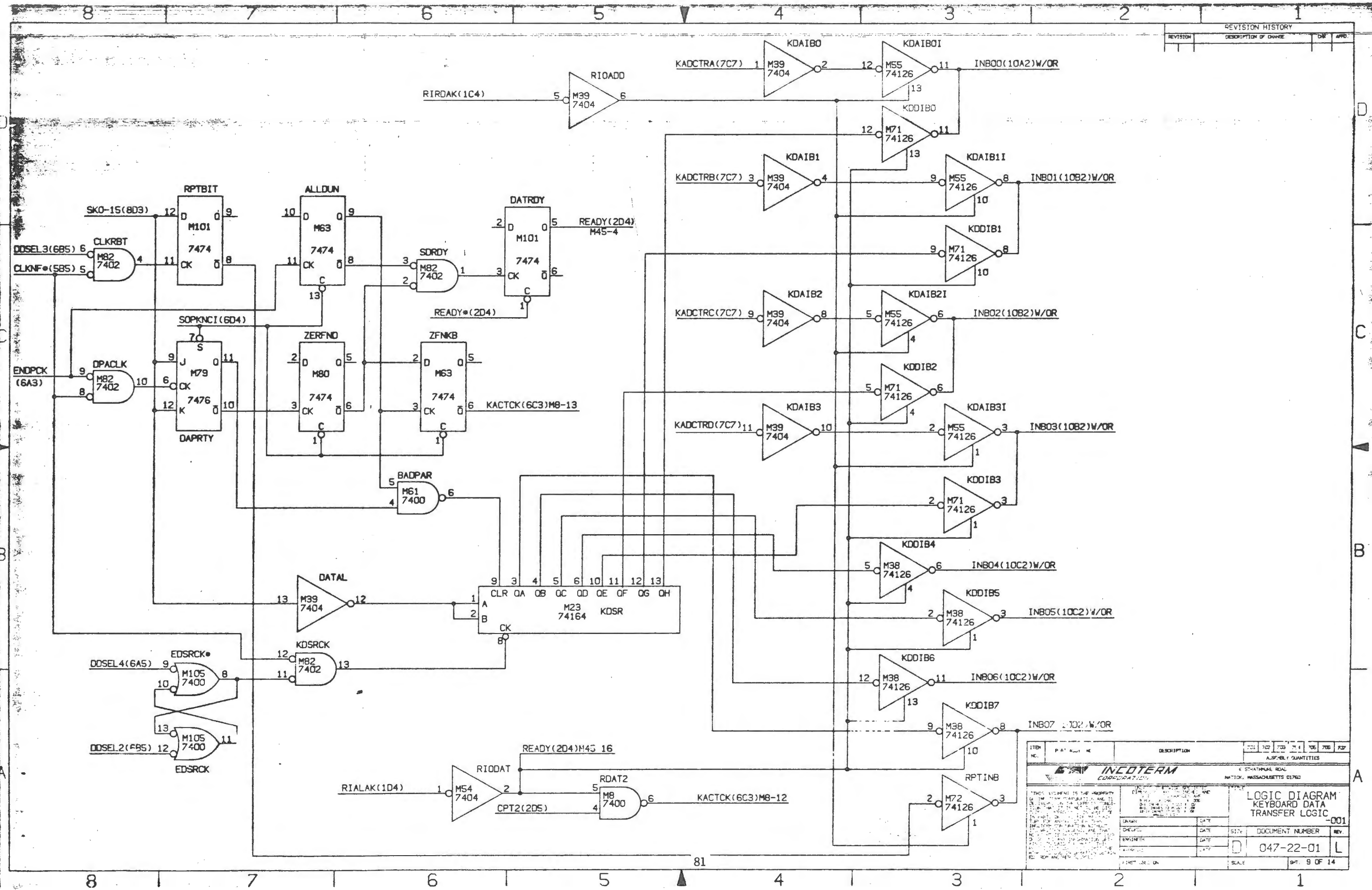
ITEM NO.	DESCRIPTION	QTY	UNIT	QTY	UNIT	QTY	UNIT	QTY	UNIT
INCOTERM CORPORATION									
LOGIC DIAGRAM - KEYBOARD DATA CLOCK DRIVERS AND SELECT LOGIC-001									
DATE	DATE	DATE	DATE	DATE	DATE	DATE	DATE	DATE	DATE
DRAWN		CHECKED		ENGINEER		APPROVED		FIRST COPY ON	
SCALE								SHEET 7 OF 14	



REVISION HISTORY			
REVISION	DESCRIPTION OF CHANGE	OK	APPR.

RPTBIT(907)M101-12
 DAPRTY(907)M79-9.12
 DATAL(977)M30-13

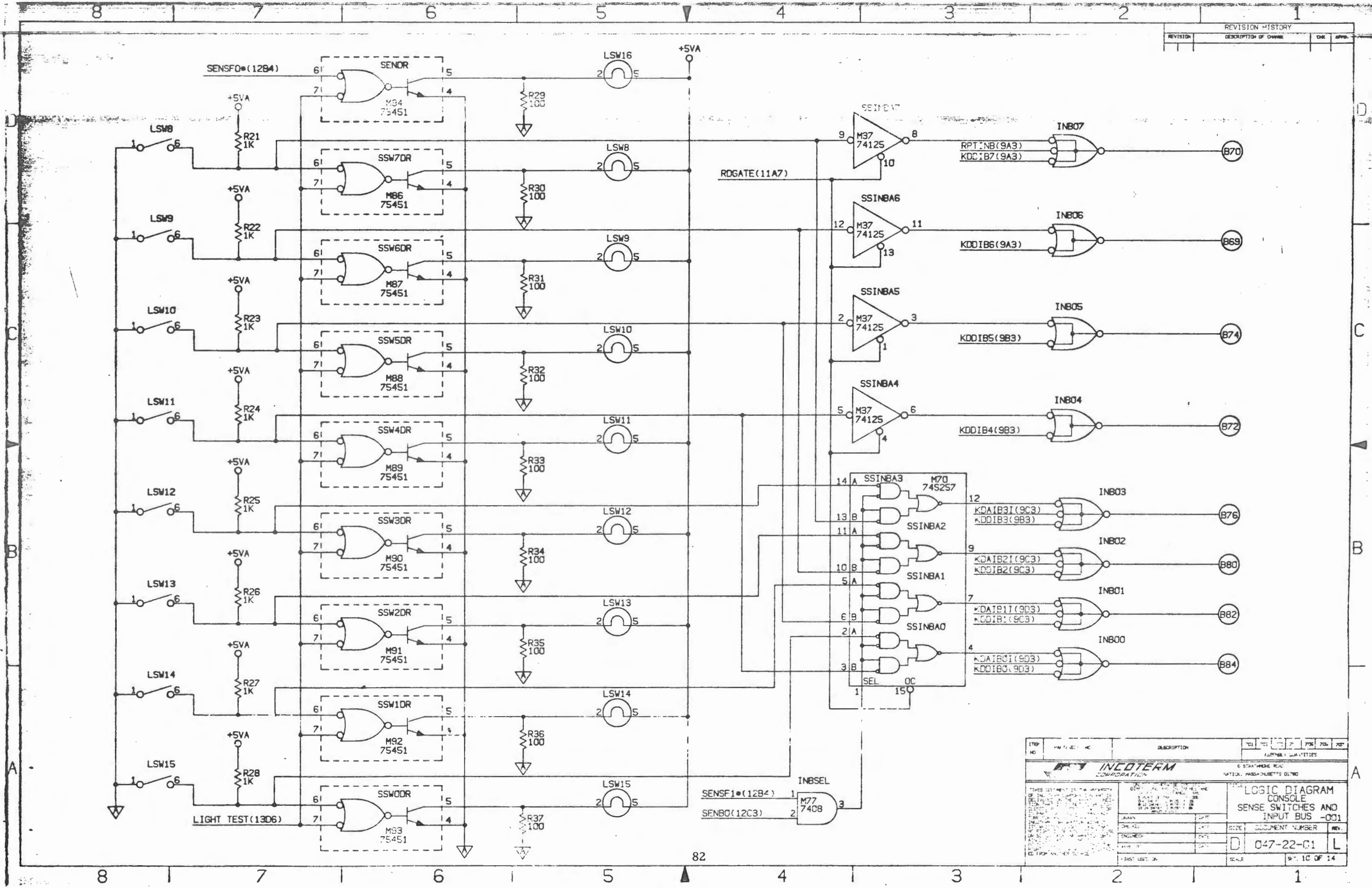
INCOTERM	6 STRATHMORE ROAD NATICK, MASSACHUSETTS 01740	REVISION	701	702	703	704	705	706	707
LOGIC DIAGRAM KEYBOARD DATA LINE RECEIVERS		DOCUMENT NUMBER	047-22-01						
SCALE		SMT. 8 OF 14							



REVISION HISTORY		
REVISION	DESCRIPTION OF CHANGE	DATE

ITEM NO.	PART NO.	DESCRIPTION	QTY	UNIT	ASSEMBLY QUANTITIES
INCOTERM CORPORATION 6 STATE STREET, BOSTON, MASSACHUSETTS 02108					
THIS SYSTEM IS THE PROPERTY OF INCOTERM CORPORATION. IT IS TO BE USED ONLY FOR THE PROJECT AND FOR THE PURPOSES SPECIFIED IN THE CONTRACT. IT IS TO BE RETURNED TO INCOTERM CORPORATION AT THE END OF THE PROJECT.					
DESIGNED BY	DATE	SCALE	DOCUMENT NUMBER	REV.	
ENGINEER	DATE		047-22-01	L	
CHECKED BY	DATE				
FIRST ISSUE ON			SCALE	SHEET 9 OF 14	

LOGIC DIAGRAM
KEYBOARD DATA
TRANSFER LOGIC
-001

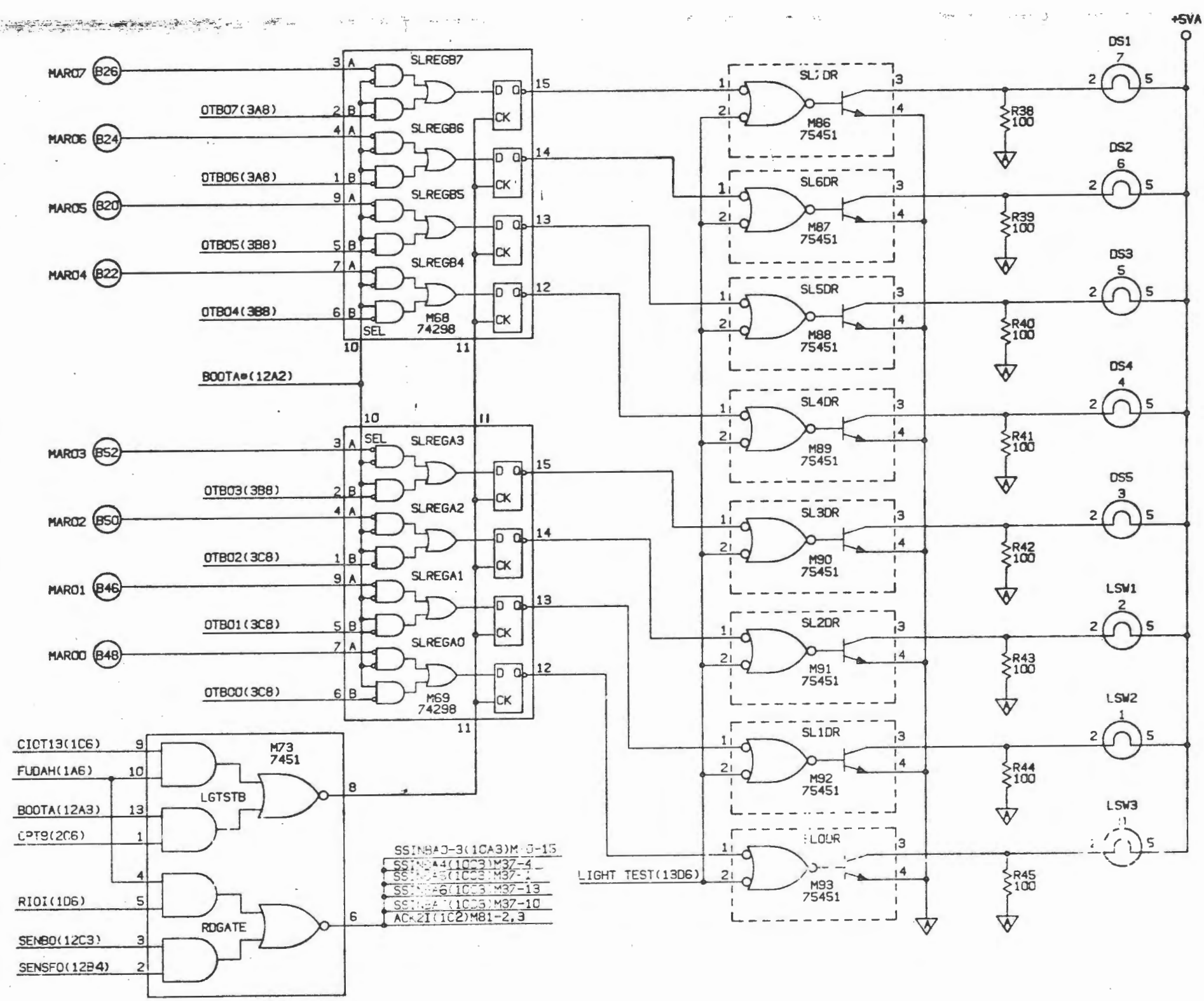


REVISION HISTORY			
REVISION	DESCRIPTION OF CHANGE	DATE	APPROVED

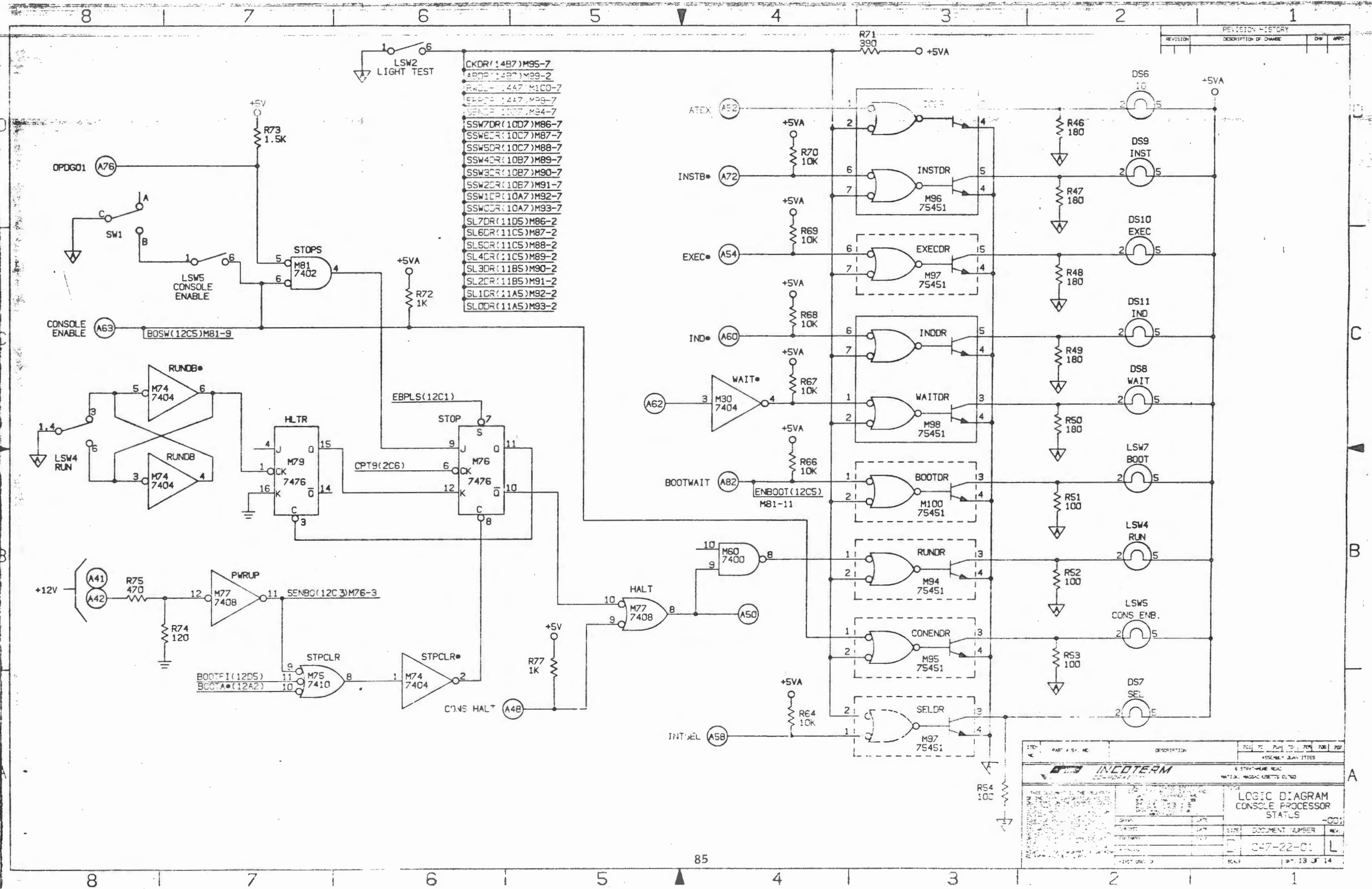
STEP NO.	REV.	DESCRIPTION	DATE	BY	CHKD.	APPD.

INCOTERM CORPORATION 6 STRAUSMAN ROAD OPTICK, MASSACHUSETTS 01700		LOGIC DIAGRAM CONSOLE SENSE SWITCHES AND INPUT BUS -001	
THIS DOCUMENT IS THE PROPERTY OF INCOTERM CORPORATION. IT IS TO BE USED ONLY FOR THE PROJECT AND FOR WHICH IT WAS PREPARED. IT IS NOT TO BE REPRODUCED OR TRANSMITTED IN ANY FORM OR BY ANY MEANS, ELECTRONIC OR MECHANICAL, INCLUDING PHOTOCOPYING, RECORDING, OR BY ANY INFORMATION STORAGE AND RETRIEVAL SYSTEM, WITHOUT THE WRITTEN PERMISSION OF INCOTERM CORPORATION.	DRAWN: [] DATE: [] ENGINEER: [] CHECKED: [] DATE: []	SIZE: [] DOCUMENT NUMBER: [] REV.: []	SCALE: [] SHEET NO. OF TOTAL SHEETS: []

REVISION HISTORY			
REVISION	DESCRIPTION OF CHANGE	CHK	APPD.



INCOTERM CORPORATION		2 SPATHKOPK ROAD MILFORD, MASSACHUSETTS 01701	
LOGIC DIAGRAM CONSOLE SENSE LIGHTS -001			
DATE	BY	CHKD	APPD.
DOCUMENT NUMBER		REV	
047-22-C1		L	
SCALE		SHEET 11 OF 14	

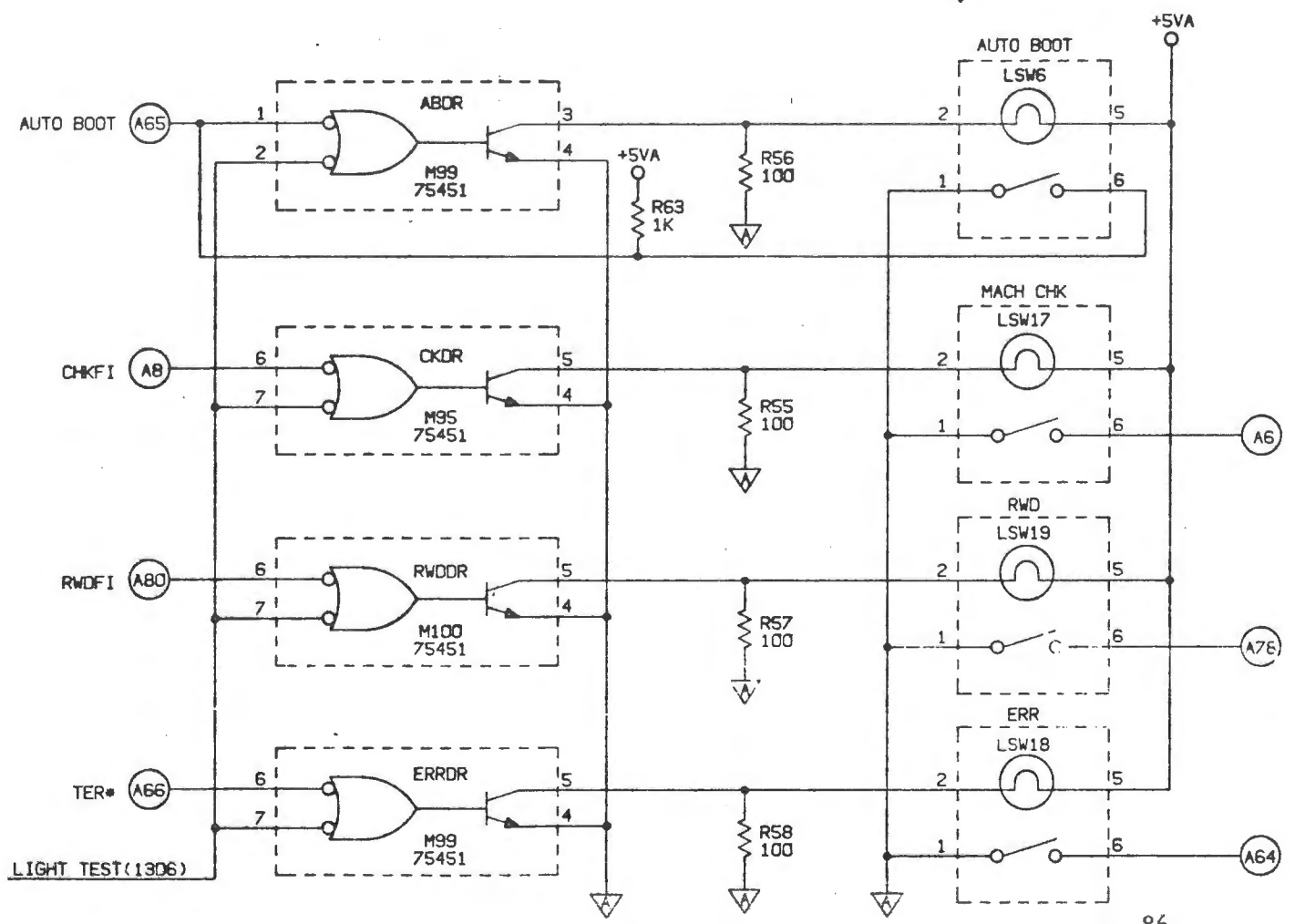
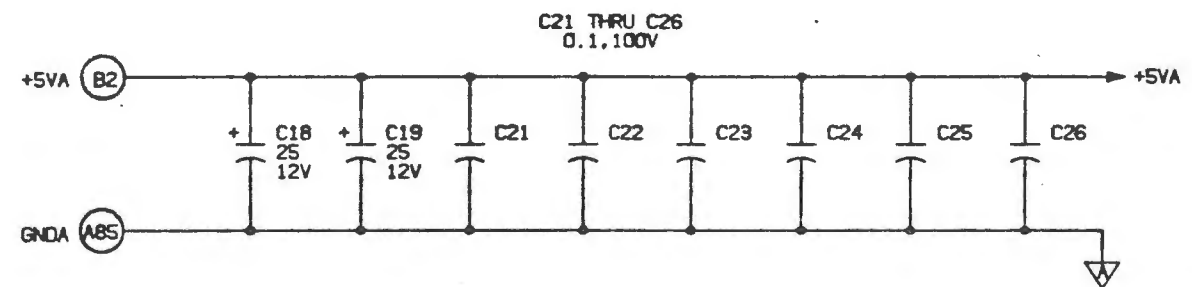
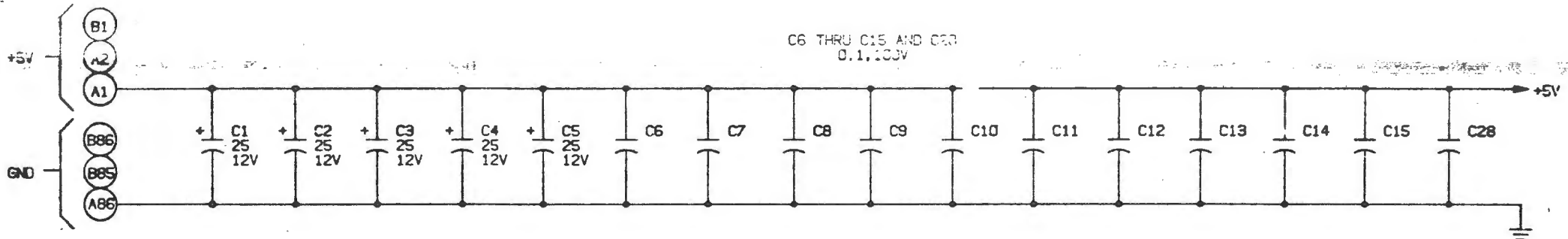


REVISION HISTORY			
REVISION	DESCRIPTION OF CHANGE	DW	APP

INCOTERM		6 STRAIGHT REAR	
LOGIC DIAGRAM		CONSOLE PROCESSOR	
STATUS		-021	
DATE	TIME	SIZE	DOCUMENT NUMBER
			047-22-01
			L
SCALE		19-13 OF 14	

8 7 6 5 4 3 2 1

REVISION HISTORY			
REVISION	DESCRIPTION OF CHANGE	CHK	APPD.

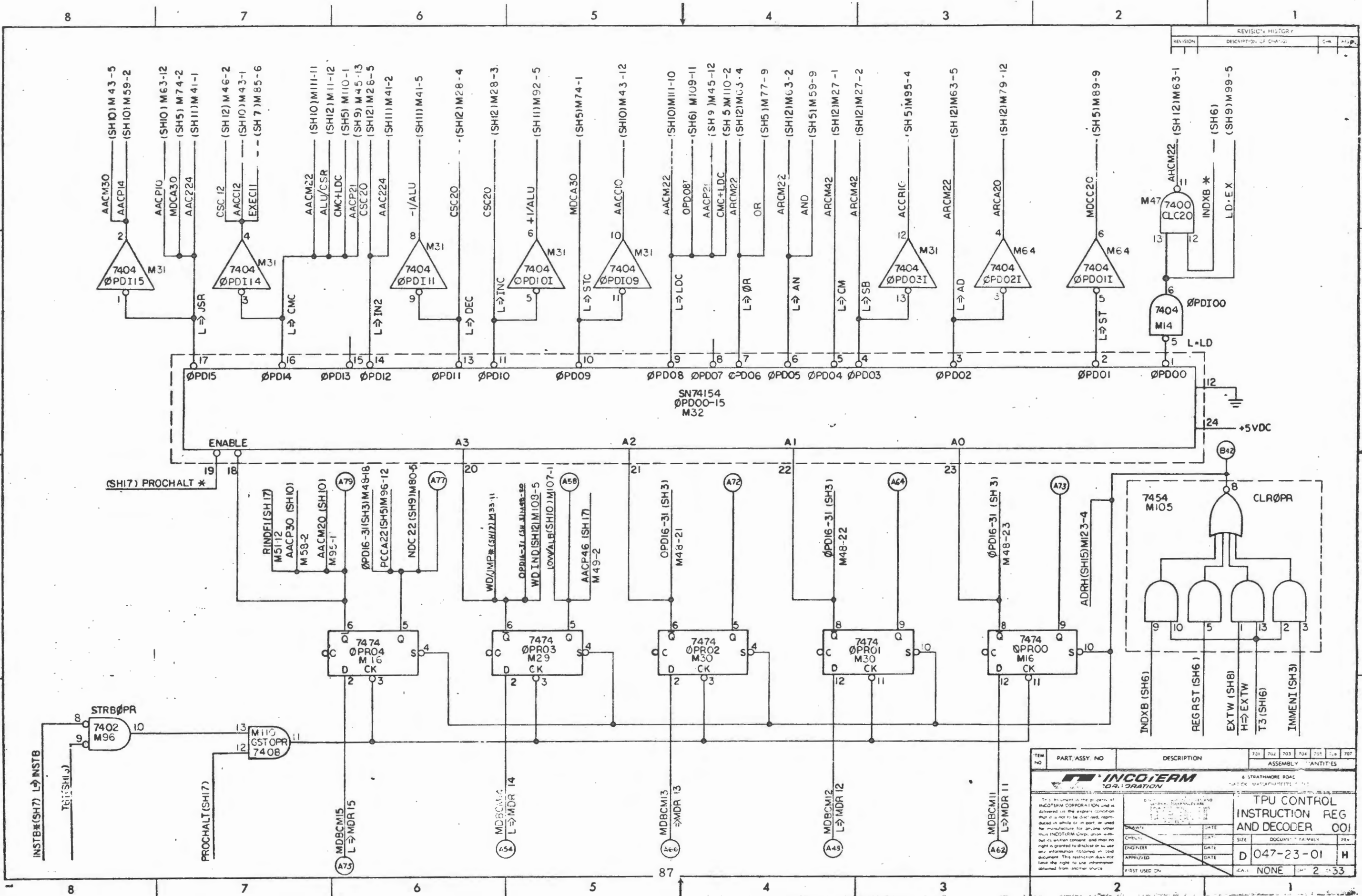


STEP	REV.	DATE	DESCRIPTION	BY	CHKD.	APPD.

		LOGIC DIAGRAM CONSOLE TAPE STATUS -001	
DATE	SIZE	DOCUMENT NUMBER	REV.
		C47-22-01	L
SCALE		SHEET 14 OF 14	

8 7 6 5 4 3 2 1

REVISION HISTORY			
REVISION	DESCRIPTION OF CHANGE	DATE	BY



REV NO	PART ASSY NO	DESCRIPTION	701	702	703	704	705	706	707

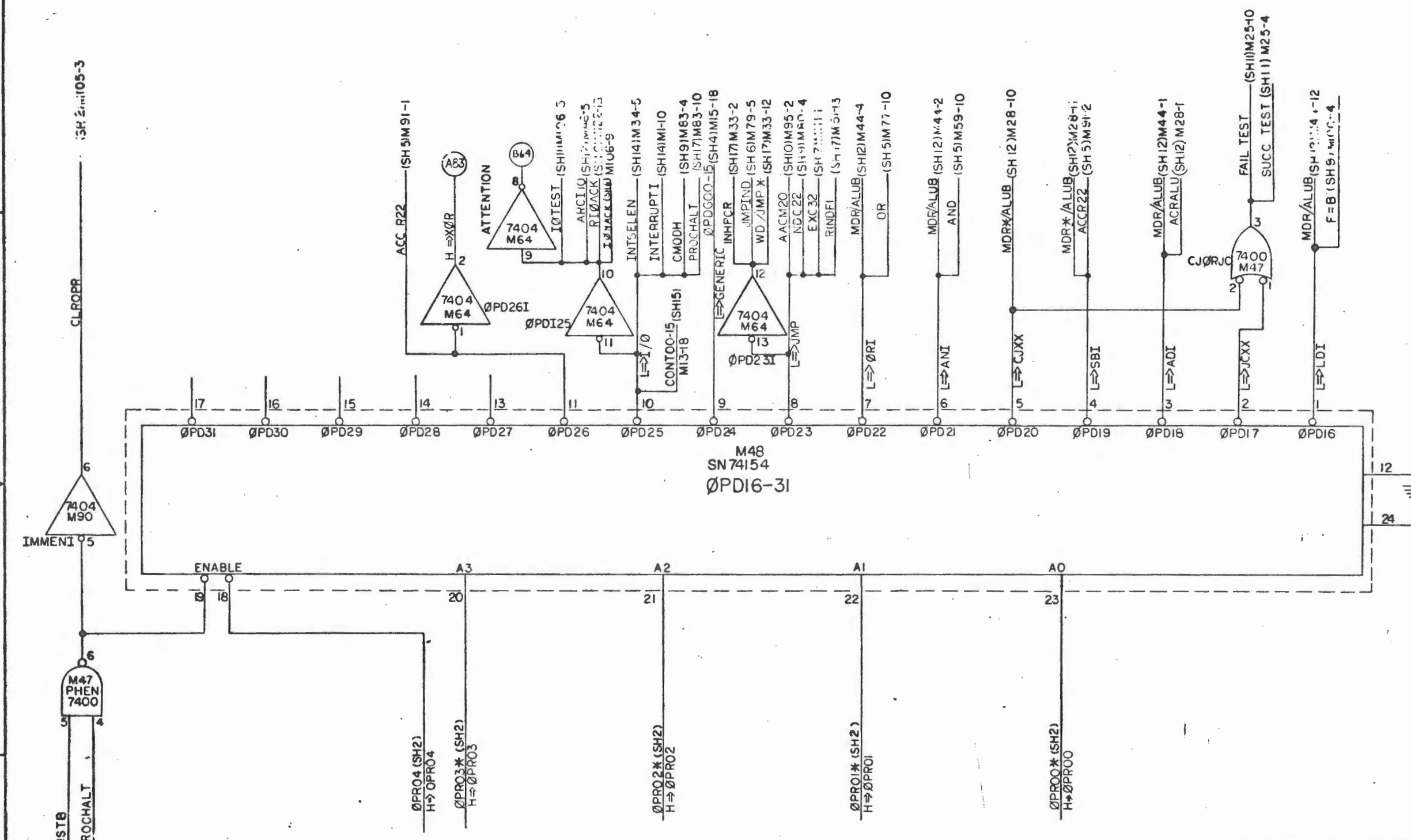
INCOTERM CORPORATION
A STRATHMORE ROAD
LONDON W14 8JF ENGLAND

TPU CONTROL INSTRUCTION REG AND DECODER 001

DESIGNED BY	DATE	SIZE	DOCUMENT FAMILY	REV
CHECKED BY	DATE	D	047-23-01	H
ENGINEER	DATE			
APPROVED	DATE			
FIRST USED ON				

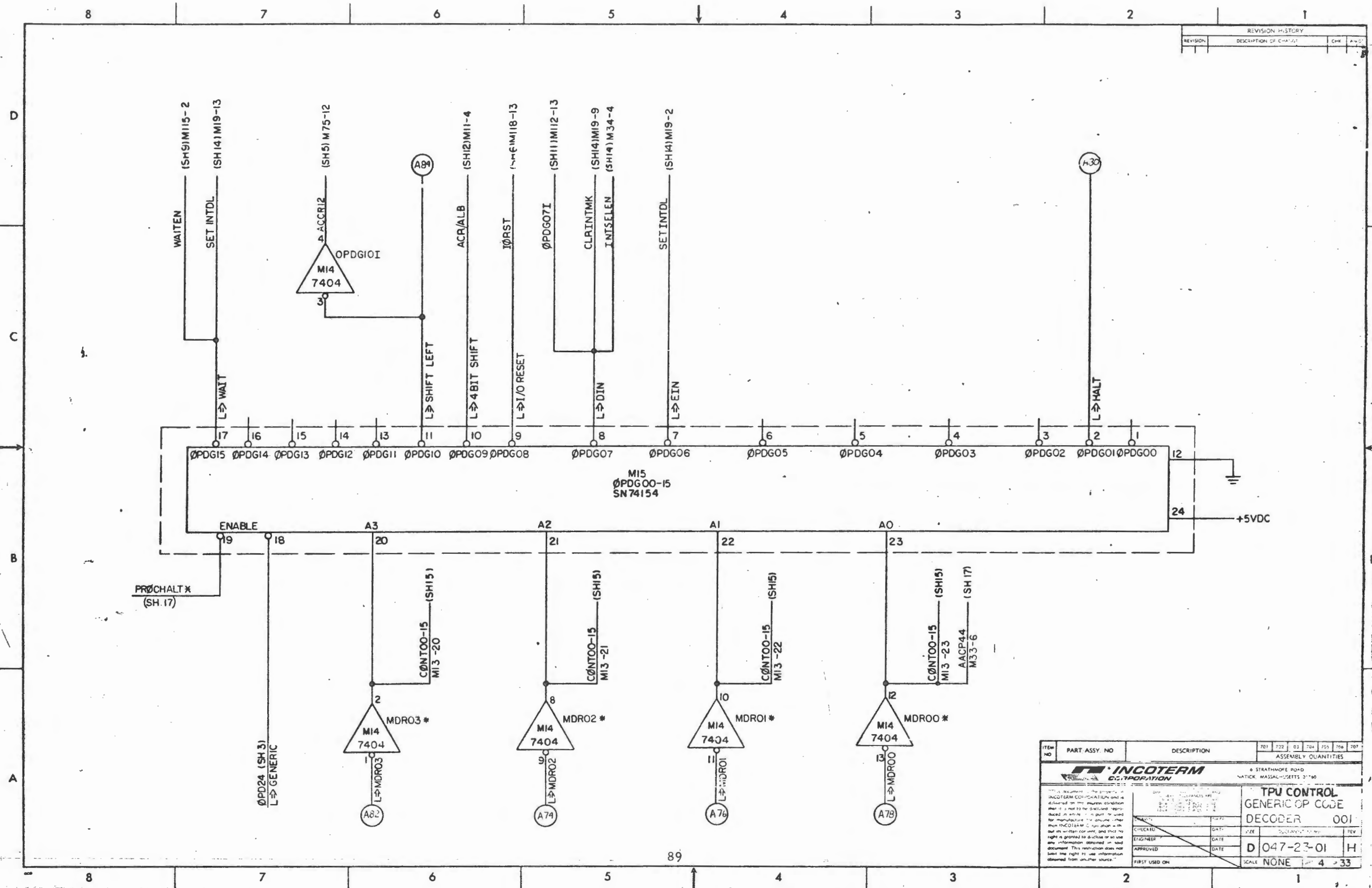
CALL NONE INT 2 33

REVISION HISTORY			
REVISION	DESCRIPTION OF CHANGE	DATE	BY



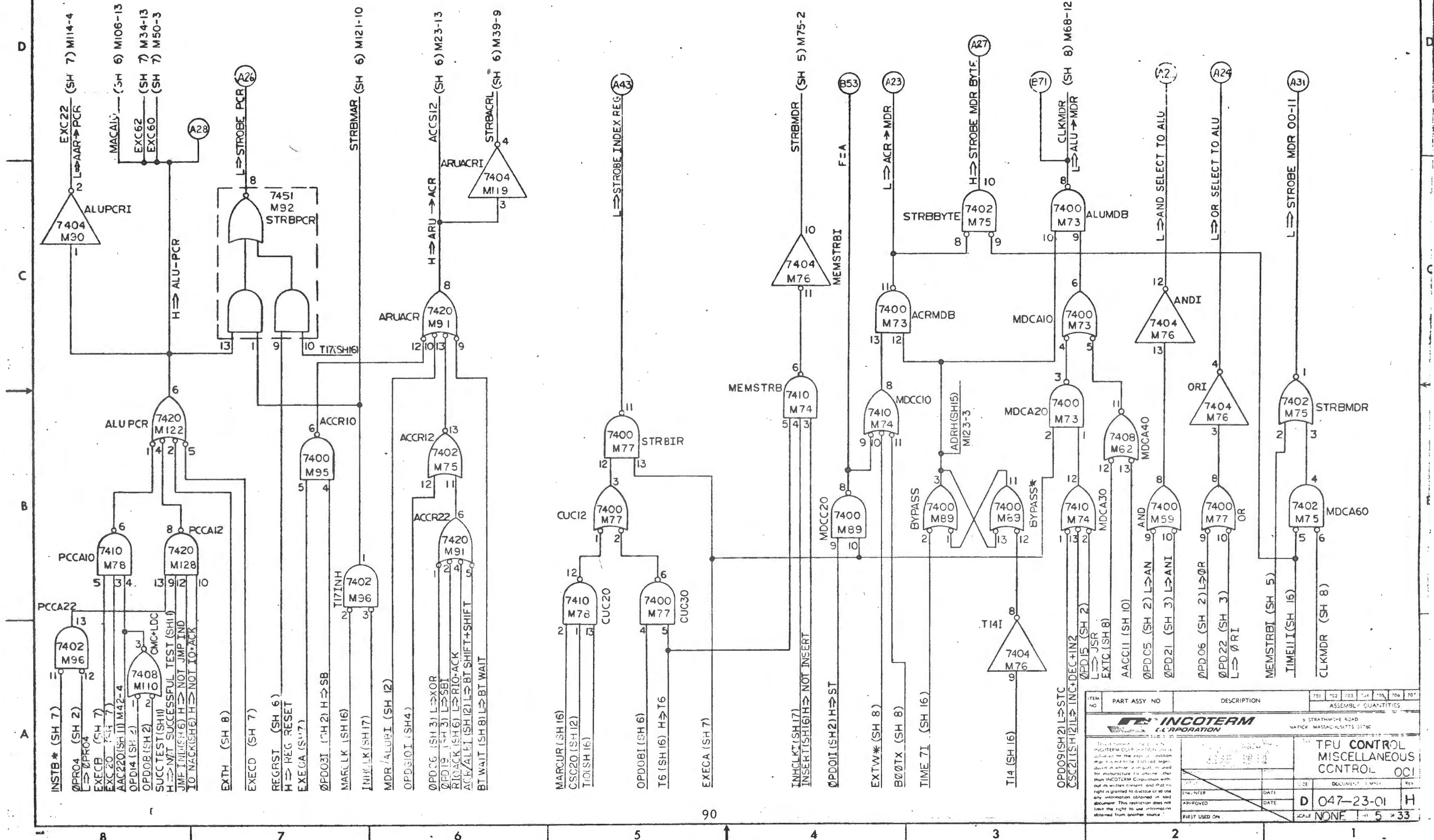
ITEM NO	PART ASSY. NO	DESCRIPTION	ASSEMBLY QUANTITIES					
			701	702	703	704	705	706
			5 SPATHWADE ROAD NATICK, MASSACHUSETTS 01760					
<small>This document is the property of INCOTERM CORPORATION and is loaned to the recipient on the express condition that it is not to be distributed, reproduced in whole or in part, or used for manufacture for anyone other than INCOTERM CORPORATION without its written consent and that no right is granted to make or to use any information contained in said document. This restriction does not limit the right to use information obtained from other sources.</small>			TPU CONTROL - INSTRUCTION REG AND DECODER 001			DATE: _____ CHECKED: _____ ENGINEER: _____ APPROVED: _____ DATE: _____		
SCALE: NONE			D 047-23-01 H			3 of 33		

REVISION HISTORY		
REVISION	DESCRIPTION OF CHANGE	CHK



ITEM NO	PART ASSY. NO	DESCRIPTION	701	722	03	704	725	706	707
INCOTERM CORPORATION									
ASSEMBLY QUANTITIES									
TPU CONTROL GENERIC OP CODE DECODER 001									
CHECKED	DATE	BY	DATE	DATE	DATE	DATE	DATE	DATE	DATE
APPROVED	DATE	DATE	DATE	DATE	DATE	DATE	DATE	DATE	DATE
FIRST USED ON	SCALE	NONE	4	33					

REVISION	DESCRIPTION OF CHANGES	DATE	BY

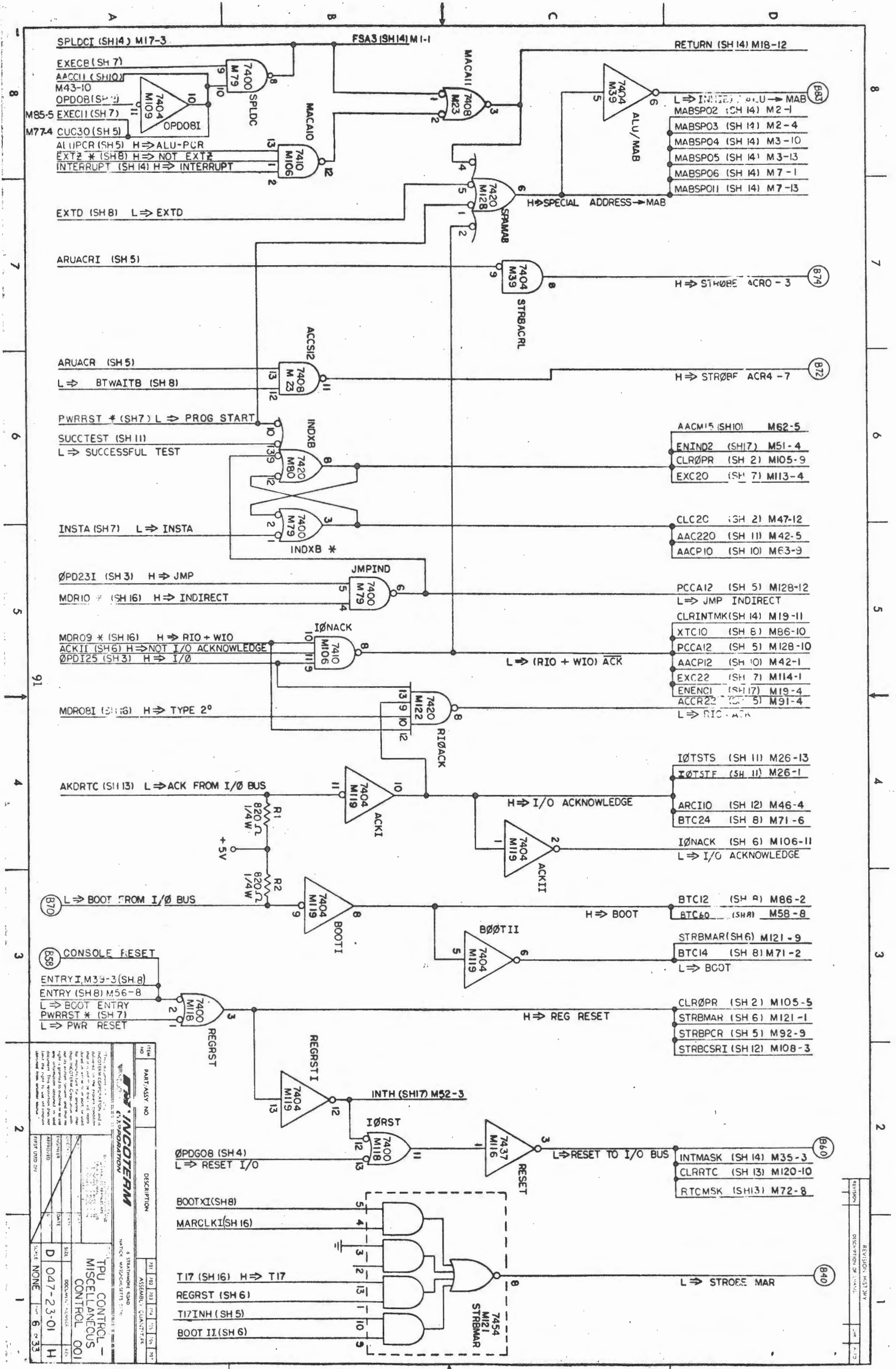


ITEM NO.	PART ASSY NO.	DESCRIPTION	ASSEMBLY QUANTITIES						
			701	702	703	704	705	706	707

TPU CONTROL MISCELLANEOUS CONTROL OC1

DESIGNER	DATE
APPROVED	DATE
FIRST USED ON	

D 047-23-01 H
 SCALE NONE 5 of 33



TIME NO.	PART/ASSY NO.	DESCRIPTION
		TPU CONTROL - MISCELLANEOUS CONTROL 001
REVISED BY	DATE	SIZE
		D 047-23-01
REVISED BY	DATE	SIZE
		D 047-23-01
REVISED BY	DATE	SIZE
		D 047-23-01

REVISED BY	DATE	SIZE
		D 047-23-01
REVISED BY	DATE	SIZE
		D 047-23-01
REVISED BY	DATE	SIZE
		D 047-23-01

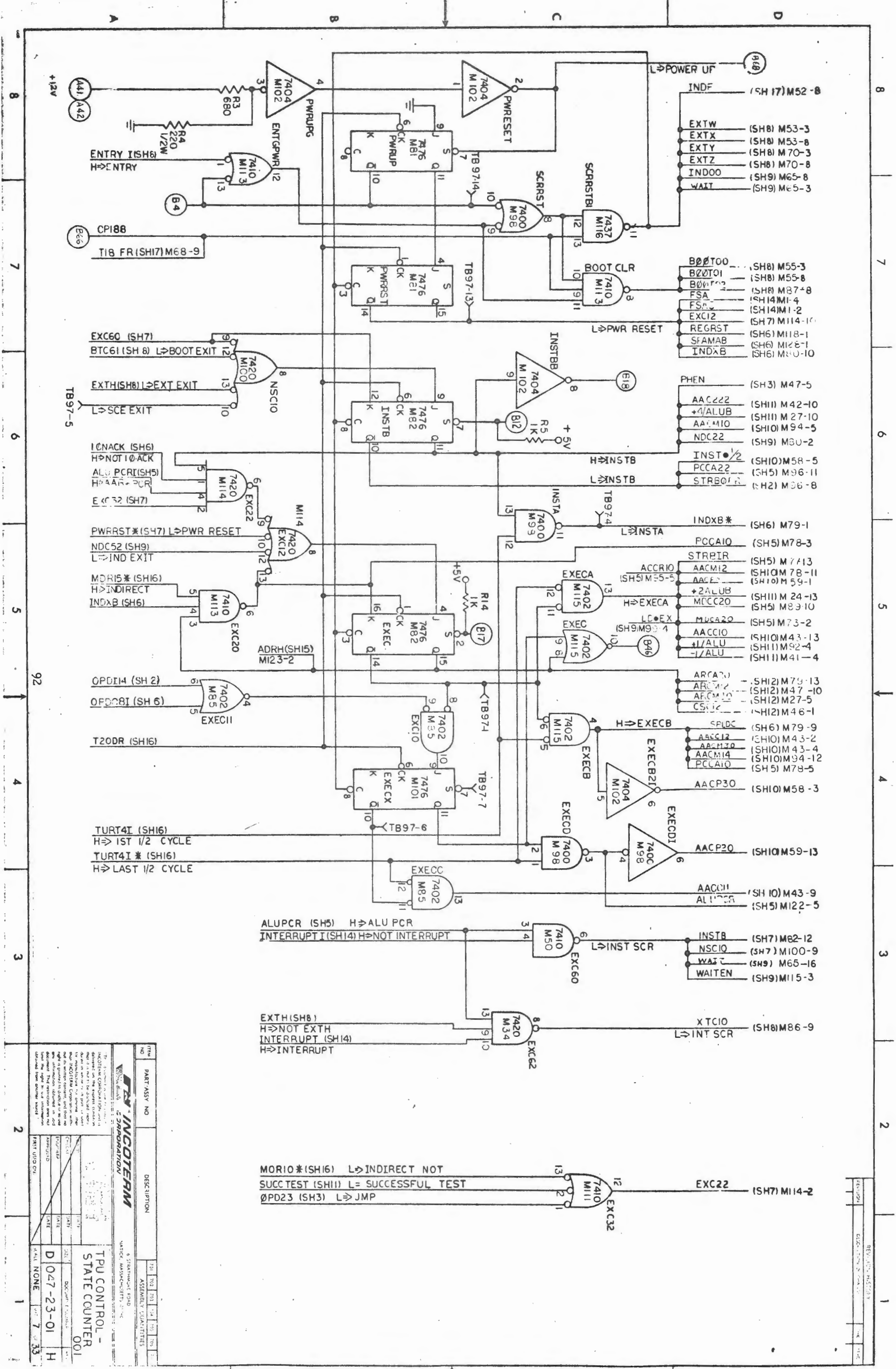
REVISED BY	DATE	SIZE
		D 047-23-01
REVISED BY	DATE	SIZE
		D 047-23-01
REVISED BY	DATE	SIZE
		D 047-23-01

REVISED BY	DATE	SIZE
		D 047-23-01
REVISED BY	DATE	SIZE
		D 047-23-01
REVISED BY	DATE	SIZE
		D 047-23-01

REVISED BY	DATE	SIZE
		D 047-23-01
REVISED BY	DATE	SIZE
		D 047-23-01
REVISED BY	DATE	SIZE
		D 047-23-01

REVISED BY	DATE	SIZE
		D 047-23-01
REVISED BY	DATE	SIZE
		D 047-23-01
REVISED BY	DATE	SIZE
		D 047-23-01

REVISED BY	DATE	SIZE
		D 047-23-01
REVISED BY	DATE	SIZE
		D 047-23-01
REVISED BY	DATE	SIZE
		D 047-23-01



<p>TPU CONTROL - STATE COUNTER</p> <p>001</p> <p>047-23-01</p> <p>D</p> <p>7</p> <p>33</p>	<p>TPU CONTROL - STATE COUNTER</p> <p>001</p> <p>047-23-01</p> <p>D</p> <p>7</p> <p>33</p>
---	--

MORIO* (SH16) L= INDIRECT NOT
 SUCC TEST (SH11) L= SUCCESSFUL TEST
 @PD23 (SH3) L= JMP

ALUPCR (SH5) H= ALU PCR
 INTERRUPT I (SH14) H= NOT INTERRUPT

EXTH (SH8)
 H= NOT EXTH
 INTERRUPT (SH14)
 H= INTERRUPT

EXC22 (SH7) M114-2

INSTB (SH7) M82-12
 NSCIO (SH7) M100-9
 WAIT (SH9) M65-16
 WAITEN (SH9) M115-3

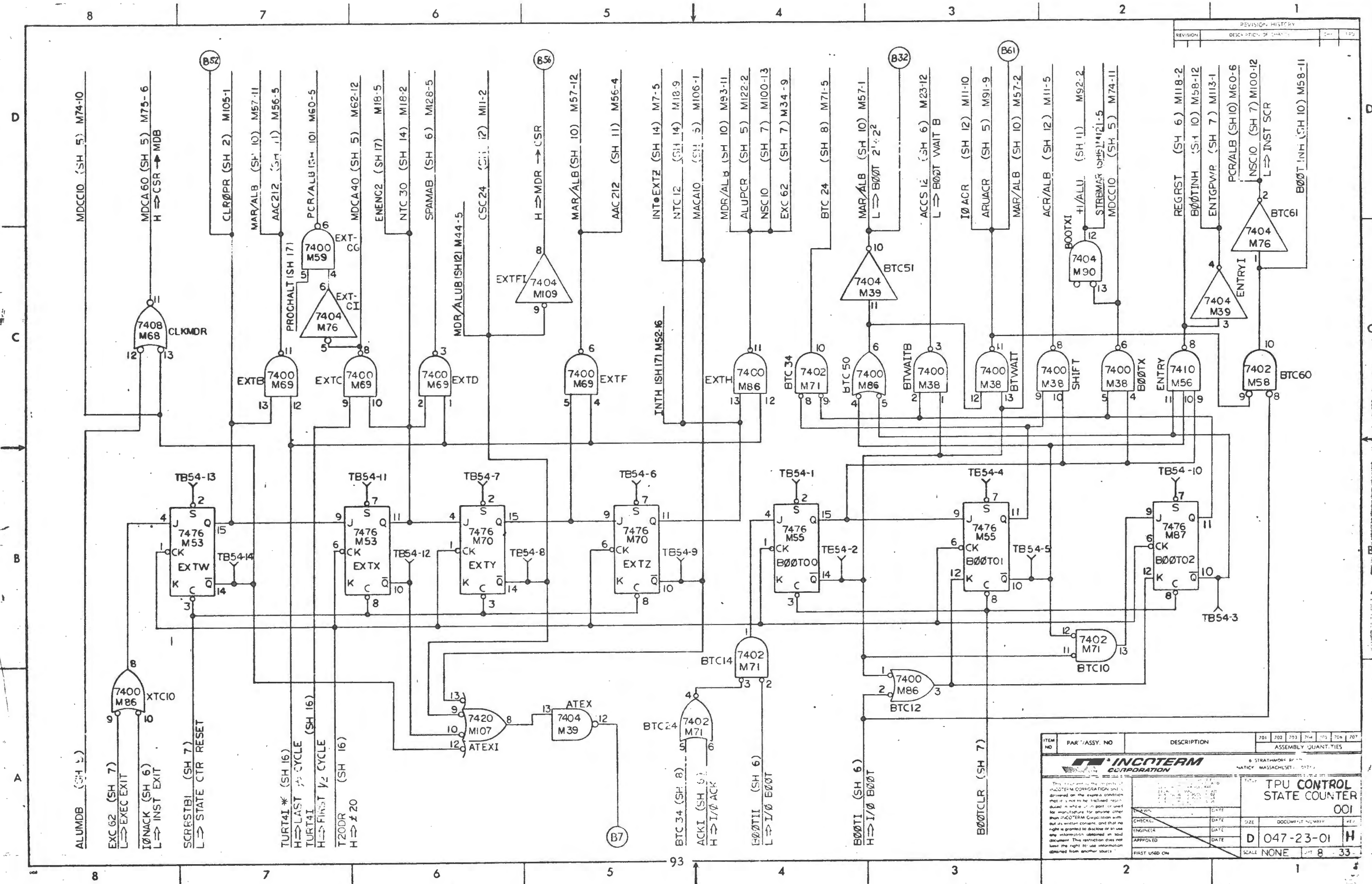
XTCIO (SH8) M86-9
 L= INT SCR

EXC60 (SH7) M114-2

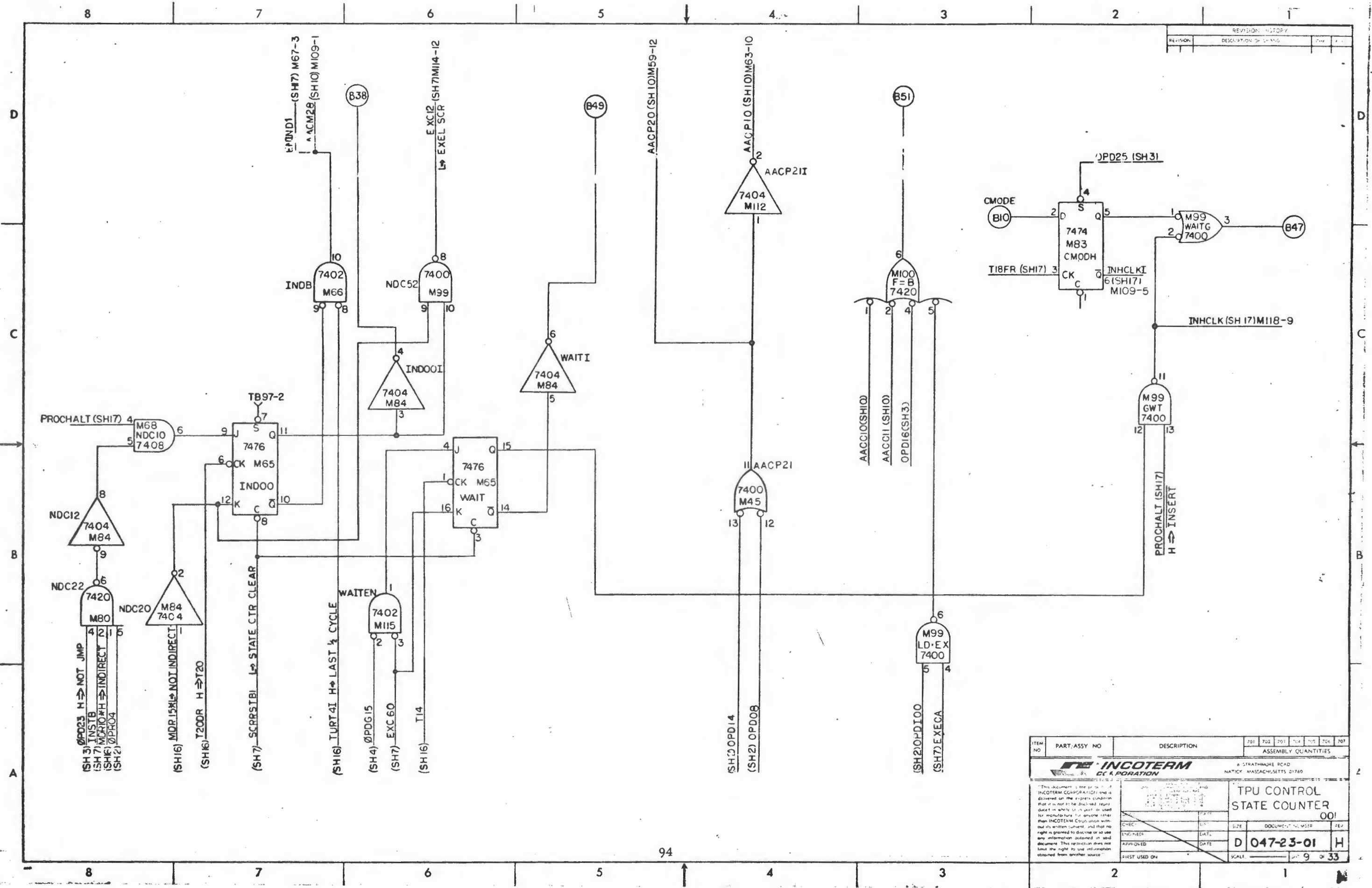
EXC62 (SH8) M86-9

EXC60 (SH7)
 BTC61 (SH8) L= BOOT EXIT
 EXTH (SH8) L= EXT EXIT
 L= SCE EXIT
 ICNACK (SH6)
 H= NOT ICNACK
 ALU PCR (SH5)
 H= ALU PCR
 EXC32 (SH7)
 PWRRT* (SH7) L= PWR RESET
 NDC52 (SH9)
 L= IND EXIT
 MORIS* (SH16)
 H= INDIRECT
 INDXB (SH6)
 OPDI4 (SH2)
 OFDC8I (SH6)
 T20DR (SH16)
 TURT4I (SH16)
 H= 1ST 1/2 CYCLE
 TURT4I* (SH16)
 H= LAST 1/2 CYCLE

EXC20 (SH7) M113
 EXC12 (SH7) M114-2
 EXC10 (SH7) M114-2
 EXC11 (SH7) M114-2
 EXC13 (SH7) M114-2
 EXC14 (SH7) M114-2
 EXC15 (SH7) M114-2
 EXC16 (SH7) M114-2
 EXC17 (SH7) M114-2
 EXC18 (SH7) M114-2
 EXC19 (SH7) M114-2
 EXC21 (SH7) M114-2
 EXC23 (SH7) M114-2
 EXC24 (SH7) M114-2
 EXC25 (SH7) M114-2
 EXC26 (SH7) M114-2
 EXC27 (SH7) M114-2
 EXC28 (SH7) M114-2
 EXC29 (SH7) M114-2
 EXC31 (SH7) M114-2
 EXC33 (SH7) M114-2
 EXC34 (SH7) M114-2
 EXC35 (SH7) M114-2
 EXC36 (SH7) M114-2
 EXC37 (SH7) M114-2
 EXC38 (SH7) M114-2
 EXC39 (SH7) M114-2
 EXC40 (SH7) M114-2
 EXC41 (SH7) M114-2
 EXC42 (SH7) M114-2
 EXC43 (SH7) M114-2
 EXC44 (SH7) M114-2
 EXC45 (SH7) M114-2
 EXC46 (SH7) M114-2
 EXC47 (SH7) M114-2
 EXC48 (SH7) M114-2
 EXC49 (SH7) M114-2
 EXC50 (SH7) M114-2
 EXC51 (SH7) M114-2
 EXC52 (SH7) M114-2
 EXC53 (SH7) M114-2
 EXC54 (SH7) M114-2
 EXC55 (SH7) M114-2
 EXC56 (SH7) M114-2
 EXC57 (SH7) M114-2
 EXC58 (SH7) M114-2
 EXC59 (SH7) M114-2
 EXC60 (SH7) M114-2
 EXC61 (SH7) M114-2
 EXC62 (SH7) M114-2
 EXC63 (SH7) M114-2
 EXC64 (SH7) M114-2
 EXC65 (SH7) M114-2
 EXC66 (SH7) M114-2
 EXC67 (SH7) M114-2
 EXC68 (SH7) M114-2
 EXC69 (SH7) M114-2
 EXC70 (SH7) M114-2
 EXC71 (SH7) M114-2
 EXC72 (SH7) M114-2
 EXC73 (SH7) M114-2
 EXC74 (SH7) M114-2
 EXC75 (SH7) M114-2
 EXC76 (SH7) M114-2
 EXC77 (SH7) M114-2
 EXC78 (SH7) M114-2
 EXC79 (SH7) M114-2
 EXC80 (SH7) M114-2
 EXC81 (SH7) M114-2
 EXC82 (SH7) M114-2
 EXC83 (SH7) M114-2
 EXC84 (SH7) M114-2
 EXC85 (SH7) M114-2
 EXC86 (SH7) M114-2
 EXC87 (SH7) M114-2
 EXC88 (SH7) M114-2
 EXC89 (SH7) M114-2
 EXC90 (SH7) M114-2
 EXC91 (SH7) M114-2
 EXC92 (SH7) M114-2
 EXC93 (SH7) M114-2
 EXC94 (SH7) M114-2
 EXC95 (SH7) M114-2
 EXC96 (SH7) M114-2
 EXC97 (SH7) M114-2
 EXC98 (SH7) M114-2
 EXC99 (SH7) M114-2
 EXC100 (SH7) M114-2

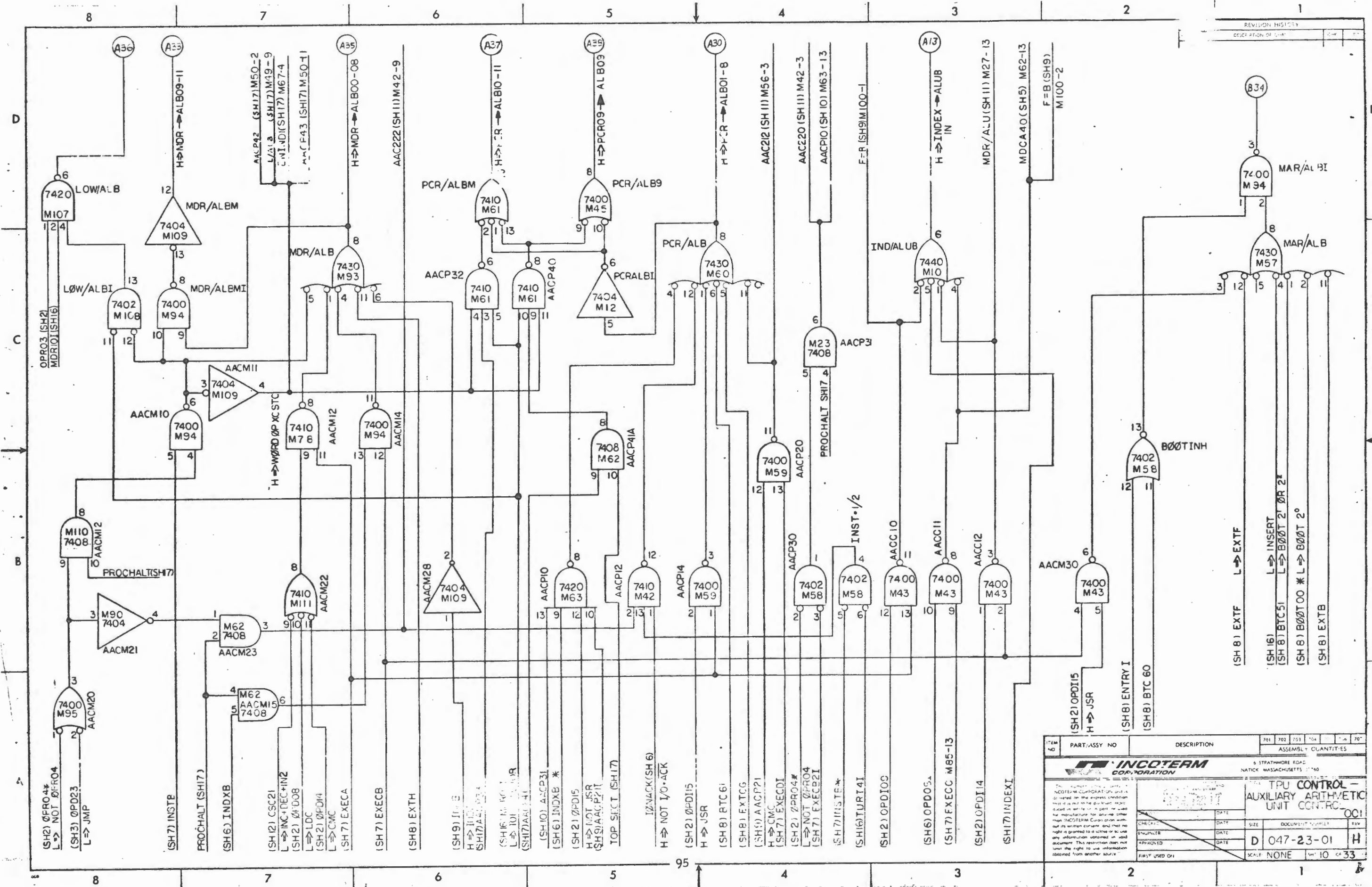


ITEM NO	PAR/ASSY. NO	DESCRIPTION	701	702	703	704	705	706	707
		INCOTERM CORPORATION 6 STRATHMORE BLVD NATICK, MASSACHUSETTS 01913							
		TPU CONTROL STATE COUNTER							
		OOI							
CHECKED	DATE	SIZE	DOCUMENT NUMBER						
ENGINEER	DATE	D 047-23-01 H							
APPROVED	DATE								
FIRST USED ON		SCALE	NONE 8 33						



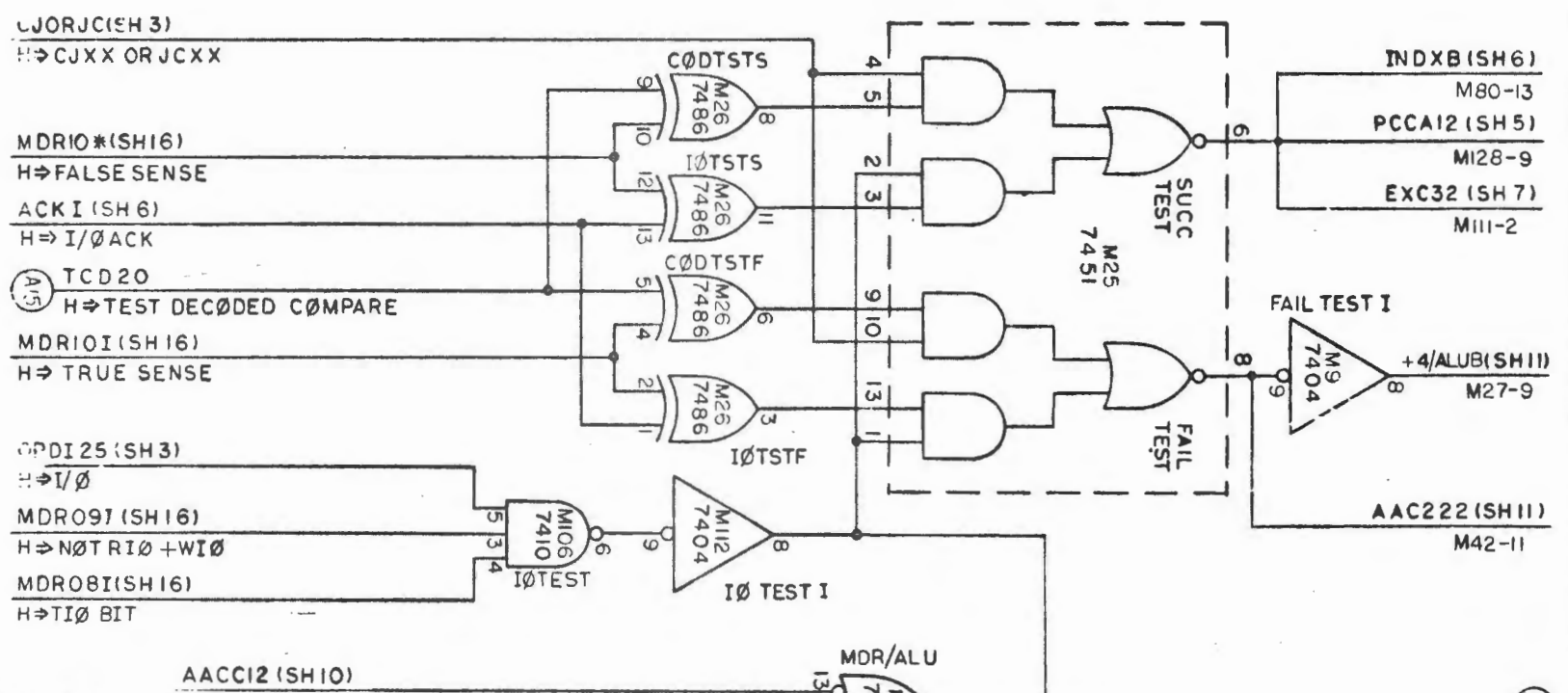
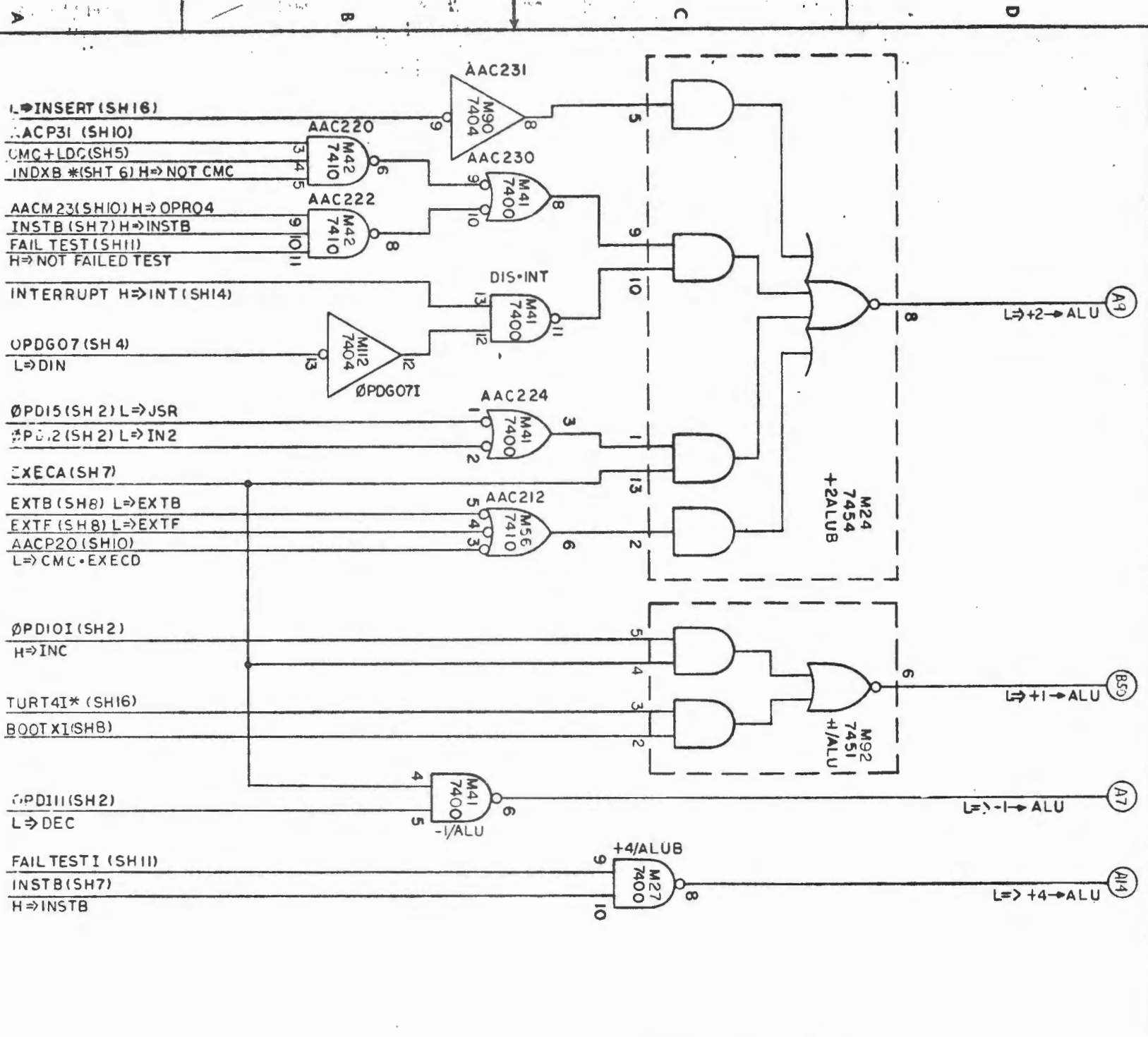
REVISION HISTORY	
REVISION	DESCRIPTION OF CHANGE

ITEM NO	PART/ASSY NO	DESCRIPTION	701	702	703	704	705	706	707
INCOTERM CORPORATION									
6 STRATHMORE ROAD, NATICK, MASSACHUSETTS 01740									
TPU CONTROL STATE COUNTER									
001									
CHECKED	DATE	SIZE	DOCUMENT NUMBER						
ENGINEER	DATE	D 047-23-01 H							
APPROVED	DATE	SCALE: 9 of 33							
FIRST USED ON									



ITEM NO	PART/ASSY NO	DESCRIPTION	701	702	703	704	705	706
6								

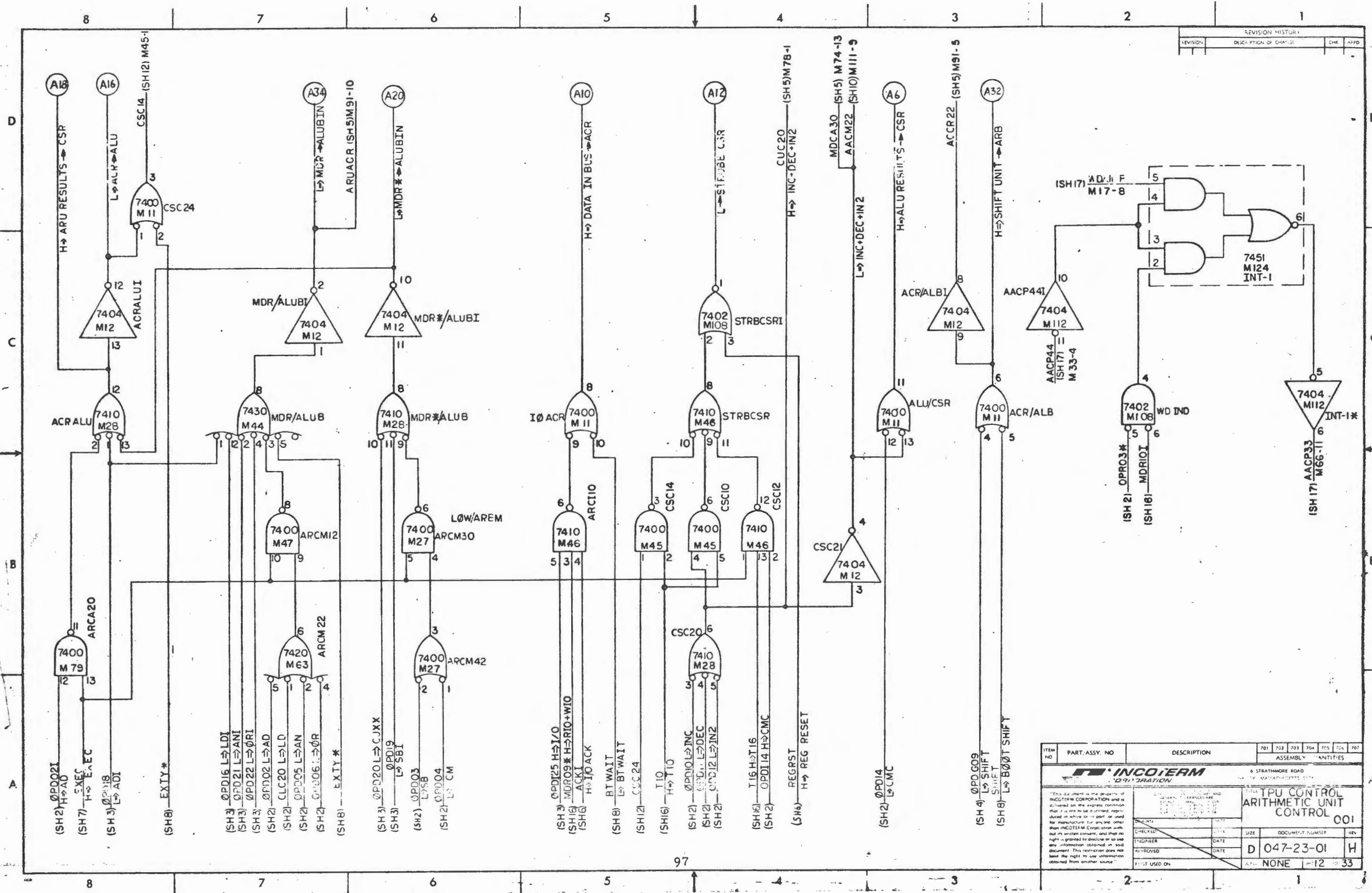
INCOTERM CORPORATION		TPU CONTROL - AUXILIARY ARITHMETIC UNIT CONTROL	
CHECKED	DATE	SIZE	DOCUMENT NUMBER
DESIGNED	DATE		
APPROVED	DATE	D 047-23-01	H
FIRST USED ON		SCALE NONE	SHEET 10 OF 33



JACOBERM 4 STRATHMORE ROAD GLENVIEW, ILLINOIS 60045	
PART ASSY NO 201 202 203 204 205 206 207	DESCRIPTION TPU CONTROL AUX. ARITHMETIC UNIT CONTROL 001
DATE D 047-23-01	DRAWN BY H
CHECKED BY NONE	DATE 11-33

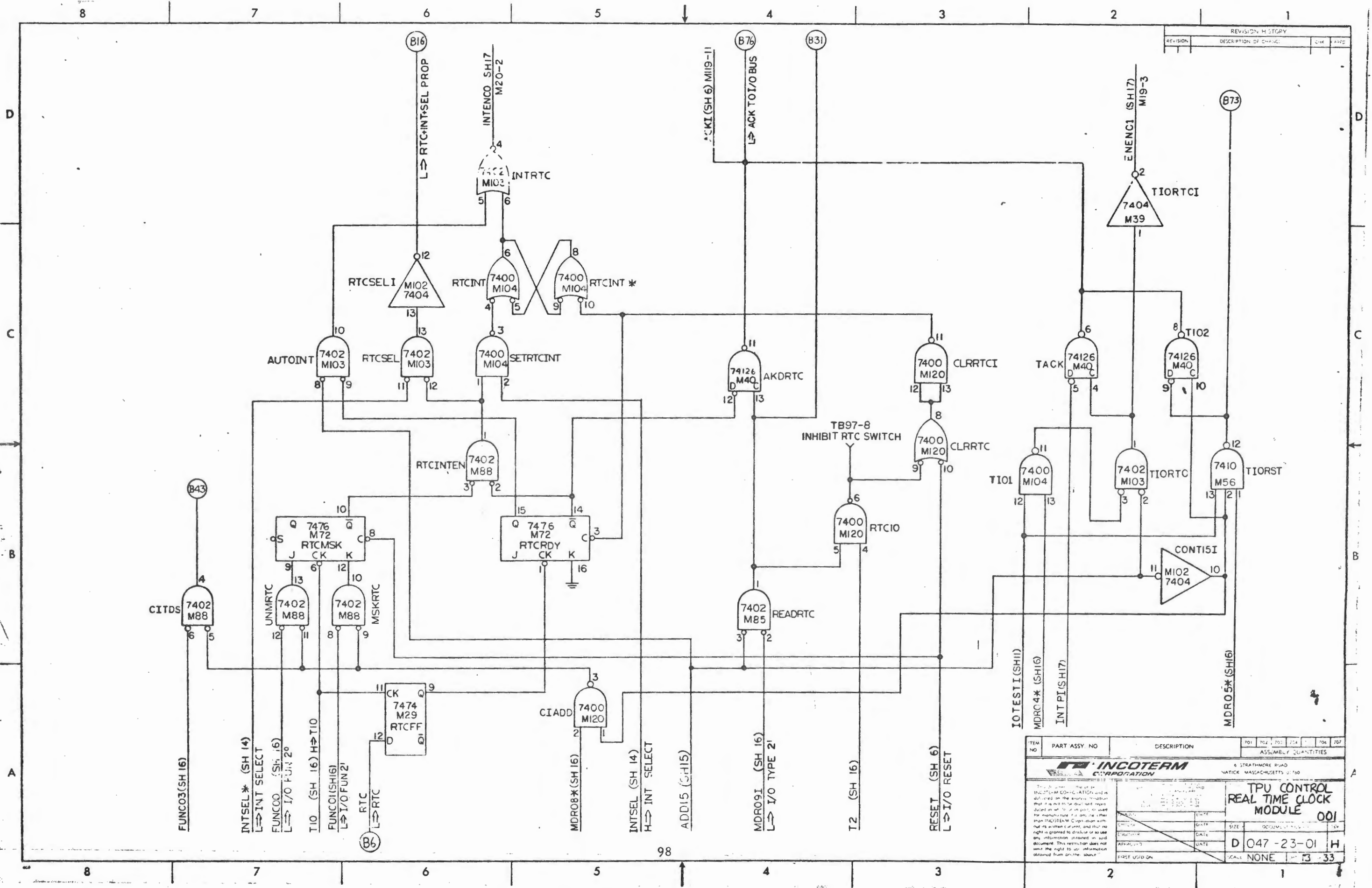
REVISION HISTORY REVISION NO. DATE BY
1 2 3

REVISION HISTORY			
REVISION	DESCRIPTION OF CHANGE	CHK	APPD

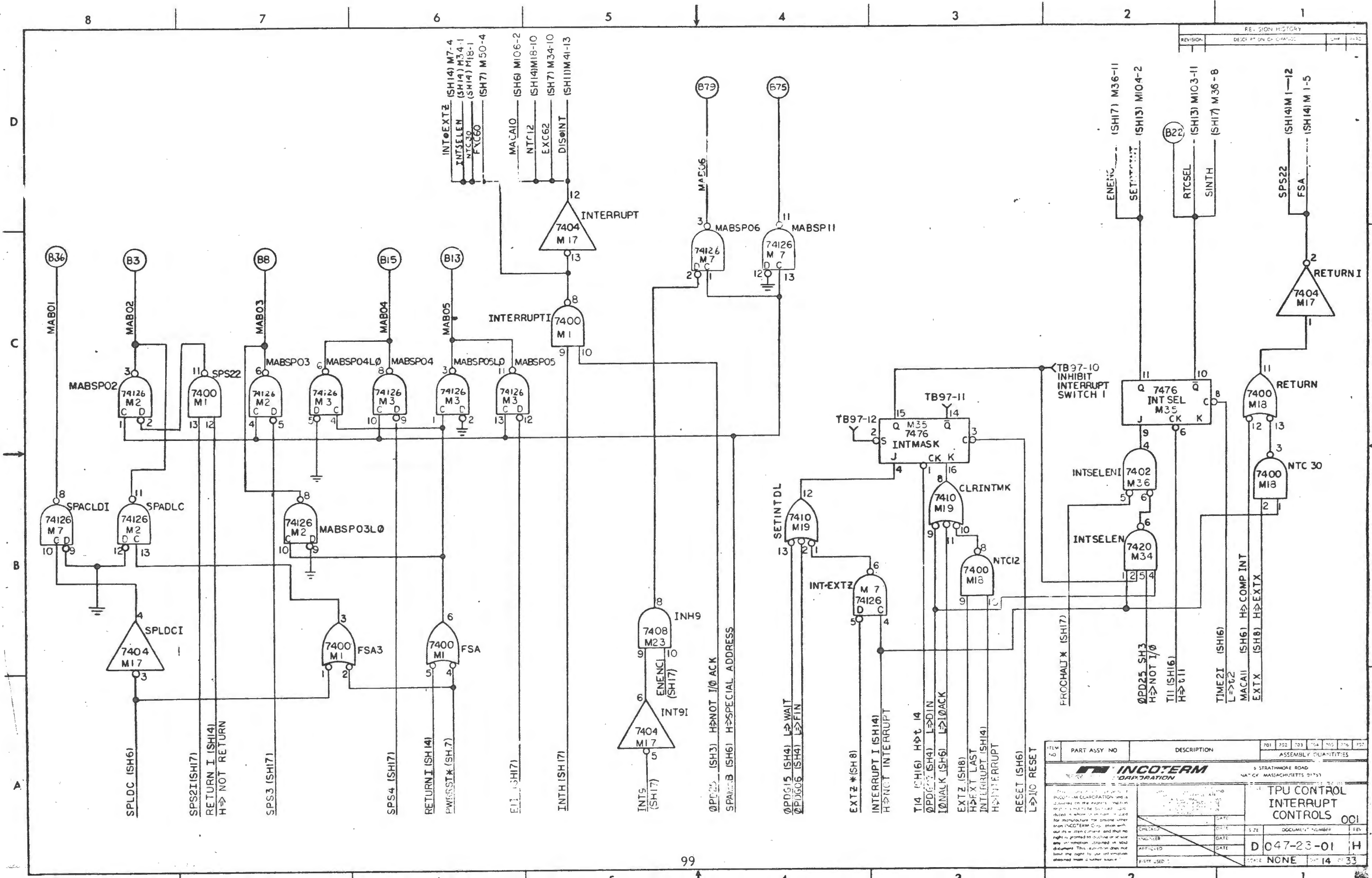


ITEM NO.	PART ASSY. NO.	DESCRIPTION	701	702	703	704	705	706	707	
ASSEMBLY QUANTITIES										
			6 STRATHMORE ROAD NEWTON, MASSACHUSETTS 02459							
THIS DOCUMENT IS THE PROPERTY OF INCO TERM CORPORATION and is loaned on the express condition that it is not to be copied, reproduced in whole or in part or used for manufacture for anyone other than INCO TERM Corporation without its written consent, and that no right is granted to disclose or to use any information obtained in said document. This restriction does not least the right to use information obtained from another source.			TPU CONTROL ARITHMETIC UNIT CONTROL COI							
CHECKED	DATE	SIZE	DOCUMENT NUMBER		REV.					
			D 047-23-01		H					
APPROVED	DATE	FIRST USED ON			ALL	NONE	UNIT	12	OF	33

REVISION HISTORY		
REVISION	DESCRIPTION OF CHANGE	CHK APPD



ITEM NO	PART ASSY NO	DESCRIPTION	701	702	703	704	706	707	
								ASSEMBLY QUANTITIES	
INCOTERM CORPORATION									
6 STRATHMORE BLVD NATICK, MASSACHUSETTS 01908									
This document is the property of INCOTERM CORPORATION and is loaned to the user for their use only. It is not to be distributed outside the organization. All information contained herein is confidential. No part of this document may be reproduced, stored in a retrieval system, or transmitted in any form or by any means, electronic, mechanical, or otherwise, without the prior written consent of INCOTERM CORPORATION. The user agrees to hold INCOTERM CORPORATION harmless and not to sue, claim, or otherwise hold INCOTERM CORPORATION liable for any damages or costs incurred by the user or anyone else as a result of the use of this document. This restriction does not limit the user's right to use information derived from this document.					<p style="text-align: center;">TPU CONTROL REAL TIME CLOCK MODULE</p> <p style="text-align: right;">001</p>				
DATE	SIZE	QUANTITY	REV						
DATE	DATE								



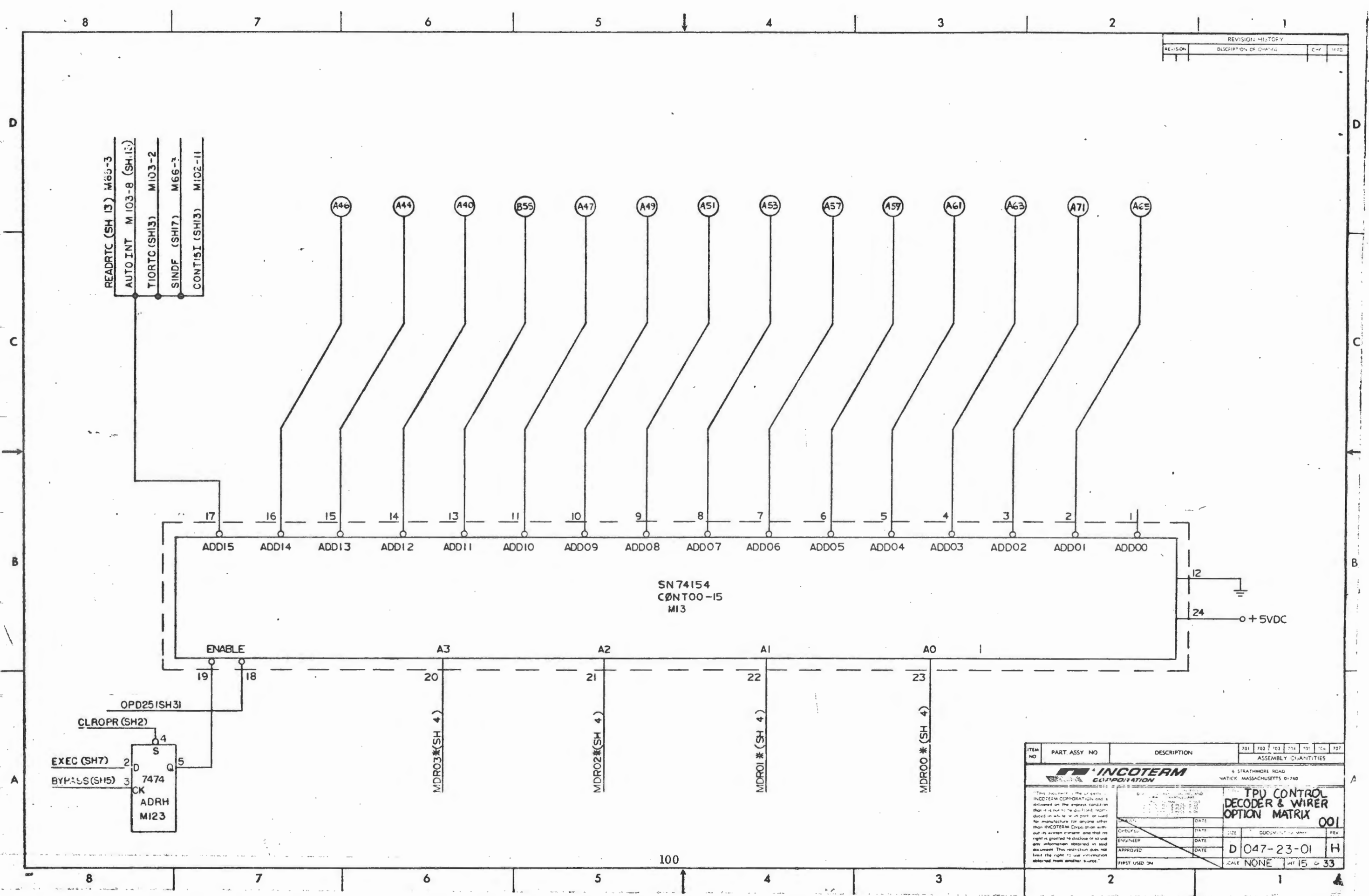
REV	DESCRIPTION	DATE

REV	CO	PART ASSY NO	DESCRIPTION	701	702	703	704	705	706	707

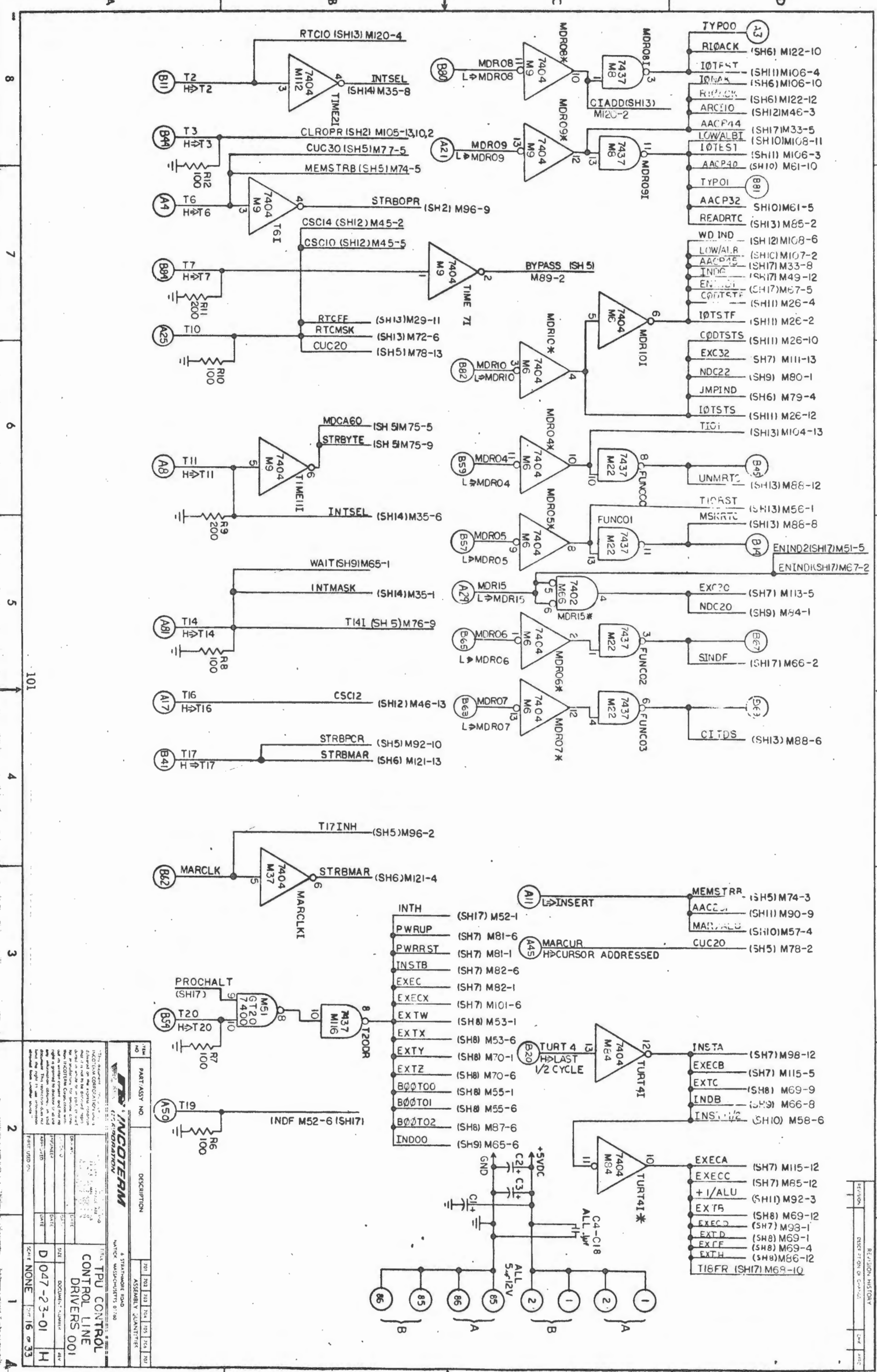
INCOTERM CORPORATION
5 STRATHMORE ROAD
NATICK, MASSACHUSETTS 01939

TPU CONTROL INTERRUPT CONTROLS		001
ENGINEER	DATE	SIZE
APPROVED	DATE	DOCUMENT NUMBER
PART USED	SCALE	SHEET
	NONE	14 OF 33

REVISION HISTORY			
REVISION	DESCRIPTION OF CHANGE	CHK	DATE



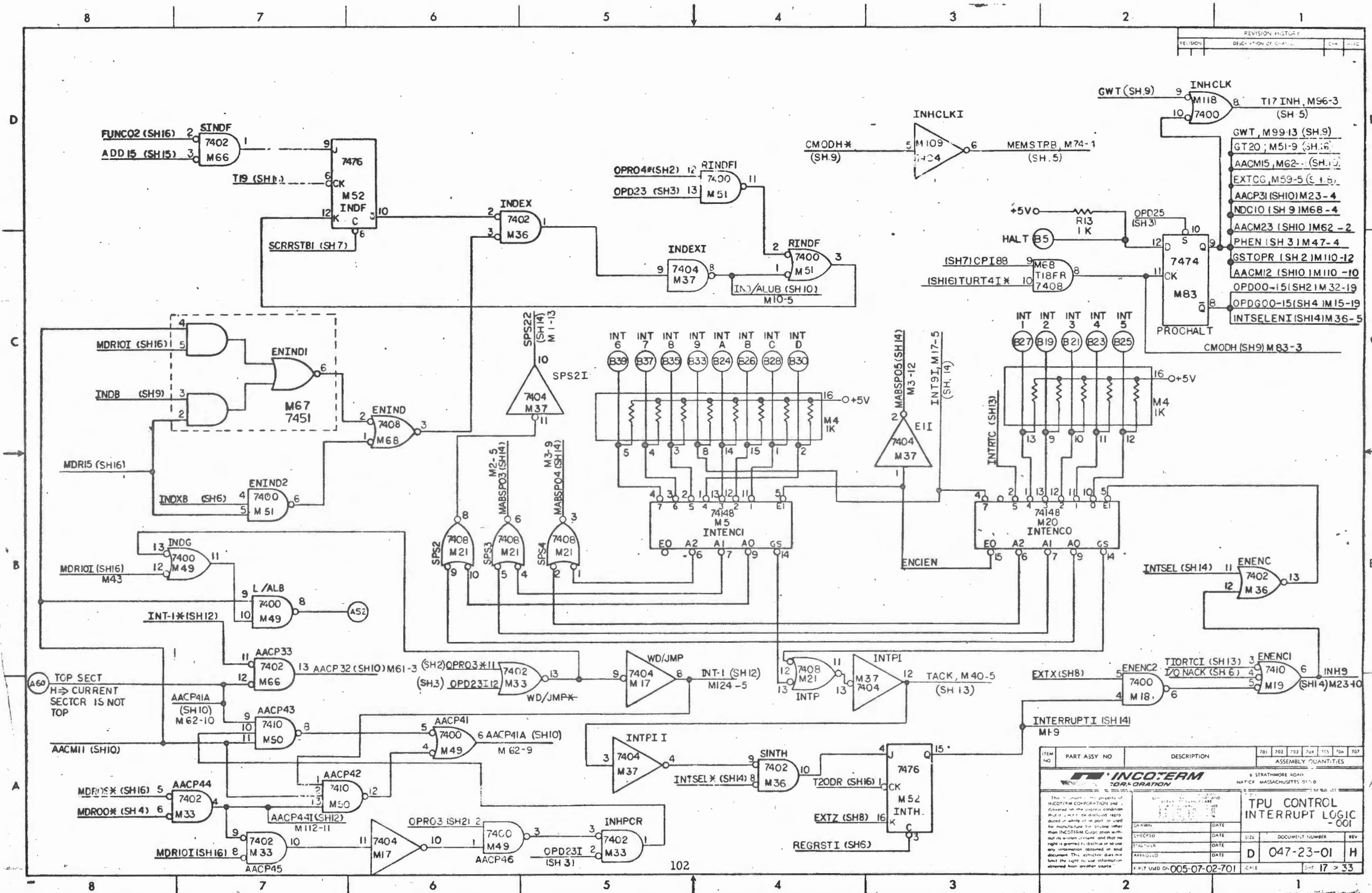
ITEM NO.	PART ASSY NO.	DESCRIPTION	701	702	703	704	705	706	707	
ASSEMBLY QUANTITIES										
INCOTERM CORPORATION 5 STRATHMORE ROAD WATICK, MASSACHUSETTS 01740			TPU CONTROL DECODER & WIPER OPTION MATRIX 001							
DESIGNED	DATE									
CHECKED	DATE									
ENGINEER	DATE									
APPROVED	DATE									
FIRST USED ON										
		SCALE	NONE		SHEET		15		OF	33



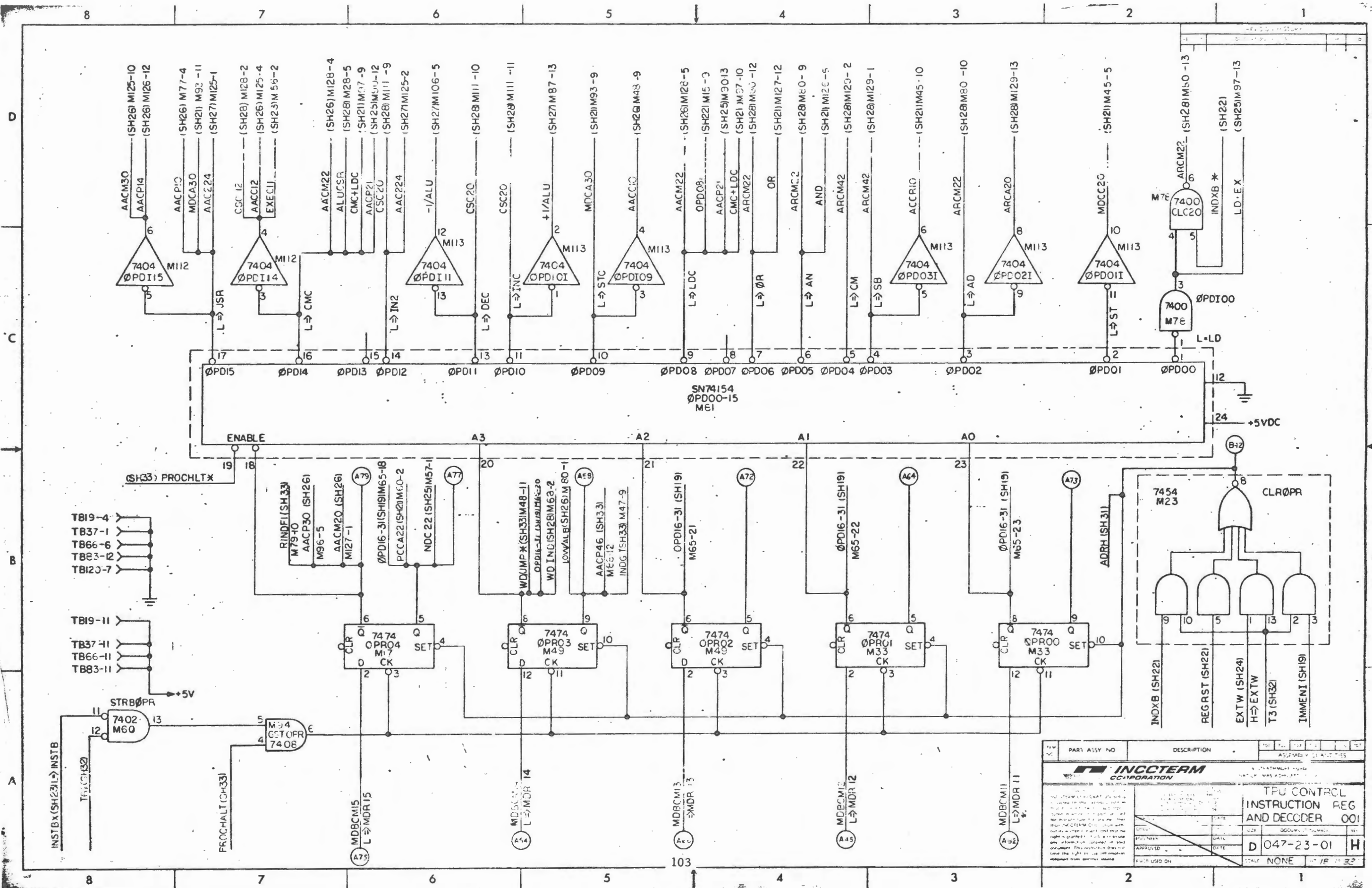
INCOTERM 4 STATSBAND ROAD NATCH WASHINGTONS 0730 INCOTERM 477 KINGSTON ROAD KINGSTON, ONTARIO CANADA TEL: 416-291-4200 FAX: 416-291-4201 WWW.INCOTERM.COM		TITLE TPU CONTROL CONTROL LINE DRIVERS 001
PART/ASSY NO. 701 702 703 704 705 706 707 ASSEMBLY QUANTITIES	DESCRIPTION TPU CONTROL CONTROL LINE DRIVERS 001	DATE 047-23-01 SIZE 16 x 33 SCALE NONE

REV	DESCRIPTION	DATE
1	REVISION HISTORY	
2		
3		
4		
5		
6		
7		
8		

REVISION HISTORY	
REVISION	DESCRIPTION OF CHANGES

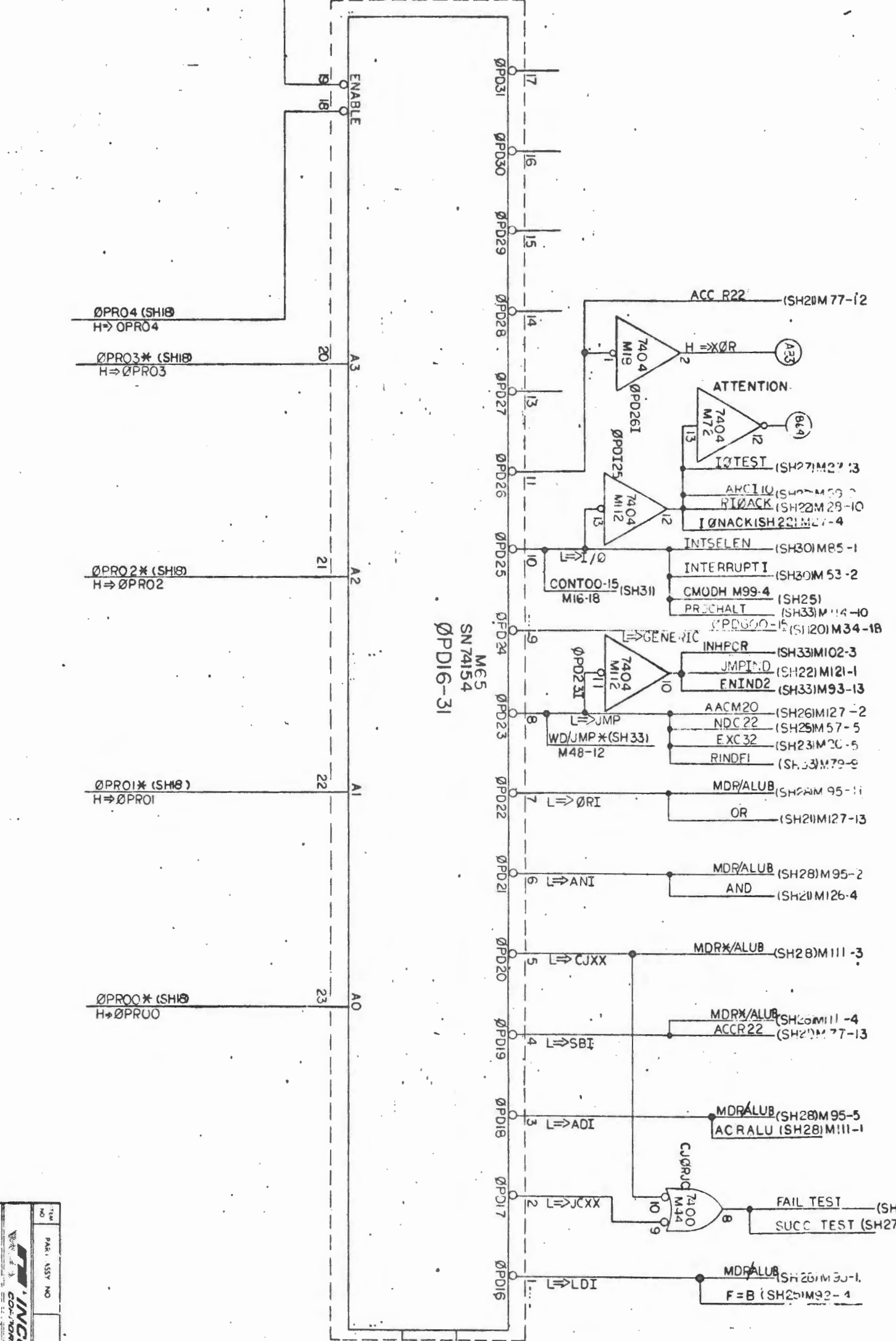
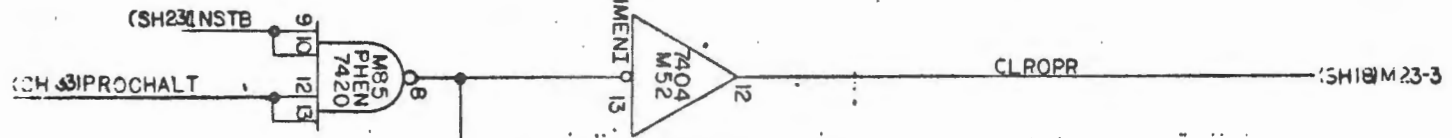


ITEM NO	PART ASSY NO	DESCRIPTION	701	702	703	704	705	706	707
ASSEMBLY QUANTITIES									
INCOTERM CORPORATION									
6 STRATHMORE ROAD NATICK, MASSACHUSETTS 01740									
TPU CONTROL INTERRUPT LOGIC - 001									
DATE	DATE	DATE	DATE	DATE	DATE	DATE	DATE	DATE	DATE
CHECKED	DATE	DATE	DATE	DATE	DATE	DATE	DATE	DATE	DATE
APPROVED	DATE	DATE	DATE	DATE	DATE	DATE	DATE	DATE	DATE
D 047-23-01			H			REV			
FIRST USED ON 005-07-02-701									
PAGE 17 OF 33									



REV	DATE	DESCRIPTION	BY	CHKD	APP'D

PART ASSY NO		DESCRIPTION		ASSY BY	
INCOTERM CORPORATION					
TPU CONTROL INSTRUCTION REG AND DECCDR 001					
DATE					
APPROVED		DATE			



ITEM NO	PAR. ASSY NO	DESCRIPTION	ASSEMBLY QUANTITIES
1		DESCRIPTION	
2		ASSEMBLY QUANTITIES	

INCOTERM CORPORATION
 1700 WEST 10TH AVENUE
 DENVER, COLORADO 80202

TPU CONTROL - INSTRUCTION REG AND DECODER 001

DATE: 047-23-01

REV: H

DATE: 19 23 33

SCALE: NONE

DATE: 19 23 33

SCALE: NONE

DATE: 19 23 33

SCALE: NONE

DATE: 19 23 33

SCALE: NONE

DATE: 19 23 33

SCALE: NONE

DATE: 19 23 33

SCALE: NONE

DATE: 19 23 33

SCALE: NONE

DATE: 19 23 33

SCALE: NONE

DATE: 19 23 33

SCALE: NONE

DATE: 19 23 33

SCALE: NONE

DATE: 19 23 33

SCALE: NONE

DATE: 19 23 33

SCALE: NONE

DATE: 19 23 33

SCALE: NONE

DATE: 19 23 33

SCALE: NONE

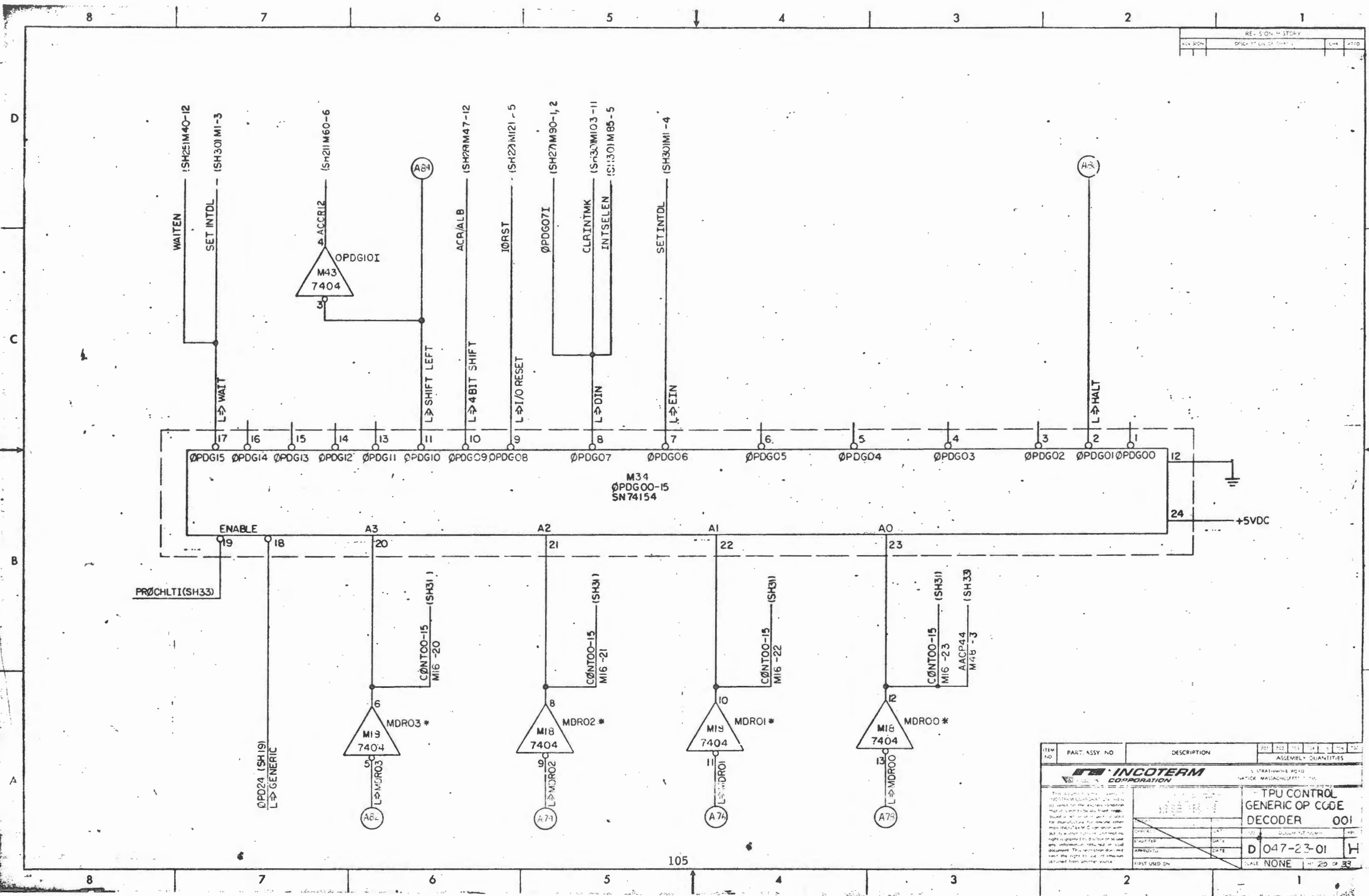
DATE: 19 23 33

SCALE: NONE

DATE: 19 23 33

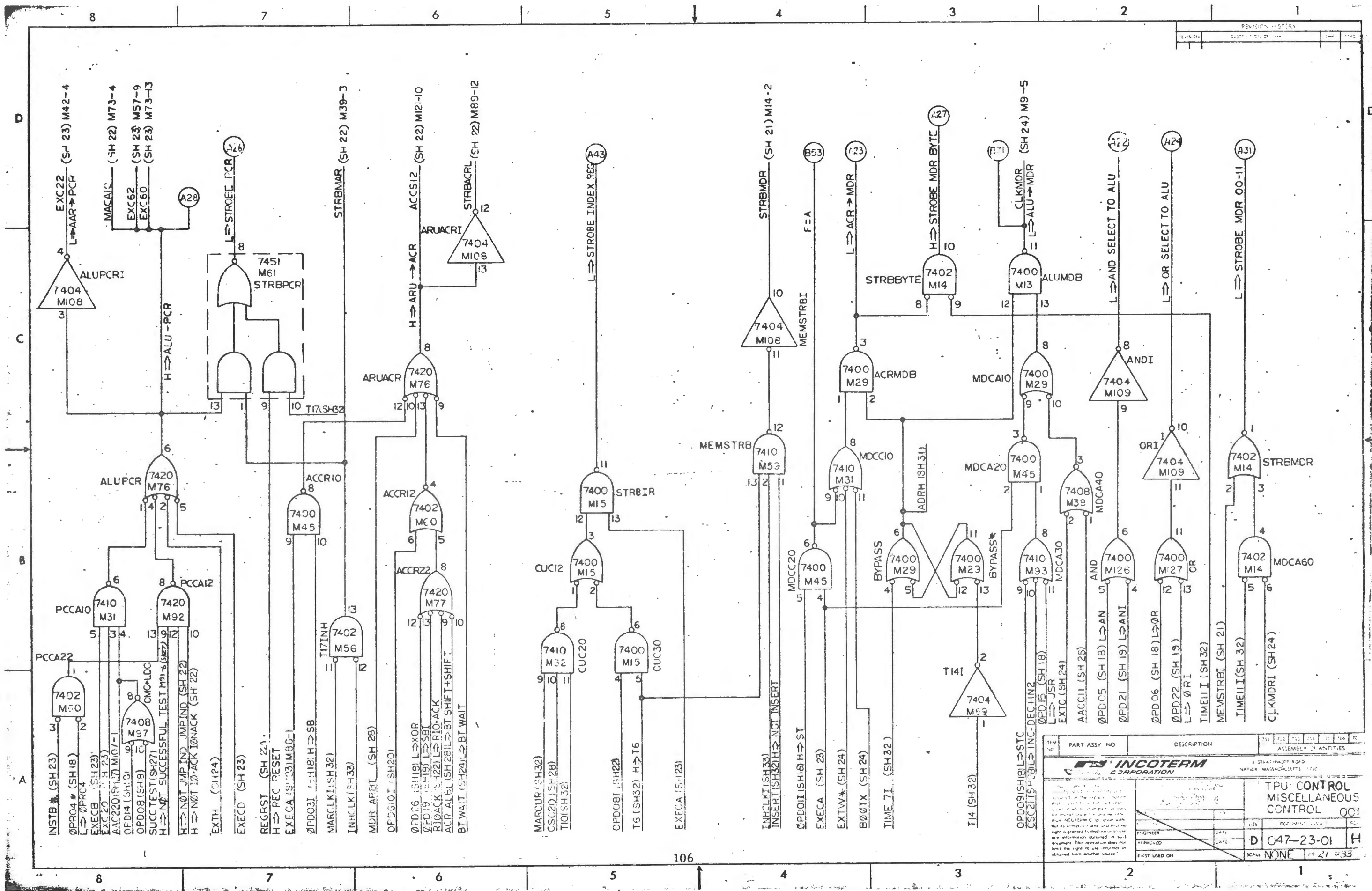
SCALE: NONE

DATE: 19 23 33



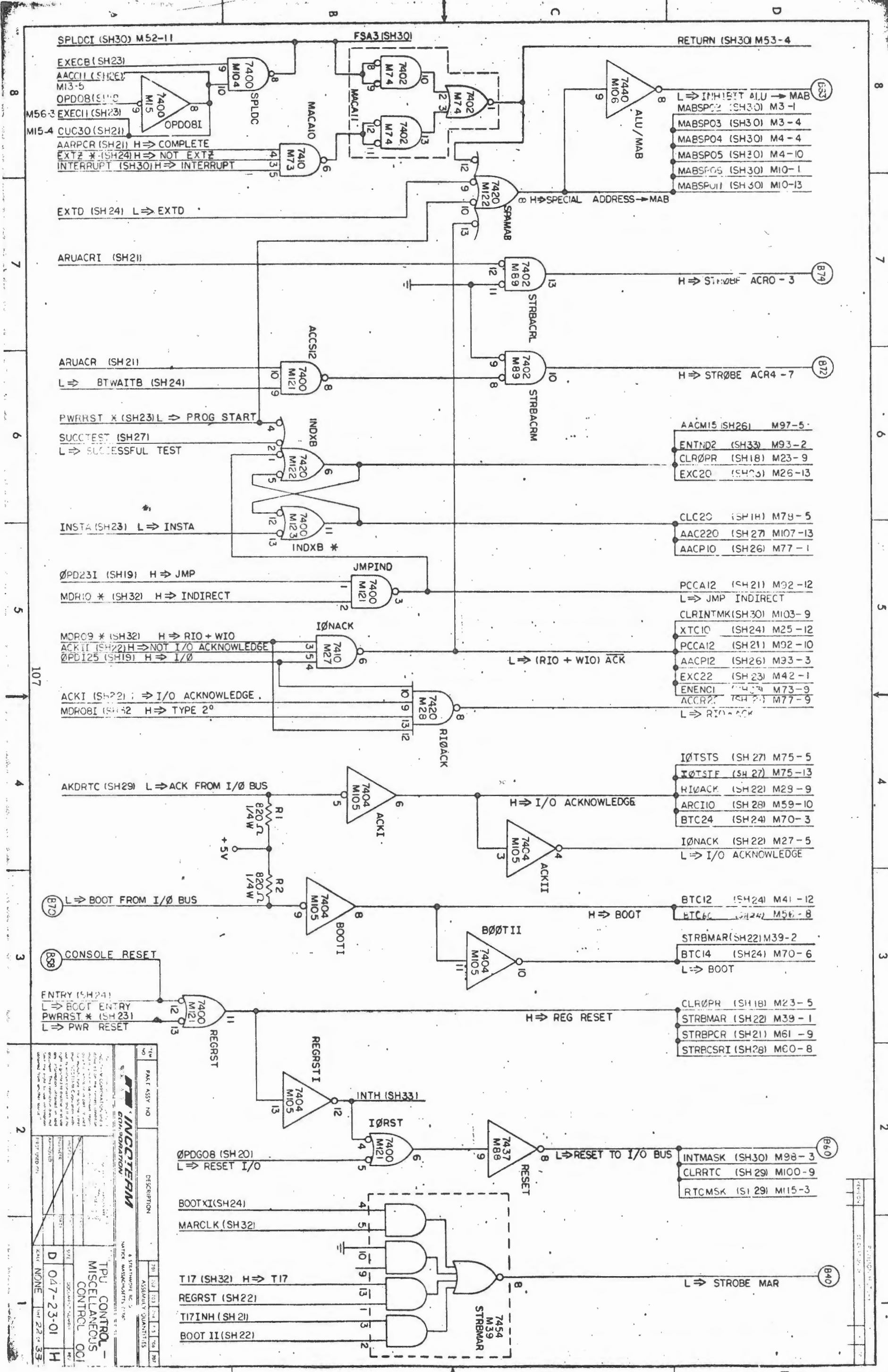
REV. 5 ON 4 STORY			
REV. 50N	DATE	CHK	APPD

ITEM NO.	PART. ASSY. NO.	DESCRIPTION	201	202	203	204	205	206	207
INCOTERM CORPORATION									
5 STRATHMORE ROAD NATICK, MASSACHUSETTS 01908									
		TPU CONTROL GENERIC OP CODE DECODER	001						
DATE	DATE	DATE	DATE	DATE	DATE	DATE	DATE	DATE	DATE
APPROVED	DATE	APPROVED	DATE	APPROVED	DATE	APPROVED	DATE	APPROVED	DATE
FIRST USED ON	DATE	SCALE	NONE	REV	20	OF	33		

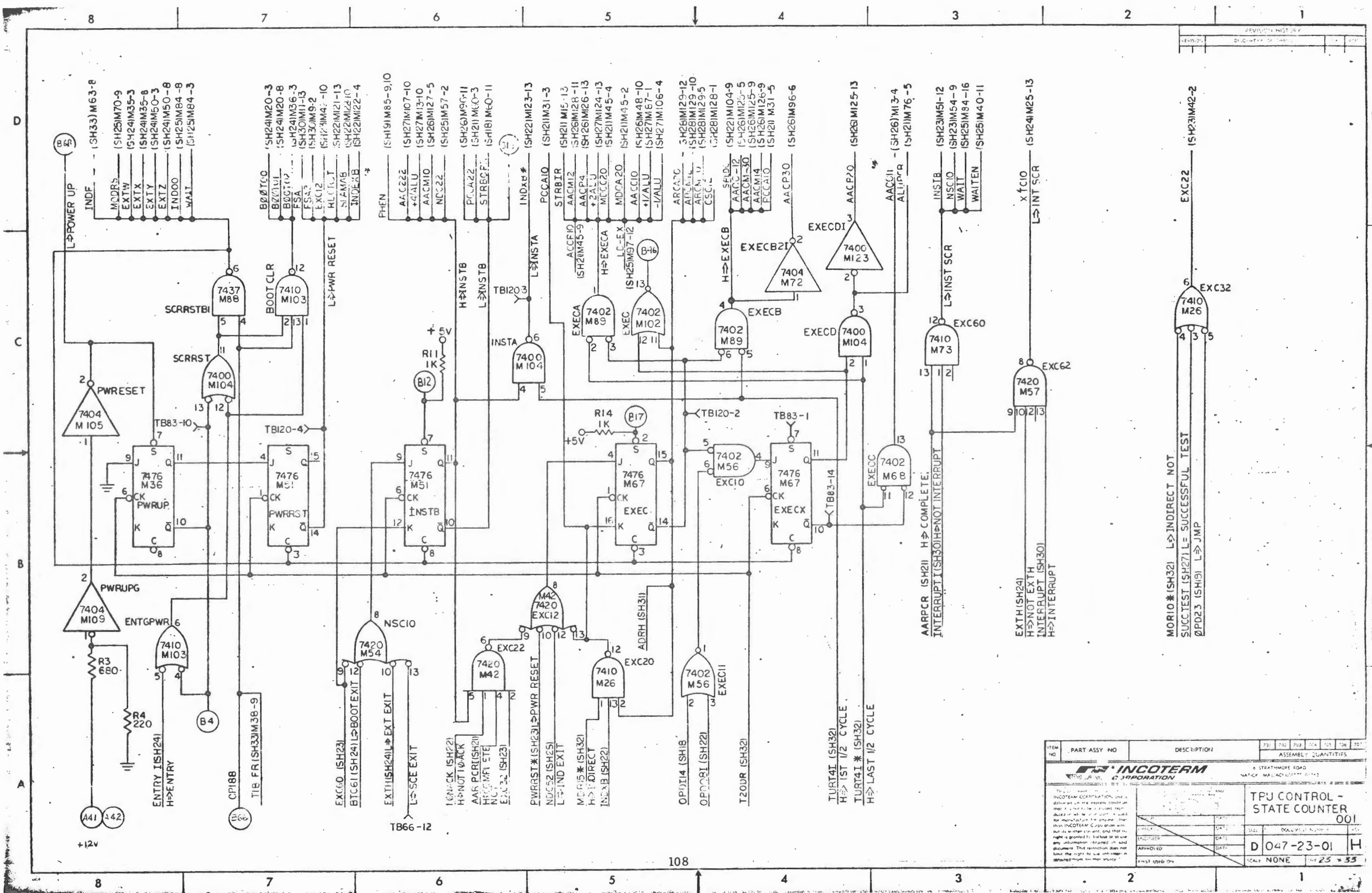


REV	DATE	DESCRIPTION	BY	CHKD
1				
2				
3				
4				
5				
6				

PART ASSY NO		DESCRIPTION		ASSEMBLY QUANTITIES	
5 STRATHMORE ROAD NATICK, MASSACHUSETTS 01909					
TPU CONTROL MISCELLANEOUS CONTROL					
CONTROL					
ENGINEER	DATE	SIZE	DOCUMENT NO.	REV.	REL.
APPROVED	DATE	D	047-23-01	H	
FIRST USED ON					
SCALE NONE					

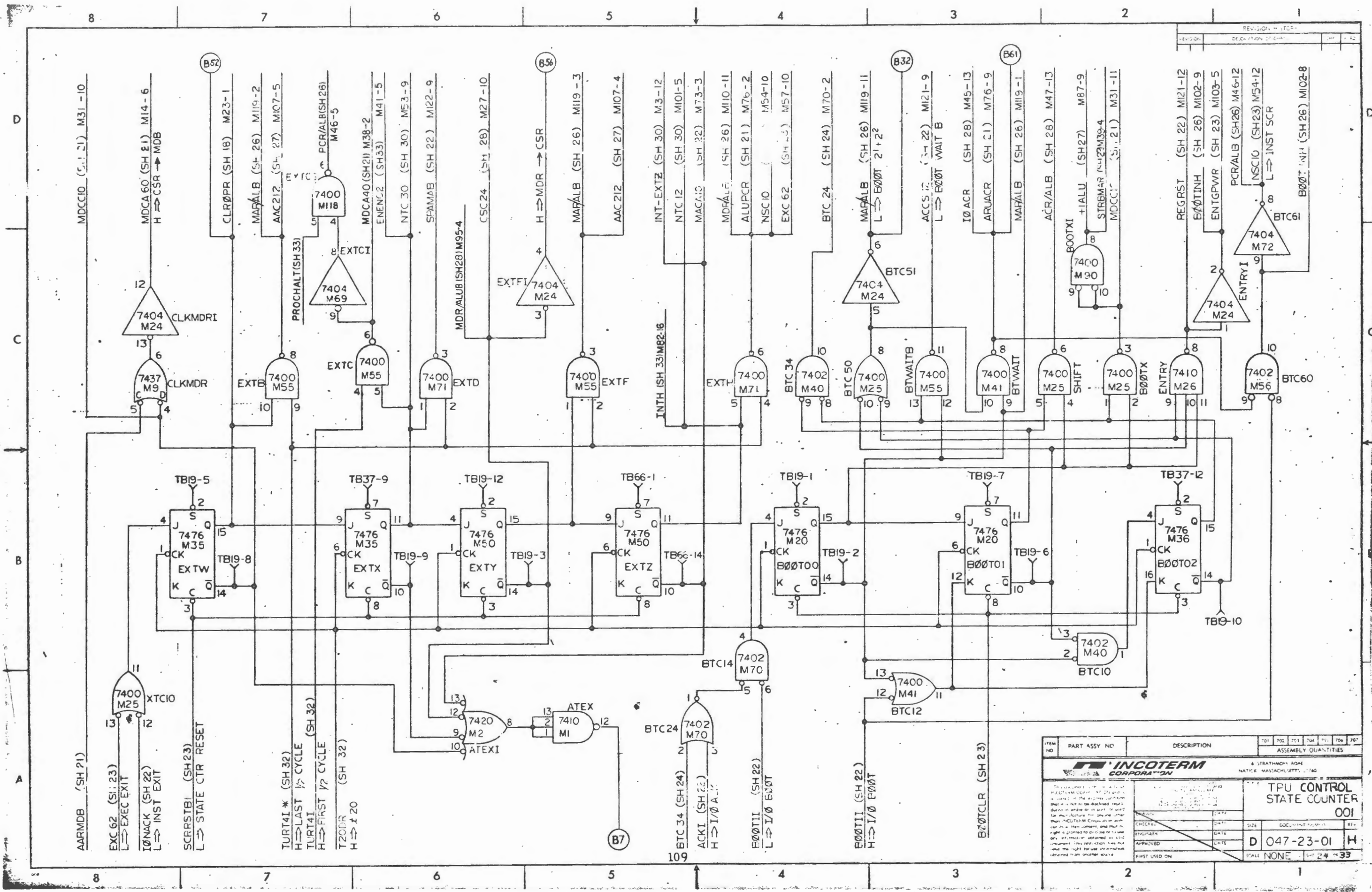


INCOPTERM CORPORATION 4 STRATFORD RD. WATERBURY, CT 06705	
PART ASSY NO 047-23-01	DESCRIPTION TPU CONTROL - MISCELLANEOUS CONTROL 001
DATE 04-7-73	DRAWN BY NONE
CHECKED BY NONE	DATE 04-7-73

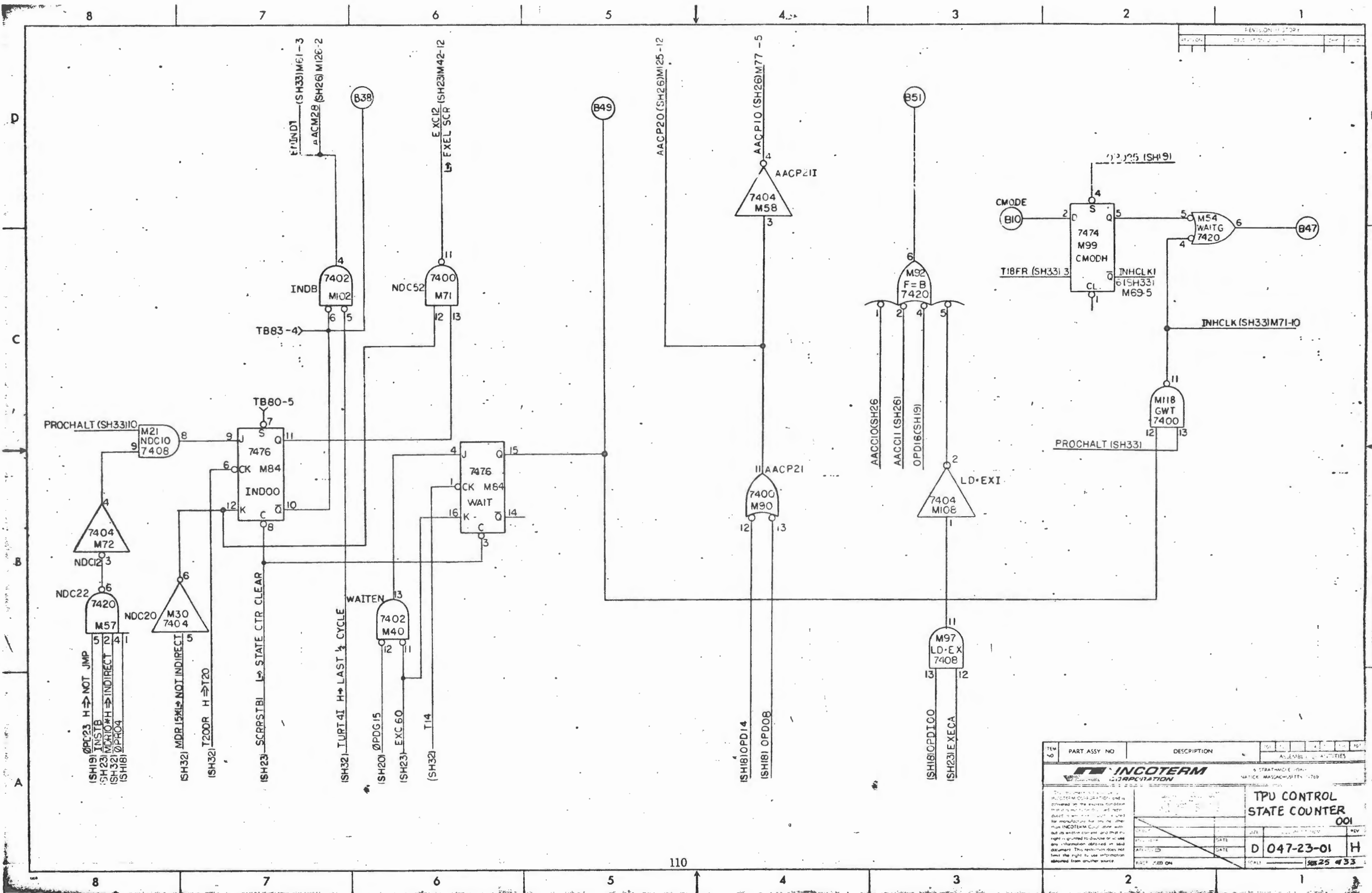


REVISION HISTORY	
REV. NO.	DESCRIPTION

ITEM NO.	PART ASSY NO.	DESCRIPTION	ASSEMBLY QUANTITIES					
			73	74	75	76	77	78
			6 STRATHMORE ROAD NATICK, MASSACHUSETTS 01913					
This document is the property of INCOTERM CORPORATION. It is loaned to the recipient under the understanding that it will be returned to the originator. No part of this document may be reproduced or transmitted in any form or by any means, electronic or mechanical, including photocopying, recording, or by any information storage and retrieval system, without the prior written consent of INCOTERM CORPORATION. This restriction does not limit the right to use information contained herein for the purpose of the specific project for which it was prepared. This restriction does not limit the right to use information contained herein for other projects.			TPU CONTROL - STATE COUNTER 001			DATE: DATE: DATE: DATE: DATE: DATE:		
			APPROVED: DATE: DATE: DATE:			D 047-23-01 H		
SCALE: NONE SHEET: 25 OF 53			DATE: DATE: DATE: DATE: DATE: DATE:					

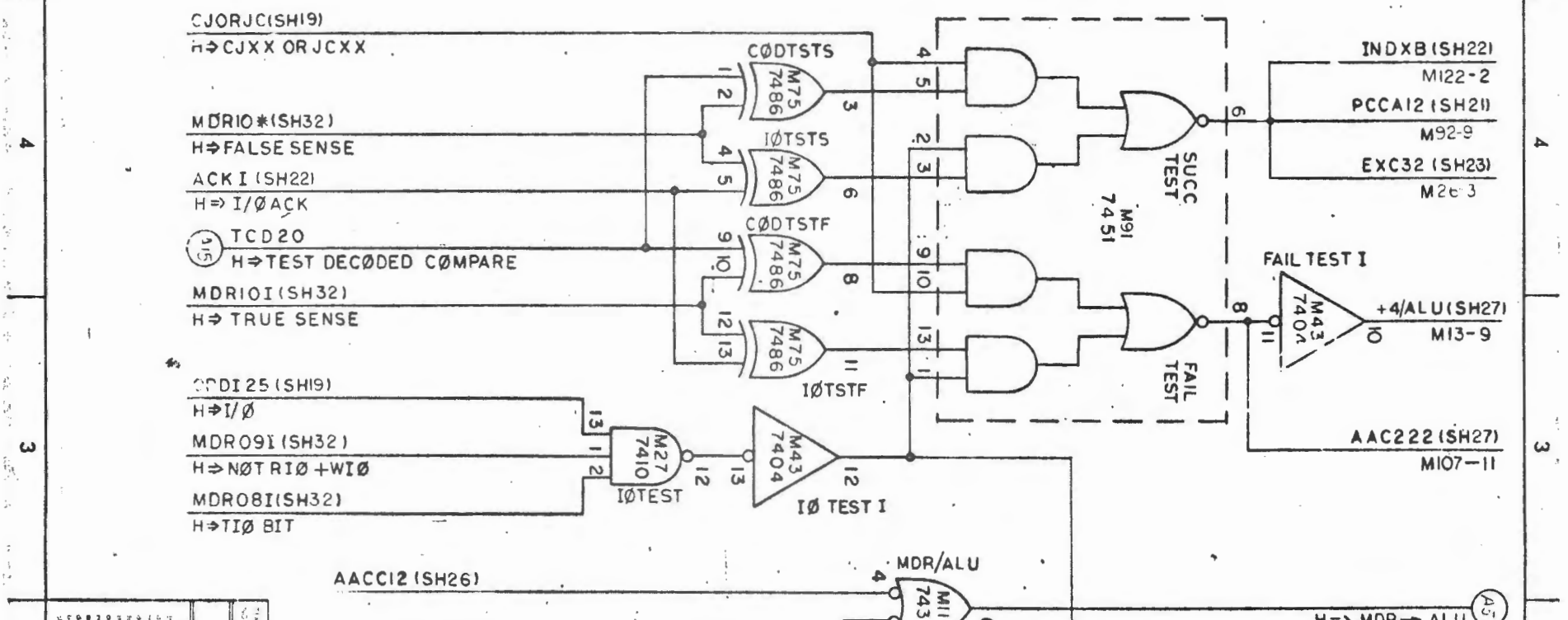
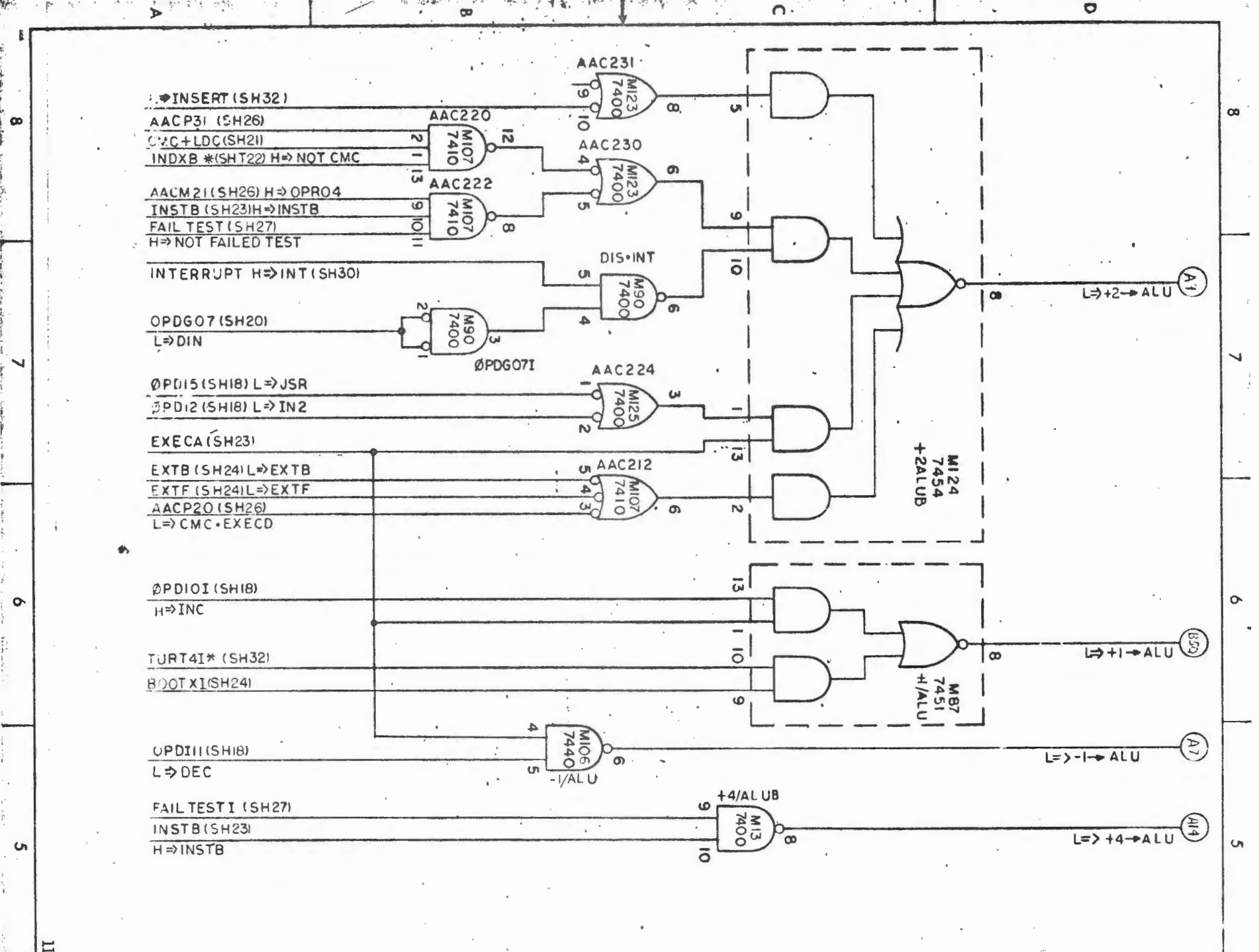


ITEM NO	PART ASSY NO	DESCRIPTION	701	702	703	704	705	706	707
ASSEMBLY QUANTITIES									
INCOTERM CORPORATION 6 STRATHMORE ROAD NATICK, MASSACHUSETTS, 01940									
TPU CONTROL STATE COUNTER OOI									
CHECKED	DATE	SIZE	DOC. NO.	REV.					
APPROVED	DATE	D	047-23-01	H					
FIRST USED ON	SCALE NONE		SHEET 24 OF 33						



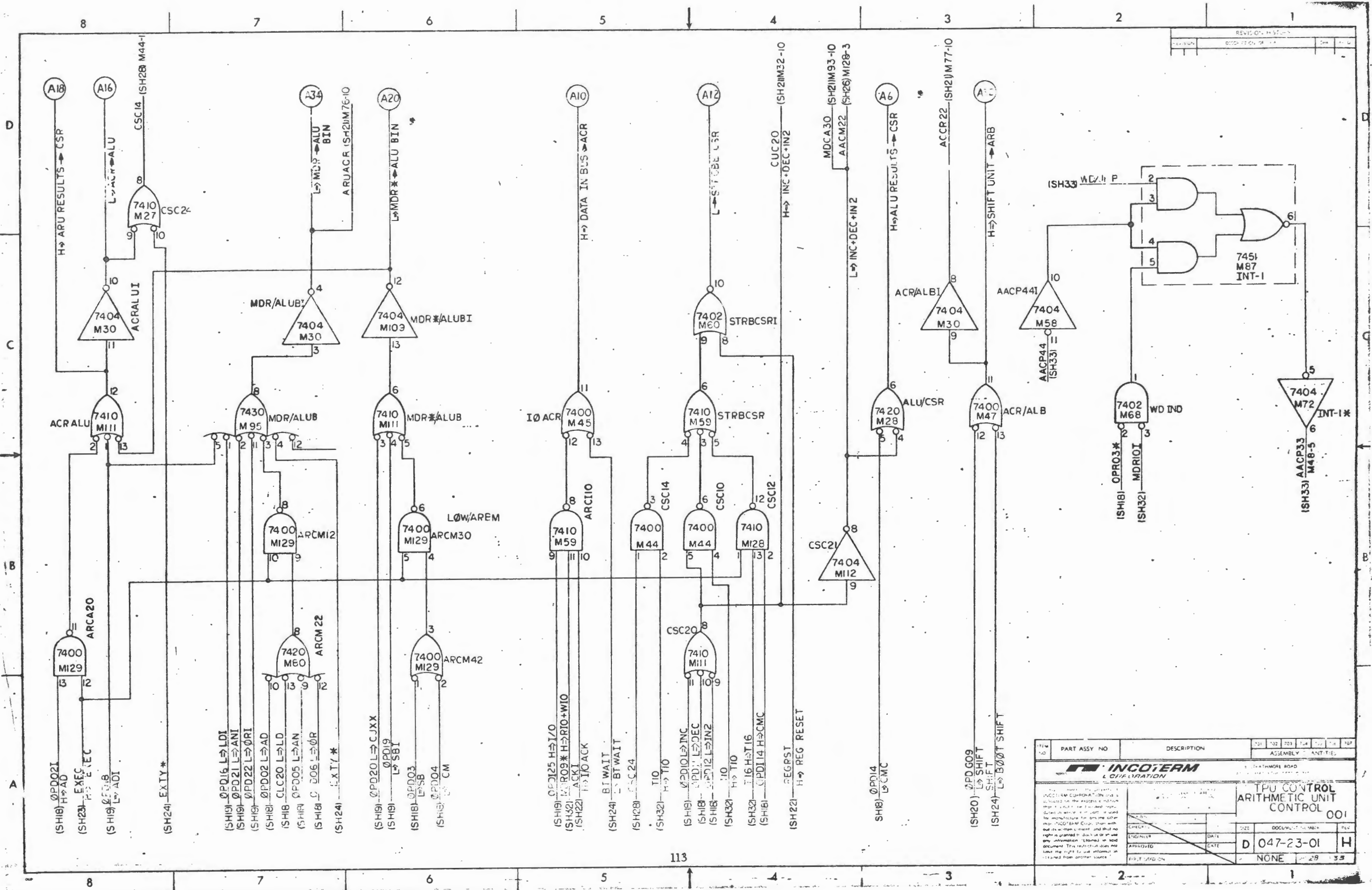
REV	PART ASSY NO	DESCRIPTION	DATE	BY	CHKD
6					

INCOTERM CORPORATION		6 STRATHMORE ROAD NATICK, MASSACHUSETTS 01913	
<small>This document is the property of INCOTERM CORPORATION and is loaned to the customer under the express condition that it will be returned to INCOTERM CORPORATION upon the completion of the project. No part of this document may be reproduced or transmitted in any form or by any means, electronic, mechanical, photocopying, recording, or by any information storage and retrieval system, without the prior written consent of INCOTERM CORPORATION. This restriction does not limit the right to use information obtained from another source.</small>		TPU CONTROL STATE COUNTER 001	
DATE	DATE	DATE	REV
APPROVED	DATE	D 047-23-01	H
DATE	DATE	DATE	DATE
			REV 25 433

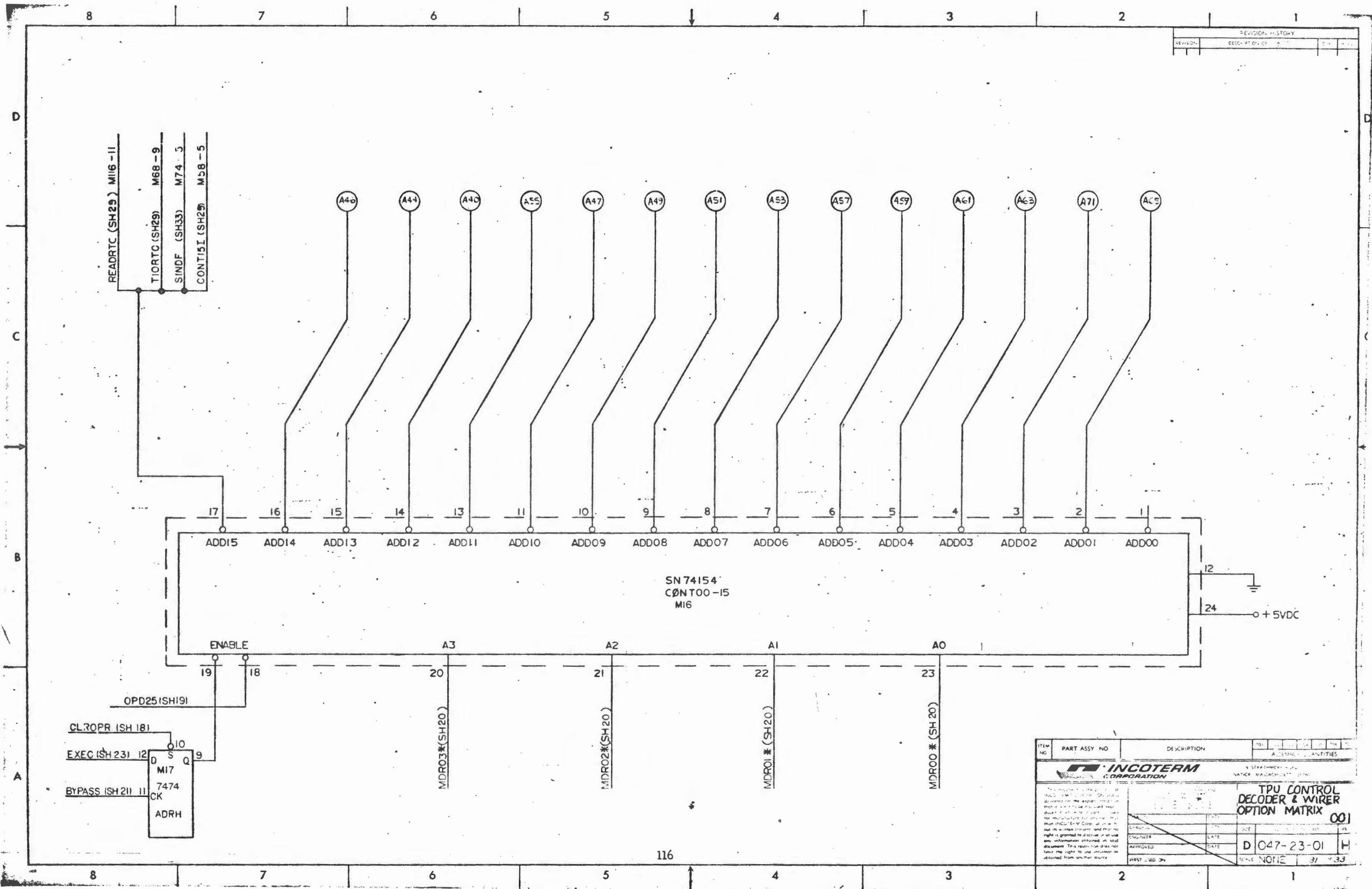


REV	DESCRIPTION	DATE	BY	CHKD
1	TPU CONTROL			
2	AUX. ARITHMETIC UNIT CONTROL 001			
3				
4				
5				
6				
7				
8				
9				
10				
11				
12				
13				
14				
15				
16				
17				
18				
19				
20				

REV	DESCRIPTION	DATE	BY	CHKD
1	TPU CONTROL			
2	AUX. ARITHMETIC UNIT CONTROL 001			
3				
4				
5				
6				
7				
8				
9				
10				
11				
12				
13				
14				
15				
16				
17				
18				
19				
20				

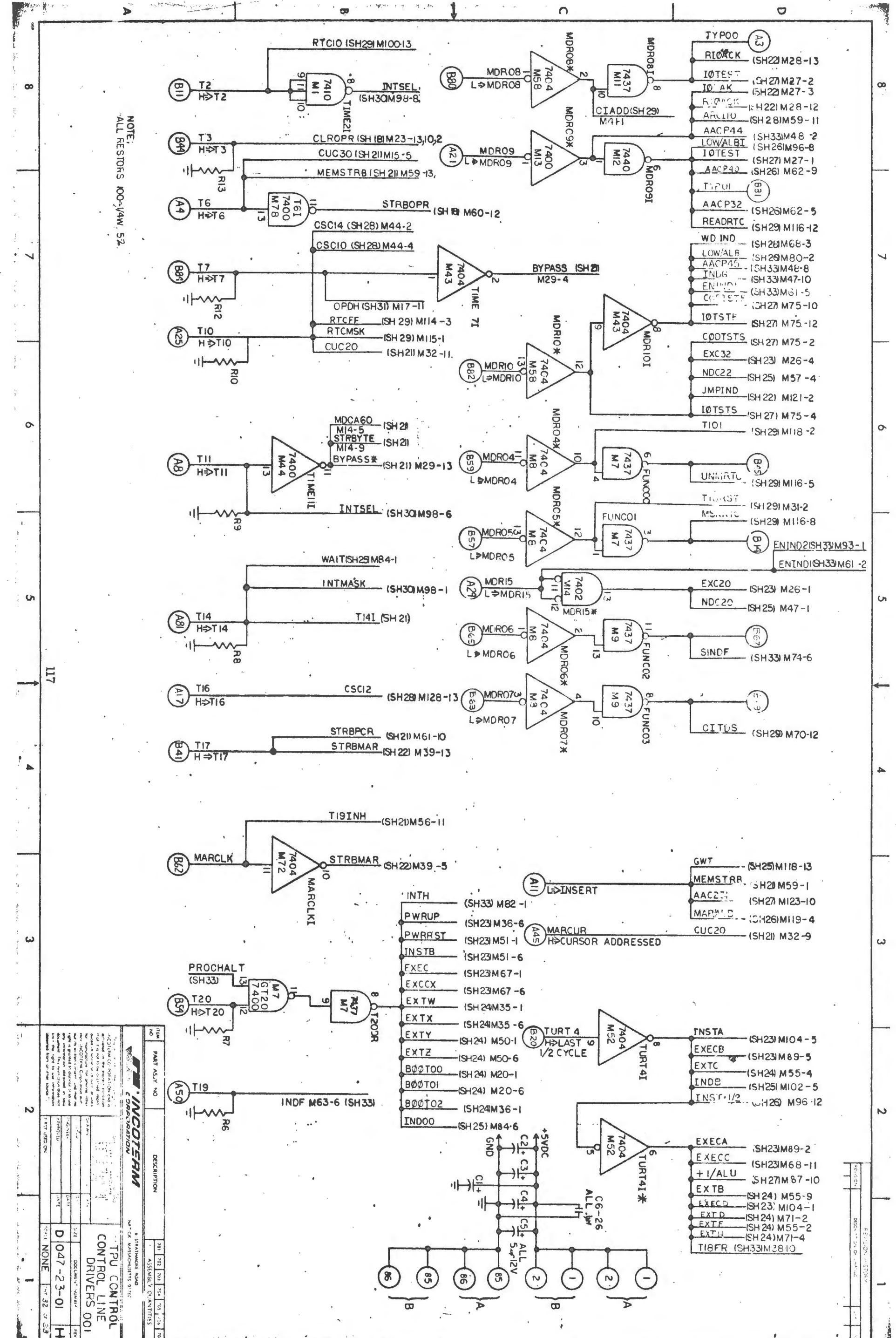


REV	NO	PART ASSY NO	DESCRIPTION	REV	DATE	SIZE	DOCUMENT NUMBER	REV
<p>INCOTERM Liquifloration</p> <p>TPU CONTROL ARITHMETIC UNIT CONTROL 001</p>								
APPROVED							D 047-23-01	H
							NONE	29 33



REVISION HISTORY	
REVISION	DESCRIPTION

ITEM NO	PART ASSY NO	DESCRIPTION	TO	BY	DATE	QTY
INCOTERM CORPORATION						
TPU CONTROL DECODER & WIRES OPTION MATRIX 001						
ENGINEER	DATE	QTY				
APPROVED	DATE					



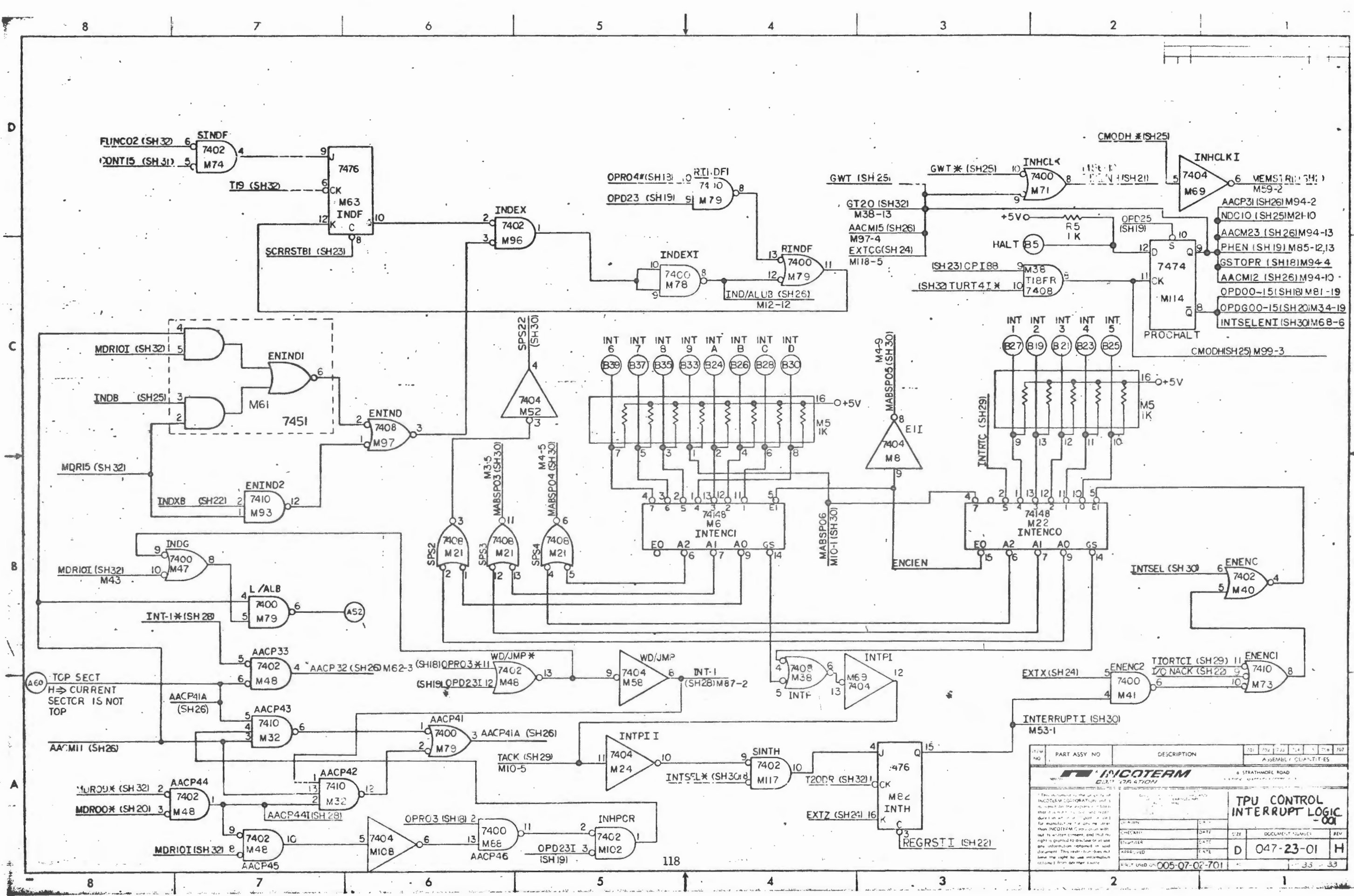
NOTE:
ALL RESISTORS 100-1/4W, 52.

ITEM NO.	PART ASSEMBLY NO.	DESCRIPTION	QTY.	UNIT
1	741	7404	1	IC
2	742	7401	1	IC
3	743	7402	1	IC
4	744	7404	1	IC
5	745	7437	1	IC
6	746	7400	1	IC
7	747	7400	1	IC
8	748	7400	1	IC
9	749	7400	1	IC
10	750	7400	1	IC
11	751	7400	1	IC
12	752	7400	1	IC
13	753	7400	1	IC
14	754	7400	1	IC
15	755	7400	1	IC
16	756	7400	1	IC
17	757	7400	1	IC
18	758	7400	1	IC
19	759	7400	1	IC
20	760	7400	1	IC
21	761	7400	1	IC
22	762	7400	1	IC
23	763	7400	1	IC
24	764	7400	1	IC
25	765	7400	1	IC
26	766	7400	1	IC
27	767	7400	1	IC
28	768	7400	1	IC
29	769	7400	1	IC
30	770	7400	1	IC
31	771	7400	1	IC
32	772	7400	1	IC
33	773	7400	1	IC
34	774	7400	1	IC
35	775	7400	1	IC
36	776	7400	1	IC
37	777	7400	1	IC
38	778	7400	1	IC
39	779	7400	1	IC
40	780	7400	1	IC
41	781	7400	1	IC
42	782	7400	1	IC
43	783	7400	1	IC
44	784	7400	1	IC
45	785	7400	1	IC
46	786	7400	1	IC
47	787	7400	1	IC
48	788	7400	1	IC
49	789	7400	1	IC
50	790	7400	1	IC
51	791	7400	1	IC
52	792	7400	1	IC
53	793	7400	1	IC
54	794	7400	1	IC
55	795	7400	1	IC
56	796	7400	1	IC
57	797	7400	1	IC
58	798	7400	1	IC
59	799	7400	1	IC
60	800	7400	1	IC
61	801	7400	1	IC
62	802	7400	1	IC
63	803	7400	1	IC
64	804	7400	1	IC
65	805	7400	1	IC
66	806	7400	1	IC
67	807	7400	1	IC
68	808	7400	1	IC
69	809	7400	1	IC
70	810	7400	1	IC
71	811	7400	1	IC
72	812	7400	1	IC
73	813	7400	1	IC
74	814	7400	1	IC
75	815	7400	1	IC
76	816	7400	1	IC
77	817	7400	1	IC
78	818	7400	1	IC
79	819	7400	1	IC
80	820	7400	1	IC
81	821	7400	1	IC
82	822	7400	1	IC
83	823	7400	1	IC
84	824	7400	1	IC
85	825	7400	1	IC
86	826	7400	1	IC
87	827	7400	1	IC
88	828	7400	1	IC
89	829	7400	1	IC
90	830	7400	1	IC
91	831	7400	1	IC
92	832	7400	1	IC
93	833	7400	1	IC
94	834	7400	1	IC
95	835	7400	1	IC
96	836	7400	1	IC
97	837	7400	1	IC
98	838	7400	1	IC
99	839	7400	1	IC
100	840	7400	1	IC

INCOTERM CORPORATION
 9 STAMFORD ROAD
 MEXICO MASSACHUSETTS 01771
 TEL: 617 552-4000
 FAX: 617 552-4001
 CIRCLE 32 ON CARD

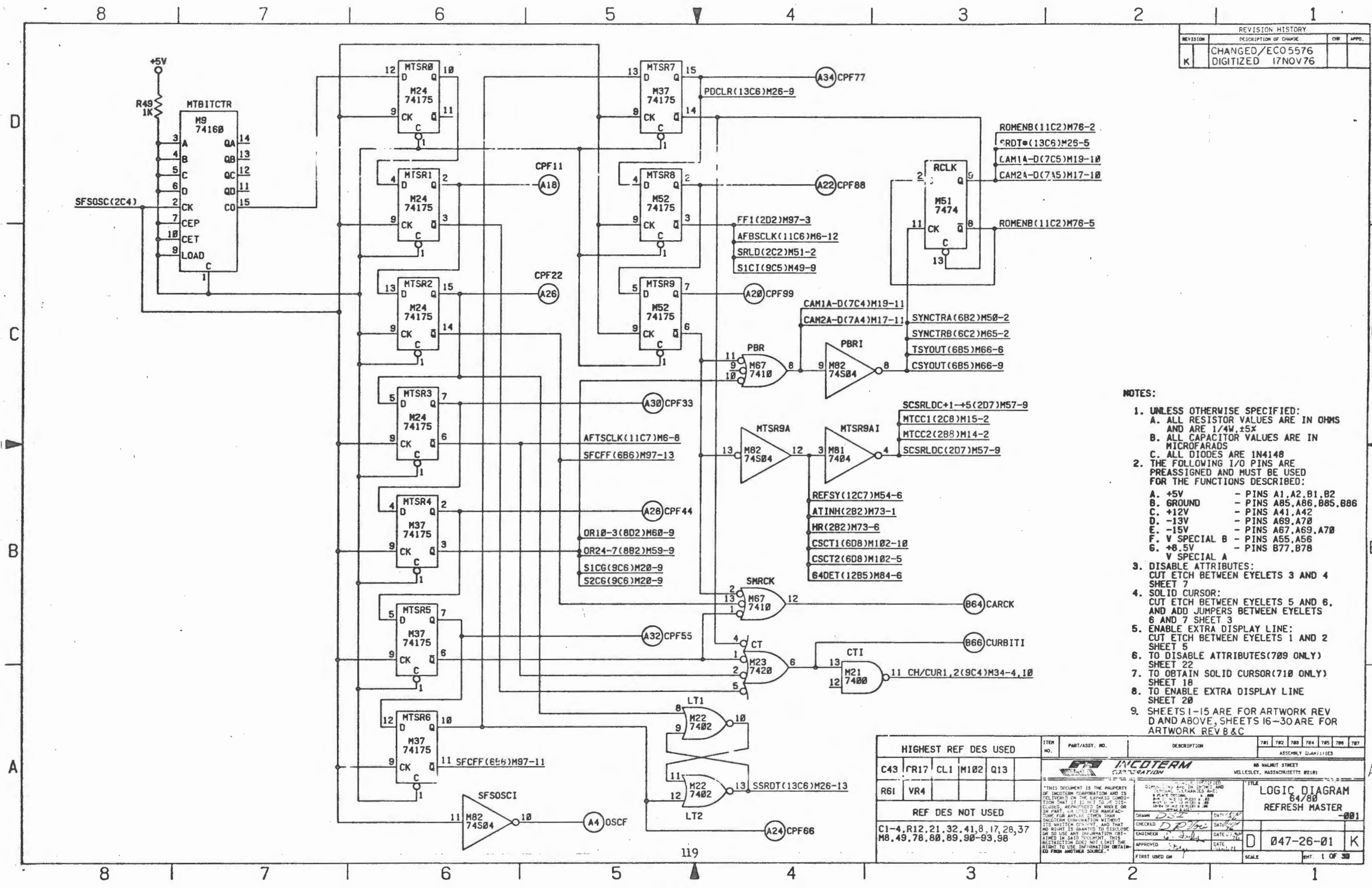
TPU CONTROL
 CONTROL LINE
 DRIVERS 001

REV: 3.0
 DATE: 10/81
 DRAWN: JWB
 CHECK: JWB
 NONE



ITEM NO.	PART ASSY NO.	DESCRIPTION	Q17	Q18	Q19	Q20	Q21	Q22	Q23	Q24	Q25	Q26	Q27	Q28	Q29
INCOTERM CORPORATION 6 STRATHMORE ROAD LONDON W14 8RN															
TPU CONTROL INTERRUPT LOGIC -00															
DESIGNED	DATE	Q28	DOCUMENT NUMBER	REV											
CHECKED	DATE	Q29													
ENGINEER	DATE														
APPROVED	DATE														
PRINTED ON 005-07-02-701 33-33															

REVISION HISTORY			
REVISION	DESCRIPTION OF CHANGE	CHK	APPR.
K	CHANGED/ECO 5576 DIGITIZED 17 NOV 76		

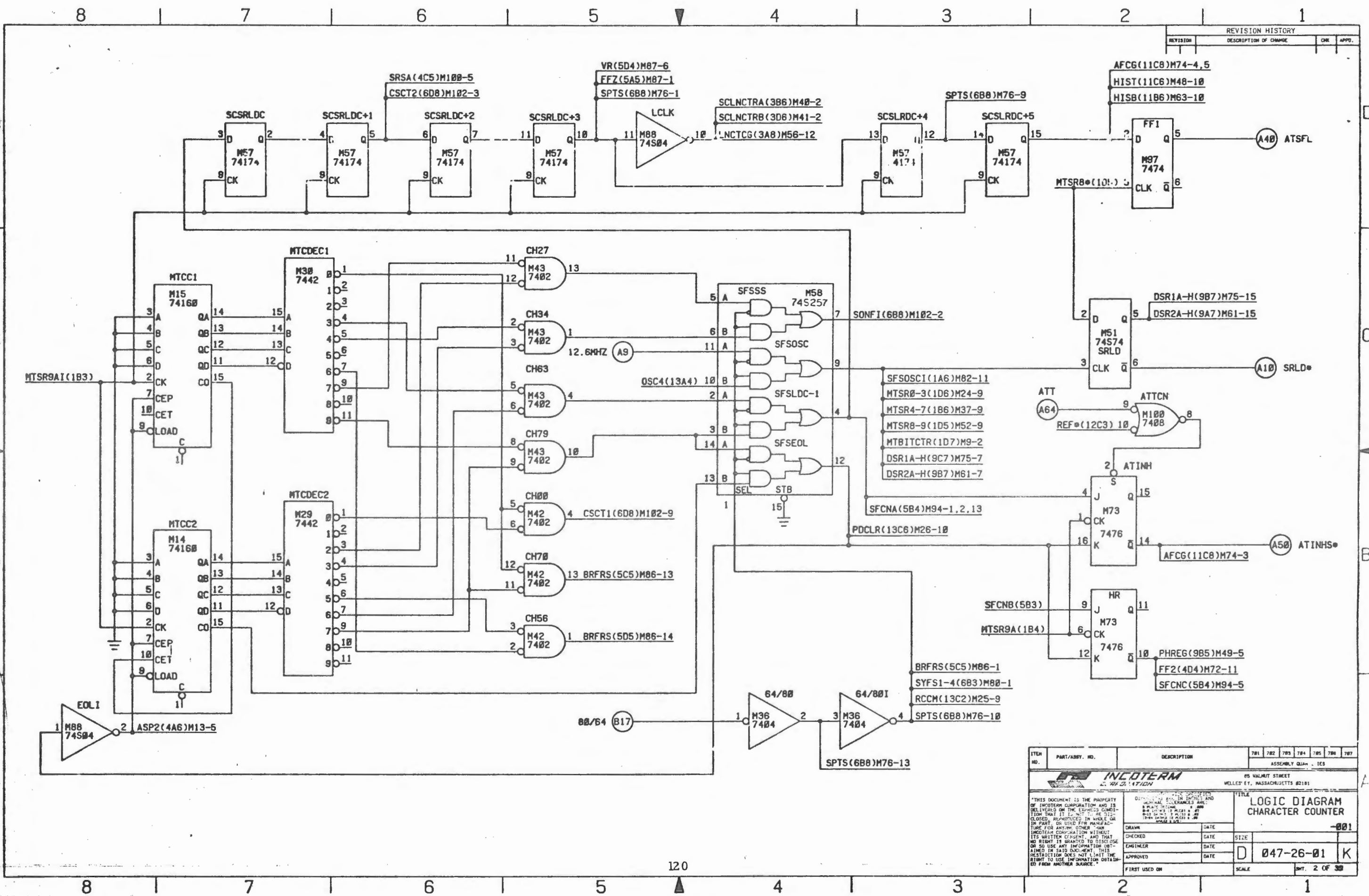


- NOTES:**
- UNLESS OTHERWISE SPECIFIED:
 - ALL RESISTOR VALUES ARE IN OHMS AND ARE 1/4W, ±5%
 - ALL CAPACITOR VALUES ARE IN MICROFARADS
 - ALL DIODES ARE 1N4148
 - THE FOLLOWING I/O PINS ARE PREASSIGNED AND MUST BE USED FOR THE FUNCTIONS DESCRIBED:

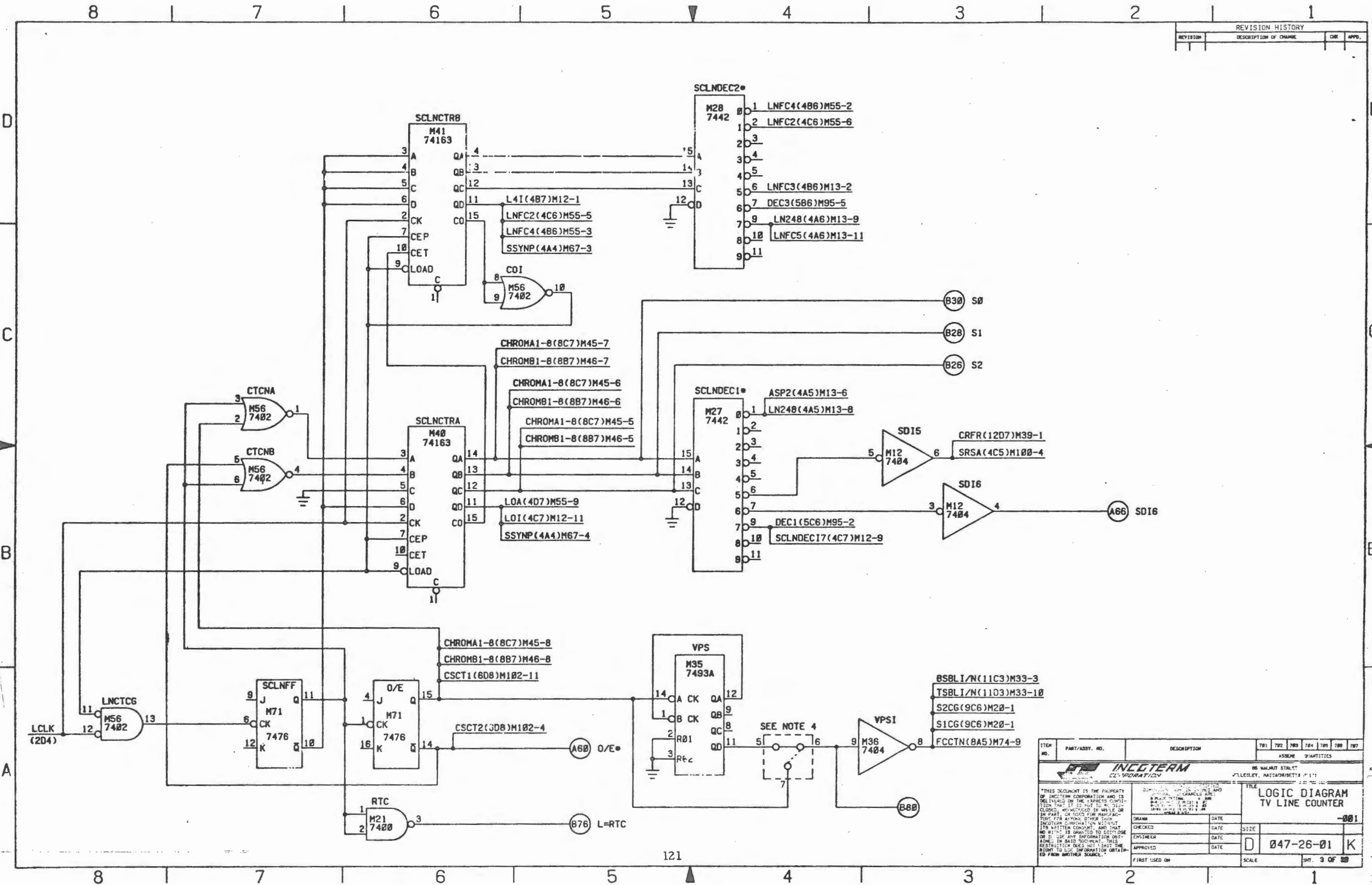
A. +5V	- PINS A1, A2, B1, B2
B. GROUND	- PINS A85, A86, B85, B86
C. +12V	- PINS A41, A42
D. -13V	- PINS A69, A70
E. -15V	- PINS A67, A69, A70
F. V SPECIAL B	- PINS A55, A56
G. +8.5V	- PINS B77, B78
 - DISABLE ATTRIBUTES:
CUT ETCH BETWEEN EYELETS 3 AND 4 SHEET 7
 - SOLID CURSOR:
CUT ETCH BETWEEN EYELETS 5 AND 6, AND ADD JUMPERS BETWEEN EYELETS 6 AND 7 SHEET 3
 - ENABLE EXTRA DISPLAY LINE:
CUT ETCH BETWEEN EYELETS 1 AND 2 SHEET 5
 - TO DISABLE ATTRIBUTES (709 ONLY) SHEET 22
 - TO OBTAIN SOLID CURSOR (710 ONLY) SHEET 18
 - TO ENABLE EXTRA DISPLAY LINE SHEET 20
 - SHEETS 1-15 ARE FOR ARTWORK REV D AND ABOVE, SHEETS 16-30 ARE FOR ARTWORK REV B & C

HIGHEST REF DES USED				ITEM NO.	PART/ASSY. NO.	DESCRIPTION	781	782	783	784	785	786	787
C43	FR17	CL1	M102	Q13									
R61	VR4												
REF DES NOT USED													
C1-4, R12, 21, 32, 41, 8, 17, 28, 37	M8, 49, 78, 80, 89, 90-93, 98												

		NO WALBUT STREET WELLESLEY, MASSACHUSETTS 02181	
THIS DOCUMENT IS THE PROPERTY OF INCOTERM CORPORATION AND IS LOANED TO YOU ON THE EXPRESS CONDITION THAT IT IS NOT TO BE REPRODUCED, REPRINTED, OR COPIED IN ANY MANNER WITHOUT THE WRITTEN CONSENT OF INCOTERM CORPORATION. NO RIGHT IS GRANTED TO DISCLOSE OR TO USE ANY INFORMATION CONTAINED IN THIS DOCUMENT. THIS RESTRICTION DOES NOT LIMIT THE RIGHT TO USE INFORMATION OBTAINED FROM ANOTHER SOURCE.		LOGIC DIAGRAM 64/80 REFRESH MASTER -001	
DRAWN: <i>D.P.</i> CHECKED: <i>D.P.</i> ENGINEER: <i>D.P.</i> APPROVED: <i>D.P.</i>	DATE: <i>7/76</i> DATE: <i>7/76</i> DATE: <i>7/76</i>	047-26-01	K
FIRST USED ON	SCALE	PNT. 1 OF 30	



ITEM NO.	PART/ASSY. NO.	DESCRIPTION	701	702	703	704	705	706	707
ASSEMBLY QUAN. - 1ES									
		85 WALWIT STREET WELLESLEY, MASSACHUSETTS 02181							
THIS DOCUMENT IS THE PROPERTY OF INCOTERM CORPORATION AND IS DELIVERED ON THE EXPRESS COMMISSION THAT IT IS TO BE DISCLOSED, REPRODUCED IN WHOLE OR IN PART, OR USED FOR MANUFACTURE FOR ANY OTHER THAN INCOTERM CORPORATION WITHOUT ITS WRITTEN CONSENT, AND THAT NO RIGHT IS GRANTED TO DISCLOSE OR SO USE ANY INFORMATION OBTAINED IN SAID DOCUMENT. THIS RESTRICTION DOES NOT LIMIT THE RIGHT TO USE INFORMATION OBTAINED FROM ANOTHER SOURCE.		TITLE LOGIC DIAGRAM CHARACTER COUNTER		-001					
DRAWN	DATE	CHECKED	DATE	ENGINEER	DATE	APPROVED	DATE	FIRST USED ON	SCALE
			D		047-26-01		K		
							SHT. 2 OF 30		



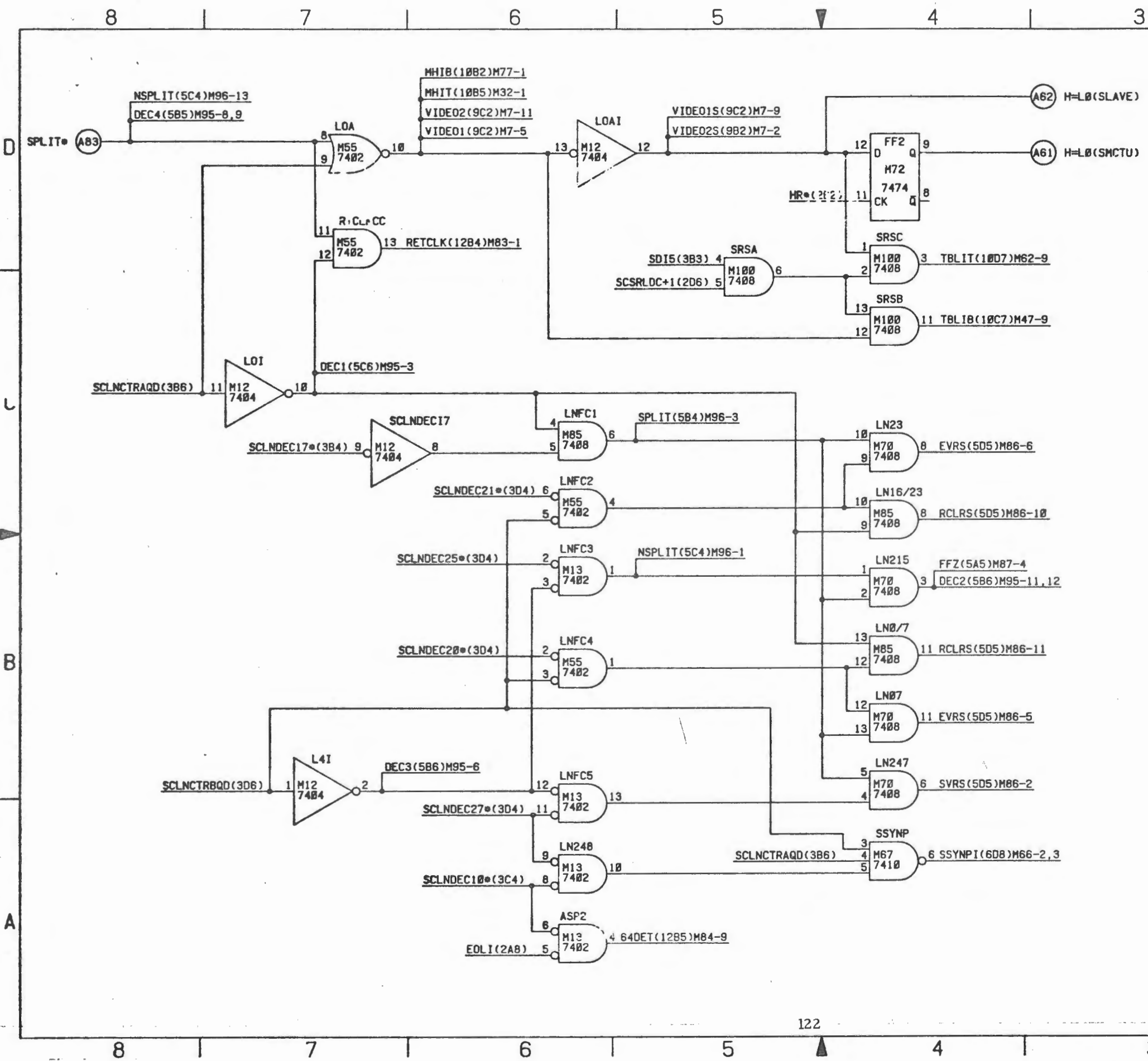
REVISION HISTORY

REVISION	DESCRIPTION OF CHANGE	CHK	APPD.

ITEM NO.	PART/ASSY. NO.	DESCRIPTION	701	702	703	704	705	706	707
									ASSEMBLY QUANTITIES
		INGCOTERM CORPORATION		85 MALDEN STREET, MALDEN, MASSACHUSETTS 02148					
THIS DOCUMENT IS THE PROPERTY OF INCOTERM CORPORATION AND IS LOANED TO THE USER'S COMPANY. IT IS NOT TO BE REPRODUCED, COPIED, OR DISCLOSED IN ANY MANNER OR IN PART, OR USED FOR MANUFACTURING FOR ANYONE OTHER THAN INCOTERM CORPORATION WITHOUT ITS WRITTEN CONSENT, AND THAT NO REMEDY IS GRANTED TO CORRECT OR TO USE ANY INFORMATION OBTAINED IN SAID DOCUMENT. THIS RESTRICTION DOES NOT LIMIT THE RIGHT TO USE INFORMATION OBTAINED FROM ANOTHER SOURCE.			TITLE		LOGIC DIAGRAM TV LINE COUNTER				
DRAWN		DATE		SIZE		-001			
ENGINEER		DATE		D		047-26-01		K	
APPROVED		DATE		SCALE		SHT. 3 OF 30			

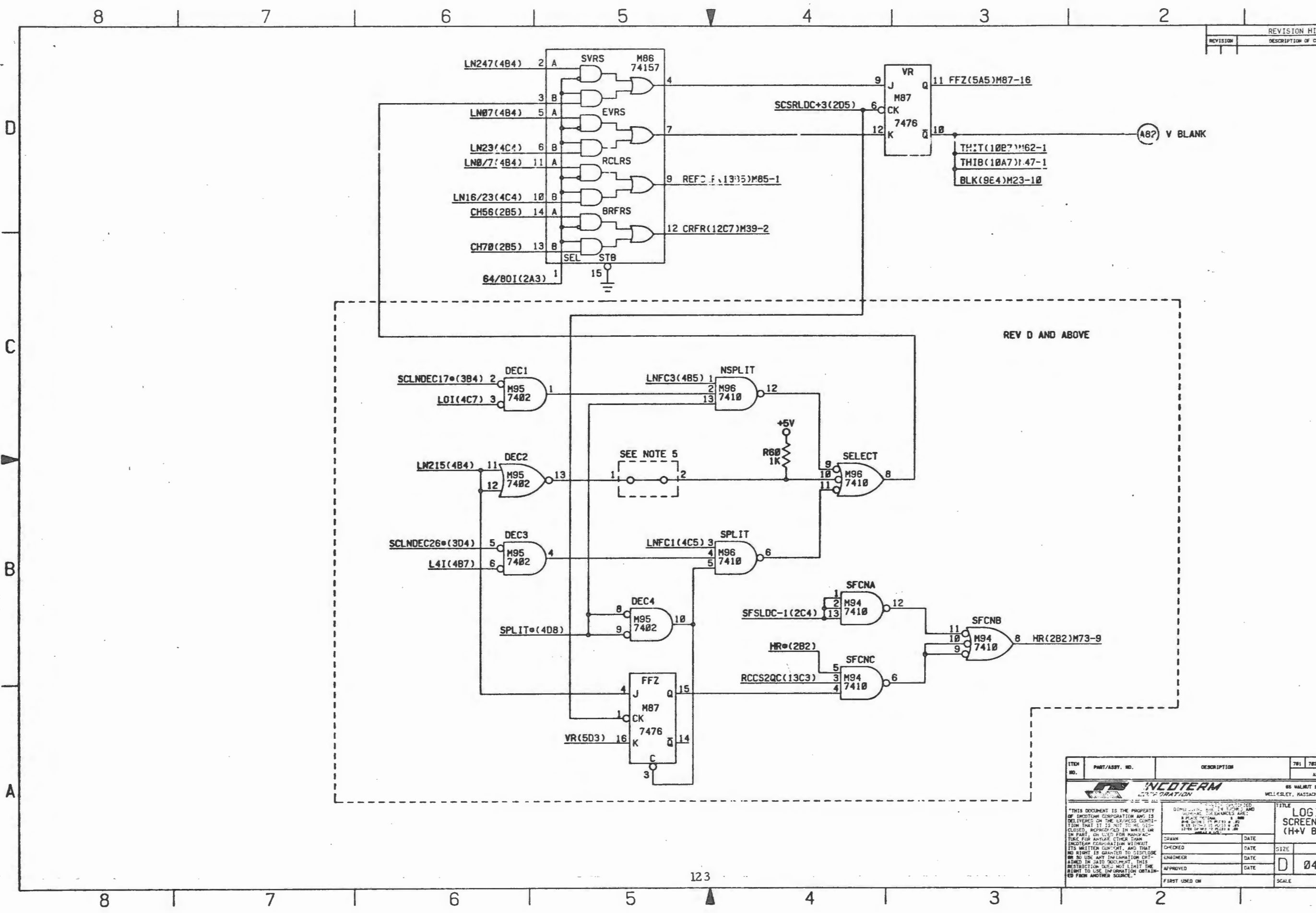
121

REVISION HISTORY			
REVISION	DESCRIPTION OF CHANGE	CHK	APPR.



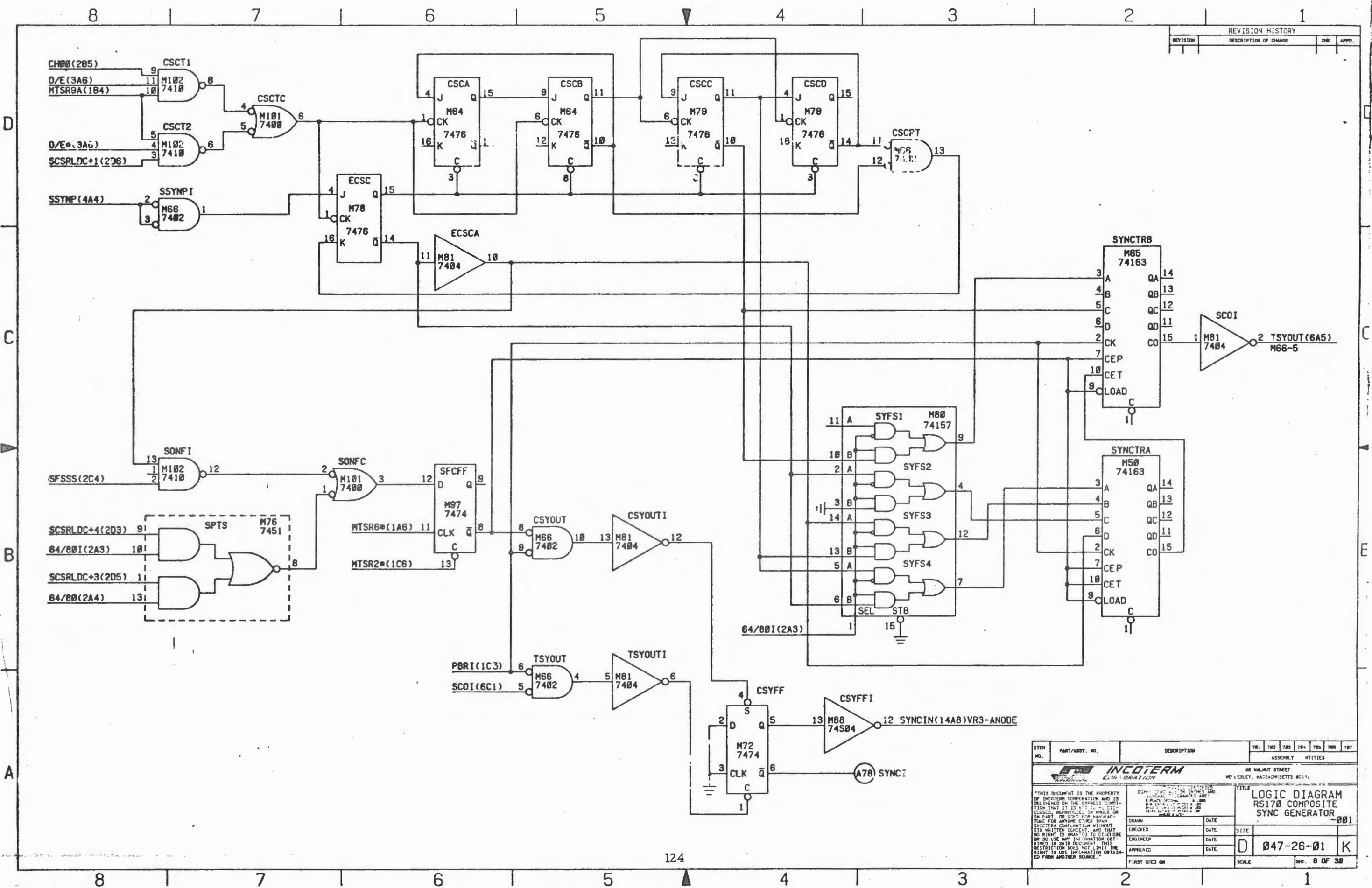
ITEM NO.	PART/ASSY. NO.	DESCRIPTION	701	702	703	704	705	706	707
INCOTERM CORPORATION 125 WALKER STREET WELLESLEY, MASSACHUSETTS 02158			ASSEMBLY QUANTITIES						
<small>THIS DOCUMENT IS THE PROPERTY OF INCOTERM CORPORATION AND IS LOANED TO THE USER UNDER THE CONDITION THAT IT IS NOT TO BE REPRODUCED, REPHOTOCOPIED, IN WHOLE OR IN PART, OR USED FOR REPRODUCTION FOR ANY OTHER THAN INCOTERM CORPORATION WITHOUT ITS WRITER'S CONSENT, AND THAT NO RIGHT IS GRANTED TO DISCLOSE OR TO USE ANY INFORMATION OBTAINED IN SAID DOCUMENT. THIS RESTRICTION DOES NOT LIMIT THE RIGHT TO USE INFORMATION OBTAINED FROM ANOTHER SOURCE.</small>			<small>DESIGN CHECKED BY: [] DATE: []</small> <small>ENGINEER CHECKED BY: [] DATE: []</small> <small>APPROVED BY: [] DATE: []</small> <small>FIRST USED ON: []</small>			TITLE: LOGIC DIAGRAM TV LINE COUNTER DECODES -001			
APPROVED: [] DATE: [] ENGINEER: [] DATE: [] CHECKED: [] DATE: [] DRAWN: [] DATE: []			SCALE: []			SHEET: 4 OF 30			

REVISION HISTORY			
REVISION	DESCRIPTION OF CHANGE	CHK	APPR.



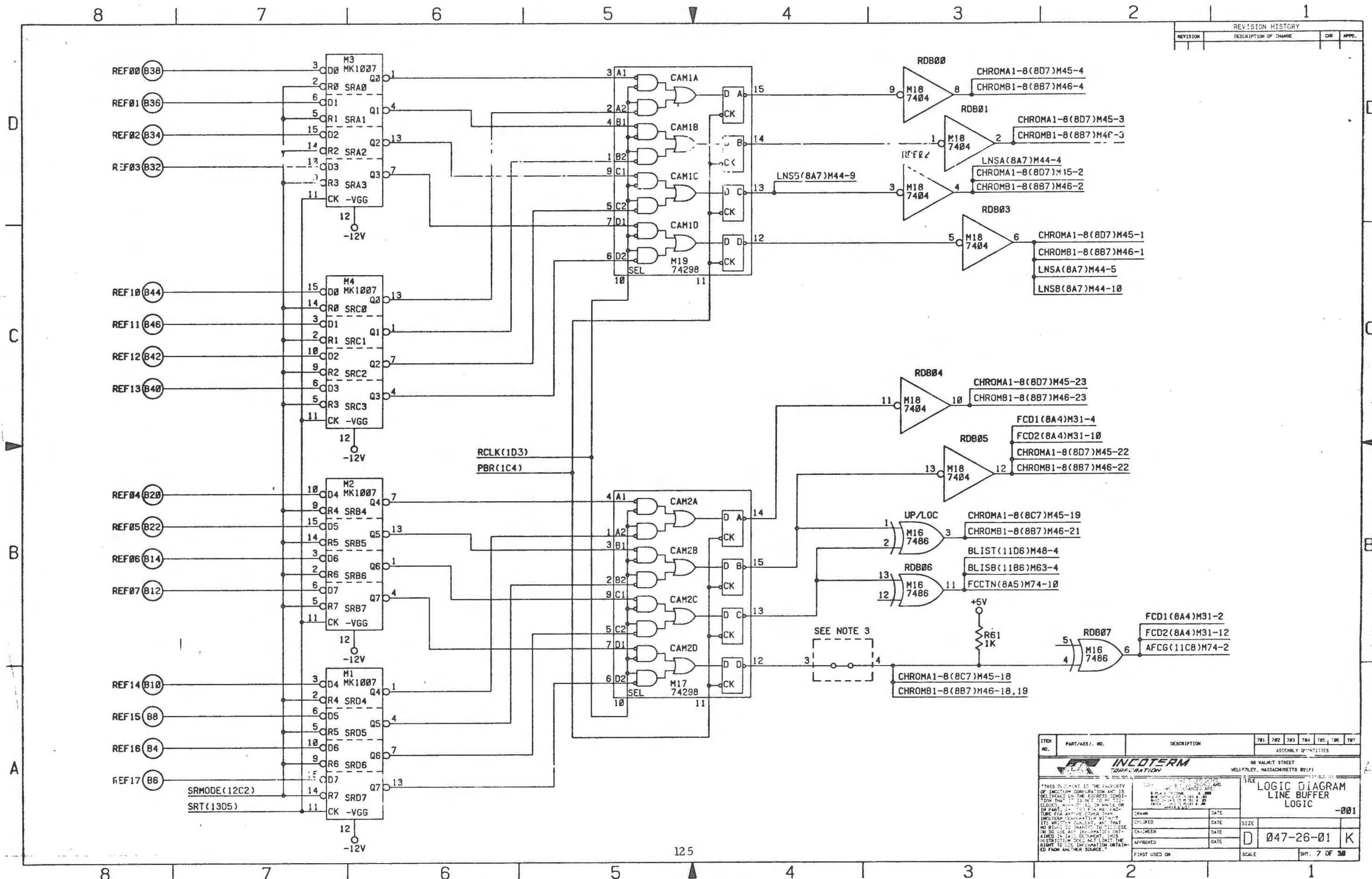
TDR NO.	PART/ASST. NO.	DESCRIPTION	ASSEMBLY QUANTITIES						
			701	702	703	704	705	706	707
			85 WALBURY STREET WELLSLEY, MASSACHUSETTS 02151						
THIS DOCUMENT IS THE PROPERTY OF INCOTERM CORPORATION AND IS DELIVERED ON THE EXPRESS CONDITION THAT IT IS NOT TO BE REPRODUCED, REPRODUCED IN WHOLE OR IN PART, OR USED FOR REPRODUCTION FOR ANY OTHER THAN INCOTERM CORPORATION WITHOUT ITS WRITTEN CONSENT, AND THAT NO RIGHT IS GRANTED TO DISCLOSE OR TO USE ANY INFORMATION CONTAINED IN THIS DOCUMENT. THIS RESTRICTION DOES NOT LIMIT THE RIGHT TO USE INFORMATION OBTAINED FROM ANOTHER SOURCE.			TITLE LOGIC DIAGRAM SCREEN FORMAT LOGIC (H+V BLANK DECODES)		DTD 047-26-01		K		
DRAWN _____ DATE _____ CHECKED _____ DATE _____ ENGINEER _____ DATE _____ APPROVED _____ DATE _____ FIRST USED ON _____			SCALE		SHT. 5 OF 30		-001		

REVISION HISTORY			
REVISION	DESCRIPTION OF CHANGE	CHK	APPD.



ITEM NO.	PART/ASBY. NO.	DESCRIPTION	781	782	783	784	785	786	787
85 WALNUT STREET WILMINGTON, MASSACHUSETTS 01971									
<small>THIS DOCUMENT IS THE PROPERTY OF INCOTERM CORPORATION AND IS DELIVERED ON THE EXPRESS CONDITION THAT IT IS TO BE KEPT UNCLOSED, REPRODUCED IN WHOLE OR IN PART, OR USED FOR MANUFACTURE FOR ANYONE OTHER THAN INCOTERM CORPORATION WITHOUT ITS WRITTEN CONSENT, AND THAT NO RIGHTS IS GRANTED TO DISCLOSE OR SO USE ANY INFORMATION OBTAINED IN SAID DOCUMENT. THIS RESTRICTION DOES NOT LIMIT THE RIGHT TO USE INFORMATION OBTAINED FROM ANOTHER SOURCE.</small>		<small>DRAWN</small> <small>CHECKED</small> <small>ENGINEER</small> <small>APPROVED</small>		<small>DATE</small> <small>DATE</small> <small>DATE</small> <small>DATE</small>		<small>SIZE</small> <small>DATE</small>		<small>SCALE</small> <small>INT. 8 OF 30</small>	
<small>TITLE</small> LOGIC DIAGRAM RS170 COMPOSITE SYNC GENERATOR -001		<small>DATE</small> D		<small>DATE</small> 047-26-01		<small>DATE</small> K		<small>SCALE</small> INT. 8 OF 30	

REVISION HISTORY			
REVISION	DESCRIPTION OF CHANGE	CHK	APPD.



ITEM NO.	PART/ASSY. NO.	DESCRIPTION	781	782	783	784	785	786	787

INCOTERM CORPORATION
86 WALMUT STREET
WELLFLEET, MASSACHUSETTS 02151

LOGIC DIAGRAM
LINE BUFFER
LOGIC
-001

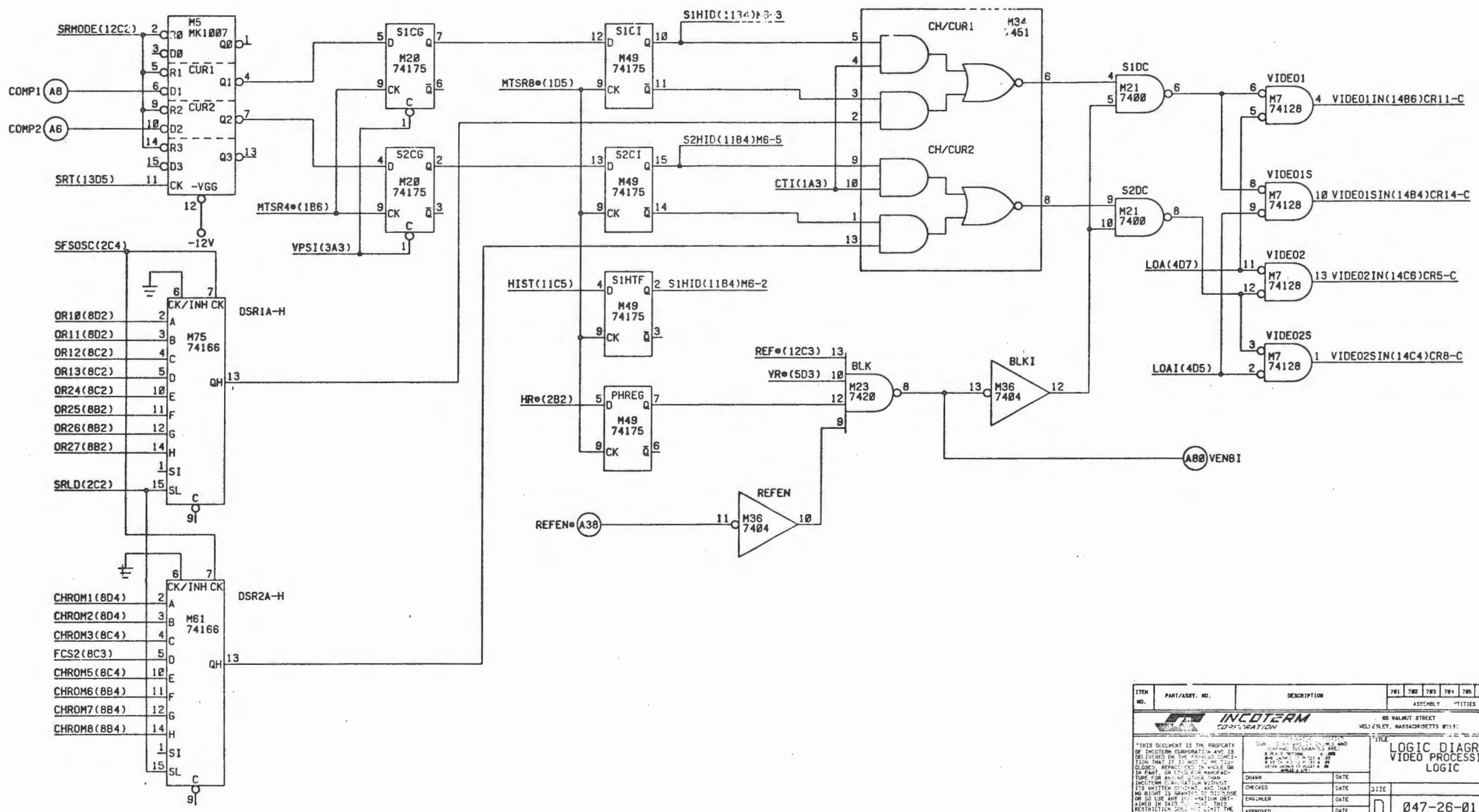
DRAWN	DATE	SIZE	
CHECKED	DATE		
ENGINEER	DATE		
APPROVED	DATE		

FIRST USED ON:

SCALE:

SHT. 7 OF 30

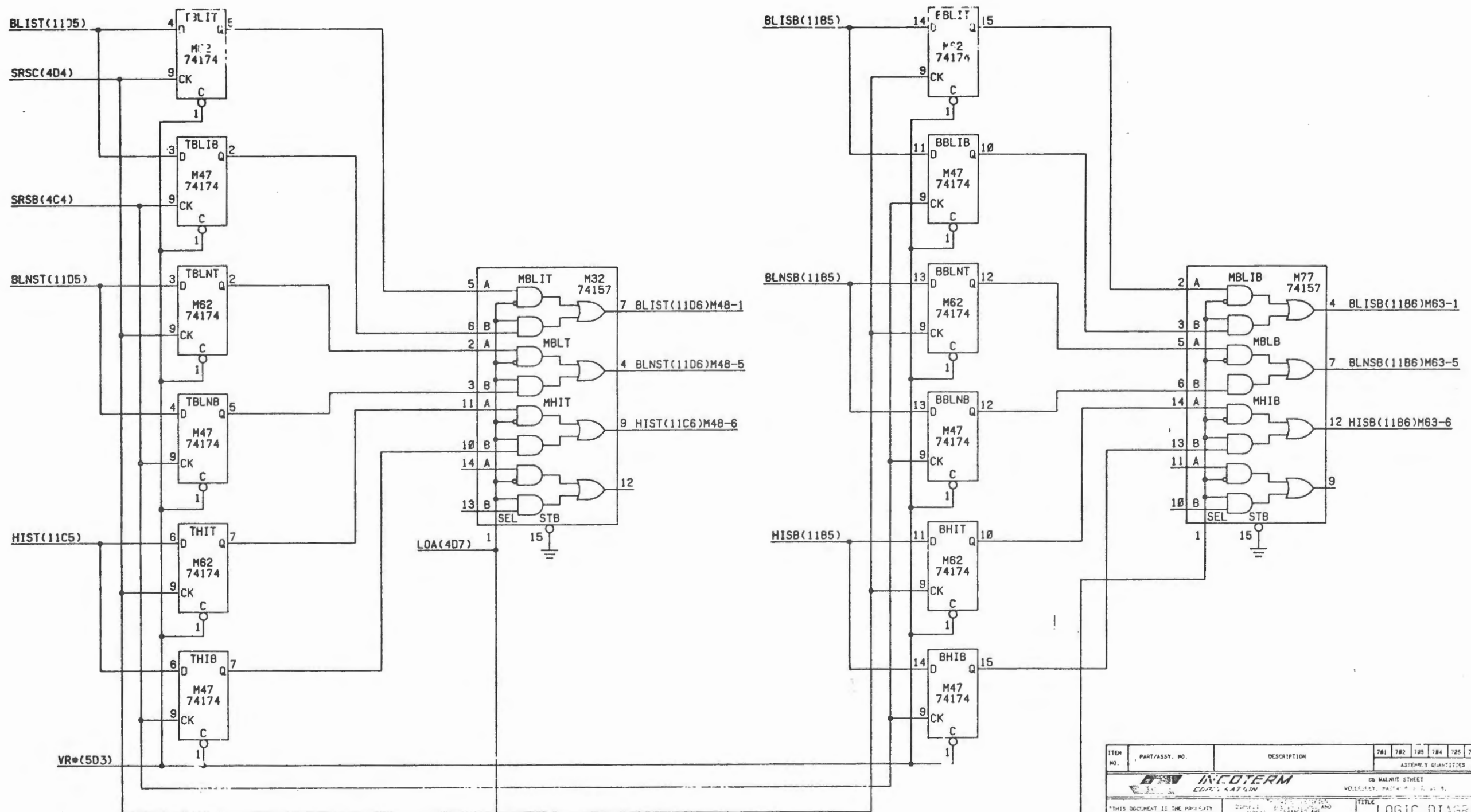
REVISION HISTORY			
REVISION	DESCRIPTION OF CHANGE	CHK	APPR.



ITEM NO.	PART/ASSY. NO.	DESCRIPTION	701	702	703	704	705	706	707
INCOTERM CORPORATION									
85 WALMUT STREET MELDEN, MASSACHUSETTS 01951									
<small>*THIS DOCUMENT IS THE PROPERTY OF INCOTERM CORPORATION AND IS DELIVERED ON THE EXPRESS CONDITION THAT IT IS NOT TO BE REPRODUCED, REPHOTOCOPIED, IN WHOLE OR IN PART, OR LOANED FOR REPRODUCTION FOR ANY OTHER THAN INCOTERM CORPORATION WITHOUT ITS WRITTEN CONSENT, AND THAT NO RIGHT IS GRANTED TO DISCLOSE OR SO USE ANY INFORMATION OBTAINED IN SAID DOCUMENT. THIS RESTRICTION DOES NOT LIMIT THE RIGHT TO USE INFORMATION OBTAINED FROM ANOTHER SOURCE.*</small>									
DRAWN	DATE	CHECKED	DATE	ENGINEER	DATE	APPROVED	DATE	FIRST USED ON	SCALE
TITLE							LOGIC DIAGRAM VIDEO PROCESSING LOGIC		
							-001		
							D 047-26-01 K		
							SH. 9 OF 30		

8 | 7 | 6 | 5 | 4 | 3 | 2 | 1

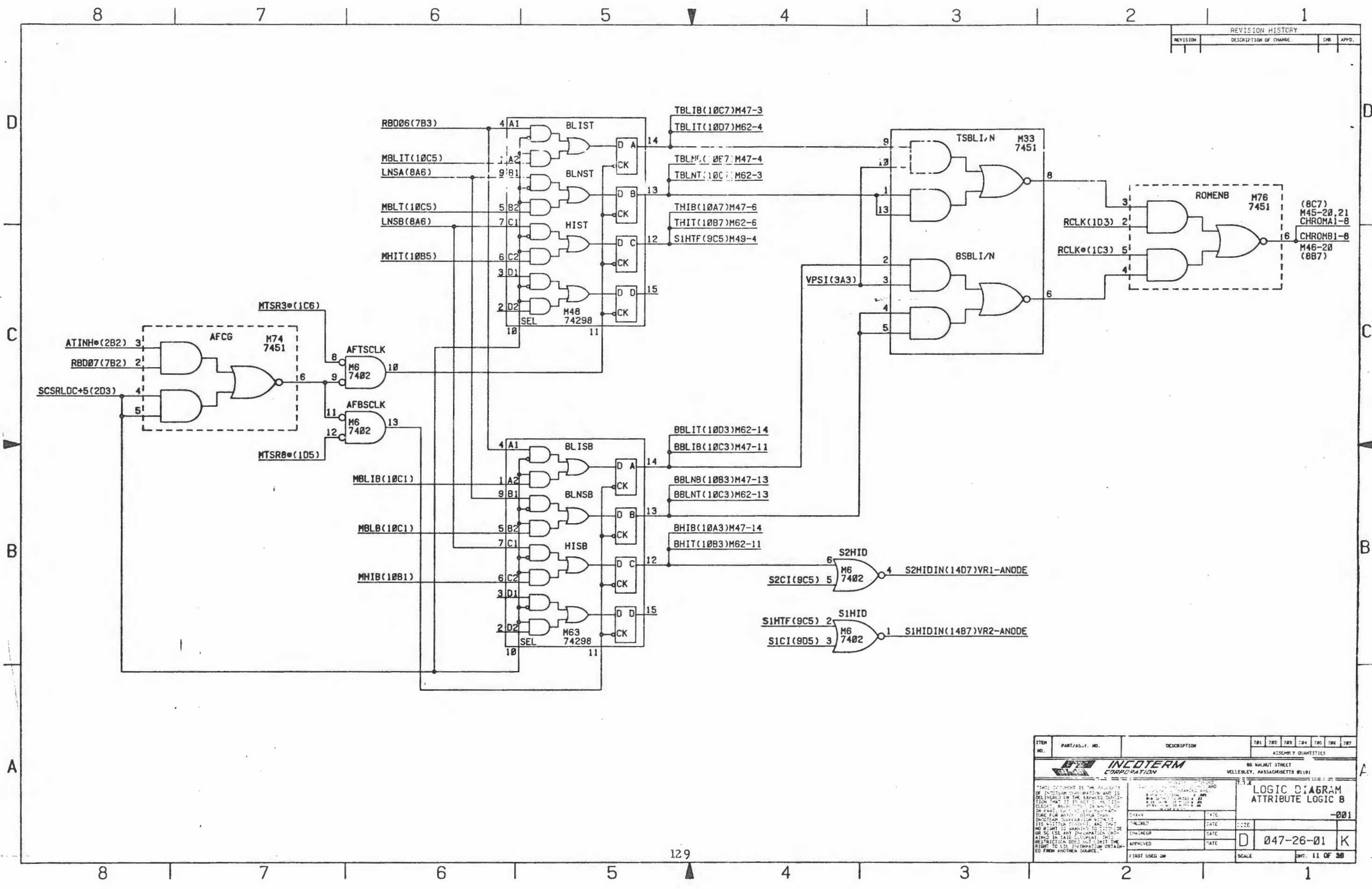
REVISION HISTORY			
REVISION	DESCRIPTION OF CHANGE	CHK	APPD.



ITEM NO.	PART/ASSY. NO.	DESCRIPTION	781	782	783	784	785	786	787
			ASSEMBLY QUANTITIES						
			65 WALNUT STREET WELLESLEY, MASSACHUSETTS 02158						
THIS DOCUMENT IS THE PROPERTY OF INCOTERM CORPORATION AND IS LOANED TO THE USER UNDER THE CONDITION THAT IT IS TO BE RETURNED TO THE COMPANY IN ORIGINAL CONDITION. IT IS NOT TO BE REPRODUCED, COPIED, OR TRANSMITTED IN ANY FORM OR BY ANY MEANS, ELECTRONIC OR MECHANICAL, INCLUDING PHOTOCOPYING, RECORDING, OR BY ANY INFORMATION STORAGE AND RETRIEVAL SYSTEM. WITHOUT THE WRITTEN CONSENT OF INCOTERM CORPORATION.			FILE NO. 047-26-01 DATE 11/23/61			TITLE LOGIC DIAGRAM ATTRIBUTE LOGIC A			
DRAWN			DATE			-001			
CHECKED			DATE			SIZE			
ENGINEER			DATE			D 047-26-01 K			
APPROVED			DATE			SCALE			
FIRST USED ON			SCALE			SHT. 10 OF 30			

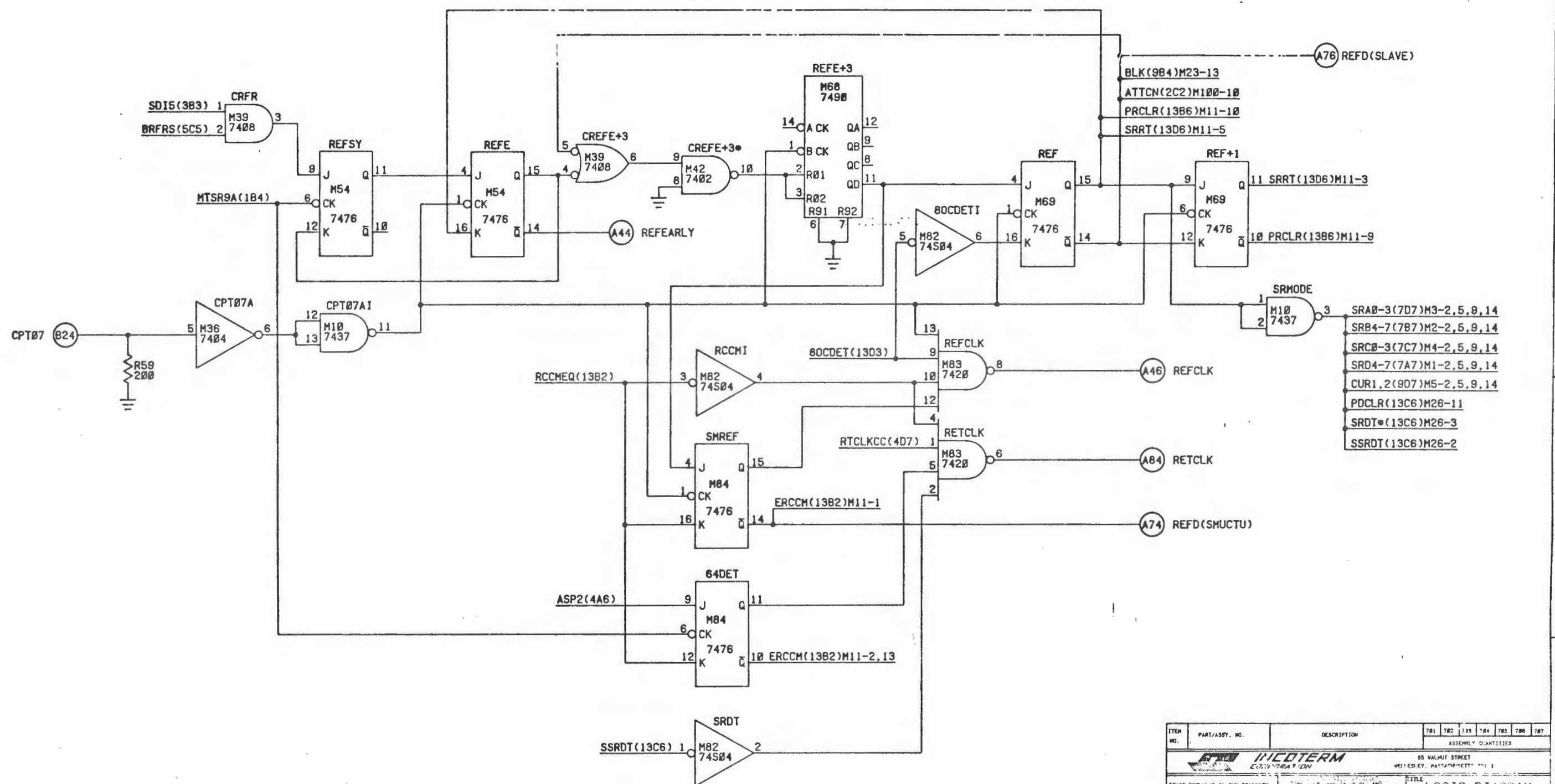
8 | 7 | 6 | 5 | 4 | 3 | 2 | 1

REVISION HISTORY			
REVISION	DESCRIPTION OF CHANGE	CHK	APPD.



ITEM NO.	PART/ASLT. NO.	DESCRIPTION	781	782	783	784	785	786	787
INCOTERM CORPORATION			ASSEMBLY QUANTITIES						
80 WALMUT STREET WELLESLEY, MASSACHUSETTS 02181			SCALE						
THIS DOCUMENT IS THE PROPERTY OF INCOTERM CORPORATION AND IS LOANED TO YOU BY THE EXPRESS CONDITION THAT IT IS TO BE USED ONLY FOR THE PURPOSES SPECIFIED IN THE ORDER. IT IS NOT TO BE REPRODUCED, COPIED, OR IN ANY MANNER DISSEMINATED TO OTHERS WITHOUT THE WRITTEN CONSENT OF INCOTERM CORPORATION. ANY INFORMATION CONTAINED HEREIN IS UNCLASSIFIED AND IS SUBJECT TO CHANGE WITHOUT NOTICE. RESTRICTIONS ON THE USE OF THIS INFORMATION ARE LIMITED TO THE INFORMATION OBTAINED FROM ANOTHER SOURCE.			DATE						
CHECKED			DATE						
DESIGNED			DATE						
APPROVED			DATE						
FIRST USED ON			SCALE						
LOGIC DIAGRAM ATTRIBUTE LOGIC B			-001						
D			047-26-01 K						
SHIT. 11 OF 30			SCALE						

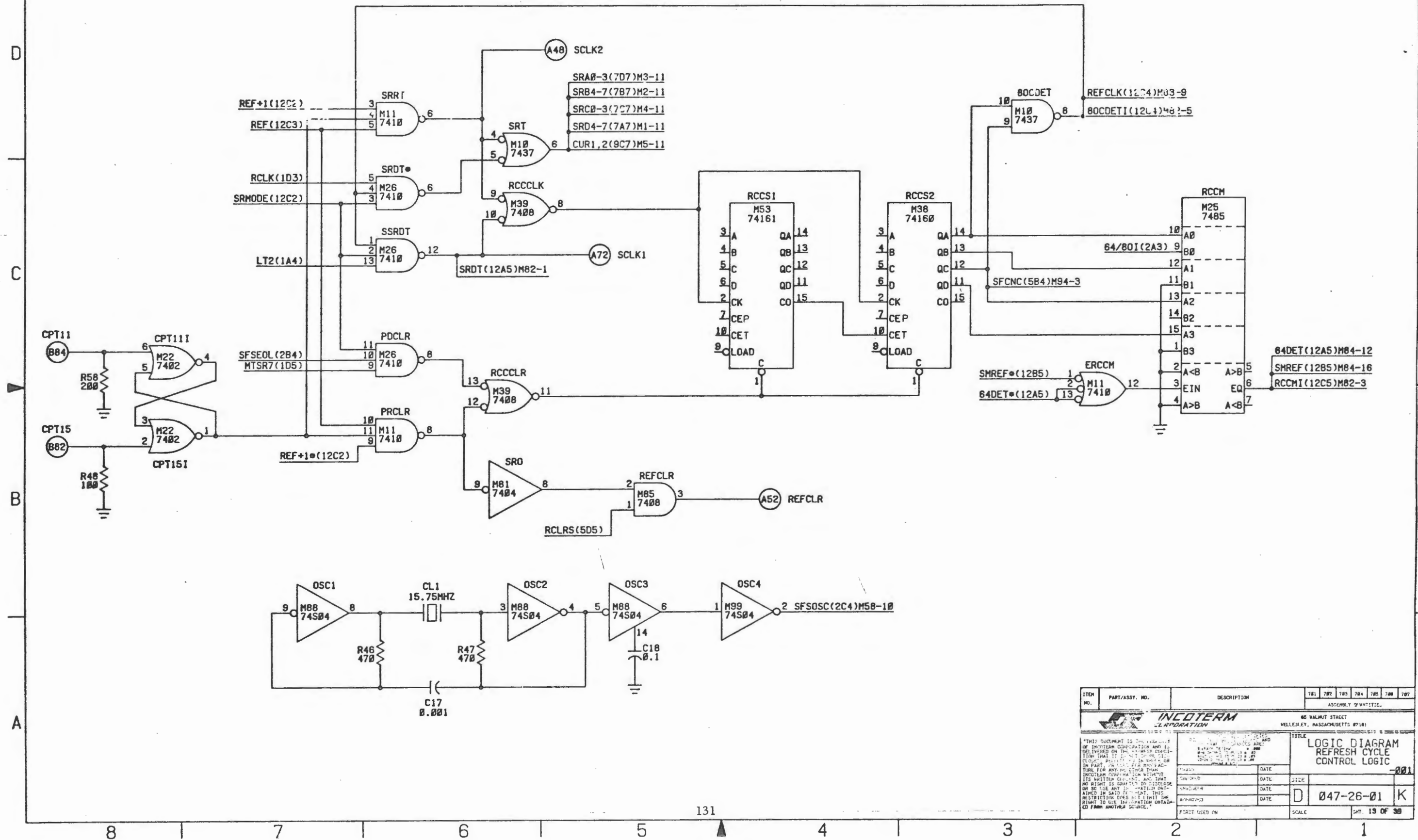
REVISION HISTORY			
REVISION	DESCRIPTION OF CHANGE	CHK	APVD.



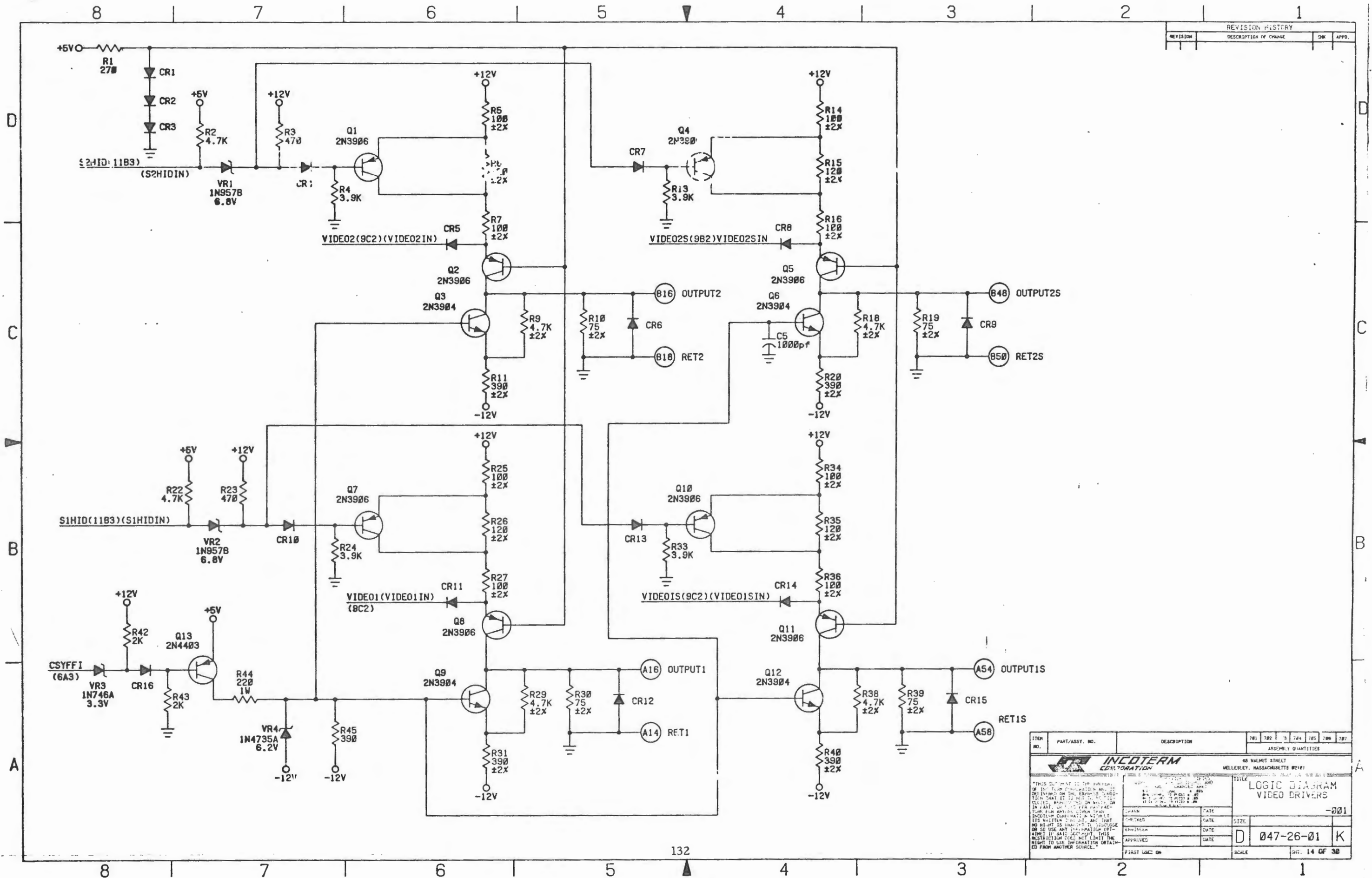
- SRAB-3(7D7)M3-2,5,9,14
- SRB4-7(7B7)M2-2,5,9,14
- SRCB-3(7C7)M4-2,5,9,14
- SRD4-7(7A7)M1-2,5,9,14
- CUR1,2(9D7)M5-2,5,9,14
- PDCLR(13C6)M26-11
- SRDT(13C6)M26-3
- SSRDT(13C6)M26-2

ITEM NO.	PART/ASSY. NO.	DESCRIPTION	781	782	783	784	785	786	787
INCOTERM 85 WALNUT STREET WESTLEY, MASSACHUSETTS 01081									
THIS DOCUMENT IS THE PROPERTY OF INCOTERM CORPORATION AND IS LOANED TO YOU FOR YOUR USE ONLY. IT IS NOT TO BE REPRODUCED, COPIED, OR TRANSMITTED IN ANY MANNER WITHOUT THE WRITTEN CONSENT AND SIGNATURE OF THE INCOTERM CORPORATION. NO RIGHT IS GRANTED TO COPY, REPRODUCE, OR USE ANY INFORMATION CONTAINED IN THIS DOCUMENT. THIS RESTRICTION DOES NOT LIMIT THE RIGHT TO USE INFORMATION OBTAINED FROM ANOTHER SOURCE.		LOGIC DIAGRAM REFRESH CYCLE STATE COUNTER -001							
DRAWN	DATE	DATE	DATE	DATE	DATE	DATE	DATE	DATE	DATE
CHECKED	DATE	DATE	DATE	DATE	DATE	DATE	DATE	DATE	DATE
ENGINEER	DATE	DATE	DATE	DATE	DATE	DATE	DATE	DATE	DATE
APPROVED	DATE	DATE	DATE	DATE	DATE	DATE	DATE	DATE	DATE
FIRST USED ON	SCALE	DATE	DATE	DATE	DATE	DATE	DATE	DATE	DATE

REVISION HISTORY			
REVISION	DESCRIPTION OF CHANGE	CHK	APPD.



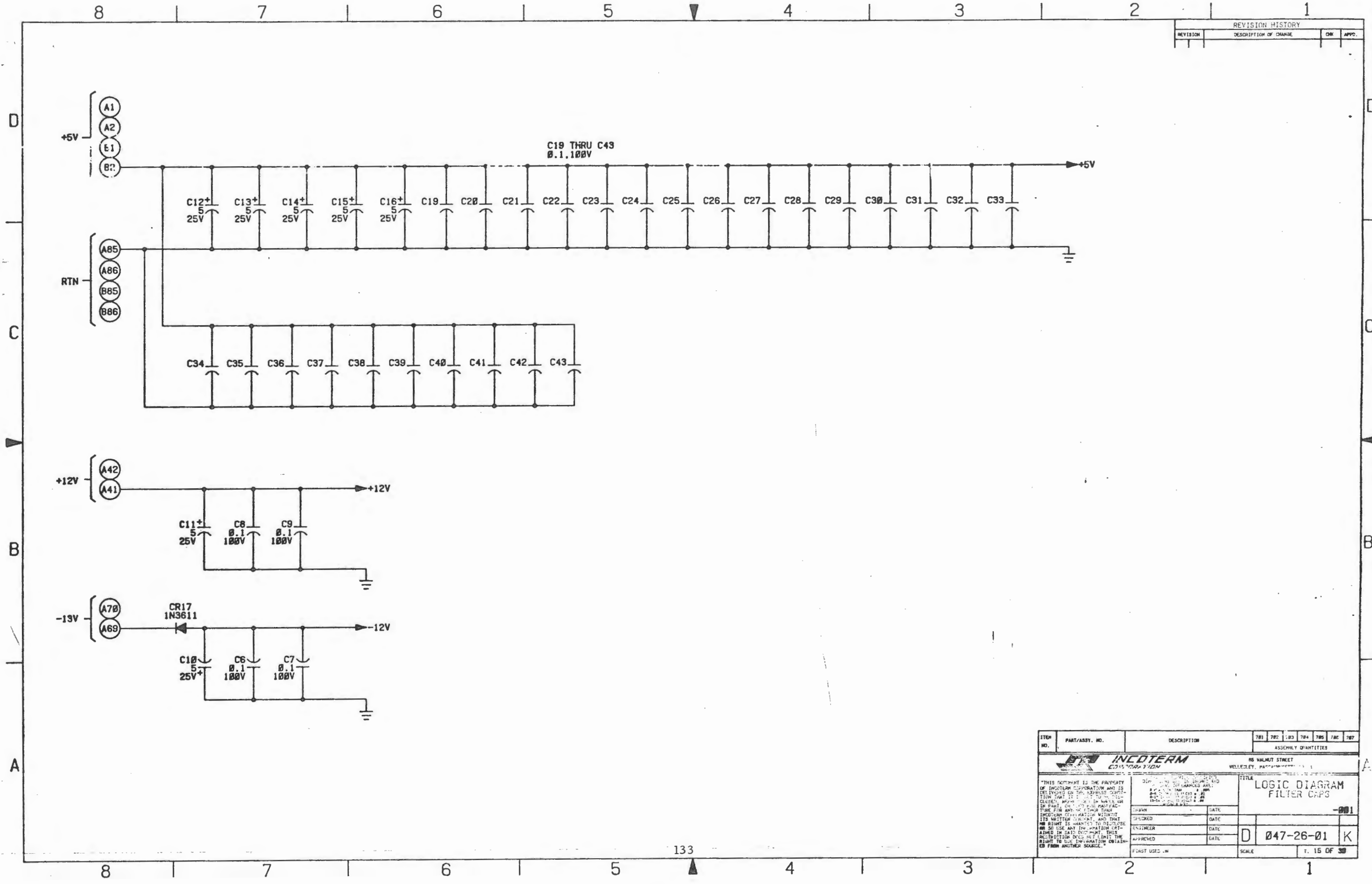
ITEM NO.	PART/ASSY. NO.	DESCRIPTION	781	782	783	784	785	786	787
INCOTERM CORPORATION			ASSEMBLY QUANTITIES						
45 WALMUT STREET WELLESLEY, MASSACHUSETTS 02181			TITLE						
*THIS DOCUMENT IS THE PROPERTY OF INCOTERM CORPORATION AND IS DELIVERED ON THE ASSUMPTION THAT IT IS NOT TO BE REPRODUCED OR TRANSMITTED IN ANY FORM OR BY ANY MEANS, ELECTRONIC OR MECHANICAL, INCLUDING PHOTOCOPYING, RECORDING, OR BY ANY INFORMATION STORAGE AND RETRIEVAL SYSTEM, WITHOUT THE WRITTEN CONSENT AND THAT NO RIGHT IS GRANTED TO DISSEMINATE OR TO USE ANY INFORMATION OBTAINED IN SAID DOCUMENT. THIS RESTRICTION DOES NOT LIMIT THE RIGHT TO USE INFORMATION OBTAINED FROM ANOTHER SOURCE.			DATE			LOGIC DIAGRAM REFRESH CYCLE CONTROL LOGIC			
DESIGNED	DATE	SIZE	-001						
CHECKED	DATE	D	047-26-01 K						
APPROVED	DATE	FIRST USED ON							
SCALE		SHT. 13 OF 30							



REVISION HISTORY			
REVISION	DESCRIPTION OF CHANGE	CHK	APPD.

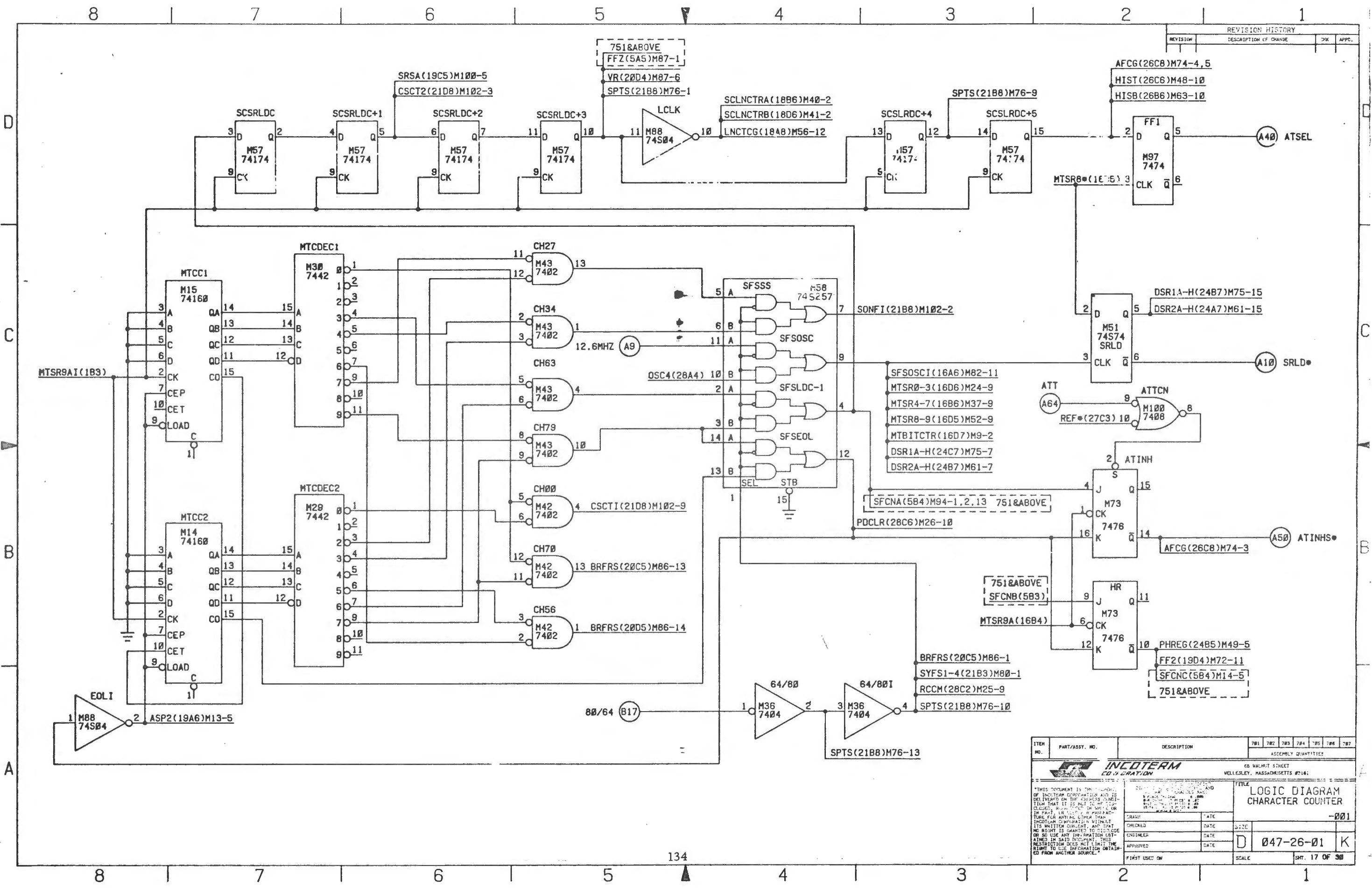
ITEM NO.	PART/ASSY. NO.	DESCRIPTION	781	782	783	784	785	786	787
INCOTERM CORPORATION			88 WALNUT STREET WELLESLEY, MASSACHUSETTS 02151						
TITLE			LOGIC DIAGRAM VIDEO DRIVERS						
DRAWN			DATE						
CHECKED			DATE						
DESIGNED			DATE						
APPROVED			DATE						
FIRST USED ON			SCALE						
			SHEET 14 OF 38						

REVISION HISTORY			
REVISION	DESCRIPTION OF CHANGE	CHK	APP.



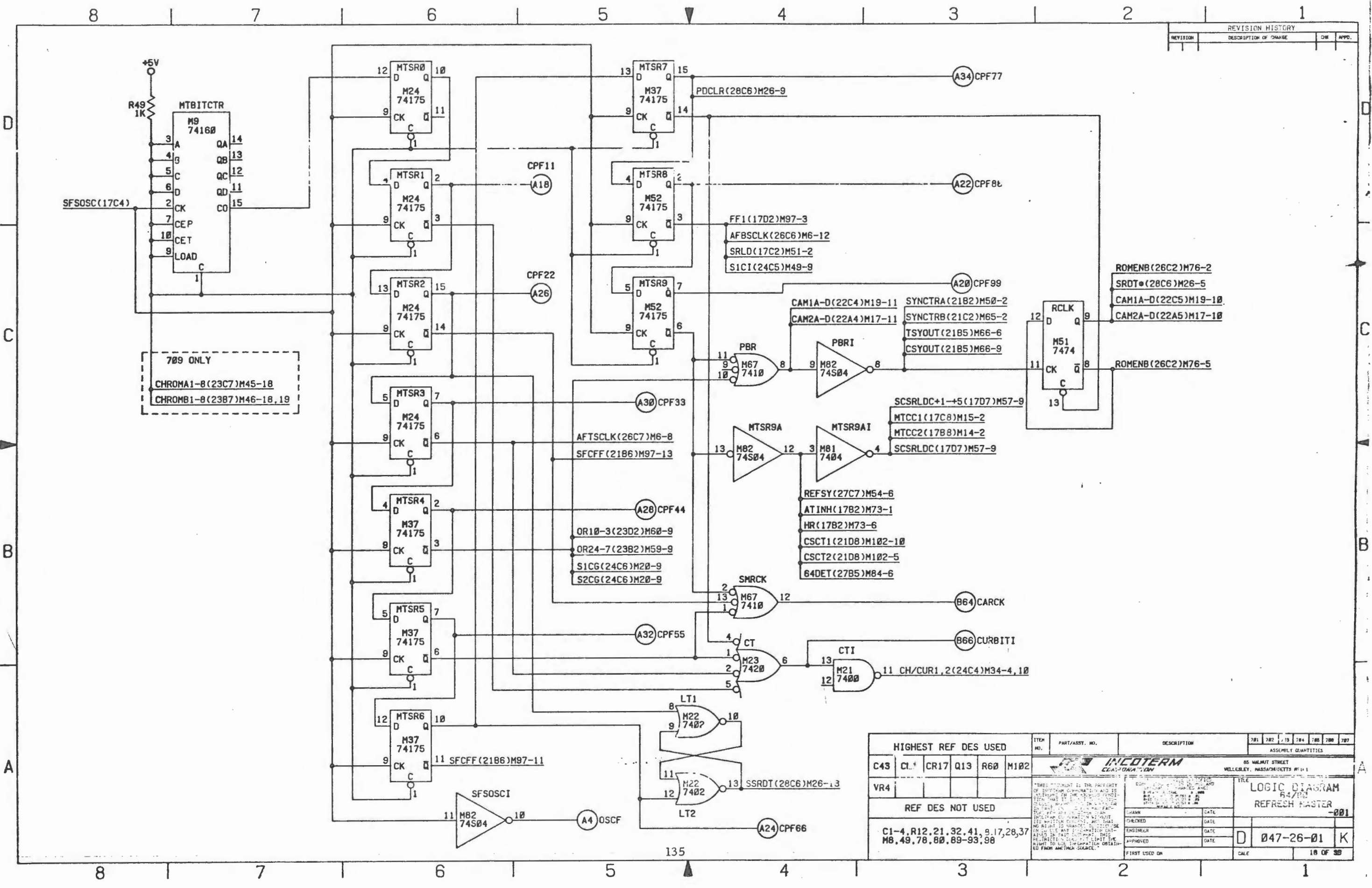
ITEM NO.	PART/ASSY. NO.	DESCRIPTION	781	782	783	784	785	786	787
			ASSEMBLY QUANTITIES						
			86 WALNUT STREET VELLECEY, MASSACHUSETTS						
<small>THIS DOCUMENT IS THE PROPERTY OF INCOTERM CORPORATION AND IS LOANED TO THE USER UNDER THE CONDITION THAT IT IS TO BE RETURNED TO THE COMPANY. NO PART OF THIS DOCUMENT IS TO BE REPRODUCED OR TRANSMITTED IN ANY FORM OR BY ANY MEANS, ELECTRONIC OR MECHANICAL, INCLUDING PHOTOCOPYING, RECORDING, OR BY ANY INFORMATION STORAGE AND RETRIEVAL SYSTEM, WITHOUT THE WRITTEN PERMISSION OF INCOTERM CORPORATION. THIS PERMISSION IS GRANTED ON THE CONDITION THAT THE USER SHALL INDEMNIFY AND HOLD INCOTERM CORPORATION HARMLESS FROM ANY AND ALL CLAIMS, DAMAGES, LOSSES AND EXPENSES, INCLUDING REASONABLE ATTORNEY'S FEES, WHICH MAY BE ASSERTED AGAINST OR INCURRED BY INCOTERM CORPORATION AS A RESULT OF THE USER'S USE OF THIS DOCUMENT. THIS PERMISSION DOES NOT LIMIT THE RIGHT TO USE INFORMATION OBTAINED FROM ANY OTHER SOURCE.</small>			<small>DATE</small> <small>DATE</small> <small>DATE</small> <small>DATE</small>			TITLE LOGIC DIAGRAM FILTER CAPS -001			
<small>DRAWN</small> <small>CHECKED</small> <small>ENGINEER</small> <small>APPROVED</small> <small>FIRST USED IN</small>			<small>DATE</small> <small>DATE</small> <small>DATE</small> <small>DATE</small>			D 047-26-01 K <small>SCALE</small> 1: 15 OF 30			

REVISION HISTORY			
REVISION	DESCRIPTION OF CHANGE	CHK	APPC.



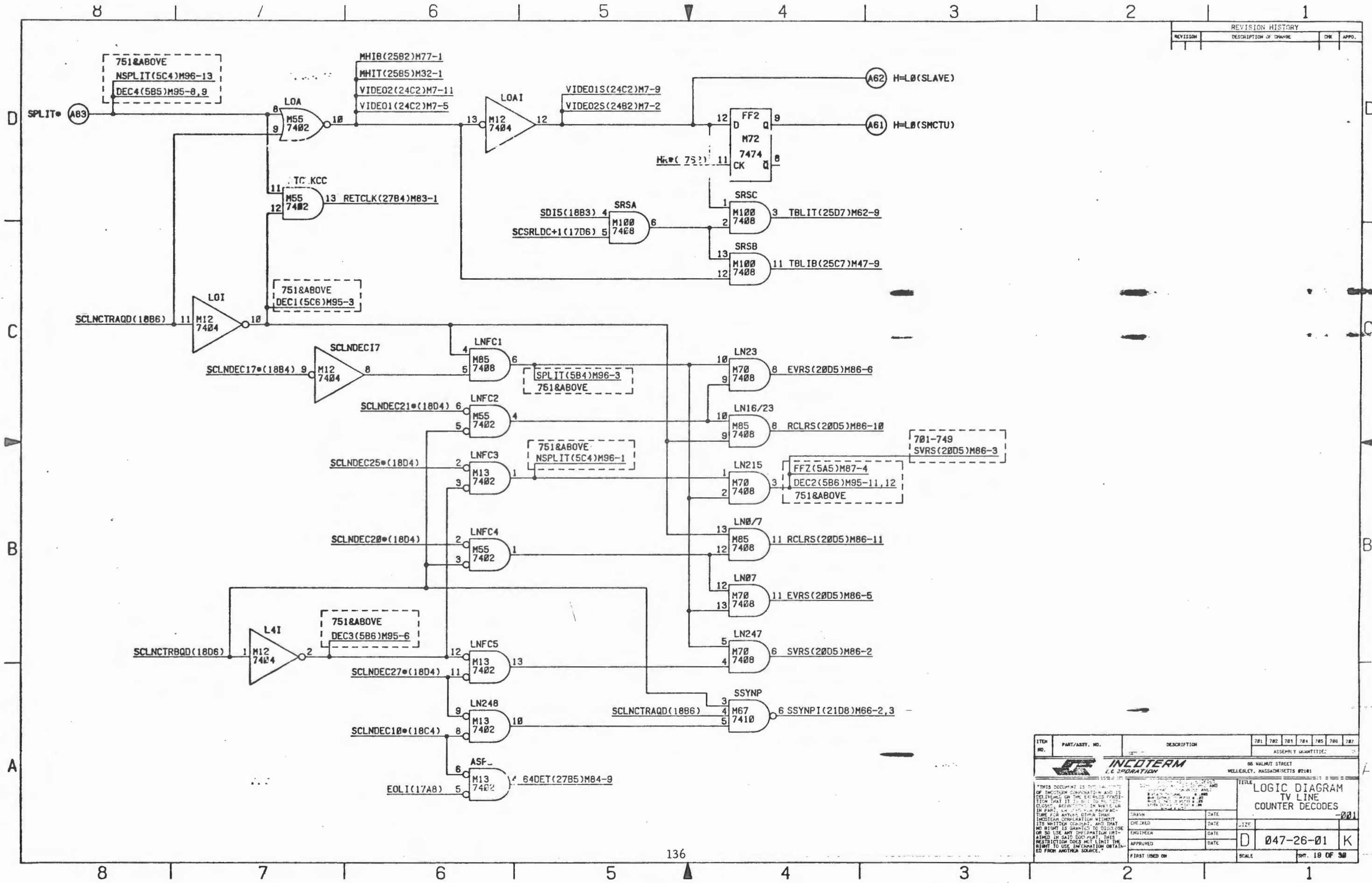
ITEM NO.	PART/ASSY. NO.	DESCRIPTION	701	702	703	704	705	706	707
INCOTERM CORPORATION 65 WALMUT STREET WELLESLEY, MASSACHUSETTS 02148									
THIS DOCUMENT IS THE PROPERTY OF INCOTERM CORPORATION AND IS DELIVERED ON THE EXPRESS CONDITION THAT IT IS NOT TO BE REPRODUCED, IN ANY MANNER, WITHOUT THE WRITTEN CONSENT OF INCOTERM CORPORATION. WITHOUT ITS WRITTEN CONSENT, NO PART OF THIS DOCUMENT IS TO BE REPRODUCED OR SO USE ANY INFORMATION CONTAINED HEREIN FOR ANY PURPOSE. THIS RESTRICTION DOES NOT LIMIT THE RIGHT TO USE INFORMATION OBTAINED FROM ANOTHER SOURCE.			TITLE LOGIC DIAGRAM CHARACTER COUNTER		ASSEMBLY QUANTITIES -001				
DESIGNED BY	DATE	CHECKED BY	DATE	SCALE	D 047-26-01 K				
ENGINEER	DATE	APPROVED	DATE	FIRST USED ON	SHEET 17 OF 30				

REVISION HISTORY			
REVISION	DESCRIPTION OF CHANGE	CHK	APPD.



HIGHEST REF DES USED						ITEM NO.	PART/ASST. NO.	DESCRIPTION	ASSEMBLY QUANTITIES									
C43	CL*	CR17	Q13	R60	M102				701	702	703	704	705	706	707			
REF DES NOT USED						<p>C1-4, R12, 21, 32, 41, 8, 17, 28, 37, M8, 49, 78, 80, 89-93, 98</p>												

		85 WALMUT STREET WELLESLEY, MASSACHUSETTS 01981	
TITLE LOGIC DIAGRAM 64/80 REFRESH MASTER		DRAWN DATE	
CHECKED DATE		ENGINEER DATE	
APPROVED DATE		FIRST USED ON DATE	
047-26-01		18 OF 30	

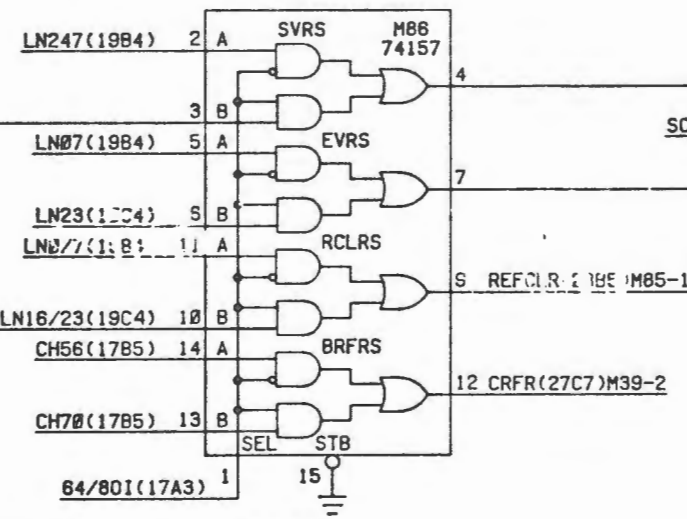


REVISION HISTORY			
REVISION	DESCRIPTION OF CHANGE	CHK	APPD.

ITEM NO.	PART/ASSY. NO.	DESCRIPTION	701	702	703	704	705	706	707
INCOTERM I.C. CORPORATION			ASSEMBLY QUANTITIES						
86 WALNUT STREET WELLESLEY, MASSACHUSETTS 02181									
<small>THIS DOCUMENT IS THE PROPERTY OF INCOTERM CORPORATION AND IS LOANED TO YOU FOR YOUR INFORMATION ONLY. IT IS TO BE RETURNED TO INCOTERM CORPORATION IMMEDIATELY UPON REQUEST. NO PART OF THIS DOCUMENT IS TO BE REPRODUCED OR TRANSMITTED IN ANY FORM OR BY ANY MEANS, ELECTRONIC OR MECHANICAL, INCLUDING PHOTOCOPYING, RECORDING, OR BY ANY INFORMATION STORAGE AND RETRIEVAL SYSTEM, WITHOUT THE WRITTEN PERMISSION OF INCOTERM CORPORATION.</small>			TITLE LOGIC DIAGRAM TV LINE COUNTER DECODES -001						
DRAWN	DATE								
ENGINEER	DATE								
APPROVED	DATE								
FIRST USED ON	SCALE								

REVISION HISTORY			
REVISION	DESCRIPTION OF CHANGE	CHK	APPRO.

7B1&749
LN215(19C3)

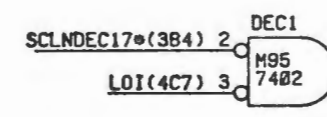


751&ABOVE
FFZ(5A5)M87-16

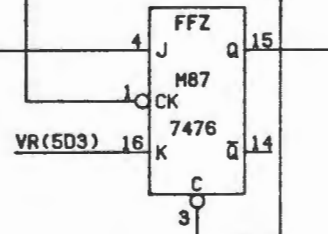
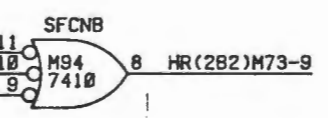
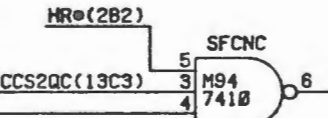
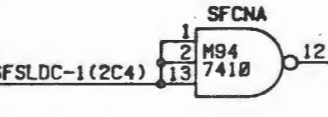
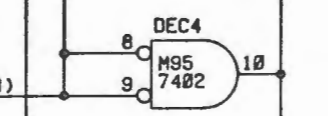
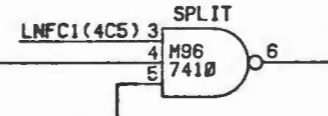
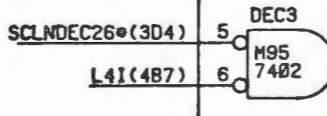
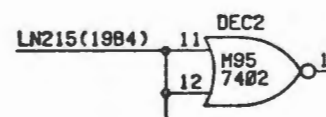
FFZ(5A5)M87-16
FFZ(5A5)M87-16
FFZ(5A5)M87-16
FFZ(5A5)M87-16
FFZ(5A5)M87-16

A82 V BLANK

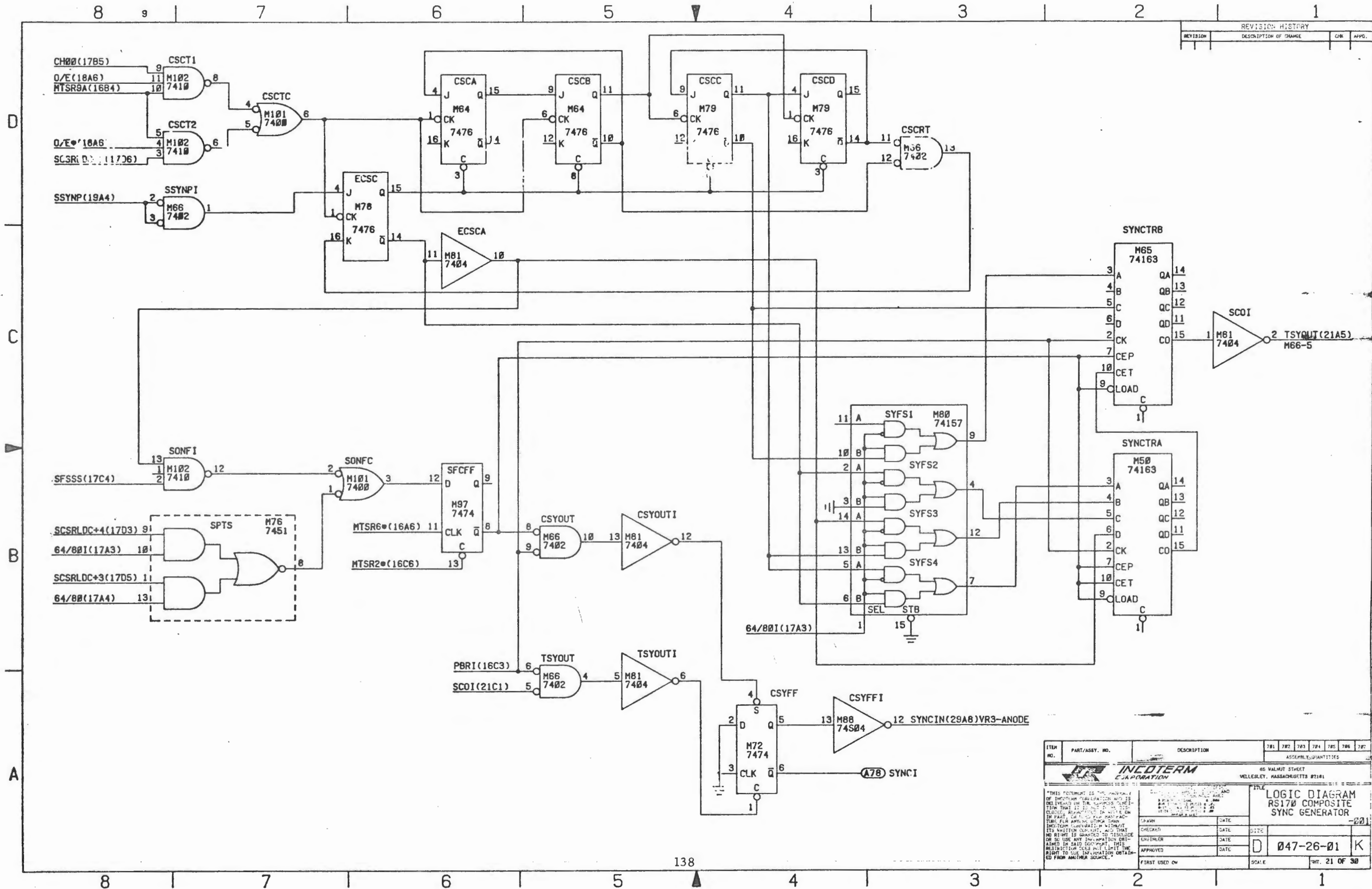
REV B AND C



SEE NOTE 8

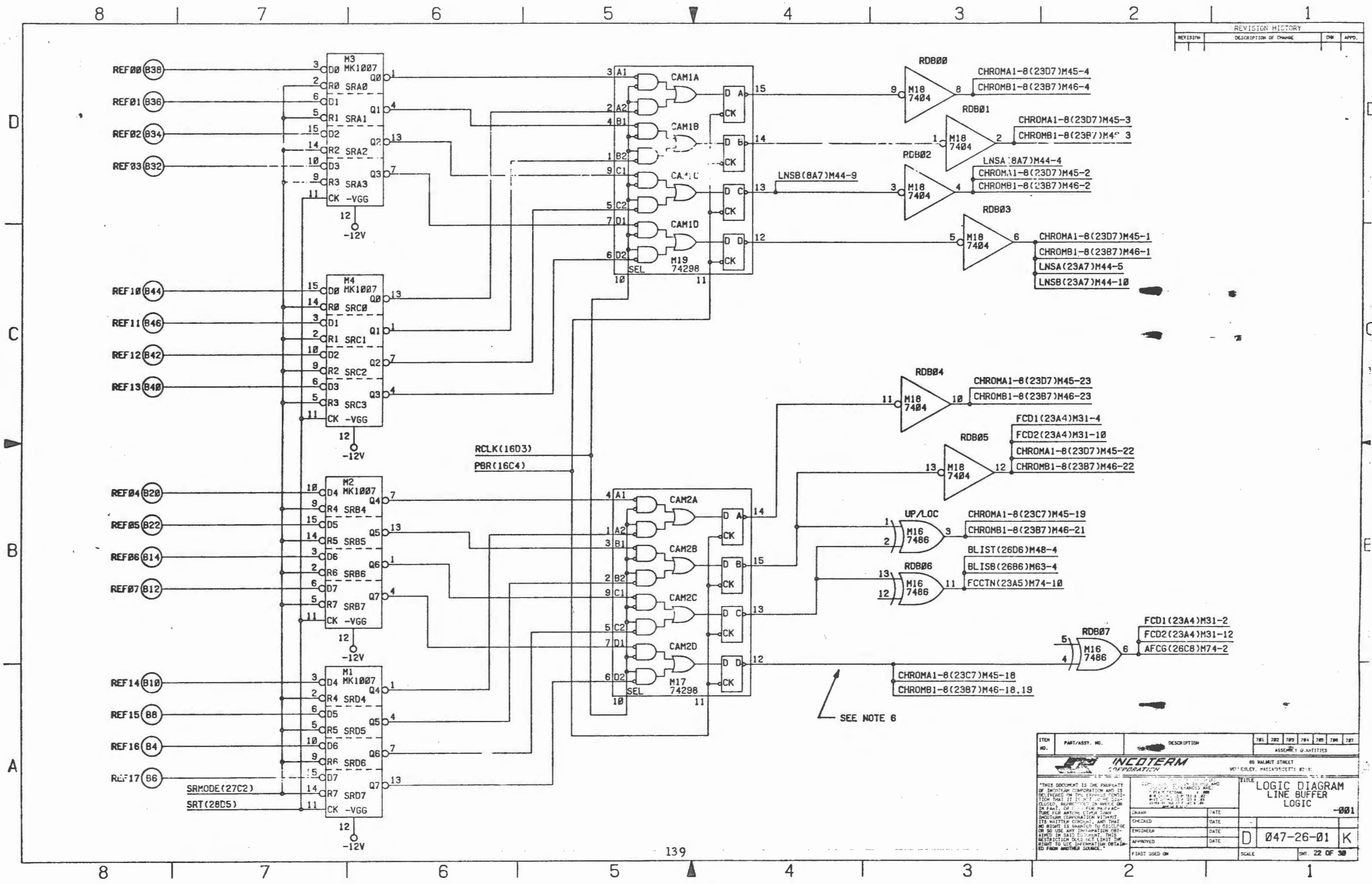


ITER NO.	PART/ASSY. NO.	DESCRIPTION	701	702	703	704	705	706	707
<p>INCOTERM CORPORATION 65 WALNUT STREET WELLESLEY, MASSACHUSETTS 01981</p> <p>THIS DOCUMENT IS THE PROPERTY OF INCOTERM CORPORATION AND IS LOANED TO THE USER UNDER THE CONDITION THAT IT IS NOT TO BE REPRODUCED, COPIED, OR DISCLOSED IN ANY MANNER WITHOUT THE WRITTEN CONSENT OF INCOTERM CORPORATION. NO PART OF THIS DOCUMENT IS TO BE REPRODUCED OR TRANSMITTED IN ANY FORM OR BY ANY MEANS, ELECTRONIC OR MECHANICAL, INCLUDING PHOTOCOPYING, RECORDING, OR BY ANY INFORMATION STORAGE AND RETRIEVAL SYSTEM, WITHOUT THE WRITTEN CONSENT OF INCOTERM CORPORATION. THIS RESTRICTION DOES NOT LIMIT THE RIGHT TO USE INFORMATION OBTAINED FROM ANOTHER SOURCE.</p>									
DRAWN		DATE	SIZE		D 047-26-01 K				
CHECKED		DATE	SCALE		DIT. 28 OF 30				
ENGINEER		DATE							
APPROVED		DATE							
FIRST USED ON									



REVISION HISTORY			
REVISION	DESCRIPTION OF CHANGE	CHK	APPD.

ITEM NO.	PART/ASSEMBLY NO.	DESCRIPTION	781	782	783	784	785	786	787
INCOTERM CORPORATION 85 WALWAT STREET WELLESLEY, MASSACHUSETTS 02181									
LOGIC DIAGRAM RS170 COMPOSITE SYNC GENERATOR									
DRAWN: [] DATE: [] CHECKED: [] DATE: [] ENGINEER: [] DATE: [] APPROVED: [] DATE: []									
FIRST USED ON			SCALE		SH. 21 OF 30				

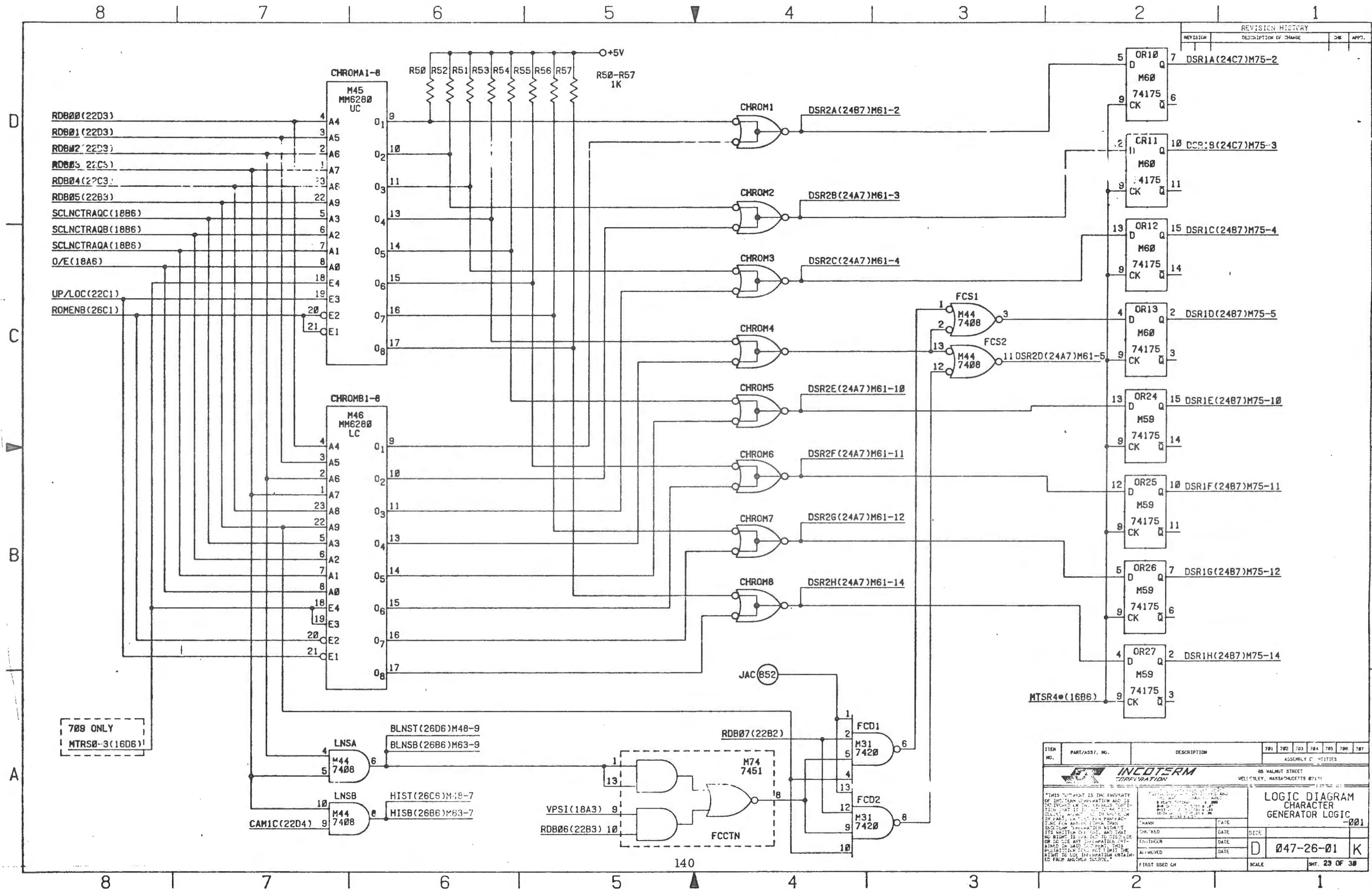


REVISION HISTORY		
REV	DESCRIPTION OF CHANGE	APPD.

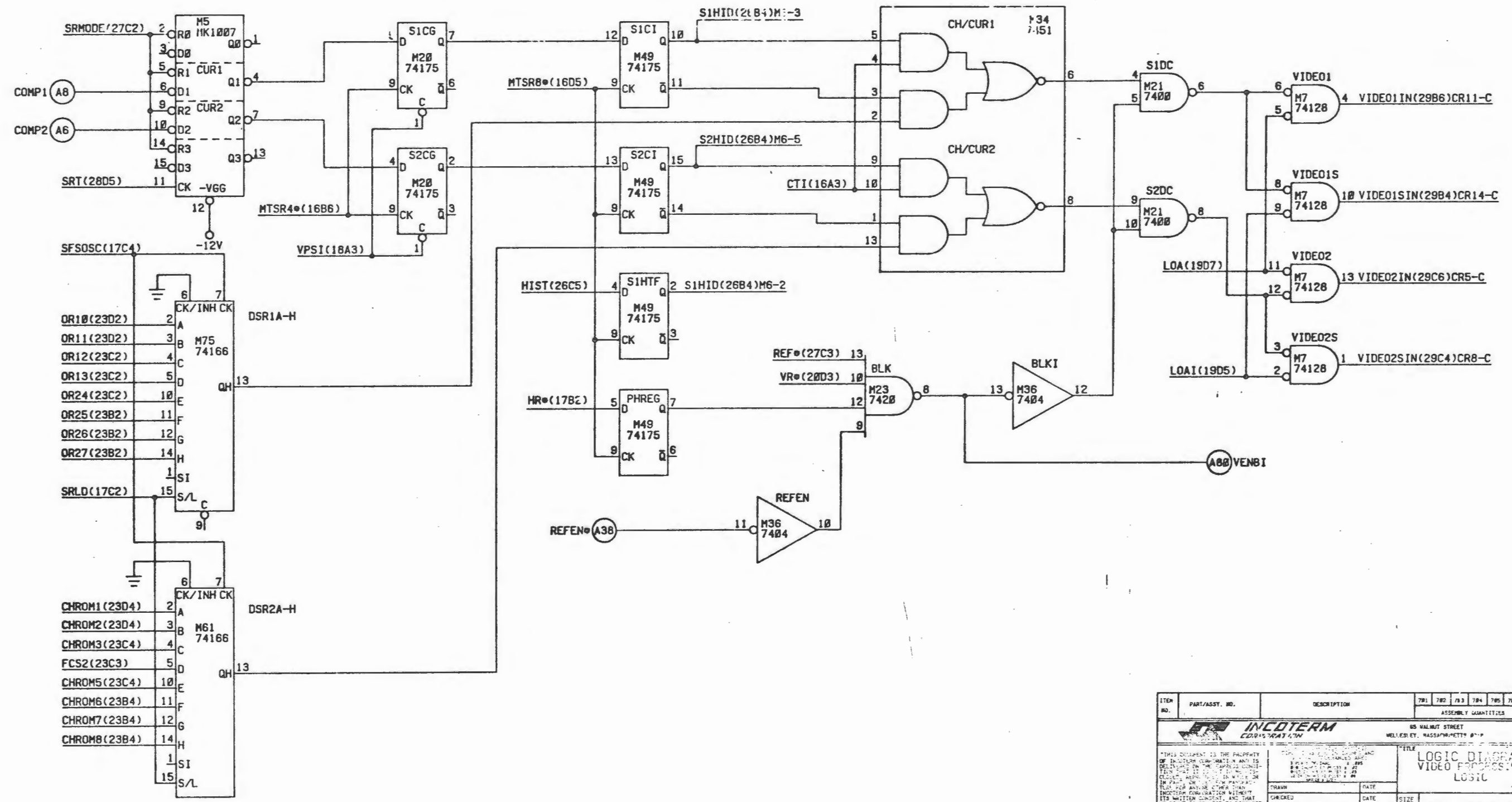
ITEM NO.	PART/ASSY. NO.	DESCRIPTION	781	782	783	784	785	786	787

INCOTERM CORPORATION 60 WALNUT STREET WOBURNSLEY, MASSACHUSETTS 02141		TITLE LOGIC DIAGRAM LINE BUFFER LOGIC -001
<small>THIS DOCUMENT IS THE PROPERTY OF INCOTERM CORPORATION AND IS LOANED TO THE USER UNDER THE CONDITION THAT IT BE RETURNED TO THE ORIGINAL SOURCE. NO PART OF THIS DOCUMENT IS TO BE REPRODUCED OR TRANSMITTED IN ANY FORM OR BY ANY MEANS, ELECTRONIC OR MECHANICAL, INCLUDING PHOTOCOPYING, RECORDING, OR BY ANY INFORMATION STORAGE AND RETRIEVAL SYSTEM. THIS DOCUMENT IS UNCLASSIFIED EXCEPT WHERE SHOWN OTHERWISE.</small>	DRAWN _____ CHECKED _____ ENGINEER _____ APPROVED _____ FIRST USED ON _____	DATE _____ DATE _____ DATE _____ DATE _____
SCALE _____ SHT. 22 OF 30	QTY _____ UNIT _____	K

SEE NOTE 6

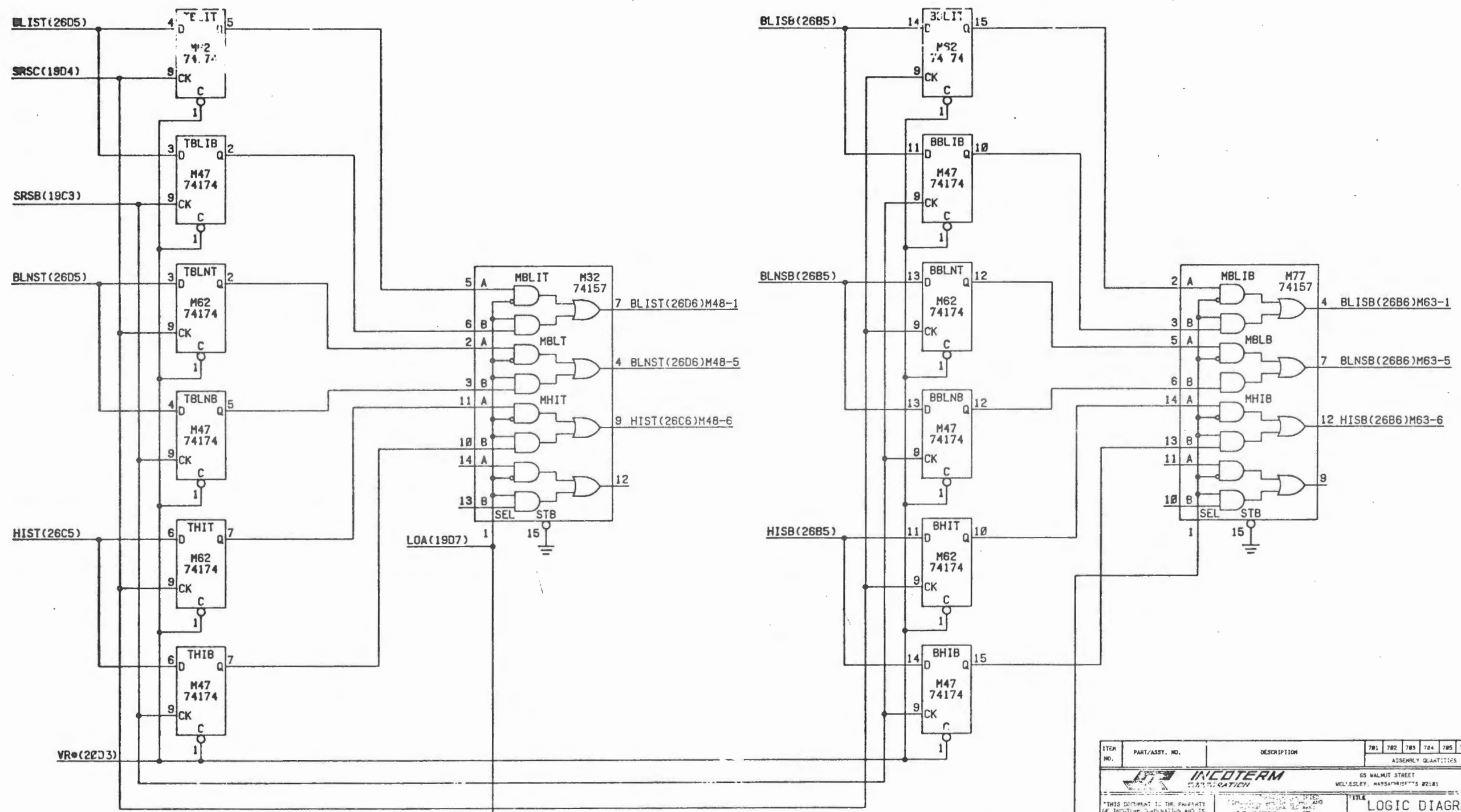


REVISION	DESCRIPTION OF CHANGE	DATE	APPROVED



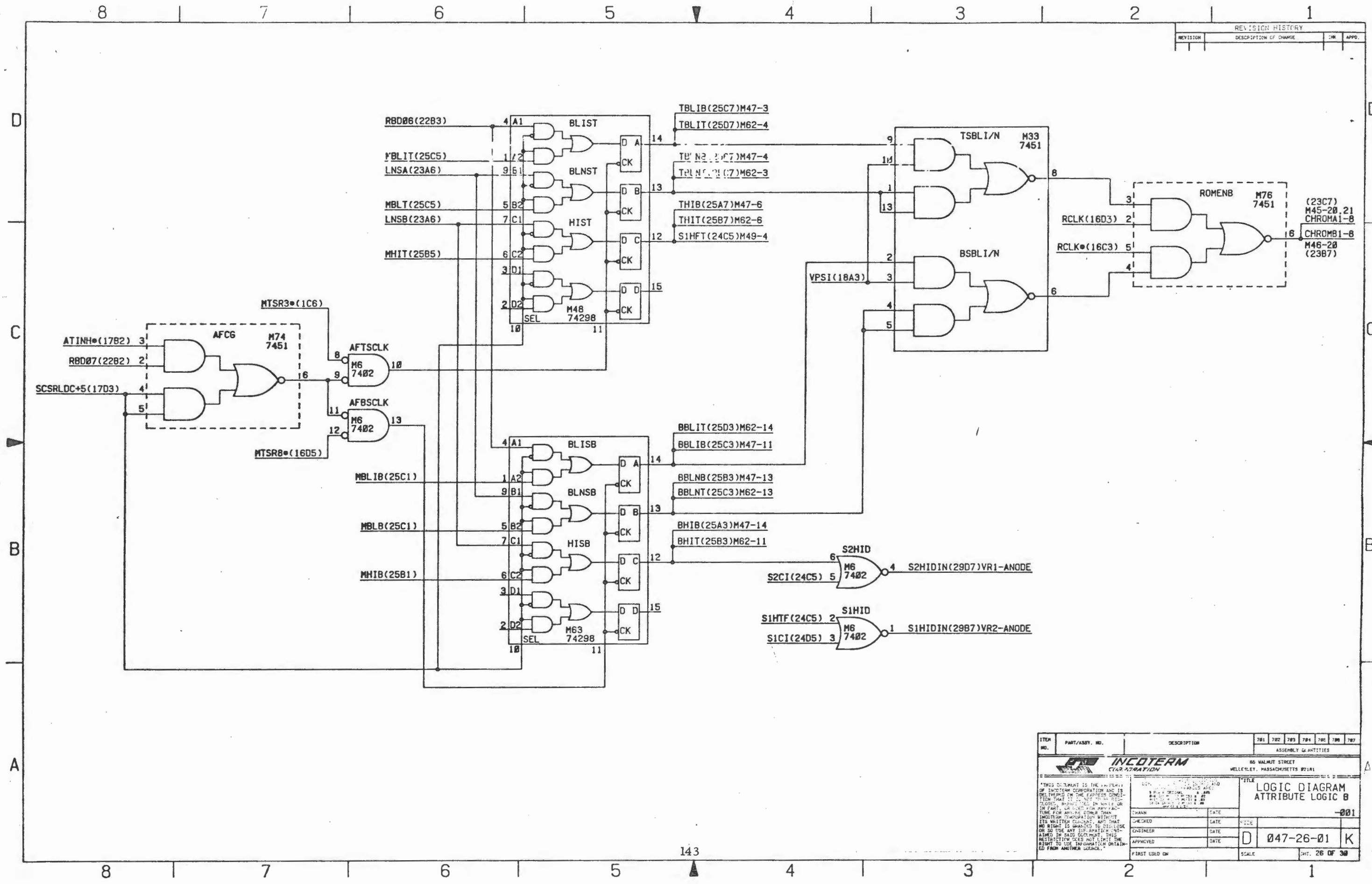
ITEM NO.	PART/ASST. NO.	DESCRIPTION	701	702	703	704	705	706	707
INCOTERM CORPORATION 65 WALNUT STREET WELLESLEY, MASSACHUSETTS 02158									
DRAWN		DATE	SIZE	TITLE LOGIC DIAGRAM VIDEO PROCESSING LOGIC					
CHECKED		DATE	SIZE	DRAWN BY DATE					
ENGINEER		DATE	SIZE	CHECKED BY DATE					
APPROVED		DATE	SIZE	APPROVED BY DATE					
FIRST USED ON		DATE	SCALE	PART NO. 047-26-01					
				REV. 24 OF 30					

REVISION HISTORY			
REVISION	DESCRIPTION OF CHANGE	CHK	APPL.



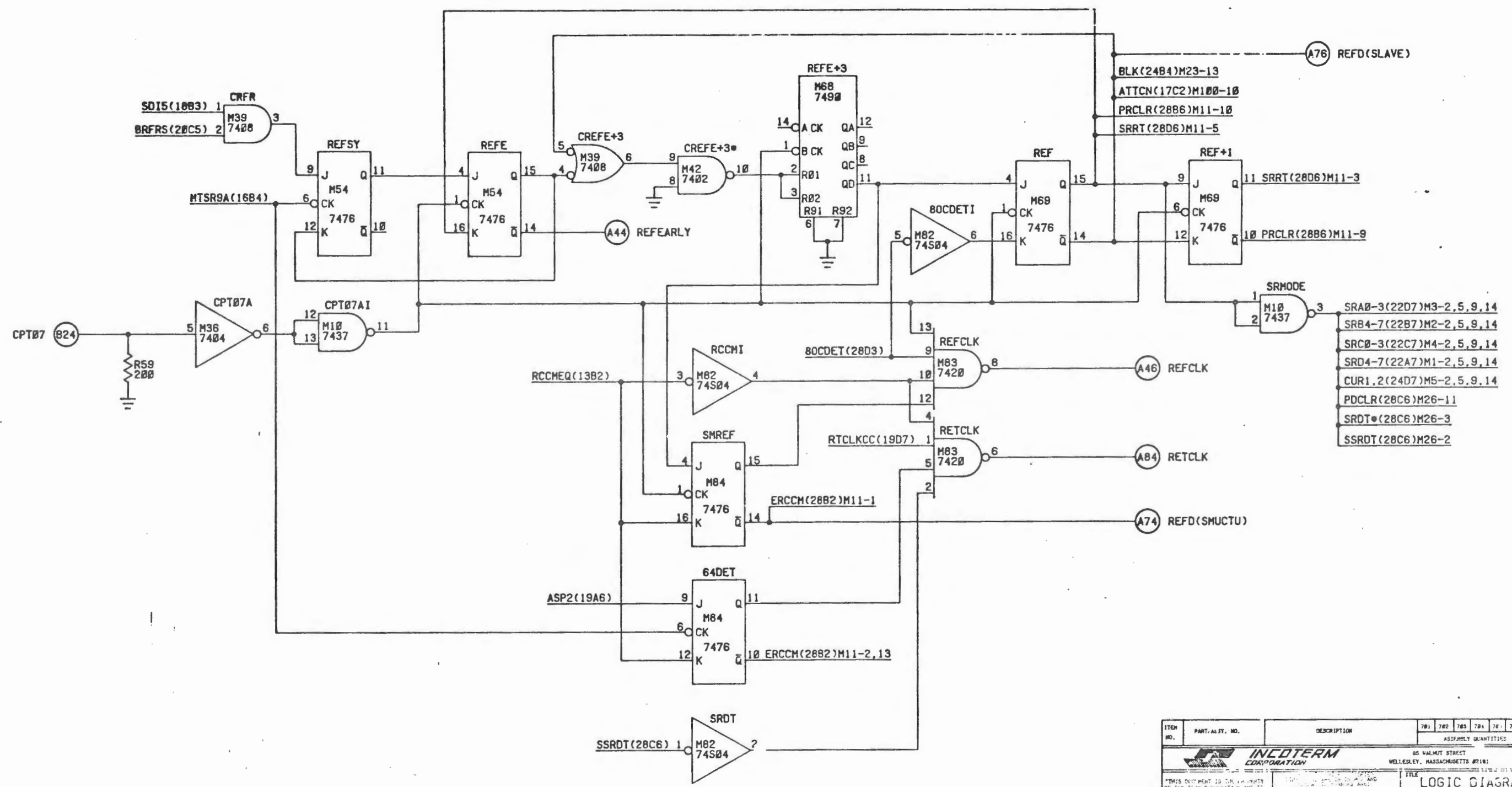
ITEM NO.	PART/ASSY. NO.	DESCRIPTION	ASSEMBLY QUANTITIES						
			781	782	783	784	785	786	787
<p>INCOTERM CORPORATION 65 WALNUT STREET WELLESLEY, MASSACHUSETTS 02181</p>			<p>TITLE: LOGIC DIAGRAM ATTRIBUTE LOGIC A -001</p>						
<p>THIS DOCUMENT IS THE PROPERTY OF INCOTERM CORPORATION AND IS LOANED TO THE USER UNDER THE CONDITION THAT IT BE RETURNED TO THE SOURCE FROM WHICH IT WAS OBTAINED. IT IS NOT TO BE REPRODUCED OR TRANSMITTED IN ANY FORM OR BY ANY MEANS, ELECTRONIC OR MECHANICAL, INCLUDING PHOTOCOPYING, RECORDING, OR BY ANY INFORMATION STORAGE AND RETRIEVAL SYSTEM, WITHOUT THE WRITTEN PERMISSION OF INCOTERM CORPORATION. THIS DOCUMENT IS UNCLASSIFIED EXCEPT WHERE SHOWN OTHERWISE. THIS DOCUMENT IS UNCLASSIFIED EXCEPT WHERE SHOWN OTHERWISE. THIS DOCUMENT IS UNCLASSIFIED EXCEPT WHERE SHOWN OTHERWISE.</p>			<p>CHANN</p>	<p>DATE</p>	<p>SIZE</p>	<p>Ø47-26-01</p>	<p>K</p>	<p>SHT. 25 OF 30</p>	
<p>FIRST USED ON</p>			<p>SCALE</p>	<p>SCALE</p>					

REVISION HISTORY			
REVISION	DESCRIPTION OF CHANGE	CHK	APPR.



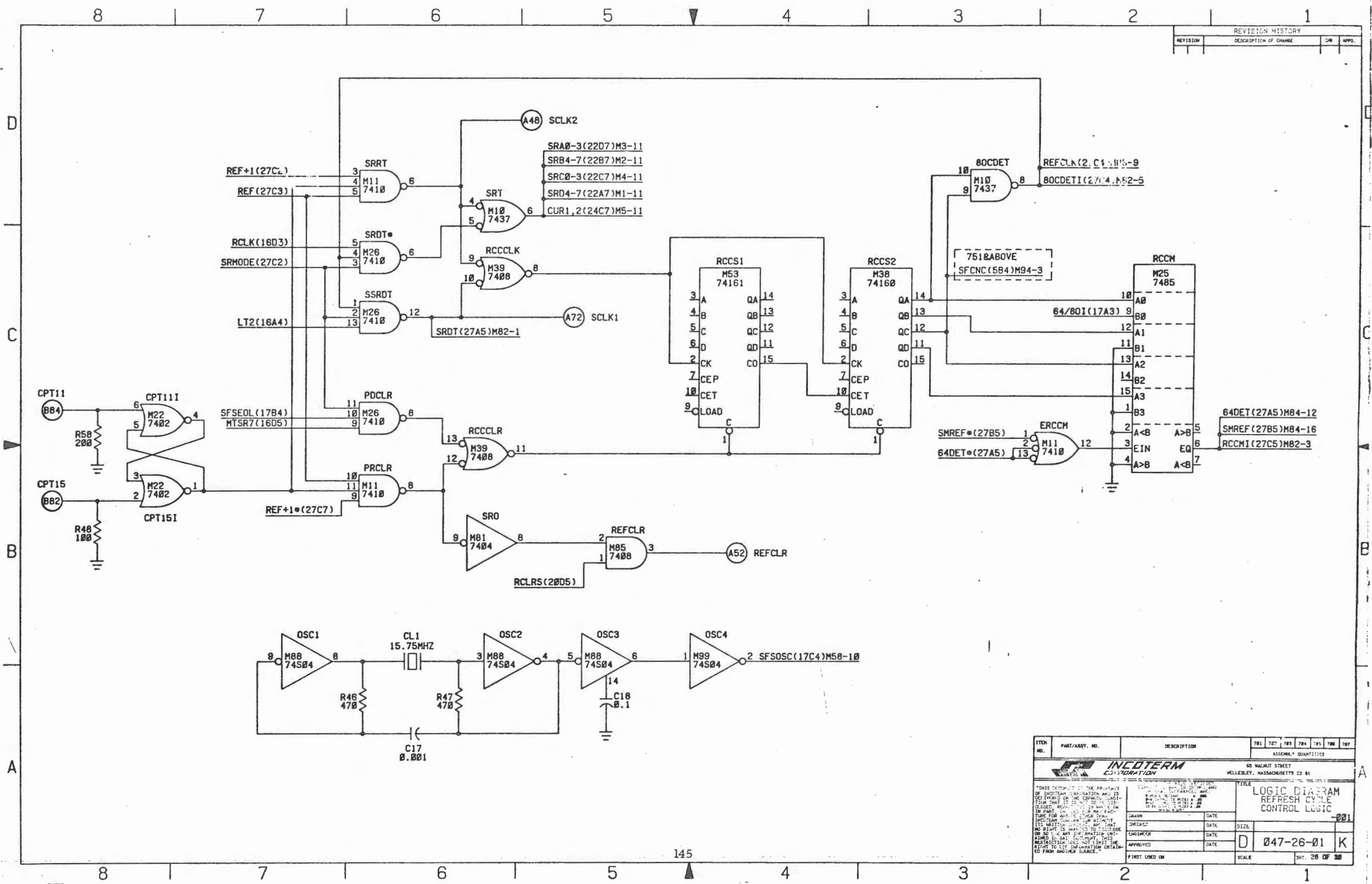
ITEM NO.	PART/ASST. NO.	DESCRIPTION	701	702	703	704	705	706	707
INCOTERM			86 WALNUT STREET WELLESLEY, MASSACHUSETTS 02181						
TITLE			LOGIC DIAGRAM ATTRIBUTE LOGIC B						
DRAWN			DATE						
CHECKED			DATE						
ENGINEER			DATE						
APPROVED			DATE						
FIRST USED ON			SCALE						
			DWT. 26 OF 30						

REVISION HISTORY			
REVISION	DESCRIPTION OF CHANGE	DR	APP.



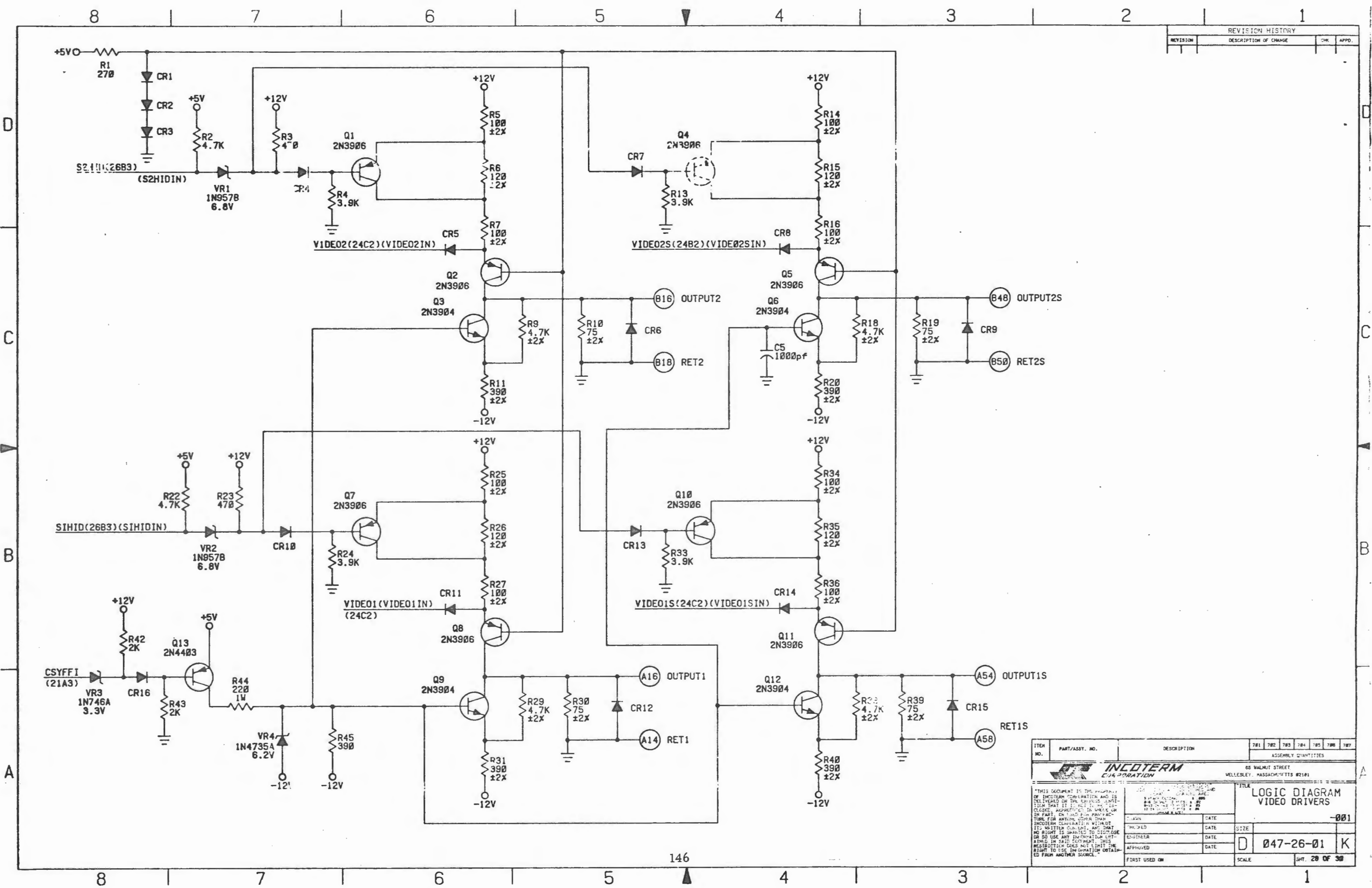
ITEM NO.	PART, ASY. NO.	DESCRIPTION	ASSEMBLY QUANTITIES									
			781	782	783	784	785	786	787			
			95 WALMOT STREET, WELLESLEY, MASSACHUSETTS 02182									
<small>*THIS DOCUMENT IS THE PROPERTY OF INCOTERM CORPORATION AND IS LOANED TO YOU ON THE EXPRESS CONDITION THAT IT IS NOT TO BE REPRODUCED, COPIED, OR IN ANY MANNER DISCLOSED TO ANY OTHER PERSON OR ORGANIZATION WITHOUT THE WRITTEN CONSENT OF INCOTERM CORPORATION. NO PART OF THIS DOCUMENT IS TO BE REPRODUCED OR TRANSMITTED IN ANY FORM OR BY ANY MEANS, ELECTRONIC OR MECHANICAL, INCLUDING PHOTOCOPYING, RECORDING, OR BY ANY INFORMATION STORAGE AND RETRIEVAL SYSTEM, WITHOUT THE WRITTEN PERMISSION OF INCOTERM CORPORATION.</small>			FILE LOGIC DIAGRAM REFRESH CYCLE STATE COUNTER -001		DRAWN: DATE:		CHECKED: DATE:		ENGINER: DATE:		APPROVED: DATE:	
FIRST USED ON			SCALE		SHT. 27 OF 30		D		047-26-01		K	

REVISION HISTORY			
REVISION	DESCRIPTION OF CHANGE	CHK	APPRO.



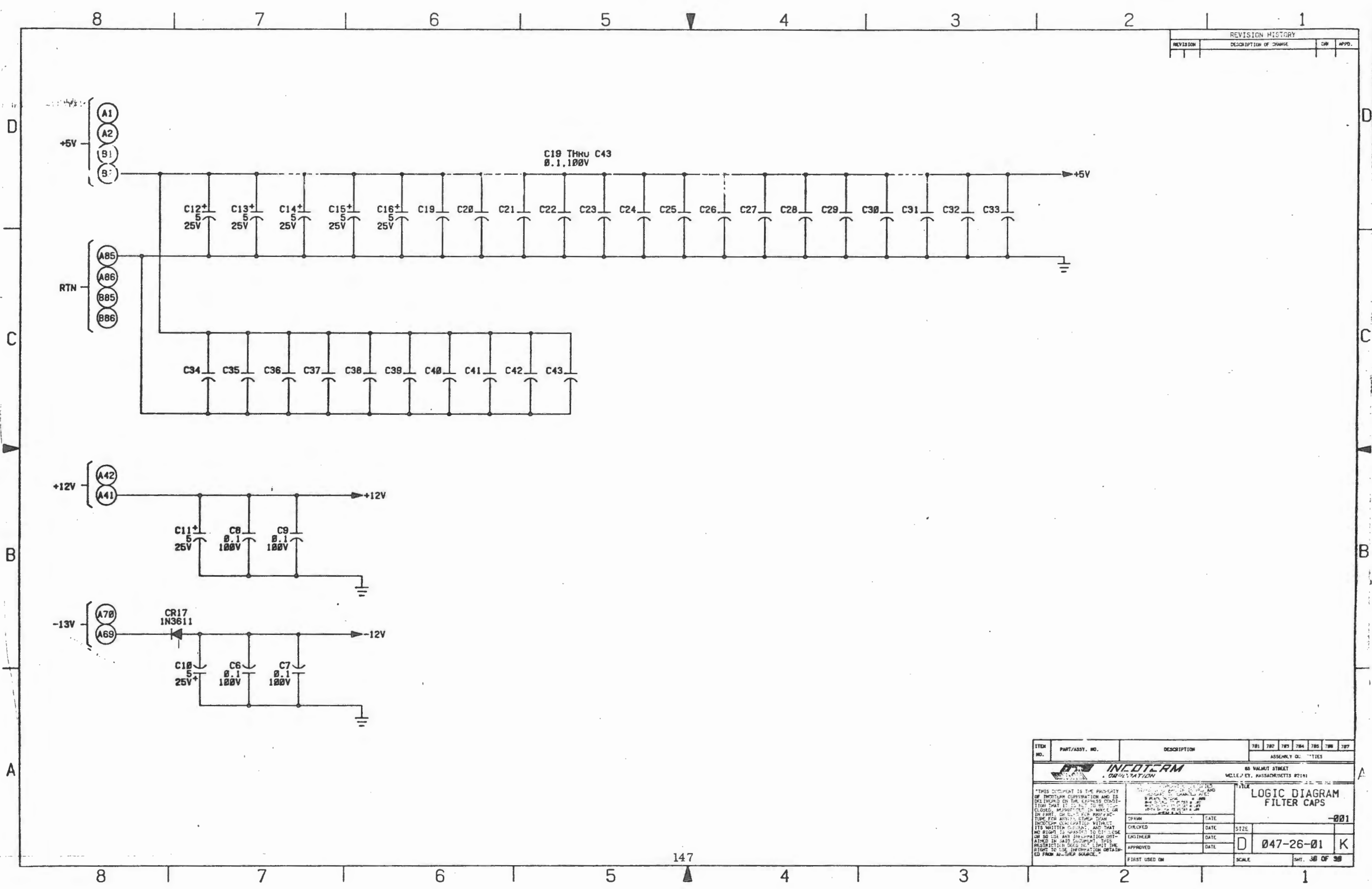
ITEM NO.	PART/ASSY. NO.	DESCRIPTION	781	782	783	784	785	786	787
INCOTERM CORPORATION 65 WALMUT STREET WELLESLEY, MASSACHUSETTS 02151			ASSEMBLY QUANTITIES						
TITLE		LOGIC DIAGRAM REFRESH CYCLE CONTROL LOGIC							
DRAWN		DATE		SIZE		-001			
CHECKED		DATE		DATE		D 047-26-01 K			
ENGINEER		DATE		DATE		D 047-26-01 K			
APPROVED		DATE		DATE		D 047-26-01 K			
FIRST USED ON		SCALE		SCALE		SHT. 28 OF 38			

REVISION HISTORY			
REVISION	DESCRIPTION OF CHANGE	CHK	APPD.



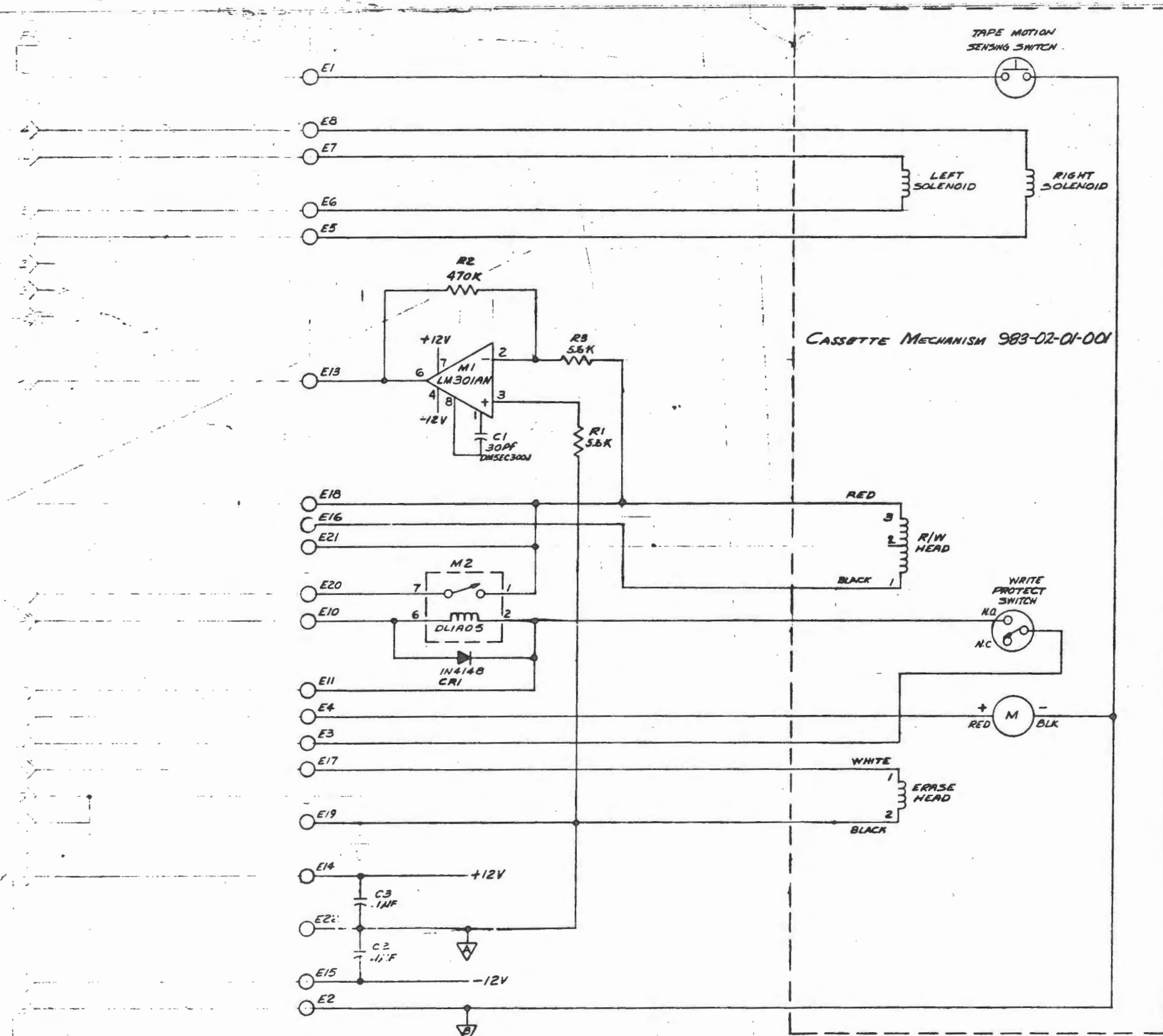
ITEM NO.	PART/ASSY. NO.	DESCRIPTION	781	782	783	784	785	786	787
			ASSEMBLY QUANTITIES						
			INCOTERM CORPORATION 65 WALNUT STREET WELLESLEY, MASSACHUSETTS 02151						
TITLE LOGIC DIAGRAM VIDEO DRIVERS			-001						
DRAWN			DATE						
CHECKED			DATE						
DESIGNED			DATE						
APPROVED			DATE						
FIRST USED ON			SCALE						
			SHT. 29 OF 30						

REVISION HISTORY			
REVISION	DESCRIPTION OF CHANGE	CHK	APPD.



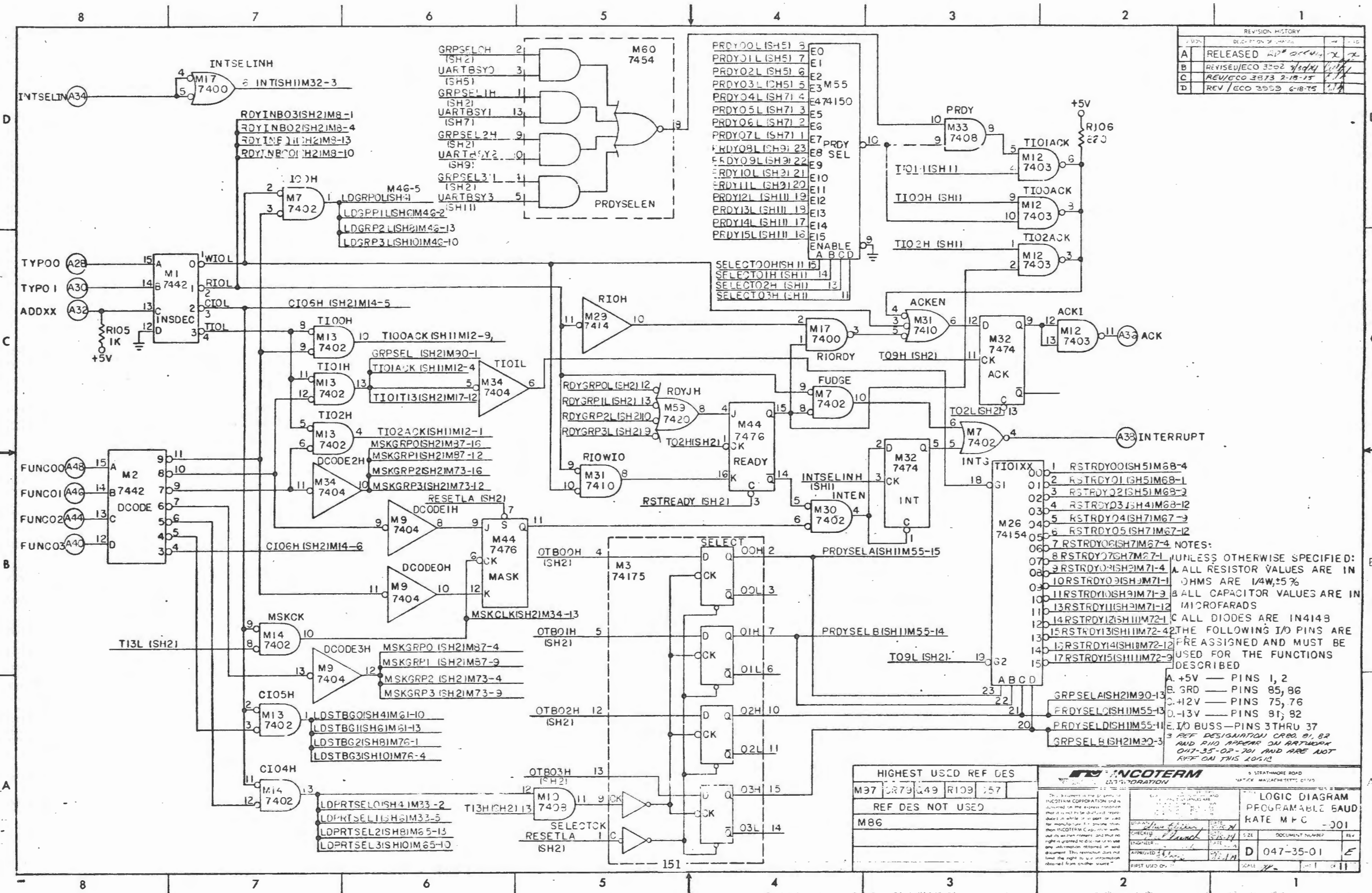
ITEM NO.	PART/ASSY. NO.	DESCRIPTION	781	782	783	784	785	786	787
		ASSEMBLY QTY. "TIES"							
		80 WALNUT STREET MELDEN, MASSACHUSETTS 02191							
<small>THIS DOCUMENT IS THE PROPERTY OF INCOTERM CORPORATION AND IS LOANED TO THE USER UNDER THE CONDITION THAT IT IS TO BE KEPT CLOSED, UNREPRODUCED IN WHOLE OR IN PART, OR NOT TO BE REPRODUCED FOR ANY OTHER PURPOSE WITHOUT THE WRITTEN CONSENT OF INCOTERM CORPORATION. NO RIGHT IS GRANTED TO COPY OR SO USE ANY INFORMATION OBTAINED IN THIS DOCUMENT. THIS RESTRICTION DOES NOT LIMIT THE RIGHT TO USE INFORMATION OBTAINED FROM ANOTHER SOURCE.</small>		TITLE LOGIC DIAGRAM FILTER CAPS -001		DRAWN DATE		CHECKED DATE		SIZE D	
FIRST USED ON		SCALE		SHEET 36 OF 38		047-26-01		K	

REV	DESCRIPTION	CHK	APP
A	RELEASED/RD 7373		
B	REVISED/ECO 3942		



CLUSTER CASSETTE PREAMPLIFIER
 047-27-01-001 REV B
 R. Kelly 28 NOV 73
 R. Kelly 27 NOV 73

REVISION HISTORY			
REV	DESCRIPTION OF CHANGE	DATE	BY
A	RELEASED	2-18-75	...
B	REVISED/ECO 3202	3/19/74	...
C	REV/ECO 3873	2-18-75	...
D	REV/ECO 3959	6-18-75	...



NOTES:

- UNLESS OTHERWISE SPECIFIED:
 - A. ALL RESISTOR VALUES ARE IN OHMS ARE 1/4W, ±5%
 - B. ALL CAPACITOR VALUES ARE IN MICROFARADS
 - C. ALL DIODES ARE IN4149
- THE FOLLOWING I/O PINS ARE ASSIGNED AND MUST BE USED FOR THE FUNCTIONS DESCRIBED

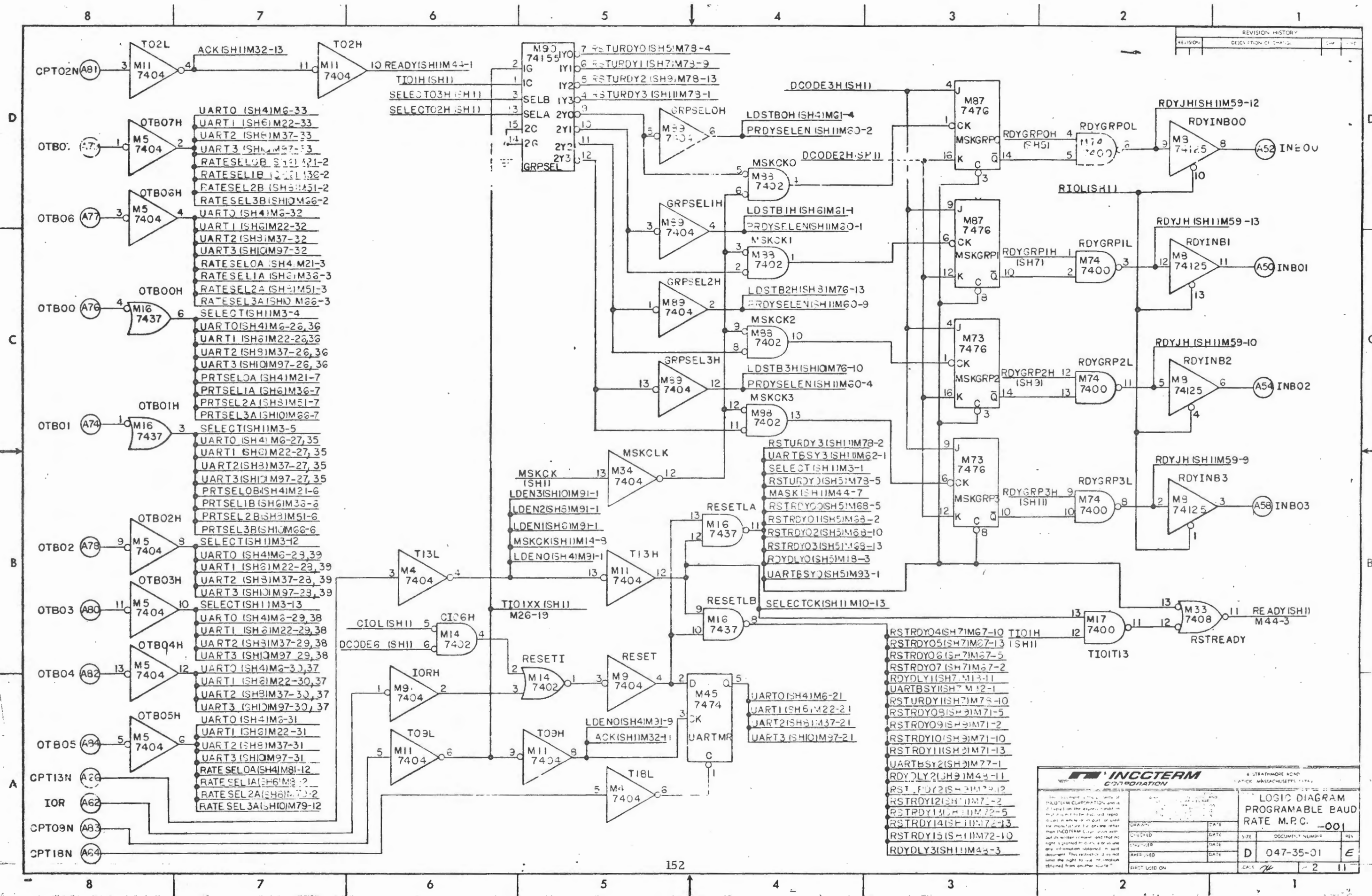
A. +5V — PINS 1, 2
 B. GRD — PINS 85, 86
 C. +12V — PINS 75, 76
 D. -13V — PINS 81, 82
 E. I/O BUS — PINS 3 THRU 37
 3 REF DESIGNATION CR80, 81, 82 AND R110 APPEAR ON ARTWORK 047-35-02-701 AND ARE NOT KEF ON THIS LOGIC

HIGHEST USED REF DES
M37 M79 M49 R109 M57
REF DES NOT USED
M86

INCOTERM
 CORPORATION
 5 STRATHMORE ROAD
 WATICE, MASSACHUSETTS 01970

LOGIC DIAGRAM
 PROGRAMMABLE BAUD
 RATE MFC - 001

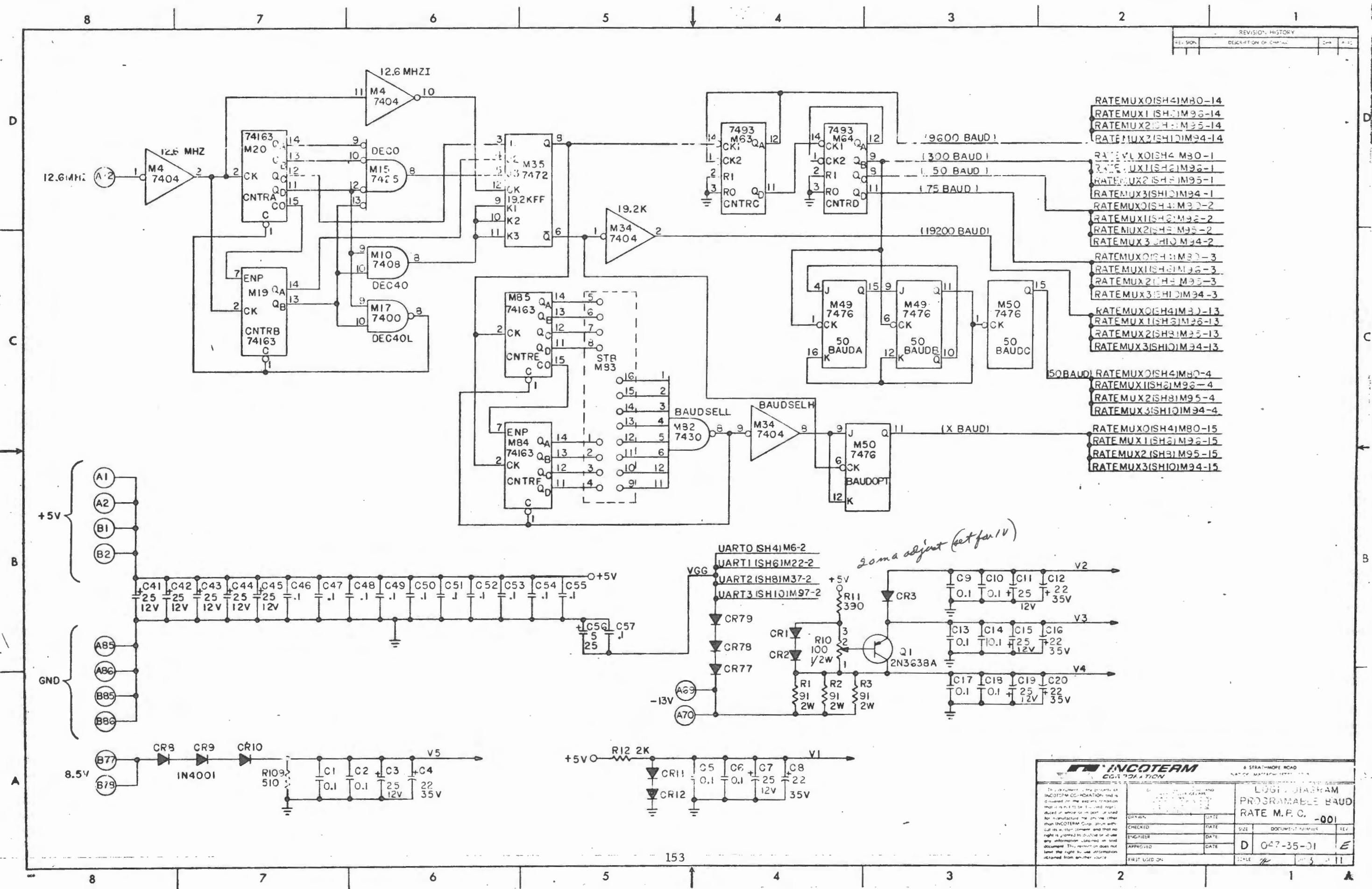
DATE: 7/11/74
 SIZE: 11
 DOCUMENT NUMBER: D 047-35-01
 REV: E



REVISION HISTORY			
REVISION	DESCRIPTION OF CHANGES	DATE	BY

		6 STRATHMORE ROAD WATICE, MASSACHUSETTS 01914	
LOGIC DIAGRAM PROGRAMMABLE BAUD RATE M.P.C. -001			
CHECKED	DATE	SIZE	DOCUMENT NUMBER
DESIGNED	DATE		
APPROVED	DATE		
FIRST USED ON	DATE		
		D	047-35-01
		2	11

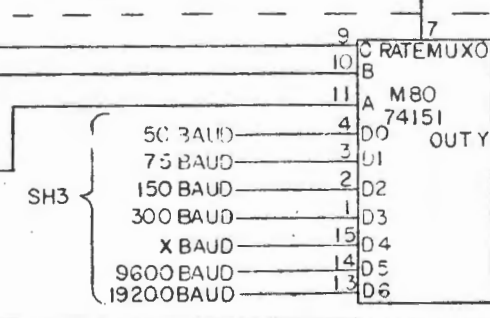
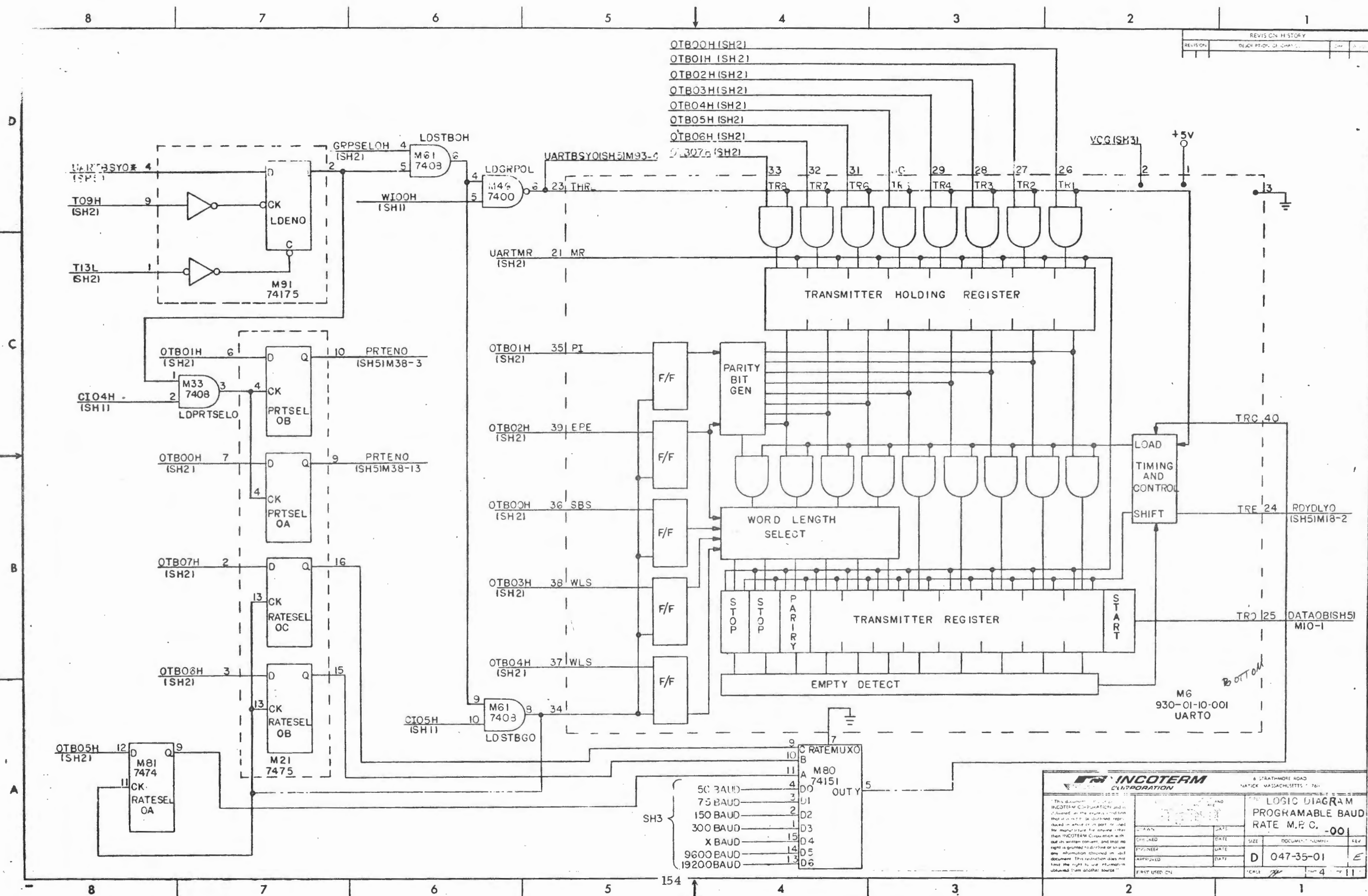
REVISION HISTORY	
REVISION	DESCRIPTION OF CHANGE



- RATEMUX0ISH4IM80-14
- RATEMUX1ISH2IM96-14
- RATEMUX2ISH2IM96-14
- RATEMUX3ISH2IM94-14
- RATEMUX0ISH4IM80-1
- RATEMUX1ISH2IM96-1
- RATEMUX2ISH2IM96-1
- RATEMUX3ISH2IM94-1
- RATEMUX0ISH4IM80-2
- RATEMUX1ISH2IM96-2
- RATEMUX2ISH2IM96-2
- RATEMUX3ISH2IM94-2
- RATEMUX0ISH4IM80-3
- RATEMUX1ISH2IM96-3
- RATEMUX2ISH2IM96-3
- RATEMUX3ISH2IM94-3
- RATEMUX0ISH4IM80-13
- RATEMUX1ISH2IM96-13
- RATEMUX2ISH2IM96-13
- RATEMUX3ISH2IM94-13
- 50BAUD RATEMUX0ISH4IM80-4
- RATEMUX1ISH2IM96-4
- RATEMUX2ISH2IM96-4
- RATEMUX3ISH2IM94-4
- RATEMUX0ISH4IM80-15
- RATEMUX1ISH2IM96-15
- RATEMUX2ISH2IM96-15
- RATEMUX3ISH2IM94-15

INCOTERM CORPORATION		LOGIC DIAGRAM	
CIRCUIT DESIGN		PROGRAMMABLE BAUD RATE M.P.C. -001	
DRAWN	DATE	SIZE	DOCUMENT NUMBER
CHECKED	DATE	D	047-35-01
ENGINEER	DATE		
APPROVED	DATE		
FIRST USED ON	SCALE		

REVISION HISTORY	
REVISION	DESCRIPTION OF CHANGE



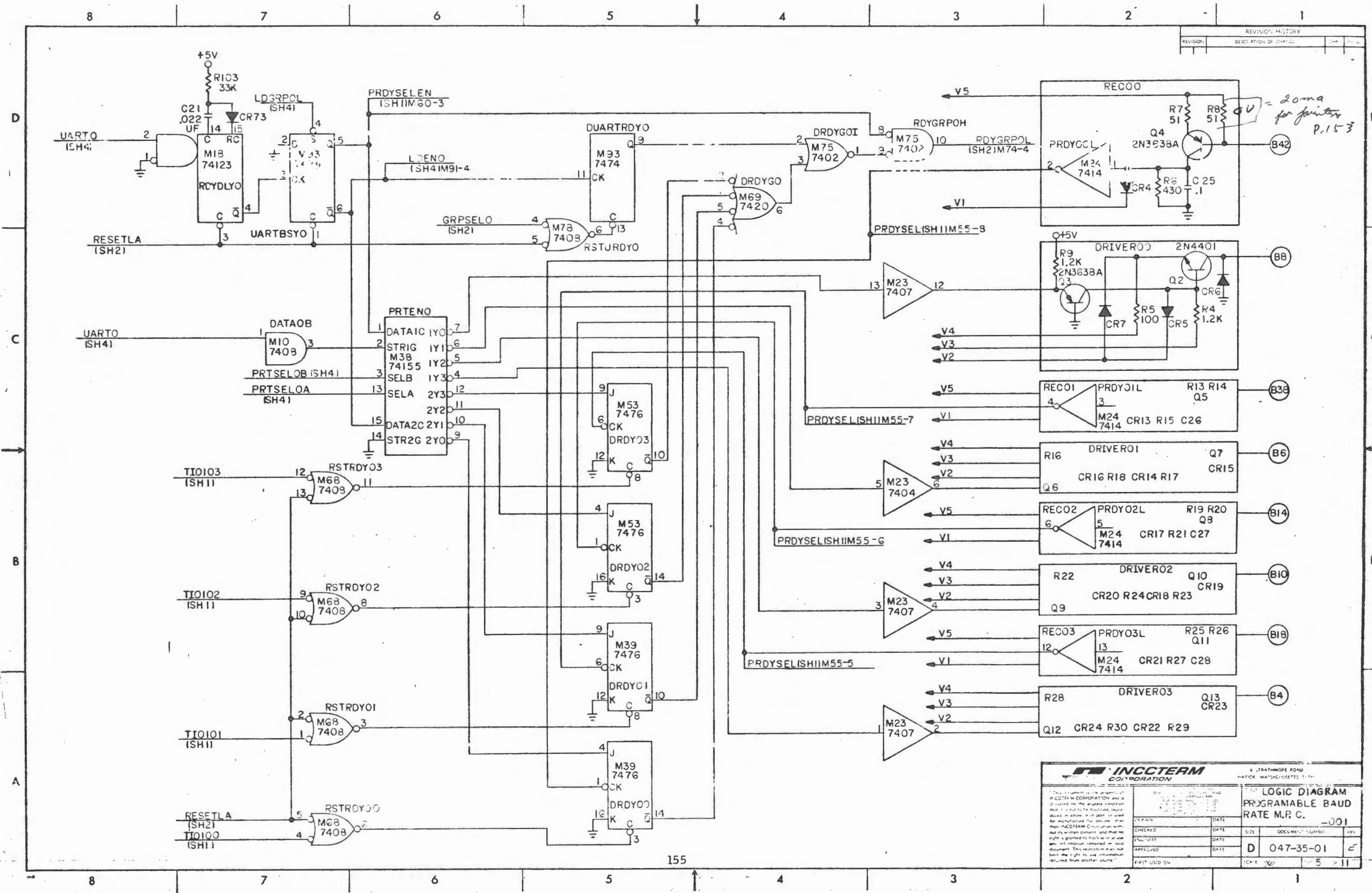
INCOTERM CORPORATION
8 STRATHMORE ROAD
NATICK, MASSACHUSETTS 01907

LOGIC DIAGRAM
PROGRAMMABLE BAUD
RATE M.P.C. -001

DESIGNED	DATE	SIZE	DOCUMENT NUMBER	REV
PROFESSOR	DATE		D 047-35-01	E
APPROVED	DATE			

FIRST USED ON: _____

REVISION HISTORY	
REVISION	DESCRIPTION OF CHANGE

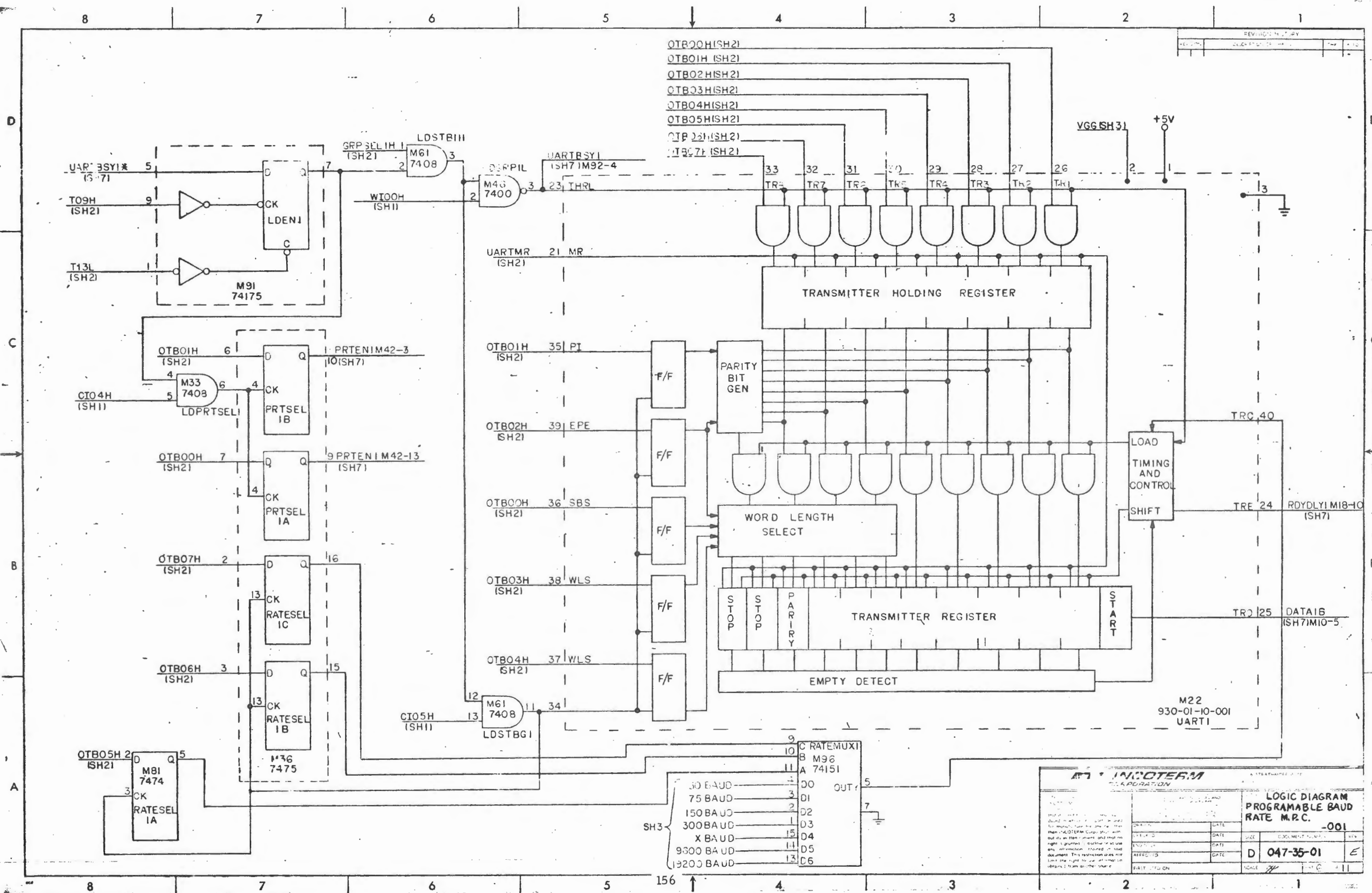


INCOTERM CORPORATION
 6 TRATHAMPO ROAD
 NATICK, MASSACHUSETTS 01909

LOGIC DIAGRAM
PROGRAMMABLE BAUD
RATE M.P.C. -001

DESIGNED BY	DATE	SIZE	DOCUMENT NUMBER	REV.
CHECKED BY	DATE			
APPROVED BY	DATE			
FIRST USED ON				

D 047-35-01 E



REVISION HISTORY			
REV	DESCRIPTION	DATE	BY

INCO TERM CORPORATION

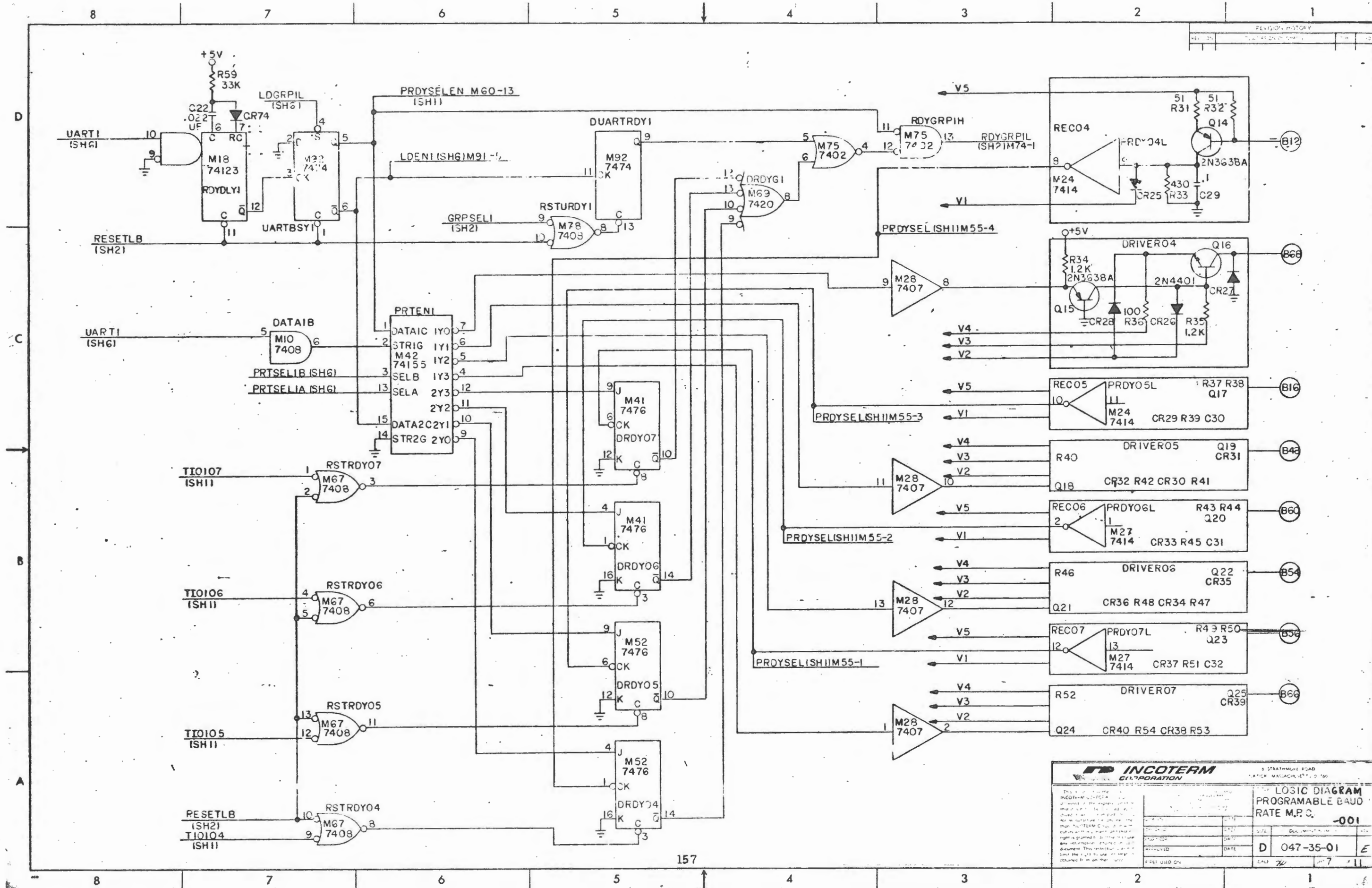
LOGIC DIAGRAM PROGRAMMABLE BAUD RATE M.R.C. -001

DATE	DATE	DATE	DATE

D 047-35-01

- SH3
- 00 BAUD — 10
 - 75 BAUD — 11
 - 150 BAUD — 12
 - 300 BAUD — 13
 - X BAUD — 14
 - 9300 BAUD — 15
 - 19200 BAUD — 16
- OUT 5

REVISION HISTORY			
REV. NO.	DATE	DESCRIPTION	BY



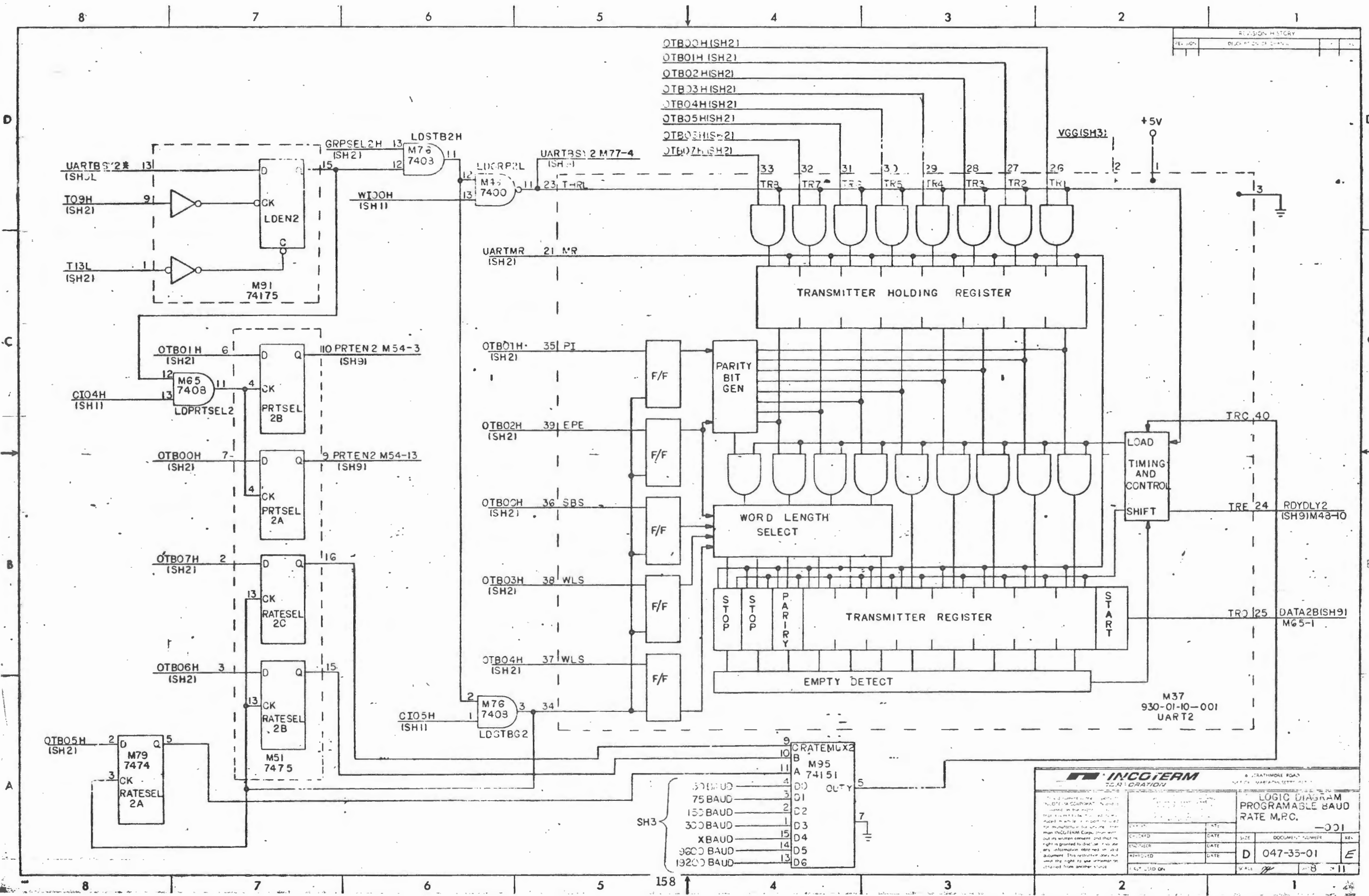
INCOTERM CORPORATION
 6 STRATHMORE ROAD
 LITTLE WATLING, S.E.19 2JH

LOGIC DIAGRAM
PROGRAMMABLE BAUD
RATE M.P.C.

Part Number: **047-35-01**
 Revision: **-001**

DATE	DATE	DATE	DATE

First Used On: **7 11**



REVISION HISTORY	
REV. NO.	DESCRIPTION OF CHANGE

SH3	CRATEMUX2
5700 BAUD	10 B
75 BAUD	11 A
150 BAUD	12 D0
300 BAUD	13 D1
X BAUD	14 D2
9600 BAUD	15 D3
19200 BAUD	16 D4
	17 D5
	18 D6

INCO TERM CORPORATION

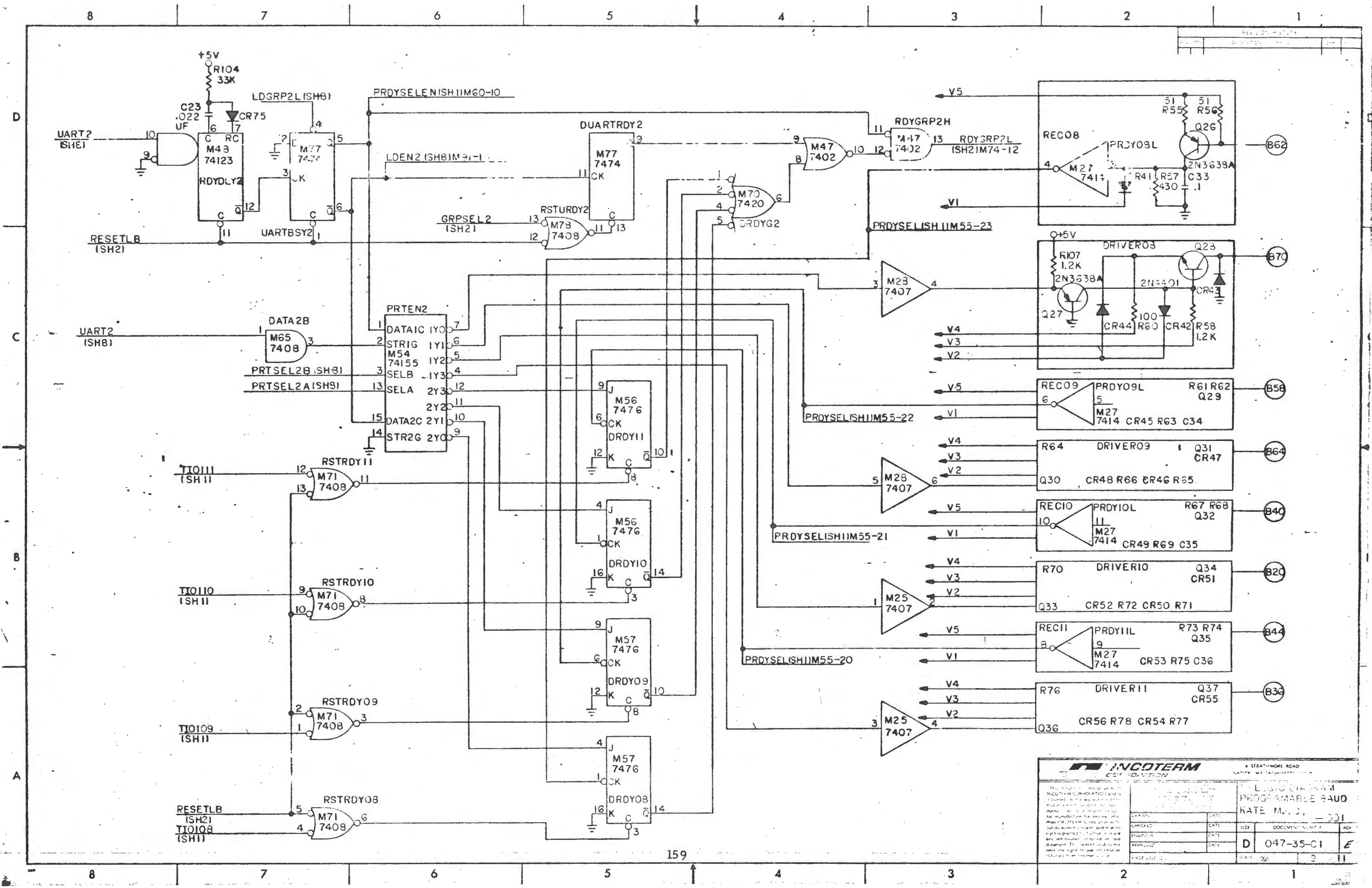
LOGIC DIAGRAM
PROGRAMMABLE BAUD
RATE MRC.

—001

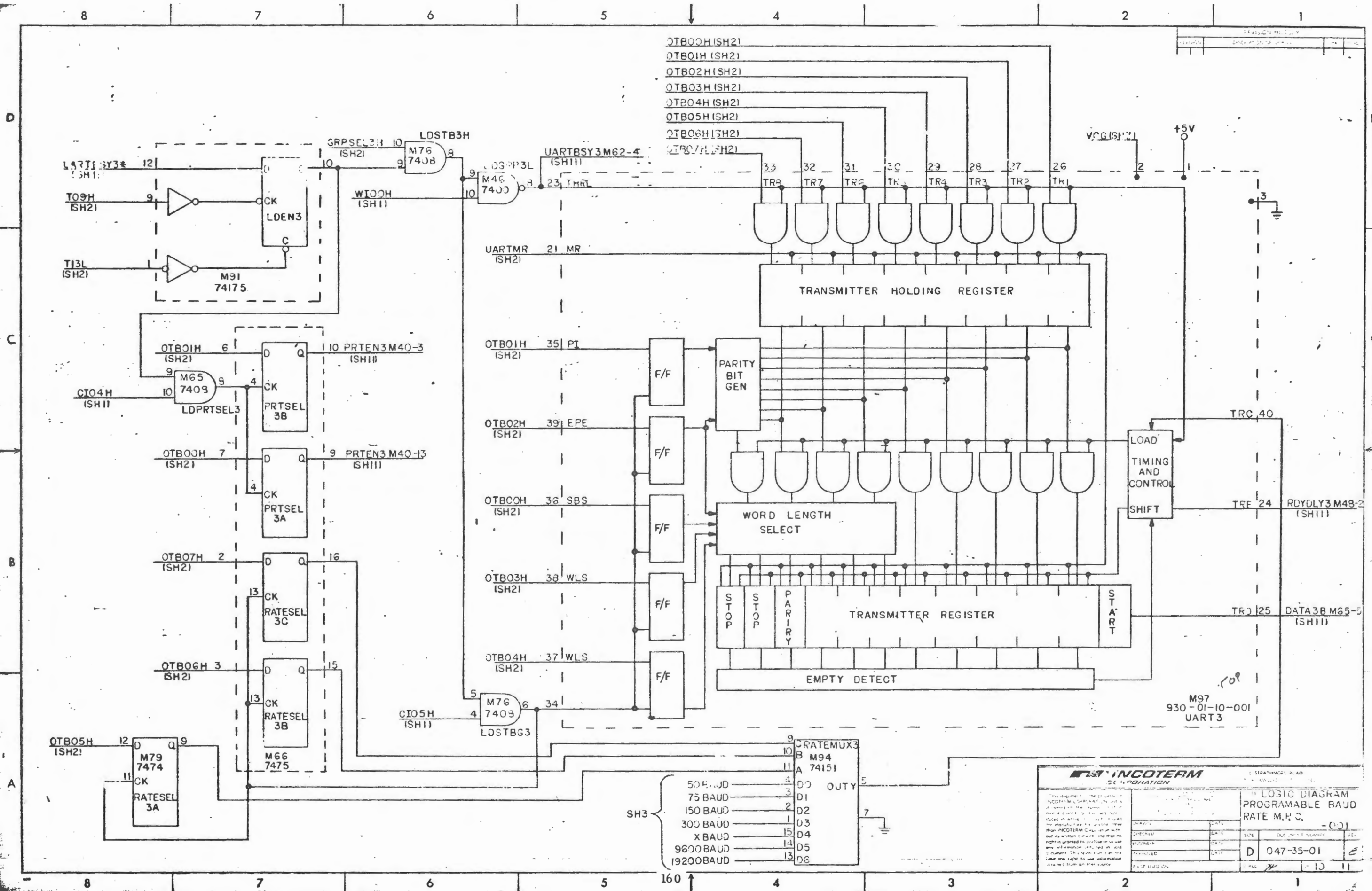
DATE	DATE	DATE	DATE

DOCUMENT NUMBER: D 047-35-01

REV: E

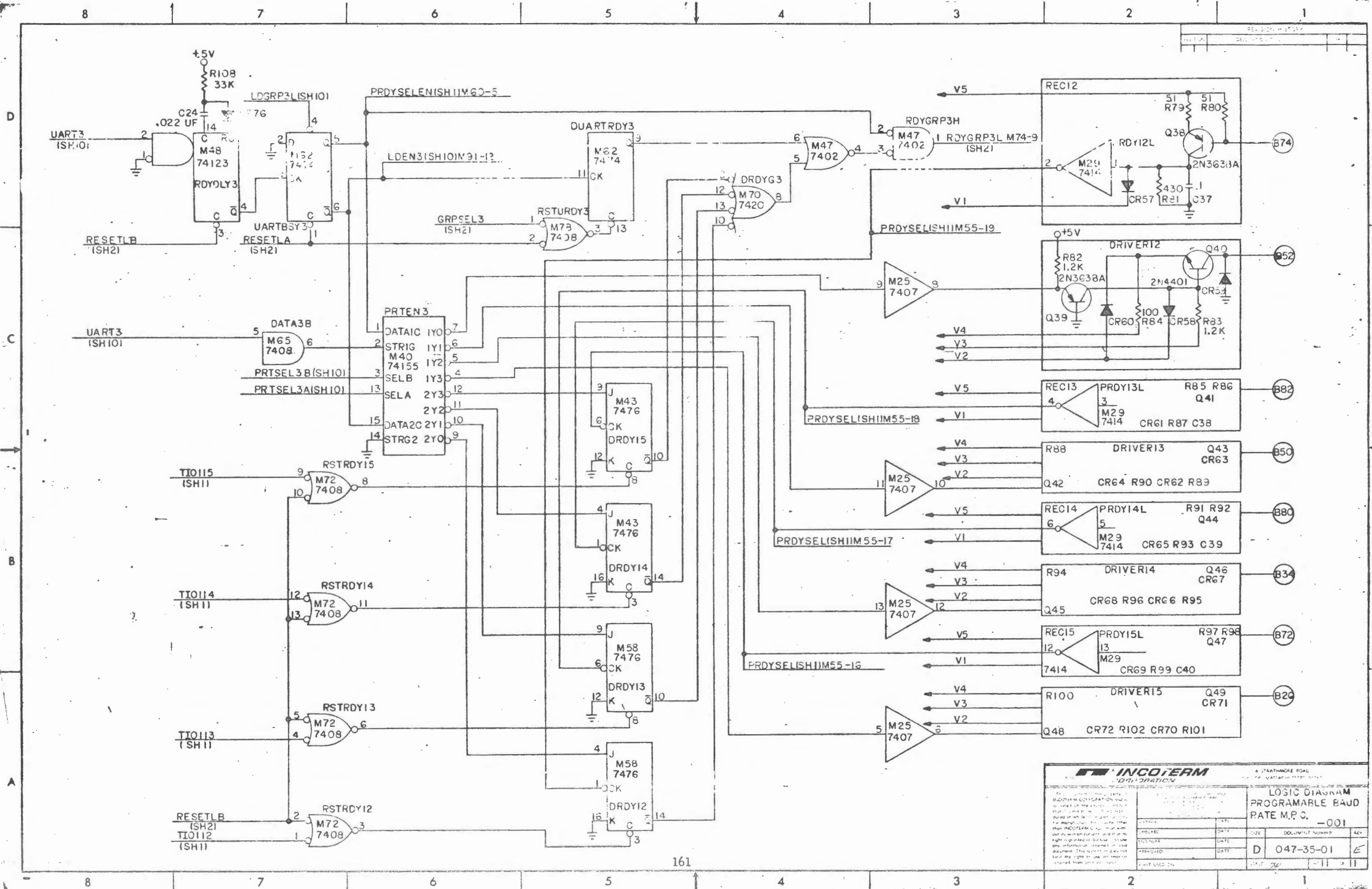


		4 STRATMORE ROAD WATFORD, WATFORDS, HERTS AL9 1JH	
This circuit is the property of INCOTERM CORPORATION and is loaned to the customer for their use only. It is not to be reproduced, modified, or distributed without the written consent of INCOTERM CORPORATION. The customer agrees to indemnify and hold INCOTERM CORPORATION harmless from all claims, damages, and expenses, including reasonable attorneys' fees, which may be incurred by INCOTERM CORPORATION as a result of the customer's use of this circuit. The customer also agrees to return this circuit to INCOTERM CORPORATION upon completion of the project.			
DATE: _____ CHECKED: _____ DESIGNED: _____ APPROVED: _____ MADE UP BY: _____	DATE: _____ DATE: _____ DATE: _____ DATE: _____	SIZE: _____ DOCUMENT NO.: _____ REV: _____	TITLE: LSI000-1111 PROGRAMMABLE BAUD RATE M.C.S. - 001
D 047-35-01		E	



- SH3
- 50 BAUD — 4 D0
 - 75 BAUD — 3 D1
 - 150 BAUD — 2 D2
 - 300 BAUD — 1 D3
 - X BAUD — 15 D4
 - 9600 BAUD — 14 D5
 - 19200 BAUD — 13 D6

INCOTERM CORPORATION		LOGIC DIAGRAM	
SIRATHADY ROAD		PROGRAMMABLE BAUD RATE M.P.C.	
DESIGNED BY	DATE	SIZE	OUT. SHEET NUMBER
ENGINEER	DATE	D	047-35-01
APPROVED	DATE		
FAST QUOTE ON			



INCOTEAM CORPORATION
 A STRATHMORE ROAD
 WILMINGTON, DELAWARE 19804

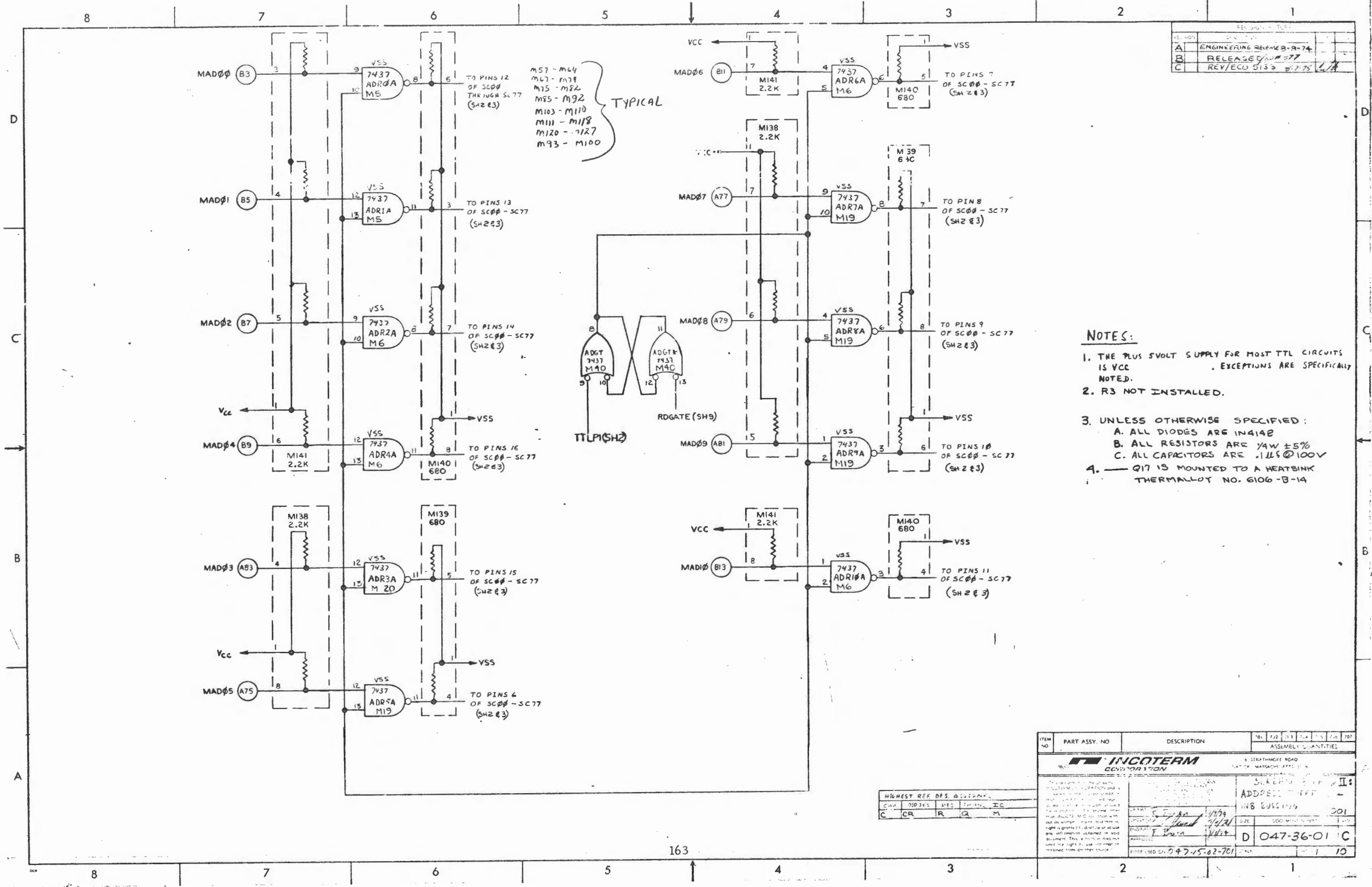
LOGIC DIAGRAM
PROGRAMMABLE BAUD
RATE M.P.C. -001

REV	DATE	SIZE	DOCUMENT NUMBER	REV

APPROVED: **D** 047-35-01

FIRST USED IN: **D** 047-35-01

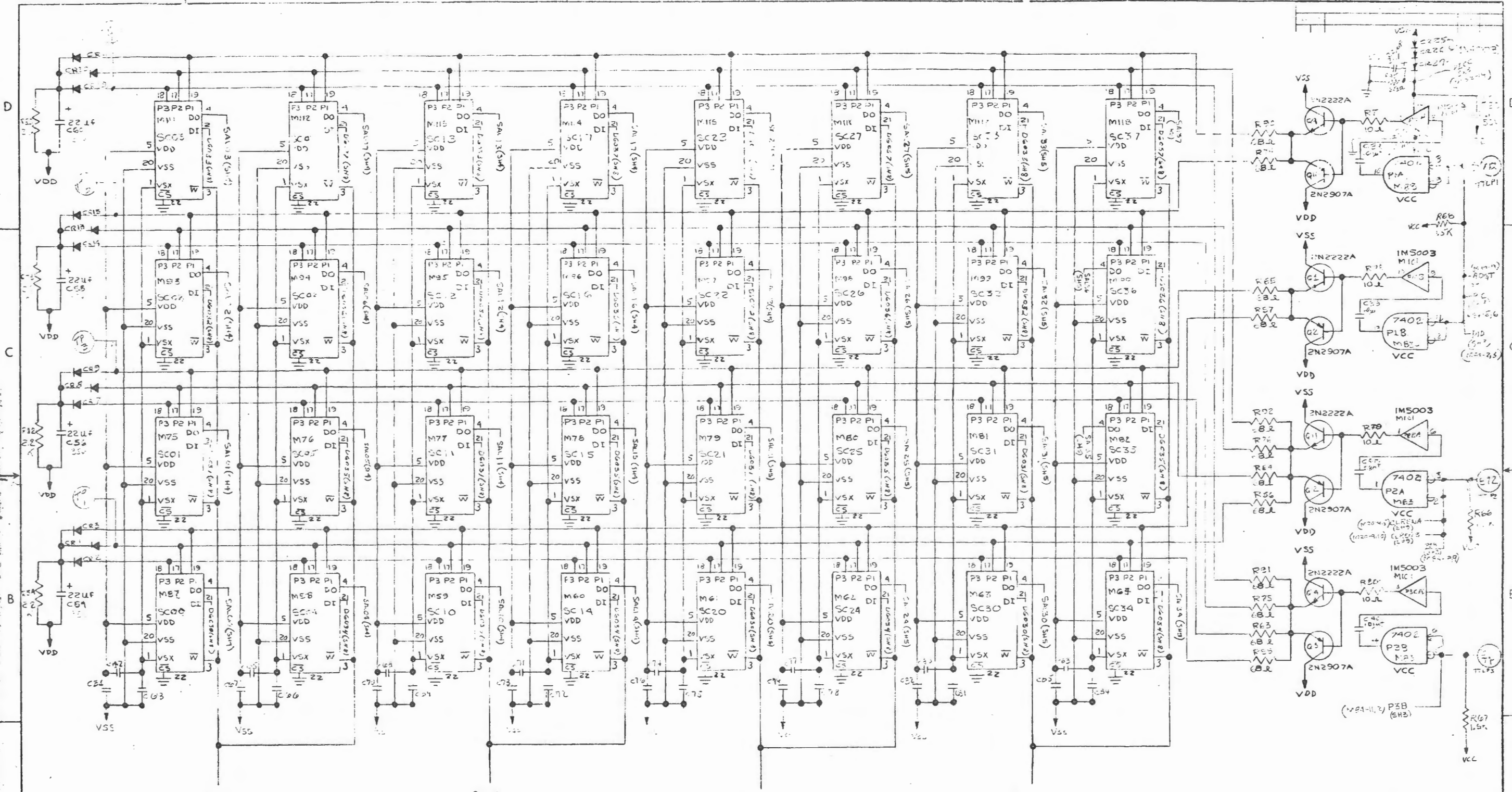
REV. NO.	DATE
A	ENGINEERING RELEASE 8-9-74
B	RELEASED 10-27-77
C	REV/ECO 5133 8-7-75



- NOTES:**
1. THE PLUS VOLT SUPPLY FOR MOST TTL CIRCUITS IS VCC. EXCEPTIONS ARE SPECIFICALLY NOTED.
 2. R3 NOT INSTALLED.
 3. UNLESS OTHERWISE SPECIFIED:
 - A. ALL DIODES ARE 1N4148
 - B. ALL RESISTORS ARE 1/4W ±5%
 - C. ALL CAPACITORS ARE .1μS @ 100V
 4. Q17 IS MOUNTED TO A HEATSINK THERMALLOY NO. 6106-B-14

HIGHEST REF DES ASSY				
CR	CR	R	Q	M

ITEM NO.	PART ASSY. NO.	DESCRIPTION	ASSEMBLY QUANTITIES					
			101	202	203	204	205	207
6 STRATHMORE ROAD WEST MASSACHUSETTS			SCREEN NO. II: ADDRESS: 11B BUSHING 001					
DATE: 1/17/79 APPROVED: I. D. [Signature]			SIZE	000 (MOUNTING)				
PART NO. 047-36-01 C			1 10					



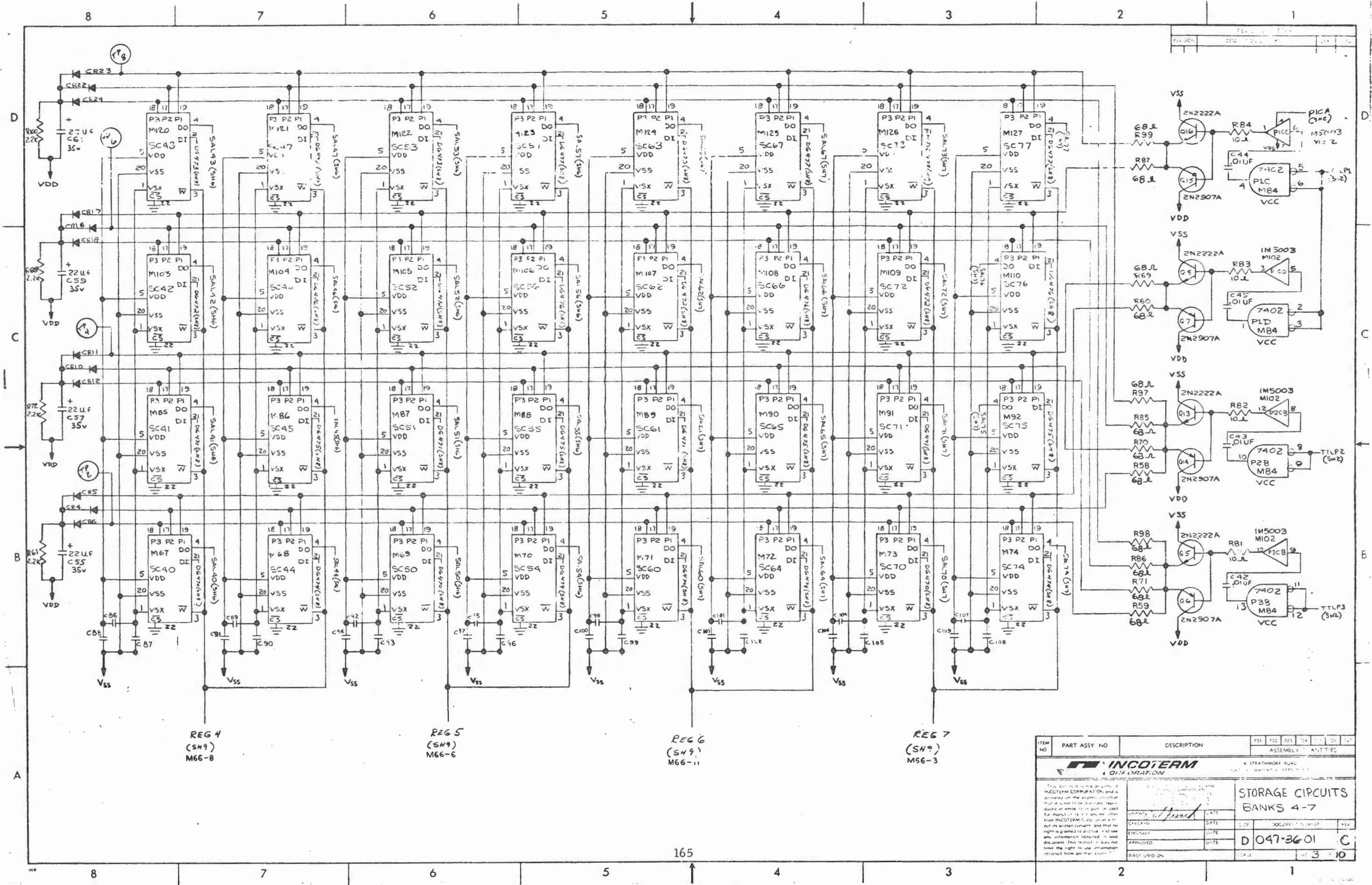
REG 1
(S49)
M65-3

REG 1
(S49)
M65-4

REG 2
(S49)
M65-5

REG 3
(S49)
M65-6

REV NO	PART ASSY NO	DESCRIPTION	QTY	UNIT	REMARKS
INCOTERM CORPORATION					
STORAGE CIRCUITS BANKS 4-7					
D 047-3601 C					



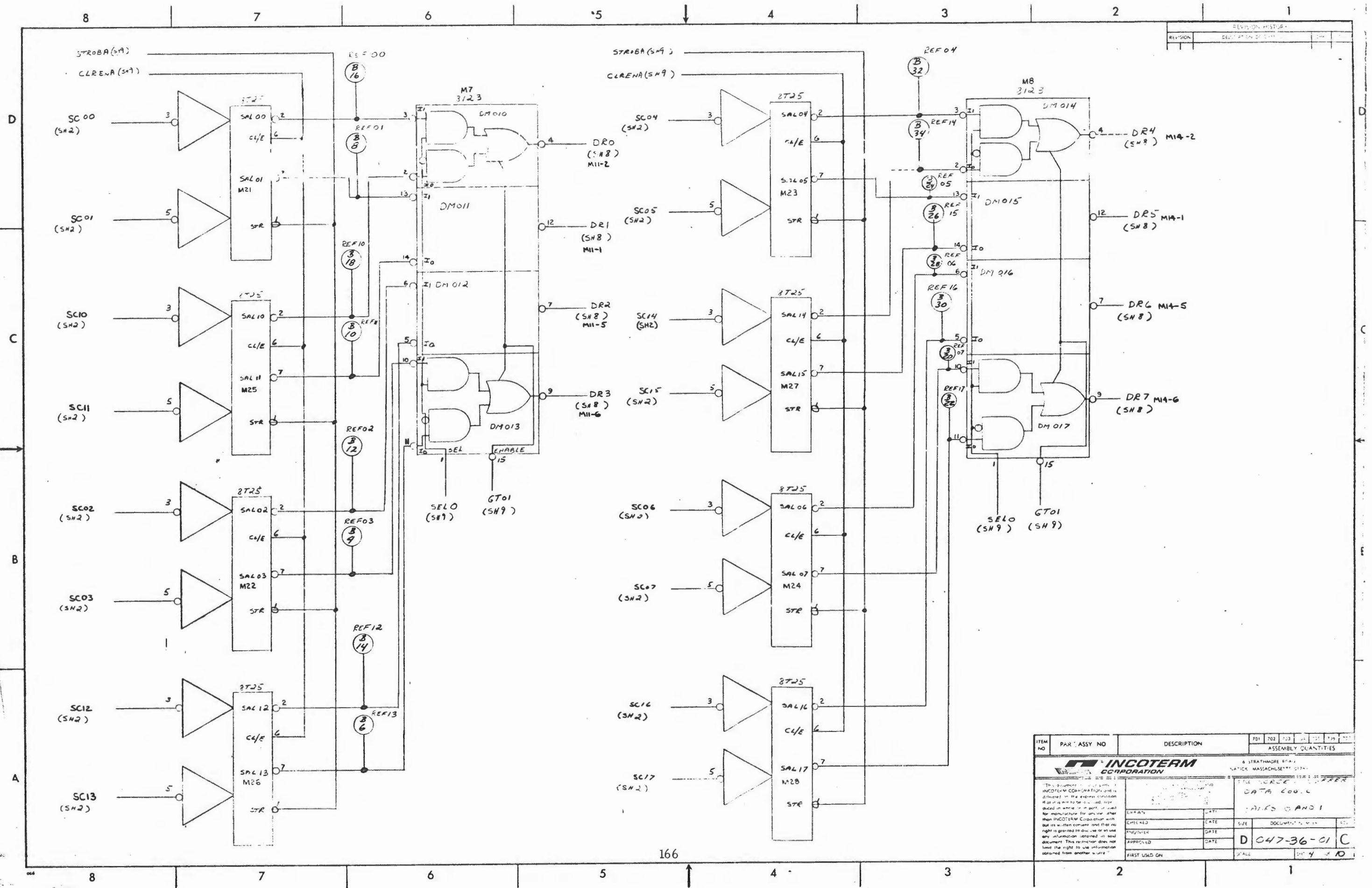
REG 4
(S49)
M66-8

REG 5
(S49)
M66-6

REG 6
(S49)
M66-11

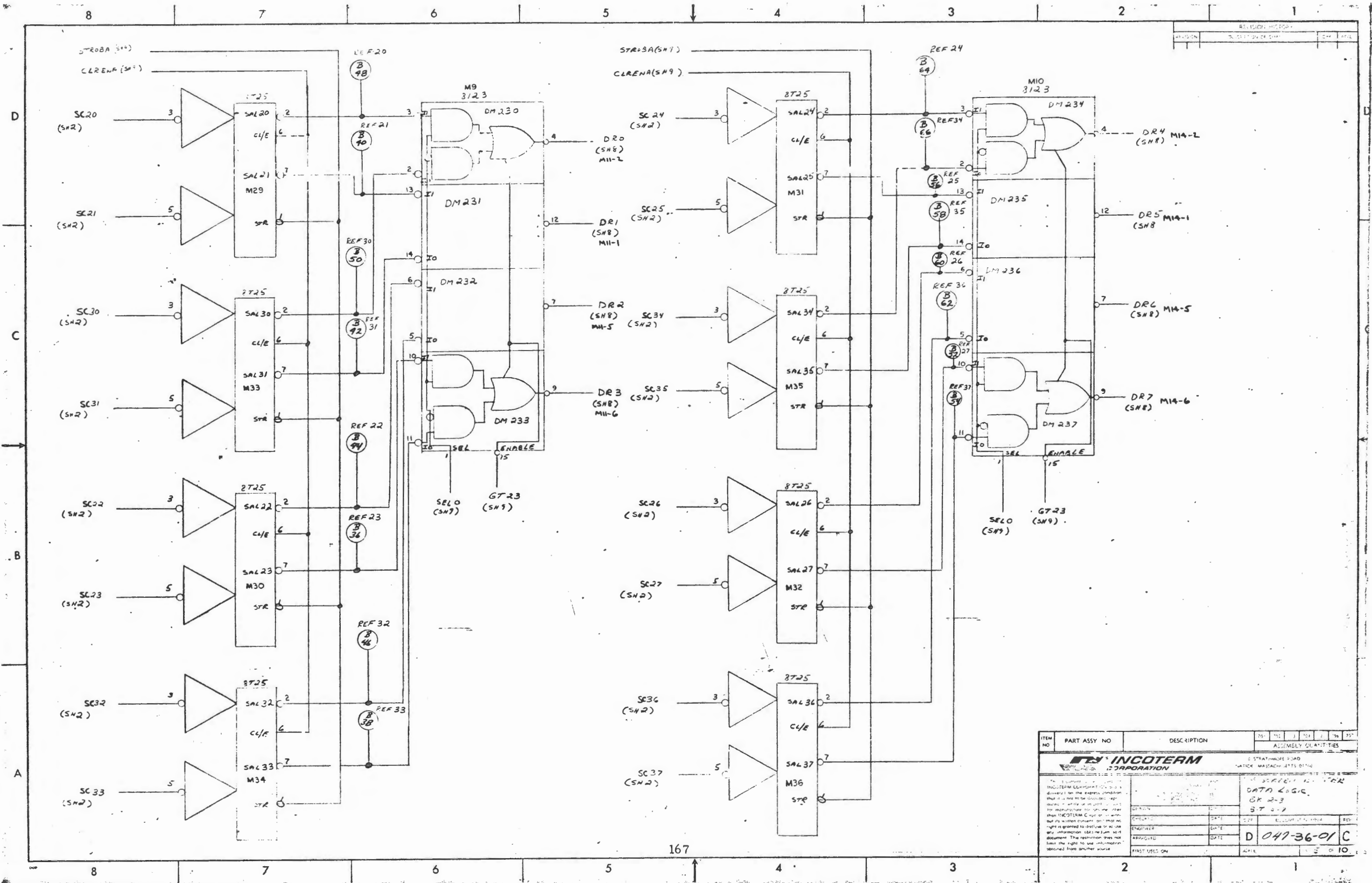
REG 7
(S49)
M66-3

ITEM NO	PART ASSY NO	DESCRIPTION	701	702	703	704	705	706	707
		INCOTERM & ASSOCIATION							
		6 STRATHMORE ROAD, WILLOWDALE, ONTARIO, CANADA							
		STORAGE CIRCUITS BANKS 4-7							
DESIGNED BY	DATE	DATE	DATE	DATE	DATE	DATE	DATE	DATE	DATE
CHECKED BY	DATE	DATE	DATE	DATE	DATE	DATE	DATE	DATE	DATE
ENGINEER	DATE	DATE	DATE	DATE	DATE	DATE	DATE	DATE	DATE
APPROVED	DATE	DATE	DATE	DATE	DATE	DATE	DATE	DATE	DATE
FIRST USED ON	DATE	DATE	DATE	DATE	DATE	DATE	DATE	DATE	DATE
		D 047-3601		C		3		10	

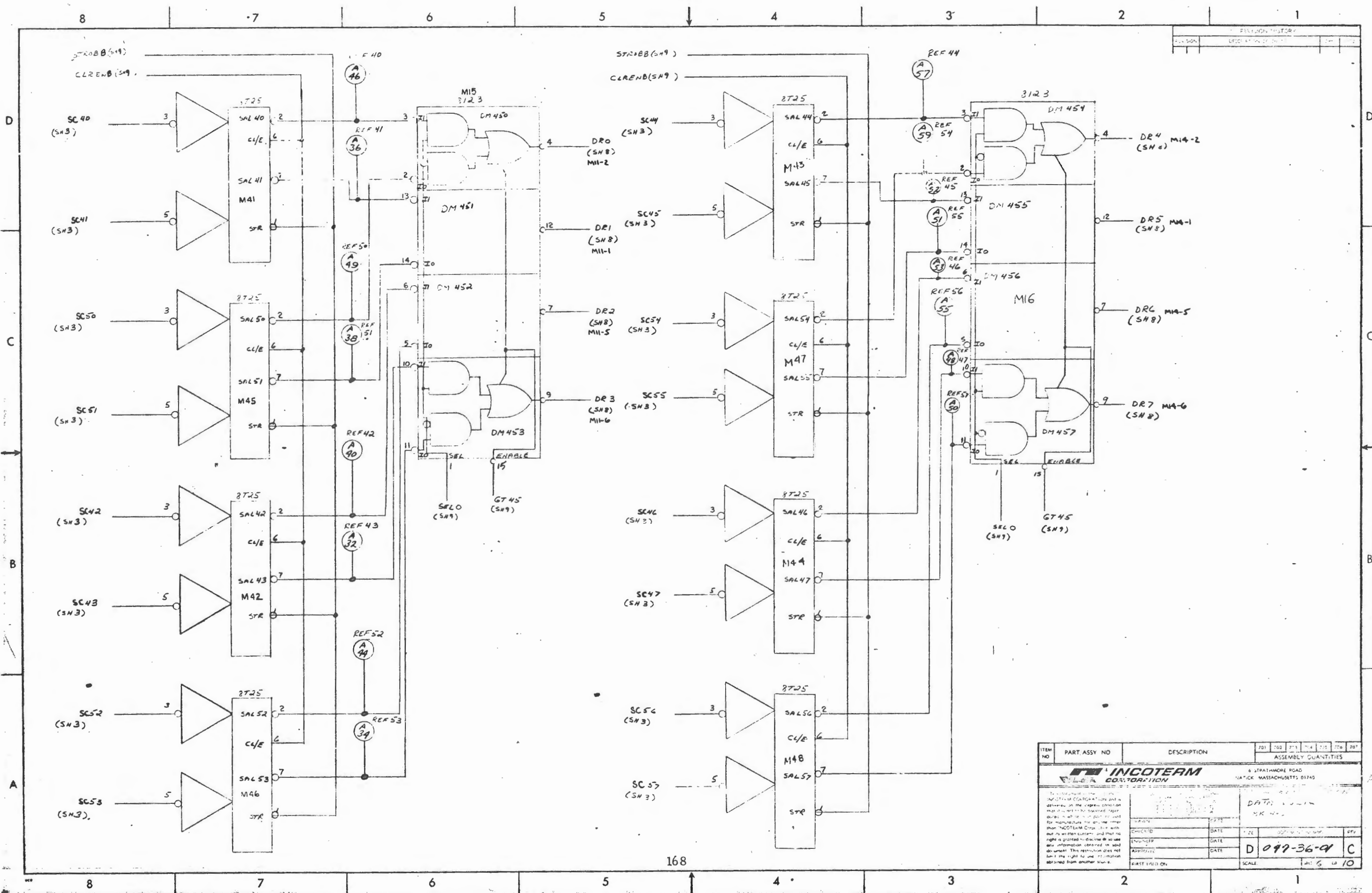


REVISION HISTORY	
REVISION	DESCRIPTION OF CHANGES

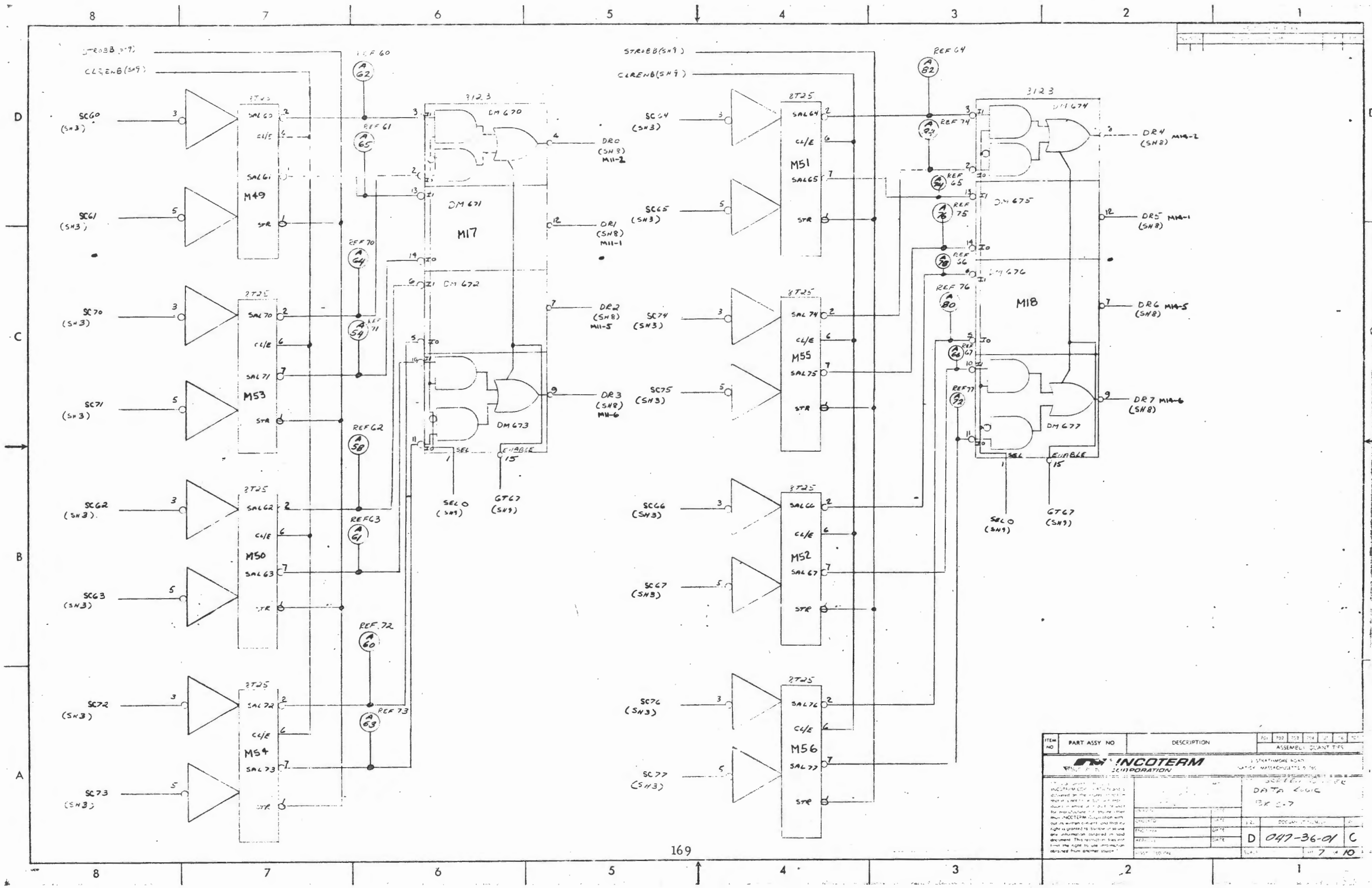
ITEM NO	PAR ASSY NO	DESCRIPTION	701	702	703	704	705	706
INCOTERM CORPORATION			ASSEMBLY QUANTITIES					
6 STRATHMORE ROAD NATICK, MASSACHUSETTS 01909			FILE NO: 047-36-01					
DATE: 11/15/61			DRAWN BY: AND 1					
CHECKED	DATE	SIZE	DOCUMENT NO. 101					
ENGINEER	DATE	APPROVED						
FIRST USED ON			SCALE			D 047-36-01 C		



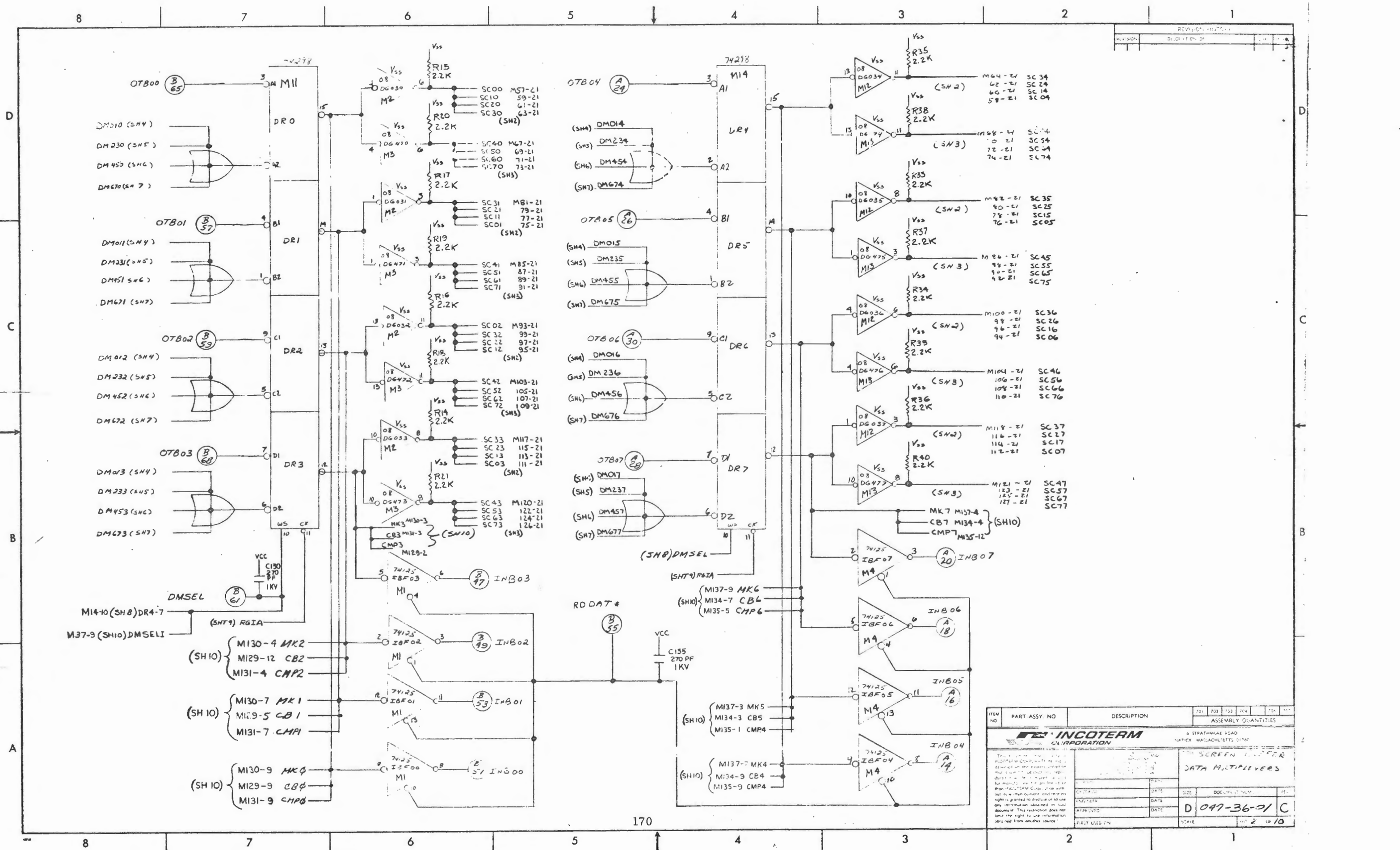
ITEM NO	PART ASSY NO	DESCRIPTION	79	80	81	82	83	84	85
			ASSEMBLY QUANTITIES						
		INCOTERM CORPORATION 5 STRATHMORE ROAD WATICE, MASSACHUSETTS 01938							
		DATA LOGIC DR 2-3							
DESIGNED	DATE	BY	D 047-36-01 C						
CHECKED	DATE	BY							
ENGINEER	DATE	BY							
APPROVED	DATE	BY							
FIRST USED ON	DATE	BY							



ITEM NO	PART ASSY NO	DESCRIPTION	701	702	711	714	715	716	707
			ASSEMBLY QUANTITIES						
			6 STRATHMORE ROAD WATUCK, MASSACHUSETTS 01740						
To be used only on the INCOTERM CORPORATION and is delivered in the express condition that it is not to be used for any other purpose without the express written consent of the manufacturer. The manufacturer of the original design of the INCOTERM Corporation and its subsidiaries and their right is granted to develop or use any information contained in said document. This restriction does not limit the right to use information obtained from another source.			DATE: 11-1-68 SK: 40-1						
CHECKED	DATE	7-22							
ENGINEER	DATE								
APPROVED	DATE								
FIRST USED ON			SCALE	1:1 5:1 10:1					

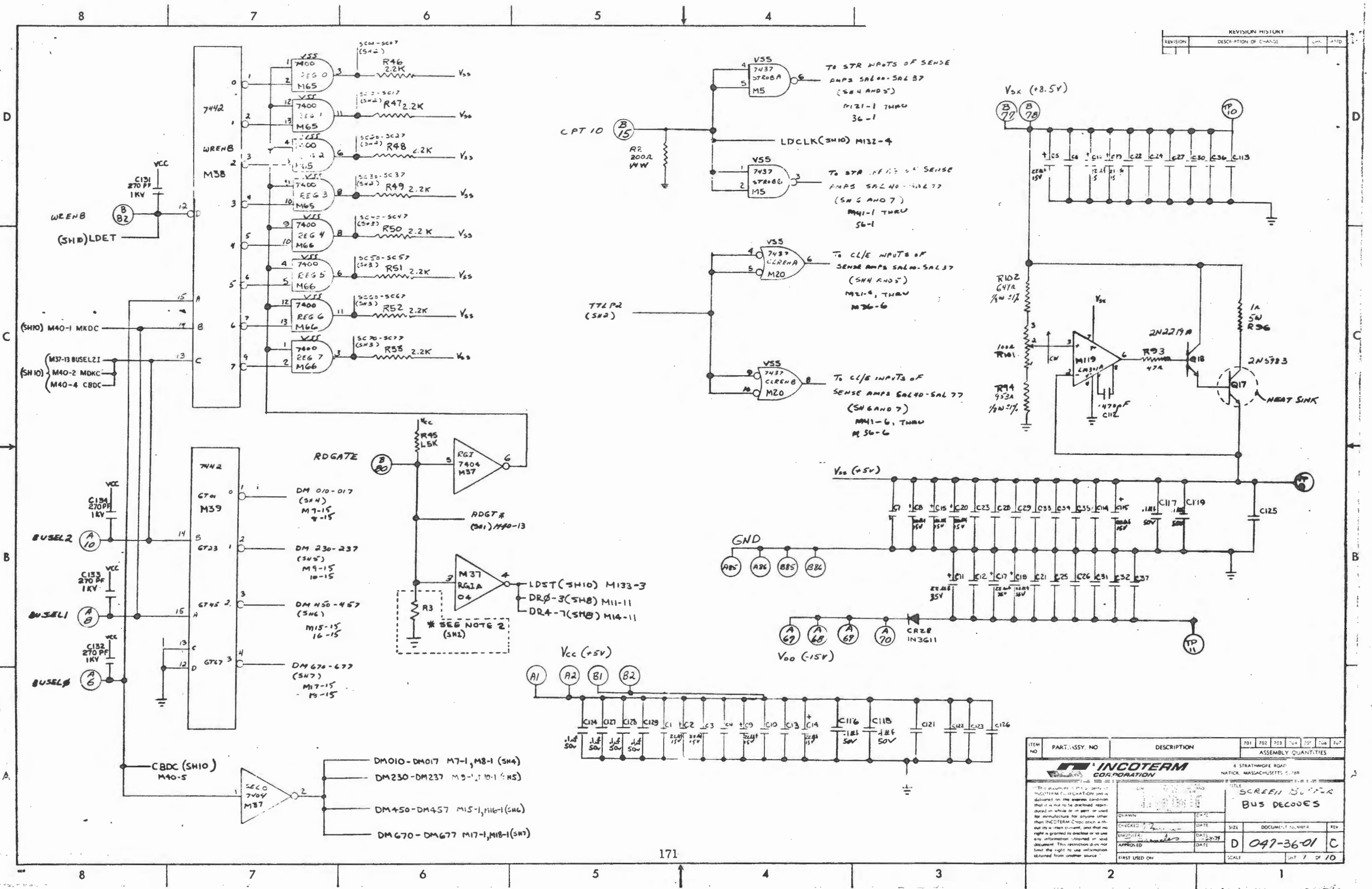


ITEM NO	PART ASSY NO	DESCRIPTION	ASSEMBLY QUANTITIES
INCOTERM CORPORATION		DATA LOGIC	
047-36-01		DR 0-7	
DATE	DATE	DATE	DATE
D	047-36-01	C	
PAGE 7 OF 10			

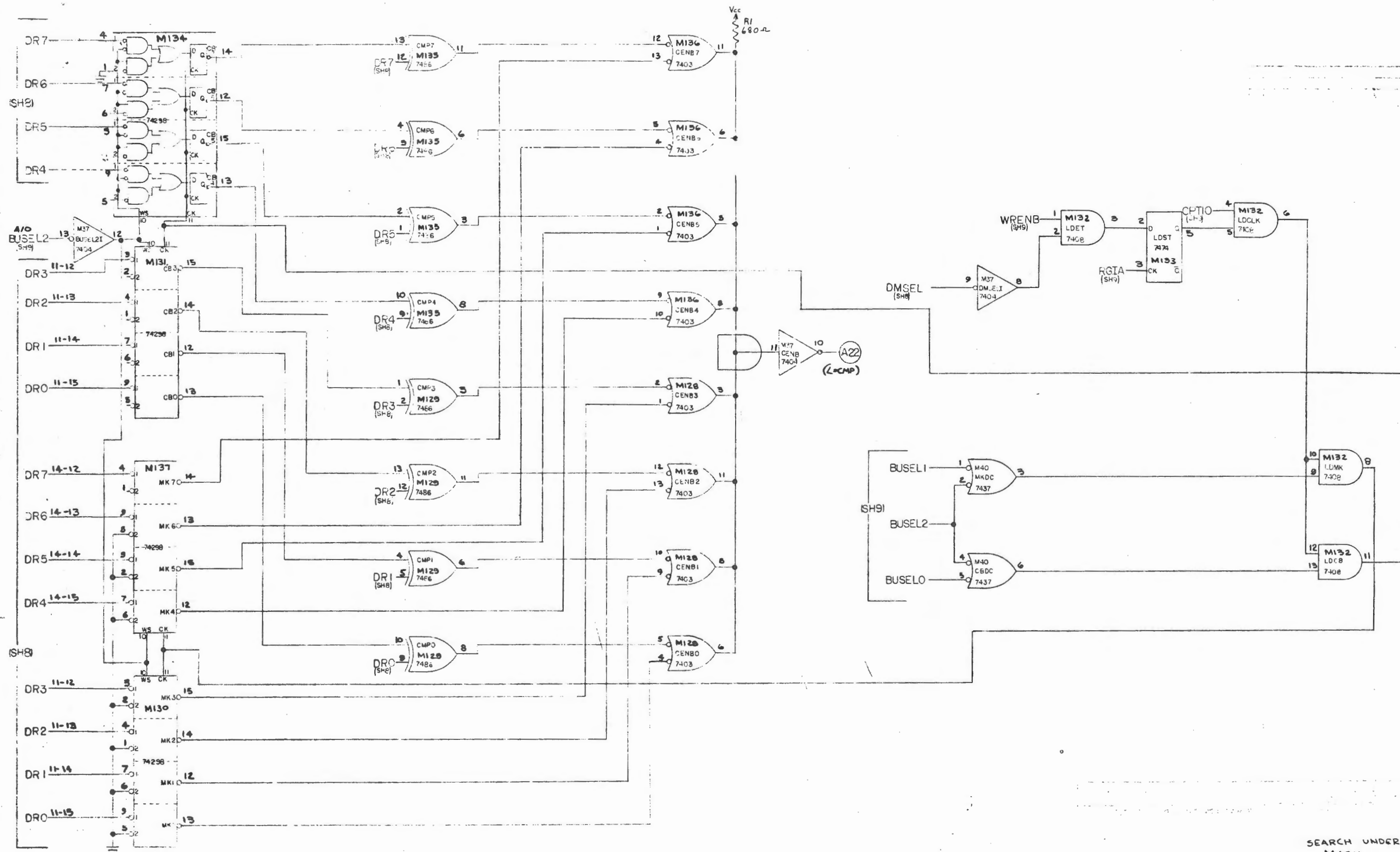


ITEM NO	PART ASSY NO	DESCRIPTION	701	702	703	704	705
			ASSEMBLY QUANTITIES				
		INCOTERM CORPORATION 8 STRATHMORE ROAD NATICK, MASSACHUSETTS 01908					
		SCREEN BUFFER DATA MULTIPLEXERS					
DATE	DATE	DATE	DATE	DATE	DATE	DATE	DATE
APPROVED	DATE	DATE	DATE	DATE	DATE	DATE	DATE
FIRST USED ON	SCALE	D 049-36-01 C		REV 2		18 10	

REVISION HISTORY		REV.	DATE

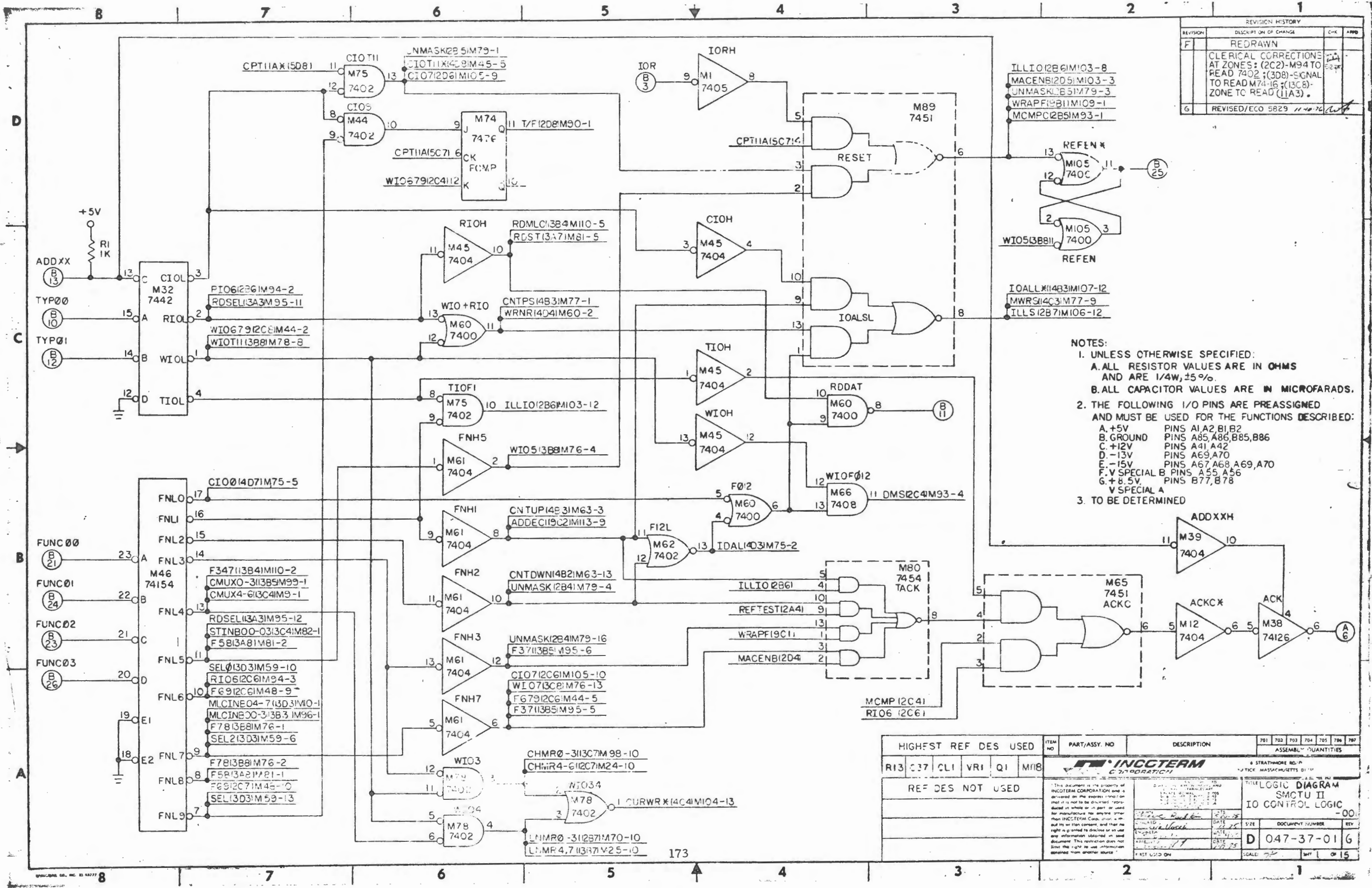


ITEM NO	PART/ISSY. NO	DESCRIPTION	ASSEMBLY QUANTITIES										
			701	702	703	704	705	706	707	708	709	710	
		INCOTERM CORPORATION 6 STRATHMORE ROAD NATICK, MASSACHUSETTS 01908											
		TITLE SCREEN BUFFER BUS DECODES											
DRAWN		DATE	DATE	SIZE	DOCUMENT NUMBER	REV							
CHECKED		DATE	DATE										
ENGINEER		DATE	DATE										
APPROVED		DATE	DATE										
FIRST USED ON		SCALE		SHEET 1 OF 10									



SEARCH UNDER MASK

REVISION HISTORY			
REVISION	DESCRIPTION OF CHANGE	CHK	APPD
F	REDRAWN		
	CLERICAL CORRECTIONS AT ZONES: (2C2)-M94 TO READ 7402; (3D8)-SIGNAL TO READ M74-16; (13C8)-ZONE TO READ (11A3).		
G	REVISED/ECO 5829 11-10-74		



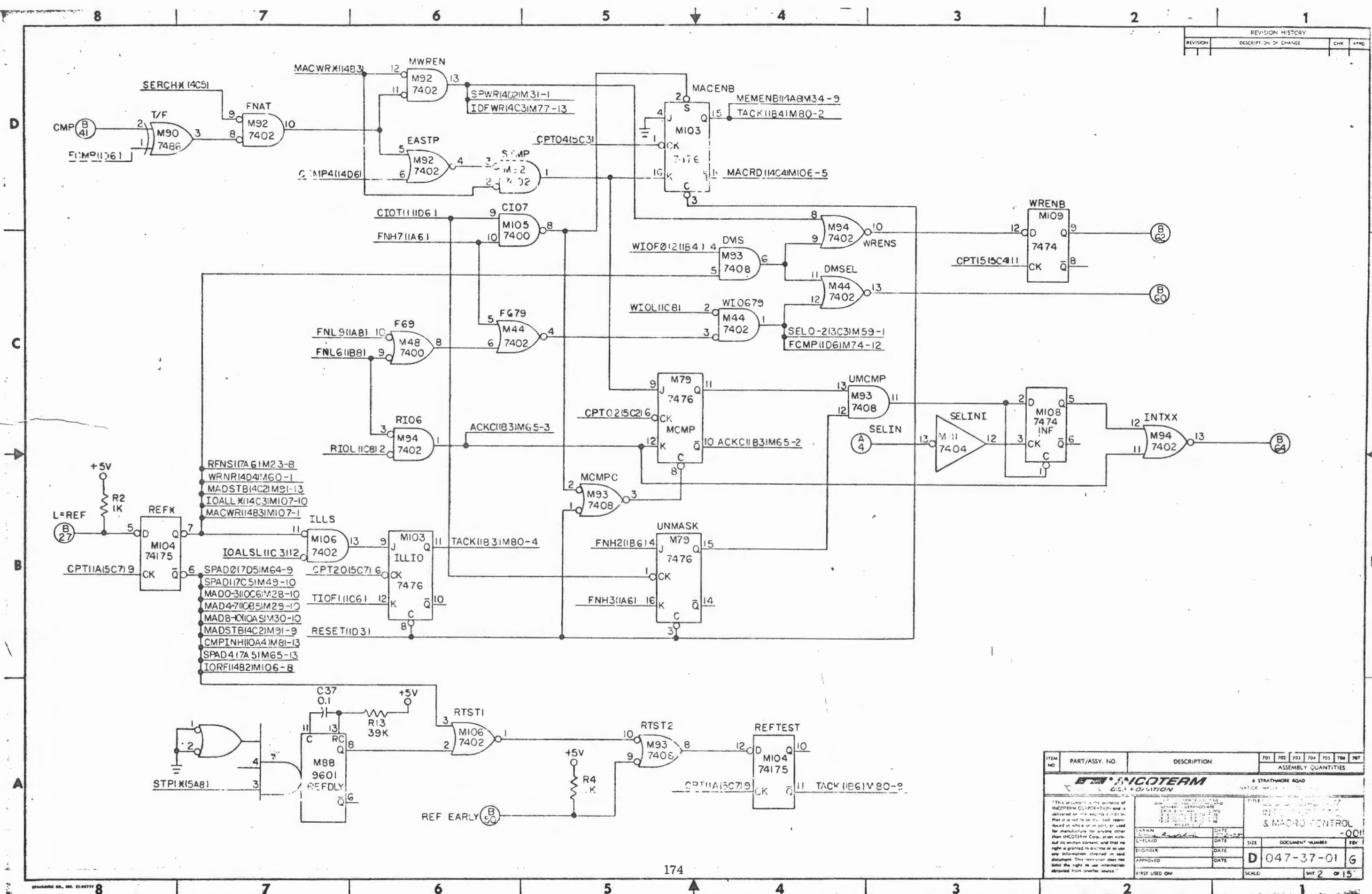
- NOTES:
- UNLESS OTHERWISE SPECIFIED:
 - ALL RESISTOR VALUES ARE IN OHMS AND ARE 1/4W, 5%.
 - ALL CAPACITOR VALUES ARE IN MICROFARADS.
 - THE FOLLOWING I/O PINS ARE PREASSIGNED AND MUST BE USED FOR THE FUNCTIONS DESCRIBED:

A. +5V	PINS A1, A2, B1, B2
B. GROUND	PINS A85, A86, B85, B86
C. +12V	PINS A41, A42
D. -13V	PINS A69, A70
E. -15V	PINS A67, A68, A69, A70
F. V SPECIAL B	PINS A55, A56
G. +8.5V	PINS B77, B78
 - TO BE DETERMINED

HIGHEST REF DES USED		ITEM NO	PART/ASSY. NO	DESCRIPTION	701	702	703	704	705	706	707
R13	C37	CL1	VRI	Q1	M18						
REF DES NOT USED											

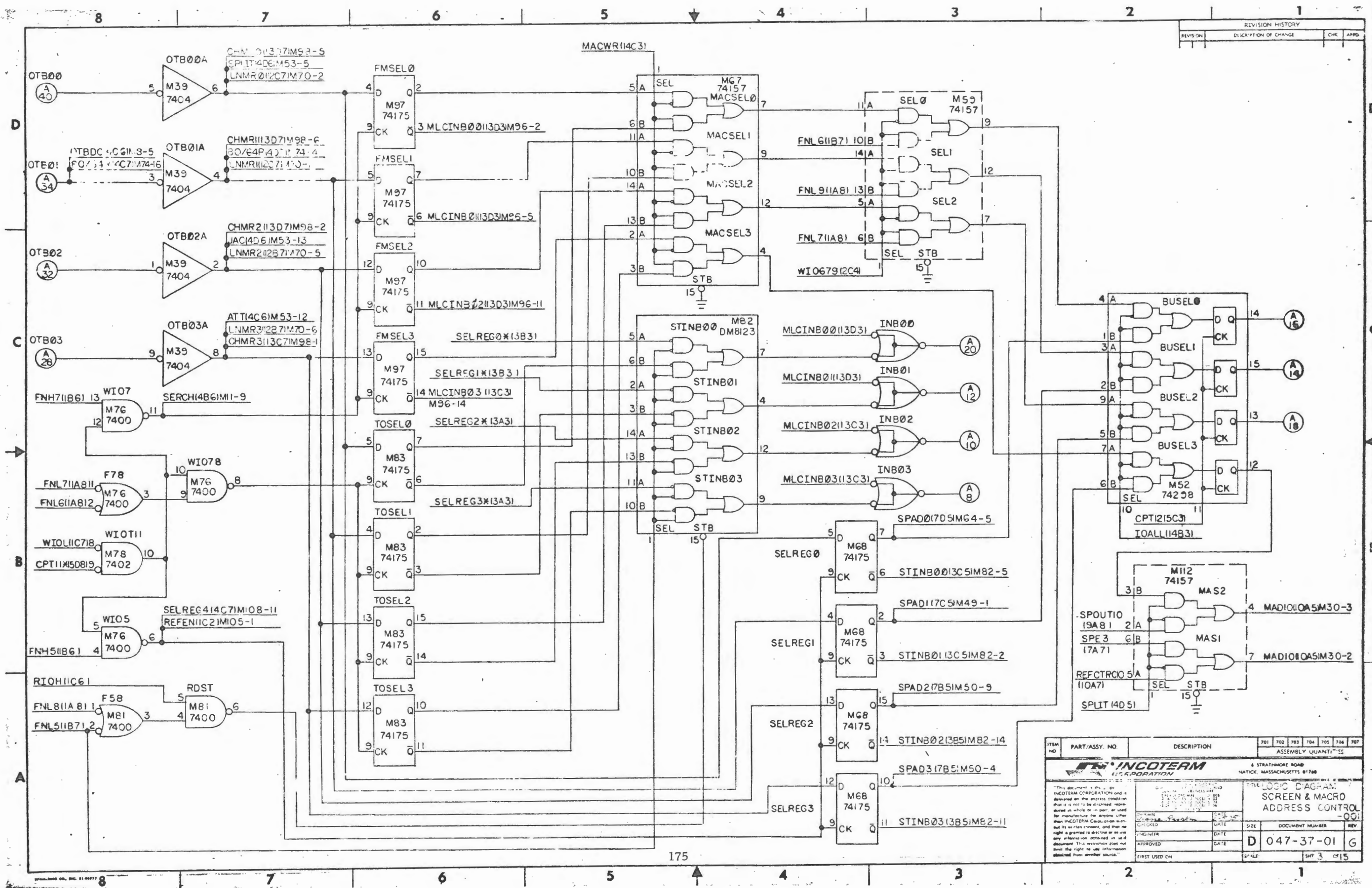
INCOTERM CORPORATION		8 STRATHMORE RD., WATICE, MASSACHUSETTS 01107	
This document is the property of INCOTERM CORPORATION and is loaned to the recipient on the understanding that it is not to be distributed, reproduced, or in any way disclosed to anyone other than INCOTERM Corporation. If you are not an employee of INCOTERM Corporation, you are not to use this information for any purpose other than that for which it was loaned to you. If you are an employee of INCOTERM Corporation, you are not to use this information for any purpose other than that for which it was loaned to you. If you are an employee of INCOTERM Corporation, you are not to use this information for any purpose other than that for which it was loaned to you.		TITLE: LOGIC DIAGRAM SMTU II IO CONTROL LOGIC	
DATE: 11-25-74	DATE: 11-25-74	DATE: 11-25-74	DATE: 11-25-74
SCALE: 1/8"	SCALE: 1/8"	SCALE: 1/8"	SCALE: 1/8"
REV: 1	REV: 1	REV: 1	REV: 1
DOC NO: D 047-37-016	DOC NO: D 047-37-016	DOC NO: D 047-37-016	DOC NO: D 047-37-016
REV: 1	REV: 1	REV: 1	REV: 1

REVISION HISTORY			
REVISION	DESCRIPTION OF CHANGE	CHK	APPD



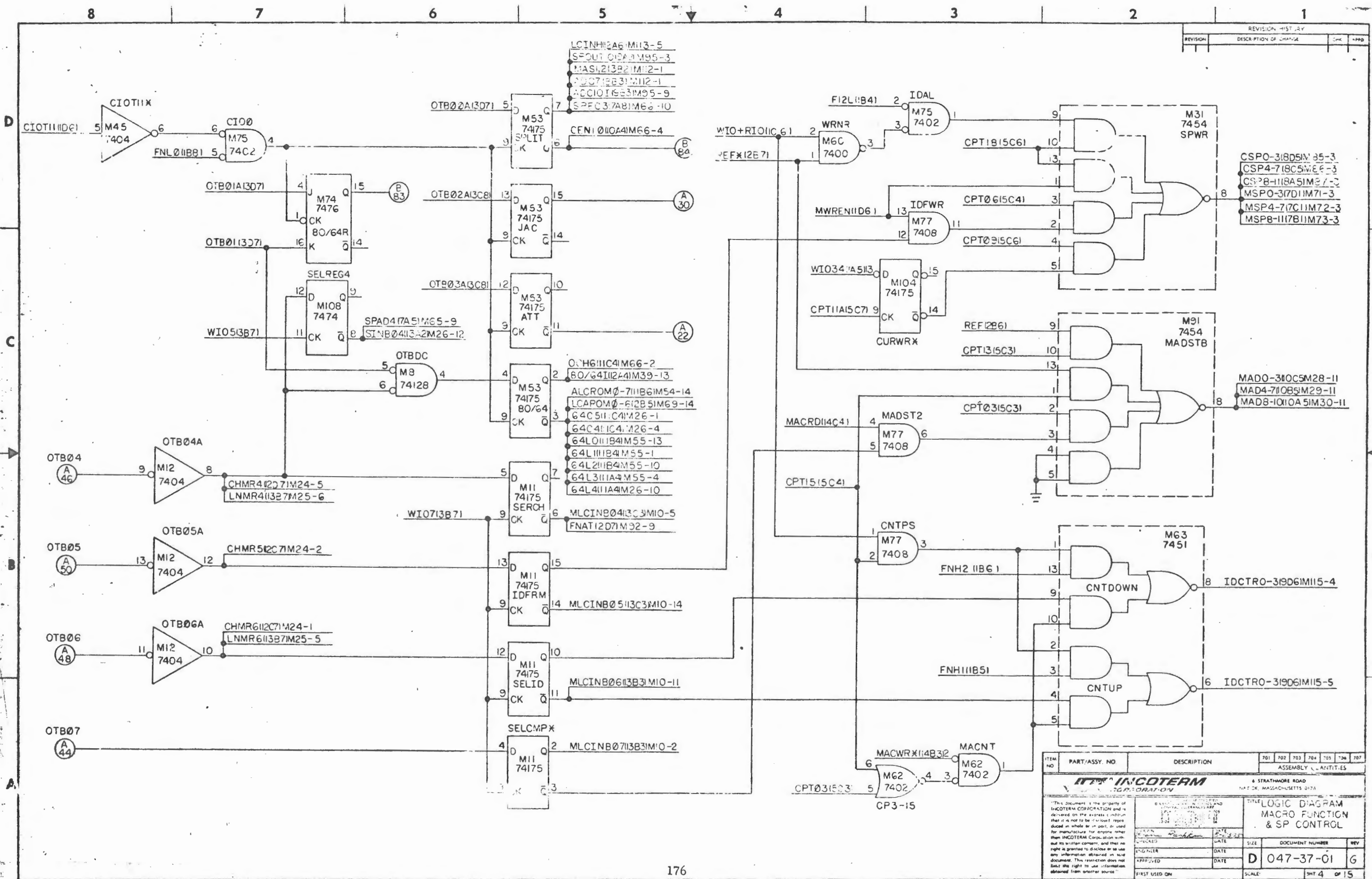
ITEM NO	PART/ASSY. NO	DESCRIPTION	701	702	703	704	705	706	707
			ASSEMBLY QUANTITIES						
			8 STRATHMORE ROAD NANTUCKET, MASSACHUSETTS 02546						
<small>This document is the property of INCOTERM CORPORATION and is delivered on the express condition that it is not to be used, reproduced in whole or in part, or used for manufacture for anyone other than INCOTERM Corp. without its written consent, and that no right is granted to disclose or use any information contained in said document. This restriction does not limit the right to use information obtained from another source.</small>			TITLE CONTROL & MACRO CONTROL - 001			DATE 1977			
DESIGNED	DATE	SIZE	DOCUMENT NUMBER		REV				
CHECKED	DATE	D	047-37-01		G				
ENGINEER	DATE								
APPROVED	DATE								
FIRST USED ON	SCALE			SHEET 2 OF 15					

REVISION HISTORY			
REVISION	DESCRIPTION OF CHANGE	CHK	APPR.



175

ITEM NO.	PART/ASSY. NO.	DESCRIPTION	701	702	703	704	705	706	707
INCOTERM CORPORATION									
4 STRATHMORE ROAD, NATICK, MASSACHUSETTS 01740									
LOGIC DIAGRAM: SCREEN & MACRO ADDRESS CONTROL									
DESIGNED	DATE	SIZE	DOCUMENT NUMBER				REV.		
ENGINEER	DATE	D	047-37-01				G		
APPROVED	DATE								
FIRST USED ON		SCALE	SHEET 3 OF 15						



REVISION HISTORY			
REVISION	DESCRIPTION OF CHANGE	CHK	APPD

- CSP0-318D5M85-3
- CSP4-718C5M66-3
- CSP8-1118A51M87-3
- MSP0-317D11M71-3
- MSP4-717C11M72-3
- MSP8-1117B11M73-3

- MADO-310C5M28-11
- MAD4-710B5M29-11
- MAD8-1010A51M30-11

IDCTRO-319D6M115-4

IDCTRO-319D6M115-5

ITEM NO	PART/ASSY. NO	DESCRIPTION	701	702	703	704	705	706	707

INCOTERM CORPORATION
4 STRATHMORE ROAD
MARTIN, MASSACHUSETTS 01754

This document is the property of INCOTERM CORPORATION and is loaned on the express condition that it is not to be copied, reproduced or used in whole or in part, or used for manufacture for anyone other than INCOTERM CORPORATION without its written consent, and that no right is granted to disclose or use any information obtained in this document. This restriction does not limit the right to use information obtained from another source.

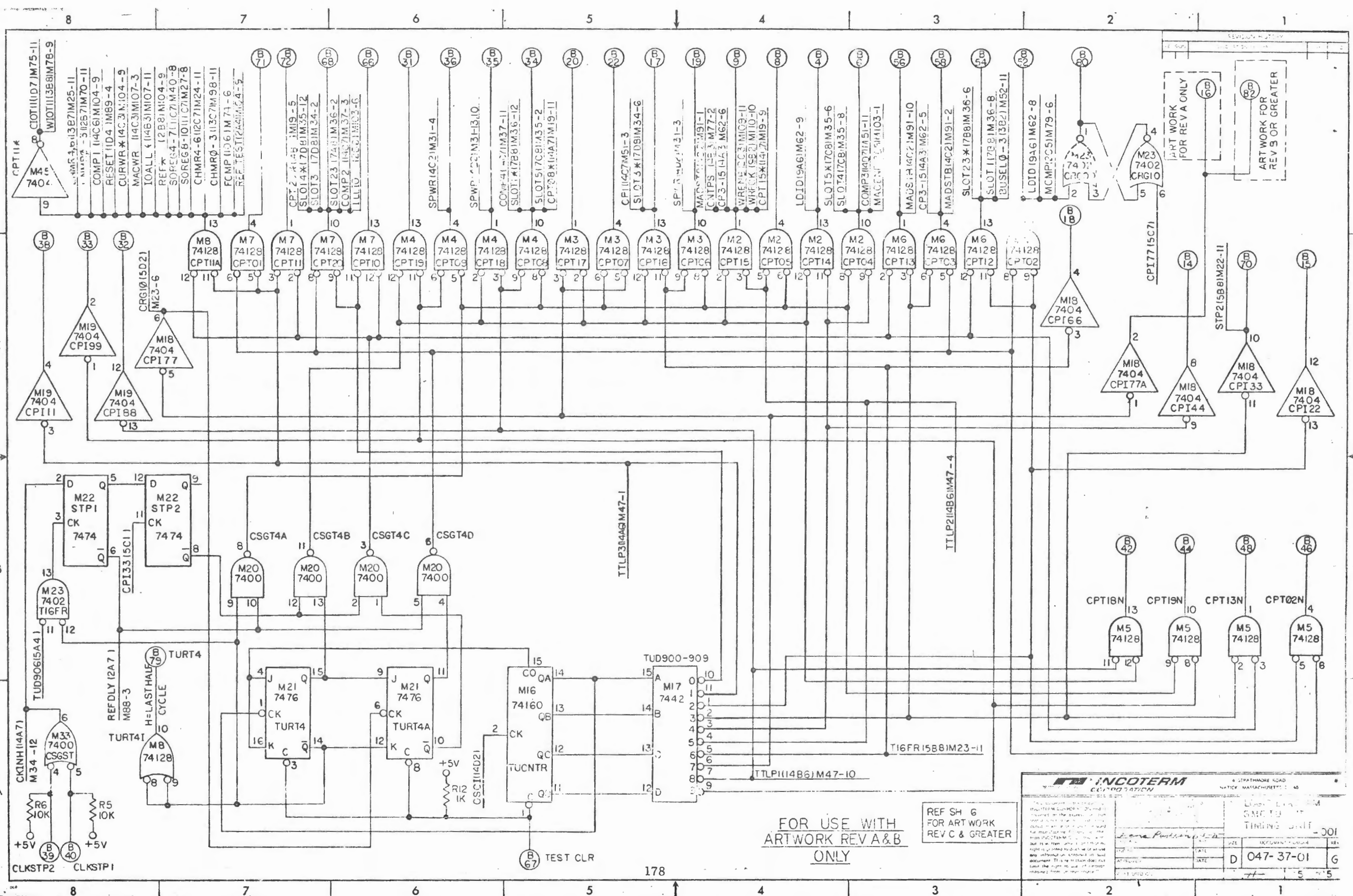
TITLE: LOGIC DIAGRAM
MACRO FUNCTION & SP CONTROL

DESIGNED	DATE	SIZE	DOCUMENT NUMBER	REV
CHECKED	DATE			
APPROVED	DATE			

SCALE: **D 047-37-01** G

FIRST USED ON: **CP3-15** SHT 4 OF 15

THIS PAGE INTENTIONALLY LEFT BLANK.



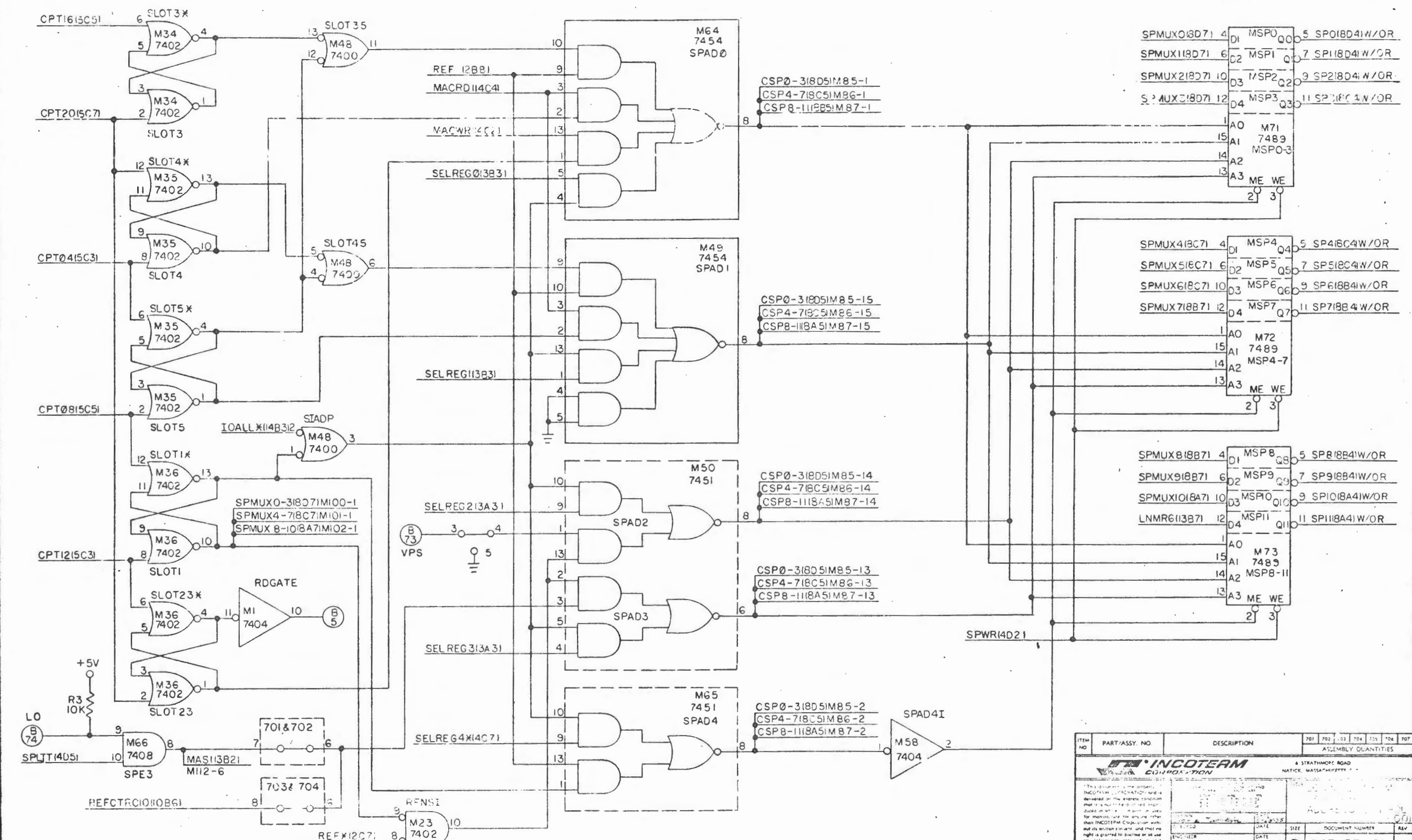
FOR USE WITH
ARTWORK REV A & B
ONLY

REF SH 6
FOR ART WORK
REV C & GREATER

INCOTERM CORPORATION		4 SPATHMOORE ROAD WATCY, MASSACHUSETTS 019	
DATE	REV	DESCRIPTION	QTY
DATE	REV	DESCRIPTION	QTY
DATE	REV	DESCRIPTION	QTY

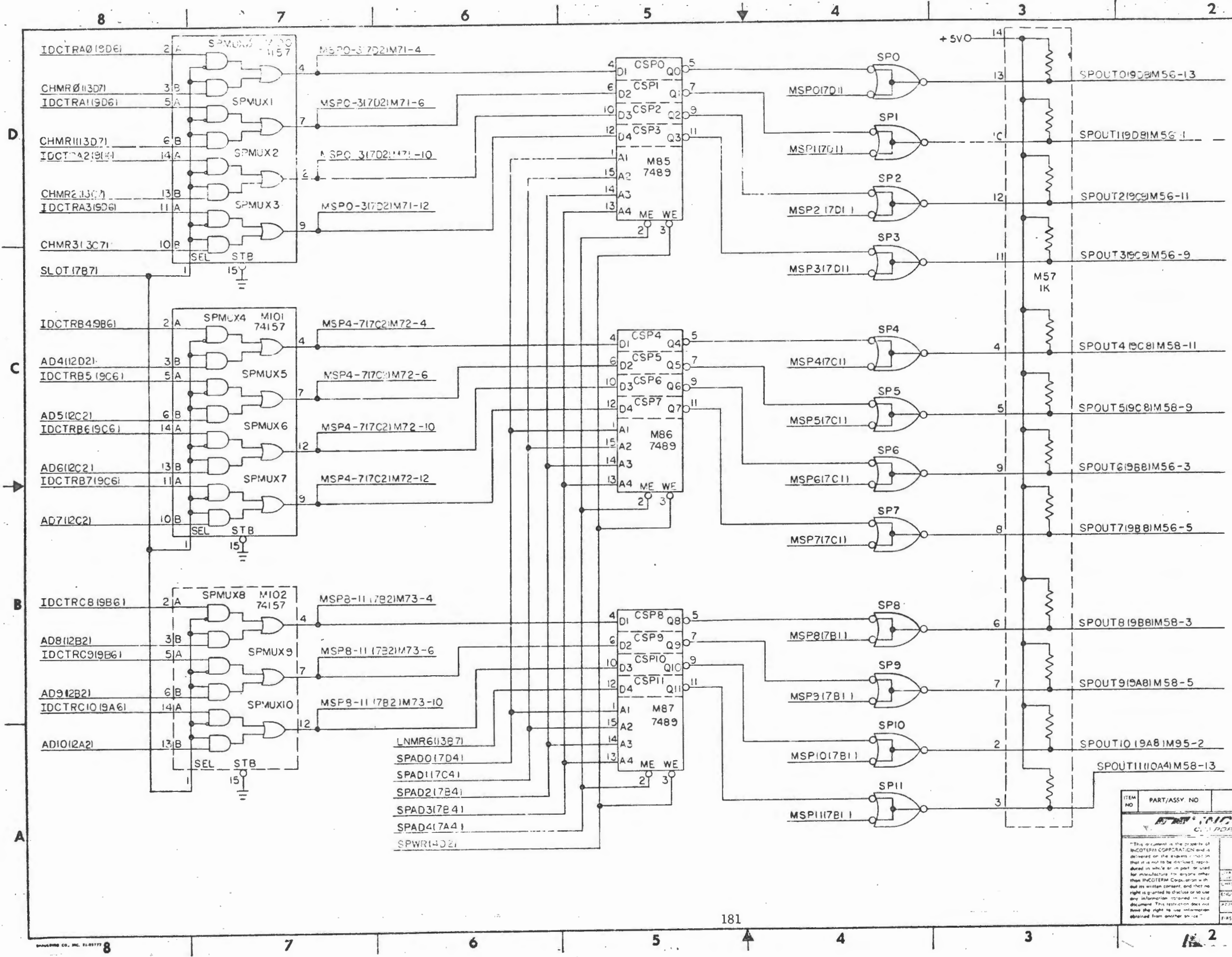
REVISION HISTORY			
REVISION	DESCRIPTION OF CHANGE	CHK	APP

D
C
B
A



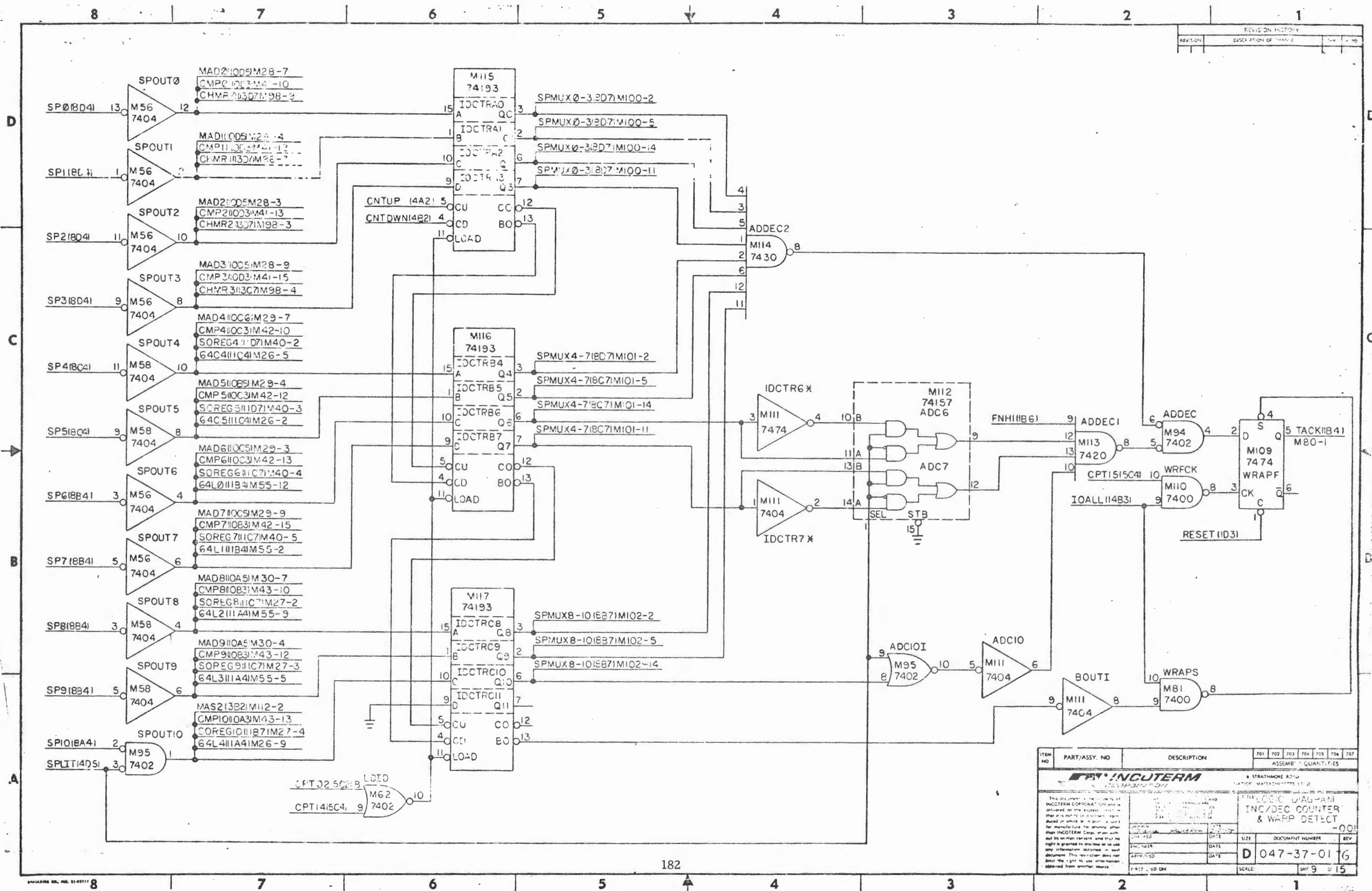
ITEM NO	PART/ASSY. NO	DESCRIPTION	701	702	703	704	705	706	707	
			ASSEMBLY QUANTITIES							
			8 STRATHMORE ROAD NATICK, MASSACHUSETTS							
<small> This document is the property of INCOTERM CORPORATION and is loaned to the user on the express condition that it is not to be distributed, reproduced, or used in any way for manufacturing purposes without the express written consent of INCOTERM CORPORATION. This restriction does not limit the right to use information obtained from another source. </small>			DATE 11/13/75		DATE 11/13/75		DATE 11/13/75		DATE 11/13/75	
ENGINEER APPROVED			DATE 11/13/75		DATE 11/13/75		DATE 11/13/75		DATE 11/13/75	
FIRST USED ON			SCALE		D 047-37-01		REV G		5	

REVISION HISTORY			
REV	DESCRIPTION OF CHANGE	CHK	APPD



- LNMR6(13B7)
- SPAD0(7D4)
- SPAD1(7C4)
- SPAD2(7B4)
- SPAD3(7B4)
- SPAD4(7A4)
- SPWR1(4D2)

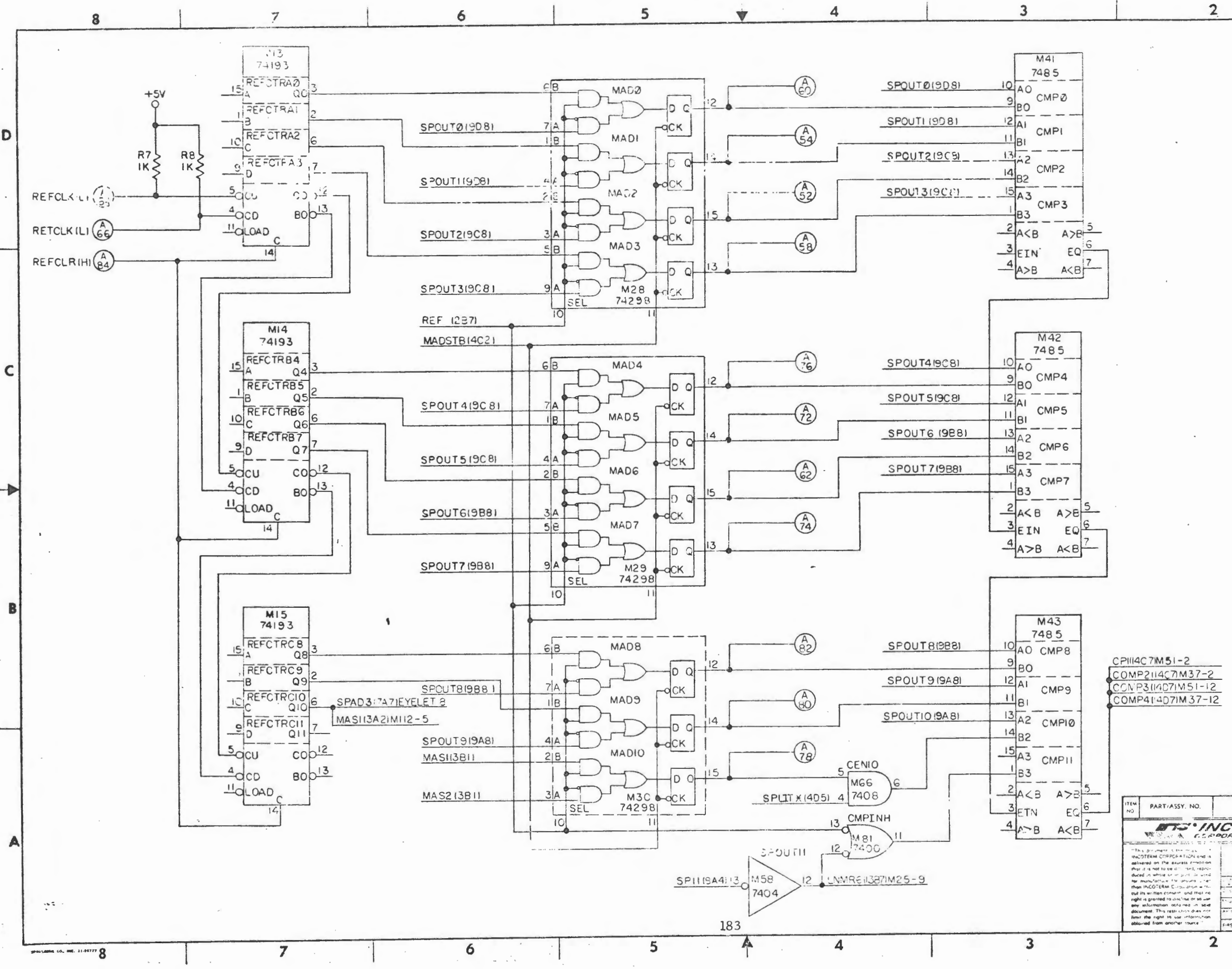
ITEM NO	PART/ASSY NO	DESCRIPTION	701	702	703	704	705	706	707
INCOTERM CORPORATION 4 STRATHMORE ROAD MATTLE, MASSACHUSETTS 01870									
		TITLE	LOGIC DIAGRAM SCRATCH PADS						
		DATE	9-75						
		SIZE	-001						
		LOCUMENT NUMBER	D 047-37-01						
		REV	6						
		SCALE	1/8" = 1"						
		FIRST USED ON							



REVISION HISTORY			
REVISION	DESCRIPTION OF CHANGE	DATE	BY

ITEM NO	PART/ASSY. NO	DESCRIPTION	701	702	703	704	705	706	707
			ASSEMBLY QUANTITIES						
INCUTERM CORPORATION									
This document is the property of INCUTERM CORPORATION and is loaned to the recipient on the express understanding that it is not to be distributed, reproduced or used in any way for manufacture or other than INCUTERM Corporation without its written consent and that no right is granted to disclose or use any information contained in said document. This restriction does not limit the right to use information obtained from another source.									
TITLE: LOGIC DIAGRAM INC/DEC COUNTER & WRAP DETECT			DRAWN: [] DATE: [] CHECKED: [] DATE: [] APPROVED: [] DATE: []						
SIZE: [] DOCUMENT NUMBER: D 047-37-01 REV: 6			SCALE: [] SHEET: 9 OF 15						

REVISION HISTORY			
REVISION	DESCRIPTION OF CHANGE	C/E	APPROV.



- CP114C7M51-2
- COMP2114C7M37-2
- COMP3114D7M51-12
- COMP414D7M37-12

ITEM NO.	PART/ASSY. NO.	DESCRIPTION	701	702	703	704	705	706	707

INCOTERM CORPORATION
4 STRATHMORE ROAD
NATICK, MASSACHUSETTS 01780

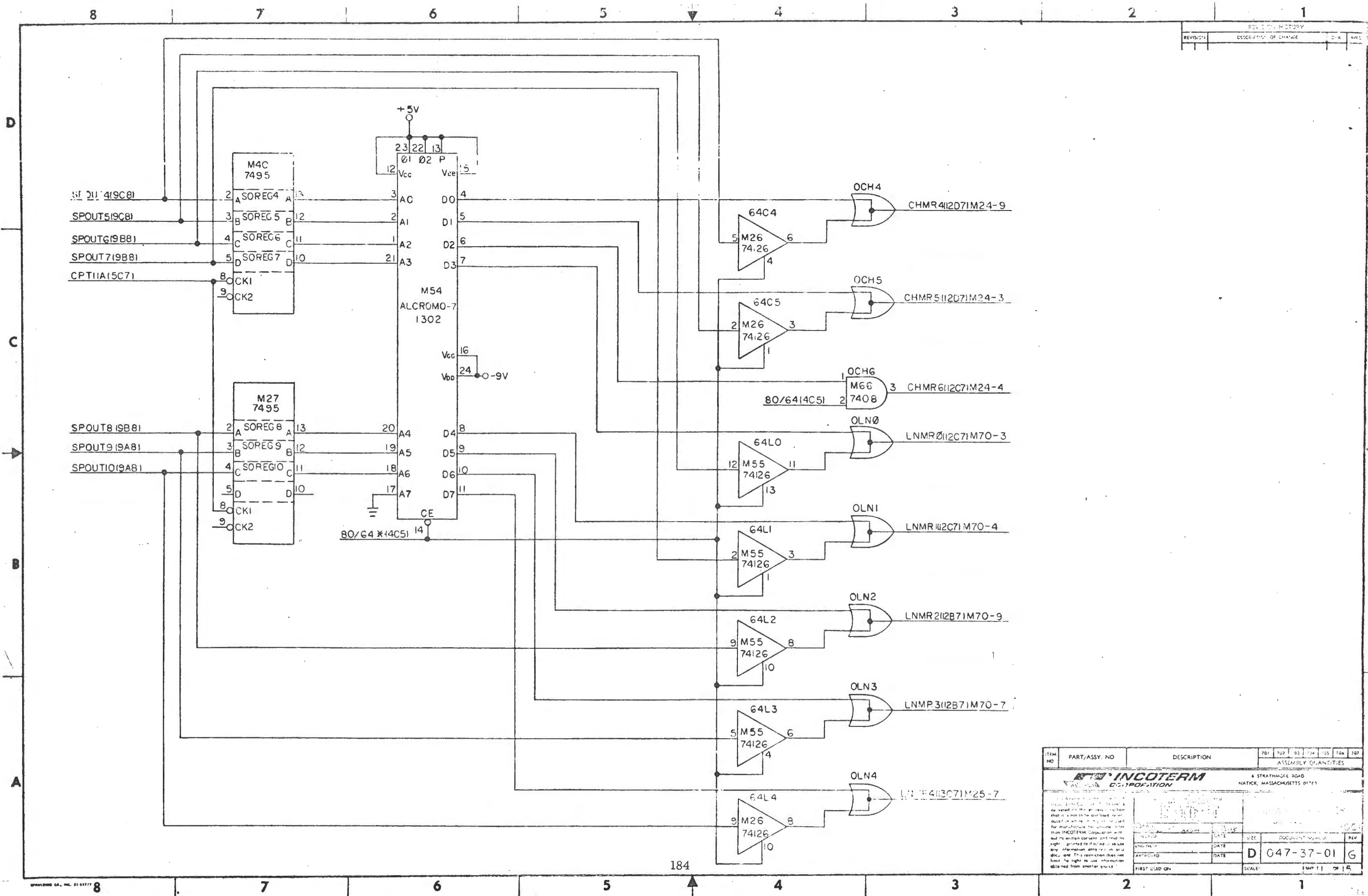
DATE	DATE	DATE	DATE	DATE

LOGIC LINE/CHARACTER CONVERTER

D 047-37-01 6

SCALE: 1/10 OF 15

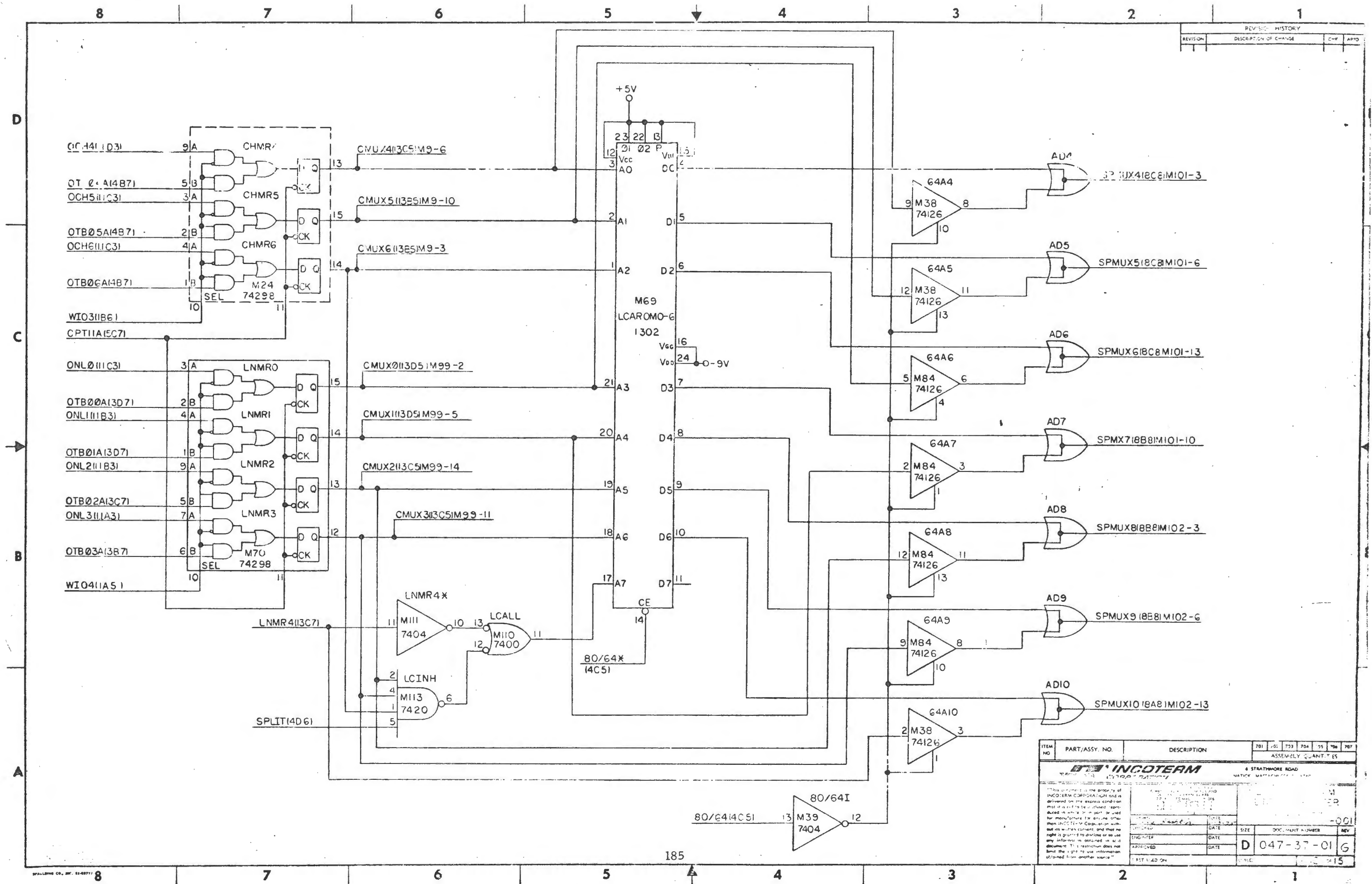
REV. HISTORY		REV.	DATE
REVISION	DESCRIPTION OF CHANGE		



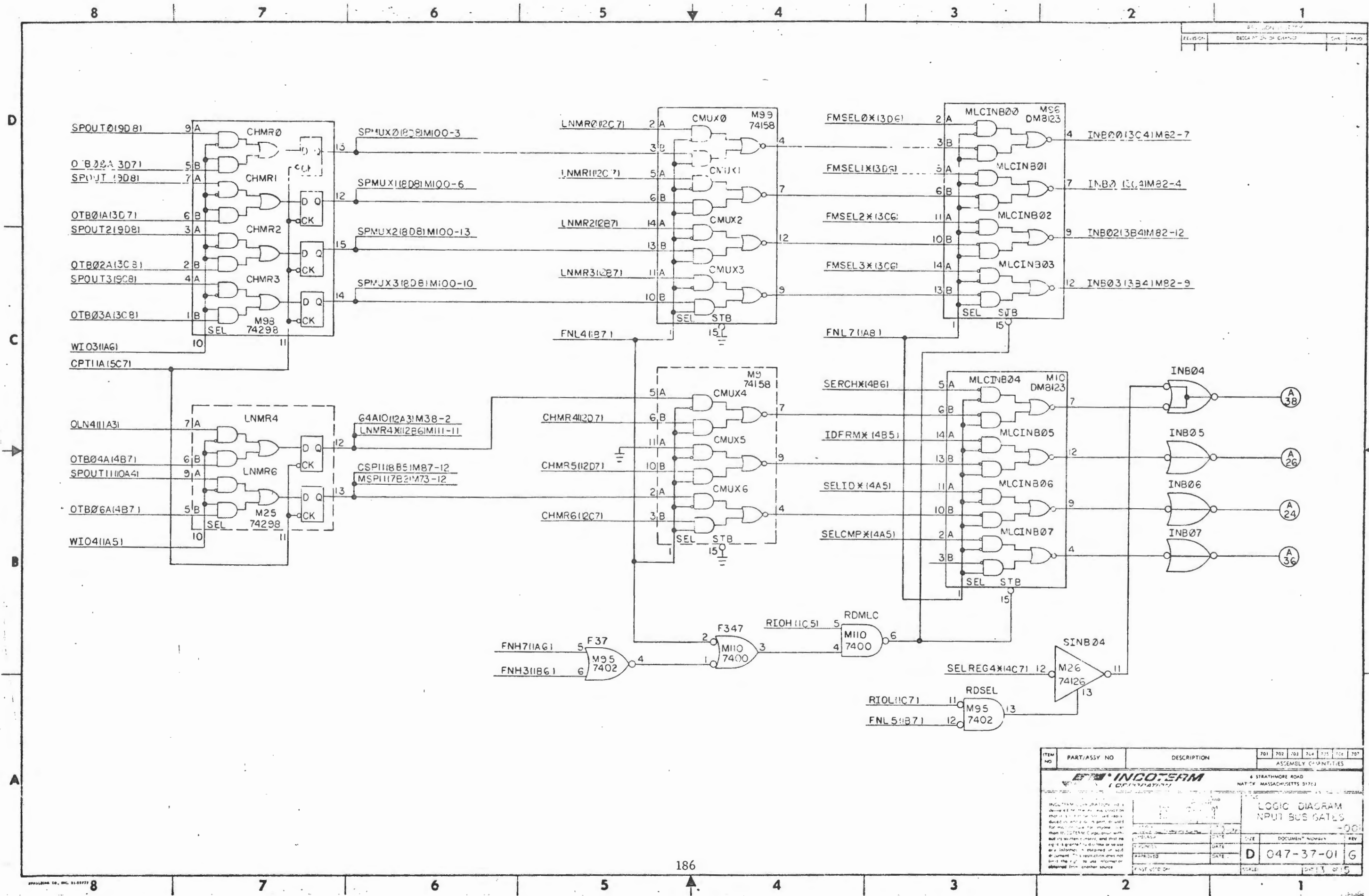
184

ITEM NO.	PART/ASSY. NO.	DESCRIPTION	701	702	03	704	705	706	707
			ASSEMBLY QUANTITIES						
INCOTERM CORPORATION 4 STRATHMORE ROAD NATICK, MASSACHUSETTS 01747									
<small>INCOTERM CORPORATION warrants that the information contained herein is true and correct as of the date of issue. It is not to be construed as a contract or as a representation of any kind. The user of this information shall be responsible for its use. This restriction does not limit the right to use information obtained from other sources.</small>									
DATE	DATE	DATE	DATE	DATE	DATE	DATE	DATE	DATE	DATE
APPROVED	DATE	DATE	DATE	DATE	DATE	DATE	DATE	DATE	DATE
FIRST USED ON:	SCALE:	D 047-37-01		G					
			MAP 1 2 3 4 5 6 7 8 9 10						

REVISION	DESCRIPTION OF CHANGE	CHK	APPD

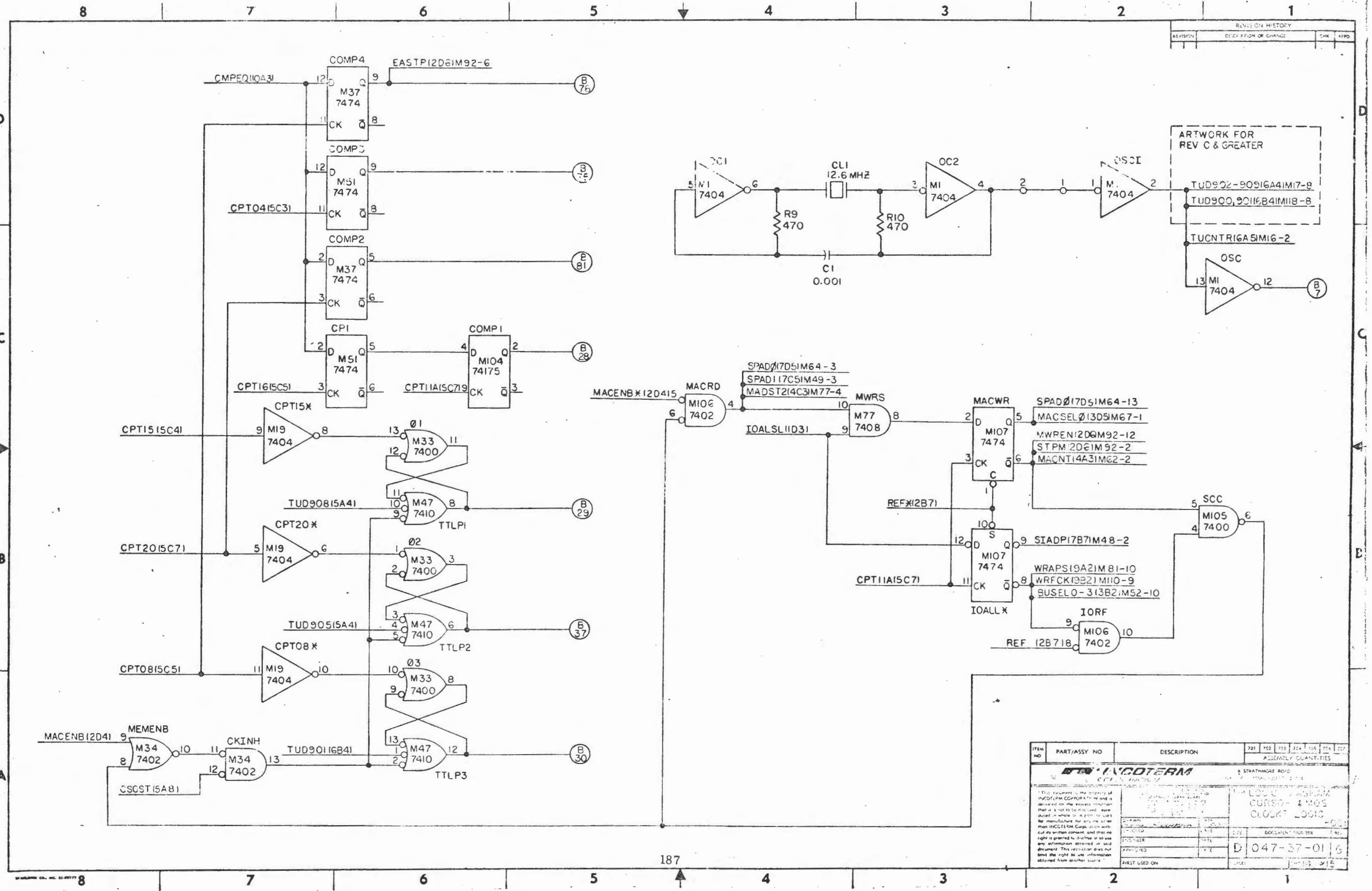


ITEM NO	PART/ASSY. NO	DESCRIPTION	701	702	703	704	705	706	707
INGO TERM									
6 STRATHMORE ROAD NANTY, MOUNTAIN VIEW, IRELAND									
This document is the property of INGO TERM CORPORATION and is delivered on the express condition that it is to be returned, reproduced in whole or in part, or used for manufacturing the same, without the written consent of INGO TERM CORPORATION. No right is granted to disclose or use any information contained in this document. This restriction does not limit the right to use information obtained from another source.									
APPROVED	DATE	SIZE	DOCUMENT NUMBER	REV					



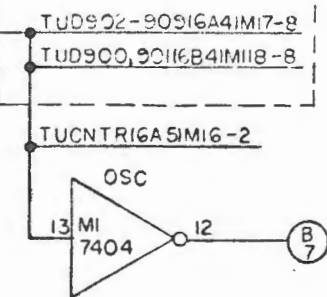
REV. NO.	DATE	BY	APP'D.

ITEM NO.	PART/ASSY NO.	DESCRIPTION	701	702	703	704	705	706	707	
			ASSEMBLY QUANTITIES							
INGO TERM CORPORATION 6 STRATHMORE ROAD NATICK, MASSACHUSETTS 01723										
LOGIC DIAGRAM INPUT BUS GATES -001										
DATE	BY	DOCUMENT NUMBER	REV							
DATE	DATE	D 047-37-01	G							
DATE	DATE	SCALE	SHEET NO.	13 OF 15						



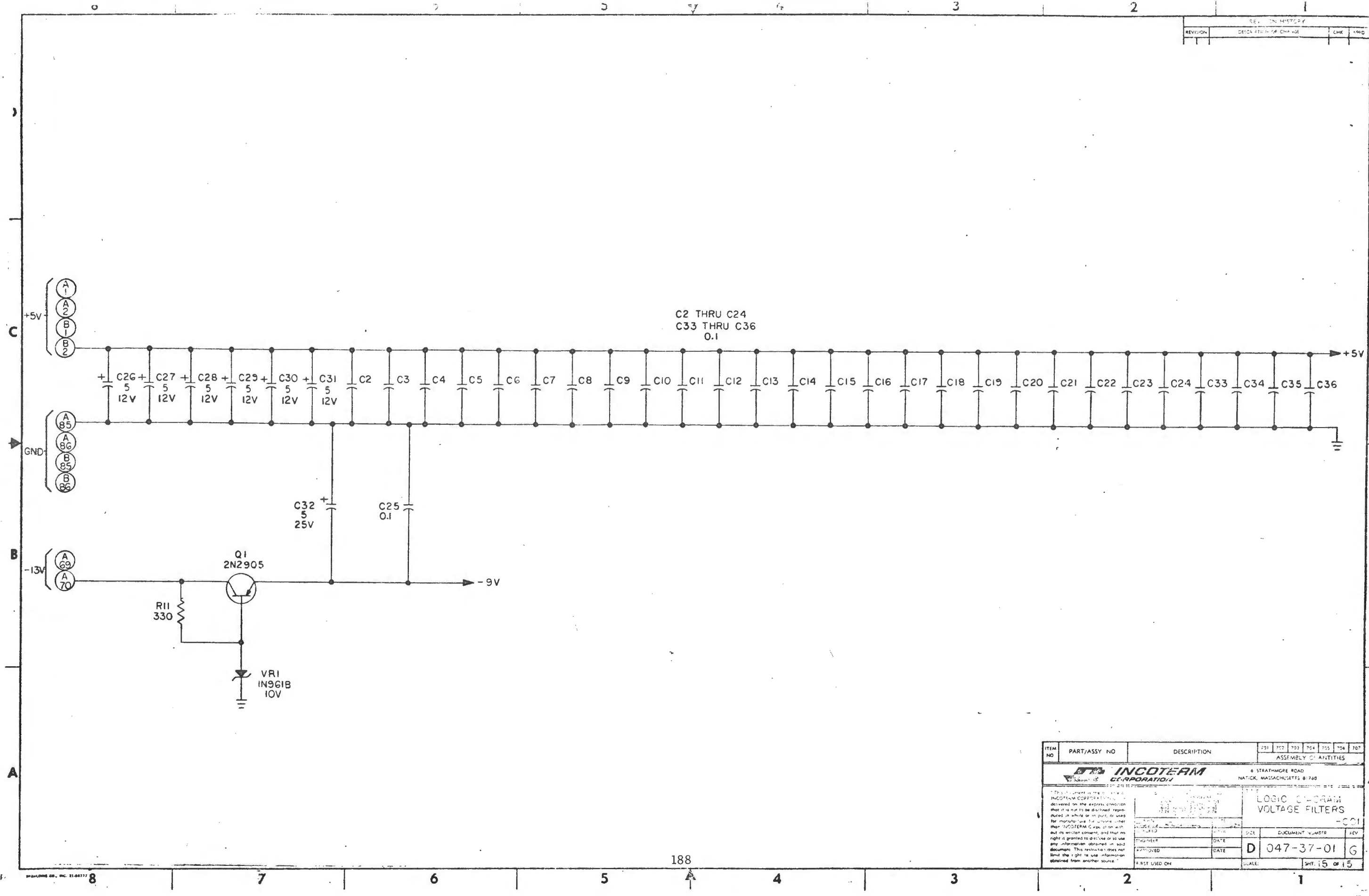
REVISION HISTORY		
REVISION	DESCRIPTION OF CHANGE	CHK APPD

ARTWORK FOR
REV C & GREATER



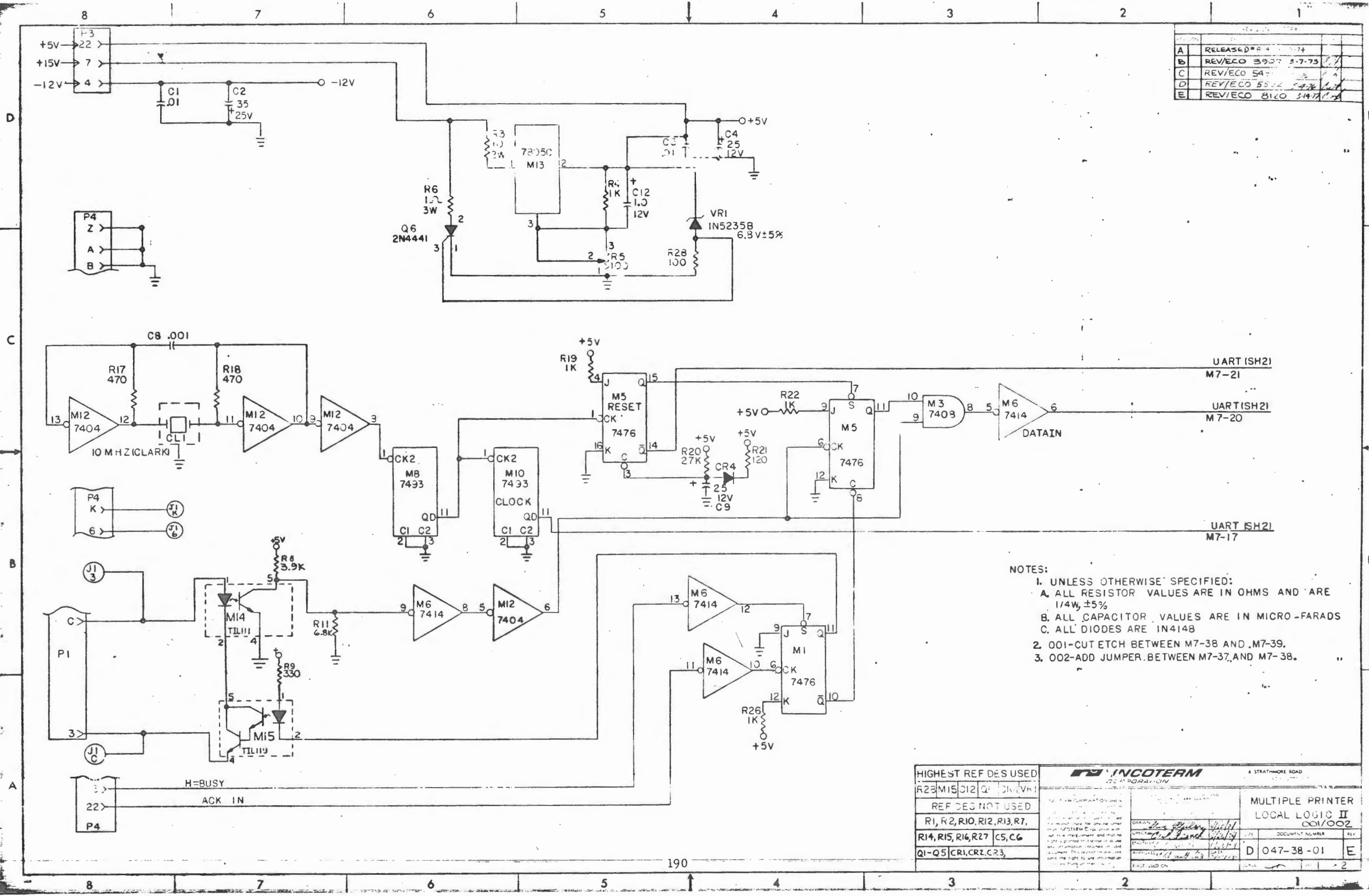
ITEM NO	PART/ASSY NO	DESCRIPTION	ASSEMBLY QUANTITIES				
			701	702	703	704	705
INCOTERM <small>INCOTERM CORPORATION</small>							
<small>This document is the property of INCOTERM CORPORATION and is loaned on the express condition that it is not to be reproduced, stored in a retrieval system, or used for any other purpose without the written consent of the company. The user assumes all responsibility for any information obtained in this document. This document does not constitute a contract. The user assumes all responsibility for any information obtained from other sources.</small>							

REVISION HISTORY			
REVISION	DESCRIPTION OF CHANGE	CHK	APPD



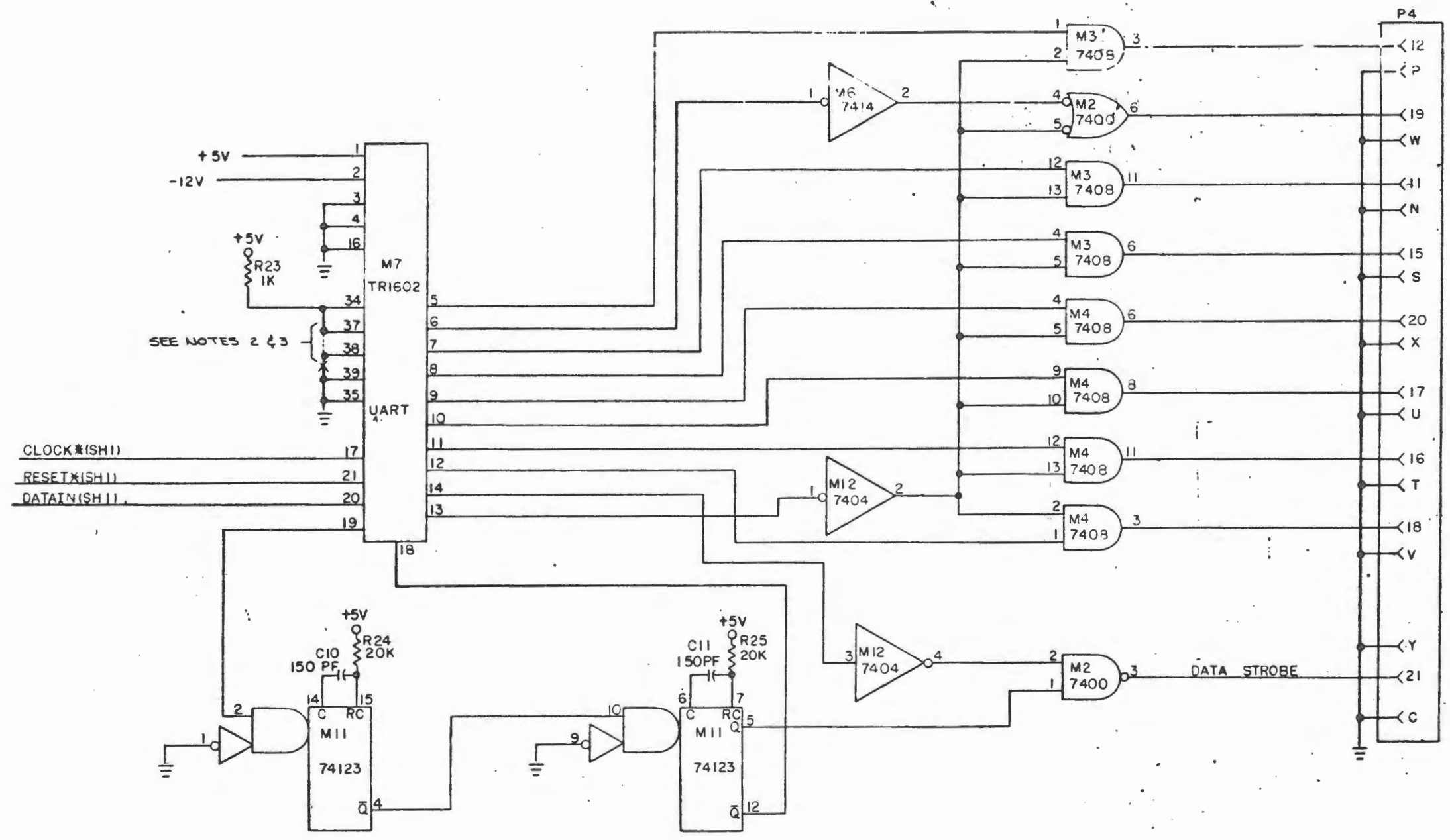
ITEM NO	PART/ASSY NO	DESCRIPTION	701	702	703	704	705	706	707
INCOTERM CORPORATION			ASSEMBLY OF PARTS						
INCOTERM CORPORATION 6 STRATHMORE ROAD NATICK, MASSACHUSETTS 01740			LOGIC PROGRAM VOLTAGE FILTERS						
<small> This document is the property of INCOTERM CORPORATION and is delivered on the express condition that it is not to be disclosed, reproduced in whole or in part, or used for any purpose other than that for which it was prepared without the written consent of INCOTERM CORPORATION. No right is granted to disclose or to use any information obtained in said document. This restriction does not limit the right to use information obtained from another source. </small>			DATE	DATE	DATE	DATE	DATE	DATE	DATE
APPROVED			D		047-37-01		G		
FIRST USED ON			SCALE		SHT. 15 OF 15		REV		

A	RELEASED*	1-74	
B	REV/ECO 3907	3-7-73	
C	REV/ECO 54		
D	REV/ECO 55		
E	REV/ECO 81	3-14-74	



- NOTES:
- UNLESS OTHERWISE SPECIFIED:
 - ALL RESISTOR VALUES ARE IN OHMS AND ARE 1/4W, ±5%
 - ALL CAPACITOR VALUES ARE IN MICRO-FARADS
 - ALL DIODES ARE 1N4148
 - 001-CUT ETCH BETWEEN M7-38 AND M7-39.
 - 002-ADD JUMPER BETWEEN M7-37 AND M7-38.

HIGHEST REF DES USED	R23, M15, C12, Q1, CR1, VR1
REF DES NOT USED	R1, R2, R10, R12, R13, R7, R14, R15, R16, R27, C5, C6, Q1-Q5, CR1, CR2, CR3,
STRATHMORE ROAD INCOTERM CORPORATION	
MULTIPLE PRINTER LOCAL LOGIC II 001/002	
DRAWN: <i>[Signature]</i> CHECKED: <i>[Signature]</i> APPROVED: <i>[Signature]</i>	DOCUMENT NUMBER: D 047-38-01 REV: E

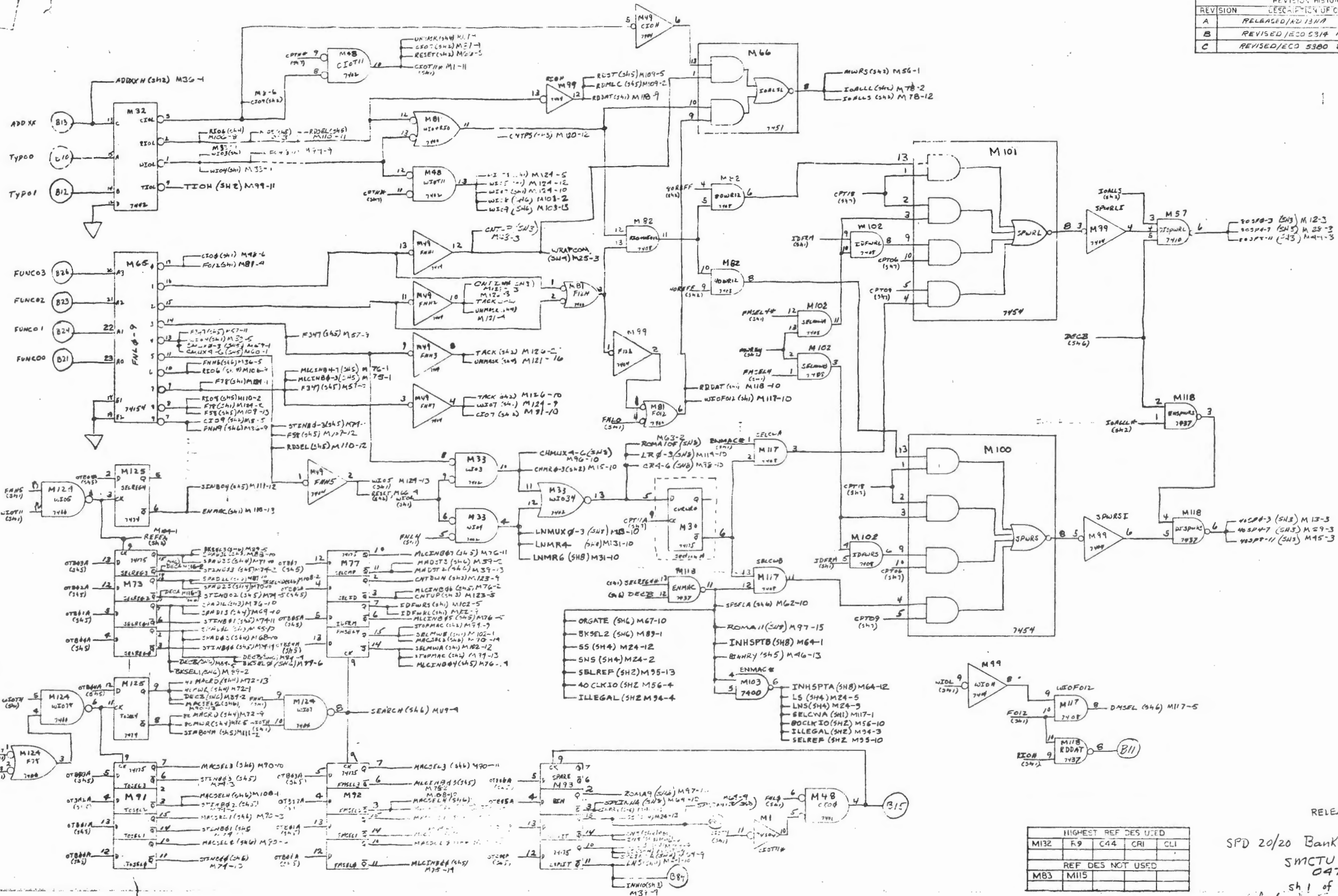


SEE NOTES 2 & 3

DATA STROBE

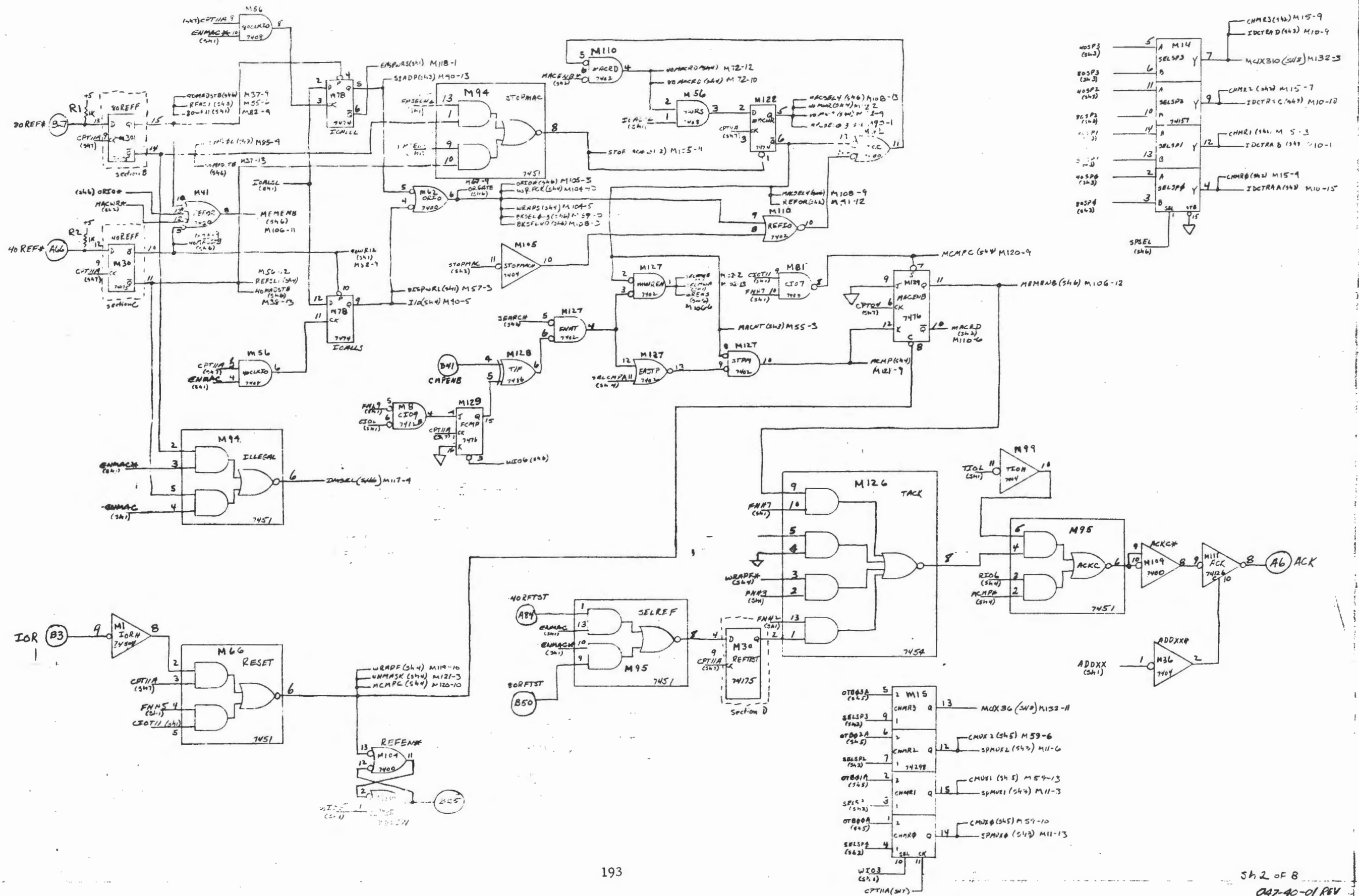
		4 STATHMORE ROAD	
INCOTERM CORPORATION 10000 WOODBURN AVENUE WOODBURN, CALIF. 92094		MULTIPLE PRINTER LOCAL LOGIC II 001/002	
DRAWN <i>Tom Hilder</i>	DATE	SIZE	DOCUMENT NUMBER
CHECKED	DATE	D 047-38-01	REV. E
ENGINEER	DATE	2	2
APPROVED	DATE	2	2
FIRST USED ON	DATE	2	2

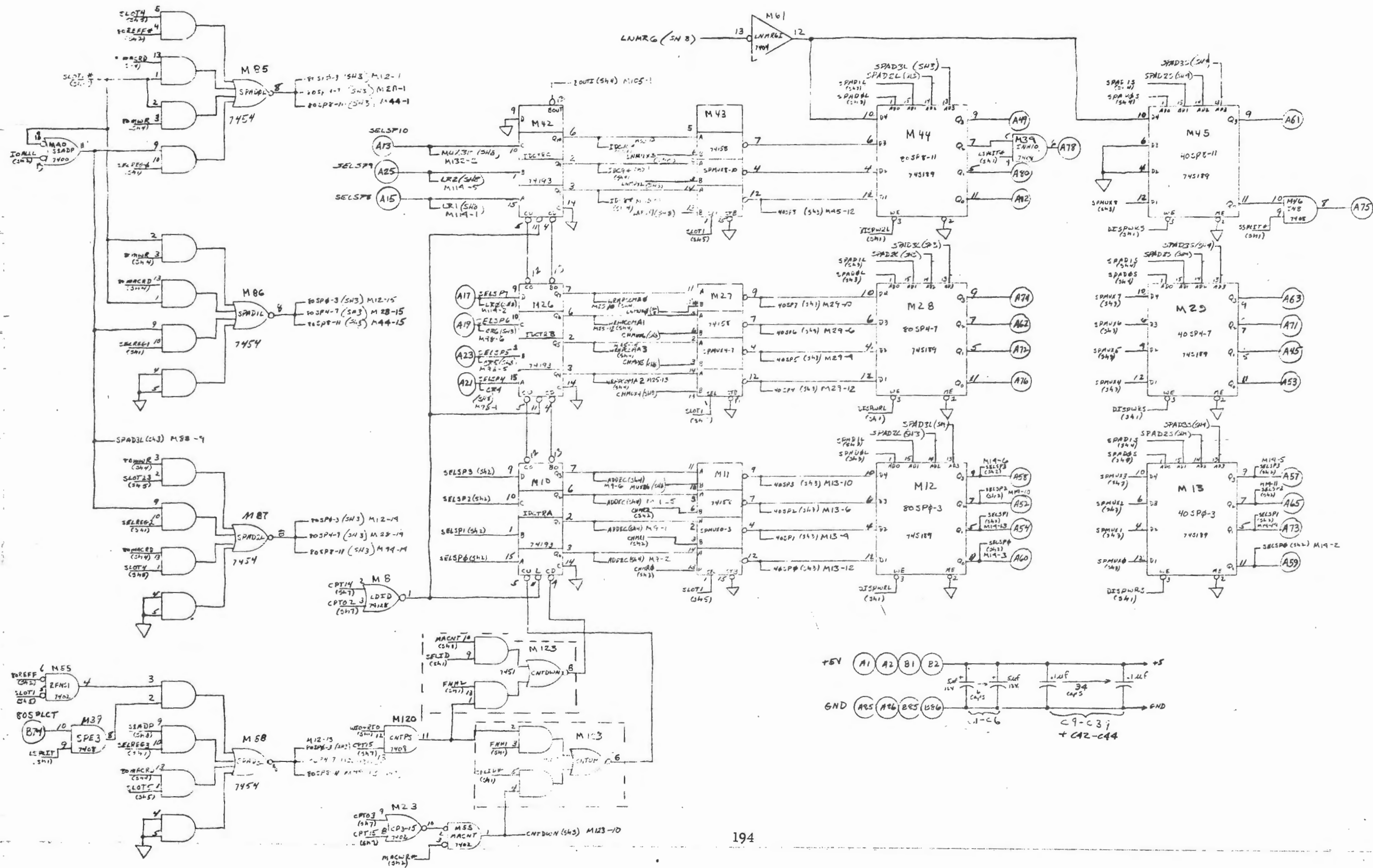
REVISION HISTORY		
REV	DESCRIPTION OF CHANGE	CHK APPY
A	RELEASED/AD 131A	
B	REVISED/ECD 5314 11016	
C	REVISED/ECD 5300 2-6-76	

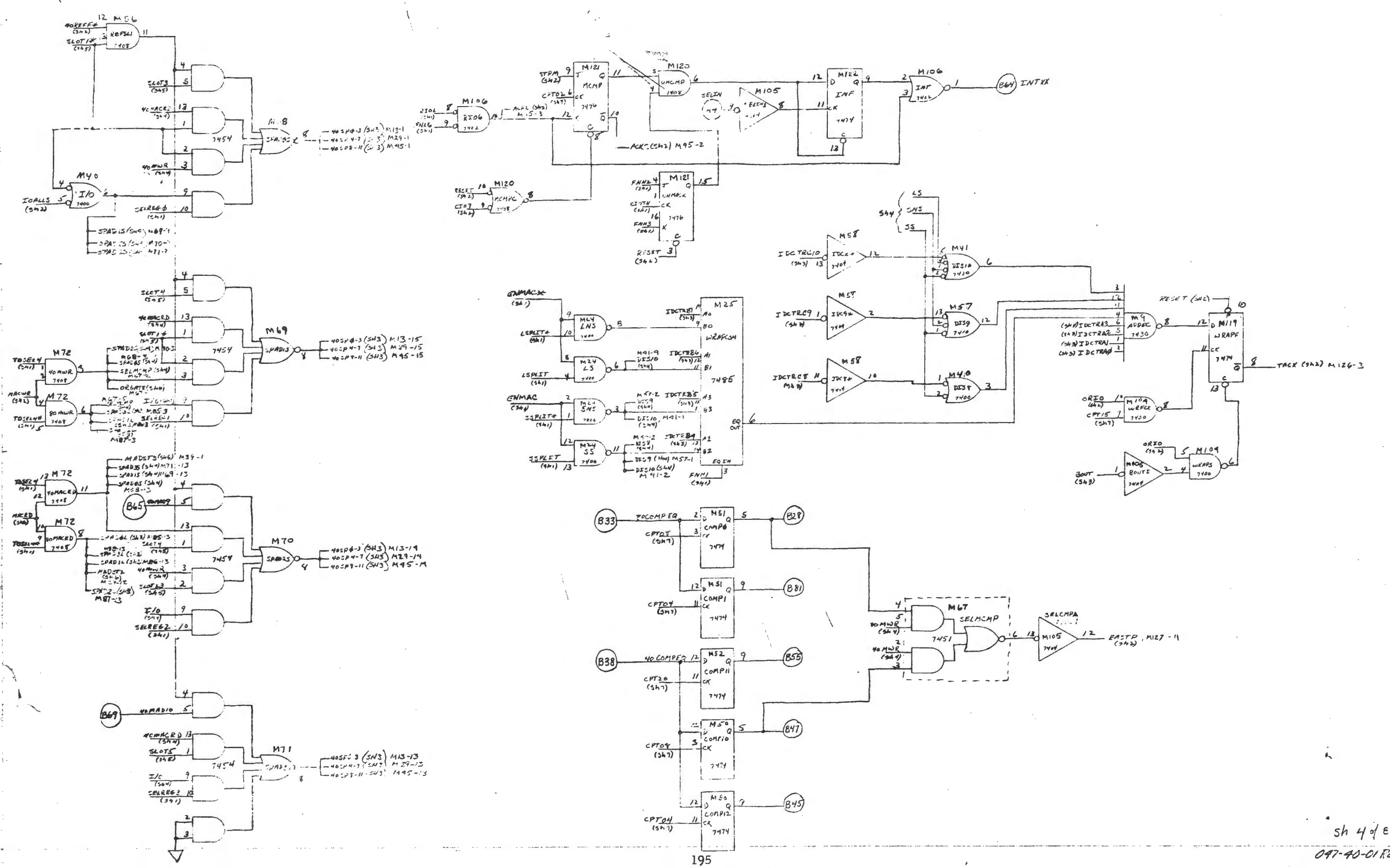


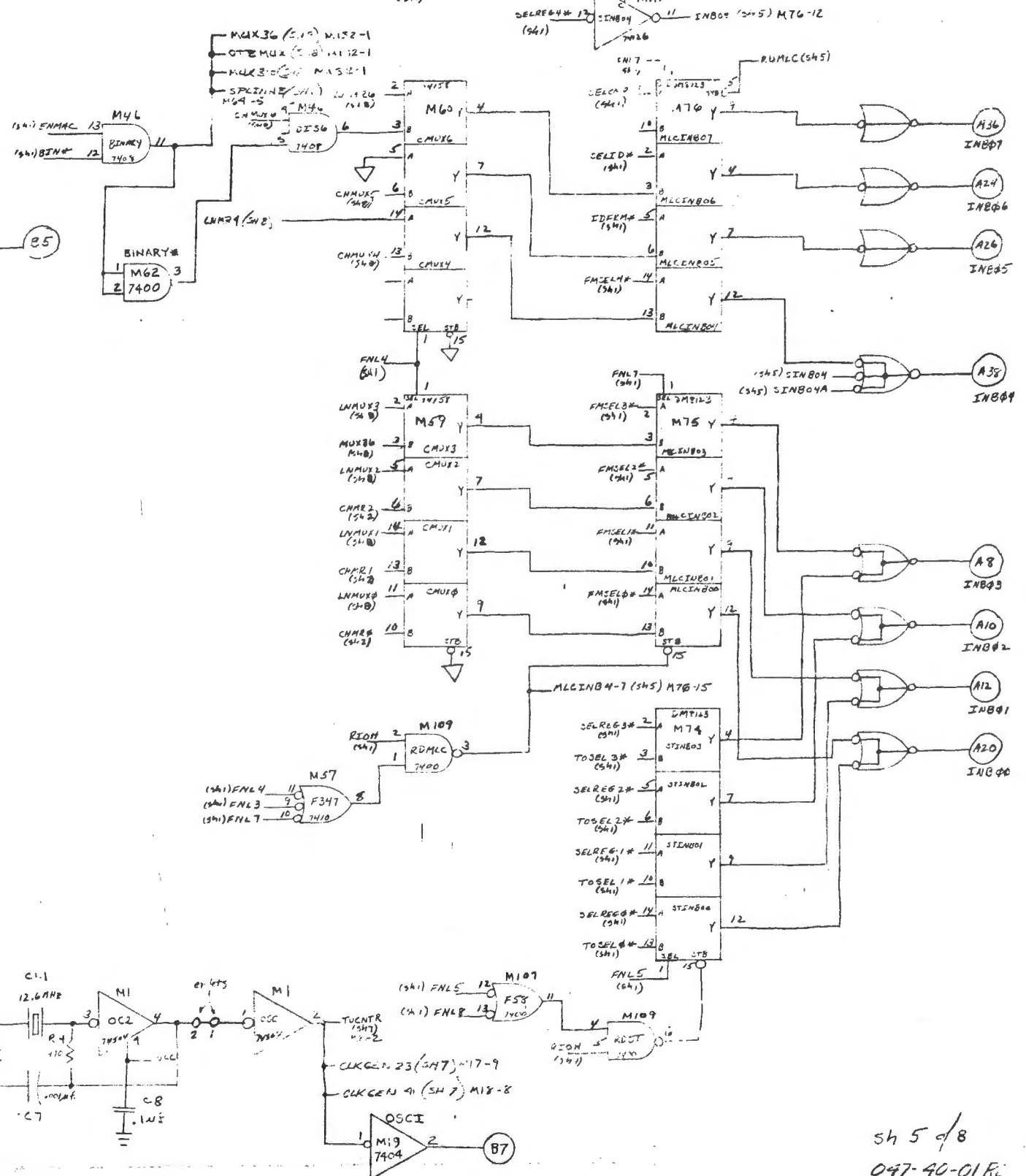
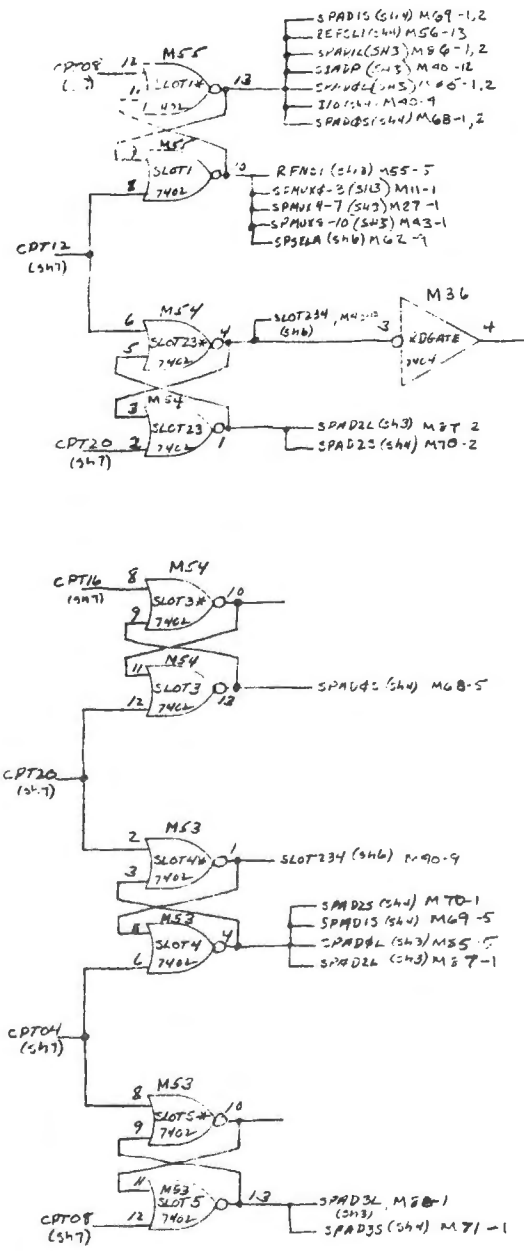
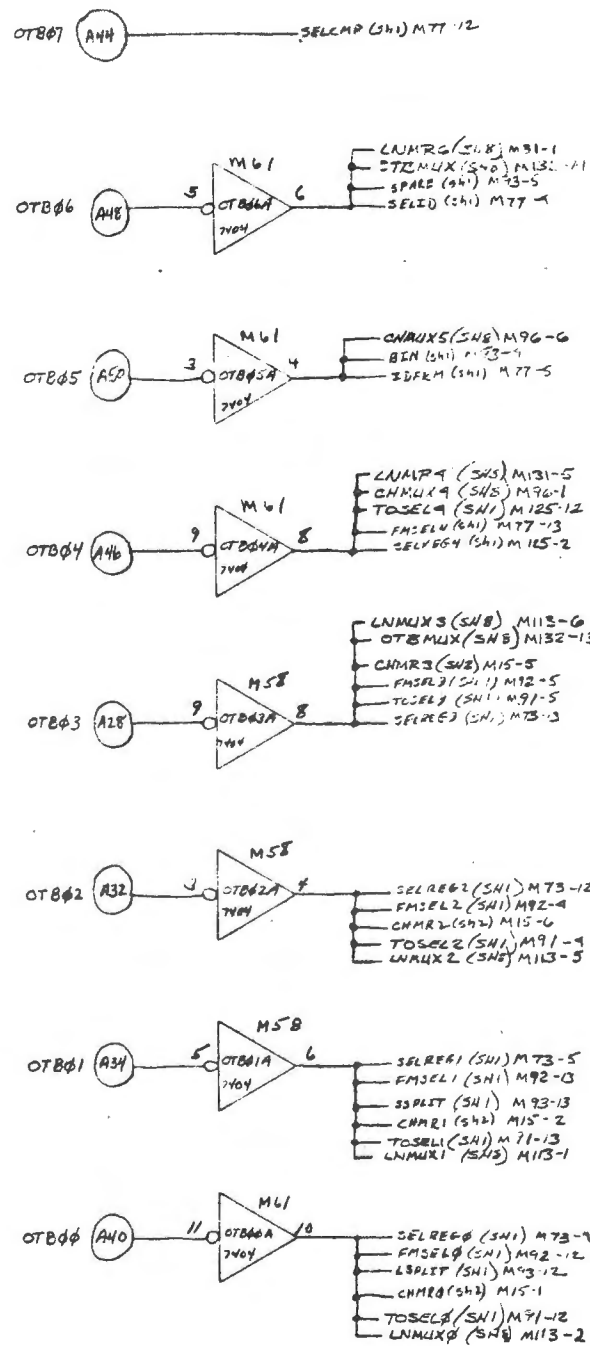
HIGHEST REF DES USED				
M132	F9	C44	CRI	CLI
REF DES NOT USED				
M83	M115			

RELEASED 12 131A
 SPD 20/20 Banking Terminal
 SMCTU -001
 047-40-01 Re
 sh 1 of 8
 R. Gardner 11/17/75 P. 2/2/75

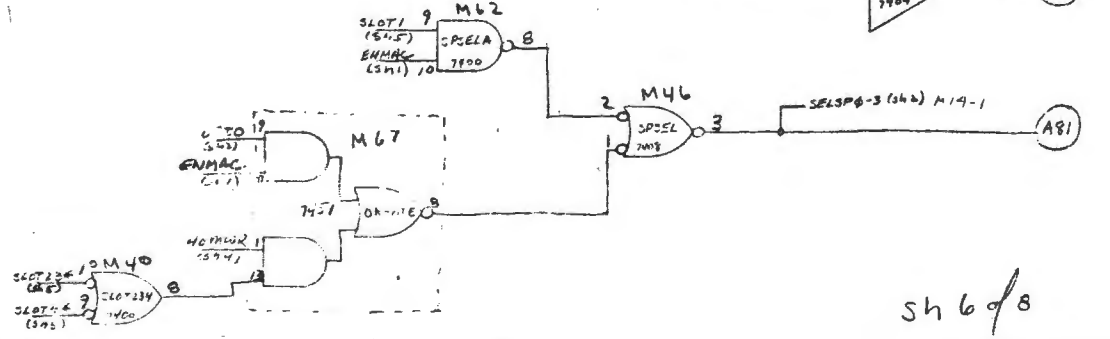
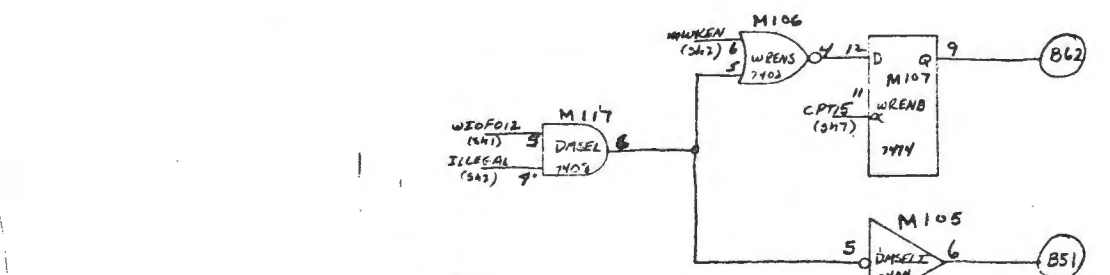
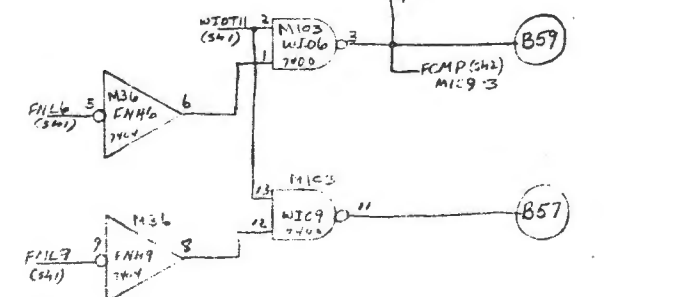
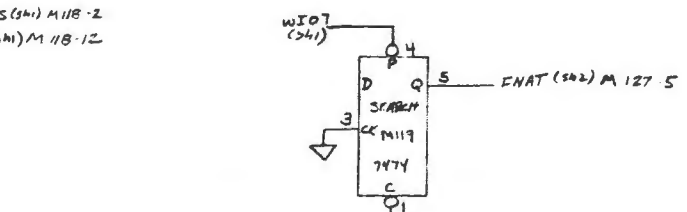
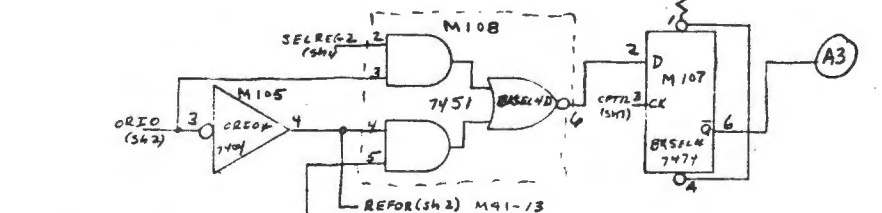
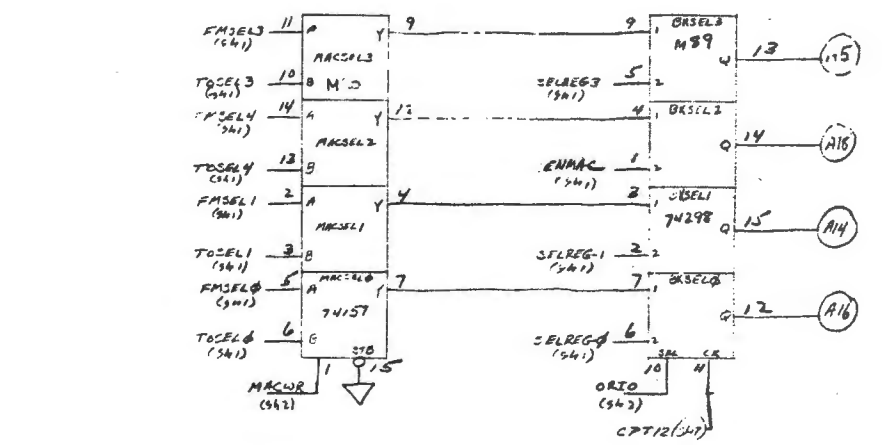
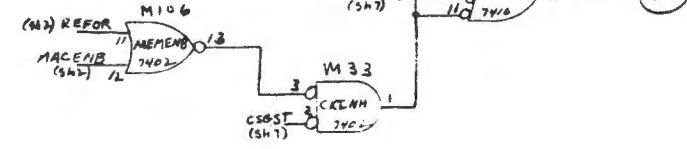
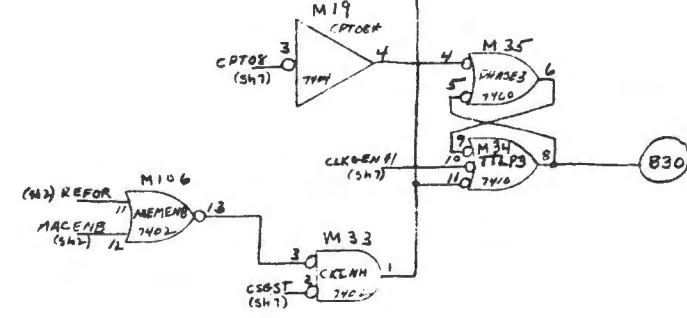
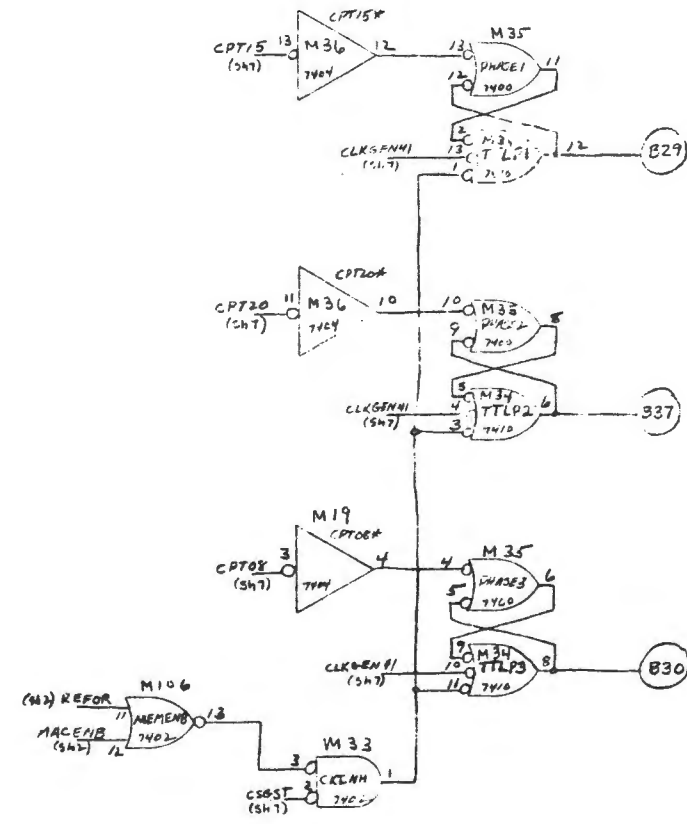
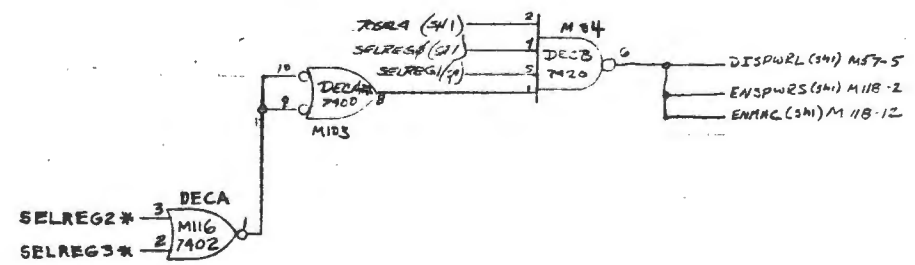
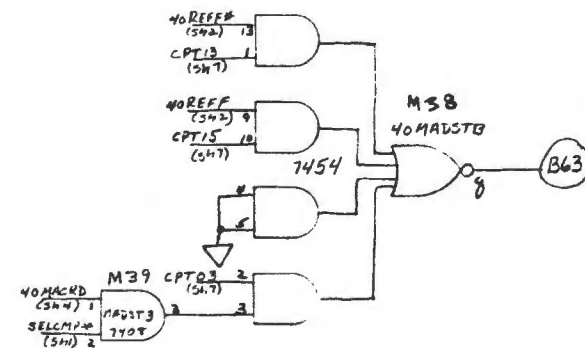
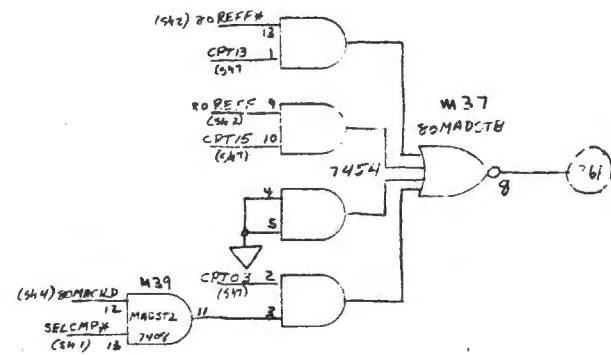


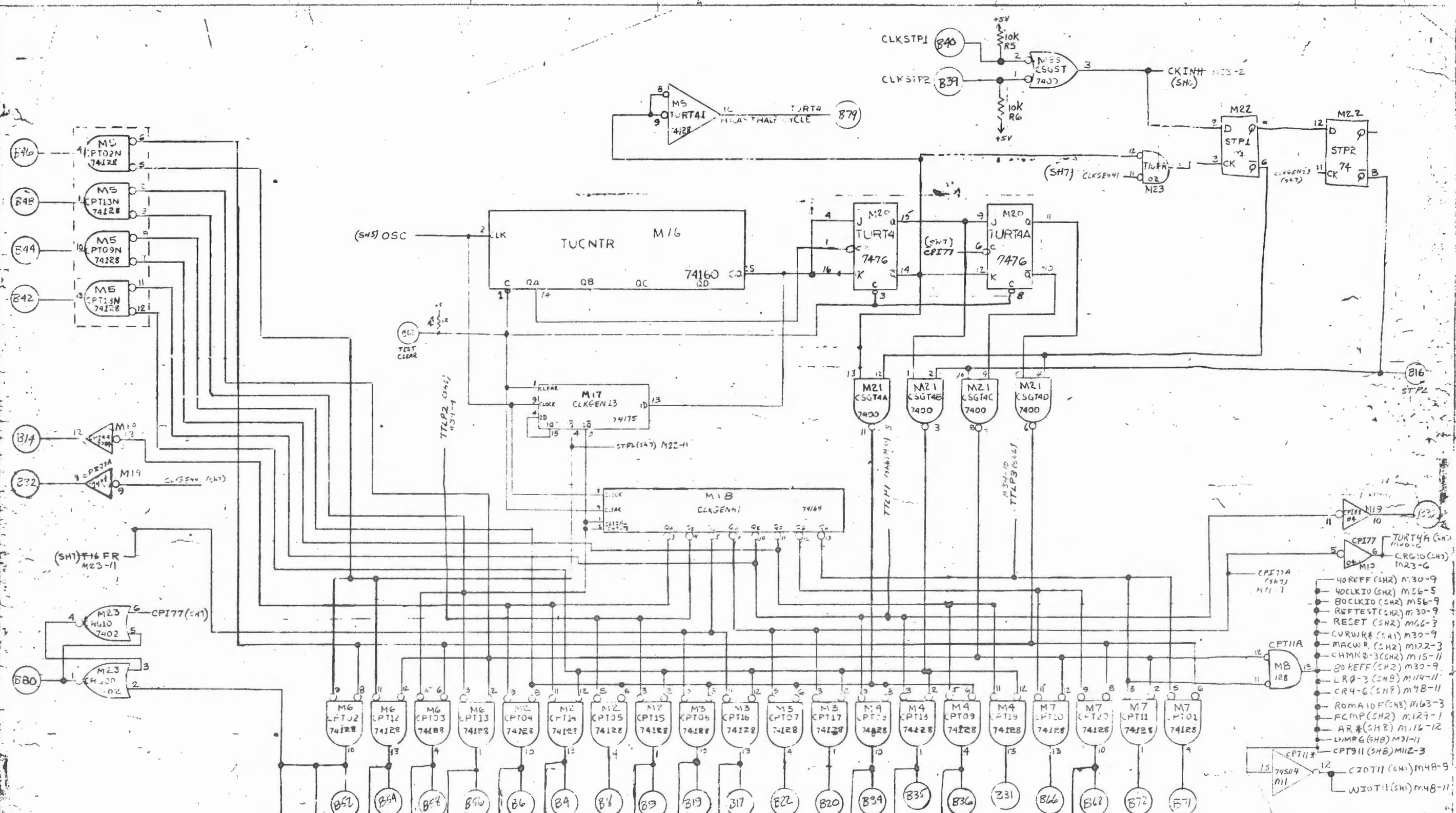




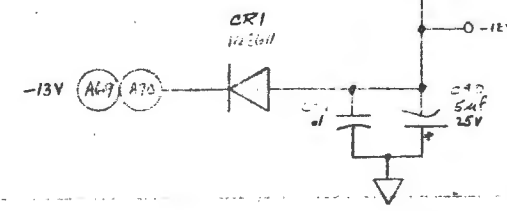
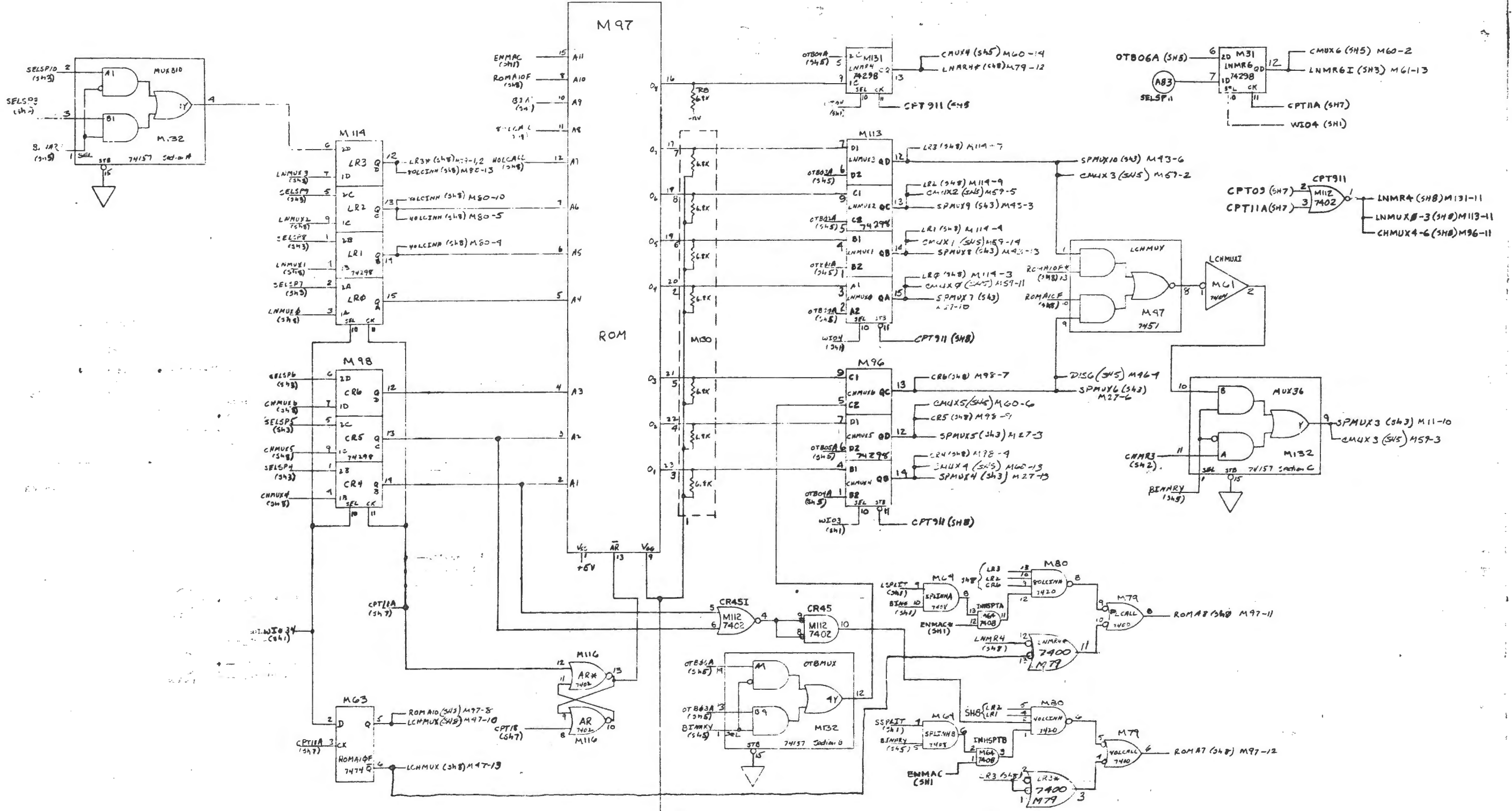


sh 5/8
047-40-01 R2

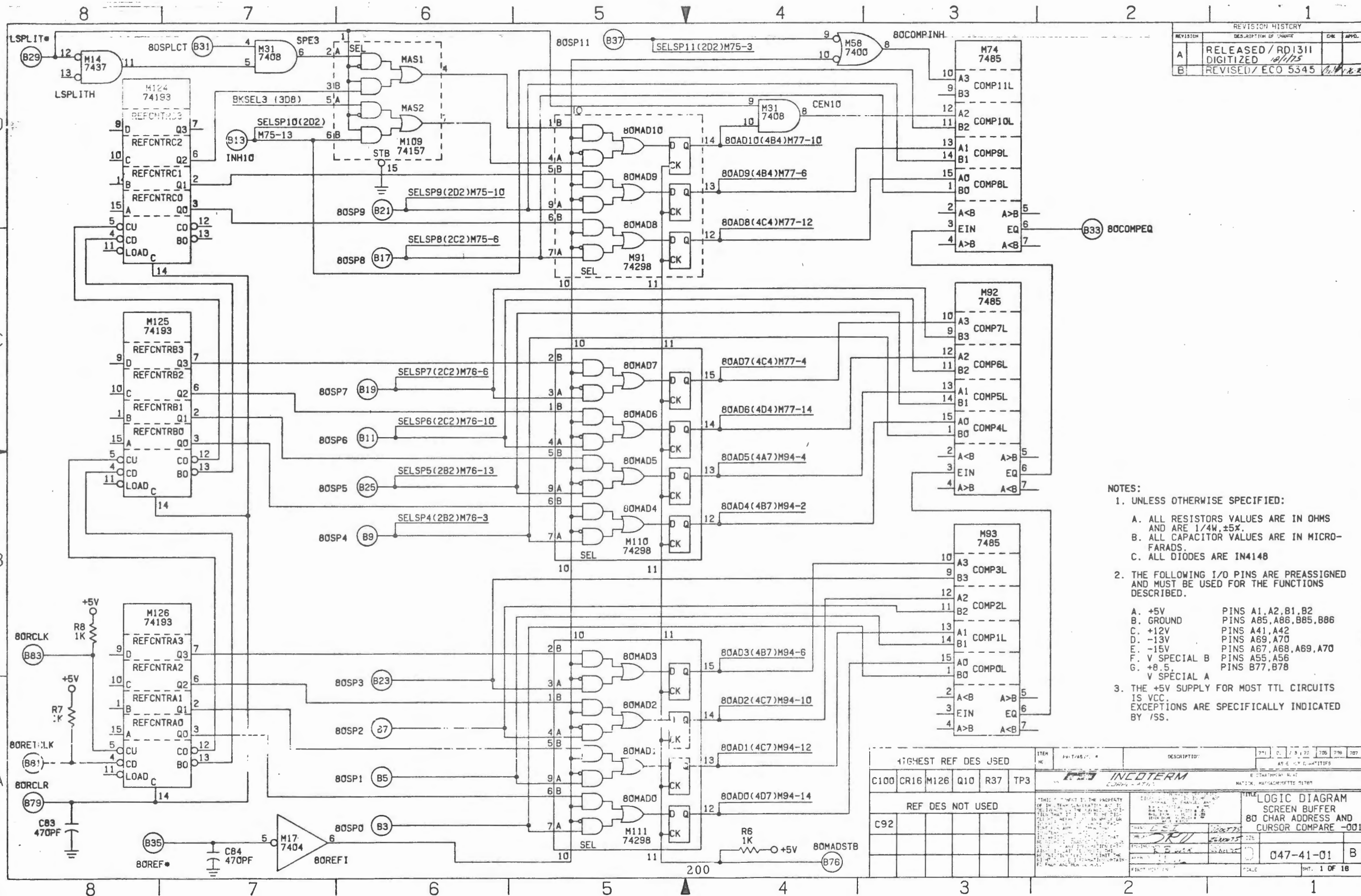




DATE	SIZE	P.C.	S.A.	NO.	REV.
	D				047-40-011
<p>THIS DOCUMENT IS THE PROPERTY OF INTEL CORPORATION AND IS LOANED TO YOU BY THE COMPANY. IT IS NOT TO BE REPRODUCED, COPIED, OR TRANSMITTED IN ANY FORM OR BY ANY MEANS, ELECTRONIC OR MECHANICAL, INCLUDING PHOTOCOPYING, RECORDING, OR BY ANY INFORMATION STORAGE AND RETRIEVAL SYSTEM, WITHOUT THE WRITTEN PERMISSION OF INTEL CORPORATION. THE INFORMATION CONTAINED HEREIN IS UNCLASSIFIED AND IS NOT SUBJECT TO EXPORT CONTROL RESTRICTIONS.</p>					



RO/RO BANKING
 SMCTO
 LINE CHARACTER CONVERTER
 047-40-01 REV C
 SH 8 OF 8



REVISION HISTORY			
REVISION	DESCRIPTION OF CHANGE	CHK	APPL
A	RELEASED / RD1311 DIGITIZED 10/1/75		
B	REVISED / ECO 5345		

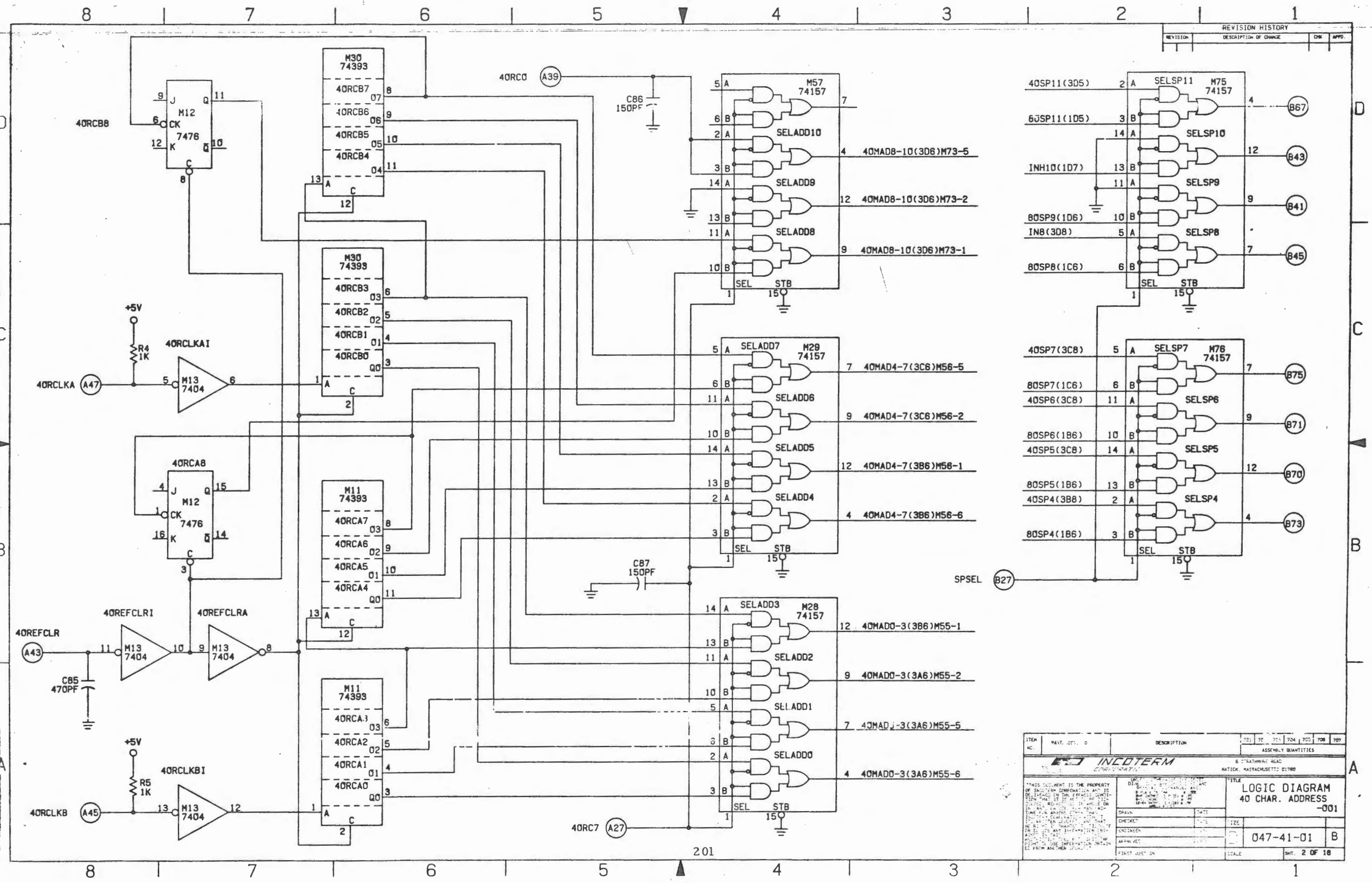
- NOTES:
- UNLESS OTHERWISE SPECIFIED:
 - A. ALL RESISTORS VALUES ARE IN OHMS AND ARE 1/4W, ±5%.
 - B. ALL CAPACITOR VALUES ARE IN MICRO-FARADS.
 - C. ALL DIODES ARE IN4148
 - THE FOLLOWING I/O PINS ARE PREASSIGNED AND MUST BE USED FOR THE FUNCTIONS DESCRIBED.

A. +5V	PINS A1, A2, B1, B2
B. GROUND	PINS A85, A86, B85, B86
C. +12V	PINS A41, A42
D. -13V	PINS A67, A70
E. -15V	PINS A68, A69, A70
F. V SPECIAL B	PINS A55, A56
G. +8.5V SPECIAL A	PINS B77, B78
 - THE +5V SUPPLY FOR MOST TTL CIRCUITS IS VCC. EXCEPTIONS ARE SPECIFICALLY INDICATED BY /SS.

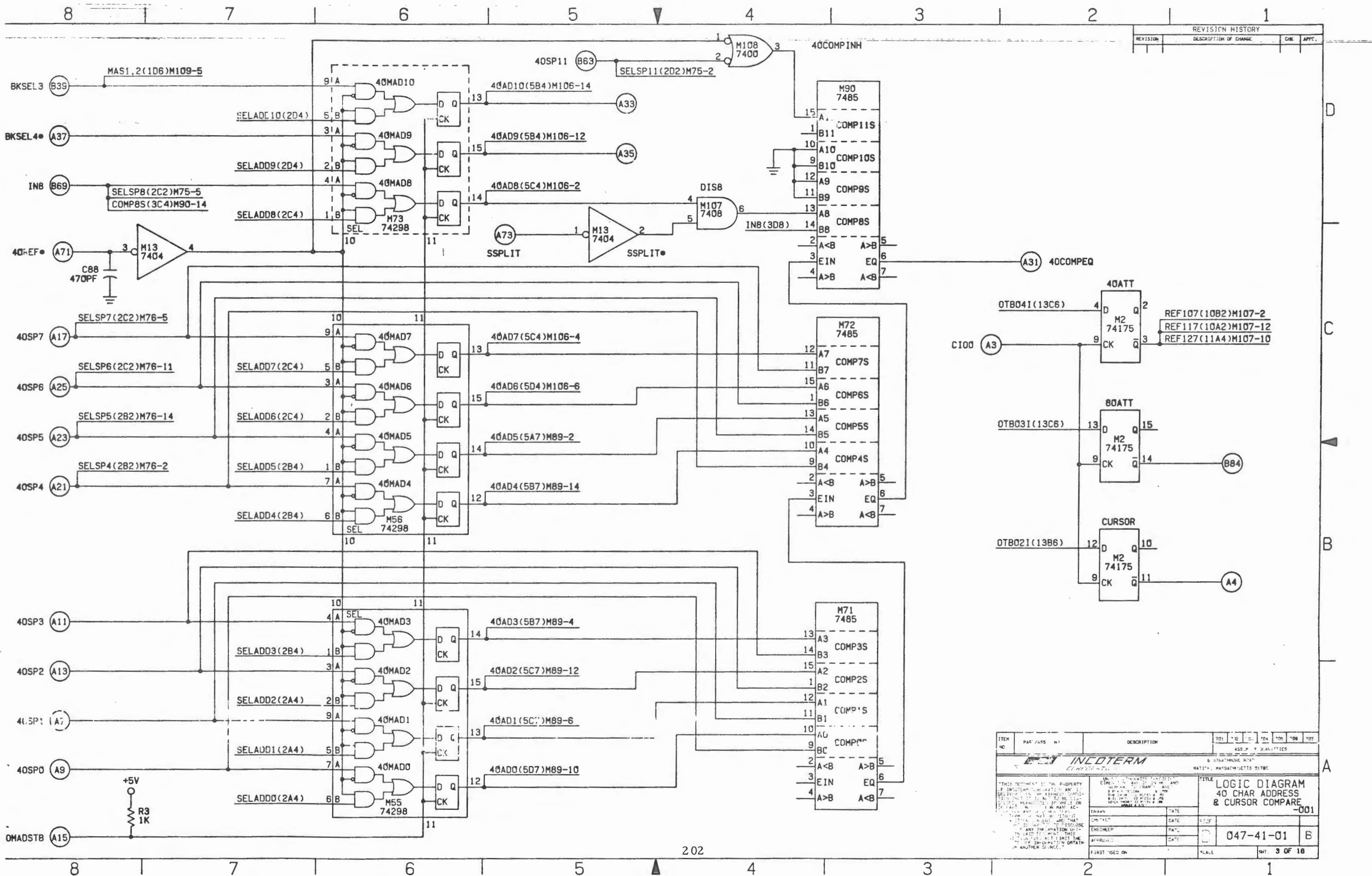
HIGHEST REF DES USED		ITEM NO	PARTS BY	DESCRIPTION	791	792	793	794	795
C100	CR16	M126	Q10	R37	TP3				
REF DES NOT USED		C92							

PROPERTY OF INCOTERM		TITLE: LOGIC DIAGRAM SCREEN BUFFER 80 CHAR ADDRESS AND CURSOR COMPARE -001	
PART NO: 047-41-01		SCALE: 1 OF 18	

REVISION HISTORY			
REVISION	DESCRIPTION OF CHANGE	CHK	APPD.



ITEM NO.	REV. NO.	DESCRIPTION	701	702	703	704	705	706	707
INCOTERM <small>6 CRAWFORD ROAD MATINEK, MASSACHUSETTS 01760</small>									
LOGIC DIAGRAM 40 CHAR. ADDRESS -001									
DRAWN		CHECKED		ENGINEER		APPROVED		FIRST USE ON	
DATE		DATE		DATE		DATE		SCALE	
047-41-01								B	
SHT. 2 OF 18									

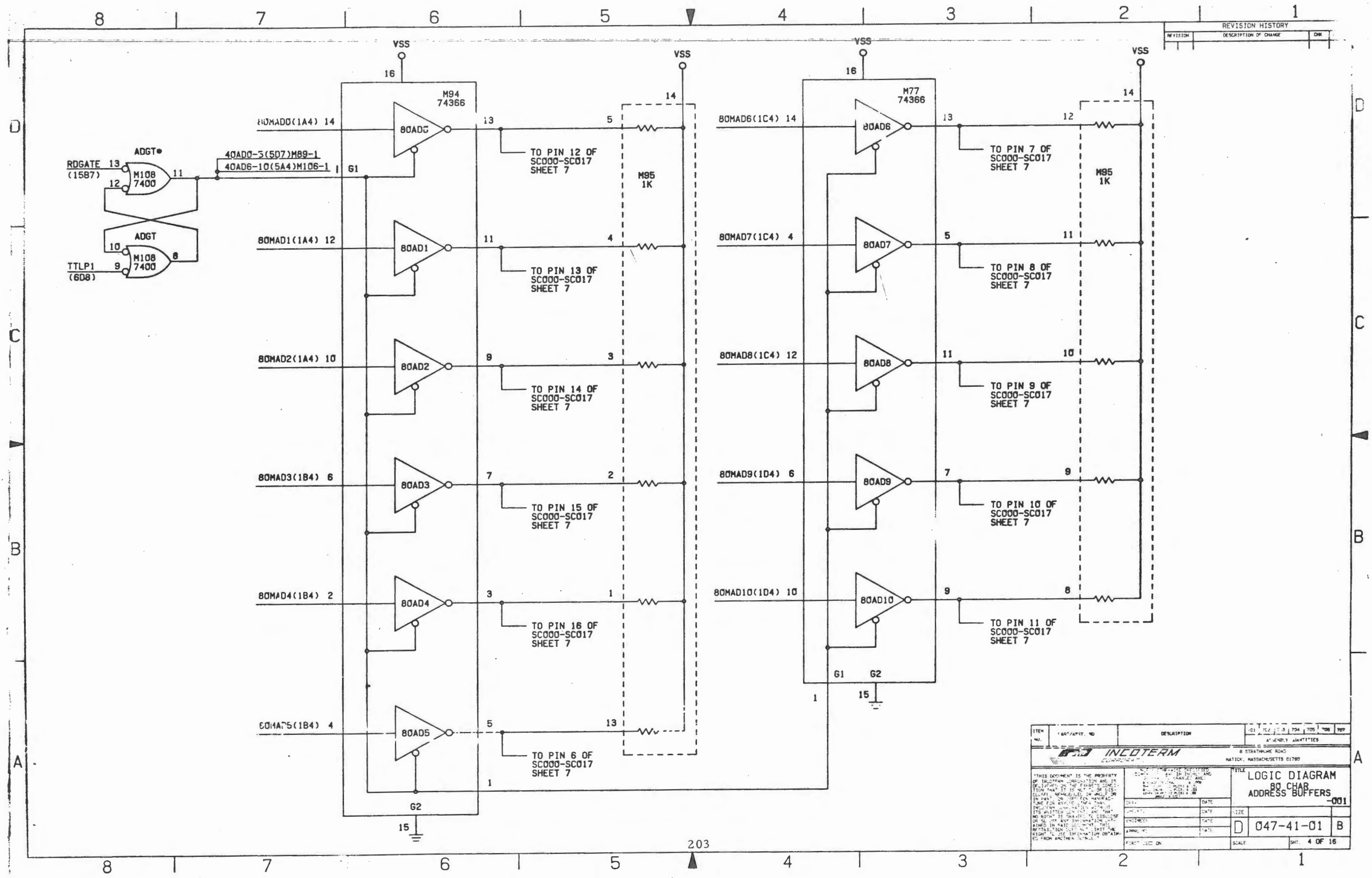


REVISION HISTORY			
REVISION	DESCRIPTION OF CHANGE	CHK	APP.

ITER NO	PAR / ASS NO	DESCRIPTION	701	702	703	704	705	706	TOT

INCOTERM <small>COMPUTER SYSTEMS</small>		B STRATHMORE ROAD NANTUCKET, MASSACHUSETTS 01795	
THIS DOCUMENT IS THE PROPERTY OF INCOTERM. IT IS LOANED TO YOU AND IS NOT TO BE REPRODUCED OR TRANSMITTED IN ANY FORM OR BY ANY MEANS, ELECTRONIC OR MECHANICAL, INCLUDING PHOTOCOPYING, RECORDING, OR BY ANY INFORMATION STORAGE AND RETRIEVAL SYSTEM, WITHOUT THE WRITTEN PERMISSION OF INCOTERM.		TITLE LOGIC DIAGRAM 40 CHAR ADDRESS & CURSOR COMPARE -001	
DRAWN: _____ DATE: _____	CHECKED: _____ DATE: _____	ENGINEER: _____ DATE: _____	APPROVED: _____ DATE: _____
FIRST USED ON: _____		SCALE: _____	INT. 3 OF 18

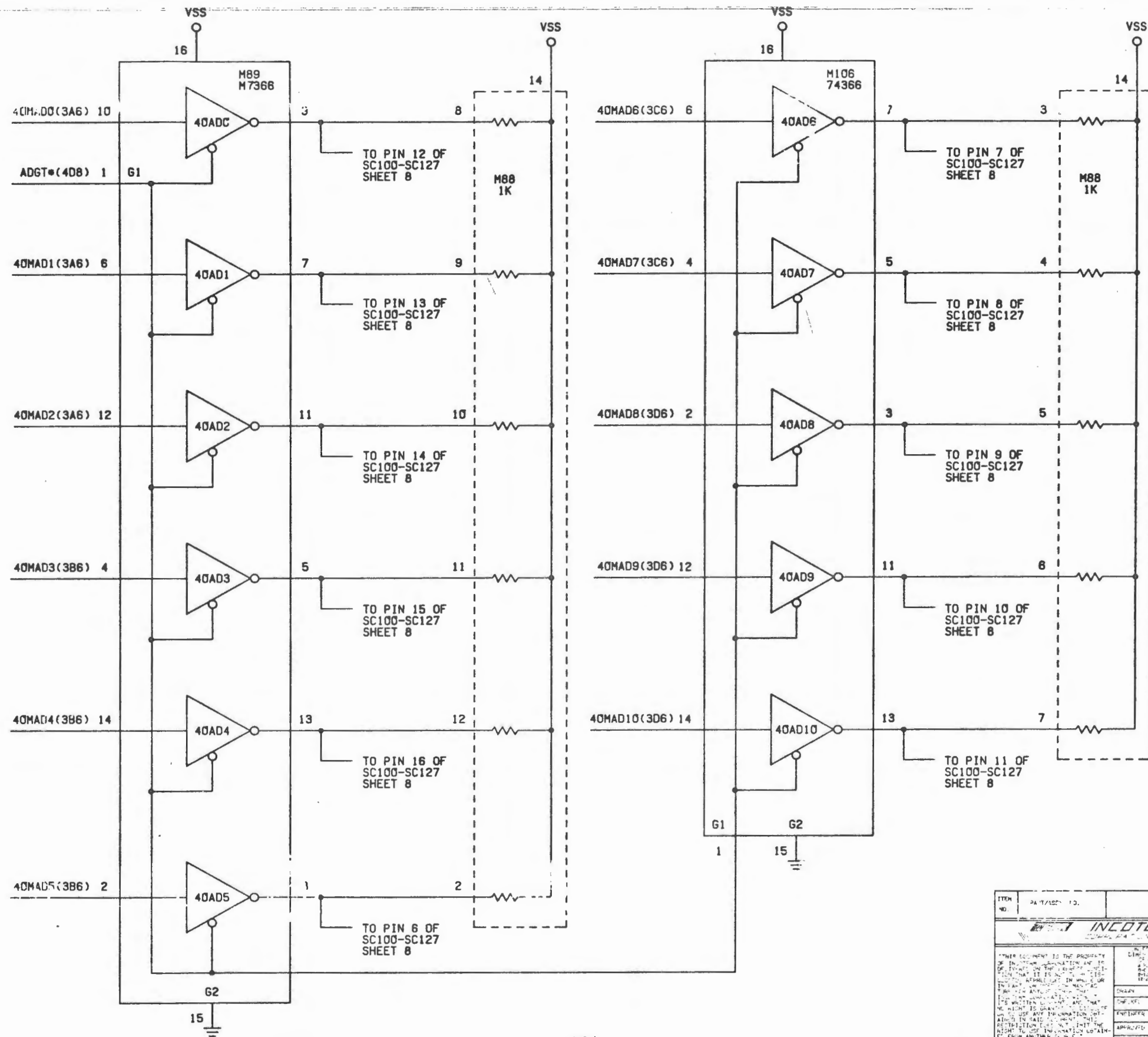
REVISION HISTORY		
REVISION	DESCRIPTION OF CHANGE	CHK



ITEM NO.	PART/AMTY. NO.	DESCRIPTION	QTY	UNIT	QTY	UNIT	QTY	UNIT	QTY	UNIT
INCOTERM 8 STRATHMORE ROAD NATICK, MASSACHUSETTS 01780										
THIS DOCUMENT IS THE PROPERTY OF INCOTERM CORPORATION AND IS LOANED TO YOU FOR YOUR INFORMATION ONLY. IT IS NOT TO BE REPRODUCED, COPIED, OR TRANSMITTED IN ANY FORM OR BY ANY MEANS, ELECTRONIC OR MECHANICAL, INCLUDING PHOTOCOPYING, RECORDING, OR BY ANY INFORMATION STORAGE AND RETRIEVAL SYSTEM, WITHOUT THE WRITTEN PERMISSION OF INCOTERM CORPORATION. THE RIGHT TO USE INFORMATION OBTAINED FROM ANOTHER SOURCE IS NOT GUARANTEED.										
TITLE LOGIC DIAGRAM 80 CHAB ADDRESS BUFFERS		DATE _____		SIZE _____		SCALE _____		SHT. 4 OF 16		B
047-41-01		_____		_____		_____		_____		B

8 7 6 5 4 3 2 1

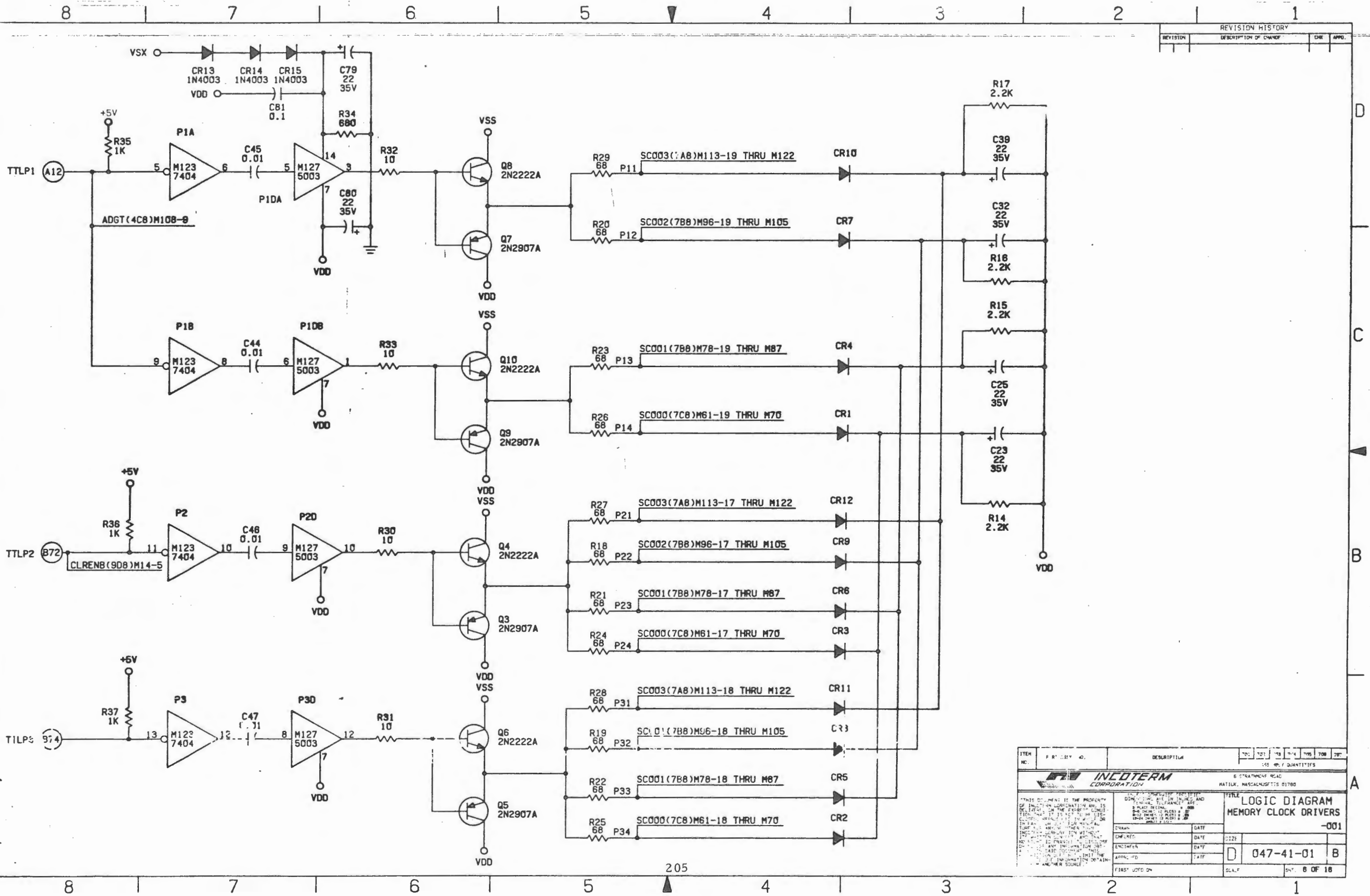
REVISION HISTORY			
REVISION	DESCRIPTION OF CHANGE	CHK	APPD.



ITEM NO.	PART/SCHEM. I.D.	DESCRIPTION	701	702	703	704	705	706	707
INCOTERM			DATE: 04/01/70						
LOGIC DIAGRAM 40 CHAR ADDRESS BUFFERS -001			D 047-41-01 B						
DRAWN			DATE						
CHECKED			DATE						
ENGINEER			DATE						
APPROVED			DATE						
FIRST USE ON			SCALE						
			SHEET 5 OF 18						

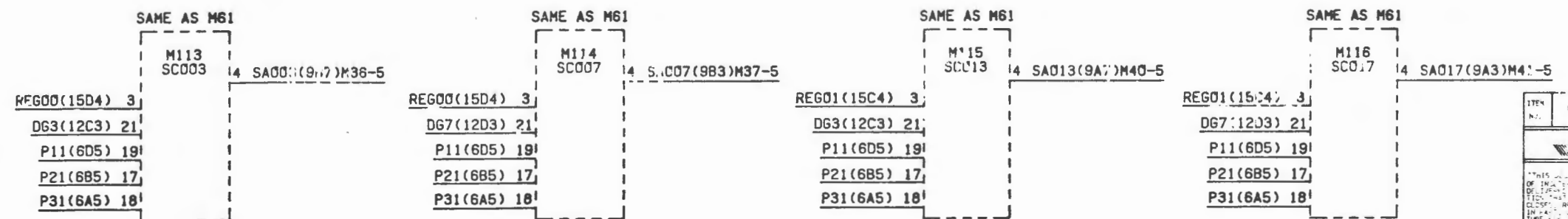
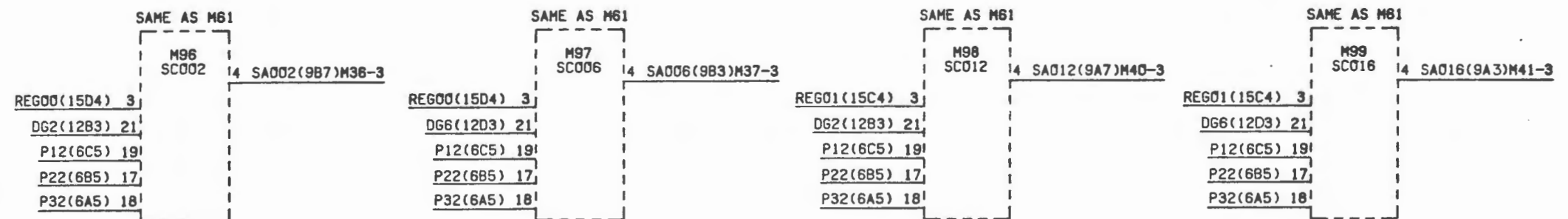
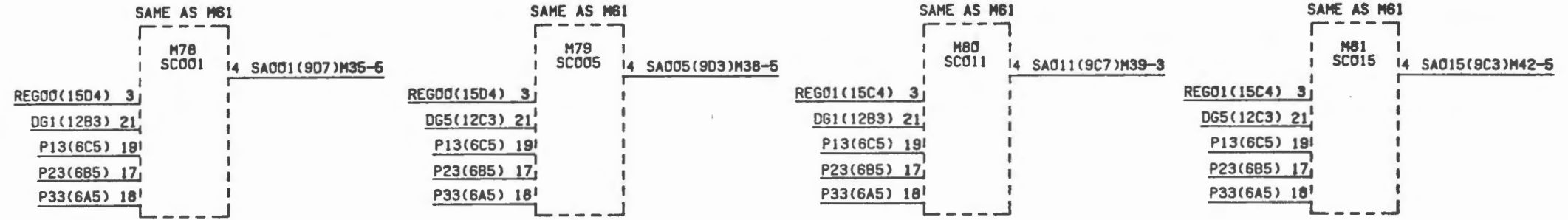
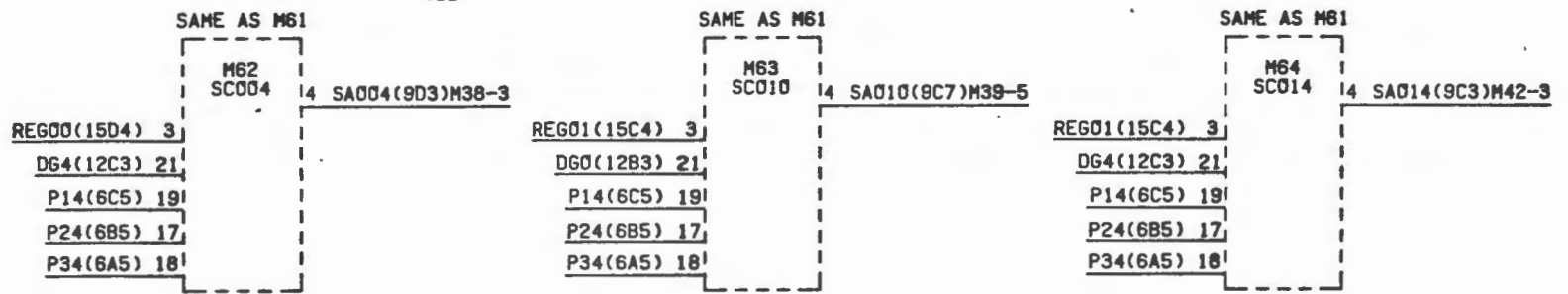
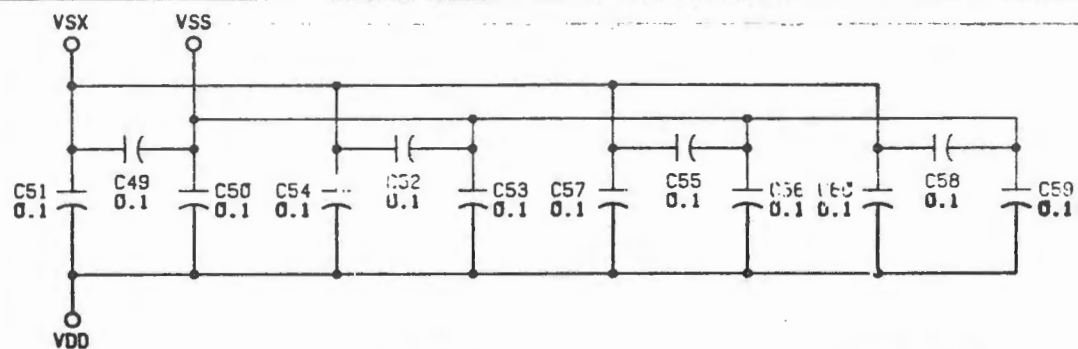
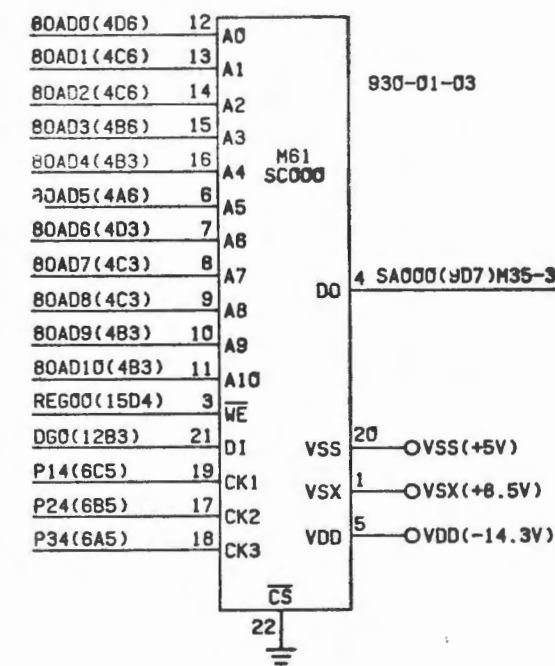
8 7 6 5 4 3 2 1

REVISION HISTORY			
REVISION	DESCRIPTION OF CHANGE	CHK	APPR.



ITEM NO.	QUANTITY	DESCRIPTION	701	702	703	704	705	706	707	708	709																				
<p style="text-align: center;">INCOTERM CORPORATION</p> <p style="text-align: center;">6 CRYSTALINE ROAD MAYLEK, MARYLAND 21780</p>																															
<p style="text-align: center;">LOGIC DIAGRAM MEMORY CLOCK DRIVERS</p> <p style="text-align: right;">-001</p>																															
<table border="0"> <tr> <td>DESIGNED BY</td> <td>DATE</td> <td>CHECKED BY</td> <td>DATE</td> <td>APPROVED BY</td> <td>DATE</td> <td>SCALE</td> <td>SHEET</td> <td>OF</td> <td>TOTAL</td> </tr> <tr> <td> </td> <td> </td> <td> </td> <td> </td> <td> </td> <td> </td> <td> </td> <td>047-41-01</td> <td>B</td> <td>8 OF 18</td> </tr> </table>												DESIGNED BY	DATE	CHECKED BY	DATE	APPROVED BY	DATE	SCALE	SHEET	OF	TOTAL								047-41-01	B	8 OF 18
DESIGNED BY	DATE	CHECKED BY	DATE	APPROVED BY	DATE	SCALE	SHEET	OF	TOTAL																						
							047-41-01	B	8 OF 18																						

REVISION HISTORY			
REVISION	DESCRIPTION OF CHANGE	CHK	APPD.



ITEM NO.	DESCRIPTION	QTY	UNIT	DATE	BY

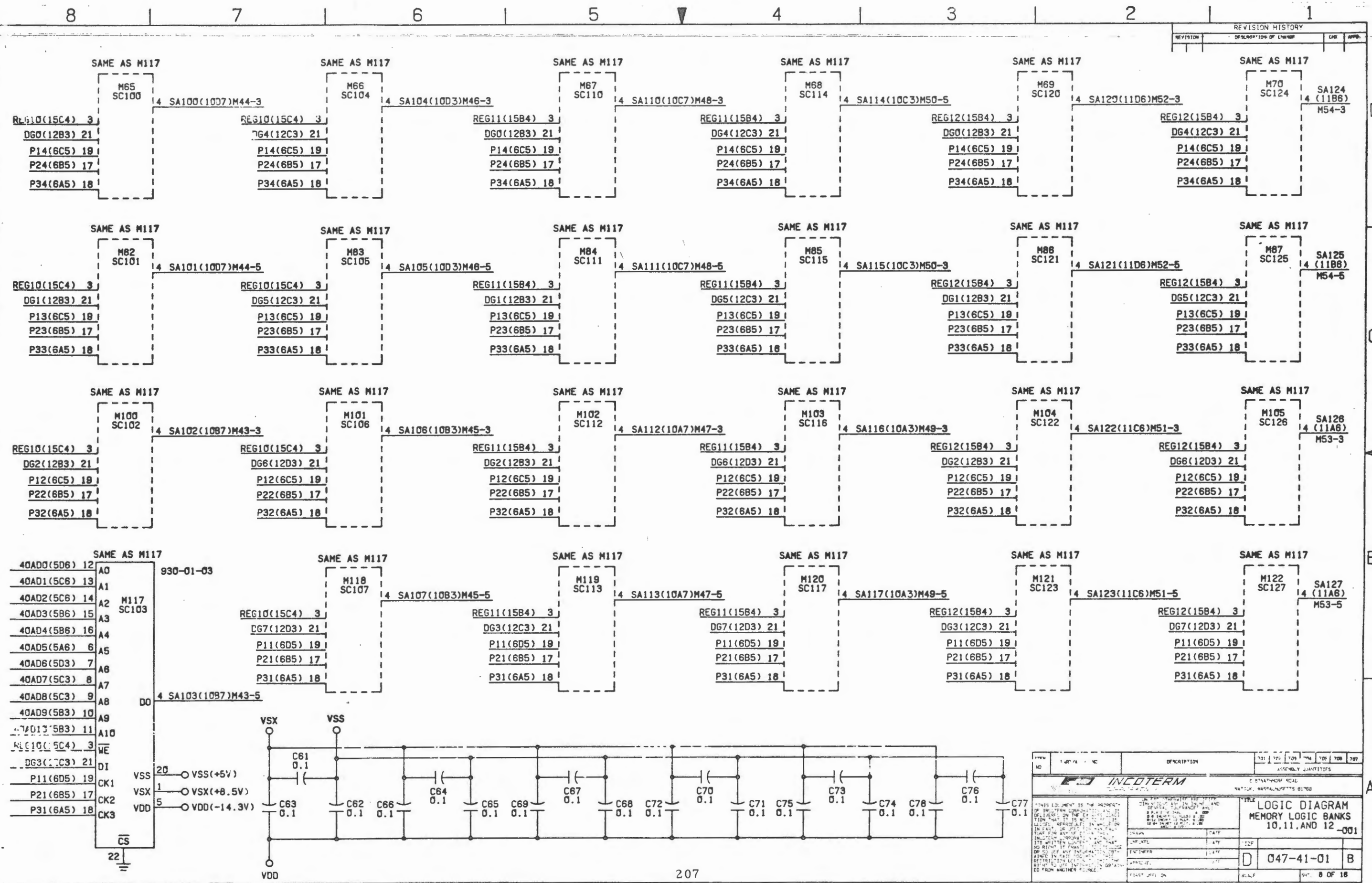
INCOTERM CORPORATION
6 STRATHMORE ROAD
MAYLEK, NASSAU, P.O. BOX 01780

TITLE: LOGIC DIAGRAM
MEMORY LOGIC BANKS
0 AND 1 -001

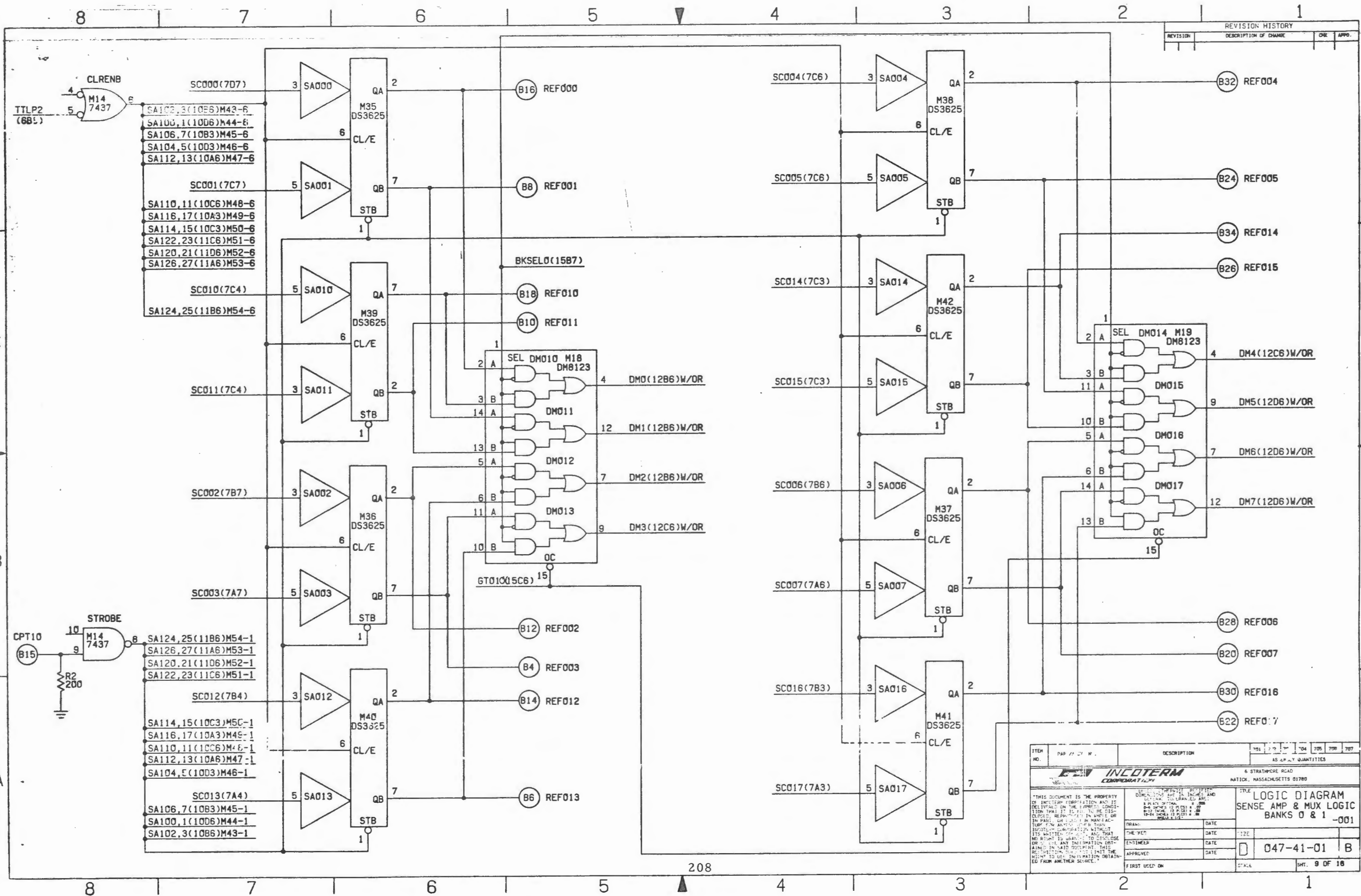
DATE: 047-41-01

SH. 7 OF 18

REVISION HISTORY			
REVISION	DESCRIPTION OF CHANGE	CHK	APPV



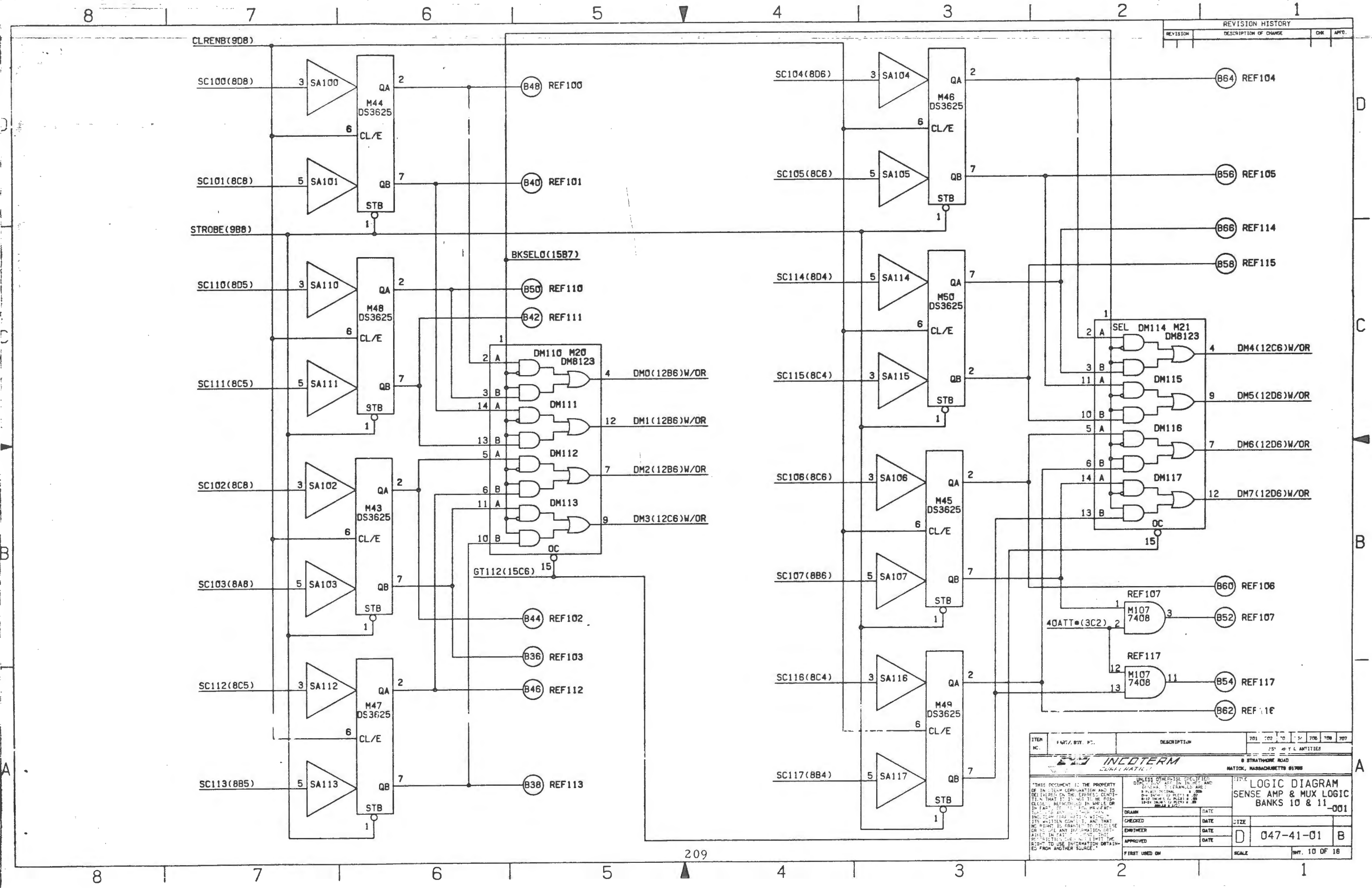
ITEM NO	PART NAME	DESCRIPTION	ASSEMBLY QUANTITIES				
			701	702	703	704	705
			E. S. STANHOPE ROAD NATIONAL BUREAU OF STANDARDS				
THIS DOCUMENT IS THE PROPERTY OF INCOTERM COMPANY AND IS LOANED TO YOU FOR YOUR INFORMATION. IT IS NOT TO BE REPRODUCED OR DISTRIBUTED IN ANY MANNER WITHOUT THE WRITTEN PERMISSION OF INCOTERM COMPANY. IF YOU ARE NOT AN EMPLOYEE OF INCOTERM COMPANY, YOU ARE NOT TO DISCLOSE THE CONTENTS OF THIS DOCUMENT TO ANY OTHER PERSON.			LOGIC DIAGRAM MEMORY LOGIC BANKS 10, 11, AND 12 -001				
DRAWN: _____ DATE: _____ CHECKED: _____ DATE: _____ ENGINEER: _____ DATE: _____ APPROVED: _____ DATE: _____ FIRST USE: _____			D 047-41-01 B SHEET 8 OF 18				



REVISION HISTORY			
REVISION	DESCRIPTION OF CHANGE	CHK	APP.

ITEM NO.	PART NUMBER	DESCRIPTION	101	102	103	104	105	106	107
			AS SHOWN QUANTITIES						
INCOTERM CORPORATION 6 STRATHMORE ROAD NATTICK, MASSACHUSETTS 01760			LOGIC DIAGRAM SENSE AMP & MUX LOGIC BANKS 0 & 1 -001						
<small>THIS DOCUMENT IS THE PROPERTY OF INCOTERM CORPORATION AND IS LOANED TO THE USER UNDER THE CONDITION THAT IT IS TO BE RETURNED TO THE COMPANY IN ORIGINAL OR REPRODUCED FORM. IT IS NOT TO BE REPRODUCED OR TRANSMITTED IN ANY FORM OR BY ANY MEANS, ELECTRONIC OR MECHANICAL, INCLUDING PHOTOCOPYING, RECORDING, OR BY ANY INFORMATION STORAGE AND RETRIEVAL SYSTEM, WITHOUT THE WRITTEN PERMISSION OF INCOTERM CORPORATION. ANY UNAUTHORIZED DISSEMINATION OF THIS INFORMATION IS PROHIBITED. THE INFORMATION OBTAINED FROM ANOTHER SOURCE.</small>			DRAWN: _____ DATE: _____ CHECKED: _____ DATE: _____ ESTIMATED: _____ DATE: _____ APPROVED: _____ DATE: _____ FIRST USED ON: _____						
			047-41-01		B		SMT. 9 OF 18		

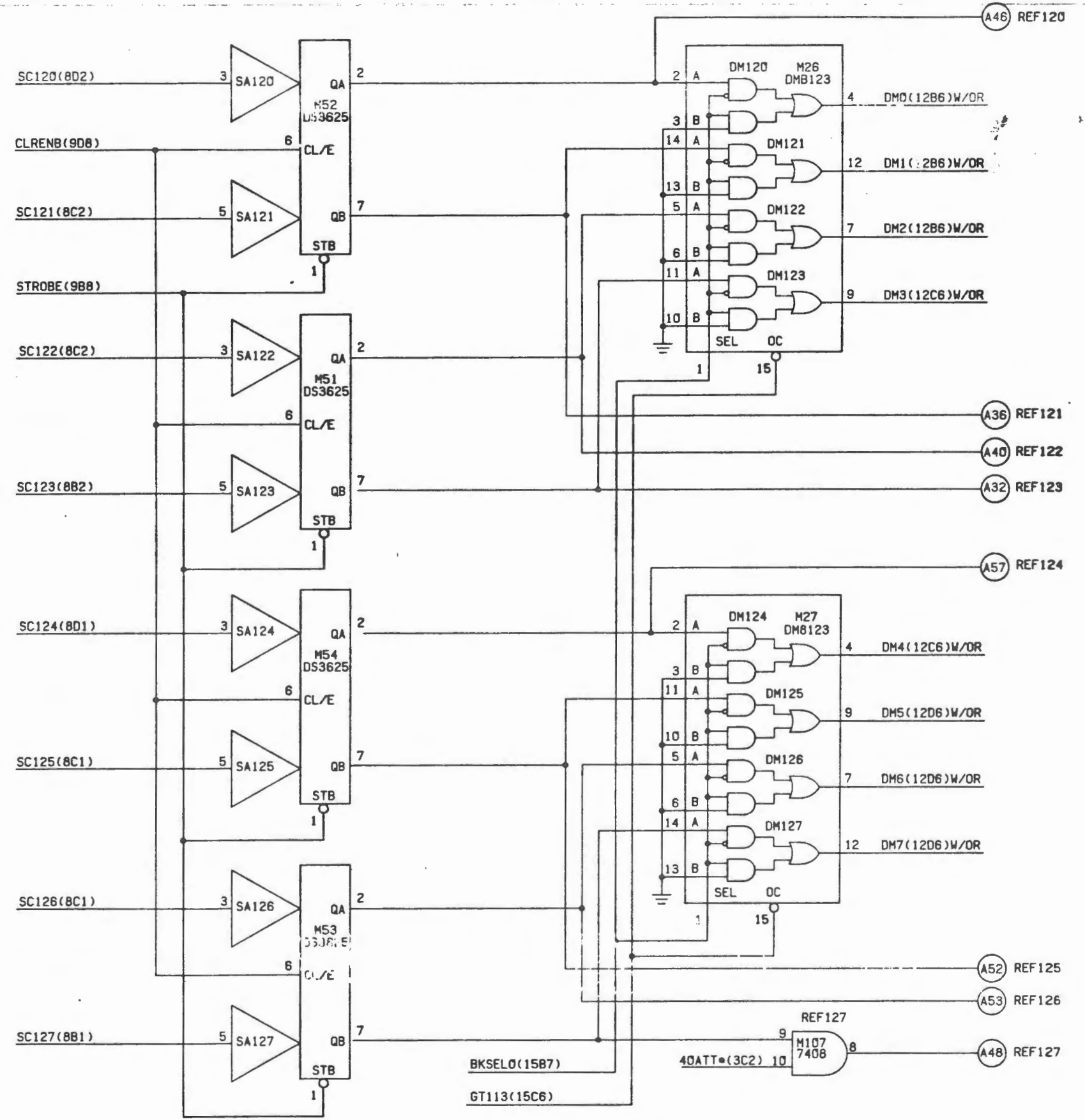
REVISION HISTORY			
REVISION	DESCRIPTION OF CHANGE	CHK	APPR.



ITER NO.	PART/REV. PT.	DESCRIPTION	701	702	703	704	705	706	707
INCOTERM			154 40 T.L. AMTITIES						
LOGIC DIAGRAM			SENSE AMP & MUX LOGIC						
BANKS 10 & 11			-001						
DESIGN	DATE	CHECKED	DATE	ENGINEER	DATE	APPROVED	DATE	FIRST USED ON	SCALE
UNLESS OTHERWISE SPECIFIED, DIMENSIONS ARE IN INCHES AND DECIMALS THEREAFTER ARE IN THIRDS OF AN INCH. DIMENSIONS IN PARENTHESES ARE IN MILLIMETERS. DIMENSIONS IN PARENTHESES ARE TO BE USED IN PREFERENCE TO DIMENSIONS IN INCHES. DIMENSIONS IN PARENTHESES ARE TO BE USED IN PREFERENCE TO DIMENSIONS IN INCHES. DIMENSIONS IN PARENTHESES ARE TO BE USED IN PREFERENCE TO DIMENSIONS IN INCHES.			LOGIC DIAGRAM						
SENSE AMP & MUX LOGIC			BANKS 10 & 11						
-001			047-41-01						
SCALE			SHEET 10 OF 18						

8 7 6 5 4 3 2 1

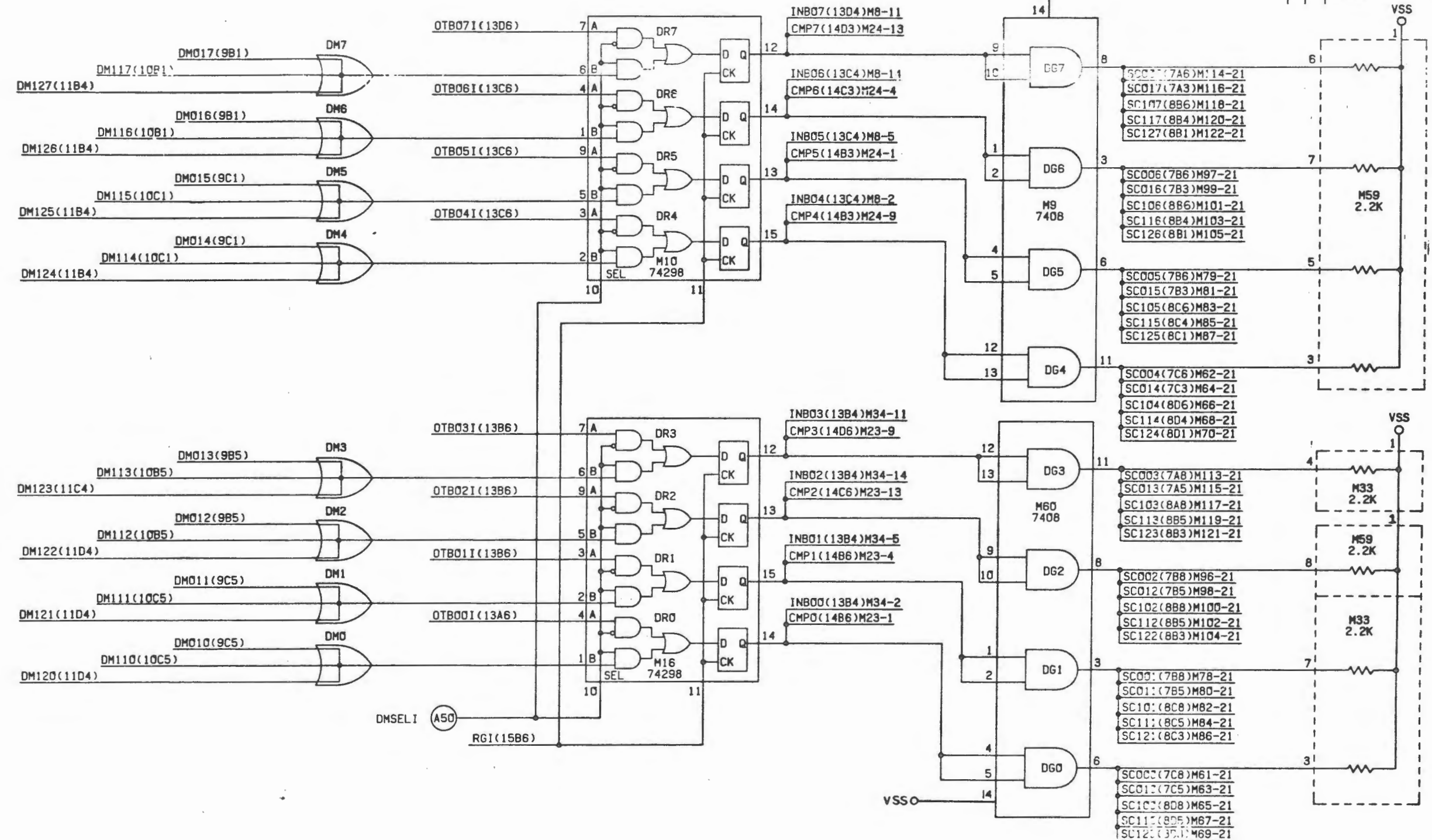
REVISION HISTORY			
REVISION	DESCRIPTION OF CHANGE	CHK	APP.



ITEM NO.	1417751-10	DESCRIPTION	701 702 703 704 705 706 707
APPROVAL QUANTITIES		6 STRATHMORE ROAD NATICK, MASSACHUSETTS 01780	
THIS DOCUMENT IS THE PROPERTY OF INCOTERM CORPORATION AND IS LOANED TO YOUR ORGANIZATION. IT IS TO BE RETURNED TO THE SOURCE OF ORIGIN. IT IS NOT TO BE REPRODUCED, COPIED, OR TRANSMITTED IN ANY FORM OR BY ANY MEANS, ELECTRONIC OR MECHANICAL, INCLUDING PHOTOCOPYING, RECORDING, OR BY ANY INFORMATION STORAGE AND RETRIEVAL SYSTEM.		INCOTERM CORPORATION TITLE: LOGIC DIAGRAM SENSE AMP & MUX LOGIC BANK 12-001	
DRAWN	DATE	CHECKED	DATE
ENGINEER	DATE	APPROVED	DATE
FIRST USED ON	SCALE	SHEET 11 OF 18	

8 7 6 5 4 3 2 1

REVISION HISTORY			
REVISION	DESCRIPTION OF CHANGE	CHK	APP.



ITEM NO.	QUANTITY	DESCRIPTION	701	702	703	704	705	706	707

INCOTERM CORPORATION
6 STRATHMORE ROAD
MATTUCK, MASSACHUSETTS 01760

LOGIC DIAGRAM
DATA REGISTER
& BUFFER GATES -001

DRAWN	DATE	SIZE	
CHECKED	DATE		
ENGINEER	DATE		
APPROVED	DATE		

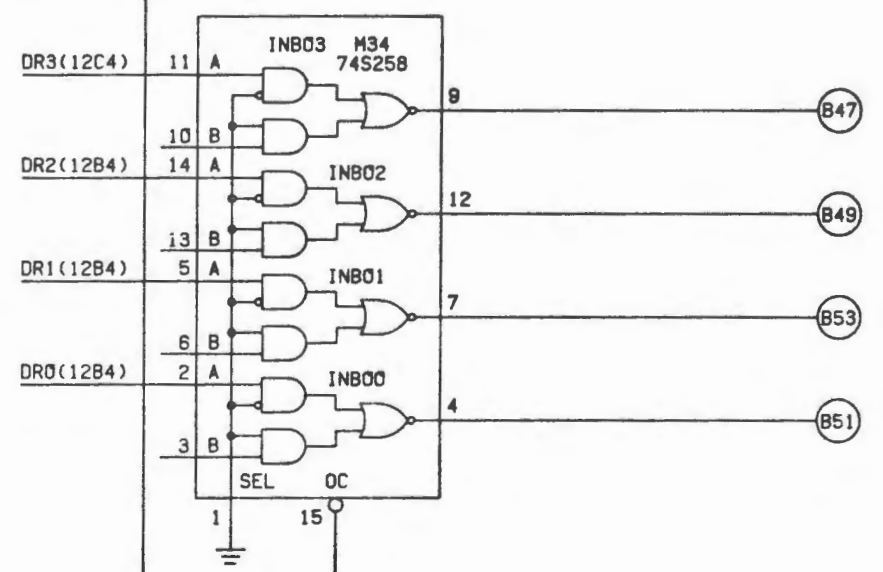
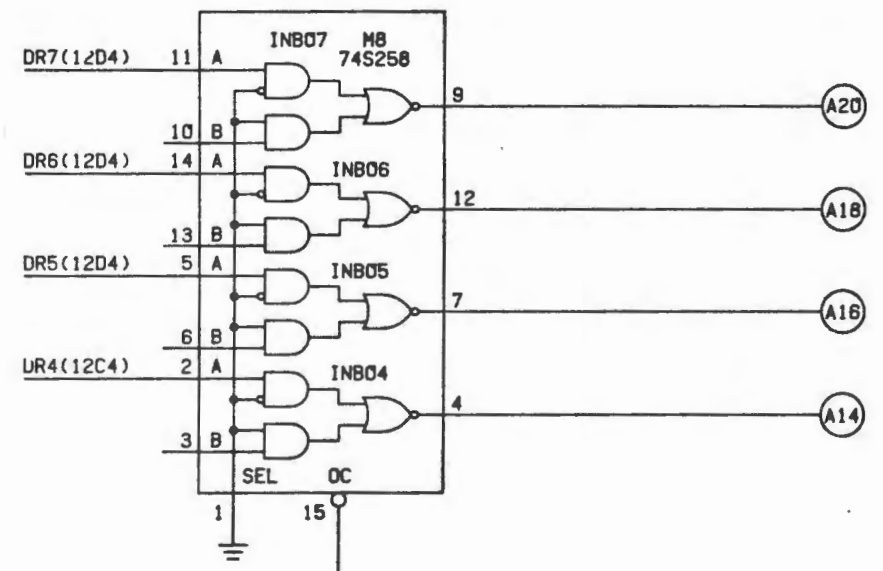
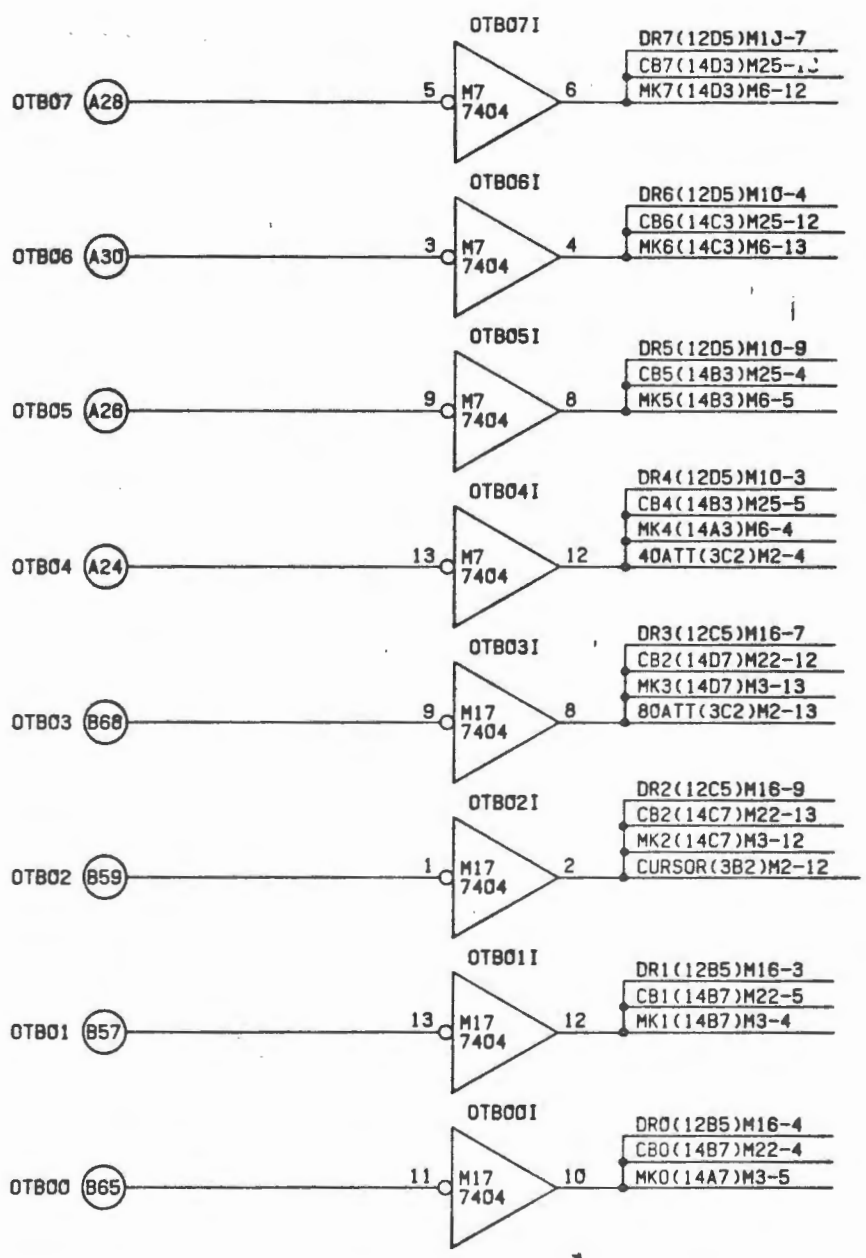
047-41-01 B

FIRST USED ON:

SCALE:

SHT. 12 OF 16

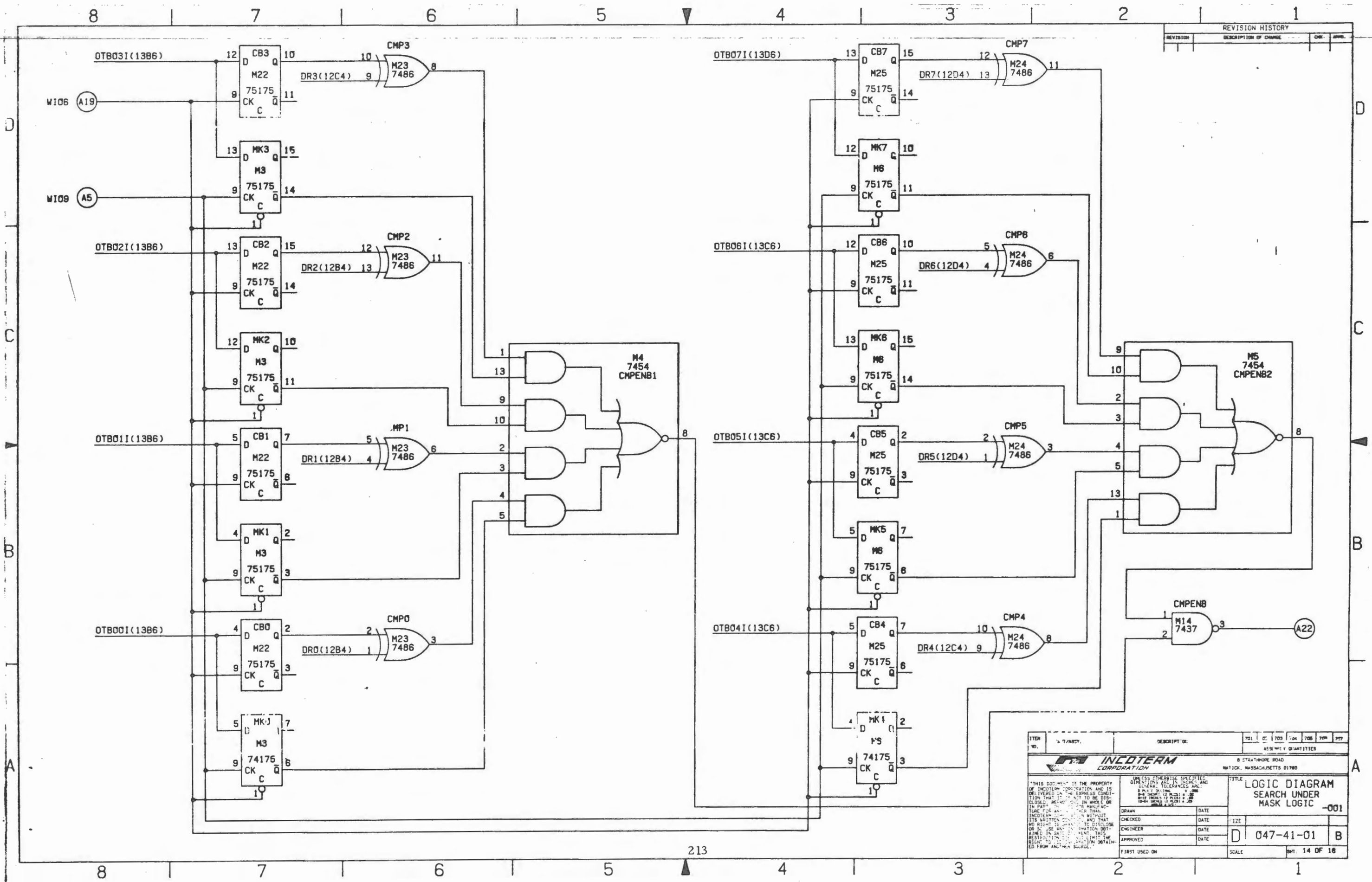
REVISION HISTORY			
REVISION	DESCRIPTION OF CHANGE	CHK	APPD.



RDDAT (B55)

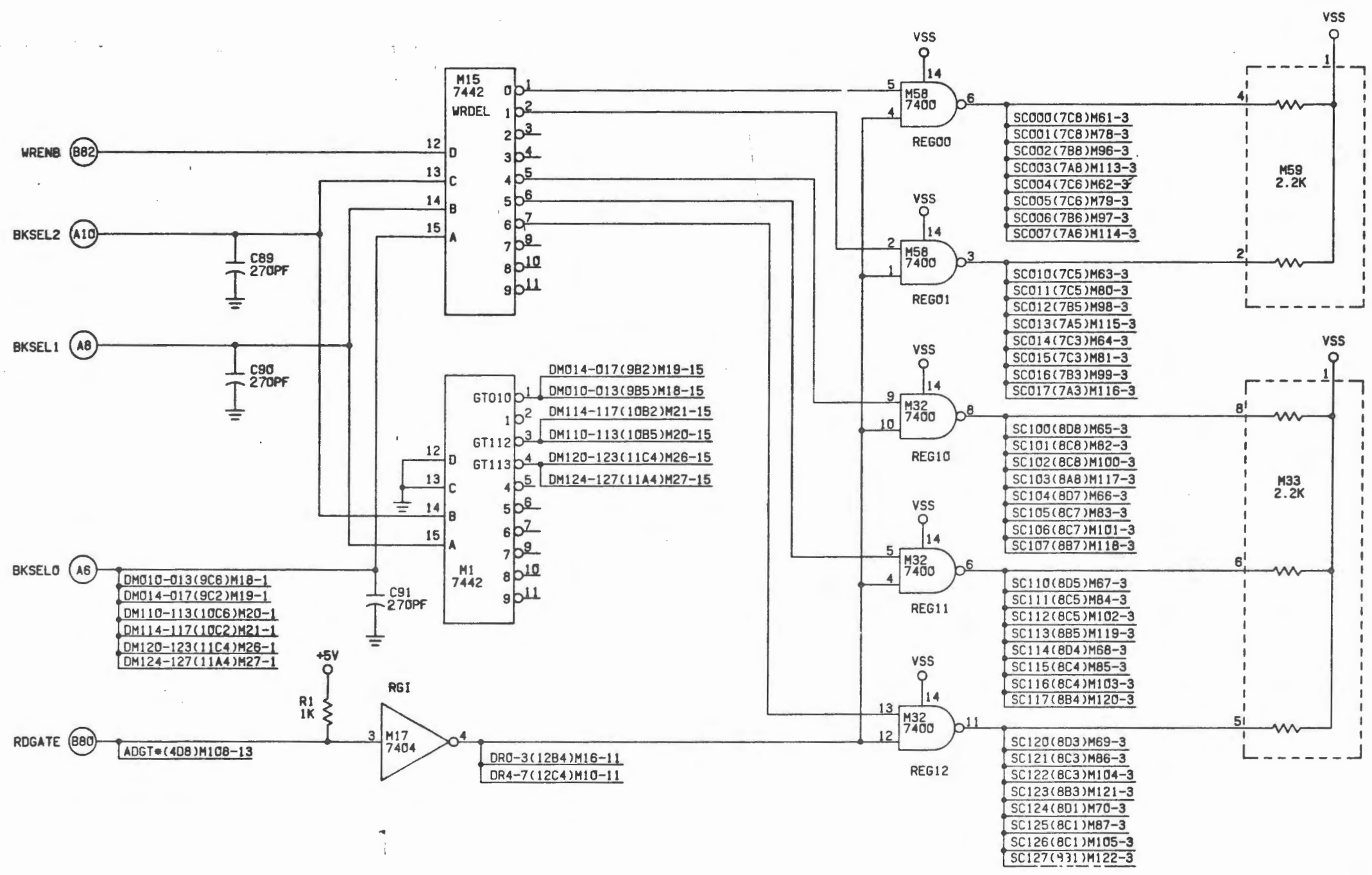
ITEM NO.	REV. NO.	DESCRIPTION	701	702	703	704	705	706	707
INCOTERM CORPORATION			8 STRATHMORE ROAD MATTOK, MASSACHUSETTS 01700						
<small>*THIS DOCUMENT IS THE PROPERTY OF INCOTERM CORPORATION AND IS LOANED TO THE USER ON THE CONDITION THAT IT IS NOT TO BE DISCLOSED, REPRODUCED, IN WHOLE OR IN PART, OR BY ANY MEANS, WITHOUT THE WRITTEN PERMISSION OF INCOTERM CORPORATION. NO RIGHT IS GRANTED TO DISCLOSE OR TO USE ANY INFORMATION OBTAINED IN THIS DOCUMENT. THIS PERMISSION IS LIMITED TO THE RIGHT TO USE INFORMATION OBTAINED FROM ANOTHER SOURCE.</small>			<small>IN PREVIOUS EDITIONS:</small> DIMEN. (IN INCHES AND DECIMALS) - 1/8" X 11" X 1/4" PAPER - 100% RECYCLED PRINTING - 100% RECYCLED INK - 100% RECYCLED		TITLE LOGIC DIAGRAM OTB & INB BUFFER GATES -001				
ENGINEER	DATE	SIZE	D		047-41-01		B		
CHECKED	DATE	SCALE	SHT. 13 OF 16						

REVISION HISTORY			
REVISION	DESCRIPTION OF CHANGE	CHK.	APPR.



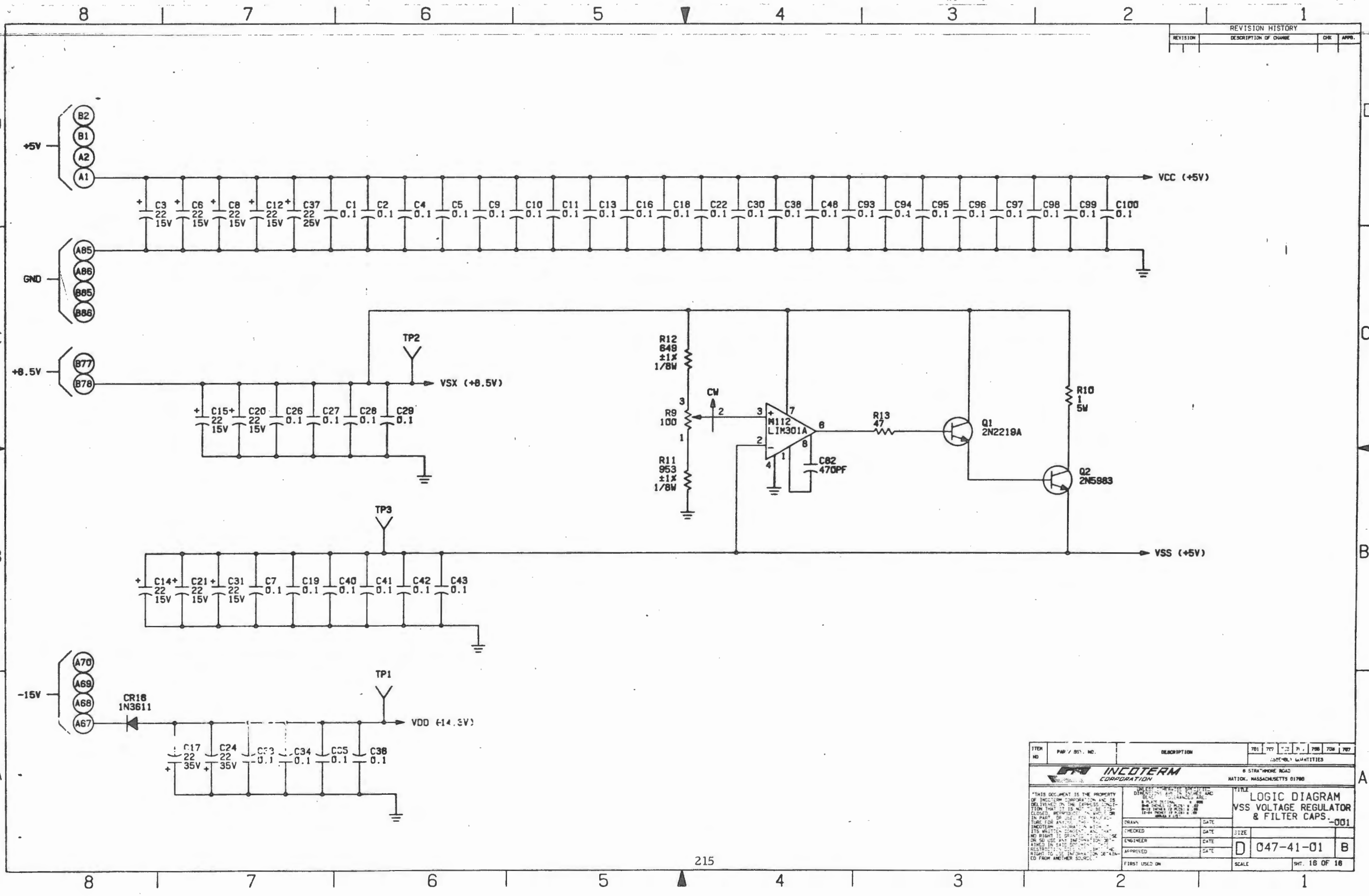
ITEM NO.	QTY/ASSEMBLY	DESCRIPTION	701	702	703	704	705	706	707	708	709	710			
<p>INCOTERM CORPORATION 8 STRATHMORE ROAD MATINEK, MASSACHUSETTS 01960</p>															
<p>THIS DOCUMENT IS THE PROPERTY OF INCOTERM CORPORATION AND IS LOANED TO YOU UNDER THE EXPRESS CONDITION THAT IT IS NOT TO BE DISCLOSED, REPRODUCED, COPIED, OR IN ANY MANNER USED FOR ANY PURPOSE OTHER THAN THAT FOR WHICH IT WAS LOANED TO YOU WITHOUT THE WRITTEN CONSENT OF INCOTERM CORPORATION. IT IS THE POLICY OF INCOTERM CORPORATION TO DISCLOSE OR TO USE ANY INFORMATION OBTAINED IN ANY MANNER FROM THIS DOCUMENT IN ANY MANNER THAT MAY BE DETERMINED TO BE IN THE BEST INTERESTS OF INCOTERM CORPORATION OR ITS AFFILIATES.</p>															
DRAWN		DATE		CHECKED		DATE		ENGINEER		DATE		APPROVED		DATE	
FIRST USED ON		SCALE		TITL		SIZE		D		047-41-01		B		SMT. 14 OF 18	

REVISION HISTORY			
REVISION	DESCRIPTION OF CHANGE	CHK	APPD.



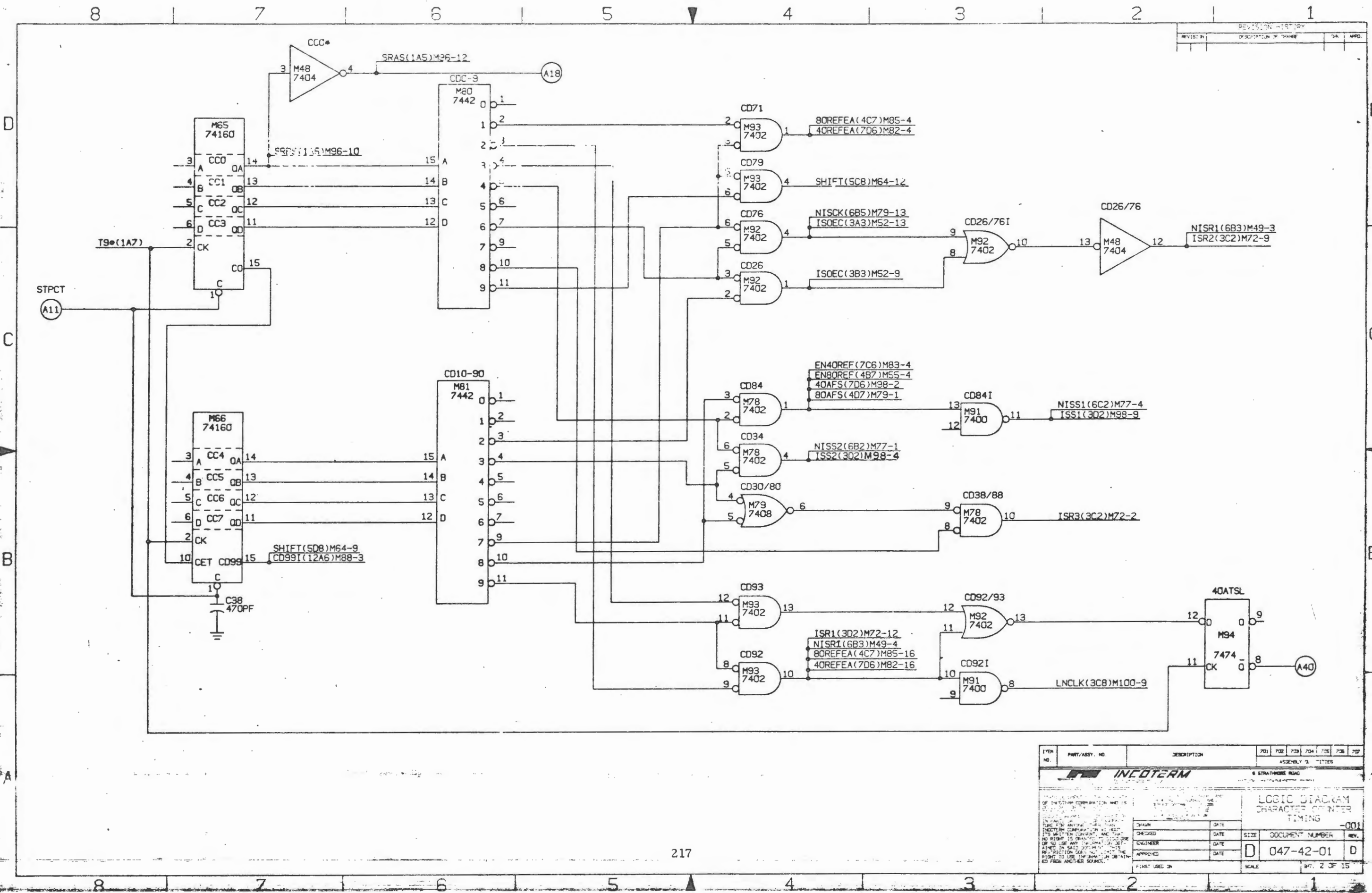
ITER NO.	PART ASSEMBLY ID.	DESCRIPTION	701	702	703	704	705	706	707
<p>INCOTERM CORPORATION 8 STRATHMORE ROAD NATICK, MASSACHUSETTS 01780</p>									
<p>THIS DOCUMENT IS THE PROPERTY OF INCOTERM CORPORATION AND IS TO BE RETURNED TO THE COMPANY IF IT IS LOANED, REPRODUCED, COPIED, OR IN ANY MANNER DISCLOSED TO ANY OTHER PERSON WITHOUT THE WRITTEN CONSENT OF INCOTERM CORPORATION. ANY USE OF THIS DOCUMENT WITHOUT THE WRITTEN CONSENT OF INCOTERM CORPORATION IS PROHIBITED. THIS DOCUMENT IS NOT TO BE REPRODUCED OR TRANSMITTED IN ANY FORM OR BY ANY MEANS, ELECTRONIC OR MECHANICAL, INCLUDING PHOTOCOPYING, RECORDING, OR BY ANY INFORMATION STORAGE AND RETRIEVAL SYSTEM.</p>									
DRAWN		DATE	CHECKED		DATE	SIZE	<p>LOGIC DIAGRAM BANK SELECT DECODE LOGIC -001</p>		
ENGINEER		DATE	APPROVED		DATE	<p>D 047-41-01</p>		B	
FIRST USED ON		SCALE	<p>SH. 15 OF 18</p>						

REVISION HISTORY			
REVISION	DESCRIPTION OF CHANGE	CHK	APPD.



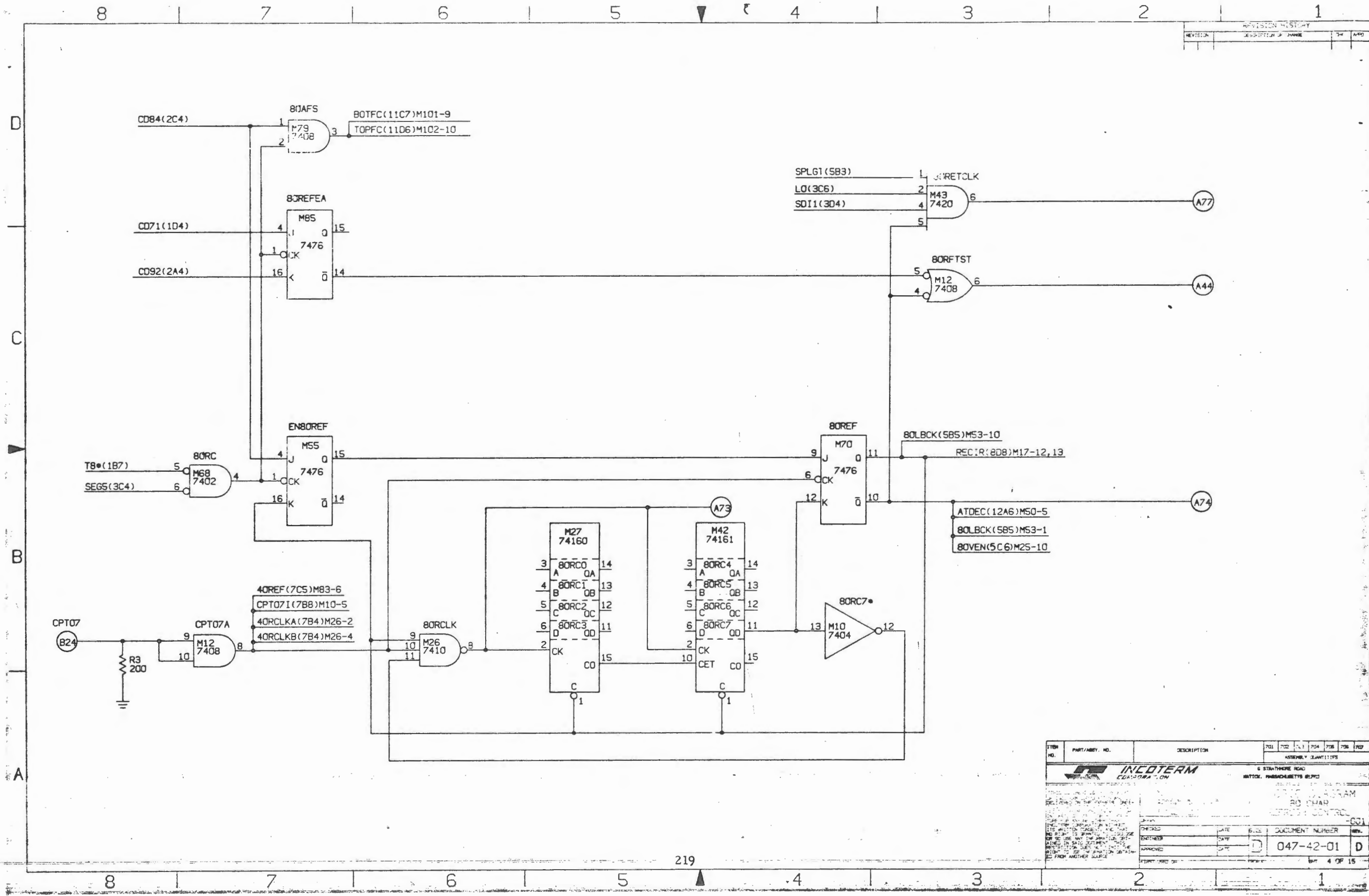
ITEM NO.	PAR / SYL. NO.	DESCRIPTION	701	702	703	704	705
INCOTERM CORPORATION		6 STRAWHORN ROAD NATICK, MASSACHUSETTS 01700					
<small>THIS DOCUMENT IS THE PROPERTY OF INCOTERM CORPORATION AND IS LOANED TO YOU IN THE EXPRESS UNDERSTANDING THAT IT IS NOT TO BE REPRODUCED, COPIED, REPRODUCED, OR TRANSMITTED IN ANY FORM OR BY ANY MEANS, ELECTRONIC OR MECHANICAL, INCLUDING PHOTOCOPYING, RECORDING, OR BY ANY INFORMATION STORAGE AND RETRIEVAL SYSTEM, WITHOUT THE WRITTEN PERMISSION OF INCOTERM CORPORATION.</small>		<small>UNLESS OTHERWISE SPECIFIED, DIMENSIONS ARE IN INCHES AND DECIMALS THEREOF UNLESS OTHERWISE SPECIFIED.</small>		TITLE LOGIC DIAGRAM VSS VOLTAGE REGULATOR & FILTER CAPS -001		SCALE SH. 16 OF 16	
DESIGNED	DATE	CHECKED	DATE	SIZE	D		047-41-01
ENGINEER	DATE	APPROVED	DATE	B		B	
FIRST USED ON	SCALE						

REVISION HISTORY			
REV. NO.	DESCRIPTION OF CHANGE	DATE	APPD.

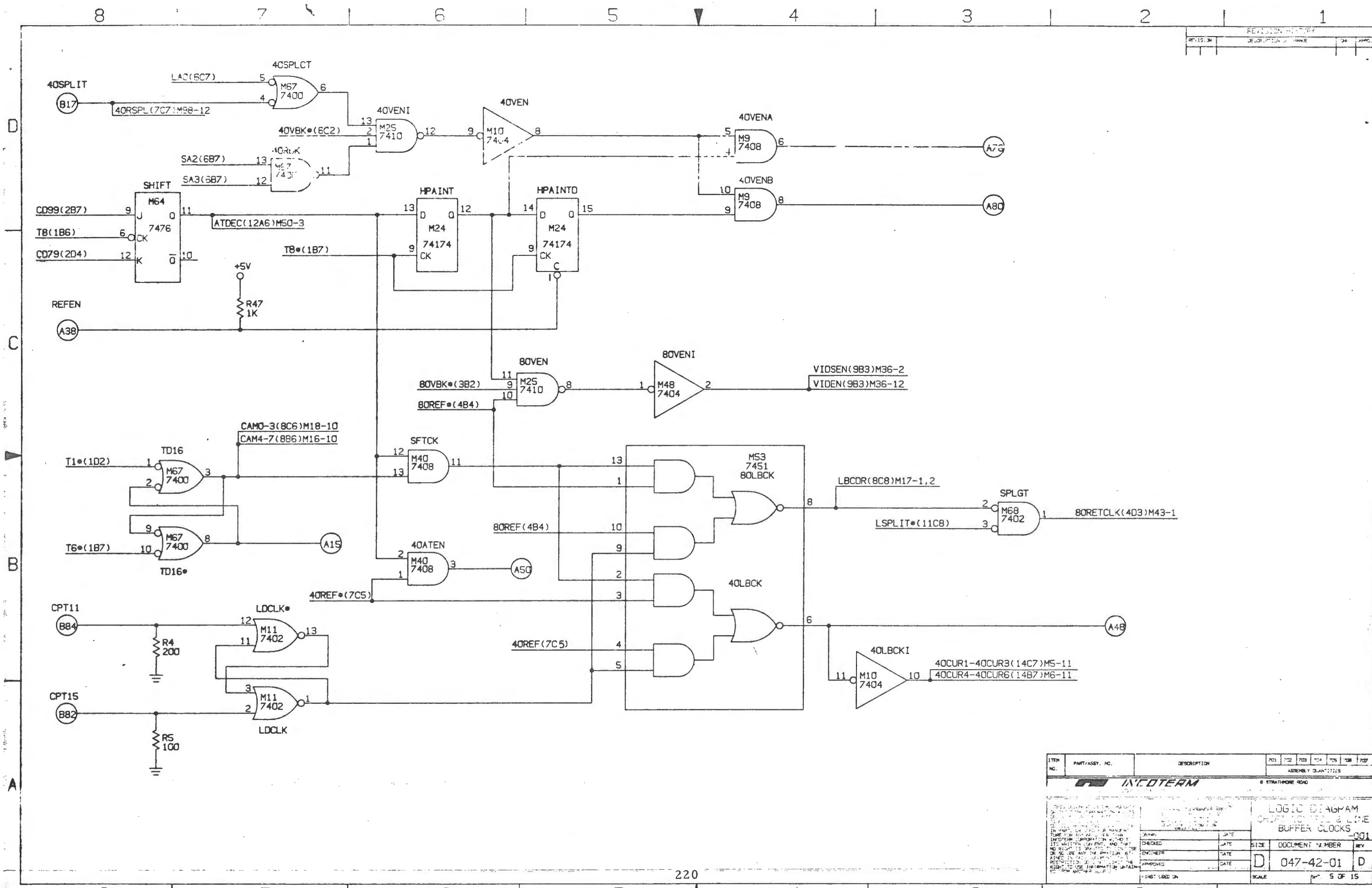


ITEM NO.	PART/ASST. NO.	DESCRIPTION	701	702	703	704	705	706	707
INCOTERM 6 STRATHMORE ROAD									
LOGIC DIAGRAM CHARACTER COUNTER TIMING									
DESIGNED BY	DATE	SIZE	DOCUMENT NUMBER	REV.					
CHECKED	DATE								
ENGINEER	DATE								
APPROVED	DATE								
FIRST USED IN	SCALE	REV. 2 OF 15							

REVISION HISTORY			
REVISION	DESCRIPTION OF CHANGE	BY	APP



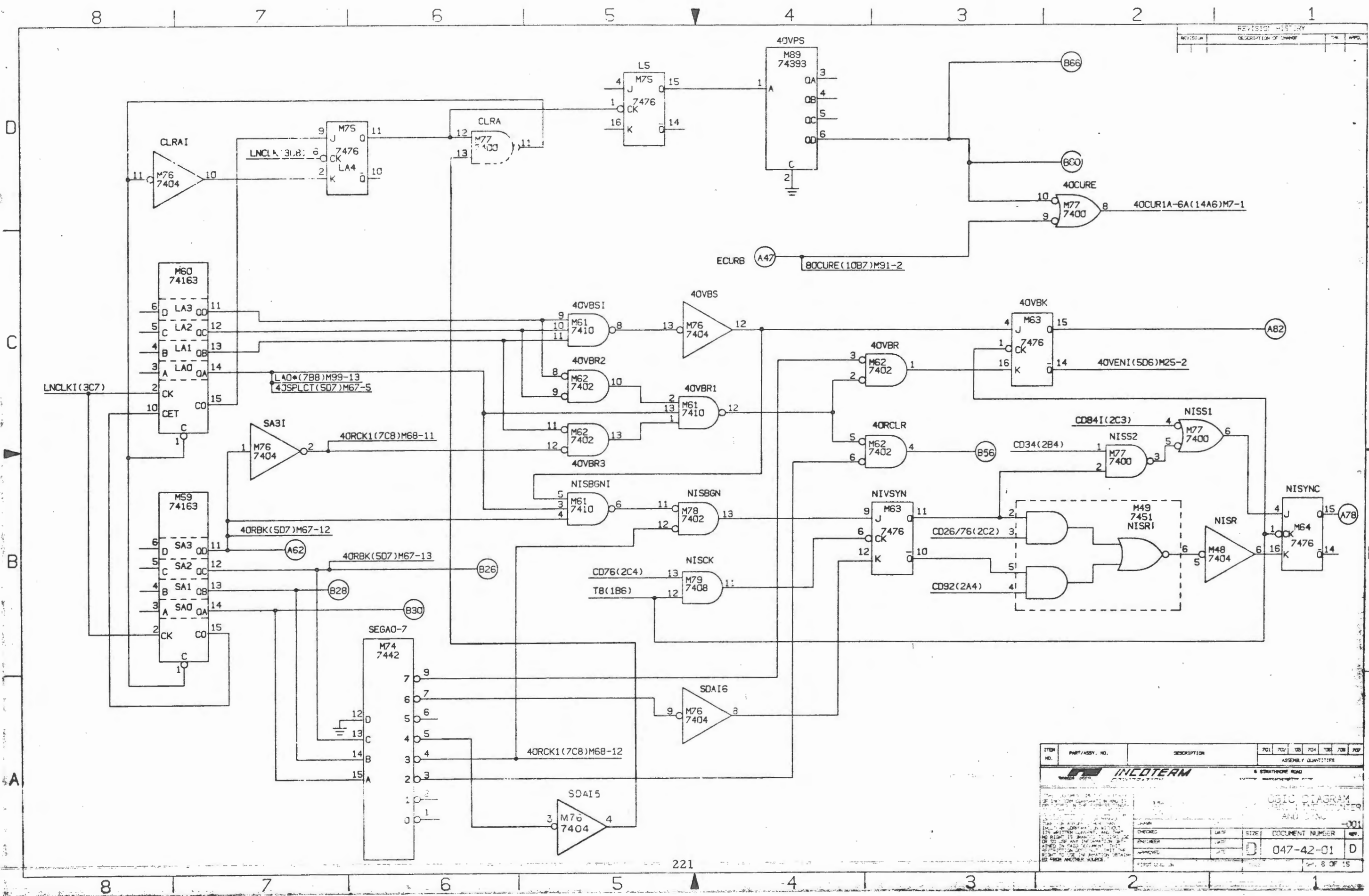
ITEM NO.	PART/ASSEMBLY NO.	DESCRIPTION	701	702	703	704	705	706	707
6 STRATHMORE ROAD BATHON, MASSACHUSETTS 01903									
CONTROL PROGRAM RD QUAD CONTROL CONTROL									
-001									
DESIGNED	DATE	BY	DOCUMENT NUMBER		REV.				
ENTRER	DATE		047-42-01		D				
APPROVED	DATE								
START HERE ON THE LEFT SIDE OF THE SHEET.									



REVISION HISTORY			
REV. NO.	DESCRIPTION	DATE	APP.

ITEM NO.	PART/ASSEMBLY NO.	DESCRIPTION	701	702	703	704	705	706	707
INCO TERM									
8 STRATHMORE ROAD									
LOGIC DIAGRAM									
PRINTED CIRCUIT BOARD									
BUFFER CLOCKS									
DESIGNED BY	DATE	CHECKED	DATE	SIZE	DOCUMENT NUMBER	REV			
ENGINEER	DATE	APPROVED	DATE	D	047-42-01	D			
SCALE 5 OF 15									

REVISION HISTORY			
REV. NO.	DESCRIPTION OF CHANGE	BY	DATE



STEP NO.	PART/ASSY. NO.	DESCRIPTION	701	702	703	704	705	706	707

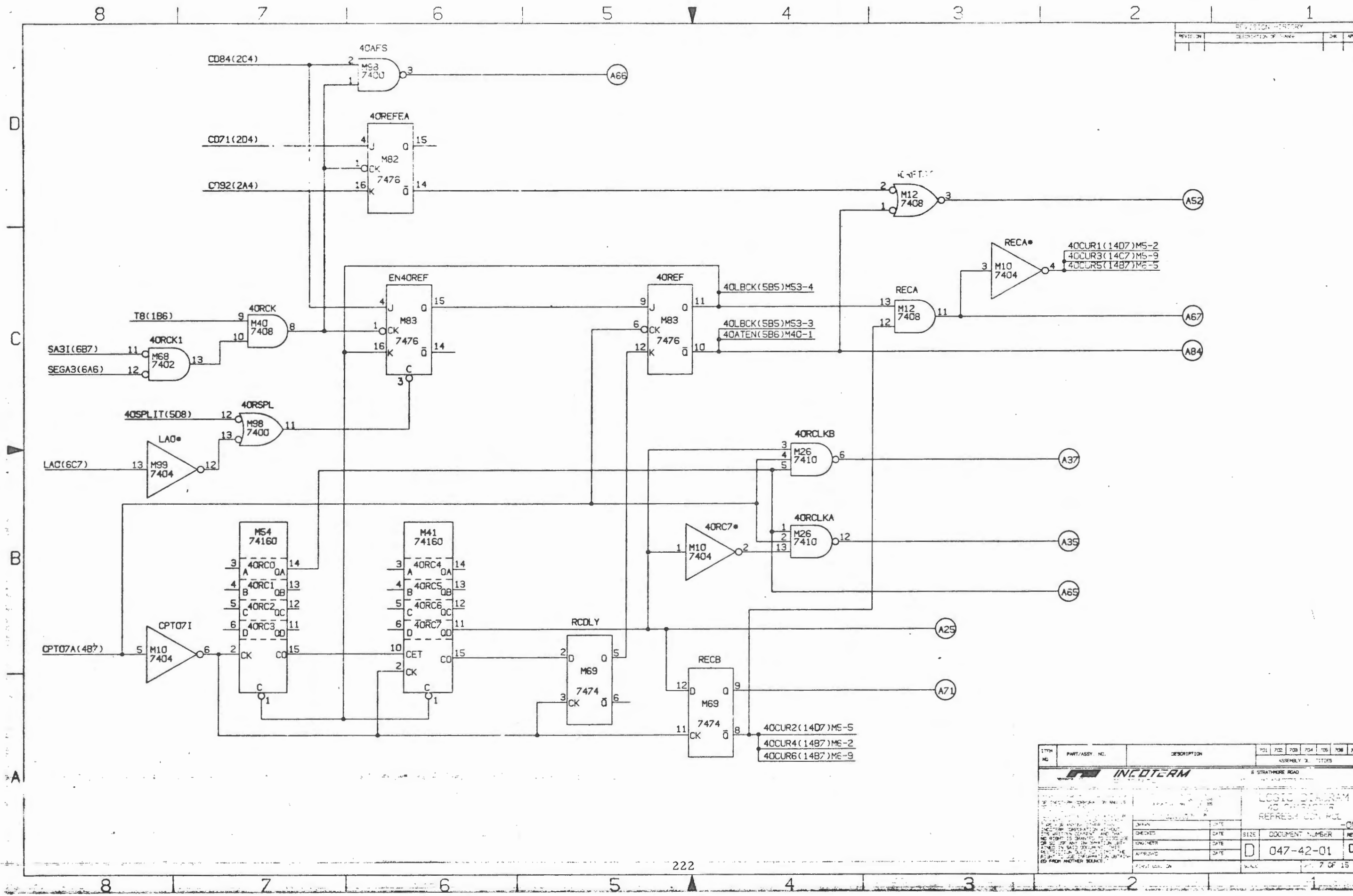
INCOTERM
6 STRATHMORE ROAD
MILTON KEYNES MK11 1AA

LOGIC DIAGRAM
AND GATE

001

CHECKED: DATE: SIZE: DOCUMENT NUMBER: REV.
ENGINEER: DATE: 047-42-01 D
APPROVE: DATE: 1st. 8 OF 15

REVISION HISTORY			
REV. NO.	DESCRIPTION OF CHANGE	CHK.	APPD.



ITEM NO.	PART/ASSY. NO.	DESCRIPTION	QTY	UNIT	REV.

INCOTERM
STRATHMORE ROAD

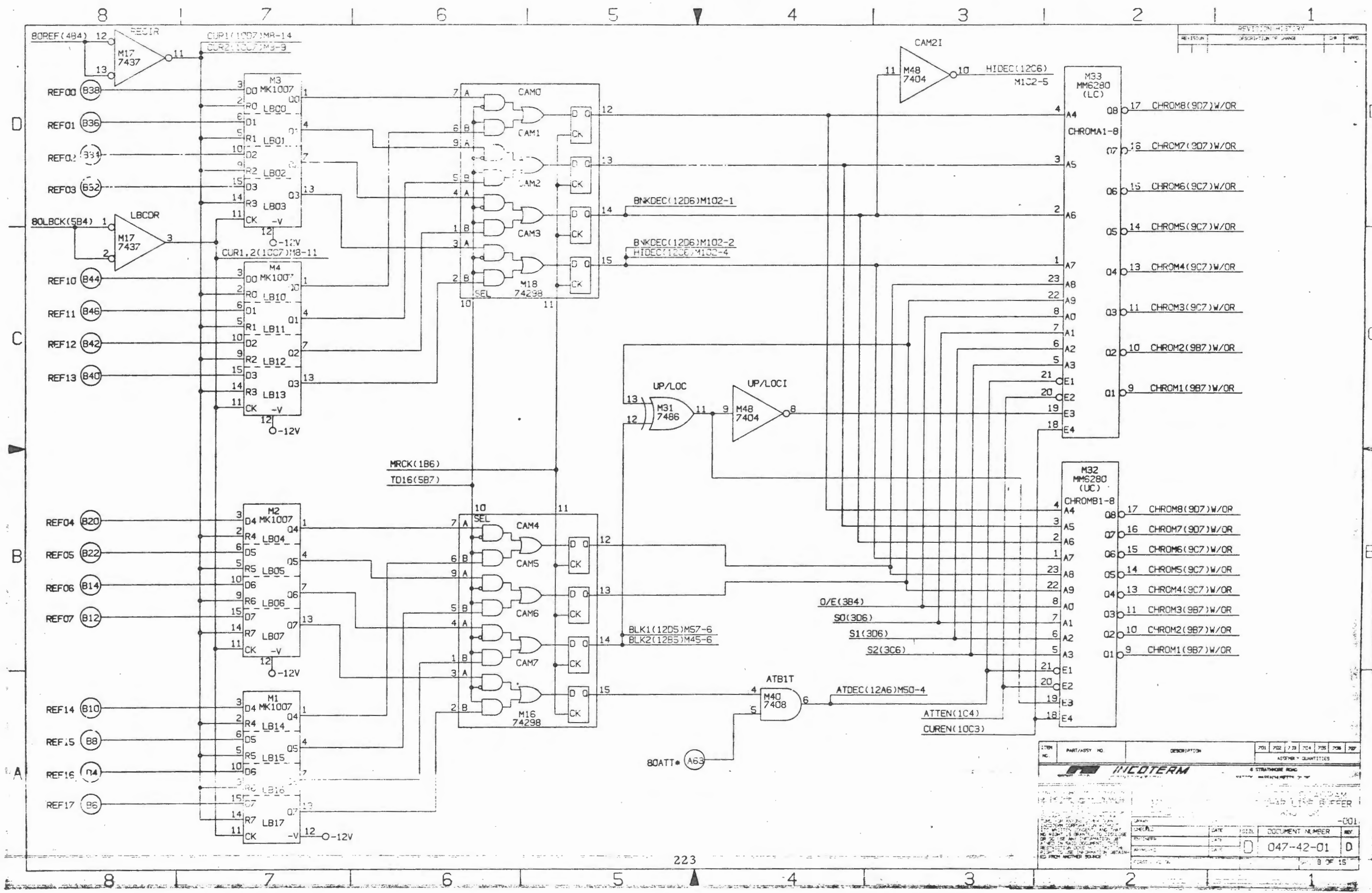
LOGIC DIAGRAM
40 CHIPS
REFRESH CONTROL

DESIGNED BY	DATE	SIZE	DOCUMENT NUMBER	REV.
CHECKED BY	DATE			
ENGINEER	DATE			
APPROVED	DATE			

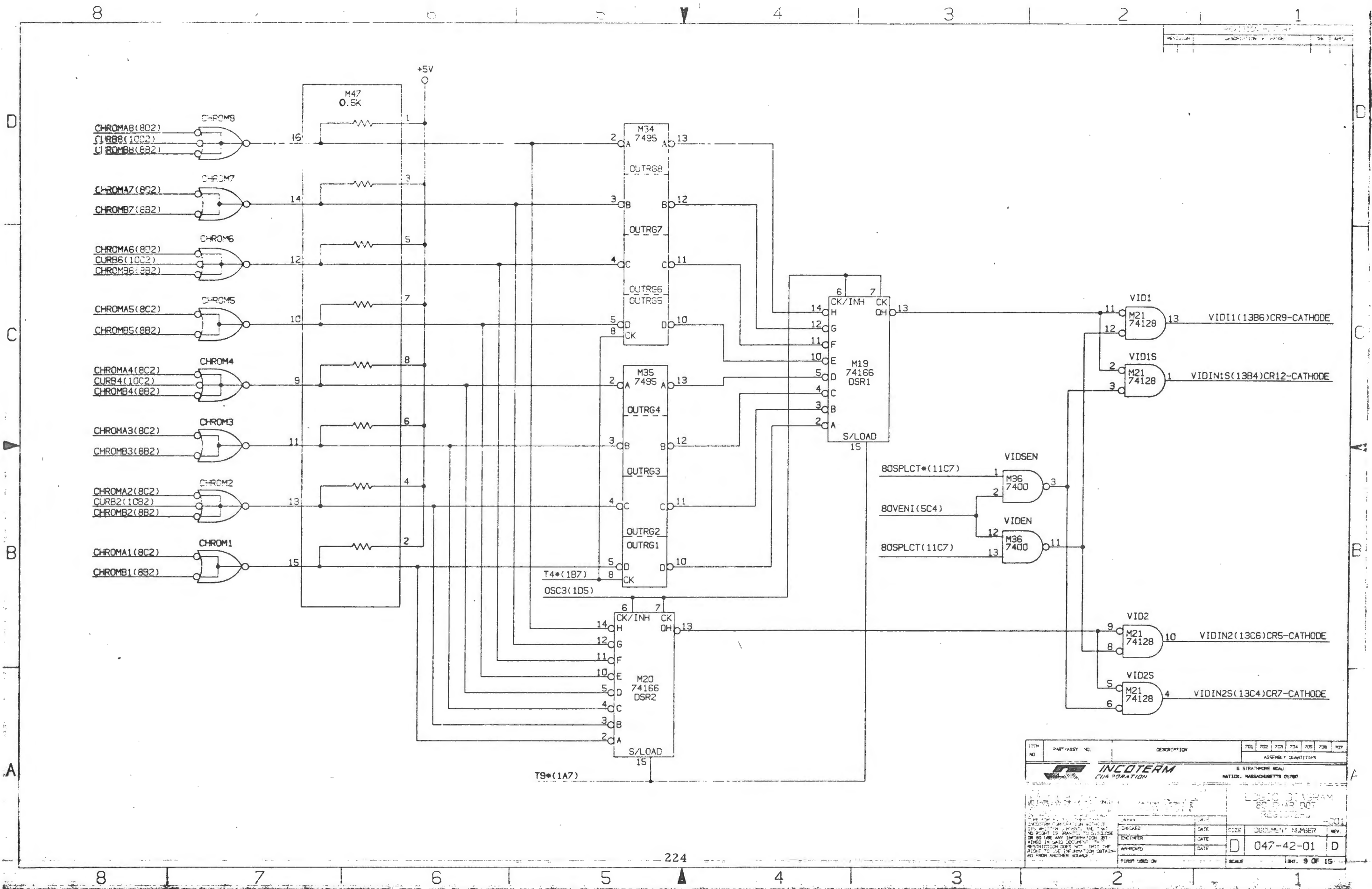
047-42-01 D

PAGE 7 OF 15

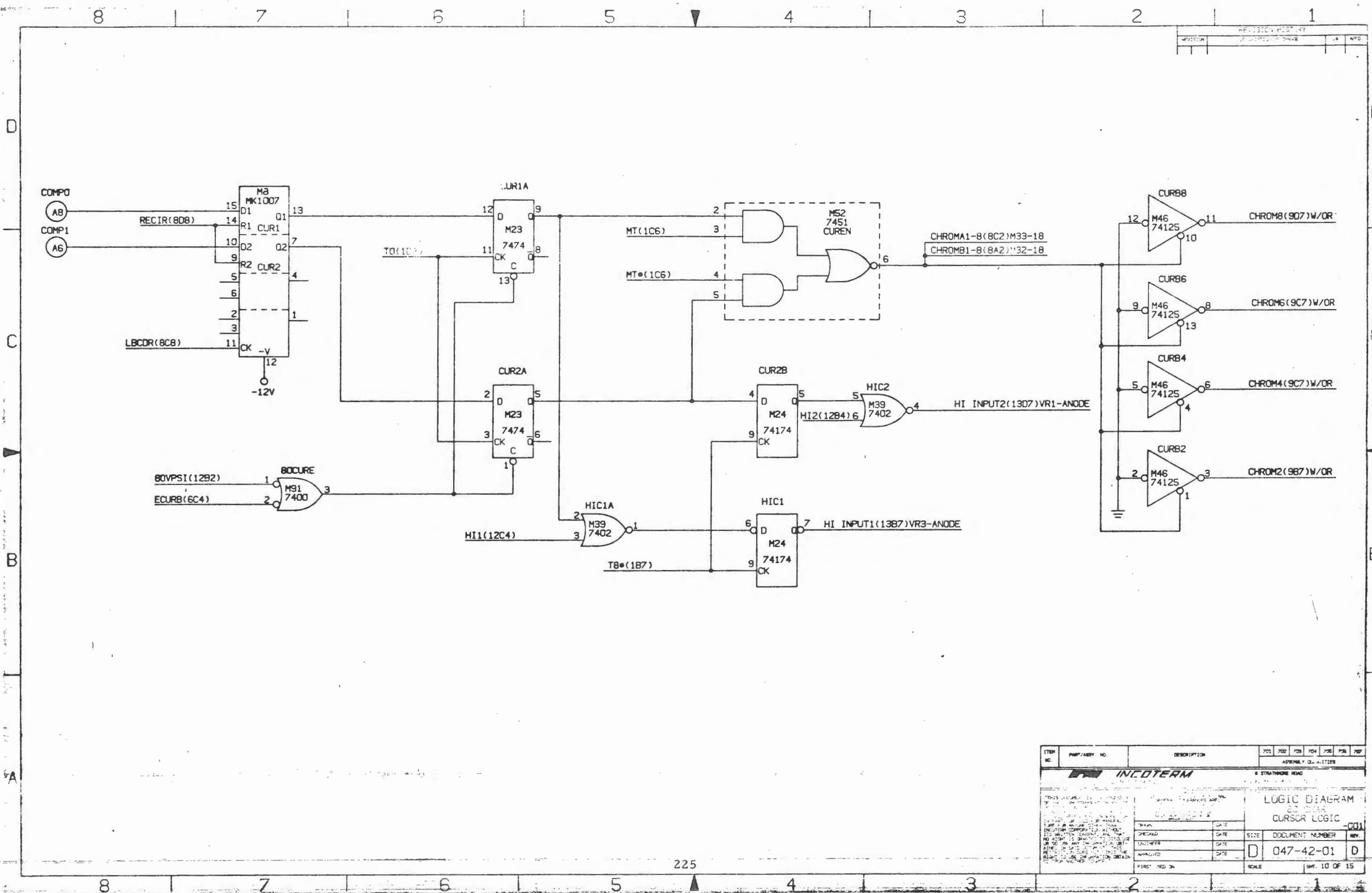
REVISION HISTORY			
REV.	DESCRIPTION OF CHANGE	DATE	APPD.



ITEM NO.	PART/ASSY. NO.	DESCRIPTION	701	702	703	704	705	706	707
INCOTERM									
6 STRATHMORE ROAD									
SINGAPORE									
TELEPHONE: 338 8888									
FAX: 338 8888									
E-MAIL: SALES@INCOTERM.COM									
WWW.INCOTERM.COM									
DATE	ISSUE	DOCUMENT NUMBER	REV.						
		047-42-01	D						
PAGE 9 OF 15									



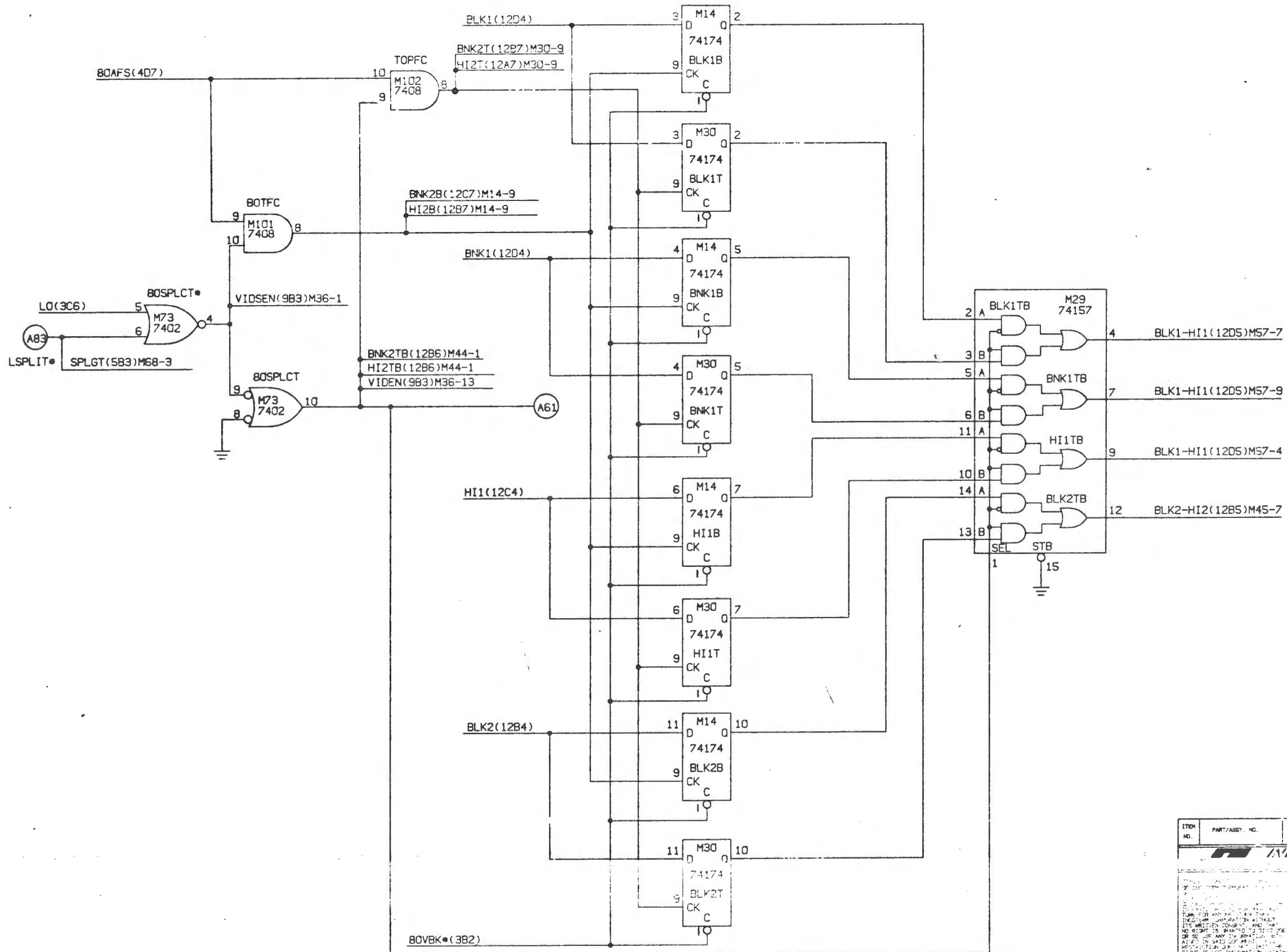
ITEM NO.	PART/ASSY. NO.	DESCRIPTION	701	702	703	704	705	706	707
			ASSEMBLY QUANTITIES						
 INCOTERM CORPORATION 6 STRATHMORE ROAD NATICK, MASSACHUSETTS 01760									
LOGIC DIAGRAM 80 CHANNEL REGISTER									
DATE	DATE	DATE	DATE	DATE	DATE	DATE	DATE	DATE	DATE
DESIGNED	ENGINEER	APPROVED	DATE	DATE	DATE	DATE	DATE	DATE	DATE
FIRST LABEL ON			SCALE			REV. 9 OF 15			



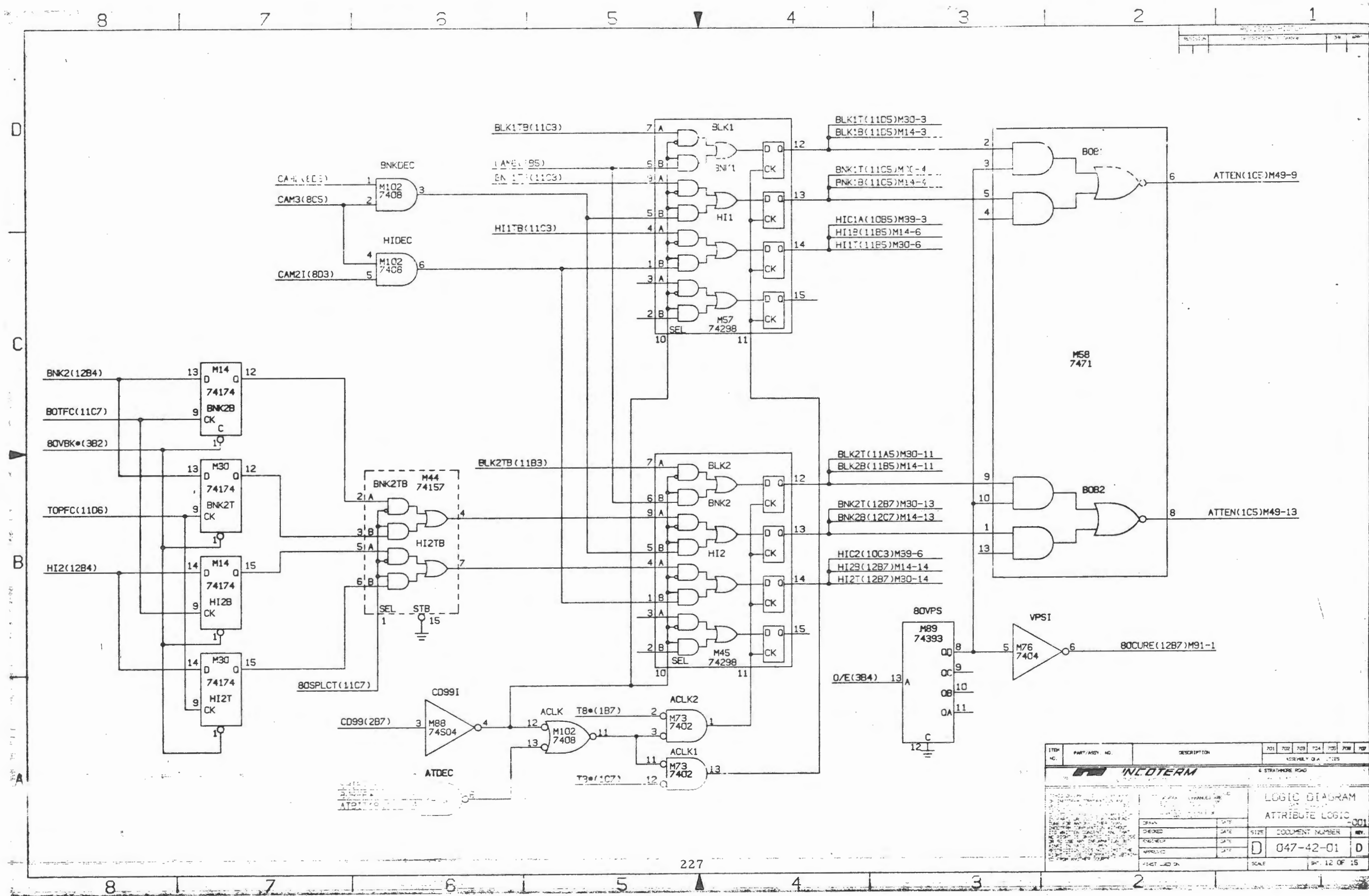
REVISION	DATE	BY	APP'D

ITER NO.	PART/ASSY. NO.	DESCRIPTION	701	702	703	704	705	706	707
INCOTERM									
8 STRATHMORE ROAD									
LOGIC DIAGRAM									
CURSOR LOGIC									
-001									
CHECKED	DATE	SIZE	DOCUMENT NUMBER	REV.					
			047-42-01	D					
APPROVED	DATE	SCALE	SHT. 10 OF 15						

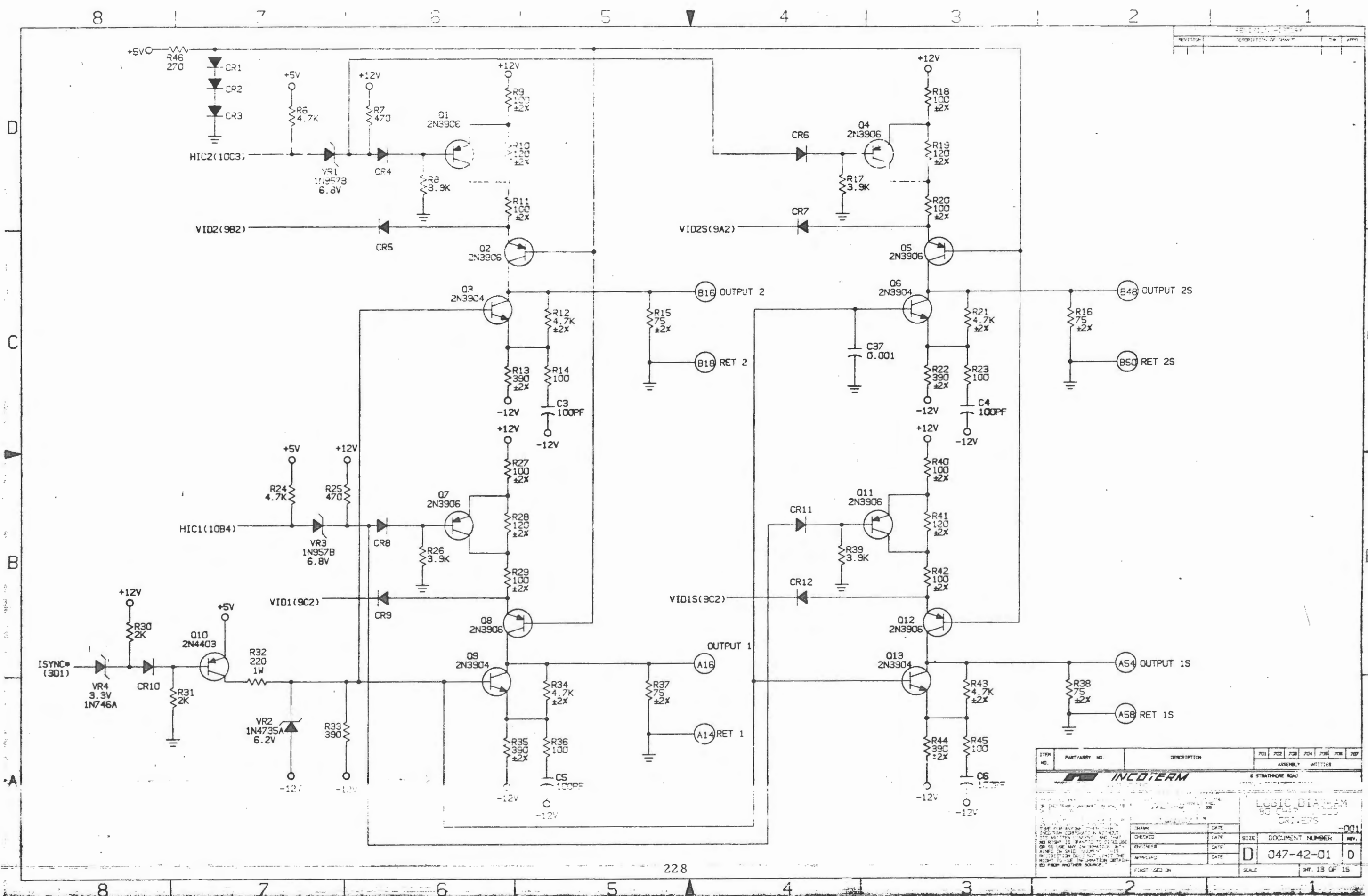
REV. NO.	DESCRIPTION OF CHANGE	DATE	BY	APP.



ITEM NO.	PART/ASSY. NO.	DESCRIPTION	701	702	703	704	705	706	707
INCOTERM 6 STRATHMORE ROAD			LOGIC DIAGRAM ATTRIBUTE LOGIC						
ENGINEERED BY: _____ DATE: _____ CHECKED BY: _____ DATE: _____ APPROVED BY: _____ DATE: _____			SIZE: D	DOCUMENT NUMBER: 047-42-C1	REV: D	SCALE: _____ OF 15			



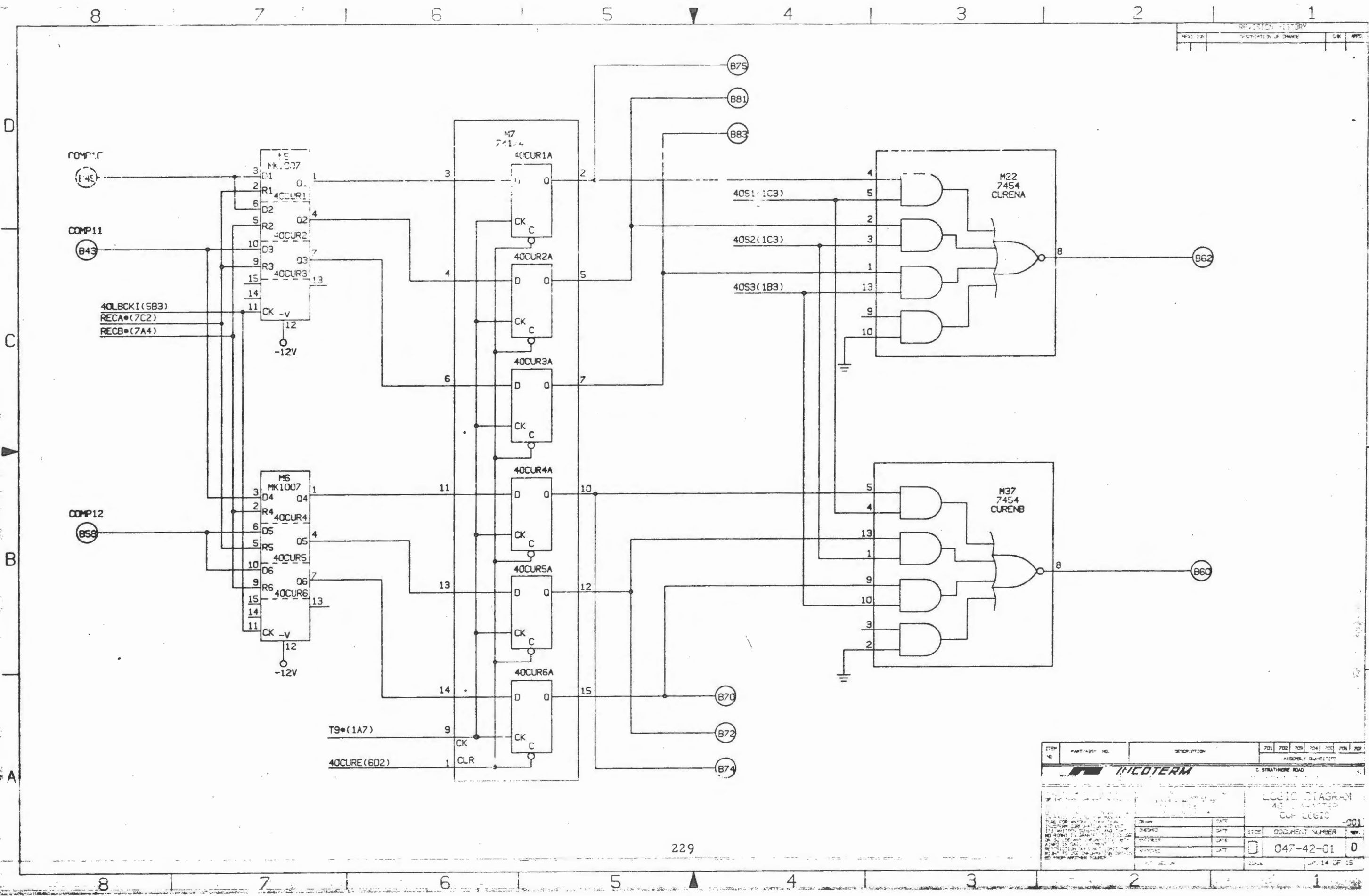
ITEM NO.	PART/ASSEMBLY NO.	DESCRIPTION	QTY	REV
		LOGIC DIAGRAM		
		ATTRIBUTE LOGIC		
CHECKED	DATE	SIZE	DOCUMENT NUMBER	REV.
DESIGNED	DATE		047-42-01	D
APPROVED	DATE			
FIRST USED ON		SCALE		SHEET 12 OF 15



REV	DESCRIPTION	DATE	BY	APP'D
1				

ITEM NO.	PART/ASSEMBLY NO.	DESCRIPTION	701	702	703	704	705	706	707
			ASSEMBLY WRITERS						
			6 STRATHMORE ROAD						
			LOGIC DIAGRAM						
			DRIVERS						
			-001						
CHECKED	DATE	SIZE	DOCUMENT NUMBER	REV.					
BY/OWNER	DATE	D	047-42-01	0					
APPROVED	DATE								
FIRST USED IN	SCALE								

REVISION HISTORY			
REV. NO.	DESCRIPTION	BY	DATE



STEP NO.	PART/ASSEMBLY NO.	DESCRIPTION	QTY	UNIT	DATE	BY	APP'D.

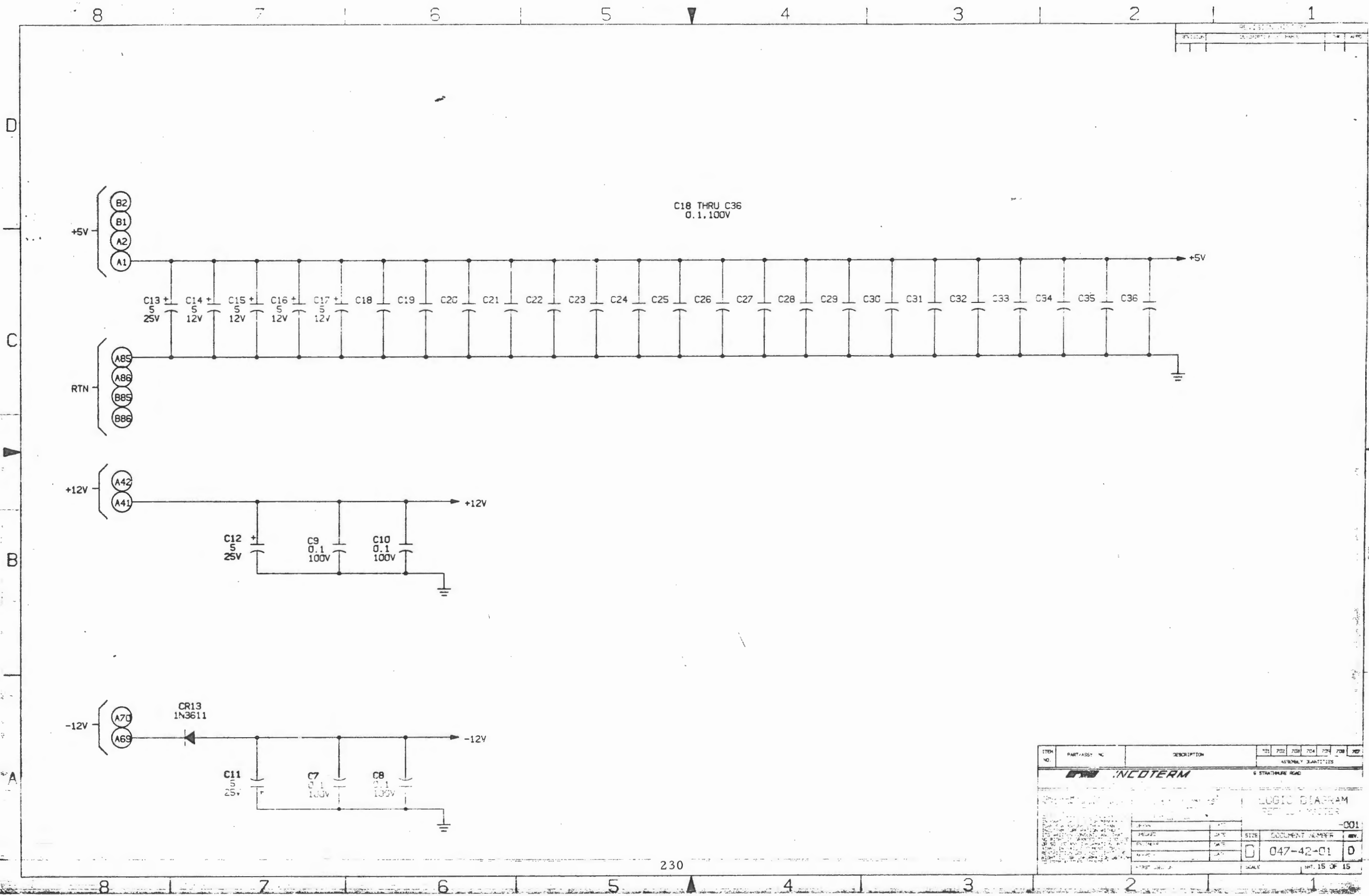
INCOTERM

LOGIC DIAGRAM
40107 DECODED
CUP LOGIC

DATE	DATE	DATE	DATE	DATE

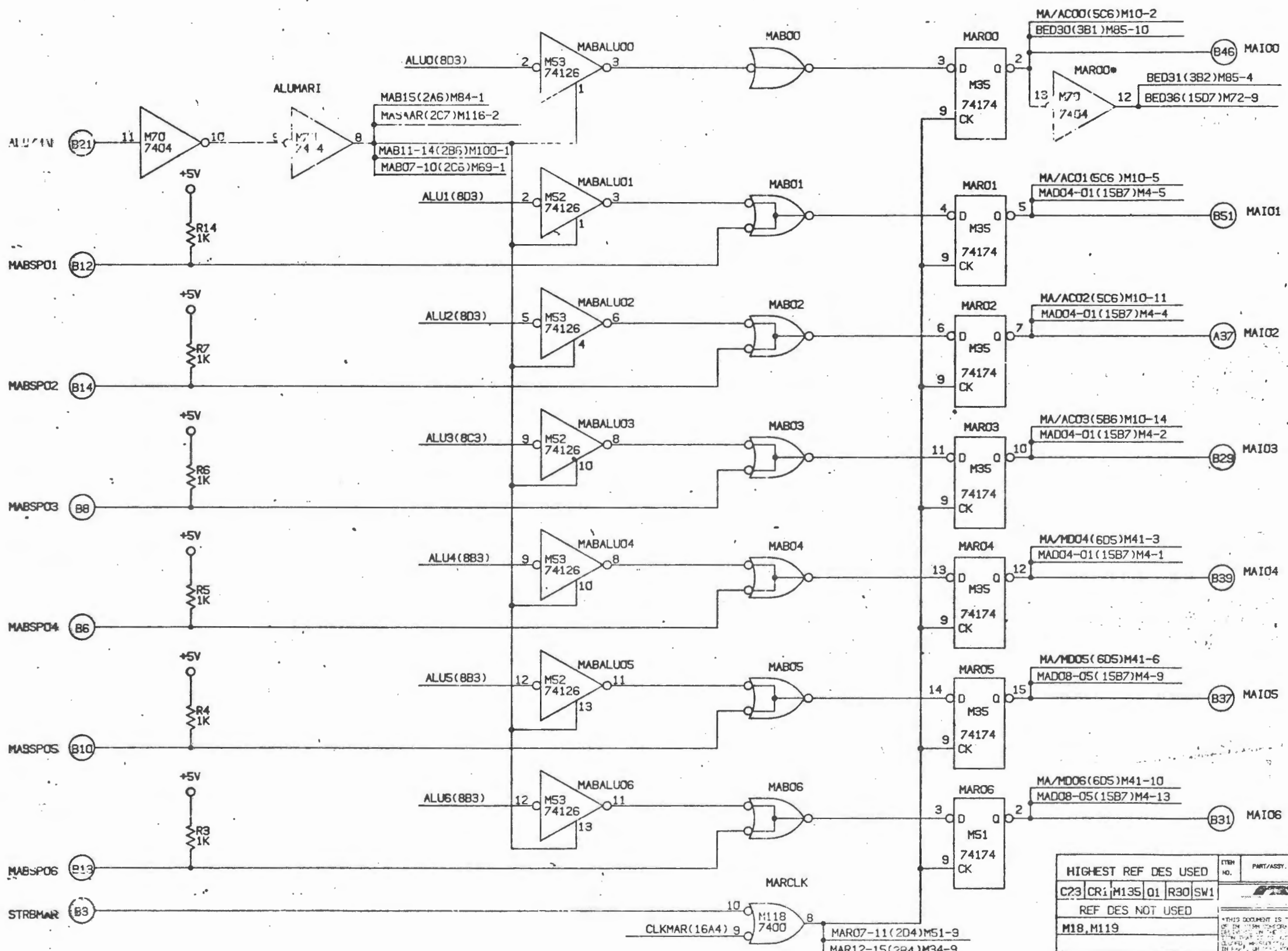
DOCUMENT NUMBER: 047-42-01 0

SCALE: 1/4 OF 15



ITEM NO.	PART/ASSY. NO.	DESCRIPTION	ASSEMBLY QUANTITIES					
			701	702	703	704	705	706
			6 STRATHMORE ROAD					
LOGIC DIAGRAM REFILL MASTER			-001					
REV.	DATE	BY	SIZE	DOCUMENT NUMBER	REV.			
				047-42-01	0			
SCALE			SHEET 15 OF 15					

REVISION HISTORY			
REVISION	DESCRIPTION OF CHANGE	CHK	APPD.
A	RELEASED/PO 1339A		
B	REVISED/ECO 5343		

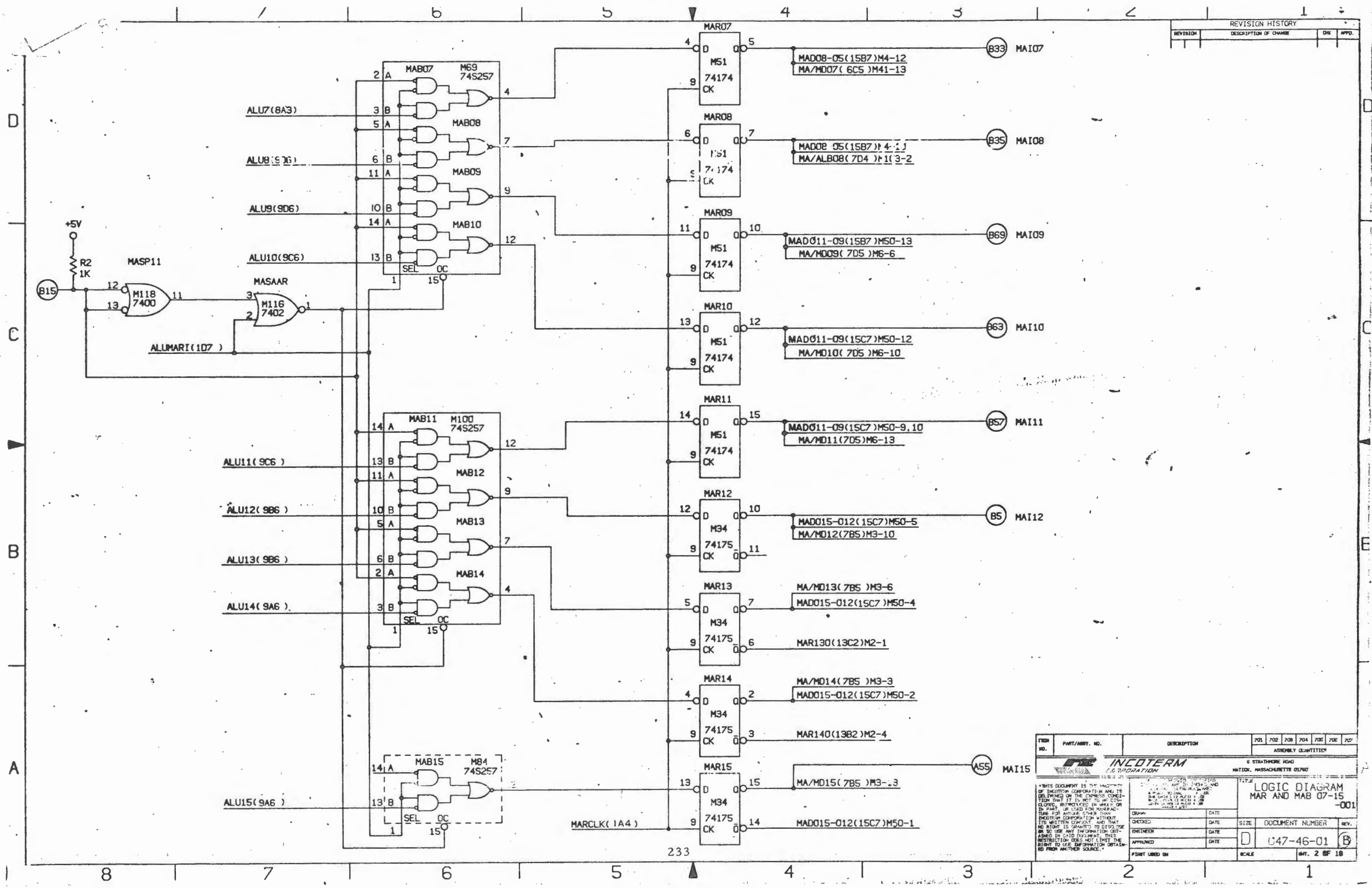


- UNLESS OTHERWISE SPECIFIED:
 - A. ALL RESISTOR VALUES ARE IN OHMS AND ARE 1/4W, ±5%.
 - B. ALL CAPACITOR VALUES ARE IN MICRO-FARADS.
- THE FOLLOWING I/O PINS ARE PREASSIGNED AND MUST BE USED FOR THE FUNCTIONS DESCRIBED:
 - A. +5V PINS A1, A2, B1, B2
 - B. GROUND PINS A85, A86, B85, B86
 - C. +12V PINS A41, A42
 - D. -13V PINS A69, A70
 - E. -15V PINS A67, A68, A69, A70
 - F. VSPECIAL B PINS A55, A56
 - G. +8.5V, VSPECIAL A PINS B77, B78
- INDICATES FRONT PANEL MARKING.

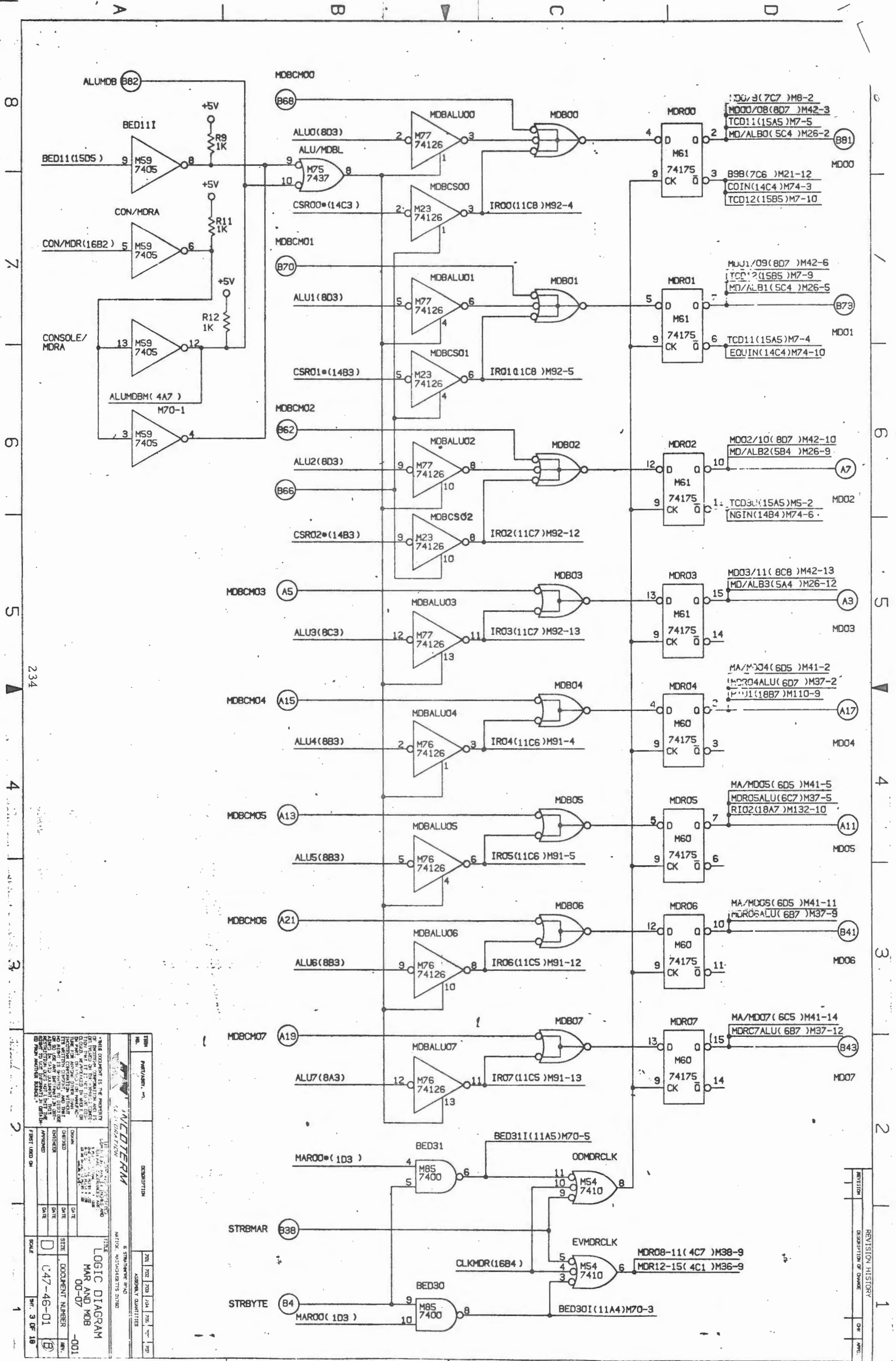
HIGHEST REF DES USED	ITEM NO.	PART/ASSY. NO.	DESCRIPTION	701	702	703	704	705	706	707
C23 CR1 M135 Q1 R30 SW1										
REF DES NOT USED										
M18, M119										

THIS DOCUMENT IS THE PROPERTY OF INDIAN CORPORATION AND IS LOANED TO YOU. IT IS TO BE USED ONLY FOR THE PROJECT AND NOT TO BE REPRODUCED OR DISTRIBUTED IN ANY MANNER WITHOUT THE WRITTEN CONSENT OF INDIAN CORPORATION. ANY INFORMATION CONTAINED HEREIN IS UNCLASSIFIED AND NOT SUBJECT TO RESTRICTIONS. THIS RESTRICTION DOES NOT LIMIT THE RIGHT TO USE THE INFORMATION OBTAINED FROM ANY SOURCE.		TITLE LOGIC DIAGRAM 64K DATA FLOW MAR AND MAB 00-06	
CHECKED BY: <i>DR</i> DATE: <i>4/23/75</i>	DRAWN BY: <i>SY</i> DATE: <i>4/22/75</i>	SIZE: <i>11x17</i>	DOCUMENT NUMBER: 047-46-01
APPROVED BY: <i>DR</i> DATE: <i>4/23/75</i>	FIRST USED ON: <i>U</i>	SCALE:	SHEET: 1 OF 18

REVISION HISTORY			
REVISION	DESCRIPTION OF CHANGE	CHK	APPD.



ITEM NO.	PART/AMT. NO.	DESCRIPTION	701	702	703	704	705	706	707
INCOTERM LOGIC CORPORATION 9 STRATHMORE ROAD WATICK, MASSACHUSETTS 01790									
LOGIC DIAGRAM MAR AND MAB 07-15 -001									
DRAWN	DATE	SIZE	DOCUMENT NUMBER	REV.					
CHECKED	DATE								
ENGINEER	DATE								
APPROVED	DATE								
FIRST USED ON	SCALE	047-46-01 (B) INT. 2 OF 18							

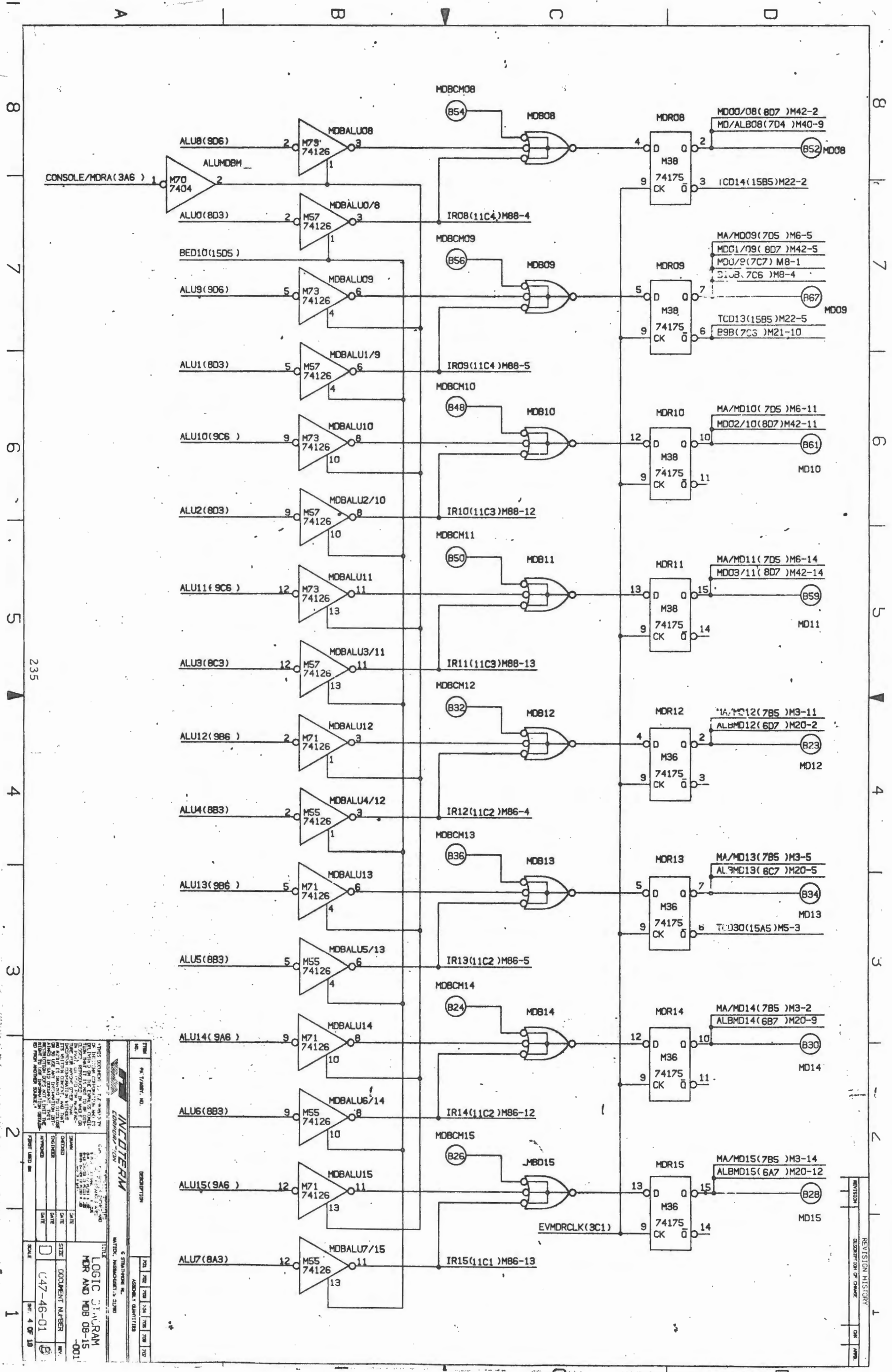


REV.	DATE	DESCRIPTION
1		ISSUED FOR FABRICATION
2		REVISED TO CORRECT FABRICATION ERRORS
3		REVISED TO CORRECT FABRICATION ERRORS
4		REVISED TO CORRECT FABRICATION ERRORS
5		REVISED TO CORRECT FABRICATION ERRORS
6		REVISED TO CORRECT FABRICATION ERRORS
7		REVISED TO CORRECT FABRICATION ERRORS
8		REVISED TO CORRECT FABRICATION ERRORS
9		REVISED TO CORRECT FABRICATION ERRORS
10		REVISED TO CORRECT FABRICATION ERRORS

DESIGNER	DATE	DATE	DATE	DATE
CHKD BY	DATE	DATE	DATE	DATE
APPROVED	DATE	DATE	DATE	DATE
SCALE	SIZE	DOCUMENT NUMBER	REV.	REV.
		C47-46-01	B	

REV.	DATE	DESCRIPTION OF CHANGE
1		ISSUED FOR FABRICATION
2		REVISED TO CORRECT FABRICATION ERRORS
3		REVISED TO CORRECT FABRICATION ERRORS
4		REVISED TO CORRECT FABRICATION ERRORS
5		REVISED TO CORRECT FABRICATION ERRORS
6		REVISED TO CORRECT FABRICATION ERRORS
7		REVISED TO CORRECT FABRICATION ERRORS
8		REVISED TO CORRECT FABRICATION ERRORS
9		REVISED TO CORRECT FABRICATION ERRORS
10		REVISED TO CORRECT FABRICATION ERRORS

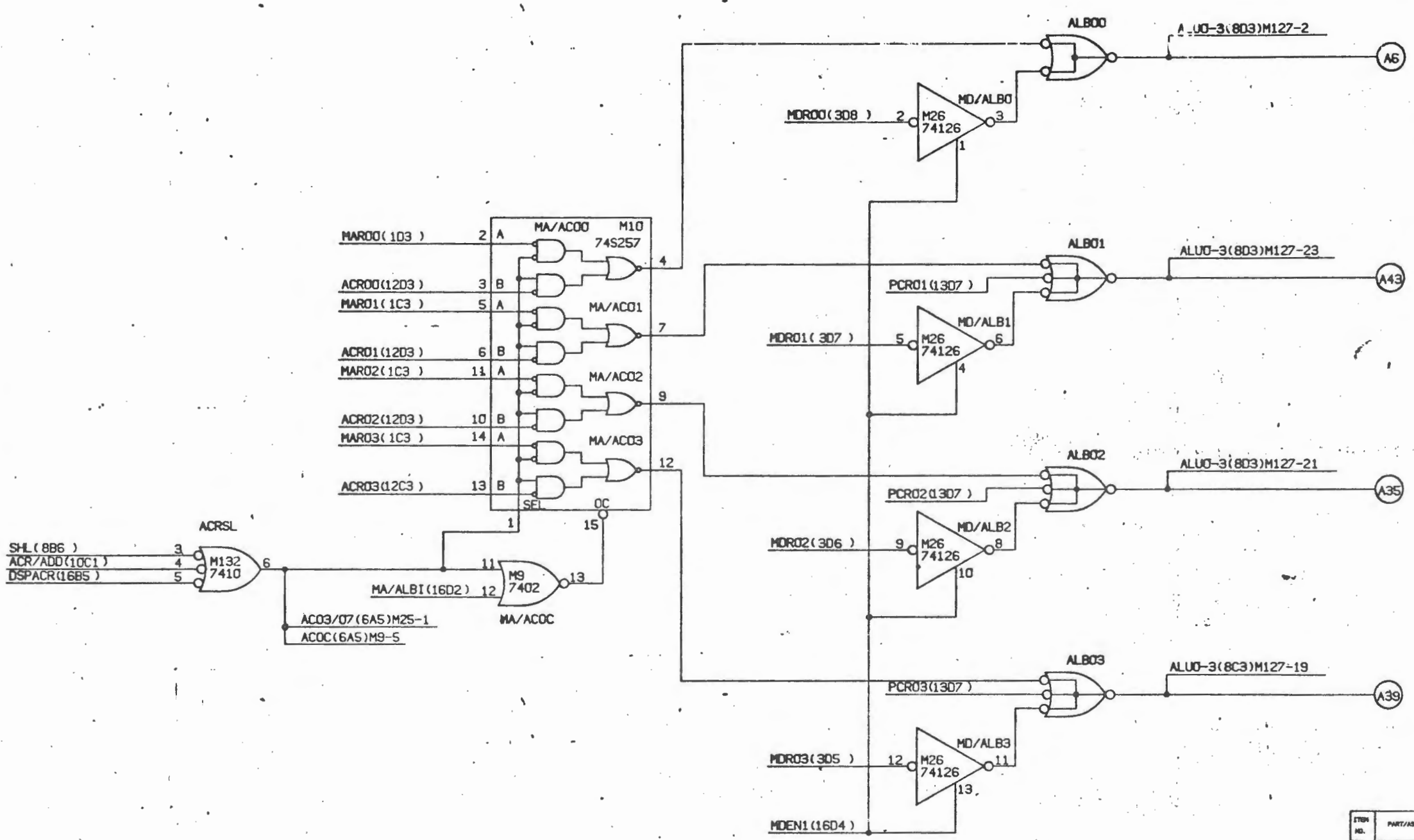
234



235

<p>INCOTERM CORPORATION</p>	
<p>DATE: 1975-01-15 DRAWN BY: [Signature] CHECKED BY: [Signature] APPROVED BY: [Signature]</p>	<p>DESCRIPTION: LOGIC DIAGRAM MDR AND MDR08-15</p>
<p>SCALE: 4 OF 10</p>	<p>REVISION HISTORY: REVISION: 1 DESCRIPTION OF CHANGE: [Blank] DATE: [Blank]</p>

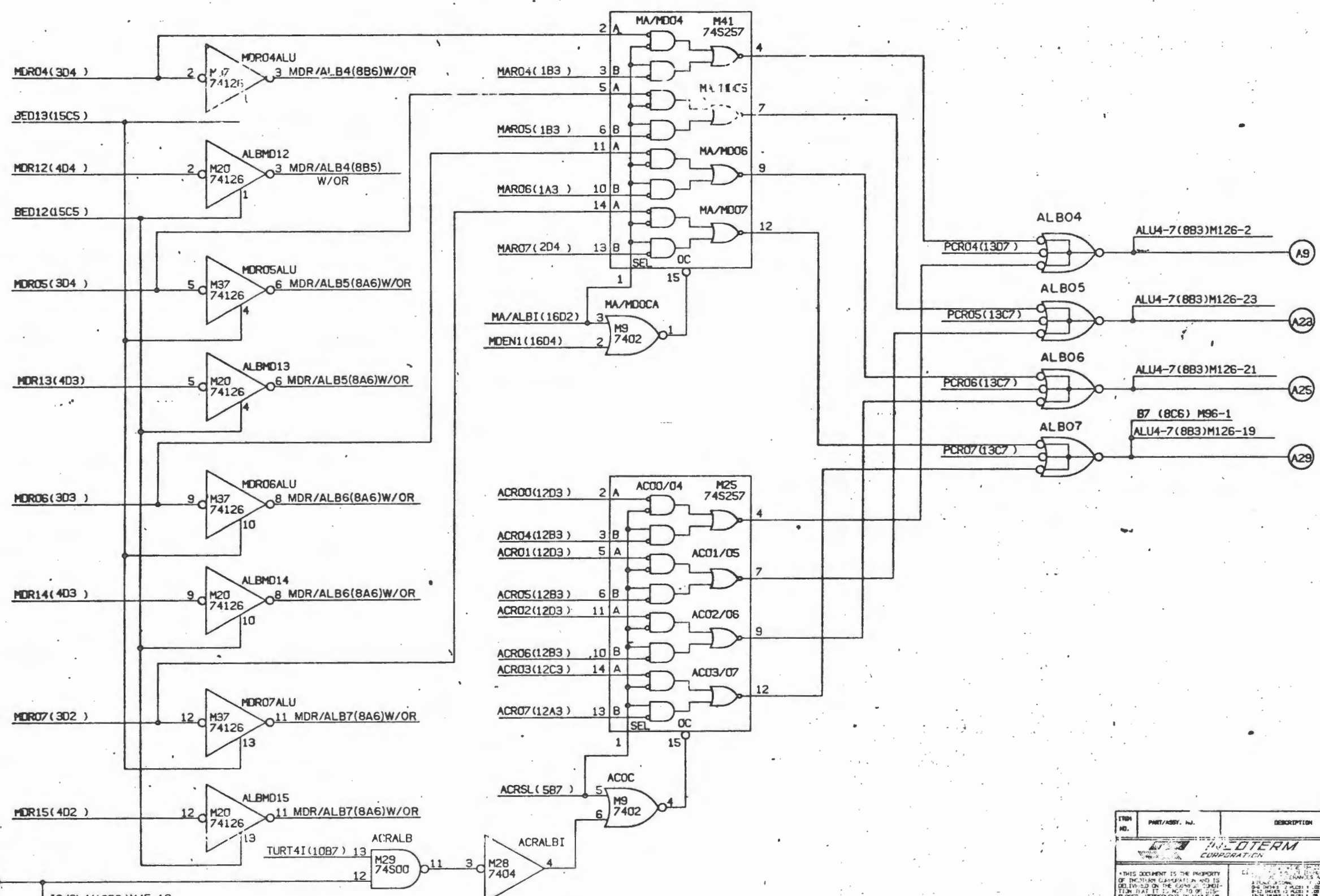
REVISION HISTORY			
REVISION	DESCRIPTION OF CHANGE	CHK	APPD.



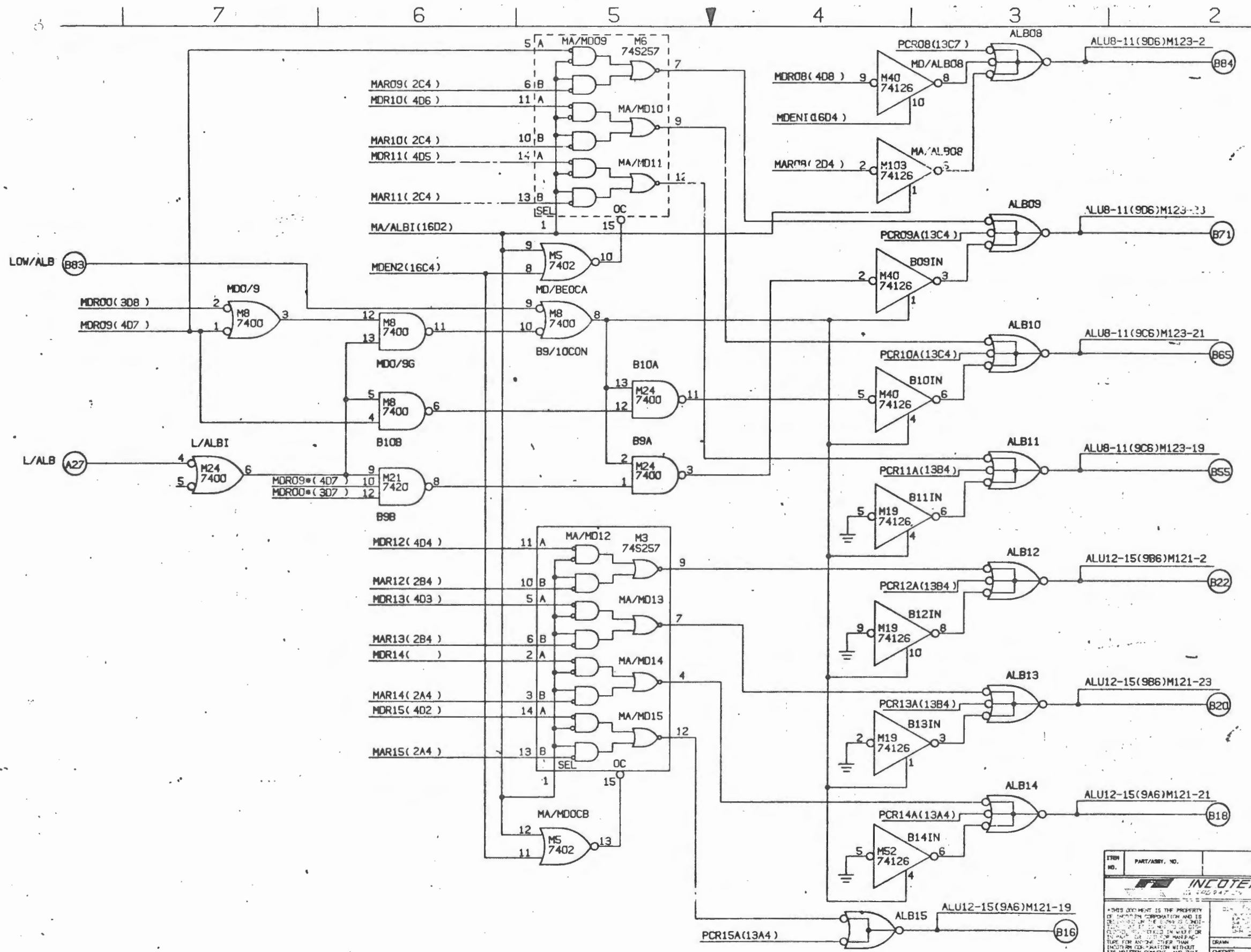
236

ITEM NO.	PART/ASBY. NO.	DESCRIPTION	701	702	703	704	705	706	707
INCOTERM CORPORATION			6 STRATHMORE ROAD MATTOK, MASSACHUSETTS 01945						
LOGIC DIAGRAM ALB 00-03			-001						
LIBRARY	DATE	CHECKED	DATE	SIZE	DOCUMENT NUMBER	REV.			
ENGINEER	DATE	APPROVED	DATE		047-46-01	(B)			
FIRST USED ON	SCALE					SHT. 5 OF 18			

REVISION HISTORY	
REVISION	DESCRIPTION OF CHANGE



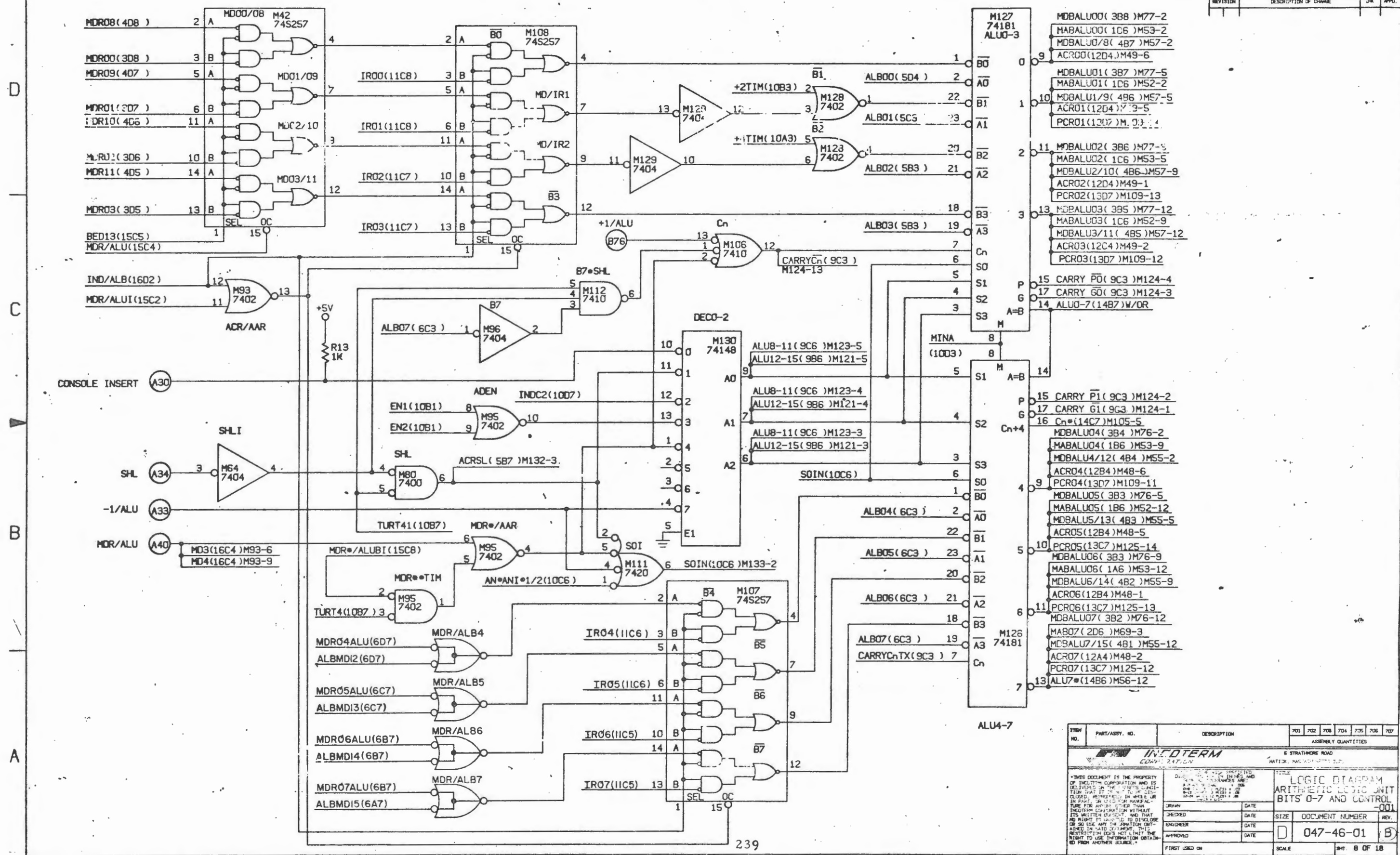
ITEM NO.	PART/ASBY. NO.	DESCRIPTION	701	702	703	704	705	706	707
		INLOTERM CORPORATION		6 STRATHMORE ROAD, NANTUCKET, MASSACHUSETTS 01790					
THIS DOCUMENT IS THE PROPERTY OF INLOTERM CORPORATION AND IS LOANED TO THE USER UNDER THE CONDITION THAT IT IS NOT TO BE DISCLOSED, REPRODUCED IN WHOLE OR IN PART, OR USED FOR MANUFACTURE OR REPRODUCTION WITHOUT THE WRITTEN PERMISSION AND THAT NO FEE WILL BE CHARGED TO REPRODUCE OR SO LONG AS THE INFORMATION CONTAINED HEREIN IS NECESSARY TO THE OPERATION OF THE EQUIPMENT OBTAINED FROM ANOTHER SOURCE.				TITLE		LOGIC DIAGRAM ALB 04-07 -001			
DRAWN	DATE	SIZE	DOCUMENT NUMBER	REV.					
ENGINEER	DATE		047-46-01						
APPROVED	DATE								
FIRST USED ON	SCALE			SHEET 6 OF 18					



REVISION HISTORY			
REVISION	DESCRIPTION OF CHANGE	CHK	APPD.

ITEM NO.	PART/ASBY. NO.	DESCRIPTION	ASSEMBLY QUANTITIES						
			701	702	703	704	705	706	707
INCOTERM 6 STRATHMORE ROAD NANTUK, ...			LOGIC DIAGRAM ALB 08-15 -001						
DRAWN	DATE	SIZE	DOCUMENT NUMBER	REV					
CHECKED	DATE								
ENGINEER	DATE								
APPROVED	DATE								
FIRST SEC. ON	SCALE								

REVISION HISTORY		
REVISION	DESCRIPTION OF CHANGE	CHK. APPR.



SYM. NO.	PART/ASSY. NO.	DESCRIPTION	701	702	703	704	705	706	707
INCOTERM CORP. 247, 15 N									
6 STRATHMORE ROAD MAYLE, MARYLAND 21104									
*THIS DOCUMENT IS THE PROPERTY OF INCOTERM CORPORATION AND IS LOANED TO YOU BY INCOTERM CORPORATION. IT IS TO BE RETURNED TO INCOTERM CORPORATION WHEN IT IS REQUESTED. IT IS NOT TO BE REPRODUCED, COPIED, OR TRANSMITTED IN ANY FORM OR BY ANY MEANS, ELECTRONIC OR MECHANICAL, INCLUDING PHOTOCOPYING, RECORDING, OR BY ANY INFORMATION STORAGE AND RETRIEVAL SYSTEM. WITHOUT THE WRITTEN PERMISSION OF INCOTERM CORPORATION, NO PART OF THIS DOCUMENT IS TO BE DISCLOSED OR USED IN ANY MANNER THAT MAY BE DETRIMENTAL TO THE INTERESTS OF INCOTERM CORPORATION. INCOTERM CORPORATION DOES NOT ACCEPT ANY LIABILITY FOR THE USE OF INFORMATION OBTAINED FROM THIS DOCUMENT.									
DRAWN		DATE	SIZE	DOCUMENT NUMBER	REV.				
ENGINEER		DATE							
APPROVED		DATE							
FIRST USED ON		SCALE							

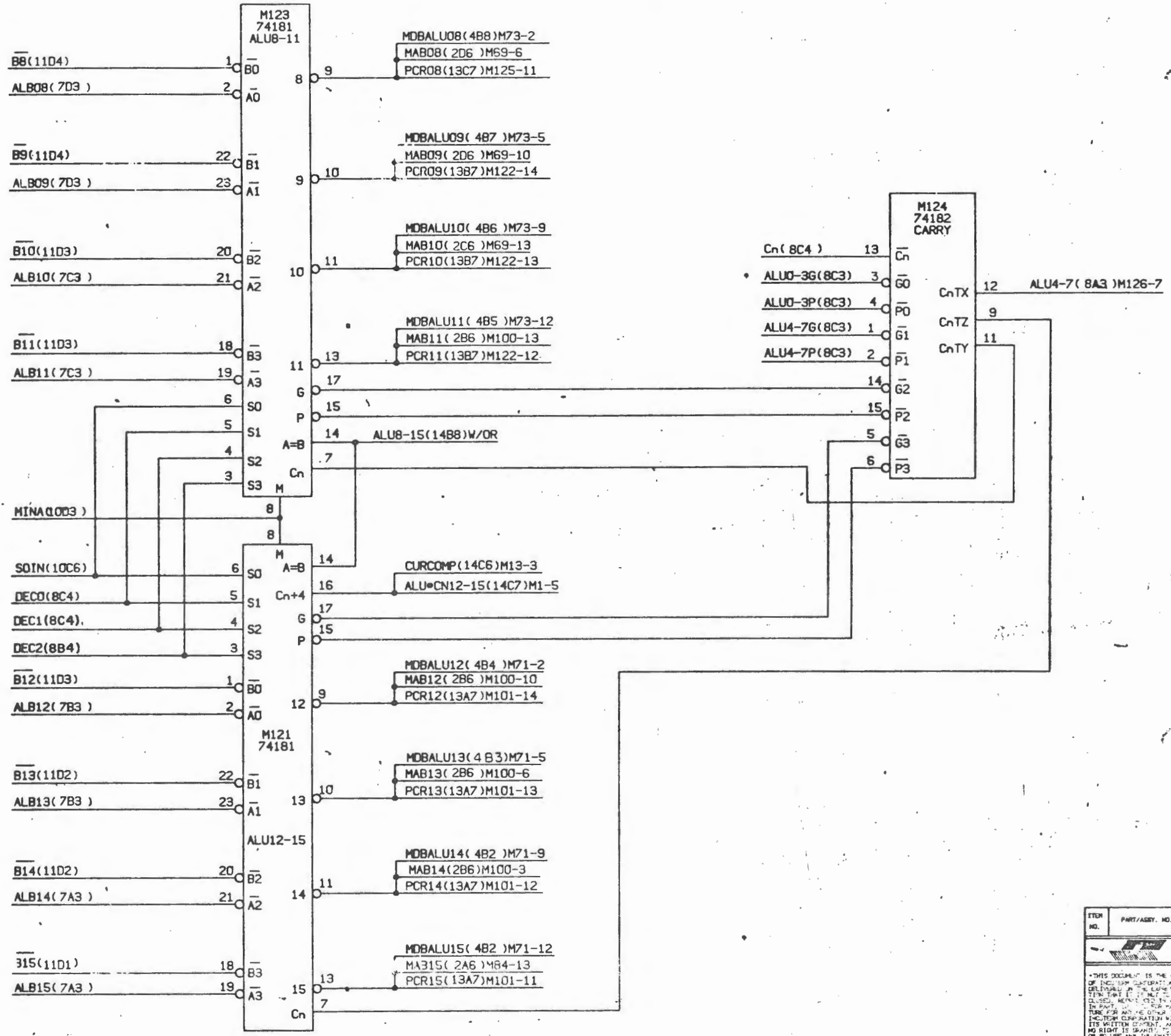
D

C

B

A

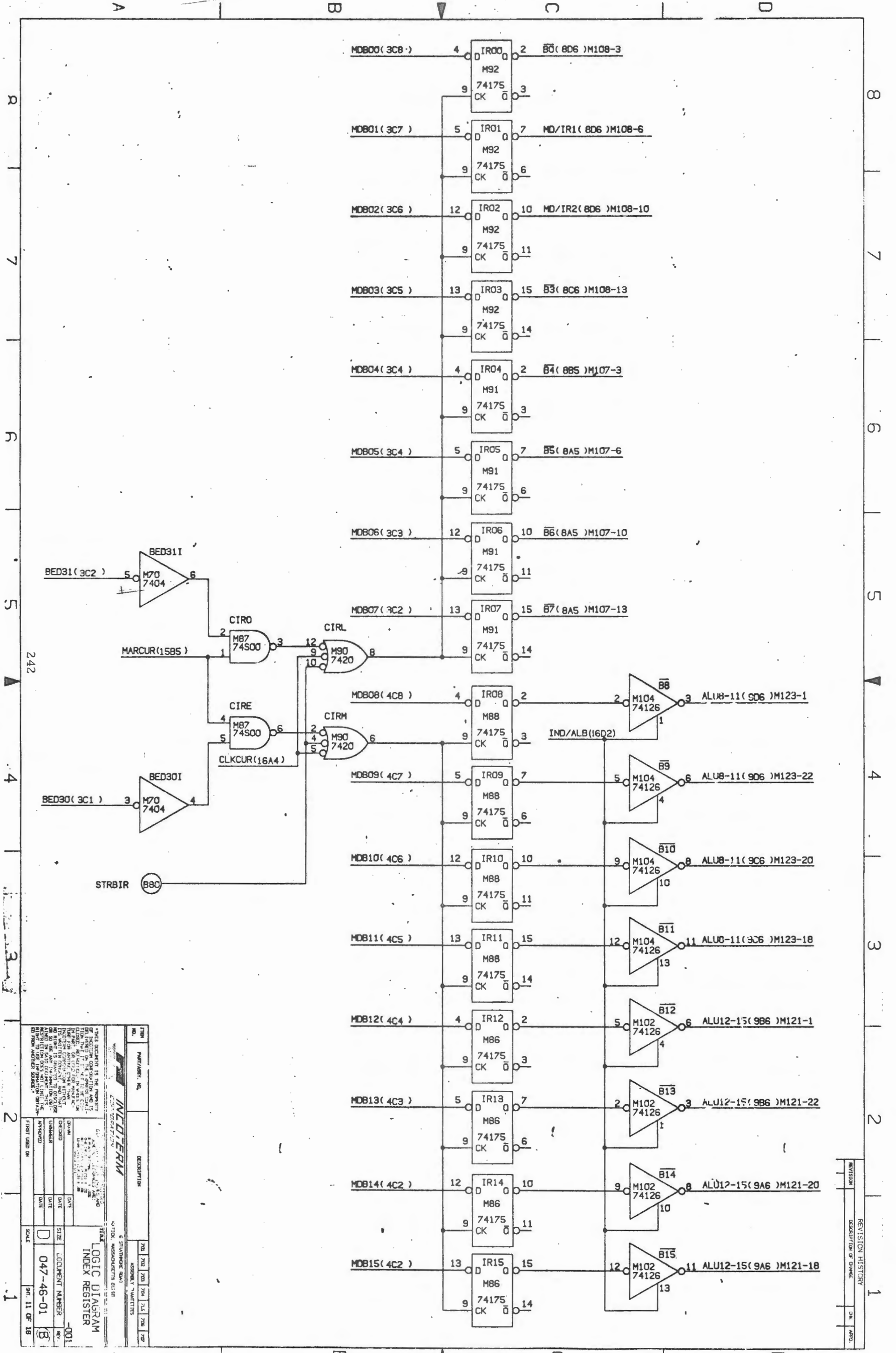
REVISION HISTORY			
REVISION	DESCRIPTION OF CHANGE	CHK	APPRO.



240

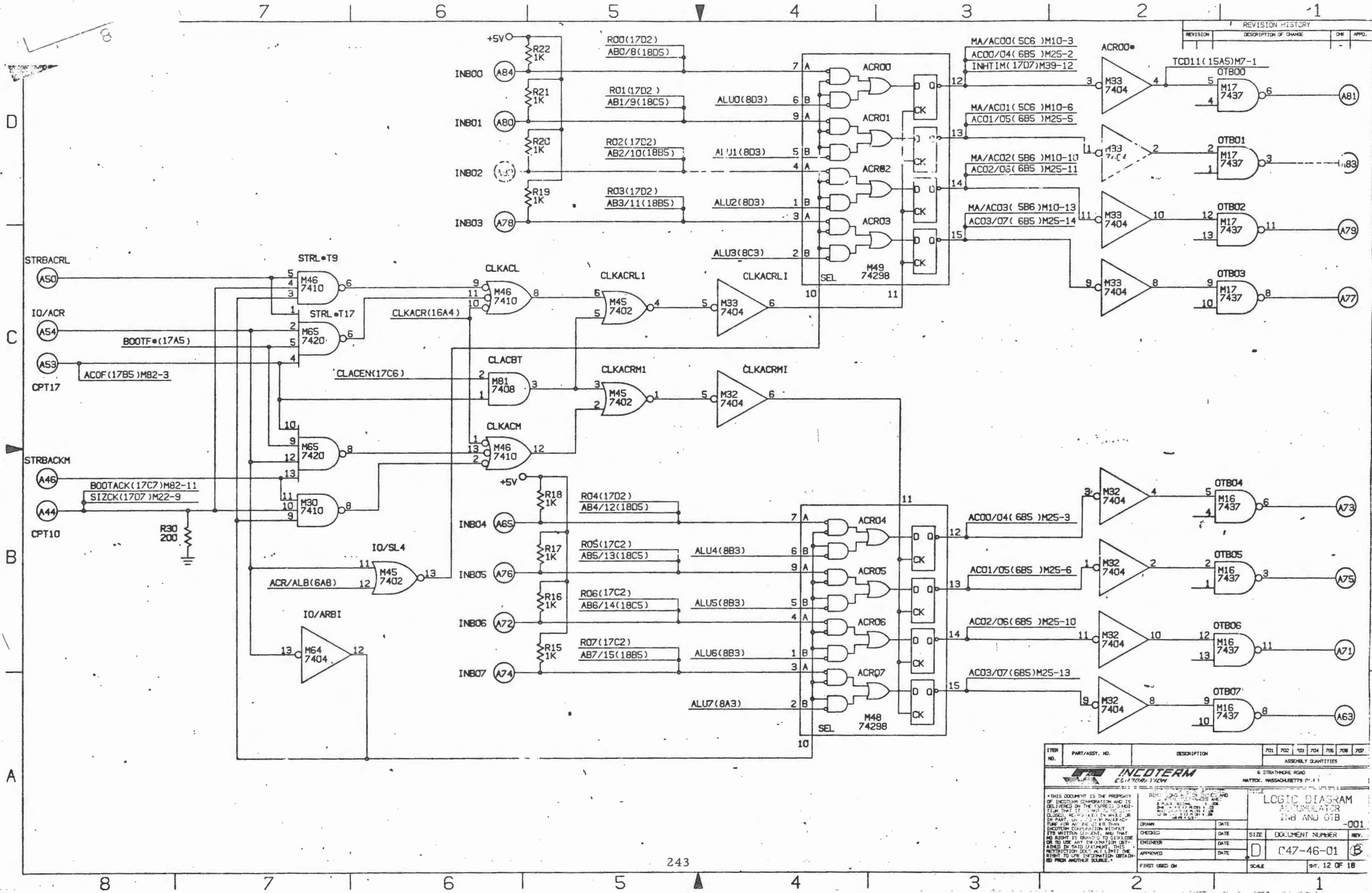
ITEM NO.	PART/ASSEMBLY NO.	DESCRIPTION	701	702	703	704	705	706	707
INCOTERM CORPORATION			ASSEMBLY QUANTITIES						
6 STRATHMORE ROAD NATICK, MASSACHUSETTS 01760									
<small>THIS DOCUMENT IS THE PROPERTY OF INCOTERM CORPORATION AND IS LOANED TO YOU FOR YOUR USE ONLY. IT IS NOT TO BE REPRODUCED, COPIED, OR DISTRIBUTED IN ANY MANNER WITHOUT THE WRITTEN PERMISSION OF INCOTERM CORPORATION. NO PART OF THIS DOCUMENT IS TO BE REPRODUCED OR TRANSMITTED IN ANY FORM OR BY ANY MEANS, ELECTRONIC OR MECHANICAL, INCLUDING PHOTOCOPYING, RECORDING, OR BY ANY INFORMATION STORAGE AND RETRIEVAL SYSTEM, WITHOUT THE WRITTEN PERMISSION OF INCOTERM CORPORATION. THIS RESTRICTION DOES NOT LIMIT THE RIGHT TO USE INFORMATION OBTAINED FROM ANOTHER SOURCE.</small>			LOGIC DIAGRAM ARITHMETIC LOGIC UNIT BITS 9-15 AND CARRY 001						
DRAWN	DATE	SIZE	DOCUMENT NUMBER		REV.				
			047-46-01		B				
ENGINEER	DATE								
APPROVED	DATE								
FIRST USED ON	SCALE								

9 OF 18



INCOTERM LOGIC DIAGRAM INDEX REGISTER -001	
TITLE LOGIC DIAGRAM INDEX REGISTER -001	DATE 047-46-01
DRAWN DATE 047-46-01	CHECKED DATE 047-46-01
DESIGNED DATE 047-46-01	APPROVED DATE 047-46-01
SCALE 11 OF 18	PART/ASST. NO. DESCRIPTION LOGIC DIAGRAM INDEX REGISTER -001

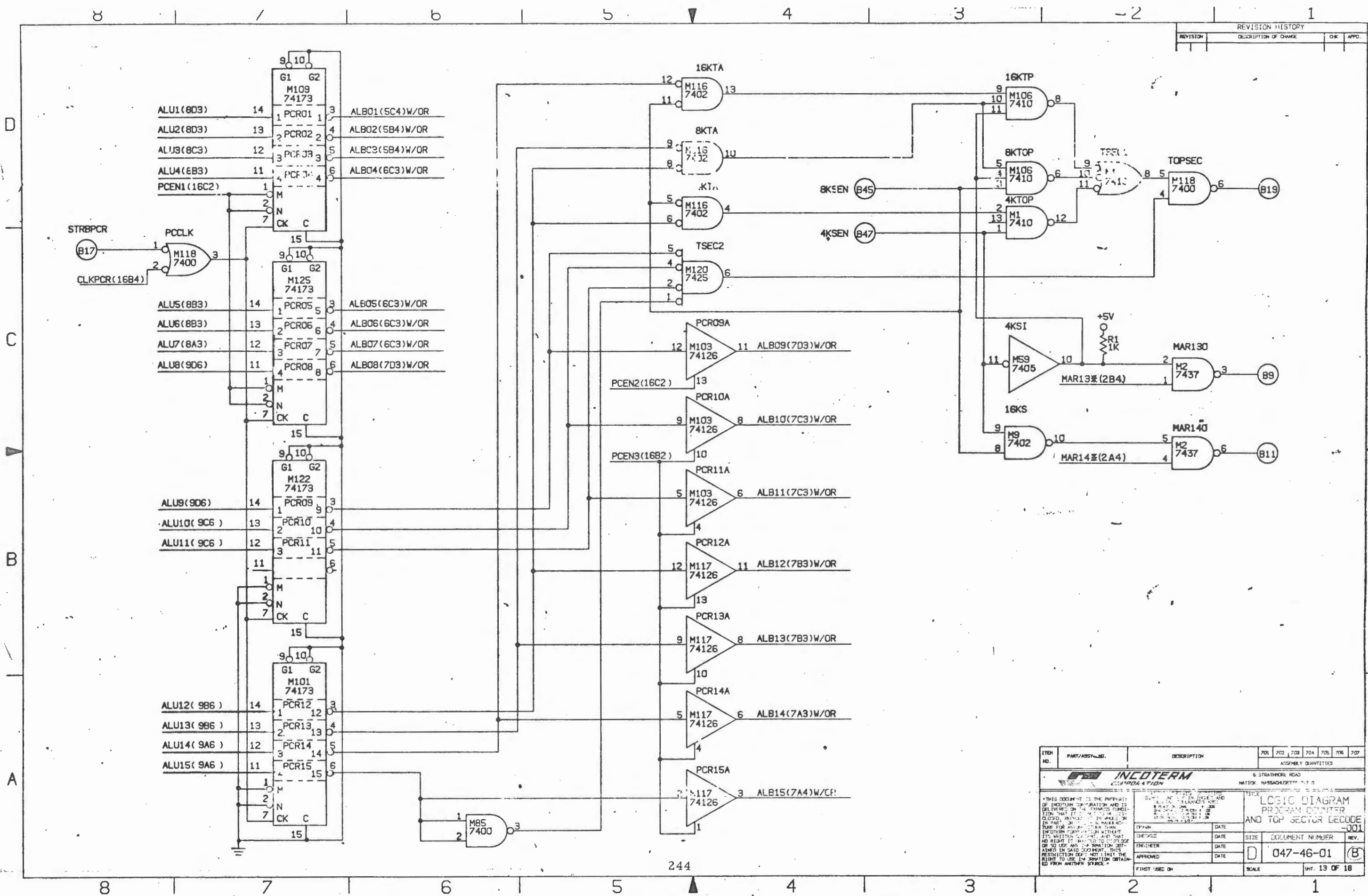
REVISION	DESCRIPTION OF CHANGE	DATE	BY
1			



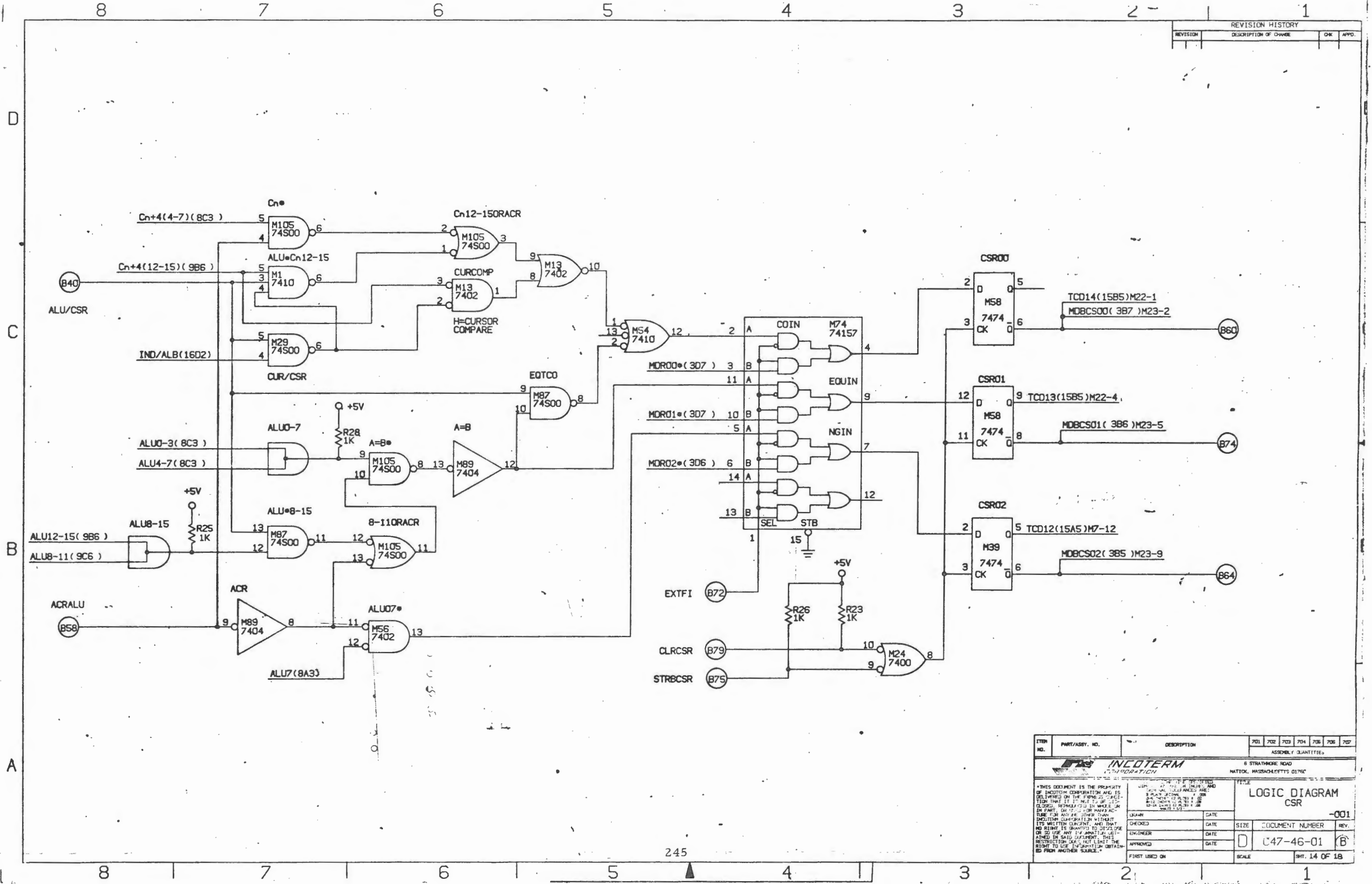
REVISION HISTORY			
REVISION	DESCRIPTION OF CHANGE	CHK	APPRO.

ITER NO.	PART/ASST. NO.	DESCRIPTION	701	702	703	704	705	706	707
INCOTERM C-17001-11200			6 STRATHMORE ROAD WATICK, MASSACHUSETTS 01911						
<small>THIS DOCUMENT IS THE PROPERTY OF INCOTERM CORPORATION AND IS LOANED TO THE USER UNDER THE CONDITION THAT IT BE KEPT IN A CLOSED FILE AND NOT REPRODUCED OR TRANSMITTED IN ANY FORM OR BY ANY MEANS, ELECTRONIC OR MECHANICAL, INCLUDING PHOTOCOPYING, RECORDING, OR BY ANY INFORMATION STORAGE AND RETRIEVAL SYSTEM. THIS RESTRICTION DOES NOT LIMIT THE USER'S RIGHT TO USE INFORMATION OBTAINED FROM THIS SOURCE.</small>			DATE: 10/17/70 BY: J. J. ... CHECKED: ... ENGINEER: ... APPROVED: ...		LOGIC DIAGRAM ACCUMULATOR INB AND OTB -001				
DRAWN: ... CHECKED: ... ENGINEER: ... APPROVED: ...			DATE	DATE	DATE	DATE	DATE	DATE	DATE
FIRST USED ON			SCALE	SHEET 12 OF 18					

REVISION HISTORY			
REVISION	DESCRIPTION OF CHANGE	CHK	APPD.



ITEM NO.	PART/ASST. NO.	DESCRIPTION	701	702	703	704	705	706	707
INCOTERM CORPORATION			6 STRATHMORE ROAD MATTOK, MASSACHUSETTS 019 0						
*THIS DOCUMENT IS THE PROPERTY OF INCOTERM CORPORATION AND IS DELIVERED ON THE UNDERSTANDING THAT IT IS TO BE USED ONLY FOR THE PROJECT AND PURPOSE SPECIFIED IN PART 3 OF THE INCOTERM CORPORATION CONTRACT AND THAT NO PART OF THIS DOCUMENT IS TO BE REPRODUCED OR COPIED IN ANY MANNER WITHOUT THE WRITTEN PERMISSION OF INCOTERM CORPORATION. THIS RESTRICTION DOES NOT LIMIT THE RIGHT TO USE IN INFORMATION OBTAINED FROM ANOTHER SOURCE.			LOGIC DIAGRAM PROGRAM COUNTER AND TOP SECTOR DECODE						
DESIGNED	DATE	SIZE	DOCUMENT NUMBER		REV.				
CHECKED	DATE	D	047-46-01		B				
ENGINEER	DATE								
APPROVED	DATE								
FIRST USE ON	SCALE	SHT. 13 OF 18							



REVISION HISTORY			
REVISION	DESCRIPTION OF CHANGE	CHK	APPD.

ITEM NO.	PART/ASSEMBLY NO.	DESCRIPTION	701	702	703	704	705	706	707
INCOTERM CORPORATION 6 STRATHMORE ROAD NATTOK, MASSACHUSETTS 01742									
<small>*THIS DOCUMENT IS THE PROPERTY OF INCOTERM CORPORATION AND IS DELIVERED ON THE EXPRESS CONDITION THAT IT IS NOT TO BE REPRODUCED, COPIED, OR TRANSMITTED IN ANY FORM OR BY ANY MEANS, ELECTRONIC OR MECHANICAL, INCLUDING PHOTOCOPYING, RECORDING, OR BY ANY INFORMATION STORAGE AND RETRIEVAL SYSTEM, WITHOUT THE WRITTEN CONSENT AND UNDER THE SUPERVISION OF INCOTERM CORPORATION. ANY UNAUTHORIZED USE OF THIS DOCUMENT IS PROHIBITED AND WILL BE SUBJECT TO LEGAL ACTION.</small>			LOGIC DIAGRAM CSR			-001			
DESIGNED BY	DATE	CHECKED BY	DATE	SIZE	DOCUMENT NUMBER	REV.			
ENGINEER	DATE	APPROVED BY	DATE						
FIRST USED ON		SCALE							

A

B

C

D

8

7

6

5

4

3

2

1

8

7

6

5

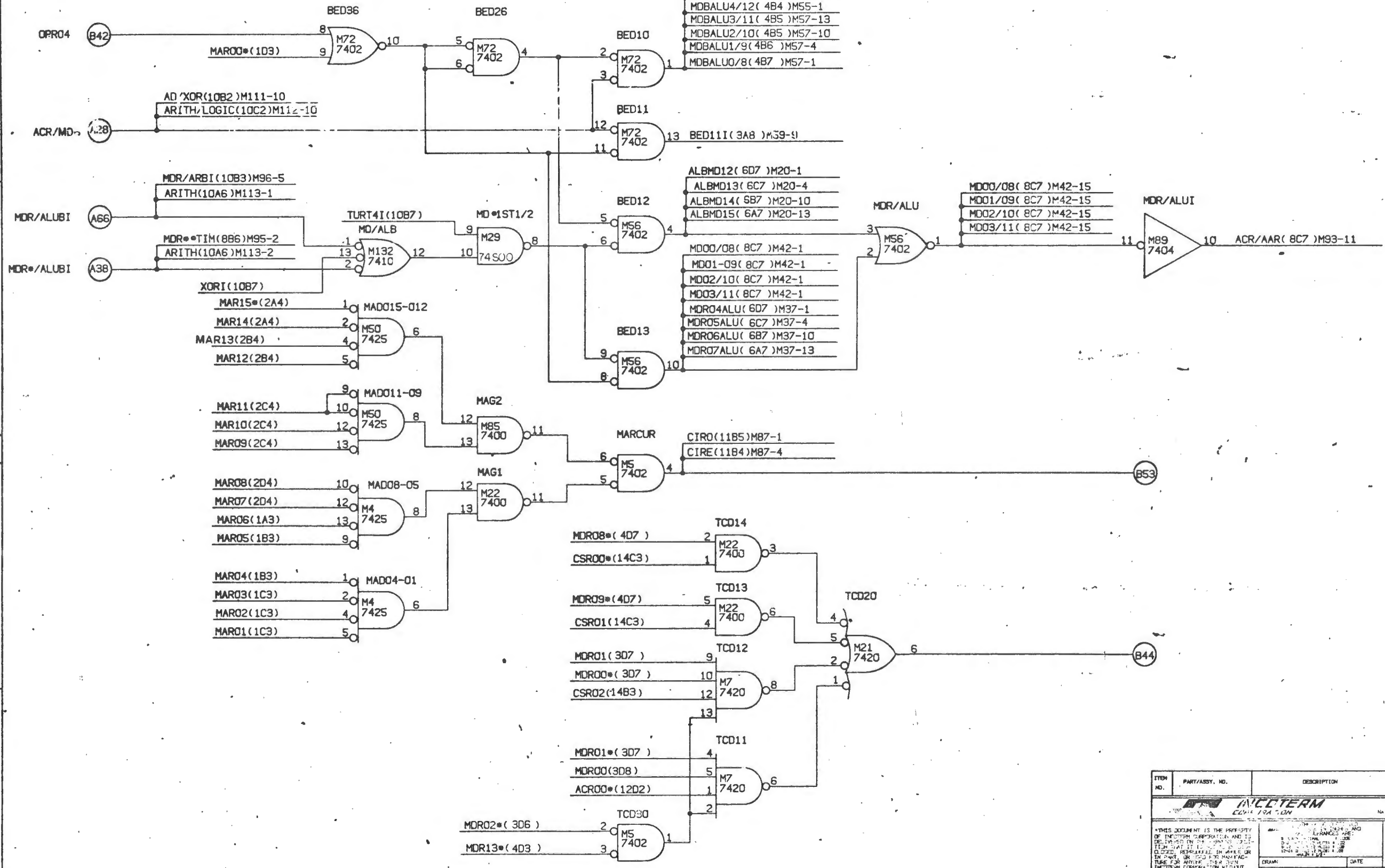
4

3

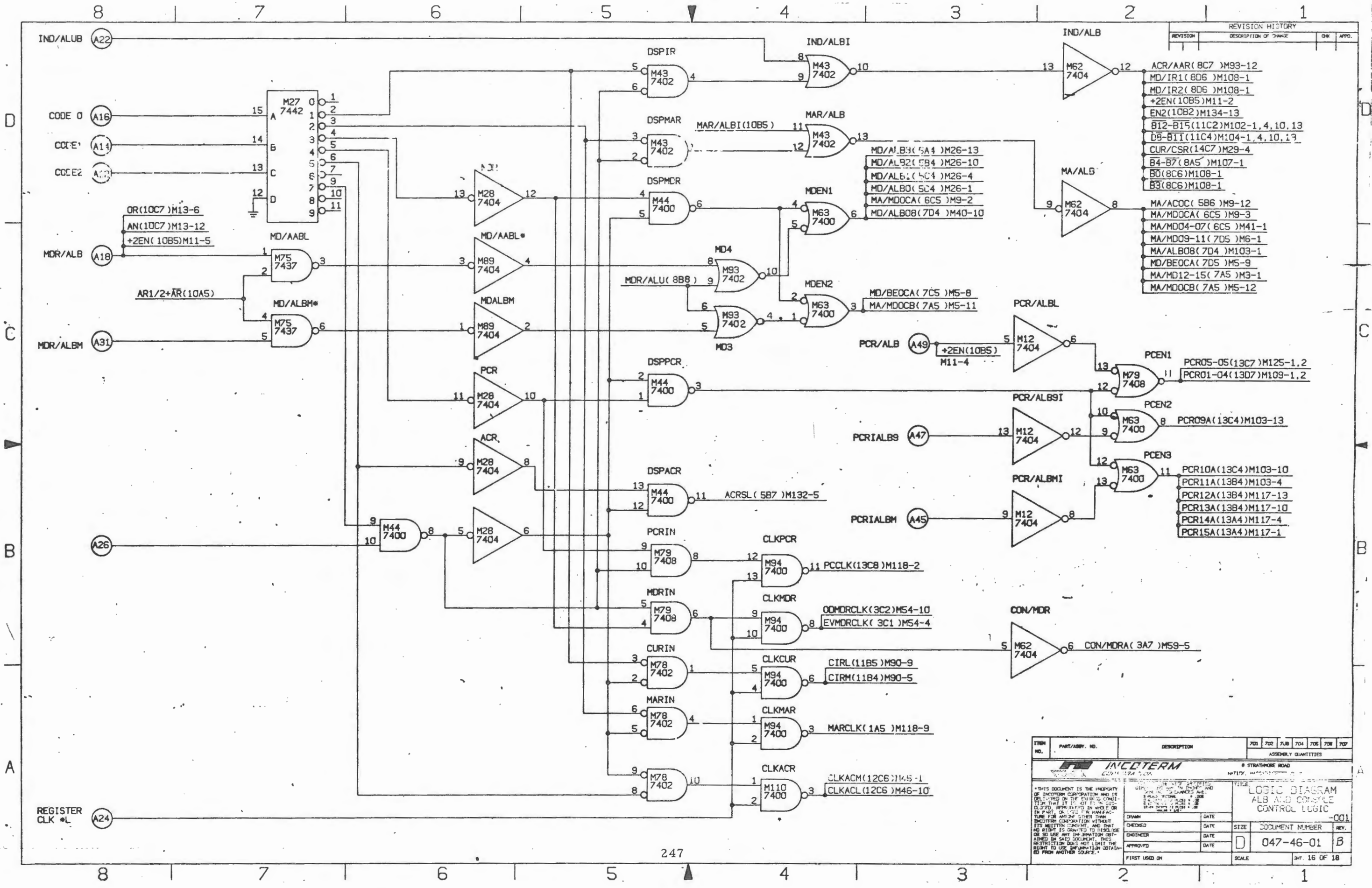
2

1

REVISION HISTORY			
REVISION	DESCRIPTION OF CHANGE	CHK	APPR.



ITEM NO.	PART/ASSY. NO.	DESCRIPTION	701	702	703	704	705	706	707
INCOTERM CORPORATION 8 STRATHMORE ROAD MAYFIELD, PA.									
TITLE		LOGIC DIAGRAM MISCELLANEOUS CONTROLS AND DECODES -001							
DRAM	DATE	SIZE	DOCUMENT NUMBER		REV.				
CHECKED	DATE		047-46-01		B				
ENGINEER	DATE								
APPROVED	DATE								
FIRST USED ON	SCALE	SHT. 15 OF 18							



REVISION HISTORY			
REVISION	DESCRIPTION OF CHANGE	OWN	APPD.

- ACR/AAR(8C7)M93-12
- MD/IR1(8D6)M108-1
- MD/IR2(8D6)M108-1
- +2EN(10B5)M11-2
- EN2(10B2)M134-13
- B12-B15(11C2)M102-1,4,10,13
- B8-B11(11C4)M104-1,4,10,13
- CUR/CSR(14C7)M29-4
- B4-B7(8A5)M107-1
- B0(8C6)M108-1
- B3(8C6)M108-1

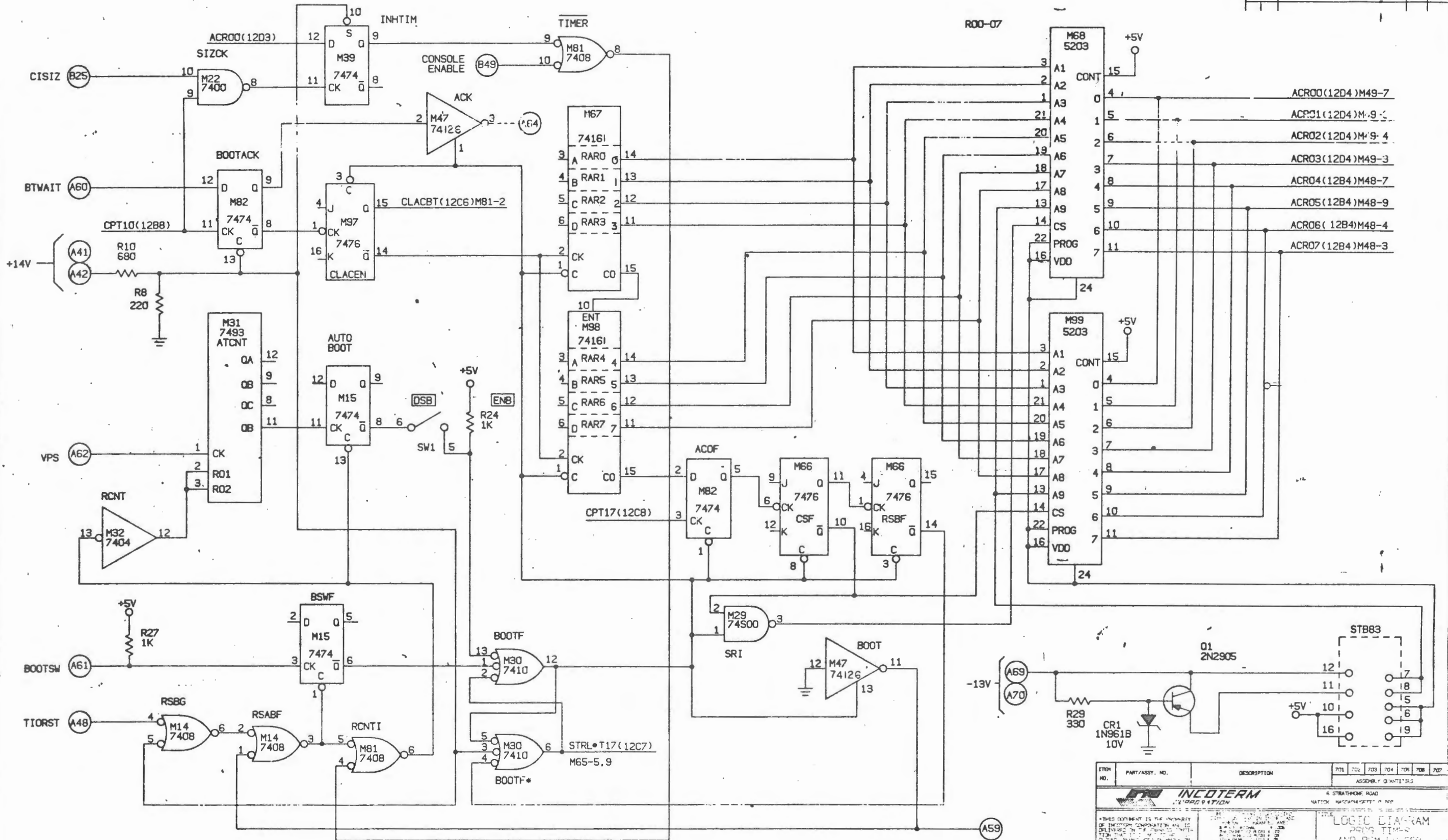
- MA/ACOC(5B6)M9-12
- MA/MOOC(6C5)M9-3
- MA/MOOC4-07(6C5)M41-1
- MA/MOOC9-11(7D5)M6-1
- MA/ALB08(7D4)M103-1
- MD/BEOCA(7D5)M5-9
- MA/MOOCB(7A5)M5-12

- PCR/ALB
- PCR/ALBSI
- PCR/ALBMT

- PCEN1 PCR05-05(13C7)M125-1,2
- PCEN2 PCR09A(13C4)M103-13
- PCEN3 PCR10A(13C4)M103-10
- PCR11A(13B4)M103-4
- PCR12A(13B4)M117-13
- PCR13A(13B4)M117-10
- PCR14A(13A4)M117-4
- PCR15A(13A4)M117-1

ITEM NO.	PART/ASBY. NO.	DESCRIPTION	701	702	703	704	705	706	707
INCOTERM			ASSEMBLY QUANTITIES						
<small>*THIS DOCUMENT IS THE PROPERTY OF INCOTERM CORPORATION AND IS LOANED TO THE USER UNDER THE CONDITION THAT IT IS TO BE USED ONLY FOR THE PROJECT AND NOT BE REPRODUCED, COPIED, OR IN ANY MANNER DISSEMINATED TO OTHERS WITHOUT THE WRITTEN CONSENT OF INCOTERM CORPORATION. THIS RESTRICTION DOES NOT LIMIT THE RIGHT TO USE INFORMATION OBTAINED FROM ANOTHER SOURCE.</small>			TITLE: LOGIC DIAGRAM ALB AND CONSOLE CONTROL LOGIC DRAWN: [] DATE: [] CHECKED: [] DATE: [] ENGINEER: [] DATE: [] APPROVED: [] DATE: [] FIRST USED ON: [] SCALE: []						
			047-46-01		B		REV. 16 OF 18		

REVISION HISTORY			
REVISION	DESCRIPTION OF CHANGE	DR	APPD.



ETCH NO.	PART/ASSY. NO.	DESCRIPTION	701	702	703	704	705	706	707

INCOTERM
CORPORATION

4 STRATHMORE ROAD
NATION HARBOR, PENNSYLVANIA 15110

THIS DOCUMENT IS THE PROPERTY OF INCOTERM CORPORATION AND IS LOANED TO YOU BY INCOTERM CORPORATION. IT IS TO BE RETURNED TO INCOTERM CORPORATION IN ORIGINAL FORM AND WITH ALL ORIGINAL MARKINGS AND NOTATIONS. NO PART OF THIS DOCUMENT IS TO BE REPRODUCED OR TRANSMITTED IN ANY FORM OR BY ANY MEANS, ELECTRONIC OR MECHANICAL, INCLUDING PHOTOCOPYING, RECORDING, OR BY ANY INFORMATION STORAGE AND RETRIEVAL SYSTEM, WITHOUT THE WRITTEN PERMISSION OF INCOTERM CORPORATION. THE USE OF THIS DOCUMENT FOR ANY OTHER PURPOSE IS STRICTLY PROHIBITED. THE REPRODUCTION OF THIS DOCUMENT FROM ANY OTHER SOURCE IS STRICTLY PROHIBITED.

DESIGNED	DATE	SIZE	DOCUMENT NUMBER	REV.

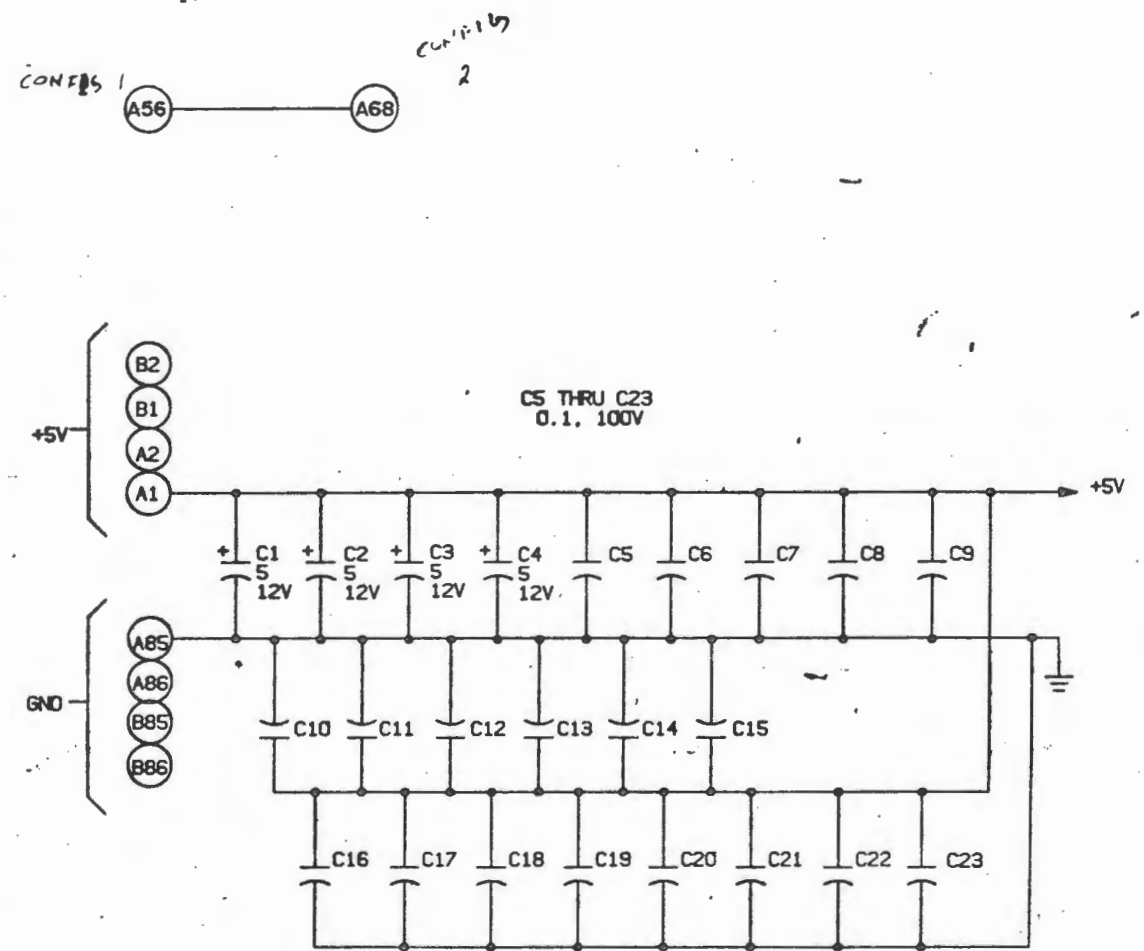
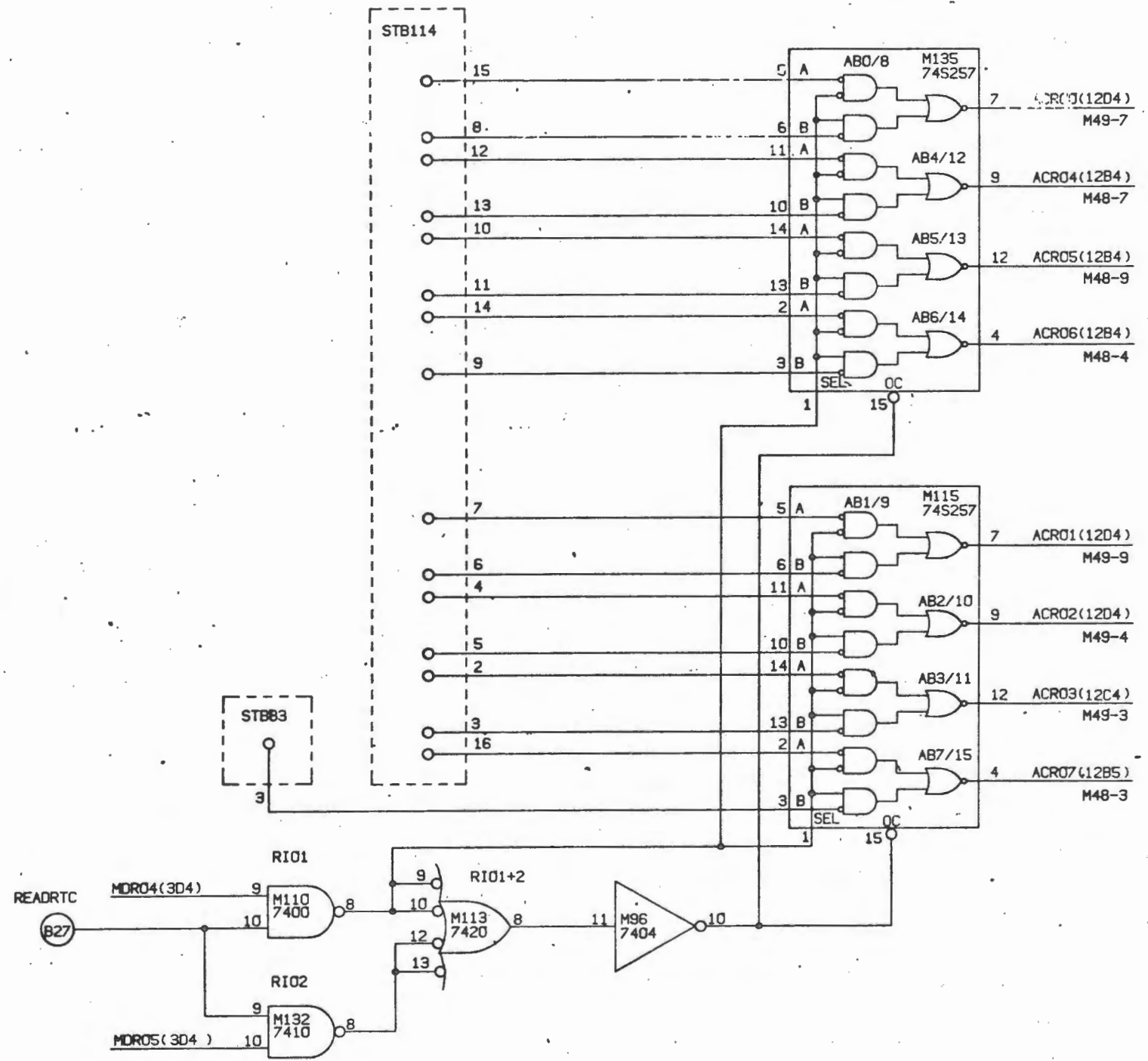
**LOGIC DIAGRAM
PROGRAM
AND ROM LOADER**

-C01

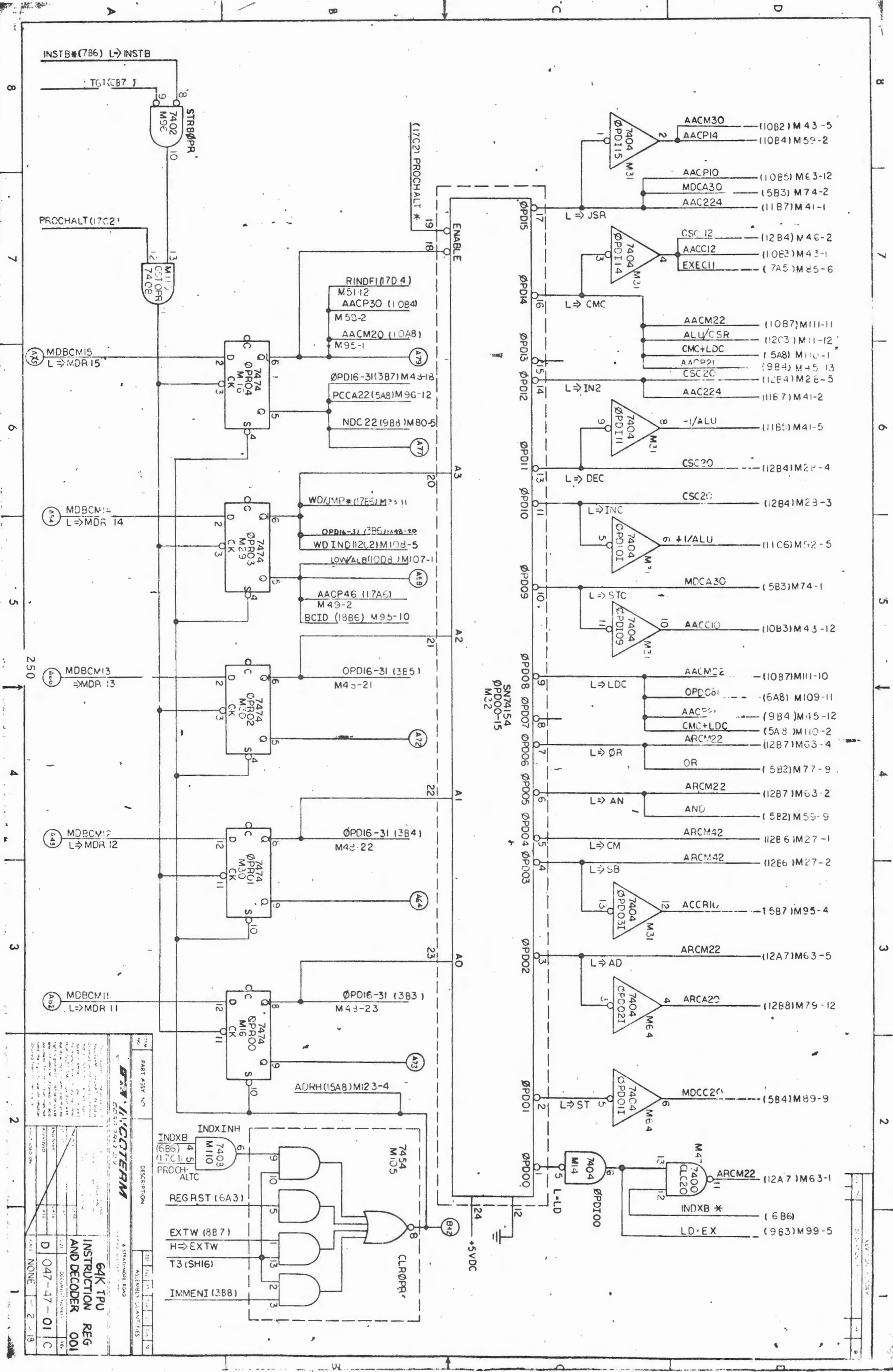
APPROVED	DATE	SCALE	SHEET	TOTAL
			17	18

047-46-01 B

REVISION HISTORY			
REVISION	DESCRIPTION OF CHANGE	DATE	APP.



FWB NO.	PART/ASBY. NO.	DESCRIPTION	701	702	703	704	705	706	707
			6 STRATHMORE ROAD NOTLEY, ESSEX, ENGLAND						
*THIS DOCUMENT IS THE PROPERTY OF MICROTERM CORPORATION AND IS LOANED TO YOU FOR YOUR USE ONLY. IT IS NOT TO BE REPRODUCED, COPIED, OR TRANSMITTED IN ANY FORM OR BY ANY MEANS, ELECTRONIC OR MECHANICAL, INCLUDING PHOTOCOPYING, RECORDING, OR BY ANY INFORMATION STORAGE AND RETRIEVAL SYSTEM, WITHOUT THE WRITTEN PERMISSION OF MICROTERM CORPORATION. THIS RESTRICTION DOES NOT LIMIT THE RIGHT TO USE INFORMATION OBTAINED FROM ANY OTHER SOURCE.			DATE CHECKED ENGINEER APPROVED			LOGIC DIAGRAM ADDRESS OPTIONS -C01 047-46-01 B			
FIRST USED ON			SCALE			SHEET 18 OF 18			



64K TPU INSTRUCTION REGISTER AND DECODER

REV	DESCRIPTION	DATE	BY	CHKD
1	INITIAL DESIGN	04-77	01	C
2	REVISED	04-77	01	C
3	REVISED	04-77	01	C

REV	DESCRIPTION	DATE	BY	CHKD
1	INITIAL DESIGN	04-77	01	C
2	REVISED	04-77	01	C
3	REVISED	04-77	01	C

REV	DESCRIPTION	DATE	BY	CHKD
1	INITIAL DESIGN	04-77	01	C
2	REVISED	04-77	01	C
3	REVISED	04-77	01	C

REV	DESCRIPTION	DATE	BY	CHKD
1	INITIAL DESIGN	04-77	01	C
2	REVISED	04-77	01	C
3	REVISED	04-77	01	C

REV	DESCRIPTION	DATE	BY	CHKD
1	INITIAL DESIGN	04-77	01	C
2	REVISED	04-77	01	C
3	REVISED	04-77	01	C

REV	DESCRIPTION	DATE	BY	CHKD
1	INITIAL DESIGN	04-77	01	C
2	REVISED	04-77	01	C
3	REVISED	04-77	01	C

REV	DESCRIPTION	DATE	BY	CHKD
1	INITIAL DESIGN	04-77	01	C
2	REVISED	04-77	01	C
3	REVISED	04-77	01	C

REV	DESCRIPTION	DATE	BY	CHKD
1	INITIAL DESIGN	04-77	01	C
2	REVISED	04-77	01	C
3	REVISED	04-77	01	C

REV	DESCRIPTION	DATE	BY	CHKD
1	INITIAL DESIGN	04-77	01	C
2	REVISED	04-77	01	C
3	REVISED	04-77	01	C

REV	DESCRIPTION	DATE	BY	CHKD
1	INITIAL DESIGN	04-77	01	C
2	REVISED	04-77	01	C
3	REVISED	04-77	01	C

REV	DESCRIPTION	DATE	BY	CHKD
1	INITIAL DESIGN	04-77	01	C
2	REVISED	04-77	01	C
3	REVISED	04-77	01	C

REV	DESCRIPTION	DATE	BY	CHKD
1	INITIAL DESIGN	04-77	01	C
2	REVISED	04-77	01	C
3	REVISED	04-77	01	C

REV	DESCRIPTION	DATE	BY	CHKD
1	INITIAL DESIGN	04-77	01	C
2	REVISED	04-77	01	C
3	REVISED	04-77	01	C

REV	DESCRIPTION	DATE	BY	CHKD
1	INITIAL DESIGN	04-77	01	C
2	REVISED	04-77	01	C
3	REVISED	04-77	01	C

REV	DESCRIPTION	DATE	BY	CHKD
1	INITIAL DESIGN	04-77	01	C
2	REVISED	04-77	01	C
3	REVISED	04-77	01	C

REV	DESCRIPTION	DATE	BY	CHKD
1	INITIAL DESIGN	04-77	01	C
2	REVISED	04-77	01	C
3	REVISED	04-77	01	C

REV	DESCRIPTION	DATE	BY	CHKD
1	INITIAL DESIGN	04-77	01	C
2	REVISED	04-77	01	C
3	REVISED	04-77	01	C

REV	DESCRIPTION	DATE	BY	CHKD
1	INITIAL DESIGN	04-77	01	C
2	REVISED	04-77	01	C
3	REVISED	04-77	01	C

REV	DESCRIPTION	DATE	BY	CHKD
1	INITIAL DESIGN	04-77	01	C
2	REVISED	04-77	01	C
3	REVISED	04-77	01	C

REV	DESCRIPTION	DATE	BY	CHKD
1	INITIAL DESIGN	04-77	01	C
2	REVISED	04-77	01	C
3	REVISED	04-77	01	C

REV	DESCRIPTION	DATE	BY	CHKD
1	INITIAL DESIGN	04-77	01	C
2	REVISED	04-77	01	C
3	REVISED	04-77	01	C

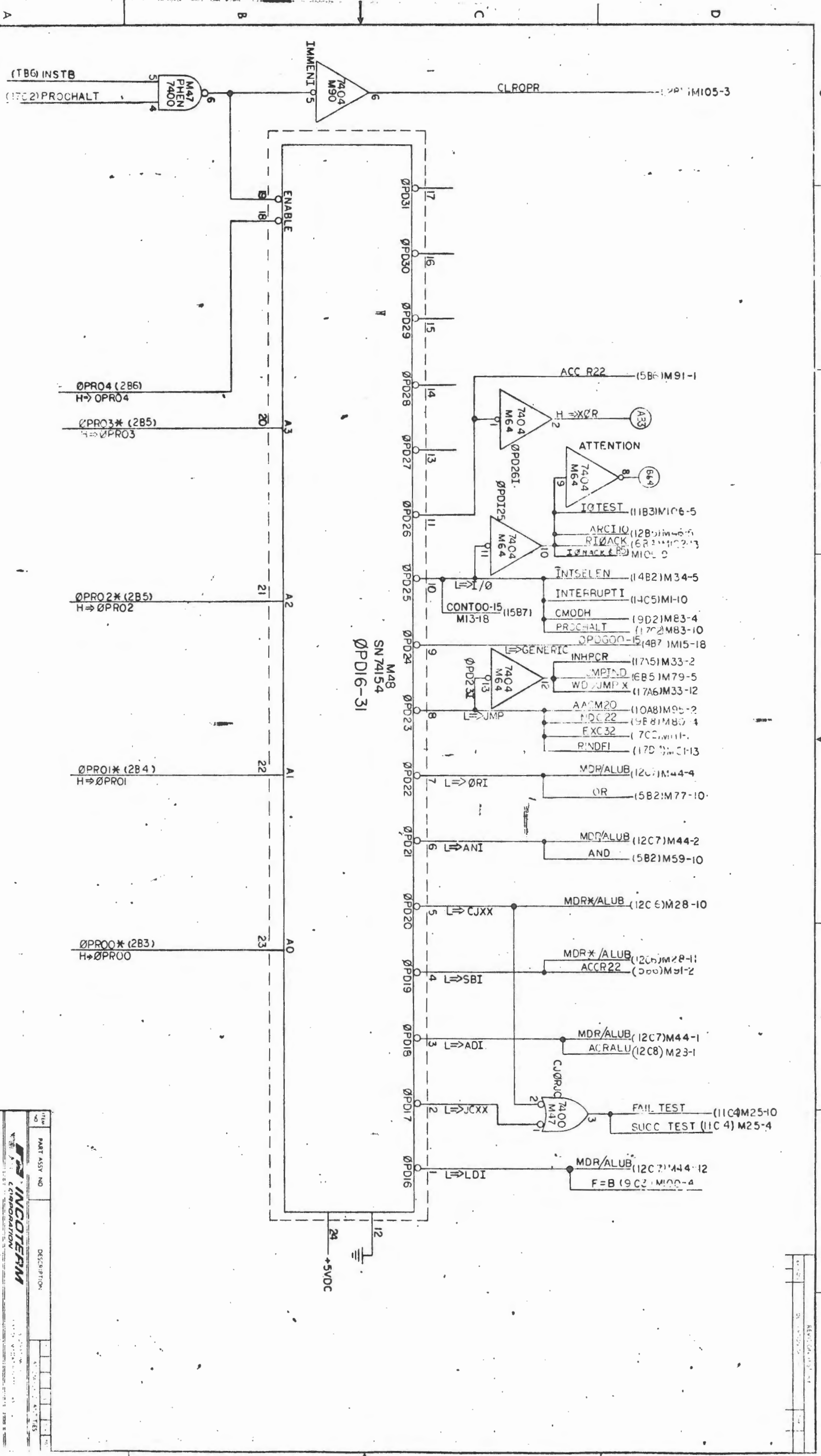
REV	DESCRIPTION	DATE	BY	CHKD
1	INITIAL DESIGN	04-77	01	C
2	REVISED	04-77	01	C
3	REVISED	04-77	01	C

REV	DESCRIPTION	DATE	BY	CHKD
1	INITIAL DESIGN	04-77	01	C
2	REVISED	04-77	01	C
3	REVISED	04-77	01	C

REV	DESCRIPTION	DATE	BY	CHKD
1	INITIAL DESIGN	04-77	01	C
2	REVISED	04-77	01	C
3	REVISED	04-77	01	C

REV	DESCRIPTION	DATE	BY	CHKD
1	INITIAL DESIGN	04-77	01	C
2	REVISED	04-77	01	C
3	REVISED	04-77	01	C

REV	DESCRIPTION	DATE	BY	CHKD
1	INITIAL DESIGN	04-77	01	C
2	REVISED	04-77	01	C
3	REVISED	04-77	01	C



(TBG) INSTB
(7C2) PROCALT

IMMNT

CLROPR

ACC R22 (5B6)M91-1

ATTENTION (644)

IQTEST (11B3)M106-5

ARCTIO (12B)M46-6

RIACK (6R1)M102-3

INTSELEN (14B2)M34-5

INTERRUPT (14C5)M1-10

CMODH (19D2)M83-4

PROCALT (17C2)M83-10

QPDG00-15 (4B7)M15-18

INHPCR (17A5)M33-2

LMPIND (6B5)M79-5

WDJMPX (17A6)M33-12

AACM20 (10A8)M95-2

MDC22 (9B8)M80-4

EXC32 (17C)M11-1

RINDFI (17D)M11-13

MDR/ALUB (12C7)M44-4

OR (5B2)M77-10

MDR/ALUB (12C7)M44-2

AND (5B2)M59-10

MDR*/ALUB (12C6)M28-10

MDR*/ALUB (12C6)M28-11

ACCR22 (300)M1-2

MDR*/ALUB (12C7)M44-1

ACRALU (12C8)M23-1

FAIL TEST (11C4)M25-10

SUCC TEST (11C4)M25-4

MDR/ALUB (12C7)M44-12

F=B (9C2)M100-4

M48
SN 74154
ØPD16-31

+5VDC

A3
A2
A1
A0

ØPRO4 (2B6)
H→ØPRO4

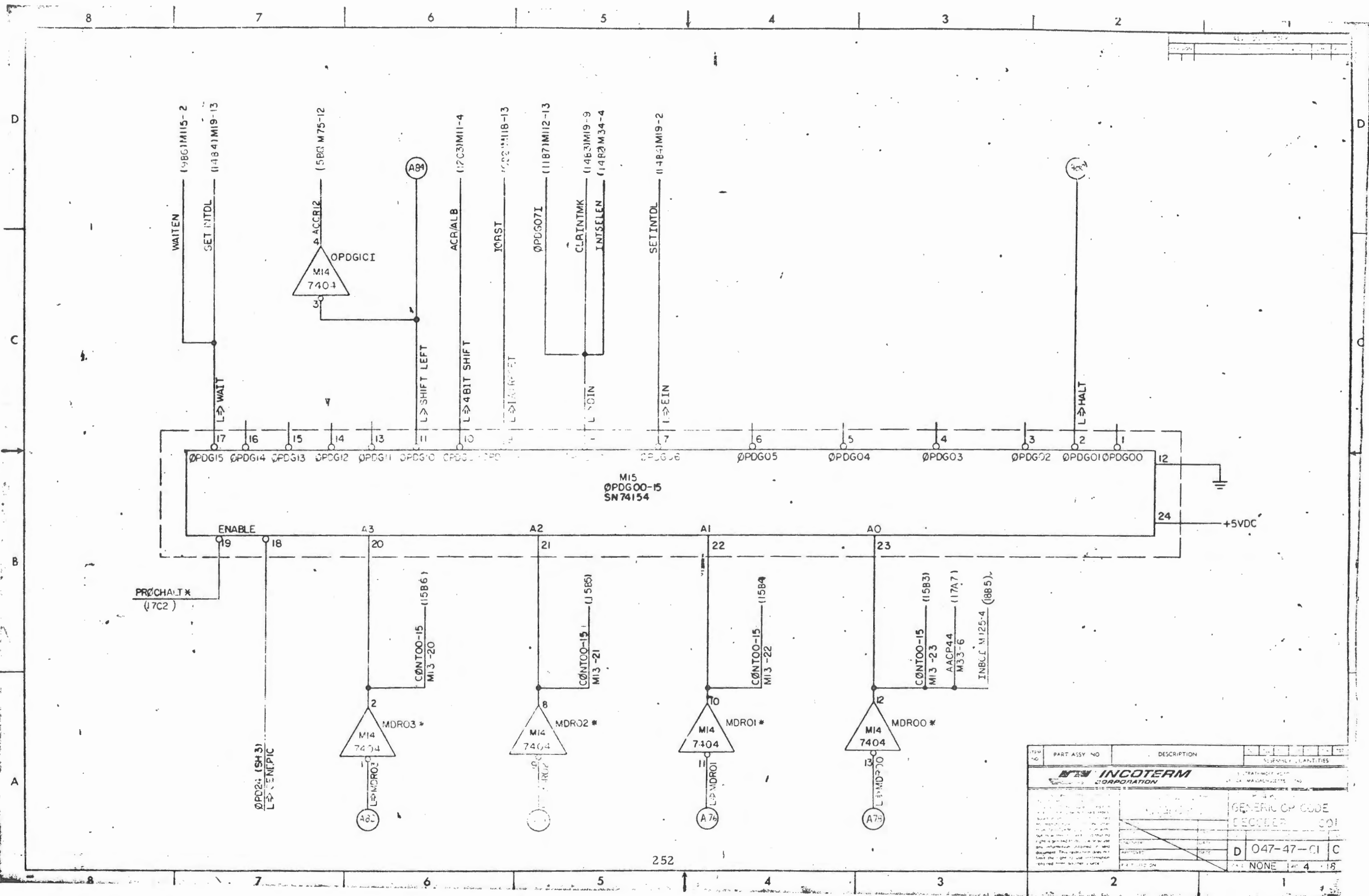
ØPRO3* (2B5)
H→ØPRO3

ØPRO2* (2B5)
H→ØPRO2

ØPRO1* (2B4)
H→ØPRO1

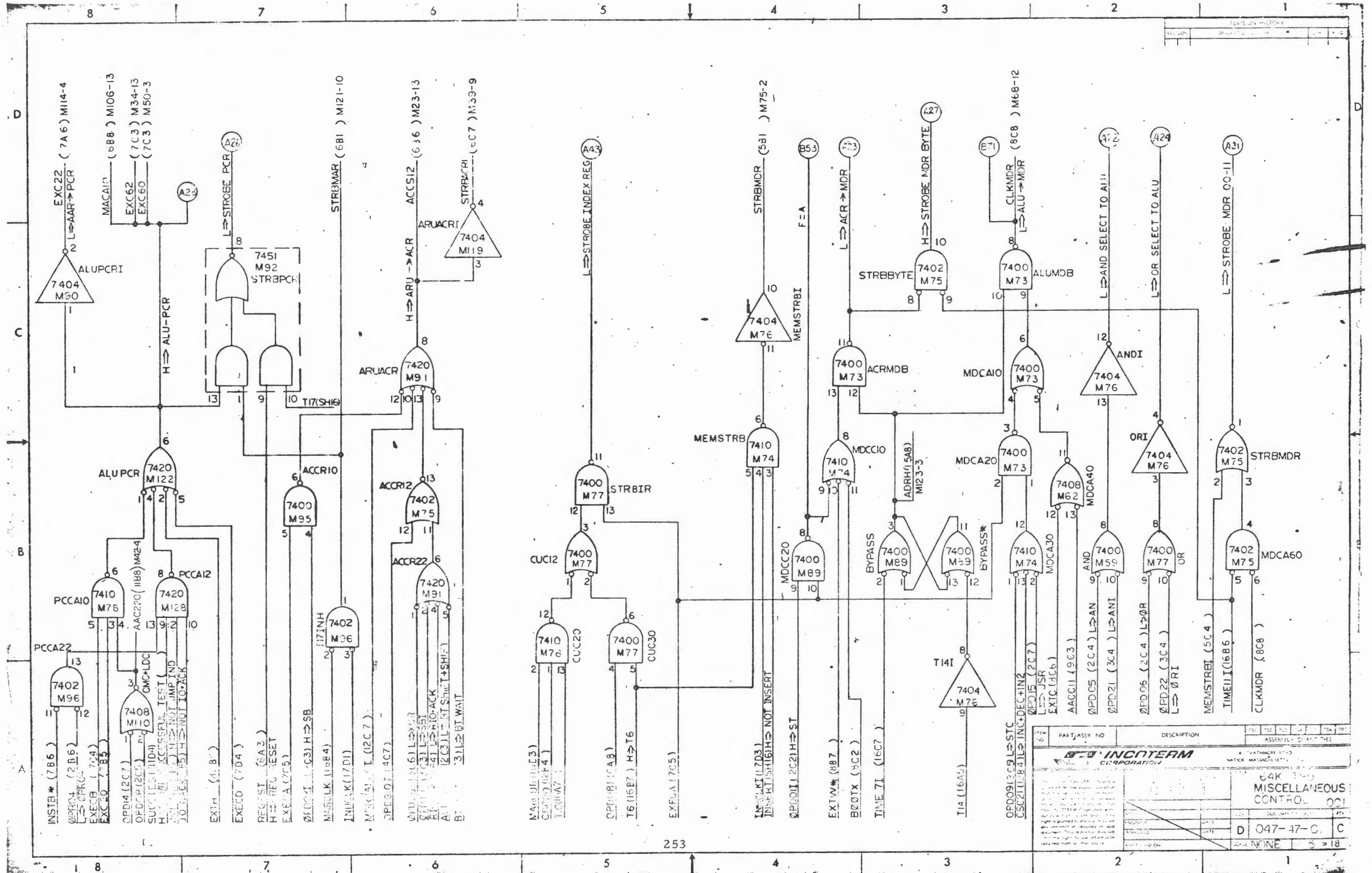
ØPRO0* (2B3)
H→ØPRO0

ITEM NO.	PART ASSY NO.	DESCRIPTION
INCOTERM CORPORATION		
64K TPU INSTRUCTION REG AND DECODER 001		
REV	DATE	BY
D	047-47 - 01	C
NONE		3 of 18

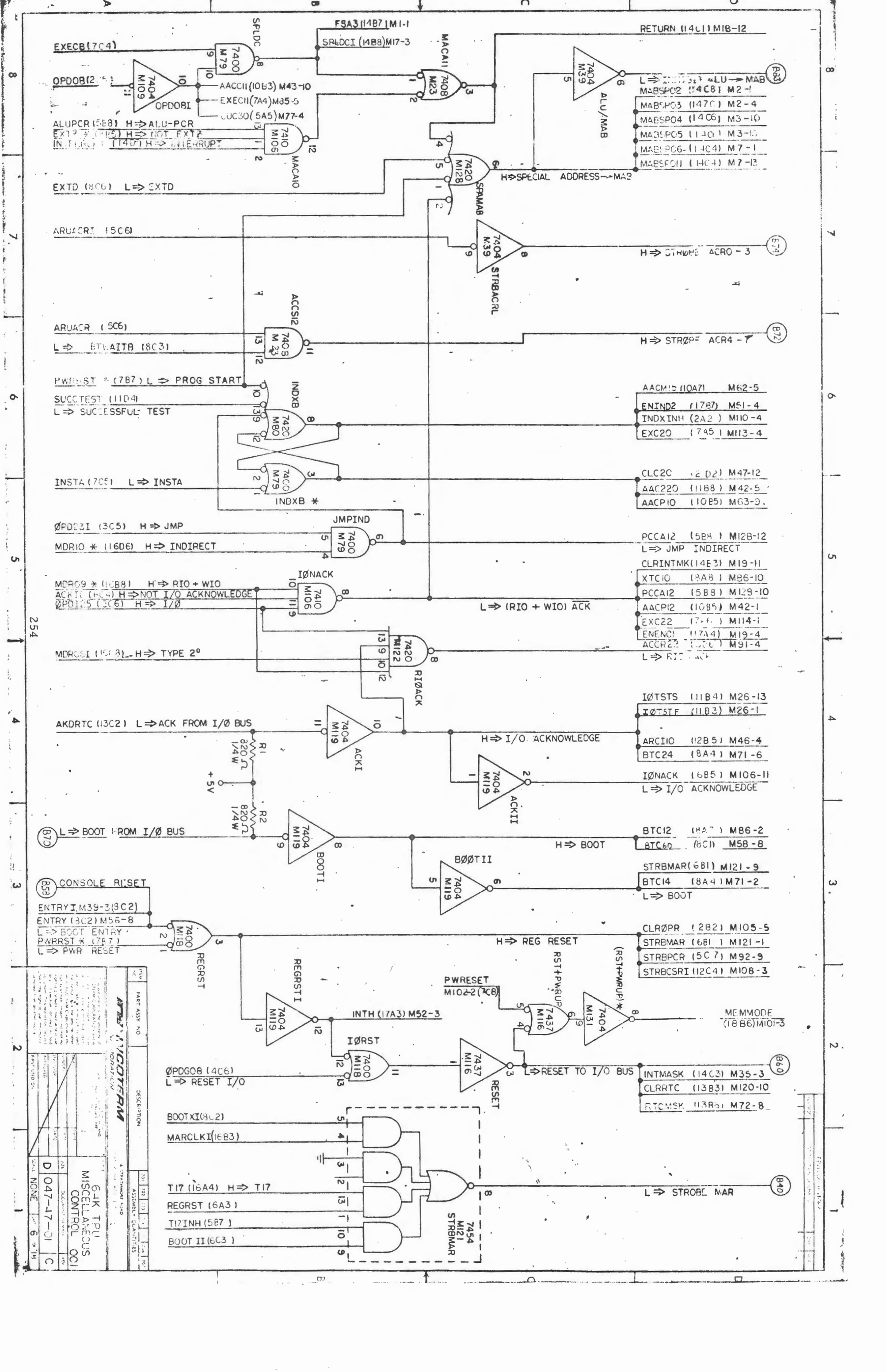


252

ITEM NO	PART ASSY NO	DESCRIPTION	QTY	UNIT
INCOTERM CORPORATION				
		GENERIC CP CODE		
		DECODER	COI	
		D 047-47-CI	C	
		NONE	4 18	



PART/ASSY NO		DESCRIPTION		ASSEMBLY QUANTITIES	
INCOTERM CORPORATION A - LATHAM ST - NEW YORK, N.Y. 10014 NOTICE: MANUFACTURED IN U.S.A.					
64K MEMORY MISCELLANEOUS CONTROL (CC)					
DATE	DATE	DATE	DATE	DATE	DATE
D 047-47-C C NONE 5 18					

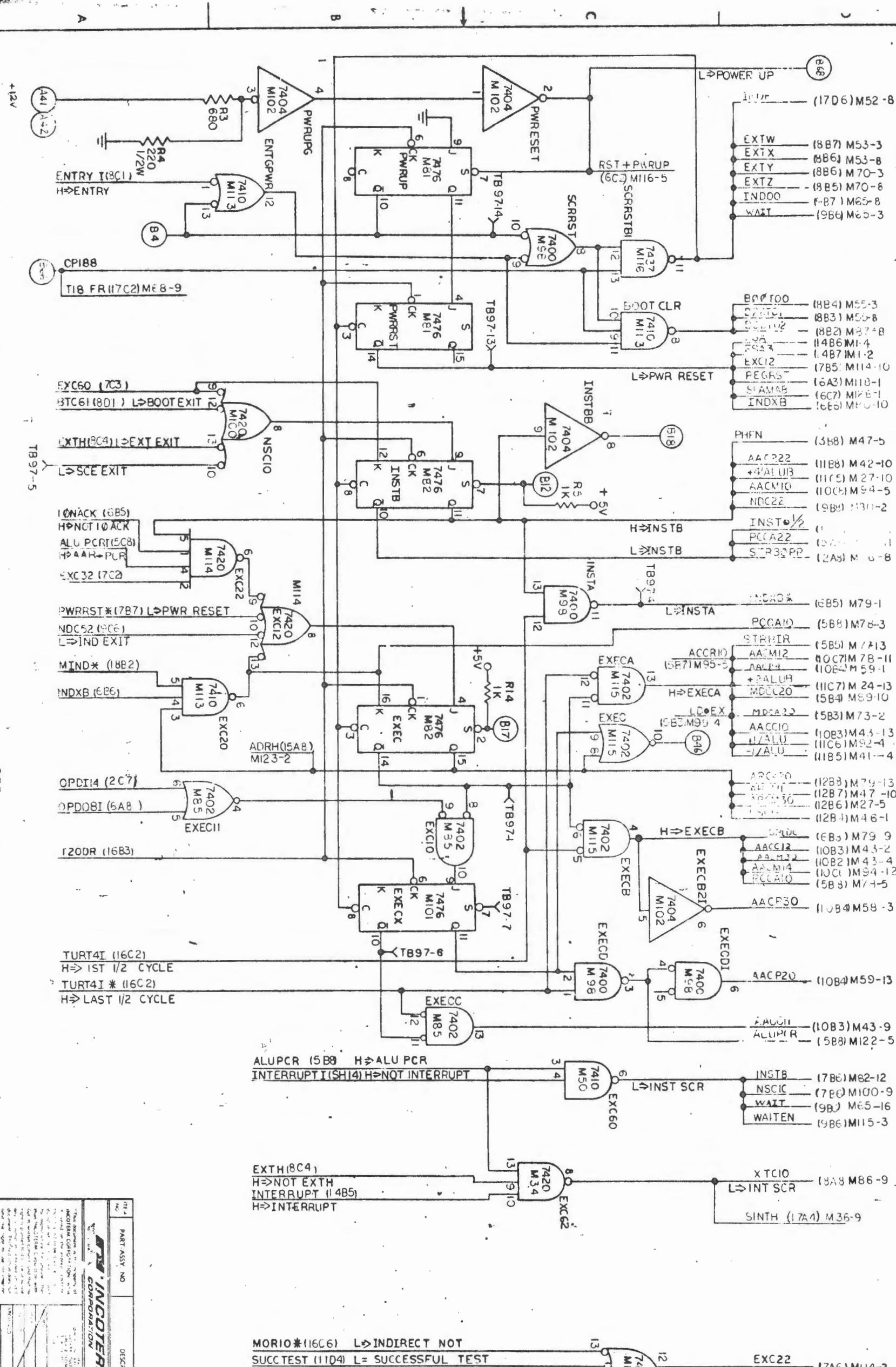


254

REGRST
 ENTRY I M39-3 (3C2)
 ENTRY (3C2) M56-8
 L → BOOT ENTRY
 PWRRST * (7B7)
 L → PWR RESET

QTY	PART ASSY NO.	DESCRIPTION	ASSEMBLY QUANTITIES
1	64K TPU	MISCELLANEOUS CONTROL OCU	1
1	D 047-17-01	SCALE NONE	6 of 14
1	C		

- MABSP02 (14C8) M2-1
- MABSP03 (147C) M2-4
- MABSP04 (14C6) M3-10
- MABSP05 (14C1) M3-10
- MABSP06 (14C4) M7-1
- MABSP07 (14C4) M7-13
- AACM15 (10A7) M62-5
- ENIND2 (17B7) M51-4
- INDXINH (2A2) M110-4
- EXC20 (745) M113-4
- CLC20 (2D2) M47-12
- AAC220 (11B8) M42-5
- AACPI0 (10B5) M63-9
- PCCA12 (5B8) M128-12
- L → JMP INDIRECT
- CLRINTMK (14E3) M19-11
- XTICIO (8A8) M86-10
- PCCA12 (5B8) M129-10
- AACPI2 (10B5) M42-1
- EXC22 (746) M114-1
- ENENCI (17A4) M19-4
- ACCR22 (746) M91-4
- L → RIO ACK
- IOTSTS (11B4) M26-13
- IOTSTF (11B3) M26-1
- ARCIO (12B5) M46-4
- BTC24 (8A4) M71-6
- IONACK (6B5) M106-11
- L → I/O ACKNOWLEDGE
- BTC12 (8A7) M86-2
- BTC60 (8C1) M58-8
- STRBMAR (6B1) M121-9
- BTC14 (8A4) M71-2
- L → BOOT
- CLRØPR (2B2) M105-5
- STRBMAR (6B1) M121-1
- STRBPCR (5C7) M92-9
- STRBCSRI (12C4) M108-3
- MEMMODE (18B6) M101-3
- INTMASK (14C3) M35-3
- CLRRTC (13B3) M120-10
- RTCMSK (13B5) M72-8



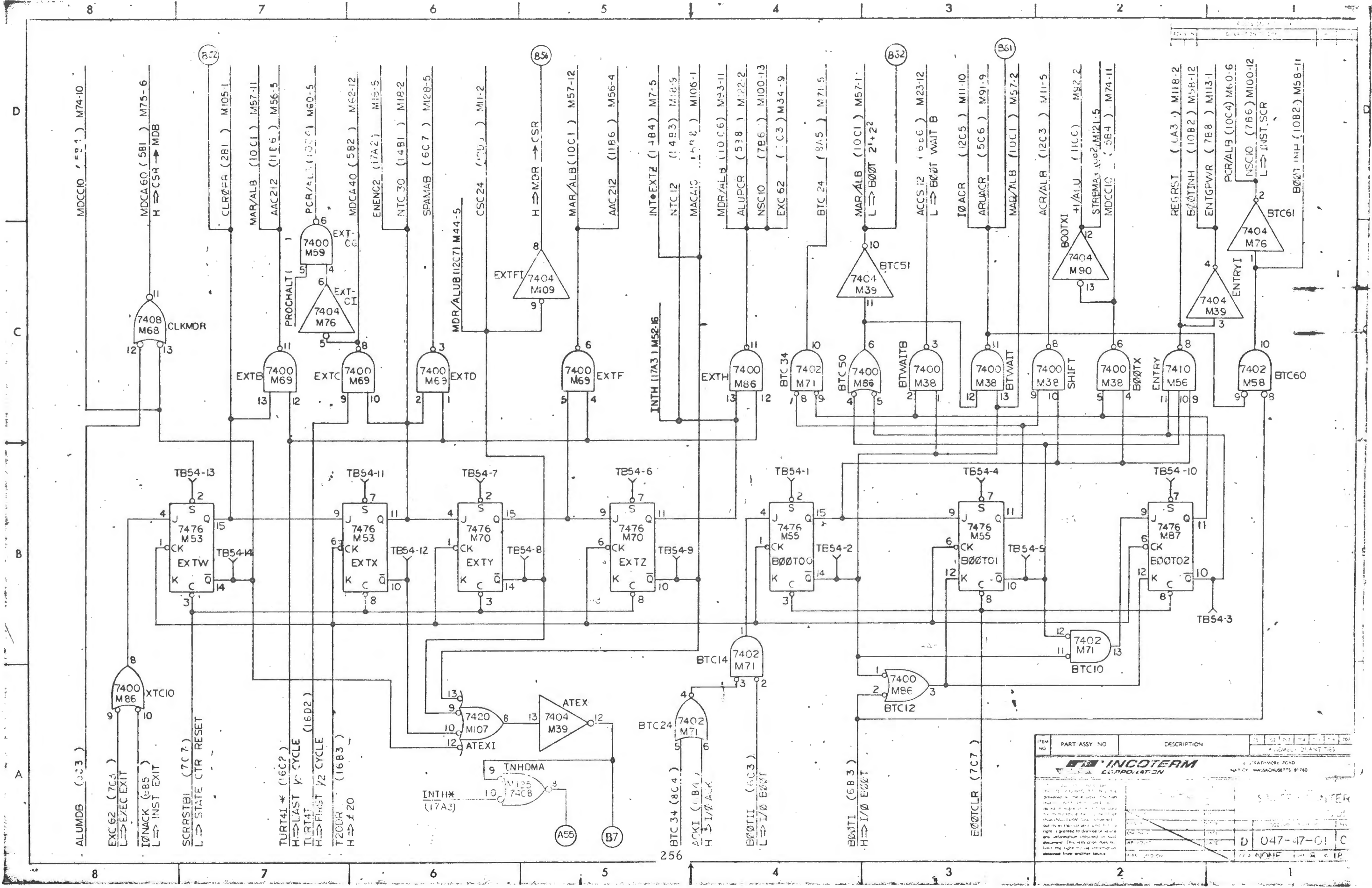
INCOTERM CORPORATION	DESCRIPTION
64K TPU	STATE-COUNT:FR
D 047-47-01	001
EST: NONE	REV: 7-18

MORIO* (16C6) L → INDIRECT NOT
 SUCC TEST (11D4) L = SUCCESSFUL TEST
 OPD23 (3C5) L → JMP

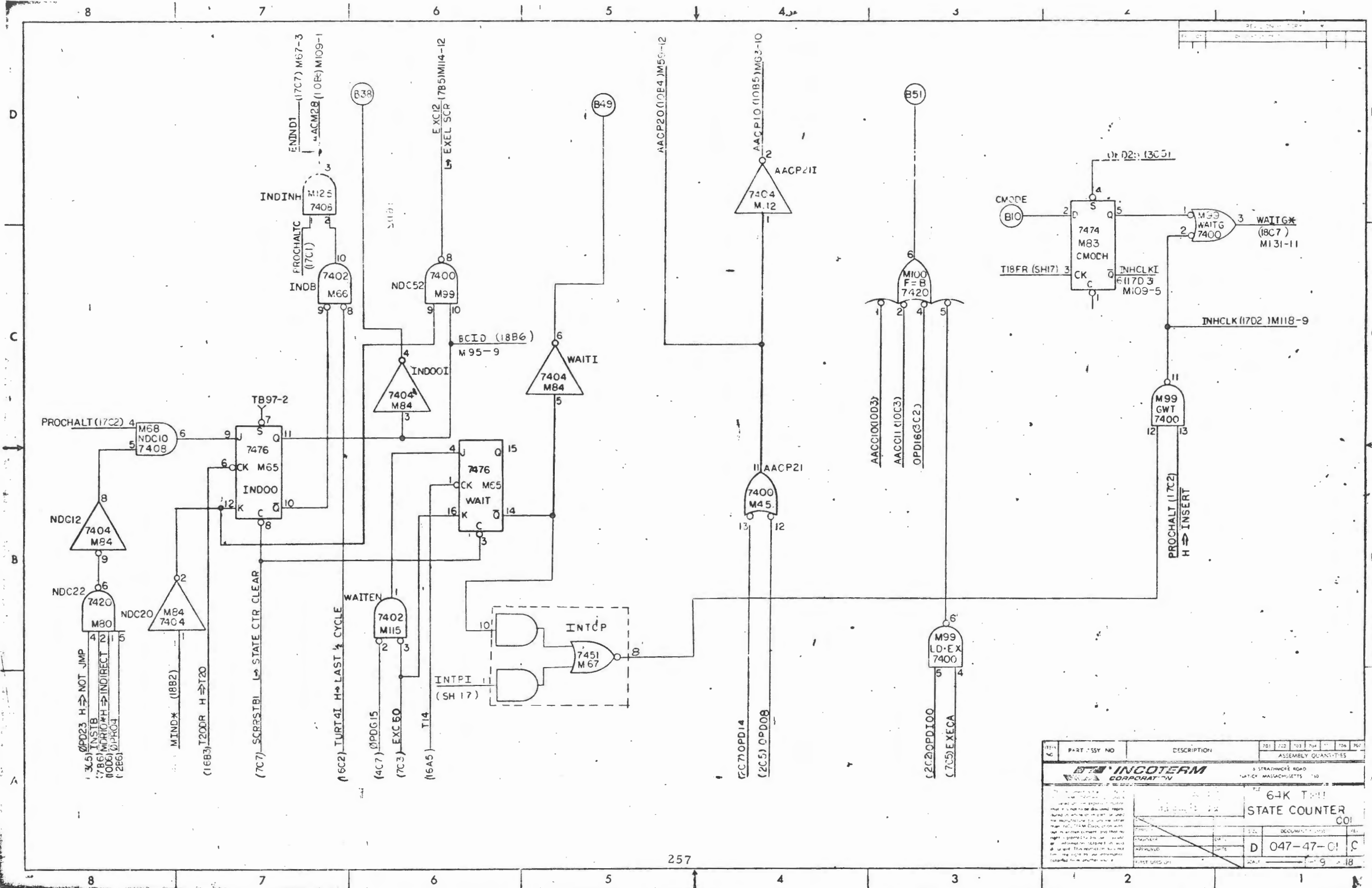
INSTB (7B6) M62-12
 NSCIC (76C) M100-9
 WAIT (9B2) M65-16
 WAITEN (9B6) M115-3

INSTB (17B6) M62-12
 NSCIC (76C) M100-9
 WAIT (9B2) M65-16
 WAITEN (9B6) M115-3

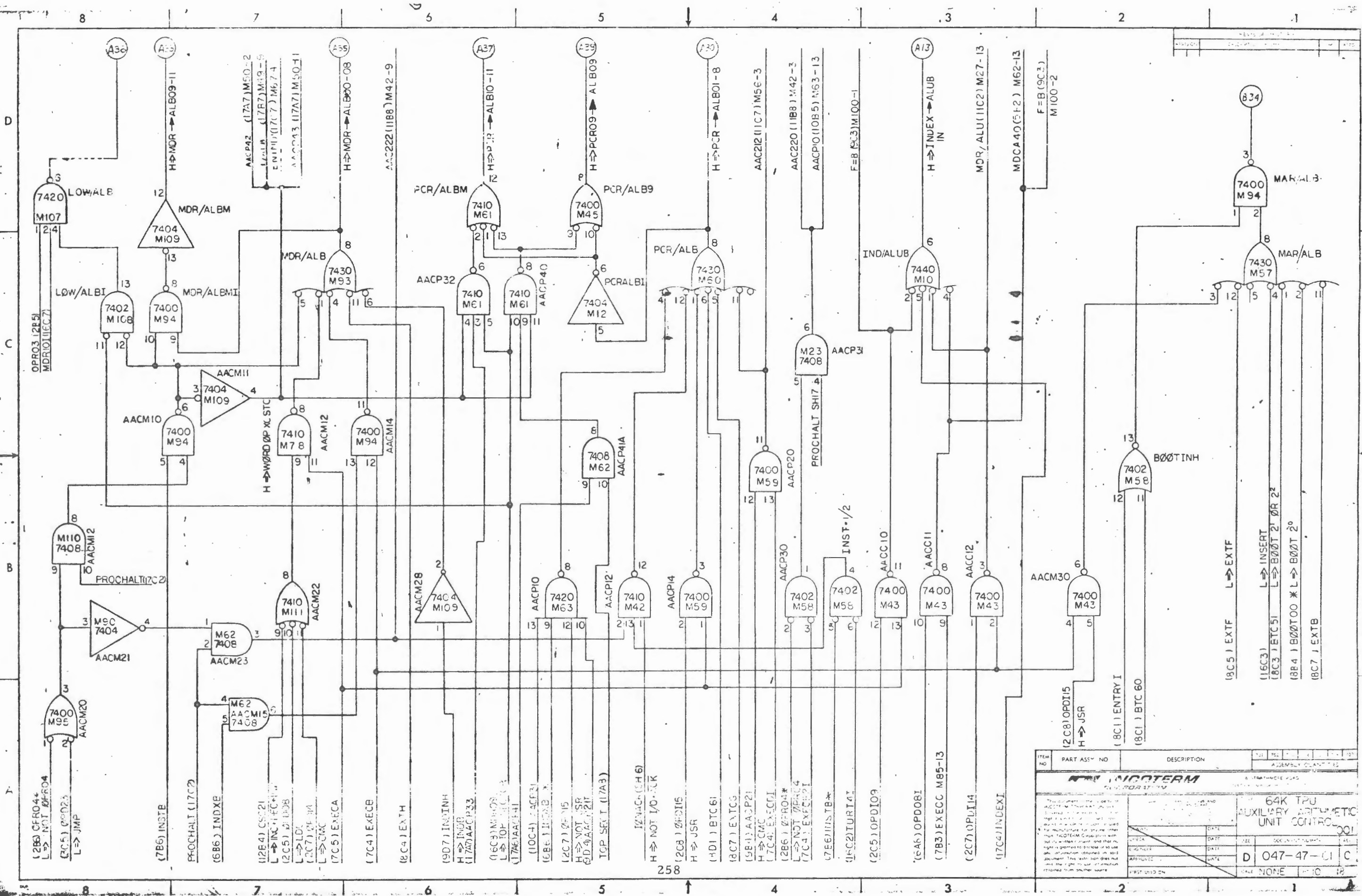
INSTB (17B6) M62-12
 NSCIC (76C) M100-9
 WAIT (9B2) M65-16
 WAITEN (9B6) M115-3



ITEM NO.	PART ASSY NO.	DESCRIPTION	QTY	REV	DATE	BY
INCOTERM CORPORATION						
150 WASHINGTON ROAD MAYFIELD, MASSACHUSETTS 01754						
SHEET NO. 1 OF 1						
D 047-47-01 C						



701	702	703	704	705	706	707
PART ASSY NO		DESCRIPTION		ASSEMBLY QUANTITIES		
3 STRATHMORE ROAD MAYFIELD, MASSACHUSETTS 01901						
64K TMSI STATE COUNTER						
COI						
APPROVED	DATE	REV	DESCRIPTION	QTY	UNIT	REMARKS
			D 047-47-C			
FIRST USED ON						



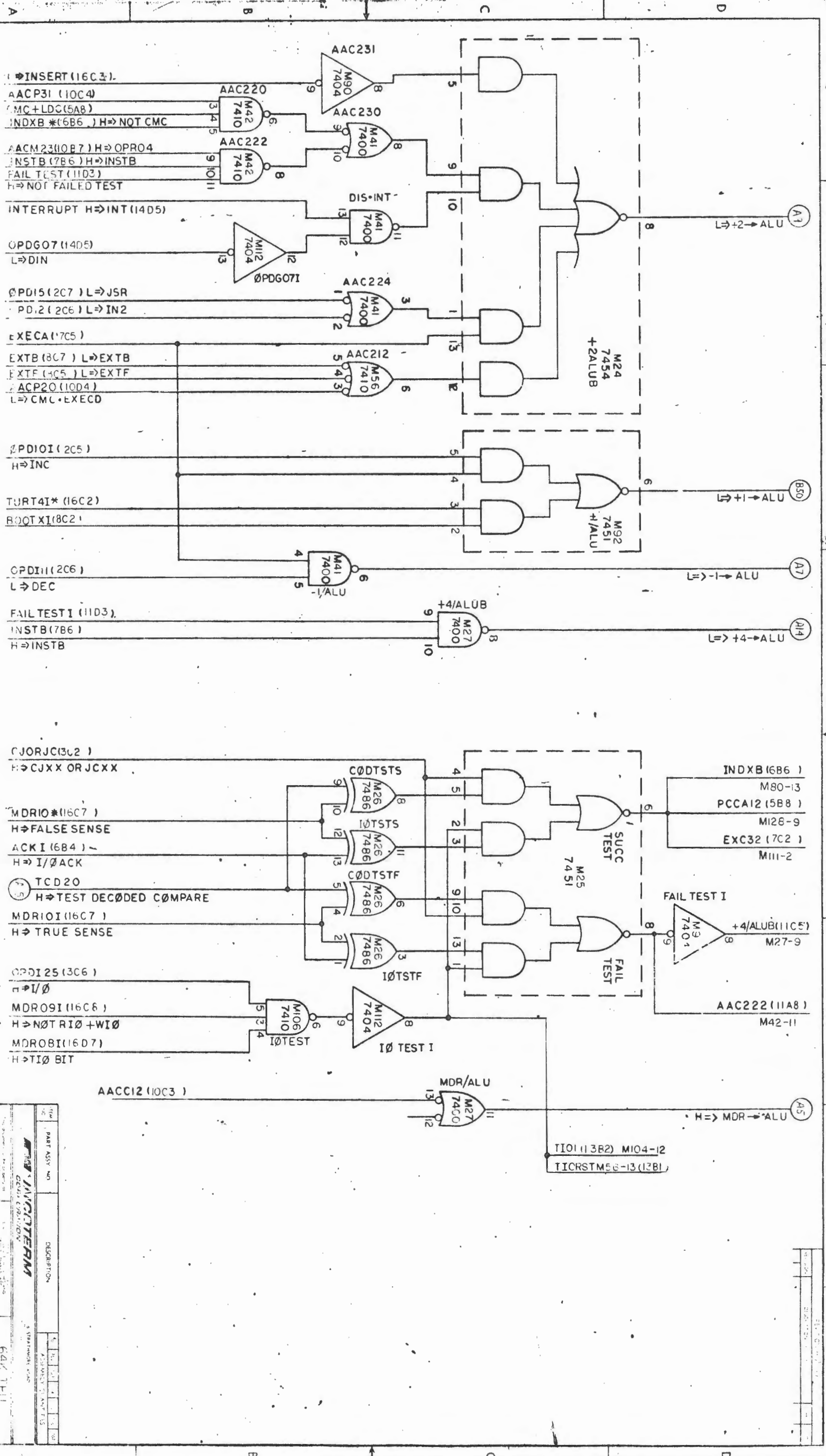
258

ITEM NO.	PART ASSY NO.	DESCRIPTION	QUANTITY												
64K TPU AUXILIARY ARITHMETIC UNIT CONTROL															
<table border="1" style="width: 100%;"> <tr> <td>DATE</td> <td>DATE</td> <td>DATE</td> <td>DATE</td> </tr> <tr> <td>DESIGNED BY</td> <td>CHECKED BY</td> <td>DATE</td> <td>DATE</td> </tr> <tr> <td>APPROVED BY</td> <td>DATE</td> <td>DATE</td> <td>DATE</td> </tr> </table>				DATE	DATE	DATE	DATE	DESIGNED BY	CHECKED BY	DATE	DATE	APPROVED BY	DATE	DATE	DATE
DATE	DATE	DATE	DATE												
DESIGNED BY	CHECKED BY	DATE	DATE												
APPROVED BY	DATE	DATE	DATE												
D 047-47-C1 C		SCALE	NONE												
FIRST USED ON		DATE	BY												

INSERT (16C3)
 AAC231 (10C4)
 MC+LDC(5A8)
 INDXB*(6B6) H⇒NOT CMC
 AAC230 (10E7) H⇒OPRO4
 INSTB(7B6) H⇒INSTB
 FAIL TEST (11D3)
 H⇒NOT FAILED TEST
 INTERRUPT H⇒INT(14D5)
 OPDGO7 (14D5)
 L⇒DIN
 OPDI5 (2C7) L⇒JSR
 PD.2 (2C6) L⇒IN2
 EXECAL (7C5)
 EXTB (8C7) L⇒EXTB
 EXTF (8C5) L⇒EXTF
 ACP20 (10D4)
 L⇒CMC·EXECD
 OPDIOI (2C5)
 H⇒INC
 TURT4I* (16C2)
 ROOTX1(8C2)
 OPDI11 (2C6)
 L⇒DEC
 FAIL TEST I (11D3)
 INSTB(7B6)
 H⇒INSTB

CJORJC(3C2)
 H⇒CJXX ORJCXX
 MDRI0*(16C7)
 H⇒FALSE SENSE
 ACK I (6B4)
 H⇒I/∅ACK
 TCD20
 H⇒TEST DECODED COMPARE
 MDRI0I (16C7)
 H⇒TRUE SENSE
 OPDI25 (3C6)
 H⇒I/∅
 MDRO9I (16C6)
 H⇒NOT RI∅+WI∅
 MDROBI (16D7)
 H⇒TI∅ BIT

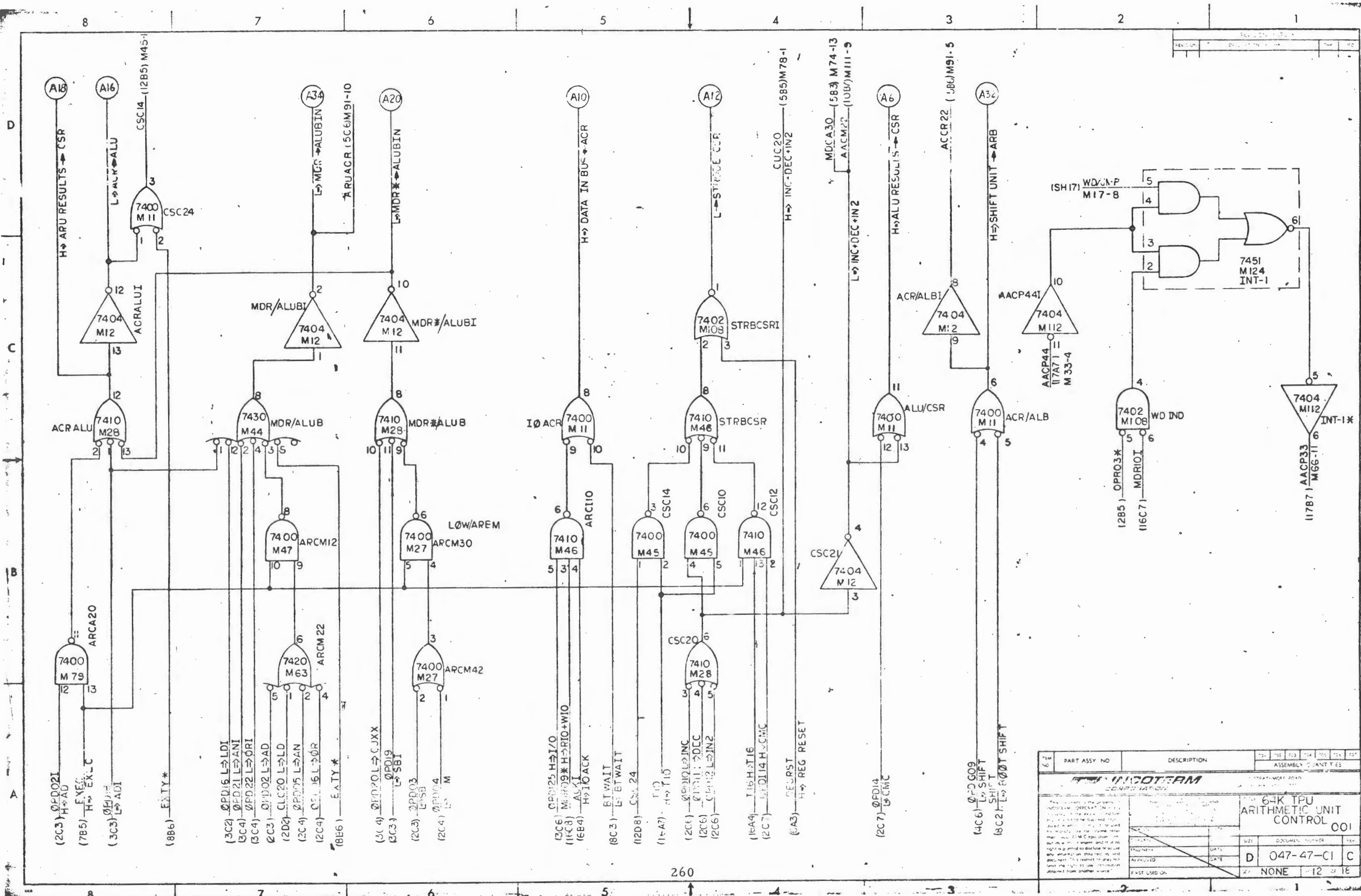
AACC12 (10C3)



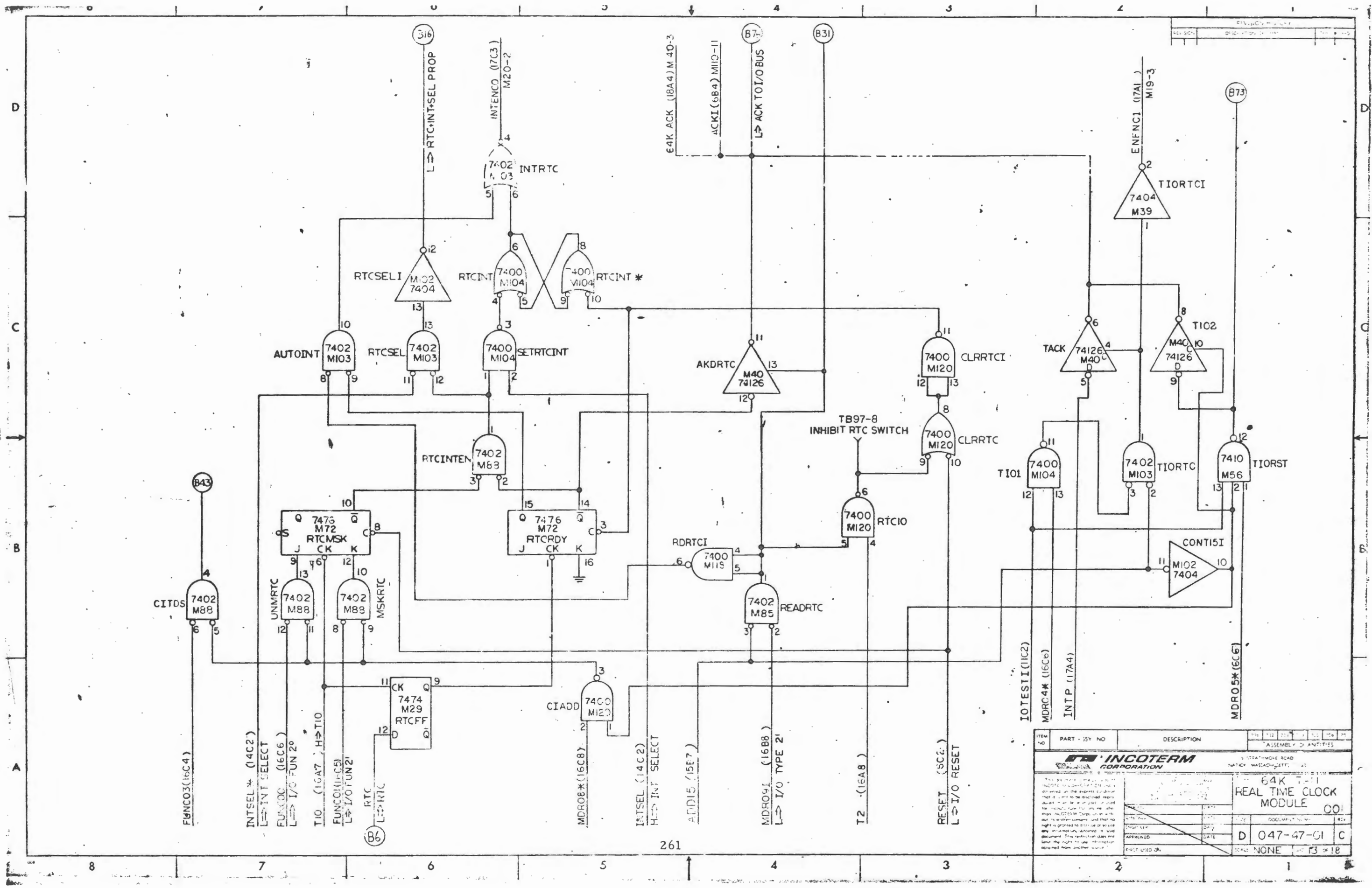
AVCOTERM 64K THU UNIT CONTROL 001 D 047-47-01 C NO. 11	
PART ASSY. NO. DESCRIPTION DATE BY	64K THU UNIT CONTROL 001 D 047-47-01 C NO. 11

259

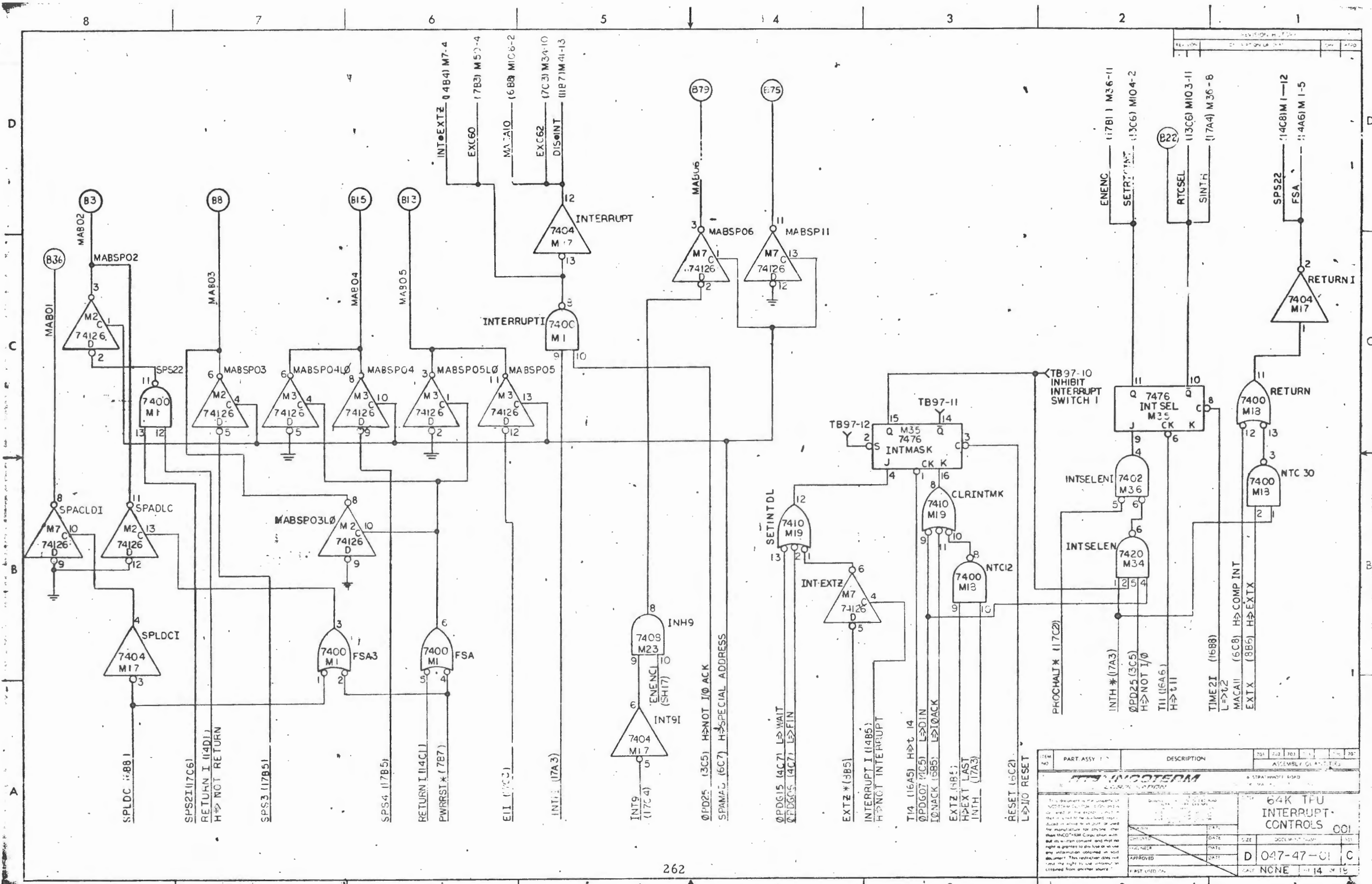
REV. C
 DATE: 11-11-71
 BY: J. J. ...
 CHECKED: ...
 APPROVED: ...



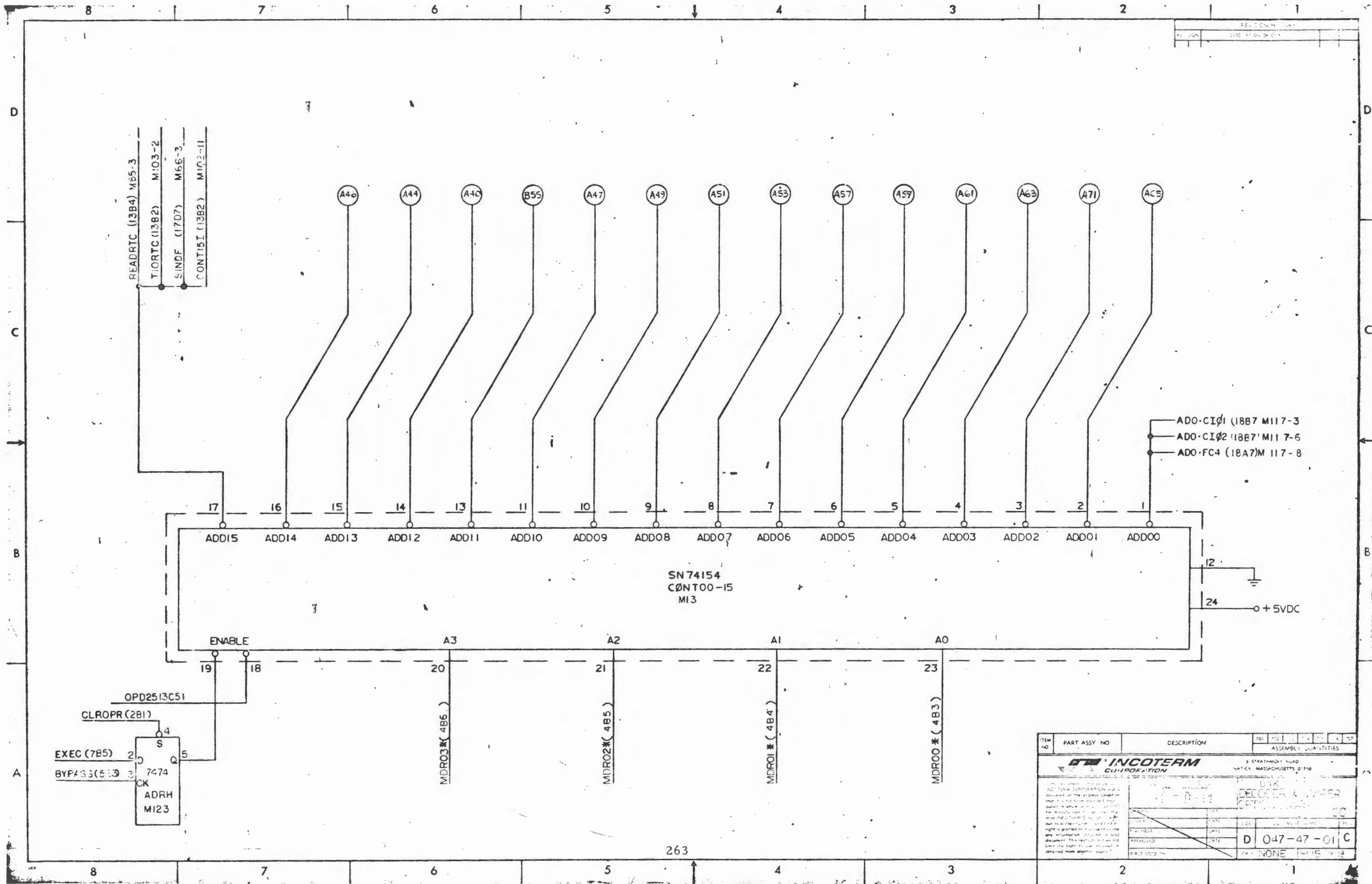
REV	PART ASSY NO	DESCRIPTION	101	102	103	104	105	106	107
6									
INCOTERM CORPORATION 64K TPU ARITHMETIC UNIT CONTROL COI			ASSEMBLY QUANTITIES						
APPROVED: _____ DATE: _____ FIRST USED ON: _____			D 047-47-C1 C NONE 1-12 16						



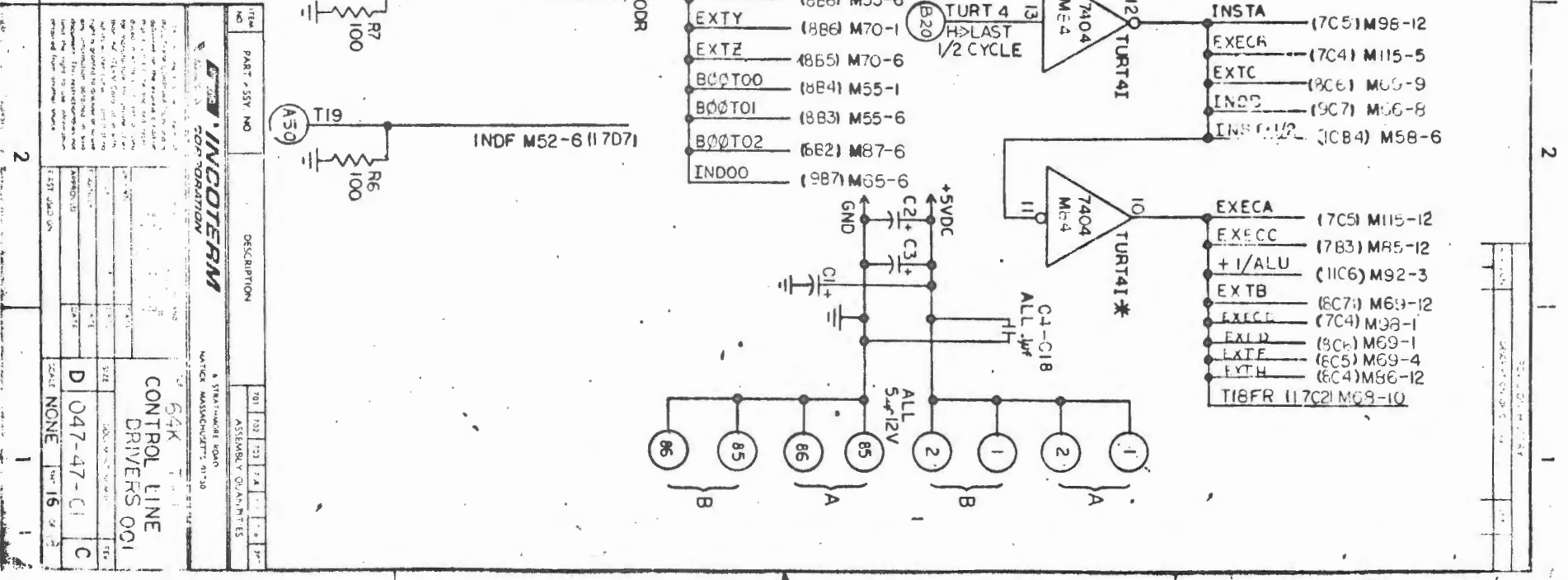
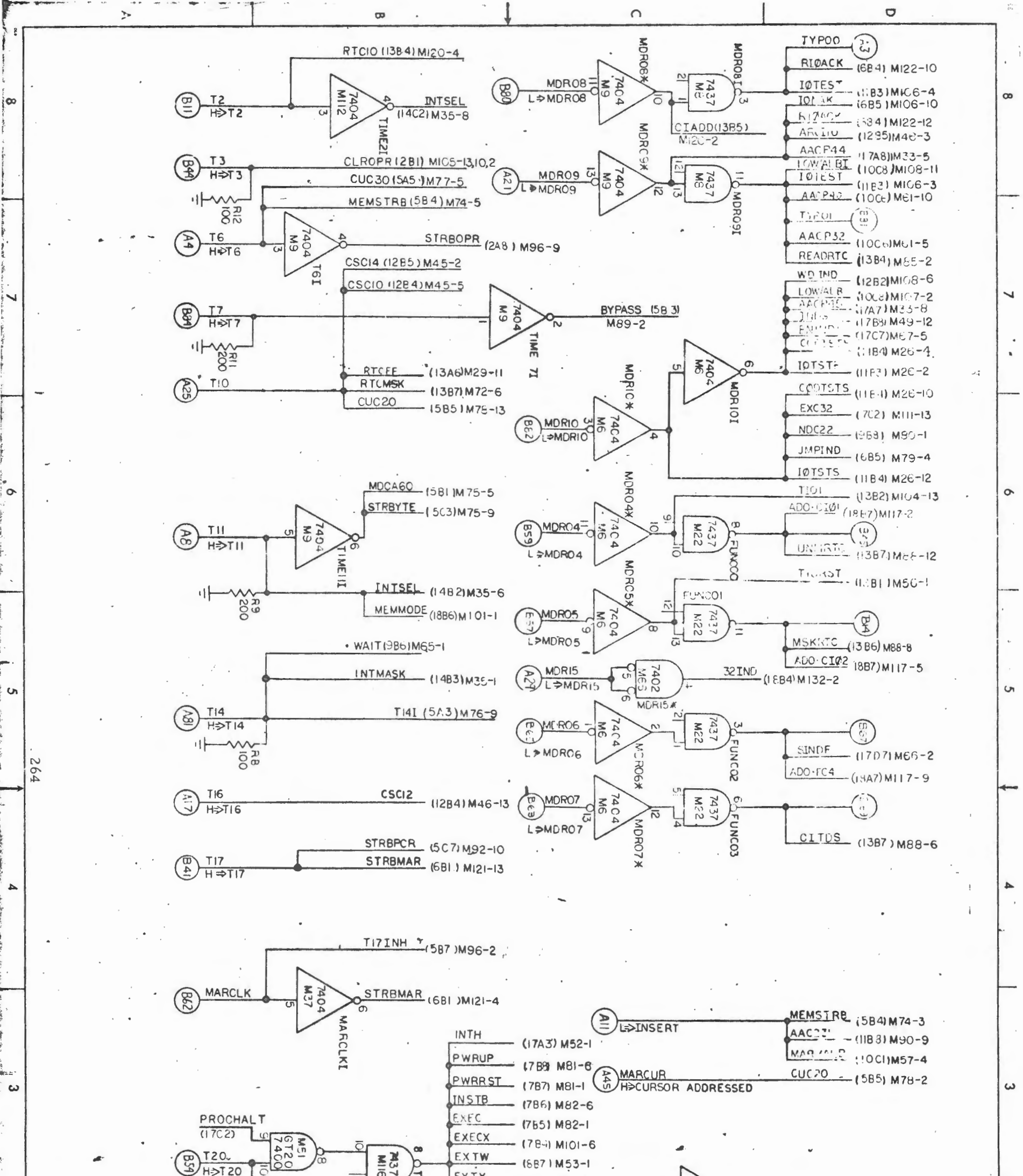
ITEM NO	PART - ISSY NO	DESCRIPTION	REV	DATE	BY	CHK
INCOTERM CORPORATION 100 STATE STREET, BOSTON, MASSACHUSETTS 02109						
64K 741 REAL TIME CLOCK MODULE COI						
APPROVED	DATE	SCALE	D	047-47-01	C	
FIRST USED ON: NONE 13 OF 18						



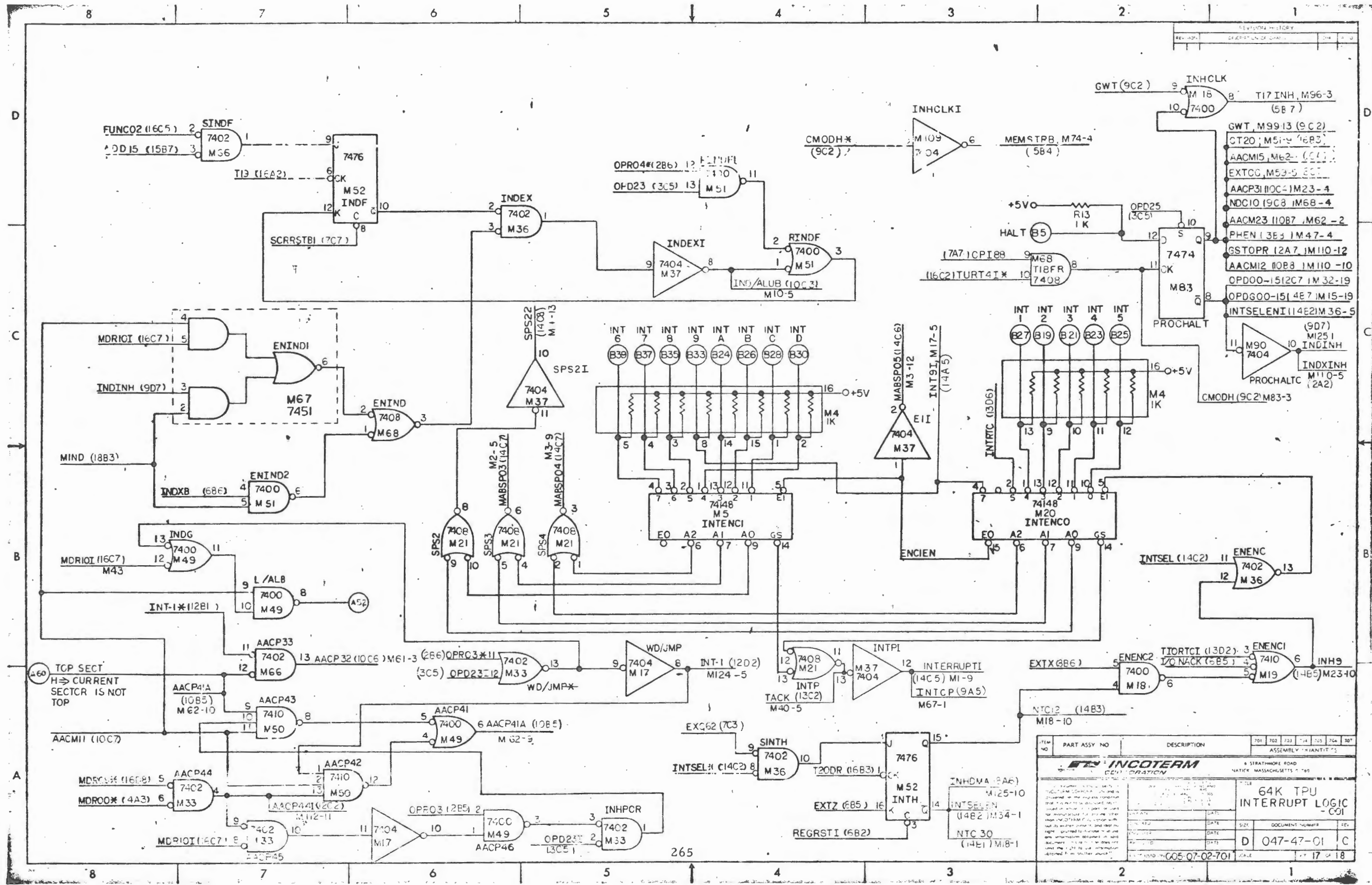
REV	PART ASSY	DESCRIPTION	701	702	703	704	705
1		64K TPU INTERRUPT CONTROLS					
APPROVED		DATE	SIZE	CODE	DATE	DATE	DATE
FIRST USED		DATE	BY	BY	BY	BY	BY
		DATE	BY	BY	BY	BY	BY



ITEM NO.	PART ASSY NO.	DESCRIPTION	QTY	UNIT
INCOTERM CORPORATION 5 STRATHMORE ROAD WATUK, MASSACHUSETTS 01740				
DECODER & DRIVER (CPT)				
DATE	DATE	DATE	DATE	DATE
APPROVED	DATE	DATE	DATE	DATE
D 047-47-01		C		
NONE				



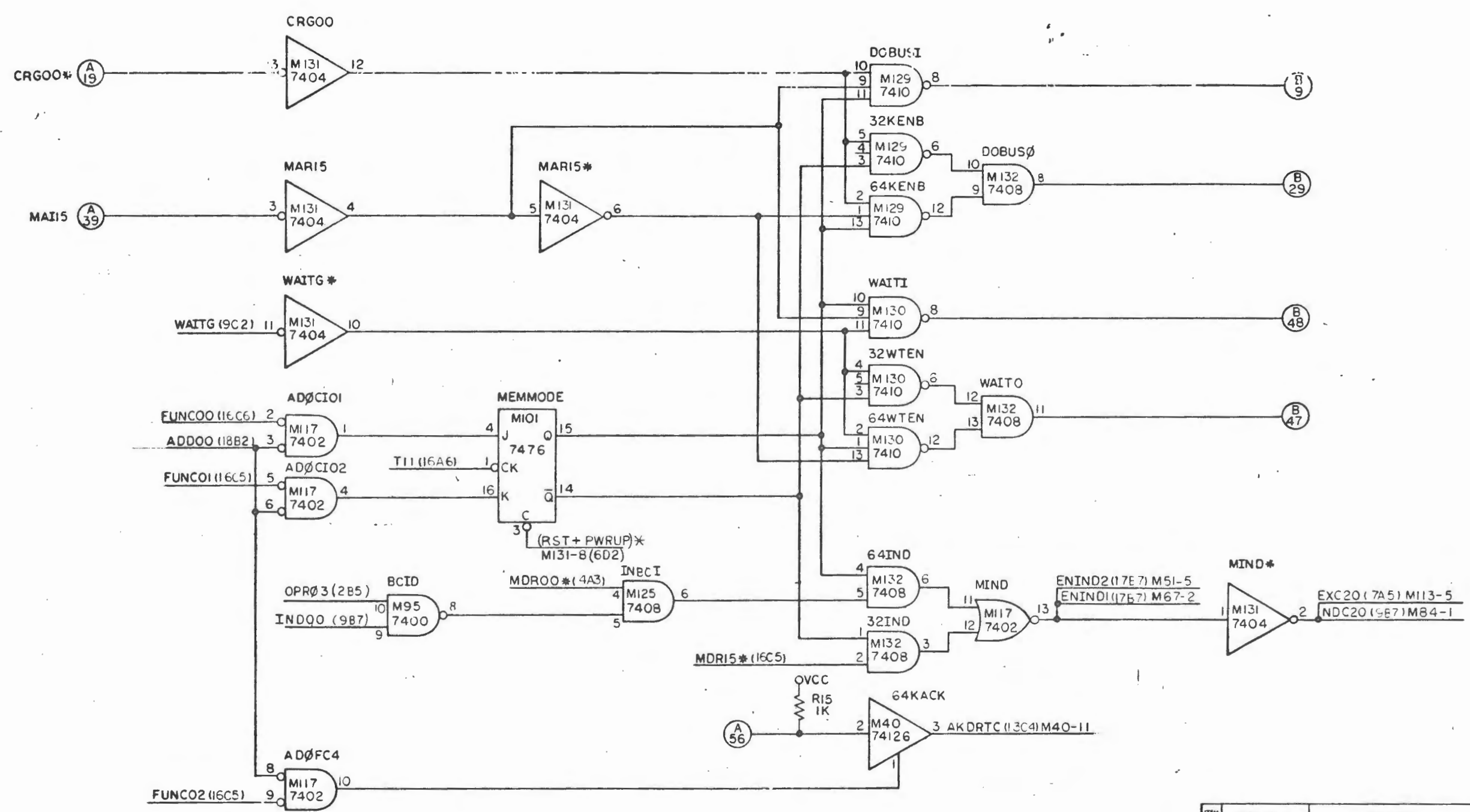
ITEM NO.	PART #	SY NO.	DESCRIPTION
1	64K	1	CONTROL LINE DRIVERS 001
2	D 047-47-C1	C	SCALE NONE



REV.	DATE	DESCRIPTION	701	702	703	704	705	706	707
1									

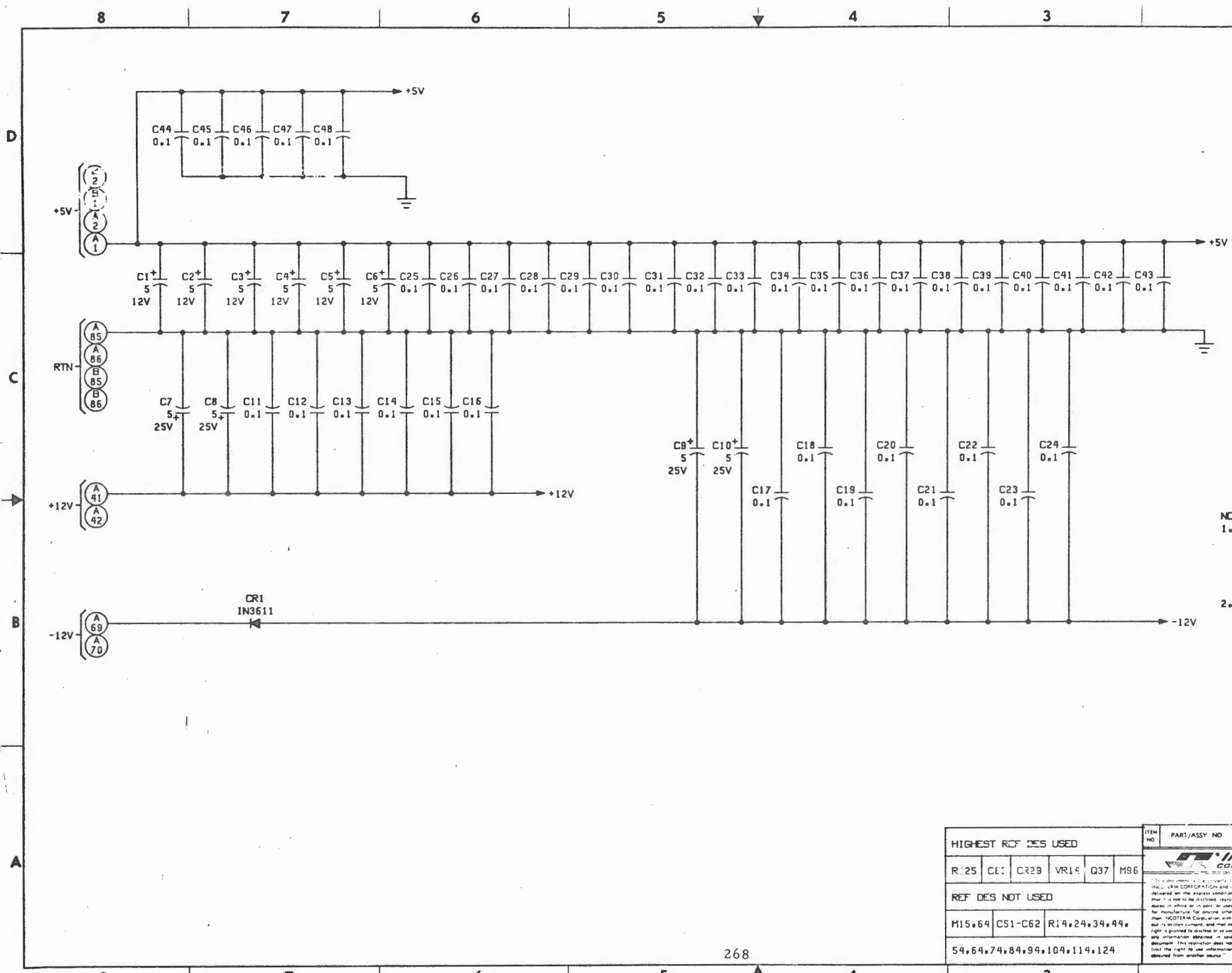
ITEM NO.	PART ASSY NO.	DESCRIPTION	QTY
1	7476	M52 INTH	1
2	7410	M50	1
3	7402	M33	1
4	7402	M33	1
5	7402	M33	1
6	7402	M33	1
7	7402	M33	1
8	7402	M33	1
9	7402	M33	1
10	7402	M33	1
11	7404	M17	1
12	7410	M50	1
13	7402	M33	1
14	7402	M33	1
15	7402	M33	1
16	7402	M33	1
17	7402	M33	1
18	7402	M33	1
19	7402	M33	1
20	7402	M33	1
21	7402	M33	1
22	7402	M33	1
23	7402	M33	1
24	7402	M33	1
25	7402	M33	1
26	7402	M33	1
27	7402	M33	1
28	7402	M33	1
29	7402	M33	1
30	7402	M33	1
31	7402	M33	1
32	7402	M33	1
33	7402	M33	1
34	7402	M33	1
35	7402	M33	1
36	7402	M33	1
37	7402	M33	1
38	7402	M33	1
39	7402	M33	1
40	7402	M33	1
41	7402	M33	1
42	7402	M33	1
43	7402	M33	1
44	7402	M33	1
45	7402	M33	1
46	7402	M33	1
47	7402	M33	1
48	7402	M33	1
49	7402	M33	1
50	7402	M33	1
51	7402	M33	1
52	7402	M33	1
53	7402	M33	1
54	7402	M33	1
55	7402	M33	1
56	7402	M33	1
57	7402	M33	1
58	7402	M33	1
59	7402	M33	1
60	7402	M33	1
61	7402	M33	1
62	7402	M33	1
63	7402	M33	1
64	7402	M33	1
65	7402	M33	1
66	7402	M33	1
67	7402	M33	1
68	7402	M33	1
69	7402	M33	1
70	7402	M33	1
71	7402	M33	1
72	7402	M33	1
73	7402	M33	1
74	7402	M33	1
75	7402	M33	1
76	7402	M33	1
77	7402	M33	1
78	7402	M33	1
79	7402	M33	1
80	7402	M33	1
81	7402	M33	1
82	7402	M33	1
83	7402	M33	1
84	7402	M33	1
85	7402	M33	1
86	7402	M33	1
87	7402	M33	1
88	7402	M33	1
89	7402	M33	1
90	7402	M33	1
91	7402	M33	1
92	7402	M33	1
93	7402	M33	1
94	7402	M33	1
95	7402	M33	1
96	7402	M33	1
97	7402	M33	1
98	7402	M33	1
99	7402	M33	1
100	7402	M33	1

REVISION HISTORY			
REVISION	DESCRIPTION OF CHANGE	CHE	APPD



ITEM NO	PART/ASSY. NO	DESCRIPTION	ASSEMBLY QUANTITIES						
			701	702	703	704	705	706	707
			8 STRATHMORE ROAD PART OF WATSONVILLE, CA						
"This document is the property of INCOTERM CORPORATION and is delivered on the express condition that it is not to be disclosed, reproduced, in whole or in part, or used for manufacture for anyone other than INCOTERM Corp. or its without its written consent, and that no right is granted to disclose or use any information obtained in said document. This restriction does not limit the right to use information obtained from another source."			DRAWN _____ DATE _____ CHECKED _____ DATE _____ ENGINEER _____ DATE _____ APPROVED _____ DATE _____ FIRST USED ON _____		TITLE: MODE CONTROL LOGIC Dwg. No: 047-47-01 REV: C SCALE: 1:1 SHEET: 12 OF 12				

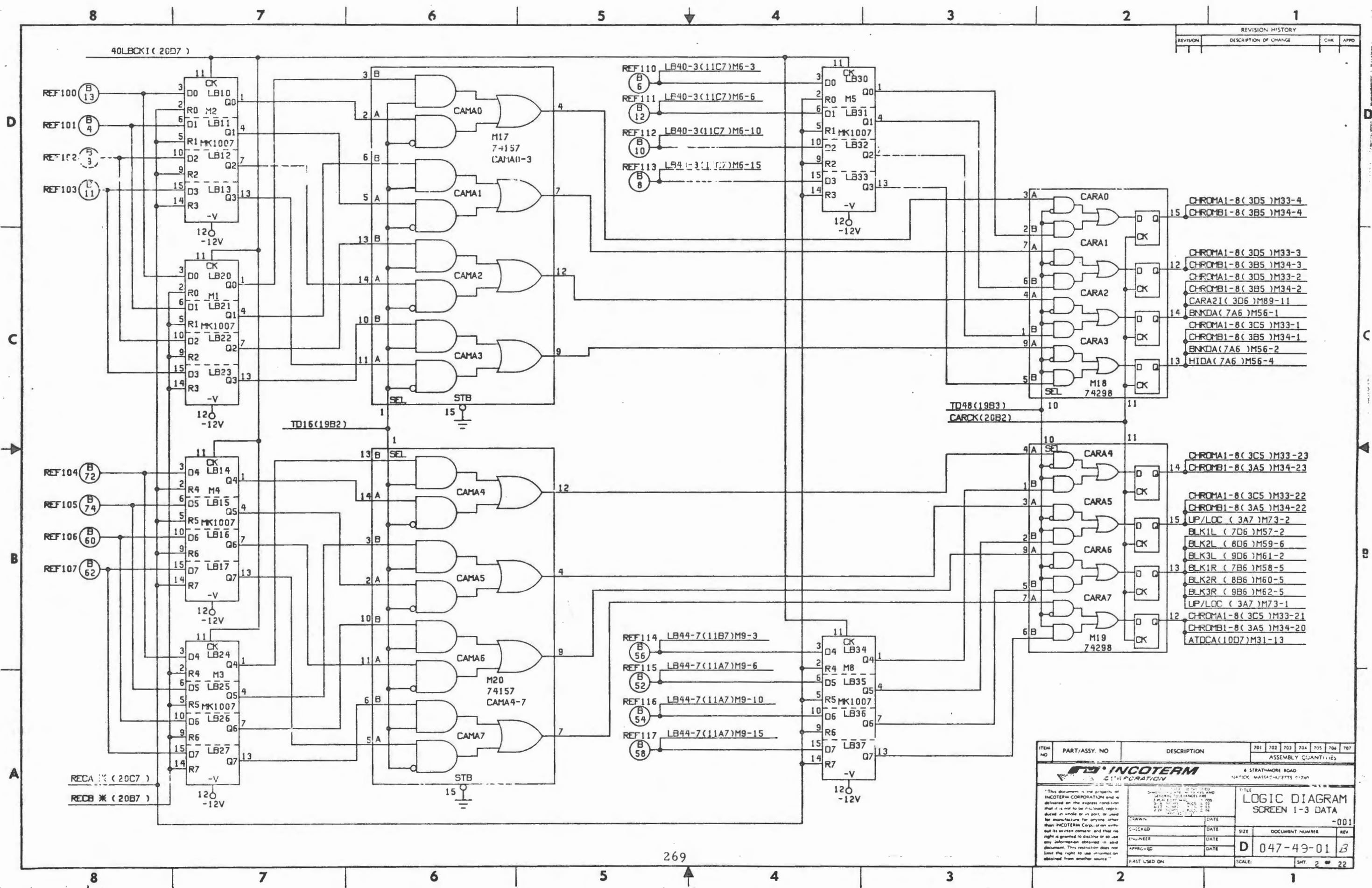
REVISION HISTORY			
REVISION	DESCRIPTION OF CHANGE	CHK	APPD
A	RELEASED RD 1305		
B	REVISED ELO 5872		



- NOTES**
- UNLESS OTHERWISE SPECIFIED:
 - A. ALL RESISTOR VALUES ARE IN OHMS AND ARE 1/4W, ±5%
 - B. ALL CAPACITOR VALUES ARE IN MICRO-FARADS.
 - C. ALL DIODES ARE IN4148
 - THE FOLLOWING I/O PINS ARE PREASSIGNED AND MUST BE USED FOR THE FUNCTIONS DESCRIBED:
 - A. +5V — PINS A1, A2, B1, B2
 - B. GROUND — PINS A85, A86, B85, B86
 - C. +12V — PINS A41, A42
 - D. -13V — PINS A69, A70
 - E. -15V — PINS A67, A68, A69, A70
 - F. V SPECIAL B — PINS A55, A56
 - G. +8.5V — PINS B77, B78
 - V SPECIAL A

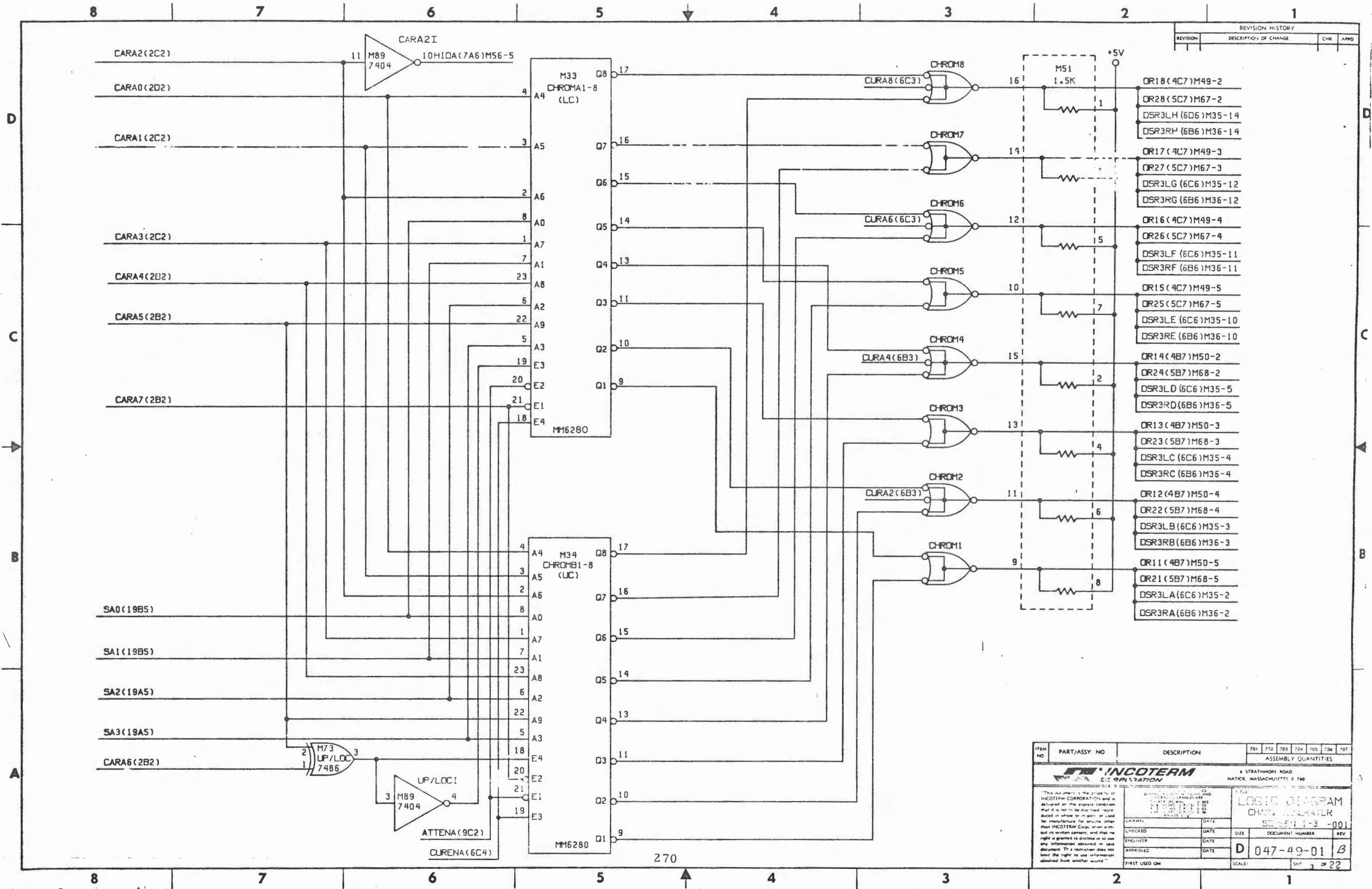
HIGHEST REF DES USED		ITEM NO	PART/ASSY. NO	DESCRIPTION	701	702	703	704	705	706	707
R:25	C61	C229	VR14	Q37	M96	ASSEMBLY QUANTITIES					
REF DES NOT USED		<p>INCOTERM CORPORATION 6 STRATHMORE ROAD NATICK, MASSACHUSETTS 01741</p>									
M15, 64	C51-C62	R14, 24, 34, 44,	<p>LOGIC DIAGRAM REFRESH SLAVE II 20/20 BANKING-00</p>								
54, 64, 74, 84, 94, 104, 114, 124		<p>DATE: 12-27-76 CHECKED: [Signature] ENGINEER: [Signature] APPROVED: [Signature]</p>		<p>SIZE: D DOT/INVT NUMBER: 047-49-01 REV: B</p>	<p>SCALE: SHY 1 OF 22</p>						

REVISION HISTORY			
REVISION	DESCRIPTION OF CHANGE	CHK	APPD



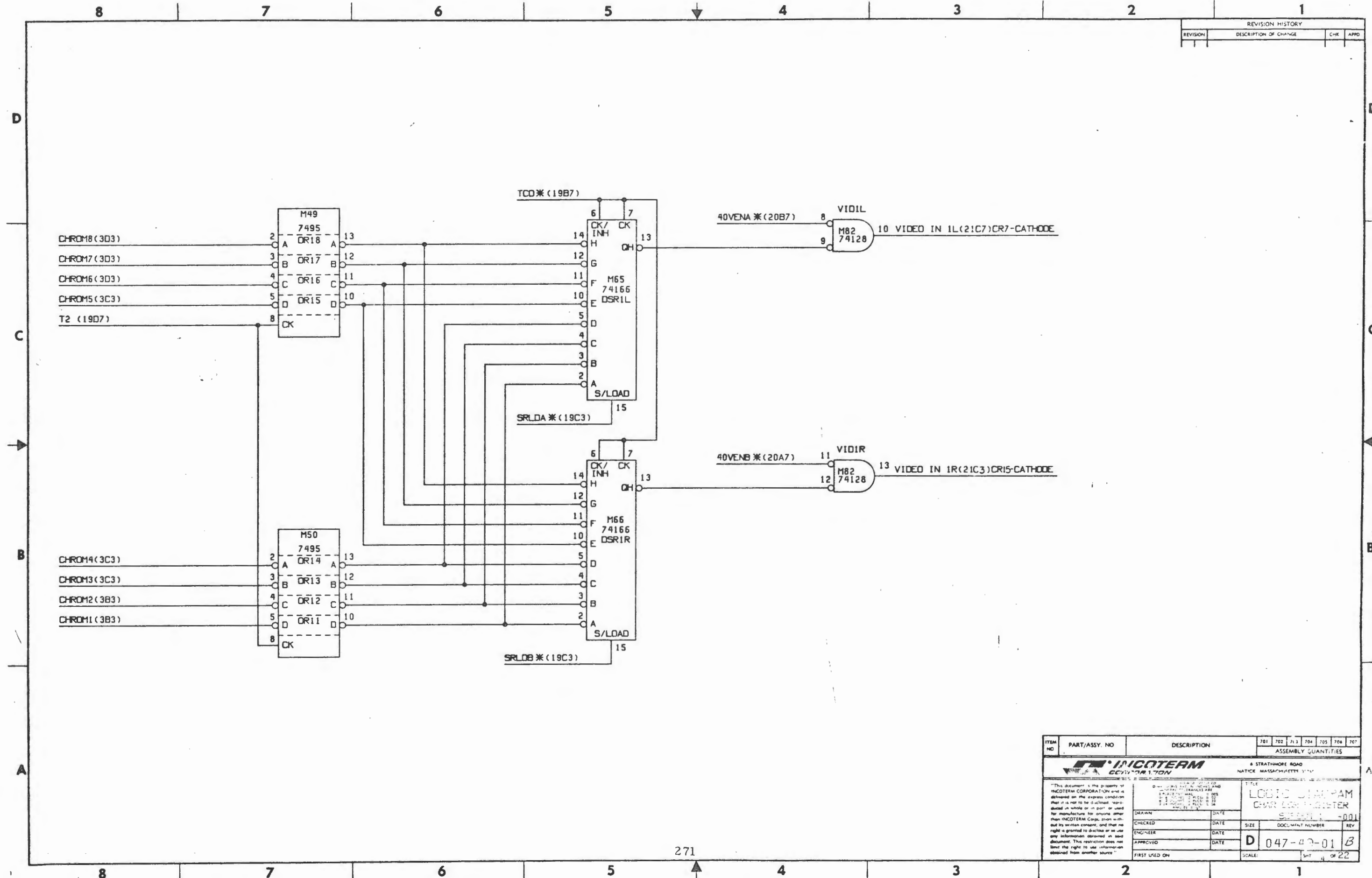
ITEM NO	PART/ASSY. NO	DESCRIPTION	701	702	703	704	705	706	707
INCOTERM CORPORATION									
LOGIC DIAGRAM SCREEN 1-3 DATA									
-001									
DRAWN	DATE	SIZE	DOCUMENT NUMBER	REV					
CHECKED	DATE								
ENGINEER	DATE								
APPROVED	DATE								
FIRST USED ON	SCALE	SMT. 2		22					

REVISION HISTORY			
REVISION	DESCRIPTION OF CHANGE	CHK	APPD



ITEM NO	PART/ASSY. NO	DESCRIPTION	701	702	703	704	705	706	707	
			ASSEMBLY QUANTITIES							
			8 STRATHMORE ROAD NATICK, MASSACHUSETTS 01740							
"This document is the property of INCOTERM CORPORATION and is loaned on the express condition that it is not to be distributed, reproduced in whole or in part or used for manufacture for anyone other than INCOTERM Corporation without its written consent, and that no right is granted to disclose or to use any information obtained in said document. This restriction does not limit the right to use information obtained from another source."			LOGIC DIAGRAM CHAR. WALKER		SHEET 1-3 -001		REV			
DRAWN	DATE									
CHECKED	DATE									
ENGINEER	DATE									
APPROVED	DATE									
FIRST USED ON										
D 047-49-01 B			SCALE:		SHEET 1 OF 22		REV			

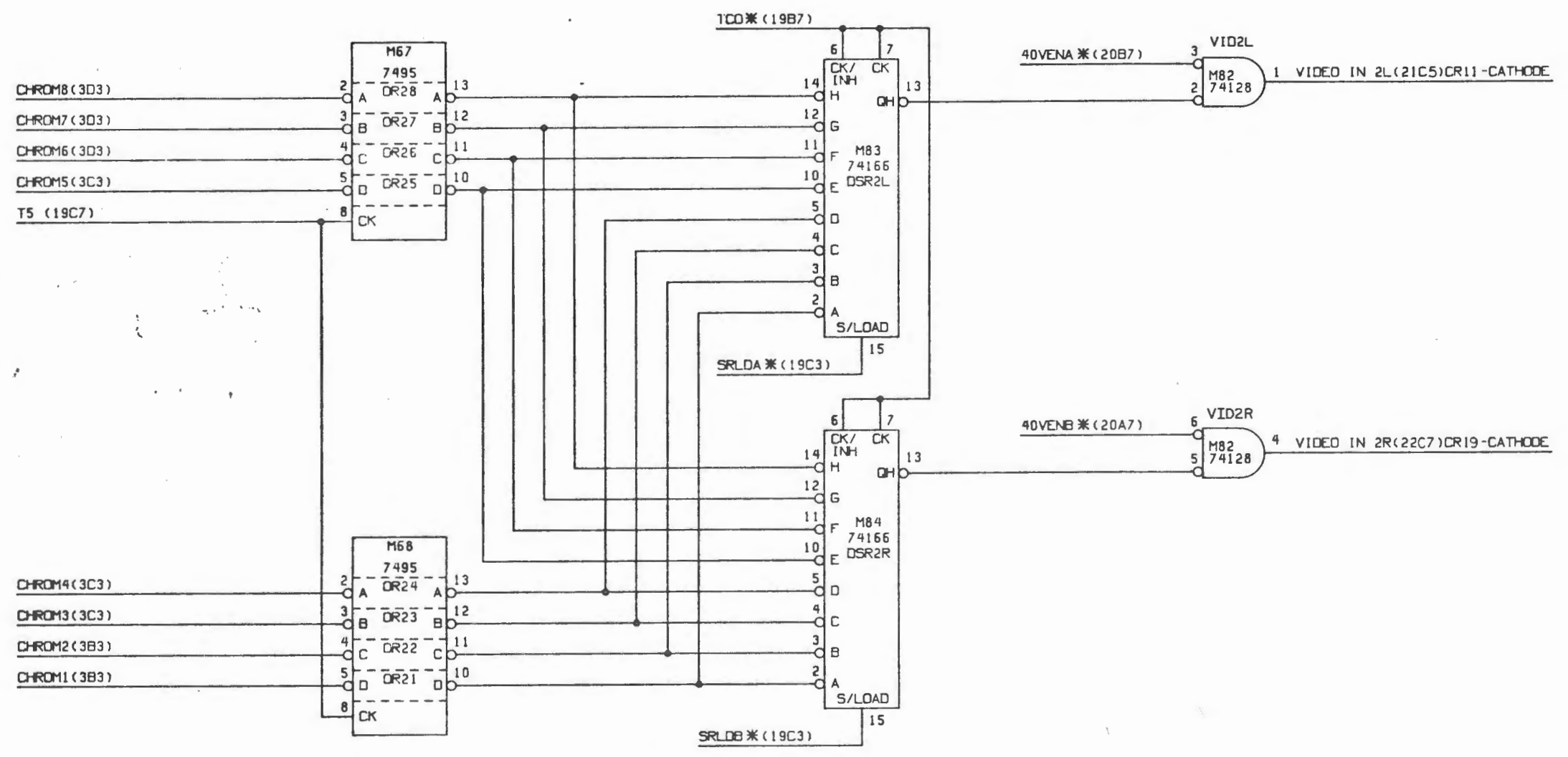
REVISION HISTORY			
REVISION	DESCRIPTION OF CHANGE	CHK	APPD



271

ITEM NO	PART/ASSY. NO	DESCRIPTION	701	702	703	704	705	706	707
			ASSEMBLY QUANTITIES						
			4 STRATHMORE ROAD NATICK, MASSACHUSETTS 01907						
<small>"This document is the property of INCOTERM CORPORATION and is loaned on the express condition that it is not to be disclosed, reproduced in whole or in part, or used for manufacture for anyone other than INCOTERM Corporation without its written consent, and that no right is granted to disclose or use any information obtained in said document. This restriction does not limit the right to use information obtained from another source."</small>			TITLE LOGIC DIAGRAM CHARACTER GENERATOR		DRAWN: _____ DATE: _____ CHECKED: _____ DATE: _____ ENGINEER: _____ DATE: _____ APPROVED: _____ DATE: _____ FIRST USED ON: _____				
			SIZE	DOCUMENT NUMBER	REV				
			D	047-40-01	B				
			SCALE:	SHT 4 OF 22					

REVISION HISTORY			
REVISION	DESCRIPTION OF CHANGE	CHK	APPD

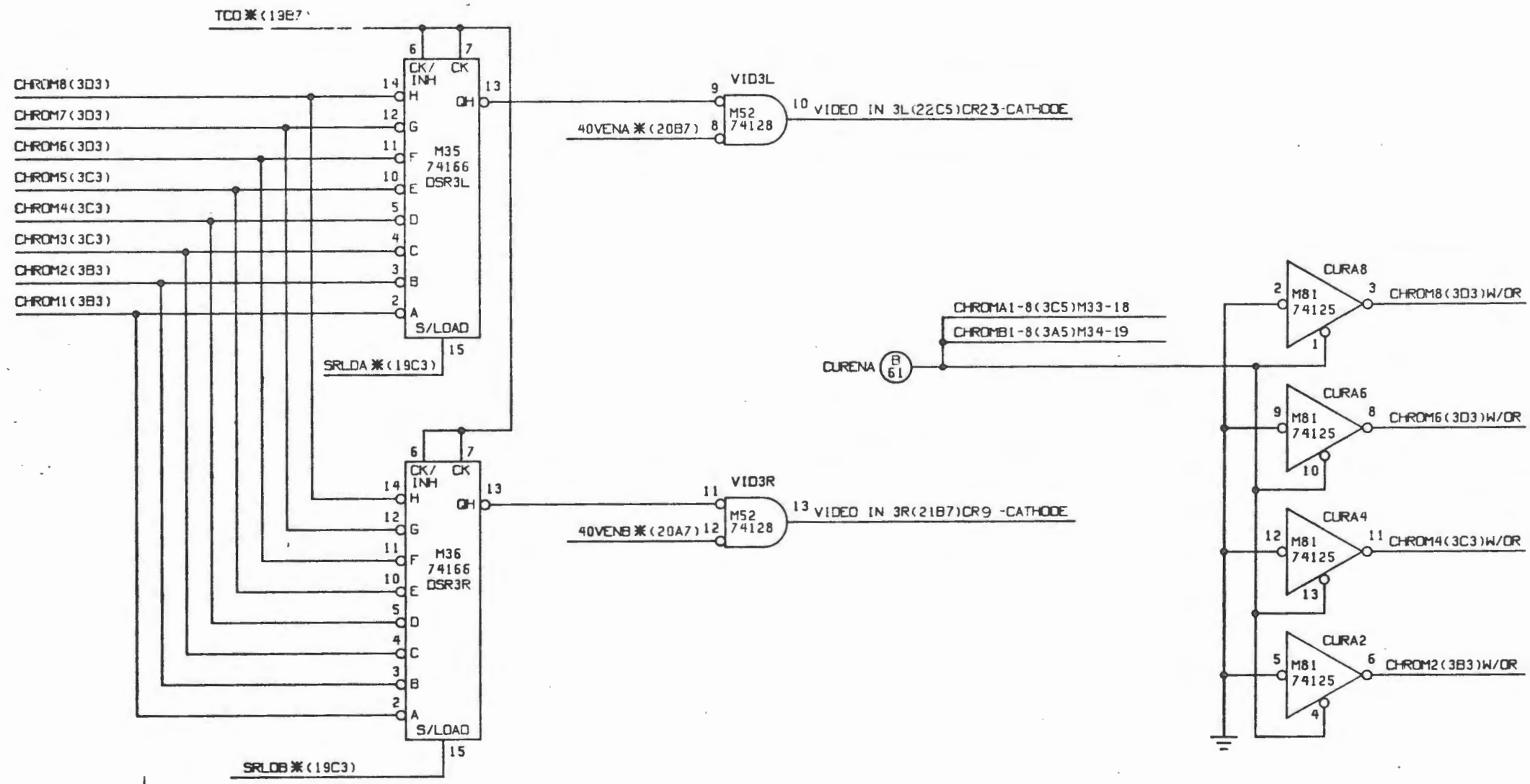


ITEM NO	PART/ASSY. NO	DESCRIPTION	701	702	703	704	705	706	707
			ASSEMBLY QUANTITIES						
4 STRATHMORE ROAD NATICK, MASSACHUSETTS 01740									
This document is the property of INCOTERM CORPORATION and is loaned on the express condition that it is not to be disclosed, reproduced in whole or in part or used for manufacture for anyone other than INCOTERM CORPORATION without its written consent, and that no right is granted to disclose or to use any information obtained in said document. This restriction does not limit the right to use information obtained from another source.			LOGIC DIAGRAM CHAR DOT REGISTER SCREEN 2 -001						
DRAWN	DATE	CHECKED	DATE	SIZE	DOCUMENT NUMBER	REV			
					D 047-49-01	B			
APPROVED	DATE	FIRST USED ON			SCALE:	SHT 5 OF 22			

REVISION HISTORY			
REVISION	DESCRIPTION OF CHANGE	CHK	APPD

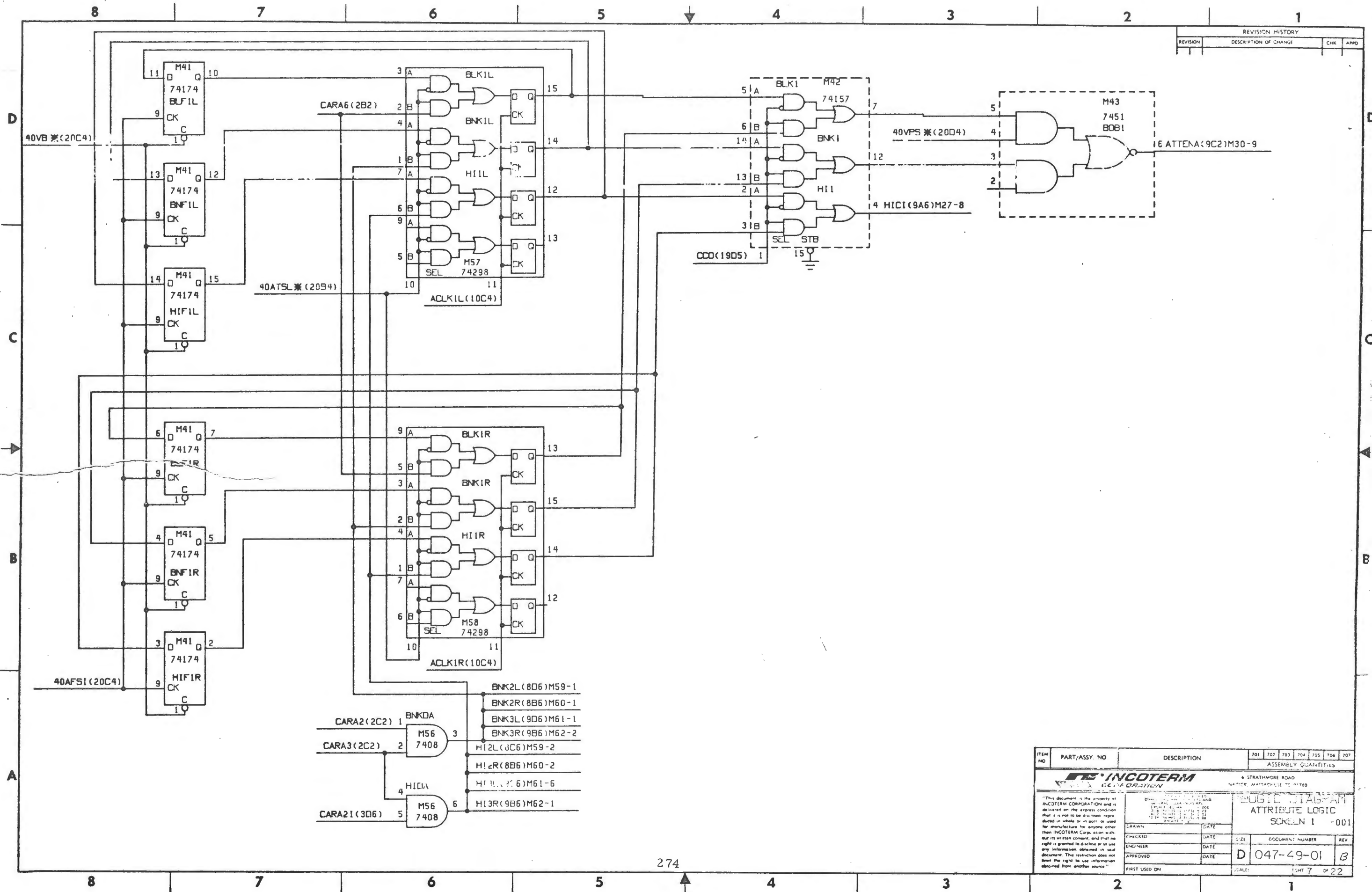
8 7 6 5 4 3 2 1

D
C
B
A

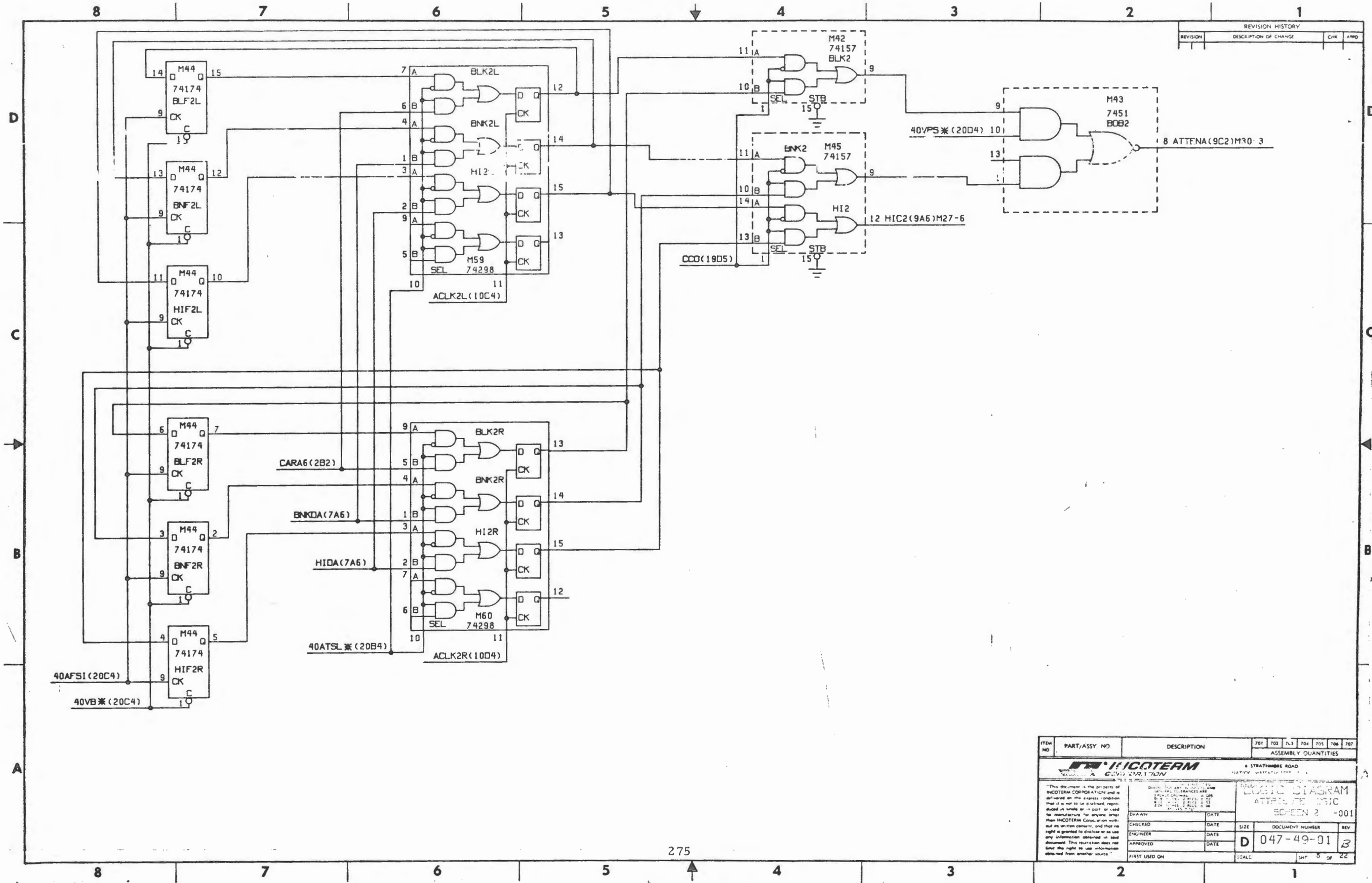


8 7 6 5 4 3 2 1

ITEM NO	PART/ASSY. NO	DESCRIPTION	701	702	703	704	705	706	707
			ASSEMBLY QUANTITIES						
			4 STRATHMORE ROAD NATICK, MASSACHUSETTS 01740						
<small> This document is the property of INCOTERM CORPORATION and is loaned on the express condition that it is not to be copied, reproduced in whole or in part, or used for manufacture for anyone other than INCOTERM CORPORATION without its written consent, and that no right is granted to disclose or use any information contained in this document. This restriction does not limit the right to use information obtained from another source. </small>			TITLE: LOGIC DIAGRAM CHAR DOT REGISTER SCREEN 3 & CURSOR -001						
DRAWN	DATE	SIZE	DOCUMENT NUMBER		REV				
CHECKED	DATE	D	047-49-01		B				
ENGINEER	DATE								
APPROVED	DATE								
FIRST USED ON	SCALE	SHT 6 OF 22							

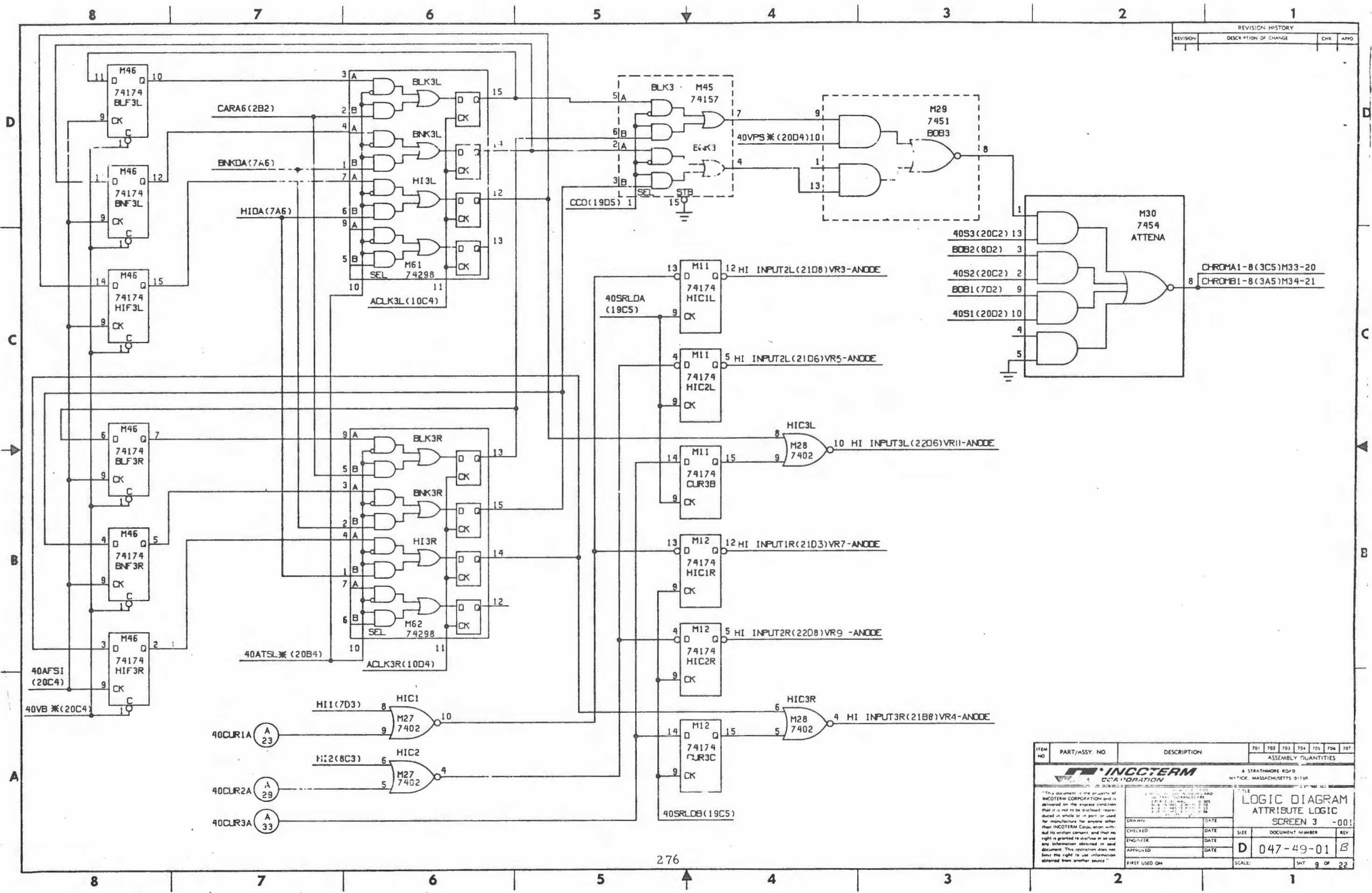


ITEM NO	PART/ASSY NO	DESCRIPTION	701	702	703	704	705	706	707
			ASSEMBLY QUANTITIES						
			4 STRATHMORE ROAD NATICK, MASSACHUSETTS 01960						
This document is the property of INCOTERM CORPORATION and is delivered on the express condition that it is not to be disclosed, reproduced in whole or in part or used for manufacture for anyone other than INCOTERM Corporation without its written consent, and that no right is granted to disclose or to use any information obtained in said document. This restriction does not limit the right to use information obtained from another source.			LOGIC DIAGRAM ATTRIBUTE LOGIC SCREEN 1 -001						
DRAWN	DATE	CHECKED	DATE	SIZE	DOCUMENT NUMBER	REV			
ENGINEER	DATE	APPROVED	DATE	D	047-49-01	B			
FIRST USED ON	SCALE	SHEET 7		OF 22					



REVISION HISTORY			
REVISION	DESCRIPTION OF CHANGE	CHK	APPD

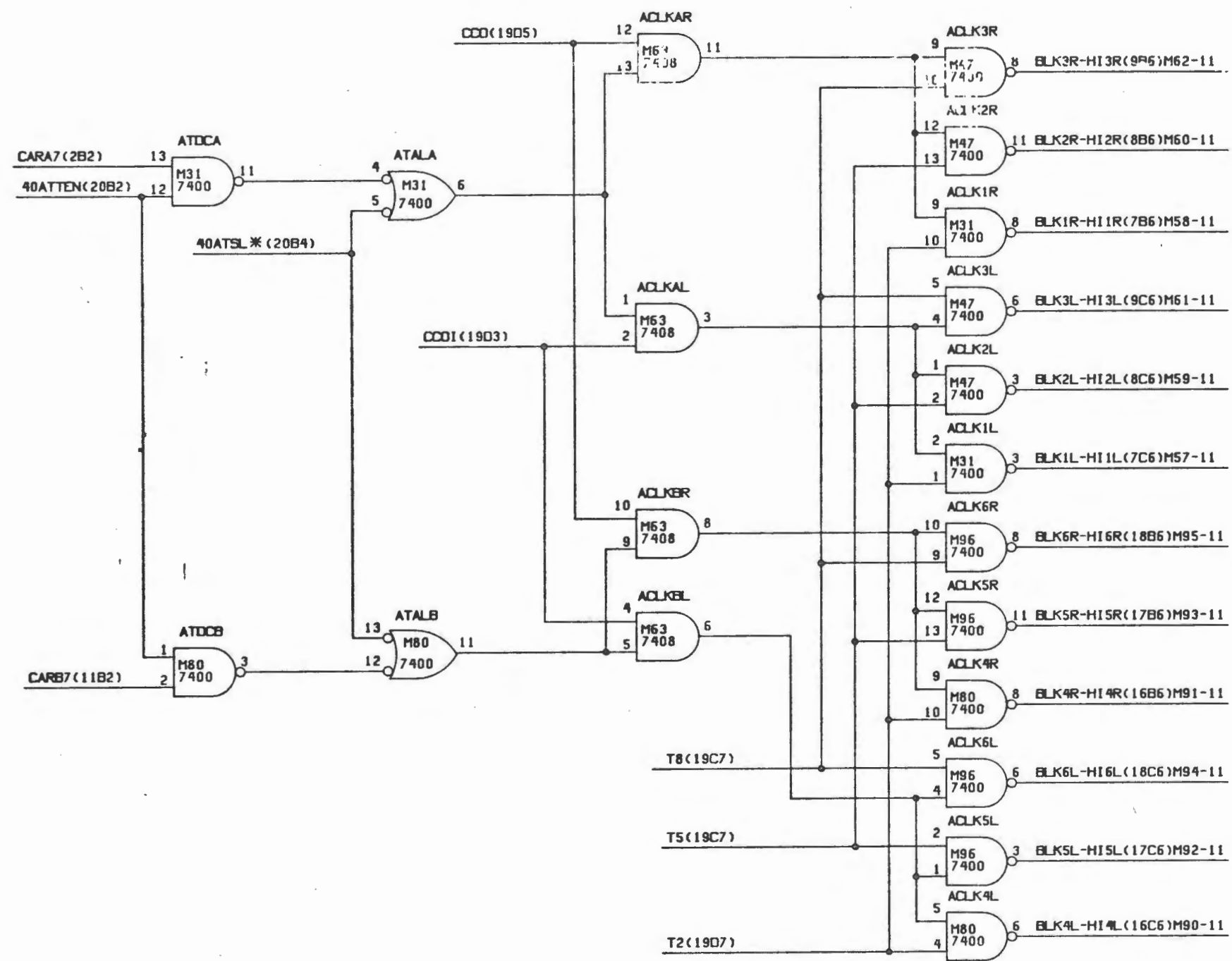
ITEM NO.	PART/ASSY. NO.	DESCRIPTION	701	702	703	704	705	706	707	
			ASSEMBLY QUANTITIES							
			4 STRATHMORE ROAD WATFORD, WATFORD, ENGLAND							
<small>This document is the property of INCOTERM CORPORATION and is delivered on the express condition that it is not to be disclosed, reproduced in whole or in part or used for manufacture for anyone other than INCOTERM Corporation without its written consent, and that no right is granted to disclose or use any information obtained in this document. This restriction does not limit the right to use information obtained from another source.</small>			LOGIC DIAGRAM ATTENA FE FBIC SCREEN 2 -001							
DRAWN	DATE	CHECKED	DATE	SIZE	DOCUMENT NUMBER	REV				
ENGINEER	DATE	APPROVED	DATE	D	047-49-01	B				
FIRST USED ON	SCALE	SHT 5 OF 22								



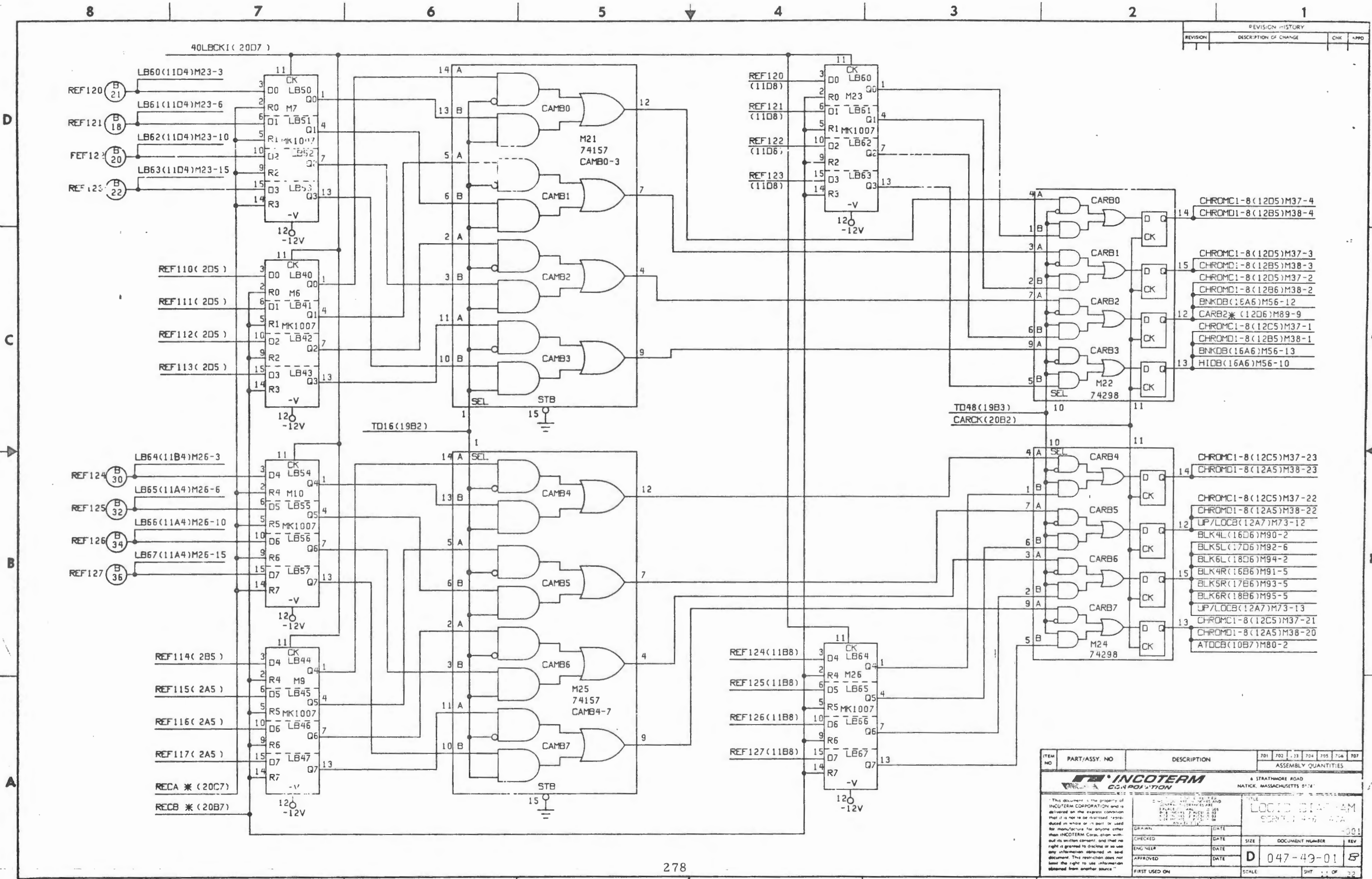
REVISION HISTORY			
REVISION	DESCRIPTION OF CHANGE	CHK	APPD

ITEM NO	PART/ASSY. NO	DESCRIPTION	701	702	703	704	705	706	707
			ASSEMBLY QUANTITIES						
			6 STRATHMORE ROAD NATICK, MASSACHUSETTS 01750						
<small>This document is the property of INCOTERM CORPORATION and is delivered on the express condition that it is not to be disclosed, reproduced in whole or in part, or used for manufacture for anyone other than INCOTERM Corporation without its written consent, and that no right is granted to disclose or use any information obtained in said document. This restriction does not limit the right to use information obtained from another source.</small>			LOGIC DIAGRAM ATTRIBUTE LOGIC SCREEN 3 -001						
DRAWN	DATE	SIZE	DOCUMENT NUMBER	REV					
CHECKED	DATE	D	047-49-01	B					
ENGINEER	DATE								
APPROVED	DATE								
FIRST USED ON	SCALE	SHT 9 OF 22							

REVISION HISTORY			
REVISION	DESCRIPTION OF CHANGE	CHK	APPD



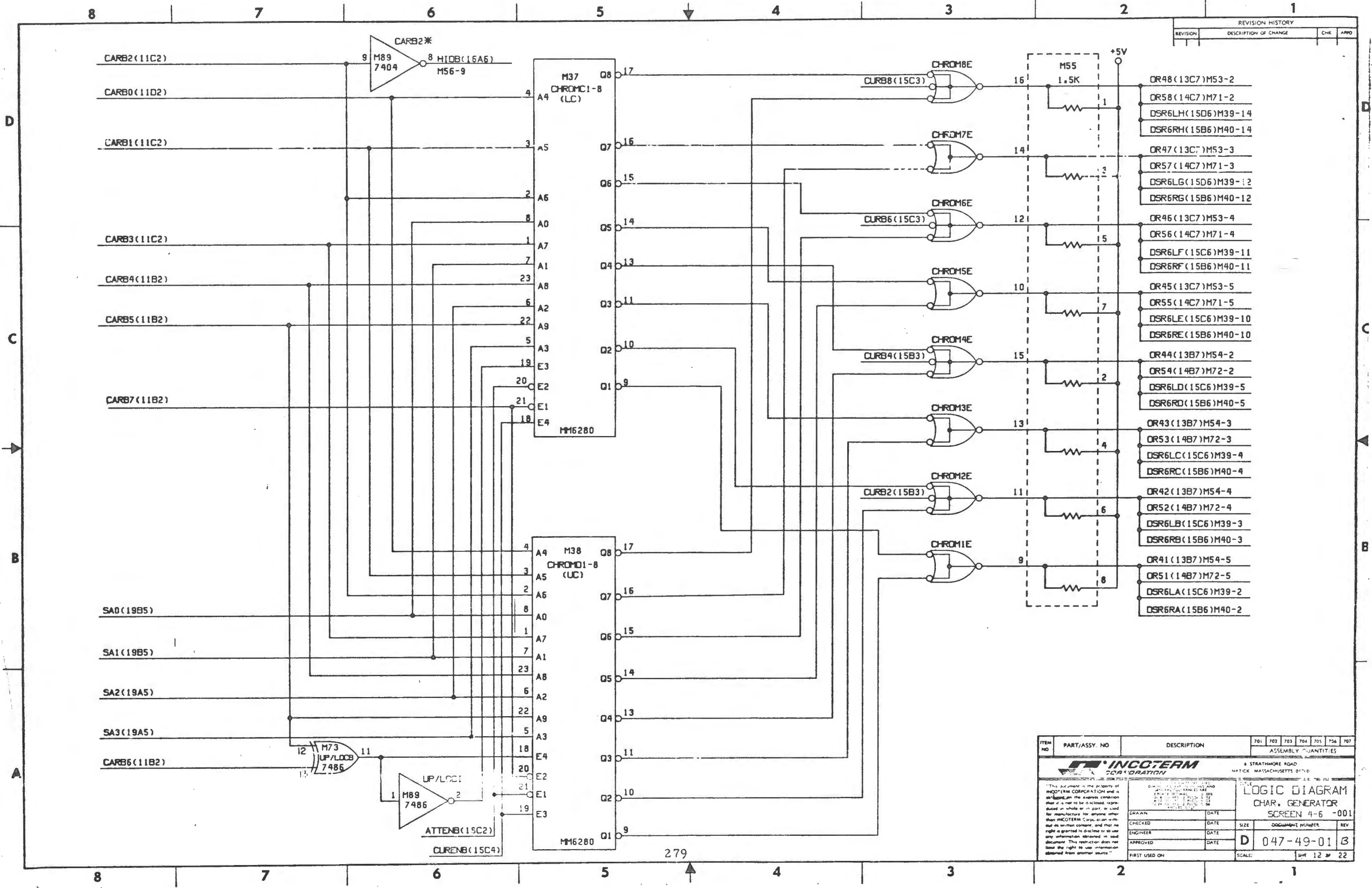
ITEM NO.	PART/ASSY. NO.	DESCRIPTION	701	702	703	704	705	706	707
			ASSEMBLY QUANTITIES						
			8 STRATHMORE ROAD NATICK, MASSACHUSETTS 01746						
<small>This document is the property of INCOTERM CORPORATION and is delivered on the express condition that it is not to be disclosed, reproduced in whole or in part, or used for manufacture for anyone other than INCOTERM Corp. or its subsidiaries without its written consent, and that no right is granted to disclose or to use any information obtained in said document. This restriction does not limit the right to use information obtained from another source.</small>			<small>DATE</small> <small>DATE</small> <small>DATE</small>			LOGIC DIAGRAM ATTRIBUTE CONTROL LOGIC -001			
DRAWN	DATE	SIZE	DOCUMENT NUMBER	REV					
CHECKED	DATE	D	047-49-01	B					
ENGINEER	DATE								
APPROVED	DATE								
FIRST USED ON	SCALE	SHT. 10 OF 22							



REVISION HISTORY			
REVISION	DESCRIPTION OF CHANGE	CHK	APPD

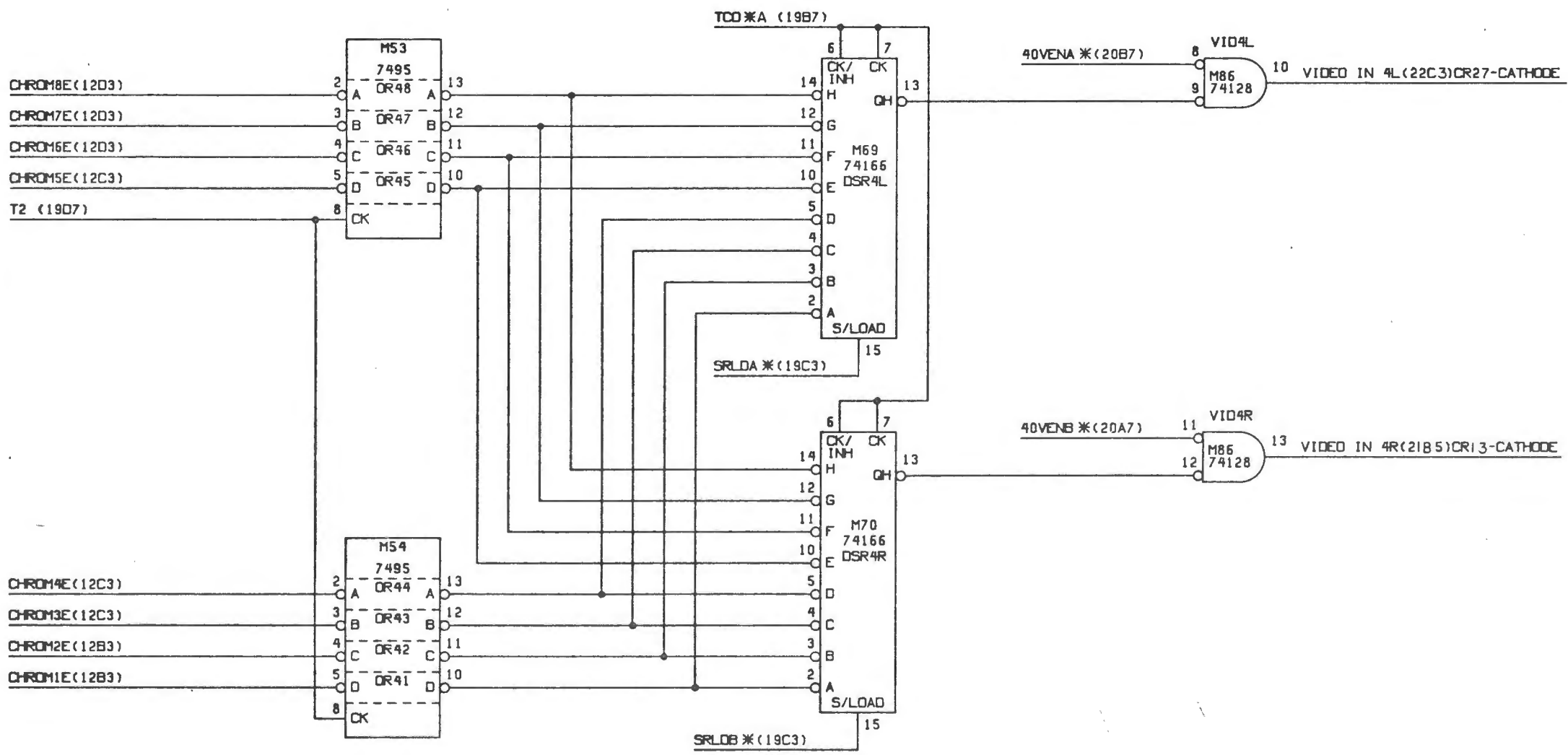
ITEM NO	PART/ASSY. NO	DESCRIPTION	701	702	703	704	705	706	707
INCOTERM CORPORATION 4 STRATHMORE ROAD NATICK, MASSACHUSETTS 01907									
ASSEMBLY QUANTITIES									
TITLE: LOGIC DIAGRAM									
DRAWN: DATE: CHECKED: DATE: ENGINEER: DATE: APPROVED: DATE: FIRST USED ON: SCALE: SHEET 11 OF 22									
D 047-49-01									

REVISION HISTORY			
REVISION	DESCRIPTION OF CHANGE	CHK	APPD



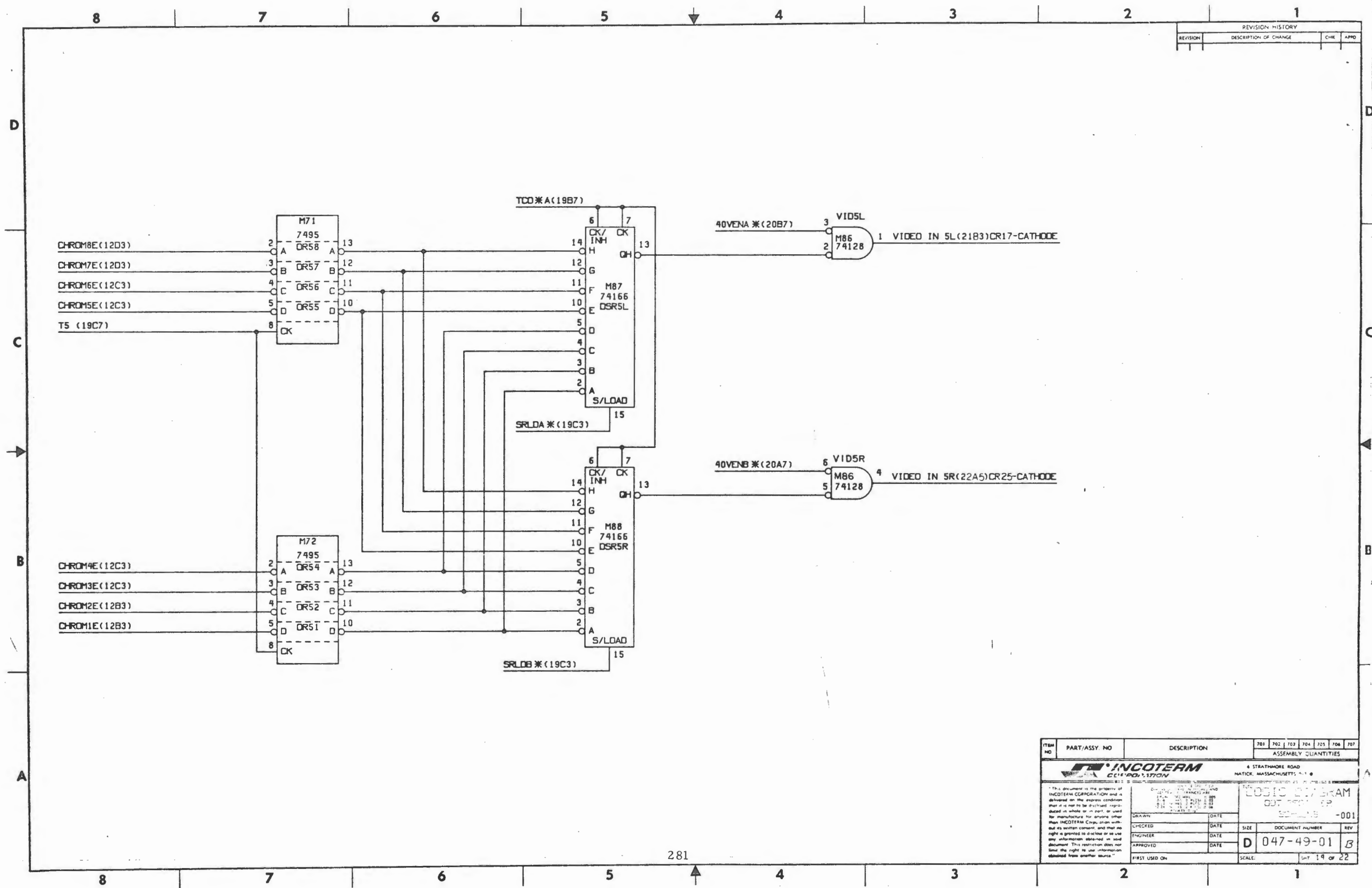
ITEM NO.	PART/ASSY. NO.	DESCRIPTION	701	702	703	704	705	706	707
			ASSEMBLY QUANTITIES						
			8 STRATHMORE ROAD NATICK, MASSACHUSETTS 01909						
<small>This document is the property of INCOTERM CORPORATION and is not to be disclosed, reproduced in whole or in part, or used for manufacture for anyone other than INCOTERM Corp. without its written consent, and that no right is granted to doctor or to use any information obtained in said document. This restriction does not limit the right to use information obtained from other sources.</small>			LOGIC DIAGRAM CHAR. GENERATOR SCREEN 4-6 -001						
DRAWN	DATE	SIZE	DOCUMENT NUMBER		REV				
CHECKED	DATE	D	047-49-01		B				
ENGINEER	DATE								
APPROVED	DATE								
FIRST USED ON	SCALE			SHEET 12 OF 22					

REVISION HISTORY			
REVISION	DESCRIPTION OF CHANGE	CHK	APPD



ITEM NO.	PART/ASSY. NO.	DESCRIPTION	701	702	703	704	705	706	707
			ASSEMBLY QUANTITIES						
			4 STRATHMORE ROAD NATICK, MASSACHUSETTS 01740						
<small>This document is the property of INCOTERM CORPORATION and is delivered on the express condition that it is not to be disclosed, reproduced in whole or in part, or used for manufacture for anyone other than INCOTERM Corp. sign without its written consent, and that no right is granted to disclose or use any information obtained in said document. This restriction does not limit the right to use information obtained from another source.</small>			<small>DATE</small> <small>DATE</small>		TITLE LOGIC DIAGRAM DOT REGISTER SCREEN 4 -001				
<small>DRAWN</small> <small>CHECKED</small> <small>ENGINEER</small> <small>APPROVED</small> <small>FIRST USED ON</small>	<small>DATE</small> <small>DATE</small> <small>DATE</small> <small>DATE</small>	<small>SIZE</small> D	<small>DOCUMENT NUMBER</small> 047-49-01	<small>REV</small> B	<small>SCALE:</small> <small>SHT</small> 13 of 22				

REVISION HISTORY			
REVISION	DESCRIPTION OF CHANGE	CHK	APPD

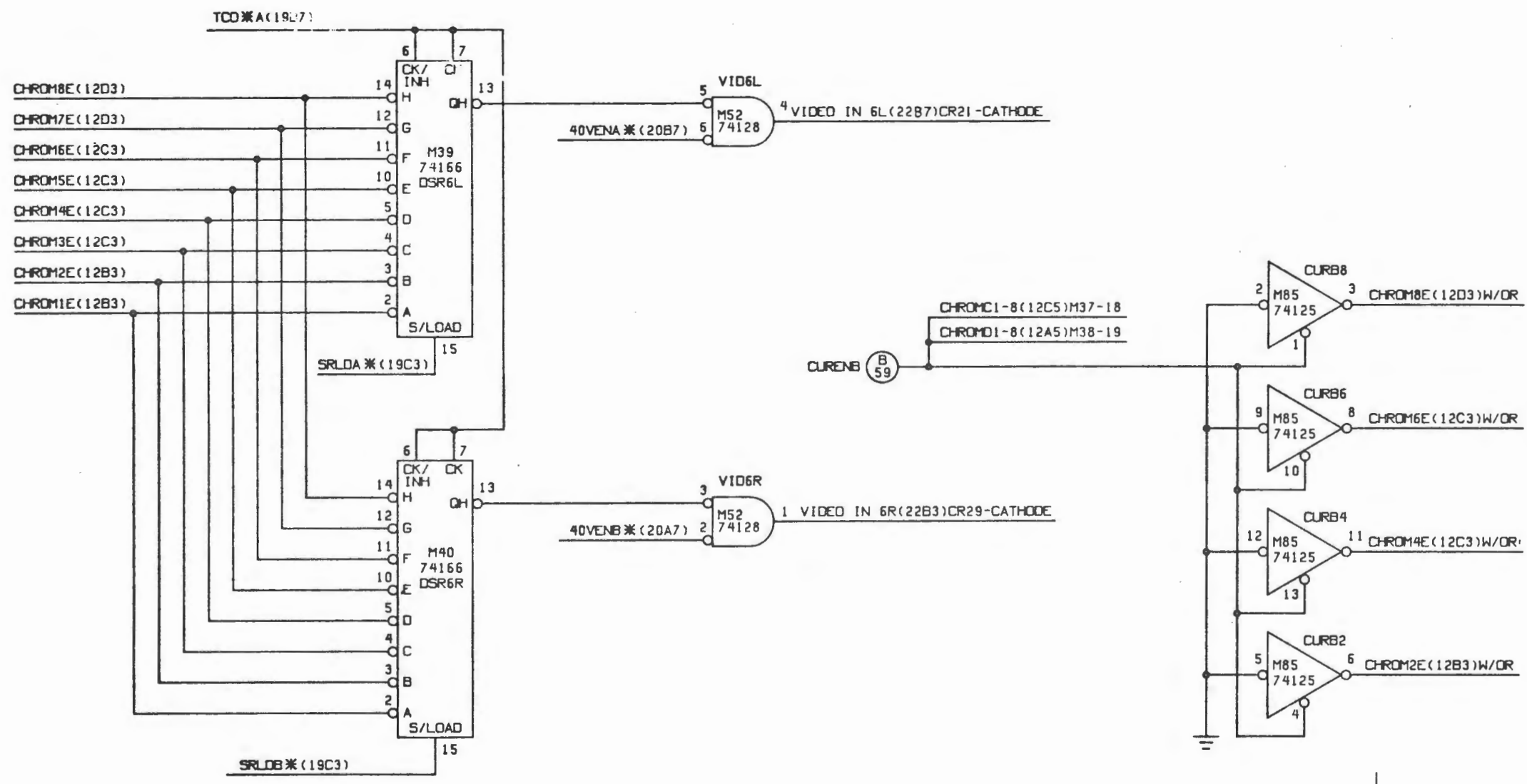


ITEM NO	PART/ASSY. NO	DESCRIPTION	ASSEMBLY QUANTITIES						
			701	702	703	704	705	706	707
			4 STRATHMORE ROAD NATICK, MASSACHUSETTS 01909						
<small>THIS document is the property of INCOTERM CORPORATION and is delivered on the express condition that it is not to be distributed, reproduced in whole or in part, or used for manufacture for anyone other than INCOTERM Corporation without its written consent, and that no right is granted to disclose or to use any information obtained in said document. This restriction does not limit the right to use information obtained from another source.</small>			LOGIC DIAGRAM DOT FORMER SYMBOLS -001		DOCUMENT NUMBER D 047-49-01		REV B		
CHECKED _____ DATE _____ ENGINEER _____ DATE _____ APPROVED _____ DATE _____			FIRST USED ON _____		SCALE _____		SHt 19 of 22		

8 7 6 5 4 3 2 1

REVISION HISTORY			
REVISION	DESCRIPTION OF CHANGE	CHK	APPD

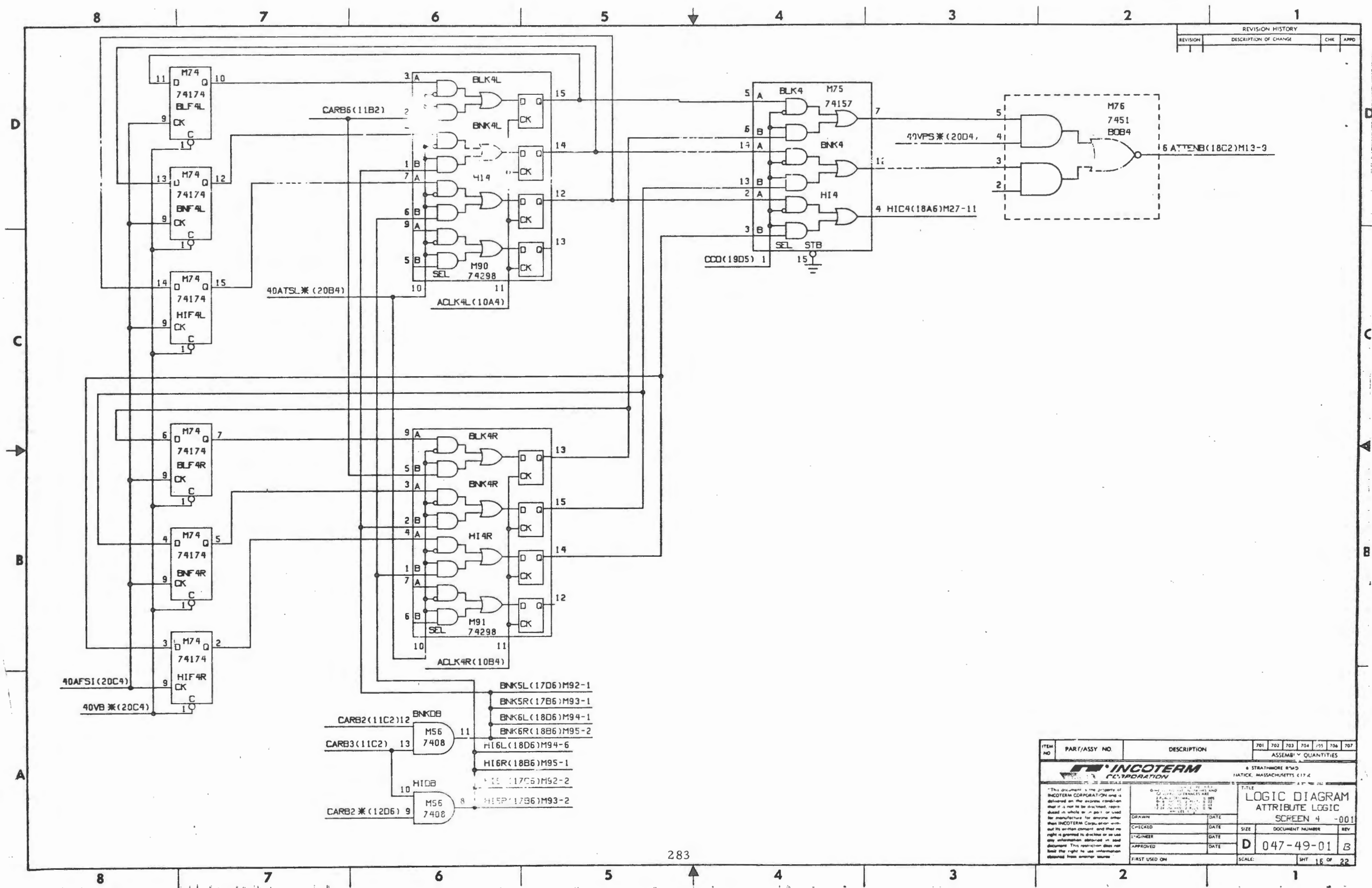
D
C
B
A



8 7 6 5 4 3 2 1

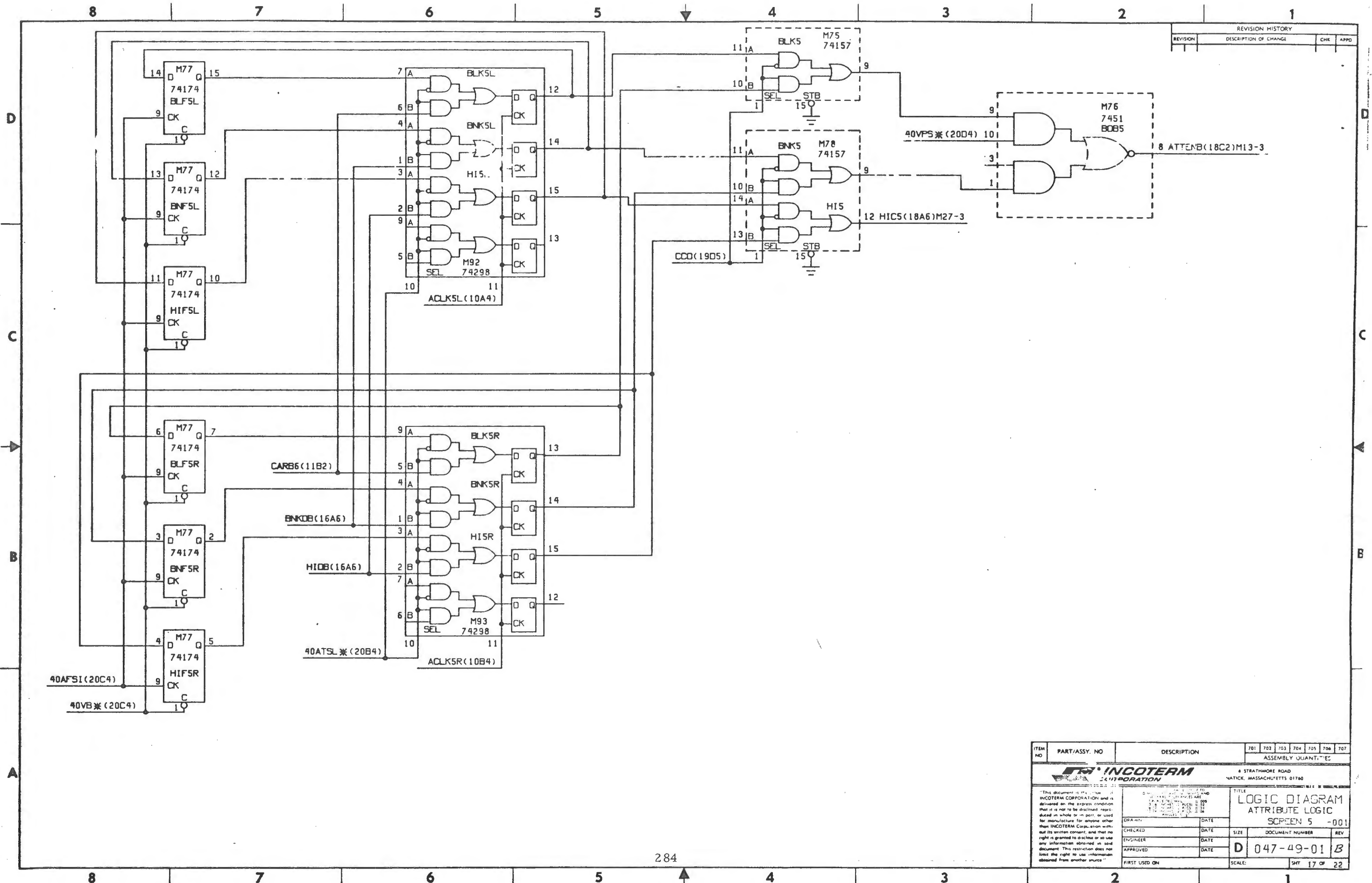
ITEM NO	PART/ASSY. NO	DESCRIPTION	ASSEMBLY QUANTITIES							
			701	702	703	704	705	706	707	
INCOTERM CORPORATION 47-33 7/CA/ATION 8 STRATHMORE ROAD NANTUCKET, MASSACHUSETTS 01905			TITLE LOGIC DIAGRAM FOR PERIODIC GREEN AND CURB * -001							
*This document is the property of INCOTERM CORPORATION and is delivered on the express condition that it is not to be duplicated, reproduced in whole or in part, or used for manufacture for anyone other than INCOTERM Corporation without its written consent, and that no right is granted to disclose or use any information obtained in said document. This restriction does not limit the right to use information obtained from another source.			DRAWN _____ DATE _____	CHECKED _____ DATE _____	ENGINEER _____ DATE _____	APPROVED _____ DATE _____	FIRST USED ON _____	SIZE _____	DOCUMENT NUMBER D 047-49-01	REV 3
SCALE:			SHY. 15 OF 22							

REVISION HISTORY			
REVISION	DESCRIPTION OF CHANGE	CHK	APPR



- BNK5L (17D6)M92-1
- BNK5R (17B6)M93-1
- BNK6L (18D6)M94-1
- BNK6R (18B6)M95-2
- H16L (18D6)M94-6
- H16R (18B6)M95-1
- H16 (17C6)M92-2
- H16P (17B6)M93-2

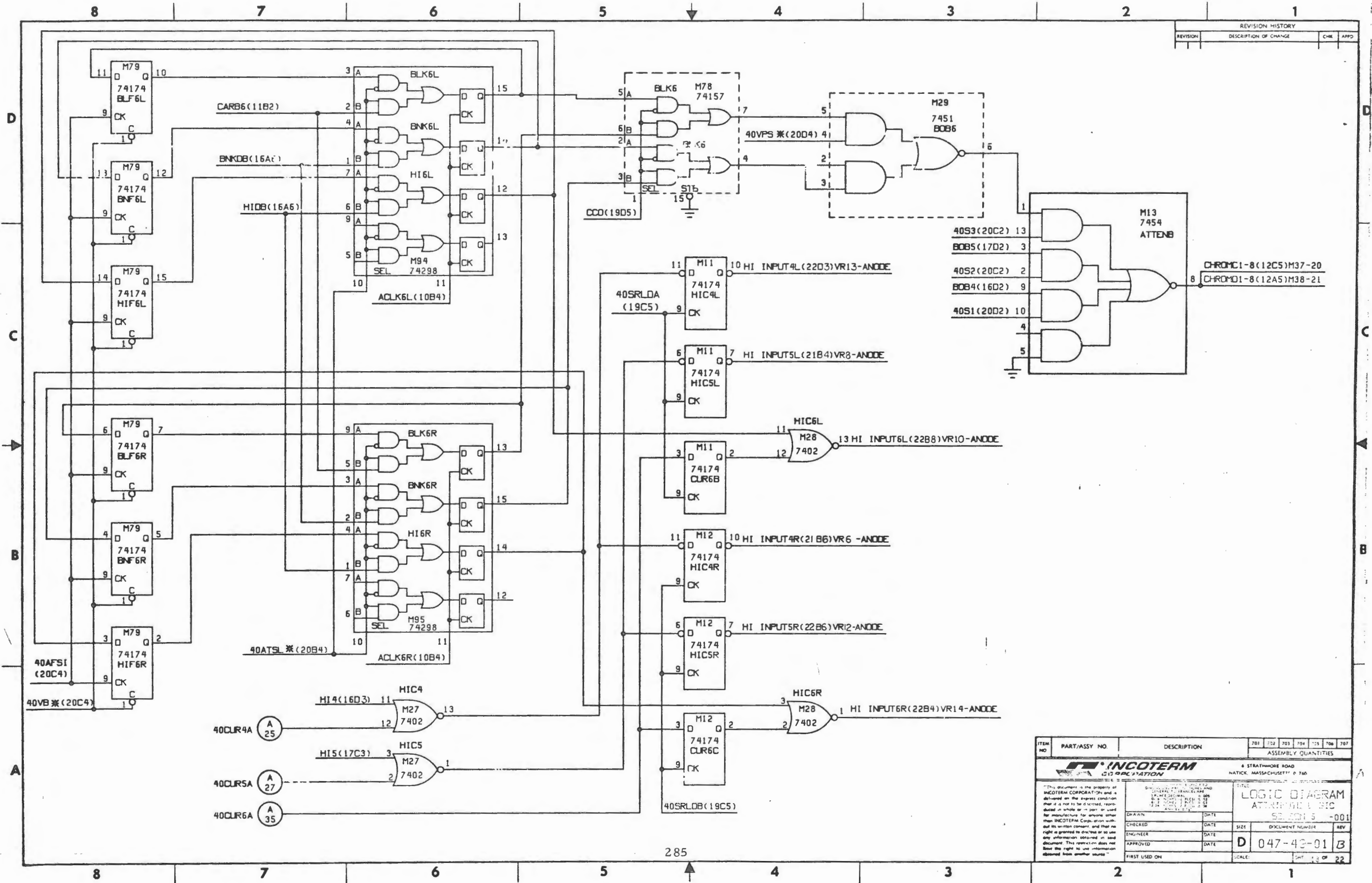
ITEM NO	PART/ASSY NO.	DESCRIPTION	701	702	703	704	705	706	707
INCOTERM CORPORATION			ASSEMBLY QUANTITIES						
INCOTERM CORPORATION 6 STRATHMORE ROAD HAZICK, MASSACHUSETTS 01742			TITLE LOGIC DIAGRAM ATTRIBUTE LOGIC SCREEN 4 -001						
DRAWN		DATE	SIZE		DOCUMENT NUMBER		REV		
CHECKED		DATE	D		047-49-01		B		
APPROVED		DATE	SCALE:		SHT 16 OF 22				
FIRST USED ON									



REVISION HISTORY			
REVISION	DESCRIPTION OF CHANGE	CHK	APPD

ITEM NO	PART/ASSY. NO	DESCRIPTION	701	702	703	704	705	706	707
INCOTERM CORPORATION			8 STRATHMORE ROAD NATICK, MASSACHUSETTS 01780						
TITLE			LOGIC DIAGRAM ATTRIBUTE LOGIC SCREEN 5 -001						
DRAWN	DATE	SIZE	DOCUMENT NUMBER		REV				
CHECKED	DATE	D	047-49-01		B				
ENGINEER	DATE	SCALE	SHT 17 OF 22						
APPROVED	DATE								
FIRST USED ON									

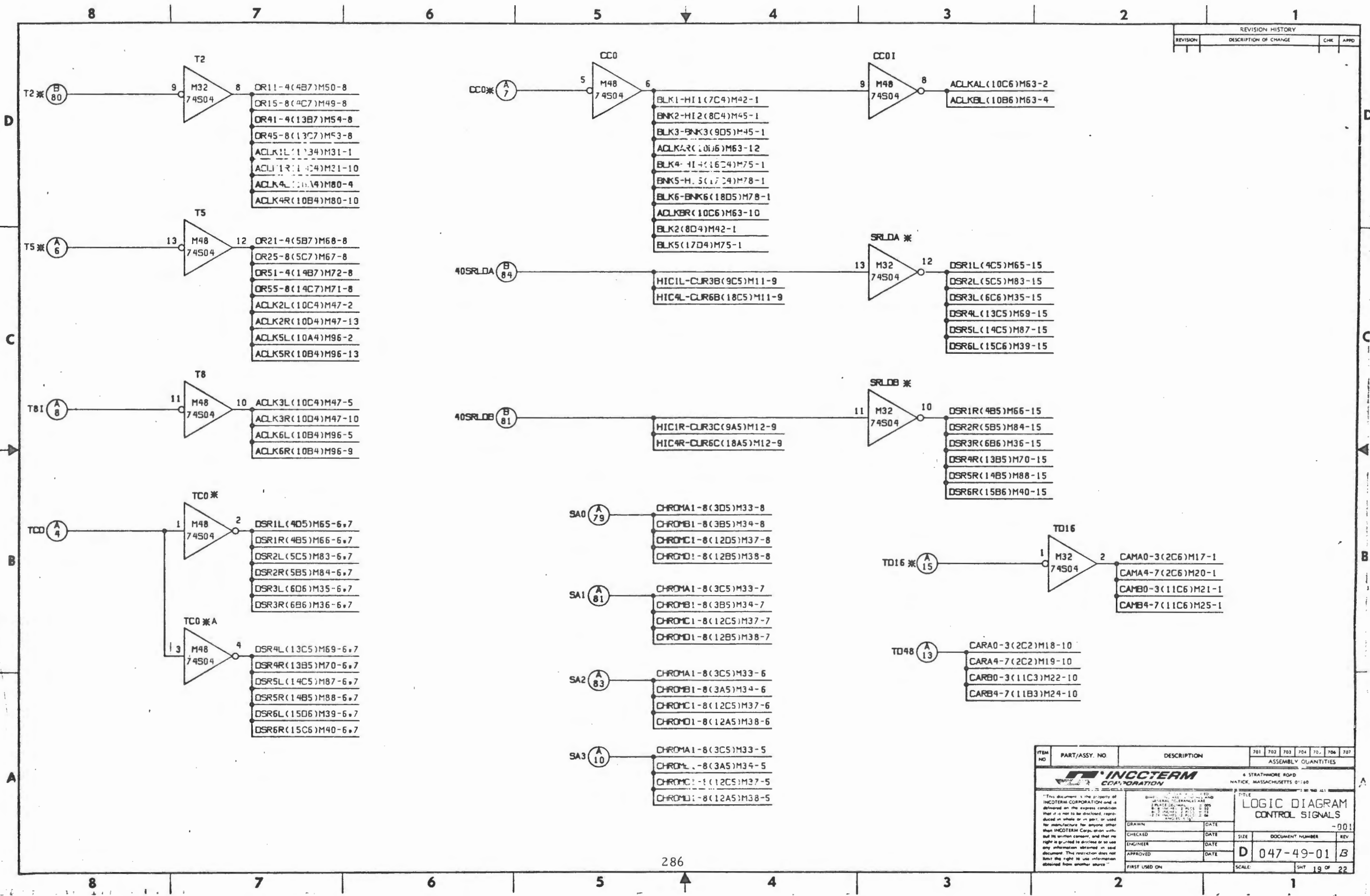
REVISION HISTORY			
REVISION	DESCRIPTION OF CHANGE	CHK	APPD



285

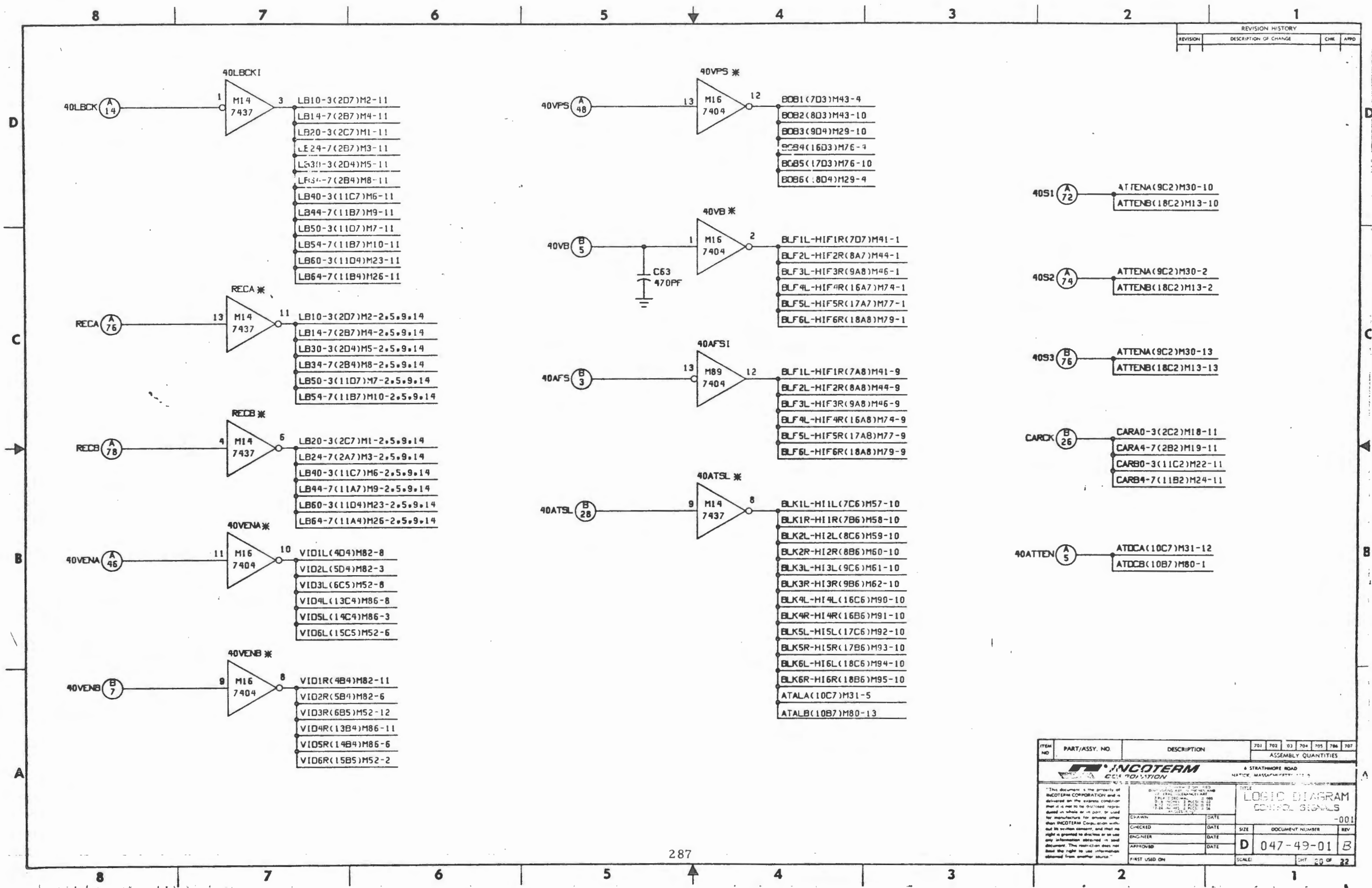
ITEM NO	PART/ASSY NO	DESCRIPTION	701	702	703	704	705	706	707
INCOTERM CORPORATION 4 STRATHMORE ROAD NATICK, MASSACHUSETTS 01908			ASSEMBLY QUANTITIES						
LOGIC DIAGRAM ATTENB (M13)			DOCUMENT NUMBER: 001						
DRAWN	DATE	SIZE	REV						
CHECKED	DATE	SIZE	REV						
ENGINEER	DATE	SIZE	REV						
APPROVED	DATE	SIZE	REV						
FIRST USED ON	SCALE	DATE	REV						

REVISION HISTORY			
REVISION	DESCRIPTION OF CHANGE	CHK	APPD



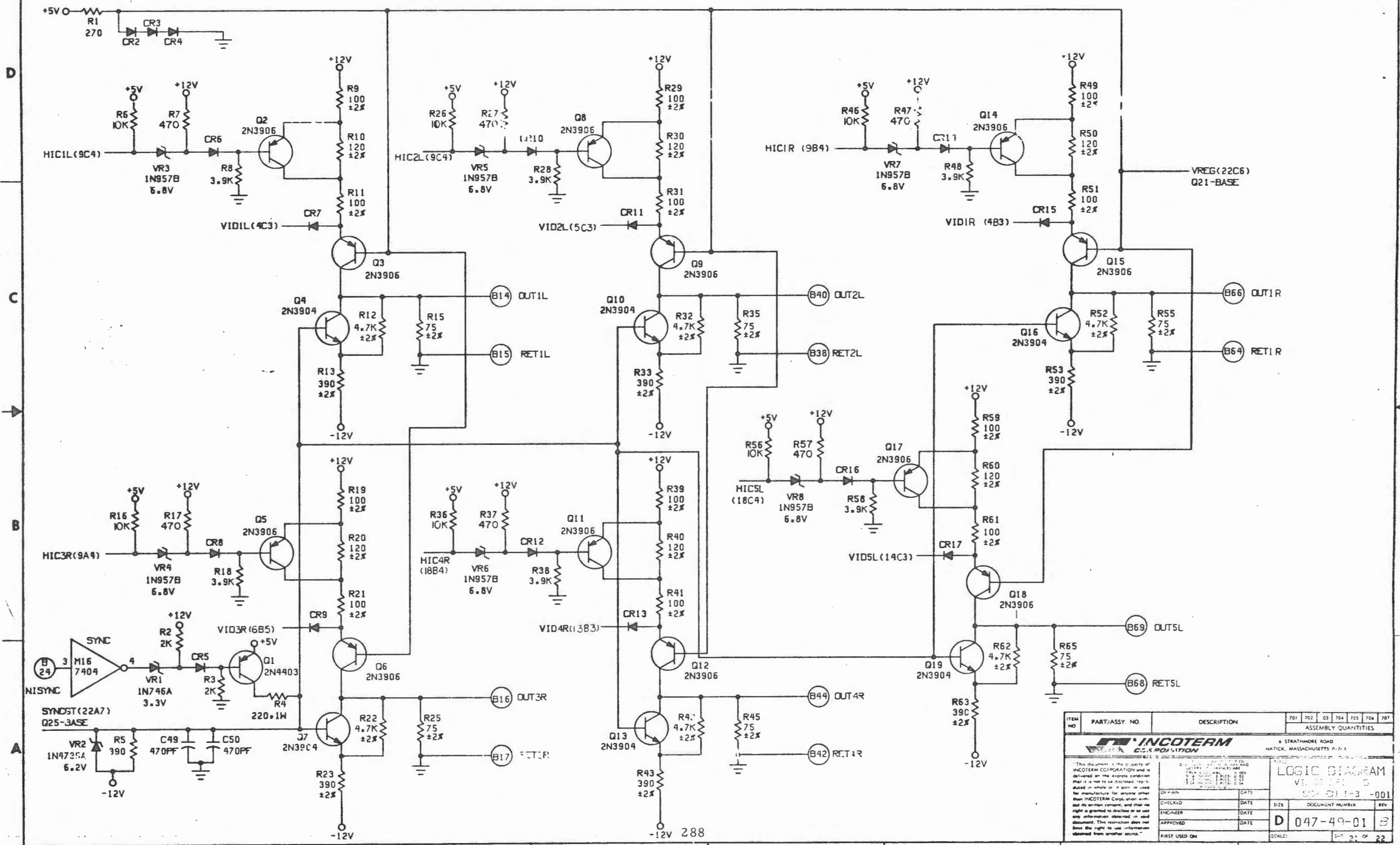
ITEM NO	PART/ASSY. NO	DESCRIPTION	701	702	703	704	705	706	707
			ASSEMBLY QUANTITIES						
			4 STRATHMORE ROAD NATICK, MASSACHUSETTS 01900						
<small>This document is the property of INCOTERM CORPORATION and is delivered on the express condition that it is not to be disclosed, reproduced in whole or in part, or used for manufacture for anyone other than INCOTERM Corporation without its written consent, and that no right is granted to derive or to use any information obtained in said document. This restriction does not limit the right to use information obtained from another source.</small>			TITLE LOGIC DIAGRAM CONTROL SIGNALS -001						
DRAWN		DATE	CHECKED		DATE	SIZE	DOCUMENT NUMBER		REV
ENGINEER		DATE	APPROVED		DATE	D	047-49-01		B
FIRST USED ON			SCALE		SHT		19 OF 22		

REVISION HISTORY			
REVISION	DESCRIPTION OF CHANGE	CHK	APPD



ITEM NO	PART/ASSY. NO	DESCRIPTION	701	702	703	704	705	706	707
			ASSEMBLY QUANTITIES						
			6 STRATHMORE ROAD NANTUCKET, MASSACHUSETTS 01905						
<small>This document is the property of INCOTERM CORPORATION and is delivered on the express condition that it is not to be disclosed, reproduced in whole or in part, or used for manufacture for anyone other than INCOTERM Corporation without its written consent, and that no right is granted to disclose or use any information obtained in said document. The manufacturer does not have the right to use information obtained from another source.</small>			TITLE LOGIC DIAGRAM CONTROL SIGNALS			-001			
DRAWN	DATE	CHECKED	DATE	SIZE	DOCUMENT NUMBER	REV			
ENGINEER	DATE	APPROVED	DATE	D	047-49-01	B			
FIRST USED ON	SCALE:	SHT 20 OF 22							

REVISION HISTORY			
REVISION	DESCRIPTION OF CHANGE	CHK	APPD



ITEM NO.	PART/ASSY. NO.	DESCRIPTION	701	702	03	704	705	706	707
			ASSEMBLY QUANTITIES						
			6 STRATHMORE ROAD NATICK, MASSACHUSETTS 01913						
<small>This document is the property of INCOTERM CORPORATION and is delivered on the express condition that it is not to be disclosed, reproduced in whole or in part or used for manufacture for anyone other than INCOTERM Corporation without its written consent, and that no right is granted to disclose or to use any information obtained in and this document. This restriction does not limit the right to use information obtained from another source.</small>			DATE DATE DATE DATE			LOGIC DIAGRAM VE 21 1-3			
DRAWN	DATE	SIZE	DOCUMENT NUMBER		REV				
ENGINEER	DATE	D	047-49-01		B				
APPROVED	DATE	SCALE:		PAGE 21 OF 22					
FIRST USED ON									

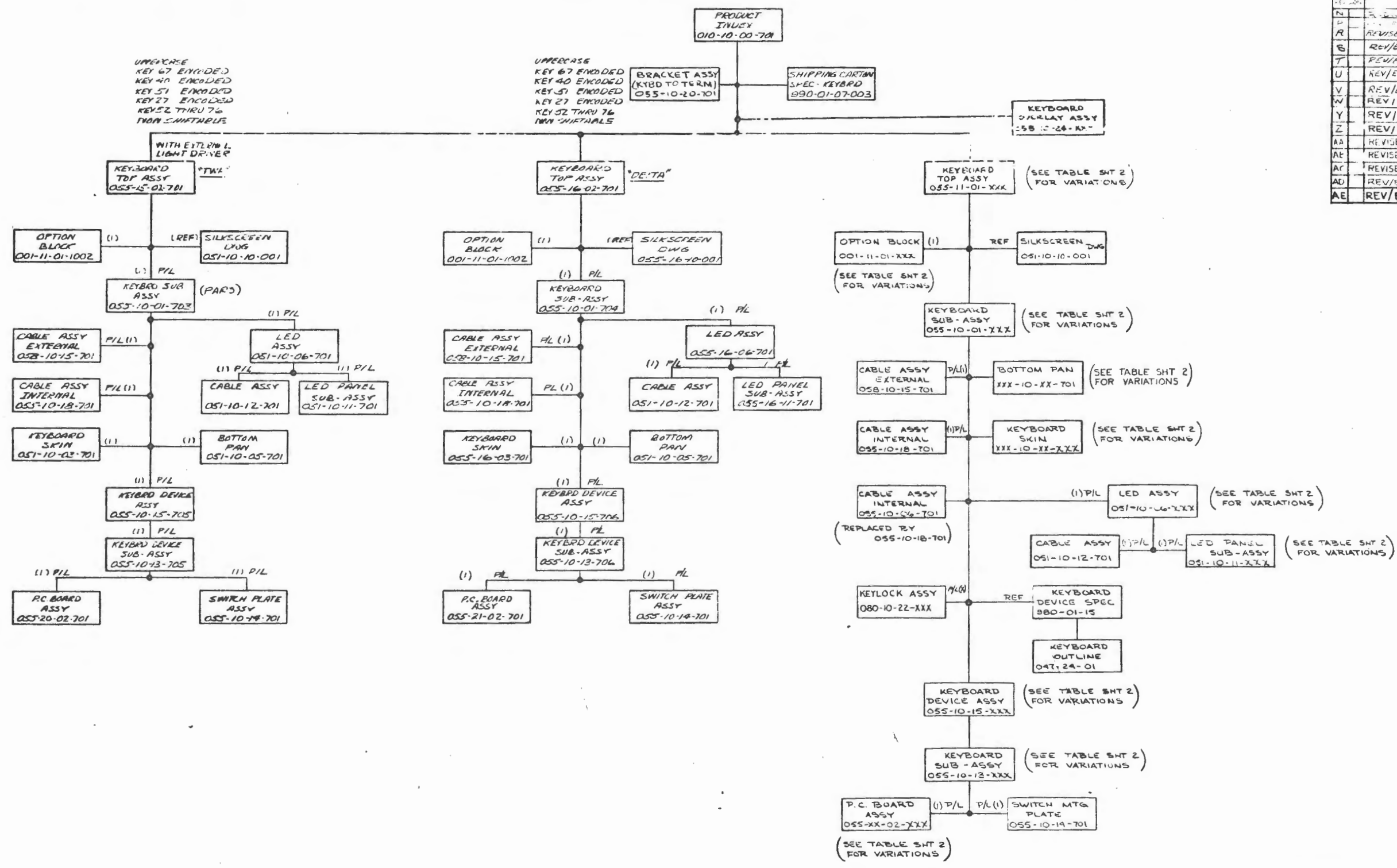
REVISION HISTORY			
REV.	DATE	DESCRIPTION	BY
N		REVISED/ECO 2893 2-17-75	
R		REVISED/ECO 2893 2-17-75	
S		REV/ECO 8961 3-17-75	
T		REV/ECO 3165 4-28-75	
U		REV/ECO 5011 4-18-75	
V		REV/ECO 5123 4-18-75	
W		REV/ECO 5235 4-18-75	
Y		REV/ECO 5319 12-19-75	
Z		REV/ECO 5494	
AA		REVISED/ECO 5153	
AB		REVISED/ECO 5825 1-1-76	
AC		REVISED/ECO 5881 1-1-76	
AD		REV/ECO 8079 2-7-77	
AE		REV/ECO 8130 3-4-77	

PRODUCT INUSEY
010-10-00-701

UPPERCASE
KEY 67 ENCODED
KEY 40 ENCODED
KEY 51 ENCODED
KEY 27 ENCODED
KEYS 2 THRU 76
NON-SHIFTABLE

UPPERCASE
KEY 67 ENCODED
KEY 40 ENCODED
KEY 51 ENCODED
KEY 27 ENCODED
KEYS 2 THRU 76
NON-SHIFTABLE

UPPERCASE
KEY 67 ENCODED
KEY 40 ENCODED
KEY 51 ENCODED
KEY 27 ENCODED
KEYS 2 THRU 76
NON-SHIFTABLE



INCOTERM CORPORATION
6 STRATHMORE ROAD
MARTINE, MASSACHUSETTS 01454

DOCUMENT TREE CLUSTER
KEYBOARD 001

REV	DATE	DESCRIPTION	BY
001			
002			
003			
004			
005			
006			
007			
008			
009			
010			

D 055-10-00 AE

REVISION HISTORY	
REVISION	DESCRIPTION OF CHANGE

* LED COLORS:
 R-RED
 G-GREEN
 Y-YELLOW
 W-WHITE

KEYBOARD TOP ASSY	FUNCTIONAL DESCRIPTION	OPTION BLOCK	KEYBOARD SUB-ASSY	KEY BOARD SKIN	LED ASSY	LED PANEL SUB-ASSY	KEYBOARD DEVICE ASSY	KEYBOARD SUB-ASSY	P.C. BOARD ASSY	KEYLOCK ASSY	BOTTOM PAN
INCOTERM STD 3270 KEYBD.	T01	UPPER CASE KEY 67 ENCODED; KEY 40, 51 SHIFT; KEY 27 NON-ENCODED SHIFT LOCK; KEY 52-76 SHIFT INTO LOWER CASE CODES	001-11-01-996	055-10-01-701	051-10-03-701	051-10-06-701	R/R/R/R/R/R/R/R 051-10-11-701	055-10-15-703	055-10-13-703	055-13-02-701	051-10-05-701
	T02	UPPER CASE KEY 67 ENCODED; KEY 40, 51 SHIFT; KEY 27 NON-ENCODED SHIFT LOCK; KEY 52-76 SHIFT INTO LOWER CASE CODES	001-11-01-998	055-10-01-701	051-10-03-701	051-10-06-701	R/R/R/R/R/R/R/R 051-10-11-701	055-10-15-703	055-10-13-703	055-13-02-701	051-10-05-701
	T03	UPPER CASE KEY 67 ENCODED; KEY 40, 51 SHIFT; KEY 27 NON-ENCODED SHIFT LOCK; KEY 52-76 SHIFT VIA BIT B	001-11-01-1021	055-10-01-701	051-10-03-701	051-10-06-701	R/R/R/R/R/R/R/R 051-10-11-701	055-10-15-703	055-10-13-703	055-13-02-701	051-10-05-701
	T04	UPPER CASE KEY 67 ENCODED; KEY 40, 51 SHIFT; KEY 27 NON-ENCODED SHIFT LOCK; KEY 52-76 SHIFT INTO LOWER CASE CODES PLUS BIT B	001-11-01-1020	055-10-01-701	051-10-03-701	051-10-06-701	R/R/R/R/R/R/R/R 051-10-11-701	055-10-15-703	055-10-13-703	055-13-02-701	051-10-05-701
	T05	UPPER-LOWER CASE KEY 67 ENCODED; KEY 40, 51 SHIFT; KEY 27 NON-ENCODED SHIFT LOCK; KEY 52-76 NON-SHIFTABLE	001-11-01-999	055-10-01-701	051-10-03-701	051-10-06-701	R/R/R/R/R/R/R/R 051-10-11-701	055-10-15-703	055-10-13-703	055-13-02-701	051-10-05-701
	T06	UPPER-LOWER CASE KEY 67 ENCODED; KEY 40, 51 SHIFT; KEY 27 NON-ENCODED SHIFT LOCK; KEY 52-76 NON-SHIFTABLE	001-11-01-1001	055-10-01-701	051-10-03-701	051-10-06-701	R/R/R/R/R/R/R/R 051-10-11-701	055-10-15-703	055-10-13-703	055-13-02-701	051-10-05-701
	T07	UPPER-LOWER CASE KEY 67 ENCODED; KEY 40, 51 SHIFT; KEY 27 NON-ENCODED SHIFT LOCK; KEY 52-76 SHIFT VIA BIT B	001-11-01-1000	055-10-01-701	051-10-03-701	051-10-06-701	R/R/R/R/R/R/R/R 051-10-11-701	055-10-15-703	055-10-13-703	055-13-02-701	051-10-05-701
	T08	UPPER CASE KEY 67 ENCODED; KEY 40, 51, 27 ENCODED; KEY 52-76 NON-SHIFTABLE	001-11-01-1020	055-10-01-702	051-10-03-702	051-10-06-702	R/R/R/R/R/R/R/R 051-10-11-702	055-10-15-704	055-10-13-704	055-13-02-701	051-10-05-701
	T09	UPPER CASE KEY 67 ENCODED; KEY 40, 51, 27 ENCODED; KEY 52-76 NON-SHIFTABLE	001-11-01-1002	055-10-01-702	051-10-03-702	051-10-06-702	R/R/R/R/R/R/R/R 051-10-11-702	055-10-15-704	055-10-13-704	055-13-02-701	051-10-05-701
	T10	UPPER CASE KEY 67 ENCODED; KEY 40, 51, 27 ENCODED; KEY 52-76 SHIFT INTO LOWER CASE CODES	001-11-01-1028	055-10-01-702	051-10-03-702	051-10-06-702	R/R/R/R/R/R/R/R 051-10-11-702	055-10-15-704	055-10-13-704	055-13-02-701	051-10-05-701
INCOTERM STD PARS	T11	SAME AS T02 EXCEPT WITH BLACK SKIN (MOPAC)	001-11-01-998	055-10-01-706	051-10-03-702	051-10-06-701	R/R/R/R/R/R/R/R 051-10-11-701	055-10-15-704	055-10-13-704	055-13-02-701	051-10-05-701
	T12	SAME AS T10 EXCEPT WITH BLACK SKIN (MOPAC)	001-11-01-1028	055-10-01-706	051-10-03-702	051-10-06-701	R/R/R/R/R/R/R/R 051-10-11-701	055-10-15-704	055-10-13-704	055-13-02-701	051-10-05-701
	T13	SAME AS T09 EXCEPT WITH SPECIAL LED COLORS	001-11-01-1002	055-10-01-707	051-10-03-701	051-10-06-702	W/G/G/R/R/Y/R/R 051-10-11-702	055-10-15-707	055-10-13-707	055-13-02-702	051-10-05-701
	T14	SAME AS T02 EXCEPT LEFT HAND LIGHT ON WHEN IN SHIFT MODE	001-11-01-998	055-10-01-708	051-10-03-701	051-10-06-701	R/R/R/R/R/R/R/R 051-10-11-701	055-10-15-708	055-10-13-708	055-13-02-703	051-10-05-701
	T15	SAME AS T13 EXCEPT LEFT HAND SHIFT KEY RIGHT HAND ENTER KEY	001-11-01-1002	055-10-01-709	051-10-03-701	051-10-06-702	W/G/G/R/R/Y/R/R 051-10-11-702	055-10-15-709	055-10-13-709	055-13-02-704	051-10-05-701
	T16	SAME AS T07 EXCEPT LEFT HAND LIGHT ON WHEN IN SHIFT MODE	001-11-01-1000	055-10-01-708	051-10-03-701	051-10-06-701	R/R/R/R/R/R/R/R 051-10-11-701	055-10-15-708	055-10-13-708	055-13-02-703	051-10-05-701
	T17	SAME AS T03 WITH MODIFICATION FOR KEYBOARD "CLICKER" (MCAUTO)	010-11-01-1021	055-10-01-710	055-10-03-701	051-10-06-701	R/R/R/R/R/R/R/R 051-10-11-701	055-10-15-710	055-10-13-710	055-13-02-705	051-10-05-701
	T18	SAME AS T05 EXCEPT WITH ALTERNATE ACTION FOR KEY 67 & KATA KANA LEGENDS	001-11-01-999	055-10-01-711	055-10-03-701	051-10-06-701	R/R/R/R/R/R/R/R 051-10-11-701	055-10-15-711	055-10-13-711	055-13-02-701	051-10-05-701
	T19	SAME AS T09 EXCEPT LEFT HAND SHIFT KEY RIGHT HAND ENTER KEY WITH KEYLOCK	001-11-01-1002	055-10-01-712	055-10-03-701	051-10-06-701	R/R/R/R/R/R/R/R 051-10-11-701	055-10-15-712	055-10-13-712	055-13-02-706	080-10-22-701
	T20	SAME AS T10 EXCEPT WITH MOD FOR SPECIAL COLORED LED'S	001-11-01-1028	055-10-01-713	055-10-03-701	051-10-06-703	G/G/G/G/G/G/R/R 051-10-11-703	055-10-15-713	055-10-13-713	055-13-02-707	051-10-05-701
IDES STD	T21	SAME AS T02 EXCEPT WITH KEYLOCK SWITCH	001-11-01-998	055-10-01-714	055-10-03-701	051-10-06-701	R/R/R/R/R/R/R/R 051-10-11-701	055-10-15-714	055-10-13-714	055-13-02-701	080-10-22-703
	T22	UPPER CASE KEY 67 ENCODED; KEY 27 SHIFT LOCK; KEY 40 SHIFT; KEY 51 SHIFT ALL KEYS SHIFT VIA BIT B	001-11-01-1434	055-10-01-715	051-10-03-701	051-10-06-701	051-10-11-701	055-10-15-715	055-10-13-703	055-13-02-701	051-10-05-701
	T23	SAME AS T19 EXCEPT FOR SQUARE SKINS	001-11-01-1002	055-10-01-716	055-10-03-701	051-10-06-701	R/R/R/R/R/R/R/R 051-10-11-701	055-10-15-716	055-10-13-712	055-13-02-706	080-10-22-701
UAL EPICS	T50	SAME AS T09 EXCEPT WITH 055-24-02-701 P.C. BRD	001-11-01-1002	055-10-01-717	051-10-03-701	051-10-06-701	R/R/R/R/R/R/R/R 051-10-11-701	055-10-15-717	055-10-13-714	055-24-02-701	051-10-05-701
	T51	SAME AS T02 EXCEPT WITH 055-24-02-701 P.C. BRD	001-11-01-998	055-10-01-718	051-10-03-701	051-10-06-701	R/R/R/R/R/R/R/R 051-10-11-701	055-10-15-717	055-10-13-715	055-24-02-701	051-10-05-701

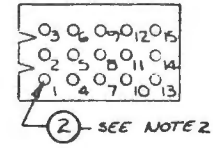
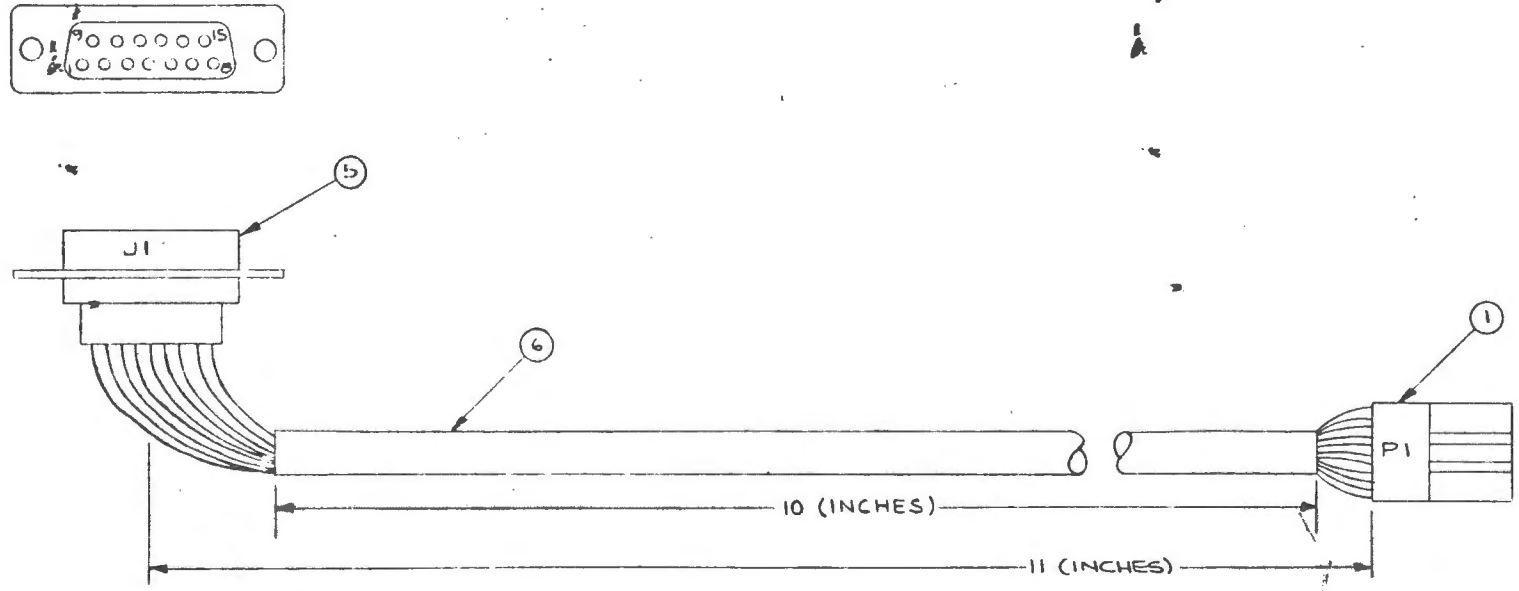
INCOTERM CORPORATION
 6 STRATHMORE ROAD
 WATICE, MASSACHUSETTS 01921

DOCUMENT TREE
 CLUSTER: KW00

CHECKED	DATE	SITE	DOCUMENT NUMBER	REV
ENGINEER	DATE			
APPROVED	DATE			
FIRST USED ON	SCALE			

D 055-10-15-703 AE

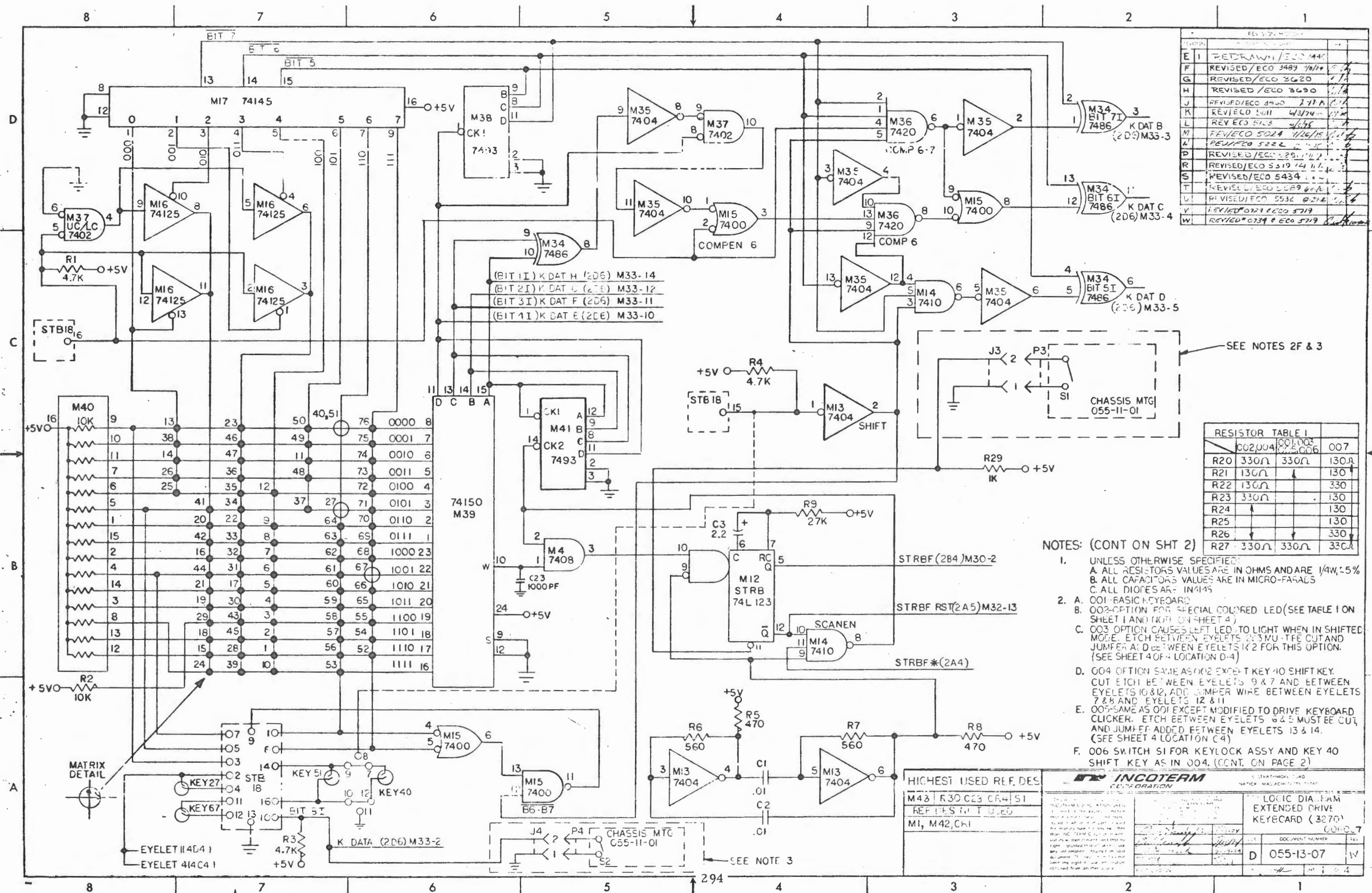
A	REVISION 701E	
B	CHANGE WIRE TO RELEASE	
C	REVISED/ECO 2886	
CI	REVISED/ECO 3298	



NOTES
 1. ALL WIRES TO BE CRIMPED BOTH ENDS.
 2. ITEM 2 MUST BE CRIMPED AND INSTALLED IN PLACE (P1) TO KEY CONNECTOR

WIRE LIST							
NO.	ITEM NO.	AWS	COLOR	ATTACH ITEM NO.	FROM	TO	ATTACH ITEM NO.
1	8	22	BROWN	2	P1-1	J1-1	7
2	9	22	RED	3	P1-2	J1-11	7
3	10		ORANGE		P1-4	J1-2	
4	11		YELLOW		P1-5	J1-10	
5	12		GREEN		P1-7	J1-5	
6	13		BLUE		P1-8	J1-13	
7	14		VIOLET		P1-10	J1-6	
8	15		GRAY		P1-11	J1-14	
9	16		WHITE		P1-3	J1-1	
10	17		BLACK		P1-4	J1-2	
11	18		WHT/BLK		P1-3	J1-7	
12	19	22	WHT/RED	5	P1-15	J1-15	7

INCOTERM CORPORATION	PART ASSY NO.	DESCRIPTION	DATE
		CABLE ASSY CLUSTER KEYBOARD	701
		D 055-10-06	CI



REV	DESCRIPTION	DATE	BY
E	RETRACTED/ECO 3440		
F	REVISED/ECO 3489		
G	REVISED/ECO 3620		
H	REVISED/ECO 3690		
J	REVISED/ECO 3900		
K	REVISED/ECO 4374		
L	REVISED/ECO 4523		
M	REVISED/ECO 5024		
N	REVISED/ECO 5222		
P	REVISED/ECO 5229		
R	REVISED/ECO 5319		
S	REVISED/ECO 5434		
T	REVISED/ECO 5529		
U	REVISED/ECO 5532		
V	REVISED/ECO 5719		
W	REVISED/ECO 5719		

	002004	001005	007
R20	330Ω	330Ω	130Ω
R21	130Ω		130Ω
R22	130Ω		330Ω
R23	330Ω		130Ω
R24			130Ω
R25			130Ω
R26			330Ω
R27	330Ω	330Ω	330Ω

- NOTES: (CONT ON SHT 2)
- UNLESS OTHERWISE SPECIFIED:
 - A. ALL RESISTORS VALUES ARE IN OHMS AND ARE 1/4W, 5%.
 - B. ALL CAPACITORS VALUES ARE IN MICRO-FARADS.
 - C. ALL DIODES ARE 1N4145.
 - A. 001-BASIC KEYBOARD.
 - B. 002-OPTION FOR SPECIAL COLORED LED (SEE TABLE I ON SHEET 1 AND NOTE ON SHEET 4).
 - C. 003 OPTION CAUSES LEFT LED TO LIGHT WHEN IN SHIFTED MODE. ETCH BETWEEN EYELETS 2 & 3 MU-TFE CUT AND JUMPER A/D BETWEEN EYELETS K/2 FOR THIS OPTION. (SEE SHEET 4 OF 4 LOCATION D-4).
 - D. 004 OPTION SAME AS 002 EXCEPT KEY 40 SHIFT KEY. CUT ETCH BETWEEN EYELETS 9 & 7 AND BETWEEN EYELETS 10 & 12, ADD JUMPER WIRE BETWEEN EYELETS 7 & 8 AND EYELETS 12 & 11.
 - E. 005-SAME AS 001 EXCEPT MODIFIED TO DRIVE KEYBOARD CLICKER. ETCH BETWEEN EYELETS 6 & 5 MUST BE CUT, AND JUMPER ADDED BETWEEN EYELETS 13 & 14. (SEE SHEET 4 LOCATION C-4).
 - F. 006 OPTION SAME AS 004 EXCEPT KEY 40 SHIFT KEY AS IN 004. (CONT. ON PAGE 2)

HIGHEST USED REF. DES.
M43, R30, C23, CR4, S1
REF. DES. NOT USED
M1, M42, CR1

INCOTERM CORPORATION

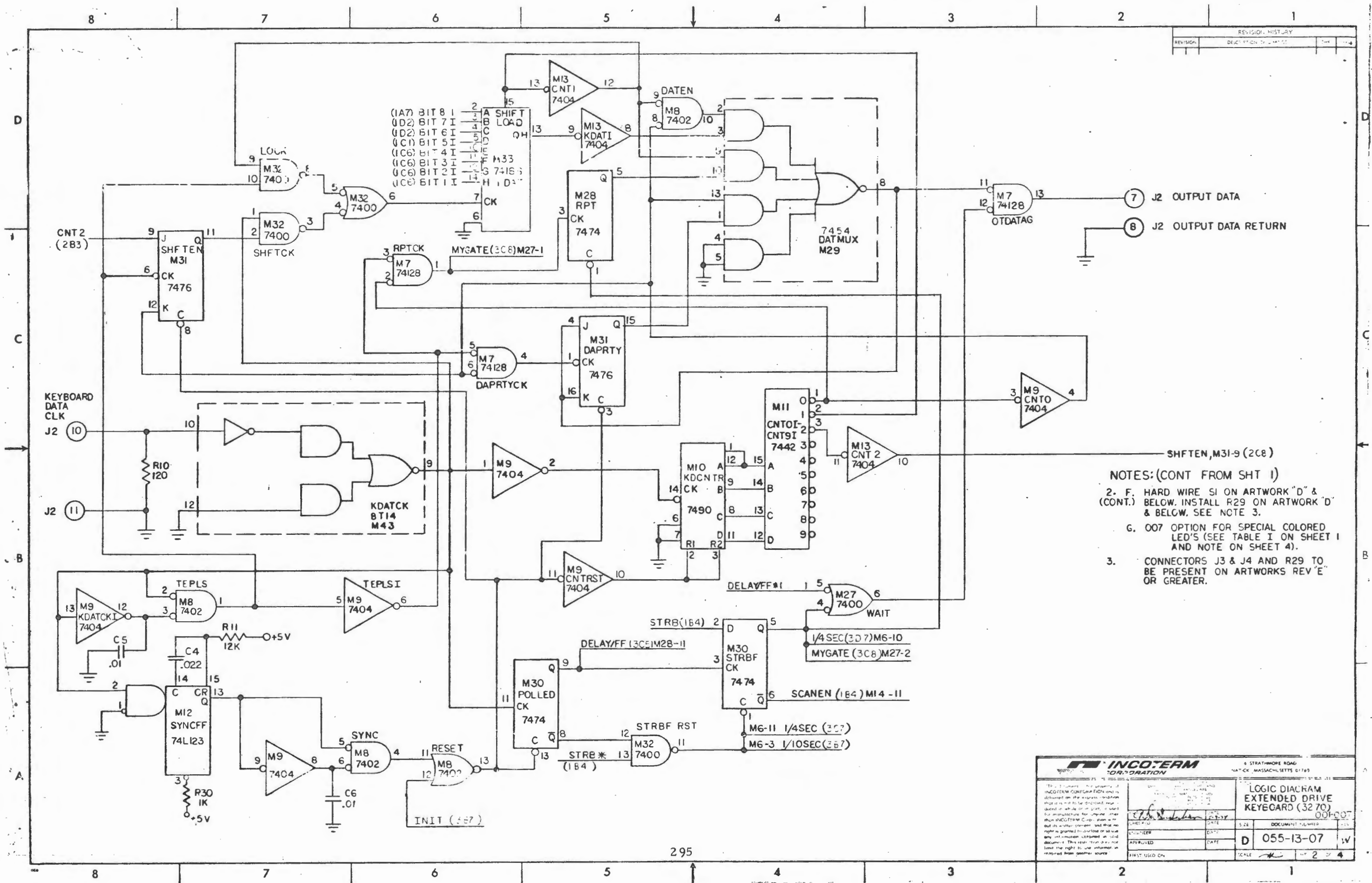
LOGIC DIAGRAM
EXTENDED DRIVE
KEYBOARD (3270)

DOCUMENT NUMBER: D 055-13-07

DATE: 11-84

REV: 1

REVISION HISTORY	
REVISION	DESCRIPTION OF CHANGE



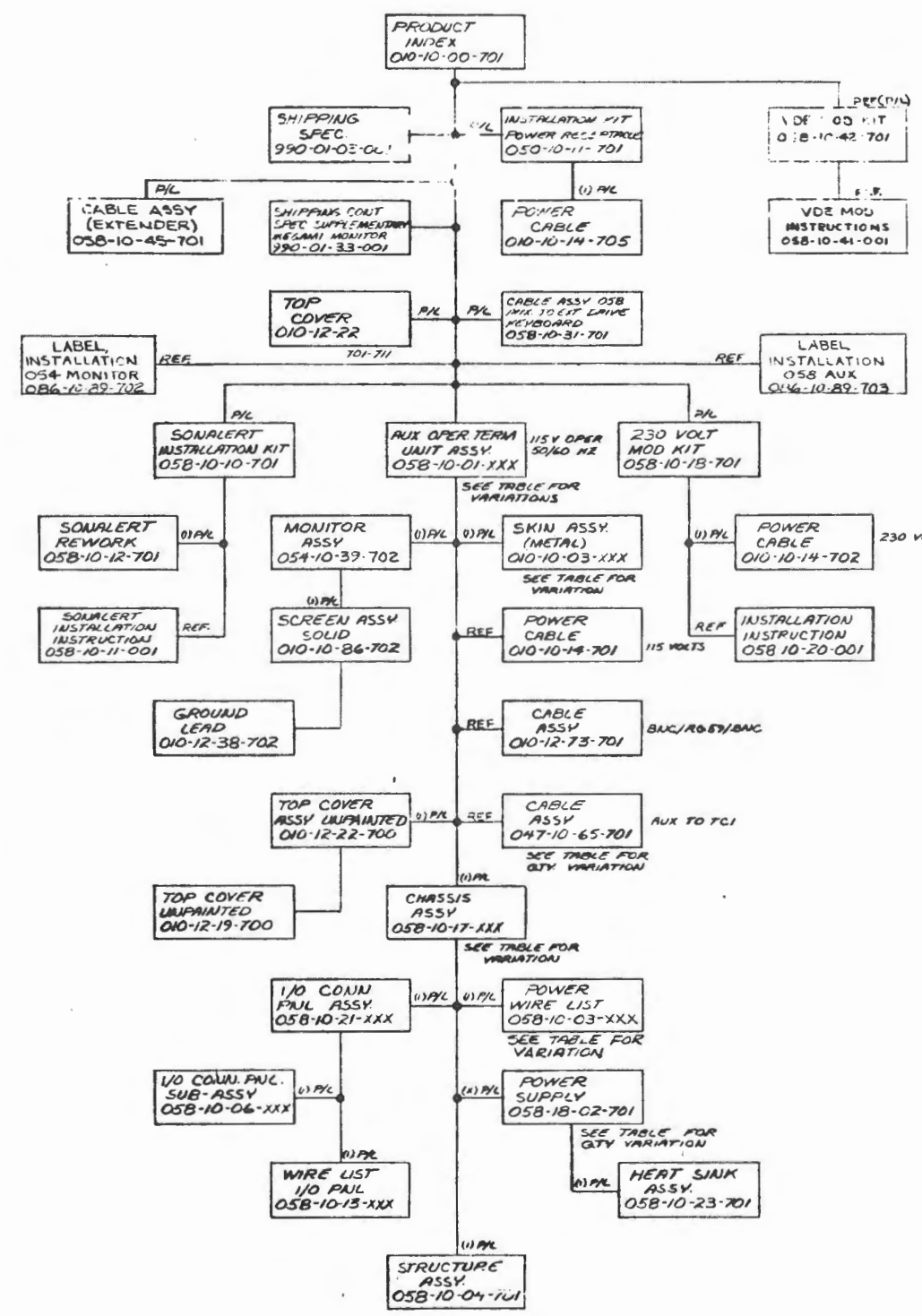
- NOTES: (CONT FROM SHT 1)
2. F. HARD WIRE S1 ON ARTWORK "D" & (CONT.) BELOW. INSTALL R29 ON ARTWORK "D" & BELOW. SEE NOTE 3.
 - G. 007 OPTION FOR SPECIAL COLORED LED'S (SEE TABLE I ON SHEET I AND NOTE ON SHEET 4).
 3. CONNECTORS J3 & J4 AND R29 TO BE PRESENT ON ARTWORKS REV "E" OR GREATER.

INGO TERM CORPORATION
 5 STRATHMORE ROAD
 147-CR, MASSACHUSETTS 01743

LOGIC DIAGRAM
 EXTENDED DRIVE
 KEYCARD (3270)

DATE: 055-13-07
 SCALE: 2 OF 4

REVISION HISTORY	
REVISION	DESCRIPTION
M	REVISED/REDAWN/ECO 3956
N	REVISED/ECO 5112 7-10-75
P	REVISED/ECO 5123 8/14/75
Q	REVISED/ECO 5283 11/14/75
R	REVISED/ECO 5461 11/17/75
S	REV/ECO 5831 11-1-76
T	REV/ECO 8035 1-31-77
U	REV/ECO 8059 1/12/77



UNIT ASSY	MODEL NO.	DESCRIPTION	SKIN ASSY	CABLE ASSY. 047-10-65-701	CHASSIS ASSY	POWER SUPPLY 058-18-02-701	I/O COMM. PNL. ASSY	I/O PANEL SUB-ASSY	WIRE LIST	POWER WIRE LIST
058-10-01	701	STD COLORS W/PWR SUPP W/SIGNALERT	010-10-03-702	1	058-10-17-701	1	058-10-21-701	058-10-06-701	058-10-13-701	058-10-03-701
	702	STD COLORS W/OUT PWR SUPP W/OUT SIGNALERT	010-10-03-702	—	058-10-17-702	—	058-10-21-704	058-10-06-702	058-10-13-702	—
	703	RBT COLORS W/PWR SUPP W/SIGNALERT	010-10-03-704	1	058-10-17-701	1	058-10-21-701	058-10-06-701	058-10-13-701	—
	704	RBT COLORS W/OUT PWR SUPP W/OUT SIGNALERT	010-10-03-704	—	058-10-17-702	—	058-10-21-704	058-10-06-702	058-10-13-702	—
	705	STD COLORS W/PWR SUPP W/OUT SIGNALERT	010-10-03-702	1	058-10-17-703	1	058-10-21-704	058-10-06-702	058-10-13-702	058-10-03-701
	706	RBT COLORS W/PWR SUPP W/OUT SIGNALERT	010-10-03-704	1	058-10-17-703	1	058-10-21-704	058-10-06-702	058-10-13-702	058-10-03-701
	707	SAME AS 701 EXCEPT WITH EXTENDED INTERNAL CABLE TO MONITOR	010-10-03-702	1	058-10-17-704	1	058-10-21-701	058-10-06-701	058-10-13-701	058-10-03-702

INCOTERM CORPORATION
6 BATHURST ROAD
MAYNE, MASSACHUSETTS 01754

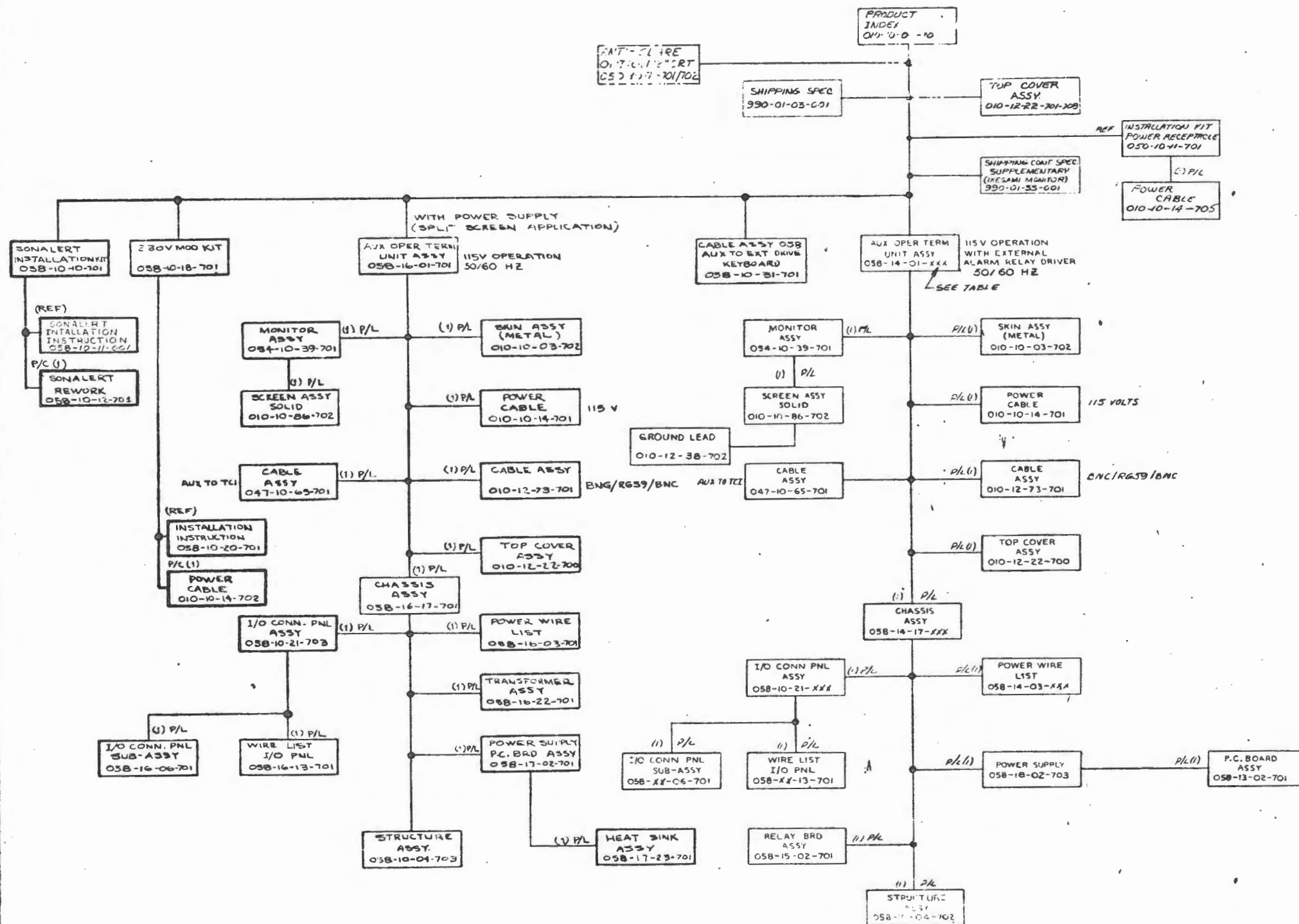
DOCUMENT TREE
CLUSTER AUX. OPER.
TERM -001

APPROVED: D. VOGEL
APPROVED: D. MARCHANT

DATE: 12/15/75
DATE: 12/15/75

SIZE: 11x17
DOCUMENT NUMBER: D 058-10-00
REV: U

REVISED BY: 010-10-00-701
CALC: — INT: 1 7 2



UNIT ASSY	MODEL NO	DESCRIPTION	CHASSIS ASSY	POWER WIRE LIST	I/O CONN. PANEL	I/O CONN. PANEL SUB-ASSY	I/O PANEL WIRE LIST
701	ASB-14-01	115/50/60 HZ WITH EXTERNAL ALARM RELAY DRIVER	058-14-17-701	058-14-03-701	058-10-21-702	058-14-06-701	058-14-02-701
702	ASB-14-02	115/50/60 HZ KEYBOARD CLICKER	058-14-17-702	058-14-03-702	058-10-21-701	058-10-06-701	058-14-02-701
058-14-01							

INCOTERM
CORPORATION

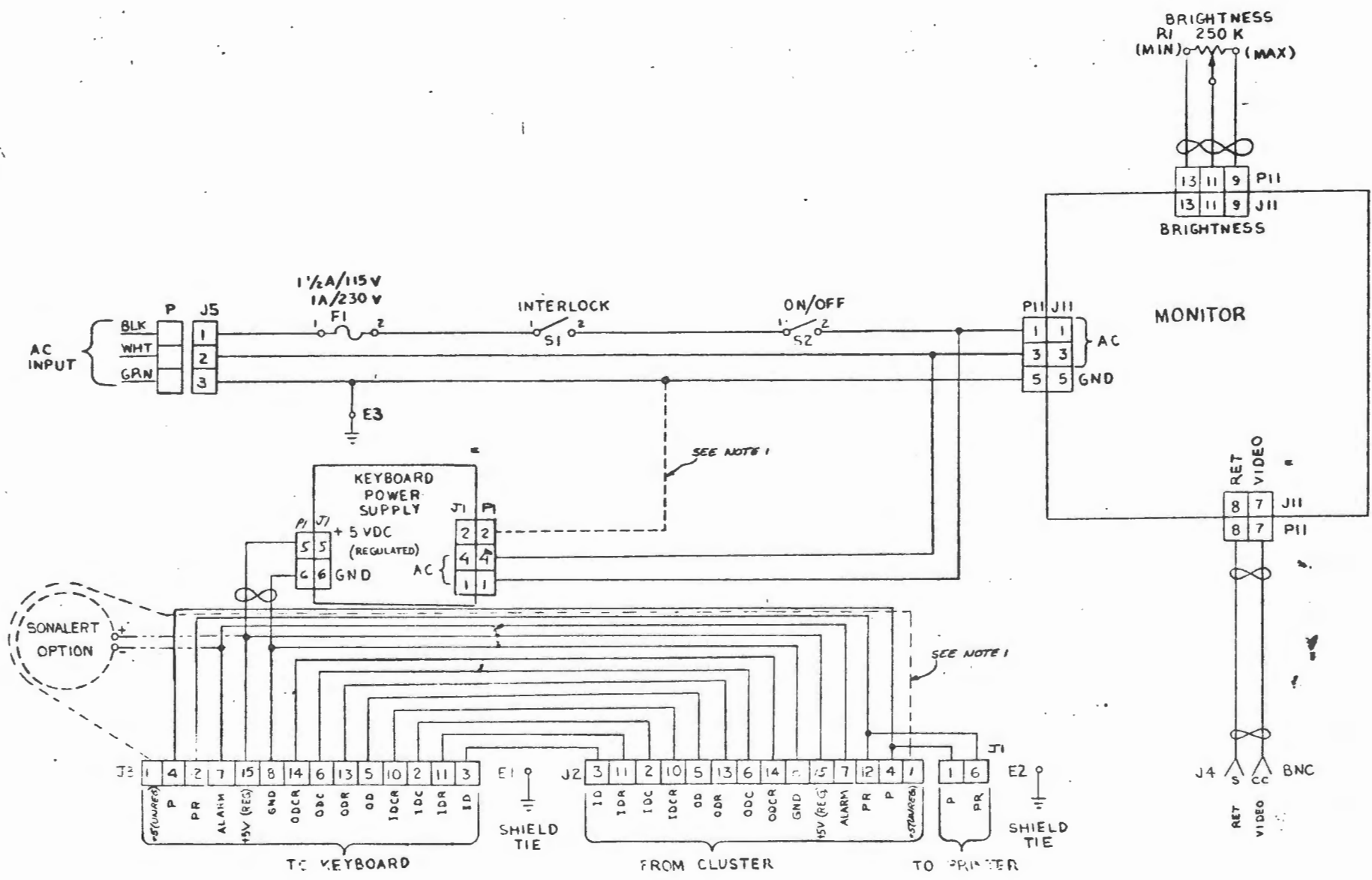
6 STRATHMORE ROAD
MAYFAIR, MASSACHUSETTS 02148

DOCUMENT NO. **FORM 001**

DATE: **058-10-00**

REV: **U**

REV	DESCRIPTION	DATE	BY
1	RELEASED/IMP 7576	7/74	7/74
2	CHANGE PRIOR TO RELEASE	7/74	7/74
3	REVISED/ECG 2792	7/74	7/74
4	REVISED/ECG 2792	8/74	8/74
5	REVISED/ECG 3026	8/74	8/74
6	REVISED/ECG 3026	8/74	8/74
7	REVISED/ECG 3026	8/74	8/74
8	REVISED/ECG 3026	8/74	8/74



NOTE 1:
1. ITEMS IN PHANTOM (---) MAY EXIST
IN EARLIER MODELS

REV	DESCRIPTION	DATE	BY
INCOTERM CORPORATION			
POWER WIRE SCHEMATIC 001		DOCUMENT NUMBER	
D 058-10-02 G		REV 1	

8

7

6

5

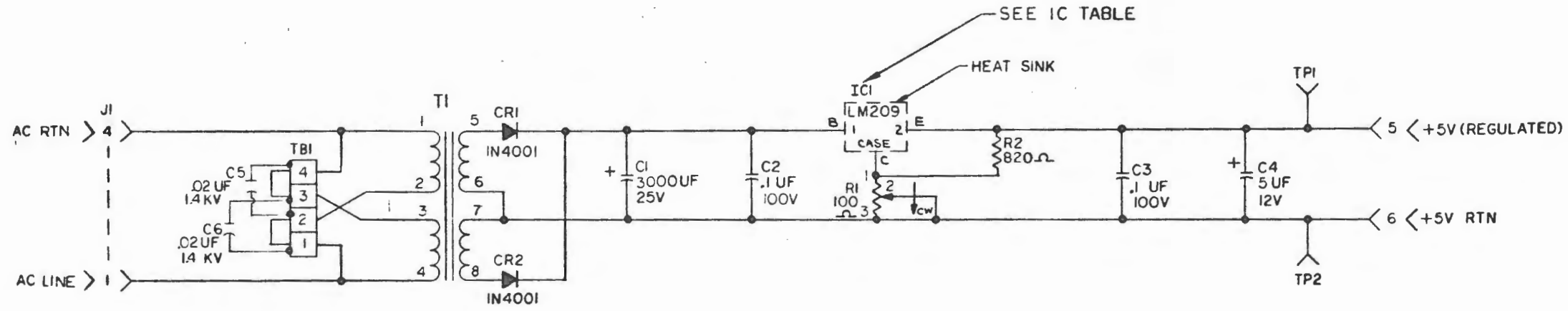
4

3

2

1

REVISION HISTORY			
REV. NO.	DATE	BY	APP.
A	RELEASED ED 8544	TJ	TJ
B	REVISED/ECO 3056 4/22/74	TJ	TJ
C	REV/ECO 3420 8/5/77	TJ	TJ
D	REVISED/ECO 3648	TJ	TJ
E	REVISED/ECO 5057 4/12/77	TJ	TJ



TBI INTERCONNECTION TABLE	
NOMINAL AC LINE VOLTAGE	TBI INTERCONNECTIONS
115 V	1-2, 3-4
230 V	2-3

IC1 TABLE	
001	LM209
002	LM323K

INCOTERM CORPORATION
8 STATHMORE ROAD
NATICK, MASSACHUSETTS 01909

SCHEMATIC KEYBOARD POWER SUPPLY 001/002

DATE: 10/1/77	BY: TJ	SIZE: 1/2" X 1/2"	DOCUMENT NUMBER: D 058-13-01	PAGE: 1 OF 1
CHECKED: [Signature]	DATE: 10/1/77	SIZE: 1/2" X 1/2"	DOCUMENT NUMBER: D 058-13-01	PAGE: 1 OF 1

8

7

6

5

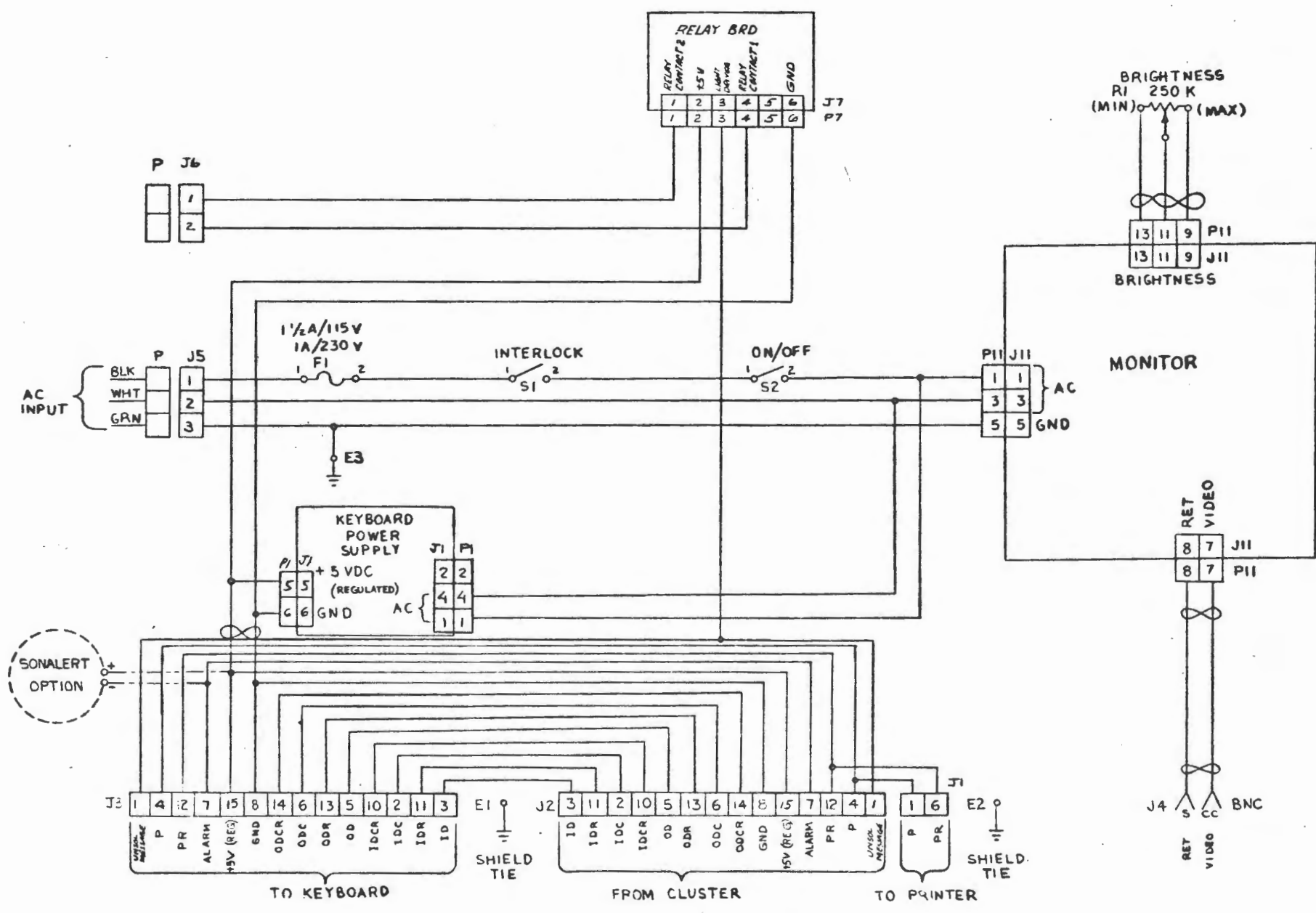
4

3

2

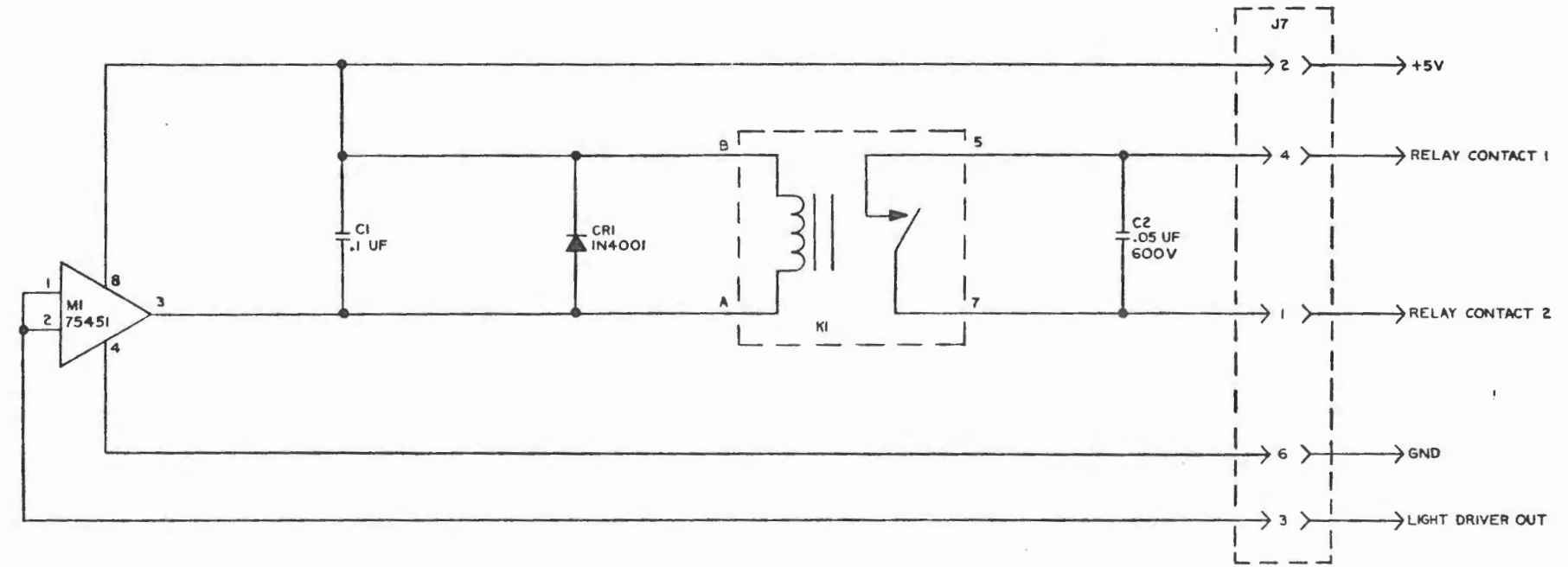
1

REVISION HISTORY			
REV. NO.	DATE	BY	DESCRIPTION
1	RELEASED / RD 73246	7	7



REV. NO.	PART ASSY. NO.	DESCRIPTION	QTY.	UNIT
		ASSEMBLY QUANTITIES		
INCOTERM CORPORATION		4 STRATHMORE ROAD NATICK, MASSACHUSETTS 01760		
POWER WIRE SCHEMATIC 001		DOCUMENT NUMBER		
D 058-14-02 A		SCALE: 1/1		

REV. 001 - STORY		DATE	BY
A	RELEASED 737A9	7	7

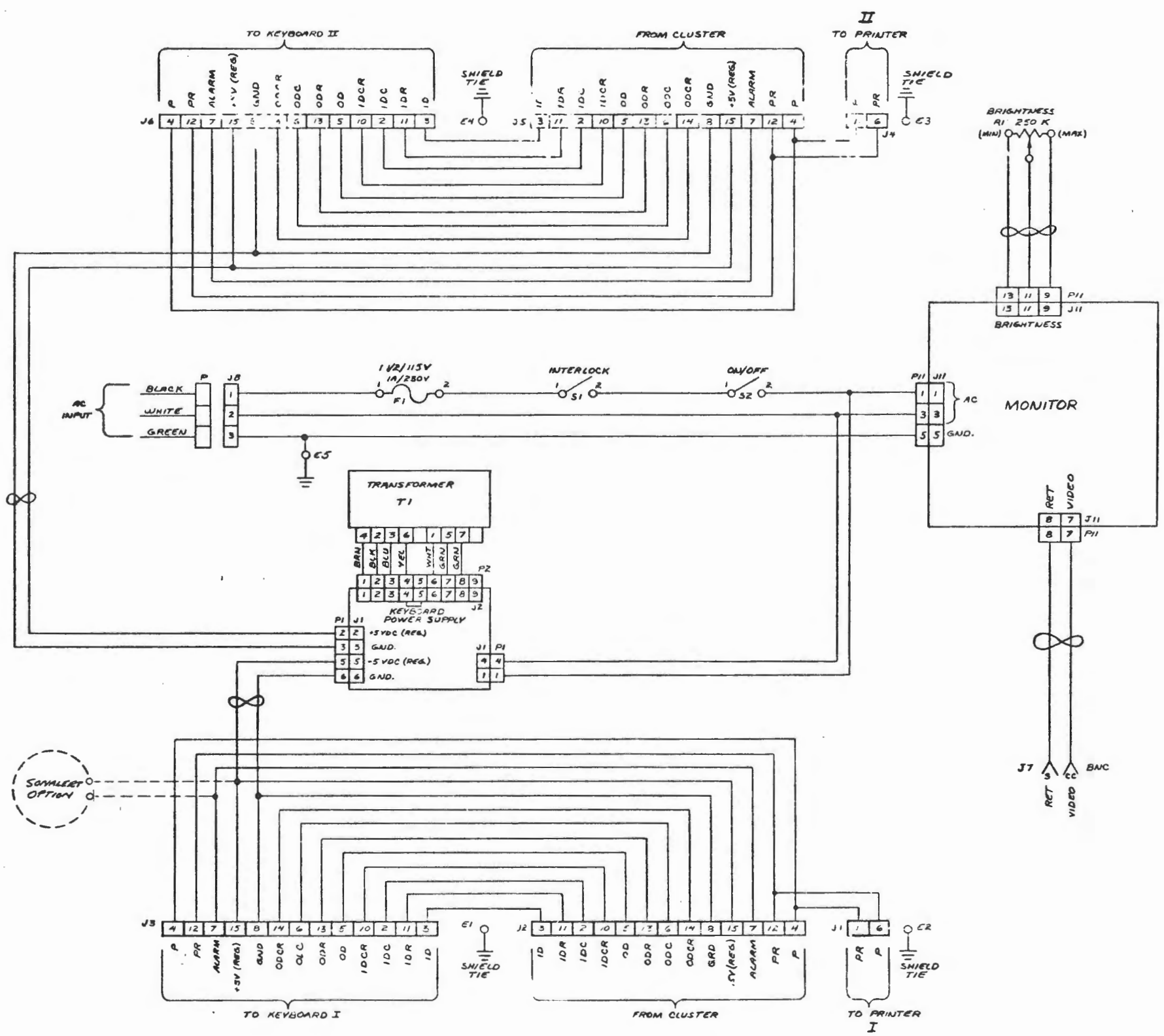


INCOTERM CORPORATION
 6 STATHMORE ROAD
 NATICK, MASSACHUSETTS 01909

**SCHEMATIC DRAWING
 RELAY BOARD
 -001**

DATE	BY	SIZE	DOCUMENT NUMBER
7/7/74	J. J. J.	1/2"	D 058-15-01 A

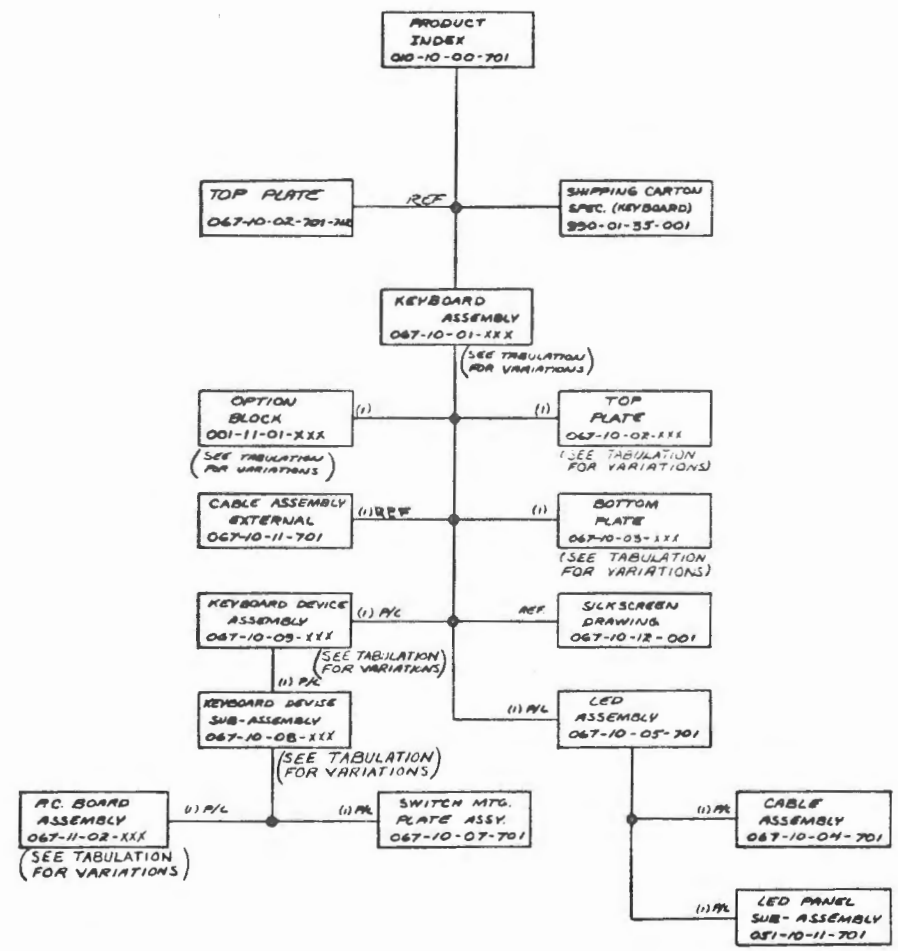
REVISION:	DATE:	BY:
A	RELEASED/RO# 890	✓



		5 STRATHMORE ROAD NATICK, MASSACHUSETTS 01908	
THE COMPANY hereby certifies that this document is a true and correct copy of the original as submitted to it.		POWER WIKE SCHEMATIC SPLIT SCREEN 001	
DATE: 10/11/74 BY: [Signature]	TITLE: [Signature]	DRAWING NUMBER: D 058-16-02	REV: A
FIRST USED ON: 058-16-01-701		SCALE: 1/1	SHEET: 1 of 1

REV. NO.	REVISION	DATE
C	REVISED / REDESIGNED 2619	1/14/74
D	REVISED / ELD 3308	1/17/74
E	REVISED / ECO 3909	3-11-75
F	REVISED / ECO 5221	1-10-75
G	REVISED / ECO 5310	11-11-75
H	REVISED / ECO 5373	1-15-76
J	REVISED / ECO 5521	5-3-77
K	REVISED / ECO 5752	9-15-78
L	REVISED / ECO 5743	1-9-79
M	REVISED / ECO 8016	1-14-80

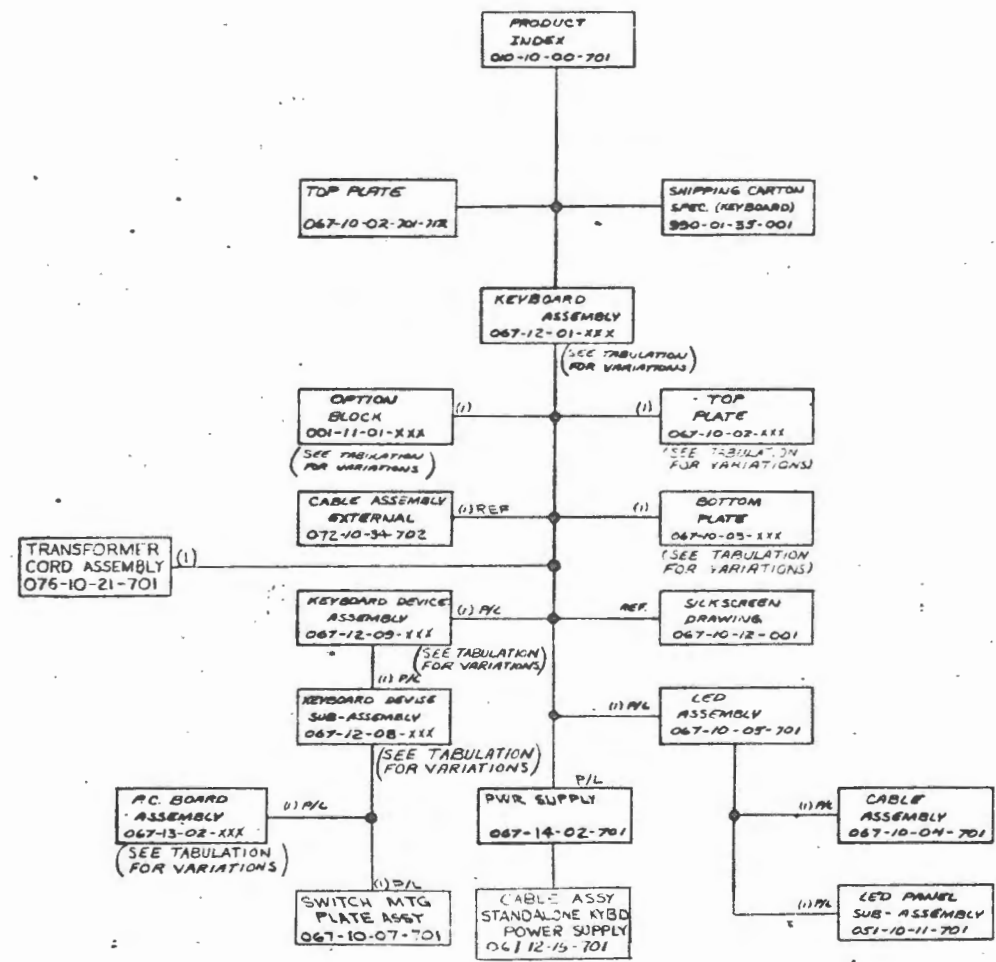
KEYBOARD ASSY NUMBER	MODEL NUMBER	FUNCTIONAL DESCRIPTION	OPTION BLOCK	TOP PLATE	BOTTOM PLATE	KEYBOARD DEV ASSY	KEYBOARD DEV. SUB-ASSY	PC BOARD ASSY
701	K67-01	UPPER CASE, KEY 40 ENCODED KEY 53 ENCODED (13A) KEY 55 ENCODED (13A) NO SHIFT	001-11-01-1051	067-10-02-700	067-10-03-000	067-10-09-701	067-10-08-701	067-11-02-701
702	K67-02	UPPER CASE, KEY 40 MODE KEY KEY 53 SHIFT KEY, KEY 55 SHIFT KEY FUNC KEYS SHIFT INTO LOWER CASE	001-11-01-896					
703	K67-03	UPPER CASE, KEY 40 ENCODED KEY 53 SHIFT KEY, KEY 55 SHIFT KEY FUNC KEYS SHIFT INTO LOWER CASE	001-11-01-398					
704	K67-04	UPPER CASE, KEY 40 ENCODED KEY 53 SHIFT KEY, KEY 55 SHIFT KEY FUNC KEYS SHIFT VIA BIT B	001-11-01-1021					
705	K67-05	UPPER CASE, KEY 40 ENCODED KEY 53 SHIFT KEY, KEY 55 SHIFT KEY FUNC KEYS SHIFT VIA BIT B PLUS LOWER CASE CODE	001-11-01-1020					
706	K67-06	UPPER-LOWER CASE, KEY 40 MODE KEY KEY 53 SHIFT KEY, KEY 55 SHIFT KEY FUNC KEYS NON-SHIFTABLE	001-11-01-898					
067-10-01-707	K67-07	UPPER-LOWER CASE, KEY 40 ENCODED KEY 53 SHIFT KEY, KEY 55 SHIFT KEY FUNC KEYS NON-SHIFTABLE	001-11-01-1001					
708	K67-08	UPPER-LOWER CASE, KEY 40 ENCODED KEY 53 SHIFT KEY, KEY 55 SHIFT KEY FUNC KEYS SHIFT VIA BIT B	001-11-01-1000					
709	K67-09	UPPER CASE, KEY 40 MODE KEY KEY 53 ENCODED (13A), KEY 55 ENCODED (13A) NO SHIFT	001-11-01-1030					
710	K67-10	UPPER CASE, KEY 40 ENCODED KEY 53 ENCODED (13A), KEY 55 ENCODED (13A) NO SHIFT	001-11-01-1002					
711	K67-11	UPPER CASE, KEY 40 ENCODED KEY 53 ENCODED (13A) KEY 55 SHIFT KEY FUNC KEYS SHIFT INTO LOWER CASE	001-11-01-1028					
712	K67-12	UPPER CASE, KEY 40 ENCODED KEY 53 SHIFT KEY, KEY 55 ENCODED (13A) FUNC KEYS SHIFT INTO LOWER CASE	001-11-01-1112	067-10-02-700	067-10-03-001			
713	K67-13	SAME AS 712 EXCEPT FOR SMOKE SKIN COLORS - AIR CANADA	001-11-01-1112	067-10-02-712	067-10-03-002	067-10-09-701	067-10-08-701	067-11-02-701
714	K67-14	UPPERCASE KEY 40 SHIFT LOCK, KEY 53 SHIFT KEY, KEY 55 SHIFT KEY, FUNCT. KEYS SHIFT INTO LOWER CASE WHEN KEY 40 IS IN SHIFT MODE, LEFT HAND LED IS ON.	001-11-01-1322	067-10-02-700	067-10-03-001	067-10-09-702	067-10-08-702	067-11-02-702
715	K67-15	UPPER LOWER CASE KEY 40 SHIFT LOCK, KEY 53 SHIFT KEY, KEY 55 ENCODED (13A), FUNCT KEYS SHIFT VIA BIT B WHEN IN SHIFT MODE, LEFT HAND LED IS ON.	001-11-01-1355	067-10-02-700	067-10-03-001	067-10-09-702	067-10-08-702	067-11-02-702
716	K67-16	UPPER KEY 40 SHIFT LOCK, KEY 53 SHIFT KEY KEY 55 ENCODED, FUNCTION KEYS SHIFT INTO LOWER CASE WHEN KEY 40 IS IN SHIFT MODE, LEFT HAND LED IS ON.	001-11-01-1368	067-10-02-700	067-10-03-001	067-10-09-702	067-10-08-702	067-11-02-702



INCOTERM CORPORATION		Doc TREE GATEX KEYBOARD	
DATE	01/14/74	SIZE	DOCUMENT NUMBER
REVISED	01/17/74	DATE	067-10-00
APPROVED	01/17/74	DATE	M
PREPARED BY	01/14/74	DATE	3

REV. NO.	DESCRIPTION OF CHG.

KEYBOARD ASSY NUMBER	MODEL NUMBER	FUNCTIONAL DESCRIPTION	OPTION BLOCK	TOP PLATE	BOTTOM PLATE	KEYBOARD DEV ASSY	KEYBOARD DEV SUB-ASSY	KEYBOARD DEV SUB-ASSY
701	K67-12-01	UPPER CASE, KEY 40 ENCODED KEY 55 ENCODED (13 ₆), KEY 55 ENCODED (13 ₆) NO SHIFT	001-11-01-1051	067-10-02-700	067-10-03-001	067-12-09-701	067-12-08-701	067-13-02-701
702	K67-12-02	UPPER CASE, KEY 40 MODE KEY KEY 55 SHIFT KEY, KEY 55 SHIFT KEY FUNC. KEYS SHIFT INTO LOWER CASE	001-11-01-998	↑	↑	↑	↑	↑
703	K67-12-03	UPPER CASE, KEY 40 ENCODED KEY 55 SHIFT KEY, KEY 55 SHIFT KEY FUNC. KEYS SHIFT INTO LOWER CASE	001-11-01-338	↑	↑	↑	↑	↑
704	K67-12-04	UPPER CASE, KEY 40 ENCODED KEY 55 SHIFT KEY, KEY 55 SHIFT KEY FUNC. KEYS SHIFT VIA BIT B	001-11-01-1021	↑	↑	↑	↑	↑
705	K67-12-05	UPPER CASE, KEY 40 ENCODED KEY 55 SHIFT KEY, KEY 55 SHIFT KEY FUNC. KEYS SHIFT VIA BIT B PLUS LOWER CASE EDGE	001-11-01-1020	↑	↑	↑	↑	↑
706	K67-12-06	UPPER-LOWER CASE, KEY 40 MODE KEY KEY 55 SHIFT KEY, KEY 55 SHIFT KEY FUNC. KEYS NON-SHIFTABLE	001-11-01-888	↑	↑	↑	↑	↑
707	K67-12-07	UPPER-LOWER CASE, KEY 40 ENCODED KEY 55 SHIFT KEY, KEY 55 SHIFT KEY FUNC. KEYS NON-SHIFTABLE	001-11-01-1001	↑	↑	↑	↑	↑
708	K67-12-08	UPPER-LOWER CASE, KEY 40 ENCODED KEY 55 SHIFT KEY, KEY 55 SHIFT KEY FUNC. KEYS SHIFT VIA BIT B	001-11-01-1000	↑	↑	↑	↑	↑
709	K67-12-09	UPPER CASE, KEY 40 MODE KEY KEY 55 ENCODED (13 ₆), KEY 55 ENCODED (13 ₆) NO SHIFT	001-11-01-1050	↑	↑	↑	↑	↑
710	K67-12-10	UPPER CASE, KEY 40 ENCODED KEY 55 ENCODED (13 ₆), KEY 55 ENCODED (13 ₆) NO SHIFT	001-11-01-1002	↑	↑	↑	↑	↑
711	K67-12-11	UPPER CASE, KEY 40 ENCODED KEY 55 ENCODED (13 ₆), KEY 55 SHIFT KEY FUNC. KEYS SHIFT INTO LOWER CASE	001-11-01-1028	↑	↑	↑	↑	↑
712	K67-12-12	UPPER CASE, KEY 40 ENCODED KEY 55 SHIFT KEY, KEY 55 ENCODED (13 ₆) FUNC. KEYS SHIFT INTO LOWER CASE	001-11-01-1112	067-10-02-700	067-10-03-001	↑	↑	↑
713	K67-12-13	SAME AS 712 EXCEPT FOR SPECIAL SKIN COLORS - AIR CANADA	001-11-01-1112	067-10-02-712	067-10-03-002	067-12-09-701	067-12-08-701	067-13-02-701
714	K67-12-14	UPPERCASE KEY 40 SHIFT LOCK, KEY 55 SHIFT KEY, KEY 55 SHIFT KEY, FUNC. KEYS SHIFT INTO LOWER CASE WHEN KEY 40 IS IN SHIFT MODE, LEFT HAND LED IS ON.	001-11-01-1322	067-10-02-700	067-10-03-001	067-12-09-702	067-12-08-702	067-13-02-702
715	K67-12-15	UPPER-LOWER CASE KEY 40 SHIFT LOCK, KEY 55 SHIFT KEY, KEY 55 ENCODED (13 ₆) FUNC. KEYS SHIFT VIA BIT B WHEN IN SHIFT MODE, LEFT HAND LED IS ON.	001-11-01-1355	067-10-02-700	067-10-03-001	067-12-09-702	067-12-08-702	067-13-02-702
716	K67-12-16	UPPER KEY 40 SHIFT LOCK, KEY 55 SHIFT KEY, KEY 55 ENCODED, FUNCTION KEYS SHIFT INTO LOWER CASE WHEN KEY 40 IS IN SHIFT MODE, LEFT HAND LED ON	001-11-01-1358	067-10-02-700	067-10-03-001	067-12-09-702	067-12-08-702	067-13-02-702



INCOTERM CORPORATION
 5 STATHOUSE ROAD, NATICK, MASSACHUSETTS 01909

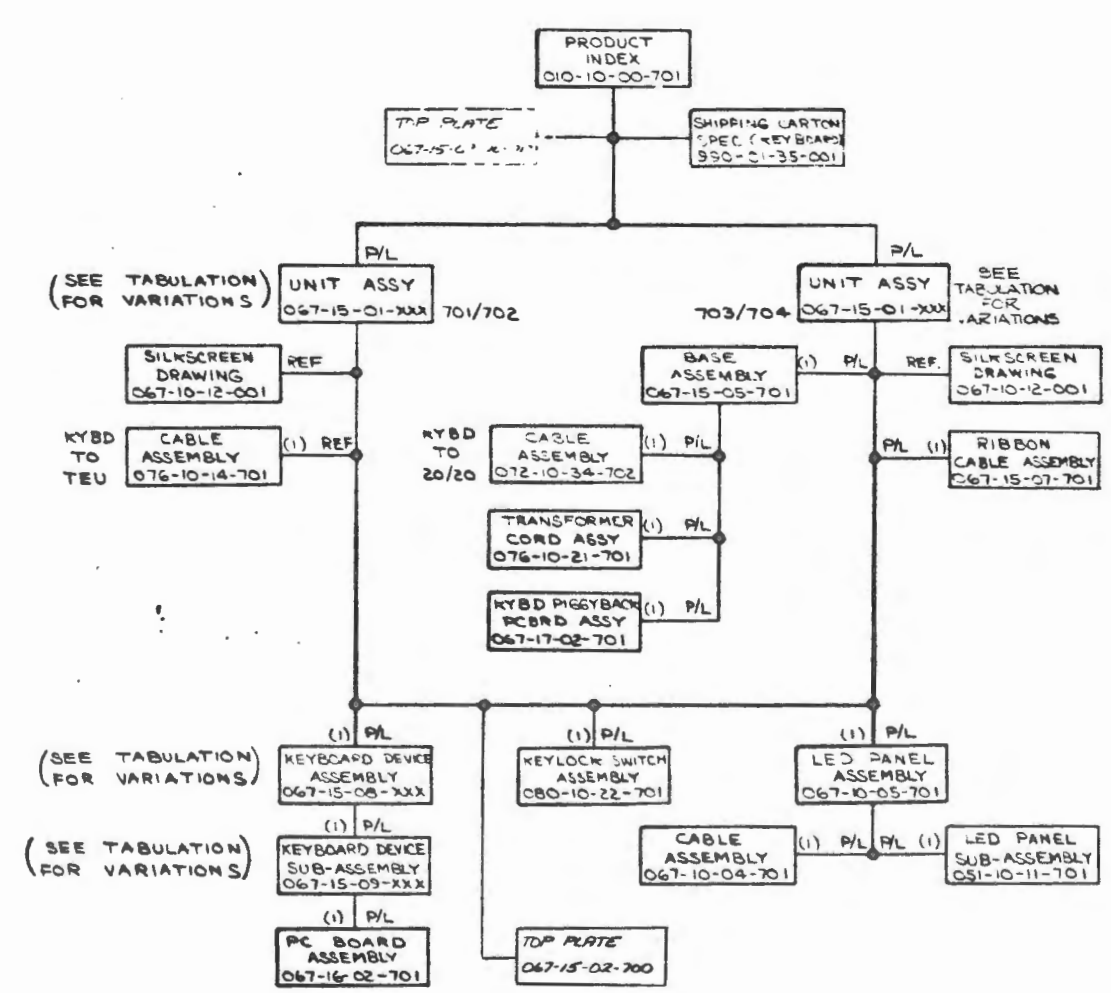
Doc TREE 64 KEY KEYBOARD

001

CHECKED DATE: 067-10-00
 APPROVED DATE: 067-10-00
 DOCUMENT NUMBER: D 067-10-00
 REV: M

PREPARED BY: 010-10-00-701

REVISION HISTORY			
REVISION	DESCRIPTION OF CHANGE	CHK	APPD



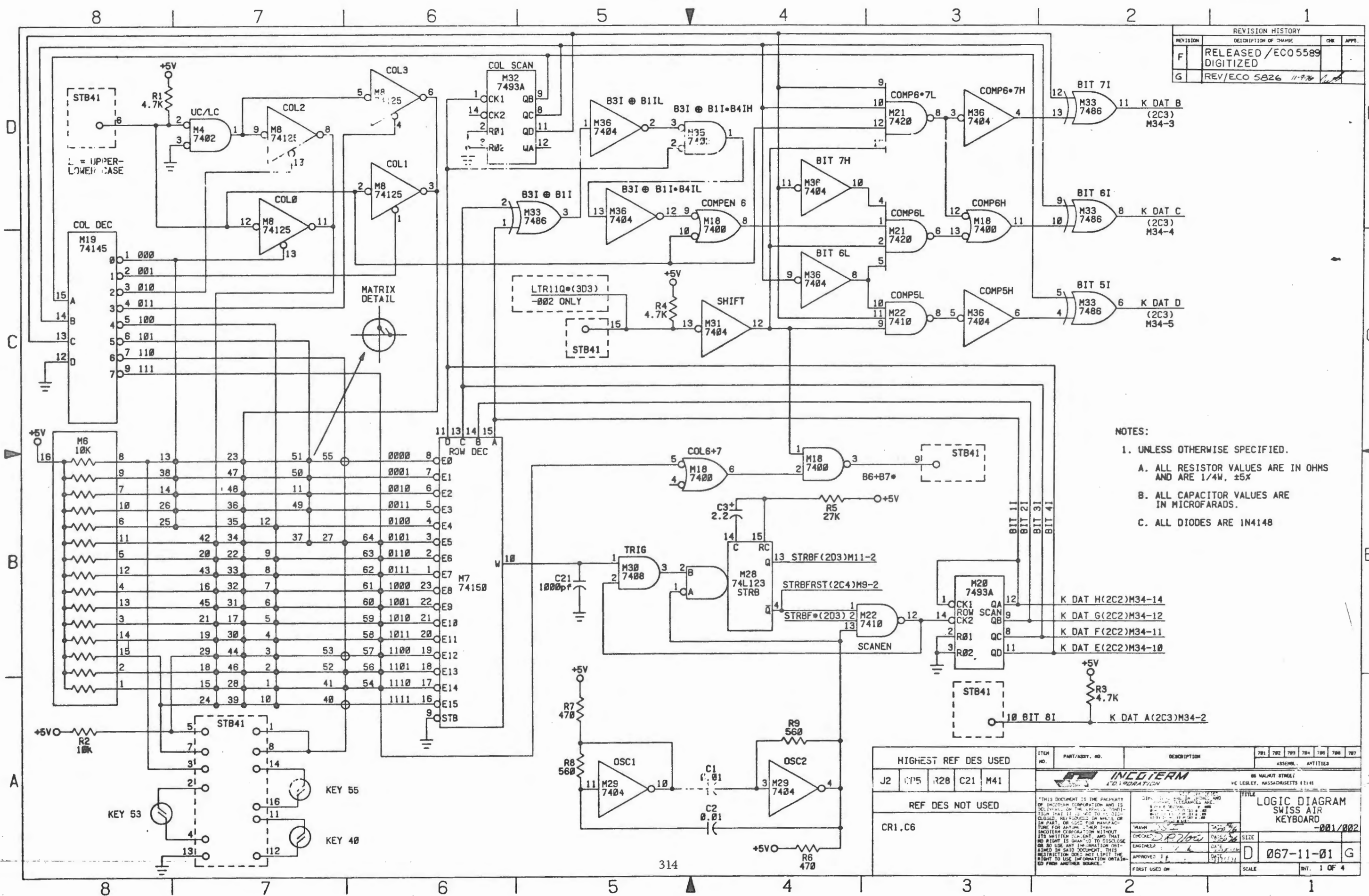
OPTION BLOCK STB 16	OPTION BLOCK STB 15	USE IN				FUNCTIONAL DESCRIPTION
		067-15-01-701	067-15-01-702	067-15-01-703	067-15-01-704	
001-11-01-1337*	001-11-01-105	X		X		UPPERCASE, KEY 40 ENCODED, KEY 53 ENCODED (IF ₆), KEY 55 ENCODED (IF ₆), NO SHIFT
	001-11-01-996	X		X		UPPERCASE, KEY 40 MODE KEY, KEY 53 SHIFT KEY, KEY 55 SHIFT KEY, FUNCTION KEYS SHIFT INTO LOWER CASE
	001-11-01-998	X		X		UPPERCASE, KEY 40 ENCODED, KEY 53 SHIFT KEY, KEY 55 SHIFT KEY, FUNCTION KEYS SHIFT INTO LOWER CASE
	001-11-01-1021	X		X		UPPERCASE, KEY 40 ENCODED, KEY 53 SHIFT KEY, KEY 55 SHIFT KEY, FUNCTION KEYS SHIFT VIA BIT 8
	001-11-01-1020	X		X		UPPERCASE, KEY 40 ENCODED, KEY 53 SHIFT KEY, KEY 55 SHIFT KEY, FUNCTION KEYS SHIFT VIA BIT 8 PLUS LOWER CASE CODE
	001-11-01-999	X		X		UPPER-LOWER CASE, KEY 40 MODE KEY, KEY 53 SHIFT KEY, KEY 55 SHIFT KEY, FUNCTION KEYS NON-SHIFTABLE
	001-11-01-1001	X		X		UPPER-LOWER CASE, KEY 40 ENCODED, KEY 53 SHIFT KEY, KEY 55 SHIFT KEY, FUNCTION KEYS NON-SHIFTABLE
	001-11-01-1000	X		X		UPPER-LOWER CASE, KEY 40 ENCODED, KEY 53 SHIFT KEY, KEY 55 SHIFT KEY, FUNCTION KEYS SHIFT VIA BIT 8
	001-11-01-1030	X		X		UPPERCASE, KEY 40 MODE KEY, KEY 53 ENCODED (IF ₆), KEY 55 ENCODED (IF ₆), NO SHIFT
	001-11-01-1002	X		X		UPPERCASE, KEY 40 ENCODED, KEY 53 ENCODED (IF ₆), KEY 55 ENCODED (IF ₆), NO SHIFT
	001-11-01-1028	X		X		UPPERCASE, KEY 40 ENCODED, KEY 53 ENCODED (IF ₆), KEY 55 SHIFT KEY, FUNCTION KEYS SHIFT INTO LOWER CASE
	001-11-01-1112	X		X		UPPERCASE, KEY 40 ENCODED, KEY 53 SHIFT KEY, KEY 55 ENCODED (IF ₆), FUNCTION KEYS SHIFT INTO LOWER CASE
	001-11-01-1332		X		X	UPPERCASE, KEY 40 SHIFT LOCK, KEY 53 SHIFT KEY, KEY 55 SHIFT KEY, FUNCTION KEYS SHIFT INTO LOWER CASE WHEN KEY 40 IS IN SHIFT MODE, LEFT HAND LED IS ON
	001-11-01-1355		X		X	UPPER-LOWER CASE KEY 40 SHIFT LOCK KEY 53 SHIFT KEY, KEY 55 ENCODED (IF ₆), FUNCTION KEYS SHIFT VIA BIT 8 WHEN IN SHIFT MODE, LEFT HAND LED IS ON
001-11-01-1337*	001-11-01-1368		X		X	UPPERCASE KEY 40 SHIFT LOCK, KEY 53 SHIFT KEY, KEY 55 ENCODED, FUNCTION KEYS SHIFT INTO LOWER CASE WHEN KEY 40 IS IN SHIFT MODE, LEFT HAND LED IS ON

* 001-11-01-1337 OPTION CAUSES LED 7 & 8 TO DISPLAY DATA FROM THE TEU. THE FOLLOWING OPTION BLOCKS MAY BE USED FOR STB 16

OPTION BLOCK	FUNCTION
001-11-01-1339	LED 8 ON WITH SHIFT
001-11-01-1340	LED 8 ON WITH SHIFT LED 7 ON WITH KEYLOCK

ALPHANUMERIC KEYBOARD				
UNIT ASSEMBLY	MODEL NUMBER	DESCRIPTION	KEYBOARD DEVICE ASSEMBLY	KEYBOARD DEVICE SUB-ASSEMBLY
067-15-01-701		AZERTY KEYBOARD - TEU COMPATIBLE	067-15-08-701	067-15-09-701
067-15-01-702		QWERTY KEYBOARD - TEU COMPATIBLE	067-15-08-702	067-15-09-702
067-15-01-703		AZERTY KEYBOARD - 20/20 COMPATIBLE - WITH POWER SUPPLY	067-15-08-701	067-15-09-701
067-15-01-704		QWERTY KEYBOARD - 20/20 COMPATIBLE - WITH POWER SUPPLY	067-15-08-702	067-15-09-702

ITEM NO	PART/ASSY. NO	DESCRIPTION	701	702	703	704	705	706	707
INCOTERM			ASSEMBLY QUANTITIES						
4 STRATHMORE ROAD SAYBROOK, MASSACHUSETTS 01770									
DOCUMENT TREE 64 KEY KEYBOARD			001						
DRAWN	DATE	SIZE	DOCUMENT NUMBER						
CHECKED	DATE	DATE	D 067-10-00 M						
ENGINEER	DATE	DATE							
APPROVED	DATE	DATE							
FIRST USED ON	SCALE	SHR	3 OF 3						



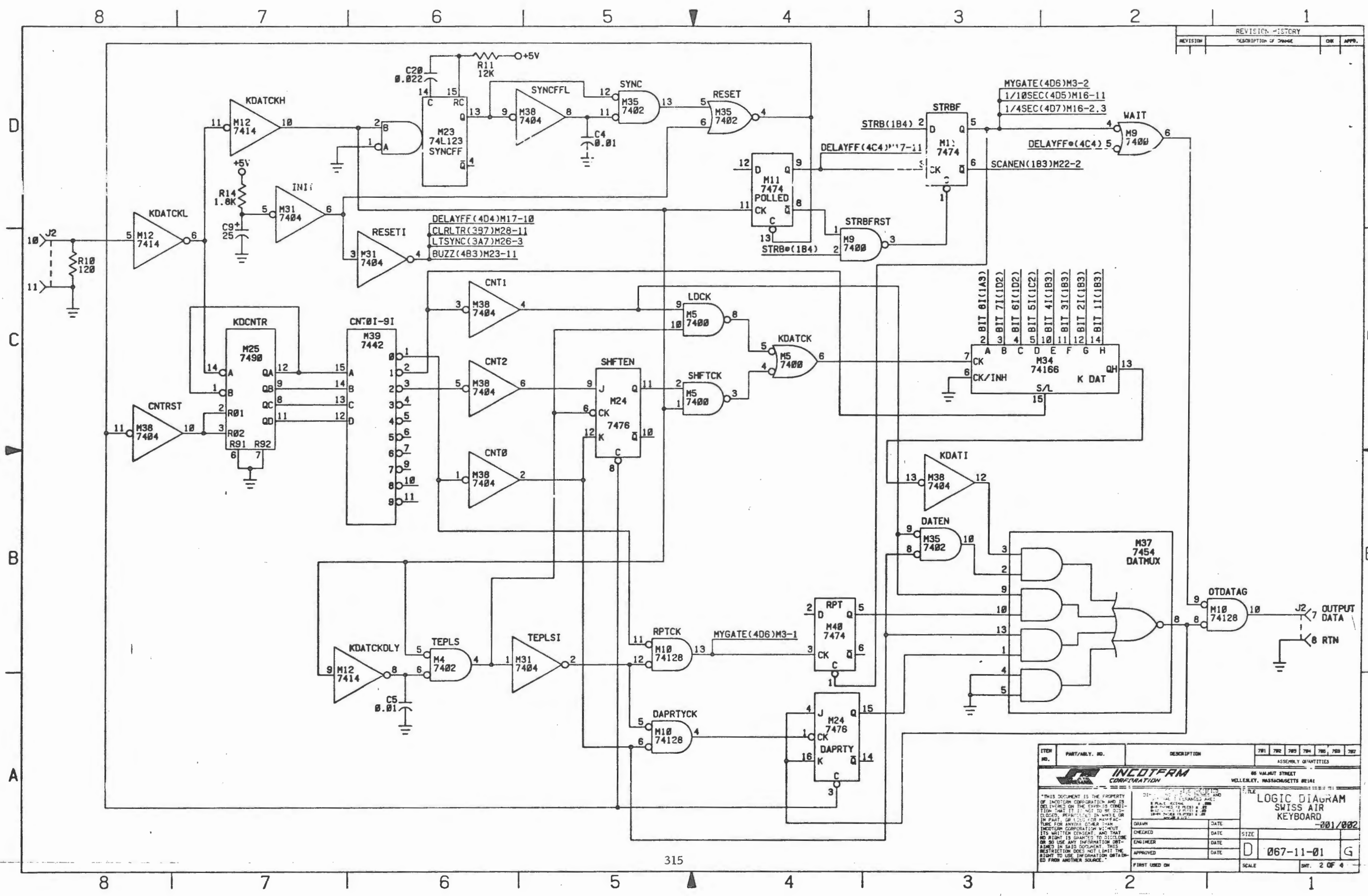
REVISION HISTORY			
REVISION	DESCRIPTION OF CHANGE	CHK	APPD.
F	RELEASED/ECO 5589 DIGITIZED		
G	REV/ECO 5826 11-9-78		

- NOTES:
- UNLESS OTHERWISE SPECIFIED.
 - ALL RESISTOR VALUES ARE IN OHMS AND ARE 1/4W, ±5%
 - ALL CAPACITOR VALUES ARE IN MICROFARADS.
 - ALL DIODES ARE 1N4148

HIGHEST REF DES USED				ITEM NO.	PART/ASST. NO.	DESCRIPTION	791	792	793	794	795	796	797
J2	C15	R28	C21	M41									
REF DES NOT USED													
CR1, C6													

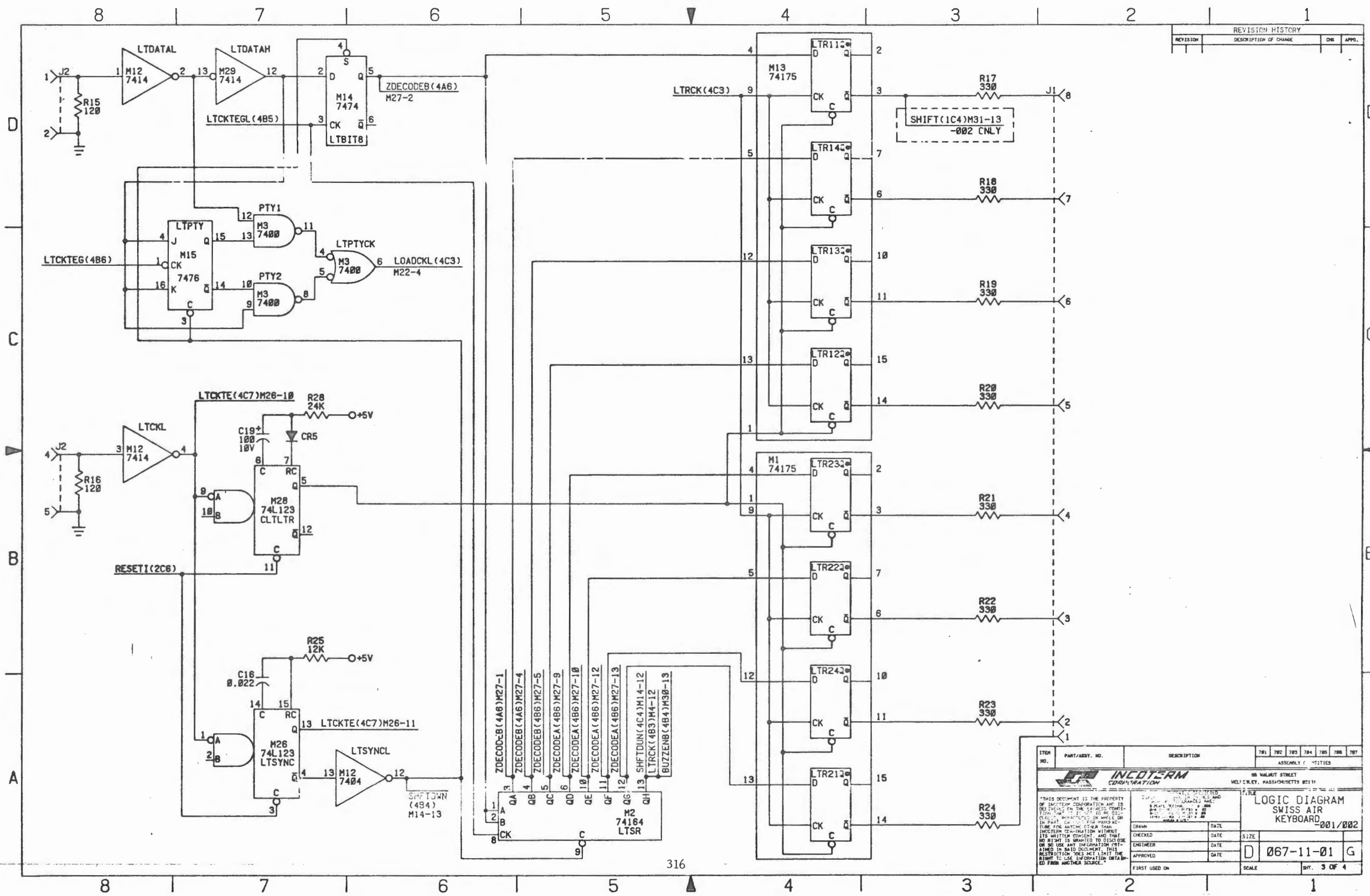
THIS DOCUMENT IS THE PROPERTY OF INCO TERM CORPORATION AND IS LOANED TO YOU ON THE BASIS OF CONFIDENCE. IT IS NOT TO BE DISCLOSED, REPRODUCED, IN WHOLE OR IN PART, OR USED FOR REPRODUCTION FOR ANY OTHER THAN INCO TERM CORPORATION WITHOUT ITS WRITTEN CONSENT. AND THAT NO RIGHT IS GRANTED TO DISCLOSE OR SO USE ANY INFORMATION OBTAINED IN SAID DOCUMENT. THIS RESTRICTION DOES NOT LIMIT THE RIGHT TO USE INFORMATION OBTAINED FROM ANOTHER SOURCE.		DATE: 11-9-78 CHECKED: [Signature] ENGINEER: [Signature] APPROVED: [Signature]	TITLE: LOGIC DIAGRAM SWISS AIR KEYBOARD -001/002
06 WALNUT STREET W. LESLEY, MASSACHUSETTS 02141	INCO TERM CORPORATION	SIZE: D Q67-11-01 G	SCALE: 1 OF 4

REVISION HISTORY			
REVISION	DESCRIPTION OF CHANGE	CHK	APPD.



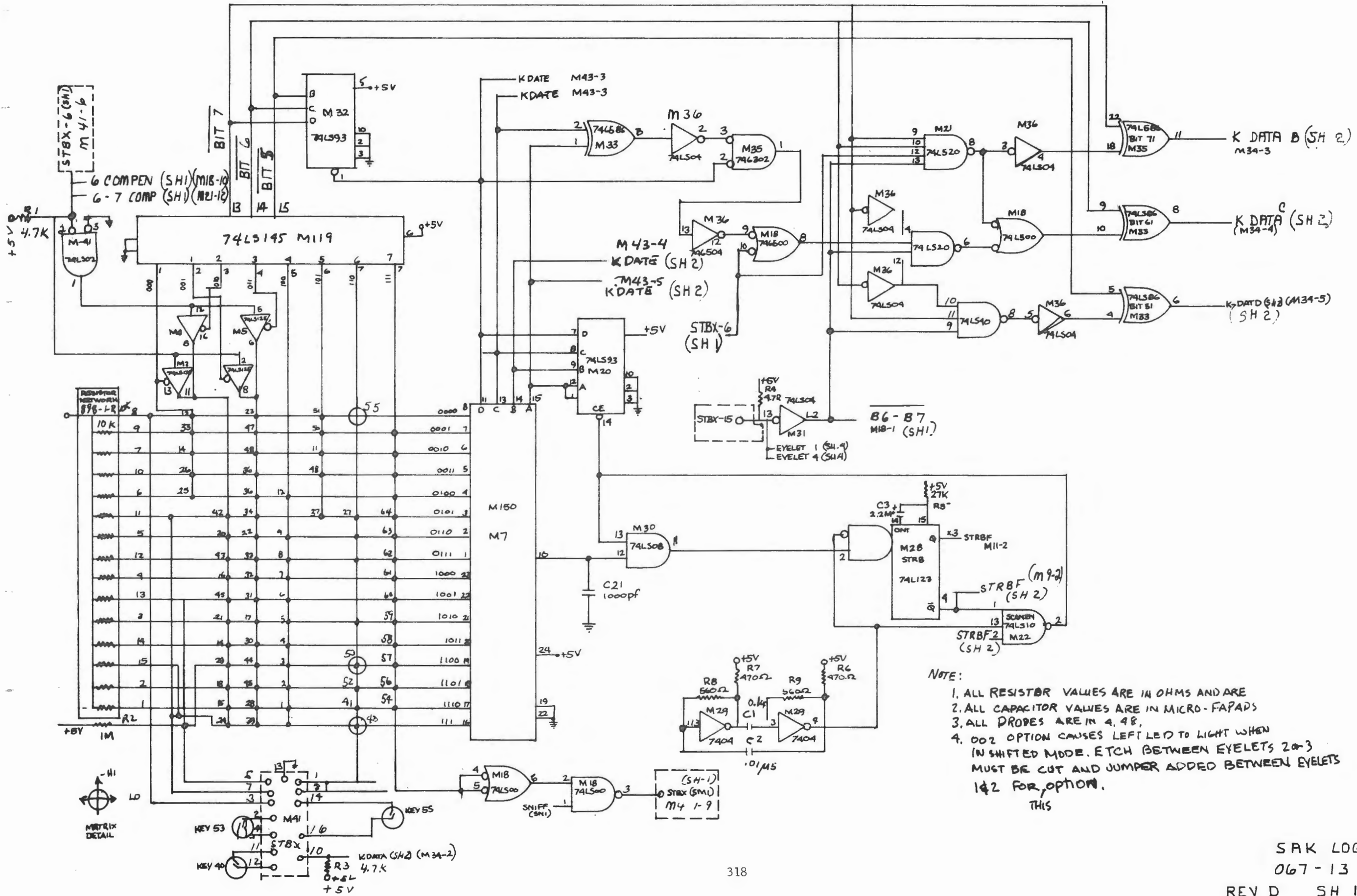
315

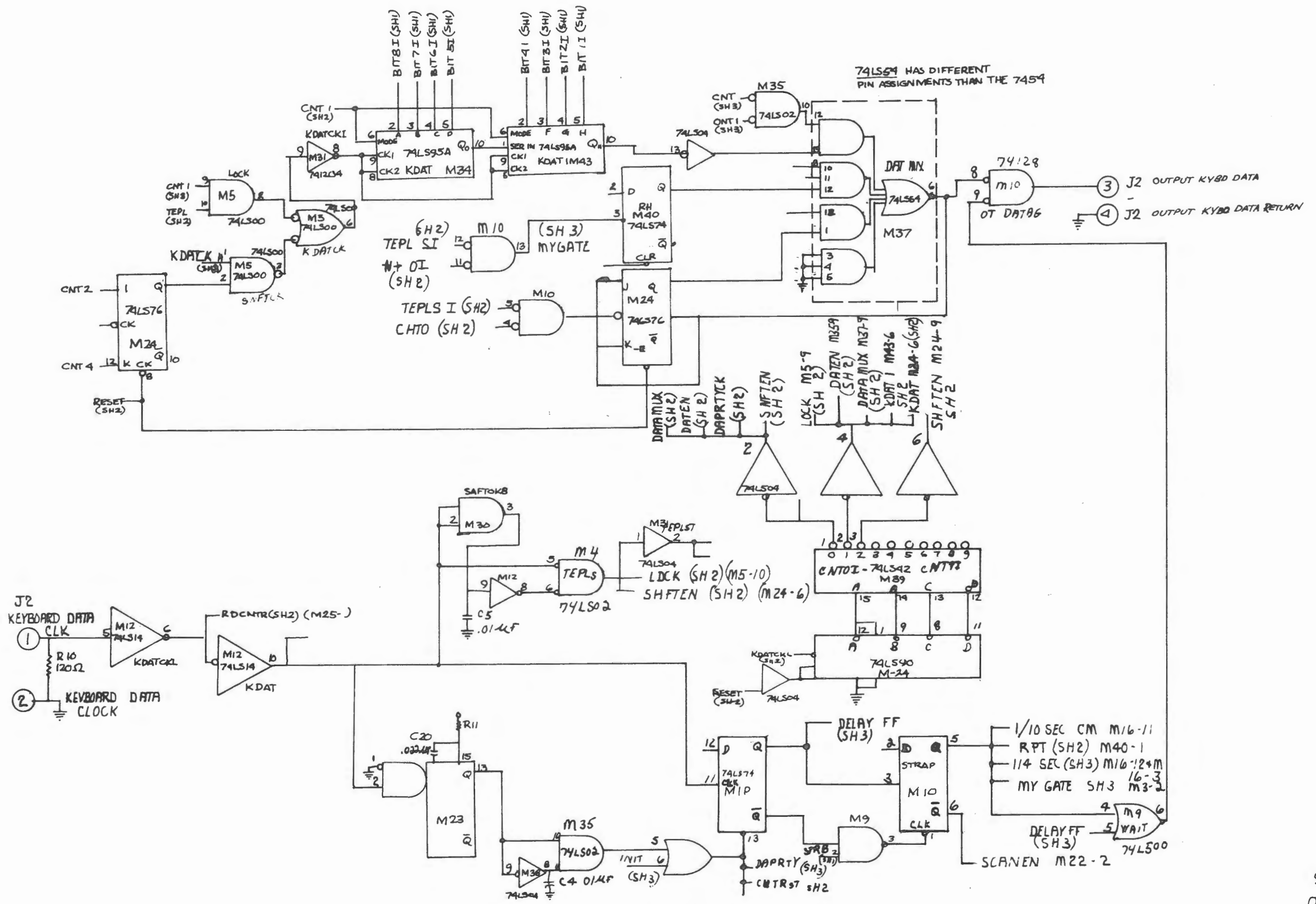
ITER NO.	PART/ASSEMBLY NO.	DESCRIPTION	701	702	703	704	705	706	707
80 VALUET STREET WELLESLEY, MASSACHUSETTS 02158									
LOGIC DIAGRAM SWISS AIR KEYBOARD -001/002									
DRAWN		DATE	SIZE						
CHECKED		DATE							
ENGINEER		DATE							
APPROVED		DATE							
FIRST USED ON		SCALE							
			067-11-01	G					
				SHY. 2 OF 4					

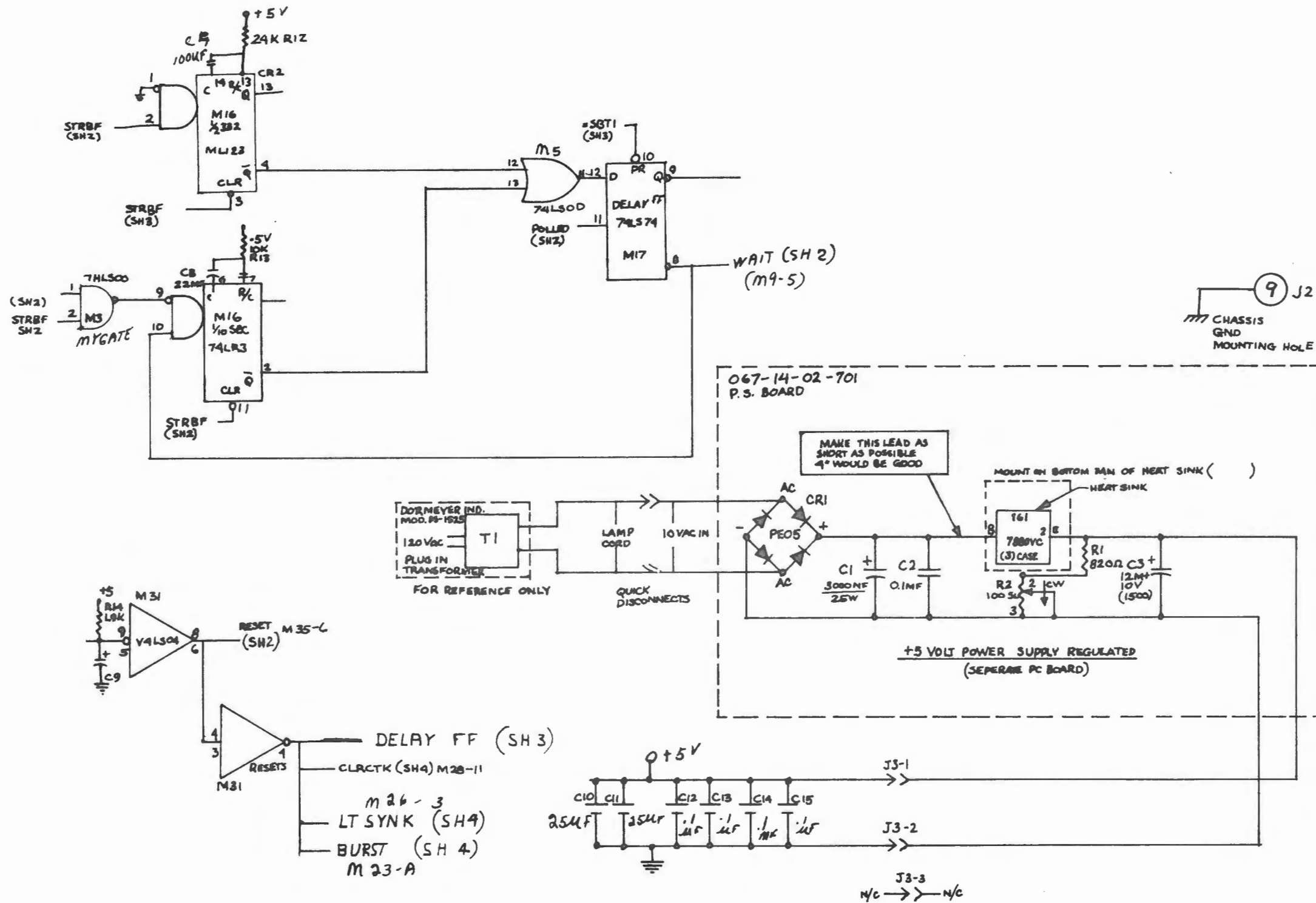


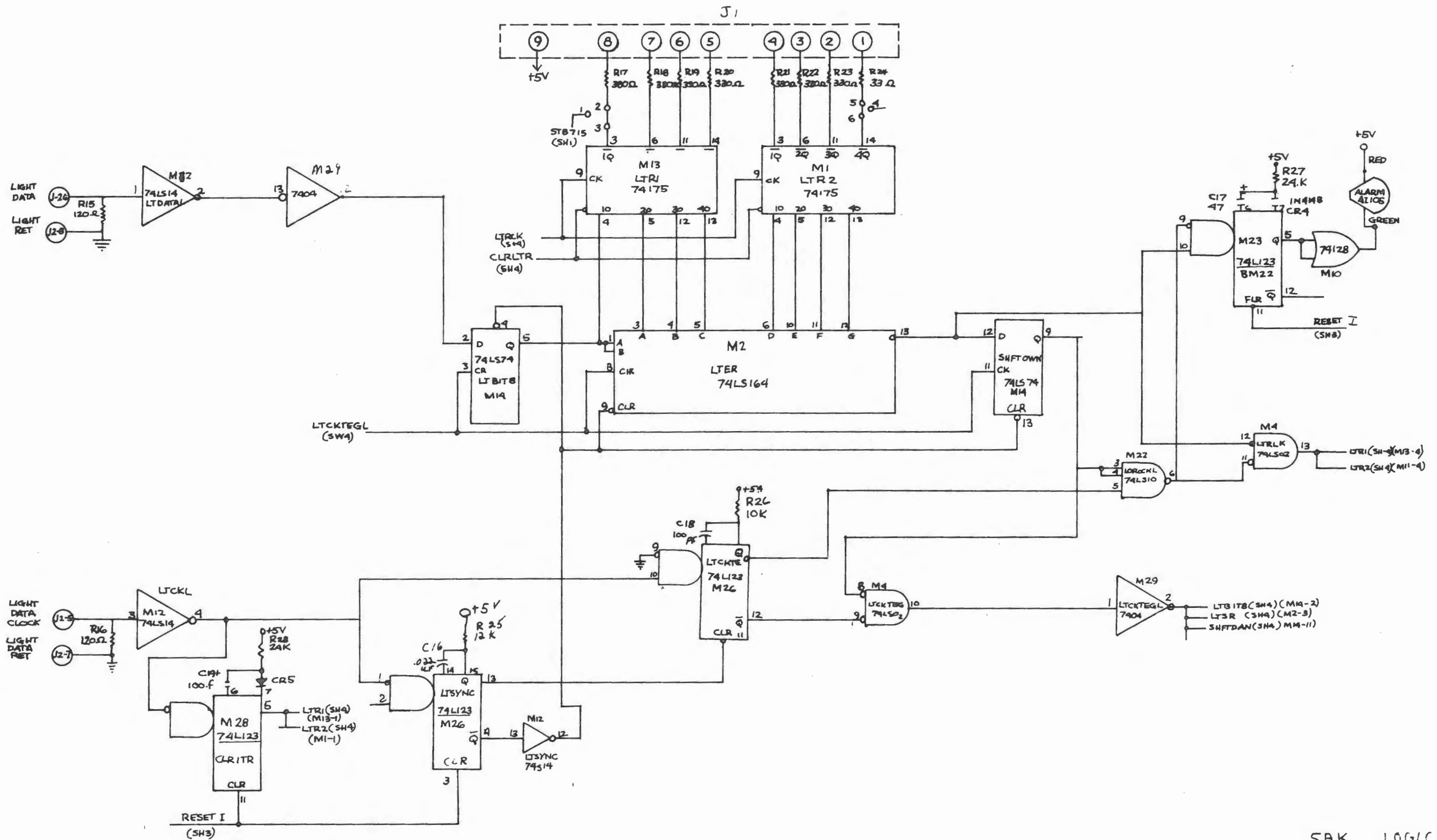
REVISION HISTORY			
REVISION	DESCRIPTION OF CHANGE	CHK	APPD.

ITER NO.	PART/ASBY. NO.	DESCRIPTION	781	782	783	784	785	786	787
INCOTERM CORPORATION 90 WALMUT STREET MELVILLE, MASSACHUSETTS 02111			ASSEMBLY QUANTITIES						
<small>THIS DOCUMENT IS THE PROPERTY OF INCOTERM CORPORATION AND IS LOANED TO THE USER'S COMPANY. IT IS TO BE RETURNED TO INCOTERM CORPORATION IN WHOLE OR IN PART. CHECK FOR MANUFACTURING CHANGES FROM THE ORIGINAL DRAWING. NO RIGHT IS GRANTED TO DISCLOSE OR USE ANY INFORMATION CONTAINED IN THIS DOCUMENT. THIS RESTRICTION DOES NOT LIMIT THE RIGHT TO USE INFORMATION OBTAINED FROM ANOTHER SOURCE.</small>			LOGIC DIAGRAM SWISS AIR KEYBOARD -001/002						
DRAWN	DATE	CHECKED	DATE	ENGINEER	DATE	APPROVED	DATE	FIRST USED ON	SCALE
								D	067-11-01
								G	3 OF 4

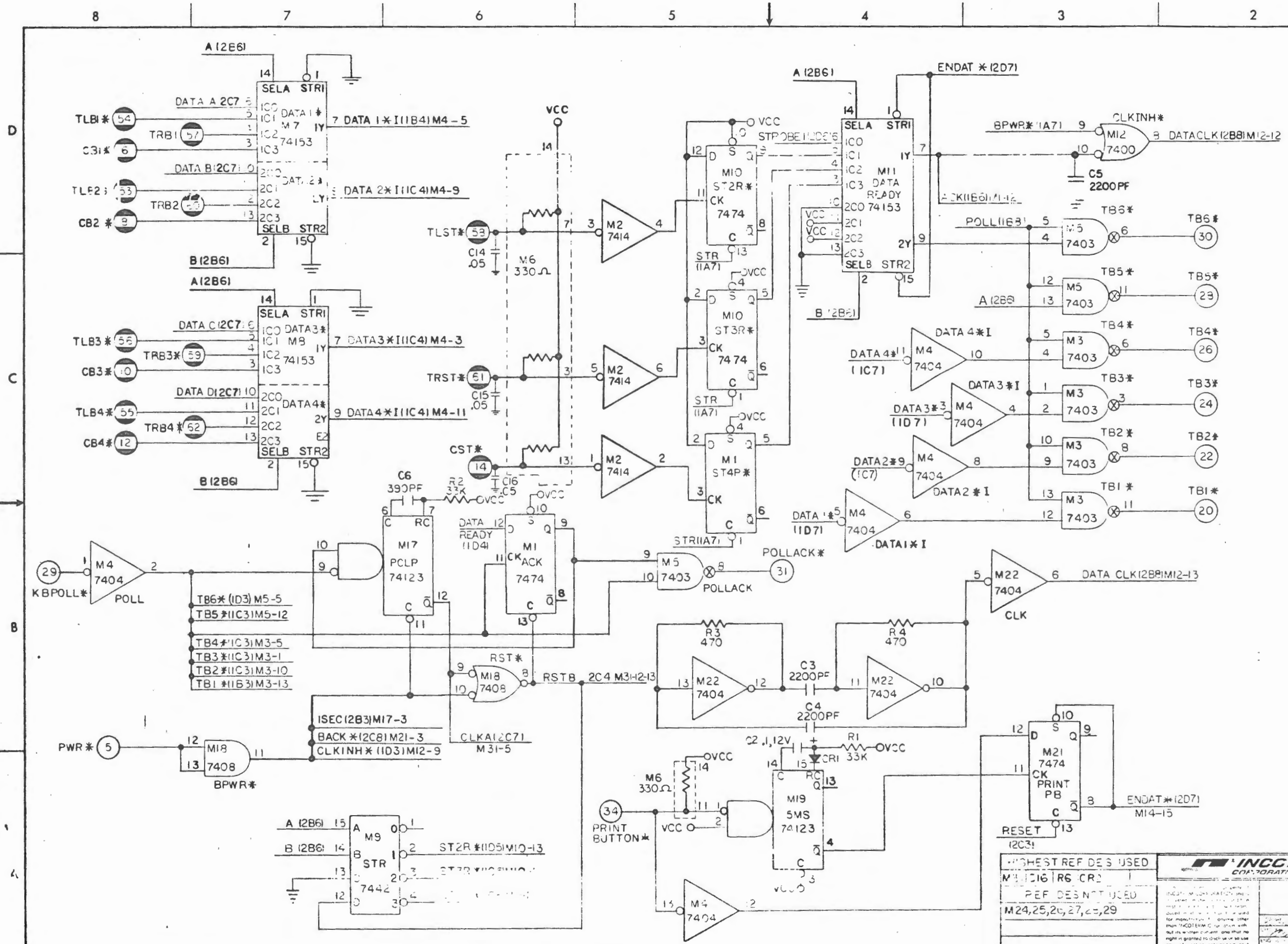






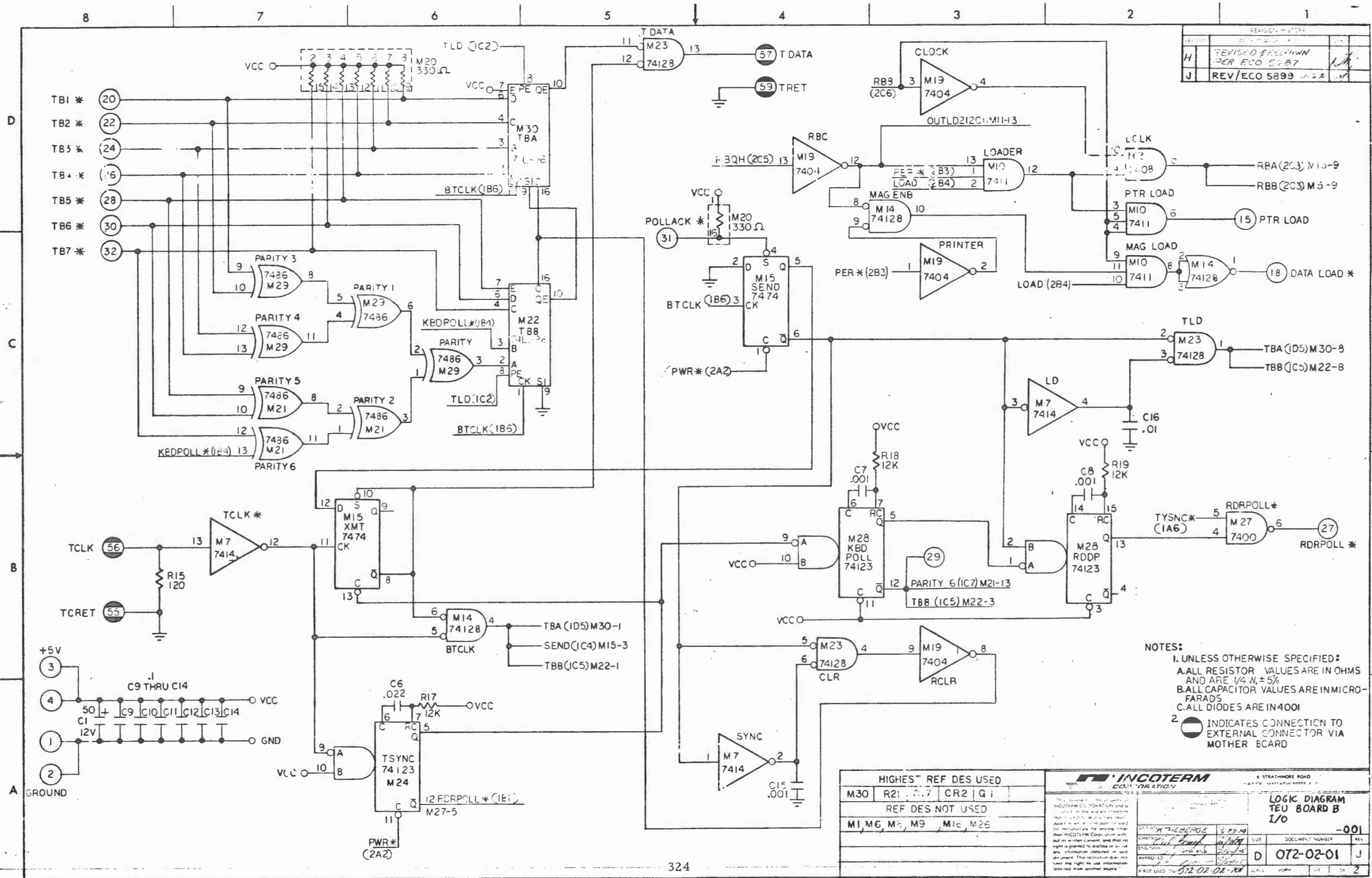


REV	DESCRIPTION	DATE	BY
1	ENG RELEASE		
A	RELEASED/AD1307		
B	REVISED/5146 7-7-74		
C	REVISED/ECO 5265 11-15-74		
D	REVISED/ECO 5169 12-16-74		



NOTES:
 1. UNLESS OTHERWISE SPECIFIED:
 A. ALL RESISTOR VALUES ARE IN OHMS AND ARE 1/4W, ±5%
 B. ALL CAPACITOR VALUES ARE IN MICRO-FARADS
 C. ALL DIODES ARE IN 4148
 2. INDICATES CONNECTION TO EXTERNAL CONNECTOR VIA MOTHER BOARD

HIGHEST REF DES USED M1, M2, M3, M4, M5, M6, M7, M8, M9, M10, M11, M12, M13, M14, M15, M16, M17, M18, M19, M20, M21, M22	INCOTERM CORPORATION 100 STRATHMORE ROAD NORWELL, MASSACHUSETTS 02061	LOGIC DIAGRAM TEU BOARD "A" KEYBOARD/STATUS -001
REF DES NOT USED M23, M24, M25, M26, M27, M28, M29	DATE: 12-16-74 BY: [Signature]	DOCUMENT NUMBER: 072-01-01
	REVISED BY: 072-10-02-701	SCALE: 1/2" = 1"

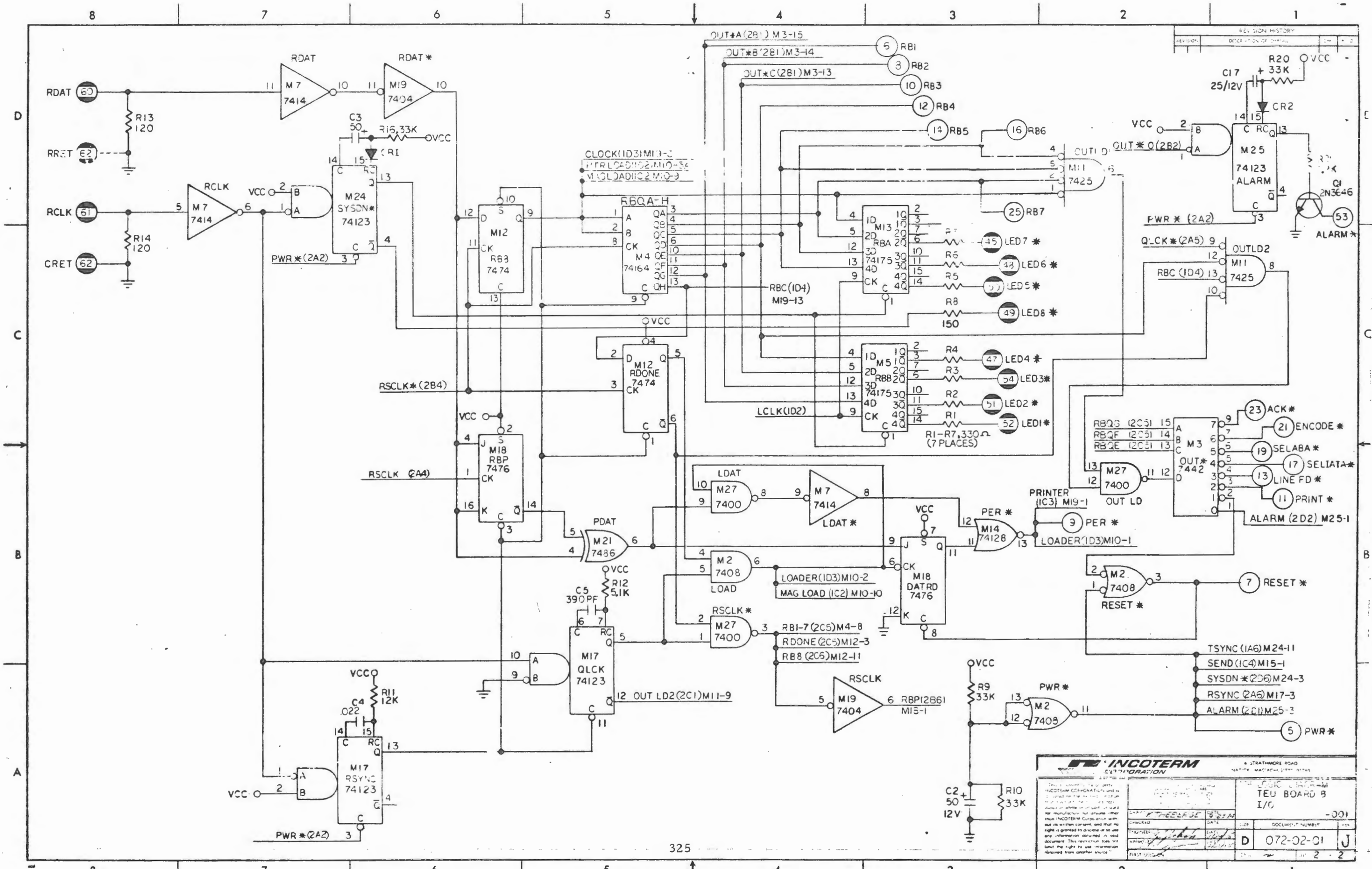


REVISION HISTORY			
REV	DESCRIPTION	DATE	BY
H	REVISED FROM PER ECO 5287		
J	REV/ECO 5899		

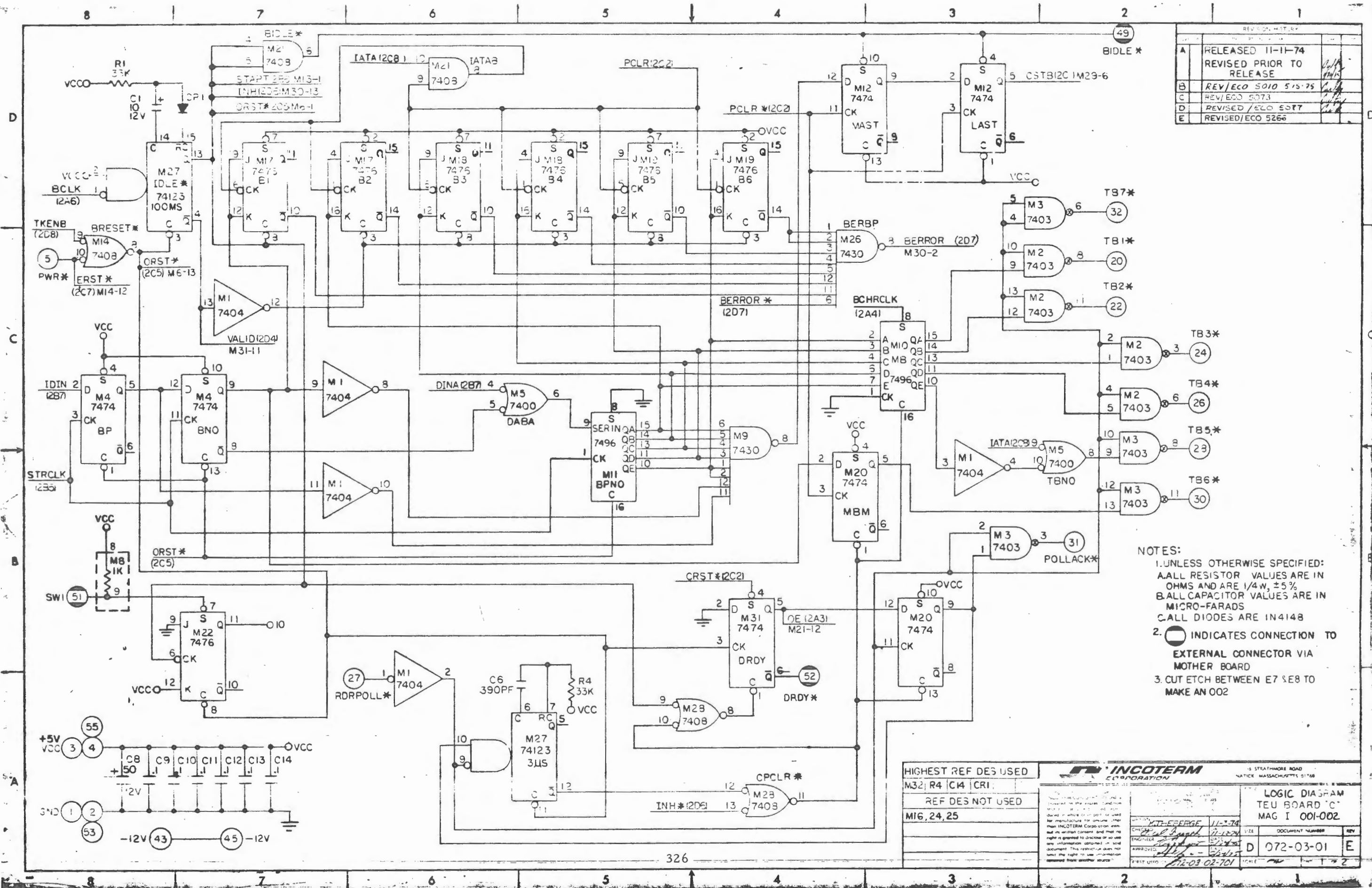
- NOTES:**
- 1. UNLESS OTHERWISE SPECIFIED:
 - A. ALL RESISTOR VALUES ARE IN OHMS AND ARE 1/4 W, ±5%
 - B. ALL CAPACITOR VALUES ARE IN MICRO-FARADS
 - C. ALL DIODES ARE IN 4001
 - 2. INDICATES CONNECTION TO EXTERNAL CONNECTOR VIA MOTHER BOARD

HIGHEST REF DES USED			
M30	R21	CR2	Q1
REF DES NOT USED			
M1	M6	M9	M16
M26			

INCOTERM CORPORATION		8 STRATHMORE ROAD	
<small>This document is the property of INCOTERM CORPORATION and is loaned to the user for use only in the system for which it is intended. It is not to be distributed, copied, or used for any other purpose without the written consent of INCOTERM CORPORATION. The user agrees to indemnify and hold INCOTERM CORPORATION harmless from any and all claims, damages, and expenses, including reasonable attorneys' fees, which may be asserted against or incurred by INCOTERM CORPORATION in connection with the use of this document. This restriction does not limit the right to use information contained in this document.</small>		LOGIC DIAGRAM TEU BOARD B I/O	
CHECKED BY: <i>[Signature]</i> ENGINEER: <i>[Signature]</i> APPRO. ID: <i>[Signature]</i> DATE USED: 072-02-02-RN	SIZE: <i>[Signature]</i> DOCUMENT NUMBER: 072-02-01 REV: J	-001 PAGE 2 OF 2	



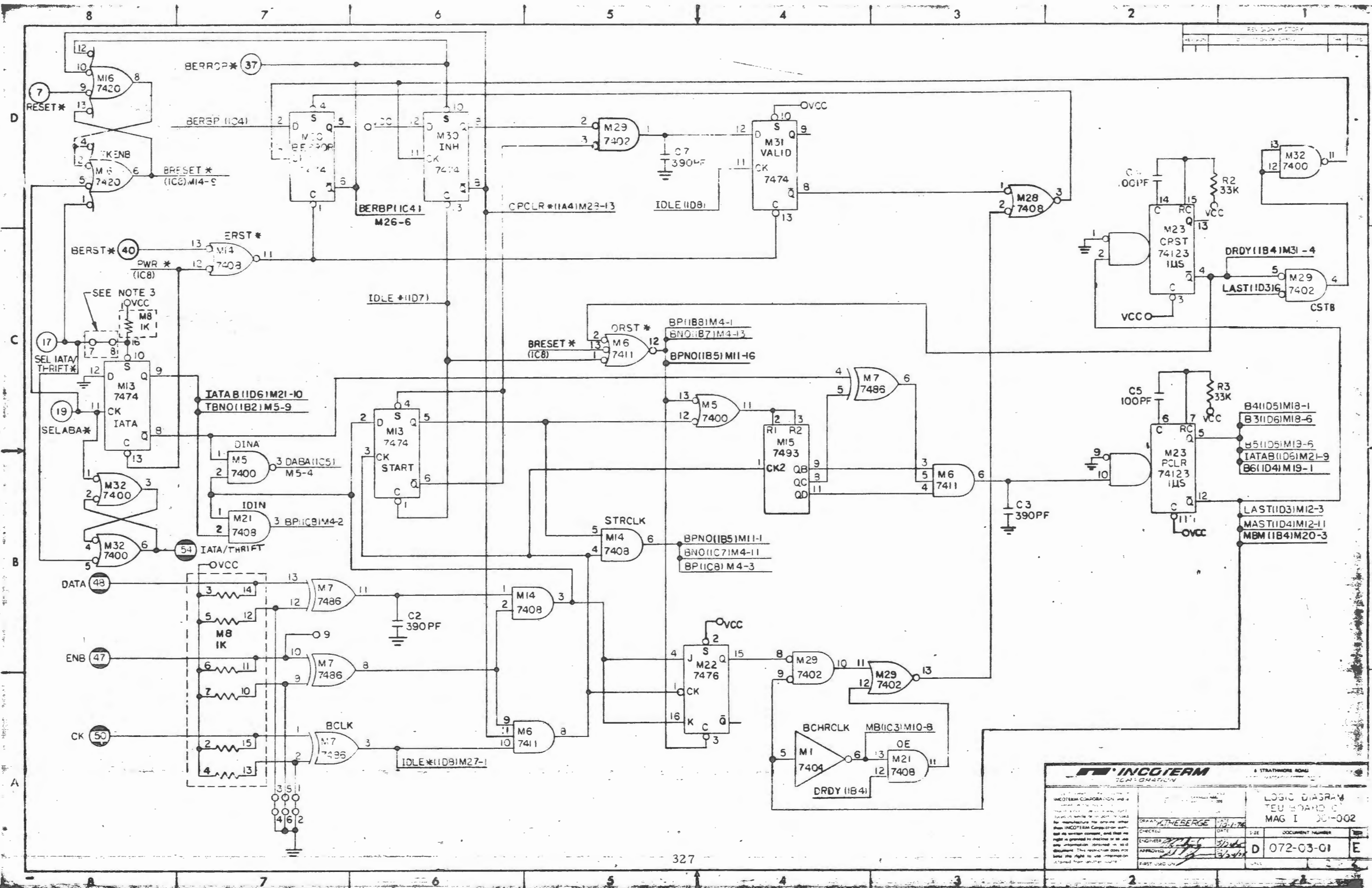
INCOTERM CORPORATION		4 STRATHMORE ROAD NORTH WALTHAM, MASSACHUSETTS 01981	
<small> This document is the property of INCOTERM CORPORATION and is loaned to you for your use only. It is not to be distributed, copied, or otherwise used for any purpose other than that for which it was loaned. Its use for any other purpose without the written consent of INCOTERM CORPORATION is prohibited. The user assumes all liability for any information obtained from another source. </small>		TEU BOARD B I/O -001	
<small> CHECKED: [Signature] DATE: [Date] DRAWN: [Signature] DATE: [Date] </small>	<small> USE: [] DOCUMENT NUMBER: [] </small>	<small> DATE: [] DOCUMENT NUMBER: [] </small>	<small> DATE: [] DOCUMENT NUMBER: [] </small>
<small> INCOTERM CORPORATION 4 STRATHMORE ROAD NORTH WALTHAM, MASSACHUSETTS 01981 TEL: (617) 890-1000 FAX: (617) 890-1001 </small>		<small> REV. 02-01 2 </small>	



REVISION HISTORY	
A	RELEASED 11-11-74 REVISED PRIOR TO RELEASE
B	REV/ECO 5010 5/15/75
C	REV/ECO 5073
D	REVISED/ECO 5077
E	REVISED/ECO 5266

- NOTES:
- UNLESS OTHERWISE SPECIFIED:
A. ALL RESISTOR VALUES ARE IN OHMS AND ARE 1/4W, ±5%
B. ALL CAPACITOR VALUES ARE IN MICRO-FARADS
C. ALL DIODES ARE IN4148
 - INDICATES CONNECTION TO EXTERNAL CONNECTOR VIA MOTHER BOARD
 - CUT ETCH BETWEEN E7 & E8 TO MAKE AN O02

HIGHEST REF DES USED M32, R4, C14, C11		15 STEATHORE ROAD NATICK, MASSACHUSETTS 01746
REF DES NOT USED M16, 24, 25		
LOGIC DIAGRAM TEU BOARD "C" MAG I 001-002		DOCUMENT NUMBER 072-03-01



		8 STRATHMORE ROAD STRATHMORE, N.S.W. 2162	
INCOTERM CORPORATION INC. 1000 WEST 17TH AVENUE DENVER, COLORADO 80202 U.S.A. INCOTERM CORPORATION IS A REGISTERED SERVICE BUREAU FOR THE MANUFACTURE OF PRINTED CIRCUIT BOARDS AND ASSOCIATED SERVICES. INCOTERM CORPORATION IS NOT RESPONSIBLE FOR THE CONTENTS OF THIS DOCUMENT. THE USER AGREES TO HOLD INCOTERM CORPORATION HARMLESS FROM ALL CLAIMS, DAMAGES, LOSSES AND EXPENSES, INCLUDING REASONABLE ATTORNEY'S FEES, ARISING FROM THE USE OF THIS DOCUMENT.		LOGIC DIAGRAM TEU BOARD MAG I 001-002	
DRAWN BY: <u>THEBERGE</u> DATE: <u>12/1/76</u>	CHECKED BY: <u>[Signature]</u> DATE: <u>3/2/77</u>	DESIGNED BY: <u>[Signature]</u> DATE: <u>3/2/77</u>	APPROVED BY: <u>[Signature]</u> DATE: <u>3/2/77</u>
FIRST USED ON: <u>[Blank]</u>		DOCUMENT NUMBER D 072-03-01	SHEET E

REVISION	DATE	BY	APP'D
A	10/15/71	RELEASED HO:ITPA	
B	11/15/71	REVISED PROGRAMMING	

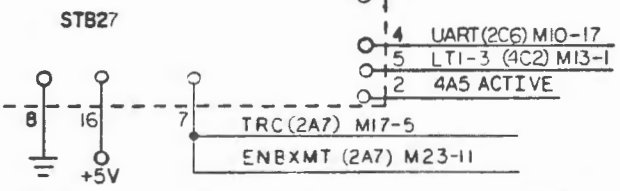
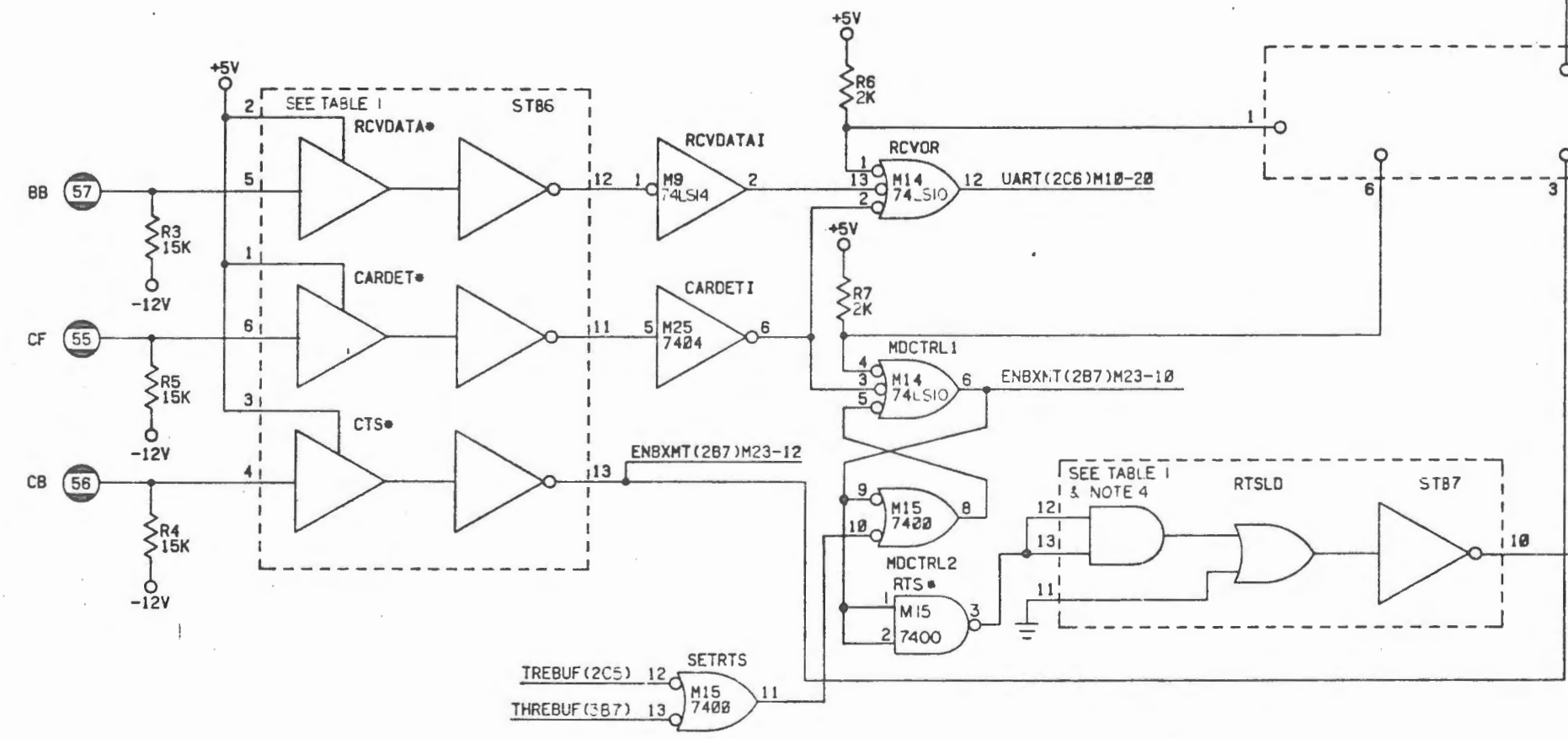
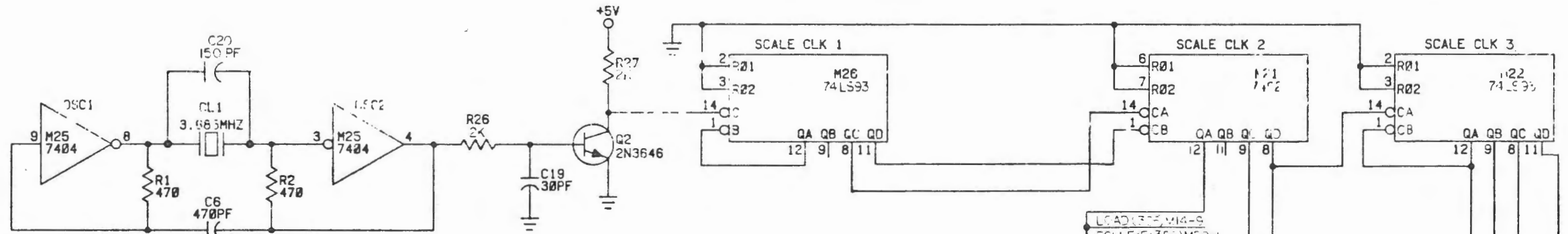


TABLE 1

ASSEMBLY	NAME	STB-27	STB-7	STB-6	RELATED STB43-53 ON 010-55-02-701 ROL-67-02-701 A-CHANNEL ASYNC NTR PLERS
072-07-02-701	200 BAUD ATM LOCAL	HEADER 1462	IC9516	IC75154	HEADER 1464
072-07-02-702	300 BAUD ATM INTEGRAL MODEM	HEADER 1463	HEADER 1461	HEADER 1460	HEADER 1465
072-07-02-703	EIA OPTION	SEE PROD SUMMARY	IC9516	IC75154	SEE PRODUCT SUMMARY
072-07-02-704	INTEGRAL MODEM OPTION	SEE PROD SUMMARY	HEADER 461	HEADER 1460	SEE PRODUCT SUMMARY

- NOTES:
- UNLESS OTHERWISE SPECIFIED
A. ALL RESISTOR VALUES ARE IN OHMS, AND ARE 1/4W, ±5%
B. ALL CAPACITOR VALUES ARE IN MICROFARADS
 - INDICATES EXTERNAL CONNECTION VIA MOTHER BOARD
 - ALL PF CAPS ARE SILVER MICA TYPE
 - 9616 PIN NOS. ARE IC PIN NOS. SCHEMATIC STB7-1 EQUAL TO 9616 PIN 1

HIGHEST REF DES USED	ITER NO.	PART/ASLY. NO.	DESCRIPTION	781	782	783	784	785	786	787
C19	CL1	CR3	M27	R27						
STB28	Q2									
REF DES NOT USED										
M1.16										

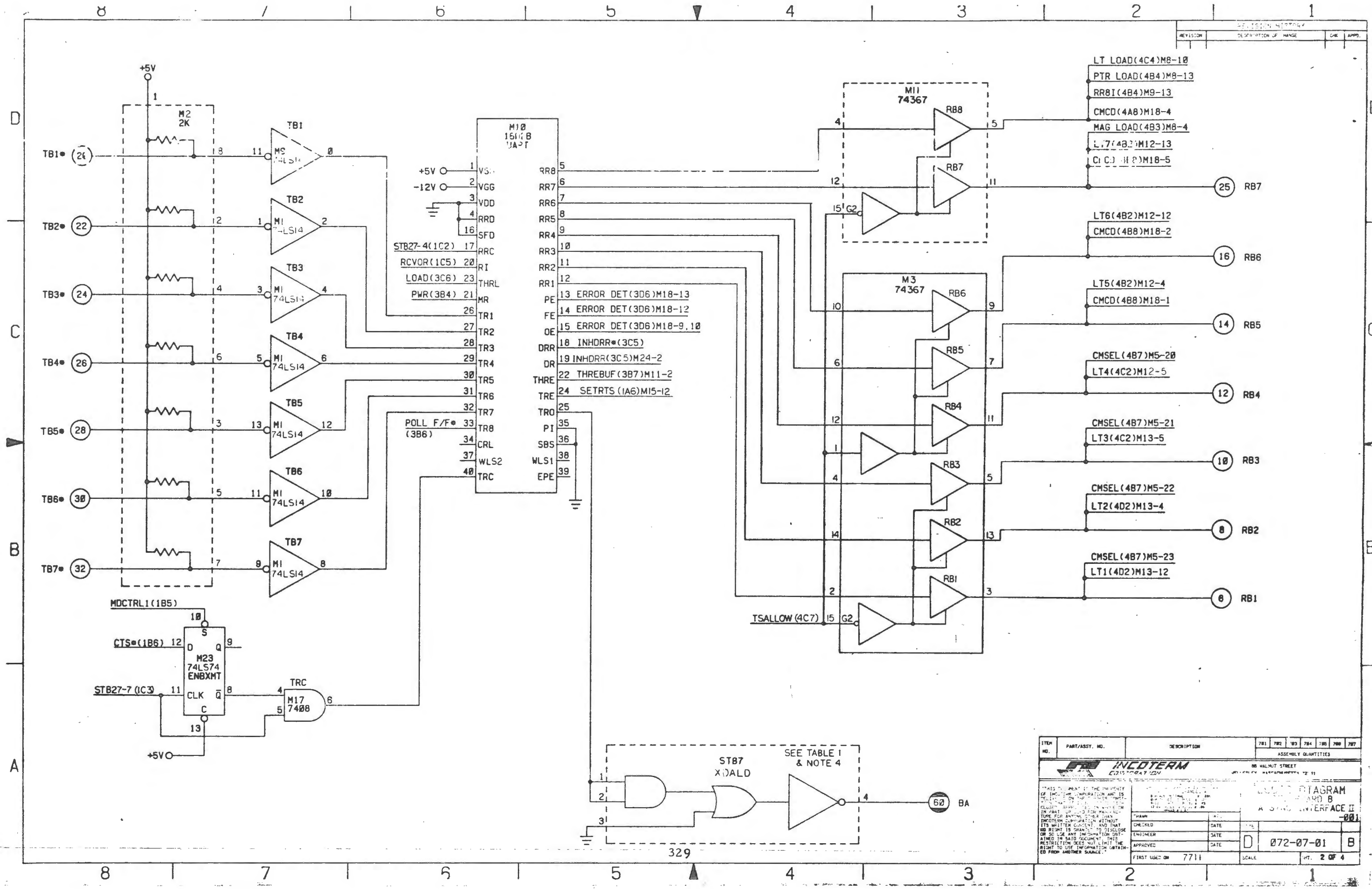
INCO TERM
85 WALNUT STREET
MELROSE, MASSACHUSETTS 02181

LOGIC DIAGRAM
TEU BOARD B
A SYNC INTERFACE

072-07-01 B

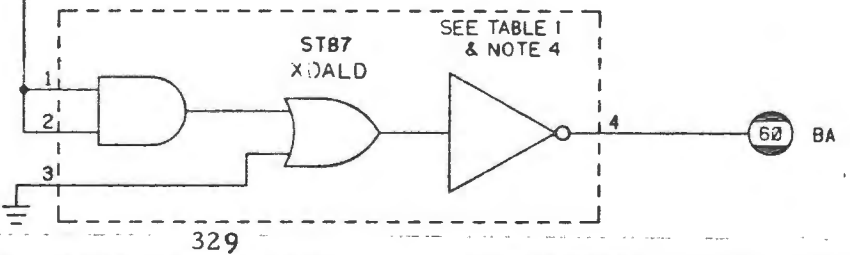
7711

REVISION HISTORY			
REVISION	DESCRIPTION OF CHANGE	CHK	APPD.



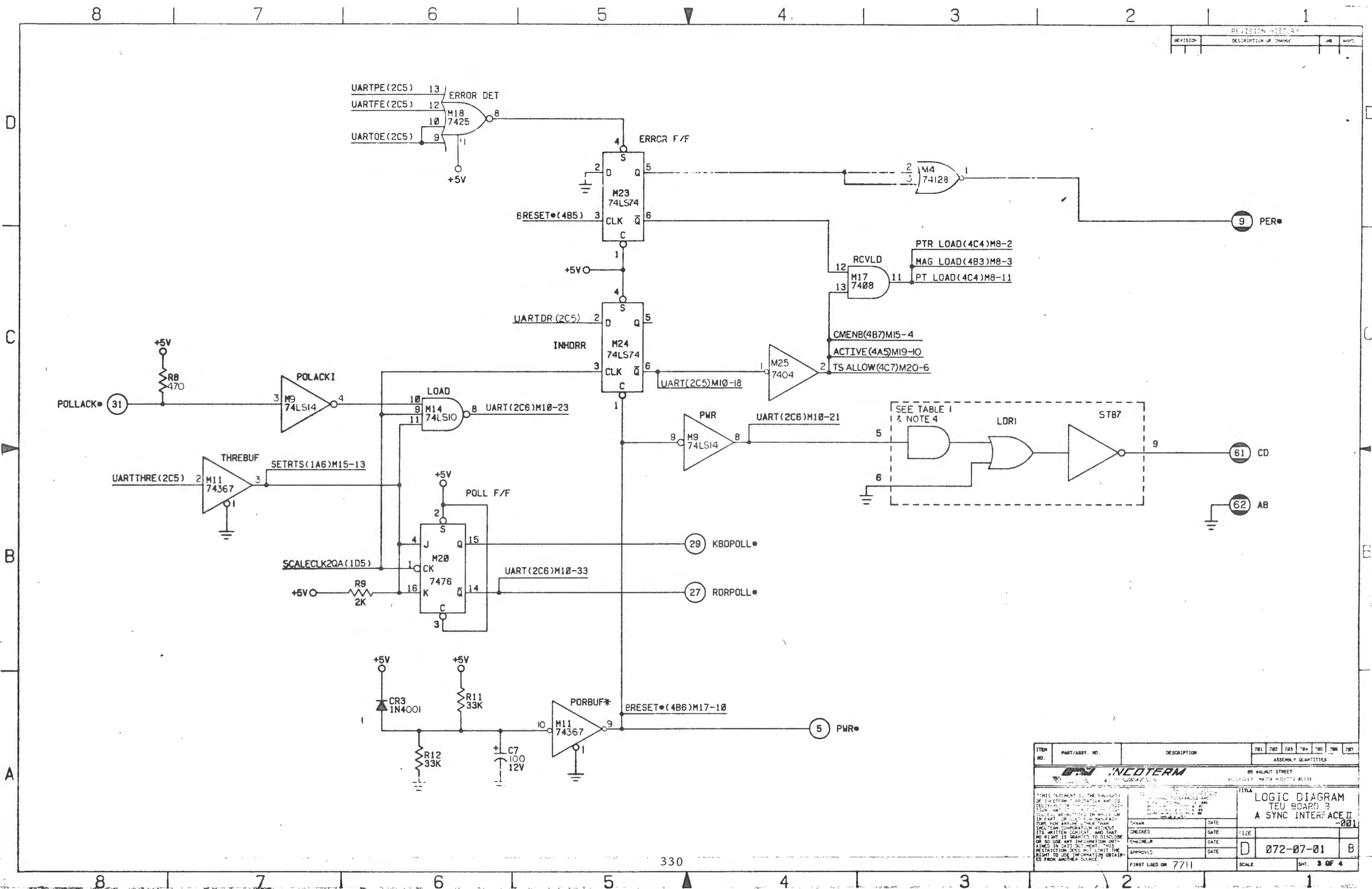
ITER NO.	PART/ASSY. NO.	DESCRIPTION	ASSEMBLY QUANTITIES										
			781	782	783	784	785	786	787				

		88 WALNUT STREET PHILADELPHIA, PA 19106	
THIS DOCUMENT IS THE PROPERTY OF INCOTERM CORPORATION AND IS LOANED TO YOU FOR YOUR INFORMATION ONLY. IT IS NOT TO BE REPRODUCED OR TRANSMITTED IN ANY FORM OR BY ANY MEANS, ELECTRONIC OR MECHANICAL, INCLUDING PHOTOCOPYING, RECORDING, OR BY ANY INFORMATION STORAGE AND RETRIEVAL SYSTEM, WITHOUT THE WRITTEN CONSENT AND THAT NO RIGHT IS GRANTED TO DISCLOSE OR SO USE ANY INFORMATION OBTAINED IN THIS DOCUMENT. THIS RESTRICTION DOES NOT LIMIT THE RIGHT TO USE INFORMATION OBTAINED FROM ANOTHER SOURCE.			
DRAWN CHECKED ENGINEER APPROVED	DATE DATE DATE DATE	DATE DATE DATE DATE	072-07-01 B
FIRST USED ON	7711	SCALE	HT. 2 OF 4



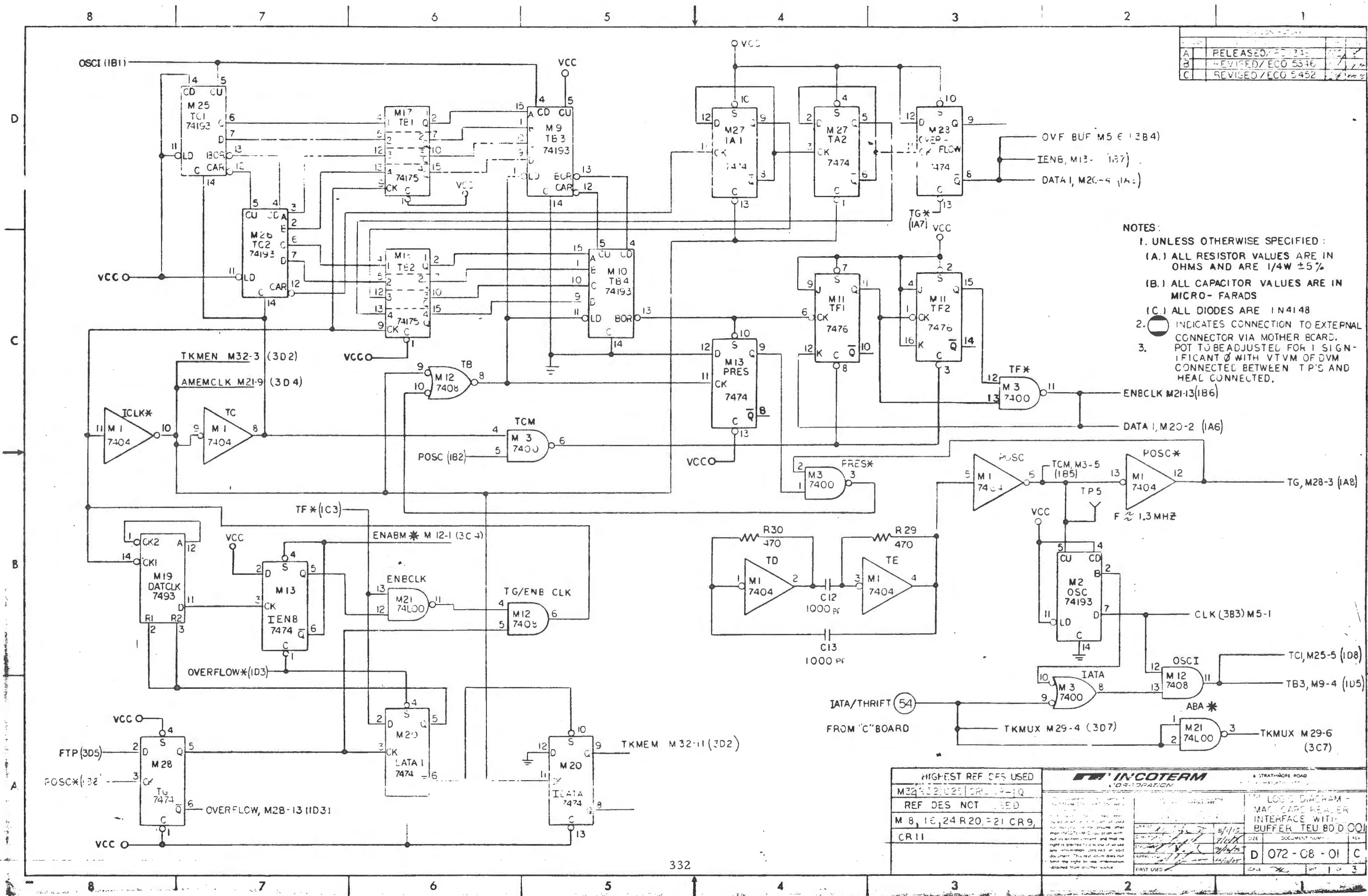
329

REVISION HISTORY			
REVISION	DESCRIPTION OF CHANGE	DATE	APPD.



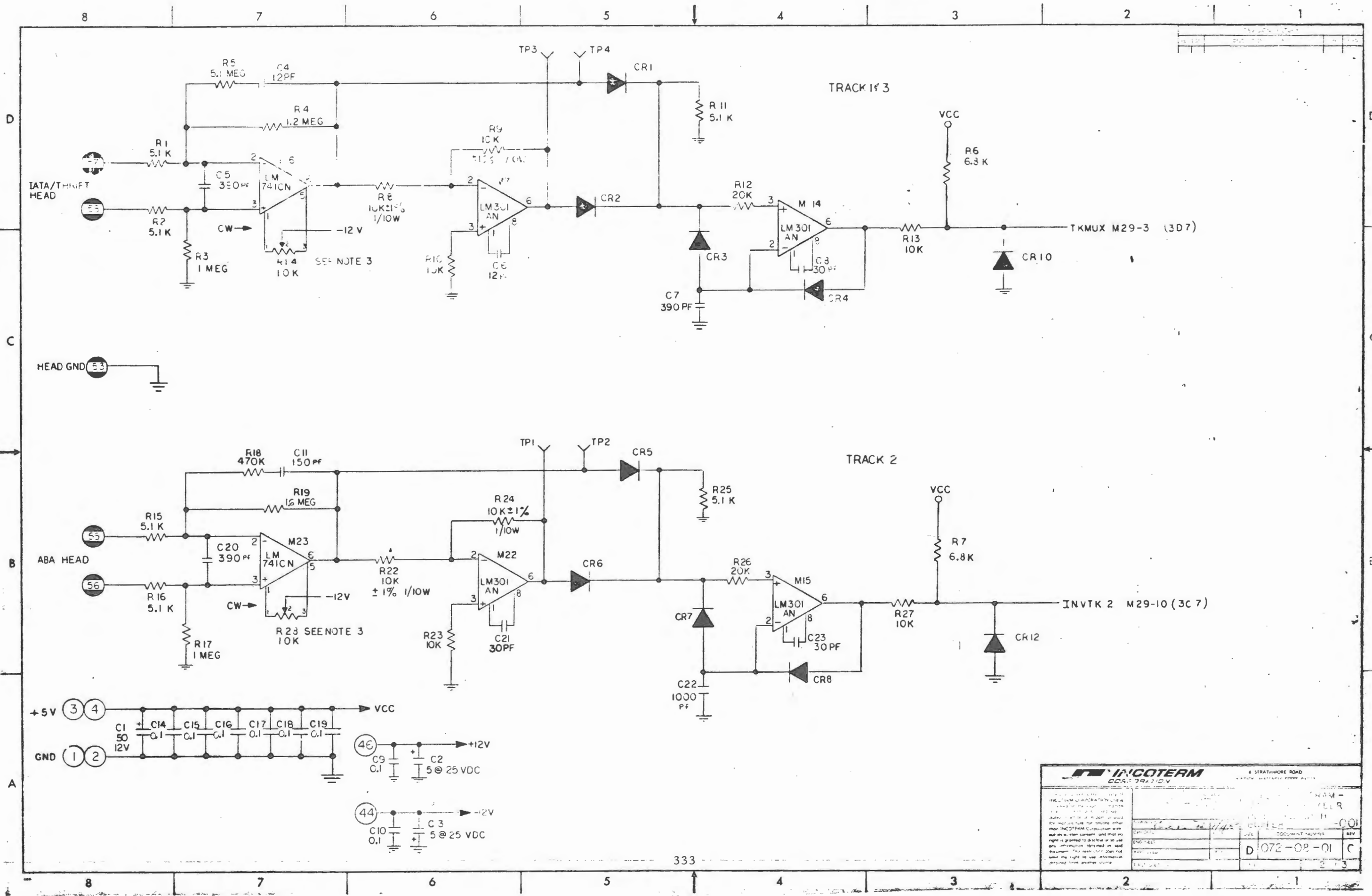
ITEM NO.	PART/ASST. NO.	DESCRIPTION	701	702	703	704	705	706	707
INCOTERM			85 WALNUT STREET PHILADELPHIA, PENNSYLVANIA 19106						
LOGIC DIAGRAM TEU BOARD 3 A SYNC INTERFACE II			-001						
DESIGNED BY	DATE	FILE							
CHECKED	DATE								
ENGINEER	DATE								
APPROVED	DATE								
FIRST USED ON	7711	SCALE							
			D		072-07-01		8		
							SHT. 3 OF 4		

A	RELEASED/ECO 5346	
B	REVISED/ECO 5346	
C	REVISED/ECO 5452	



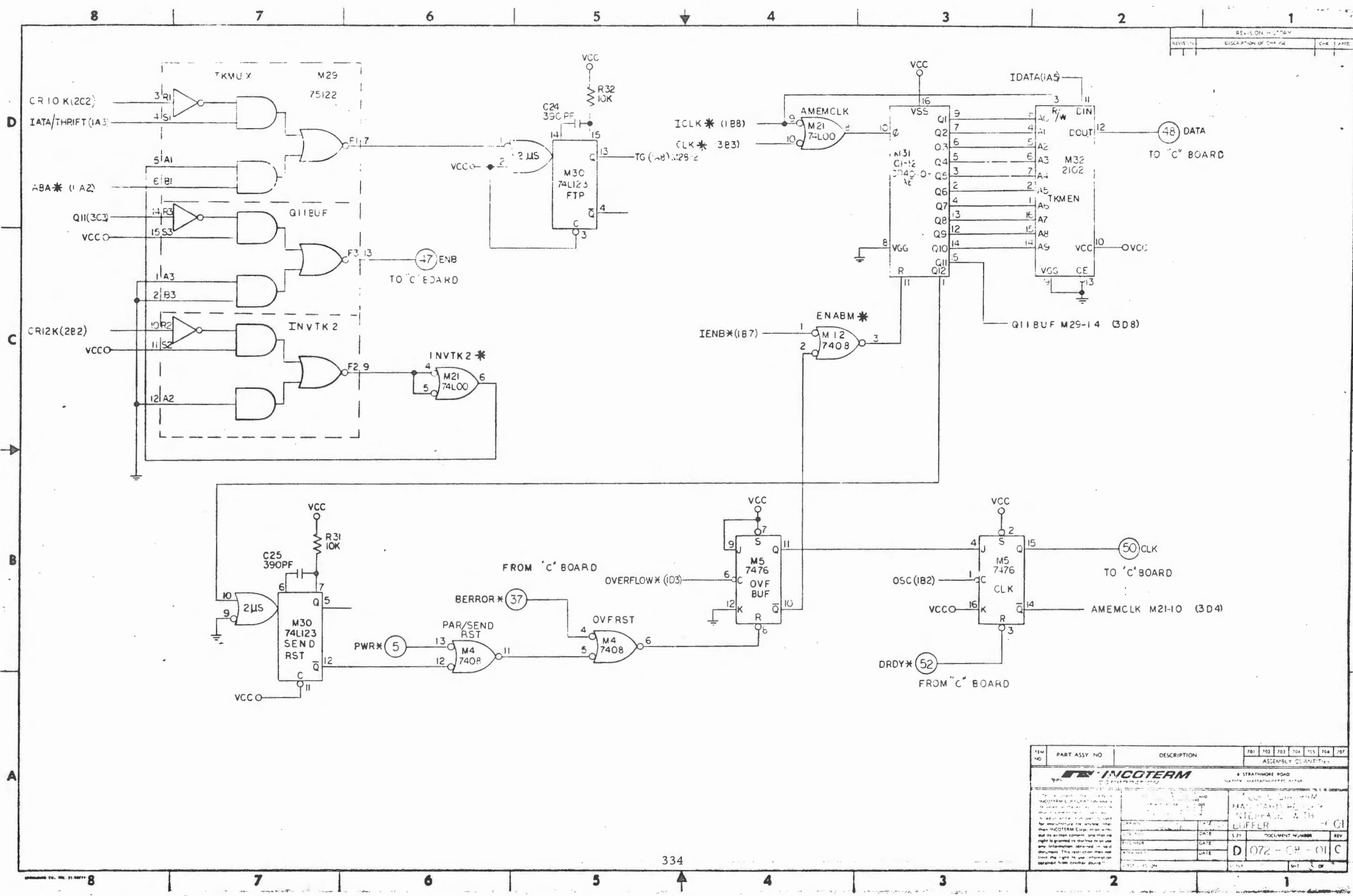
- NOTES:
- UNLESS OTHERWISE SPECIFIED:
 - ALL RESISTOR VALUES ARE IN OHMS AND ARE 1/4W ±5%
 - ALL CAPACITOR VALUES ARE IN MICRO-FARADS
 - ALL DIODES ARE 1N4148
 - INDICATES CONNECTION TO EXTERNAL CONNECTOR VIA MOTHER BOARD.
 - POT TO BE ADJUSTED FOR 1 SIGNIFICANT DIGIT WITH VTVM OF DVM CONNECTED BETWEEN TP'S AND HEAL CONNECTED.

HIGHEST REF DES USED	M32, R21, R22, CR1, R1, R10
REF DES NOT USED	M 8, 1E, 24 R 20, R 21 CR 9,
CR 11	
INCOTERM CORPORATION	
8 STRATHMORE ROAD	
NEW YORK, N.Y. 10017	
DATE	5/1/72
DESIGNED BY	W. J. H. / J. H. H.
CHECKED BY	
APPROVED BY	
FIRST USED	
SCALE	1 of 3
LOGIC DIAGRAM - MAC CARD READER INTERFACE WITH BUFFER TEU BD 001	
SIZE	DOCUMENT NUMBER
D	072-08-01
C	



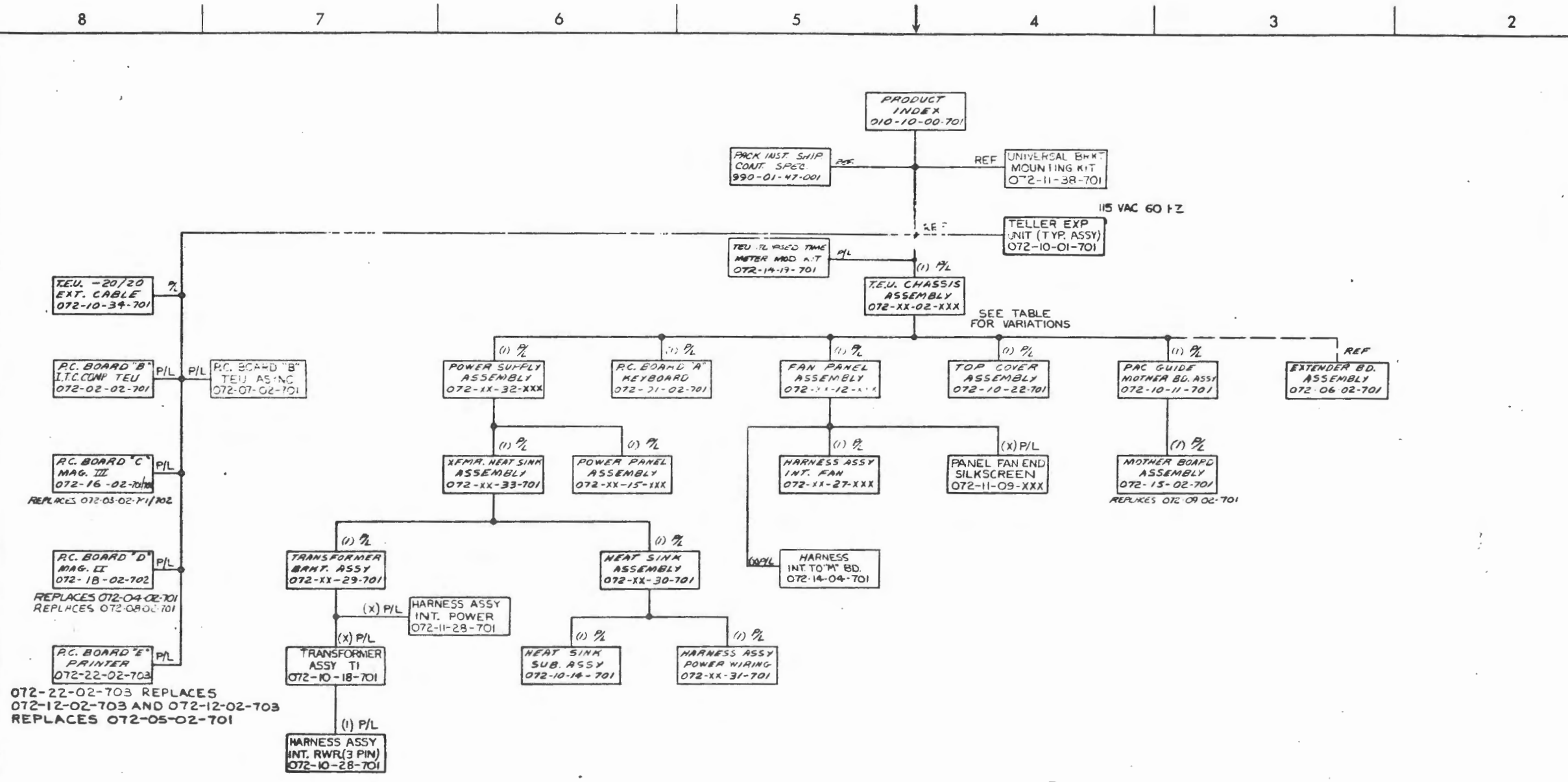
INCOTERM		6 STRATHMORE ROAD	
DATE	REV	DOCUMENT NUMBER	REV
		D 072-08-01	C
<small>INCOTERM is a registered trademark of INCOTERM Corporation. All rights reserved. No part of this document may be reproduced or transmitted in any form or by any means electronic, mechanical, photocopying, recording, or by any information storage and retrieval system without the prior written permission of INCOTERM Corporation. The user shall not be held liable for any damage or loss of data resulting from the use of this document.</small>			

REVISION HISTORY		
REV. NO.	DESCRIPTION OF CHANGE	CHK. BY



ITEM NO.	PART ASSY NO.	DESCRIPTION	701	702	703	704	705	706	707
			ASSEMBLY QUANTITIES						
			4 STRATHMORE ROAD HANLEY, WARRENHURST, Notts						
<small>INCOTERM is a registered trademark of INCOTERM Corporation. The use of INCOTERM in this document is for identification purposes only. INCOTERM Corporation is not responsible for any information obtained in this document. This register may not limit the right to use information obtained from other sources.</small>			DATE: 1.75 DRAWN BY:		DATE: 1.75 CHECKED BY:		DATE: 1.75 APPROVED BY:		REV: C
			D 072 - CH - 01						UNIT 3 OF 3

REVISION HISTORY			
REV. NO.	DESCRIPTION	DATE	BY
A	RELEASED / AD 7507		
B	REVISED / ECO # 3959		
C	REVISED / ECO 5003 5-6-75		
D	REVISED / ECO 5010 5-15-75		
E	REVISED / ECO 5-2-85		
F	REVISED / ECO 5219 10/1/85		
G	REVISED / ECO 5277 11/15/75		
H	REVISED / ECO 5476		
J	REVISED / ECO 5615		
K	REVISED / ECO 5628		
L	REV / ECO 8115		
M	REV / ECO # 8161		



TEU - 20/20 EXT. CABLE 072-10-34-701

RC. BOARD "B" I.T.C. COMP TEU 072-02-02-701

RC. BOARD "B" TEU AS INC 072-07-02-701

RC. BOARD "C" MAG. III 072-16-02-701
REPLACES 072-03-02-701/102

RC. BOARD "D" MAG. II 072-18-02-702
REPLACES 072-04-02-701
REPLACES 072-08-02-701

RC. BOARD "E" PRINTER 072-22-02-703
072-22-02-703 REPLACES 072-12-02-703 AND 072-12-02-703
REPLACES 072-05-02-701

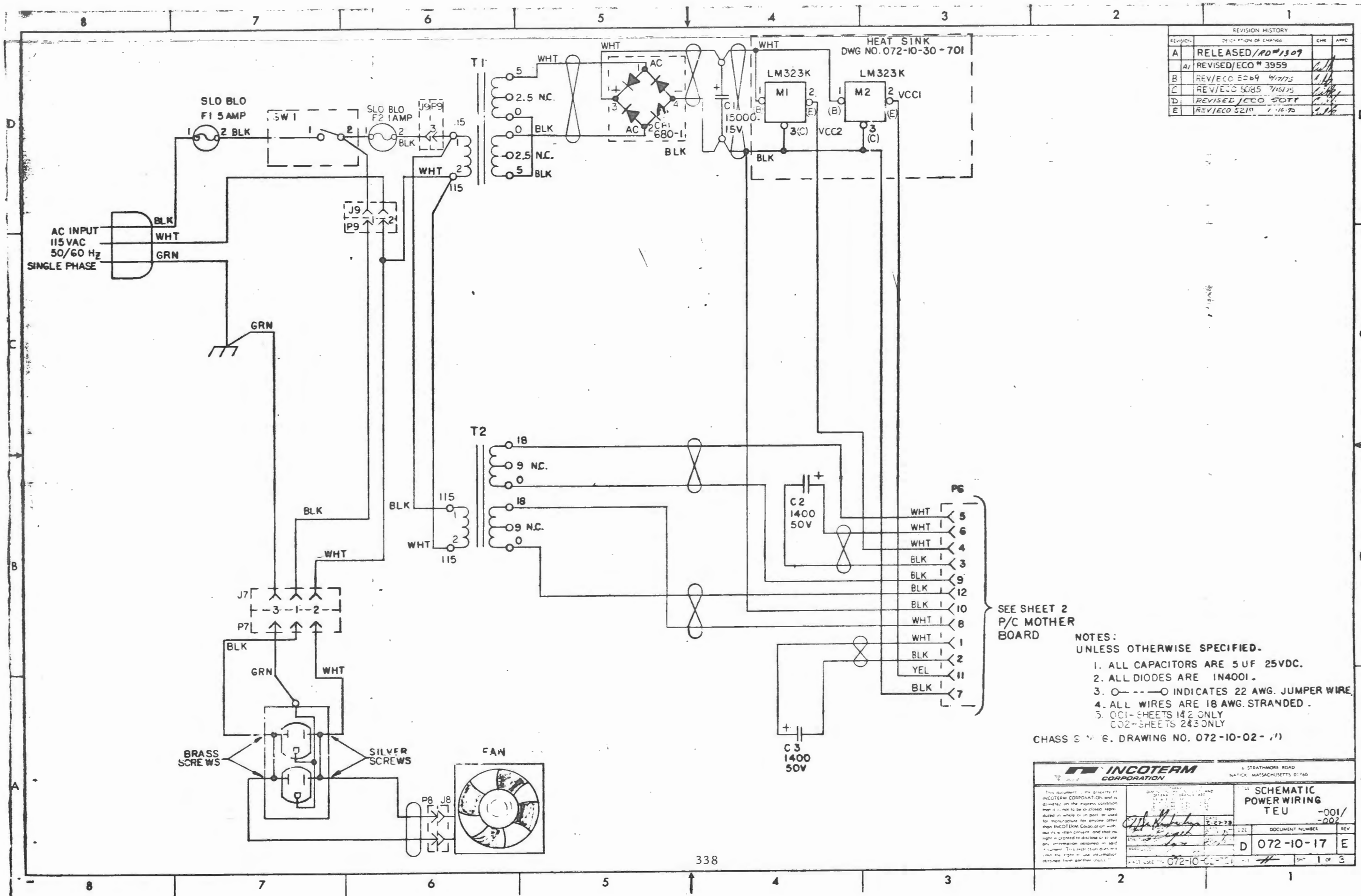
TOP ASSY	MODEL NO.	DESCRIPTION	POWER SUPPLY ASSY	XFORMER HEAT SINK ASSY	POWER PANEL ASSY	XFORMER BKT ASSY	HARNESS ASSY 072-11-28-701	XFORMER ASSY TI 072-10-18-701	HEAT SINK ASSY	HARNESS ASSY POWER WIRING	FAN PANEL ASSY	HARNESS ASSY INT. FAN	PANEL FAN END SILKSCREENING	HARNESS ASSY INT. TO M. B.D. 072-14-04-701
072-10-02	701	TEU72-01 115 VAC ONLY 50/60 HZ (REPLACED BY 072-11-02-701)	072-10-32-701	072-10-33-701	072-10-15-701	072-10-29-701	---	I	072-10-30-701	072-10-31-701	072-10-12-701	072-10-27-701	---	---
072-11-02	701	TEU72-11-01 115 VAC 50/60 HZ	072-11-32-701	072-11-33-701	072-11-15-701	072-11-29-701	I	---	072-11-30-701	072-11-31-701	072-11-12-701	072-11-27-701	072-11-09-701	---
072-11-02	702	TEU72-11-02 230 VAC 50/60 HZ	072-11-32-702	072-11-33-701	072-11-15-702	072-11-29-701	I	---	072-11-30-701	072-11-31-701	072-11-12-702	072-11-27-702	072-11-09-702	---
072-14-02	701	TEU72-14-02 115 VAC 50, 60 HZ ATM COMPAT. BLE	072-14-32-701	072-11-33-701	072-14-15-701	072-11-29-701	I	---	072-11-30-701	072-11-31-701	072-14-12-701	072-11-27-701	072-14-09-701	I
072-14-02	702	TEU72-14-02 230 VAC 50, 60 HZ ATM COMPAT. BLE	072-14-32-702	072-11-33-701	072-14-15-702	072-11-29-701	I	---	072-11-30-701	072-11-31-701	072-14-12-702	072-11-27-702	072-14-09-702	I

INCOTERM CORPORATION
8 STRATHMORE ROAD
NATICK, MASSACHUSETTS 01761

DOCUMENT TREE
TELLER EXP. UNIT
TEU MODEL 7510-3 001

D 072-10-00 M

FIRST USED ON 010-10-00-701



REVISION HISTORY			
REVISION	DESCRIPTION OF CHANGE	CHK	APPC
A	RELEASED/PD#1307		
A1	REVISED/ECO # 3959		
B	REV/ECO 5069 4/17/75		
C	REV/ECO 5085 7/15/75		
D	REVISED/ECO 5077		
E	REV/ECO 5210 7-16-75		

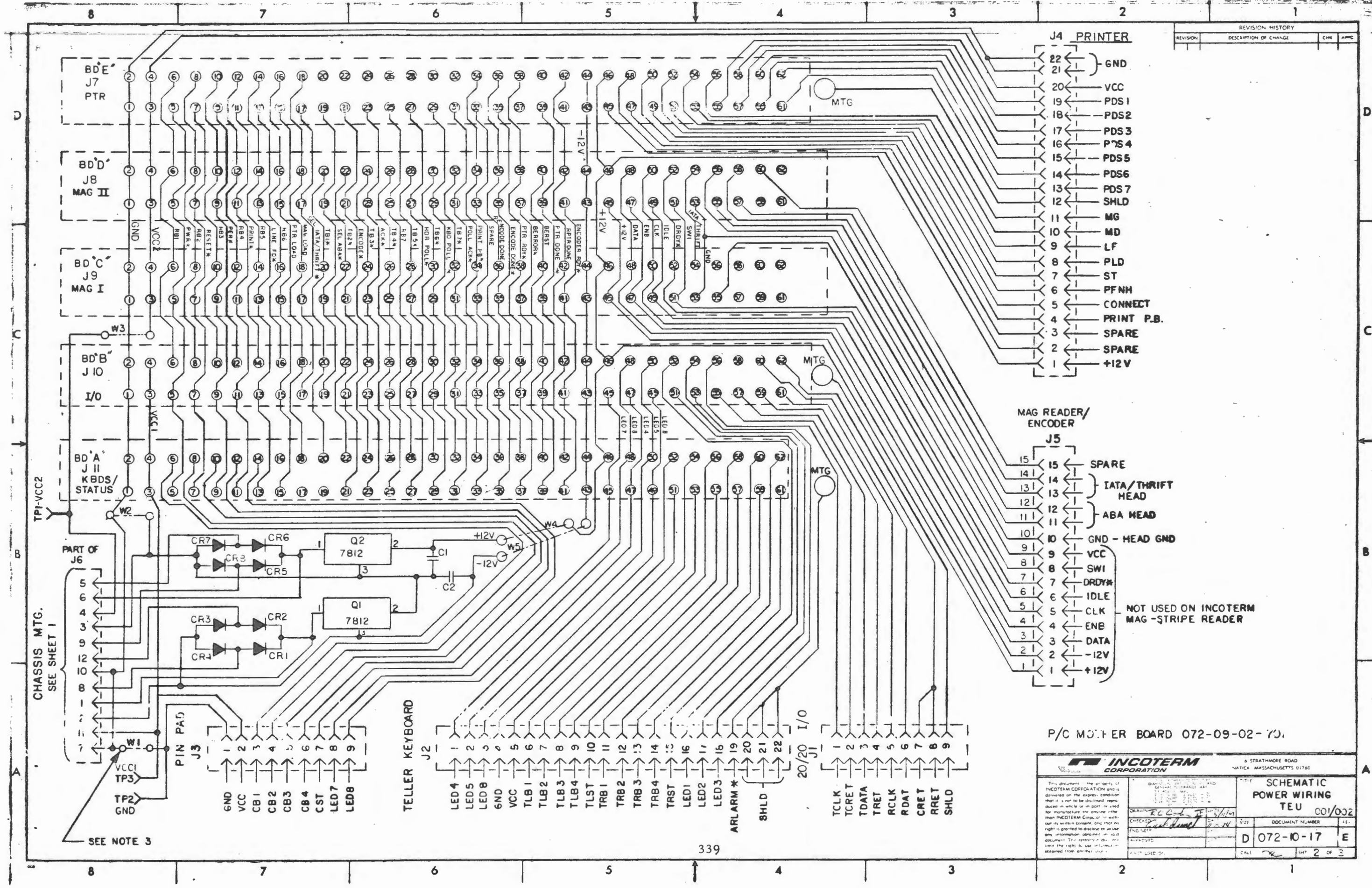
SEE SHEET 2
P/C MOTHER
BOARD

- NOTES:
UNLESS OTHERWISE SPECIFIED.
1. ALL CAPACITORS ARE 5UF 25VDC.
 2. ALL DIODES ARE 1N4001.
 3. ○ --- ○ INDICATES 22 AWG. JUMPER WIRE.
 4. ALL WIRES ARE 18 AWG. STRANDED.
 5. C01-SHEETS 1&2 ONLY
C02-SHEETS 2&3 ONLY

CHASSIS NO. 6. DRAWING NO. 072-10-02-1)

		6 STRATHMORE ROAD NATICK, MASSACHUSETTS 01760	
This document is the property of INCOTERM CORPORATION and is loaned to the recipient. It is not to be disclosed, reproduced in whole or in part, or used for manufacture for anyone other than INCOTERM Corporation without its written consent, and that no right is granted to disclose or use any information contained in said document. This restriction does not limit the right to use information obtained from another source.		SCHEMATIC POWER WIRING TEU -001/-002	
DATE: 2-27-78 BY: [Signature] CHECKED: [Signature]	SIZE: D DOCUMENT NUMBER: 072-10-17 REV: E	DATE: 2-27-78 BY: [Signature] CHECKED: [Signature]	SIZE: E DOCUMENT NUMBER: 072-10-02-1 REV: 1 OF 3

REVISION HISTORY			
REVISION	DESCRIPTION OF CHANGE	CHK	APP

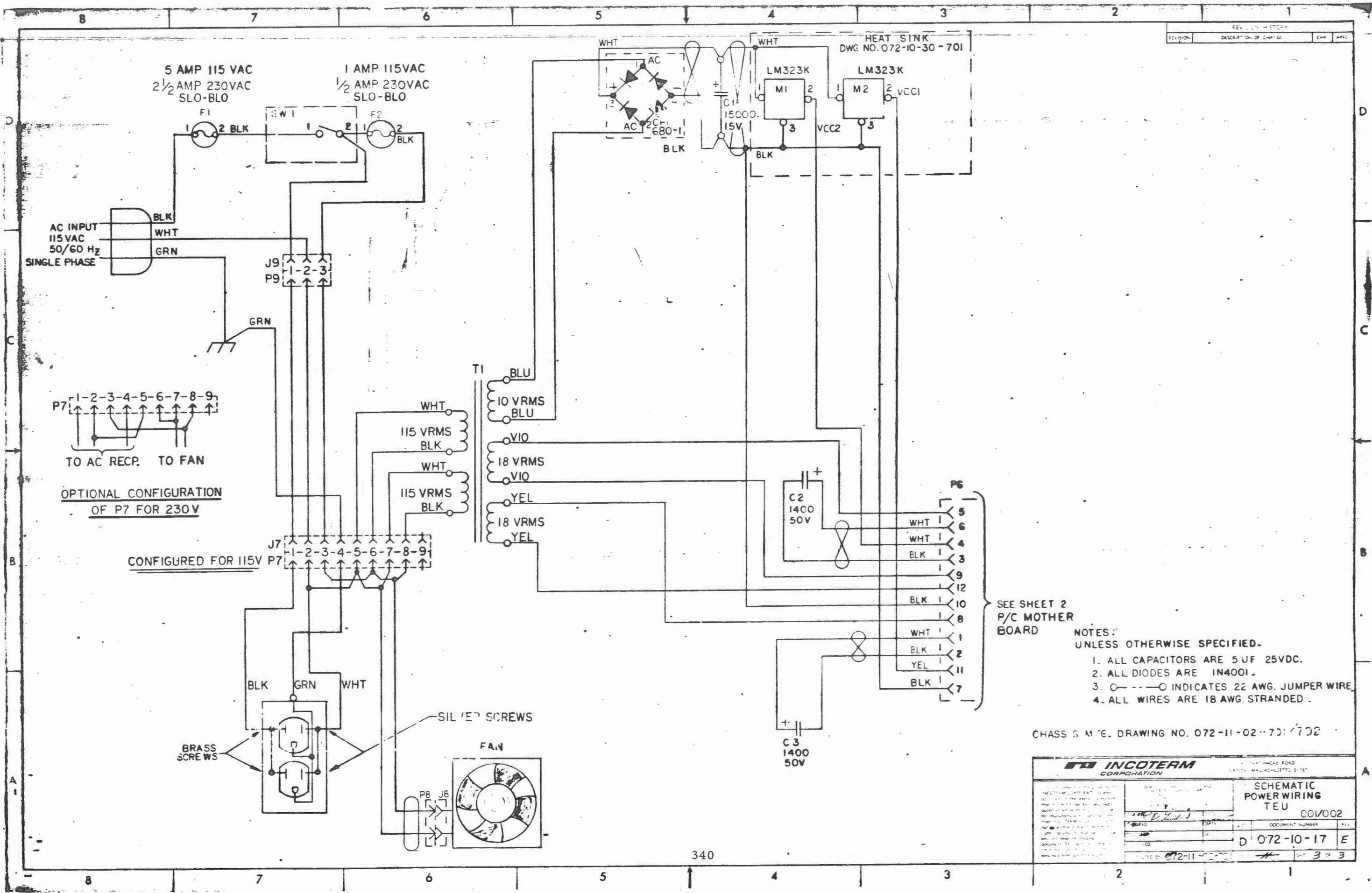


- J4 PRINTER**
- 22 ← GND
 - 21 ← VCC
 - 20 ← PDS 1
 - 19 ← PDS 2
 - 18 ← PDS 3
 - 17 ← PDS 4
 - 16 ← PDS 5
 - 15 ← PDS 6
 - 14 ← PDS 7
 - 13 ← SHLD
 - 12 ← MG
 - 11 ← MD
 - 10 ← LF
 - 9 ← PLD
 - 8 ← ST
 - 7 ← PFNH
 - 6 ← CONNECT
 - 5 ← PRINT P.B.
 - 4 ← SPARE
 - 3 ← SPARE
 - 2 ← SPARE
 - 1 ← +12V

- MAG READER/ENCODER J5**
- 15 ← SPARE
 - 14 ← IATA/THRIFT HEAD
 - 13 ← IATA/THRIFT HEAD
 - 12 ← ABA HEAD
 - 11 ← ABA HEAD
 - 10 ← GND - HEAD GND
 - 9 ← VCC
 - 8 ← SWI
 - 7 ← DRDY*
 - 6 ← IDLE
 - 5 ← CLK
 - 4 ← ENE
 - 3 ← DATA
 - 2 ← -12V
 - 1 ← +12V
- NOT USED ON INCOTERM
MAG-STRIP READER

P/C MOTHER BOARD 072-09-02-70.

		6 STRATHMORE ROAD NATICK, MASSACHUSETTS 01740	
		SCHMATIC POWER WIRING TEU	
DRAWN: R.C. ... CHECKED: ... ENG. ...	DATE: 7/24/70	DOCUMENT NUMBER: D 072-10-17	SHEET: 2 OF 3



REVISION HISTORY			
REVISION	DESCRIPTION OF CHANGE	CHK	APPR

HEAT SINK
DWG NO. 072-10-30-701

OPTIONAL CONFIGURATION
OF P7 FOR 230V

CONFIGURED FOR 115V P7

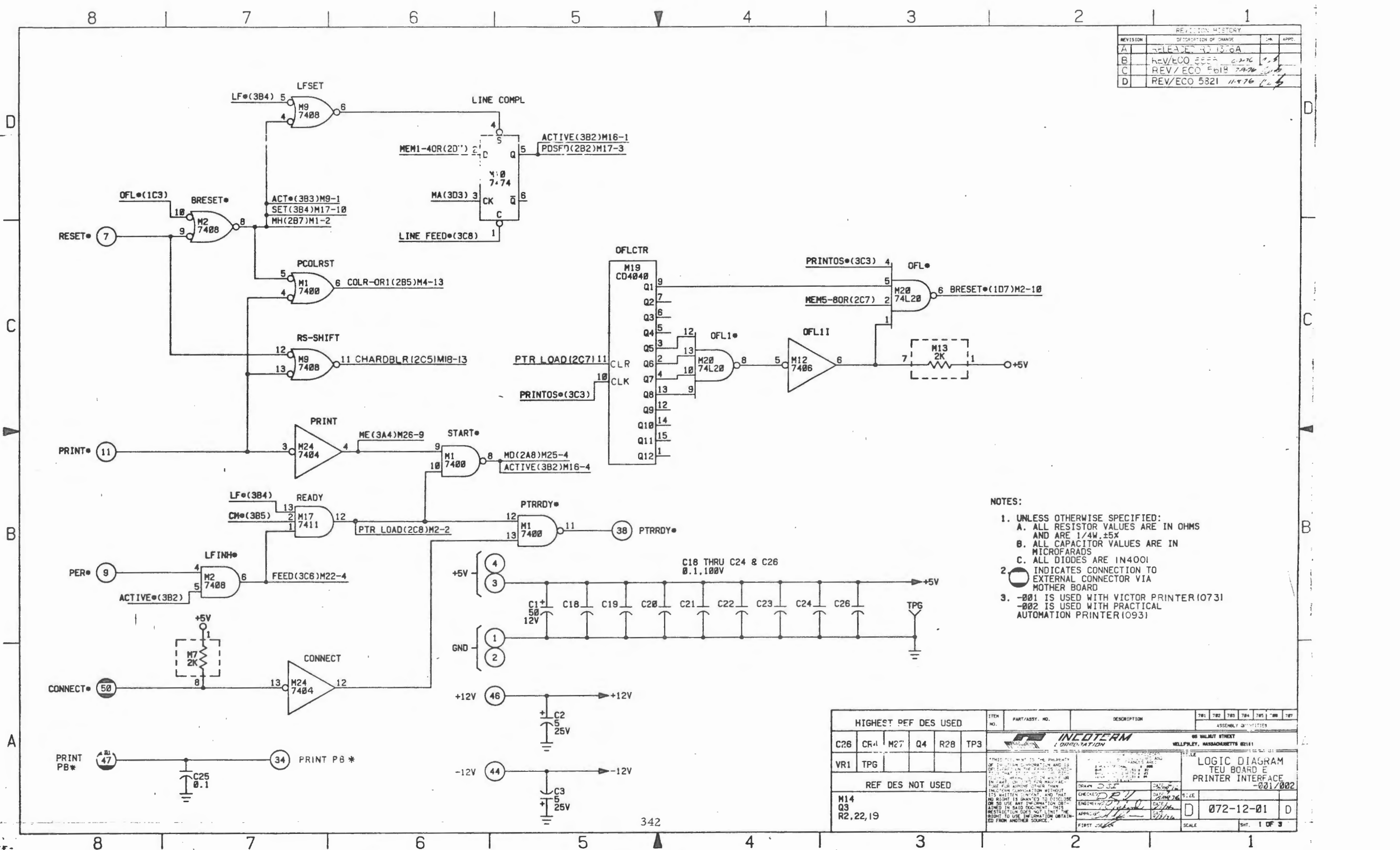
SEE SHEET 2
P/C MOTHER
BOARD

- NOTES:
UNLESS OTHERWISE SPECIFIED.
1. ALL CAPACITORS ARE 5 UF 25VDC.
 2. ALL DIODES ARE 1N4001.
 3. ○ --- ○ INDICATES 22 AWG. JUMPER WIRE.
 4. ALL WIRES ARE 18 AWG. STRANDED.

CHASSIS MATE. DRAWING NO. 072-11-02-701/702

		SCHEMATIC POWER WIRING TEU	
DOCUMENT NUMBER D 072-10-17		COI/002	
SHEET 3 OF 3		DATE 072-11-02-701	

REVISION HISTORY			
REVISION	DESCRIPTION OF CHANGE	DATE	APPROV.
A	RELEASED FOR PRODUCTION		
B	REV/ECO 558A 02-76		
C	REV/ECO 561B 09-76		
D	REV/ECO 582I 11-76		

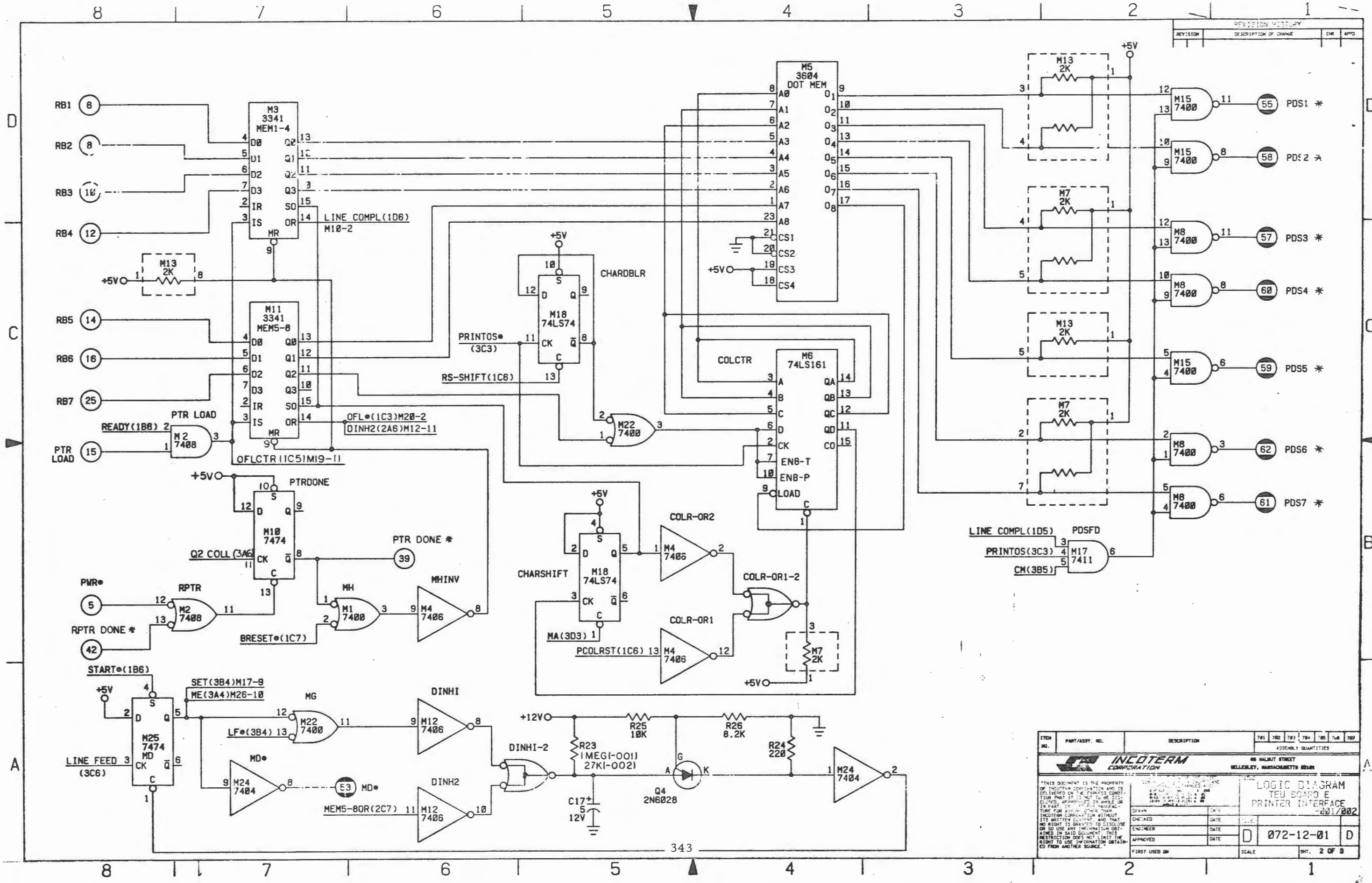


- NOTES:
- UNLESS OTHERWISE SPECIFIED:
 - ALL RESISTOR VALUES ARE IN OHMS AND ARE 1/4W, ±5%
 - ALL CAPACITOR VALUES ARE IN MICROFARADS
 - ALL DIODES ARE IN4001
 - INDICATES CONNECTION TO EXTERNAL CONNECTOR VIA MOTHER BOARD
 - 001 IS USED WITH VICTOR PRINTER (0731)
-002 IS USED WITH PRACTICAL AUTOMATION PRINTER (0931)

HIGHEST PEF DES USED		ITEM NO.	PART/ASSY. NO.	DESCRIPTION	701	702	703	704	705	706	707
C26	CR4	M27	Q4	R28	TP3						
VR1	TP6										
REF DES NOT USED											
M14	Q3	R2, 22, 19									

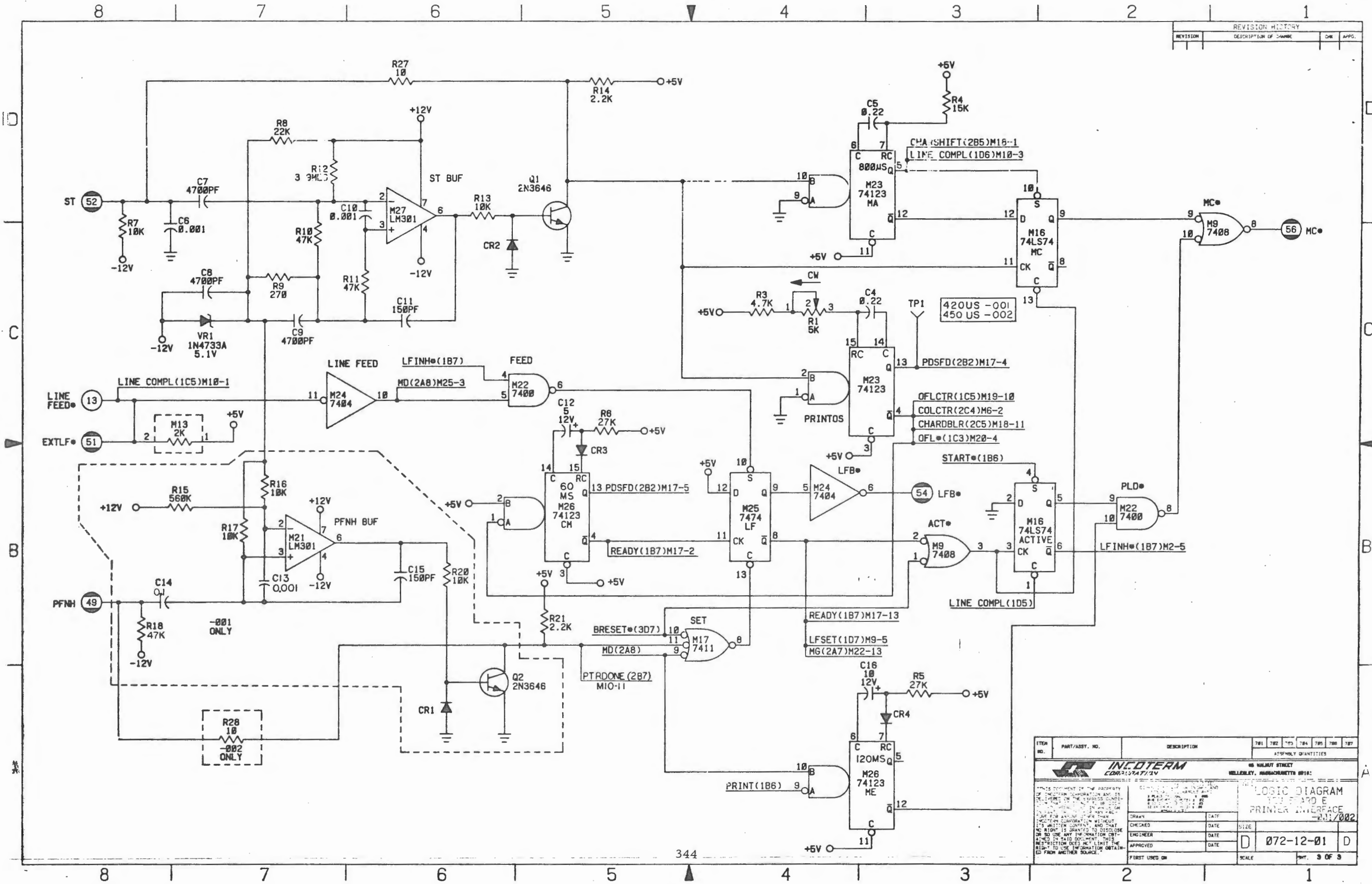
INCOTERM CORPORATION 80 WALWIT STREET WELLSLEY, MASSACHUSETTS 02151			
DRAWN: J.S.L.		DATE: 02-76	SIZE: 11x17
CHECKED: D.P.I.	DATE: 02-76	SCALE: D	072-12-01
ENGINEER: J.P.I.	DATE: 02-76		
APPROVED: J.P.I.	DATE: 02-76		
FIRST USE: 02-76	SCALE: 1 OF 3		

REVISION HISTORY			
REVISION	DESCRIPTION OF CHANGE	CHK	APPD

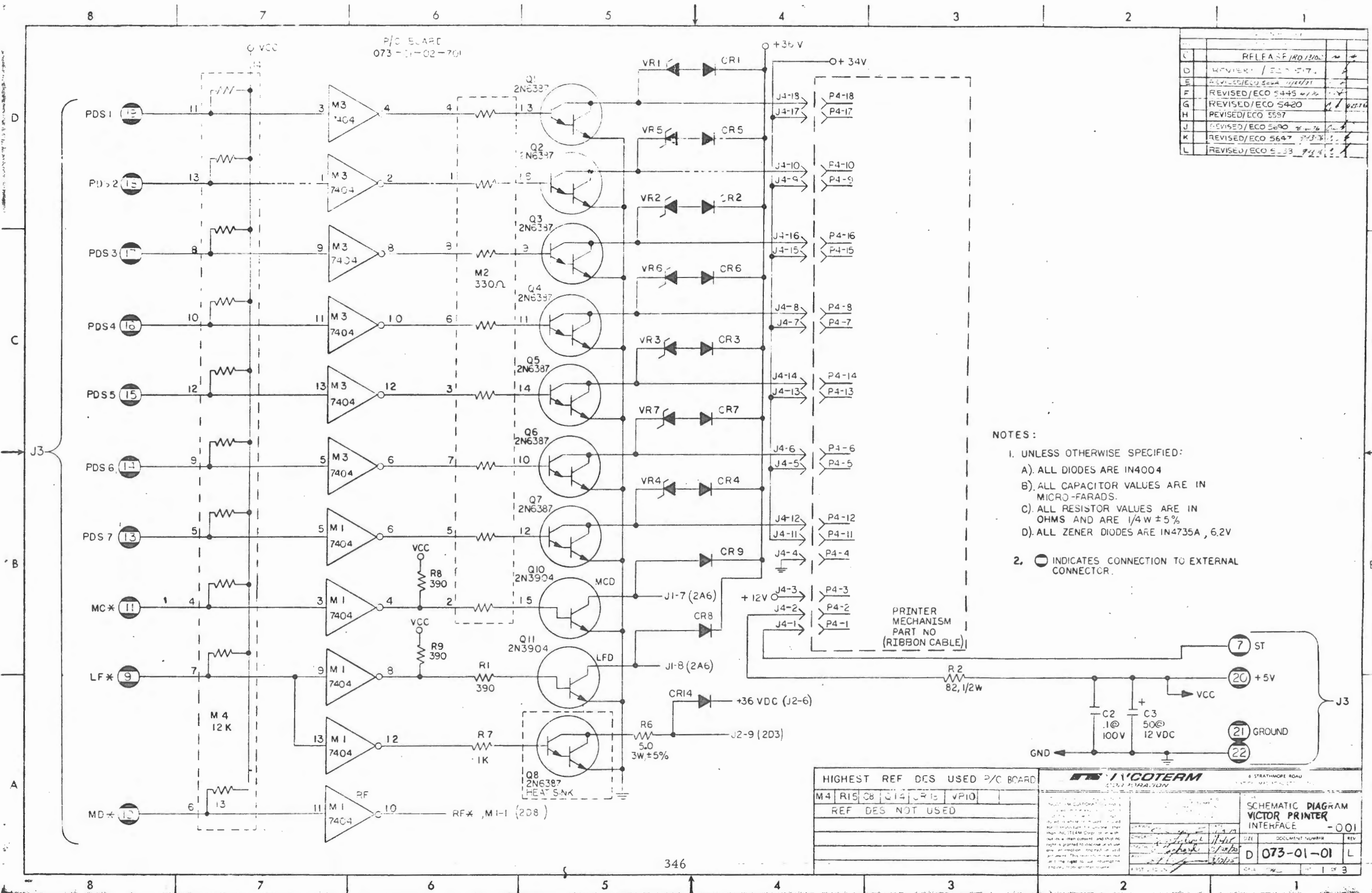


ITEM NO.	PART/ASSEMBLY NO.	DESCRIPTION	701	702	703	704	705	706	707
INCOTERM CORPORATION 86 MALIBU STREET MELLENBY, MASSACHUSETTS 01901									
LOGIC DIAGRAM TEU BOARD E PRINTER INTERFACE -001/002									
DRAWN	DATE								
CHECKED	DATE								
ENGINEER	DATE								
APPROVED	DATE								
FIRST USED ON									
SCALE									
								072-12-01	D
								SCALE	SHT. 2 OF 3

REVISION HISTORY		REV	APP



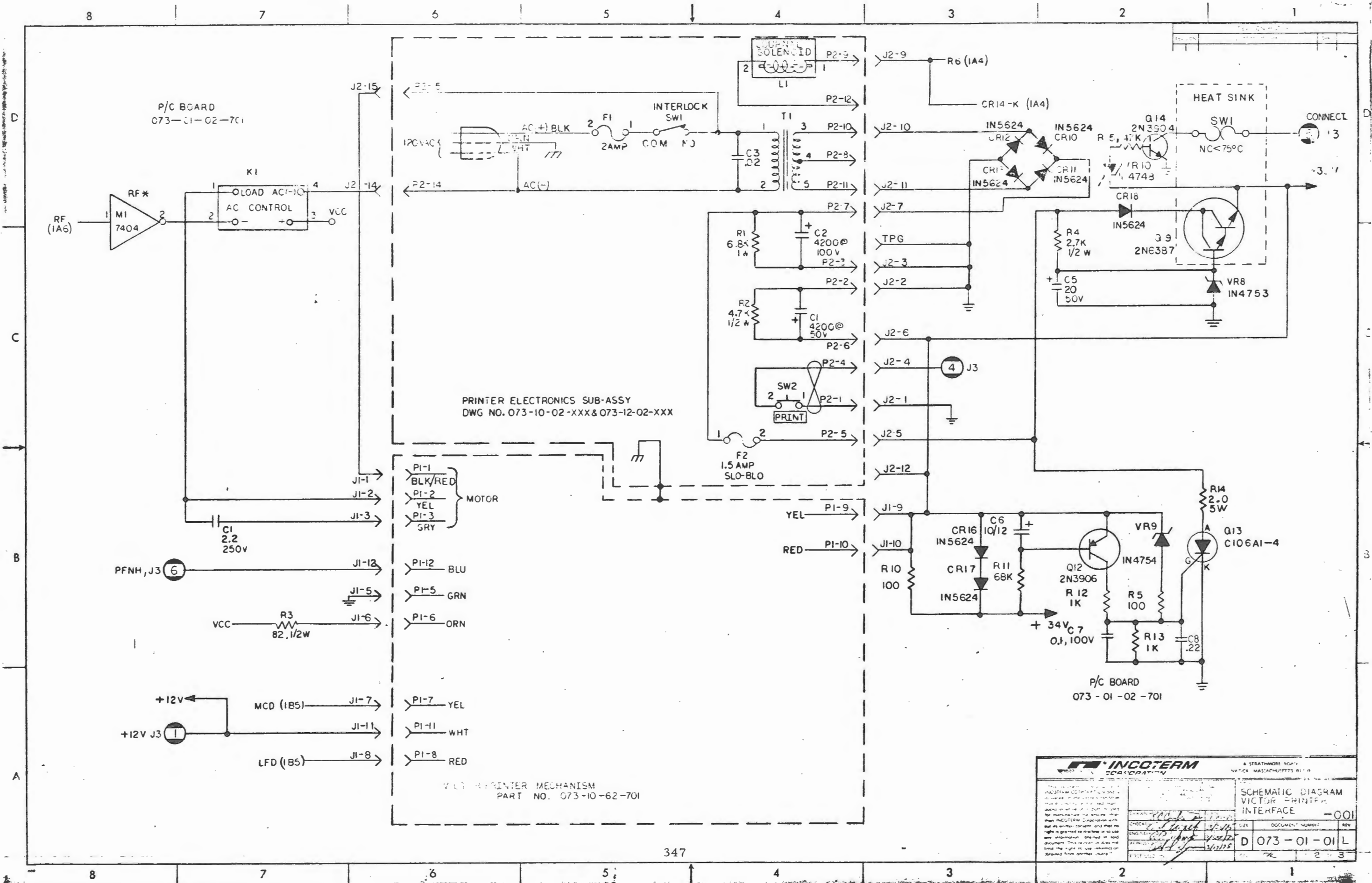
ITEM NO.	PART/ASSY. NO.	DESCRIPTION	701	702	703	704	705	706	707
INCOTERM CORPORATION									
80 MALDEN STREET MELDEN, MASSACHUSETTS 02148									
LOGIC DIAGRAM FOR BOARD E PRINTER INTERFACE -001/002									
DRAWN	DATE	CHECKED	DATE	5/26	ENGINEER	DATE	D	072-12-01	D
APPROVED	DATE	FIRST USED ON	SCALE	SHT. 3 OF 3					



U	RELEASE/RD 13/60	
D	REVISION / ECT 517	
E	REVISED/ECO 5444	1/14/71
F	REVISED/ECO 5420	4/1/71
H	REVISED/ECO 5587	1/1/71
J	REVISED/ECO 5690	8/26/71
K	REVISED/ECO 5647	7/23/71
L	REVISED/ECO 5533	7/24/71

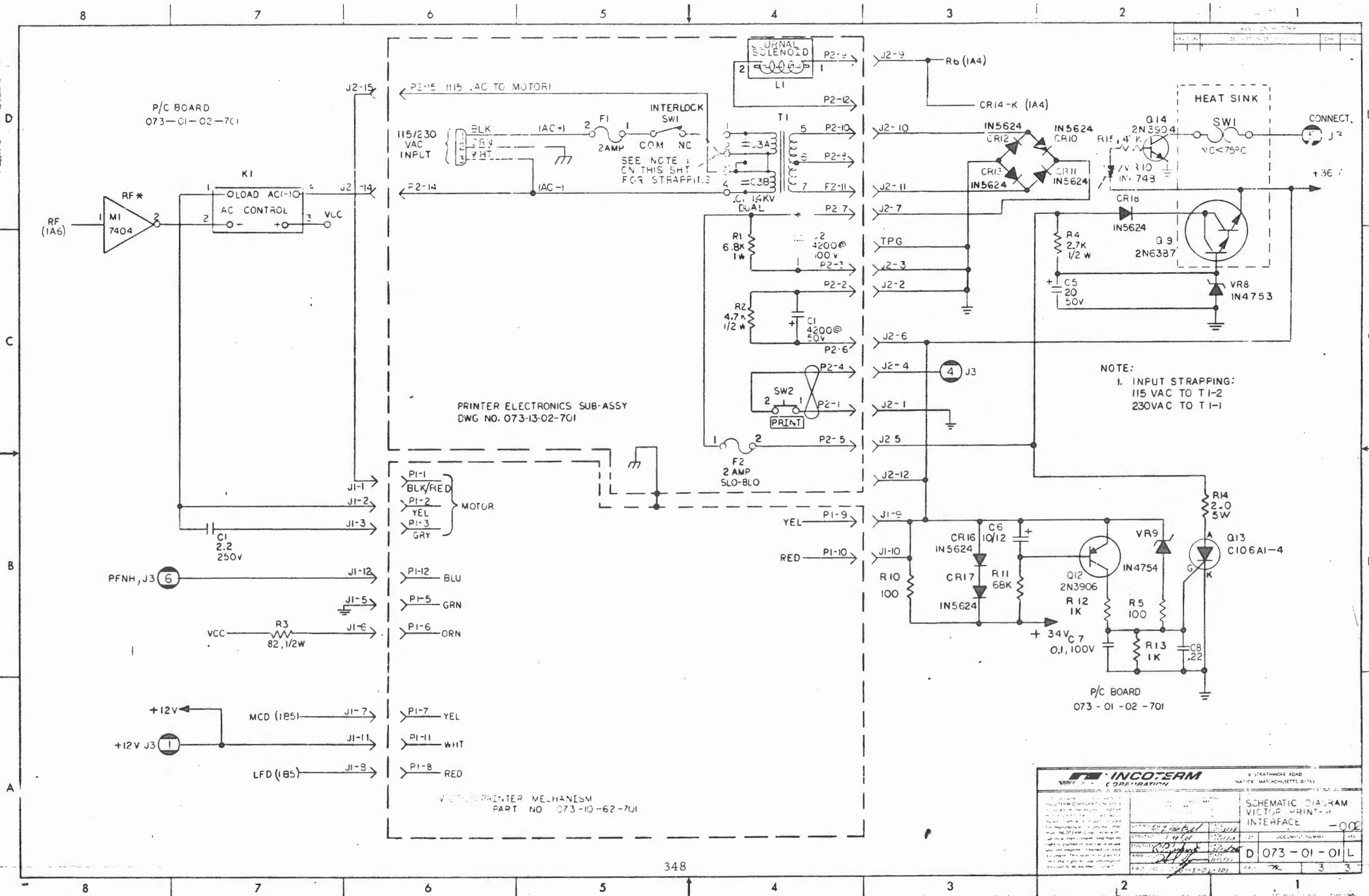
- NOTES:
- UNLESS OTHERWISE SPECIFIED:
 - ALL DIODES ARE IN4004
 - ALL CAPACITOR VALUES ARE IN MICRO-FARADS.
 - ALL RESISTOR VALUES ARE IN OHMS AND ARE 1/4W ±5%
 - ALL ZENER DIODES ARE IN4735A, 6.2V
 - ⊙ INDICATES CONNECTION TO EXTERNAL CONNECTOR.

HIGHEST REF DES USED P/C BOARD		VICTOR TERM		6 STRATHMORE ROAD	
M4	RIS 08	Q14	CR15	VPI0	
REF DES NOT USED					
SCHEMATIC DIAGRAM			VICTOR PRINTER		
INTERFACE			-001		
DATE	DESIGNED BY	SIZE	DOCUMENT NUMBER	REV	
			D 073-01-01	L	
FIRST EDITION			1 OF 3		



VICTOR PRINTER MECHANISM
PART NO. 073-10-62-701

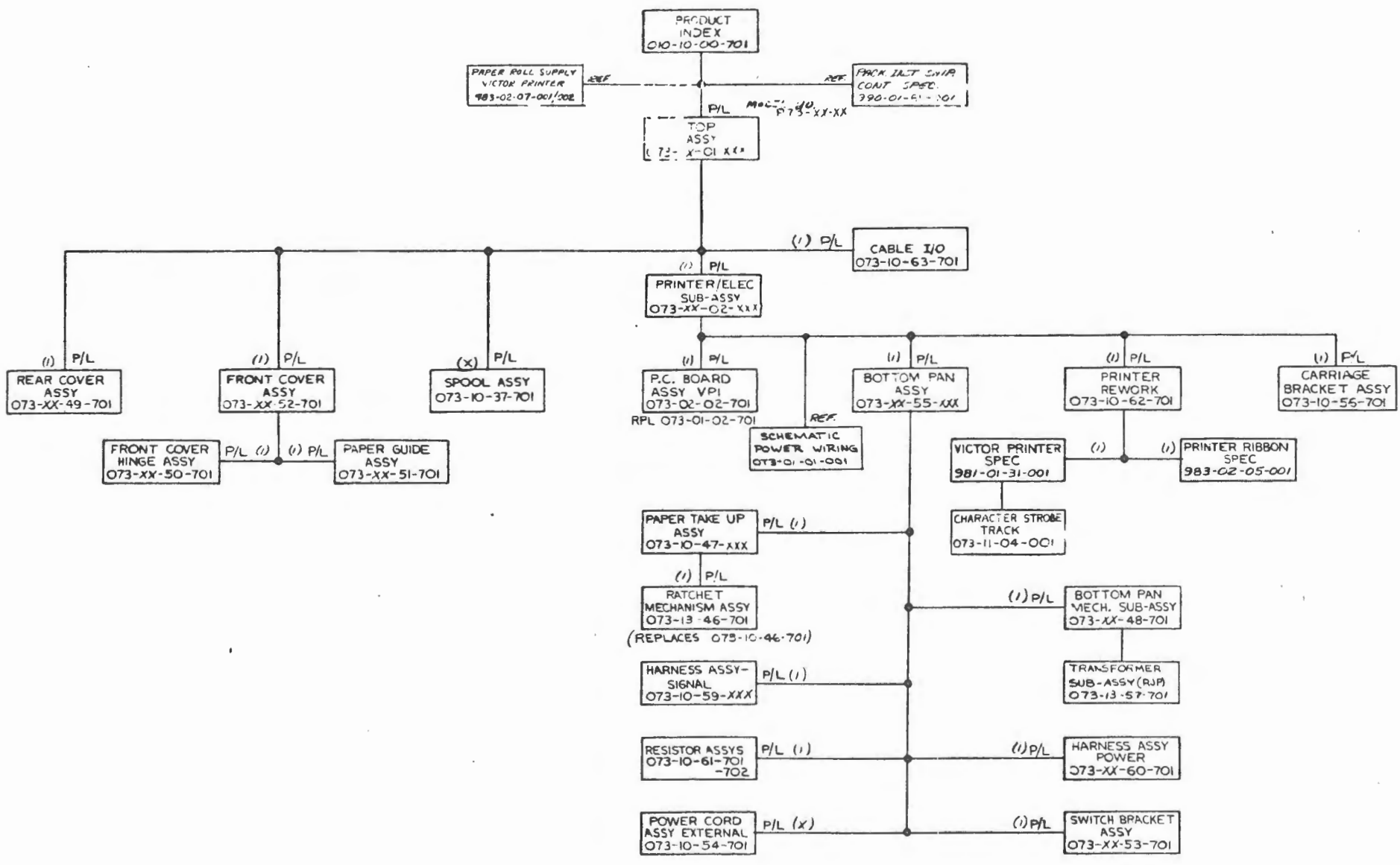
		A STRATHMORE ROAD NANTUCKET, MASSACHUSETTS 01908	
This document is the property of INCOTERM CORPORATION and is loaned to the customer for their use only. It is not to be reproduced, stored in a retrieval system, or transmitted in any form or by any means, electronic, mechanical, photocopying, recording, or by any information storage and retrieval system, without the prior written consent of INCOTERM CORPORATION.		SCHEMATIC DIAGRAM VICTOR PRINTER INTERFACE	
CHECKED: <i>[Signature]</i> DATE: <i>[Date]</i>	SIZE: <i>[Size]</i> DOCUMENT NUMBER: <i>[Number]</i>	REV: <i>[Revision]</i>	D 073-01-01 L
APPROVED: <i>[Signature]</i> DATE: <i>[Date]</i>		REV: <i>[Revision]</i>	2 3



		6 STRATHMORE ROAD NATICK, MASSACHUSETTS 01453	
SCHEMATIC DIAGRAM VICTOR PRINTER INTERFACE		-000	
PROJECT: 073-01-02-701	DRAWN: [Signature]	CHECKED: [Signature]	DATE: 11/17/70
D 073-01-01 L	3	3	3

REVISION HISTORY			
REV. NO.	DESCRIPTION	DATE	BY
A	RELEASED 1310		
B	REV/ECO 5003 5-6-75	5/6/75	
C	REV/ECO 5025 4/12/75	4/12/75	
D	REV/ECO 5218 10-15-75	10/15/75	
E	REV/ECO 5287 11/24/75	11/24/75	
F	REV/ECO 5458 4-1-76	4/1/76	
G	REVISED/ECO 5560 5/22/76	5/22/76	
H	REVISED/ECO 5610		
J	REVISED/ECO 5690		

8 7 6 5 4 3 2 1



8 7 6 5 4 3 2 1

INCOTERM CORPORATION
 8 STRATHMORE ROAD
 NATICK, MASSACHUSETTS 01740

DOCUMENT TREE
 PRINTER (R.J.)
 001

DRAWN BY	DATE	SIZE	DOCUMENT NUMBER	REV
CHECKED BY	09/17/75	D	073-10-00	J
APPROVED BY	09/17/75			

FIRST USED ON: _____

8 7 6 5 4 3 2 1

REVISION HISTORY			
REVISION	DESCRIPTION OF CHANGE	CHK	APPD

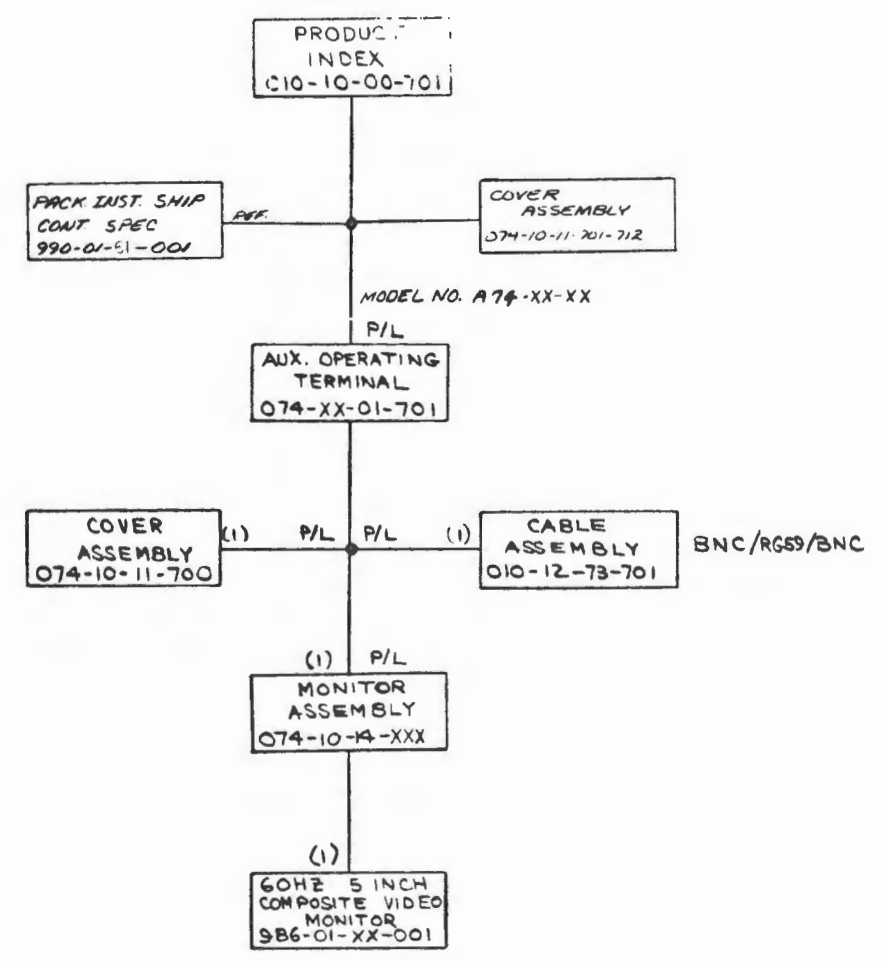
TOP ASSY	MODEL NO.	DESCRIPTION	REAR COVER ASSY.	FRONT COVER ASSY.	FRONT COVER HINGE ASSY.	PAPER GUIDE ASSY.	PTR/ELEC. SUB-ASSY.	BOTTOM PAN ASSY.	BOTTOM PAN MECH. SUB-ASSY.	X-FORMER SUB-ASSY.	HARNESS ASSY. POWER	SWITCH BAT ASSY.	POWER CORD ASSY. EXT. 073-10-54-701	HARNESS ASSY. SIGNAL	PAPER TAKE UP ASSY.	SPOOL ASSY. 073-10-37-701
073-10-01 115 VAC 50/60 HZ WITH NON DETACHABLE POWER CORD.	701 P73-01	RECEIPT JOURNAL PRINTER WITH PAPER TAKE-UP MECHANISM	073-10-49-701	073-10-52-701	073-10-50-701	073-10-51-701	073-10-02-701	073-10-55-701	073-10-48-701		073-10-60-701	073-10-53-701	1	073-10-59-701	073-10-47-701	1
	702 P73-02	RECEIPT JOURNAL PRINTER WITHOUT PAPER TAKE-UP MECHANISM	073-10-49-701	073-10-52-701	073-10-50-701	073-10-51-701	073-10-02-702	073-10-55-702	073-10-48-701				1	073-10-59-701	073-10-47-702	-
073-12-01 115 VAC 50/60 HZ WITH DETACHABLE POWER CORD	701 P73-12-01	RECEIPT JOURNAL PRINTER WITH PAPER TAKE-UP MECHANISM	073-12-49-701	073-12-52-701	073-12-50-701	073-12-51-701	073-12-02-701	073-12-55-701	073-12-48-701		073-12-60-701	073-12-53-701	—	073-10-59-702	073-10-47-701	1
	702 P73-12-02	RECEIPT JOURNAL PRINTER WITHOUT PAPER TAKE-UP MECHANISM	↑	↑	↑	↑	073-12-02-702	073-12-55-702	073-12-48-701		073-12-60-701	↑	—	↑	073-10-47-702	—
073-13-01 115/230 VAC 50/60 HZ WITH DETACHABLE POWER CORD	701 P73-13-01	RECEIPT JOURNAL PRINTER WITH PAPER TAKE-UP MECHANISM	↓	↓	↓	↓	073-13-02-701	073-13-55-701	073-13-48-701	073-13-57-701	073-13-60-701	↓	—	↓	073-10-47-701	1
	702 P73-13-02	RECEIPT JOURNAL PRINTER WITHOUT PAPER TAKE-UP MECHANISM	073-12-49-701	073-12-52-701	073-12-50-701	073-12-51-701	073-13-02-702	073-13-55-702	073-13-48-701	073-13-57-701	073-13-60-701	073-12-53-701	—	073-10-59-702	073-10-47-702	—

D
C
B
A

ITEM NO.	PART/ASSY. NO.	DESCRIPTION	701	702	703	704	705	706	707	
			ASSEMBLY QUANTITIES							
			8 STRATHMORE ROAD NATICK, MASSACHUSETTS 01908							
<small>"This document is the property of INCOTERM CORPORATION and is delivered on the express condition that it is not to be disclosed, reproduced in whole or in part, or used for manufacture for anyone other than INCOTERM Corporation without the written consent, and that no right is granted to disclose or to use any information obtained in said document. This restriction does not limit the right to use information obtained from another source."</small>			DRAWN: _____ DATE: _____ CHECKED: _____ DATE: _____ APPROVED: _____ DATE: _____ FIRST USED ON: _____		TITLE: DOCUMENT TREE PRINTER (R.J.) 001 SIZE: _____ DOCUMENT NUMBER: D 073-10-00 REV: J SCALE: _____ SHT 2 OF 2					

8 7 6 5 4 3 2 1

REVISION HISTORY			
REV.	DESCRIPTION	DATE	BY
A	RELEASED/RD 306	7/75	...
B	REV/ECO 5003	5-4-75	...
C	REVISED/ECO 5245
D	REVISED/ECO 5590	5-28-75	...
E	REVISED/ECO 5645	7-7-76	...
F	REV/ECO 5343	11-9-76	...



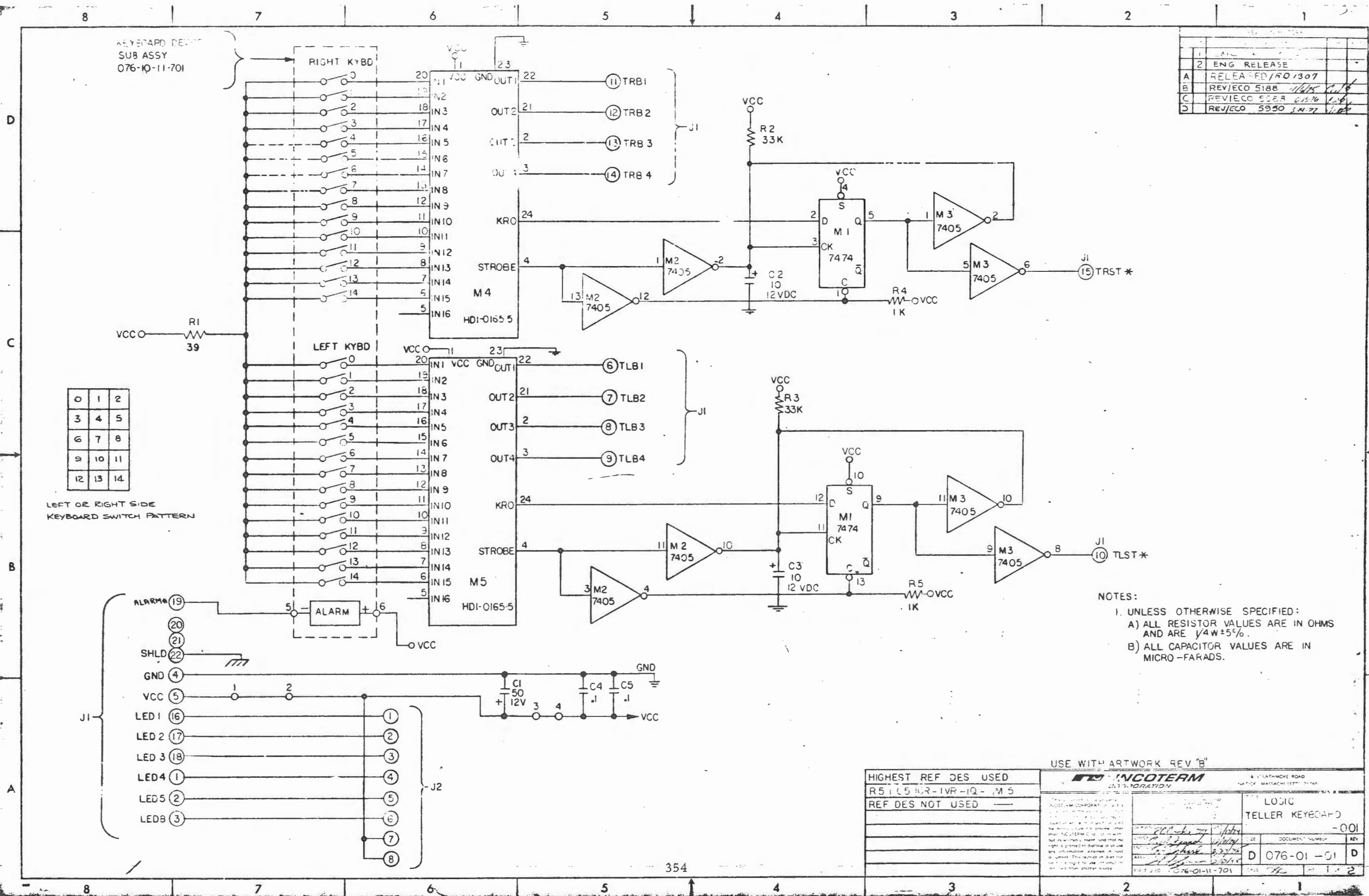
AUX OPERATING TERMINAL	MODEL NO	DESCRIPTION	MONITOR ASSY	MONITOR SPEC
074-10-01	701	A74-10-01 AUX WITH NON-DETACHABLE POWER CORD 115V	074-10-14-701	986-01-12-001
074-11-01	701	A74-11-01 AUX WITH DETACHABLE POWER CORD 115V	074-10-14-702	986-01-17-001
074-12-01	701	A74-12-01 AUX WITH DETACHABLE POWER CORD 230V	074-10-14-703	986-01-19-001
074-12-01	702	A74-12-02 AUX WITH DETACHABLE POWER CORD 115V	074-10-14-703	986-01-19-001

INCOTERM CORPORATION
 6 STRATHMORE ROAD
 WATICK, MASSACHUSETTS 01940

DOCUMENT TREE
 BANKING
 SYSTEM AUX 001

CHECKED	D Uogal	5/21/75	SIZE	DOCUMENT NUMBER	REV
ENGINEER	D Uogal	5/21/75	D	074-10-00	F
APPROVED	RTH	5/22/75	FILED USED IN	010-10-00-701	SCALE

1	ENG RELEASE		
2	ENG RELEASE		
A	RELEASED/RD/307		
B	REV/ECCO 5188	1/10/75	1.0
C	REV/ECCO 528A	6/15/76	1.0
D	REV/ECCO 5950	3/4/77	1.0



0	1	2
3	4	5
6	7	8
9	10	11
12	13	14

LEFT OR RIGHT SIDE
KEYBOARD SWITCH PATTERN

- NOTES:
- 1. UNLESS OTHERWISE SPECIFIED:
 - A) ALL RESISTOR VALUES ARE IN OHMS AND ARE 1/4W ±5%.
 - B) ALL CAPACITOR VALUES ARE IN MICRO-FARADS.

HIGHEST REF DES USED	R5 1.5 1/2R-1VR-1Q-M 5
REF DES NOT USED	

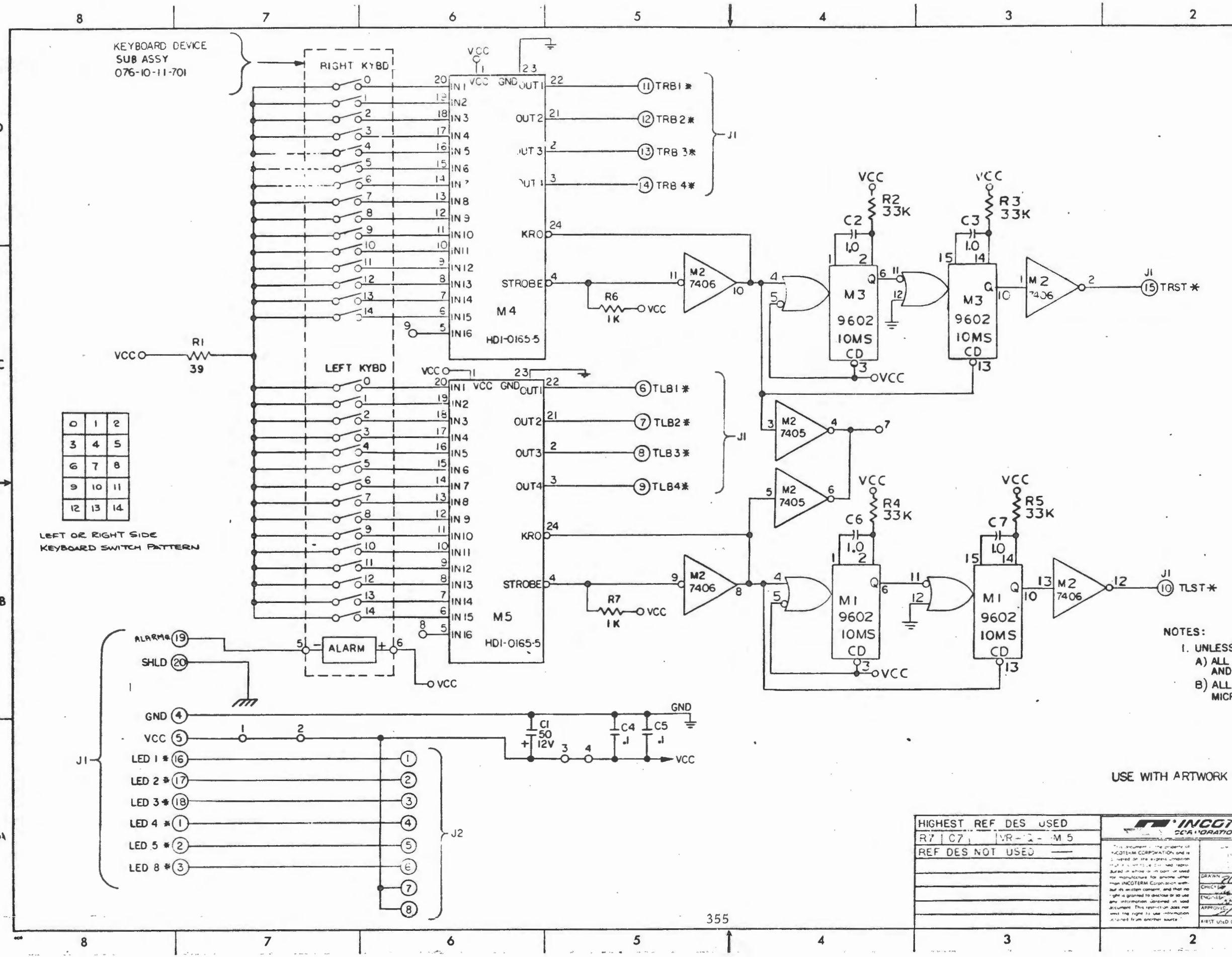
USE WITH ARTWORK REV "B"

INCOTERM
CORPORATION

8 WEAVER ROAD
NATICK, MASSACHUSETTS 01909

LOGIC	
TELLER KEYBOARD	
-001	
DATE	REV
2/27/75	1.0
3/27/75	1.0
6/15/76	1.0
3/4/77	1.0
076-01-01	D
076-01-11-701	D

REVISION HISTORY			
REV	DESCRIPTION OF CHANGE	CHK	APPR



0	1	2
3	4	5
6	7	8
9	10	11
12	13	14

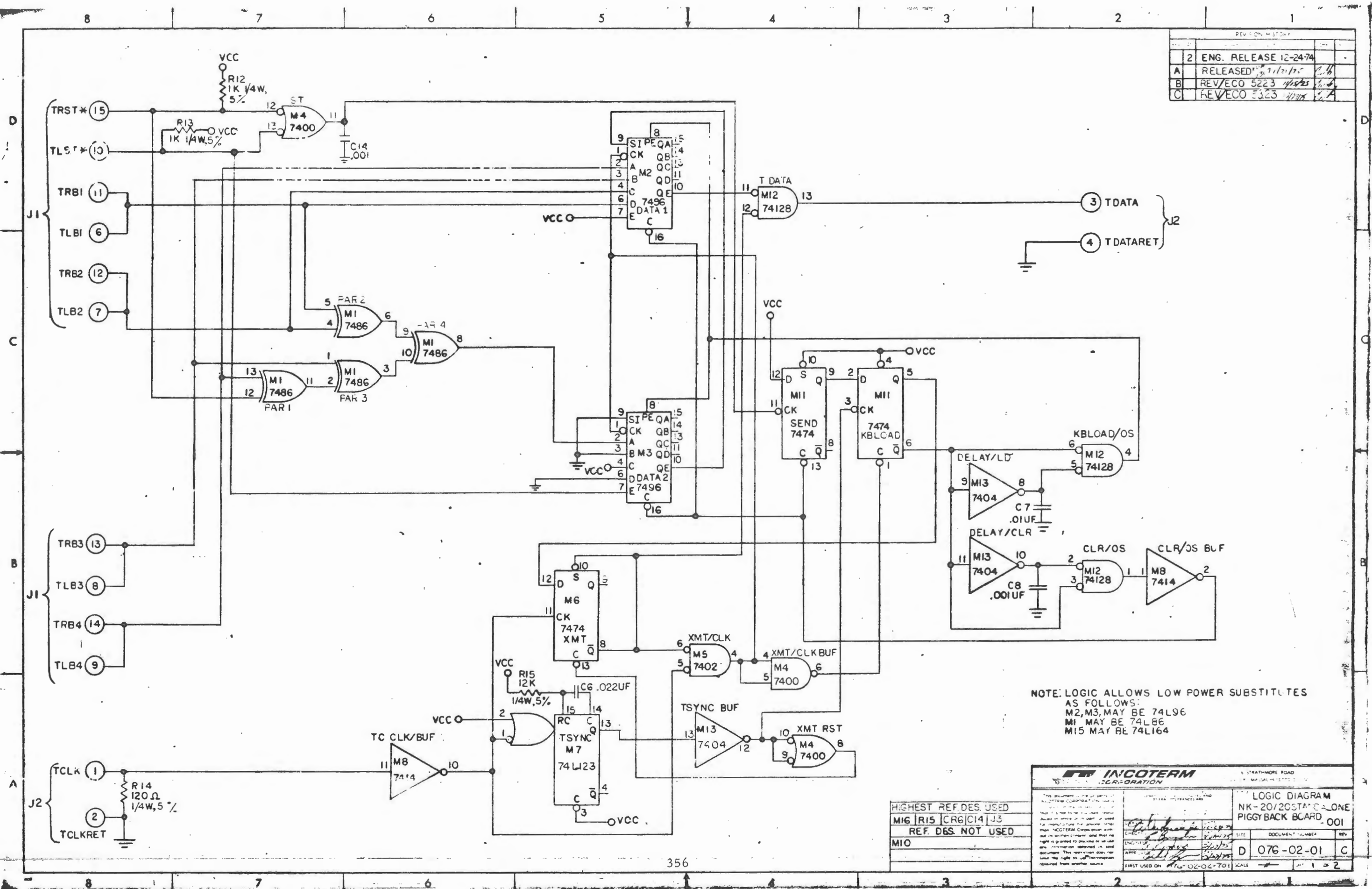
LEFT OR RIGHT SIDE
KEYBOARD SWITCH PATTERN

- NOTES:
1. UNLESS OTHERWISE SPECIFIED:
 - A) ALL RESISTOR VALUES ARE IN OHMS AND ARE 1/4W±5%.
 - B) ALL CAPACITOR VALUES ARE IN MICRO-FARADS.

USE WITH ARTWORK REV'D AND UP

HIGHEST REF DES USED R7 C7 VR-2 - M5		6 STRATHMORE ROAD MILFORD, MASSACHUSETTS 01860	
REF DES NOT USED		THE LOGIC TELLER KEYBOARD -001	
	DRAWN: [Signature] CHECKED: [Signature] ENGIN: [Signature] APPROVED: [Signature]	DATE: [Date] TIME: [Time]	DOCUMENT NUMBER D 076-01-01 REV: D
	FIRST USED ON: 076-01-11-701		

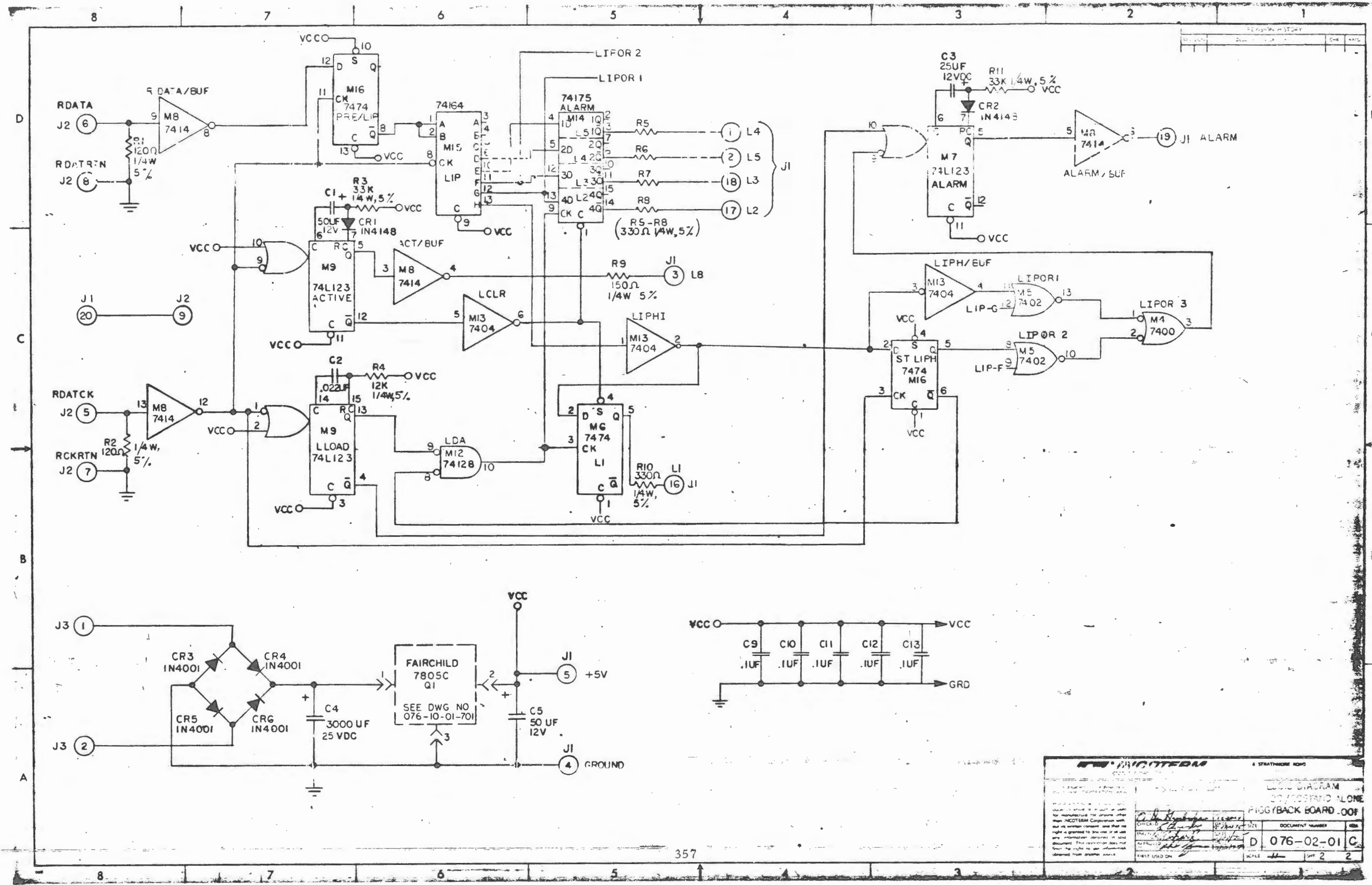
REVISION HISTORY		
2	ENG. RELEASE 12-24-74	
A	RELEASED 3/12/75	C.H.
B	REV/ECO 5223 1/15/75	L.S.
C	REV/ECO 5323 4/17/75	L.S.



NOTE: LOGIC ALLOWS LOW POWER SUBSTITUTES AS FOLLOWS:
M2, M3, MAY BE 74L96
M1 MAY BE 74L86
M15 MAY BE 74L164

HIGHEST REF. DES. USED		
MIG	R15	CR6/C14
REF. DES. NOT USED		
M10		

INCOTERM CORPORATION		LOGIC DIAGRAM	
5 STRATHMORE ROAD		NK-20/20ST/DA-ONE	
		PIGGYBACK BOARD - 001	
DATE	SIZE	DOCUMENT NUMBER	REV.
APPR. BY	SCALE	D 076-02-01	C
FIRST USED ON	SCALE		1 of 2



REVISION HISTORY			
NO.	DATE	BY	REASON

FAIRCHILD 4 STRATHMORE ROAD

LOGIC DIAGRAM
20/100 BOARD ALONE
PIGGYBACK BOARD .001

DESIGNED BY	DATE	DOCUMENT NUMBER	REV.
		D 076-02-01	C

SCALE: 1/8" = 1"

DATE: 11/22/70

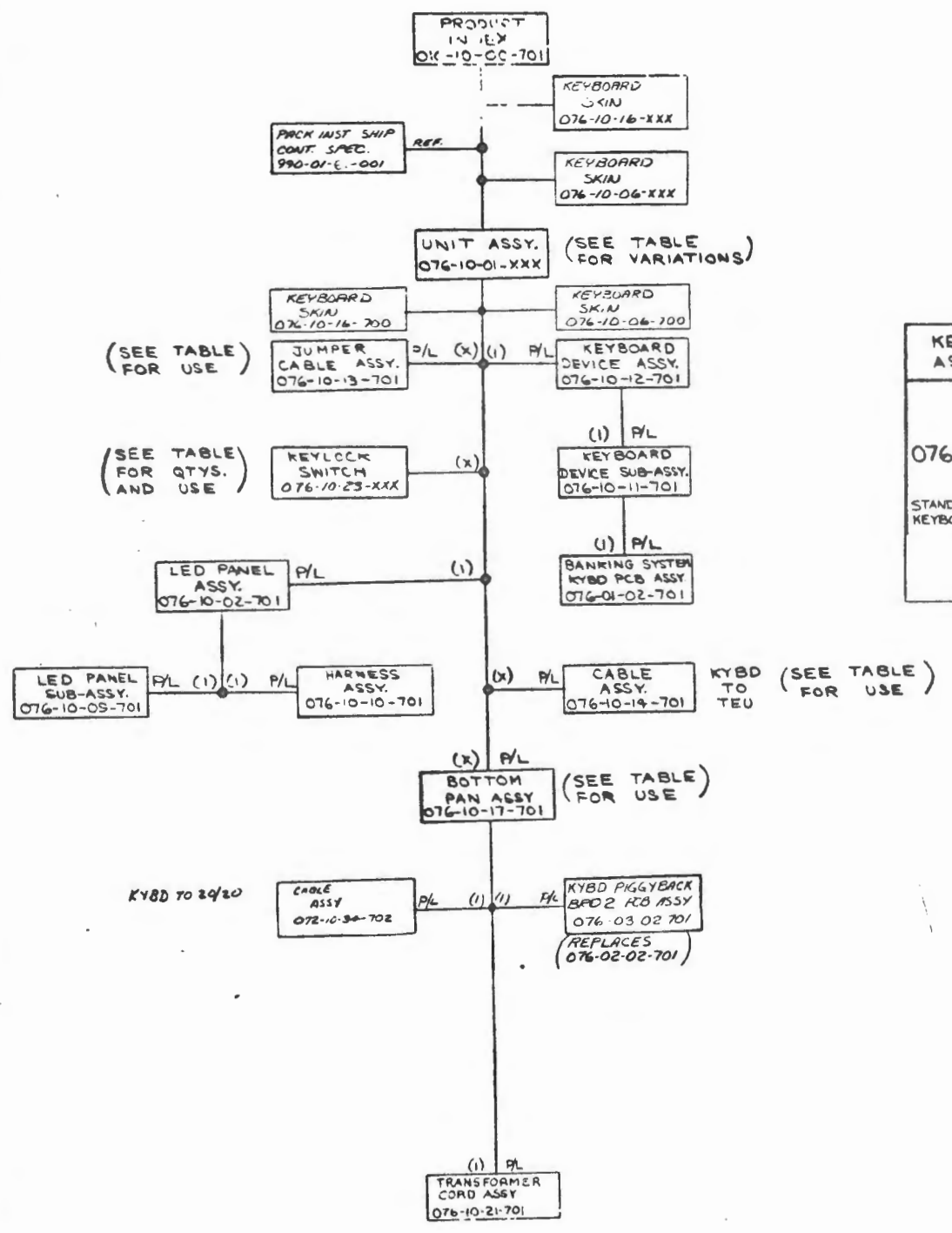
BY: [Signature]

APPROVED: [Signature]

FIRST USED ON: [Blank]

REVISION HISTORY			
REV.	DESCRIPTION	DATE	BY
A	RELEASED/RG 1307	7/1/70	
B	REV/ECO 3935	3-18-75	
C	REV/ECO 5003	5-6-75	
D	REV/ECO 5117	7/23/75	
E	REVISED/ECO 5286	4/16/75	
F	REVISED/ECO 5538	5/16/76	
G	REVISED/ECO 5550	5/25/76	
H	REVISED/ECO 5848	11/2/76	

KEYBOARD ASSY. NO.	FUNCTIONAL DESCRIPTION	MODEL NO.	KEYLOCK SWITCH				BOTTOM PAN ASSEMBLY 076-10-17-701	EXTERNAL CABLE ASSEMBLY 076-10-14-701	JUMPER CABLE ASSEMBLY 076-10-13-701	KEYBOARD SKIN 076-10-06-700	KEYBOARD SKIN 076-10-16-700
			076-10-23	701	702	703					
076-10-01 STANDALONE KEYBOARDS	701	USED WITH TEU	K76-01	-	-	-	-	-	-	-	-
	702	USED WITH TEU-W KEYLOCK SWS	K76-02	/	/	-	-	-	-	-	-
	703	USED WITH 20/20	K76-03	-	-	-	-	/	-	-	-
	704	USED WITH 20/20 W KEYLOCK SWS	K76-04	/	/	-	-	/	-	-	-
	705	USED WITH 20/20 W KEYLOCK SWS W CHAR SET CHANGE BY KEYLOCK SW	K76-05	-	-	/	/	-	-	-	-



INCOTERM CORPORATION
 2 STRATHMORE ROAD
 NATICK, MASSACHUSETTS 01900

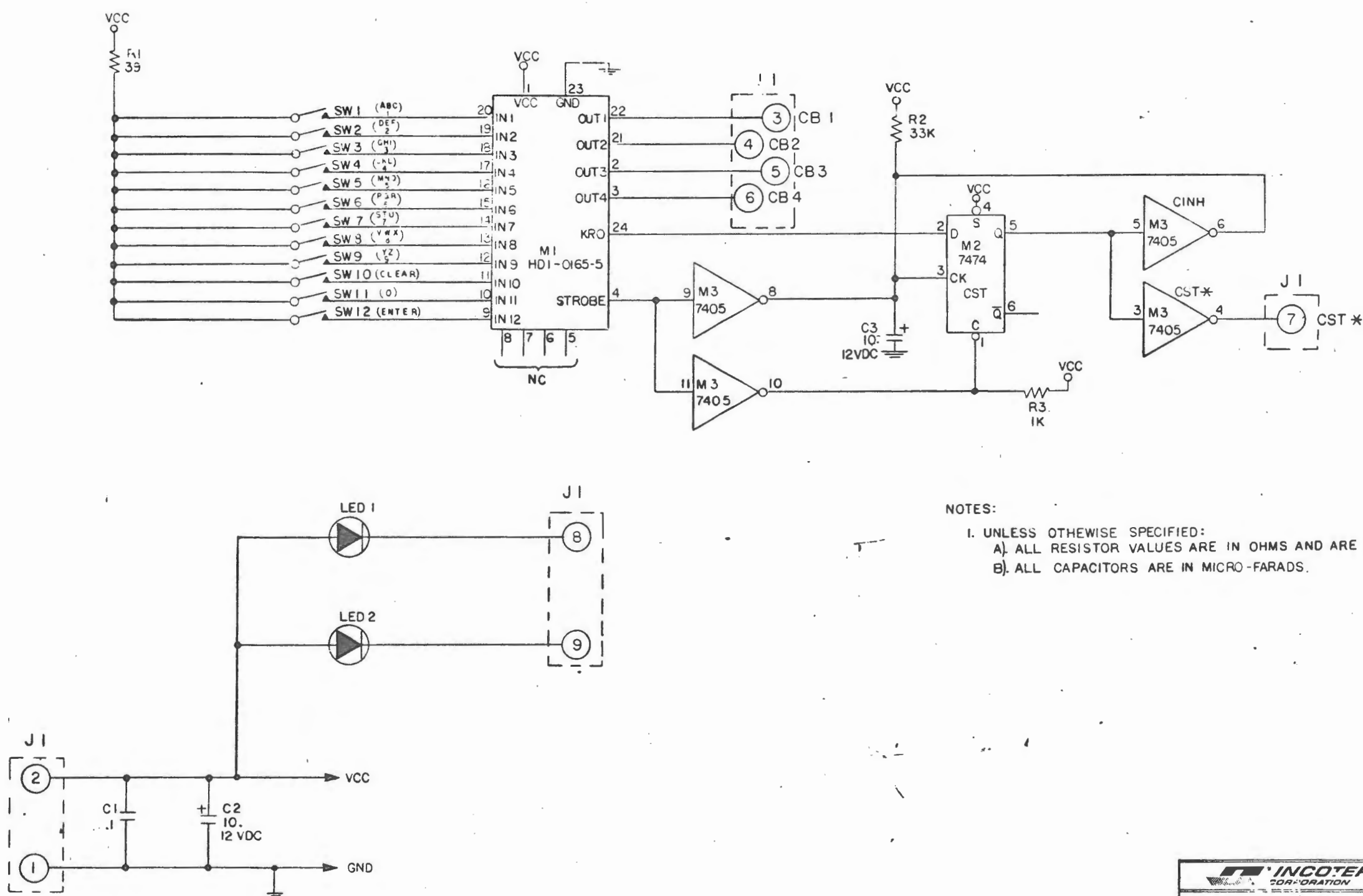
This document is the property of INCOTERM CORPORATION and is loaned on the express condition that it is not to be duplicated, reproduced in whole or in part, or used for manufacture for anyone other than INCOTERM Corporation without its written consent, and that no right is granted to disclose or to use any information contained in this document. This restriction does not limit the right to use information obtained from another source.

DOCUMENT TREE
 TELLER KYBD 001

DATE	2/11/75	SIZE	DOCUMENT NUMBER	REV.
CHECKED	D. Vogel	2/24/75	076-10-00	H
ENGINEER	D. Vogel	2/24/75		
APPROVED	R. P. ...	2/13/75		

FIRST USED ON: 010-10-00-701 SCALE: NONE

REVISION HISTORY		REV	DATE
A	ENG RELEASE RELEASED/RD# 1308		



NOTES:
 I. UNLESS OTHERWISE SPECIFIED:
 A). ALL RESISTOR VALUES ARE IN OHMS AND ARE 1/4W ±5%
 B). ALL CAPACITORS ARE IN MICRO-FARADS.

INCOTERM CORPORATION
 6 STRATHMORE ROAD
 NATICK, MASSACHUSETTS 01740

LOGIC DIAGRAM
 PIN PAD
 001

DRAWN	DATE	SIZE	DOCUMENT NUMBER	REV
CHECKED	DATE			
ENGINEER	DATE			
APPROVED	DATE			
FIRST REV	DATE	SCALE		

D 077-01-01 A

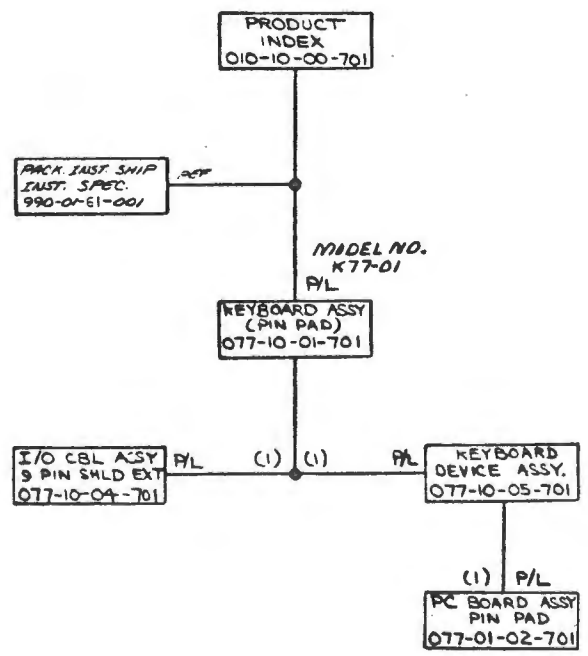
C

C

C

8 7 6 5 4 3 2 1

REVISION HISTORY			
REV. NO.	DESCRIPTION	DATE	BY
A	RELEASED/RO308	7/1/75	W
B	REVISED/ECO 5003 5-6-75	5/6/75	W
C	REVISED/ECO 5560 5-23-75	5/23/75	W



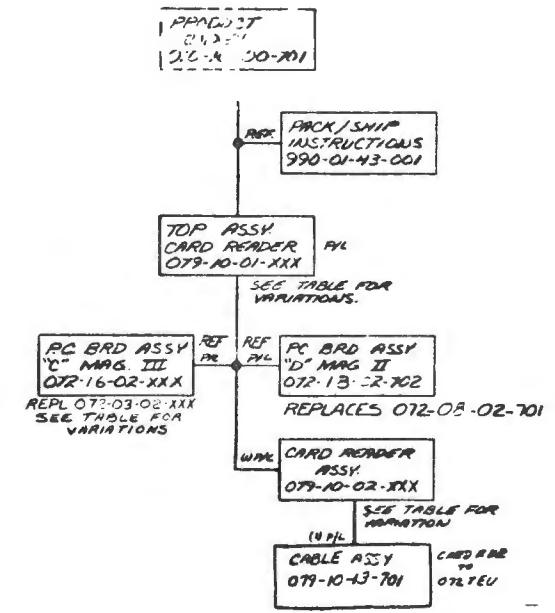
D
C
B
A

D
C
B
A

8 7 6 5 4 3 2 1

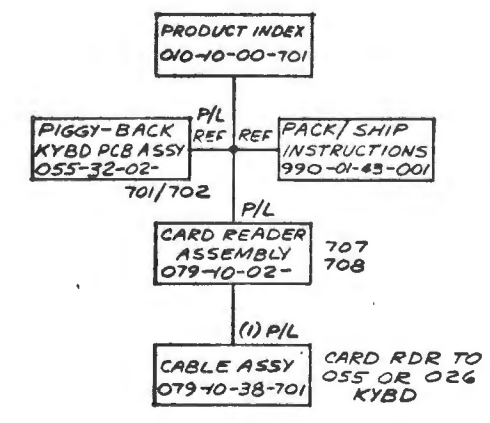
		6 STRATHMORE ROAD NATICK, MASSACHUSETTS 01760	
This document is the property of INCOTERM CORPORATION and is delivered on the express condition that it is not to be distributed, reproduced in whole or in part, or used for manufacture for anyone other than INCOTERM Corporation without its written consent and that no right is granted to disclose or to use any information obtained in said document. This restriction does not limit the right to use information obtained from another source.			
DRAWN D Ugal 5/21/75	CHECKED D Ugal 5/21/75	ENGINEER D Ugal 5/21/75	APPROVED R. P. Wood 5/24/75
FIRST USED ON: 010-10-00-701		SCALE: NONE	SHEET: 1 OF 1
DOCUMENT TREE PIN PAD KYBD 001		DOCUMENT NUMBER D 077-10-00	REV C

REVISION HISTORY			
REVISION	DESCRIPTION OF CHANGE	CHK	APPD
A	RELEASED/FC#1216		
B	REVISED/ECO 5176		
C	REVISED/ECO 5277 11.15.75		
D	REVISED/ECO 5622 6.18.76		
E	REVISED/ECO 5669 3.4.76		
F	REVISED/ECO #8175 3.31.77		



TOP ASSY	MODEL NO.	DESCRIPTION	P.C. BRD ASSY "C" MAG. III	CARD READER ASSY
079-10-01	701	READS ABA/ATA TRACK USE WITH 076 KYBD	072-16-02-701	079-10-02-701
	702	READS ABA/THRIFT TRACK USE WITH 076 KYBD	072-16-02-702	079-10-02-702
	703	READS ABA/ATA TRACK USE WITH 067080 KYBD	072-16-02-701	079-10-02-701
	704	READS ABA/THRIFT TRACK USE WITH 067080 KYBD	072-16-02-702	079-10-02-702
	705	READS ABA/ATA TRACK USE WITH 055 KYBD	072-16-02-701	079-10-02-701
	706	READS ABA/THRIFT TRACK USE WITH 055 KYBD	072-16-02-702	079-10-02-702

USE WITH TEU

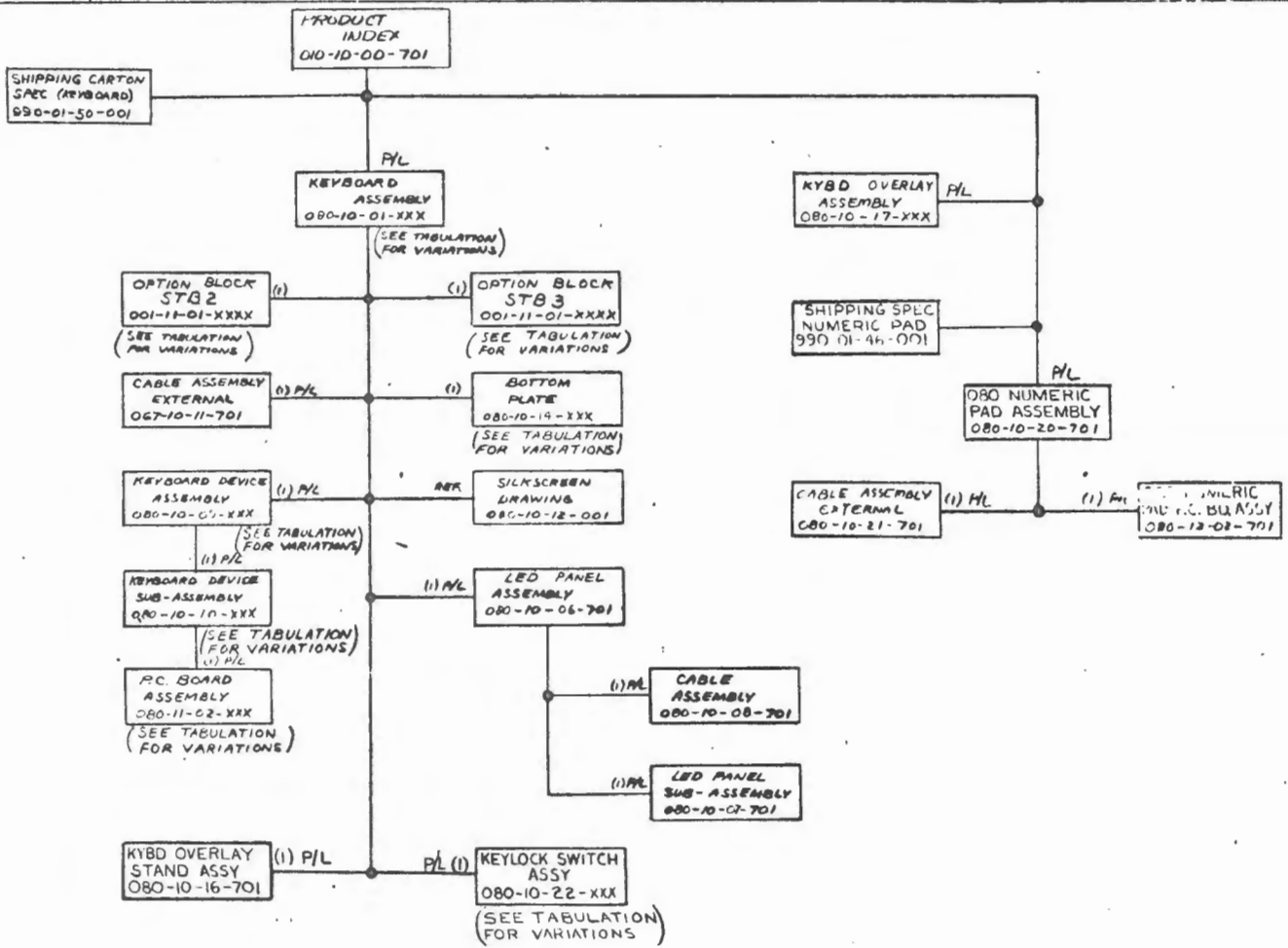


TOP ASSY	MODEL NO.	DESCRIPTION
079-10-02	707	READS ABA/ATA TRACKS USE WITH 055/026 KYBD
	708	READS ABA/THRIFT TRACKS USE WITH 055/026 KYBD

USE WITH 055 & 026 KYBDS WITH 055-32-02 PIGGY-BACK PCB

ITEM NO.	PART/ASSY. NO.	DESCRIPTION	701	702	703	704	705	706	707
			ASSEMBL. QUANTITIES						
			8 STRATHMORE ROAD WILMINGTON, MASSACHUSETTS 01973						
"This document is the property of INCOTERM CORPORATION and is delivered on the express condition that it is not to be disclosed, reproduced in whole or in part, or used for manufacture for anyone other than INCOTERM Corporation without its written consent, and that no right is granted to disclose or to use any information obtained in said document. This restriction does not limit the right to use information obtained from another source."			TITLE DOCUMENT TREE CARD READER			001			
DRAWN: D. WOGEL DATE: 10-25-75 CHECKED: D. WOGEL DATE: 10-25-75 ENGINEER: D. WOGEL DATE: 10-25-75 APPROVED: D. WOGEL DATE: 10-25-75 FIRST USED ON: 10-10-00-701			SCALE: 1/1			DOCUMENT NUMBER D 079-10-00			
			SHT. 1 OF 1						

MODEL NUMBER	FUNCTIONAL DESCRIPTION	OPTION BLOCK STB2	OPTION BLOCK STB3	BOTTOM PLATE	KEYBOARD DEV. ASSY	KEYBOARD DEV. SUB-ASSY	PC BRD. ASSY.	KEYLOCK SWITCH ASSY	
701	K80-01	UPPERCASE-KEY 67 MODE; KEY 40, 51 SHIFT; KEY 27 NON-ENCODED SHIFT LOCK; KEY 52-76 SHIFT INTO LOWER CASE CODES	001-11-01-1337	001-11-01-996	080-10-14-001	080-10-09-701	080-10-10-703	080-11-02-701	080-10-22-701
702	K80-02	UPPERCASE-KEY 67 ENCODED; KEY 40, 51 SHIFT; KEY 27 NON-ENCODED SHIFT LOCK; KEY 52-76 SHIFT INTO LOWER CASE CODES		001-11-01-998					
703	K80-03	UPPERCASE-KEY 67 ENCODED; KEY 40, 51 SHIFT; KEY 27 NON-ENCODED SHIFT LOCK; KEY 52-76 SHIFT VIA BIT B		001-11-01-1021					
704	K80-04	UPPERCASE-KEY 67 ENCODED; KEY 40, 51 SHIFT; KEY 27 NON-ENCODED SHIFT LOCK; KEY 52-76 SHIFT INTO LOWER CASE CODES PLUS BIT B		001-11-01-1020					
705	K80-05	UPPER-LOWER CASE-KEY 67 MODE; KEY 40, 51 SHIFT; KEY 27 NON-ENCODED SHIFT LOCK; KEY 52-76 NON-SHIFTABLE		001-11-01-999					
706	K80-06	UPPER-LOWER CASE-KEY 67 ENCODED; KEY 40, 51 SHIFT; KEY 27 NON-ENCODED SHIFT LOCK; KEY 52-76 NON-SHIFTABLE		001-11-01-1001					
707	K80-07	UPPER-LOWER CASE-KEY 67 ENCODED; KEY 40, 51 SHIFT; KEY 27 NON-ENCODED SHIFT LOCK; KEY 52-76 SHIFT VIA BIT B		001-11-01-1000	080-10-09-701	080-10-10-703			
708	K80-08	UPPERCASE-KEY 67 MODE; KEY 40, 51, 27 ENCODED; KEY 52-76 NON-SHIFTABLE		001-11-01-1030	080-10-09-702	080-10-10-704			
709	K80-09	UPPERCASE-KEY 67, 40, 51, 27 ENCODED; KEY 52-76 NON-SHIFTABLE		001-11-01-1002	080-10-09-702	080-10-10-704			
710	K80-10	UPPERCASE-KEY 67 ENCODED; KEY 40, 51 SHIFT; KEY 27 ENCODED; KEY 52-76 SHIFT INTO LOWER CASE CODES	001-11-01-1337	001-11-01-1028	080-10-14-001	080-10-09-702	080-10-10-703	080-11-02-701	080-10-22-701
711									
712									
713									
714	K80-14	SAME AS 702 EXCEPT LEFT HAND LIGHT IS ON WHEN IN SHIFT MODE	001-11-01-1339	001-11-01-998	080-10-14-001	080-10-09-701	080-10-10-703	080-11-02-701	080-10-22-701
715									
716									
717									
718									
719									
720									
721	K80-21	SAME AS 710 EXCEPT WITH TWO KEYLOCK SWITCHES WITH LEFT HAND KEYLOCK MODIFIED WITH LIGHT SET BY ADDITION OF BIT B	001-11-01-1337	001-11-01-1028	080-10-14-001	080-10-09-704	080-10-10-706	080-11-02-703	080-10-22-701
750	K80-50	UPPER LOWER CASE KEY 67 ENCODED; KEY 40 SHIFT KEY; KEY 51 ENCODED; KEY 27 NON-ENCODED SHIFT LOCK; KEYS 52-76 SHIFT VIA BIT B LEFT HAND LED ON IN SHIFT MODE	001-11-01-1410	001-11-01-1000	080-10-14-001	080-10-09-701	080-10-10-703	080-11-02-701	080-10-22-701
722	K80-22	UPPER CASE KEY 67 ENCODED; KEY 27 SHIFT KEY; KEY 40 SHIFT KEY; KEY 51 SHIFT; ALL KEYS SHIFT VIA BIT B	001-11-01-1337	001-11-01-1434	080-10-14-001	080-10-09-705	080-10-10-703	080-11-02-701	080-10-22-701
751	K80-51	SAME AS 710 EXCEPT WITH MOD FOR NON-REFRESHED LIGHTS	001-11-01-1337	001-11-01-1028	080-10-14-001	080-10-09-707	080-10-10-708	080-11-02-703	080-10-22-701



INCOTERM
4 STRATHMORE ROAD
WATFORD, WEST MICHIGAN 48090

DESCRIPTION
COMPACT 20/20
KEYBOARD 001

REV. NO. 01
REV. DATE 10/15/77
REV. BY J. W. H. / J. W. H.

REV. NO. 02
REV. DATE 10/15/77
REV. BY J. W. H. / J. W. H.

REV. NO. 03
REV. DATE 10/15/77
REV. BY J. W. H. / J. W. H.

REV. NO. 04
REV. DATE 10/15/77
REV. BY J. W. H. / J. W. H.

REV. NO. 05
REV. DATE 10/15/77
REV. BY J. W. H. / J. W. H.

REV. NO. 06
REV. DATE 10/15/77
REV. BY J. W. H. / J. W. H.

REV. NO. 07
REV. DATE 10/15/77
REV. BY J. W. H. / J. W. H.

REV. NO. 08
REV. DATE 10/15/77
REV. BY J. W. H. / J. W. H.

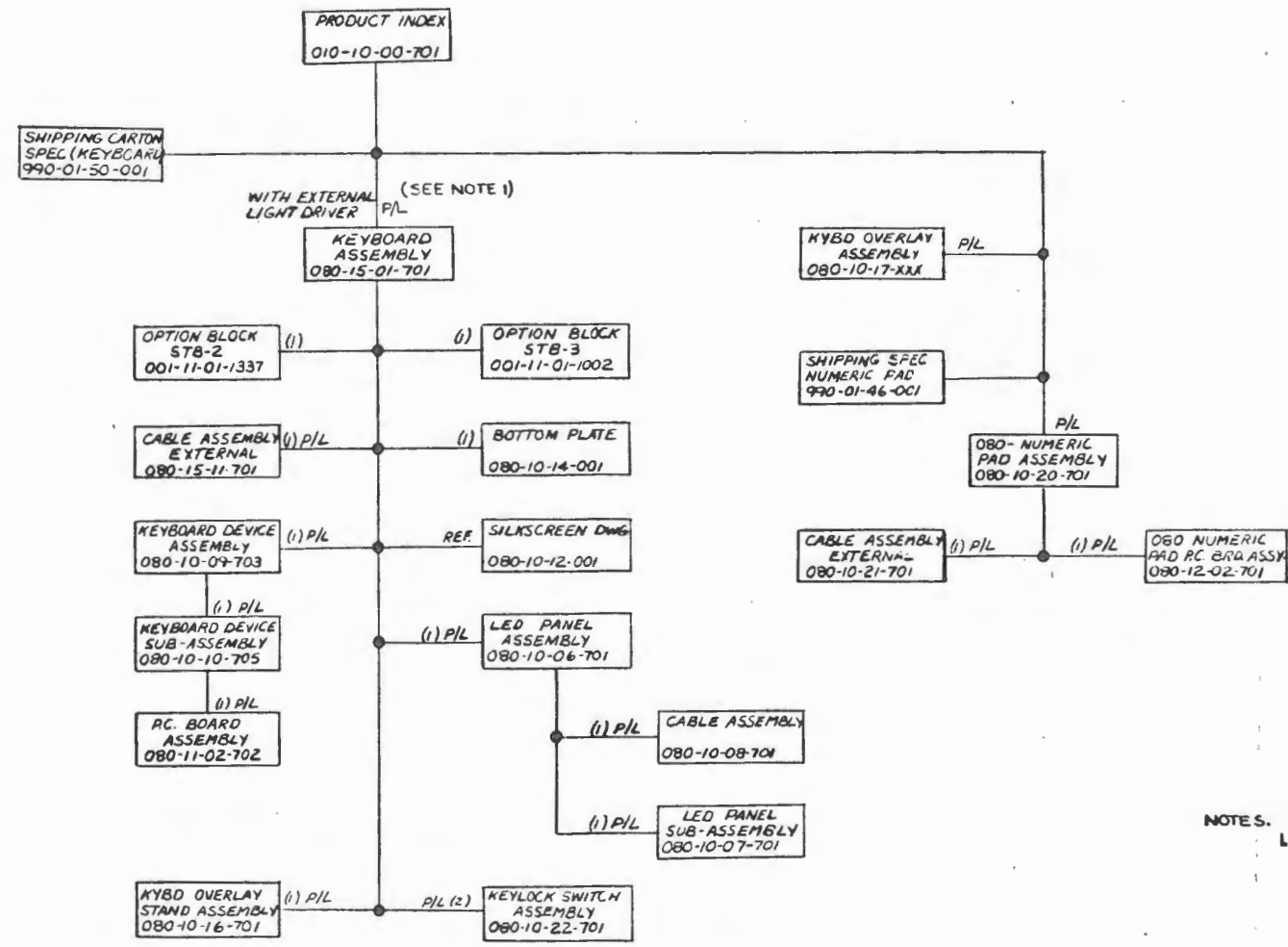
REV. NO. 09
REV. DATE 10/15/77
REV. BY J. W. H. / J. W. H.

REV. NO. 10
REV. DATE 10/15/77
REV. BY J. W. H. / J. W. H.

REVISION HISTORY

REV. NO.	DATE	DESCRIPTION
A	10/15/77	RELEASED/ND/020
B	10/15/77	REVISED/ECO 5411
C	10/15/77	REVISED/ECO 5410
D	10/15/77	REVISED/ECO 5382
E	10/15/77	REVISED/ECO 5276
F	10/15/77	REVISED/ECO 5442
G	10/15/77	REVISED/ECO 5508
H	10/15/77	REVISED/ECO 5574
I	10/15/77	REVISED/ECO 5825
J	10/15/77	REVISED/ECO 5979
K	10/15/77	REVISED/ECO 5948
L	10/15/77	REVISED/ECO 5948
M	10/15/77	REVISED/ECO 5961
N	10/15/77	REVISED/ECO 5961
O	10/15/77	REVISED/ECO 5961
P	10/15/77	REVISED/ECO 5961
Q	10/15/77	REVISED/ECO 5961
R	10/15/77	REVISED/ECO 5961
S	10/15/77	REVISED/ECO 5961
T	10/15/77	REVISED/ECO 5961
U	10/15/77	REVISED/ECO 5961
V	10/15/77	REVISED/ECO 5961
W	10/15/77	REVISED/ECO 5961
X	10/15/77	REVISED/ECO 5961
Y	10/15/77	REVISED/ECO 5961
Z	10/15/77	REVISED/ECO 5961

REVISION HISTORY			
REVISION	DESCRIPTION OF CHANGE	CHK	APPD

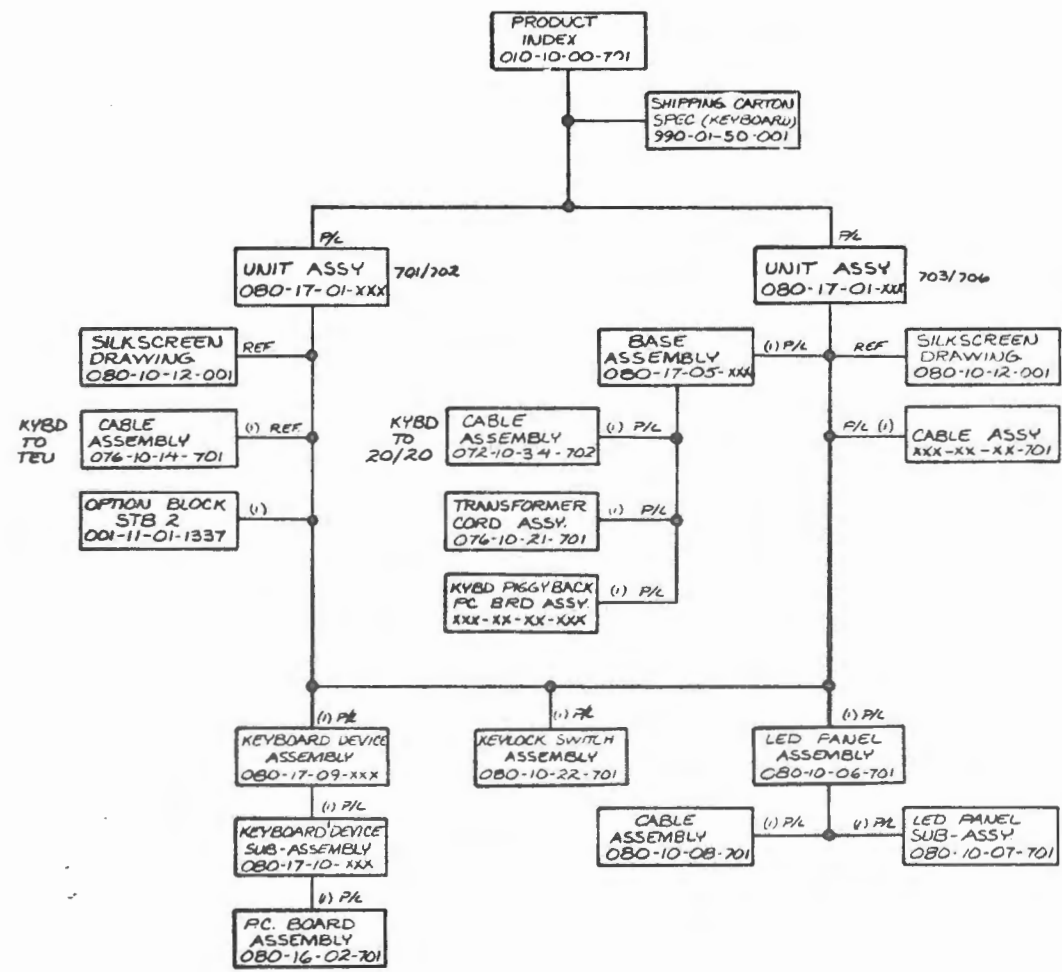


NOTES.
 1 THIS KEYBOARD IS SIMILAR TO 080-10-01-XXX AND USES THE SAME ARTWORK.

ITEM NO.	PART/ASSY. NO.	DESCRIPTION	701	702	703	704	705	706	707
			ASSEMBL. QUANTITIES						
INCOTERM CORPORATION 4 STRATHMORE ROAD BARTICK, MASSACHUSETTS 01174									
"This document is the property of INCOTERM CORPORATION and is delivered on the express condition that it is not to be enclosed, reproduced in whole or in part, or used for manufacture for anyone other than INCOTERM Corporation without its written consent, and that no right is granted to disclose or to use any information obtained in said document. This restriction does not limit the right to use information obtained from another source."		DATE OF ISSUE: 08/08/70 DRAWN BY: J. J. J. CHECKED BY: J. J. J. ENGINEER: J. J. J. APPROVED: J. J. J. FIRST USED ON:	TITLE COMP VIDEO AUX DISPLAY W/LIGHT DRIVER	SIZE D	DOCUMENT NUMBER 080-10-00	SHEET 2 OF 2			

D
C
B
A

REVISION HISTORY			
REVISION	DESCRIPTION OF CHANGE	CHK	APPD



OPTION BLOCK STB 2	OPTION BLOCK STB 3	USE IN						FUNCTIONAL DESCRIPTION
		080-17-01-701	080-17-01-702	080-17-01-703	080-17-01-704	080-17-01-705	080-17-01-706	
001-11-01-1337*	001-11-01-79A	X		X		X		UPPER CASE KEY 67 MODE; KEY 40 S1 SHIFT; KEY 27 NON-ENCODED SHIFT LOCK; KEY 52-76 SHIFT INTO UPPER CASE CODES
	001-11-01-998	X		X		X		UPPER CASE KEY 67 ENCODED; KEY 40 S1 SHIFT; KEY 27 NON-ENCODED SHIFT LOCK; KEY 52-76 SHIFT INTO LOWER CASE CODES
	001-11-01-1021	X		X		X		UPPER CASE KEY 67 ENCODED; KEY 40 S1 SHIFT; KEY 27 NON-ENCODED SHIFT LOCK; KEY 52-76 SHIFT VIA BIT B
	001-11-01-1020	X		X		X		UPPER CASE KEY 67 ENCODED; KEY 40 S1 SHIFT; KEY 27 NON-ENCODED SHIFT LOCK; KEY 52-76 SHIFT INTO LOWER CASE CODES PLUS BIT B
	001-11-01-999	X		X		X		UPPER LOWER CASE KEY 67 MODE; KEY 40 S1 SHIFT; KEY 27 NON-ENCODED SHIFT LOCK; KEY 52-76 NON-SHIFTABLE
	001-11-01-1001	X		X		X		UPPER LOWER CASE KEY 67 ENCODED; KEY 40 S1 SHIFT; KEY 27 NON-ENCODED SHIFT LOCK; KEY 52-76 NON-SHIFTABLE
	001-11-01-1000	X		X		X		UPPER LOWER CASE KEY 67 ENCODED; KEY 40 S1 SHIFT; KEY 27 NON-ENCODED SHIFT LOCK; KEY 52-76 SHIFT VIA BIT A
	001-11-01-1030		X	X		X		UPPER CASE KEY 67 MODE; KEY 40, 51, 27 ENCODED; KEY 52-76 NON-SHIFTABLE
	001-11-01-1002		X	X		X		UPPER LOWER CASE KEY 67 ENCODED; KEY 40, 51 SHIFT; KEY 27 NON-ENCODED SHIFT LOCK; KEY 52-76 SHIFT VIA BIT A
001-11-01-1337*	001-11-01-1028		X	X		X		UPPER CASE KEY 67 ENCODED; KEY 40 S1 SHIFT; KEY 27 ENCODED; KEY 52-76 SHIFT INTO LOWER CASE CODES

* 001-11-01-1337 OPTION CAUSES LED 7 & 8 TO DISPLAY DATA FROM TEU. THE FOLLOWING OPTION BLOCKS MAY BE USED FOR STB 2.

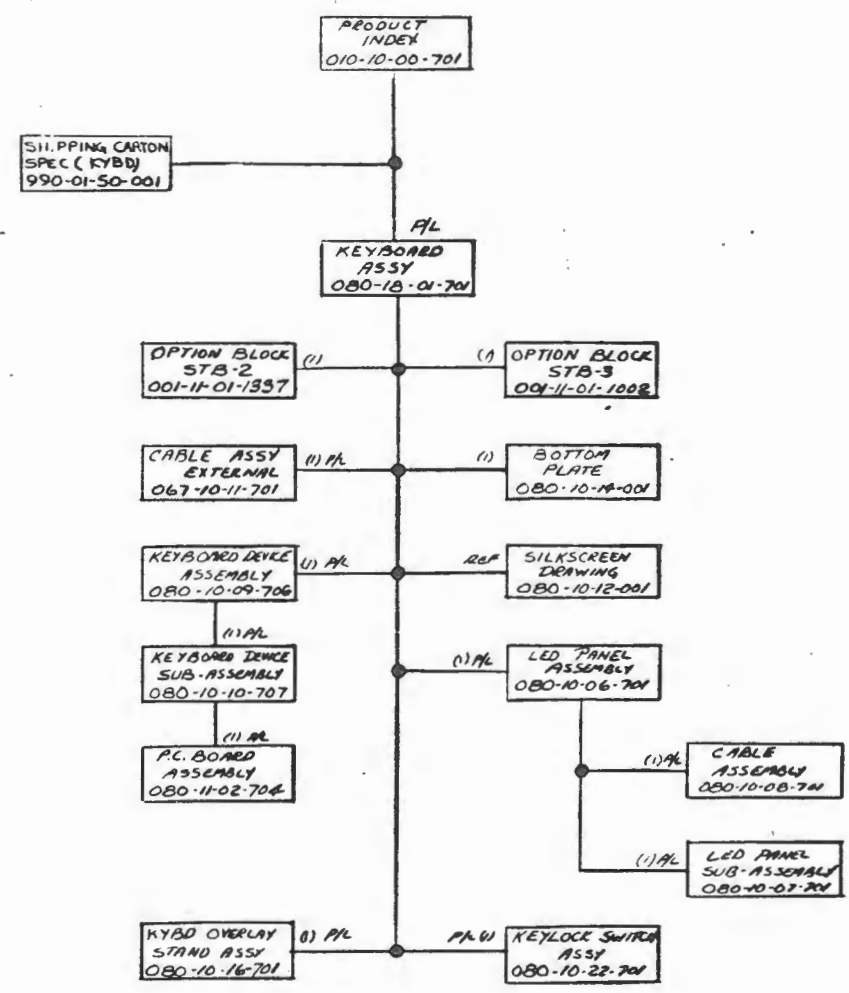
OPTION BLOCK	FUNCTION DESCRIPTION
001-11-01-1443	LED 7 ON WITH BIT 7
001-11-01-1459	KEY 51 PARALLEL WITH KEY 40 LED 8 ON WITH KEY SHIFTED LED 7 ON WITH KEYBOARD LOCKED

ALPHANUMERIC KEYBOARD							
UNIT ASSEMBLY	MODEL NO.	DESCRIPTION	KEYBOARD DEVICE ASSEMBLY	KEYBOARD DEVICE SUB-ASSY	CABLE ASSEMBLY	BASE ASSEMBLY	KYBD PIGGYBACK PC BRD ASSY
080-17-01-701		EBCIDIC KEYBOARD - TEU COMPATIBLE	080-17-09-701	080-17-10-701	---	---	---
080-17-01-702		PARS KEYBOARD - TEU COMPATIBLE	080-17-09-702	080-17-10-702	---	---	---
080-17-01-703		EBCIDIC KEYBOARD - 20/20 COMPATIBLE WITH POWER SUPPLY	080-17-09-703	080-17-10-703	067-15-07-701	080-17-05-701	067-17-02-701
080-17-01-704		PARS KEYBOARD - 20/20 COMPATIBLE WITH POWER SUPPLY	080-17-09-704	080-17-10-704	067-15-07-701	080-17-05-701	067-17-02-701
080-17-01-705		SAME AS 703 EXCEPT ALSO TEU PROGRAM COMPATIBLE	080-17-09-705	080-17-10-705	076-10-13-702	080-17-05-701	076-03-02-701
080-17-01-706		SAME AS 704 EXCEPT ALSO TEU PROGRAM COMPATIBLE	080-17-09-706	080-17-10-706	076-10-13-702	080-17-05-701	076-03-02-701

ITEM NO.	PART/ASSY. NO.	DESCRIPTION	701	702	703	704	705	706	707
			ASSEMBLY QUANTITIES						
			6 STRATHMORE ROAD WILMINGTON, MASSACHUSETTS 01973						
<small>This document is the property of INCOTERM CORPORATION and is loaned on the express condition that it is not to be disclosed, reproduced in whole or in part, or used for manufacture for anyone other than INCOTERM Corporation without its written consent, and that no right is granted to disclose or use any information obtained in said document. This restriction does not limit the right to use information obtained from another source.</small>			TITLE DOCUMENT TREE 80 COMPACT KEYBOARD			DOCUMENT NUMBER 001			
DRAWN	DATE	SIZE	DATE	SIZE	DATE	SIZE	DATE	SIZE	DATE
CHECKED	DATE	SIZE	DATE	SIZE	DATE	SIZE	DATE	SIZE	DATE
ENGINEER	DATE	SIZE	DATE	SIZE	DATE	SIZE	DATE	SIZE	DATE
APPROVED	DATE	SIZE	DATE	SIZE	DATE	SIZE	DATE	SIZE	DATE
FIRST USED ON	SCALE	SHT. 3 OF 4							

8 7 6 5 4 3 2 1

REVISION HISTORY			
REVISION	DESCRIPTION OF CHANGE	CHK	APPD



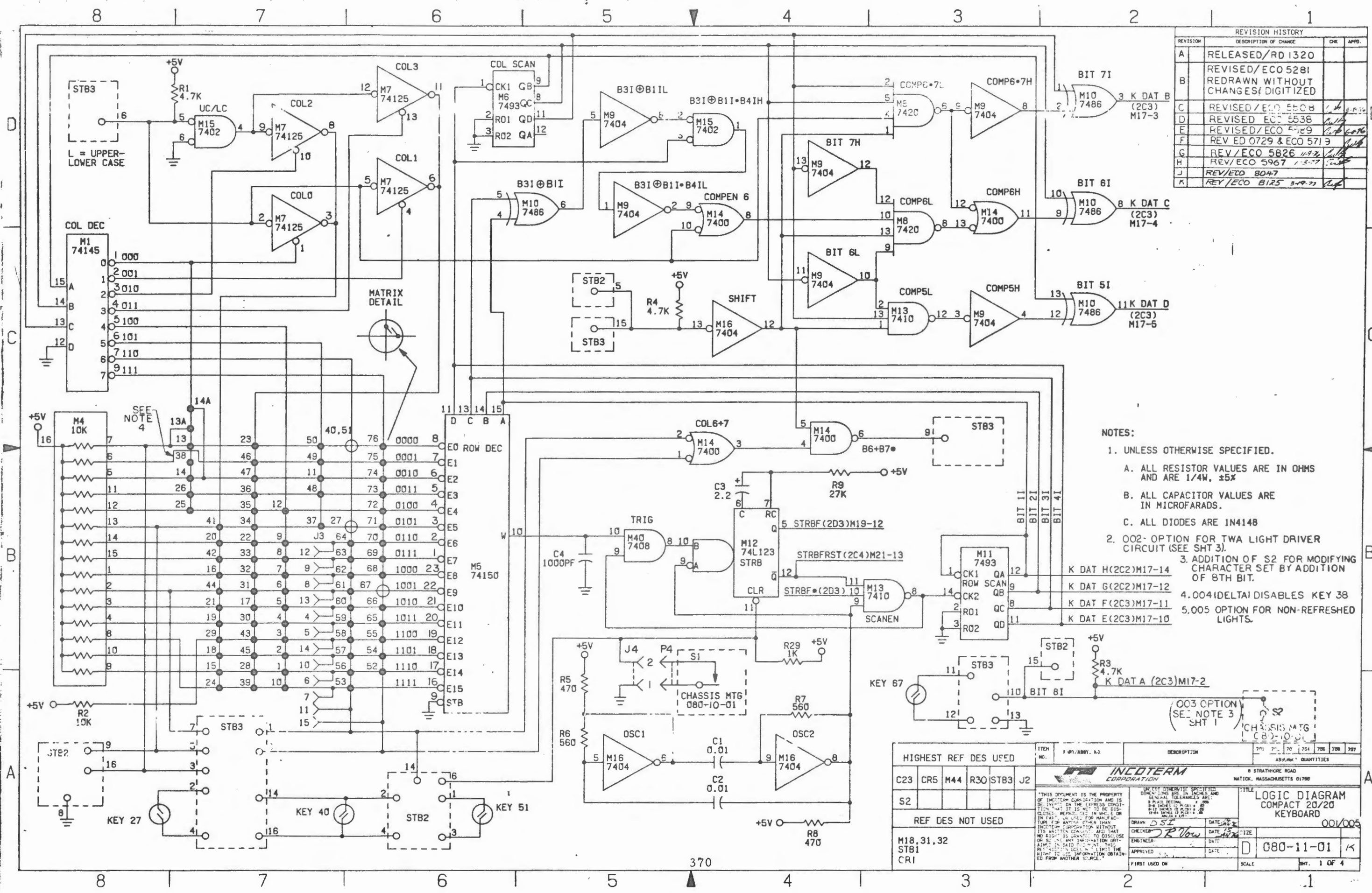
D
C
B
A

D
C
B
A

ITEM NO.	PART/ASSY. NO.	DESCRIPTION	701	702	703	704	705	706	707
			ASSEMBLY QUANTITIES						
			65 WALNUT STREET WELLESLEY HILLS, MASSACHUSETTS 02181						
<small>"This document is the property of INCOTERM CORPORATION and is delivered on the express condition that it is not to be disclosed, reproduced in whole or in part, or used for manufacture for anyone other than INCOTERM Corporation without its written consent, and that no right is granted to disclose or to use any information obtained in said document. This restriction does not limit the right to use information obtained from another source."</small>			<small>UNLESS OTHERWISE SPECIFIED DIMENSIONS ARE IN INCHES AND GENERAL TOLERANCES ARE: 2 PLACE DECIMALS = .005 3 PLACE DECIMALS = .002 4 PLACE DECIMALS = .001 ANGLES ± .5°</small>		TITLE DOC TREE 080 KEYBOARD (DELTA)				
DRAWN	DATE	CHECKED	DATE	SIZE	DOCUMENT NUMBER	REV.			
ENGINEER	DATE	APPROVED	DATE	D	080-10-00	Q			
FIRST USED ON	SCALE	SHT. 4 OF 4							

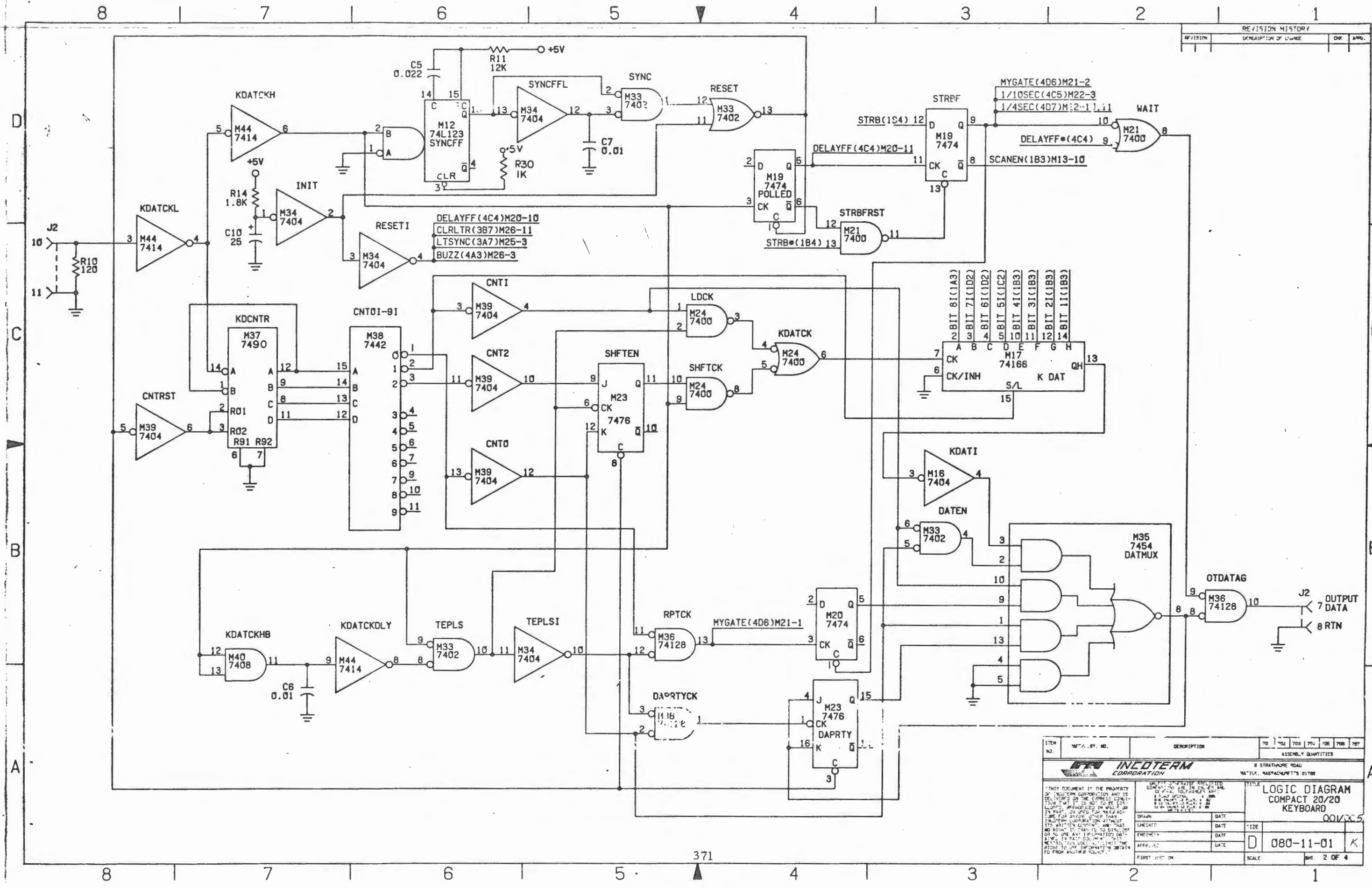
8 7 6 5 4 3 2 1

REVISION HISTORY			
REVISION	DESCRIPTION OF CHANGE	CHK	APPD.
A	RELEASED/RD 1320		
B	REVISED/ECO 5281 REDRAWN WITHOUT CHANGES/DIGITIZED		
C	REVISED/ECO 5508		
D	REVISED/ECO 5538		
E	REVISED/ECO 5589		
F	REV ED 0729 & ECO 5719		
G	REV/ECO 5826		
H	REV/ECO 5967		
J	REV/ECO 8047		
K	REV/ECO 8125		



- NOTES:
- UNLESS OTHERWISE SPECIFIED.
 - ALL RESISTOR VALUES ARE IN OHMS AND ARE 1/4W, ±5%
 - ALL CAPACITOR VALUES ARE IN MICROFARADS.
 - ALL DIODES ARE 1N4148
 - 002- OPTION FOR TWA LIGHT DRIVER CIRCUIT (SEE SHT 3).
 - ADDITION OF S2 FOR MODIFYING CHARACTER SET BY ADDITION OF 8TH BIT.
 - 004(IDELTA) DISABLES KEY 38
 - 005 OPTION FOR NON-REFRESHED LIGHTS.

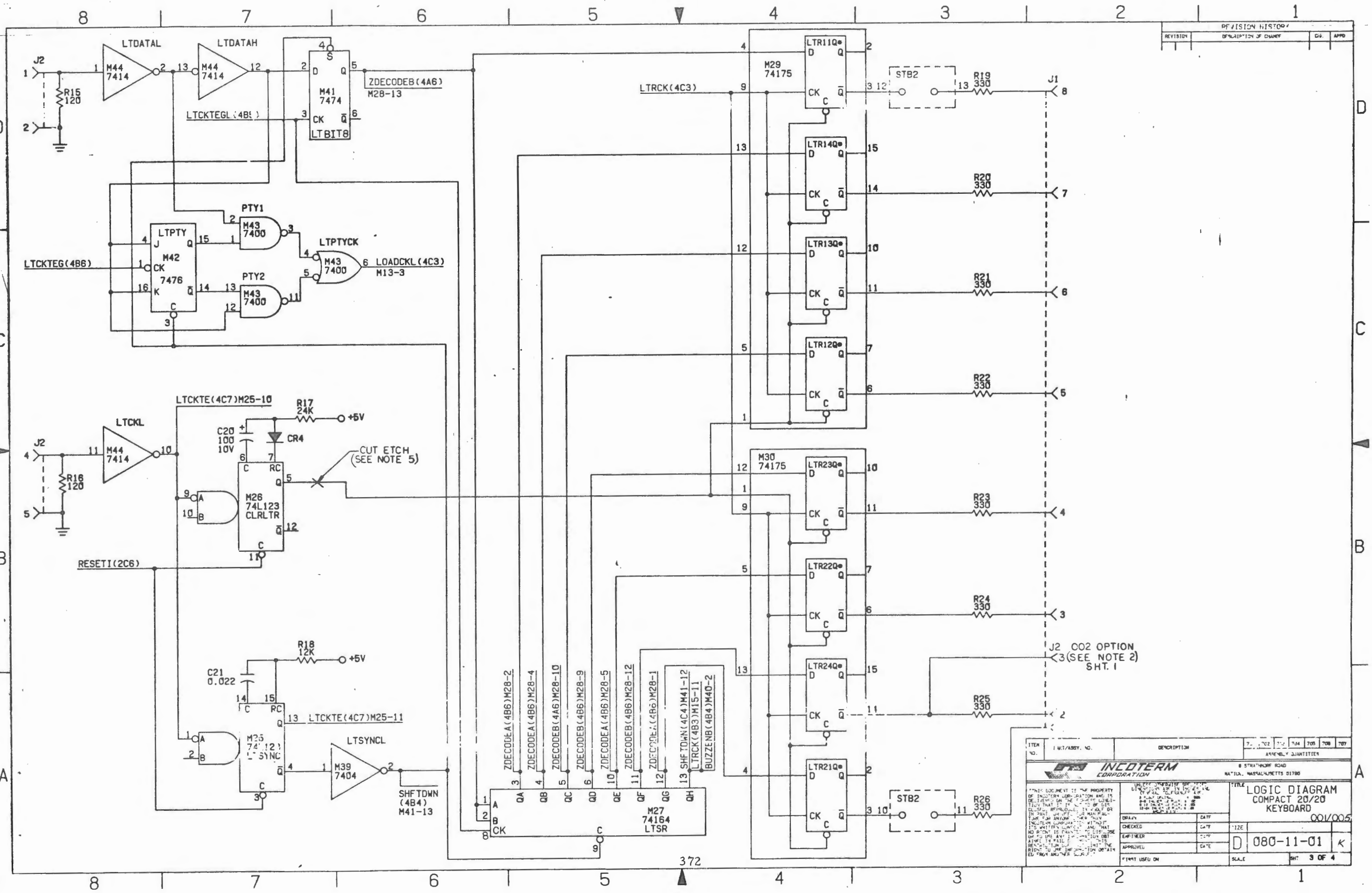
HIGHEST REF DES USED	C23 CR5 M44 R30 STB3 J2	REF DES NOT USED	M18, 31, 32 STB1 CRI
<p>INCOTERM CORPORATION 8 STRATHMORE ROAD MATTUCK, MASSACHUSETTS 01760</p>		<p>LOGIC DIAGRAM COMPACT 20/20 KEYBOARD</p>	
<p>DATE: 11/72 DRAWN: DSE CHECKED: R. Now ENGINEER: [Signature] APPROVED: [Signature]</p>		<p>DATE: 11/72 SCALE: 1 OF 4</p>	



REVISION HISTORY			
REVISION	DESCRIPTION OF CHANGE	CHK	APP.

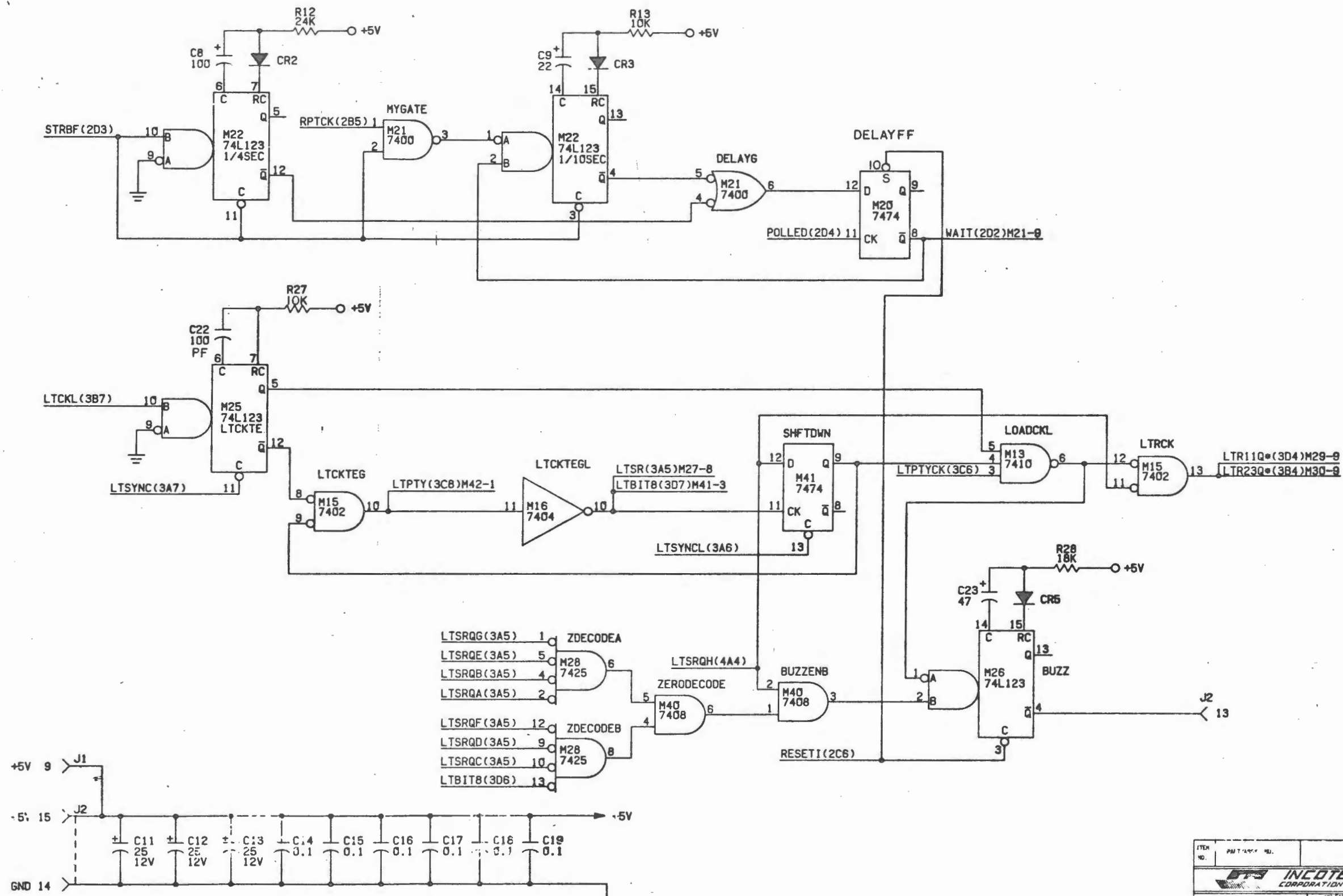
ITEM NO.	QTY	SY. NO.	DESCRIPTION	70	702	703	704	705	706	707
<p style="text-align: center;">INCOTERM CORPORATION 8 STRATHMORE ROAD MAYWOOD, MASSACHUSETTS 01708</p>										
<p>THIS DOCUMENT IS THE PROPERTY OF INCOTERM CORPORATION AND IS LOANED TO YOU BY INCOTERM CORPORATION. IT IS NOT TO BE DISTRIBUTED, REPRODUCED, COPIED, OR IN ANY MANNER USED FOR OTHER THAN THE PURPOSES FOR WHICH IT WAS LOANED TO YOU. INCOTERM CORPORATION WILL NOT BE RESPONSIBLE FOR ANY DAMAGE TO OR LOSS OF OR FROM ANY INFORMATION CONTAINED HEREIN. YOU WILL BE RESPONSIBLE FOR THE PROTECTION AND SECURITY OF THIS INFORMATION. YOU WILL BE RESPONSIBLE FOR THE PROTECTION AND SECURITY OF THIS INFORMATION.</p>				<p style="text-align: center;">LOGIC DIAGRAM COMPACT 20/20 KEYBOARD</p>						
DRAWN		DATE		SCALE		SHEET 2 OF 4				
CHECKED		DATE		SCALE		SHEET 2 OF 4				
ENGINEER		DATE		SCALE		SHEET 2 OF 4				
APPROVED		DATE		SCALE		SHEET 2 OF 4				
FIRST USED ON		DATE		SCALE		SHEET 2 OF 4				

REVISION HISTORY			
REVISION	DESCRIPTION OF CHANGE	BY	APPD



ITEM NO.	UNIT/ASSEMBLY NO.	DESCRIPTION	7-702	7-704	7-705	7-706	7-707
INCOTERM CORPORATION 8 STRATHMORE ROAD NATICK, MASSACHUSETTS 01908							
THIS DOCUMENT IS THE PROPERTY OF INCOTERM CORPORATION AND IS LOANED TO YOU BY INCOTERM CORPORATION. IT IS TO BE RETURNED TO INCOTERM CORPORATION IN ORIGINAL FORM OR IN REPRODUCTION. NO PART IS TO BE REPRODUCED OR TRANSMITTED IN ANY FORM OR BY ANY MEANS, ELECTRONIC OR MECHANICAL, INCLUDING PHOTOCOPYING, RECORDING, OR BY ANY INFORMATION STORAGE AND RETRIEVAL SYSTEM, WITHOUT THE WRITTEN PERMISSION OF INCOTERM CORPORATION. RESTRICTIONS ON THE RIGHTS TO REPRODUCE, TRANSMIT, OR STORE INFORMATION MAY BE APPLIED TO THE CONTENTS OF THIS DOCUMENT.		TITLE LOGIC DIAGRAM COMPACT 20/20 KEYBOARD		DRAWN: [] DATE: [] CHECKED: [] DATE: [] ENGINEER: [] DATE: [] APPROVED: [] DATE: [] FIRST USED ON: []			
SCALE		SHT 3 OF 4		001/005 080-11-01 K			

REVISION HISTORY			
REVISION	DESCRIPTION OF CHANGE	CHK	APP.



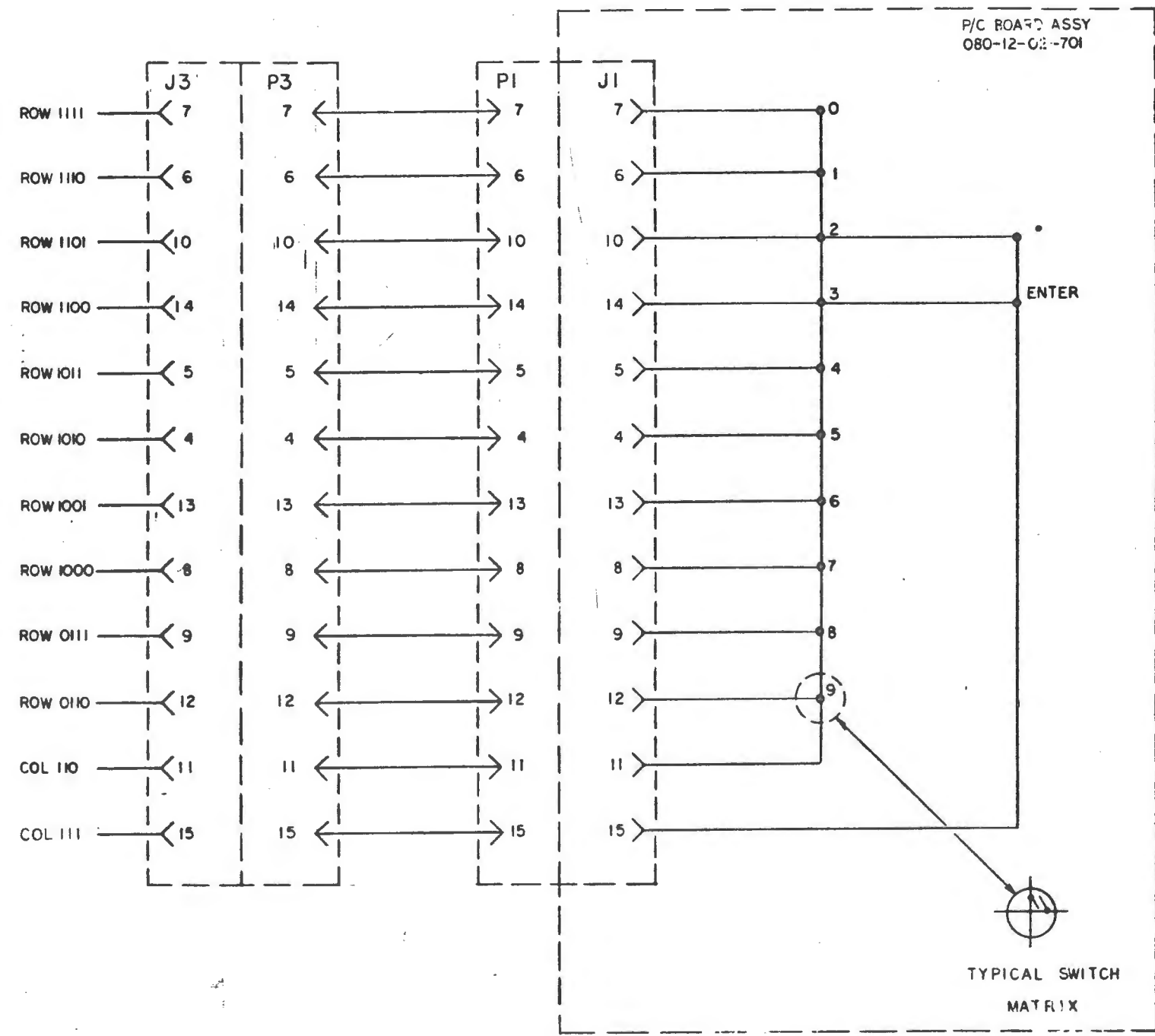
C14 THRU C19
0.1.100V

ITEM NO.	PART NAME & NO.	DESCRIPTION	TO	13	17/3	17/4	706	707
ASSEMBLY QUANTITIES								
INCOTERM CORPORATION		9 STRATHMORE ROAD MILTON, MASSACHUSETTS 01704						
*THIS DOCUMENT IS THE PROPERTY OF INCOTERM CORPORATION AND IS LOANED TO YOU UNDER THE CONDITION THAT IT IS NOT TO BE DISCLOSED, REPRODUCED, IN WHOLE OR IN PART, OR USED FOR MANUFACTURE FOR ANY OTHER COMPANY WITHOUT THE WRITTEN PERMISSION OF INCOTERM CORPORATION. NO RIGHT IS GRANTED TO DISCLOSE OR SO USE ANY INFORMATION OBTAINED IN SAID DOCUMENT. THIS RESTRICTION DOES NOT LIMIT THE RIGHT TO USE INFORMATION OBTAINED FROM ANOTHER SOURCE.			DRAWN			DATE		
			ENGINEER			DATE		
			APPROVED			DATE		
			FIRST USED ON			SCALE		
			FILE			REV. 4 OF 4		

LOGIC DIAGRAM
COMPACT 20/20
KEYBOARD
001/005

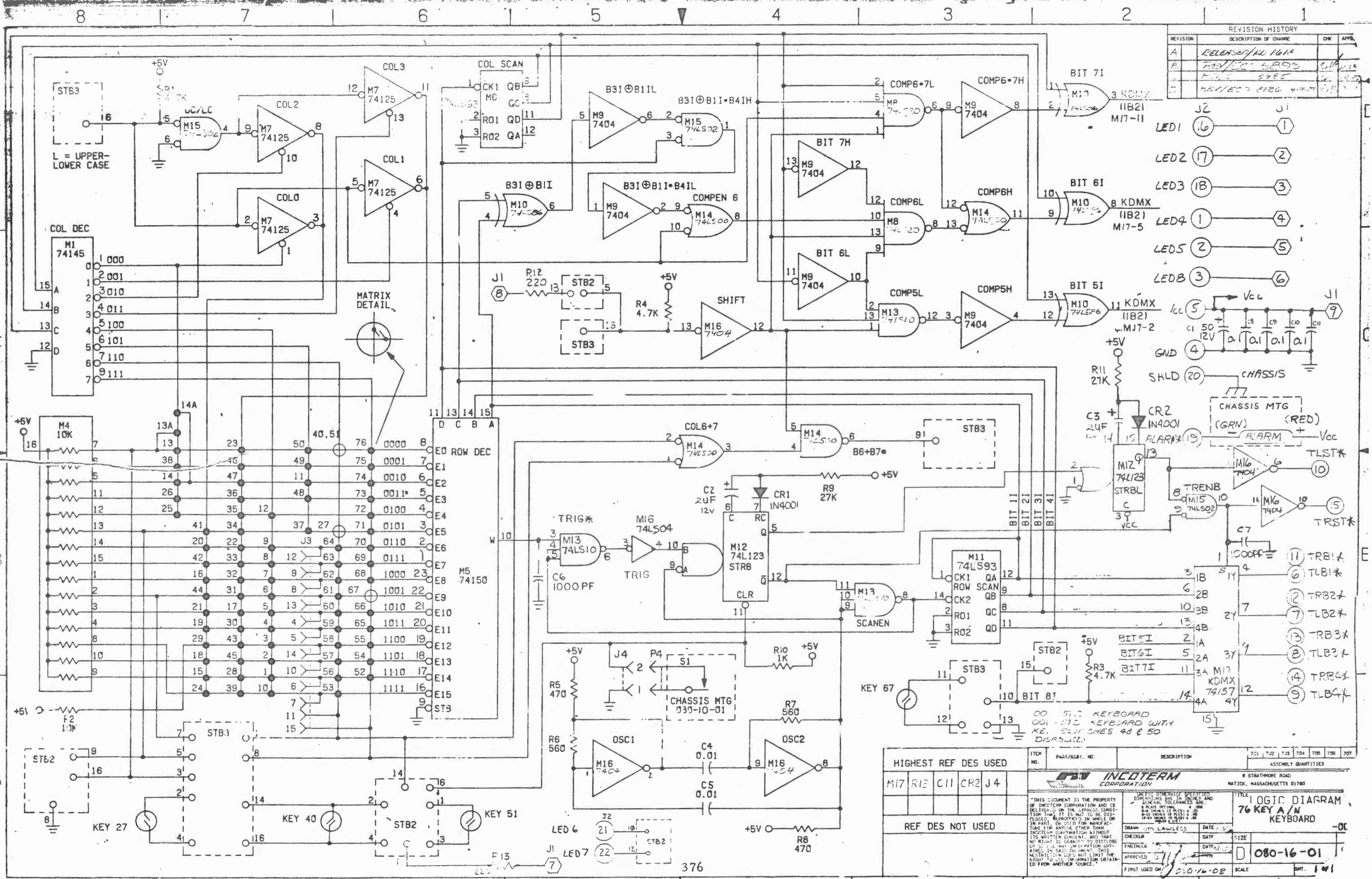
080-11-01 K

REVISION HISTORY			
REVISION	DESCRIPTION OF CHANGE	CHK	APPD
1	ENG RELEASED		
A	RELEASED/1320A		



ITEM NO	PART ASSY N°	DESCRIPTION	702 703 704 705 706 707
			ASSEMBLY QUANTITIES
		6 STRATHMORE ROAD NATICK, MASSACHUSETTS 01760	
<small>"This document is the property of INCOTERM CORPORATION and is delivered on the express condition that it is not to be disclosed, reproduced in whole or in part, or used for manufacturing for anyone other than INCOTERM Corp., even without its written consent, and that no right is granted to disclose or to use any information obtained in said document. This restriction does not limit the right to use information obtained from another source."</small>		TITLE LOGIC DIAGRAM NUMERIC PAD 001	
DRAWN	DATE	SIZE	DOCUMENT NUMBER
CHECKED	DATE	D	080-12-01A
ENGINEER	DATE		
APPROVED	DATE		
FIRST USED ON	SCALE: 2:1	SHT. 1	OF 1

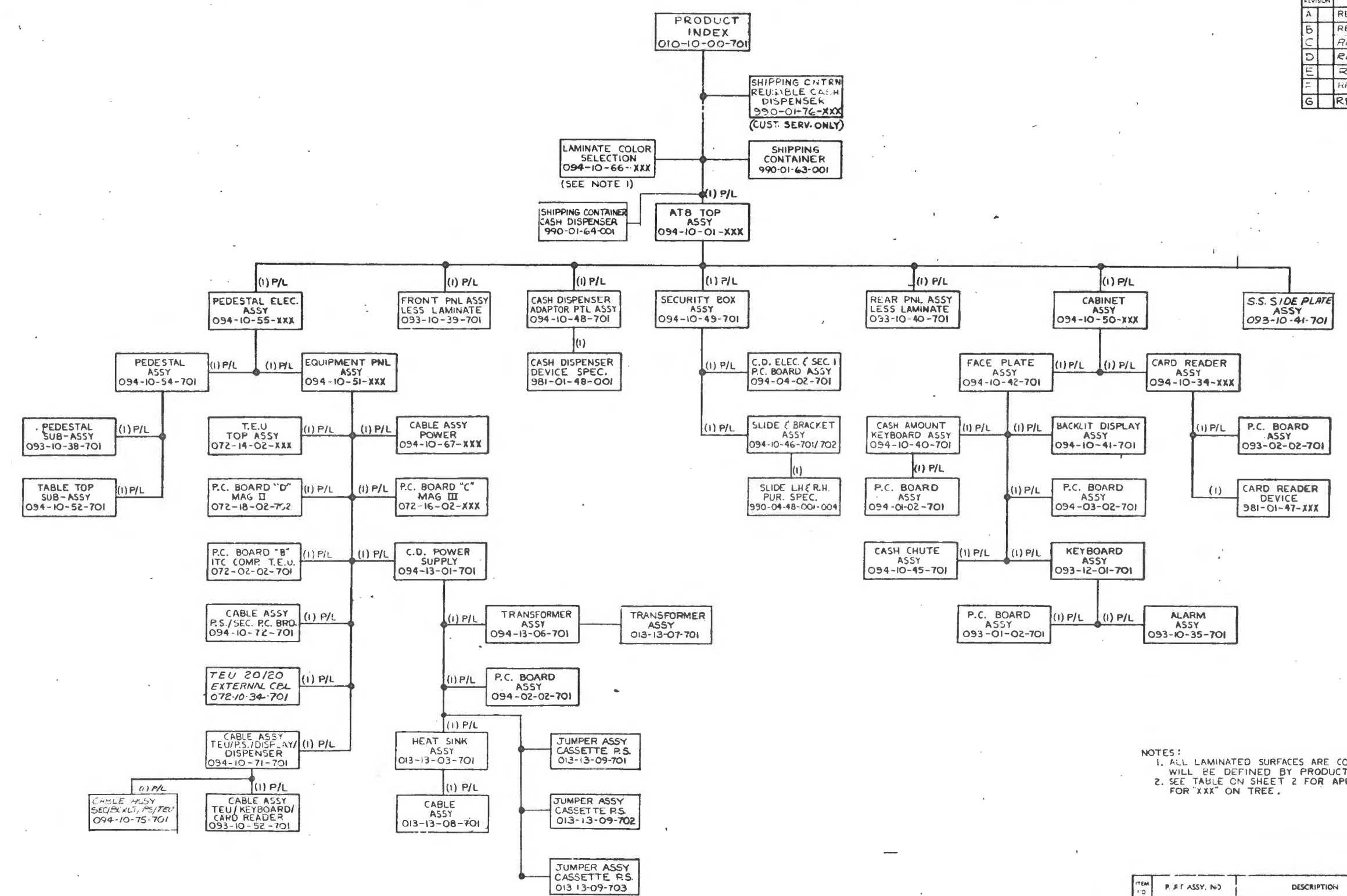
REVISION HISTORY			
REVISION	DESCRIPTION OF CHANGE	CHK	APPL
A	RELEASED/AL 1615		
B	REVISED 5893		
C	REVISED 5895		
D	REVISED 5896 447		



HIGHEST REF DES USED	ITEM NO.	PART/ASST. NO.	DESCRIPTION	701	702	703	704	705	706	707
M17	R12	C11	CR2	J4						
REF DES NOT USED										

INCOTERM CORPORATION		8 STRATHMORE ROAD MATTOK, MASSACHUSETTS 01780	
<small>THIS DOCUMENT IS THE PROPERTY OF INCOTERM CORPORATION AND IS LOANED TO YOU ON THE EXPRESS CONDITION THAT IT IS NOT TO BE DISCLOSED, REPRODUCED, IN WHOLE OR IN PART, OR USED FOR MANUFACTURE FOR ANYONE OTHER THAN INCOTERM CORPORATION WITHOUT ITS WRITTEN CONSENT, AND THAT NO RIGHT IS GRANTED TO REPRODUCE OR TO USE ANY INFORMATION CONTAINED HEREIN IN ANY MANNER. THIS RESTRICTION DOES NOT LIMIT THE RIGHT TO USE INFORMATION OBTAINED FROM ANOTHER SOURCE.</small>			
CHECKED BY	DATE	SIZE	TITLE
ENGINEER	DATE		LOGIC DIAGRAM
APPROVED			76 KEY A/N KEYBOARD
FIRST USED ON	DATE	SCALE	
20-16-02			

REVISION HISTORY			
REVISION	DESCRIPTION OF CHANGE	CHK	APPD
A	RELEASED/ RD 1/6/82		
B	REV/ECO 5700 8-19-76		
C	REV/ECO 5731 9-15-76		
D	REV/ECO 5937 12-16-76		
E	REV/ECO 8027 1-24-77		
F	REV/ECO 8577 2-20-77		
G	REV/ECO #810?		



NOTES:
 1. ALL LAMINATED SURFACES ARE COLOR SENSITIVE WHICH WILL BE DEFINED BY PRODUCT SUMMARY.
 2. SEE TABLE ON SHEET 2 FOR APPROPRIATE ASSY NO. FOR "XXX" ON TREE.

ITEM NO.	PART ASSY. NO.	DESCRIPTION	701	702	703	704	705	706	707
			ASSEMBLY QUANTITIES						
INCOTERM CORPORATION									
6 STRATHMORE ROAD NATICK, MASSACHUSETTS 01760									
DRAWN: [Signature]		DATE: [Date]		TITLE: DOCUMENT TREE AT8		REV: 001			
CHECKED: [Signature]		DATE: [Date]		SIZE: [Size]		DOCUMENT NUMBER: D 094-10-00		REV: G	
ENGINEER: [Signature]		DATE: [Date]		SCALE: [Scale]		SHEET: 1 OF 4			
APPROVED: [Signature]		DATE: [Date]		FIRST USED ON: [Date]					

8 7 6 5 4 3 2 1

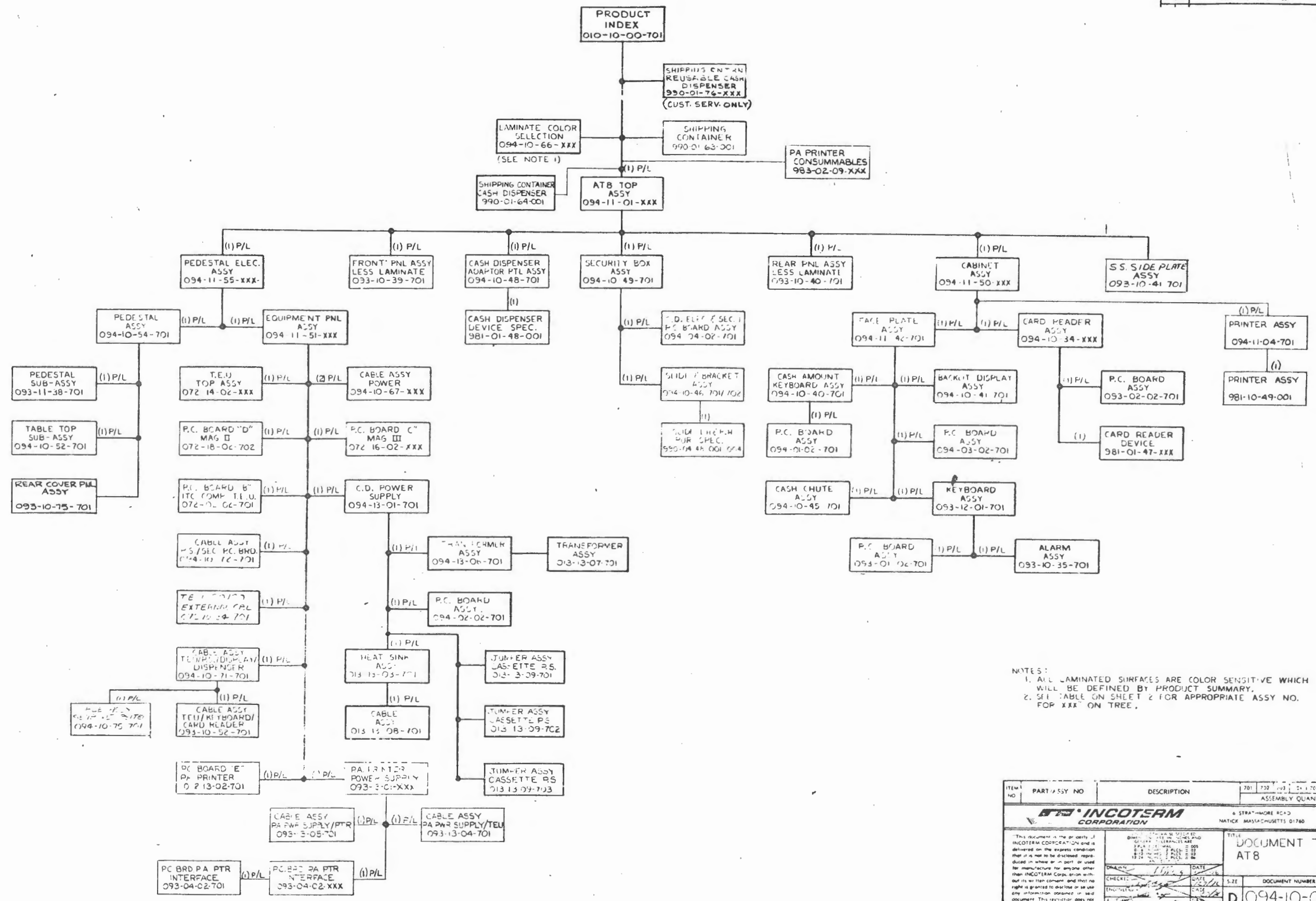
REVISION HISTORY			
REVISION	DESCRIPTION OF CHANGE	CHK	APPD

TOP ASSY	MODEL NO.	FUNCTIONAL DESCRIPTION	PEDESTAL ASSY	EQUIPMENT PANEL ASSY	T.E.U. TOP ASSY	HARNESS ASSY	P.C. BOARD "D" MAG II	P.C. BOARD "C" MAG III	CABINET ASSY	CARD READER ASSY	CARD READER DEVICE
094-10-01 WITHOUT PRINTER	701	115 V 50/60 HZ ABA CARD READER	094-10-55-701	094-10-51-701	072-14-02-701	094-10-67-701	072-18-02-701	072-16-02-701	094-10-50-701	094-10-34-701	981-01-47-001
	702	230 V 50/60 HZ ABA CARD READER	094-10-55-702	094-10-51-702	072-14-02-702	094-10-67-702	072-18-02-701	072-16-02-701	094-10-50-701	094-10-34-701	981-01-47-001
	703	115 V 50/60 HZ ABA & THRIFT CARD READER	094-10-55-703	094-10-51-703	072-14-02-701	094-10-67-701	072-18-02-702	072-16-02-702	094-10-50-702	094-10-34-702	981-01-47-002
	704	230 V 50/60 HZ ABA & THRIFT CARD READER	094-10-55-704	094-10-51-704	072-14-02-702	094-10-67-702	072-18-02-702	072-16-02-702	094-10-50-702	094-10-34-702	981-01-47-002
	705	115 V 50/60 HZ (CANADA) ABA CARD READER	094-10-55-705	094-10-51-705	072-14-02-701	094-10-67-701	072-18-02-701	072-16-02-701	094-10-50-701	094-10-34-701	981-01-47-001
	706	115 V 50/60 HZ (CANADA) ABA & THRIFT CARD READER	094-10-55-706	094-10-51-706	072-14-02-701	094-10-67-701	072-18-02-702	072-16-02-702	094-10-50-702	094-10-34-702	981-01-47-002

ITEM NO.	PART ASY. NO.	DESCRIPTION	701	702	703	704	705	706	707
			ASSEMBLY QUANTITIES						
			4 STRATHMORE ROAD NATICK, MASSACHUSETTS 01760						
This document is the property of INCOTERM CORPORATION and is delivered on the express condition that it is not to be disclosed, reproduced in whole or in part, or used for manufacture for anyone other than INCOTERM Corporation without its written consent, and that no right is granted to disclose or to use any information obtained in said document. This restriction does not limit the right to use information obtained from another source.			DRAWN: _____ DATE: _____ CHECKED: _____ DATE: _____ ENGINEER: _____ DATE: _____ APPROVED: _____ DATE: _____ FIRST USED ON: _____			DOCUMENT TREE AT8 001			
			DATE: _____ SCALE: _____		DOCUMENT NUMBER D 094-10-00		REV. G		SHT. 2 OF 4

8 7 6 5 4 3 2 1

REVISION HISTORY		
REVISION	DESCRIPTION OF CHANGE	CHK APPD



NOTES:
 1. ALL LAMINATED SURFACES ARE COLOR SENSITIVE WHICH WILL BE DEFINED BY PRODUCT SUMMARY.
 2. SEE TABLE ON SHEET 2 FOR APPROPRIATE ASSY NO. FOR XXX ON TREE.

ITEM NO.	PART / ASSY NO.	DESCRIPTION	701	702	703	704	705
INCOTERM CORPORATION 6 STRATHMORE ROAD NATICK, MASSACHUSETTS 01740							
TITLE		DOCUMENT TREE AT8					
DRAWN		DATE					
CHECKED		DATE					
ENGINEER		DATE					
FIRST USED ON		SCALE					
REV		DOCUMENT NUMBER		REV			
D		094-10-00		G			
SHEET		3 OF 4					

8 7 6 5 4 3 2 1

REVISION HISTORY			
REVISION	DESCRIPTION OF CHANGE	CHK	APPD.

TOP ASSY	FUNCTIONAL DESCRIPTION	PEDESTAL ELEC. ASSY.	EQUIPMENT PANEL ASSY.	RA PRINTER POWER SUPPLY	PRINTER INTERFACE BOARD	T.E.U. TOP ASSY.	PC BOARD 'C' MAG III	PC BOARD 'D' MAG II	CABLE ASSY POWER	CABINET ASSY	CARD READER ASSY	CARD READER DEVICE	
094-11-01 WITH PRINTER	701	115V 60 HZ ABA CARD RDR	094-11-55-701	094-11-51-701	093-13-01-701	093-04-02-702	074-14-02-701	072-16-02-701	072-18-02-701	094-10-67-701	094-11-50-701	094-10-34-701	981-01-47-001
	702	115V 50 HZ ABA CARD RDR	-702	-702	-702	-703	-701	-701	-701	-701	-701	-701	-001
	703	230V 60 HZ ABA CARD RDR	-703	-703	-701	-702	-702	-701	-701	-702	-701	-701	-001
	704	230V 50 HZ ABA CARD RDR	-704	-704	-702	-703	-702	-701	-701	-702	-701	-701	-001
	705	115V 60 HZ ABA & THRIFT CARD RDR	-705	-705	-701	-701	-701	-702	-702	-701	-702	-702	-002
	706	115V 50 HZ ABA & THRIFT CARD RDR	-706	-706	-702	-703	-701	-702	-702	-701	-702	-702	-002
	707	230V 60 HZ ABA & THRIFT CARD RDR	-707	-707	-701	-702	-702	-702	-702	-702	-702	-702	-002
	708	230V 50 HZ ABA & THRIFT CARD RDR	-708	-708	-702	-703	-702	-702	-702	-702	-702	-702	-002
	709	115V 60 HZ ABA CARD RDR (CANADA)	-709	-709	-701	-702	-701	-701	-701	-701	-701	-701	-001
	710	115V 60 HZ ABA & THRIFT CARD RDR (CANADA)	094-11-55-710	094-11-51-710	093-13-01-701	093-04-02-702	074-14-02-701	072-16-02-702	072-18-02-702	094-10-67-701	094-11-50-702	094-10-34-702	981-01-47-002

ITEM NO.	PART/ASSY. NO.	DESCRIPTION	701	702	703	704	05	706	707
INCOTERM CORPORATION 6 STRATHMORE ROAD NATICK, MASSACHUSETTS 01760									
<small>*This document is the property of INCOTERM CORPORATION and is delivered on the express condition that it is not to be disclosed, reproduced in whole or in part, or used for manufacture for anyone other than INCOTERM Corp. or on behalf of its written consent, and that no right is granted to disclose or use any information obtained in said document. This restriction does not limit the right to use information obtained from another source.</small>		<small>UNLESS OTHERWISE SPECIFIED DIMENSIONS ARE IN INCHES AND GENERAL TOLERANCES ARE: FRACTIONS: .005 DECIMALS: .015 HOLE POSITION: .010 HOLE SIZE: .010 HOLE POSITION: .010</small>		TITLE DOCUMENT TREE AT-B		REV. -001			
DRAWN	DATE	CHECKED	DATE	SIZE	DOCUMENT NUMBER	REV.			
ENGINEER	DATE	APPROVED	DATE	D	094-10-00	G			
FIRST USED ON	SCALE	SHT. 1 OF 4							

8 7 6 5 4 3 2 1

