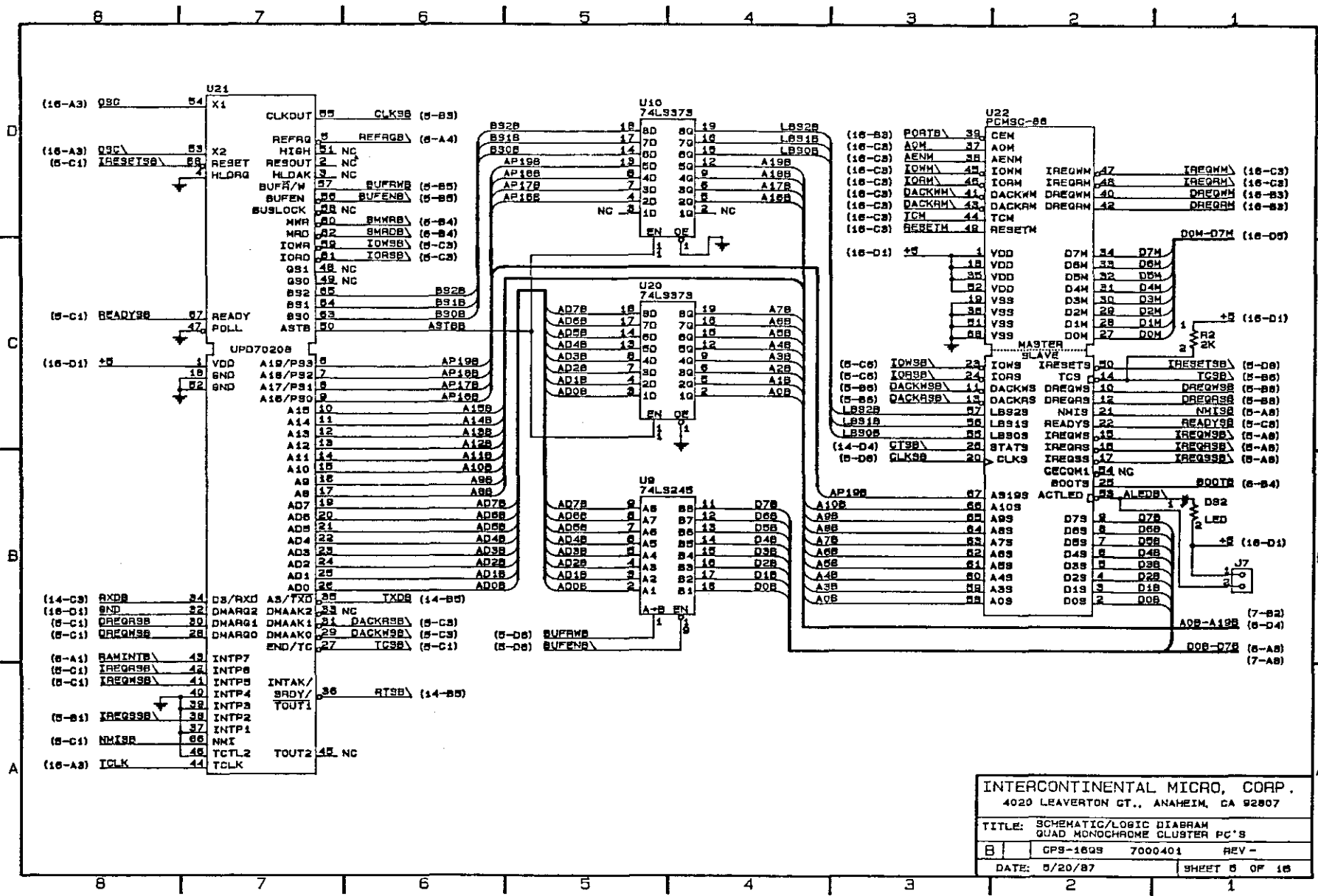


INTERCONTINENTAL MICRO, CORP.
 4020 LEAVERTON CT., ANAHEIM, CA 92807

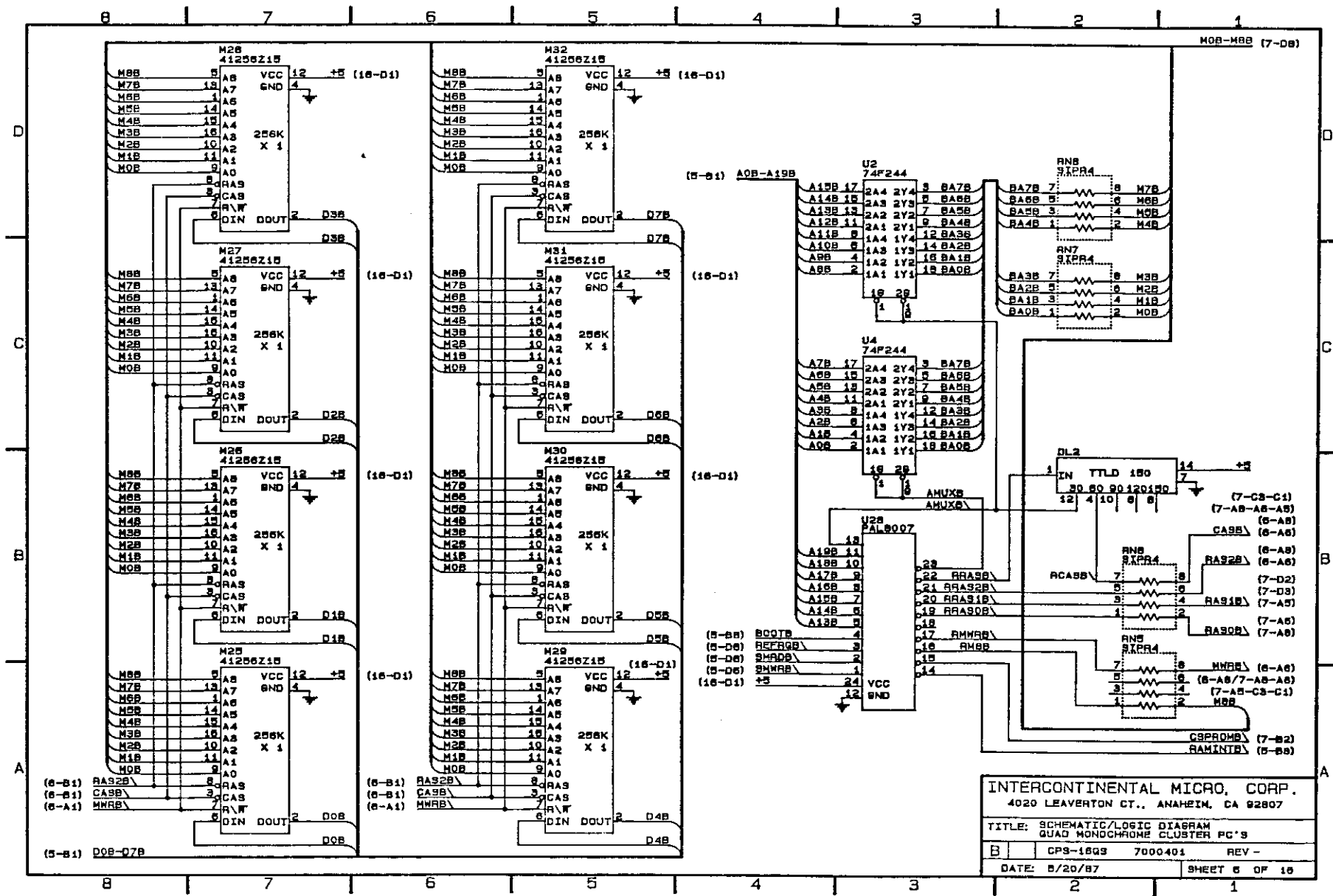
TITLE: SCHEMATIC/LOGIC DIAGRAM
 QUAD MONOCHROME CLUSTER PC'S

B CPS-16QS 7000401 REV -

DATE: 5/20/87 SHEET 4 OF 16



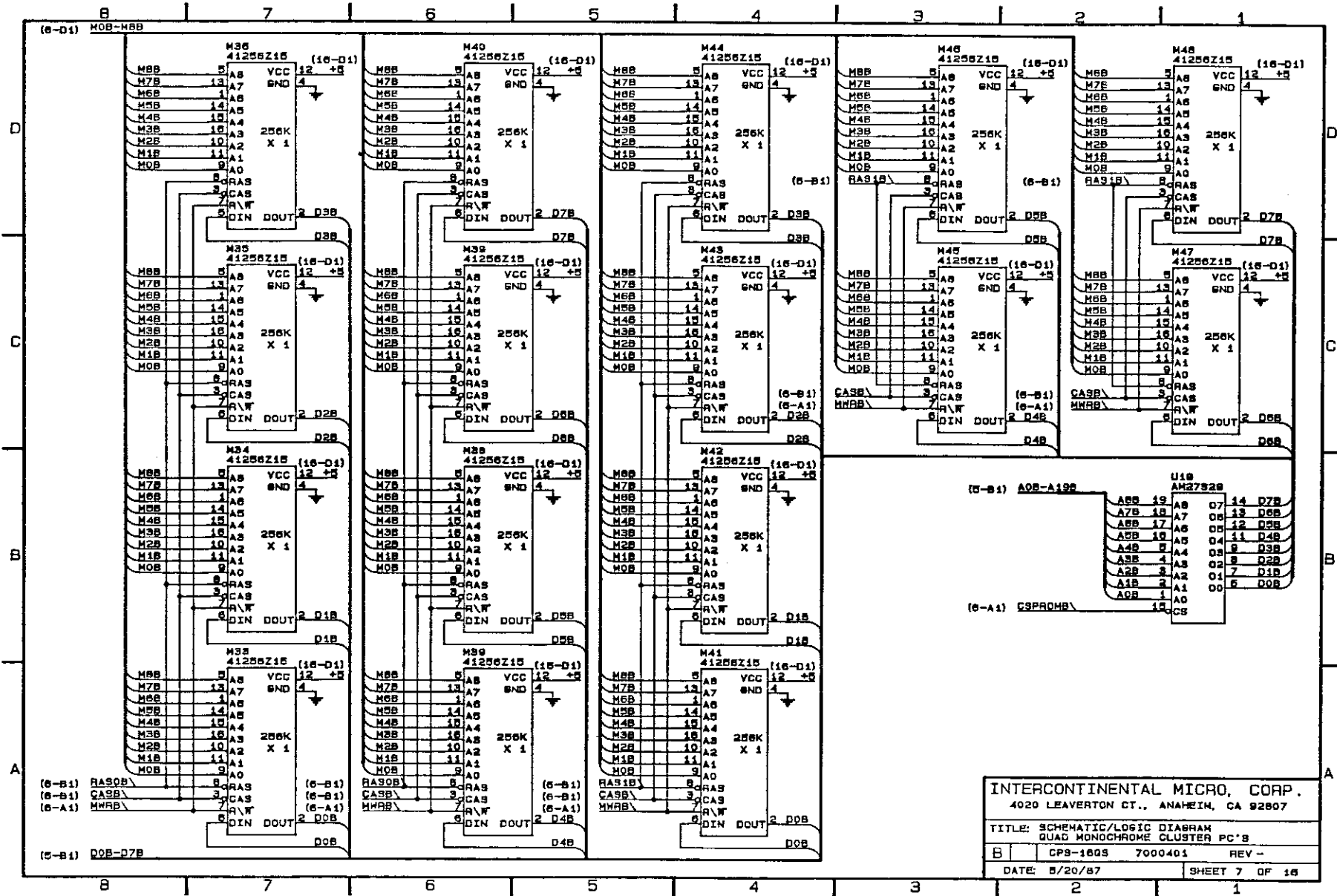
INTERCONTINENTAL MICRO, CORP.
 4020 LEAVERTON GT., ANAHEIM, CA 92807
 TITLE: SCHEMATIC/LOGIC DIAGRAM
 QUAD MONOCHROME CLUSTER PC'S
 B | GPS-169S 7000401 REV -
 DATE: 5/20/87 | SHEET 5 OF 16



INTERCONTINENTAL MICRO, CORP.
 4020 LEAVERTON CT., ANAHEIM, CA 92807

TITLE: SCHEMATIC/LOGIC DIAGRAM
 QUAD MONOCHROME CLUSTER PC'S

B	CPS-15G3	7000401	REV -
DATE: 5/20/87		SHEET 6 OF 10	

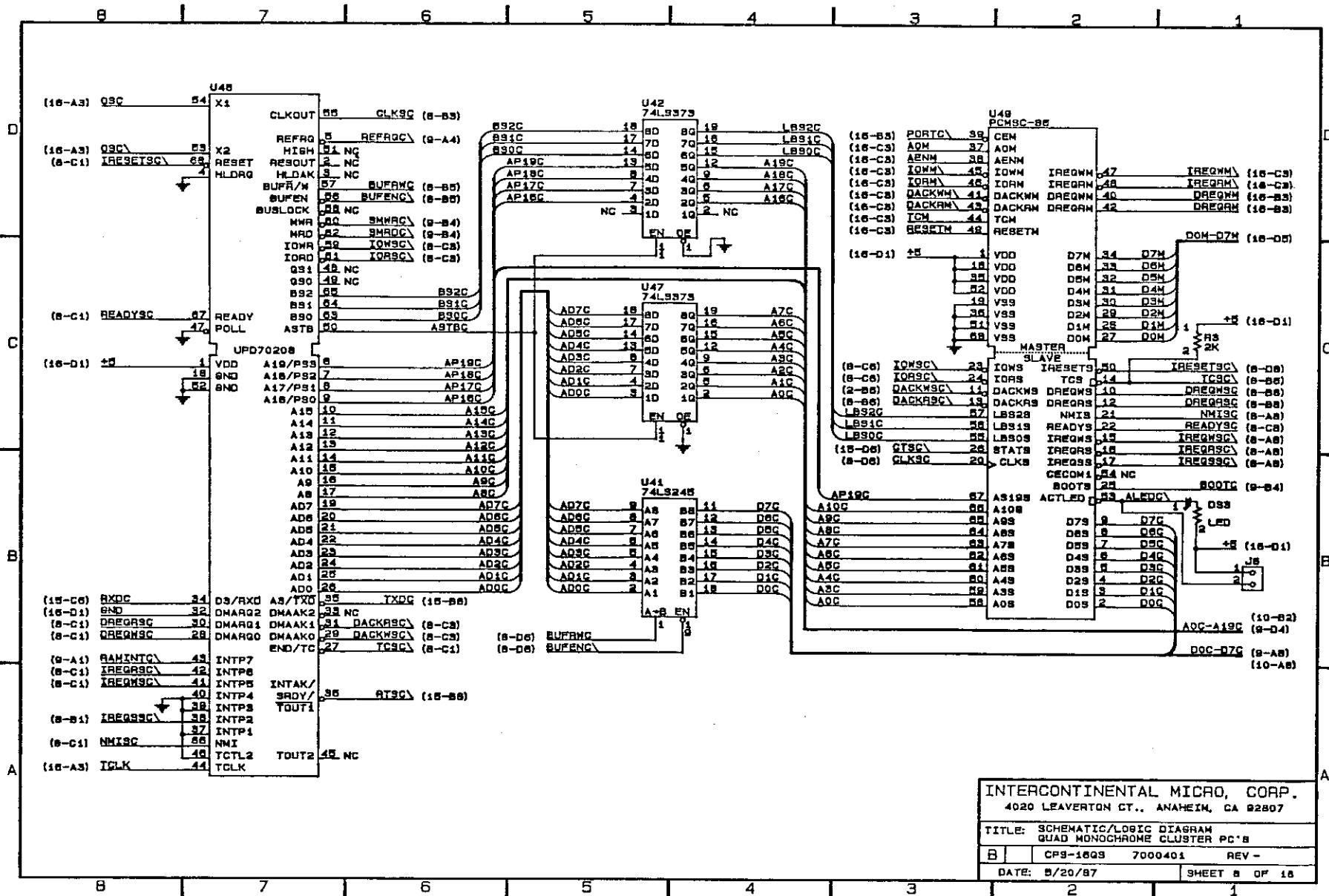


INTERCONTINENTAL MICRO, CORP.
 4020 LEAVERTON CT., ANAHEIM, CA 92807

TITLE: SCHEMATIC/LOGIC DIAGRAM
 QUAD MONOCHROME CLUSTER PC'S

B | CPS-1605 7000401 | REV -

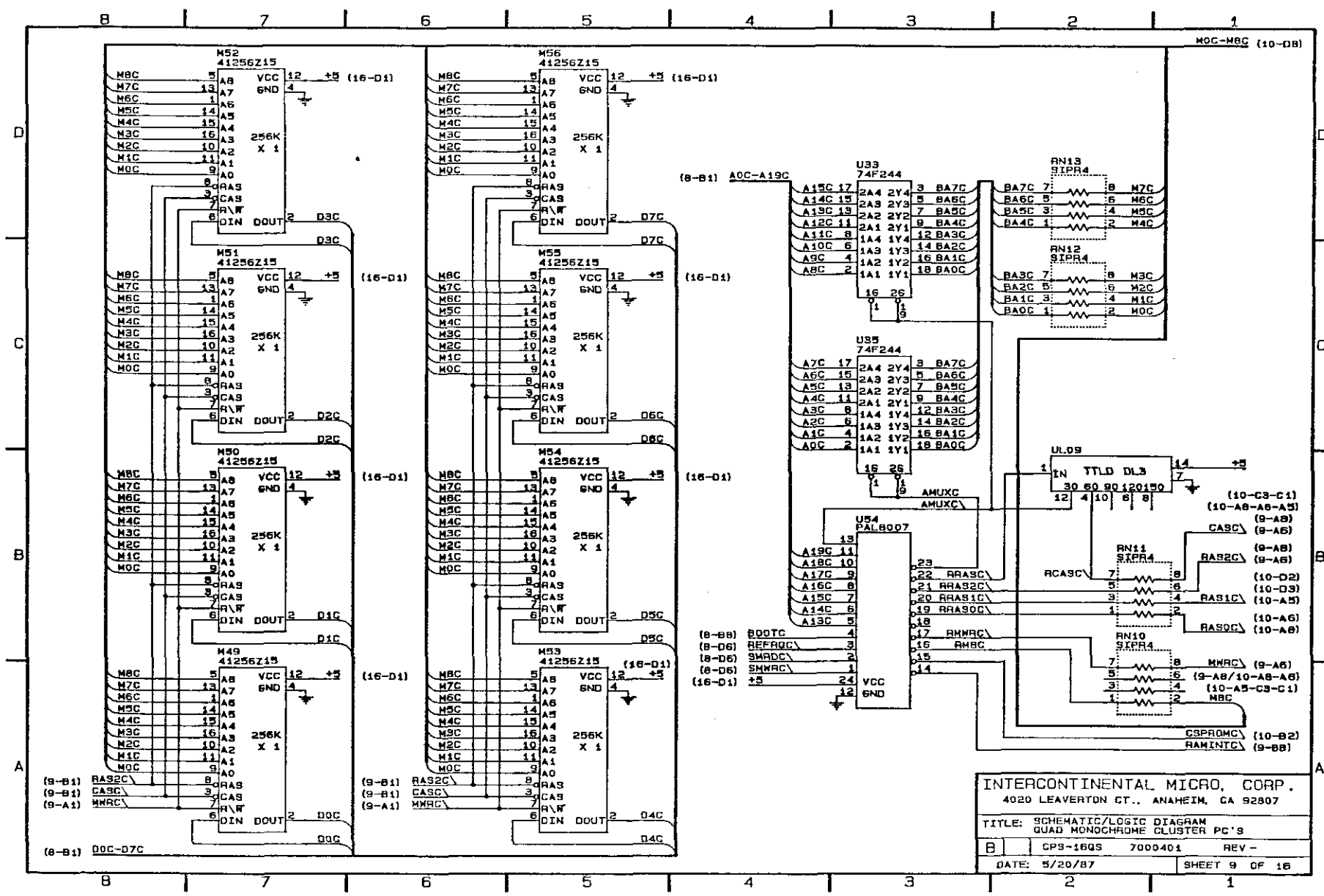
DATE: 5/20/87 | SHEET 7 OF 16



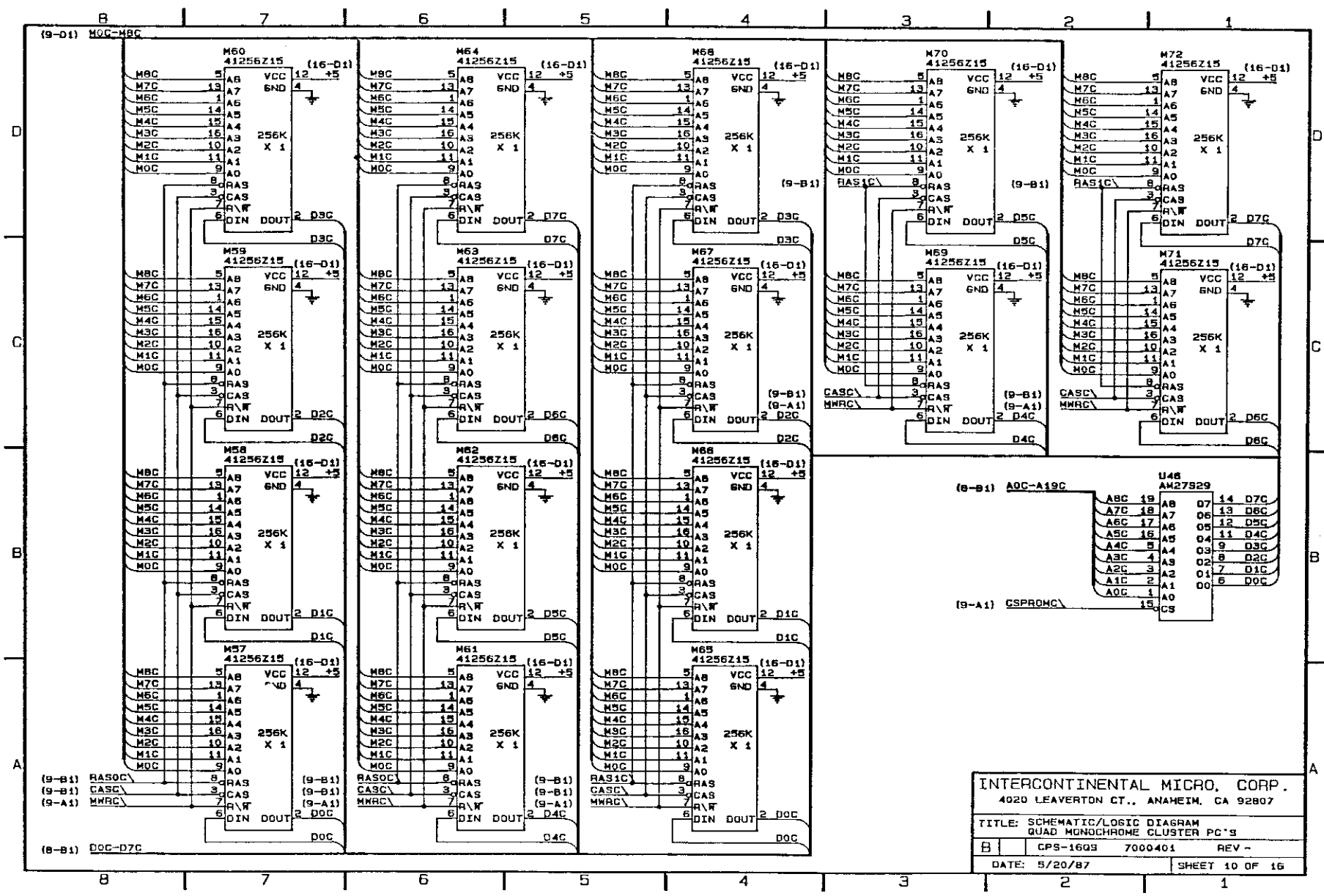
INTERCONTINENTAL MICRO, CORP.
 4020 LEAVERTON CT., ANAHEIM, CA 92807

TITLE: SCHEMATIC/LOGIC DIAGRAM
 QUAD MONOCHROME CLUSTER PC'S

B	CPS-1809	7000401	REV -
DATE: 5/20/87		SHEET 8 OF 18	



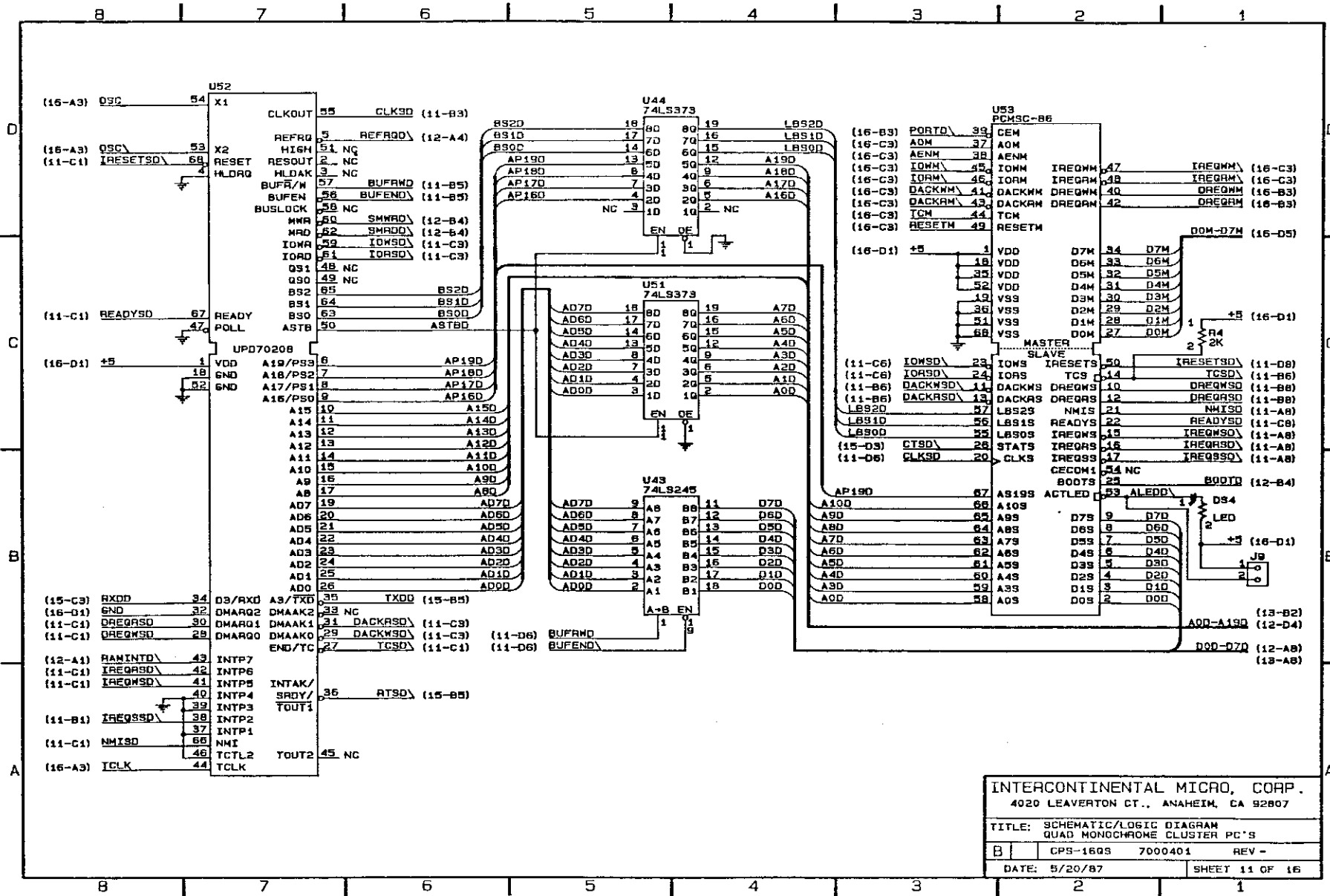
INTERCONTINENTAL MICRO, CORP.
 4020 LEAVERTON CT., ANAHEIM, CA 92807
 TITLE: SCHEMATIC/LOGIC DIAGRAM
 QUAD MONOCHROME CLUSTER PC'S
 B CPS-16QS 7000401 REV -
 DATE: 5/20/87 SHEET 9 OF 16



INTERCONTINENTAL MICRO, CORP.
 4020 LEAVERTON CT., ANAHEIM, CA 92807

TITLE: SCHEMATIC/LOGIC DIAGRAM
 QUAD MONOCHROME CLUSTER PC-9

B	CPS-1603	7000401	REV -
DATE: 5/20/87		SHEET 10 OF 16	

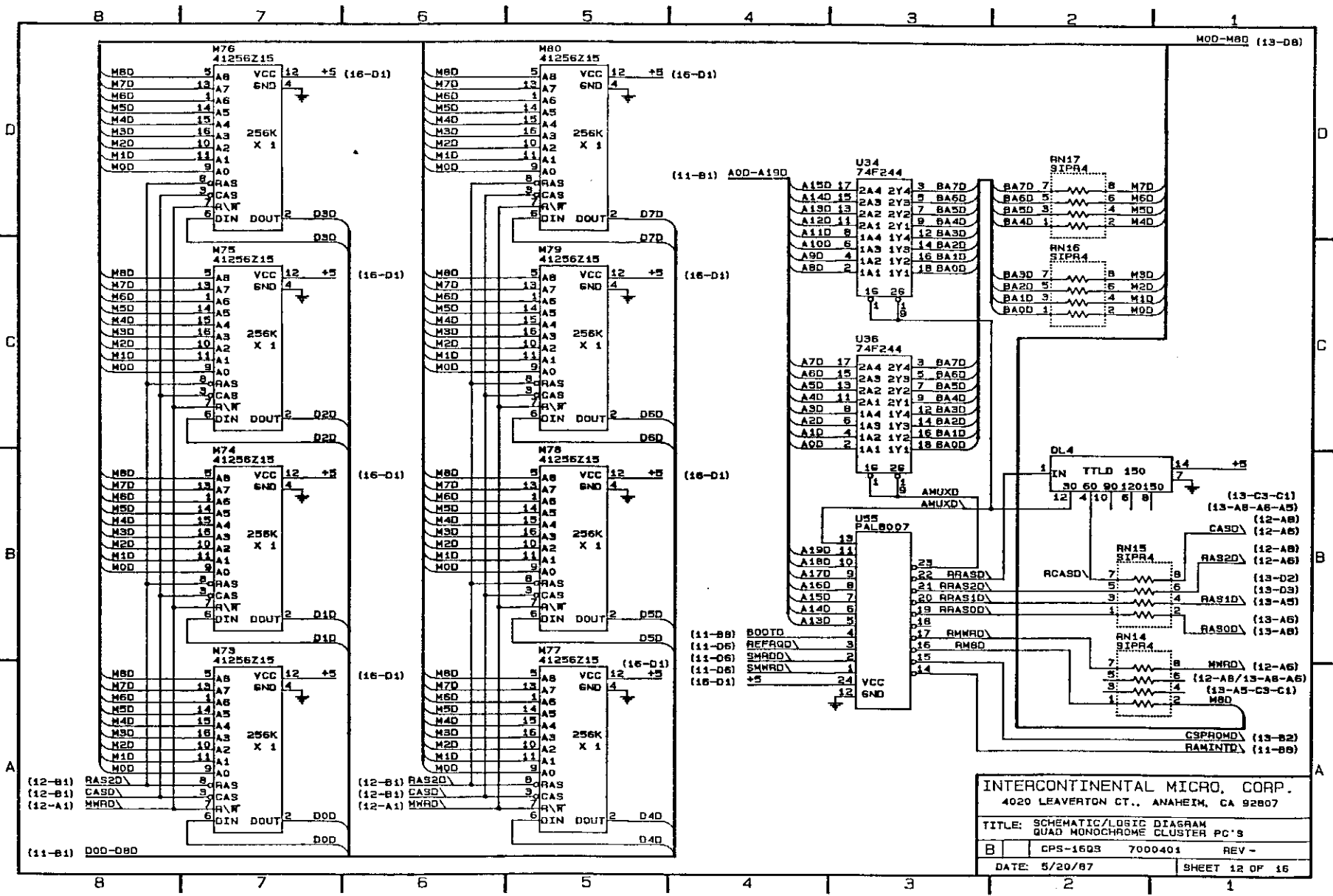


INTERCONTINENTAL MICRO, CORP.
 4020 LEAVERTON CT., ANAHEIM, CA 92807

TITLE: SCHEMATIC/LOGIC DIAGRAM
 QUAD MONOCHROME CLUSTER PC'S

B CPS-16GS 7000401 REV -

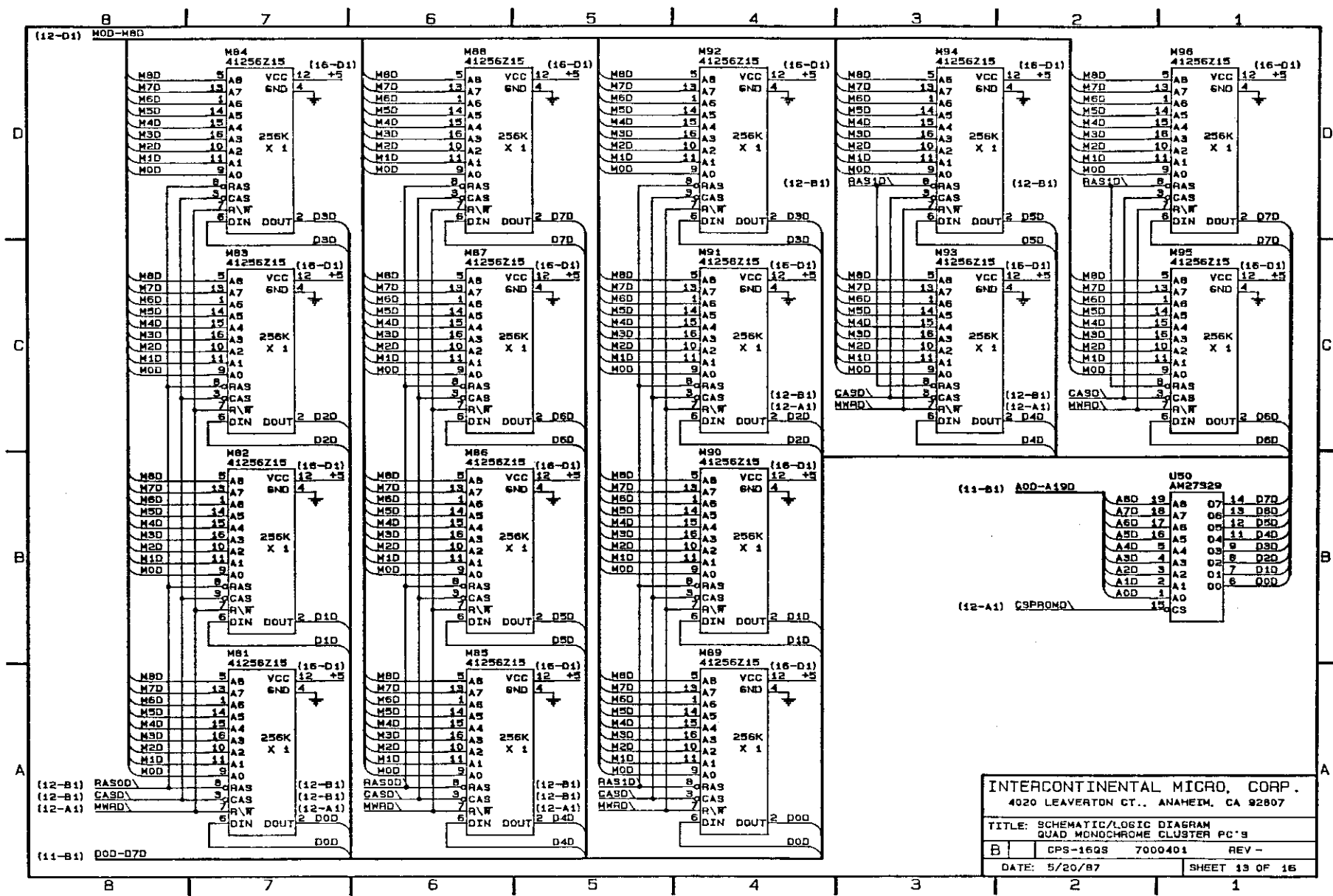
DATE: 5/20/87 SHEET 11 OF 16



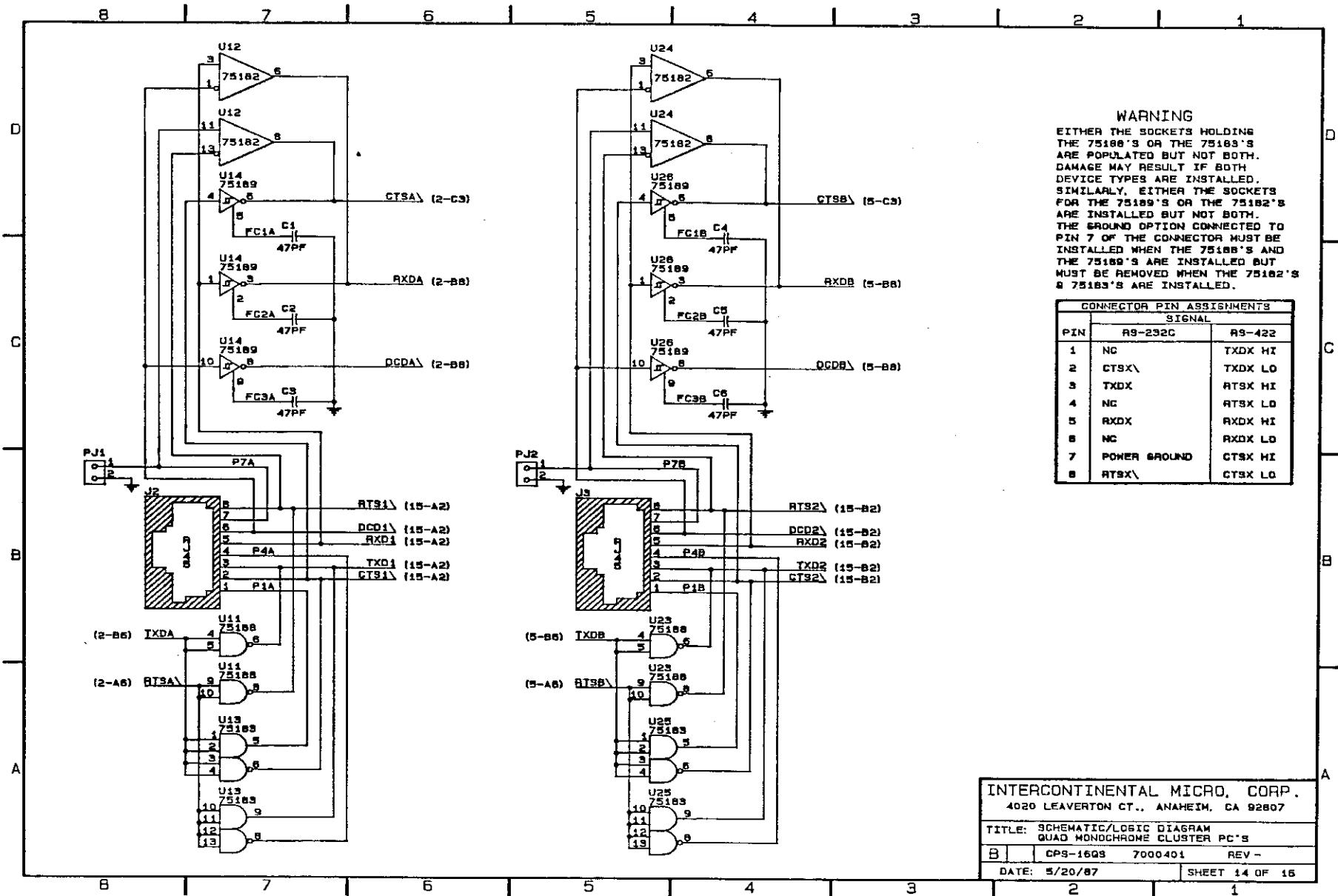
INTERCONTINENTAL MICRO, CORP.
 4020 LEAVERTON CT., ANAHEIM, CA 92807

TITLE: SCHEMATIC/LDSIC DIAGRAM
 QUAD MONOCHROME CLUSTER PC'S

B	CPS-1603	7000401	REV -
DATE: 5/20/87		SHEET 12 OF 16	



INTERCONTINENTAL MICRO, CORP.
 4020 LEAVERTON CT., ANAHEIM, CA 92807
 TITLE: SCHEMATIC/LOGIC DIAGRAM
 QUAD MONOCHROME CLUSTER PC'S
 B CPS-16QS 7000401 REV -
 DATE: 5/20/87 SHEET 13 OF 16



WARNING
 EITHER THE SOCKETS HOLDING THE 75188'S OR THE 75189'S ARE POPULATED BUT NOT BOTH. DAMAGE MAY RESULT IF BOTH DEVICE TYPES ARE INSTALLED. SIMILARLY, EITHER THE SOCKETS FOR THE 75189'S OR THE 75182'S ARE INSTALLED BUT NOT BOTH. THE GROUND OPTION CONNECTED TO PIN 7 OF THE CONNECTOR MUST BE INSTALLED WHEN THE 75188'S AND THE 75189'S ARE INSTALLED BUT MUST BE REMOVED WHEN THE 75182'S & 75183'S ARE INSTALLED.

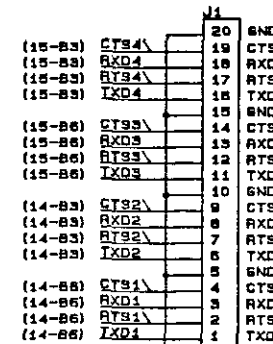
PIN	CONNECTOR PIN ASSIGNMENTS	
	SIGNAL	
	R9-232C	R9-422
1	NC	TXDX HI
2	CTS\	TXDX LO
3	TXDX	RTSX HI
4	NC	RTSX LO
5	RXDX	RXDX HI
6	NC	RXDX LO
7	POWER GROUND	CTSX HI
8	RTSX\	CTSX LO

INTERCONTINENTAL MICRO, CORP.
 4020 LEAVERTON CT., ANAHEIM, CA 92807
 TITLE: SCHEMATIC/LOGIC DIAGRAM
 QUAD MONOCHROME CLUSTER PC'S
 B CPS-1603 7000401 REV -
 DATE: 5/20/87 SHEET 14 OF 16

WARNING

EITHER THE SOCKETS HOLDING THE 75188'S OR THE 75183'S ARE POPULATED BUT NOT BOTH. DAMAGE MAY RESULT IF BOTH DEVICE TYPES ARE INSTALLED. SIMILARLY, EITHER THE SOCKETS FOR THE 75189'S OR THE 75182'S ARE INSTALLED BUT NOT BOTH. THE GROUND OPTION CONNECTED TO PIN 7 OF THE CONNECTOR MUST BE INSTALLED WHEN THE 75188'S AND THE 75189'S ARE INSTALLED BUT MUST BE REMOVED WHEN THE 75182'S & 75183'S ARE INSTALLED.

PIN	CONNECTOR PIN ASSIGNMENTS	
	SIGNAL	
	RS-232C	RS-422
1	NC	TXDX HI
2	CTS\	TXDX LO
3	TXDX	RTSX HI
4	NC	RTSX LO
5	RXDX	RXDX HI
6	NC	RXDX LO
7	POWER GROUND	CTSX HI
8	RTSX\	CTSX LO

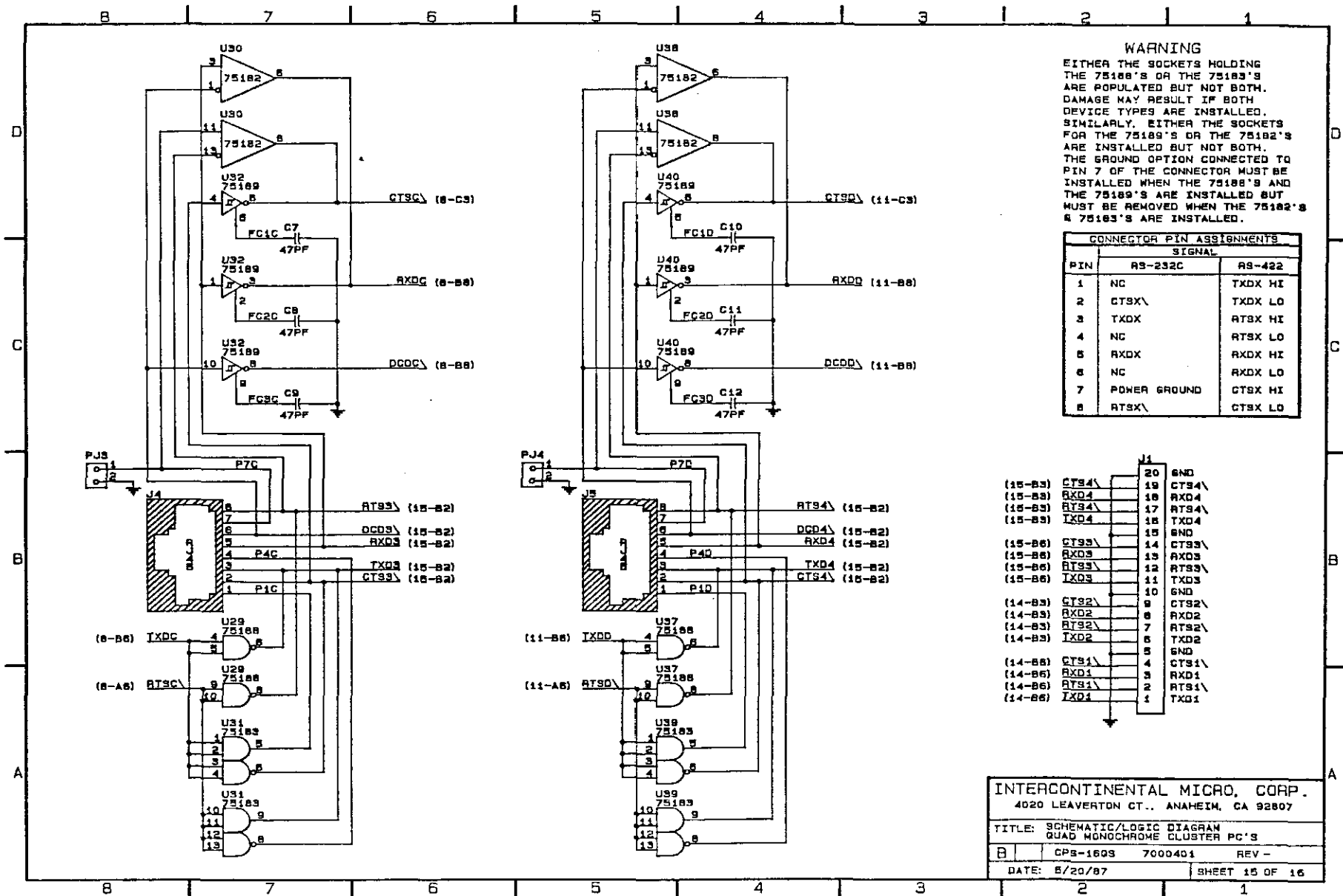


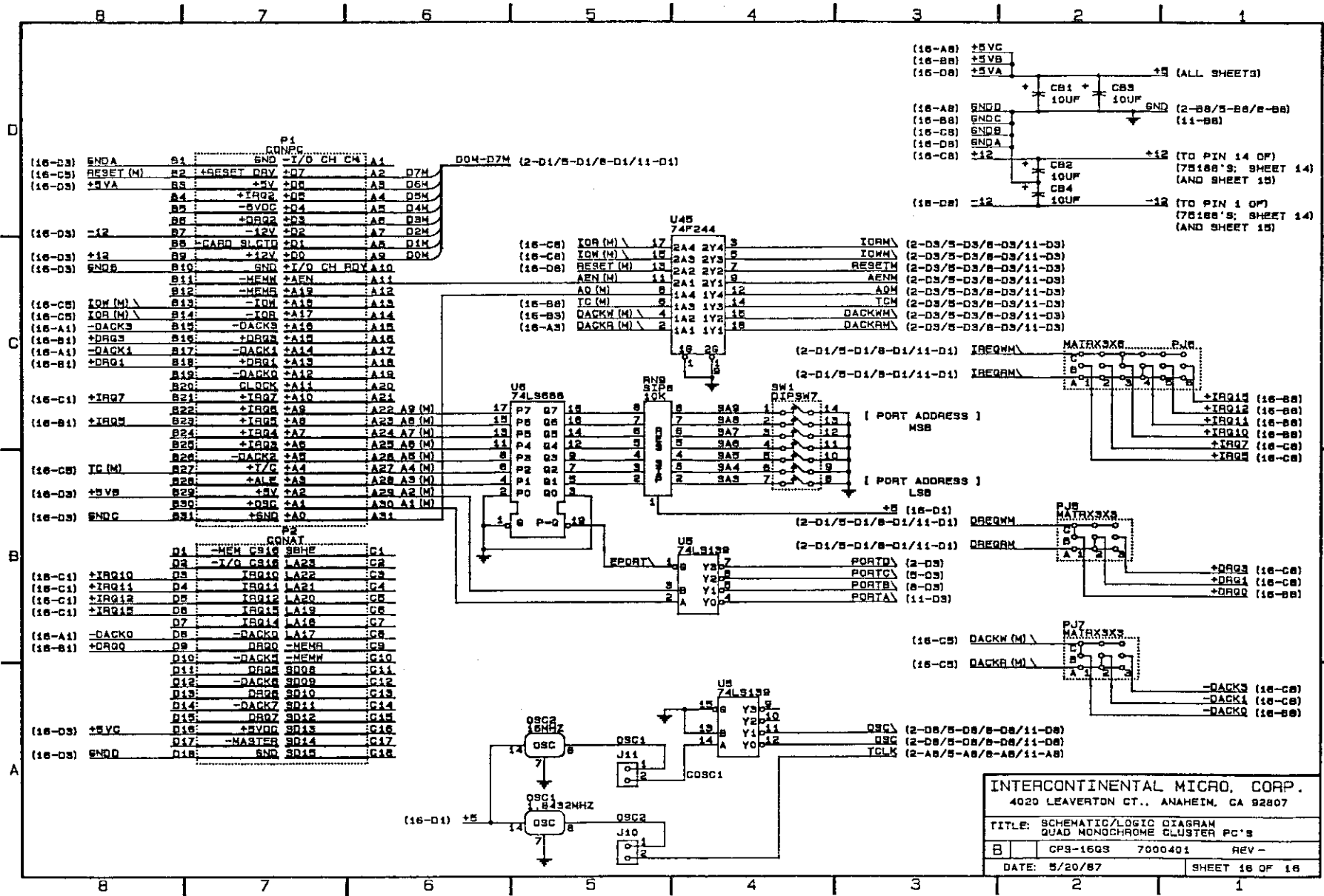
INTERCONTINENTAL MICRO, CORP.
4020 LEAVERTON CT., ANAHEIM, CA 92807

TITLE: SCHEMATIC/LOGIC DIAGRAM
QUAD MONOCHROME CLUSTER PC'S

B CPS-1693 7000401 REV -

DATE: 5/20/87 SHEET 15 OF 16





INTERCONTINENTAL MICRO, CORP.
 4020 LEAVERTON CT., ANAHEIM, CA 92807
 TITLE: SCHEMATIC/LOGIC DIAGRAM
 QUAD MONOCHROME CLUSTER PC'S
 B CPS-16QS 7000401 REV -
 DATE: 5/20/87 SHEET 16 OF 16



ICM

ENGINEERING CHANGE ORDER

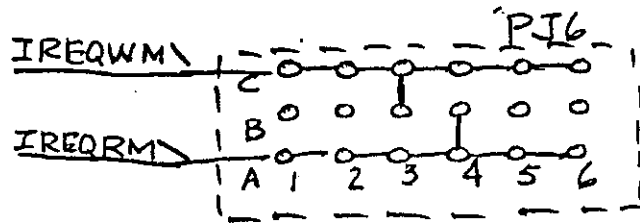
ECO NO. 0012

CURRENT
REVISION

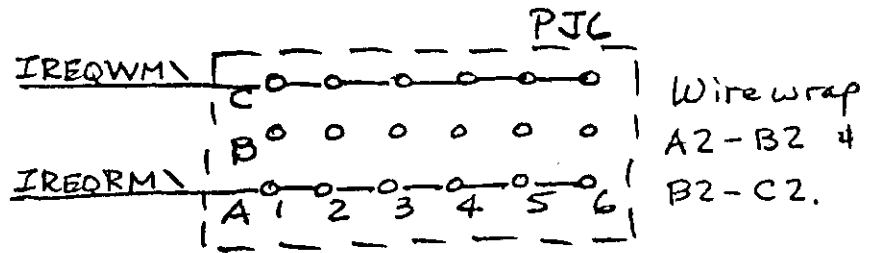
SHEET 2 OF 2

CHANGE DESCRIPTION CONTINUED:

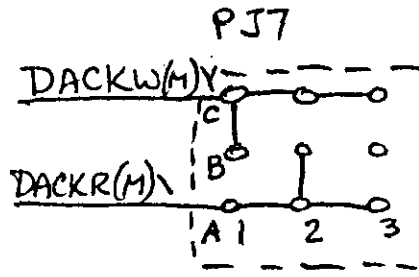
Sheet 16: WAS
Zone C2



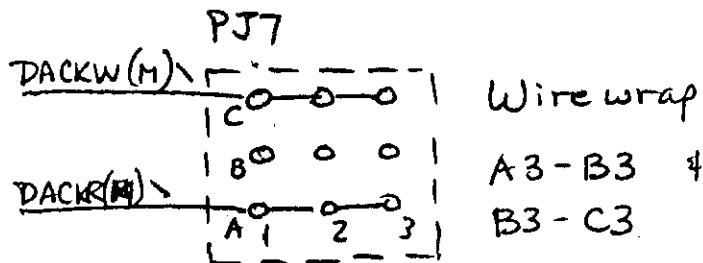
IS



Sheet 16: WAS
Zone A2



IS



**ICM**

ENGINEERING CHANGE ORDER

ECO NO. 0012

SHEET 1 OF 2 SHEETS

DOCUMENT TITLE:
SCHEMATIC / LOGIC DIAGRAM
CPS-16QSDOCUMENT NO.:
7000401REVISION FROM: TO: SIZE
- | A. | B

REASON FOR ENGINEERING CHANGE ORDER

DRAFTING ERROR	REDESIGN	<input checked="" type="checkbox"/>
DESIGN ERROR	VENDOR REQUEST	<input type="checkbox"/>
CUSTOMER REQUEST	OTHER (EXPLAIN)	<input type="checkbox"/>

EXPLANATION:
To comply with most commonly used configuration.

NEXT ASSEMBLY DOC. NO.

TOP ASSEMBLY DOC. NO.

OTHER DWGS

ACTION REQUIRED BY PRODUCTION CONTROL

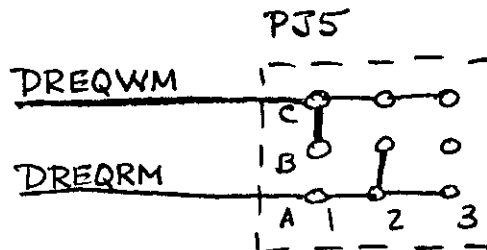
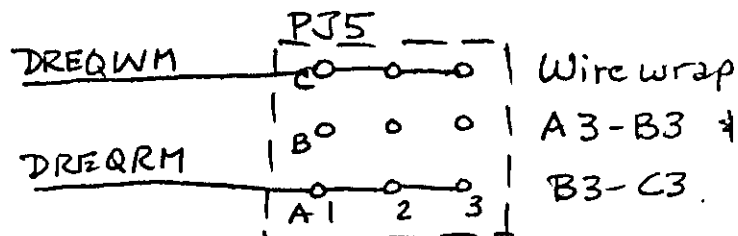
APPROVALS

EFFECTIVITY OF CHANGE	DISPOSITION OF PARTS/SOFTWARE						
AT ONCE WITH NECESSARY PROD. DELAY	<input checked="" type="checkbox"/>	PARTS IN PROCESS	PARTS IN STOCK	PARTS IN NEXT ASSY.			
AS SOON AS POSSIBLE -- NO PROD. DELAY	<input type="checkbox"/>	USE AS IS	USE AS IS	USE AS IS			
RETROFIT	<input type="checkbox"/>	REWORK	<input checked="" type="checkbox"/>	REWORK	<input checked="" type="checkbox"/>	REWORK	
NEXT PRODUCTION RUN	<input type="checkbox"/>	SCRAP	SCRAP	SCRAP			
UPON DEPLETION OF EXISTING PARTS	<input type="checkbox"/>	SEE NOTE	SEE NOTE	SEE NOTE			
NO EFFECT ON PRODUCTION	<input type="checkbox"/>	NOTES:					
SERIAL NO. EFFECTIVITY							
INSTRUCTIONAL MANUAL TO BE CHANGED?	YES <input type="checkbox"/> NO <input type="checkbox"/>						

ORIGINATOR <i>R. Bell</i>	DATE 11/18/87
DRAFTING	DATE
MFG. MGR.	DATE
MFG. ENGR.	DATE
PROJ. ENGR.	DATE
DEPT.	
QC ENGR.	DATE
ENGR. MGR.	DATE
COORDINATE WITH ECO'S 0013	

DEPT. DISTRIBUTION: ENGINEERING
MANUFACTURING
OPERATIONS

CHANGE DESCRIPTION:

Sheet 16: WAS
Zone B2.IS:

INCORPORATED BY:

DATE:



ENGINEERING CHANGE ORDER

ECO NO. 0013

SHEET 1 OF ___ SHEETS

DOCUMENT TITLE:
PARTS LIST
CPS-16QSDOCUMENT NO.:
7000432REVISION FROM: TO: SIZE
- | A

REASON FOR ENGINEERING CHANGE ORDER

NEXT ASSEMBLY DOC. NO.

DRAFTING ERROR

REDESIGN

EXPLANATION:

To comply with most commonly used configuration.

TOP ASSEMBLY DOC. NO.

DESIGN ERROR

VENDOR REQUEST

OTHER DWGS

CUSTOMER REQUEST

OTHER (EXPLAIN)

ACTION REQUIRED BY PRODUCTION CONTROL

APPROVALS

EFFECTIVITY OF CHANGE

DISPOSITION OF PARTS/SOFTWARE

ORIGINATOR DATE

AT ONCE WITH NECESSARY PROD. DELAY

PARTS IN PROCESS

PARTS IN STOCK

PARTS IN NEXT ASSY.

DRAFTING

DATE

AS SOON AS POSSIBLE - NO PROD. DELAY

USE AS IS

USE AS IS

USE AS IS

MFG. MGR.

DATE

RETROFIT

REWORK

REWORK

REWORK

MFG. ENGR.

DATE

NEXT PRODUCTION RUN

SCRAP

SCRAP

SCRAP

PROJ. ENGR.

DATE

UPON DEPLETION OF EXISTING PARTS

SEE NOTE

SEE NOTE

SEE NOTE

DEPT.

NO EFFECT ON PRODUCTION

NOTES:

QC ENGR.

DATE

SERIAL NO. EFFECTIVITY

ENGR. MGR.

DATE

INSTRUCTIONAL MANUAL TO BE CHANGED?

YES NO

COORDINATE WITH ECO'S

0012

DEPT. DISTRIBUTION: ENGINEERING
MANUFACTURING
OPERATIONS.

CHANGE DESCRIPTION:

ADD:	929834-01-3	1x3	Jumper Post	PJ5, PJ7	Qty 2
	929836-01-3	2x3	Jumper Post	PJ5, PJ7	2
	929834-01-6	1x6	Jumper Post	PJ6	1
	929836-01-6	2x6	Jumper Post	PJ6	1
WAS:	4/40 x 1/4	SCREW			2
IS:	4/40 x 3/16	SCREW			2
ADD:	#4	WASHER			2

INCORPORATED BY:

DATE: