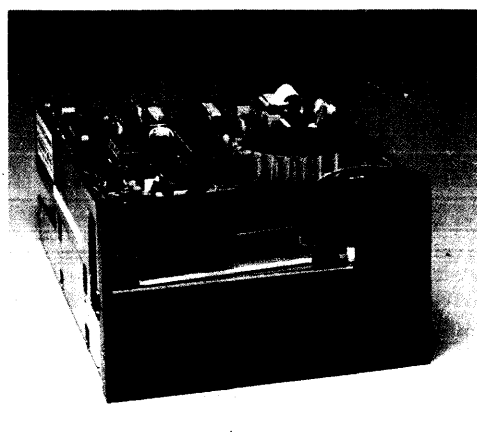
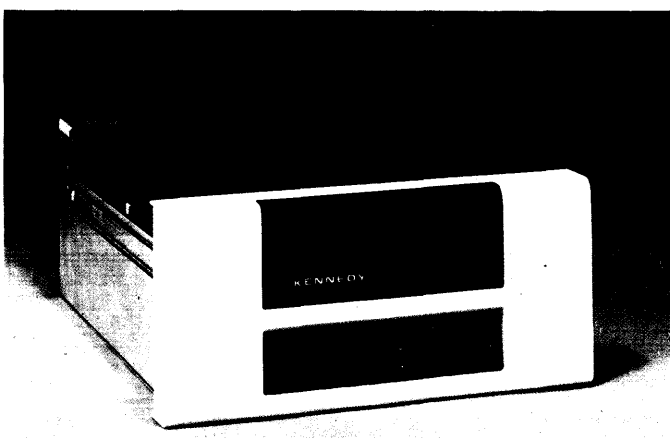
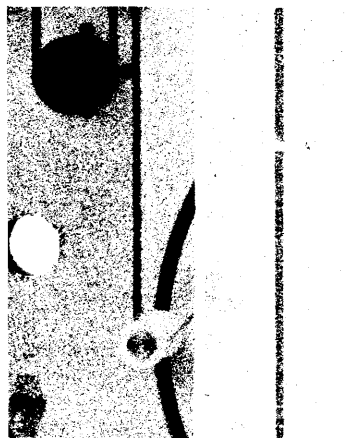
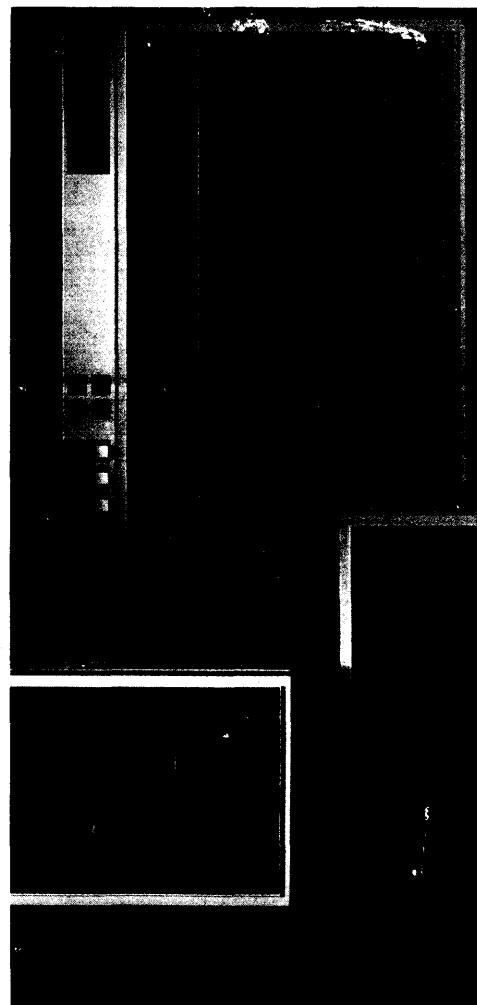
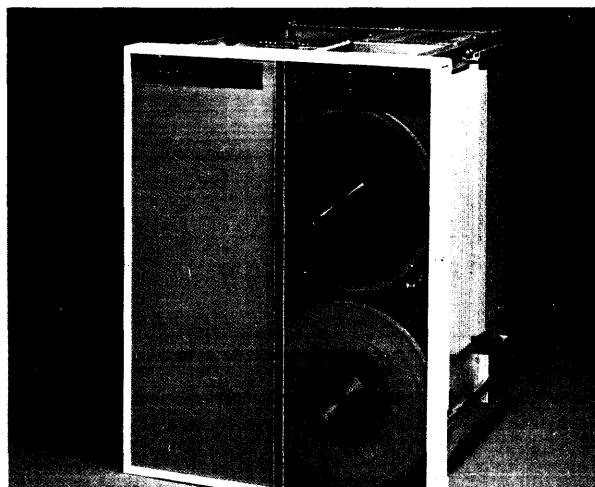
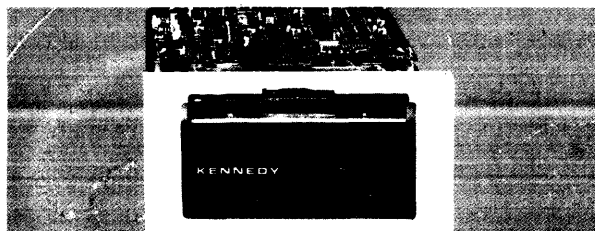
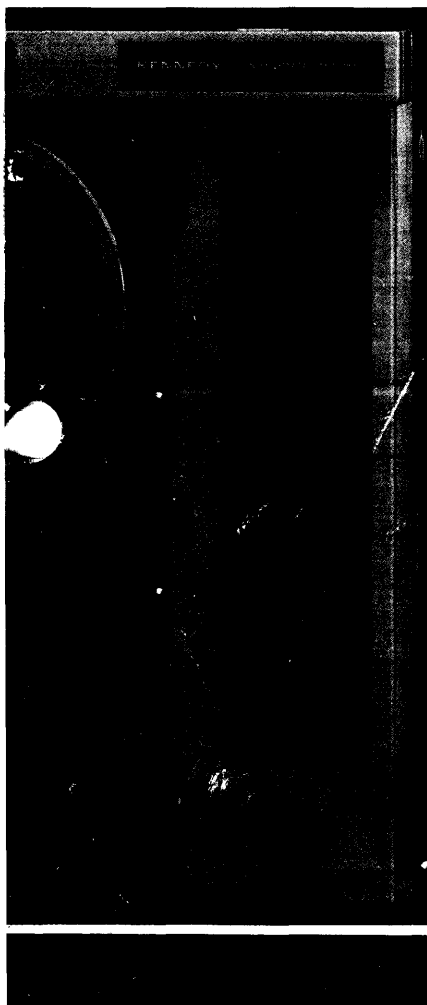


Model 9610/9680

Auto-Load Digital Tape Drive



FCC CERTIFIED COMPUTER EQUIPMENT

This equipment, freestanding with shielded Data and Control Cables, complies with Part 15, Subpart J of FCC Rules Governing Class A Computing Devices Operated In A Commercial Environment. However, the equipment generates radio frequency energy and, when operated in a residential area, the user must take adequate precautions against interference to radio communications.

Copyright © 1987 by Kennedy Company

All rights reserved. No part of this work covered by the copyright hereon may be reproduced or copied in any form or by any means - graphic, electronic, or mechanical, including photocopying, taping, or information storage and retrieval systems - without written permission of Kennedy Company.

TABLE OF CONTENTS

SECTION I GENERAL DESCRIPTION AND APPLICATION DATA

| | <u>Page</u> |
|---|-------------|
| 1.1 General Description..... | 1-1 |
| 1.1.1 Host Interfaces | 1-1 |
| 1.1.2 Microcomputer Based Design..... | 1-1 |
| 1.1.3 Diagnostics And Fault Isolation..... | 1-1 |
| 1.2 Specifications | 1-2 |
| 1.2.1 Operational Specifications | 1-2 |
| 1.2.2 Physical/Environmental Specs | 1-4 |
| 1.3 Interface Specifications | 1-5 |
| 1.3.1 General..... | 1-5 |
| 1.3.2 Interface Connectors..... | 1-5 |
| 1.3.3 Interface Signal Characteristics..... | 1-5 |
| 1.3.4 Interface Cable Length | 1-5 |
| 1.3.5 Receiver/Driver Configuration..... | 1-5 |
| 1.3.6 Daisy Chaining..... | 1-6 |
| 1.4 Interface Input and Output Signals | 1-7 |
| 1.4.1 Interface Input Signals | 1-8 |
| 1.4.1.1 Transport Addr, Formatter Addr...1-8 | |
| 1.4.1.2 Initiate Command - GO..... | 1-9 |
| 1.4.1.3 Reverse..... | 1-9 |
| 1.4.1.4 Write..... | 1-9 |
| 1.4.1.5 Write File Mark | 1-9 |
| 1.4.1.6 Edit..... | 1-9 |
| 1.4.1.7 Erase..... | 1-9 |
| 1.4.1.8 High Speed..... | 1-9 |
| 1.4.1.9 Long Gap | 1-10 |
| 1.4.1.10 Rewind | 1-10 |
| 1.4.1.11 Off-Line/Unload..... | 1-10 |
| 1.4.1.12 Last Word..... | 1-10 |
| 1.4.1.13 Formatter Enable..... | 1-10 |
| 1.4.1.14 Write Data Lines | 1-10 |
| 1.4.1.15 Load On Line | 1-11 |
| 1.4.2 Interface Outputs..... | 1-11 |
| 1.4.2.1 Formatter Busy | 1-11 |
| 1.4.2.2 Data Busy | 1-11 |
| 1.4.2.3 Hard Error | 1-11 |
| 1.4.2.4 Corrected Error PE, DDPE)..... | 1-12 |
| 1.4.2.5 Corrected Error (GCR)..... | 1-12 |
| 1.4.2.6 Check Char Gate (NRZI only).... | 1-12 |
| 1.4.2.7 Ident Burst (PE, DDPE, GCR).... | 1-13 |
| 1.4.2.8 File Mark..... | 1-13 |
| 1.4.2.9 Write Strobe..... | 1-13 |
| 1.4.2.10 Read Strobe..... | 1-13 |
| 1.4.2.11 Read Data Lines..... | 1-13 |
| 1.4.2.12 Ready..... | 1-14 |
| 1.4.2.13 On Line..... | 1-14 |
| 1.4.2.14 Rewinding..... | 1-14 |
| 1.4.2.15 File Protect..... | 1-14 |
| 1.4.2.16 Load Point..... | 1-14 |
| 1.4.2.17 End of Tape | 1-14 |
| 1.4.2.18 NRZI..... | 1-14 |
| 1.4.2.19 Speed..... | 1-15 |
| 1.4.2.15 Read Data Lines..... | 1-13 |
| 1.4.3 Command Line Configurations..... | 1-14 |
| 1.4.3.1 Read Forward..... | 1-14 |
| 1.4.3.2 Read Reverse and Read Reverse Edit | 1-14 |

| <u>Section</u> | <u>Page</u> |
|--|-------------|
| 1.4.3.3 Write | 1-14 |
| 1.4.3.4 Write Edit | 1-15 |
| 1.4.3.5 Write File Mark..... | 1-15 |
| 1.4.3.6 Erase Variable | 1-15 |
| 1.4.3.7 Erase Fixed Length..... | 1-15 |
| 1.4.3.8 Erase Data Security..... | 1-15 |
| 1.4.3.9 Space Forward..... | 1-15 |
| 1.4.3.10 Space Reverse..... | 1-15 |
| 1.4.3.11 File Mark Search Fwd/Rev..... | 1-15 |
| 1.4.3.12 Density Select..... | 1-15 |

SECTION II INSTALLATION AND OPERATION

| | |
|---|------|
| 2.0 Introduction | 2-1 |
| 2.1 Unpacking | 2-1 |
| 2.2 Inspection | 2-1 |
| 2.3 Cabling and Daily Chaining Requirements..... | 2-1 |
| 2.4 Installation..... | 2-5 |
| 2.4.1 Table-Top Installation..... | 2-5 |
| 2.4.2 Rack-Mount Installation..... | 2-5 |
| 2.4.2.1 Rail Assy Component Checkout ... | 2-5 |
| 2.4.2.2 Mounting Procedure | 2-5 |
| 2.5 Power Up and Initial Checkout..... | 2-9 |
| 2.5.1 AC Line Voltage | 2-9 |
| 2.5.2 Power Up | 2-10 |
| 2.5.3 Checkout..... | 2-10 |
| 2.5.3.1 Motion Test Summary..... | 2-13 |
| 2.5.4 Unit Selection | 2-13 |
| 2.5.5 Data Density - Introduction..... | 2-14 |
| 2.6 Operating Instructions | 2-15 |
| 2.6.1 Operating Procedure | 2-15 |
| 2.6.2 Operation Notes | 2-15 |

SECTION III FUNCTIONAL DESCRIPTION

| | |
|--------------------------------------|-----|
| 3.0 General..... | 3-1 |
| 3.1 System Block Description..... | 3-1 |
| 3.1.1 Overview | 3-1 |
| 3.1.2 Formatter Board..... | 3-1 |
| 3.1.3 Read Preamp Board..... | 3-3 |
| 3.1.4 Read Analog Board..... | 3-3 |
| 3.1.5 Read/Write Digital Board | 3-3 |
| 3.1.6 Drive Electronics Board..... | 3-5 |
| 3.1.7 Servo Power Amplifier | 3-5 |
| 3.1.8 Operator Control Panel | 3-5 |
| 3.1.8 Interconnect Board | 3-5 |
| 3.1.10 Position Sensors Board..... | 3-5 |
| 3.1.11 Power Supplies..... | 3-5 |

SECTION IV - DIAGNOSTICS

4.0 General 4-1

4.1 Controls and Indicators..... 4-1

4.2 Troubleshooting..... 4-1

 4.2.1 Accessing for Troubleshooting 4-1

4.3 Power-Up 4-2

 4.3.1 Drive Electronics Failure Displays... 4-2

 4.3.2 Formatter Failure Codes..... 4-3

 4.3.3 Formatter Power-Up Self-Tests..... 4-4

4.4 Loading Failure Codes 4-5

4.5 Front Panel Diagnostics..... 4-6

 4.5.1 Diagnostics Menu 4-6

 4.5.2 Operating Procedure..... 4-8

 4.5.2.1 Entering the Diagnostics Mode 4-8

 4.5.2.2 Selftest 4-8

 4.5.2.2.1 Power Up Self Test..... 4-9

 4.5.2.2.2 Data Test..... 4-9

 4.5.2.3 Connector or Cable Failures..... 4-12

 4.5.2.4 Motion Diagnostic Tests 4-13

 4.5.2.5 Drive Adjustment Tests..... 4-13

 4.5.2.6 Set Up 4-14

 4.5.2.7 Calibration 4-17

 4.5.2.8 Data Diagnostics 4-18

SECTION V MAINTENANCE

5.0 General 5-1

5.1 Preventive Maintenance..... 5-1

 5.1.1 Daily Inspection 5-1

 5.1.2 Cleaning..... 5-1

 5.1.2.1 Tape Reels..... 5-1

 5.1.2.2 Erase/Write/Read Head Cleaning .. 5-1

 5.1.2.3 Tape Path Cleaning 5-2

 5.1.3 Routing Adjustments 5-2

 5.1.4 Lubrication..... 5-2

 5.1.5 Head Wear 5-2

5.2 Corrective Maintenance 5-2

 5.2.1 Tools and Test Equipment..... 5-3

 5.2.2 Accessing the Drive..... 5-3

 5.2.3 Troubleshooting 5-3

 5.2.3.1 Accessing the Drive 5-4

 5.4.3.2 Safety Interlocks 5-4

5.3 Parts Replacement 5-4

 5.3.1 PCBAs In Card Cage 5-4

 5.3.2 Drive Electronics Board 5-5

 5.3.3 Interconnect PCBA..... 5-5

 5.3.4 Hub Lock Solenoid 5-5

 5.3.5 Read Preamplifier 5-6

 5.3.6 Fan..... 5-6

 5.3.7 Takeup Reel Assembly 5-7

 5.3.8 Takeup Arm Assembly..... 5-8

 5.3.9 Supply Arm Assembly..... 5-8

 5.3.10 Retract and Pivot Sensors..... 5-9

 5.3.11 Mother Board PCBA..... 5-10

 5.3.12 Operator Control Panel PCBA 5-11

 5.3.13 EMI Filter 5-11

 5.3.14 Reel-In-Place Sensor Assembly 5-12

 5.3.15 File-Protect Sensor Assembly 5-12

 5.3.16 Supply Arm Limit Sensor..... 5-13

 5.3.17 Takeup Arm Limit Sensor..... 5-13

Section

Page

5.3.18 12-VDC Regulator Assembly 5-14

5.3.19 5-VDC Regulator Power Supply.... 5-15

5.3.20 Servo Amplifier Assembly..... 5-16

5.3.21 Blower Assembly..... 5-17

5.3.22 Panel Assembly..... 5-18

5.3.23 Supply Hub Assembly 5-18

5.3.24 Flux Gate 5-19

5.3.25 Capstan 5-19

5.3.26 Capstan Motor 5-20

5.3.27 Capstan Motor Assembly..... 5-20

5.3.28 BOT/EOT Sensor Assembly..... 5-22

5.3.29 Tape-In-Channel Emitter
Tape-In-Channel Sensor Assys 5-23

5.3.30 Vacuum Motor Assembly..... 5-23

5.3.31 Supply Reel Motor Assembly..... 5-25

5.3.32 Takeup Reel Motor Assembly..... 5-25

5.3.33 Magnetic Head Assembly 5-26

5.3.34 Tape Guide Replacement 5-27

5.4 Adjustments 5-27

 5.4.1 Preliminary Checkout 5-27

 5.4.2 Buffer Arms Adjustment..... 5-28

 5.4.2.1 Rollers Height Adjustment..... 5-28

 5.4.2.2 Capacitive Disk Height Adjust... 5-30

 5.4.2.3 Buffer Arm Calibration..... 5-30

 5.4.2.4 Static Arm Tension Cal..... 5-32

 5.4.2.5 Capstan Check..... 5-33

 5.4.2.6 Load Test..... 5-33

 5.4.2.7 Diagnostic With Tape Loaded..... 5-34

 5.4.2.8 Calibration, Mechanical..... 5-34

 5.4.2.9 Calibration/Set Up, Electronic ... 5-35

 5.4.2.9.1 Drive Electronic Setup..... 5-36

 5.4.2.9.2 Calibration, Electronic 5-37

5.5 Diagnostics..... 5-41

 5.5.1 General 5-41

 5.5.2 Motion Diagnostics 5-41

 5.5.3 Drive Adjust..... 5-41

SECTION VI PARTS IDENTIFICATION

6.0 Introduction 6-1

6.1 Parts Warranty 6-1

6.2 Out-or-Warranty Emergency Parts..... 6-1

6.3 Parts Ordering Information 6-1

 6.3.1 Minimum Parts Orders..... 6-1

 6.3.2 Returning Parts to Kennedy 6-2

 6.3.3 Parts Order Leadtime..... 6-2

 6.3.4 Customer Service Addresses 6-2

SECTION VII WIRING/SCHEMATIC DIAGRAMS

7.0 General..... 7-1

7.1 Components 7-1

7.2 Logic Conventions and Sumbols..... 7-1

 7.2.1 TTL Logic 7-1

 7.2.2 Logic Symbology 7-2

7.3 Schematic Flow 7-2

7.4 Terminals..... 7-2

7.5 List of Schematics..... 7-2

7.6 System Signal Distrubution..... 7-3

APPENDIX A - GLOSSARY

LIST OF ILLUSTRATIONS

| <u>Figure</u> | <u>Page</u> |
|---|-------------|
| 1-1 Model 9610 Auto-Load Tape Drive | 1-2 |
| 1-2 Receiver/Driver Interface Configuration | 1-6 |
| 2-1 Shipping Retainer Bracket | 2-2 |
| 2-2 Dust Cover Support Bar | 2-2 |
| 2-3 Grounding Cable Clamp Details..... | 2-2 |
| 2-4 Card Cage, Cables, And Terminators..... | 2-3 |
| 2-5 Daisy Chaining | 2-4 |
| 2-6 Outline And Installation Drawing (9660)... | 2-6 |
| 2-7 Outline And Installation Drawing (9610)... | 2-7 |
| 2-6 Track Subassembly..... | 2-8 |
| 2-9 Power-In Assembly | 2-9 |
| 2-10 Panel Controls And Indicators | 2-12 |
| 2-11 Installing Supply Reel..... | 2-13 |
| 3-1 9610 System General Block Diagram | 3-4 |
| 4-1 Diagnostics Menu Dynamics..... | 4-6stable |
| 5-1 Erase/Write/Read Cleaning | 5-1 |
| 5-2 Tape Path Cleaning..... | 5-2 |
| 5-3 Card Cage..... | 5-4 |
| 5-4 Hub Lock Solenoid..... | 5-5 |
| 5-5 Fan | 5-6 |
| 5-6 Takeup Reel Assembly..... | 5-7 |
| 5-7 Takeup- and Supply-Arm Assemblies..... | 5-8 |
| 5-8 Takeup Arm Retract and Pivot Sens Assy | 5-9 |
| 5-9 Mother Board | 5-10 |
| 5-10 Operator Control Panel PCBA..... | 5-11 |
| 5-11 File-Protect and Reel-In-Place Sensor Assemblies..... | 5-12 |
| 5-12 Supply-Arm Limit Sensor..... | 5-13 |
| 5-13 Takeup Arm Limit Sensor..... | 5-13 |
| 5-14 12-VDC Regulator Power Supply..... | 5-14 |
| 5-15 5-VDC Regulator Power Supply | 5-15 |
| 5-16 Servo Amplifier Assembly..... | 5-16 |
| 5-17 Blower Assembly | 5-17 |
| 5-18 Panel Assembly | 5-18 |
| 5-19 Supply Hub Assembly..... | 5-18 |
| 5-20 Flux Gate Removal..... | 5-19 |
| 5-21 Capstan Removal..... | 5-19 |
| 5-22 Capstan Motor Assembly | 5-20 |
| 5-23 EOT/BOT Sensor Assembly | 5-22 |
| 5-24 Tape-In-Channel Emitter and Sensor | 5-23 |
| 5-25 Vacuum Motor Assembly..... | 5-24 |
| 5-26 Supply Reel Motor Assembly | 5-25 |
| 5-27 Magnetic Head Assembly and Read Preamplifier | 5-26 |
| 5-28 Tape Guide Alignment..... | 5-27 |
| 5-29 Roller Height Adjustment..... | 5-29 |
| 5-30 Buffer Arms Calibration..... | 5-32 |
| 5-31 Calibration and Diagnostics Jumpers Location | 5-35 |
| 6-1 Front Panel Assembly..... | 6-3 |
| 6-2 Deck Assembly (Top)..... | 6-4 |
| 6-3 Deck Assembly (Bottom)..... | 6-6 |
| 6-4 Chassis Assembly..... | 6-7 |
| 6-5 Card Cage PCBAs..... | 6-8 |
| A-1 Velocity Profiles..... | A-3 |

LIST OF TABLES

| <u>Table</u> | <u>Page</u> |
|--|-------------|
| 1-1 Operational Specifications | 1-3 |
| 1-2 Physical/Environmental Specifications..... | 1-5 |
| 1-3 Interface Summary..... | 1-7 |
| 1-4 Drive Address Selection..... | 1-9 |
| 1-5 IHER/ICER Signal Combinations..... | 1-11 |
| 1-6 Command Configurations..... | 1-14 |
| 2-1 Motion Control Sequence | 2-10 |
| 4-1 Drive Electronics Failure Displays | 4-2 |
| 4-2 Power Up Failure Codes | 4-3 |
| 4-3 Loading Failures | 4-5 |
| 4-4 Diagnostics Menu Structure..... | 4-7 |
| 4-5 Data Test Failure Codes..... | 4-11 |
| 4-6 Cable or Connector Faults..... | 4-12 |
| 4-7 PCBAs in Card Cage | 4-12 |
| 4-8 Motion Test Definitions | 4-13 |
| 6-1 Recommended Spare Parts (Field Support) | 5-9 |
| 6-2 Recommended Spare Parts (Depot Support) | 5-9 |
| 6-3 Recommended Maintenance Tools..... | 5-10 |

SECTION I
DESCRIPTION/APPLICATION

SECTION I

GENERAL DESCRIPTION AND APPLICATION DATA

1.1 GENERAL DESCRIPTION

The Kennedy Model 9610/9660 Tape Drive (Figure 1-1) is rack mountable (9610) and desk-top (9660) automatic load, tape drive that includes an embedded Formatter capable of communicating between an industry standard interface bus and ANSI-compatible PE 1600 and 3200 CPI, NRZI 800 CPI and GCR 6250 CPI tapes. The drive can operate in Streaming Mode at 100 ips or Start/Stop Mode at 50 ips, and can read in either forward or reverse direction in all densities.

1.1.1 HOST INTERFACE

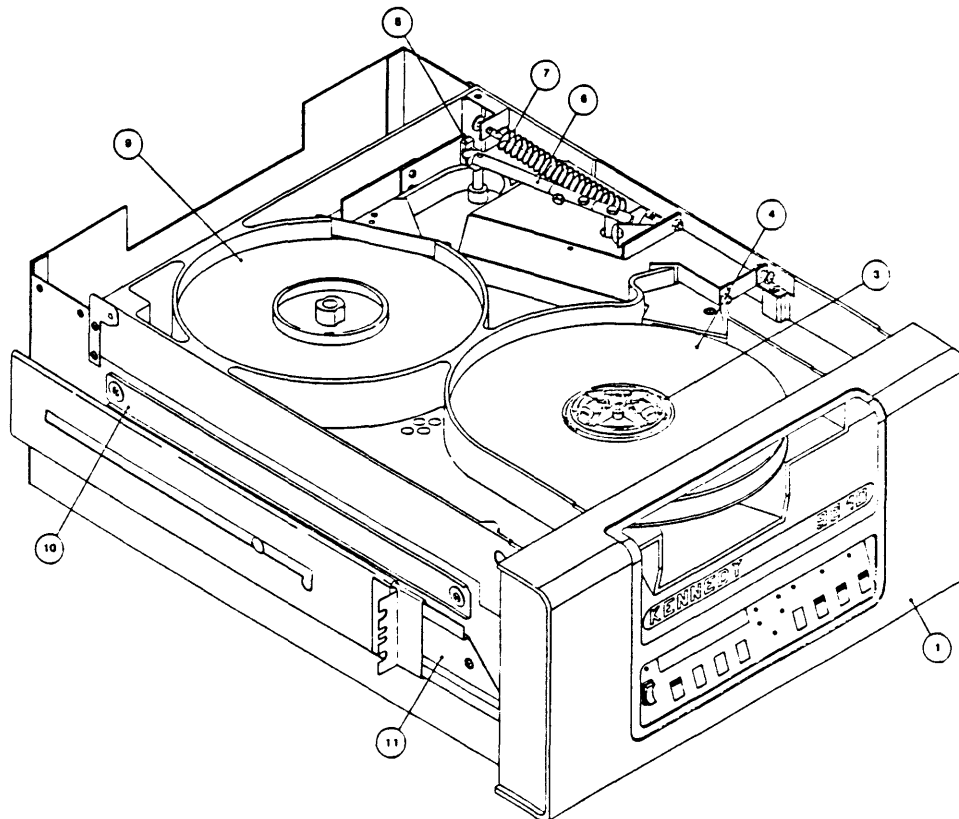
The 9610/9660 Drive has Industry Standard Interface for Formatted 1/2-inch Tape Drives.

1.1.2 MICROCOMPUTER BASED DESIGN

The 9610/9660 uses two microprocessors: one in the Formatter, and one in the Drive Control Electronics.

1.1.3 DIAGNOSTICS AND FAULT ISOLATION

The 9610/9660 includes built-in diagnostics with front-panel eight-character LED readout.



| <u>Item</u> | <u>Part</u> | <u>Item</u> | <u>Part</u> |
|-------------|-----------------------------------|-------------|-------------------------------|
| 1 | Panel Assembly | 7 | Spring, Extension |
| 2 | Supply Arm Assembly (bottom, hid) | 8 | Take-up Arm Limit Sensor PCBA |
| 3 | Supply Hub Assembly | 9 | Vacuum Hub Assembly |
| 4 | Supply Reel Tape | 10 | Support Bar |
| 5 | Magnetic Head Assembly (hidden) | 11 | Slide Set |
| 6 | Take-up Arm Assembly (top) | | |

Figure 1-1. Model 9610/60 Auto-load Tape Drive

1.2 SPECIFICATIONS

1.2.1 OPERATIONAL SPECIFICATIONS

NOTE: See Appendix A for parameter definitions.

Table 1-1. Operational Specifications

| TAPE | | | | | |
|---|---|-----|-----------------|----------------|-----------|
| Width | 0.498 (+/-0.002) inch | | | | |
| Thickness | 1.9 or 1.3 mil (0.038 or 0.0226 mm) | | | | |
| Tension | 8.75 +/-0.5 ounces | | | | |
| Reel Size (Open Reels - inches) | 6.0 | 7.0 | 8.5 | 10.5 | Thickness |
| Tape Length (feet): | 200 | 600 | 1200 | 2400 | 1.9 mil |
| | | | | 3600 | 1.3 mil |
| Reel Capacity | (See Table 1-2) | | | | |
| PERFORMANCE | | | | | |
| Recording Densities: | | | Tape Speed: | | |
| NRZI | 800 CPI | | Start/Stop | 50 ips | |
| PE | 1600 CPI | | Streaming | 100 ips | |
| DDPE | 3200 CPI | | Rewind, nominal | 200 ips | |
| GCR | 6250 CPI | | | | |
| Gap Length | NRZ1/PE 0.6 inch (nominal - Read/Write) | | | | |
| | GCR 0.3 inch | | | | |
| <u>Data Access Time (nominal):</u> | | | | | |
| | | | <u>Time</u> | | |
| <u>Operation</u> | <u>Density</u> | | <u>50 IPS</u> | <u>100 IPS</u> | |
| Read | 800/1600/3200 | | 12.4 ms | 20.6 ms | |
| | 6250 | | 16.4 ms | 20.0 ms | |
| Write | 800/1600/3200 | | 8.6 ms | 19.1 ms | |
| | 6250 | | 18.4 ms | 18.2 ms | |
| <u>Command Reinstruet Time (with Autospeed Disabled):</u> | | | | | |
| | | | <u>Time</u> | | |
| <u>Operation</u> | <u>Density</u> | | <u>50 IPS</u> | <u>100 IPS</u> | |
| Read | 800/1600/3200 | | 0.7 ms | 4.2 ms | |
| | 6250 | | 0.7 ms | 2.0 ms | |
| Write | 800/1600/3200 | | 0.7 ms | 3.8 ms | |
| | 6250 | | 3.0 ms | 1.2 ms | |
| <u>Maximum Latency for Reinstruetion on Ramp:</u> | | | | | |
| <u>Operation</u> | <u>Density</u> | | <u>Speed</u> | <u>Time</u> | |
| Read | 800/1600/3200 | | 50 IPS | 3.2 ms | |
| | 6250 | | 50 IPS | 2.9 ms | |
| Write | 800/1600/3200 | | 50 IPS | 3.2 ms | |

Table 1-1. Operational Specifications (Continued)

| <u>Reinstruct Time Limits for Auto Speed Transition to 100 IPS:</u> | | | |
|---|---|----------------------------|----------------|
| <u>Operation</u> | <u>Density</u> | <u>Time</u> | |
| Read | 800/1600/3200 | 2.8 ms | |
| | 6250 | 1.5 ms | |
| Write | 800/1600/3200 | 2.4 ms | |
| | 6250 | 1.0 ms | |
| <u>Reposition Time, Streaming Mode:</u> | | | |
| <u>Operation</u> | <u>Density</u> | <u>Time</u> | |
| | | <u>50 IPS</u> | <u>100 IPS</u> |
| Read | 800/1600/3200 | | 42.5 ms |
| | 6250 | | 43.5 ms |
| Write | 800/1600/3200 | | 42.5 ms |
| | 6250 | 35 | 41.5 ms |
| <u>Data Transfer Rate:</u> | | | |
| <u>Speed</u> | <u>Density (CPI)</u> | <u>Rate (KB/SEC)</u> | |
| | | <u>Normal</u> | <u>Maximum</u> |
| 50 ips | NRZ1 800 | 40 | 48 |
| | PE 1600 | 80 | 96 |
| | DDPE 3200 | 160 | 192 |
| | GCR 6250 | 312.5 | 375 |
| 100 ips | NRZ1 800 | 80 | 96 |
| | PE 1600 | 160 | 192 |
| | DDPE 3200 | 320 | 384 |
| | GCR 6250 | 625 | 760 |
| POWER REQUIREMENTS | | | |
| Input Voltage | 100, 120, 220, 240 VAC +15% -10% 50 or 60 Hz +/-2 Hz | | |
| Input current: | <u>120 VAC</u> 3.0 amps | <u>220 VAC</u> 1.5 amps | |
| Power: | | | |
| Nominal | 300 watts | 300 watts | |
| Peak | 400 watts | 400 watts | |
| Fuse (SLO-BLO) | 6 amp at 110/120 | 3 amp at 220/240 VAC | |
| Heat Dissipation | 1025 BTU/hr | | |

Table 1-2. Tape Reel Capacities

| Reel Size (inches) | Tape Thickness | | | | 1.3 mil | Blocks (Bytes) |
|-----------------------|----------------|-----|-----|------|---------|-------------------|
| | 6 | 7 | 8.5 | 10.5 | | |
| NRZI (MBytes) | 1 | 3 | 6 | 10 | 15 | 512 |
| | 1.5 | 5 | 9 | 17 | 25 | 2K |
| | 1.8 | 5.5 | 11 | 21 | 32 | 8K |
| | 2 | 6 | 12 | 23 | 34 | 64K |
| PE (MBytes) | 1.3 | 4 | 8 | 15 | 22 | 512 |
| | 2.5 | 8 | 15 | 30 | 45 | 2K |
| | 3.5 | 11 | 21 | 41 | 62 | 8K |
| | 4 | 12 | 23 | 45 | 68 | 64K |
| DDPE (MBytes) | 2.5 | 8 | 15 | 30 | 44 | 512 |
| | 5 | 15 | 30 | 60 | 90 | 2K |
| | 7 | 21 | 41 | 82 | 120 | 8K |
| | 8 | 23 | 45 | 90 | 134 | 64K |
| GCR (MBytes) | 3.2 | 10 | 19 | 37 | 56 | 512 |
| | 8 | 23 | 46 | 91 | 136 | 2K |
| | 12 | 37 | 73 | 145 | 218 | 8K |
| | 15 | 44 | 88 | 175 | 262 | 64K |

1.2.2 PHYSICAL/ENVIRONMENTAL SPECIFICATIONS (Table 1-2)

Table 1-2. Physical/Environmental Specifications

| PHYSICAL SPECIFICATIONS | | |
|------------------------------|--|---------------------|
| Dimensions | | |
| Height | 8.75 inches (22.23 cm) | |
| Width | 17.00 inches (43.18 cm) | |
| Depth: From Mounting Surface | 22.00 inches (55.88 cm) | |
| Depth: Overall | 24.50 inches (62.23 cm) | |
| Mounting | Slide Mount in standard 19-inch RETMA Rack | |
| Weight: | <u>9610 (with Slides)</u> | <u>9660</u> |
| No Packing Material | 110 lbs (49.5 Kgm) | 122 lbs. (54.9 Kgm) |
| With Packing Material | 135 lbs (60.75 Kgm) | 152 lbs (68.4 Kgm) |
| ENVIRONMENTAL SPECIFICATIONS | | |
| Temperature operating | 60° to 90° F | (15.6° to 32.2° C) |
| Temperature, non-operating | -40° to +122° F | (-40° to +50° C) |
| Humidity, (with wet bulb) | operating (+78° max) | Storage (+83° max) |
| | 20 to 80% | 5 to 90% |
| Altitude, operating | -1300 to 10,000 ft. (-400 to 3000 meters) | |
| Altitude, shipping | -1300 to 50,000 ft. (-400 to 15000 meters) | |

1.3. INTERFACE SPECIFICATION

1.3.1 GENERAL

This section describes the signal requirements and characteristics of the interface between the tape drive and the controller. The connectors and cable requirements are described, as well as the actual lines and the commands derived from the lines. The interface lines are summarized in Table 1-3 while the command structure is summarized in Table 1-4.

1.3.2 INTERFACE CONNECTORS

The interface connectors on the Model 9610/9660 are designed for standard fifty line shielded cables. For each active connector pin there is an associated ground pin. The mating interface connectors are two 50-pin shielded cable connectors.

1.3.3 INTERFACE SIGNAL CHARACTERISTICS

Signals from the controller to the Model 9610/9660 must conform to the following specifications:

Levels: 1 = Low = True = 0V (+0.7 Vdc)
 0 = High = False = +3V (+/-0.5 Vdc)

Pulses: 1 = Low = True = 0V (+0.7 Vdc)
 0 = High = False = +3V (+/-0.5 Vdc)

NOTE:

Total edge transmission
 Delay =<200 nanosec over
 a 20-foot cable.

All output signals from the Model 9610/9660 are driven by open collector type line drivers capable of sinking up to 36 mA (25 standard unit loads) in the low true state. Open lines will result in false signal levels.

1.3.4 INTERFACE CABLES

Per FCC and ESD specs, interface cables are braided shielded with maximum allowable length of 20 feet.

1.3.5 RECEIVER/DRIVER CONFIGURATION AND TERMINATION

The input lines to the transport are terminated with a 220 ohm resistor to plus five volts, and a 330 ohm resistor to ground (Figure 1-2). All input circuits have low level input voltage of 0.7 V maximum and a high level input voltage of 2.0 V minimum. The input receivers are all 74LS type circuits.

All output lines must be terminated at the far end of the daisy chained cable with a 220 ohm resistor to plus five volts and a 330 ohm resistor to ground. Output circuits are 7438 open collector drivers as shown in Figure 1-2.

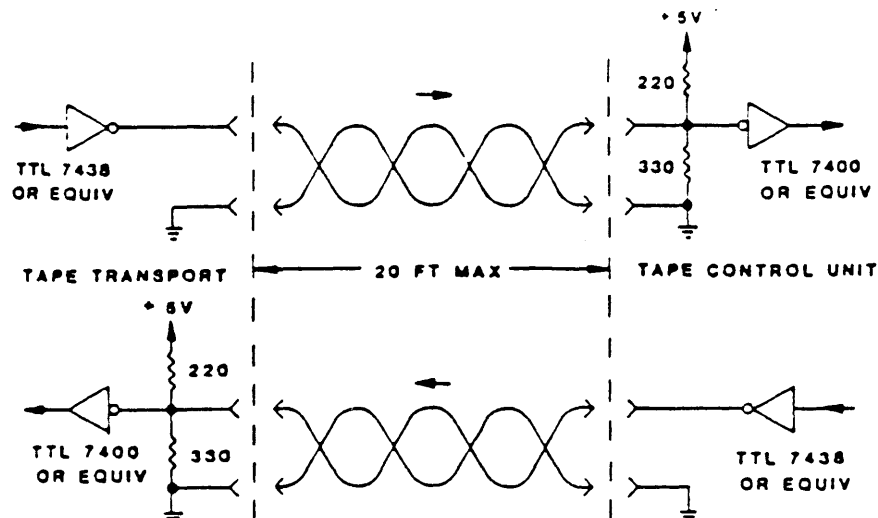


Figure 1-2. Receiver/Driver Interface Configuration

1.3.6 DAISY CHAINING

The 9610/9660 transport may be configured to allow operation of up to eight transports with a single controller as shown in Figure 1-3.

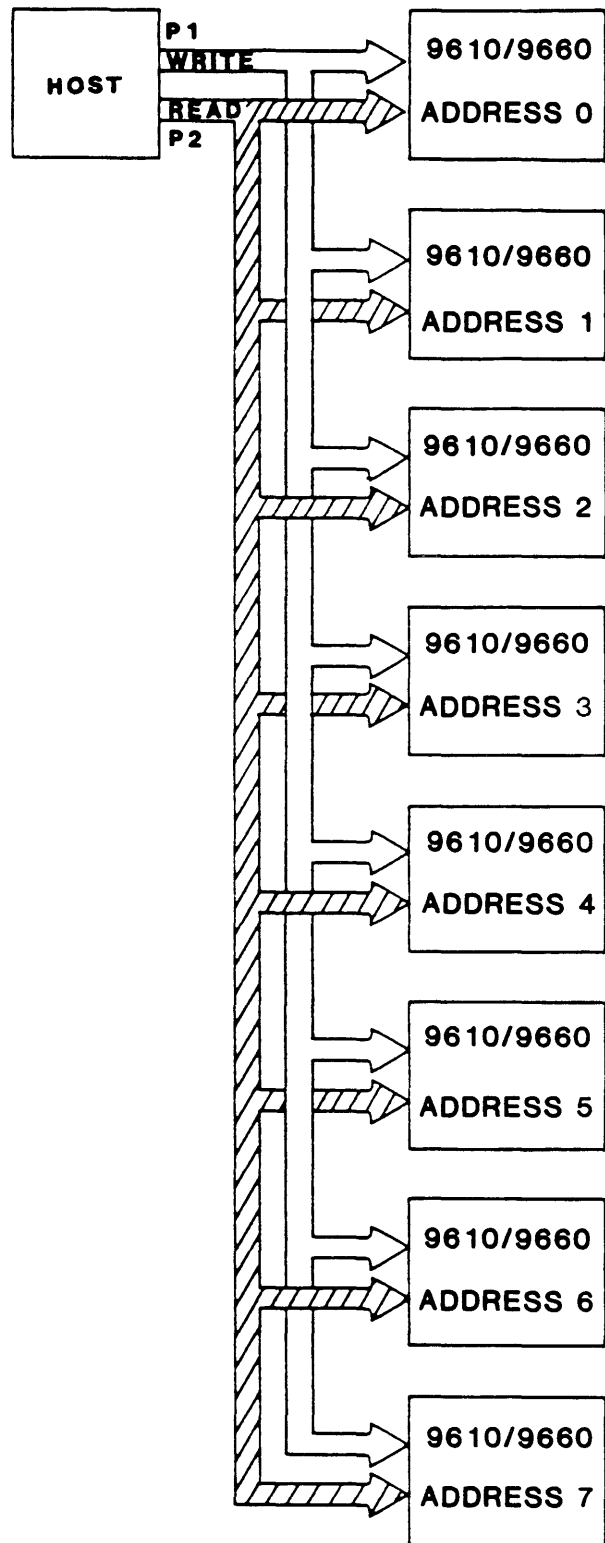


Figure 1-3. Daisy Chaining

1.4 INTERFACE INPUT AND OUTPUT SIGNALS

The following sections tabulate and describe Host/Drive interface signals. Input Signals (IN) are Signals from the Host; Output Signals (OUT) are Signals to the Host. Tables 1-4 and 1-5 list Host-to-Drive I/O Signals. Connector Signal/Pin assignments include Signal and Ground Pins and related Signal Mnemonic.

Table 1-4. Drive Interface Summary

| Pin Sig/Grd | Mnemonic | Signal Name | In/Out |
|-------------|----------|--------------------------|--------|
| P2-1/5 | RP | Read Data P | Out |
| P2-2/5 | R0 | Read Data 0 | Out |
| P2-3/5 | R1 | Read Data 1 | Out |
| P2-4/5 | LDP | Load Point | Out |
| P2-6/5 | R4 | Read Data 4 | Out |
| P2-8/7 | R7 | Read Data 7 | Out |
| P2-10/9 | R6 | Read Data 6 | Out |
| P2-12/11 | HER | Hard Error | Out |
| P2-14/13 | FMK | File Mark | Out |
| P2-16/15 | ID/CCG | ID Burst/Check Char Gate | Out |
| P2-18/17 | FEN | Formatter Enable | In |
| P2-20/19 | R5 | Read Data 5 | Out |
| P2-22/21 | EOT | End of Tape | Out |
| P2-24/23 | OFL | Off Line | In |
| P2-26/25 | NRZ | NRZI | Out |
| P2-28/27 | RDY | Ready | Out |
| P2-30/29 | RWG | Rewinding | Out |
| P2-32/31 | FPT | File Protect | Out |
| P2-34/33 | RSTR | Read Strobe | Out |
| P2-36/35 | WSTR | Write Strobe | Out |
| P2-38/37 | DBY | Data Busy | Out |
| P2-40/39 | SPD | Speed | Out |
| P2-42/41 | CER | Corrected Error | Out |
| P2-44/43 | ONL | On Line | Out |
| P2-46/45 | TAD1 | Transport Address 1 | In |
| P2-48/47 | FAD | Formatter Address | In |
| P2-50/49 | HSP | High Speed | In |

Table 1-5. Drive Interface Summary

| Pin Sig/Grd | Mnemonic | Signal Name | In/Out |
|-------------|----------|---------------------|--------|
| P1-2/1 | FBY | Formatter Busy | Out |
| P1-4/3 | LWD | Last Word | In |
| P1-6/5 | W4 | Write Data 4 | In |
| P1-8/7 | GO | Initiate Command | In |
| P1-10/9 | W0 | Write Data 0 | In |
| P1-12/11 | W1 | Write Data 1 | In |
| P1-14/13 | Reserved | | |
| P1-16/15 | LOL | Load On Line | In |
| P1-18/17 | REV | Reverse/Forward | In |
| P1-20/19 | REW | Rewind | In |
| P1-22/21 | WP | Write Data P | In |
| P1-24/23 | W7 | Write Data 7 | In |
| P1-26/25 | W3 | Write Data 3 | In |
| P1-28/27 | W6 | Write Data 6 | In |
| P1-30/29 | W2 | Write Data 2 | In |
| P1-32/31 | W5 | Write Data 5 | In |
| P1-34/33 | WRT | Write/Read | In |
| P1-36/35 | LGP | Long Gap | In |
| P1-38/37 | EDT | Edit | In |
| P1-40/39 | ERS | Erase | In |
| P1-42/41 | WFM | Write File Mark | In |
| P1-44/43 | Reserved | | |
| P1-46/45 | TAD0 | Transport Address 0 | In |
| P1-48/47 | R2 | Read Data 2 | Out |
| P1-50/49 | R3 | Read Data 3 | Out |

1.4.1 INTERFACE INPUT SIGNALS (from Host to Drive)

1.4.1.1 TRANSPORT ADDRESS, FORMATTER ADDRESS

TAD0, TAD1, FAD Level P2-48, P1-46, P2-46

The states of these lines determine which of up to eight tape drives are selected by the controller. The following list defines the tape drives addresses produced as a result of the various TAD0, TAD1, FAD.

| <u>FAD</u> | <u>TAD0</u> | <u>TAD1</u> | <u>ADDRESS</u> |
|------------|-------------|-------------|----------------|
| 0 | 0 | 0 | SLT0 |
| 0 | 0 | 1 | SLT1 |
| 0 | 1 | 0 | SLT2 |
| 0 | 1 | 1 | SLT3 |
| 1 | 0 | 0 | SLT4 |
| 1 | 0 | 1 | SLT5 |
| 1 | 1 | 0 | SLT6 |
| 1 | 1 | 1 | SLT7 |

1.4.1.2 INITIATE COMMAND - GO

| | | |
|----|-------|------|
| GO | Pulse | P1-3 |
|----|-------|------|

A pulse which initiates any command specified by the command lines described in the following paragraphs. Information on the command lines is copied into the unit on the trailing edge of the GO pulse. At the end of the reinstruct window in streaming write commands only, it is possible for the Host to extend the reinstruct window by asserting and holding the GO pulse in a true state. The unit will continue to stream for up to one inch waiting for the falling edge of the GO pulse as the Host returns GO to the false state. If one inch is exceeded and the GO pulse has yet to be denied, the unit shall enter a reposition cycle. This feature in effect creates extended gaps.

1.4.1.3 REVERSE

| | | |
|-----|-------|-------|
| REV | Level | P1-18 |
|-----|-------|-------|

Command line refer to Table 1-5.

1.4.1.4 WRITE

| | | |
|-----|-------|-------|
| WRT | Level | P1-34 |
|-----|-------|-------|

Command line refer to Table 1-5.

1.4.1.5 WRITE FILE MARK

| | | |
|-----|-------|-------|
| WFM | Level | P1-42 |
|-----|-------|-------|

Command line refer to Table 1-5.

1.4.1.6 EDIT

| | | |
|-----|-------|-------|
| EDT | Level | P1-38 |
|-----|-------|-------|

Command line refer to Table 1-5.

1.4.1.7 ERASE

| | | |
|-----|-------|-------|
| ERS | Level | P1-40 |
|-----|-------|-------|

Command line refer to Table 1-5.

1.4.1.8 HIGH SPEED

| | | |
|-----|-------|-------|
| HSP | Level | P2-50 |
|-----|-------|-------|

When true, this signal causes the selected on-line unit to operate in the high speed mode (100 ips).

NOTE: The HER may be reported as a real time pulse for each error condition as it occurs; or the occurrence of at least one HER or CER within the block can be captured by the Host before the falling edge of DBY at the end of the data block.

- a. Longitudinal parity error.
- b. Improper record format.
- c. CRCC parity error.
- d. Vertical parity error on a data character.
- e. Host write parity error (optional).
- f. Internal write/read compare error.
- g. No file mark detected in Read After Write mode when executing a Write File Mark command.
- h. If a gap of 25 feet is detected while executing Read Block, Space Block and Search File Mark commands (optional).
- i. Read after Write compare error.
- j. Excessive skew.
- k. Postamble error.
- l. Vertical parity error (VPE).
- m. Multiple channel error.
- n. CRC error.
- o. ACRC error.
- p. Simultaneous dropouts in two or more tracks during a write operation.
- q. Simultaneous dropouts in three or more tracks during a read operation.

1.4.2.4 CORRECTED ERROR (PE, DDPE MODE)

| | | |
|-----|-------|-------|
| CER | Pulse | P2-42 |
|-----|-------|-------|

This pulse indicates that a single track dropout has been detected during read and the unit will perform a vertical parity (VPE) correction.

1.4.2.5 CORRECTED ERROR (GCR)

| | | |
|-----|-------|-------|
| CER | Pulse | P2-42 |
|-----|-------|-------|

This pulse indicates the following:

- a) A single or dual track dropout has been detected and the drive performs an error correction in a Read operation.
- b) A single track dropout has been detected and the drive performs an error correction in a Read after Write operation.

Note: Corrected error reporting can be disabled in GCR mode only as one of the Setup options (Section 7).

1.4.2.6 CHECK CHARACTER GATE (NRZI MODE ONLY)

| | | |
|--------|-------|-------|
| ID/CCG | Level | P2-16 |
|--------|-------|-------|

This level is set true by the unit when the read information being transmitted to the controller is the cyclic redundancy check character (CRCC) or the longitudinal redundancy check character (LRCC) of the data block. When data characters are transmitted, CCG goes false. Data and Check information can be distinguished by gating Read Strobe with CCG or its inverse. After leaving load point this line should only be used during NRZI mode.

NOTE: CCG and the Read Strobes (RSTR) for the check characters can be disabled as one of the Setup options (Section 7).

1.4.2.7 IDENTIFICATION BURST (PE, DDPE, GCR MODE)

| | | |
|--------|-------|-------|
| ID/CCG | Level | P2-16 |
|--------|-------|-------|

The level identifies that an ID burst is being detected for PE, DDPE, or GCR.

1.4.2.8 FILE MARK

| | | |
|-----|-------|-------|
| FMK | Pulse | P2-14 |
|-----|-------|-------|

File mark is pulsed when a file mark is detected on the tape during a read operation or during a write file mark operation. The FMK line will be pulsed after a complete file mark has been read. When reading NRZI file marks, read strobes are issued to the interface.

1.4.2.9 WRITE STROBE

| | | |
|------|-------|-------|
| WSTR | Pulse | P2-36 |
|------|-------|-------|

This line pulses each time a data character is written onto tape. WSTR samples the write data lines WP, W0-W7 from the Host and copies this information character by character into the unit's write logic. The first character should be available prior to the first write strobe pulse and succeeding characters should be set up within half a character period after the trailing edge of each write strobe pulse. The write strobe is also active during variable length erase command; however, no data will be written to tape.

1.4.2.10 READ STROBE

| | | |
|------|-------|-------|
| RSTR | Pulse | P2-34 |
|------|-------|-------|

This line consists of a pulse for each character of read information allowing the transmission of data to the host. This signal should be used to sample the read data lines RP, R0-R7.

In a NRZI Read operation the transmission of CRC and LRC data characters will be flagged by the check character gate (CCG) signal as described above under Check Character Gate.

1.4.2.11 READ DATA LINES

| | |
|-----------|--------|
| RP, R0-R7 | Levels |
|-----------|--------|

These lines transmit the read data for all four densities. Each character read from tape is made available by parallel sampling the read lines using the Read Strobe. The data remains on the read lines for a full character period.

1.4.2.12 READY

RDY Level P2-28

RDY is true (low) only when the transport is ready to receive external commands; the following conditions must exist:

- a. All interlocks are made.
- b. Initial load or rewind sequence is complete.
- c. Transport is on-line.
- d. Transport is not rewinding.

1.4.2.13 ON LINE

ONL Level P2-44

When ONL is true (low), the transport is under host or remote control. ONL false (high) indicates the transport is under local control.

1.4.2.14 REWINDING

RWG Level P2-30

RWG is true (low) when the transport is engaged in a rewind operation or returning to the load point at the end of the rewind operation.

1.4.2.15 FILE PROTECT

FPT Level P2-32

FPT is true (low) when a reel of tape without a write-enable ring is mounted on the transport supply hub.

1.4.2.16 LOAD POINT

LDP Level P2-4

LDP is true (low) when the load point marker is under the BOT sensor and the transport is not rewinding. After receipt of a motion command the signal will remain true until the load point marker leaves the BOT sensor area.

1.4.2.17 END OF TAPE

EOT Level P2-22

EOT is true (low) when the EOT marker is detected in the forward direction. EOT goes false (high) when the EOT marker is detected in reverse (REWIND).

1.4.2.18 NRZI

NRZ Level P2-26

NRZ true (low) indicates the selected transport is operating in NRZI mode. A false (high) level on NRZ indicates the selected transport is operating in the PE, DDPE, or GCR mode.

1.4.2.19 SPEED

SPD

Level

P2-40

SPD true (low) indicates the selected transport is in the high speed streaming mode. A false level indicates low speed (50 ips).

1.4.3 COMMAND EXECUTION

The following section describes the appropriate combinations of signal lines required to achieve Command Execution followed by a description of the responses of the Model 9610. Command configuration for the Model 9610 is shown in Table 1-5. Write and read interface timing diagrams for each density at the two tape speeds are shown in Figures 1-4 through 1-19.

Table 1-5. Command Configuration

| COMMAND | REV | WRT | WFM | EDT | ERS |
|--------------------------------------|-----|-----|-----|-----|-----|
| READ FORWARD | 0 | 0 | 0 | 0 | 0 |
| READ REVERSE | 1 | 0 | 0 | 0 | 0 |
| READ REVERSE EDIT | 1 | 0 | 0 | 1 | 0 |
| WRITE | 0 | 1 | 0 | 0 | 0 |
| WRITE EDIT | 0 | 1 | 0 | 1 | 0 |
| WRITE FILE MARK | 0 | 1 | 1 | 0 | 0 |
| ERASE VARIABLE LENGTH | 0 | 1 | 0 | 0 | 1 |
| ERASE FIXED LENGTH | 0 | 1 | 1 | 0 | 1 |
| DATA SECURITY ERASE | 0 | 1 | 1 | 1 | 1 |
| SPACE FORWARD | 0 | 0 | 0 | 0 | 1 |
| SPACE REVERSE | 1 | 0 | 0 | 0 | 1 |
| FILE SEARCH FORWARD | 0 | 0 | 1 | 0 | 0 |
| FILE SEARCH REVERSE | 1 | 0 | 1 | 0 | 0 |
| FILE SEARCH FORWARD (IGNORE DATA) | 0 | 0 | 1 | 0 | 1 |
| FILE SEARCH REVERSE (IGNORE DATA) | 1 | 0 | 1 | 0 | 1 |
| SELECT 800 BPI | 0 | 1 | 1 | 1 | 0 |
| SELECT 1600 BPI | 0 | 0 | 1 | 1 | 1 |
| SELECT 3200 BPI | 1 | 0 | 1 | 1 | 1 |
| SELECT 6250 BPI | 1 | 1 | 0 | 0 | 0 |

1.4.3.1 READ FORWARD

On receipt of the Read Forward command loaded into the unit with the GO pulse, the FBY signal goes true and the unit begins to accelerate the tape up to nominal velocity. When the tape is up to speed and the data block to be read is detected, DBY shall go true. Read Strokes (RSTR) accompany the decoded data. DBY will go false after the complete block has been read indicating readiness of the unit to accept a new command. If no command is received, the unit will either stop in the gap in 50 ips operation or enter a reposition operation in 100 ips operation and FBY will go false.

1.4.3.2 READ REVERSE

This command is similar to a read forward command except that the tape motion is in the reverse direction.

1.4.3.3 WRITE

On receipt of the Write command loaded into the unit with the GO pulse, the FBY signal goes true and the unit begins to accelerate the tape up to nominal velocity. When the tape is up to speed and the data block is ready to be written, DBY shall go true. Write Strokes (WSTR) are transmitted to the Host by the unit and the Host presents each data byte to be written. When LWD is received by the unit from the Host, the unit will finish reading the block, error status shall be made available to the Host and then the unit shall force DBY false indicating the end of the block just written. FBY will remain true if a new command in the same direction is received within the command reinstruct period. If no command is received, the unit will either stop in the gap in 50 ips operation or enter a reposition operation in all 100 ips or 50 ips GCR write operation and FBY will go false.

1.4.3.4 READ REVERSE EDIT

The Read Reverse Edit command besides providing data establishes the correct position of the tape relative to the magnetic head prior to the Host executing a Write Edit command.

1.4.3.5 WRITE EDIT

The Write Edit command must be preceded by a Read Reverse Edit command. The Write Edit command allows a block of the same length to be written over an already existing data block on the tape.

1.4.3.6 WRITE FILE MARK

This command invokes the writing of a file mark in the density selected.

1.4.3.7 FIXED LENGTH ERASE

This command invokes a 3.5 inch length of tape to be erased. This command is always executed in the forward direction of tape motion.

1.4.3.8 DATA SECURITY ERASE

This command invokes tape to be erased from the present tape position to a point 3 feet past End of Tape.

1.4.3.9 SPACE FORWARD AND SPACE REVERSE

These commands are similar to a Read Forward or Read Reverse command, except that no read strobos are returned to the Host and no error checking is performed. However, the unit will check and report if the record is a file mark.

1.4.3.10 FILE MARK SEARCH FORWARD/REVERSE

A file mark search forward command causes the unit to execute a series of read forward commands and the reverse command, a series of read reverse commands searching for a file mark. Forward or reverse search is terminated by the presence of a file mark, 25 feet of blank tape, BOT in reverse search, or EOT in forward search. In the EOT region a gap of 5 feet results for a forward search termination. If the next block encountered is not a file mark and the command was issued at 50 ips, the unit will jump to 100 ips if autospeed is a selected option.

1.4.3.11 ERASE VARIABLE

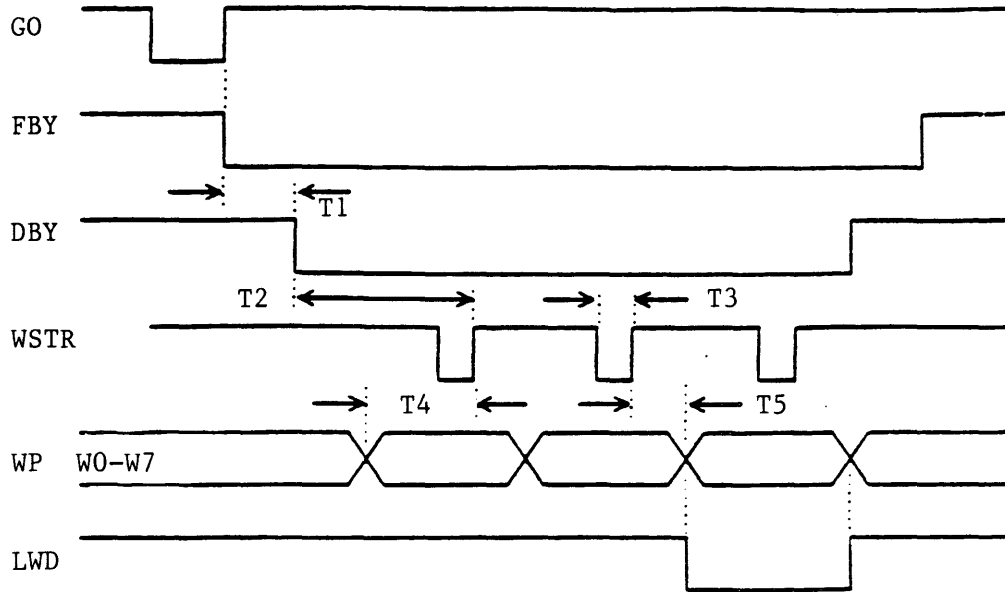
This command causes the unit to execute a dummy write, erasing tape until Last Word (LWD) is issued by the Host. WSTR's are transmitted to the Host during the execution of this command.

1.4.3.12 DENSITY SELECT

Given that the unit has been placed in a remote density mode (the remote density LED is ON) from the operator panel, online and at BOT, the Host can issue a density command that will force the unit to write tapes in the density invoked. However, if the unit performs a read from BOT of a tape of different density than the density command accepted by the unit, the unit will change to the density of the tape and proceed. This command will only be accepted when the drive is at BOT, ON-LINE and SELECTed.

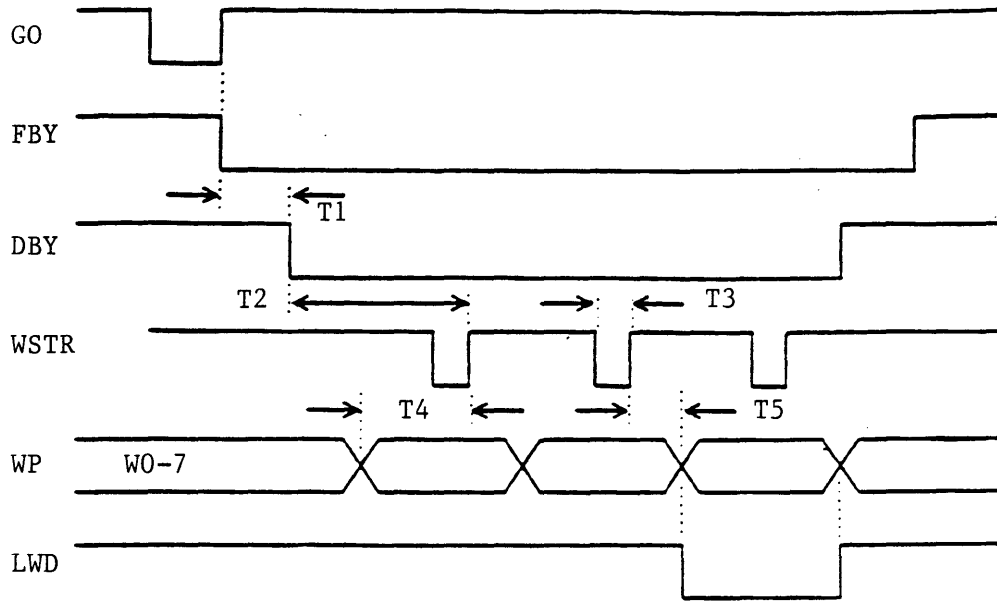
1.5 HOST INTERFACE TIMING

The following figures 1-4 thru 1-19 illustrate Host Interface Timing.



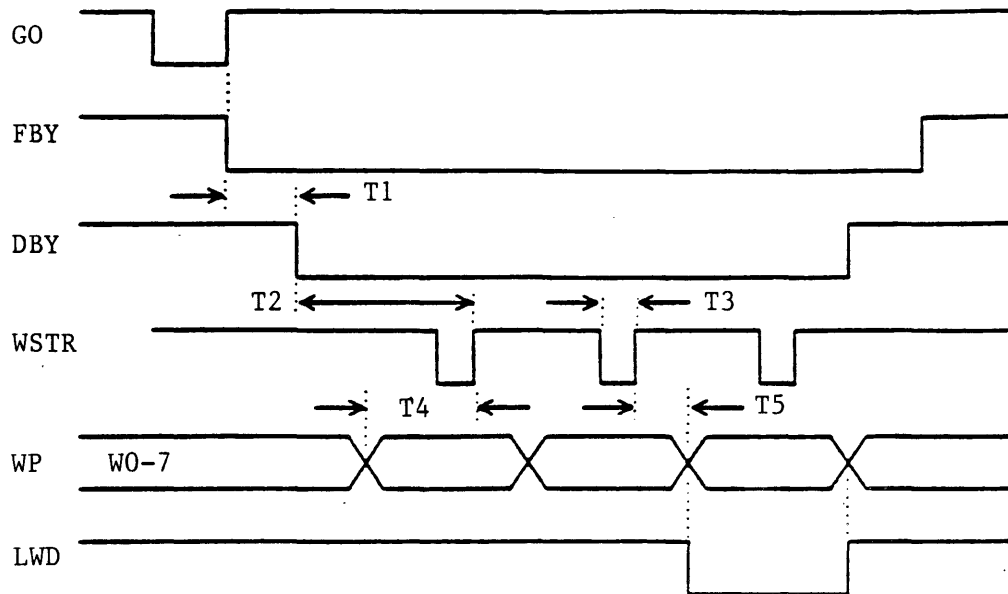
| <u>Time</u> | <u>100ips Start/Stop</u> | <u>100ips On the Fly</u> | <u>50ips Start/Stop</u> | <u>50ips On the Fly</u> |
|-------------|------------------------------|------------------------------|-----------------------------|-----------------------------|
| T1 | <18.0 mS | <4.0 mS | <8.0 mS | <5.0 mS |
| T2 | >240 uS | >240 uS | >500 uS | >500 uS |
| T3 | 1.0 uS | 1.0 uS | 1.0 uS | 1.0 uS |
| T4 | >500 nS | >500 nS | >500 nS | >500 nS |
| T5 | >250 nS | >250 nS | >250 nS | >250 nS |

Figure 1-4. NRZI Write Data



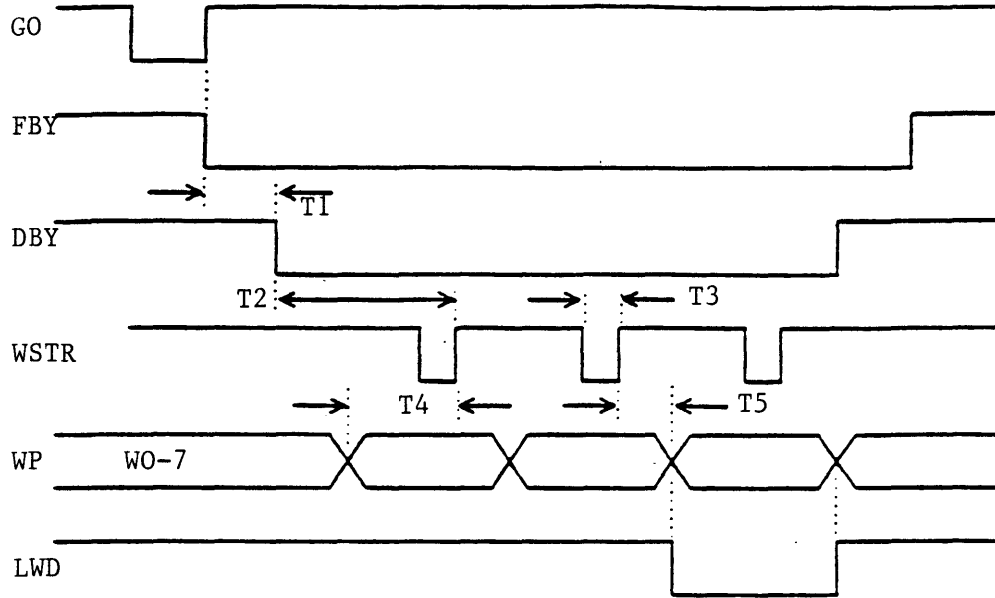
| <u>Time</u> | <u>100ips Start/Stop</u> | <u>100ips On the Fly</u> | <u>50ips Start/Stop</u> | <u>50ips On the Fly</u> |
|-------------|------------------------------|------------------------------|-----------------------------|-----------------------------|
| T1 | <18.0 mS | <4.0 mS | <8.0 mS | <5.0 mS |
| T2 | >350 uS | >350 uS | >750 uS | >750 uS |
| T3 | 1.0 uS | 1.0 uS | 1.0 uS | 1.0 uS |
| T4 | >500 nS | >500 nS | >500 nS | >500 nS |
| T5 | >250 nS | >250 nS | >250 nS | >250 nS |

Figure 1-5. PE Write Data



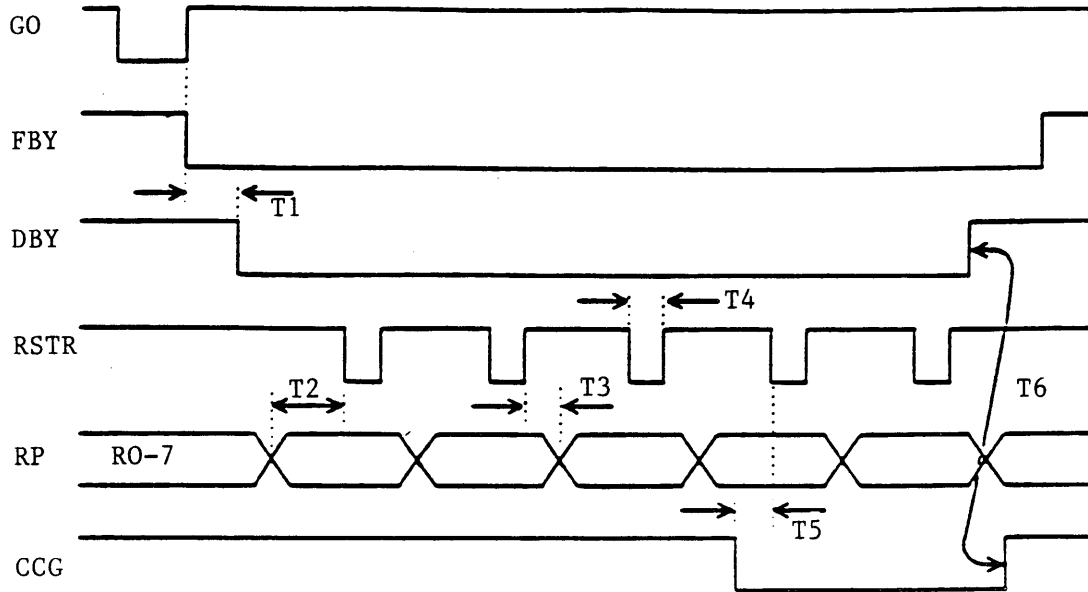
| <u>Time</u> | <u>100ips Start/Stop</u> | <u>100ips On the Fly</u> | <u>50ips Start/Stop</u> | <u>50ips On the Fly</u> |
|-------------|------------------------------|------------------------------|-----------------------------|-----------------------------|
| T1 | <18.0 mS | <4.0 mS | <8.0 mS | <5.0 mS |
| T2 | >300 uS | >300 uS | >600 uS | >600 uS |
| T3 | 1.0 uS | 1.0 uS | 1.0 uS | 1.0 uS |
| T4 | >500 nS | >500 nS | >500 nS | >500 nS |
| T5 | >250 nS | >250 nS | >250 nS | >250 nS |

Figure 1-6. DDPE Write Data



| <u>Time</u> | <u>100ips Start/Stop</u> | <u>100ips On the Fly</u> | <u>50ips Start/Stop</u> | <u>50ips On the Fly</u> |
|-------------|------------------------------|------------------------------|-----------------------------|-----------------------------|
| T1 | <18.0 mS | <2.0 mS | <18.0 mS | <3.0 mS |
| T2 | >100 uS | >100 uS | >150 uS | >150 uS |
| T3 | 530 nS | 530 nS | 1.0 uS | 1.0 uS |
| T4 | >500 nS | >500 nS | >500 nS | >500 nS |
| T5 | >250 nS | >250 nS | >250 nS | >250 nS |

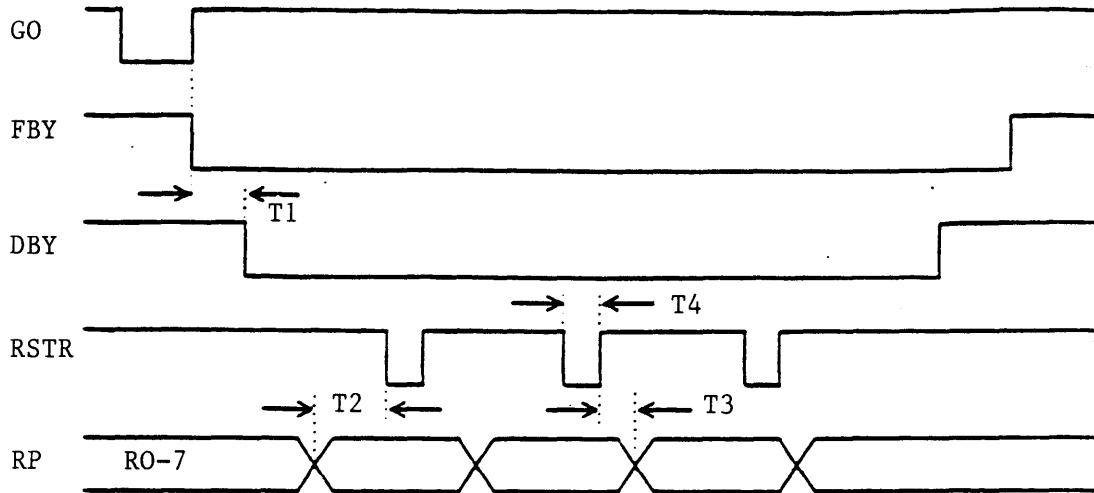
Figure 1-7. GCR Write Data



| <u>Time</u> | <u>100ips Start/Stop</u> | <u>100ips On the Fly</u> | <u>50ips Start/Stop</u> | <u>50ips On the Fly</u> |
|-------------|------------------------------|------------------------------|-----------------------------|-----------------------------|
| T1 | <18.0 mS | <4.0 mS | <8.0 mS | <5.0 mS |
| T2 | >2.5 uS | >2.5 uS | >2.5 uS | >2.5 uS |
| T3 | >250 nS | >250 nS | >250 nS | >250 nS |
| T4 | 2.36 uS | 2.36 uS | 2.36 uS | 2.36 uS |
| T5 | >2.5 uS | >2.5 uS | >2.5 uS | >2.5 uS |
| T6 | * 70.5 uS | 70.5 uS | 67.3 uS | 67.3 uS |

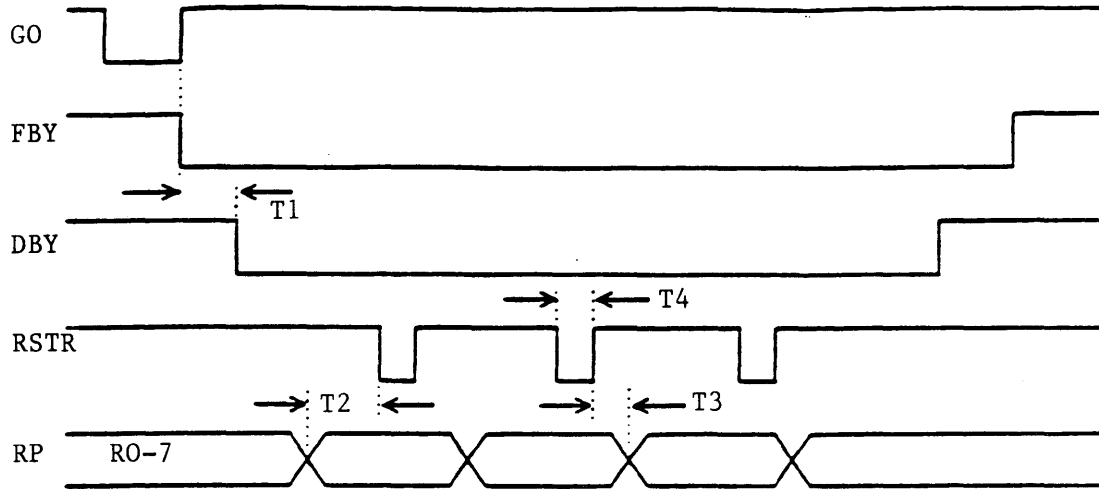
* Nominal values

Figure 1-8. NRZI Read Forward



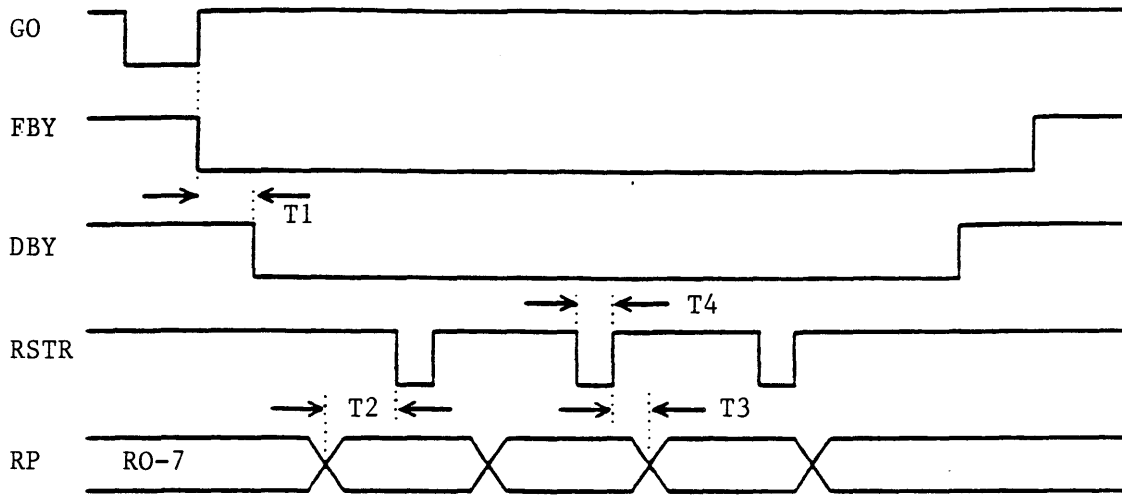
| <u>Time</u> | <u>100ips Start/Stop</u> | <u>100ips On the Fly</u> | <u>50ips Start/Stop</u> | <u>50ips On the Fly</u> |
|-------------|------------------------------|------------------------------|-----------------------------|-----------------------------|
| T1 | <18.0 mS | <4.0 mS | <8.0 mS | <5.0 mS |
| T2 | >1.0 uS | >1.0 uS | >1.0 uS | >1.0 uS |
| T3 | >250 nS | >250 nS | >250 nS | >250 nS |
| T4 | 670 nS | 670 nS | 670 nS | 670 nS |

Figure 1-9. PE Read Forward



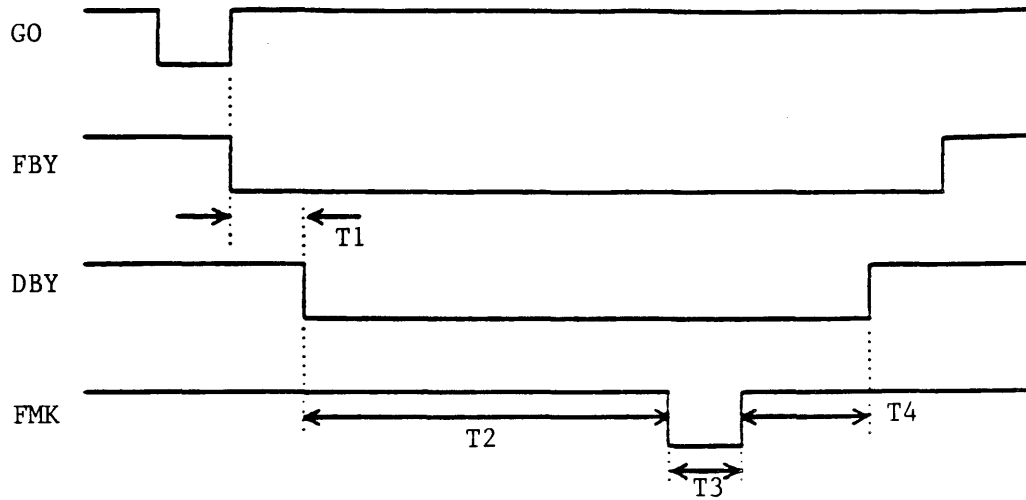
| <u>Timer</u> | <u>100ips Start/Stop</u> | <u>100ips On the Fly</u> | <u>50ips Start/Stop</u> | <u>50ips On the Fly</u> |
|--------------|------------------------------|------------------------------|-----------------------------|-----------------------------|
| T1 | <18.0 mS | <4.0 mS | <8.0 mS | <5.0 mS |
| T2 | >1.7 uS | >1.7 uS | >1.0 uS | >1.0 uS |
| T3 | >250 nS | >250 nS | >250 nS | >250 nS |
| T4 | 670 nS | 670 nS | 670 nS | 670 nS |

Figure 1-10. DDPE Read Forward



| <u>Time</u> | <u>100ips start/Stop</u> | <u>100ips On the Fly</u> | <u>50ips Start/Stop</u> | <u>50ips On the Fly</u> |
|-------------|------------------------------|------------------------------|-----------------------------|-----------------------------|
| T1 | <18.0 mS | <2.0 mS | <16.0 mS | <3.0 mS |
| T2 | >500 nS | >500 nS | >1.0 uS | >1.0 uS |
| T3 | >250 nS | >250 nS | >250 nS | >250 nS |
| T4 | 340 nS | 340 nS | 730 nS | 730 nS |

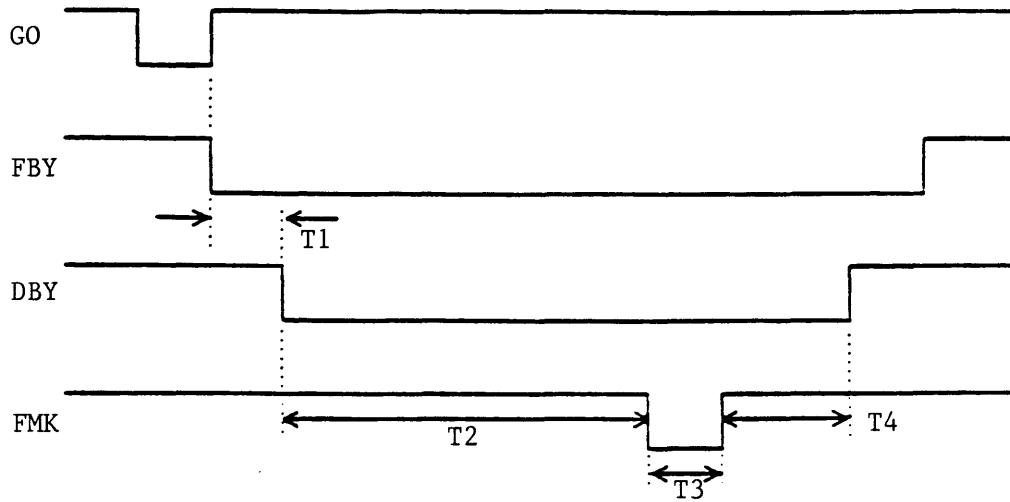
Figure 1-11. GCR Read Forward



| <u>Time</u> | | <u>100ips Start/Stop</u> | <u>100ips On the Fly</u> | <u>50ips Start/Stop</u> | <u>50ips On the Fly</u> |
|-------------|---|------------------------------|------------------------------|-----------------------------|-----------------------------|
| T1 | | <54.0 mS | <40.0 mS | <80.0 mS | <80.0 mS |
| T2 | * | 1.8 mS | 1.8 mS | 3.6 mS | 3.6 mS |
| T3 | | 4.15 uS | 4.15 uS | 4.15 uS | 4.15 uS |
| T4 | * | 53.0 uS | 53.0 uS | 53.0 uS | 53.0 uS |

* Nominal Values

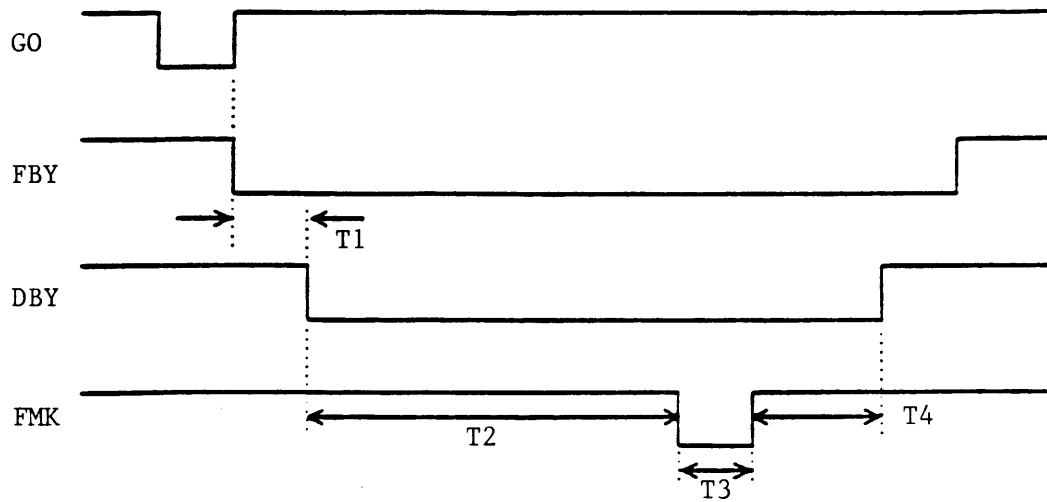
Figure 1-12. NRZI Write File Mark



| <u>Time</u> | | <u>100ips Start/Stop</u> | <u>100ips On the Fly</u> | <u>50ips Start/Stop</u> | <u>50ips On the Fly</u> |
|-------------|---|------------------------------|------------------------------|-----------------------------|-----------------------------|
| T1 | | <54.0 mS | <40.0 mS | <80.0 mS | <80.0 mS |
| T2 | * | 1.8 mS | 1.8 mS | 3.6 mS | 73.6 mS |
| T3 | | 3.2 uS | 3.2 uS | 6.3 uS | 6.3 uS |
| T4 | * | 220 uS | 220 uS | 220 uS | 220 uS |

* Nominal Values

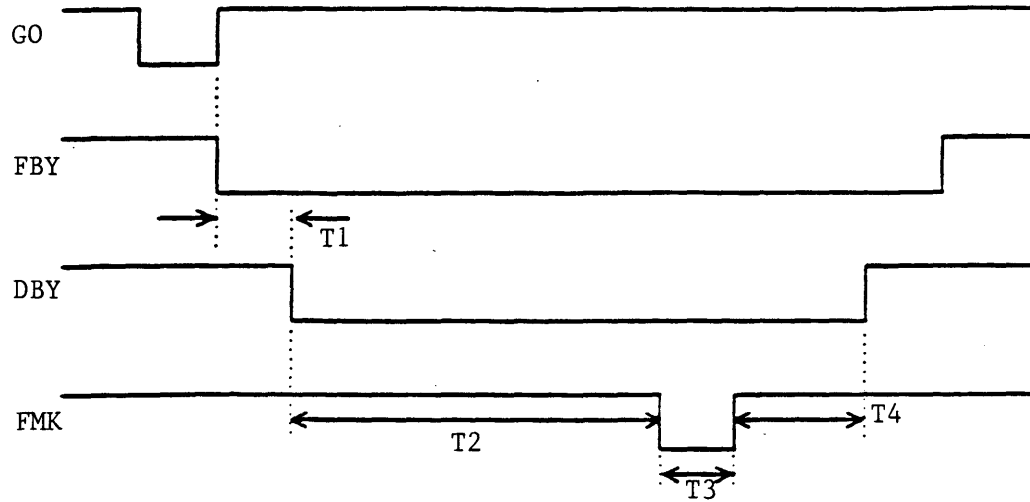
Figure 1-13. PE Write File Mark



| <u>Time</u> | <u>100ips Start/Stop</u> | <u>100ips On the Fly</u> | <u>50ips Start/Stop</u> | <u>50ips On the Fly</u> |
|-------------|------------------------------|------------------------------|-----------------------------|-----------------------------|
| T1 | <54.0 mS | <40.0 mS | <80.0 mS | <80.0 mS |
| T2 * | 1.8 mS | 1.8 mS | 3.6 mS | 3.6 mS |
| T3 | 1.6 uS | 1.6 uS | 3.2 uS | 3.2 uS |
| T4 * | 220 uS | 220 uS | 220 uS | 220 uS |

* Nominal Values

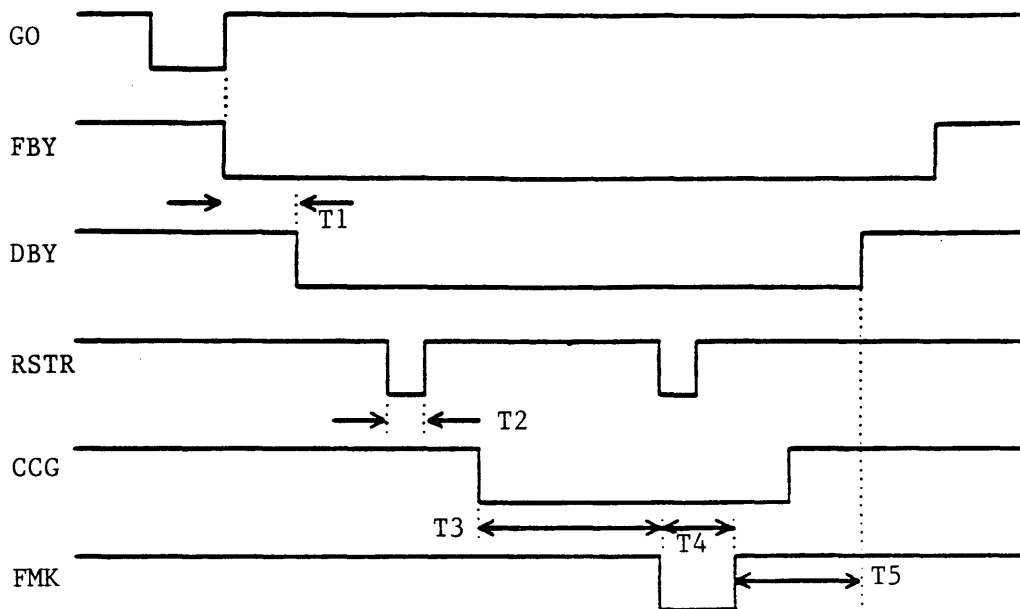
Figure 1-14. DDPE Write File Mark



| <u>Time</u> | | <u>100ips Start/Stop</u> | <u>100ips On the Fly</u> | <u>50ips Start/Stop</u> | <u>50ips On the Fly</u> |
|-------------|---|------------------------------|------------------------------|-----------------------------|-----------------------------|
| T1 | | <18.0 mS | <2.0 mS | <18.0 mS | <3.0 mS |
| T2 | * | 1.8 mS | 1.8 mS | 3.6 mS | 3.6 mS |
| T3 | | 1.15 uS | 1.15 uS | 2.30 uS | 2.30 uS |
| T4 | * | 220 uS | 220 uS | 220 uS | 220 uS |

* Nominal Values

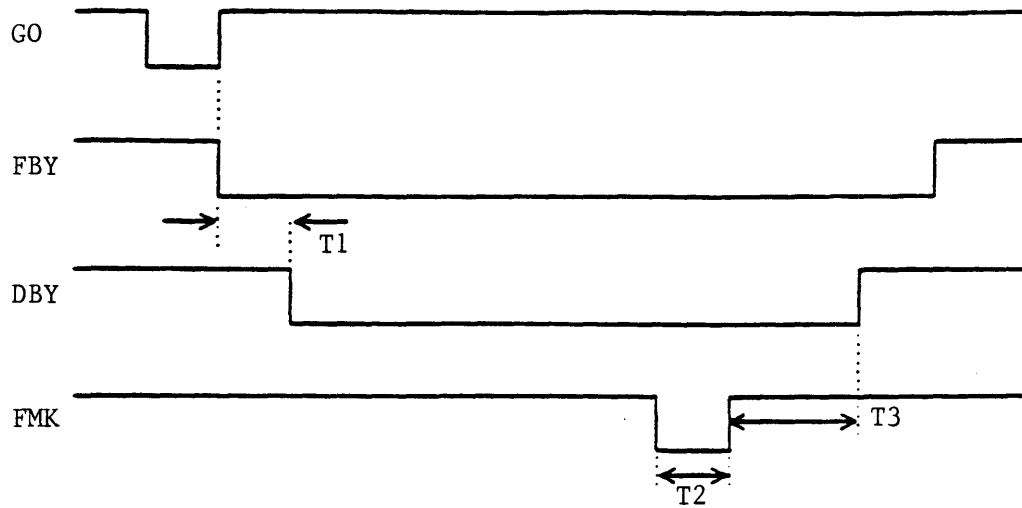
Figure 1-15. GCR Write File Mark



| <u>Time</u> | <u>100ips Start/Stop</u> | <u>100ips On the Fly</u> | <u>50ips Start/Stop</u> | <u>50ips On the Fly</u> |
|-------------|------------------------------|------------------------------|-----------------------------|-----------------------------|
| T1 | <18.0 mS | <4.0 mS | <8.0 mS | <5.0 mS |
| T2 | 2.36 uS | 2.36 uS | 2.36 uS | 2.36 uS |
| T3 * | 300 uS | 300 uS | 450 uS | 450 uS |
| T4 | 4.2 uS | 4.2 uS | 4.2 uS | 4.2 uS |
| T5 * | 37.0 uS | 37.0 uS | 41.0 uS | 41.0 nS |

* Nominal Values

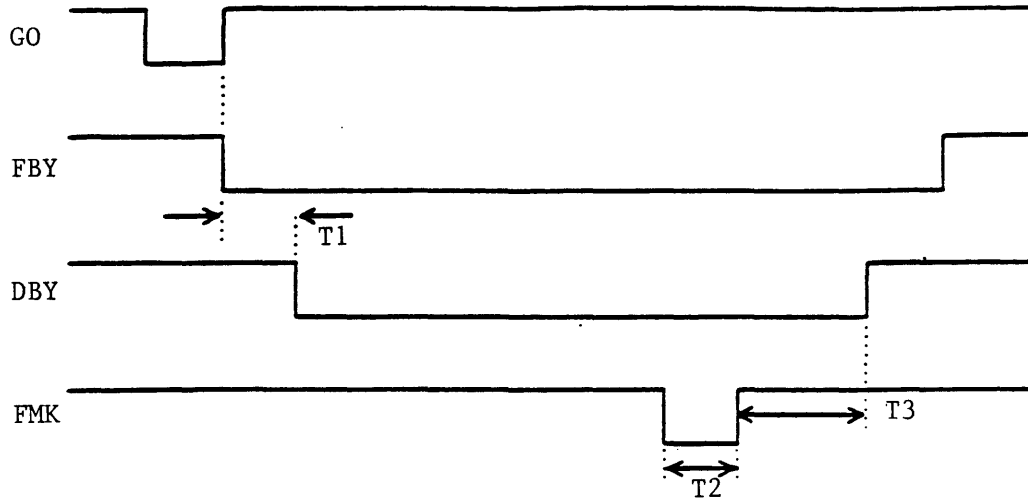
Figure 1-16. NRZI Read File Mark



| <u>Time</u> | <u>100ips Start/Stop</u> | <u>100ips On the Fly</u> | <u>50ips Start/Stop</u> | <u>50ips On the Fly</u> |
|-------------|------------------------------|------------------------------|-----------------------------|-----------------------------|
| T1 | <18.0 mS | <4.0 mS | <8.0 mS | <5.0 mS |
| T2 | 3.2 uS | 3.2 uS | 6.3 uS | 6.3 uS |
| T3 | * 190 uS | 190 uS | 190 uS | 190 uS |

* Nominal Values

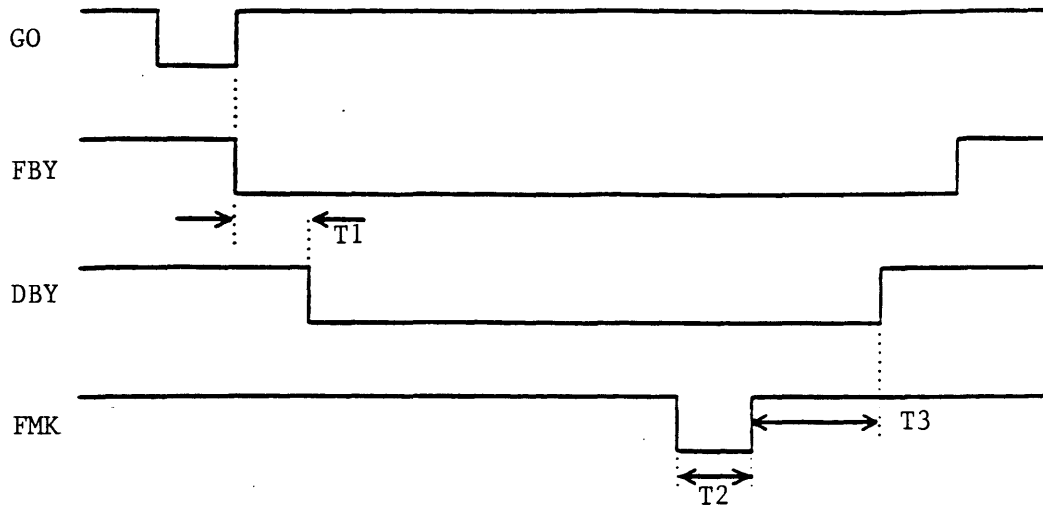
Figure 1-17. PE Read File Mark



| <u>Time</u> | <u>100ips Start/Stop</u> | <u>100ips On the Fly</u> | <u>50ips Start/Stop</u> | <u>50ips On the Fly</u> |
|-------------|------------------------------|------------------------------|-----------------------------|-----------------------------|
| T1 | <18.0 mS | <4.0 mS | <8.0 mS | <5.0 mS |
| T2 | 1.6 uS | 1.6 uS | 3.2 uS | 3.2 uS |
| T3 | * 190 uS | 190 uS | 190 uS | 190 uS |

* Nominal Values

Figure 1-18. DDPE Read File Mark



| <u>Time</u> | <u>100ips Start/Stop</u> | <u>100ips On the Fly</u> | <u>50ips Start/Stop</u> | <u>50ips On the Fly</u> |
|-------------|------------------------------|------------------------------|-----------------------------|-----------------------------|
| T1 | <18.0 mS | <2.0 mS | <16.0 mS | <3.0 mS |
| T2 | 1.15 uS | 1.15 uS | 2.30 uS | 2.30 uS |
| T3 | * 190 uS | 190 uS | 190 uS | 190 uS |

* Nominal Values

Figure 1-19. GCR Read File Mark

SECTION II
INSTALLATION/OPERATION

SECTION II - INSTALLATION AND OPERATION

2.0 INTRODUCTION

Section II describes unpacking, inspecting, installing, cabling, adjusting, and operating the Model 9610 Tape Drive.

2.1 UNPACKING

WARNING

The Model 9610 Tape Drive weighs **110 pounds**. Use **safe lifting practices** to remove the drive from the container.

The Model 9610 and 9660 Tape Drives are shipped cushioned by polyethylene foam supports in a heavy-weight cardboard container. Place the shipping container on a flat, horizontal, dry, non-slip surface. Carefully cut the binding straps, and remove the top lid. Remove the cardboard sides of the shipping container. The Drive can now be conveniently lifted from the shipping container. Set the Drive on a flat, horizontal surface. Save the following items: Slide Rails, AC Power Cord, 220/240-volt Fuse Kit, Hardware (two Shipping Retainer Brackets, Rack-Latch Angle Bracket, screws, etc) and 9610/9660 Manual. Retain the shipping container, polyethylene wrap, and foam supports for possible future shipment.

Tape Drives shipped in racks are held in place by the two Shipping Retainer Brackets mentioned above (Figure 2-1). These Brackets should be removed after the Rack is put in its final location at the installation site, and the Rack-Latch Angle Bracket (also mentioned above) must be installed in place of the left Retainer Bracket. This Bracket comprises the Catch (Figure 2-1) for the Retainer Latch located just inside the Front Panel.

2.2 INSPECTION

Inspect the drive for shipping damage such as scratches, dents, or cracks in the frame. On the Dust Cover (top of Drive), turn the two holding screws 1/4th turn counterclockwise, open the dust cover and, with the Cover Support Bar (Figure 2-2), latch the Dust Cover in Maintenance Position. Check for loose or missing parts, and foreign material. Open the Tape Path Cover and verify that all parts/areas of the tape path are clean. Remove the PCBA Cover and verify that all PC Boards (Figure 2-4) are seated properly. Reinstall PCBA Cover.

2.3 CABLING AND DAISY CHAINING REQUIREMENTS

The user must provide Host-to-Drive interconnect cables. Up to eight Drives can be daisy chained, but combined cable length must not exceed 20 feet. Resistor Packs IC3, IC4, and IC11 must be removed from all Drive Formatter Boards except from the last Formatter Board on the daisy chain. To remove the Resistor Packs:

1. Remove Top Cover at rear top of the Drive.
2. As applicable, disconnect two cables from the Formatter Board (Figure 2-4).
3. Grasp the PCB Ejectors firmly, and pull Ejectors toward the side of the unit. Board should pop partly out of the slot.
4. Locate Resistor Packs IC3, IC4, and IC11 (Figure 2-4), and remove them.
5. Replace the Formatter Board and Top Cover.

Recommended connectors and cables are as follows: - Daisy chains may optionally require a Cable Connector Adapter (See Figures 2-3 and 2-5).

| <u>Item</u> | <u>Vendor</u> | <u>Part Number</u> | <u>Specifications</u> |
|-------------|---------------|--------------------|--|
| Connectors: | Kennedy | | 50-pin, card edge |
| Adapter | Kennedy | 90-08018-001 | 50-pin, 3-port |
| Cables: | Kennedy | | 50-wire, 28-AWG, shielded flat/stranded/jacketed |

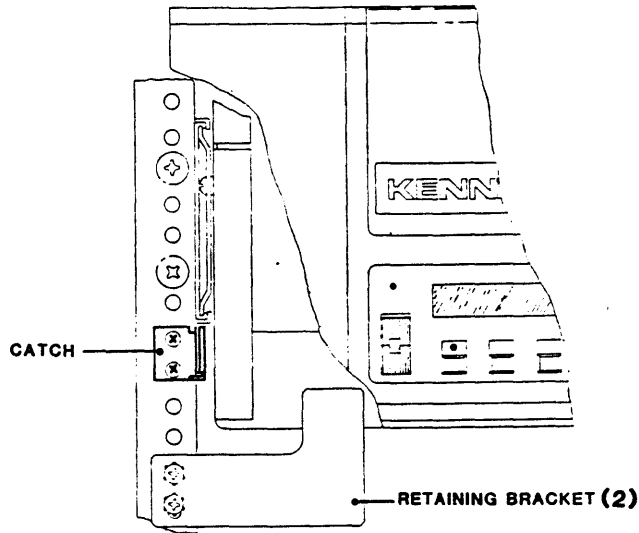


Figure 2-1. Shipping Retainer Bracket and Catch

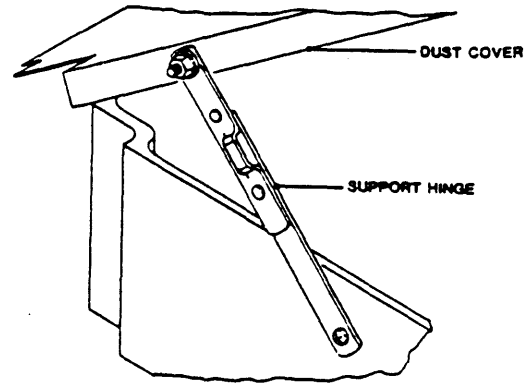


Figure 2-2. Dust Cover Support Bar

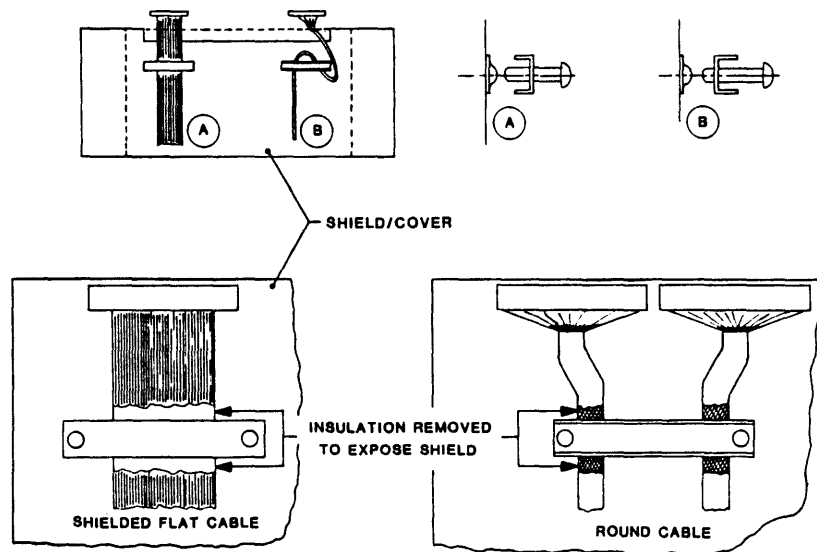


Figure 2-3. Grounding Cable Clamp Details

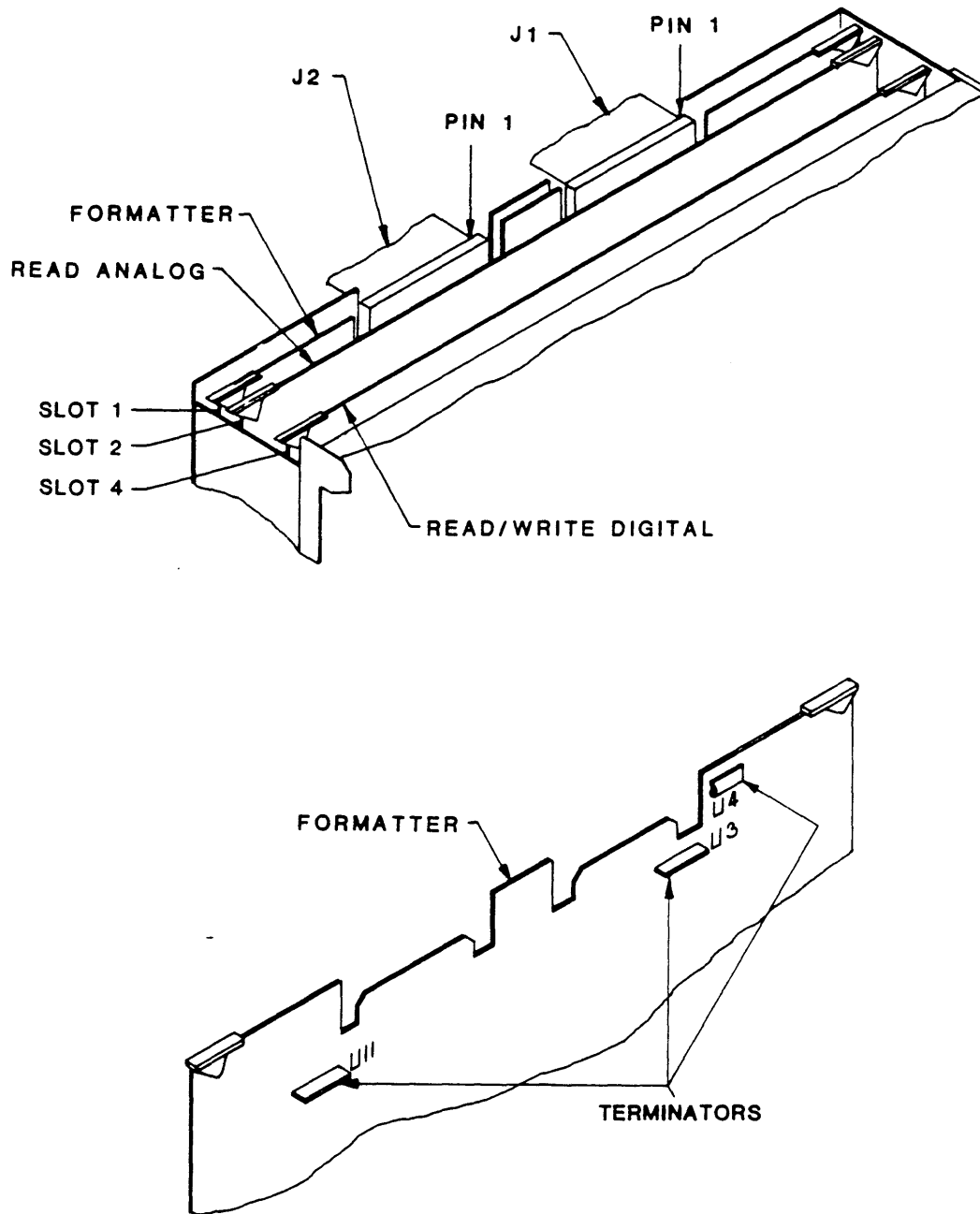
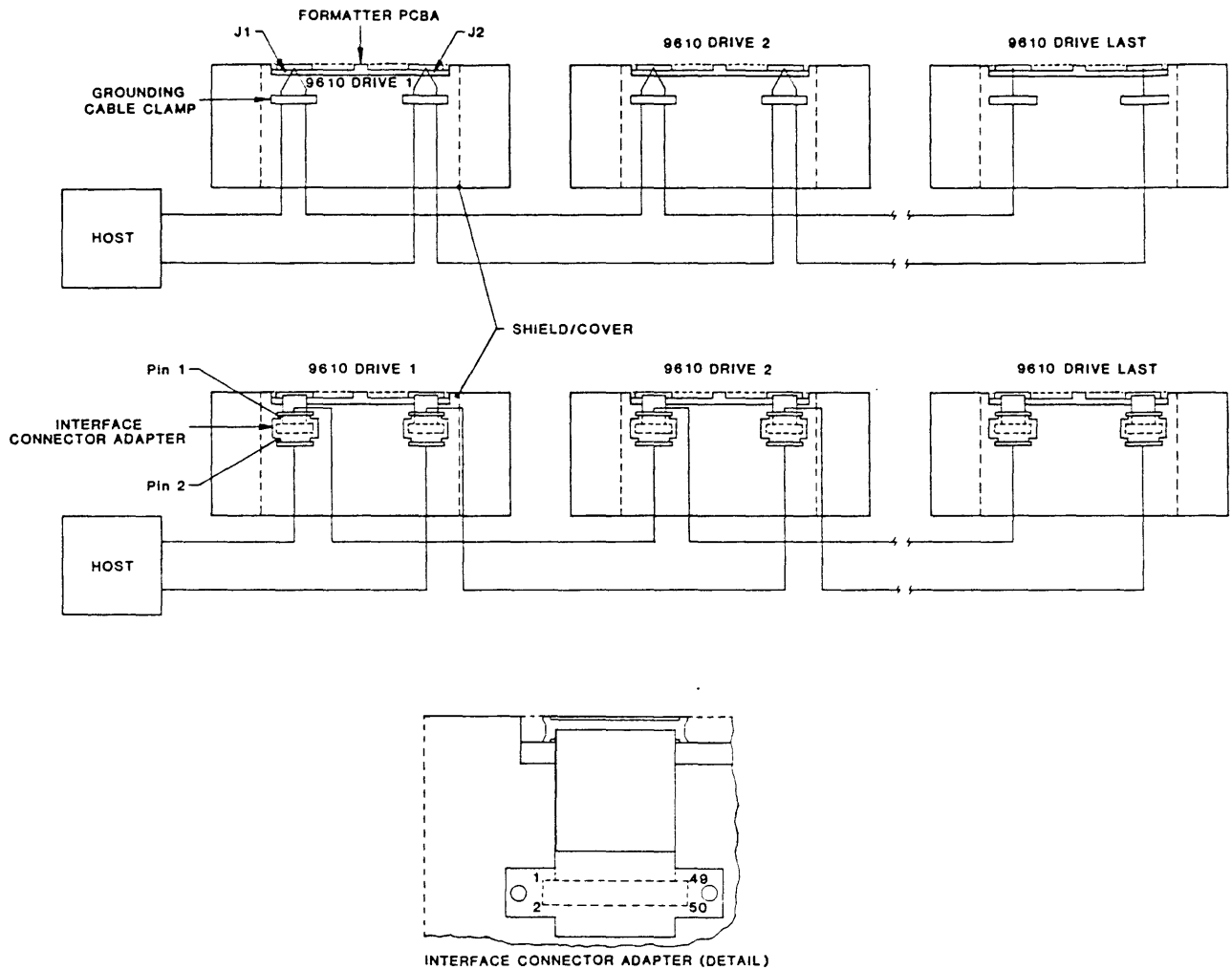


Figure 2-4. Card Cage, Cables, And Terminators



NOTE:

1. Terminators removed from all but last Drive.
2. Shielded Cables are required to meet FCC Regulations. Ground the shields as illustrated. For Interface Connector Adapter, remove some insulation from the cable and connect cable shield under an Adapter Mounting Screw.

Figure 2-5. Daisy Chaininig

2.4 INSTALLATION

2.4.1 TABLE-TOP INSTALLATION

Place the Drive on a flat table top with dimensions to accommodate the Drive (Figure 2-6), of sufficient strength to support the weight of the Drive, and allow sufficient clearance for maintenance access. Do Steps E and F in paragraph 2.4.2.2.

2.4.2 RACK-MOUNT INSTALLATION

Mount the Tape Drive (Figure 2-7) in a standard EIA/RETMA 19-inch Rack allowing at least 8-3/4 inches vertical space. Install The Rack-Mount Rail Assembly supplied with the Drive as described in the following subparagraph 2.4.2.1.

2.4.2.1 RAIL ASSEMBLY COMPONENT CHECKOUT

The Rack-Mount Rail Assembly consists of two left/right interchangeable Track Subassemblies. Each consists of the following items:

| ITEM | Outer/Center Track Assembly | ITEM | Outer/Center Track Assembly |
|------|-----------------------------|------|--------------------------------------|
| 1 | Center Track | 5 | One Adjustable Mounting Bracket |
| 2 | Outer Track | 6 | Three Nut Plates |
| 3 | Fixed Mounting Bracket | 7 | Six 10-32 by 1/2-inch Panhead Screws |
| 4 | One Chassis Rail | 8 | Retention Latch Bracket |

Note: The standard Rack-Mount Rail Assembly has rails that fit cabinets up to 24 inches deep. For deeper cabinets, use Slide Extender P/N 28-00352-101. Order from Kennedy Co. Spare Parts Order Department, 1600 Shamrock Ave, Monrovia, California 91016.

2.4.2.2 MOUNTING PROCEDURE

- A. Install one of the Track Assemblies (Figure 2-8) on either side of the 19-inch Rack as follows:
 1. Using the 10-32 Slotted Screws (7) and Nut Plates (6)* provided, loosely assemble an Adjustable Mounting Bracket (5) to the rear of the Right Track Assembly.
 - * Nut Plates not required for Racks with threaded mounting holes.
 2. Measure upward 2 inches from the bottom of the Rack opening allotted for the Drive, and mark the Rack at that point.
 3. Aligning the bottom of the Fixed Mounting Bracket (3) at the 2-inch mark on the front of the 19-inch Rack, and using the 10-32 Screws (7) provided, mount the Fixed Mounting Bracket (3) to the front of the 19-inch Rack, and mount the Adjustable Mounting Bracket (5) (loosely attached to the rear of the Center Track) to corresponding holes in the the rear of the 19-inch Rack. Level the Track and tighten all Screws.
 4. Repeat Steps 1 through 3 for mounting the other Track Assembly.
- B. Inspect all work and check that all screws are tight.
- C. Remove power cable from the Drive Chassis.
- D. With a minimum of two persons, one on each side of the Drive, lift and guide the Chassis Rails onto the Left and Right Center Tracks. Verifying that the rails are correctly aligned, push the Drive into the Rack.

- E. Remove about an inch of insulation from each Interface Cable at a point where the Cable will pass under the Grounding Cable Clamp(s). This will expose the cable shield. Run the Interface Cables under the Cable Clamp(s) as illustrated in Figure 2-3. Tighten the Clamp(s).
- F. Locate mounting holes on the front of the rack that align with Retention Latch on the Drive, located just within the front plastic access door to the left. Mount the Retention Latch Bracket (Item 8) so that it meshes with the Retention Latch Armature when the Drive is slid all the way into the rack.

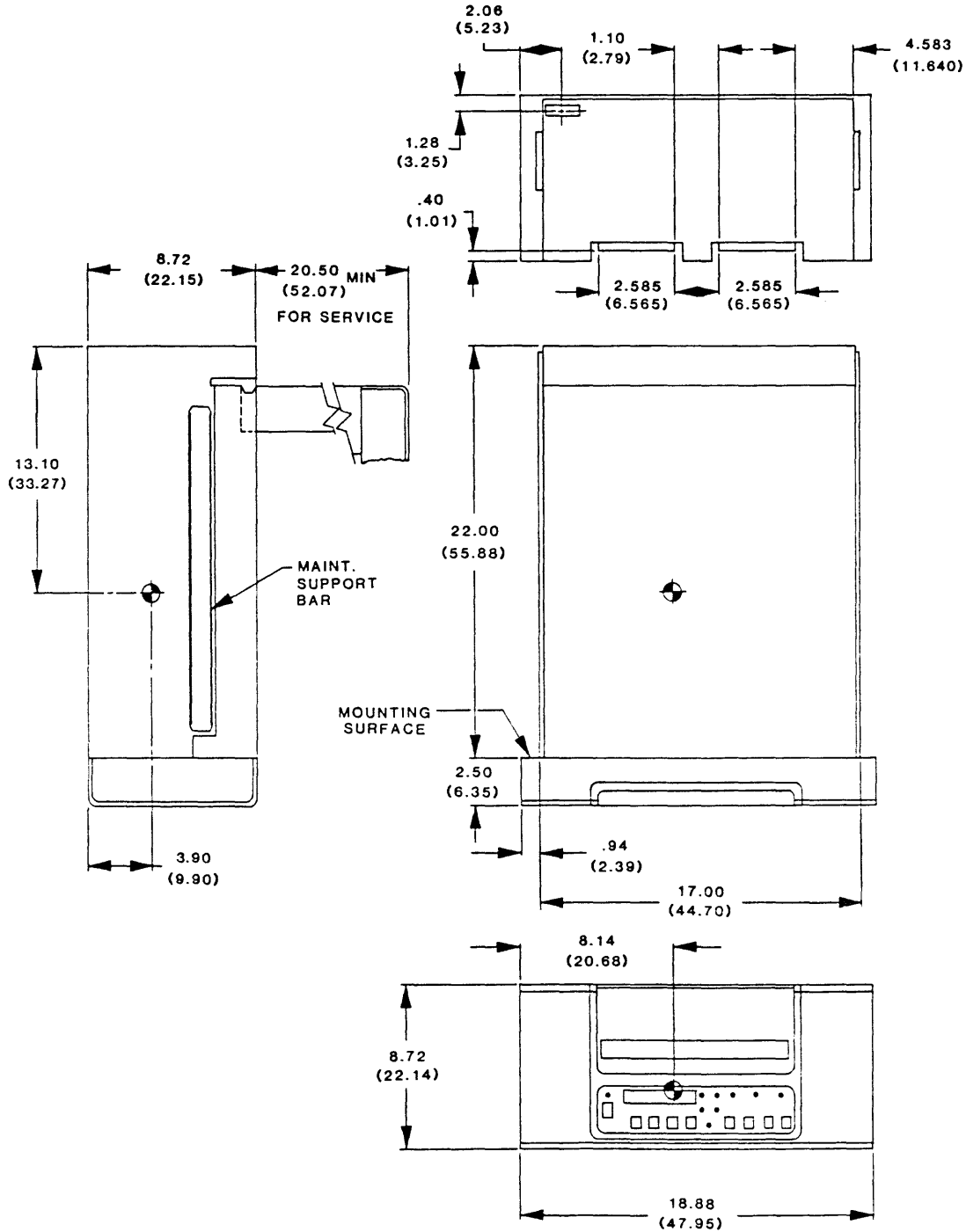
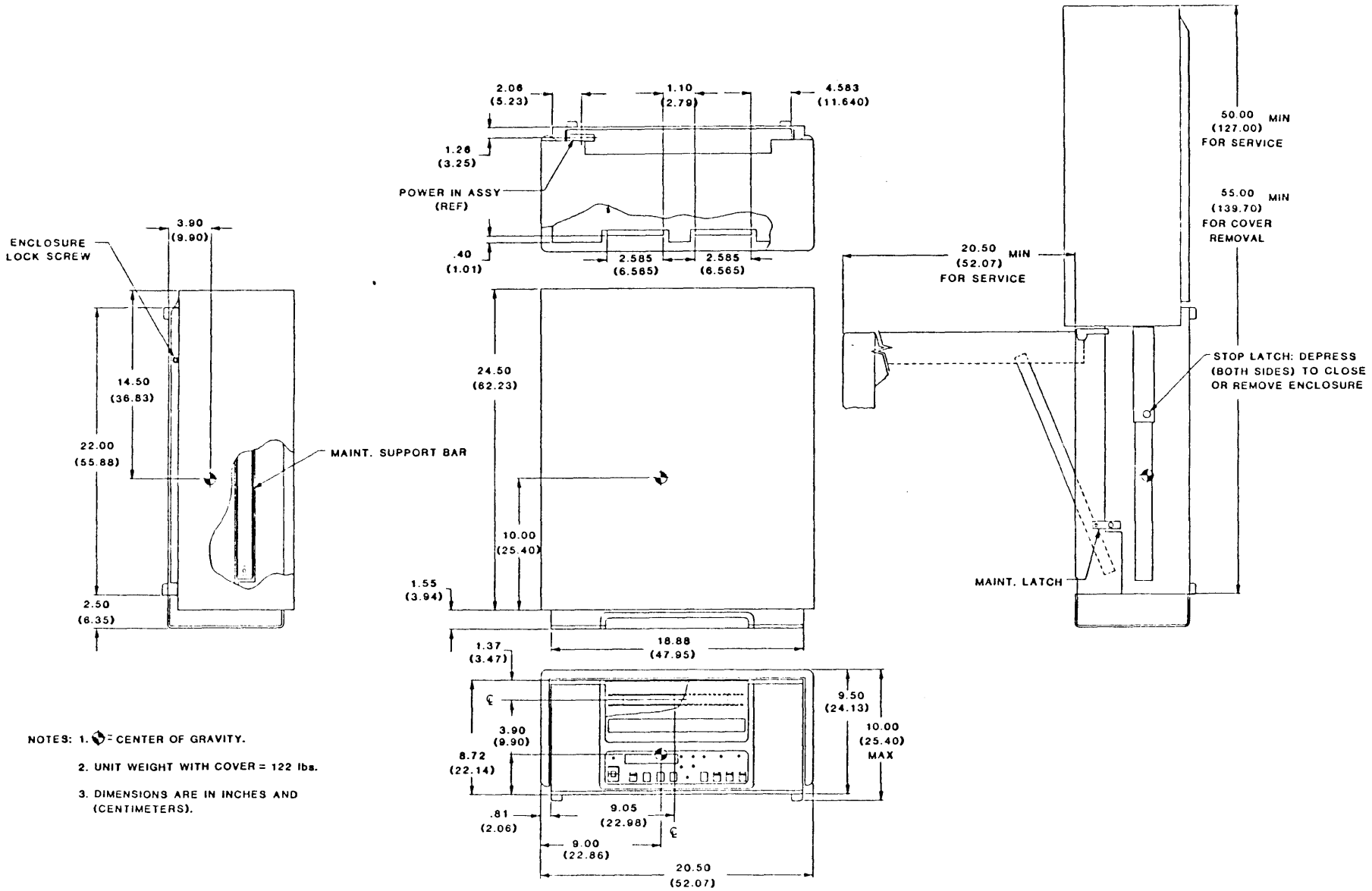


Figure 2-6. Outline And Installation Drawing, Model 9610

Figure 2-7. Installation and Outline Drawing, Model 9660



- NOTES: 1. CENTER OF GRAVITY.
 2. UNIT WEIGHT WITH COVER = 122 lbs.
 3. DIMENSIONS ARE IN INCHES AND (CENTIMETERS).

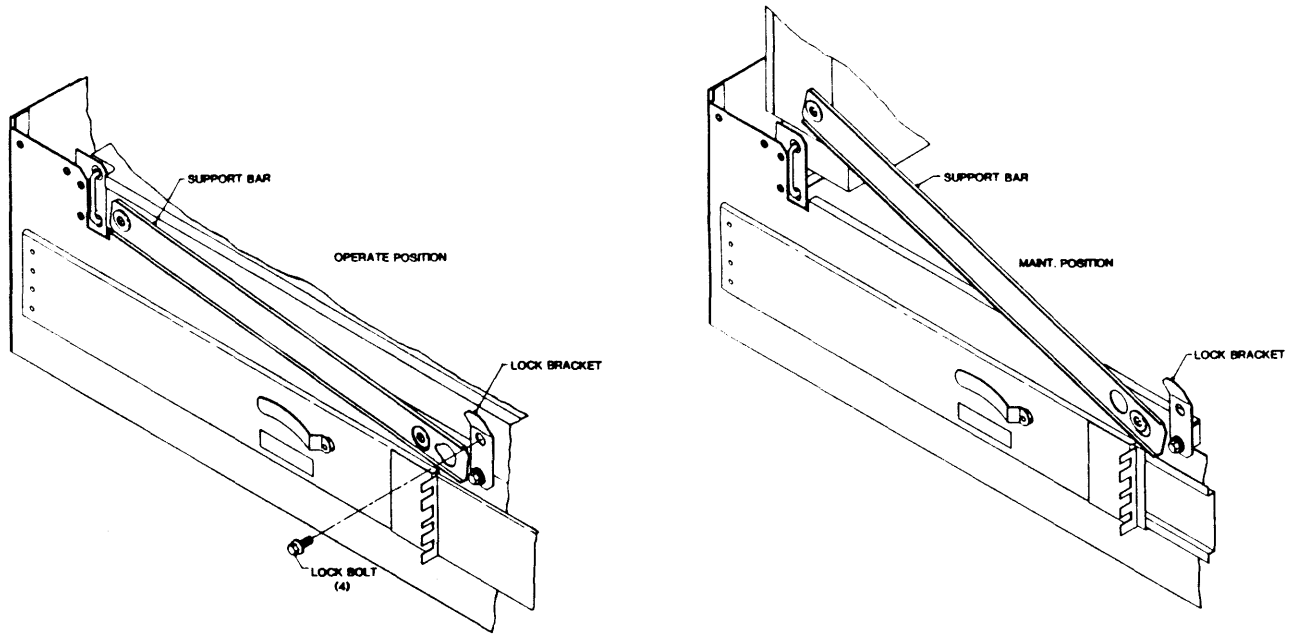


Figure 2-7A. Deck Assembly Support Bar

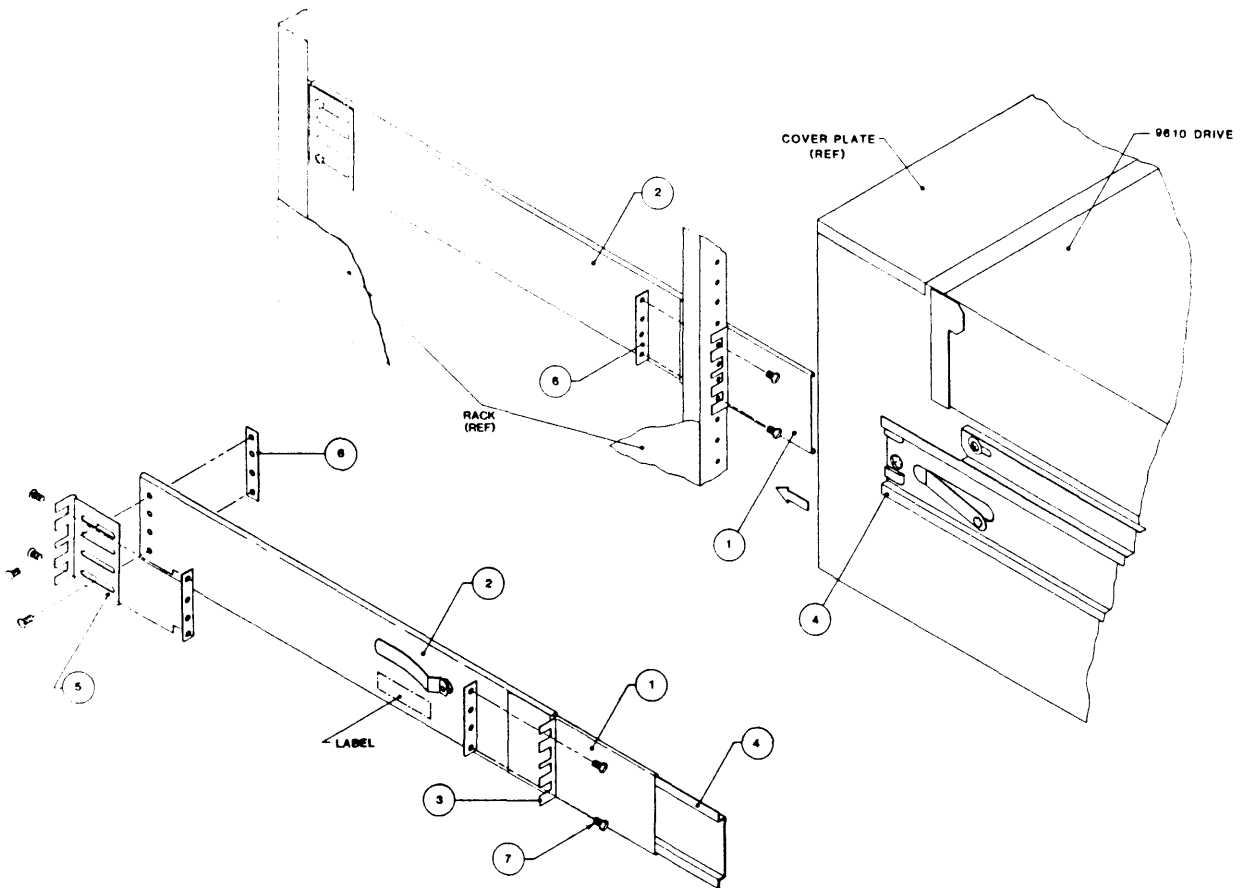


Figure 2-8. Track Subassembly

2.5 POWER UP AND INITIAL CHECKOUT

2.5.1 AC LINE VOLTAGE (100-, 120-, 220-, or 240-Volt Operation)

The Drive is normally factory-set for 120-volt operation. Other voltage choices can be 100, 220, or 240. Locate the Power-In Assembly (Figure 2-9) at the rear of the unit (Figure 2-6). The Voltage Selector Card behind the plastic slide cover is installed with "120" legible. This indicates that the Drive is set for 120-volt operation. The following subparagraph describes changing this setting as necessary.

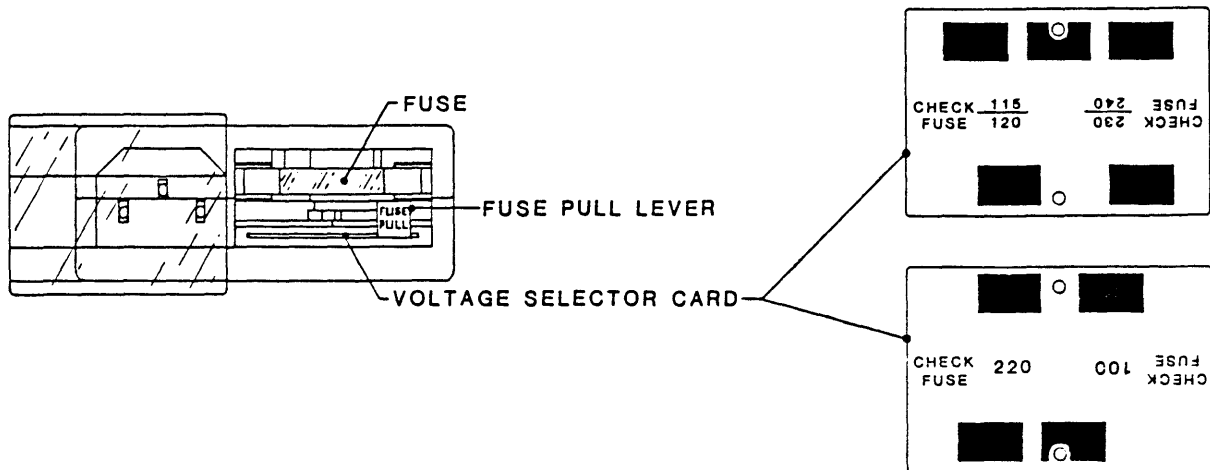


Figure 2-9. Power-In Assembly

Changing Operating Voltage:

Assuming that the Voltage Selector Card setting is other than the site voltage, proceed as follows:

- A. Remove the ac power cord (if installed) from the Power-In Assembly (Figure 2-9).
- B. Slide the plastic Fuse Cover to the left.
- C. Rotate the "FUSE PULL" lever to the left, and remove the fuse (if fuse is incorrect size).
- D. Using long nose pliers, remove the Voltage Selector Card.
- E. Position the Voltage Selector Card at the entrance to the card slot so that the correct voltage (100, 120, 220, or 240) is legible (facing upward), and install the Voltage Selector Card into the Power-In Assembly.
- F. Install the proper-size fuse (supplied: 3-amp slo-blo for 220/240-Volt; 6-amp slo-blo for 100/120-Volt).
- G. Slide the plastic Fuse Cover to the right.
- H. Install (as applicable) an appropriate power plug on the source end of the power cord.
- I. Reconnect the power-cord to the Power In Assembly and plug the other end of the power cord into an appropriate ac outlet.

2.5.2 POWER UP

- A. Check that the Voltage-Selector Card is set for the line voltage of the installation site per paragraph 2.5.1.
- B. Turn Power ON-OFF switch ON (Figure 2-10).
- C. Check that the the Power-On LED (unmarked, located above the Power switch), the 1600 and REMOTE LEDs light, and that the Character Display Readout indicates "TESTING" for a short time followed by "UNIT X" (X represents the Drive Unit Number. The initial (default) readout is "UNIT 0").

2.5.3 CHECKOUT

NOTE: Diagnostics is enabled by the Diagnostics Jumper set to ENABLE. If Diagnostics Switches do not operate, see Section V, paragraph 5.4.2.9.

2.5.3.1 LOADING TAPE

- A. Swing open the Tape Access Door as shown in Figure 2-11, and mount a reel of tape onto the Hub. The reel must be properly seated with Write-Enable Ring facing downward toward the Deck Plate, and the tape leader should be loose.
- B. Close the Tape Access Door.
- C. Depress LOAD. The supply reel spins slowly three turns in reverse to ensure that tape is properly wound on the Reel. The Readout displays "LOADING". The Drive vacuum system automatically threads and loads tape onto the take-up reel. The loading process continues until the tape reaches the Beginning of Tape (BOT). At BOT, the LOAD and LOAD PT (Load Point) LEDs light and the Readout displays "UNIT X". If the Supply Reel has the Write Enable Ring installed, the WRITE ENABLE LED should be lit.

NOTE: Some tapes fail to load because they develop an electrostatic charge. This can be recognized by observing the tendency for the tape to cling to itself around the Supply Reel. This can be remedied by trimming the end of the tape with a trimming/crimping tool.

2.5.3.2 LOAD DETAILS

- A. If the Load Sequence does not complete satisfactorily, an Error Message displays. See Section IV Table 4-3 for error information and remedial action.
- B. After the tape is wound on the Takeup Reel, the Buffer Arms move inward, their Rollers engaging and tensioning tape across the Magnetic Head.
- C. With tape tensioned, the Drive performs Autocalibration to set the Write Current for all Densities as follows: Operating in the tape area before the BOT Marker, the Drive Moves tape back and forth three times over the Head at 50 ips in GCR Mode. During tape movement, the Drive writes a pattern of all ONES on tape, reads the pattern, and adjusts Write Current for optimum reading. Using the Write Current value, the Drive calculates and sets the correct values for all speeds and densities.

NOTE 1: The Drive is factory set for optimum Write Current with nominally standard tape. If for any reason, the Drive fails to satisfactorily complete Autocalibration, the Drive defaults to the factory-set Write Current values.

NOTE 2: For diagnostics purposes, the Operator can set Write Current automatically or manually for any or all densities and speeds by following the procedure in Section IV, par. 4.4.2.6.

- D. At the end of the Load Sequence, tape is tensioned, and at BOT, the Front Panel displays UNIT X, and the LOAD and LOAD PT LEDs are lit. If the tape is Write Enabled, the WRITE EN LED is lit.

2.5.3.3 CHECKOUT CONTINUED

Having loaded tape per 2.5.3.1 above:

- A. Depress ON-LINE. ON-LINE LED lights; the Readout continues to display "UNIT X". When the Drive is selected, the SELECT LED lights.
- B. Depress ON-LINE. ON-LINE LED goes out.
- F. Depress DIAG. DIAG LED lights and the Readout displays "DIAG".
- C. Depress ENTER. Readout displays "SELFTTEST".
- D. Repeatedly press SCAN and verify that the Readout displays, in turn, the following: "SELFTTEST, MOTION, DRV ADJ, SET UP. CAL, DATADIAG, MOTION."
- E. With "MOTION" displayed, press ENTER. Readout displays "50 FWD" (50 ips Forward).
- F. Repeatedly press SCAN and verify that each time SCAN is pressed the Readout displays as indicated in Table 2-1 beginning with Step 2, then to Step 1 and repeating the sequence.
- G. Repeatedly press SCAN until Readout displays "100 FWD".
- H. Press ENTER. Tape moves forward at 100 ips, the LOAD PT LED goes out, and the DIAG LED blinks at 0.5 Hz. Let Drive run to the End of Tape (EOT). Readout displays "EOT".

Table 2-1. Motion Control Sequence

| STEP | DISPLAY | | | MOTION |
|------|----------|--------|--------|---|
| | NORMAL * | AT EOT | AT BOT | |
| 1 | 50 FWD | EOT | | 50 ips Forward |
| 2 | 50 REV | | BOT | 50 ips Reverse |
| 3 | 50 FSS | EOT | | 50 ips Forward Start/Stop |
| 4 | 50 RSS | | BOT | 50 ips Reverse Start/Stop |
| 5 | 50 FRF | EOT | BOT | 50 ips Forward/Reverse/Forward |
| 6 | 100 FWD | EOT | | 100 ips Forward |
| 7 | 100 REV | | BOT | 100 ips Reverse |
| 8 | 100 FSS | EOT | | 100 ips Forward/Start/Stop |
| 9 | 100 RSS | | BOT | 100 ips Reverse/Start/Stop |
| 10 | 100 FRF | EOT | BOT | 100 ips Forward/Reverse/Forward |
| 11 | 50100 F | EOT | | 50 ips / 100 ips Forward |
| 12 | 50/100 R | | BOT | 50 ips / 100 ips Reverse |
| 13 | BURN IN | | | 50 ips / 100 ips /50 ips (Forward)/ Auto Rewind/. . .(Repeat) etc. |

NOTE: Normal display is defined as any display after loading when the tape is neither at BOT nor EOT

- I. Scan through the entire menu. In the step for any Forward Motion Command, such as Step 1 (50 FWD), Step 3 (50 FSS), Step 5 (50 FRF), etc., the Display reads "EOT".
- J. Depress SCAN. Readout displays "100 REV".
- K. Depress ENTER. Tape runs at 100 ips in reverse. Let Drive run to the Beginning of Tape (BOT). Readout displays "BOT".
- L. Scan through the entire menu. In the step for any Reverse Motion Command, such as Step 2 (50 REV), Step 4 (50 RSS), etc., the Display reads "BOT" and the Command cannot be entered.
- M. Repeatedly depress DIAG until DIAG LED goes out and Readout displays "UNIT X".
- N. Depress RWND/UNL. Tape rewinds to the supply reel, and Readout displays "UNLDNG" until tape is unloaded (stops motion), then the readout displays "UNIT X".
- O. Open the Tape Access Door, remove the tape, and turn off power.

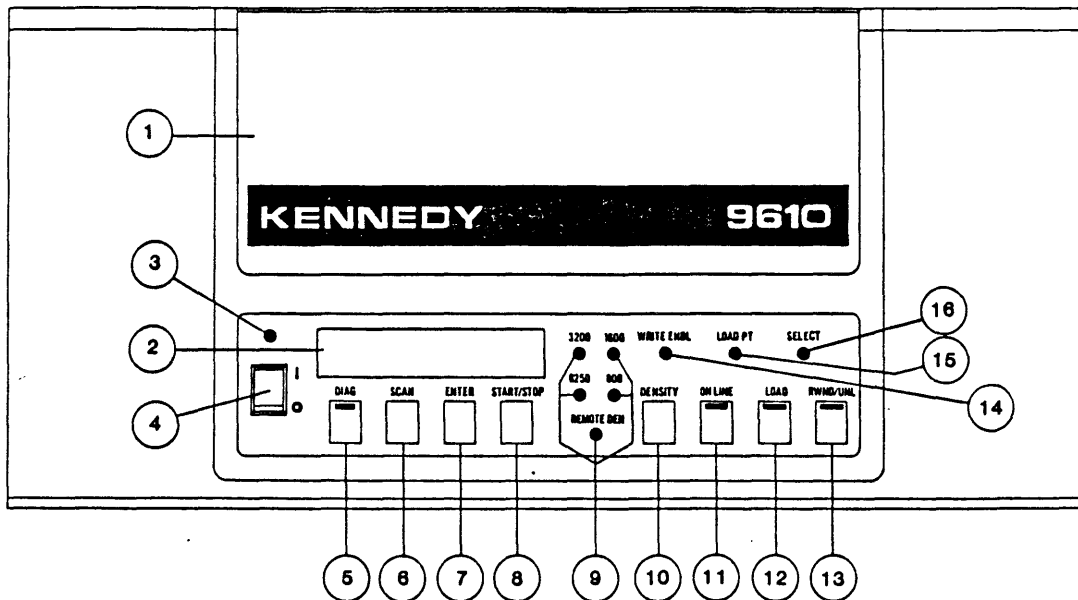
2.5.3.4 MOTION TEST SUMMARY

All Motion Tests, with the exception of Burn In, automatically stop at either BOT (Reverse Tests) or EOT (Forward Tests). Burn In consists of a 100/50/100 ips forward sequence until EOT is reached. At EOT, the Drive automatically rewinds tape to BOT at 200 ips. At BOT, the Drive repeats the 100/50/100 ips sequence and continues to repeat until the operator intervenes. All Motion Tests, including Burn In, may be stopped by depressing START/STOP, except when rewinding.

2.5.4 UNIT SELECTION

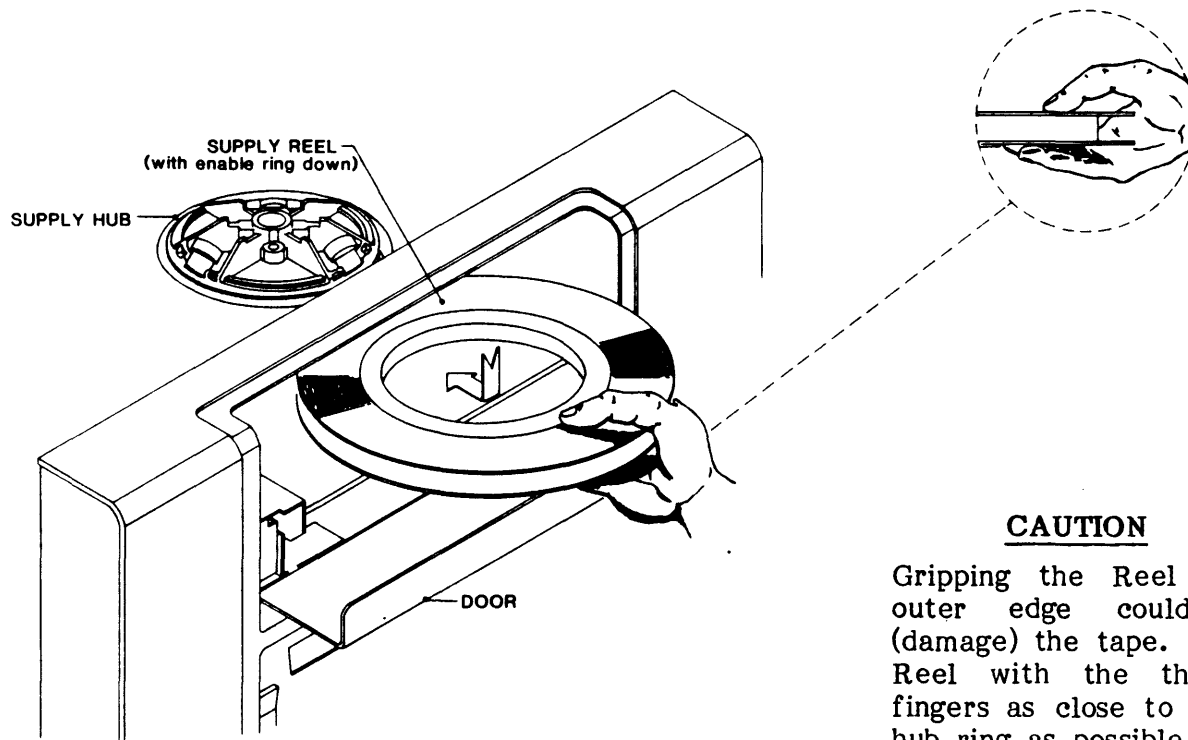
The Drive is factory-set for Unit Address 0. In daisy-chained systems, set the Unit Address for each Drives (other than Drive 0) as follows:

- A. Turn ac power ON.
- B. In turn, depress DIAG, ENTER, SCAN, SCAN, SCAN. Readout displays in sequence: "DIAG", "SELFTTEST", "MOTION", "DRV ADJ", SET UP".
- C. Depress ENTER. Drive enters SET UP Mode; Readout displays "UNIT NUM"
- D. Depress ENTER. Readout displays "UNIT X".
- E. Repeatedly depress SCAN until the Readout displays the desired Unit Number.
- F. Depress ENTER. Readout displays "LOAD?".
- G. Depress LOAD to save new Unit Number. Drive displays "DEFL DEN" (the next parameter).
- H. The Drive will now respond to the new Unit Number (address) sent from the Host.
- I. Depress DIAG twice to return the Drive to Off Line status. The Readout displays the new Unit Number.



- (1) **Tape Access Door** - Supply Hub Access (Ref).
- (2) **Character Display Readout** - Displays operating mode, status, parameters, and diagnostic messages.
- (3) **Unmarked LED** - Lights when ac power is applied to Drive.
- (4) **ON/OFF Switch** - Controls ac power to Drive.
- (5) **DIAG Pushbutton** - Turns diagnostics ON and OFF when Drive is off-line. Internal LED lights when in the diagnostics mode.
- (6) **SCAN Pushbutton** - Scans diagnostics and calibrate menus.
- (7) **ENTER Pushbutton** - Enters selected commands when in diagnostics or calibrate mode.
- (8) **START/STOP Pushbutton** - Starts or stops selected commands in the diagnostics or calibrate mode.
- (9) **REMOTE DEN LED** - Lights when density is selectable by Host.
800/1600/3200/6250 LEDs - Indicates selected density.
- (10) **DENSITY Pushbutton** - Selects data density (800, 1600, 3200, or 6250) and REMOTE.
- (11) **ON-LINE Pushbutton** - Lights when Drive is On-line.
- (12) **LOAD Pushbutton** - Initiates Load sequence.
- (13) **RWND/UNL Pushbutton** - Initiates Rewind or Unload when Drive is Off-line.
- (14) **WRITE ENBL LED** - Lights when supply reel is not write protected.
- (15) **LOAD PT LED** - Lights when tape is at Load Point.
- (16) **SELECT LED** - Lights when Drive is selected by the Host.

Figure 2-10. Panel Controls and Indicators



CAUTION

Gripping the Reel near its outer edge could distort (damage) the tape. Grip the Reel with the thumb and fingers as close to the inner hub as possible.

Figure 2-11. Installing Supply Reel

2.5.5 DATA DENSITY - INTRODUCTION

The Model 9610 can operate at 800 BPI density in Non-Return-to-Zero (NRZI) format, at 1600 BPI density in Phase-Encoded (PE) format, at 3200 BPI Density in Double Density PE (DDPE) format, and at 6250 BPI in Group Coded Recording (GCR) format. When powered up, the Drive automatically defaults* to REMOTE/PE (1600 BPI), in which the Host controls density selection for Write Operations.** The operator can override the defaulted operating density by operating the Front Panel DENSITY Switch as described under A below:

* Default Density is factory-set, but can be changed as described below under C. Changing Default Density.

** In Remote Density Mode, the Host controls Density by Command issued at BOT only; but when reading tape, the Drive automatically selects the density of the tape currently loaded.

A. Changing Operating Density:

1. If tape is loaded, rewind tape to BOT and set the Drive to off-line. The Readout displays UNIT X and the 1600 and REMOTE LEDs light. The Drive is in Remote PE Mode.

2. Repeatedly, as necessary, press DENSITY. The Indicators will light in the following sequence, putting the Drive in the corresponding Density Mode. Leave the Drive in the desired Mode.

| | <u>LEDs Lit</u> | | | <u>LEDs Lit</u> | |
|----------------|-----------------|----------------|----------------|-----------------|----------------|
| | <u>Dens</u> | <u>Control</u> | | <u>Dens</u> | <u>Control</u> |
| a. Local NRZI | 800 | | e. Local DDPE | 3200 | |
| b. Remote NRZI | 800 | REMOTE DEN | f. Remote DDPE | 3200 | REMOTE DEN |
| c. Local PE | 1600 | | g. Local GCR | 6250 | |
| d. Remote PE | 1600 | REMOTE DEN | h. Remote GCR | 6250 | REMOTE DEN |

B. Operation:

1. In Read operations, if the Drive is in Remote Mode, the Drive reads automatically in the density in which the tape was written.
2. In Write operations, the Drive writes in the density indicated by the Density LEDs.

C. Changing Default Density:

1. Starting with the Readout displaying "UNIT X", do Steps B and C in paragraph 2.5.4.
2. Depress SCAN. Readout displays "DEFL DEN".
3. Depress ENTER. Readout displays "1600/REM" (the factory-set Density).
4. Repeatedly press SCAN until the desired Density displays. The sequence of displays is:

| | | | |
|------------|-------------|-------------|-------------|
| a. 800 | c. 1600 | e. 3200 | g. 6250 |
| b. 800/REM | d. 1600/REM | f. 3200/REM | h. 6250/REM |
5. Press ENTER. The Readout displays "LOAD?".
6. Press LOAD. The Readout displays "SPEED" (the next parameter): the Density just displayed is now the Default Density. Whenever power is turned ON, the new Default Density will be active.
7. Press DIAG twice to return to the Unit Number display.
8. Turn AC Power OFF.

2.6 OPERATING INSTRUCTIONS

2.6.1 OPERATING PROCEDURE

- A. Turn Power On. Readout displays "TESTING" and if the Drive passes all tests, the Readout displays "UNIT X". Fault Conditions that could occur during power up, and possible related failures, are listed and described in Section IV.
- B. Place Tape Reel on Reel Hub with Write Enable Ring facing downward.
- C. Depress LOAD*. The Readout displays "LOADING" and the Drive automatically loads** tape. When loading is successful, the Readout displays "UNIT X" and the WRITE ENBL, LOAD POINT, and LOAD LEDs light. If loading is unsuccessful, the Readout displays a diagnostic message such as: CHK HUB, ABORTED, REV REEL, etc, or a Failure Code, and the RWND/UNL LED flashes.

* or Host can send a Load On-Line Command (ILOL) to start Load.

** The loading sequence begins with the Supply Tape Reel rotating three revolutions in reverse to ensure that tape is wound on the Reel.

If loading is unsuccessful, correct the condition indicated by the Failure Code Readout per Section IV, and depress LOAD to reattempt the load operation.

- D. Depress ON-LINE. ON-LINE LED lights and the Readout continues to display the Unit Number.
- E. The Tape Drive is now ready to accept commands from the Host. The Drive can be taken Off-line manually by the operator pressing ON-LINE or by the Host issuing an Off-Line Command.

2.6.2 OPERATION NOTES

A. On-line Operations

When the Drive is on line, the Readout displays the Unit Number whether or not the Drive is selected.

B. Load Operations

1. If the Drive is unable to Load, the Readout will display a diagnostic message such as: "CHK HUB", "ABORTED", "REV REEL" etc., and the RWND/UNL LED will flash.
 - a. Pressing LOAD will start another Load attempt.
 - b. Pressing RWND/UNL will clear flashing LED and Error Message.
 - c. If nothing is done, the Drive times out in one minute and display "UNIT X".
 - d. See NOTE under paragraph 2.5.3, Step C.
2. Pressing RWND/UNL while the Drive is Loading, aborts the Load Sequence.

C. Rewind Operations

1. If the Drive is off line, pressing RWND/UNLD once causes the Drive to rewind tape to BOT.
2. If the Drive is off line, pressing RWND/UNL while the Drive is rewinding, but before the Drive starts to reposition to Load Point, will initiate an Unload Operation after the Drive has completed Rewind.

D. Recovering From Tape Running Off Reel.

The Drive has a built-in feature to prevent tape runaway: If a new command is not received from the Host within 25 feet of tape motion before EOT, or 5 feet of tape motion after EOT, the Drive will normally stop tape motion. However, the 25-foot/5-foot limit feature can be defeated in the Setup Mode, or by continued Read Commands being received from the Host after EOT has been passed. Either of these conditions could result in tape being run completely off the Supply Reel. The following procedure is recommended to recover from this predicament.

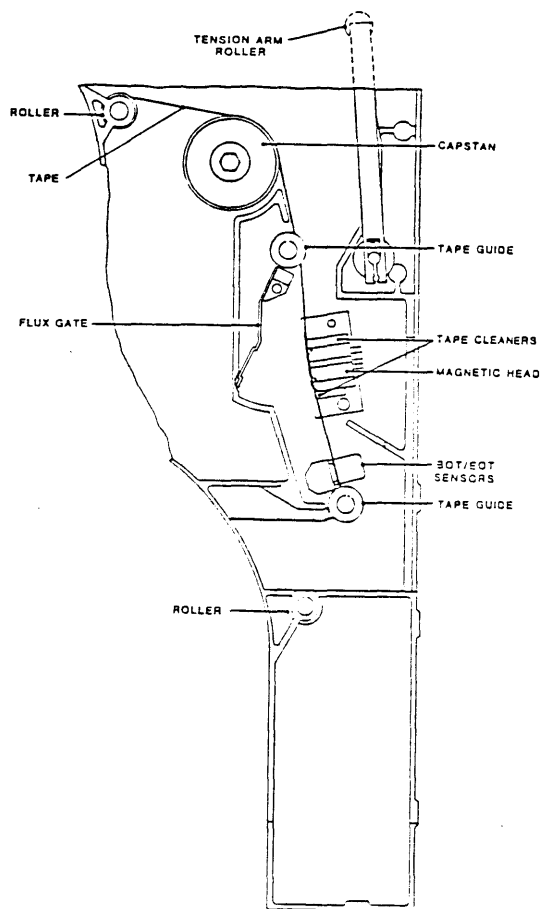


Figure 2-12. Tape Threading

1. Manually thread tape backwards through the tape path from the Take-Up Reel to the Supply Reel. Refer to Figure 2-12.
2. Wrap tape around the Supply Reel in a counterclockwise direction.
3. Manually rotate the Supply Reel counterclockwise until the EOT Tab is on the Supply Reel.
4. Press LOAD. Tension Arms will tension tape and tape will rewind back to Load Point.

E. Manually Locking/Unlocking Supply Reel on Supply Reel Hub

The Supply Reel Hub normally automatically locks the Supply Reel in place during the loading sequence. However, the Supply Reel can be manually locked in place using the Manual Reel Locking Lever located just inside the Tape Access Door (illustrated in Section VI, Figure 6-1).

To manually install (lock) a Supply Reel onto the Hub:

1. Open the Tape Access Door and the Top Cover of the Drive.
2. Place a Supply Reel onto the Supply Reel Hub.
3. Press the Manual Reel Locking Lever inward (toward the rear of the Drive) while slowing turning the Supply Reel and Hub clockwise until the Reel Locking Fingers of the Hub extend outward and lock the Reel in place.

To manually release the Supply Reel from the Hub:

1. Press the Manual Reel Locking Lever inward while slowly turning the Supply Reel and Hub counterclockwise until the Reel Locking Fingers of the Hub retract and release the Supply Reel.

F. Default Parameters

The Tape Drive is factory set to the following parameters. These parameters can be changed as desired as described in Section IV, Diagnostics.

| <u>Parameter</u> | <u>Default Setting</u> | <u>Description</u> | <u>Other Options</u> |
|------------------|------------------------|--|--|
| UNIT NUM | UNIT 0 | Drive Unit Number (Address) | 1 thru 7 |
| DFLT DEN | 6250 REM | Default Density, 6250 cpi Remote, Host selectable | 6250 800, 800 REM 1600, 1600 REM 3200, 3200 REM |
| SPEED | HOST SEL | Tape Speed, Host selects | 50 ips, 100 ips |
| TIME OUT | 25 FT ON | Drive times out if data not detected within 25 feet of tape run. | 25 FT OFF |
| SECURITY | ENABLED | Host can command tape erasure from the tape's present position to a point 3 feet past End Of Tape. | DISABLED |

| <u>Parameter</u> | <u>Default Setting</u> | <u>Description</u> | <u>Other Options</u> |
|------------------|------------------------|---|----------------------|
| PARITY | IGNORE | Drive does not check Data Parity . | CHECK |
| LONG GAP | 1.2 INCH | Long Gap Command from Host causes Interblock Gap of 1.2 inches | 0.45, 0.6, 2.5 |
| ARA CAL | ENABLED | Drive automatically sets the gain of the Read Amplifiers when reading or writing in GCR Mode. | DISABLED |
| GCR CERR | DISABLED | Drive reports errors corrected internally when operating in GCR Mode | ENABLED |
| NRZI CCG | ENABLED | The Drive sends NRZI CRC and LRC Characters to Host following each data block. | DISABLED |
| CLR FBSY | POSTREPO | The Drive clears FBSY after repositioning, following a 100 ips Command | FBSY, WITH DBY |
| IFEN | NORMAL | Formatter Enable Signal is normal (not inverted) | INVERT |

NOTE: For a full definition of parameters, see Section IV, DIAGNOSTICS.

SECTION III
FUNCTIONAL DESCRIPTION

SECTION III

FUNCTIONAL DESCRIPTION

3.0 GENERAL

This section describes general operation of the major components of the 9610 Drive.

3.1 SYSTEM BLOCK DESCRIPTION

3.1.1 OVERVIEW

The 9610 Drive is organized around a Motherboard mounted flat in the bottom of the chassis at the rear of the unit. The Motherboard interconnects the four major circuit cards: The Formatter Board, Read Analog Board, and Read/Write Digital Board, which slide into a card cage accessible at the rear of the unit, and the Drive Electronics Board, which mounts flat in the chassis underneath the deck plate.

The Servo Amplifier Assembly is located on the chassis under the deck plate, adjacent to the Power Supply Assembly and the Drive Electronics Board. The Position Sensors Board and the Interconnect Board mount directly to the Deck Plate, and the Read Preamp Board is connected directly to the Read Head on the Deck Plate. The Operator Control Panel is located on the front of the Drive.

3.1.2 FORMATTER BOARD

Along the top edge of the Formatter Board, there are two 50-pin edge connectors. Cables which attach to these connectors convey Commands, Data, and Status Information between the Drive and the Host. Connector signals and pin assignments are defined by Industry Interface Standard.

The Host Interface includes buffers and line receivers to interface with the host, decoders to accomplish unit selection, and a latch to hold command bytes.

Read/Write Compare Buffer: The Read/Write Compare Buffer is a 1k byte RAM memory with address counters to configure it as a circular data file. This Buffer accomplishes a byte-by-byte data comparison of Write and Read Data during Read-After-Write Operations.

The Read/Write Compare Buffer momentarily stores Host Write Data that is currently being written to tape. The Drive, performing a Read After Write Operation, immediately reads the written data and sends it back to the Compare Buffer where it is compared with the stored Write Data. A favorable comparison allows the Drive to continue writing Data to tape. A comparison error is reported to the Host on the HER Status Lines along with Read data on the Read Data Lines.

The Buffer also serves during Data Diagnostics Operations as a data source for the Write Process, and evaluates the success of the Read Process.

Formatter Control Processor: The Formatter Control Processor is a micro-computer and its associated support devices. This device receives Commands from the Host Interface and schedules them for execution, sending them to the other functional units of the Drive via the Bus Interface and Formatter Control Bus.

The Formatter Control Processor tracks tape position by monitoring Counters in the Tachometer Interface that increment or decrement with the arrival of Tachometer Pulses from the Capstan Tachometer.

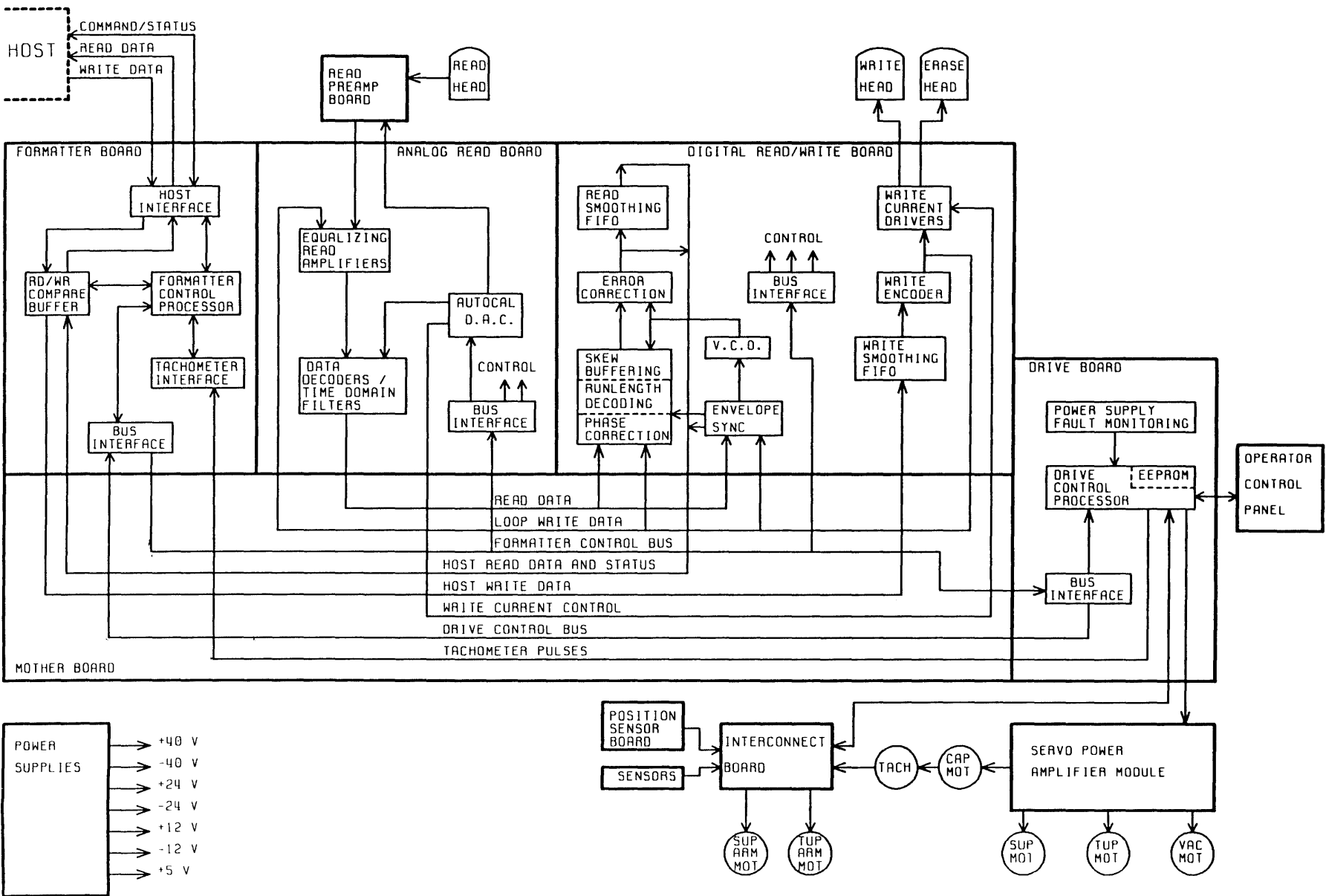


Figure 3-1. Model 9610/9660 Tape Drive General Block Diagram

Formatter Control Bus: The Formatter Control Bus consists of the 8-line Formatter Data Bus (FDB), the 7-line Formatter Select Bus (FSEL), and 5 handshaking lines. The Formatter Control Bus conveys Commands and Status to all major components of the Drive. The status of the Select lines determine distribution of Control and Status signals. The destination module signals acceptance or rejection of Control Signals by issuing an Acknowledge or Busy Signal.

The Formatter Control Bus also conveys all commands initiated by the Drive or Operator Control Panel to the Formatter to completely control the Read and Write Sections of the Drive. Note that the Formatter communicates with the Operator Control Panel via the Drive Electronics Board.

3.1.3 READ PREAMP BOARD

The Read Preamp Board contains a high-gain, low-noise preamplifier with electronic gain control, for each of the nine channels. For excellent noise performance, it is located very close to the magnetic Read Head. The Preamp connects to the Read Analog Board through a ribbon cable that passes under the deck plate.

3.1.4 ANALOG READ BOARD

Signals from the Read Preamp are processed by the Equalizing Read Amplifiers, which include CMOS switches that select the optimum equalization network for each speed and density.

Data Decoders: After equalization, the Read Signal is processed in the Data Decoders that include a time domain filter, which rejects any transitions which are too close together in time. This improves noise margins. The Data Decoders also verify threshold, squelching the Read Data if its amplitude falls below the threshold for several cell periods.

Digital-to-Analog Converter (DAC): The DAC is a multiplexed 8-bit digital-to-analog convertor with a small RAM used to hold digital calibration values. The DAC generates Gain control signals for the Read Preamp, and threshold values for the data detectors. Settings for the DAC come from the Control Processor in the Formatter Board via the Formatter Data Bus. These settings are written to the Read Analog Board at power up or can be entered manually from the Front Panel.

The DAC also generates values that control Write Current generated by Write Current Drivers in the Read/Write Digital Board)

3.1.5 DIGITAL READ/WRITE BOARD

The Read/Write Digital Board Decodes Read Data, encodes Write Data, and performs Error Correction as required.

Envelope Synchronization: Read Data from the Data Decoders in the Read Analog Board are applied to the envelope/synchronization circuit where file marks and other special blocks are recognized, and envelopes (signal-presence) are provided for the Processor in the Formatter Board to use during Calibration.

Voltage Controlled Oscillator (VCO): At the beginning of each data block, the Envelope Synchronization provides a series of sync signals which control the Voltage Controlled Oscillator (VCO) in a Phase-Lock-Loop (PLL) Synchronization Acquisition Process. Based on available envelope information, the Envelope Synchronization selects one data track to use for synchronizing the Phase Lock Loop.

The PLL is a feedback system which maintains the Voltage-Controlled Oscillator as an internal clock in synchronization with the arriving data stream. If the data stream speeds up or slows down because of variations in tape speed, the VCO also change its frequency to maintain synchronization with the data. During the Interblock Gap, the PLL is synchronized to a crystal controlled clock known as the Gapclock.

Phase Correction: One VCO controls the decoding process for all 9 tracks. However, individual tracks may vary slightly in phase due to a phenomenon known as "dynamic skew." To correct for this problem, each track is provided with a phase-corrector circuit, which is a first-order digital phase-lock loop of very low bandwidth, synchronized with the VCO. The phase correctors also provide additional rejection for low-rate changes in tape speed.

Runlength Decoding: For the GCR code, five bits of Read Data must be decoded to every four bits of Write data; for the PE codes, the data transitions must be separated from the phase transitions. Also, the special control characters marking the beginning and end of each block must be recognized. These requirements are accomplished by the Runlength Decoding Circuitry.

Skew Buffering: Data from the various tracks may arrive from the Read Head at different times. The resulting skew may be as much as several character times. To bring the data from the nine tracks into correct time phase, each track is provided with a First-In, First-Out (FIFO) buffer. Track Data flows into the FIFO Buffers asynchronously, and flows out from the FIFOs synchronously and in parallel.

Error Correction: Using GCR format (and, to a limited extent, the PE format), data lost to tape defects may be restored during the decoding process. Error Correction, using redundant data bytes which were placed on the tape during the record process, reconstructs missing or corrupted data. The GCR format includes two redundant bytes for every seven bytes, making it possible to recover up to two tracks with dropout-caused errors. The Drive can recover one bad track of PE formatted data. The GCR and NRZI formats also include redundant checksum bytes, which may be used to verify that the data has been received correctly.

Read Smoothing FIFO: From Error Correction, Read Data flows through a small transfer rate matching FIFO, from where it is multiplexed with Status and Envelope information and sent through the motherboard, to the Formatter Board.

Write Processing: The Read/Write Digital Board includes the Write Data Processing System. Write Data from the Read/Write Compare Buffer in the Formatter Board is applied to the **Write Smoothing FIFO**, from where it is applied to the Write Encoder. The **Write Encoder** prepares the Write Data Data for application to the Write Current Drivers, and generates the File Mark and special blocks, for all densities. The encoded Write Data may also be passed to the Phase Correction and Envelope Synchronization Circuitry, or directly to the Equalizing Read Amplifiers in the Read Analog Board, for diagnostic purposes. The **Write Current Drivers** consist of discrete transistor current sources, which apply Write Data or Erase Power to Write Head or Erase Head.

3.1.6 DRIVE ELECTRONICS BOARD

The Drive Electronics Board controls all electro-mechanical tape handling devices in the unit, including the Capstan, Supply and takeup Reel Motors, the Servo Systems, the Takeup and Supply Buffer Arms, and the Autoload Mechanisms, including the Vacuum Blower, Supply Reel Hub Locking Mechanism, and various monitoring sensors. The Drive Electronics Board also interfaces between the Operator Control Panel and the Mother Board.

Drive Control Processor: To control the above-mentioned devices, the Drive Electronics Board includes the Drive Control Processor, which is a microcomputer with its support circuits, and an EEPROM for non-volatile data storage.

The Drive Control Processor receives commands from the Formatter via the Formatter Control Bus, and sends commands and data to the Formatter via the Drive Control Bus. The Drive Control Bus is a unidirectional bus consisting of 8 data lines, one strobe line, and two select lines.

The Drive Electronics Board includes circuitry to monitor the Tachometer and establish the correct tape speed, and the Power Supply Fault Monitor to gracefully shut down the Tape Transport if a fault occurs.

3.1.7 SERVO POWER AMPLIFIER

The Servo Power Amplifier consists of three sets of Power Drivers that drive the Supply Reel Motor, Takeup Reel Motor and Capstan Motor. A balancing circuit interacts between the positive and negative power sources, restoring any imbalances that occur by the operation of the three Power Drivers. When enabled by the Drive Control Processor, the feedback loops in the Reel Motor Servo cause the tape reels to move so as to maintain the Tape Buffer Arms in their linear operating region, regardless of tape motion caused by the Capstan. Meanwhile, the Capstan Motor Servo maintains tape speed at any value requested by the Drive Control Processor.

3.1.8 OPERATOR CONTROL PANEL

The Operator Control Panel includes an alphanumeric display that conveys status messages, control and diagnostics options to the operator. The Control Panel also includes an array of switches and LED indicators to operate the unit.

3.1.9 INTERCONNECT BOARD

The interconnect board consolidates wiring that connects the Drive Electronics Board to the various sensors, motors and solenoids mounted on the Deck Plate.

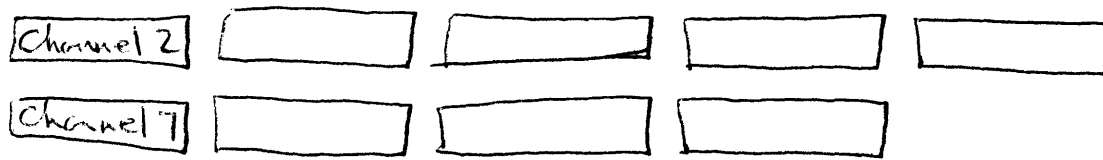
3.1.10 POSITION SENSORS BOARD

The Position Sensors Board monitors capacitive sensors mounted on the shafts of the Supply and Takeup Arms. These sensors are automatically calibrated each time power is turned on.

3.1.11 POWER SUPPLIES

The Power Supplies are mounted on the chassis under the Deckplate. Unregulated +/-40 Volt and +/-24 Volt Supplies apply power to the servos, and a switching 5-Volt Regulator supplies logic power for the Drive. Power supply fault monitoring is provided on the Drive Electronics Board.

**SECTION IV
DIAGNOSTICS**



SECTION IV DIAGNOSTICS

4.0 GENERAL

The Model 9610 Tape Drive incorporates extensive built-in Self-Test and Front-Panel Diagnostics providing tests for maintenance and troubleshooting aids. Self-Test Diagnostics occur automatically during Power Up, displaying appropriate failure codes if failure occurs. Front Panel Diagnostics are manually-controlled operations that exercise the Tape Drive, displaying appropriate readouts to indicate Drive condition.

4.1 CONTROLS AND INDICATORS

Controls and Indicators used in Diagnostics and Calibration Modes are listed and described in Section II, Figure 2-10.

4.2 TROUBLESHOOTING

Troubleshooting the Tape Drive consists of using diagnostics, and self tests to diagnose mechanical, electromechanical, and electronic malfunctions.

Diagnostics include firmware-controlled tests and exercises that can be initiated by the Operator from the Drive Front Panel. The Digital Display on the Front Panel provides diagnostic readouts.

Self Tests occur with each power up, or can be manually initiated using the Diagnostics Menu. Self Tests include failure codes and diagnostic readouts on the Front Panel Digital Display.

4.2.1 ACCESSING THE DRIVE FOR TROUBLESHOOTING

CAUTION: A solidly grounded ESD Wrist Strap should be worn whenever touching or handling any Circuit Board or other electronic assembly in the Drive.

WARNING: Dangerous ac voltage exist in and about the Voltage Selector, the EMI Filter, the Power Transformer, Fan, and the Power Switch on the Front Panel. ALWAYS UNPLUG THE AC LINE CORD BEFORE WORKING IN THESE AREAS. (See Schematic Diagram 7109 (sheet 2) for illustration of ac voltage distribution.

The Drive includes personnel safety interlocks that operate when the Tape Access Door or Top Dust Cover is opened. To operate the Drive for troubleshooting, the technician must defeat the Interlocks as follows:

- A. With ac power ON, unload tape (as applicable).
- B. Raise the Deck assembly to Maintenance Position per 5.2.2.
- C. On the Drive Electronics Board, move the Diagnostics Jumper (ST4 - Ref Figure 5-30) from its present position as follows:
 1. If original position is EN: press and hold ENTER, and move from EN to DIS.
If original position is DIS: press and hold ENTER, and move from DIS to EN to DIS.
 2. If you intend to test, calibrate, or operate the Drive via Diagnostics Pushbuttons, move the Jumper from DIS to EN (Do not press ENTER).
 3. From Step 1 you have one minute to lower the Deck Assembly and load tape. If tape has not been loaded within one minute, repeat Step C.
- D. Display flashes "NO INTLK". Press DIAG to start Diagnostics.
- E. To reactivate the Interlock, unload tape.

4.3 POWER-UP

Upon Power Up, and without a reel of tape inserted, the Readout normally displays: TESTING, for about 7 seconds. If TESTING continues to be displayed, this indicates that communication between Formatter and Drive is disrupted and no further testing can be accomplished. There is a problem in the Formatter or the interface between Formatter and Drive. Assuming that communication between Formatter and Drive is obtained, the Drive performs the Self Tests described below. In addition to the Failure Codes, The Drive can display Failures in the form of words or abbreviations. Tables 4-1 and 4-2 list and describes the Failures represented by this type of display, and also indicates the possible causes of failure. If a failure should occur during Power Up, press REWIND/UNLOAD. This clears the error and permits the operator to load tape and perform diagnostics.

Each Power-Up Self-Test exercises the following areas of the Drive:

A. Drive Electronics:

1. Power Supply
2. Drive Electronics PCBA
3. Front Panel
4. Servo System including Reel and Capstan Motors.

Formatter and Read/Write Electronics:

1. Formatter Board
2. Write/Read Board
3. Read Analog Board - tested in GCR Mode

4.3.1 DRIVE ELECTRONICS FAILURE DISPLAYS

Table 4-1 lists failure displays

Table 4-1. Drive Electronics Failure Displays

| DISPLAY | FAULT CONDITION/POSSIBLE FAILURE |
|------------------------------|---|
| TESTING | <u>Formatter not communicating with the Drive:</u> Diagnostics hangup: Formatter Board 8951, Drive Electronics Board 7952. |
| FMT ERR? and flash REW | <u>Formatter Error (Formatter Timeout):</u> Formatter Section has failed to interrogate Drive Electronics; or the Formatter has failed to send its Identification (ID) after request from the Drive Electronics. Check Formatter Board 8951. |
| TAK ARM? | Takeup Arm fails to calibrate. |
| SUP ARM? | Supply Arm fails to calibrate. |
| CAPSTAN? | No Tachometer Voltage. Check Capstan Motor, Capstan Power Amplifier, and Tachometer. |
| T MOTOR? | <u>Takeup Reel Motor not running:</u> Servo Preamplifier 7147, Servo Amplifier 7111, Drive Electronics Board 7952, Takeup Reel Motor. |

Table 4-1. Drive Electronics Failure Displays (Continued)

| DISPLAY | FAULT CONDITION/POSSIBLE FAILURE |
|------------------------------|---|
| S MOTOR? | <u>Supply Reel Motor not running:</u> Servo Preamplifier 7147, Servo Amplifier 7111, Drive Electronics Board 7952, Supply Reel Motor. |
| ROM ? | <u>Drive Electronics Program PROM Checksum Error:</u> Non-zero checksum detected. |
| EEPROM ? and Flash REW | <u>Checksum Error:</u> Non-zero checksum detected. Press RWND/UNL. The Drive will compute a new checksum and attempt to write it into the EEPROM. Check Drive Electronics Board 7952 |
| +12V ? | Voltage below +10V |
| +40V ? | Voltage below +30V |
| -12V ? | Voltage above -7V |
| -40V ? | Voltage above -29V |
| FAIL XXX | (XXX refers to Failure Code - See Table 4-2) |

4.3.2 FORMATTER FAILURE CODES

Table 4-2 lists the Failure Codes that could display during Power Up, indicating probable causes of failure. Note that Failure Codes 150 thru 159 include the option of obtaining a second Failure Code which indicates specific problems. If a Failure Code between 150 and 159 occurs, to obtain the second Failure Code, press DENSITY. **NOTE:** the Failure Code is preceded by the word: FAIL.

Table 4-2. Power-Up Failure Codes

| CODE | DESCRIPTION | PROBABLE FAILURE |
|------|--------------------------------------|---|
| 128 | External RAM Data Error | Compare RAM Formatter 8951 |
| 129 | External RAM Addressing Error | |
| 131 | No RBSY for Read Amp Gain Values | Read Analog Board 9017 Formatter Board 8951 Read Analog Board 9017 Read Digital Board 9060 |
| 132 | Wrong Formatter Board for 9610 | |
| 133 | Wrong Analog Board for 9610 | |
| 134 | Wrong Digital Board for 9610 | |
| 140 | Auto Adjust Ranging Error | Read Analog Board 9017 |
| 141 | Dead Track found in Auto Adjust | |
| 142 | Over Range Signal in Auto Adjust | |
| 150 | No RBSY in Loop RAW Test | Press DENSITY Pushbutton for Second Code listed below: |
| 151 | No WBSY in Loop RAW Test | |
| 152 | Time-out on WBSY in Loop RAW Test | |
| 153 | Time-out on RBSY in Loop RAW Test | |
| 154 | WBSY ended too soon in Loop RAW Test | |
| 155 | Hard Error in Loop RAW Test | |
| 156 | Corrected Error in Loop RAW Test | |
| 157 | Compare Error in Loop RAW Test | |
| 158 | Filemark during Loop RAW Test | |
| 159 | Block Size Error in Loop RAW Test | |

4.4 LOADING FAILURE CODES

The 9610 also includes automatic diagnostics that can detect loading failures, giving appropriate displays to indicate failures and their possible causes. Table 4-3 lists and describes the displays and related Fault Condition, and Possible Failures that could occur during Loading. After successfully completing Power Up, load a reel of tape into the Drive. If there is a loading failure, one of the displays listed in Table 4-3 will appear.

Table 4-3. Loading Failures

| DISPLAY | FAULT CONDITION/POSSIBLE FAILURE |
|---------------|---|
| 1. CLOSE/DOOR | <u>Door Interlock Circuit:</u> (Drive cannot load) Tape Access Door open, Door Switch, Drive Electronics Board 7952, Interconnect Board 7228. |
| 2. BOT | <u>No BOT Marker detected:</u> Tape Marker missing from tape, Tape Leader too short, Faulty BOT Sensor, Drive Electronics Board 7952, Interconnect Board 7228. |
| 3. ABORTED | <u>Automatic Load aborted:</u> No vacuum, Air leak in tape path, Drive Electronics Board 7952, Servo Boards 7111, 7147, Position Sensors, tape sticking (ref 2.5.3, Step C). |
| 4. REV REEL | <u>Reverse Reel - Reel upside down.</u> |
| 5. PLC REEL | <u>Place Reel.</u> Tape Reel not installed. |
| 6. CHK SLND | <u>Check Solenoid - Hub Lock Solenoid not locking:</u> Hub Lock Solenoid defective or needs adjustment, Drive Electronics Board 7952, Interconnect Board 7228. |
| 7. CHK HUB | <u>Check Hub - Supply Reel not detected:</u> Reel-In-Place Tab Adjustment, Reel-In-Place Sensor, Drive Electronics Board 7952, Interconnect Board 7228. |
| 8. BKN TAPE | <u>Broken Tape - Tape not detected:</u> Broken Tape, No EOT Marker, EOT Sensor, Interconnect Board 7228, Drive Electronics Board 7952. |
| 9. TAK ARM? | <u>Takeup Arm not operating correctly:</u> Takeup Arm Position Sensors (Check with Arm relaxed), Drive Electronics Board 7710, Interconnect Board 7228. |
| 10. SUP ARM? | <u>Supply Arm not operating correctly:</u> Supply Arm Position Sensors (Check with Arm relaxed), Drive Electronics Board 7710, Interconnect Board 7228. |

11. Arms off - Dirty Tape Path

4.5 FRONT PANEL DIAGNOSTICS

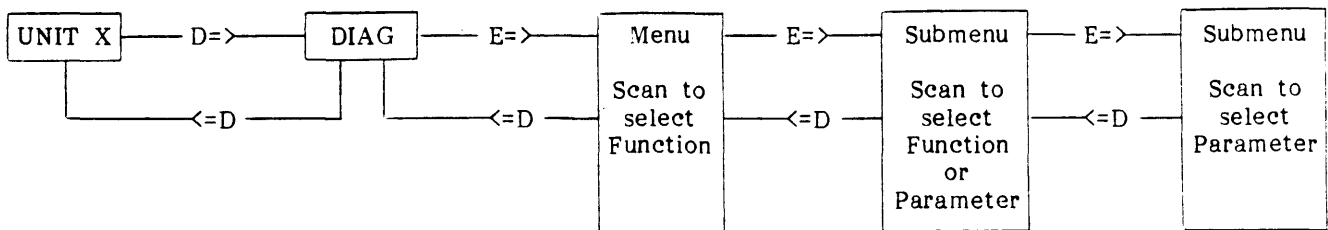
NOTE: To perform Diagnostics, Diagnostics Jumper ST4 (on Drive Electronics Board 7952) must be in ENABLE Position per Figure 5-30.

Diagnostics are divided into six major sections represented by Displays as indicated below:

| <u>Chart</u> | <u>Section</u> | <u>Display</u> | <u>Chart</u> | <u>Section</u> | <u>Display</u> |
|--------------|------------------|----------------|--------------|------------------|----------------|
| A | Self Test | SELFTEST | D | Set Up | SET UP |
| B | Motion | MOTION | E | Calibration | CAL |
| C | Drive Adjustment | DRV ADJ | F | Data diagnostics | DATADIAG |

Each section, when accessed, displays its own Menu which further divides into submenus. Figure 4-1 illustrates, and the following subparagraphs describe accessing the major diagnostic sections, their Menus and Submenus.

Note that although Set Up and Calibration are contained in the Diagnostics Menu, they are not Diagnostic Functions. They are for setting up the Drive for operation and for calibrating as required.



NOTE: D=> indicates press DIAG and proceed to the right.
 <=D indicates press DIAG and proceed to the left.
 E=> indicates press ENTER and proceed to the right.

Figure 4-1. Diagnostics Menu Dynamics (Simplified)

4.5.1 DIAGNOSTICS MENU

Table 4-4 illustrates the overall Diagnostics Menu structure. Each indent represents a Submenu accessible from the Main Menu, usually by pressing ENTER. Pressing SCAN accesses the next lower item in any Menu or Submenu.

Table 4-4. Diagnostics Menu Structure

| | | | | | | | | | | | | | | | |
|--|--------------|------------|-----------|------------|-----------|------------|-----------|--------------|-----------|--------------|------------|-------------|------------|--|--|
| <p>A. SELFTTEST</p> <p>1. Power Up Test</p> <p>2. Data Test</p> <p>B. MOTION Parameters (1)</p> <table border="0"> <tr> <td>1. 50 FWD</td> <td>8. 100 FSS</td> </tr> <tr> <td>2. 50 REV</td> <td>9. 100 RSS</td> </tr> <tr> <td>3. 50 FSS</td> <td>10. 100FRF</td> </tr> <tr> <td>4. 50 RSS</td> <td>11. 50/100 F</td> </tr> <tr> <td>5. 50 FRF</td> <td>12. 50/100 R</td> </tr> <tr> <td>6. 100 FWD</td> <td>13. BURN IN</td> </tr> <tr> <td>7. 100 REV</td> <td></td> </tr> </table> <p>C. DRV ADJ Functions: (2)</p> <p>1. Buffer Arms</p> <p> a. Takeup</p> <p> b. Supply</p> <p>2. Hub Sensor</p> <p> a. Not In] (Monitor)</p> <p> b. In Place }</p> <p>3. RL Servo</p> <p>D. SET UP Functions/Parameters (2)</p> <p>1. Unit Number:</p> <p> a. Unit 0 thru Unit 7</p> <p>2. Default Density:</p> <p> a. 800</p> <p> b. 800 Remote</p> <p> c. 1600</p> <p> d. 1600 Remote</p> <p> e. 3200</p> <p> f. 3200 Remote</p> <p> g. 6250</p> <p> h. 6250 Remote</p> <p>3. Speed:</p> <p> a. Host Select</p> <p> b. Auto</p> <p> c. 50 ips</p> <p> d. 100 ips</p> <p>4. Timeout:</p> <p> a. 25 Ft ON</p> <p> b. 25 Ft Off</p> <p>5. Security:</p> <p> a. Enabled</p> <p> b. Disabled</p> <p>6. Parity:</p> <p> a. Check</p> <p> b. Ignore</p> <p>7. Long Gap:</p> <p> a. 0.45 INCH</p> <p> b. 0.60 INCH</p> <p> c. 1.20 INCH</p> <p> d. 2.50 INCH</p> <p>7. GCR CERR</p> <p> a. ENABLED</p> <p> b. DISABLED</p> <p>8. ARA CAL</p> <p> a. ENABLED</p> <p> b. DISABLED</p> <p>9. NRZI CCG</p> <p> a. ENABLED</p> <p> b. DISABLED</p> <p>10. CLR FBSY</p> <p> a. WITH DBY</p> <p> b. POSTREPO</p> <p>11. IFEN</p> <p> a. NORMAL</p> <p> b. INVERT</p> <p>E. CALIBRATE Functions/Parameters (2)</p> <p>1. Auto</p> <p> a. All</p> <p> 1) Confirm? (3)</p> | 1. 50 FWD | 8. 100 FSS | 2. 50 REV | 9. 100 RSS | 3. 50 FSS | 10. 100FRF | 4. 50 RSS | 11. 50/100 F | 5. 50 FRF | 12. 50/100 R | 6. 100 FWD | 13. BURN IN | 7. 100 REV | | <p>E. CALIBRATE (Continued)</p> <p> b. 800</p> <p> c. 1600</p> <p> d. 3200</p> <p> e. 6250</p> <p> f. WRT CURR</p> <p> 50 ips (4)</p> <p> 100 ips</p> <p>2. Manual</p> <p> a. 800</p> <p> b. 1600</p> <p> c. 3200</p> <p> d. 6250</p> <p> e. WRT CURR</p> <p> 50 ips (4)</p> <p> 100 ips</p> <p>F. DATA DIAGNOSTICS (2)</p> <p>1. Mode (Test Options)</p> <p> a. On Error:</p> <p> 1) Continue</p> <p> 2) Stop</p> <p> b. At EOT:</p> <p> 1) Rewind</p> <p> 2) Stop</p> <p> c. Block Size:</p> <p> 1) 4</p> <p> 2) 256</p> <p> 3) 513</p> <p> 4) 1024</p> <p> d. Data:</p> <p> 1) All Ones</p> <p> 2) All zeros</p> <p> 3) Increment</p> <p> 4) Random</p> <p> 5) Alternate 00 - FF</p> <p> e. Speed:</p> <p> 1) 50 ips</p> <p> 2) 100 ips</p> <p> f. Re-Int:</p> <p> 1) Stream</p> <p> 2) Start/Stop</p> <p> 3) Single</p> <p>2. Commands (5)</p> <p> a. Loop Dig</p> <p> b. Loop Alg</p> <p> c. Write</p> <p> d. Wrt W/RE</p> <p> e. Read</p> <p> f. Read Reverse</p> <p> g. Read/RR</p> <p> h. FMK Test</p> <p> i. WRT/WFMK</p> <p> j. WR/RR/RD</p> <p>3. Errors (Display) (6)</p> <p> a. EIC(0-7,P) xxx (7)</p> <p> b. WPAR xxx (Write Parity Error)</p> <p> c. CMP xxx. (Compare Error)</p> <p> d. HER xxx (Hard Error)</p> <p> e. STE xxx Single-Track Error (Corrected)</p> <p> f. DTE xxx. Double-Track Error</p> <p> g. FMK xxx (Filemark Error)</p> <p>Note:</p> <p>(1) Press ENTER to start motion.</p> <p>(2) Press ENTER to enter parameter.</p> <p>(3) Press ONLINE for yes, DIAG for no.</p> <p>(4) Pressing ENTER displays CONFIRM? Press ONLINE for yes, DIAG for no.</p> <p>(5) Press START/STOP to start and stop</p> <p>(6) xxx = Quantity of Errors</p> <p>(7) Error In Channel</p> |
| 1. 50 FWD | 8. 100 FSS | | | | | | | | | | | | | | |
| 2. 50 REV | 9. 100 RSS | | | | | | | | | | | | | | |
| 3. 50 FSS | 10. 100FRF | | | | | | | | | | | | | | |
| 4. 50 RSS | 11. 50/100 F | | | | | | | | | | | | | | |
| 5. 50 FRF | 12. 50/100 R | | | | | | | | | | | | | | |
| 6. 100 FWD | 13. BURN IN | | | | | | | | | | | | | | |
| 7. 100 REV | | | | | | | | | | | | | | | |

4.5.2 OPERATING PROCEDURE

Running the diagnostics consists essentially of pressing specified pushbuttons on the front panel and following the direction provided by messages on the front panel display.

After a successful power-up self test, begin diagnostics by pressing the DIAG pushbutton. The Readout displays DIAG, and the Drive is ready to enter the Diagnostic Mode of operation. Subsequently, pressing the ENTER pushbutton accesses the Main Menu.

Generally, as illustrated in Figure 4-1, (proceeding from left to right) the Operator accesses a particular Menu or Submenu by pressing the ENTER pushbutton. He returns to a previous Menu or Submenu by pressing the DIAG pushbutton. Repeatedly pressing DIAG exits from the Diagnostics Mode.

In any Menu, repeatedly pressing the SCAN pushbutton scrolls through functions or parameters in that Menu. Generally, pressing ENTER activates that function or parameter. In certain Submenus, activating the parameter is done by pressing START/STOP, LOAD or ONLINE - these variations are described as applicable in the following subparagraphs. Note that pressing ONLINE in Diagnostics Mode does not place the Drive on line with the Host.

4.5.2.1 ENTERING THE DIAGNOSTICS MODE

In Diagnostic Mode, repeatedly pressing SCAN displays the Diagnostic Functions. Pressing ENTER enables the function displayed. This sequence is illustrated by the following chart:

NOTE: Be sure Diagnostics Jumper is in ENABLE Position. Ref Figure 4-30.

General Chart: Entering the Diagnostics Mode

| Step | ACTION (Press:) | DISPLAY | ACTION (Press:) | DISPLAY | ACTION |
|------|--------------------|---------|--------------------|----------|--|
| 0 | | UNIT X | | | |
| 1 | DIAG | DIAG | | | Press ENTER to activate selected operation. |
| 2 | | | ENTER | SELFTEST | |
| 4 | | | SCAN | MOTION | |
| 5 | | | SCAN | DRV ADJ | |
| 6 | | | SCAN | SET UP | Press DIAG to exit from Menu. |
| 7 | | | SCAN | CAL | |
| 8 | | | SCAN | DATADIAG | |

Having selected a diagnostic function by pressing ENTER, repeatedly pressing SCAN scrolls through the selected Functions Menus illustrated by the following charts.

4.5.2.2 SELFTEST

The front-panel-controlled Self Test enables the Operator to rerun the Power-Up Self-Tests (par. 4.3) without turning off power, and also to run a Data Write/Read Test. Chart A illustrates accessing the two Self Tests. The following subparagraphs describe the Tests.

Chart A. Doing The Self Test

| Step | ACTION (Press:) | DISPLAY | ACTION (Press:) | DISPLAY | ACTION |
|------|--------------------|----------|--------------------|----------|------------------------------|
| 0 | DIAG | SELFTEST | | | Press ONLINE to run Test. |
| 1 | ENTER | PWUPTEST | ENTER | CONFIRM? | Press DIAG to abort Test and |
| 2 | SCAN | DATATEST | ENTER | CONFIRM? | exit from Diagnostics. |

NOTE: 1. Do not install tape when running PWUPTEST. If tape is loaded when ONLINE is pressed, the Readout displays LOADED, and the test is not run.

2. When PWUPTEST is done, if Drive passes Test, Drive exits from the Diagnostics Mode and displays UNIT X. When DATATEST is done, if Drive passes Test, Display indicates PASSED. If Drive fails either Test, Display indicates a Fail Code (Tables 4-2 and 4-3).

4.5.2.2.1 POWER UP SELF TEST

The Power Up Self Test consists of tests described in paragraph 4.3.3. To run this Test, unload tape (as applicable). Then with the Readout displaying UNIT X, press DIAG, then ENTER. Press ONLINE to run test, DIAG to abort and exit from Diagnostics.

4.5.2.2.2 DATA TEST

For Data Test, if tape is not at BOT, Drive rewinds tape to BOT, then selects NRZI Density and proceeds with the Data Test. Note that the Data Test includes the Loop Write to Read Test to confirm operation of the Digital and Analog Modules. This Test is also run in the Power Up Selftest. Data Test consists of the following subtests in the order listed. The Subtest Event Number displays as TEST XX, where XX represents 01 thru 27. If a failure occurs, the Drive displays a Code per Table 4-5. Pressing DENSITY displays the Subtest Event Number.

The Drive Selects NRZI Density and after each complete series of Tests, selects a new Density in the following sequence: NRZI, PE, DDPE, GCR.

| | |
|----------------|--------------|
| <u>Subtest</u> | <u>Event</u> |
|----------------|--------------|

- | | |
|----|--|
| A. | Write with Retries 2 Blocks at 50 ips in Streaming Mode. |
| | 1. Set Mode to Streaming. |
| | 2. Write with Retry one block. |
| | 3. Write with Retry one block. |
| B. | Write with Retries 2 Blocks at 50 ips in Start/Stop Mode. |
| | 4. Set Mode to Start/Stop. |
| | 5. Write with Retry one block. |
| | 6. Write with Retry one block. |
| C. | Write with Retries 2 Blocks at 100 ips in Start/Stop Mode. |
| | 7. Write with Retry one block. |
| | 8. Write with Retry one block. |
| D. | Write with Retries 2 Blocks at 100 ips in Streaming Mode. |
| | 9. Set Mode to Streaming. |
| | 10. Write with Retry one block. |
| | 11. Write with Retry one block. |
| E. | Write 1 Filemark at 50 ips. |
| | 12. Write with Retry one Filemark. |

- F. Read Reverse 1 Block at 100 ips. Check for Filemark Status.
 - 13. Read Reverse on block.
 - 14. Check Status. Should be Filemark and not BOT.

- G. Read Reverse 8 Blocks at 100 ips, Streaming Mode. Confirm that Drive does not reach BOT.
 - 15. Read Reverse one block.
 - 16. Read Reverse one block.
 - 17. Read Reverse one block.
 - 18. Read Reverse one block.
 - 19. Read Reverse one block.
 - 20. Read Reverse one block.
 - 21. Read Reverse one block.
 - 22. Read Reverse one block.

- H. Rewind
 - 23. Rewind.

- I. Read Forward 1 Block at 100 ips. Check proper ID Burst Detection.
 - 24. Set Mode to Start/Stop.
 - 25. Read Forward one Block.

- J. Read Forward 1 Block at 100 ips.
 - 26. Read Forward 1 Block.

- K. Read Forward 2 Block at 100 ips in Streaming Mode.
 - 27. Set Mode to Streaming.
 - 28. Read Forward one block.
 - 29. Read Forward one block.

- L. Read Forward 2 Block at 50 ips in Streaming Mode.
 - 30. Read Forward one Block.
 - 31. Read Forward one Block.

- M. Read Forward 2 Block at 50 ips in Start/Stop Mode.
 - 32. Set Mode to Start/stop.
 - 33. Read Forward one Block.
 - 34. Read Forward one Block.

- N. Read Forward 1 Block at 50 ips. Check for Filemark Status.
 - 35. Read Forward one Block.
 - 36. Check Status. Should be Filemark.

- O. Rewind.
 - 37. Rewind.

- P. Select next Density and go to Subtest A. If Density is GCR, abort Test and display PASSED.

- NOTE:**
- 1. Possible Messages that could occur during or after the Data Test are:
 - DATATEST - Data Test is being performed.
 - CAN'T WR - Tape not loaded or Write Protected.
 - PASSED - Drive has passed all Tests.
 - 2. Data Block = 2048 Bytes, Random Data

Table 4-5. Data Test Failure Codes

| CODE | SUBTEST EVENT † | ORDER* | PROBABLE FAILURE ¶ |
|--------------------|----------------------------------|--------|---------------------|
| 131 | | 1 | 9017 PCBA |
| | | 2 | 9060 PCBA |
| 150 thru 159 | Items 1 thru 8 (from Table 4-2) | 1 | 9060 PCBA |
| | | 2 | 8951 PCBA |
| 200 | Items 9 thru 12 (from Table 4-2) | 1 | 9017 PCBA |
| | | | |
| 201 | 2, 3, 12 any other | 1 | 9060 PCBA |
| | | 1 | 9017 PCBA |
| | | 2 | 9060 PCBA |
| 202 | Any | 1 | 8951 PCBA |
| | | 2 | 9017 PCBA |
| 203 | 19 Any other | 1 | 8951 PCBA |
| | | 1 | 9017 PCBA |
| | | 2 | 9060 PCBA |
| 204 | Any | 1 | 9017 PCBA |
| 205 | 11 Any other | 1 | 9060 PCBA |
| | | 1 | 8951 PCBA |
| 206 | 2, 3, 25 Any other | 1 | 8951 PCBA |
| | | 1 | 9017 PCBA |
| | | 2 | 9060 PCBA |
| CANT WR | Any | 1 | 9017 PCBA |
| | | 2 | 9060 PCBA |
| | | 1 | Cable (P12) on 7228 |

NOTE: Meaning of Failure Codes:

| <u>Code</u> | <u>Meaning</u> |
|-------------|--|
| 200 | Excessive Retries on Write Command |
| 201 | Filemark Status not received when expected on Read Command |
| 202 | Hard Error reported on Read |
| 203 | Corrected Error reported on Read |
| 204 | Compare Error reported |
| 205 | Lost Position |
| 206 | ID Burst Detection problem |

* Order of Probability: 1 = most probable

† Press DENSITY to display the Subtest Event Number. Display for Subtest Event is: TEST XX, where XX represents the Event Number (listed in 4.5.2.2.2).

¶ Further diagnostics information may be available in terms of Channel Error by accessing Data Diagnostics (paragraph 4.5.2.8) and scanning through the Errors Menu.

4.5.2.3 CONNECTOR OR CABLE FAILURES

Power Up, Loading, and Data tests can also indicate PCBA interconnection faults related to cables and PCBA connectors. These Tests and Failure Messages with associated possible Cable or Connector Failures are listed in Tables 4-6 and 4-7.

Table 4-6. Cable or Connector Faults

| TEST | FAILURE MESSAGE | FAULTY CABLE OR CONNECTOR * |
|-------------|---------------------|--|
| (Switch On) | CAPSTAN (immediate) | Connector J2 on 7147 |
| Power Up | CAPSTAN | P1 on 7228 Bd P6 on 7228 Bd P1 on 7111 Bd |
| Power Up | TESTING | P2 on 7228 Bd P14 on 7228 Bd P17 on 7228 Bd |
| Loading | CAPSTAN | P3 on 7228 Bd |
| Loading | CLSE DOOR | P7 on 7228 Bd |
| Loading | CHK SLND | P8 on 7228 Bd |
| Loading | CHK ARMS | P4 on 7228 Bd |
| Loading | BOT ? | P9 on 7228 Bd |
| Loading | ABORTED | P10 on 7228 Bd P11 on 7228 Bd (P10 and P11 on 7228 reversed) |
| Loading | CHK HUB | P13 on 7228 Bd |
| Datatest | 202, Subtest 25 | P1 on 9060 Bd |
| Datatest | 205, Subtest 2 | P1 on 9060 Bd P1 on 9017 Bd P15 on 7228 Bd P16 on 7228 Bd |
| Datatest | CANT WR | P12 on 7228 Bd |

NOTE:
* Connector not properly seated or cabled open circuited.

NOTE: For further information concerning a malfunction, access Data Diagnostics (par. 5.4.2.7) and scan through the Errors Menu.

Table. 4-7. Printed Circuit Board Assemblies in Card Cage

| TEST | FAILURE CODE | PCBA NOT PROPERLY SEATED |
|----------|----------------------------|--------------------------|
| Power Up | 133 | 9017 |
| | 134 | 9060 |
| | FMTR ERR | 8951 |
| Datatest | 131 + RWND/UNL LED flashes | 9017 |
| | 150 + Subtest Item 1 | 9060 |
| | FMTR ERR | 8951 |

4.5.2.4 MOTION DIAGNOSTIC TESTS

In Motion Mode, the operator can check and adjust the tape path, and Check Motors and Servos. Perform Motion Diagnostics Tests as follows:

After autoloading a tape, press the DIAG pushbutton. The Readout will display DIAG. Pressing the ENTER pushbutton will cause the Readout to display SELFTEST. Press SCAN and the Readout displays MOTION. Again pressing ENTER accesses the Motion Parameters Submenu. This sequence of events is illustrated in Chart B. Table 4-8 defines abbreviations displayed in the Motion Tests.

Chart B. Selection of Motion Parameters

| Step | ACTION (Press:) | DISPLAY | ACTION (Press:) | DISPLAY | ACTION |
|------|-----------------|---------|-----------------|--------------|---|
| 0 | | MOTION | | | |
| 1 | ENTER | | | 50 FWD | |
| 2 | | | SCAN | 50 REV | |
| 3 | | | SCAN | 50 FSS | Press START/STOP to select and initiate the displayed Test. |
| 4 | | | SCAN | 50 RSS | |
| 5 | | | SCAN | 50 FRF | |
| 6 | | | SCAN | 100 FWD | |
| 7 | | | SCAN | 100 REV | Press START/STOP again to stop motion |
| 8 | | | SCAN | 100 FSS | |
| 9 | | | SCAN | 100 RSS | |
| 10 | | | SCAN | 100 FRF | Press DIAG to exit from Menu. |
| 11 | | | SCAN | 100 50/100 F | |
| 12 | | | SCAN | 100 50/100 R | |
| 13 | | | SCAN | BURN IN | |

Table 4-8. Motion Test Definitions

| DISPLAY | DEFINITION | DISPLAY | DEFINITION |
|---------|---------------------------|----------|---|
| 50 FWD | 50 ips Forward | 100 FSS | 100 ips Forward Start/Stop |
| 50 REV | 50 ips Reverse | 100 RSS | 100 ips Reverse Start/stop |
| 50 FSS | 50 ips Start/Stop | 100 FRF | 100 ips Fwd/Rev/Fwd |
| 50 RSS | 50 ips Reverse Start/Stop | 50/100 F | 50/100 ips Alternate Forward |
| 50 FRF | 50 ips Fwd/Rev/Fwd | 50/100 R | 50/100 ips Alternate Reverse |
| 100 FWD | 100 ips Forward | BURN IN | Continuous testing in Forward direction with Rewind at EOT. |
| 100 REV | 100 ips Reverse | | |

4.5.2.5 DRIVE ADJUSTMENT TESTS

Enter the Drive Adjustment Diagnostic Mode by repeatedly, as necessary, pressing DIAG until the Readout displays DIAG. Then press ENTER and SCAN until the Readout displays DRV ADJ. Chart C illustrates accessing the Submenus of the Drive Adjustment Mode.

Buffer Arm Test. Use the Buffer Arm Tests to verify if the two calibration positions of each Buffer Arm are adjusted correctly per adjustment procedure in Section V.

Hub Sensor Test. The Hub Sensor Tests enable testing the operation of the Reel-In-Place Sensor and the File Protect Sensor. The digital display indicates the status of the tape reel (NOT IN = Not inserted; IN PLACE = Tape inserted). The WRITE ENBL light indicates the status of the Write Protect Sensor.

RL Servo. (Reel Servo) This test performs a Diagnostic Load, but does not perform a BOT search. The test requires that a tape reel be inserted (**not loaded**) before beginning the test. If a reel of tape is not inserted at the start of this test, the Readout displays PLC REEL (Place Reel). If the reel had been loaded before the start of the test, the Readout displays LOADED. In either case, the test is not performed.

CAUTION

The RL Servo Test is also used in a critical adjustment procedure required if any component of the Reel Servo System is replaced. This procedure includes setting up parameters that govern operation of the Executive Program in the Calibration EEPROM. **To prevent corrupting the Executive Program**, make sure that the Calibration Jumper (ST3) on the Drive Electronics Board is in NON-ENABLE Position (Ref Figure 5-30).

Chart C. Drive Adjustment Tests

| Step | DISPLAY | ACTION (Press:) | DISPLAY | ACTION (Press:) | DISPLAY | NOTE |
|------|---------|--------------------|----------|--------------------|----------------------------------|------|
| 0 | DRV ADJ | | | | | * |
| 1 | | ENTER | BUF ARMS | ENTER SCAN | RELAXING TAKE X.X SUPP X.X | ** |
| 2 | | SCAN | HUB SENS | ENTER | NOT IN IN PLACE | † |
| 3 | | SCAN | RL SERVO | ENTER | LOADING | † # |

NOTE:

- * Press DIAG to exit from any Menu or Submenu.
- ** RELAXING displays as the Arm relaxes, then TAKE X displays. Pressing DIAG causes display to indicate: RETRACT, and the Arm retracts.
- † This display varies according to Loading status.
- # The final display indicates as follows:

G = 1.XX displays if test is satisfactory. XX represents Reel Servo Gain. An Error Messages per Table 4-3 displays if test fails.

4.5.2.6 SET UP

In the Set Up Mode, the operator sets the basic operating parameters of the Drive. Except for UNIT NUM and DEFL DENS, the Calibration Jumper* (ST3) must be placed in ENABLE Position (EN) for the Set Up Procedures. Set up can be done with or without tape loaded. The basic parameters displayed and set up in this Mode are:

- * In most procedures of Setup Mode, and all of Calibration Mode, the Calibration Jumper must be installed in the ENABLE Position to store the selected parameters. If the jumper is not installed, and a store (LOAD) operation is attempted, the Readout displays, "JUMPER?" and the RWND/UNL LED flashes. Pressing RWND/UNL aborts the Setup or Calibration attempt. (See Section V - Calibration and Setup, Electronic - for Calibration Jumper installation.)

Re H
Take 5.0
Supply 1.9

When Setup or Calibration is complete, replace the Calibration Jumper to its original position. **CAUTION: DO NOT TURN POWER OFF UNTIL CALIBRATION JUMPER IS RETURNED TO ITS ORIGINAL POSITION.** To do so could destroy vital data in the Calibration EEPROM.

- a. **UNIT NUM:** Unit Number. The Drive Unit Number (Address). This can be set to any logical number from 0 thru 7. (Cal Jumper can be in either position.)
- b. **DEFL DEN:** Default Density. The Density to which the Drive will default to on Power Up. Default Density can be set to 800 bpi, 1600 bpi, 3200 bpi, and 6250 bpi, and can be set for Local or Remote (Host) Control. (Cal Jumper can be in either position.)
- c. **SPEED:** The Speed to which the Drive will default to on Power Up. Speed can be set to 50 or 100 ips, Host Select; or Automatic Select wherein the Drive automatically selects the speed for optimum performance, based on the Host Re-Instruct Time. In Host Select, if the Host does not designate, the speed is 50 ips.
- d. **TIMEOUT:** 25-foot Timeout. The 25-foot Timeout Parameter, when set to ON, causes the Drive to stop tape motion and report a Hard Error if no data is detected within 25 feet of tape. This feature prevents tape from running off the reel at the end of tape.
- e. **SECURITY:** Security Erase. Security Erase, when enabled, allows the Drive to accept a Security Erase Command from the Host which will cause the Drive to erase tape from its present position to 3 feet past EOT.
- f. **PARITY:** For Hosts that provide Parity, the Drive can be set either to check or ignore parity of Write Data from the Host.
- g. **LONG GAP:** Interrecord Gap. To accommodate certain Host requirements, the Interrecord Gap that results from the Host generated LONG GAP Command can be set to any one of the values: 0.45, 0.6, 1.2, or 2.5 inches. Regardless of its setting, however, Gap Length terminates if a Write Command is received before its set time.
- h. **ARA CAL:** Automatic Read Amplifier Calibration. With this feature enabled, the Drive automatically sets the gain of the Read Amplifiers when reading or writing the ARA Burst in GCR. With this feature disabled, the stored gain values are used.
- i. **GCR CERR:** GCR Corrected Error. When enabled, this feature causes the Drive to report errors corrected by the internal "on the fly" circuitry in GCR.
- j. **NRZI CCG:** NRZI Check Character Gate. When enabled, this option causes the Drive to send the CRC and LRC Characters to the Host following each data block.
- k. **CLR FBSY:** Clear Formatter Busy. Enabling this option, allows the Data Busy Signal (DBY) to clear the Formatter Busy Signal (FBSY). For Hosts that reinstruct after each FBSY, set this option to "WITH DBY" to facilitate streaming. To clear FBSY after repositioning, following a 100 ips Command, set to "POSTREPO" .
- l. **IFEN:** Interface Enable Polarity. Setting this option to INVERT, inverts the FEN Signal from the Host. Setting this option to NORMAL, leaves the Signal uninverted. For Hosts that use FEN as a pulse to enable the Formatter, set IFEN to INVERT. For Hosts that support FEN, set IFEN to NORMAL.

As required, install the Calibration Jumper in ENABLE Position; and set Up the Drive by accessing the Set Up Mode as illustrated in Chart D. With the Readout displaying SET UP, press ENTER. Repeatedly press SCAN to access the desired Feature; then press ENTER to display the first of the available parameters. Repeatedly, as necessary, press SCAN to display and select the desired parameter. Now Press ENTER once more. The Readout displays LOAD?. Press LOAD to enter and save the parameter.

Chart D. Set Up

| Step | DISPLAY | ACTION (Press:) | DISPLAY | ACTION (Press:) | DISPLAY * |
|------|---------|-----------------|----------|---|--|
| 0 | SET UP | *** | | *** | |
| 1 | | ENTER | UNIT NUM | ENTER SCAN | UNIT X ** |
| 2 | | SCAN | DEFL DEN | ENTER SCAN SCAN SCAN SCAN SCAN SCAN SCAN | 800 800 REM 1600 1600 REM 3200 3200 REM 6250 6250 REM |
| 3 | | SCAN | SPEED | ENTER SCAN SCAN SCAN | HOST SEL AUTO 50 IPS 100 IPS |
| 4 | | SCAN | TIME OUT | ENTER SCAN | 25FT ON 25FT OFF |
| 5 | | SCAN | SECURITY | ENTER SCAN | ENABLED DISABLED |
| 6 | | SCAN | PARITY | ENTER SCAN | CHECK IGNORE |
| 7 | | SCAN | LONG GAP | ENTER SCAN SCAN SCAN | 0.45INCH 0.6 INCH 1.2 INCH 2.5 INCH |
| 8 | | SCAN | ARA CAL | ENTER SCAN | ENABLED DISABLED |
| 9 | | SCAN | GCR CERR | ENTER SCAN | ENABLED DISABLED |

Chart D. Set Up (Continued)

| Step | DISPLAY | ACTION (Press:) | DISPLAY | ACTION (Press:) | DISPLAY * |
|------|---------|--------------------|----------|--------------------|----------------------|
| 10 | | SCAN | NRZI CCG | ENTER SCAN | ENABLED DISABLED |
| 11 | | SCAN | CLR FBSY | ENTER SCAN | WITH DBY POSTREPO |
| 12 | | SCAN | IFEN | ENTER SCAN | NORMAL INVERT |

NOTE: * The last parameter selected (in a previous Set Up) displays when ENTER is pressed. Repeatedly press SCAN to select a new parameter. Then press LOAD to store the new parameter.
 ** XX = Unit Number 0 thru 7.
 *** Press DIAG to exit from any Menu or Submenu.
 † Press ONLINE to display Firmware Revision Level.

4.5.2.7 CALIBRATION

NOTE 1: See NOTE under par. 4.5.2.5.

NOTE 2: A reel of tape must be loaded to accommodate the Calibration Tests.

NOTE 3: After completing the Calibration sequence and, with Drive AC power still ON, replace the Calibration Jumper to NON-ENABLE Position.

Using this menu, the operator can manually or automatically calibrate Read Analog Amplifiers for all the densities. Similarly, the Write Current can be calibrated automatically. Chart E illustrates the operating procedure using the ENTER-SCAN sequence. Completing the procedure (storing the parameters) is done by pressing ONLINE in response to the Readout display, CONFIRM?. Press DIAG to exit from any Menu.

Chart E. Calibration

| Step | DISPLAY | ACTION (Press:) | DISPLAY | ACTION (Press:) | DISPLAY * |
|------|---------|--------------------|---------|---|--|
| 0 | CAL | *** | | *** | |
| 1 | | ENTER | AUTO | ENTER SCAN SCAN SCAN SCAN SCAN | ALL NRZI PE DDPE GCR WRT CURR |
| 2 | | ENTER | MANUAL | ENTER SCAN SCAN SCAN SCAN | NRZI PE DDPE GCR WRT CURR |

Chart E. Calibration (Continued)

| Step | | A | | B | | C |
|--|---------|----------------|---------|----------------|----------|--------------------------|
| Step (Press) | DISPLAY | ACTION (Press) | DISPLAY | ACTION (Press) | DISPLAY | ACTION |
| CALIBRATE AUTO: | | | | | | |
| 1. | SCAN | ALL | ENTER | | CONFIRM? | |
| | | NRZI | ENTER | 50 IPS | CONFIRM? | |
| | | | SCAN | 100 IPS | CONFIRM? | Press ONLINE to confirm. |
| 2. | SCAN | PE | ENTER | 50 IPS | CONFIRM? | |
| | | | SCAN | 100 IPS | CONFIRM? | |
| 3. | SCAN | DDPE | ENTER | 50 IPS | CONFIRM? | Press DIAG to abort. |
| | | | SCAN | 100 IPS | CONFIRM? | |
| 4. | SCAN | GCR | ENTER | 50 IPS | CONFIRM? | |
| | | | SCAN | 100 IPS | CONFIRM? | |
| 5. | SCAN | WRT CURR | ENTER | 50 IPS | CONFIRM? | |
| | | | SCAN | 100 IPS | CONFIRM? | |
| CALIBRATE MANUAL: | | | | | | |
| | | NRZI | ENTER | 50 IPS | CONFIRM? | (See NOTE) |
| 1. | SCAN | PE | SCAN | 100 IPS | CONFIRM? | Press ONLINE to confirm. |
| | | | ENTER | 50 IPS | CONFIRM? | |
| 2. | SCAN | DDPE | SCAN | 100 IPS | CONFIRM? | Press DIAG to abort. |
| | | | ENTER | 50 IPS | CONFIRM? | |
| 3. | SCAN | GCR | SCAN | 100 IPS | CONFIRM? | |
| | | | ENTER | 50 IPS | CONFIRM? | |
| | | | SCAN | 100 IPS | CONFIRM? | |
| NOTE: Pressing ONLINE displays: RANGE X (Calibration Range) Then pressing SCAN displays: AMP N X (Read Amp Channel N Gain) (See Section 5.4.2.9 for Calibration Procedure.) | | | | | | |

4.5.2.8 DATA DIAGNOSTICS

Data Diagnostics allows offline testing of the data path one module at a time. In this mode, to prevent the possibility of disturbing the calibration settings, the Calibration Jumper must be installed in Operate Position. There are three Submenus in Data Diagnostics:

- a. MODE Functions set up Drive Parameters for testing.
- b. COMMANDS select and initiate the test to be run
- c. ERRORS display accumulated errors of various types in the error log.

Chart F illustrates entering Data Diagnostics. The following subparagraphs describe the three major categories of Diagnostics Tests. Load a reel of tape before starting Data Diagnostics Tests.

Chart F. Entering Data Diagnostics

| Step | DISPLAY | ACTION (Press:) | DISPLAY | ACTION |
|------|----------|-----------------|----------|--|
| 1 | DATADIAG | ENTER | MODE | Press ENTER to access selected Submenu |
| 2 | | SCAN | COMMANDS | |
| 3 | | SCAN | ERRORS | |

MODE (Test Options). In this category, the Operator sets up the Drive to operate with specific parameters. He repeatedly presses SCAN to display the desired categories (listed above); then uses the ENTER-SCAN sequence to select the various Submenu Parameters. Submenu Parameters are defined as follows: **NOTE:** The first parameter listed for each Option is the default parameter. Chart G illustrates operating the Modes Menu.

| <u>Option</u> | <u>Parameters</u> | <u>Description</u> |
|---------------|--|---|
| ON ERROR | CONTINUE STOP | Drive continues motion on detecting error. Drive stops on error. |
| AT EOT | REWIND STOP | Drive rewinds when detecting EOT. Drive stops at EOT. |
| BLK SIZE | 4, 256, 513, or 1024 | Drive generates data blocks of selected size. |
| DATA | ALL ONES, ALL ZERO, INCREMENT, RANDOM, ALT (00-FF), USER | Drive generates data pattern selected. See NOTE. |
| SPEED | 50 IPS, 100 IPS | Drive operates at speed selected. |
| RE-INST | STREAM STRT/STP SINGLE | Drive operates in streaming Mode. Drive operates in Start/Stop Mode. Drive reads or writes one block. |

NOTE: The USER Display indicates that the last 1024 data bytes that accompanied the last Write Command to the Drive is presently available as test data. USER test data is destroyed and the USER Display cannot be accessed once any other test data has been entered.

Chart G. Accessing the Modes Submenu

| Step | DISPLAY | ACTION (Press:) | DISPLAY | ACTION (Press:) | DISPLAY * |
|------|---------|--------------------|----------|---|---|
| 1 | MODE | ENTER | ON ERROR | ENTER SCAN | STOP CONTINUE |
| 2 | | SCAN | AT EOT | ENTER SCAN | REWIND STOP |
| 3 | | SCAN | BLK SIZE | ENTER SCAN SCAN SCAN | 4 256 513 1024 |
| 4 | | SCAN | DATA | ENTER SCAN SCAN SCAN SCAN SCAN | ALL ONES ALL ZEROS INCREMENT RANDOM ALT (00-FF) USER |

Chart G. Accessing the Modes Submenu (Continued)

| Step | DISPLAY | ACTION (Press:) | DISPLAY | ACTION (Press:) | DISPLAY * |
|---|---------|--------------------|---------|-----------------------|------------------------------|
| 5 | | SCAN | SPEED | ENTER SCAN | 50 IPS 100 IPS |
| 6 | | SCAN | RE-INST | ENTER SCAN SCAN | STREAM STRT/STP SINGLE |
| <p>NOTE: * When ENTER is pressed, the option displayed is the last one selected (during a previous diagnostics session).</p> | | | | | |

COMMANDS: Under the Commands Category, ENTER accesses the Submenu, and SCAN selects the test to be run, and START/STOP starts and ends the test. If a runaway occurs, due to module failure, pressing DIAG will force a hard stop but lose tape position. Commands are defined as follows: **NOTE:** START/STOP executes the Commands using parameters set in the Mode Menu.

- ① LOOP DIG Data loops from the Write Digital to the Read Digital Sections without going through the Read Analog Section or the Head. Tape not required.
- ② LOOP ALG Data loops from the Write Section to the Read Digital Section through the Read Analog Module without going through the Head or the Pre-Amp. Tape not required. Command executes in all Densities except NRZI.
- ③ WRITE Drive writes Data to tape per selected Mode Parameters (listed above). No retry on error. If tape is write protected, display is: "CAN'T WRITE".
- WRT W/RE Drive writes Data to tape using Retry Sequence for Blocks In Error. Retry consists of: Backspace, Erase, Write.
- READ Drive reads Data from tape in forward direction, comparing it to pattern selected in Mode Menu.
- READ REV Drive Reads Data from tape in the reverse direction. No compare made.
- READ/RR If last command caused a forward motion, the Drive alternately and repeatedly reads reverse and forward over the **previous** data block. If the last command caused a reverse motion, the Drive alternately and repeatedly reads forward and reverse over the **next** data block. To stop this test, press START/STOP. **NOTE:** Compare is made only in Read Forward Operations.
- FMK TEST Drive continually writes Filemarks and confirms Filemark Status.
- WRT/WFMK Drive continually and alternately writes a Data Block and a Filemark.
- WR/RR/RD Drive writes a block, reads it in reverse, then reads it forward.

NOTE: These tests can be stopped by Pressing START/STOP; but, If in MODE Category, ON ERROR, STOP was selected, the Drive will stop whenever an error is detected.

Chart H. Accessing the Commands Submenu

| Step | DISPLAY | ACTION (Press:) | DISPLAY | ACTION |
|------|----------|--------------------|----------|--|
| 1 | COMMANDS | ENTER | LOOP DIG | Press ENTER to enable the parameter, and Press START/STOP to execute Command; or Press SCAN to advance to the next parameter. |
| 2 | | SCAN | LOOP ALG | |
| 3 | | SCAN | WRITE | |
| 4 | | SCAN | WRT W/RE | |
| 5 | | SCAN | READ | |
| 6 | | SCAN | READ REV | |
| 7 | | SCAN | READ/RR | |
| 8 | | SCAN | FMK | |
| 9 | | SCAN | WRT/WFMK | |
| 10 | | SCAN | WR/RR/RD | |

NOTE: Commands execute using the parameters set up in Modes Menu.

ERRORS Display. The Errors Function displays selectable types of errors. Repeatedly pressing SCAN in turn causes each type of error to be **displayed**. Pressing ENTER **resets** the currently displayed error reading and scans to the next display. Errors are defined as follows: Chart H illustrates using the Errors Submenu

| | |
|------------|--|
| EIC(0-7,P) | Error in Channel 0 thru 7 and P. Accumulation of Hard Errors and Corrected Errors. |
| WPAR | Write Parity Errors. Hard Errors flagged because of a detected Parity Error of the Write Data Bus from the Host. |
| CMP | Compare Errors. Data returned by Read Section does not match Data sent to the Write Section during a Write Command; or Data read does not match the pattern selected on Diagnostic Read Command. |
| HER | Hard Error (Non-Recoverable) flagged by the Read Section. See Section I for detailed description of Hard Errors. |
| STE | Single Track Error. Single Track Corrected Error in GCR, or any Corrected Error in PE or DDPE. |
| DTE | Double Track Error reported and corrected in GCR. |
| FMK | Filemark Error. Filemark Status Report was not returned following a Write Filemark Command. |

NOTE: Each Error display is followed by a number (xxx) or "OVR". This represents the number of errors detected (xxx) or a Counter Overflow (OVR = over 255).

Chart I. Accessing the Errors Submenu

| Step | DISPLAY | ACTION (Press:) | DISPLAY | ACTION |
|------|---------|--------------------|-----------------|--|
| 1 | ERRORS | ENTER | EIC (0-7,P) XXX | Press ENTER to clear the error count and advance to the next parameter. Press SCAN to advance to the next parameter without clearing error count. |
| 2 | | SCAN | WPAR XXX | |
| 3 | | SCAN | CMP XXX | |
| 4 | | SCAN | HER XXX | |
| 5 | | SCAN | STE XXX | |
| 6 | | SCAN | DTE XXX | |
| 7 | | SCAN | FMK XXX | |

SECTION V
MAINTENANCE INSTRUCTIONS

SECTION V MAINTENANCE

5.0 GENERAL

Procedures described herein are limited to Preventive and Corrective Maintenance that can be accomplished in the field, and includes adjustment and replacement of PCBAs and other major components of the Drive. PCBAs are not considered field repairable and, if found defective, should be returned to the manufacturer for repair.

5.1 PREVENTIVE MAINTENANCE

To ensure continued trouble-free operation, do the following preventive maintenance tasks regularly as recommended.

5.1.1 DAILY INSPECTION

All components in the tape path must be kept scrupulously clean. Daily, or after four hours of tape motion, inspect Deck Assembly, Read/Write/Erase Head, Rollers, and Sensors, for cleanliness. Look for dirt and oxide accumulation. Clean as required.

5.1.2 CLEANING

CAUTION

Using **non-recommended** cleaning fluids can damage components of the Tape Drive. Using excessive amounts of the recommended cleaning fluid can damage the Tape Drive by penetrating roller bearings, idler rollers, tape guides, capstan, or drive motor, and destroying lubrication.

5.1.2.1 TAPE REELS

Before installing any tape reel onto the Supply Hub, it is recommended that the inner surface of the Tape Reel Hub be cleaned with a lint free cloth dampened with clean water to remove any dirt, grease or other contamination.

5.1.2.2 ERASE/WRITE/READ HEAD CLEANING

Remove accumulation of oxide and/or dirt from the Erase/Write/Read Head surface (Fig. 5-1) using a clean lint-free cloth or cotton swab dampened with 1.1.1 trichloroethane or isopropyl alcohol (See **CAUTION** above). Wipe the Head with firm but gentle vertical strokes.

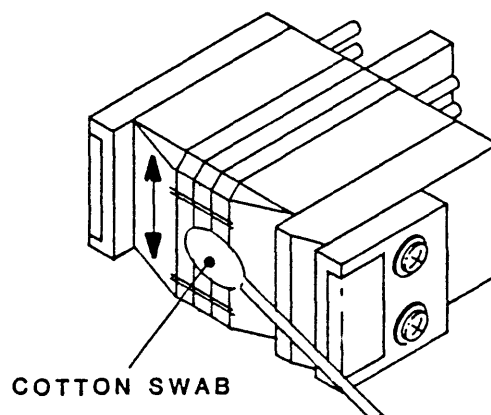


Figure 5-1. Erase/Write/Read Head Cleaning

5.1.2.3 TAPE PATH CLEANING

Miscellany (Figure 5-2)

Clean tape guides, rollers (except Capstan Roller), and the sapphire tape cleaners with a cotton swab dampened with isopropyl alcohol or 1.1.1 trichloroethane. Clean the Capstan rubber Roller with a cotton swab dampened with water or, if excessively dirty, dampened with mild soapy water. Dry thoroughly with a clean lint-free cloth.

Reel Locking Fingers (Figure 5-18)

With no tape reel on the Supply Hub, press the Manual Reel Locking Lever (See Section VI, Figure 6-1) while manually turning the Reel Hub clockwise until the Reel Locking Fingers extend fully outward. Then clean the Rubber Pads on the Fingers with a clean cotton swab or cloth dampened with water or if excessively dirty, with mild soapy water.

After cleaning the Rubber Pads, again press the Manual Reel Locking Lever and manually turn the Reel Hub counterclockwise until the Fingers retract to original position.

5.1.3 ROUTINE ADJUSTMENTS

There are no routine adjustments necessary to the Tape Drive. **DO NOT** make any adjustments except for corrective maintenance.

5.1.4 LUBRICATION

The Tape Drive uses only sealed, lifetime lubricated bearings. No lubrication is required. **CAUTION: Do not lubricate.**

5.1.5 HEAD WEAR

The Kennedy Co. ceramic-coated Head normally lasts the lifetime of the Drive. However, the Head should be replaced after 5000 hours of tape motion.

5.2 CORRECTIVE MAINTENANCE

Corrective Maintenance consists of tests and diagnostics for isolating malfunctions to a field-replaceable component. Field replaceable components are itemized in the Recommended Spare Parts List (Section VI, Table 6-1).

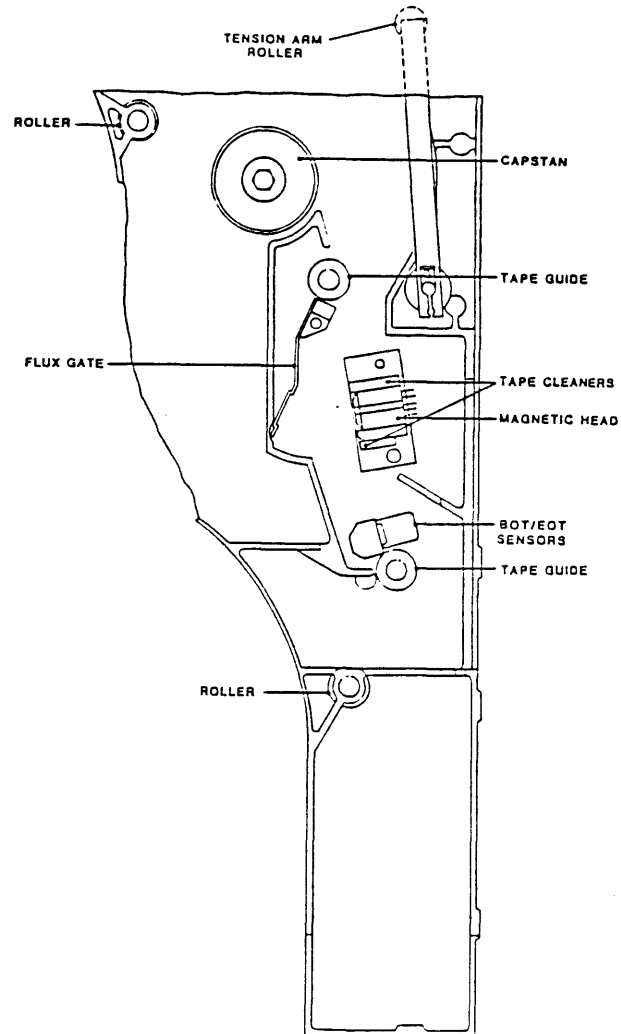


Figure 5-2. Tape Path Cleaning

5.2.1 TOOLS AND TEST EQUIPMENT REQUIRED (Table 5-1)

Table 5-1. Tools and Test Equipment Required

| ITEM | DESCRIPTION | ITEM | DESCRIPTION |
|----------------|--|-----------------------|---------------------------|
| Box Wrenches | Common | Pliers | C-Clip Retainer Removal |
| Capstan Puller | P/N 54-00100-001 | Screwdriver | Spade Tip |
| Cleaner Fluid | 1.1.1 Trichlorethane or Isopropyl Alcohol | Screwdriver | Stubby, No. 1 Phillips |
| Cloth or Q-Tip | Lint Free | Screwdrivers (2) | Phillips, No. 1 and No. 2 |
| Gauge | Feeler | Skew Tape | P/N 54-00036-001 |
| Hex Wrenches | 3/32, 1/8, 5/32, 3/16 | Spring Hook | Common |
| Multimeter | Digital | Spring Scale | Common |
| Oscilloscope | Dual Trace | Tape Guide Align Tool | P/N 54-00103-001 |
| Pliers | Long-nose | Torque Tool | Common |
| | | Tracking Tape | Pericomp TRK06884 |

5.2.2 ACCESSING THE DRIVE

A. Operating the Rack Mount Slides:

1. Operate the Release Lever located just inside the Front Tape Access Door (Figure 6-1), and (for rack-mounted units) pull the Drive outward on its Slides, or (for Table top units) pull the Cabinet backward off the Drive.
2. To access the top of the Drive, turn the two Locks Screws, located on the top Cover, 1/4 turn ccw, and lift the Cover to full open position. Push the Dust Cover Support Bar into Lock Position (Ref Figure 2-2).

B. Access the Drive below the Deck Assembly as follows:

1. Close and lock the Dust Cover.
2. Remove two upper Lock Bolts on the sides of the Drive (Ref Figure 2-7A).
3. Lift the Deck Assembly and latch the Support Bar to hold the Deck Assembly in Maintenance Position (Ref Figure 2-7A).

C. Restore the Deck Assembly to Operate Position as follow:

1. Lift the Deck Assembly slightly, and unlatch the Support Bar.
2. Replace the Support Bar in its original position, and lower the Deck Assembly to its original position.
3. Replace and tighten the two Lock Bolts.

5.2.3 TROUBLESHOOTING

Troubleshooting the Tape Drive consists of using diagnostics, and self tests to diagnose mechanical, electromechanical, and electronic malfunctions.

Diagnostics include firmware-controlled tests and exercises that can be initiated by the Operator from the Drive Front Panel. The Digital Display on the Front Panel provides diagnostic readouts. Section IV describes how to operate Diagnostics.

Self Tests occur with each power up, or can be manually initiated using the Diagnostics Menu. Self Tests include failure codes and diagnostic readouts on the Front Panel Digital Display. Section IV describes the Self Tests.

5.2.3.1 ACCESSING THE DRIVE FOR TROUBLESHOOTING

CAUTION: A solidly grounded ESD Wrist Strap should be worn whenever touching or handling any Circuit Board or other electronic assembly in the Drive.

WARNING: Dangerous ac voltage exist in and about the Voltage Selector, the EMI Filter, the Power Transformer, Fan, and the Power Switch on the Front Panel. ALWAYS UNPLUG THE AC LINE CORD BEFORE WORKING IN THESE AREAS. (See Schematic Diagram 7109 (sheet 2) for illustration of ac voltage distribution.

5.2.3.2 SAFETY INTERLOCKS

The Drive includes personnel safety interlocks that operate when the Tape Access Door or Top Dust Cover is opened. To operate the Drive for troubleshooting, the technician must defeat the Interlocks as follows:

- A. With ac power ON, unload tape (as applicable).
- B. Raise the Deck assembly to Maintenance Position per 5.2.2.
- C. On the Drive Electronics Board, move the Diagnostics Jumper (ST4 - Ref Figure 5-31) from its present position as follows:
 1. If original position is EN: press and hold ENTER, and move from EN to DIS.
If original position is DIS: press and hold ENTER, and move from DIS to EN to DIS.
 2. If you intend to test, calibrate, or operate the Drive via Diagnostics Pushbuttons, move the Jumper from DIS to EN (Do not press ENTER).
 3. From Step 1 you have one minute to lower the Deck Assembly and load tape. If tape has not been loaded within one minute, repeat Step C.
- D. Display flashes "NO INTLK". Press DIAG to start Diagnostics.
- E. To reactivate the Interlock, unload tape.

5.3 PARTS REPLACEMENT

Components and Major Assemblies of the Drive are not considered to be field repairable. If found defective, replace the Component or Assembly with an appropriate spare part. The following subparagraphs describe replacement procedures for these Components and Assemblies. For these procedures, unless otherwise directed, place the Drive on a table top right side up, and raise the Deck to Maintenance Position per par. 5.2.2.

Torque Requirements: Torque screws to the following standards (inch pounds) : #4-40 Screw: 4 to 6; #6-32 Screw: 7 to 9; #8-32 Screw: 8 to 10; #10-32 Screws: 18 to 20.

5.3.1 PRINTED CIRCUIT BOARDS IN CARD CAGE (Fig. 5-3)

- A. Loosen two Cover Screws near ends of the Card Cage Cover, and remove Cover.
- B. As applicable, disconnect cables from PCB to be removed.
- C. Grasp PCB Ejectors firmly, and pull ejectors towards the side of the unit. Board should pop partly out of the slot.
- D. Grasp the PCB Ejectors and slide the Board out of the slot.

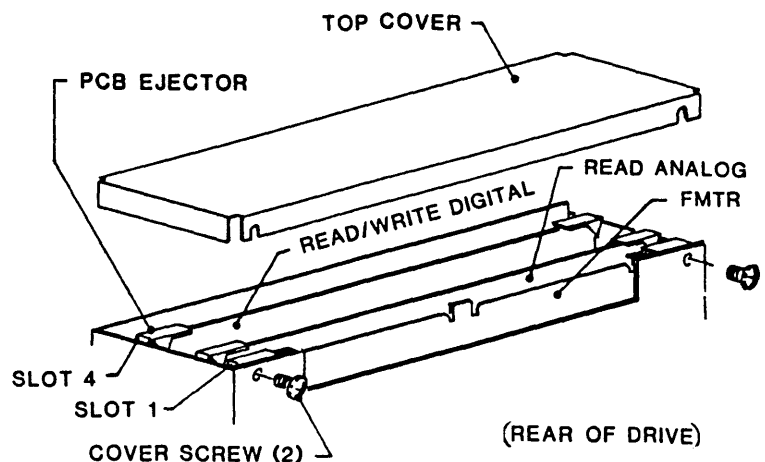


Figure 5-3.
Card Cage

To replace: Insert PCB in Card Cage and press firmly downward until PCB is fully seated in Mother Board.

Replace Card Cage Cover.

5.3.2 DRIVE ELECTRONICS BOARD

Refer to Section VI, Figure 6-4 for illustration of the Drive Electronics Board.

- A. Remove four nuts that hold the Power Supply Bracket to the Chassis, and slide the Power Supply with Bracket to the left.
- B. Disconnect cables from the Drive Electronics Board.
- C. Remove six Mounting Screws that hold the Drive Electronics Board to the Chassis.
- D. Unplug the Drive Electronics Board from the Mother Board, and lift it from Drive.

To Replace: Reverse removal procedure.

5.3.3 INTERCONNECT PCBA

Refer to Section 6, Figure 6-3 for illustration of the Interconnect Board.

- A. Noting the location of each connector, disconnect all connectors from Interconnect Board, tagging each connector for identification and location.
- B. Remove four Board Mounting Screws.
- C. Lift the Interconnect Board out of the Drive.

To Replace: Reverse removal procedure.

5.3.4 HUB LOCK SOLENOID (Fig. 5-4)

- A. Disconnect two wires from the Solenoid.
- B. Remove 2 screws holding Solenoid Mounting Bracket to Deck.
- C. Lift Bracket/Solenoid Assembly and detach it from Lock Actuator.
- D. Remove the Solenoid (2 screws) from the Bracket.

To replace: Reverse removal procedure. Adjust per paragraph 5.4.2.8. Torque screws to 13 +/-1 inch-pounds.

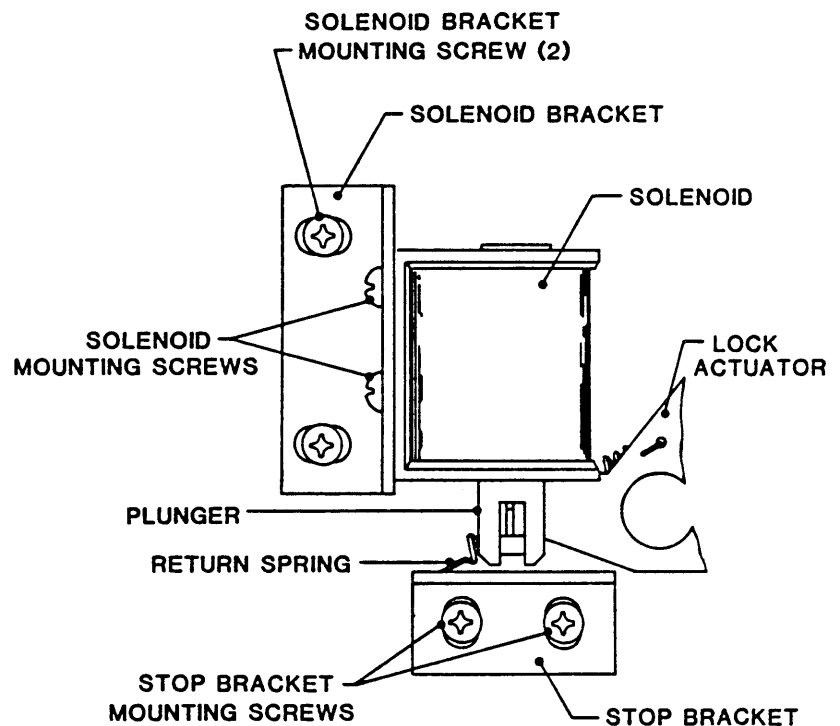


Figure 5-4.
Hub Lock Solenoid

5.3.5 READ PREAMPLIFIER

Refer to Figure 5-27, and Section VI, Figure 6-3 for illustration of the Read Preamp Board.

- A. Remove Clamp Plate (below Deck) that clamps cables and the Read Preamp Board.
- B. Unplug the Read Preamp Board from the Magnetic Head (top of Deck).
- C. Cut tie wraps that secure Read Preamp Cable, and unplug Cable Connector from Read Analog Board 9017.
- D. Remove the Read Preamplifier Board from the Drive.

5.3.6 FAN (Fig. 5-5)

- A. Remove all PCBs from Card Cage (paragraph 5.3.1).
- B. Unplug connector at Fan Body.
- C. Using stubby Phillips screwdriver, remove 4 screws holding Fan to sheetmetal support.
- D. Remove Finger Guard from Fan, and install it on new Fan, using original hardware.

To replace: Reverse removal procedure. . Note direction of air flow.

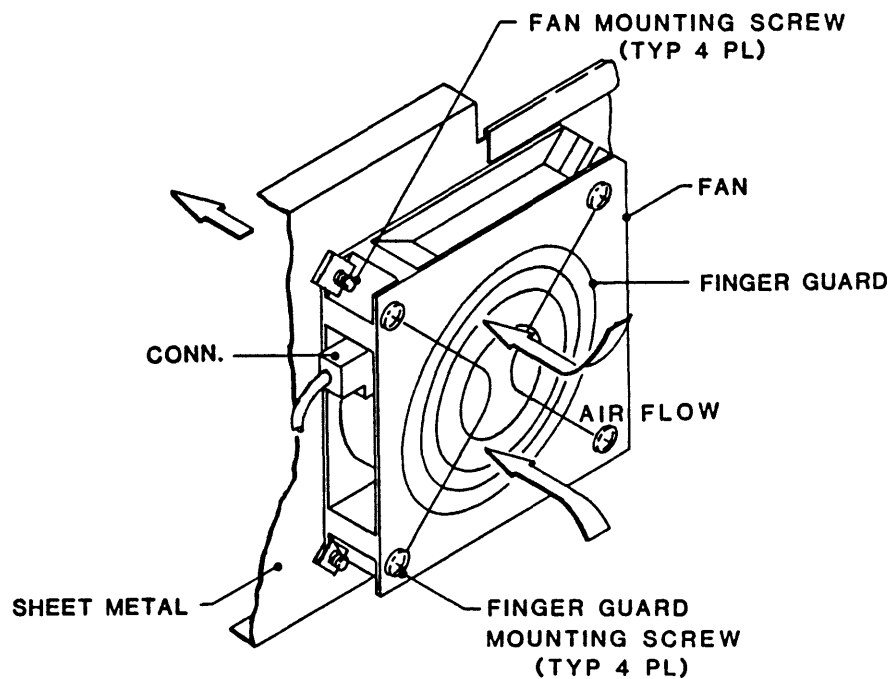


Figure 5-5. Fan

5.3.7 TAKEUP REEL ASSEMBLY (Fig. 5-6)

Tools Required: 9/64th-inch Hex Wrench

- A. Lift open Top Cover of the Drive (Ref 5.2.2).
- B. Remove three Socket-Head Cap Screws from Top Flange, and remove Top Flange.
- C. Remove two Socket-Head Cap Screws from the Vacuum Hub.
- D. Grasp the Vacuum Hub firmly with both hands and remove by pulling upwards.

To replace: Reverse removal procedure.

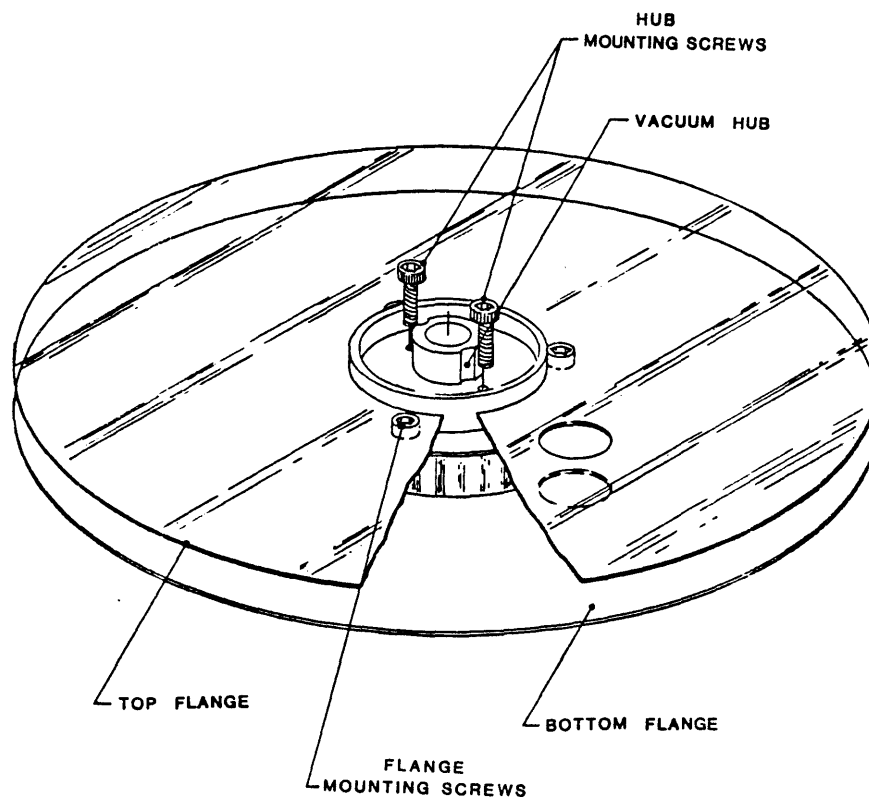


Figure 5-6. Takeup Reel Assembly

5.3.8 TAKEUP ARM ASSEMBLY (Fig. 5-7)

- A. To ensure that the new Arm will be installed in approximately the same angular position on the Shaft as the original Arm, and the zero point will not be altered, mark the orientation of the original Arm on the Shaft. A small dot on the shaft in line with the Arm (as illustrated) will suffice.
- B. Remove the Takeup Arm Retraction Spring as follows:
1. Turn ac power on.
 2. Move the Diagnostics Enable Jumper on the Drive Electronics Board to ENABLE Position (See Figure 5-31).
 3. Press DIAG, then ENTER, and scan to DRV ADJ. Mode.
 4. Again press ENTER. The Readout should display BUFF ARMS.
 5. Press ENTER again. The Readout should display RELAXING, and the Takeup Arm should unlock from its original position and move to the "relaxed" position.
 6. Remove the Retraction Spring from the Swivel with a Spring Hook or similar tool.
- C. Using a 1/4-inch box wrench, loosen the Clamp Bolt that secures the Arm to the Shaft, and lift the Arm Assembly off the Shaft being careful not to remove shims from under the Arm.

To replace: Reverse removal procedure:

- a. Snug the Clamp Bolt to prevent the Arm from turning on the Shaft.
- b. Check and as necessary adjust Buffer Arm Roller Height per paragraph 5.4.2.1.
- c. Check and as necessary adjust Spring Tension per paragraph 5.4.2.4.
- d. Torque Clamp Bolt to 20 inch-pounds.
- e. Replace Diagnostics Jumper to the Non-Enable Position (Power can now be turned off).

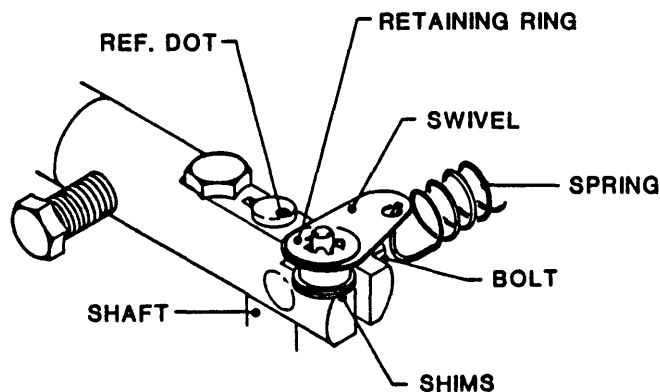


Figure 5-7. Takeup-Arm and Supply-Arm Assemblies

5.3.9 SUPPLY ARM ASSEMBLY (Fig. 5-7)

- A. Remove three Phillips screws and remove Supply Arm Cover Plate from the top of the Deck.
- B. Do procedure in paragraph 5.3.8.

5.3.10 RETRACT AND PIVOT SENSOR ASSEMBLIES, TAKEUP-ARM AND SUPPLY-ARM (Fig. 5-8)

From above Deck:

- A. Remove the Supply-Arm or Takeup-Arm Assembly per paragraph 5.3.8 or 5.3.9.
- B. Remove Hinge Bracket that holds the Tape Path Cover and remove the Tape Path Cover.
- C. **For Takeup Arm only**, remove screws that hold the Takeup Arm Stop and the Fixed Cover Plate and remove the Takeup Arm Stop and Fixed Cover Plate.
- D. **For Supply Arm only**, remove Supply Arm Cover Plate, and then with a Phillips Screwdriver, remove the Supply Arm Stop.

From below Deck:

- E. **On Takeup Arm Assembly only**, loosen the Lock Screw that attaches the Linkage to the Post, and remove the Linkage. Retain Linkage for later reinstallation.
- F. Cut tie-wraps and unplug connector P4 (for Takeup Assy) or P3 (for Supply Assy) from InterconnectBoard 7228.
- G. Unplug P1 from Position Sensor PCBA 9069.
- H. Remove Phillips Screw and Cable Clamp from bottom corner of Motor. Disconnect the wires from the Microswitch, and unsolder the two Motor Wires. **Note** that on the Takeup Motor, the Red Wire connects to the side of the Motor toward the Cam, but on the Supply Motor, the Red Wire connects to the side of the Motor away from the Cam.

From above Deck:

I. (In this step, support and lower the Retract and Pivot Sensor Assy as the last Mounting Screw is unscrewed.) Using a Hex Wrench, completely unscrew, but do not remove, two Socket-Head Mounting Screws that attach the Retract and Pivot Sensor Assembly to the Deck.

To replace:

Reverse removal procedure. Check and adjust Buffer Arm per par. 5.4.2.1.

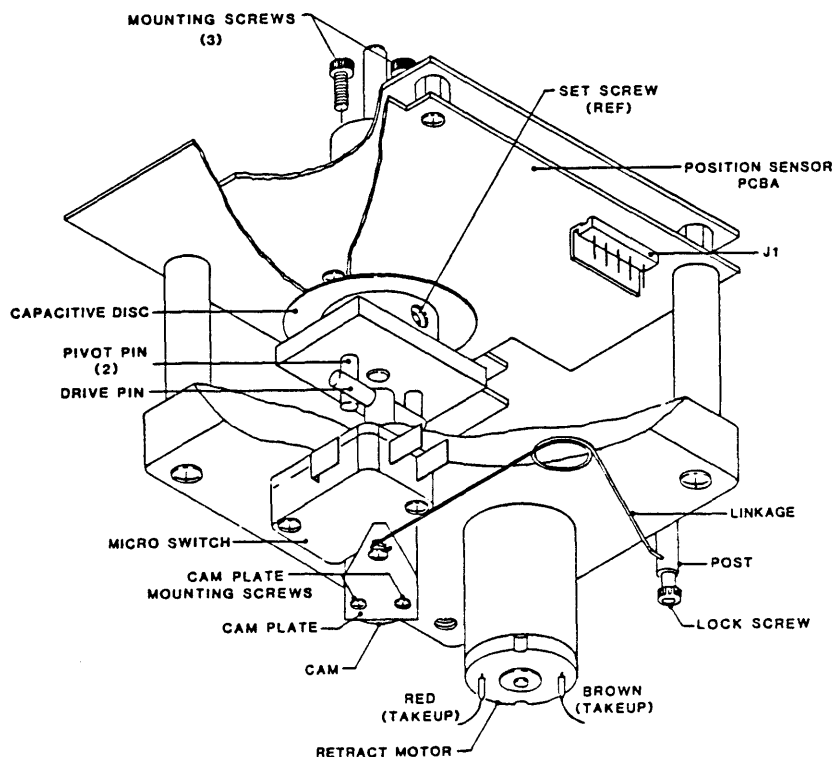


Figure 5-8. Takeup Arm Retract and Pivot Sensor Assembly

5.3.11 MOTHER BOARD PCBA (Fig. 5-9)

- A. Remove Card Cage Cover (paragraph 5.3.1).
- B. Remove all PCBAs from Card Cage.
- C. Unplug power connector J13 from Mother Board.
- D. Using Stubby or Offset Phillips Screwdriver, Remove six Mounting Screws and move Center Bulkhead out of way.
- E. Remove seven Phillips Head Screws that secure the Mother Board to the Chassis.
- F. Unplug Mother Board from Drive Electronics Board and ,being careful not to damage the Connectors on the Mother Board, slide the Mother Board back and rotate it upward and out.

To replace: Reverse removal procedure.

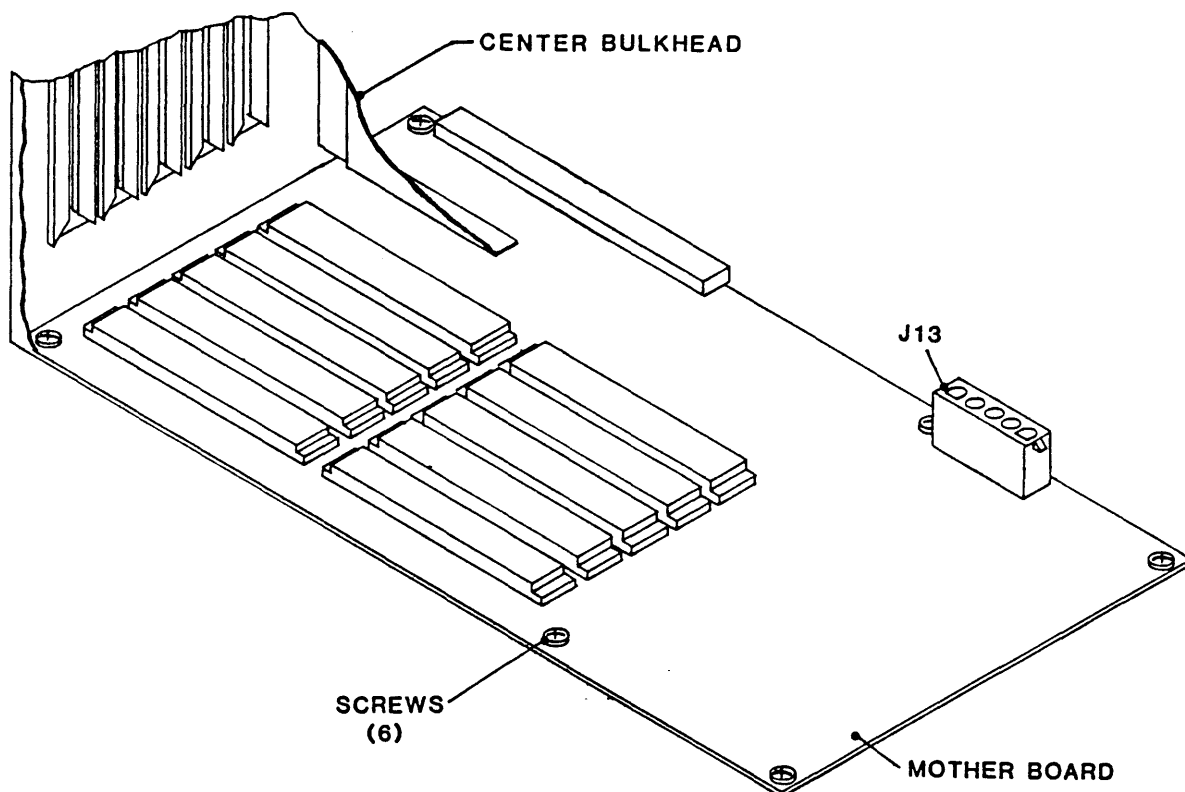


Figure 5-9. Mother Board

5.3.12 OPERATOR CONTROL PANEL PCBA (Fig. 5-10)

- A. Remove Panel Assembly from Deck per paragraph 5.3.22.
- B. Cut the Tie Wraps that attach the Switch and Solenoid Cable to the PCBA.
- B. Using A Nutdriver, remove six Mounting Nuts, and remove the Operator Control Panel PCBA.

To replace: Reverse removal procedure. Align the PCBA so that switch actuators can be moved freely in the openings in the Front Panel.

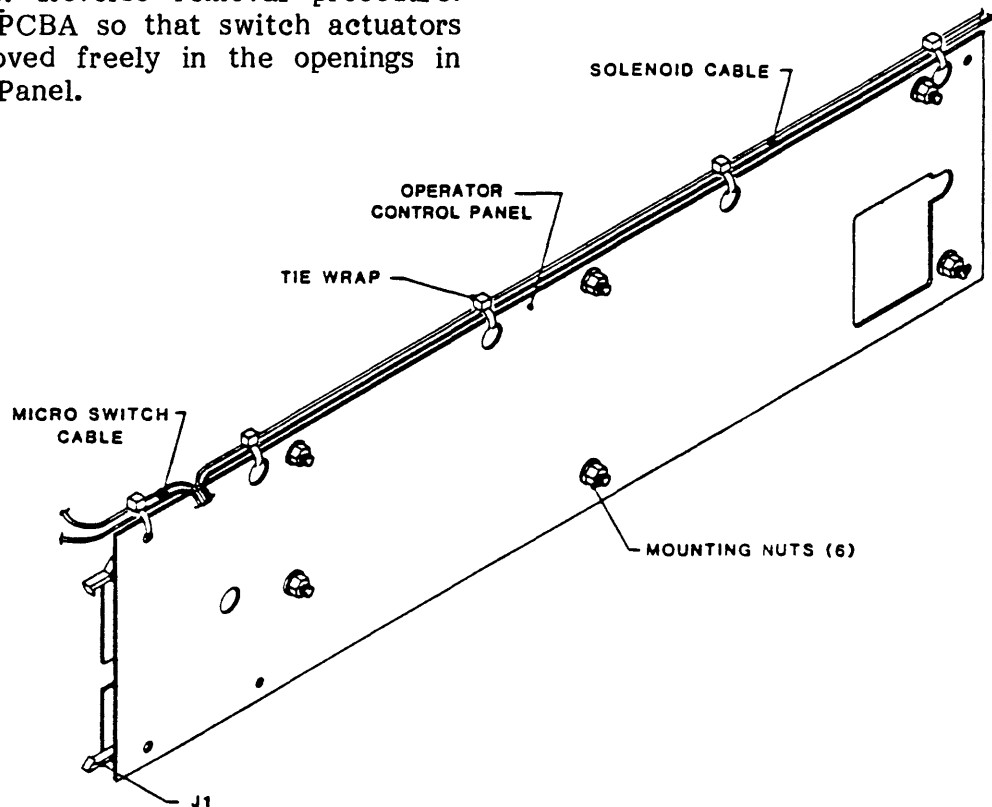


Figure 5-10. Operator Control Panel PCBA

5.3.13 EMI FILTER

Refer to Section VI, Figure 6-4 for illustration of EMI Filter.

- A. Turn off ac power and disconnect Line Cord from the ac power source.
- B. Lift Deck Assembly into Maintenance Position per 5.2.2.
- C. Disconnect input and output wires from EMI Filter.
- D. Remove two screws and remove EMI Filter.

To replace: Reverse removal procedure.

5.3.14 REEL-IN-PLACE SENSOR ASSEMBLY (Fig. 5-11)

Refer to Figure 6-2 for top view location of Sensor Assemblies.

- A. Remove two Phillips screws and two Spacers.
- B. Cut away Tie Wraps, and unplug the Cable from J13 on the interconnect PCBA.
- C. Remove the Reel-In-Place Sensor Assembly.

To replace: Reverse removal procedure. Align the Reel In Place Sensor Assembly centered within the chassis flanges and parallel with the Flange Surfaces, and with the specified space between the Sensor Assembly and the Sensor Tab. Torque Mounting Screws to 7 +/-1 inch-pounds.

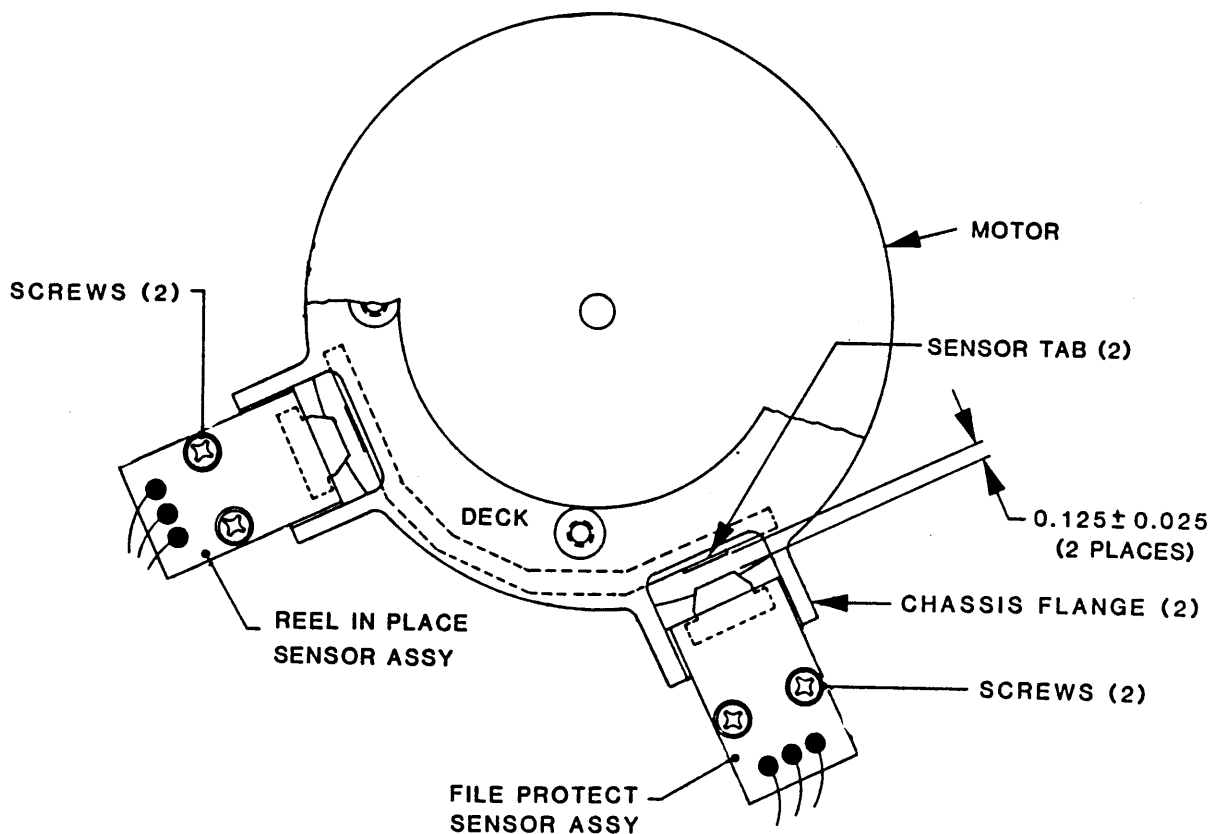


Figure 5-11. File-Protect and Reel-In-Place Sensor Assemblies (Bottom View)

5.3.15 FILE-PROTECT SENSOR ASSEMBLY (Fig. 5-11)

Refer to Figure 6-2 for top view location of Sensor Assemblies.

- A. Remove two Phillips screws and two Spacers.
- B. Cut away Tie Wraps, and unplug the Cable from J12 on the interconnect PCBA.
- C. Remove the File Protect Sensor Assembly.

To replace: Reverse removal procedure. Align the Reel In Place Sensor Assembly centered within the chassis flanges and parallel with the Flange Surfaces, and with the specified space between the Sensor Assembly and the Sensor Tab. Torque Mounting Screws to 7 +/-1 inch-pounds.

5.3.16 SUPPLY ARM LIMIT SENSOR

(Figure 5-12)

- A. Open Top Cover of the Drive per 5.2.2.
- B. Remove 3 phillips screws, and lift off the plate that covers the Supply Arm (Ref Figure 6-2).
- C. Remove 2 Phillips screws that hold the Limit Sensor to its Mounting Plate.
- D. Raise the Deck to Maintenance Position per 5.2.2.
- E. Unplug Connector P16 from the Interconnect PCBA.
- F. Remove two Cable Clamps from edge of Interconnect Board.
- G. Remove three Screws and move the Interconnect Board and its Mounting Plate out of the way.
- H. Remove tie wraps as necessary, and remove the Sensor.

To replace: Reverse removal procedure.
No adjustment required.

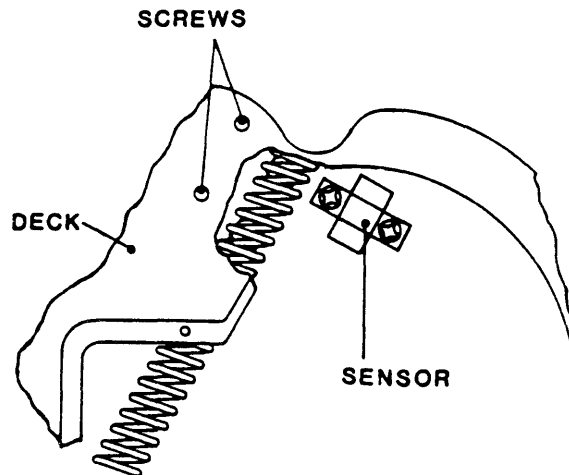


Figure 5-12. Supply Arm Limit Sensor

5.3.17 TAKEUP ARM LIMIT SENSOR

(Figure 5-13)

- A. Open Top Cover of Drive and raise Deck to Maintenance Position per 5.2.2.
- B. Remove 2 Phillips screws that hold the Limit Sensor to the Mounting Bracket.
- C. Unplug Connector P15 from the Interconnect Board and remove tie wraps.
- D. Remove pins from connector housing, and pull the cable through the grommet in the Deck.
- E. Remove two bolts and remove the Sensor from Sensor Bracket

To replace: Reverse removal procedure. Adjust per specifications illustrated. If it is necessary to adjust the Sensor Bracket, to access the Screws that hold the Bracket to the Deck, remove the Lower Screw from the Deck Cover Hinge, and open the Deck Cover as far as it will go.

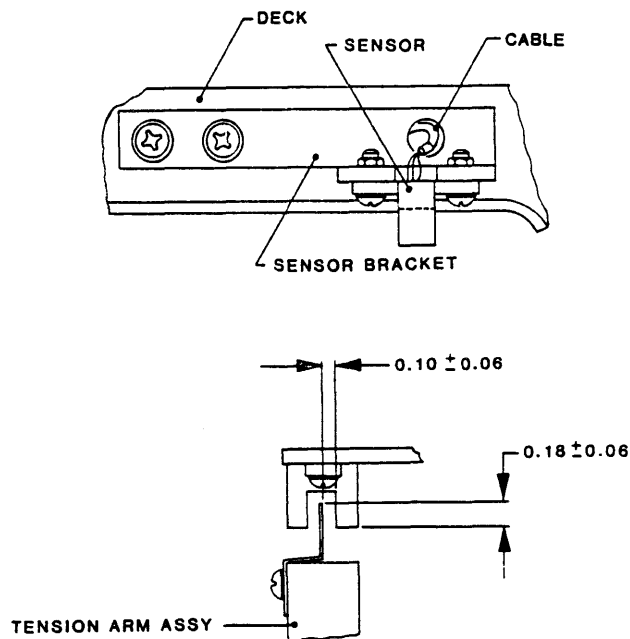


Figure 5-13. Takeup Arm Limit Sensor

5.3.18 12-VDC REGULATOR ASSEMBLY (Fig. 5-14)

1. Remove 2 Phillips screws that hold the Heat Sink to the Deck.
2. Unplug connector J1, and remove the Assembly and the Spacer under the Assembly.

To replace: Reverse removal procedure.

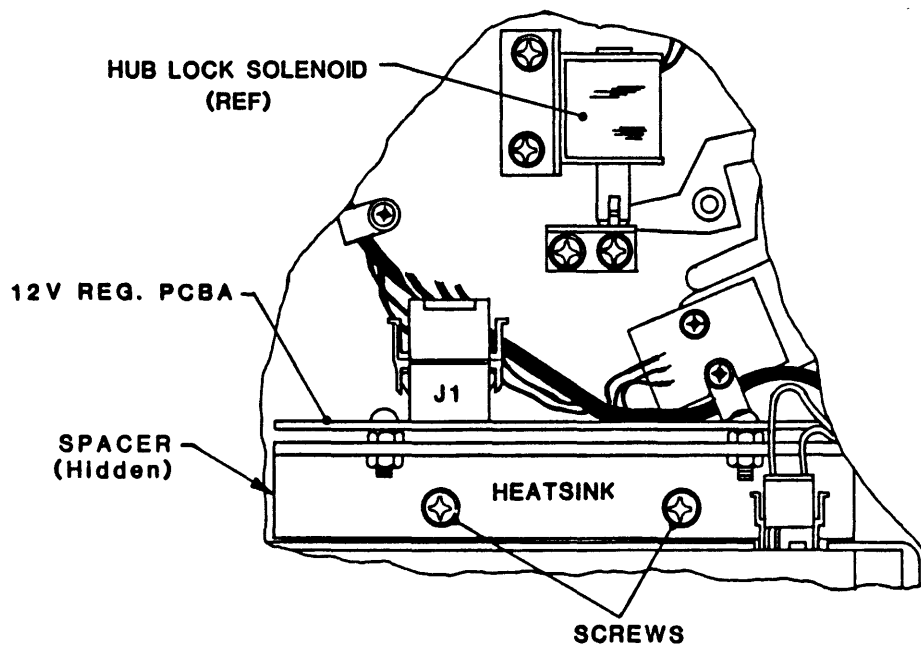


Figure 5-14. 12-VDC Regulator Power Supply

5.3.19 5-VDC REGULATOR POWER SUPPLY (Fig. 5-15)

- A. Lift the Deck and secure it in Maintenance Position (Ref 5.2.2).
- B. Unplug the five connectors indicated in Figure 5-15 from the Power Supply.
- C. Remove four kepsnuts that hold the Power Supply Bracket to the Chassis, and remove Power Supply.

To replace: Reverse removal procedure. Connectors Cables route as follows:

J1 to Power Transformer

J5 to Drive Electronics Board

J3 to 12VDC Regulator

J6 to Mother Board

J4 to Servo Power Amplifier

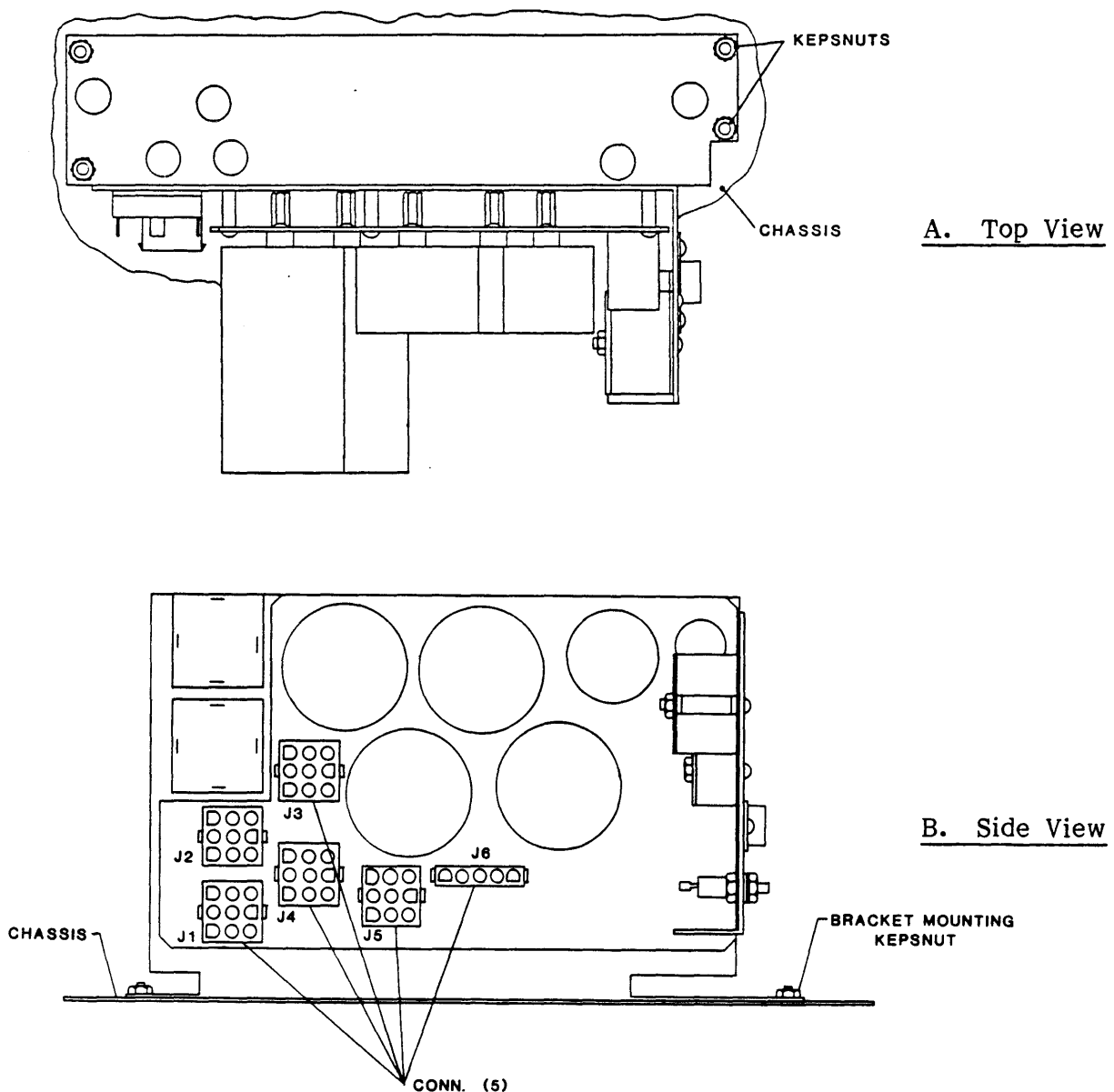


Figure 5-15. 5-VDC Regulator Power Supply

5.3.20 SERVO AMPLIFIER ASSEMBLY

The Servo Amplifier Assembly (Figure 5-16) consists of Servo Power Amplifier PCBA P/N 90-07111-013 mounted on a Heatsink, and Servo Preamplifier PCBA P/N 90-07147-003. The Servo Amplifier Assembly is mounted on the inside surface of the Chassis as illustrated in Figure 6-4. Remove the Servo Amplifier Assembly as follows:

- A. Raise the Deck Assembly to Maintenance Position per 5.2.2.
- B. Remove top left transformer lamination securing bolt from Power Transformer.
- C. Disconnect Power Connector J1, Control Connector J1, and Motor Drive Connector J2.
- D. Remove two Phillips Head Screw that hold the Servo Power Amplifier to the side of the Chassis.
- E. Remove two Nuts that hold the Heatsink to the floor of the Chassis.
- F. Lift the Servo Amplifier Assembly up and off the Spacer and Mounting Studs.

To Replace: Reverse removal procedure.

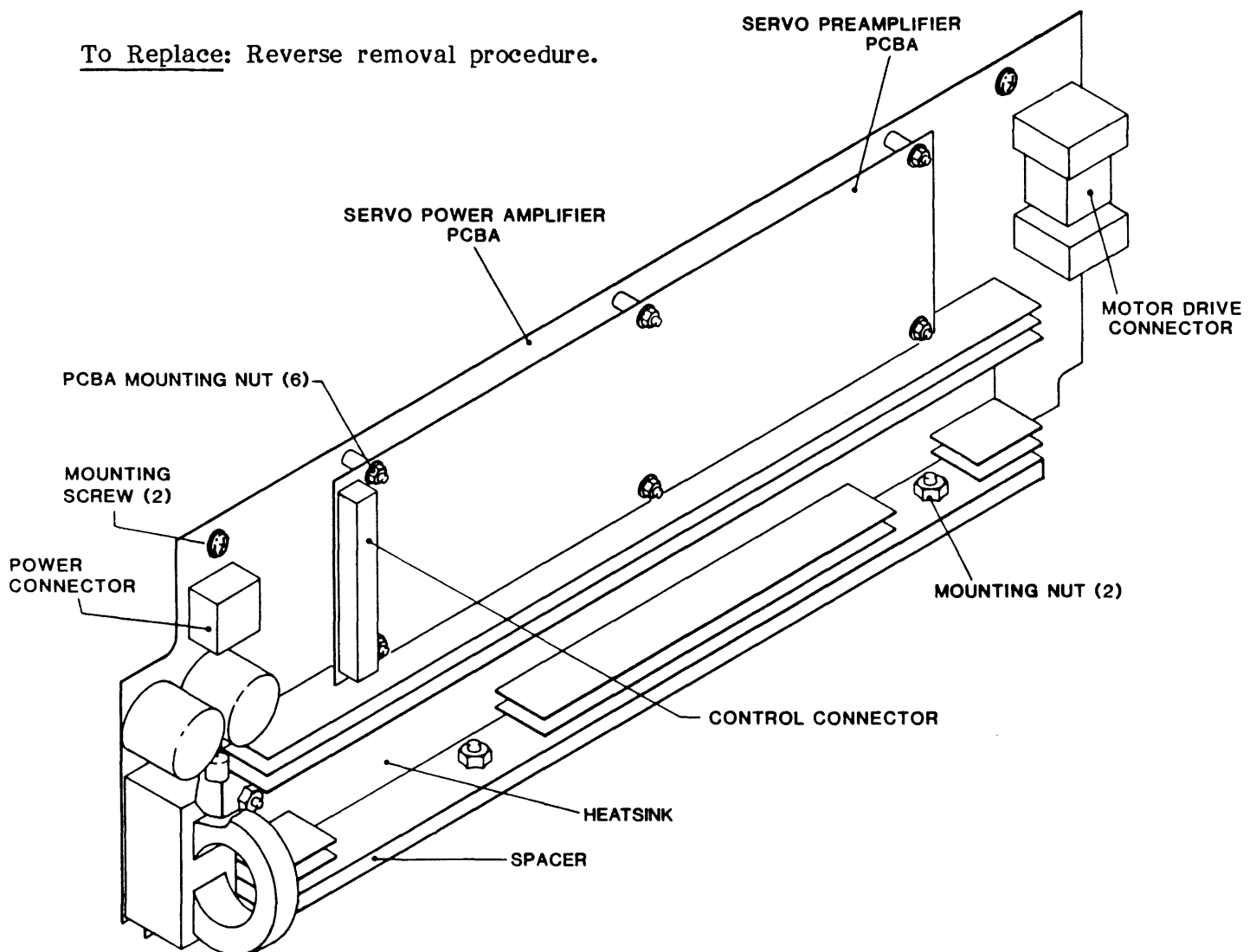


Figure 5-16. Servo Amplifier Assembly

5.3.21 BLOWER ASSEMBLY (Fig. 5-17)

- A. Remove eight Phillips Screws that secure the Blower Assembly Cover to the Blower Assembly, and remove the Cover.
- B. Remove the Takeup Reel Assembly per paragraph 5.3.7 (to access Blower Assembly Mounting Screws).
- C. Unplug the two Reel Motor Connectors.
- D. Unplug the Control Cable Connector from the Power Amplifier.
- E. Remove twelve Phillips Screws that attach the Blower Assembly to the Deck (these screws are accessible from the top of the Deck).
- F. Remove the Blower Assembly.

To replace: Reverse removal procedure.

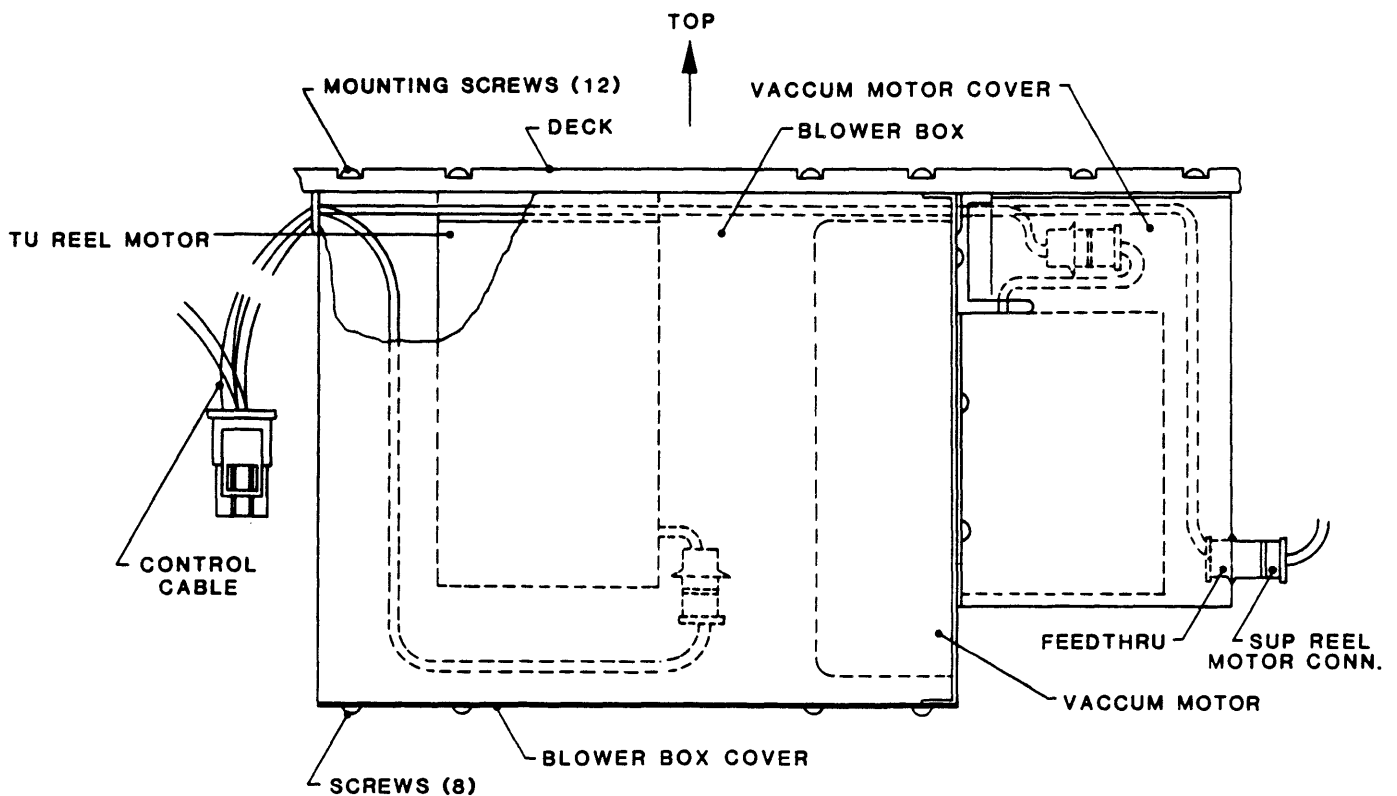


Figure 5-17. Blower Assembly

5.3.22 PANEL ASSY, DOOR MICROSWITCH, AND DOOR LOCK SOLENOID (Fig 5-18)

A. Remove four Phillips screws (two at each side) that attach the Panel Mount Angle Brackets to the Deck.

B. Slide the Panel forward, and disconnect wires from AC Power Switch.

C. Remove Connector P1 from the Operator Control Panel. When the Panel is clear, slide the Panel back away from the Deck.

D. Using a Phillips Screwdriver, as desired, remove the Door Microswitch or the Door Lock Solenoid:

1. **For Microswitch**, lower the Access Door and remove two Mounting Screw (Go to 3).

2. **For Solenoid**, remove two Bracket Mounting Screws that attach the Solenoid to the Panel Assembly (Go to 3).

3. Pull Item away from Panel Assembly and disconnect wires. **For Solenoid**, remove Solenoid from Mounting Bracket.

To replace: Reverse removal procedure. However, when removing the Solenoid, it was necessary to disturb the Hinge that connects the Door to the Panel Assembly. When replacing the Solenoid, before tightening the Mounting Bracket Screws, adjust the Door so that it fits correctly when closed.

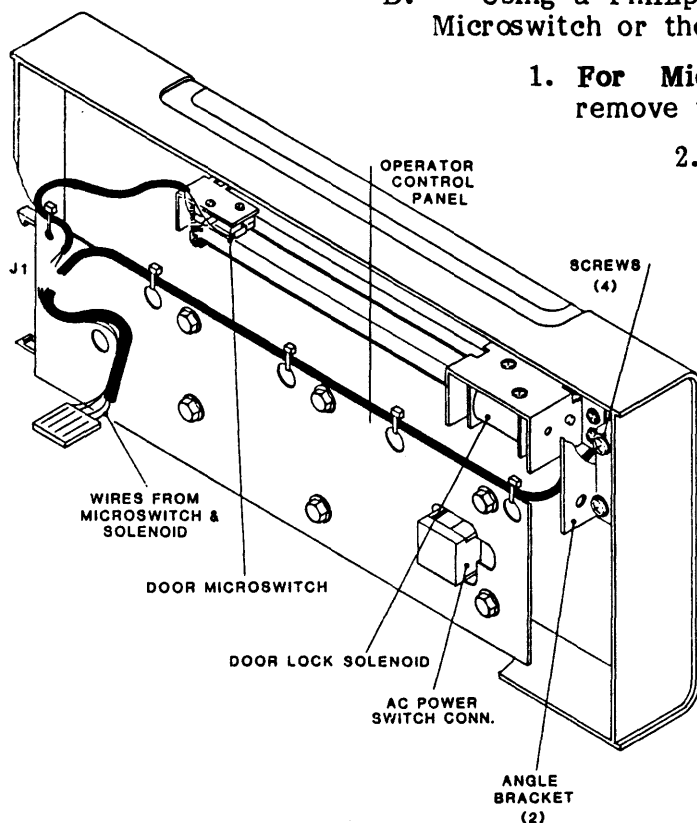


Figure 5-18. Panel Assembly

5.3.23 SUPPLY HUB ASSEMBLY (Figure 5-19)

A. Open Top Cover (Ref 5.2.2).

B. Remove two Screws and remove Hub Cap.

C. Remove two Hub Mounting Screws.

D. Grasp the edges of the Hub firmly and pull upwards.

To replace: Reverse removal procedure.

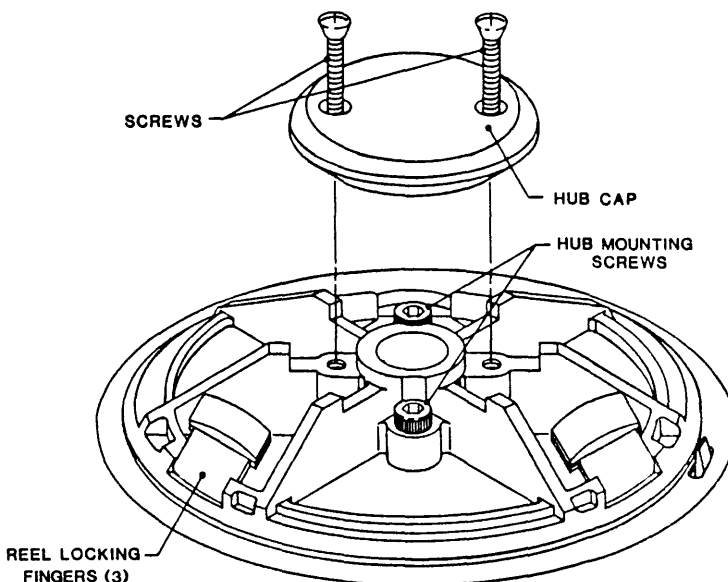


Figure 5-19. Supply Hub Assembly

5.3.24 FLUX GATE (Figure 5-20)

CAUTION: Do not disturb the two Nuts that hold the Flux Gate to the Mounting Block. To do so could throw the Flux Gate out of adjustment.

- A. Set the Drive so that the Buffer Arms are positioned all the way to the Limit Sensors (Buffer Arms fully retracted). This can be done by turning the Drive ON with no tape installed.
- B. Turn the Drive OFF.
- C. Tape a piece of plastic foam over the sensing surface of the Magnetic Head.
- D. Raise the Deck to Maintenance Position per 5.2.2.
- E. Loosen the Set Screw that holds the Spring at the base of the Flux Gate Shaft, and remove the Spring from the hole in the Shaft.
- F. Using Snap Ring Pliers, remove Retainer Ring.
- G. Slide the Flux Gate Shaft out of the Mounting Plate.

To Replace: Reverse removal procedure.

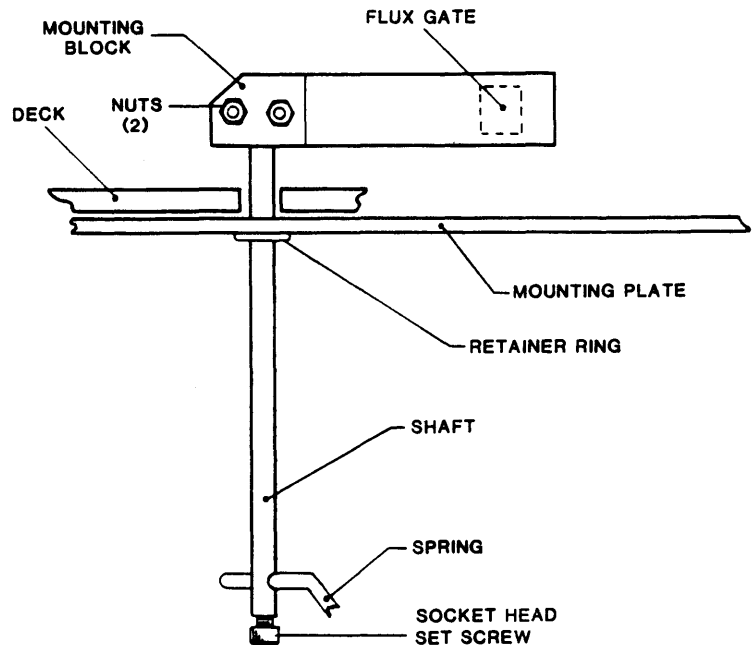


Figure 5-20.
Flux Gate Removal

5.3.25 CAPSTAN (Figure 5-21)

- A. Remove Hex-Head Screw and Washer from the center of the Capstan Wheel.
- B. Slide the Capstan Puller P/N 54-00100-001 over the Hub Flange. Tighten Thumb Screw to loosen the Capstan, and remove Capstan.

To replace: Reverse removal procedure.

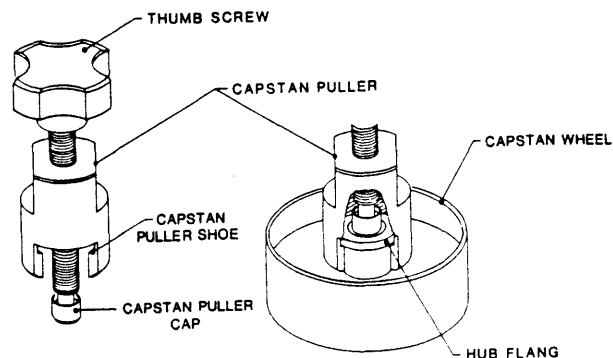


Figure 5-21.
Capstan Removal

CAUTION: Removing Capstan without a Capstan Puller could damage the Capstan. If Capstan is removed without a Puller, it is advisable to replace the Capstan.

5.3.26 CAPSTAN MOTOR

If the Capstan Motor is defective, and the Capstan Motor Mounting Plate is in good condition, replace the Capstan Motor as follows (DO NOT DISTURB THE MOUNTING OR ADJUSTMENT SCREWS FOR THE MOUNTING PLATE): (If the Mounting Plate is damaged, see paragraph 5.3.27.)

- A. Unplug two wires from the Capstan Motor, and unplug the Tachometer Cable from J6 on the Interconnect Board (remove tie wraps as required).
- B. Remove Capstan per 5.3.25.
- C. While supporting the Capstan Motor from below Deck, remove four Mounting Screws that hold the Capstan Motor to the Capstan Motor Mounting Plate.
- D. Lower and remove the Capstan Motor from the Deck.

To replace: Remove Capstan and Capstan Motor Mounting Plate from Spare Capstan Motor Assembly. Reverse removal procedure. If the Capstan Motor Mounting Plate (still mounted on Deck) has not been damaged or disturbed, no adjustment is necessary.

5.3.27. CAPSTAN MOTOR ASSEMBLY

(Figure 5-22)

Replace Capstan Motor Assembly ONLY IF CAPSTAN MOTOR MOUNTING PLATE IS DAMAGED OR DISTURBED:

- A. Unplug two wires from the Capstan Motor, and unplug the Tachometer Cable from J6 on the Interconnect Board (remove tie wraps as required).
- B. Remove three Phillips screws that hold the Capstan Assembly to the Deck (Access from the top).
- C. Remove the Capstan Motor Assembly by lowering it through the Deck. **Retain** the Spacer Washer that was between the Deck and the triangular Capstan Motor Mounting Plate. **Note** its position.

To replace: Reverse removal procedure. Adjust Capstan as follows:

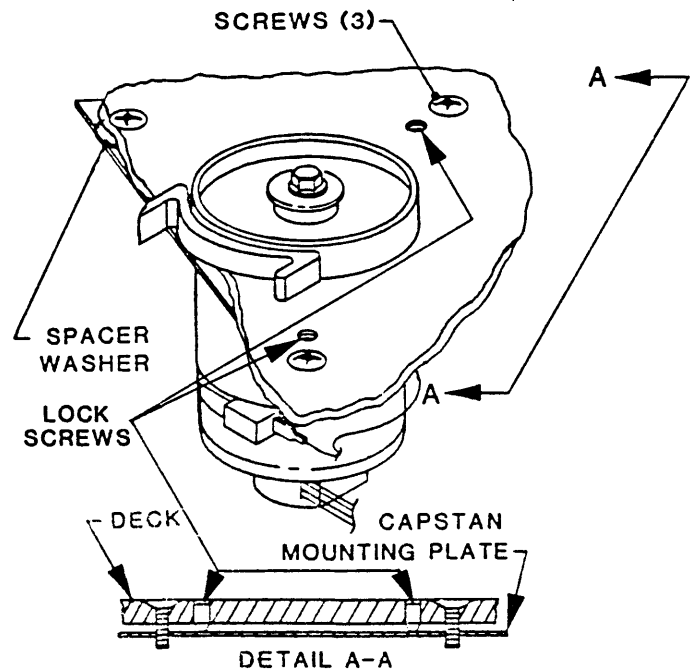


Figure 5-22. Capstan Motor Assembly

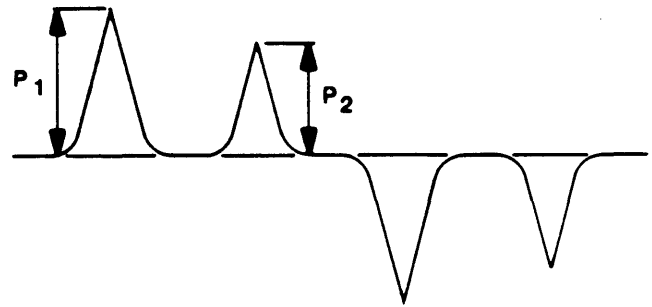
Capstan Adjustment

The Capstan Motor is suspended on a triangular Mounting Plate, one corner of which is held firmly in place by a Mounting Screw, while the other two corners are held in place by the clamping action of two other Mounting Screws and the Lock Screws (See Detail A-A). Adjustment of the Capstan consists of adjusting the gap between the two adjustable corners of the Mounting Plate and the Deck Plate. Proceed as follows:

- A. Tighten the Mounting Screw located at the center point of the Buffer Arm path to 8 +/-1 inch-pounds.
- B. Tighten the remaining two Mounting Screws until the Capstan Motor Mounting Plate rests lightly against the two Lock Screws.
- C. From this point, adjust the Capstan per the following Procedure 1 or Procedure 2:

Procedure 1. (The more accurate procedure)

- a. Install and load a write-protected Pericomp Tracking Tape (Pericomp P/N TRK06884).
- b. Using Data Diagnostics in the Diagnostics Menu, select MODE, SPEED, 50 IPS; then, COMMAND, READ. With Front Panel DENSITY Switch, set Density to 800 BPI.
- c. Connect the vertical input of an Oscilloscope to TP 501 on Read Analog Board 9017. Set Oscilloscope controls to: Vert 0.2v/div, Horiz 0.1uSec/div.
- d. Press START/STOP to start the Read Operation selected. The display on the Oscilloscope should be as illustrated:



Capstan Tracking Waveform

- e. Adjust the Scope Vertical Gain to obtain a waveform amplitude of the higher peak (P1) of 5 cm. The amplitude of the lower waveform (P2) should be =>80% of the higher waveform.
- f. If waveform fails to meet the specification per Step e, **loosen** one of the **Lock Screws** slightly, and **tighten** the associated **Mounting Screw**, noting the effect on the waveform. If adverse, return Adjustment Screw and Mounting Screw to their original positions and repeat this step with the other Mounting Screw and Adjustment Screw. **NOTE:** During this adjustment, if necessary, readjust Scope Vertical Gain to keep higher peak at 5 cm.
- g. If in Step f the Capstan cannot be adjusted per specification, **Loosen** one of the **Mounting Screws** and **tighten** the associated **Lock Screw**. Then repeat as necessary with the other Mounting Screw and Lock Screw. **NOTE:** During this adjustment, if necessary, readjust Scope Vertical Gain to keep higher peak at 5 cm.
- h. Repeat Steps f and g until correct waveform relationship is obtained.

Procedure 2: (Do this Procedure only if Tracking Tape is not available)

- a. Install and load a reel of tape.
- b. Using the Diagnostic Menu and, while observing the tape as it runs over the Capstan, run tape in Forward/Reverse/Forward Mode at 50 ips.
Tape should run smoothly over the Capstan less than +/-0.01 inch sideward movement. If sideward movement is within tolerance, do all three of the following Substeps. If sideward movement is excessive, start with Substep 3.
 1. Evenly tighten the two Lock Screws.
 2. Recheck sideward movement. If satisfactory, adjustment is complete, omit the remaining steps in this procedure. If sideward movement is excessive, proceed with the following steps.
 3. With tape moving in Fwd/Rev/Fwd Mode, **loosen** one of the **Lock Screws** slightly, and **tighten** the associated **Mounting Screw**, noting its effect on lateral tape movement. If adverse, return Adjustment Screw and Mounting Screw to original positions and repeat this step with the other Mounting Screw and Adjustment Screw.
 4. Repeat Substeps 1 to 3 until adjustment is satisfactory or, If in Substep 3, proper adjustment cannot be obtained, **loosen** one of the **Mounting Screws** and **tighten** the associated **Lock Screw**. Then repeat as necessary with the other Mounting and Lock Screws.

5.3.28 BOT/EOT SENSOR ASSEMBLY (Fig. 5-23)

- A. Raise the Deck Assembly to Maintenance Position per paragraph 5.2.2.
- B. **Noting orientation of Connector in Receptacle**, unplug the Connector from J9 on the Interconnect Board (Remove Tie Wraps as required).
- C. **Noting wire color orientation**, using a small common screwdriver, remove the pins from the cable connector.
- D. Remove three Phillips Screws from Plate on which the Interconnect Board is mounted, and move the Plate and Interconnect Board out of the way.
- E. Remove two Phillips Screws that hold the Sensor in place.
- F. Remove the Sensor and pull wires through the hole in the Deck.

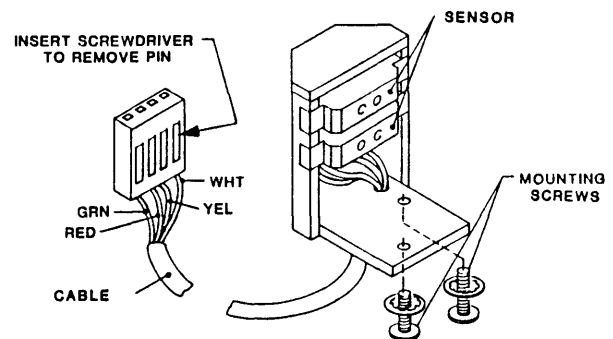


Figure 5-23. EOT/BOT
Sensor Assembly

To replace: Reverse removal procedure:
Reconnect pins with wire color oriented as illustrated, and as noted in Step C. Plug Connector into Receptacle properly oriented as noted is Step B.

5.3.29 TAPE-IN-CHANNEL EMITTER AND TAPE-IN-CHANNEL SENSOR ASSEMBLIES (Fig. 5-24)

- A. Lift the Deck Assembly and latch it in Maintenance Position.
- B. To remove Tape-In-Channel Emitter Assembly only:
1. Unplug Connector J10 from the Interconnect Board.
 2. Using a small common screwdriver, remove the two Pins from the Connector Housing. Note their positions.
 3. Remove two Cable Clamps from edge of Interconnect Board.
 4. Remove the three screws securing the Interconnect Board Mounting Plate to the Deck. Pull the Interconnect Board and its Mounting Plate away from the Deck.
 5. Cut the Tie Wraps that hold the two wires in the Harness Assembly.
 6. Remove the Emitter Assembly Mounting Screw through the opening provided by removal of the Interconnect Board.
 7. Remove the Emitter Assembly through the top of the Deck, bringing the two wires up with the Assembly: Push each Connector Pin through the hole in the Deck one at a time.
- C. To remove Tape-In-Channel Sensor Assembly only:
1. Unplug J11 from the Interconnect Board.
 2. Do Steps B.2 thru B.5 above.
 3. Remove the Sensor Assembly Mounting Screw through the opening provided by removal of the Interconnect Board.
 5. Cut the Tie Wraps that hold the two wires in the Harness Assembly.
 6. Pull the Sensor Assembly through the top of the Deck, pushing the wires through the opening one at a time.

To replace: Reverse removal procedure. Insert a 2-inch straight piece of wire into the holes provided in the Sensor and Emitter Assemblies, and align the Emitter with Sensor Assemblies by pointing the two wires directly at one another.

Then, tighten the Assembly Mounting Screw to 3.5 +/-0.5 inch-pounds.

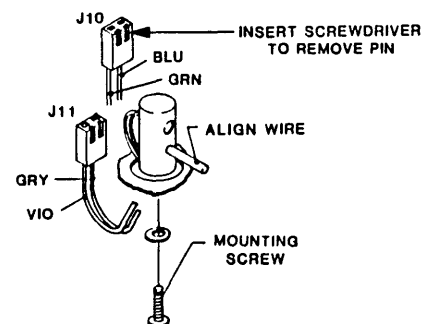


Figure 5-24.
Tape-In-Channel
Emitter Assembly
and Sensor Assembly

5.3.30 VACUUM MOTOR ASSEMBLY (Figure 5-25)

- Remove the Blower Assembly per paragraph 5.3.21.
- Remove four Phillips screws that hold the Vacuum Motor Cover to the Blower Box.
- Lift the Vacuum Motor Cover from the Blower Box, disconnect the Feedthru Connector from the Vacuum Motor Cover, and remove the Vacuum Motor Cover.
- Unplug the Vacuum Motor Connector.
- Remove four Phillips Screws that hold the Vacuum Motor to the Blower Box
- Cut Tie Wraps and remove Vacuum Motor Assembly from the Blower Box.

To replace: Reverse removal procedure.

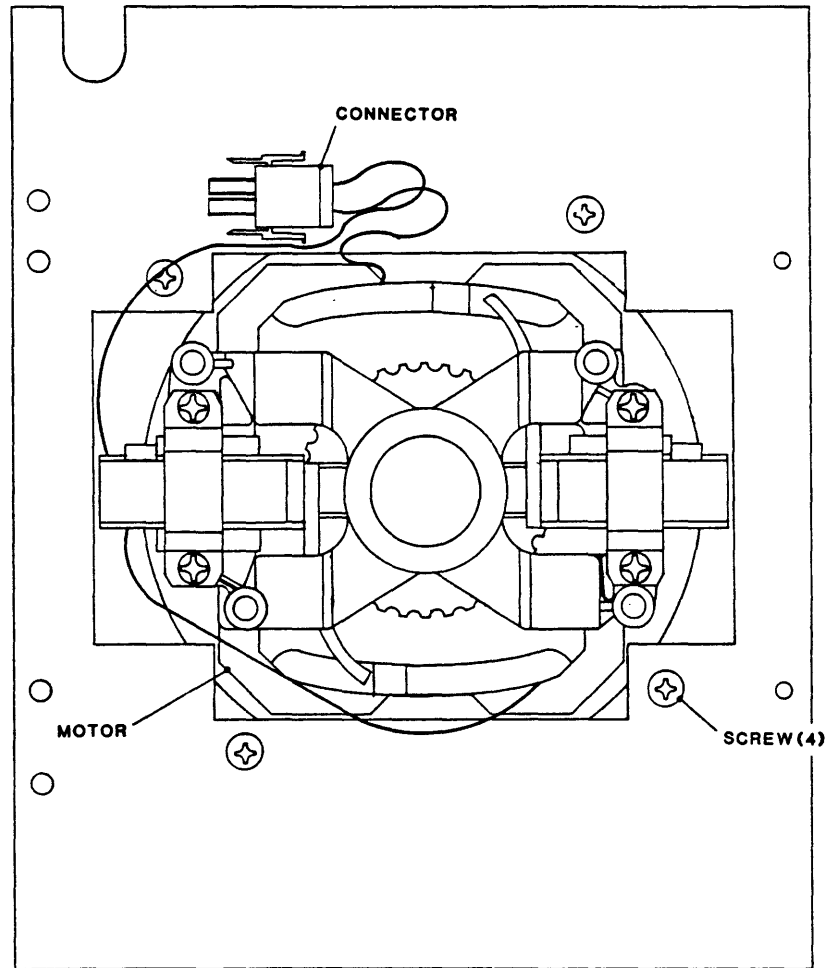


Figure 5-25. Vacuum Motor Assembly, Shaft End View (Cover Removed)

5.3.31 SUPPLY REEL MOTOR ASSEMBLY (Figure 5-26)

- A. Remove Supply Hub Assembly per paragraph 5.3.23.
- B. Remove four Phillips screws that attach The Reel Motor to the Deck.
- C. Unplug the Reel Motor Connector and remove the Reel Motor Assembly.
- D. Remove Collet from Reel Motor Assembly and transfer to new Reel Motor Assembly.

To replace: Reverse removal procedure. Adjust Collet with Collet Height Adjustment Tool P/N 54-00106-001:

- a. Mount the Tool on the Collet. Tighten the Tool Mounting Screws.
- b. Slide the Collet and Tool onto the Motor Shaft. Let the Spacer Pins rest on the surface of the Motor.
- c. Tighten the Collet Set Screw, and remove the Tool.
- d. Adjust RL SERVO per paragraph 5.5.3.

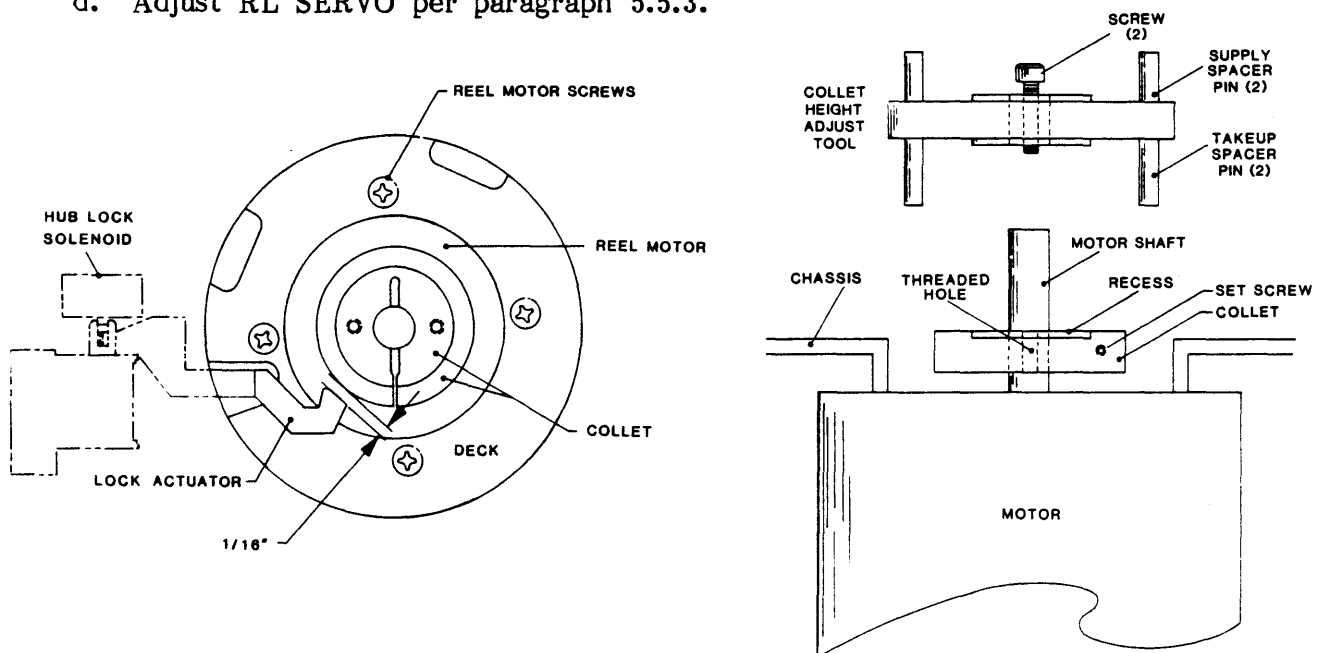


Figure 5-26. Supply Reel Motor Assembly

5.3.32 TAKEUP REEL MOTOR ASSEMBLY

- A. Remove Takeup Reel Assembly per paragraph 5.3.7.
- B. Lift Deck Assembly and latch it in Maintenance Position.
- C. Remove eight Phillips Screws and remove Cover from Blower Box.
- D. Remove four Phillips Motor Mounting Screws (same as in Fig 5-26) and lower the Reel Motor enough to access the Motor Connector inside the Blower Box.
- E. Disconnect Motor Connector, and remove the Reel Motor.

To replace: Reverse removal procedure. Adjust Collet per 5.3.31. Adjust RL SERVO per paragraph 5.3.3.

5.3.33 MAGNETIC HEAD ASSEMBLY (Figure 5-27)

- A. Remove two Phillips head screws and remove Card Cage Cover.
- B. Unplug Erase Cable from the Read/Write Digital Board (9060)(Ref Fig. 6-5).
- C. Lift Deck Assembly to Maintenance Position per 5.2.2.
- D. Cut the tie wraps that secure the Erase Cable.
- E. Remove the Read Pre-amplifier per paragraph 5.3.5.
- F. Unlatch and lower the Deck Assembly.
- G. Open the Top Cover per 5.2.2 and brace it open.
- H. Open the Tape Path Cover and pull the Erase Cable through the Deck.
- I. Disconnect the Write Cable from the Magnetic Head
- J. With a 7/64-inch Hex Wrench, remove the screw that holds the Magnetic Head, and remove the Magnetic Head.

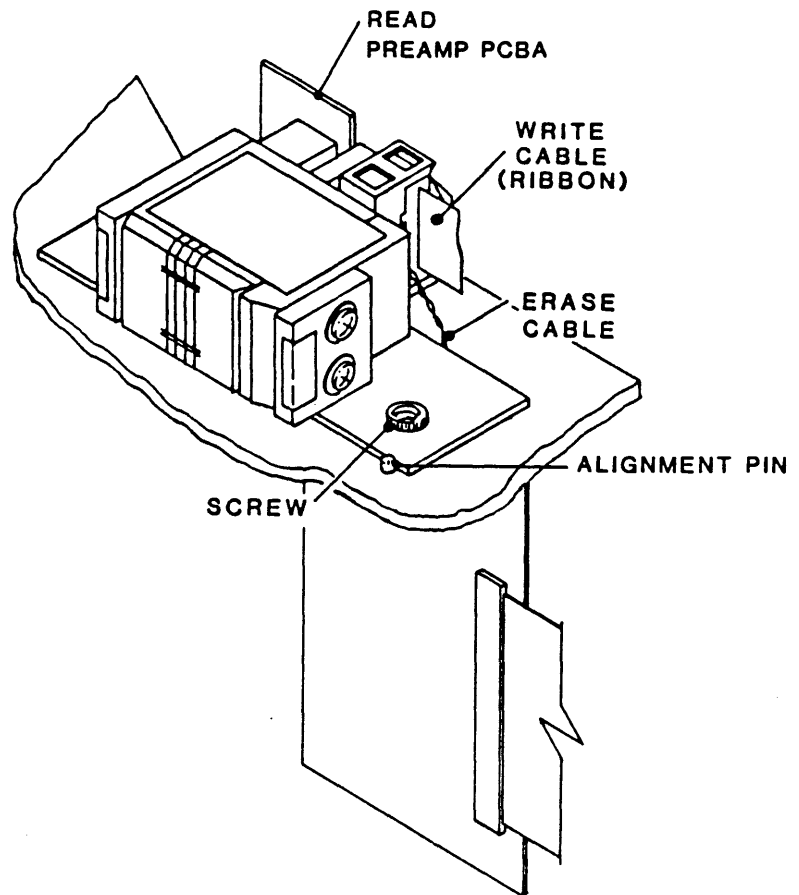


Figure 5-27.
Magnetic Head Assembly and Read Pre-amplifier PCBA

To replace: Reverse removal procedure. Be sure that the Magnetic Head is pushed tightly against the Alignment Pin before tightening the Hex Screw that holds the Head Plate. Adjust Read Skew per paragraph 5.4.2.9.2, Step D.

5.3.34 TAPE GUIDE REPLACEMENT (Figure 5-28)

Special Tool Required: Alignment Tool P/N 54-00103-001.

- A. Using a Hex Wrench, remove Mounting Screw and the applicable Tape Guide.
- B. Install new Tape Guide; but leave Mounting Screw loose.
- C. Align the Tape Guide by inserting the pins on the Alignment Tool into the holes in the top of both Tape Guides as illustrated. The Alignment Pins should insert all the way into the holes in the Tape Guides, and the Access Holes in the Tool should align with the Tape Guide Mounting Screws.
- D. Tighten the Mounting Screw by inserting the Hex Wrench through the Access Hole in the Alignment Tool.

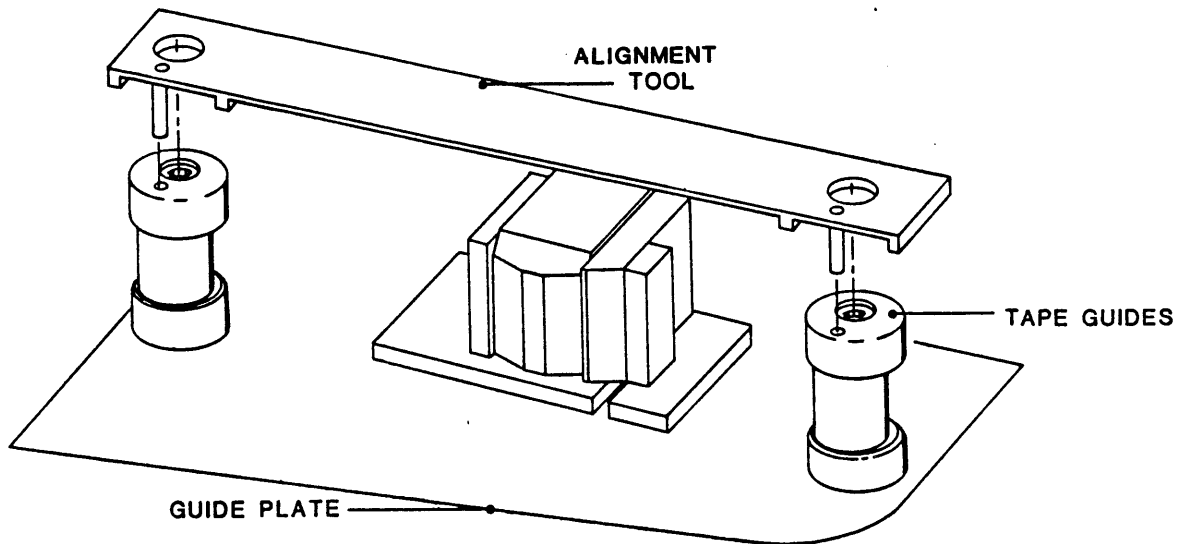


Figure 5-28. Tape Guide Alignment

5.4 ADJUSTMENTS

5.4.1 PRELIMINARY CHECKOUT

Power Supply Check: Verify Power Supply operation as follows:

- A. Raise the Deck Assembly to Maintenance Position per 5.2.2.
- B. Disconnect Power Connectors P4 from the Drive-Electronics PCBA and P1 from the Servo Power Amplifier PCBA.
- C. Connect the AC Power Connector to the Drive and an ac outlet, and turn on ac power.
- D. Using a digital voltmeter, verify voltages at Power Connectors as follows:

| Conn | Pin | Voltage | Tolerance | Conn | Pin | Voltage | Tolerance |
|------|-----|---------|-------------|------|-----|---------|-----------|
| P4 | 1 | +5 | +0.25/-0.05 | P4 | 7 | -50 | +/-7.5V |
| P4 | 2 | +12 | +/-0.5 | P4 | 8 | +50 | +/-7.5V |
| P4 | 3 | -12 | +/-0.5 | P4 | 9 | +24 | +/-4.0V |
| | | | | P3 | 1 | -24 | +/-4.0V |

- E. Turn ac power off and Wait about 10 seconds; then reconnect Power Connectors P4 and P1 to Drive Electronics and Servo Power Amplifier PCBAs.

5.4.2 BUFFER ARMS ADJUSTMENT

5.4.2.1 BUFFER ARM ROLLERS AND FIXED ROLLERS HEIGHT ADJUSTMENT (Fig 5-29)

- A. General. Height adjustment of the Fixed Rollers and Buffer Arm Rollers require the use of special Height Adjustment Gauge P/N 54-00104-001. Whenever one of these components is replaced, or its height disturbed, it must be checked for proper height and adjusted as necessary.

The Height Adjustment Gauge (Gauge) is a type of template that bolts onto the Deck Assembly at three points, and spans over the two Fixed Rollers and the two Buffer Arm Rollers at a specified height. These Rollers must be adjusted vertically so that they just touch the underside surface of the Gauge.

- B. Adjusting Buffer Arm Tape Roller Height: Adjust the applicable Buffer Arm Tape Roller as follows:

Special Items Required: Set of Shims P/N 28-0066-001/-002/-003/-004/-005. These correspond to dimensions: .032/.062/.003/.005/.010 inch respectively.

1. Remove The Supply Hub per paragraph 5.3.23.
2. Remove the Reel Motor Mounting Screw nearest to the Hub Lock Solenoid.
3. Remove the Mounting Screws that hold the two Tape Guides to the Deck.
4. Remove the Cap from each Tape Guide. Leave the rest of the Guide in place.
5. Turn ac power on.

CAUTION: LEAVE AC POWER ON UNTIL ALL ADJUSTMENTS ARE COMPLETE.

6. Place the Drive in Drive Adjust (DRV ADJ) Mode. The Display should indicate: RELAXING, and the Buffer Arms should relax.

CAUTION: DO NOT TOUCH FRONT PANEL CONTROLS AFTER THIS POINT UNTIL INSTRUCTED TO DO SO.

7. Place the Gauge onto the Deck so that the three threaded Pins fit into the center holes in the two Tape Guides and the vacated Motor Mount Hole.
8. Screw the three Threaded Pins into the holes vacated (per Steps 2 and 3), move the two Feeler Arms so as to clear the two Fixed Tape Rollers, and tighten the Threaded Pins to secure the Gauge to the Deck.
9. Construct a 3-inch circumference loop of tape.
10. Place the Tape Loop around the Tape Roller on the Buffer Arm, and move the Buffer Arm until the Tape Loop is near the Retaining Pin on the Gauge. Then, lift the Retaining Pin and drop it into the Tape Loop so that the Buffer Arm is held in position by the Tape Loop and Retaining Pin. The upper surface of the Tape Roller should just contact the lower surface of the Gauge.
11. Rotate the Tape Roller. The Tape Roller should be barely touching the Gauge, and should rotate easily with no friction against the Gauge. Distance between the Gauge and the Roller should be less than 0.001-inch feeler. Check this with a common Feeler Gauge.
12. If the height per step 11 is incorrect, release the Buffer Arm from the Tape Loop and remove the Buffer Arm per 5.3.8, Steps B.5 and C, and add or remove a shim as necessary to adjust the height of the Tape Roller. Then replace the Arm and Retention Spring, and tighten the Clamp Bolt.
13. Repeat Steps 11 and 12 as necessary until height is satisfactory.

C. Adjusting the Fixed Tape Rollers: With the Height Gauge still mounted as described above (Step B. 1 thru 8), check, and as necessary adjust either Fixed Tape Roller as follows:

Special Items Required: Set of Shims P/N 28-0176-015/-017/-019/-020/-021, which correspond to Shim Thicknesses 0.001/0.003/0.005/0.010/0.020 inch respectively.

1. Rotate the Feeler Arm of the Gauge until it is positioned over the top surface of the Roller. If this cannot be done because the Roller is too high, remove the Roller and remove shim from beneath it. Then, replace the Roller.
2. Rotate the Roller under the Feeler Arm. The Roller should just contact the Feeler Arm and rotate with a no friction. Distance between Feeler Arm and the Roller should be less than 0.001 inch. Check this with a common Feeler Gauge.
3. If height per step 2 is incorrect, remove or add a shim as required, and repeat Step 2 and 3 until satisfied.

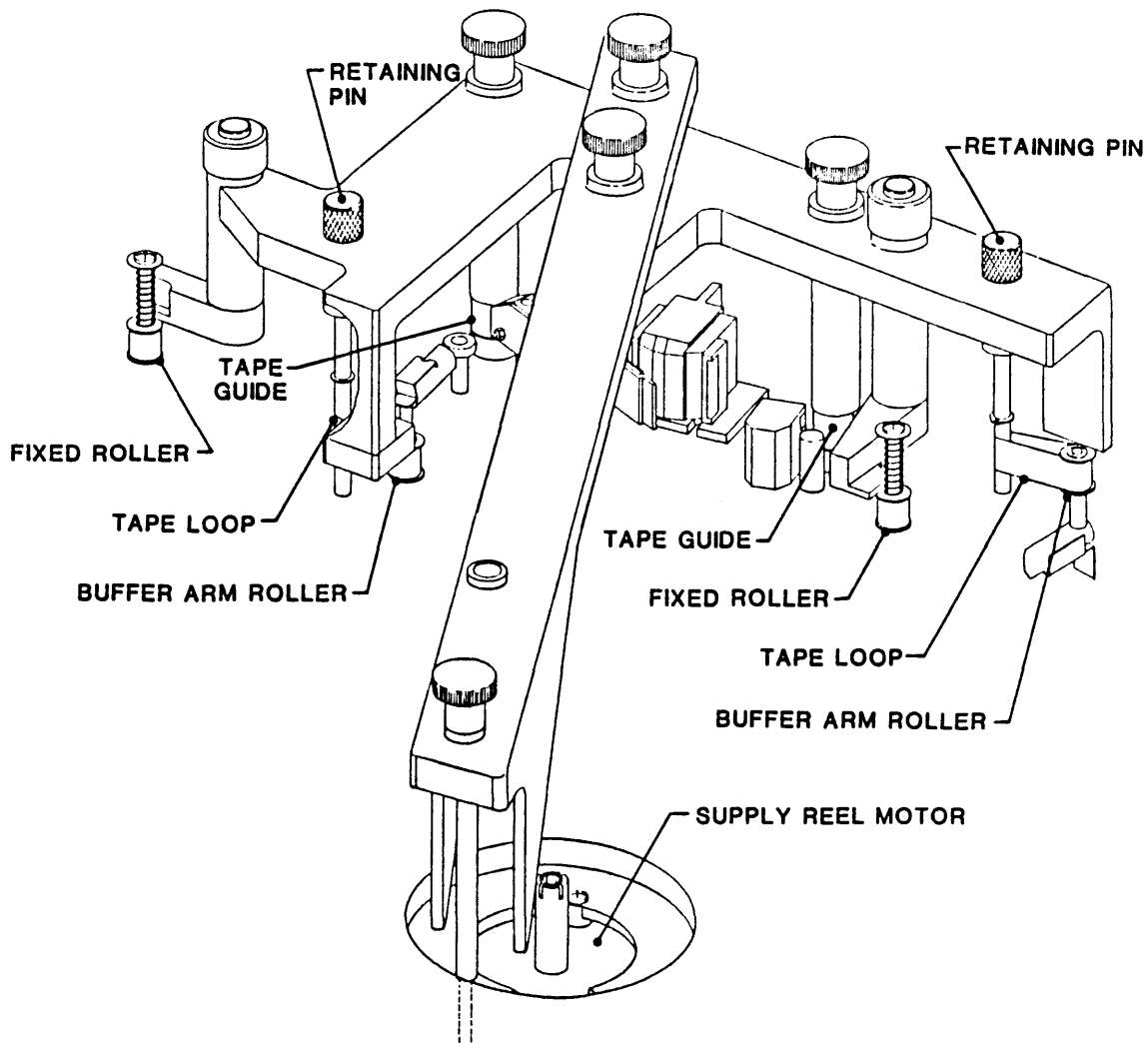


Figure 5-29. Tape Rollers Height Adjustment

D. Removing the Height Gauge:

1. Pull the Retaining Pin upward so that it disengages from the Tape Loop, and gently let the Buffer Arm rest against the Mechanical Limit Stop
2. Remove the Height Gauge and Replace the Motor Mount Screw and the two Tape Guide Caps.

E. Adjust Tape Guides per paragraph 5.3.34.F. Recalibrating the Buffer Arms: Assuming that the calibration of the Buffer Arms (paragraph 5.4.2.3) has not been disturbed, the following procedure will set the Buffer Arm to the correct angular orientation on the Buffer Arm Shaft.

CAUTION: MAKE SURE THE HEIGHT GAUGE HAS BEEN REMOVED BEFORE ATTEMPTING THIS STEP.

1. Adjust Mechanical Limit Stop of Buffer Arm that was just replaced per paragraph 5.4.2.3, Steps B and C.
2. Press SCAN to display the Calibration voltage of the Buffer Arm Just replaced, and move the Buffer Arm to the zero point on its travel path (Ref Figure 5-30). Display should indicate TAKE- or SUPP-0.00 (+/-0.3v). If voltage is incorrect:
 - a. Loosen the Clamp Bolt on the Buffer Arm, and with the Arm held at the zero point, rotate the Shaft slightly until the correct calibration value is achieved.
 - b. Tighten the Clamp Bolt.

G. AC power can now be safely turned OFF.

5.4.2.2 CAPACITIVE DISK HEIGHT ADJUSTMENT

With Deck Assembly in Maintenance Position per 5.2.2, and ac Power OFF:

- A. Using a 0.015-inch Feeler Gauge, measure the spacing between each Capacitive Disk and its respective Position Sensor PCBA (See Figure 5-8). The Feeler Gauge should slide freely but snugly between the Disk and the PCBA.
- B. If Feeler Gauge movement is not satisfactory, loosen the Set Screw on the Capacitive Disk Hub, and adjust the spacing between the Capacitive Disk and the PCBA as required. Tighten the Set Screw when done.

5.4.2.3 BUFFER ARM CALIBRATION

- A. Turn on AC power.
- B. Press DIAG, then ENTER, and repeatedly Press SCAN until Display indicates: DRV ADJ. Then Press ENTER again. Display indicates: BUF ARMS. Press ENTER again. Display indicates: RELAXING until Arms reach mechanical stops. Then the Display indicates: TAKE-XX (XX = voltage reading).
- C. Check, and as necessary, adjust the mechanical stops for each arm so that associated Tape Roller rests at position indicated in Figure 5-30: **Note:** Remove Access Cover over the Supply Arm to access the Supply Arm Stop.

| | |
|------------|---|
| Takeup Arm | 4.8 +/-0.2 inches from Deck Side Wall |
| Supply Arm | 1.1 +/-0.2 inches from Deck Front Wall. |

Torque the Locking Kepsnut to 13 +/-1 inch-pounds.

D. With the Buffer Arms still relaxed, check that the Microswitch Actuator is just entering the Notch in the Cam (Switch actuated), and the Gap between the Drive Pin and either Pivot Pin is 0.015 +/-0.05 inch. If this dimension is out of tolerance: **Note:** Refer to Figure 5-8 to locate Microswitch and Cam.

CAUTION: Onvertightening Cam Lockscrew could damage the Cam. **Do not overtighten Cam Lockscrew.**

1. **For Supply Arm**, loosen the Cam Lockscrew, and adjust the Plastic Cam on the Motor Shaft as necessary. Tighten the Cam Lockscrew to 3.5 +/-0.5 inch-pounds. Repeat Steps D and D.1 as necessary.
2. **For Takeup Arm**, the Cam is out of position for accessing the Lockscrew; so, press DIAG and allow the Buffer Arms to Retract. Then loosen the Cam Lockscrew, and adjust the Plastic Cam on the Motor Shaft as necessary. Snug the Cam Lockscrew, press ENTER, and repeat Steps D, and D.2 as necessary. Finally, Tighten Cam Lockscrew to 3.5 +/-0.5 inch-pounds.

E. With the Takeup Arm relaxed at the Mechanical Stop, note the digital display. The display should indicate: TAKE-2.6 (+/-0.3v). *5.0*

F. Manually move the Takeup Arm to its zero position. The display should now indicate: TAKE 0.0 (+/-0.3v).

G Manually move the Takeup Arm to its optical limit switch. The display should now indicate: TAKE+4.8 (+/-0.3v). Return the Takeup Arm to its Mechanical Stop.

H. Press SCAN. The display should now indicate SUPP-2.5 (+/-0.3v).

I. Manually move the Supply Arm to its zero position. The display should now indicate: SUPP 0.0 (+/-0.3v).

J. Manually move the Supply Arm to its optical limit switch. The display should now indicate: SUPP+4.6 (+/-0.3v).

K. If voltage at the Mechanical Stop or Zero Point is out of tolerance, loosen the respective Clamp Bolt on the Arm Shaft and, holding the Arm at its appropriate position, rotate the rotor until the voltage is within specification. Torque the Locking Bolt on the Arm Shaft to 13.0 +/-1.0 inch-pounds.

L. In Turn, move each Arm to the Optical Limit Switch. Press SCAN to display the appropriate parameter. The Display should indicate: TAKE+4.8 (Tolerance = +/-0.3V) for Takeup Arm, and SUPP+4.2 (Tolerance = +/-0.3V) for Supply Arm..

M. Power down; then power up.

N. Do Step B above and, manually moving each Arm throughout its range, press SCAN as necessary to verify displayed voltages for each point of Arm rotation. If any voltage is out of tolerance, repeat the adjustment procedure. The following is a summary of these voltages:

| | <u>Takeup Arm</u> | <u>Supply Arm</u> |
|-----------------------|-------------------|-------------------|
| Mechanical Limit Stop | -2.6V +/-0.3V | -2.5V +/-0.3V |
| Zero Point | 0.0V +/-0.3V | 0.0V +/-0.3V |
| Optical Limit Switch | +4.8V +/-0.3V | +4.6V +/-0.3V |

5.4.2.4 STATIC ARM TENSION CALIBRATION (Figure 5-30)

With the Drive in BUFF ARMS Mode and relaxed per 5.4.2.3, Steps A and B:

- A. For each Buffer Arm, using a loop of string (or similar device), attach a static measuring device (such as a spring scale) to the tape guide on the end of the Arm. Using the Static Measuring Device, pull the Arm to the zero position and hold it there. The Measuring Device should indicate 17.5 +/-1.0 ounces.
- B. If Arm tension is out of tolerance, loosen the lock nut on the Spring Tension Adjusting Screw, and rotate the Spring Tension Adjustment Screw as required until the tension is within tolerance.
- C. Tighten the lock nut on the Spring Tension Adjusting Screw.

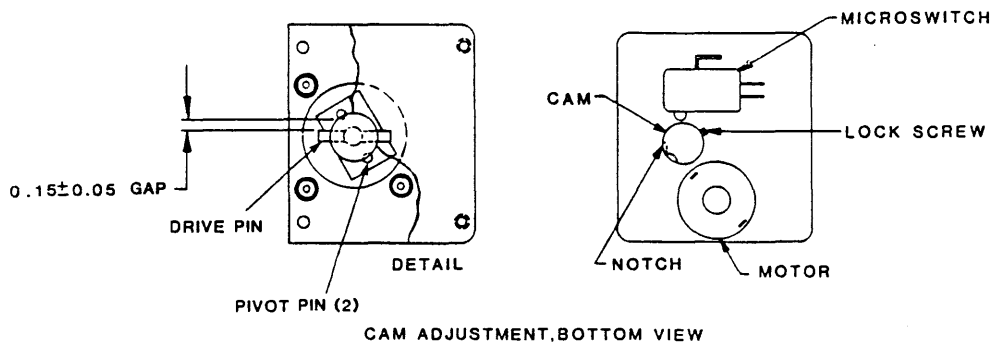
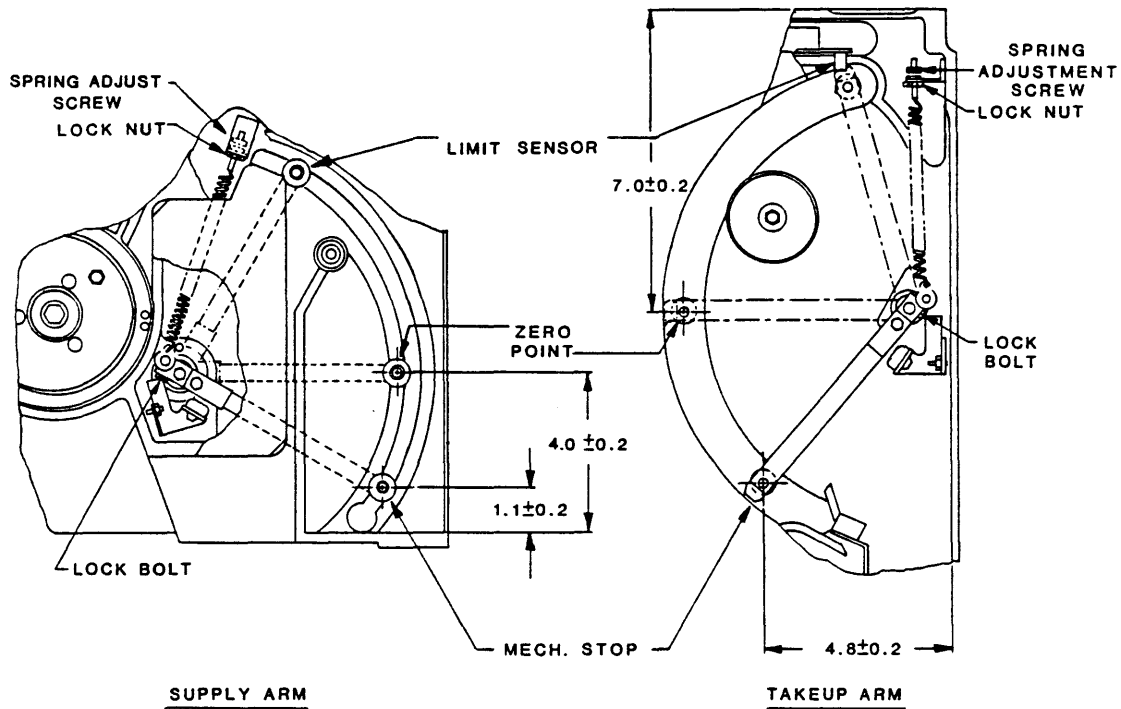
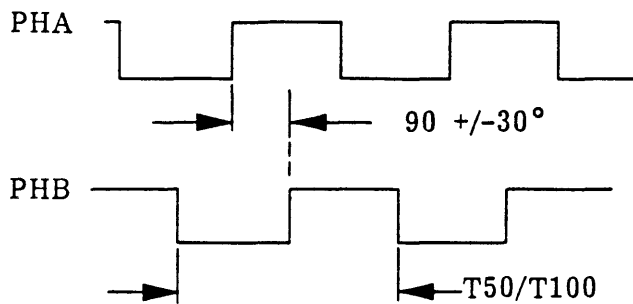


Figure 5-30. Buffer Arms Calibration

5.4.2.5 CAPSTAN CHECK

- A. Turn on ac power.
- B. Press DIAG. Display indicates: DIAG.
- C. Press ENTER. Display indicates: SELFTEST.
- D. Press SCAN. Display indicates: MOTION.
- E. Press ENTER. Display indicates: 50 FWD.
- F. Press ENTER. Capstan should move in forward direction.
- G. On the Drive Electronics Board: connect a dual trace oscilloscope to U37 Pin 2 (PHA), and U37 Pin 3 (PHB). The two signals should be approximate squarewaves 90 \pm 30° out of phase with one another, as illustrated below:



Note
 Waveforms can be asymmetrical by \pm 30°.
 Vp-p = TTL Levels.
 T50 = 126 \pm 0.75 μ s
 T100 = 63 \pm 0.75 μ s

Capstan Drive Voltages Phase Relationship

- H. Check time period, T50.
- I. Press START/STOP. Capstan should stop motion.
- J. Repeatedly press SCAN until Display indicates: 100 FWD.
- K. Check time period T100.

5.4.2.6 LOAD TEST

With the Drive in Diagnostic-Motion Mode per paragraph 5.4.2.5, Steps A thru D:

- A. Open the Tape Access Door and insert a 10-1/2 inch Test Reel.
- B. Leaving the Access Door open, Press LOAD. The display should indicate: CLOSE DOOR.
- C. Close the Tape Access Door. The Drive should now load with the following sequence:
 1. Display indicates: LOADING.
 2. Supply Hub Solenoid engages.
 3. Supply Hub reverses and locks the reel.
 4. Supply Hub Solenoid disengages.
 5. Vacuum Blowers starts.
 6. Tape threads onto Takeup Reel, and Vacuum shuts off.
 7. Tension Arms engage and apply tension to tape (8.75 \pm 0.5 oz).
 8. Drive searches for Load Point.
 9. Drive reaches Load Point, adjusts the Write Current while shuttling back and forth, then stops at Load Point.
 10. Displays indicates: UNIT X, and Tension Arms move to Zero Point. If Write Ring is installed on Reel, WRITE ENABLE indicator lights.

5.4.2.7 DIAGNOSTIC WITH TAPE LOADED

With a Tape Reel in the Drive, and the Drive in Diagnostic-Motion Mode per paragraph 5.4.2.5:

A. Repeatedly press SCAN and verify the sequence of displays:

| <u>Step</u> | <u>Display</u> | <u>Step</u> | <u>Display</u> | <u>Legend</u> |
|-------------|----------------|-------------|----------------|-------------------------------|
| 1 | 50 FWD | 8 | 100 FSS | FWD = Forward |
| 2 | 50 REV | 9 | 100 RSS | REV = Reverse |
| 3 | 50 FSS | 10 | 100 FRF | FSS = Forward Start/Stop |
| 4 | 50 RSS | 11 | 50/100 F | RSS = Revers Start/Stop |
| 5 | 50 FRF | 12 | 50/100 R | FRF = Forward/Reverse/Forward |
| 6 | 100 FWD | 13 | BURN-IN | F = Forward; R = Reverse |
| 7 | 100 REV | | | 50 = 50 ips; 100 = 100 ips |

B. Repeat Step A., but after each substep, press ENTER, and verify that the Drive does the operation indicated by the Display: for each test, allow the Drive to run for several seconds, then press START/STOP. Then do the next substep.

C. Repeatedly press SCAN until Display indicates: 100 FWD. Press ENTER and let the tape run to the end of tape. Verify that the Display indicates: EOT.

D. Press DIAG twice. Display indicates: DIAG, then UNIT X.

E. Press RWND/UNLD. The tape should run to the beginning of tape, and the Display should indicate: LOAD PT.

5.4.2.8 CALIBRATION, MECHANICAL

Hub Lock Solenoid Adjustment: (Figures 5-4 and 5-26)

With ac power off, adjust the Hub Lock Solenoid as follows:

- A. Remove Supply Hub per paragraph 5.3.23.
- B. Raise the Deck to Maintenance Position per paragraph 5.2.2.
- C. Referring to Figure 5-4, loosen the two Solenoid Bracket Mounting Screws until the Solenoid Body can be moved freely: **Do not remove screws.**
- D. Position the Solenoid Body so that the Plunger is centered in its channel and can be moved freely over its full range of travel while moving the Lock Actuator.
- E. Holding the Solenoid Body firmly in its location on the Deck, tighten the two Solenoid Bracket Mounting Screws. Verify that the Solenoid Plunger still moves freely in the Solenoid Bore. Repeat Steps C, D And E if necessary. Torque Mounting Screws to 13.0 +/-1.0 inch-pounds.
- F. Loosen the two Solenoid Mounting Screws until the Solenoid can be moved freely on the Bracket.
- G. Push the Solenoid Plunger all the way into the Solenoid and, while holding it there, adjust the Solenoid until the Lock Actuator is at 0.062 +/-0.030 inch (1/16 inch) from the Collet as illustrated (Figure 5-26).
- H. Holding the Solenoid firmly against the Solenoid Mounting Bracket, Tighten the Solenoid Mounting Screws to 13 +/-1.0 inch pounds.
- I. Loosen the two Stop Bracket Mounting Screws.
- J. Move the Stop Bracket until the Lock Actuator aligns with the arc of the opening in the Deck for the Reel Motor (+/-0.30 inch).
- K. Holding the Stop Bracket firmly against the Deck, tighten the Mounting Screws to 13 +/-1 0 inch pounds.

5.4.2.9 CALIBRATION AND SETUP, ELECTRONIC

A. General

All Electronic Calibration procedures and most of the Electronic Setup procedures require that the Calibration Jumper on the Drive Electronics Board be placed in CALIBRATE position. The following Preparation Procedure describes installing the Calibration Jumper.

NOTE: The Setup Procedures for UNIT NUMBER and DEFAULT DENSITY do not require the Calibration Jumper to be placed in ENABLE Position. These procedures are described in Section II.

B. Preparation

1. Turn ac power on. The Readout displays "TESTING", then "UNIT X".

CAUTION

Turning ac power OFF or ON while the Calibration Jumper is in ENABLE position could cause loss of programmed parameters on the Drive Electronics Board. Such a loss could require reentry of parameters by Kennedy service personnel. Therefore, during the following calibration procedures, **DO NOT TURN AC POWER OFF UNTIL CALIBRATION JUMPER HAS BEEN REPLACED TO ITS ORIGINAL (DISABLE) POSITION.**

2. Remove the Bolts on the sides of the unit, raise the Deck Assembly and, using the Support Bar, secure the Deck Assembly in Maintenance Position as shown in Figure 2-6 or 2-7 (Section II).
3. On Drive Electronics Board (Figure 5-31), move the Calibration Jumper to ENABLE Position.
4. Unlatch Support Bar and lower the Deck Assembly.
5. Install a reel of tape in the Drive, set the Drive to Diagnostic-Motion Mode, run tape to BOT by pressing LOAD.

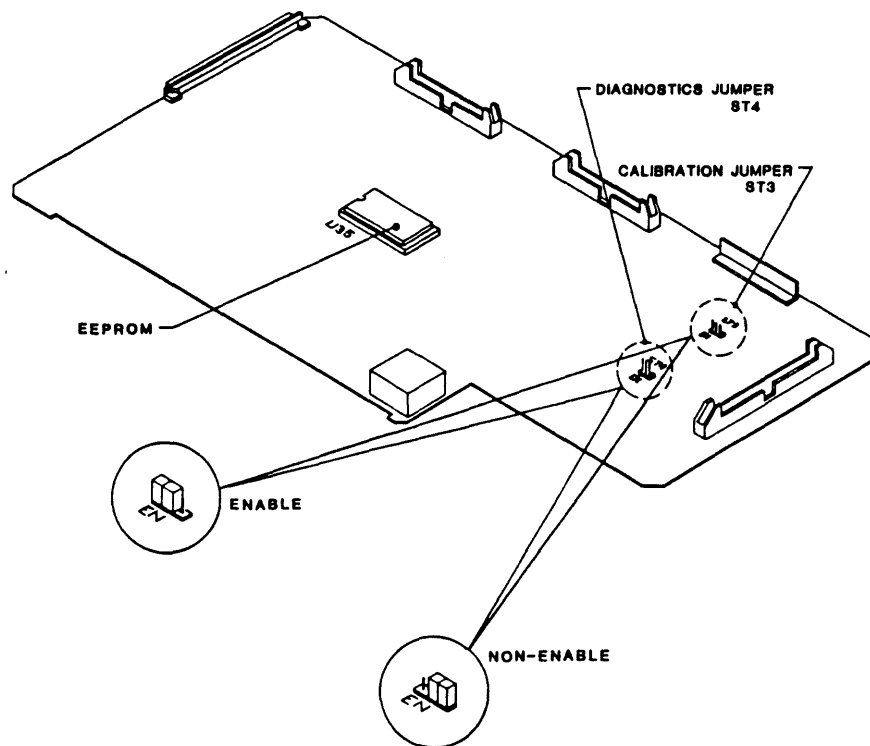


Figure 5-31. Drive Electronics Board, Calibration and Diagnostics Jumpers Location

5.4.2.9.1. DRIVE ELECTRONIC SETUP

- A. Press DIAG. Display indicates: DIAG.
- B. Press ENTER. Display indicates: SELFTEST (first Diagnostic parameter).
- C. Press SCAN four times. Display indicates: SET UP. Setup Parameters are:
 - 1. UNIT NUMBER (Factory-set to 0) - (Don't care about Calibrate Jumper).
 - a. Repeatedly pressing SCAN displays each of eight Numbers: 0 through 7.
 - b. Pressing ENTER prepares the displayed Number for storage. The Readout indicates: LOAD?.
 - c. Pressing LOAD stores the displayed Number as the new Unit Number.
 - 2. DEFAULT DENSITY (Factory set to 6250 REM)(Calibrate Jumper - Don't care).
 - a. Repeatedly pressing SCAN changes the Density Parameters and the corresponding Readout to each of the eight Density Configurations: 800, 800 REM, 1600, 1600 REM, 3200, 3200 REM, 6250, and 6250 REM.
 - b. Pressing ENTER prepares the displayed Density for storage. The Readout indicates: LOAD?.
 - c. Pressing LOAD stores the displayed Density as the new Default Density.

NOTE: The Default Density is effective only following power up, and will not affect the present Operating Density.

FOLLOWING ITEMS REQUIRE CALIBRATE JUMPER IN ENABLE POSITION.

- 3. SPEED (Factory set to HOST SEL) The 9610 Drive provides the following Speed options to match a variety of Hosts:
 - a. HOST SEL: Speed selection is made by Host.
 - b. AUTO SPD: Drive automatically overrides Host-selected speed and selects speed for optimum Throughput.
 - c. 50 IPS: Drive performs at 50 IPS regardless of Host selection.
 - d. 100 IPS: Drive performs at 100 IPS regardless of Host selection.
- 4. TIME OUT (Factory set to 25FT ON):
 - a. 25FT ON: Drive stops motion and sets Hard Error Flag IHER if no data is detected within 25 feet after a Read or Read Space Command.
 - b. 25FT OFF: Drive ignores no-data-detected information, if it occurs, and continues motion. (The use of a blank tape could cause a runaway.)
- 5. SECURITY (Factory set to ENABLED):
 - a. ENABLE: Drive can do a Security Erase on command.
 - b. DISABLE: Drive cannot do a Security Erase.
- 6. PARITY (Factory set to IGNORE):
 - a. CHECK: Drive will check the parity of Write Data from the Host.
 - b. IGNORE: Drive will ignore the parity of Write Data from the Host.
- 7. LONG GAP (Factory set to 1.2 INCH): Choices are: 0.45, 0.6, 1.2, 2.5
The length of the Long Gap will affect the Re-Instruct Window to maintain streaming when writing at 100 ips. By increasing the Gap, the Re-Instruct Window will also increase in length. This setting only has an effect on Write Commands at 100 ips with LGP active on the Host Interface.

8. GCR CERR (Factory set to ENABLED):
 - a. ENABLED: Drive will correct and report errors in GCR Mode.
 - b. DISABLED: Drive will correct but not report errors in GCR Mode.
9. ARA CAL (Factory set to ENABLED):
 - a. ENABLED: The Drive automatically adjusts Read Gain when reading or writing the ARA (Automatic Read Amplitude) Burst from tape.
 - b. DISABLED: The Drive uses stored preset Gain Values for Read Gain.
10. NRZI CCG (Factory set to ENABLED):
 - a. ENABLED: In NRZI Mode, the CRC and LRC Characters will be sent to the Host following each Data Block.
 - b. DISABLED: In NRZI Mode, the CRC and LRC Characters will not be sent to the Host.
11. CLR FBSY (Factory set to POSTREPO): Effective in Streaming Mode. For Hosts that reinstruct with the removal of FBSY, this option should be set to WITH DBY.
 - a. WITH DBY: FBSY clears while tape is still at speed in Streaming Mode.
 - b. POSTREPO: FSBY clears after repositioning.
12. IFEN (Factory set to NORMAL): Hosts that do not support Formatter Enable (FEN), or that use FEN as a pulse (instead of a level) to activate the Formatter, should set this option to INVERT. Refer to Section I for a full definition of FEN.
 - a. NORMAL: Formatter Enable (FEN) is retained as received.
 - b. INVERT: Formatter Enable (FEN) is inverted.

5.4.2.9.2 CALIBRATION, ELECTRONIC

A. General

1. In Cal Mode, the Calibration Jumper must be installed in ENABLE Position to store the selected parameters. If the jumper is not installed, and a store operation is attempted, the Readout displays, "JUMPER?" and the RWND/UNL LED flashes. Pressing RWND/UNL aborts the calibration attempt.
2. In Cal Mode, pressing ENTER displays the Calibrate Functions: AUTO and MANUAL. Again pressing ENTER enables the currently displayed Function and displays the first related Parameter.
3. Once a Function has been enabled (by pressing ENTER), again repeatedly pressing SCAN displays the Parameters for that Function
4. Once a Parameter has been selected per Step 3 above, pressing LOAD stores the parameter.

B. Preparation:

With the Calibration Jumper in ENABLE position, a reel of tape in the Drive, run tape to BOT by pressing LOAD.

C. Read Amp Gain Adjustment, General Information

With Read Amp Function entered per Item A.2. above, repeatedly pressing SCAN alternately displays: AUTO and MANUAL. Then, again pressing ENTER enables the displayed function.

1. AUTO Selection. Repeatedly pressing SCAN in turn displays the densities: ALL, 800, 1600, 3200 and 6250, and WRT CURR. Pressing ENTER selects the displayed density or WRT CURR.
 - a. ALL. When ALL is selected, the Readout indicates: CONFIRM. Then, pressing ONLINE moves tape forward, and the Drive automatically calibrates for all densities at both 50 ips and 100 ips, and Write Current.
 - b. 800, 1600, 3200 and 6250, and WRT CURR.
 - 1- For any Density, pressing ENTER selects the displayed density, and displays: 50 IPS.
 - 2- Repeatedly pressing SCAN alternately displays 100 IPS and 50 IPS. Again pressing ENTER selects the displayed speed, and the Readout indicates: LOAD?.
 - 3- Pressing LOAD stores the selected parameters and starts the calibration procedure. See Paragraph 5.4.2.9.2, Step B.
2. Manual Selection
 - a. Repeatedly pressing SCAN in turn displays the four densities: 800, 1600, 3200 and 6250, and WRT CURR.
 - b. Pressing ENTER selects the displayed density, or Write Current.
 - c. (Same as Step 1.b above.)

D. Read Gain, Automatic Adjustment

1. Repeatedly press SCAN until Display indicates: CAL.
2. Press ENTER. Display indicates: AUTO (Auto Amplifier-Adjust).
5. Press ENTER again. Display indicates: ALL (all Densities and all Speeds for all Channels).
6. Press ENTER again. Display indicates: CONFIRM?.
7. Press ONLINE. Drive sequences through and adjusts Read Amplifier Gain at the four densities for 50 and 100 ips, and adjusts the Write Current for each Speed. Front Panel Digital Display and the DENSITY LEDs operate to indicate each phase of automatic adjustment sequence.
8. After completing the sequence, tape motion stops, and the Display indicates: AUTO, and the 6250 Density LED lights.

E. Read Gain, Manual Adjustment:

NOTE: Although Read Gain adjustments can be made manually, it is recommended that the Read Gain Manual feature be used only to verify the Automatic Read Gain adjustments.

1. With ac power still ON, reconnect the Calibrate Jumper to DISABLE position.
2. Turn ac power off.
3. Using an Extender Card, extend the Read Analog Board above the chassis.
4. Connect oscilloscope probe to TP401 on the Read Analog Board.

5. Turn ac power on.
6. Reconnect Calibrate Jumper to ENABLE position, install a reel of tape, and run tape to BOT by pressing LOAD.
7. Press DIAG, then repeatedly press SCAN until Display indicates: CAL.
8. Press ENTER. The Display indicates: AUTO.
9. Press SCAN. The Display indicates: MANUAL (Manual Gain Adjustment).
10. Press ENTER. The Display will indicate: 800 (Current Density). If desired, press SCAN as often as necessary to select the desired Density.
11. Press ENTER again. The Display will indicate: 50 IPS (Current Speed). If desired, press SCAN to select 100 IPS.
12. Press ENTER again. The Display will indicated: CONFIRM?.
13. Setting Adjustment Parameters:

- a. If you made a mistake when selecting the Density and Speed:
 - 1) Press DIAG to abort the adjustment. The Display indicates: CAL.
 - 2) Repeat Steps 8 through 13.
- b. If you have correctly selected Density and Speed, press ONLINE. This stores the selected Density and Speed as adjustment parameters. The Display indicates: RANGE XX (XX = number from 0 to 15, representing the Course Gain of the system). The Front Panel pushbuttons will now perform the following functions:

| <u>Pushbutton</u> | <u>Function</u> |
|-------------------|---|
| SCAN | Selects the parameter and the Data Amplifier Channel to be calibrated. RANGE (Course Gain - all Channels), AMP-0 through AMP-7 and AMP-P. |
| ENTER | Increments gain (high value = low gain) |
| START/STOP | Decrements gain. (low value = high gain) |
| DIAG | Stops the present operation. |
| LOAD | Enters (stores) Read gain values. |

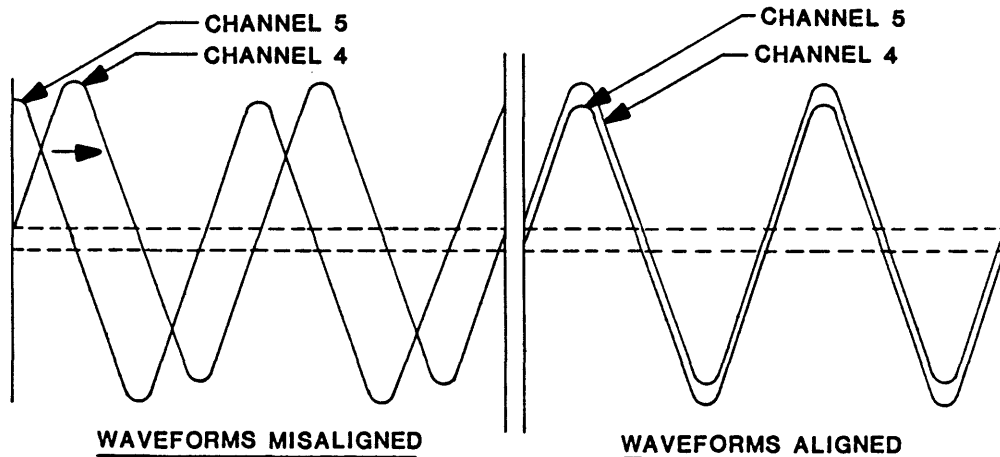
14. Repeatedly press SCAN until Display indicates AMP-P XX.
15. Repeatedly press ENTER or START/STOP until Display indicates AMP-P 8.
16. Repeatedly press SCAN until Display indicates RANGE XX.
17. Repeatedly press ENTER or START/STOP until voltage amplitude at TP401 is nominally 3.5 volts p-p (for 800 CPI) or nominally 4.0 volts p-p (for all other densities). The RANGE has now been set to center voltage.
18. Press SCAN. The Display indicates: AMP-5 XX (XX = number from 0 to 15, representing Gain of Channel 5).
19. Repeatedly press ENTER or START/STOP until the amplitude at the Test Point is 3.5 +/- 0.4V p-p (for 800 CPI) or 4.0 +/- .04V p-p (for all other densities).
20. In turn, connect the oscilloscope probe to the Test Point in each successive Read Channel of the Read Analog Board, press SCAN to display the corresponding Channel, and repeat Step 19. The following table shows Track, Test-Point, and Channel relationships.

| <u>Track</u> | <u>Test Point</u> | <u>Channel</u> | <u>Track</u> | <u>Test Point</u> | <u>Channel</u> |
|--------------|-------------------|----------------|--------------|-------------------|----------------|
| 1 | 101 | 5 | 6 | 601 | 1 |
| 2 | 201 | 7 | 7 | 701 | 0 |
| 3 | 301 | 3 | 8 | 801 | 6 |
| 4 | 401 | P | 9 | 901 | 4 |
| 5 | 501 | 2 | | | |

21. Press RWND/UNL. This stops the operation, and the Display indicates: LOAD?.
22. Press LOAD. This stores the new adjustment values.

F. Read Skew Adjustment:

1. Load a Skew Tape into the Drive.
2. Connect a dual-trace oscilloscope to the Read Analog Board, one probe to TP101, the other to TP901. Trigger on TP901.
3. In Diagnostic Motion Mode, run the tape forward at 50 ips.
4. Using a small flat-blade screwdriver and, with the tape in motion, and while observing the waveforms on the Oscilloscope, turn the adjustment screw on the Magnetic Head counterclockwise until there is no apparent waveform motion. Then, turn the screw slowly clockwise until the two waveforms move into phase as illustrated below: but continue to turn the screw clockwise until the two waveforms come in phase a second time.



5. Moving one probe to TP401 (Channel P), and triggering on TP401, in turn, connect the other probe to each Read Channel and record the waveform displacement in microseconds. Prepare a chart similar to:

| <u>TP</u> | <u>Channel</u> | <u>Scatter Value</u> | <u>TP</u> | <u>Channel</u> | <u>Scatter Value</u> | <u>Max Scatter</u> |
|-----------|----------------|----------------------|-----------|----------------|----------------------|--------------------|
| 701 | 0 | _____ us | 901 | 4 | _____ us | _____ us |
| 601 | 1 | _____ us | 101 | 5 | _____ us | |
| 501 | 2 | _____ us | 801 | 6 | _____ us | |
| 301 | 3 | _____ us | 201 | 7 | _____ us | |

6. Subtract the largest positive value from the largest negative value. The difference constitutes the maximum scatter, which should not exceed 3.4 us. If maximum scatter is out of specification, repeat Steps 4 and 5.
7. Run the tape in Read Reverse, and repeat Steps 5 and 6. The maximum scatter should be within specification per the chart above. If maximum scatter is out of specification, repeat Steps 5, 6, and 7. If scatter is out of tolerance replace Head.
8. Press DIAG to exit from the Motion Mode, and unload and remove the Skew Tape.

5.5 DIAGNOSTICS

5.5.1 GENERAL

- A. In Diagnostic Mode, repeatedly pressing SCAN displays the Diagnostic Functions: SELFTEST, MOTION, DRV ADJ, SET UP, CALIBRATE, and DATA DIAGNOSTICS. Pressing ENTER enables the function displayed.
- B. Having selected a diagnostic function per Step A, again repeatedly pressing SCAN displays the functional categories or parameters of the selected function.
- C. In Diagnostic Mode, if tape has been installed but not Loaded, pressing LOAD will initiate a Tape Load Sequence. However, the tape will not go to Load Point, and the Drive will remain in Diagnostics Mode.

5.5.2 MOTION DIAGNOSTICS

In Motion Mode, the operator can check and adjust the tape path, and Check Motors and Servos:

- A. After selecting Diagnostic Motion Mode per paragraph 5.5.1 Step A, repeatedly pressing SCAN displays the Motion Parameters listed in Paragraph 5.4.2.7.
- B. After selecting a Motion Parameter (Step A), pressing ENTER enables the Parameter.
- C. With the Motion Parameters enabled, pressing START/STOP starts the motion enabled. Again pressing START/STOP stops motion.
- D. When tape is in motion, the DIAG LED flashes at 0.5 Hz.

5.5.3 DRIVE ADJUST (DRV ADJ)

A. Buffer Arms

The 9610 Drive automatically adjusts the gain of the Buffer Arms Sensors on power up. In Buffer Arms Mode, the Operator can check the gain of the Buffer Arms Sensors as indicated on the Digital display.

B. Hub Sensor

In Hub Sensor Mode, the operator can manually rotate the Hub to check the status of the Reel-In-Place Sensor as indicated on the Display, and make necessary adjustments.

C. Reel Servo

In Reel Servo Mode, the operator can check the operation of the Reel Servo System and make adjustment as necessary.

1. Checking the Reel Servo System. See Diagnostics, Section IV, par 4.5.2.4.
2. Reel Servo Adjustment. The Reel Servo must be Adjusted with the Case of the Capstan Motor at a temperature of 25 to 28° C. This can be accomplished by setting the room (ambient) temperature between 25 and 28° C and running the Drive without tape movement (Fan cools Drive).
 - a. Access RL SERVO per Chart C in Section 4.5.2.4. The Display should indicate: G = 1.XX .
 - b. Operate Drive without tape movement for 40 minutes to lower the Capstan Case Temperature to within 25 to 28° C.
 - c. Press LOAD. Drive performs a Servo Test, changing the value of G.
 - d. Raise the Deck Assembly to Maintenance Position per 5.2.2.
 - e. Move Calibration Jumper (Ref Figure 5-31) to ENABLE Position.
 - f. Press LOAD. The Drive stores the new Gain Value.
 - g. Replace the Calibration Jumper to Non-Enable Position.
 - h. Lower the Deck Assembly per 5.2.2.

SECTION VI
PARTS IDENTIFICATION

SECTION VI
PARTS IDENTIFICATION

SECTION VI PARTS IDENTIFICATION

6.0 INTRODUCTION

This Section contains parts ordering information and lists replacement and recommended spare parts. Figures 6-1 thru 6-5 include parts lists that identify each part illustrated. Parts Tables 6-1 and 6-2 list parts recommended as spares. Table 6-3 lists recommended Maintenance Tools.

Field-Repair and -Change Kits consist of parts assembled and adjusted at the factory. Repair Kits are for repair of Kennedy products. Change Kits are for adding standard or special options not originally included in the equipment. Kits include installation instructions.

6.1 PARTS WARRANTY

Parts are warranted to be free from defects in materials and workmanship for 90 days from the date shipped from Kennedy. This warranty does not apply to Kennedy parts that have been neglected, misused, improperly installed, poorly maintained, or damaged by accident. Liability under this Warranty is limited to replacement or repair of defective parts. The equipment user must obtain Return Authorization (RA) from Kennedy Company before shipping the defective parts. The customer must send the package postage paid.

6.2 OUT-OF WARRANTY EMERGENCY PARTS

Kennedy Company expedites shipment of emergency orders for out-of-warranty parts. The price of expedited orders includes the standard price for the part plus a \$75.00 Expediting Fee. Kennedy ships emergency orders within one week of receipt of the order.

6.3 PARTS ORDERING INFORMATION

Include the following information in all orders:

- a. Serial Number and Part Number of the equipment (printed on the Serial Number Tag located on the rear panel of the unit)
- b. Company Name, shipping and billing address
- c. Purchase Order Number
- d. Authorized person's name and phone number
- e. Preferred method of shipment (FOB Monrovia, California)
- f. Name, Part Number, and quantity (Ref par. 6.3.3.d) of parts being ordered
- g. Return Authorization Number
- h. For items returned for repair or replacement, include description of malfunction.

6.3.1 MINIMUM PARTS ORDERS

The minimum domestic order value is \$50.00. Minimum international order value is \$100.00. Refer to Parts Price List Manual for parts prices. For Emergency Orders, order value does **not** include the \$75.00 Expedite Fee (Ref par. 6.2).

6.3.2 RETURNING PARTS TO KENNEDY

If a part must be returned for repair or replacement, the customer must first notify the nearest Customer Service Office listed in Paragraph 6.3.4 to obtain a Return Authorization Number (RA Number). If the part is available at that Office, the Kennedy Agent will issue the RA Number and give further instruction for returning the part. If the part is not available at that local office, the customer must notify the Kennedy Main Office at Monrovia, California to obtain the RA Number. The part must be returned to the Office that issued the RA Number. Orders will be accepted via Telephone or Telex, but will not be shipped until a confirming Purchase Order is received from the customer.

NOTE 1: Parts sent to Kennedy Company that do not include a Return Authorization Number will be returned to the sender COD unopened. The RA Number must be written on the outside of the package in a conspicuous place.

NOTE 2: Send only the item(s) needing repair or replacement. Use standard good packaging procedures. Kennedy Company will not be responsible for any accessories to the repair item. **DO NOT SEND ACCESSORIES.**

6.3.3 PARTS ORDER LEADTIME

- a. Delivery of spare parts: 60-90 days After Receiving Order (ARO).
- b. Delivery of tools and special parts: 90 days ARO
- c. Delivery of parts for obsolete equipment: 120 days ARO
- d. For quantities of six or more of one item or for items not covered by these guidelines, consult your nearest Kennedy Company Customer Service Department (Ref par. 6.3.4).

6.3.4 KENNEDY COMPANY CUSTOMER SERVICE ADDRESSES

For service and general information, contact the nearest Kennedy Company Customer Service Office listed below:

United States:

~~777-19-62~~
~~777-19-62~~
Kennedy Company
Main Office
1600 Shamrock Avenue
Monrovia, California 91016
PHONE: ~~(617) 935-9787~~
TELEX: 247019 KNDY UR

Kennedy Company
Eastern District
400 West Cummings Park
Suite 3650
Woburn, MA 01801
PHONE: (617) 935-9787

Kennedy Company
4364 L.B. McLeod
Orlando,
Florida 32811
PHONE: (305) 843-9335

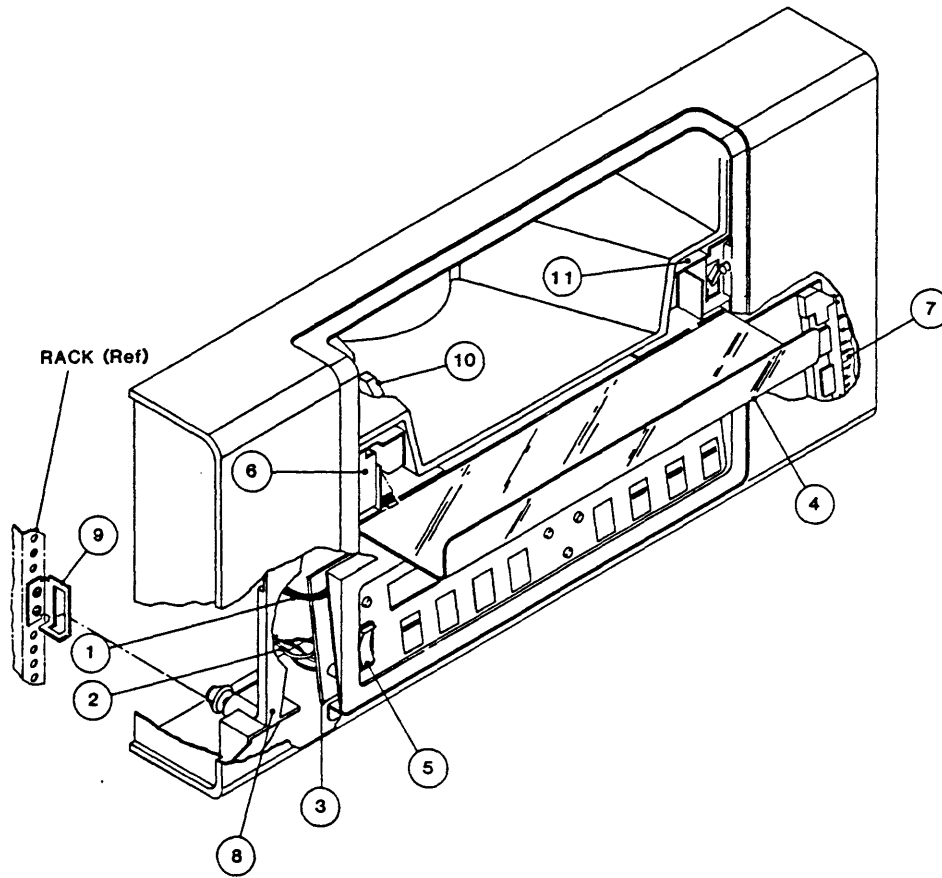
United Kingdom

Kennedy International Inc.
Ashville Way
Wokingham, Berkshire RG11 2PL
England,
PHONE: (734) 776033
TELEX: 847871 KENUKS G

Central Europe

Kennedy Holdings Inc.
Koningin Elisabethplein 8
B-2700 Sint-Niklaas
Belgium
PHONE: (3) 777.19.62
TELEX: 71870 KEN CO

>909 931 3233



Parts List: Front Panel Assembly P/N 90-09164-001

| Item | Part Number | Description |
|------|--------------|-----------------------------|
| 1 | 90-07587-002 | Wire Assembly |
| 2 | 90-09159-001 | Power Switch Cable |
| 3 | 90-07947-311 | Operator Control Panel PCBA |
| 4 | 91-07324-003 | Tape Access Door |
| 5 | 51-00099-001 | Switch, Power |
| 6 | 22-00008-002 | Solenoid, 24 VDC |
| 7 | 90-07486-001 | Front Panel Cable Assembly |
| 8 | 91-08082-001 | Latch |
| 9 | 91-08084-001 | Bracket Catch |
| 10 | (Reference) | Manual Reel Locking Lever |
| 11 | 51-00196-001 | Microswitch |

Figure 6-1. Front Panel Assembly

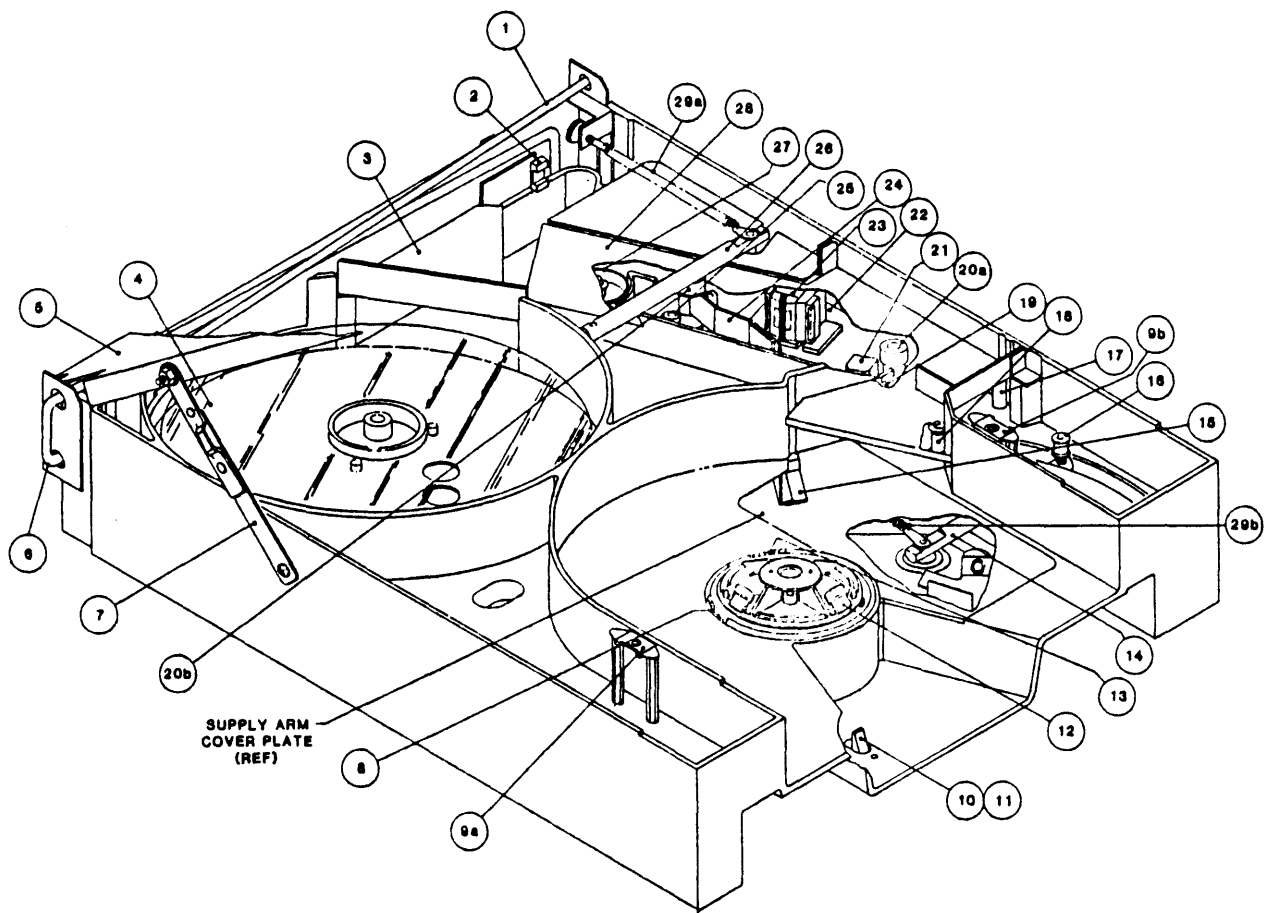
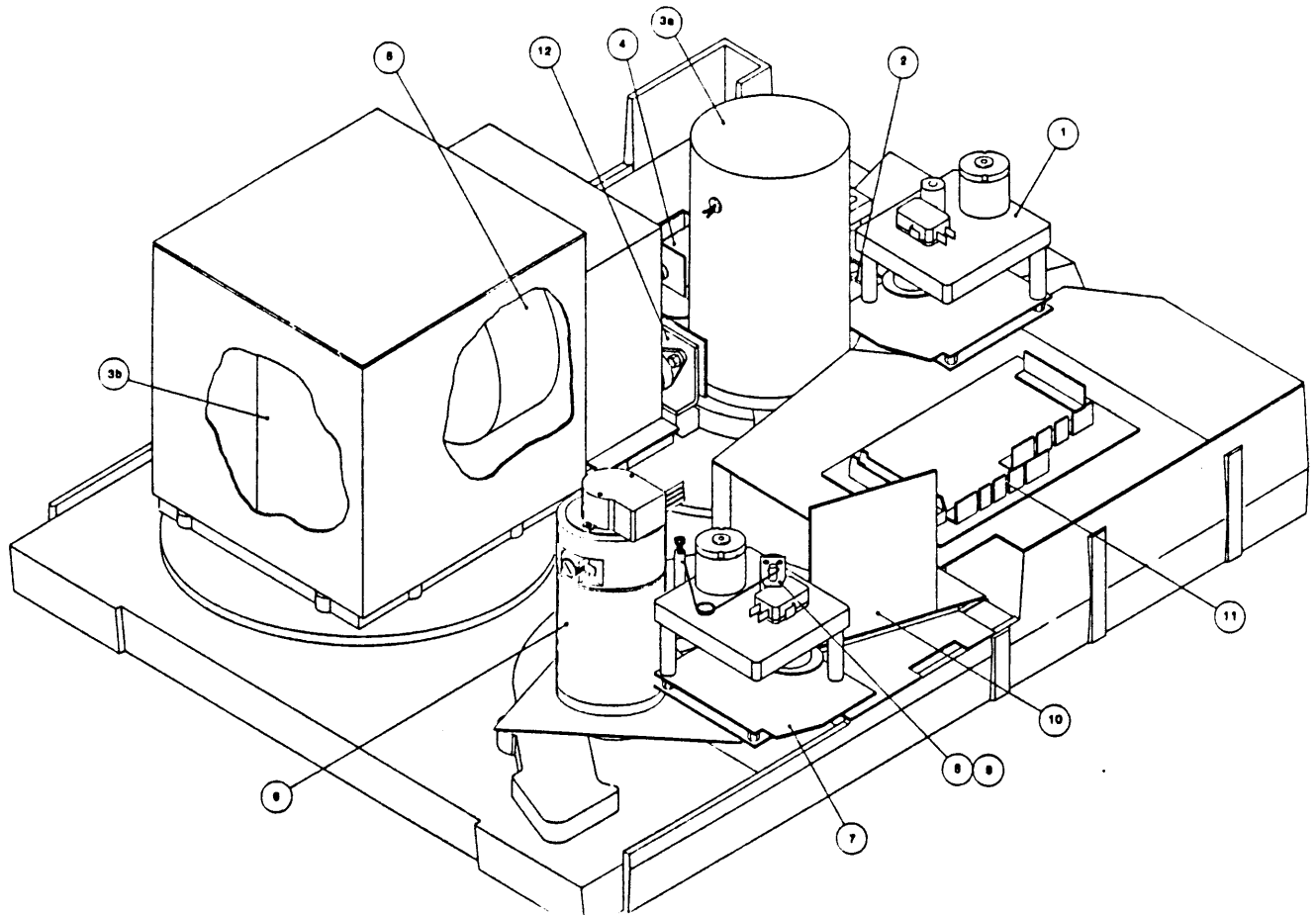


Figure 6-2. Deck Assembly, Top View (Sheet 1 of 2)

Parts List: Deck Assembly

| Item | Part Number | Description |
|---------|--------------|--|
| 1 | 91-07731-201 | Torsion Bar, Right |
| 2 | 37-00053-101 | Take-Up Arm Limit Sensor |
| 3 | 90-07454-003 | Chute Plate Assembly |
| 4 | 90-09014-002 | Takeup Hub Assembly |
| 5 | 91-07218-004 | Cover, Deck |
| 6 | 91-07731-101 | Torsion Bar, Left |
| 7 | 90-08028-001 | Brace Assembly |
| 8 | 90-07119-102 | Reel-In-Place Sensor Assembly (hidden) |
| 9(a,b) | 28-00259-001 | Fastener,1/4-Turn,Rec.,Clip-On |
| 10 | 91-09037-001 | Knob |
| 11 | 91-09036-001 | Release Lever |
| 12 | 90-09021-004 | Supply Hub Assembly |
| 13 | 90-07144-001 | File Protect Sensor Assembly (hidden) |
| 14 | 90-09042-103 | Supply Arm Assembly (Bottom) |
| 15 | 37-00053-001 | Supply Arm Limit Sensor |
| 16 | 91-09041-001 | Tension (Buffer) Arm Roller |
| 17 | 90-07334-001 | Tape-In-Channel Sensor Assembly |
| 18 | 91-07211-002 | Fixed Roller |
| 19 | 90-07334-002 | Tape-In-Channel Emitter Assy |
| 20(a,b) | 90-09154-001 | Split Tape Guide |
| 21 | 90-05906-103 | Bot/Eot Sensor Assembly |
| 22 | 90-09002-001 | Head/Guide-Plate Assembly |
| 23 | 90-07524-004 | Magnetic Head Assembly |
| 24 | 90-09171-001 | Shield Assembly |
| 25 | 91-09167-001 | Post |
| 26 | 90-09042-203 | Take-Up Arm Assembly (Top) |
| 27 | 91-05699-002 | Capstan |
| 28 | 90-09169-001 | Tape Path Cover Assembly |
| 29(a,b) | 25-00073-006 | Spring,Extension |

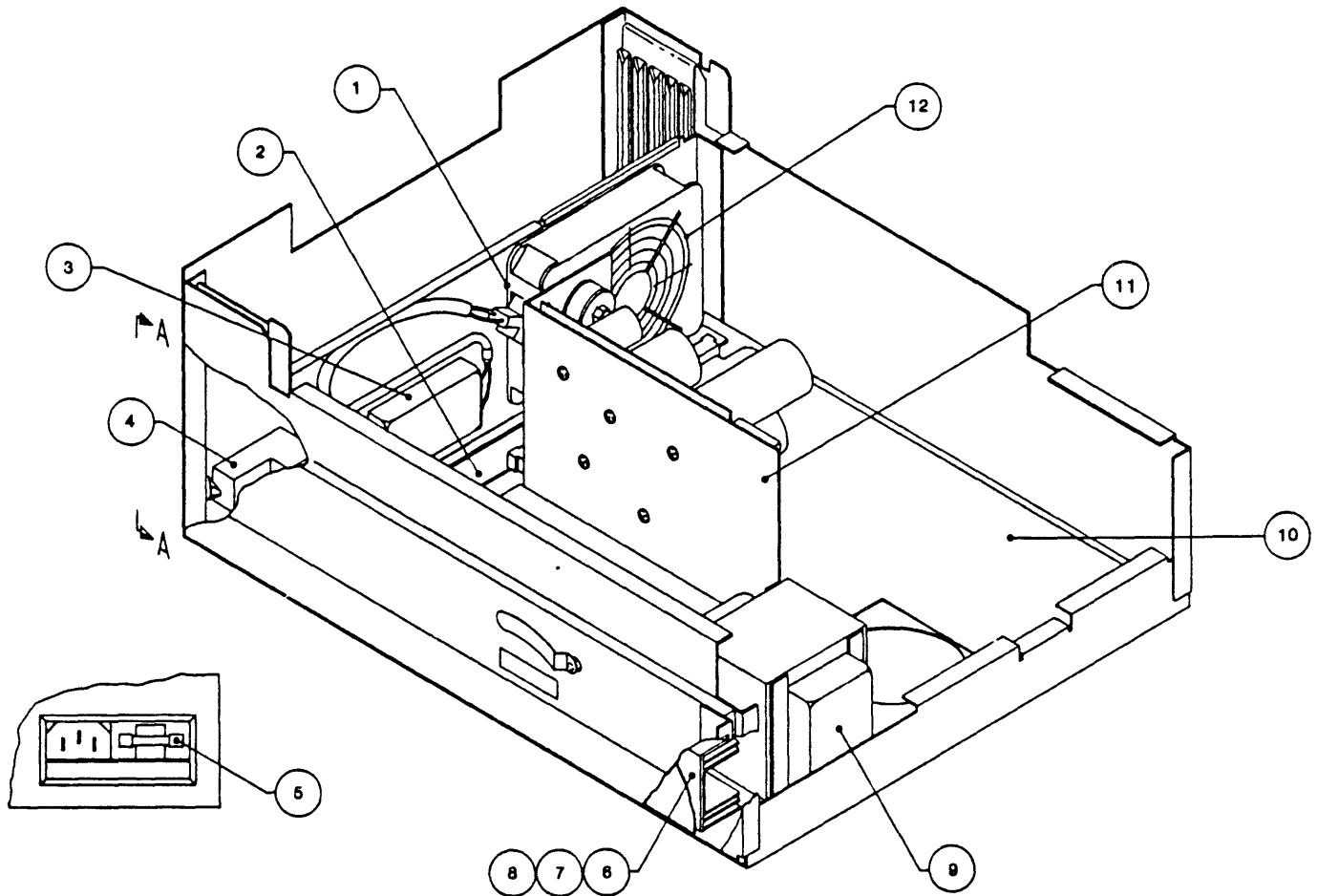
Figure 6-2. Deck Assembly, Top View (Sheet 2 of 2)



Parts List: Deck Assembly

| Item | Part Number | Description |
|--------|--------------|--|
| 1 | 90-09048-002 | Retract & Pivot Sensor Assy (same as Item 7) |
| 2 | 90-09031-001 | Actuator Arm Assembly |
| 3(a,b) | 90-09020-001 | Reel Motor Assembly |
| 4 | 90-09038-001 | Hub Lock Solenoid Assembly |
| 5 | 90-07483-001 | Vacuum Motor Assembly |
| 6 | 90-07333-101 | Capstan Motor Assembly |
| 7 | 90-09048-002 | Retract & Pivot Sensor Assy (same as Item 1) |
| 8 | 91-09173-002 | Retract Cam Plate |
| 9 | 91-09004-001 | Linkage, Shield |
| 10 | 90-06923-001 | Read Preamplifier PCBA |
| 11 | 90-07228-201 | Interconnect PCBA |
| 12 | 90-07295-001 | +/-12 VDC Regulator Assembly |

Figure 6-3. Deck Assembly, Bottom View

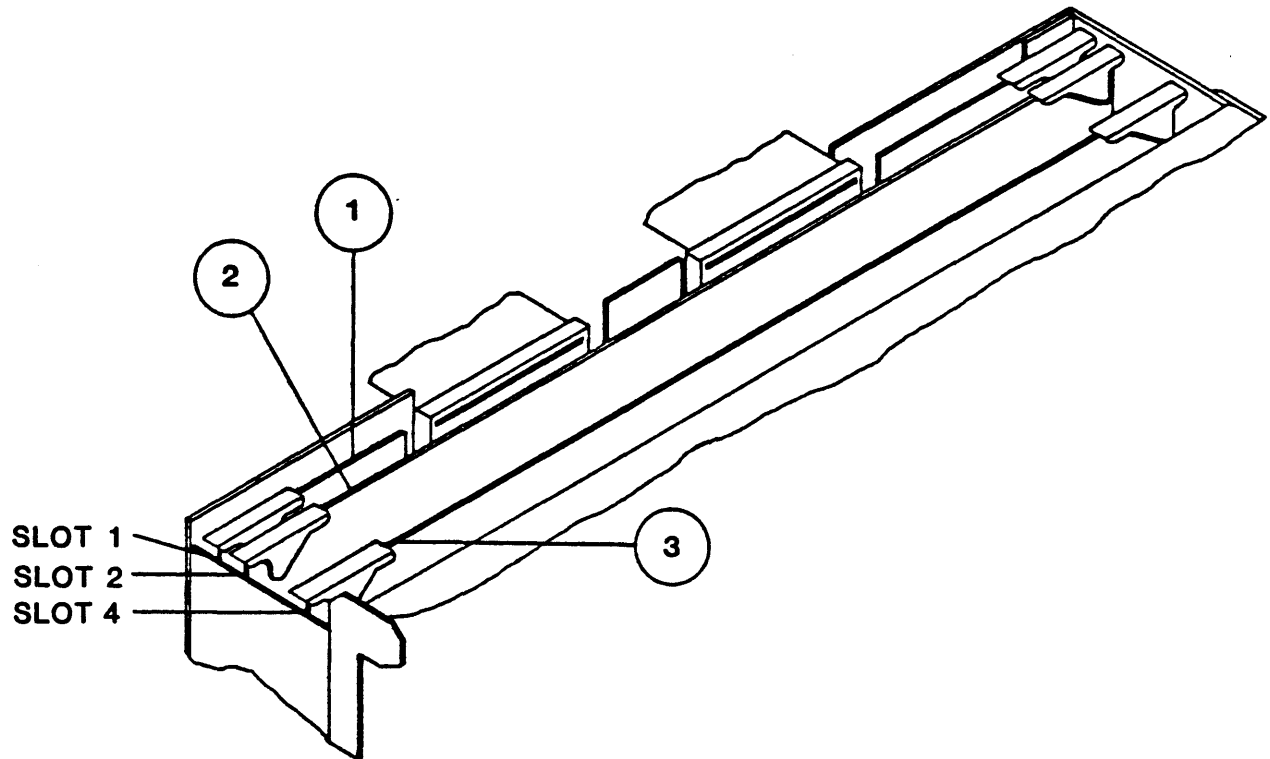


Parts List: Chassis Assembly

| Item | Part Number | Description |
|------|--------------|---|
| 1 | 26-00027-003 | Fan, 115 VAC |
| 2 | 90-07108-001 | Mother Board PCBA |
| 3 | 27-00010-002 | Filter, EMI |
| 4 | 90-09155-001 | Power In Assembly |
| 5 | 51-00132-005 | Fuse, 3A (for 220V Operation) |
| | 51-00133-060 | Fuse, 6A (for 115V Operation) |
| 6 | 90-07516-005 | Servo Amplifier Assy |
| 7 | 90-07111-013 | Servo Power Amplifier PCBA (P/O Item 6) |
| 8 | 90-07147-003 | Servo Preamplifier PCBA (P/O Item 6) |
| 9 | 90-07318-002 | Transformer Assembly |
| 10 | 90-07952-113 | Drive Electronics PCBA |
| 11 | 90-07296-301 | Power Supply Assembly |
| 12 | 26-00027-501 | Finger Guard |

Figure 6-4. Chassis Assembly

Rev 1



Parts List:

| Item | Part Number | Description |
|------|--------------|-------------------------|
| 1 | 90-08951-001 | Formatter PCBA |
| 2 | 90-09017-002 | Read Analog PCBA |
| 3 | 90-09060-005 | Read/Write Digital PCBA |

Figure 6-5. Card Cage Printed Circuit Boards

**TABLE 6-1. RECOMMENDED SPARE PARTS
(Field Support)**

| Fig | Item | Part Number | Description | Recommended Quantity* |
|-----|------|--------------|-------------------------------|-----------------------|
| 2 | 21 | 90-05906-103 | EOT/BOT Sensor Assembly | |
| 3 | 12 | 90-07295-002 | +/-12 VDC Regulator Assembly | |
| 4 | 5 | 51-00132-005 | Fuse, Norm Blo, 3A 250V, Cer | |
| 4 | 5 | 51-00132-060 | Fuse, Norm Blo, 6A 250V, AGC3 | |
| 4 | 7 | 90-07111-013 | Servo Power Amplifier PCBA | |
| 4 | 8 | 90-07147-003 | Servo Preamp PCBA | |
| 4 | 10 | 90-07952-113 | Drive Electronics PCBA | |
| 4 | 11 | 90-07296-003 | +5 VDC Regulated Power Supply | |
| 4 | 13 | 90-08175-001 | AC Inrush Limit PCBA | |
| 5 | 1 | 90-08951-001 | Formatter PCBA | |
| 5 | 2 | 90-09017-002 | Read Analog PCBA | |
| 5 | 3 | 90-09060-005 | Read/Write Digital PCBA | |

NOTE: * Unless otherwise specified, Recommended Quantity is 1.

**TABLE 6-2. RECOMMENDED SPARE PARTS
(Depot Support)**

| Fig | Item | Part Number | Description | Recommended Quantity* |
|--------------------------------|------|--------------|---|-----------------------|
| All Items listed in Table 6-1. | | | | |
| 1 | 3 | 90-07947-312 | Operator Control Panel PCBA | |
| 1 | 6 | 22-00008-002 | Solenoid, 24VDC | |
| 2 | 2 | 37-00053-101 | Takeup Arm Limit Sensor | |
| 2 | 8 | 90-07119-102 | Reel-in-Place Sensor Assembly | |
| 2 | 12 | 90-09021-004 | Supply Hub Assembly | |
| | | 90-09091-001 | Tab Assembly (Reel in Place, and File Protect) (P/O Item 2-12) | 2 |
| 2 | 13 | 90-07144-001 | File Protect Sensor Assembly | |
| 2 | 14 | 90-09042-103 | Supply-Arm Assembly | |
| 2 | 15 | 37-00053-101 | Supply Arm Limit Sensor | |
| 2 | 17 | 90-07334-001 | Tape-in-Channel Emitter Assembly | |
| 2 | 18 | 91-07211-002 | Fixed Roller | |
| 2 | 19 | 90-07334-002 | Tape-in-Channel Sensor Assembly | |
| 2 | 20 | 90-09154-001 | Split Tape Guide | 2 |
| 2 | 21 | 90-05906-103 | EOT/BOT Sensor Assembly | |
| 2 | 23 | 90-07524-004 | Magnetic Head Assy | |
| 2 | 26 | 90-09042-203 | Takeup Arm Assembly (Top) | |
| 2 | 27 | 91-05699-002 | Capstan | |
| 2 | 29 | 25-00073-006 | Spring, Extension | 2 |
| 3 | 1,7 | 90-09048-001 | Retract & Pivot Sensor Assembly | 2 |

NOTE: * Unless otherwise specified, Recommended Quantity is 1.

**TABLE 6-2. RECOMMENDED SPARE PARTS (CONTINUED)
(Depot Support)**

| Fig | Item | Part Number | Description | Recommended Quantity* |
|-----|------|--------------|----------------------------|-----------------------|
| 3 | 3 | 90-09020-001 | Reel Motor Assembly | 2 |
| 3 | 4 | 90-09038-001 | Hub Lock Solenoid Assembly | |
| 3 | 5 | 90-07483-001 | Vacuum Motor Assembly | |
| 3 | 6 | 90-07333-101 | Capstan Motor Assembly | |
| 3 | 10 | 90-06923-001 | Read Preamplifier Assembly | |
| 3 | 11 | 90-07228-201 | Interconnect PCBA | |
| 4 | 1 | 26-00027-003 | Fan, 115 VAC | |
| 4 | 2 | 90-07108-001 | Mother Board PCBA | |
| 4 | 3 | 27-00010-002 | Filter, EMI, 5A | |

NOTE: * Unless otherwise specified, Recommended Quantity is 1.

TABLE 6-3. RECOMMENDED MAINTENANCE TOOLS

| PART NUMBER | DESCRIPTION |
|--------------|---|
| 54-00036-001 | Skewmaster Tape |
| 54-00103-001 | Alignment Tool, Tape Guides |
| 54-00100-001 | Capstan Puller |
| 90-02324-001 | Maintenance Kit |
| | Head Cleaner |
| | Hex Socket Keys - 6/16, 5/32, 1/8, 3/32 |
| | Reflective Marker Strips |
| | Magnesium Visualizing Solution |
| | Lint-Free Swabs |
| | Loctite, Grade H |
| 90-07117-001 | Card Extender |
| (Common) | Set of Nut Drivers or Open-End Wrenches |
| (Common) | Phillips and Standard Screwdrivers |

SECTION VII
WIRING/SCHEMATICS

SECTION VII - WIRING AND SCHEMATIC DIAGRAMS

7.0 GENERAL

This section contains wiring and schematic diagrams for the Model 9610 Drive. Unless otherwise specified, electronic symbols conform to ANSI Y32.2, abbreviation to MIL-STD-12, and logic symbols to ANSI Y32.14 (MIL-STD-806C).

7.1 COMPONENTS

Unless otherwise specified:

- A. Resistor values are in ohms, +/-5%, 1/4-watt.
- B. Capacitor values are in microfarads.

7.2 LOGIC CONVENTIONS AND SYMBOLOGY

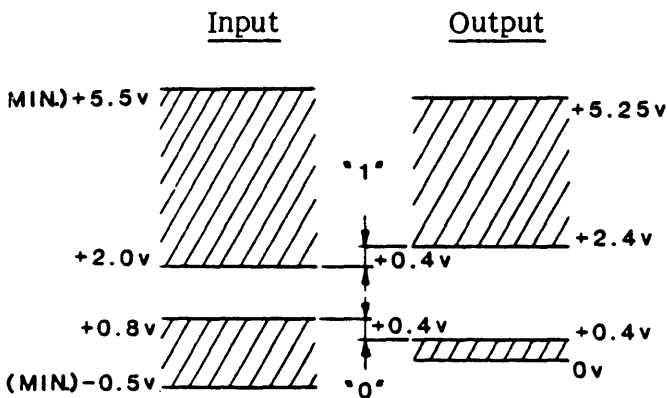
7.2.1 TTL LOGIC

The 9610 Drive uses standad +5V TTL logic with the following state definitions:

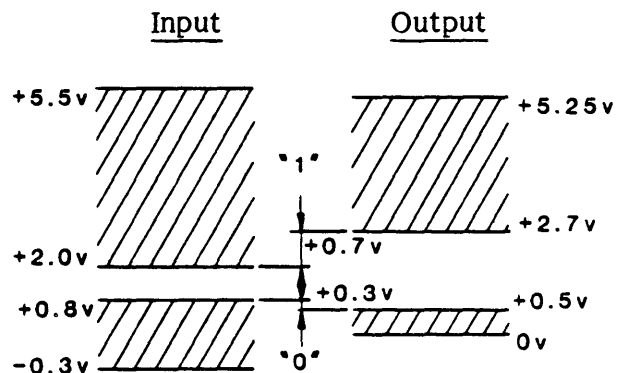
- Logic ONE = high
- Logic ZERO = low

Input/Output logic levels are defined as follows:

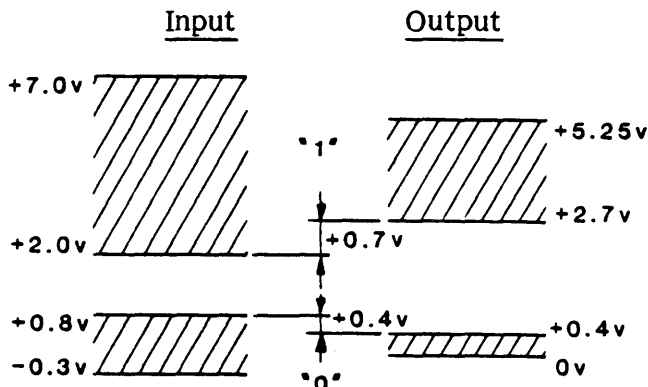
A. TTL Medium Speed IC Levels:



B. TTL Super High Speed IC Levels:



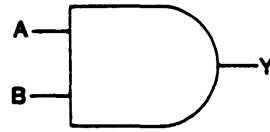
C. TTL Medium Speed Low Power Consumption IC Levels



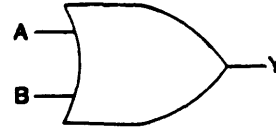
7.2.2 LOGIC SYMBOLOGY

The following illustrations represent standard TTL logic symbols used in the 9610 Drive schematic diagrams.

AND Gate: $Y = AB$



OR Gate: $Y = A+B$



7.3 SCHEMATIC FLOW

Schematic diagram are generally organized to show signal and/or function flow from left to right and from top to bottom. Exceptions to this rule may occur only in details where circuit simplicity is preferable.

7.4 TERMINALS

For a double-sided socket, terminals are designated with numbers for component-side connections and letters for circuit-side connections. These correspond to the actual socket designations. For a single-sided socket, all connections are designated by letters of the 22-character alphabet: ABCDEFHJKLMNPRSTUVWXYZ, or standard arabic numbers.

7.5 LIST OF SCHEMATICS (Item Numbers included for reference)

| <u>Title</u> | <u>Number</u> | <u>Item</u> | <u>Title</u> | <u>Number</u> | <u>Item</u> |
|----------------------|---------------|-------------|-------------------|---------------|-------------|
| 9610 Interconnect | 8178-000 | 1 | Servo Preamp | 7147-000 | 8 |
| +5 Volt Power Supply | 7109-000 | 2 | Motherboard | 7108-000 | 9 |
| 12V Regulator | 7148-000 | 3 | Drive Electronics | 7952-001 | 10 |
| Interconnect Board | 7228-000 | 4 | Formatter | 8951-000 | 11 |
| Position Sensor | 9069-000 | 5 | R/W Digital | 9060-000 | 12 |
| Operator Cont Pan | 7947-000 | 6 | Read Preamplifier | 6923-000 | 13 |
| Servo Amplifier | 7111-000 | 7 | Read Analog | 9017-000 | 14 |

7.6 SYSTEM SIGNAL DISTRIBUTION

The following Chart shows signal flow among the circuit boards of the System. The Chart is organized in a "From-To" manner; that is: each listed signal is shown as flowing from one circuit board to another, referencing a schematic sheet and connector. The Circuit Board is identified by an acronym as defined in the Chart.

SYSTEM SIGNAL DISTRIBUTION CHART

FROM HOST

| <u>Signal</u> | <u>To FMTR Sheet-Conn</u> | <u>LIST OF CIRCUIT-BOARD ACRONYMNS</u> | |
|---------------|-------------------------------|--|--|
| ILWD | 2-J1 | DIG R/W (9060) | Digital Read/Write |
| IERASE | 4-J1 | ELEC (7952) | Drive Electronics |
| IEDIT | | FMTR (8951) | Formatter |
| IWFM | | INTCON (7228) | Interconnect Board |
| IWRT | | OCP (7947) | Operator Control Panel |
| IREV | | POSENS (9069) | Position Sensor |
| ILOL | | READA (9017) | Read Analog |
| ILGAP | | READPRE (6923) | Read Preamplifier |
| IGO | | SERVPA (7111) | Servo Power Amplifier |
| IREW | 4-J1 | SERVPRE (7147) | Servo Preamplifier |
| IOFL | 4-J2 | | |
| IFEN | 4-J2 | | |
| IHSP | 4-J2 | | |
| ITADO | 5-J1 | | |
| IFAD | 5-J2 | | |
| ITAD1 | 5-J2 | | |
| IW(0-7,P) | 6-J1 | | |

FROM FORMATTER (FMTR)

| <u>Signal</u> | <u>From FMTR Sheet-Conn</u> | <u>To:</u> | <u>Schematic Sheet-Conn</u> |
|---------------|---------------------------------|------------|---------------------------------|
| IR(0,1,4-7,P) | 7-J2 | Host | |
| IR(2,3) | 7-J1 | | |
| IRSTB | 9-J2 | | |
| IWSTB | 9-J2 | Host | |
| WD(0-7) | 6-P1 | DIG R/W | 5-P1 |
| LST WORD | 8-P1 | DIG R/W | 5-P1 |
| FDB(0-7) | 10-P1 | ELEC | 3-P1 |
| " | | READA | |
| " | | DIG R/W | |
| FSEL(0,1) | | ELEC | |
| FSEL(0-6) | | DIG R/W | 3-P1 |
| FSEL(2-6) | 10-P1 | READA | 2-P1 |
| FMTR STRB | 11-P1 | ELEC | 3-P1 |
| " | | DIG R/W | 3-P1 |
| " | | READA | 2-P1 |
| FMTR BUSY | | ELEC | 3-P1 |
| FMTR ACKN | 11-P1 | ELEC | 3-P1 |
| ERASE PWR EN | 13-P1 | DIG R/W | 14-P1 |
| WRT PWR EN | 13-P1 | DIG R/W | 14-P1 |
| IFPT | 5-J2 | Host | |
| IRWD | | | |
| IRDY | | | |
| IONL | 5-J2 | Host | |

FROM FORMATTER (FMTR) Continued)

| <u>Signal</u> | <u>From FMTR Sheet-Conn</u> | <u>To:</u> | <u>Schematic Sheet-Conn</u> |
|---------------|---------------------------------|------------|---------------------------------|
| IEEOT | 5-J1 | Host | |
| IRSC | 5-J1 | | |
| ILDV | 5-J2 | | |
| IEOT | | | |
| INRZ | | | |
| ISPD | | | |
| IDENT | 5-J2 | | |
| IFBY | 5-J1 | | |
| IDBY | 5-J2 | | |
| IHER | | | |
| ICER | | | |
| IFMK | 5-J2 | Host | |

TO FORMATTER

| <u>Signal</u> | <u>From Sheet-Conn</u> | <u>On PCBA</u> | <u>To FMTR Sheet-Conn</u> |
|---------------|----------------------------|----------------|-------------------------------|
| FBREQ | | | 10-P1 |
| MSTR RES | 3-P1 | ELEC | 2-P1 |
| RD(0-7,P) | 13-P2 | DIG R/W | 7-P2 |
| RD DATA STRB | 12-P2 | | 9-P2 |
| WRT DATA STRB | 2-P1 | | 9-P2 |
| HRD ERROR | 12-P1 | | 10-P1 |
| CRECTD ERROR | 10-P1 | | 10-P1 |
| FILE MARK | 10-P1 | DIG R/W | 10-P1 |
| DDB(0-7) | 3-P1 | ELEC | 11-P1 |
| DRV SEL(0,1) | 3-P1 | | |
| TACH | 4-P1 | | |
| FWD/REV | 4-P1 | | |
| DRV STRB | 3-P1 | ELEC | 11-P1 |
| RD BUSY | | DIG R/W | 13-P1 |
| WRT BUSY | | DIG R/W | |
| DRV BUSY | | ELEC | |
| DRV ACKN | 3-P1 | ELEC | 13-P1 |

FROM DRIVE ELECTRONICS (ELEC)

| <u>Signal</u> | <u>From ELEC Sheet-Conn</u> | <u>To PCBA</u> | <u>Schematic Sheet-Conn</u> |
|---------------|---------------------------------|----------------|---------------------------------|
| DDB(0-7) | 3-P1 | FMTR | 11-P1 |
| DRV STRB | 3-P1 | FMTR | 11-P1 |
| DRV SEL(0,1) | 3-P1 | FMTR | 11-P1 |
| MSTR RES | 3-P1 | FMTR | 2-P1 |
| " | " | DIG R/W | 3-P1 |
| FWD/REV | 4-P1 | FMTR | 11-P1 |
| TACH | 4-P1 | FMTR | 11-P1 |
| DRV BUSY | 3-P1 | FMTR | 13-P1 |
| DRV ACKN | 3-P1 | FMTR | 13-P1 |
| NRZ LED | 4-J6 | OCP | 2-J1 |
| WEN LED | 4-J6 | OCP | 2-J1 |
| SLT LED | 4-J6 | OCP | 2-J1 |

FROM DRIVE ELECTRONICS (ELEC) (Continued)

| <u>Signal</u> | <u>From ELEC Sheet-Conn</u> | <u>To PCBA</u> | <u>Schematic Sheet-Conn</u> |
|---------------|---------------------------------|----------------|---------------------------------|
| LP LED | 4-J6 | OCP | |
| REUN LED | | | |
| LO LED | | | |
| ONLLED | | | |
| PE/1600 LED | | | |
| RMT LED | | | |
| DIAG LED | | | 2-J1 |
| WRP | | | 1-J1 |
| DB(0-5) | | | 1-J1 |
| DB6 | | | 1-J1 |
| 3200 LED | 4-J6 | OCP | 2-J1 |
| TU OFSE | 5-J3 | SERVPRE | 4-J1 |
| SUP OFSE | | | 3-J1 |
| VEL TUP | | | 4-J1 |
| VEL SUP | | SERVPRE | 3-J1 |
| TU REFF | 5-J5 | INTCON | 1-J1 |
| SUP REFF | 5-J5 | INTCON | 1-J1 |
| SUMPT CPST | 6-J3 | SERVPRE | 1-J1 |
| E TU POS | 7-J3 | | 4-J1 |
| E TU VL | | | 4-J1 |
| E SU POS | | | 3-J1 |
| E SU VL | | | 3-J1 |
| VAC MOT | | | 1-J1 |
| ENB CPST | 7-J3 | | |
| BRAKE | 9-J3 | | |
| SERVO EN | 9-J3 | | 1-J1 |
| CUR SUP | 7-J3 | | 3-J1 |
| CUR TUP | 7-J3 | SERVPRE | 4-J1 |
| HUB LOK SOL | 8-J2 | INTCONN | 2-J2 |
| DOOR LOK SOL | | | 2-J2 |
| +24V | | | 2-J2 |
| GND | 8-J2 | | 2-J2 |
| OPTSW | 10-J2 | | 2-J2 |
| MICSW | 10-J2 | INTCONN | 2-J2 |

TO DRIVE ELECTRONICS (ELEC)

| <u>Signal</u> | <u>From Sheet-Conn</u> | <u>On PCBA</u> | <u>To ELEC Sheet-Conn</u> |
|---------------|----------------------------|----------------|-------------------------------|
| FDB(0-7) | 10-P1 | FMTR | 3-P1 |
| FSEL(0, 1) | 10-P1 | | |
| FMTR STRB | 11-P1 | | |
| FMTR BUSY | | | |
| FBGRANT | | | |
| FMTR ACKN | 11-P1 | FMTR | 3-P1 |
| TARMOT | 2-J2 | INTCON | 10-J2 |
| SURMOT | 2-J2 | INTCON | 10-J2 |
| REUN PB | 2-J1 | OCP | 4-J6 |
| LOAD PB | | | |
| ONL PB | | | |
| DEN PB | 2-J1 | OCP | 4-J6 |

TO DRIVE ELECTRONICS (ELEC) (Continued)

| <u>Signal</u> | <u>From Sheet-Conn</u> | <u>On PCBA</u> | <u>To ELEC Sheet-Conn</u> |
|---------------|----------------------------|----------------|-------------------------------|
| RST PB | 2-J1 | OCP | 4-J6 |
| STRT PB | | | |
| SCAN PB | | | |
| DIAG PB | 2-J1 | | 4-J6 |
| DSP FUL | 1-J1 | OCP | 2-J6 |
| TPHA | | INTCON | 4-J5 |
| TPHB | | | 4-J5 |
| SUP POS | | | 7-J5 |
| TUP POS | 1-J1 | INTCON | |
| TUP MOV | 4-J1 | SERVPRE | |
| SUP MOV | 3-J1 | SERVPRE | 7-J3 |

FROM OPERATOR CONTROL PANEL (OCP)

| <u>Signal</u> | <u>From OPC Sheet-Conn</u> | <u>To:</u> | <u>Sheet-Conn</u> |
|---------------|--------------------------------|------------|-------------------|
| REUN PB | 2-J1 | ELEC | 4-J6 |
| LOAD PB | | | |
| ONL PB | | | |
| DEN PB | | | |
| RST PB | | | |
| STRT PB | | | |
| SCAN PB | | | |
| DIAG PB | 2-J1 | | |
| DSP FUL | 1-J1 | ELEC | 4-J6 |

TO OPERATOR CONTROL PANEL (OCP)

| <u>Signal</u> | <u>From Sheet-Conn</u> | <u>On PCBA</u> | <u>To OCP Sheet-Conn</u> |
|---------------|----------------------------|----------------|------------------------------|
| DB(0-6) | 4-J6 | ELEC | 1-J1 |
| WRP | | | 1-J1 |
| NRZ LED | | | 2-J1 |
| WEN LED | | | |
| SLT LED | | | |
| LP LED | | | |
| PWR ON LED | | | |
| REUN LED | | | |
| LO LED | | | |
| ON LED | | | |
| PE LED | | | |
| RMT LED | | | |
| STRT LED | 4-J6 | ELEC | 2-J1 |

FROM READ ANALOG BOARD (READA)

| <u>Signal</u> | <u>From READA Sheet-Conn</u> | <u>To:</u> | <u>Schematic Sheet-Conn</u> |
|---------------|----------------------------------|------------|---------------------------------|
| EGC(1-9) | 4-J1 | READPRE | 1-P2 |
| ENV(0-7,P) | 7-P2 | READD | 11-P2 |
| TD(0-3) | | DIG R/W | 7-P2 |
| TD(4-6) | | DIG R/W | 8-P2 |
| TD(7, P) | 7-P2 | DIG R/W | 9-P2 |

TO READ ANALOG BOARD (READA)

| <u>Signal</u> | <u>From Sheet-Conn</u> | <u>On PCBA</u> | <u>To READA Sheet-Conn</u> |
|---------------|----------------------------|----------------|--------------------------------|
| FSEL(2-6) | 10-P1 | FMTR | 2-P1 |
| FDB(0-7) | 10-P1 | FMTR | 3-P1 |
| FMTR STRB | 11-P1 | FMTR | 2-P1 |
| PE BLOCK | 10-P1 | DIG R/W | 5-P1 |
| HD(0-7,P) | 15-P2 | DIG R/W | 8-P2 |
| TRK(1-9)+ | 1-P2 | READPRE | 6-J1 |
| TRK(1-9)- | 1-P2 | READPRE | 6-J1 |

FROM READ PREAMPLIFIER (READPRE)

| <u>Signal</u> | <u>From READPRE Sheet-Conn</u> | <u>To:</u> | <u>Sheet-Conn</u> |
|---------------|------------------------------------|------------|-------------------|
| TRK(1-9)+ | 1-P2 | READA | 6-J1 |
| TRK(1-9)- | 1-P2 | READA | 6-J1 |

TO READ PREAMPLIFIER (READPRE)

| <u>Signal</u> | <u>From Sheet-Conn</u> | <u>On:</u> | <u>To READPRE Sheet-Conn</u> |
|---------------|----------------------------|------------|----------------------------------|
| EGC(1-9) | 4-J1 | READA | 1-P2 |
| TRK(1-9)+ | 4-J1 | READ HEAD | 1-P1 |
| TRK(1-9)- | 4-J1 | READ HEAD | 1-P1 |

FROM DIGITAL READ/WRITE BOARD (DIG R/W)

| <u>Signal</u> | <u>From DIG R/W Sheet-Conn</u> | <u>To:</u> | <u>Sheet-Conn</u> |
|---------------|------------------------------------|--------------------|-------------------|
| RD(0-7,P) | 13-P2 | FMTR | 7-P2 |
| CRECTD ERROR | 10-P1 | | 10-P1 |
| HRD ERROR | 12-P1 | | 10-P1 |
| RD DATA STRB | 12-P2 | | 9-P2 |
| RD BUSY | 3-P1 | | 13-P1 |
| FILE MARK | 10-P1 | | 10-P1 |
| WRT BUSY | 3-P1 | | 13-P1 |
| WRT DATA STRB | 2-P1 | FMTR | 9-P2 |
| HD(0-7,P) | 15-P2 | READA | 8-P2 |
| ERASE HD+ | 14-J2 | Erase Head (Black) | |
| ERASE HD- | 14-J2 | Erase Head (White) | |
| TRK(1-9) | 15-J1 | Write Head | |
| WRT VOL | 15-J1 | Write Head | |

TO DIGITAL READ/WRITE BOARD (DIG R/W)

| <u>Signal</u> | <u>From Sheet-Conn</u> | <u>On PCBA</u> | <u>To DIG R/W Sheet-Conn</u> |
|---------------|------------------------|----------------|------------------------------|
| MSTR RES | 3-P1 | ELEC | 3-P1 |
| TD(0-3) | 7-P2 | READA | 7-P2 |
| TD(4-6) | 7-P2 | | 8-P2 |
| TD(7,P) | 7-P2 | | 9-P2 |
| ENV(0-7,P) | 7-P2 | READA | 11-P2 |
| FDB(0-7) | 10-P1 | FMTR | 3-P1 |
| FMTR STRB | 11-P1 | | 3-P1 |
| FSEL(0-6) | 10-P1 | | 3-P1 |
| WD(0-7) | 6-P1 | | 5-P1 |
| ERASE PWR EN | 13-P1 | | 14-P1 |
| WRT PWR EN | 13-P1 | | 14-P1 |
| LST WORD | 8-P1 | FMTR | 5-P1 |

FROM SERVO PREAMPLIFIER (SERVPRE)

| <u>Signal</u> | <u>From SERVPRE Sheet-Conn</u> | <u>To:</u> | <u>Sheet-Conn</u> |
|---------------|--------------------------------|------------|-------------------|
| VAC MOT | 1-J3 | SERVPA | 3-J3 |
| SUMPT CPST | 1-J3 | | 3-J3 |
| ABRAKE | 1-J3 | | 3-J3 |
| SERVO EN | 1-J3 | | 2-J3 |
| ENB CPST | 1-J3 | | 2-J3 |
| OSC | 2-J3 | | 3-J3 |
| -REF | 2-J3 | | 4-J3 |
| +REF | 2-J3 | | |
| SUP MOD | 3-J3 | | |
| TUP MOD | 4-J3 | SERVPA | 4-J3 |
| SUP MOV | 3-J1 | ELEC | 8-J3 |
| TUP MOV | 4-J1 | ELEC | 8-J3 |

TO SERVO PREAMPLIFIER (SERVPRE)

| <u>Signal</u> | <u>From Sheet-Conn</u> | <u>On PCBA</u> | <u>To SERVPRE Sheet-Conn</u> |
|---------------|------------------------|----------------|------------------------------|
| VAC MOT | 8-J3 | ELEC | 1-J1 |
| SUMPT CPST | 7-J3 | | |
| ENB CPST | 8-J3 | | |
| BRAKE | 8-J3 | | |
| SERVO EN | 8-J3 | | 1-J1 |
| SUP OFSE | 6-J3 | | 3-J1 |
| E SU POS | 8-J3 | | |
| E SU VL | 8-J3 | | |
| SUP OFST | 6-J3 | | |
| CUR SUP | 8-J3 | | |
| CUR SUP GND | 8-J3 | | |
| VEL SUP | 6-J3 | | 3-J1 |
| TU OFSE | 6-J3 | | 4-J1 |
| E TU POS | 8-J3 | | |
| E TU VL | 8-J3 | | |
| CUR TUP | 8-J3 | | |
| CUR TUP GND | 8-J3 | | |
| TU OFST | 8-J3 | | |
| VEL TUP | 6-J3 | ELEC | 4-J1 |

TO SERVO PREAMPLIFIER (SERVPRE)

| <u>Signal</u> | <u>From Sheet-Conn</u> | <u>On PCBA</u> | <u>To SERVPRE Sheet-Conn</u> |
|---------------|----------------------------|----------------|----------------------------------|
| I SUP | 1-J2 | SERVPA | 3-J3 |
| V SUP | 1-J2 | | 3-J3 |
| I TUP | 1-J3 | | 4-J3 |
| V TUP | 1-J3 | | 4-J3 |
| I SENS LO | 1-J2 | SERVPA | 4-J3 |

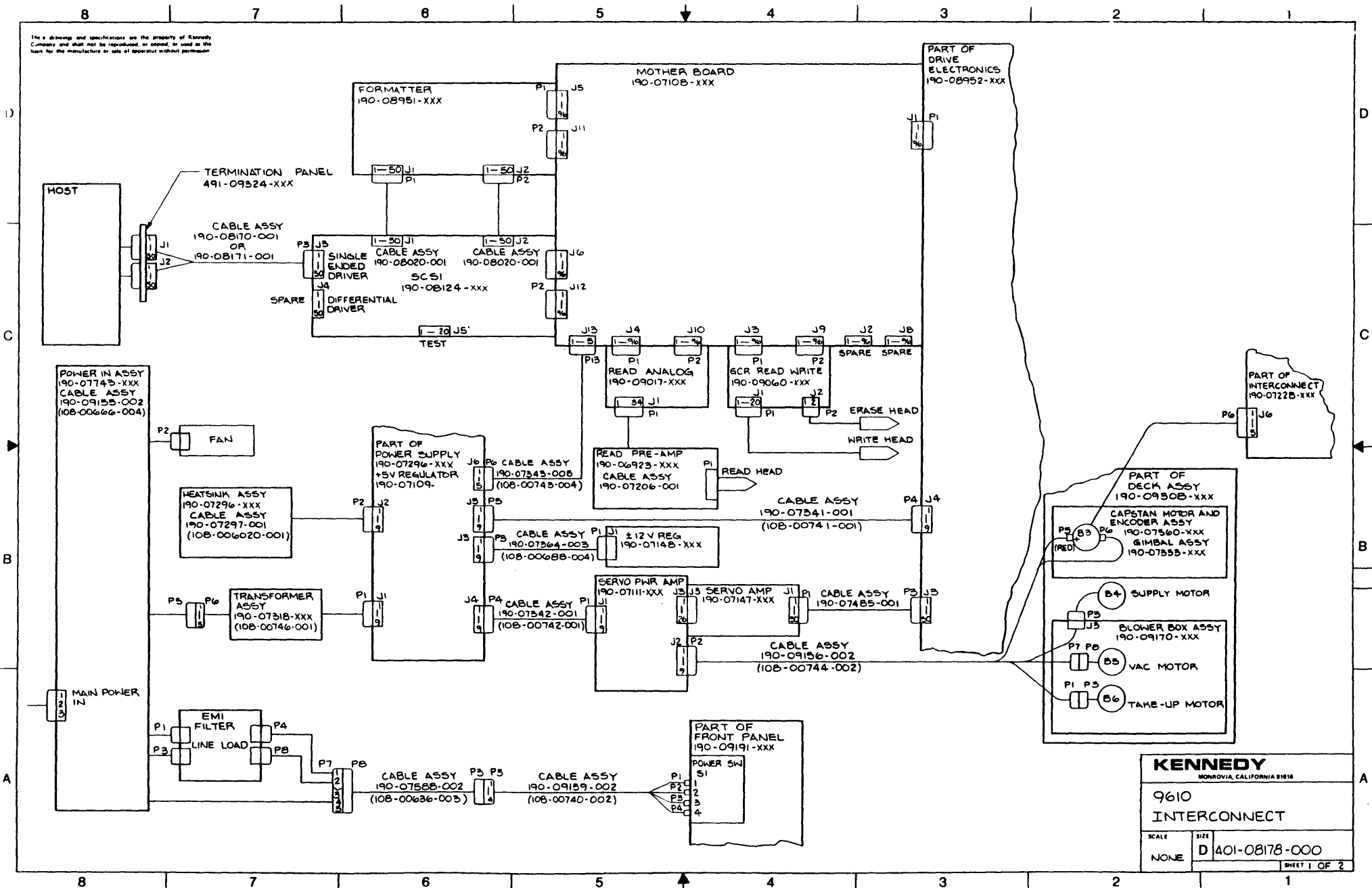
FROM SERVO POWER AMPLIFIER (SERVPA)

| <u>Signal</u> | <u>From SERVPA Sheet-Conn</u> | <u>To:</u> | <u>Sheet-Conn</u> |
|---------------|-----------------------------------|-------------------|-------------------|
| I SUP | 1-J3 | SERVPRE | 1-J2 |
| I TUP | | | 4-J3 |
| V TUP | | | 1-J2 |
| V TUP | 1-J3 | | 4-J3 |
| V SUP | 1-J2 | | 3-J3 |
| I SENS LO | | SERVPRE | 4-J3 |
| TU MOT DRV | | TAKEUP REEL MOTOR | |
| TU MOT RET | | MOTOR RETURN | |
| SU MOT DRV | | SUPPLY REEL MOTOR | |
| SU MOT RET | 1-J2 | MOTOR RETURN | |
| VAC MOT DRV | 3-J2 | VACUUM MOTOR | |
| VAC MOT RET | | MOTOR RETURN | |
| CPSTN MOT DRV | | CAPSTAN MOTOR | |
| CPSTN MOT RET | 3-J2 | MOTOR RETURN | |

TO SERVO POWER AMPLIFIER (SERVPA)

| <u>Signal</u> | <u>From Sheet-Conn</u> | <u>On PCBA</u> | <u>To SERVPA Sheet-Conn</u> |
|---------------|----------------------------|----------------|---------------------------------|
| VAC MOT | 1-J3 | SERVPRE | 3-J3 |
| SUMPT CPST | | | |
| BRAKE | | | |
| SERVO EN | | | |
| ENB CPST | 1-J3 | | 2-J3 |
| OSC | 2-J3 | | 3-J3 |
| -REF | 2-J3 | | 4-J3 |
| +REF | 2-J3 | | |
| SUP MOD | 3-J3 | | |
| TUP MOD | 4-J3 | SERVPRE | 4-J3 |

This drawing and specifications are the property of Kennedy Company and shall not be reproduced or copied, or used as the basis for the manufacture or sale of apparatus without permission.



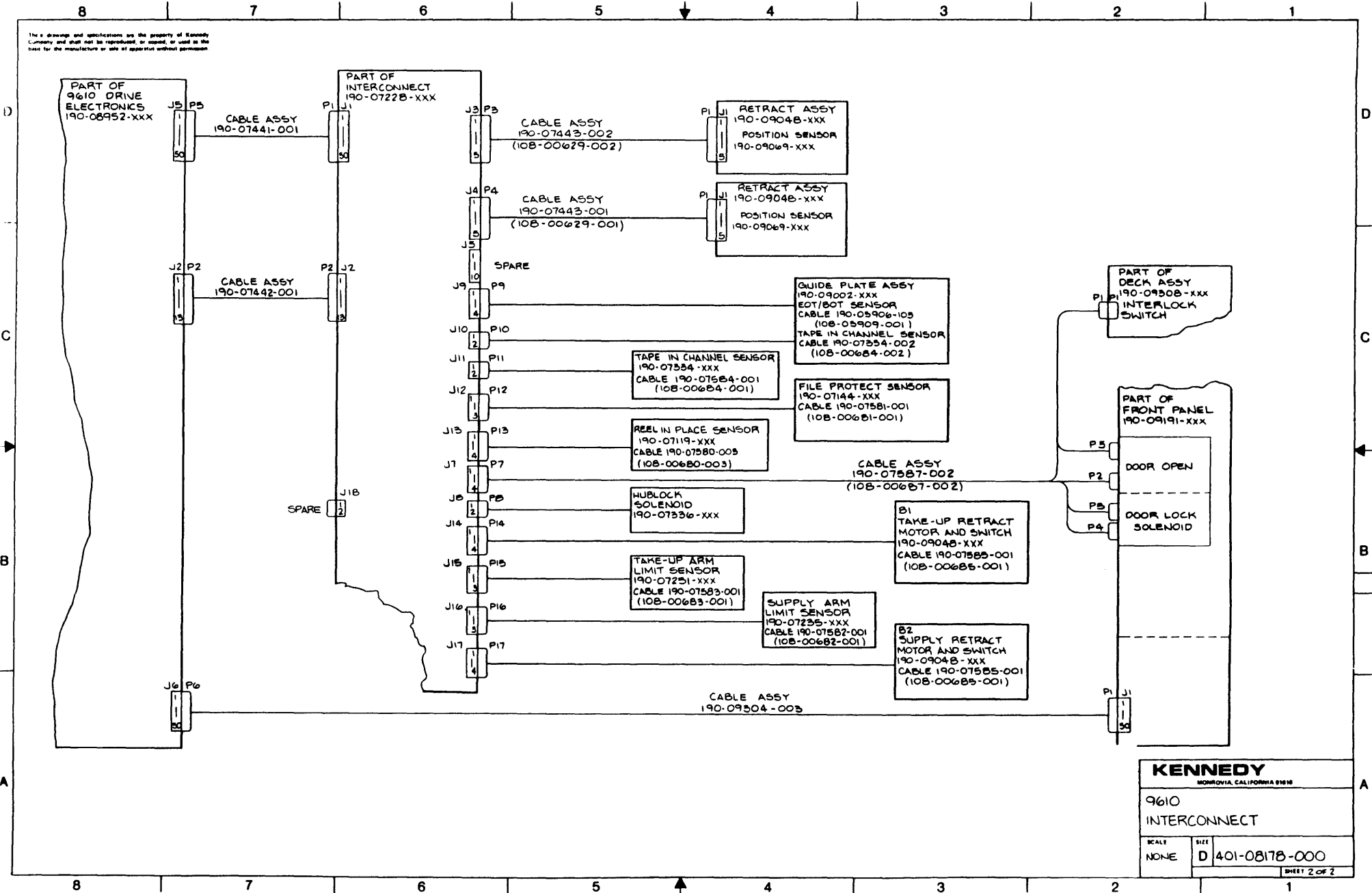
KENNEDY
MONROVIA, CALIFORNIA 91016

9610
INTERCONNECT

| | |
|-------|-----------------|
| SCALE | SHEET 1 OF 2 |
| SIZE | D 401-08178-000 |

1-1

1-2

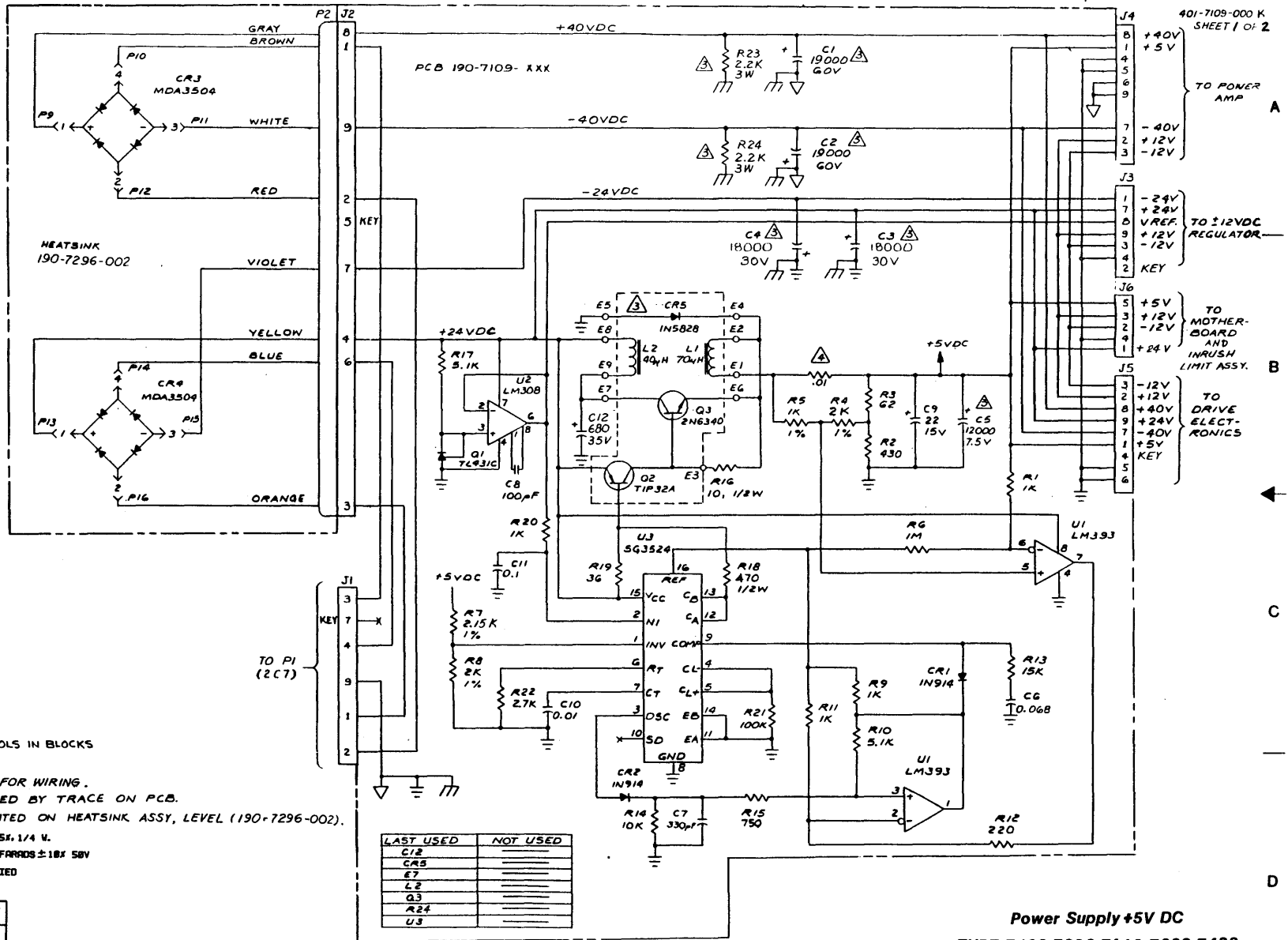


| | |
|----------------------------|-------------------------|
| KENNEDY | |
| MONROVIA, CALIFORNIA 91016 | |
| 9610 INTERCONNECT | |
| SCALE NONE | SIZE D 401-08178-000 |
| SHEET 2 OF 2 | |

These drawings and specifications are the property of Remedy Company and shall not be reproduced, or copied, or used as the basis for the manufacture or sale of apparatus without permission.

190-7109 TABULATION

| | |
|---------|-----|
| DASH NO | REV |
| -006 | A |



- ⚠ LETTERS AND SYMBOLS IN BLOCKS ARE TERMINALS.
- 6. REF. 108-0666-001
- 5. SEE 190-7145-001 FOR WIRING.
- ⚠ RESISTANCE CREATED BY TRACE ON PCB.
- ⚠ COMPONENTS MOUNTED ON HEATSINK ASSY, LEVEL (190-7296-002).
- 2. RESISTORS ARE IN OHMS ± 5%, 1/4 W.
- 1. CAPACITORS ARE IN MICROFARADS ± 10% 50V

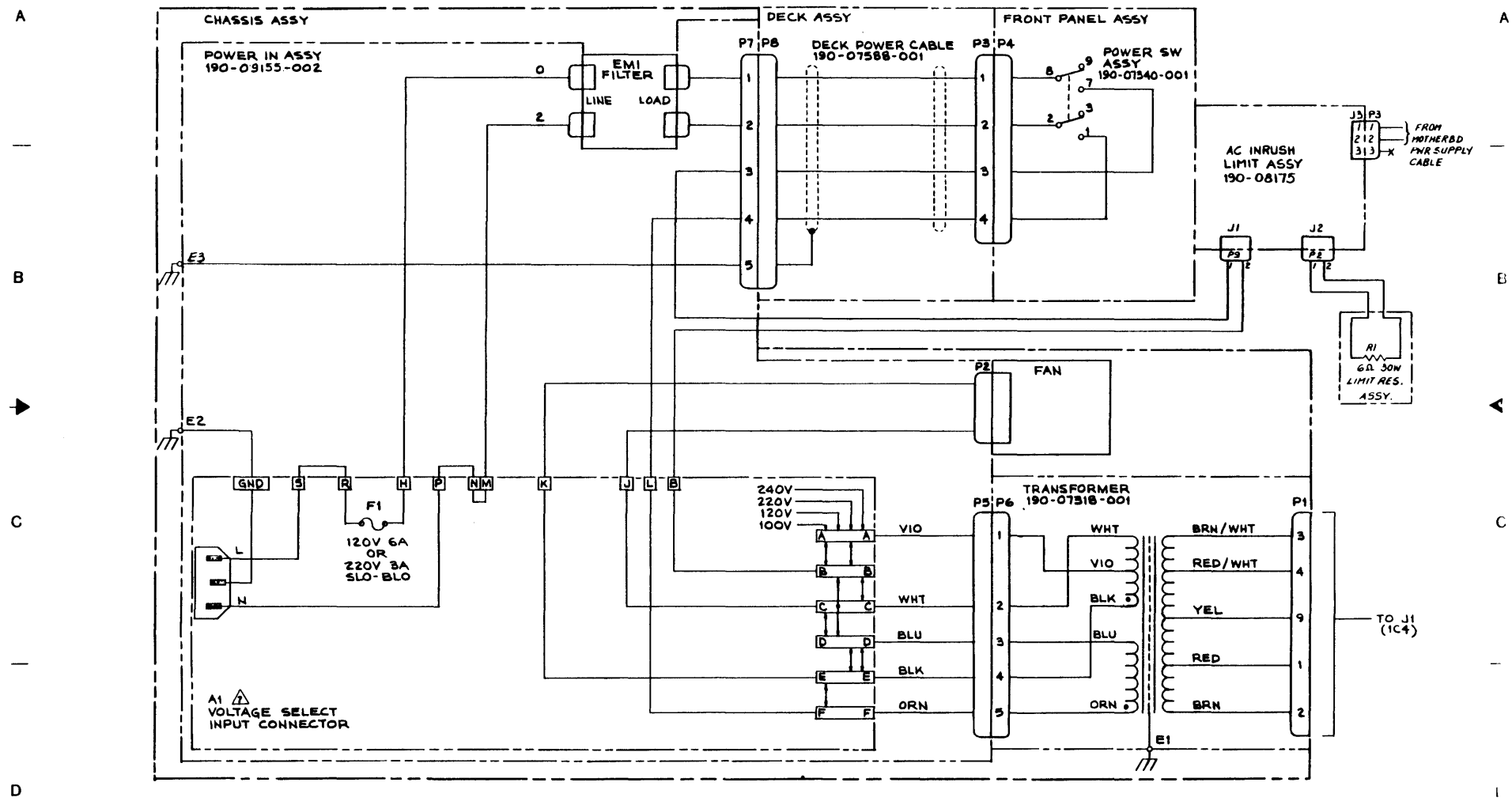
NOTES: UNLESS OTHERWISE SPECIFIED

| | | | |
|----------------------|-----------|---|---|
| REV STATUS OF SHEETS | REV SHEET | K | K |
| | | 1 | 2 |

Power Supply +5V DC
TYPE 7109,7296,7443,7339,7482
Schematic Diagram

1 | 2 | 3 | 4 | 5 | 6 | 7

These drawings and specifications are the property of Kennedy Company and shall not be reproduced or copied or used as the basis for the manufacture or sale of apparatus without permission.



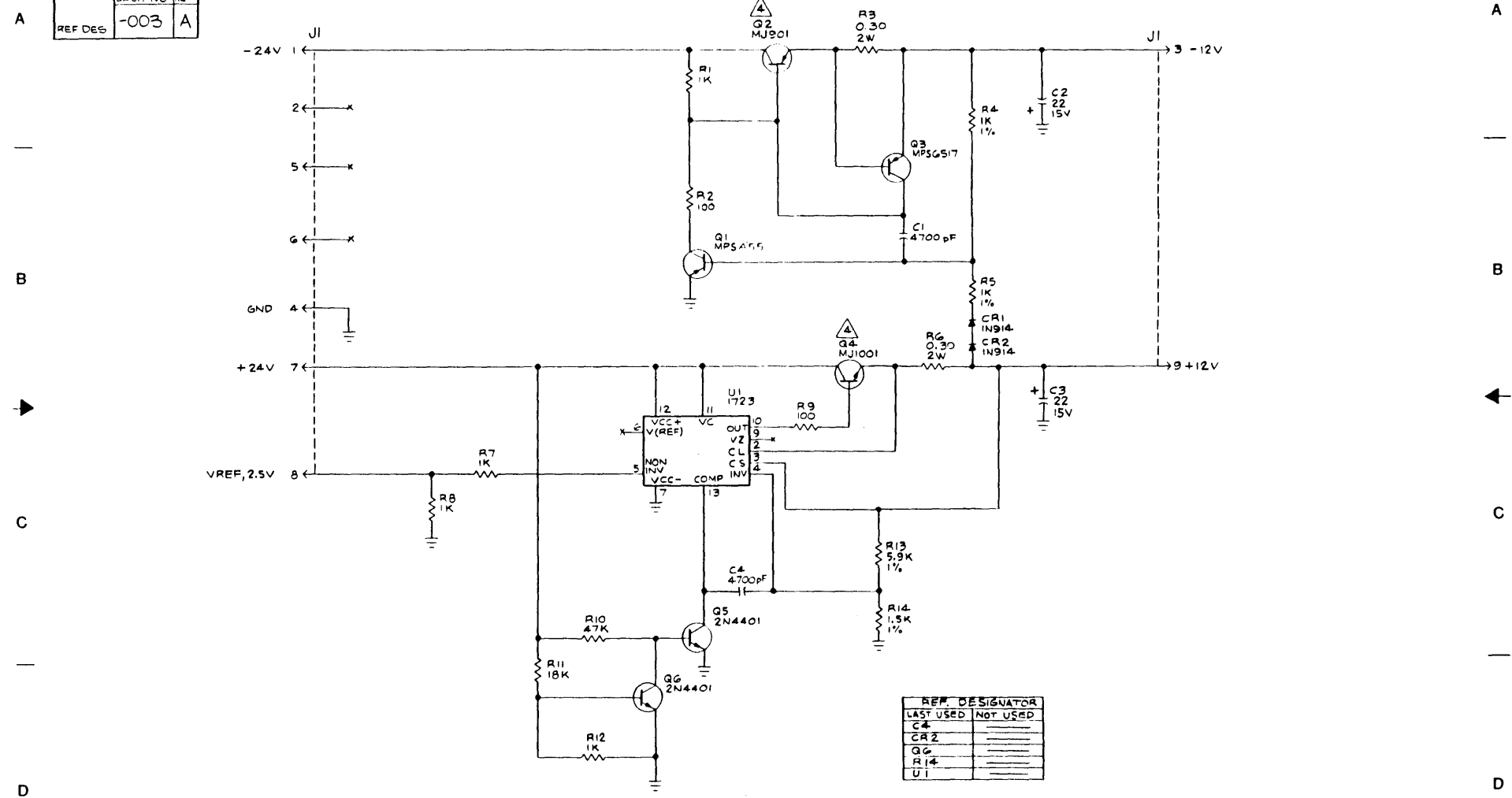
Power Supply +5V DC
TYPE 7109,7296,7443,7339,7482
Schematic Diagram

1 | 2 | 3 | 4 | 5 | 6 | 7 | 8

These drawings and specifications are the property of Kennedy Company and shall not be reproduced or copied or used as the basis for the manufacture or sale of apparatus without permission.

90-07148-XXX TABULATION

| | | |
|---------|---------|-----|
| REF DES | DASH NO | REV |
| | -003 | A |



| REF. DESIGNATOR | |
|-----------------|----------|
| LAST USED | NOT USED |
| C4 | |
| CR2 | |
| Q6 | |
| R14 | |
| U1 | |

▲ MOUNT ON HEAT SINK 304-7295-001.
 3 ALL CAPACITOR VALUE ARE IN MICROFARADS.
 2 ALL RESISTOR VALUE ARE IN OHMS ±5% 1/4 W.
 1 X INDICATES NO CONNECTION.
 NOTES: UNLESS OTHERWISE SPECIFIED.

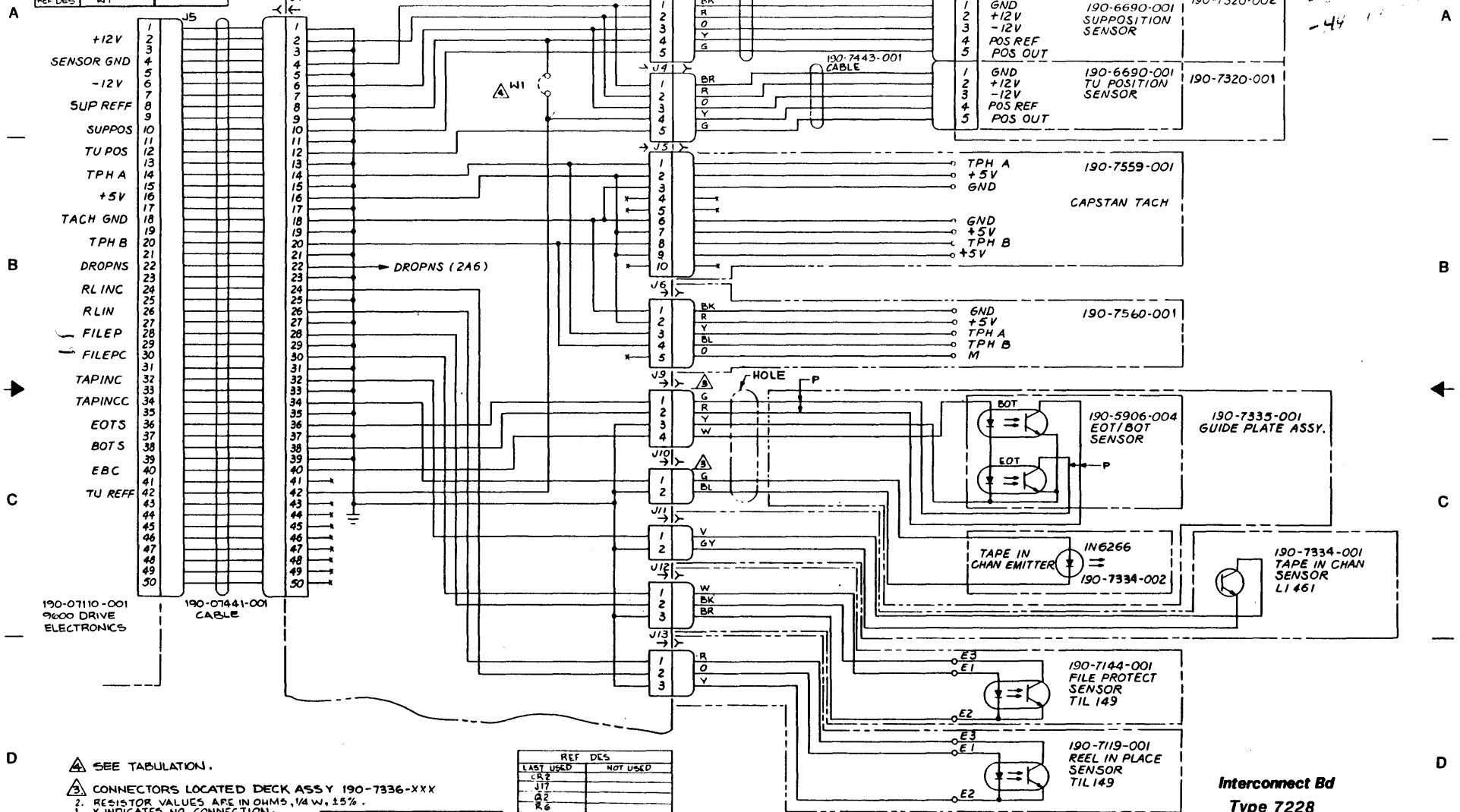
± 12V Regulator
 Type 7148
 Schematic Diagram

1 | 2 | 3 | 4 | 5 | 6 | 7

These drawings and specifications are the property of Kennedy Company and shall not be reproduced, or copied, or used as the base for the manufacture of any apparatus without permission.

401-07228-000C
SHEET 1 OF 2

| | | | |
|---------|-----|---------|-----|
| DASH NO | REV | WASH NO | REV |
| -101 | A | -201 | A |
| REF DES | W1 | | |



D SEE TABULATION.
 CONNECTORS LOCATED DECK ASSY 190-7336-XXX
 2. RESISTOR VALUES ARE IN OHMS, 1/4 W., ±5%.
 1. X INDICATES NO CONNECTION.
 NOTES: UNLESS OTHERWISE SPECIFIED.

| REF DES | |
|-----------|----------|
| LAST USED | NOT USED |
| CR2 | |
| J17 | |
| Q2 | |
| R6 | |
| NI | |

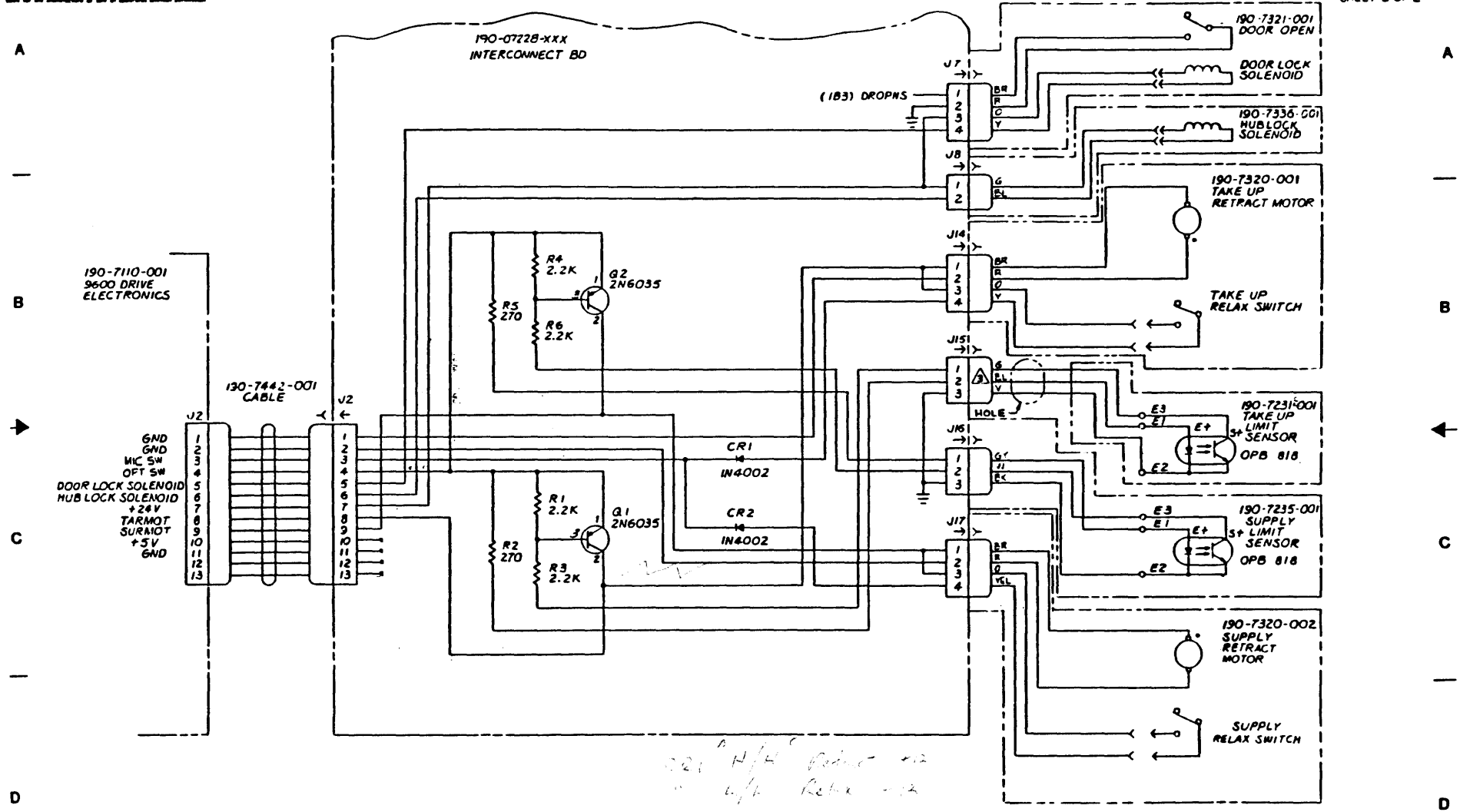
| | | | |
|------------|-------|---|---|
| REV STATUS | REV | C | D |
| OF SHEETS | SHEET | 1 | 2 |

Interconnect Bd
Type 7228
Schematic Diagram

1 | 2 | 3 | 4 | 5 | 6 | 7 | 8

This drawing and specifications are the property of General
Corporation and shall not be reproduced or used in any
form for the manufacture or use of equipment without permission

401-07228-0000
SHEET 2 OF 2



Interconnect Bd
Type 7228
Schematic Diagram

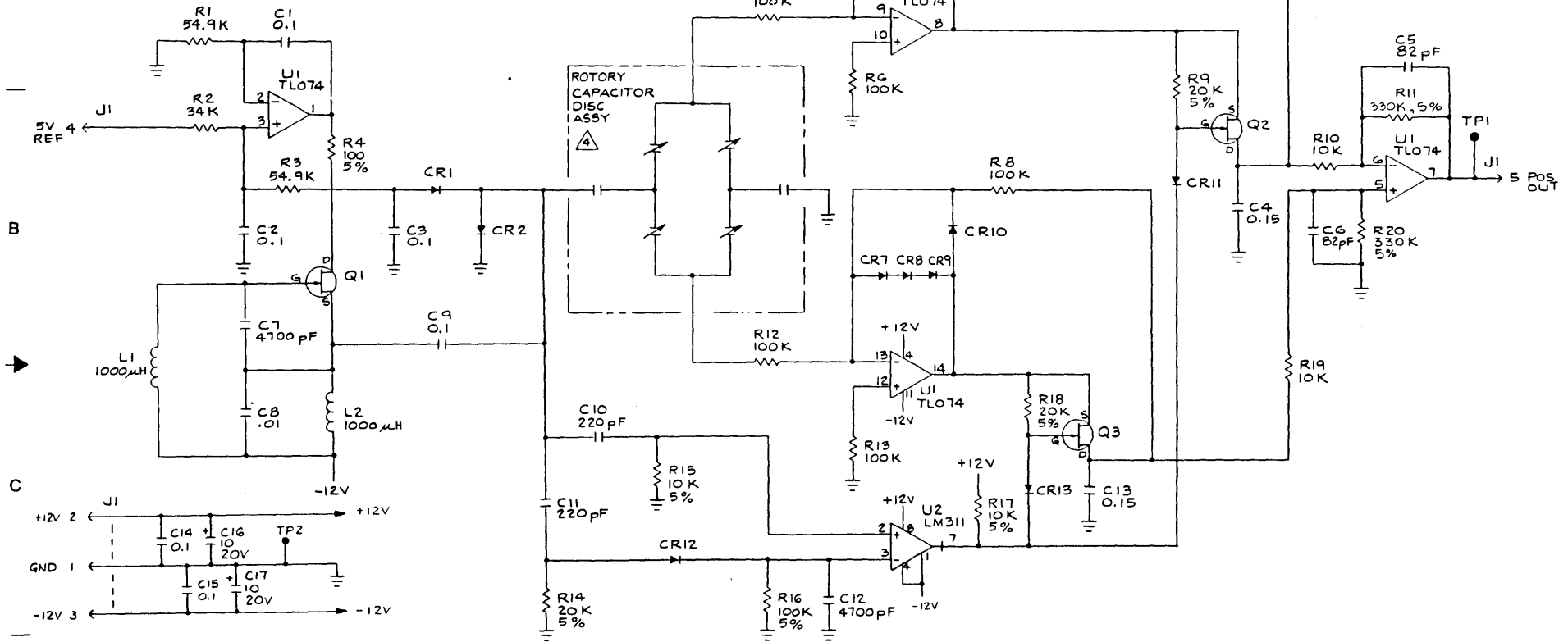
These drawings and specifications are the property of Kennedy Company and shall not be reproduced or copied or used in any manner without the written permission of Kennedy Company.

401-09069-000 A
SHT 1 OF 1

90-09069-XXX TABULATION

| DASH NO | REV |
|---------|-----|
| -002 | A |

A



B

C

D

- 5. ALL TRANSISTORS ARE MPF4392.
- △ CAPACITOR VALUES ARE CREATED BY CAPACITANCE DISC 204-7709-001.
- 3. ALL DIODES ARE 1N914.
- 2. RESISTORS ARE IN OHMS 1/5W, 1%.
- 1. CAPACITORS ARE IN MICROFARADS ± 10% 50V.

NOTES: UNLESS OTHERWISE SPECIFIED.

| REV STATUS OF SHEETS | REV SHEET | Δ |
|----------------------|-----------|---|
| | | 1 |

| REF DESIGNATORS | LAST USED | NOT USED |
|-----------------|-----------|----------|
| C17 | | |
| CR13 | | |
| L2 | | |
| Q3 | | |
| R20 | | |
| TP2 | | |
| U2 | | |

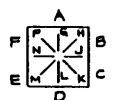
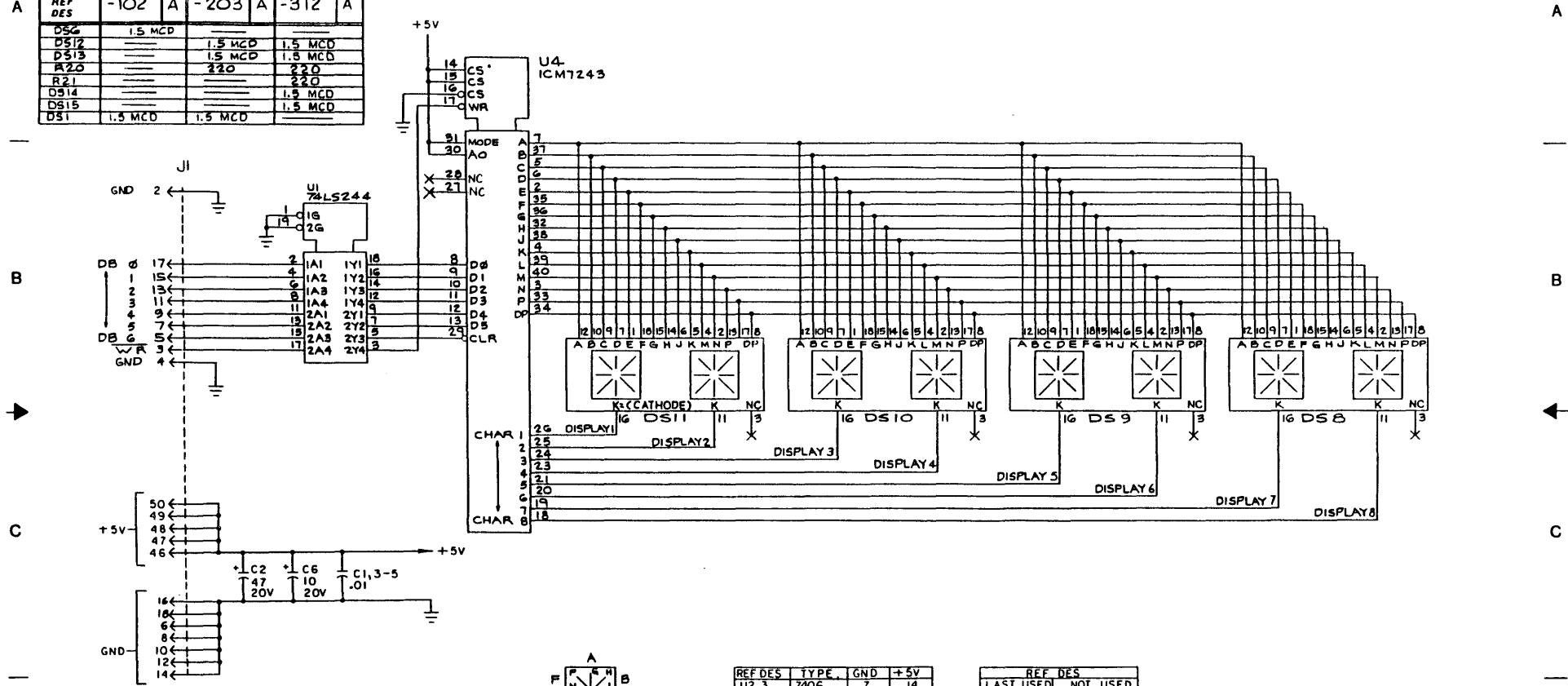
POSITION SENSOR
TYPE 9069
SCHEMATIC DIAGRAM

These drawings and specifications are the property of Kennedy Company and shall not be reproduced or copied, or used as the basis for the manufacture or sale of apparatus without permission.

401-07947-000 8
SHEET 1 OF 2

100-07947 TABULATION

| REF DES | DASH NO | REV | DASH NO | REV | DASH NO | REV |
|---------|---------|-----|---------|-----|---------|-----|
| DS2 | -102 | A | -203 | A | -312 | A |
| DS12 | | | 1.5 MCD | | 1.5 MCD | |
| DS13 | | | 1.5 MCD | | 1.5 MCD | |
| R20 | | | 220 | | 220 | |
| R21 | | | | | 220 | |
| DS14 | | | | | 1.5 MCD | |
| DS15 | | | | | 1.5 MCD | |
| DS1 | 1.5 MCD | | 1.5 MCD | | | |



TYPICAL OF ALL DISPLAY LAMPS

| REF DES | TYPE | GND | +5V |
|---------|---------|-----|-----|
| U2,3 | 7406 | 7 | 14 |
| U4 | 7243 | 22 | 1 |
| U1 | 74LS244 | 10 | 20 |

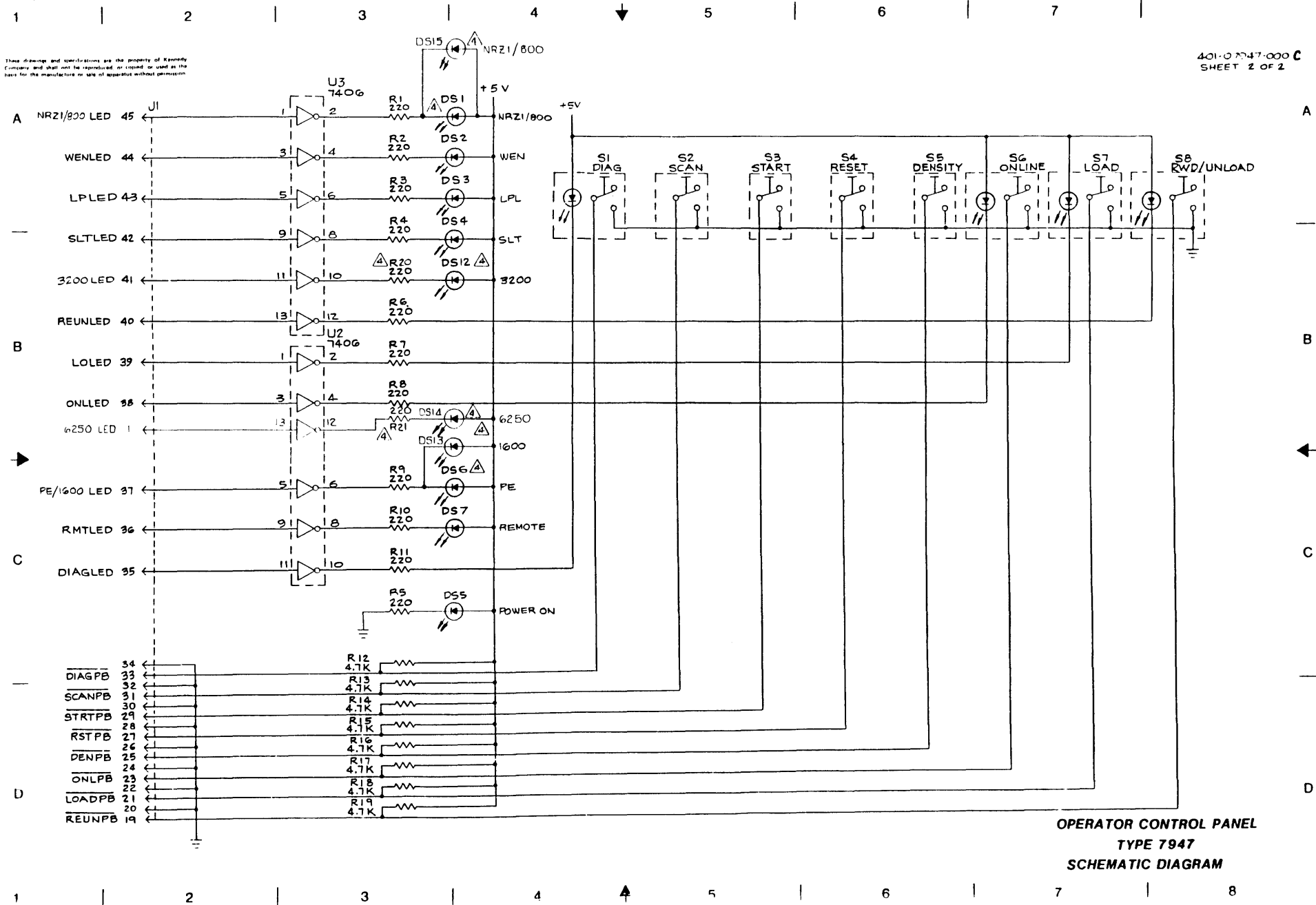
| REF DES | LAST USED | NOT USED |
|---------|-----------|----------|
| C6 | | |
| DS15 | | |
| J1 | | |
| R21 | | |
| S8 | | |
| U4 | | |

- SEE TABULATION FOR COMPONENTS USED.
- ALL DIODES ARE 1.5 MCD
- RESISTORS ARE IN OHMS: 5%, 1/4 W.
- CAPACITORS ARE IN MICROFARADS: 18%, 50V

NOTES: UNLESS OTHERWISE SPECIFIED

| REV STATUS OF SHEETS | REV SHEET | G | C |
|----------------------|-----------|---|---|
| | | 1 | 2 |

OPERATOR CONTROL PANEL
TYPE 7947
SCHEMATIC DIAGRAM



These drawings and specifications are the property of Kennedy Company and shall not be reproduced or copied or used in any way for the manufacture or sale of apparatus without permission.

401-0 7947-000 C
SHEET 2 OF 2

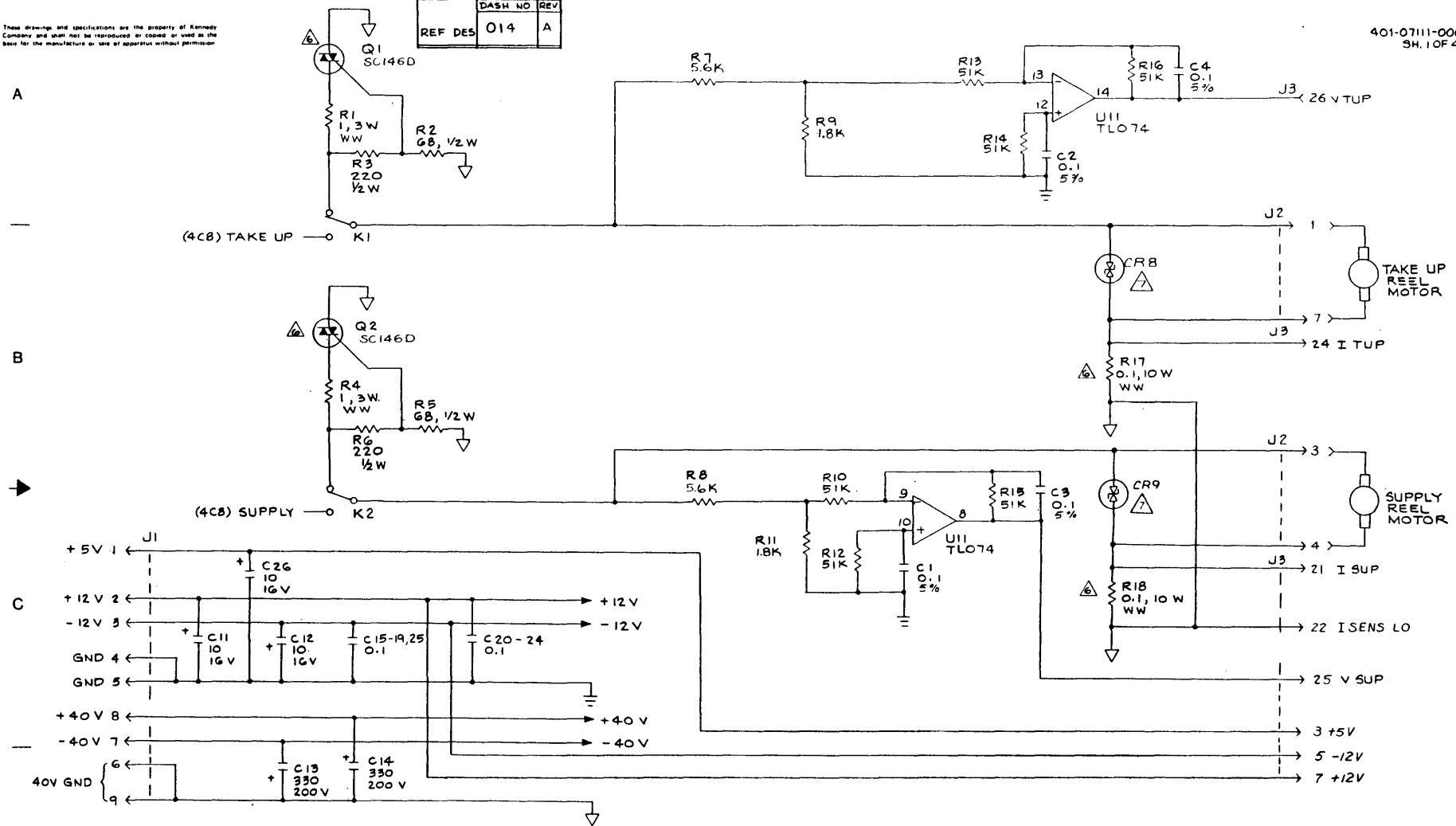
OPERATOR CONTROL PANEL
TYPE 7947
SCHEMATIC DIAGRAM

1 | 2 | 3 | 4 | 5 | 6 | 7 | 8

These drawings and specifications are the property of Kennedy Company and shall not be reproduced or copied or used as the base for the manufacture or sale of apparatus without permission.

401-07111-000 P
SH. 1 OF 4

| | |
|---------------|-------|
| 190-07111-XXX | |
| DASH NO | REV |
| REF DES | O14 A |



△ COMPONENTS NOT USED, SHOWN FOR FULL CAPABILITY OF THE BOARD.
 ▲ COMPONENTS MOUNTED ON HEAT SINK. 190-7289-001
 5 SEE SH.4 FOR NOTES ON TYPICAL SECTION.
 4. ALL DIODES ARE 1N914
 3. X INDICATES NO CONNECTION.
 2. ALL RESISTOR VALUES ARE IN OHMS. ± 5%, 1/4 W.
 1. ALL CAPACITOR VALUES ARE IN MICROFARADS.
 NOTES: UNLESS OTHERWISE SPECIFIED

| REF. DESIG. | LAST USED | NOT USED |
|-------------|-----------|----------|
| C28 | | C8,9 |
| CR10 | | |
| K2 | | |
| L1 | | |
| Q9 | | |
| R72 | RPT 58 | |
| U13 | U2, 10 | |

| | | | | | |
|------------|-------|---|---|---|---|
| REV STATUS | REV | P | P | N | P |
| OF SHEETS | SHEET | 1 | 2 | 3 | 4 |

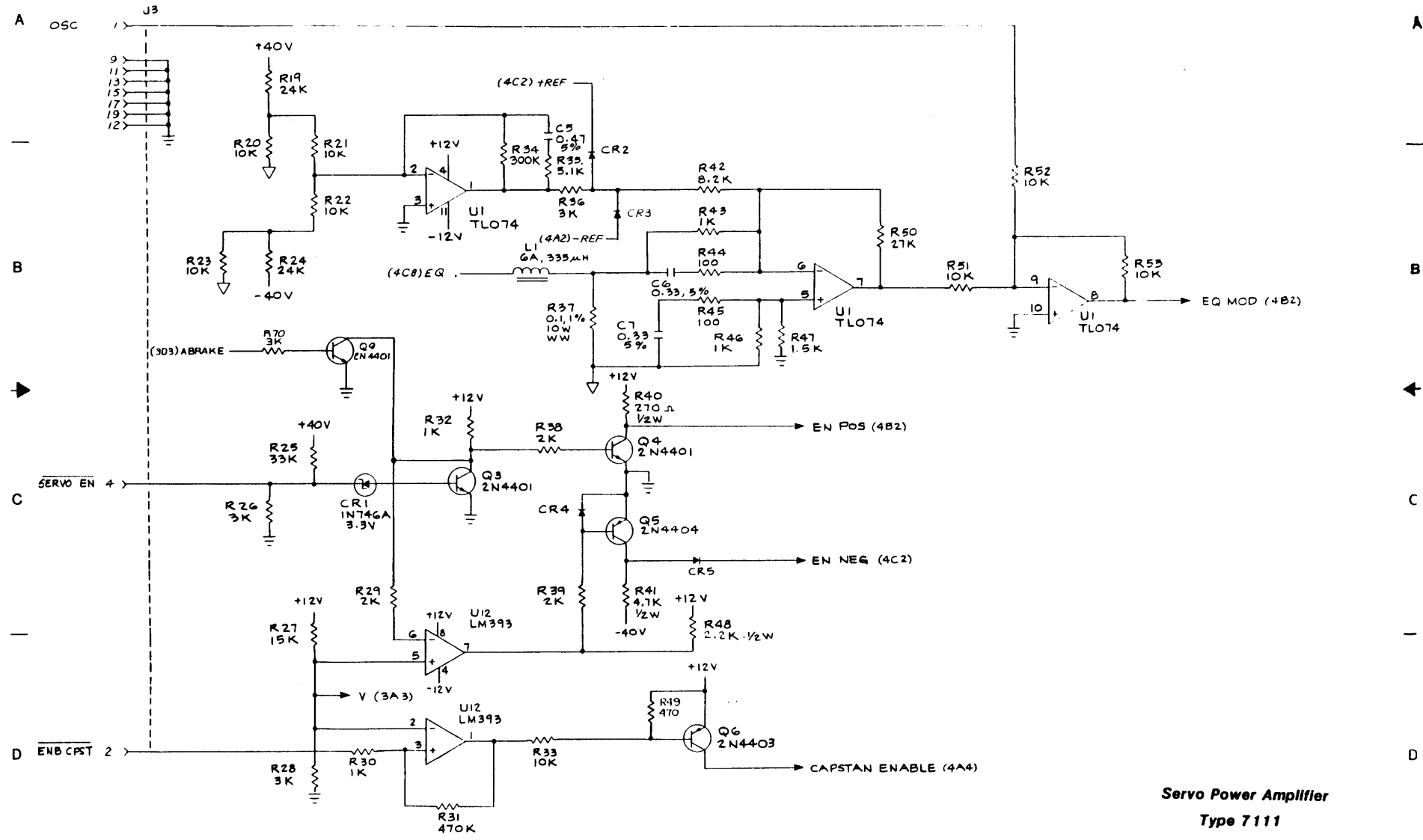
Servo Power Amplifier
Type 7111
Schematic Diagram

1 | 2 | 3 | 4 | 5 | 6 | 7 | 8

1 | 2 | 3 | 4 | 5 | 6 | 7 | 8

These drawings and specifications are the property of Kennedy Company and shall not be reproduced or stored or used as the basis for the manufacture or use of apparatus without permission.

401-07111-000 N
SH 2.1.4

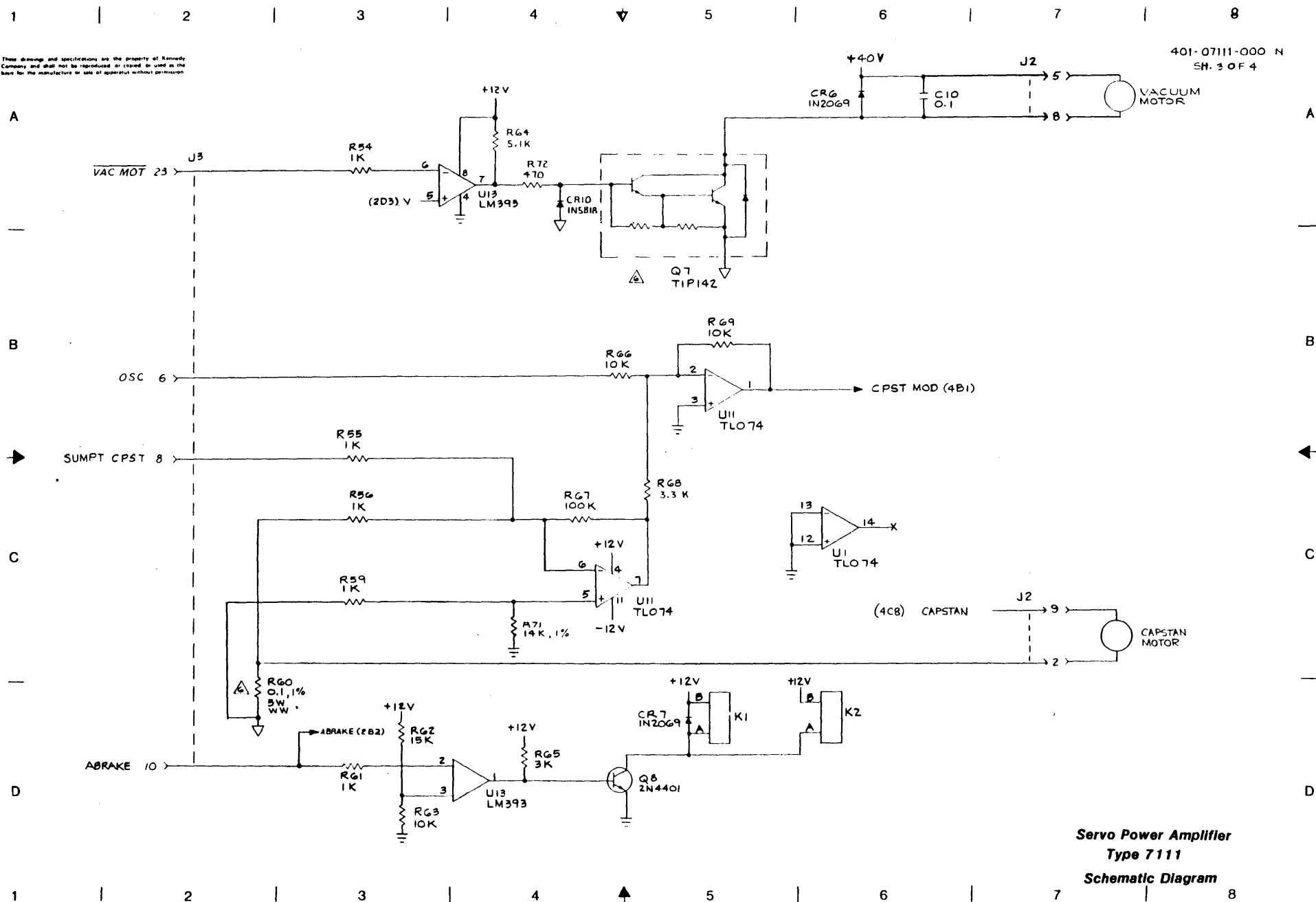


1 | 2 | 3 | 4 | 5 | 6 | 7 | 8

Servo Power Amplifier
Type 7111
Schematic Diagram

These drawings and specifications are the property of Kennedy Company and shall not be reproduced or copied or used in the base for the manufacture or use of apparatus without permission.

401-07111-000 N
SH. 3 OF 4

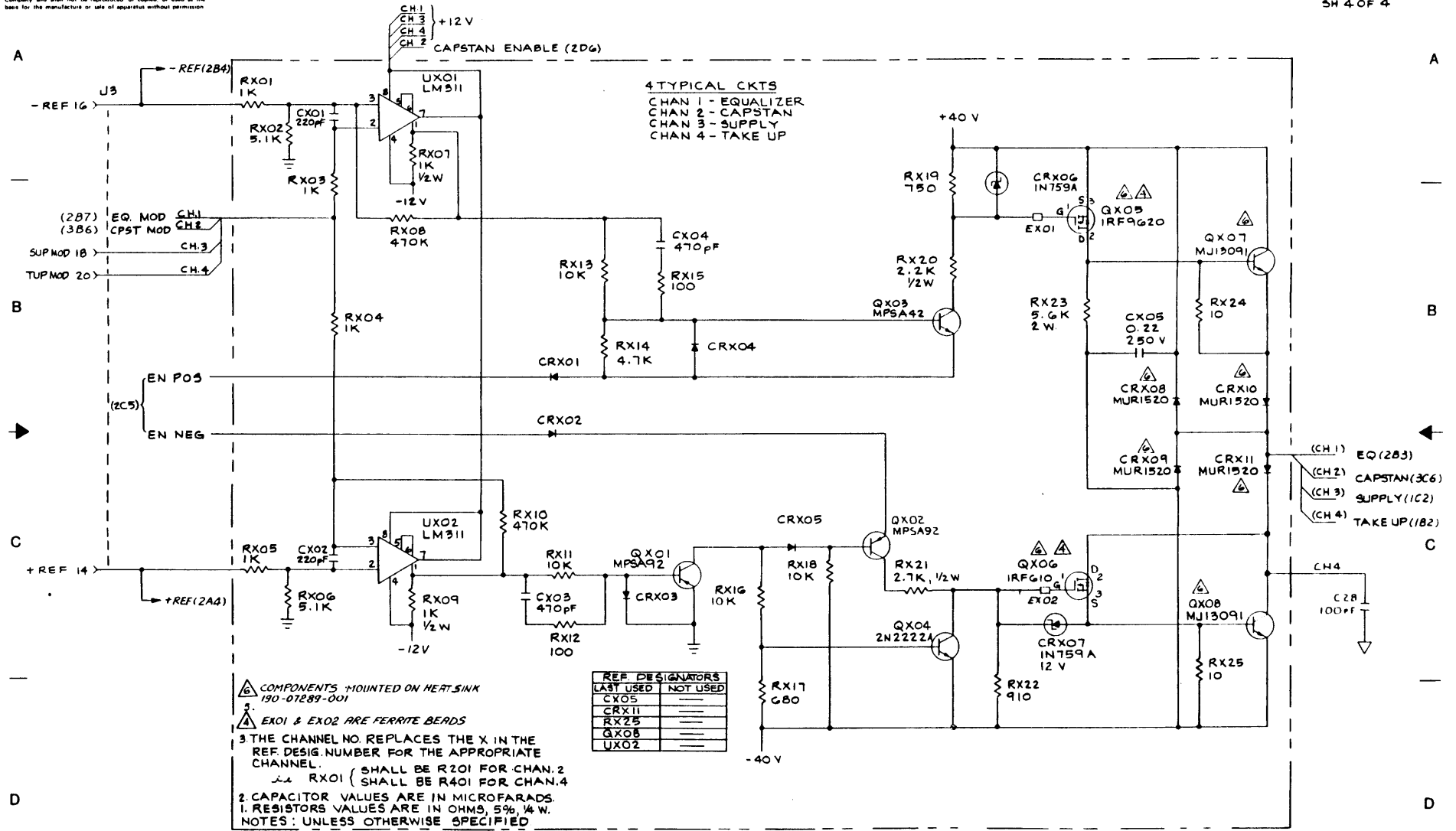


Servo Power Amplifier
Type 7111
Schematic Diagram

1 | 2 | 3 | 4 | 5 | 6 | 7 | 8

These drawings and specifications are the property of Kennedy Company and shall not be reproduced or copied or used as the basis for the manufacture or sale of apparatus without permission.

401-07111-000 P
SH 4 OF 4



Servo Power Amplifier
 Type 7111
 Schematic Diagram

1 | 2 | 3 | 4 | 5 | 6 | 7 | 8

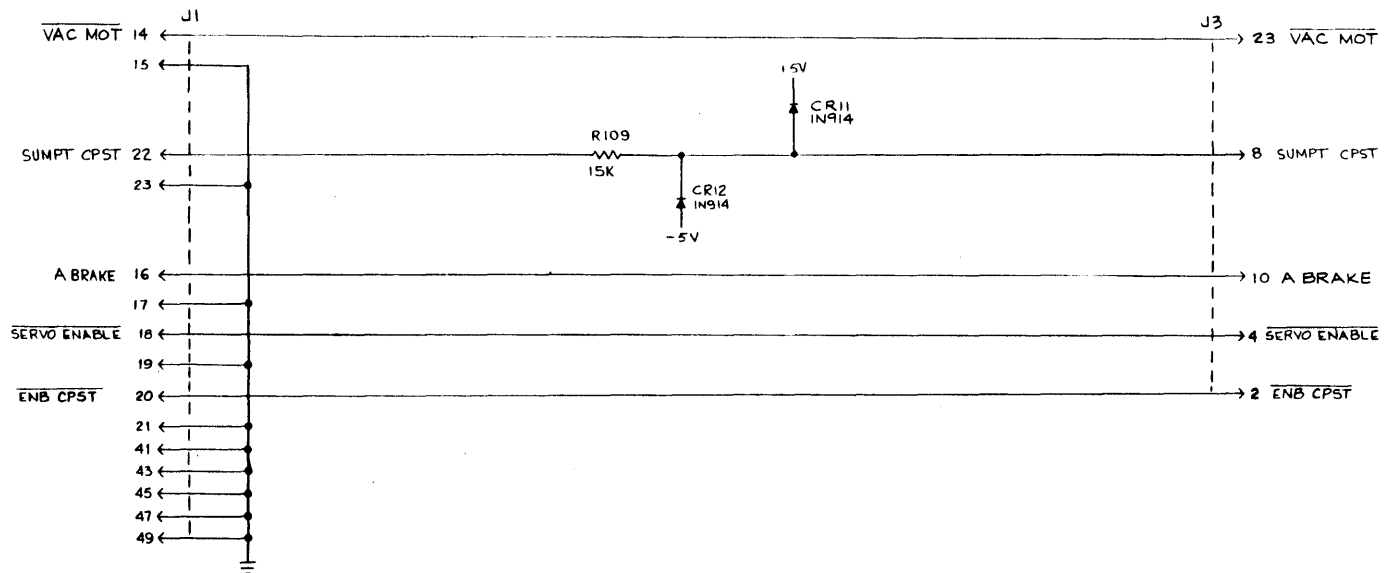
These drawings and specifications are the property of Kennedy Company and shall not be reproduced, or copied, or used as the basis for the manufacture or sale of apparatus without permission.

| | | |
|---------|---------|-----|
| | DASH NO | REV |
| REF DES | 004 | B |

401-7147-000 E
SHT. 1 OF 4

A

A

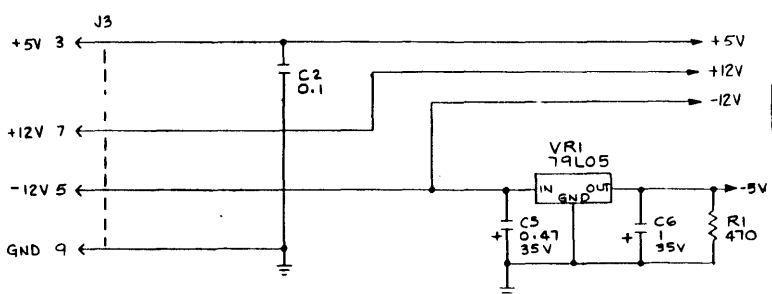


B

B

C

C



| REF DES. | TYPE | +5V | GND |
|----------|--------|-----|-----|
| U4 | 74LS02 | 14 | 7 |
| U5 | 74LS32 | 14 | 7 |

| REFERENCE DESIG. | |
|------------------|----------|
| LAST USED | NOT USED |
| C1 | C1 |
| CR12 | |
| Q2 | |
| R113 | |
| U11 | |
| VR1 | |

D

D

3. ALL CAPACITOR VALUES ARE IN MICROFARADS.
2. ALL RESISTOR VALUES ARE IN OHMS ± 5% 1/4 W.
1. X INDICATES NO CONNECTION.
NOTES: UNLESS OTHERWISE SPECIFIED

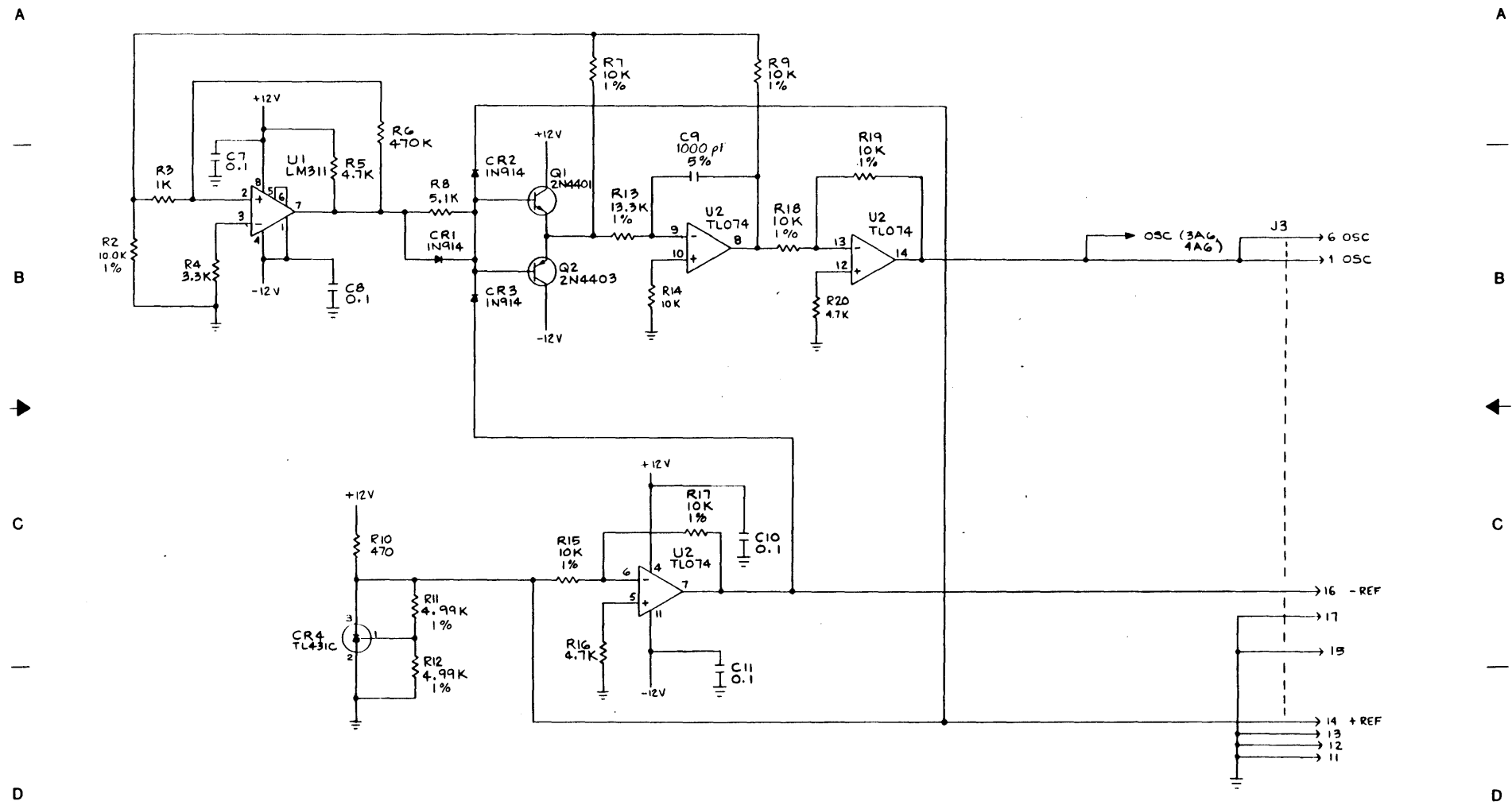
| REV STATUS OF SHEETS | REV SHEET | E | D | E | B |
|----------------------|-----------|---|---|---|---|
| | | 1 | 2 | 3 | 4 |

Servo Power Amplifier
Type 7147
Schematic Diagram

1 | 2 | 3 | 4 | 5 | 6 | 7 | 8

These drawings and specifications are the property of Kennedy Company and shall not be reproduced or copied or used as the basis for the manufacture or sale of apparatus without permission.

401-7147-000 D
SHT 2 OF 4

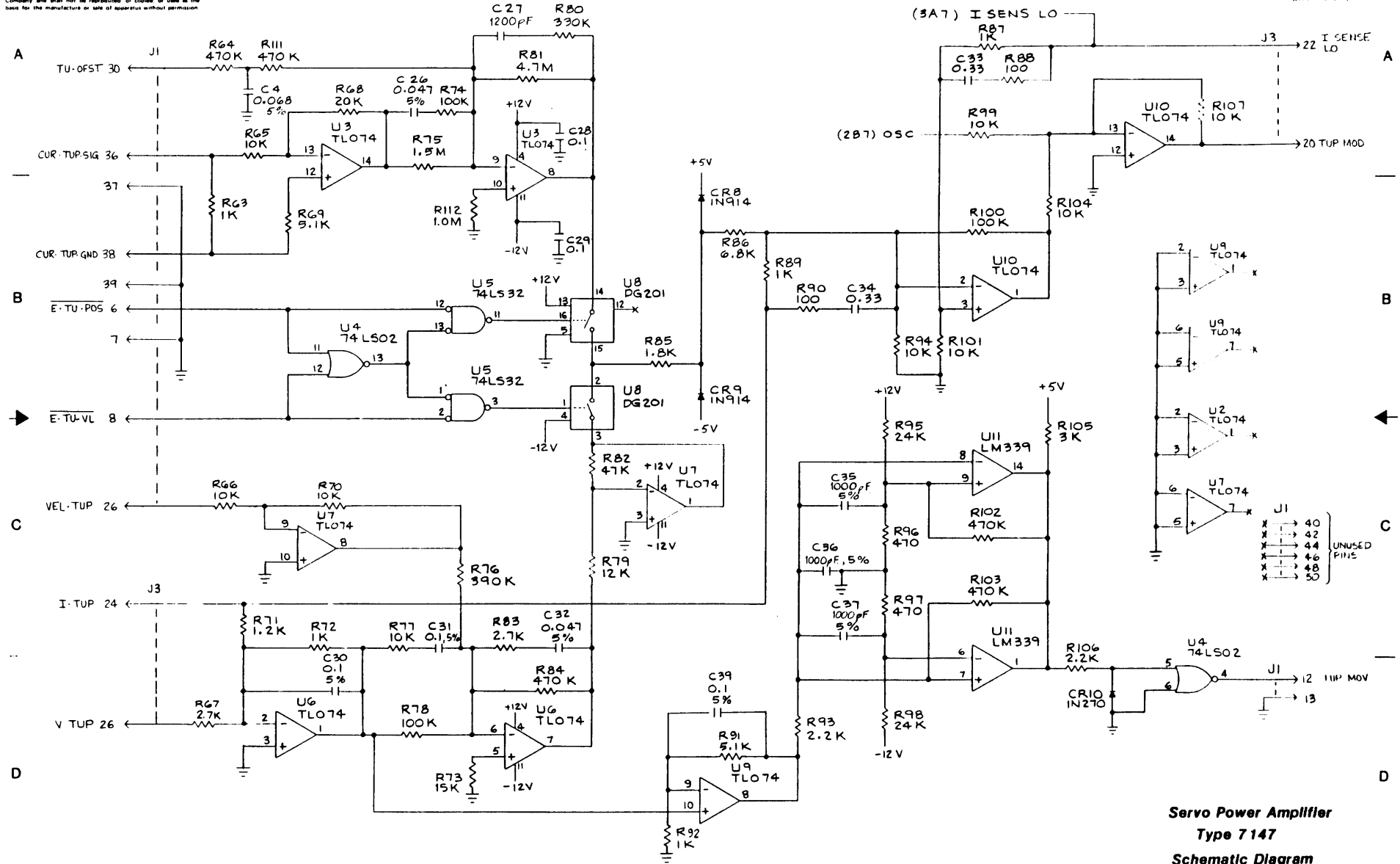


1 | 2 | 3 | 4 | 5 | 6 | 7 | 8

**Servo Power Amplifier
Type 7147
Schematic Diagram**

These drawings and specifications are the property of Kennedy Company and shall not be reproduced or copied or used as the basis for the manufacture or sale of apparatus without permission.

401-114' 000 B
SMT 4 of 4



Servo Power Amplifier
Type 7147
Schematic Diagram

These drawings and specifications are the property of Kennedy Company and shall not be reproduced, or copied, or used as the basis for the manufacture or sale of apparatus without permission.

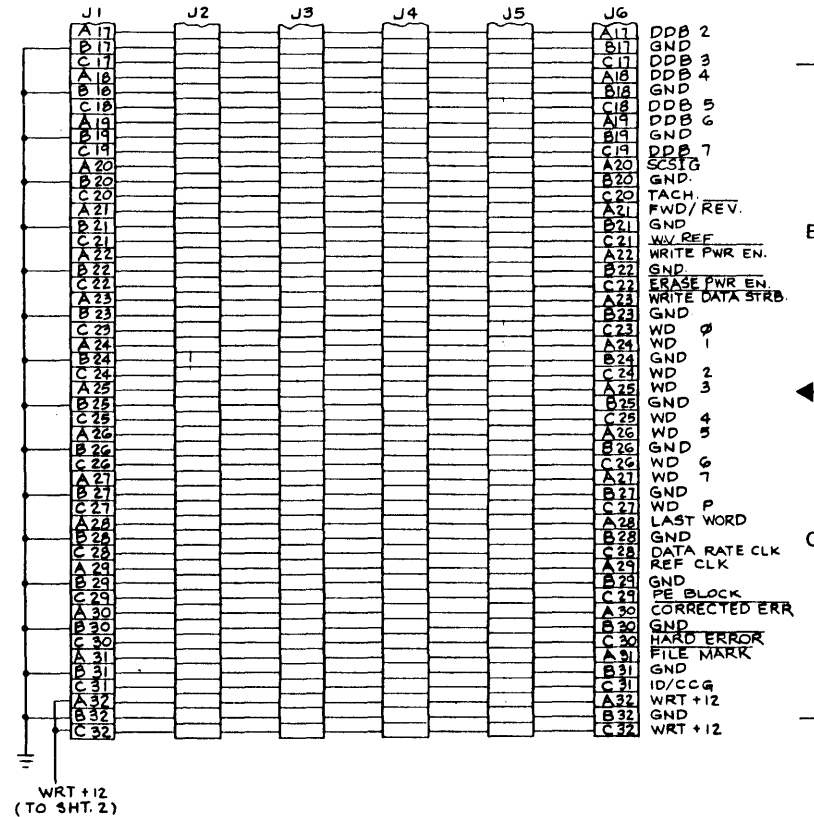
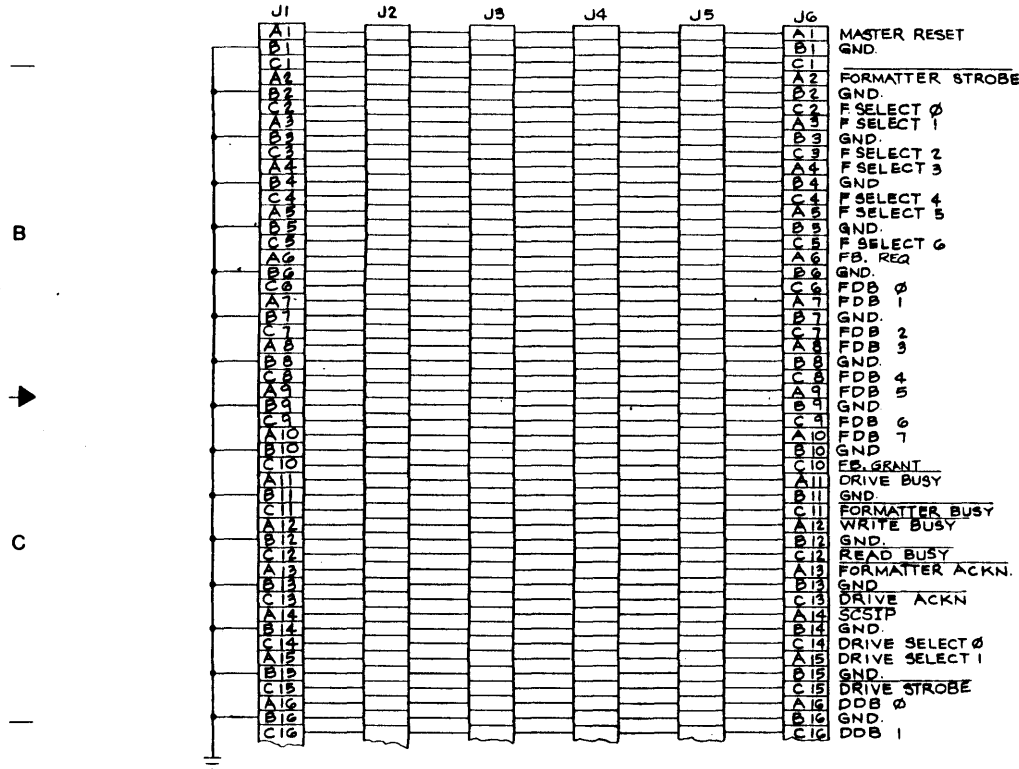
190-7108 TABULATION

| | | |
|---|---------|-----|
| | DASH NO | REV |
| A | - 001 | E |

REF. PI Δ

REF. PI Δ

CONTINUATION



| | | | |
|------------|-------|---|---|
| REV STATUS | REV | H | H |
| OF SHEETS | SHEET | 1 | 2 |

3. A CHANGE TO THIS DRAWING SHALL REQUIRE CO-ORDINATION WITH ALL ASSOCIATED DRAWINGS.
 Δ ALL BOARDS PLUGGED INTO J2-J6 AND J8-J12 ON THE MOTHER BOARD SHALL HAVE CONNECTORS IDENTIFIED AS P1 AND P2. P1'S MATE WITH J2-J6. P2'S MATE WITH J8-J12.
 1. UNASSIGNED PINS ARE AVAILABLE FOR FUTURE USE.
 NOTES: UNLESS OTHERWISE SPECIFIED

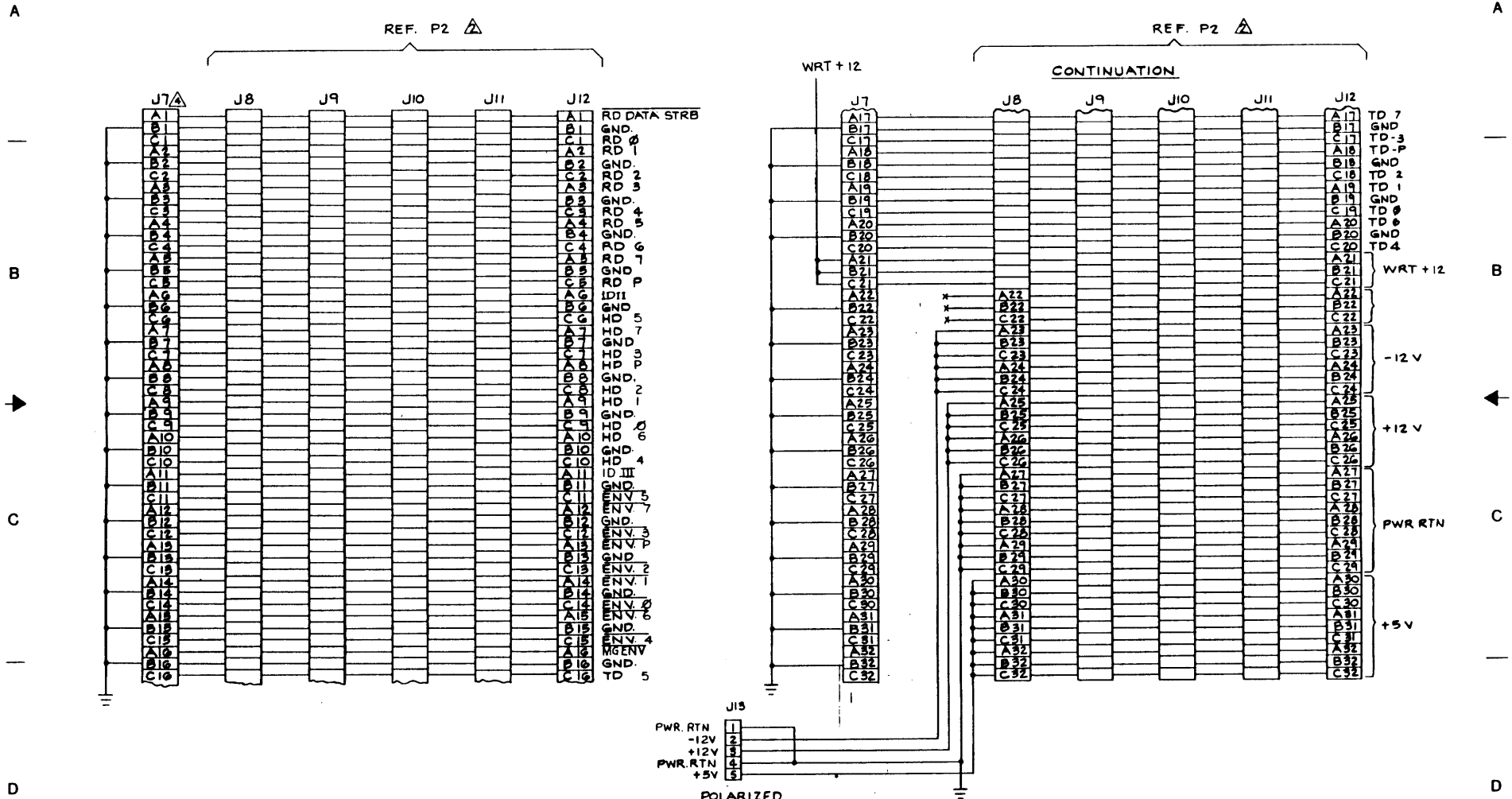
Δ REMOVED

9600 Motherboard Signal Assignments
Type 7108
Schematic Diagram

1 | 2 | 3 | 4 | 5 | 6 | 7 | 8

These drawings and specifications are the property of Kennedy Company and shall not be reproduced, or copied, or used in any way for the manufacture or sale of apparatus without permission.

401-07108-000 H
SH 2 OF 2



9600 Motherboard Signal Assignments
Type 7108
Schematic Diagram

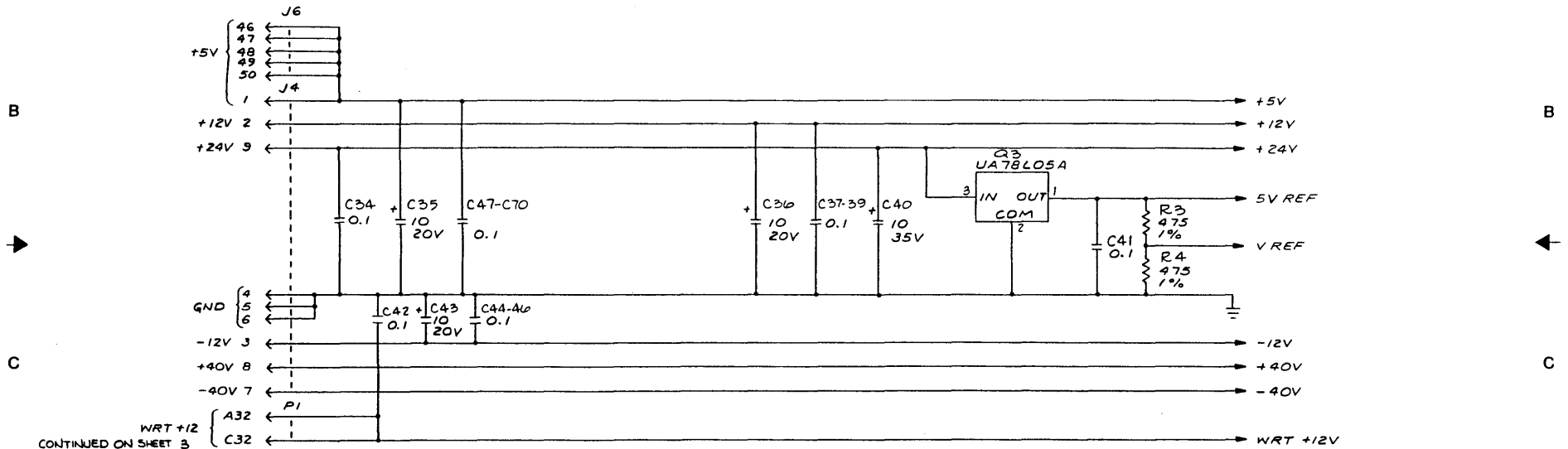
1 | 2 | 3 | 4 | 5 | 6 | 7 | 8

These drawings and specifications are the property of Emeddy Company and shall not be reproduced, or copied, or used as the basis for the manufacture or sale of apparatus without permission.

401-07952-000V
SHEET 1 OF 10

190-07952 TABULATION

| REF. DES | BASE NO | REV | DASH NO. | REV |
|----------|---------------|-----|----------|------|
| U24 | 146-00193-008 | B | -114 | B |
| U37 | 146-00191-002 | | | |
| U51 | 146-00192-001 | | | |
| R102 | 10K | | | 2K |
| R120 | 10K | | | 3.3K |
| R128 | | | | 3.6K |



- △ COMPONENT LOCATIONS PROVIDED ON THE PCB, BUT ARE NOT USED.
- △ CIRCUIT SHOWN USING 27276 IC TYPES 27128 AND 2764 ARE INTERCHANGEABLE WITH 27256, WITH THE EXCEPTION OF FUNCTIONS IN THE CONTROL BLOCK. SEE DIAGRAMS TO THE RIGHT.

5. ALL DIODES ARE 1N914.

△ P1 CONNECTOR PIN AND FUNCTIONS SHALL BE COORDINATED WITH THE MOTHER BOARD (401-07108-001). FOR PINS NOT SHOWN ON DRAWING.

- 3. ALL CAPACITOR VALUES ARE IN MICROFARADS.
- 2. ALL RESISTOR VALUES ARE IN OHMS ± 5%, 1/4 W
- 1. X INDICATES NO CONNECTION.

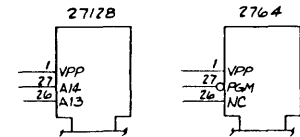
NOTES: UNLESS OTHERWISE SPECIFIED.

| REV STATUS OF SHEETS | REV | V | N | B | F | A | B | A | F | V | V |
|----------------------|-----|---|---|---|---|---|---|---|---|----|---|
| SHEET | 1 | 2 | 3 | 4 | 5 | 6 | 7 | 8 | 9 | 10 | |

| REF DES | TYPE | 6D | 5V |
|--------------|---------|----|----|
| U26,27,28 | 74LS00 | 7 | 14 |
| U8,19,57 | 74LS04 | 7 | 14 |
| U7 | 74LS08 | 7 | 14 |
| U18 | 74LS14 | 7 | 14 |
| U45,52 | 74LS57 | 7 | 14 |
| U33,39 | 74LS74 | 7 | 14 |
| U4 | 7492 | 10 | 5 |
| U63 | 74LS107 | 7 | 14 |
| U15 | 74LS137 | 7 | 14 |
| U44 | 74LS138 | 8 | 16 |
| U50 | 74LS155 | 8 | 16 |
| U12,22,41,65 | 74LS244 | 10 | 20 |
| U29 | 74LS245 | 10 | 20 |
| U3 | 74LS04 | 7 | 14 |

| REF DES | TYPE | 6D | 5V |
|--------------|----------|----|----|
| U64 | 74LS260 | 7 | 14 |
| U1,5,6 | 74LS367 | 8 | 16 |
| U29 | 74LS373 | 10 | 20 |
| U46 | 74LS593 | 7 | 14 |
| U38,59,66,67 | 74LS670 | 8 | 16 |
| U24 | Δ | 18 | 28 |
| U47 | 4051 | | |
| U9,16 | MC14584B | 7 | 14 |
| U14 | 8031 | - | 40 |
| U30 | 8254-2 | 12 | 24 |
| U2,13,23,34 | 8255A | 7 | 20 |
| U38,60 | HI-201 | 5 | - |
| U51 | 1608 | 10 | 20 |
| U37 | 1686 | 10 | 20 |
| U39 | Δ | 8 | 16 |
| U40,42,49,53 | Δ | 7 | 14 |
| U43,50,69,70 | Δ | 10 | 20 |

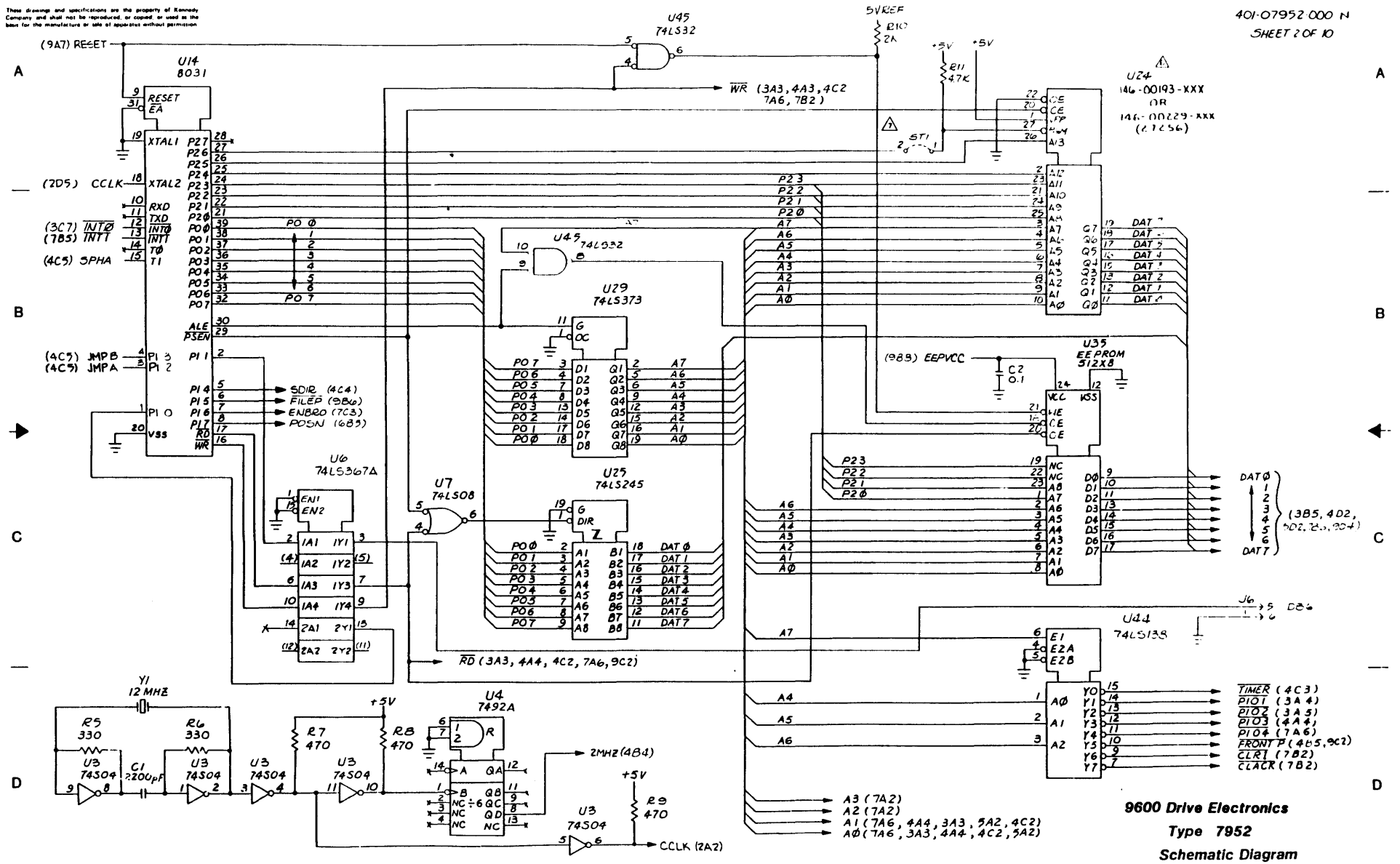
| REF DES | LAST USED | NOT USED |
|---------|-----------|----------|
| C70 | | |
| CE21 | | |
| CE10 | | |
| CE127 | R12,76 | |
| ST4 | | |
| Y1 | | |
| U73 | | |



960 Drive Electronics
Type 7952
Schematic Diagram

These drawings and specifications are the property of Kennedy Company and shall not be reproduced, or copied, or used as the basis for the manufacture or sale of apparatus without permission.

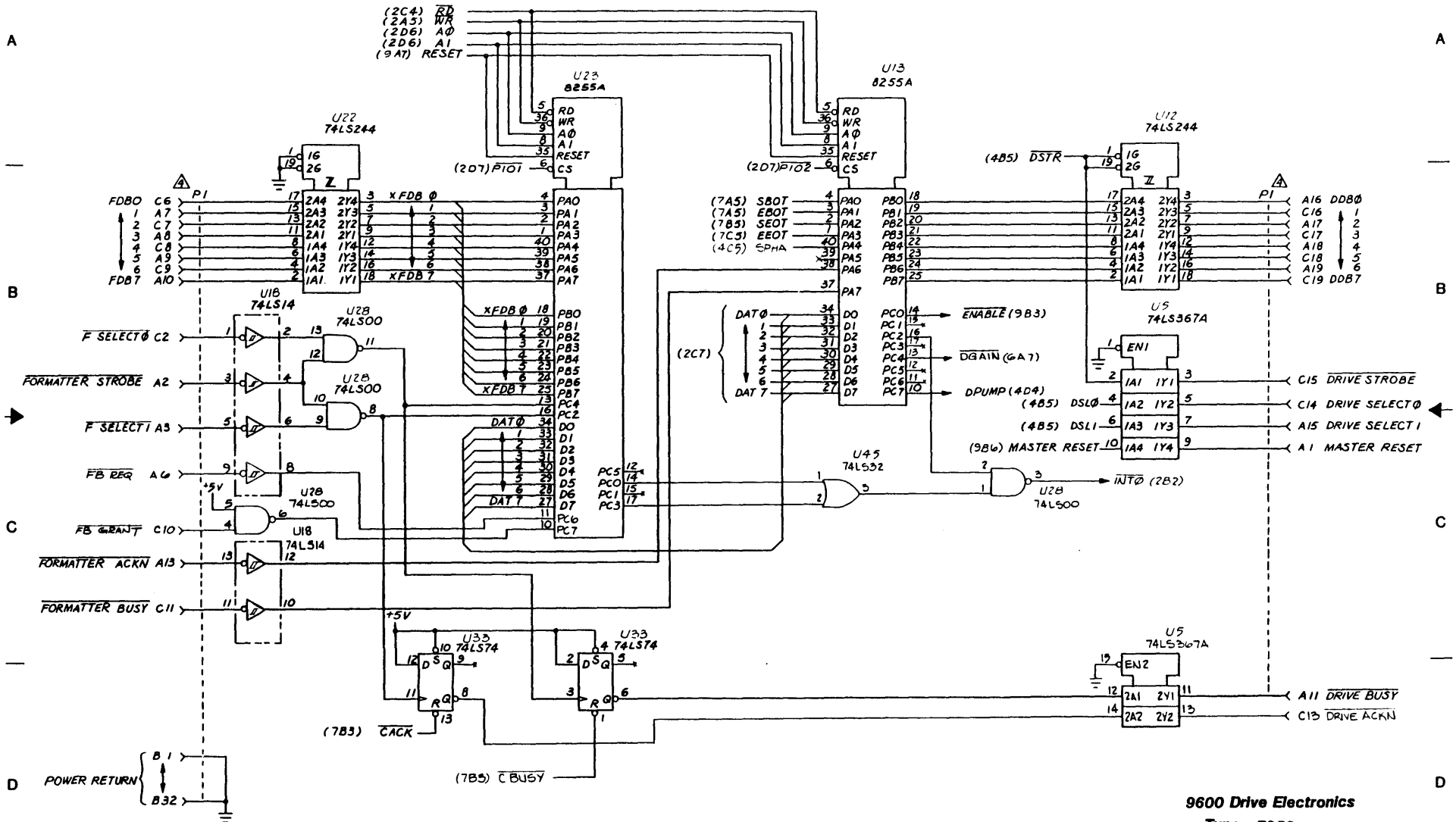
401-07952 000 N
SHEET 2 OF 10



9600 Drive Electronics
Type 7952
Schematic Diagram

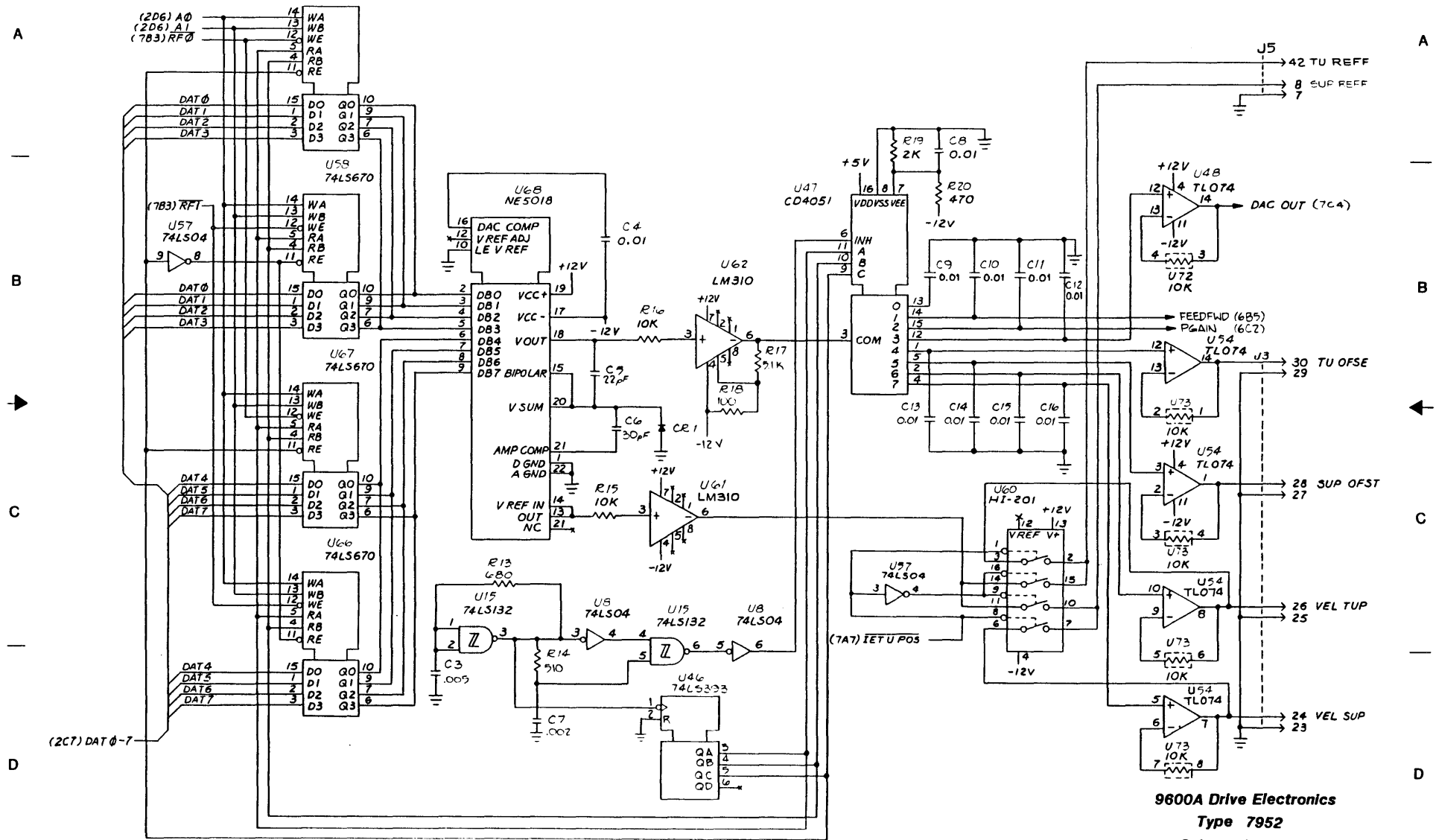
These drawings and specifications are the property of Kennedy Company and shall not be reproduced, copied, or used as the base for the manufacture or sale of apparatus without permission.

401-07952-000 B
SHEET 3 OF 10



9600 Drive Electronics
Type 7952
Schematic Diagram

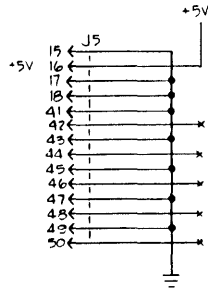
These drawings and specifications are the property of Kennedy Company and shall not be reproduced, or copied, or used as the basis for the manufacture or sale of equipment without permission.



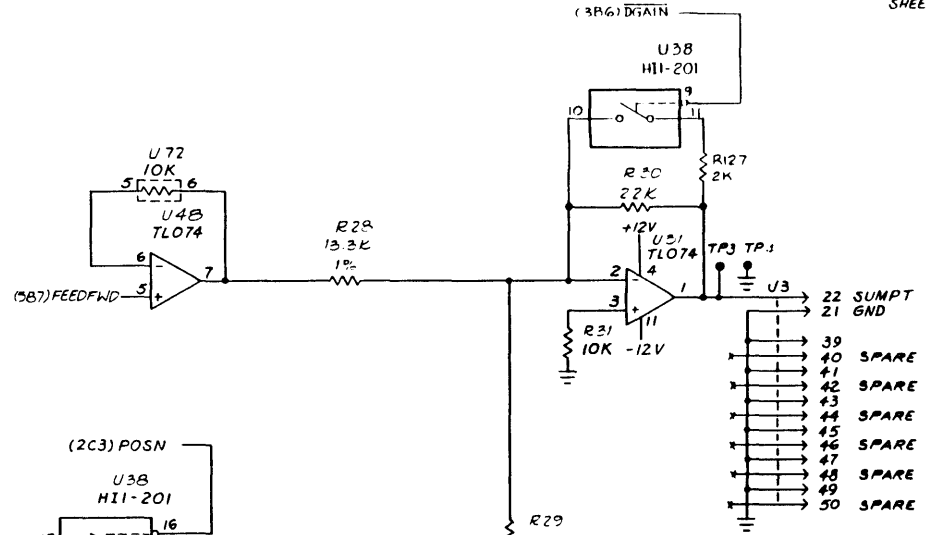
9600A Drive Electronics
Type 7952
Schematic Diagram

These drawings and specifications are the property of Kennedy Company and shall not be reproduced, or copied, or used as the basis for the manufacture or sale of apparatus without permission.

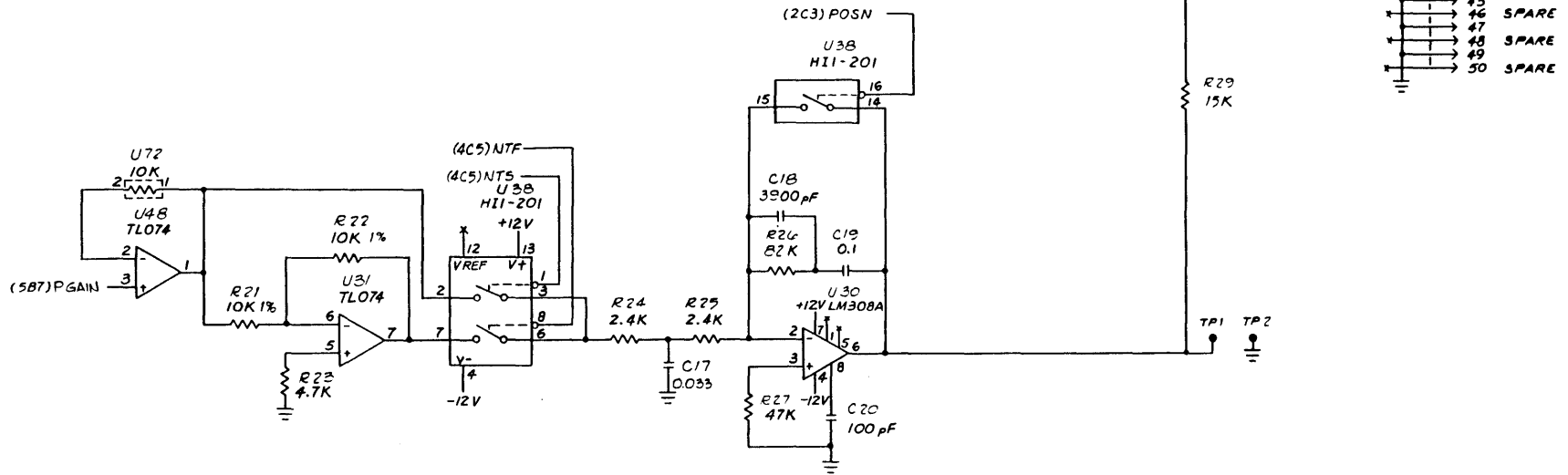
A



B



C



D

9600A Drive Electronics
Type 7952
Schematic Diagram

1

2

3

4

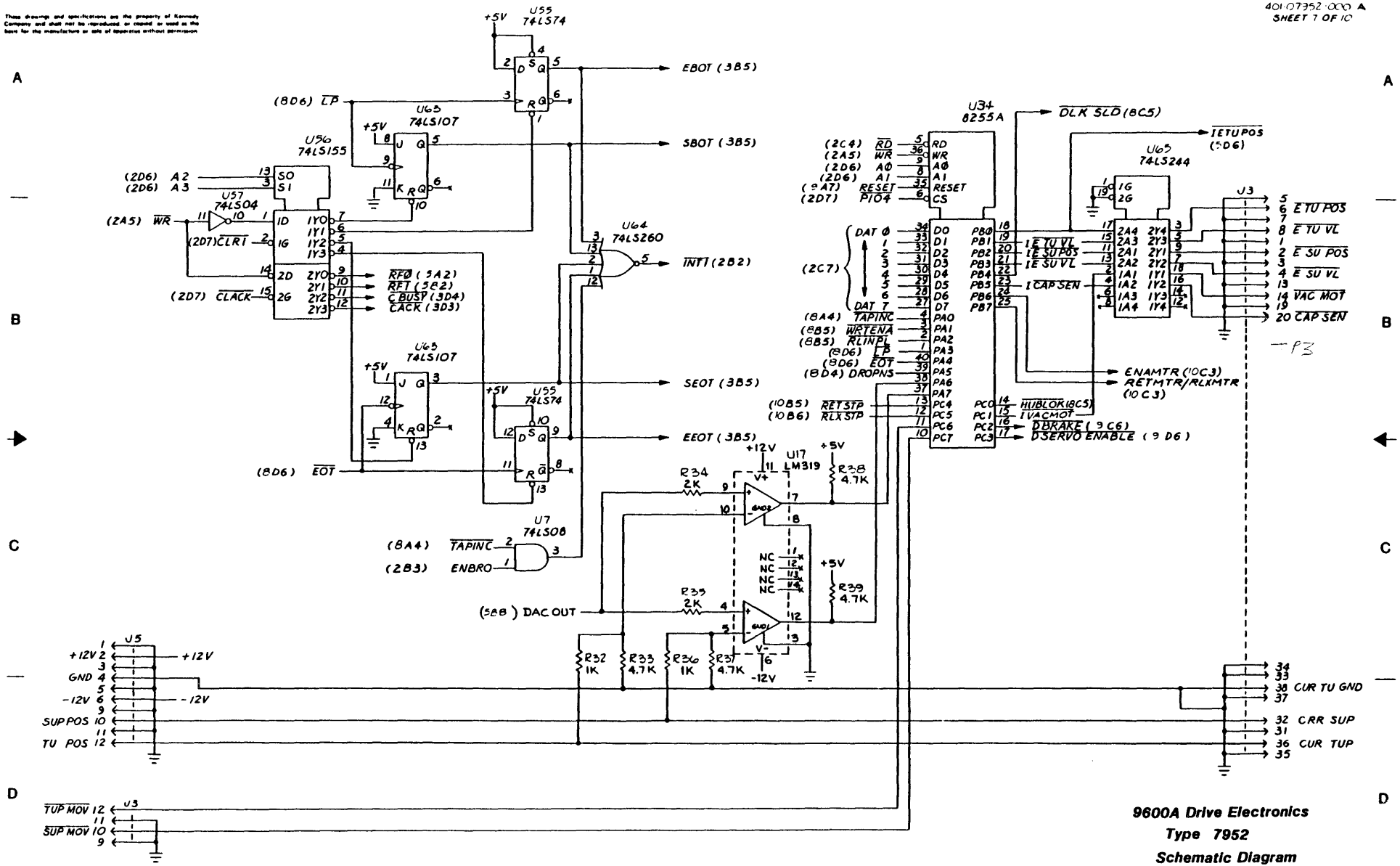
5

6

7

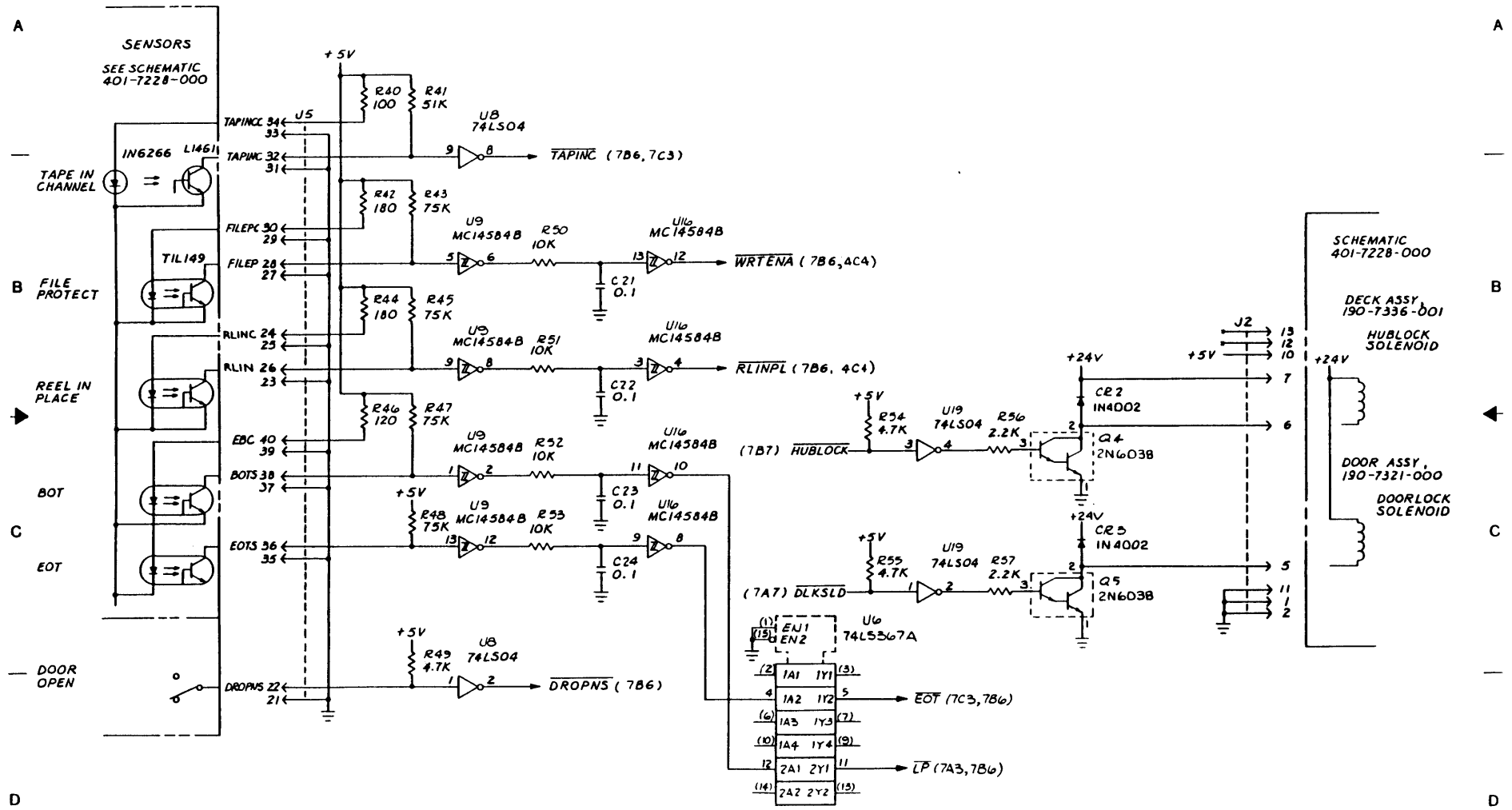
8

This drawing and specifications are the property of Kennedy Company and shall not be reproduced or used in any form for the manufacture or sale of apparatus without permission.



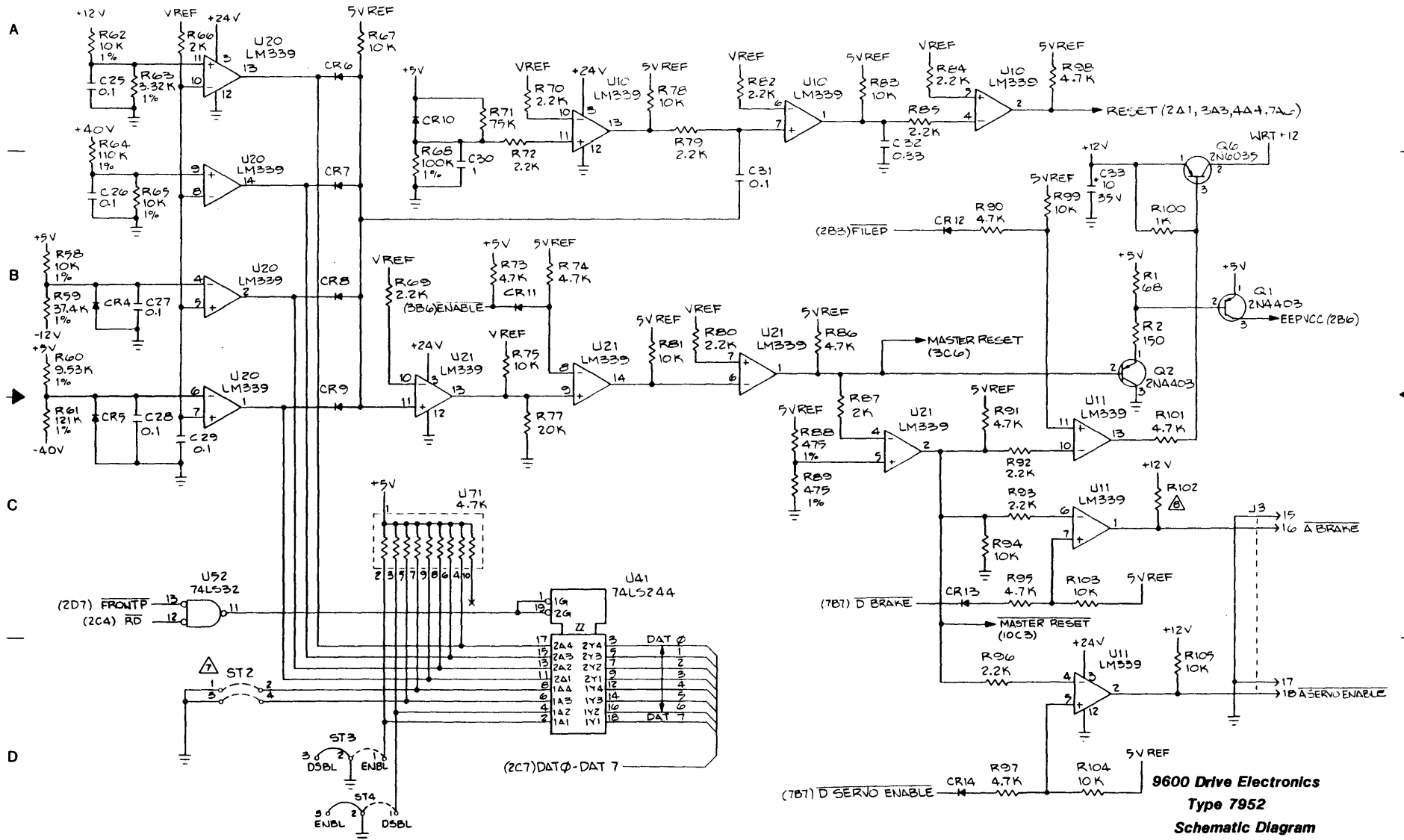
9600A Drive Electronics
Type 7952
Schematic Diagram

This drawing and specifications are the property of General Company and shall not be reproduced or copied, or used in the manufacture or sale of apparatus without permission.



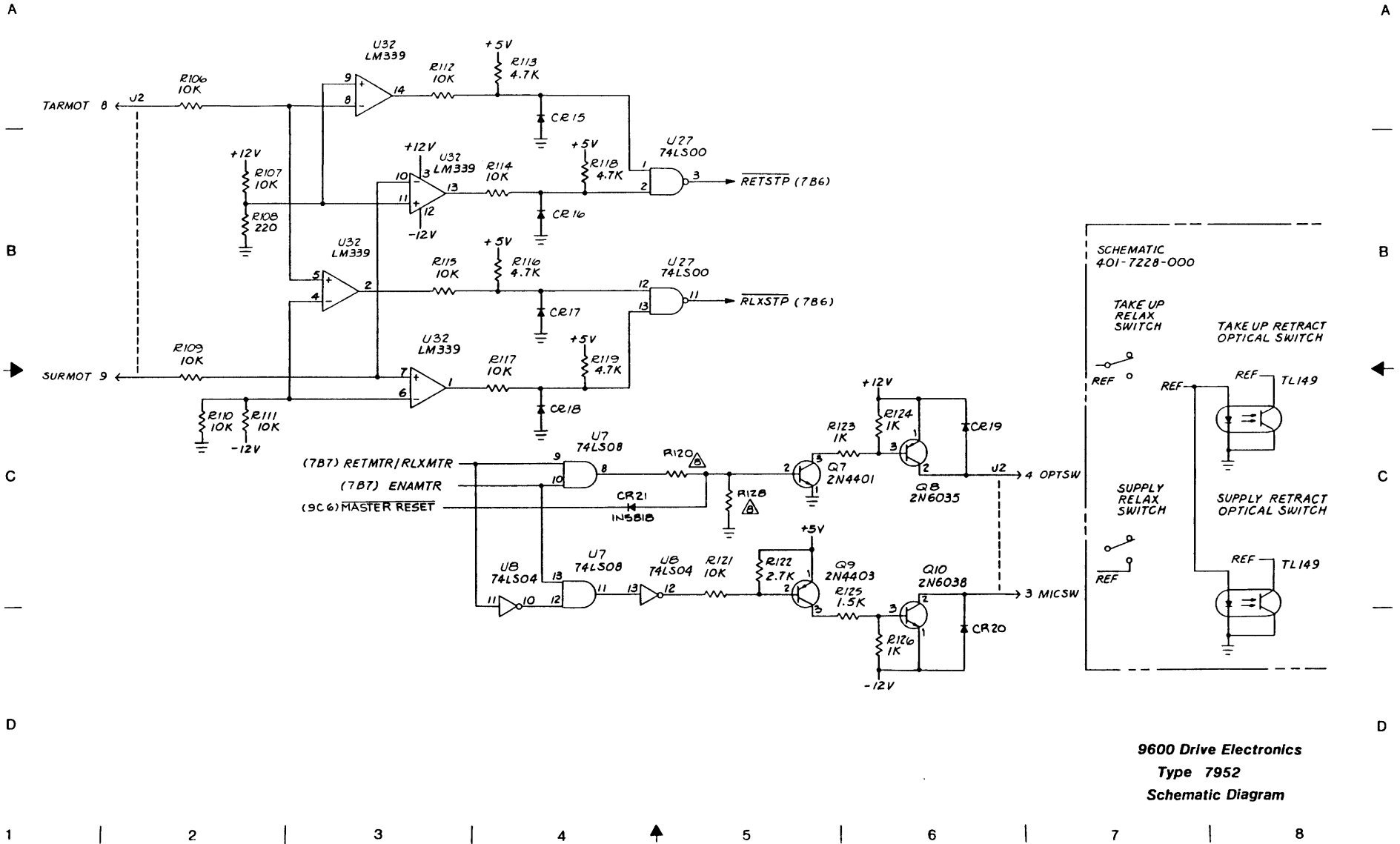
9600 Drive Electronics
Type 7952
Schematic Diagram

These drawings and specifications are the property of Kennedy Company and shall not be reproduced, or copied or used as the basis for the manufacture or sale of apparatus without permission.



9600 Drive Electronics
Type 7952
Schematic Diagram

These drawings and specifications are the property of Kennedy Company and shall not be reproduced, or copied, or used in the form for the manufacture or sale of apparatus without permission.



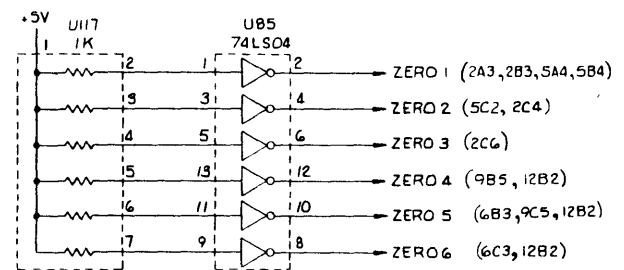
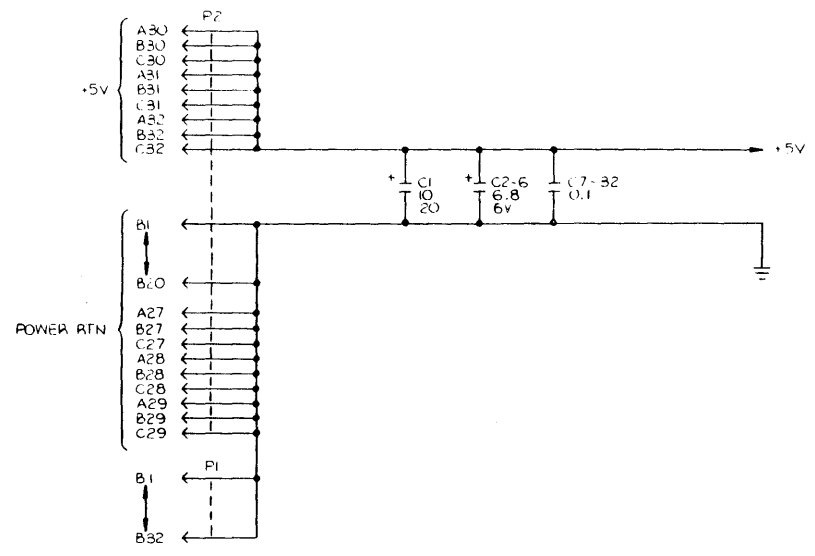
9600 Drive Electronics Type 7952 Schematic Diagram

These drawings and specifications are the property of Kennedy Company and shall not be reproduced, or copied, or used in the best for the manufacture or sale of apparatus without permission.

401-08951-000F
SHEET 1 OF 13

190-08951 TABULATION

| REF DES | DASH NO REV | |
|---------|---------------|---|
| | -005 | B |
| U61 | 146-10211-004 | |
| W1 | USED | |
| W2 | | |
| W3 | | |
| W4 | USED | |

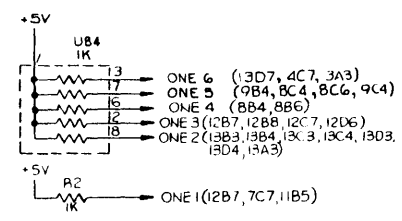


C

| REF DES | TYPE | GND | +5V |
|--------------------------------|---------|-----|-----|
| U5, U15 | 74LS24 | 10 | 20 |
| U45, 55, 67 | 74LS16A | 10 | 20 |
| U57, 60, 69, 87 | 74LS00 | 7 | 14 |
| U114 | 74LS02 | 7 | 14 |
| U3, 30, 25, 85, 104 | 74LS04 | 7 | 14 |
| U8, 31, 26 | 74LS08 | 7 | 14 |
| U42 | 74LS10 | 7 | 14 |
| U9 | 74LS11 | 7 | 14 |
| U6, 24, 27, 34, 38 | 74LS138 | 8 | 16 |
| U50 | 74LS139 | 8 | 16 |
| U56, 68 | 74LS161 | 8 | 16 |
| U7, 18, 29, 41, 54, 66, 73, 74 | 74LS169 | 8 | 16 |
| U52 | 74LS20 | 7 | 14 |
| U16, 17, 21, 88, 93 | 74LS240 | 10 | 20 |
| U62 | 74F04 | 7 | 14 |

| REF DES | TYPE | GND | +5V |
|--|---------|-----|-----|
| U40, 46, 53, 59, 72, 77, 80, 81, 89, 90, 107 | 74LS244 | 10 | 20 |
| U95 | 74LS245 | 10 | 20 |
| U10, 58 | 74LS25 | 7 | 14 |
| U20, 19, 32, 48 | 74LS279 | 8 | 16 |
| U47, 97, 98 | 74LS32 | 7 | 14 |
| U108 | 74LS373 | 10 | 20 |
| U26, 39, 65, 75, 76, 78, 79, 99, 101, 102, 109, 110, 111 | 74LS374 | 10 | 20 |
| U33, 22, 15, 14, 13, 12, 10 | 74LS38 | 7 | 14 |
| U100 | 74LS682 | 10 | 20 |
| U43, 44, 51, 63, 64, 82, 94, 96, 103, 105, 106, 113 | 74LS74 | 7 | 14 |
| U23 | 74LS85 | 8 | 16 |
| U1 | 74LS86 | 7 | 14 |
| U28 | 8031 | | 40 |
| U71 | | 7 | 14 |
| U116 | | 10 | 20 |
| U61, 83 | 27166 | 14 | 28 |

| REF DES | LAST USED | NOT USED |
|---------|-----------|----------|
| P2 | | |
| J2 | | |
| W4 | | |
| U117 | | |
| A10 | | |
| C37 | C34, 35 | |
| C81 | | |
| Y2 | Y1 | |

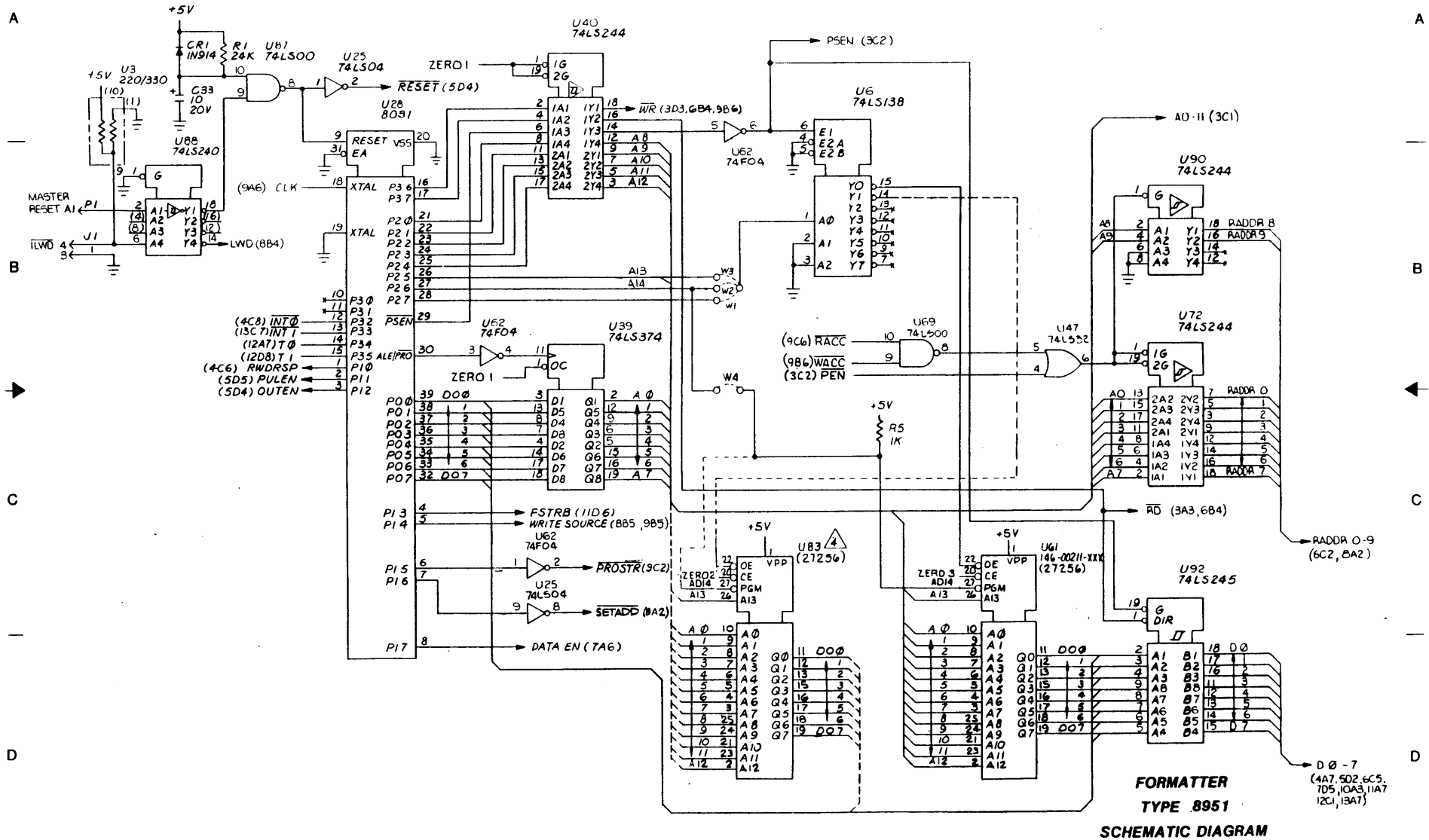


4. COMPONENT LOCATIONS PROVIDED ON THE PCB BUT NOT USED
3. P1 & P2 CONNECTOR PIN AND FUNCTION SHALL BE COORDINATED WITH THE MOTHER BOARD (401-7108-000) FOR PINS NOT SHOWN ON THIS DRAWING.
2. RESISTORS ARE IN OHMS 5%, 1/4 W.
1. CAPACITORS ARE IN MICROFARADS 10% 50V

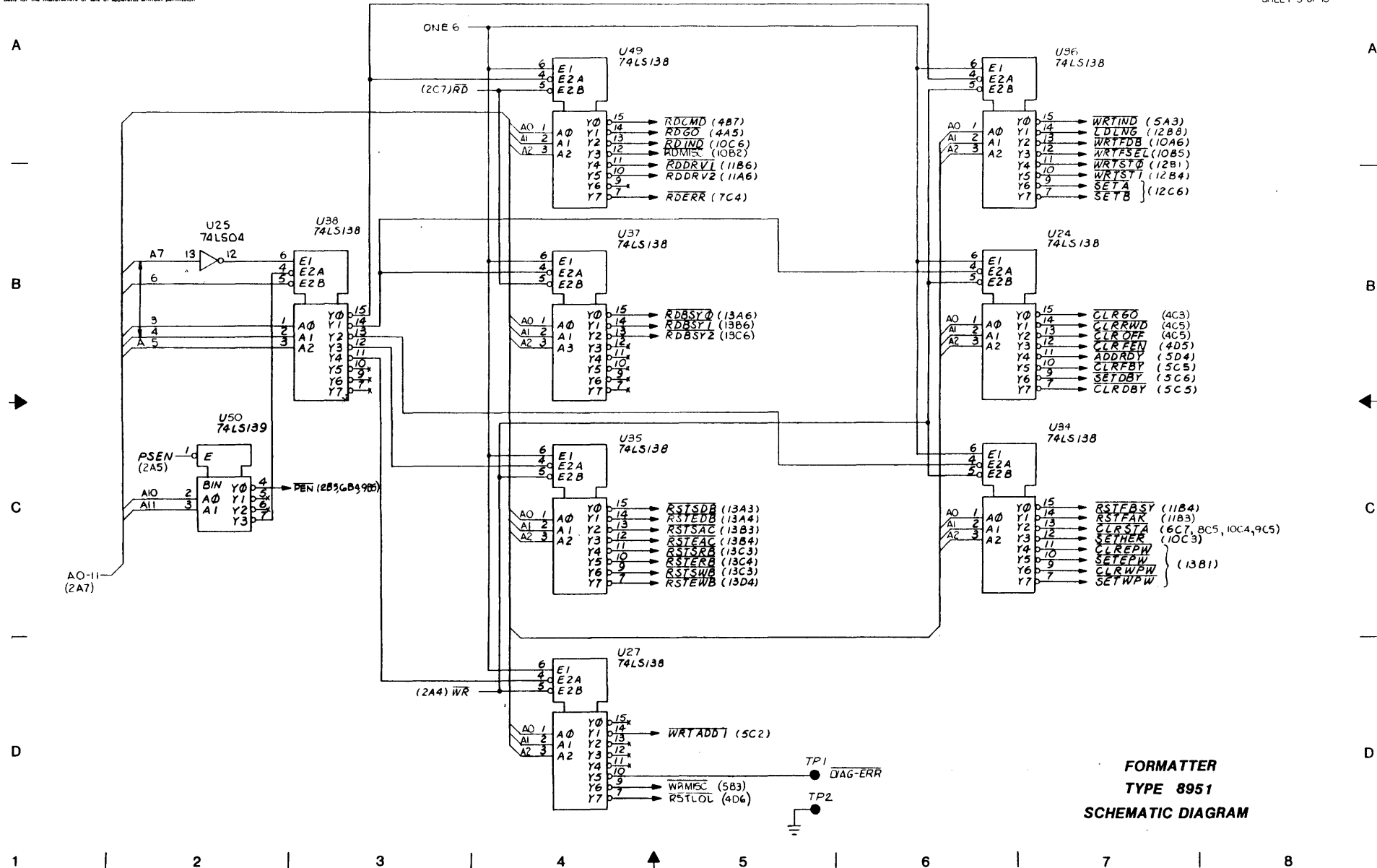
| REV STATUS OF SHEETS | REV SHEET | F | A | A | A | A | A | A | A | A | A | A | |
|----------------------|-----------|---|---|---|---|---|---|---|---|----|----|----|----|
| | 1 | 2 | 3 | 4 | 5 | 6 | 7 | 8 | 9 | 10 | 11 | 12 | 13 |

FORMATTER
TYPE 8951
SCHEMATIC DIAGRAM

These drawings and specifications are the property of Honeywell Company and shall not be reproduced or copied, or used as the basis for the manufacture or sale of apparatus without permission.

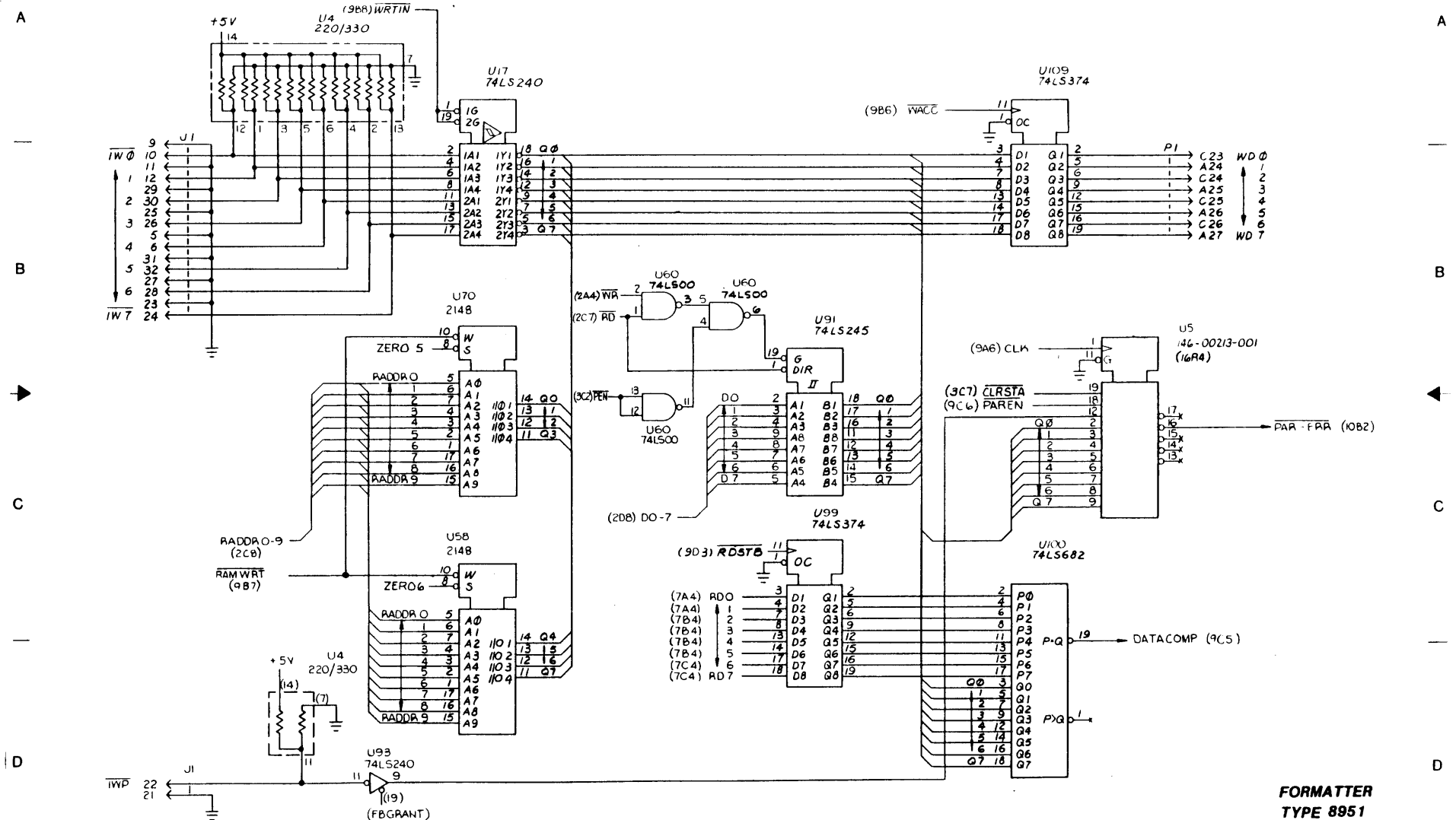


This drawing and specifications are the property of Kennedy Company and shall not be reproduced, or copied or used as the basis for the manufacture or sale of apparatus without permission.



**FORMATTER
TYPE 8951
SCHEMATIC DIAGRAM**

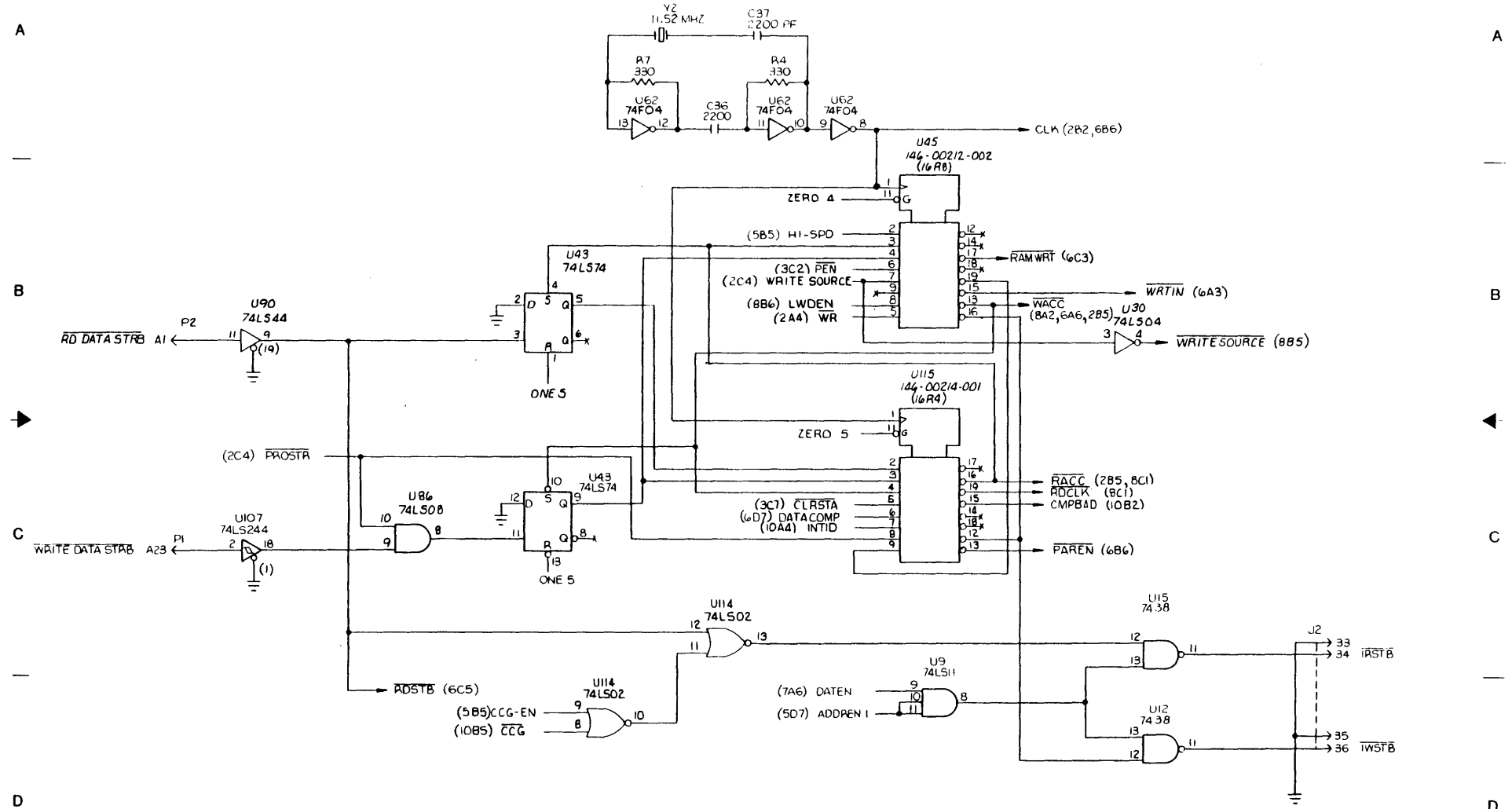
These drawings and specifications are the property of Kennedy Company and shall not be reproduced or copied or used as the basis for the manufacture or sale of apparatus without permission.



FORMATTER TYPE 8951 SCHEMATIC DIAGRAM

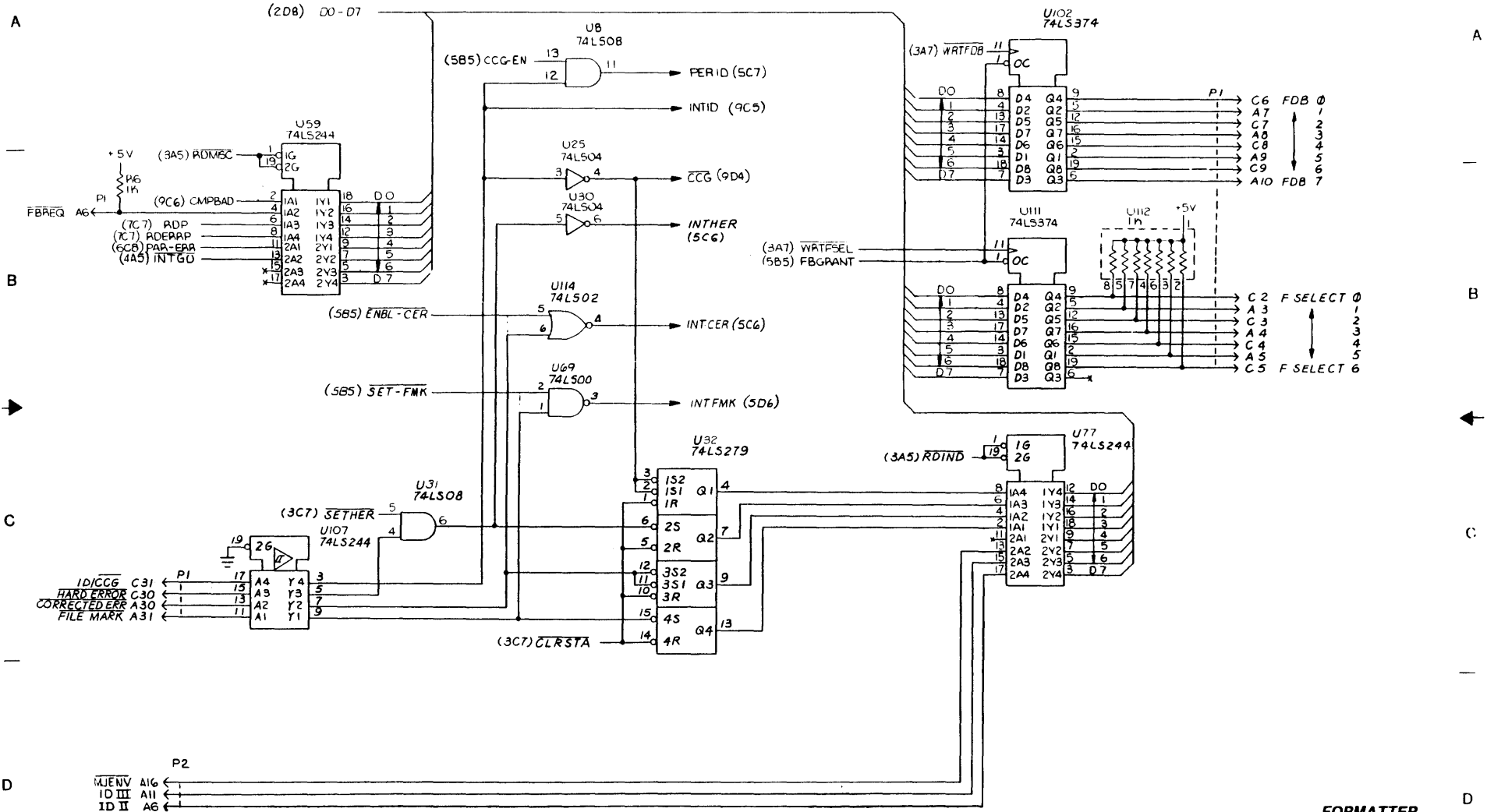
These drawings and specifications are the property of Kennedy Company and shall not be reproduced or copied, or used as the basis for the manufacture or sale of apparatus without permission.

401-08951-000 A
SHEET 9 OF 13



**FORMATTER
TYPE 8951
SCHEMATIC DIAGRAM**

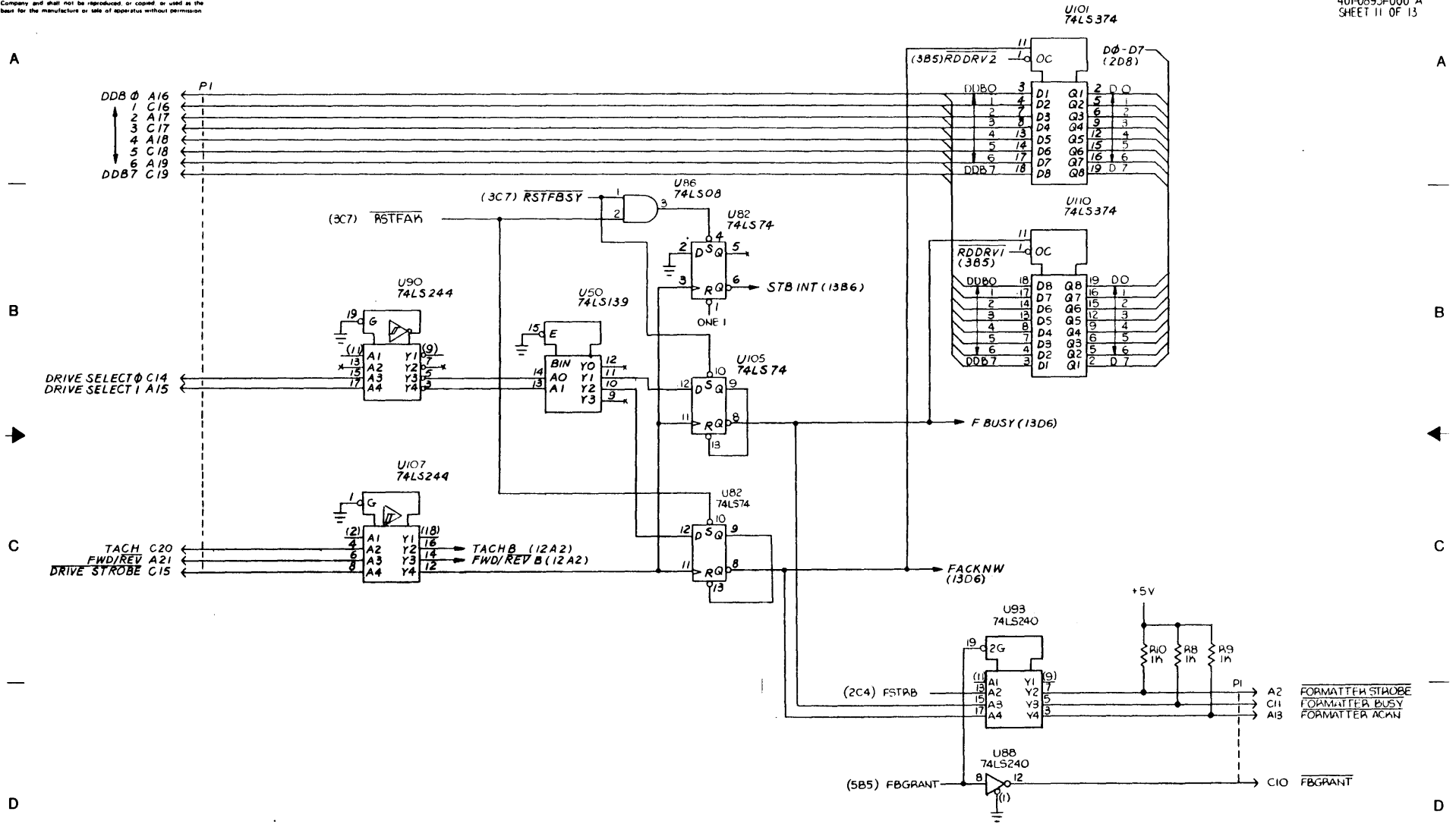
These drawings and specifications are the property of Kennedy Company and shall not be reproduced, or copied or used as the basis for the manufacture or sale of apparatus without permission



FORMATTER TYPE 8951 SCHEMATIC DIAGRAM

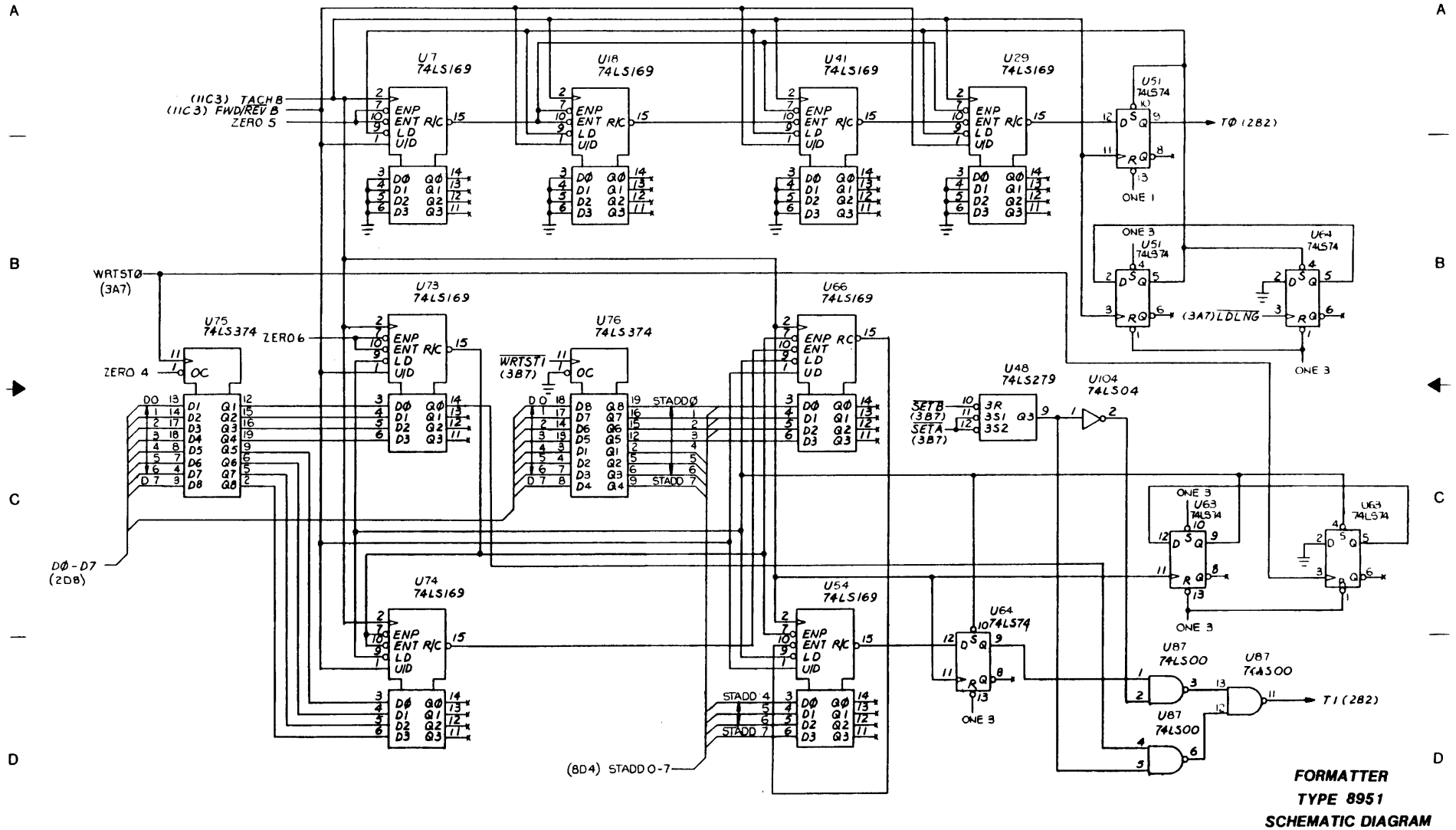
These drawings and specifications are the property of Kennedy Company and shall not be reproduced or copied or used as the basis for the manufacture or sale of apparatus without permission.

401-0895-000 A
SHEET 11 OF 13



**FORMATTER
TYPE 8951
SCHEMATIC DIAGRAM**

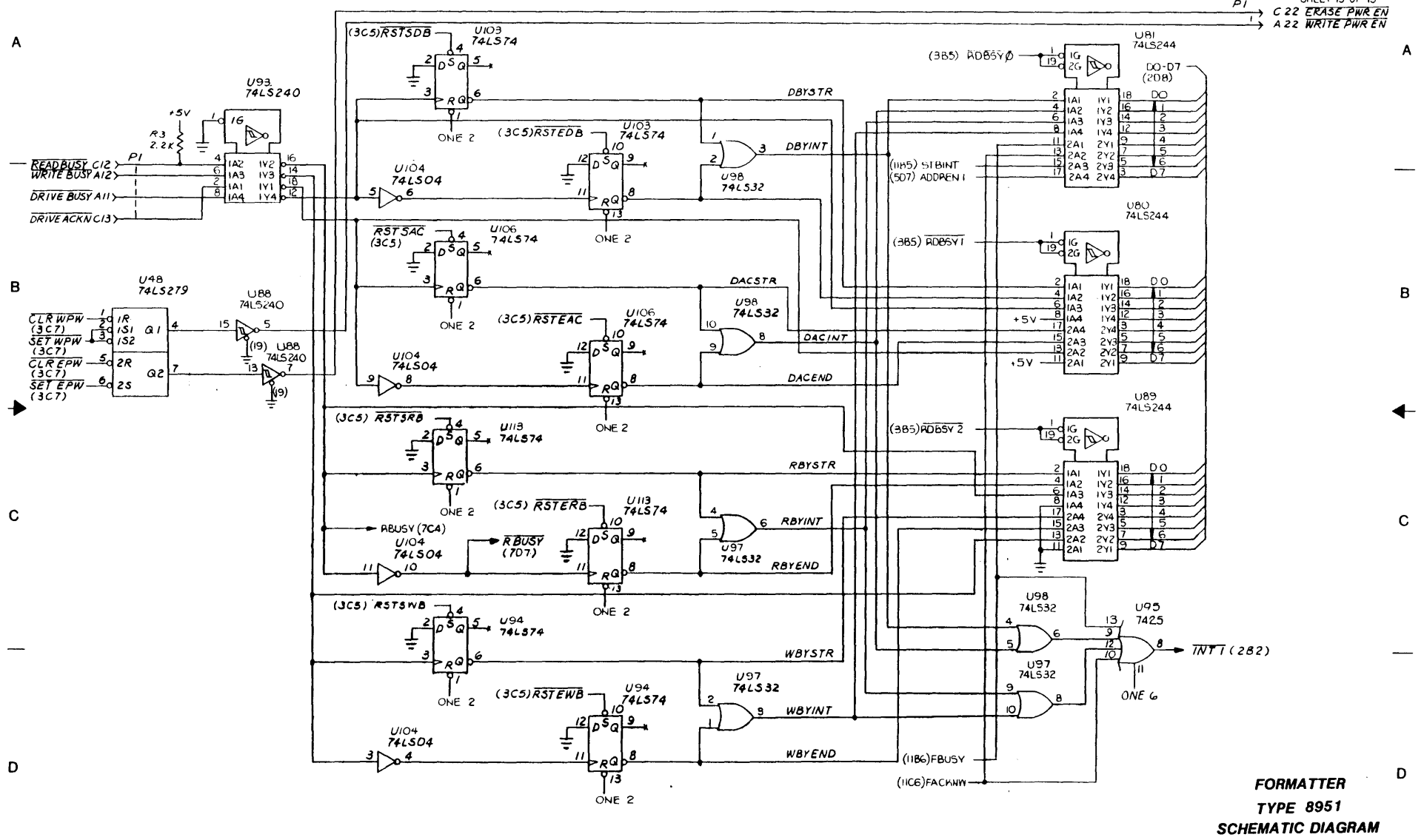
These drawings and specifications are the property of Kennedy Company and shall not be reproduced or copied or used in the form for the manufacture or sale of apparatus without permission



FORMATER TYPE 8951 SCHEMATIC DIAGRAM

These drawings and specifications are the property of Kennedy Company and shall not be reproduced or copied or used in the base for the manufacture or sale of apparatus without permission.

401-08951-000 A
SHEET 13 OF 13
C 22 ERASE PWR EN
A 22 WRITE PWR EN

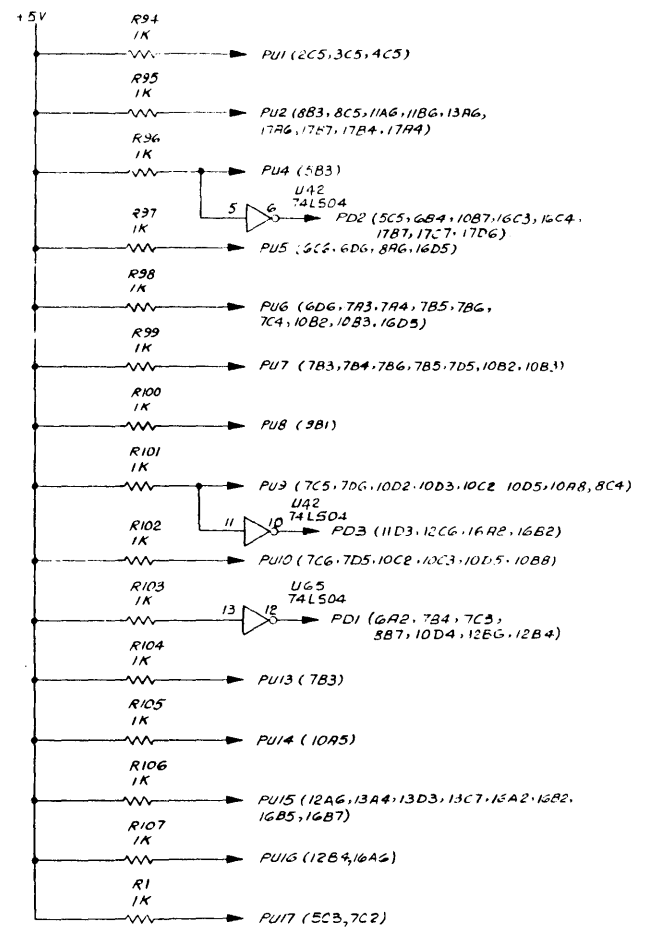
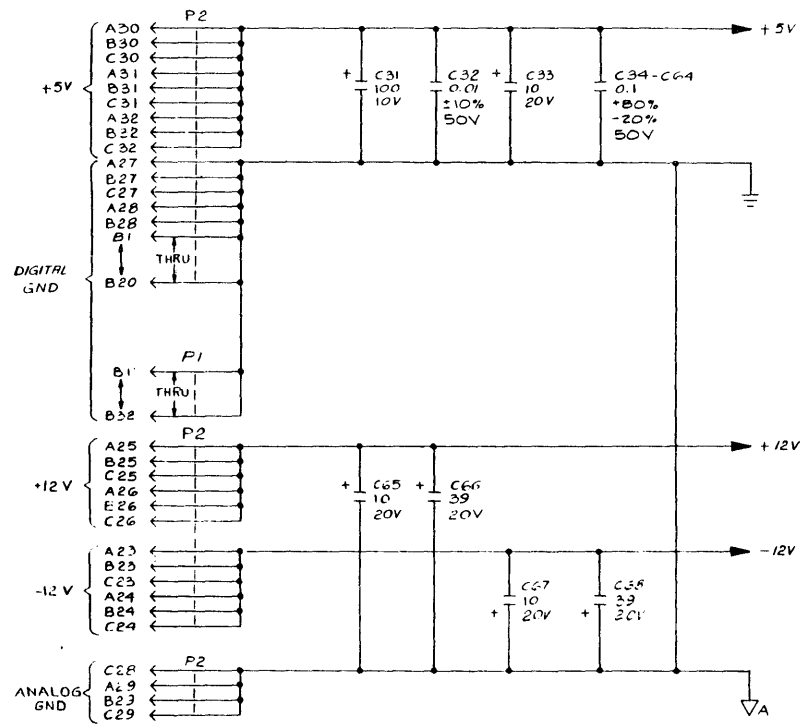


FORMATTER
TYPE 8951
SCHEMATIC DIAGRAM

These drawings and specifications are the property of Kennedy Company and shall not be reproduced or copied or used as the basis for the manufacture or sale of apparatus without permission.

190-09060-TABULATION

| REF DES | DRSH NO | REV |
|---------|---------------|-----|
| U12 | 146-00222-001 | |
| U30 | 146-00224-001 | |
| U33 | 146-00218-001 | |
| U34 | 146-00219-001 | |
| U44 | 146-00221-001 | |
| U45 | 146-00220-001 | |
| U79 | 146-00215-002 | |
| U80 | 146-00223-002 | |
| U48 | 146-00216-001 | |
| U78 | 146-00217-001 | |
| U90 | 146-00240-001 | |
| U51 | 146-00240-001 | |
| U90 | 146-00240-001 | |
| W1 | USED | |
| W2 | | |
| W3 | USED | |
| W4 | USED | |
| W5 | | |



| REF DES | TYPE | GND | +5V | REF DES | TYPE | GND | +5V | REF DES | TYPE | GND | +5V |
|-----------------------------|---------|-----|-----|-------------------------|-----------|-----|-----|-----------|----------|-----|-----|
| U17, 18, 19 | 74265 | 8 | 16 | U66, 75, 84 | 74LS245 | 10 | 20 | LAST USED | NOT USED | | |
| U43, 55, 61, 62 | 74S225 | 10 | 20 | U23, 64, 73 | 74LS257 | 8 | 16 | C77 | | | |
| U50 | 74LS00 | 7 | 14 | U32, 53 | 74LS374 | 10 | 20 | CR23 | | | |
| U76 | 74LS02 | 7 | 14 | U16, 57 | 74LS393 | 7 | 14 | L1 | | | |
| U42, 65, 77 | 74LS04 | 7 | 14 | U7 | 74F00 | 7 | 14 | Q43 | | | |
| U49, 68 | 74LS08 | 7 | 14 | U25 | 74F02 | 7 | 14 | R117 | R53 | | |
| U56 | 74LS10 | 7 | 14 | U6, 46, 22 | 74F04 | 7 | 14 | TP20 | | | |
| U20 | 74LS27 | 7 | 14 | U3, 15, 29, 32, 37, 58A | 74F74 | 7 | 14 | U93 | | | |
| U36, 63, 85 | 74LS32 | 7 | 14 | U28 | 74F163 | 8 | 16 | W5 | | | |
| U10, 26, 27, 38, 59, 60, 71 | 74LS74 | 7 | 14 | U47 | 74F253 | 8 | 16 | Y2 | | | |
| U74 | 74LS125 | 7 | 14 | U35 | 74F257 | 8 | 16 | | | | |
| U24 | 74LS163 | 8 | 16 | U30, 33, 34, 44 | 16RA8-2 | 10 | 20 | | | | |
| U31, 41 | 74LS164 | 7 | 14 | 45, 79, 80 | 16RB-2 | 10 | 20 | | | | |
| U70 | 74LS175 | 8 | 16 | U78 | 16RB-2 | 10 | 20 | | | | |
| U69 | 74LS240 | 10 | 20 | U40, 48, 51, 90 | 16RB-2 | 10 | 20 | | | | |
| U54, 82, 83 | 74LS244 | 10 | 20 | U12 | 16RCB-15M | 10 | 20 | | | | |
| 87, 88, 89 | 74LS244 | 10 | 20 | U4 | 74HC139 | 8 | 16 | | | | |
| | | | | U8 | 74HC4040 | 8 | 16 | | | | |
| | | | | U9 | 74HC100 | 7 | 14 | | | | |
| | | | | U86 | 74LS244 | 7 | 14 | | | | |

- COMPONENT LOCATION PROVIDED ON THE PCB BUT NOT USED.
 - ALL TRANSISTORS ARE 2N4403
 - SIGNAL OUTPUTS TDATA AND SIGLOS (NUMBERED 1-9) CORRESPOND TO PHYSICAL TRACK LOCATIONS ON THE TAPE. THESE OUTPUTS ARE CONNECTED TO THE DATA PATH SIGNAL LINES TD AND ENV (NUMBERED (O-F) PER THE EDDIC CONVENTION.
 - ALL DIODES ARE IN314.
 - RESISTORS ARE IN OHMS 5% 1/4 W.
 - CAPACITORS ARE IN MICROFARADS 10% 50V
- NOTES: UNLESS OTHERWISE SPECIFIED

| REV STATUS OF SHEETS | REV | F | E | E | E | A | E | E | E | E | E | E | E | E | E | | |
|----------------------|-----|---|---|---|---|---|---|---|---|----|----|----|----|----|----|----|----|
| SHEET | 1 | 2 | 3 | 4 | 5 | 6 | 7 | 8 | 9 | 10 | 11 | 12 | 13 | 14 | 15 | 16 | 17 |

GCR Read-Write
Type 9060
Schematic Diagram

These drawings and specifications are the property of Kennedy Company and shall not be reproduced or copied or used as the basis for the manufacture or sale of apparatus without permission.

A

A

B

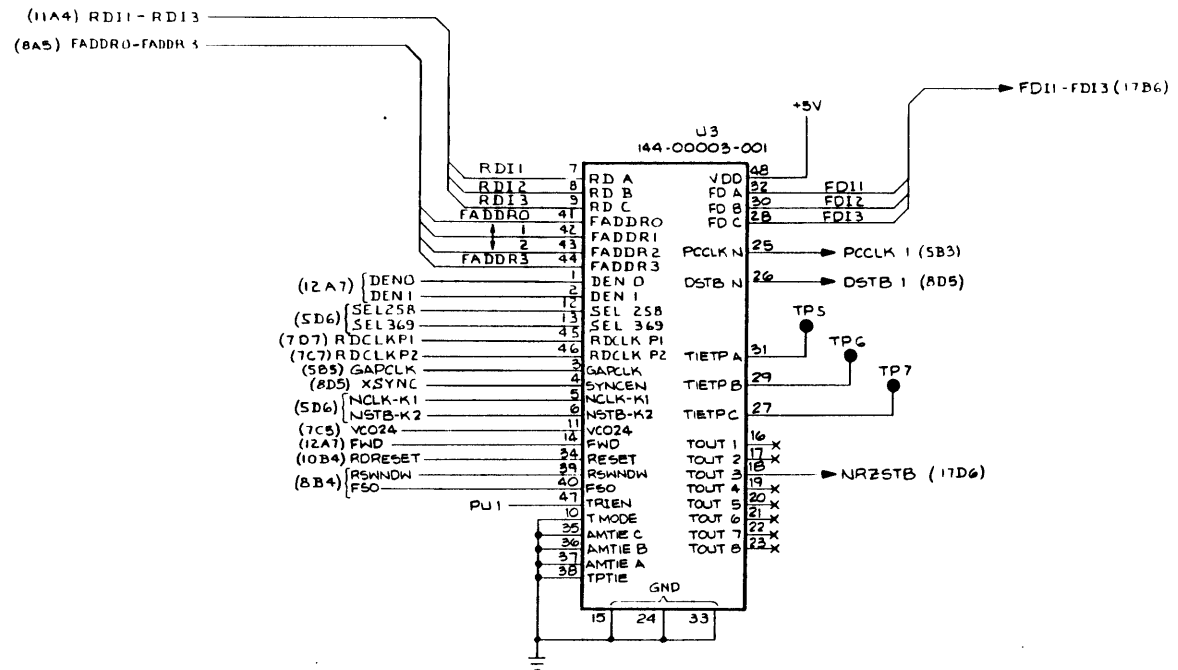
B

C

C

D

D

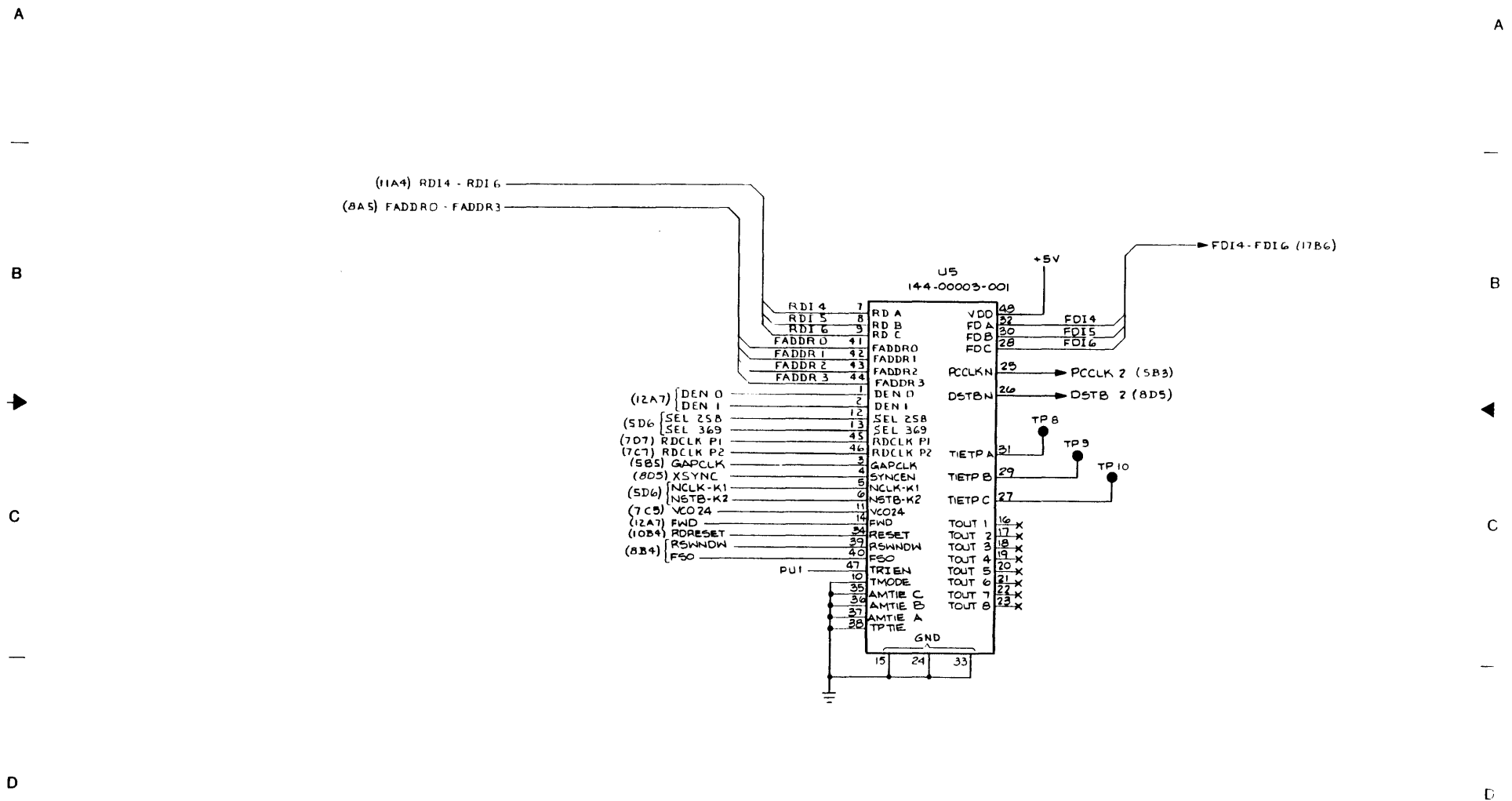


GCR Read-Write
Type 9060
Schematic Diagram

1 | 2 | 3 | 4 | 5 | 6 | 7

These drawings and specifications are the property of Kennedy Company and shall not be reproduced or copied or used as the basis for the manufacture or sale of apparatus without permission.

401-09060-000 E
SHEET 3 OF 17



GCR Read-Write
Type 9060
Schematic Diagram

1 | 2 | 3 | 4 | 5 | 6 | 7 | 8

1 | 2 | 3 | 4 | 5 | 6 | 7

These drawings and specifications are the property of Kennedy Kupperly and shall not be reproduced or copied or used in the least for the manufacture or sale of apparatus without permission

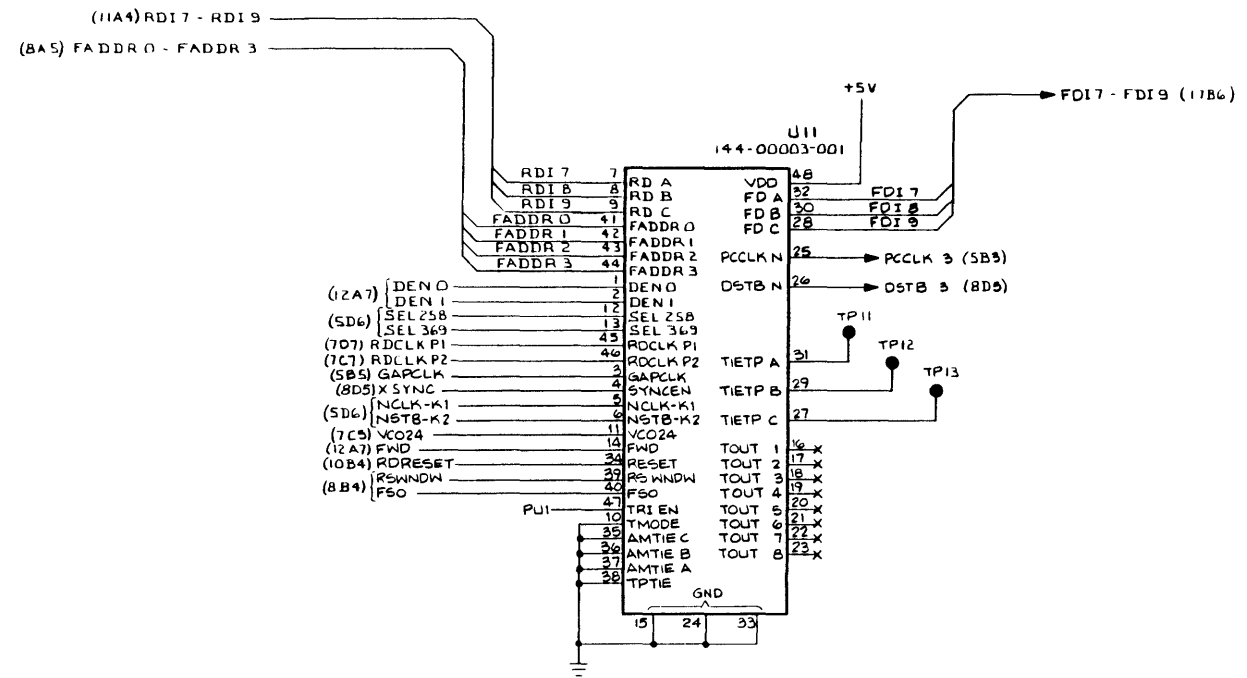
401-09060-000 E
SHEET 4 of 17

A | A

B | B

C | C

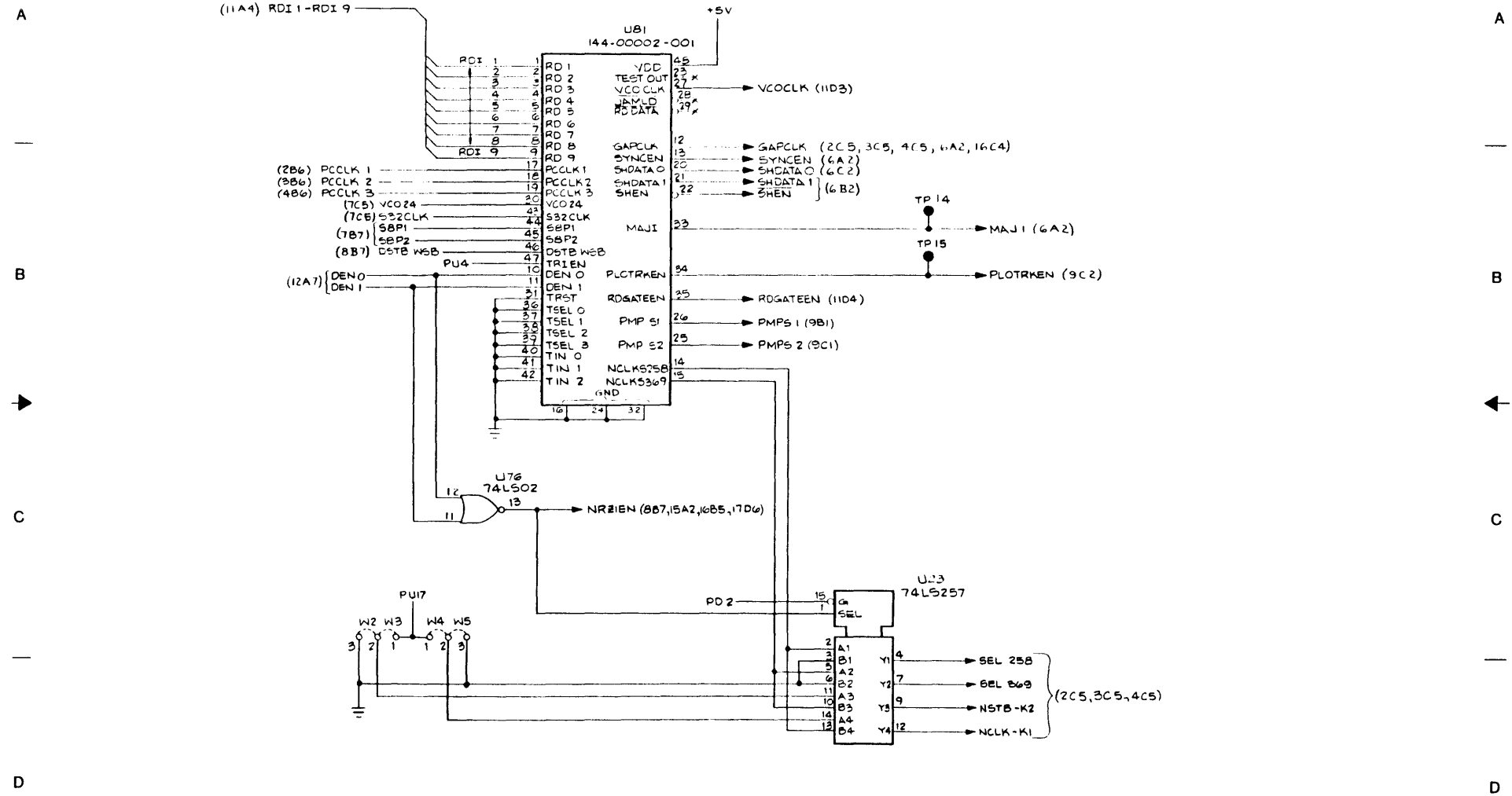
D | D



GCR Read-Write
Type 9060
Schematic Diagram

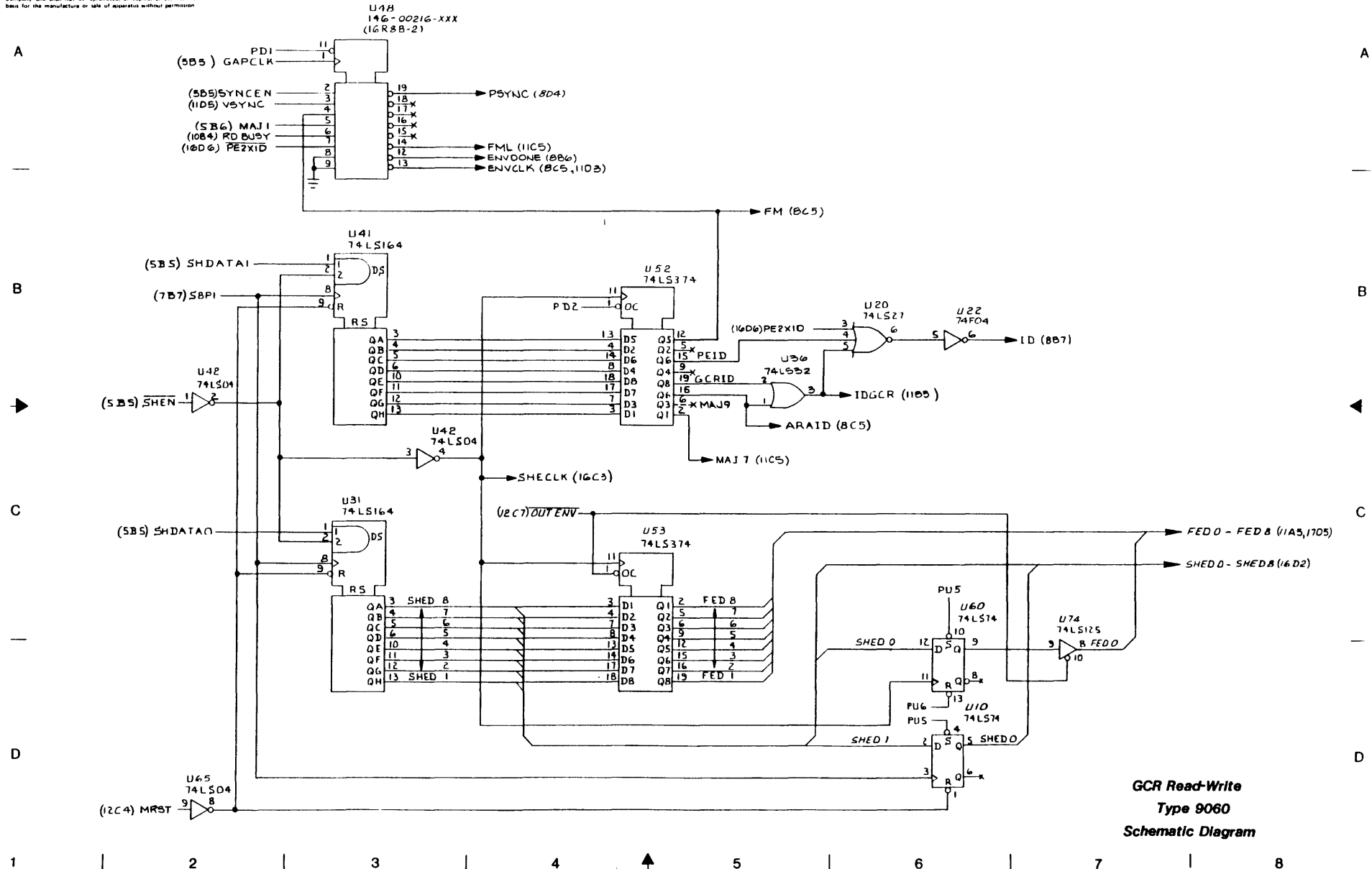
1 | 2 | 3 | 4 | 5 | 6 | 7 | 8

These drawings and specifications are the property of Kennedy Consulting and shall not be reproduced or copied or used as the basis for the manufacture or sale of apparatus without permission.



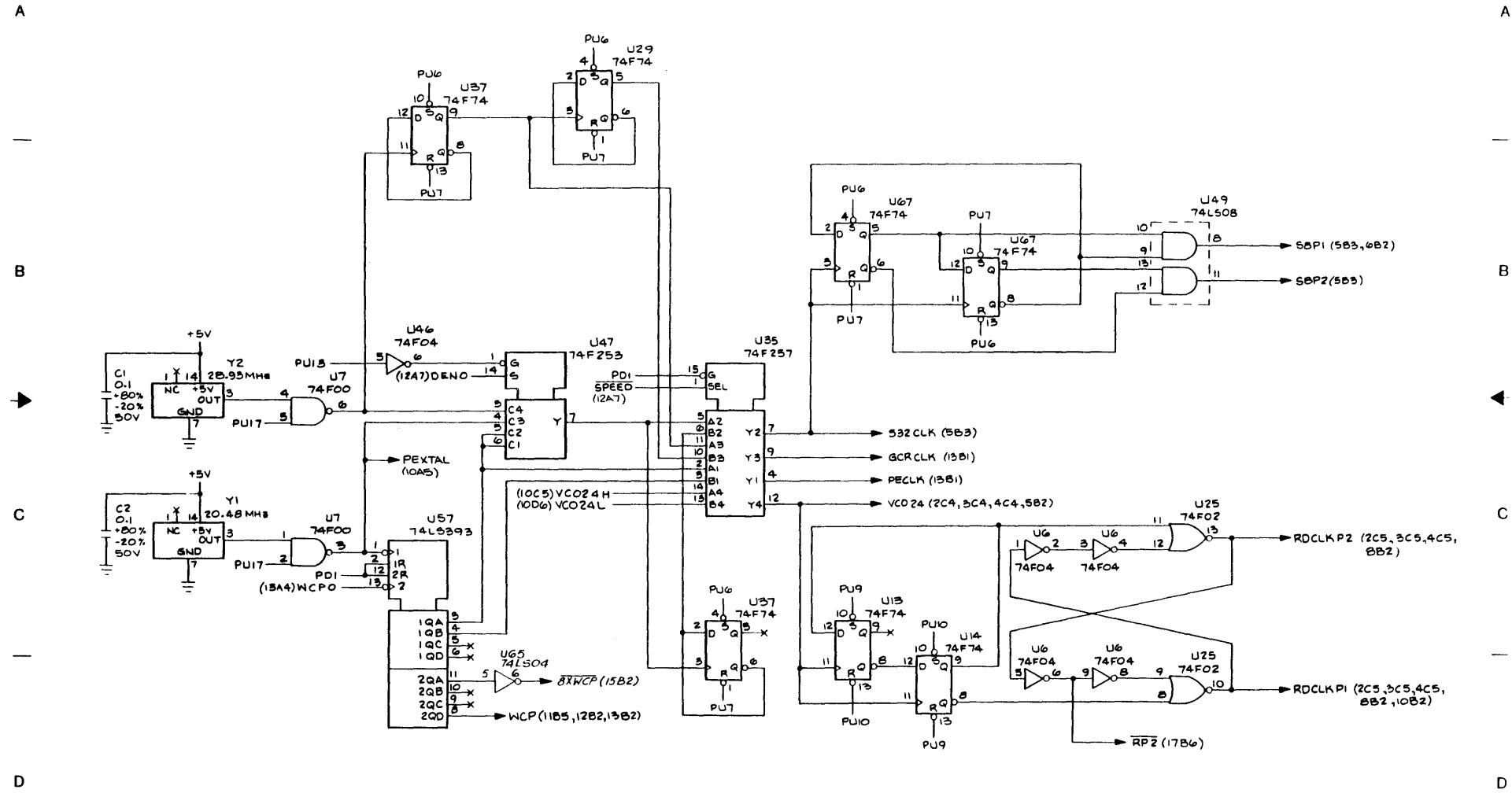
GCR Read-Write
Type 9060
Schematic Diagram

These drawings and specifications are the property of Kennedy Company and shall not be reproduced or copied or used as the basis for the manufacture or sale of apparatus without permission



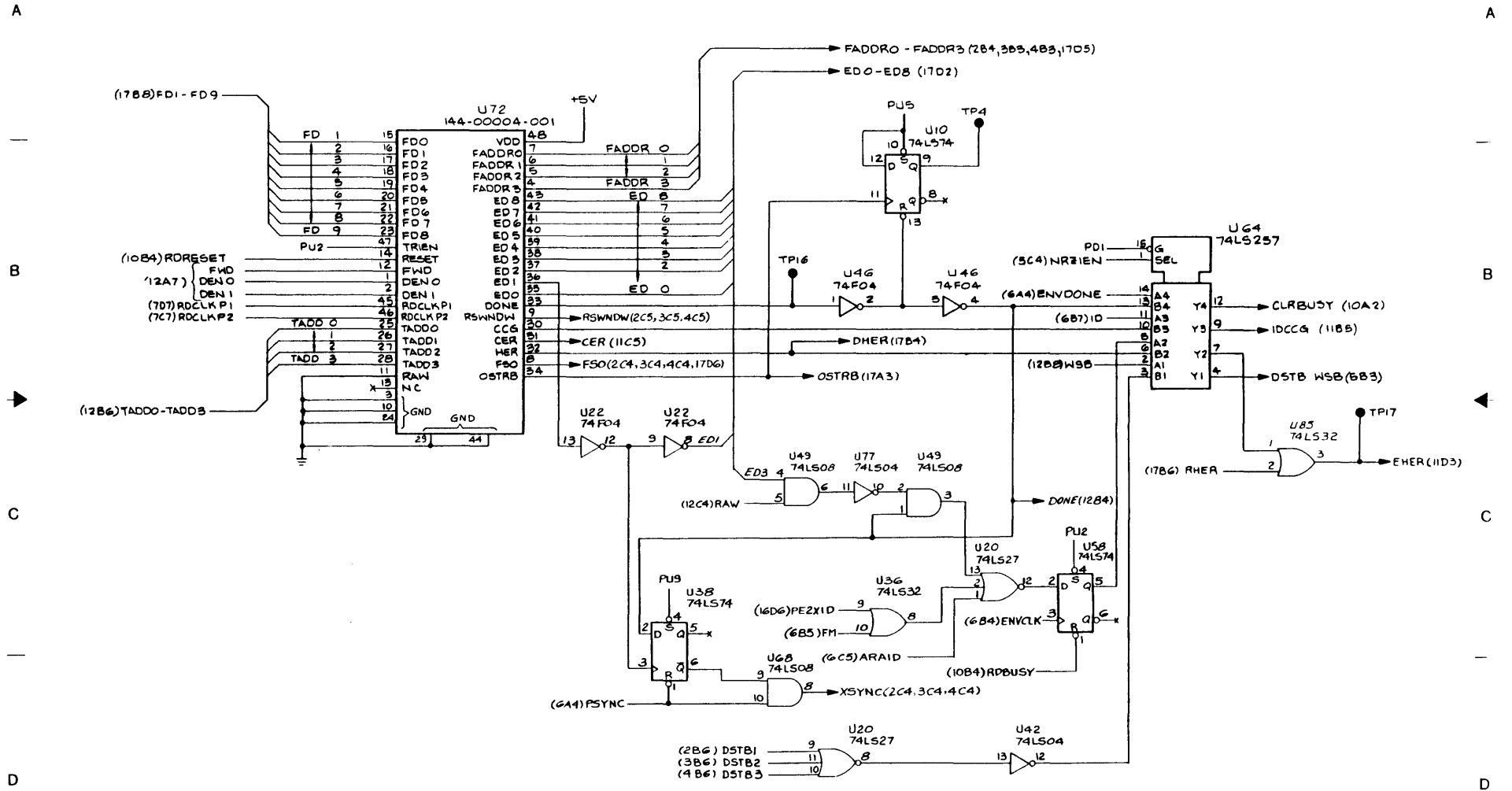
GCR Read-Write
Type 9060
Schematic Diagram

These drawings and specifications are the property of Kennedy Company and shall not be reproduced or copied or used in the form for the manufacture or sale of apparatus without permission



GCR Read-Write
Type 9060
Schematic Diagram

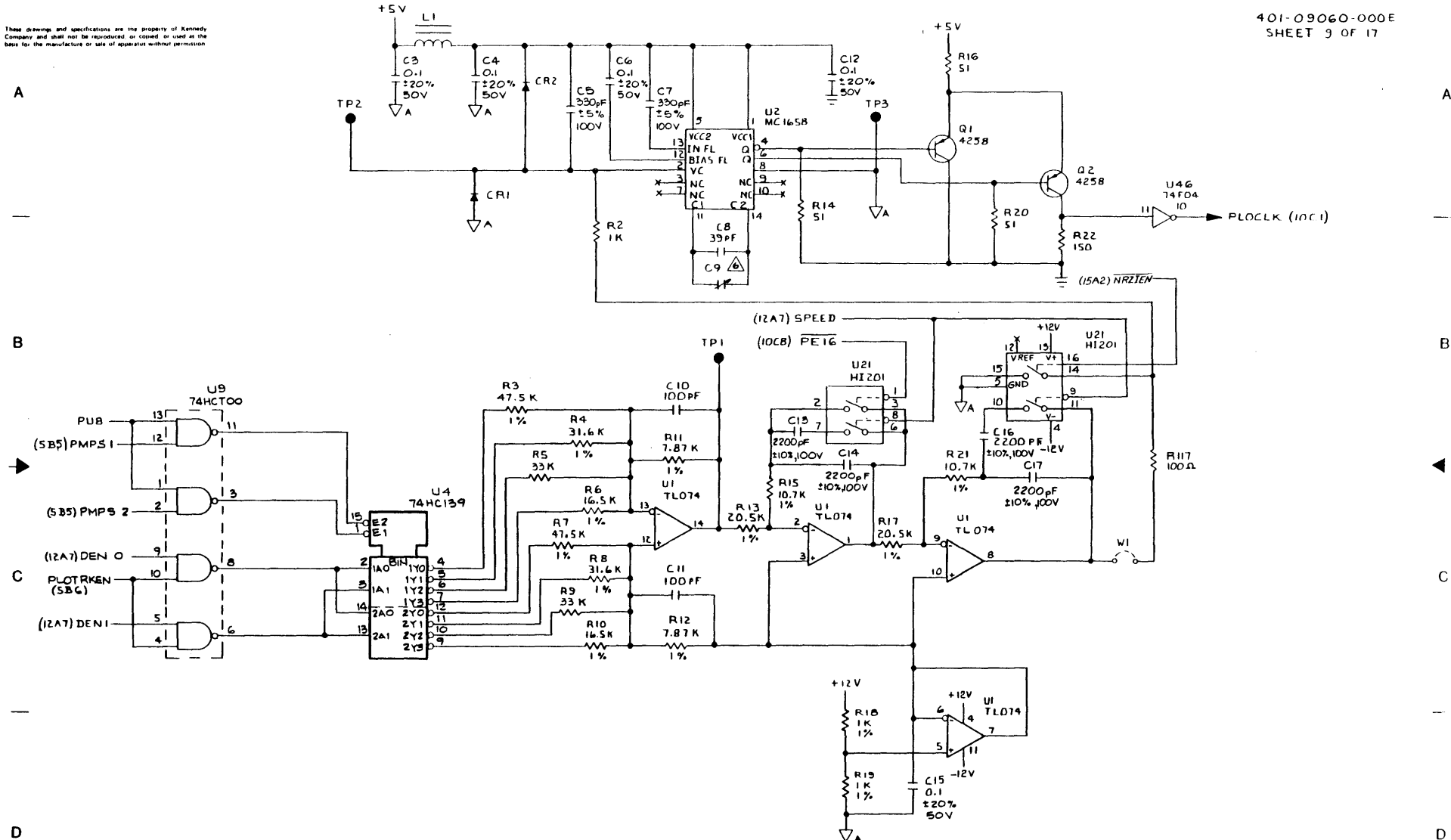
These drawings and specifications are the property of Kennedy Company and shall not be reproduced or copied or used as the basis for the manufacture or sale of apparatus without permission.



GCR Read-Write
Type 9060
Schematic Diagram

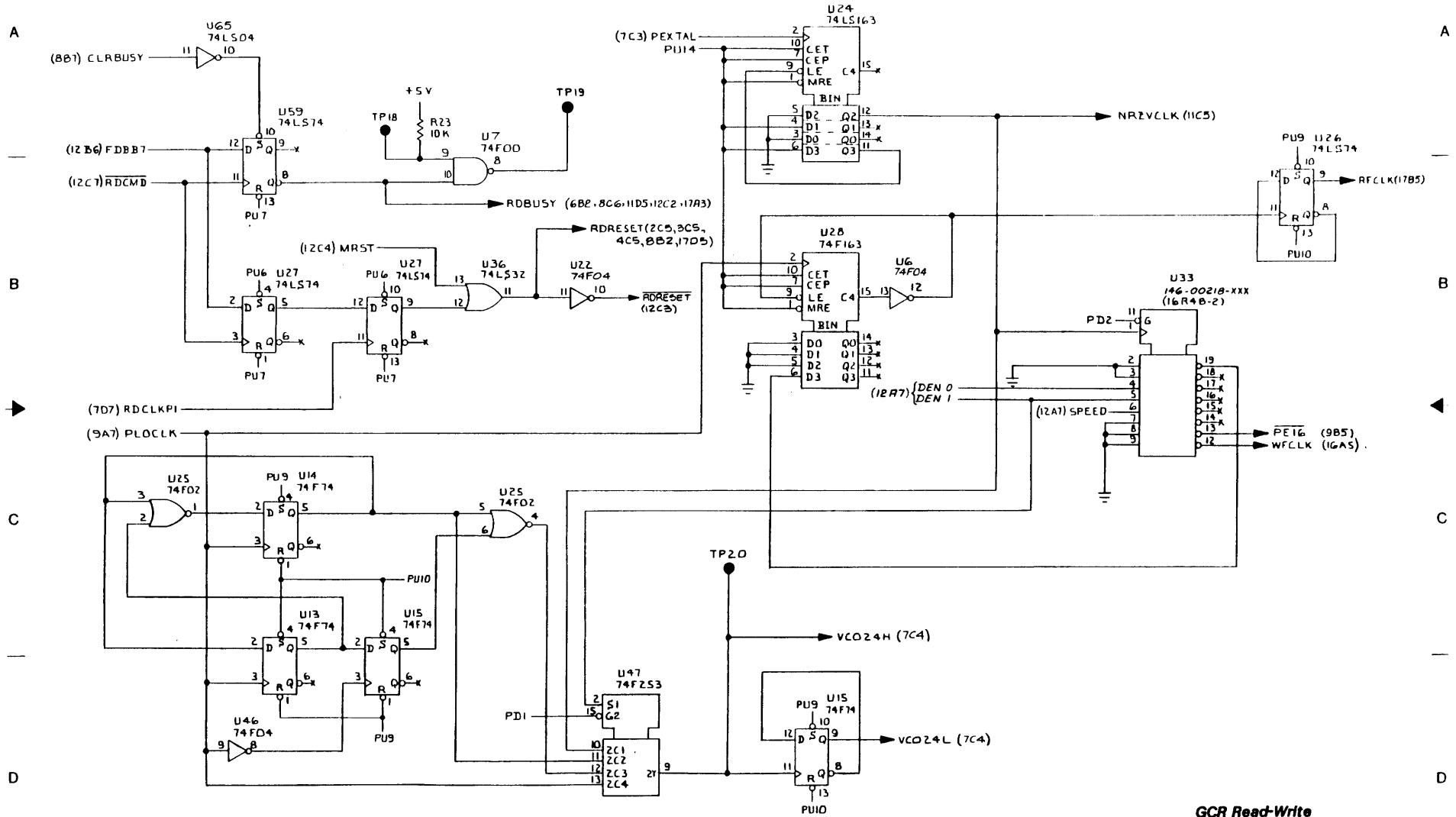
These drawings and specifications are the property of Kennedy Company and shall not be reproduced or used as the basis for the manufacture or sale of apparatus without permission.

401-09060-000E
SHEET 3 OF 17



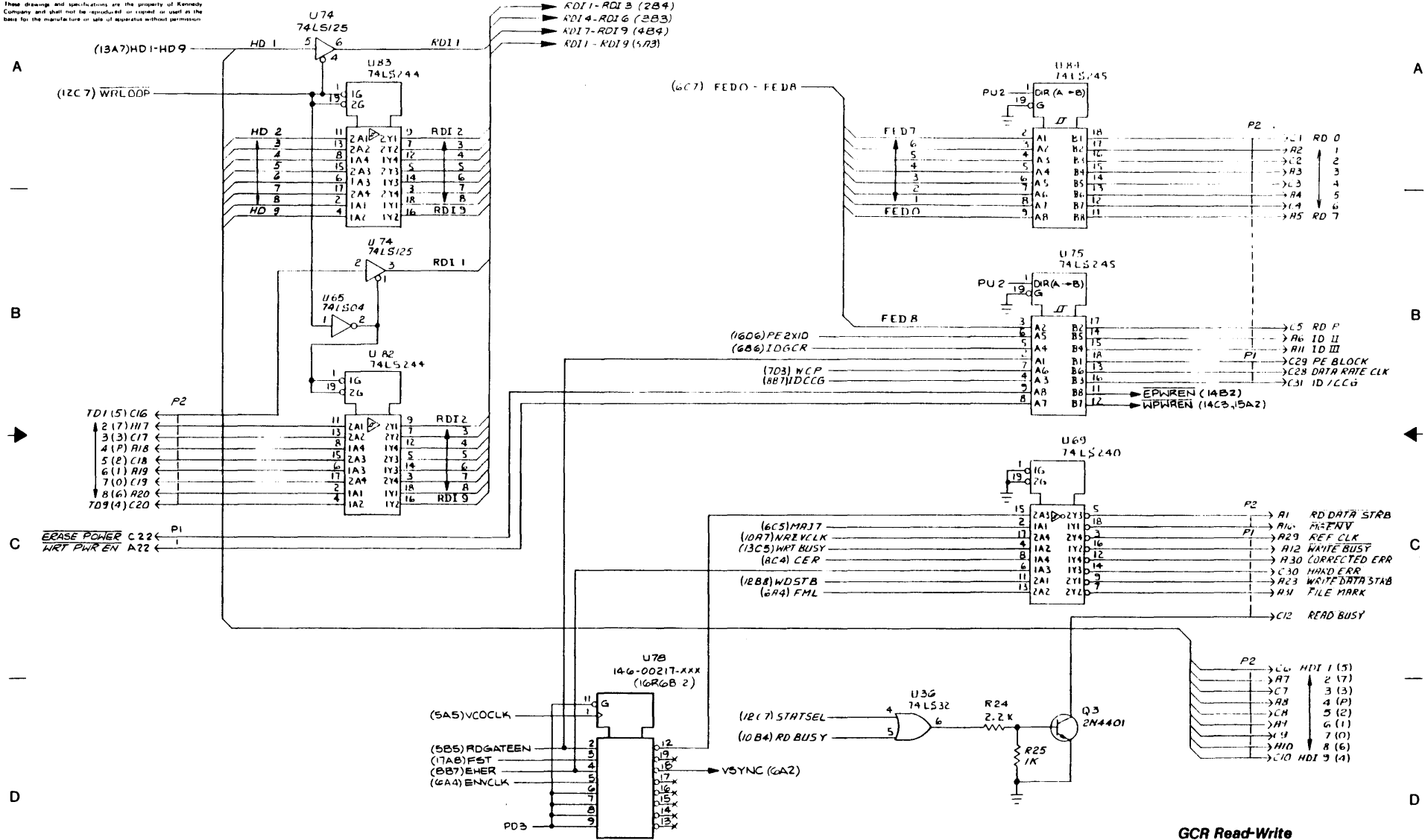
GCR Read-Write
Type 9060
Schematic Diagram

These drawings and specifications are the property of Kennedy Company and shall not be reproduced or copied or used as the basis for the manufacture or sale of apparatus without permission.



GCR Read-Write
Type 9080
Schematic Diagram

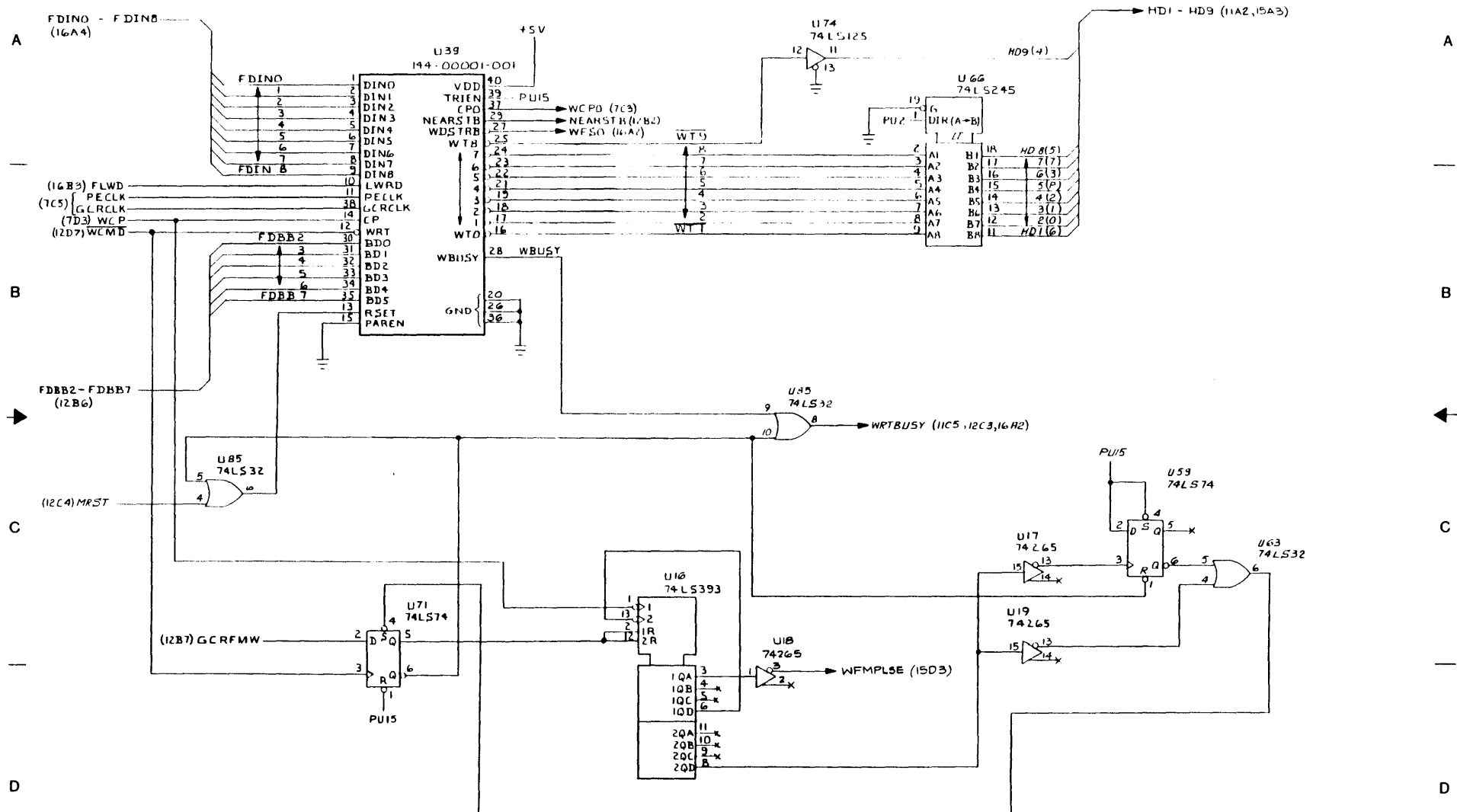
These drawings and specifications are the property of Kennedy Company and shall not be reproduced or copied or used as the basis for the manufacture or sale of apparatus without permission.



GCR Read-Write
Type 9060
Schematic Diagram

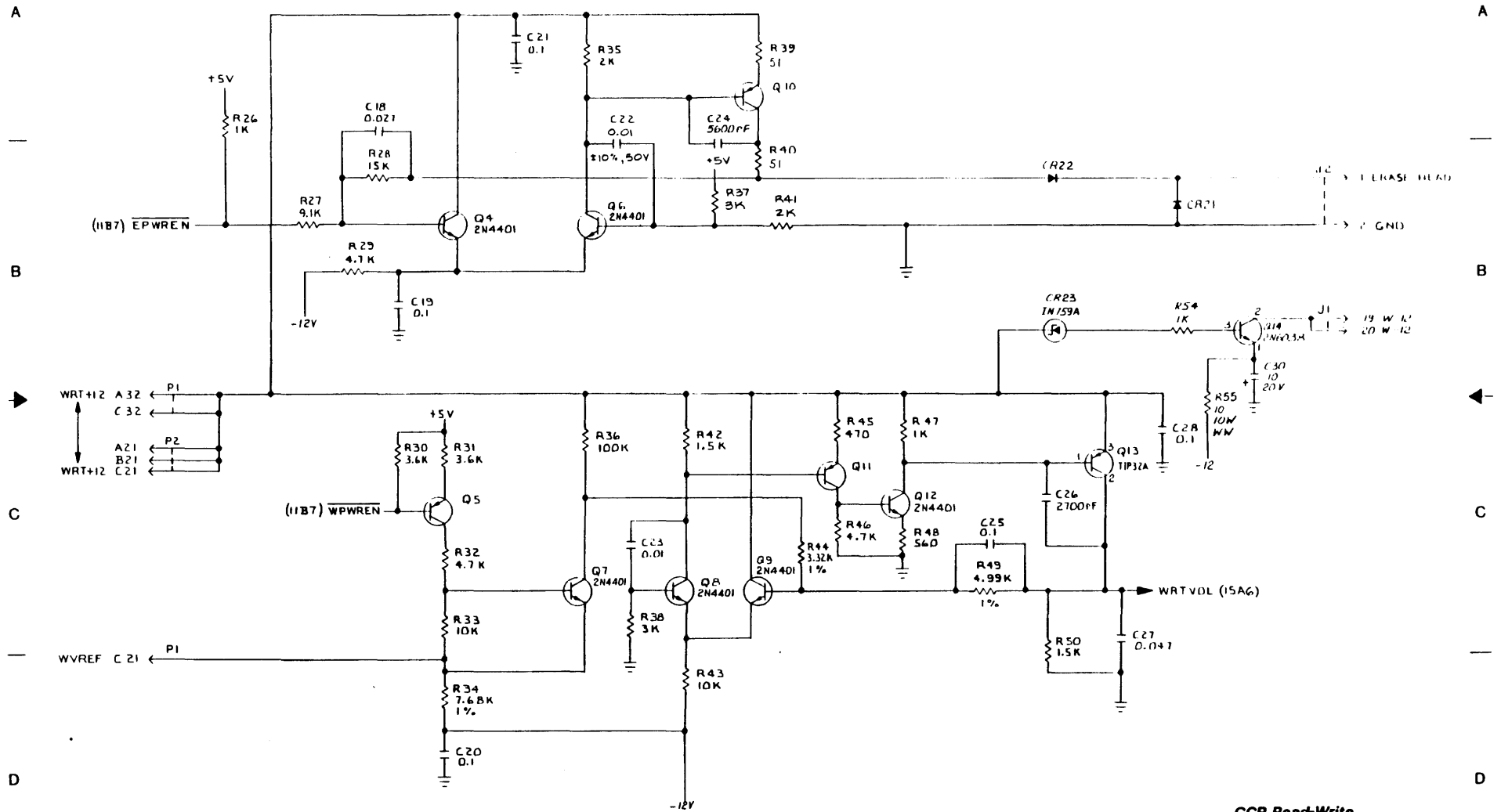
These drawings and specifications are the property of Kennedy Company and shall not be reproduced or copied or used as the basis for the manufacture or sale of apparatus without permission.

401-03060-000A
SHEET 13 OF 17



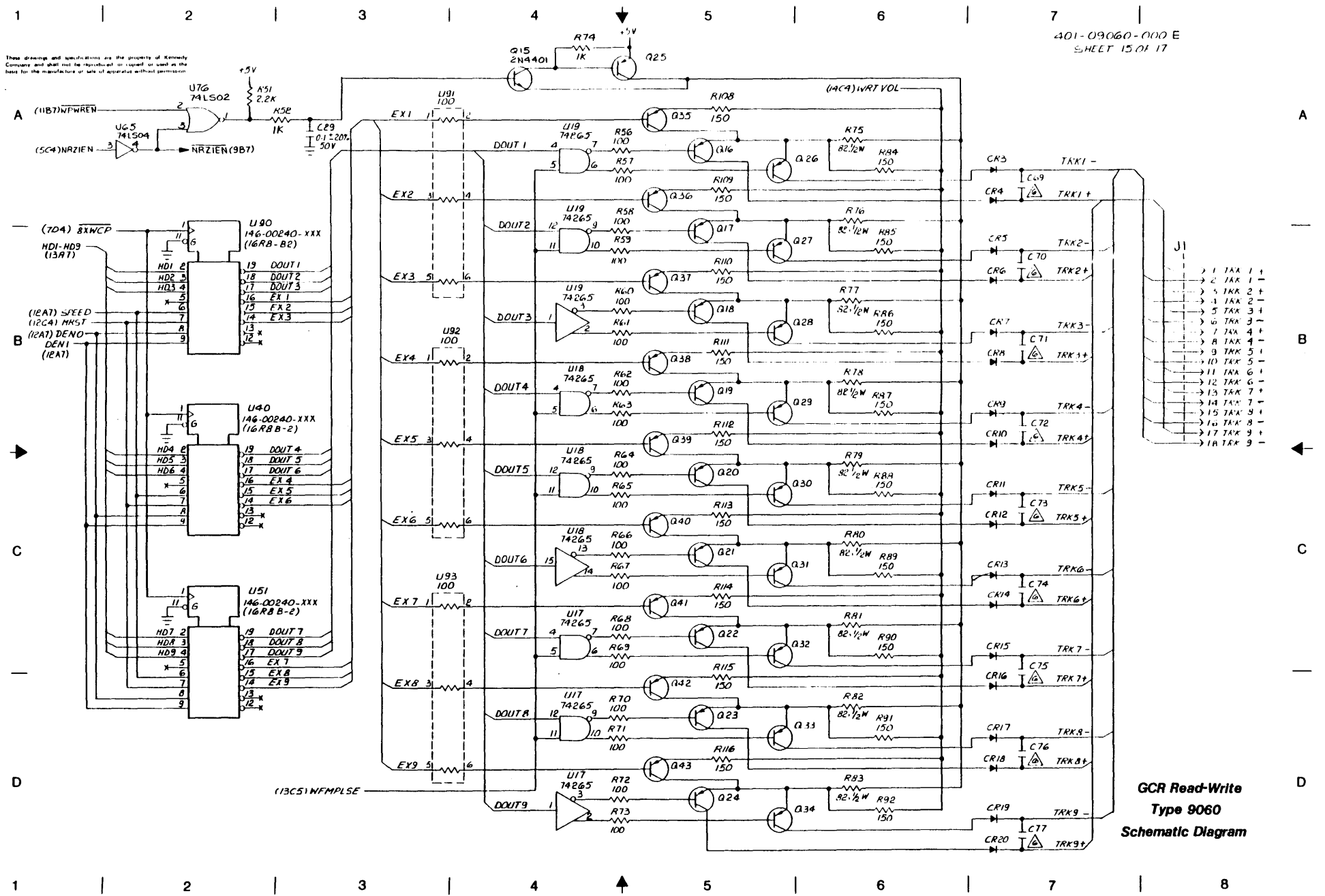
GCR Read-Write
Type 9060
Schematic Diagram

These drawings and specifications are the property of Kennedy Company and shall not be reproduced or copied in any form or by any means without the prior written permission of Kennedy Company.

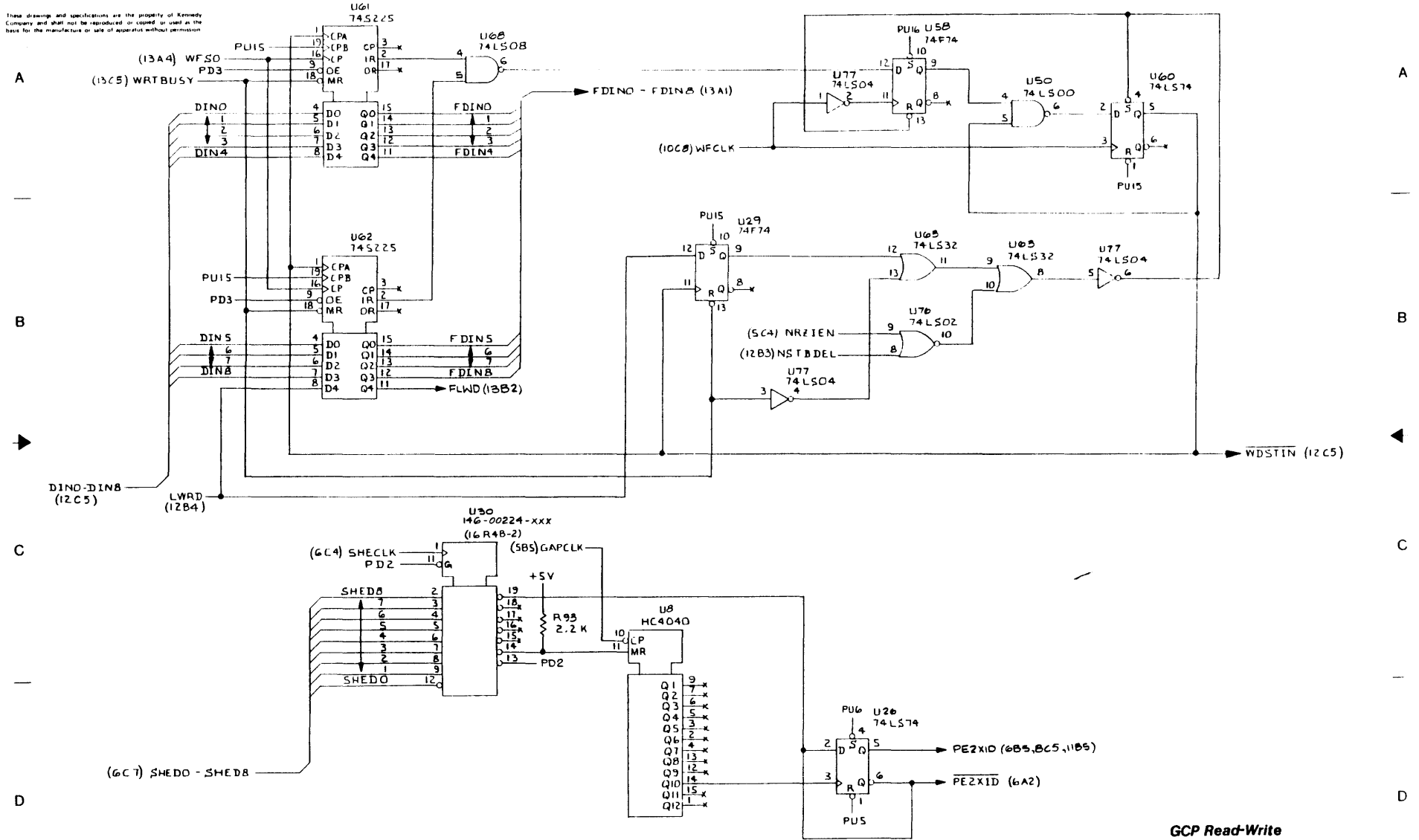


GCR Read-Write
Type 9060
Schematic Diagram

These drawings and specifications are the property of Kennedy Company and shall not be reproduced or copied or used in any way for the manufacture or sale of apparatus without permission.



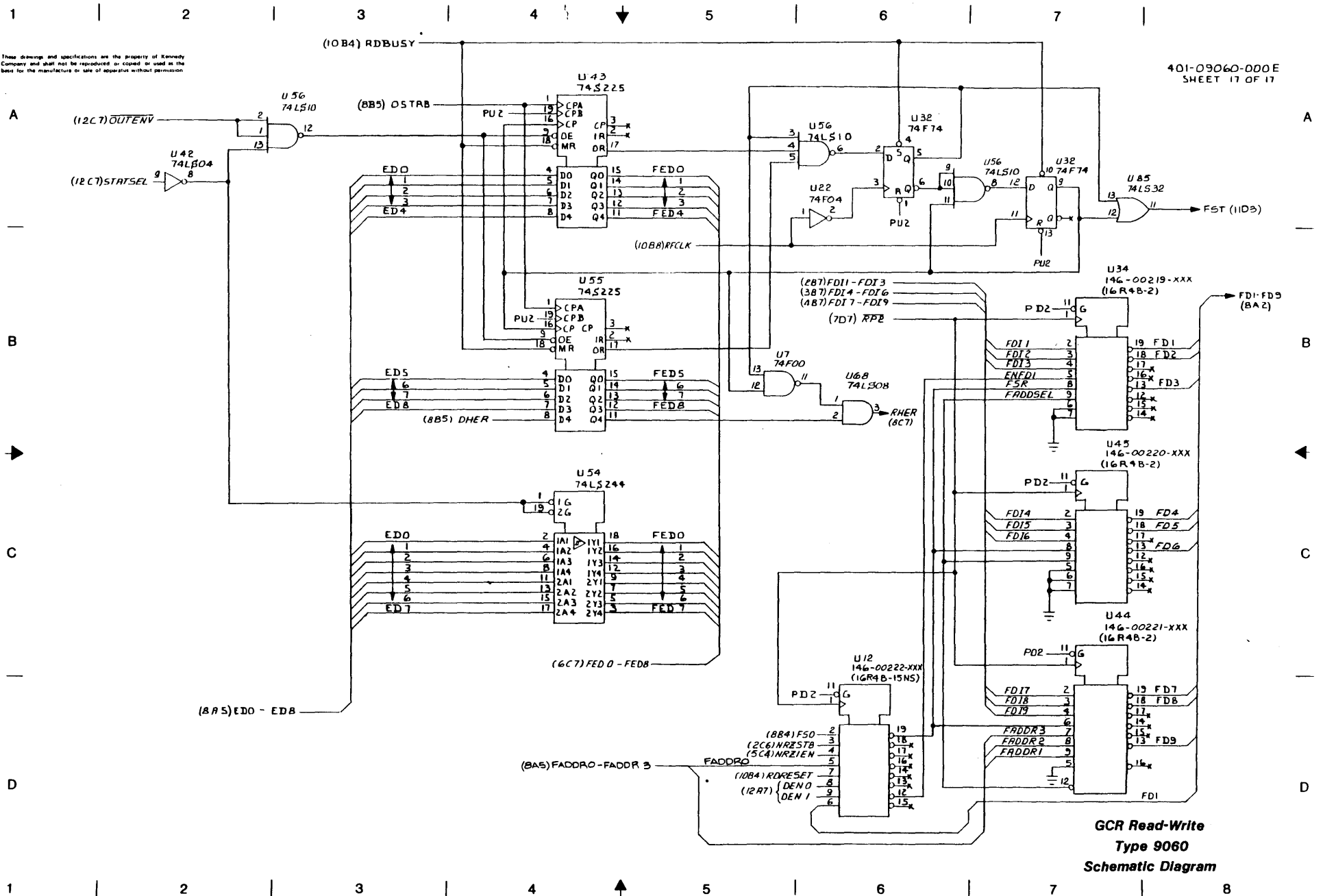
GCR Read-Write
Type 9060
Schematic Diagram



GCP Read-Write
Type 9060
Schematic Diagram

These drawings and specifications are the property of Kennedy Company and shall not be reproduced or copied or used in the base for the manufacture or sale of apparatus without permission.

401-09060-000E
SHEET 17 OF 17



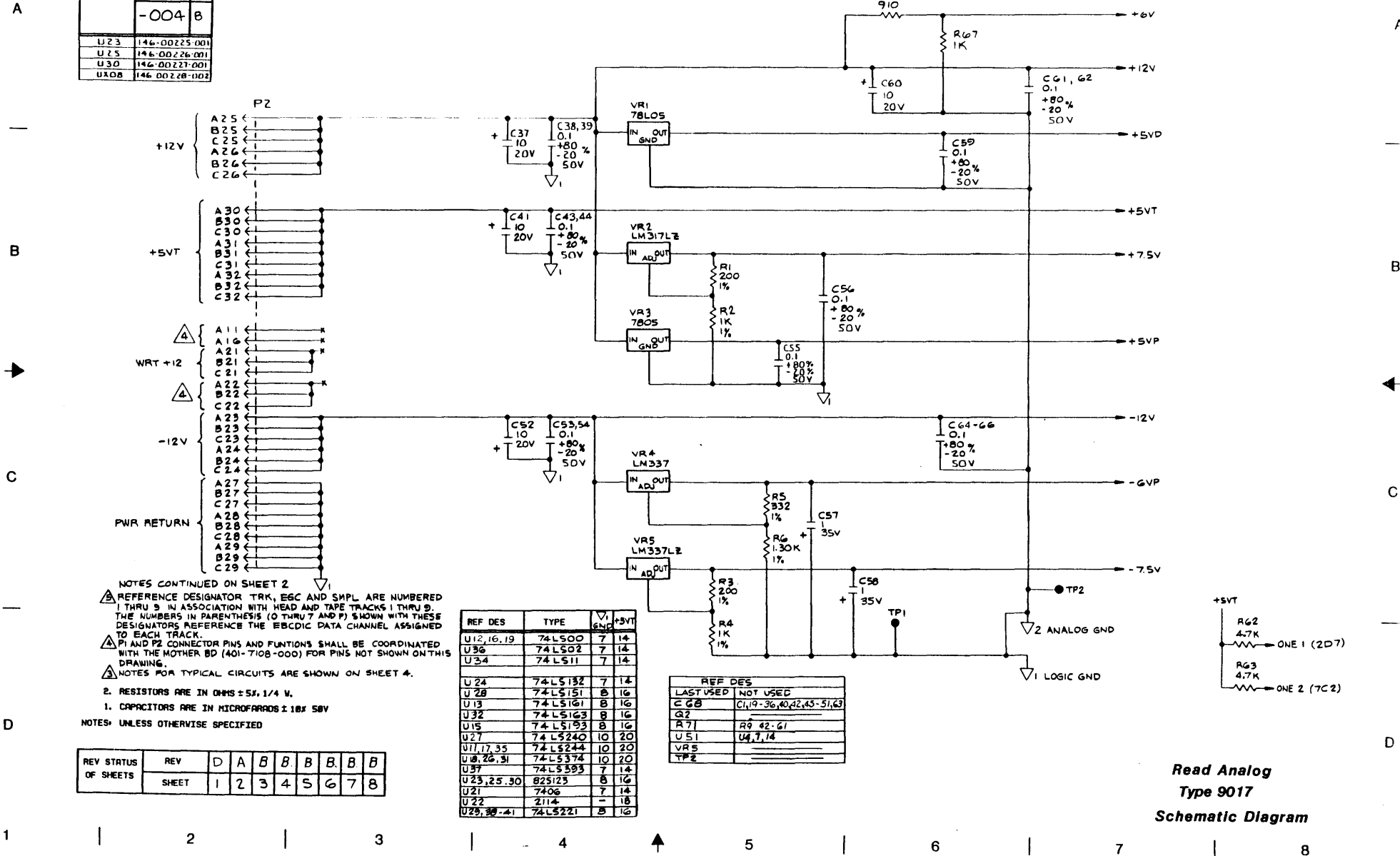
GCR Read-Write
Type 9060
Schematic Diagram

These drawings and specifications are the property of Kennedy Company and shall not be reproduced, or copied, or used as the basis for the manufacture or sale of apparatus without permission.

401-09017-000 D
SHEET 1 OF 3

190-09017-XXX TABULATION

| DASH NO | REV |
|---------|---------------|
| -004 | B |
| U23 | 146-00225-001 |
| U25 | 146-00226-001 |
| U30 | 146-00227-001 |
| UX0B | 146-00228-002 |



- NOTES CONTINUED ON SHEET 2
- ▲ REFERENCE DESIGNATOR TRK, EGC AND SHPL ARE NUMBERED 1 THRU 9 IN ASSOCIATION WITH HEAD AND TAPE TRACKS 1 THRU 9. THE NUMBERS IN PARENTHESIS (O THRU 7 AND P) SHOWN WITH THESE DESIGNATORS REFERENCE THE EBCDIC DATA CHANNEL ASSIGNED TO EACH TRACK.
 - ▲ P1 AND P2 CONNECTOR PINS AND FUNCTIONS SHALL BE COORDINATED WITH THE MOTHER BD (401-7108-000) FOR PINS NOT SHOWN ON THIS DRAWING.
 - ▲ NOTES FOR TYPICAL CIRCUITS ARE SHOWN ON SHEET 4.
2. RESISTORS ARE IN OHMS ± 5%, 1/4 W.
1. CAPACITORS ARE IN MICROFARADS ± 10%, 50V

NOTES: UNLESS OTHERWISE SPECIFIED

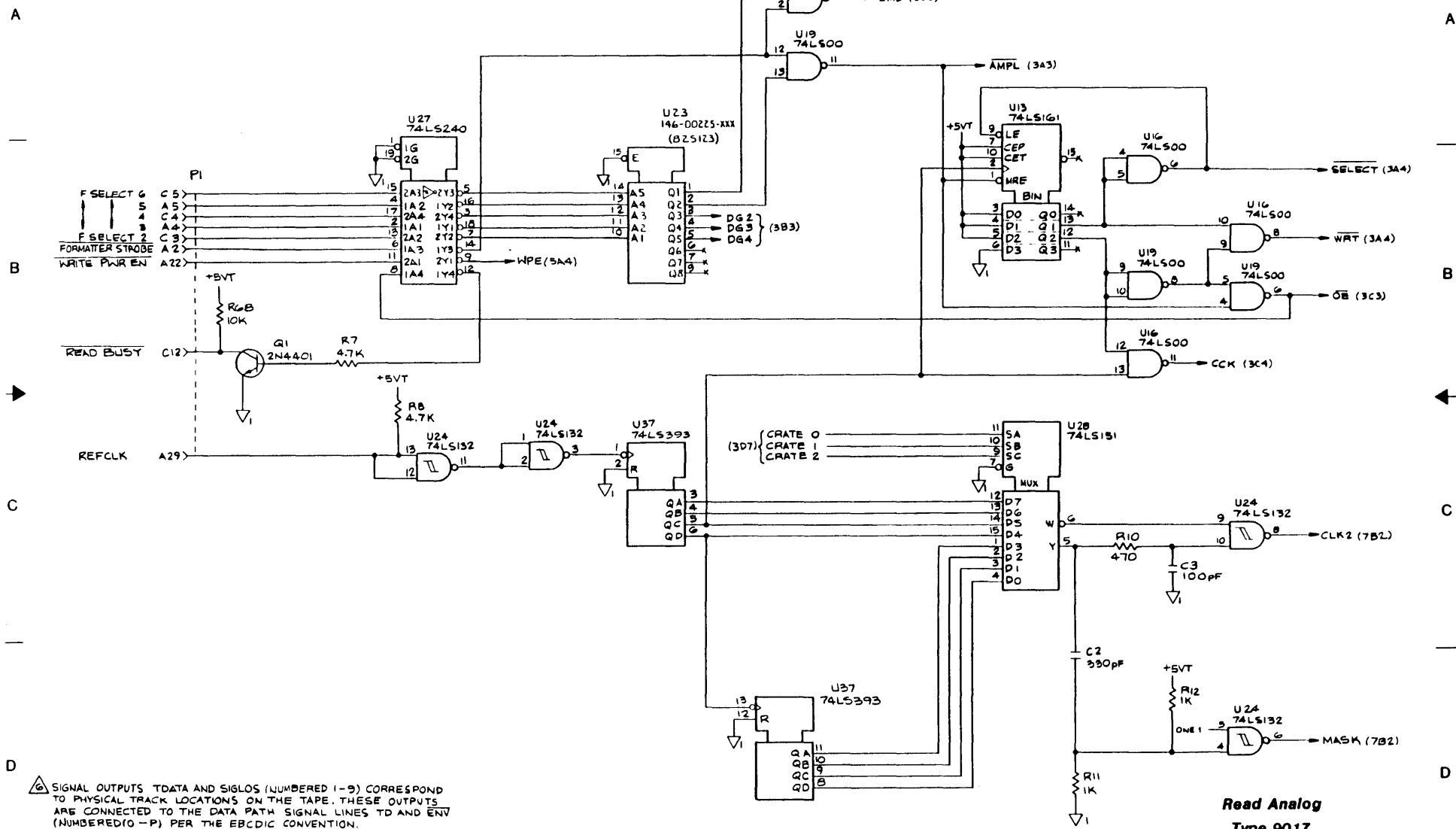
| REV STATUS OF SHEETS | REV SHEET | D | A | B | B | B | B | B | B |
|----------------------|-----------|---|---|---|---|---|---|---|---|
| | | 1 | 2 | 3 | 4 | 5 | 6 | 7 | 8 |

| REF DES | TYPE | QTY | VAL | TOL |
|-------------|---------|-----|-----|-----|
| U12, 16, 19 | 74LS00 | 7 | 14 | |
| U36 | 74LS02 | 7 | 14 | |
| U34 | 74LS11 | 7 | 14 | |
| U24 | 74LS132 | 7 | 14 | |
| U28 | 74LS151 | 8 | 16 | |
| U13 | 74LS161 | 8 | 16 | |
| U32 | 74LS163 | 8 | 16 | |
| U15 | 74LS193 | 8 | 16 | |
| U27 | 74LS240 | 10 | 20 | |
| U17, 17, 35 | 74LS244 | 10 | 20 | |
| U18, 26, 31 | 74LS374 | 10 | 20 | |
| U37 | 74LS593 | 7 | 14 | |
| U23, 25, 30 | 825123 | 8 | 16 | |
| U21 | 7406 | 7 | 14 | |
| U22 | 2114 | - | 18 | |
| U29, 30, 41 | 74LS221 | 8 | 16 | |

| REF DES | LAST USED | NOT USED |
|---------|-----------------------------|----------|
| C68 | C1, 9-36, 40, 42, 45-51, 63 | |
| Q2 | | |
| R7 | R9 42-61 | |
| U51 | U4, 7, 14 | |
| VR5 | | |
| TP2 | | |

Read Analog
Type 9017
Schematic Diagram

These drawings and specifications are the property of Kennedy Company and shall not be reproduced or copied or used as the basis for the manufacture or sale of apparatus without permission.

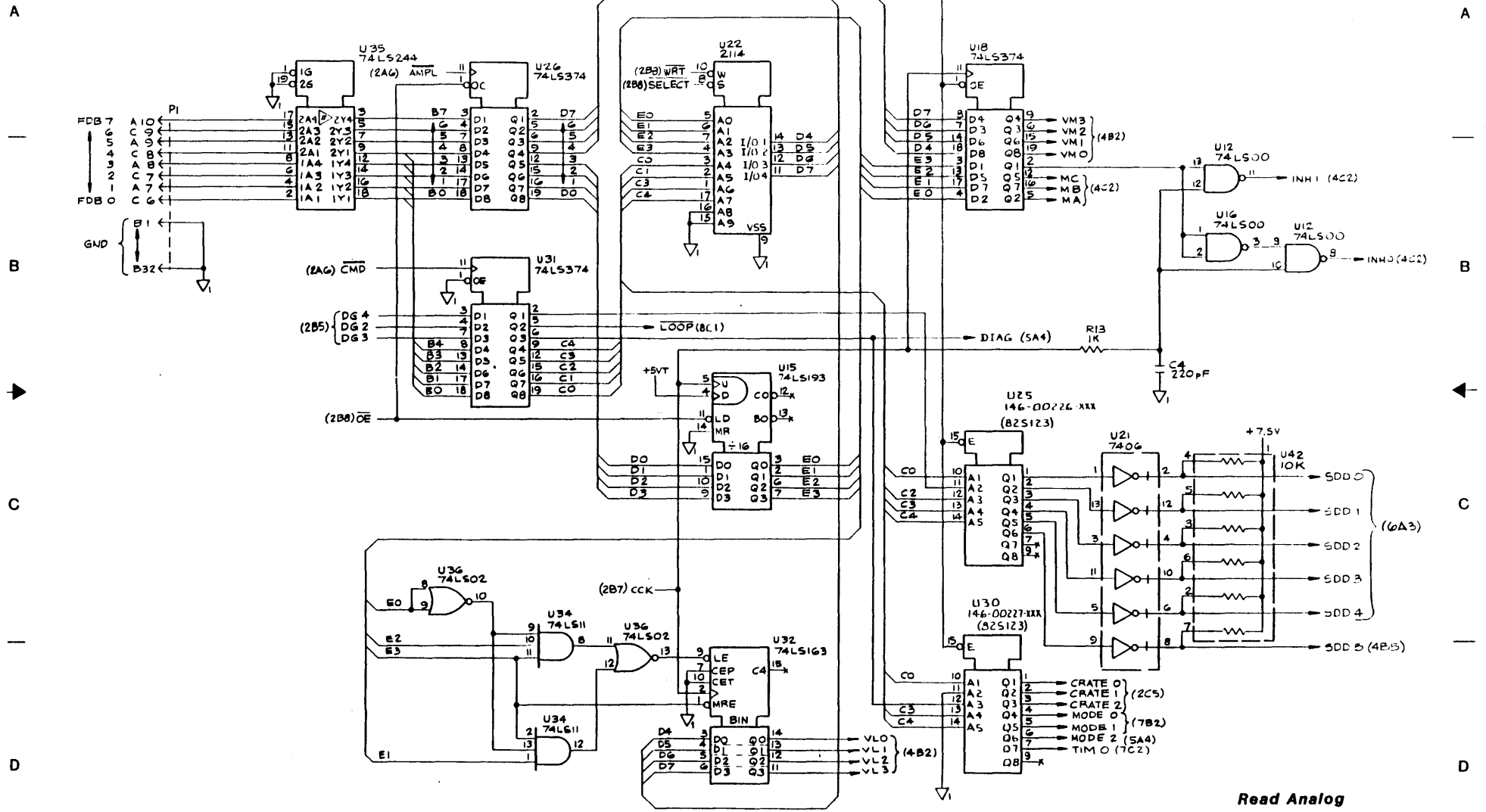


⚠ SIGNAL OUTPUTS TDATA AND SIGLOS (NUMBERED 1-9) CORRESPOND TO PHYSICAL TRACK LOCATIONS ON THE TAPE. THESE OUTPUTS ARE CONNECTED TO THE DATA PATH SIGNAL LINES TD AND ENV (NUMBERED 10-P) PER THE EBCDIC CONVENTION.

**Read Analog
Type 9017
Schematic Diagram**

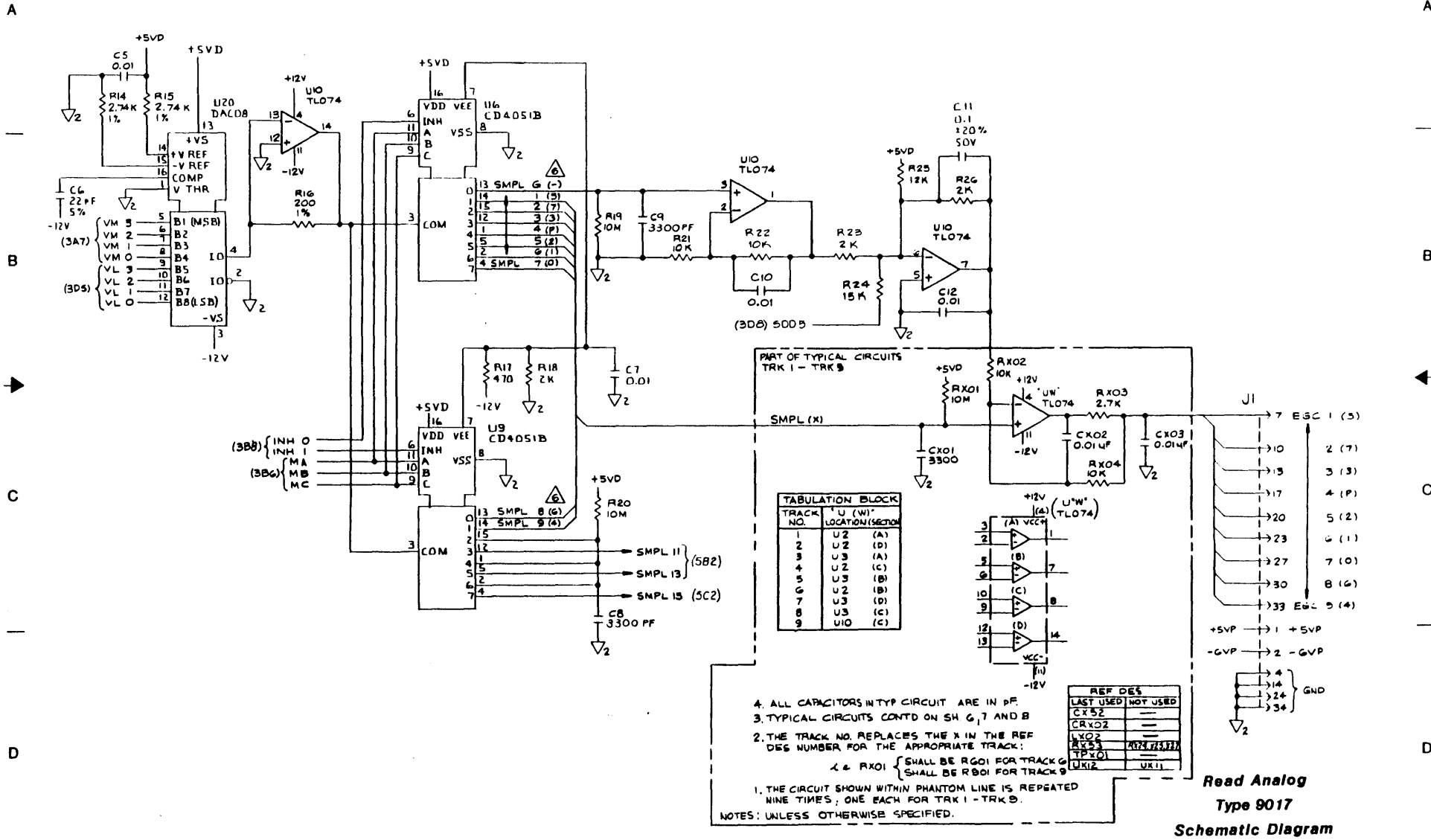
These drawings and specifications are the property of Kennedy Company and shall not be reproduced or copied or used as the basis for the manufacture or sale of apparatus without permission.

401-09017-000 B
SHEET 3 OF 8



Read Analog
Type 9017
Schematic Diagram

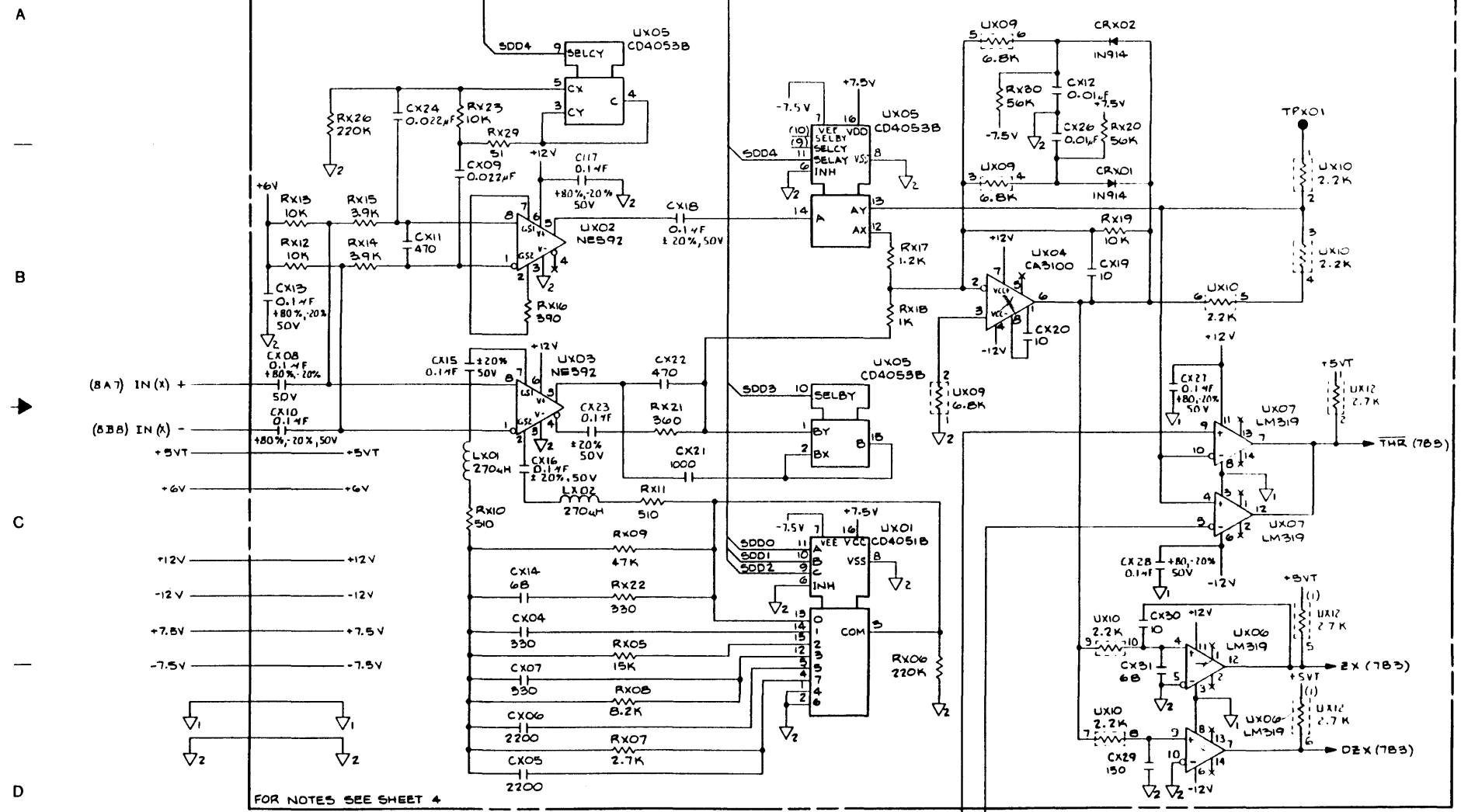
These drawings and specifications are the property of Kennedy Company and shall not be reproduced or copied or used as the basis for the manufacture or sale of apparatus without permission.



1 | | 2 | | 3 | | 4 | | 5 | | 6 | | 7 | | 8

These drawings and specifications are the property of Kennedy Company and shall not be reproduced or copied or used as the base for the manufacture or sale of apparatus without permission.

401-09017-000 B
SHEET 6 OF 8



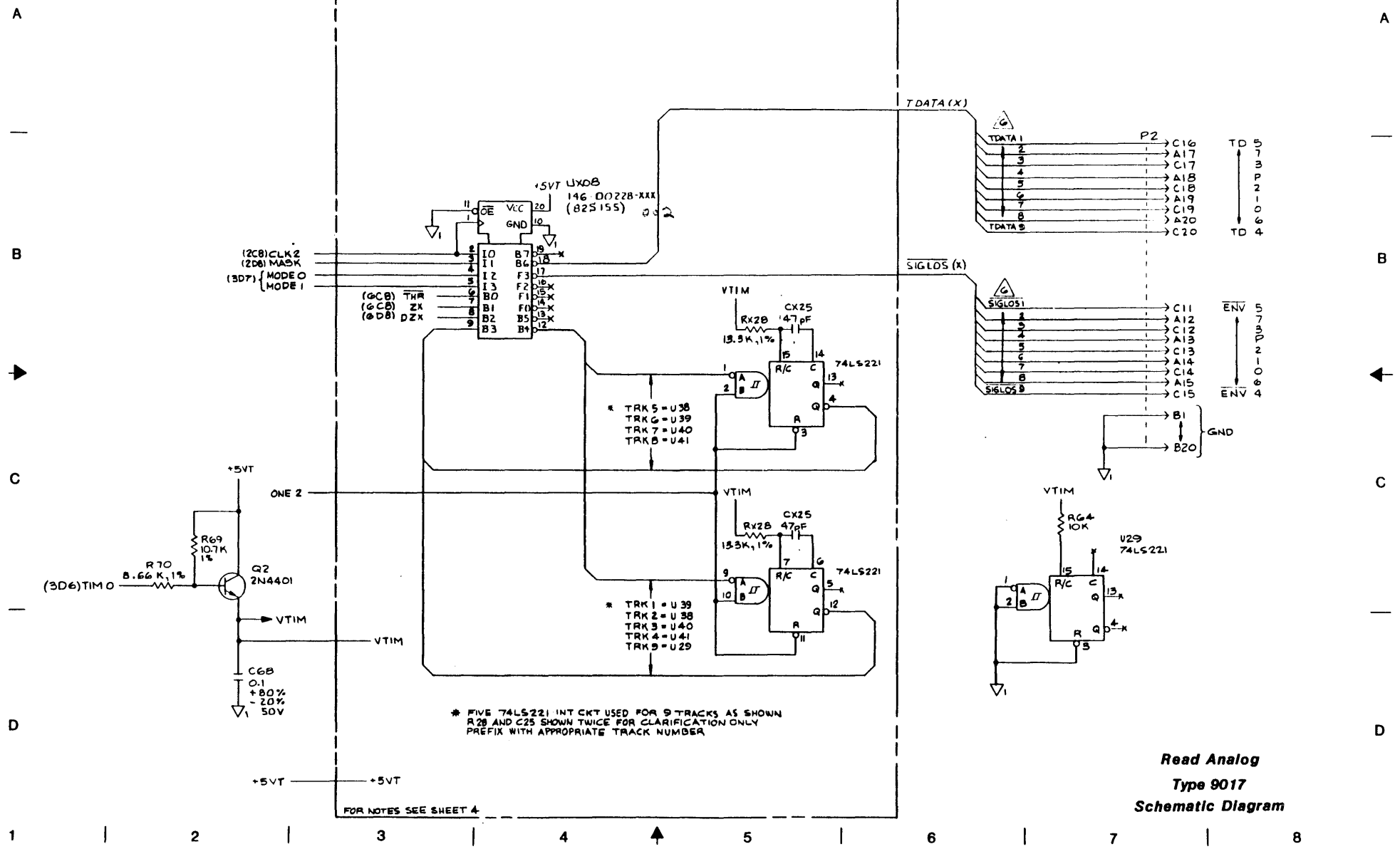
FOR NOTES SEE SHEET 4

(5B6) +THRLEV
(5B6) -THRLEV
Read Analog
Type 9017
Schematic Diagram

1 | | 2 | | 3 | | 4 | | 5 | | 6 | | 7 | | 8

These drawings and specifications are the property of Kenessey Company and shall not be reproduced or copied, in used as the basis for the manufacture or sale of apparatus without permission.

401-09017-000 B
SHEET 7 OF 8

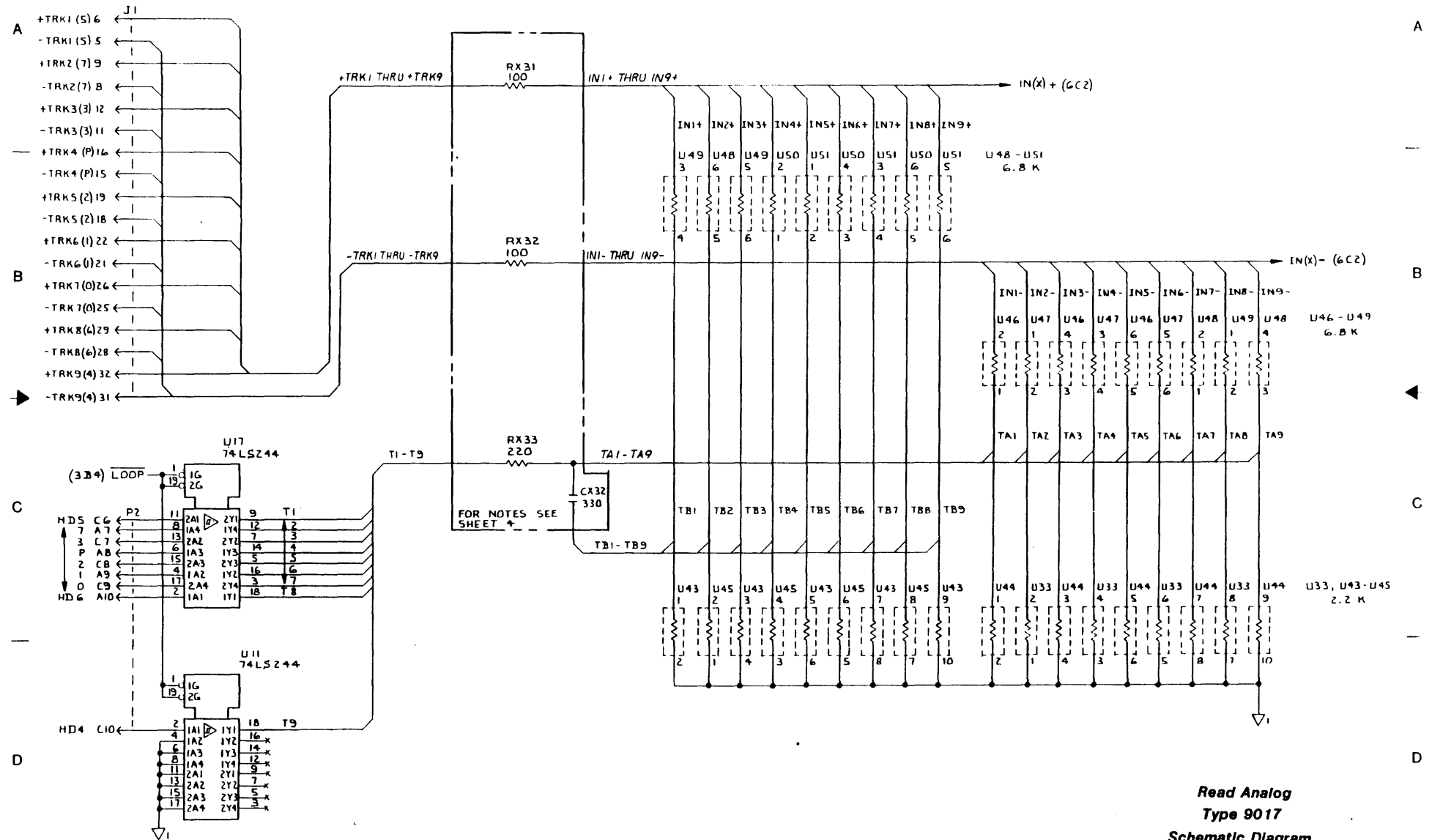


147

1 | 2 | 3 | 4 | 5 | 6 | 7 |

These drawings and specifications are the property of Kennedy Company and shall not be reproduced or copied or used as the basis for the manufacture or sale of apparatus without permission.

401-09011-000 B
SHEET A OF B



1 | 2 | 3 | 4 | 5 | 6 | 7 | 8

Read Analog
Type 9017
Schematic Diagram

SECTION VIII
APPENDIX

APPENDIX A

GLOSSARY

A.0 GENERAL

This appendix defines terms, acronyms, and abbreviations used in the manual.

ARA Level Burst. Automatic Read Amplification Level Burst: A string of bits that occurs at the beginning of all tracks. Used in GCR Mode for calibrating Read Amplifiers

ACRC Character. Auxiliary Cyclic Redundancy Check Character: A polynomial check character used for error detection.

Auto Speed. Operation of the Tape Drive whereby it shifts to an operating speed (50 or 100 ips) to accommodate the data throughput to/from the Host Computer.

BOT. Beginning of Tape: The section of tape near the physical beginning of tape that constitutes the approach to the beginning of the recording area. This section is marked by a photo-reflective Marker.

Block. A group of contiguous bytes considered and transmitted as a unit.

Byte. A group of eight contiguous bits that are acted on as a unit.

Character. A unit of information consisting of one byte plus a parity bit recorded as a unit.

CRC Character. Cyclic Redundancy Check Character:

In **NRZI Mode**, the next-to-last character placed in 9-track, 800-cpi, data blocks where a modified cyclic code is used. The CRC Character can be used for error detection.

In **GCR Mode**, the CRC is a polynomial character used for error detection.

Data Density. The number of single-byte characters stored per unit length of tape - usually expressed as Characters per Inch (CPI) or Bits per Inch (BPI).

Data Access Time. Time required for tape to accelerate from a stopped state to nominal velocity and the Drive to start reading or writing data.

DDPE. Double-Density Phase-Encoded Data Format: Density is 3200 cpi which is double that of PE (Phase-Encoded Format).

EOT. End-of-Tape: A section of tape near the physical end of tape that constitutes the approach to the end of the recording area. This section is marked by a photo-reflective marker.

FM. File Mark or Tape Mark: A control block recorded on tape to separate data files from one another. A data file can consist of one or more data blocks.

Flux Transition. The change of magnetic flux from saturation in one direction to saturation in the opposite direction.

GCR. Group-Encoded Recording: A recording technique whereby groups of bits are collected and encoded before putting them on tape. Recording density for GCR is 6250 cpi. Physical density is 9042 ftpi (Flux Transitions per Inch).

ID Burst. Density Identification Burst: A burst of data recorded near the beginning of tape, before BOT, that identifies the tape recording density as PE, DDPE, or GCR.

IPS. Inches Per Second: Parameter for expressing tape speed.

IBG. Interblock Gap: A dc-erased section of tape used to separate data blocks.

Latency. For On-The-Fly Operations, Latency refers to the time between the end of a data block and the point after which the Drive will not immediately implement the next Command before tape comes to a complete stop.

Local Operation. Operation set up or controlled from the Front Panel of the Drive with no influence from the Host Computer.

LRC Character. Longitudinal Redundancy Check Character: Used in NRZI Mode. This character is the last character in each data block. It constitutes a set of longitudinal parity bits for checking data and restoring all tracks to the dc-erase polarity.

NRZI. Non-Return-to-Zero, Change-on-ONE Data Format: Recording technique characterized by having any transition from ONE to Zero or ZERO to ONE represent a Logic ONE; all steady states (no change) represents Logic ZERO. Recording density is 800 cpi.

On-The-Fly Operation. Refers to Start/Stop Mode - Operation whereby each successive Command is issued in rapid enough sequence to keep the tape moving continuously - not stopping in IBGs.

PE. Phase-Encoded Data Format: Recording technique whereby a specific change in magnetic flux polarity represents one logic level. The opposite change in polarity represents the other logic level. Recording density is 1600 cpi.

Physical Recording Density. The number of recorded flux transitions per unit length of tape. This parameter is usually given in ftpi (Flux Transitions per Inch).

Remote Operation. Operation of the Tape Drive by the Host Computer.

Reinstruction Time. Time allowed after the Drive has written or read a data block, and before the tape comes to a complete stop, for the Host Computer to issue the next Command and continue tape motions. (Ref Figure A-1)

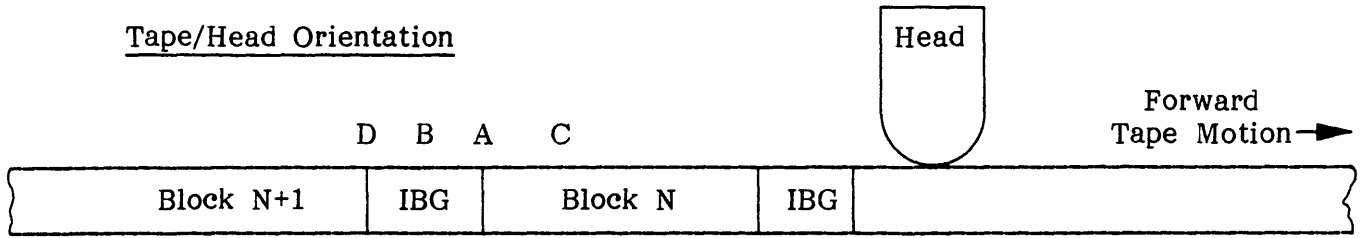
Reinstruction Time On Ramp. For Start/Stop Mode only - Time allowed after tape has begun to ramp down in the IBG for the Host to issue a new Command and reaccelerate tape before it comes to a complete stop in the IBG. (Ref Figure A-1)

Reposition Time. Time required for Drive to reposition tape for the next Command if the next Command was issued too late to maintain tape motion. (Ref Figure A-1)

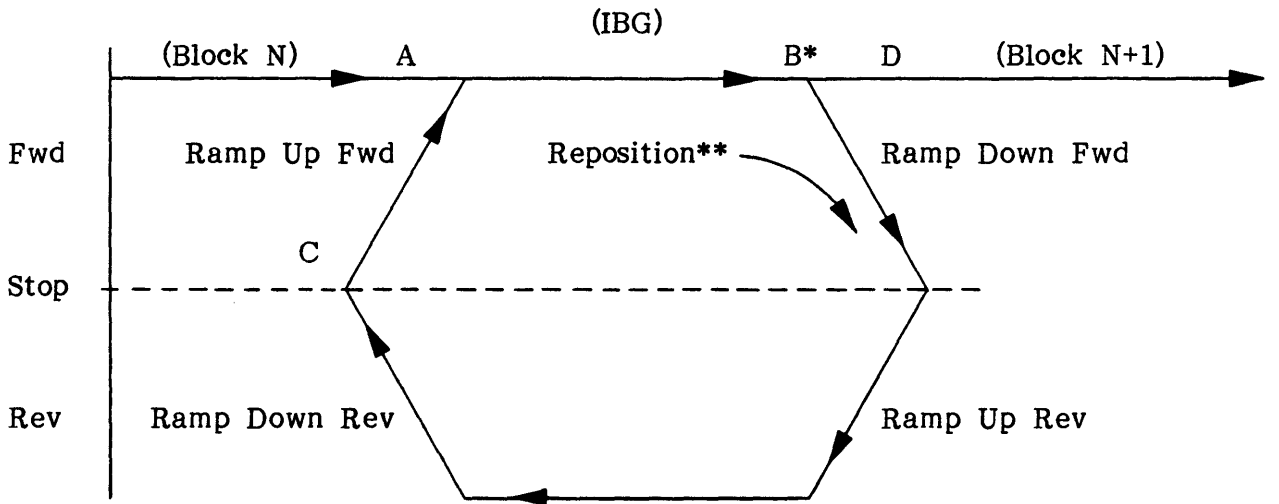
Start/Stop Operation. Operation of the Tape Drive whereby the tape stops and starts within each Interblock Gap. Start/Stop Operation can be done at any density, but is limited to 50 ips tape speed. See On-The-Fly Operation.

Streaming Operation. Operation whereby the tape moves continuously (with some exceptions) without stopping in the Interblock Gaps. The Host Computer is allowed a full IBG period (dependent on density and tape speed) to send a valid Command (that does not change tape motion direction). If the Command is not received, within the Interblock, the Drive enters a Reposition Routine that stops the tape in an area just before the related IBG. The next Command resumes tape motion. (Ref Figure A-1)

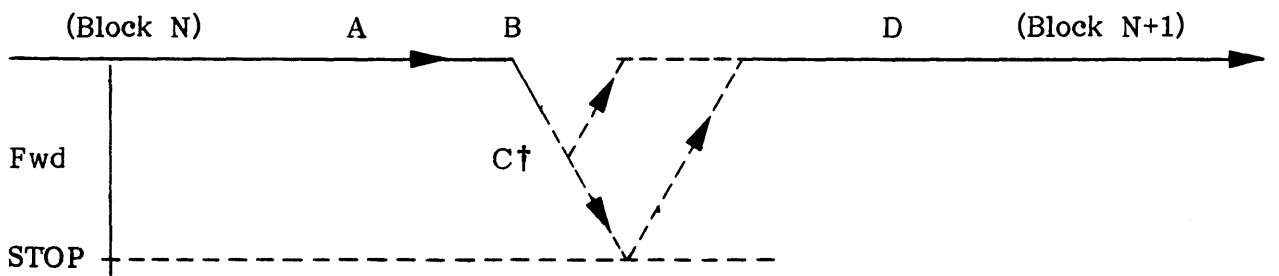
VPE. Vertical Parity Error: Each character transmitted occupies 8 tracks for data and one track for a Parity Bit. Vertical Parity Error is one based on the parity of each character on tape.



Streaming Operation



Stop/Start Operation



NOTE:

- * Point B is the End of Reconstruct Window, the last point where the next Command can be executed without repositioning.
- ** Repositioning occurs from B to C.
- † Point C is last point where new Command can be executed without ramping to a complete stop

Figure A-1. Velocity Profiles