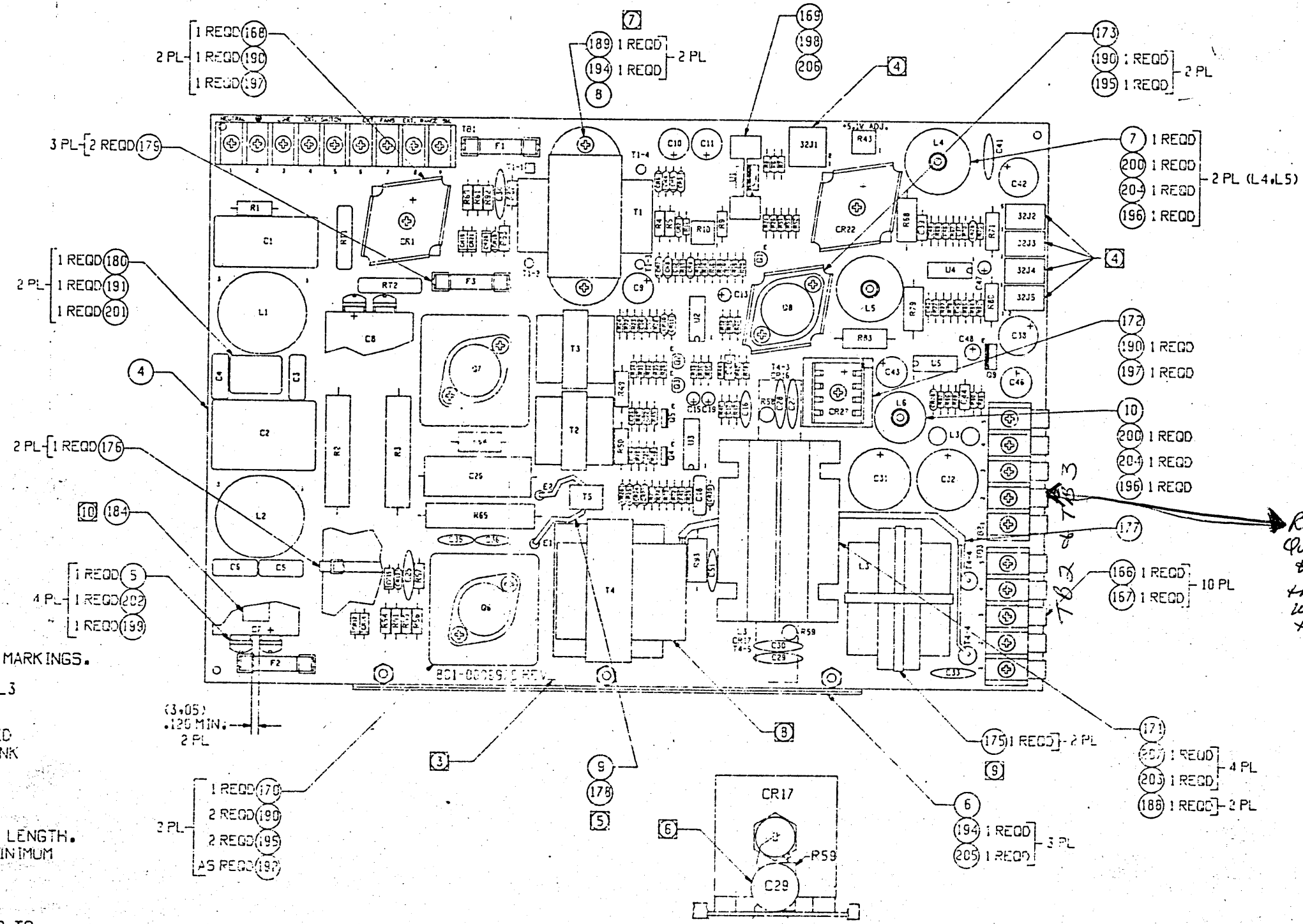


(25.4)MM
1 INCH



- 10 LABEL MUST NOT COVER CAPACITOR IDENTIFICATION MARKINGS.
- 9 TIE STRAP KNOT MUST NOT BE LOCATED ON TOP OF L3 DUE TO HEIGHT RESTRICTION.
- 8 LEADS FROM T4 TO CR16 AND CR17 ARE TO BE ROUTED IN UPPERMOST CHANNEL AREA OF SCHOTTKY HEAT SINK (ITEM 171), AWAY FROM PCB (ITEM 4).
- 7 SWAGE FLAT OR ROLLED FLANGE NEAR SIDE.
- 6 POSITION C27 AND C29 AS SHOWN FOR MINIMUM LEAD LENGTH. POSITION LUGS, ITEM 188, AT CR16 AND CR17 FOR MINIMUM LEAD LENGTH OF R58 AND R59.
- 5 LEAD ENDS TO BE CLINCHED.
- 4 REMOVE PIN 3 OF THE FOLLOWING CONNECTORS PRIOR TO INSTALLATION: 32J1, 32J2, 32J3, 32J4, 32J5.
- 3 INK STAMP CURRENT REVISION LEVEL, THIS SIDE ONLY, IN AREA SHOWN, PER 007-9501552.
- 2. REFERENCE DESIGNATIONS AND POLARITY SYMBOLS ARE FOR REFERENCE ONLY.
- 1. ASSEMBLE PER NCR CORPORATE WORKMANSHIP STANDARDS MANUAL.

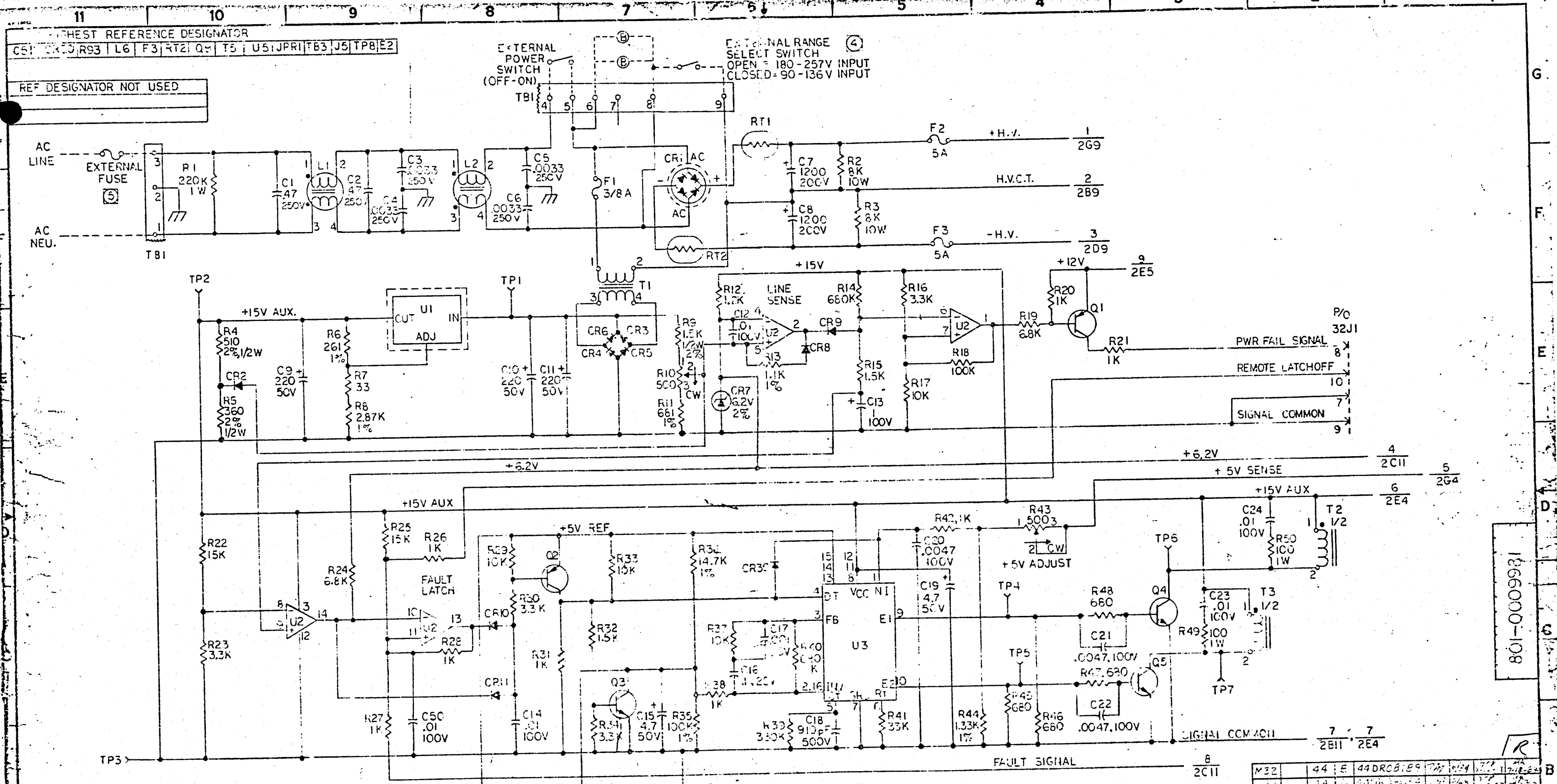
Remove all 10 Quick-disconnects & just replace the screws, legs will be put on those places

801-0009975

15

NOTES: UNLESS OTHERWISE SPECIFIED

REV: <input type="checkbox"/>	SEE SHEET ONE FOR CHANGES
<small>THE CONTENT OF THIS DOCUMENT IS YOUR INTELLECTUAL PROPERTY AND IS THE PROPERTY OF NCR CORPORATION. IT IS TO BE TREATED AS STRICTLY CONFIDENTIAL AND IS NOT TO BE DISCLOSED, REPRODUCED, OR USED EXCEPT AS AUTHORIZED IN WRITING BY NCR IN CONNECTION WITH THE MANUFACTURE, MAINTENANCE AND USE OF THE VES EQUIPMENT TO WHICH IT PERTAINS. (REV. 10-68) NCR CORPORATION.</small>	
ENGINEERING & MANUFACTURING—ORLANDO	
<small>UNLESS OTHERWISE SPECIFIED DIMENSIONS ARE IN INCHES</small> DIM: NOMINAL DEC 1: JUNE 2:	UNIT: POWER SUPPLY (9400 HI PWR) NAME: BOARD-COMPONENT
SHEET 1 OF 1 SCALE: 1:1	SIZE: D 801-0009975



HOOK-UP CHART		EXTERNAL FUSE
INPUT RANGE	EXT RANGE SWITCH	FUSE
90-136V, 49-61Hz	CLOSED	8A
180-257V, 49-61Hz	OPEN	4A

- 1. AT TEST, IF +5.2V > 5.33V AT 2ADC, REMOVE R88.
- 2. SEE HOOK-UP CHART.
- 3. PYS CAN BE DAMAGED BY OPERATION FROM 230V SOURCE WITH EXTERNAL RANGE SELECT SWITCH CLOSED.
- 4. TEST POINTS APPEAR ON SCHEMATIC ONLY.
- 5. ALL CAPACITOR VALUES ARE IN MICROFARADS.
- 6. ALL RESISTOR VALUES ARE IN OHMS, 1/4W, 5%.

CHANGES: (A) NEW, (E) DESIGNATED COLLECTOR OF Q4 (C) C1 WAS: 270VAC, C2 WAS: 270VAC, C3 WAS: 3KV, C4 WAS: 3KV, C5 WAS: 3KV, C6 WAS: 3KV. (HIGHEST REF DES CHART WAS: 08A93, 08A94, 08A95, 08A96, 08A97, 08A98, 08A99, 08A100, 08A101, 08A102, 08A103, 08A104, 08A105, 08A106, 08A107, 08A108, 08A109, 08A110, 08A111, 08A112, 08A113, 08A114, 08A115, 08A116, 08A117, 08A118, 08A119, 08A120, 08A121, 08A122, 08A123, 08A124, 08A125, 08A126, 08A127, 08A128, 08A129, 08A130, 08A131, 08A132, 08A133, 08A134, 08A135, 08A136, 08A137, 08A138, 08A139, 08A140, 08A141, 08A142, 08A143, 08A144, 08A145, 08A146, 08A147, 08A148, 08A149, 08A150, 08A151, 08A152, 08A153, 08A154, 08A155, 08A156, 08A157, 08A158, 08A159, 08A160, 08A161, 08A162, 08A163, 08A164, 08A165, 08A166, 08A167, 08A168, 08A169, 08A170, 08A171, 08A172, 08A173, 08A174, 08A175, 08A176, 08A177, 08A178, 08A179, 08A180, 08A181, 08A182, 08A183, 08A184, 08A185, 08A186, 08A187, 08A188, 08A189, 08A190, 08A191, 08A192, 08A193, 08A194, 08A195, 08A196, 08A197, 08A198, 08A199, 08A200, 08A201, 08A202, 08A203, 08A204, 08A205, 08A206, 08A207, 08A208, 08A209, 08A210, 08A211, 08A212, 08A213, 08A214, 08A215, 08A216, 08A217, 08A218, 08A219, 08A220, 08A221, 08A222, 08A223, 08A224, 08A225, 08A226, 08A227, 08A228, 08A229, 08A230, 08A231, 08A232, 08A233, 08A234, 08A235, 08A236, 08A237, 08A238, 08A239, 08A240, 08A241, 08A242, 08A243, 08A244, 08A245, 08A246, 08A247, 08A248, 08A249, 08A250, 08A251, 08A252, 08A253, 08A254, 08A255, 08A256, 08A257, 08A258, 08A259, 08A260, 08A261, 08A262, 08A263, 08A264, 08A265, 08A266, 08A267, 08A268, 08A269, 08A270, 08A271, 08A272, 08A273, 08A274, 08A275, 08A276, 08A277, 08A278, 08A279, 08A280, 08A281, 08A282, 08A283, 08A284, 08A285, 08A286, 08A287, 08A288, 08A289, 08A290, 08A291, 08A292, 08A293, 08A294, 08A295, 08A296, 08A297, 08A298, 08A299, 08A300, 08A301, 08A302, 08A303, 08A304, 08A305, 08A306, 08A307, 08A308, 08A309, 08A310, 08A311, 08A312, 08A313, 08A314, 08A315, 08A316, 08A317, 08A318, 08A319, 08A320, 08A321, 08A322, 08A323, 08A324, 08A325, 08A326, 08A327, 08A328, 08A329, 08A330, 08A331, 08A332, 08A333, 08A334, 08A335, 08A336, 08A337, 08A338, 08A339, 08A340, 08A341, 08A342, 08A343, 08A344, 08A345, 08A346, 08A347, 08A348, 08A349, 08A350, 08A351, 08A352, 08A353, 08A354, 08A355, 08A356, 08A357, 08A358, 08A359, 08A360, 08A361, 08A362, 08A363, 08A364, 08A365, 08A366, 08A367, 08A368, 08A369, 08A370, 08A371, 08A372, 08A373, 08A374, 08A375, 08A376, 08A377, 08A378, 08A379, 08A380, 08A381, 08A382, 08A383, 08A384, 08A385, 08A386, 08A387, 08A388, 08A389, 08A390, 08A391, 08A392, 08A393, 08A394, 08A395, 08A396, 08A397, 08A398, 08A399, 08A400, 08A401, 08A402, 08A403, 08A404, 08A405, 08A406, 08A407, 08A408, 08A409, 08A410, 08A411, 08A412, 08A413, 08A414, 08A415, 08A416, 08A417, 08A418, 08A419, 08A420, 08A421, 08A422, 08A423, 08A424, 08A425, 08A426, 08A427, 08A428, 08A429, 08A430, 08A431, 08A432, 08A433, 08A434, 08A435, 08A436, 08A437, 08A438, 08A439, 08A440, 08A441, 08A442, 08A443, 08A444, 08A445, 08A446, 08A447, 08A448, 08A449, 08A450, 08A451, 08A452, 08A453, 08A454, 08A455, 08A456, 08A457, 08A458, 08A459, 08A460, 08A461, 08A462, 08A463, 08A464, 08A465, 08A466, 08A467, 08A468, 08A469, 08A470, 08A471, 08A472, 08A473, 08A474, 08A475, 08A476, 08A477, 08A478, 08A479, 08A480, 08A481, 08A482, 08A483, 08A484, 08A485, 08A486, 08A487, 08A488, 08A489, 08A490, 08A491, 08A492, 08A493, 08A494, 08A495, 08A496, 08A497, 08A498, 08A499, 08A500, 08A501, 08A502, 08A503, 08A504, 08A505, 08A506, 08A507, 08A508, 08A509, 08A510, 08A511, 08A512, 08A513, 08A514, 08A515, 08A516, 08A517, 08A518, 08A519, 08A520, 08A521, 08A522, 08A523, 08A524, 08A525, 08A526, 08A527, 08A528, 08A529, 08A530, 08A531, 08A532, 08A533, 08A534, 08A535, 08A536, 08A537, 08A538, 08A539, 08A540, 08A541, 08A542, 08A543, 08A544, 08A545, 08A546, 08A547, 08A548, 08A549, 08A550, 08A551, 08A552, 08A553, 08A554, 08A555, 08A556, 08A557, 08A558, 08A559, 08A560, 08A561, 08A562, 08A563, 08A564, 08A565, 08A566, 08A567, 08A568, 08A569, 08A570, 08A571, 08A572, 08A573, 08A574, 08A575, 08A576, 08A577, 08A578, 08A579, 08A580, 08A581, 08A582, 08A583, 08A584, 08A585, 08A586, 08A587, 08A588, 08A589, 08A590, 08A591, 08A592, 08A593, 08A594, 08A595, 08A596, 08A597, 08A598, 08A599, 08A600, 08A601, 08A602, 08A603, 08A604, 08A605, 08A606, 08A607, 08A608, 08A609, 08A610, 08A611, 08A612, 08A613, 08A614, 08A615, 08A616, 08A617, 08A618, 08A619, 08A620, 08A621, 08A622, 08A623, 08A624, 08A625, 08A626, 08A627, 08A628, 08A629, 08A630, 08A631, 08A632, 08A633, 08A634, 08A635, 08A636, 08A637, 08A638, 08A639, 08A640, 08A641, 08A642, 08A643, 08A644, 08A645, 08A646, 08A647, 08A648, 08A649, 08A650, 08A651, 08A652, 08A653, 08A654, 08A655, 08A656, 08A657, 08A658, 08A659, 08A660, 08A661, 08A662, 08A663, 08A664, 08A665, 08A666, 08A667, 08A668, 08A669, 08A670, 08A671, 08A672, 08A673, 08A674, 08A675, 08A676, 08A677, 08A678, 08A679, 08A680, 08A681, 08A682, 08A683, 08A684, 08A685, 08A686, 08A687, 08A688, 08A689, 08A690, 08A691, 08A692, 08A693, 08A694, 08A695, 08A696, 08A697, 08A698, 08A699, 08A700, 08A701, 08A702, 08A703, 08A704, 08A705, 08A706, 08A707, 08A708, 08A709, 08A710, 08A711, 08A712, 08A713, 08A714, 08A715, 08A716, 08A717, 08A718, 08A719, 08A720, 08A721, 08A722, 08A723, 08A724, 08A725, 08A726, 08A727, 08A728, 08A729, 08A730, 08A731, 08A732, 08A733, 08A734, 08A735, 08A736, 08A737, 08A738, 08A739, 08A740, 08A741, 08A742, 08A743, 08A744, 08A745, 08A746, 08A747, 08A748, 08A749, 08A750, 08A751, 08A752, 08A753, 08A754, 08A755, 08A756, 08A757, 08A758, 08A759, 08A760, 08A761, 08A762, 08A763, 08A764, 08A765, 08A766, 08A767, 08A768, 08A769, 08A770, 08A771, 08A772, 08A773, 08A774, 08A775, 08A776, 08A777, 08A778, 08A779, 08A780, 08A781, 08A782, 08A783, 08A784, 08A785, 08A786, 08A787, 08A788, 08A789, 08A790, 08A791, 08A792, 08A793, 08A794, 08A795, 08A796, 08A797, 08A798, 08A799, 08A800, 08A801, 08A802, 08A803, 08A804, 08A805, 08A806, 08A807, 08A808, 08A809, 08A810, 08A811, 08A812, 08A813, 08A814, 08A815, 08A816, 08A817, 08A818, 08A819, 08A820, 08A821, 08A822, 08A823, 08A824, 08A825, 08A826, 08A827, 08A828, 08A829, 08A830, 08A831, 08A832, 08A833, 08A834, 08A835, 08A836, 08A837, 08A838, 08A839, 08A840, 08A841, 08A842, 08A843, 08A844, 08A845, 08A846, 08A847, 08A848, 08A849, 08A850, 08A851, 08A852, 08A853, 08A854, 08A855, 08A856, 08A857, 08A858, 08A859, 08A860, 08A861, 08A862, 08A863, 08A864, 08A865, 08A866, 08A867, 08A868, 08A869, 08A870, 08A871, 08A872, 08A873, 08A874, 08A875, 08A876, 08A877, 08A878, 08A879, 08A880, 08A881, 08A882, 08A883, 08A884, 08A885, 08A886, 08A887, 08A888, 08A889, 08A890, 08A891, 08A892, 08A893, 08A894, 08A895, 08A896, 08A897, 08A898, 08A899, 08A900, 08A901, 08A902, 08A903, 08A904, 08A905, 08A906, 08A907, 08A908, 08A909, 08A910, 08A911, 08A912, 08A913, 08A914, 08A915, 08A916, 08A917, 08A918, 08A919, 08A920, 08A921, 08A922, 08A923, 08A924, 08A925, 08A926, 08A927, 08A928, 08A929, 08A930, 08A931, 08A932, 08A933, 08A934, 08A935, 08A936, 08A937, 08A938, 08A939, 08A940, 08A941, 08A942, 08A943, 08A944, 08A945, 08A946, 08A947, 08A948, 08A949, 08A950, 08A951, 08A952, 08A953, 08A954, 08A955, 08A956, 08A957, 08A958, 08A959, 08A960, 08A961, 08A962, 08A963, 08A964, 08A965, 08A966, 08A967, 08A968, 08A969, 08A970, 08A971, 08A972, 08A973, 08A974, 08A975, 08A976, 08A977, 08A978, 08A979, 08A980, 08A981, 08A982, 08A983, 08A984, 08A985, 08A986, 08A987, 08A988, 08A989, 08A990, 08A991, 08A992, 08A993, 08A994, 08A995, 08A996, 08A997, 08A998, 08A999, 08A1000.

CLASS	MODEL	PLANT	REV	RELEASE NO.	DFTS	DATE	CHECK	APPD
M32	44	E	44DR08189	7/27	1/24	7/27		
M32	44	D	44DR08201	7/27	7/27	7/27		
M32	44	C	44DR08222	7/27	7/27	7/27		
M32	44	B	44DR08282	7/27	7/27	7/27		
M32	44	X	44DR08099	7/27	7/27	7/27		

THIS DRAWING AND INFORMATION THEREON IS THE PROPERTY OF NCR CORPORATION AND ALL UNAUTHORIZED USE AND REPRODUCTION IS PROHIBITED.

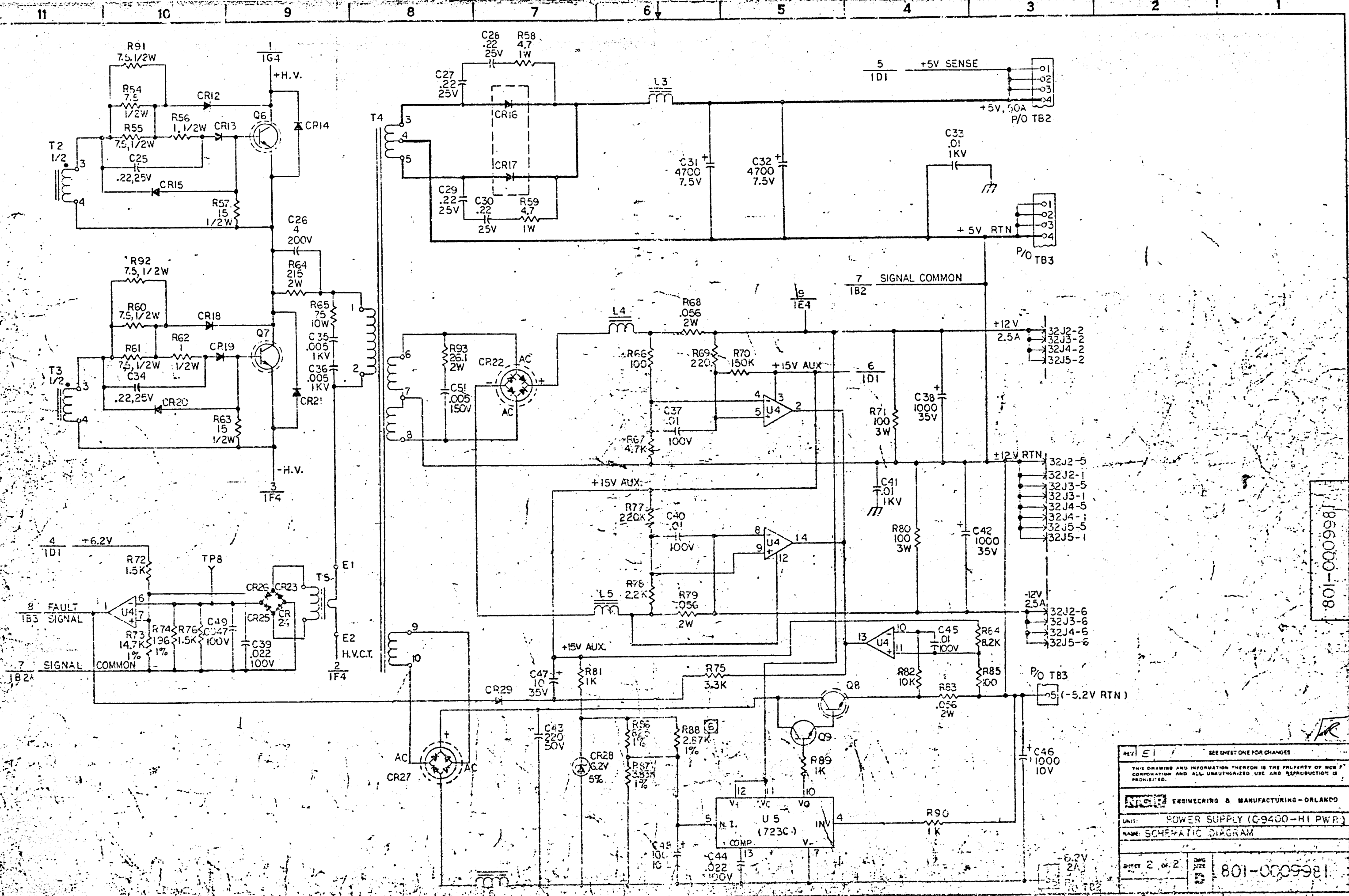
ENGINEERING & MANUFACTURING - ORLANDO

POWER SUPPLY (9400-H1PWR)

SYNTHETIC DIAGRAM

SHEET 1 of 2

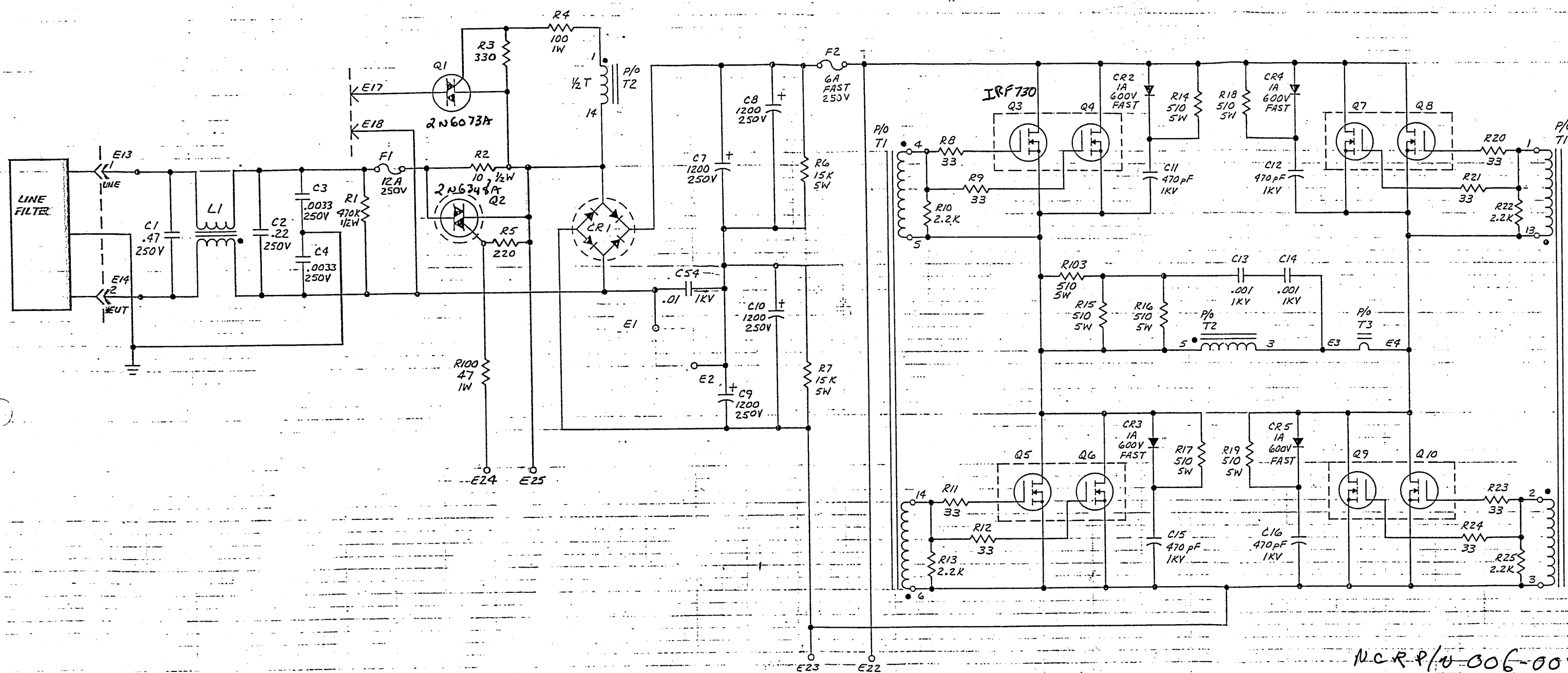
601-0009981



801-00098

REV E1	SEE SHEET ONE FOR CHANGES
THIS DRAWING AND INFORMATION THEREON IS THE PROPERTY OF HCB CORPORATION AND ALL UNAUTHORIZED USE AND REPRODUCTION IS PROHIBITED.	
HCB ENGINEERING & MANUFACTURING-ORLANDO	
UNIT: POWER SUPPLY (C-9400-H1 PWR)	
NAME: SCHEMATIC DIAGRAM	
SHEET 2 OF 2	801-00098

HIGHEST REF DESIGNATORS USED	R103	C64	CR 37	Q15	UG	J2	T5	TP6	L5	SR 9	F2	E25
REF DESIGNATORS NOT USED	CR34,38	L2										



801-0019497

NCR P/O 006-0089077

CLASS	MODEL	PLANT	REV	RELEASE NO.	DFTS	DATE	CHECK	APPD
44	C	44DR12594	MJL	1/90	7/88	3/3/88	7/88	7/88
44	B	44DR12405	ML	9/89	7/88	3/3/88	7/88	7/88
44	A	44DR12062	77	3/88	7/88	3/3/88	7/88	7/88

CHANGES: (A) NEW (B) SHW. -- DELETED CR 38 IN ZONE E-6, C7, C8, C9, C10 WAS: 1200uF 200V (C) R100 WAS: 68, 1W.

REPLACES DWG. 801-0019489

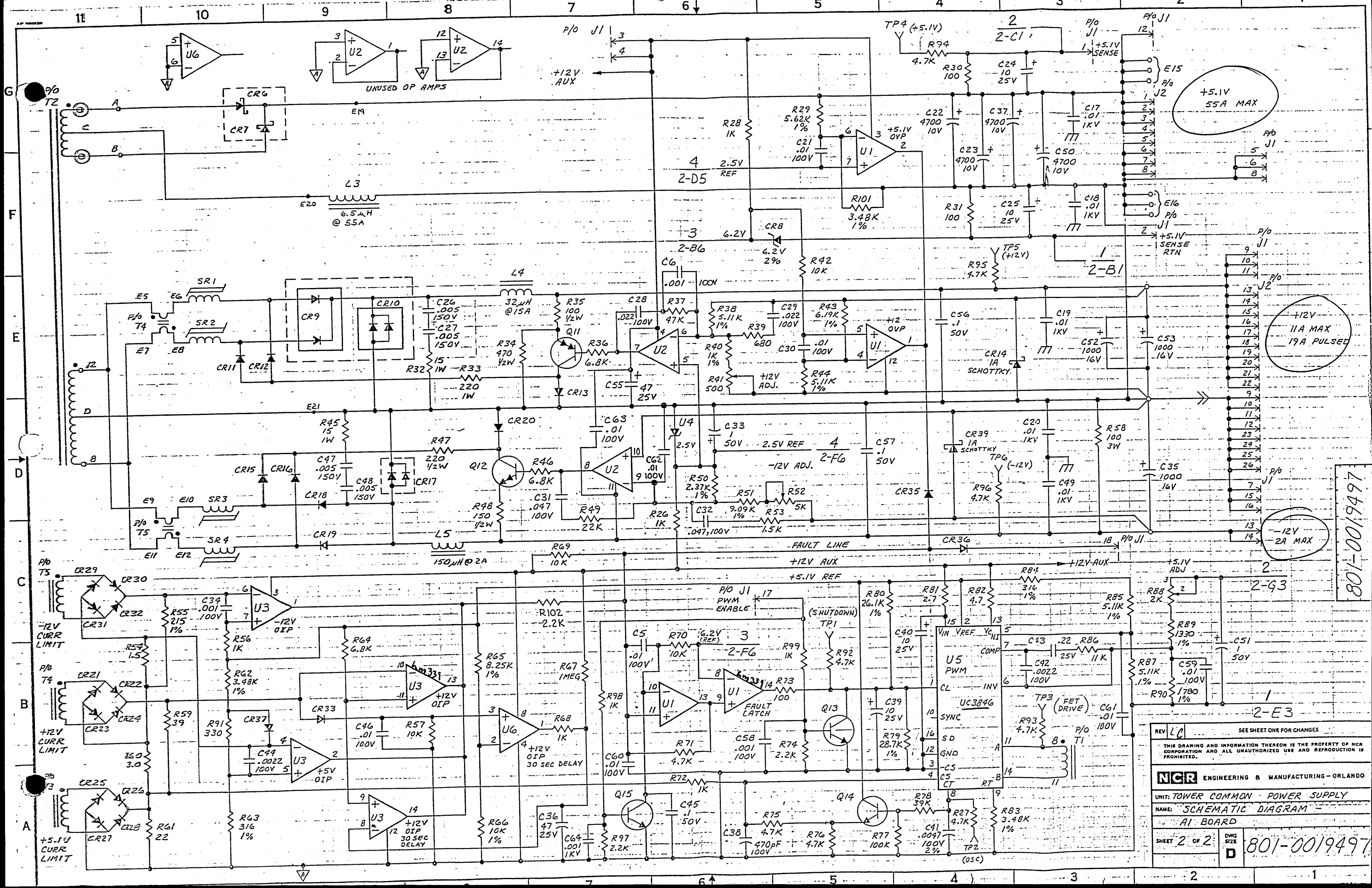
THIS DRAWING AND INFORMATION THEREON IS THE PROPERTY OF NCR CORPORATION AND ALL UNAUTHORIZED USE AND REPRODUCTION IS PROHIBITED.

NCR ENGINEERING & MANUFACTURING - ORLANDO

CLASS:	44	UNIT:	TOWER COMMON POWER SUPPLY
START:	3/3/88	FINISH:	3/3/88
NAME:	SCHEMATIC DIAGRAM		
INTERPLANT USAGE (CODE):	77	AI BOARD	
DESIGNER:	J.L. Kist	SHEET:	1 OF 2
APPRO:	J.L. Kist	DWG SIZE:	D
APPRO:	J.L. Kist	CODE:	

CAPACITOR VALUES ARE IN MICROFARADS.
RESISTOR VALUES ARE IN OHMS, 1/4 W, 5%.

801-0019497



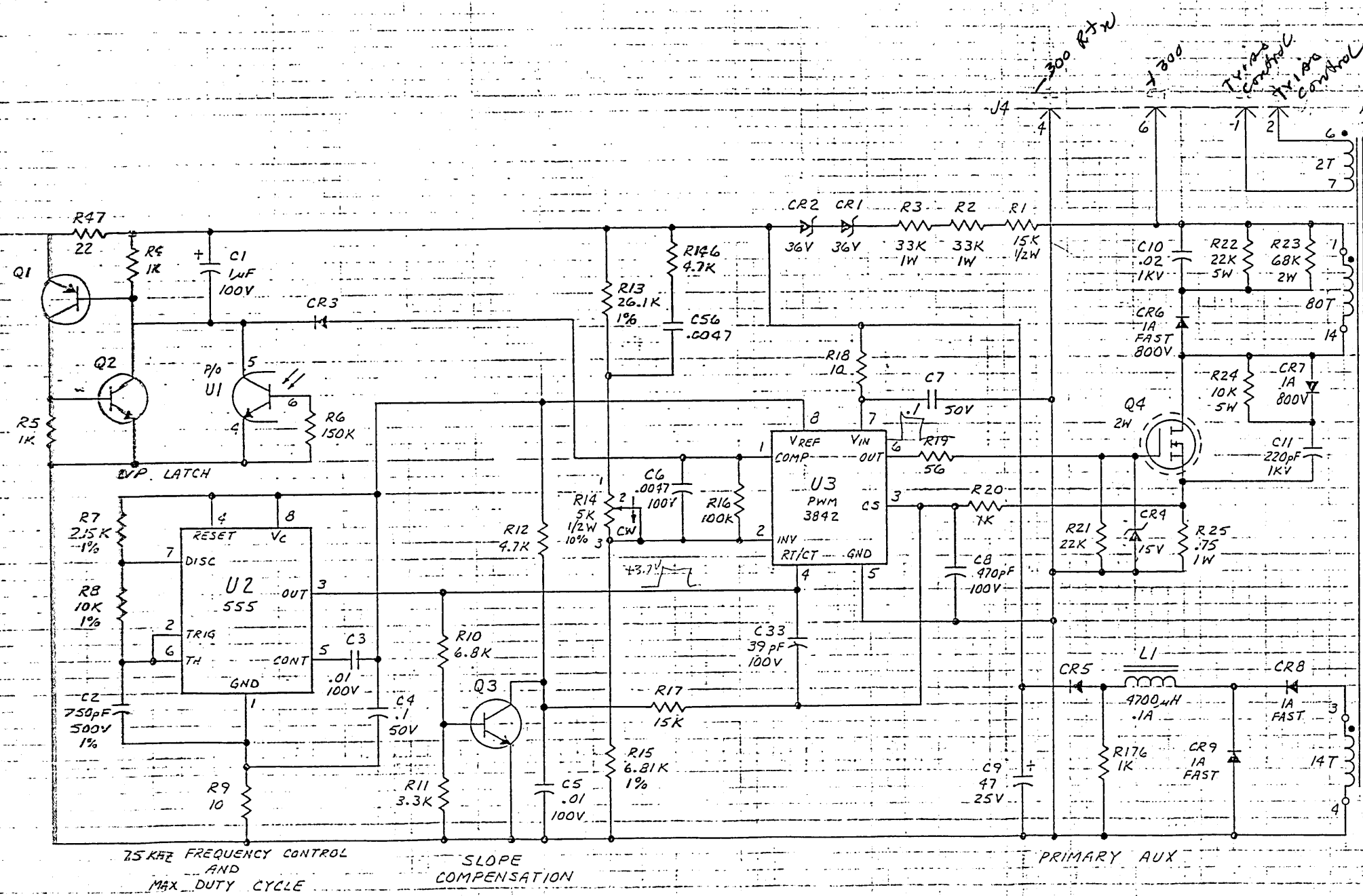
+5.1V
55A MAX

+12V
11A MAX
19A PULSED

-12V
2A MAX

801-0019497

REV 10	SEE SHEET ONE FOR CHANGES
THIS DRAWING AND INFORMATION THEREON IS THE PROPERTY OF NCR CORPORATION AND ALL UNAUTHORIZED USE AND REPRODUCTION IS PROHIBITED.	
NGR ENGINEERING & MANUFACTURING-ORLANDO	
UNIT: TOWER COMMON - POWER SUPPLY	
NAME: SCHEMATIC DIAGRAM	
AI BOARD	
SHEET 2 OF 2	DWG SIZE D
	801-0019497



801-0019479

CLASS	MODEL	PLANT	REV	RELEASE NO.	DFTS	DATE	CHECK	APPD
44	F	44DR12212	1	12/10/87	7M	12/10/87	7M	7/12/87
44	E	44DR10930	7M	4/29/88	7M	5-5-88	7M	5-1-88
44	D	44DR10993	7M	12/10/87	7M	12-1-87	7M	12-15-87
44	C	44DR10922	7M	4/25/87	7M	12-1-87	7M	12-15-87
44	B	44DR08891	7M	3/20/87	7M	1-15-87	7M	1-15-87
44	A	44DR08928 SUPP 1	7M	3/4/87	7M	2-1-87	7M	2-1-87
44	A	44DR08928	7M	2/10/87	7M	2-1-87	7M	2-1-87

REPLACES DWG. 801-0014794

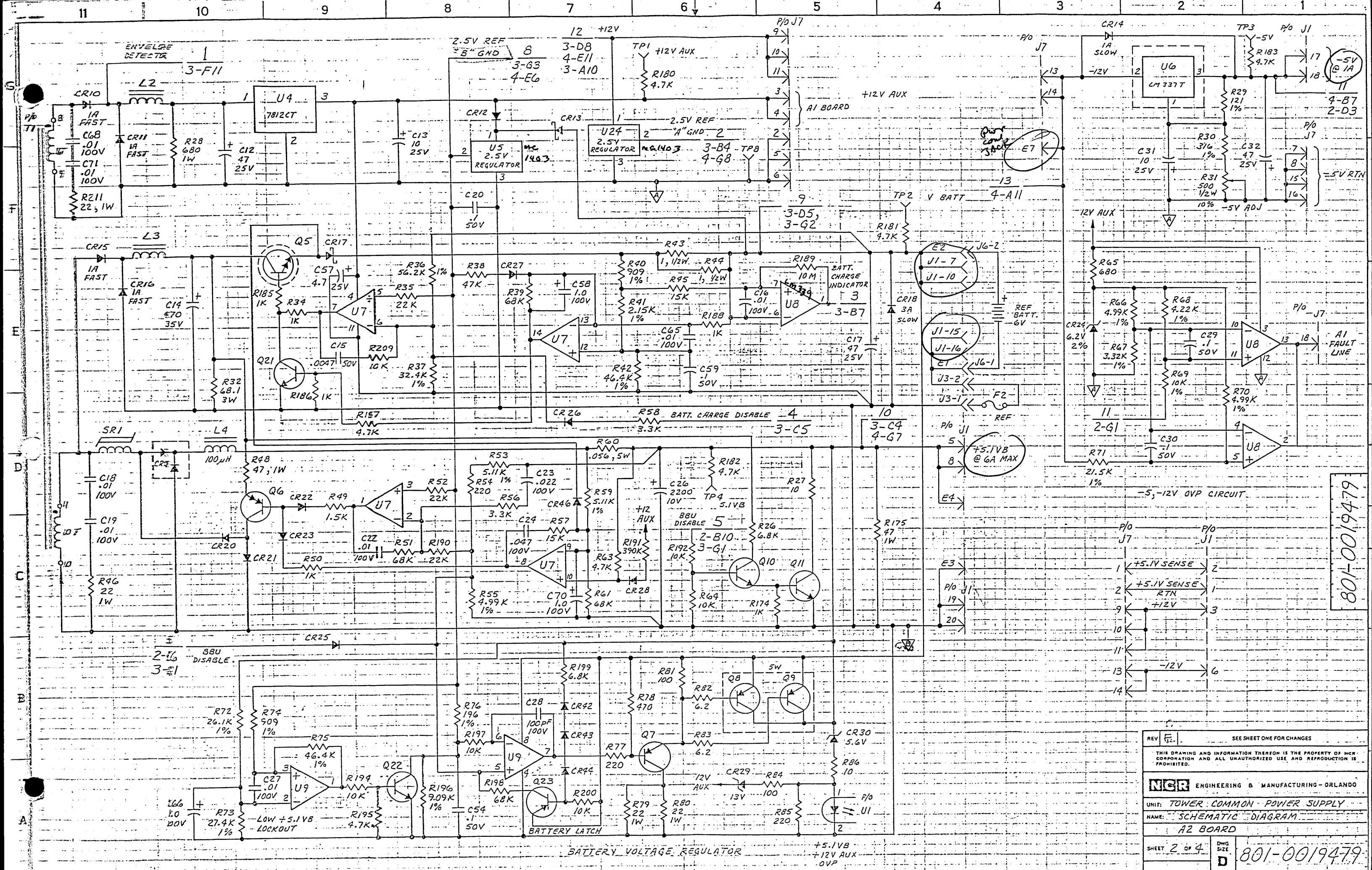
CHANGES: (A) NEW (B) SHT. 2 - ZONE E7 - R40 WAS: 15K; R41 WAS: 2.2K. SHT. 3, ZONE D3 - R141 WAS: 1.0K. (C) SHT. 2 - ZONE G11 & F11 ADDED C68, C71 & R211. (D) SHT. 2 - ZONE E7 - R40 WAS: 1K, 5%; R41 WAS: 3.3K, 5%; R42 WAS: 68K, 5%; ZONE E6 - R45 WAS: 33K; ZONE A5 - R86 WAS: 33Ω; SHT. 3 - ZONE G8 - R95 WAS: 6.8K, 5%; ZONE E8 - R96 WAS: 6.8K, 5%; R97 WAS: 3.3K, 5%; ZONE E6 - R113 WAS: 7.50K; ZONE E5 - R201 WAS: 10K. (E) SHT. 2 - ZONE E7 - R40 WAS: 15K; R41 WAS: 2.2K; R42 WAS: 68K; R45 WAS: 33K; R95 WAS: 6.8K; R96 WAS: 6.8K; R97 WAS: 3.3K; R113 WAS: 7.50K; R201 WAS: 10K. (F) SHT. 3, ZONE E14 - R208 WAS: 3/4 W; SHT. 2 - ZONE F2 - R31 WAS: 3/4 W; SHT. 3 - ZONE A10 - R208 WAS: 3/4 W; ZONE E10 - R90 WAS: 3/4 W (F) SHT. 3, ZONE E14 - ADDED C73.

2. ALL CAPACITOR VALUES ARE IN MICROFARADS.
1. ALL RESISTOR VALUES ARE IN OHMS, 1/4W, 5%.

THIS DRAWING AND INFORMATION THEREON IS THE PROPERTY OF NCR CORPORATION AND ALL UNAUTHORIZED USE AND REPRODUCTION IS PROHIBITED.

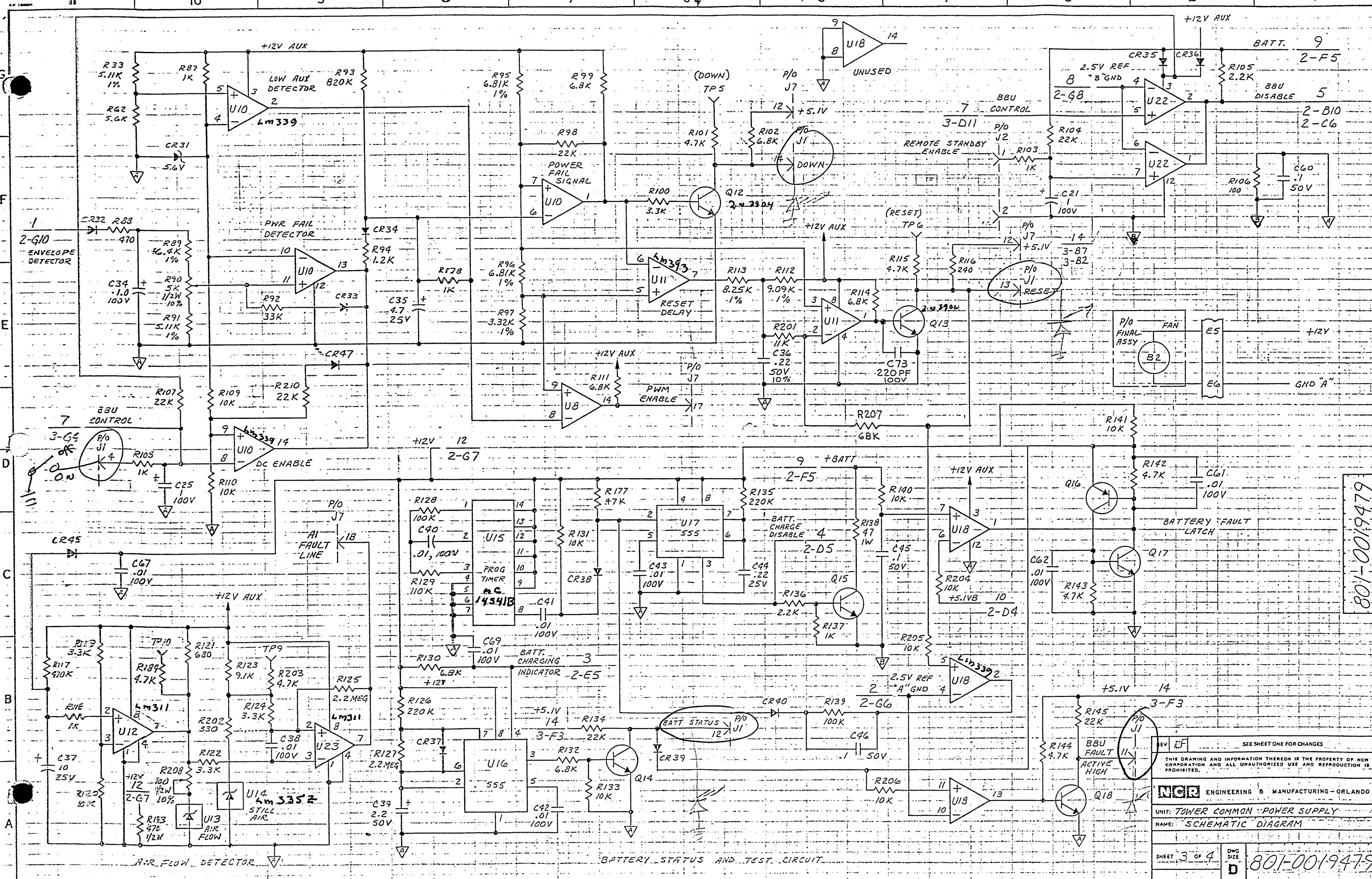
NCR ENGINEERING & MANUFACTURING - ORLANDO

CLASS: 44 UNIT: TOWER COMMON POWER SUPPLY
 START: 2/20/87 FINISH: 2/10/87 NAME: SCHEMATIC DIAGRAM
 DFTS: 7M
 SHEET: 1 OF 4
 DWG SIZE: 801-0019479
 DESIGNER: [Signature] APPD: [Signature]



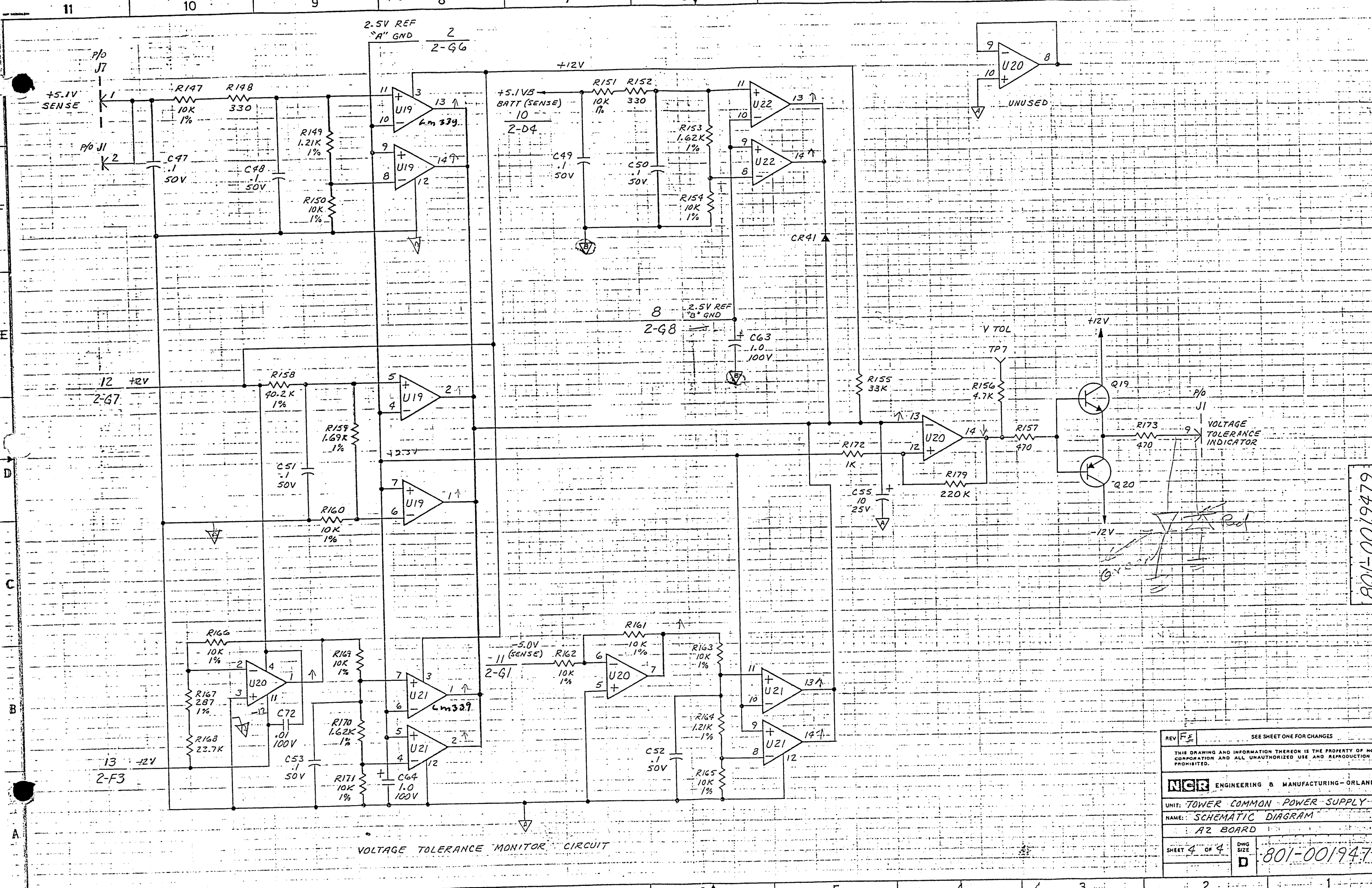
REV E	SEE SHEET ONE FOR CHANGES
THIS DRAWING AND INFORMATION THEREON IS THE PROPERTY OF NCR CORPORATION AND ALL UNAUTHORIZED USE AND REPRODUCTION IS PROHIBITED.	
NGR ENGINEERING & MANUFACTURING - ORLANDO	
UNIT: TOWER COMMON - POWER SUPPLY	
NAME: SCHEMATIC DIAGRAM	
A2 BOARD	
SHEET 2 OF 4	DWG SIZE 801-0019479

801-0019479



801-0019479

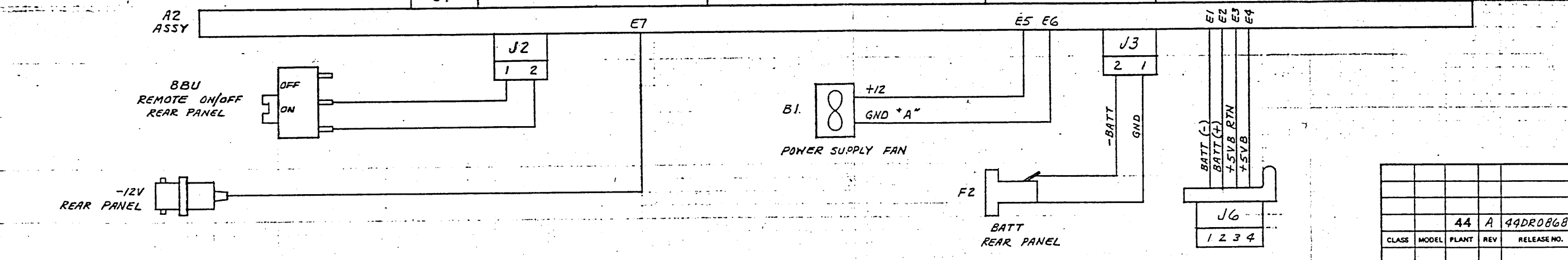
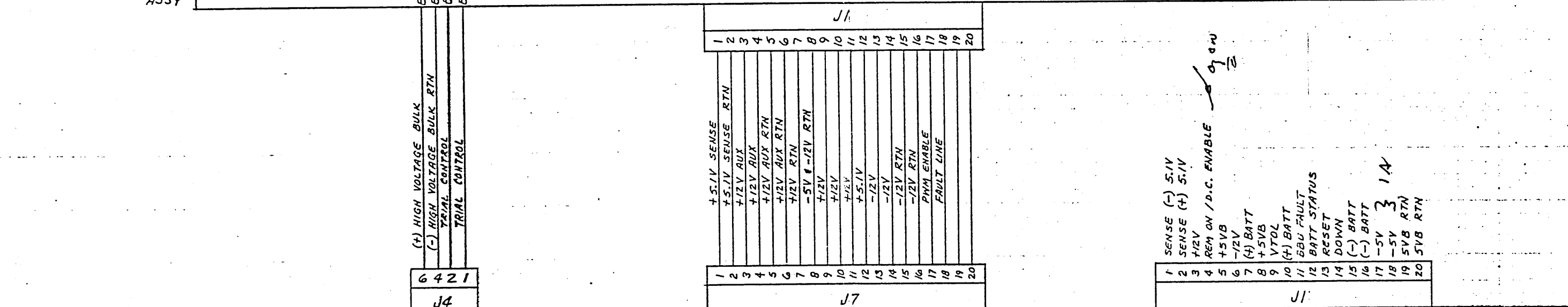
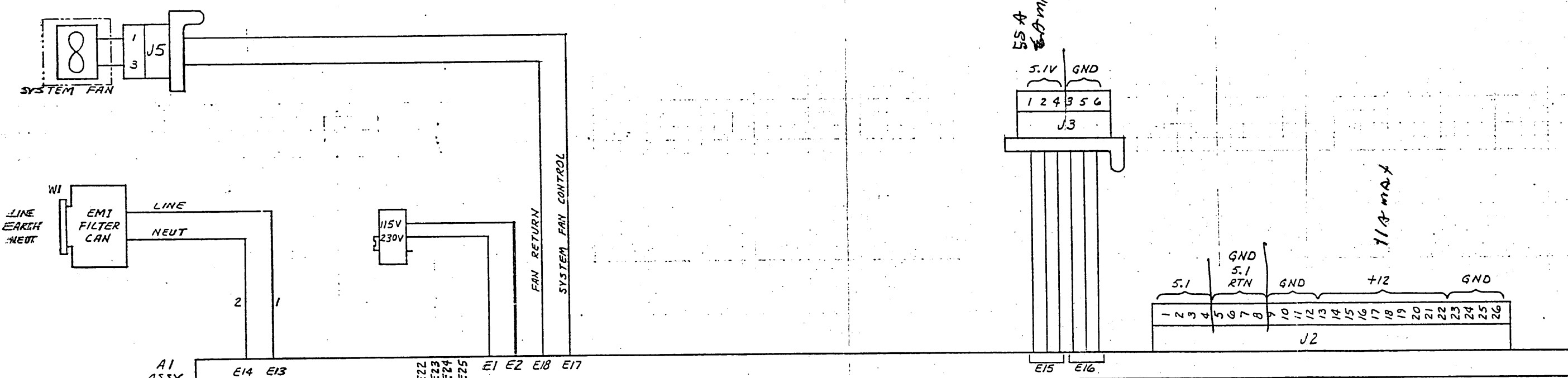
REV	SEE SHEET ONE FOR CHANGES
THIS DRAWING AND INFORMATION THEREON IS THE PROPERTY OF NCR CORPORATION AND ALL UNAUTHORIZED USE AND REPRODUCTION IS PROHIBITED.	
NGR ENGINEERING & MANUFACTURING - ORLANDO	
UNIT: TOWER COMMON POWER SUPPLY	
NAME: SCHEMATIC DIAGRAM	
SHEET 3 OF 4	DWG SIZE 801-0019479



VOLTAGE TOLERANCE MONITOR CIRCUIT

REV	FE	SEE SHEET ONE FOR CHANGES
THIS DRAWING AND INFORMATION THEREON IS THE PROPERTY OF NCR CORPORATION AND ALL UNAUTHORIZED USE AND REPRODUCTION IS PROHIBITED.		
NCR ENGINEERING & MANUFACTURING - ORLANDO		
UNIT: TOWER COMMON POWER SUPPLY		
NAME: SCHEMATIC DIAGRAM		
AZ BOARD		
SHEET 4 OF 4	DWG SIZE D	801-0019479

801-0019479



CLASS	MODEL	PLANT	REV	RELEASE NO.	DFTS	DATE	CHECK	APPD
44	A	44DR0868A	77	1/86	JSC	JSC		

CHANGES: (A) NEW

THIS DRAWING AND INFORMATION THEREON IS THE PROPERTY OF NCR CORPORATION AND ALL UNAUTHORIZED USE AND REPRODUCTION IS PROHIBITED.

NCR ENGINEERING & MANUFACTURING - ORLANDO

UNIT: TOWER COMMON POWER SUPPLY
NAME: WIRING DIAGRAM

CLASS: 44
START: 1/86
FINISH: 1/86

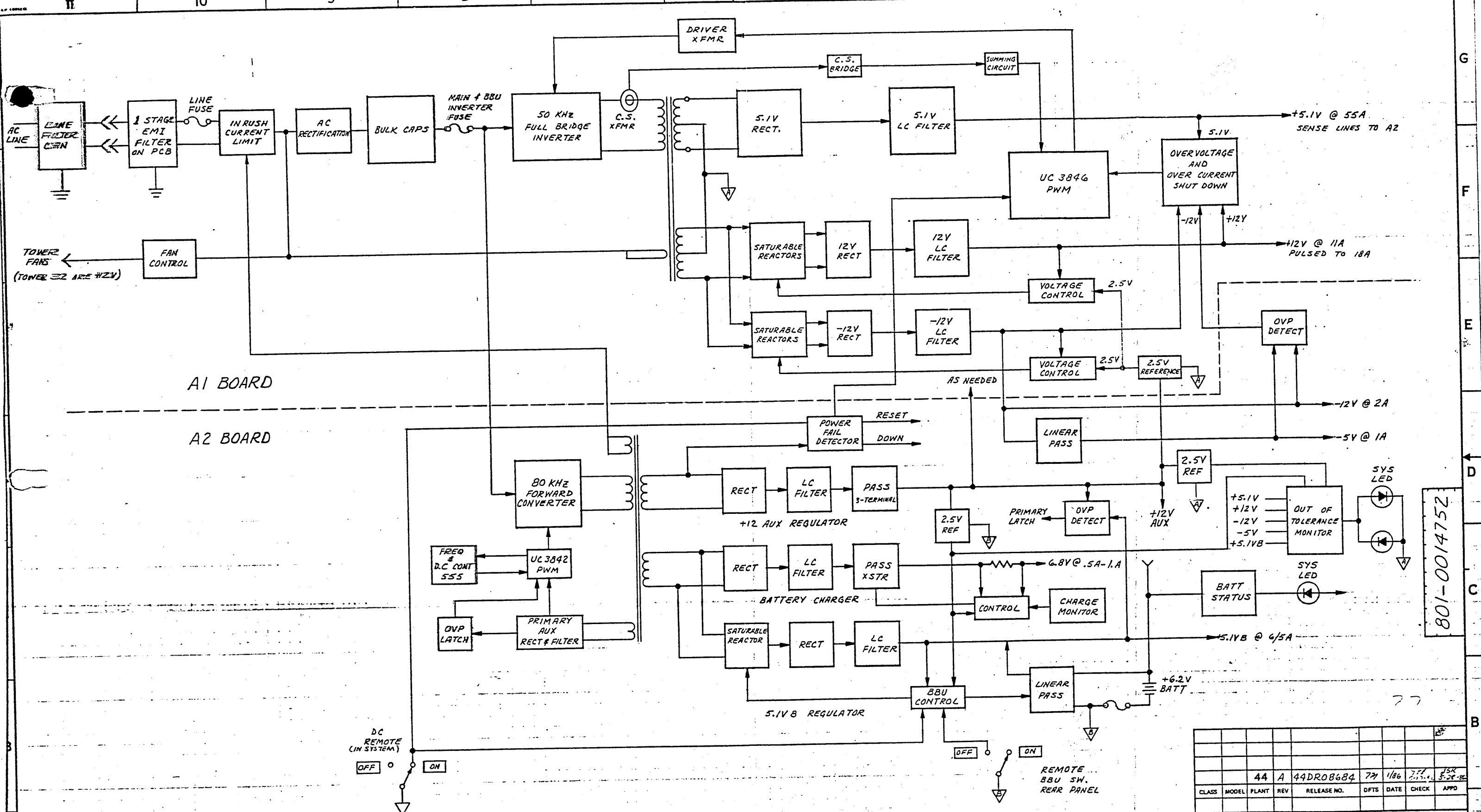
DATE: 7/86
CHKR: JSC
DESIGNER: JSC

INTERPLANT USAGE (CODE):
REPLACES DWG:

SHEET 1 of 1
DWG SIZE: D
801-0014753

APPROVED: JSC
DATE: 7/86

801-0014753



801-0014752

CHANGES: (A) NEW

THIS DRAWING AND INFORMATION THEREON IS THE PROPERTY OF NCR CORPORATION AND ALL UNAUTHORIZED USE AND REPRODUCTION IS PROHIBITED. **NCR** ENGINEERING & MANUFACTURING - ORLANDO

CLASS:	44	START:	1/86	FINISH:	1/86	UNIT:	TOWER COMMON POWER SUPPLY
NAME:	BLOCK DIAGRAM						
INTERPLANT USAGE (CODE):		DFTS:	7/11/85	DATE:	7/11/85	CHECK:	JSK
DESIGNER:		APPROVED:		DATE:	11/12/86	APPROVED:	
REPLACES DWG:		APPROVED:		DATE:		APPROVED:	

SHEET 1 OF 1
DWG SIZE D
801-0014752