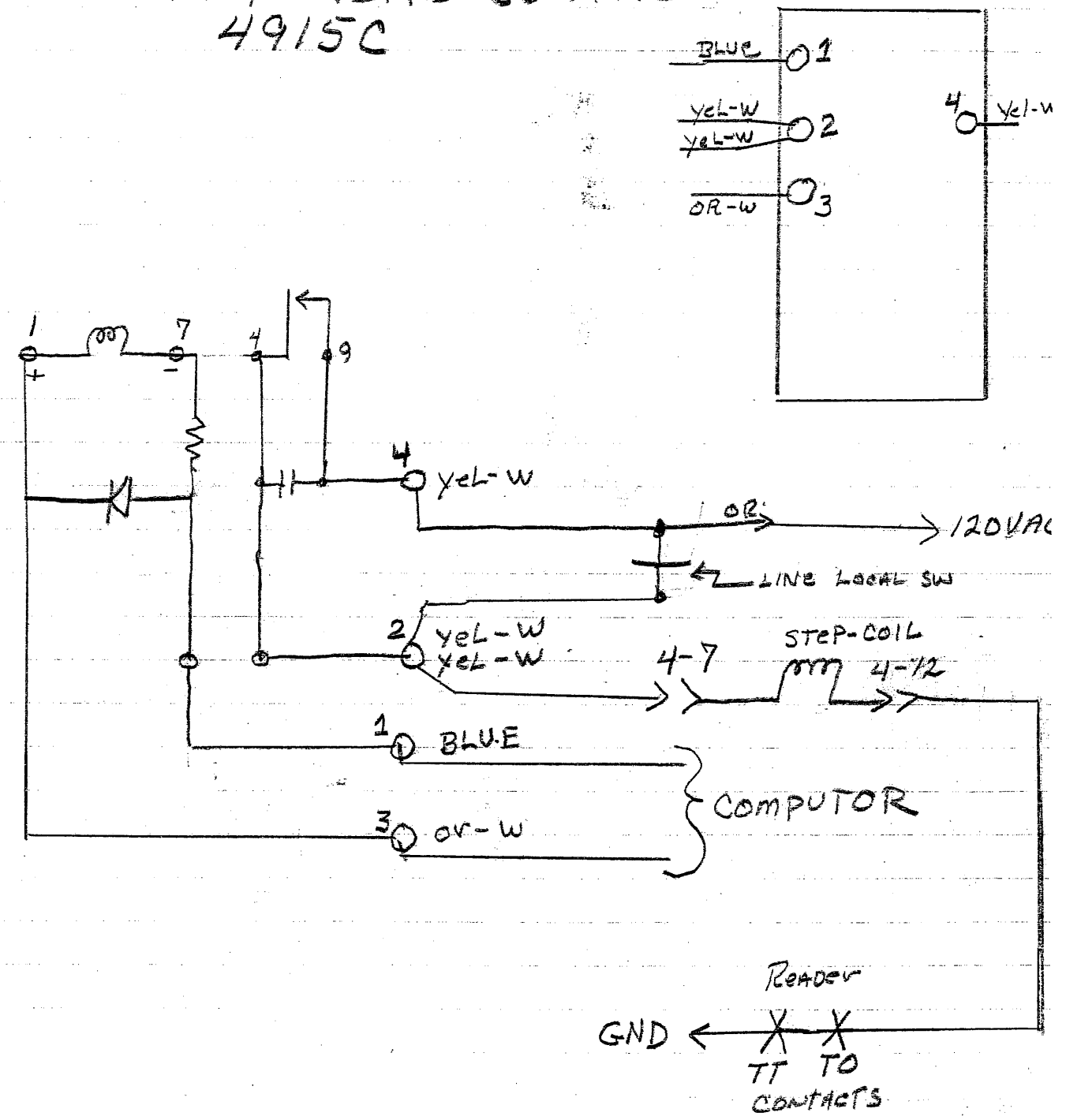


TTY READ CONTROL 4915C



MODEL 33 RO, KSR, ASR SETS (3300, 3310, 3320 SERIES)

WDP0316

DRAWING NO.	SHEET NO.	DESCRIPTION	ISSUE NUMBER																															
			1	2	3	4	5	6	7	8	9	10	11	12	13	14	15	16	17	18	19	20	21	22	23	24	25	26	27	28	29	30		
		SCHEMATICS																																
1180SD	ALL	3300, 3310, 3320 SERIES SETS	1	1	2	2	3	4	5	5	5	5	6																					
9334WD	I	KEYBOARD	1	1	1	1	2	2	2	2	2	2																						
		ACTUALS																																
9335WD	I	WIRING DIAGRAM FOR TYPING UNIT	1	2	2	2	2	3	4	4	4	4																						
4405WD	ALL	WIRING DIAGRAM FOR MOTORS	6	6	6	7	7	7	7	7	7	7																						
9336WD	ALL	WIRING DIAGRAM FOR CALL CONTROL UNIT UCC6	-	1	1	1	1	1	1	1	1	2																						
4970WD	I	WIRING DIAGRAM FOR SELECTOR MAGNET DRIVER	6	6	6	6	6	6	6	6	6	6																						
-	-	WIRING DIAGRAM FOR KEYBOARD REFER TO 9334WD ABOVE	-	-	-	-	-	-	-	-	-																							
7887WD	I	WIRING DIAGRAM FOR READER	3	3	3	3	4	4	4	4	4	4																						
		CIRCUIT CARDS																																
181821		SELECTOR MAGNET DRIVER	10	10	10	10	10	10	10	10	10	12	12	12																				
183079		AUTOMATIC READER POWER PACK	9A	9A	10	10	11	12	13	13	13	13	13																					
183087		MANUAL READER POWER PACK	11	11	11	11	11	11	11	12	12	13	13																					

SHEET INDEX

CONTENTS	SHEET NO.	ISSUE NO.																									SHEET NO.
		1	2	3	4	5	6	7	8	9	10	11	12	13	14	15	16	17	18	19	20	21	22	23	24	25	
SHEET INDEX SUPPORTING INFORMATION	A1	1	2	3	4	5	6																				A1
FS-1 RECEIVE	B1	1	1	1	1	1	1																				B1
FS-2 SEND	B2	1	1	1	1	2	2																				B2
FS-3 LOCAL LOOP CURRENT SUPPLY	B3	1	1	1	1	1	1																				B3
FS-4 MODE CONTROL	B4	1	1	1	1	1	1																				B4
FS-5 AUXILIARY CIRCUITS	B5	1	1	1	2	2	2																				B5
FS-6 READER CONTROL	B6	1	1	1	1	1	1																				B6
FS-7 AUTOMATIC READER LOGIC	B7	1	1	2	2	2	2																				B7
FS-8 READER FEED	B8	1	1	1	1	1	1																				B8
FS-9 115V AC POWER DISTRIBUTION	B9	1	1	1	1	1	2																				B9
FS-10 MOTOR	B10	1	1	1	1	1	1																				B10
FS-11 48V AC POWER DISTRIBUTION	B11	1	2	2	2	2	2																				B11
APPARATUS FIGURES	C1	1	1	1	1	1	1																				C1
NOTES	D1	1	1	1	1	1	1																				D1
BD-1 CIRCUIT BLOCK DIAGRAM	H1	1	1	1	1	1	1																				H1
BD-2 SIGNAL AND AUXILIARY	H2	1	1	1	1	1	1																				H2
BD-3 READER CONTROL	H3	1	1	1	1	1	1																				H3
BD-4 AC POWER	H4	1	1	1	1	1	1																				H4

SUPPORTING INFORMATION

CATEGORY	NO.
WIRING DIAGRAM PACKAGE FOR MODEL 33 RO, KSR, AND ASR SETS 3300, 3310, 3320 SERIES.	WDP 0316

REVISIONS

ISSUE	DATE	AUTH. NO.
1	7-7-71	21643R
2	11-10-71	4637-R
3	1-11-72	4350
4	1-17-72	4455
5	1-17-72	4637-R
6	5-23-73	8197

SHEET INDEX NOTES

1. WHEN CHANGES ARE MADE IN THIS DRAWING ONLY THOSE SHEETS AFFECTED WILL BE REISSUED.
2. THIS SHEET INDEX WILL BE REISSUED AND UPDATED EACH TIME ANY SHEET OF THE DRAWING IS REISSUED OR A NEW SHEET IS ADDED.
3. THE LAST COMPLETED COLUMN INDICATES THE LATEST ISSUE NUMBER OF THE SHEET INDEX.
4. SHEETS THAT ARE NOT CHANGED WILL RETAIN THEIR EXISTING ISSUE NO.
5. ISSUE DATES WILL BE SHOWN ON THE SHEET INDEX ONLY.



MODEL 33
RO, KSR, AND ASR SETS
3300, 3310, 3320 SERIES

APPROVALS

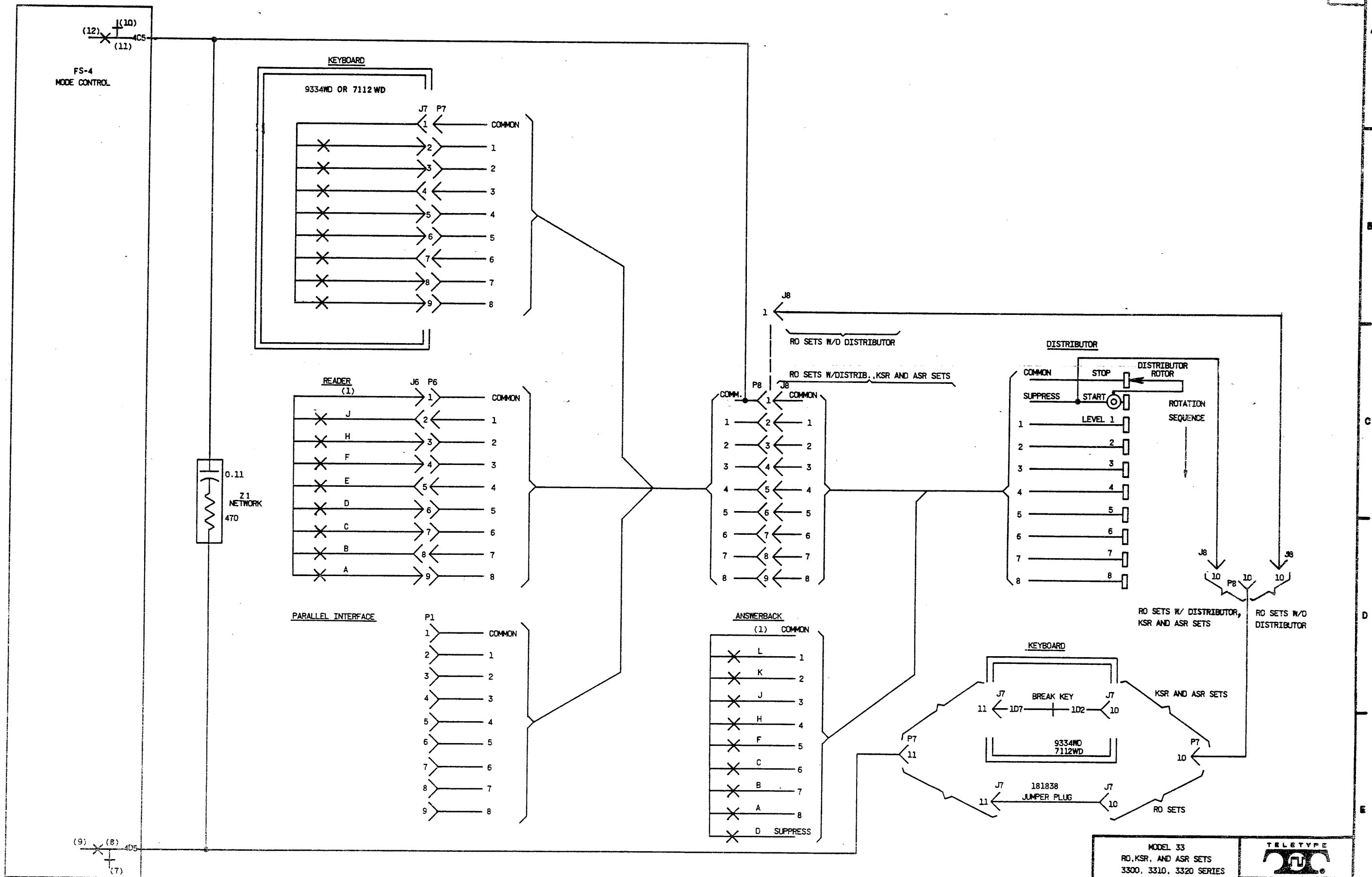
PROJ. SUPV. <i>DFR</i>	PROJ. DIR. <i>RRS</i>	MFG. REL. COMPL. <i>LOM</i>
ENGR. DFR.	DSGMR.	
DRN. SLD	DATE 5-14-71	
R & D FILE 6-A152-219A		
S-NUMBER 61,910		



1180SD-A1

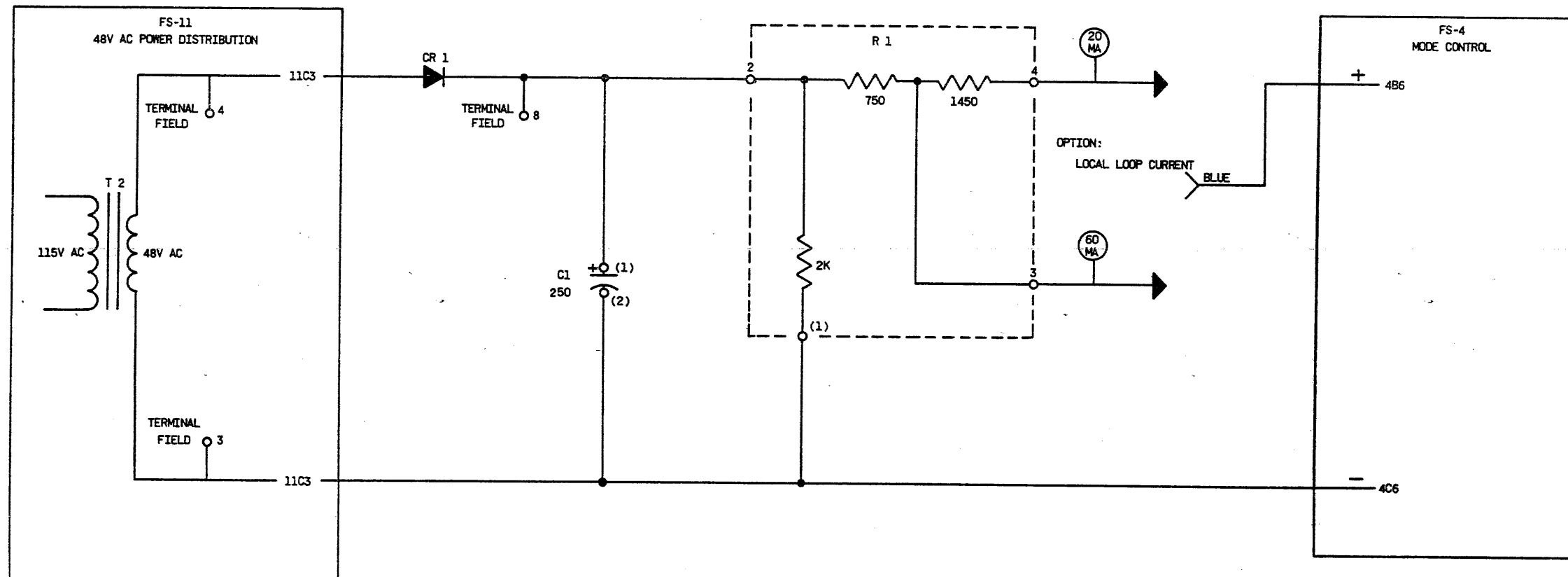
FS-2 SEND CIRCUIT

ISSUE
1
2
3
4



FS-3 LOCAL LOOP CURRENT SUPPLY

ISSUE
1
2
3
4



MODEL 33
RD, KSR, AND ASR SETS
3300, 3310, 3320 SERIES

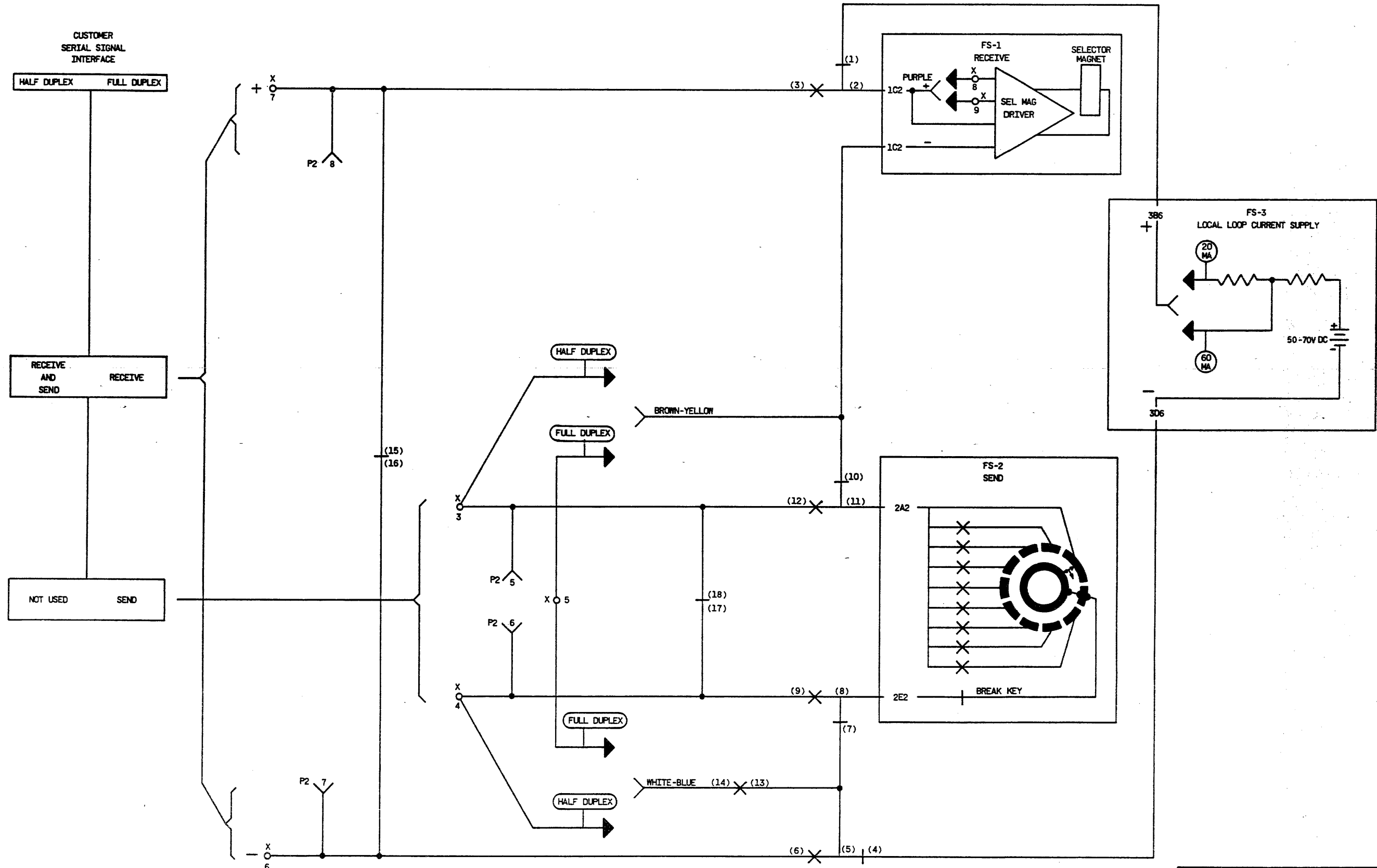


1180 SD-B3

WDP

SHEET NOTES
1. ALL RELAY CONTACTS ON THIS SHEET ARE PART OF THE MODE CONTROL RELAY. COIL IS SHOWN ON 9C3.

FS-4 MODE CONTROL



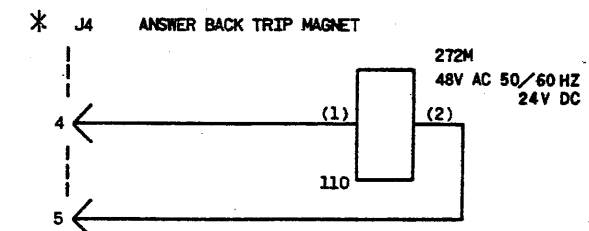
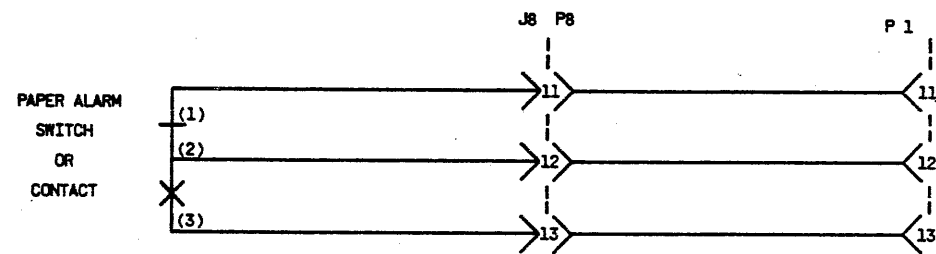
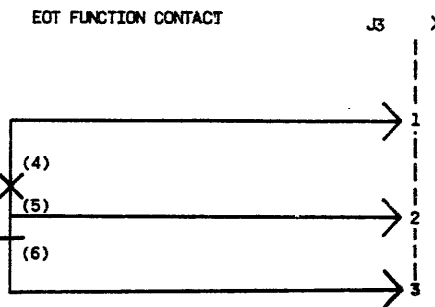
FS-5

AUXILIARY CIRCUITS (FOR CUSTOMER USE)

PAPER ALARM

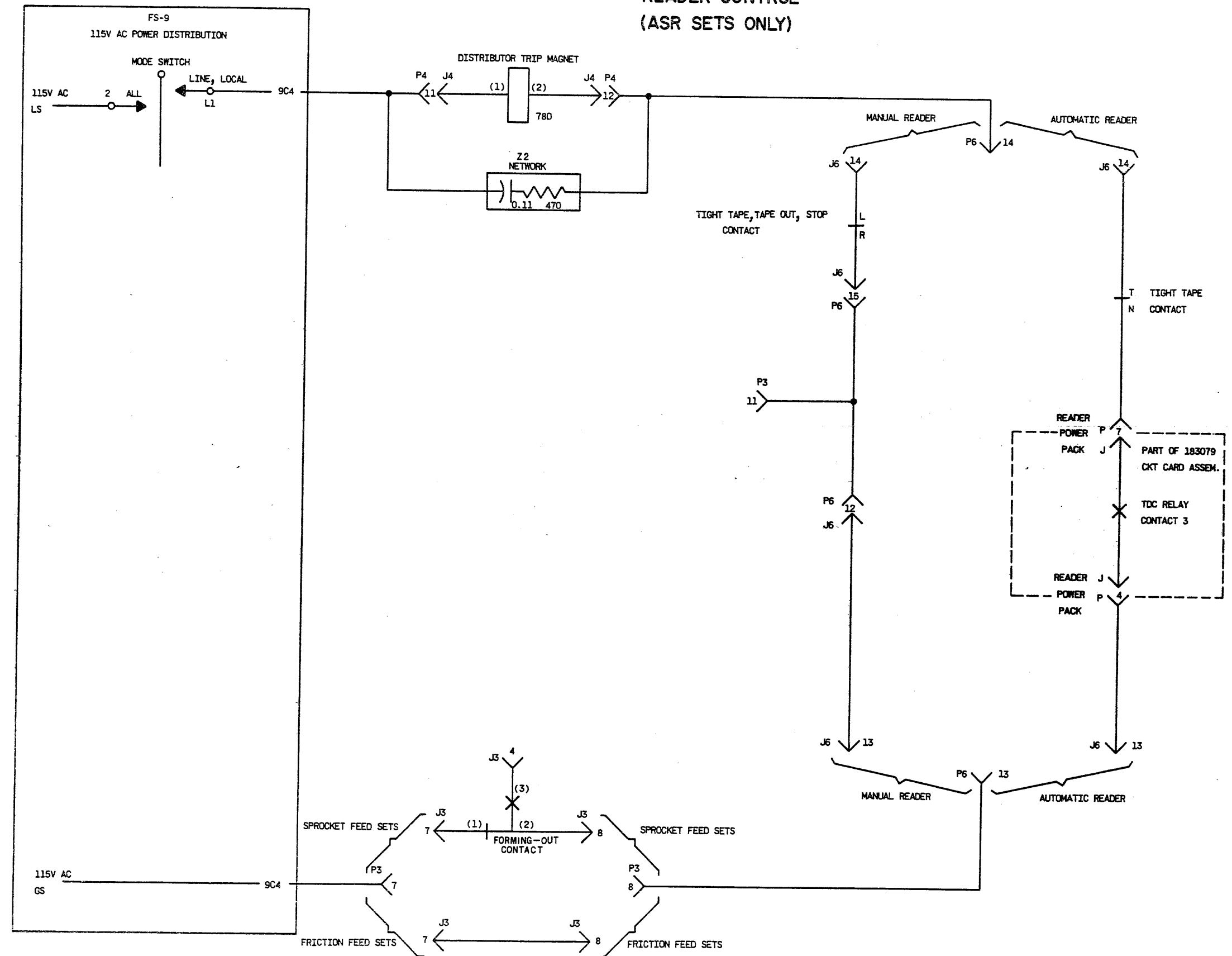
PAPER FEED:	TITLE	CONDITION SIGNALLED	TYPE
FRICITION:	LOW PAPER SWITCH	APPROX. 25 FT. OF PAPER LEFT	SNAP ACTION SWITCH
SPROCKET:	PAPER OUT CONTACT	END OF LAST FORM	CONTACT PILE

	LOCATION	CONTACT RATING
FRICITION:	IN FRONT OF MOTOR FAN	
SPROCKET:	NEAR LEFT END OF PLATEN	



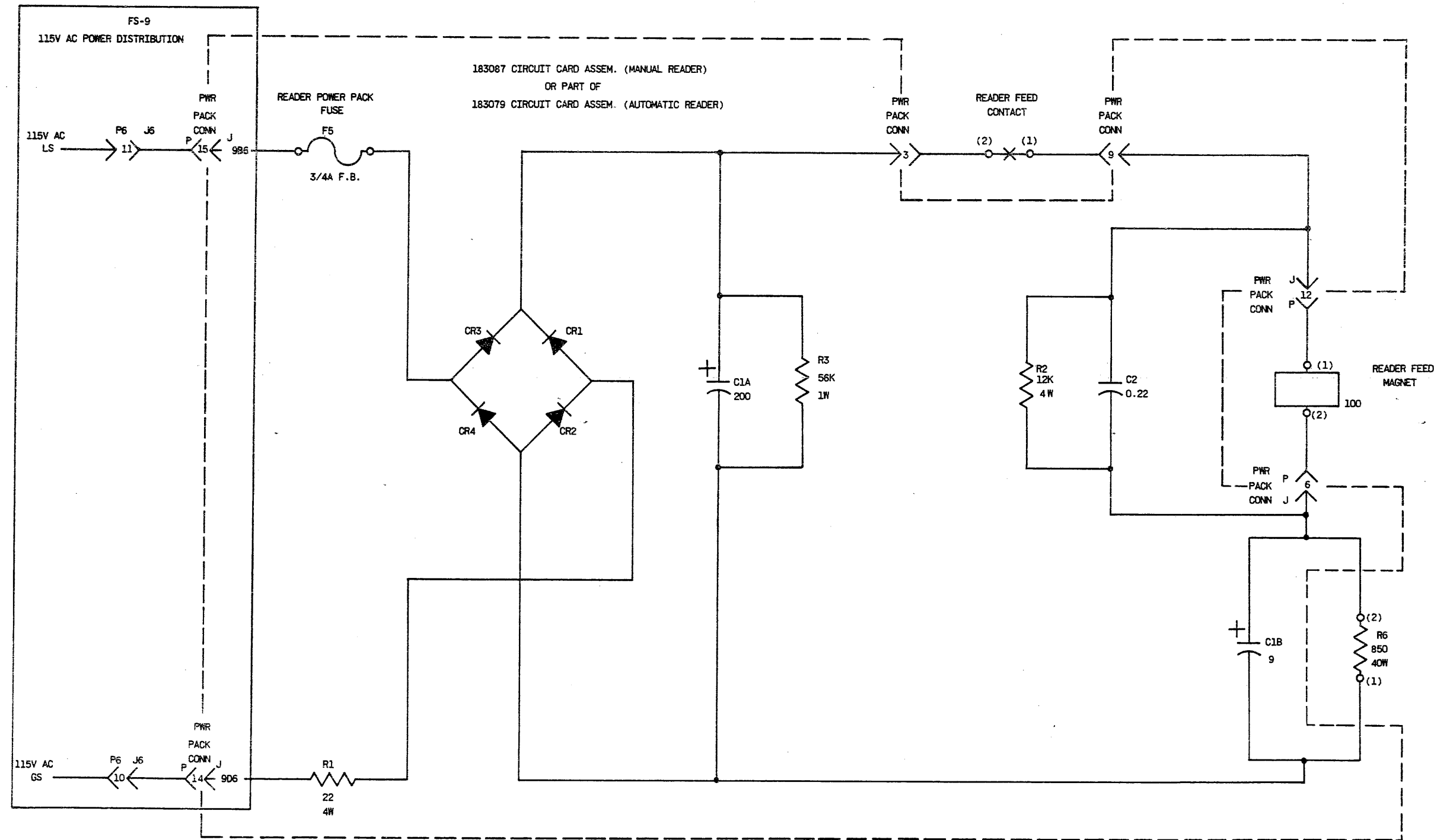
* CUSTOMER ACCESS TO THE PINS SHOWN IS TO BE MADE FROM INSIDE THE CALL CONTROL UNIT BACK PLATE, USING 182644 (22-28 AWG) OR 185677 (18-20 AWG) FEMALE TERMINALS.

FS-6 READER CONTROL (ASR SETS ONLY)



FS-8

READER FEED (ASR SETS ONLY)



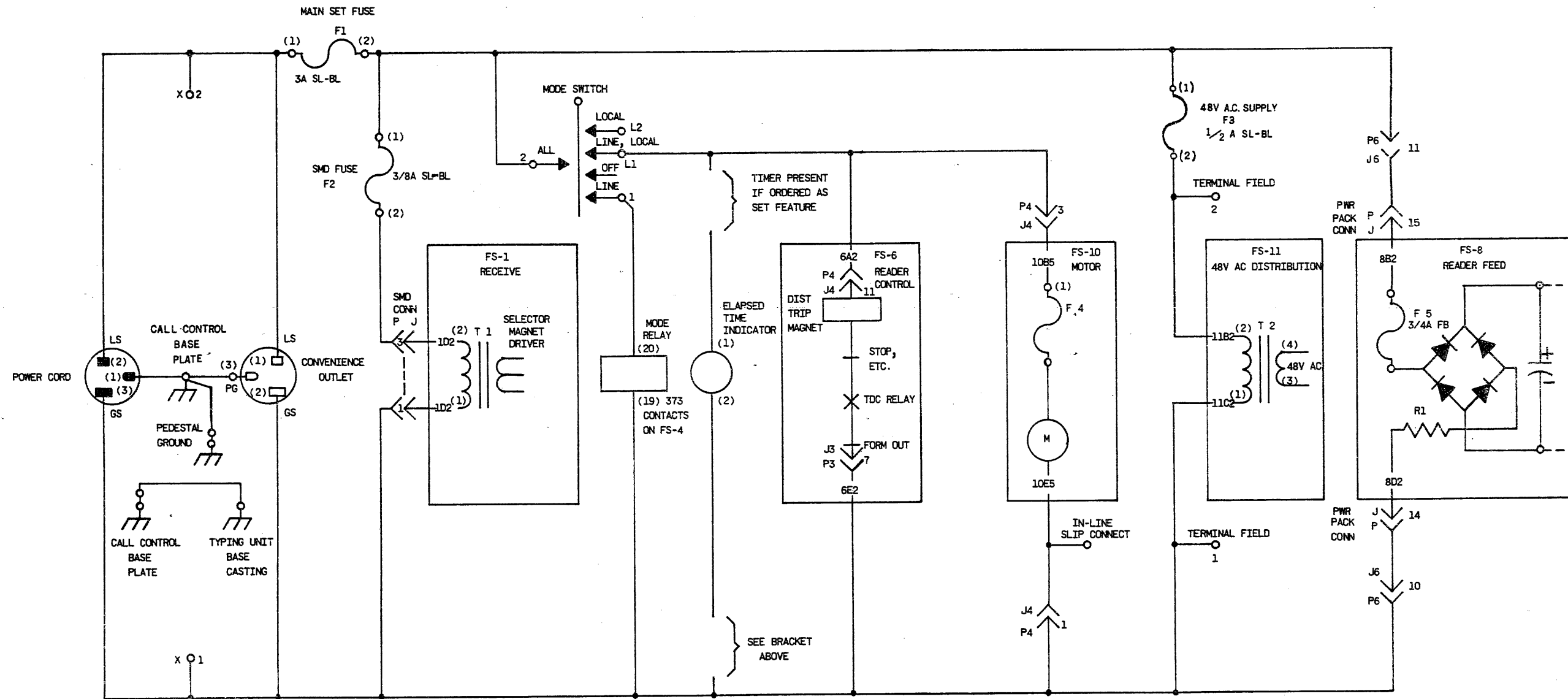
MODEL 33
RO, KSR, ASR SETS
3300, 3310, 3320 SERIES



1180 SD-B8

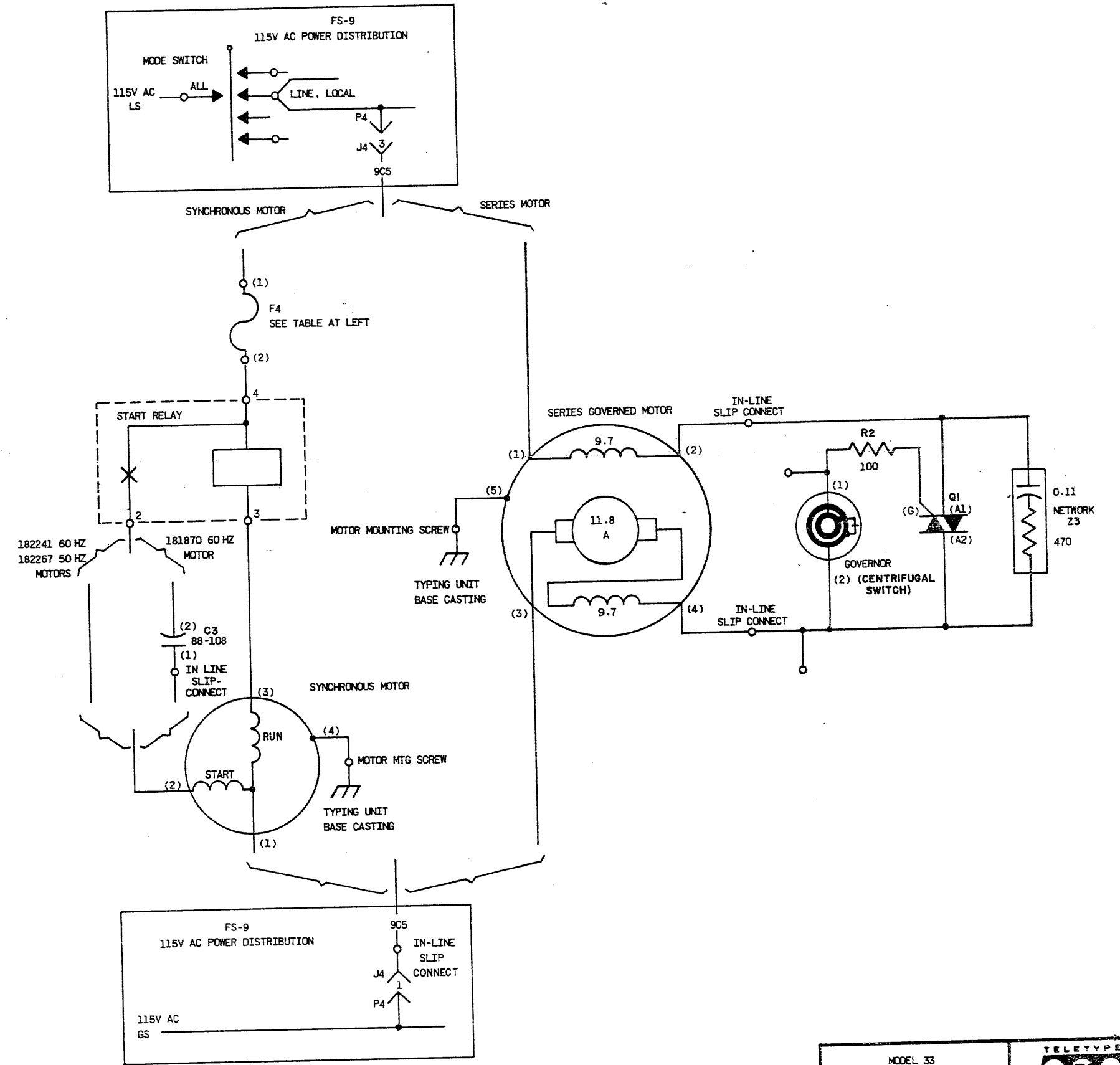
FS-9

115VAC POWER DISTRIBUTION



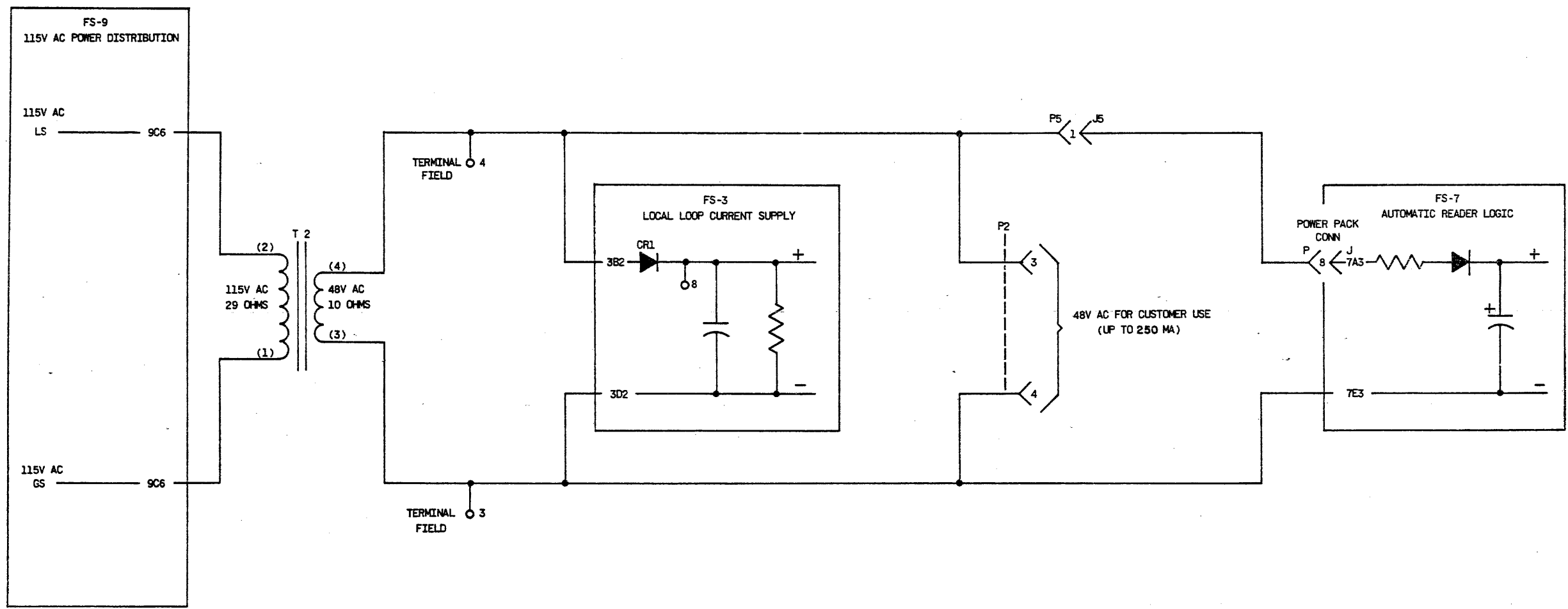
FS-10 MOTORS

SYNCHRONOUS MOTORS				
MOTOR PART NUMBER	FREQ. HZ	FUSE F 4	HHP	CAPACITOR
181870	60	2 1/4A SL-BL	33	88-108 MFD
182241	60	2A SL-BL	33	—
182267	50	1 8/10 A SL-BL	35	—
SERIES GOVERNED MOTOR				
183991	50-60	—	83	—



FS-II

48VAC POWER DISTRIBUTION



APPARATUS FIGURES

CAPACITORS (NOT ON CKT CARD ASSEM.)

C1 (LOCAL LOOP SUPPLY) 3C3
C2 (SELECTOR MAG. DRIVER) 1E4
C3 (MOTOR START) 1004

SMD CONN

J = FRAME SIDE, P = CABLE SIDE

TERM	FS/LOC
1	9C3
2	-
3	9C3
4	1B3
5	1B6
6	1B6
7	1B3
8	1C3
9	1C3

CIRCUIT CARD ASSEMBLIES

AUTOMATIC READER 183079
READER FEED SUPPLY SHEET 8
RDR LOGIC 7B4
MANUAL READER 183087 SHEET 8

CONNECTORS NUMBERED

CONNECTOR SHELL DESIGNATION J = CABLE SIDE P = FRAME SIDE

J AND P	1	2	3	4	5	6	7	8
TERMINAL	FS/LOCATION							
1	2D3	-	5B6	9D5	11B5	2C3	2B3	2C5
2	2D3	-	5B6	-	7C6	2C3	2B3	2C5
3	2D3	11C5	-	9B5	7D6	2C3	2B3	2C5
4	2D3	11C5	-	5C5	7C3	2C3	2B3	2C5
5	2E3	4D3	-	5D5	7E4	2C3	2B3	2C5
6	2E3	4D3	6D3	-	7B6	2D3	2B3	2C5
7	2E3	4E3	6E3	-	7C6	2D3	2B3	2D5
8	2E3	4B3	6E4	-	7E5	2D3	2B3	2D5
9	2E2	-	-	1B6	7E3	2D3	2B3	2D5
10	-	-	7D6	1B6	7C6	9D6	2E6	2D7
11	5C4	-	6C4 7E6	6A3	7B6	9B6	2E6	5C3
12	5C4	-	-	6A4	-	6C5 7E5	-	5C3
13	5D4	-	7D5	-	-	6D5	-	5D3
14	-	-	7C5	-	-	6B5	-	-
15	-	-	7D4	-	-	6B5 7D6	-	-

SELECTOR MAGNET DRIVER CARD 181821	CARD SOCKET 181819	
TERM	FS/LOC	TERM
1	1B6	A
2	1E5	B
3	1C5	C
4	-	D
5	-	E
6	-	F
7	1C4	H
8	1B3	J
9	-	K
10	1D4	L
11	1D4	M
12	1C6	N
13	1C5	P
14	1B3	R
15	1E4	S

CONNECTORS, TITLED

READER POWER PACK CONN.

J - CARD SIDE
P - CABLE SIDE

TERM.	FS/LOC	
	MAN. AND AUTO.	AUTO. ONLY
1		7C3
2		7B4
3	8B4	
4		5D6
5		7D6
6	8C6	
7		6C6
8		7B3/11C6
9	8B5	
10		7C6
11		7D3
12	8B6	
13		7B5
14	9D6	
15	9B6	

CONTACTS

ANSWERBACK 2D5
BREAK KEY 2E6
FORMING OUT FUNCTIONS 6E3
DC1 7C5
DC3 7D6
ENQ 7E6
EOT 5B5
KEYBOARD 2B3
PAPER OUT 5C2
PARALLEL INTERFACE 2D3
READER FEED 8B5
READER (SIGNAL) 2C3
START (AUTO READER) 7C6
STOP (AUTO READER) 7B6
TAPE OUT (AUTO READER) 7B6
TIGHT TAPE (AUTO READER) 6B6
TIGHT TAPE, TAPE OUT, STOP (MANUAL READER) 6B5

CORD

POWER 9C1

DIODES (NOT ON CKT. CARD ASSEMBLY)

CR1 3B3

DISC

DISTRIBUTOR 2C6

FUSES

F1 (MAIN) 9B2
F2 (SMD) 9B2
F3 (48VAC) 9B5
F4 (MOTOR) 10B4
F5 (READER) 8B2

GOVERNOR

10C6

MAGNETS

ANSWERBACK TRIP 5C6
DISTRIBUTOR TRIP 6A3
READER FEED 8C6
SELECTOR 1B6

RECEPTACLE

CONVENIENCE OUTLET 9C2

RELAYS

MODE
COIL 9C3

CONTACTS:

FORM	TERMS	
C	1,2,3	4A5
C	4,5,6	4E5
C	7,8,9	4D5
C	10,11,12	4C5
A	13,14	4E4
B	15,16	4C3
B	17,18	4D4

MOTOR START

10C4

TDC (P/O 183079 CKT. CARD ASSEM.)

COIL 7A4

CONTACTS:

1 7C3
2 7C6
3 6C6

RESISTORS (NOT ON CKT. CARD ASSEM.)

R1 3B4
R2 10C7
R6 OF RDR PWR. PACK 8D6

SWITCH

LOW PAPER 5C2
MODE 9B3

TERMINAL FIELD

TERMINAL
1 9D6
2 9B6
3 11D3
4 11B3
5 -
6 -
7 -
8 3B3

NETWORKS

Z1 2C2
Z2 6B3
Z3 10C7

TERMINAL STRIP

X (CUSTOMER INTERFACE)

TERMINAL 1	9D2
TERMINAL 2	9B2
TERMINAL 3	4C3
TERMINAL 4	4D3
TERMINAL 5	4D4
TERMINAL 6	4E2
TERMINAL 7	4A2
TERMINAL 8	1C3
TERMINAL 9	1C3

THYRISTOR (TRIAC)

(NOT ON CKT CARD ASSEM.)
Q1 10C7

TRANSISTOR (NOT ON CKT. CARD ASSEM.)

Q2 OF SMD ASSEMBLY 1C5

TIMER

ELAPSED TIME INDICATOR 9C4

TRANSFORMER

T1 SMD 1D3
T2 48V AC 11C2

CIRCUIT NOTES

101. FUSING

DESIGNATION	FUNCTIONAL TITLE	FUSE AMP.	POTENTIAL AT FUSE	PHYSICAL LOCATION
F1	MAIN SET FUSE	3A SL-BL	115VAC	CALL CONTROL UNIT
F2	SMD FUSE	3/8A SL-BL	"	"
F3	48VAC SUPPLY	1/2A SL-BL	"	"
F4	MOTOR FUSE	DEPENDS ON MOTOR USED. SEE SHEET B10	"	TYPING UNIT
F5	READER FUSE	3/4A SL-BL	"	READER POWER PACK AT FRONT OF CALL CONTROL UNIT

VOLTAGE SYMBOL	VOLTAGE RANGE
115V AC	103VAC TO 127VAC

FREQUENCY	FREQUENCY RANGE
60Hz SETS	± 3/4%
50Hz SETS	± 3/4%
50-60Hz SETS	48 TO 62Hz

102. OPTIONS

OPTION	FS LOC	ACTUAL LOC	FACTORY PROVIDED
* 20MA SIGNAL INPUT	1C3, 3B5	9336WD.	
* 60MA SIGNAL INPUT	1C3, 3C5	1A5, 2D3	●
* HALF DUPLEX SIGNALING	4C4, 4E4	9336WD.	●
* FULL DUPLEX SIGNALING		2E3	
* EVEN PARITY KEYBOARD	2B3 AND 9334WD	9334WD	●
* LEVEL 8 ALWAYS MARK			
* LEVEL 8 ALWAYS SPACE			

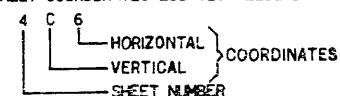
*SELECT ONLY ONE OPTION FROM THIS GROUP

EQUIPMENT NOTES

201. THIS DRAWING SHOWS ALL WIRING AND ELECTRICAL COMPONENTS USED ON THIS SERIES OF SETS. THE PRESENCE OF A GIVEN COMPONENT ON A PARTICULAR SET, HOWEVER, DEPENDS UPON THE FEATURES ORDERED ON THAT SET.

INFORMATION NOTES

301. SHEET COORDINATES LOCATION LEGEND



302. () TERMINAL DESIGNATIONS ENCLOSED IN PARENTHESIS ARE FOR REFERENCE AND ARE NOT MARKED ON THE COMPONENT.

303. ALL RESISTANCE VALUES IN OHMS AND CAPACITANCE VALUES IN MICROFARADS UNLESS OTHERWISE SPECIFIED.

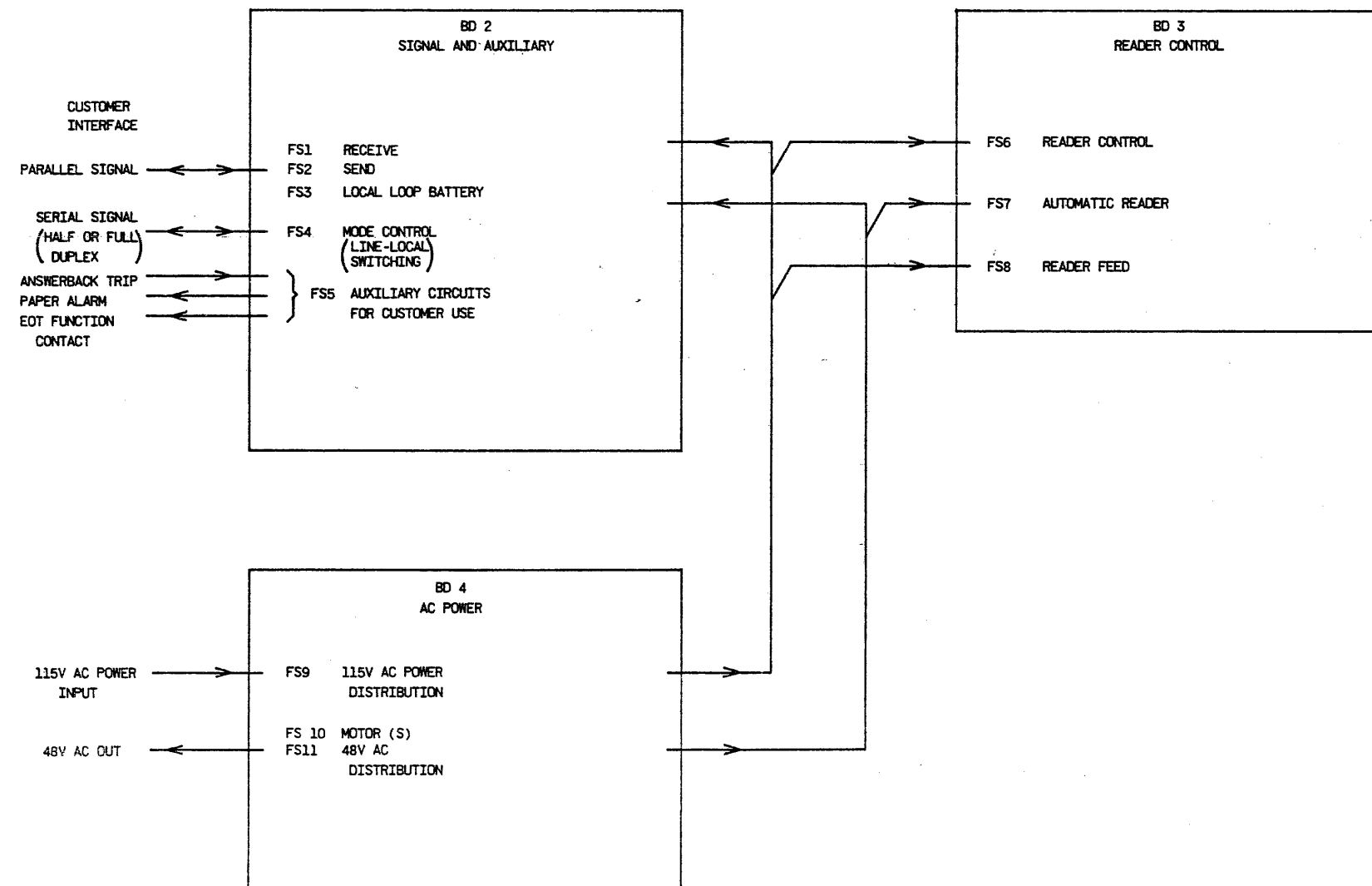
NOTES

304. SYMBOLLOGY

- NORMALLY OPEN CONTACT
- NORMALLY CLOSED CONTACT
- TRANSFER CONTACT
- CIRCLE INDICATES PRESENCE OF REMOVABLE CONNECTION(S) IN THAT NODE OTHER THAN A MULTI-TERMINAL CONNECTOR.
EXAMPLE A: REMOVABLE RELATIONSHIP SHOWN.
EXAMPLE B: REMOVABLE RELATIONSHIP NOT SHOWN.
- CIRCUITRY WITHIN SINGLE SOLID LINE ENCLOSURE IS SHOWN FOR REFERENCE ONLY. IT IS SHOWN IN DETAIL ELSEWHERE IN THE SAME SD.
- A DOUBLE SOLID LINE ENCLOSURE MEANS THE DETAILED INFORMATION IS FOUND IN A DIFFERENT SD OR WD.
- DASHED LINE BOUNDARIES INDICATE A RELATION BETWEEN OR COMMONALTY OF THE ITEMS WITHIN. LOOK FOR NAME OR NUMBER WITHIN THE BOUNDARY.
- CIRCUIT COMMON RETURN
- FRAME OR CHASSIS GROUND
- LETTER OR TITLE IN CIRCLE OR OVAL INDICATES PRESENCE OF WIRING OPTION WHICH THE CUSTOMER CAN ARRANGE TO SUIT HIS CHOICE OR REQUIREMENT WITHIN THE POSSIBILITIES SHOWN.
- WIRING STATUS:**
- B-DENOTES WIRING BEFORE THE CHANGE DESCRIBED BY THE DESIGNATED NOTE ENTERED THE PRODUCT.
- A-DENOTES WIRING AFTER THE CHANGE DESCRIBED BY THE DESIGNATED NOTE ENTERED THE PRODUCT.

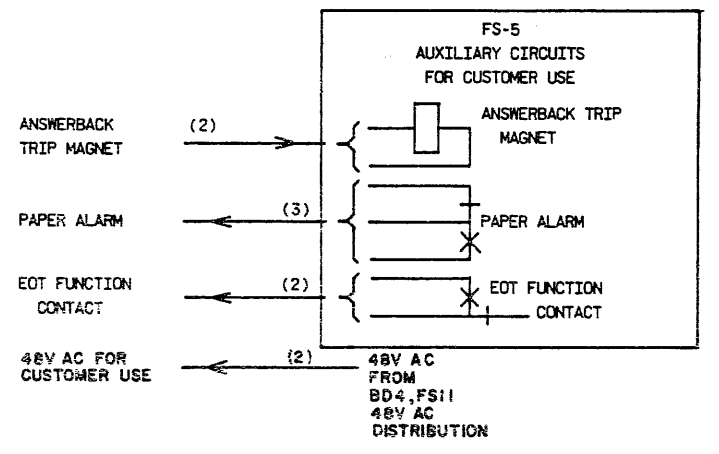
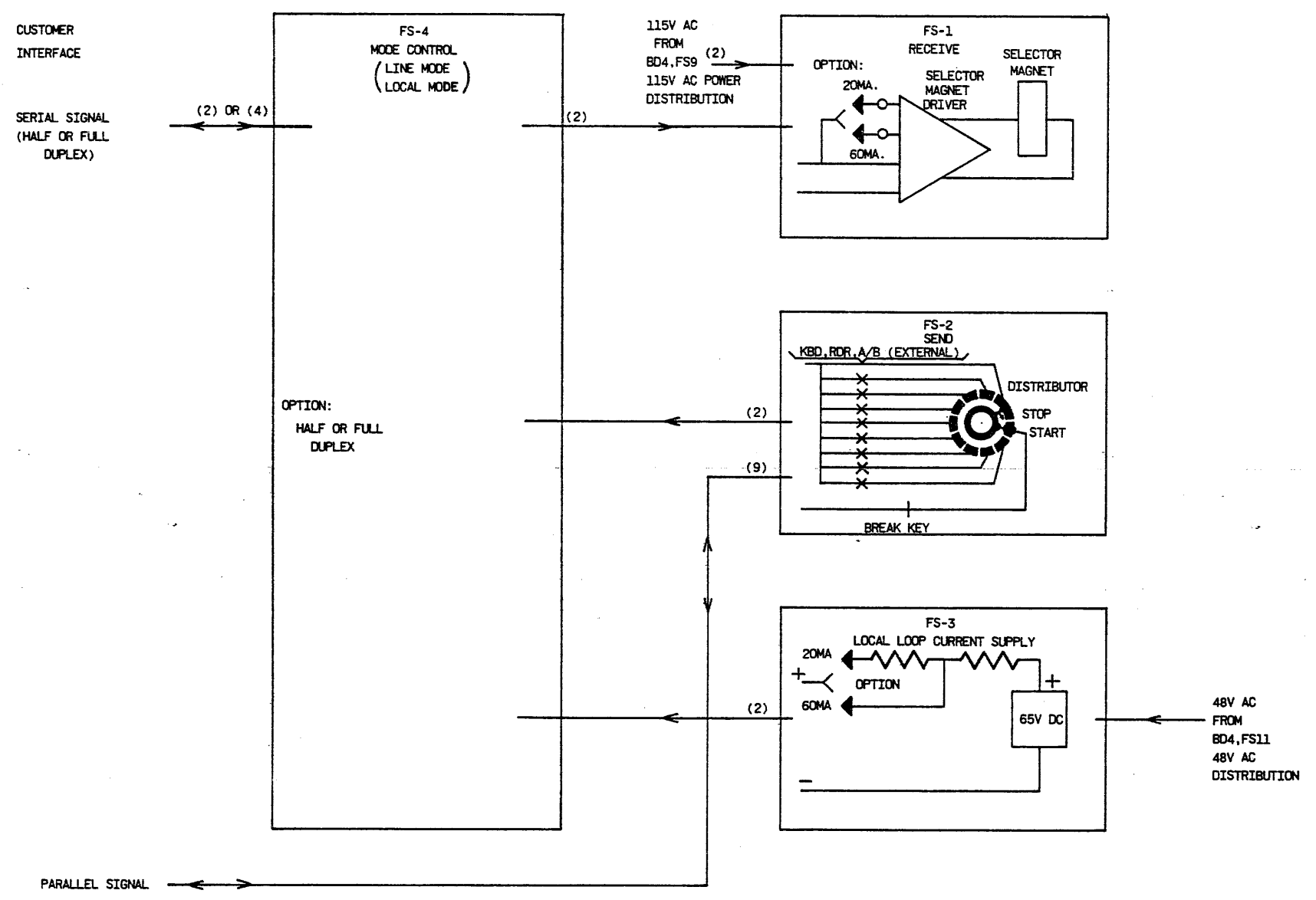
BD-1

CIRCUIT BLOCK DIAGRAM



BD-2 SIGNAL AND AUXILIARY

() INDICATES NUMBER OF WIRES REPRESENTED BY THE LINE BELOW.



MODEL 33
RO, KSR, AND ASR SETS
3300, 3310, 3320 SERIES

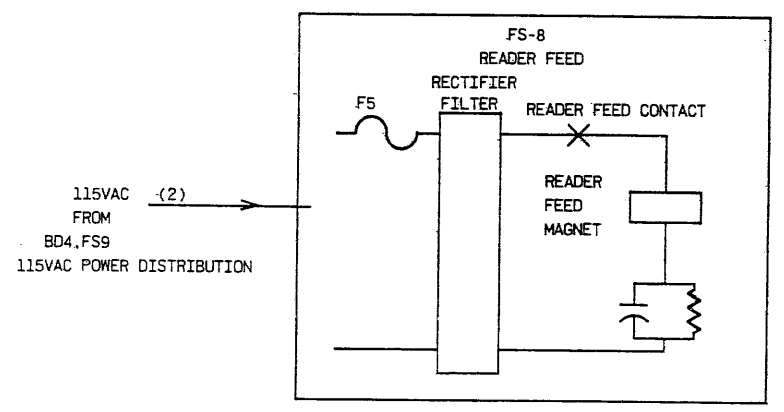
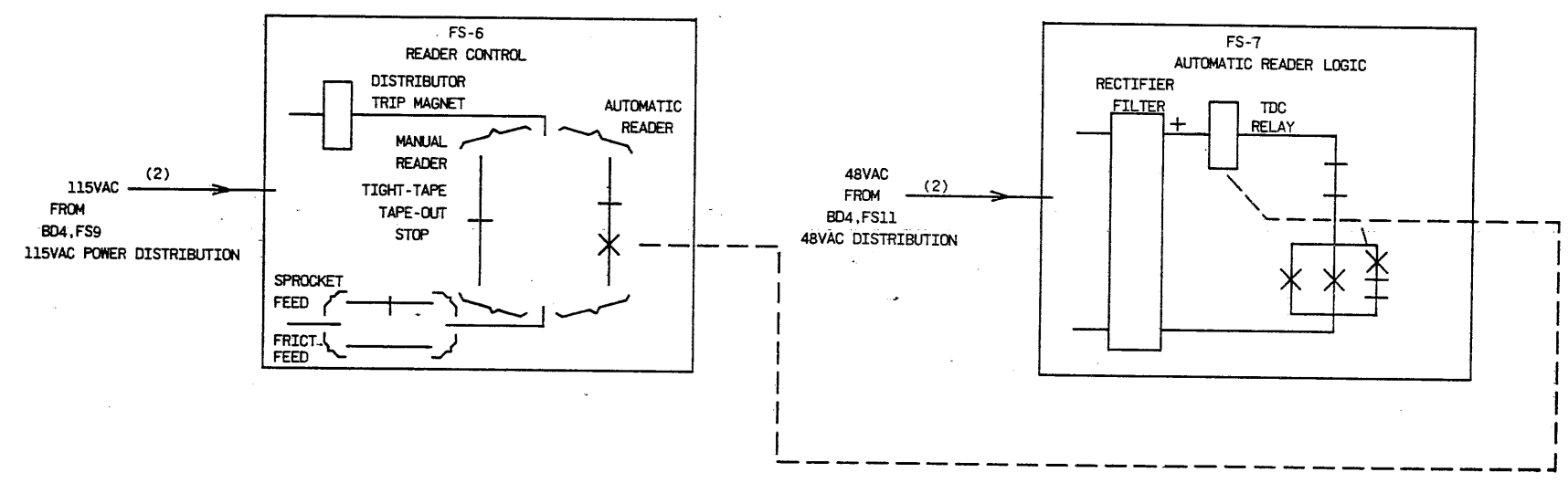


1180 SD-H2

() INDICATES NUMBER OF WIRES REPRESENTED BY THE LINE BELOW.

BD-3 READER CONTROL (ASR SET ONLY)

ISSUE
1



MODEL 33
RO, KSR, AND ASR SETS
3300, 3310, 3320 SERIES

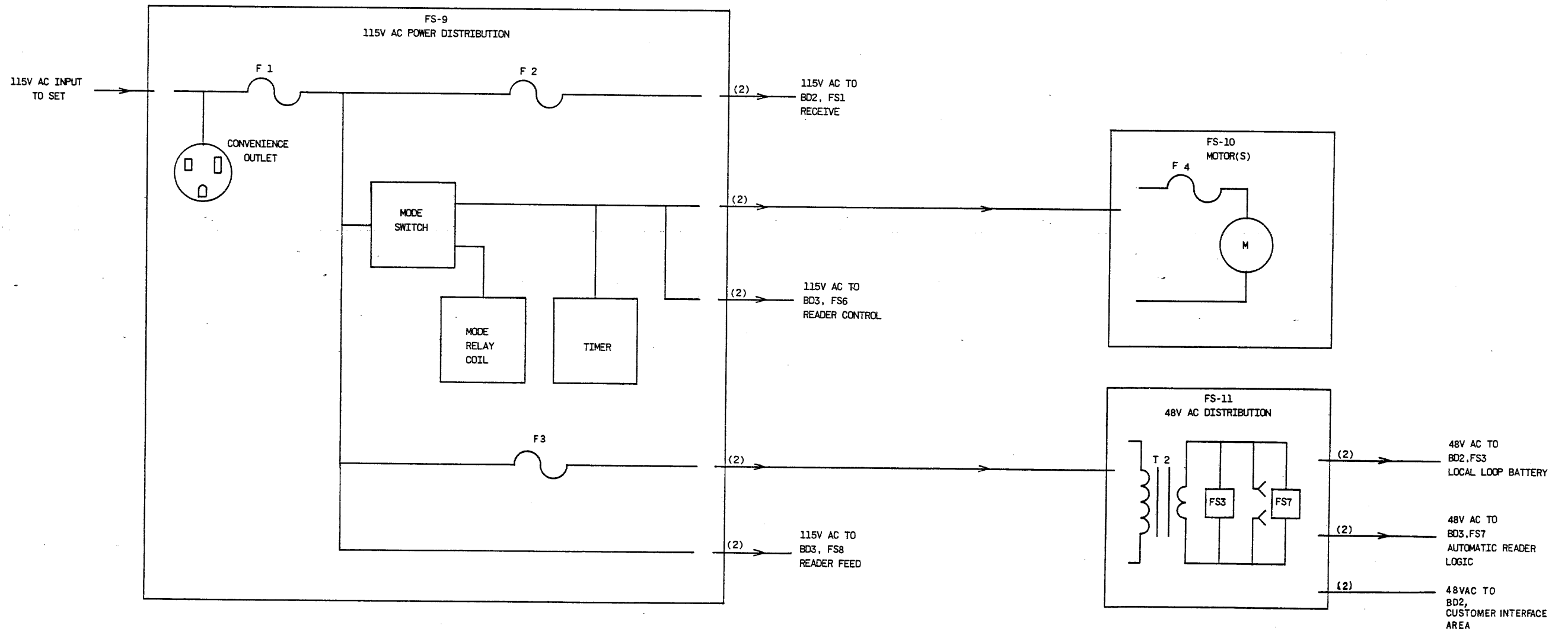


1180 SD-H3

() INDICATES NUMBER OF WIRES
REPRESENTED BY THE LINE BELOW.

BD-4 AC POWER

ISSUE
1



REVISIONS		
ISSUE	DATE	AUTH. NO.
1	7-7-71	21643R
2	1-12-72	4853-RC

NOTES

SCHEMATIC

1. SYMBOLOGY

- HEAVY LINES REPRESENT CIRCUIT PATHS PROVIDED BY METAL PLATES IN CONTACT BLOCK ASSEMBLY.
- CIRCLE INDICATES PRESENCE OF REMOVABLE CONNECTION IN THAT NODE OTHER THAN A MULTI-TERMINAL CONNECTOR.
- FEMALE TERMINAL OF MULTI-TERMINAL CONNECTOR
- MALE TERMINAL OF MULTI-TERMINAL CONNECTOR
- NORMALLY OPEN CONTACT
- NORMALLY CLOSED CONTACT

CONTACT CONTROL, SHIFT, BREAK

DEFINITION OF NORMAL KEY NOT DEPRESSED

RESPECTIVE CODE BARS ARE IN THE SPACING POSITION, AND KEY-BOARD IS TRIPPED

SCHEMATIC AND ACTUAL

2. SYMBOLOGY

() TERMINAL DESIGNATION WITHIN IS FOR REFERENCE AND IS NOT MARKED ON THE COMPONENT.

3. LEVEL 8 OPTION WIRED FOR (A) AT FACTORY

OPTION	LEAD 1	LEAD 2	LEAD 3	LEAD 4
(A) EVEN PARITY	ON	OFF	OFF	ON
(B) LEVEL 8 ALWAYS MARK	OFF	ON	ON	ON
(C) LEVEL 8 ALWAYS SPACE	EITHER ONE OR BOTH OFF	ON OR OFF	ON OR OFF	OFF

FUNCTIONAL OPTIONS FOR WHICH THIS PATH MUST BE CONNECTED

REFERENCE DESIGNATION OF ASSOCIATED LEAD

4. SYMBOLOGY

WIRING LEGEND:

- DISTANT TERMINATING AREA
- DISTANT TERMINATING TERMINAL
- WIRE COLOR (1, 2, OR 3 COLORS)

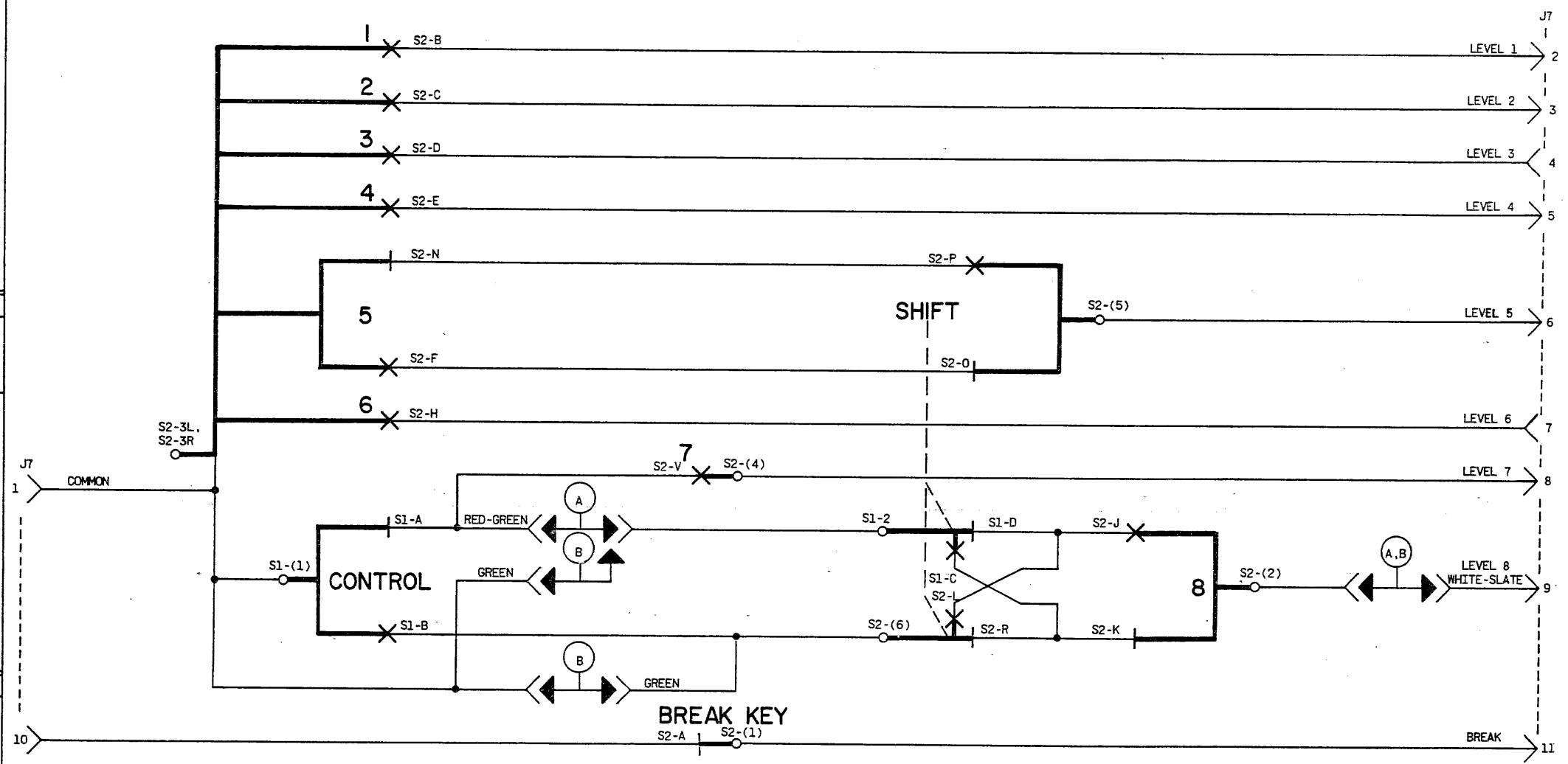
CONNECTORS:

- J7
- P7
- NO PIN
- FEMALE PIN
- MALE PIN
- BLOCKING PIN
- LARGER PERIMETER SHELL DESIGNATED J
- SMALLER PERIMETER SHELL DESIGNATED P
- WIRE SPLICE (NOT REPRESENTED ON SCHEMATIC)

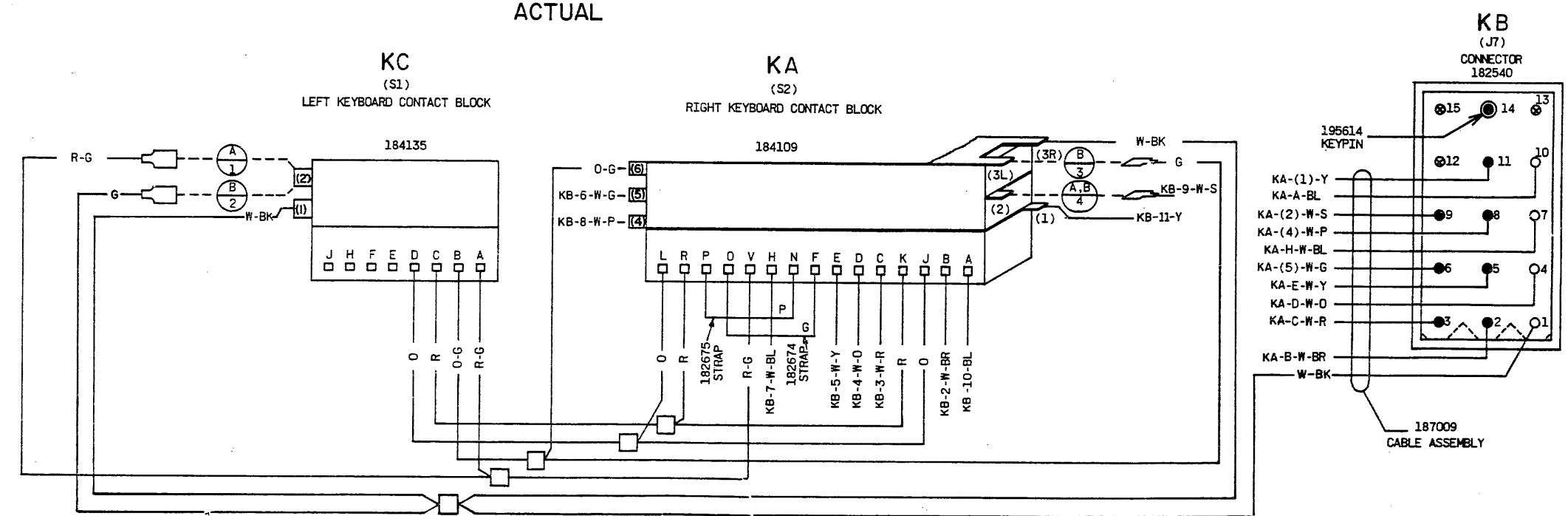
5. WIRE COLOR CODE:

BK-BLACK	G-GREEN
BR-BROWN	BL-BLUE
R-RED	P-PURPLE
O-ORANGE	S-SLATE
Y-YELLOW	W-WHITE

SCHEMATIC



ACTUAL



MODEL 33 KEYBOARD
UK 819

APPROVALS

PROJ. SUPV.	PROJ. DIR.	MFG. REL. COMPL.
D.F.E.	R.R.S.	[Signature]

ENGR. DFR DSGNR.

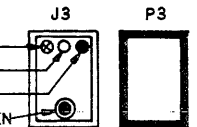
DRN. SLD DATE 4-27-71

R & D FILE 6-A152.219A

S-NUMBER 61.910

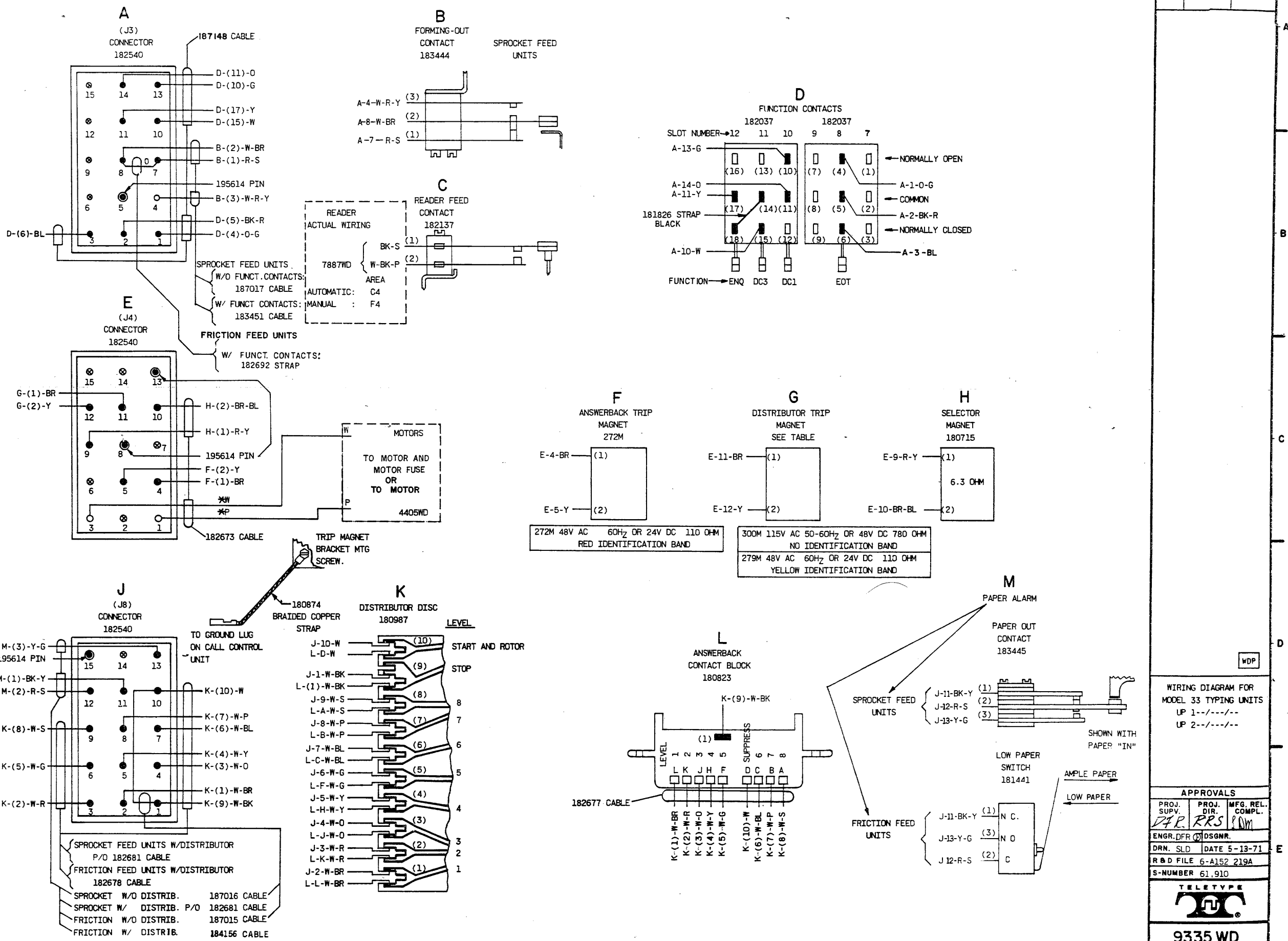
TELETYPE

9334 WD

1. THIS DRAWING SHOWS ALL WIRING AND ELECTRICAL COMPONENTS USED ON THIS SERIES OF SETS. THE PRESENCE OF A GIVEN COMPONENT ON A PARTICULAR SET, HOWEVER, DEPENDS UPON THE FEATURES ORDERED ON THAT SET.
2. WIRE COLOR CODE:
 BK-BLACK G-GREEN
 BR-BROWN BL-BLUE
 R-RED P-PURPLE
 O-ORANGE S-SLATE
 Y-YELLOW W-WHITE
3. COMPONENT VIEWS SHOWN FROM WIRED SIDE.
4. SYMBOLOGY:
 () TERMINAL DESIGNATION WITHIN IS FOR REFERENCE AND IS NOT MARKED ON THE COMPONENT.
 * DENOTES 18AWG WIRE ALL OTHER IS 24AWG
 WIRING LEGEND:
 DISTANT TERMINATING AREA
 DISTANT TERMINATING TERMINAL
 WIRE COLOR (1,2, OR 3 COLORS)
 J-1-W-B
 CONNECTORS:

 NO PIN
 FEMALE PIN
 MALE PIN
 BLOCKING PIN
 HALF WITH LARGER PERIMETER SHELL DESIGNATED J
 HALF WITH SMALLER PERIMETER SHELL DESIGNATED P
5. REFER TO 1180SD FOR A RELATED SET SCHEMATIC DIAGRAM.
6. CROSS REFERENCE: THIS WIRING DIAGRAM SAME AS 9387WD EXCEPT FOR AREA DESIGNATIONS.

REVISIONS		
ISSUE	DATE	AUTH. NO.
1	7-7-71	21643R
2	8-5-71	4243-RC
3	1-12-72	4853-RC
4	1-17-72	4455

ACTUAL



SHEET INDEX

CONTENTS	SHEET NO.	ISSUE NO.																									SHEET NO.
		1	2	3	4	5	6	7	8	9	10	11	12	13	14	15	16	17	18	19	20	21	22	23	24	25	
181361 & 181861 MOTORS, 60 HZ	1				11	12	13	13																			1
181870 & 182241 MOTORS, 60HZ 182267 MOTOR, 50 HZ	2				12	13	14	14																			2
333521 AC SERIES MOTOR	3				1	2	3																				3

SUPPORTING INFORMATION

CATEGORY	NO.

REVISIONS

ISSUE	DATE	AUTH. NO.
1	3-9-66	89721-R
2	1-26-70	92607
3	2-19-70	99947-4
4	8-25-70	621
5	12-9-70	2145
6	12-15-70	2220
7	11-19-71	4539

SHEET INDEX NOTES

1. WHEN CHANGES ARE MADE IN THIS DRAWING ONLY THOSE SHEETS AFFECTED WILL BE REISSUED.
2. THIS SHEET INDEX WILL BE REISSUED AND UPDATED EACH TIME ANY SHEET OF THE DRAWING IS REISSUED OR A NEW SHEET IS ADDED.
3. THE LAST COMPLETED COLUMN INDICATES THE LATEST ISSUE NUMBER OF THE SHEET INDEX.
4. SHEETS THAT ARE NOT CHANGED WILL RETAIN THEIR EXISTING ISSUE NO.
5. ISSUE DATES WILL BE SHOWN ON THE SHEET INDEX ONLY.

WDP

ACTUAL WIRING DIAGRAM FOR MODEL 32/33 MOTORS

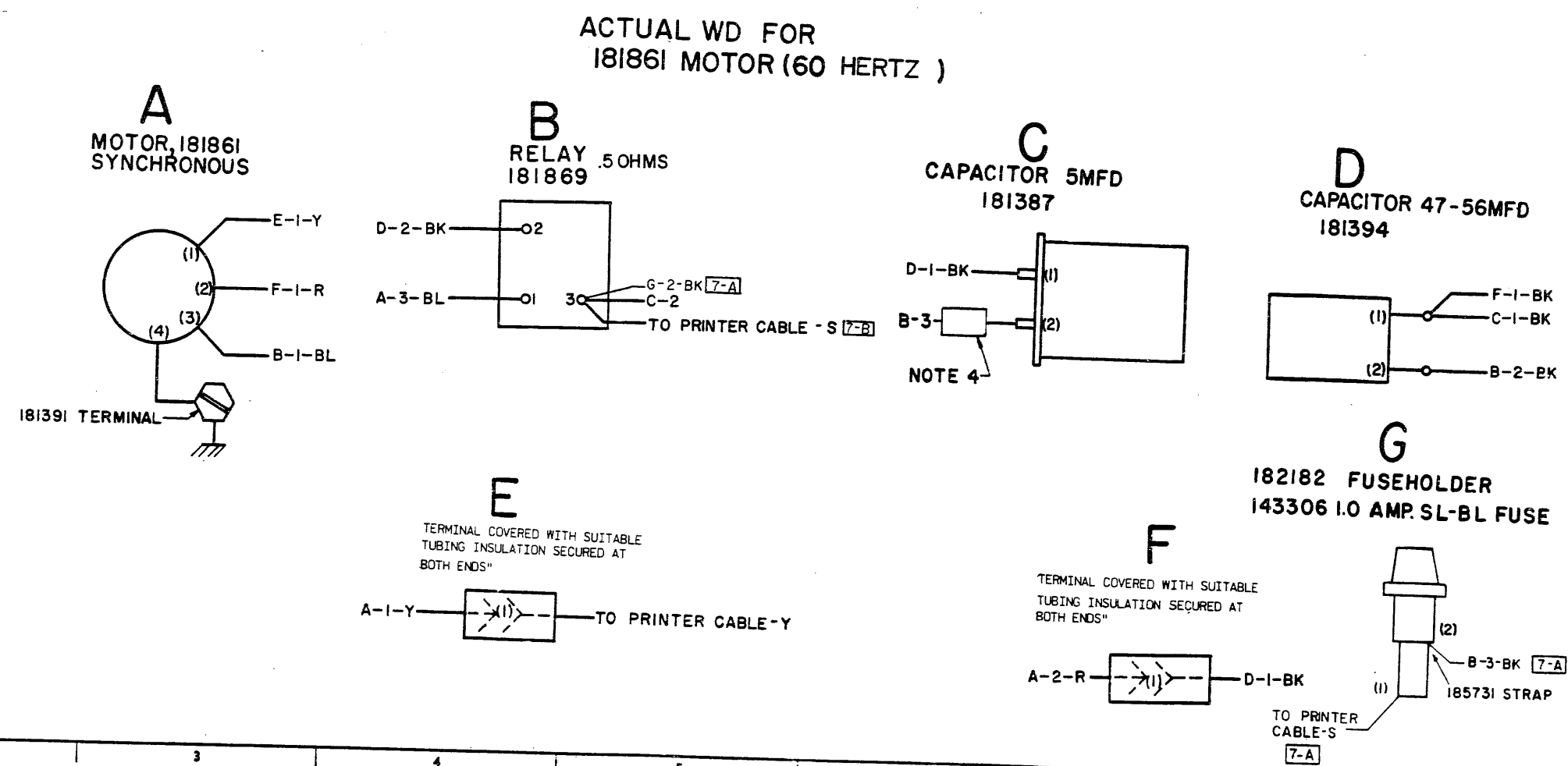
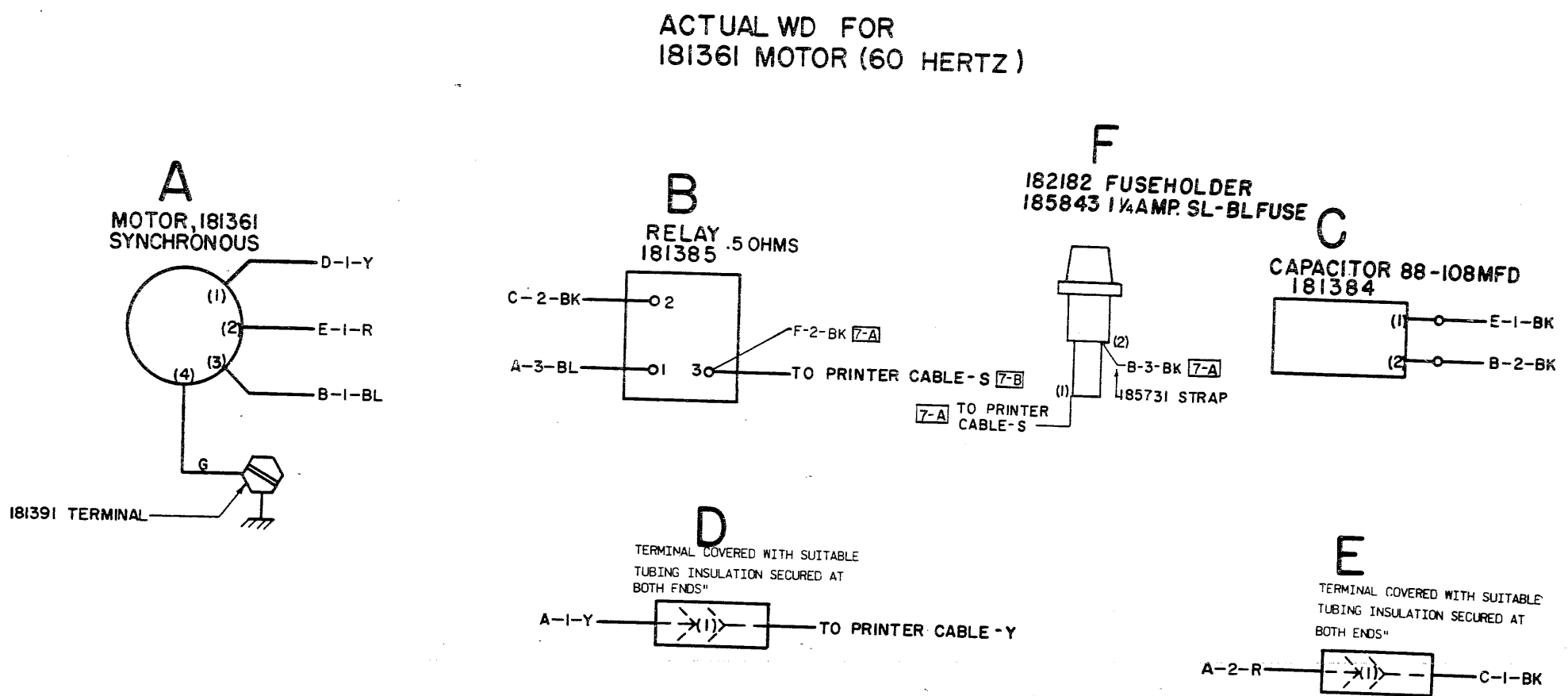
APPROVALS

PROJ. SUPV.	PROJ. DIR.	MFG. REL. COMPL.
		<i>ATM</i>
ENGR. PRS	DSGNR.	
DRN. LAB	DATE 12-15-70	
R & D FILE		
S-NUMBER		



4405 WD

NO.	NOTES									
1.	WIRING LEGEND: DISTANT TERMINATING AREA DISTANT TERMINATING DESIGNATION A-2-Y [6-B] NOTE-5 WIRE COLOR CODE									
2.	COLOR CODE: BK-BLACK P-PURPLE BL-BLUE R-RED BR-BROWN S-SLATE Y-YELLOW O-ORANGE G-GREEN W-WHITE									
3.	ASSOCIATED SCHEMATIC 4403WD.									
4.	182272 RESISTOR-10 OHMS, 5 WATT (PART OF 181387 CAPACITOR W/RESISTOR ASSEMBLY).									
5.	WIRING STATUS: RECTANGULAR BOX INDICATES HISTORY OF WIRING CHANGES. [00-B] B - DENOTES WIRING BEFORE THE CHANGE DESCRIBED BY THE DESIGNATED NOTE ENTERED THE PRODUCT. [00-A] A - DENOTES WIRING AFTER THE CHANGE DESCRIBED BY THE DESIGNATED NOTE ENTERED THE PRODUCT.									
6.	185731 STRAP AND FUSE ASSEMBLY NOT INCLUDED IN EARLY SETS. <table border="1"> <thead> <tr> <th>MOTOR</th> <th>FUSE VALUE</th> <th>FUSE PART NO.</th> </tr> </thead> <tbody> <tr> <td>182241</td> <td>2.0 AMP</td> <td>138538</td> </tr> <tr> <td>182267</td> <td>1.8 AMP</td> <td>320246</td> </tr> </tbody> </table>	MOTOR	FUSE VALUE	FUSE PART NO.	182241	2.0 AMP	138538	182267	1.8 AMP	320246
MOTOR	FUSE VALUE	FUSE PART NO.								
182241	2.0 AMP	138538								
182267	1.8 AMP	320246								



4405 WD

REVISIONS		
ISSUE	DATE	AUTH. NO.
A2	3-3-62	30-973
B3	11-5-62	30-5330
B4	1-3-63	30-5469
B5	11-11-63	78856
6	6-9-64	81773
7	6-8-65	37050
8	1-13-66	88841-3
9	3-9-66	8922-2
10	2-18-70	9947-4
11	8-24-70	621
12	12-9-70	2145
13	12-14-70	2220

NOTE:
 REVISION INFORMATION MUST ALSO BE REFLECTED ON THE ISSUE CONTROL RECORD, WHICH IS A PART OF THIS DRAWING.
 SEE ISSUE CONTROL RECORD FOR COMPLETE LIST OF SHEETS COMPRISING THIS W.D.

SHEET 1 WDP

ACTUAL WIRING DIAGRAM FOR
 FOR MODEL 32 & 33 MOTORS

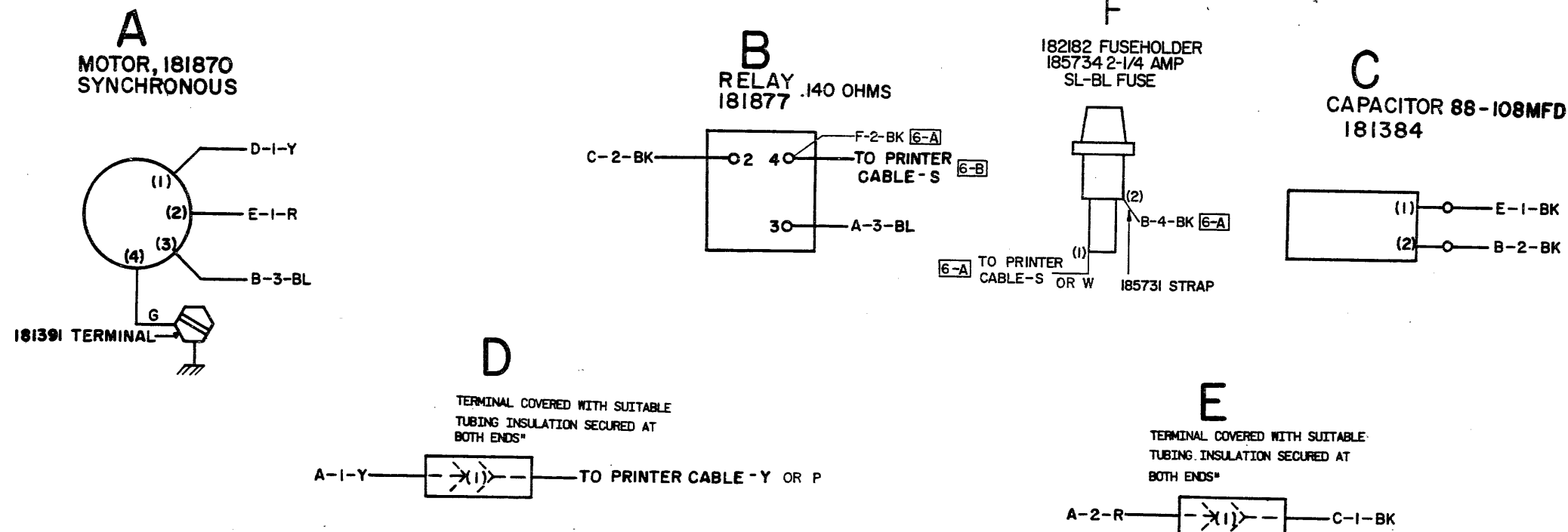
APPROVALS	
D AND R	E OF M
E-NUMBER	
PROD. NO. 4405WD	
DATE 2-8-62	
P.D. FILE NO. 1-231.153AA	
DRAWN	CHKD.
ENGD. P. R. S.	APPD.

TELETYPE CORPORATION

SEE SHEET 1 FOR NOTES

NOTE:
REVISION INFORMATION MUST ALSO BE
REFLECTED ON THE ISSUE CONTROL REC-
ORD, WHICH IS A PART OF THIS DRAWING.

ACTUAL WD FOR
181870 MOTOR (60 HERTZ)

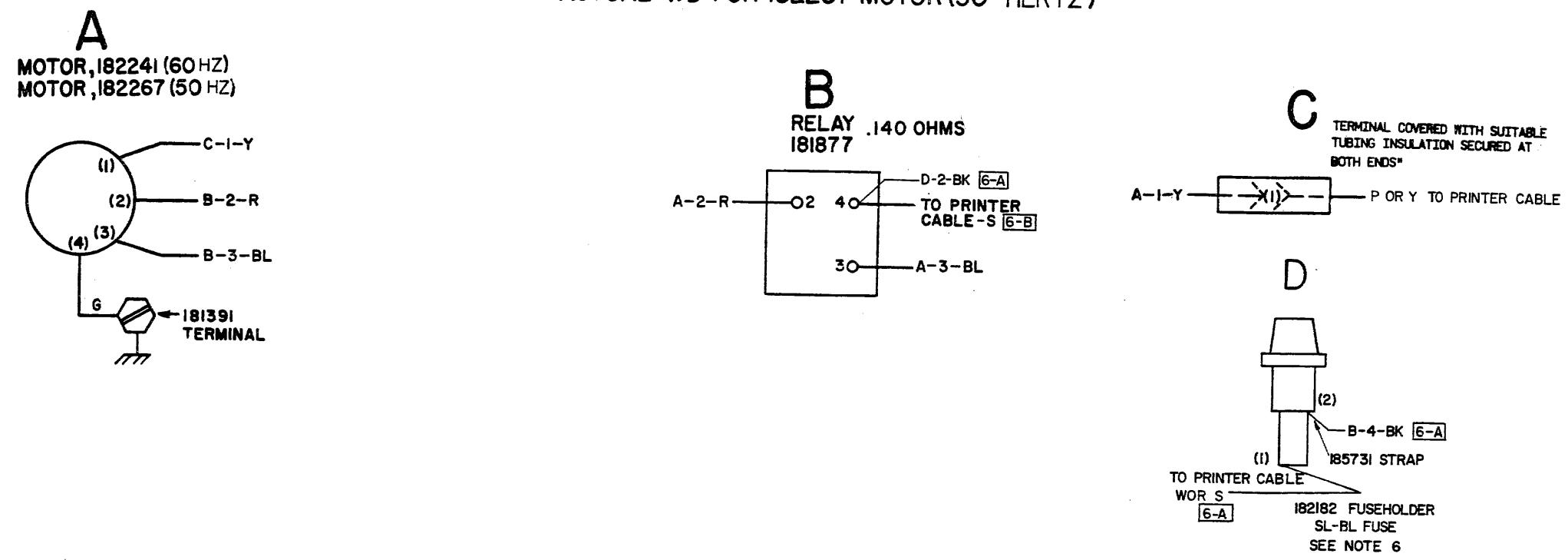


4405WD

REVISIONS

ISSUE	DATE	AUTH. NO.
A2	3-3-62	30-978
B3	11-5-62	30-5330
B4	1-3-63	30-5469
B5	11-11-63	78856
6	6-9-64	81773
7	6-8-65	87050
8	1-13-66	88841-3
9	3-9-66	89721-2
10	1-26-67	92607
11	2-18-70	99947-4
12	8-24-70	621
13	12-9-70	2145
14	12-14-70	2220

ACTUAL WD FOR 182241 MOTOR (60 HERTZ)
ACTUAL WD FOR 182267 MOTOR (50 HERTZ)



SEE ISSUE CONTROL RECORD FOR COM-
PLETE LIST OF SHEETS COMPRISING THIS
W.D.
SHEET 2

ACTUAL
WIRING DIAGRAM

FOR MODEL 32 & 33
MOTORS

APPROVALS

D AND R <i>HJK</i>	E OF M <i>[Signature]</i>
-----------------------	------------------------------

E-NUMBER

PROD. NO. 4405WD

DATE 2-8-62

R.D. FILE NO. 1-231.153AA

DRAWN R.H.B. CHKD. *[Signature]*

ENGD. P.R.S. APPD. *[Signature]*

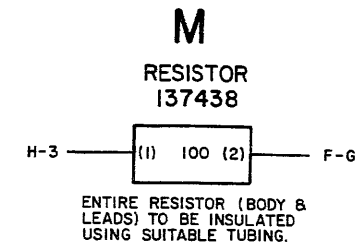
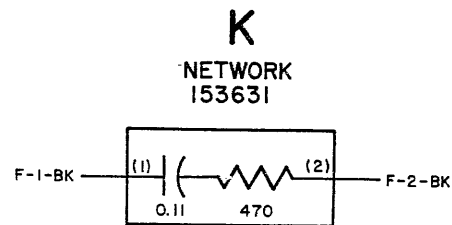
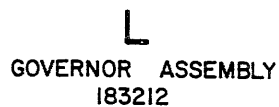
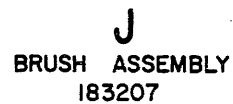
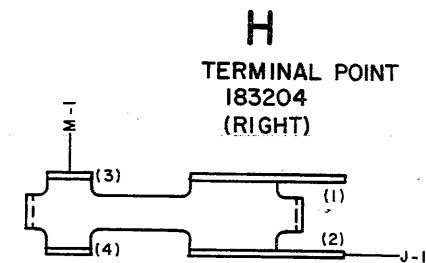
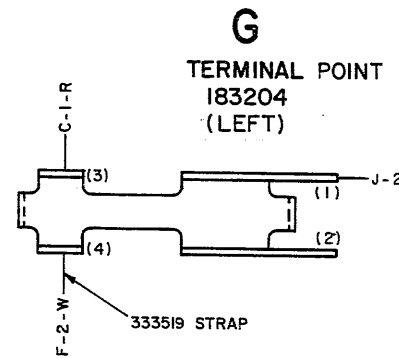
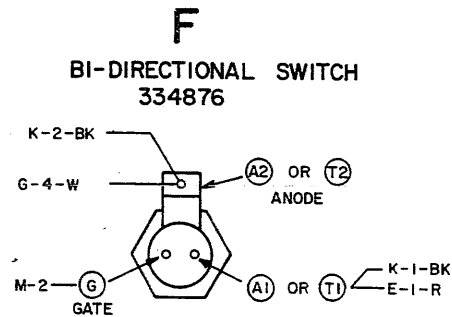
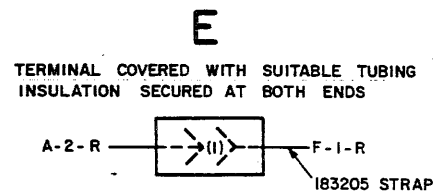
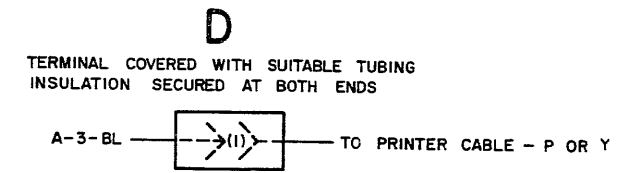
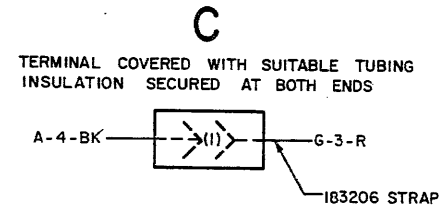
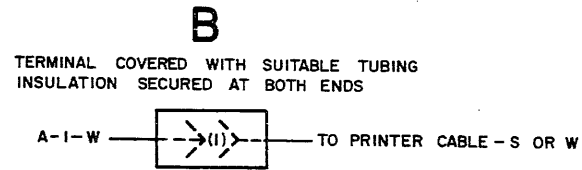
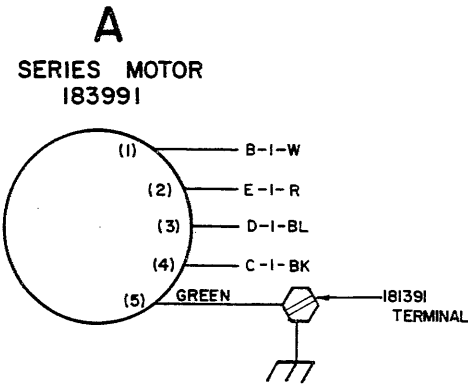
TELETYPE
CORPORATION

4405WD

ACTUAL WD FOR
333521 AC SERIES MOTOR

NOTE:
REVISION INFORMATION MUST ALSO BE
REFLECTED ON THE ISSUE CONTROL REC-
ORD, WHICH IS A PART OF THIS DRAWING.

REVISIONS		
ISSUE	DATE	AUTH. NO.
2	12-14-70	2220
3	11-19-71	4539



SEE ISSUE CONTROL RECORD FOR COM-
PLETE LIST OF SHEETS COMPRISING THIS
W.D.

SHEET 3 **WDP**

ACTUAL
WIRING DIAGRAM
FOR MODEL 32/33
MOTORS


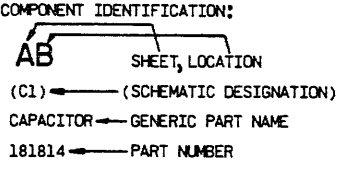
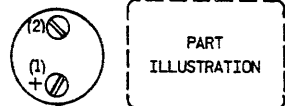
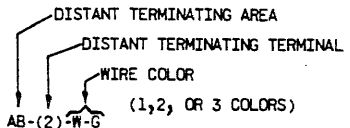
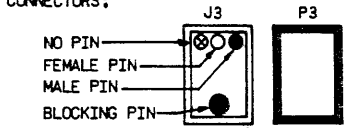
APPROVALS		
PROJ. SUPV.	PROJ. DIR.	MF8 REL. COMPL.
<i>[Signature]</i>	<i>[Signature]</i>	<i>[Signature]</i>

ENGR. A. S. DSGNR. A. S.
DRN. C.E.C. DATE 10-1-70
R & D FILE 1-231.153AA
S-NUMBER

TELETYPE
[Logo]
4405WD

SHEET INDEX

CONTENTS	SHEET NO.	ISSUE NO.																												SHEET NO.
		1	2	3	4	5	6	7	8	9	10	11	12	13	14	15	16	17	18	19	20	21	22	23	24	25	26	27	28	
SHEET INDEX AND NOTES	A1	1	2																											A1
MODEL 33 CALL CONTROL UNIT UCC 6 WIRING	B1	1	2																											B1
MODEL 33 CALL CONTROL UNIT UCC 6 WIRING	B2	1	2																											B2

NO.	NOTES										
1.	<p>WIRE COLOR CODE:</p> <table border="0"> <tr> <td>BK - BLACK</td> <td>G - GREEN</td> </tr> <tr> <td>BR - BROWN</td> <td>BL - BLUE</td> </tr> <tr> <td>R - RED</td> <td>P - PURPLE</td> </tr> <tr> <td>O - ORANGE</td> <td>S - SLATE</td> </tr> <tr> <td>Y - YELLOW</td> <td>W - WHITE</td> </tr> </table>	BK - BLACK	G - GREEN	BR - BROWN	BL - BLUE	R - RED	P - PURPLE	O - ORANGE	S - SLATE	Y - YELLOW	W - WHITE
BK - BLACK	G - GREEN										
BR - BROWN	BL - BLUE										
R - RED	P - PURPLE										
O - ORANGE	S - SLATE										
Y - YELLOW	W - WHITE										
2.	COMPONENT VIEWS SHOWN FROM WIRED SIDE.										
3.	<p>SYMBOLOLOGY</p> <p>() TERMINAL DESIGNATION WITHIN IS FOR REFERENCE AND IS NOT MARKED ON THE COMPONENT.</p> <p>--- ASSOCIATED TERMINALS, CONNECTIONS, OR FUNCTIONS.</p> <p>* DENOTES 20 AWG. WIRE.</p> <p>** DENOTES 18AWG WIRE. ALL OTHER IS 24AWG.</p> <p> WIRE SPLICE (NOT REPRESENTED ON SCHEMATIC)</p>										
4.	<p>COMPONENT IDENTIFICATION:</p> <p></p> <p></p>										
5.	<p>WIRING LEGEND:</p> <p></p> <p>CONNECTORS:</p> <p></p> <p>HALF WITH LARGER PERIMETER SHELL DESIGNATED J</p> <p>HALF WITH SMALLER PERIMETER SHELL DESIGNATED P</p>										
6.	ALL WIRING PART OF 181820 CABLE ASSEMBLY EXCEPT WHERE OTHERWISE SPECIFIED.										
7.	REFER TO 1180SD FOR A RELATED SET SCHEMATIC DIAGRAM.										
8.	THIS DRAWING SHOWS ALL WIRING AND ELECTRICAL COMPONENTS USED ON THIS SERIES OF SETS. THE PRESENCE OF A GIVEN COMPONENT ON A PARTICULAR SET, HOWEVER, DEPENDS UPON THE FEATURES ORDERED ON THAT SET.										
9.	<p>CUSTOMER OPTIONS:</p> <p>THIS UNIT CONTAINS WIRING OPTIONS FOR INTERFACING A 20MA OR 60MA DC CURRENT SIGNAL LOOP AS WELL AS INTERFACING IN A HALF DUPLEX (TWO WIRE) OR FULL DUPLEX (4 WIRE) CONFIGURATION.</p> <p>20 AND 60MA SIGNALLING CURRENT OPTION WIRING APPEARS AT THE COMPONENTS DESIGNATED AC AND BL.</p> <p>HALF AND FULL DUPLEX OPTION WIRING APPEARS AT COMPONENT BL.</p> <p>OPTION WIRING SHOULD BE CONNECTED AS INDICATED FOR THE DESIRED OPTION.</p> <p>THIS UNIT HAS BEEN PRE-WIRED AT THE FACTORY FOR 60MA DC, HALF DUPLEX OPERATION.</p>										
10.	REFER TO 4970WD FOR WIRING OF 181815 SELECTOR MAGNET DRIVER ASSEMBLY WHICH IS ALSO PART OF THIS UNIT.										

SUPPORTING INFORMATION	
CATEGORY	NO.
WIRING DIAGRAM PACKAGE FOR MODEL 33 RO, KSR, AND ASR SETS 3300, 3310, 3320 SERIES	WDP 0316

- SHEET INDEX NOTES
- WHEN CHANGES ARE MADE IN THIS DRAWING ONLY THOSE SHEETS AFFECTED WILL BE REISSUED.
 - THIS SHEET INDEX WILL BE REISSUED AND UPDATED EACH TIME ANY SHEET OF THE DRAWING IS REISSUED OR A NEW SHEET IS ADDED.
 - THE LAST COMPLETED COLUMN INDICATES THE LATEST ISSUE NUMBER OF THE SHEET INDEX.
 - SHEETS THAT ARE NOT CHANGED WILL RETAIN THEIR EXISTING ISSUE NO.
 - ISSUE DATES WILL BE SHOWN ON THE SHEET INDEX ONLY.

REVISIONS		
ISSUE	DATE	AUTH. NO.
1	8-6-71	21643R
2	5-23-73	8197

WIRING DIAGRAM FOR MODEL 33 CALL CONTROL UNIT UCC 6

APPROVALS

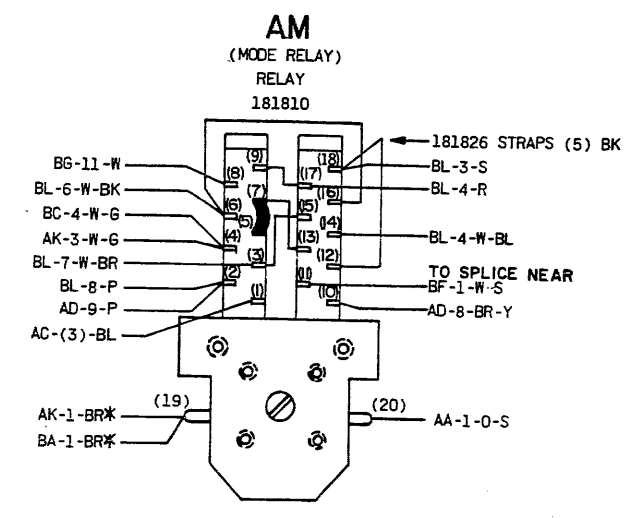
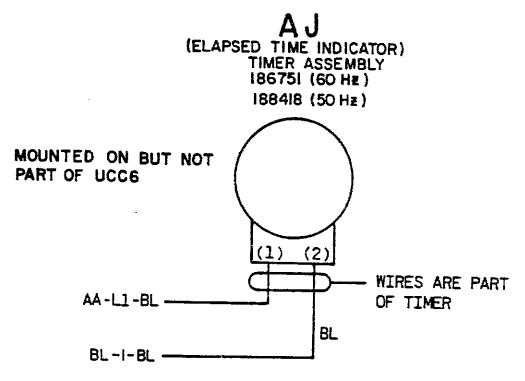
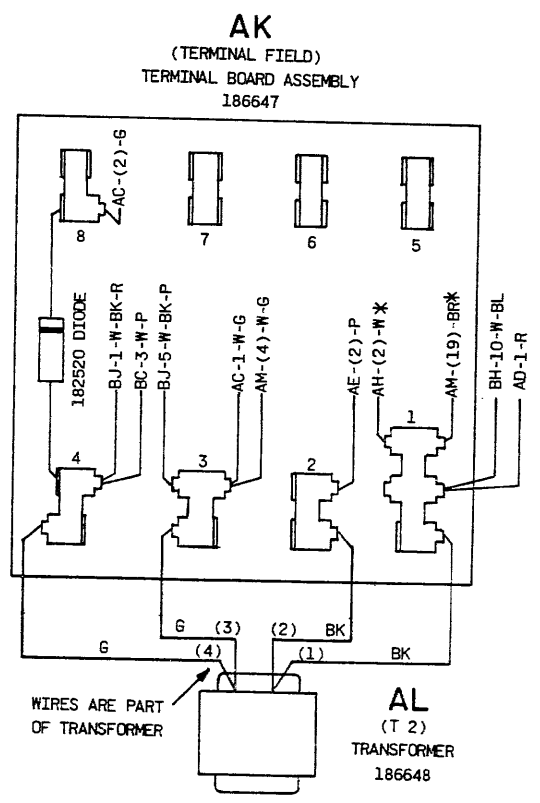
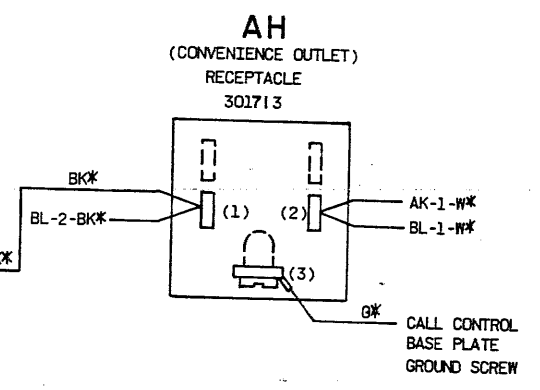
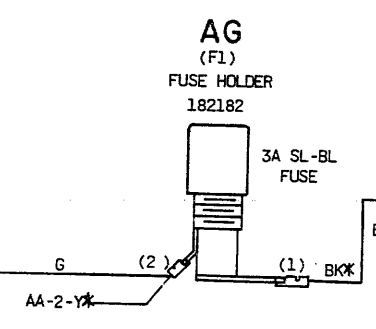
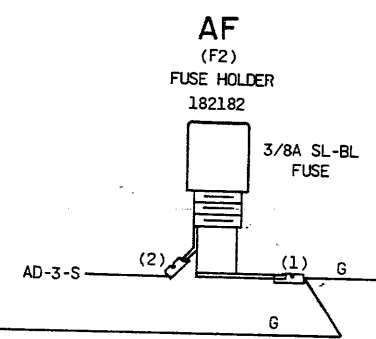
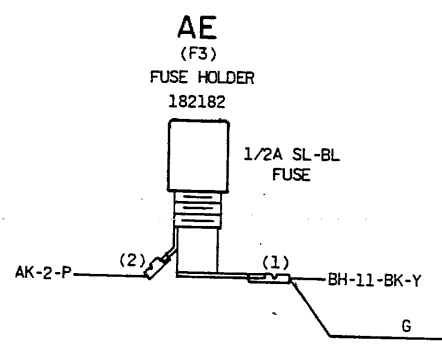
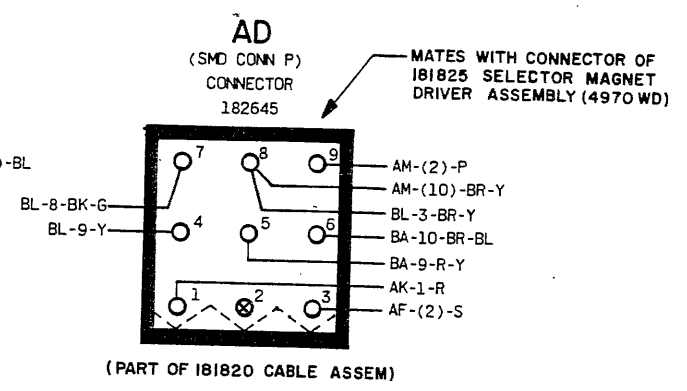
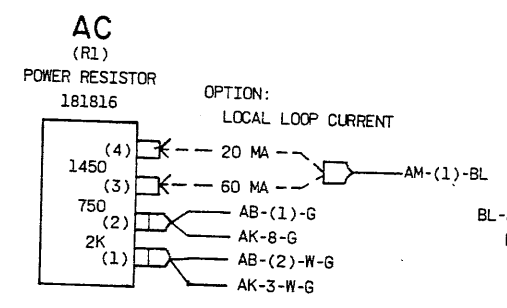
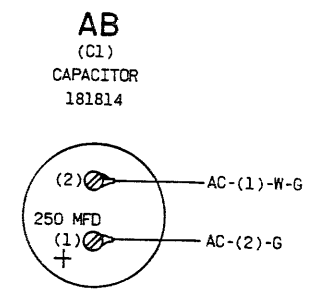
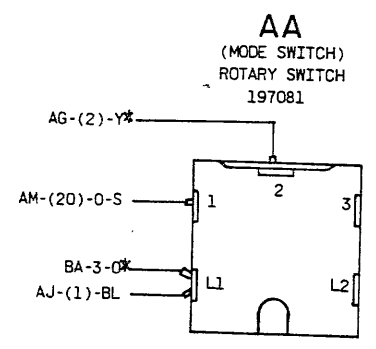
PROJ. SUPV. DAR	PROJ. DIR. RRS	MFG. REL. COMPL. [Signature]
ENGR. OFD DSONR.		

DRN. S.L.D. DATE 6-2-71
R&D FILE 6-A152.219A
S-NUMBER 61.910

TELETYPE

9336WD-A1

REVISIONS		
ISSUE	DATE	AUTH. NO.
1	8-6-71	21643R
2	5-23-73	8197

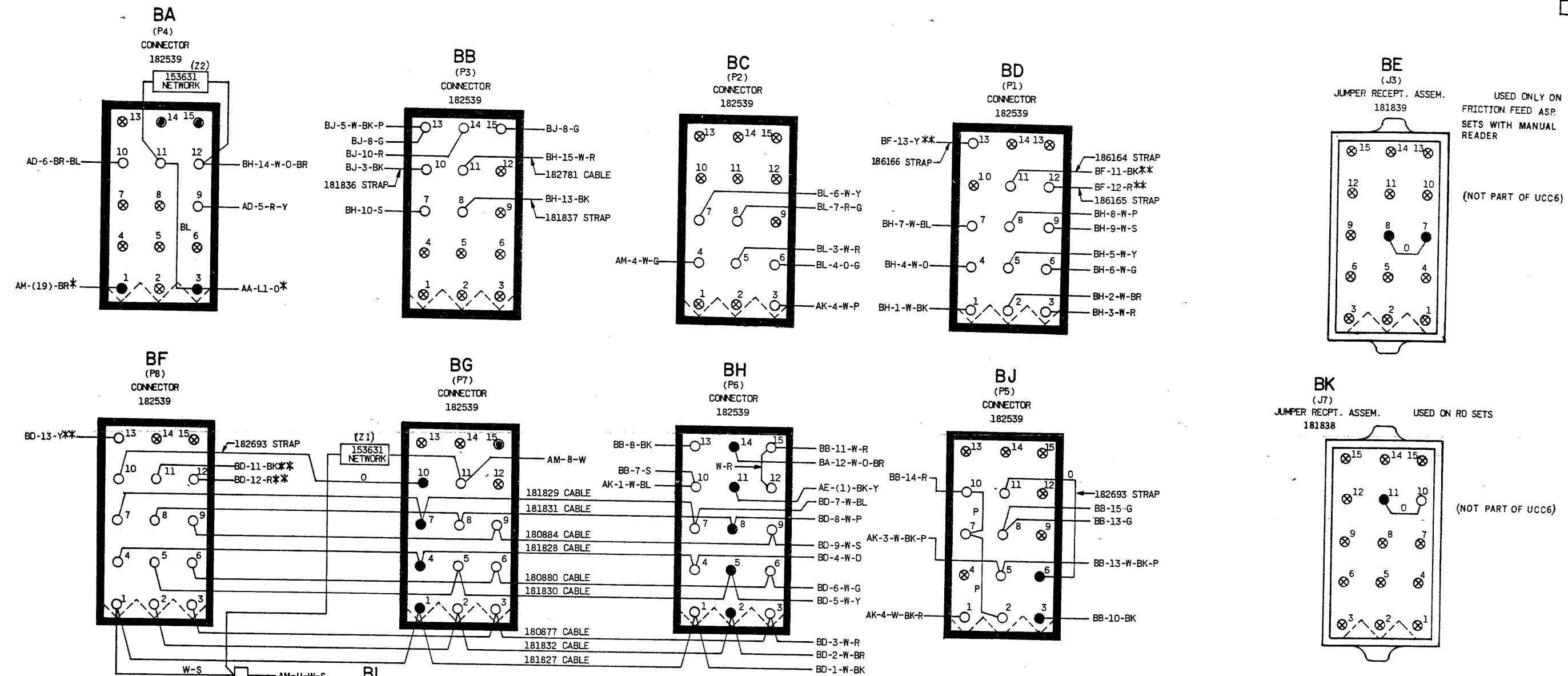


WIRING DIAGRAM FOR
MODEL 33
CALL CONTROL UNIT
UCC 6

APPROVALS

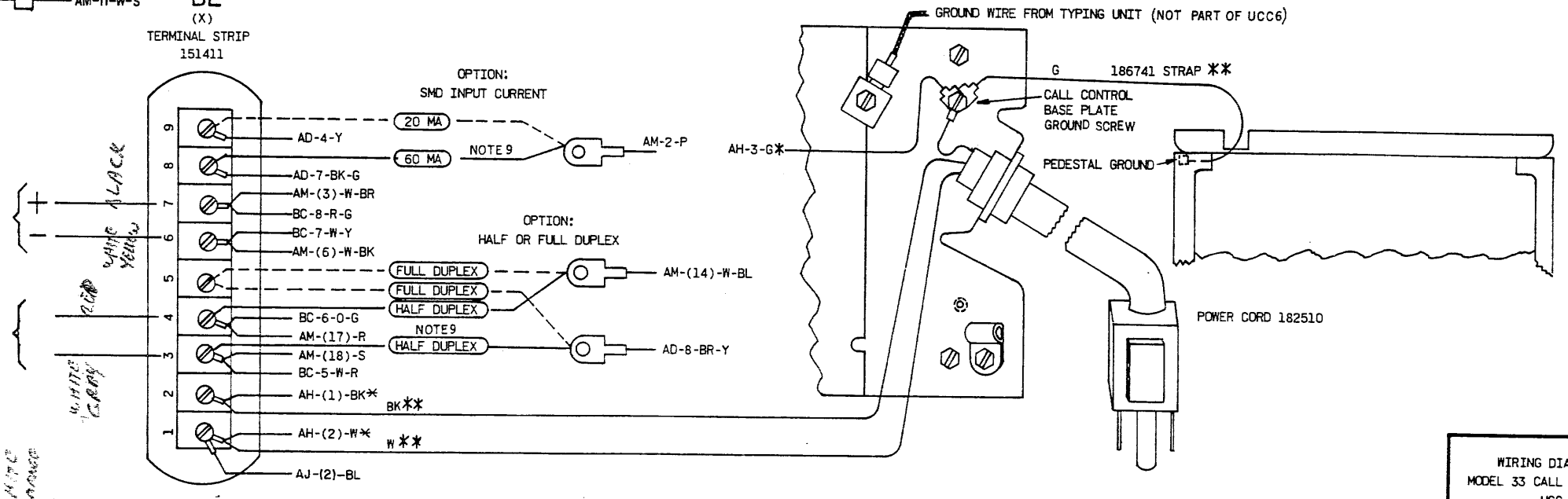
PROJ. SUPV. DTR	PROJ. DIR. RRS	MFG. REL. COMPL. [Signature]
ENGR. OFD	DSGNR.	
DRN. S.L.D DATE		
R&D FILE 6-A152-219A		
S-NUMBER 61.910		





CUSTOMER SIGNAL INTERFACE

HALF DUPLEX	FULL DUPLEX
RECEIVE AND SEND	RECEIVE
NOT USED	SEND



WIRING DIAGRAM FOR
MODEL 33 CALL CONTROL UNIT
UCC 6

TELETYPE
TT
9336WD-B2

BLUE = 12
WHITE
ORANGE

WAVE ALACK
YELLOW
RED
WHITE
ORANGE

USED ONLY ON
FRICTION FEED ASP.
SETS WITH MANUAL
READER

(NOT PART OF UCC6)

USED ON RO SETS

(NOT PART OF UCC6)

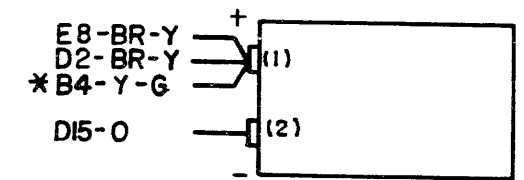
TOP

4970 WD

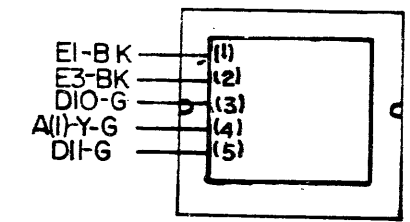
ISSUE	DATE	AUTH. NO.
2	8-15-62	30-1265
3	8-15-63	77081
4	1-31-64	79903
5	5-10-68	95523-4
6	1-14-71	736

- NO. NOTES**
- WIRING CODE**
 - SEE 4979WD FOR SCHEMATIC WIRING DIAGRAM
 - USE CABLE 181818
 - * DENOTES #20 AWG WIRE. ALL OTHERS #24AWG
 - SOME 182695 UNITS CONTAIN 330793 OR 182722 TRANSFORMER AND 182696 CABLE WITH 182536 CONNECTOR.
SOME 181815 UNITS CONTAIN 330793 OR 182722 TRANSFORMER

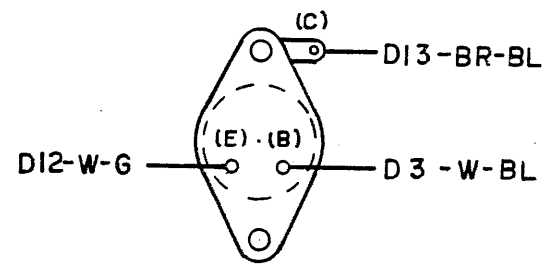
A
CAPACITOR FILTER
(182501)



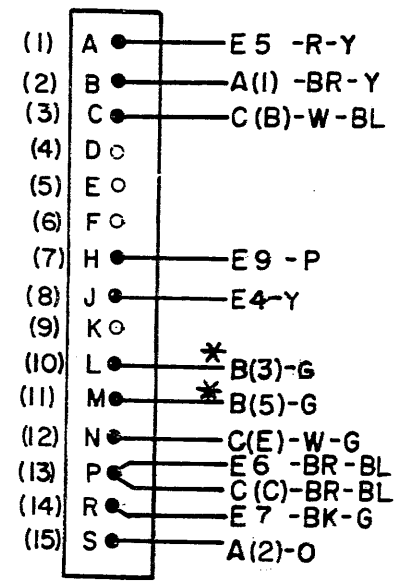
B
TRANSFORMER, POWER
(337992) 50/60 Hz
NOTE 5



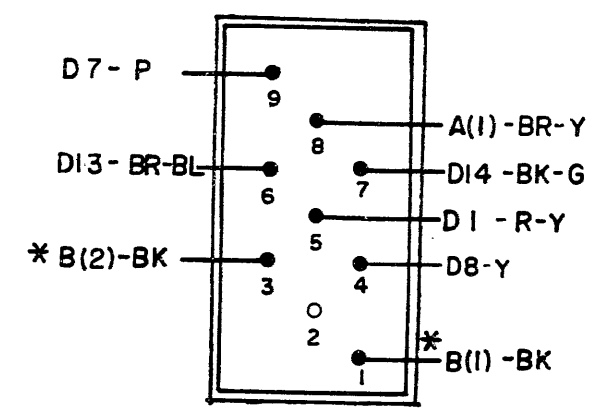
C
TRANSISTOR, POWER
(181675)



D
CONNECTOR, CARD
(181819)
NOTE 5



E
CONNECTOR, RECEPTACLE
(182716)



WDP

ACTUAL WIRING DIAGRAM FOR 182695 & 181815 SELECTOR MAGNET DRIVER

APPROVALS

D AND R	E OF M
<i>[Signature]</i>	<i>[Signature]</i>

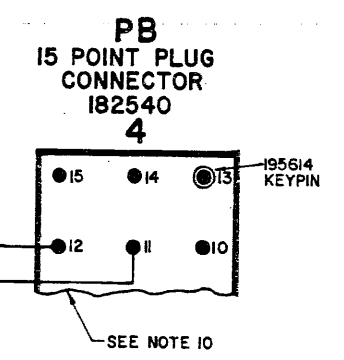
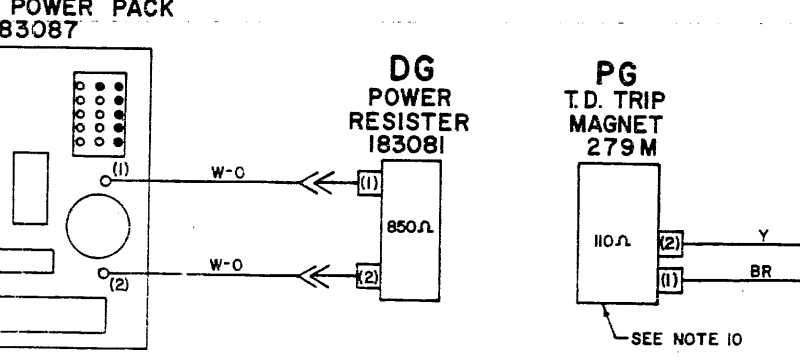
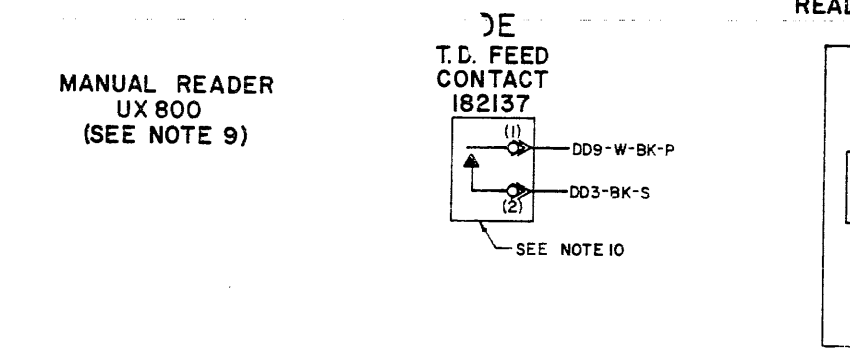
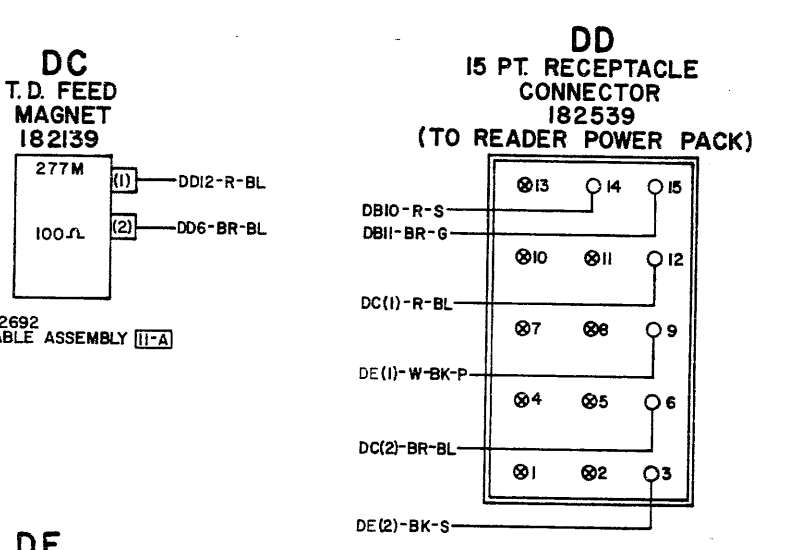
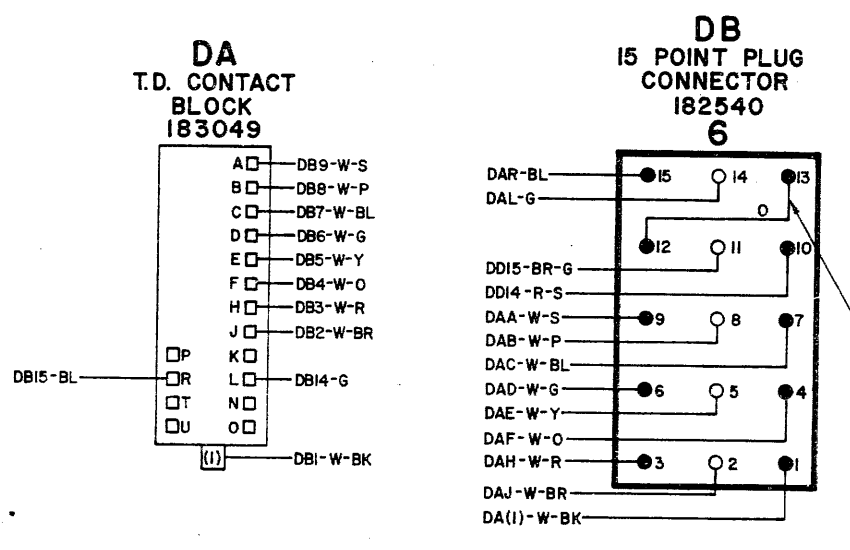
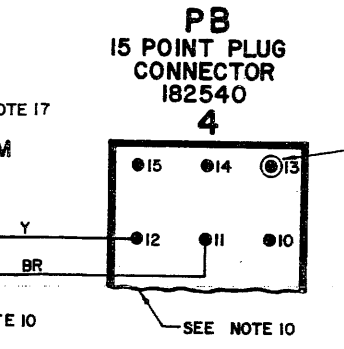
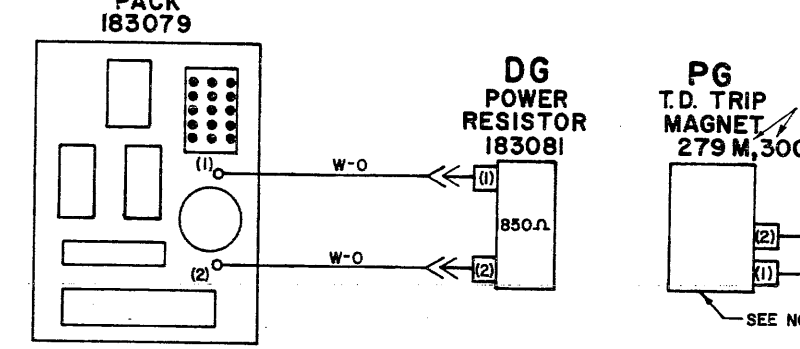
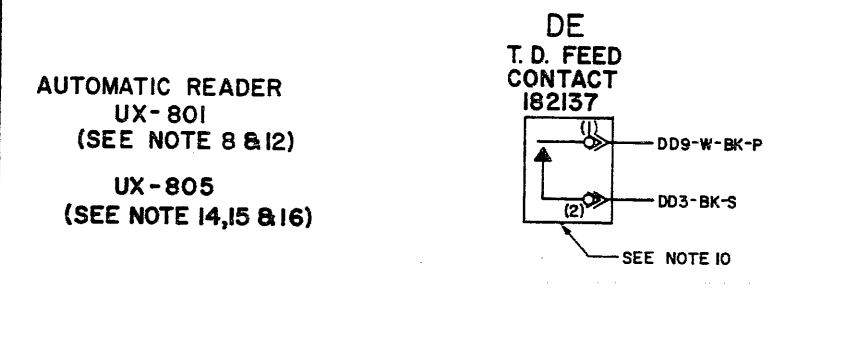
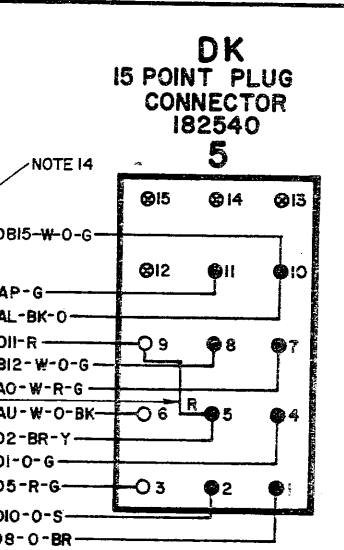
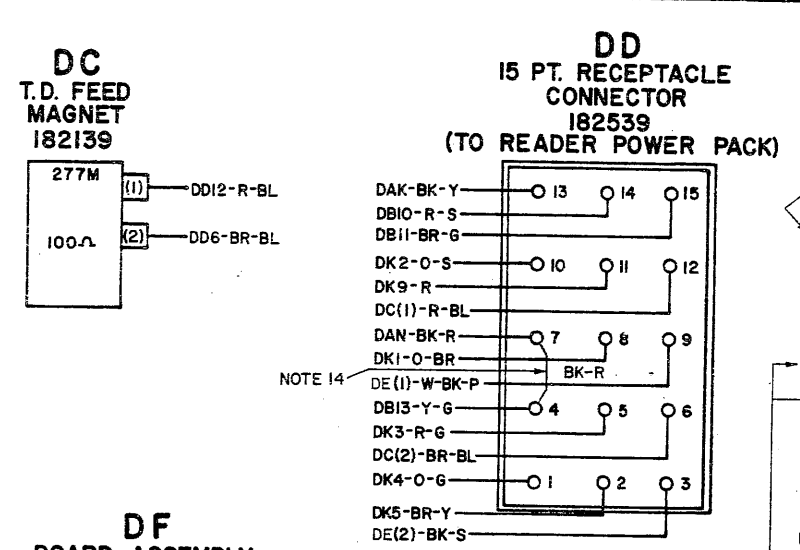
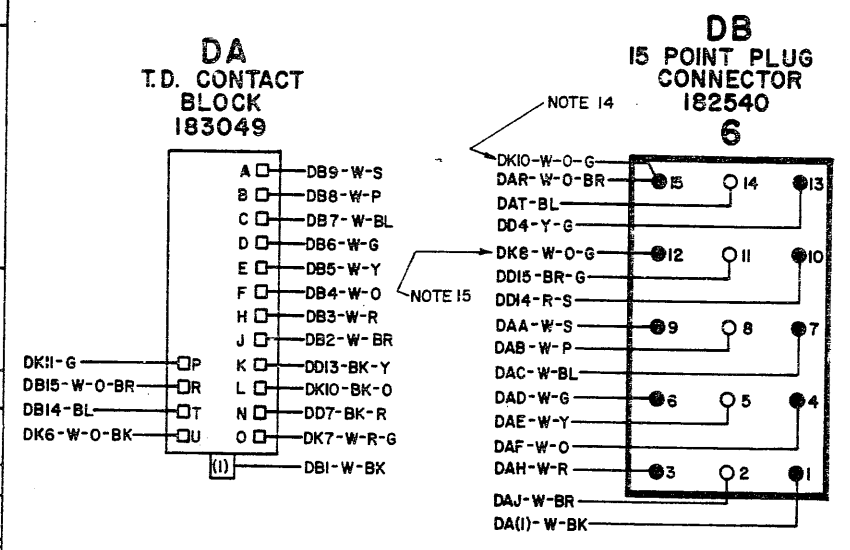
E-NUMBER
PROD. NO. 4970 WD
DATE: 6-22-62
P.D. FILE NO 1-165.153AA
DRAWN C.A. CHKD. *[Signature]*
ENGD. P.R.S. APPD.

TELETYPE CORPORATION
4970 WD

7887 WD

REVISIONS		
ISSUE	DATE	AUTH. NO.
1	4-25-66	17470-R
2	11-3-66	92300 RC
3	1-31-68	95171
4	1-12-72	4853-RC

- NO. NOTES**
1. WIRING LEGEND:
 DISTANT TERMINATING AREA
 DISTANT TERMINATING DESIGNATION
 COLOR CODE
 DB4-BL
 2. WIRE COLOR CODE:
 W-WHITE BL-BLUE
 BK-BLACK BR-BROWN
 O-ORANGE P-PURPLE
 Y-YELLOW S-SLATE
 G-GREEN R-RED
 3. TERMINALS DESIGNATED () DO NOT APPEAR ON COMPONENT.
 4. FOR TELETYPE PERSONNEL REFERENCES: SPECIFICATION 6042IS
 5. CONNECTORS VIEWED FROM WIRED END.
 6. FOR SCHEMATIC WIRING DIAGRAM SEE 7882 WD OR 8159 WD.
 7. ASSOCIATED UNIT ACTUAL WIRING DIAGRAMS
 7884 WD PRINTER-UP800,801,802,803,820
 7885 WD KEYBOARD-UK800,804
 7886 WD MOTOR
 7888 WD CALL CONTROL-UCC-3
 4970 WD SELECTOR MAGNET DRIVER
 8158 WD CALL CONTROL-UCC 26
 8160 WD PRINTER-UP 836
 8. OPTIONAL UX-801 AUTOMATIC READER-183075 CABLE ASSEMBLY. USED ONLY WITH UP801,803,820 PRINTER ASSEMBLIES.
 9. MANUAL READER-UX800 183074 CABLE ASSEMBLY. USED ONLY WITH UP801,803 PRINTER ASSEMBLIES.
 10. THESE COMPONENTS ARE MOUNTED ON UP801,803,820 PRINTER ASSEMBLIES BUT ACTUALLY ARE PART OF READER CIRCUIT. SEE PRINTER 7884 WD.
 11. 182692 CABLE ASSEMBLY (STRAP) NOT REQUIRED WHEN UX800 IS USED WITH EARLY STYLE (BEFORE UCC-3 WIRING CHANGED TO ACCOMMODATE UX801 FACILITIES) UCC-3 CALL CONTROL UNITS WITHOUT WIRES IN POSITION 12 AND 13 OF MATING CALL CONTROL RECEPTACLE CONNECTOR NO. 6.
 12. SEE PRINTER 7884 WD FOR MODIFICATION TO UP801,803 PRINTER ASSEMBLIES TO PROVIDE AUTOMATIC READER CONTROL OPTIONS.
 13. WIRING STATUS:
 RECTANGULAR BOX INDICATES HISTORY OF WIRING CHANGES
 [100-B] B - DENOTES WIRING BEFORE THE CHANGE DESCRIBED BY THE DESIGNATED NOTE NUMBER ENTERED THE PRODUCT.
 [100-A] A - DENOTES WIRING AFTER THE CHANGE DESCRIBED BY THE DESIGNATED NOTE ENTERED THE PRODUCT.
 14. ASSOCIATED WITH THE UX-805 ONLY.
 15. THERE WIRES DO NOT APPEAR ON UX-805
 16. AUTOMATIC READER UX-805 186340 CABLE ASSEMBLY.
 17. 279M-48VAC-110Ω
 300M-115VAC-780Ω



ACTUAL WIRING DIAGRAM FOR MODEL 33 8 LEVEL MANUAL OR AUTOMATIC TRANSMITTER DISTRIBUTOR (TAPE READER) UX-800-MANUAL READER UX-801-AUTOMATIC READER UX-805-AUTOMATIC READER

APPROVALS

D AND R	E OF M

E-NUMBER

PROD. NO. 7887 WD

DATE 8-3-65

P.D. FILE NO. G-A152 AA

DRAWN R.H.B. CHKD. J.E.

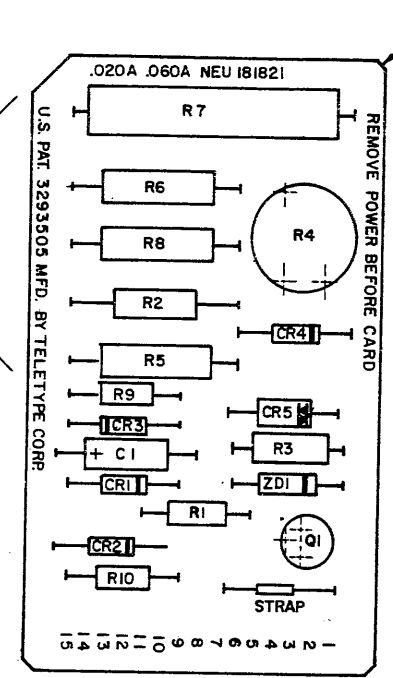
ENGD. J.W.S. APPD. J.E.

TELETYPE CORPORATION

7887 WD

NO	NOTES
1	MASTER ARTWORK NO. 181821AW FOR PRINTING SCREEN IS AVAILABLE IN R&D OFFICE SERVICE SECTION.
2	RAISE R2, 5, 6, 7, 8 - 1/32 TO 1/16" ABOVE CIRCUIT CARD.
3	TO FACILITATE MANUFACTURE THE COMPONENT LAYOUT WAS CHANGED INCLUDING R1 AND CR5 WHICH WAS CHANGED FROM VERTICAL MOUNTING AND THE ADDITION OF 336470 STRAP.

SEE NOTE 2



UL RECOGNITION SYMBOL
REQUIRED PER MR 2001.

CIRCUIT DESCRIPTION

THE SELECTOR MAGNET DRIVER CIRCUIT IS POWERED FROM A SOURCE OF 117 VOLT ALTERNATING CURRENT THROUGH A STEP DOWN ISOLATION TRANSFORMER. DIODES CR1 AND CR2 PROVIDE FULL WAVE RECTIFICATION OF THE REDUCED VOLTAGE TO -20 VOLTS DC AT TERMINAL 15. THE CIRCUIT COMMON IS CONNECTED TO TERMINAL 2 AND A POWER SUPPLY FILTER CAPACITOR IS CONNECTED BETWEEN TERMINALS 2 AND 15.

THE DIRECT CURRENT SIGNAL LINE CIRCUIT IS CONNECTED THROUGH TERMINALS 14 OR 8 AND 2 DEPENDING ON LINE CURRENT. TERMINAL 7 STRAPPED EXTERNALLY TO TERMINAL 14 OR 8, DEPENDING ON LINE CURRENT.

IN THE MARKING CONDITION, Q1 IS OFF-BIASED WITH Q1 OFF, THE BASE OF Q2 WILL BE CLAMPED AT THE ZENER REFERENCE VOLTAGE BY DIODE CR4. THIS VOLTAGE CLAMP IS THEN TRANSLATED TO CURRENT REGULATION BY THE TRANSISTOR ACTION OF Q2. THE REGULATED MAGNET CURRENT IS ADJUSTED TO 500 AMPERES BY RHEOSTAT R4.

WITH THE SIGNAL LINE IN THE OPEN OR SPACING CONDITION, Q1 IS TURNED ON BY BASE CURRENT SUPPLIED THROUGH RESISTOR R1 OR R10. THE POTENTIAL AT THE COLLECTOR OF Q1 WILL BE NEAR ZERO OFF-BIASING Q2. WITH Q2 OFF, NO SELECTOR MAGNET CURRENT FLOWS, ALLOWING THE MAGNET TO RELEASE DURING THE TURN OFF OF Q2. THE INDUCTIVE TRANSIENT DEVELOPED AT THE COLLECTOR IS SUPPRESSED BY THE NETWORK CONSISTING OF CR3, R9 AND C1.

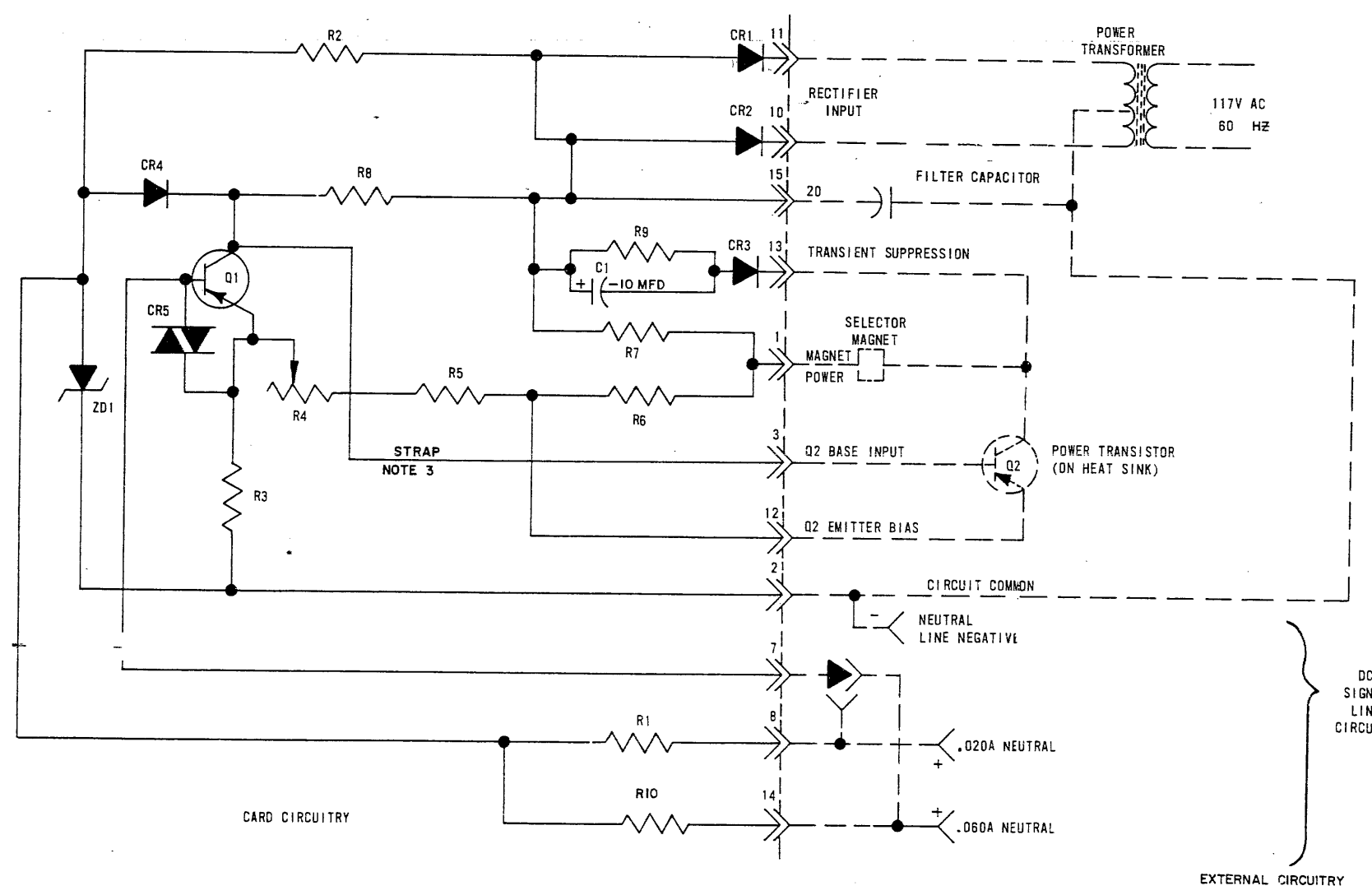
SNAP-ACTION IS SUPPLIED TO THE CIRCUIT TRANSITIONS BY FEEDBACK IN THE EMITTER CIRCUIT OF TRANSISTOR Q1.

CIRCUIT BOARD EC

REF. DESIG.	TELETYPE PART NO.	TOTAL QTY.	NAME AND DESCRIPTION	LOCATING FUNCTION
R1	182779	1	RESISTOR 420 OHMS 1/2W	D10 AMP. SWITCHING
				FOR 020A NEUTRAL
				LINE
R10	182797	1	RESISTOR 135 OHMS 1/2W	D30 AMP SWITCHING
				FOR 060A NEUTRAL
				LINE
R2	181669	1	RESISTOR 330 OHMS 2 5W	ZENER CURRENT
				LIMITING
R3	182778	1	RESISTOR 0.82 OHMS 1 2W	COMMON EMITTER BIAS
R4	182773	1	RHEOSTAT 3 OHMS 2 5W	OUTPUT CURRENT
				ADJUST
R5	181717	1	RESISTOR 8 OHMS 5W	Q2 EMITTER BIAS
R6	182770	1	RESISTOR 270 OHMS 4 W	Q2 EMITTER BIAS
R7	182772	1	RESISTOR 14 OHMS 10W	Q2 COLLECTOR LOAD
R8	182627	1	RESISTOR 390 OHMS 4W	Q1 COLLECTOR LOAD
R9	182776	1	RESISTOR 150 OHMS 1/2W	Q2 COLLECTOR -
				TRANSIENT LIMITING
CR1	182520	2	DIODE 1N3193	POWER RECTIFIER
CR2	182520		SAME AS CR1	POWER RECTIFIER
CR3	181619	2	DIODE 1N482	COLLECTOR TRANSIENT
				LIMITING
CR4	181619		SAME AS CR3	VOLTAGE CLAMPING
CR5	178844	1	VARIATOR 100A	INPUT PROTECTION
ZD1	182774	1	DIODE, ZENER 4.7V 5.1W	REFERENCE
C1	182628	1	CAPACITOR, 10 MFD 25W VDC	COLLECTOR TRANSIENT
				LIMITING
Q1	181671	1	TRANSISTOR, HIGH GAIN	INPUT SWITCH
	336470	1	STRAP	NOTE 3
EC	181823	1	CIRCUIT BOARD, ETCHED	

181821		
REVISIONS		
ISSUE	DATE	AUTH. NO.
- 2	4-19-65	86501
- 3	9-19-66	88815
- 4	11-25-66	88816-1
- 5	5-5-67	93502
- 6	4-2-68	95450
- 7	7-5-68	95948
- 8	11-6-68	96521
- 9	12-20-68	98266
- 10	3-3-71	236
- 11	3-29-72	236-1
- 12	3-29-72	236-1

CONSTANT CURRENT .500 AMP SELECTOR MAGNET DRIVER



APPROVALS	
R AND D H.J.K.	E OF M .
E-NUMBER	
PROD NO 181821	
DATE 7-30-63 4-28-67	
R&D FILE 2-30152, 153AA	
DRAWN JER-CG	CHKD N.A.J.
ENGD. AS-PPS	APPD J.W.

TELETYPE CORPORATION

181821

ALL DIMENSIONS ± UNLESS OTHERWISE SPECIFIED.

UL RECOGNITION SYMBOL REQUIRED PER MR 2001.

CIRCUIT CARD ASSEMBLY

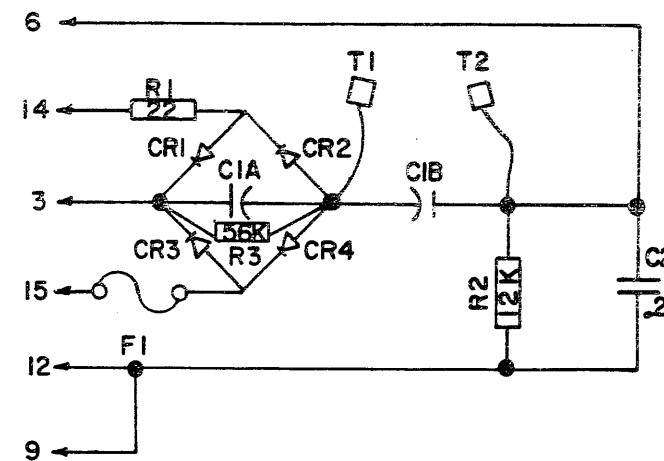
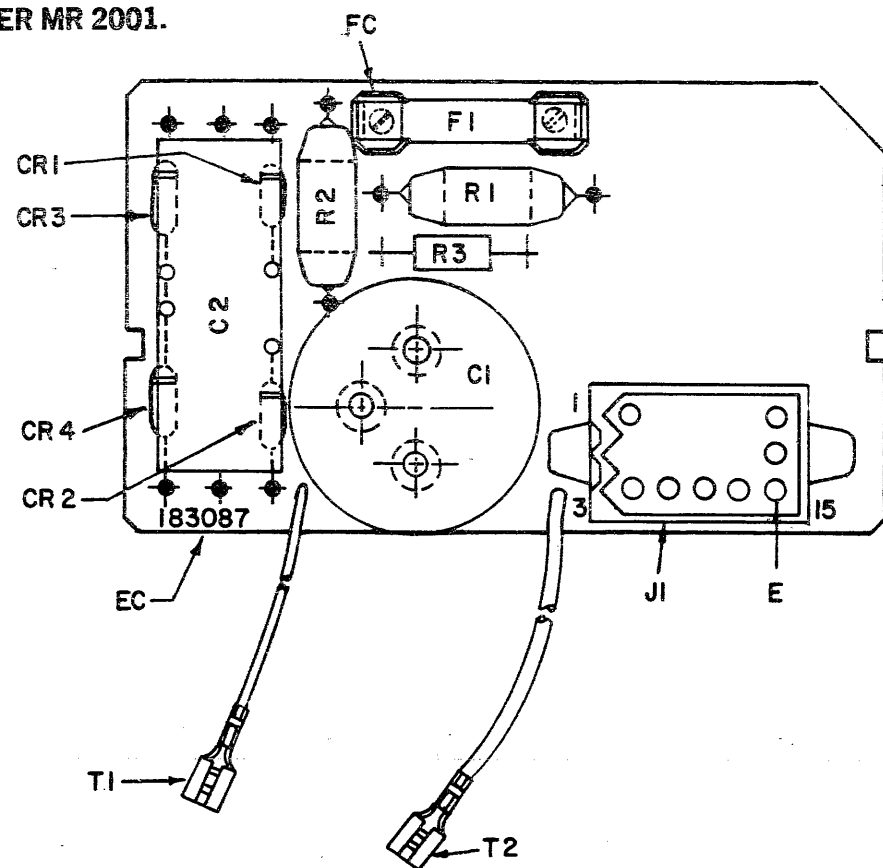
POWER PACK ASSEMBLY

NO B/M

183087

PARTS REQ.	NO. REQ.	USED ON	NO. REQ.
SEE BELOW		182154	1

NO.	NOTES
1.	MASTER ARTWORK 183087 AW FOR PRINTED SCREENING AVAILABLE IN R&D OFFICE SERVICE SECTION.
2.	SOME PREVIOUS CIRCUIT CARD ASSEMBLY USED 1/2 AFB. 3/4 AFB IS PREFERABLE.
3.	ON ISSUE 10, BOARD NUMBER WAS 183080.



REVISIONS

ISSUE NO.	DATE	AUTHOR NO.
2	8-20-62	30-1276
3	9-26-62	30-13151
4	2-20-63	30-5537
5	6-26-63	76290
6	9-19-66	68816
7	11-25-66	88816-1
8	8-22-68	95593
9	9-17-69	99187
10	2-10-70	99187-2
11	3-3-71	2320
12	-20-72	564-2
13	12-18-72	6803

DESIGNATION	TELETYPE PART NO.	TOTAL QTY.	DESCRIPTION	FUNCTION
R1	183083	1	RESISTOR, 22 OHM	SURGE LIMITER
R2	183082	1	RESISTOR, 12,000 OHM	ARC SUPPRESSOR
C1	183078	1	CAPACITOR, DUAL SELECTION A- 200 M.F.D. 200 V.D.C. B- 9 M.F.D. 200 V.D.C.	POWER SUPPLY FILTER SURGE SOURCE
C2	183084	1	CAPACITOR, .22 M.F.D.	ARC SUPPRESSOR
CR1	181654	4	DIODE, 400 V.	POWER SUPPLY RECTIFIER
CR2			" "	" " "
CR3			" "	" " "
CR4			" "	" " "
FI	143630	1	FUSE, 3/4 A. F.B.	POWER SUPPLY PROTECTION SEE NOTE 2.
FC	171595	2	FUSE CLIP	
T1	183085	2	TERMINAL WITH WIRE LEAD	
T2			" "	" " "
J1	182540	1	CONTACT BLOCK, 15 POINT	
E	182641	8	TERMINALS MALE P.C.	
EC	183137	1	ETCHED CIRCUIT BOARD	NOTE 3
	151637	2	SCREW 4-40 FIL HEAD	
	110743	2	LOCK WASHER # 4	
	151880	2	NUT	
R3	118198	1	RESISTOR, 56,000 OHM	BLEEDER

THIS POWER PACK CONSISTS OF A 150 VOLT POWER SUPPLY OPERATING DIRECTLY FROM THE 117 VAC LINE. A WAVE SHAPING NETWORK AND AN ARC SUPPRESSOR. IT IS DESIGNED TO OPERATE WITH AN INDUCTIVE LOAD OF APPROXIMATELY 100 OHMS BETWEEN TERMINALS 6 AND 12. WITH A 850 OHM 40WATT RESISTOR CONNECTED BETWEEN T1 AND T2.

AN ON-OFF CONTROL SWITCH IS CONNECTED BETWEEN TERMINALS 9 AND 3. THE UNIT IS DESIGNED TO DRIVE THE READER MAGNET IN THE MODEL 32 AND 33 ASR.

WDP

APPROVALS

D AND R	E OF M
<i>[Signature]</i>	<i>[Signature]</i>

E. NUMBER

PRCDNO. 183087

SCALE: 1/1

STOCK SPECIFICATION

DESIGNED	ENGINEER	CHECKED	APPROVED	SIZE	KIND	SHAPE	TEMPER
	J.A.J.	AAH	<i>[Signature]</i>				

TELETYPE CORPORATION

183087