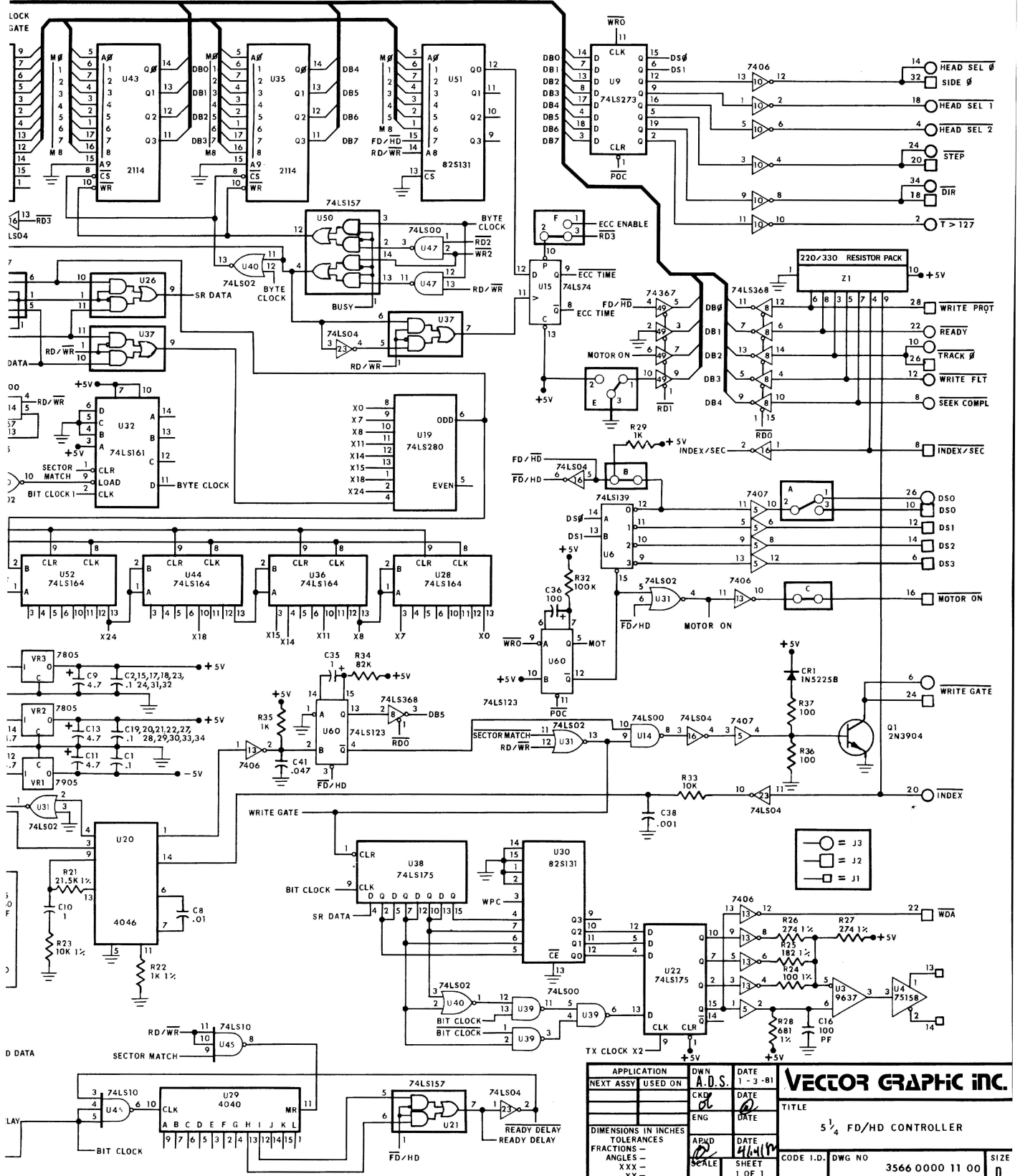


AF
NEXT A
DIMENS
TC
FRACTI
ANK

ECR	REV	DESCRIPTION	DATE	APPD
580	694	MINOR CIRCUIT CHANGE	2-4-82	
	11	UPDATE TO SUIT 8088	4-11-82	



APPLICATION	DWN	DATE	VECTOR GRAPHIC INC.
NEXT ASSY USED ON	A.D.S.	1-3-81	
CKD	DATE		TITLE
ENG	DATE		5 1/4 FD/HD CONTROLLER
DIMENSIONS IN INCHES	APWD	DATE	CODE I.D.
TOLERANCES	SCALE	SHEET	DWG NO
FRACTIONS -	SCALE	1 OF 1	3566 0000 11 00
ANGLES -			SIZE
XXX -			D
XX -			