

ILLUSTRATED PARTS BREAKDOWN

LA100

LETTERWRITER/LETTERPRINTER

HOW TO USE THE IPB

GENERAL

This IPB is compiled following the organization and nomenclature of the engineering drawing structure.

MAJOR ASSEMBLY LOCATOR (When Applicable)

The Major Assembly Locator (first illustration) is an index that provides a description and a figure reference for all illustrations used in this manual.

INDENTED PARTS LIST

This manual identifies each assembly being broken down (figure reference callout), and all parts of that assembly. Further breakdown of an assembly is shown by an asterisk (*) preceding the item callouts in the Description Column. The number of asterisks preceding an item is used to denote the subordination of that item with respect to the Major Assembly. A single asterisk preceding an item description indicates that the item is part of the major assembly being illustrated. Items that are subordinate to single asterisks items, are denoted by two asterisks (**) and immediately follow the related single asterisk item. Additional asterisks are used, as required, to denote further subordination. This system of part identification, provides a means for the user to identify the next higher assembly item and make alternate selections for parts when the required replacement part of assembly is not immediately available.

COLUMN CALLOUT DESCRIPTION

Figure and Item - Indicates the figure number and item number of each part.

Description - Lists the name of the part and pertinent specifications (when required). Asterisks preceding the description denote the subordination of the part to the next higher assembly.

DEC Part No. - Lists the Digital part ordering number. A blank in this column indicates a Digital part number was not assigned at the time of publication.

ECO Cut-In - The notation at the top of this column indicates the ECO level of the system (option), at which the IPB was initially prepared. Subsequent ECO level designations, that modify existing parts or add new parts to the device, are inserted in the ECO Cut-In column next to the part that is added or modified.

Used On Code - Letters in this column correspond to the variation codes assigned in Figure 1. Parts with an Alpha notation(s) are used only in those option variations. A blank indicates that the part is used on all option variations.

Ref Fig No. - A cross reference between illustrations. For each Major Assembly, the number in this column denotes the figure of the next higher assembly. For all subassemblies, the number in this column denotes the figure showing additional detailed breakdown.

PART NUMBER/PART DESCRIPTION SORT SECTION

Parts are sorted both numerically and alphabetically by description, referenced to a location within the IPB, by figure number and item number.

REVISION HISTORY

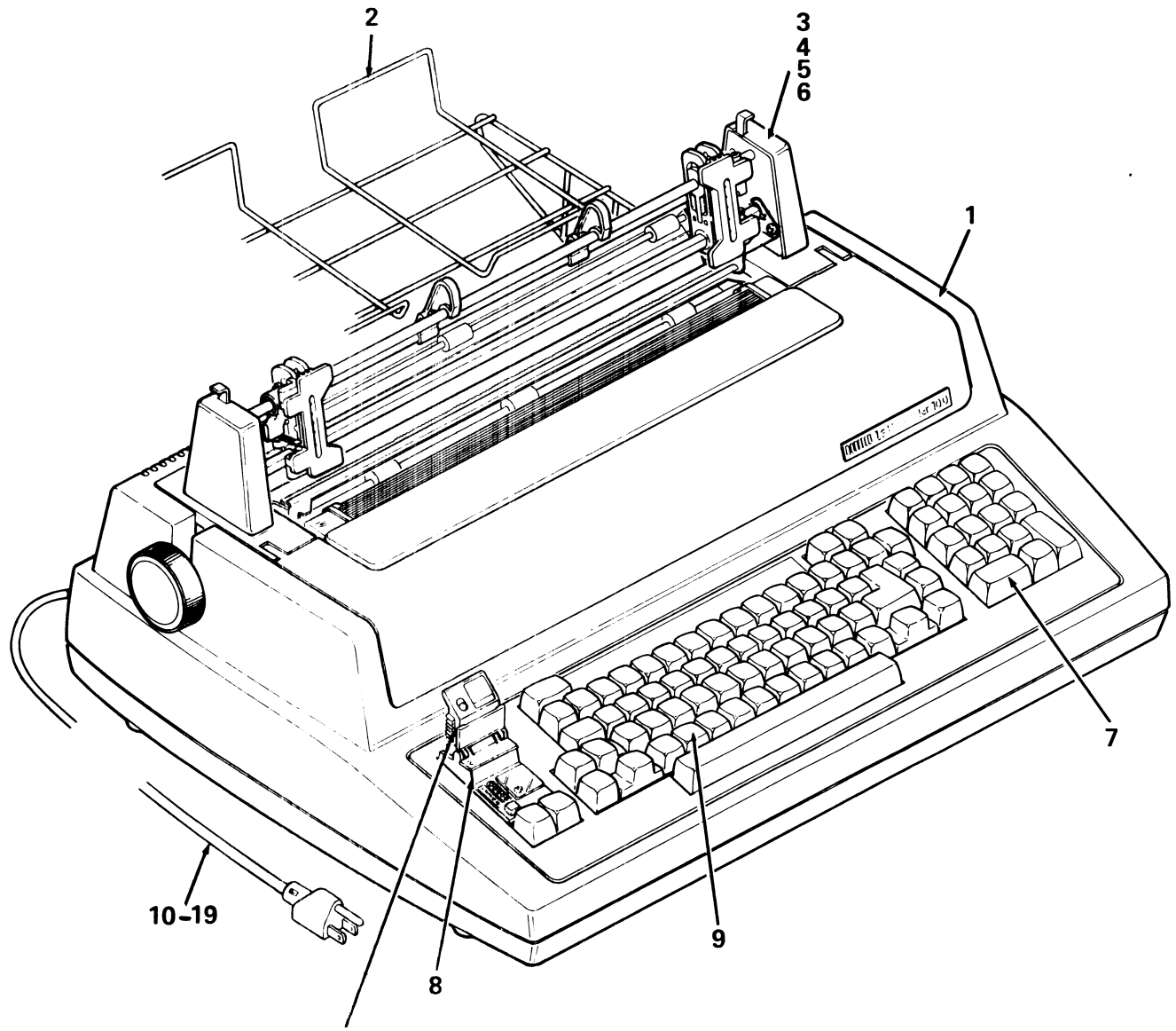
OTHER IPB MANUALS REQUIRED TO SUPPORT THIS OPTION

| PRINTING | ECO LEVEL | | | | DATE |
|--------------|-----------|----------------|----------|----------------|----------|
| 2nd Printing | LA100 | 00007-00024 | 70-17628 | 00001-00003 | 3-OCT-86 |
| | 70-17884 | 00000-00003 | 70-17863 | 70-16653-00005 | |
| | 70-17870 | 00000-00003 | 70-17886 | 00000-00000 | |
| | 70-17867 | 00001-00011 | H7837 | 00003-00007 | |
| | 70-17853 | 00000-00004 | 70-17877 | 00000-00004 | |
| | 70-18949 | 00000-00006 | 70-18946 | 00000-00003 | |
| | 70-18944 | 00001-00004 | 70-18948 | 00000-00000 | |
| | 70-18947 | 00000-00001 | LA10X-FL | 00000-00000 | |
| | 70-17859 | 00003-00010 | 70-16260 | 00004-00007 | |
| | 70-18707 | 00002-00005 | LAX34-LL | 00005-00024 | |
| | 70-18960 | 00004-00004 | 70-17878 | 00001-00003 | |
| | 70-15733 | 00002-00005 | LAX34-JL | 00000-00000 | |
| | 70-15738 | 70-15729-00008 | LAX34-HL | 00000-00000 | |
| | 70-15727 | 00002-00004 | LAX34-KL | 00014-00024 | |
| | 70-17514 | 00002-00002 | 70-16653 | 00000-00000 | |
| | 70-17864 | 70-16653-00007 | 70-15728 | 00001-00001 | |

N/A

REVISION HISTORY (Cont)

| PRINTING | ECO LEVEL | DATE | PAGES AFFECTED |
|--------------|--|------|----------------|
| 2nd Printing | LA10X-SL 00000-00017 LA10X-CL 00003-00004 70-16645 00003-00003 70-16646 00006-00006 70-16647 00003-00003 70-17463 00000-00001 | | |



For Cartridges and Roms
See Items 20,20A

LA100-01

Figure 1. LA100 Letterwriter (KSR)

| FIG. & ITEM NO. | DESCRIPTION | DEC PART NO. | ECO CUT-IN LA100 00007 | USED ON CODE | REF FIG NO. |
|-----------------|--|--------------|------------------------|--------------|-------------|
| 1- | LA100 LETTERWRITER (KSR) | | | | |
| | Code A – Used on Model LA100-AA 120/240V | LA100-AA | | A | |
| | Code B – Used on Model LA100-BA 120/240V | LA100-BA | | B | |
| | Code C – Used on Model LA100-CA 120/240V | LA100-CA | | C | |
| | Code D – Used on Model LA100-AB 120/240V | LA100-AB | | D | |
| | Code E – Used on Model LA100-BB 120/240V | LA100-BB | | E | |
| | Code F – Used on Model LA100-CB 120/240V | LA100-CB | | F | |
| 1 | *PRINTER MECHANISM/COVER ASSEMBLY | 70-17884-00 | | A | 3 |
| | *PRINTER MECHANISM/COVER ASSEMBLY | 70-17884-02 | | B | 3 |
| | *PRINTER MECHANISM/COVER ASSEMBLY | 70-17884-04 | | C | 3 |
| | *PRINTER MECHANISM/COVER ASSEMBLY | 70-17884-01 | | D | 3 |
| | *PRINTER MECHANISM/COVER ASSEMBLY | 70-17884-03 | | E | 3 |
| | *PRINTER MECHANISM/COVER ASSEMBLY | 70-17884-05 | | F | 3 |
| 2 | *Paper Catcher | 74-23841-00 | | | |
| 3 | *TRACTOR OPTION | LAX10-EL | | BCEF | |
| 4 | **Tractor Assembly | 70-17624-00 | | BCEF | |
| 5 | ***TRACTOR OPTION ASSEMBLY | 70-16260-00 | | BCEF | |
| 6 | *Modem Cable Assembly | BC22A-10 | | BCEF | |
| 7 | *NUMERIC KEYPAD OPTION ASSEMBLY (Old Design) | LAX34-KL | | BCEF | 16, 30 |
| 8 | *MULTIPLE FONT OPTION | LA10X-FL | | CF | 24 |
| 9 | *INTERNATIONAL CHARACTER KEYCAP OPTION | LAX34-JL | | DEF | 28 |
| 10 | *LA100 USER KIT (Consists of items 11 thru 19) | 70-18404-00 | | A,D | |
| | *LA100 USER KIT (Consists of items 11 thru 19) | 70-18404-01 | | B,C,E,F | |
| 11 | **Power Cord Assembly | 17-00083-01 | | | |
| 12 | **Paper, Pkg. (132 Column) (Not Shown) | 74-12103-00 | | | |
| 13 | **Ribbon Cartridge (Not Shown) | 36-20285-01 | | | |
| 14 | **Cable Assembly (Not Shown) | 17-00163-01 | | BCEF | |
| 15 | **Loop Back Connector (Not Shown) | 12-15336-01 | | | |
| 16 | **Label, "Voltage Setting" (Not Shown) | 36-16157-00 | | | |
| 17 | **Label, "Sprocket Feed" (Not Shown) | 36-17326-00 | | | |
| 18 | **Label, "FCC" (Not Shown) | 36-18307-05 | | | |
| 19 | **Users Guide "LA100 KSR" (Not Shown) | EK-LW100-UG | | | |
| | Labels (Not Shown) | | | | |
| | *Label, "Caution" | 36-12520-00 | | | |
| | *Label, "Serial and Power" | 36-17674-10 | | | |
| | *Label, "Warning 120V" | 36-17905-03 | | | |
| | *Label, "FCC" | 36-17880-03 | | | |
| | *Label, "Caution Replace Fuse" | 36-17615-01 | | | |
| | CARTRIDGE/ROM OPTIONS | | | | |
| 20 | DOMESTIC CARTRIDGE/ROM OPTIONS | | | | |
| | *CARTRIDGE and ROM ASSEMBLY "COURIER 10" | LA10X-AA | | | |
| | **Cartridge Assembly "Courier 10" | 70-17872-00 | | | |
| | **Courier 10 Rom Installation Manual | EK-L10AA-IN | | | |

| FIG. & ITEM NO. | DESCRIPTION | DEC PART NO. | ECO CUT-IN LA100 00007 | USED ON CODE | REF FIG NO. |
|-----------------|--|--|------------------------|--------------|----------------------------|
| 1- | *CARTRIDGE and ROM ASSEMBLY "Courier 12" **Cartridge Assembly "Courier 12" **Courier 12 Rom Installation Manual *CARTRIDGE and ROM ASSEMBLY "Gothic 12" **Cartridge Assembly "Gothic 12" **Gothic 12 Rom Installation Manual *CARTRIDGE and ROM ASSEMBLY "Orator 10" **Cartridge Assembly "Orator 10" **Orator 10 Rom Installation Manual *CARTRIDGE and ROM ASSEMBLY "Symbols" **Cartridge Assembly "Symbols" **Symbols Rom Installation Manual | LA10X-AB 70-17872-01 EK-L10AB-IN LA10X-AC 70-17872-02 EK-L10AC-IN LA10X-AD 70-17872-03 EK-L10AD-IN LA10X-AE 70-17872-04 EK-L10AE-IN | | | |
| 20A | FOREIGN CARTRIDGE/ROM OPTIONS | | | | |
| | *CARTRIDGE and ROM ASSEMBLY "Courier 10" **Cartridge Assembly "Courier 10" **Courier 10 Rom Installation Manual *CARTRIDGE and ROM ASSEMBLY "Courier 12" **Cartridge Assembly "Courier 12" **Courier 12 Rom Installation Manual *CARTRIDGE and ROM ASSEMBLY "Gothic 12" **Cartridge Assembly "Gothic 12" **Gothic 12 Rom Installation Manual *CARTRIDGE and ROM ASSEMBLY "Orator 10" **Cartridge Assembly "Orator 10" **Orator 10 Rom Installation Manual | LA10X-BA 70-17872-05 EK-L10BA-IN LA10X-BB 70-17872-06 EK-L10BB-IN LA10X-BC 70-17872-07 EK-L10BC-IN LA10X-BD 70-17872-08 EK-L10BD-IN | | | |
| 20B | OTHER OPTIONS AVAILABLE ON THE LA100 | | | | |
| | *LA100 20 m CURRENT LOOP OPTION *LA100 APL CHARACTER KEYCAP OPTION *LA100 PRINTER STAND OPTION *LA100 ROLL PAPER HOLDER **ROLL PAPER HOLDER OPTION ASSEMBLY *PAPER LOW OPTION SWITCH | LA10X-CL LAX34-HL LAX34-SL LAX34-RL 70-15728-00 LAX34-LL | | | 33 29 32 31 26 |
| 20C | SUPPLIES USED ON THE LA100: | | | | |
| | *LA100 RIBBON CARTRIDGES (3) *LA100 RIBBON CARTRIDGES (12) *BOX OF 10 ROLLS OF WHITE BOND PAPER | LA10R-03 LA10RR-12 36-16611-01 | | | |

✓

.

.

✓

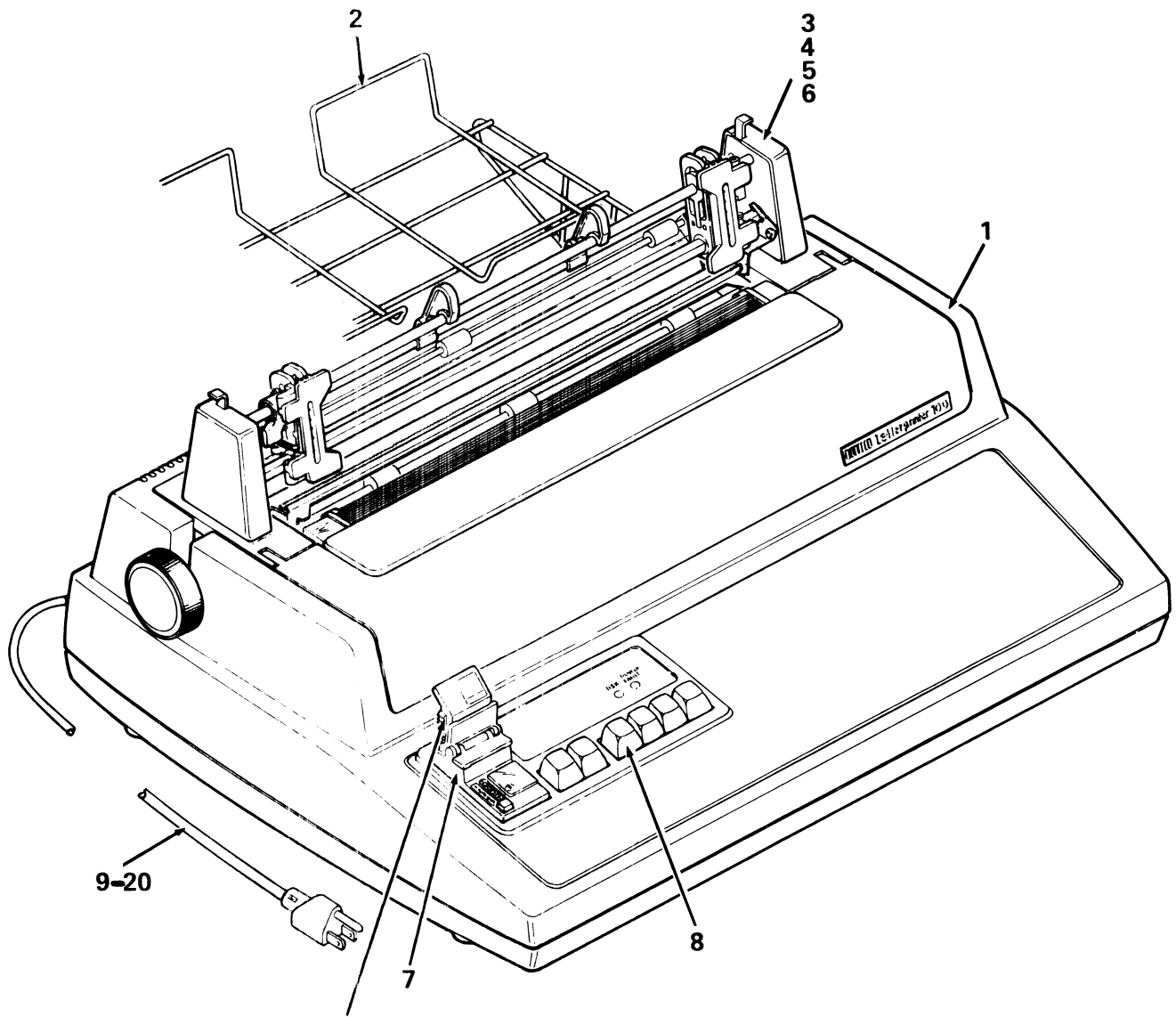
✓

✓

.

.

✓

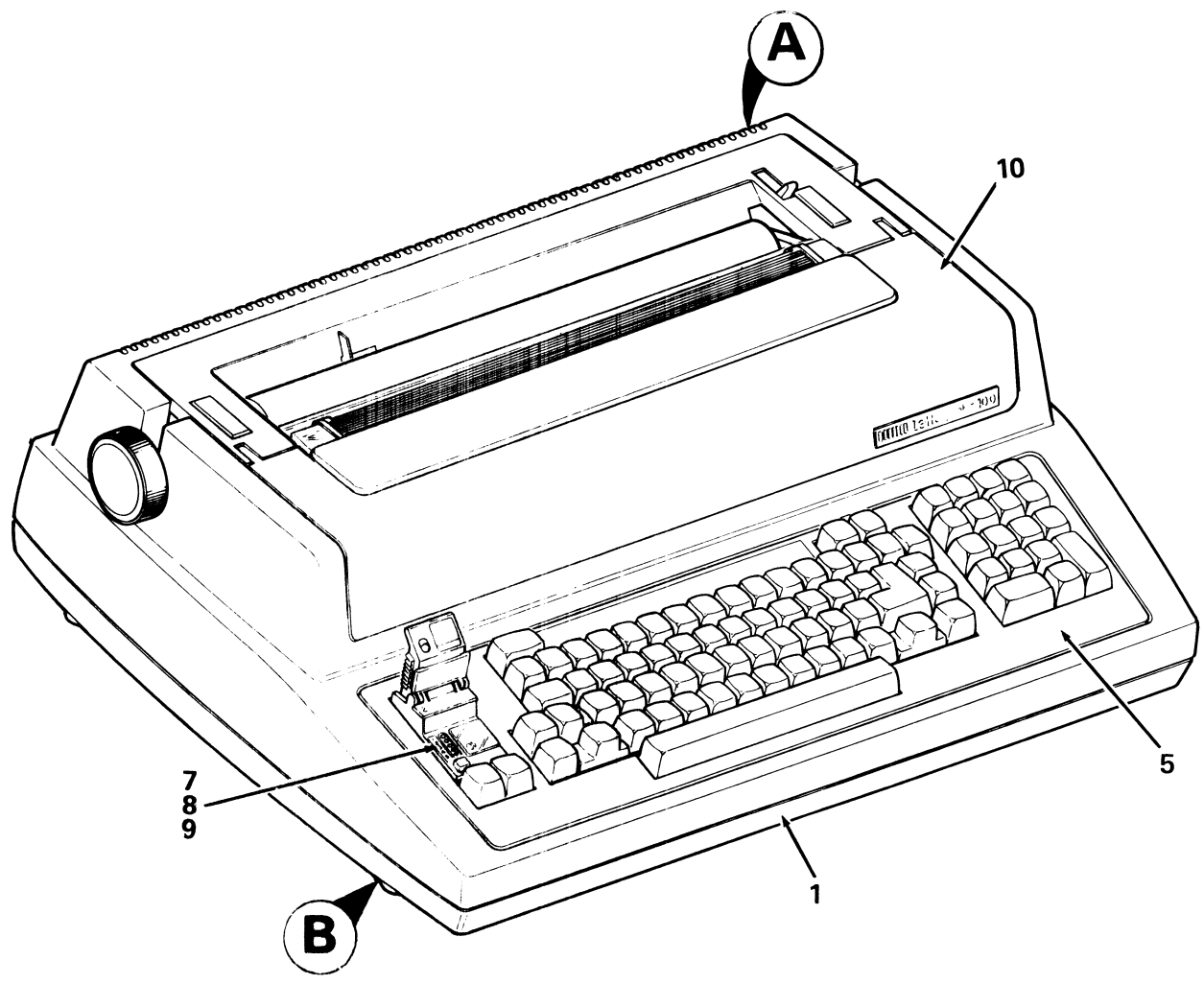


For Cartridges and Roms
See Figure 1

LA100-02

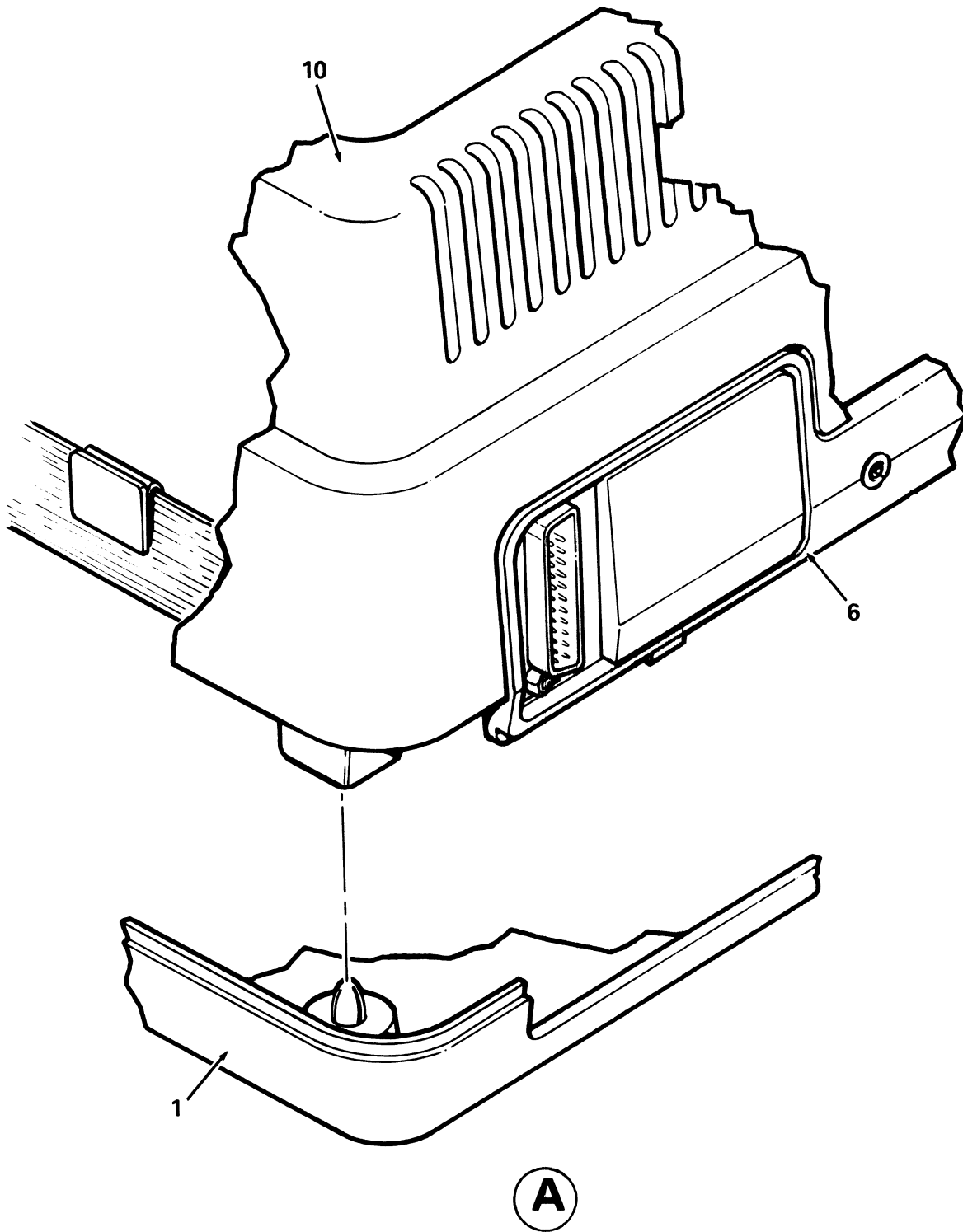
Figure 2. LA100 Letterprinter (RO)

| FIG. & ITEM NO. | DESCRIPTION | DEC PART NO. | ECO CUT-IN LA 100 00007 | USED ON CODE | REF FIG NO. |
|-----------------|--|--------------|-------------------------|--------------|-------------|
| 2- | LA100 LETTERPRINTER (RO) | | | | |
| | Code G – Used on Model LA100-RA | LA100-RA | | G | |
| | Code H – Used on Model LA100-YA | LA100-YA | | H | |
| | Code J – Used on Model LA100-ZA | LA100-ZA | | J | |
| | Code K – Used on Model LA100-RB | LA100-RB | | K | |
| | Code L – Used on Model LA100-YB | LA100-YB | | L | |
| | Code M – Used on Model LA100-ZB | LA100-ZB | | M | |
| | Code N – Used on Model LA100-PC | LA100-PC | | N | |
| 1 | *PRINTER MECHANISM/COVER ASSEMBLY (RO) | 70-17870-00 | | G,H | 4 |
| | *PRINTER MECHANISM/COVER ASSEMBLY (RO) | 70-17870-01 | | K,L | 4 |
| | *PRINTER MECHANISM/COVER ASSEMBLY (RO) | 70-17870-02 | | J,N | 4 |
| | *PRINTER MECHANISM/COVER ASSEMBLY (RO) | 70-17870-03 | | M | 4 |
| 2 | *Paper Catcher (74-23481-00) | LAX34-SW | | | |
| 3 | *TRACTOR OPTION | LA10X-EL | | HJLMN | |
| 4 | **Tractor Assembly | 70-17624-00 | | HJLMN | |
| 5 | **TRACTOR OPTION ASSEMBLY | 70-16260-00 | | HJLMN | 25 |
| 6 | *Modem Cable Assembly | BC22A-10 | | HJLMN | |
| 7 | *MULTIPLE FONT OPTION | LA10X-FL | | JMN | 24 |
| 8 | *INTERNATIONAL CHARACTER KEYCAP OPTION | LAX34-JL | | KLM | 28 |
| 9 | *LA100 USERS KIT (RO) (Consists of items 11 thru 21) | 70-18404-02 | | GK | |
| | *LA100 USERS KIT (RO) (Consists of items 11 thru 21) | 70-18404-03 | | HJLM | |
| | *LA100 USERS KIT (RO) (Consists of items 11 thru 21) | 70-18404-04 | | N | |
| 10 | **Power Cord Assembly | 17-00083-11 | | | |
| 11 | **Paper, Pkg 132 Column (Not Shown) | H9850-PA | | | |
| 12 | **Ribbon Cartridge (Not Shown) | 36-20285-01 | See Fig. 1 | Item 20C | |
| 13 | **Cable Assembly (Not Shown) | 17-00163-01 | | HJLM | |
| 14 | **Loop Back Connector (Not Shown) | 12-15336-01 | | | |
| 15 | **Label, "Voltage Setting" (Not Shown) | 36-16157-00 | | | |
| 16 | **Label, "Packaging" (Not Shown) | 36-17326-00 | | | |
| 17 | **Label, "LA100 Switch Instructions" (Not Shown) | 36-19291-01 | | | |
| 18 | **Label, "Ribbon Adjustment" (Not Shown) | 36-18115-01 | | | |
| 19 | **LA100 Users Manual (RO) (Not Shown) | EK-LP100-UG | | | |
| 20 | **Label, "FCC" (Not Shown) | 36-18307-05 | | GHJ | |
| | Labels (Not Shown) | | | | |
| | *Label, "CAUTION" | 36-12520-00 | | | |
| | *Label, "Serial and Power" | 36-17674-10 | | | |
| | *Label, "WARNING, 120V, 60 HZ" | 36-17905-03 | | | |
| | *Label, "CAUTION REPLACE FUSE" | 36-17615-01 | | | |



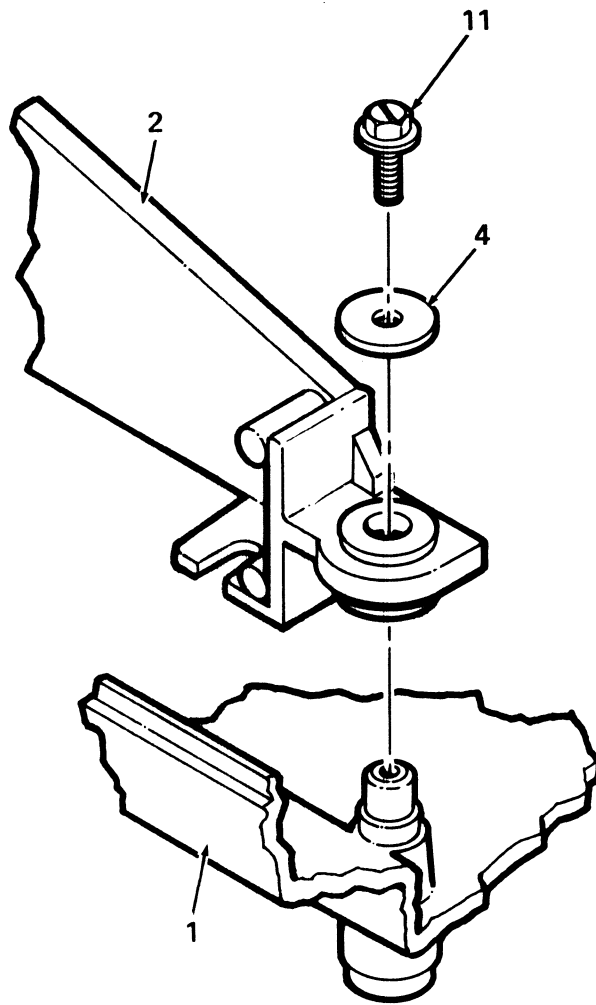
LA100-03

Figure 3. Printer Mechanism/Cover Assembly (KSR) (Sheet 1 of 3)



LA100-03A

Figure 3. Printer Mechanism/Cover Assembly (KSR) (Sheet 2 of 3)

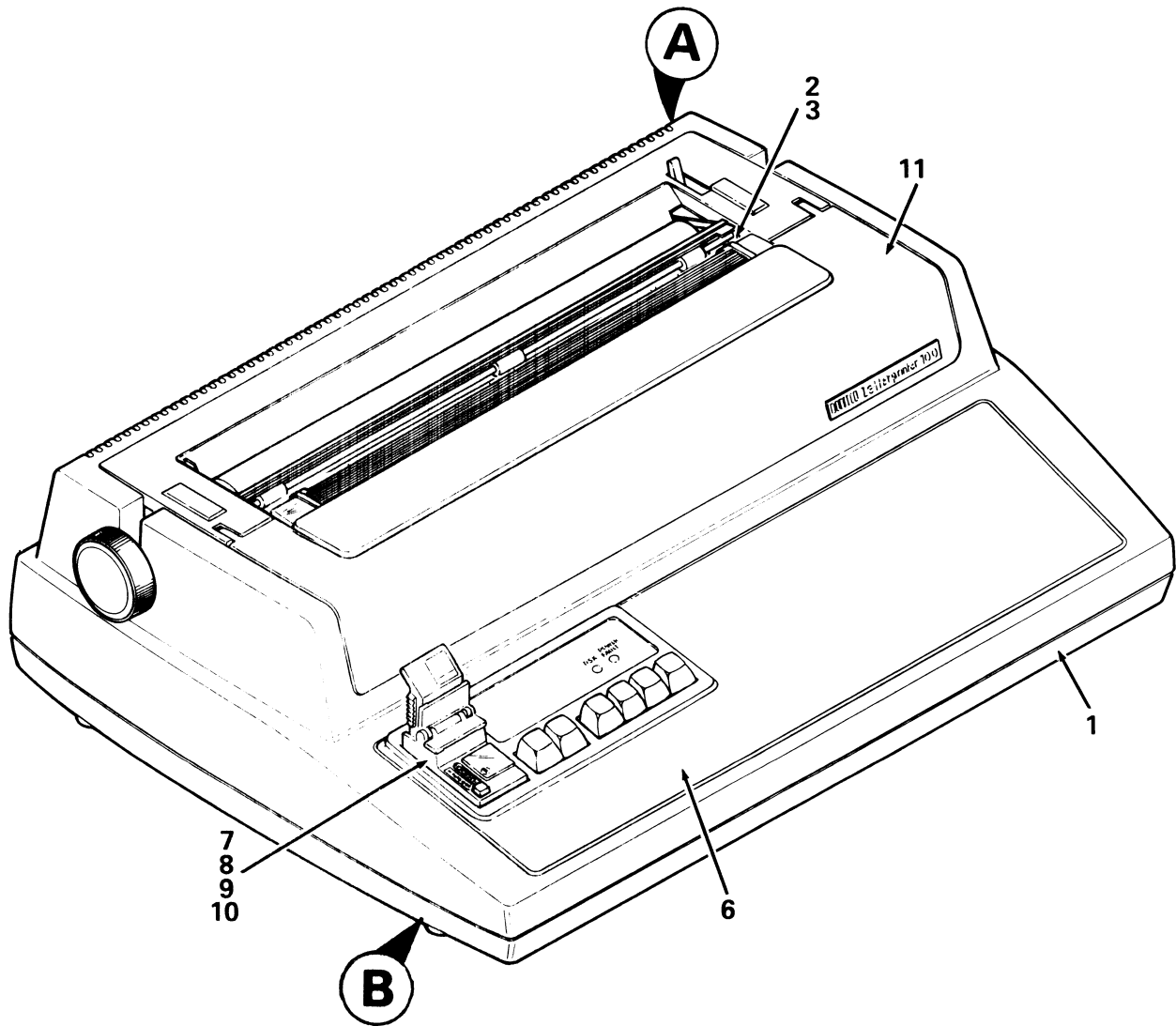


B

LA100-03B

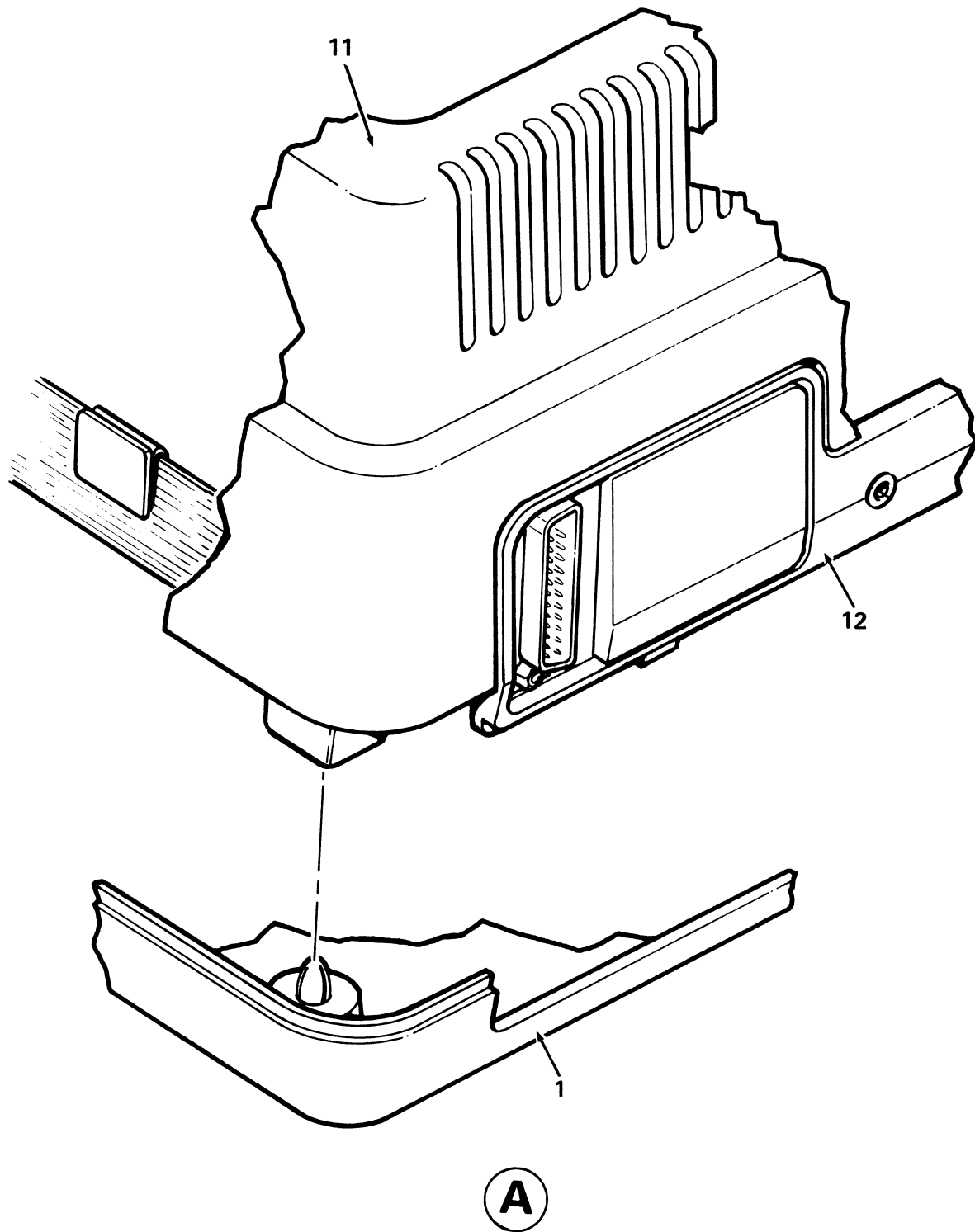
Figure 3. Printer Mechanism/Cover Assembly (KSR) (Sheet 3 of 3)

| FIG. & ITEM NO. | DESCRIPTION | DEC PART NO. | ECO CUT-IN 70-17884 00000 | USED ON CODE | REF FIG NO. |
|-----------------|---|--------------|---------------------------------|--------------|-------------|
| 3- | PRINTER MECHANISM/COVER ASSEMBLY | 70-17884-00 | | A | 1 |
| | PRINTER MECHANISM/COVER ASSEMBLY | 70-17884-01 | | D | 1 |
| | PRINTER MECHANISM/COVER ASSEMBLY | 70-17884-02 | | B | 1 |
| | PRINTER MECHANISM/COVER ASSEMBLY | 70-17884-03 | | E | 1 |
| | PRINTER MECHANISM/COVER ASSEMBLY | 70-17884-04 | | C | 1 |
| | PRINTER MECHANISM/COVER ASSEMBLY | 70-17884-05 | | F | 1 |
| 1 | *BASE HOUSING ASSEMBLY | 70-18948-00 | | | 23 |
| 2 | *PRINTER MECHANISM ASSEMBLY (DOMESTIC) | 70-17867-00 | | ABC | 5 |
| | *PRINTER MECHANISM ASSEMBLY (FOREIGN) | 70-17867-01 | | DEF | 5 |
| 3 | *Screw, Slotted Hex Hd No. 8-32 x 3/8 | 90-09679-05 | | | |
| 4 | *Washer, Flat No. 8 | 90-06668-00 | | | |
| 5 | *KEYBOARD BEZEL ASSEMBLY (Old Design) | 70-17864-00 | | AD | 16 |
| | *KEYBOARD BEZEL ASSEMBLY (New Design) | 70-17864-01 | | BCEF | 16 |
| 6 | *REAR INSERT ASSEMBLY | 70-18944-00 | | | 8 |
| 7 | *GUIDE/PANEL ASSEMBLY | 70-17463-00 | | CF | 37 |
| 8 | *Screw, Phl Pan Hd No. 4-40 x 5/16 | 90-06010-01 | | CF | |
| 9 | *Octal Buffer Gate | 19-14213-00 | | CF | |
| 10 | *TOP COVER ASSEMBLY | 70-18947-01 | | | 9 |
| 11 | *Screw, Slotted Hex Hd No. 8-32 x 1/2 (added) | 90-10015-00 | 00003 | | |



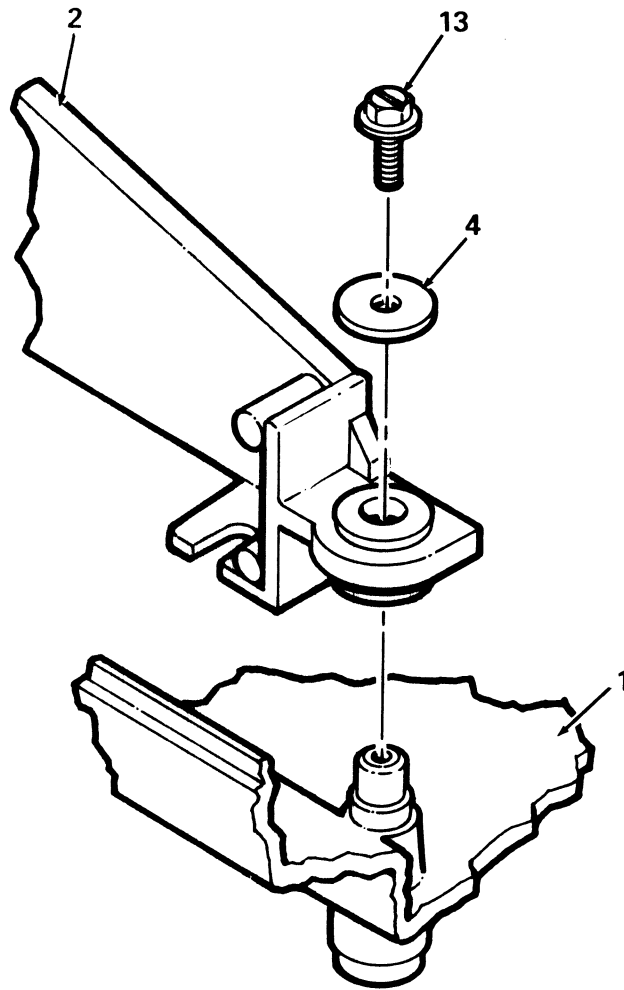
LA100-04

Figure 4. Printer Mechanism/Cover Assembly (RO) (Sheet 1 of 3)



LA100-04A

Figure 4. Printer Mechanism/Cover Assembly (RO) (Sheet 2 of 3)

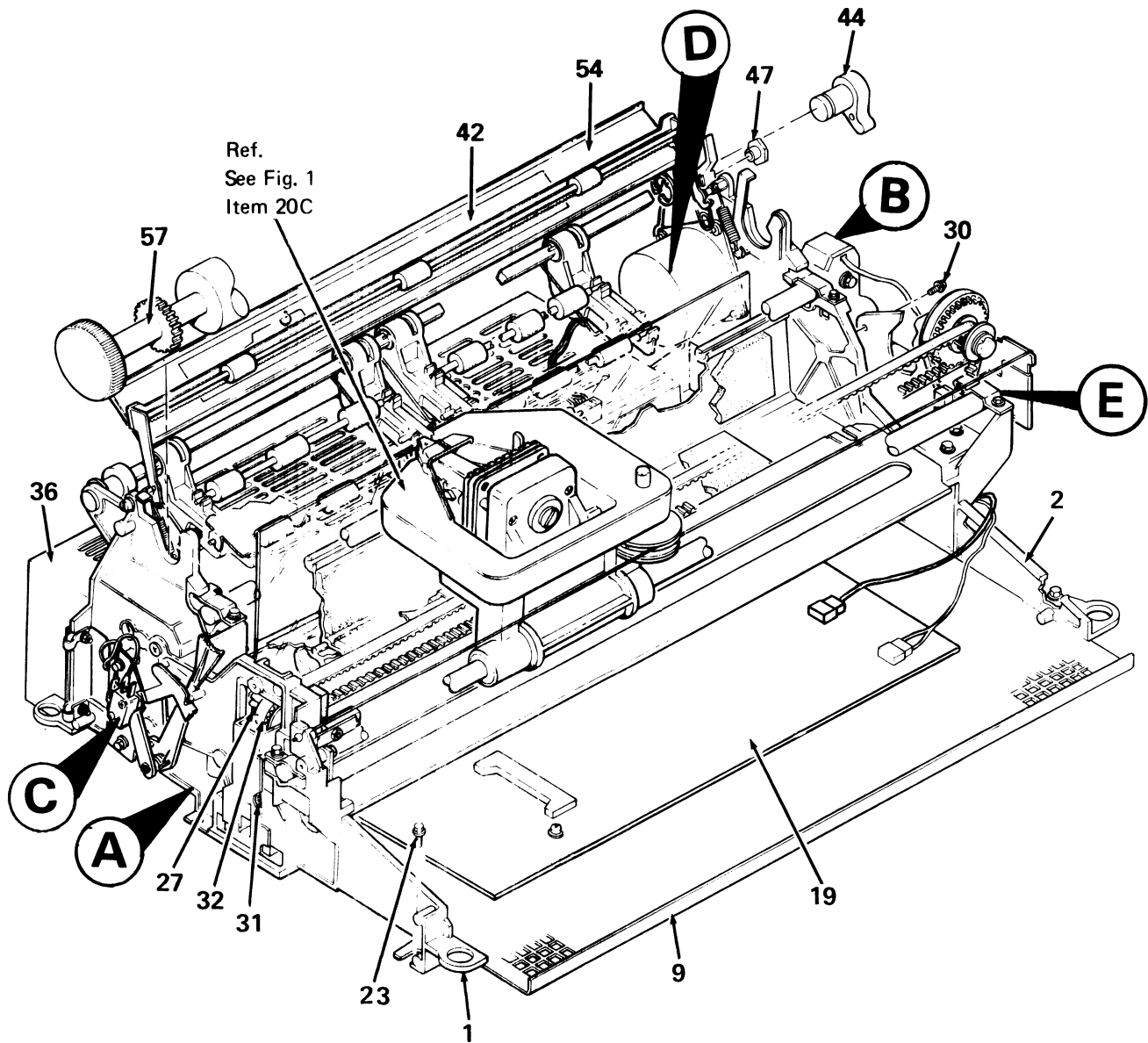


B

LA100-04B

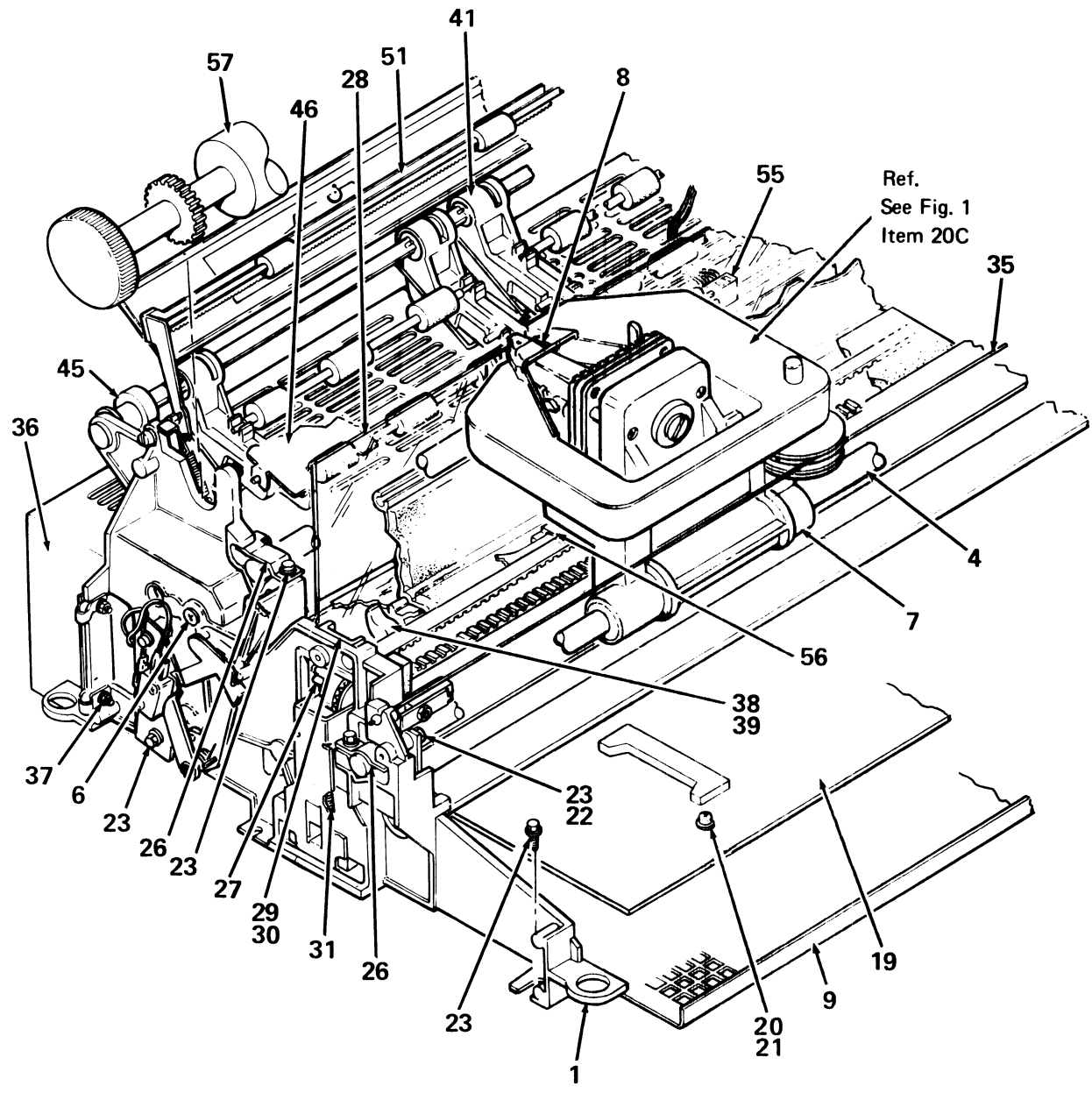
Figure 4. Printer Mechanism/Cover Assembly (RO) (Sheet 3 of 3)

| FIG. & ITEM NO. | DESCRIPTION | DEC PART NO. | ECO CUT-IN 70-17870 00000 | USED ON CODE | REF FIG NO. |
|-----------------|---|--------------|---------------------------------|--------------|-------------|
| 4- | PRINTER MECHANISM/COVER ASSEMBLY (RO) | 70-17870-00 | | GH | 2 |
| | PRINTER MECHANISM/COVER ASSEMBLY (RO) | 70-17870-01 | | KL | 2 |
| | PRINTER MECHANISM/COVER ASSEMBLY (RO) | 70-17870-02 | | JN | 2 |
| | PRINTER MECHANISM/COVER ASSEMBLY (RO) | 70-17870-03 | | M | 2 |
| 1 | *BASE HOUSING ASSEMBLY | 70-18948-00 | | | 23 |
| 2 | *PRINTER MECHANISM ASSEMBLY (DOMESTIC) | 70-17867-00 | | GHJN | 5 |
| | *PRINTER MECHANISM ASSEMBLY (FOREIGN) | 70-17867-01 | | KLM | 5 |
| 3 | *Jumper Cable Assembly | 70-17849-00 | | GHJN | |
| 4 | *Washer, Flat No. 8 | 90-06668-00 | | | |
| 5 | *Screw, Hex Washer Hd No. 8-32 x 3/8 | 90-09679-05 | | | |
| 6 | *KEYBOARD BEZEL ASSEMBLY (RO) | 70-17514-00 | | | 15 |
| 7 | *GUIDE/PANEL ASSEMBLY | 70-17463-00 | | JMN | 37 |
| 8 | *Octal Buffer Gate | 19-14213-00 | | JMN | |
| 9 | *Screw, Phi Pan Hd No. 4-40 x 5/16 | 90-06010-01 | | JMN | |
| 10 | *Plug, Keyboard (See Note) | 74-25601-00 | | | |
| 11 | *TOP COVER ASSEMBLY | 70-17847-00 | | | 9 |
| 12 | *REAR INSERT ASSEMBLY | 70-18944-00 | | | 8 |
| 13 | *Screw, Hex Washer Hd No. 8-32 x 1/2 (added) | 90-06453-01 | 00003 | | |
| | Note: Item 10 shown for Ref. only and will not be used when Items 7, 8, 9 are used. | | | | |



LA100-05

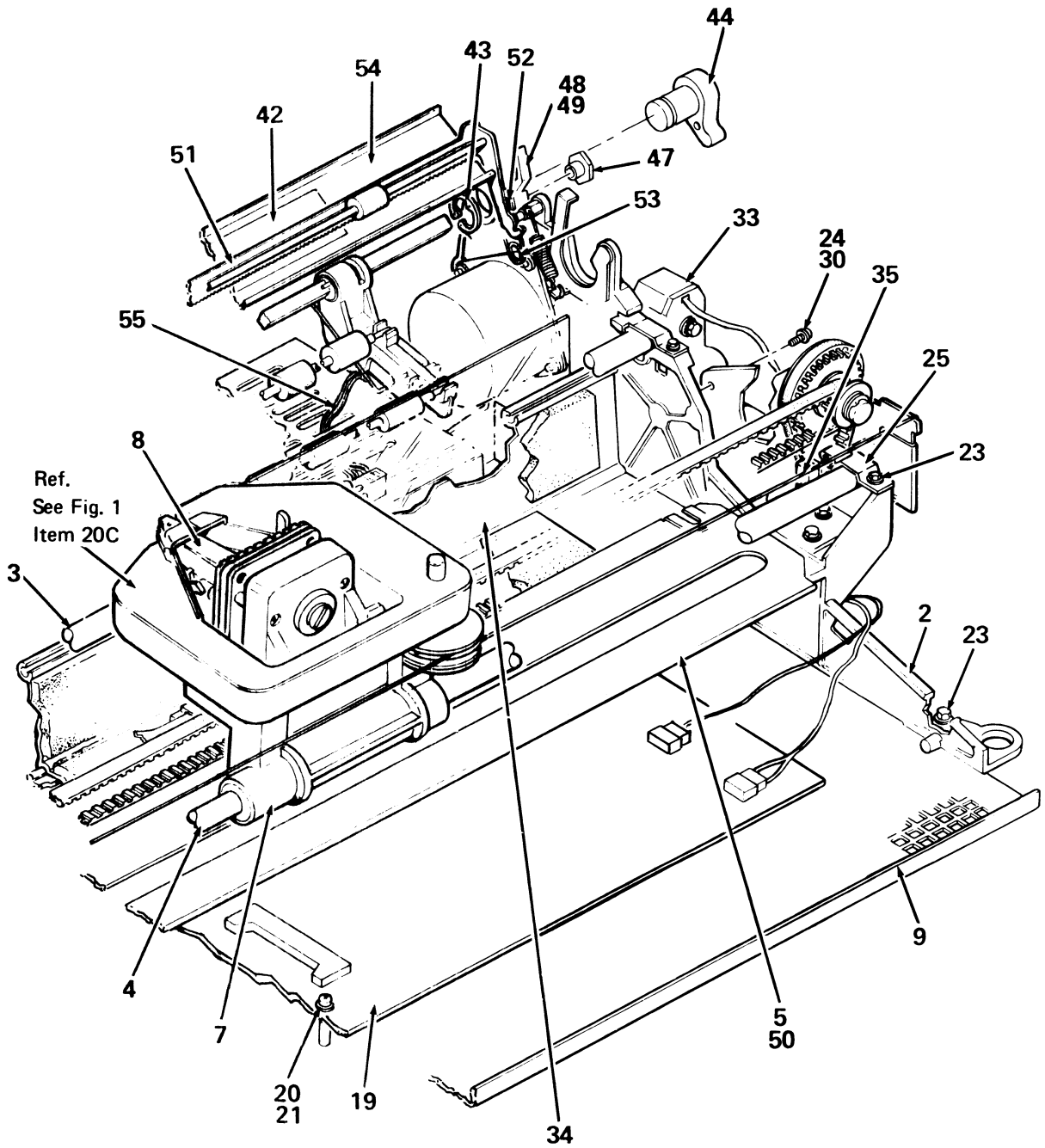
Figure 5. Printer Mechanism Assembly (Sheet 1 of 6)



A

LA100-05A

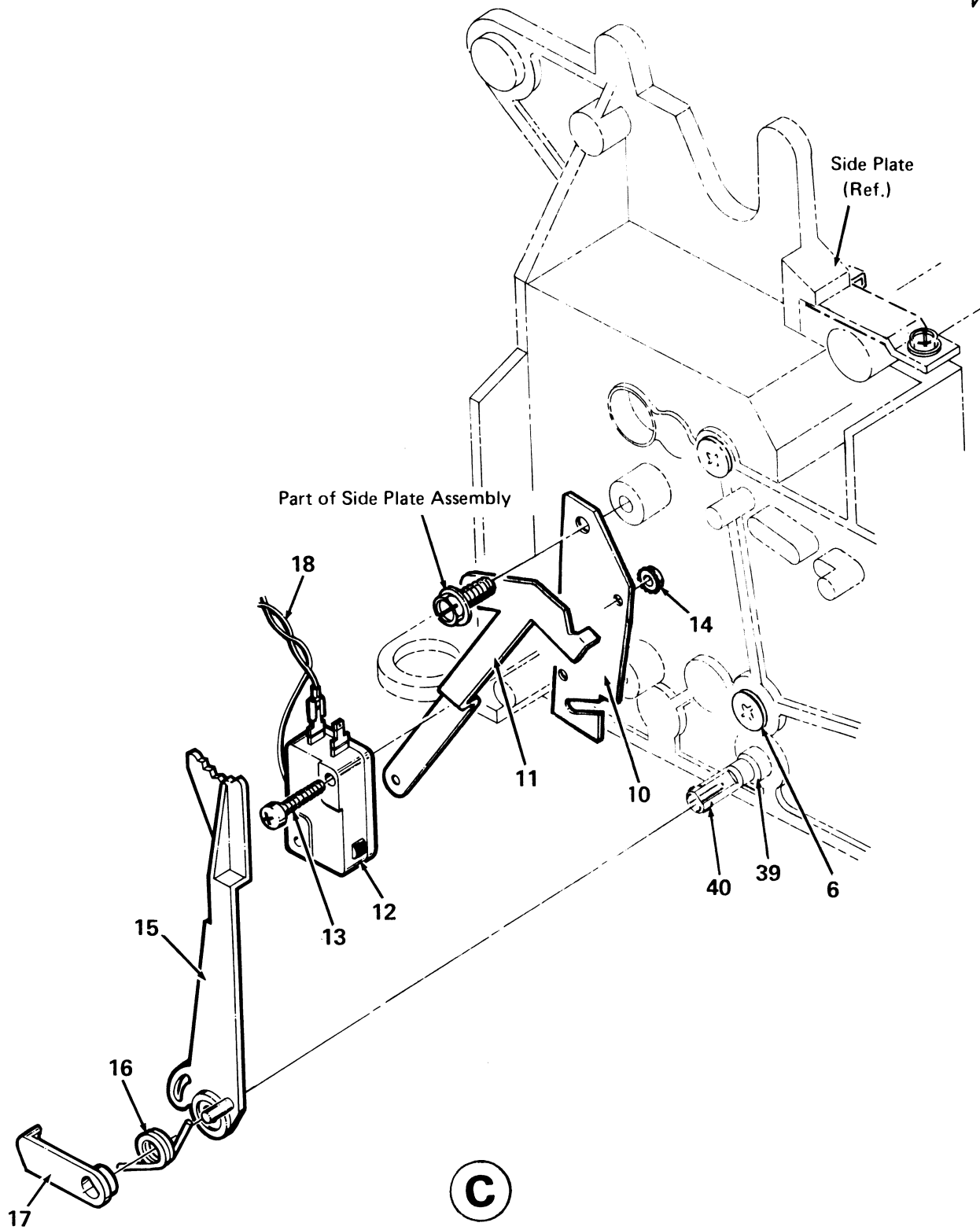
Figure 5. Printer Mechanism Assembly (Sheet 2 of 6)



B

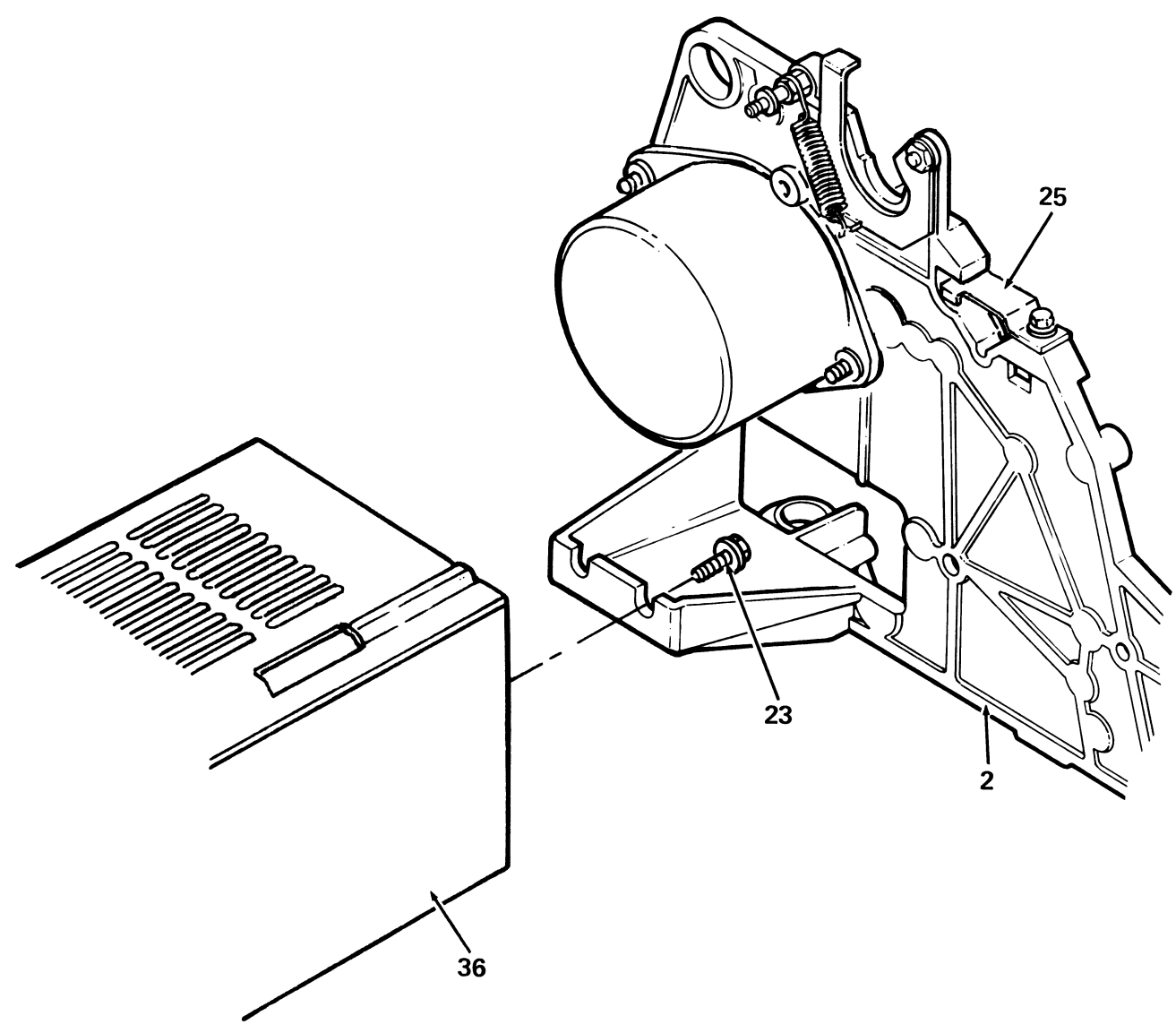
LA100-05B

Figure 5. Printer Mechanism Assembly (Sheet 3 of 6)



LA100-05C

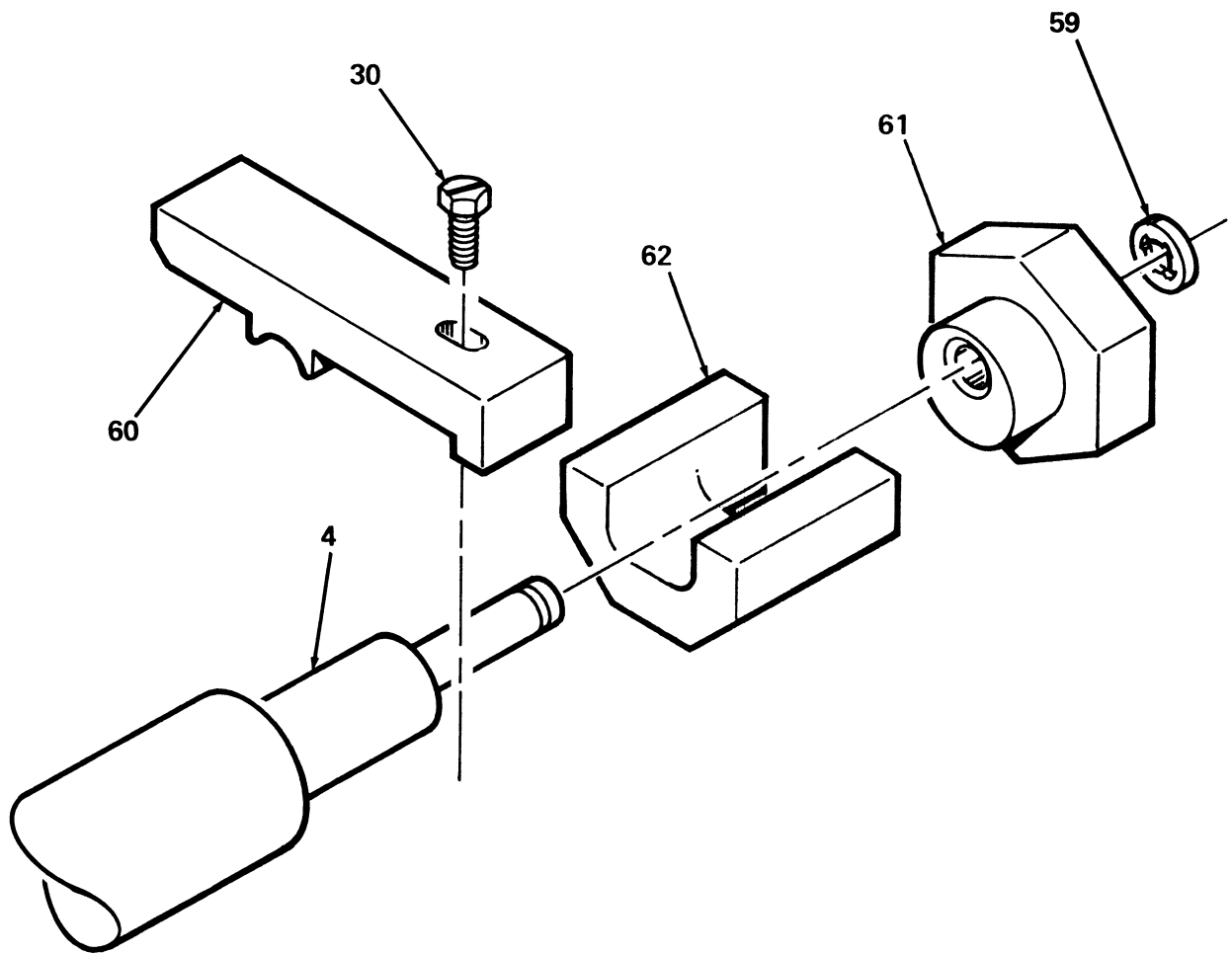
Figure 5. Printer Mechanism Assembly (Sheet 4 of 6)



D

LA100-05D

Figure 5. Printer Mechanism Assembly (Sheet 5 of 6)



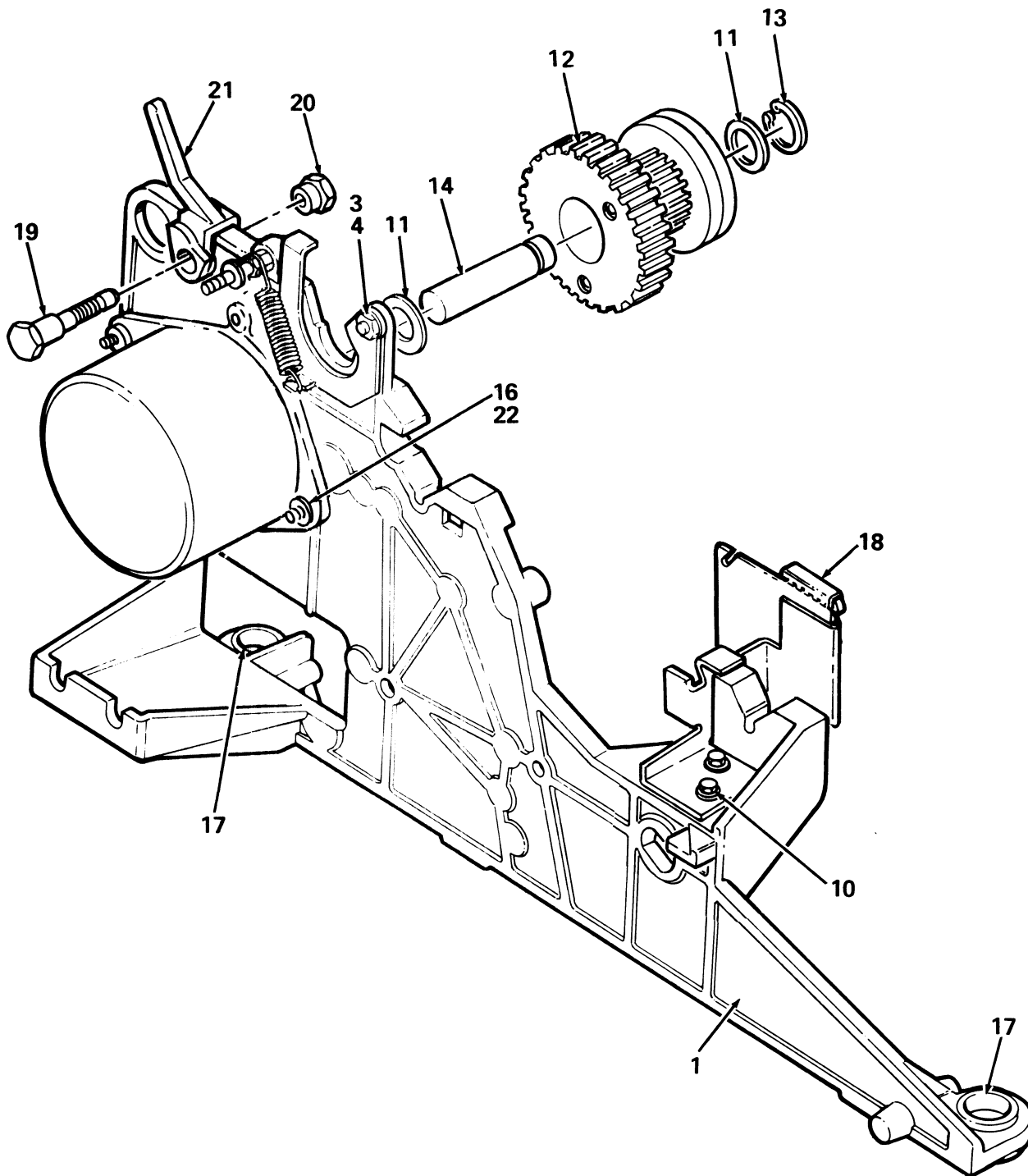
(E)

LA100-05E

Figure 5. Printer Mechanism Assembly (Sheet 6 of 6)

| FIG. & ITEM NO. | DESCRIPTION | DEC PART NO. | N ECO CUT-IN 70-17867 00001 | USED ON CODE | REF FIG NO. |
|-----------------|--|--------------|--------------------------------------|--------------|-------------|
| 5- | PRINTER MECHANISM ASSEMBLY (DOMESTIC) | 70-17867-00 | | ABCGHJN | 3 |
| | PRINTER MECHANISM ASSEMBLY (FOREIGN) | 70-17867-01 | | DEFKLM | 4 |
| 1 | *SIDE PLATE ASSEMBLY (L.H.) | 70-18949-00 | | | 7 |
| 2 | *SIDE PLATE ASSEMBLY (R.H.) | 70-17853-00 | | | 6 |
| 3 | *Shaft, Carriage (Front) | 12-15315-00 | | | |
| 4 | *Shaft, Carriage (Rear) | 12-15315-01 | | | |
| 5 | *Cover Module | 70-17876-00 | | | |
| 6 | *Screw, Phi Flat Hd No. 8 x 5/16 | 90-10360-01 | | | |
| 7 | *CARRIAGE ASSEMBLY (deleted) | 70-17859-00 | | | 10 |
| | *CARRIAGE ASSEMBLY (added) | 70-17859-01 | 00010 | | 10 |
| 8 | *Print Head Assembly (deleted) | 70-18409-00 | | | |
| | *Print Head Assembly (added) | 70-19655-01 | 00010 | | |
| 9 | *BOTTOM PLATE ASSEMBLY | 70-18946-00 | | | 22 |
| 10 | *Plate, Switch Support | 74-22505-00 | | | |
| 11 | *Spring, Dentent Stiffner | 74-23005-00 | | | |
| 12 | *Switch, Micro | 12-16371-00 | | | |
| 13 | *Screw, Phi Pan Hd No. 4-40 x 5/8 | 90-06014-01 | | | |
| 14 | *Nut, Kep No. 4-40 | 90-06557-00 | | | |
| 15 | *Lever, Switch Release | 12-16304-00 | | | |
| 16 | *Spring, Torsion | 12-16305-00 | | | |
| 17 | *Actuator, Switch | 12-16306-00 | | | |
| 18 | *Paper Out Cable Assembly (deleted) | 70-16713-00 | | | |
| | *Paper Out Cable Assembly (added) | 70-16713-1A | 00004 | | |
| 19 | *LA100 Logic Board Assembly (deleted) | 54-14256-00 | | ABCGHJN | |
| | *LA100 Logic Board Assembly (added) | 54-14256-01 | 00005 | ABCGHJN | |
| | *LA100 Logic Board Assembly (deleted) | 54-14256-03 | | DEFKLM | |
| | *LA100 Logic Board Assembly (added) | 54-14256-02 | 00005 | DEFKLM | |
| | *LA100 Logic Board Assembly (added) | 54-14256-07 | 54-14256 00017 | DEFKLM | |
| 20 | *Screw, Phi Pan Hd No. 6-32 x 1/4 (deleted) | 90-06020-01 | | | |
| | *Screw, Phi Pan Hd No. 6-32 x 1/4 (added) | 90-06022-01 | 00006 | | |
| 21 | *Washer, Nylon Flat | 90-06707-00 | | | |
| 22 | *Washer, External Tooth Lock No. 8 (deleted) | 90-08072-00 | LA100 00020 | | |
| 23 | *Screw, Hex Hd No. 8-32 x 3/8 | 90-10075-00 | | | |
| 24 | *Washer, Flat No. 8 | 90-06660-00 | | | |
| 25 | *Clamp, Carriage Shaft (R.H.) | 74-26410-01 | | | |
| 26 | *Clamp, Carriage Shaft (L.H.) (deleted) | 74-26410-02 | LA100 00020 | | |
| 27 | *Spring, Pulley Tension | 12-15319-00 | | | |
| 28 | *Retainer, Flexure | 74-20741-00 | | | |
| 29 | *Sleeve, Retainer (deleted) | 12-16335-00 | 00011 | | |
| 30 | *Screw, Hex Washer Hd No. 8-32 x 1/2 | 90-10075-01 | | | |
| 31 | *Spring, Extension | 12-15701-00 | | | |
| 32 | *Pulley Idler Assembly | 70-15735-00 | | | |
| 33 | *SERVO MOTOR/ENCODER ASSEMBLY | 70-18707-00 | | | 11 |
| | *SERVO MOTOR/ENCODER ASSEMBLY (added) | 70-18960-00 | 00007 | | 11A |
| 34 | *Module Acoustic Cover Assembly | 70-17876-00 | | | |
| 35 | *Ribbon Drive Cable Assembly | 12-15348-00 | | | |
| 36 | *H7837 POWER SUPPLY (deleted) | H7837-00 | | A-M | 20 |

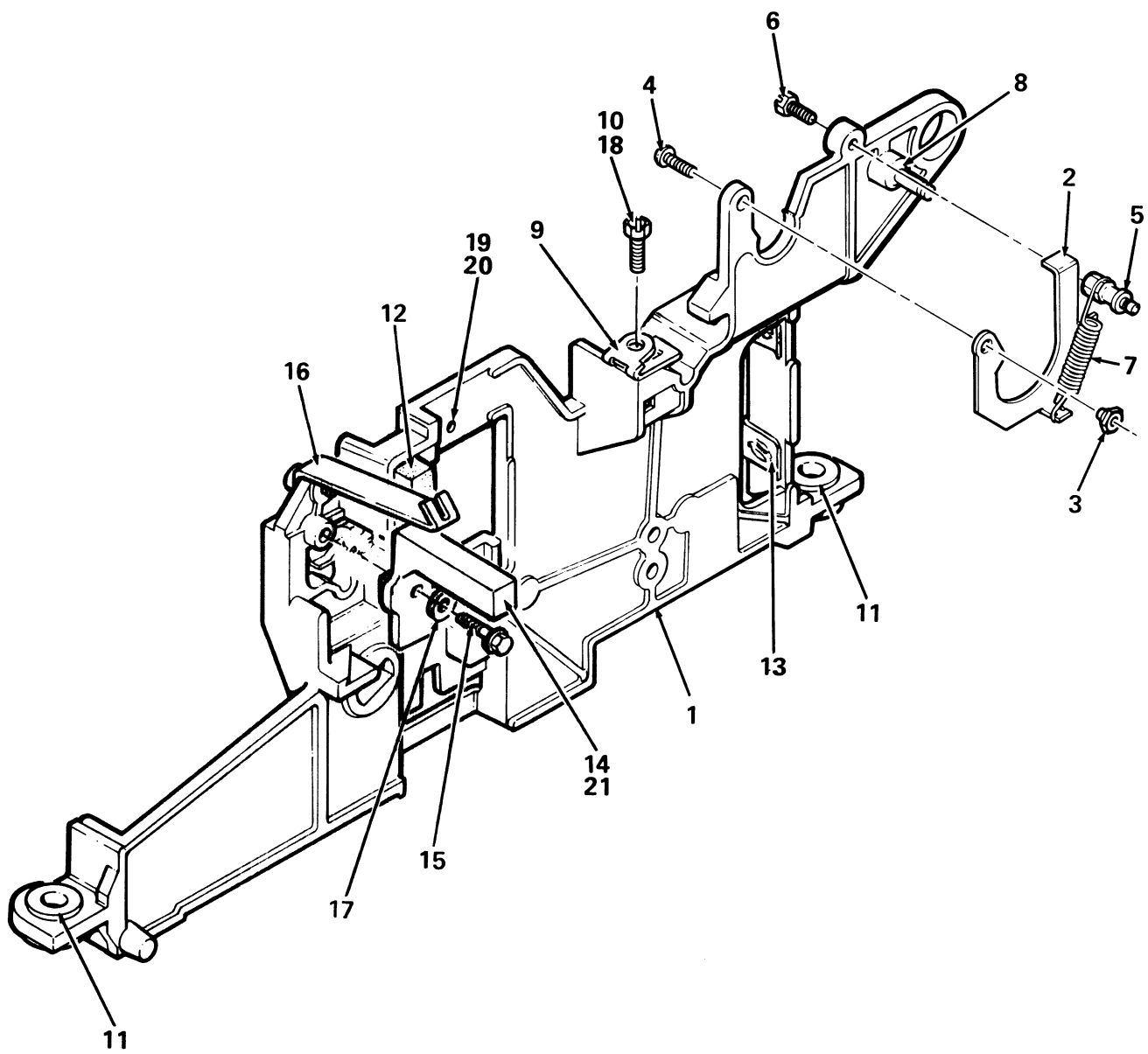
| FIG. & ITEM NO. | DESCRIPTION | DEC PART NO. | ECO CUT-IN 70-17867 00001 | USED ON CODE | REF FIG NO. |
|-----------------|------------------------------------|--------------|---------------------------|--------------|-------------|
| 5- | *H7844 POWER SUPPLY (added) | H7844-00 | LA100 00020 | A-M | |
| | *H7846 POWER SUPPLY (added) | 30-23682-01 | | | |
| | *H7837 POWER SUPPLY (deleted) | H7837-01 | LA100 | N | 20 |
| | *H7837 POWER SUPPLY (added) | H7837-AA | 00024 | N | 20 |
| 37 | *Screw, Hex Washer Hd No. 8-32-5/8 | 90-10082-01 | | | |
| 38 | *Actuator, Paper Out | 12-15781-00 | | | |
| 39 | *Bearing, Support (deleted) | 12-15780-00 | 00011 | | |
| 40 | *Shaft, Paper Out | 12-15782-00 | | | |
| 41 | *FRICTION ASSEMBLY | 70-15733-01 | | | 12 |
| 42 | *Label, "Paper Load Instruction" | 36-18293-01 | | | |
| 43 | *Retaining Ring | 90-10052-00 | | | |
| 44 | *Cam | 74-22987-00 | | | |
| 45 | *Cap, Rod | 12-15506-00 | | | |
| 46 | *Guide, Paper | 12-15401-00 | | | |
| 47 | *Spacer, Lever (deleted) | 12-15453-00 | LA100 00024 | | |
| 48 | *Lever, Release (deleted) | 74-22986-00 | LA100 00024 | | |
| 49 | *Screw, Lever (deleted) | 12-15452-00 | LA100 00024 | | |
| 50 | *Label, "Model/Serial Number" | 36-16340-01 | | | |
| 51 | *BAIL BAR ASSEMBLY | 70-15738-00 | | | 13 |
| 52 | *Retaining Ring | 90-09273-00 | | | |
| 53 | *Clip, Torsion | 12-15561-00 | | | |
| 54 | *Deflector, Paper | 74-24743-00 | | | |
| 55 | *Logic/Power Cable Assembly | 70-18388-1E | | | |
| 56 | *Cable Clamp (deleted) | 90-10016-00 | 00011 | | |
| 57 | *PLATEN ASSEMBLY | 70-15727-02 | | | 14 |
| 58 | *Anchor, Rear Cable (added) | 74-25567-00 | 00011 | | |
| 59 | *Retaining Ring (added) | 90-09257-03 | 00011 | | |
| 60 | *Clamp, Rear Shaft (added) | 74-29046-01 | 00011 | | |
| 61 | *Cam, Rear Shaft (added) | 74-29047-01 | 00011 | | |
| 62 | *Cradle, Rear Shaft (added) | 74-29048-01 | 00011 | | |



LA100-06

Figure 6. Side Plate Assembly (R.H.)

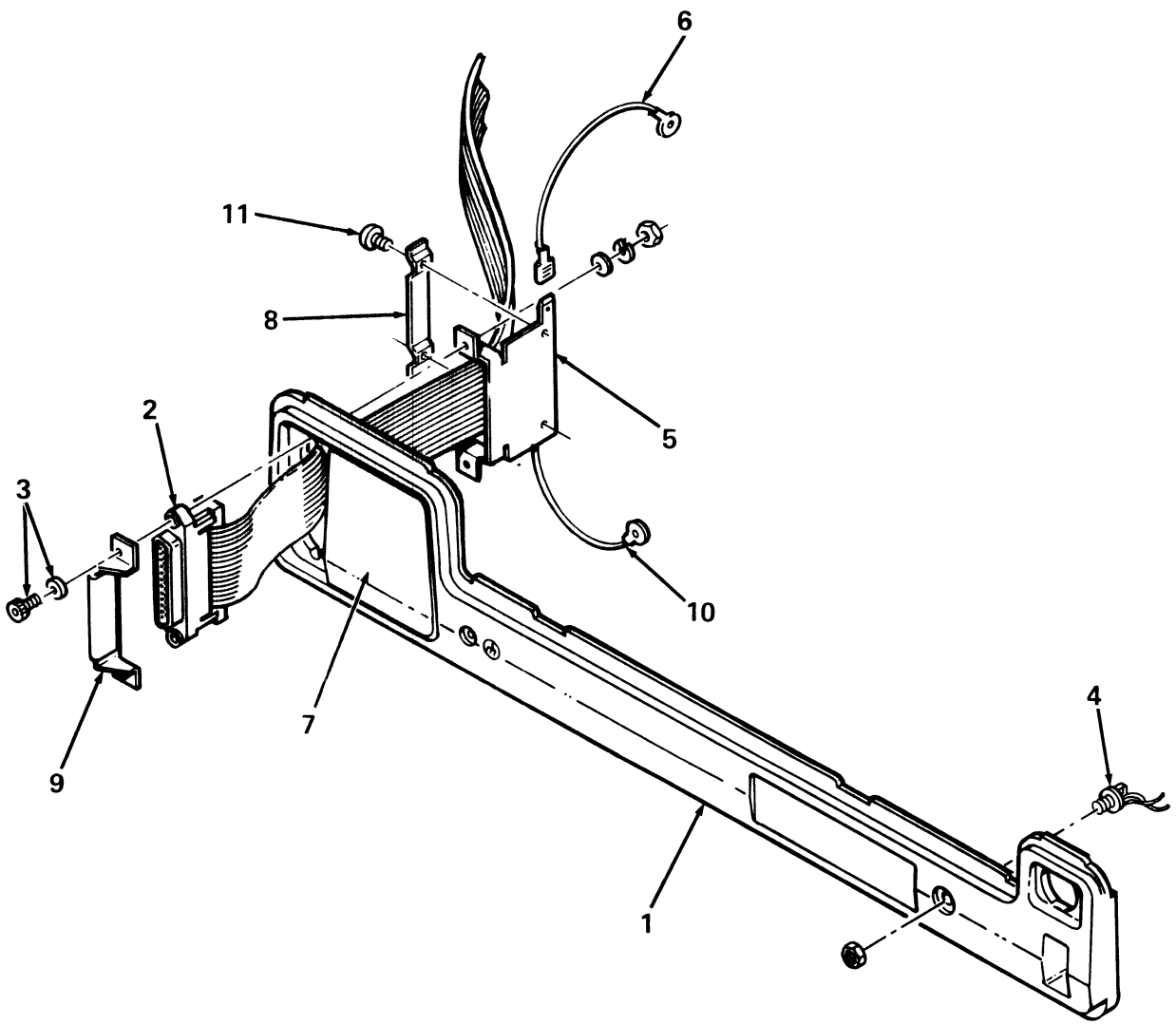
| FIG. & ITEM NO. | DESCRIPTION | DEC PART NO. | ECO CUT-IN 70-17853 00000 | USED ON CODE | REF FIG NO. |
|-----------------|--|--------------|---------------------------|--------------|-------------|
| 6- | SIDE PLATE ASSEMBLY | 70-17853-00 | | | 5 |
| 1 | *Plate, R.H. Side | 12-15394-01 | | | |
| 2 | *Latch, R.H. Platen | 12-15512-01 | | | |
| 3 | *Spacer, Platen | 12-15557-00 | | | |
| 4 | *Screw, Phl Flat Hd No. 4-40 x 3/16 | 90-06010-02 | | | |
| 5 | *Spacer, Bail Bar | 74-21147-00 | | | |
| 6 | *Screw, Sems Hex Hd No. 6-32 x 1/2 | 90-06453-01 | | | |
| 7 | *Spring, Latch | 12-15508-00 | | | |
| 8 | *Stepper Motor Assembly | 12-17474-00 | | | |
| 9 | *Bracket, Termination | 74-24017-00 | | | |
| 10 | *Screw, Hex Hd No. 8-32 x 3/8 Self Tapping | 90-10075-00 | | | |
| 11 | *Bumper | 12-15672-00 | | | |
| 12 | *Washer, Flat Nylon | 90-09614-00 | | | |
| 13 | *Anti Backlash Gear Assembly (deleted) | 70-18600-00 | | | |
| | *Anti Backlash Gear Assembly (added) | 70-21225-01 | 00002 | | |
| 14 | *Retaining Ring (deleted) | 90-07785-00 | | | |
| | *Retaining Ring (added) | 90-08137-00 | 00001 | | |
| 15 | *Pin, Dowel (deleted) | 90-00032-11 | | | |
| | *Pin, Dowel (added) | 74-29037-01 | 00003 | | |
| 16 | *Screw, Sems Hex Hd No. 6-32 x 3/8 (deleted) | 90-06453-00 | 00003 | | |
| 17 | *Grommet | 12-15398-00 | | | |
| 18 | *Grommet (added) | 90-09718-05 | 00004 | | |
| 19 | *Screw, Lever (added) | 12-15453-00 | 00004 | | |
| 20 | *Spacer, Lever (added) | 12-15452-00 | 00004 | | |
| 21 | *Lever, Release (added) | 74-22886-00 | 00004 | | |
| 22 | *Screw, Sems Hex Hd No. 6-32 x 1/2 (added) | 90-06453-01 | 00004 | | |



LA100-07

Figure 7. Side Plate Assembly (L.H.)

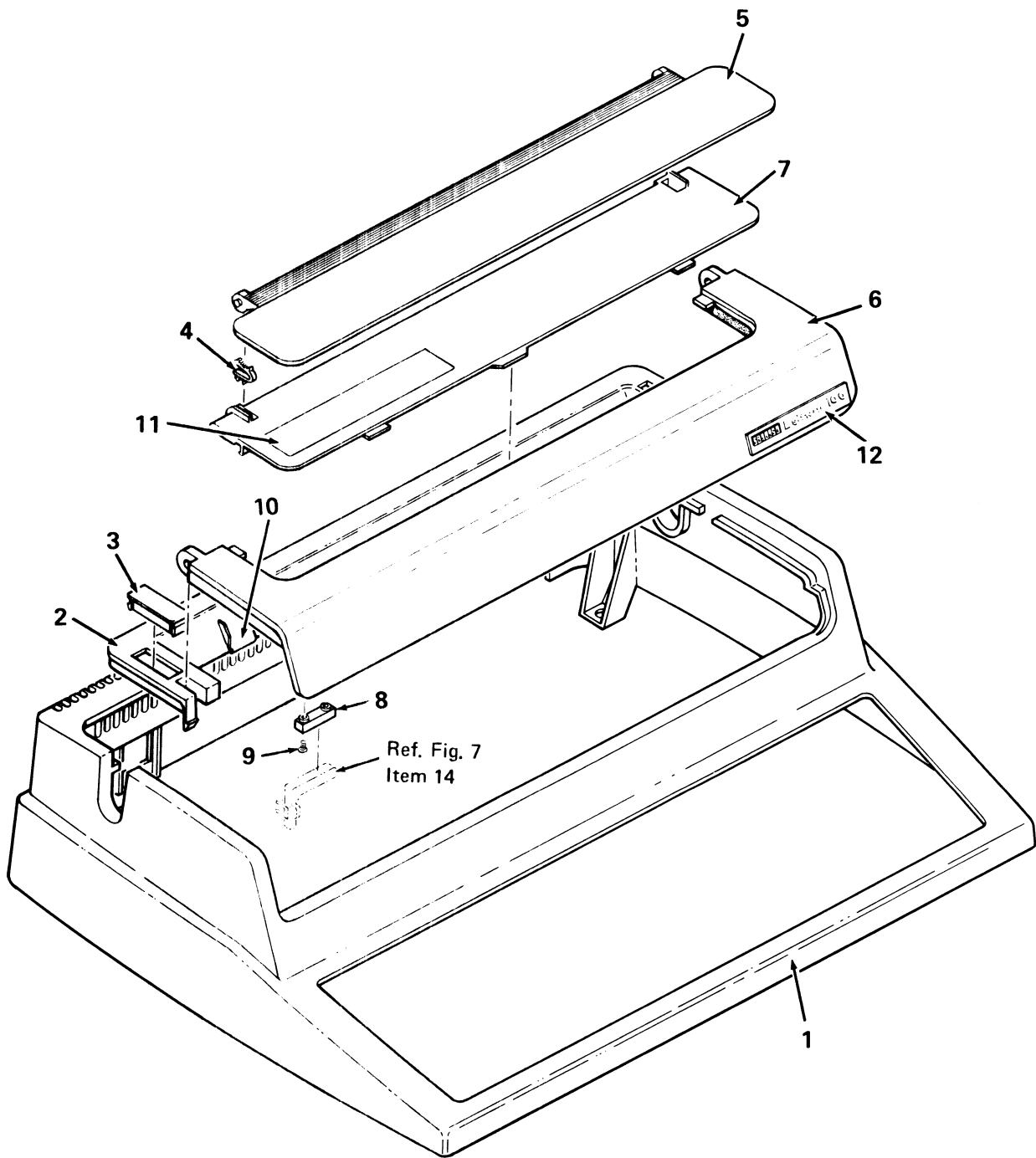
| FIG. & ITEM NO. | DESCRIPTION | DEC PART NO. | ECO CUT-IN 70-18949 00000 | USED ON CODE | REF FIG NO. |
|-----------------|---|--------------|---------------------------------|--------------|-------------|
| 7- | SIDE PLATE ASSEMBLY | 70-18949-00 | | | 5 |
| 1 | *Plate, Side | 12-15382-00 | | | |
| 2 | *Latch, Platen | 12-15512-00 | | | |
| 3 | *Spacer, Platen | 12-15557-00 | | | |
| 4 | *Screw, Phi Pan Hd No. 4-40 x 3/8 | 90-06010-02 | | | |
| 5 | *Spacer, Bail Bar | 74-21147-00 | | | |
| 6 | *Screw, Slotted Hex Hd No. 6-32 x 1/2 | 90-06453-01 | | | |
| 7 | *Spring, Extension | 12-15508-00 | | | |
| 8 | *Pin | 90-10093-00 | | | |
| 9 | *Spring, Grounding | 74-27106-01 | | | |
| 10 | *Screw, Slotted Hex Hd No. 8-32 x 1/2 | 90-10075-01 | | | |
| 11 | *Grommet | 12-15398-00 | | | |
| 12 | *Bumper | 12-15672-00 | | | |
| 13 | *Fastner, Nut | 12-15652-00 | | | |
| 14 | *INTERLOCK SWITCH ASSEMBLY (deleted) | 70-17628-01 | | | 17 |
| | *INTERLOCK SWITCH ASSEMBLY (added) | 70-17628-04 | 00006 | | 17 |
| 15 | *Screw, Phi Pan Hd No. 6-32 x 1/2 (deleted) | 90-09800-04 | | | |
| | *Screw, Phi Pan Hd No. 6-32 x 9/16 (added) | 90-09680-02 | 00004 | | |
| 16 | *Anchor, Cable | 74-25568-00 | | | |
| 17 | *Washer, Flat (added) | 90-06666-00 | 00003 | | |
| 18 | *Screw, Self-Tap Hex Washer Hd No. 8-32 x 3/8 (added) | 90-10075-00 | 00006 | | |
| 19 | *Anchor, Cable (added) | 74-25567-00 | 00006 | | |
| 20 | *Sleeve, Retainer (added) | 12-16335-00 | 00006 | | |
| 21 | *Clamp, Carriage Shaft (RH) (added) | 74-26410-01 | 00006 | | |
| | *Clamp, Carriage Shaft (LH) (added) | 74-26410-02 | 00006 | | |



LA100-08

Figure 8. Rear Insert Assembly

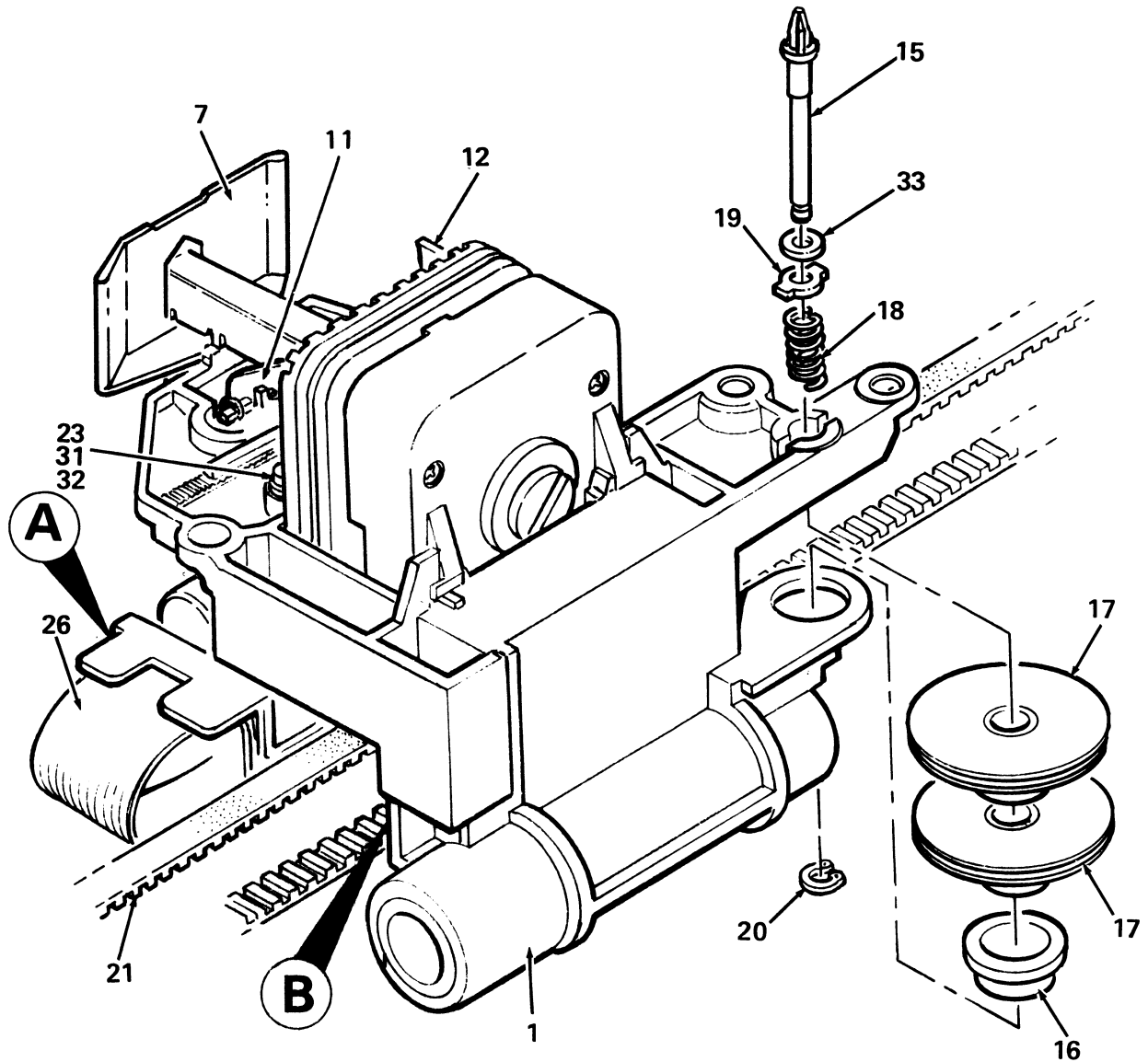
| FIG. & ITEM NO. | DESCRIPTION | DEC PART NO. | ECO CUT-IN 70-18944 00001 | USED ON CODE | REF FIG NO. |
|-----------------|---|--------------|---------------------------------|--------------|-------------|
| 8- | REAR INSERT ASSEMBLY | 70-18944-00 | | | 3,4 |
| 1 | *Insert, Rear Panel | 12-15292-00 | | | |
| 2 | *E.I.A. Shielded Cable Assembly (deleted) | 70-18977-2L | | | |
| 3 | *E.I.A. Shielded Cable Assembly (added) | 70-18977-2D | 00002 | | |
| 4 | *Screw, Lock Assembly | 90-08451-04 | | | |
| 5 | *Receptacle, Cable Assembly (deleted) | 70-16279-00 | | | |
| 6 | *Receptacle, Cable Assembly (added) | 70-16279-1E | 00002 | | |
| 7 | *Bracket, Connector Grounding (deleted) | 74-26240-00 | | | |
| 8 | *Bracket, Connector Grounding (added) | 74-26240-01 | 00003 | | |
| 9 | *E.I.A. Ground Cable Assembly | 70-18978-00 | | | |
| 10 | *Plug, Dummy | 12-15451-00 | | | |
| 11 | *Strap, Bracket Grounding (added) | 74-28679-01 | 00004 | | |
| 12 | *Adapter, Ground (added) | 74-28636-01 | 00004 | | |
| 13 | *Shielded Return Cable Assembly (added) | 70-18430-03 | 00004 | | |
| 14 | *Screw, Phl Pan Hd No. 4-40 x 3/8 (added) | 90-06010-01 | 00004 | | |



LA100-09

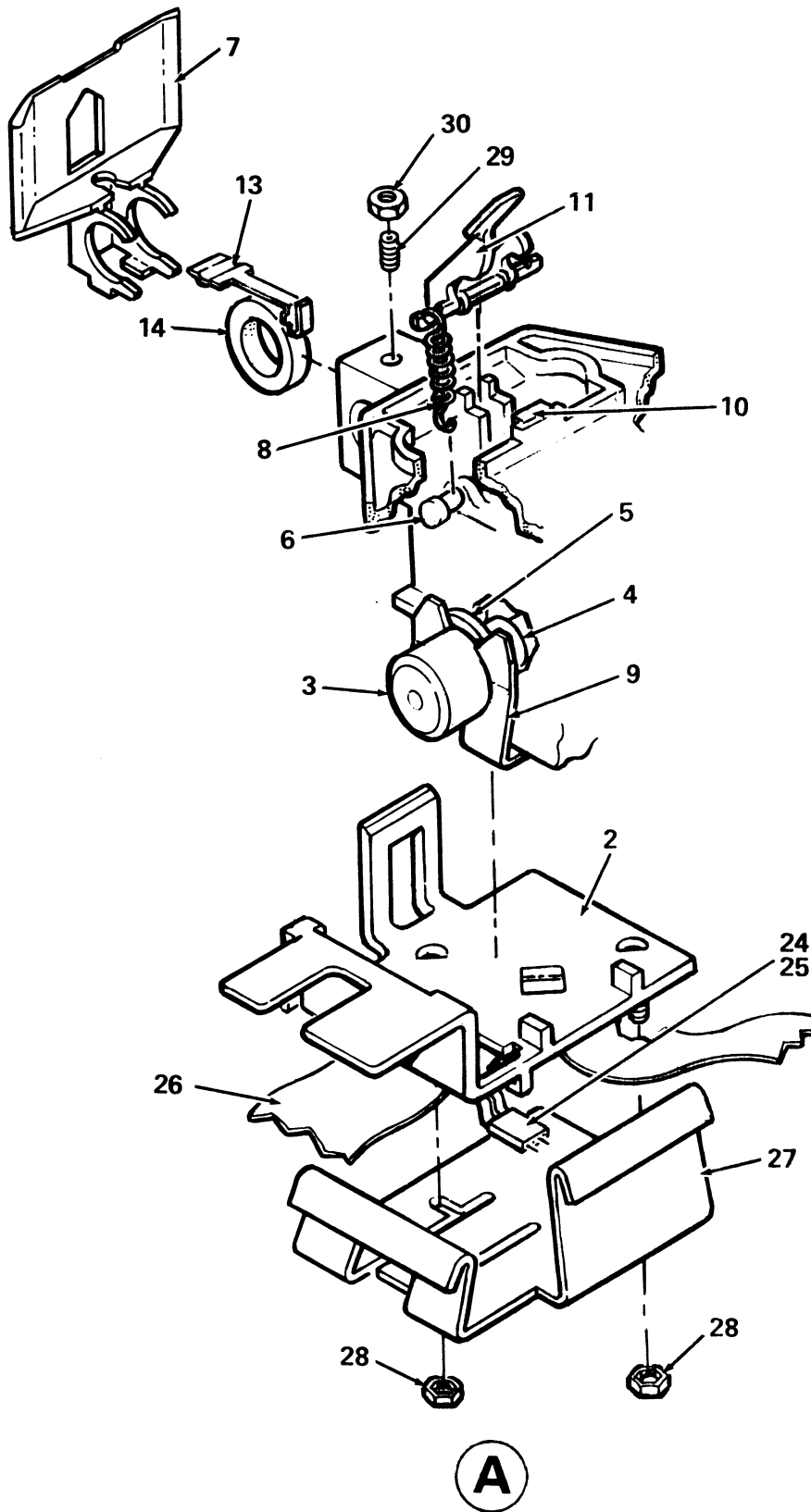
Figure 9. Top Cover Assembly

| FIG. & ITEM NO. | DESCRIPTION | DEC PART NO. | ECO CUT-IN 70-18947 00000 | USED ON CODE | REF FIG NO. |
|-----------------|--|--------------|---------------------------------|--------------|-------------|
| 9- | TOP COVER ASSEMBLY | 70-18947-00 | | A,F | 3 |
| | TOP COVER ASSEMBLY | 70-18947-01 | | G,N | 4 |
| 1 | *Cover, Housing | 12-15291-00 | | | |
| 2 | *Bezel, Top | 74-23820-00 | | | |
| 3 | *Plug | 12-15651-00 | | | |
| 4 | *Clip, Reflector Visor | 74-23938-00 | | G,N | |
| 5 | *Reflector, Visor | 74-23939-00 | | G,N | |
| 6 | *Accoustic Access Cover Assembly | 70-17938-00 | | | |
| 7 | *Window, Clear | 74-23937-00 | | | |
| 8 | *Interlock Switch Assembly (deleted) | 70-17628-02 | | | 17 |
| | *Magnetic Reed Switch Assembly (added) | 12-16687-01 | 00001 | | |
| 9 | *Screw, Phl Pan Hd No. 4-40 x 5/16 (deleted) | 90-09800-10 | | | |
| | *Screw, Phl Pan Hd No. 4-40 x 3/8 (added) | 90-10158-00 | 00001 | | |
| 10 | *Guide, Paper Edge | 12-15293-00 | | | |
| 11 | *Label, "Ribbon/Adjustment Instruction" | 36-18115-01 | | G,N | |
| 12 | *Label, "LETTERWRITER" | 74-24088-02 | | A,F | |
| | *Label, "LETTERPRINTER" | 74-24088-01 | | G,N | |



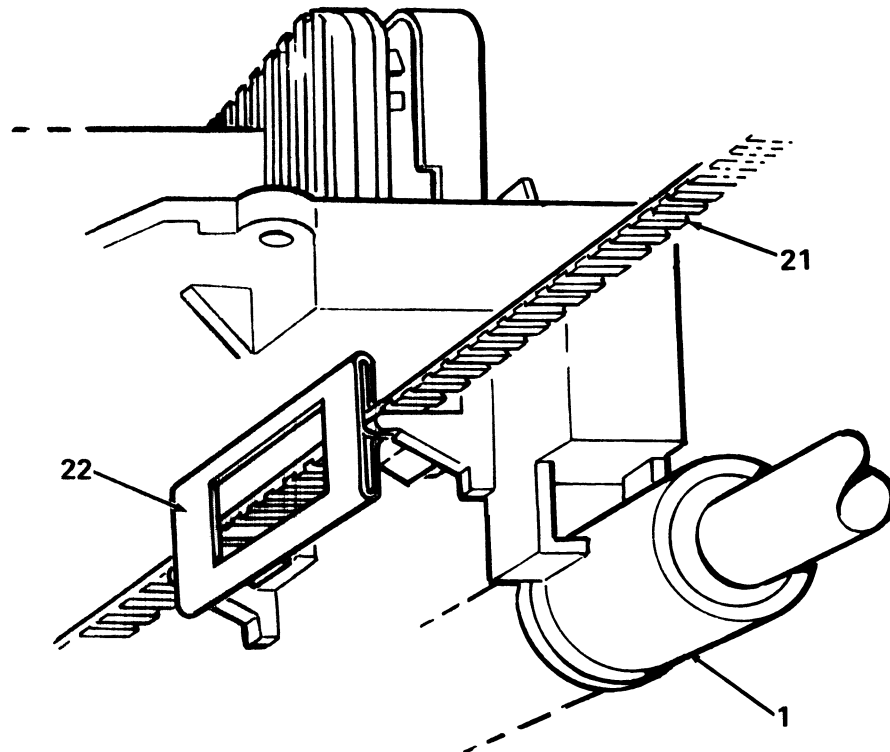
LA100-10

Figure 10. Carriage Assembly (Sheet 1 of 3)



LA100-10A

Figure 10. Carriage Assembly (Sheet 2 of 3)

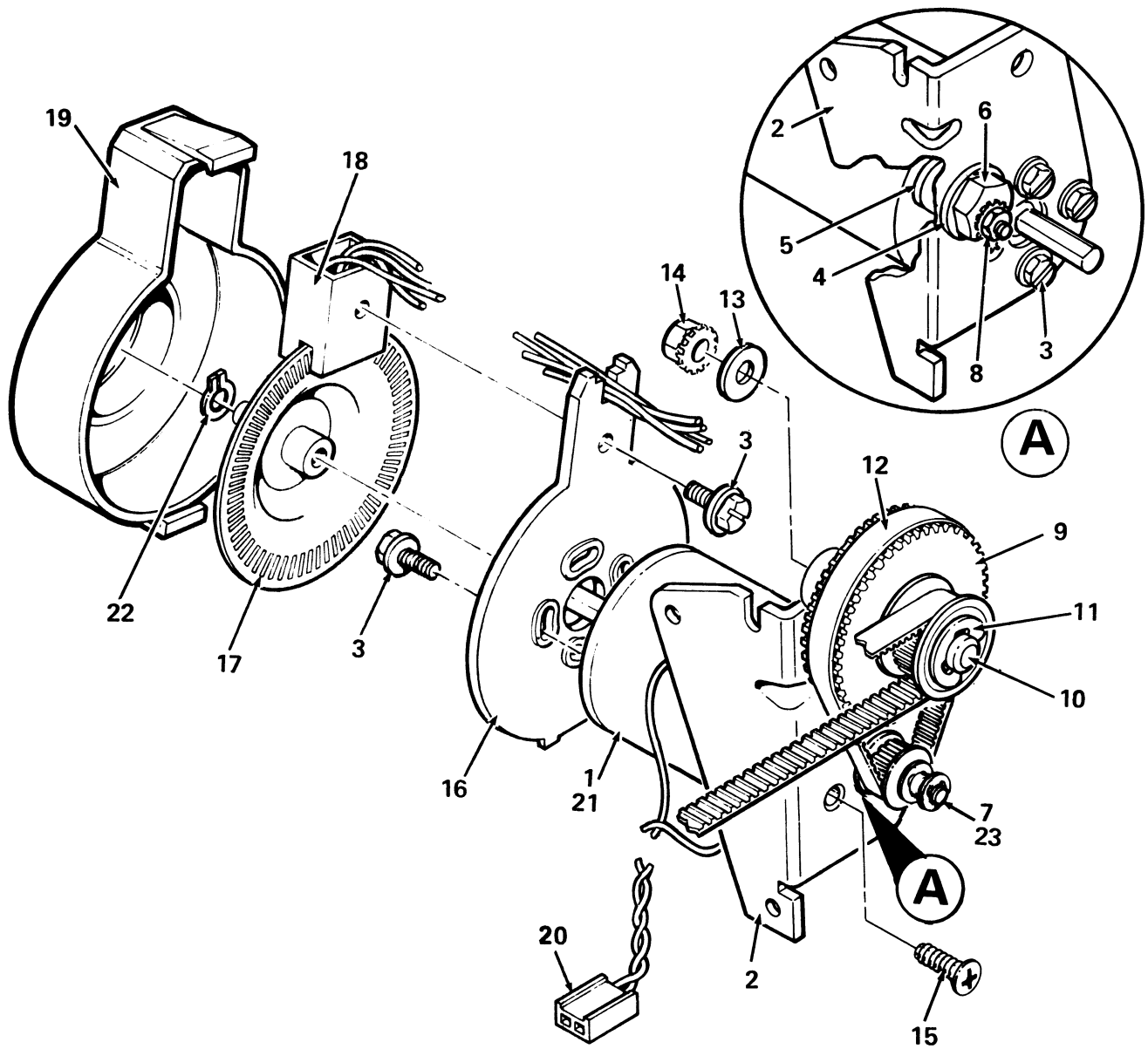


B

LA100-10B

Figure 10. Carriage Assembly (Sheet 3 of 3)

| FIG. & ITEM NO. | DESCRIPTION | DEC PART NO. | ECO CUT-IN 70-17859 00003 | USED ON CODE | REF FIG NO. |
|-----------------|---|--------------|---------------------------------|--------------|-------------|
| 10- | CARRIAGE ASSEMBLY (deleted) | 70-17859-00 | | | 5 |
| | CARRIAGE ASSEMBLY (added) | 70-17859-01 | 00009 | | 5 |
| 1 | *Carriage Bearing Assembly (deleted) | 70-17858-00 | | | |
| | *Carriage Bearing Assembly (added) | 70-17858-01 | 00009 | | |
| 2 | *Mount, Head Cable | 74-25725-00 | | | |
| 3 | *Housing Assembly | 70-17563-00 | | | |
| 4 | *Actuator Assembly | 70-17564-00 | | | |
| 5 | *Follower, Solenoid (deleted) | 74-25784-00 | 00005 | | |
| 6 | *Pin, Grooved | 90-10093-00 | | | |
| 7 | *Paper Guide (deleted) | 74-27151-01 | | | |
| | *Smudge Guard Assembly (added) | 70-19659-01 | 00006 | | |
| 8 | *Spring, Extension (.250 O.D. x .820) | 12-20072-01 | | | |
| 9 | *Clip, Actuator Retainer | 74-29580-01 | | | |
| 10 | *Link, Head Lift (deleted) | 74-25722-00 | | | |
| | *Link, Head Lift (added) | 70-19651-00 | 00007 | | |
| | *Link, Head Lift (deleted) | 70-19651-00 | | | |
| | *Link, Head Lift (added) | 74-25722-00 | 00010 | | |
| 11 | *Lever, Head Retaining | 74-25720-00 | | | |
| 12 | *Head Lever Slide Assembly | 70-18639-00 | | | |
| 13 | *Spring, Front Bearing (deleted) | 74-24731-00 | | | |
| | *Spring, Front Bearing (added) | 74-26722-01 | 00009 | | |
| 14 | *Bearing, Front Carriage (deleted) | 74-24722-00 | | | |
| | *Bearing, Front Carriage (.624 OD x .5) (added) | 12-20069-01 | 00009 | | |
| 15 | *Shaft, Ribbon Drive (1/8 in. O.D.) (deleted) | 74-24719-01 | | | |
| | *Shaft, Ribbon Drive (4 MM O.D.) (added) | 74-24719-03 | 00009 | | |
| 16 | *Bearing, Flange | 12-18925-00 | | | |
| 17 | *Pulley Clutch Assembly (deleted) | 70-17795-00 | | | |
| | *Pulley Clutch Assembly (added) | 70-17795-01 | 00009 | | |
| 18 | *Spring, Compression (.220 O.D. x .34) | 12-19391-01 | | | |
| 19 | *Retainer, Spring (deleted) | 74-25810-00 | | | |
| | *Retainer, Spring (added) | 74-25810-01 | 00009 | | |
| 20 | *Retaining Ring (deleted) | 90-09273-00 | | | |
| | *Retaining Ring (added) | 90-07784-01 | 00009 | | |
| | *Retaining Ring (deleted) | 90-07784-01 | | | |
| | *Retaining Ring (added) | 90-10546-01 | 00009 | | |
| 21 | *Belt, Timing | 12-15362-00 | | | |
| 22 | *Clip, Belt Spring | 74-25865-00 | | | |
| 23 | *Screw, Hex Washer Hd No. 6-32 x 1/2 (deleted) | 90-09680-04 | | | |
| | *Screw, Hex Washer Hd No. 6-32 x 3/8 (added) | 90-09680-02 | 00008 | | |
| 24 | *Connector, 4 Pin Housing Universal (deleted) | 12-12473-00 | | | |
| | *Connector, 4 Pin Housing (added) | 12-12220-02 | 00009 | | |
| 25 | *Terminal, Pin Contact | 12-12220-00 | | | |
| 26 | *Cable Assembly | 17-00307-01 | | | |
| 27 | *Clamp, Cable | 74-25183-00 | | | |
| 28 | *Nut, Push-On | 90-10311-00 | | | |
| 29 | *Screw, Set No. 2-56 x 3/8 | 90-00044-11 | | | |
| 30 | *Nut, Hex No. 2-56 | 90-06555-00 | | | |
| 31 | *Spacer (added) | 12-19528-01 | 00007 | | |
| 32 | *Washer, Flat (added) | 90-06656-00 | 00007 | | |
| 33 | *Washer, Flat (added) | 90-06707-00 | 00007 | | |
| | *Washer, Flat (deleted) | 90-06707-00 | | | |
| | *Washer, Flat (added) | 12-23648-01 | 00009 | | |

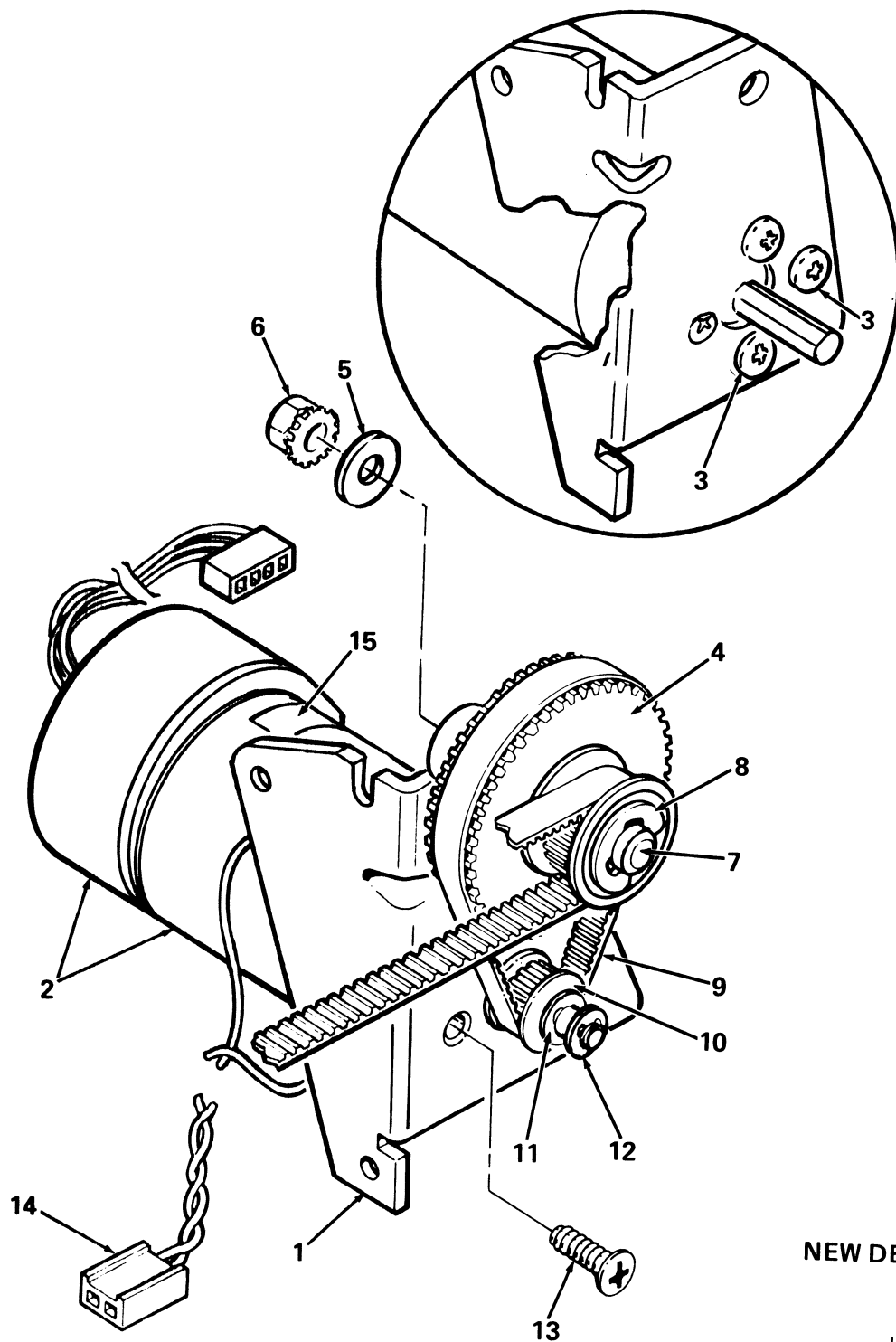


OLD DESIGN

LA100-11

Figure 11. Servo Motor/Encoder Assembly

| FIG. & ITEM NO. | DESCRIPTION | DEC PART NO. | ECO CUT-IN 70-18707 00002 | USED ON CODE | REF FIG NO. |
|-----------------|--|--------------|---------------------------|--------------|-------------|
| 11- | SERVO MOTOR/ENCODER ASSEMBLY (Old Design) (See Figure 11A For New Design) | 70-18707-00 | | | 5 |
| 1 | *Motor, Permanent Magnet | 12-15633-00 | | | |
| 2 | *Bracket, Motor (deleted) | 74-26523-01 | | | |
| | *Bracket, Motor (added) | 74-26523-00 | 00004 | | |
| 3 | *Screw, Sems Hex Hd No. 6-32 x 3/8 | 90-06453-00 | | | |
| 4 | *Bearing, Sleeve | 12-15937-00 | | | |
| 5 | *Spacer, Pulley | 12-15399-00 | | | |
| 6 | *Bushing, Belt Tension | 12-15926-00 | | | |
| 7 | *Pulley, Drive | 74-26523-01 | | | |
| 8 | *Nut, Hex No. 8-32 | 90-06563-00 | | | |
| 9 | *Gear Pulley Cluster Assembly | 70-15744-00 | | | |
| 10 | *Stud, Combination Pulley | 12-15397-00 | | | |
| 11 | *Ring, Retaining | 90-08500-00 | | | |
| 12 | *Belt, Timing | 12-15915-00 | | | |
| 13 | *Washer, Flat | 90-06668-00 | | | |
| 14 | *Nut, Hex No. 10-32 | 90-06565-00 | | | |
| 15 | *Screw, Phl Pan Hd No. 6-32 5/16 | 90-06021-02 | | | |
| 16 | *Backplate, Encoder | 12-15604-00 | | | |
| 17 | *Disk, Encoder | 12-15589-01 | | | |
| 18 | *Encoder, Dual Optical | 19-19229-00 | | | |
| 19 | *Dust Cap | 12-15603-00 | | | |
| 20 | *Servo Motor Cable Assembly (deleted) | 70-15740-00 | | | |
| | *Servo Motor Cable Assembly (added) | 70-15740-01 | 00005 | | |
| 21 | *Label, "Serial No." (deleted) | 36-13214-00 | | | |
| | *Label, "Serial No." (added) | 36-18497-02 | 00005 | | |
| 22 | *Retaining Ring | 90-08137-00 | | | |
| 23 | *Retaining Ring (added) | 90-08298-02 | 00004 | | |



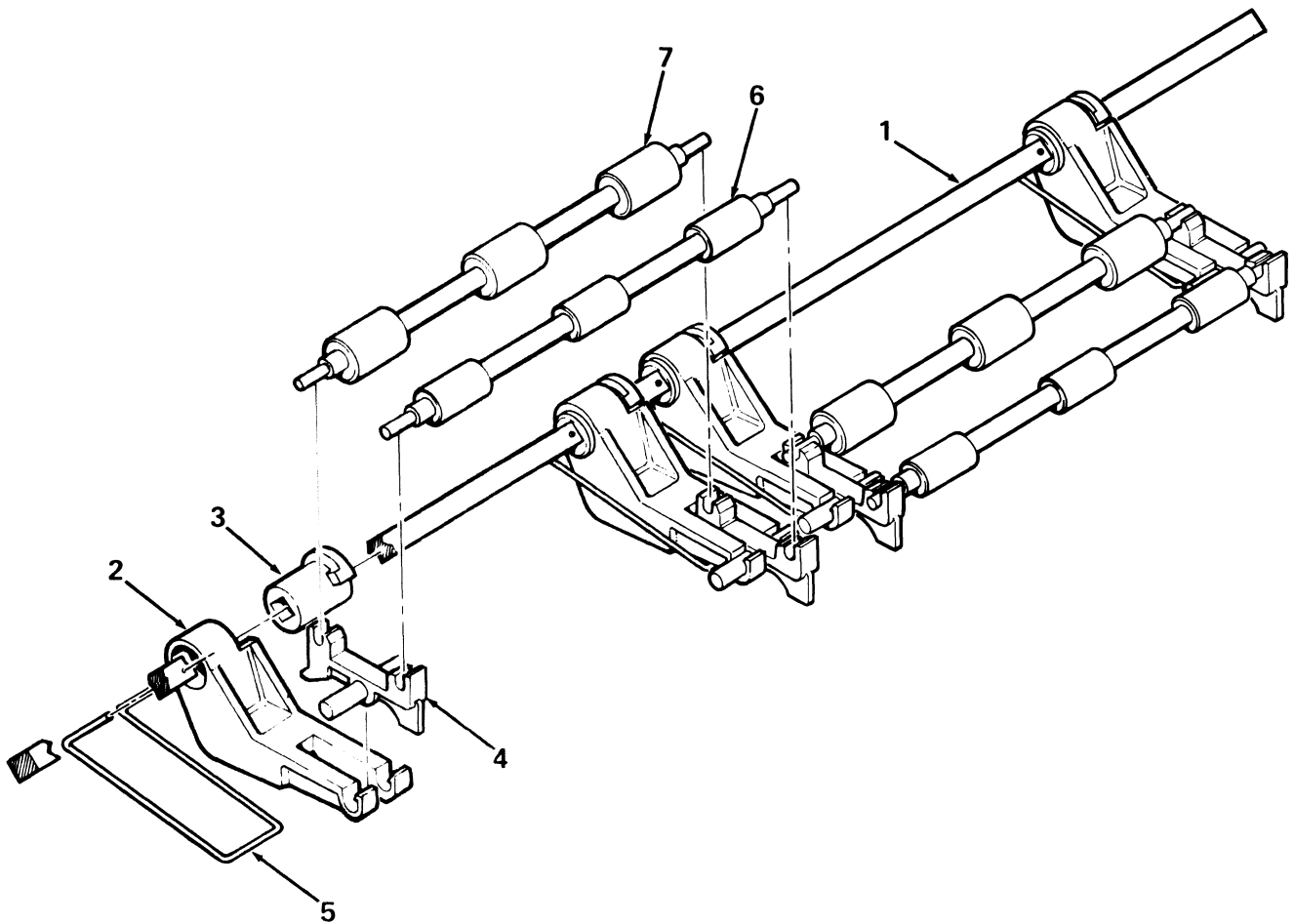
NEW DESIGN

LA100-11A

Figure 11A. Servo Motor/Encoder Assembly

| FIG. & ITEM NO. | DESCRIPTION | DEC PART NO. | ECO CUT-IN 70-18960 00004 | USED ON CODE | REF FIG NO. |
|-----------------|---|--------------|---------------------------------|--------------|-------------|
| 11A- | SERVO MOTOR/ENCODER ASSEMBLY (New Design) | 70-18960-00 | | | 5 |
| 1 | *Bracket, Motor Mounting | 74-25972-00 | | | |
| 2 | *Motor Encoder, Magnetic | 12-19267-00 | | | |
| 3 | *Screw, Sems Phl Pan Hd No. 6-32 x 3/8 | 90-00049-24 | | | |
| 4 | *Gear/Pulley Cluster Assembly | 70-18599-00 | | | |
| 5 | *Washer, Flat | 90-06668-00 | | | |
| 6 | *Nut, Hex No. 10-32 | 90-06565-00 | | | |
| 7 | *Stud, Combination Pulley | 12-15397-00 | | | |
| 8 | *Ring, Retaining | 90-08500-00 | | | |
| 9 | *Belt, Timing | 12-15915-00 | | | |
| 10 | *Pulley, Drive | 74-24735-00 | | | |
| 11 | *Ring, Retaining | 90-08137-00 | | | |
| 12 | *Ring, Retaining | 90-08298-00 | | | |
| 13 | *Screw, Phl Flat Hd No. 6-32 x 5/16 | 90-06021-02 | | | |
| 14 | *Servo Motor Cable Assembly | 70-15740-01 | | | |
| 15 | *Label, "Tractor Feed" | 36-18497-02 | | | |

| FIG. & ITEM NO. | DESCRIPTION | DEC PART NO. | ECO CUT-IN 70-15733 00002 | USED ON CODE | REF FIG NO. |
|-----------------|---------------------|--------------|---------------------------------|--------------|-------------|
| 12- | FRICITION ASSEMBLY | 70-15733-01 | | | 5 |
| 1 | *Shaft, Friction | 12-15358-00 | | | |
| 2 | *Arm, Rocker | 12-15349-00 | | | |
| 3 | *Bushing | 12-15524-00 | | | |
| 4 | *Rocker | 12-15355-00 | | | |
| 5 | *Spring | 12-15551-00 | | | |
| 6 | *Front Paper Roller | 70-18601-00 | | | |
| 7 | *Rear Paper Roller | 70-18602-00 | | | |



LA34-12

Figure 12. Friction Assembly

1

2

3

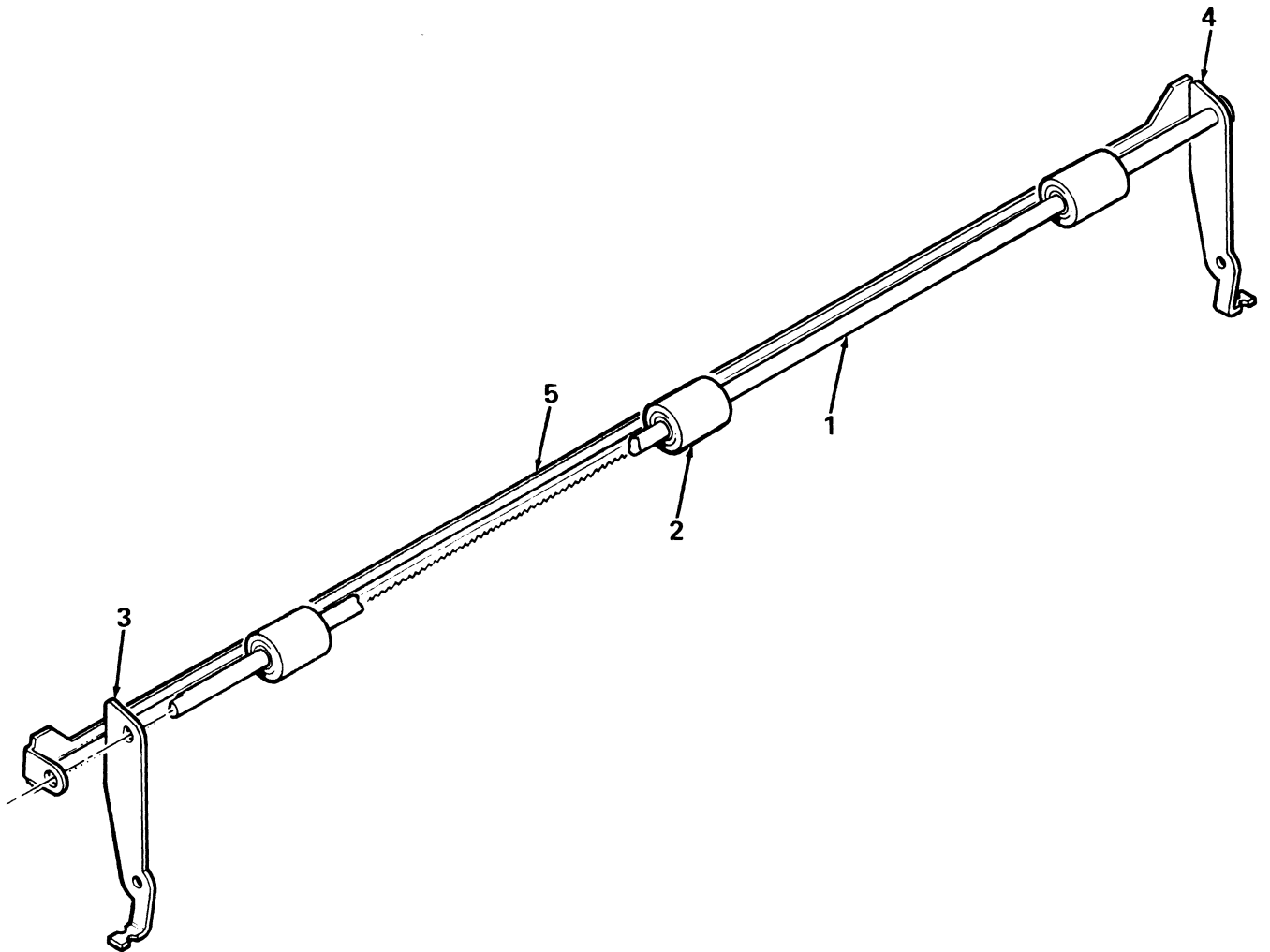
4

5

6

7

| FIG. & ITEM NO. | DESCRIPTION | DEC PART NO. | ECO CUT-IN 70-15729 00008 | USED ON CODE | REF FIG NO. |
|-----------------|-----------------------|--------------|---------------------------------|--------------|-------------|
| 13- | BAIL BAR ASSEMBLY | 70-15738-00 | | | 5 |
| 1 | *Bail Bar | 12-15332-00 | | | |
| 2 | *Roller Assembly | 12-15330-00 | | | |
| 3 | *Arm, Bail Bar (L.H.) | 12-15331-01 | | | |
| 4 | *Arm, Bail Bar (R.H.) | 12-15331-00 | | | |
| 5 | *Tear Edge | 12-15333-00 | | | |



LA34-13

Figure 13. Bail Bar Assembly

1

2

3

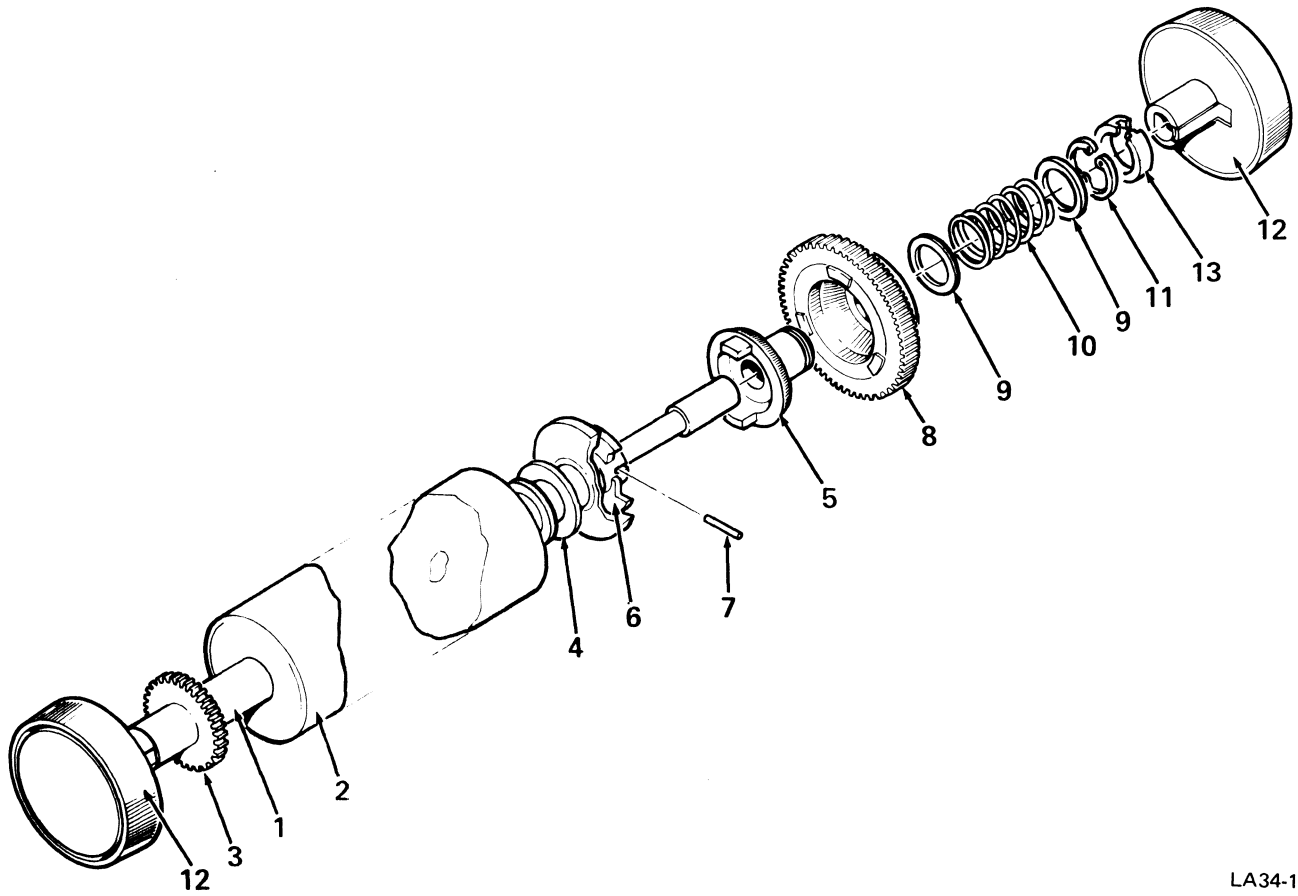
4

5

6

7

| FIG. & ITEM NO. | DESCRIPTION | DEC PART NO. | ECO CUT-IN 70-15727 00002 | USED ON CODE | REF FIG NO. |
|-----------------|-------------------------------------|--------------|---------------------------|--------------|-------------|
| 14- | PLATEN ASSEMBLY | 70-15727-02 | | | 5 |
| 1 | *Bearing, Plain | 12-15289-01 | | | |
| 2 | *Platen Core Sub-Assembly (deleted) | 12-15290-00 | | | |
| | *Platen (added) | 12-20076-01 | 00004 | | |
| 3 | *Gear, Tractor | 12-15288-00 | | | |
| 4 | *Bearing, Plastic | 12-15353-01 | | | |
| 5 | *Clutch, Disk | 12-15400-00 | | | |
| 6 | *Clutch, Hub Paper Drive (deleted) | 12-15354-00 | | | |
| | *Clutch, Hub (added) | 12-15354-01 | 00003 | | |
| 7 | *Roll Pin | 90-09324-00 | | | |
| 8 | *Clutch Gear | 12-15352-00 | | | |
| 9 | *Washer, Clutch | 12-15562-00 | | | |
| 10 | *Spring, Clutch | 12-15552-00 | | | |
| 11 | *Retaining Ring | 90-10050-00 | | | |
| 12 | *Platen Knob Assembly | 12-15351-00 | | | |
| 13 | *Clip, Compression Ring | 90-10233-00 | | | |



LA34-14

Figure 14. Platen Assembly

✓

✓

✓

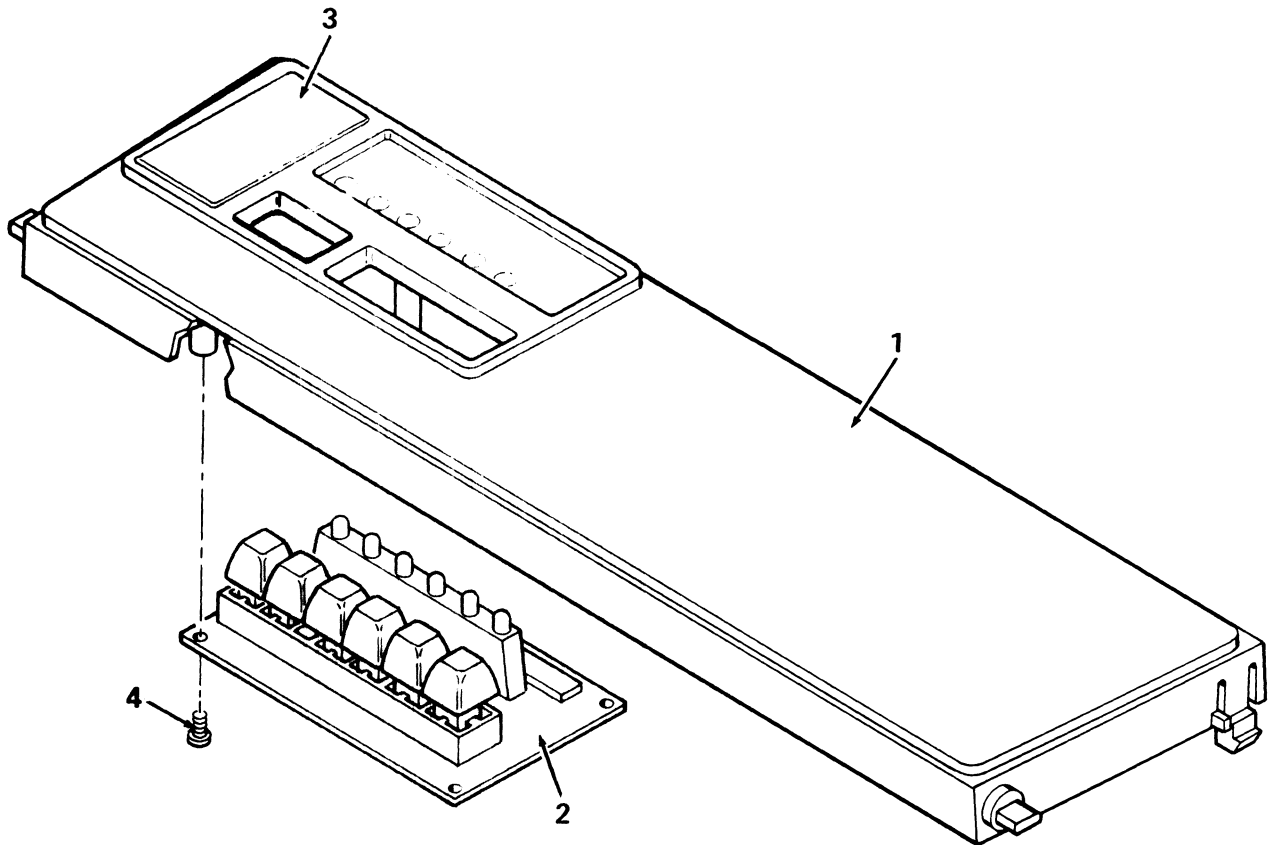
✓

✓

✓

✓

| FIG. & ITEM NO. | DESCRIPTION | DEC PART NO. ^B | ECO CUT-IN 70-17514 00002 | USED ON CODE | REF FIG NO. |
|-----------------|--|---------------------------|---------------------------------|--------------|-------------|
| 15- | KEYBOARD BEZEL ASSEMBLY (RO) | 70-17514-00 | | | 4 |
| 1 | *Bezel, Keyboard | 74-23943-00 | | | |
| 2 | *KEYBOARD/KEYCAP ASSEMBLY (RO) | 70-17886-01 | | | 19 |
| 3 | *Plug, Keyswitch | 74-25601-00 | | | |
| 4 | *Screw, Hex Washer Hd No. 6 x 32 x 1/4 | 90-09680-02 | | | |
| | Label (Not Shown) | | | | |
| | *Label, "Legend" | 36-17590-00 | | | |



LA100-15

Figure 15. Keyboard Assembly (RO)

1

.

.

2

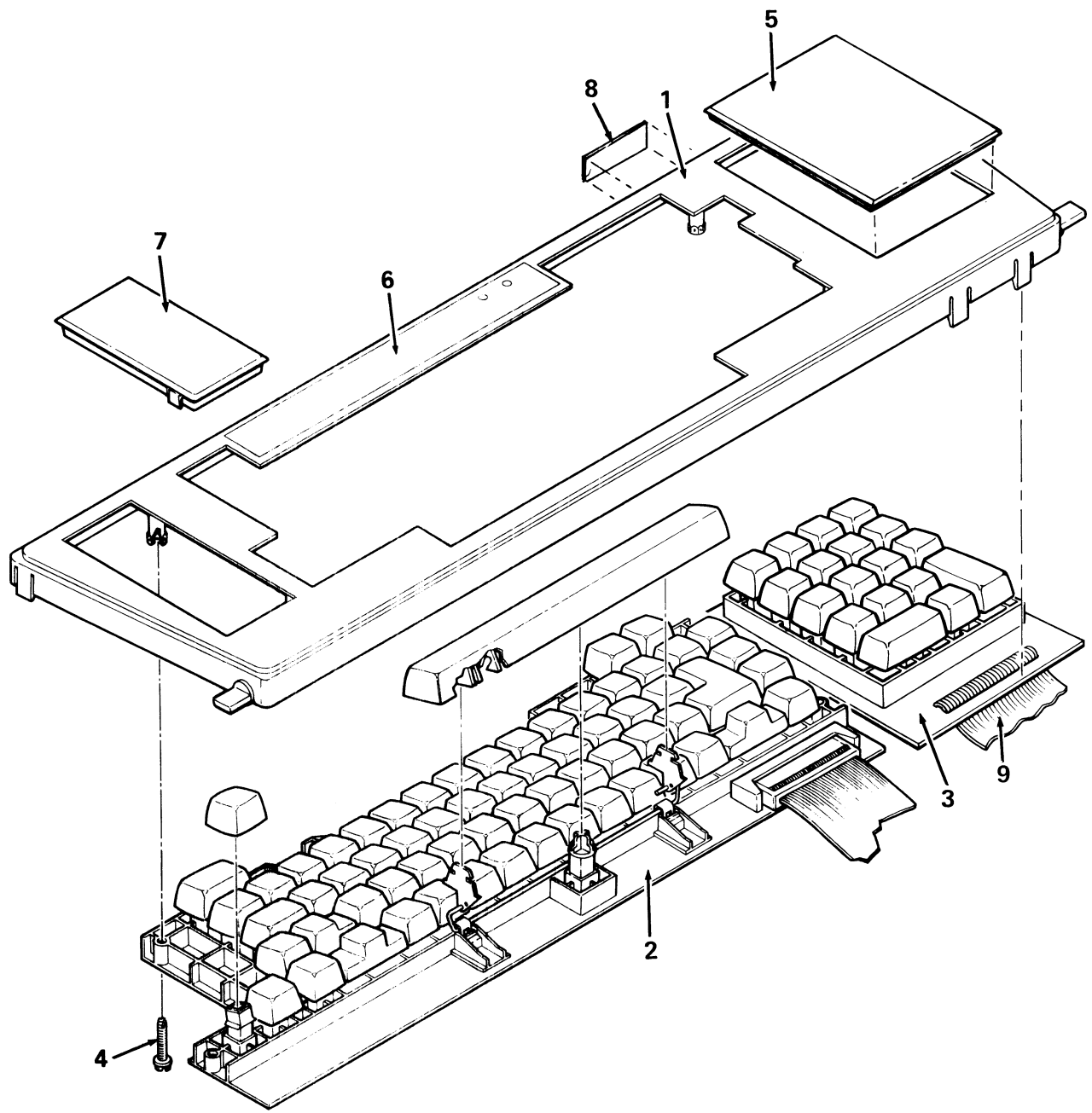
3

4

.

.

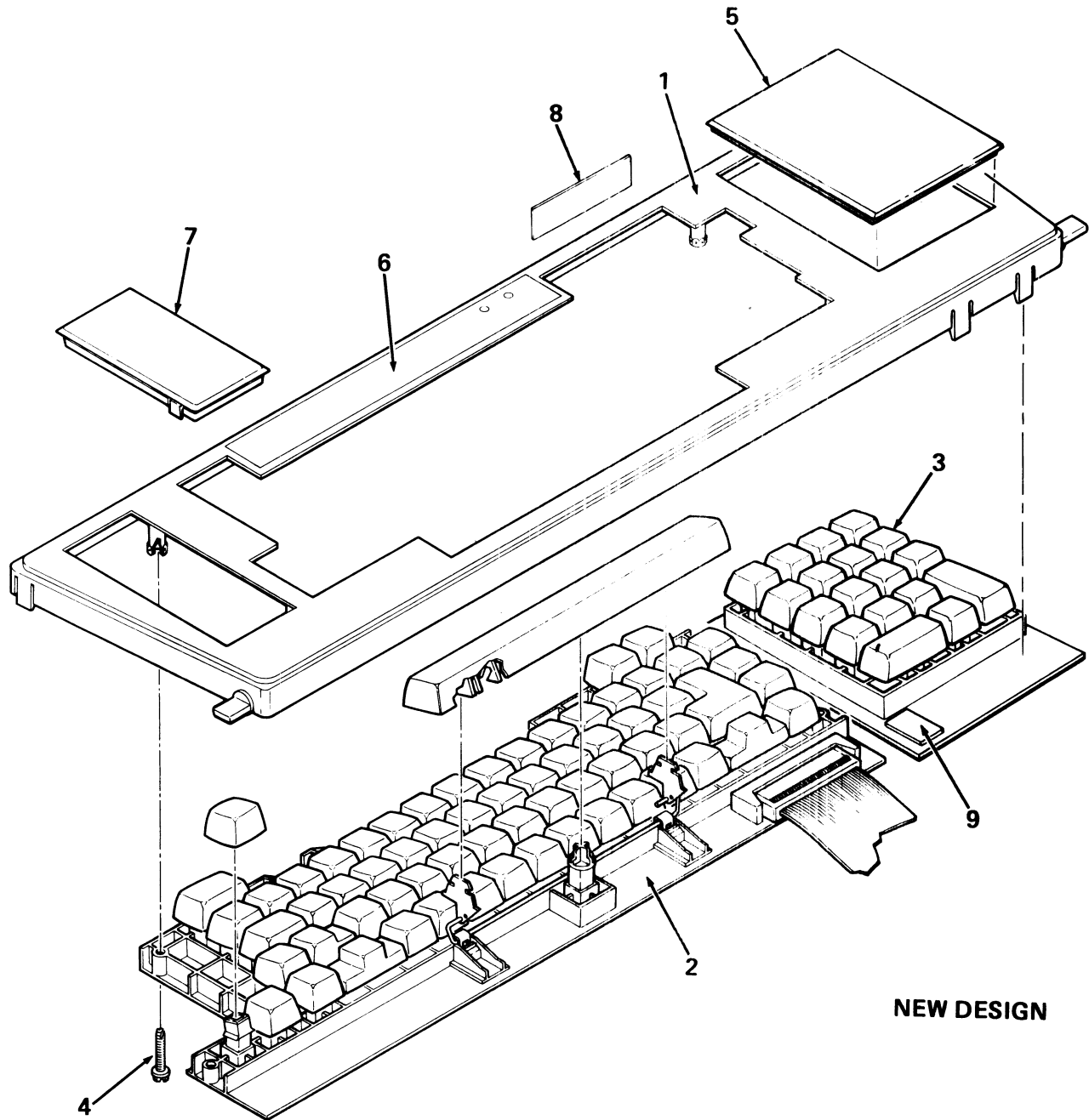
5



OLD DESIGN

LA100-16

Figure 16. Keyboard Bezel Assembly (Sheet 1 of 2)



NEW DESIGN

LA100-16A

Figure 16. Keyboard Bezel Assembly (Sheet 2 of 2)

| FIG. & ITEM NO. | DESCRIPTION | DEC PART NO. | ECO CUT-IN 70-17864 00001 | USED ON CODE | REF FIG NO. |
|-----------------|--|--------------|---------------------------------|--------------|-------------|
| 16- | KEYBOARD BEZEL ASSEMBLY (Old Design) | 70-17864-00 | | AD | 3 |
| | KEYBOARD BEZEL ASSEMBLY (New Design) | 70-17864-01 | | BCEF | 3 |
| 1 | *Bezel, Keyboard Panel | 12-15297-00 | | | |
| 2 | *KEYBOARD/KEYCAP ASSEMBLY (KSR) (Old Design) | 70-17863-00 | | AD | 18 |
| | *KEYBOARD/KEYCAP ASSEMBLY (New Design) (Added) | 70-17863-01 | 00006 | BCEF | 18 |
| 3 | *NUMERIC KEYPAD OPTION ASSEMBLY (Old Design) | LAX34-KL | | BCEF | 30 |
| | *NUMERIC KEYPAD OPTION ASSEMBLY (New Design) (added) | 70-16653-02 | 70-16653 00005 | BCEF | 30A |
| 4 | *Screw, Hex Hd Self-Tap No. 8 x 1/2 (deleted) | 90-10083-00 | | | |
| | *Screw, Hex Hd Self-Tap No. 6 x 1/2 (added) | 90-10097-01 | 00004 | | |
| 5 | *Cover, Plastic Snap | 12-15053-00 | | AD | |
| 6 | *Label, "Legend" | 36-15450-02 | | | |
| 7 | *Cover, Plastic Snap | 74-25601-00 | | | |
| 8 | *Label, "Tractor Feed" (added) | 36-18497-01 | 00005 | | |
| 9 | *Cable Assembly (added) | 17-00119-02 | 00005 | BCEF | |

✓

·
·

✓

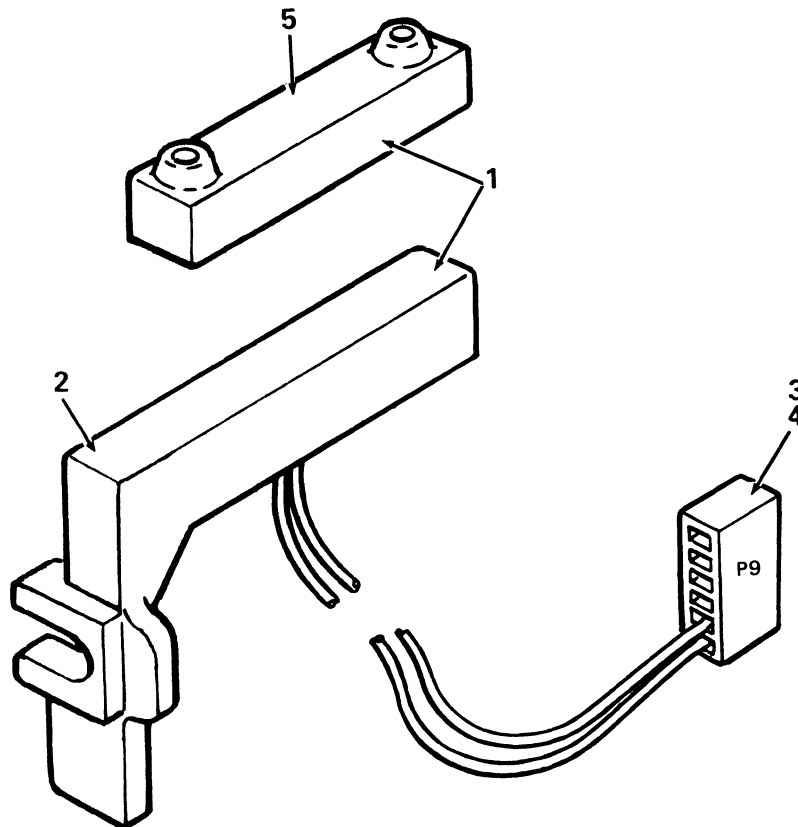
✓

✓

·
·

✓

| FIG. & ITEM NO. | DESCRIPTION | DEC PART NO. | ECO CUT-IN 70-17628 00001 | USED ON CODE | REF FIG NO. |
|---|---|--------------|---------------------------------|--------------|-------------|
| 17- | INTERLOCK SWITCH ASSEMBLY (15 in.) (Switch & Magnet) | 70-17628-00 | | A | |
| | INTERLOCK SWITCH ASSEMBLY (15 in.) (Switch w/o Magnet) | 70-17628-01 | | B | 7 |
| | INTERLOCK SWITCH ASSEMBLY (4-1/4 in.) (Switch & Magnet) (added) | 70-17628-03 | 00003 | C | 7 |
| | INTERLOCK SWITCH ASSEMBLY (Magnet only) | 70-17628-02 | | D | 9 |
| | INTERLOCK SWITCH ASSEMBLY (4-1/4 in.) (Switch w/o Magnet) (added) (See Note) | 70-17628-04 | 00003 | E | |
| 1 | *Switch and Magnet (15 in.) | 12-16687-00 | | A | |
| 2 | *Switch w/o Magnet (15 in.) | 12-16687-01 | | B | |
| 3 | *Connector, (P9) 6 Pin Housing | 12-15322-00 | | ABCE | |
| 4 | *Terminal, (P6) Pin Contact | 12-14979-01 | | | |
| 5 | *Magnet Only | 12-16687-02 | | D | |
| 6 | *Switch and Magnet (4-1/4 in.) | 12-16687-03 | | C | |
| 7 | *Switch w/o Magnet (4-1/4 in.) | 12-16687-04 | | E | |
| <p>Note: This Used on Code Applies to this Figure only.</p> | | | | | |



LA100-17

Figure 17. Interlock Switch Assembly

✓

·
·

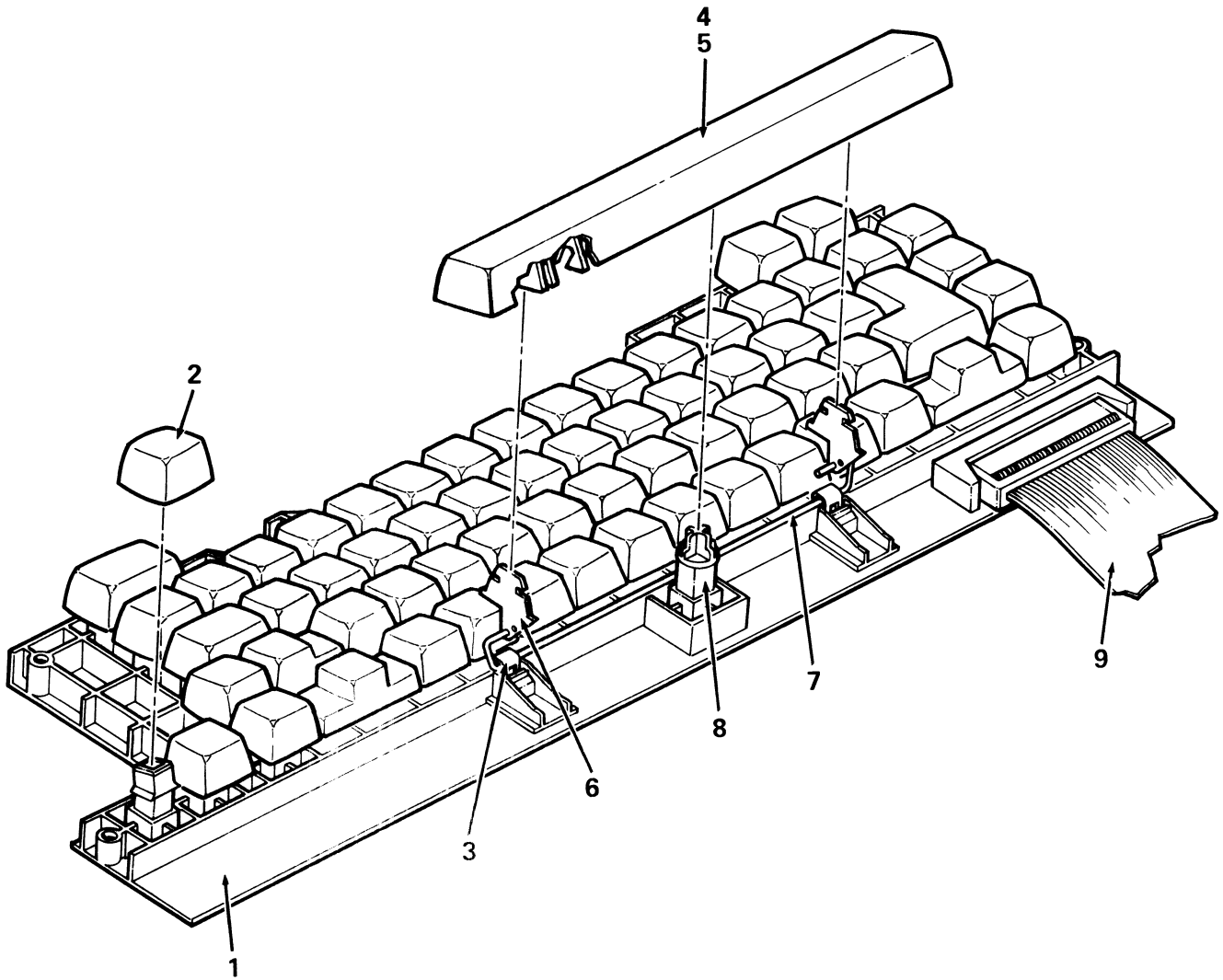
✓

✓

✓

·
·

✓

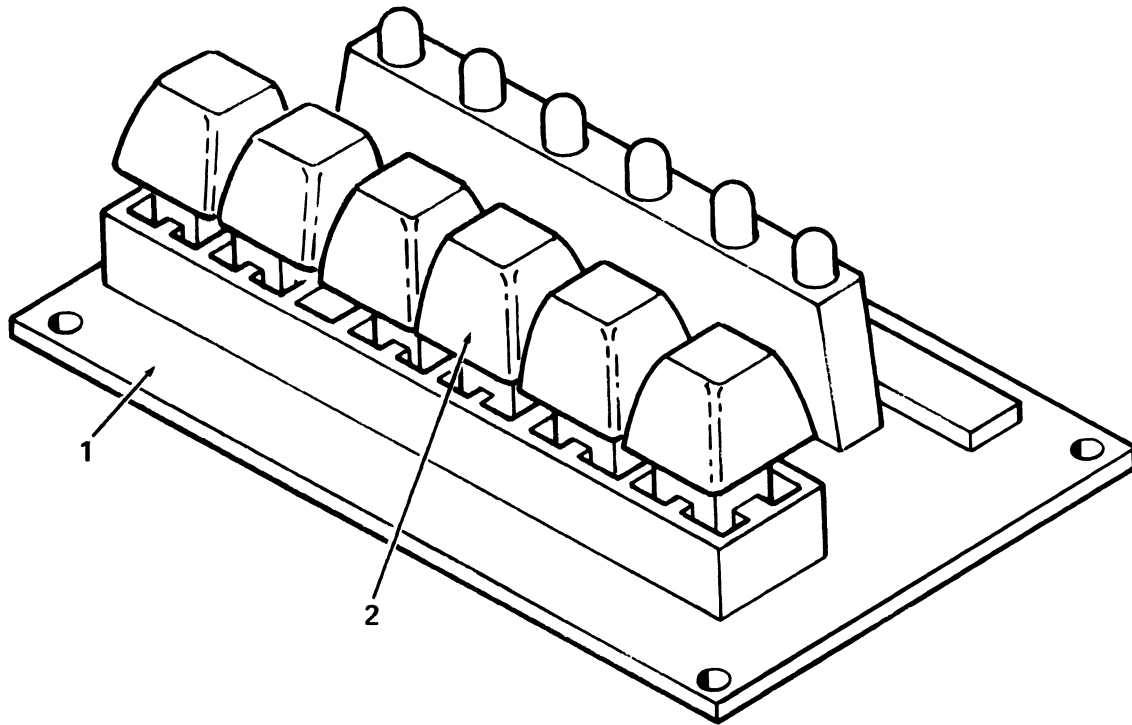


LA100-18

Figure 18. Keyboard/Keycap Assembly (KSR)

| FIG. & ITEM NO. | DESCRIPTION | DEC PART NO. | ECO CUT-IN 70-17863 00000 | USED ON CODE | REF FIG NO. |
|-----------------|--|--------------|---------------------------------|--------------|-------------|
| 18- | KEYBOARD/KEYCAP ASSEMBLY (KSR) (Old Design) | 70-17863-00 | | AD | 16 |
| | KEYBOARD/KEYCAP ASSEMBLY (New Design) (Added) | 70-17863-01 | 00006 | BCEF | 16 |
| 1 | *LA34/LA100 Keyboard Module Assembly (deleted) | 54-13284-00 | | | |
| | *Universal Keyboard Module (added) | 54-15341-00 | 70-16653 | | |
| | | | 00005 | | |
| 2 | *Keycap Set | 12-17800-65 | | | |
| 3 | *Clip, Space Bar Equalizer | 74-24160-00 | | | |
| 4 | *SPACE BAR ASSEMBLY | 70-15050-00 | | | |
| 5 | **Bar, Space | 12-11857-02 | | | |
| 6 | **Bracket, Space Bar | 74-20119-00 | | | |
| 7 | **Bar, Equalizer | 12-11858-00 | | | |
| 8 | **Adapter, Tilted | 12-11860-00 | | | |
| 9 | *Keyboard Cable Assembly | 70-15741-0K | | | |

| FIG. & ITEM NO. | DESCRIPTION | DEC PART NO. | ECO CUT-IN 70-17886 0000 | USED ON CODE | REF FIG NO. |
|-----------------|-------------------------------|--------------|--------------------------------|--------------|-------------|
| 19- | KEYBOARD/KEYCAP ASSEMBLY (RO) | 70-17886-01 | | | 15 |
| 1 | *Keyboard Module Assembly | 54-14266-00 | | | |
| 2 | *Keycap Set | 12-17800-64 | | | |



LA100-19

Figure 19. Keyboard/Keycap Assembly (RO)

✓

✓

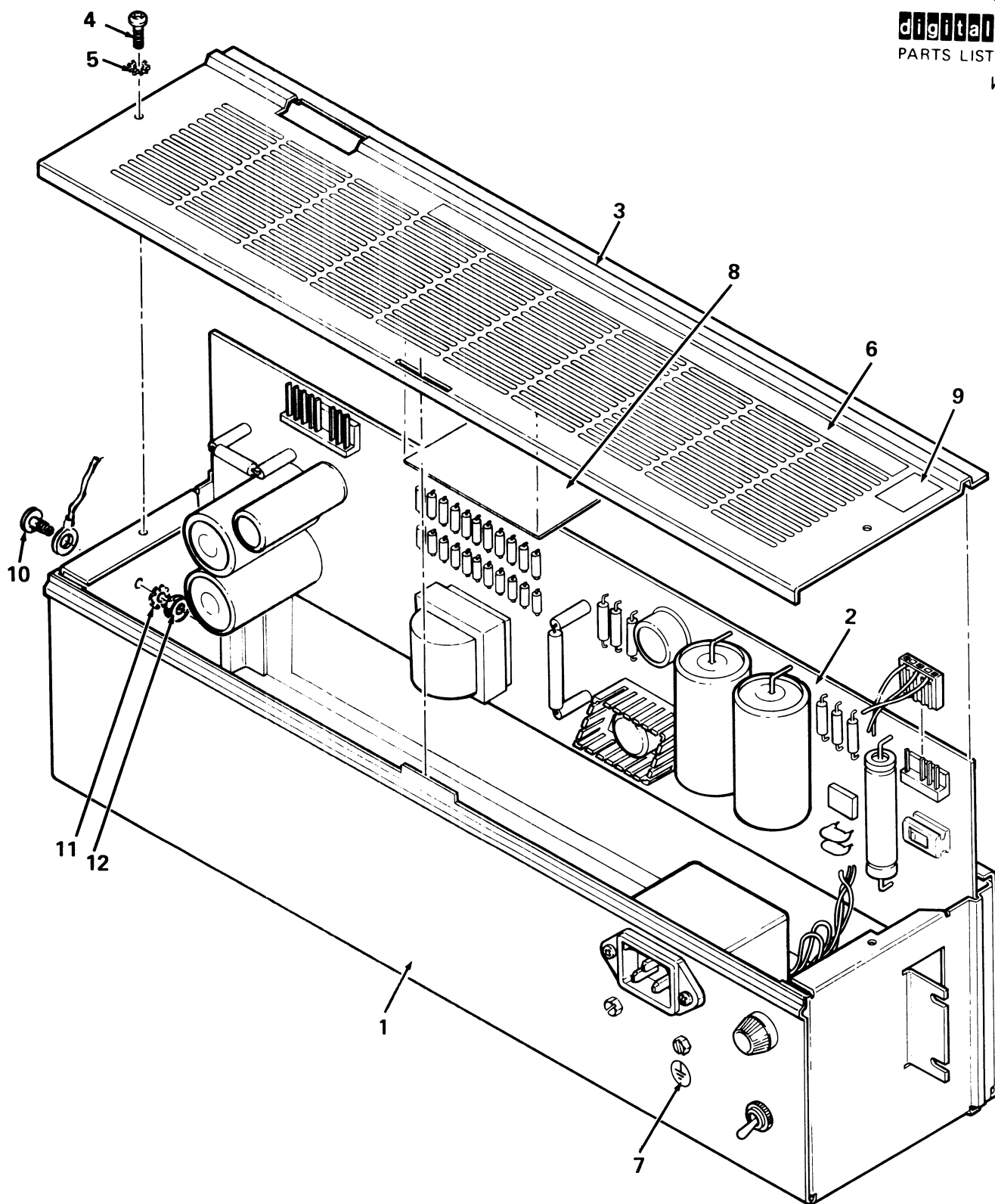
✓

✓

✓

✓

✓

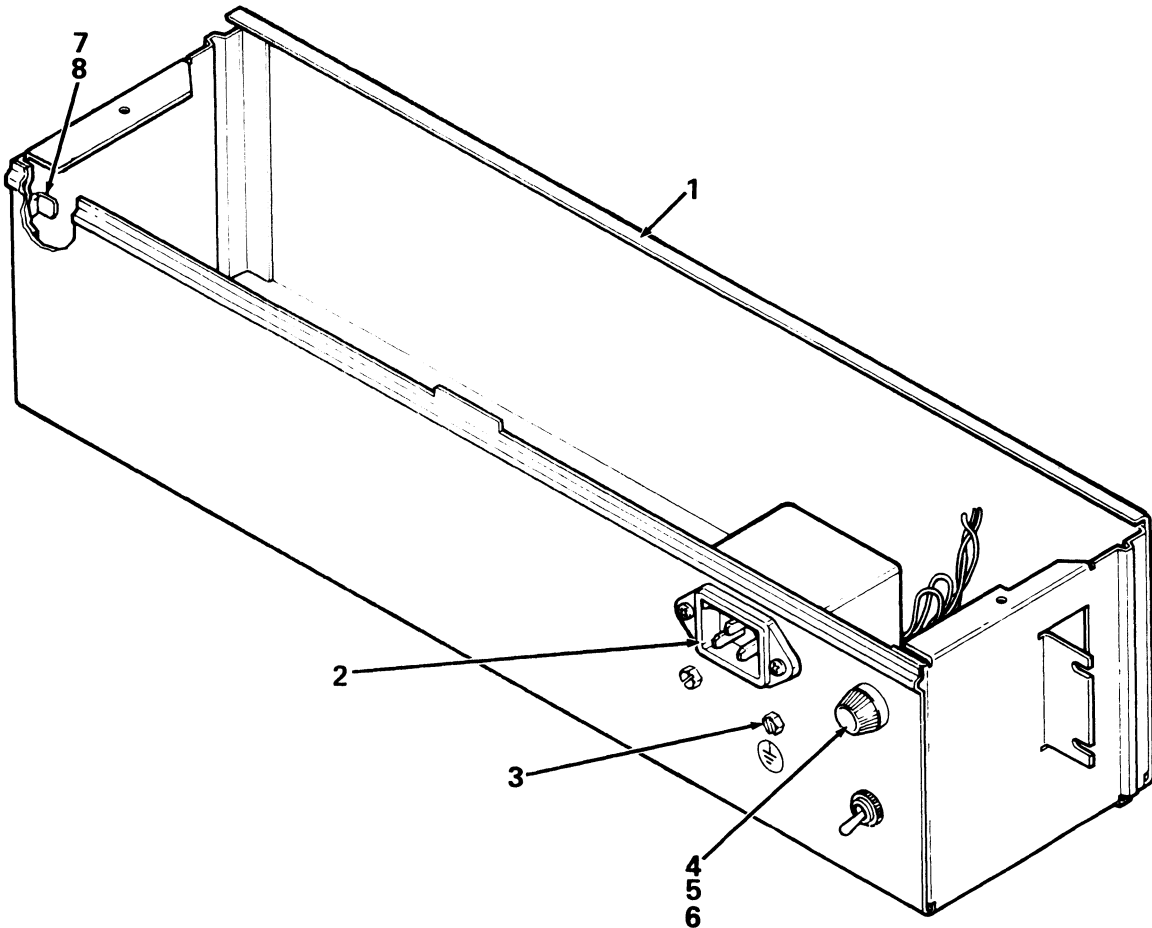


LA100-20

Figure 20. H7837 Power Supply

| FIG. & ITEM NO. | DESCRIPTION | DEC PART NO. | ECO CUT-IN H7837 00003 | USED ON CODE | REF FIG NO. |
|-----------------|--|--------------|------------------------|--------------|-------------|
| 20- | H7837 POWER SUPPLY | H7837-00 | | A-M | 5 |
| | H7837 POWER SUPPLY (deleted) | H7837-01 | | N | 5 |
| | H7837 POWER SUPPLY (added) | H7837-AA | 00005 | N | 5 |
| 1 | *CHASSIS ASSEMBLY | 70-17877-00 | | A-M | 21 |
| | *CHASSIS ASSEMBLY | 70-17877-01 | | N | 21 |
| 2 | *LA100 Power Supply Module | 54-14243-00 | | A-M | |
| | *LA100 Power Supply Module (added) | 54-14243-01 | 00006 | N | |
| 3 | *Cover | 74-20755-00 | | | |
| 4 | *Screw, Phi Pan Hd No. 8-32 x 3/8 | 90-06418-01 | | | |
| 5 | *Washer, External Tooth Lock No. 8 | 90-08151-00 | | | |
| 6 | *Label, "DANGER HIGH VOLTAGE" | 36-18294-01 | | | |
| 7 | *Label, "Ground" | 36-12680-02 | | | |
| 8 | *Label, "Voltage Setting" | 36-16157-00 | | | |
| 9 | *Label, Insulator (11-1/2 x 3-1/4) | 36-17973-01 | | | |
| | *Label, Insulator (2-1/4 x 3-1/4) | 36-17973-02 | | | |
| 10 | *Screw, Sems Hex Hd No. 8-32 x 3/8 (added) | 90-09988-08 | 00007 | | |
| 11 | *Washer, External Tooth Lock No. 8 (added) | 90-08072-00 | 00007 | | |
| 12 | *Nut, Hex Hd No. 8-32 (added) | 90-06563-00 | 00007 | | |

| FIG. & ITEM NO. | DESCRIPTION | DEC PART NO. | ECO CUT-IN 70-17877 00000 | USED ON CODE | REF FIG NO. |
|-----------------|---|--------------|---------------------------------|--------------|-------------|
| 21- | CHASSIS ASSEMBLY (See Note) | 70-17877-00 | | A | 20 |
| | CHASSIS ASSEMBLY (See Note) | 70-17877-01 | | B | 20 |
| 1 | *Weldment, Chassis | 70-16045-00 | | | |
| 2 | *LINE FILTER ASSEMBLY | 70-17878-00 | | A | 27 |
| | *LINE FILTER ASSEMBLY (added) | 70-17878-01 | 00004 | B | 27 |
| 3 | *Screw, Sems Slotted Hd No. 6-32 x 3/8 | 90-09967-00 | | | |
| 4 | *Fuse Holder 20A, 300V (deleted) | 12-12893-00 | | | |
| | *Fuse Holder 12A, 250V (added) | 12-16391-01 | 00003 | | |
| 5 | *Regular Blow Fuse, 4A, 250V | 90-07219-02 | | | |
| 6 | *Washer, Internal Tooth Lock | 90-08292-00 | | | |
| 7 | *Terminal, Tab (deleted) | 90-08219-00 | 00004 | | |
| 8 | *Rivet, (deleted) | 90-09000-00 | 00004 | | |
| | Label (Not Shown) | | | | |
| | *Label, "H7835, 4A 250V" | 36-16721-00 | | | |
| | NOTE: The Used On Code Applies to this Figure Only. | | | | |



LA100-21

Figure 21. Chassis Assembly

✓

.

.

✓

✓

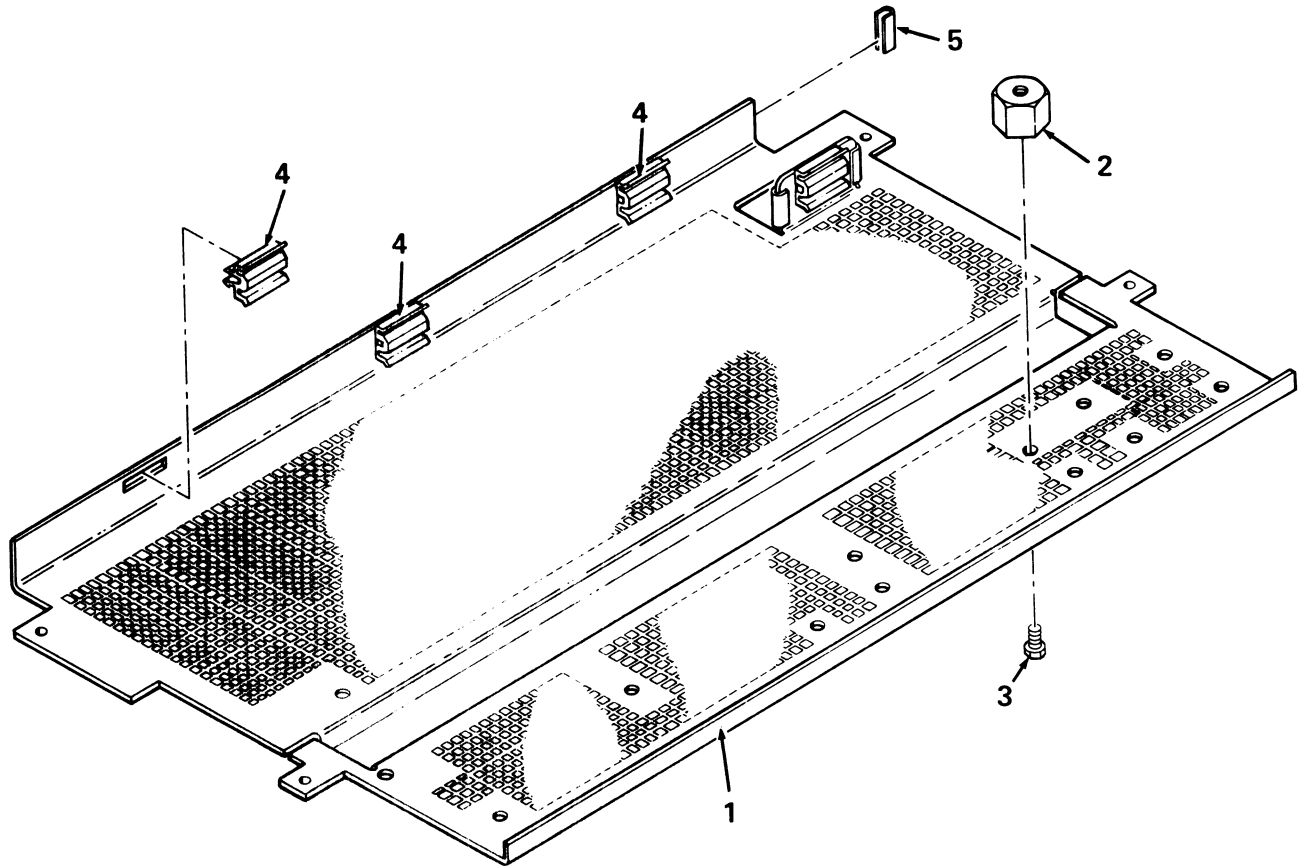
✓

.

.

✓

| FIG. & ITEM NO. | DESCRIPTION | DEC PART NO. | ECO CUT-IN 70-18946 00000 | USED ON CODE | REF FIG NO. |
|-----------------|---------------------------------------|--------------|---------------------------------|--------------|-------------|
| 22- | BOTTOM PLATE ASSEMBLY | 70-18946-00 | | | 5 |
| 1 | *Bottom | 74-25123-00 | | | |
| 2 | *Standoff | 74-23971-00 | | | |
| 3 | *Screw, Slotted Hex Hd No. 6-32 x 3/8 | 90-06453-00 | | | |
| 4 | *Support, Dual P.C. Card | 12-15395-00 | | | |
| 5 | *Grommet (deleted) | 90-09718-03 | 00002 | | |
| | *Grommet (added) | 90-09718-03 | 00003 | | |



LA100-22

Figure 22. Bottom Plate Assembly

✓

.

.

✓

✓

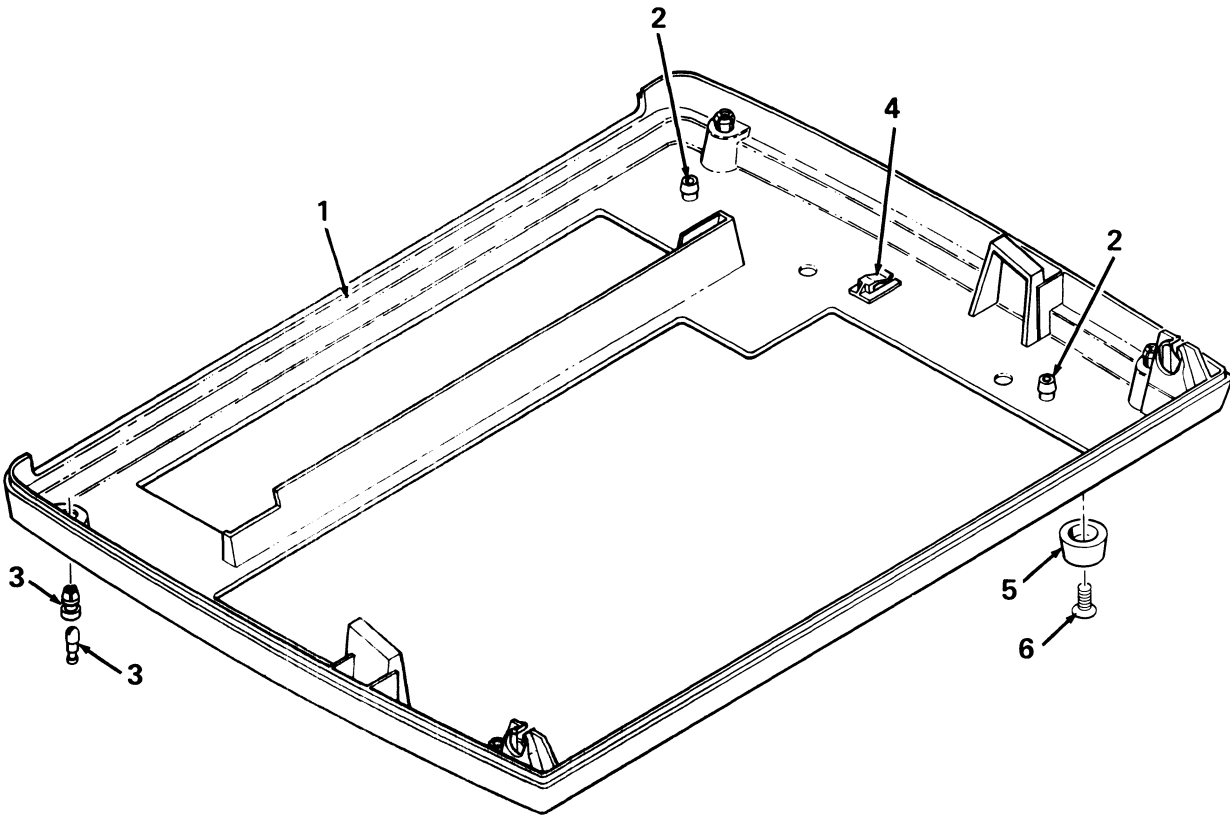
✓

.

.

✓

| FIG. & ITEM NO. | DESCRIPTION | DEC PART NO. | ECO CUT-IN 70-18948 00000 | USED ON CODE | REF FIG NO. |
|-----------------|-------------------------------------|--------------|---------------------------------|--------------|-------------|
| 23- | BASE HOUSING ASSEMBLY | 70-18948-00 | | | 3,4 |
| 1 | *Base, Housing | 12-15296-01 | | | |
| 2 | *Grommet, W/Recessed Head | 12-17630-00 | | | |
| 3 | *Plunger W/Tamper Proof Head | 12-17631-00 | | | |
| 4 | *Cable Clamp | 90-10016-00 | | | |
| 5 | *Bumper, Rubber | 12-16470-00 | | | |
| 6 | *Screw, Phi Pan Hd No. 1/4-20 X 1/2 | 90-06056-02 | | | |



LA100-23

Figure 23. Base Housing Assembly

✓

·
·

✓

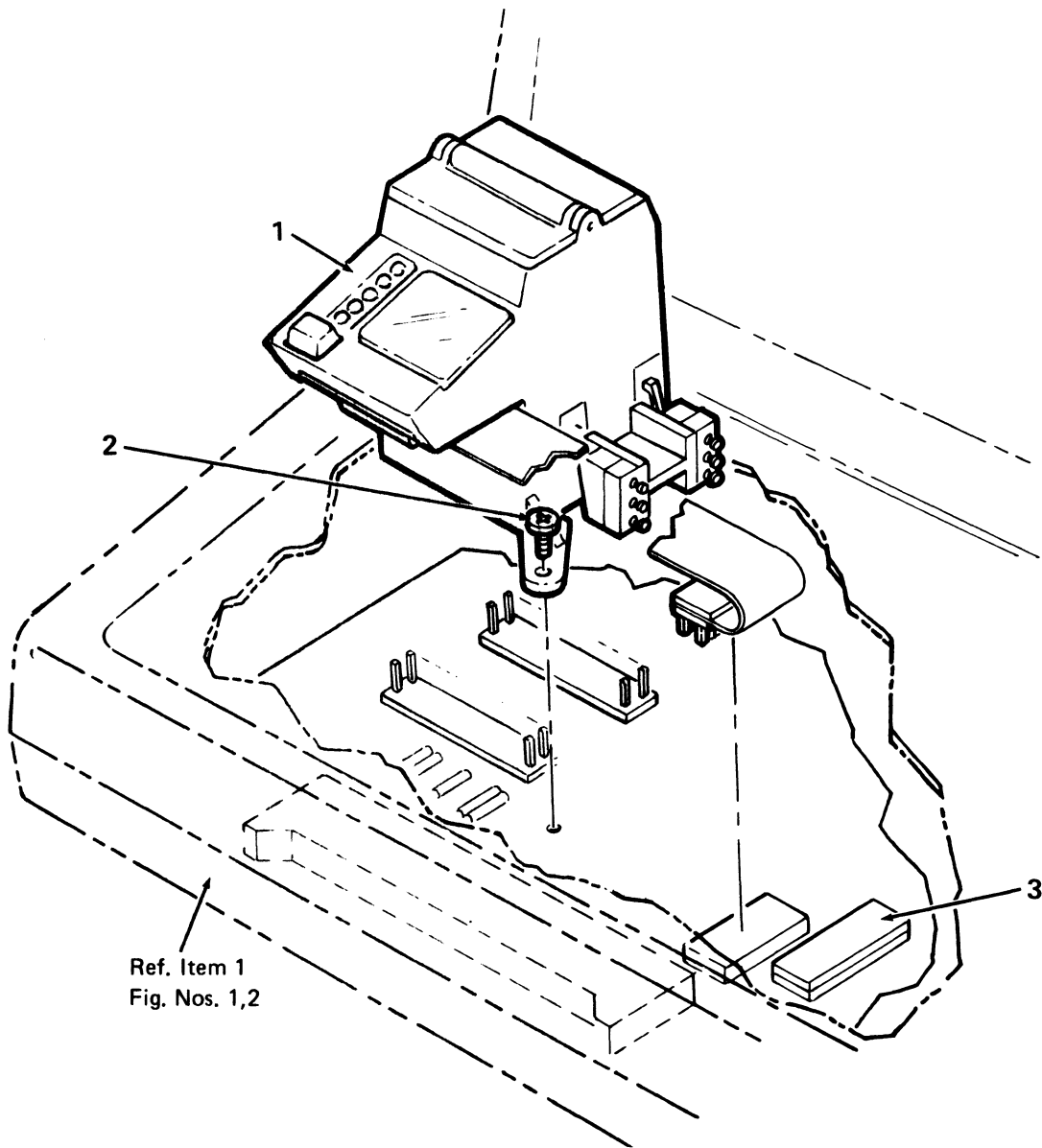
✓

✓

·
·

✓

| FIG. & ITEM NO. | DESCRIPTION | DEC PART NO. | ECO CUT-IN LA10X-FL 00000 | USED ON CODE | REF FIG NO. |
|-----------------|-----------------------------------|--------------|---------------------------|--------------|-------------|
| 24- | MULTIPLE FONT OPTION | LA10X-FL | | CFJM | 1,2 |
| 1 | *GUIDE/PANEL ASSEMBLY | 70-17463-00 | | | 37 |
| 2 | *Screw, Phi Pan Hd No. 4-40 x 1/2 | 90-06010-01 | | | |
| 3 | *Rom, Buffer Gate Octal | 19-14213-00 | | | |



LA100-24

Figure 24. Multi Font Option

✓

·
·

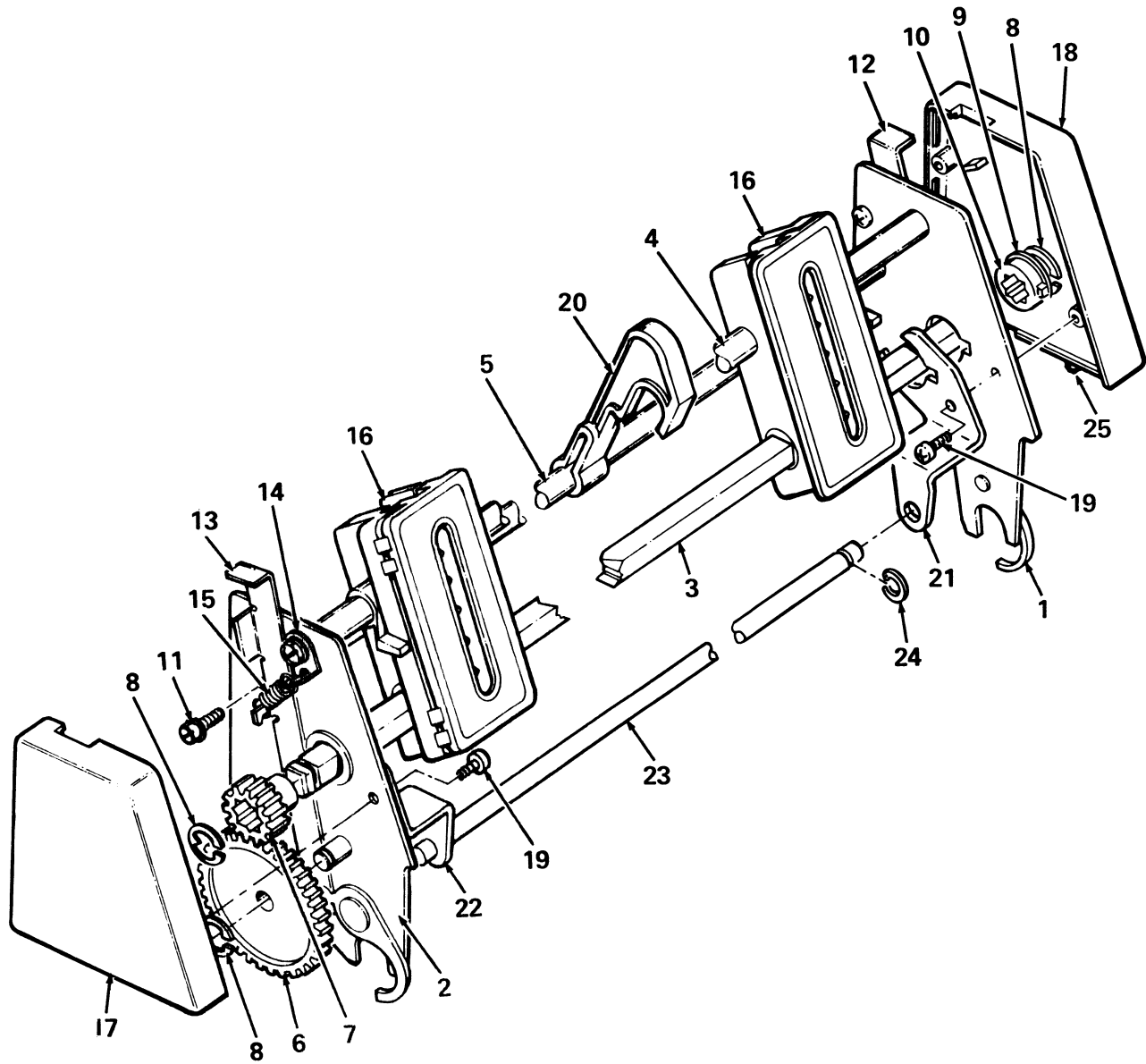
✓

✓

✓

·
·

✓

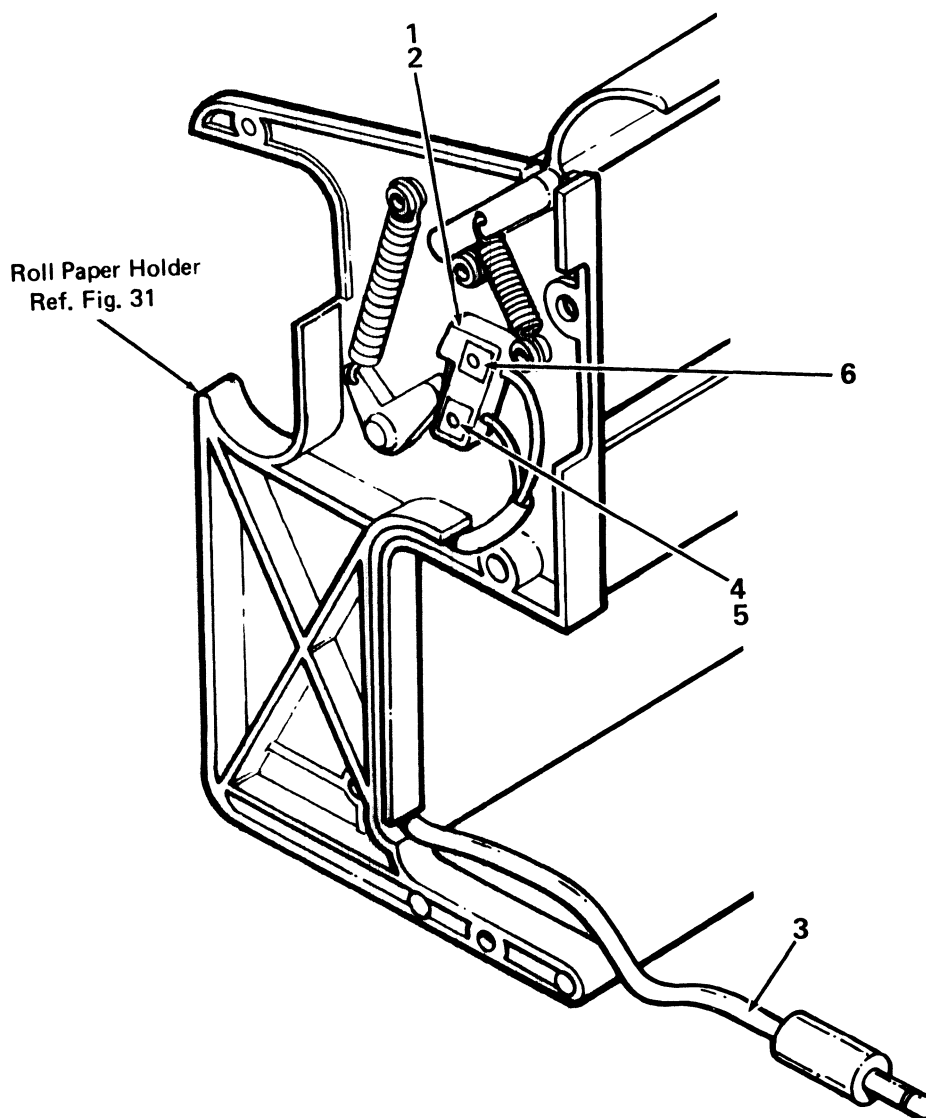


LA100-25

Figure 25. Tractor Option Assembly

| FIG. & ITEM NO. | DESCRIPTION | DEC PART NO. | H ECO CUT-IN 70-16260 00004 | USED ON CODE | REF FIG NO. |
|-----------------|--|--------------|--------------------------------------|---------------|-------------|
| 25- | TRACTOR OPTION ASSEMBLY | 70-16260-00 | | BCEF HJLMN | 2 |
| 1 | *Side Plate Assembly (R.H.) | 70-16650-00 | | | |
| 2 | *Side Plate Assembly (L.H.) | 70-16253-00 | | | |
| 3 | *Shaft, Tractor Guide | 74-21665-00 | | | |
| 4 | *Shaft, Tractor Support | 74-21666-00 | | | |
| 5 | *Shaft, Round | 74-22555-00 | | | |
| 6 | *Drive Gear Tractor Assembly | 12-16194-00 | | | |
| 7 | *Gear, Tractor Idler | 12-16193-00 | | | |
| 8 | *Retaining Ring | 90-09644-00 | | | |
| 9 | *Tractor, Support | 12-16021-00 | | | |
| 10 | *Tractor Bushing Assembly | 12-16192-00 | | | |
| 11 | *Screw, Slotted Hd Hex No. 6-32 x 5/16 | 90-09967-00 | | | |
| 12 | *Push Rod, Latch (R.H.) | 74-21622-00 | | | |
| 13 | *Push Rod, Latch (L.H.) | 74-21622-01 | | | |
| 14 | *Clip, Spring | 74-21664-00 | | | |
| 15 | *Spring, Extension | 90-09279-01 | | | |
| 16 | *Tractor (1 Pair) | 12-18685-02 | | | |
| 17 | *Cap, Tractor (L.H.) | 12-16022-00 | | | |
| 18 | *Cap, Tractor (R.H.) | 12-16023-00 | | | |
| 19 | *Screw, Phl Pan Hd No. 6-32 x 3/8 | 90-09800-12 | | | |
| 20 | *Support, Tractor Paper | 74-22870-00 | | | |
| 21 | *Support, Smudge Bar (R.H.) (deleted) | 74-26661-01 | 00006 | | |
| 22 | *Support, Smudge Bar (L.H.) (deleted) | 74-26661-02 | 00006 | | |
| 23 | *Bar, Smudge (deleted) | 74-26662-01 | 00006 | | |
| 24 | *Retaining Ring (deleted) | 90-09717-00 | 00006 | | |
| 25 | *Bumper, Rubber (deleted) | 90-10076-00 | 00007 | | |

| FIG. & ITEM NO. | DESCRIPTION | DEC PART NO. | ECO CUT-IN LAX34 00005 | USED ON CODE | REF FIG NO. |
|--|--|--------------|------------------------|--------------|-------------|
| 26- | PAPER LOW OPTION SWITCH | LAX34-LL | | | 1 |
| 1 | *MICRO SWITCH/CABLE ASSEMBLY | 74-23320-00 | | | |
| 2 | **Switch, Micro | 12-15783-00 | | | |
| 3 | **Cable | 12-15667-00 | | | |
| 4 | *Cable Receptacle (See Note) (deleted) | 70-16279-00 | | | |
| 4 | *Cable Receptacle (See Note) (added) | 70-16279-2A | 00024 | | |
| 5 | *Screw, Phl Flat Hd No. 2-56 x 1/2 | 90-09230-02 | | | |
| 6 | *Nut, Speed | 90-10069-00 | | | |
| Note: This Part is Factory Installed For the LA100 | | | | | |



LA34-22

Figure 26. Paper Low Option Switch

✓

·
·

✓

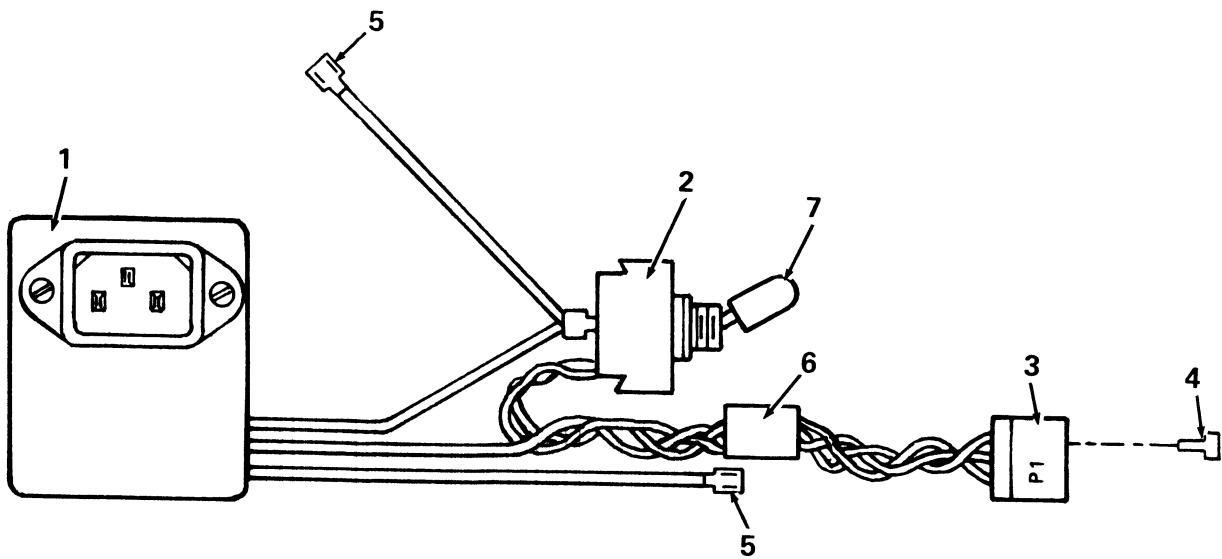
✓

✓

·
·

✓

| FIG. & ITEM NO. | DESCRIPTION | DEC PART NO. | ECO CUT-IN 70-17878 00001 | USED ON CODE | REF FIG NO. |
|-----------------|-----------------------------------|--------------|---------------------------------|--------------|-------------|
| 27- | LINE FILTER ASSEMBLY | 70-17878-00 | | A | 21 |
| | LINE FILTER ASSEMBLY (added) | 70-17878-01 | 70-17877 00004 | B | 21 |
| 1 | *Filter, EMI/RFI 115/250V | 12-18413-00 | | | |
| 2 | *Switch, Toggle | 12-17632-01 | | A | |
| | *Switch, Toggle | 12-18785-00 | | B | |
| 3 | *Connector, (P1) 5 Pin Mate-N-Lok | 12-15306-01 | | | |
| 4 | *Terminal, (P1) Socket Contact | 12-15588-00 | | | |
| 5 | *Terminal, Quick Disconnect | 12-17000-00 | | A | |
| | *Terminal, Quick Disconnect | 12-17000-09 | | B | |
| 6 | *Label, "ID" | 36-16073-00 | | | |
| 7 | *Cover, Toggle Switch Lever | 12-19005-00 | | B | |



LA100-27

Figure 27. Line Filter Assembly

1

.

.

2

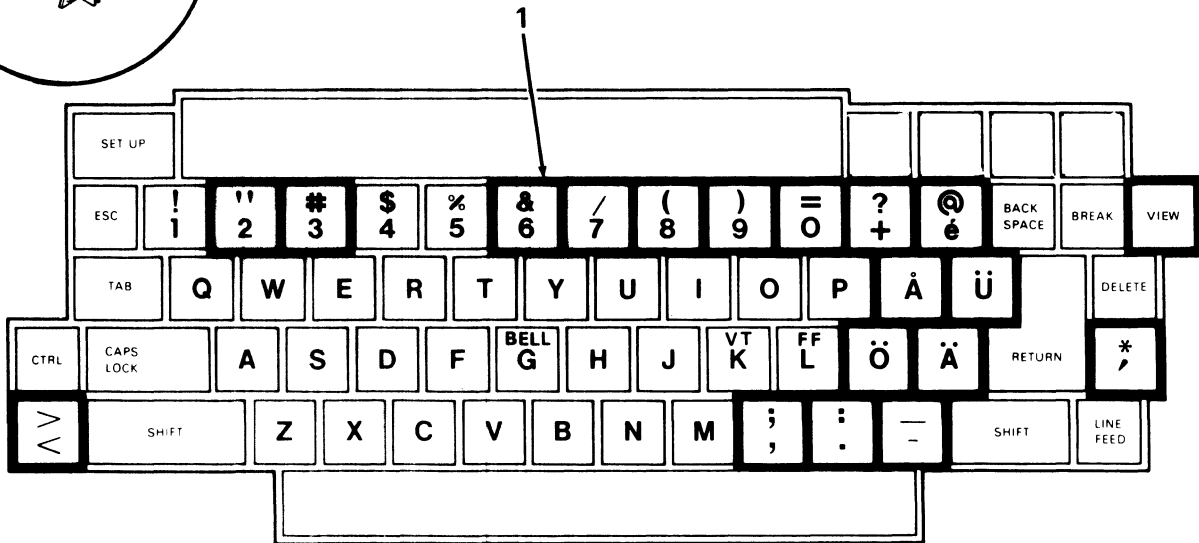
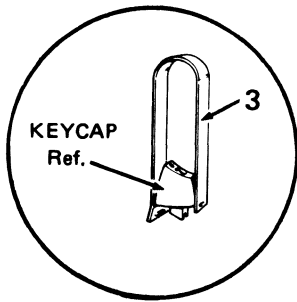
3

4

.

.

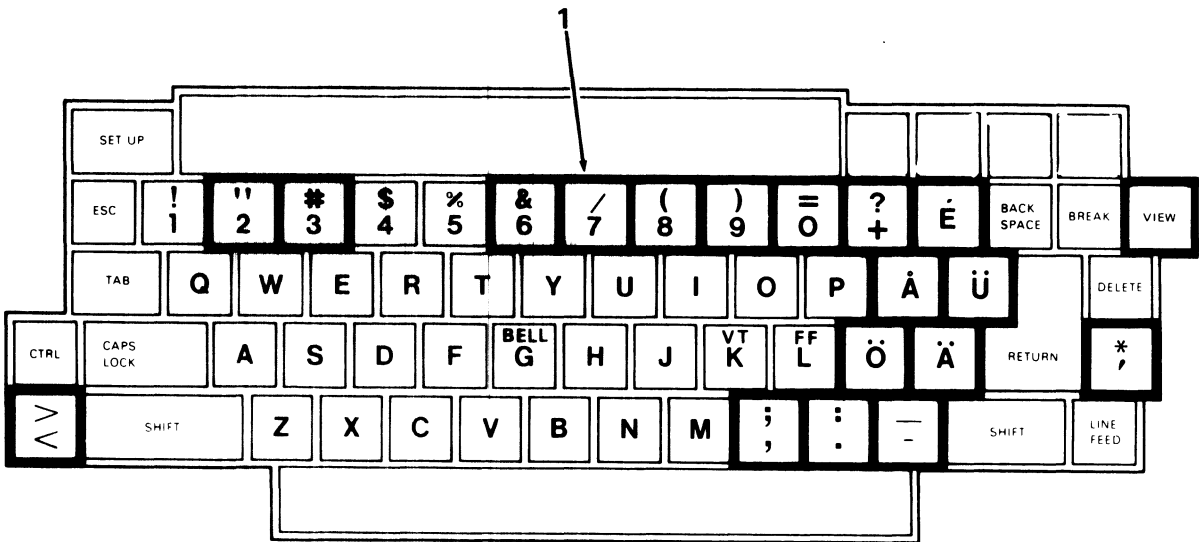
5



DENOTES KEYCAPS WHICH MUST BE REPLACED FOR THIS EUROPEAN LANGUAGE

FINLAND

LA34-28

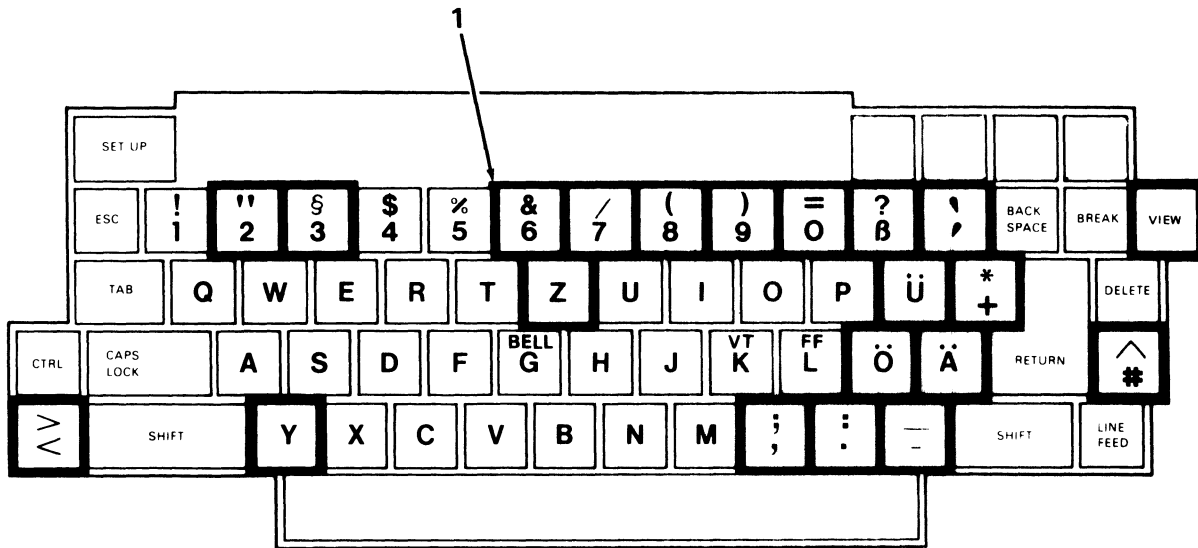


DENOTES KEYCAPS WHICH MUST BE REPLACED FOR THIS EUROPEAN LANGUAGE.

SWEDEN

LA34-28A

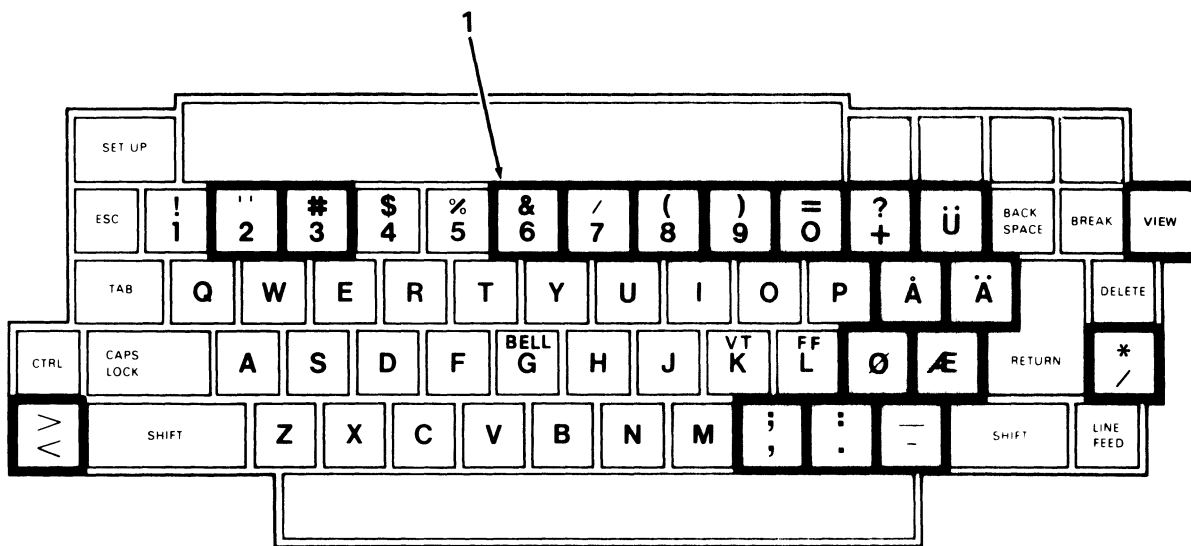
Figure 28. International Character Keycap Option (Sheet 1 of 3)



GERMANY

DENOTES KEYCAPS WHICH MUST BE REPLACED FOR THIS EUROPEAN LANGUAGE.

LA34-28B

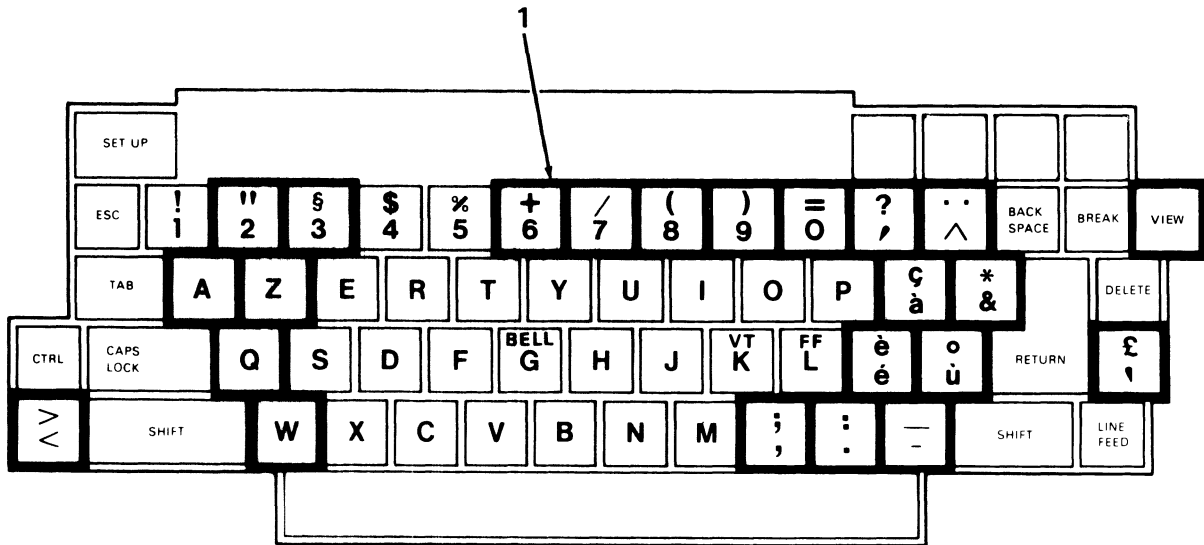


NORWAY/DENMARK

DENOTES KEYCAPS WHICH MUST BE REPLACED FOR THIS EUROPEAN LANGUAGE.

LA34-28C

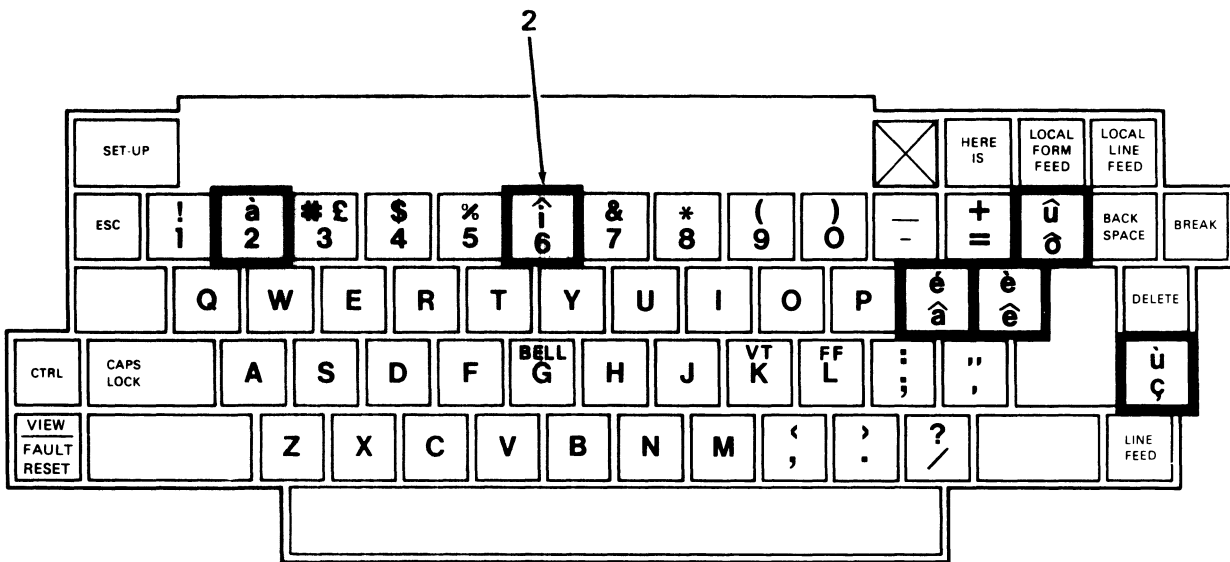
Figure 28. International Character Keycap Option (Sheet 2 of 3)



□ DENOTES KEYCAPS WHICH MUST BE REPLACED FOR THIS EUROPEAN LANGUAGE

FRANCE

LA34-28D



□ DENOTES KEYCAPS WHICH MUST BE REPLACED FOR THIS LANGUAGE.

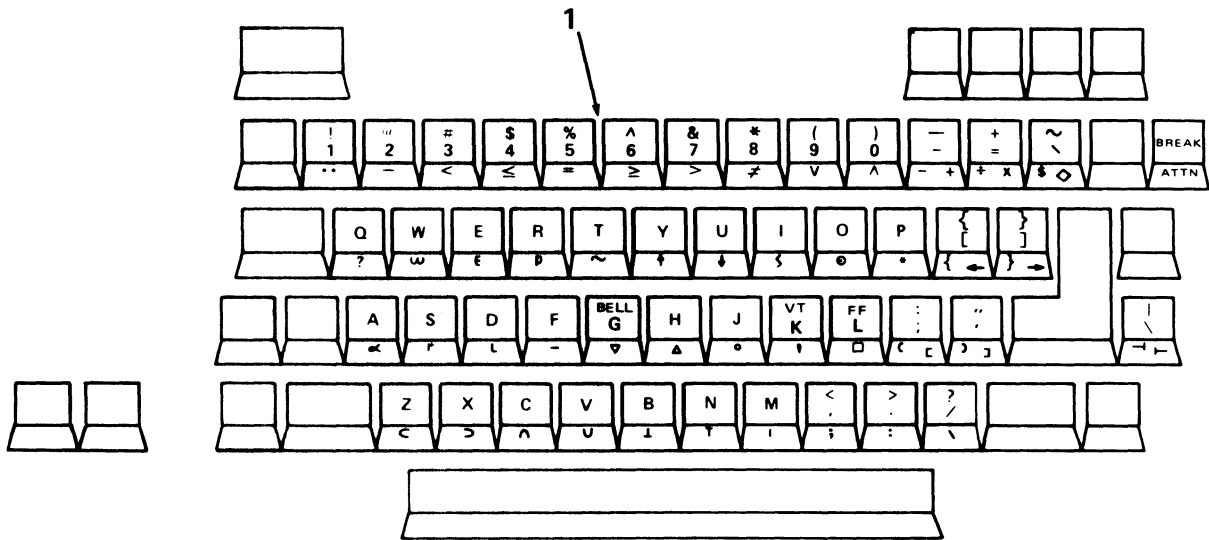
FRENCH/CANADIAN

LA34-28E

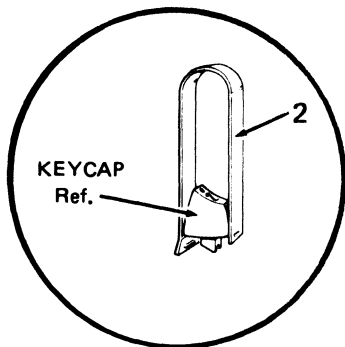
Figure 28. International Character Keycap Option (Sheet 3 of 3)

| FIG. & ITEM NO. | DESCRIPTION | DEC PART NO. | ECO CUT-IN LAX34-JL 00000 | USED ON CODE | REF FIG NO. |
|-----------------|--|--------------|---------------------------|--------------|-------------|
| 28- | <p>INTERNATIONAL CHARACTER KEYCAP OPTION (See Note)</p> <p>1 *Keycap Set (Finland, Sweden, Norway/Denmark Germany, France)</p> <p>2 *Keycap Set (French/Canadian)</p> <p>3 *Puller, Keycap</p> <p>NOTE: This Option permits the Operator to use the Keyboard in Seven Languages as well as in the standard USASCII Language.</p> | LAX34-JL | | DEF KLM | 1,2 |

| FIG. & ITEM NO. | DESCRIPTION | DEC PART NO. | ECO CUT-IN LAX34-HL 00000 | USED ON CODE | REF FIG NO. |
|-----------------|-----------------------------------|--------------|---------------------------|--------------|-------------|
| 29- | LA100 APL CHARACTER KEYCAP OPTION | LAX34-HL | | DE | 1 |
| 1 | *Keycap Set | 12-14333-U2 | | | |
| 2 | *Puller, Keycap | 74-16355-00 | | | |



NOTE:
KEYCAPS WITH ILLUSTRATED LEGENDS INDICATE REPLACEMENT LOCATIONS.



LA34-29

Figure 29. LA100 APL Character Keycap Option

✓

·
·

✓

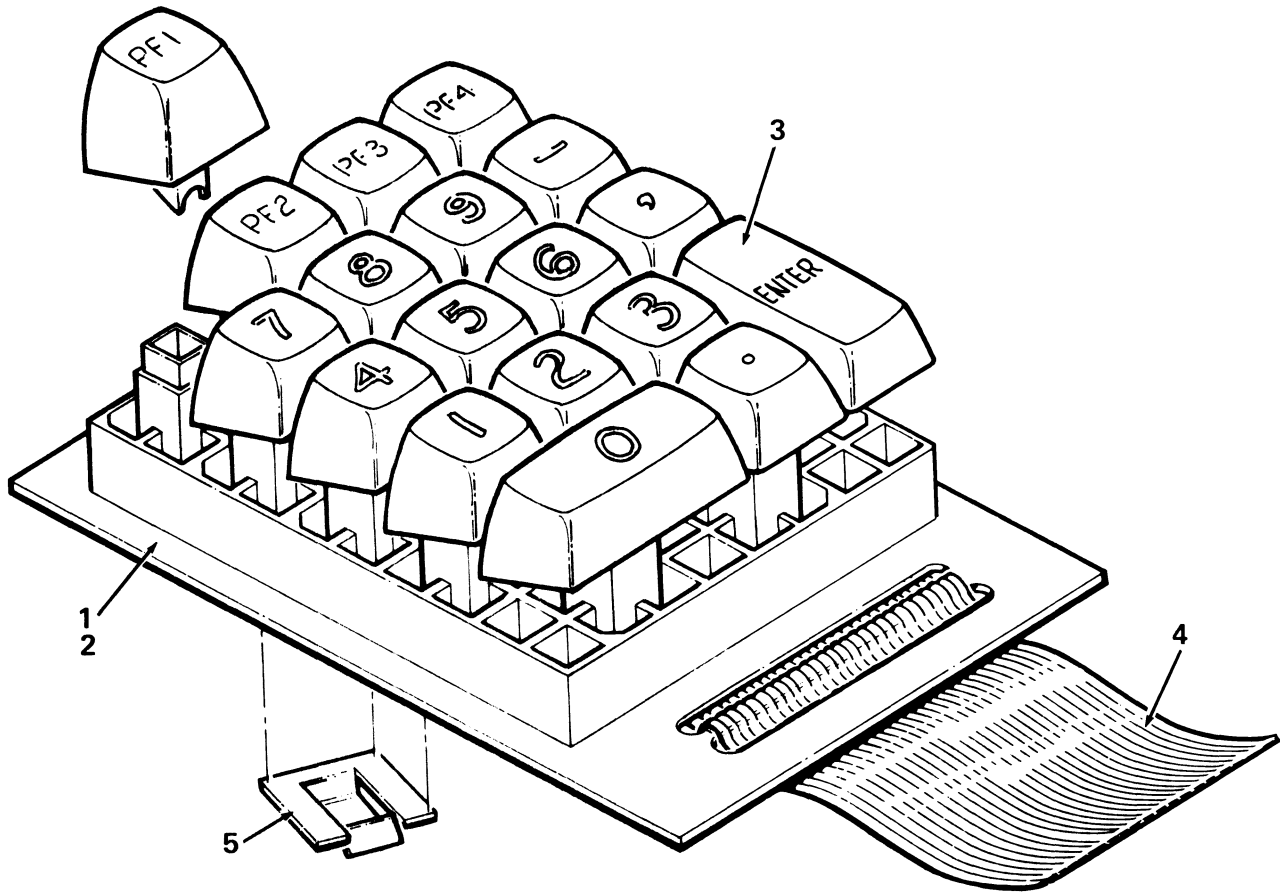
✓

✓

·
·

✓

| FIG. & ITEM NO. | DESCRIPTION | DEC PART NO. | ECO CUT-IN LAX34-KL 00014 | USED ON CODE | REF FIG NO. |
|-----------------|--|--------------|---------------------------|--------------|-------------|
| 30- | NUMERIC KEYPAD OPTION ASSEMBLY (Old Design) (See Figure 30A For New Design) | LAX34-KL | | BCEF | 1, 16 |
| 1 | *Numeric Keypad Assembly | 70-16653-00 | | | |
| 2 | **Numeric Keypad | 54-13646-00 | | | |
| 3 | **Keycap Set | 12-14333-91 | | | |
| 4 | **Cable Assembly | 70-16561-00 | | | |
| 5 | *Cable Clamp | 90-10016-00 | | | |



OLD DESIGN

LA100-30

Figure 30. Numeric Keypad Option Assembly

1

2

3

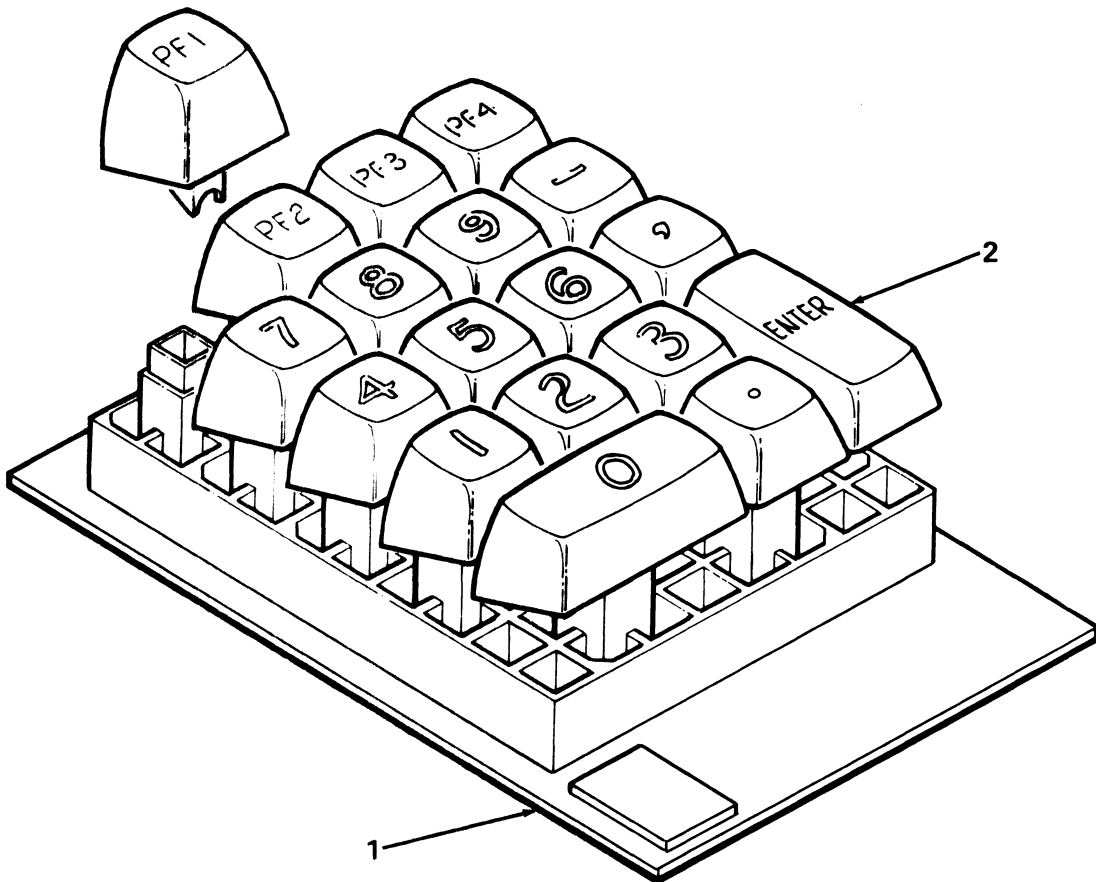
4

5

6

7

| FIG. & ITEM NO. | DESCRIPTION | DEC PART NO. | ECO CUT-IN 70-16653 00000 | USED ON CODE | REF FIG NO. |
|-----------------|---|--------------|---------------------------------|--------------|-------------|
| 30A- | NUMERIC KEYPAD OPTION ASSEMBLY (New Design) | 70-16653-02 | | BCEF | 16 |
| 1 | *Universal Numeric Keypad | 54-15339-00 | | | |
| 2 | *Keycap Set | 12-14333-91 | | | |



NEW DESIGN

LA100-30A

Figure 30A. Numeric Keypad Option Assembly

✓

✓

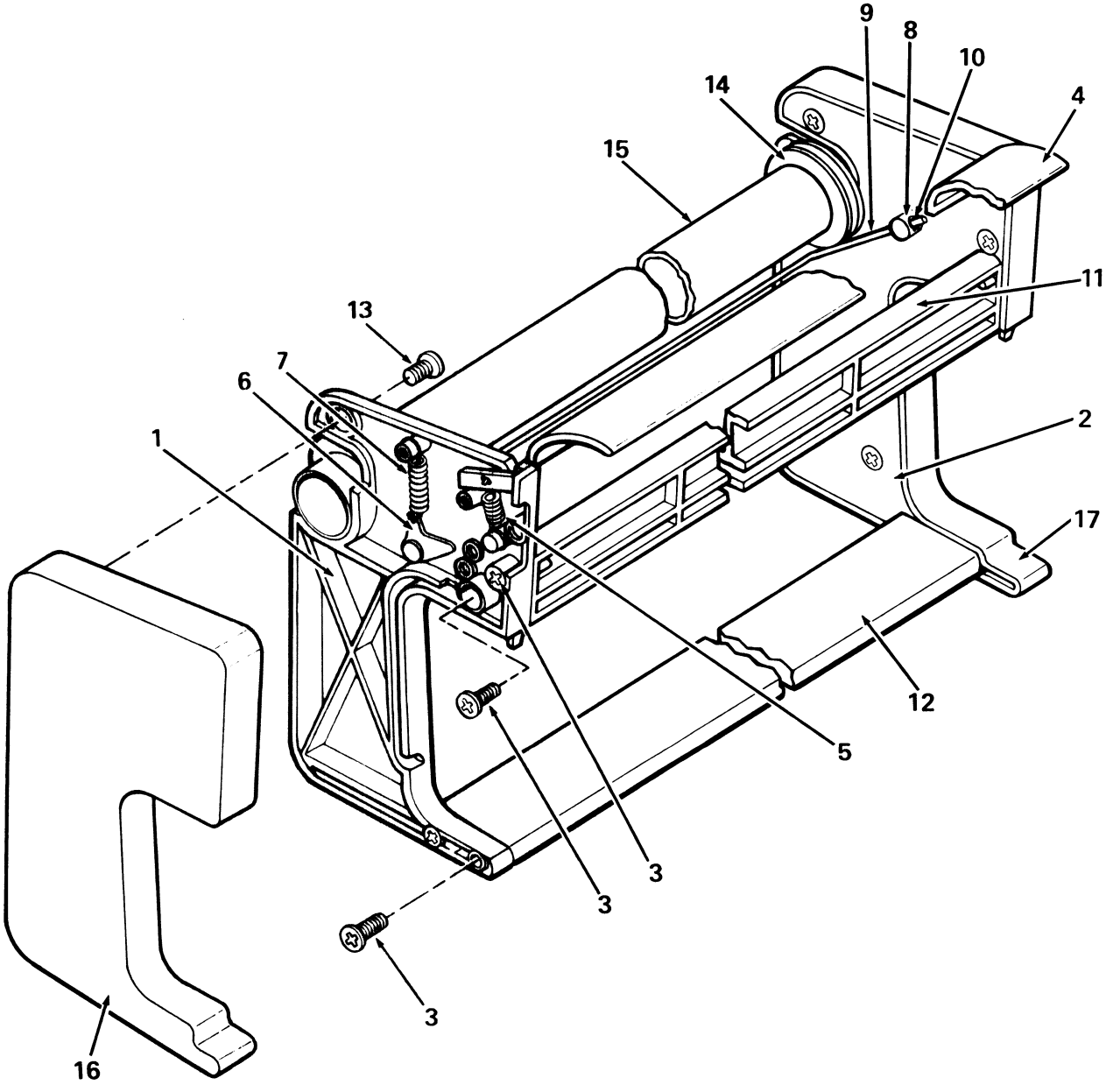
✓

✓

✓

✓

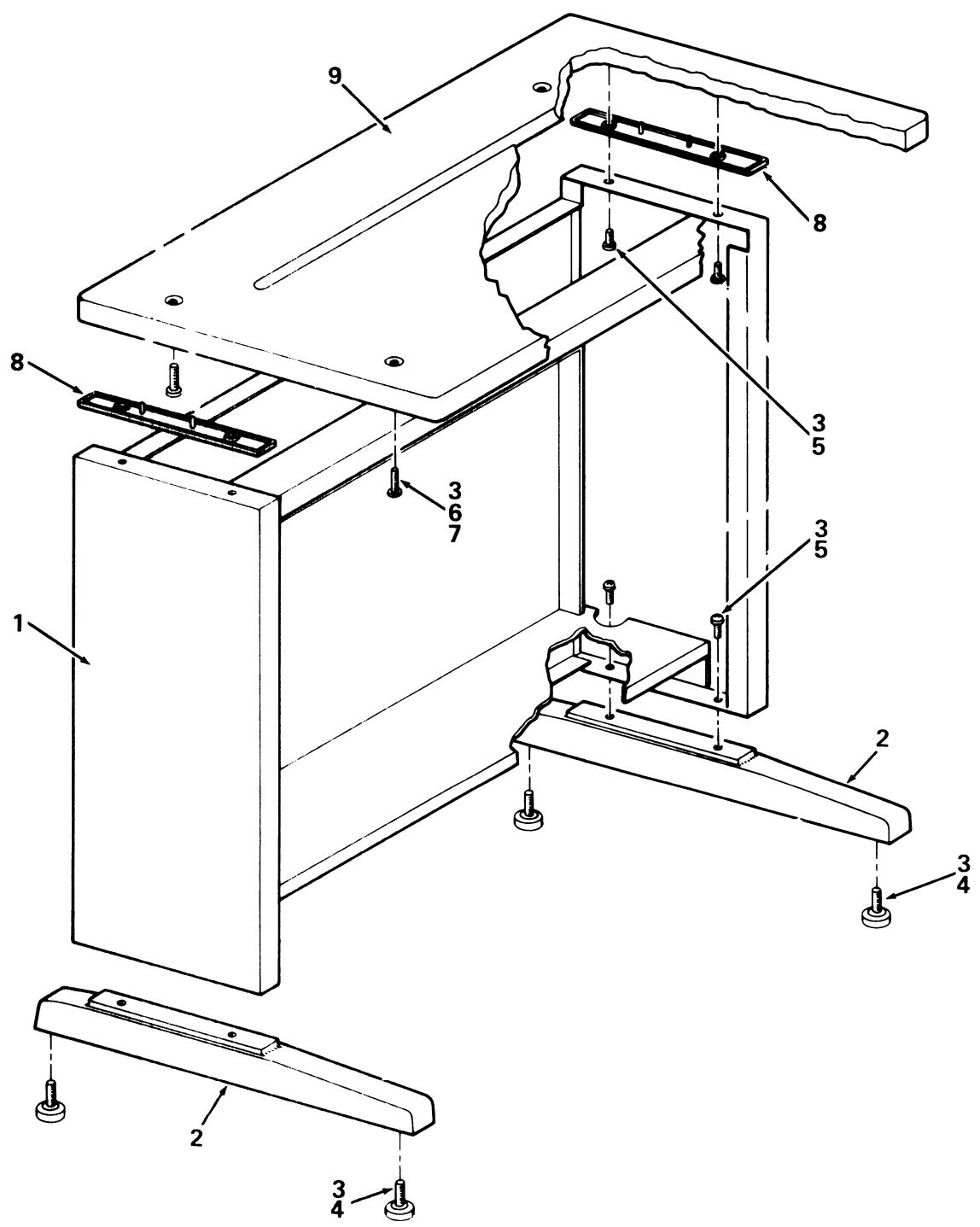
✓



LA34-23

Figure 31. Roll Paper Holder Option Assembly

| FIG. & ITEM NO. | DESCRIPTION | DEC PART NO. ^B | ECO CUT-IN 70-15728 00001 | USED ON CODE | REF FIG NO. |
|-----------------|-------------------------------------|---------------------------|---------------------------------|--------------|-------------|
| 31- | ROLL PAPER HOLDER OPTION ASSEMBLY | 70-15728-00 | | | 1 |
| 1 | *Cover, Dress (L.H.) | 12-15511-00 | | | |
| 2 | *Cover, Dress (R.H.) | 12-15511-01 | | | |
| 3 | *Screw, Flat Phl Hd No. 6-19 x 9/16 | 12-15740-00 | | | |
| 4 | *Bar, Inertia | 12-15716-00 | | | |
| 5 | *Spring, Extension 3/4 LG x 3/16 OD | 12-15760-00 | | | |
| 6 | *Cam, Paper Low (L.H.) | 12-15507-01 | | | |
| 7 | *Spring, Extension 1 LG x 3/16 OD | 12-15762-00 | | | |
| 8 | *Cam, Paper Low (R.H.) | 12-15507-00 | | | |
| 9 | *Bar, Paper Low | 12-15715-00 | | | |
| 10 | *Ring, Retaining | 90-08136-00 | | | |
| 11 | *Stabilizer, Upper | 12-15714-00 | | | |
| 12 | *Stabilizer | 12-15713-00 | | | |
| 13 | *Screw, Flat Phl Hd No. 6-19 x 5/16 | 12-15740-01 | | | |
| 14 | *Retainer, Paper Roll | 12-15718-00 | | | |
| 15 | *Mandrel, Paper Roll | 12-15717-00 | | | |
| 16 | *Cap, Left | 12-15510-01 | | | |
| 17 | *Cap, Right | 12-15510-00 | | | |

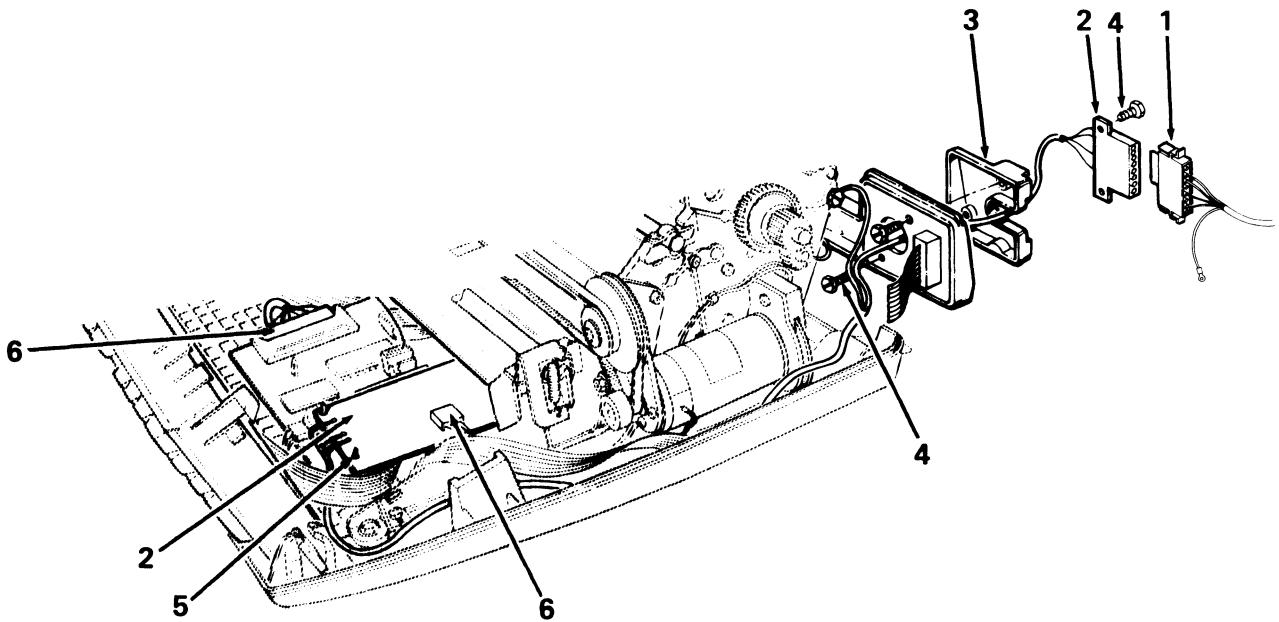


LA34-32

Figure 32. LA100 Printer Stand Option

| FIG. & ITEM NO. | DESCRIPTION | DEC PART NO. ^A | ECO CUT-IN LA10X-SL 00000 | USED ON CODE | REF FIG NO. |
|-----------------|---|---------------------------|---------------------------|--------------|-------------|
| 32- | LA100 PRINTER STAND OPTION | LAX34-SL | | | 1 |
| 1 | * Frame Assembly | 70-16623-00 | | | |
| 2 | * Casting, Foot | 12-16268-01 | | | |
| 3 | * HARDWARE OPTION KIT | LAX34-SN | | | |
| 4 | ** Foot, Leveler | 90-09685-00 | | | |
| 5 | ** Screw, Phi Truss Hd No. 1/4-20 x 5/8 | 90-06057-03 | | | |
| 6 | ** Screw, Phi Truss Hd No. 1/4-20 x 1-1/4 | 90-06061-03 | | | |
| 7 | ** Washer, Flat | 90-09025-00 | | | |
| 8 | * Spacer, | 12-16267-00 | | | |
| 9 | * Top, Stand | 34-16599-00 | | | |

| FIG. & ITEM NO. | DESCRIPTION | DEC PART NO. | ECO CUT-IN LAX34-CL 00003 | USED ON CODE | REF FIG NO. |
|-----------------|--|--------------|---------------------------|--------------|-------------|
| 33- | 20 mA CURRENT LOOP OPTION | LA10X-CL | | | 1 |
| 1 | *20mA LOOP INTERFACE CABLE ASSEMBLY | 70-16645-25 | | | 34 |
| 2 | *20 mA LOOP CABLE ASSEMBLY (deleted) | 70-16646-1L | | | 35 |
| | *20 MA LOOP CABLE ASSEMBLY (added) | 70-16646-01 | 00004 | | 35 |
| 3 | *Plug, Connector Mounting | 12-16214-00 | | | |
| 4 | *Screw, Hex Hd No. 6 x 1/4 Self Tapping | 90-09680-00 | | | |
| 5 | *Standoff, Snap in | 90-09670-00 | | | |
| 6 | *INTERNAL 20 mA ADAPTER CABLE ASSEMBLY | 70-16647-1K | | | 36 |
| 7 | *Loop Back Connector (Not Shown) (added) | 70-18353-00 | 00004 | | |



LA34-33

Figure 33. LA100 20mA Current Loop Option

✓

·
·

✓

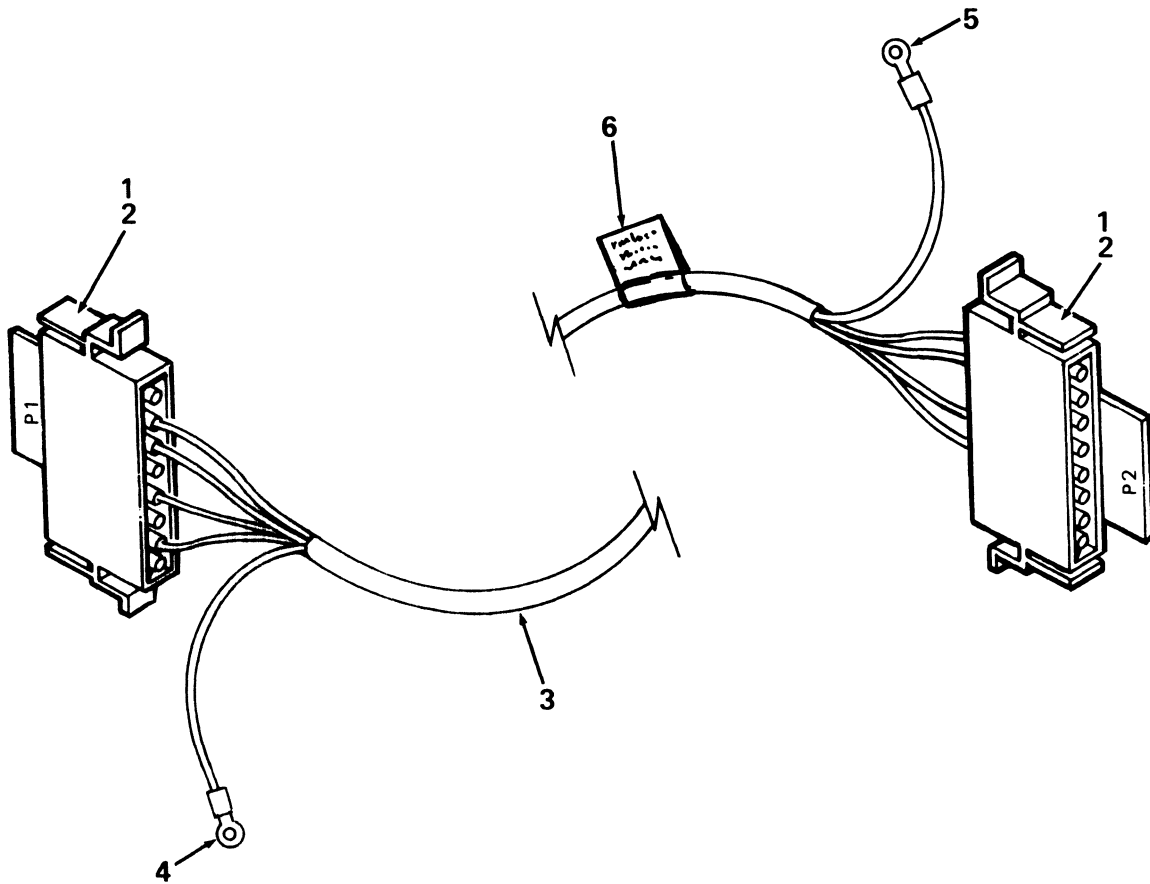
✓

✓

·
·

✓

| FIG. & ITEM NO. | DESCRIPTION | DEC PART NO. | ECO CUT-IN 70-16645 00003 | USED ON CODE | REF FIG NO. |
|-----------------|--|--------------|---------------------------------|--------------|-------------|
| 34- | 20 mA LOOP INTERFACE CABLE ASSEMBLY | 70-16645-25 | | | 33 |
| 1 | *Connector, (P1, P2) Pin Housing, 8 Pin Mate-N-Lok | 12-09340-01 | | | |
| 2 | *Terminal, (P1, P2) Pin Contact | 12-09378-03 | | | |
| 3 | *Shielded Cable Assembly | 17-00097-00 | | | |
| 4 | *Terminal, Ring | 90-07928-00 | | | |
| 5 | *Terminal, Ring | 90-07927-00 | | | |
| 6 | *Label, "Cable Identification" | 36-16073-00 | | | |



LA34-34

Figure 34. 20 mA Loop Interface Cable Assembly

✓

.

.

✓

✓

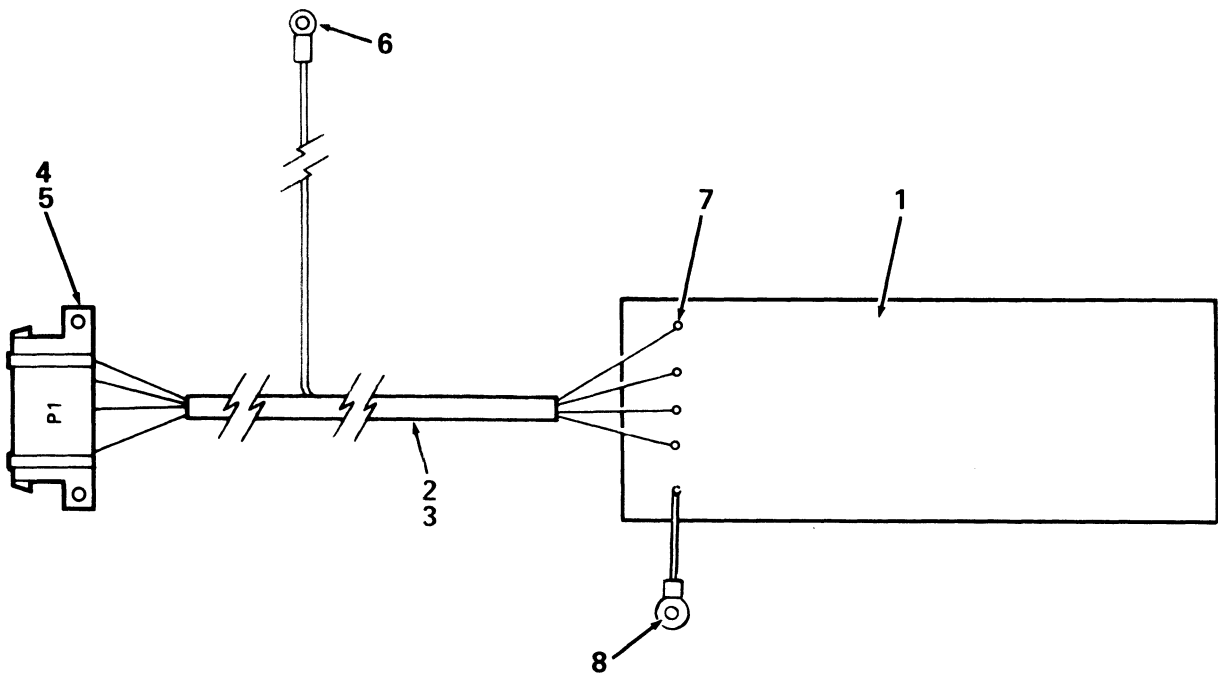
✓

.

.

✓

| FIG. & ITEM NO. | DESCRIPTION | DEC PART NO. | ECO CUT-IN 70-16646 00004 | USED ON CODE | REF FIG NO. |
|-----------------|--|---|---------------------------|--------------|-------------|
| 35- | 20 mA LOOP CABLE ASSEMBLY (deleted) 20 mA LOOP CABLE ASSEMBLY (added) | 70-16646-1L 70-16646-01 | LAX34 00030 | | 33 33 |
| 1 | *20mA Adapter Module | 54-13206-00 | | | |
| 2 | *20 mA CABLE ASSEMBLY (deleted) *20 mA CABLE ASSEMBLY (added) | 70-17631-00 70-17631-1L | LAX34 00030 | | |
| 3 | **Shielded Cable Assembly | 17-00097-00 | | | |
| 4 | **Connector, (P1) 8 Pin Socket Housing | 12-09340-00 | | | |
| 5 | **Terminal, (P1) Socket Housing | 12-09379-03 | | | |
| 6 | **Terminal, Ring | 90-07927-00 | | | |
| 7 | **Terminal, Quick Disconnect | 90-09746-00 | | | |
| 8 | *Ground Strap (added) * Ground Strap (deleted) *Ground Strap (added) | 70-19649-00 70-19649-00 70-19649-0C | 00005 00006 | | |



LA34-35

Figure 35. 20 mA Loop Cable Assembly

✓

.

.

✓

✓

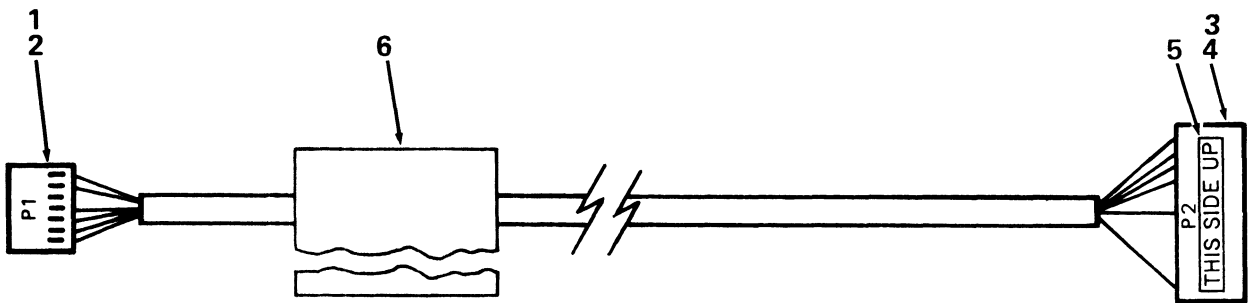
✓

.

.

✓

| FIG. & ITEM NO. | DESCRIPTION | DEC PART NO. | ECO CUT-IN 70-16647 00003 | USED ON CODE | REF FIG NO. |
|-----------------|---|--------------|---------------------------------|--------------|-------------|
| 36- | INTERNAL 20 mA ADAPTER CABLE ASSEMBLY | 70-16647-1K | | | 33 |
| 1 | *Connector, (P1) 7 Pin Housing | 12-15047-01 | | | |
| 2 | *Terminal, Pin Contact | 12-14979-00 | | | |
| 3 | *Connector, (P2) 30 Pin Housing, Latch Type | 12-10918-22 | | | |
| 4 | *Terminal, Socket Contact | 12-10089-07 | | | |
| 5 | *Label, "This Side Up" | 36-11567-00 | | | |
| 6 | *Label, "Cable Identification" | 36-16073-00 | | | |



LA34-36

Figure 36. Internal 20 mA Adapter Cable Assembly

✓

·
·

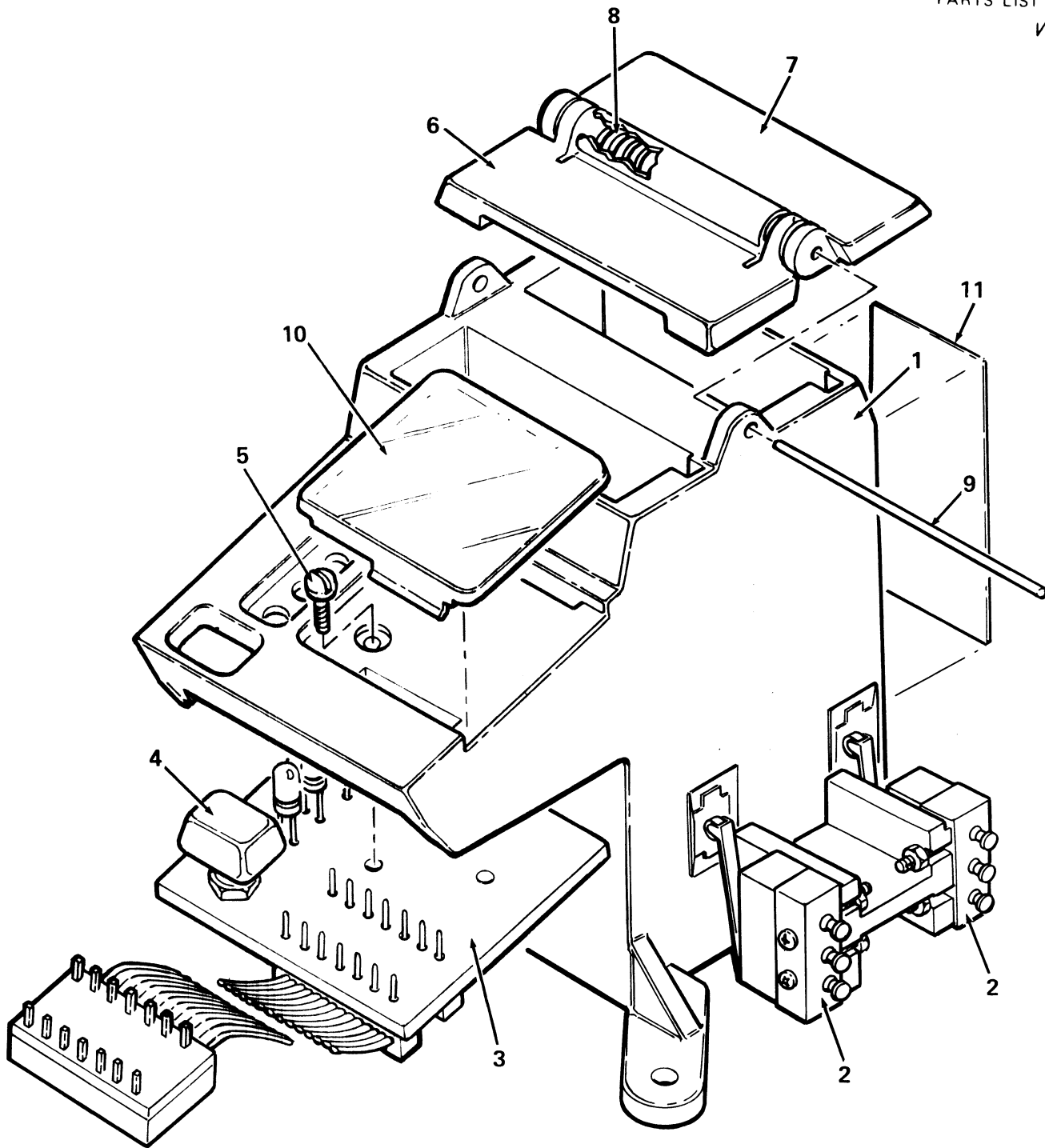
✓

✓

✓

·
·

✓



LA100-37

Figure 37. Guide/Panel Assembly

| FIG. & ITEM NO. | DESCRIPTION | DEC PART NO. | ECO CUT-IN 70-17463 00000 | USED ON CODE | REF FIG NO. |
|-----------------|-----------------------------------|--------------|---------------------------------|--------------|-------------|
| 37- | GUIDE/PANEL ASSEMBLY | 70-17463-00 | | CFJMN | 3,4 |
| 1 | * Guide, Cartridge | 74-23941-00 | | | |
| 2 | * Switch, Micro | 74-23947-00 | | | |
| 3 | * Font Select Module | 54-14326-00 | | | |
| 4 | * Cap, Switch | 74-23990-00 | | | |
| 5 | * Screw, Binder Hd No. 2-56 x 1/2 | 90-06005-04 | | | |
| 6 | * Lid, Front | 74-23944-00 | | | |
| 7 | * Lid, Back | 74-23945-00 | | | |
| 8 | * Spring, Tension | 74-23946-00 | | | |
| 9 | * Axle | 74-23947-00 | | | |
| 10 | * Window, Font | 74-23969-00 | | | |
| 11 | * Label, "Tractor Feed" (added) | 36-18497-03 | 00001 | | |

PART NUMBER/DESCRIPTION SORT



LA100 SORT BY DEC PART NUMBER

| PART NO. | DESCRIPTION | FIG. NO. | ITEM |
|-------------|---|----------|------|
| 12-09340-00 | Connector, (P1) 8 Pin Socket Housing | 35 | 4 |
| 12-09340-01 | Connector, (P1,P2) 8 Pin Housing | 34 | 1 |
| 12-09378-03 | Terminal, (P1,P2) Pin Contact | 34 | 2 |
| 12-09379-03 | Terminal, (P1) Socket Contact | 35 | 5 |
| 12-10089-07 | Terminal, Socket Contact | 36 | 4 |
| 12-10918-22 | Connector, (P2) 30 Pin Housing, Latch Type | 36 | 3 |
| 12-11857-02 | Bar, Space | 18 | 5 |
| 12-11858-00 | Bar, Equalizer | 18 | 7 |
| 12-11860-00 | Adapter, Tilted | 18 | 8 |
| 12-12220-00 | Terminal, Pin Contact | 10 | 25 |
| 12-12220-02 | Connector, 4 Pin Housing (added) | 10 | 24 |
| 12-12473-00 | Connector, 4 Pin Housing Universal (deleted) | 10 | 24 |
| 12-12893-00 | Fuse Holder 20A, 300V (deleted) | 21 | 4 |
| 12-14333-4J | Keycap Set (French/Canadian) | 28 | 2 |
| 12-14333-91 | Keycap Set | 30 | 3 |
| 12-14333-91 | Keycap Set | 30A | 2 |
| 12-14333-N3 | Keycap Set (Finland, Sweden, Norway/Denmark, Germany, France) | 28 | 1 |
| 12-14333-U2 | Keycap Set | 29 | 1 |
| 12-14979-00 | Terminal, Pin Contact | 36 | 2 |
| 12-14979-01 | Terminal, (P6) Pin Contact | 17 | 4 |
| 12-15047-01 | Connector, (P1) 7 Pin Housing | 36 | 1 |
| 12-15053-00 | Cover, Plastic Snap | 16 | 5 |
| 12-15288-00 | Gear, Tractor | 14 | 3 |
| 12-15289-01 | Bearing, Plain | 14 | 1 |
| 12-15290-00 | Platen Core Sub-Assembly (deleted) | 14 | 2 |
| 12-15291-00 | Cover, Housing | 9 | 1 |
| 12-15292-00 | Insert, Rear Panel | 8 | 1 |
| 12-15293-00 | Guide, Paper Edge | 9 | 10 |
| 12-15296-01 | Base, Housing | 23 | 1 |
| 12-15297-00 | Bezel, Keyboard Panel | 16 | 1 |
| 12-15306-01 | Connector, (P1) 5 Pin Mate-N-Lok | 27 | 3 |
| 12-15315-00 | Shaft, Carriage (Front) | 5 | 3 |
| 12-15315-01 | Shaft, Carriage (Rear) | 5 | 4 |
| 12-15319-00 | Spring, Pulley Tension | 5 | 27 |
| 12-15322-00 | Connector, (P9) 6 Pin Housing | 17 | 3 |
| 12-15330-00 | Roller Assembly | 13 | 2 |
| 12-15331-00 | Arm, Bail Bar (RH) | 13 | 4 |
| 12-15331-01 | Arm, Bail Bar (LH) | 13 | 3 |
| 12-15332-00 | Bail Bar | 13 | 1 |
| 12-15333-00 | Tear Edge | 13 | 5 |
| 12-15336-01 | Loop Back Connector (Not Shown) | 2 | 14 |
| 12-15336-01 | Loop Back Connector (Not Shown) | 1 | 15 |
| 12-15348-00 | Ribbon Drive Cable Assembly | 5 | 35 |
| 12-15349-00 | Arm, Rocker | 12 | 2 |
| 12-15351-00 | Platen Knob Assembly | 14 | 12 |
| 12-15352-00 | Clutch Gear | 14 | 8 |
| 12-15353-01 | Bearing, Plastic | 14 | 4 |
| 12-15354-00 | Clutch, Hub Paper Drive (deleted) | 14 | 6 |

*** NOTE ***

When the description includes "added" or "deleted", ALWAYS refer to the figure parts list for the latest related part description.

LA100 SORT BY DEC PART NUMBER

| PART NO. | DESCRIPTION | FIG. NO. | ITEM |
|-------------|-------------------------------|----------|------|
| 12-15354-01 | Clutch, Hub (added) | 14 | 6 |
| 12-15355-00 | Rocker | 12 | 4 |
| 12-15358-00 | Shaft, Friction | 12 | 1 |
| 12-15362-00 | Belt, Timing | 10 | 21 |
| 12-15382-00 | Plate, Side | 7 | 1 |
| 12-15394-01 | Plate, R.H. Side | 6 | 1 |
| 12-15395-00 | Support, Dual P.C.Card | 22 | 4 |
| 12-15397-00 | Stud, Combination Pulley | 11A | 7 |
| 12-15397-00 | Stud, Combination Pulley | 11 | 10 |
| 12-15398-00 | Grommet | 6 | 17 |
| 12-15398-00 | Grommet | 7 | 11 |
| 12-15399-00 | Spacer, Pulley | 11 | 5 |
| 12-15400-00 | Clutch, Disk | 14 | 5 |
| 12-15401-00 | Guide, Paper | 5 | 46 |
| 12-15451-00 | Plug, Dummy | 8 | 7 |
| 12-15452-00 | Spacer, Lever (added) | 6 | 20 |
| 12-15452-00 | Screw, Lever (deleted) | 5 | 49 |
| 12-15453-00 | Spacer, Lever (deleted) | 5 | 47 |
| 12-15453-00 | Screw, Lever (added) | 6 | 19 |
| 12-15506-00 | Cap, Rod | 5 | 45 |
| 12-15507-00 | Cam, Paper Low (R.H.) | 31 | 8 |
| 12-15507-01 | Cam, Paper Low (L.H.) | 31 | 6 |
| 12-15508-00 | Spring, Latch | 6 | 7 |
| 12-15508-00 | Spring, Extension | 7 | 7 |
| 12-15510-00 | Cap, Right | 31 | 17 |
| 12-15510-01 | Cap, Left | 31 | 16 |
| 12-15511-00 | Cover, Dress (L.H.) | 31 | 1 |
| 12-15511-01 | Cover, Dress (R.H.) | 31 | 2 |
| 12-15512-00 | Latch, Platen | 7 | 2 |
| 12-15512-01 | Latch, R.H. Platen | 6 | 2 |
| 12-15524-00 | Bushing | 12 | 3 |
| 12-15551-00 | Spring | 12 | 5 |
| 12-15552-00 | Spring, CLUTCH | 14 | 10 |
| 12-15557-00 | Spacer, Platen | 7 | 3 |
| 12-15557-00 | Spacer, Platen | 6 | 3 |
| 12-15561-00 | Clip, Torsion | 5 | 53 |
| 12-15562-00 | Washer, Clutch | 14 | 9 |
| 12-15588-00 | Terminal, (Pl) Socket Contact | 27 | 4 |
| 12-15589-01 | Disk, Encoder | 11 | 17 |
| 12-15603-00 | Dust Cap | 11 | 19 |
| 12-15604-00 | Backplate, Encoder | 11 | 16 |
| 12-15633-00 | Motor, Permanent Magnet | 11 | 1 |
| 12-15651-00 | Plug | 9 | 3 |
| 12-15652-00 | Fastner, Nut | 7 | 13 |
| 12-15667-00 | Cable | 26 | 3 |
| 12-15672-00 | Bumper | 7 | 12 |
| 12-15672-00 | Bumper | 6 | 11 |
| 12-15701-00 | Spring, Extension | 5 | 31 |
| 12-15713-00 | Stabilizer | 31 | 12 |
| 12-15714-00 | Stabilizer, Upper | 31 | 11 |

*** NOTE ***

When the description includes "added" or "deleted", ALWAYS refer to the figure parts list for the latest related part description.

LA100 SORT BY DEC PART NUMBER

| PART NO. | DESCRIPTION | FIG. NO. | ITEM |
|-------------|--------------------------------------|----------|------|
| 12-15715-00 | Bar, Paper Low | 31 | 9 |
| 12-15716-00 | Bar, Inertia | 31 | 4 |
| 12-15717-00 | Mandrel, Paper Roll | 31 | 15 |
| 12-15718-00 | Retainer, Paper Roll | 31 | 14 |
| 12-15740-00 | Screw, Flat Phl Hd No.6-19x9/16 | 31 | 3 |
| 12-15740-01 | Screw, Flat Phl Hd No.6-19x5/16 | 31 | 13 |
| 12-15760-00 | Spring, Extension 3/4 LG x 3/16 OD | 31 | 5 |
| 12-15762-00 | Spring, Extension 3/4 LG x 3/16 OD | 31 | 7 |
| 12-15780-00 | Bearing, Support (deleted) | 5 | 39 |
| 12-15781-00 | Actuator, Paper Out | 5 | 38 |
| 12-15782-00 | Shaft, Paper Out | 5 | 40 |
| 12-15783-00 | Switch, Micro | 26 | 2 |
| 12-15915-00 | Belt, Timing | 11A | 9 |
| 12-15915-00 | Belt, Timing | 11 | 12 |
| 12-15926-00 | Bushing, Belt Tension | 11 | 6 |
| 12-15937-00 | Bearing, Sleeve | 11 | 4 |
| 12-16021-00 | Tractor, Support | 25 | 9 |
| 12-16022-00 | Cap, Tractor (LH) | 25 | 17 |
| 12-16023-00 | Cap, Tractor (RH) | 25 | 18 |
| 12-16192-00 | Tractor Bushing Assembly | 25 | 10 |
| 12-16193-00 | Gear, Tractor Idler | 25 | 7 |
| 12-16194-00 | Drive Gear Tractor Assembly | 25 | 6 |
| 12-16214-00 | Plug, Connector Mounting | 33 | 3 |
| 12-16267-00 | Spacer | 32 | 8 |
| 12-16268-01 | Casting, Foot | 32 | 2 |
| 12-16304-00 | Lever, Switch Release | 5 | 15 |
| 12-16305-00 | Spring, Torsion | 5 | 16 |
| 12-16306-00 | Actuator, Switch | 5 | 17 |
| 12-16335-00 | Sleeve, Retainer (deleted) | 5 | 29 |
| 12-16335-00 | Sleeve, Retainer (added) | 7 | 20 |
| 12-16371-00 | Switch, Micro | 5 | 12 |
| 12-16391-01 | Fuse Holder 12A,250V (added) | 21 | 4 |
| 12-16470-00 | Bumper, Rubber | 23 | 5 |
| 12-16687-00 | Switch and Magnet (15 in.) | 17 | 1 |
| 12-16687-01 | Switch w/o Magnet (15 in.) | 17 | 2 |
| 12-16687-01 | Magnetic Reed Switch Assembly(added) | 9 | 8 |
| 12-16687-02 | Magnet Only | 17 | 5 |
| 12-16687-03 | Switch and Magnet (4 1/4 in.) | 17 | 6 |
| 12-16687-04 | Switch w/o Magnet (4 1/4 in.) | 17 | 7 |
| 12-17000-00 | Terminal, Quick Disconnect | 27 | 5 |
| 12-17000-09 | Terminal, Quick Disconnect | 27 | 5 |
| 12-17474-00 | Stepper Motor Assembly | 6 | 8 |
| 12-17630-00 | Grommet, W/Recessed Head | 23 | 2 |
| 12-17631-00 | Plunger W/Tamper Proof Head | 23 | 3 |
| 12-17632-01 | Switch, Toggle | 27 | 2 |
| 12-17800-64 | Keycap Set | 19 | 2 |
| 12-17800-65 | Keycap Set | 18 | 2 |
| 12-18413-00 | Filter, EMI/RFI 115/250V | 27 | 1 |
| 12-18685-02 | Tractor (1 Pair) | 25 | 16 |
| 12-18785-00 | Switch, Toggle | 27 | 2 |

*** NOTE ***

When the description includes "added" or "deleted", ALWAYS refer to the figure parts list for the latest related part description.

LA100 SORT BY DEC PART NUMBER

| PART NO. | DESCRIPTION | FIG. NO. | ITEM |
|-------------|---|----------|-----------|
| 12-18925-00 | Bearing, Flange | 10 | 16 |
| 12-19005-00 | Cover, Toggle Switch Lever | 27 | 7 |
| 12-19267-00 | Motor Encoder, Magnetic | 11A | 2 |
| 12-19391-01 | Spring, Compression (.220 O.D. x .34) | 10 | 18 |
| 12-19528-01 | Spacer (added) | 10 | 31 |
| 12-20069-01 | Bearing, Front Carriage (.624 OD x .5) (added) | 10 | 14 |
| 12-20072-01 | Spring, Extension (.250 O.D. x .820) | 10 | 8 |
| 12-20076-00 | Platen (added) | 14 | 2 |
| 12-23648-01 | Washer, Flat (added) | 10 | 33 |
| 17-00083-01 | Power Cord Assembly | 1 | 11 |
| 17-00083-11 | Power Cord Assembly | 2 | 10 |
| 17-00097-00 | Shielded Cable Assembly | 34 | 3 |
| 17-00097-00 | Shielded Cable Assembly | 35 | 3 |
| 17-00119-02 | Cable Assembly (added) | 16 | 9 |
| 17-00163-01 | Cable Assembly (Not Shown) | 2 | 13 |
| 17-00163-01 | Cable Assembly (Not Shown) | 1 | 14 |
| 17-00307-01 | Cable Assembly | 10 | 26 |
| 19-14213-00 | Rom, Buffer Gate Octal | 24 | 3 |
| 19-14213-00 | Octal Buffer Gate | 4 | 8 |
| 19-14213-00 | Octal Buffer Gate | 3 | 9 |
| 19-19229-00 | Encoder, Dual Optical | 11 | 18 |
| 30-23682-00 | H7846 POWER SUPPLY (added) | 5 | N/A |
| 30-23682-01 | H7846 POWER SUPPLY (added) | 5 | N/A |
| 34-16599-00 | Top, Stand | 32 | 9 |
| 36-11567-00 | Label, "This Side Up" | 36 | 5 |
| 36-12520-00 | Label, "CAUTION" | 2 | Not Shown |
| 36-12520-00 | Label, "Caution" | 1 | Not Shown |
| 36-12680-02 | Label, "Ground" | 20 | 7 |
| 36-13214-00 | Label, "Serial No." (deleted) | 11 | 21 |
| 36-15450-02 | Label, "Legend" | 16 | 6 |
| 36-16073-00 | Label, "ID" | 27 | 6 |
| 36-16073-00 | Label, "Cable Identification" | 34 | 6 |
| 36-16073-00 | Label, "Cable Identification" | 36 | 6 |
| 36-16157-00 | Label, "Voltage Setting" | 20 | 8 |
| 36-16157-00 | Label, "Voltage Setting" (Not Shown) | 2 | 15 |
| 36-16157-00 | Label, "Voltage Setting" (Not Shown) | 1 | 16 |
| 36-16340-01 | Label, "Model/Serial Number" | 5 | 50 |
| 36-16611-01 | BOX OF 10 ROLLS OF WHITE BOND PAPER | 1 | Not Shown |
| 36-16721-00 | Label, "H7835,4A 250V" | 21 | Not Shown |
| 36-17326-00 | Label, "Packaging" (Not Shown) | 2 | 16 |
| 36-17326-00 | Label, "Sprocket Feed" (Not Shown) | 1 | 17 |
| 36-17590-00 | Label, "Legend" | 15 | Not Shown |
| 36-17615-01 | Label, "Caution Replace Fuse" | 1 | Not Shown |

*** NOTE ***

When the description includes "added" or "deleted", ALWAYS refer to the figure parts list for the latest related part description.

LA100 SORT BY DEC PART NUMBER

| PART NO. | DESCRIPTION | FIG. NO. | ITEM |
|-------------|---|----------|-----------|
| 36-17615-01 | Label, "CAUTION REPLACE FUSE" | 2 | Not Shown |
| 36-17674-10 | Label, "Serial and Power" | 1 | Not Shown |
| 36-17674-10 | Label, "Serial and Power" | 2 | Not Shown |
| 36-17880-03 | Label, "FCC" | 1 | Not Shown |
| 36-17905-03 | Label, "WARNING, 120V, 60HZ" | 2 | Not Shown |
| 36-17905-03 | Label, "Warning 120V" | 1 | Not Shown |
| 36-17973-01 | Label, Insulator(11-1/2x3-1/4) | 20 | 9 |
| 36-17973-02 | Label, Insulator(2-1/4x3-1/4) | 20 | 9 |
| 36-18115-01 | Label, "Ribbon/Adjustment Instruction" | 9 | 11 |
| 36-18115-01 | Label, "Ribbon Adjustment" (Not Shown) | 2 | 18 |
| 36-18293-01 | Label, "Paper Load Instruction" | 5 | 42 |
| 36-18294-01 | Label, "DANGER HIGH VOLTAGE" | 20 | 6 |
| 36-18307-05 | Label, "FCC" (Not Shown) | 1 | 18 |
| 36-18307-05 | Label, "FCC" (Not Shown) | 2 | 20 |
| 36-18497-01 | Label, "Tractor Feed"(added) | 16 | 8 |
| 36-18497-02 | Label, "Tractor Feed" | 11A | 15 |
| 36-18497-02 | Label, "Serial No." (added) | 11 | 21 |
| 36-18497-03 | Label, "Tractor Feed" (added) | 37 | 11 |
| 36-19291-01 | Label, "LA100 Switch Instructions" (Not Shown) | 2 | 17 |
| 36-20285-01 | Ribbon Cartridge (Not Shown) | 2 | 12 |
| 36-20285-01 | Ribbon Cartridge (Not Shown) | 1 | 13 |
| 54-13206-00 | 20mA Adapter Module | 35 | 1 |
| 54-13284-00 | LA34/LA100 Keyboard Module Assembly (deleted) | 18 | 1 |
| 54-13646-00 | Numeric Keypad | 30 | 2 |
| 54-14243-00 | LA100 Power Supply Module | 20 | 2 |
| 54-14243-01 | LA100 Power Supply Module (added) | 20 | 2 |
| 54-14256-00 | LA100 Logic Board Assembly (deleted) | 5 | 19 |
| 54-14256-01 | LA100 Logic Board Assembly (added) | 5 | 19 |
| 54-14256-02 | LA100 Logic Board Assembly (added) | 5 | 19 |
| 54-14256-03 | LA100 Logic Board Assembly (deleted) | 5 | 19 |
| 54-14256-07 | LA100 Logic Board Assembly (added) | 5 | 19 |
| 54-14266-00 | Keyboard Module Assembly | 19 | 1 |
| 54-14326-00 | Font Select Module | 37 | 3 |
| 54-15339-00 | Universal Numeric Keypad | 30A | 1 |
| 54-15341-00 | Universal Keyboard Module (added) | 18 | 1 |
| 70-15050-00 | SPACE BAR ASSEMBLY | 18 | 4 |
| 70-15727-02 | PLATEN ASSEMBLY | 14 | N/A |
| 70-15727-02 | PLATEN ASSEMBLY | 5 | 57 |
| 70-15728-00 | ROLL PAPER HOLDER OPTION ASSEMBLY | 31 | N/A |
| 70-15728-00 | ROLL PAPER HOLDER OPTION ASSEMBLY | 1 | Not Shown |
| 70-15733-01 | FRICTION ASSEMBLY | 12 | N/A |
| 70-15733-01 | FRICTION ASSEMBLY | 5 | 41 |
| 70-15735-00 | Pulley Idler Assembly | 5 | 32 |
| 70-15738-00 | BAIL BAR ASSEMBLY | 13 | N/A |
| 70-15738-00 | BAIL BAR ASSEMBLY | 5 | 51 |
| 70-15740-00 | Servo Motor Cable Assembly (deleted) | 11 | 20 |

*** NOTE ***

When the description includes "added" or "deleted", ALWAYS refer to the figure parts list for the latest related part description.

LA100 SORT BY DEC PART NUMBER

| PART NO. | DESCRIPTION | FIG. NO. | ITEM |
|-------------|--|----------|------|
| 70-15740-01 | Servo Motor Cable Assembly (added) | 11 | 20 |
| 70-15740-01 | Servo Motor Cable Assembly | 11A | 14 |
| 70-15741-0K | Keyboard Cable Assembly | 18 | 9 |
| 70-15744-00 | Gear Pulley Cluster Assembly | 11 | 9 |
| 70-16045-00 | Weldment, Chassis | 21 | 1 |
| 70-16253-00 | Side Plate Assembly(L.H.) | 25 | 2 |
| 70-16260-00 | TRACTOR OPTION ASSEMBLY | 25 | N/A |
| 70-16260-00 | TRACTOR OPTION ASSEMBLY | 2 | 5 |
| 70-16260-00 | TRACTOR OPTION ASSEMBLY | 1 | 5 |
| 70-16279-00 | Cable Receptacle (See Note)(deleted) | 26 | 4 |
| 70-16279-00 | Receptacle, Cable Assembly(deleted) | 8 | 4 |
| 70-16279-1E | Receptacle, Cable Assembly(added) | 8 | 4 |
| 70-16279-2A | Cable Receptacle (See Note)(added) | 26 | 4 |
| 70-16561-00 | Cable Assembly | 30 | 4 |
| 70-16623-00 | Frame Assembly | 32 | 1 |
| 70-16645-25 | 20mA INTERFACE CABLE ASSEMBLY | 33 | 1 |
| 70-16645-25 | 20mA LOOP INTERFACE CABLE ASSEMBLY | 34 | N/A |
| 70-16646-01 | 20mA LOOP CABLE ASSEMBLY (added) | 35 | N/A |
| 70-16646-01 | 20mA LOOP CABLE ASSEMBLY (added) | 33 | 2 |
| 70-16646-1L | 20mA LOOP CABLE ASSEMBLY (deleted) | 33 | 2 |
| 70-16646-1L | 20mA LOOP CABLE ASSEMBLY (deleted) | 35 | N/A |
| 70-16647-1K | INTERNAL 20mA ADAPTER CABLE ASSEMBLY | 36 | N/A |
| 70-16647-1K | INTERNAL 20mA ADAPTER CABLE ASSEMBLY | 33 | 6 |
| 70-16650-00 | Side Plate Assembly(R.H.) | 25 | 1 |
| 70-16653-00 | Numeric Keypad Assembly | 30 | 1 |
| 70-16653-02 | NUMERIC KEYPAD OPTION ASSEMBLY (New Design added) | 16 | 3 |
| 70-16653-02 | NUMERIC KEYPAD OPTION ASSEMBLY (New Design) | 30A | N/A |
| 70-16713-00 | Paper Out Cable Assembly (deleted) | 5 | 18 |
| 70-16713-1A | Paper Out Cable Assembly (added) | 5 | 18 |
| 70-17463-00 | GUIDE/PANEL ASSEMBLY | 37 | N/A |
| 70-17463-00 | GUIDE/PANEL ASSEMBLY | 24 | 1 |
| 70-17463-00 | GUIDE/PANEL ASSEMBLY | 4 | 7 |
| 70-17463-00 | GUIDE/PANEL ASSEMBLY | 3 | 7 |
| 70-17514-00 | KEYBOARD BEZEL ASSEMBLY (RO) | 15 | N/A |
| 70-17514-00 | KEYBOARD BEZEL ASSEMBLY (RO) | 4 | 6 |
| 70-17563-00 | Housing Assembly | 10 | 3 |
| 70-17564-00 | Actuator Assembly | 10 | 4 |
| 70-17624-00 | Tractor Assembly | 2 | 4 |
| 70-17624-00 | Tractor Assembly | 1 | 4 |
| 70-17628-00 | INTERLOCK SWITCH ASSEMBLY (15 in.) (Switch & Magnet) | 17 | N/A |
| 70-17628-01 | INTERLOCK SWITCH ASSEMBLY (15 in.) (Switch w/o Magnet) | 17 | N/A |
| 70-17628-01 | INTERLOCK SWITCH ASSEMBLY (deleted) | 7 | 14 |
| 70-17628-02 | INTERLOCK SWITCH ASSEMBLY (Magnet only) | 17 | N/A |
| 70-17628-02 | Interlock Switch Assembly(deleted) | 9 | 8 |
| 70-17628-03 | INTERLOCK SWITCH ASSEMBLY (4 1/4 in.) (Switch & Magnet) (added) | 17 | N/A |

*** NOTE ***

When the description includes "added" or "deleted", ALWAYS refer to the figure parts list for the latest related part description.

LA100 SORT BY DEC PART NUMBER

| PART NO. | DESCRIPTION | FIG. NO. | ITEM |
|-------------|--|----------|-----------|
| 70-17628-04 | INTERLOCK SWITCH ASSEMBLY (4 1/4 in.) (Switch w/o Magnet) (added) | 17 | N/A |
| 70-17628-04 | INTERLOCK SWITCH ASSEMBLY (added) | 7 | 14 |
| 70-17631-00 | 20mA CABLE ASSEMBLY (deleted) | 35 | 2 |
| 70-17631-1L | 20mA CABLE ASSEMBLY (added) | 35 | 2 |
| 70-17795-00 | Pulley Clutch Assembly (deleted) | 10 | 17 |
| 70-17795-01 | Pulley Clutch Assembly (added) | 10 | 17 |
| 70-17847-00 | TOP COVER ASSEMBLY | 4 | 11 |
| 70-17849-00 | Jumper Cable Assembly | 4 | 3 |
| 70-17853-00 | SIDE PLATE ASSEMBLY (RH) | 5 | 2 |
| 70-17853-00 | SIDE PLATE ASSEMBLY (RH) | 6 | N/A |
| 70-17858-00 | Carriage Bearing Assembly (deleted) | 10 | 1 |
| 70-17858-01 | Carriage Bearing Assembly (added) | 10 | 1 |
| 70-17859-00 | CARRIAGE ASSEMBLY (deleted) | 10 | N/A |
| 70-17859-00 | CARRIAGE ASSEMBLY (deleted) | 5 | 7 |
| 70-17859-01 | CARRIAGE ASSEMBLY (added) | 10 | N/A |
| 70-17859-01 | CARRIAGE ASSEMBLY (added) | 5 | 7 |
| 70-17863-00 | KEYBOARD/KEYCAP ASSEMBLY (KSR) (Old Design) | 18 | N/A |
| 70-17863-00 | KEYBOARD/KEYCAP ASSEMBLY (KSR) (Old Design) | 16 | 2 |
| 70-17863-01 | KEYBOARD/KEYCAP ASSEMBLY (KSR) (New Design) (Added) | 18 | N/A |
| 70-17863-01 | KEYBOARD/KEYCAP ASSEMBLY (New Design Added) | 16 | 2 |
| 70-17864-00 | KEYBOARD BEZEL ASSEMBLY (Old Design) | 16 | N/A |
| 70-17864-00 | KEYBOARD BEZEL ASSEMBLY (Old Design) | 3 | 5 |
| 70-17864-01 | KEYBOARD BEZEL ASSEMBLY (New Design) | 16 | N/A |
| 70-17864-01 | KEYBOARD BEZEL ASSEMBLY (New Design) | 3 | 5 |
| 70-17867-00 | PRINTER MECHANISM ASSEMBLY (DOMESTIC) | 3 | 2 |
| 70-17867-00 | PRINTER MECHANISM ASSEMBLY (DOMESTIC) | 4 | 2 |
| 70-17867-00 | PRINTER MECHANISM ASSEMBLY (DOMESTIC) | 5 | N/A |
| 70-17867-01 | PRINTER MECHANISM ASSEMBLY (FOREIGN) | 5 | N/A |
| 70-17867-01 | PRINTER MECHANISM ASSEMBLY (FOREIGN) | 4 | 2 |
| 70-17867-01 | PRINTER MECHANISM ASSEMBLY (FOREIGN) | 3 | 2 |
| 70-17870-00 | PRINTER MECHANISM/COVER ASSEMBLY (RO) | 4 | N/A |
| 70-17870-00 | PRINTER MECHANISM/COVER ASSEMBLY (RO) | 2 | 1 |
| 70-17870-01 | PRINTER MECHANISM/COVER ASSEMBLY (RO) | 2 | 1 |
| 70-17870-01 | PRINTER MECHANISM/COVER ASSEMBLY (RO) | 4 | N/A |
| 70-17870-02 | PRINTER MECHANISM/COVER ASSEMBLY (RO) | 2 | 1 |
| 70-17870-02 | PRINTER MECHANISM/COVER ASSEMBLY (RO) | 4 | N/A |
| 70-17870-03 | PRINTER MECHANISM/COVER ASSEMBLY (RO) | 2 | 1 |
| 70-17870-03 | PRINTER MECHANISM/COVER ASSEMBLY (RO) | 4 | N/A |
| 70-17872-00 | Cartridge Assembly "Courier 10" | 1 | Not Shown |
| 70-17872-01 | Cartridge Assembly "Courier 12" | 1 | Not Shown |
| 70-17872-02 | Cartridge Assembly "Gothic 12" | 1 | Not Shown |
| 70-17872-03 | Cartridge Assembly "Orator 10" | 1 | Not Shown |
| 70-17872-04 | Cartridge Assembly "Symbols" | 1 | Not Shown |
| 70-17872-05 | Cartridge Assembly "Courier 10" | 1 | Not Shown |
| 70-17872-06 | Cartridge Assembly "Courier 12" | 1 | Not Shown |
| 70-17872-07 | Cartridge Assembly "Gothic 12" | 1 | Not Shown |
| 70-17872-08 | Cartridge Assembly "Orator 10" | 1 | Not Shown |
| 70-17876-00 | Cover Module | 5 | 5 |

*** NOTE ***

When the description includes "added" or "deleted", ALWAYS refer to the figure parts list for the latest related part description.

LA100 SORT BY DEC PART NUMBER

| PART NO. | DESCRIPTION | FIG. NO. | ITEM |
|-------------|---|----------|------|
| 70-17876-00 | Module Acoustic Cover Assembly | 5 | 34 |
| 70-17877-00 | CHASSIS ASSEMBLY | 21 | N/A |
| 70-17877-00 | CHASSIS ASSEMBLY | 20 | 1 |
| 70-17877-01 | CHASSIS ASSEMBLY | 21 | N/A |
| 70-17877-01 | CHASSIS ASSEMBLY | 20 | 1 |
| 70-17878-00 | LINE FILTER ASSEMBLY | 21 | 2 |
| 70-17878-00 | LINE FILTER ASSEMBLY | 27 | N/A |
| 70-17878-01 | LINE FILTER ASSEMBLY (added) | 21 | 2 |
| 70-17878-01 | LINE FILTER ASSEMBLY | 27 | N/A |
| 70-17884-00 | PRINTER MECHANISM/COVER ASSEMBLY | 3 | N/A |
| 70-17884-00 | PRINTER MECHANISM/COVER ASSEMBLY | 1 | 1 |
| 70-17884-01 | PRINTER MECHANISM/COVER ASSEMBLY | 1 | 1 |
| 70-17884-01 | PRINTER MECHANISM/COVER ASSEMBLY | 3 | N/A |
| 70-17884-02 | PRINTER MECHANISM/COVER ASSEMBLY | 1 | 1 |
| 70-17884-02 | PRINTER MECHANISM/COVER ASSEMBLY | 3 | N/A |
| 70-17884-03 | PRINTER MECHANISM/COVER ASSEMBLY | 3 | N/A |
| 70-17884-03 | PRINTER MECHANISM/COVER ASSEMBLY | 1 | 1 |
| 70-17884-04 | PRINTER MECHANISM/COVER ASSEMBLY | 3 | N/A |
| 70-17884-04 | PRINTER MECHANISM/COVER ASSEMBLY | 1 | 1 |
| 70-17884-05 | PRINTER MECHANISM/COVER ASSEMBLY | 1 | 1 |
| 70-17884-05 | PRINTER MECHANISM/COVER ASSEMBLY | 3 | N/A |
| 70-17886-01 | KEYBOARD/KEYCAP ASSEMBLY | 15 | 2 |
| 70-17886-01 | KEYBOARD/KEYCAP ASSEMBLY (RO) | 19 | N/A |
| 70-17938-00 | Acoustic AccessCover Assembly | 9 | 6 |
| 70-18353-00 | Loop Back Connector (Not Shown) (added) | 33 | 7 |
| 70-18388-1E | Logic/Power Cable Assembly | 5 | 55 |
| 70-18404-00 | LA100 USER KIT | 1 | 10 |
| 70-18404-01 | LA100 USER KIT | 1 | 10 |
| 70-18404-02 | LA100 USERS KIT (RO) | 2 | 9 |
| 70-18404-03 | LA100 USERS KIT (RO) | 2 | 9 |
| 70-18404-04 | LA100 USERS KIT (RO) | 2 | 9 |
| 70-18409-00 | Print Head Assembly (deleted) | 5 | 8 |
| 70-18430-03 | Shielded Return Cable Assembly (added) | 8 | 10 |
| 70-18599-00 | Gear/Pulley Cluster Assembly | 11A | 4 |
| 70-18600-00 | Anti Backlash Gear Assembly (deleted) | 6 | 13 |
| 70-18601-00 | Front Paper Roller | 12 | 6 |
| 70-18602-00 | Rear Paper Roller | 12 | 7 |
| 70-18639-00 | Head Lever Slide Assembly | 10 | 12 |
| 70-18707-00 | SERVO MOTOR/ENCODER ASSEMBLY (Old Design) | 11 | N/A |
| 70-18707-00 | SERVO MOTOR/ENCODER ASSEMBLY | 5 | 33 |
| 70-18944-00 | REAR INSERT ASSEMBLY | 4 | 12 |
| 70-18944-00 | REAR INSERT ASSEMBLY | 8 | N/A |
| 70-18944-00 | REAR INSERT ASSEMBLY | 3 | 6 |
| 70-18946-00 | BOTTOM PLATE ASSEMBLY | 22 | N/A |
| 70-18946-00 | BOTTOM PLATE ASSEMBLY | 5 | 9 |
| 70-18947-00 | TOP COVER ASSEMBLY | 9 | N/A |
| 70-18947-01 | TOP COVER ASSEMBLY | 9 | N/A |
| 70-18947-01 | TOP COVER ASSEMBLY | 3 | 10 |
| 70-18948-00 | BASE HOUSING ASSEMBLY | 23 | N/A |
| 70-18948-00 | BASE HOUSING ASSEMBLY | 3 | 1 |

*** NOTE ***

When the description includes "added" or "deleted", ALWAYS refer to the figure parts list for the latest related part description.

LA100 SORT BY DEC PART NUMBER

| PART NO. | DESCRIPTION | FIG. NO. | ITEM |
|-------------|---|----------|------|
| 70-18948-00 | BASE HOUSING ASSEMBLY | 4 | 1 |
| 70-18949-00 | SIDE PLATE ASSEMBLY (LH) | 5 | 1 |
| 70-18949-00 | SIDE PLATE ASSEMBLY | 7 | N/A |
| 70-18960-00 | SERVO MOTOR ENCODER ASSEMBLY (New Design) | 11A | N/A |
| 70-18960-00 | SERVO MOTER/ENCODER ASSEMBLY (added) | 5 | 33 |
| 70-18977-2D | E.I.A. Shielded Cable Assembly(added) | 8 | 2 |
| 70-18977-2L | E.I.A. Shielded Cable Assembly(deleted) | 8 | 2 |
| 70-18978-00 | E.I.A. Ground Cable Assembly | 8 | 6 |
| 70-19649-00 | Ground Strap (deleted) | 35 | 8 |
| 70-19649-00 | Ground Strap (added) | 35 | 8 |
| 70-19649-0C | Ground Strap (added) | 35 | 8 |
| 70-19651-00 | Link, Head Lift (deleted) | 10 | 10 |
| 70-19651-00 | Link, Head Lift (added) | 10 | 10 |
| 70-19655-01 | Print Head Assembly (added) | 5 | 8 |
| 70-19659-01 | Smudge Guard Assembly (added) | 10 | 7 |
| 70-21225-01 | Anti Backlash Gear Assembly(added) | 6 | 13 |
| 74-12103-00 | Paper, Pkg. (132 Column) ((Not Shown) | 1 | 12 |
| 74-16355-00 | Puller, Keycap | 28 | 3 |
| 74-16355-00 | Puller, Keycap | 29 | 2 |
| 74-20119-00 | Bracket, Space Bar | 18 | 6 |
| 74-20741-00 | Retainer, Flexure | 5 | 28 |
| 74-20755-00 | Cover | 20 | 3 |
| 74-21147-00 | Spacer, Bail Bar | 6 | 5 |
| 74-21147-00 | Spacer, Bail Bar | 7 | 5 |
| 74-21622-00 | Push Rod, Latch (RH) | 25 | 12 |
| 74-21622-01 | Push Rod, Latch(LH) | 25 | 13 |
| 74-21664-00 | Clip, Spring | 25 | 14 |
| 74-21665-00 | Shaft, Tractor Guide | 25 | 3 |
| 74-21666-00 | Shaft, Tractor Support | 25 | 4 |
| 74-22505-00 | Plate, Switch Support | 5 | 10 |
| 74-22555-00 | Shaft, Round | 25 | 5 |
| 74-22870-00 | Support, Tractor Paper | 25 | 20 |
| 74-22886-00 | Lever, Release (added) | 6 | 21 |
| 74-22986-00 | Lever, Release (deleted) | 5 | 48 |
| 74-22987-00 | Cam | 5 | 44 |
| 74-23005-00 | Spring, Dentent Stiffner | 5 | 11 |
| 74-23320-00 | MICRO SWITCH/CABLE ASSEMBLY | 26 | 1 |
| 74-23820-00 | Bezel, Top | 9 | 2 |
| 74-23841-00 | Paper Catcher | 1 | 2 |
| 74-23937-00 | Window, Clear | 9 | 7 |
| 74-23938-00 | Clip, Reflector Visor | 9 | 4 |
| 74-23939-00 | Reflector, Visor | 9 | 5 |
| 74-23941-00 | Guide, Cartridge | 37 | 1 |
| 74-23943-00 | Bezel, Keyboard | 15 | 1 |
| 74-23944-00 | Lid, Front | 37 | 6 |
| 74-23945-00 | Lid, Back | 37 | 7 |
| 74-23946-00 | Spring, Tension | 37 | 8 |

*** NOTE ***

When the description includes "added" or "deleted", ALWAYS refer to the figure parts list for the latest related part description.

LA100 SORT BY DEC PART NUMBER

| PART NO. | DESCRIPTION | FIG. NO. | ITEM |
|-------------|--|-------------|------|
| 74-23947-00 | Axle | 37 | 9 |
| 74-23947-00 | Switch, Micro | 37 | 2 |
| 74-23969-00 | Window, Font | 37 | 10 |
| 74-23971-00 | Standoff | 22 | 2 |
| 74-23990-00 | Cap, Switch | 37 | 4 |
| 74-24017-00 | Bracket, Termination | 6 | 9 |
| 74-24088-01 | Label, "LETTERPRINTER" | 9 | 12 |
| 74-24088-02 | Label, "LETTERWRITER" | 9 | 12 |
| 74-24160-00 | Clip, Space Bar Equalizer | 18 | 3 |
| 74-24719-01 | Shaft, Ribbon Drive (1/8 in. O.D.) (deleted) | 10 | 15 |
| 74-24719-03 | Shaft, Ribbon Drive (4 MM O.D.) (added) | 10 | 15 |
| 74-24722-00 | Bearing, Front Carriage (deleted) | 10 | 14 |
| 74-24731-00 | Spring, Front Bearing (deleted) | 10 | 13 |
| 74-24735-00 | Pulley, Drive | 11A | 10 |
| 74-24743-00 | Deflector, Paper | 5 | 54 |
| 74-25123-00 | Bottom | 22 | 1 |
| 74-25183-00 | Clamp, Cable | 10 | 27 |
| 74-25567-00 | Anchor, Cable (added) | 7 | 19 |
| 74-25567-00 | Anchor, Rear Cable (added) | 5 | 58 |
| 74-25568-00 | Anchor, Cable | 7 | 16 |
| 74-25601-00 | Cover, Plastic Snap | 16 | 7 |
| 74-25601-00 | Plug, Keyswitch | 15 | 3 |
| 74-25601-00 | Plug, Keyboard (See Note) | 4 | 10 |
| 74-25720-00 | Lever, Head Retaining | 10 | 11 |
| 74-25722-00 | Link, Head Lift (added) | 10 | 10 |
| 74-25722-00 | Link, Head Lift (deleted) | 10 | 10 |
| 74-25725-00 | Mount, Head Cable | 10 | 2 |
| 74-25784-00 | Follower, Solenoid (deleted) | 10 | 5 |
| 74-25810-00 | Retainer, Spring (deleted) | 10 | 19 |
| 74-25810-01 | Retainer, Spring (added) | 10 | 19 |
| 74-25865-00 | Clip, Belt Spring | 10 | 22 |
| 74-25972-00 | Bracket, Motor Mounting | 11A | 1 |
| 74-26240-00 | Bracket, Connector Grounding (deleted) | 8 | 5 |
| 74-26240-01 | Bracket, Connector Grounding (added) | 8 | 5 |
| 74-26410-01 | Clamp, Carriage Shaft (RH) (added) | 7 | 21 |
| 74-26410-01 | Clamp, Carriage Shaft (R.H.) | 5 | 25 |
| 74-26410-02 | Clamp, Carriage Shaft (LH) (added) | 7 | 21 |
| 74-26410-02 | Clamp, Carriage Shaft (L.H.) (deleted) | 5 | 26 |
| 74-26523-00 | Bracket, Motor (added) | 11 | 2 |
| 74-26523-01 | Pulley, Drive | 11 | 7 |
| 74-26523-01 | Bracket, Motor (deleted) | 11 | 2 |
| 74-26661-01 | Support, Smudge Bar (RH) (deleted) | 25 | 21 |
| 74-26661-02 | Support, Smudge Bar (LH) (deleted) | 25 | 22 |
| 74-26662-01 | Bar, Smudge (deleted) | 25 | 23 |
| 74-26722-01 | Spring, Front Bearing (added) | 10 | 13 |
| 74-27106-01 | Spring, Grounding | 7 | 9 |
| 74-27151-01 | Paper Guide (deleted) | 10 | 7 |
| 74-28636-01 | Adapter, Ground (added) | 8 | 9 |
| 74-28679-01 | Strap, Bracket Grounding (added) | 8 | 8 |
| 74-29037-01 | Pin, Dowel (added) | 6 | 15 |

*** NOTE ***

When the description includes "added" or "deleted", ALWAYS refer to the figure parts list for the latest related part description.

LA100 SORT BY DEC PART NUMBER

| PART NO. | DESCRIPTION | FIG. NO. | ITEM |
|-------------|--|----------|------|
| 74-29046-01 | Clamp, Rear Shaft (added) | 5 | 60 |
| 74-29047-01 | Cam, Rear Shaft (added) | 5 | 61 |
| 74-29048-01 | Cradle, Rear Shaft (added) | 5 | 62 |
| 74-29580-01 | Clip, Actuator Retainer | 10 | 9 |
| 90-00032-11 | Pin, Dowel (deleted) | 6 | 15 |
| 90-00044-11 | Screw, Set No.2-56x3/8 | 10 | 29 |
| 90-00049-24 | Screw, Sems Phl Pan Hd No. 6-32x3/8 | 11A | 3 |
| 90-06005-04 | Screw, Binder Hd No.2-56x1/2 | 37 | 5 |
| 90-06010-01 | Screw, Phl Pan Hd No.4-40x1/2 | 24 | 2 |
| 90-06010-01 | Screw, Phl Pan Hd No.4-40x1/2 | 3 | 8 |
| 90-06010-01 | Screw, Phl Pan Hd No.4-40x5/16 | 4 | 9 |
| 90-06010-01 | Screw, Phl Pan Hd No.4-40x3/8 (added) | 8 | 11 |
| 90-06010-02 | Screw, Phl Flat Hd No.4-40x3/16 | 6 | 4 |
| 90-06010-02 | Screw, Phl Pan Hd No.4-40x3/8 | 7 | 4 |
| 90-06014-01 | Screw, Phl Pan Hd No.4-40x5/8 | 5 | 13 |
| 90-06020-01 | Screw, Phl Pan Hd No.6-32x1/4 (deleted) | 5 | 20 |
| 90-06021-02 | Screw, Phl Flat Hd No.6-32x5/16 | 11A | 13 |
| 90-06021-02 | Screw, Phl Pan Hd No.6-32x5/16 | 11 | 15 |
| 90-06022-01 | Screw, Phl Pan Hd No.6-32x1/4 (added) | 5 | 20 |
| 90-06056-02 | Screw, Phl Pan Hd No.1/4-20x1/2 | 23 | 6 |
| 90-06057-03 | Screw, Phl Truss Hd No.1/4-20x5/8 | 32 | 5 |
| 90-06061-03 | Screw, Phl Truss Hd No.1/4-20x1 1/4 | 32 | 6 |
| 90-06418-01 | Screw, Phl Pan Hd No.8-32x3/8 | 20 | 4 |
| 90-06453-00 | Screw, Hex Slotted Hd No.6-32x3/8 | 22 | 3 |
| 90-06453-00 | Screw, Sems Hex Hd No.6-32x3/8 (deleted) | 6 | 16 |
| 90-06453-00 | Screw, Sems Hex Hd No.6-32x3/8 | 11 | 3 |
| 90-06453-01 | Screw, Slotted Hex Hd No.6-32x1/2 | 7 | 6 |
| 90-06453-01 | Screw, Hex Washer Hd No.8-32x1/2 (added) | 4 | 13 |
| 90-06453-01 | Screw, Sems Hex Hd No.6-32x1/2 | 6 | 6 |
| 90-06453-01 | Screw, Sems Hex Hd No.6-32x1/2 (added) | 6 | 22 |
| 90-06555-00 | Nut, Hex No.2-56 | 10 | 30 |
| 90-06557-00 | Nut, Kep No.4-40 | 5 | 14 |
| 90-06563-00 | Nut, Hex Hd No.8-32 (added) | 20 | 12 |
| 90-06563-00 | Nut, Hex No.8-32 | 11 | 8 |
| 90-06565-00 | Nut, Hex No. 10-32 | 11A | 6 |
| 90-06565-00 | Nut, Hex No.10-32 | 11 | 14 |
| 90-06656-00 | Washer, Flat (added) | 10 | 32 |
| 90-06660-00 | Washer, Flat No.8 | 5 | 24 |
| 90-06666-00 | Washer, Flat (added) | 7 | 17 |
| 90-06668-00 | Washer, Flat | 11A | 5 |
| 90-06668-00 | Washer, Flat No.8 | 3 | 4 |
| 90-06668-00 | Washer, Flat No.8 | 4 | 4 |
| 90-06668-00 | Washer, Flat | 11 | 13 |
| 90-06707-00 | Washer, Nylon Flat | 5 | 21 |
| 90-06707-00 | Washer, Flat (deleted) | 10 | 33 |
| 90-06707-00 | Washer, Flat (added) | 10 | 33 |
| 90-07219-02 | Regular Blow Fuse, 4A, 250V | 21 | 5 |
| 90-07784-01 | Retaining Ring (deleted) | 10 | 20 |
| 90-07784-01 | Retaining Ring (added) | 10 | 20 |

*** NOTE ***

When the description includes "added" or "deleted", ALWAYS refer to the figure parts list for the latest related part description.

LA100 SORT BY DEC PART NUMBER

| PART NO. | DESCRIPTION | FIG. NO. | ITEM |
|-------------|--|----------|------|
| 90-07785-00 | Retaining Ring (deleted) | 6 | 14 |
| 90-07927-00 | Terminal, Ring | 35 | 6 |
| 90-07927-00 | Terminal, Ring | 34 | 5 |
| 90-07928-00 | Terminal, Ring | 34 | 4 |
| 90-08072-00 | Washer, External Tooth Lock No.8 (added) | 20 | 11 |
| 90-08072-00 | Washer, External Tooth Lock No.8 (deleted) | 5 | 22 |
| 90-08136-00 | Ring, Retaining | 31 | 10 |
| 90-08137-00 | Retaining Ring | 11 | 22 |
| 90-08137-00 | Ring, Retaining | 11A | 11 |
| 90-08137-00 | Retaining Ring (added) | 6 | 14 |
| 90-08151-00 | Washer, External Tooth Lock No. 8 | 20 | 5 |
| 90-08219-00 | Terminal, Tab (deleted) | 21 | 7 |
| 90-08292-00 | Washer, Internal Tooth Lock | 21 | 6 |
| 90-08298-00 | Ring, Retaining | 11A | 12 |
| 90-08298-02 | Retaining Ring (added) | 11 | 23 |
| 90-08451-04 | Screw, Lock Assembly | 8 | 3 |
| 90-08500-00 | Ring, Retaining | 11A | 8 |
| 90-08500-00 | Ring, Retaining | 11 | 11 |
| 90-09000-00 | Rivet (deleted) | 21 | 8 |
| 90-09025-00 | Washer, Flat | 32 | 7 |
| 90-09230-02 | Screw, Phl Flat Hd No.2-56x1/2 | 26 | 5 |
| 90-09257-03 | Retaining Ring (added) | 5 | 59 |
| 90-09273-00 | Retaining Ring (deleted) | 10 | 20 |
| 90-09273-00 | Retaining Ring | 5 | 52 |
| 90-09279-01 | Spring, Extension | 25 | 15 |
| 90-09324-00 | Roll Pin | 14 | 7 |
| 90-09614-00 | Washer, Flat Nylon | 6 | 12 |
| 90-09644-00 | Retaining Ring | 25 | 8 |
| 90-09670-00 | Standoff, Snap in | 33 | 5 |
| 90-09679-05 | Screw, Slotted Hex Hd No.8-32x3/8 | 3 | 3 |
| 90-09679-05 | Screw, Hex Washer Hd No.8-32x3/8 | 4 | 5 |
| 90-09680-00 | Screw, Hex Hd No.6x1/4 Self Tapping | 33 | 4 |
| 90-09680-02 | Screw, Hex Washer Hd No.6x32x1/4 | 15 | 4 |
| 90-09680-02 | Screw, Hex Washer Hd No.6-32x3/8 (added) | 10 | 23 |
| 90-09680-02 | Screw, Phl Pan Hd No.6-32x9/16 (added) | 7 | 15 |
| 90-09680-04 | Screw, Hex Washer Hd No.6-32x1/2 (deleted) | 10 | 23 |
| 90-09685-00 | Foot, Leveler | 32 | 4 |
| 90-09717-00 | Retaining Ring (deleted) | 25 | 24 |
| 90-09718-03 | Grommet (added) | 22 | 5 |
| 90-09718-03 | Grommet (deleted) | 22 | 5 |
| 90-09718-05 | Grommet (added) | 6 | 18 |
| 90-09746-00 | Terminal, Quick Disconnect | 35 | 7 |
| 90-09800-04 | Screw, Phl Pan Hd No.6-32x1/2 (deleted) | 7 | 15 |
| 90-09800-10 | Screw, Phl Pan Hd No.4-40x5/16 (deleted) | 9 | 9 |
| 90-09800-12 | Screw, Phl Pan Hd No.6-32x3/8 | 25 | 19 |
| 90-09967-00 | Screw, Slotted Hd Hex No.6-32x5/16 | 25 | 11 |
| 90-09967-00 | Screw, Sems Slotted Hd No.6-32x3/8 | 21 | 3 |
| 90-09988-08 | Screw, Sems Hex Hd No.8-32x3/8 (added) | 20 | 10 |

*** NOTE ***

When the description includes "added" or "deleted", ALWAYS refer to the figure parts list for the latest related part description.

LA100 SORT BY DEC PART NUMBER

| PART NO. | DESCRIPTION | FIG. NO. | ITEM |
|-------------|---|----------|-----------|
| 90-10015-00 | Screw, Slotted Hex Hd No.8-32x1/2(added) | 3 | 11 |
| 90-10016-00 | Cable Clamp | 30 | 5 |
| 90-10016-00 | Cable Clamp | 23 | 4 |
| 90-10016-00 | Cable Clamp (deleted) | 5 | 56 |
| 90-10050-00 | Retaining Ring | 14 | 11 |
| 90-10052-00 | Retaining Ring | 5 | 43 |
| 90-10069-00 | Nut, Speed | 26 | 6 |
| 90-10075-00 | Screw, Self-Tap Hex Washer Hd No. 8-32 x 3/8 (added) | 7 | 18 |
| 90-10075-00 | Screw, Hex Hd No.8-32x3/8 Self Tapping | 6 | 10 |
| 90-10075-00 | Screw, Hex Hd No.8-32x3/8 | 5 | 23 |
| 90-10075-01 | Screw, Slotted Hex Hd No.8-32x1/2 | 7 | 10 |
| 90-10075-01 | Screw, Hex Washer Hd No.8-32x1/2 | 5 | 30 |
| 90-10076-00 | Bumper, Rubber (deleted) | 25 | 25 |
| 90-10082-01 | Screw, Hex Washer Hd No.8-32-5/8 | 5 | 37 |
| 90-10083-00 | Screw, Hex Hd Self Tap No.8x1/2(deleted) | 16 | 4 |
| 90-10093-00 | Pin | 7 | 8 |
| 90-10093-00 | Pin, Grooved | 10 | 6 |
| 90-10097-01 | Screw, Hex Hd Self Tap No.6x1/2 (added) | 16 | 4 |
| 90-10158-00 | Screw, Phl Pan Hd No.4-40x3/8 (added) | 9 | 9 |
| 90-10233-00 | Clip, Compression Ring | 14 | 13 |
| 90-10311-00 | Nut, Push-On | 10 | 28 |
| 90-10360-01 | Screw, Phl Flat Hd No.8x5/16 | 5 | 6 |
| 90-10546-01 | Retaining Ring (added) | 10 | 20 |
| BC22A-10 | Modem Cable Assembly | 1 | 6 |
| BC22A-10 | Modem Cable Assembly | 2 | 6 |
| EK-L10AA-IN | Courier 10 Rom Installation Manual | 1 | Not Shown |
| EK-L10AB-IN | Courier 12 Rom Installation Manual | 1 | Not Shown |
| EK-L10AC-IN | Gothic 12 Rom Installation Manual | 1 | Not Shown |
| EK-L10AD-IN | Orator 10 Rom Installation Manual | 1 | Not Shown |
| EK-L10AE-IN | Symbols Rom Installation Manual | 1 | Not Shown |
| EK-L10BA-IN | Courier 10 Rom Installation Manual | 1 | Not Shown |
| EK-L10BB-IN | Courier 12 Rom Installation Manual | 1 | Not Shown |
| EK-L10BC-IN | Gothic 12 Rom Installation Manual | 1 | Not Shown |
| EK-L10BD-IN | Orator 10 Rom Installation Manual | 1 | Not Shown |
| EK-LP100-UG | LA100 Users Manual (RO) (Not Shown) | 2 | 19 |
| EK-LW100-UG | Users Guide "LA100 KSR"(Not Shown) | 1 | 19 |
| H7837-00 | H7837 POWER SUPPLY | 20 | N/A |
| H7837-00 | H7837 POWER SUPPLY (deleted) | 5 | 36 |
| H7837-01 | H7837 POWER SUPPLY (deleted) | 20 | N/A |
| H7837-01 | H7837 POWER SUPPLY (deleted) | 5 | N/A |
| H7837-AA | H7837 POWER SUPPLY (added) | 20 | N/A |
| H9850-PA | Paper,Pkg 132 Column (Not Shown) | 2 | 11 |

*** NOTE ***

When the description includes "added" or "deleted", ALWAYS refer to the figure parts list for the latest related part description.

LA100 SORT BY DEC PART NUMBER

| PART NO. | DESCRIPTION | FIG. NO. | ITEM |
|----------|---|-------------|-----------|
| LA100-AA | Model LA100-AA 120/240V | 1 | N/A |
| LA100-AB | Model LA100-AB 120/240V | 1 | N/A |
| LA100-BA | Model LA100-BA 120/240V | 1 | N/A |
| LA100-BB | Model LA100-BB 120/240V | 1 | N/A |
| LA100-CA | Model LA100-CA 120/240V | 1 | N/A |
| LA100-CB | Model LA100-CB 120/240V | 1 | N/A |
| LA100-PC | Model LA100-PC | 2 | N/A |
| LA100-RA | Model LA100-RA | 2 | N/A |
| LA100-RB | Model LA100-RB | 2 | N/A |
| LA100-YA | Model LA100-YA | 2 | N/A |
| LA100-YB | Model LA100-YB | 2 | N/A |
| LA100-ZA | Model LA100-ZA | 2 | N/A |
| LA100-ZB | Model LA100-ZB | 2 | N/A |
| LA10R-03 | LA100 RIBBON CARTRIDGES (3) | 1 | Not Shown |
| LA10R-12 | LA100 RIBBON CARTRIDGES (12) | 1 | Not Shown |
| LA10X-AA | CARTRIDGE and ROM ASSEMBLY "COURIER 10" | 1 | Not Shown |
| LA10X-AB | CARTRIDGE and ROM ASSEMBLY "Courier 12" | 1 | Not Shown |
| LA10X-AC | CARTRIDGE and ROM ASSEMBLY "Gothic 12" | 1 | Not Shown |
| LA10X-AD | CARTRIDGE and ROM ASSEMBLY "Orator 10" | 1 | Not Shown |
| LA10X-AE | CARTRIDGE and ROM ASSEMBLY "Symbols" | 1 | Not Shown |
| LA10X-BA | CARTRIDGE and ROM ASSEMBLY "Courier 10" | 1 | Not Shown |
| LA10X-BB | CARTRIDGE and ROM ASSEMBLY "Courier 12" | 1 | Not Shown |
| LA10X-BC | CARTRIDGE and ROM ASSEMBLY "Gothic 12" | 1 | Not Shown |
| LA10X-BD | CARTRIDGE and ROM ASSEMBLY "Orator 10" | 1 | Not Shown |
| LA10X-CL | 20mA CURRENT LOOP OPTION | 33 | N/A |
| LA10X-CL | LA100 20m CURRENT LOOP OPTION | 1 | Not Shown |
| LA10X-EL | TRACTOR OPTION | 2 | 3 |
| LA10X-FL | MULTIPLE FONT OPTION | 24 | N/A |
| LA10X-FL | MULTIPLE FONT OPTION | 2 | 7 |
| LA10X-FL | MULTIPLE FONT OPTION | 1 | 8 |
| LAX10-EL | TRACTOR OPTION | 1 | 3 |
| LAX34-HL | LA100 APL CHARACTER KEYCAP OPTION | 29 | N/A |
| LAX34-HL | LA100 APL CHARACTER KEYCAP OPTION | 1 | Not Shown |
| LAX34-JL | INTERNATIONAL CHARACTER KEYCAP OPTION | 28 | N/A |
| LAX34-JL | INTERNATIONAL CHARACTER KEYCAP OPTION | 2 | 8 |
| LAX34-JL | INTERNATIONAL CHARACTER KEYCAP OPTION | 1 | 9 |
| LAX34-KL | NUMERIC KEYPAD OPTION ASSEMBLY (Old Design) | 30 | N/A |
| LAX34-KL | NUMERIC KEYPAD OPTION ASSEMBLY (Old Design) | 16 | 3 |
| LAX34-KL | NUMERIC KEYPAD OPTION (Old Design) | 1 | 7 |
| LAX34-LL | PAPER LOW OPTION SWITCH | 26 | N/A |
| LAX34-LL | PAPER LOW OPTION SWITCH | 1 | Not Shown |
| LAX34-RL | LA100 ROLL PAPER HOLDER | 1 | Not Shown |
| LAX34-SL | PRINTER STAND OPTION | 32 | N/A |
| LAX34-SL | LA100 PRINTER STAND OPTION | 1 | Not Shown |
| LAX34-SN | HARDWARE OPTION KIT | 32 | 3 |
| LAX34-SW | Paper Catcher (74-23481-00) | 2 | 2 |

*** NOTE ***

When the description includes "added" or "deleted", ALWAYS refer to the figure parts list for the latest related part description.

LA100 SORT BY DEC PART NUMBER

| PART NO. | DESCRIPTION | FIG. NO. | ITEM |
|----------|--------------------------------------|-------------|------|
| N/A | LA100 LETTERWRITER (KSR) | 1 | N/A |
| N/A | FOREIGN CARTRIDGE/ROM OPTIONS | 1 | 20A |
| N/A | OTHER OPTIONS AVAILABLE ON THE LA100 | 1 | 20B |
| N/A | SUPPLIES USED ON THE LA100 | 1 | 20C |
| N/A | LA100 LETTERPRINTER (RO) | 2 | N/A |
| N/A | DOMESTIC CARTRIDGE/ROM OPTIONS | 1 | 20 |

*** NOTE ***

When the description includes "added" or "deleted", ALWAYS refer to the figure parts list for the latest related part description.



LA100 SORT BY DEC PART DESCRIPTION

| DESCRIPTION | DEC PART NO. | FIG. NO. | ITEM |
|---|-----------------|-------------|------|
| 20mA CURRENT LOOP OPTION | LA10X-CL | 33 | N/A |
| 20mA Adapter Module | 54-13206-00 | 35 | 1 |
| 20mA CABLE ASSEMBLY (added) | 70-17631-1L | 35 | 2 |
| 20mA CABLE ASSEMBLY (deleted) | 70-17631-00 | 35 | 2 |
| 20mA INTERFACE CABLE ASSEMBLY | 70-16645-25 | 33 | 1 |
| 20mA LOOP CABLE ASSEMBLY (added) | 70-16646-01 | 35 | N/A |
| 20mA LOOP CABLE ASSEMBLY (added) | 70-16646-01 | 33 | 2 |
| 20mA LOOP CABLE ASSEMBLY (deleted) | 70-16646-1L | 35 | N/A |
| 20mA LOOP CABLE ASSEMBLY (deleted) | 70-16646-1L | 33 | 2 |
| 20mA LOOP INTERFACE CABLE ASSEMBLY | 70-16645-25 | 34 | N/A |
| Acoustic AccessCover Assembly | 70-17938-00 | 9 | 6 |
| Actuator Assembly | 70-17564-00 | 10 | 4 |
| Actuator, Paper Out | 12-15781-00 | 5 | 38 |
| Actuator, Switch | 12-16306-00 | 5 | 17 |
| Adapter, Ground (added) | 74-28636-01 | 8 | 9 |
| Adapter, Tilted | 12-11860-00 | 18 | 8 |
| Anchor, Cable (added) | 74-25567-00 | 7 | 19 |
| Anchor, Rear Cable (added) | 74-25567-00 | 5 | 58 |
| Anchor, Cable | 74-25568-00 | 7 | 16 |
| Anti Backlash Gear Assembly(added) | 70-21225-01 | 6 | 13 |
| Anti Backlash Gear Assembly(deleted) | 70-18600-00 | 6 | 13 |
| Arm, Bail Bar (LH) | 12-15331-01 | 13 | 3 |
| Arm, Bail Bar (RH) | 12-15331-00 | 13 | 4 |
| Arm, Rocker | 12-15349-00 | 12 | 2 |
| Axle | 74-23947-00 | 37 | 9 |
| Backplate, Encoder | 12-15604-00 | 11 | 16 |
| Bail Bar | 12-15332-00 | 13 | 1 |
| BAIL BAR ASSEMBLY | 70-15738-00 | 13 | N/A |
| BAIL BAR ASSEMBLY | 70-15738-00 | 5 | 51 |
| Bar, Inertia | 12-15716-00 | 31 | 4 |
| Bar, Paper Low | 12-15715-00 | 31 | 9 |
| Bar, Equalizer | 12-11858-00 | 18 | 7 |
| Bar, Smudge (deleted) | 74-26662-01 | 25 | 23 |
| Bar, Space | 12-11857-02 | 18 | 5 |
| BASE HOUSING ASSEMBLY | 70-18948-00 | 23 | N/A |
| BASE HOUSING ASSEMBLY | 70-18948-00 | 3 | 1 |
| BASE HOUSING ASSEMBLY | 70-18948-00 | 4 | 1 |
| Base, Housing | 12-15296-01 | 23 | 1 |
| Bearing, Flange | 12-18925-00 | 10 | 16 |
| Bearing, Front Carriage (.624 OD x .5) (added) | 12-20069-01 | 10 | 14 |
| Bearing, Front Carriage (deleted) | 74-24722-00 | 10 | 14 |
| Bearing, Plain | 12-15289-01 | 14 | 1 |
| Bearing, Plastic | 12-15353-01 | 14 | 4 |
| Bearing, Sleeve | 12-15937-00 | 11 | 4 |
| Bearing, Support (deleted) | 12-15780-00 | 5 | 39 |
| Belt, Timing | 12-15915-00 | 11A | 9 |
| Belt, Timing | 12-15362-00 | 10 | 21 |

*** NOTE ***

When the description includes "added" or "deleted", ALWAYS refer to the figure parts list for the latest related part description.

LA100 SORT BY DEC PART DESCRIPTION

| DESCRIPTION | DEC PART NO. | FIG. NO. | ITEM |
|---|-----------------|-------------|-----------|
| Belt, Timing | 12-15915-00 | 11 | 12 |
| Bezel, Keyboard | 74-23943-00 | 15 | 1 |
| Bezel, Keyboard Panel | 12-15297-00 | 16 | 1 |
| Bezel, Top | 74-23820-00 | 9 | 2 |
| Bottom | 74-25123-00 | 22 | 1 |
| BOTTOM PLATE ASSEMBLY | 70-18946-00 | 22 | N/A |
| BOTTOM PLATE ASSEMBLY | 70-18946-00 | 5 | 9 |
| BOX OF 10 ROLLS OF WHITE BOND PAPER | 36-16611-01 | 1 | Not Shown |
| Bracket, Motor Mounting | 74-25972-00 | 11A | 1 |
| Bracket, Connector Grounding (added) | 74-26240-01 | 8 | 5 |
| Bracket, Connector Grounding (deleted) | 74-26240-00 | 8 | 5 |
| Bracket, Motor (added) | 74-26523-00 | 11 | 2 |
| Bracket, Motor (deleted) | 74-26523-01 | 11 | 2 |
| Bracket, Space Bar | 74-20119-00 | 18 | 6 |
| Bracket, Termination | 74-24017-00 | 6 | 9 |
| Bumper | 12-15672-00 | 7 | 12 |
| Bumper | 12-15672-00 | 6 | 11 |
| Bumper, Rubber | 12-16470-00 | 23 | 5 |
| Bumper, Rubber (deleted) | 90-10076-00 | 25 | 25 |
| Bushing | 12-15524-00 | 12 | 3 |
| Bushing, Belt Tension | 12-15926-00 | 11 | 6 |
| Cable | 12-15667-00 | 26 | 3 |
| Cable Assembly | 70-16561-00 | 30 | 4 |
| Cable Assembly | 17-00307-01 | 10 | 26 |
| Cable Assembly (added) | 17-00119-02 | 16 | 9 |
| Cable Assembly (Not Shown) | 17-00163-01 | 1 | 14 |
| Cable Assembly (Not Shown) | 17-00163-01 | 2 | 13 |
| Cable Clamp | 90-10016-00 | 30 | 5 |
| Cable Clamp | 90-10016-00 | 23 | 4 |
| Cable Clamp (deleted) | 90-10016-00 | 5 | 56 |
| Cable Receptacle (See Note) (added) | 70-16279-2A | 26 | 4 |
| Cable Receptacle (See Note) (deleted) | 70-16279-00 | 26 | 4 |
| Cam | 74-22987-00 | 5 | 44 |
| Cam, Paper Low (L.H.) | 12-15507-01 | 31 | 6 |
| Cam, Paper Low (R.H.) | 12-15507-00 | 31 | 8 |
| Cam, Rear Shaft (added) | 74-29047-01 | 5 | 61 |
| Cap, Left | 12-15510-01 | 31 | 16 |
| Cap, Right | 12-15510-00 | 31 | 17 |
| Cap, Rod | 12-15506-00 | 5 | 45 |
| Cap, Switch | 74-23990-00 | 37 | 4 |
| Cap, Tractor (LH) | 12-16022-00 | 25 | 17 |
| Cap, Tractor (RH) | 12-16023-00 | 25 | 18 |
| CARRIAGE ASSEMBLY (added) | 70-17859-01 | 10 | N/A |
| CARRIAGE ASSEMBLY (added) | 70-17859-01 | 5 | 7 |
| CARRIAGE ASSEMBLY (deleted) | 70-17859-00 | 10 | N/A |
| CARRIAGE ASSEMBLY (deleted) | 70-17859-00 | 5 | 7 |
| Carriage Bearing Assembly (added) | 70-17858-01 | 10 | 1 |
| Carriage Bearing Assembly (deleted) | 70-17858-00 | 10 | 1 |
| CARTRIDGE and ROM ASSEMBLY "COURIER 10" | LA10X-AA | 1 | Not Shown |

*** NOTE ***

When the description includes "added" or "deleted", ALWAYS refer to the figure parts list for the latest related part description.

LAL00 SORT BY DEC PART DESCRIPTION

| DESCRIPTION | DEC PART NO. | FIG. NO. | ITEM |
|---|-----------------|-------------|-----------|
| CARTRIDGE and ROM ASSEMBLY "Courier 10" | LAL0X-BA | 1 | Not Shown |
| CARTRIDGE and ROM ASSEMBLY "Courier 12" | LAL0X-BB | 1 | Not Shown |
| CARTRIDGE and ROM ASSEMBLY "Courier 12" | LAL0X-AB | 1 | Not Shown |
| CARTRIDGE and ROM ASSEMBLY "Gothic 12" | LAL0X-BC | 1 | Not Shown |
| CARTRIDGE and ROM ASSEMBLY "Gothic 12" | LAL0X-AC | 1 | Not Shown |
| CARTRIDGE and ROM ASSEMBLY "Orator 10" | LAL0X-AD | 1 | Not Shown |
| CARTRIDGE and ROM ASSEMBLY "Orator 10" | LAL0X-BD | 1 | Not Shown |
| CARTRIDGE and ROM ASSEMBLY "Symbols" | LAL0X-AE | 1 | Not Shown |
| Cartridge Assembly "Courier 10" | 70-17872-05 | 1 | Not Shown |
| Cartridge Assembly "Courier 10" | 70-17872-00 | 1 | Not Shown |
| Cartridge Assembly "Courier 12" | 70-17872-06 | 1 | Not Shown |
| Cartridge Assembly "Courier 12" | 70-17872-01 | 1 | Not Shown |
| Cartridge Assembly "Gothic 12" | 70-17872-02 | 1 | Not Shown |
| Cartridge Assembly "Gothic 12" | 70-17872-07 | 1 | Not Shown |
| Cartridge Assembly "Orator 10" | 70-17872-08 | 1 | Not Shown |
| Cartridge Assembly "Orator 10" | 70-17872-03 | 1 | Not Shown |
| Cartridge Assembly "Symbols" | 70-17872-04 | 1 | Not Shown |
| Casting, Foot | 12-16268-01 | 32 | 2 |
| CHASSIS ASSEMBLY | 70-17877-00 | 20 | 1 |
| CHASSIS ASSEMBLY | 70-17877-01 | 21 | N/A |
| CHASSIS ASSEMBLY | 70-17877-00 | 21 | N/A |
| CHASSIS ASSEMBLY | 70-17877-01 | 20 | 1 |
| Clamp, Carriage Shaft (LH) (added) | 74-26410-02 | 7 | 21 |
| Clamp, Carriage Shaft (RH) (added) | 74-26410-01 | 7 | 21 |
| Clamp, Cable | 74-25183-00 | 10 | 27 |
| Clamp, Carriage Shaft (L.H.) (deleted) | 74-26410-02 | 5 | 26 |
| Clamp, Carriage Shaft (R.H.) | 74-26410-01 | 5 | 25 |
| Clamp, Rear Shaft (added) | 74-29046-01 | 5 | 60 |
| Clip, Actuator Retainer | 74-29580-01 | 10 | 9 |
| Clip, Belt Spring | 74-25865-00 | 10 | 22 |
| Clip, Compression Ring | 90-10233-00 | 14 | 13 |
| Clip, Reflector Visor | 74-23938-00 | 9 | 4 |
| Clip, Space Bar Equalizer | 74-24160-00 | 18 | 3 |
| Clip, Spring | 74-21664-00 | 25 | 14 |
| Clip, Torsion | 12-15561-00 | 5 | 53 |
| Clutch Gear | 12-15352-00 | 14 | 8 |
| Clutch, Disk | 12-15400-00 | 14 | 5 |
| Clutch, Hub (added) | 12-15354-01 | 14 | 6 |
| Clutch, Hub Paper Drive (deleted) | 12-15354-00 | 14 | 6 |
| Connector, (P1) 7 Pin Housing | 12-15047-01 | 36 | 1 |
| Connector, (P2) 30 Pin Housing, Latch Type | 12-10918-22 | 36 | 3 |
| Connector, (P1) 5 Pin Mate-N-Lok | 12-15306-01 | 27 | 3 |
| Connector, (P1) 8 Pin Socket Housing | 12-09340-00 | 35 | 4 |
| Connector, (P1,P2) 8 Pin Housing | 12-09340-01 | 34 | 1 |
| Connector, (P9) 6 Pin Housing | 12-15322-00 | 17 | 3 |
| Connector, 4 Pin Housing (added) | 12-12220-02 | 10 | 24 |
| Connector, 4 Pin Housing Universal (deleted) | 12-12473-00 | 10 | 24 |
| Courier 10 Rom Installation Manual | EK-L10BA-IN | 1 | Not Shown |
| Courier 10 Rom Installation Manual | EK-L10AA-IN | 1 | Not Shown |

*** NOTE ***

When the description includes "added" or "deleted", ALWAYS refer to the figure parts list for the latest related part description.

LA100 SORT BY DEC PART DESCRIPTION

| DESCRIPTION | DEC PART NO. | FIG. NO. | ITEM |
|--|-----------------|-------------|-----------|
| Courier 12 Rom Installation Manual | EK-L10BB-IN | 1 | Not Shown |
| Courier 12 Rom Installation Manual | EK-L10AB-IN | 1 | Not Shown |
| Cover | 74-20755-00 | 20 | 3 |
| Cover Module | 70-17876-00 | 5 | 5 |
| Cover, Dress (L.H.) | 12-15511-00 | 31 | 1 |
| Cover, Dress (R.H.) | 12-15511-01 | 31 | 2 |
| Cover, Housing | 12-15291-00 | 9 | 1 |
| Cover, Plastic Snap | 74-25601-00 | 16 | 7 |
| Cover, Plastic Snap | 12-15053-00 | 16 | 5 |
| Cover, Toggle Switch Lever | 12-19005-00 | 27 | 7 |
| Cradle, Rear Shaft (added) | 74-29048-01 | 5 | 62 |
| Deflector, Paper | 74-24743-00 | 5 | 54 |
| Disk, Encoder | 12-15589-01 | 11 | 17 |
| DOMESTIC CARTRIDGE/ROM OPTIONS | N/A | 1 | 20 |
| Drive Gear Tractor Assembly | 12-16194-00 | 25 | 6 |
| Dust Cap | 12-15603-00 | 11 | 19 |
| E.I.A. Shielded Cable Assembly (added) | 70-18977-2D | 8 | 2 |
| E.I.A. Shielded Cable Assembly (deleted) | 70-18977-2L | 8 | 2 |
| E.I.A. Ground Cable Assembly | 70-18978-00 | 8 | 6 |
| Encoder, Dual Optical | 19-19229-00 | 11 | 18 |
| Fastner, Nut | 12-15652-00 | 7 | 13 |
| Filter, EMI/RFI 115/250V | 12-18413-00 | 27 | 1 |
| Follower, Solenoid (deleted) | 74-25784-00 | 10 | 5 |
| Font Select Module | 54-14326-00 | 37 | 3 |
| Foot, Leveler | 90-09685-00 | 32 | 4 |
| FOREIGN CARTRIDGE/ROM OPTIONS | N/A | 1 | 20A |
| Frame Assembly | 70-16623-00 | 32 | 1 |
| FRICITION ASSEMBLY | 70-15733-01 | 12 | N/A |
| FRICITION ASSEMBLY | 70-15733-01 | 5 | 41 |
| Front Paper Roller | 70-18601-00 | 12 | 6 |
| Fuse Holder 12A,250V (added) | 12-16391-01 | 21 | 4 |
| Fuse Holder 20A,300V (deleted) | 12-12893-00 | 21 | 4 |
| Gear Pulley Cluster Assembly | 70-15744-00 | 11 | 9 |
| Gear, Tractor Idler | 12-16193-00 | 25 | 7 |
| Gear, Tractor | 12-15288-00 | 14 | 3 |
| Gear/Pulley Cluster Assembly | 70-18599-00 | 11A | 4 |
| Gothic 12 Rom Installation Manual | EK-L10BC-IN | 1 | Not Shown |
| Gothic 12 Rom Installation Manual | EK-L10AC-IN | 1 | Not Shown |
| Grommet | 12-15398-00 | 7 | 11 |
| Grommet | 12-15398-00 | 6 | 17 |
| Grommet (added) | 90-09718-03 | 22 | 5 |
| Grommet (added) | 90-09718-05 | 6 | 18 |
| Grommet (deleted) | 90-09718-03 | 22 | 5 |
| Grommet, W/Recessed Head | 12-17630-00 | 23 | 2 |
| Ground Strap (added) | 70-19649-0C | 35 | 8 |
| Ground Strap (added) | 70-19649-00 | 35 | 8 |

*** NOTE ***

When the description includes "added" or "deleted", ALWAYS refer to the figure parts list for the latest related part description.

LA100 SORT BY DEC PART DESCRIPTION

| DESCRIPTION | DEC PART NO. | FIG. NO. | ITEM |
|--|--------------|----------|------|
| Ground Strap (deleted) | 70-19649-00 | 35 | 8 |
| Guide, Cartridge | 74-23941-00 | 37 | 1 |
| Guide, Paper | 12-15401-00 | 5 | 46 |
| Guide, Paper Edge | 12-15293-00 | 9 | 10 |
| GUIDE/PANEL ASSEMBLY | 70-17463-00 | 24 | 1 |
| GUIDE/PANEL ASSEMBLY | 70-17463-00 | 37 | N/A |
| GUIDE/PANEL ASSEMBLY | 70-17463-00 | 4 | 7 |
| GUIDE/PANEL ASSEMBLY | 70-17463-00 | 3 | 7 |
| H7837 POWER SUPPLY | H7837-00 | 20 | N/A |
| H7837 POWER SUPPLY (added) | H7837-AA | 20 | N/A |
| H7837 POWER SUPPLY (deleted) | H7837-01 | 20 | N/A |
| H7837 POWER SUPPLY (deleted) | H7837-01 | 5 | N/A |
| H7837 POWER SUPPLY (deleted) | H7837-00 | 5 | 36 |
| H7846 POWER SUPPLY (added) | 30-23682-00 | 5 | N/A |
| H7846 POWER SUPPLY (added) | 30-23682-01 | 5 | N/A |
| HARDWARE OPTION KIT | LAX34-SN | 32 | 3 |
| Head Lever Slide Assembly | 70-18639-00 | 10 | 12 |
| Housing Assembly | 70-17563-00 | 10 | 3 |
| Insert, Rear Panel | 12-15292-00 | 8 | 1 |
| INTERLOCK SWITCH ASSEMBLY (15 in.) (Switch & Magnet) | 70-17628-00 | 17 | N/A |
| INTERLOCK SWITCH ASSEMBLY (15 in.) (Switch w/o Magnet) | 70-17628-01 | 17 | N/A |
| INTERLOCK SWITCH ASSEMBLY (4 1/4 in.) (Switch & Magnet) (added) | 70-17628-03 | 17 | N/A |
| INTERLOCK SWITCH ASSEMBLY (4 1/4 in.) (Switch w/o Magnet) (added) | 70-17628-04 | 17 | N/A |
| INTERLOCK SWITCH ASSEMBLY (added) | 70-17628-04 | 7 | 14 |
| INTERLOCK SWITCH ASSEMBLY (deleted) | 70-17628-01 | 7 | 14 |
| INTERLOCK SWITCH ASSEMBLY (Magnet only) | 70-17628-02 | 17 | N/A |
| Interlock Switch Assembly(deleted) | 70-17628-02 | 9 | 8 |
| INTERNAL 20mA ADAPTER CABLE ASSEMBLY | 70-16647-1K | 36 | N/A |
| INTERNAL 20mA ADAPTER CABLE ASSEMBLY | 70-16647-1K | 33 | 6 |
| INTERNATIONAL CHARACTER KEYCAP OPTION | LAX34-JL | 28 | N/A |
| INTERNATIONAL CHARACTER KEYCAP OPTION | LAX34-JL | 2 | 8 |
| INTERNATIONAL CHARACTER KEYCAP OPTION | LAX34-JL | 1 | 9 |
| Jumper Cable Assembly | 70-17849-00 | 4 | 3 |
| KEYBOARD/KEYCAP ASSEMBLY | 70-17886-01 | 15 | 2 |
| KEYBOARD BEZEL ASSEMBLY (New Design) | 70-17864-01 | 16 | N/A |
| KEYBOARD BEZEL ASSEMBLY (New Design) | 70-17864-01 | 3 | 5 |
| KEYBOARD BEZEL ASSEMBLY (Old Design) | 70-17864-00 | 16 | N/A |
| KEYBOARD BEZEL ASSEMBLY (Old Design) | 70-17864-00 | 3 | 5 |
| KEYBOARD BEZEL ASSEMBLY (RO) | 70-17514-00 | 15 | N/A |
| KEYBOARD BEZEL ASSEMBLY (RO) | 70-17514-00 | 4 | 6 |
| Keyboard Cable Assembly | 70-15741-0K | 18 | 9 |
| Keyboard Module Assembly | 54-14266-00 | 19 | 1 |

*** NOTE ***

When the description includes "added" or "deleted", ALWAYS refer to the figure parts list for the latest related part description.

LA100 SORT BY DEC PART DESCRIPTION

| DESCRIPTION | DEC PART NO. | FIG. NO. | ITEM |
|--|-----------------|-------------|-----------|
| KEYBOARD/KEYCAP ASSEMBLY (KSR) (New Design) (Added) | 70-17863-01 | 18 | N/A |
| KEYBOARD/KEYCAP ASSEMBLY (KSR) (Old Design) | 70-17863-00 | 18 | N/A |
| KEYBOARD/KEYCAP ASSEMBLY (KSR) (Old Design) | 70-17863-00 | 16 | 2 |
| KEYBOARD/KEYCAP ASSEMBLY (New Design Added) | 70-17863-01 | 16 | 2 |
| KEYBOARD/KEYCAP ASSEMBLY (RO) | 70-17886-01 | 19 | N/A |
| Keycap Set | 12-14333-U2 | 29 | 1 |
| Keycap Set | 12-14333-91 | 30A | 2 |
| Keycap Set | 12-17800-65 | 18 | 2 |
| Keycap Set | 12-14333-91 | 30 | 3 |
| Keycap Set | 12-17800-64 | 19 | 2 |
| Keycap Set (Finland, Sweden, Norway/Denmark, Germany, France) | 12-14333-N3 | 28 | 1 |
| Keycap Set (French/Canadian) | 12-14333-4J | 28 | 2 |
| LA100 20m CURRENT LOOP OPTION | LA10X-CL | 1 | Not Shown |
| LA100 APL CHARACTER KEYCAP OPTION | LAX34-HL | 29 | N/A |
| LA100 APL CHARACTER KEYCAP OPTION | LAX34-HL | 1 | Not Shown |
| LA100 LETTERPRINTER (RO) | N/A | 2 | N/A |
| LA100 LETTERWRITER (KSR) | N/A | 1 | N/A |
| LA100 Logic Board Assembly (added) | 54-14256-01 | 5 | 19 |
| LA100 Logic Board Assembly (added) | 54-14256-07 | 5 | 19 |
| LA100 Logic Board Assembly (added) | 54-14256-02 | 5 | 19 |
| LA100 Logic Board Assembly (deleted) | 54-14256-03 | 5 | 19 |
| LA100 Logic Board Assembly (deleted) | 54-14256-00 | 5 | 19 |
| LA100 Power Supply Module | 54-14243-00 | 20 | 2 |
| LA100 Power Supply Module (added) | 54-14243-01 | 20 | 2 |
| LA100 PRINTER STAND OPTION | LAX34-SL | 1 | Not Shown |
| LA100 RIBBON CARTRIDGES (12) | LA10R-12 | 1 | Not Shown |
| LA100 RIBBON CARTRIDGES (3) | LA10R-03 | 1 | Not Shown |
| LA100 ROLL PAPER HOLDER | LAX34-RL | 1 | Not Shown |
| LA100 USER KIT | 70-18404-01 | 1 | 10 |
| LA100 USER KIT | 70-18404-00 | 1 | 10 |
| LA100 USERS KIT (RO) | 70-18404-03 | 2 | 9 |
| LA100 USERS KIT (RO) | 70-18404-04 | 2 | 9 |
| LA100 USERS KIT (RO) | 70-18404-02 | 2 | 9 |
| LA100 Users Manual (RO) (Not Shown) | EK-LP100-UG | 2 | 19 |
| LA34/LA100 Keyboard Module Assembly (deleted) | 54-13284-00 | 18 | 1 |
| Label, "Cable Identification" | 36-16073-00 | 36 | 6 |
| Label, "FCC" (Not Shown) | 36-18307-05 | 1 | 18 |
| Label, "H7835,4A 250V" | 36-16721-00 | 21 | Not Shown |
| Label, "Sprocket Feed" (Not Shown) | 36-17326-00 | 1 | 17 |
| Label, "This Side Up" | 36-11567-00 | 36 | 5 |
| Label, "Tractor Feed" | 36-18497-02 | 11A | 15 |
| Label, "Cable Identification" | 36-16073-00 | 34 | 6 |
| Label, "Caution Replace Fuse" | 36-17615-01 | 1 | Not Shown |

*** NOTE ***

When the description includes "added" or "deleted", ALWAYS refer to the figure parts list for the latest related part description.

LA100 SORT BY DEC PART DESCRIPTION

| DESCRIPTION | DEC PART NO. | FIG. NO. | ITEM |
|---|-----------------|-------------|-----------|
| Label, "CAUTION REPLACE FUSE" | 36-17615-01 | 2 | Not Shown |
| Label, "Caution" | 36-12520-00 | 1 | Not Shown |
| Label, "CAUTION" | 36-12520-00 | 2 | Not Shown |
| Label, "DANGER HIGH VOLTAGE" | 36-18294-01 | 20 | 6 |
| Label, "FCC" | 36-17880-03 | 1 | Not Shown |
| Label, "FCC" (Not Shown) | 36-18307-05 | 2 | 20 |
| Label, "Ground" | 36-12680-02 | 20 | 7 |
| Label, "ID" | 36-16073-00 | 27 | 6 |
| Label, "LA100 Switch Instructions" (Not Shown) | 36-19291-01 | 2 | 17 |
| Label, "Legend" | 36-15450-02 | 16 | 6 |
| Label, "Legend" | 36-17590-00 | 15 | Not Shown |
| Label, "LETTERPRINTER" | 74-24088-01 | 9 | 12 |
| Label, "LETTERWRITER" | 74-24088-02 | 9 | 12 |
| Label, "Model/Serial Number" | 36-16340-01 | 5 | 50 |
| Label, "Packaging" (Not Shown) | 36-17326-00 | 2 | 16 |
| Label, "Paper Load Instruction" | 36-18293-01 | 5 | 42 |
| Label, "Ribbon Adjustment" (Not Shown) | 36-18115-01 | 2 | 18 |
| Label, "Ribbon/Adjustment Instruction" | 36-18115-01 | 9 | 11 |
| Label, "Serial and Power" | 36-17674-10 | 1 | Not Shown |
| Label, "Serial and Power" | 36-17674-10 | 2 | Not Shown |
| Label, "Serial No." (added) | 36-18497-02 | 11 | 21 |
| Label, "Serial No." (deleted) | 36-13214-00 | 11 | 21 |
| Label, "Tractor Feed" (added) | 36-18497-03 | 37 | 11 |
| Label, "Tractor Feed" (added) | 36-18497-01 | 16 | 8 |
| Label, "Voltage Setting" | 36-16157-00 | 20 | 8 |
| Label, "Voltage Setting" (Not Shown) | 36-16157-00 | 2 | 15 |
| Label, "Voltage Setting" (Not Shown) | 36-16157-00 | 1 | 16 |
| Label, "Warning 120V" | 36-17905-03 | 1 | Not Shown |
| Label, "WARNING 120V, 60HZ" | 36-17905-03 | 2 | Not Shown |
| Label, Insulator (11-1/2x3-1/4) | 36-17973-01 | 20 | 9 |
| Label, Insulator (2-1/4x3-1/4) | 36-17973-02 | 20 | 9 |
| Latch, Platen | 12-15512-00 | 7 | 2 |
| Latch, R.H. Platen | 12-15512-01 | 6 | 2 |
| Lever, Head Retaining | 74-25720-00 | 10 | 11 |
| Lever, Release (added) | 74-22886-00 | 6 | 21 |
| Lever, Release (deleted) | 74-22986-00 | 5 | 48 |
| Lever, Switch Release | 12-16304-00 | 5 | 15 |
| Lid, Back | 74-23945-00 | 37 | 7 |
| Lid, Front | 74-23944-00 | 37 | 6 |
| LINE FILTER ASSEMBLY | 70-17878-00 | 21 | 2 |
| LINE FILTER ASSEMBLY | 70-17878-01 | 27 | N/A |
| LINE FILTER ASSEMBLY | 70-17878-00 | 27 | N/A |
| LINE FILTER ASSEMBLY (added) | 70-17878-01 | 21 | 2 |
| Link, Head Lift (added) | 70-19651-00 | 10 | 10 |
| Link, Head Lift (added) | 74-25722-00 | 10 | 10 |
| Link, Head Lift (deleted) | 70-19651-00 | 10 | 10 |
| Link, Head Lift (deleted) | 74-25722-00 | 10 | 10 |
| Logic/Power Cable Assembly | 70-18388-1E | 5 | 55 |
| Loop Back Connector (Not Shown) | 12-15336-01 | 1 | 15 |

*** NOTE ***

When the description includes "added" or "deleted", ALWAYS refer to the figure parts list for the latest related part description.

LA100 SORT BY DEC PART DESCRIPTION

| DESCRIPTION | DEC PART NO. | FIG. NO. | ITEM |
|--|-----------------|-------------|------|
| Loop Back Connector (Not Shown) | 12-15336-01 | 2 | 14 |
| Loop Back Connector (Not Shown) (added) | 70-18353-00 | 33 | 7 |
| Magnet Only | 12-16687-02 | 17 | 5 |
| Magnetic Reed Switch Assembly (added) | 12-16687-01 | 9 | 8 |
| Mandrel, Paper Roll | 12-15717-00 | 31 | 15 |
| MICRO SWITCH/CABLE ASSEMBLY | 74-23320-00 | 26 | 1 |
| Model LA100-AA 120/240V | LA100-AA | 1 | N/A |
| Model LA100-AB 120/240V | LA100-AB | 1 | N/A |
| Model LA100-BA 120/240V | LA100-BA | 1 | N/A |
| Model LA100-BB 120/240V | LA100-BB | 1 | N/A |
| Model LA100-CA 120/240V | LA100-CA | 1 | N/A |
| Model LA100-CB 120/240V | LA100-CB | 1 | N/A |
| Model LA100-PC | LA100-PC | 2 | N/A |
| Model LA100-RA | LA100-RA | 2 | N/A |
| Model LA100-RB | LA100-RB | 2 | N/A |
| Model LA100-YA | LA100-YA | 2 | N/A |
| Model LA100-YB | LA100-YB | 2 | N/A |
| Model LA100-ZA | LA100-ZA | 2 | N/A |
| Model LA100-ZB | LA100-ZB | 2 | N/A |
| Modem Cable Assembly | BC22A-10 | 1 | 6 |
| Modem Cable Assembly | BC22A-10 | 2 | 6 |
| Module Acoustic Cover Assembly | 70-17876-00 | 5 | 34 |
| Motor Encoder, Magnetic | 12-19267-00 | 11A | 2 |
| Motor, Permanent Magnet | 12-15633-00 | 11 | 1 |
| Mount, Head Cable | 74-25725-00 | 10 | 2 |
| MULTIPLE FONT OPTION | LA10X-FL | 24 | N/A |
| MULTIPLE FONT OPTION | LA10X-FL | 2 | 7 |
| MULTIPLE FONT OPTION | LA10X-FL | 1 | 8 |
| Numeric Keypad | 54-13646-00 | 30 | 2 |
| Numeric Keypad Assembly | 70-16653-00 | 30 | 1 |
| NUMERIC KEYPAD OPTION (Old Design) | LAX34-KL | 1 | 7 |
| NUMERIC KEYPAD OPTION ASSEMBLY (New Design added) | 70-16653-02 | 16 | 3 |
| NUMERIC KEYPAD OPTION ASSEMBLY (New Design) | 70-16653-02 | 30A | N/A |
| NUMERIC KEYPAD OPTION ASSEMBLY (Old Design) | LAX34-KL | 30 | N/A |
| NUMERIC KEYPAD OPTION ASSEMBLY (Old Design) | LAX34-KL | 16 | 3 |
| Nut, Hex No. 10-32 | 90-06565-00 | 11A | 6 |
| Nut, Hex Hd No.8-32 (added) | 90-06563-00 | 20 | 12 |
| Nut, Hex No.10-32 | 90-06565-00 | 11 | 14 |
| Nut, Hex No.2-56 | 90-06555-00 | 10 | 30 |
| Nut, Hex No.8-32 | 90-06563-00 | 11 | 8 |
| Nut, Kep No.4-40 | 90-06557-00 | 5 | 14 |
| Nut, Push-On | 90-10311-00 | 10 | 28 |
| Nut, Speed | 90-10069-00 | 26 | 6 |

*** NOTE ***

When the description includes "added" or "deleted", ALWAYS refer to the figure parts list for the latest related part description.

LA100 SORT BY DEC PART DESCRIPTION

| DESCRIPTION | DEC PART NO. | FIG. NO. | ITEM |
|---------------------------------------|-----------------|-------------|-----------|
| Octal Buffer Gate | 19-14213-00 | 3 | 9 |
| Octal Buffer Gate | 19-14213-00 | 4 | 8 |
| Orator 10 Rom Installation Manual | EK-L10AD-IN | 1 | Not Shown |
| Orator 10 Rom Installation Manual | EK-L10BD-IN | 1 | Not Shown |
| OTHER OPTIONS AVAILABLE ON THE LA100 | N/A | 1 | 20B |
| Paper Catcher | 74-23841-00 | 1 | 2 |
| Paper Catcher (74-23481-00) | LAX34-SW | 2 | 2 |
| Paper Guide (deleted) | 74-27151-01 | 10 | 7 |
| PAPER LOW OPTION SWITCH | LAX34-LL | 26 | N/A |
| PAPER LOW OPTION SWITCH | LAX34-LL | 1 | Not Shown |
| Paper Out Cable Assembly (added) | 70-16713-1A | 5 | 18 |
| Paper Out Cable Assembly (deleted) | 70-16713-00 | 5 | 18 |
| Paper, Pkg 132 Column (Not Shown) | H9850-PA | 2 | 11 |
| Paper, Pkg. (132 Column) (Not Shown) | 74-12103-00 | 1 | 12 |
| Pin | 90-10093-00 | 7 | 8 |
| Pin, Dowel(added) | 74-29037-01 | 6 | 15 |
| Pin, Dowel(deleted) | 90-00032-11 | 6 | 15 |
| Pin, Grooved | 90-10093-00 | 10 | 6 |
| Plate, R.H. Side | 12-15394-01 | 6 | 1 |
| Plate, Side | 12-15382-00 | 7 | 1 |
| Plate, Switch Support | 74-22505-00 | 5 | 10 |
| Platen (added) | 12-20076-00 | 14 | 2 |
| PLATEN ASSEMBLY | 70-15727-02 | 14 | N/A |
| PLATEN ASSEMBLY | 70-15727-02 | 5 | 57 |
| Platen Core Sub-Assembly (deleted) | 12-15290-00 | 14 | 2 |
| Platen Knob Assembly | 12-15351-00 | 14 | 12 |
| Plug | 12-15651-00 | 9 | 3 |
| Plug, Dummy | 12-15451-00 | 8 | 7 |
| Plug, Connector Mounting | 12-16214-00 | 33 | 3 |
| Plug, Keyboard (See Note) | 74-25601-00 | 4 | 10 |
| Plug, Keyswitch | 74-25601-00 | 15 | 3 |
| Plunger W/Tamper Proof Head | 12-17631-00 | 23 | 3 |
| Power Cord Assembly | 17-00083-01 | 1 | 11 |
| Power Cord Assembly | 17-00083-11 | 2 | 10 |
| Print Head Assembly (added) | 70-19655-01 | 5 | 8 |
| Print Head Assembly (deleted) | 70-18409-00 | 5 | 8 |
| PRINTER MECHANISM ASSEMBLY (DOMESTIC) | 70-17867-00 | 3 | 2 |
| PRINTER MECHANISM ASSEMBLY (DOMESTIC) | 70-17867-00 | 4 | 2 |
| PRINTER MECHANISM ASSEMBLY (DOMESTIC) | 70-17867-00 | 5 | N/A |
| PRINTER MECHANISM ASSEMBLY (FOREIGN) | 70-17867-01 | 3 | 2 |
| PRINTER MECHANISM ASSEMBLY (FOREIGN) | 70-17867-01 | 4 | 2 |
| PRINTER MECHANISM ASSEMBLY (FOREIGN) | 70-17867-01 | 5 | N/A |
| PRINTER MECHANISM/COVER ASSEMBLY | 70-17884-05 | 1 | 1 |
| PRINTER MECHANISM/COVER ASSEMBLY | 70-17884-00 | 1 | 1 |
| PRINTER MECHANISM/COVER ASSEMBLY | 70-17884-02 | 1 | 1 |
| PRINTER MECHANISM/COVER ASSEMBLY | 70-17884-05 | 3 | N/A |
| PRINTER MECHANISM/COVER ASSEMBLY | 70-17884-04 | 3 | N/A |
| PRINTER MECHANISM/COVER ASSEMBLY | 70-17884-02 | 3 | N/A |
| PRINTER MECHANISM/COVER ASSEMBLY | 70-17884-04 | 1 | 1 |

*** NOTE ***

When the description includes "added" or "deleted", ALWAYS refer to the figure parts list for the latest related part description.

LA100 SORT BY DEC PART DESCRIPTION

| DESCRIPTION | DEC PART NO. | FIG. NO. | ITEM |
|---------------------------------------|-----------------|-------------|------|
| PRINTER MECHANISM/COVER ASSEMBLY | 70-17884-01 | 3 | N/A |
| PRINTER MECHANISM/COVER ASSEMBLY | 70-17884-03 | 3 | N/A |
| PRINTER MECHANISM/COVER ASSEMBLY | 70-17884-00 | 3 | N/A |
| PRINTER MECHANISM/COVER ASSEMBLY | 70-17884-03 | 1 | 1 |
| PRINTER MECHANISM/COVER ASSEMBLY | 70-17884-01 | 1 | 1 |
| PRINTER MECHANISM/COVER ASSEMBLY (RO) | 70-17870-01 | 2 | 1 |
| PRINTER MECHANISM/COVER ASSEMBLY (RO) | 70-17870-02 | 4 | N/A |
| PRINTER MECHANISM/COVER ASSEMBLY (RO) | 70-17870-00 | 4 | N/A |
| PRINTER MECHANISM/COVER ASSEMBLY (RO) | 70-17870-01 | 4 | N/A |
| PRINTER MECHANISM/COVER ASSEMBLY (RO) | 70-17870-03 | 2 | 1 |
| PRINTER MECHANISM/COVER ASSEMBLY (RO) | 70-17870-03 | 4 | N/A |
| PRINTER MECHANISM/COVER ASSEMBLY (RO) | 70-17870-00 | 2 | 1 |
| PRINTER MECHANISM/COVER ASSEMBLY (RO) | 70-17870-02 | 2 | 1 |
| PRINTER STAND OPTION | LAX34-SL | 32 | N/A |
| Puller, Keycap | 74-16355-00 | 28 | 3 |
| Puller, Keycap | 74-16355-00 | 29 | 2 |
| Pulley Clutch Assembly (added) | 70-17795-01 | 10 | 17 |
| Pulley Clutch Assembly (deleted) | 70-17795-00 | 10 | 17 |
| Pulley Idler Assembly | 70-15735-00 | 5 | 32 |
| Pulley, Drive | 74-24735-00 | 11A | 10 |
| Pulley, Drive | 74-26523-01 | 11 | 7 |
| Push Rod, Latch (RH) | 74-21622-00 | 25 | 12 |
| Push Rod, Latch(LH) | 74-21622-01 | 25 | 13 |
| REAR INSERT ASSEMBLY | 70-18944-00 | 8 | N/A |
| REAR INSERT ASSEMBLY | 70-18944-00 | 4 | 12 |
| REAR INSERT ASSEMBLY | 70-18944-00 | 3 | 6 |
| Rear Paper Roller | 70-18602-00 | 12 | 7 |
| Receptacle, Cable Assembly(added) | 70-16279-1E | 8 | 4 |
| Receptacle, Cable Assembly(deleted) | 70-16279-00 | 8 | 4 |
| Reflector, Visor | 74-23939-00 | 9 | 5 |
| Regular Blow Fuse,4A,250V | 90-07219-02 | 21 | 5 |
| Retainer, Paper Roll | 12-15718-00 | 31 | 14 |
| Retainer, Spring (deleted) | 74-25810-00 | 10 | 19 |
| Retainer, Flexure | 74-20741-00 | 5 | 28 |
| Retainer, Spring (added) | 74-25810-01 | 10 | 19 |
| Retaining Ring | 90-09644-00 | 25 | 8 |
| Retaining Ring | 90-08137-00 | 11 | 22 |
| Retaining Ring | 90-10050-00 | 14 | 11 |
| Retaining Ring | 90-10052-00 | 5 | 43 |
| Retaining Ring | 90-09273-00 | 5 | 52 |
| Retaining Ring (added) | 90-10546-01 | 10 | 20 |
| Retaining Ring (added) | 90-08298-02 | 11 | 23 |
| Retaining Ring (added) | 90-09257-03 | 5 | 59 |
| Retaining Ring (added) | 90-08137-00 | 6 | 14 |
| Retaining Ring (added) | 90-07784-01 | 10 | 20 |
| Retaining Ring (deleted) | 90-09717-00 | 25 | 24 |
| Retaining Ring (deleted) | 90-07784-01 | 10 | 20 |
| Retaining Ring (deleted) | 90-09273-00 | 10 | 20 |
| Retaining Ring (deleted) | 90-07785-00 | 6 | 14 |

*** NOTE ***

When the description includes "added" or "deleted", ALWAYS refer to the figure parts list for the latest related part description.

LA100 SORT BY DEC PART DESCRIPTION

| DESCRIPTION | DEC PART NO. | FIG. NO. | ITEM |
|---|-----------------|-------------|-----------|
| Ribbon Cartridge (Not Shown) | 36-20285-01 | 2 | 12 |
| Ribbon Cartridge (Not Shown) | 36-20285-01 | 1 | 13 |
| Ribbon Drive Cable Assembly | 12-15348-00 | 5 | 35 |
| Ring, Retaining | 90-08136-00 | 31 | 10 |
| Ring, Retaining | 90-08500-00 | 11A | 8 |
| Ring, Retaining | 90-08137-00 | 11A | 11 |
| Ring, Retaining | 90-08298-00 | 11A | 12 |
| Ring, Retaining | 90-08500-00 | 11 | 11 |
| Rivet (deleted) | 90-09000-00 | 21 | 8 |
| Rocker | 12-15355-00 | 12 | 4 |
| ROLL PAPER HOLDER OPTION ASSEMBLY | 70-15728-00 | 31 | N/A |
| ROLL PAPER HOLDER OPTION ASSEMBLY | 70-15728-00 | 1 | Not Shown |
| Roll Pin | 90-09324-00 | 14 | 7 |
| Roller Assembly | 12-15330-00 | 13 | 2 |
| Rom, Buffer Gate Octal | 19-14213-00 | 24 | 3 |
| Screw, Flat Phl Hd No.6-19x5/16 | 12-15740-01 | 31 | 13 |
| Screw, Flat Phl Hd No.6-19x9/16 | 12-15740-00 | 31 | 3 |
| Screw, Phl Flat Hd No.6-32x5/16 | 90-06021-02 | 11A | 13 |
| Screw, Self-Tap Hex Washer Hd No. 8-32 x 3/8 (added) | 90-10075-00 | 7 | 18 |
| Screw, Sems Hex Hd No.6-32x1/2 (added) | 90-06453-01 | 6 | 22 |
| Screw, Sems Phl Pan Hd No. 6-32x3/8 | 90-00049-24 | 11A | 3 |
| Screw, Slotted Hd Hex No. 6-32x5/16 | 90-09967-00 | 25 | 11 |
| Screw, Binder Hd No.2-56x1/2 | 90-06005-04 | 37 | 5 |
| Screw, Hex Hd No.6x1/4 Self Tapping | 90-09680-00 | 33 | 4 |
| Screw, Hex Hd No.8-32x3/8 | 90-10075-00 | 5 | 23 |
| Screw, Hex Hd No.8-32x3/8 Self Tapping | 90-10075-00 | 6 | 10 |
| Screw, Hex Hd Self Tap No.6x1/2 (added) | 90-10097-01 | 16 | 4 |
| Screw, Hex Hd Self Tap No.8x1/2 (deleted) | 90-10083-00 | 16 | 4 |
| Screw, Hex Slotted Hd No.6-32x3/8 | 90-06453-00 | 22 | 3 |
| Screw, Hex Washer Hd No.6-32x1/2 (deleted) | 90-09680-04 | 10 | 23 |
| Screw, Hex Washer Hd No.6-32x3/8 (added) | 90-09680-02 | 10 | 23 |
| Screw, Hex Washer Hd No.6x32x1/4 | 90-09680-02 | 15 | 4 |
| Screw, Hex Washer Hd No.8-32-5/8 | 90-10082-01 | 5 | 37 |
| Screw, Hex Washer Hd No.8-32x1/2 | 90-10075-01 | 5 | 30 |
| Screw, Hex Washer Hd No.8-32x1/2 (added) | 90-06453-01 | 4 | 13 |
| Screw, Hex Washer Hd No.8-32x3/8 | 90-09679-05 | 4 | 5 |
| Screw, Lever (added) | 12-15453-00 | 6 | 19 |
| Screw, Lever (deleted) | 12-15452-00 | 5 | 49 |
| Screw, Lock Assembly | 90-08451-04 | 8 | 3 |
| Screw, Phl Flat Hd No.2-56x1/2 | 90-09230-02 | 26 | 5 |
| Screw, Phl Flat Hd No.4-40x3/16 | 90-06010-02 | 6 | 4 |
| Screw, Phl Flat Hd No.8x5/16 | 90-10360-01 | 5 | 6 |
| Screw, Phl Pan Hd No.1/4-20x1/2 | 90-06056-02 | 23 | 6 |
| Screw, Phl Pan Hd No.4-40x1/2 | 90-06010-01 | 24 | 2 |
| Screw, Phl Pan Hd No.4-40x1/2 | 90-06010-01 | 3 | 8 |
| Screw, Phl Pan Hd No.4-40x3/8 | 90-06010-02 | 7 | 4 |
| Screw, Phl Pan Hd No.4-40x3/8 (added) | 90-10158-00 | 9 | 9 |
| Screw, Phl Pan Hd No.4-40x3/8 (added) | 90-06010-01 | 8 | 11 |

*** NOTE ***

When the description includes "added" or "deleted", ALWAYS refer to the figure parts list for the latest related part description.

LA100 SORT BY DEC PART DESCRIPTION

| DESCRIPTION | DEC PART NO. | FIG. NO. | ITEM |
|--|-----------------|-------------|------|
| Screw, Phl Pan Hd No.4-40x5/16 | 90-06010-01 | 4 | 9 |
| Screw, Phl Pan Hd No.4-40x5/16 (deleted) | 90-09800-10 | 9 | 9 |
| Screw, Phl Pan Hd No.4-40x5/8 | 90-06014-01 | 5 | 13 |
| Screw, Phl Pan Hd No.6-32x1/2 (deleted) | 90-09800-04 | 7 | 15 |
| Screw, Phl Pan Hd No.6-32x1/4 (added) | 90-06022-01 | 5 | 20 |
| Screw, Phl Pan Hd No.6-32x1/4 (deleted) | 90-06020-01 | 5 | 20 |
| Screw, Phl Pan Hd No.6-32x3/8 | 90-09800-12 | 25 | 19 |
| Screw, Phl Pan Hd No.6-32x5/16 | 90-06021-02 | 11 | 15 |
| Screw, Phl Pan Hd No.6-32x9/16 (added) | 90-09680-02 | 7 | 15 |
| Screw, Phl Pan Hd No.8-32x3/8 | 90-06418-01 | 20 | 4 |
| Screw, Phl Truss Hd No.1/4-20x1 1/4 | 90-06061-03 | 32 | 6 |
| Screw, Phl Truss Hd No.1/4-20x5/8 | 90-06057-03 | 32 | 5 |
| Screw, Sems Hex Hd No.6-32x1/2 | 90-06453-01 | 6 | 6 |
| Screw, Sems Hex Hd No.6-32x3/8 | 90-06453-00 | 11 | 3 |
| Screw, Sems Hex Hd No.6-32x3/8 (deleted) | 90-06453-00 | 6 | 16 |
| Screw, Sems Hex Hd No.8-32x3/8 (added) | 90-09988-08 | 20 | 10 |
| Screw, Sems Slotted Hd No.6-32x3/8 | 90-09967-00 | 21 | 3 |
| Screw, Set No.2-56x3/8 | 90-00044-11 | 10 | 29 |
| Screw, Slotted Hex Hd No.6-32x1/2 | 90-06453-01 | 7 | 6 |
| Screw, Slotted Hex Hd No.8-32x1/2 | 90-10075-01 | 7 | 10 |
| Screw, Slotted Hex Hd No.8-32x1/2 (added) | 90-10015-00 | 3 | 11 |
| Screw, Slotted Hex Hd No.8-32x3/8 | 90-09679-05 | 3 | 3 |
| SERVO MOTOR/ENCODER ASSEMBLY (added) | 70-18960-00 | 5 | 33 |
| Servo Motor Cable Assembly | 70-15740-01 | 11A | 14 |
| Servo Motor Cable Assembly (added) | 70-15740-01 | 11 | 20 |
| Servo Motor Cable Assembly (deleted) | 70-15740-00 | 11 | 20 |
| SERVO MOTOR/ENCODER ASSEMBLY | 70-18707-00 | 5 | 33 |
| SERVO MOTOR/ENCODER ASSEMBLY (Old Design) | 70-18707-00 | 11 | N/A |
| SERVO MOTOR ENCODER ASSEMBLY (New Design) | 70-18960-00 | 11A | N/A |
| Shaft, Ribbon Drive (4 MM O.D.) (added) | 74-24719-03 | 10 | 15 |
| Shaft, Round | 74-22555-00 | 25 | 5 |
| Shaft, Tractor Guide | 74-21665-00 | 25 | 3 |
| Shaft, Carriage (Front) | 12-15315-00 | 5 | 3 |
| Shaft, Carriage (Rear) | 12-15315-01 | 5 | 4 |
| Shaft, Friction | 12-15358-00 | 12 | 1 |
| Shaft, Paper Out | 12-15782-00 | 5 | 40 |
| Shaft, Ribbon Drive (1/8 in. O.D.) (deleted) | 74-24719-01 | 10 | 15 |
| Shaft, Tractor Support | 74-21666-00 | 25 | 4 |
| Shielded Cable Assembly | 17-00097-00 | 35 | 3 |
| Shielded Cable Assembly | 17-00097-00 | 34 | 3 |
| Shielded Return Cable Assembly (added) | 70-18430-03 | 8 | 10 |
| SIDE PLATE ASSEMBLY | 70-18949-00 | 7 | N/A |
| SIDE PLATE ASSEMBLY (LH) | 70-18949-00 | 5 | 1 |
| SIDE PLATE ASSEMBLY (RH) | 70-17853-00 | 6 | N/A |
| SIDE PLATE ASSEMBLY (RH) | 70-17853-00 | 5 | 2 |
| Side Plate Assembly (L.H.) | 70-16253-00 | 25 | 2 |
| Side Plate Assembly (R.H.) | 70-16650-00 | 25 | 1 |
| Sleeve, Retainer (added) | 12-16335-00 | 7 | 20 |
| Sleeve, Retainer (deleted) | 12-16335-00 | 5 | 29 |
| Smudge Guard Assembly (added) | 70-19659-01 | 10 | 7 |

*** NOTE ***

When the description includes "added" or "deleted", ALWAYS refer to the figure parts list for the latest related part description.

LA100 SORT BY DEC PART DESCRIPTION

| DESCRIPTION | DEC PART NO. | FIG. NO. | ITEM |
|---------------------------------------|-----------------|-------------|-----------|
| SPACE BAR ASSEMBLY | 70-15050-00 | 18 | 4 |
| Spacer (added) | 12-19528-01 | 10 | 31 |
| Spacer | 12-16267-00 | 32 | 8 |
| Spacer, Bail Bar | 74-21147-00 | 7 | 5 |
| Spacer, Bail Bar | 74-21147-00 | 6 | 5 |
| Spacer, Lever (added) | 12-15452-00 | 6 | 20 |
| Spacer, Lever (deleted) | 12-15453-00 | 5 | 47 |
| Spacer, Platen | 12-15557-00 | 7 | 3 |
| Spacer, Platen | 12-15557-00 | 6 | 3 |
| Spacer, Pulley | 12-15399-00 | 11 | 5 |
| Spring | 12-15551-00 | 12 | 5 |
| Spring, Extension 3/4 LG x 3/16 OD | 12-15762-00 | 31 | 7 |
| Spring, Extension 3/4 LG x 3/16 OD | 12-15760-00 | 31 | 5 |
| Spring, Front Bearing (deleted) | 74-24731-00 | 10 | 13 |
| Spring, CLUTCH | 12-15552-00 | 14 | 10 |
| Spring, Compression (.220 O.D. x .34) | 12-19391-01 | 10 | 18 |
| Spring, Dentent Stiffner | 74-23005-00 | 5 | 11 |
| Spring, Extension | 90-09279-01 | 25 | 15 |
| Spring, Extension | 12-15508-00 | 7 | 7 |
| Spring, Extension | 12-15701-00 | 5 | 31 |
| Spring, Extension (.250 O.D. x .820) | 12-20072-01 | 10 | 8 |
| Spring, Front Bearing (added) | 74-26722-01 | 10 | 13 |
| Spring, Grounding | 74-27106-01 | 7 | 9 |
| Spring, Latch | 12-15508-00 | 6 | 7 |
| Spring, Pulley Tension | 12-15319-00 | 5 | 27 |
| Spring, Tension | 74-23946-00 | 37 | 8 |
| Spring, Torsion | 12-16305-00 | 5 | 16 |
| Stabilizer | 12-15713-00 | 31 | 12 |
| Stabilizer, Upper | 12-15714-00 | 31 | 11 |
| Standoff | 74-23971-00 | 22 | 2 |
| Standoff, Snap in | 90-09670-00 | 33 | 5 |
| Stepper Motor Assembly | 12-17474-00 | 6 | 8 |
| Strap, Bracket Grounding (added) | 74-28679-01 | 8 | 8 |
| Stud, Combination Pulley | 12-15397-00 | 11A | 7 |
| Stud, Combination Pulley | 12-15397-00 | 11 | 10 |
| SUPPLIES USED ON THE LA100 | N/A | 1 | 20C |
| Support, Tractor Paper | 74-22870-00 | 25 | 20 |
| Support, Dual P.C.Card | 12-15395-00 | 22 | 4 |
| Support, Smudge Bar(LH)(deleted) | 74-26661-02 | 25 | 22 |
| Support, Smudge Bar(RH)(deleted) | 74-26661-01 | 25 | 21 |
| Switch and Magnet (15 in.) | 12-16687-00 | 17 | 1 |
| Switch and Magnet (4 1/4 in.) | 12-16687-03 | 17 | 6 |
| Switch w/o Magnet (15 in.) | 12-16687-01 | 17 | 2 |
| Switch w/o Magnet (4 1/4 in.) | 12-16687-04 | 17 | 7 |
| Switch, Micro | 12-15783-00 | 26 | 2 |
| Switch, Micro | 12-16371-00 | 5 | 12 |
| Switch, Toggle | 12-18785-00 | 27 | 2 |
| Switch, Micro | 74-23947-00 | 37 | 2 |
| Switch, Toggle | 12-17632-01 | 27 | 2 |
| Symbols Rom Installation Manual | EK-L10AE-IN | 1 | Not Shown |

*** NOTE ***

When the description includes "added" or "deleted", ALWAYS refer to the figure parts list for the latest related part description.

LA100 SORT BY DEC PART DESCRIPTION

| DESCRIPTION | DEC PART NO. | FIG. NO. | ITEM |
|--|-----------------|-------------|------|
| Tear Edge | 12-15333-00 | 13 | 5 |
| Terminal, Pin Contact | 12-14979-00 | 36 | 2 |
| Terminal, Pin Contact | 12-12220-00 | 10 | 25 |
| Terminal, Quick Disconnect | 12-17000-09 | 27 | 5 |
| Terminal, Socket Contact | 12-10089-07 | 36 | 4 |
| Terminal, (P1) Socket Contact | 12-09379-03 | 35 | 5 |
| Terminal, (P1)Socket Contact | 12-15588-00 | 27 | 4 |
| Terminal, (P1,P2) Pin Contact | 12-09378-03 | 34 | 2 |
| Terminal, (P6)Pin Contact | 12-14979-01 | 17 | 4 |
| Terminal, Quick Disconnect | 90-09746-00 | 35 | 7 |
| Terminal, Quick Disconnect | 12-17000-00 | 27 | 5 |
| Terminal, Ring | 90-07927-00 | 35 | 6 |
| Terminal, Ring | 90-07927-00 | 34 | 5 |
| Terminal, Ring | 90-07928-00 | 34 | 4 |
| Terminal, Tab (deleted) | 90-08219-00 | 21 | 7 |
| TOP COVER ASSEMBLY | 70-18947-01 | 9 | N/A |
| TOP COVER ASSEMBLY | 70-18947-00 | 9 | N/A |
| TOP COVER ASSEMBLY | 70-18947-01 | 3 | 10 |
| TOP COVER ASSEMBLY | 70-17847-00 | 4 | 11 |
| Top, Stand | 34-16599-00 | 32 | 9 |
| TRACTOR OPTION | LA10X-EL | 2 | 3 |
| Tractor (1 Pair) | 12-18685-02 | 25 | 16 |
| Tractor Assembly | 70-17624-00 | 2 | 4 |
| Tractor Assembly | 70-17624-00 | 1 | 4 |
| Tractor Bushing Assembly | 12-16192-00 | 25 | 10 |
| TRACTOR OPTION | LAX10-EL | 1 | 3 |
| TRACTOR OPTION ASSEMBLY | 70-16260-00 | 25 | N/A |
| TRACTOR OPTION ASSEMBLY | 70-16260-00 | 1 | 5 |
| TRACTOR OPTION ASSEMBLY | 70-16260-00 | 2 | 5 |
| Tractor, Support | 12-16021-00 | 25 | 9 |
| Universal Keyboard Module (added) | 54-15341-00 | 18 | 1 |
| Universal Numeric Keypad | 54-15339-00 | 30A | 1 |
| Users Guide "LA100 KSR" (Not Shown) | EK-LW100-UG | 1 | 19 |
| Washer, External Tooth Lock No. 8 | 90-08151-00 | 20 | 5 |
| Washer, External Tooth Lock No.8 (deleted) | 90-08072-00 | 5 | 22 |
| Washer, Flat | 90-06668-00 | 11A | 5 |
| Washer, Flat (added) | 12-23648-01 | 10 | 33 |
| Washer, Flat (added) | 90-06666-00 | 7 | 17 |
| Washer, Clutch | 12-15562-00 | 14 | 9 |
| Washer, External Tooth Lock No.8 (added) | 90-08072-00 | 20 | 11 |
| Washer, Flat | 90-09025-00 | 32 | 7 |
| Washer, Flat | 90-06668-00 | 11 | 13 |
| Washer, Flat (added) | 90-06707-00 | 10 | 33 |
| Washer, Flat (added) | 90-06656-00 | 10 | 32 |
| Washer, Flat (deleted) | 90-06707-00 | 10 | 33 |
| Washer, Flat No. 8 | 90-06668-00 | 4 | 4 |
| Washer, Flat No.8 | 90-06660-00 | 5 | 24 |
| Washer, Flat No.8 | 90-06668-00 | 3 | 4 |

*** NOTE ***

When the description includes "added" or "deleted", ALWAYS refer to the figure parts list for the latest related part description.

LA100 SORT BY DEC PART DESCRIPTION

| DESCRIPTION | DEC PART NO. | FIG. NO. | ITEM |
|-----------------------------|-----------------|-------------|------|
| Washer, Flat Nylon | 90-09614-00 | 6 | 12 |
| Washer, Internal Tooth Lock | 90-08292-00 | 21 | 6 |
| Washer, Nylon Flat | 90-06707-00 | 5 | 21 |
| Weldment, Chassis | 70-16045-00 | 21 | 1 |
| Window, Clear | 74-23937-00 | 9 | 7 |
| Window, Font | 74-23969-00 | 37 | 10 |

*** NOTE ***

When the description includes "added" or "deleted", ALWAYS refer to the figure parts list for the latest related part description.



**ILLUSTRATED PARTS BREAKDOWN
COMMENT SHEET**

Any and all comments and suggestions for correcting errors and/or additional information to improve this manual will be reviewed and researched for possible use when this manual is revised and/or reprinted. Enter your comments and suggestions in the form provided below and return to Technical Documentation.

LA100
MODEL Letterwriter/Letterprinter

PUBLICATION NO. EK-LA100-IP-002

FIGURE NO. _____ ITEM NO. _____
CHANGE FROM _____
CHANGE TO _____

FIGURE NO. _____ ITEM NO. _____
CHANGE FROM _____
CHANGE TO _____

FIGURE NO. _____ ITEM NO. _____
CHANGE FROM _____
CHANGE TO _____

FIGURE NO. _____ ITEM NO. _____
CHANGE FROM _____
CHANGE TO _____

FIGURE NO. _____ ITEM NO. _____
CHANGE FROM _____
CHANGE TO _____

FIGURE NO. _____ ITEM NO. _____
CHANGE FROM _____
CHANGE TO _____

ADDITIONAL COMMENT(S)

Please describe your position _____

Name _____ Organization _____

Street _____ Department _____

City _____ State _____ Zip or Country _____

Fold Here

Do Not Tear -- Fold Here and Staple

digital



No Postage
Necessary
if Mailed in the
United States

BUSINESS REPLY MAIL

FIRST CLASS PERMIT NO. 33 MAYNARD, MA.

POSTAGE WILL BE PAID BY ADDRESSEE

**Digital Equipment Corporation
Educational Services Development and Publishing
129 Parker Street, PK03-2/H31
Maynard, MA 01754**

