

11. OPTIONAL CABLE ROUTING INSIDE CHANNEL UPRIGHTS. DO NOT ALLOW CABLES TO BE CAUGHT BETWEEN CABINET UPRIGHTS AND REAR OF DISK DRIVE.

9. CABINET OPTIONS INCLUDE SKINS, DOORS, COVERS, TRIM AND POWER CONTROLLERS.

TYPE	VOLTAGE	DMG.	REMARKS
H950	110	H960-BC	INCLUDES FIVE (5) 10.5" PANELS
H950	220	H960-BD	INCLUDES FIVE (5) 10.5" PANELS
H967	110	H967-BA	10.5" COVER PANELS (H960-DA) MUST BE ORDERED IF REQ'D.
H967	220	H967-BB	
H9500	110	H9603-ED	SWLR WITH H9514-A TOP COVERS
H9500	220	H9603-EE	DWLR WITH H9514-A TOP COVERS
H9500	110	H9601-ED	SWLR COMPLETE HIRBY CABINET ARRANGEMENT DRAWING ORDER AS REQ'D.
H9500	220	H9601-EE	DWLR COMPLETE HIRBY CABINET ARRANGEMENT DRAWING ORDER AS REQ'D.
H9500	110	H9602-EA	SWLR COMPLETE HIRBY CABINET ARRANGEMENT DRAWING ORDER AS REQ'D.
H9500	220	H9602-EB	DWLR COMPLETE HIRBY CABINET ARRANGEMENT DRAWING ORDER AS REQ'D.
H9500	110	H9601-EA	SWLR COMPLETE HIRBY CABINET ARRANGEMENT DRAWING ORDER AS REQ'D.
H9500	220	H9601-EB	DWLR COMPLETE HIRBY CABINET ARRANGEMENT DRAWING ORDER AS REQ'D.
H9500		H9602-A-0	SWLR OPTION ARRANGEMENT DRAWING ORDER AS REQ'D.
H9500		H9603-B-0	DWLR OPTION ARRANGEMENT DRAWING ORDER AS REQ'D.
H9500		H9601-A-0	DWLR OPTION ARRANGEMENT DRAWING ORDER AS REQ'D.

10. WHERE A LONGER CABLE IS REQUIRED THAN ITEM NO. 3, USE ONE OF THE FOLLOWING:

LENGTH	PART NO.
20 FEET	BC212-20
40 FEET	BC212-40
60 FEET	BC212-60

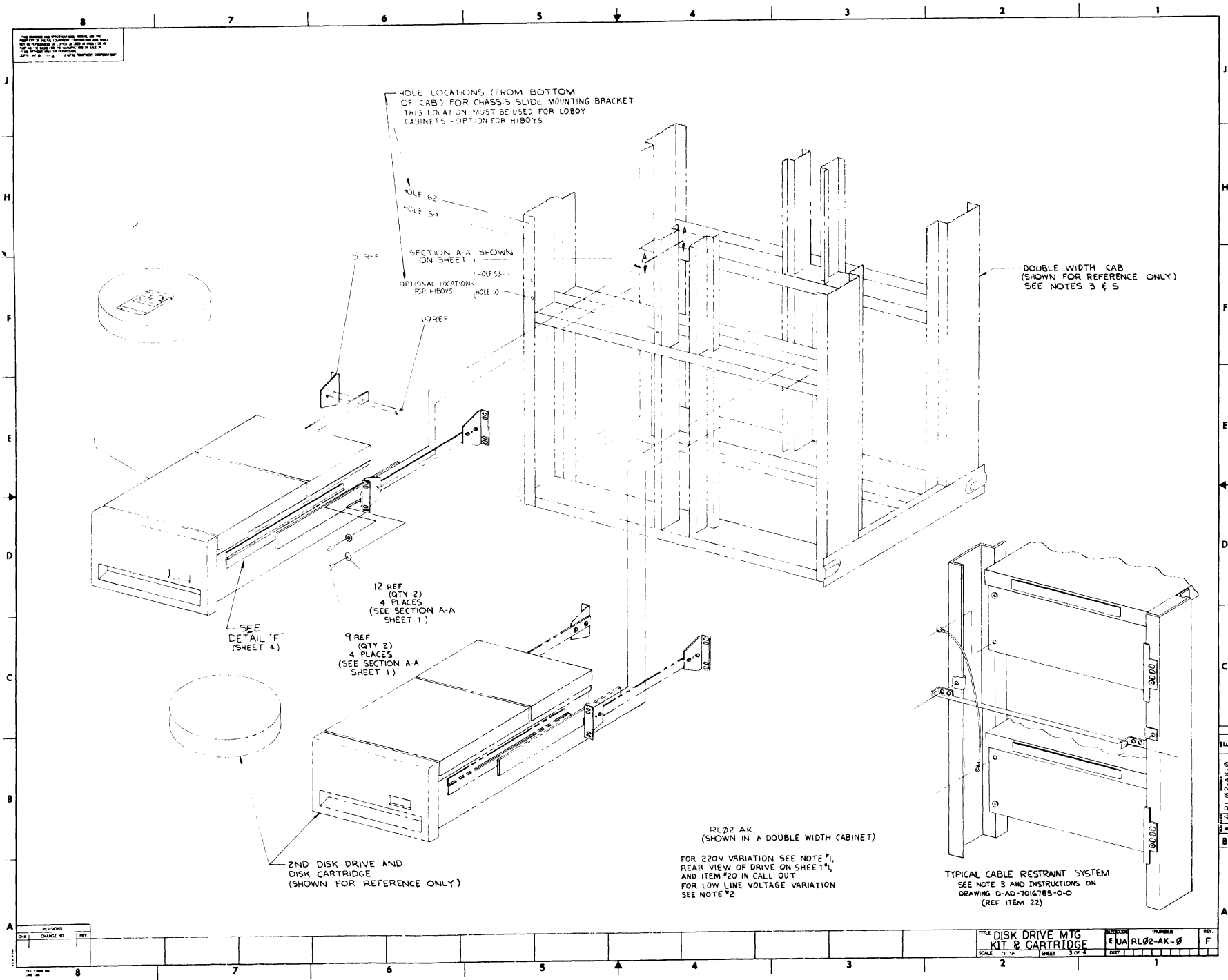
TOTAL LENGTH OF CABLE(S) NOT TO EXCEED 100 FEET.

RL02-AK (SHOWN IN A SINGLE WIDTH CAB) FOR 220 V VARIATION, SEE NOTE 1, REAR VIEW OF DRIVE ON SHT 1 AND ITEM 20 IN CALL OUT FOR LOW LINE VOLTAGE VARIATION SEE NOTE 2.

DETAIL B SCALE: 1:10:1 FOR ONE CABLE USE ONE OF EACH

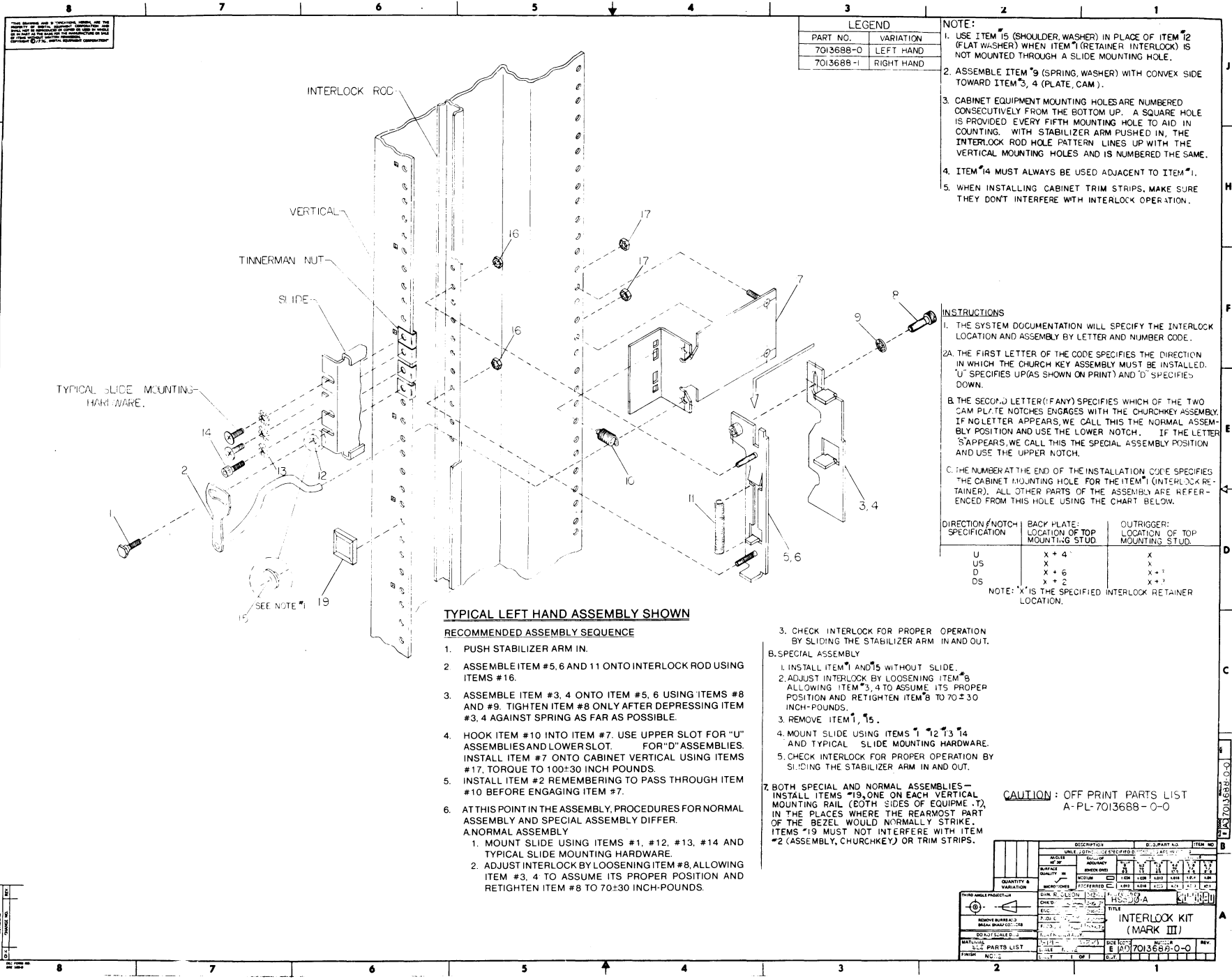
DETAIL C SCALE: NONE ONE CLAMP FOR 1/0 CABLE ITEM 3 REF ONE CLAMP FOR POWER CORD

REV	CHANGE NO.	REV



REVISIONS		
CHG	CHANGE NO.	REV

TITLE	DISK DRIVE MTG KIT & CARTRIDGE	PROCESSOR	NUMBER	REV
SCALE	1:1	DWG	RL02-AK-0	F
SHEET	3 OF 4	DATE		



LEGEND

PART NO.	VARIATION
7013688-0	LEFT HAND
7013688-1	RIGHT HAND

- NOTE:**
- USE ITEM #15 (SHOULDER WASHER) IN PLACE OF ITEM #12 (FLAT WASHER) WHEN ITEM #1 (RETAINER INTERLOCK) IS NOT MOUNTED THROUGH A SLIDE MOUNTING HOLE.
 - ASSEMBLE ITEM #9 (SPRING WASHER) WITH CONVEX SIDE TOWARD ITEM #3, 4 (PLATE, CAM).
 - CABINET EQUIPMENT MOUNTING HOLES ARE NUMBERED CONSECUTIVELY FROM THE BOTTOM UP. A SQUARE HOLE IS PROVIDED EVERY FIFTH MOUNTING HOLE TO AID IN COUNTING. WITH STABILIZER ARM PUSHED IN, THE INTERLOCK ROD HOLE PATTERN LINES UP WITH THE VERTICAL MOUNTING HOLES AND IS NUMBERED THE SAME.
 - ITEM #14 MUST ALWAYS BE USED ADJACENT TO ITEM #1.
 - WHEN INSTALLING CABINET TRIM STRIPS, MAKE SURE THEY DON'T INTERFERE WITH INTERLOCK OPERATION.

- INSTRUCTIONS**
- THE SYSTEM DOCUMENTATION WILL SPECIFY THE INTERLOCK LOCATION AND ASSEMBLY BY LETTER AND NUMBER CODE.
 - THE FIRST LETTER OF THE CODE SPECIFIES THE DIRECTION IN WHICH THE CHURCH KEY ASSEMBLY MUST BE INSTALLED. 'U' SPECIFIES UP AS SHOWN ON PRINT AND 'D' SPECIFIES DOWN.
 - B. THE SECOND LETTER (IF ANY) SPECIFIES WHICH OF THE TWO CAM PLATE NOTCHES ENGAGES WITH THE CHURCHKEY ASSEMBLY. IF NO LETTER APPEARS, WE CALL THIS THE NORMAL ASSEMBLY POSITION AND USE THE LOWER NOTCH. IF THE LETTER 'S' APPEARS, WE CALL THIS THE SPECIAL ASSEMBLY POSITION AND USE THE UPPER NOTCH.
 - C. THE NUMBER AT THE END OF THE INSTALLATION CODE SPECIFIES THE CABINET MOUNTING HOLE FOR THE ITEM #1 (INTERLOCK RETAINER). ALL OTHER PARTS OF THE ASSEMBLY ARE REFERENCED FROM THIS HOLE USING THE CHART BELOW.

DIRECTION / NOTCH SPECIFICATION	BACK PLATE: LOCATION OF TOP MOUNTING STUD	OUTRIGGER: LOCATION OF TOP MOUNTING STUD
U	X + 4	X
D	X	X
S	X + 6	X + 1
DS	X + 2	X + 7

NOTE: 'X' IS THE SPECIFIED INTERLOCK RETAINER LOCATION.

TYPICAL LEFT HAND ASSEMBLY SHOWN

RECOMMENDED ASSEMBLY SEQUENCE

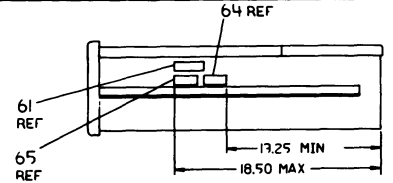
- PUSH STABILIZER ARM IN.
- ASSEMBLE ITEM #5, 6 AND 11 ONTO INTERLOCK ROD USING ITEMS #16.
- ASSEMBLE ITEM #3, 4 ONTO ITEM #5, 6 USING ITEMS #8 AND #9. TIGHTEN ITEM #8 ONLY AFTER DEPRESSING ITEM #3, 4 AGAINST SPRING AS FAR AS POSSIBLE.
- HOOK ITEM #10 INTO ITEM #7. USE UPPER SLOT FOR "U" ASSEMBLIES AND LOWER SLOT FOR "D" ASSEMBLIES. INSTALL ITEM #7 ONTO CABINET VERTICAL USING ITEMS #17. TORQUE TO 100±30 INCH POUNDS.
- INSTALL ITEM #2 REMEMBERING TO PASS THROUGH ITEM #10 BEFORE ENGAGING ITEM #7.
- AT THIS POINT IN THE ASSEMBLY, PROCEDURES FOR NORMAL ASSEMBLY AND SPECIAL ASSEMBLY DIFFER.
 - NORMAL ASSEMBLY**
 - MOUNT SLIDE USING ITEMS #1, #12, #13, #14 AND TYPICAL SLIDE MOUNTING HARDWARE.
 - ADJUST INTERLOCK BY LOOSENING ITEM #8, ALLOWING ITEM #3, 4 TO ASSUME ITS PROPER POSITION AND RETIGHTEN ITEM #8 TO 70±30 INCH POUNDS.
 - SPECIAL ASSEMBLY**
 - INSTALL ITEM #1 AND #15 WITHOUT SLIDE.
 - ADJUST INTERLOCK BY LOOSENING ITEM #8 ALLOWING ITEM #3, 4 TO ASSUME ITS PROPER POSITION AND RETIGHTEN ITEM #8 TO 70±30 INCH POUNDS.
 - REMOVE ITEM #1, #15.
 - MOUNT SLIDE USING ITEMS #1, #12, #13, #14 AND TYPICAL SLIDE MOUNTING HARDWARE.
 - CHECK INTERLOCK FOR PROPER OPERATION BY SLIDING THE STABILIZER ARM IN AND OUT.

- CHECK INTERLOCK FOR PROPER OPERATION BY SLIDING THE STABILIZER ARM IN AND OUT.

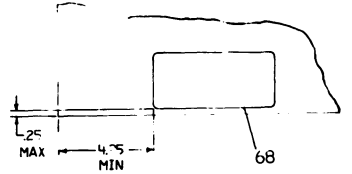
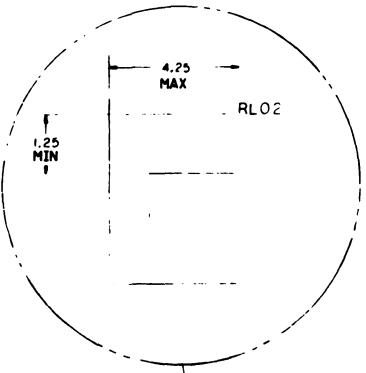
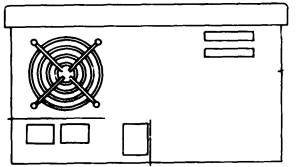
CAUTION: OFF PRINT PARTS LIST
A-PL-7013688-0-0

DESCRIPTION	QTY	PART NO.	ITEM NO.
INTERLOCK KIT (MARK III)		7013688-0-0	

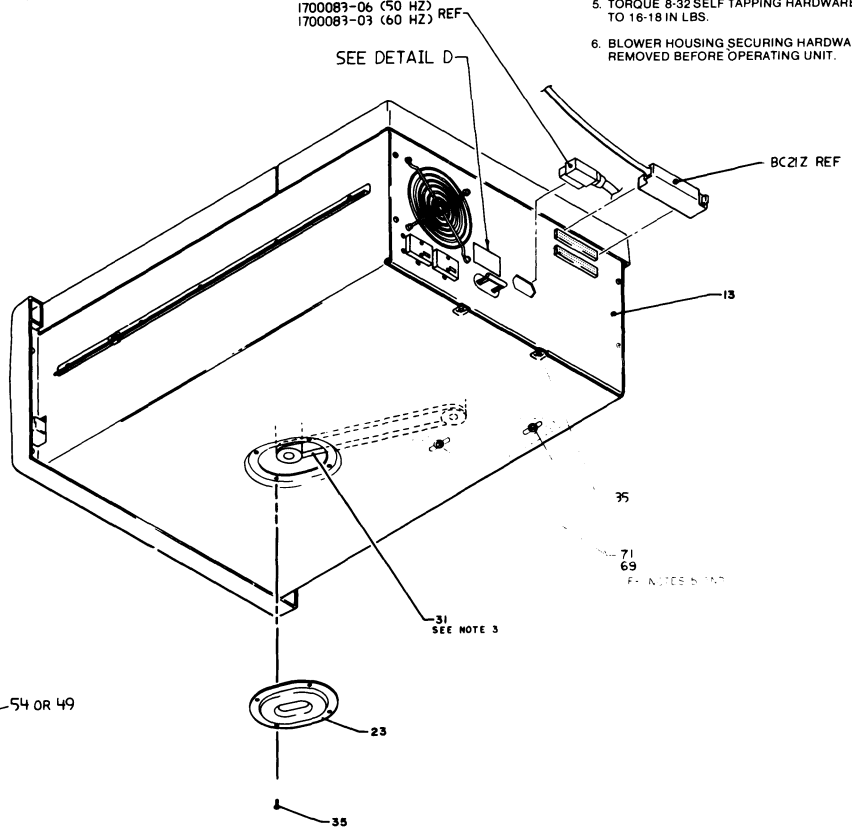
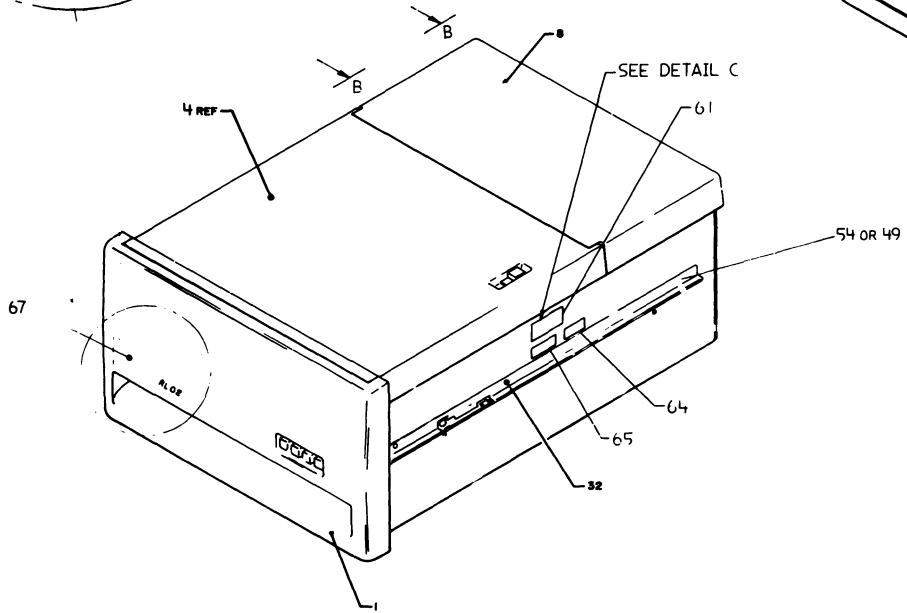
ALL DIMENSIONS AND SPECIFICATIONS apply, unless otherwise specified, to the standard drawing. Dimensions are given in inches unless otherwise specified. The drawing is the master copy. The master copy shall be kept in the shop for the master activity on the part. The drawing shall be controlled by the shop.



DETAIL C
SCALE: NONE



VIEW B-B



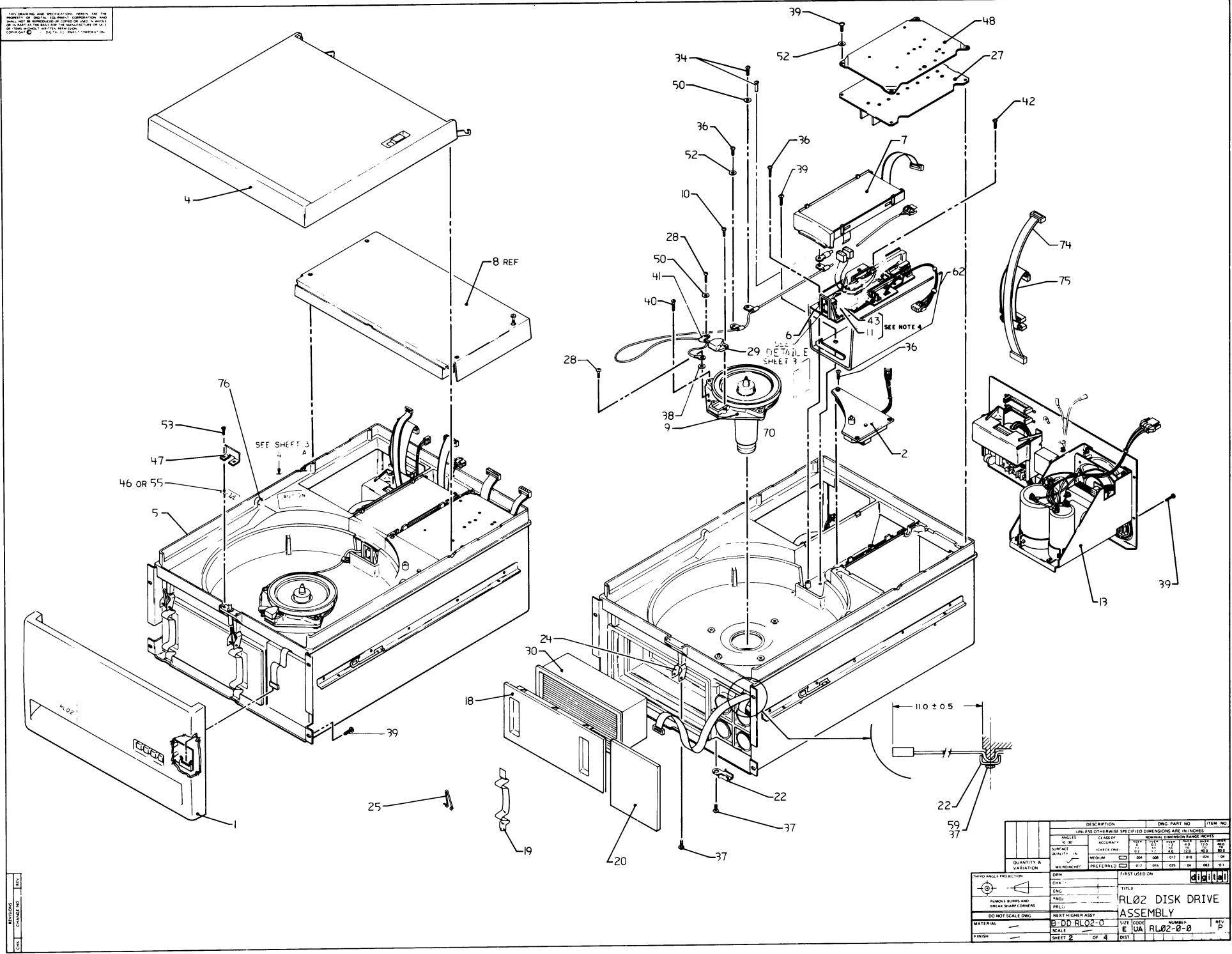
- NOTES
- LOWER HEAD (ITEM 65) SHALL BE POSITIONED REAR ARMS AGAINST PIN IN CARRIAGE
 - ALL SCREWS TO BE TIGHTENED AS FOLLOWS
 4-40 SCREW, TORQUE 35 ± 0.5 IN LBS
 6-32 " " " 50 ± 1.0 " "
 8-32 " " " 100 ± 1.0 " "
 10-32 " " " 180 ± 2.0 " "
 - DRIVE BELT TENSION 10.0 ± 1.0 LBS.
 - 4-40 HEAD MOUNTING BOLTS TO BE TIGHTENED TO 52.5 IN. LBS.
 - TORQUE 8-32 SELF TAPPING HARDWARE (ITEM 69) TO 18-18 IN LBS.
 - BLOWER HOUSING SECURING HARDWARE TO BE REMOVED BEFORE OPERATING UNIT.

CAUTION
OFF-SHEET PARTS LIST EXISTS.
SEE K-PL-RL02-0-DBP (Z0485).

REV	DESCRIPTION	DATE	BY	CHKD
1	ISSUED FOR PRODUCTION	10/1/68	J. J. ...	J. J. ...
2	REVISED TO REFLECT CHANGES TO THE DRAWING	10/1/68	J. J. ...	J. J. ...
3	REVISED TO REFLECT CHANGES TO THE DRAWING	10/1/68	J. J. ...	J. J. ...
4	REVISED TO REFLECT CHANGES TO THE DRAWING	10/1/68	J. J. ...	J. J. ...
5	REVISED TO REFLECT CHANGES TO THE DRAWING	10/1/68	J. J. ...	J. J. ...
6	REVISED TO REFLECT CHANGES TO THE DRAWING	10/1/68	J. J. ...	J. J. ...
7	REVISED TO REFLECT CHANGES TO THE DRAWING	10/1/68	J. J. ...	J. J. ...
8	REVISED TO REFLECT CHANGES TO THE DRAWING	10/1/68	J. J. ...	J. J. ...
9	REVISED TO REFLECT CHANGES TO THE DRAWING	10/1/68	J. J. ...	J. J. ...
10	REVISED TO REFLECT CHANGES TO THE DRAWING	10/1/68	J. J. ...	J. J. ...

DESCRIPTION		QTY	UNIT	ITEM NO.
UNLESS OTHERWISE SPECIFIED DIMENSIONS ARE IN INCHES				
ANGLE	± 30'			
ACCURACY	± 0.005			
SURFACE	± 0.005			
QUALITY	± 0.005			
FINISH	± 0.005			
QUANTITY & VARIATION				
DRN	J. J. ...			
CHKD	J. J. ...			
ENG	J. J. ...			
PROJ ENG	J. J. ...			
PROD	J. J. ...			
DO NOT SCALE DIMS				
MATERIAL	SEE PARTS LIST			
FINISH				

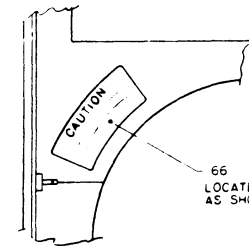
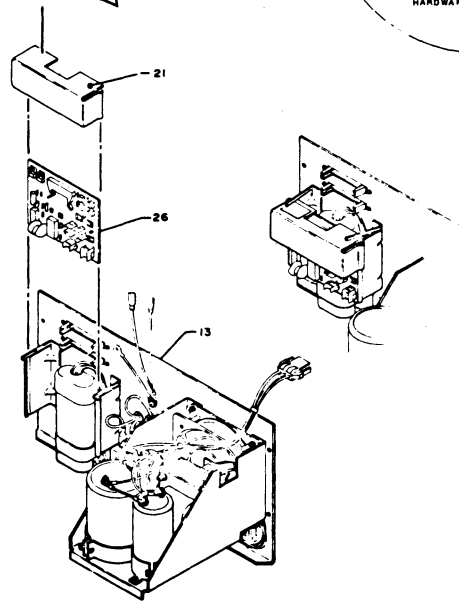
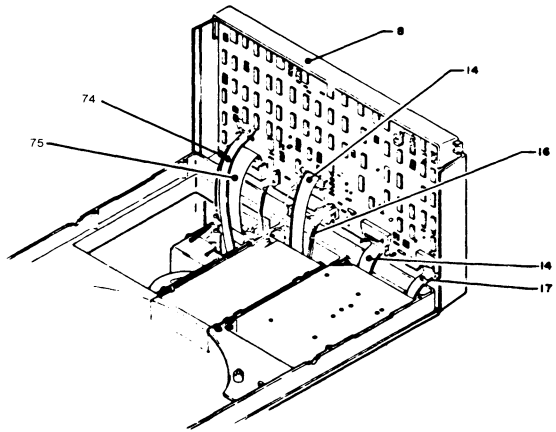
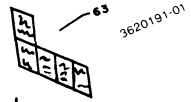
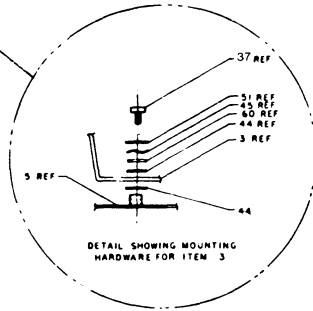
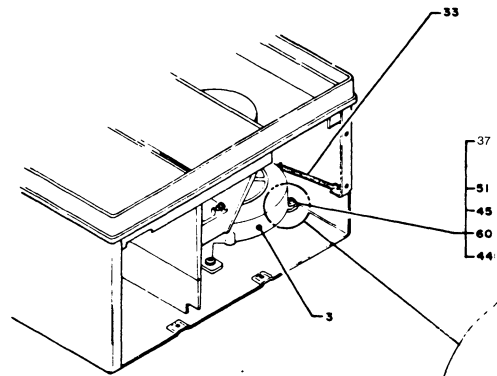
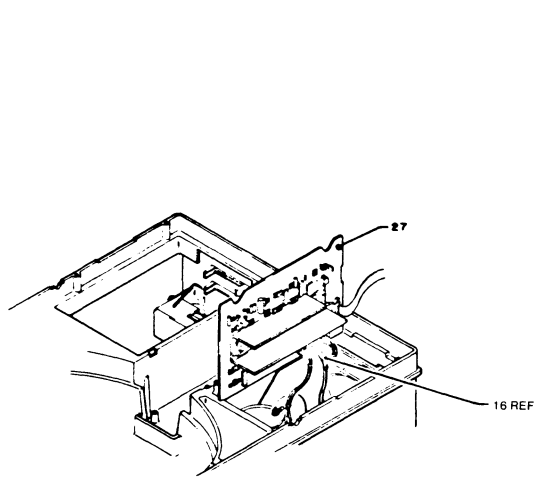
THIS DRAWING AND SPECIFICATION ARE THE PROPERTY OF BUSHNELL COMPANY. NO PART OF THIS DRAWING OR SPECIFICATION MAY BE REPRODUCED OR TRANSMITTED IN ANY FORM OR BY ANY MEANS, ELECTRONIC OR MECHANICAL, INCLUDING PHOTOCOPYING, RECORDING, OR BY ANY INFORMATION STORAGE AND RETRIEVAL SYSTEM, WITHOUT THE WRITTEN PERMISSION OF BUSHNELL COMPANY.



DESCRIPTION		QTY	UNIT	QTY	UNIT	QTY	UNIT	QTY	UNIT	QTY	UNIT
UNLESS OTHERWISE SPECIFIED DIMENSIONS ARE IN INCHES											
SURFACE	FINISH	10.0	0.005	10.0	0.005	10.0	0.005	10.0	0.005	10.0	0.005
QUANTITY & VARIATION	PREFERRED	017	014	009	004	003	001	001	001	001	001
THIRD ANGLE PROJECTION											
FIRST USED ON											
TITLE											
RL02 DISK DRIVE ASSEMBLY											
NEXT HIGHER ASSY											
MATERIAL											
B-DD RL02-0											
SCALE											
E 1/4" = 1" DIA											
SHEET 2 OF 4											

REVISIONS
 1. 10/10/70
 2. 10/10/70

3620191-01



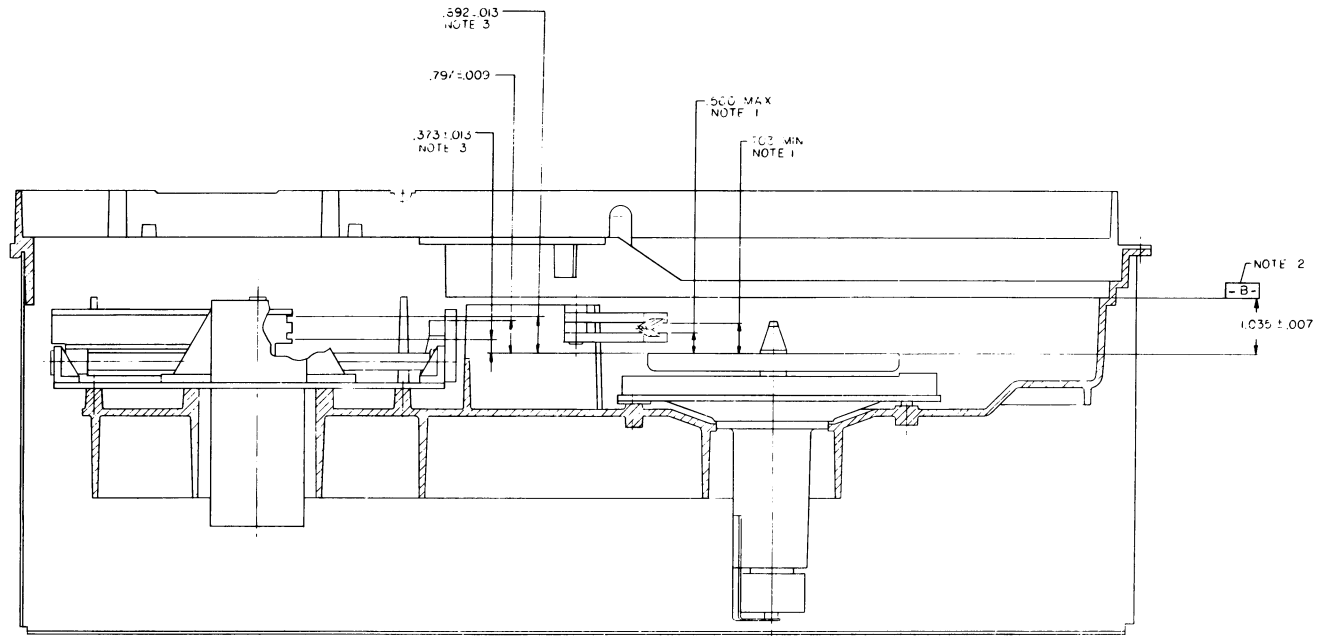
VIEW A-A

REVISIONS		DATE	BY	ITEM NO.
1	ASSEMBLY			
2	REVISION			
3	REVISION			
4	REVISION			
5	REVISION			
6	REVISION			
7	REVISION			
8	REVISION			
9	REVISION			
10	REVISION			
11	REVISION			
12	REVISION			
13	REVISION			
14	REVISION			
15	REVISION			
16	REVISION			
17	REVISION			
18	REVISION			
19	REVISION			
20	REVISION			
21	REVISION			
22	REVISION			
23	REVISION			
24	REVISION			
25	REVISION			
26	REVISION			
27	REVISION			
28	REVISION			
29	REVISION			
30	REVISION			
31	REVISION			
32	REVISION			
33	REVISION			
34	REVISION			
35	REVISION			
36	REVISION			
37	REVISION			
38	REVISION			
39	REVISION			
40	REVISION			
41	REVISION			
42	REVISION			
43	REVISION			
44	REVISION			
45	REVISION			
46	REVISION			
47	REVISION			
48	REVISION			
49	REVISION			
50	REVISION			
51	REVISION			
52	REVISION			
53	REVISION			
54	REVISION			
55	REVISION			
56	REVISION			
57	REVISION			
58	REVISION			
59	REVISION			
60	REVISION			
61	REVISION			
62	REVISION			
63	REVISION			
64	REVISION			
65	REVISION			
66	REVISION			
67	REVISION			
68	REVISION			
69	REVISION			
70	REVISION			
71	REVISION			
72	REVISION			
73	REVISION			
74	REVISION			
75	REVISION			
76	REVISION			
77	REVISION			
78	REVISION			
79	REVISION			
80	REVISION			
81	REVISION			
82	REVISION			
83	REVISION			
84	REVISION			
85	REVISION			
86	REVISION			
87	REVISION			
88	REVISION			
89	REVISION			
90	REVISION			
91	REVISION			
92	REVISION			
93	REVISION			
94	REVISION			
95	REVISION			
96	REVISION			
97	REVISION			
98	REVISION			
99	REVISION			
100	REVISION			
TITLE		3620191-01		
DESCRIPTION		RL02 DISK DRIVE ASSEMBLY		
DRAWN		E LIA		
CHECKED		R L C 2-0-0		
APPROVED		REV P		
DATE		1964-01-01		
SHEET		OF 1		

THIS DRAWING AND SPECIFICATIONS ARE THE PROPERTY OF BUSH BROS. CO. AND ARE NOT TO BE REPRODUCED OR TRANSMITTED IN ANY FORM OR BY ANY MEANS, ELECTRONIC OR MECHANICAL, INCLUDING PHOTOCOPYING, RECORDING, OR BY ANY INFORMATION STORAGE AND RETRIEVAL SYSTEM, WITHOUT THE WRITTEN PERMISSION OF BUSH BROS. CO.

NOTES: (THIS SHEET ONLY)

1. DIMENSION APPLIES TO HIGHEST OR LOWEST POINT ALONG BRUSH ARM OR BLOCK OF BRUSH.
2. 3 TOOLING POINTS, SEE DRAWING 7416846 OR 7415237.
3. DIMENSION HAS TO BE WITHIN .004 AT BOTH EXTREMES OF CARRIAGE TRAVEL.



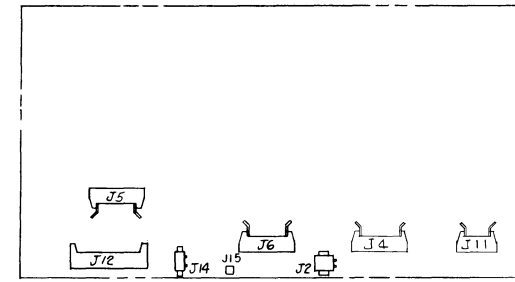
J
H
F
E
D
C
B
A

J
H
F
E
D
C
B
A

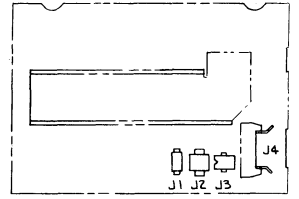
8 7 6 5 4 3 2 1

THIRD ANGLE PROJECTION		DESCRIPTION		QTY PART NO.	ITEM NO.
UNLESS OTHERWISE SPECIFIED DIMENSIONS ARE IN INCHES		CLASS OF ACCURACY		NORMAL DIMENSIONS	
ANGLE 1/2°	CLASS OF ACCURACY	1/2	1/16	1/32	1/64
SURFACE QUALITY	CHECK ONE	1.00	1.00	1.01	1.02
QUANTITY & VARIATION	CHECK ONE	1.00	1.00	1.01	1.02
FINISH	CHECK ONE	1.00	1.00	1.01	1.02
TITLE		RLO2 DISK DRIVE ASSEMBLY		REV. P	
MATERIAL		B-00-RLO2-0		SCALE 4 OF 4	
FINISH		E UA		SHEET 4 OF 4	

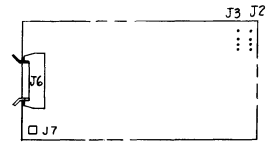
"THIS DRAWING AND SPECIFICATIONS HEREIN ARE THE PROPERTY OF DIGITAL EQUIPMENT CORPORATION AND SHALL NOT BE REPRODUCED OR COPIED OR USED IN WHOLE OR IN PART AS THE BASIS FOR THE MANUFACTURE OR SALE OF ITEMS WITHOUT WRITTEN PERMISSION. COPYRIGHT © 1978, DIGITAL EQUIPMENT CORPORATION"



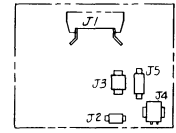
LOGIC BOARD
FIG 1



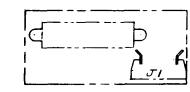
D.C. SERVO BOARD
FIG 4



R/W BOARD
FIG 2



A.C. SERVO BOARD
FIG 5

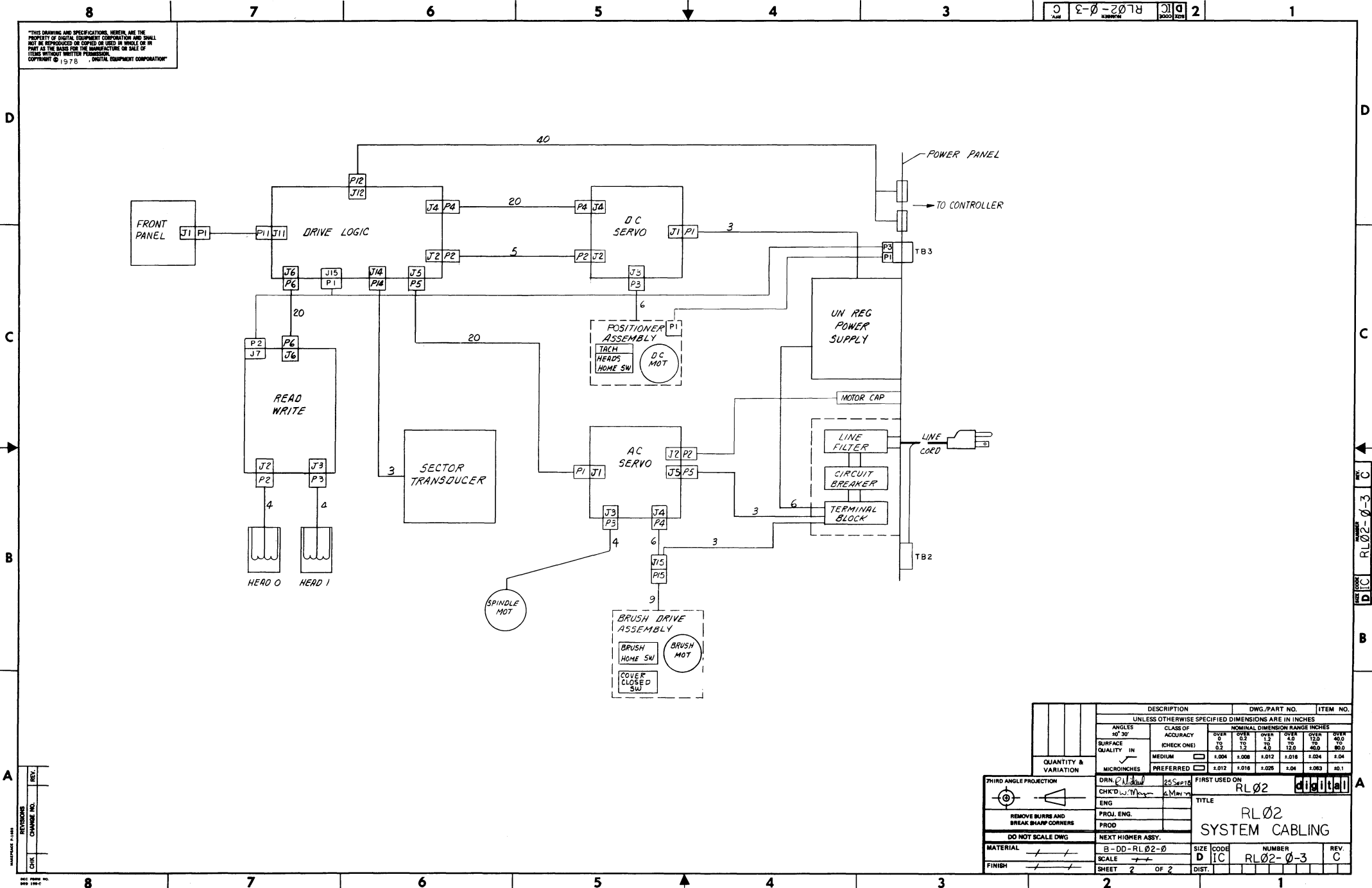


FRONT PANEL BOARD
FIG 3

REV.	CHANGE NO.	A	B	C
CHK	RLØ2-C2001	B. MILLER	RLØ2-CXØØØ	RLØ2-CXØØØ
DRN		K. GUENEL	K. GUENEL	M. ZARICH
ENGR				
PROD				

THIRD ANGLE PROJECTION REMOVE BURRS AND BREAK SHARP CORNERS DO NOT SCALE DWG MATERIAL: — / — / — FINISH: — / — / —	QUANTITY & VARIATION <input type="checkbox"/>	DESCRIPTION UNLESS OTHERWISE SPECIFIED DIMENSIONS ARE IN INCHES ANGLES: 90° 30' CLASS OF ACCURACY (CHECK ONE) SURFACE QUALITY IN MICROINCHES (CHECK ONE) PREFERRED	DWG./PART NO. RLØ2 ITEM NO. IC																									
	DRN: <i>[Signature]</i> 25 SEP 78 CHKD: <i>[Signature]</i> 3 MAY 79 ENG. N. <i>[Signature]</i> 5-4-79 PROJ. ENG. <i>[Signature]</i> 5-4-79 PROD. <i>[Signature]</i> 5-4-79	NOMINAL DIMENSION RANGE INCHES <table border="1"> <tr> <th>OVER</th> <th>OVER</th> <th>OVER</th> <th>OVER</th> <th>OVER</th> <th>OVER</th> </tr> <tr> <td>0</td> <td>0.2</td> <td>1.2</td> <td>4.0</td> <td>12.0</td> <td>40.0</td> </tr> <tr> <td>±.004</td> <td>±.008</td> <td>±.012</td> <td>±.016</td> <td>±.024</td> <td>±.04</td> </tr> <tr> <td>±.012</td> <td>±.016</td> <td>±.025</td> <td>±.04</td> <td>±.063</td> <td>±.1</td> </tr> </table>	OVER	OVER	OVER	OVER	OVER	OVER	0	0.2	1.2	4.0	12.0	40.0	±.004	±.008	±.012	±.016	±.024	±.04	±.012	±.016	±.025	±.04	±.063	±.1	FIRST USED ON RLØ2 digital	TITLE RLØ2 SYSTEM CABLING
	OVER	OVER	OVER	OVER	OVER	OVER																						
	0	0.2	1.2	4.0	12.0	40.0																						
±.004	±.008	±.012	±.016	±.024	±.04																							
±.012	±.016	±.025	±.04	±.063	±.1																							
NEXT HIGHER ASSY.	SIZE CODE D IC	NUMBER RLØ2-Ø-3	REV. C																									
SHEET 1 OF 2	DIST.	1	1																									

THIS DRAWING AND SPECIFICATIONS, HEREIN, ARE THE PROPERTY OF DIGITAL EQUIPMENT CORPORATION AND SHALL NOT BE REPRODUCED OR COPIED OR USED IN WHOLE OR IN PART AS THE BASIS FOR THE MANUFACTURE OR SALE OF ITEMS WITHOUT WRITTEN PERMISSION.
 COPYRIGHT © 1978, DIGITAL EQUIPMENT CORPORATION



QUANTITY & VARIATION		DESCRIPTION		DWG./PART NO.	ITEM NO.
UNLESS OTHERWISE SPECIFIED DIMENSIONS ARE IN INCHES					
ANGLES		CLASS OF ACCURACY			
30° 30'		OVER 0	OVER 0.2	OVER 0.5	OVER 1.0
SURFACE QUALITY		15	12	10	8.0
(CHECK ONE)		12	9.0	7.0	6.0
MEDIUM		±.004	±.008	±.012	±.016
PREFERRED		±.012	±.016	±.020	±.024
MICROINCHES		±.004	±.008	±.012	±.016
THIRD ANGLE PROJECTION		DRN. P. M. D. W. 25 SEP 78		FIRST USED ON RL02 digital	
REMOVE BURRS AND BREAK SHARP CORNERS		CHK'D. J. M. W. 4 MIN 78		TITLE	
DO NOT SCALE DWG		NEXT HIGHER ASSY.		RL02 SYSTEM CABLING	
MATERIAL		B-DD-RL02-0		SIZE CODE	D IC
FINISH		SCALE		NUMBER	RL02-0-3
		SHEET 2 OF 2		REV	C

REVISIONS
 CHANGE NO. REV.
 DATE

DEC 1980 100 100

LINE ITEM	TOP DOCUMENT	PART NUMBER	MIN REV	DESCRIPTION	QTY PER VARIATION
1	1	D-AD-7012111-0-0	7012111-00	BEZEL ASSY	1
2	2	D-AD-7016991-0-0	7016991-00	SWITCH COVER ASSEMBLY	1
3	3	E-AD-7012114-0-0	7012114-00	DISK MOTOR ASSY	1
4	4	E-AD-7012115-0-0	7012115-00	FRONT COVER ASSY	1
5	5	E-AD-7012116-0-0	7012116-00	MAIN CHASSIS ASSY	1
6	6	D-AD-7012117-0-0	7012117-00	POSITIONER ASSY	1
7	7	D-AD-7015124-0-0	7015124-00	RL02 R/W BOX ASSY	1
8	8	D-AD-7015125-0-0	7015125-00	RL02 REAR COVER ASSY	1
9	9	D-AD-7015116-0-0	7015116-00	SPINDLE ASSY	1
10	10		9010174-03	SCREW,SEMS PAN PHIL	6-
11	11	D-IA-7015637-0-0	7015637-00	RL02 DATA HEAD *A*UP	1
12	12	B-AD-7012128-0-0	7012128-00	*** THIS ITEM IS NOT USED ***	-
13	13	D-AD-7012130-0-0	7012130-00	POWER PANEL ASSEMBLY	1
14	14	B-IA-7012139-0-0	7012139-0F	INTERCONNECT CABLE	2
15	15	B-IA-7014262-0-0	7014262-00	*** THIS ITEM IS NOT USED ***	-
16	16	C-IA-7012140-0-0	7012140-00	POWER HARNESS DC	1
17	17	B-IA-7012107-0-0	7012107-3D	INTERCONNECT CABLE	1
18	18	D-MD-7415094-0-0	7415094-00	COVER, PLENUM	1
19	19	C-MD-7415101-0-0	7415101-00	SPRING, PLENUM COVER	2
20	20	C-MD-7415297-0-0	7415297-00	FILTER,PAD	1
21	21	C-MD-7415303-0-0	7415303-00	COVER AC SERVO	1
22	22	C-MD-7416335-0-0	7416335-00	CABLE RETAINER	1
23	23	D-MD-7417450-0-0	7417450-00	HATCH	1
24	24	C-MD-7417454-0-0	7417454-00	BRACKET PLENUM	2
25	25	C-MD-7417455-0-0	7417455-00	LATCH PLENUM	2
26	26	D-UA-5411848-0-0	5411848-00	ETCH BRD 54-11848	1
27	27	D-UA-5413534-0-0	5413534-00	DC SERVO + POWER SUPPLY (RL02)	1
28	28		9000049-21	SCREW,SEMS PAN PHIL	6-

REVISION HISTORY		BASIC PART NO: ORL02		DRN:	W.GRIMES	DATE: 15 FEB 78	D I G I T A L			
ENG!	ECO NUMBER	REV	SECTION A OF A	CHK'D:	W.MAJOR	DATE: 15 FEB 78	TITLE PARTS LIST			
---	RL02-CZ002	A	SECTION VARIATION INDEX				RL02 DISK DRIVE ASSEMBLY			
BM	RL02-CX003	B	IA100							
BM	RL02-CX004	C								
KG	RL02-CX006A	D	[B]	DES.ENG:	B.MILLER	DATE: 15 FEB 78	DOCUMENT NUMBER			
KG	RL02-CX008	E					SIZE	CODE	NUMBER	REV
KG	RL02-CX009	F	[C]							
MZ	RL02-CX010	H		RESP.ENG.:	B.MILLER	DATE: 15 FEB 78	K	PL	RL02-0-DBP	P
KG	RL02-CX012	J	[D]							
KG	RL02-CX013	K								
MZ	RL02-CX015	L	[E]	MFG.ENG.:	D.LICK	DATE: 15 FEB 78	RELEASE DATE:			
SM	RL02-CX17A	M								
SM	RL02-CX16C	N	[F]	ASSEMBLY NUMBER:		TOP DOCUMENT NUMBER:	FILE NAME:	EDIT #		
SM	RL02-CX22A	P		E-UA-RL02-0-0		B-DD-RL02-0	Z0485P.PLS	34		

* THIS DRAWING AND THE SPECIFICATIONS CONTAINED HEREIN ARE CONFIDENTIAL AND PROPRIETARY. THEY ARE THE PROPERTY OF DIGITAL EQUIPMENT CORPORATION AND SHALL NOT BE REPRODUCED OR COPIED OR USED IN WHOLE OR IN PART AS THE BASIS FOR THE MANUFACTURE OR SALE OF ITEMS WITHOUT WRITTEN PERMISSION. THIS IS AN UNPUBLISHED WORK PROTECTED UNDER THE FEDERAL COPYRIGHT LAWS.

LINE	ITEM	TOP DOCUMENT	PART NUMBER	MIN REV	DESCRIPTION	QTY	PER VARIATION
29	29	D-AD-7012137-0-0	7012137-00		TRANSDUCER	1	
30	30		1213097-00		FILTER,AIR HEPA	1	
31	31		1213369-00		BELT,WOVEN,ENDLESS.375WX27.148LG	1	
32	32		1213686-01		MOUNTING RAIL FOR 12-13686-00	1	
33	33		1214330-00		SPRING,EXTENSION .3600DX2.590	1	
34	34		9000049-23		SCREW,SEMS PAN PHIL 6-	2	
35	35		9000049-26		SCREW,SEMS PAN PHIL 8-	6	
36	36		9000049-27		SCREW,SEMS PAN PHIL 8-	8	
37	37		9000049-28		SCREW,SEMS PAN PHIL 8-	5	
38	38		9006633-00		WASHER,LOCK INTERNAL STEEL	1	
39	39		9009545-01		SCREW,SEMS PAN PHIL 8-	16	
40	40		9009282-00		SCREW,SEMS PAN PHIL 10-	3	
41	41		9007079-00		CLAMP,CABLE, SCREW MNT, 1/8"	4	
42	42		9000049-05		SCREW,SEMS TRUSS PHIL 8-	2	
43	43	D-IA-7015637-0-0	7015637-01		RL02 DATA HEAD "A" DN	1	
44	44		9009884-00		WASHER,FLAT DELRIN	4	
45	45		9009885-00		WASHER,SPRING WAVE SHP STEEL	2	
46	46	B-MD-7420084-0-0	7420084-00		SHIM, LATCH	A/R	
47	47	C-MD-7416865-0-0	7416865-00		BRACKET LATCH	1	
48	48	D-MD-7420826-0-0	7420826-00		COVER, DC SERVO BOARD	1	
49	49		9006040-01		*** THIS ITEM IS NOT USED ***	-	
50	50		9006653-00		WASHER,FLAT STEEL	2	
51	51		1214359-00		WASHER,FLAT SST	2	
52	52		9006660-00		WASHER,FLAT SST	5	
53	53		9009759-00		SCREW,MACH FLAT PHIL 8-	2	
54	54		9006454-00		RIVET,ROUND DOMI 5.1558DX0.300	10	
55	55	B-MD-7420084-0-0	7420084-01		SHIM LATCH	A/R	
56	56		3700406-00		INSTP PKG DISK RL01 DRIVE	1	
57	57		9007649-00		*** THIS ITEM IS NOT USED ***	-	
58	58		9006021-01		*** THIS ITEM IS NOT USED ***	-	
59	59		9008072-00		*** THIS ITEM IS NOT USED ***	-	
60	60		9009974-00		WASHER,FLAT SST	2	
61	61		3613209-03		LABEL,ADH BACK,ELEC.DATA	1	
62	62	D-MD-7420068-0-0	7420068-00		SHIELD POSITIONER	1	
63	63		3620191-01	A	LABEL,CAUTION	1	
64	64	A-DC-7416197-0-0	7416197-02		DECAL-UL LISTED EDP	J	
65	65		3613211-01		DECAL,CLEAR PREPRINTED CSA 1-1/4	1	
66	66		3615687-00		LABEL,ADHESIVE BACK FOR RL02	1	
67	67		3615393-05		LABEL,RUB-ON,RL02	1	
68	68		3618098-01		LABEL,ATTENTION SHIPPING HDW	1	
69	69		9006418-01		SCREW,TAP PAN PHIL THD RL 8-	2	
70	70	B-MD-7422834-0-0	7422834-00		INSULATOR,HEAD CABLE	1	
71	71		9009023-00		WASHER,LOCK INTERNAL SST	2	
72	72	C-IA-7017608-0-0	7017608-00		*** THIS ITEM IS NOT USED ***	-	
73	73	B-IA-7017609-0-0	7017609-00		*** THIS ITEM IS NOT USED ***	-	
74	74	B-IA-7012139-0-0	7012139-00		INTERCONNECT CABLE	1	

D I G I T A L		TITLE	SECTION A OF A	SIZE/ CODE	DOCUMENT NUMBER	REV
		RL02 DISK DRIVE ASSEMBLY		K P I	RL02-0-DBP	P

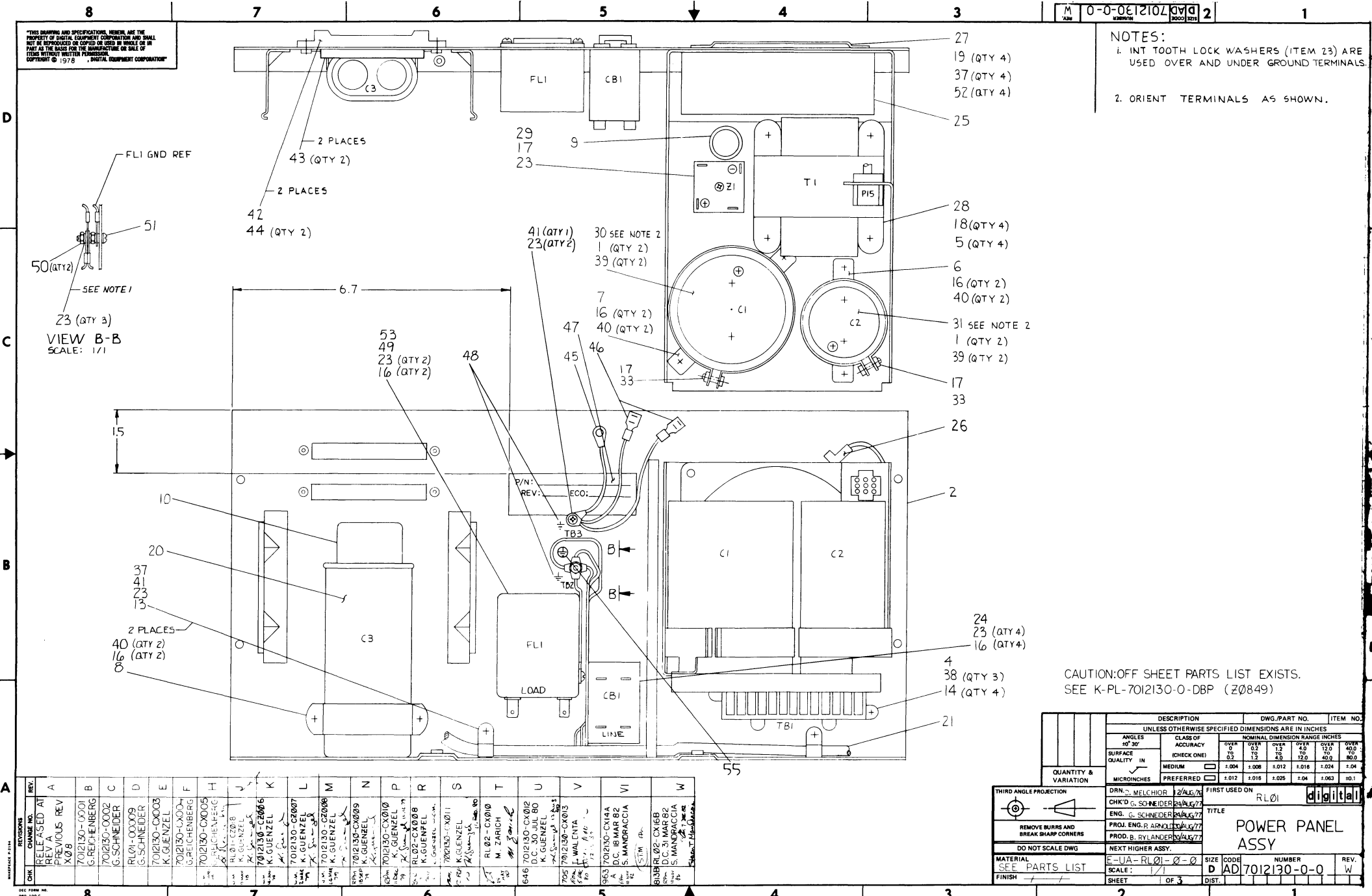
AUTOMATED BY PRTLST.3P(44)

P A R T S L I S T

SHEET A3 OF A3

LINE	ITEM	TOP DOCUMENT	PART NUMBER	MIN REV	DESCRIPTION	QTY PER VARIATION 00
75	75	B-1A-7012123-0-0	7012123-00		CAB ASSY I/O	1
76	76	C-MD-7421977-0-0	7421977-00		GUIDE HINGE BRACKET	2

D	I	G	I	T	A	L	TITLE	SECTION A OF A	SIZE	CODE	DOCUMENT NUMBER	REV
							RL02 DISK URIVE ASSEMBLY				RL02-0-DBF	P
									K	PL		



THIS DRAWING AND SPECIFICATIONS, HEREIN, ARE THE PROPERTY OF DIGITAL EQUIPMENT CORPORATION AND SHALL NOT BE REPRODUCED OR COPIED OR USED IN WHOLE OR IN PART AS THE BASIS FOR THE MANUFACTURE OR SALE OF ITEMS WITHOUT WRITTEN PERMISSION. COPYRIGHT © 1978, DIGITAL EQUIPMENT CORPORATION.

FL1 GND REF
51
50 (att2)
SEE NOTE 1
23 (qty 3)
VIEW B-B
SCALE: 1/1

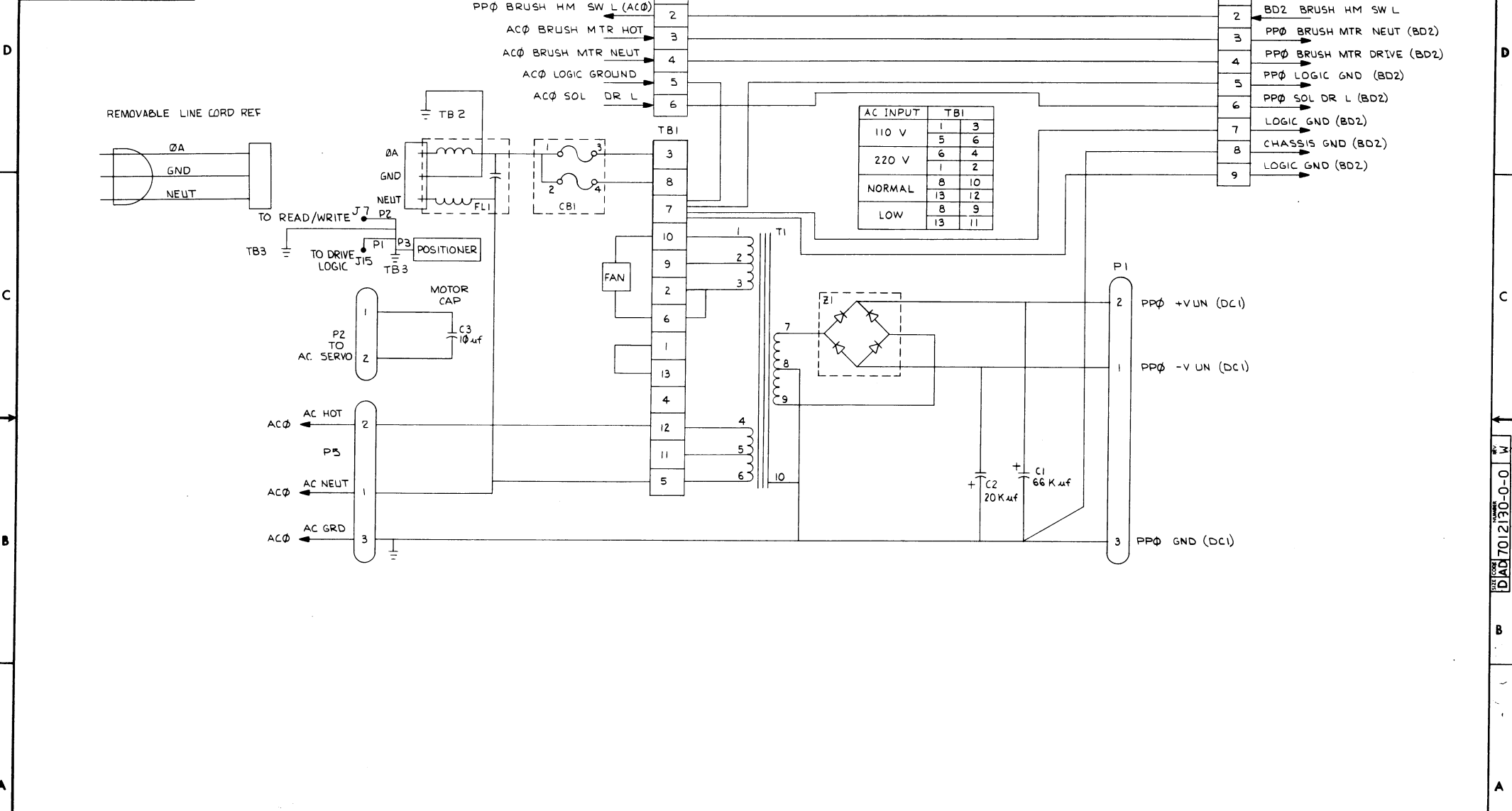
NOTES:
1. INT TOOTH LOCK WASHERS (ITEM 23) ARE USED OVER AND UNDER GROUND TERMINALS.
2. ORIENT TERMINALS AS SHOWN.

CAUTION: OFF SHEET PARTS LIST EXISTS.
SEE K-PL-7012130-0-DBP (ZØ849)

REV	CHG	BY	DATE	DESCRIPTION
A				RELEASED AT REV A
B				PREVIOUS REV XØ8
C				7012130-0XØ1 G. REICHENBERG
D				7012130-0XØ2 G. SCHNEIDER
E				RLØ1-ØØØØ K. GUENZEL
F				7012130-ØXØØ G. REICHENBERG
G				7012130-ØXØØ G. SCHNEIDER
H				7012130-ØXØØ K. GUENZEL
I				RLØ1-ØØØØ K. GUENZEL
J				7012130-ØXØØ K. GUENZEL
K				7012130-ØXØØ K. GUENZEL
L				7012130-ØXØØ K. GUENZEL
M				7012130-ØXØØ K. GUENZEL
N				7012130-ØXØØ K. GUENZEL
P				7012130-ØXØØ K. GUENZEL
R				7012130-ØXØØ K. GUENZEL
S				7012130-ØXØØ K. GUENZEL
T				RLØ2-ØXØØ M. ZARICH
U				646 7012130-ØXØØ D.C. 30 JUL 80 K. GUENZEL
V				705 7012130-ØXØØ F. WALENTA
VI				963 7012130-ØXØØ A D.C. 18 MAR 82 S. MANDRACCIA
W				838 RLØ2-ØXØØ D.C. 31 MAR 82 S. MANDRACCIA

THIRD ANGLE PROJECTION		DESCRIPTION		DWG./PART NO.	ITEM NO.
REMOVE BURRS AND BREAK SHARP CORNERS		UNLESS OTHERWISE SPECIFIED DIMENSIONS ARE IN INCHES			
DO NOT SCALE DWG		ANGLES SEE 39			
MATERIAL SEE PARTS LIST		CLASS OF ACCURACY (CHECK ONE)			
FINISH		SURFACE QUALITY IN			
		MEDIUM			
		MICROINCHES			
		PREFERRED			
		FIRST USED ON			
		RLØ1			
		TITLE			
		POWER PANEL ASSY			
		NEXT HIGHER ASSY.			
		E-UA-RLØ1-Ø-Ø			
		SCALE: 1/1			
		SIZE CODE			
		D AD7012130-0-0			
		SHEET			
		OF 3			
		DIST.			

THIS DRAWING AND SPECIFICATIONS, HEREIN, ARE THE PROPERTY OF DIGITAL EQUIPMENT CORPORATION AND SHALL NOT BE REPRODUCED OR COPIED OR USED IN WHOLE OR IN PART AS THE BASIS FOR THE MANUFACTURE OR SALE OF ITEMS WITHOUT WRITTEN PERMISSION. COPYRIGHT © 1978 DIGITAL EQUIPMENT CORPORATION.



REVISIONS		
CHK	CHANGE NO.	REV.

LINE	ITEM	DOCUMENT NUMBER	PART NUMBER	DESCRIPTION	QUANTITY	PER VARIATION
1	1		9006070-01	SCREW,MACH PAN PHIL	10-	4
2	2	D-IA-7416326-0-0	7416326-00	CHASSIS		1
3	3		9006028-01	*** THIS ITEM IS NOT USED ***		-
4	4	C-AD-7012127-0-0	7012127-00	TERMINAL BLOCK ASSY.		1
5	5		9008072-00	WASHER,LOCK EXTERNAL STEEL		4
6	6		1210430-00	BRACKET,CAPACITOR,2"		1
7	7		1210431-00	BRACKET,CAPACITOR,3-1/16"		1
8	8		1213156-01	BRACKET,CAPACITOR,WRAP-AROUND		1
9	9		9007016-00	GROMMET,ROUND RUBBER		1
10	10		1213683-00	BOOT,CAPACITOR,RUBBER		1
11	11		9007113-00	*** THIS ITEM IS NOT USED ***		-
12	12		9009768-01	*** THIS ITEM IS NOT USED ***		-
13	13		9007082-00	CLAMP,CABLE,SCREW MTD. 5/16"		2
14	14		9009800-01	SCREW,TAP PAN PHIL THD RL	6-	4
15	15		9009059-01	TAPE,FOAM, 1/2W X 1/4THK W/ ADH		A/R
16	16		9006020-01	SCREW,MACH PAN PHIL	6-	12
17	17		9006023-01	SCREW,MACH PAN PHIL	6-	3
18	18		9006036-01	SCREW,MACH PAN PHIL	8-	4
19	19		9006027-01	SCREW,MACH PAN PHIL	6-	4
20	20		1013102-00	10 MFD 370VAC 6% PAPER/OIL		1
21	21	D-IA-7012108-0-0	7012108-00	POWER PANEL HARNESS		1
22	22		1215360-00	*** THIS ITEM IS NOT USED ***		-
23	23		9006633-00	WASHER,LOCK INTERNAL STEEL		18
24	24		1216827-00	CKT BKR 2.5 A 250V 2P MAGNETIC		1
25	25	SEE NOTE 1.	1209403-06	FAN,TUBE AXIAL 4.5" 100CFM 115V		1
26	26	B-IA-7012110-0-0	7012110-00	HARNESS AC-TB		1
27	27		1210263-00	GUARD,FINGER 4.125 X 4.125 MTG H		1
28	28		1613897-00	XFMR P=AR S=11.5@6A		1
29	29		1110051-00	DM 16 ASSY@200V & 25A #990-3		1
30	30		1013530-00	66,000 MFD 30V +75-10% AL EL		1

REVISION HISTORY			BASIC PART NO:	ORL01	DRN:	D. MELCHOIR	DATE:	12-AUG-76	D I G I T A L			
ENG	ECO NUMBER	REV	SECTION A OF A		CHK'D:	G. SCHNEIDER	DATE:	24-AUG-77	TITLE PARTS LIST			
KG	7012130-CX010	P	SECTION. VARIATION INDEX		DES.ENG.:	G. SCHNEIDER	DATE:	24-AUG-77	DOCUMENT NUMBER			
KG	RL02-CX008	R	[A] 00		RESP.ENG.:	P. ARNOLD	DATE:	30-AUG-77	SIZE	CODE	NUMBER	REV
KG	7012130-CX011	S			MFG.ENG.:	B. RYLANDER	DATE:	30-AUG-77	K	PL	7012130-0-DRP	W
MZ	RL02-CX010	T	[B]		ASSEMBLY NUMBER:		TOP DOCUMENT NUMBER:		FILE NAME:		EDIT #	
KG	7012130-CX012	U	[C]		D-AD-7012130-0-0	#	B-DD-RL02-0	Z0849W.PLS		44		
IW	7012130-CX013	V	[D]									
SM	7012130-CX16C	W	[E]									
			[F]									

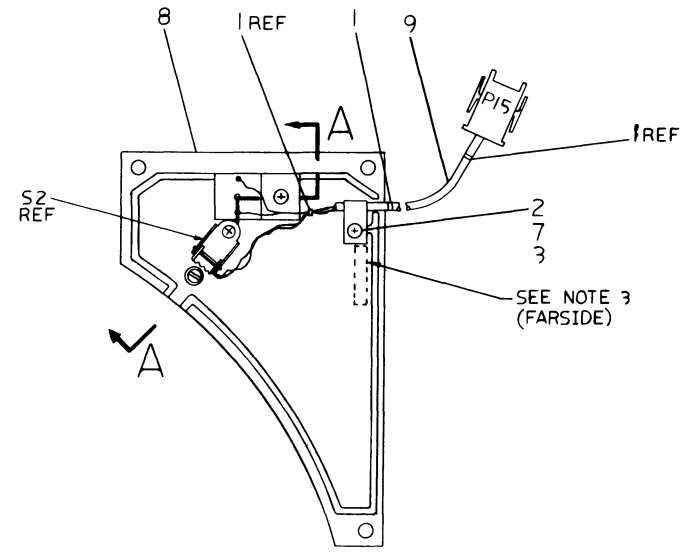
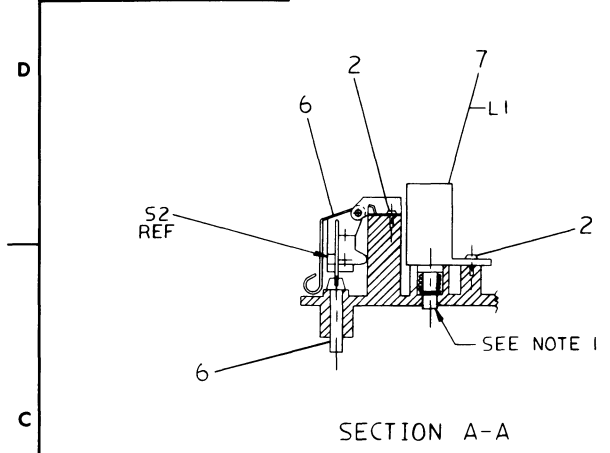
*THIS DRAWING AND SPECIFICATIONS HEREIN, ARE THE PROPERTY OF DIGITAL EQUIPMENT CORPORATION AND SHALL NOT BE REPRODUCED OR COPIED OR USED IN WHOLE OR IN PART AS THE BASIS FOR THE MANUFACTURE OR SALE OF ITEMS WITHOUT WRITTEN PERMISSION. COPYRIGHT (C) 1982. DIGITAL EQUIPMENT CORPORATION *

LINE ITEM	DOCUMENT NUMBER	PART NUMBER	DESCRIPTION	QUANTITY PER VARIATION
				00
31	31	1013531-00	20,000 MFD 40V +75-10% AL EL	1
32	32	B-IA-7012109-0-0	7012109-00 *** THIS ITEM IS NOT USED ***	-
33	33	9006560-00	NUT,HEX EXT TOOTH LCKWSHR 6-32	2
34	34	C-IA-7012142-0-0	7012142-00 CABLE	1
35	35	B-IA-7012125-0-0	7012125-0E INTERCONNECT CABLE	1
36	36	B-IA-7012125-0-0	7012125-0B TB INTERCONNECTOR HARNESS	1
37	37	9006653-00	WASHER,FLAT STEEL	6
38	38	9009800-06	SCREW,TAP PAN PHIL THD RL 6-	3
39	39	9006635-00	WASHER,LOCK INTERNAL STEEL	4
40	40	9007649-00	WASHER,LOCK EXTERNAL STEEL	6
41	41	9006021-01	SCREW,MACH PAN PHIL 6-	4
42	42	1211591-35	CONN,ZIF 40PIN RCPT ASSY	2
43	43	1211591-38	CONN,ZIF 40PIN RCPT,SWAP IN GU	4
44	44	9008301-01	SCREW,MACH PAN PHIL 4-	4
45	45	B-IA-7017609-0-0	7017609-00 GROUND HARNESS	1
46	46	C-IA-7017608-0-0	7017608-00 GROUND HARNESS	1
47	47	9009255-00	LABEL, POWER SUPPLY, 2-15/16 " L	1
48	48	3612680-00	DECAL, GROUND SIGN PER 3E6 *	2
49	49	1218468-00	FILTER,LINE,115/250V,47-63HZ	1
50	50	9008957-00	NUT,HEX 6-32X .246AF SS/N	2
51	51	9006025-01	SCREW,MACH PAN PHIL 6-	1
52	52	9009165-00	CLIP, FAN MOUNTING (12-05033 FAN	4
53	53	9007927-00	TERM,RING #5,6STUD CRIMP 14-1	1
54	54	SEE NOTE 2.	1700083-03 PWR CORD,TERM,108IN,14-3,125V 15	1
55	55	3612680-02	DECAL, GROUND SIGN W/CIRCLE,BLK	1

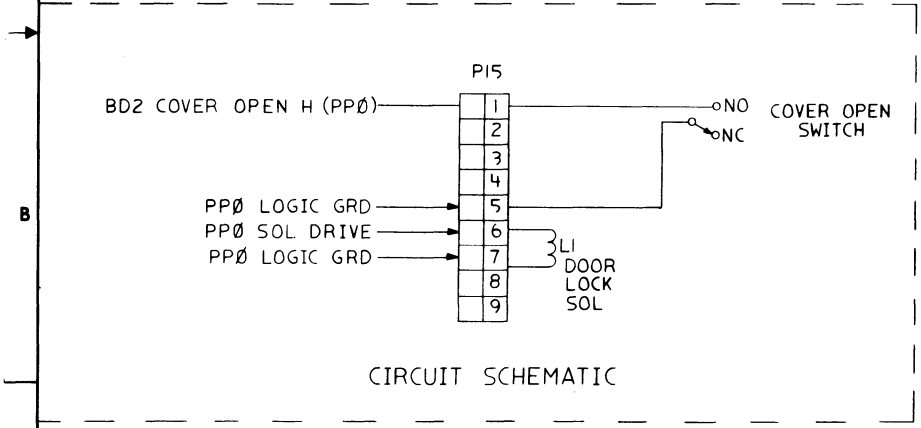
- 56 NOTE: -1. PART NUMBER 1209403 USED AS FOLLOWS:
 57 NOTE: - -06 VARIATION MANDATORY FOR USE IN HK.
 58 NOTE: - -06 OR -01 VARIATION OPTIONAL AT GA.
 59 NOTE: -
 60 NOTE: -2. PART NUMBER 1700083 USED AS FOLLOWS:
 61 NOTE: - -03 VARIATION FOR USE WITH 60 HZ.
 62 NOTE: - -06 VARIATION FOR USE WITH 50 HZ.

D	I	G	I	T	A	L	TITLE	SECTION A OF A	SIZE	CODE	DOCUMENT NUMBER	REV
							POWER PANEL ASSEMBLY		K	PL	7012130-0-DBP	W

THIS DRAWING AND SPECIFICATIONS HEREON ARE THE PROPERTY OF DIGITAL EQUIPMENT CORPORATION AND SHALL NOT BE REPRODUCED OR COPIED OR USED IN WHOLE OR IN PART AS THE BASIS FOR THE MANUFACTURE OR SALE OF ITEMS WITHOUT WRITTEN PERMISSION. COPYRIGHT © 1980 DIGITAL EQUIPMENT CORPORATION.



- NOTES:
1. PLUNGER OF SOLENOID, COVER LOCK (ITEM 5) MUST MOVE FREELY. WHEN ASSEMBLY IS POSITIONED IN "UP" POSITION (TIP OF PLUNGER POINTING UP) A D C VOLTAGE OF 6.9 VOLTS SHALL PULL THE PLUNGER DOWN.
 2. CONNECT LEADS OF SOLENOID, COVER LOCK (ITEM 5) TO PINS 6 & 7 OF .CONNECTOR BODY (PI5), DRESS WIRES AND TIE TO COVER, SWITCH HARNESS (ITEM 9) WITH TIE CABLE (ITEM 1) AS SHOWN.
 3. PART TO BE MARKED WITH PART NO. (7016991-00) AND LATEST REVISION LETTER IN AREA SHOWN (FARSIDE).



CAUTION: OFF SHEET PARTS LISTS EXISTS. SEE K-PL-7016991-0-DBP (Z0984).

REV	DATE	DESCRIPTION	BY	CHKD
1	10 OCT 80	RELEASED TO ECO CONTROL	K. S. GUNZEL	
2	18 NOV 81	PER ECO PLG- C20048 AT REV	K. S. GUNZEL	
3	14 FEB 83	7016991-C2018	T. F. WESTER	
4	14 FEB 83	7016991-C2022	W. HARDER	

DESCRIPTION		DRAWING NO.	PART NO.	ITEM NO.				
UNLESS OTHERWISE SPECIFIED DIMENSIONS ARE IN INCHES AND THE FOLLOWING TOLERANCES APPLY (PER DEC STD 114)								
INCHES TOLERANCES	ANGLES ± 0°30'	APPLICABLE DIMENSION RANGE	DIMENSION RANGE IN INCHES					
			OVER	OVER	OVER	OVER	OVER	
X = ± .1	SURFACE QUALITY	(CHECK ONE)	0	0.2	1.2	4.0	12.0	40.0
XX = ± .02			TO	TO	TO	TO	TO	
XXX = ± .005	✓		0.2	1.2	4.0	12.0	40.0	
QUANTITY & VARIATION	MICROINCHES		± .02	± .03	± .05	± .10		
			± .004	± .006	± .012	± .016	± .024	
THIRD ANGLE PROJECTION	DRW	DATE	TITLE					
DO NOT SCALE DRAWING	DATE	DATE	digital					
REMOVE BURRS AND BREAK SHARP CORNERS	DATE	DATE	SWITCH COVER ASSY					
MATERIAL	DATE	DATE	DOCUMENT NUMBER					
SEE PARTS LIST	DATE	DATE	DAD 7016991-0-0					
FINISH	DATE	DATE	SCALE 1/1 SHEET OF					

LINE	ITEM	DOCUMENT NUMBER	PART NUMBER	DESCRIPTION	QUANTITY PER VARIATION
1	1		9007031-00	TIE,CABLE BUNDL.DIA 0- 3/4"=101	3
2	2		9009800-06	SCREW,TAP PAN PHIL THD RL 6-	3
3	3		9007080-00	CLAMP,CABLE,SCREW MTD, 3/16"	1
4	4	C-AD-7012132-0-0	7012132-00	CARTRIDGE SENSE SWITCH ASSY,	1
5	5	C-PS-1213204-0-0	1213204-00	SOLENOID,COVER LOCK	1
6	6	B-MD-7416858-0-0	7416858-00	PLUNGER, CARTRIDGE SENSE	1
7	7		9006653-00	WASHER,FLAT STEEL	1
8	8	E-IA-7415224-0-0	7415224-00	COVER, SWITCH	1
9	9	C-IA-7017333-0-0	7017333-00	COVER, SWITCH HARNESS	1

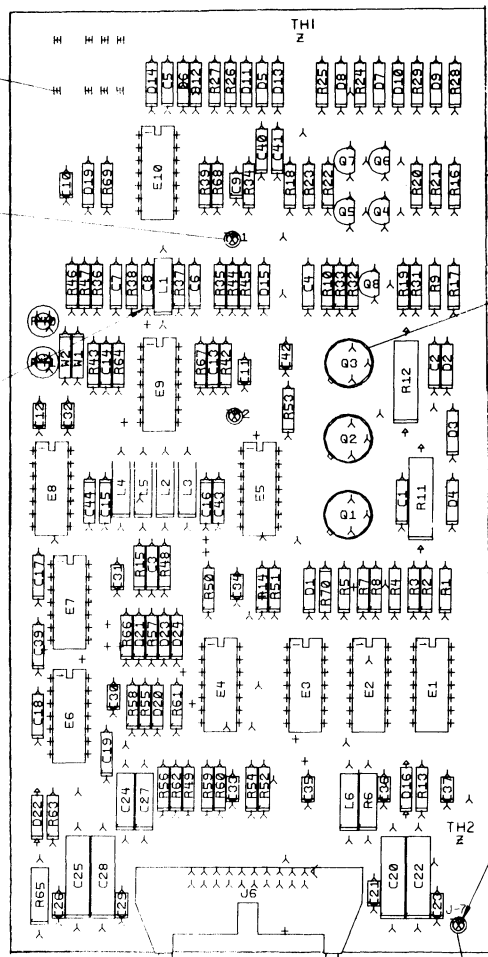
REVISION HISTORY			BASIC PART NO: 7016991			D I G I T A L		
ENG	ECO NUMBER	REV	SECTION A OF A	DRN:	DATE:	TITLE		
KG	RLO1-CX048	*	SECTION, VARIATION INDEX	CHK'D: D. MILLER	DATE: 20 OCT 80	PARTS LIST		
EW	7016991-CX01B	A	[A] 00			SWITCH COVER ASSY		
	7016991-CX02A	B	[B]	DES.ENG.: K. GUENZEL	DATE: 22 OCT 80	DOCUMENT NUMBER		
			[C]	RESP.ENG.: I. WALENTA	DATE: 22 OCT 80	SIZE	CODE	NUMBER
			[D]					REV
			[E]	MFG.ENG.: J. BLAND	DATE: 22 OCT 80	K	PL	7016991-0-DBP
			[F]	ASSEMBLY NUMBER:	TOP DOCUMENT NUMBER:	FILE NAME:		EDIT #
				D-AD-7016991-0-0	#B-DD-RLO1-0	Z0984B.PLS		10

Handwritten:
RDM
17 FEB
83
MK
1/18/83

*THIS DRAWING AND SPECIFICATIONS HEREIN, ARE THE PROPERTY OF DIGITAL EQUIPMENT CORPORATION AND SHALL NOT BE REPRODUCED OR COPIED OR USED IN WHOLE OR IN PART AS THE BASIS FOR THE MANUFACTURE OR SALE OF ITEMS WITHOUT WRITTEN PERMISSION. COPYRIGHT (C) 1983. DIGITAL EQUIPMENT CORPORATION *

THIS DRAWING AND SPECIFICATIONS, WHETHER AND THE PROPERTY OF DIGITAL EQUIPMENT CORPORATION AND ALL RIGHTS ARE RESERVED IN THE EVENT OF SALE OF THIS DRAWING WITHOUT PERMISSION. DIGITAL EQUIPMENT CORPORATION COPYRIGHT © 1978

COMPONENT SIDE VIEW



60
8 PLCS
MNT ON
SIDE 2

65
2 PLCS

43 44
45
TYP
3 PLCS

1-1
1-3

1-2
1-4

NOTES:

CHANGE NO	REV	
5413536-	B	
0001		
M. ZARICH		
DESIGNER		

ETCH REV. B	
P.C. DESIGN DATA BASE REV. BL	

SIGNATURES	DATE	digital
DRN. <i>F. Ren</i>	8/3/78	
CHK'D. <i>F. Ren</i>	8/3/78	
ENG. <i>B. Noyan</i>	8/3/78	
PROJ. ENG. <i>M. ZARICH</i>	8/1/78	
PROD. <i>J. GARDNER</i>	8/2/78	TITLE RL02
SCALE 2/1		READ/WRITE BOARD
SHT. 1 OF 2		SIZE/CODE
NEXT HIGHER ASSY. B-DD-5413536-0		NUMBER
		UA 5413536-0-0
		REV B

DUA 5413536-0-0

LINE	ITEM	DOCUMENT NUMBER	PART NUMBER	DESCRIPTION	QTY PER VARIATION *00	REFERENCE DESIGNATOR
1	1	D-MD-5013535-0-0	5013535-00	ETCHED CIRCUIT BD	1	
2	2		1001610-00	.01 MFD 50V -20+80 Z5U AXIAL	17	C9-C12,C21,C23,C26,C29-C37,C42
3	3		1005306-00	6.8MFD 35V 10% S.TANT	4	C20,C22,C25,C28
4	4		1013466-14	82.0 MMF 50V 5% CER	2	C16,C43
5	5		1013466-06	100.0 MMF 50V 5% CER.	1	C8
6	6		1013466-05	56.0 MMF 50V 5% CER.	1	C5
7	7		1013466-07	220.0 MMF 50V 5% CER.	5	C1,C2,C4,C17,C39
8	8		1013466-09	1000.0 MMF 50V 10% CER.	1	C18
9	9		1013466-11	.22 MFD 50V +80/-20% CER.	2	C24,C27
10	10		1013466-15	1200.0 MMF 50V 5% CER.	3	C19,C40,C41
11	11		1109943-00	1N 4733A VZ= 5.1 5% 1W Y	2	D16,D22
12	12		1113953-00	1N 5523D VZ= 5.1 1%	1	D1
13	13		1100122-00	1N 748A VZ= 3.9 5%	1	D19
14	14		1111577-00	1N 4454 TR= 4NS PIV= 50 S	11	D5-D10,D15,D20,D21,D23,D24
15	15		1300250-00	150.0 .25 W 5.0 % CC	1	R5
16	16		1300229-00	100.0 .25 W 5.0 % CC	5	R39,R52,R54,R59,R69
17	17		1300232-00	100.0 1.0 W 5.0 % CC	2	R11,R12
18	18		1300247-00	120.0 .25 W 5.0 % CC	1	R56
19	19		1300365-00	1.0 K .25 W 5.0 % CC	8	R13,R14,R35,R36,R48,R49,R66,R70
20	20		1300444-00	3.90 K .25 W 5.0 % CC	1	R46
21	21		1300447-00	4.70 K .25 W 5.0 % CC	3	R9,R10,R32
22	22		1301775-00	820.0 .25 W 5.0 % CC	1	R31
23	23		1301317-00	10.0 .25 W 5.0 % CC	1	R63
24	24		1302612-00	1.78 K 1/4W 1% RN55D-F 100PPM	2	R50,R51
25	25		1300195-00	33.0 .50 W 5.0 % CC	2	R6,R65
26	26		1304725-00	300 1/4W 1% RN55D-F 100PPM	1	R62
27	27		1312930-00	5.10 K .25 W 5.0 % CC	2	R55,R58
28	28		1301424-00	680.0 .25 W 5.0 % CC	4	R16,R18,R21,R23
29	29		1302391-00	20.0 K .25 W 5.0 % CC	1	R60
30	30		1300426-00	2.70 K .25 W 5.0 % CC	1	R33

REVISION HISTORY		BASIC PART NO: 13536		DRN: JERRY BEST		DATE: 14-AUG-78		DIGITAL	
ENG	ECO NUMBER	REV	SECTION A OF A	CHK'D:	L. ROOHR	DATE:	14-AUG-78	TITLE	PARTS LIST
---	INIT	A	SECTION VARIATION INDEX	CHK'D:	L. ROOHR	DATE:	14-AUG-78		
MZ	5413536-CX001	B	[A] 00					READ/WRITE BOARD	
	<i>M. Zarku w.c.m.</i>		[B]	DES.ENG:	B. NOGUCHI	DATE:			
	<i>17 JAN 80</i>		[C]						
			[D]						
			[E]					DOCUMENT NUMBER	
			[F]	RESP.ENG.:	B. NOGUCHI	DATE:	14-AUG-78		
			[G]					SIZE CODE NUMBER	REV
			[H]						
			[I]	MFG.ENG.:	P. CHURCH	DATE:		K PL 5413536-0-DBP	B
			[J]						
			[K]	ASSEMBLY NUMBER:		TOP DOCUMENT NUMBER:		FILE NAME:	EDIT #
			[L]	D-UA-5413536-0-0		RL02		Z1091B.PLS	7
			[M]						
			[N]						

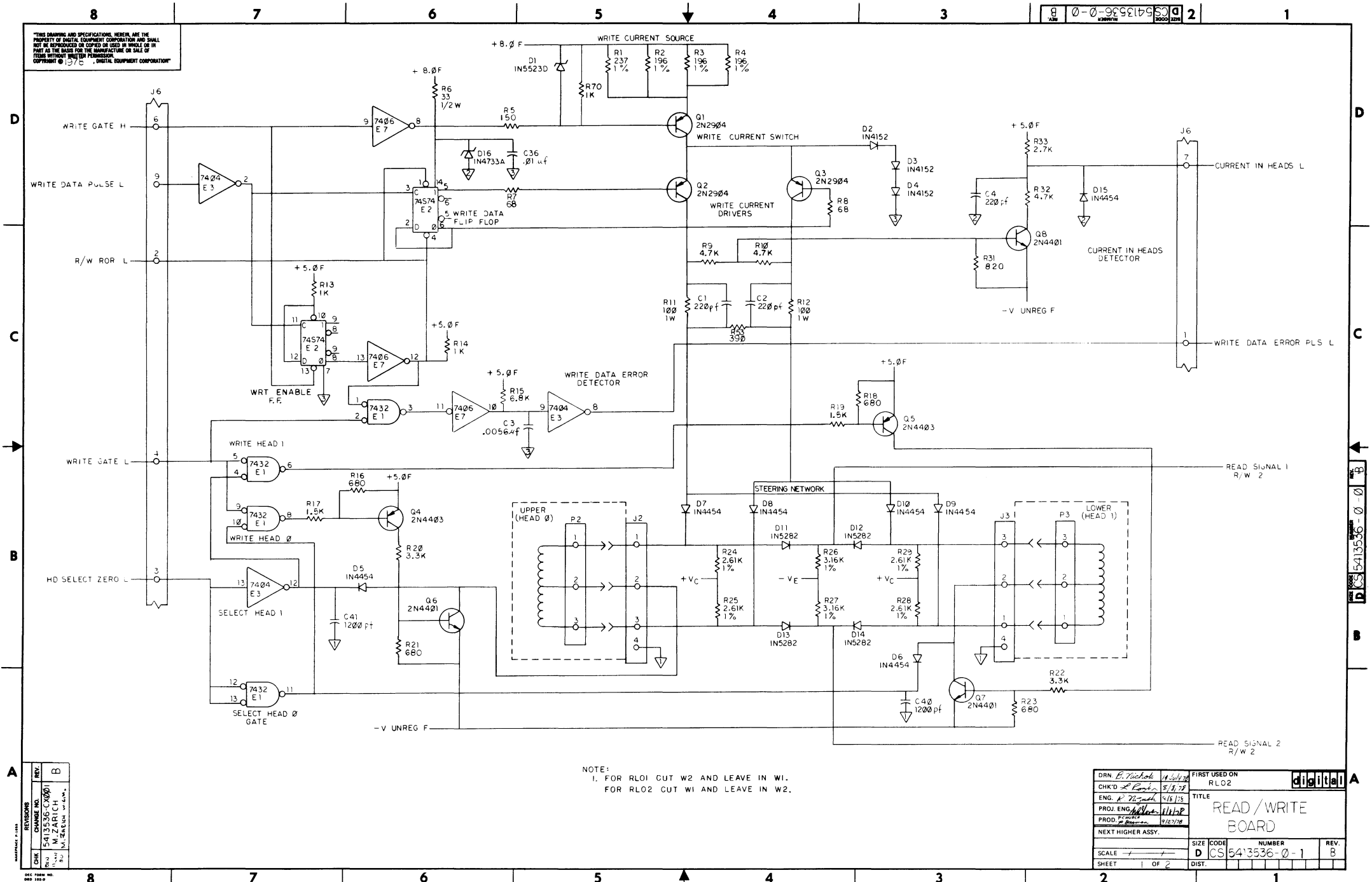
*THIS DRAWING AND SPECIFICATIONS HEREIN, ARE THE PROPERTY OF DIGITAL EQUIPMENT CORPORATION AND SHALL NOT BE REPRODUCED OR COPIED OR USED IN WHOLE OR IN PART AS THE BASIS FOR THE MANUFACTURE OR SALE OF ITEMS WITHOUT WRITTEN PERMISSION. COPYRIGHT (C) 1980. DIGITAL EQUIPMENT CORPORATION *

LINE ITEM	DOCUMENT NUMBER	PART NUMBER	DESCRIPTION	QTY PER VARIATION *00	REFERENCE DESIGNATOR
31	31	1302956-00	196 1/4W 1% RN55D-F 100PPM	3	R2,R3,R4
32	32	1300439-00	3.30 K .25 W 5.0 % CC	2	R20,R22
33	33	1305143-00	825 1/4W 1% RN55D-F 100PPM	2	R44,R45
34	34	1303303-00	2.61 K 1/4W 1% RN55D-F 100PPM	4	R24,R25,R28,R29
35	35	1302645-00	1.1 K 1/4W 1% RN55D-F 100PPM	1	R61
36	36	1301477-00	82.0 .25 W 5.0 % CC	1	R68
37	37	1301322-00	180.0 .25 W 5.0 % CC	2	R37,R38
38	38	1313469-00	240.0 .25 W 5.0 % CC	1	R34
39	39	1303045-00	3.16 K 1/4W 1% RN55D-F 100PPM	2	R26,R27
40	40	1501913-00	2N 2904A PNP 600MW SI 60 40 Y	3	Q1-Q3
41	41	1513489-00	2N 4401 NPN 350MW SI 40 20	3	Q6-Q8
42	42	1513490-00	2N 4403 PNP 350MW SI-40 30	2	Q4,Q5
43	43	1210001-00	HEAT SINK BLACK	3	
44	44	9007201-00	TRANSIPADS #10253	3	
45	45	9008268-00	COMPOUND, THERMAL JOINT \$ A/R		
46	46	1611257-01	CHOKE(CERAMIC BEAD)AXIAL LEAD,ON	1	L6
47	47	1613898-01	33.0 UH INDUCTOR	4	L2-L5
48	48	1613898-02	39.0 UH INDUCTOR	1	L1
49	49	1910268-00	DEC 75107B RECEIVER,LINE,DUAL,	1	E8
50	50	1909686-00	7404 INVERTER GATE-HEX 1I	1	E3
51	51	1910544-00	74974 FF-D DUAL,EDGE TRIGG	1	E2
52	52	1910644-00	733 DIFFERENTIAL AMP,WID	2	E9,E10
53	53	1910741-00	7406 INVERTER GATE-HEX 1I	1	E7
54	54	1911521-00	7432 OR GATE-QUAD 2IN, PO	1	E1
55	55	1910268-01	DEC 75107B-01 RECEIVER,LINE,DUA	2	E5,E4
56	56	1910725-00	75108B RECEIVER,LINE,DUAL,	1	E6
57	57	1209941-06	HEADER,100 20POS RT ANGLE	1	J6
58	58	1209941-03	HEADER RT ANGLE LEFT L	1	
59	59	1209941-04	HEADER RT ANGLE,RIGHT	1	
60	60	1210385-01	PIN 1POS WIRE WRAP	8	
61	61	9007791-00	TERM PCB 2POS SOLDER TURRET	2	TP1,TP2
62	62	1303067-00	422 1/4W 1% RN55D-F 100PPM	2	R42,R43
63	63	1300219-00	68.0 .25 W 5.0 % CC	4	R7,R8,R47,R57
64	64	1301423-00	6.80 K .25 W 5.0 % CC	3	R15,R64,R67
65	65	1300391-00	1.50 K .25 W 5.0 % CC	2	R17,R19
66	66	1114117-00	1N 4152 PIV=450 I=75M	3	D2-D4
67	67	1113003-00	IN 5282 PIV=55 I=500M D035	4	D11-D14
68	68	1015573-01	5600.0 MMF 50V 5% CER. \$	5	C3,C6,C7,C13,C14
69	69	1304857-00	237 1/4W 1% RN55D-F 100PPM	1	R1
70	70	1300309-00	390.0 .25 W 5.0 % CC	1	R53
71	71	1013466-17	150 MMF 50V 5% CER	2	C15,C44
72	72	1309150-07	2 K 1/2W10% POT 100PPM	2	R40,R41
73	73	9009185-00	JUMPER, WIRE, INSULATED, BLACK B	2	W1,W2
74	74	1217377-00	TERM QUICK 1POS TAB PC MNT	1	J7

***** UNDERGOING CHANGE *****

! D ! I ! G ! I ! T ! A ! L !	! TITLE	! SECTION A OF A	! SIZE ! CODE !	! DOCUMENT NUMBER	! REV !
! ! ! ! ! ! ! !	! READ/WRITE BOARD	! ! ! ! ! ! ! !	! K ! PL !	! 5413536-0-DBP	! B !

THIS DRAWING AND SPECIFICATIONS, HEREIN, ARE THE PROPERTY OF DIGITAL EQUIPMENT CORPORATION AND SHALL NOT BE REPRODUCED OR COPIED OR USED IN WHOLE OR IN PART AS THE BASIS FOR THE MANUFACTURE OR SALE OF ITEMS WITHOUT WRITTEN PERMISSION.
 COPYRIGHT © 1976, DIGITAL EQUIPMENT CORPORATION

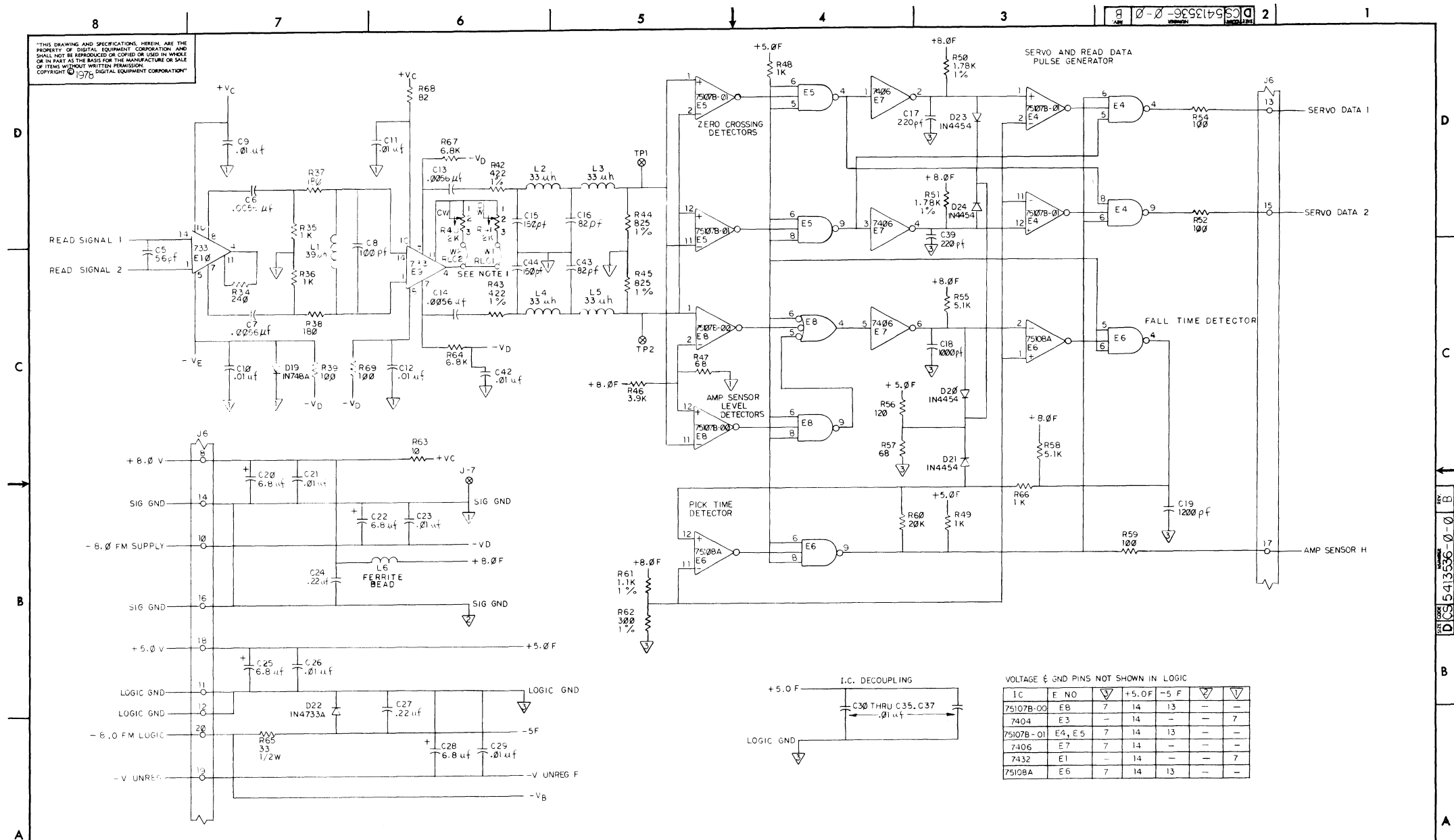


NOTE:
 1. FOR RLO1 CUT W2 AND LEAVE IN W1.
 FOR RLO2 CUT W1 AND LEAVE IN W2.

REV.	B
CHANGE NO.	
5413536-C0001	
BY: R. ZARICH	
DATE: 1/16/76	

DRN: E. Nichols	DATE: 1/16/76	FIRST USED ON: RLO2	digital
CHK'D: R. B. Smith	DATE: 1/16/76	TITLE: READ/WRITE BOARD	
ENG: R. B. Smith	DATE: 1/16/76	PROJ. ENG: J. W. P.	
PROD. PC: [Signature]	DATE: 1/16/76	NEXT HIGHER ASSY:	
SCALE: 1 OF 2	SIZE CODE: D	NUMBER: CS 5413536-0-1	REV: B
SHEET: 1 OF 2	DIST.		

"THIS DRAWING AND SPECIFICATIONS HEREIN ARE THE PROPERTY OF DIGITAL EQUIPMENT CORPORATION AND SHALL NOT BE REPRODUCED OR COPIED OR USED IN WHOLE OR IN PART AS THE BASIS FOR THE MANUFACTURE OR SALE OF ITEMS WITHOUT WRITTEN PERMISSION. COPYRIGHT © 1976 DIGITAL EQUIPMENT CORPORATION"



VOLTAGE & GND PINS NOT SHOWN IN LOGIC

IC	E NO	+5.0V	-5.0V		
75107B-01	E8	7	14	13	—
7404	E3	—	14	—	7
75107B-01	E4, E5	7	14	13	—
7406	E7	7	14	—	—
7432	E1	—	14	—	7
75108A	E6	7	14	13	—

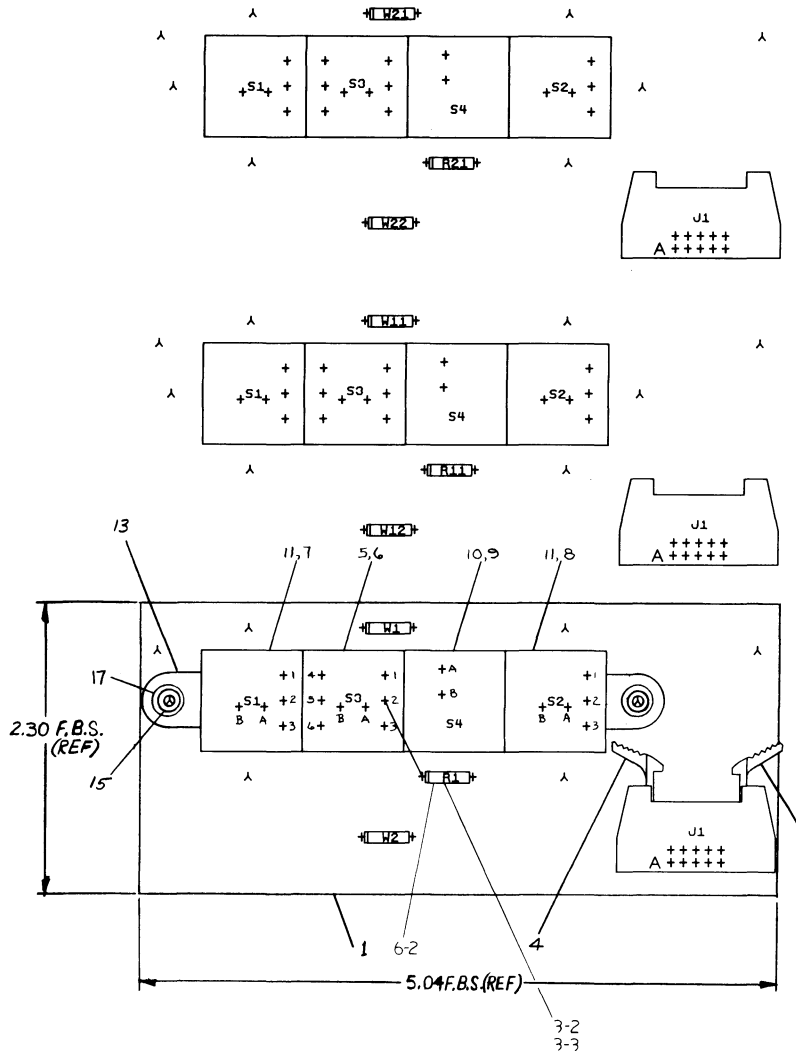
REVISIONS		
CHK	CHANGE NO.	REV.

TITLE	READ/WRITE BOARD	SIZE CODE	D CS 5413536-0-1	NUMBER	1	REV.	B
SCALE	—	SHEET	2 OF 2	DIST.			

8 7 6 5 4 3 2 1

ALL DIMENSIONS ARE IN INCHES UNLESS OTHERWISE SPECIFIED.
 DIMENSIONS TO CENTER UNLESS OTHERWISE SPECIFIED.
 DIMENSIONS TO SURFACE UNLESS OTHERWISE SPECIFIED.
 DIMENSIONS TO CENTER UNLESS OTHERWISE SPECIFIED.

COMPONENT SIDE VIEW



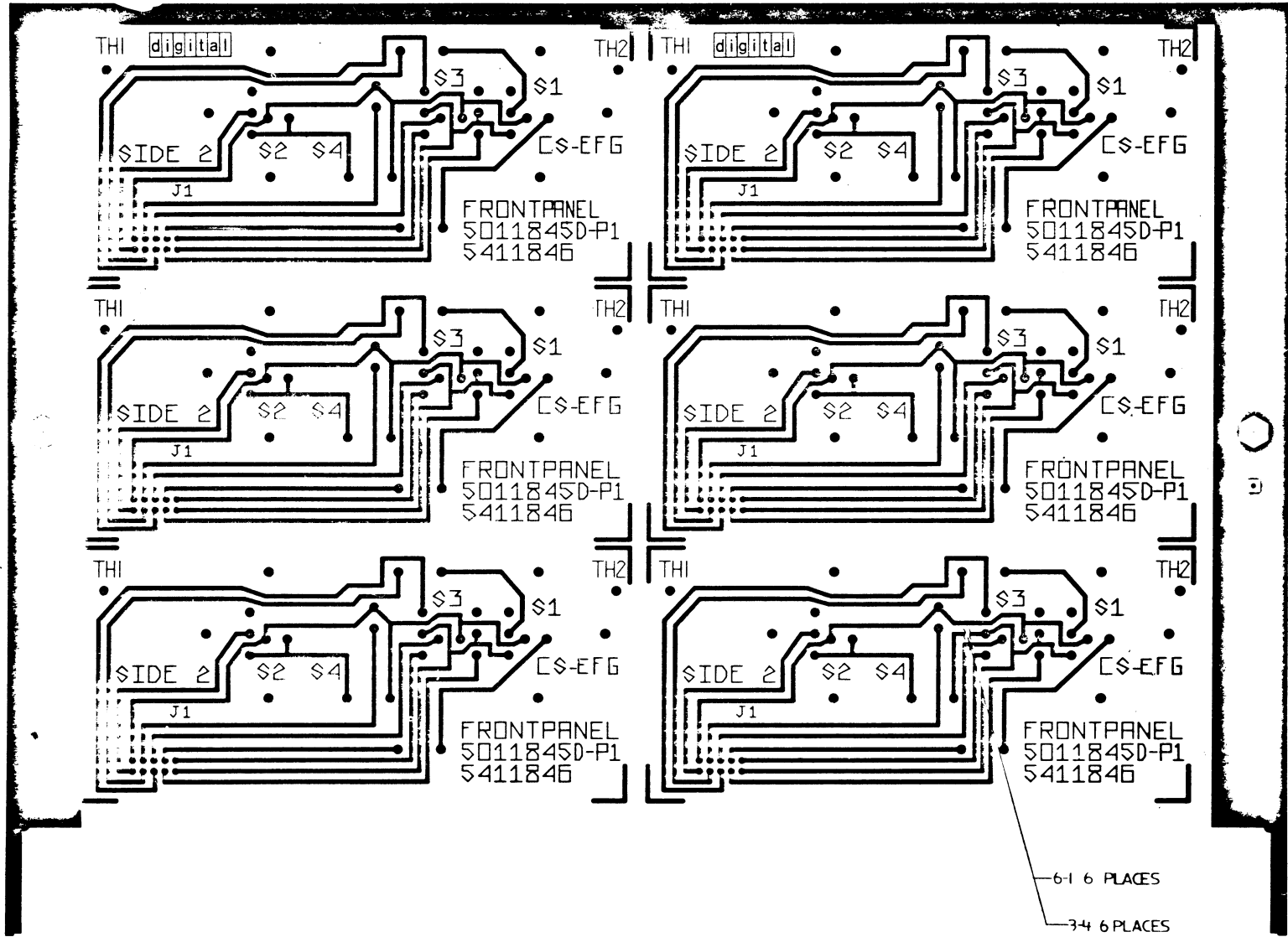
NOTES:
 1. ALL MANUFACTURING INFORMATION, DATE CODE,
 CIRCUIT SCHEMATIC REV., QUALITY CONTROL STAMPS,
 ETC., ARE TO BE STAMPED ON ETCH SIDE (SIDE 2) OF
 MODULE.

CHG	NO	REV	DATE	BY	CHK
2	5411846-0001	E			
1	5411846-0000	D			
1	5411846-0000	C			
1	5411846-0000	B			
1	5411846-0000	A			
		F			
		H			
		J			
		K			

ETCH REV. D	DATE	11/5/76
P.C. DESIGN DATA BASE REV. D	CHK'D. BY	F-11-77
	ENG. BY	3/2/77
	PROJ. ENG. BY	3/4/77
	PROD.	
	SCALE	2/1
	SHT.	1 OF 2
	NEXT HIGHER ASSY.	B-DD-5411846-0

SIGNATURES	DATE	digital
DRN. MR. [Signature]	11/5/76	
CHK'D. BY [Signature]	F-11-77	
ENG. BY [Signature]	3/2/77	
PROJ. ENG. BY [Signature]	3/4/77	
PROD.		
SCALE 2/1	SIZE CODE	NUMBER
SHT. 1 OF 2	D 1UA	5411846-0-0 K
NEXT HIGHER ASSY. B-DD-5411846-0		

8 7 6 5 4 3 2 1 MS#



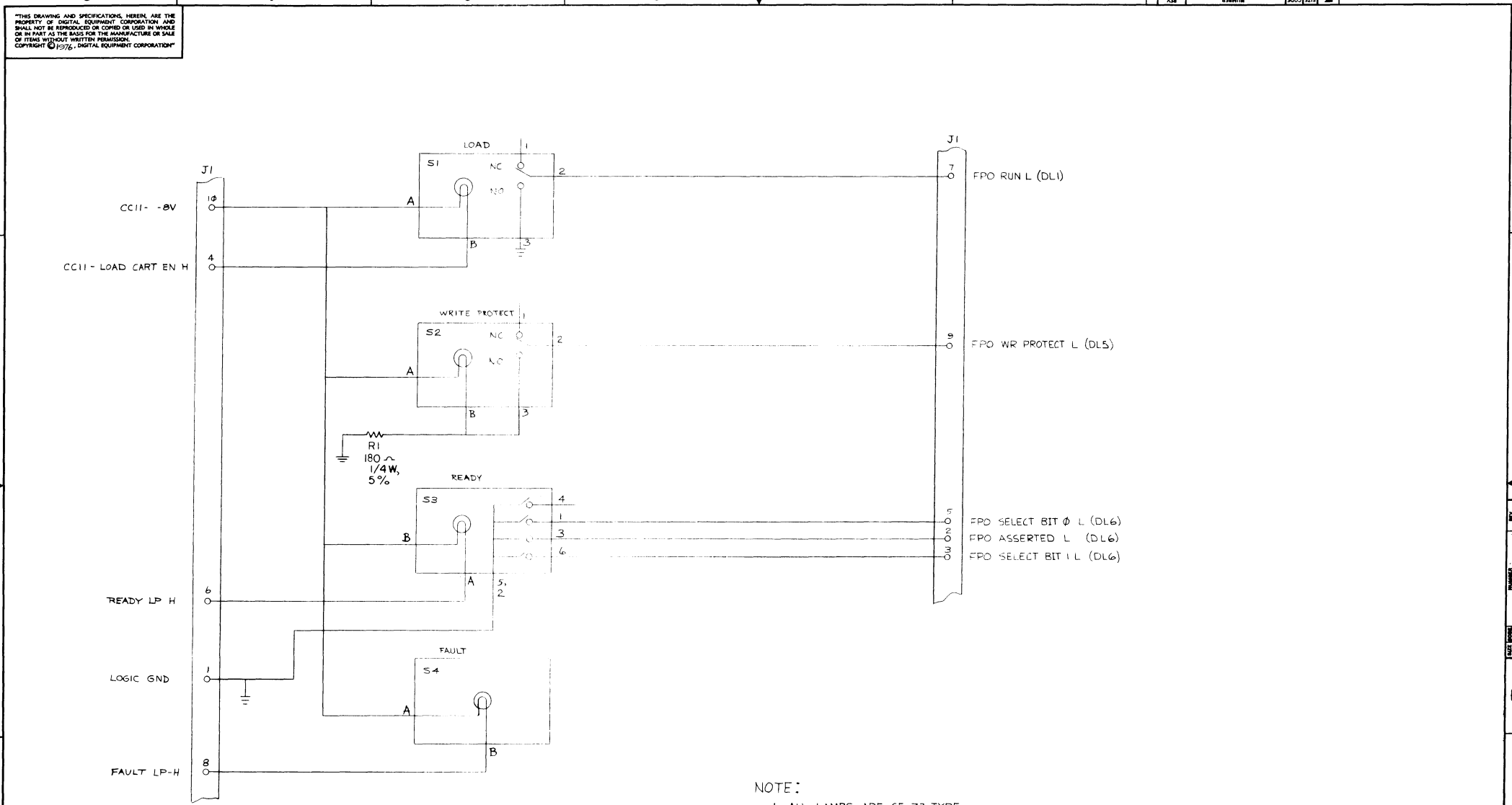
D
C
3

D
C
J
B
A

DESIGN	DATE	BY	CHKD

"THIS DRAWING AND SPECIFICATIONS, HEREIN, ARE THE PROPERTY OF DIGITAL EQUIPMENT CORPORATION AND SHALL NOT BE REPRODUCED OR COPIED OR USED IN WHOLE OR IN PART AS THE BASIS FOR THE MANUFACTURE OR SALE OF ITEMS WITHOUT WRITTEN PERMISSION. COPYRIGHT © 1976, DIGITAL EQUIPMENT CORPORATION"

REV. 2
CS 5411846-0-1
K



NOTE:
1. ALL LAMPS ARE 6E-73 TYPE

REV.	CHG	NO.	BY	DATE	DESCRIPTION
E	15411844	0001	G. REICHENBERG	7-2-77	
F	15411845	0002	G. REICHENBERG	7-2-77	
H	15411846	0003	M. ZARICH	7-2-77	
J	15411846	0005	M. ZARICH	7-2-77	
K	15411846	0006	M. ZARICH	7-2-77	

DRN. <i>[Signature]</i>	FIRST USED ON	DATE	REV.
CHK'D <i>[Signature]</i>	1-11-77		K
ENG. <i>[Signature]</i>	3-2-77	TITLE	
PROJ. ENG. <i>[Signature]</i>	3-10-77	FRONT PANEL	
PROD. <i>[Signature]</i>	3-9-77		
NEXT HIGHER ASSY.	SIZE	CODE	NUMBER
	D	CS	5411846-0-1
SCALE		DIST.	
SHEET	1	OF	1

LINE ITEM	DOCUMENT NUMBER	PART NUMBER	DESCRIPTION	QTY PER VARIATION 00	REFERENCE DESIGNATOR
1	1	D-MD-5011845-0-0	5011845-00	54-11846 ETCH CRKT BRD	1
2	2		1209941-05	HEADER,100 10POS RT ANGLE	1 J1
3	3		1209941-04	HEADER RT ANGLE,RIGHT	1
4	4		1209941-03	HEADER RT ANGLE LEFT L	1
5	5		1212690-02	SW,PB 1P RK06 UNIT SELECT	1 S3
6	6		1212691-00	SW,PF CAP "0/READY" FOR 12-1	1
7	7		1212714-05	SW,PB CAP,YEL/BLK,"LOAD"	1
8	8		1212714-01	SW,PB CAP,YEL/BLK,"WRITE PROT"	1
9	9		1212714-02	SW,PB CAP,RED/BLK,"FAULT"	1
10	10		1212715-02	INDICATOR,DISPLAY PANEL,W/14V LA	1 S4
11	11		1212717-05	SW,PB 1P 3A W/14V LAMP	2 S1,S2
12	12		1212716-01	LAMP,WEDGE,14V	1
13	13		1213188-01	MOUNTING BRACKET,SWITCH	1
14	14		1301322-00	180.0 .25 W 5.0 % CC	1 R1
15	15		9006732-00	EYELET, ROLLED FLANGE, .121 OD X	2
16	16		9107560-01	WIRE,RUSS,22AWG	2 W1,W2
17	17		9006655-00	WASHER, FLAT, .312 O.D. X .125 I	2

REVISION HISTORY			BASIC PART NO: 5411846			
ENG	ECO NUMBER	REV	SECTION A OF A	DRN: S. MARLOW	DATE: 7-APR-76	D I G I T A L
MZ	5411846-CX005	J	SECTION VARIATION INDEX	CHK'D: P. BURNELL	DATE: 10-JAN-77	TITLE PARTS LIST
			[A] 00			FRONT PANEL
			[B]	DES.ENG: G. REICHENBERG	DATE: 7-MAR-77	
			[C]			DOCUMENT NUMBER
			[D]	RESP.ENG.: G. REICHENBERG	DATE: 7-MAR-77	
			[E]			SIZE CODE NUMBER REV
			[F]			
			[G]	MFG.ENG.: L. KIRK	DATE: 9-MAR-77	K PL 5411846-0-DBF J
			[H]			
			[I]	ASSEMBLY NUMBER:	TOP DOCUMENT NUMBER:	FILE NAME: EDIT #
			[J]	D-UA-5411846-0-0	# B-DD-5411846-0	Z1580J.PLS 3
			[K]			
			[L]			
			[M]			
			[N]			

*THIS DRAWING AND SPECIFICATIONS HEREIN, ARE THE PROPERTY OF DIGITAL EQUIPMENT CORPORATION AND SHALL NOT BE REPRODUCED OR COPIED OR USED IN WHOLE OR IN PART AS THE BASIS FOR THE MANUFACTURE OR SALE OF ITEMS WITHOUT WRITTEN PERMISSION. COPYRIGHT (C) 1980. DIGITAL EQUIPMENT CORPORATION *

THIS DRAWING AND SPECIFICATIONS, HEREIN, ARE THE PROPERTY OF DIGITAL EQUIPMENT CORPORATION AND SHALL NOT BE REPRODUCED OR COPIED OR USED IN WHOLE OR IN PART FOR THE PRICE OR THE MANUFACTURE OF THIS OR THESE ITEMS WITHOUT PERMISSION.
 COPYRIGHT © 1977 DIGITAL EQUIPMENT CORPORATION

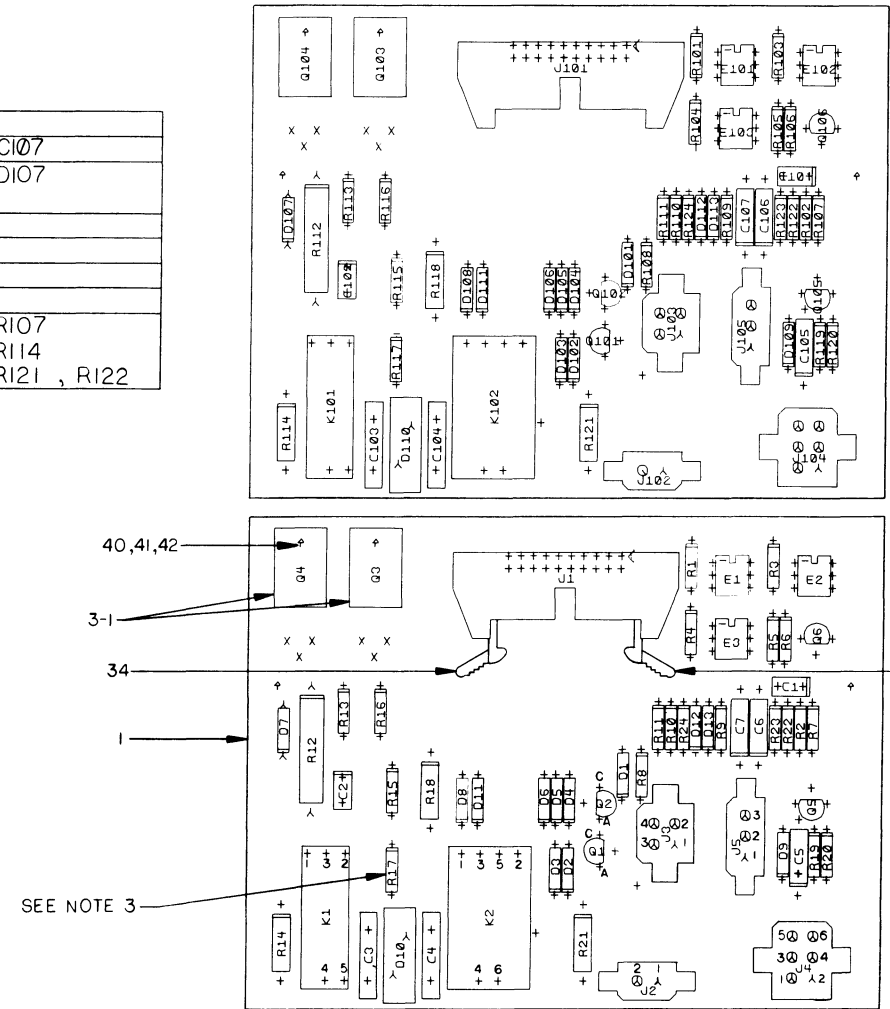
DUA 5411848-0-0

COMPONENT SIDE VIEW

ACTUAL REF DESIGNATORS	SUPERFICIAL REF DESIGNATORS
C1,C2,C3,C4,C5,C6,C7	C101, C102, C103, C104, C105, C106, C107
D1,D2,D3,D4,D5,D6,D7	D101, D102, D103, D104, D105, D106, D107
D8,D9,D10,D11,D12,D13	D108, D109, D110, D111, D112, D113
E1,E2,E3	E101, E102, E103
K1,K2,K3	K101, K102, K103
J1,J2,J3,J4,J5	J101, J102, J103, J104, J105
Q1,Q2,Q3,Q4,Q5,Q6	Q101, Q102, Q103, Q104, Q105, Q106
R1,R2,R3,R4,R5,R6,R7	R101, R102, R103, R104, R105, R106, R107
R8,R9,R10,R11,R12,R13,R14	R108, R109, R110, R111, R112, R113, R114
R15,R16,R17,R18,R19,R20,R21,R22	R115, R116, R117, R118, R119, R120, R121, R122



+



SEE NOTE 3

NOTES:

- Ø HOLES .0465 (+.000-.0046) MAYNARD ONLY
- LVL APPROVAL REQUIRED
- REWORK INSTRUCTIONS:
 - REMOVE R17 (330Ω, 1/4W, 5%)
 - INSTALL R17 (330Ω, 1/2W, 5%)

STEP E	→ Y AXIS	STEP	TIMES
REPEAT	→ X AXIS	STEP	TIMES

CHANGE NO	REV	DATE	BY	CHK'D
001	D	01/07/77	P. BURNELL	
002	E	01/07/77	P. BURNELL	
003	F	01/07/77	P. BURNELL	

ETCH REV.	F-22
P.C. DESIGN DATA BASE REV.	F-22

SIGNATURES	DATE
DRN. T. SHETRAWSKI	06-9-77
CHK'D. T. SHETRAWSKI	05-9-77
MECH. ENG. G. NICHOLSON	26-9-77
PROJ. ENG. B. ARNOLD	26-9-77
PROD. R. GYRBY	26-9-77

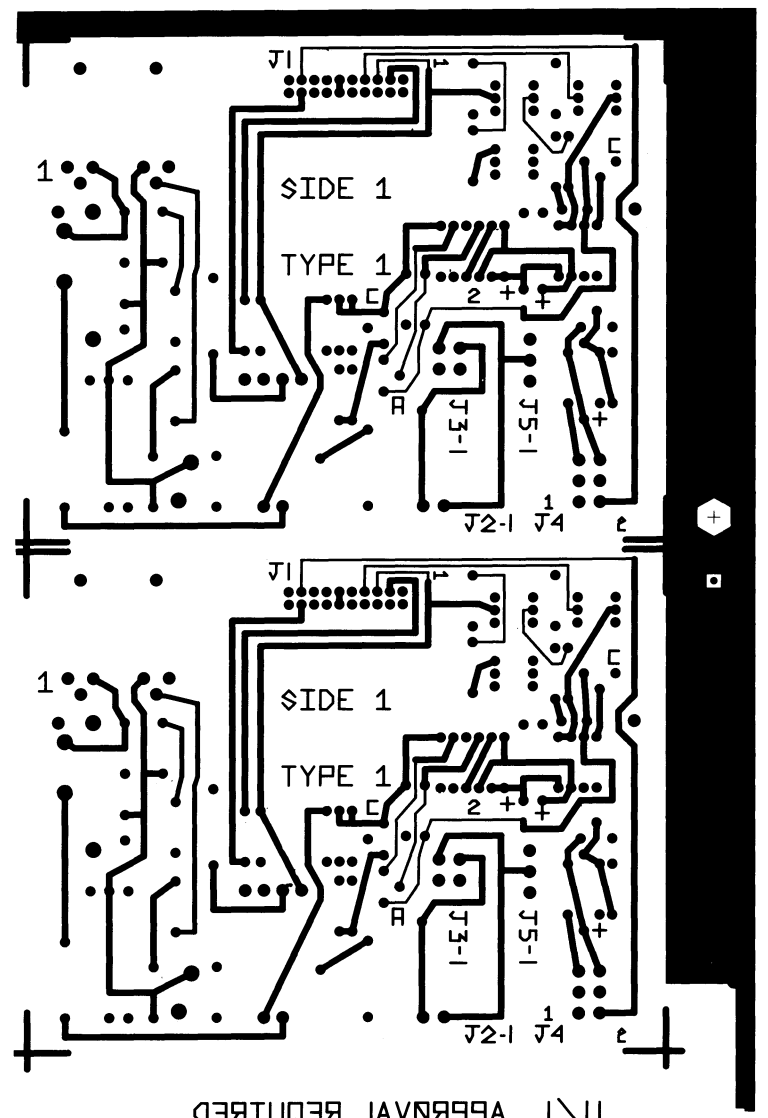
digital	
TITLE	AC SERVO
SCALE	2/1
SHT.	1 OF 4
SIZE	CODE NUMBER
D	UA 5411848-0-0
REV	F

DUA 5411848-0-0 F

1 MS#260285

THIS DRAWING AND SPECIFICATIONS HEREIN ARE THE PROPERTY OF DIGITAL EQUIPMENT CORPORATION AND SHALL NOT BE REPRODUCED OR COPIED OR USED IN WHOLE OR IN PART AS THE BASIS FOR THE MANUFACTURE OR SALE OF ITEMS WITHOUT WRITTEN PERMISSION. COPYRIGHT © 1971 DIGITAL EQUIPMENT CORPORATION.

D
C
B
A



VIEWED FROM SIDE

APPROVAL REQUIRED

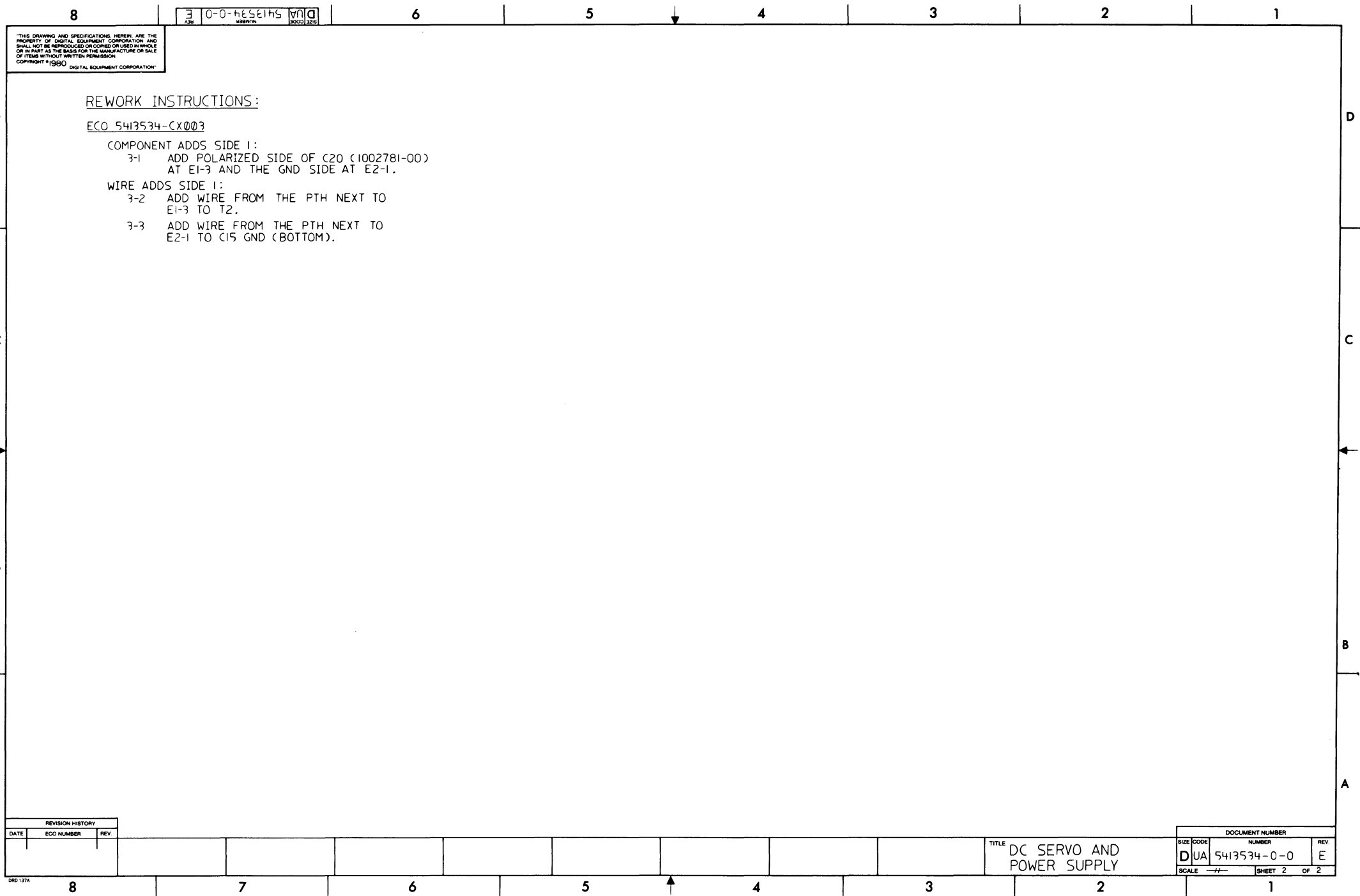
REVISIONS		
CHK	CHANGE NO.	REV.

TITLE		SIZE CODE	NUMBER	REV.
AC SERVO		DUA	5411848 -0-0	F
SCALE	SHEET	OF	DIST.	
2:1	2	4		

LINE ITEM	DOCUMENT NUMBER	PART NUMBER	DESCRIPTION	QTY PER VARIATION	REFERENCE DESIGNATOR
				00	
1	D-MD-5011847-0-0	5011847-00	ETCH CRKT BRD	1	
2		1011683-00	.022 MFD 50V 10% 2C067 CER.	1	C1
3		1012312-01	.47 MFD 50V XZ	1	C2
4		1013682-00	.1 MFD 500V +80 -20% CER.	2	C3,C4
5		1001776-00	1 MFD 35V 10% S.TANT	2	C5,C7
6		1110856-00	1N 970B VZ= 24.0 5% .40W Y	1	D1
7		1111577-00	1N 4454 TR= 4NS PIV= 50 S	10	D2-D6,D8,D9,D11-D13
8		1105796-00	1N 4004 PIV=400 I= 1A D041 SP	1	D7
9		1510727-01	OPTO COUPLED ISOLATOR	3	E1-E3
10		1213917-00	RLY,REED 5V COIL,DPDT	1	K2
11		1213915-00	RLY,REED, 5V COIL,SPDT	1	K1
12		1110997-00	VP 130A10 VOLT. SUPPRESS.130VAC	1	D10
13		1209941-06	HEADER.100 20POS RT ANGLE	1	J1
14		1213922-00	HEADER 2POS	1	J2
15		1213922-01	HEADER 3POS	1	J5
16		1213922-03	HEADER 4POS	1	J3
17		1213922-04	HEADER 6POS	1	J4
18		1300315-00	470 1/2W 5% CC	2	R14,R21
19		1300271-00	220 1/4W 5% CC	3	R1,R3,R4
20		1311220-00	5.1 1/2W 5% CC	1	R18
21		1301327-00	68 K 1/4W 5% CC	1	R6
22		1302466-00	100 K 1/4W 5% CC	2	R5,R8
23		1300444-00	3.9 K 1/4W 5% CC	1	R20
24		1314516-00	200 K 1/4W 5% CC	2	R7,R23
25		1300496-00	15 K 1/4W 5% CC	1	R10
26		1300479-00	10 K 1/4W 5% CC	2	R11,R24
27		1300482-00	10 K 2W 10% CC	1	R12
28		1312927-00	16 1/4W 5% CC	2	R15,R16
29		1314649-00	430 K 1/4W 5% CC	1	R22

REVISION HISTORY		BASIC PART NO: 5411848		DRN:	H. RICHER	DATE: 23 MAR 76	D I G I T A L				
ENG	ECD NUMBER	REV	SECTION A OF A	CHK'D:	P. BURNELL	DATE: 10 JAN 77	TITLE	PARTS LIST			
	INITIAL	E	SECTION VARIATION INDEX				AC SERVO				
MZ	5411848-CZ003	F	[A] 00								
			[B]								
			[C]	DES.ENG:	P. BADUM	DATE: 7 JUN 77					
			[D]								
			[E]								
			[F]	RESP.ENG.:	P. BADUM	DATE: 7 JUN 77		DOCUMENT NUMBER			
			[G]								
			[H]				SIZE	CODE	NUMBER	REV	
			[I]								
			[J]								
			[K]	MFG.ENG.:	D. LESAGE	DATE: 7 JUN 77	K	PL	5411848-0-DBP	F	
			[L]								
			[M]	ASSEMBLY NUMBER:					FILE NAME:	EDIT #	
			[N]	D-UA-5411848-0-0					Z0491.PLS	3	

"THIS DRAWING AND SPECIFICATIONS HEREIN, ARE THE PROPERTY OF DIGITAL EQUIPMENT CORPORATION AND SHALL NOT BE REPRODUCED OR COPIED OR USED IN WHOLE OR IN PART AS THE BASIS FOR THE MANUFACTURE OR SALE OF ITEMS WITHOUT WRITTEN PERMISSION. COPYRIGHT (C) 1979. DIGITAL EQUIPMENT CORPORATION "



THIS DRAWING AND SPECIFICATIONS HEREIN ARE THE PROPERTY OF DIGITAL EQUIPMENT CORPORATION AND SHALL NOT BE REPRODUCED OR COPIED OR USED IN WHOLE OR IN PART AS THE BASIS FOR THE MANUFACTURE OR SALE OF ITEMS WITHOUT WRITTEN PERMISSION. COPYRIGHT © 1980 DIGITAL EQUIPMENT CORPORATION

REWORK INSTRUCTIONS:

ECO 5413534-CX003

COMPONENT ADDS SIDE 1:

- 3-1 ADD POLARIZED SIDE OF C20 (1002781-00) AT E1-3 AND THE GND SIDE AT E2-1.

WIRE ADDS SIDE 1:

- 3-2 ADD WIRE FROM THE PTH NEXT TO E1-3 TO T2.
- 3-3 ADD WIRE FROM THE PTH NEXT TO E2-1 TO C15 GND (BOTTOM).

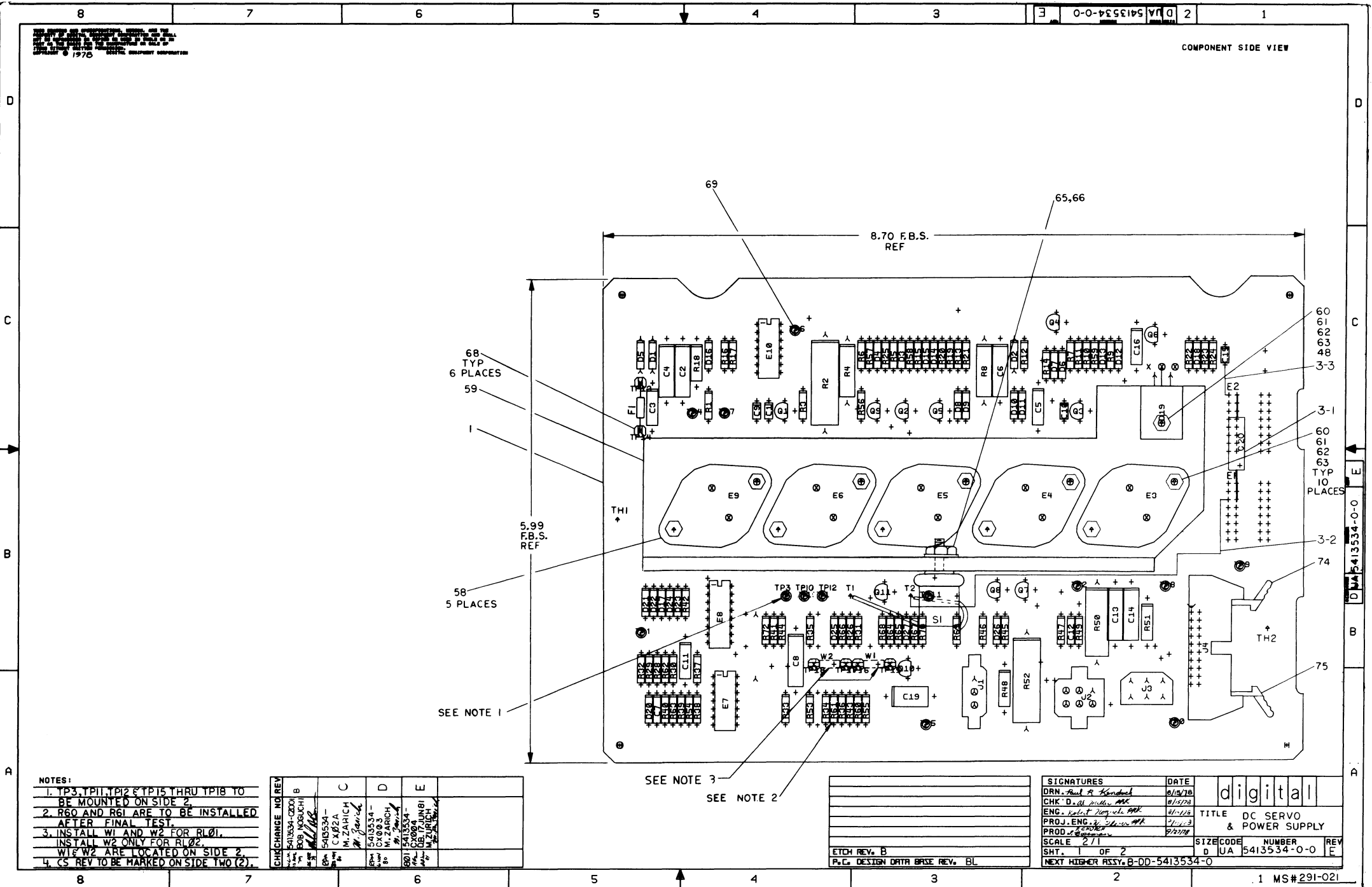
REVISION HISTORY		
DATE	ECO NUMBER	REV.

TITLE DC SERVO AND POWER SUPPLY

DOCUMENT NUMBER		REV.
SIZE CODE	NUMBER	
DUA	5413534-0-0	E
SCALE	SHEET 2 OF 2	

THIS DRAWING IS THE PROPERTY OF DIGITAL EQUIPMENT CORPORATION. IT IS TO BE USED ONLY FOR THE PROJECT AND FOR WHICH IT WAS PREPARED. IT IS NOT TO BE REPRODUCED OR TRANSMITTED IN ANY FORM OR BY ANY MEANS, ELECTRONIC OR MECHANICAL, INCLUDING PHOTOCOPYING, RECORDING, OR BY ANY INFORMATION STORAGE AND RETRIEVAL SYSTEM, WITHOUT PERMISSION IN WRITING FROM DIGITAL EQUIPMENT CORPORATION.

COMPONENT SIDE VIEW



8 6 5 4 3 2 1

THIS DRAWING AND SPECIFICATIONS HEREIN ARE THE PROPERTY OF DIGITAL EQUIPMENT CORPORATION AND SHALL NOT BE REPRODUCED OR COPIED OR USED IN WHOLE OR IN PART AS THE BASIS FOR THE MANUFACTURE OR SALE OF ITEMS WITHOUT WRITTEN PERMISSION. COPYRIGHT © 1980 DIGITAL EQUIPMENT CORPORATION.

ECO# 5413536
 COMPONENT DELETES:
 I-1 REMOVE C8
 I-2 REMOVE TP3
 COMPONENT ADDS:
 I-3 ADD C8, 100 MMF, 50V, 5%
 I-4 ADD J7, ITEM 74

D
C
B
A

D
C
B
A

REVISION HISTORY

DATE	ECO NUMBER	REV.

SIZE CODE	DOCUMENT NUMBER	REV.
DUA	5413536-0-0	B
SCALE	SHEET 2 OF 2	

8 7 6 5 4 3 2 1

ECO# 5413536-0-0
 DUA

LINE ITEM	DOCUMENT NUMBER	PART NUMBER	DESCRIPTION	QTY PER VARIATION 00	REFERENCE DESIGNATOR
1	D-MD-5013533-0-0	5013533-00	ETCHED CIRCUIT BOARD	1	
2		1013466-08	680.0 MMF 50V 10% X7R CER	1	C12
3		1016009-00	2200.0 MMF 50V 5% CER	1	C7
4		1001610-00	.01 MFD 50V +80-20% Z5U CER	4	C1,C9,C10,C15
5		1002630-00	.015 MFD 100V 10% MYLR	1	C8
6		1013466-11	.22 MFD 50V +80-20% Z5U CER	4	C3,C5,C11,C16
7		1005306-00	*** THIS ITEM IS NOT USED ***	-	
8		1000076-00	*** THIS ITEM IS NOT USED ***	-	
9		1309422-00	5.10 .25 W 5.0 % CC	1	R58
10		1312929-00	62.0 .25 W 5.0 % CC	2	R3,R23
11		1311523-00	110.0 .25 W 5.0 % CC	1	R22
12		1300247-00	120.0 .25 W 5.0 % CC	1	R13
13		1300271-00	220.0 .25 W 5.0 % CC	1	R59
14		1301425-00	300.0 .25 W 5.0 % CC	1	R55
15		1303178-00	620.0 .25 W 5.0 % CC	1	R6
16		1300365-00	1.0 K .25 W 5.0 % CC	5	R1,R7,R39,R44,R57
17		1300391-00	1.50 K .25 W 5.0 % CC	1	R5
18		1302388-00	2.0 K .25 W 5.0 % CC	2	R31,R43
19		1300426-00	2.70 K .25 W 5.0 % CC	2	R46,R47
20		1302389-00	4.30 K .25 W 5.0 % CC	1	R53
21		1300447-00	4.70 K .25 W 5.0 % CC	10	R10-R12,R14,R15,R19,R20,R24,R49, CONT R68
22		1303179-00	8.20 K .25 W 5.0 % CC	3	R9,R16,R17
23		1300488-00	12.0 K .25 W 5.0 % CC	4	R25,R26,R45,R56
24		1305346-00	27.0 K .25 W 5.0 % CC	1	R21
25		1305131-00	*** THIS ITEM IS NOT USED ***	-	
26		1312923-00	2.10 K .25 W 1.0 % RN55D-F10	1	R41
27		1305114-00	3.48 K .25 W 1.0 % RN55D-F10	1	R34
28		1314763-00	4.12 K .25 W 1.0 % RN55D-F10	1	R36
29		1303312-00	10.0 K .25 W 1.0 % RN55D-F10	3	R28,R29,R62

REVISION HISTORY		BASIC PART NO: 5413534		DRN:	JERRY BEST	DATE: 26-JUL-78	D I G I T A L				
ENG	ECO NUMBER	REV	SECTION A OF A	CHK'D:	JERRY BEST	DATE: 26-JUL-78	TITLE	PARTS LIST			
---	INIT	A	SECTION VARIATION INDEX	CHK'D:	JERRY BEST	DATE: 26-JUL-78	D.C. SERVO AND POWER SUPPLY				
BN	5413534-CZ001	B	[A] 00	DES.ENG:	R. NOGUCHI	DATE:					
MZ	5413534-CX003	C	[B]	RESP.ENG.:	R. NOGUCHI	DATE: 26-JUL-78	DOCUMENT NUMBER				
MZ	5413534-CX004	D	[C]	MFG.ENG.:	P. CHURCH	DATE:	SIZE	CODE	NUMBER	REV	
SM	5413534-CX05A	E	[D]	ASSEMBLY NUMBER:		DATE:	K	PL	5413534-0-DBP	E	
			[E]	TOP DOCUMENT NUMBER:		FILE NAME:	Z0494E.PLS				
			[F]	D-UA-5413534-0-0	RL02	EDIT #:	22				
			[G]								
			[H]								
			[J]								
			[K]								
			[L]								
			[M]								
			[N]								

"THIS DRAWING AND SPECIFICATIONS HEREIN, ARE THE PROPERTY OF DIGITAL EQUIPMENT CORPORATION AND SHALL NOT BE REPRODUCED OR COPIED OR USED IN WHOLE OR IN PART AS THE BASIS FOR THE MANUFACTURE OR SALE OF ITEMS WITHOUT WRITTEN PERMISSION. COPYRIGHT (C) 1982. DIGITAL EQUIPMENT CORPORATION "

LINE ITEM	DOCUMENT NUMBER	PART NUMBER	DESCRIPTION	QTY PER VARIATION 00	REFERENCE DESIGNATOR
30	30	1312924-00	10.70 K .25 W 1.0 % RN55D-F10	1	R32
31	31	1309412-00	18.20 K .25 W 1.0 % RN55D-F10	1	R33
32	32	1315436-00	52.30 K .25 W 1.0 % RN55D-F10	1	R54
33	33	1304843-00	243.0 K .25 W 1.0 % RN55D-F10	1	R72
34	34	1315437-00	237.0 K .25 W 1.0 % RN55D-F10	1	R38
35	35	1302378-00	51.0 .50 W 5.0 % CC	1	R51
36	36	1300364-00	1.0 K .50 W 5.0 % CC	2	R18,R48
37	37	1314068-00	360.0 1.0 W 5.0 % CC	1	R4
38	38	1300368-00	1.0 K 1.0 W 5.0 % CC	1	R8
39	39	1301494-00	200.0 2.0 W 5.0 % CC	1	R50
40	40	1313358-00	.20 5.0 W 3.0 % WW	2	R2,R52
41	41	1105796-00	1N 4004 PIV=400 I= 1A D041 SP	3	D1,D2,D5
42	42	1113953-00	1N 5523D VZ= 5.1 1%	8	D4,D6,D8,D9,D16,D18,D21,D22
43	43	1109990-00	1N 757A VZ= 9.1 5% .40W P	2	D23,D24
44	44	1110994-00	1N 751A VZ= 5.1 5% .40W	1	D14
45	45	1114117-00	1N 4152 PIV=40 I=75	6	D3,D7,D10,D11,D12,D13
46	46	1111577-00	1N 4454 TR= 4NS PIV= 50 S	6	D15,D17,D20,D25-D27
47	47	1513698-00	TRIAC@200V,I>14A	1	D19
48	48	9009597-00	INSULATOR, THERMA-FILM	1	
49	49	1513489-00	2N 4401 NPN 350MW SI 40 20	4	Q2,Q4,Q8,Q9
50	50	1513490-00	2N 4403 PNP 350MW SI-40 30	6	Q1,Q3,Q5-Q7,Q11
51	51	1511282-00	MJ2500 PNP 150WC SI 60 5 1K 5A	2	E4,E6
52	52	1511349-00	TIP 640 (OR MJ3000) NPN DARLINGT	1	E3
53	53	1911706-00	5012 ANALOG SWITCH,4CHNL	1	E8
54	54	1912818-00	LS38 NAND BUFFER-QUAD 2IN	1	E10
55	55	1912107-01	324ANOP AMP,QUAD	1	E7
56	56	1913695-00	7808 VOLT REG,FIX +8V	1	E9
57	57	1913694-00	7908 VOLT REG,FIX -8V	1	E5
58	58	9008419-00	WASHER, FLAT, THERMAFILM .002THK	5	
59	59	7418595-00	HEATSINK ASSEMBLY	1	
60	60	9008033-01	SCREW,PAN,PHIL 4-40X 9/16 SS	11	
61	61	9006557-00	NUT,KEP 4-40X 1/4 AF	11	
62	62	9006655-00	WASHER, FLAT, .312 O.D. X .125 I	11	
63	63	9008268-00	COMPOUND, THERMAL JOINT	A/R	
64	64	1210824-00	THERMOSTAT,0@215,C@156,SPST,NORM	1	S1
65	65	9008185-00	NUT,KEP 6-32X 1/4 AF	1	
66	66	9006653-00	WASHER, FLAT, .375 O.D. X .156 I	1	
67	67	1205747-00	FUSE, SUB-MINI, 5.000A, 125V, A	1	F1
68	68	9006735-00	EYELET, FUNNEL FLANGE, .059 OD X	6	TP13-TP18
69	69	9007791-00	TERM PCB 2POS SOLDER,TURRET	13	TP0-TP12
70	70	1213922-01	HEADER 3POS	1	J1
71	71	1213922-04	HEADER 6POS	1	J2
72	72	1213900-00	CONN,RCPT 6POS	1	J3
73	73	1209941-06	HEADER.100 20POS RT ANGLE	1	J4
74	74	1209941-04	HEADER RT ANGLE,RIGHT	1	
75	75	1209941-03	HEADER RT ANGLE LEFT L	1	
76	76	1305324-00	4.99 K .25 W 1.0 % RN55D-F10	2	R37,R30
77	77	1300250-00	150.0 .25 W 5.0 % CC	1	R42

D	I	G	I	T	A	L	TITLE	SECTION	OF	SIZE	CODE	DOCUMENT NUMBER	REV
							D.C. SERVO AND POWER SUPPLY	A	A	K	PL	5413534-0-DBP	E

AUTOMATED BY PRTLST.2E(2)

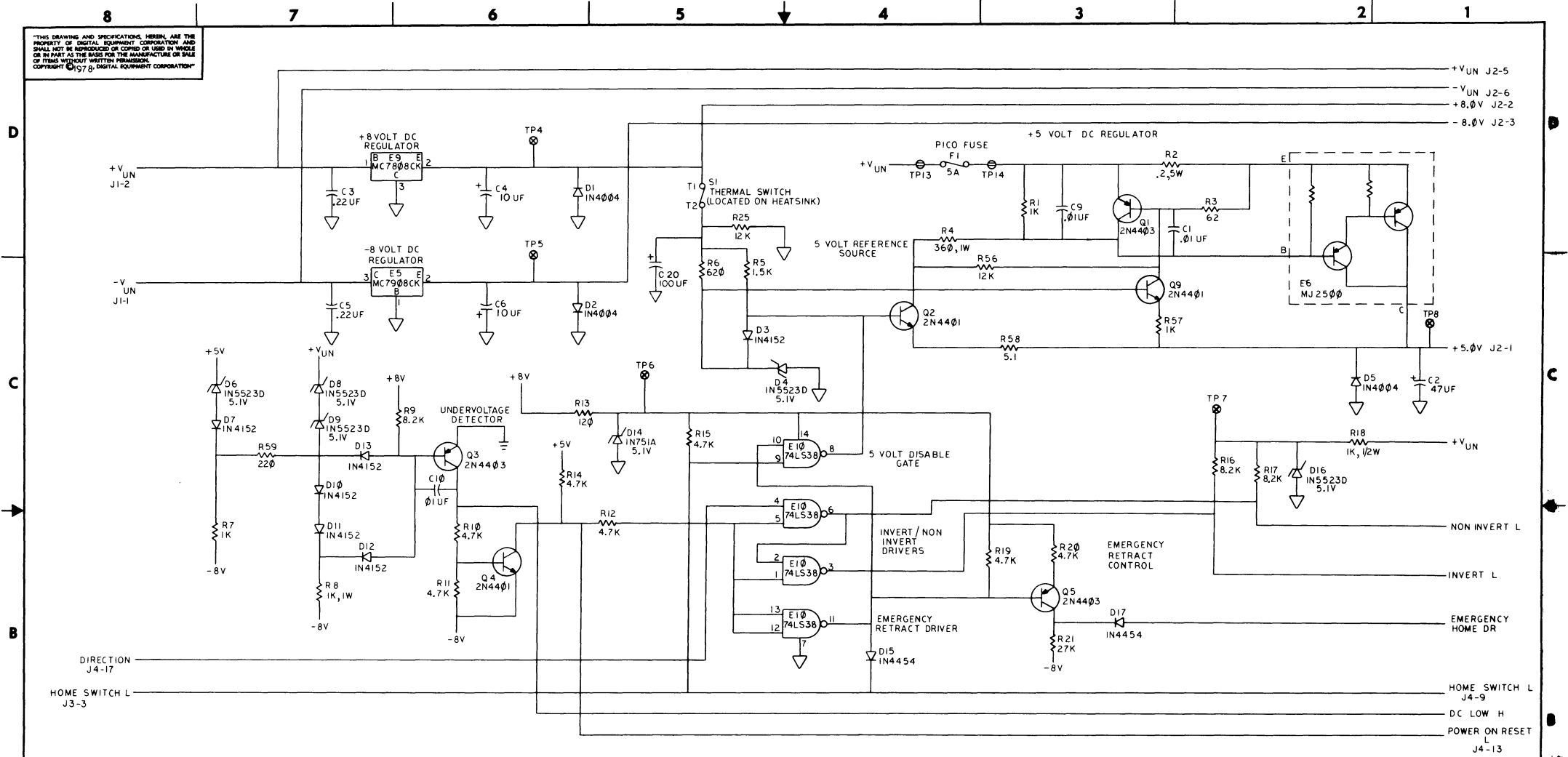
PARTS LIST

SHEET A3 OF A3

LINE ITEM	DOCUMENT NUMBER	PART NUMBER	DESCRIPTION	QTY PER VARIATION 00	REFERENCE DESIGNATOR
78	78	1312618-00	16.90 K .25 W 1.0 % RN55D-F10	1	R40
79	79	1300229-00	100.0 .25 W 5.0 % CC	1	R63
80	80	1305336-00	*** THIS ITEM IS NOT USED ***	-	
81	81	1309416-00	31.60 K .25 W 1.0 % RN55D-F10	1	R65
82	82	1002781-00	100 MFD 25V +75-10% AL EL	1	C20
83	83	9009185-00	JUMPER, WIRE, INSULATED, BLACK B	2	W1,W2
84	84	1303044-00	100.0 K .25 W 1.0 % RN55D-F10	1	R64
85	85	1015574-00	*** THIS ITEM IS NOT USED ***	-	
86	86	1315435-00	25.50 K .25 W 1.0 % RN55D-F10	1	R66
87	87	1312930-00	5.10 K .25 W 5.0 % CC	1	R67
88	88	1015520-00	1 MFD 100V 5% MET. MYLR	1	C19
89	89	1513697-00	2N 5640 FET N CHNNL	1	Q10
90	90	1300479-00	10.0 K .25 W 5.0 % CC	1	R69
91	91	1302466-00	100.0 K .25 W 5.0 % CC	1	R70
92	92	9105740-55	WIRE(WRAP)30AWG UL1423	A/R	
93	93	1017472-00	10 MFD 35V +50-10% AL EL	4	C4,C6,C13,C14
94	94	1016549-00	47 MFD 10V +50-10% AL EL	1	C2

TITLE		SECTION A OF A	SIZE	CODE	DOCUMENT NUMBER	REV
D.C. SERVO AND POWER SUPPLY		SECTION A OF A	K	PL	5413534-0-DBP	E

THIS DRAWING AND SPECIFICATIONS HEREIN ARE THE PROPERTY OF DIGITAL EQUIPMENT CORPORATION AND SHALL NOT BE REPRODUCED OR COPIED OR USED IN WHOLE OR IN PART AS THE BASIS FOR THE MANUFACTURE OR SALE OF ITEMS WITHOUT WRITTEN PERMISSION. COPYRIGHT © 1970, DIGITAL EQUIPMENT CORPORATION.

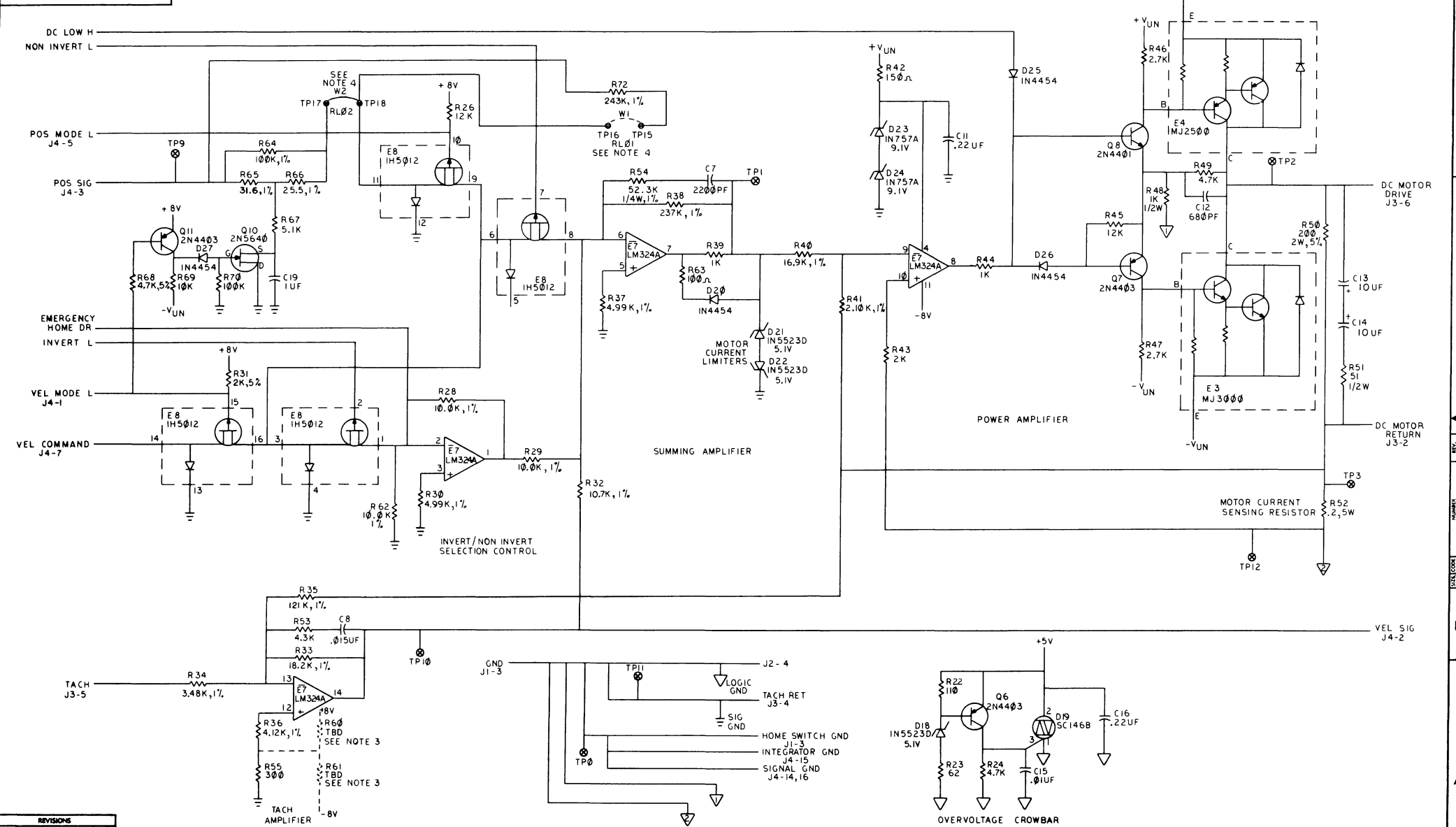


- NOTES:
- ALL RESISTORS TO BE 1/4W, 5%; UNLESS OTHERWISE SPECIFIED.
 - ~~E1 AND E2 ARE SPARES.~~
 - VALUE OF R60 OR R61 WILL BE DETERMINED IN TESTING.
 - INSTALL W1 AND W2 FOR RL01 ON SIDE 2. INSTALL W2 ONLY FOR RL02 ON SIDE 2.

REV.	CHANGE NO.	BY	DATE
1	5413534-CZ001	BOB AOGUCHI	11/11/69
2	5413534-CX02A	M. ZARICH	11/11/69
3	5413534-CX003	M. ZARICH	11/11/69
4	5413534-CZ004	M. ZARICH	11/11/69

DESCRIPTION		DWG./PART NO.	ITEM NO.
UNLESS OTHERWISE SPECIFIED DIMENSIONS ARE IN INCHES			
ANGLES	CLASS OF ACCURACY	NOMINAL DIMENSION RANGE INCHES	
10° 30'	AS CHECKED	OVER 0	OVER 120
SURFACE QUALITY	FINISH	OVER 12	OVER 400
IN	MEDIUM	OVER 12.0	OVER 400.0
QUANTITY & VARIATION	PREFERRED	±.004	±.018
MICRONCHES	PREFERRED	±.012	±.025
DRN: P. McLeod #1158		FIRST USED ON	
CHK'D: [Signature]		TITLE	
PROJ. ENG: [Signature]		DC SERVO AND POWER SUPPLY	
PROD. [Signature]		MATERIAL	
DO NOT SCALE DWG		NEXT HIGHER ASSY.	
MATERIAL		SIZE CODE	
D-UA-5413534-0-0		D	
SCALE		NUMBER	
SHEET 1 OF 2		CS5413534-0-1	
		REV. E	

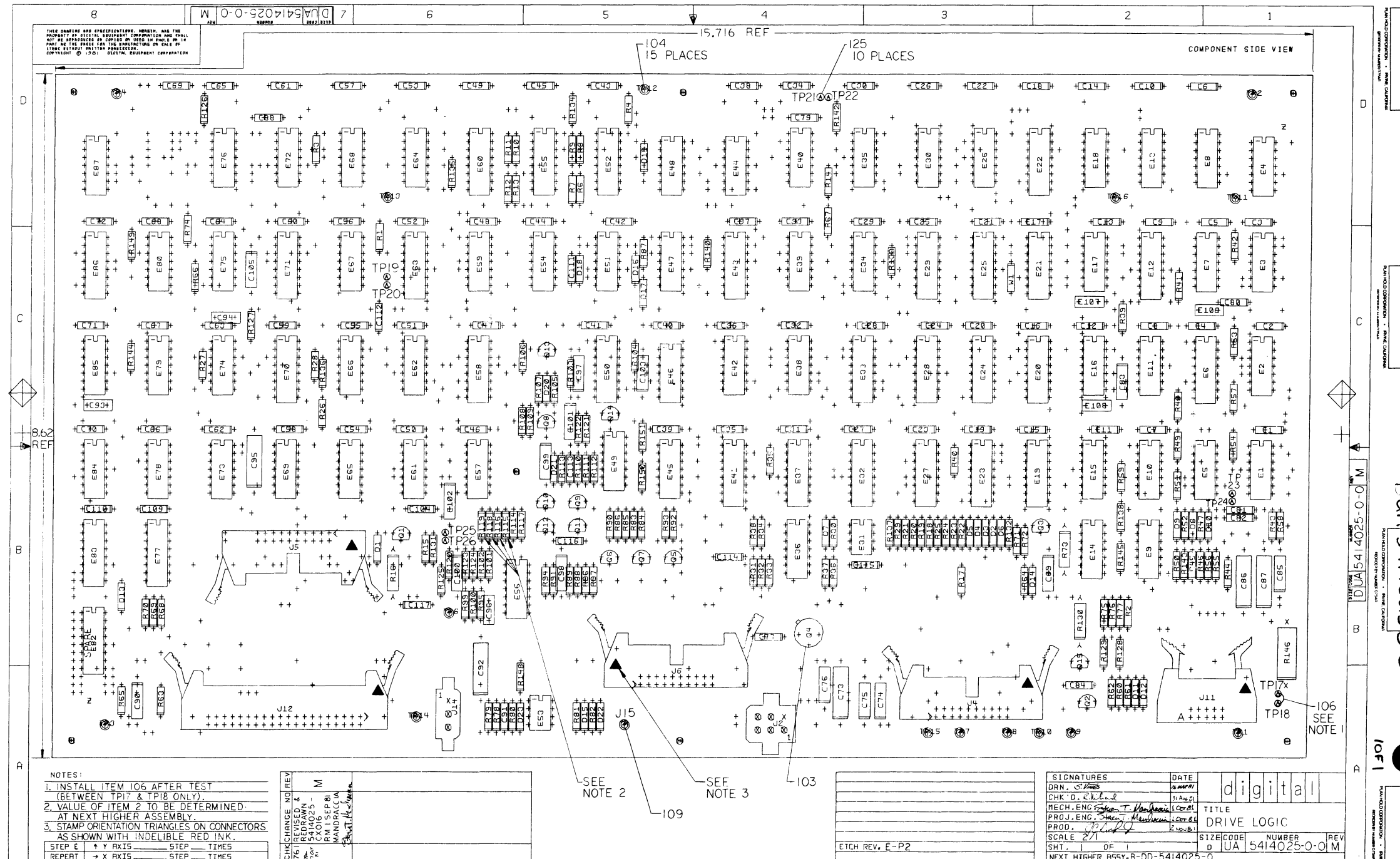
"THIS DRAWING AND SPECIFICATIONS HEREIN ARE THE PROPERTY OF DIGITAL EQUIPMENT CORPORATION AND SHALL NOT BE REPRODUCED OR COPIED OR USED IN WHOLE OR IN PART AS THE BASIS FOR THE MANUFACTURE OR SALE OF ITEMS WITHOUT WRITTEN PERMISSION. COPYRIGHT © 1978 DIGITAL EQUIPMENT CORPORATION"



REVISIONS		
CHK	CHANGE NO.	REV.

TITLE	DC SERVO AND POWER SUPPLY	SIZE CODE	D	NUMBER	CS 5413534-0-1	REV.	E
SCALE	SHEET 2 OF 2	DIST.					

THIS DRAWING AND SPECIFICATIONS HEREBY ARE THE PROPERTY OF DIGITAL EQUIPMENT CORPORATION AND SHALL NOT BE REPRODUCED OR TRANSMITTED IN ANY FORM OR BY ANY MEANS, ELECTRONIC OR MECHANICAL, INCLUDING PHOTOCOPYING, RECORDING, OR BY ANY INFORMATION STORAGE AND RETRIEVAL SYSTEM, WITHOUT PERMISSION IN WRITING FROM DIGITAL EQUIPMENT CORPORATION. © 1981 DIGITAL EQUIPMENT CORPORATION.



- NOTES:
1. INSTALL ITEM 106 AFTER TEST (BETWEEN TPI7 & TPI8 ONLY).
 2. VALUE OF ITEM 2 TO BE DETERMINED AT NEXT HIGHER ASSEMBLY.
 3. STAMP ORIENTATION TRIANGLES ON CONNECTORS AS SHOWN WITH INDELEBIL RED INK.
- | STEP | Y AXIS | STEP | TIMES |
|--------|--------|------|-------|
| REPEAT | X AXIS | STEP | TIMES |

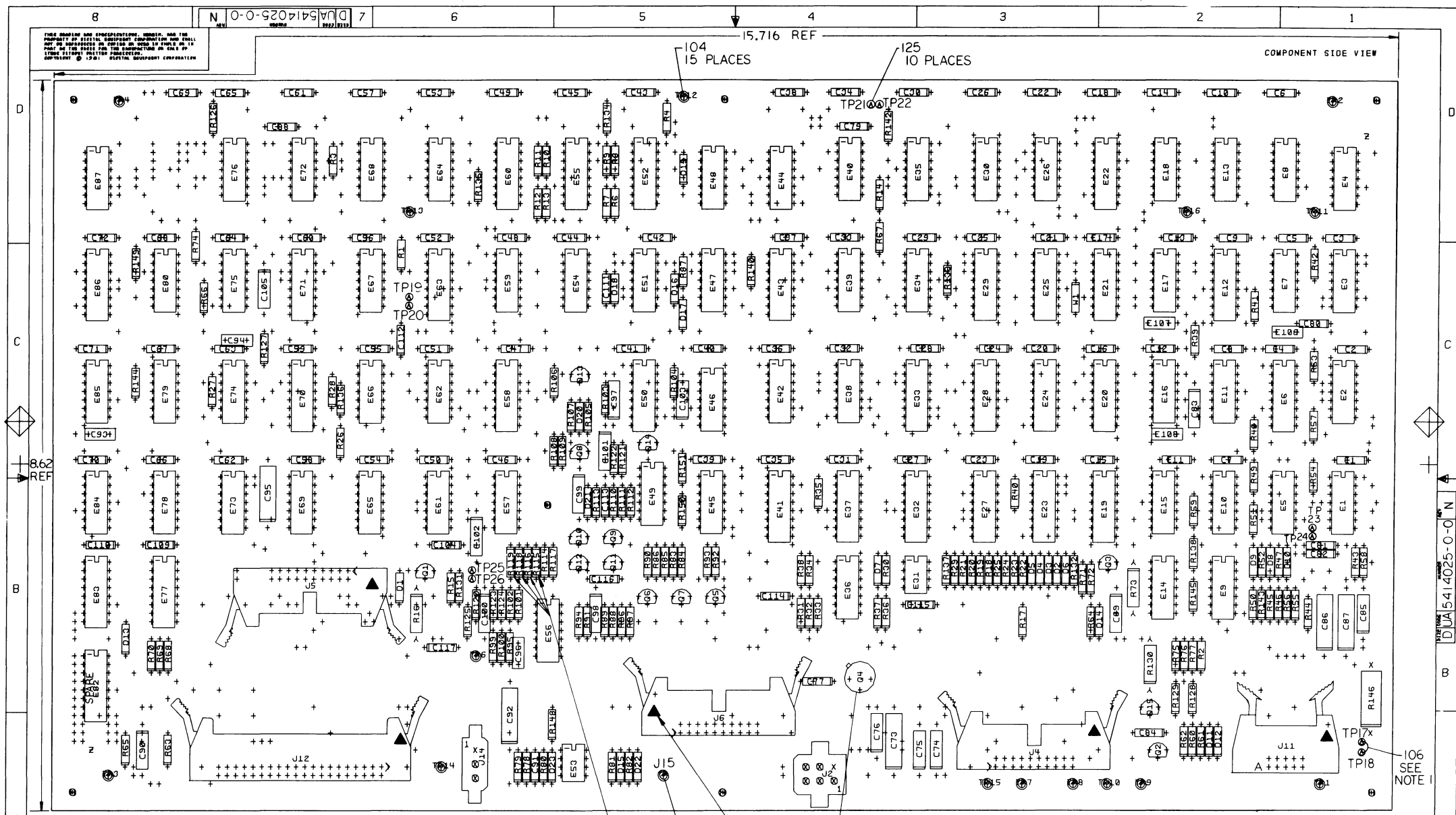
CHK CHANGE NO	REV
7	1
DRAWN BY: CLO16	
CHECKED BY: CLO16	
APPROVED BY: MANDRACCA	
DATE: 11/26/81	

ETCH REV. E-P2	
----------------	--

SIGNATURES		DATE
DRAWN: S. JONES		12 MAR 81
CHK'D: R. JONES		11 AUG 81
MECH. ENG: S. JONES	LOCAL	
PROD. ENG: S. JONES	LOCAL	
SCALE: 2/1		
SHT. 1 OF 1		
NEXT HIGHER ASSY: B-DD-5414025-0		
TITLE		digital
DRIVE LOGIC		
SIZE	CODE	NUMBER
0	UA	5414025-0-0 M
REV		

101
 102
 103
 104
 105
 106
 107
 108
 109
 110
 111
 112
 113
 114
 115
 116
 117
 118
 119
 120
 121
 122
 123
 124
 125
 126
 127
 128
 129
 130
 131
 132
 133
 134
 135
 136
 137
 138
 139
 140
 141
 142
 143
 144
 145
 146
 147
 148
 149
 150
 151
 152
 153
 154
 155
 156
 157
 158
 159
 160
 161
 162
 163
 164
 165
 166
 167
 168
 169
 170
 171
 172
 173
 174
 175
 176
 177
 178
 179
 180
 181
 182
 183
 184
 185
 186
 187
 188
 189
 190
 191
 192
 193
 194
 195
 196
 197
 198
 199
 200
 201
 202
 203
 204
 205
 206
 207
 208
 209
 210
 211
 212
 213
 214
 215
 216
 217
 218
 219
 220
 221
 222
 223
 224
 225
 226
 227
 228
 229
 230
 231
 232
 233
 234
 235
 236
 237
 238
 239
 240
 241
 242
 243
 244
 245
 246
 247
 248
 249
 250
 251
 252
 253
 254
 255
 256
 257
 258
 259
 260
 261
 262
 263
 264
 265
 266
 267
 268
 269
 270
 271
 272
 273
 274
 275
 276
 277
 278
 279
 280
 281
 282
 283
 284
 285
 286
 287
 288
 289
 290
 291
 292
 293
 294
 295
 296
 297
 298
 299
 300
 301
 302
 303
 304
 305
 306
 307
 308
 309
 310
 311
 312
 313
 314
 315
 316
 317
 318
 319
 320
 321
 322
 323
 324
 325
 326
 327
 328
 329
 330
 331
 332
 333
 334
 335
 336
 337
 338
 339
 340
 341
 342
 343
 344
 345
 346
 347
 348
 349
 350
 351
 352
 353
 354
 355
 356
 357
 358
 359
 360
 361
 362
 363
 364
 365
 366
 367
 368
 369
 370
 371
 372
 373
 374
 375
 376
 377
 378
 379
 380
 381
 382
 383
 384
 385
 386
 387
 388
 389
 390
 391
 392
 393
 394
 395
 396
 397
 398
 399
 400
 401
 402
 403
 404
 405
 406
 407
 408
 409
 410
 411
 412
 413
 414
 415
 416
 417
 418
 419
 420
 421
 422
 423
 424
 425
 426
 427
 428
 429
 430
 431
 432
 433
 434
 435
 436
 437
 438
 439
 440
 441
 442
 443
 444
 445
 446
 447
 448
 449
 450
 451
 452
 453
 454
 455
 456
 457
 458
 459
 460
 461
 462
 463
 464
 465
 466
 467
 468
 469
 470
 471
 472
 473
 474
 475
 476
 477
 478
 479
 480
 481
 482
 483
 484
 485
 486
 487
 488
 489
 490
 491
 492
 493
 494
 495
 496
 497
 498
 499
 500
 501
 502
 503
 504
 505
 506
 507
 508
 509
 510
 511
 512
 513
 514
 515
 516
 517
 518
 519
 520
 521
 522
 523
 524
 525
 526
 527
 528
 529
 530
 531
 532
 533
 534
 535
 536
 537
 538
 539
 540
 541
 542
 543
 544
 545
 546
 547
 548
 549
 550
 551
 552
 553
 554
 555
 556
 557
 558
 559
 560
 561
 562
 563
 564
 565
 566
 567
 568
 569
 570
 571
 572
 573
 574
 575
 576
 577
 578
 579
 580
 581
 582
 583
 584
 585
 586
 587
 588
 589
 590
 591
 592
 593
 594
 595
 596
 597
 598
 599
 600
 601
 602
 603
 604
 605
 606
 607
 608
 609
 610
 611
 612
 613
 614
 615
 616
 617
 618
 619
 620
 621
 622
 623
 624
 625
 626
 627
 628
 629
 630
 631
 632
 633
 634
 635
 636
 637
 638
 639
 640
 641
 642
 643
 644
 645
 646
 647
 648
 649
 650
 651
 652
 653
 654
 655
 656
 657
 658
 659
 660
 661
 662
 663
 664
 665
 666
 667
 668
 669
 670
 671
 672
 673
 674
 675
 676
 677
 678
 679
 680
 681
 682
 683
 684
 685
 686
 687
 688
 689
 690
 691
 692
 693
 694
 695
 696
 697
 698
 699
 700
 701
 702
 703
 704
 705
 706
 707
 708
 709
 710
 711
 712
 713
 714
 715
 716
 717
 718
 719
 720
 721
 722
 723
 724
 725
 726
 727
 728
 729
 730
 731
 732
 733
 734
 735
 736
 737
 738
 739
 740
 741
 742
 743
 744
 745
 746
 747
 748
 749
 750
 751
 752
 753
 754
 755
 756
 757
 758
 759
 760
 761
 762
 763
 764
 765
 766
 767
 768
 769
 770
 771
 772
 773
 774
 775
 776
 777
 778
 779
 780
 781
 782
 783
 784
 785
 786
 787
 788
 789
 790
 791
 792
 793
 794
 795
 796
 797
 798
 799
 800
 801
 802
 803
 804
 805
 806
 807
 808
 809
 810
 811
 812
 813
 814
 815
 816
 817
 818
 819
 820
 821
 822
 823
 824
 825
 826
 827
 828
 829
 830
 831
 832
 833
 834
 835
 836
 837
 838
 839
 840
 841
 842
 843
 844
 845
 846
 847
 848
 849
 850
 851
 852
 853
 854
 855
 856
 857
 858
 859
 860
 861
 862
 863
 864
 865
 866
 867
 868
 869
 870
 871
 872
 873
 874
 875
 876
 877
 878
 879
 880
 881
 882
 883
 884
 885
 886
 887
 888
 889
 890
 891
 892
 893
 894
 895
 896
 897
 898
 899
 900
 901
 902
 903
 904
 905
 906
 907
 908
 909
 910
 911
 912
 913
 914
 915
 916
 917
 918
 919
 920
 921
 922
 923
 924
 925
 926
 927
 928
 929
 930
 931
 932
 933
 934
 935
 936
 937
 938
 939
 940
 941
 942
 943
 944
 945
 946
 947
 948
 949
 950
 951
 952
 953
 954
 955
 956
 957
 958
 959
 960
 961
 962
 963
 964
 965
 966
 967
 968
 969
 970
 971
 972
 973
 974
 975
 976
 977
 978
 979
 980
 981
 982
 983
 984
 985
 986
 987
 988
 989
 990
 991
 992
 993
 994
 995
 996
 997
 998
 999
 1000

DIGITAL EQUIPMENT CORPORATION
 MANUFACTURED IN THE UNITED STATES OF AMERICA
 101
 102
 103
 104
 105
 106
 107
 108
 109
 110
 111
 112
 113
 114
 115
 116
 117
 118
 119
 120
 121
 122
 123
 124
 125
 126
 127
 128
 129
 130
 131
 132
 133
 134
 135
 136
 137
 138
 139
 140
 141
 142
 143
 144
 145
 146
 147
 148
 149
 150
 151
 152
 153
 154
 155
 156
 157
 158
 159
 160
 161
 162
 163
 164
 165
 166
 167
 168
 169
 170
 171
 172
 173
 174
 175
 176
 177
 178
 179
 180
 181
 182
 183
 184
 185
 186
 187
 188
 189
 190
 191
 192
 193
 194
 195
 196
 197
 198
 199
 200
 201
 202
 203
 204
 205
 206
 207
 208
 209
 210
 211
 212
 213
 214
 215
 216
 217
 218
 219
 220
 221
 222
 223
 224
 225
 226
 227
 228
 229
 230
 231
 232
 233
 234
 235
 236
 237
 238
 239
 240
 241
 242
 243
 244
 245
 246
 247
 248
 249
 250
 251
 252
 253
 254
 255
 256
 257
 258
 259
 260
 261
 262
 263
 264
 265
 266
 267
 268
 269
 270
 271
 272
 273
 274
 275
 276
 277
 278
 279
 280
 281
 282
 283
 284
 285
 286
 287
 288
 289
 290
 291
 292
 293
 294
 295
 296
 297
 298
 299
 300
 301
 302
 303
 304
 305
 306
 307
 308
 309
 310
 311
 312
 313
 314
 315
 316
 317
 318
 319
 320
 321
 322
 323
 324
 325
 326
 327
 328
 329
 330
 331
 332
 333
 334
 335
 336
 337
 338
 339
 340
 341
 342
 343
 344
 345
 346
 347
 348
 349
 350
 351
 352
 353
 354
 355
 356
 357
 358
 359
 360
 361
 362
 363
 364
 365
 366
 367
 368
 369
 370
 371
 372
 373
 374
 375
 376
 377
 378
 379
 380
 381
 382
 383
 384
 385
 386
 387
 388
 389
 390
 391
 392
 393
 394
 395
 396
 397
 398
 399
 400
 401
 402
 403
 404
 405
 406
 407
 408
 409
 410
 411
 412
 413
 414
 415
 416
 417
 418
 419
 420
 421
 422
 423
 424
 425
 426
 427
 428
 429
 430
 431
 432
 433
 434
 435
 436
 437
 438
 439
 440
 441
 442
 443
 444
 445
 446
 447
 448
 449
 450
 451
 452
 453
 454
 455
 456
 457
 458
 459
 460
 461
 462
 463
 464
 465
 466
 467
 468
 469
 470
 471
 472
 473
 474
 475
 476
 477
 478
 479
 480
 481
 482
 483
 484
 485
 486
 487
 488
 489
 490
 491
 492
 493
 494
 495
 496
 497
 498
 499
 500
 501
 502
 503
 504
 505
 506
 507
 508
 509
 510
 511
 512
 513
 514
 515
 516
 517
 518
 519
 520
 521
 522
 523
 524
 525
 526
 527
 528
 529
 530
 531
 532
 533
 534
 535
 536
 537
 538
 539
 540
 541
 542
 543
 544
 545
 546
 547
 548
 549
 550
 551
 552
 553
 554
 555
 556
 557
 558
 559
 560
 561
 562
 563
 564
 565



THIS DRAWING AND SPECIFICATIONS, WHETHER FOR THE PROPERTY OF DIGITAL EQUIPMENT CORPORATION OR NOT, ARE THE PROPERTY OF DIGITAL EQUIPMENT CORPORATION AND SHALL NOT BE REPRODUCED OR TRANSMITTED IN ANY FORM OR BY ANY MEANS, ELECTRONIC OR MECHANICAL, INCLUDING PHOTOCOPYING, RECORDING, OR BY ANY INFORMATION STORAGE AND RETRIEVAL SYSTEM, WITHOUT THE WRITTEN PERMISSION OF DIGITAL EQUIPMENT CORPORATION.

NOTES:
 1. INSTALL ITEM 106 AFTER TEST (BETWEEN TP17 & TP18 ONLY).
 2. VALUE OF ITEM 2 TO BE DETERMINED AT NEXT HIGHER ASSEMBLY.
 3. STAMP ORIENTATION TRIANGLES ON CONNECTORS AS SHOWN WITH INDELIBLE RED INK.

STEP E	+ Y AXIS	STEP	TIMES
REPEAT	+ X AXIS	STEP	TIMES

CHK	CHANGE	NO	REV
761	REVISED & REDRAWN	106	25
BY	CM	106	25
DATE	10/25		
BY	RM	1	SEP 81
DATE			
BY	MANDRACIA		
DATE			
BY	MANDRACIA		
DATE			
BY	MANDRACIA		
DATE			

SEE NOTE 2
 SEE NOTE 3
 103
 109

ETCH REV. E-P2

SIGNATURES	DATE	digital
DRN. <i>S. Kates</i>	12 MAR 81	
CHK'D. <i>R.L. ...</i>	31 AUG 81	TITLE DRIVE LOGIC
MECH. ENG. <i>...</i>		
PROJ. ENG. <i>...</i>		SIZE CODE NUMBER REV d UUA 5414025-0-0 N
PROD. <i>...</i>		
SCALE 2/1		
SHT. 1 OF 1		
NEXT HIGHER ASSY. 8-DD-5414025-0		

D UUA 5414025-0-0 N

LINE	ITEM	DOCUMENT NUMBER	PART NUMBER	DESCRIPTION	QTY PER VARIATION	REFERENCE DESIGNATOR
					00	
1	1	D-MD-5014024-0-0	5014024-00	DRILL AND ETCH BRD	1	
2	2	EWS		RESISTOR,FINAL TEST, 1/4W. 1%	4	R115,R116,R118,R119
3	3		1000023-00	330.0 MMF 100V 5%200PPM MICA	4	C93,C106-C108
4	4		1000024-00	470.0 MMF 100V 5%200PPM MICA	1	C94
5	5		1000064-00	3.9MFD 10V 10% S.TANT	1	C85
6	6		1000076-00	39 MFD 10V 10% S.TANT	1	C86
7	7		1001610-00	.01 MFD 50V +80-20% Z5U CER	79	C1-C6,C8-C39,C40-C45,C47-C49, CONT C51-C53,C55-C68,C70,C71,C77, CONT C79-C82,C84,C88,C104,C113-C117 C92,C97
8	8		1001776-00	1 MFD 35V 10% S.TANT	2	C87
9	9		1004812-00	15 MFD 20V 10% S.TANT	1	C101
10	10		1005784-00	.01 MFD 100V 200V 10% MYL	1	C96
11	11		1010978-32	.047 MFD 50V 10% CER	1	C91
12	12		1013466-07	220.0 MMF 50V 5% CER	1	C89,C90
13	13		1013466-08	680.0 MMF 50V 10% X7R CER	2	C83
14	14		1013466-09	1000.0 MMF 50V 10% X7R CER	1	C98,C103,C105
15	15		1013466-10	3300.0 MMF 50V 5% CER	3	C99,C102
16	16		1013466-11	.22 MFD 50V +80-20% Z5U CER	2	D1,D7-D20,D22,D23
17	17		1111577-00	1N 4454 TR= 4NS PIV= 50 S	17	D21
18	18		1113953-00	1N 5523L VZ= 5.1 1%	1	D2-D6
19	19		1114117-00	1N 4152 PIV=40 I=75	5	
20	20		1209941-02	*** THIS ITEM IS NOT USED ***	-	
21	21		1209941-03	HEADER RT ANGLE LEFT L	1	
22	22		1209941-04	HEADER RT ANGLE,RIGHT	1	
23	23		1209941-05	HEADER,100 10POS RT ANGLE	1	J11
24	24		1209941-06	*** THIS ITEM IS NOT USED ***	-	
25	25		1210385-01	*** THIS ITEM IS NOT USED ***	-	
26	26		1213922-02	HEADER 3POS	1	J14
27	27		1213922-04	HEADER 6POS	1	J2
28	28		1300229-00	100.0 .25 W 5.0 % CC	6	R48-R133-R136,R151

REVISION HISTORY		BASIC PART NO: 5414025		DRN:	ART SIMM	DATE: 18-APR-79	D I G I T A L			
ENG	ECO NUMBER	REV	SECTION A OF A	CHK'D:	P. KENDRICK	DATE: 18-APR-79	TITLE PARTS LIST			
---	INITIAL	A	SECTION VARIATION INDEX				DRIVE LOGIC			
MB	5414025-CX001	B	[A] 00							
MB	5414025-CX002	C	[B]							
MZ	5414025-CX003	D	[C]	DES.ENG:	MIKE BROWN	DATE: 18-APR-79				
MB	5414025-CX005	E	[D]							
MB	5414025-CX010A	F	[E]				DOCUMENT NUMBER			
MZ	5414025-CX014	H	[F]	RESP.ENG.:	MIKE BROWN	DATE: 18-APR-79	SIZE	CODE	NUMBER	REV
	5414025-CX016	J	[G]							
			[H]							
			[I]	MFG.ENG.:	D. LICK	DATE: 18-APR-79	K	PL	5414025-0-DBP	J
			[J]							
			[K]	ASSEMBLY NUMBER:		TOP DOCUMENT NUMBER:		FILE NAME:		EDIT #
			[L]	D-UA-5414025-0-0		# B-DD-5414025-0		Z0496J.PLS		33
			[M]							
			[N]							

*THIS DRAWING AND SPECIFICATIONS HEREIN, ARE THE PROPERTY OF DIGITAL EQUIPMENT CORPORATION AND SHALL NOT BE REPRODUCED OR COPIED OR USED IN WHOLE OR IN PART AS THE BASIS FOR THE MANUFACTURE OR SALE OF ITEMS WITHOUT WRITTEN PERMISSION. COPYRIGHT (C) 1981. DIGITAL EQUIPMENT CORPORATION *

AUTOMATED BY PRTLST,3H(20)

P A R T S L I S T

SHEET A2 OF A4

LINE	ITEM	DOCUMENT NUMBER	PART NUMBER	DESCRIPTION	QTY	PER VARIATION	REFERENCE DESIGNATOR
29	29		1300271-00	220.0 .25 W 5.0 % CC	4		R3,R14,R41,R143
30	30		1300315-00	470.0 .50 W 5.0 % CC	3		R16,R73,R130
31	31		1300316-00	470.0 .25 W 5.0 % CC	4		R1,R2,R79,R142
32	32		1300365-00	1.0 K .25 W 5.0 % CC	15		R15,R39,R40,R42,R47,R52,R54,R56, R61,R72,R74,R101,R106,R129,R140
33	33		1300411-00	2.0 K .25 W 1.0 % RN55D-F10	1	CONT	R144
34	34		1300439-00	3.30 K .25 W 5.0 % CC	3		R93,R124,R126
35	35		1300447-00	4.70 K .25 W 5.0 % CC	36		R4,R6-R13,R26-R28,R34,R35,R38, R43,R44,R49,R53,R57,R58,R75-R78, R80,R82,R92,R102,R105,R123,R125, R127,R138,R145,R148
36	36		1300479-00	10.0 K .25 W 5.0 % CC	3		R17,R70,R107
37	37		1302388-00	2.0 K .25 W 5.0 % CC	14		R18-R21,R45,R50,R66,R67,R71,R87, R122,R128,R131,R149
38	38		1302391-00	20.0 K .25 W 5.0 % CC	1	CONT	R59
39	39		1302394-00	30.0 K .25 W 5.0 % CC	1		R95
40	40		1302398-00	470.0 K .25 W 5.0 % CC	1		R55
41	41		1302466-00	100.0 K .25 W 5.0 % CC	1		R121
42	42		1302514-00	39.0 K .25 W 5.0 % CC	1		R91
43	43		1302666-00	10.0 M .25 W 5.0 % CC	1		R94
44	44		1302871-00	1.21 K .25 W 1.0 % RN55D-F10	1		R88
45	45		1303044-00	100.0 K .25 W 1.0 % RN55D-F10	1		R25
46	46		1303047-00	464.0 .25 W 1.0 % RN55D-F10	5		R64,R65,R83,R85,R113
47	47		1303114-00	1.0 K .25 W 1.0 % RN55D-F10	2		R89,R150
48	48		1303312-00	10.0 K .25 W 1.0 % RN55D-F10	6		R29,R30,R31,R36,R60,R63
49	49		1304693-00	*** THIS ITEM IS NOT USED ***	-		
50	50		1304841-00	75.0 K .25 W 5.0 % CC	1		R81
51	51		1304862-00	*** THIS ITEM IS NOT USED ***	-		
52	52		1304870-00	6.81 K .25 W 1.0 % RN55D-F10	1		R33
53	53		1305124-00	287.0 .25 W 1.0 % RN55D-F10	2		R84,R86
54	54		1305265-00	39.20 K .25 W 1.0 % RN55D-F10	1		R24
55	55		1305337-00	3.65 K .25 W 1.0 % RN55D-F10	2		R96,R99
56	56		1305405-00	24.90 K .25 W 1.0 % RN55D-F10	1		R23
57	57		1309595-00	1.0 M .25 W 5.0 % CC	3		R46,R51,R132
58	58		1310632-00	2.37 K .25 W 1.0 % RN55D-F10	2		R109,R110
59	59		1317303-00	301.0 .25 W 1.0 % RN55D-F10	2		R97,R100
60	60		1312929-00	*** THIS ITEM IS NOT USED ***	-		
61	61		1312930-00	5.10 K .25 W 5.0 % CC	3		R68,R69,R137
62	62		1312989-00	17.80 K .25 W 1.0 % RN55D-F10	3		R22,R103,R104
63	63		1313589-00	1.40 K .25 W 1.0 % RN55D-F10	1		R90
64	64		1313846-00	2.26 K .25 W 1.0 % RN55D-F10	1		R32
65	65		1314041-00	3.01 K .25 W 1.0 % RN55D-F10	1		R37
66	66		1314491-00	*** THIS ITEM IS NOT USED ***	-		
67	67		1513489-00	2N 4401 NPN 350MW SI 40 20	3		Q7,Q10,Q12
68	68		1513490-00	2N 4403 PNP 350MW SI-40 30	10		Q1-Q3,Q5,Q6,Q8,Q9,Q11,Q13,Q15
69	69		1513697-00	2N 5640 FET N CHNNL	1		Q14
70	70		1909928-00	7416 INVERTER GATE-HEX 11	4		E9,E10,E68,E85
71	71		1910046-00	7442 DECODER-1 OF 10,BCD	1		E55

D	I	G	I	T	A	L	TITLE	SECTION A	OF A	SIZE	CODE	DOCUMENT NUMBER	REV
							DRIVE LOGIC			K	PL	5414025-0-DBP	J

LINE ITEM	DOCUMENT NUMBER	PART NUMBER	DESCRIPTION	QTY PER VARIATION 00	REFERENCE DESIGNATOR
72	72	1910268-00	DEC 75107B RECEIVER,LINE,DUAL,	4	E57,E61,E65,E87
73	73	1910298-00	741 OP AMP GEN PURP. COM	1	E31
74	74	1910363-00	7496 SHIFT REG.,5BIT	1	E63
75	75	1910536-00	74S10 NAND GATE-TRIPLE 3IN	1	E45
76	76	1910655-00	74157 MUX 2 TO 1 QUAD	2	E23,E24
77	77	1911341-00	75113 DRIVER,LINE,DUAL,MA	3	E77,E83,E86
78	78	1912107-01	324ANOP AMP,QUAD	1	E49
79	79	1912108-00	339 VOLT CMPRTR,QUAD	3	E5,E36,E56
80	80	1912541-00	79M05 VOLT REG,FIX -5V	1	Q4
81	81	1912697-00	LS174 FF-D HEX W/CLEAR	2	E37,E41
82	82	1912799-00	LS00 NAND-GATE-QUAD 2IN,P	4	E7,E15,E44,E67
83	83	1912801-00	LS02 NOR-GATE-QUAD 2IN	4	E1,E30,E39,E54
84	84	1912803-00	74LS04 INVERTER GATE,HEX	2	E79,E80
85	85	1912805-00	LS08 AND GATE-QUAD 2IN,PO	6	E14,E34,E38,E69,E72,E76
86	86	1912807-00	LS10 NAND GATE-TRIPLE 3IN	1	E18
87	87	1912810-00	LS20 NAND GATE-DUAL 4IN	1	E2
88	88	1912813-00	LS27 NOR GATE-TRIPLE 3IN	1	E73
89	89	1912816-00	LS32 OR GATE-QUAD 2IN,POS	4	E17,E35,E59,E84
90	90	1912824-00	LS74 FF-D DUAL,EDGE TRIGG	8	E3,E11,E16,E26,E42,E46,E62,E75
91	91	1912829-00	LS86 X-OR GATE-QUAD 2IN	3	E51,E66,E78
92	92	1912837-00	LS123 ONE SHOT-DUAL,RETRIG	1	E50
93	93	1912854-00	LS193 COUNTER,SYNCHR,4BIT,	3	E27,E28,E43
94	94	1912855-00	LS195 SHIFT REG.,4BIT PARA	5	E19-E22,E25
95	95	1912857-00	LS197 COUNTER,BINARY,PRESET	4	E4,E8,E13,E74
96	96	1912864-00	LS279 LATCH,QUAD-S-R	6	E6,E12,E29,E33,E58,E71
97	97	1913414-00	LS14 INVERTER GATE-HEX SC	2	E40,E48
98	98	1914156-00	LM 393 VOLT.COMPARATOR DUAL	1	E53
99	99	23368A2-00	A2-02,A2-04	1	E52
100	100	23371A2-00	A2-02,A2-04	1	E60
101	101	23444A2-00	A2-02,A2-04	1	E70
102	102	23445A2-00	A2-02,A2-04	1	E32
103	103	9007201-00	TRANSIPADS #10253	1	
104	104	9007791-00	TERM PCB 2POS SOLDER,TURRET	15	TP1-TP4,TP6-TP16
105	105	9009185-00	JUMPER, WIRE, INSULATED, BLACK B	1	W1
106	106	9105740-55	WIRE(WRAP)30AWG UL1423	A/R	
107	107	1012784-00	.047 MFD 50V +80-20% CER	10	CONT C7,C46,C50,C54,C69,C72,C109, C110,C111,C112
108	108	1911324-00	7414 INVERTER,HEX 1IN SCH	1	E64
109	109	1217377-00	TERM,TAB .205TAB CRIMP	1	J15
110	110	1005334-00	*** THIS ITEM IS NOT USED ***	-	
111	111	1305608-00	*** THIS ITEM IS NOT USED ***	-	
112	112	1303067-00	422.0 .25 W 1.0 % RN55D-F10	1	R108
113	113	1311465-00	43.0 .25 W 5.0 % CC	2	R111,R112
114	114	1018440-00	4700.0 MMF 50V 1% CER	1	C100
115	115	1016549-00	47 MFD 10V +50-10% AL EL	2	C73,C95
116	116	1017472-00	10 MFD 35V +50-10% AL EL	3	C74,C75,C76
117	117	1300309-00	390.0 .25 W 5.0 % CC	1	R62
118	118	1305126-00	619.0 .25 W 1.0 % RN55D-F10	1	R114

D	I	G	I	T	A	L	TITLE	SECTION	OF	A	SIZE	CODE	DOCUMENT NUMBER	REV
							DRIVE LOGIC				K	PL	5414025-0-DEP	J

AUTOMATED BY PRTLST.3H(20)

P A R T S L I S T

SHEET A4 OF A4

LINE	ITEM	DOCUMENT NUMBER	PART NUMBER	DESCRIPTION	QTY PER VARIATION 00	REFERENCE DESIGNATOR
119	119		1309417-00	27.40 K .25 W 1.0 % RN55D-F10	1	R120
120	120		1313155-00	604.0 .25 W 1.0 % RN55D-F10	1	R117
121	121		1910544-00	74S74 FF-D DUAL,EDGE TRIGG	1	E47
122	122		1216832-02	HEADER 40POS WITH LATCHES	1	J12
123	123		1216832-00	HEADER 05 20POS WITH LATCHES	3	J4,J5,J6
124	124		1305653-00	22.0 1.0 W10.0 % CC	1	R146
125	125		9009149-01	PIN, STAKING, P.C.BOARD .025 SQU	10	TP17--TP26

D I G I T A L				TITLE	SECTION A OF A	SIZE	CODE	DOCUMENT NUMBER	REV
				DRIVE LOGIC		K	PL	5414025-0-DBP	J

AUTOMATED BY PRTLST.3H(20)

PARTS LIST

SHEET A1 OF A4

LINE	ITEM	DOCUMENT NUMBER	PART NUMBER	DESCRIPTION	QTY	PER VARIATION	REFERENCE DESIGNATOR
1	1	D-MD-5014024-0-0	5014024-00	DRILL AND ETCH BRD	1		
2	2	FWS		RESISTOR, FINAL TEST, 1/4W, 1%	4		R115, R116, R118, R119
3	3		1000023-00	330.0 MMF 100V 5%200PPM MICA	4		C93, C106-C108
4	4		1000024-00	470.0 MMF 100V 5%200PPM MICA	1		C94
5	5		1000064-00	3.9MFD 10V 10% S.TANT	1		C85
6	6		1000076-00	39 MFD 10V 10% S.TANT	1		C86
7	7		1001610-00	.01 MFD 50V +80-20% Z5U CER	79		C1-C6, C8-C39, C40-C45, C47-C49, CONT C51-C53, C55-C68, C70, C71, C77, CONT C79-C82, C84, C88, C104, C113-C117, C92, C97
8	8		1001776-00	1 MFD 35V 10% S.TANT	2		C87
9	9		1004812-00	15 MFD 20V 10% S.TANT	1		C101
10	10		1013466-16	.010 MFD 50V 10% X7R CER	1		C96
11	11		1010978-32	.047 MFD 50V 10% CER	1		C91
12	12		1013466-07	220.0 MMF 50V 5% CER	1		C89, C90
13	13		1013466-08	680.0 MMF 50V 10% X7R CER	2		C83
14	14		1013466-09	1000.0 MMF 50V 10% X7R CER	1		C98, C103, C105
15	15		1013466-10	3300.0 MMF 50V 5% CER	3		C99, C102
16	16		1013466-11	.22 MFD 50V +80-20% Z5U CER	2		D1, D7-D20, D22, D23
17	17		1111577-00	1N 4454 TR= 4NS PIV= 50 S	17		D21
18	18		1113953-00	1N 5523D VZ= 5.1 1%	1		D2-D6
19	19		1114117-00	1N 4152 PIV=40 I=75	5		
20	20		1209941-02	*** THIS ITEM IS NOT USED ***	-		
21	21		1209941-03	PCB, HEADER LATCH	1		
22	22		1209941-04	PCB, HEADER LATCH	1		
23	23		1209941-05	PCB, HEADER 10PIN(2X10).100CC 90D	1		J11
24	24		1209941-06	*** THIS ITEM IS NOT USED ***	-		
25	25		1210385-01	*** THIS ITEM IS NOT USED ***	-		
26	26		1213922-02	CONN, P+S 03POS(1X03).165CC	1		J14
27	27		1213922-04	CONN, P+S 06POS(2X03).165CC	1		J2
28	28		1300229-00	100.0 .25 W 5.0 % CF	6		R48, R133-R136, R151

REVISION HISTORY			BASIC PART NO: 5414025							
ENG	ECO NUMBER	REV	SECTION A OF A	DRN:	ART SIMM	DATE: 18-APR-79	DIGITAL			
INITIAL		IA	SECTION VARIATION INDEX	CHK'D:	P. KENDRICK	DATE: 18-APR-79	TITLE PARTS LIST			
MB	5414025-CX001	IB	CAJ 00				DRIVE LOGIC			
MB	5414025-CX002	IC	CBJ							
MZ	5414025-CX003	ID	CCJ	DES. ENG:	MIKE BROWN	DATE: 18-APR-79				
MB	5414025-CX005	IE	CDJ							
MB	5414025-CX010A	IF	CEJ	RESP. ENG.:	MIKE BROWN	DATE: 18-APR-79	DOCUMENT NUMBER			
MZ	5414025-CX014	IH	CFJ							
SM	5414025-CX016	IJ	CHJ				SIZE CODE NUMBER REV			
MB	5414025-CX017	IK	CJ	MFG. ENG.:	D. LICK	DATE: 18-APR-79	K	PL	5414025-0-DBP	K
			CKJ							
			CLJ							
			CMJ	ASSEMBLY NUMBER:		TOP DOCUMENT NUMBER:	FILE NAME:		EDIT #	
			CNJ	ID-UA-5414025-0-0		# B-DD-5414025-0	Z0496K.PLS		34	

29 OCT 82

"THIS DRAWING AND SPECIFICATIONS HEREIN, ARE THE PROPERTY OF DIGITAL EQUIPMENT CORPORATION AND SHALL NOT BE REPRODUCED OR COPIED OR USED IN WHOLE OR IN PART AS THE BASIS FOR THE MANUFACTURE OR SALE OF ITEMS WITHOUT WRITTEN PERMISSION. COPYRIGHT (C) 1982. DIGITAL EQUIPMENT CORPORATION"

LINE	ITEM	DOCUMENT NUMBER	PART NUMBER	DESCRIPTION	QTY	PER VARIATION	REFERENCE DESIGNATOR
					00		
29	29		1300271-00	220.0 .25 W 5.0 % CF	4		R3,R14,R41,R143
30	30		1300315-00	470.0 .50 W 5.0 % CF	3		R16,R73,R130
31	31		1300316-00	470.0 .25 W 5.0 % CF	4		R1,R2,R79,R142
32	32		1300365-00	1.0 K .25 W 5.0 % CF	15		R15,R39,R40,R42,R47,R52,R54,R56, R61,R72,R74,R101,R106,R129,R140
33	33		1300411-00	2.0 K .25 W 1.0 % RN55D-F10	1	CONT	R134
34	34		1300439-00	3.30 K .25 W 5.0 % CF	3		R93,R124,R126
35	35		1300447-00	4.70 K .25 W 5.0 % CF	36		R4,R6-R13,R26-R28,R34,R35,R38, R43,R44,R49,R53,R57,R58,R75-R78, R80,R82,R92,R102,R105,R123,R125, R127,R138,R145,R148
36	36		1300479-00	10.0 K .25 W 5.0 % CF	3		R17,R70,R107
37	37		1302388-00	2.0 K .25 W 5.0 % CF	14	CONT	R18-R21,R45,R50,R66,R67,R71,R87, R122,R128,R131,R149
38	38		1302391-00	20.0 K .25 W 5.0 % CF	1		R59
39	39		1302394-00	30.0 K .25 W 5.0 % CF	1		R95
40	40		1302398-00	470.0 K .25 W 5.0 % CF	1		R55
41	41		1302466-00	100.0 K .25 W 5.0 % CF	1		R121
42	42		1302514-00	39.0 K .25 W 5.0 % CF	1		R91
43	43		1302666-00	10.0 M .25 W 5.0 % CF	1		R94
44	44		1302871-00	1.21 K .25 W 1.0 % RN55D-F10	1		R88
45	45		1303044-00	100.0 K .25 W 1.0 % RN55D-F10	1		R25
46	46		1303047-00	464.0 .25 W 1.0 % RN55D-F10	5		R64,R65,R83,R85,R113
47	47		1303114-00	1.0 K .25 W 1.0 % RN55D-F10	2		R89,R150
48	48		1303312-00	10.0 K .25 W 1.0 % RN55D-F10	6		R29,R30,R31,R36,R60,R63
49	49		1304693-00	*** THIS ITEM IS NOT USED ***	-		
50	50		1304841-00	75.0 K .25 W 5.0 % CF	1		R81
51	51		1304862-00	*** THIS ITEM IS NOT USED ***	-		
52	52		1304870-00	6.31 K .25 W 1.0 % RN55D-F10	1		R33
53	53		1305124-00	287.0 .25 W 1.0 % RN55D-F10	2		R84,R86
54	54		1305265-00	39.20 K .25 W 1.0 % RN55D-F10	1		R24
55	55		1305337-00	3.65 K .25 W 1.0 % RN55D-F10	2		R96,R99
56	56		1305405-00	24.90 K .25 W 1.0 % RN55D-F10	1		R23
57	57		1309595-00	1.0 M .25 W 5.0 % CF	3		R46,R51,R132
58	58		1310632-00	2.37 K .25 W 1.0 % RN55D-F10	2		R109,R110
59	59		1317303-00	301.0 .25 W 1.0 % RN55D-F10	2		R97,R100
60	60		1312929-00	*** THIS ITEM IS NOT USED ***	-		
61	61		1312930-00	5.10 K .25 W 5.0 % CF	3		R68,R69,R137
62	62		1312989-00	17.80 K .25 W 1.0 % RN55D-F10	3		R22,R103,R104
63	63		1313589-00	1.40 K .25 W 1.0 % RN55D-F10	1		R90
64	64		1313846-00	2.26 K .25 W 1.0 % RN55D-F10	1		R32
65	65		1314041-00	3.01 K .25 W 1.0 % RN55D-F10	1		R37
66	66		1314491-00	*** THIS ITEM IS NOT USED ***	-		
67	67		1513489-00	2N 4401 NPN 350MW SI 40 20	3		Q7,Q10,Q12
68	68		1513490-00	2N 4403 PNP 350MW SI-40 30	10		Q1-Q3,Q5,Q6,Q8,Q9,Q11,Q13,Q15
69	69		1513697-00	2N 5640 FET N CHNNL	1		Q14
70	70		1909928-00	7416 INVERTER GATE-HEX 11	4		E9,E10,E68,E85
71	71		1910046-00	7442 DECODER-1 OF 10,BCD	1		E55

D I G I T A L		TITLE	DRIVE LOGIC	SECTION A OF A	SIZE	CODE	DOCUMENT NUMBER	REV
					K	PL	5414025-0-DBP	K

LINE ITEM	DOCUMENT NUMBER	PART NUMBER	DESCRIPTION	QTY PER VARIATION 00	REFERENCE DESIGNATOR
72	72	1910268-00	DEC 751078 RECEIVER,LINE,DUAL,	4	E57,E61,E65,E87
73	73	1910298-00	741 OP AMP GEN PURP. COM	1	E31
74	74	1910363-00	7496 SHIFT REG.,5BIT	1	E63
75	75	1910536-00	74S10 NAND GATE-TRIPLE 3IN	1	E45
76	76	1910655-00	74157 MUX 2 TO 1 QUAD	2	E23,E24
77	77	1911341-00	75113 DRIVER,LINE,DUAL,MA	3	E77,E83,E86
78	78	1912107-01	324ANOP AMP,QUAD	1	E49
79	79	1912108-00	339 VOLT CMPRTR,QUAD	3	E5,E36,E56
80	80	1912541-00	79M05 VOLT REG,FIX -5V	1	Q4
81	81	1912697-00	LS174 FF-D HEX W/CLEAR	2	E37,E41
82	82	1912799-00	LS00 NAND-GATE-QUAD 2IN,P	4	E7,E15,E44,E67
83	83	1912801-00	LS02 NOR-GATE-QUAD 2IN	4	E1,E30,E39,E54
84	84	1912803-00	LS04 INVERTER GATE,HEX	2	E79,E80
85	85	1912805-00	LS08 AND GATE-QUAD 2IN,PO	6	E14,E34,E38,E69,E72,E76
86	86	1912807-00	LS10 NAND GATE-TRIPLE 3IN	1	E18
87	87	1912810-00	LS20 NAND GATE-DUAL 4IN	1	E2
88	88	1912813-00	LS27 NOR GATE-TRIPLE 3IN	1	E73
89	89	1912816-00	LS32 OR GATE-QUAD 2IN,POS	4	E17,E35,E59,E84
90	90	1912824-00	LS74 FF-D DUAL,EDGE TRIGG	8	E3,E11,E16,E26,E42,E46,E62,E75
91	91	1912829-00	LS86 X-OR GATE-QUAD 2IN	3	E51,E66,E78
92	92	1912837-00	LS123 ONE SHOT-DUAL,RETRIG	1	E50
93	93	1912854-00	LS193 COUNTER,SYNCHR,4BIT,	3	E27,E28,E43
94	94	1912855-00	LS195 SHIFT REG.,4BIT PARA	5	E19-E22,E25
95	95	1912857-00	LS197 COUNTER,BINARY,PRESET	4	E4,E8,E13,E74
96	96	1912864-00	LS279 LATCH,QUAD-S-R	6	E6,E12,E29,E33,E58,E71
97	97	1913414-00	LS14 INVERTER GATE-HEX SC	2	E40,E48
98	98	1914156-00	LM 393 VOLT.COMPARATOR DUAL	1	E53
99	99	23368A2-00	A2-02,A2-04	1	E52
100	100	23371A2-00	A2-02,A2-04	1	E60
101	101	23444A2-00	A2-02,A2-04	1	E70
102	102	23445A2-00	A2-02,A2-04	1	E32
103	103	9007201-00	PAD,MOUNTING,COMPONENT	1	
104	104	9007791-00	TERM PCB 2POS SOLDER,TURRET	15	TP1-TP4,TP6-TP16
105	105	9009185-00	JUMPER, WIRE, INSULATED, BLACK B	1	W1
106	106	9105740-55	WIRE(WRAP) 30AWG KYNAR UL14	A/R	
107	107	1012784-00	.047 MFD 50V +80-20% CER	10	C7,C46,C50,C54,C69,C72,C109,
					CONT C110,C111,C112
108	108	1911324-00	7414 INVERTER,HEX 1IN SCH	1	E64
109	109	1217377-00	TERM,TAB .205TAB CRIMP	1	J15
110	110	1005334-00	*** THIS ITEM IS NOT USED ***	-	
111	111	1305608-00	*** THIS ITEM IS NOT USED ***	-	
112	112	1303067-00	422.0 .25 W 1.0 % RN55D-F10	1	R108
113	113	1311465-00	43.0 .25 W 5.0 % CF	2	R111,R112
114	114	1018440-00	4700.0 MMF 50V 1% CER	1	C100
115	115	1016549-00	47 MFD 10V +50-10% AL EL	2	C73,C95
116	116	1017472-00	10 MFD 35V +50-10% AL EL	3	C74,C75,C76
117	117	1300309-00	390.0 .25 W 5.0 % CF	1	R62
118	118	1305126-00	619.0 .25 W 1.0 % RN55D-F10	1	R114

D	I	G	I	T	A	L	TITLE	SECTION A OF A	SIZE	CODE	DOCUMENT NUMBER	REV
							DRIVE LOGIC				5414025-0-DBP	K

AUTOMATED BY PRTLST.3H(20)

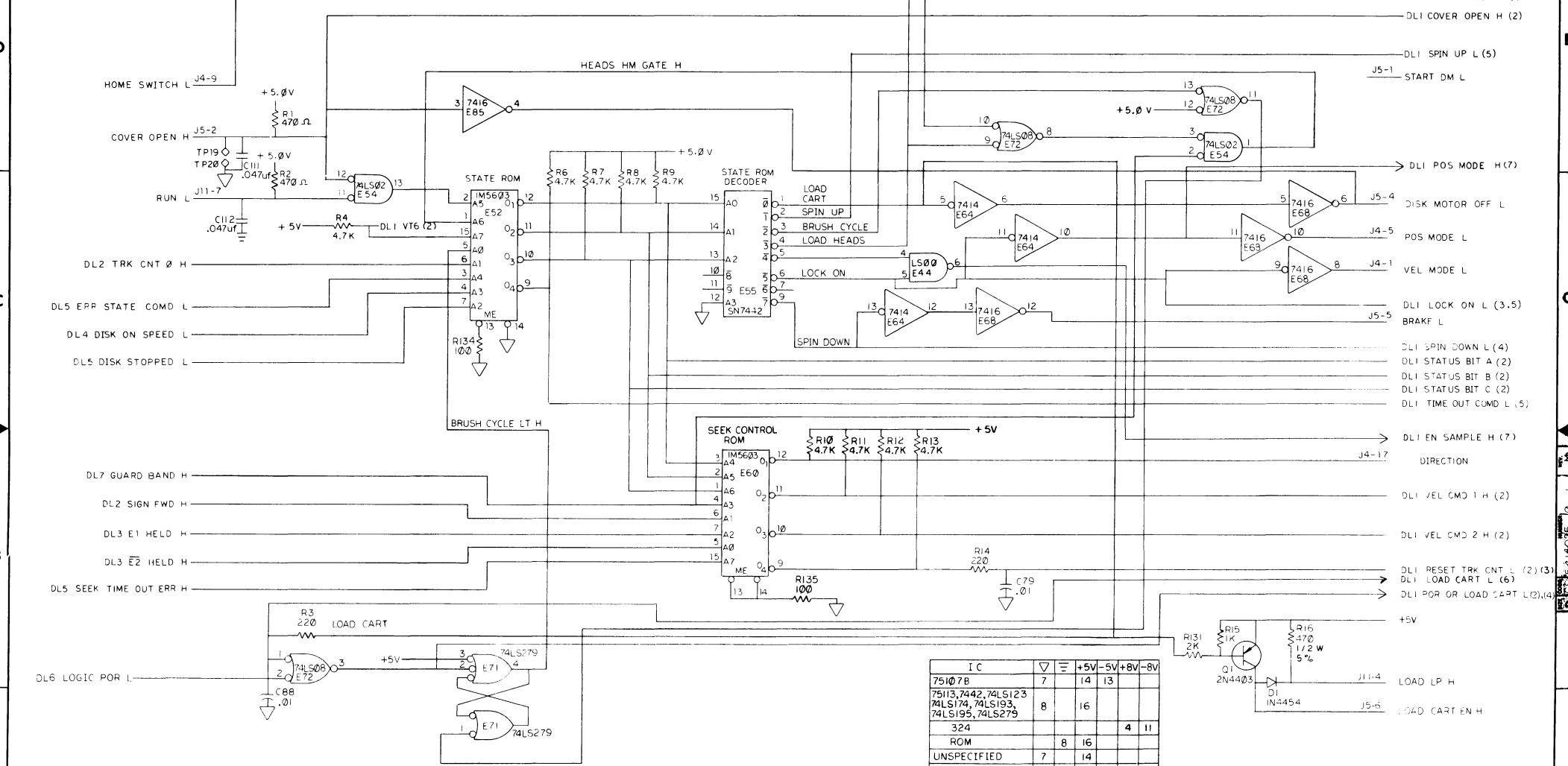
P A R T S L I S T

SHEET A4 OF A4

LINE	ITEM	DOCUMENT NUMBER	PART NUMBER	DESCRIPTION	QTY PER VARIATION 00	REFERENCE DESIGNATOR
119	119		1309417-00	27.40 K .25 W 1.0 % RN55D-F10	1	R120
120	120		1313155-00	604.0 .25 W 1.0 % RN55D-F10	1	R117
121	121		1910544-00	74S74 FF-D DUAL,EDGE TRIGG	1	E47
122	122		1216832-02	PCB,HEADER 40POS(2X20).100CC 90D	1	J12
123	123		1216832-00	PCB,HEADER 20POS(2X10).100CC 90D	3	J4,J5,J6
124	124		1305653-00	22.0 1.0 W10.0 % CC	1	R146
125	125		9009149-01	PIN,STAKING 0.235 HX0.345LG SQUA	10	TP17-TP26

! ! ! ! ! ! ! ! ! !	TITLE	! ! ! ! ! ! ! ! ! !	! ! ! ! ! ! ! ! ! !	! ! ! ! ! ! ! ! ! !
! D ! I ! G ! I ! T ! A ! L !	DRIVE LOGIC	! SECTION A OF A !	! ! ! ! ! ! ! ! ! !	! REV !
! ! ! ! ! ! ! ! ! !		! ! ! ! ! ! ! ! ! !	! K ! PL ! 5414025-0-DBP !	! K !
! ! ! ! ! ! ! ! ! !		! ! ! ! ! ! ! ! ! !	! ! ! ! ! ! ! ! ! !	! ! ! ! ! ! ! ! ! !

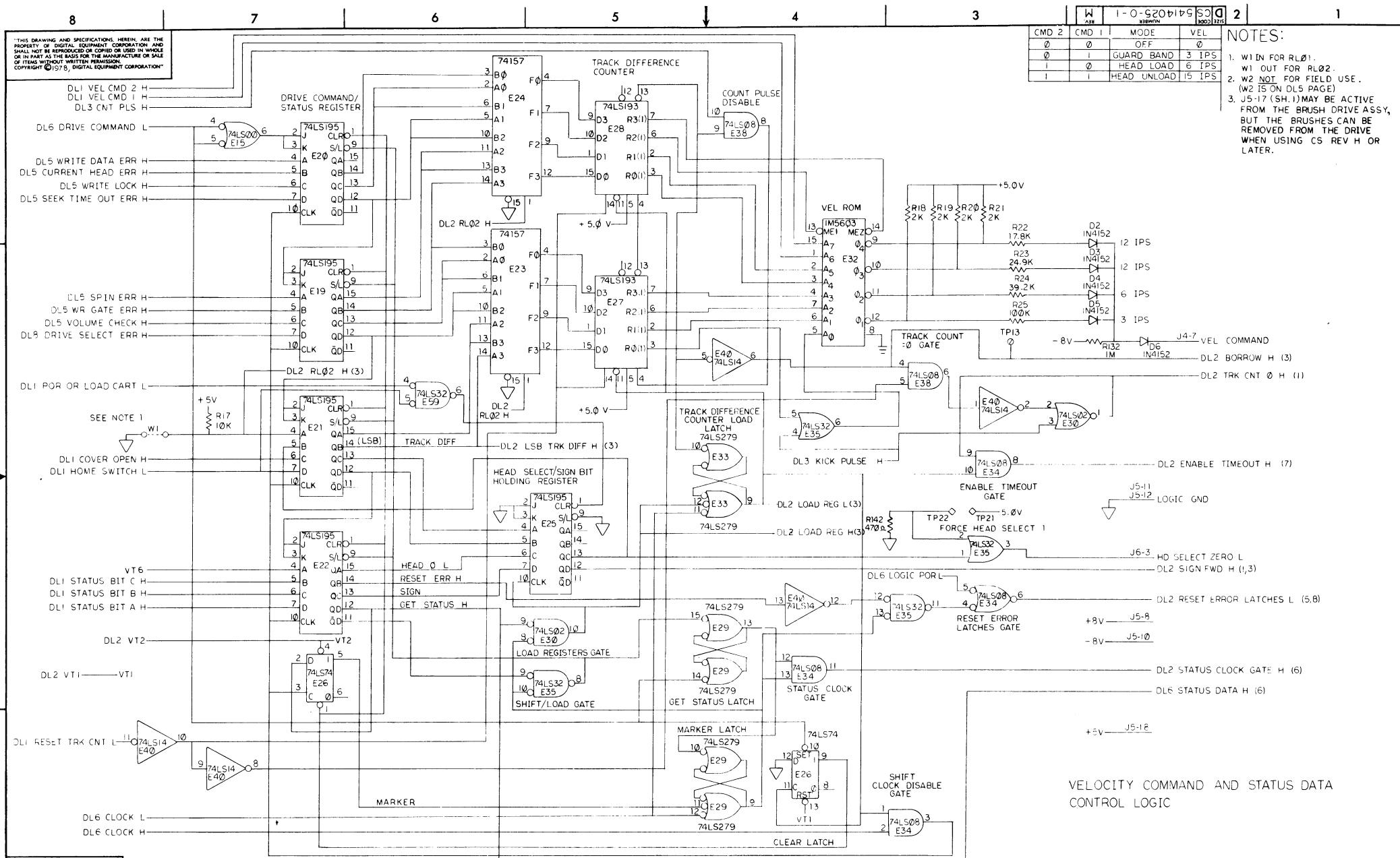
"THIS DRAWING AND SPECIFICATIONS, HEREIN ARE THE PROPERTY OF DIGITAL EQUIPMENT CORPORATION AND SHALL NOT BE REPRODUCED OR COPIED OR USED IN WHOLE OR IN PART AS THE BASIS FOR THE MANUFACTURE OR SALE OF ITEMS WITHOUT WRITTEN PERMISSION. COPYRIGHT © 1978, DIGITAL EQUIPMENT CORPORATION"



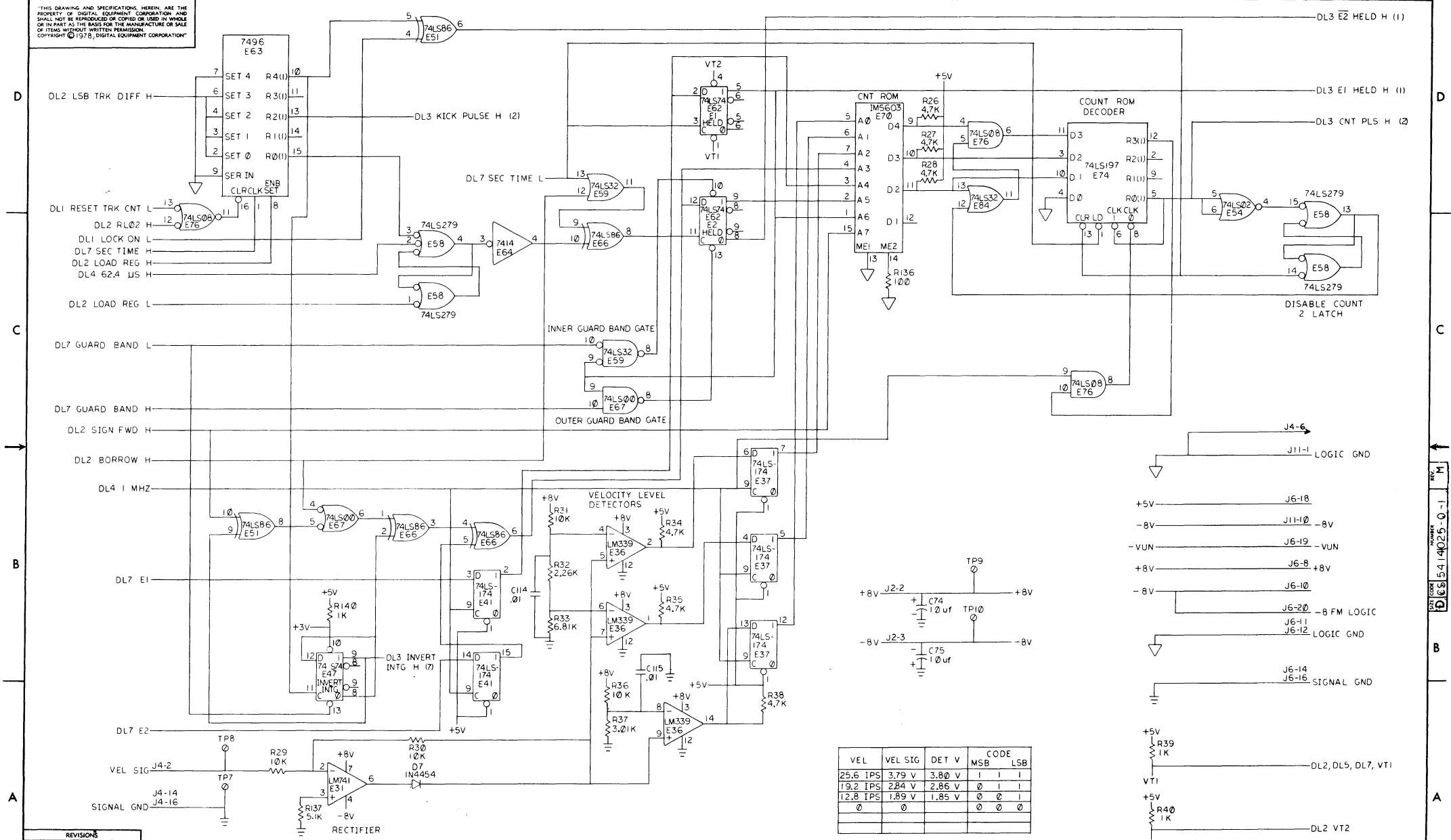
IC	7	8	12	14	13	4	11	3	12	3
75107B										
75113, 7442, 74LS123										
74LS174, 74LS193, 74LS195, 74LS279										
324										
ROM			8	16						
UNSPECIFIED	7		14							
339			12					3		
339								3	12	
339								3		12

REV	CHG	BY	DATE	DESCRIPTION
1	5414025-CX001	M. BROWN	11/18/78	INITIAL RELEASE
2	5414025-CX002	M. BROWN	12/11/78	REVISED FOR MOUNTING
3	5414025-CX003	M. ZARICH	1/11/79	REVISED FOR MOUNTING
4	5414025-CX005	M. ZARICH	2/1/79	REVISED FOR MOUNTING
5	5414025-CX006A	M. ZARICH	2/1/79	REVISED FOR MOUNTING
6	5414025-CX007	M. ZARICH	2/1/79	REVISED FOR MOUNTING
7	5414025-CX009	M. ZARICH	2/1/79	REVISED FOR MOUNTING
8	5414025-CX010	M. ZARICH	2/1/79	REVISED FOR MOUNTING
9	5414025-CX011	M. ZARICH	2/1/79	REVISED FOR MOUNTING
10	5414025-CX012	M. ZARICH	2/1/79	REVISED FOR MOUNTING
11	5414025-CX013	M. ZARICH	2/1/79	REVISED FOR MOUNTING
12	5414025-CX014	M. ZARICH	2/1/79	REVISED FOR MOUNTING
13	5414025-CX016	M. ZARICH	2/1/79	REVISED FOR MOUNTING

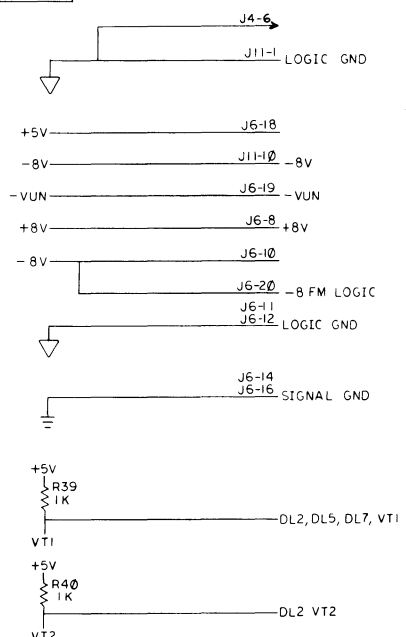
DRN	5414025	5 INH 78	FIRST USED ON	digital
CHK'D	5414025	3 MAR 79	TITLE	DRIVE LOGIC (STATE CONTROL LOGIC) (DL)
ENG	M. ZARICH	5 FEB 79	PROJ. ENG.	
PROD.			PROD.	
NEXT HIGHER ASSY.			SIZE	CODE
B-DD-5414025-C			D	CS
SCALE			NUMBER	REV
			5414025-0-1	M
SHEET	OF 3	DIST.		



THIS DRAWING AND SPECIFICATIONS HEREIN ARE THE PROPERTY OF DIGITAL EQUIPMENT CORPORATION AND SHALL NOT BE REPRODUCED OR COPIED OR USED IN WHOLE OR IN PART AS THE BASIS FOR THE MANUFACTURE OR SALE OF ITEMS WITHOUT WRITTEN PERMISSION. COPYRIGHT © 1978, DIGITAL EQUIPMENT CORPORATION

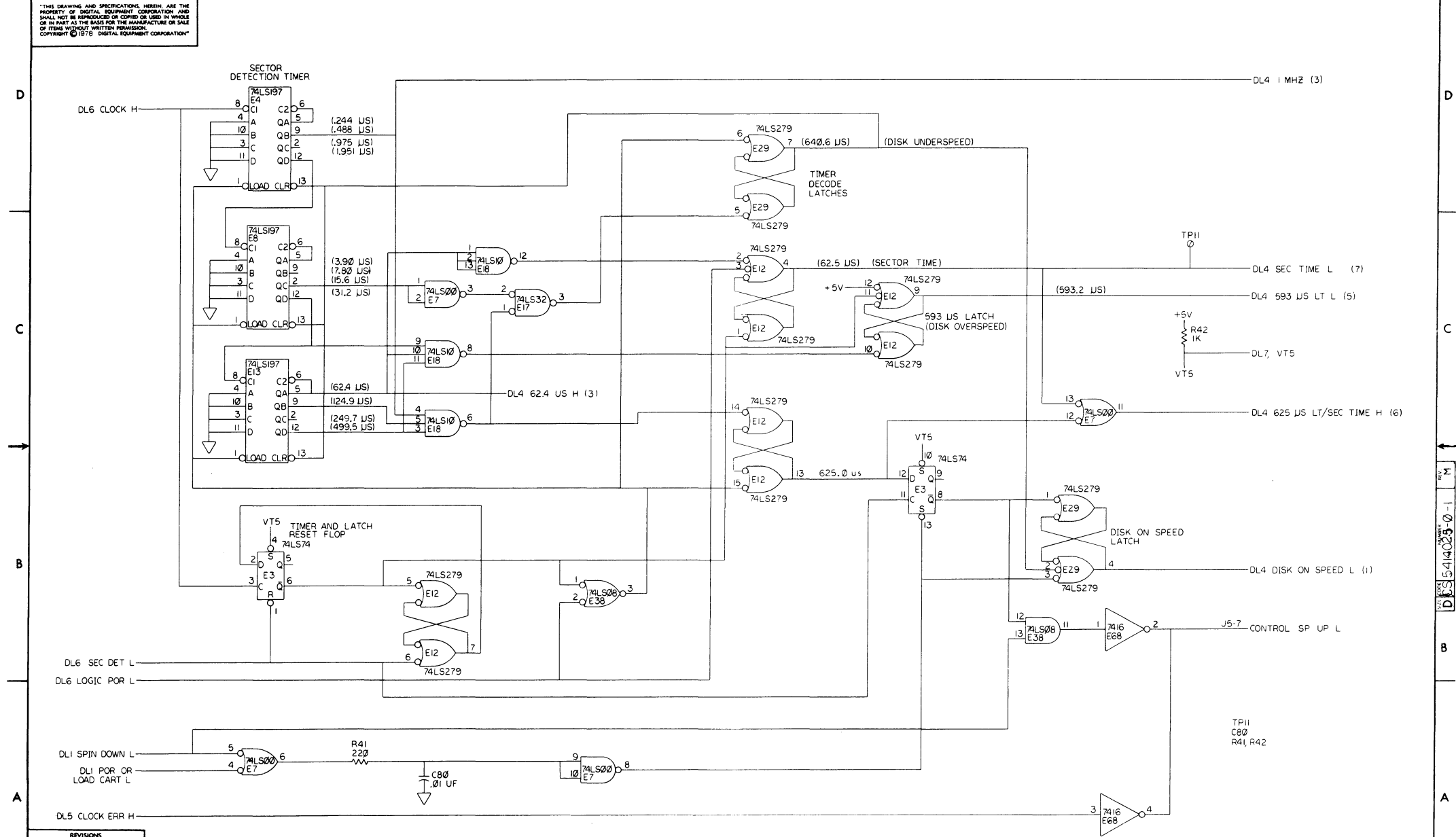


VEL	VEL SIG	DET V	CODE MSB	LSB
25.6 IPS	3.79 V	3.80 V	1	1
19.2 IPS	2.84 V	2.86 V	0	1
12.8 IPS	1.89 V	1.85 V	0	0
0	0	0	0	0



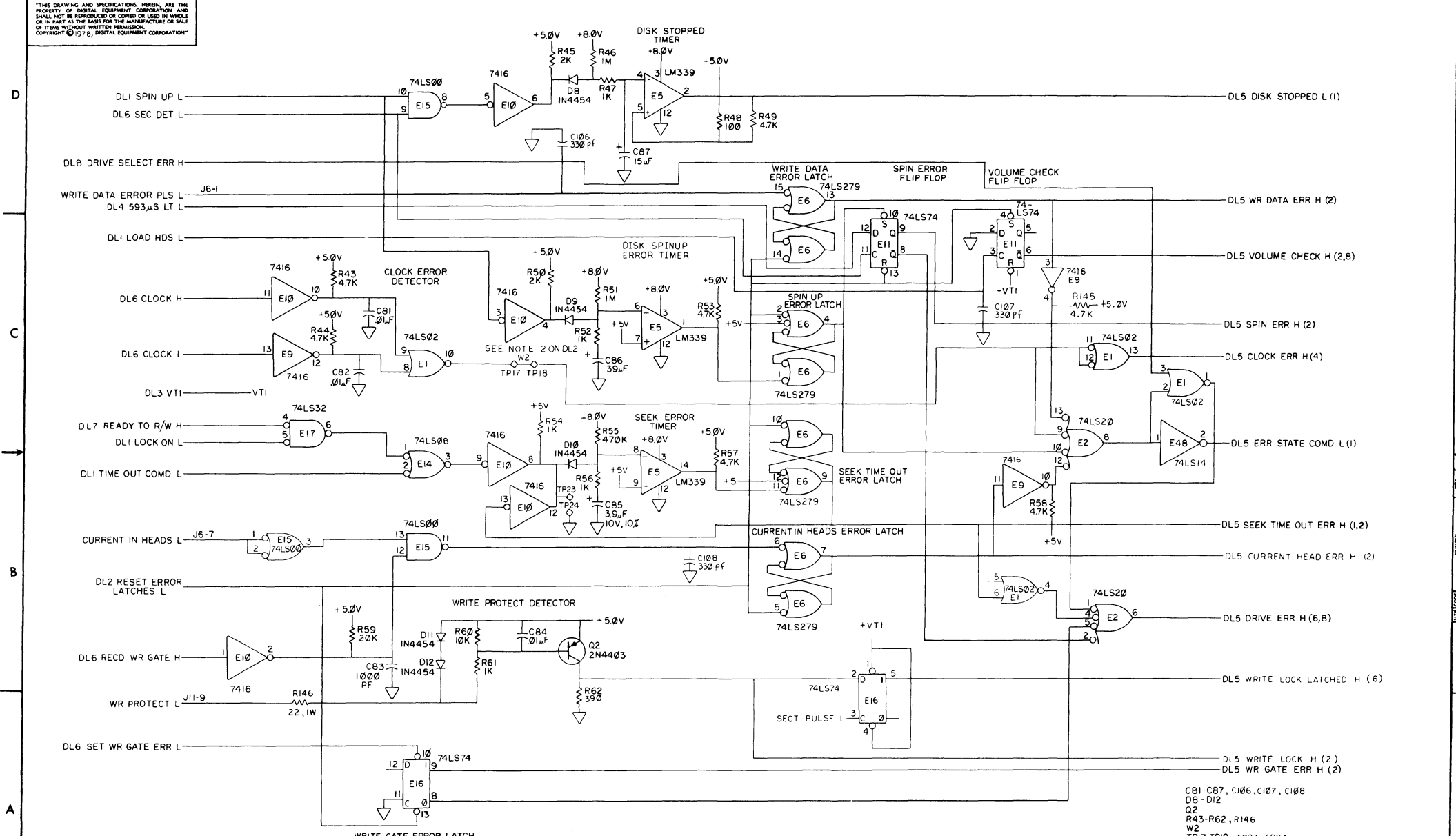
REVISIONS		
CHK	CHANGE NO.	REV.

THIS DRAWING AND SPECIFICATIONS, HEREIN, ARE THE PROPERTY OF DIGITAL EQUIPMENT CORPORATION AND SHALL NOT BE REPRODUCED OR COPIED OR USED IN WHOLE OR IN PART AS THE BASIS FOR THE MANUFACTURE OR SALE OF ITEMS WITHOUT WRITTEN PERMISSION. COPYRIGHT © 1976 DIGITAL EQUIPMENT CORPORATION



REVISIONS		
CHK	CHANGE NO.	REV.

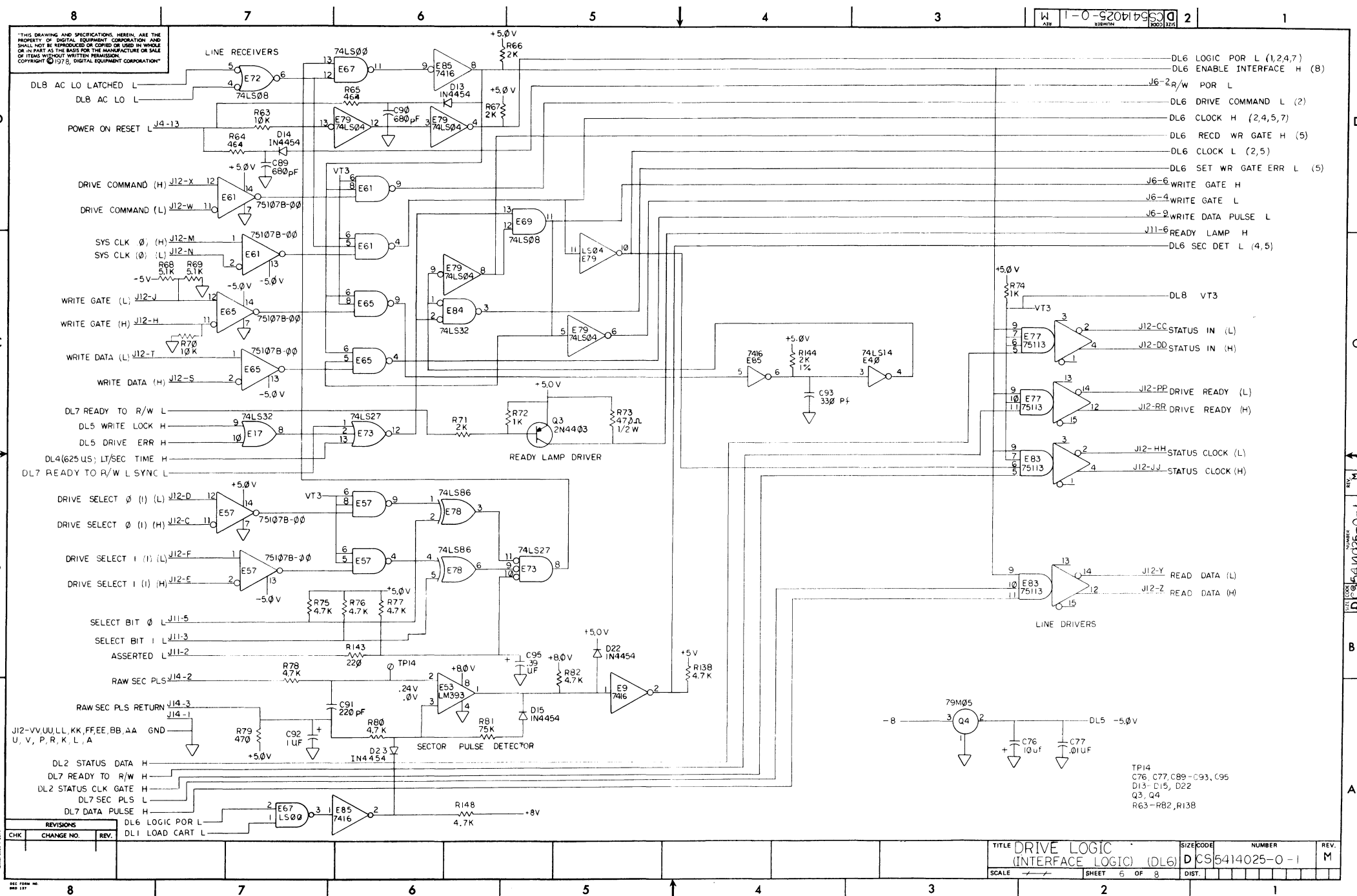
THIS DRAWING AND SPECIFICATIONS HEREIN ARE THE PROPERTY OF DIGITAL EQUIPMENT CORPORATION AND SHALL NOT BE REPRODUCED OR COPIED OR USED IN WHOLE OR IN PART AS THE BASIS FOR THE MANUFACTURE OR SALE OF ITEMS WITHOUT WRITTEN PERMISSION. COPYRIGHT © 1978, DIGITAL EQUIPMENT CORPORATION



C81-C87, C106, C107, C108
 D8-D12
 Q2
 R43-R62, R146
 W2
 TP17, TP18, TP23, TP24

REVISIONS		
CHK	CHANGE NO.	REV.

TITLE	DRIVE LOGIC (ERROR LOGIC) (DL5)	SIZE CODE	D CS	NUMBER	5414025-0-1	REV.	M
SCALE		SHEET	5	OF	8	DIST.	

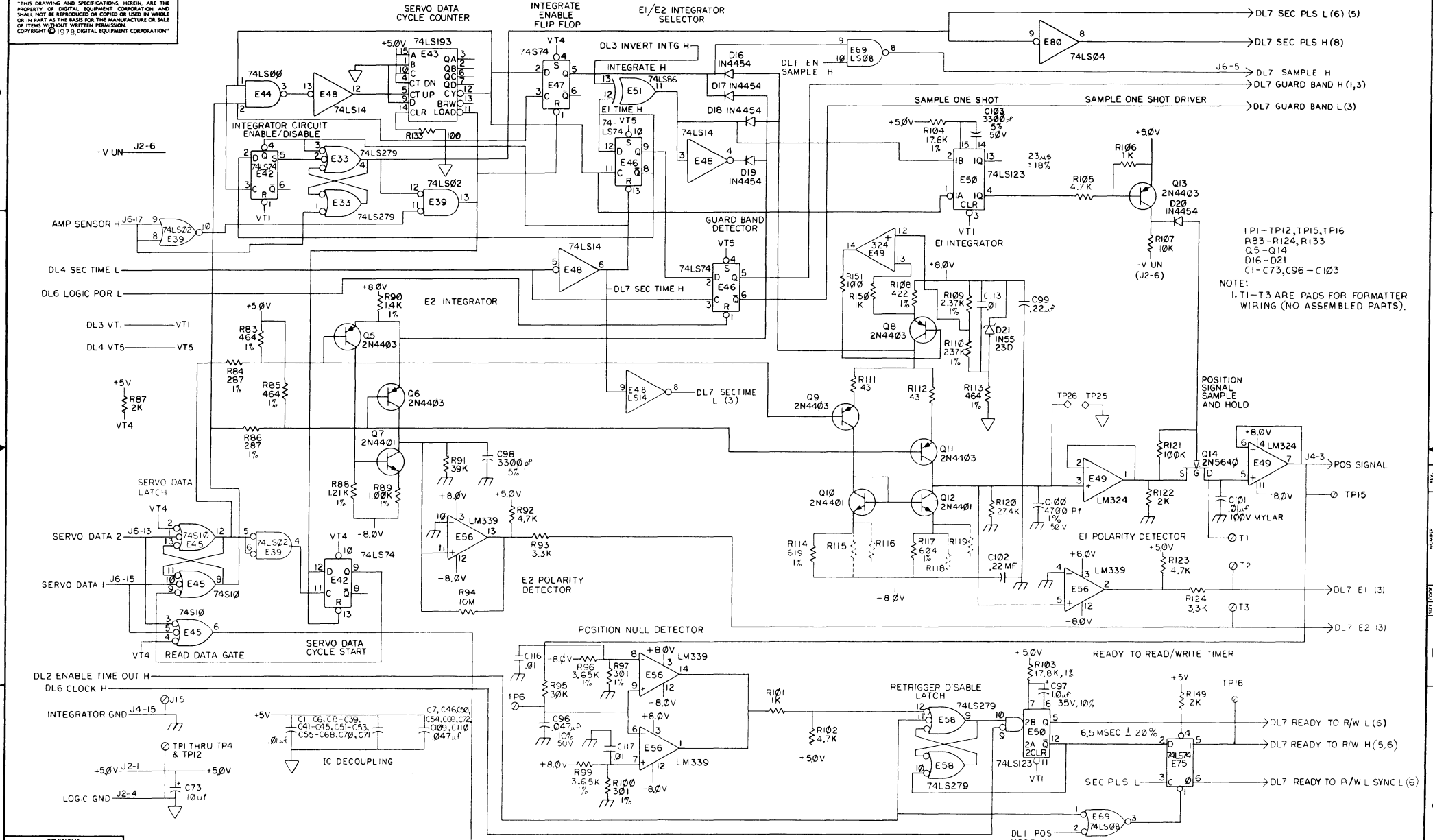


THIS DRAWING AND SPECIFICATIONS HEREIN ARE THE PROPERTY OF DIGITAL EQUIPMENT CORPORATION AND SHALL NOT BE REPRODUCED OR COPIED OR USED IN WHOLE OR IN PART AS THE BASIS FOR THE MANUFACTURE OR SALE OF ITEMS WITHOUT WRITTEN PERMISSION. COPYRIGHT © 1978, DIGITAL EQUIPMENT CORPORATION.

1-0-020149CS 2

REVISIONS		
CHK	CHANGE NO.	REV.

TITLE DRIVE LOGIC (INTERFACE LOGIC) (DL6)		SIZE CODE D	NUMBER CS5414025-0-1	REV. M
SCALE	SHEET 6 OF 8	DIST.		



"THIS DRAWING AND SPECIFICATIONS HEREIN ARE THE PROPERTY OF DIGITAL EQUIPMENT CORPORATION AND SHALL NOT BE REPRODUCED OR COPIED OR USED IN WHOLE OR IN PART AS THE BASIS FOR THE MANUFACTURE OR SALE OF ITEMS WITHOUT WRITTEN PERMISSION. COPYRIGHT © 1979, DIGITAL EQUIPMENT CORPORATION"

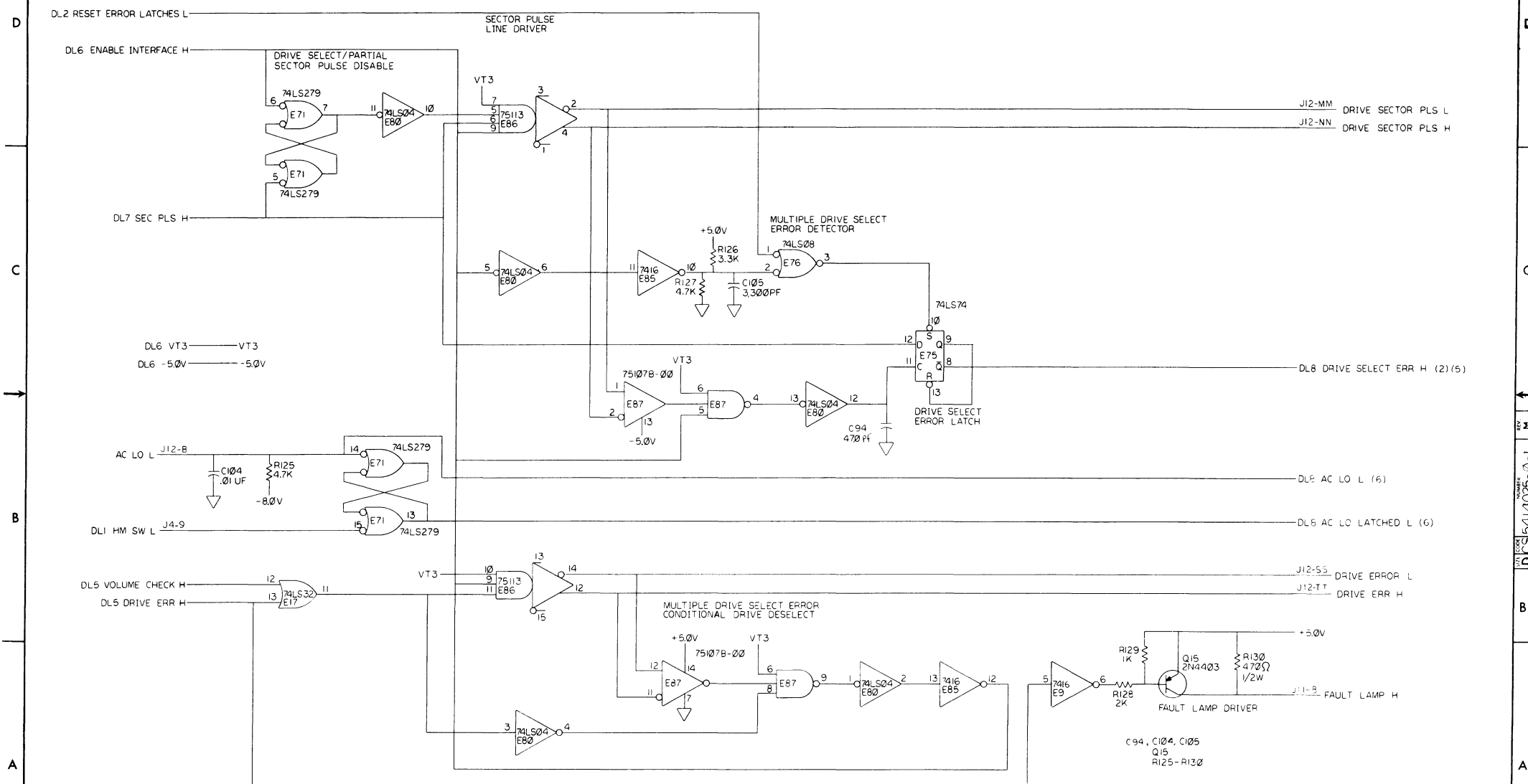
TP1-TP12, TP15, TP16
R83-R124, R133
Q5-Q14
D16-D21
C1-C73, C96-C103

NOTE:
1. TP1-T3 ARE PADS FOR FORMATTER WIRING (NO ASSEMBLED PARTS).

REVISIONS		
CHK	CHANGE NO.	REV.

TITLE	DRIVE LOGIC (INTEGRATOR LOGIC) (DL7)	SIZE CODE	D	NUMBER	5414025-0-1	REV.	M
SCALE		SHEET	7	OF	8	DIST.	

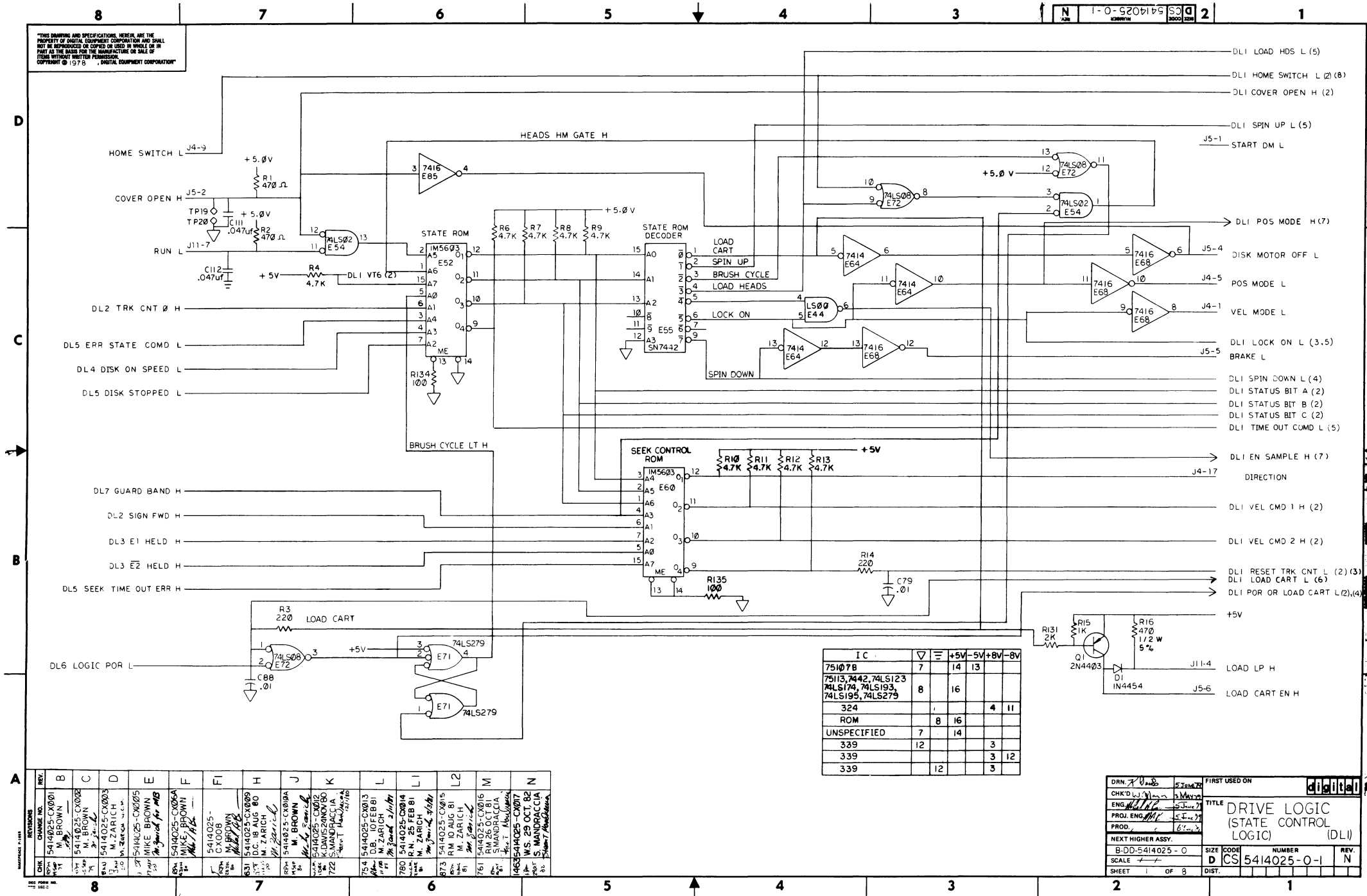
"THIS DRAWING AND SPECIFICATIONS HEREIN ARE THE PROPERTY OF DIGITAL EQUIPMENT CORPORATION AND SHALL NOT BE REPRODUCED OR COPIED IN WHOLE OR IN PART AS THE BASIS FOR THE MANUFACTURE OR SALE OF ITEMS WITHOUT WRITTEN PERMISSION. COPYRIGHT © 1978 DIGITAL EQUIPMENT CORPORATION"



REVISIONS		
CHK	CHANGE NO	REV.

TITLE	DRIVE LOGIC (DL8)	SIZE CODE	D CS	NUMBER	5414025 0-1	REV.	M
SCALE		SHEET	8 OF 8	DIST.			

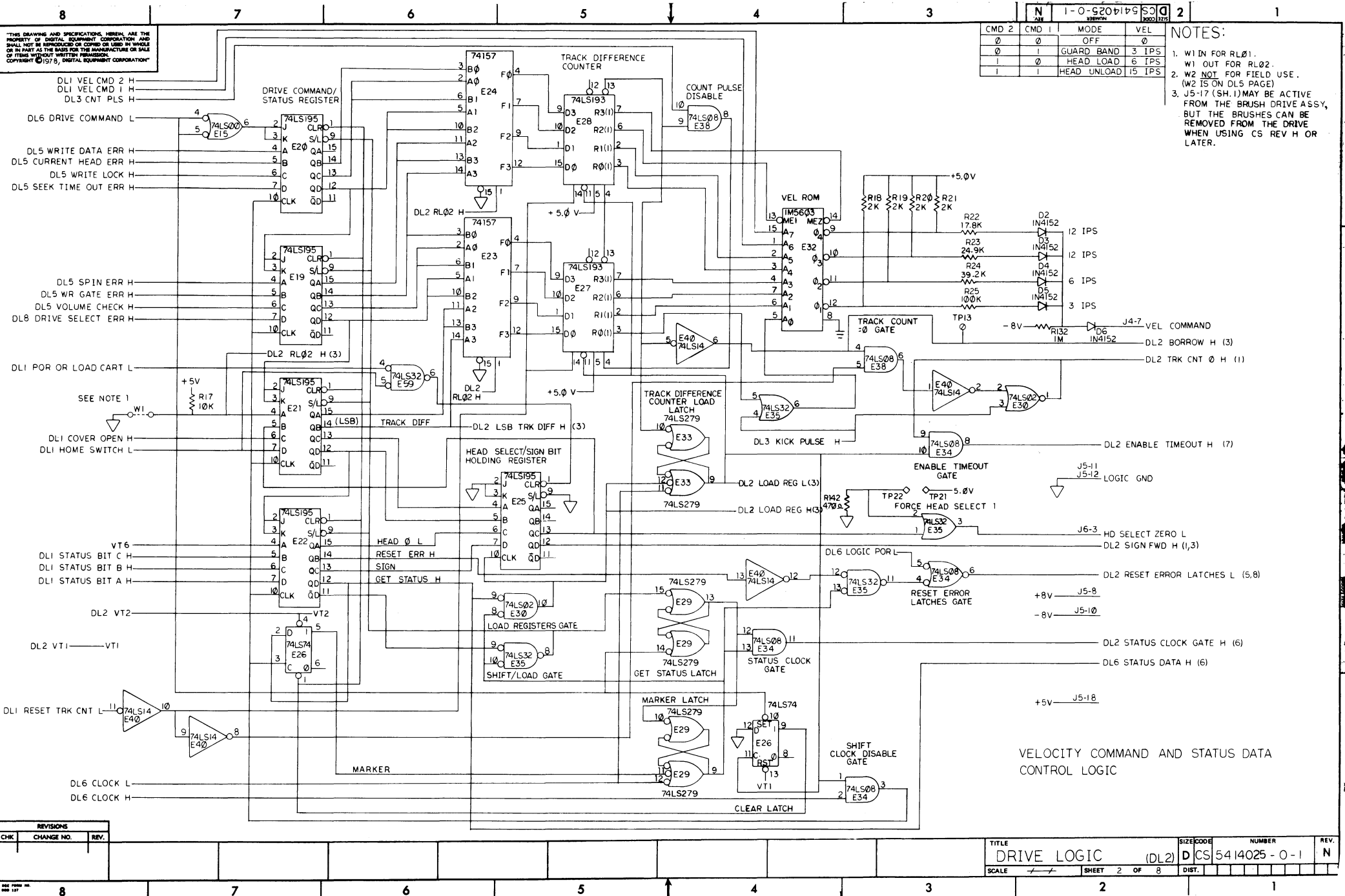
*THIS DRAWING AND SPECIFICATIONS HEREIN ARE THE PROPERTY OF DIGITAL EQUIPMENT CORPORATION AND SHALL NOT BE REPRODUCED OR COPIED OR USED IN WHOLE OR IN PART AS THE BASIS FOR THE MANUFACTURE OR SALE OF ITEMS WITHOUT WRITTEN PERMISSION. COPYRIGHT © 1978, DIGITAL EQUIPMENT CORPORATION



IC	7	14	13		
75107B					
75113, 7442, 74LS123					
74LS174, 74LS193, 74LS195, 74LS279	8	16			
324				4	11
ROM		8	16		
UNSPECIFIED	7	14			
339		12			3
339					3 12
339		12			3

REV.	CHG.	NO.	BY	DATE	DESCRIPTION
A		1	M. BROWN	10/25/78	INITIAL RELEASE
B		2	M. BROWN	11/15/78	REVISED FOR MANUFACTURE
C		3	M. BROWN	12/15/78	REVISED FOR MANUFACTURE
D		4	M. ZARICH	1/15/79	REVISED FOR MANUFACTURE
E		5	M. BROWN	2/15/79	REVISED FOR MANUFACTURE
F		6	M. BROWN	3/15/79	REVISED FOR MANUFACTURE
G		7	M. BROWN	4/15/79	REVISED FOR MANUFACTURE
H		8	M. BROWN	5/15/79	REVISED FOR MANUFACTURE
I		9	M. BROWN	6/15/79	REVISED FOR MANUFACTURE
J		10	M. BROWN	7/15/79	REVISED FOR MANUFACTURE
K		11	M. BROWN	8/15/79	REVISED FOR MANUFACTURE
L		12	M. BROWN	9/15/79	REVISED FOR MANUFACTURE
M		13	M. BROWN	10/15/79	REVISED FOR MANUFACTURE
N		14	M. BROWN	11/15/79	REVISED FOR MANUFACTURE

DRN: 7-0-0	5-10-78	FIRST USED ON	
CHK'D: W. J. ...	3-10-79	TITLE	DRIVE LOGIC (STATE CONTROL LOGIC) (DLI)
ENG: M. BROWN	10-25-78	PROJ. ENG:	
PROD.:			
NEXT HIGHER ASSY:		SIZE	CODE
B-00-5414025-0		D	ICS 5414025-0-1
SCALE:		NUMBER	REV.
SHEET 1 OF 3			N



"THIS DRAWING AND SPECIFICATIONS HEREIN ARE THE PROPERTY OF DIGITAL EQUIPMENT CORPORATION AND SHALL NOT BE REPRODUCED OR COPIED OR USED IN WHOLE OR IN PART AS THE BASIS FOR THE MANUFACTURE OR SALE OF ITEMS WITHOUT WRITTEN PERMISSION FROM DIGITAL EQUIPMENT CORPORATION" (1978)

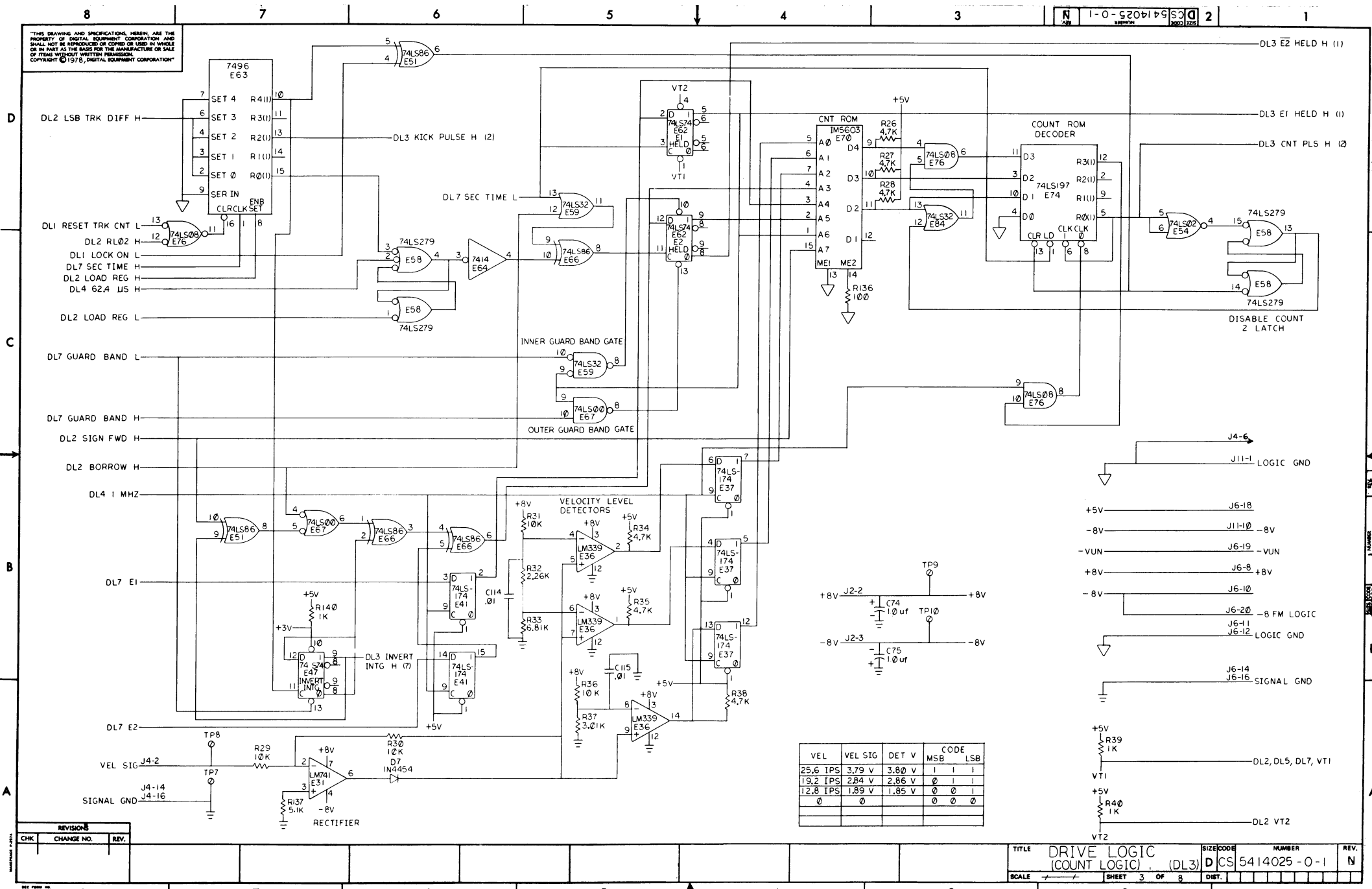
CMD 2	CMD 1	MODE	VEL
0	0	OFF	0
0	1	GUARD BAND	3 IPS
1	0	HEAD LOAD	6 IPS
1	1	HEAD UNLOAD	15 IPS

- NOTES:
- W1 IN FOR RL01.
 - W1 OUT FOR RL02.
 - W2 NOT FOR FIELD USE. (W2 IS ON DL5 PAGE)
 - J5-17 (SH.1) MAY BE ACTIVE FROM THE BRUSH DRIVE ASSY, BUT THE BRUSHES CAN BE REMOVED FROM THE DRIVE WHEN USING CS REV H OR LATER.

CHK	CHANGE NO.	REV.

TITLE	SIZE	CODE	NUMBER	REV.
DRIVE LOGIC (DL2)	D	CS	5414025 - 0 - 1	N
SCALE	SHEET 2 OF 8		DIST.	

"THIS DRAWING AND SPECIFICATIONS HEREIN ARE THE PROPERTY OF DIGITAL EQUIPMENT CORPORATION AND SHALL NOT BE REPRODUCED OR COPIED OR USED IN WHOLE OR IN PART AS THE BASIS FOR THE MANUFACTURE OR SALE OF ITEMS WITHOUT WRITTEN PERMISSION. COPYRIGHT © 1978, DIGITAL EQUIPMENT CORPORATION"



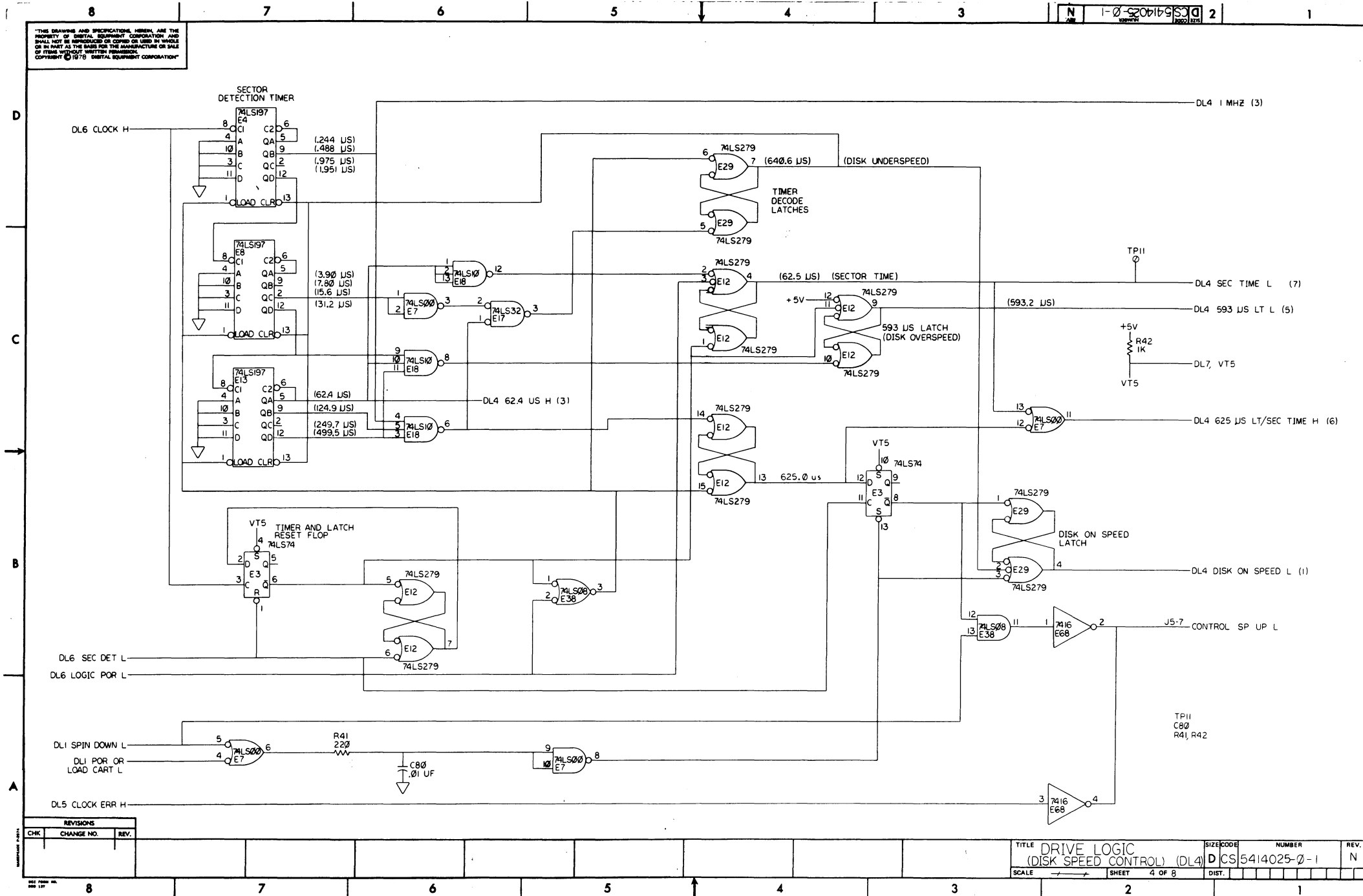
VEL	VEL SIG	DET V	CODE MSB	CODE LSB
25.6 IPS	3.79 V	3.80 V	1 1 1	
19.2 IPS	2.84 V	2.86 V	0 1 1	
12.8 IPS	1.89 V	1.85 V	0 0 1	
0	0		0 0 0	

TITLE DRIVE LOGIC (COUNT LOGIC) (DL3) SIZE CODE NUMBER REV. DCS 5414025-0-1 N

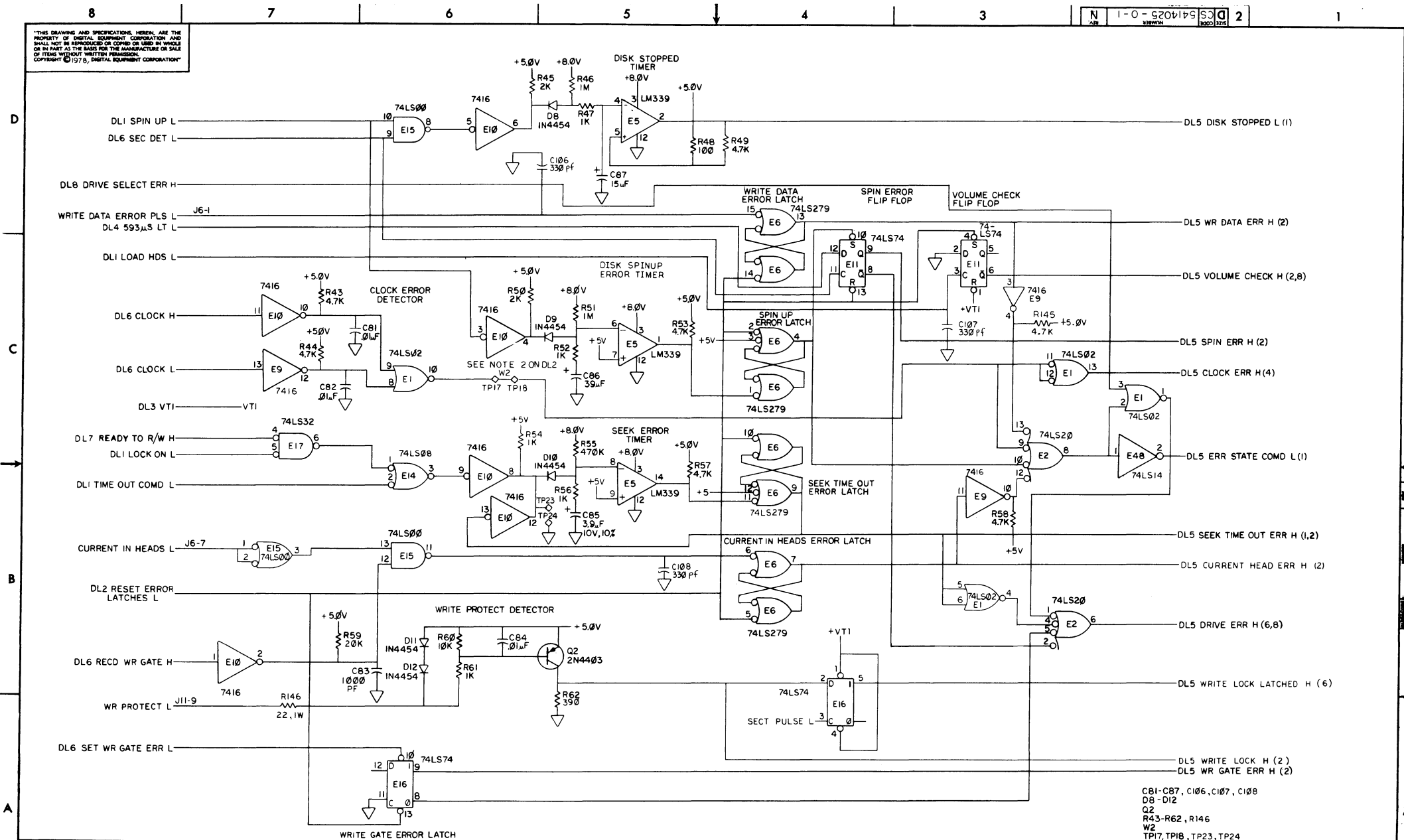
SCALE SHEET 3 OF 8 DIST.

REVISIONS		
CHK	CHANGE NO.	REV.

THIS DRAWING AND SPECIFICATIONS HEREIN ARE THE PROPERTY OF DIGITAL EQUIPMENT CORPORATION AND SHALL NOT BE REPRODUCED OR COPIED OR USED IN WHOLE OR IN PART AS THE BASIS FOR THE MANUFACTURE OR SALE OF ITEMS WITHOUT WRITTEN PERMISSION OF DIGITAL EQUIPMENT CORPORATION
COPYRIGHT © 1976 DIGITAL EQUIPMENT CORPORATION



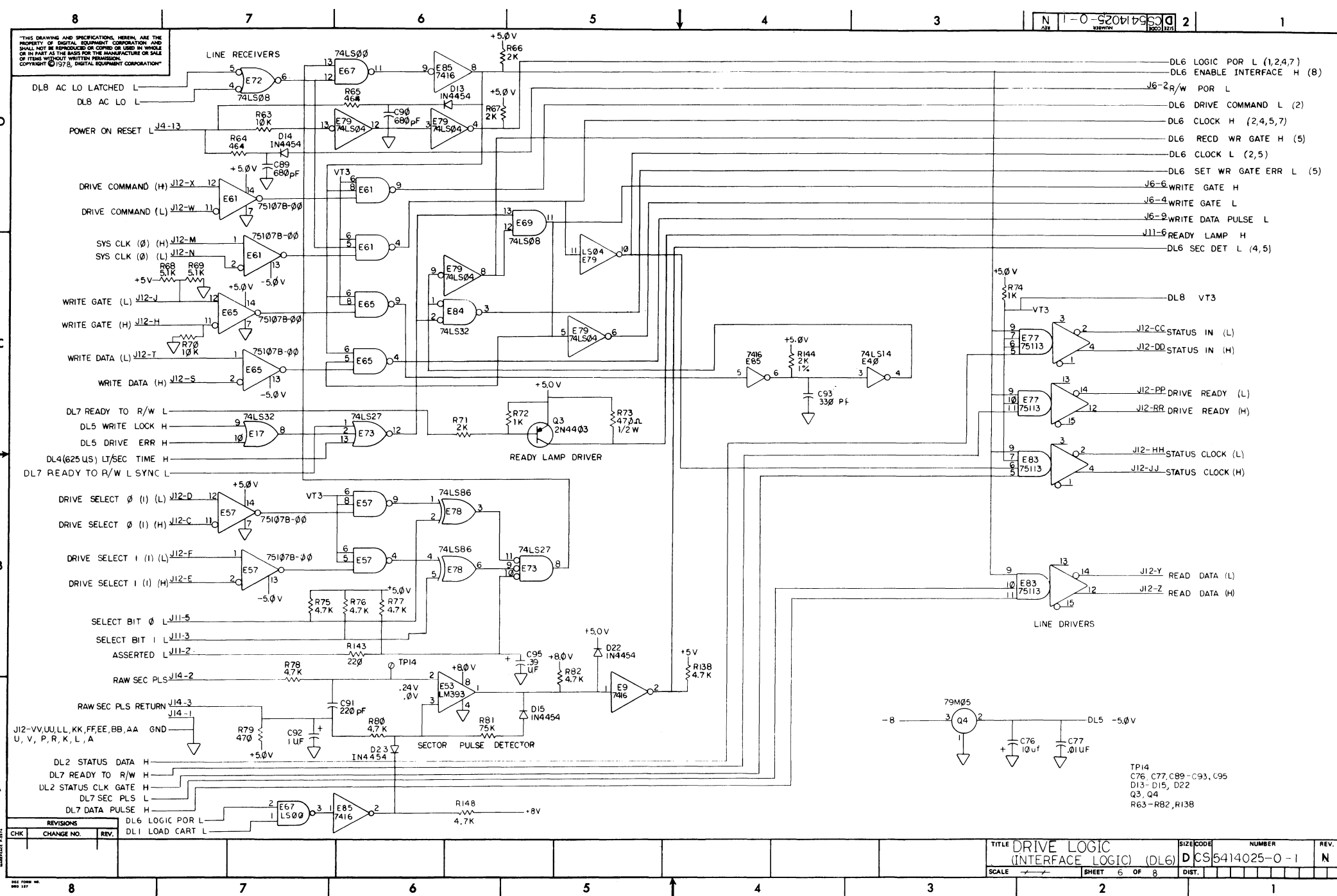
THIS DRAWING AND SPECIFICATIONS HEREIN ARE THE PROPERTY OF DIGITAL EQUIPMENT CORPORATION AND SHALL NOT BE REPRODUCED OR COPIED OR USED IN WHOLE OR IN PART AS THE BASIS FOR THE MANUFACTURE OR SALE OF ITEMS WITHOUT WRITTEN PERMISSION. COPYRIGHT © 1978, DIGITAL EQUIPMENT CORPORATION



C81-C87, C106, C107, C108
 D8-D12
 Q2
 R43-R62, R146
 W2
 TP17, TP18, TP23, TP24

REVISIONS		
CHK	CHANGE NO.	REV.

TITLE	DRIVE LOGIC (DL5)	SIZE CODE	D CS	NUMBER	5414025-0-1	REV.	N
SCALE		SHEET	5	OF	8	DIST.	



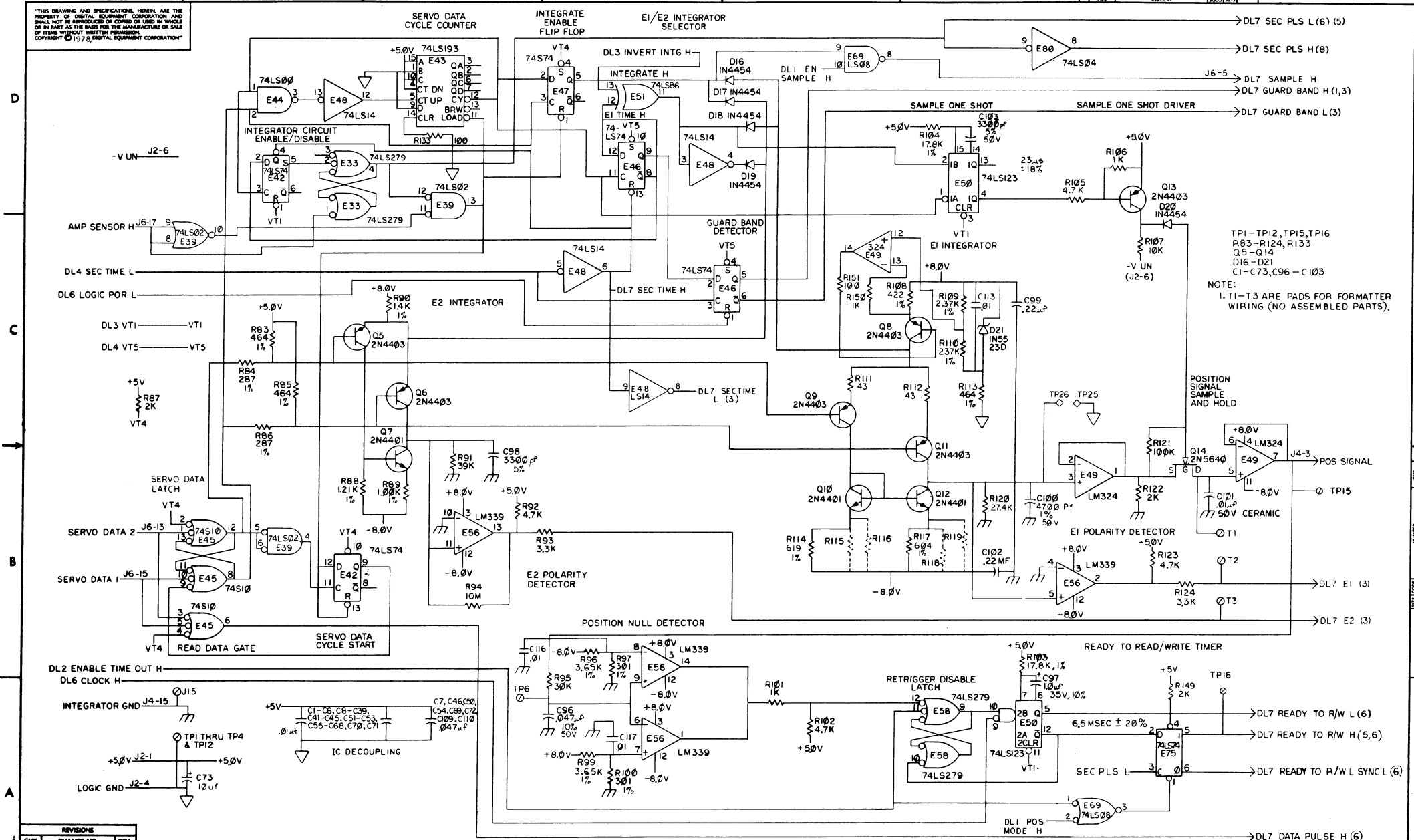
"THIS DRAWING AND SPECIFICATIONS, HEREIN, ARE THE PROPERTY OF DIGITAL EQUIPMENT CORPORATION AND SHALL NOT BE REPRODUCED OR COPIED OR USED IN WHOLE OR IN PART AS THE BASIS FOR THE MANUFACTURE OR SALE OF ITEMS WITHOUT WRITTEN PERMISSION. COPYRIGHT © 1978, DIGITAL EQUIPMENT CORPORATION"

REVISIONS		
CHK	CHANGE NO.	REV.

TITLE	DRIVE LOGIC (INTERFACE LOGIC) (DL6)	SIZE/CODE	NUMBER	REV.
SCALE		SHEET	6 OF 8	N

TP14
C76, C77, C89-C93, C95
D13-D15, D22
Q3, Q4
R63-R82, R138

"THIS DRAWING AND SPECIFICATIONS HEREIN ARE THE PROPERTY OF DIGITAL EQUIPMENT CORPORATION AND SHALL NOT BE REPRODUCED OR COPIED OR USED IN WHOLE OR IN PART AS THE BASIS FOR THE MANUFACTURE OR SALE OF ITEMS WITHOUT WRITTEN PERMISSION. COPYRIGHT © 1978, DIGITAL EQUIPMENT CORPORATION"

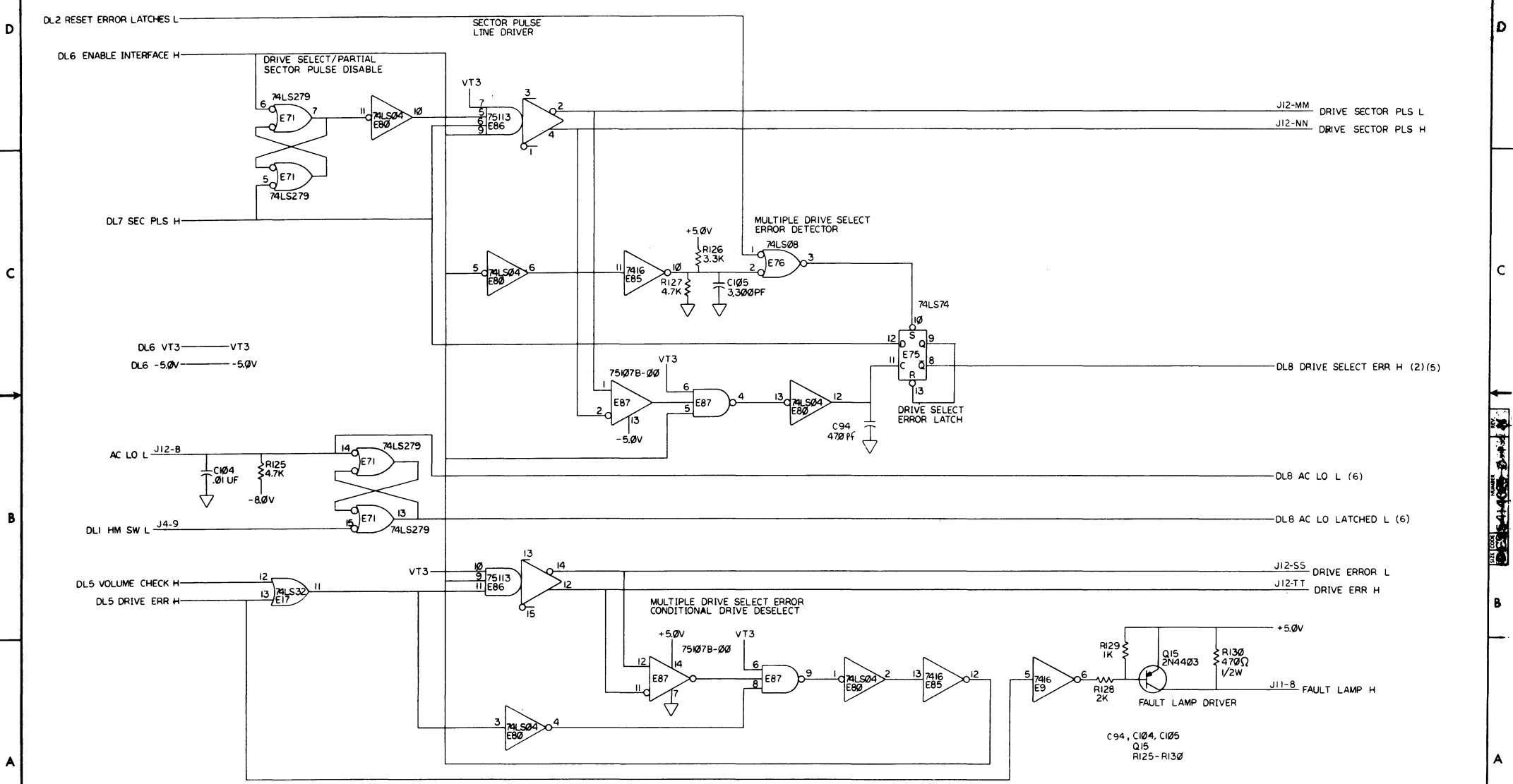


NOTE:
 TPI-TPI2, TPI5, TPI6
 R83-R124, R133
 Q5-Q14
 D16-D21
 C1-C73, C96-C103

NOTE:
 L1-T3 ARE PADS FOR FORMATTER
 WIRING (NO ASSEMBLED PARTS).

REVISIONS		
CHK	CHANGE NO.	REV.

"THIS DRAWING AND SPECIFICATIONS HEREIN, ARE THE PROPERTY OF DIGITAL EQUIPMENT CORPORATION AND SHALL NOT BE REPRODUCED OR COPIED OR USED IN WHOLE OR IN PART AS THE BASIS FOR THE MANUFACTURE OR SALE OF ITEMS WITHOUT WRITTEN PERMISSION." COPYRIGHT © 1978 DIGITAL EQUIPMENT CORPORATION



REVISIONS			TITLE	SIZE CODE	NUMBER	REV.
CHK	CHANGE NO.	REV.				
			DRIVE LOGIC (DL8)	D CS	5414025-0-1	M
			SCALE	SHEET	8 OF 8	DIST.