

# **FullDisclosureReport**

**ECperfBenchmarkfor IBM® eServer  
x350Clusterrunning  
IBM WebSphere®ApplicationServer  
AdvancedEdition,Version4.0 .3andIBM  
eServer® x350runningIBM DB2®V7.2**

**February2 5,2002**

First Printing  
(c)2002 International Business Machines, Inc.

### Trademarks

The following terms are trademarks or registered trademarks of International Business Machines Corporation in the United States, other countries, or both:

eServer  
xSeries  
DB2  
IBM  
WebSphere

Java and all Java-based trademarks are trademarks of Sun Microsystems, Inc. in the United States, other countries, or both. The Duke logo is a trademark or registered trademark of Sun Microsystems, Inc. in the United States and other countries.

Microsoft, Windows, and the Windows logo are trademarks of Microsoft Corporation in the United States, other countries, or both.

Intel, Pentium, and Pentium III Xeon are registered trademarks of Intel Corporation in the United States, other countries, or both.

Other company, product or service names may be the trademarks or service marks of others.

This information was developed for products and services offered in the U.S.A. IBM may not offer the products, services, or features discussed in this document in other countries. Consult your local IBM representative for information on the products and services currently available in your area. Any reference to an IBM product, program, or service is not intended to state or imply that only that IBM product, program, or service may be used. Any functionally equivalent product, program, or service that does not infringe any IBM intellectual property right may be used instead. However, it is the user's responsibility to evaluate and verify the operation of any non-IBM product, program, or service.

**The following paragraph does not apply in jurisdiction to the extent where and to the extent that it is inconsistent with local law:**

INTERNATIONAL BUSINESS MACHINES CORPORATION PROVIDES THIS PUBLICATION "AS IS" WITHOUT WARRANTY OF ANY KIND, EITHER EXPRESS OR IMPLIED, INCLUDING, BUT NOT LIMITED TO, THE IMPLIED WARRANTIES OF NON-INFRINGEMENT, MERCHANTABILITY OR FITNESS FOR A PARTICULAR PURPOSE. Some states do not allow disclaimer of express or implied warranties in certain transactions, therefore, this statement may not apply to you.

The information in this document is subject to change without notice. IBM assumes no responsibility for any errors that may appear in this document. Pricing information is believed to be correct as of February 25, 2002. However, IBM provides no warranty on the pricing information in this document.

The performance information in this document is for guidance only as examples of reasonable projections of system performance under the conditions described in this document. There are many other factors that can affect performance. For example, system performance is highly dependent on system hardware, system and user software, and user application characteristics. Customer applications must be carefully evaluated before estimating performance. IBM does not warrant or represent that a user or system can or will achieve a similar performance. No warranty on system performance or price/performance is expressed or implied in this document.

RevisionHistory:

2002/03/12-Addedtexttoclause7.4.9documentingtheuseof CMPOptfor ejbStoreperformanceoptimizations.

### 7.2.3 Summary Statement

See 7.3 for the Summary statement.

### 7.2.4 Sponsors

This benchmark was sponsored and conducted by International Business Machines Corporation (IBM).

### 7.2.5 Diagrams of both measured and priced configurations must be provided, accompanied by a description of the differences. This includes, but is not limited to:

- Number and type of processors.
- Size of allocated memory, and any specific mapping/partitioning of memory unique to the test.
- Number and type of disk units (and controllers, if applicable).
- Number of LAN (e.g., Ethernet) connections, including routers, etc., that were physically used in the test.
- Type and the runtime execution location of software components (e.g., EJB Server/Containers, DBMS, client processes, software load balancers, etc.). This section provides detailed information about the priced configuration. The only differences in the measured configuration are:

The tested configuration is the priced configuration.

#### PRICED CONFIGURATION:

##### Application Server System Configuration:

##### WebSphere® Application Servers (two Systems):

IBM xSeries® x350 model 6RY  
4x900MHz Intel® Pentium III Xeon® CPUs with 2MB L2 Cache  
2.5GB RAM

Microsoft® Windows® 2000 Server  
J2RE 1.3.1 IBM Windows 32 build cn131w-20020128 ORB130  
WebSphere Application Server, Version 4.0 3, Advanced Edition .Availability 04/30/2002

##### Database Server Configuration:

IBM xSeries 350 Model 6RY  
2 x900 MHz Intel Pentium III Xeon® CPUs with 2MB L2 Cache  
2.5GB RAM

Microsoft Windows 2000 Server  
DB2® V7.2 Workplace Edition

##### Number and type of disk units:

x350 Application Servers:  
SCSI controller  
SCSI chain 0  
1- 36.4GB 10K RPM disks

X350 Database Server:  
SCSI RAID controller  
6- 36.4GB, 10K RPM disks

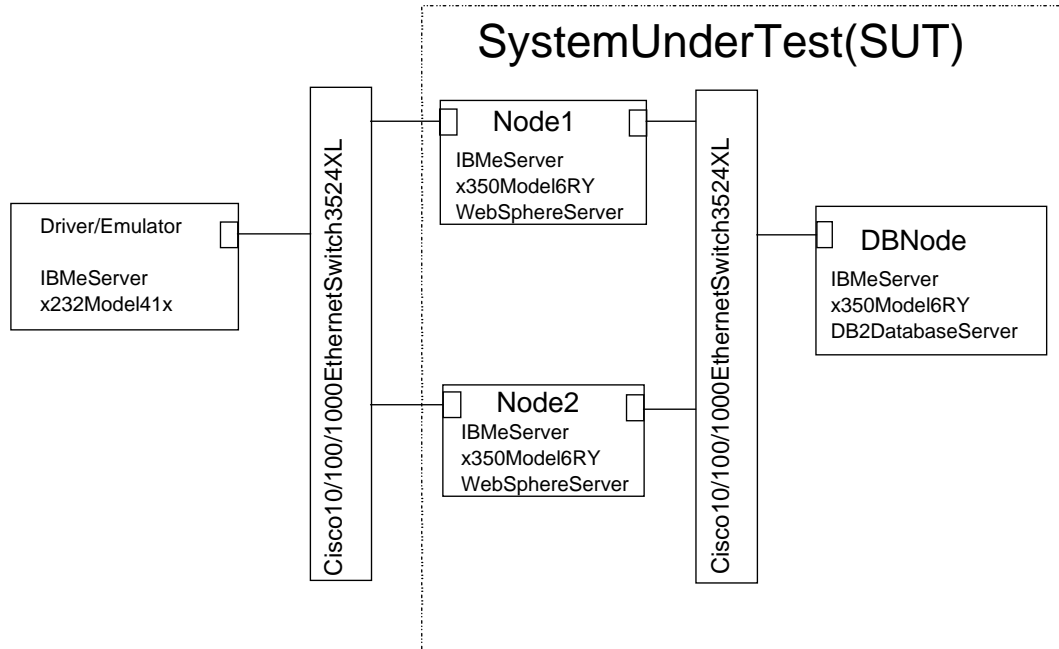
**Number of LAN connections used:** One Switched LAN connecting Driver to WebSphere Application Server Nodes and one switched LAN connecting the nodes in the SUT.

Network 1: Connection of Driver/Emulator to SUT ( 3 Interfaces-1 Driver, 2 WebSphere SUT Nodes )

Driver/Emulator( IBM eServer xSeries232 (2x1.266 GHz))10/100 EthernetServerAdapter 100Mbit networkinterface to WebSphereApplicationServers( x350)10/100 EthernetServerAdapter via a Cisco 100Mbitswitch .

Network2: Interconnectionofall SUT Nodes

One10/100Mb EthernetServerAdapter from each WebSphere SUT Nodew asconnectedviaa Cisco



100Mbitswitch .

**Figure 7.2.1: Network Description**

**7.3 Summary Statement**

**7.3.1 The Summary Statement is a high-level view of the ECperf benchmark configuration and run results. An example of the Summary Statement is presented in Appendix B. The Summary Statement must include all of the information contained in this example in the same format for the benchmark being reported.**

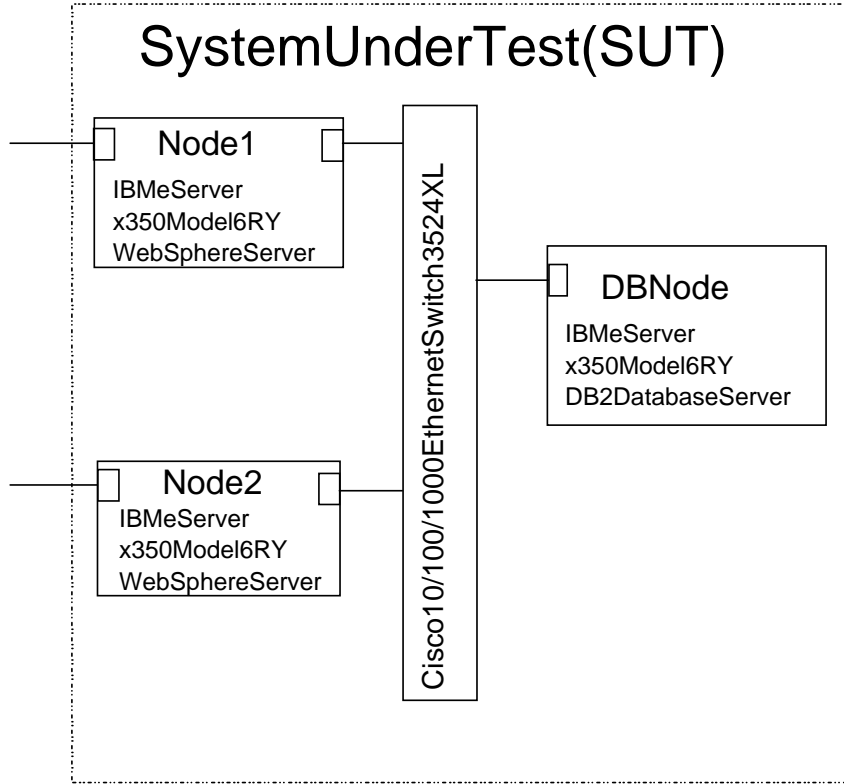
**IBM Corporation:** eServer x350 Clusterwithx350DatabaseMachine  
WebSphereApplicationServerAdvancedEditionVersion4.0 .3  
DB2 WorkgroupEditionUnlimitedVersion7.2

**Metrics:** 16634.40 BBops/min@Std \$13/BBops/min@Std

**AvailabilityDate:** WebSphere4.0.3willbeavailableApril 30,2002.Allothercomponentsare  
availableasofFebruary25,2002.

**BeanDeploymentMode:** CMPonly

**Configuration:**



**Figure7.3.1: SystemUnderTest**

System	Software	CPUs	Memory	Disk
<b>Nodes 1 and 2</b> IBM eServer x350Model 6RY	WebSphereApplicationServer4.0 .3 MicrosoftWindows2000Server SP2 J2RE1.3.1IBMWindows32build cn131w-20020128 ORB130	4 x900 MHz PentiumIII Xeon 2 MBL2Cache	2.5GB	Internal: 1x36.4 GB
<b>DBNode</b> IBM eServer x350Model 6RY	IBM DB2V7.2 FP5 WorkGroupEdition MicrosoftWindows2000Server SP2	2 x900 MHz Pentium III Xeon 2 MBL2Cache	2.5GB	Internal: 6x36.4 GB

**7.3.2 The Drivers summary reports must appear as part of the Summary Statement. These include the ECperf.summary, Orders.summary and Mfg.summary files.**

**Content of ECperf.summary:**



ECPerf Summary Report  
Version : ECperf 1.0 Update 2

Run Parameters :  
runOrderEntry = 1  
runMfg = 1  
txRate = 161  
rampUp (in seconds) = 600  
rampDown (in seconds) = 300  
stdyState (in seconds) = 1800  
triggerTime (in seconds) = 134  
numOrdersAgents = 1, numMfgAgents = 1  
dumpStats = 0  
Benchmark Started At : Mon Feb 25 11:07:42 EST 2002

Orders Summary report is in : Orders.summary  
Orders Detailed report is in : Orders.detail  
Orders Transaction Rate : 9608.53 Transactions/min

Manufacturing Summary report is in : Mfg.summary  
Manufacturing Detail report is in : Mfg.detail  
Manufacturing Rate : 7025.87 WorkOrders/min

ECperf Metric : 16634.40 BBops/min





Contentsof Orders.summary:



Orders Summary Report
Version : ECperf 1.0 Update 2

Orders Transaction Rate : 9608.53 Transactions/min

TRANSACTION MIX

Total number of transactions = 288256

Table with 5 columns: TYPE, TX. COUNT, MIX, REQD. MIX.(5% Deviation Allowed), and PASSED status. Rows include NewOrder, ChangeOrder, OrderStatus, and CustStatus.

Table with 6 columns: RESPONSE TIMES, AVG., MAX., 90TH%, REQD., and 90TH%. Rows include NewOrder, ChgOrder, OrderStatus, and CustStatus.

Table with 6 columns: CYCLE TIMES, TARGETED AVG., ACTUAL AVG., MIN., MAX., and PASSED status. Rows include NewOrder, ChgOrder, OrderStatus, and CustStatus.

MISC. STATISTICS

Table with 4 columns: Metric, Value, and PASSED status. Metrics include Average items per order, Widget Ordering Rate, Percent orders that are Large Orders, etc.

LITTLE'S LAW VERIFICATION

Number of users = 805
Sum of Avg. RT \* TPS for all Tx. Types = 803.971008



**Contentsof Mfg.summary:**



Mfg Summary Report  
Version : ECperf 1.0 Update 2

Total Number of WorkOrders Processed : 210776  
Number of WorkOrders as a result of LargeOrders : 37194  
Total WorkOrders Production Rate : 7025.87 WorkOrders/min  
LargeOrders Production Rate : 1239.80 LargeOrders/min

Total Widget Manufacturing Rate : 127582.80 widgets/min  
LargeOrderLine Widget Rate : 62488.60 widgets/min PASSED  
PlannedLines Widget Rate : 65094.20 widgets/min PASSED

RESPONSE TIMES	AVG.	MAX.	90TH% REQD.	90TH%
	1.792	8.141	2.750	5

ECPerf Requirement for 90% Response Time PASSED  
ECPerf Requirement for Avg. Response Time PASSED



**7.3.3 The Audit.report file generated by the Driver for run validation must appear as part of the Summary Statement.**

**Content of Audit.report:**



ECperf Audit Report  
Version : ECperf 1.0 Update 2

Study State Started at : Mon Feb 25 11:17:42 EST 2002  
Study State Ended at : Mon Feb 25 11:47:42 EST 2002  
Orders Domain Transactions

New Order Transaction validation  
Condition : New Order TxCount <= New Order DB Count  
New Order Tx Count 121570  
New Order DB Count 123291  
Orders Transaction validation PASSED

Corp Domain Transactions

Corp Customer Transaction validation  
Condition : Final Corp Customer Count >= Initial Count  
Initial Corp Customer Count = 12816  
Final Corp Customer Count = 66358  
Corp Customer Transaction validation PASSED

Mfg Domain Transactions

Work Order Transaction validation  
Condition : New Work Order TxCount <= New Work Order DB Count  
Work Order Tx Count 210776  
Work Order DB Count 211022  
Work Order Transaction validation PASSED

Supplier Domain Transactions

Purchase Order (PO) Transaction validation  
Condition : PO DB Count <= Emulator TxCount  
Emulator Tx Count = 6195  
PO DB Count = 6195  
PO Transaction validation PASSED

Purchase Order Line (POLine) Transaction validation  
Condition : New POLine DB Count >= Delivery Servlet Tx Count  
Delivery Servlet Tx Count = 6297  
New POLine DB Count = 6315  
POLine Transaction validation PASSED



## 7.4 Clause 4 Scaling and Run Rules Related Items

**7.4.1 All commercially available software products used must be identified. Settings must be provided for all customer-tunable parameters and options which have been changed from the defaults found in actual products, including but not limited to:**

- Operating system options.
- Web Container options used for the Supplier Domain and the Emulator.

The following options were changed from their default values for the Web container for both the Supplier and Emulator. (All changes were accomplished using the Administrative Console)

### **Emulator**

#### JVM Settings Panel

-Specify Java in and max heap size as 1024m

#### Web Container Panel

-Change Keep Alive to 0

### **Supplier (same JVM as EJB container on Node 1)**

#### JVM Settings Panel

-Specify Java in and max heap size as 768m

#### Web Container Panel

-Change Keep Alive to 0

- J2EE Server and EJB Container options.

The following options were changed from their default values for the EJB container. (All changes were accomplished using the Administrative Console).

#### JVM Settings Panel

-Specify Java in and max heap size as 768m

-Add -Dcom.ibm.ws.Orb.ThreadPool.Growable=false

-Add -Djavax.rmi.CORBA.UtilClass=com.ibm.CORBA.iop.Util

#### ORB Services Panel

Specify Max Threads of 25

EJB Container (as a single EJB container was run on each WebSphere Node)

Specify cache size of 8191

#### Data Source Options

ECperf DataSource- Min/Max Connections 28, Statement Cache Size 2100

Util DataSource- Min/Max 28 Connections, Statement Cache Size 2100 (Used only for the util.jar-Sequence Ent bean)

- Database options.

Refer to schema/db2/db2tune.bat in the Full Disclosure Archive for a script that shows the database parameters that were changed.

DB2 JDBC Type 2 (CLI) driver was used to connect to the Database Server.

**Comment 1:** This requirement can be satisfied by providing a full list of all parameters and options.

**7.4.2 For a new version of a J2EE Compatible Product, the date by which it is expected to have passed the J2EE Compatibility Test Suite (CTS) should be indicated.**

WebSphere Application Server 4.0 has passed CTS testing in July 2001

**7.4.3 The Orders Injection Rate used to load the database(s) must be disclosed.**

The databases were reloaded with an Orders Injection Rate of 1.61.

ECperf- WebSphere Application Server and DB2

**7.4.4 The Full Disclosure Archive must include all table definition statements and all other statements used to set-up the database.**

These can be found in the schema sub-directory in the Full Disclosure Archive. Note, two additional indexes were added to the M\_LargeOrdertable. See the schema\_M.sql file in the archive for specific information. These indexes were added to decrease table locks and improve performance.

Also, script db2tune was executed after the database tables were re-populated with the load utility. This file can be found in the FDA schema/db2.

**7.4.5 If the Load Programs in the ECperf kit were modified (see Clause 4.4.4), all such modifications must be disclosed and the modified programs must be included in the Full Disclosure Archive.**

The load programs were not modified.

**7.4.6 All scripts/programs used to create any logical volumes for the database devices must be included as part of the Full Disclosure Archive. The distribution of tables and logs across all media must be explicitly depicted.**

The commands used to create the database environment can be found in schema/db2/ in the Full Disclosure Archive.

The database was laid out on a total of 5 disks, 4 of these were used for the log and 1 for the tables. The tables were placed on a single disk image. The log files were striped across two pairs of mirrored disks in a RAID10 configuration using the hardware RAID card.

**7.4.7 The type of persistence, whether CMP, BMP or mixed mode used by the EJB Containers must be disclosed. If mixed mode is used, the list of beans deployed using CMP and BMP must be enumerated.**

Only CMP persistence was used.

All beans were deployed at an isolation level of READ\_COMMITTED except SequenceEnt which was deployed at REPEATABLE\_READ.

**7.4.8 If the ECperf Reference Beans were modified (see Clause 4.1.3), a statement describing the modifications must appear in the Full Disclosure Report and the modified code must be included in the Full Disclosure Archive.**

No modifications were made.

**7.4.9 All Deployment Descriptors used must be included in the Full Disclosure Archive.**

The Full Disclosure Archive contains the deployment descriptors used in the `deploy/WebSphere` directory.

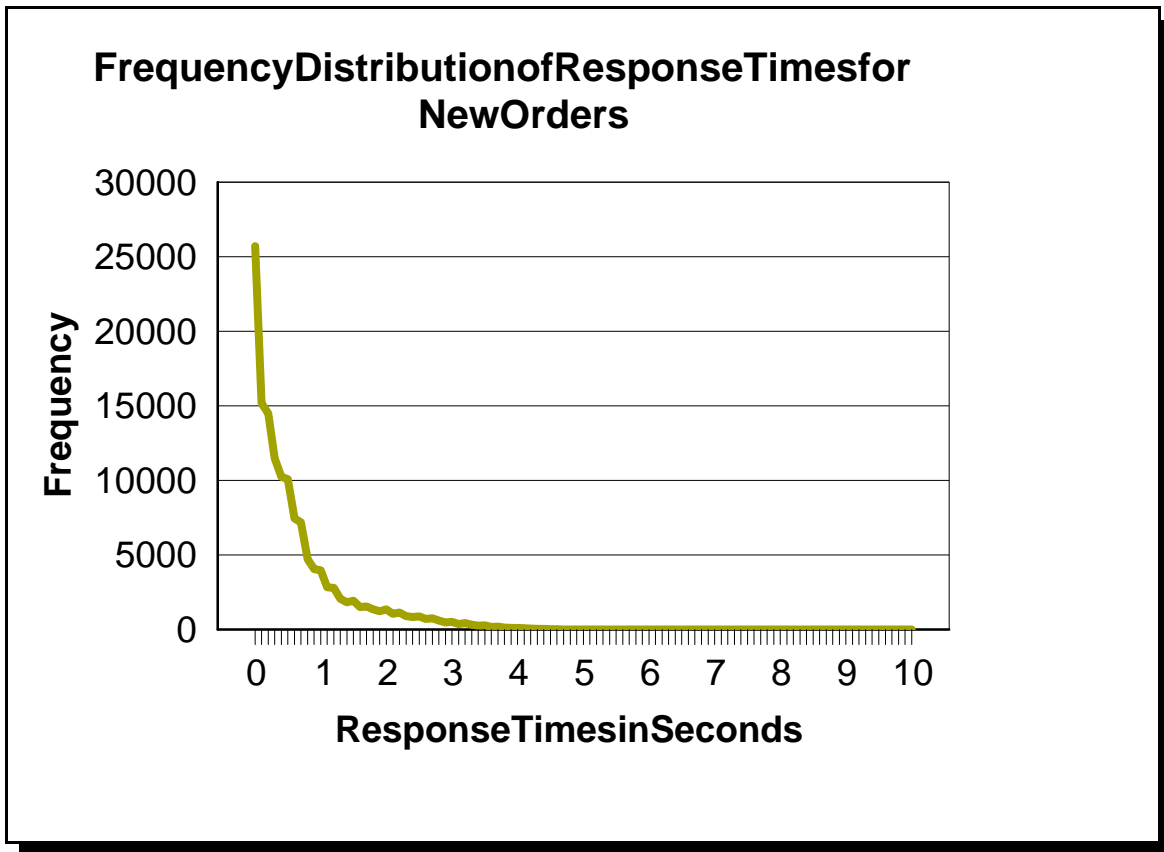
At deployment time the utility `CMPOpt` was executed against each of the ECP jars: `corp`, `mfg`, `orders`, `supplier` and `util` to optimize `ejbStore` operations based on Application access patterns. The following commands were used for each jar (this is done in `incept` prior to application installation):

```
cmpopt .\corp.jar-report-update -ignoreopenfields -ignoreativemethods
cmpopt .\mfg.jar-report-update -ignoreopenfields -ignoreativemethods
cmpopt .\orders.jar-report-update -ignoreopenfields -ignoreativemethods
cmpopt .\supplier.jar-report-update -ignoreopenfields -ignoreativemethods
cmpopt .\util.jar-report-update -ignoreopenfields -ignoreativemethods
```

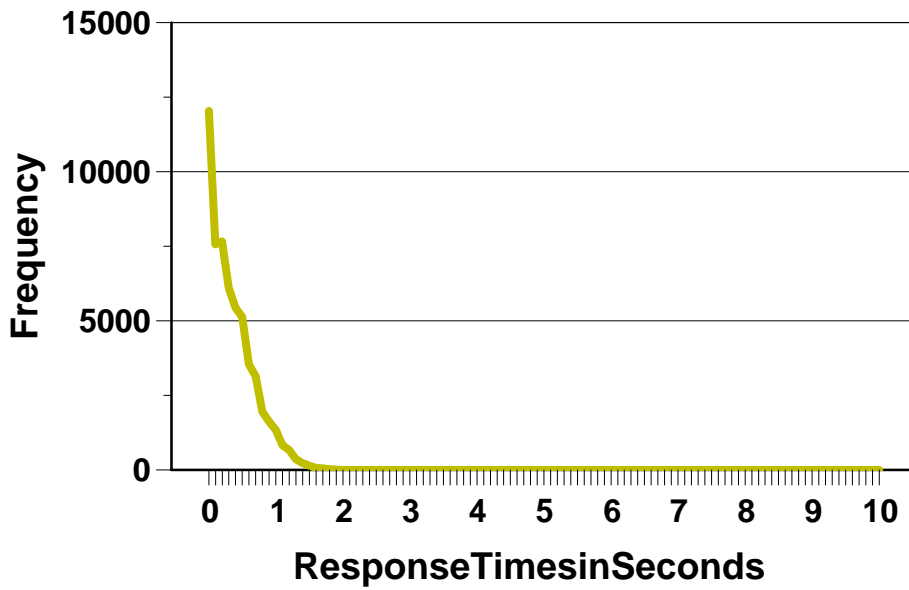
**7.4.10 The BBops/min from the reproducibility run must be disclosed (see Clause 4.9.2). The entire output directory from the reproducibility run must be included in the Full Disclosure Archive in a directory named `RepeatRun`.**

16745.73 Bbops/minute.

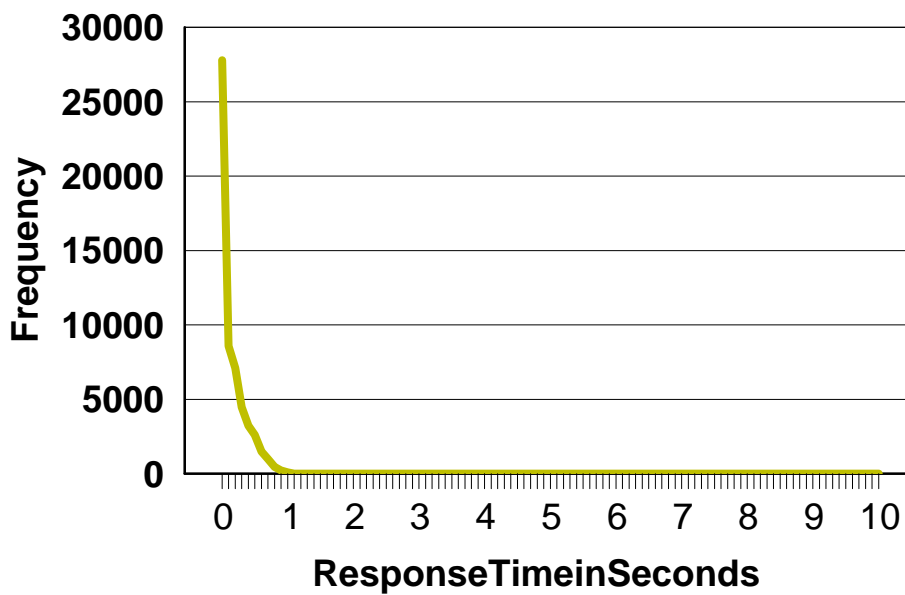
**7.4.11 The frequency distribution of response times for all the transactions must be graphed (see Clause 4.10.1).**



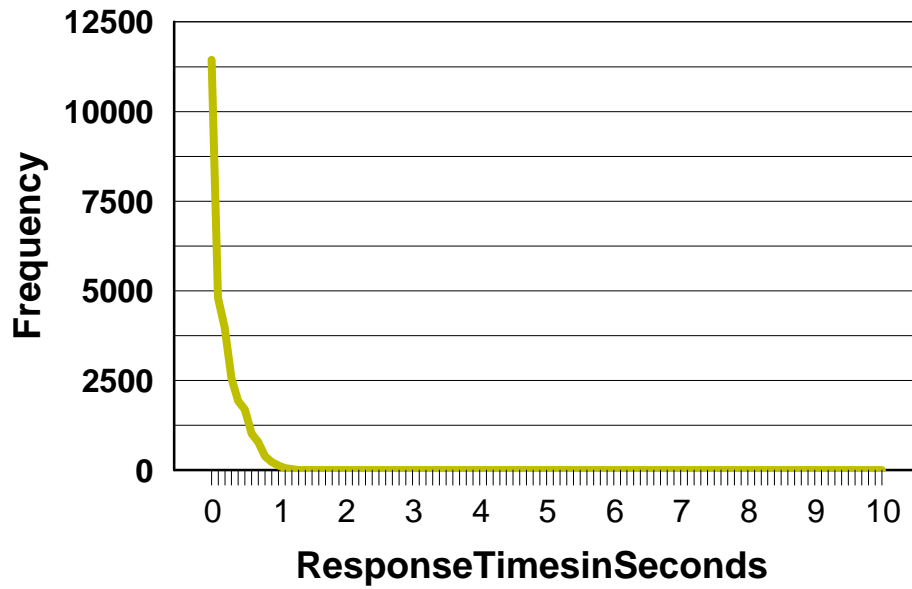
### FrequencyDistributionofResponseTimesfor ChangeOrders



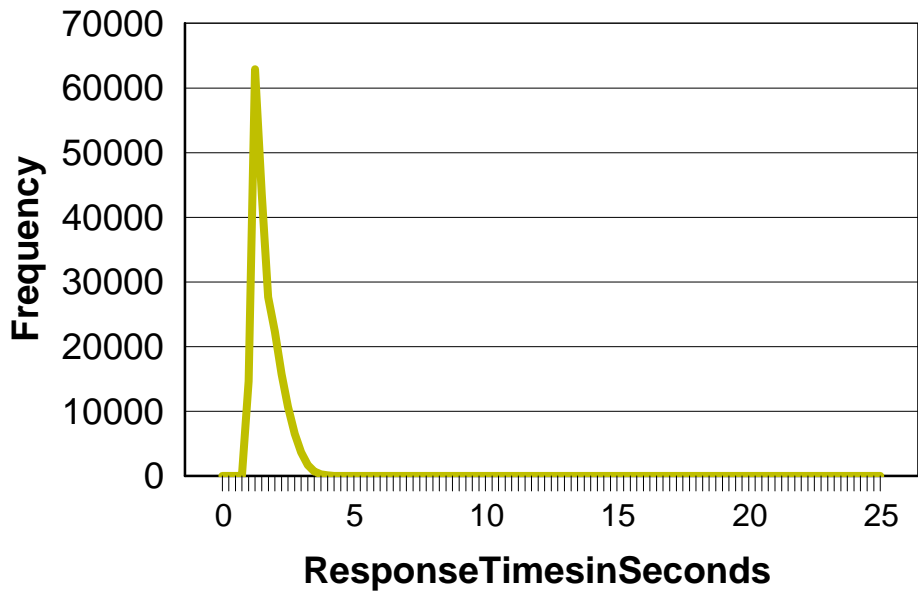
### FrequencyDistributionofResponseTimesfor OrderStatus



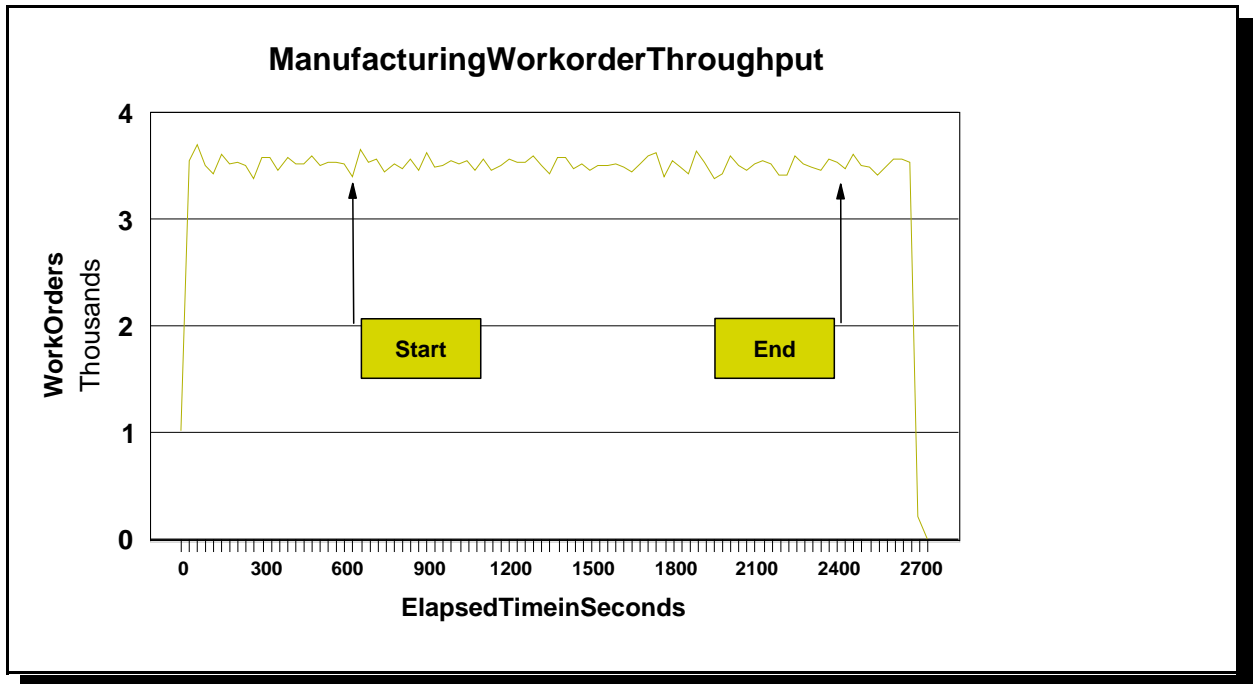
### FrequencyDistributionofResponseTimesfor CustomerStatus



### FrequencyDistributionofResponseTimesfor ManufacturingWorkOrders







7.4.12 A graph of the workorder throughput versus elapsed time must be reported (see Clause 4.10.2).

**7.4.13 The scripts/programs used to run the ACID tests and their outputs must be included in the Full Disclosure Archive.**

The results of the Atomicity tests can be found in the sub-directory called **AtomicityTest** in the Full Disclosure Archive.

**7.5 Clause 5 SUT and Driver Related Items**

**7.5.1 If any software/hardware is used to influence the flow of network traffic beyond basic routing and switching, the additional software/hardware and settings must be disclosed. See Clause 5.1.1.**

No software/hardware is used to influence the flow of network traffic beyond basic IP routing and switching.

**7.5.2 The input parameters to the Driver must be disclosed by including the config/run.properties file and bin/driver.sh script used to run the benchmark in the Full Disclosure Archive. If the Launcher package was modified, its source must be included in the Full Disclosure Archive.**

The config/run.properties is included in the Full Disclosure Archive. The bin\driver.bat script was modified to point to the correct jars for WebSphere as well as miscellaneous updates for hostnames and port numbers.

In addition, the emulator.err and delivery.err had to be manually retrieved as the driver failed to retrieve this information. A browser was used and the output pasted into a flat file.

**7.5.3 The bandwidth of the network(s) used in the tested/priced configuration must be disclosed.**

The Emulator/Driver and J2EE server used as switched 100Mbit Ethernet network. All connections in the SUT were switched 100MbFast Ethernet Full/Duplex connections.

**7.5.4 The protocol used by the Driver to communicate with the SUT (e.g RMI/IIOP) must be disclosed.**

The protocol used was RMI-over-IIOP

**7.5.5 If the Driver system(s) perform many load-balancing functions as defined in Clause 4.12.5, the details of these functions must be disclosed.**

The WebSphere Application Server ORB on the driver system balanced requests among Node s1 and 2. The methodology was Round-Robin, Prefer Local (default).

**7.5.6 The number and types of client systems used, along with the number and types of processors, memory and network configuration must be disclosed.**

The following single client system was used:

IBM x232 model 41X  
2x1.266 GHz Pentium III CPUs with 512K BL2 Cache  
2.0GB RAM  
1 36.4GB Disk  
1 100Mbit Ethernet interface

## 7.6 Clause 6 Pricing Related Items

7.6.1 A detailed list of hardware and software used in the priced system must be reported. Each separately orderable item must have vendor part number, description, and release/revision level, and either general availability status or committed delivery date. If package-pricing is used, vendor part number of the package and a description uniquely identifying each of the components of the package must be disclosed. Pricing source(s) and effective date(s) of price(s) must also be reported.

Pricing detail for the hardware components is in **Appendix A.**

### Hardware (includes at least 1 year 24x7 support)

<b>System</b>	<b>Acquisition Price</b>
Ethernet Switch	3,421
Two WebSphere Application Server Nodes	63,492
Database Node	23,337
	<hr/>
	\$90,250

Note: Hardware pricing is independent of software configured or used.

## Software

Description	Price	Qty	ExtendedPrice
WebSphereApplicationServerAE	\$10,081/processor	8	\$80,648
IBM DB2 WorkgroupUnlimited	\$14,012/processor	2	28,024
MicrosoftWindows2000Server	\$999	3	2,997
IBMSupportLinefor2-5servers	\$12,206.38/year	1	12,207
SoftwareTotal			\$123,876

Note: Software pricing based on Passport Advantage Agreement. This is a standard, free, offering from IBM and includes 24x7 software support for IBM WebSphere Application Server and DB2. Microsoft Windows 2000 Server support is covered by the IBM Support Line item above. Pricing is based on the purchase of the three node cluster as used in the test. This is a standard package offering.

Hardware Acquisition and 1-year cost of ownership	90,250
Software Acquisition and 1-year cost of ownership	123,876
1-Year Hardware/Software Acquisition and Maintenance Cost of ownership	\$ 214,126
BBOPS@Std	16634.4
\$/BBOPS@Std	13

Pricing sources:

IBM: [www.ibm.com](http://www.ibm.com)

Microsoft: [www.microsoft.com](http://www.microsoft.com)

Cisco: 1-800-326-1941

Effective dates of pricing: 02/21/2002

**7.6.2 The total price of the entire configuration must be reported, including: hardware, software, and maintenance charges. Separate component pricing is recommended.**

The total price of the tested configuration is: \$ 214,126 (quoted in US dollars)

**7.6.3 The committed delivery date for general availability (availability date) of products used in the price calculations must be reported. When the priced system includes products with different availability dates, the reported availability date for the priced system must be the date at which all components are committed to be available.**

WebSphere 4.0.3 will be available April 30, 2002. All other products used in this benchmark are available as of February 25, 2002.

# AppendixA -ListPricesfor SUTHardware(currentasof2002-02- 25)

<u>P/N</u>	<u>xSeries350-WebSphereSystem</u>	<u>ListPrice</u>	<u>NetPrice</u>
1 86826RY	xSeries350900MHz/2MBPentiumIIIXeon,512MBECC,OPEN,48X,PCI(Rack4U)(P/N86826RY)	\$8,199.00	\$8,199.00
1	(Std)270WHot-SwapPowerSupply		
1	(Std)48X-20XCD-ROMDrive		
1	(Std)5.25to3.5DASDBayConversionKit		
1	(Std)900MHz/2MBPentiumIIIXeonProcessor		
1	(Std)IBM1.44MB3.5-inchDisketteDrive		
1	(Std)Integrated10/100EthernetController		
1	(Std)IntegratedDual-ChannelUltra160SCSIController		
1	(Std)IntegratedVideoController-8MB		
4	(Std)Netfinity128MB100MHzECCSDRAMRDIMM		
1	(Std)SystemsManagementProcessor		
3 19K4633	900MHz/2MBPentiumIIIXeonProcessor(P/N19K4633)	\$6,189.00	\$18,567.00
4 33L3117	Netfinity512MB100MHzECCSDRAMRDIMM(P/N33L3117)	\$499.00	\$1,996.00
1 37L7206	36.4GB10K-4Ultra160SCSIHot-SwapSLHDD(P/N37L7206)	\$549.00	\$549.00
2 06P3601	10/100EthernetServerAdapter(P/N06P3601)	\$94.05	\$189.00
2 37L6880	270WHot-SwapRedundantPowerSupply(P/N37L6880)	\$224.00	\$448.00
1 28L3621	IBMPreferredKeyboard(StealthBlack)(P/N28L3621)	\$49.00	\$49.00
1 28L3673	Sleek2-ButtonMouse(StealthBlack)(P/N28L3673)	\$25.00	\$25.00
1 66274AN	G7817inch(16inchViewable)Monitor-StealthBlack(P/N66274AN)	\$229.00	\$229.00
1 30L9186	3YRONsiterepair24x74-Hourwarrantyserviceupgrade(P/N30L9186)	\$1,495.00	\$1,495.00
<b><u>Subtotalforx350WebSphereSystem</u></b>			<b><u>\$31,746.00</u></b>

<u>P/N</u>	<u>xSeries350DatabaseSystem</u>	<u>ListPrice</u>	<u>NetPrice</u>
1 86826RY	xSeries350900MHz/2MBPentiumIIIXeon,512MBECC,OPEN,48X,PCI(Rack4U)(P/N86826RY)	\$8,199.00	\$8,199.00
1	(Std)270WHot-SwapPowerSupply		
1	(Std)48X-20XCD-ROMDrive		
1	(Std)5.25to3.5DASDBayConversionKit		
1	(Std)900MHz/2MBPentiumIIIXeonProcessor		
1	(Std)IBM1.44MB3.5-inchDisketteDrive		
1	(Std)Integrated10/100EthernetController		
1	(Std)IntegratedDual-ChannelUltra160SCSIController		
1	(Std)IntegratedVideoController-8MB		
4	(Std)Netfinity128MB100MHzECCSDRAMRDIMM		
1	(Std)SystemsManagementProcessor		
1 19K4633	900MHz/2MBPentiumIIIXeonProcessor(P/N19K4633)	\$6,189.00	\$6,189.00
4 33L3117	Netfinity512MB100MHzECCSDRAMRDIMM(P/N33L3117)	\$499.00	\$1,996.00
1 33L5050	Netfinity3-PackUltra160Hot-SwapExpansionKit	\$319.00	\$319.00
1 06P5736	ServeRAID-4MxUltra160SCSIController(P/N06P5736)	\$999.00	\$999.00
6 37L7206	36.4GB10K-4Ultra160SCSIHot-SwapSLHDD(P/N37L7206)	\$549.00	\$3,294.00
1 06P3601	10/100EthernetServerAdapter(P/N06P3601)	\$94.05	\$95.00
2 37L6880	270WHot-SwapRedundantPowerSupply(P/N37L6880)	\$224.00	\$448.00
1 28L3621	IBMPreferredKeyboard(StealthBlack)(P/N28L3621)	\$49.00	\$49.00
1 28L3673	Sleek2-ButtonMouse(StealthBlack)(P/N28L3673)	\$25.00	\$25.00
1 66274AN	G7817inch(16inchViewable)Monitor-StealthBlack(P/N66274AN)	\$229.00	\$229.00
1 30L9186	3YRONsiterepair24x74-Hourwarrantyserviceupgrade(P/N30L9186)	\$1,495.00	\$1,495.00
<b><u>Subtotalforx350DatabaseSystem</u></b>			<b><u>\$23,337.00</u></b>

1	CiscoSwitch-WS-C3524-XL-EN	\$2,995.00	\$2,995.00
1	SMARTnet1year24x74hourwarrantyService-CON-SNTP-WS-C3524	\$426.00	\$426.00
<b><u>SubtotalforCiscoSwitch</u></b>			<b><u>\$3,421.00</u></b>