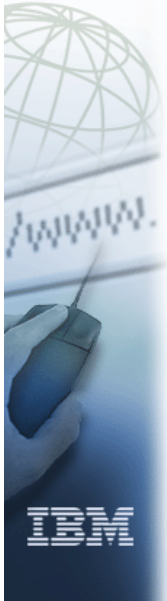


ibm.com



e-business



# z/OSMF



## Redbooks

International Technical Support Organization

© Copyright IBM Corp. 2010. All rights reserved.

## Trademarks



eNetwork	DFSMS/MVS	IMS	RMF
geoManager	DFSMSdfp	IMS/ESA	RS/6000
AD/Cycle	DFSMSdss	IP PrintWay	S/390
ADSTAR	DFSMSshm	IPDS	S/390 Parallel Enterprise Server
AFP	DFSMSrmm	Language Environment	SecureWay
APL2	DFSORT	Multiprise	StorWatch
APPN	Enterprise System 3090	MQSeries	Sysplex Timer
BookManger	Enterprise System 4381	MVS/ESA	System/390
BookMaster	Enterprise System 9000	Network Station	System REXX
C/370	ES/3090	NetSpool	SystemView
CallPath	ES/4381	OfficeVision/MVS	SOM
CICS	ES/9000	Open Class	SOMobjects
CICS/ESA	ESA/390	OpenEdition	SP
CICS/MVS	ESCON	OS/2	VisualAge
CICSPlex	First Failure Support Technology	OS/390	VisualGen
COBOL/370	FLowMark	Parallel Sysplex	VisualLift
DataPropagator	FFST	Print Services Facility	VTAM
DisplayWrite	GDDM	PrintWay	WebSphere
DB2	ImagePlus	ProductPac	3090
DB2 Universal Database	Intelligent Miner	PR/SM	3890/XP
DFSMS	IBM	QMFr	z/OS
	IBM System z	RACF	z/OS.e

Domino (Lotus Development Corporation)  
 DFS (Transarc Corporation)  
 Java (Sun Microsystems, Inc.)  
 Lotus (Lotus Development Corporation)

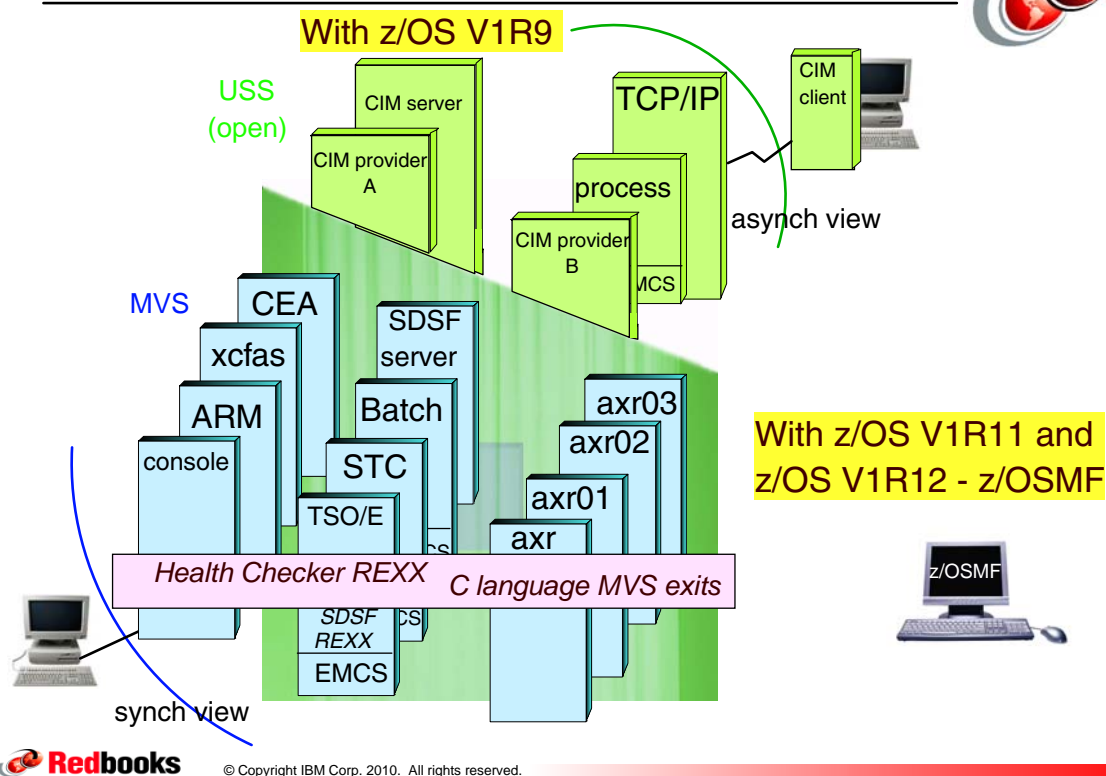
Tivoli (Tivoli Systems Inc.)  
 Tivoli Management Framework  
 (Tivoli Systems Inc.)  
 Tivoli Manger (Tivoli Systems Inc.)

UNIX (X/Open Company Limited)  
 Windows (Microsoft Corporation)  
 Windows NT (Microsoft Corporation)



© Copyright IBM Corp. 2010. All rights reserved.

## Simplification of z/OS



## z/OSMF Introduction

- ❑ Provides support for a modern, Web-browser based management console for z/OS
  - First release introduced is z/OSMF V1R11
- ❑ Manages z/OS from z/OS
  - Browser communicates with z/OSMF via secure connection, anywhere, anytime
  - z/OSMF V1R11 is supported on z/OS V1R10 w/maint, z/OSV1R11, and z/OS V1R12
- ❑ z/OSMF V1R12 is to be supported on z/OS V1R12

# z/OSMF V1R12



- ❑ **IBM z/OS Management Facility (z/OSMF)**
  - A zero priced product to help simplify, optimize and modernize the z/OS system programmer experience
- ❑ **z/OSMF provides solutions in the following ways**
  - Task oriented design
  - Web browser based user interface
  - Integrated user assistance
- ❑ **Designed to make the operations and administration of the mainframe z/OS systems easier to manage**
- ❑ **Help improve system programmer productivity, and make the functions easier to understand and use**



© Copyright IBM Corp. 2010. All rights reserved.

# IT Organizational Domains



- ❑ **The focus for z/OSMF is for both new and experienced system programmers**
  - Within each domain to enhance productivity



© Copyright IBM Corp. 2010. All rights reserved.

# Browser Access to z/OSMF



IBM z/OS Management Facility Welcome zosmfad [Log out](#)

[Welcome](#) | [Configuration](#) | [Links](#) | [Performance](#) | [Problem Determination](#) | **[z/OSMF Administration](#)** | [Refresh](#)

Welcome | Workload Man...

**Welcome to IBM z/OS Management Facility** [About](#)

IBM z/OS Management Facility (z/OSMF) allows you to manage various aspects of a z/OS system through a Web browser interface. By streamlining some traditional tasks and automating others, z/OSMF can help to simplify some areas of system management and reduce the level of expertise needed for managing a system.

To learn more about using z/OSMF, review the links in the Information Center section.

To start managing your z/OS systems, select a task from the navigation area.

© Copyright IBM Corp. 2010. All rights reserved.

# Workstation Supported Browsers



- To access z/OSMF on the z/OS system, your workstation requires one of the following Web browsers:

Browser	Windows XP 32-bit	Windows Vista Business Edition 32-bit	Windows 7 Professional 32-bit
Firefox 3.0.15	Yes	Yes	No
Firefox 3.5	Yes	Yes	Yes
Internet Explorer 7	Yes	Yes	No
Internet Explorer 8	Yes	Yes	Yes

## **z/OSMF z/OS V1R12 Considerations**

---



- ❑ If you are migrating to a new release of z/OSMF, you can re-use much of the customization from your current configuration
- ❑ Most functions in z/OSMF are now provided through optional plug-ins
  - Enable when you configure the product
    - In general, you should configure all of the available plug-ins during the z/OSMF configuration process



© Copyright IBM Corp. 2010. All rights reserved.

## **Software Requirements**

---

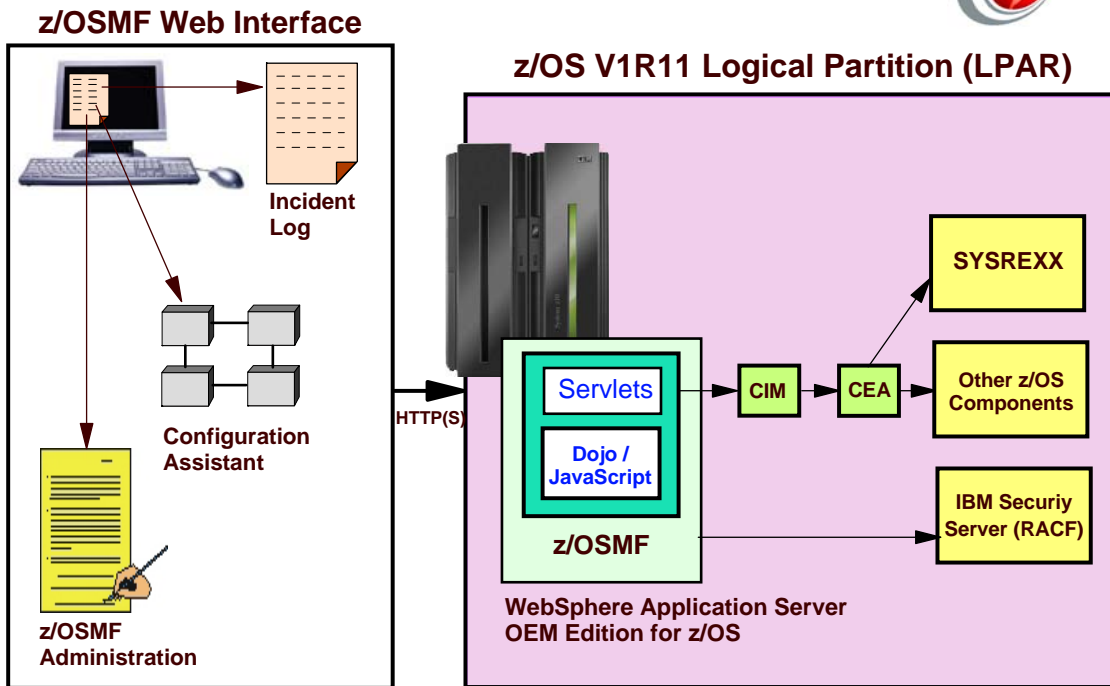


- ❑ Software dependencies
  - z/OSMF V1R12 requires z/OS V1R12
  - WAS OEM should be at a minimum level 7.0.0.9 APAR PM10520
- ❑ Once WebSphere Application Server OEM Edition has been set up and installed
  - z/OSMF itself is deployed into this runtime and this is where the application servlets and GUIs reside
  - z/OSMF uses the Dojo technology for GUIs, which uses JavaScript and that helps improve performance overall because the GUI can perform all the graphics rendering in the browser on the workstation



© Copyright IBM Corp. 2010. All rights reserved.

# z/OSMF Component Interaction



© Copyright IBM Corp. 2010. All rights reserved.

# z/OSMF Functions



- ❑ Configuration Assistant for the z/OS Communications Server
- ❑ Incident Log
- ❑ WLM Policy Editor (z/OSMF V1R12)
- ❑ Resource Monitoring ( z/OSMF V1R12)
- ❑ z/OSMF administration



© Copyright IBM Corp. 2010. All rights reserved.

# z/OSMF Welcome Screen



## Customize the Welcome Panel



- ❑ Your installation can customize the z/OSMF Welcome panel
  - Installation's own information for guest users
  - To provide users with tailored information or instructions specific to your company
  - You can even customize the Welcome panel with a small image or graphic, such as your company logo
  - After the user authenticates, the Welcome panel is replaced with the standard z/OSMF Welcome panel

## Customize the Welcome Panel

---



- ❑ 1. Copy from  
`/usr/lpp/zosmf/V1R12/samples/customWelcome.properties`  
to `/var/zosmf/data/customWelcome.properties`
  - We used the default target location `/var/zosmf/data` when building z/OSMF
- ❑ 2. Edit `/var/zosmf/data/customWelcome.properties`
  - We updated the last two lines:
    - `header=Welcome to z/OSMF on WTSC80`
    - `footer=Brought to you by the ITSO`
- ❑ 3. We copied the ITSO logo .gif file to
  - `/var/zosmf/data/customLogo.gif`



© Copyright IBM Corp. 2010. All rights reserved.

## Customize the Welcome Panel

---



- ❑ As for the size of the image, consider the following:
  - You technically do not need to know the size of the area for the image to fit
  - If the image is smaller than the area, then it will remain its original dimensions
  - If the image is larger than the area, it will be scaled down to fit in the area. Due to this scaling, the image will always "fit", although there may be distortion from this scaling
- ❑ Since no one wants image distortion, we will clearly state that this area is 120x40 pixels



© Copyright IBM Corp. 2010. All rights reserved.



# Customizing the Welcome Panel for Guest Users - Login Panel



IBM z/OS Management Facility Welcome guest IBM

User ID  
zosmfad

Password or pass phrase  
\*\*\*\*\*

Log in

■ Welcome

▣ Links

- ShopzSeries
- Support for z/OS
- System z Redbooks
- WSC Flashes
- z/OS Basics Information Center
- z/OS Home Page
- z/OS Internet Library

Refresh

Welcome to z/OSMF on WTSC80

Welcome to IBM z/OS Management Facility About

IBM z/OS Management Facility (z/OSMF) allows you to manage various aspects of a z/OS system through a Web browser interface. By streamlining some traditional tasks and automating others, z/OSMF can help to simplify some areas of system management and reduce the level of expertise needed for managing a system.

Log in to utilize and learn more about z/OSMF.

Brought to you by the ITSO

Redbooks International Technical Support Organization

© Copyright IBM Corp. 2010. All rights reserved.

# Welcome Panel after Login



IBM z/OS Management Facility Welcome zosmfad Log out IBM

■ Welcome

▣ Configuration

- Configuration Assistant

▣ Links

- ShopzSeries
- Support for z/OS
- System z Redbooks
- WSC Flashes
- z/OS Basics Information Center
- z/OS Home Page
- z/OS Internet Library

▣ Performance **New with z/OS V1R12**

- Monitoring Desktops
- Sysplex Status
- Workload Management

▣ Problem Determination

- Incident Log

▣ z/OSMF Administration

- Links
- Roles
- Users

Refresh

Welcome to IBM z/OS Management Facility About

IBM z/OS Management Facility (z/OSMF) allows you to manage various aspects of a z/OS system through a Web browser interface. By streamlining some traditional tasks and automating others, z/OSMF can help to simplify some areas of system management and reduce the level of expertise needed for managing a system.

To learn more about using z/OSMF, review the links in the Information Center.

To start managing your z/OS systems, select a task from the navigation area.

Information Center:

- What's New:** Provides a summary of the major functional enhancements in this release of z/OSMF.
- Using z/OSMF:** Provides information to help you get started using z/OSMF. Includes topics on logging in, navigating, using tables, and performing other common actions.
- Configuration:** Provides a guided interface for configuring TCP/IP policy-based networking functions.
- Links:** Provides a common launch point for accessing resources beyond z/OSMF.
- Performance:** Provides the control point for managing and monitoring the performance of the workloads in your installation. This includes tools for managing z/OS Workload Manager (WLM) service definitions and setting guidelines for WLM to use when allocating resources.
- Problem Determination:** Provides a consolidated list of problems, along with the details and the diagnostic data captured and saved with each problem. It also facilitates sending the diagnostic data for further diagnosis.
- z/OSMF Administration:** Provides the tasks for defining z/OSMF users and roles and adding links to external sites.

Redbooks International Technical Support Organization

© Copyright IBM Corp. 2010. All rights reserved.

## z/OSMF Plug-ins with z/OS V1R12



- ❑ In z/OSMF, a plug-in is a collection of one or more system management tasks (Configuring is optional)
  - Most z/OSMF functions in the navigation area are provided through plug-ins: enable them during configuration
- ❑ z/OSMF V1R12 includes the following plug-ins:
  - **Configuration Assistant plug-in:** adds the task to the Configuration category
  - **Incident Log plug-in:** adds the Incident Log task to the Problem Determination category
  - **Resource Monitoring plug-in:** adds the Monitoring Desktops, Sysplex Status tasks to Performance category
  - **Workload Management plug-in:** adds the Workload Management task to the Performance category



© Copyright IBM Corp. 2010. All rights reserved.

## z/OSMF Plug-ins with z/OS V1R12



- ❑ Install all plug-in FMIDs (ServerPac installs them)
  - With CBPDO (recommend you install all)
- ❑ In general, you should configure all of the available plug-ins during the z/OSMF configuration process
- ❑ In terms of system resources, the cost of a plug-in is negligible
- ❑ If you add a plug-in after completing the configuration process, you are required to repeat most of the steps in configuring z/OSMF
- ❑ If you add a plug-in later, you can use the `izusetup.sh` script to add the plug-ins
  - Here, you will configure plug-ins individually, repeating most of the steps you followed earlier to configure z/OSMF



© Copyright IBM Corp. 2010. All rights reserved.

# Links Access to Information



IBM z/OS Management Facility

Welcome zosmfad

Log out IBM

Links

You can customize z/OSMF with links to other sites for system management tools and information. Use this panel to manage your links and make them accessible to z/OSMF roles.

Link Name	URL	Category	Authorized for
ShopzSeries	com/software/shopzseries	Links	z/OSMF Administrator, z/OSMF User, z/OSMF Authenticated Guest, z/OSMF Guest
Support	com/systems/support/z/zos/index.html	Links	z/OSMF Administrator, z/OSMF User, z/OSMF Authenticated Guest, z/OSMF Guest
System z Redbooks	books.ibm.com/portals/systemz/	Links	z/OSMF Administrator, z/OSMF User, z/OSMF Authenticated Guest, z/OSMF Guest
WSC Files	com/support/techdocs	Links	z/OSMF Administrator, z/OSMF User, z/OSMF Authenticated Guest, z/OSMF Guest
z/OS Basics Information Center	ulder.ibm.com/infocenter/zos/basics/index.jsp	Links	z/OSMF Administrator, z/OSMF User, z/OSMF Authenticated Guest, z/OSMF Guest
z/OS Home Page	http://www.ibm.com/systems/z/os/zos/	Links	z/OSMF Administrator, z/OSMF User, z/OSMF Authenticated Guest, z/OSMF Guest
z/OS Internet Library	http://www.ibm.com/systems/z/os/zos/ibkserv/	Links	z/OSMF Administrator, z/OSMF User, z/OSMF Authenticated Guest, z/OSMF Guest

Total: 7, Selected: 0

Refresh Last refresh: Jul 6, 2010 12:36:37 PM

Redbooks © Copyright IBM Corp. 2010. All rights reserved.

## Problem Determination - Incident Log



- z/OS V1R12 improvements for the Incident Log
  - Encryption of all incident files (including dumps)
    - Send to IBM in parallel through FTP that breaks dumps into multiple data sets to save time
    - Requires host and destination must have the z/OS Problem Documentation Upload Utility installed
  - Send additional data sets, free-form comments for problem descriptions, and encrypted and parallel FTP destinations support
    - z/OSMF uses your system's SYSLOG or LOGREC data set, or both, as the source for creating diagnostic log snapshots

# Problem Documentation Upload Utility



- ❑ The utility is an optional tool that you can download and install in your installation
  - The tool is provided as-is at no additional charge and not supported by IBM, and it is not shipped with z/OSMF, see:
    - <ftp://ftp.software.ibm.com/s390/mvs/tools/mtftp/>
- ❑ If the tool is installed and is properly configured, z/OSMF makes use of its parallel FTP and encryption capabilities
  - The tool must be installed on both the z/OSMF host system and the FTP destination system
    - Otherwise, the send will fail or the destination might not be able to decrypt, reassemble, or read the files



© Copyright IBM Corp. 2010. All rights reserved.

# Incident Log Dumps



❑ List of incidents from different systems in the sysplex

[Log out](#)

Welcome Incident Log Help

**Incident Log**

Incident Type Filter	Component ID Filter	Component Name Filter	Date and Time (GMT) Dates from May 19, 2010 12:00:00 AM	Description Filter
<input type="checkbox"/> User Initiated			Aug 11, 2010 2:14:14 PM	IOSAS & DEVMAN
<input type="checkbox"/> User Initiated			Aug 11, 2010 2:10:26 PM	IOSAS AND DEVMAN
<input type="checkbox"/> ABEND S00C4	5752SC1C3	IOS	Jul 23, 2010 12:22:48 AM	COMPON=IOS,COMPID=SC1C3,ISSUER=H AUTOCONFIG HOM RTN
<input type="checkbox"/> ABEND S0C0D	5752SC1C3	IOS	Jul 20, 2010 7:58:52 PM	COMPON=IOS,COMPID=SC1C3,ISSUER=H DISCOVER/AUTOCFG MAIN
<input type="checkbox"/> ABEND S0C0D	5752SC1C3	IOS	Jul 20, 2010 7:58:52 PM	COMPON=IOS,COMPID=SC1C3,ISSUER=H DISCOVER/AUTOCFG SVCS
<input type="checkbox"/> ABEND S0C0D	5752SC1C3	IOS	Jul 20, 2010 7:46:38 PM	COMPON=IOS,COMPID=SC1C3,ISSUER=H DISCOVER/AUTOCFG MAIN
<input type="checkbox"/> ABEND S0C0D	5752SC1C3	IOS	Jul 20, 2010 7:46:38 PM	COMPON=IOS,COMPID=SC1C3,ISSUER=H DISCOVER/AUTOCFG SVCS
<input type="checkbox"/> ABEND S0C0D	5752SC1C3	IOS	Jul 20, 2010 7:41:10 PM	COMPON=IOS,COMPID=SC1C3,ISSUER=H DISCOVER/AUTOCFG MAIN
<input type="checkbox"/> ABEND S0C0D	5752SC1C3	IOS	Jul 20, 2010 7:41:10 PM	COMPON=IOS,COMPID=SC1C3,ISSUER=H DISCOVER/AUTOCFG SVCS
<input type="checkbox"/> ABEND S0C0D	5752SC1C3	IOS	Jul 20, 2010 7:38:29 PM	COMPON=IOS,COMPID=SC1C3,ISSUER=H DISCOVER/AUTOCFG MAIN
<input type="checkbox"/> ABEND S0C0D	5752SC1C3	IOS	Jul 20, 2010 7:38:29 PM	COMPON=IOS,COMPID=SC1C3,ISSUER=H DISCOVER/AUTOCFG SVCS

Total: 75, Filtered: 75, Selected: 0

Refresh Last refresh: Aug 27, 2010 11:31:20 AM local time (Aug 27, 2010 3:31:20 PM GMT)

- Welcome
- Configuration
- Links
  - ShopzSeries
  - Support for z/OS
  - System z Redbooks
  - WSC Flashes
  - z/OS Basics Information Center
  - z/OS Home Page
  - z/OS Internet Library
- Performance
  - Monitoring Desktops
  - Sysplex Status
  - Workload Management
- Problem Determination
  - Incident Log
- zOSMF Administration
  - Links
  - Roles
  - Users

[Refresh](#)

© Copyright IBM Corp. 2010. All rights reserved.

# Incident Log Dumps

Right click and incident box appears



IBM z/OS Management Facility Welcome zosmfad Log out IBM

Incident Log

Incident Type Filter	Component ID Filter	Component Name Filter	Date and Time (GMT) Dates from May 19, 2010 12:00:00 AM	Description Filter
<input type="checkbox"/> User Initiated			Aug 11, 2010 2:14:14 PM	IOSAS & DEVMAN
<input type="checkbox"/> User Initiated			Aug 11, 2010 2:10:26 PM	IOSAS AND DEVMAN
<input checked="" type="checkbox"/> ABEND S00C4	5752SC1C3	IOS	Jul 23, 2010 12:22:48 AM	COMPON=IOS.COMPID=SC1C3.ISSUER=H AUTOCONFIG HOM RTN
<input type="checkbox"/> ABEND S0C0D	5752SC1C3	IOS		COMPON=IOS.COMPID=SC1C3.ISSUER=H DISCOVER/AUTOCFG MAIN
<input type="checkbox"/> ABEND S0C0D	5752SC1C3	IOS		COMPON=IOS.COMPID=SC1C3.ISSUER=H DISCOVER/AUTOCFG SVCS
<input type="checkbox"/> ABEND S0C0D	5752SC1C3	IOS		COMPON=IOS.COMPID=SC1C3.ISSUER=H DISCOVER/AUTOCFG MAIN
<input type="checkbox"/> ABEND S0C0D	5752SC1C3	IOS		COMPON=IOS.COMPID=SC1C3.ISSUER=H DISCOVER/AUTOCFG SVCS
<input type="checkbox"/> ABEND S0C0D	5752SC1C3	IOS		COMPON=IOS.COMPID=SC1C3.ISSUER=H DISCOVER/AUTOCFG MAIN
<input type="checkbox"/> ABEND S0C0D	5752SC1C3	IOS	Jul 20, 2010 7:41:10 PM	COMPON=IOS.COMPID=SC1C3.ISSUER=H DISCOVER/AUTOCFG SVCS
<input type="checkbox"/> ABEND S0C0D	5752SC1C3	IOS	Jul 20, 2010 7:36:29 PM	COMPON=IOS.COMPID=SC1C3.ISSUER=H DISCOVER/AUTOCFG MAIN
<input type="checkbox"/> ABEND S0C0D	5752SC1C3	IOS	Jul 20, 2010 7:36:29 PM	COMPON=IOS.COMPID=SC1C3.ISSUER=H DISCOVER/AUTOCFG SVCS

Redbooks © Copyright IBM Corp. 2010. All rights reserved.

# Actions Dropdown



IBM z/OS Management Facility Welcome zosmfad Log out IBM

Incident Log

Incident Type Filter	Component ID Filter	Component Name Filter	Date and Time (GMT) Dates from May 19, 2010 12:00:00 AM	Description Filter
<input checked="" type="checkbox"/> ABEND		IOS	Jul 23, 2010 12:22:48 AM	COMPON=IOS.COMPID=SC1C3.ISSUER=H AUTOCONFIG HOM RTN
<input type="checkbox"/> ABEND		IOS	Jul 20, 2010 7:59:52 PM	COMPON=IOS.COMPID=SC1C3.ISSUER=H DISCOVER/AUTOCFG MAIN
<input type="checkbox"/> ABEND		IOS	Jul 20, 2010 7:59:52 PM	COMPON=IOS.COMPID=SC1C3.ISSUER=H DISCOVER/AUTOCFG SVCS
<input type="checkbox"/> ABEND		IOS	Jul 20, 2010 7:46:38 PM	COMPON=IOS.COMPID=SC1C3.ISSUER=H DISCOVER/AUTOCFG MAIN
<input type="checkbox"/> ABEND		IOS	Jul 20, 2010 7:46:38 PM	COMPON=IOS.COMPID=SC1C3.ISSUER=H DISCOVER/AUTOCFG SVCS
<input type="checkbox"/> ABEND		IOS	Jul 20, 2010 7:41:10 PM	COMPON=IOS.COMPID=SC1C3.ISSUER=H DISCOVER/AUTOCFG MAIN
<input type="checkbox"/> ABEND		IOS	Jul 20, 2010 7:41:10 PM	COMPON=IOS.COMPID=SC1C3.ISSUER=H DISCOVER/AUTOCFG SVCS
<input type="checkbox"/> ABEND		IOS	Jul 20, 2010 7:36:29 PM	COMPON=IOS.COMPID=SC1C3.ISSUER=H DISCOVER/AUTOCFG MAIN
<input type="checkbox"/> ABEND		IOS	Jul 20, 2010 7:36:29 PM	COMPON=IOS.COMPID=SC1C3.ISSUER=H DISCOVER/AUTOCFG SVCS
<input type="checkbox"/> ABEND S0C0D	5752SC1C3	IOS	Jul 20, 2010 7:34:32 PM	COMPON=IOS.COMPID=SC1C3.ISSUER=H DISCOVER/AUTOCFG MAIN

Redbooks © Copyright IBM Corp. 2010. All rights reserved.

# Set Incident Number



IBM z/OS Management Facility Welcome zosmfad Log out IBM

Incident Log

Incident Log

Actions

- Set Tracking ID...
- Set Problem Number...
- Add Notes...
- Delete Incident...
- Send Diagnostic Data...
- View Diagnostic Details
- FTP Job Status
- Allow Next Dump...
- FTP Destinations
- FTP Profiles
- Select All
- Deselect All
- Configure Columns...
- Hide Filter Row
- Clear Filters
- Modify Sort...
- Clear Sorts

Incident Filter	Component Name Filter	Date and Time (GMT) Filter	Description Filter
<input checked="" type="checkbox"/> ABEND		May 26, 2010 5:15:44 PM	COMPON=ATR,COMPID=SCRRS,ISSUER=ATF UNEXPECTED ERROR
<input type="checkbox"/> User Init		Apr 13, 2010 5:56:00 PM	test for z/OSMF incident log
<input type="checkbox"/> ABEND	SDSF	Apr 12, 2010 6:47:38 PM	ABEND=J0082,RC=0000,COMPON=SDSF, ESTAE,COMPID=5684-A01,ISSUER=ISFSTAE ABEND ROUTINE
<input type="checkbox"/> ABEND	VTAM V4 MVS/ESA	Mar 25, 2010 8:55:26 PM	VTAM SYNC DUMP FOR ABEND IN ISTRPCTM NET STEP NET

Total: 4, Filtered: 4, Selected: 1

Refresh Last refresh: Jun 28, 2010 12:25:21 PM local time (Jun 28, 2010 4:25:21 PM GMT)

Redbooks © Copyright IBM Corp. 2010. All rights reserved.

# Set Incident Problem Number



IBM z/OS Management Facility Welcome zosmfad Log out IBM

Incident Log

Incident Log > Set Problem Number

## Set Problem Number

After you obtain a problem number, enter it in the problem number field. When you click **OK**, the problem number is associated with all of the selected incidents. If an incident currently has a problem number, it is overridden and set to the problem number you entered.

Selected incidents

Incident Type	Description	Date and Time (GMT)	Curre
ABEND	COMPON=ATR,COMPID=SCRRS,ISSUER=ATRBMDUM,MODULE=ATRTMRRM+0D8E UNEXPECTED ERROR	May 26, 2010 5:15:44 PM	

Problem number:   Identify the problem number as an IBM PMR and verify the syntax.

OK Cancel

Redbooks © Copyright IBM Corp. 2010. All rights reserved.

# Configuration Assistant



- ❑ [z/OS V1R12 enhancements](#)
  - IKE Version 2
  - New cryptographic algorithms for IPsec and IKE
  - FIPS 140 cryptographic mode for IPsec
  - Certificate trust chains and certificate revocation lists
  - Enforcement of RFC4301 compliance for IPsec filter rules
- ❑ [On the Web, you can find information about the](#)
  - Configuration Assistant at the z/OS Communications Server Web site:
    - <http://www.ibm.com/software/network/commserver/zos/support/>



© Copyright IBM Corp. 2010. All rights reserved.

# Configuration Assistant



IBM z/OS Management Facility

Welcome zosmfad Log out IBM

Welcome Configuration...

Action Perspective Tutorials Help

V1R12 Configuration Assistant - Backing Store (Read-Write) = saveData

**Main Perspective**

Navigation tree

- z/OS Images
  - [Empty]

**Welcome to the Configuration Assistant**

Use introductory tutorials to help get started.

Read overviews of the available technologies.

Read commonly asked questions.

Read how to move backing store files to z/OSMF.

Read about new V1R12 functions.

Do not show this welcome panel again

Transferring data from v1r120.iso.ibm.com



© Copyright IBM Corp. 2010. All rights reserved.

# Configuration Assistant for Communications Server



IBM z/OS Management Facility Welcome zosmfad Log out

Configuration Assistant

V1R12 Configuration Assistant - Backing Store (Read-Write) = saveData

Main Perspective

Navigation tree

- z/OS Images
  - [Empty]

z/OS Communication Server technologies

Select the technology you want to configure and click Configure.

--- Select Action ---

Select	Technology	Description
<input type="radio"/>	AT-TLS	Application Transparent - Transport Layer Security
<input type="radio"/>	DMD	Defense Manager Daemon
<input type="radio"/>	IPSec	IP Security
<input type="radio"/>	IDS	Intrusion Detection Services
<input type="radio"/>	NSS	Network Security Services
<input type="radio"/>	QoS	Quality of Service
<input type="radio"/>	PBR	Policy Based Routing

Work with settings for z/OS images

Add a New z/OS Image

Redbooks © Copyright IBM Corp. 2010. All rights reserved.

# Configuration Assistant for Communications Server



IBM z/OS Management Facility Welcome zosmfad Log out

Configuration Assistant

V1R12 Configuration Assistant - Backing Store (Read-Write) = saveData

Main Perspective

Navigation tree

- z/OS Images
  - [Empty]

z/OS Communication Server technologies

Select the technology you want to configure and click Configure.

--- Select Action ---

Select	Technology	Des
<input type="radio"/>	AT-TLS	Appl Layer Security
<input type="radio"/>	DMD	Defense Manager Daemon
<input type="radio"/>	IPSec	IP Security
<input type="radio"/>	IDS	Intrusion Detection Services
<input type="radio"/>	NSS	Network Security Services
<input type="radio"/>	QoS	Quality of Service
<input type="radio"/>	PBR	Policy Based Routing

Work with settings for z/OS images

Add a New z/OS Image

Redbooks © Copyright IBM Corp. 2010. All rights reserved.

Create configuration files for any number of z/OS images with any number of TCP/IP stacks per image.

Select the TCP/IP stack that you want to configure and the technology, such as AT or IPSec.

Click on "Action" and select "Configure" to begin configuring that technology.



## Performance Category with z/OS V1R12



- ❑ **Workload Management task:** - Manage WLM service definitions, and provide guidelines for WLM to use when allocating resources
- ❑ **Monitoring Desktops task:** - Monitor the performance of the z/OS sysplexes and Linux images in your installation - Specifically, monitor most of the metrics supported by the RMF Monitor III, create and save custom views of the metrics, and display real-time performance data as bar charts
- ❑ **Sysplex Status task:** - Assess the performance of the workloads running on the z/OS sysplexes - Provides a single location where you can define the z/OS sysplexes and Linux images to be monitored in the Monitoring Desktops task



© Copyright IBM Corp. 2010. All rights reserved.

## z/OSMF and Workload Management



- ❑ Enables you to manage WLM service definitions and provide guidelines to use when allocating resources
- ❑ Actions that need the Workload Management task to interact with the sysplex are limited to the sysplex in which the z/OSMF host system is a member
- ❑ Such actions include the following:
  - Installing a service definition
  - Activating a service policy
  - Viewing the sysplex status



© Copyright IBM Corp. 2010. All rights reserved.

## WLM Primary Screen Functions



- ❑ **Manage service definitions** - Define, modify, view, copy, import, export, print, and install WLM service definitions
- ❑ **Manage service policies** - For the sysplex, you are able to activate or print one of the service policies that is defined in the installed service definition
- ❑ **Manage settings** - You can define the code page and backup sequential data set for the sysplex
  - Specify how long to keep the service definition history
  - Enable or disable the service definition and service policy consistency checking feature
- ❑ **View status of sysplex** - You can view the status of WLM on each system in the sysplex and view details about the installed service definition and the active service policy



© Copyright IBM Corp. 2010. All rights reserved.

## Workload Manager Primary Screen



IBM z/OS Management Facility Welcome zosmfad Log out IBM

Welcome Workload Man...

### Workload Management

Help

Overview

Use this task to manage z/OS Workload Manager (WLM) service definitions. To get started, select one of the following actions.

**Manage**

- [Service Definitions](#) Define, modify, view, copy, import, export, print, or install a service definition.
- [Service Policies for Sysplex](#) Activate or view one of the service policies that is defined in the installed service definition.
- [Settings](#) Define the code page and backup sequential data set for the sysplex. Specify how long to keep the service definition history.

**View**

- [Status for Sysplex](#) View the status of WLM on each system in the sysplex. View details about the installed service definition and the active service policy.



© Copyright IBM Corp. 2010. All rights reserved.

## z/OSMF Workload Management Task



- ❑ This task provides a browser-based user interface
  - Used to manage WLM service definitions
  - Provide guidelines for WLM use when allocating resources
  - Provides a browser-based user interface that you can use to manage WLM service definitions
- ❑ Can also install a service definition into the WLM couple data set for the sysplex
  - Activate a service policy
  - View the status of WLM on each system in the sysplex
- ❑ Specifically, you can define, modify, view, copy, import, export, and print WLM service definitions



© Copyright IBM Corp. 2010. All rights reserved.

## D WLM,SYSTEMS Command



```
D WLM,SYSTEMS
IWM025I 10.54.54 WLM DISPLAY 934
ACTIVE WORKLOAD MANAGEMENT SERVICE POLICY NAME: TEST1
ACTIVATED: 2009/04/23 AT: 12:06:19 BY: VAINI FROM: SC75
DESCRIPTION:
RELATED SERVICE DEFINITION NAME: TEST1
INSTALLED: 2009/04/23 AT: 12:05:47 BY: VAINI FROM: SC75
WLM VERSION LEVEL: LEVEL025
WLM FUNCTIONALITY LEVEL: LEVEL004
WLM CDS FORMAT LEVEL: FORMAT 3
STRUCTURE SYSZWLM_WORKUNIT STATUS: CONNECTED
STRUCTURE SYSZWLM_3BD52817 STATUS: CONNECTED
STATE OF GUEST PLATFORM MANAGEMENT PROVIDER (GPMP): UNAVAILABLE
*SYSNAME* *MODE* *POLICY* *WORKLOAD MANAGEMENT STATUS*
SC74 GOAL TEST1 ACTIVE
SC75 GOAL TEST1 ACTIVE
```



© Copyright IBM Corp. 2010. All rights reserved.

# Sysplex Status Task Panel Display



- ❑ The View Sysplex Status task displays
  - The active service policy
  - The WLM status on the systems in the sysplex
  - The currently installed service definition
  - Provides the option to automatically refresh the panel content
- ❑ The Sysplex Status panel comprises the information provided by the MVS console command
  - D WLM, SYSTEMS



© Copyright IBM Corp. 2010. All rights reserved.

# Monitoring Desktops



The screenshot displays the IBM z/OS Management Facility interface. The main content area is titled "Monitoring Desktops" and contains a list of desktops. Each desktop has a radio button next to its name. The desktops listed are:

- Common Storage Activity
- Coupling Facility Overview
- Execution Velocity
- General Activity
- Overall Image Activity
- Performance Index
- Response Time
- Using & Delays
- XCF Activity

At the bottom of the list, it shows "Total: 9" and a "Refresh" button. Below the refresh button, it indicates the last refresh time: "Last refresh: Jun 2, 2010 4:51:44 PM local time (Jun 2, 2010 8:51:44 PM GMT)".



© Copyright IBM Corp. 2010. All rights reserved.