
*An IBM Linux on zSeries
Teleconference*

"NT to Linux on zSeries Migration"

-- June 29, 2004 --

2:00 pm Eastern Time (session #455722)

IBM



Migrating From NT to Linux zSeries

Solutions with zSeries Linux

Bill Reeder

breeder@us.ibm.com

1-206-587-2152

Linux zSeries Strategy and Sales

IBM



Agenda and Speakers

- Bill Reeder, IBM
 - Linux Brand Strategy & Support
- Joe Poole, Boscov's Department Stores
 - Manager of Technical Support

IBM



Linux on zSeries - Solutions Overview

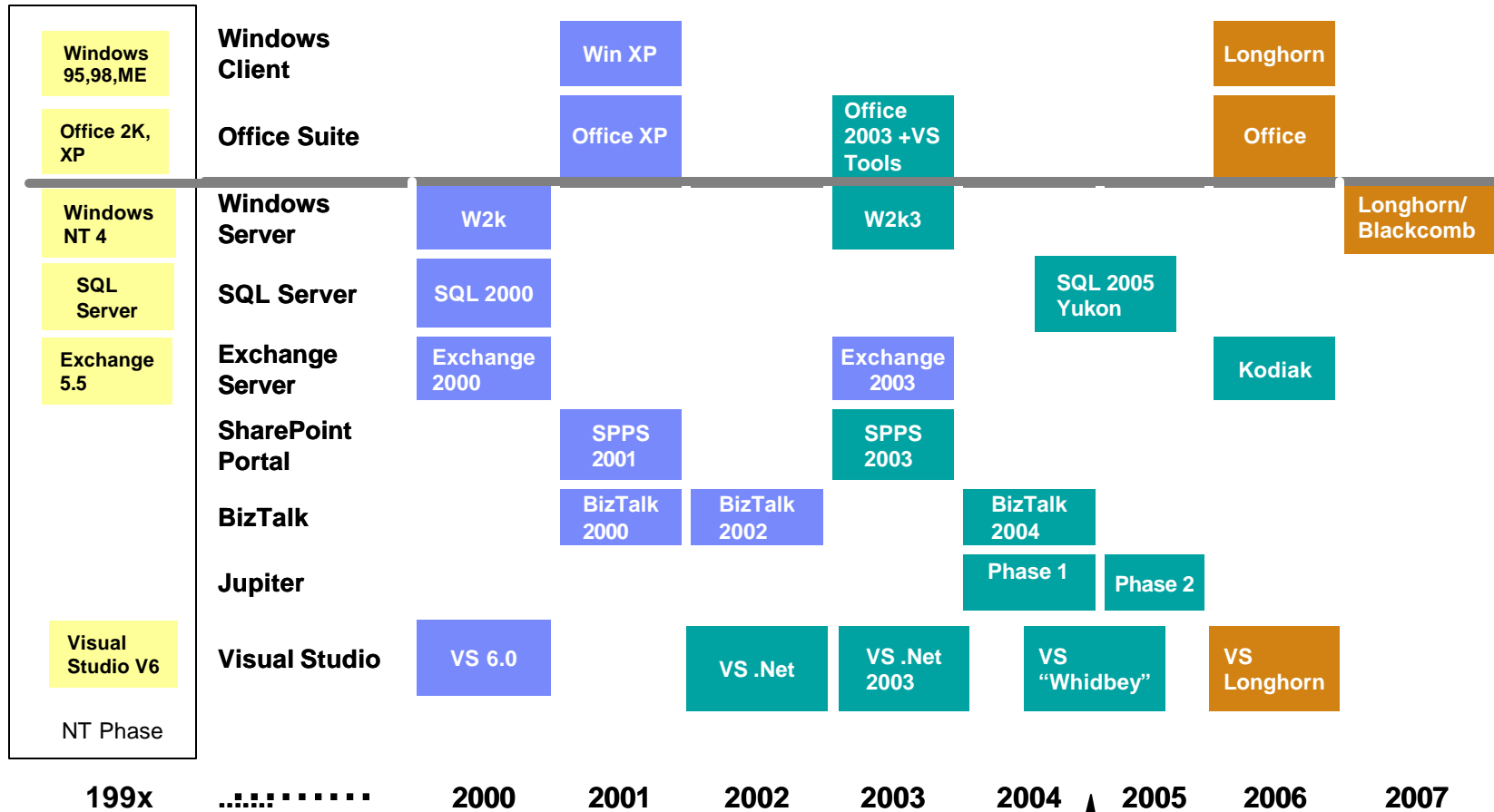
- ✓ IBM Software Migrated from NT to Linux
- ✓ Solution: NT-to-Linux on zSeries-Migration
- ✓ File/print to Samba Migration
- ✓ IIS to Apache/WAS Migration and Application enablement
- ✓ SQL Server to MySQL/DB2 Migration
- ✓ eMail, Collaboration, Calendaring & Scheduling
 - Exchange to Domino/Bynari/CommuniGatePro /SamsungContact Migration

IBM



NT- Microsoft Roadmap

- COM Phase
- COM/.NET Phase
- Longhorn Phase

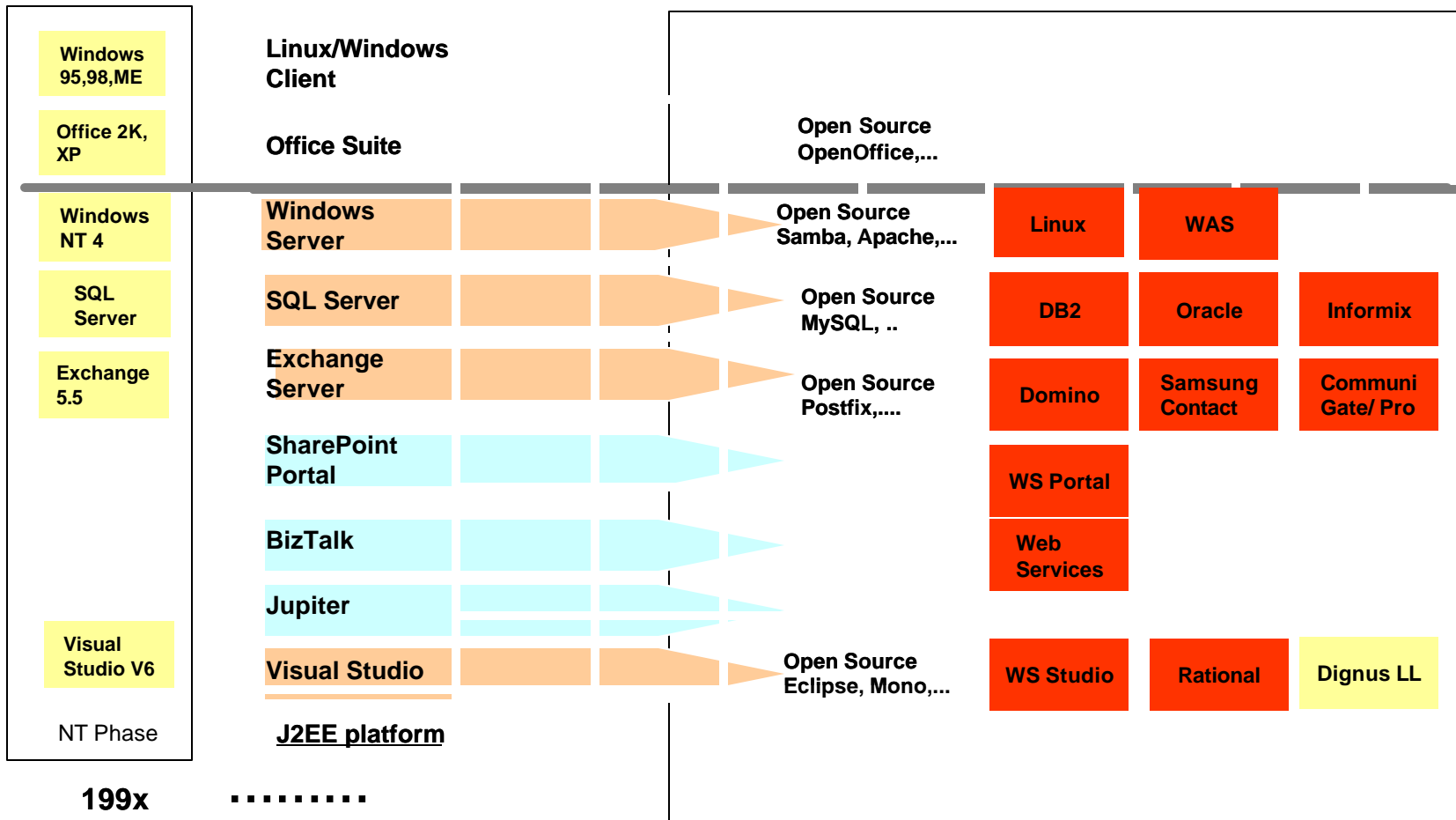


Upgrade Advantage contracts will expire June 30, 2004

NT - End of Life plan - see <http://www.microsoft.com/ntserver/ProductInfo/Availability/Retiring.asp>
 Exchange 5.5 End of Life plan - see <http://www.microsoft.com/exchange/support/lifecycle/Changes.asp>
 W2K - End of Life plan - see <http://www.microsoft.com/windows2000/server/evaluation/availability/default.asp>



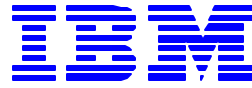
NT-to-Linux Roadmap



Eclipse - see <http://www.eclipse.org/>
 Mono c# compiler - see <http://www.go-mono.com/>
 Rational ClearCase - see <http://www-1.ibm.com/servers/eserver/zseries/os/linux/rational.html>
 Dignus C++ compiler - see <http://www.dignus.com/dcxx/>

IBM





IBM Cross Platform Software Portfolio

Software Development	e-Business Integration	Integrated Information Infrastructure	Human Productivity	Business Impact Management			
<p>Rational software</p> <p>Requirements & Analysis</p> <ul style="list-style-type: none"> •Rational Suite AnalystStudio •Rational RequisitePro •Rational Rose Family •Rational XDE Family <p>Visual Modeling & Devel.</p> <ul style="list-style-type: none"> •Rational Suite DevelopmentStudio •Rational Rose Family •Rational XDE Family •Rational PurifyPlus Family: <ul style="list-style-type: none"> ✓Rational Purify ✓Rational Quantify ✓Rational PureCoverage <p>Automated Testing</p> <ul style="list-style-type: none"> •Rational Suite TestStudio •Rational Robot •Rational TeamTest •Rational PurifyPlus •Rational TestManager •Rational Test RealTime •Rational ClearQuest <p>Team Unifying Platform:</p> <ul style="list-style-type: none"> •Project Management <ul style="list-style-type: none"> ✓Rational RequisitePro ✓Rational ProjectConsole ✓Rational Unified Process ✓Rational soDA ✓Rational TestManager •Software Configuration Mgmt <ul style="list-style-type: none"> ✓Rational ClearCase Family ✓Rational ClearQuest Family 	<p>WebSphere software</p> <p>Foundation and Tools</p> <ul style="list-style-type: none"> •WebSphere Application Server •WebSphere Edge Server •IBM VisualAge •WebSphere Studio (Family) •WebSphere Business Components •Composer •WebSphere Host Integration (Family) •IBM Fault Analyzer •IBM File Manager •IBM Application Monitor •IBM Debug Tool <p>IBM Developer Experience</p> <ul style="list-style-type: none"> •WebSphere Portal Server •WebSphere MQ Everyplace •WebSphere Transcoding Publisher •WebSphere Commerce Suite •WebSphere Voice Server •WebSphere Personalization •WebSphere Everyplace <p>Business Integration</p> <ul style="list-style-type: none"> •WebSphere Business Integration for Industries •WebSphere Interchange Server •WebSphere Business Integration Modeler •WebSphere Business Integration Monitor •WebSphere MQ •WebSphere MQ Integrator Broker •WebSphere MQ Workflow •WebSphere Event Broker •WebSphere Data Interchange Server •WebSphere Business Connection •WebSphere Business Integration •Adapters 	<p>DB2 Information Management Software</p> <p>Database and Tools</p> <ul style="list-style-type: none"> •DB2 Universal Database •DB2 for zOS & OS/390 •Informix Dynamic Server (IDS) •Informix DataBlades •Informix 4GL •DataJoiner •DataPropagator •DB2 DataPropagator •DB2 Tools •IMS DB/DC •IMS Tools for OS/390 <p>Business Intelligence</p> <ul style="list-style-type: none"> •DB2 OLAP Server •DB2 Intelligent Miner for Data •DB2 Intelligent Miner for Text •DB2 Intelligent Mining Scoring •DB2 Warehouse Manager •Query Management Facility •Informix XPS •Red Brick Warehouse <p>Content Management</p> <ul style="list-style-type: none"> •IBM Content Manager <ul style="list-style-type: none"> ✓On-Demand ✓CommonStore ✓VideoCharger •IBM Enterprise Information Portal 	<p>Lotus software</p> <p>Messaging and Wireless</p> <ul style="list-style-type: none"> •Domino •Notes Family: <ul style="list-style-type: none"> ✓Notes ✓iNotes ✓Mobile Notes •Domino Everyplace Access •Domino Everyplace Enterprise <p>Advanced Collaboration</p> <ul style="list-style-type: none"> •WebSphere Portal Server <ul style="list-style-type: none"> ✓Lotus Collaboration components •Lotus Discovery Server •Domino Extended Search •QuickPlace •Sametime •Lotus Workflow •Domino.Doc <p>eLearning</p> <ul style="list-style-type: none"> •Lotus LearningSpace •Lotus LearningSpace Forum 	<p>Tivoli software</p> <p>Configuration & Operations</p> <ul style="list-style-type: none"> •Tivoli Configuration Manager •Tivoli Workload Scheduler •Tivoli Remote Control •Tivoli Data Exchange •Tivoli Provisioning Manager •Tivoli Orchestrator <p>Performance & Availability</p> <ul style="list-style-type: none"> •Tivoli Service Level Advisor •Tivoli Web Site Analyzer •Tivoli Business Systems Manager •Tivoli Enterprise Console •Tivoli Tivoli NetView Switch Analyzer •Tivoli NetView for TCP/IP Performance •Tivoli NetView Performance Monitor •Tivoli Monitoring <p>Security</p> <ul style="list-style-type: none"> •Tivoli Identity Manager •Tivoli Access Manager •Tivoli Risk Manager •Tivoli Privacy Manager •Tivoli Intrusion Manager <p>Storage</p> <ul style="list-style-type: none"> •Tivoli Storage Manager •Tivoli Storage Manager for SAN •Tivoli Storage Resource Manager •Tivoli SANergy •Tivoli Storage Manager for Mail •Tivoli Storage Manager for Hardware •Tivoli Storage Manager for Database Applications •TSM for Space Manager •Tivoli Storage Network Manager 			
Windows	Linux	AIX	Solaris	HP-UX	OS/400	OS/390	z/OS



Customer Questions

- 1) What is your file server strategy for your Microsoft environment
 - ✓ Expect them to tell you they are looking at or are migrating to Microsoft Active Directory (AD) and a Microsoft File/Print server environment
- 2) What is your security/directory server for your Microsoft environment
 - ✓ Expect further validation of a Microsoft AD solution
- 3) Would you want to use Active Directory as the source directory server for other environments such as Oracle, SAP, Siebel?
 - ✓ At this point the answer should be either NO, or uncertainty

IBM



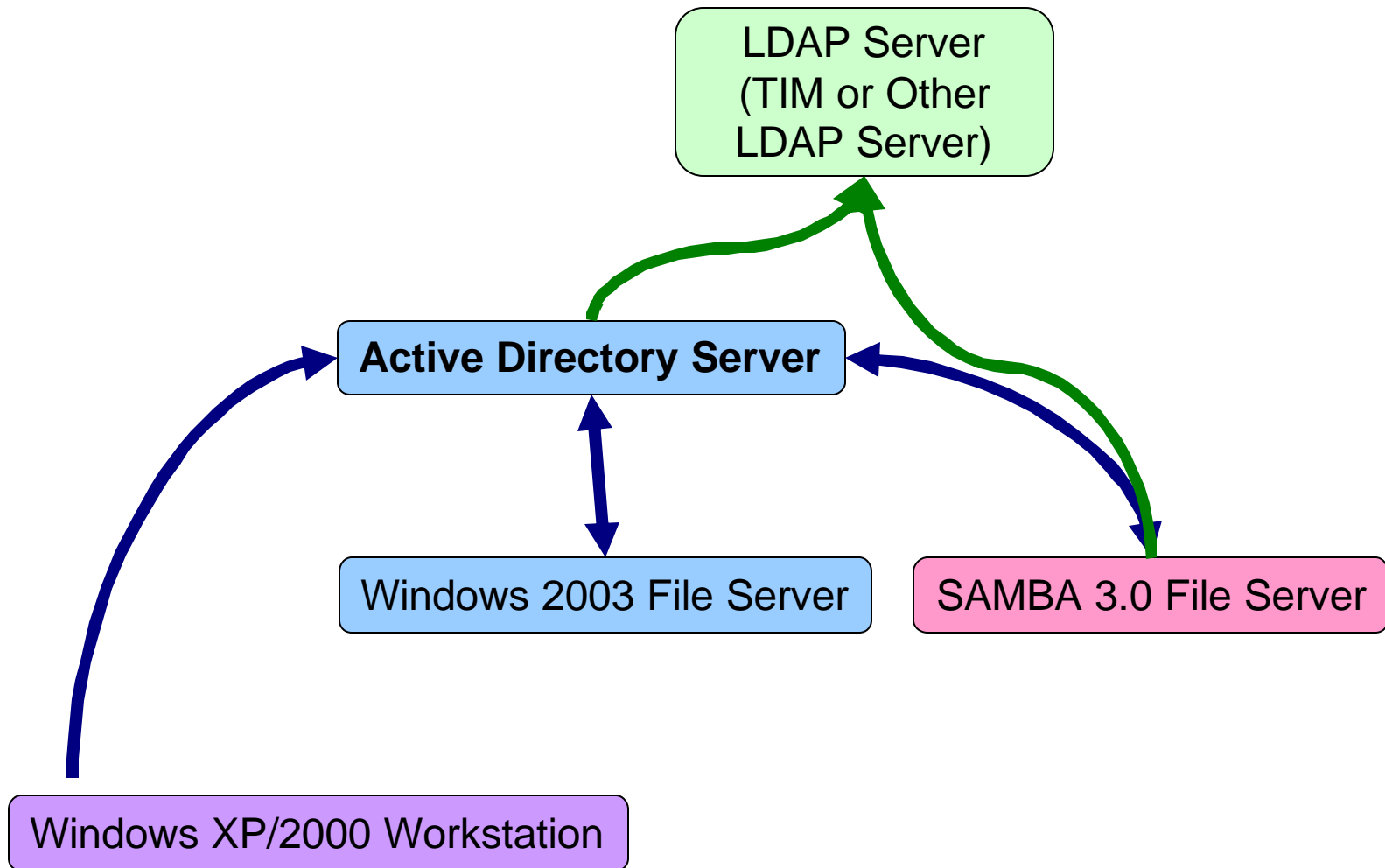
Two Related Solutions to Offer

- Integrating AD solutions with Tivoli Identity Manager (TIM). This creates an LDAP Server that can serve as the main security server with AD becoming a client of TIM
- AD communicates with TIM with Tivoli Directory Integrator via LDAP communications
- SAMBA File server can authenticate two ways integrated into the existing environment:
 1. Directly authenticate to AD (using winbind)
 2. LDAP Client to TIM

IBM



Security and File Services



IBM



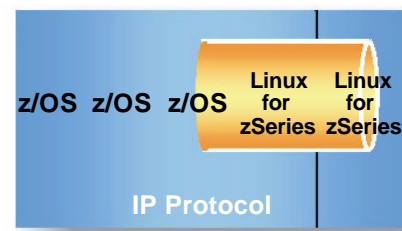
High Speed Connectivity

Innovative
Technology

Internal connectivity

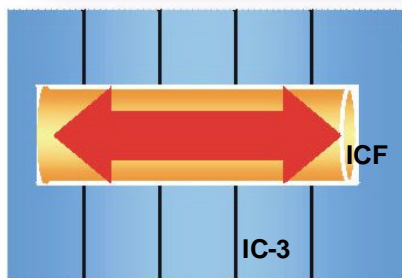
- HiperSockets*
 - High speed internal TCP/IP network
 - Memory to memory across LPARs including Linux for zSeries

A network within the server



- Internal coupling channel (IC-3)
 - Coupling links in harmony with system performance
 - Memory to memory link for Parallel Sysplex

Balanced coupling connections



IBM

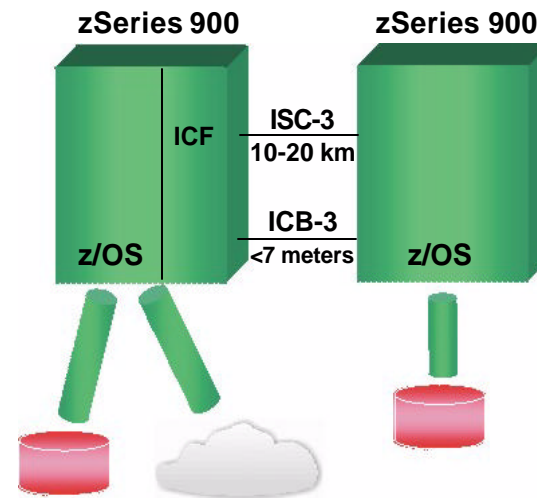


High Speed Connectivity

Innovative
Technology

External connectivity

- OSA-Express
 - 24 line speed ports
 - Gbit Ethernet, Fast Ethernet and ATM
- 2 Gb/sec peer mode links (ISC-3)
- 800 MB/sec short distance links (ICB-3)
- 96 FICON channels
 - 928 ESCON channel paths equivalence
 - Native tape and printer support
- Token-Ring, FDDI and parallel channels supported in compatibility I/O cage

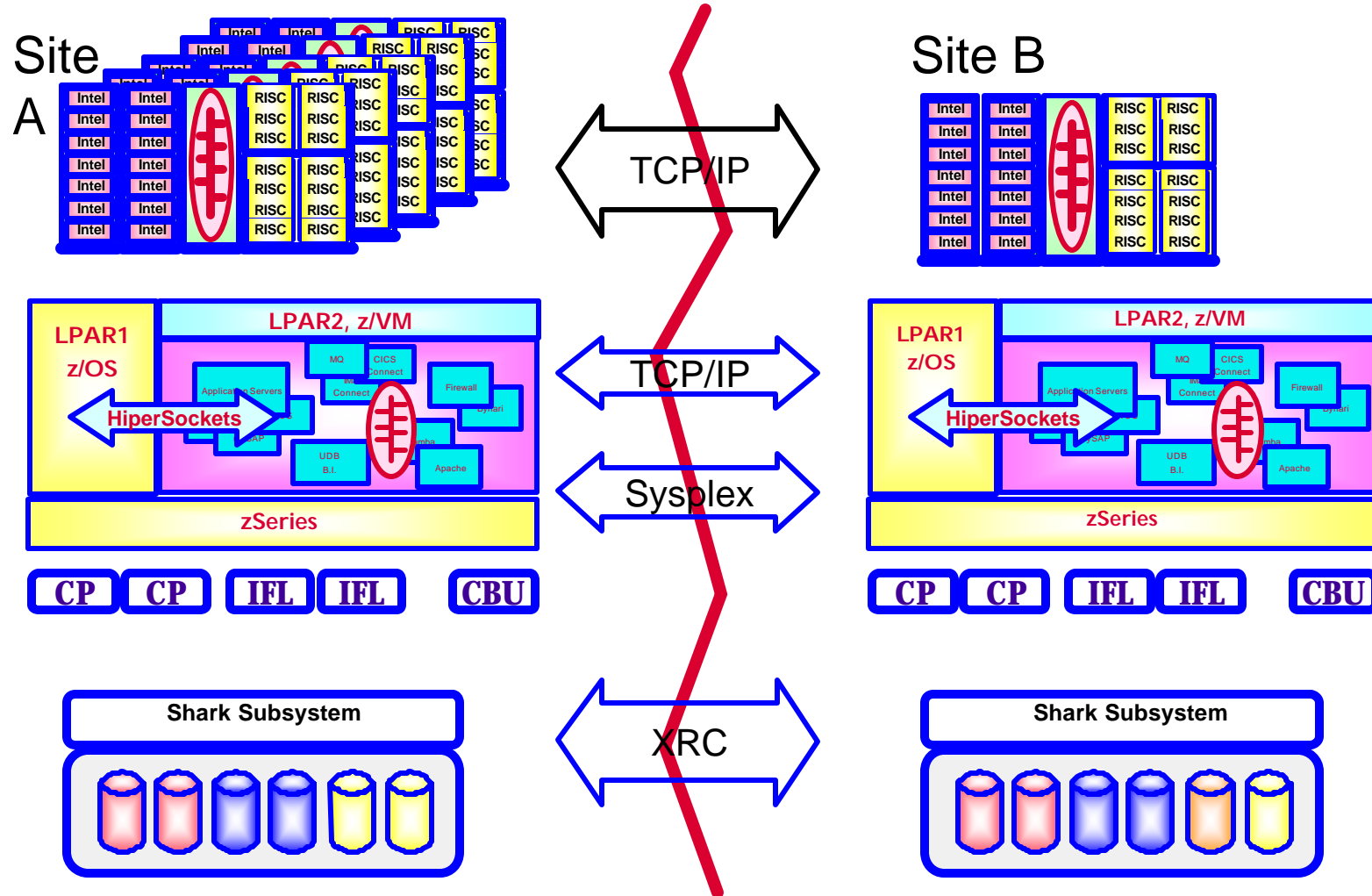


Balanced bandwidth

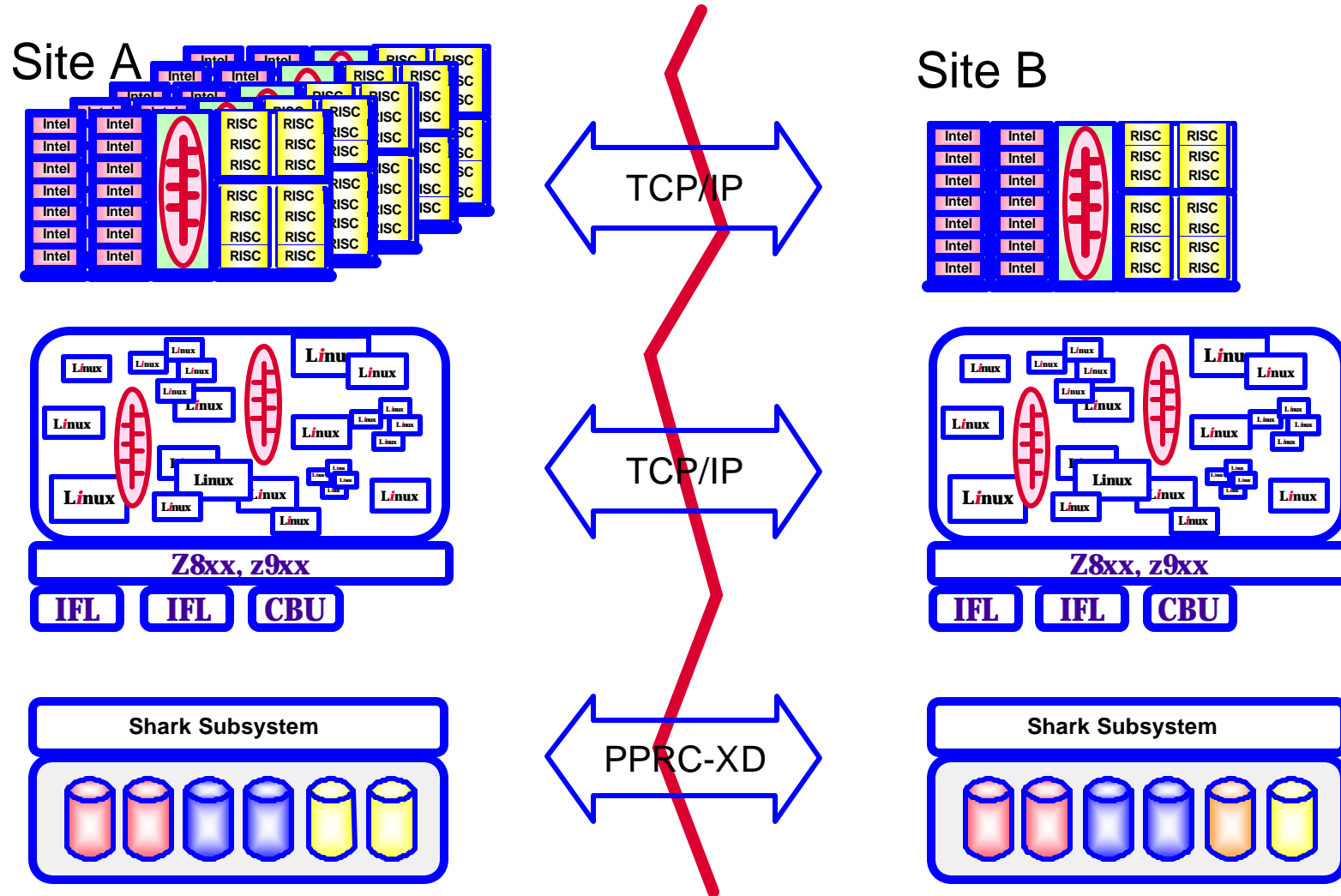
IBM



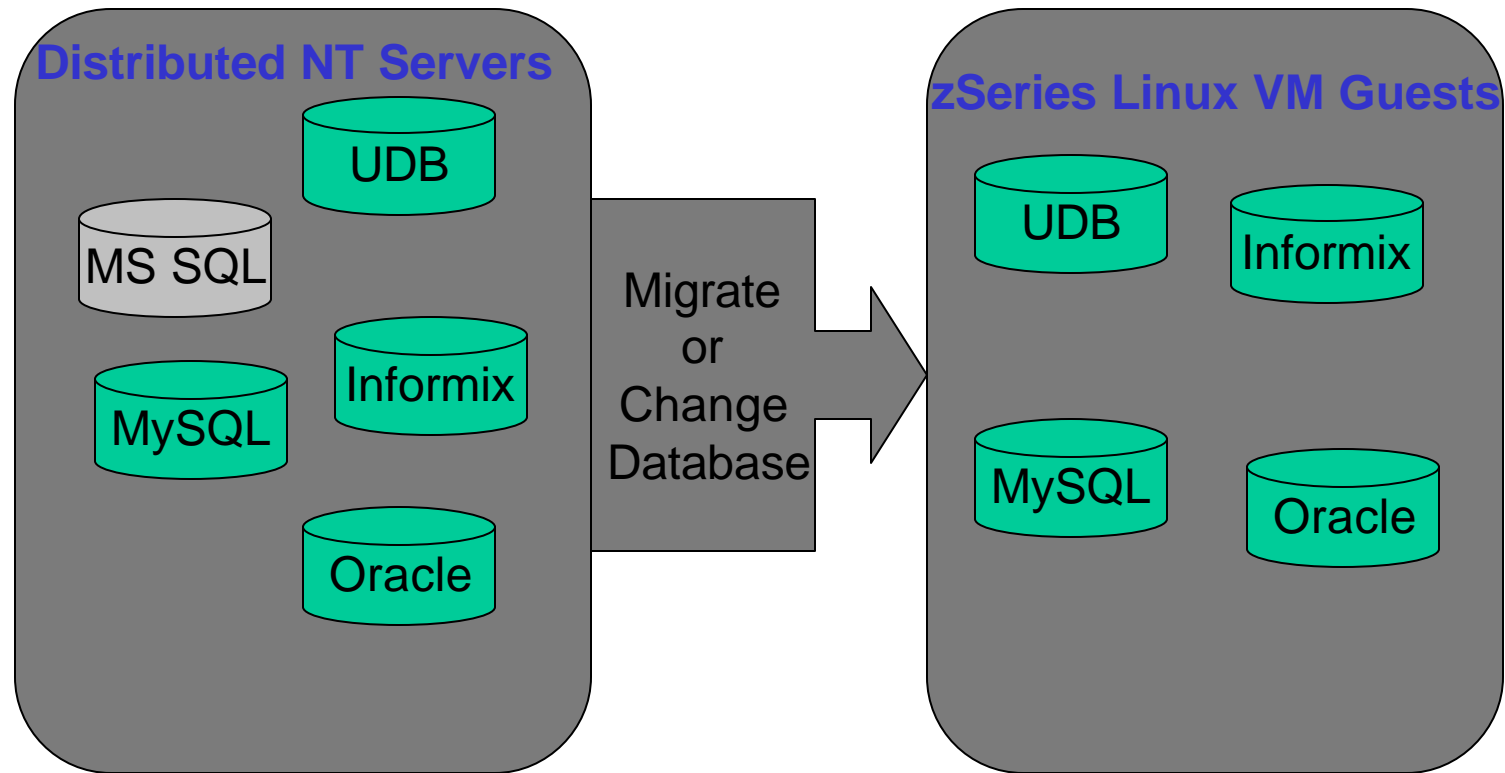
On Demand with Linux and z/OS



A Phased Approach towards Continuous Operations



Migrating NT Databases to Linux



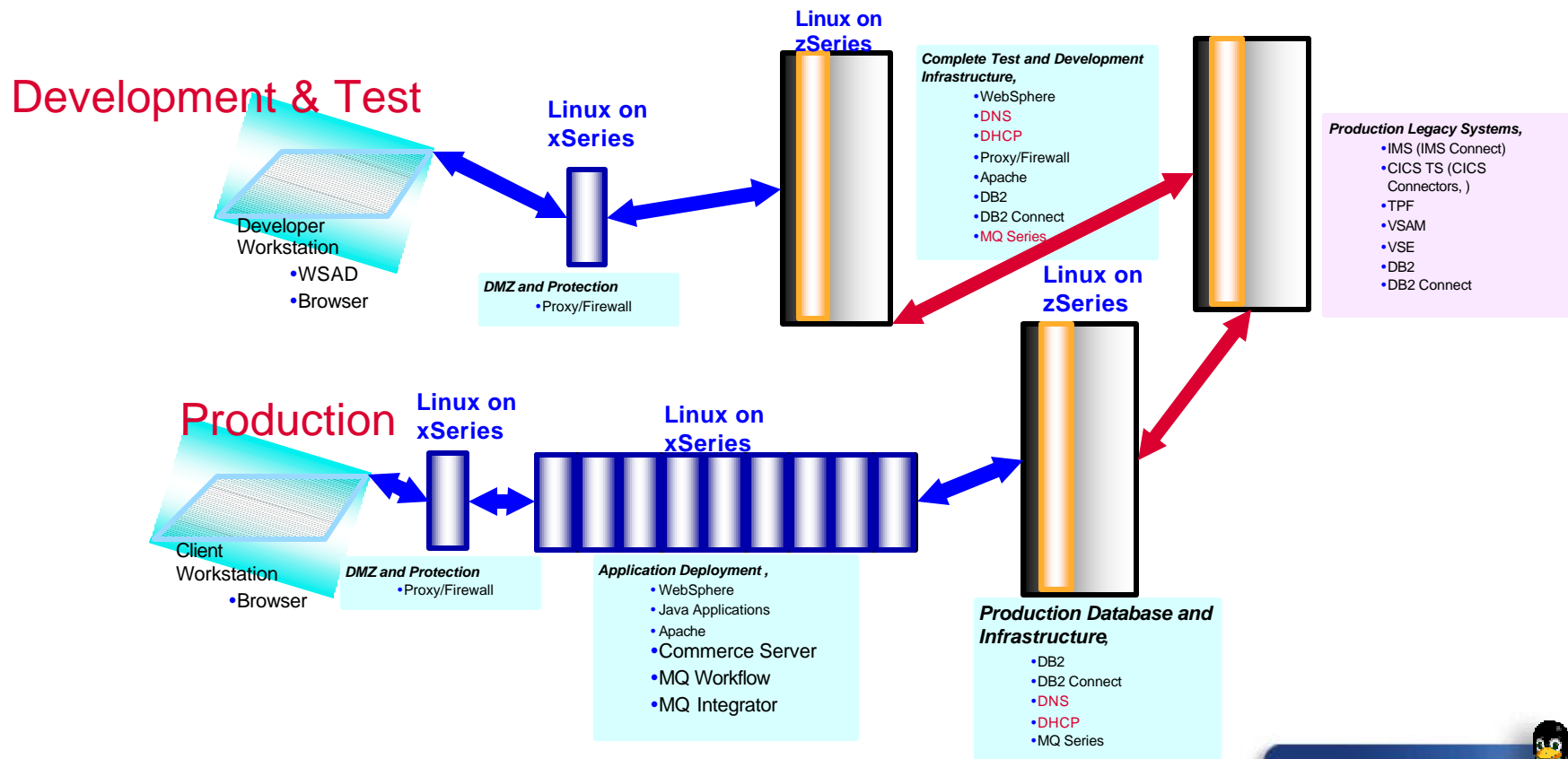
- Distributed Management
- No resource sharing

- Centralized Management
- Resource sharing
- High i/o bandwidth

IBM



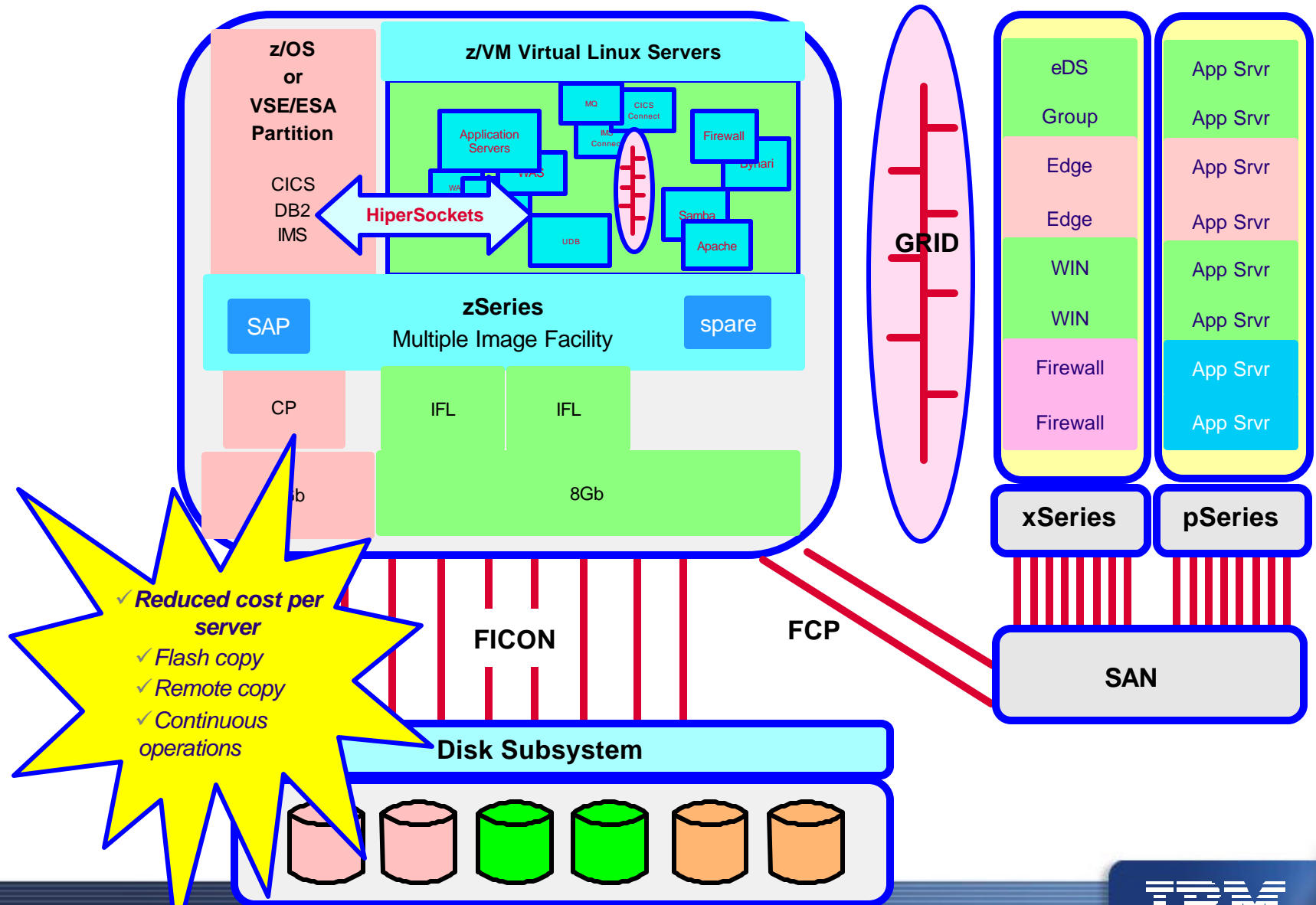
IBM Middleware, an end-to-end Solution with Legacy Connectors



IBM



Complete ^ Solution



Migrating IIS and Application Development

- ✓ Simple IIS applications migrate directly to Apache Web Server
- ✓ Migration of Visual Studio applications
- ✓ Re-hosting .NET and .NETASP applications with Java and Linux

IBM



Ready-to-Run Software



Providing UNIX Support for Microsoft FrontPage Server Extensions.

Release Notes for the FrontPage 2002 Server Extensions SR1.1 for the IBM eServer systems.

Extensions are available [here](#).

Installation script is available [here](#).

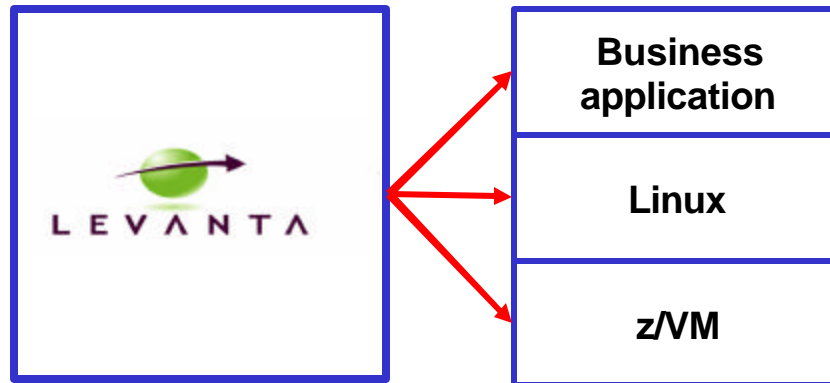
These extensions have been verified to run with the Apache 1.3.26 which is currently shipping with SuSE Linux Enterprise Server. They have also been tested with Apache 1.3.29 which has a number of security fixes released by [Apache.org](#) and also with Apache 2.0.48.

http://www.rtr.com/fpsupport/releasenotes_IBM_eServer.htm

IBM



Levanta logically manages the application stack, unlocking the value of Linux/zVM



Linux on z/VM value

- Higher RAS and better DR
- Lower costs
- Retained flexibility of distributed systems

Levanta

- Deploy best practices operational concepts
- Share DASD
- Increase effectiveness of existing admin staff
- Foster cooperation with distributed teams through managed self-service access

IBM



Levanta Overview of Capabilities

Capabilities

Product features

Benefits

Server configurations and provisioning

- Easy creation and modification of server configurations (even from running servers)
- Efficient, reliable and accurate creation of new servers (in minutes)
- Ability to set up and manage servers as groups

- Speed provisioning and create best practice controls
- Double the number of servers to be managed
- Automate administration

Server change management and rollback

- Checkpoint to capture installation and configuration changes of virtual servers (state-based approach)
- Easy “recording” and consistent propagation of changes to any group of virtual servers
- Rollback of virtual servers to a stable configuration captured with Checkpoint (in minutes)

- Can always restore a server to a consistent state
- Implement updates rapidly and reduce server downtime
- Speed server disaster recovery significantly

Role-based access and self-service model

- Roles and access permissions to enable a managed self-service model
- Set of pre-defined roles that model typical administrative and jurisdictional functions

- Enable IT teams to control and manage their domains
- Greatly facilitate the interaction and collaboration among various IT teams
- Reduce the need for scarce VM skills

Shared storage and resource management

- Access to and sharing of common resources among virtual servers (e.g., disks)
- Generic store for arbitrary data (e.g., server configurations, server components, any user data)

- Expedite recovery and save costs
- Speed server provisioning dramatically (no need to copy files to servers)

IBM

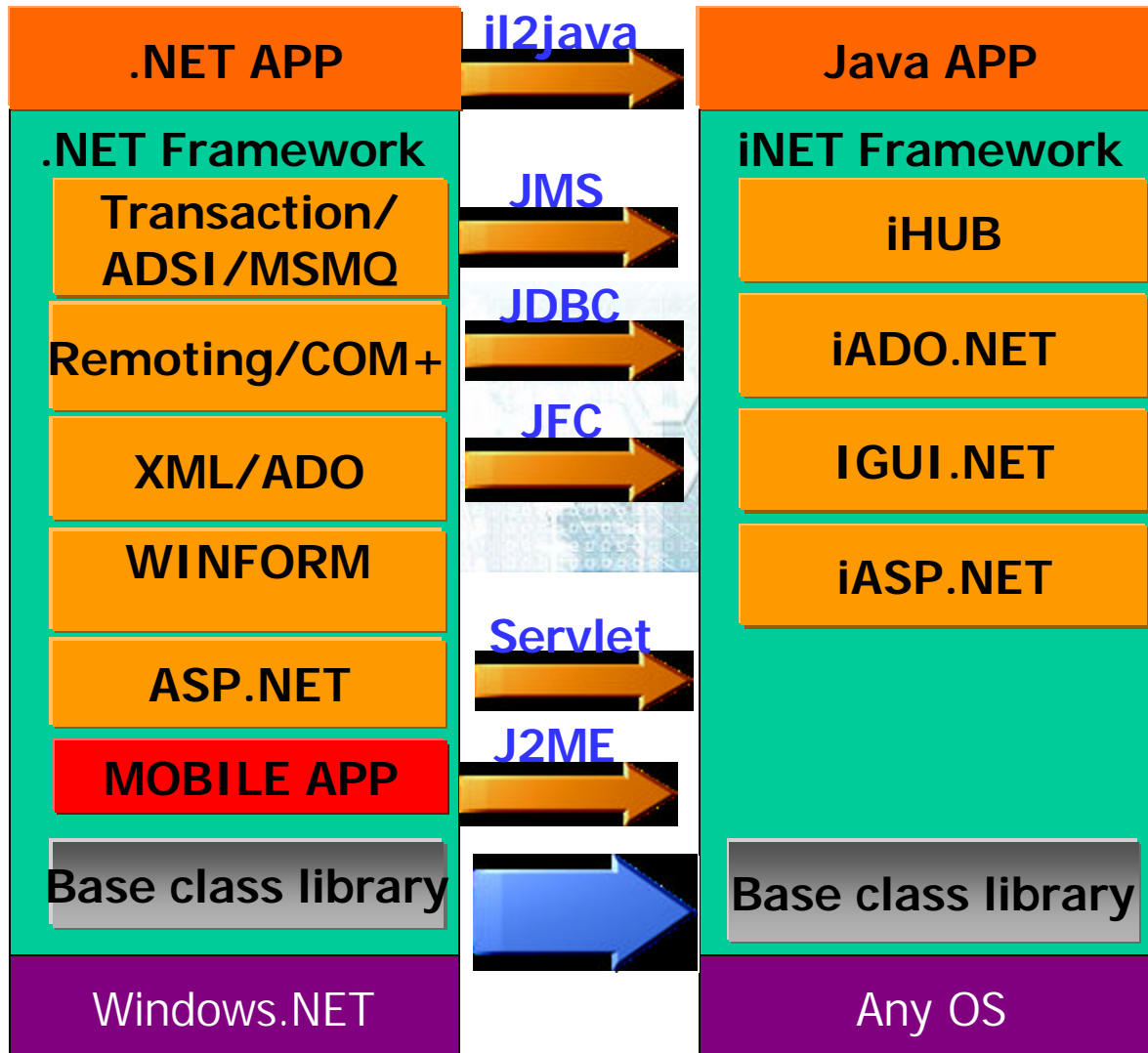


Visual MainWin Product Family

	Visual MainWin for UNIX & Linux	Visual MainWin for the J2EE Platform
Platform	UNIX & Linux	J2EE Application Servers
Development Language	C++ (Non-Managed)	C#, VB.NET
Type of Solution	Porting	J2EE Development
Status	Version 5	Version 1.1



Microsoft .NET Compatibility



IBM



Linux® on zSeries™ - Attractive collaboration platform

- **Collaboration solutions**

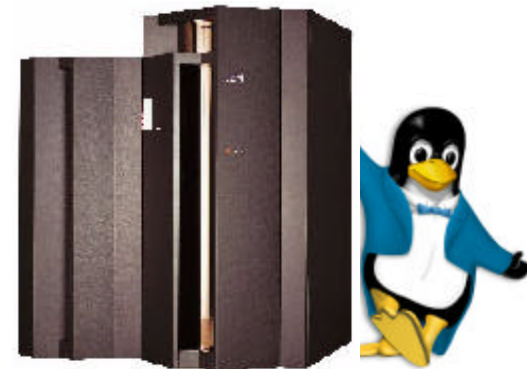
- Lotus Domino for Linux on zSeries from IBM Corp

- **E-Mail / Calendaring & Scheduling solutions**

- Bynari InsightServer from Bynari, Inc.
 - CommuniGate Pro Groupware from Stalker Software, Inc.
 - Samsung Contact™ from Samsung SDS

- **E-Mail solutions**

- CommuniGate Pro Server from Stalker Software, Inc.
 - Sendmail Mailcenter™ from Sendmail, Inc.



IBM



Why Domino for Linux on zSeries?

- Linux on zSeries - Virtual Linux Server Environment
 - Linux or Intel server consolidation
 - Centralization of expertise and hardware
 - Improved system management, backup and recovery
- World class Virtualization Technologies
- A scalable Linux solution using *epoll* based Domino Thread Pools
 - Domino Thread Pool support in Linux for zSeries is a scalability enhancement over Domino on Intel solutions.
 - Developed by Davide Libenzi
 - Approved for 2.6 Kernel Standard
 - Backported to 2.4 Kernel by IBM LTC (available to major distributors)
 - Overcomes barrier to single instance Intel Linux scalability

IBM



What's New & Value Props – Domino Access for MS Outlook

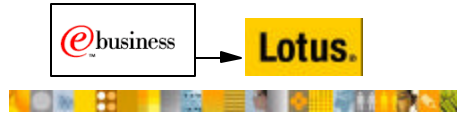
- Value Points
 - Keep the Outlook client on the users desktop
 - No user retraining
 - No costs associated with desktop change
 - All the benefits of Domino
 - 6.5.1 now becomes the enterprise edition of Domino Access for MS Outlook
- New features in Domino Access for Microsoft Outlook
 - Capability to use MS Outlook 2k and XP against a Domino 6.5 or 6.03 and higher server.
 - Utilizes Notes replication mechanism to synchronize the Outlook pst file with Domino for Mail, Calendar and Contacts.
 - User now only accesses local data – improves performance
 - Provides capability to decrypt Notes and X509 mail.
 - Provides access to key Domino preferences from within Outlook.
 - Data migration between Exchange and Domino has been improved.
 - Improves data integrity
 - IMAP/iCal support replaced by NRPC in 6.5
 - Strong Sales/Services Incentives for Exchange 5.5 to Linux on zSeries Migrations...***



IBM



Product details, solution components



- IBM Lotus Domino 6.5 Server a multiplatform foundation for collaboration and e-business, extends support with V6.5 to Linux on zSeries as well as Windows 2003®.
- Lotus Notes 6.5 gives users a single access point to their messaging, collaborative and personal information management (PIM) resources.
- Lotus Domino Web Access 6.5 (iNotes) gives you browser-based access to Lotus Domino.
- IBM Lotus Domino Access for Microsoft Outlook delivers the messaging, calendar, scheduling and personal information management (PIM) services of Lotus Domino technology to Microsoft Outlook 2000® and Outlook 2002® clients

(1) <http://computercops.biz/article1345.html>

(2) <http://www.pandasecurity.com/notes.htm>

(3) <http://www.kaspersky.com/buyonline.html?chapter=752114&spage=2>

Backup & Restore

- especially support for single user restore

Anti-virus protection

Anti-Virus/Anti-Spam

Spam filtering

Tivoli® Storage Manager™

Tivoli Storage Manager for Mail
(formally Tivoli Data Protection for Domino)
under evaluation

Trend Micro ScanMail™ for Linux

- discussion underway for availability for Linux on zSeries, see (1)

RAE Internet

Alternatives are:

Anti-virus product on other platforms

- e.g. Trend Micro ScanMail or InterScan™ Messaging Security Suite on xSeries

Or any other ISV's anti-virus product for Domino on

UNIX/Linux - e.g. see (2) or (3)

Integrated into Domino 6.5

IBM



Bynari InsightServer



Product details,

solution components

- Insight Server facilitates complete messaging and collaboration capabilities on all IBM platforms
- InsightConnector is an MS Exchange client extension that allows MS Outlook to use Insight Server to store messages, calendar events, contacts and other Outlook groupware functions
- Insight AddressBook client – the address book for Outlook provides functionality similar to the Exchange Global Address List.
- Insight WebClient is a Web browser client that integrates with Outlook clients and provides groupware functions like calendaring, contacts, and public folders, over the Web.

Backup & Restore
- especially support
for single user restore

- Tivoli Storage Manger™
- Amanda
- Legato Networker
- Mailboss

Anti-virus protection

- bitdefender – see (1)
- F-Prot – see (2)
- Offers features including spam protection, content filtering, group support and more
- Mail virus scanning – support for Sendmail, Qmail, Postfix on Linux, xBSD and Solaris

Spam filtering

- SpamAssassin – see (3)
- Open source product that has been integrated into the Insight Server

- (1) <http://www.bynari.net/index.php?id=1029>
- (2) http://www.raeinternet.com/fprot/fprot_linux.html
- (3) <http://www.bynari.net/index.php?id=3492>



CommuniGate Pro / + Groupware



Product details,

- CommuniGate Pro supports messaging standards such as SMTP, POP, and IMAP, offers the functionality of shared folders, WebMail, LDAP directory, personal Web pages, mailing lists, and anti-spam/anti-virus protection
- CommuniGate Pro with Groupware, released October 2002, supports e-Mail, C&S and group scheduling using Microsoft Outlook's advanced functionality, and via its integrated Web-based interface
- CommuniGate Pro MAPI Connector should be installed on Microsoft Outlook client workstations in order to use CommuniGate Pro Groupware Server as the "service provider"

solution components

Backup & Restore
- especially support
for single user restore

Tivoli® Storage
Manager™

Anti-virus protection

McAfee Anti-virus plug-
in

- available for Linux on
zSeries and other
platforms

- download
[http://www.stalker.com/C
GPMcAfee](http://www.stalker.com/C
GPMcAfee)

Spam filtering

Integrated into
CommuniGate Pro Server

- advanced anti-spam
filtering

© Copyright Stalker, Inc., [http:// www.stalker.com/cpro/default.html](http://www.stalker.com/cpro/default.html)



Samsung Contact



Product details, solution components

- Samsung Contact, released in March 2003, is based on Hewlett Packard (HP) OpenMail
- The messaging server is an e-Mail and general communication solutions that runs on Linux, IBM AIX®, HP-UX and Sun Solaris Linux
 - offering the same level of access through Web, Windows and Linux clients
 - providing server level calendar and PIM (Personal Information Manager – e.g. handheld PC or Palm) access.

Backup & Restore
- especially support for single user restore

Anti-virus protection

Spam filtering

Standard UNIX® /Linux backup tools
- Legato, Veritas, Omniback, Tivoli, cpio, etc.

Samsung Contact
- mirroring and SnapShot support, single user backup
ISS service for single user restore capability

Plug-in for AhnLab Anti-virus engine
- server based integrated trapping and cleaning
- Sophos, Kaspersky, NOD32 (Eset) engines coming soon
- Trend Micro and NAI under negotiations

Anti-spam/UCE/UBE handling
– Samsung Contact 8.0.2 server implements SMTP-AUTH or RFC2554
- anti-spam RFC-2505

(*) Copyright Samsung SDS, www.samsungcontact.com/en

IBM



Sendmail Mailcenter



Product details,

solution components

- Sendmail Mailcenter combines all the components necessary to deploy a complete or extend an existing e-Mail system of any size :
 - Sendmail Advanced Message Server (SAMS) - The sophisticated indexing and caching capabilities of SAMS' fast, multithreaded POP and IMAP access servers optimize performance and maximize concurrency
 - Sendmail Mobile Message Server (SMMS) – carrier-class, flexibly scalable Webmail and wireless solution providing users the freedom to access messages from anywhere at anytime

Backup & Restore
- especially support
for single user restore

Sendmail Message Copier
- compleying with e-Mail
archiving and review requirements

Tivoli Storage Manger

Amanda

Legato Networker

Anti-virus protection

Sendmail Switch
- integrated virus infection and
contagion

(McAfee Anti-virus filter powered
by Sendmail on Linux RedHat
Advanced Server for ~
xSeries®)

Spam filtering

Sendmail Switch
– integrated anti-spam filter
running on Linux

(Advanced anti-spam filter on
Linux RedHat Advanced Server
for ~ xSeries®)

© Copyright 1999-2002 Sendmail, Inc., [http:// www.sendmail.com](http://www.sendmail.com)



Summary

- ✓ Consolidation on zSeries is making a dramatic impact on the bottom line, today
- ✓ Linux and Open source are well established, accepted and a growing alternative to NT
- ✓ Linux offers more choice in replacing your NT environment
- ✓ IBM continues to participate and collaborate in the open source community
- ✓ IBM offers comprehensive Linux solutions that include hardware, software and services

<http://www-1.ibm.com/servers/eserver/zseries/os/linux/apps/all.html>

IBM



Linux zSeries in Production at Boscovs



Joe Poole

Manager Systems Programming

The largest family owned department store chain in the United States



Berkshire Mall, PA

- ? 40 Stores in 5 states – PA, NJ, NY, DE, MD
- ? over \$1 billion in sales
- ? over 10,000 employees
- ? www.boscovs.com
- ? In 1911, Solomon Boscov left Russia and arrived in Reading, PA. He purchased \$8.00 worth of merchandise, and set out for the countryside. He earned enough money in his first year to buy a horse and wagon.

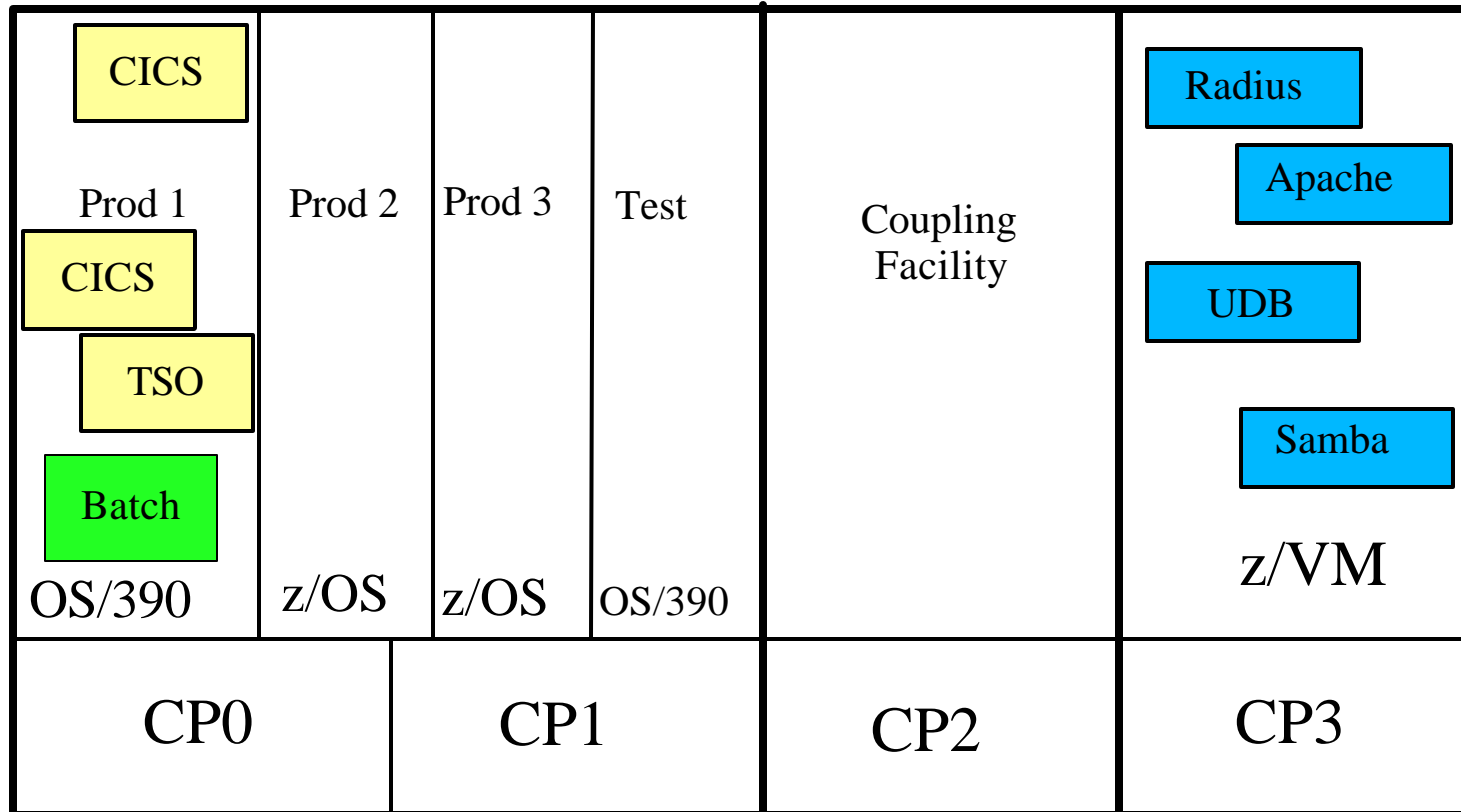
z900

2064-102



- ? 2 CPUs for z/OS
- ? 1 CPU for z/VM
- ? 1 CPU for coupling facility
- ? 5 more can be activated
- ? 16 GB Memory
- ? 4 GB Ethernet OSA
- ? 64 bit Architecture
- ? 250 MIPS Processor

Boscov's 2064-102



Why did we focus on Linux?

- ? Thousands of Linux contributors around the world with a tremendous pride of authorship
- ? Reputation for rock-solid reliability
- ? Substantial investment by IBM
- ? Server software monopoly portends price increase for Windows based operating systems and support
- ? Linux would run on a platform that was going to be on our floor
- ? Linux could be the future of our cash registers, store processors, and possibly even desktops and PDAs

Financial Considerations

? Each Server:

- Costs an average of \$20,000 to purchase
- Consumes \$192 in electricity each year (320 watts)
- Averages \$600 on your Business Recovery plan
- Averages \$800 for annual vendor maintenance
- Is part of an expanding network of devices
- Produces heat, which must be removed by A/C
- Must be backed up somehow

Your Expanding Server Farm

- ? If you add 5 servers a year:
 - \$107,960 for hardware, electricity, DR, and Maintenance
- ? An Integrated Facility for Linux (IFL):
 - \$150,000 to activate
 - \$50,000 for z/VM with optional components
- ? ROI is 2 years for the IFL, with no increase in electricity, floor space, air conditioning or equipment maintenance.

Forming the Team

- ? z/VM Systems Programmer, preferably 2
- ? Unix trained server administrators, preferably 4
- ? Combine the team under 1 supervisor
- ? IBM Education for z/VM and Linux, like ZV050
- ? Education for Linux administration, many available
- ? Assessing the server farm
- ? Pick the “proof of concept conversion”
- ? Select and order the software
- ? Initial installation to be done as a team – let everyone watch

Preparing the Environment

- ? Create an LPAR and load z/VM 4.x
- ? Download Linux or buy prepackaged version
- ? Create ADSM (TSM) backup routines
- ? Create minidisk to tape jobstreams (OFFLINDR)
- ? Install AntiVirus software
- ? Create 2 IP stacks; both sides of the firewall
- ? Establish some kind of support services

Netware to Linux Conversion

- ? Netware command, change context to root
 - `cx /R`
- ? Create file of group membership
 - `nlist user show "group membership" /C /S > D:\cv\user.txt`
- ? Create file of all users
 - `dir J:\USERS > D:\cv\nwdir.txt`
- ? Create file of directories
 - `dir J:\ /AD /X /S > D:\cv\nwdir2.txt`
- ? Create file of all rights
 - `rights J:\ /C /F /S > D:\cv\irights.txt`

Stoppers and Gotchas

- ? Reluctance of vendors to port their software to Linux
- ? Other projects in IT that require your involvement
- ? Virus attacks, like Nimda, that bust through the firewall
- ? Negativity of the staff, unwilling to try something new
- ? Servers that do more than file or print serving
- ? How the economy affects your business sector
- ? User departments that can order their own servers
- ? Defections and poaching, once the team is trained
- ? Supporting everyone else's problems!

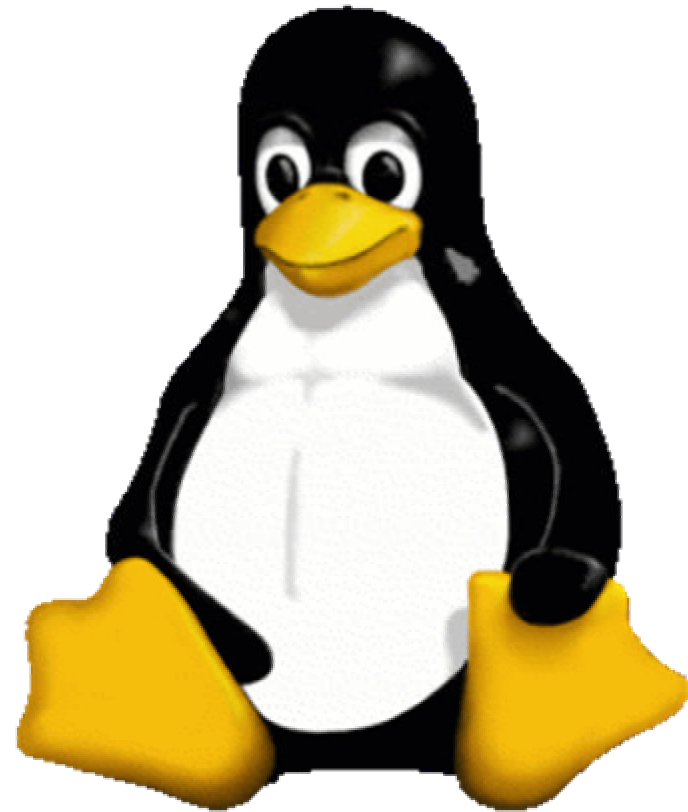
Other Linux Instances

- ? UDB for invoice match
- ? Radius for Cisco routers
- ? WINS, DNS
- ? Apache for vendor site
- ? Websphere Application Server for developers
- ? DB2 Gateway
- ? Specialized file servers
- ? Test instances of each



New Production Linux Instances

- ? JAVA Bridal Registry
- ? Radius for Cisco routers
- ? LDAP with Linux and DB2 to RACF
- ? Internal Firewall
- ? Acucorp's Acucobol for application migration



Favorites

? The HOME page!

– www.linuxvm.org

? Linux Documentation

– www.tldp.org

? SaMBa

– www.samba.org

? Open Source HQ

– sourceforge.net

? IBM Developer Works

? SuSE Linux SLES 7.2

– www.suse.com

? RAV AntiVirus

– www.raeinternet.com

? IBM Support Line

? IBM Redbooks

– www.redbooks.ibm.com

? Subscribe to the Marist listserv!

Credits

Boscovs Department Stores, LLC
Harry Roberts, CIO
4500 Perkiomen Avenue
Reading, PA

Boscov's Information Services
Joe Poole, Mgr Tech Support
3135 Marion Avenue
Laureldale, PA

This presentation was produced on a Netfinity
desktop with SuSE Linux 8.0, StarOffice 6.0, and I
didn't do any windows!

Sources of Information

Questions for Today's Speakers Bill Reeder Joe Poole	breeder@us.ibm.com jpoole@boscovs.com
Replay of Today's Teleconference (available . July 1, '04 – Sept. 29 '04)	1-800-964-4326 or 1-402-280-9271 (select from replay list)
Audio Tape or CD of this Teleconference (available after July 5, 2004)	1-800-813-5795 or 1-719-457-2865 (request session #455722 - small charge applies)
Linux for IBM eServer zSeries	www-1.ibm.com/servers/eserver/zseries/os/linux/
z/VM and Linux on zSeries Resources	www.vm.ibm.com/linux/
Speed Start Your Linux App	www-106.ibm.com/developerworks/offers/linux-speed-start/download-z.html
Linux on zSeries Redbooks	publib-b.boulder.ibm.com/cgi-bin/searchsite.cgi?query=Linux+AND+zSeries
IBM eServer Integrated Platform for e-business	www-1.ibm.com/servers/eserver/zseries/os/linux/integrated/
<i>The Linux Line</i> Newsletter	www6.software.ibm.com/reg/linux/linuxline-i

