



IBM 8272 Nways Token-Ring LAN Switch

Increase your network capacity with minimal disruption to existing infrastructure

Many network configuration options for increased flexibility and fewer network performance problems

Grand Winner (Overall) and Best in LAN Switch Category (Data Communications LAN Times-1995)



General description

The IBM 8272 Nways™ Token-Ring LAN Switch provides high-speed forwarding of Token-Ring traffic among the shared hubs or dedicated Token-Ring workstations attached to each of the 8272 ports. The 8272 creates multiple, concurrent paths among the connected segments, each supporting a full 16-Mbps of Token-Ring bandwidth.

The 8272 is available in two models. Model 108 provides eight, fixed RJ-45 ports and has one slot for installation of an optional Universal Feature Card (UFC). Model 216 has 16, fixed RJ-45 ports and two UFC slots. UFCs provide additional Token-Ring ports (up to 24 total), high-speed uplink ports and RMON.

Both models are stand-alone units with integrated power supplies, and can be rack- or surface-mounted.

Hot buttons

- IEEE 802.5 compliant
- Automatic configuration and automatic sensing to the optimum operating level
- Transparent bridging, source-route switching and source-route bridging
- Unique adaptive switching mode (automatically switches between Cut-Through and Store-and-Forward)
- Virtual switching for up to 8 separate domains (each separately managed with its own IP address)
- Spanning Tree
- TokenProbe capability from any of the Token-Ring ports
- Configuration of up to four ports for FDX TokenPipes
- In-band or out-of-band (EIA 232 serial port) management through SNMP or Telnet
- Support of IBM Nways Managers for Windows®, AIX® or HP-UX networks
- Full RMON (and RMON2) interface via UFC
- FDDI and ATM interface via UFCs

IBM versus the competition

- *Cisco Catalyst 1600, 1800, 2600*
 - No service support
- *3Com Superstack II Sw 2000 TR, LANPlex 6000*
 - No overall system solution
 - No easy migration to future technology
 - No ATM uplink
 - No FDDI uplink for LANPlex 6000

Reasons to choose the IBM 8272

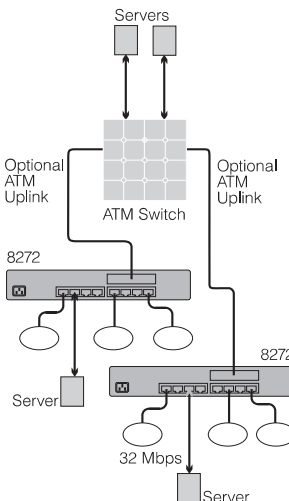
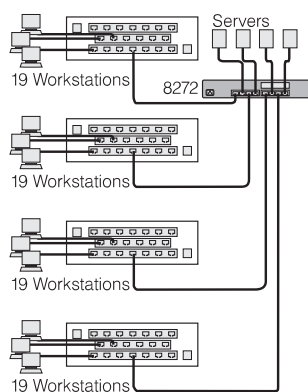
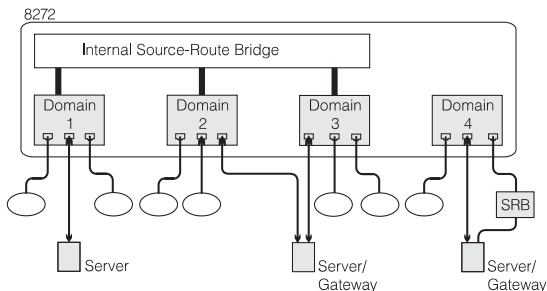
- Part of overall IBM network solutions
- Expandability for the future
- Lowest cost per port in the industry
- Easy installation and configuration
- Both ATM and FDDI high-speed uplink capability
- Full service and support

Ordering information

8272 Model	Part Number	Description
108	13H9170	8 fixed RJ-45 ports UTP/STP, 1 UFC slot
216	55H7160	16 fixed RJ-45 ports UTP/STP, 2 UFC slots

UFC	Part Number	Description
2-Port T-R	41H6985	2 ST/MMF Token-Ring ports
4-Port T-R	13H9196	4 RJ-45 UTP/STP Token-Ring ports
ATM	85H5076	155-Mbps SC/MMF port
FDDI		100 Mbps
- SAS UTP	85H8480	1 SAS RJ-45 UTP-5 port
- SAS Fiber	85H8475	1 SAS SC/MMF port
- DAS Fiber	85H8470	2 DAS SC/MMF ports
RMON (Model 216 only)	85H5060	LAN switch backplane interface and external EIA 232 serial port

Applications



© International Business Machines Corporation 1997

Department CV3
PO Box 12195
RTP NC 27709
USA

Printed in the United States of America
4-97

All Rights Reserved

References in this publication to IBM products or services do not imply that IBM intends to make them available in all countries in which IBM operates.

Copying or downloading the images contained in this document is expressly prohibited without the written consent of IBM.

© IBM and AIX are registered trademarks of International Business Machines Corporation.

™ Nways is a trademark of International Business Machines Corporation.

© Windows is a registered trademark of Microsoft Corporation.

All other company names or products are trademarks or registered trademarks of their respective companies.

Printed on recycled paper.

DIDA27