

InfoPrint 3000 Advanced Function Printers



# Introduction and Planning Guide

Document Number: G544-5563-01

**Note!**

Before using this information and the product it supports, be sure to read the general information under “Notices” on page 12.

**Second Edition (October 1998)**

The following paragraph does not apply to any other country where such provisions are inconsistent with local law.

INTERNATIONAL BUSINESS MACHINES CORPORATION PROVIDES THIS PUBLICATION “AS IS” WITHOUT WARRANTY OF ANY KIND, EITHER EXPRESS OR IMPLIED, INCLUDING, BUT NOT LIMITED TO THE IMPLIED WARRANTIES OF MERCHANTABILITY OR FITNESS FOR A PARTICULAR PURPOSE. Some states do not allow disclaimer of express or implied warranties in certain transactions, therefore, this statement may not apply to you.

Changes are made periodically to this publication.

Requests for IBM publications should be made to your IBM representative or to the IBM branch office serving your locality. If you request publications from the address given below, your order will be delayed, because publications are not stocked there.

A Reader’s Comments form is provided at the back of this publication. If the form has been removed, you can send comments by fax to 1-800-524-1519, by E-mail to [print\\_pubs@us.ibm.com](mailto:print_pubs@us.ibm.com), or by mail to:

IBM Printing Systems Company  
Department H7FE Building 003G  
Information Development  
PO Box 1900  
Boulder CO USA 80301-9191

IBM may use or distribute whatever information you supply in any way it believes appropriate without incurring any obligation to you.

Visit our home page at: <http://www.printers.ibm.com>

© **Copyright International Business Machines Corporation 1998. All rights reserved.**

Note to U.S. Government Users — Documentation related to restricted rights — Use, duplication or disclosure is subject to restrictions set forth in GSA ADP Schedule Contract with IBM Corp.

---

# Contents

|   |    |
|---|----|
| <b>Figures</b> . . . . .  | 9  |
| <b>Tables</b> . . . . .   | 10 |
| <b>Notices</b> . . . . .  | 12 |
| Trademarks . . . . .  | 14 |
| Communication Statements . . . . .                              | 15 |
| <b>Preface</b> . . . . .  | 18 |
| About This Publication . . . . .                                | 19 |
| Terms . . . . .   | 20 |
| InfoPrint 3000 Library . . . . .                                | 20 |
| Related Publications . . . . .                                  | 21 |
| <b>Summary of Changes</b> . . . . .                             | 22 |
| <b>Chapter 1. Introduction.</b> . . . . .                       | 23 |
| Printer Characteristics . . . . .                               | 23 |
| InfoPrint 3000 Printer Specifications . . . . .                 | 26 |
| Simplex Printers . . . . .                                      | 27 |
| Components . . . . .  | 27 |
| Printing Methods . . . . .                                      | 27 |
| Duplex Systems . . . . .  | 28 |
| Components . . . . .  | 28 |
| Duplex System Printing Methods . . . . .                        | 30 |
| Configuration for a Simplex Printing System . . . . .           | 33 |
| Inline Configuration for a Duplex Printing System . . . . .     | 34 |
| Left Angle Configuration for a Duplex Printing System . . . . . | 35 |

|  |           |
|--|-----------|
| Left Angle Configuration for a Dual Simplex Printing System . . . . .      | 36        |
| Basic Page-Printing Concepts . . . . .                                     | 37        |
| Combining Text with Images . . . . .                                       | 38        |
| Orienting Text and Images on a Page . . . . .                              | 39        |
| Advanced Function Image and Graphics . . . . .                             | 44        |
| Multiple-Up Printing . . . . .   | 45        |
| Using Stored Information . . . . .   | 48        |
| Optional Features . . . . .  | 50        |
| Mark Perforations on Perfless Paper . . . . .                              | 50        |
| Move Mark Forms . . . . .  | 50        |
| <b>Chapter 2. The Advanced Function Printers Characteristics . . . . .</b> | <b>51</b> |
| Printing Speed . . . . .   | 51        |
| AFCCU Processor Performance Options . . . . .                              | 52        |
| Print Material . . . . .   | 52        |
| Print Quality . . . . .  | 53        |
| Print Quality Enhancement . . . . .  | 53        |
| Printer Resolution . . . . .   | 54        |
| 480/600 Switchable Printers . . . . .                                      | 54        |
| IPDS Resolution Acceptance (600 DPI Resolution Only) . . . . .             | 55        |
| Font Enhancement Mode . . . . .  | 56        |
| AFP Resource Resolution . . . . .  | 57        |
| Print Area . . . . .   | 58        |
| Control Unit Processor Memory . . . . .                                    | 59        |
| Display Touch Screen . . . . .   | 60        |
| Power Control . . . . .  | 61        |
| Simplex Models . . . . .   | 61        |
| Duplex Models . . . . .  | 61        |
| Software Requirements . . . . .  | 62        |
| IPDS . . . . .   | 62        |

|   |           |
|---|-----------|
| Application Environment . . . . .                                       | 64        |
| Host System Attachment Choices . . . . .                                | 65        |
| System/370 Channel Attachment . . . . .                                 | 66        |
| Enterprise Systems Connection (ESCON) Channel Attachment . . . . .      | 68        |
| Local Area Network (LAN) Attachments . . . . .                          | 69        |
| FDDI Attachment . . . . .   | 69        |
| Preprocessing and Postprocessing Device Interfaces (Optional) . . . . . | 70        |
| Reliability, Availability, and Serviceability . . . . .                 | 72        |
| Data Security . . . . .   | 73        |
| Resident Fonts . . . . .  | 73        |
| <b>Chapter 3. Organizing the Planning Team . . . . .</b>                | <b>74</b> |
| Planning Coordinator . . . . .  | 74        |
| Physical Planner . . . . .  | 75        |
| System and Application Programmers . . . . .                            | 76        |
| Operator . . . . .  | 77        |
| Implementation Plan . . . . .   | 77        |
| Fifteen Weeks before Delivery . . . . .                                 | 77        |
| Ten Weeks before Delivery . . . . .                                     | 79        |
| Eight Weeks before Delivery . . . . .                                   | 79        |
| Six Weeks before Delivery . . . . .                                     | 79        |
| Four Weeks before Delivery . . . . .                                    | 80        |
| Arrival of the Printer . . . . .  | 81        |
| <b>Chapter 4. Preparing the Processing Environment. . . . .</b>         | <b>82</b> |
| Channel and Local Area Network Attachments . . . . .                    | 82        |
| System/370 Channel Attachment . . . . .                                 | 84        |
| ESCON Channel Attachment . . . . .                                      | 86        |
| Token Ring TCP/IP Local Area Network . . . . .                          | 88        |
| Ethernet TCP/IP Local Area Network . . . . .                            | 88        |

|   |             |
|---|-------------|
| FDDI Local Area Network . . . . .                                 | 88          |
| Performance Considerations . . . . .                              | 89          |
| Direct-Attach . . . . .   | 92          |
| Advanced Function Presentation Licensed Programs . . . . .        | 93          |
| IBM Advanced Function Presentation Software . . . . .             | 93          |
| Optical Character Recognition and Bar Code Applications . . . . . | 95          |
| Installing and Verifying . . . . .                                | 98          |
| Converting . . . . .  | 99          |
| <b>Chapter 5. Preparing the Physical Environment . . . . .</b>    | <b>.100</b> |
| Environmental Requirements . . . . .                              | .100        |
| Environmental Impact . . . . .                                    | .102        |
| Heat/Power . . . . .  | .102        |
| Sound . . . . .   | .104        |
| Physical Requirements . . . . .                                   | .105        |
| Normal Precautions to Prevent Fire . . . . .                      | .105        |
| Power . . . . .   | .105        |
| Power Cable and Receptacle . . . . .                              | .106        |
| Vacuum Cleaner . . . . .  | .108        |
| CE Toolkit . . . . .  | .108        |
| Space Requirements – Simplex Model . . . . .                      | .109        |
| Space Requirements – Duplex Models . . . . .                      | .110        |
| Physical Layout . . . . .   | .111        |
| Shipping Notes . . . . .  | .112        |
| Physical Dimensions . . . . .                                     | .113        |
| Physical Attachment Requirements . . . . .                        | .114        |
| Installation Requirements . . . . .                               | .115        |
| Installation Planning Worksheet . . . . .                         | .117        |
| Physical Planning Worksheet . . . . .                             | .119        |

|  |          |
|--|----------|
| <b>Chapter 6. Configuration Information Descriptions</b>           | .121     |
| Changing the Language of Messages                                  | .121     |
| Configuring the Printer  | .122     |
| Configuring the Host Attachments                                   | .137     |
| Configuring Parallel Channels                                      | .137     |
| Configuring ESCON Channels   | .141     |
| Configuring Token Ring TCP/IP                                      | .144     |
| Configuring Ethernet TCP/IP  | .147     |
| Configuring FDDI TCP/IP  | .150     |
| Configuring Remote Access  | .152     |
| Configuring Preprocessing and Postprocessing Devices or Interfaces | .154     |
| Preprocessing/Postprocessing Options for the Simplex Models        | .154     |
| Preprocessing/Postprocessing Options For Duplex Models             | .155     |
| <br><b>Chapter 7. Configuring a Simplex Printing System</b>        | <br>.159 |
| Configuration Worksheet for the Simplex Model                      | .160     |
| <br><b>Chapter 8. Configuring a Duplex Printing System</b>         | <br>.170 |
| Configuration Worksheet for Duplex Models                          | .171     |
| <br><b>Chapter 9. Defining Forms</b>                               | <br>.184 |
| Simplex Printers   | .184     |
| Duplex Systems   | .185     |
| Preheat Temperature  | .187     |
| Using the Forms Identification Worksheet                           | .188     |
| Form Identification Worksheet                                      | .189     |
| <br><b>Chapter 10. Obtaining Supplies</b>                          | <br>.191 |
| Supplies   | .191     |
| IBM Supplies Worksheet   | .192     |
| Ordering Supplies  | .194     |

|   |             |
|---|-------------|
| Maintenance Supply Items . . . . .                              | .194        |
| Customer-Replaceable Supply Items . . . . .                     | .194        |
| Warranty Returns . . . . .                                      | .194        |
| Storing Supplies . . . . .                                      | .195        |
| <b>Chapter 11. Selecting and Testing Forms . . . . .</b>        | <b>.196</b> |
| Continuous Forms . . . . .                                      | .196        |
| Stacking Forms . . . . .  | .196        |
| Special-Purpose Materials . . . . .                             | .197        |
| Preprinted Forms . . . . .                                      | .197        |
| Adhesive Labels . . . . .                                       | .198        |
| Storing Print Materials . . . . .                               | .199        |
| Testing Forms and Applications . . . . .                        | .199        |
| <b>Glossary . . . . .</b>                                       | <b>200</b>  |
| <b>Index . . . . .</b>  | <b>218</b>  |
| <b>Readers' Comments — We'd Like to Hear from You . . . . .</b> | <b>0</b>    |



---

# Figures

|   |     |
|---|-----|
| 1. Available Orientations . . . . .                         | 39  |
| 2. Portrait Orientations . . . . .                          | 40  |
| 3. Landscape Orientations . . . . .                         | 41  |
| 4. Normal Duplex . . . . .                                  | 42  |
| 5. Tumble Duplex . . . . .                                  | 43  |
| 6. 2-Up Printing . . . . .                                  | 46  |
| 7. Printable Page Area . . . . .                            | 59  |
| 8. System/370 Parallel Channel Attachment Options . . . . . | 85  |
| 9. Serial Channel Attachment Options . . . . .              | 87  |
| 10. Models ED1/ED2 Inline Configuration . . . . .           | 110 |
| 11. Models ED1/ED2 Left Angle Configuration . . . . .       | 111 |

---

# Tables

|   |     |
|---|-----|
| 1. InfoPrint 3000 Printer Specification Summary . . . . .                         | 26  |
| 2. Combined Images and Text . . . . .   | 38  |
| 3. Software Support for the Respective Attachments and Functions . . . . .        | 63  |
| 4. Host Processing Systems and Attachment Choices . . . . .                       | 65  |
| 5. Advanced Function Presentation Software Summary . . . . .                      | 94  |
| 6. Bar-Code Type and Modifier Combinations for AFCCU Printers . . . . .           | 96  |
| 7. Heat Dissipation and Power for Model ES1 . . . . .                             | 102 |
| 8. Heat Dissipation and Power for Models ED1/ED2 . . . . .                        | 103 |
| 9. Sound Levels . . . . .   | 104 |
| 10. Electrical Requirements . . . . .   | 105 |
| 11. Hubbell Plug and Receptacle . . . . .   | 107 |
| 12. Model ES1 Space Requirements . . . . .  | 109 |
| 13. Approximate Frame Physical Dimensions and Weights Uncrated . . . . .          | 113 |
| 14. Printer Frame Physical Dimensions When Crated . . . . .                       | 113 |
| 15. InfoPrint 3000 Installation Planning Worksheet . . . . .                      | 117 |
| 16. InfoPrint 3000 Physical Planning Worksheet. . . . .                           | 119 |
| 17. Printer Configuration Items. . . . .  | 123 |
| 18. Parallel Channel Attachment Items. . . . .                                    | 137 |
| 19. ESCON Channel Attachment Items . . . . .                                      | 141 |
| 20. Token Ring TCP/IP Attachment Items . . . . .                                  | 144 |
| 21. Ethernet TCP/IP Attachment Items. . . . .                                     | 147 |
| 22. FDDI TCP/IP Attachment Items . . . . .  | 150 |
| 23. Preprocessing/Postprocessing Interface Options for the Simplex Model. . . . . | 154 |
| 24. Preprocessing/Postprocessing Interface Options For Duplex Models . . . . .    | 155 |
| 25. Pre/Postprocessor Device Configuration Items . . . . .                        | 155 |
| 26. Configuration Worksheet – Simplex Model. . . . .                              | 160 |
| 27. Configuration Worksheet – Duplex Models. . . . .                              | 171 |

|   |      |
|---|------|
| 28. Default Forms – Model ES1 . . . . .     | .184 |
| 29. Default Forms –Models ED1/ED2 . . . . . | .186 |
| 30. Form Identification Worksheet . . . . . | .189 |
| 31. IBM Supplies Worksheet . . . . .        | .193 |

---

# Notices

References in this publication to IBM products, programs, or services do not imply that IBM intends to make these available in all countries in which IBM operates. Any reference to an IBM product, program, or service is not intended to state or imply that only that IBM product, program, or service, may be used. Any functionally equivalent product, program or service that does not infringe any of the intellectual property rights of IBM may be used instead of the IBM product, program, or service. The evaluation and verification of operation in conjunction with other products, except those expressly designated by IBM, are the responsibility of the user.

IBM may have patents or pending patent applications covering subject matter in this publication. The furnishing of this publication does not give you any license to these patents. You can send license inquiries, in writing, to the IBM Director of Commercial Relations, IBM Corporation, Purchase, NY 10577, U.S.A.

All models of the IBM InfoPrint 3000 meet the requirements of IEC 950, First Edition, Amendments 1 and 2. The laser used in the printer complies with IEC 825 and EN 60825.

For online versions of this publication, we authorize you to:

- Copy, modify, and print the documentation contained on the media, for use within your enterprise, provided you reproduce the copyright notice, all warning statements, and other required statements on each copy or partial copy.
- Transfer the original unaltered copy of the documentation when you transfer the related IBM product (which may be either machines you own, or programs, if the program's license terms permit a transfer). You must, at the same time, destroy all other copies of the documentation.

You are responsible for payment of any taxes, including personal property taxes, resulting from this authorization.

**THERE ARE NO WARRANTIES, EXPRESS OR IMPLIED, INCLUDING THE WARRANTIES OF MERCHANTABILITY AND FITNESS FOR A PARTICULAR PURPOSE.**

Some jurisdictions do not allow the exclusion of implied warranties, so the above exclusion may not apply to you.

Your failure to comply with the terms above terminates this authorization. Upon termination, you must destroy your machine readable documentation.

---

# Trademarks

The following terms, used in this publication, are trademarks of the IBM Corporation in the United States or other countries or both:

AFCCU  
Advanced Function Common Control Unit  
AFP  
Advanced Function Presentation  
AIX®  
AIX/6000  
AS/400®  
BCOCA  
Bar Code Object Content Architecture  
ESCON®  
ES/3090  
ES/4381  
ES/9000  
ES/9370  
IBM®

InfoPrint  
Intelligent Printer Data Stream  
IPDS  
Micro Channel  
MVS  
System/370  
S/370  
OS/2®  
OS/400®  
Personal System/2®  
Print Services Facility  
PSF  
PSF/2®  
RISC System/6000®  
XGA

---

# Communication Statements

## ***Federal Communications Commission (FCC) Statement***

**Note:** This equipment has been tested and found to comply with the limits for a Class A digital device, pursuant to Part 15 of the FCC Rules. These limits are designed to provide reasonable protection against harmful interference when the equipment is operated in a commercial environment. This equipment generates, uses, and can radiate radio frequency energy and, if not installed and used in accordance with the instruction manual, may cause harmful interference to radio communications. Operation of this equipment in a residential area is likely to cause harmful interference, in which case the user will be required to correct the interference at his own expense.

Properly shielded and grounded cables and connectors must be used in order to meet FCC emission limits. IBM is not responsible for any radio or television interference caused by using other than recommended cables and connectors or by unauthorized changes or modifications to this equipment. Unauthorized changes or modifications could void the user's authority to operate the equipment.

This device complies with Part 15 of the FCC Rules. Operation is subject to the following two conditions: (1) this device may not cause harmful interference, and (2) this device must accept any interference received, including interference that may cause undesired operation.

**Canadian Department of Communications Compliance Statement:** This Class A digital apparatus meets the requirements of the Canadian Interference-Causing Equipment Regulations.

**Avis de conformité aux normes du ministère des Communications du Canada:** Cet appareil numérique de la classe A respecte toutes les exigences du Règlement sur le matériel brouilleur du Canada.

**The United Kingdom Telecommunications Act 1984:** This apparatus is approved under the approval No. NS/G/1234/J/100003 for the indirect connections to the public telecommunications systems in the United Kingdom.

**Statement for CISPR 22 Edition 2 Compliance:** Warning: This is a Class A product. In a domestic environment this product may cause radio interference in which case the user may be required to take adequate measures.

**European Community (EC) Conformity Statement:** This product is in conformity with the protection requirements of EC Council Directive 89/336/EEC on the approximation of the laws of the Member States relating to electromagnetic compatibility. IBM cannot accept responsibility for any failure to satisfy the protection requirements resulting from a non-recommended modification of the product, including the fitting of non-IBM option cards.

**German Conformity Statement:** Dieses Gerät erfüllt die Bedingungen der EN 55022 Klasse A. Für diese Klasse von Geräten gilt folgende Bestimmung nach dem EMVG:

Geräte dürfen an Orten, für die sie nicht ausreichend entstört sind, nur mit besonderer Genehmigung des Bundesministers für Post und Telekommunikation oder des Bundesamtes für Post und Telekommunikation betrieben werden. Die Genehmigung wird erteilt, wenn keine elektromagnetischen Störungen zu erwarten sind.

(Auszug aus dem EMVG vom 9.Nov.92, Para.3, Abs.4)

**Shielded Cables (European Statement):** Properly shielded and grounded cables must be used in order to reduce the potential for causing interference to radio and TV communications and to other electrical or electronic equipment. Such cables and connectors are available from IBM authorized dealers. IBM cannot accept responsibility for any interference caused by using other than recommended cables and connectors.



## Japanese VCCI:

この装置は、第一種情報装置（商工業地域において使用されるべき情報装置）で商工業地域での電波障害防止を目的とした情報処理装置等電波障害自主規制協議会（VCCI）基準に適合しております。

従って、住宅地域またはその隣接した地域で使用すると、ラジオ、テレビジョン受信機等に受信障害を与えることがあります。

取扱説明書に従って正しい取り扱いをして下さい。

VCCI

## Taiwan EMC:

**警告使用者:**  
這是甲類的資訊產品，在居住的環境中使用時，可能會造成射頻干擾，在這種情況下，使用者會被要求採取某些適當的對策。

---

# Preface

This publication introduces and summarizes the functions of the

- IBM InfoPrint 3000 Advanced Function Printers Model ES1
- IBM InfoPrint 3000 Advanced Function Printers Models ED1/ED2

This publication also contains information to help you prepare for installing and using your printer.

The first portion of this publication is written for executives who are thinking about buying an InfoPrint 3000 Advanced Function Printer. The remainder of the publication is for the planning team that is responsible for installing the printer and preparing it for regular operation.

---

# About This Publication

This publication contains the following chapters:

- “Chapter 1. Introduction” on page 23 gives an overview of the InfoPrint 3000 Printer characteristics and basic concepts.
- “Chapter 2. The Advanced Function Printers Characteristics” on page 51 describes the InfoPrint 3000 Printer functions and features in detail.
- “Chapter 3. Organizing the Planning Team” on page 74 describes the installation planning team and specifies the tasks for which each team member is responsible.
- “Chapter 4. Preparing the Processing Environment” on page 82 describes requirements associated with channel attachment, pattern storage, and Advanced Function Presentation licensed programs.
- “Chapter 5. Preparing the Physical Environment” on page 100 specifies the InfoPrint 3000 environmental, electrical, and space requirements.
- “Chapter 6. Configuration Information Descriptions” on page 121 describes the configuration options for the InfoPrint 3000 printers that can be defined at installation time.
- “Chapter 7. Configuring a Simplex Printing System” on page 159 provides worksheets on which you can record your configuration choices.
- “Chapter 8. Configuring a Duplex Printing System” on page 170 provides worksheets on which you can record your configuration choices.
- “Chapter 9. Defining Forms” on page 184 describes the types of form definitions that are standard on the InfoPrint 3000, details what information is needed to define new forms, and provides a worksheet to record form identification names and their characteristics.
- “Chapter 10. Obtaining Supplies” on page 191 lists supplies used in the InfoPrint 3000 printers and describes how to order them.

- “Chapter 11. Selecting and Testing Forms” on page 196 describes the basic requirements for forms used with the InfoPrint 3000.

---

## Terms

This publication is for the InfoPrint 3000 Type 3300 Model ES1 and InfoPrint 3000 Type 3300 Models ED1/ED2 Advanced Function Printers. You will find the terms InfoPrint 3000, Model ES1, and Models ED1/ED2 used throughout this document.

In InfoPrint 3000 publications, the terms *forms* and *paper* have specific meanings. **Forms** refers to the media on which the printer can print. Forms can be blank paper, preprinted paper, adhesive labels, cards, or any other printable material. **Paper** refers to a specific fiber-based material used to make forms.

For definitions of other terms, see “Glossary” on page 200. This comprehensive reference tool contains not only terms used in this publication, but also terms, abbreviations, and acronyms from other publications in the InfoPrint 3000 Library.

---

## InfoPrint 3000 Library

The following additional InfoPrint 3000 publications are available:

- *IPDS Handbook for Printers that Use the Advanced Function Common Control Unit*, G544-3895, which contains technical information about the host-to-printer data stream and exception reporting.
- *Forms Design Reference for Continuous Forms Advanced Function Printers*, G544-3921, which describes the characteristics of forms and special-use media, and their effects on InfoPrint 3000 performance.
- *InfoPrint 3000 Operator’s Guide*, S544–5564, which describes the procedures required to operate the Models ES1, and ED1/ED2.

---

## Related Publications

An extensive listing of available publications is included in *Advanced Function Presentation: Printer Information* G544-3290.

For more information about Advanced Function Presentation, refer to *Guide to Advanced Function Presentation* G544-3876.

Contact your IBM marketing representative for information concerning the InfoPrint 3000, their manuals, or associated licensed programs.

---

## Summary of Changes

This is a summary of the changes made in this edition:

- Miscellaneous updates were made to Chapters 1 and 2.
- Miscellaneous updates were made to “Power” on page 105.
- Chapters 6 through 9 were reorganized.
- The Description and Value Option for PQE Boldness in Table 26 on page 160, Table 27 on page 171, and Table 17 on page 123 were updated.
- One of two forms identification worksheets in Chapter 8 was deleted.
- The title of the Operator’s Guide was corrected in “Configuring Remote Access” on page 152.
- The Approximate Toner Yield per Cartridge table was deleted from Chapter 10.
- Miscellaneous changes were made to Table 31 on page 193.
- Deletions were made in “Customer-Replaceable Supply Items” on page 194.
- The Toner Yield Calculations appendix was deleted.

---

# Chapter 1. Introduction

## Chapter Overview

This chapter presents the characteristics of the InfoPrint 3000 Advanced Function Printers. For readers not familiar with nonimpact, all-points-addressable printers, this chapter also defines some basic page-printing concepts.

---

## Printer Characteristics

The InfoPrint 3000 family of printers are nonimpact, all-points-addressable printers. These printers use a laser, electrophotographic print technology, and Advanced Function Presentation (AFP) licensed programs to create high-quality text and graphics printer output.

Nonimpact printing, combined with all-points addressability, allows graphics and many different type sizes and styles to appear on a single page. Text, images, and electronic overlays can be placed at any defined point on the page areas on which the printer can print. The printers can be used for text, image, graphics, optical character recognition (OCR), and bar-code printing. See Table 1 on page 26 for the print resolution (PEL) of each model.

Using a duplex printing system, the output of the printers can have print on both sides of a form. The system consists of two printer engines in series, each printing on one side of the form with the forms inverted between them. You can use one or both of the printer engines in the system for simplex printing applications.

The printers use continuous-forms in a variety of sizes, styles, and weights, including preprinted forms and some adhesive labels (see Table 1 on page 26 for more information). After printing, the forms may be stacked in the printer stacker or processed by an optional postprocessing device.

Up to three preprocessing and postprocessing device interfaces can be installed on the printer. This provides additional input and output capabilities beyond the standard forms input source and output stacker on the printer.

- On a duplex system, each printer has one preprocessing/postprocessing device interface as standard equipment. Model ED1 can have two additional preprocessing/postprocessing device interfaces. Model ED2 can have one additional preprocessing/postprocessing interface. Thus, Models ED1/ED2 can have a total of five preprocessing/postprocessing device interfaces.
- One interface is standard on the Model ES1.
- See “Configuring Preprocessing and Postprocessing Devices or Interfaces” on page 154 for more information.

An Advanced Function Common Control Unit (AFCCU) controls the printing system, whether you select a duplex or simplex configuration. With the duplex models, the AFCCU is attached to the second printer engine in the configuration. The AFCCU is based on IBM RISC technology and in the standard configuration includes:

- Memory
  - 128MB for Model ES1
  - 256MB for Models ED1/ED2
- An Extended Graphics adapter (XGA) touch-sensitive monitor used as a Display Touch Screen
- Host Attachment choices that include:
  - System/370 parallel channels
  - ESCON channels
  - Token Ring TCP/IP (Transmission Control Protocol/Internet Protocol) Local Area Networks (LAN)
  - Ethernet 10/100 BaseT TCP/IP LANs
  - FDDI (Fiber Distributed Data Interface) TCP/IP LANs.

(See “Host System Attachment Choices” on page 65 for more information.)



Performance enhancements, such as the Advanced Function Image and Graphics (AFIG) feature, are integral to the AFCCU design. Consequently, the AFCCU provides levels of performance meeting or exceeding those provided on the 3900 Model-001 with the Decompression Performance Enhancement (DPE) and the Improved Memory Performance (IMP) features. Additionally, the AFCCU extends the scaling performance enhancement for compressed images to all scaling factors, enabling the printing of compressed images at significantly higher levels of performance.

| Both models of the printer can be used in MVS, VM, VSE, InfoPrint Manager, OS/2, AIX/6000, and OS/400  
| operating environments, and can be channel-attached to many different processors. For additional information,  
| see “Host System Attachment Choices” on page 65.

# InfoPrint 3000 Printer Specifications

Table 1 on page 26 summarizes the specifications for the various printers in the InfoPrint 3000 family.

Table 1. InfoPrint 3000 Printer Specification Summary

| Model   | Mode                | Resolution (DPI)  | Print Speed (IPM)    | Basis Paper Weights |                    | Forms Width   |               | Forms Length                |   |
|---------|---------------------|---|----------------------|---------------------|--------------------|---------------|---------------|-----------------------------|---|
|         |                     |   |                      | g/m <sup>2</sup>    | lbs                | Min. mm (in.) | Max. mm (in.) | Min. mm (in.)               | Max. mm (in.)                               |
| ES1     | Simplex             | 480 <sup>1</sup> , 600 <sup>1</sup><br>480/600 <sup>2</sup> | 112/172 <sup>3</sup> | 60-160              | 16-42              | 204 (8)       | 457 (18)      | 76.2 ± 0.3<br>(3.0 ± 0.013) | 356 ± 0.3<br>(14.0 ± 0.013) <sup>8, 9</sup> |
| ED1/ED2 | Duplex <sup>4</sup> | 480 <sup>1</sup> , 600 <sup>1</sup><br>480/600              | 224/344 <sup>3</sup> | 60-105              | 16-28              | 229 (9)       | 457 (18)      | 76.2 ± 0.3<br>(3.0 ± 0.013) | 356 ± 0.3<br>(14.0 ± 0.013) <sup>8, 9</sup> |
|         | Dual Simplex        | 480 <sup>1</sup> , 600 <sup>1</sup><br>480/600              | 112/172 <sup>3</sup> | 60-160              | 16-42 <sup>7</sup> | 204 (8)       | 457 (18)      | 76.2 ± 0.3<br>(3.0 ± 0.013) | 356 ± 0.3<br>(14.0 ± 0.013) <sup>8, 9</sup> |

## Notes:

1. Standard resolution (specify feature).
2. Optional feature.
3. Print Speed stated in 1-up mode/2-up mode. (See notes 5 and 6 for more information.)
4. The Print speed for Duplex is the total system speed (2 printers). The Print speed for dual simplex lists individual printer speed (either Printer 1 or Printer 2).
5. 1-up mode (assuming an 8½-inch length page, measured in the forms process direction).
6. 2-up mode (assuming an 11-inch length page, measured in the forms process direction).
7. The maximum paper weight for duplex printers running in simplex mode should be 160 g/m<sup>2</sup> (42 lb).
8. Maximum form length is 356 ± 0.3 mm (14 ± 0.013 in.) when used with the on-board stacker.
9. Maximum form length is 711 ± 0.3 mm (28 ± 0.013 in.) when used with preprocessing and postprocessing devices.

---

# Simplex Printers

## Components

A simplex printing system includes the following:

- Printer engine
- Advanced Function Common Control Unit (AFCCU). This unit includes:
  - Operator Alert assembly
  - Power Control panel
  - IBM RISC technology processor
  - XGA touch-screen Display Touch Screen
  - System interconnection electronics and cables
  - Preprocessing/postprocessing device interfaces.

## Printing Methods

*Simplex* printing refers to printing on one side of a form. *Duplex* printing refers to printing on both sides of a form.

The continuous forms can be threaded various ways:

- From the forms input area of the printer to the output stacker of the printer
- From the forms input area of the printer to a postprocessing device at the output of the printer
- From a preprocessing device ahead of the printer to a postprocessing device at the output of the printer.

Up to three preprocessing/postprocessing devices may be connected to the printer. For more information on preprocessing/postprocessing devices see “Preprocessing and Postprocessing Device Interfaces (Optional)” on page 70.

The printer attaches to a host system through the AFCCU, which controls the printer.

See allowable configuration in “Configuration for a Simplex Printing System” on page 33.

---

## Duplex Systems

### Components

The major component of the InfoPrint 3000 Models ED1/ED2 Advanced Function Duplex Printing System is a pair of duplex printers, hereafter referred to as a duplex printing system.

The duplex printing system can be used for duplex, dual simplex, and simplex printing applications.

In this publication the first printer is called Printer 1, and the second printer is called Printer 2.

#### Printer 1

Printer 1 includes the following:

- Printer engine
- Printer Utility Module (PUM). This unit includes:
  - Operator Alert assembly
  - Power Control panel
  - System interconnection electronics
  - Preprocessing device interface
  - Postprocessing device interface (dual simplex mode only).

## Printer 2

Printer 2 includes the following:

- Printer engine
- Advanced Function Common Control Unit (AFCCU). This unit includes:
  - Operator Alert assembly
  - Power Control panel
  - IBM RISC technology processor
  - XGA touch-screen Display Touch Screen
  - System interconnection electronics and cables
  - Preprocessing device interface (dual simplex mode only)
  - Postprocessing device interface.

## Buffer/Flipper Unit

This unit guides the paper path from the first printer to the second printer in a dual-printer configuration. The unit allows the forms to take the following paths from the first printer to the second printer:

- Straight through path (inline) with 180° inversion
- Left 90° path with 180° inversion.

The unit turns the forms over (flips) so the other side of the forms can be printed by the second printer.

## Urge Unit

This unit assists in feeding forms from the Buffer/Flipper Unit under the printer into the tractor-feed area of the printer. This power-driven roller assembly is on the floor in the forms input area of Printer 2. The continuous forms are threaded through the unit.

**Note:** If an urge unit is supplied with any preprocessing equipment, the IBM-supplied urge unit is installed on Printer 2 and the vendor-supplied urge unit is installed on Printer 1.

# Duplex System Printing Methods

*Duplex:* Prints on both sides of a form.

*Simplex:* Prints on one side of a form.

You can operate these printers as follows:

- **Duplex:** Uses both printers (Printer 1 prints on one side of the form and Printer 2 prints on the other side of the form).
- **Simplex:** Uses both printers as in duplex operation, but prints only with one printer; forms pass through the other printer.
- **Dual Simplex:** Uses both printers separately in simplex mode; each printer is independent of the other and can print different jobs at the same time.

## Duplex Printing

Duplex printing is achieved by arranging both printers in series, separated by a Buffer/Flipper Unit, in a configuration that takes the continuous forms exiting from the first printer through a Buffer/Flipper Unit that turns the forms over (inverts them) before threading them through the second printer. The first printer in the paper path prints one side of a form; the second printer in the paper path prints the other side of the form.

Allowable printer system configurations are inline (see “Inline Configuration for a Duplex Printing System” on page 34), or a left 90° angle (see “Left Angle Configuration for a Duplex Printing System” on page 35). Only a Buffer/Flipper Unit may be installed between Printer 1 and Printer 2.

The forms path can be:

- From the forms input area of Printer 1 through to the output stacker of Printer 2
- From the forms input area of Printer 1 through to a postprocessing device at the output of Printer 2
- From a preprocessing device before Printer 1 through to a postprocessing device at the output of Printer 2.

| When running duplex printing applications, both printers in the configuration are operating at the same rate of  
| impressions per minute (IPM). The total speed or IPM of the subsystem is then twice the IPM of an individual  
| printer, counting both the front and back sides of the forms. As an example, 112 impressions per minute in  
| 1-up mode with 8½ form moving in the process direction. The total speed of the subsystem is then up to 344  
| IPM in 2-up mode, counting both the front and back sides of the forms.

Up to three preprocessing/postprocessing devices may be connected to Model ED1 and up to two preprocessing/postprocessing devices may be attached to Model ED2.

Both printers in the configuration attach to a host system through the AFCCU, which controls both printers simultaneously and is physically attached to Printer 2 in the configuration.

## Simplex and Dual Simplex Printing

The configuration shown in “Left Angle Configuration for a Dual Simplex Printing System” on page 36 supports *simplex* (single-sided) printing as follows:

- **Simplex:** Continuous forms are threaded completely through both printers and the Buffer/Flipper Unit (with or without flipping) with single sided printing accomplished in either printer under host system control.

The forms path can be:

- From the forms input area of Printer 1 through to the output stacker of Printer 2
- From the forms input area of Printer 1 to a postprocessing device at the output of Printer 2
- From a preprocessing device before Printer 1 through to postprocessing device at the output of Printer 2.

- **Dual Simplex:** Both printers in the configuration can run independent simplex applications.

The forms path in each printer can be:

- From the forms input area of the printer to the output stacker of the printer or to a postprocessing device at the output of the printer
- From a preprocessing device before the printer to a postprocessing device at the output of the printer.

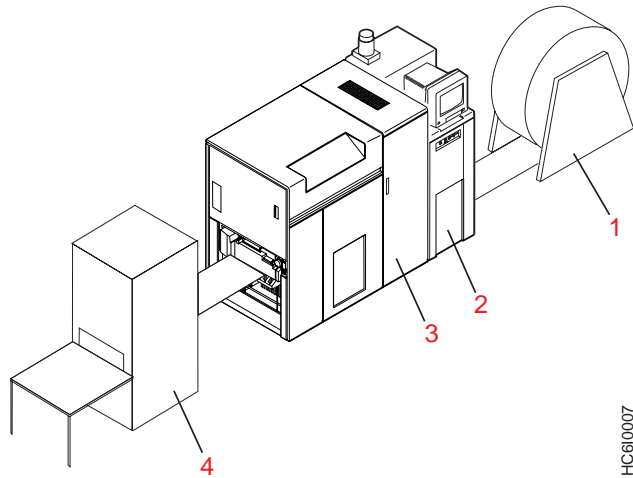
Each printer can have its own set (up to three) of preprocessing and postprocessing devices.

Both printers in the configuration attach to a host system through the AFCCU, which controls both printers independently and is physically attached to Printer 2 in the configuration.



---

# Configuration for a Simplex Printing System

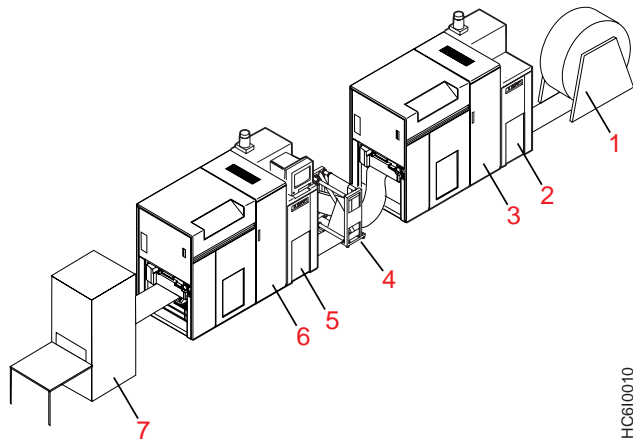


HC610007

- 1 Optional preprocessing device
- 2 AFCCU
- 3 Model ES1
- 4 Optional postprocessing device

---

# Inline Configuration for a Duplex Printing System

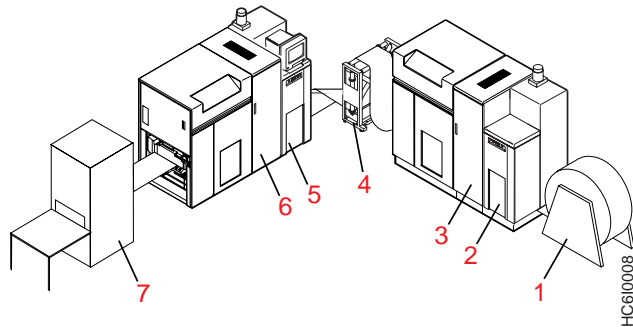


HC610010

- 1 Optional preprocessing device attached to Printer 1
- 2 Printer Utility Module (PUM) attached to Printer 1
- 3 Printer 1
- 4 Buffer/Flipper Unit
- 5 AFCCU attached to Printer 2
- 6 Printer 2
- 7 Optional postprocessing device attached to Printer 2

---

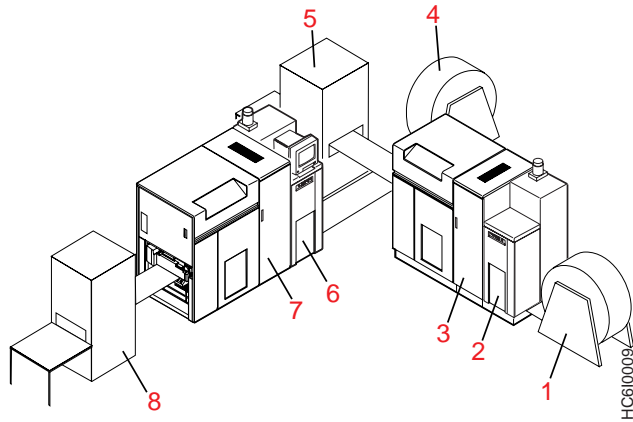
# Left Angle Configuration for a Duplex Printing System



- 1 Optional preprocessing device attached to Printer 1
- 2 Printer Utility Module (PUM) attached to Printer 1
- 3 Printer 1
- 4 Buffer/Flipper Unit
- 5 AFCCU attached to Printer 2
- 6 Printer 2
- 7 Optional postprocessing device attached to Printer 2

---

# Left Angle Configuration for a Dual Simplex Printing System



- 1 Optional preprocessing device for Printer 1
- 2 Printer Utility Module (PUM) attached to Printer 1
- 3 Printer 1
- 4 Optional preprocessing device for Printer 2
- 5 Optional postprocessing device for Printer 1
- 6 AFCCU attached to Printer 2; controls both printers in the configuration.
- 7 Printer 2
- 8 Optional postprocessing device for Printer 2

---

# Basic Page-Printing Concepts

The printer expands your printing ability to include new functions, such as in-house publishing, image printing, and electronic forms creation. These special uses are made possible by IBM Advanced Function Presentation (AFP) licensed programs<sup>1</sup>. The AFP programs let you put text, image, graphics, and bar codes at any defined point on a page. This ability is called *all-points addressability*.

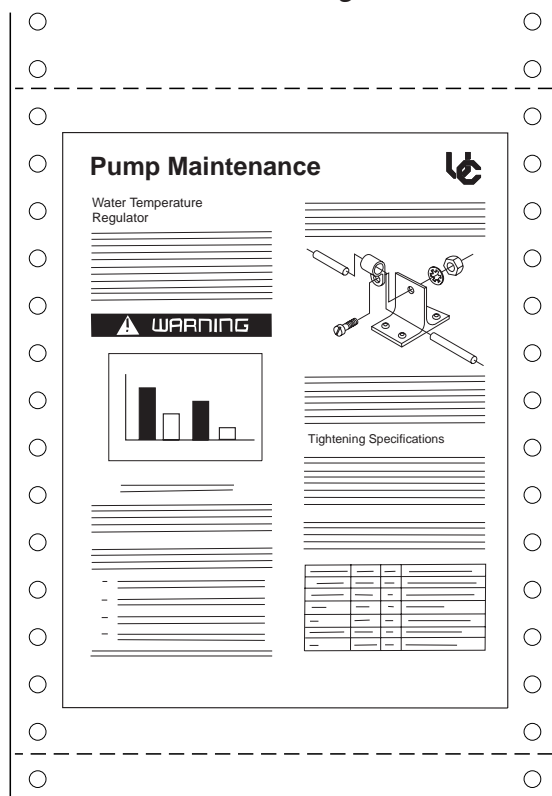
Some printers print a single line as a unit. This process is known as *line printing*. The printer and AFP create and print an entire page as a unit. This approach, known as *page printing*, increases your flexibility in designing pages.

---

1. A licensed program is any separately-priced program that has an IBM copyright and is offered to customers under the terms and conditions of the Agreement for IBM Licensed Programs.

# Combining Text with Images

Table 2. Combined Images and Text



Many companies use system printers to generate memos, reports, invoices, and listings. This output often consists of text combined with simple charts or diagrams that include limited graphics.

In systems with Advanced Function Presentation programs installed, IBM advanced function printers can print illustrations in your documents. For example, the program can combine business graphs and drawings with text for use in manuals and reports.

Table 2 shows how images can include line drawings, graphics, designs, special symbols, and company logos. You can print them alone or with text, and you can print more than one image on a single page.

# Orienting Text and Images on a Page

With an advanced function printer, you can print text and images in any of four orientations on a page, as shown in Figure 1.

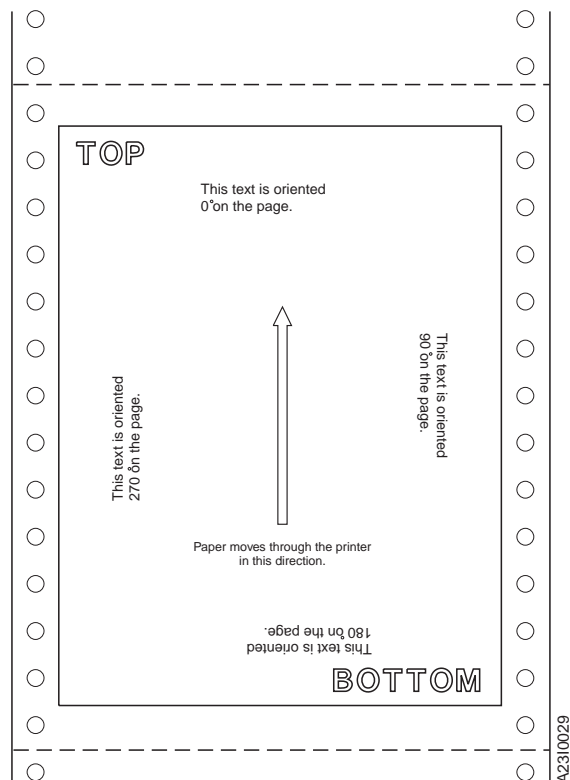


Figure 1. Available Orientations

# Portrait Orientation

Text and images printed parallel to the shorter side of the forms are in a *portrait* orientation.

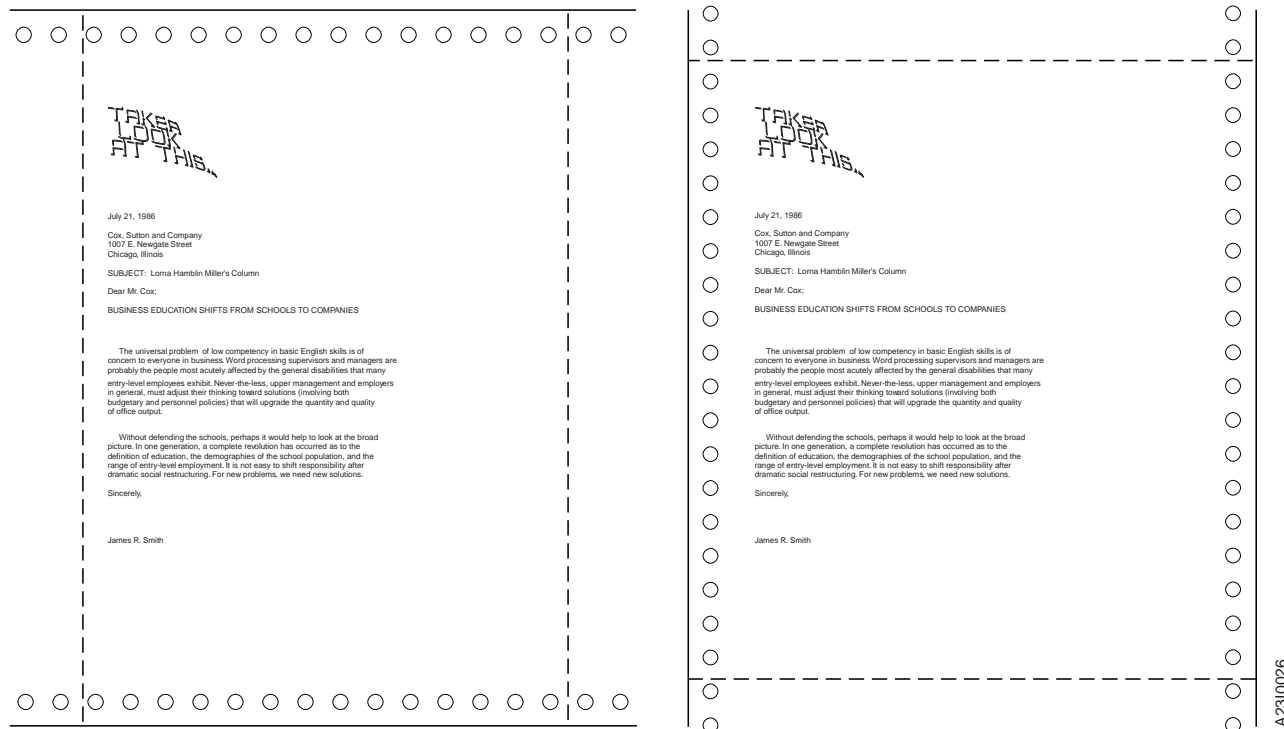


Figure 2. Portrait Orientations



# Landscape Orientation

Text and images printed parallel to the longer side of the forms are in a *landscape* orientation.

| ASSETS                    | 1977      | 1976      | 1975      | 1974      |
|---------------------------|-----------|-----------|-----------|-----------|
| Total Current Assets      | 27,214    | 46,639    | 38,848    | 32,427    |
| <br>                      |           |           |           |           |
| TOTAL                     | 346,131   | 315,133   | 292,781   | 266,330   |
| <br>                      |           |           |           |           |
| TOTAL CURRENT LIABILITIES | 66,076    | 62,457    | 57,530    | 48,912    |
| <br>                      |           |           |           |           |
| Total Stockholders Equity | 184,055   | 87,245    | 126,882   | 19,393    |
| TOTAL LIABILITIES         | \$250,131 | \$149,700 | \$140,828 | \$ 66,305 |

| ASSETS                    | 1977      | 1976      | 1975      | 1974      |
|---------------------------|-----------|-----------|-----------|-----------|
| Total Current Assets      | 27,214    | 46,639    | 38,848    | 32,427    |
| <br>                      |           |           |           |           |
| TOTAL                     | 346,131   | 315,133   | 292,781   | 266,330   |
| <br>                      |           |           |           |           |
| TOTAL CURRENT LIABILITIES | 66,076    | 62,457    | 57,530    | 48,912    |
| <br>                      |           |           |           |           |
| Total Stockholders Equity | 184,055   | 87,245    | 126,882   | 19,393    |
| TOTAL LIABILITIES         | \$250,131 | \$149,700 | \$140,828 | \$ 66,305 |

A2310027

Figure 3. Landscape Orientations

## Normal and Tumble Duplex

By using a combination of printing directions and orientations, you can put a document together in four different ways. Figure 4 shows documents printed with normal duplex. Notice that the pages are printed in the portrait orientation for Document A and in the landscape orientation for Document B.

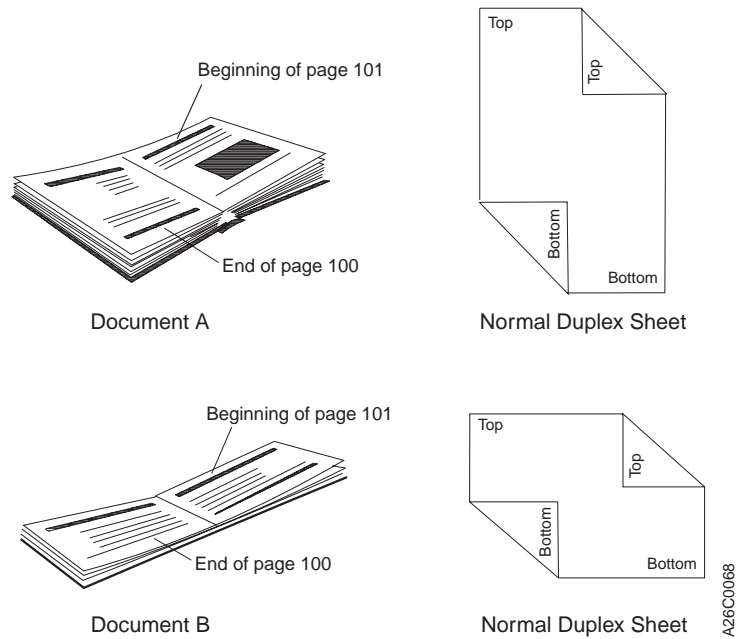
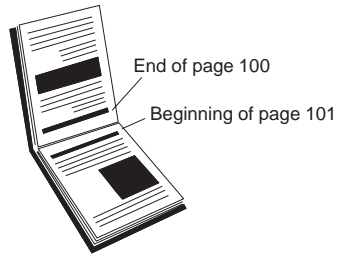
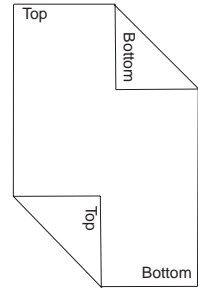


Figure 4. Normal Duplex

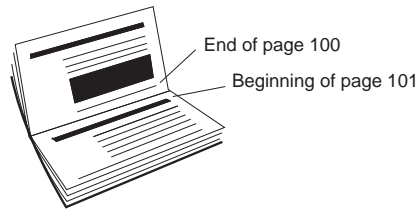
Figure 5 shows documents printed with tumble duplex. Notice that the pages are printed in the portrait orientation for Document C and in the landscape orientation for Document D.



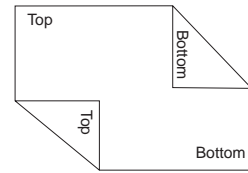
Document C



Tumble Duplex Sheet



Document D



Tumble Duplex Sheet

A26C0068

*Figure 5. Tumble Duplex*

# Advanced Function Image and Graphics

The Advanced Function Image and Graphics facility within the AFCCU allows the printer to directly process IOCA (Image Object Content Architecture) images, and GOCA (Graphics Object Content Architecture) data, as described in the *IBM Intelligent Printer Data Stream Reference*, S544-3417.

Improved processing occurs with the use of compressed images or vector graphics data in the GOCA format by reducing demand on attachment data transfer and host storage.

When the printer decompresses images or rasterizes vectors instead of the host system, host system processing cycles are reduced. These data stream functions also allow the printer to perform scaling operations or resolution correction of scanned images.

# Multiple-Up Printing

## Basic N-Up Page Positioning

With N-Up Page Positioning, you can print up to four pages in partitions on one side of a form, which enables you to print much more data on a form, saving printer-usage costs, paper, and storage space. See Table 3 on page 63 for a listing of Print Services Facility (PSF) software that supports N-Up printing. Figure 6 on page 46 is an example of 2-up printing.

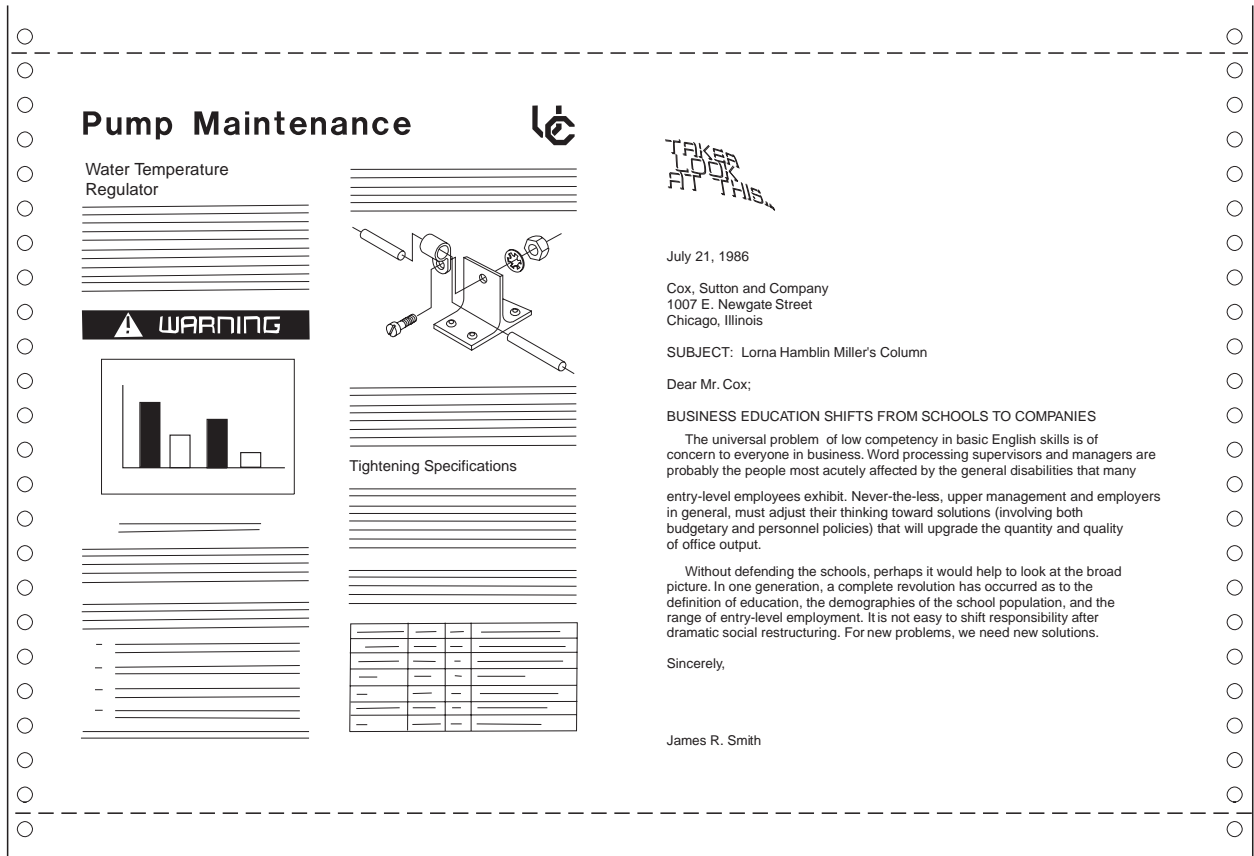


Figure 6. 2-Up Printing

## Enhanced N-Up Page Positioning

With Enhanced N-Up Page Positioning, you can place up to four pages at any location on a form—both sides of the form for duplex systems—in any orientation, and of any size. Refer to the appropriate PSF publication for your system for more information. See Table 3 on page 63 for a listing of PSF software that supports Enhanced N-Up printing.

## Cut Sheet Emulation

Cut Sheet Emulation (CSE) is an option on the printer console that automatically invokes an Enhanced N-Up arrangement to emulate 2 side-by-side sheets of cut paper. Duplex jobs print page 2 on the back of page 1 and page 4 on the back of page 3. CSE provides for different page arrangements to accommodate different postprocessing requirements. Pages can be placed sequentially from left to right or right to left and right side up or upside down.

CSE requires support in Print Services Facility (PSF). The console option for CSE has no effect unless the printer has a PSF that supports CSE. See Table 3 on page 63 for a listing of PSF software that supports CSE printing. For more information on PSF, refer to the appropriate PSF publication.

**Note:** Cut Sheet Emulation applies to AS/400, VM, and PSF/MVS only.

When the CSE option is enabled, all jobs sent to the printer print 2-up, side by side except when:

- N-Up Page Positioning is specified in the form definition. In this case, the N-Up specification is used and CSE is ignored.
- The PSF print driver enables page-size verification and disables CSE for pages that do not fit 2-Up.

## Options for Multiple-Up Printing

With Page Positioning and Cut Sheet Emulation (CSE) to choose from, you now have several options for formatting multiple-up application pages on a single printer sheet:

- Multiple-Up defined in the page definition resource
- N-Up defined in the form definition resource
- Cut Sheet Emulation selected at the Display Touch Screen.

Applications printing simple line data that use the same formatting for each page can easily be handled with traditional multiple-up. They can be handled as well by N-Up Page Positioning and Cut Sheet Emulation if they do not require more than 4 pages for N-Up or more than 2 for CSE on printers that support N-Up and CSE.

CSE can be used whenever the desired output is 2 pages of equal size side by side on the same sheet. CSE is especially useful for moving applications from 8.5 x 11 in. forms to 2-up printing on 11 x 17 in. forms. No change is required to the AFP form definition resource to enable CSE 2-Up printing. The same form definition can be used for printing 1-up on 8.5 x 11 in. forms or 2-up on 11 x 17 in. forms.

N-Up Page Positioning is needed for applications that required pages of different sizes or page positioning other than 2-up side by side. Instructions must be placed in the form definition for N-Up printing.

## Using Stored Information

Several types of stored information are used when printing data on an Advanced Function Printers. For example, your company logo often appears in your printed output. You can code this logo one time, and then store it in a library where it is available to any authorized person.

IBM Advanced Function Printers use information from resource libraries. A *resource* is a collection of stored data that can be used in a printing job. Some resource libraries contain control information that converts data from line printing to page printing. Examples of this type of library include:

- Form definition libraries, that contain the specifications to describe how pages of data are placed on the physical media
- Page definition libraries, that contain the specifications to describe how line data is placed into pages.

Other resource libraries contain information that the program uses to compose pages. Examples of this type of library include:

- Font libraries, which contain characters to be printed.
- Page segment libraries, which contain images and graphics.
- Overlay libraries, which contain collections of unchanging data that can contain images, text, or combinations of both.

Instead of using preprinted forms, you can use electronic overlays to put boxes, lines, shading, text, and logos on a page. Using electronic overlays can result in significant savings in forms cost and storage space,



as well as operator time required to load and unload preprinted forms. Also, you can change electronic overlays more quickly and without paying the scrap charges you have when you change preprinted forms.

Although IBM provides some of these resources for common uses, Advanced Function Presentation licensed programs enable your company to customize its own resources. See “IBM Advanced Function Presentation Software” on page 93 for more information about these programs.

---

## Optional Features

### Mark Perforations on Perfless Paper

This feature prints a page boundary mark on perfless paper where the perforations between pages would normally be. These marks enable the alignment of postprocessing equipment to the exact top of the page.

When this feature is enabled, a mark approximately 25 mm (1 inch) long by 3 pels wide is printed on every page, with the top of the mark being the exact top of the page. This mark appears on all pages, including threading and NPRO pages. This mark is not moved by print adjust.

This feature can be enabled or disabled by the key operator with the Special Features option of the Options pull-down menu. For printers in dual simplex mode, each printer is enabled or disabled separately.

This feature is available on all printers. It can be installed and enabled by your Customer Engineer.

### Move Mark Forms

This feature prints 20 marks along the perforations at the top and bottom edges of the header and trailer pages instead of the standard 5 marks. Also, the longer mark pattern is printed at the side of the pages rather than the center. This allows easier separation of print jobs.

This feature can be enabled or disabled by the key operator with the Special Features option of the Options pull-down menu. For printers in dual simplex mode, it is enabled or disabled for each printer separately.

This feature is available on all printers. It can be installed and enabled by your Customer Engineer.

---

# Chapter 2. The Advanced Function Printers Characteristics

## Chapter Overview

This chapter describes the characteristics, functions, and features of the printer. It also contains hardware and software requirements for incorporating the printer into your operating and application environments.

The printers provide high-performance, high-quality printing in large-scale data-processing environments. They receive data through the IBM Intelligent Printer Data Stream (IPDS).

---

## Printing Speed

Printing speed and options are defined in Table 1 on page 26.

The following conditions affect the actual performance in your installation:

- Configuration of the printer
- Number of characters per page
- Number of imbedded control commands
- Number of fonts, bar codes, and images per page
- Performance of the controlling computer
- Channel activity
- Printhead resolution

See “Performance Considerations” on page 89 for additional information.

---

## AFCCU Processor Performance Options

- RISC Technology Processor – Standard on all models
- Performance Enhancement RISC Technology Processor – Available for all models as a feature  
Selecting the performance enhancement processor improves processing performance over a wide range of applications. Customers with highly complex applications containing very dense text or compressed and complex images or customers that use dual simplex mode extensively will benefit using this option.

---

## Print Material

The size limitations and options for InfoPrint 3000 forms are listed in Table 1 on page 26.

The printer can print on many special-purpose materials, such as preprinted forms and some adhesive labels. The inks, printing media, adhesives, and other components that make up these special materials must withstand the printer fusing temperature and mechanical action; therefore, be sure to thoroughly test any preprinted forms and adhesive labels you plan to use for your printing applications.

**Note: Printing on adhesive labels is supported only on Model ES1 and Models ED1/ED2 in dual simplex mode.**

The *IBM Forms Design Reference for Continuous Forms Advanced Function Printers* contains information to help you select print materials. Work closely with your IBM marketing representative while you are selecting what kinds of forms and special-purpose materials to use. Your marketing representative can give you technical help, share information from other successful printer users, and help you design your own labels and special materials. Refer to “Chapter 11. Selecting and Testing Forms” on page 196 for more information.

Forms must have a basis weight of 60 to 160 g/m<sup>2</sup> (16 to 42 pounds) for simplex operations and 60 to 105 g/m<sup>2</sup> (16 to 28 pounds) for duplex operations. *Basis weight* is the weight in pounds of a ream (500 sheets) of paper cut to a given standard size. In most environments, 75 g/m<sup>2</sup> (20-pound) forms usually perform best for the printers. Form weight is listed in Table 1 on page 26.

The stacker on these printers can stack forms from 7 to 14 inches (178 to 356 mm) long. You also can stack forms of less than 7 inches if you fold them correctly. For instructions for printing on various size forms, see “Continuous Forms” on page 196.

When you use **fanfold forms in duplex printing mode**, use a postprocessing device behind Printer 2 instead of the printer stacker. This prevents stacking problems caused by the occasional loss of the original fold direction after the paper travels through both printers and the Buffer/Flipper Unit.

---

## Print Quality

The *InfoPrint 3000 Operator's Guide* describes how to use the contrast and forms-selection controls on the printer control panel to adjust print quality.

The forms you use and the composition of your logical pages significantly affect the quality of printer output. To ensure printing legibility in your application, test small fonts and special characters, such as logos, bar codes, and OCR fonts, in your application. See “Chapter 11. Selecting and Testing Forms” on page 196 and the *IBM Forms Design Reference for Continuous Forms Advanced Function Printers* for important information about this type of testing.

---

## Print Quality Enhancement

The InfoPrint 3000 uses a digital Print Quality Enhancement (PQE) when printing 240 or 300 DPI raster font text. The text is scaled to the printer resolution with an interpolation process. This process uses the extra PELs available to eliminate jagged steps, producing smoother text. This enhancement can be turned off if necessary. See Font Enhancement also.

---

# Printer Resolution

Outline fonts can be used on all InfoPrint 3000 AFCCU printers. These fonts have no resolution, but are built in the printer to the printhead resolution. Because they provide resolution independence, outline fonts should be used whenever possible. However, applications designed using custom raster fonts, or raster fonts for which no outlines are available, require these raster fonts for printing.

The InfoPrint 3000 printers offer additional resolution options:

- Switchable printers: The print resolution can be manually switched between 480 DPI and 600 DPI if the 480/600 DPI switchable feature is installed. See Table 1 on page 26.
- IPDS Resolution Acceptance (600 DPI only).
- Font Enhancement mode.

If your printer has these additional resolution options, you need to plan operator procedures for selecting the correct options for your job mix.

## 480/600 Switchable Printers

If your printer has a 480/600 DPI switchable printhead, you will need operator instructions on when and how to switch between the two different resolutions. If all your jobs are developed at a single DPI, for example 240 DPI, you should keep the printer at 480 DPI resolution all the time for optimum performance and print quality. However, if you have some jobs for 240 DPI and some for 300 DPI, you will need to have some way of separating the jobs by resolution and of notifying the operator when to change the resolution on the printer. This change is done from the printer console by selecting the CONFIGURE PRINTER option for Printhead Resolution. The printer normally takes less than 1 minute to complete this operation.

In 480 DPI resolution, the printer reports to PSF that it is a 240 DPI printer. It accepts 240 DPI raster fonts and automatically scales them to 480 DPI. From an operational and application standpoint, it is no different than a 240 DPI printer.

Note that there are no 480 DPI raster fonts supplied by IBM, nor does IBM recommend that you create or use 480 DPI raster fonts. You should use only 240 DPI raster fonts or outline fonts with 480 DPI printhead resolution. For printers with 480/600 switchable printheads, jobs that use 240 DPI raster fonts should be printed with the 480 DPI printhead, rather than with the 600 DPI printhead. Because scaling 240 to 480 DPI is a simple matter of scaling the dots, both appearance and performance of 240 DPI jobs may be better at 480 DPI resolution than at 600 DPI.

If your PSF is PSF/MVS 2.2 with APAR OW27622 for Multiple Resolution support, you can set up the PSF printer definition so that the font libraries switch automatically when the printer resolution is changed. See the APAR documentation for details.

When your printer is in 600 DPI mode, you have a new capability: the option to specify IPDS Resolution mode.

## **IPDS Resolution Acceptance (600 DPI Resolution Only)**

With the 600 DPI printhead or a 480/600 Switchable printer switched to 600 DPI resolution, the operator is presented with a pop-up window for selecting an IPDS resolution. The choices are:

- 240 DPI IPDS resolution mode
- 300 DPI IPDS resolution mode
- 600 DPI IPDS resolution mode
- Automatic IPDS resolution mode.

The operator selects an option from this screen. The printer reports the option selected to PSF.

### **600 DPI IPDS Resolution Mode**

When a printer is set in 600 DPI IPDS Resolution mode, it reports to PSF that it is a 600 DPI printer. PSF does not send 240 or 300 DPI raster fonts to the printer. It sends outline fonts only. Although technically the

printer could accept 600 DPI raster fonts, IBM does not supply 600 DPI raster font and does not encourage you to use 600 DPI raster fonts. At 600 DPI, outline fonts are the recommended font technology.

Note that setting the printer in 600 DPI IPDS mode does not provide any benefit over either 240 or 300 DPI IPDS mode. In all cases, the resolution at which the data is printed is 600 DPI. Also in all cases, outline fonts are accepted and rendered at 600 DPI. The only difference between a 600 DPI printer set in 240 DPI IPDS mode or in 600 DPI IPDS mode is that when the printer is in 600 DPI IPDS mode, it cannot receive and print 240 DPI raster fonts.

## Automatic IPDS Resolution Mode

The final IPDS resolution mode is “Automatic”. When a 600 DPI printer is in Automatic IPDS resolution mode, the printer reports to PSF that it is capable of accepting any font resolution. This allows PSF to send 240 DPI raster fonts, 300 DPI raster fonts, or outline fonts to the printer without requiring the operator to change any printer configuration options on the console. Jobs needing 240 DPI fonts can be intermixed with those needing 300 DPI fonts.

Using Automatic mode can simplify operating procedures for enterprises with jobs requiring resource resolutions. However, if the printer has a 480/600 switchable printhead, you need to weigh this advantage against possible improvements in throughput and print clarity of 480 DPI for jobs formatted using 240 DPI resources. See “480/600 Switchable Printers” on page 54.

**Note:** Automatic IPDS Resolution mode requires updates to PSF to enable it to respond to and take advantage of this printer capability. Do not select this mode unless you have PSF capable of Multiple Resolution support. *PSF/MVS 2.2 with APAR OW27622* has this support. See the APAR documentation for details.

## Font Enhancement Mode

On 480/600 switchable printers or 600 DPI printers with the latest AFCCU code, operators are presented with a pop-up window to select whether font enhancement is desired. The window presents two options:



- Single-byte font enhancement (YES|NO)
- Double-byte font enhancement (YES|NO).

The pop-up window appears when the operator selects 480 DPI printhead resolution or IPDS Resolution for 600 DPI printhead resolution. Specifying YES causes the printer to initiate additional smoothing algorithms for 240 DPI and 300 DPI raster fonts when they are printed with the 480 or 600 DPI printhead. For most cases, selecting YES results in better print quality. However, because print aesthetics are subjective, this enhancement can be turned off for either single-byte or double-byte fonts or both by specifying NO. Specifying Yes to this option should have little or no impact on printer performance.

## AFP Resource Resolution

For InfoPrint 3000 AFCCU printers, raster fonts are the only print objects or resources that are strictly resolution dependent.<sup>2</sup> Other AFP resources are resolution independent. Form definitions and page definitions do not depend on printer resolution. Overlays and page segments that contain images and text formatting designed at a specific resolution are automatically adjusted by the printer to the correct resolution. However, this adjustment sometimes causes formatting differences. Images and text for which exact positioning is important print best at the resolution for which they were designed. For this reason, you may want to maintain separate resolution libraries of critical resources such as page segments and overlays that contain very precise formatting or logos or signatures for which the highest quality print is required. The Multiple Resolution support in PSF/MVS 2.2 provides the capability to automatically select from the correct resolution library. See documentation for PSF/MVS APAR OW27622.

---

2. Currently there is also a resolution dependence in certain GOCA objects that include image definition within GOCA.

---

## Print Area

The printer can print to the horizontal page perforations and within 12.7 mm ( $\frac{1}{2}$  inch) of either vertical (tractor-hole) edge of the form. See Figure 7 on page 59.

Print quality may be degraded when printing near folding perforations, an internal perforation, or any cut in the form. To ensure correct operation and print quality, maintain the following distances:

- From non-folding and internal perforations: 1.27 mm (0.05 in.)
- From folding perforations: for text, OCR, and bar codes: 8.5 mm (0.33 in.); for images and solid-area fill: 12.7 mm (0.5 in.)
- From binder holes and cuts: 2.54 mm (0.1 in.).

Refer to the *IBM Forms Design Reference for Continuous Forms Advanced Function Printers* and “Chapter 11. Selecting and Testing Forms” on page 196 for more information.

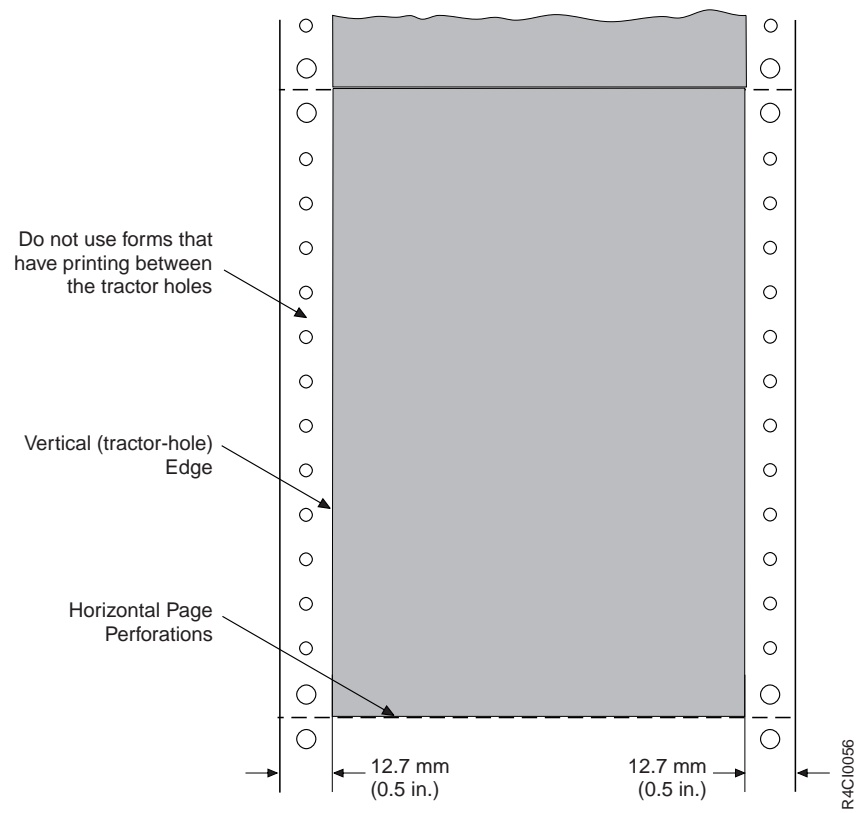


Figure 7. Printable Page Area

## Control Unit Processor Memory

Available control unit processor memory for the printers is as follows:

- **Model ES1:** 128MB is standard. 128MB additional memory can be added.
- **Models ED1/ED2:** 256 MB is standard. 256MB additional memory can be added.

Most applications do not need additional memory, but complex applications probably will. Complex applications may print several combinations of fonts, images, page segments, or overlays on each page. Before printing a page of data, the printer must have enough storage in the page buffer to accommodate all the fonts and images appearing on that page.

For printers offering additional memory, ask your IBM marketing representative for assistance in determining if you need additional storage for your planned applications.

---

## Display Touch Screen

The Display Touch Screen is the primary way you input information to the printer and receive status and error messages from the printer in any of several different languages. Both the printer operator and the service representative use this console.

You use the Display Touch Screen to set up and operate the printer. Some of the things you can do from the Display Touch Screen are:

- Change printer configurations
- Change host system channel attachment configurations
- Change preprocessing/postprocessing device configurations
- Define forms to be used in the printer.

---

# Power Control

## Simplex Models

The power control panel on the AFCCU frame allows you to select either remote or local power control for the printer and the control unit independently.

When either the printer or control unit Local/Remote switch is set to Local, you can control power for that element from the power control panel. When a Local/Remote switch is set to Remote, you can control power for the AFCCU from the controlling computer system and power for the printer from the AFCCU.

The power control panel also contains an Emergency Power Off switch that drops power to all elements controlled by that panel.

## Duplex Models

A power control panel on both the printer utility module (PUM) frame on Printer 1 and the Advanced Function Common Control Unit (AFCCU) frame on Printer 2 is used to select either remote or local power control for each printer in the configuration and the control unit independently.

When either a printer frame, the AFCCU frame, or the PUM frame Local/Remote switch is set to Local, power for that element is controlled by power switches on the same power control panel as the Local/Remote switch. When a Local/Remote switch is set to Remote, power for the AFCCU is controlled from the controlling computer system, and power for either printer or the PUM is controlled from the AFCCU.

Each power control panel also contains a system Unit Emergency switch that drops power to all elements controlled by that panel.

---

# Software Requirements

## IPDS

IPDS supports duplex printers in both duplex and dual simplex mode. IPDS mode requires one of the host licensed Print Services (PSF) products shown in Table 3 on page 63.

Each software environment has specific operating system and AFP program requirements. For a list of the programs that are required for a particular environment, refer to the corresponding Print Services Facility (PSF) publications listed in *Advanced Function Presentation: Printer Information*, G544-3290. Also see “Advanced Function Presentation Licensed Programs” on page 93 for a listing of AFP software.

Table 3. Software Support for the Respective Attachments and Functions

| AFP Licensed Program | S/370 Parallel Channel | ESCON Channel | Token Ring or Ethernet TCP/IP | FDDI TCP/IP | Select Medium Modification (SMM) | Basic N-Up | Enhanced N-Up | Cut Sheet Emulation |
|----------------------|------------------------|---------------|-------------------------------|-------------|----------------------------------|------------|---------------|---------------------|
| OS/390 and PSF/MVS   | Yes                    | Yes           | Yes (See Note)                | No          | Yes                              | Yes        | Yes           | Yes                 |
| PSF/VM               | Yes                    | Yes           | No                            | No          | No                               | Yes        | Yes           | Yes                 |
| PSF/VSE              | Yes                    | Yes           | No                            | No          | Yes                              | Yes        | Yes           | No                  |
| PSF/400              | No                     | No            | Yes                           | No          | No                               | Yes        | Yes           | Yes                 |
| PSF/OS2              | No                     | No            | Yes                           | No          | No                               | No         | No            | No                  |
| PSF for AIX          | No                     | No            | Yes                           | Yes         | Yes                              | Yes        | Yes           | No                  |
| InfoPrint Manager    | No                     | No            | Yes                           | Yes         | Yes                              | Yes        | No            | No                  |

**Note:** Requires additional CPU cycles and may not yield acceptable throughput for data-intensive print applications.

Contact your IBM marketing representative for details about ordering these configurations and features.

# Application Environment

InfoPrint 3000 supports the IBM Advanced Function Presentation (AFP) licensed programs. These programs let application developers take advantage of many special kinds of printing, including bar code and optical character recognition (OCR) output.

InfoPrint 3000 supports FOCA (Font Object Content Architecture), which allows printing with outline fonts. Outline fonts give you more choices of fonts with substantially less storage requirements.

InfoPrint 3000 prints optical character recognition (OCR) characters and bar code applications and most standard OCR fonts and bar code BCOCA (Bar Code Object Content Architecture) formats.

InfoPrint 3000 processes advanced function printing functions. These functions use the Intelligent Printer Data Stream (IPDS) to drive the printer. Refer to the *IBM Product Description, G544-3895*, or the *Intelligent Printer Data Stream Reference, S544-3417*, for more information. Also see “Advanced Function Presentation Licensed Programs” on page 93 for a listing of AFP software. Refer to Table 4 on page 65 for a listing of printer model choices as they relate to channel/adaptor attachment choices.



# Host System Attachment Choices

InfoPrint 3000 printers can attach to the following processing systems with the indicated attachment choices, which are marked with **X**:

*Table 4. Host Processing Systems and Attachment Choices*

| Host System   | S/370 Parallel Channel | ESCON Channel | Token Ring or Ethernet TCP/IP LAN | FDDI TCP/IP LAN |
|---|------------------------|---------------|-----------------------------------|-----------------|
| IBM ES/3090<br>(Note 1)<br>(Note 3)   | X                      | X             |                                   |                 |
| IBM ES/9000   | X                      | X             |                                   |                 |
| S/390 Multi-<br>prise 2000,<br>G3 Enterprise,<br>Parallel<br>Enterprise<br>Server | X                      | X             |                                   |                 |
| IBM<br>ES/9370/9371<br>(Note 2)   |                        |               |                                   |                 |
| PS/2  |                        |               | X                                 |                 |
| AS/400  |                        |               | X                                 |                 |

Table 4. Host Processing Systems and Attachment Choices (continued)

| Host System  | S/370 Parallel Channel | ESCON Channel | Token Ring or Ethernet TCP/IP LAN | FDDI TCP/IP LAN |
|--|------------------------|---------------|-----------------------------------|-----------------|
| RISC System/6000   |                        |               | X                                 | X               |
| <b>Notes:</b><br>1. Attaches to Models 180J and above, except for Model 250, and to 9000T.<br>2. A High-Speed Printer Adapter is required when connecting to the Micro Channel on the ES/9371.<br>3. For ESCON, only model 3090J is supported. |                        |               |                                   |                 |

All printers have two ports.

You can intermix these attachments in any combination of two, except that you cannot have two TCP/IP attachments.

See “Chapter 4. Preparing the Processing Environment” on page 82 for more information about system and channel-attachment requirements.

## System/370 Channel Attachment

The channel attachment is to a single-byte wide block multiplex System/370 parallel channel. You can connect it as follows:

- Directly to a host system System/370 channel
- To the remote end of an IBM 3044-II Fiber Optic Channel Extender
- To the remote end of an IBM 9034 ESCON Converter.

You can attach one System/370 channel adapter and one of the following:

- A second System/370 channel adapter
- An ESCON channel adapter
- A Token-Ring TCP/IP adapter
- An Ethernet TCP/IP adapter
- A FDDI adapter.

When you order a second System/370 channel adapter, a **Two-Channel Switch** function is provided which maintains a connection with either channel as a single device control unit with an interface switch. The Two-Channel Switch function supports either static or dynamic channel switching modes (operator selectable) for both channels:

- **Manual mode:** In manual mode, you can enable only one channel interface. You can connect the two interfaces to two channels on the same processing unit, on tightly-coupled processing units (units controlled by the same operating system), or on independent (uncoupled) processing units.

**Note:** Select Manual Mode if either or both attachments are from a PS/2, a RISC System/6000, or an AS/400.

- **Dynamic mode:** In dynamic mode, you can enable both channel interfaces by using the Two-Channel Switch as a dynamic interface switch. Both interfaces must be connected to two channels either on the same processing unit or on tightly-coupled processing units (processing units controlled by the same operating system).

When you install the second System/370 channel feature for the **Two-Channel Switch** function, an optional **Remote Channel Enable/Disable** feature is also provided. With this feature, you can remotely enable and disable directly-connected System/370 channels.

# Enterprise Systems Connection (ESCON) Channel Attachment

You can attach to an ESCON channel as follows:

- Directly to a host system ESCON channel
- To the remote end of an IBM 9032/9033 ESCON Director
- To the remote end of an IBM 9036 ESCON Remote Channel Extender.

You can attach one ESCON channel adapter and one of the following:

- A second ESCON channel adapter
- A System/370 channel adapter
- A Token-Ring TCP/IP adapter
- An Ethernet TCP/IP adapter
- A FDDI adapter.

Adding a second ESCON adapter allows dynamic channel switching mode with tightly-coupled channels or processing units.

# Local Area Network (LAN) Attachments

You can attach the printer to either Token Ring TCP/IP (Transmission Control Protocol/Internet Protocol) or to Ethernet TCP/IP with host systems running ES/9000, PSF/2, PSF/400, PSF for AIX, or InfoPrint Manager.

You can attach one Token Ring adapter and one of the following:

- An ESCON channel adapter
- A System/370 channel adapter.

You can attach one Ethernet adapter and one of the following:

- An ESCON channel adapter
- A System/370 channel adapter.

## FDDI Attachment

You can attach the printer to FDDI TCP/IP with a host system running PSF for AIX or InfoPrint Manager.

You can connect the FDDI attachment as follows:

- Directly to an RS/6000 processor
- 8260 Multiprotocol Intelligent Switching Hub attached to an RS/6000 processor.

You can attach one FDDI adapter and one of the following:

- An ESCON channel adapter
- A System/370 channel adapter.

---

# Preprocessing and Postprocessing Device Interfaces (Optional)

Preprocessing/postprocessing Device Interfaces allow you to attach special equipment to help automate the handling of forms input or forms output (or both) to the printer. Preprocessing equipment is on the forms input side (for example, a roll feed) and postprocessing equipment is on the forms output side (for example, a folder, burster, trimmer, stacker, take-up roll, or MICR).

Each of the InfoPrint 3000 printers has three interface ports. These ports may be equipped with Preprocessing/Postprocessing (Pre/Post) or Advanced Function Postprocessing (AF Post) interfaces.

- **Preprocessing/Postprocessing (Pre/Post):** Attaches most types of preprocessing and postprocessing equipment, such as: continuous forms stackers, envelope inserting equipment, and roll-feed equipment.

One Pre/Post interface is standard on each printer.

- **Advanced Function Postprocessing (AF Post):** Attaches only postprocessing equipment that requires architected software and communications control, such as: printers using non-electrophotographic technology or MICR impact printers. Only one AF Post interface can be installed on each printer.

IPDS supports the Select Medium Modifications (SMM) command which is used to invoke processing options through the Advanced Function Postprocessing interface. SMM support is not available on all PSF platforms. See Table 5 on page 94 and Table 3 on page 63 for PSF support details.

**In the Duplex Models:** Port 1 in each printer has a preprocessing/postprocessing interface, which is standard. You may select optional preprocessing/postprocessing or advanced function postprocessing interfaces to equip Ports 2 and 3 of Printer 1 or Port 2 of Printer 2.

**In the Simplex Model:** All three interfaces are selectable.

### **Things to Remember About Preprocessing/Postprocessing Equipment:**

1. When using preprocessing equipment, be sure that attachment cables do not interfere with forms under the printer. See “Space Requirements – Duplex Models” on page 110 or “Space Requirements – Simplex Model” on page 109 for cable placement.
2. When using 18-inch (457-mm) wide paper, the distance between the back edge of the paper and the back of the machine is about 0.25 inches (0.6 cm). This means that some of the powered-assist rollers (urge units) used with other IBM printers may not work across the entire spectrum of the InfoPrint 3000 family of printers. Be sure to discuss this with your pre- or postprocessor vendors.
3. Be sure that any preprocessing or postprocessing devices you order operate at the same speed (IPM) as the printer.
4. **With Duplex Configurations:** To avoid static drag between the paper and the floor, IBM recommends that you install a conductive floor plate in front of each urge unit between the printer leveling pads. The floor plate is connected to the printer frame with a grounding strap. Normally, preprocessor vendors supply these plates. The plate should be approximately 61 cm x 152 cm x 0.71 mm (2 ft x 5 ft x 0.028 in.).

See “Configuring Preprocessing and Postprocessing Devices or Interfaces” on page 154 for more information concerning the preprocessing/postprocessing interfaces.

---

# Reliability, Availability, and Serviceability

The printer is designed to ensure maximum reliability, availability, and serviceability. The following elements reflect this:

- **Message Display**

The Display Touch Screen windows display messages in the language of your choice:

- U.S. English
- Spanish
- French
- German
- Japanese
- Italian
- Brazilian Portuguese
- Chinese Simplified
- Chinese Traditional.

These messages give status information, request operator intervention, and guide operators through procedures that have more than one step. Help functions are available for most operations.

- **Error Log**

Sensors and microcode detect faults in the printer. Information about faults is displayed to the operator and logged on the control unit hard disk for use in correcting problems.

- **Traces**

The AFCCU can perform several kinds of traces. It can record detailed information about the printer and AFCCU activities and communications with the host system. The operator starts and stops traces.

- **Print Samples**

The AFCCU can print several output print samples. You can print these print samples whenever necessary to sample print quality, solve problems, adjust the printer, or test the printer's functions.



---

# Data Security

The printer has the following data security features:

- The controlling computer cannot retrieve any data after sending it to the printer.
- After printing the last page, the printer cannot print any data that remains in the page buffer.
- The printer removes images that remain on the photoconductor.
- The control unit accepts commands from the controlling computer system to erase all residual print data and fonts from its storage.
- Characters stored in the page buffer are difficult to interpret because the printer translates them from 8-bit EBCDIC (extended binary-coded decimal interchange code) characters to another form.

If many of the printing applications for your company are confidential, consider placing the printer in a controlled-access area. Then, by using special print classes, you can control when sensitive data is printed.

---

# Resident Fonts

The printer supports the following contents of the IBM Strategic Font Set:

- IBM Core Interchange Resident Scalable Font Set
- 4028 Compatibility Resident Font Set
- IBM Coordinated Resident Font Set
- DBCS Resident Raster Font Set
- DBCS Resident Scalable Outline Font Set

For more information on fonts, refer to the *IPDS Handbook for Printers That Use the Advanced Function Common Control Unit*, G544-3895.

---

## Chapter 3. Organizing the Planning Team

### Chapter Overview

This chapter describes tasks for each planning team member and identifies additional resources to which team members can refer. Because printer operators participate in the daily operation of the printers, their duties are also in this chapter.

The first step in preparing to install the printer is to select a planning coordinator. This person is responsible for organizing and managing a project team to plan, order, and install the printer and, if necessary, the Advanced Function Presentation (AFP) programs.

A typical planning team includes the following members:

- Planning coordinator
- Physical planner
- System programmer
- Application programmer.

You may also want to include representatives from end-user areas as part of the planning team. Their input can be valuable in determining requirements for advanced printing functions and special-purpose materials.

---

## Planning Coordinator

Throughout the planning phase, the planning coordinator meets with the planning team and the IBM installation planning representative to ensure that all pre-installation tasks are proceeding smoothly. “Implementation Plan” on page 77 is a checklist of these planning tasks.

The planning coordinator should read all the chapters in this publication to help the other team members prepare for the printer. The planning coordinator should also be familiar with the other manuals in the InfoPrint 3000 Library (see “InfoPrint 3000 Library” on page 20).

In addition to the tasks described in this publication, the planning coordinator should consider related issues, such as:

- **Training:** Who needs to be trained on the printer or AFP? Who conducts the training sessions? When will training be scheduled?
- **Testing:** Who performs the printer or AFP tests? What applications should we test? What forms should we test? How can we conduct testing without affecting production schedules?
- **Implementation:** How will the printer be phased into production? What applications will use the printer first?
- **Documentation:** Which local procedures do we need to change? Who is responsible for changing locally written procedures? Who needs copies of IBM hardware and software manuals?
- **Supplies:** How large should the initial printer supply order be? What is the local procedure for ensuring that supplies are kept in stock?

---

## Physical Planner

The physical planner is typically an industrial engineer or a supervisor. Physical planners determine the location for the printer and prepare a layout plan. They are responsible for ensuring that the environmental, electrical, and space requirements of the printer are met, and that the location is convenient for printer operators and customer engineers.

IBM offers special assistance with physical planning. Contact your IBM marketing representative for information.

“Chapter 5. Preparing the Physical Environment” on page 100 is directed primarily toward physical planners. It includes a physical planning work sheet and a site-preparation checklist.

---

# System and Application Programmers

System and application programmers typically plan for and order the required Advanced Function Printing licensed programs.

System programmers are responsible for:

- Ensuring that host channel cables, System/370, ESCON, Token Ring, FDDI, Ethernet, and any channel extenders, converters, multi-station access units, transceivers, or switching boxes required in the host attachment configuration are available for installation
- Installing and testing the licensed programs
- Incorporating the printer into the system configuration.

Information about system requirements for the printers is in *Guide to Advanced Function Presentation*, G544-3876, and *Advanced Function Presentation: Printer Information*, G544-3290.

Application programmers create and modify application programs that interact with the licensed programs. Application programmers participate in testing forms and applications. “Chapter 11. Selecting and Testing Forms” on page 196 and the *Forms Design Reference for Continuous Forms Advanced Function Printers* contain information related to testing.

If you are a system or application programmer, read Chapter 4. Preparing the Processing Environment for information about planning for installing licensed programs, and “Chapter 8. Configuring a Duplex Printing System” on page 170 for information about selecting printer options.

---

# Operator

Printer operators perform the following day-to-day tasks for the printer:

- Responding to the operational needs of the printer, such as loading forms and clearing forms jams
- Replenishing the printer supplies, such as toner, developer mix, fuser oil, oiler belt, toner collector bottle, and fine filter
- Performing routine cleaning
- Checking print quality
- Running traces
- Splicing forms (if required).

The *InfoPrint 3000 Operator's Guide*, supplied with each printer, contains general operating procedures, and is the primary reference book for printer operators. Printer operators should also read "Supplies" on page 191 for information about printer supplies.

---

# Implementation Plan

This checklist contains many of the major tasks that must be performed before and during the installation of the printer. Use this checklist as a basis for developing your own detailed implementation project plan.

## Fifteen Weeks before Delivery

The *planning coordinator*:

1. Identifies the members of the planning team.
2. Orders the printer.
3. Orders the IBM Advanced Function Presentation licensed programs.

4. Verifies the order for the appropriate channel cables, System/370, ESCON, TCP/IP, and for any required channel extender, converter, or switching hardware boxes in the channel interface.
5. Prepares a plan for selecting and testing forms for use with the printer.

The *physical planner*:

1. Determines the location for the printer and arranges for any changes to the site. Ensures that the site will have conductive flooring.
2. Identifies the delivery route for the printer.
3. Prepares a space layout plan.
4. Determines who will install the electrical wiring and outlets.
5. Determines the type of electrical attachment and ground-fault circuit protection to be used.

The *system programmer*:

1. Determines the Advanced Function Presentation licensed programs needed.
2. Creates a conversion plan for line-printer data and electronic overlays.

The *application programmer*:

1. Identifies the applications that must be changed for migration to the printer.
2. Prepares a detailed plan for converting and testing applications that will be used with the printer.

## Ten Weeks before Delivery

The *planning coordinator*:

Meets with the IBM installation planning representative to review the planning process.

The *physical planner*:

Schedules the installation of electrical wiring and outlets.

The *system programmer*:

1. Determines the administrative procedures for using Advanced Function Presentation licensed programs.
2. Begins installing and testing the Advanced Function Presentation licensed programs in the computer system.

## Eight Weeks before Delivery

The *planning coordinator*:

Orders initial supplies for the printer.

The *physical planner*:

Ensures that the electrical wiring and outlets are being installed on schedule.

## Six Weeks before Delivery

The *physical planner*:

1. Reviews site-preparation progress with the IBM installation planning representative.

2. Reminds the IBM service representative to order the CE Toolkit. See “CE Toolkit” on page 108 for ordering information.

## Four Weeks before Delivery

The *physical planner*:

1. Completes installing and testing of electrical wiring and outlets.
2. Completes all site preparation.
3. Verifies that a forklift will be available to uncrate the printers.

**Note:** Uncrate the printers at the installation.



# Arrival of the Printer

The *planning coordinator*:

Contacts the service representative and arranges to have the printer installed.

The *system programmer*:

Completes tests of the Advanced Function Presentation licensed programs, including the IBM-supplied installation verification procedures.

The *physical planner*:

1. Unpacks the printer and inspects it for external damage.
2. Moves the printer to the prepared site.

---

## Chapter 4. Preparing the Processing Environment

### Chapter Overview

This chapter contains specific information to help system programmers plan for integrating the printers into the existing processing environment. The basic hardware, software, and application requirements for the printer are described in “Host System Attachment Choices” on page 65 and “Application Environment” on page 64.

---

## Channel and Local Area Network Attachments

The InfoPrint 3000 printers support a variety of attachments:

- ESCON channel
- System/370 parallel channel
- Token Ring TCP/IP
- Ethernet TCP/IP
- FDDI TCP/IP

See “Host System Attachment Choices” on page 65 for specifics on printers and host systems that support each of these attachments.

The InfoPrint 3000 printers support up to two attachments. The two attachments may be the same (for example, two ESCON channels) or mixed (for example, one ESCON and one Token Ring). The exception is that the printer can have only *one* TCP/IP attachment of any type. You cannot have two Token Ring attachments; two Ethernet attachments; or two FDDI attachments; or a combination of TCP/IP attachments (for example, one Token Ring attachment and one Ethernet attachment).

For duplex systems operating in dual simplex mode, only one attachment is needed to connect the two simplex engines to the system. Although the system consists of two printer engines, it is driven by a single control unit. The two simplex engines require two contiguous addresses on an ESCON or parallel channel (beginning with an even-numbered address). When the printing system is operating in duplex mode, the printers can use one of these addresses or a separate address on the same channel.

When the printing system is printing in dual simplex mode, each printer engine can use a different attachment to the same or different systems. For example, Printer 1 can be printing jobs from an MVS system attached through an ESCON channel, while Printer 2 is printing jobs from an AIX system attached through a Token Ring.

When the printing system is printing in duplex configuration, only one attachment can be active at any given time. If both attachments are to the same system—or to a tightly-coupled system—and the attachments are of the same type (for example, both are ESCON or parallel channels), switching between the two attachments can be performed dynamically by the host system. If the attachments or hosts differ—or the hosts are not tightly-coupled— switching must be performed manually by the operator. The printer must be disabled from the current system and attachment before it can be enabled to the other attachment.

With ESCON attachments, a single channel may be shared between multiple LPARs or system images. In this case, operational procedures and/or system definitions must be in place to insure that a duplex or simplex print engine is not online to multiple LPARs at the same time. Otherwise, unpredictable print output can result.

As you plan the type and transfer mode for your channel-attachment configuration, refer to the system reference manual for your host system.

Verify with your planning coordinator that the desired attachment cables and any converter or extender hardware boxes are ordered when the printer is ordered.

# System/370 Channel Attachment

You can configure System/370 channels to use either DC Interlock (double-tag) mode, or Data-Streaming mode.

You can configure data-streaming mode for one of the following transfer rates:

- 1.9MB per second
- 2.7MB per second
- 3.4MB per second
- 4.5MB per second.

Use the highest data-streaming mode rate supported on the attaching host system.

When connecting directly to a System/370 channel, you can locate the printer at a maximum distance of 122 meters (400) feet from the channel if it is the only control unit on the interface. For each additional control unit ahead of the printer on the channel, the maximum distance is reduced by 4.57 meters (15 feet).

You also can connect the printer to the remote end of either an IBM 3044-II Fiber Optic Channel Extender or an IBM 9034 ESCON Converter to extend the maximum channel length by up to 3 kilometers (1.875 miles).

**Note:** Connection through a 3044-II is limited to the IBM 4361, ES/4381, ES/9370, and 3090 processing systems only.

The IBM 9034, with either an IBM 9032 or 9033 ESCON Director, further extends the maximum channel length by up to 6 kilometers (3.750 miles) with one 9032/9033 in static connection mode (with RPQ approval), or by up to 9 kilometers (5.625 miles) with two 9032/9033 in static connection mode (with RPQ approval).

The Extended Distance Feature (XDF) on the 9032/9033 ESCON Directors also extends the distance. Submit an RPQ if you require the XDF. The RPQ approval specifies the maximum distance allowed for your environment.

The following figure shows the details of the above connection options, with the distance extensions shown on the Host System side of the diagram.

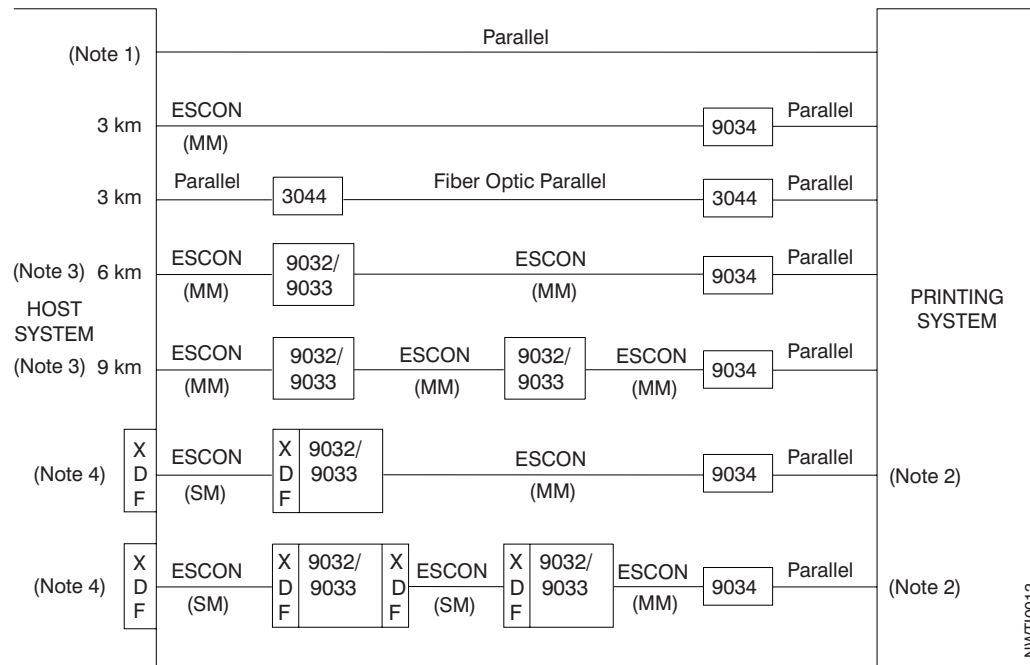


Figure 8. System/370 Parallel Channel Attachment Options

**Notes:**

1. 61 meters (200 feet) maximum from PS/2 or RISC System/6000 122 meters (400 feet) maximum from 4361, 4381, ES/3090, ES/9370, or ES/9000
2. When XDF is used in the interface, set the transfer mode between the 9034 and the printer to DC Interlock mode. To keep the performance acceptable, ensure that the cable length between the 9034 and printer is less than 100 feet.
3. RPQ approval is required for this configuration and distance.

4. RPQ approval is required and specifies the maximum distance for the environment.
5. SM = Single Mode (Laser Driver - 20 km maximum distance); MM = Multi Mode (LED Driver - 3 km maximum distance).

## ESCON Channel Attachment

When connected directly to an ESCON channel, the printer can be a maximum distance of 3 kilometers (1.875 miles) from the channel. Either an IBM 9032 or 9033 ESCON Director provides connectivity to additional host systems and also extends the maximum channel length as follows:

- Up to 6 kilometers (3.750 miles) with one 9032 or 9033 ESCON Director
- Up to 9 kilometers (5.625 miles) with two 9032 or 9033 ESCON Directors.

The Extended Distance Feature (XDF) on the 9032 or 9033 ESCON Director also extends the maximum channel length as follows:

- Up to 23 kilometers (14.375 miles) with one Director
- Up to 43 kilometers (26.875 miles) with two Directors.

The IBM 9036 ESCON Remote Channel Extender (Models 1 or 2) extends the interface across common carrier fiber optic connections. You can use one, two, or three 9036 extenders for a maximum distance of 43 kilometers.

Figure 9 on page 87 shows the details of the above connection options.

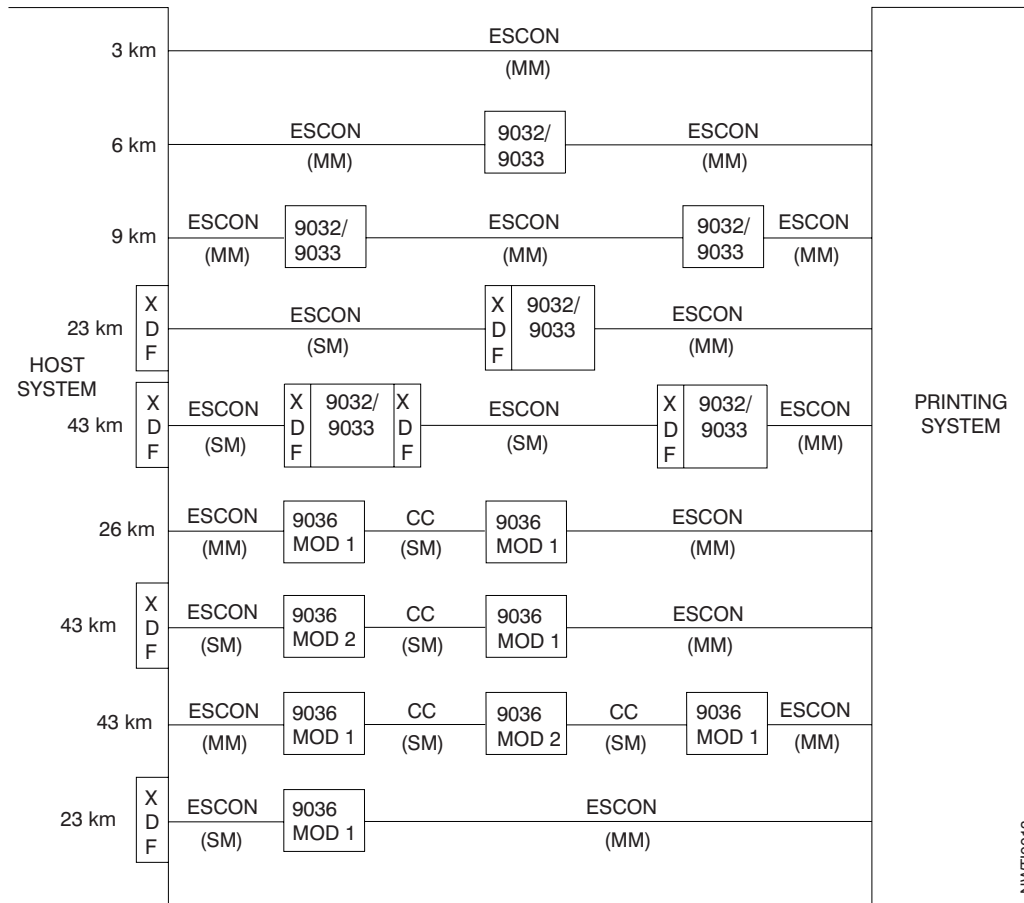


Figure 9. Serial Channel Attachment Options

**Note:**

- CC = Common Carrier Fiber Optic Connection (SM)
- SM = Single Mode (Laser Driver - 20 km maximum distance)
- MM = Multi Mode (LED Driver - 3 km maximum distance).

# Token Ring TCP/IP Local Area Network

You can attach the printer to a host token ring through IBM token-ring cabling with the IBM Token Ring High-Performance Adapter. The adapter is installed in the printer AFCCU. The AFCCU can attach to either a 16Mbit/sec or a 4Mbit/sec Token Ring Local Area Network. The attachment conforms to the IBM Token-Ring Network Original Equipment Manufacture Interface. The following documents comprise this interface:

- *IBM Cabling System Technical Interface Specification, GA27-3773*
- *IBM Local Area Network Technical Reference, SC30-3383*
- *IBM Token-Ring Area Network Architecture Reference, SC30-3374*
- *Token-Ring Access Method and Physical Layer Specification, IEEE Standard 802.5-1989.*

The printer can be a maximum of 100 meters from the 8228 Multistation Access Unit or 8230 Control Access Unit. For more information, refer to 8228 and 8230 publications.

You can increase the distance to the 8228 by using either the 8220 or 8219 Optic Fiber Repeater. For more information, refer to 8220 and 8219 publications.

# Ethernet TCP/IP Local Area Network

You can attach the printer to a host Ethernet through the Integrated Ethernet LAN adapter. The adapter is installed in the printer's AFCCU. The AFCCU can attach to 10/100BaseT with Transceiver.

# FDDI Local Area Network

You can attach the printer to a host FDDI through the FDDI Single Station fiber adapter. The adapter is installed in the printer AFCCU. The attachment complies with the following:

- Fiber Network Interface specifications of ANSI X3T9.5 and X3T9.12
- FDDI Station Management SMT 7.3 from the ANSI X3T9 technical committee.



The InfoPrint 3000 can be located a maximum distance of 2 kilometers from the 8260 Multiprotocol Intelligent Switching Hub or RS/6000 processor using 62.5/125 micron multimode fiber. For more information, refer to 8260 publications.

The FDDI adapter cable PN 19G4867 (20 meters in length) is included with the printer. This 62.5/125 multimode fiber cable has a Subscriber Connector (also referred to as a SC connector) on each end. There are similar cables with other part numbers that can be ordered in addition to the one that is shipped with the machine. These cables have lengths of 2, 4, 6, 10 meters, and custom lengths. They can be ordered by calling 1-800-388-7080.

#### **Attention**

Because FDDI cables are made of a fiber optic material, you should consider the following limitations when planning the location of a printer with FDDI connections:

- Do not place the FDDI cables where they can be walked on.
- Do not route the cables where they could be pinched between a door and its frame.
- Do not place the printer in a place that requires a tight bend in the FDDI cable.
- Route the cable so that it lies flat, with no twists or knots.

For other cable types, contact IBM Connectivity Service through your IBM Marketing Representative.

## **Performance Considerations**

This section contains questions for system programmers to answer when planning for the channel-attachment configuration and for Advanced Function Presentation licensed programs.

- How much and what kind of data will be printed?

A printed page can consist of different types of text, images, overlays, and fonts. The combination of information on the page determines the time needed to prepare the data for printing. Jobs with little text and no image or graphics are processed faster than jobs with complex pages that may include scaling and image decompression.

- Will multiple page of data be printed per sheet?

If an application uses N-Up Page Positioning or Cut Sheet Emulation (CSE), you will be increasing the number of pages printed per minute. For example, for a printer with a maximum throughput of 112 simplex 8.5-in. forms per minute, changing the application to print 2-Up 11-in. forms increases the maximum throughput to 172 simplex pages per minute. If the application is duplex, the maximum throughput is doubled to 344 pages per minute.

Increasing the throughput increases the amount of data per minute being transferred to and processed by the system and the printer. System and channel loads may need to be reevaluated and adjusted to allow for the increased processing and transfer requirements. Increasing the number of pages per minute also intensifies processing based on page count, such as Checkpointing. Consider increasing the Check Point interval for applications using N-Up, CSE, or duplexing.

- How busy is the system?

Several things affect the performance of the system and directly affect communication with the printer:

- Speed of the computer system
- Amount of available storage
- Importance of tasks assigned in the system
- Control program used to drive the printer.

Plan your system so that it can adjust to the change and growth of your company.

Consider the following issues while setting up your channel-attachment configuration:

### **System/370 Attachment**

- Transfer rates in DC Interlock mode have a greater reduction as cable distance increases than does Data-Streaming mode.

**Note:** For best performance, use data-streaming mode.

- Different processor channels have different rates of transfer depending on the channel number. Refer to the system reference manual for your host system for data-transfer rates. Not all channels support data-streaming mode.
- Set the missing-interrupt handler (MIH) for 13 minutes or more.
- When InfoPrint 3000 is attached to an IBM 3044–II Fiber Optic Channel Extender or an IBM 9034 ESCON Converter, configure the printer for one of the data-streaming transfer modes and do not use the DC Interlock transfer mode.

**Note:** An exception to the above is when XDF is used in the interface with the distance between the host and the printer exceeding 10 km, then use the DC Interlock transfer mode. See Note 2 in Figure 8 on page 85.

For any 3044–II restrictions on transfer rate, refer to the 3044–II publications.

- Using data chaining with data-streaming mode can cause an overrun condition. For more details, see the channel or system library publication for your computer system, and *System/370 Principles of Operation*. (IBM PSF does not use data chaining.)
- Before attaching the printer to non-IBM equipment (such as channel extenders), ensure that the equipment supports the printer. The equipment vendor can answer your questions about configuration options and other channel-attachment issues.

## ESCON Attachment

The ESCON channel is the strategic replacement for the System/370 parallel channel. It provides improvements in data rate, physical path length, cable space requirements, and overall system connectivity.

Set the missing-interrupt handler (MIH) for 13 minutes or more.

---

## Direct-Attach

You can use the printer as a direct output device (direct-printing) when it is attached to an MVS host system. When using the printer in direct-printing mode, PSF/MVS provides exclusive use of the printer for a particular application. The application with direct control of the printer cannot take advantage of system-assisted restart, data set checkpointing, multiple data set processing, or use of operator commands to control the printer.

---

# Advanced Function Presentation Licensed Programs

Some Advanced Function Presentation (AFP) licensed programs are required for operating the printer; others are optional.

The planning team should work with the end-user community to determine which optional advanced functions are needed. Using the *Guide to Advanced Function Presentation* may be helpful during this process. That publication contains a summary of Advanced Function Presentation, its concepts, products, and benefits. It contains an introduction to Advanced Function Presentation and describes how the licensed programs can meet your specific needs.

## IBM Advanced Function Presentation Software

Determining the printing needs of your company and selecting the software that best meets these needs are important steps in improving your printing operations. Refer to *Guide To Advanced Function Presentation G544-3876*, for a description of available AFP software.

You need to order Print Services Facility (PSF) licensed programs for the operating system of each host to which your printer will be attached. Table 5 on page 94 lists the PSF licensed programs that IBM requires for use with its Advanced Function Printers.

Contact your marketing representative for the minimum PSF levels and prerequisites and limitations that apply for supporting the printer.

Table 5. Advanced Function Presentation Software Summary

| AFP Programs   | Purpose   | Licensed Program Number |          |          |   |             |   |
|--|---|-------------------------|----------|----------|---|-------------|---|
|  |   | PSF/MVS                 | PSF/VM   | PSF/VSE  | PSF/2   | PSF for AIX | PSF/400   |
| PSF Print Services Facility  | Provides device support for advanced function printing. | 5695-040                | 5684-141 | 5686-040 | 5622-551(USA)<br>26H1540 <sup>1</sup><br>26H1541 <sup>2</sup><br>25H8002 <sup>3</sup> | 5765-505    | 5763-SS1 <sup>4</sup><br>5716-SS1 <sup>5</sup><br>5769-SS1 <sup>6</sup> |
| <b>Notes:</b><br>1. For EMEA (English)<br>2. For EMEA (all other language versions)<br>3. OS/2 WARP Server Version 4<br>4. Version 3 Release 2<br>5. Version 3 Release 7<br>6. Version 4 Release 2 (or higher) |   |                         |          |          |   |             |   |

# Optical Character Recognition and Bar Code Applications

You can use the printer for optical character recognition (OCR) and bar code applications.

Because of variations in OCR readers and bar-code scanners, be sure that you test the printer OCR and bar code output with the actual readers and scanners that you use in your processing environment. “Testing Forms and Applications” on page 199 has more information related to testing OCR and bar code output.

For more information about OCR and bar-code printing, refer to:

- *Forms Design Reference for Continuous Forms Advanced Function Printers*, G544-3921
- *About Type: IBM's Technical Reference for 240-Pel Digitized Type*, S544-3516
- *Bar Code Fonts User's Guide*, S544-3190
- *Bar Code Object Content Architecture Reference*, S544-3766.

See your IBM marketing representative to obtain these publications.

All of the printers support OCR-A and OCR-B fonts.

IBM supports three methods for processing bar codes:

- Bar Code Object Content Architecture (BCOCA), which is IBM's strategic method
- Document Composition Facility (Program 5748-xx9)
- Bar Codes and Optical Character Recognition Fonts (Program 5688-021).

## BCOCA Support

All of the PSFs process BCOCA objects once the objects are generated. IBM supplies the following BCOCA generators:

- Advanced Function Printing Utilities/400 (57xxAF1)
- OS/400 Data Description Specification (DDS)
- Page Printer Formatting Aid (PPFA) (5688–190)
- Advanced Print Utility for AS/400
- Advanced Function Printing Toolbox

Other platforms require non-IBM generators to produce BCOCA objects.

BCOCA supports the following bar code types:

*Table 6. Bar-Code Type and Modifier Combinations for AFCCU Printers*

| <b>Bar Code Type</b>                  | <b>Modifier</b>     |
|---------------------------------------|---------------------|
| X'01': 3-of-9 Code                    | X'01' and X'02'     |
| X'02': MSI                            | X'01' through X'09' |
| X'03': UPC/CGPC, Version A            | X'00'               |
| X'05': UPC/CGPC, Version E            | X'00'               |
| X'06': UPC, 2-Character Supplemental  | X'00'               |
| X'07': UPC, 5-Character Supplemental  | X'00'               |
| X'08': EAN 8 (includes JAN short)     | X'00'               |
| X'09': EAN 13 (includes JAN standard) | X'00'               |
| X'0A': 2-of-5 Industrial              | X'01' and X'02'     |
| X'0B': 2-of-5 Matrix                  | X'01' and X'02'     |
| X'0C': Interleaved 2-of-5             | X'01' and X'02'     |
| X'0D': Codabar                        | X'01' and X'02'     |



*Table 6. Bar-Code Type and Modifier Combinations for AFCCU Printers (continued)*

| <b>Bar Code Type</b>         | <b>Modifier</b>     |
|------------------------------|---------------------|
| X'11': Code 128              | X'02'               |
| X'16': EAN, 2 Digit Add-on   | X'00'               |
| X'17': EAN, 5 Digit Add-on   | X'00'               |
| X'18': Postnet               | X'00' through X'03' |
| X'1A': RM4SCC                | X'00'               |
| X'1B': Japan Postal Bar Code | X'00' and X'01'     |

## **Document Composition Facility (Program 5748-XX9)**

- Codabar
- Code 3 of 9
- Industrial 2 of 5
- Matrix 2 of 5
- Interleaved 2 of 5
- MSI
- European article numbers (EAN) 8 and 13, which include Japanese article number (JAN) Short and Standard
- Universal product codes (UPC) A and E, which include Canadian grocery product code (CGPC)

## **Bar Codes and Optical Character Recognition Fonts (Program 5688-021)**

- Code 39
- Industrial 2 of 5
- Matrix 2 of 5
- Interleaved 2 of 5
- MSI
- European article numbers (EAN) 8 and 13, which include Japanese article number (JAN) Short and Standard
- Universal product codes (UPC) A and E, which include Canadian grocery product code (CGPC)

# **Installing and Verifying**

The system programmer installs and verifies the AFP programs before the printer is installed. Licensed programs include test procedures to ensure that the software is installed correctly.

At installation, the application programmer creates the resources (form definitions, page definitions, electronic overlays, and page segments) that will be in the resource libraries.

# Converting

With the availability of Advanced Function Presentation, you may want to review your general approach to printed output to get maximum benefit from the new functions. Your application development staff may want to begin planning for this conversion effort before the printer is installed. Typical tasks to consider include:

- Changing font character sets
- Converting line-printer applications to page-printer applications
- Converting preprinted forms to electronic overlays
- Creating new applications by using electronic overlays
- Enhancing existing applications to take advantage of printer functions
- Investigating applications that have special programming requirements, for example, printer Direct-Attach.

---

# Chapter 5. Preparing the Physical Environment

## Chapter Overview

This chapter describes the environmental, power, physical, and space requirements that are necessary before you install the printers. It includes an installation-planning worksheet and a physical-planning worksheet. The audience for this chapter is the physical planner and the system programmer.

---

## Environmental Requirements

Consider the following requirements as you select the location for your printer:

- Temperature and humidity

Extremes of temperature and relative humidity can affect forms and adversely affect machine performance. These affects may include forms jams and unacceptable print quality. Operate the printer within the following ranges of temperature and humidity:

**Temperature:** 18 to 24°C (65 to 75°F)

**Relative Humidity:** 40 to 60%

This ensures the best machine performance and print quality for machines that print continuously for periods of four hours or more.

- Ventilation.

Dust and other contamination can cause machine faults. The printer operates best in an air-conditioned computer room with year-round humidity control and predominately recirculated, filtered air. Refer to the *IBM General Information Manual: Installation Manual—Physical Planning*, GC22-7064, for details about ventilation requirements for other IBM equipment.

Human-health considerations dictate that appropriate ventilation be supplied to the printer area. The American Society of Heating, Refrigeration, and Air Conditioning Engineers (ASHRAE) recommends a minimum of 0.42 to 0.57 cmm (15 to 20 cfm) per person of outdoor air make-up during human occupancy (ASHRAE 62–1989). Adherence to IBM pre-printed forms recommendations and provision of appropriate ventilation should preclude the development of adverse human-health effects because of outgassing and emissions from preprinted forms. Refer to *Forms Design Reference for Continuous Forms Advanced Function Printers* for more information about selecting preprinted forms and using them safely.

---

# Environmental Impact

Consider the heat and sound generated by the printer when selecting its location.

## Heat/Power

The heat dissipation values in the following table apply to a Model ES1.

*Table 7. Heat Dissipation and Power for Model ES1*

|                | Idle Ready Mode |       | Printing |       |       |
|----------------|-----------------|-------|----------|-------|-------|
|                | 50 Hz           | 60 Hz | 50 Hz    | 60 Hz |       |
|                |                 |       | 42 lb    | 20 lb | 42 lb |
| <b>kVA</b>     | 1.75            | 1.75  | 6.5      | 5.5   | 6.5   |
| <b>kW</b>      | 1.6             | 1.6   | 6.0      | 5.1   | 6.0   |
| <b>kBTU/Hr</b> | 6.0             | 6.0   | 22.2     | 18.8  | 22.2  |

**Notes:**

1. 50 Hz printing may be expected to operate within 10% of the 60 Hz values.

The heat dissipation values in the following table apply to a Models ED1/ED2.

*Table 8. Heat Dissipation and Power for Models ED1/ED2*

|                | Idle Ready Mode |       | Printing |       |       |
|----------------|-----------------|-------|----------|-------|-------|
|                | 50 Hz           | 60 Hz | 50 Hz    | 60 Hz |       |
|                |                 |       | 42 lb    | 20 lb | 42 lb |
| <b>kVA</b>     | 3.5             | 3.5   | N/A      | 11.0  | N/A   |
| <b>kW</b>      | 3.2             | 3.2   | N/A      | 10.2  | N/A   |
| <b>kBTU/Hr</b> | 12.0            | 12.0  | N/A      | 37.6  | N/A   |

**Notes:**

1. 50 Hz printing may be expected to operate within 10% of the 60 Hz values.

# Sound

The upper limits for sound level, for all the printers, are as follows. Operating levels are measured during continuous running with 20-pound forms.

Table 9. Sound Levels

|       | $L_{WAd}$ (see note 1) |             | $\langle L_{pA} \rangle_m$ (see note 2) |           | I | T |
|-------|------------------------|-------------|---|-----------|---|---|
|       | Printing (bels)        | Idle (bels) | Printing (dB)                           | Idle (dB) |   |   |
| 60 Hz | 6.5                    | 5.5         | 63                                      | 54        | N | N |
| 50 Hz | 6.5                    | 5.5         | 63                                      | 54        | N | N |

**Notes:**

1.  $L_{WAd}$  is the sound power emission level.
2.  $\langle L_{pA} \rangle_m$  is the mean value of the space-averaged sound pressure emission levels at one-meter positions.
3. I is impulsive noise.
4. T is prominent tones.



---

# Physical Requirements

Consider the electrical requirements for the printer when selecting its location.

## Normal Precautions to Prevent Fire

Because the forms and toner used in the IBM printer can burn, take precautions to prevent fire. These precautions include common-sense measures, such as keeping potentially combustible materials (for example, curtains and chemicals) away from the printer, and providing adequate ventilation and cooling.

## Power

Ensure that you have an electrical outlet that supports 12 kVA and meets the power requirements listed in Table 10 for each printer. This outlet must supply 3-phase power and be able to disconnect power from each printer, such as:

- A compatible plug and receptacle installed near each printer.
- A circuit breaker that breaks all live poles for each printer. This circuit breaker must be dedicated to the printer and be within easy reach.

*Table 10. Electrical Requirements*

| Country     | AC Voltages                                      |  |  | Wiring Information  | Phase | Circuit Rating |
|-------------|--|--|--|---|-------|----------------|
|             | Nominal  | Minimum  | Maximum  |   |       |                |
| U.S. Canada | 60 Hz/208<br>60 Hz/220<br>60 Hz/230<br>60 Hz/240 | 60 Hz/187<br>60 Hz/198<br>60 Hz/207<br>60 Hz/216 | 60 Hz/229<br>60 Hz/242<br>60 Hz/252<br>60 Hz/264 | 4-wire power cable with three phases and ground. Neutral is not required. | 3     | 60 Amperes     |

Table 10. Electrical Requirements (continued)

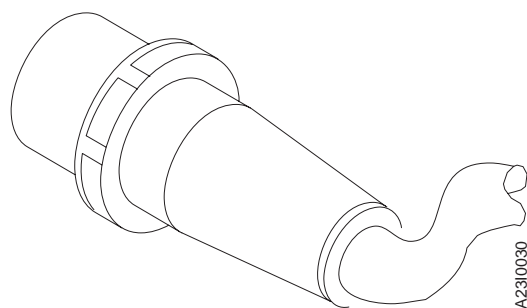
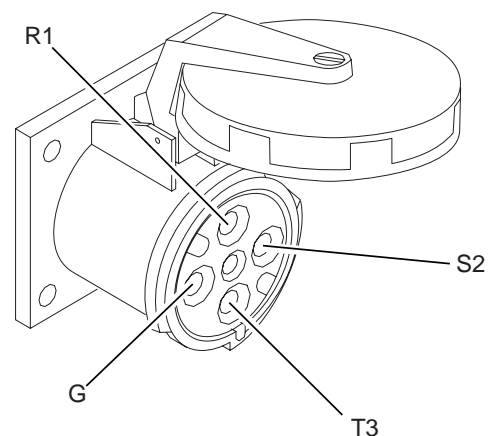
| Country  | AC Voltages                         |                                     |                                     | Wiring Information  | Phase | Circuit Rating |
|--|-------------------------------------|-------------------------------------|-------------------------------------|---|-------|----------------|
|  | Nominal                             | Minimum                             | Maximum                             |   |       |                |
| Japan  | 50 Hz/200<br>60 Hz/200              | 50 Hz/180<br>60 Hz/180              | 50 Hz/220<br>60 Hz/220              | 4-wire power cable with three phases and ground. Neutral is not required.                                   | 3     | 60 Amperes     |
| Europe   | 50 Hz/380<br>50 Hz/400<br>50 Hz/415 | 50 Hz/342<br>50 Hz/360<br>50 Hz/374 | 50 Hz/418<br>50 Hz/440<br>50 Hz/456 | 5-wire power cable with three phases, ground, and neutral. Direct connection of neutral to ground required. | 3     | 25 Amperes     |
| <p><b>Attention:</b> The 50-Hz 380/400/415 Volt version does not support non-earthed neutral and impedance-grounded neutral power distribution systems. Installation on an impedance-grounded neutral power system (IT Power System) could result in failures of motors and transformers in the printer.</p> |                                     |                                     |                                     |   |       |                |

## Power Cable and Receptacle

An AC power cable is supplied with all printers. This cable measures 427 cm (14 feet), except for printers installed in Chicago, Illinois, U.S.A., where the power cable measures 183 cm (6 feet).

## U.S., Canada, and Japan

Table 11. Hubbell Plug and Receptacle



The printer uses cords with Hubbell plugs (IBM part number 53F1722, or IBM part number 53F1723 for printers installed in Chicago; both include the cord and Hubbell plug type 460P9V05). Provide either of the following Hubbell connector or receptacle (or equivalent) for this plug:

**460C9V05** Connector (inline)

**460R9V05** Receptacle (mounts on a wall or rail)

## All Other Countries

The power cable is supplied without a plug. Provide the appropriate plug and compatible receptacle.

Understand the electrical standards for your country, and use only an approved plug. Your IBM marketing representative has information on the voltage requirements in your country.

For more information about voltage requirements and for Hubbell part numbers, refer to the *IBM General Information Manual: Installation Manual—Physical Planning*, GC22-7064.

# Vacuum Cleaner

Ensure that the vacuum cleaner used to clean the printer meets the following requirements:

- All attachments or tools that are connected to the vacuum cleaner through which paper dust, toner, or developer mix pass are nonconductive.
- Vacuum-cleaner motor cooling *must* be separate from the vacuum line so that these same substances do not contact the electrical brushes of the vacuum-cleaner motor. Filtering the vacuum line and allowing the filtered vacuum to cool the motor is not safe.

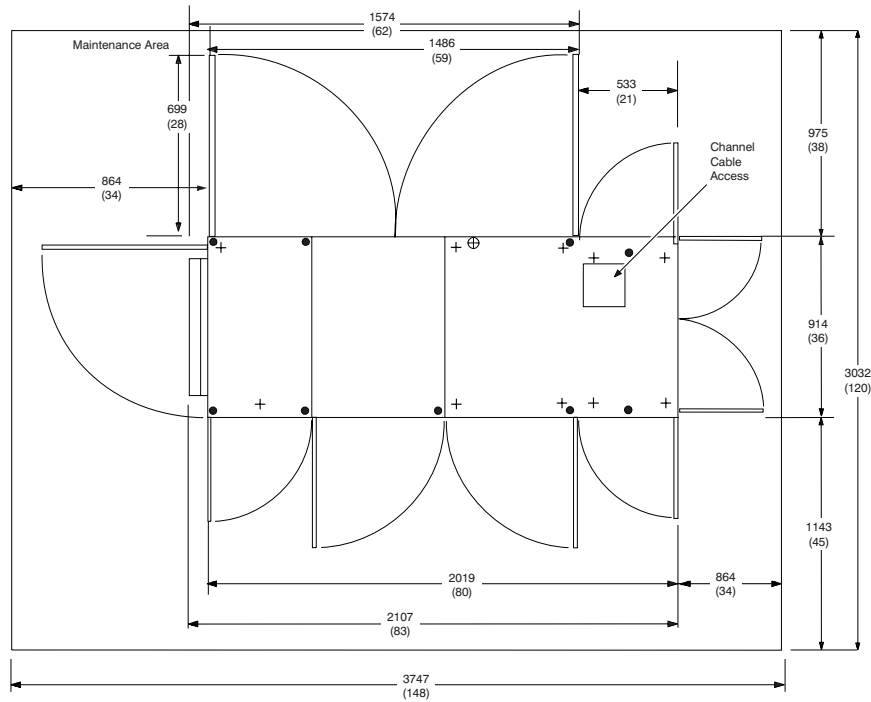
# CE Toolkit

Remind the IBM service representative to order the CE Toolkit. For ordering information, refer to these RETAIN tips:

For InfoPrint 3000 printers, refer to H137066.

# Space Requirements – Simplex Model

Table 12. Model ES1 Space Requirements



Inch measurements are shown in parentheses.

HC6/0001

This figure shows the dimensions of the printer, space and service clearance, and power cable and channel cable locations for Model ES1.

Minimum size for Channel Cable Access opening is 200 x 200 mm (approximately 8 x 8 in.).

# Space Requirements – Duplex Models

The dimensions of the Duplex Printing System and the Buffer/Flipper Unit **1**, the optimum separation of the units, the service clearance around the allowable configurations of these units, and the power cable and channel cable locations are shown in Figure 10 and Figure 11 on page 111 for Models ED1/ED2.

## Notes:

1. The minimum size for Channel Cable Access opening is 200 x 200 mm (approximately 8 x 8 in.).

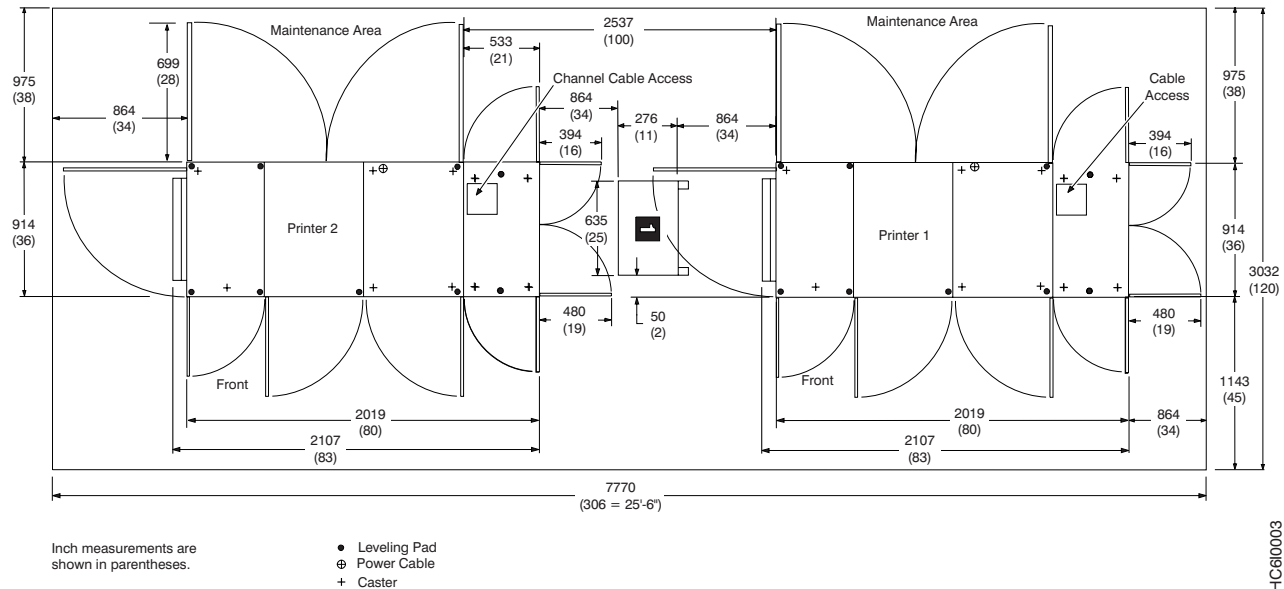


Figure 10. Models ED1/ED2 Inline Configuration

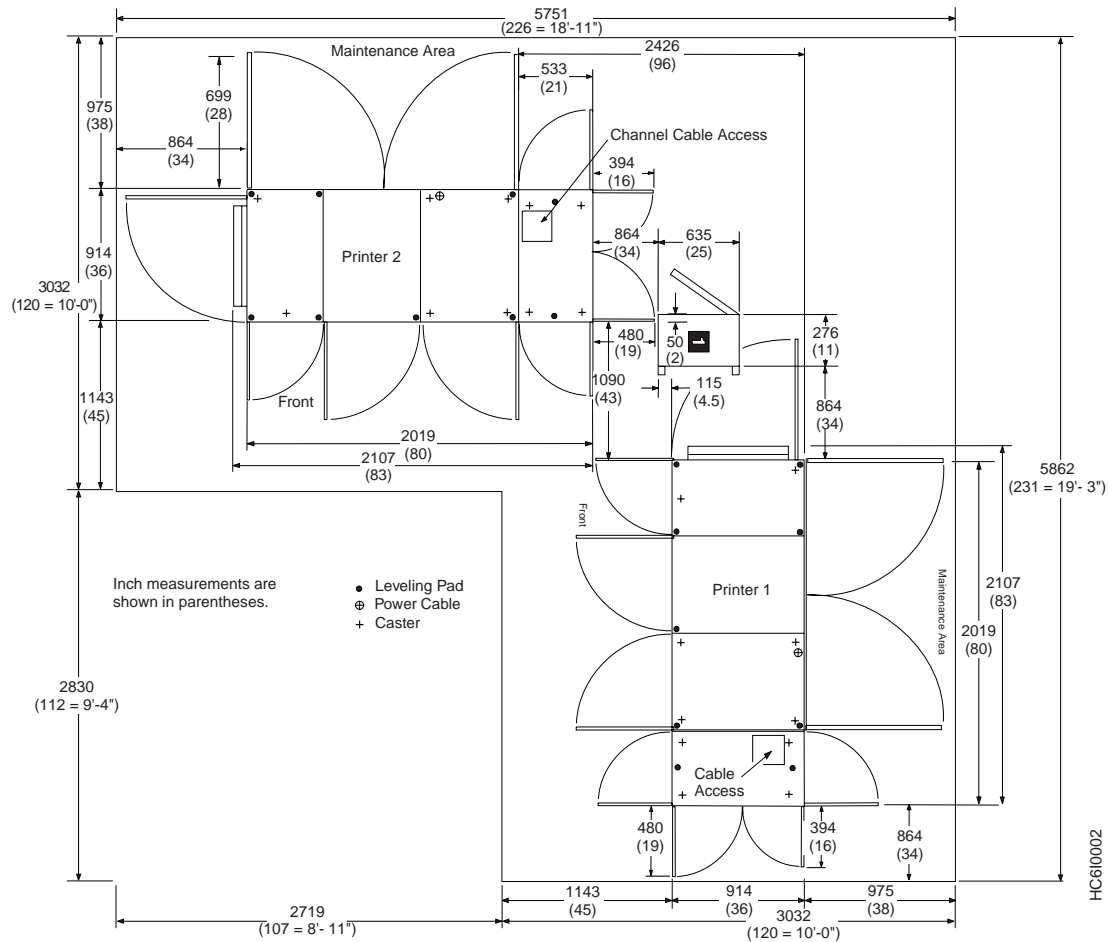


Figure 11. Models ED1/ED2 Left Angle Configuration

## Physical Layout

As you plan your physical layout, be sure to:

- Install the printer away from the main traffic pattern. Allow space for operators and service representatives to perform their tasks. This space should not extend into walkways.
- Install the printer in a location that is convenient for the operator. For example, consider whether the planned location is close to printer supply storage areas and to output distribution areas.
- Allow 210 cm (83 inches) between the floor and the lowest permanently attached object above the printer, such as a light or a cable rail. This layout gives printer operators and service representatives space in which to work.
- For the **simplex model**, allow 116 cm (46 inches) between any outside surface of the printer and an adjacent wall to prevent ambient heat rise.
- For the **duplex models**, allow 152 cm (60 inches) between any outside surface of the printer and an adjacent wall to prevent ambient heat rise. If the specified clearance cannot be achieved, see “Installation Requirements” on page 115.

## Shipping Notes

As you plan for the arrival of the printer, note that:

- Each printer is shipped on two separate pallets: one pallet for the printer frame and a second pallet for the AFCCU (or PUM) frame. For sizes and weights, see Table 13 on page 113 and Table 14 on page 113.
- In addition to the pallets, one or two additional cartons are shipped with the printer. These cartons contain options and miscellaneous hardware necessary to install the printer.
- Check the route that the printers must travel from your loading dock to the location where they will be installed to ensure that they fit through the doorways and halls. The printers are **wider than a standard doorway**.
- Use the Physical Planning template, GX22-7140 for service clearances and raised floor cutouts.



---

# Physical Dimensions

The dimensions of the printer frames, control units, Buffer/Flipper Unit are shown in Table 13.

*Table 13. Approximate Frame Physical Dimensions and Weights Uncrated*

| <b>Dimension</b>    | <b>Print Engine</b> | <b>PUM</b>       | <b>AFCCU</b>     | <b>Buffer/Flipper Unit</b> |
|---------------------|---------------------|------------------|------------------|----------------------------|
| Depth               | 914 mm (36 in.)     | 914 mm (36 in.)  | 914 mm (36 in.)  | 635 mm (25 in.)            |
| Height              | 1416 mm (56in.)     | 1416 mm (56 in.) | 1416 mm (56 in.) | 838 mm (33 in.)            |
| Length              | 1486 mm (59 in.)    | 533 mm (21 in.)  | 533 mm (21 in.)  | 276 mm (11 in.)            |
| Weight <sup>1</sup> | 618 kg (1363 lb)    | 148 kg (327 lb)  | 148 kg (327 lb)  | 16 kg (36 lb)              |

**Notes:**

1. Approximate weights are supplied for planning use only. Actual weights may vary slightly depending on the machine configuration.

*Table 14. Printer Frame Physical Dimensions When Crated*

| <b>Dimension</b> | <b>Simplex Models</b> | <b>Duplex Models</b> |
|------------------|-----------------------|----------------------|
| Depth            | 1066 mm (42 in.)      | 1066 mm (42 in.)     |
| Height           | 1676 mm (66 in.)      | 1676 mm (66 in.)     |
| Length           | 1626 mm (65 in.)      | 1626 mm (65 in.)     |
| Weight           | 745 kg (1643 lb)      | 745 kg (1643 lb)     |

---

# Physical Attachment Requirements

The system programmer, the IBM installation planning representative, and the physical planner plan the channel-cable route between the controlling computers and the printer.

- **For System/370 Parallel Channels:** Refer to the *IBM General Information Manual: Installation Manual—Physical Planning*, GC22-7064, for definitions of the cable groups and maximum cable lengths for the printer.
- **For ESCON Channels:** Refer to *Planning for Enterprise Systems Connections*, GA23-0367, for definitions of the cable groups and the maximum cable lengths for the printer.
- **For Token Ring LANs:** Refer to *IBM Cabling System Technical Interface*, GA27-3773, for cabling information.
- **For Ethernet:** Cabling must meet specifications in *ANSI/IEEE Standard 802.3a, b, c, and e*
- **For FDDI:** Cabling must meet specifications in *IBM Cabling System Optical Fiber Planning and Installation Guide*, GA27-3943.

When you order your printer, also order cables for the System/370 channel, ESCON channel, Token Ring, FDDI, or Ethernet, plus any channel extenders, converters, directors, switching boxes, terminators, or multi-station access units required in the interface. System/370 channel cables for 3800 printers also operate with InfoPrint 3000 printers.

**Note:** There are data transfer rate restrictions (if running in 3.4 or 4.5MB/sec data streaming) when using certain types of 3800 printer channel cables. See your IBM marketing representative for additional information.

---

# Installation Requirements

A service representative installs the printer. However, you are responsible for the following pre-installation tasks:

- Ensure that the environmental, electrical, and space requirements specified in this chapter are met. Use the “Installation Planning Worksheet” on page 117 to complete this step.
- **With a Duplex Configuration**, if the 60-inch distance between the printer and an adjacent wall cannot be achieved, install air blowers to circulate air between the printer and the wall.
- Work with your IBM marketing representative to ensure that a forklift and forklift operator are available at delivery to remove the printer from its shipping pallet.

After the printer is removed from the shipping pallet, you can move it on its own casters to the desired location.

**Note:** As soon as possible after your printer arrives, unpack it and check for external damage. If the covers are broken, bent, or scratched, work with the shipping contractor and your IBM marketing representative to resolve the problem.

- Inspect the receiving area and the areas through which the printer must be moved. Ensure that no obstacles interfere with moving the printer to its planned location. Consider the following:
  - The forklift needs space in which to operate.
  - Halls and doorways must be large enough for the printer to pass through (see Table 13 on page 113).
  - Hall corners and angles must be large enough to permit the printer to turn.
  - Ramps must have no more than a 13° incline.
  - Elevators and elevator doorways must be able to accommodate the size and weight of the printer and the people who are moving it.
  - Stairs, door sills, floor gaps, and carpeting can make it impossible to roll the printer.
- Ensure that the floor is level within  $\pm 1^\circ$ .

- Ensure that the correct attachment cables and hardware are available for System/370 channels, or ESCON channels, or Ethernet LANs, or Token Ring LANs, or FDDI LANs.
- Ensure that approved electrical outlets with correct power are reserved for the printer, and that they can be reached with the power cables. The approximate locations of the printer power cable and the channel cable areas are shown in Table 12 on page 109 for simplex printers and in Figure 10 on page 110 for duplex configurations.
- If you are installing the printer on a raised floor, ensure that the access holes in the raised floor are large enough for both the channel cable and the power cable, and ensure that the raised floor panels under the right side (developer side) of the printer are vented (perforated with holes) to prevent internal heat rise.

# Installation Planning Worksheet

Before your printer is delivered, prepare a site installation plan. Use the following worksheet to ensure that all of the pre-installation requirements are met.

Table 15. InfoPrint 3000 Installation Planning Worksheet

| Requirements                    | Meets Requirements: | Needs Attention: | Assigned to: | Date Due: | Date Completed: |
|---------------------------------|---------------------|------------------|--------------|-----------|-----------------|
| <b>Environmental</b>            |                     |                  |              |           |                 |
| Ventilation                     |                     |                  |              |           |                 |
| Temperature                     |                     |                  |              |           |                 |
| Relative Humidity               |                     |                  |              |           |                 |
| <b>Space</b>                    |                     |                  |              |           |                 |
| Layout                          |                     |                  |              |           |                 |
| Storage space for supplies      |                     |                  |              |           |                 |
| Clearances                      |                     |                  |              |           |                 |
| Delivery rout                   |                     |                  |              |           |                 |
| <b>Electrical</b>               |                     |                  |              |           |                 |
| <i>Outlets:</i>                 |                     |                  |              |           |                 |
| Can be reached by cables?       |                     |                  |              |           |                 |
| Correctly grounded?             |                     |                  |              |           |                 |
| Meet local and national codes?  |                     |                  |              |           |                 |
| <i>Building branch circuit:</i> |                     |                  |              |           |                 |
| Correctly grounded?             |                     |                  |              |           |                 |

Table 15. InfoPrint 3000 Installation Planning Worksheet (continued)

| <b>Requirements</b>              | <b>Meets Requirements:</b> | <b>Needs Attention:</b> | <b>Assigned to:</b> | <b>Date Due:</b> | <b>Date Completed:</b> |
|----------------------------------|----------------------------|-------------------------|---------------------|------------------|------------------------|
| Enough power to meet needs?      |                            |                         |                     |                  |                        |
| Meets local and national codes?  |                            |                         |                     |                  |                        |
| <b>Host System Attachment</b>    |                            |                         |                     |                  |                        |
| System/370 channel cables        |                            |                         |                     |                  |                        |
| ESCON channel cables             |                            |                         |                     |                  |                        |
| Ethernet cables and connectors   |                            |                         |                     |                  |                        |
| Token Ring cables and connectors |                            |                         |                     |                  |                        |
| FDDI cables and connectors       |                            |                         |                     |                  |                        |
| <b>Security</b>                  |                            |                         |                     |                  |                        |

# Physical Planning Worksheet

The physical planner:

- Identifies the location for the printer when the system is ordered
- Plans the electrical wiring and outlet requirements
- Schedules installing and testing of the electrical wiring and outlets before the printer arrives.

Use Table 16 as a work sheet when preparing the site for the printer.

*Table 16. InfoPrint 3000 Physical Planning Worksheet*

| Weeks before Delivery | Task  | Assigned to:                              | Scheduled Completion Date:                |
|-----------------------|---|---|---|
| 15                    | <ol style="list-style-type: none"> <li>1. Identify the location for the printer and arrange for any necessary changes to the site.</li> <li>2. Identify a delivery route to the location of the printer.</li> <li>3. Prepare a layout plan.</li> <li>4. Determine the requirements for electrical outlets.</li> </ol> | <hr/><br><hr/><br><hr/><br><hr/><br><hr/> | <hr/><br><hr/><br><hr/><br><hr/><br><hr/> |
| 10                    | <ol style="list-style-type: none"> <li>1. Install and test the electrical wiring and outlets.</li> <li>2. Verify that a forklift and operator will be available when the printer arrives.</li> </ol>  | <hr/><br><hr/>                            | <hr/><br><hr/>                            |

Table 16. InfoPrint 3000 Physical Planning Worksheet (continued)

| <b>Weeks before Delivery</b> | <b>Task</b>  | <b>Assigned to:</b> | <b>Scheduled Completion Date:</b> |
|------------------------------|--|---------------------|-----------------------------------|
| Arrival                      | <ol style="list-style-type: none"> <li>1. Unpack the printer and inspect it for external damage.</li> <li>2. Move the printer to the prepared site.</li> </ol> | <hr/> <hr/> <hr/>   | <hr/> <hr/> <hr/>                 |



---

# Chapter 6. Configuration Information Descriptions

## Chapter Overview

This chapter provides detailed information on the configuration choices. Please note the tables contain information on all possible choices across the various models. Not all entries are applicable to all models.

You can configure the printer in the categories of information described in the following sections:

- “Changing the Language of Messages”
- “Configuring the Printer” on page 122
- “Configuring the Host Attachments” on page 137
- “Configuring Preprocessing and Postprocessing Devices or Interfaces” on page 154
- “Chapter 9. Defining Forms” on page 184.

---

## Changing the Language of Messages

- From the Display Touch Screen:
  1. Open the **Options** pull-down menu.
  2. Select the **Change Language** procedure window.

This procedure changes the language used for all text within the Display Touch Screen windows, and, except for Japanese, on the printer Display Touch Screen. When you select Japanese, the printer operator panel displays U.S. English text.

Once you change the language, it remains in effect until changed again with this procedure.

A selection list box changes available language choices. A scroll bar on the right side of the box displays additional choices not shown in the box, and highlights the current choice. The options are:

- U.S. English
- French
- German
- Japanese
- Italian
- Spanish
- Brazilian Portuguese
- Chinese Simplified
- Chinese Traditional.

---

## Configuring the Printer

- From the Display Touch Screen:
  1. Open the **Configure** pull-down menu.
  2. Select the **Configure Printer** procedure window.

Table 17 on page 123 describes all configuration items, what each is used for, and the allowable value options for each item. The factory-set default value options are underlined or separately specified.

**Important!** Table 17 on page 123 lists all configuration items for all models of the printers. Some items may be greyed out or not shown for your particular model of printer:

- Configuration items that are marked **(D)** appear only for Duplex systems.
- Configuration items that are marked **(S)** appear only for Simplex systems.
- All unmarked items appear for both Duplex and Simplex systems.

Table 17. Printer Configuration Items

| Configuration Item             | Description  | Value Options            |
|--------------------------------|--|--------------------------|
| Printer Mode (D)               | <p>This entry allows setting whether the duplex system is to be operated in duplex or simplex (dual-simplex) mode. (This item applies to Models ED1/ED2.)</p> <p>If you change the Printer Mode, the <b>Restart</b> procedure automatically executes a Shutdown procedure.</p>   | Duplex or Simplex        |
| Auto Start                     | <p>If Yes, all current attachment interface status (enable/disable) is saved during a <b>Shutdown</b> procedure, and automatically restored at the next power on of the system. Simplex and dual simplex printers are also automatically made Ready at the completion of the power on sequence. The Thread/Align forms procedure must be performed on duplex printers before the system can be made Ready.</p> | Yes or <u>No</u>         |
| PQE boldness for printer 1     | <p>This item must not be changed.</p> <p><b>Note:</b> If this value is changed accidentally, set the value to 85 and inform the CE during the next visit.</p>  | 100%                     |
| PQE boldness for printer 2 (D) | See entry for printer 1.   | See entry for printer 1. |
| Printer 1 Counter              | <p>(CE Change Only) The Print Usage Count from the mechanical counter at the rear of the printer may be transferred to this counter, which will then become a new base count in the running “Printer 1 Counter” displayed in the <b>Printer Status</b> Display Touch Screen window.</p>  | 0 to 2 000 000 000       |
| Printer 2 Counter (D)          | <p>(CE Change Only) The Print Usage Count from the mechanical counter at the rear of the printer may be transferred to this counter, which will then become a new base count in the running “Printer 2 Counter” displayed in the <b>Printer Status</b> Display Touch Screen window.</p>  | 0 to 2 000 000 000       |

Table 17. Printer Configuration Items (continued)

| Configuration Item   | Description   | Value Options   |
|----------------------|---|---|
| Printhead resolution | This parameter changes the resolution that the printhead in this printer uses. Not all values are supported on all printers.  | Valid values are 480 or 600 DPI. The value you select depends on what features are installed on the printer.                      |
| IPDS Resolution      | This parameter can only be set when a printhead resolution of 600 DPI is selected.  | Automatic, 240 DPI, 300 DPI, or 600 DPI   |
| Font Enhancement     | This parameter is used to activate or deactivate the edge smoothing algorithm for raster fonts. Set to No if edge smoothing is not desired.   | <u>Yes</u> or No  |
| Jam Recovery Type    | <p>This entry controls under what conditions the host system will automatically retransmit pages after a forms jam has been cleared.</p> <ul style="list-style-type: none"> <li>• Normal Jam Repositioning - All lost pages are automatically retransmitted and reprinted.</li> <li>• Suppress All Jam Repositioning - No lost pages will be retransmitted. Any missing or damaged pages must be manually recovered.</li> </ul>   | <ul style="list-style-type: none"> <li>• <u>Use Normal Jam Repositioning</u></li> <li>• Suppress All Jam Repositioning</li> </ul> |
| Font Usage           | <p>Font usage allows you to select the amount of memory that the printer control unit (computer) will use for font management. Select the font usage according to the type of print jobs you run.</p> <p>Select Low font usage for jobs using a normal number of fonts with normal point sizes, but not double-byte fonts. Medium font usage indicates an abnormal single-byte character set (SBCS) printing mode; select it for jobs using a large number of fonts or very large point sizes, but not double-byte fonts. High font usage is primarily for double-byte font jobs.</p> | <u>Low</u> , Medium, or High  |

Table 17. Printer Configuration Items (continued)

| Configuration Item | Description  | Value Options                |
|--------------------|--|------------------------------|
| Page Segment Usage | This is used to allocate space for IPDS source for page segments and overlays. Set to Low if the size or number of page segments and overlays is a small. Set to High if the size or number of page segments and overlays is large.  | Low, <u>Medium</u> , or High |
| Overlay Usage      | This parameter is used to allocate space for a cache of ready-to-print overlays. Set to Low if a few small overlays are used. Set to High if many or large overlays are used.  | Low, <u>Medium</u> , or High |
| Overlay Cache      | This parameter is used to activate or deactivate overlay caching. Set to No if overlays are not reused multiple times or if overlays are not reused in the same location on subsequent pages.  | <u>Yes</u> or No             |
| Input Buffer Size  | This parameter is used to allocate space for the IPDS data that was just received from the server before being processed by the control unit. Set to Low if pages contain little data or if printing from PSF/MVS on a System/370 channel or an ESCON channel (this is because of the frequent IPDS acknowledgment rate). Set to High if printing pages with large amounts of data (such as large images). | Low, <u>Medium</u> , or High |

Table 17. Printer Configuration Items (continued)

| Configuration Item | Description   | Value Options                |
|--------------------|---|------------------------------|
| Output Buffer Size | <p>This parameter is used to allocate space for ready-to-print pages, including pages between the transfer points of a continuous-forms, duplex printer. Set the value to Low if these conditions are met:</p> <ul style="list-style-type: none"> <li>• The pages contain little data</li> <li>• This is a simplex printer</li> <li>• This is a duplex printer with a distance between transfer points of less than 400 inches.</li> </ul> <p>Set the value to High if these conditions are met:</p> <ul style="list-style-type: none"> <li>• The pages contain large amounts of data, especially shaded areas</li> <li>• This is a duplex printer with a distance between transfer points of over 400 inches.</li> </ul> | Low, <u>Medium</u> , or High |
| Direct Attach      | <p>This entry shows if printing is to occur in direct-printing mode when connected to an MVS or OS/390 operating system, with no host-assisted recovery procedures such as retransmission of pages after a forms jam.</p> <p>The host system programmer will inform you whether this entry should be set to <b>Yes</b>.</p>   | Yes or <u>No</u>             |

Table 17. Printer Configuration Items (continued)

| Configuration Item          | Description  | Value Options                     |
|-----------------------------|--|-----------------------------------|
| NPRO Length                 | <p>This entry sets an <i>extra</i> length that is added to the fixed NPRO length to create a total distance that forms are moved through the printer.</p> <p>This entry can be used when an uncoupled (not functionally attached) postprocessing device is installed and it is necessary to extend the NPRO length to be able to easily remove forms at the postprocessing device output.</p> <p>If any installed and enabled preprocessing/postprocessing devices have the “Pre/postprocessor Extended NPRO” distance of an enabled pre/postprocessor set to greater than zero, then that distance will take precedence over the “NPRO Length”, even if the “NPRO Length” is longer. The “Pre/postprocessor Extended NPRO” distance is set in the <b>Configure Pre/Post</b> procedure. If several “Pre/postprocessor Extended NPRO” distances are set, then the longest one takes precedence.</p> | Range of <u>0</u> to 1200 inches. |
| Auto NPRO at End of Forms   | This entry indicates whether an automatic NPRO is performed when an End of Forms is detected.  | Yes or <u>No</u>                  |
| Jam Recovery Point Distance | <p>This entry sets a distance past the printer fuser sufficient for forms to reach an installed postprocessing device, so that those forms will be reprinted following a forms jam recovery.</p> <p>In duplex mode, this distance is measured past the fuser of Printer 2. In dual simplex mode, it is a distance past either Printer 1 or Printer 2.</p> <p>A non-zero value setting assumes that: a postprocessing device is installed and enabled, the “Jam Recovery Type” configuration item setting above allows reprinting of pages, and the “Direct Attach” configuration item setting above is <b>No</b>.</p>  | Range of <u>0</u> to 500 inches.  |

Table 17. Printer Configuration Items (continued)

| Configuration Item                          | Description  | Value Options                                      |
|---|--|--|
| Form Feed Length (D)                        | This entry sets the length, in inches, that forms are to be moved forward through Printer 1 when the <b>Feed Forms</b> pushbutton is selected during execution of the <b>Thread/Align Forms</b> procedure in duplex mode.  | Range of 17 to 250 inches. Default is 60 inches.   |
| Length of Forms Between Transfer Points (D) | <p>This entry sets the length, in inches, of the forms path length from the alignment mark on the transfer station tractors of Printer 1, through Printer 1, across the floor to the Buffer/Flipper Unit, through the Buffer/Flipper Unit, across the floor to Printer 2, under Printer 2 up to the alignment mark on the transfer station tractors of Printer 2. This is used during the duplex mode procedure <b>Thread/Align Forms</b>. If you are continually feeding paper at either printer in order to get the forms aligned, this configuration item may have to be changed.</p> <p>See “Space Requirements – Duplex Models” on page 110 for physical layout details and dimensions.</p> | Range of 150 to 800 inches. Default is 315 inches. |
| Front Sheet Sequence (D)                    | <p>This entry sets whether the front side of the forms will be printed on Printer 1 or Printer 2 in duplex mode.</p> <p>Front First means that the odd pages (1st, 3rd, 5th,...) of a customer job will print on Printer 1, and the even pages (2nd, 4th, 6th, ...) pages will print on Printer 2. Front Second means just the opposite of Front First.</p> <p>When a postprocessing device is being used that bursts and stacks the output, the “Front Second” setting will deliver output with the odd number pages facing to the front.</p>   | <u>Front First</u> or Front Second                 |



Table 17. Printer Configuration Items (continued)

| Configuration Item        | Description  | Value Options                 |
|---------------------------|--|-------------------------------|
| Verification Marks (D)    | <p>Indicates if verification marks (numbers) are to be printed on the edge (tractor hole area) of each side of forms. When these marks are printed, it is possible to verify that the forms are synchronized or aligned (the two sides of the form coincide).</p> <p>The verification numbers can be read by the operator. If the number on side 1 of a form matches that on side 2, then the forms are properly synchronized. Multiple copies of the same page will have the same verification mark numbers.</p>  | Yes or <u>No</u>              |
| Logical Page Increment    | <p>This entry allows expansion of the logical page size for cases where the printed page is larger than the valid InfoPrint 3000 printable area, without errors being set. This case may be encountered when a print job created for a 3800 prints too close to the page edge.</p> <p>The value entered will increase the valid printable area by that number of pels in all directions. Please review your applications to ensure that this setting does not cause loss of data, such as printing on the tractor hole carrier strip that will be trimmed off.</p> | Range of <u>0</u> to 20 pels. |
| Clear Memory for Security | <p>This entry allows setting of whether residual print data is to be cleared from memory. Clearing memory can result in a delay of up to two minutes before a print job starts. Select <b>Yes</b> if a high level of security is required.</p>   | Yes or <u>No</u>              |

Table 17. Printer Configuration Items (continued)

| Configuration Item     | Description  | Value Options                           |
|------------------------|--|---|
| Screen Saver Timeout   | <p>This entry allows specifying, in minutes, the idle time before the Display Touch Screen monitor screen is blanked out. This extends the life of the monitor screen. A value of 0 means the screen saver is not used.</p> <p>In dual simplex mode, if Printer 1 and Printer 2 are set with different values, the shortest setting time is used even if the associated printer console is not being used.</p> <p>Touching a blank screen caused by this timeout restores the display.</p> | 0 to 60 minutes. Default is 10 minutes. |
| Alarm Suppression      | This entry allows suppression of the Operator Alert alarm tone for error and supply-item actions.  | Yes or <u>No</u>                        |
| Fuser Inactivity Timer | This entry sets the time, in hours, of printer inactivity before the fuser is turned off. This saves electrical power costs and extends the life of the printer. The fuser automatically turns on when printing resumes, with a delay until the fuser has reached operating temperature. A value of 0 means that the timer is not used.  | 0 to 9 hours. Default is 1 hour.        |
| Eject to Front Facing  | <p>This entry allows accepting or rejecting the Eject to Front Facing (EFF) signals sent by the host. A No value will suppress EFFs. If Yes, the EFF signal from the host will cause a blank page to be inserted between print jobs if the prior job contained an odd number of pages.</p> <p>This option should be set to <b>No</b> if either a postprocessing device is installed that bursts and stacks output pages, or if Direct Attach is set to Yes.</p>                            | Yes or <u>No</u>                        |
| Form Definition Order  | When selected, the form definitions are listed in the order that they were entered.  | <u>Yes</u> or No                        |

Table 17. Printer Configuration Items (continued)

| Configuration Item | Description  | Value Options |
|--------------------|--|---------------|
| Stacker Enabled    | <p>This entry allows setting of whether or not the stacker is to be used. A setting of <b>Yes</b> implies that a postprocessing device is not being used and that fanfold forms (not roll-feed forms) are being used.</p> <p>However, if a postprocessing device is installed and enabled, a <b>Yes</b> value is ignored.</p> <p>In duplex mode, it refers only to the Printer 2 stacker. In dual simplex mode, it may refer to either Printer 1 or Printer 2.</p> | Yes or No     |

Table 17. Printer Configuration Items (continued)

| Configuration Item  | Description   | Value Options   |
|---------------------|---|---|
| Cut Sheet Emulation | <p>Sheets are divided in half using an imaginary line that is parallel to the tractor strips. Each resulting "half sheet" is treated as if it were a whole sheet running through a cut-sheet printer.</p> <p>None implies the cut-sheet emulation is not enabled.</p> <p>Normal Left-to-Right allows the print data to be placed on the left half-sheet first and then the right half-sheet. The left half-sheet is closest to the operator. The physical orientation of the data is based on the lower-left corner of the paper as viewed from the operator's viewpoint.</p> <p>Normal Right-to-Left allows the print data to be placed on the right half-sheet first and then the left half-sheet. The right half-sheet is furthest from the operator. The physical orientation of the data is based on the lower-left corner of the paper as viewed from the operator's viewpoint.</p> <p>Inverted Left-to-Right allows the print data to be placed on the left half-sheet first and then the right half-sheet. The left half-sheet is furthest from the operator. The physical orientation of the data is based on the upper-right corner of the paper as viewed from the operator's viewpoint. This mode is the "upside down" version of the Normal Left-to-Right mode.</p> <p>Inverted Right-to-Left allows the print data to be placed on the right half-sheet first and then the left half-sheet. The right half-sheet is closest to the operator. The physical orientation of the data is based on the upper-right corner of the paper as viewed from the operator's viewpoint. This mode is the "upside down" version of the Normal Right-to-Left mode.</p> | <p>None,<br/>           Normal Left-to-Right,<br/>           Normal Right-to-Left,<br/>           Inverted Left-to-Right,<br/>           Inverted Right-to-Left</p> |

Table 17. Printer Configuration Items (continued)

| Configuration Item          | Description   | Value Options   |
|-----------------------------|---|---|
| BTS Installed               | This entry allows setting whether a Burster/Trimmer/Stacker postprocessing device is installed. It does not show whether it is being used.  | Yes or <u>No</u>  |
| BTS Enabled                 | This entry allows setting whether an installed Burster/Trimmer/Stacker postprocessing device is being used. The host system will not send eject-to-front-facing commands if the BTS is enabled.   | Yes or <u>No</u>  |
| Offsetter Installed         | This entry allows setting whether an Offsetter postprocessing device is installed. It does not show whether it is being used.   | Yes or <u>No</u>  |
| Offsetter Enabled           | This entry allows setting whether an installed Offsetter postprocessing device is being used. The host system will send "Alternate Offset Stacker" commands if the offsetter is enabled and the print job contains these commands.  | Yes or <u>No</u>  |
| Offset on Mark Forms        | This entry allows setting whether "Alternate Offset Stacker" commands from the host system are passed on to an enabled stacking-type postprocessing device for any page containing the Mark Forms.  | Yes or <u>No</u>  |
| 3130 Bar Code Compatibility | This entry defines whether bar codes are printed in the standard format or in the format printed by a 3130 printer.   | Yes or <u>No</u>  |
| Preheat Platen Temperature  | This entry allows setting the preheat platen temperature to a higher or lower temperature than the default as needed for different types of forms. If 0 (zero) is entered for the preheat platen temperature under Define Forms, the temperature set under Configure Printer is used.<br><br>For Models ED1/ED2, a temperature must be set for Printer 1 and Printer 2. | Range of 45 to 100°C — in increments of 5°<br><br>Default is 80°C |

Table 17. Printer Configuration Items (continued)

| Configuration Item                       | Description   | Value Options   |
|--|---|---|
| Scan Factory Adjust for Printer 1        | (CE Change Only) This is used by service personnel to adjust the scan direction printing registration.  | Range of 0 to 100 units<br>Default is 40 units<br>Unit = 2 pels |
| Process Factory Adjust for Printer 1     | (CE Change Only) This is used by service personnel to adjust the process direction printing registration.   | Range of 0 to 60 units<br>Default is 15 units<br>Unit = 1 pel   |
| Scan Factory Adjust for Printer 2 (D)    | (CE Change Only) This is used by service personnel to adjust the scan direction printing registration.  | Range of 0 to 100 units<br>Default is 40 units<br>Unit = 2 pels |
| Process Factory Adjust for Printer 2 (D) | (CE Change Only) This is used by service personnel to adjust the process direction printing registration.   | Range of 0 to 60 units<br>Default is 15 units<br>Unit = 1 pel   |
| Beam 1 offset adjustment                 | (CE Change Only). This is used by maintenance personnel to control the vertical alignment or horizontal adjustment of the separate beams of a multi-beam printer. | Range of 0.0 to 15.9<br>Default is 8.0 units<br>Unit = .1 pel   |
| Beam 2 offset adjustment                 | (See information in <i>Beam 1 offset adjustment</i> )   | (See information in <i>Beam 1 offset adjustment</i> )           |
| Beam 3 offset adjustment                 | (See information in <i>Beam 1 offset adjustment</i> )   | (See information in <i>Beam 1 offset adjustment</i> )           |
| Beam 4 offset adjustment                 | (See information in <i>Beam 1 offset adjustment</i> )   | (See information in <i>Beam 1 offset adjustment</i> )           |

Table 17. Printer Configuration Items (continued)

| Configuration Item                         | Description   | Value Options   |
|--|---|---|
| Beam 5 offset adjustment                   | (See information in <i>Beam 1 offset adjustment</i> )   | (See information in <i>Beam 1 offset adjustment</i> ) |
| Beam 1 offset adjustment for Printer 2 (D) | (See information in <i>Beam 1 offset adjustment</i> )   | (See information in <i>Beam 1 offset adjustment</i> ) |
| Beam 2 offset adjustment for Printer 2 (D) | (See information in <i>Beam 1 offset adjustment</i> )   | (See information in <i>Beam 1 offset adjustment</i> ) |
| Beam 3 offset adjustment for Printer 2 (D) | (See information in <i>Beam 1 offset adjustment</i> )   | (See information in <i>Beam 1 offset adjustment</i> ) |
| Beam 4 offset adjustment for Printer 2 (D) | (See information in <i>Beam 1 offset adjustment</i> )   | (See information in <i>Beam 1 offset adjustment</i> ) |
| Beam 5 offset adjustment for Printer 2 (D) | (See information in <i>Beam 1 offset adjustment</i> )   | (See information in <i>Beam 1 offset adjustment</i> ) |
| Machine Sequence for Printer 1             | (CE Change on Initial Configuration Only) This is the serial number for Printer 1 (7 numeric only characters). Each time the AFCCU hard disk is replaced, this data is lost; the CE must enter the serial number found on the rear inside of the AFCCU frame again.   | N/A   |
| Manufacturing Plant for Printer 1          | (CE Change on Initial Configuration Only) This is the code for plant of manufacture of Printer 1 (2 numeric only characters). Each time the AFCCU hard disk is replaced this data is lost; the CE must enter this code again from information saved from the last time Printer Configurations were changed. | N/A   |

Table 17. Printer Configuration Items (continued)

| Configuration Item                | Description  | Value Options |
|-----------------------------------|--|---------------|
| Machine Sequence for Printer 2    | (CE Change on Initial Configuration Only) This is the serial number for Printer 1 (7 numeric only characters). Each time the AFCCU hard disk is replaced, this data is lost; the CE must enter the serial number found on the rear inside of the AFCCU frame again.  | N/A           |
| Manufacturing Plant for Printer 2 | (CE Change on Initial Configuration Only) This is the code for the plant of manufacture of Printer 2 (2 numeric only characters). Each time the AFCCU hard disk is replaced, this data is lost; the CE must enter this code again from information saved from the last time Printer Configurations were changed. | N/A           |
| Date and Time                     | (CE Change Only). This is in the form of mmddHHMM.ssyy. mm=month dd=day HH=hour MM=minute ss=second yy=year  | N/A           |



---

## Configuring the Host Attachments

- From the Display Touch Screen:
  1. Open the **Configure** pull-down menu.
  2. Select the **Configure Attachments** procedure window.

Attachments include Parallel Channel, ESCON Channel, Token TCP/IP, Ethernet TCP/IP, or FDDI TCP/IP. Table 4 on page 65 defines the host attachments available.

## Configuring Parallel Channels

- From the Configure Attachments procedure window:
  1. Select **Parallel Channel: Installed**.
  2. Select the **Configure...** push button.
- The Configure Parallel Channel window appears.

Table 18 lists all configuration items, the purpose of each item, and the allowable value options for each item. The factory-set default values are underlined.

*Table 18. Parallel Channel Attachment Items*

| <b>Configuration Item</b> | <b>Description</b>                                 | <b>Value Options</b> |
|---------------------------|--|----------------------|
| Parallel Link A Installed | Specifies if Parallel Channel Link A is installed. | Yes or <u>No</u>     |
| Parallel Link B Installed | Specifies if Parallel Channel Link B is installed. | Yes or <u>No</u>     |

Table 18. Parallel Channel Attachment Items (continued)

| Configuration Item | Description   | Value Options  |
|--------------------|---|--|
| Device Address     | <p>Specifies the 2-digit hexadecimal channel address which includes the device address.</p> <p><b>Notes:</b></p> <ol style="list-style-type: none"> <li>1. In simplex mode, only one device address is required. In dual simplex mode, each printer requires a unique device address. Printer 1 requires an even number (for example, X'30'); Printer 2 requires the next consecutive number (for example, X'31').</li> <li>2. The duplex system does not require a unique number. It can use either of the addresses used for dual simplex Printer 1 or dual simplex Printer 2. However, it is often easier from an operational viewpoint to assign duplex a separate address (so the duplex and simplex printers look like unique devices to the operating system). The general convention in this case is to assign the duplex system the next consecutive address (even) after the address for simplex Printer 2. For example, if you define Printer 1 in dual simplex as X'30', you should then define Printer 2 in dual simplex as X'31', and, optionally, define the complete system in duplex as X'32'.</li> <li>3. The device addresses specified above must match the device addresses defined to the host PSF software, and in the case of S/390 hosts, the I/O device definitions.</li> </ol> | <p>00 to FF (Hexadecimal notation).<br/>Default is X'00'</p> |

Table 18. Parallel Channel Attachment Items (continued)

| Configuration Item     | Description  | Value Options   |
|------------------------|--|---|
| Second Channel         | <p>Specifies the switching mode of the Two-Channel Switch: Static or Dynamic Mode. When a second Parallel Channel is installed, a Two-Channel Switch facility is provided.</p> <ul style="list-style-type: none"> <li>• <b>Static:</b> You can enable only one channel at a time. You can connect two interfaces to two channels on the same processing unit, on tightly coupled processing units (units controlled by the same operating system), or on independent (uncoupled) processing units.</li> <li>• <b>Dynamic:</b> You can enable both channels at the same time with the two-Channel Switch used as a dynamic interface switch. Connect the two interfaces to two channels either on the same processing unit or on tightly-coupled processing units (units controlled by the same operating system).</li> </ul> <p>You cannot select this item unless two channels are installed.</p> | <p><u>Static</u> or Dynamic</p>   |
| Data Transfer Protocol | <p>Specifies the data transfer mode to be used: DC Interlocked or Data-Streaming.</p> <p>If two channels are installed, both channels use the same protocol.</p>   | <p><u>Interlocked</u> or Data Streaming</p>   |
| Data Streaming Rate    | <p>Specifies the data rate being used if you select the Data-Streaming Data Transfer Protocol. Use the highest rate that is supported by your system.</p> <p>If two channels are installed, both channels use the same data rate.</p>  | <ul style="list-style-type: none"> <li>• 1.9 MB/sec</li> <li>• <u>2.7 MB/sec</u></li> <li>• 3.4 MB/sec</li> <li>• 4.5 MB/sec</li> </ul>             |
| Card 1 Slot Position   | <p>The printer sets this entry automatically at power on time if the system senses the presence of a Parallel Channel card. This item is not selectable.</p>   | <ul style="list-style-type: none"> <li>• 2 or 4 or Not Installed (for Model ES1)</li> <li>• 6 or 8 or Not Installed (for Models ED1/ED2)</li> </ul> |

Table 18. Parallel Channel Attachment Items (continued)

| Configuration Item   | Description   | Value Options   |
|----------------------|---|---|
| Card 2 Slot Position | The printer sets this entry automatically at power on time if the system senses the presence of a Parallel Channel card. This item is not selectable. | <ul style="list-style-type: none"> <li>• 2 or 4 or Not Installed (for Model ES1)</li> <li>• 6 or 8 or Not Installed (for Models ED1/ED2)</li> </ul> |

# Configuring ESCON Channels

- From the Configure Attachments procedure window:
  1. Select the **ESCON Channel: Installed**.
  2. Select the **Configure...** push button.
- The Configure ESCON Channel window appears.

Table 19 lists all configuration items, what each item is used for, and the allowable value options for each item. The factory-set default values are underlined.

*Table 19. ESCON Channel Attachment Items*

| <b>Configuration Item</b> | <b>Description</b>                              | <b>Value Options</b> |
|---------------------------|---|----------------------|
| ESCON Link A Installed    | Specifies if ESCON Channel Link A is installed. | Yes or <u>No</u>     |
| ESCON Link B Installed    | Specifies if ESCON Channel Link B is installed. | Yes or <u>No</u>     |

Table 19. ESCON Channel Attachment Items (continued)

| Configuration Item          | Description   | Value Options  |
|-----------------------------|---|--|
| Device Address              | <p>Specifies the 2-digit hexadecimal channel address which includes the device address.</p> <p><b>Notes:</b></p> <ol style="list-style-type: none"> <li>1. In simplex mode, only one device address is required.</li> <li>2. In dual simplex mode, each printer requires a unique device address. Printer 1 requires an even number (for example, X'30'); Printer 2 requires the next consecutive number (for example, X'31').</li> <li>3. The duplex system does not require a unique number. It can use either of the addresses used for dual simplex Printer 1 or dual simplex Printer 2. However, it is often easier from an operational viewpoint to assign duplex a separate address (so the duplex and simplex printers look like unique devices to the operating system). The general convention in this case is to assign the duplex system the next consecutive address (even) after the address for simplex Printer 2. For example, if you define Printer 1 in dual simplex as X'30', you should then define Printer 2 in dual simplex as X'31', and, optionally, define the complete system in duplex as X'32'.</li> <li>4. The device addresses specified above must match the device addresses defined to the host PSF software, and in the case of S/390 hosts, the I/O device definitions.</li> </ol> | <p>00 to FF (Hexadecimal notation).<br/>Default is X'00'</p> |
| Multi-host environment flag | <p>Shows whether a multiple host printer-sharing system exists. If this environment flag is set, all hosts are required to use the assign/unassign protocols of the attachment architecture. (Not supported on all printers.)</p>   | <p>True or <u>False</u></p>                                  |

Table 19. ESCON Channel Attachment Items (continued)

| Configuration Item   | Description   | Value Options   |
|----------------------|---|---|
| Card 1 Slot Position | The printer sets this entry automatically at power on time if the system senses the presence of an ESCON Channel card. This item is not selectable. | <ul style="list-style-type: none"> <li>• 2 or 4 or Not Installed (for Model ES1)</li> <li>• 6 or 8 or Not Installed (for Models ED1/ED2)</li> </ul> |
| Card 2 Slot Position | The printer sets this entry automatically at power on time if the system senses the presence of an ESCON Channel card. This item is not selectable. | <ul style="list-style-type: none"> <li>• 2 or 4 or Not Installed (for Model ES1)</li> <li>• 6 or 8 or Not Installed (for Models ED1/ED2)</li> </ul> |

# Configuring Token Ring TCP/IP

- From the Configure Attachments procedure window:
  1. Select the **Token Ring TCP/IP: Installed**.
  2. Select the **Configure...** push button.
- The Configure Token Ring TCP/IP window appears.

Table 20 lists all configuration items, what each item is used for, and the allowable value options for each item. The factory-set default values are underlined.

*Table 20. Token Ring TCP/IP Attachment Items*

| <b>Configuration Item</b>   | <b>Description</b>                                | <b>Value Options</b> |
|-----------------------------|---|----------------------|
| Token Ring TCP/IP Installed | Specifies if the Token Ring adapter is installed. | Yes or <u>No</u>     |



Table 20. Token Ring TCP/IP Attachment Items (continued)

| Configuration Item | Description   | Value Options  |
|--------------------|---|----------------|
| TCP Port           | <p>Specifies the TCP socket address of the attachment.</p> <p><b>Notes:</b></p> <ol style="list-style-type: none"> <li>1. Only one address is required for operating a simplex system.</li> <li>2. If your installation runs in dual simplex and duplex mode, specify the same TCP Port value for duplex mode as you do for Printer 1 in dual simplex mode. (IBM recommends using the default value of 5001.) Also, make sure you specify a unique value for Printer 2 in simplex mode; Printer 1 and Printer 2 cannot use the same value. (If you use the default value of 5001, for Printer 1, IBM recommends using 5002 as the value for Printer 2.)</li> <li>3. The TCP Port numbers specified in the printer configuration must match the PORT numbers assigned in the host PSF system.</li> <li>4. Because Printer 1 in a dual simplex system and the complete system in duplex system share a common port number, operational procedures must be defined to distinguish between duplex and dual simplex printing. The easiest way to manage this is to assign separate queues for duplex versus dual simplex output (for PSF/2 and PSF/6000), and to assign at least a unique job class for duplex jobs (for S/390 host PSF systems).</li> </ol> | 5001 to 65536. |

Table 20. Token Ring TCP/IP Attachment Items (continued)

| Configuration Item                        | Description   | Value Options                   |
|---|---|---------------------------------|
| IP Address                                | <p>Specifies the Internet protocol (IP) address of the printer in dotted decimal format. Get this value from your LAN administrator. This value must match the IP address value in the host PSF configuration.</p> <p>This value is unique to a duplex system, and is the same regardless of whether the printer is in duplex or dual-simplex mode.</p> | X.X.X.X where X ≤ 255.          |
| Subnet Mask                               | Specifies the mask that identifies the local subnet in dotted decimal format. Get this value from your LAN administrator. If you do not have a local subnet, leave this field blank.  | X.X.X.X where X ≤ 255           |
| Default Gateway Address                   | Specifies the IP address of the default gateway in dotted decimal format. Get this value from your LAN administrator.   | X.X.X.X where X ≤ 255           |
| MTU Size                                  | Specifies the Maximum Transmission Unit (MTU) – maximum allowable length of IP packets.   | 60 to 4096                      |
| Hardware address                          | Specifies the TCP/IP Token Ring adapter ROM address.  | This address cannot be changed. |
| Alternate address (Local adapter address) | Sets the unique LAN adapter address for the network. The address must be different from other addresses on the LAN.   | X'0' to X'FFFFFFFFFFFFFF'       |
| Ring Speed                                | Specifies the ring speed of the network to which the adapter attaches. The value must match the speed of the network or the network may stop operating.   | 4 or 16                         |
| Confine Broadcast                         | Specifies if broadcast packets (that is, Address Resolution Protocol packets) are enabled to cross bridges to other rings.  | Yes or <u>No</u>                |

# Configuring Ethernet TCP/IP

- From the Configure Attachments procedure window:
  1. Select the **Ethernet TCP/IP: Installed**
  2. Select the **Configure...** push button.
- The Ethernet TCP/IP window appears.

Table 21 lists all configuration items, what each item is used for, and the allowable value options for each item. The factory-set default values are underlined.

*Table 21. Ethernet TCP/IP Attachment Items*

| <b>Configuration Item</b>    | <b>Description</b>                              | <b>Value Options</b> |
|------------------------------|---|----------------------|
| Ethernet TCP/IP<br>Installed | Specifies if the Ethernet adapter is installed. | Yes or <u>No</u>     |

Table 21. Ethernet TCP/IP Attachment Items (continued)

| Configuration Item | Description   | Value Options |
|--------------------|---|---------------|
| TCP Port           | <p>Specifies the TCP socket address of the attachment.</p> <p><b>Notes:</b></p> <ol style="list-style-type: none"> <li>1. Only one address is required for operating a simplex system.</li> <li>2. If your installation runs in dual simplex and duplex mode, specify the same TCP Port value for duplex mode as you do for Printer 1 in dual simplex mode. (IBM recommends using the default value of 5001.) Also, make sure you specify a unique value for Printer 2 in simplex mode; Printer 1 and Printer 2 cannot use the same value. (If you use the default value of 5001, for Printer 1, IBM recommends using 5002 as the value for Printer 2.)</li> <li>3. The TCP Port numbers specified in the printer configuration must match the PORT numbers assigned in the host PSF system.</li> <li>4. Because Printer 1 in a dual simplex system and the complete system in duplex system share a common port number, operational procedures must be defined to distinguish between duplex and dual simplex printing. The easiest way to manage this is to assign separate queues for duplex versus dual simplex output (for PSF/2 and PSF/6000), and to assign at least a unique job class for duplex jobs (for S/390 host PSF systems).</li> </ol> | 5001 to 65536 |

Table 21. Ethernet TCP/IP Attachment Items (continued)

| Configuration Item                        | Description   | Value Options                   |
|---|---|---------------------------------|
| IP Address                                | <p>Specifies the Internet Protocol (IP) address of the printer in dotted decimal format. Get this value from your LAN administrator. This value must match the IP address value in the host PSF configuration.</p> <p>This value is unique to a duplex system, and is the same regardless of whether the printer is in duplex or dual-simplex mode.</p> | X.X.X.X where X ≤ 255.          |
| Subnet Mask                               | Specifies the mask that identifies the local subnet in dotted decimal format. Get this value from your LAN administrator. If you do not have a local subnet, leave this field blank.  | X.X.X.X where X ≤ 255           |
| Default Gateway Address                   | Specifies the IP address of the default gateway in dotted decimal format. Get this value from your LAN administrator.   | X.X.X.X where X ≤ 255           |
| Standard MTU Size                         | Specifies the Maximum Transmission Unit (MTU) size. The MTU size for Standard Ethernet type ranges from 60 to 1500.   | 60 to 1500                      |
| IEEE802.3 MTU Size                        | Specifies the MTU size for IEEE802.3 Ethernet type. The range is from 60 to 1492.   | 60 to 1492                      |
| Ethernet Type                             | Specifies either the Standard or the IEEE802.3 Ethernet type.   | Standard or IEEE802.3           |
| Hardware address                          | Specifies the TCP/IP Token Ring adapter ROM address.  | This address cannot be changed. |
| Alternate address (Local adapter address) | Sets the unique LAN adapter address for the network. The address must be different from other addresses on the LAN.   | X'0' to X'FFFFFFFFFFFFFF'       |
| Cable type                                | This is the type of Ethernet cable connector used in the back of the printer.   | 10Base2 or 10Base5              |

# Configuring FDDI TCP/IP

- From the Configure Attachments procedure window:
  1. Select the **FDDI TCP/IP: Installed**.
  2. Select the **Configure...** pushbutton.
- The Configure FDDI TCP/IP window appears.

Table 22 lists all configuration items, what each item is used for, and the allowable value options for each item. The factory-set default values are underlined.

*Table 22. FDDI TCP/IP Attachment Items*

| <b>Configuration Item</b> | <b>Description</b>                          | <b>Value Options</b> |
|---------------------------|---|----------------------|
| FDDI TCP/IP Installed     | Specifies if the FDDI adapter is installed. | Yes or <u>No</u>     |

Table 22. FDDI TCP/IP Attachment Items (continued)

| Configuration Item | Description   | Value Options  |
|--------------------|---|----------------|
| TCP Port           | <p>Specifies the TCP socket address of the attachment.</p> <p><b>Notes:</b></p> <ol style="list-style-type: none"> <li>1. Only one address is required for operating a simplex system.</li> <li>2. If your installation runs in dual simplex and duplex mode, specify the same TCP Port value for duplex mode as you do for Printer 1 in dual simplex mode. (IBM recommends using the default value of 5001.) Also, make sure you specify a unique value for Printer 2 in simplex mode; Printer 1 and Printer 2 cannot use the same value. (If you use the default value of 5001, for Printer 1, IBM recommends using 5002 as the value for Printer 2.)</li> <li>3. The TCP Port numbers specified in the printer configuration must match the PORT numbers assigned in the host PSF system.</li> <li>4. Because Printer 1 in a dual simplex system and the complete system in duplex system share a common port number, operational procedures must be defined to distinguish between duplex and dual simplex printing. The easiest way to manage this is to assign separate queues for duplex versus dual simplex output (for PSF/2 and PSF/6000), and to assign at least a unique job class for duplex jobs (for S/390 host PSF systems).</li> </ol> | 5001 to 65536. |

Table 22. FDDI TCP/IP Attachment Items (continued)

| Configuration Item                        | Description  | Value Options                   |
|---|--|---------------------------------|
| IP Address                                | Specifies the Internet protocol (IP) address of the printer in dotted decimal format. Get this value from your LAN administrator. This value must match the IP address value in the host PSF configuration.<br><br>This value is unique to a duplex system, and is the same regardless of whether the printer is in duplex or dual-simplex mode. | X.X.X.X where X ≤ 255.          |
| Subnet Mask                               | Specifies the mask that identifies the local subnet in dotted decimal format. Get this value from your LAN administrator. If you do not have a local subnet, leave this field blank.   | X.X.X.X where X ≤ 255           |
| Default Gateway Address                   | Specifies the IP address of the default gateway in dotted decimal format. Get this value from your LAN administrator.  | X.X.X.X where X ≤ 255           |
| MTU Size                                  | Specifies the Maximum Transmission Unit (MTU) – maximum allowable length of IP packets.  | 256 to <u>4352</u>              |
| Hardware address                          | Specifies the FDDI adapter ROM address.  | This address cannot be changed. |
| Alternate address (Local adapter address) | Sets the unique LAN adapter address for the network. The address must be different from other addresses on the LAN.  | X'0' to X'FFFFFFFFFFFF'         |
| Confine Broadcast                         | Specifies if broadcast packets (that is, Address Resolution Protocol packets) are enabled to cross bridges to other rings.   | Yes or <u>No</u>                |

## Configuring Remote Access

You can use these methods to provide remote access to your printer:

- SNMP (Simple Network Management Protocol)
- RMI (Remote Management Interface)
- Modem.



To configure remote access, follow these steps:

1. From the Display Touch Screen, open the **Configure** pull-down menu.
2. Select the **Remote Access** procedure window.

For additional information, see “Configuring Remote Access” in the *InfoPrint 3000 Operator’s Guide*.

---

# Configuring Preprocessing and Postprocessing Devices or Interfaces

From the Configure pull-down menu, select the **Configure Pre/Postprocessor** procedure window. You may configure and store up to ten defined preprocessing/postprocessing devices, but you can enable only three devices at one time on the printer.

## Preprocessing/Postprocessing Options for the Simplex Models

Model ES1 has an interface adaptor installed as a standard feature that may be used for either a preprocessing or a postprocessing device (**Pre/Post**). One or two additional optional **Pre/Post** device interface adaptors may be installed in Ports 2 and 3, or an optional Advanced Function Postprocessing device interface (hereafter called **Pre/Post**) may be installed in either Port 2 or Port 3 of each model. Allowable combinations are shown in Table 23.

*Table 23. Preprocessing/Postprocessing Interface Options for the Simplex Model*

| Port | Configuration Options |          |          |         |          |          |          |          |
|------|-----------------------|----------|----------|---------|----------|----------|----------|----------|
| 1    | Pre/Post              | Pre/Post | Pre/Post | AF Post | AF Post  | AF Post  | Pre/Post | Pre/Post |
| 2    | —                     | Pre/Post | Pre/Post | —       | Pre/Post | Pre/Post | Pre/Post | AF Post  |
| 3    | —                     | —        | Pre/Post | —       | —        | Pre/Post | AF Post  | Pre/Post |

# Preprocessing/Postprocessing Options For Duplex Models

Each duplex printer has three preprocessing/postprocessing interface ports. Port 1 in each printer has an interface adaptor installed as a standard feature, that may be used either for a preprocessing or postprocessing device (hereafter called **Pre/Post**). One or two additional optional **Pre/Post** device interface adaptors may be installed in Ports 2 and 3, or an optional Advanced Function Postprocessing device interface (**AF Post**) may be installed in either Port 2 or 3 of each printer. Allowable combinations for each printer are shown in Table 24.

Table 24. Preprocessing/Postprocessing Interface Options For Duplex Models

| Port | Configuration Options |          |          |          |          |          |
|------|-----------------------|----------|----------|----------|----------|----------|
| 1    | Pre/Post              | Pre/Post | Pre/Post | Pre/Post | Pre/Post | Pre/Post |
| 2    | —                     | Pre/Post | Pre/Post | AF Post  | Pre/Post | AF Post  |
| 3    | —                     | —        | Pre/Post | —        | AF Post  | Pre/Post |

Table 25 lists all configuration items, what each item is used for, and the allowable value options for each item. The factory-set default values are underlined.

Table 25. Pre/Postprocessor Device Configuration Items

| Selectable Field/Item                                   | Description   | Value Options |
|---|---|---------------|
| Printer (This item does not appear for simplex models.) | When the Configure Printer <b>Printer Mode</b> configuration item is set to <b>Simplex</b> mode, this <b>Printer</b> selectable field is grayed out in the <b>Configure Pre/Postprocessors</b> window. All devices configured while in <b>Simplex</b> mode are automatically configured for the printer associated with Display Touch Screen you are currently using. | 1 or 2        |
| Port  | The physical connection between the printer and the preprocessing/postprocessing device.  | 1 or 2 or 3   |

Table 25. Pre/Postprocessor Device Configuration Items (continued)

| Selectable Field/Item                     | Description  | Value Options   |
|---|--|---|
| Enabled                                   | <p>Enables a device for a port. If a device is already enabled for a specific port number when you select a device that is also configured for that port number, the <b>Yes</b> is grayed out so that you cannot attempt to enable a second device for the same port.</p> <p>An error window appears when the restart procedure to activate this change is complete and either of the following conditions exist:</p> <ul style="list-style-type: none"> <li>• You attempted to enable a device for a port number that does not have an interface adaptor installed or</li> <li>• The adapter has a different type (Pre/Post versus AF Post) adaptor installed than the device type you are enabling.</li> </ul> | Yes or No   |
| Pre/Postprocessor Type                    | <p>Specify a <b>Coupled</b> type when the port to be used has a <b>Pre/Post</b> type adaptor installed.</p> <p>Specify an <b>Advanced Postprocessor</b> type when the port to be used has a <b>AF Post</b> type adaptor installed.</p> <p>Different types have different <b>Pre/Postprocessor Characteristics</b> configuration items listed.</p>  | <p>Options Include:</p> <ul style="list-style-type: none"> <li>• Coupled Preprocessor</li> <li>• Coupled Postprocessor</li> <li>• Advanced Postprocessor - MICR</li> <li>• Advanced Postprocessor - SMM (Select Medium Modification)</li> </ul> |
| <b>Pre/Postprocessor Characteristics:</b> |  |   |

Table 25. Pre/Postprocessor Device Configuration Items (continued)

| Selectable Field/Item                                 | Description   | Value Options   |
|---|---|---|
| Pre/Postprocessor Extended NPRO (non-process runout). | <p>Listed for all Pre/Postprocessor Types.</p> <p>Extends the NPRO. Enter a non-zero value to extend the fixed NPRO length because of preprocessing or postprocessing device usage.</p> <p>Setting the “NPRO Length” configuration item under the <b>Configure Printer</b> also sets this function. The “Pre/Postprocessor Extended NPRO” value overrides the “Configure Printer NPRO Length” value if both are set to non-zero values.</p> | 0 to 800 inches. Default is <u>150</u> .  |
| Pre/Postprocessor Busy Timer                          | <p>Listed only for “Coupled” Pre/Postprocessor Types.</p> <p>Specifies the length of time in seconds that follows a Preprocessing or Postprocessing device going to “Busy” status before the status automatically changes to “Not Ready.” The printer does not report “Busy” status to the host system, but does report “Not Ready” status.</p>   | 1 to 999 seconds. Default is <u>300</u> .   |
| Postprocessor Tag Type                                | <p>Listed only for “Coupled” Pre/Postprocessor Types.</p> <p>Specify a <b>Coupled</b> tag type for all Postprocessing devices not manufactured by Roll System, Inc.</p> <p>Specify an <b>RSI Compatible</b> tag type for all Postprocessing devices manufactured by Roll System, Inc..</p>  | <ul style="list-style-type: none"> <li>• <u>Coupled</u></li> <li>• RSI Compatible</li> </ul> <p>This item is ignored if you are configuring a preprocessing device interface.</p> |

Table 25. Pre/Postprocessor Device Configuration Items (continued)

| Selectable Field/Item                    | Description  | Value Options   |
|--|--|---|
| Distance to Postprocessor                | <p>Listed only for “Advanced Postprocessor” Pre/Postprocessor Types.</p> <p>If two AF postprocessors are installed, the distance of the second postprocessor must exceed that of the first.</p> <ul style="list-style-type: none"> <li>• If the first postprocessor is a Troy MICR 3900, add an extra 102 inches to the actual measured distance from the printer to the second postprocessor.</li> <li>• If the first postprocessor is a Troy MICR 3900 High Speed, add an extra 148 inches to the actual measured distance from the printer to the second postprocessor.</li> <li>• If the first postprocessor is a Troy MICR 3835, add an extra 99 inches to the actual measured distance from the printer to the second postprocessor.</li> </ul> <p>For more information, see <i>Using the IBM 3835 Page Printers and the IBM 3900 Advanced Function Printers with the Troy MICR Printers</i>, GA32-0261.</p> | <ul style="list-style-type: none"> <li>• 24 to 800 inches. Default is <u>99</u>.</li> <li>• 24 to 1200 inches. Default is <u>99</u>.</li> </ul> |
| Postprocessor Error Page Stop            | Listed only for “Advanced Postprocessor - MICR” Pre/Postprocessor Type.  | <u>0</u> to 50 pages  |
| Postprocessor Verify Alignment Page Stop | Listed only for “Advanced Postprocessor - MICR” Pre/Postprocessor Type.  | <u>0</u> to 5000 pages  |
| Pre/Postprocessor Baud Rate in Kbps      | Listed only for “Advanced Postprocessor” Pre/Postprocessor Types.  | 19.2 or <u>62.5</u>   |

---

# Chapter 7. Configuring a Simplex Printing System

## Chapter Overview

This chapter contains worksheets on which you can record your configuration choices for a Simplex Printing System. Fill in a copy of these work sheets and give a copy of the completed form to the service representative when the printer is installed.

You can specify some configurations within the printer and some characteristics of its function. For example, you can select the language in which messages will be displayed. These options are known as *configuration information*.

The printer AFCCU needs to know all of the current configuration information in order to operate the system accurately. Initially, the service representative sets configuration options when the printer is installed. You can change any of the configuration options later if the physical configuration changes or if the operating characteristics change.

The *InfoPrint 3000 Operator's Guide* explains in detail the procedures for changing these configuration options.

You can change all configuration information by using the Display Touch Screen display windows.

---

# Configuration Worksheet for the Simplex Model

Record your configuration choices on this worksheet, and give a copy of the completed form to the service representative when the printer is being installed. See “Chapter 6. Configuration Information Descriptions” on page 121 for detailed information about each item.

**Note:** This chapter applies only to Model ES1. This chapter does not apply to Models ED1/ED2 that are operating in dual simplex mode.

*Table 26. Configuration Worksheet – Simplex Model*

| Item                             | Available Values  | Selected Value                  |
|----------------------------------|---|---------------------------------|
| <b>MESSAGE DISPLAY LANGUAGE:</b> | <ul style="list-style-type: none"><li>• US English</li><li>• Spanish</li><li>• French</li><li>• German</li><li>• Japanese</li><li>• Italian</li><li>• Brazilian Portuguese</li><li>• Chinese Simplified</li><li>• Chinese Traditional</li></ul> |                                 |
| <b>CONFIGURE PRINTER:</b>        |   |                                 |
| Auto Start                       | Yes / No  |                                 |
| PQE boldness                     | 100%  | This value must not be changed. |
| Printer Counter                  | (CE Change Only) 0 to 2 000 000<br>000  | N/A                             |



Table 26. Configuration Worksheet – Simplex Model (continued)

| Item  | Available Values  | Selected Value |
|---|---|----------------|
| Printhead resolution (not all values are supported on all printers) | <ul style="list-style-type: none"> <li>• 480 DPI</li> <li>• 600 DPI</li> <li>• 480/600 DPI</li> </ul>   |                |
| IPDS Resolution   | <ul style="list-style-type: none"> <li>• Automatic</li> <li>• 240 DPI</li> <li>• 300 DPI</li> <li>• 600 DPI</li> </ul>  |                |
| Font Enhancement (Single-Byte / Double-Byte Font)                   | Yes / No  |                |
| Jam Recovery Type   | <ul style="list-style-type: none"> <li>• Use Normal Jam Repositioning</li> <li>• Suppress MICR Jam Repositioning</li> <li>• Suppress All Jam Repositioning</li> </ul> |                |
| Font Usage  | Low / Medium / High   |                |
| Page Segment Usage  | Low / Medium / High   |                |
| Overlay Usage   | Low / Medium / High   |                |
| Overlay Cache   | Yes / No  |                |
| Input Buffer Size   | Low / Medium / High   |                |
| Output Buffer Size  | Low / Medium / High   |                |
| Direct Attach   | Yes / No  |                |
| NPRO Length   | 0 to 1200 inches  |                |
| Auto NPRO at EOF  | Yes / No  |                |
| Jam Recovery Point Distance   | 0 to 500 inches   |                |
| Logical Page Increment  | 0 to 20 pels  |                |

Table 26. Configuration Worksheet – Simplex Model (continued)

| Item                        | Available Values   | Selected Value |
|-----------------------------|--|----------------|
| Clear Memory for Security   | Yes / No   |                |
| Screen Saver Timeout        | 0 to 60 minutes  |                |
| Alarm Suppression           | Yes / No   |                |
| Fuser Inactivity Timer      | 0 to 9 hours   |                |
| Eject to Front Facing       | Yes / No   |                |
| Form definition order       | Yes / No   |                |
| Stacker Enabled             | Yes / No   |                |
| Cut sheet emulation         | <ul style="list-style-type: none"> <li>• None</li> <li>• Normal Left-to-Right</li> <li>• Normal Right-to-Left</li> <li>• Inverted Left-to-Right</li> <li>• Inverted Right-to-Left</li> </ul> |                |
| BTS Installed               | Yes / No   |                |
| BTS Enabled                 | Yes / No   |                |
| Offsetter Installed         | Yes / No   |                |
| Offsetter Enabled           | Yes / No   |                |
| Offset on Mark Forms        | Yes / No   |                |
| 3130 Bar Code Compatibility | Yes / No   |                |
| Printer Preheat Temperature | 45 to 100°C  |                |
| Scan Factory Adjust         | (CE Change Only)   | N/A            |
| Process Factory Adjust      | (CE Change Only)   | N/A            |

Table 26. Configuration Worksheet – Simplex Model (continued)

| Item                                   | Available Values             | Selected Value                                    |
|--|------------------------------|---|
| Beam 1 Offset                          | (CE Change Only) 0.0 to 15.9 | N/A   |
| Beam 2 Offset                          | (CE Change Only) 0.0 to 15.9 | N/A   |
| Beam 3 Offset                          | (CE Change Only) 0.0 to 15.9 | N/A   |
| Beam 4 Offset                          | (CE Change Only) 0.0 to 15.9 | N/A   |
| Beam 5 Offset                          | (CE Change Only) 0.0 to 15.9 | N/A   |
| Machine Sequence                       | (CE Change Only)             | N/A   |
| Manufacturing Plant                    | (CE Change Only)             | N/A   |
| Date and Time                          | (CE Change Only)             | N/A   |
| <b>HOST ATTACHMENTS CONFIGURATION:</b> |                              |   |
| <b>Parallel Channel:</b>               |                              |   |
| Parallel Link A Installed              | Yes / No                     |   |
| Parallel Link B Installed              | Yes / No                     |   |
| Device Address                         | 00 to FF (hexadecimal)       |   |
| Second Channel                         | Static / Dynamic             |   |
| Data Transfer Protocol                 | Interlocked / Data Streaming |   |
| Data Streaming Rate                    | 1.9 / 2.7 / 3.4 / 4.5MB /sec |   |
| Card 1 Slot Position                   | 2 / 4 / Not Installed        | Automatically set at power on, cannot be changed. |
| Card 2 Slot Position                   | 2 / 4 / Not Installed        | Automatically set at power on, cannot be changed. |
| <b>ESCON Channel:</b>                  |                              |   |

Table 26. Configuration Worksheet – Simplex Model (continued)

| Item                                    | Available Values          | Selected Value                                    |
|---|---------------------------|---|
| ESCON Link A Installed                  | Yes / No                  |   |
| ESCON Link B Installed                  | Yes / No                  |   |
| Device Address                          | 00 to FF (Hexadecimal)    |   |
| Multi-host Environmental Flag           | True / False              |   |
| Card 1 Slot Position                    | 2 / 4 / Not Installed     | Automatically set at power on, cannot be changed. |
| Card 2 Slot Position                    | 2 / 4 / Not Installed     | Automatically set at power on, cannot be changed. |
| <b>Token Ring TCP/IP Configuration:</b> |                           |   |
| Installed                               | Yes / No                  |   |
| TCP Port                                | 5001 to 65536             |   |
| IP Address                              | X.X.X.X where X ≤ 255     |   |
| Subnet Mask                             | X.X.X.X where X ≤ 255     |   |
| Default Gateway Address                 | X.X.X.X where X ≤ 255     |   |
| MTU Size                                | 60 to 4096                |   |
| Hardware address                        | Cannot be changed         |   |
| Alternate address                       | X'0' to X'FFFFFFFFFFFFFF' |   |
| Ring Speed                              | 4 or 16                   |   |
| Confine Broadcast                       | Yes / No                  |   |
| <b>Ethernet TCP/IP Configuration:</b>   |                           |   |
| Installed                               | Yes / No                  |   |

Table 26. Configuration Worksheet – Simplex Model (continued)

| Item  | Available Values  | Selected Value |
|---|---|----------------|
| TCP Port  | 5001 to 65536   |                |
| IP Address  | X.X.X.X where X ≤ 255   |                |
| Subnet Mask   | X.X.X.X where X ≤ 255   |                |
| Default Gateway Address                                       | X.X.X.X where X ≤ 255   |                |
| Standard MTU Size   | 60 to 1500  |                |
| IEEE8023 MTU Size   | 60 to 1492  |                |
| Ethernet Type   | Standard or IEEE8023  |                |
| Hardware address  | Cannot be changed   |                |
| Alternate address   | X'0' to X'FFFFFFFFFFFF'   |                |
| Cable type  | 10Base2 or 10Base5  |                |
| <b>PREPROCESSING/POSTPROCESSING INTERFACE CONFIGURATIONS:</b> |   |                |
| <b>DEVICE Number</b> _____                                    |   |                |
| Port Number   | 1 / 2 / 3   |                |
| Enabled   | Yes / No  |                |
| Name  | 1 to 12 alphanumeric characters (including spaces)  |                |
| Type  | <ul style="list-style-type: none"> <li>• Coupled Preprocessor</li> <li>• Coupled Postprocessor</li> <li>• Advanced Postprocessor - MICR</li> <li>• Advanced Postprocessor - SMM (Select Medium Modification)</li> </ul> |                |
| <b>Characteristics:</b>                                       |   |                |

Table 26. Configuration Worksheet – Simplex Model (continued)

| Item                                     | Available Values  | Selected Value |
|--|---|----------------|
| Pre/Postprocessor Extended NPRO:         | 0 to 800 inches   |                |
| Pre/Postprocessor Busy Timer:            | 1 to 999 seconds  |                |
| Postprocessor Tag Type:                  | <ul style="list-style-type: none"> <li>• Coupled</li> <li>• RSI Compatible</li> </ul>   |                |
| Distance to Postprocessor                | <ul style="list-style-type: none"> <li>• 24 to 800 inches</li> <li>• 24 to 1200 inches</li> </ul>   |                |
| Postprocessor Error Page Stop            | 0 to 50 pages   |                |
| Postprocessor Verify Alignment Page Stop | 0 to 5000 pages   |                |
| Pre/Postprocessor Baud Rate in Kbps      | 19.2 or 62.5  |                |
| <b>DEVICE Number</b> _____               |   |                |
| Port Number                              | 1 / 2 / 3   |                |
| Enabled                                  | Yes / No  |                |
| Name                                     | 1 to 12 alphanumeric characters (including spaces)  |                |
| Type                                     | <ul style="list-style-type: none"> <li>• Coupled Preprocessor</li> <li>• Coupled Postprocessor</li> <li>• Advanced Postprocessor - MICR</li> <li>• Advanced Postprocessor - SMM (Select Medium Modification)</li> </ul> |                |
| <b>Characteristics:</b>                  |   |                |
| Pre/Postprocessor Extended NPRO:         | 0 to 800 inches   |                |
| Pre/Postprocessor Busy Timer:            | 1 to 999 seconds  |                |

Table 26. Configuration Worksheet – Simplex Model (continued)

| Item                                     | Available Values  | Selected Value |
|--|---|----------------|
| Postprocessor Tag Type:                  | <ul style="list-style-type: none"> <li>• Coupled</li> <li>• RSI Compatible</li> <li>• Advanced</li> </ul>   |                |
| Distance to Postprocessor                | <ul style="list-style-type: none"> <li>• 24 to 800 inches</li> <li>• 24 to 1200 inches</li> </ul>   |                |
| Postprocessor Error Page Stop            | 0 to 50 pages   |                |
| Postprocessor Verify Alignment Page Stop | 0 to 5000 pages   |                |
| Pre/Postprocessor Baud Rate in Kbps      | 19.2 or 62.5  |                |
| <b>DEVICE Number</b> _____               |   |                |
| Port Number                              | 1 / 2 / 3   |                |
| Enabled                                  | Yes / No  |                |
| Name                                     | 1 to 12 alphanumeric characters (including spaces)  |                |
| Type                                     | <ul style="list-style-type: none"> <li>• Coupled Preprocessor</li> <li>• Coupled Postprocessor</li> <li>• Advanced Postprocessor - MICR</li> <li>• Advanced Postprocessor - SMM (Select Medium Modification)</li> </ul> |                |
| <b>Characteristics:</b>                  |   |                |
| Pre/Postprocessor Extended NPRO:         | 0 to 800 inches   |                |
| Pre/Postprocessor Busy Timer:            | 1 to 999 seconds  |                |

Table 26. Configuration Worksheet – Simplex Model (continued)

| Item                                     | Available Values  | Selected Value |
|--|---|----------------|
| Postprocessor Tag Type:                  | <ul style="list-style-type: none"> <li>• Coupled</li> <li>• RSI Compatible</li> </ul>   |                |
| Distance to Postprocessor                | <ul style="list-style-type: none"> <li>• 24 to 800 inches</li> <li>• 24 to 1200 inches</li> </ul>   |                |
| Postprocessor Error Page Stop            | 0 to 50 pages   |                |
| Postprocessor Verify Alignment Page Stop | 0 to 5000 pages   |                |
| Pre/Postprocessor Baud Rate in Kbps      | 19.2 or 62.5  |                |
| <b>DEVICE Number</b> _____               |   |                |
| Port Number                              | 1 / 2 / 3   |                |
| Enabled                                  | Yes / No  |                |
| Name                                     | 1 to 12 alphanumeric characters (including spaces)  |                |
| Type                                     | <ul style="list-style-type: none"> <li>• Coupled Preprocessor</li> <li>• Coupled Postprocessor</li> <li>• Advanced Postprocessor - MICR</li> <li>• Advanced Postprocessor - SMM (Select Medium Modification)</li> </ul> |                |
| <b>Characteristics:</b>                  |   |                |
| Pre/Postprocessor Extended NPRO:         | 0 to 800 inches   |                |
| Pre/Postprocessor Busy Timer:            | 1 to 999 seconds  |                |
| Postprocessor Tag Type:                  | <ul style="list-style-type: none"> <li>• Coupled</li> <li>• RSI Compatible</li> </ul>   |                |



Table 26. Configuration Worksheet – Simplex Model (continued)

| Item                                     | Available Values   | Selected Value |
|--|--|----------------|
| Distance to Postprocessor                | <ul style="list-style-type: none"><li>• 24 to 800 inches</li><li>• 24 to 1200 inches</li></ul> |                |
| Postprocessor Error Page Stop            | 0 to 50 pages  |                |
| Postprocessor Verify Alignment Page Stop | 0 to 5000 pages  |                |
| Pre/Postprocessor Baud Rate in Kbps      | 19.2 or 62.5   |                |

---

# Chapter 8. Configuring a Duplex Printing System

## Chapter Overview

This chapter contains worksheets on which you can record your configuration choices for a Duplex Printing System. Fill in a copy of these work sheets and give a copy of the completed form to the service representative when the printer is installed.

You can specify some configurations within the printer and some characteristics of its function. For example, you can select the language in which messages will be displayed. These options are known as *configuration information*.

The printer AFCCU needs to know all of the current configuration information to operate the system accurately. Initially, the service representative sets configuration options when the printer is installed. You can change any of the configuration options later if the physical configuration changes or if the operating characteristics change.

The *InfoPrint 3000 Operator's Guide* explains in detail the procedures for changing these configuration options.

You can change all configuration information by using the Display Touch Screen display windows.

# Configuration Worksheet for Duplex Models

Record your configuration choices on this worksheet, and give a copy of the completed form to the service representative when the printer is being installed. See “Chapter 6. Configuration Information Descriptions” on page 121 for detailed information about each item.

Table 27. Configuration Worksheet – Duplex Models

| Item                             | Available Values  | Selected Values |              |           |
|----------------------------------|---|-----------------|--------------|-----------|
|                                  |   | Duplex          | Dual Simplex |           |
|                                  |   |                 | Printer 1    | Printer 2 |
| <b>MESSAGE DISPLAY LANGUAGE:</b> | <ul style="list-style-type: none"> <li>• US English</li> <li>• Spanish</li> <li>• French</li> <li>• German</li> <li>• Japanese</li> <li>• Italian</li> <li>• Brazilian Portuguese</li> <li>• Chinese Simplified</li> <li>• Chinese Traditional</li> </ul> |                 |              |           |
| <b>PRINTER CONFIGURATION:</b>    |   |                 |              |           |
| Printer Mode                     | Duplex / Simplex  |                 |              |           |
| Auto Start                       | Yes / No  |                 |              |           |
| PQE boldness for printer 1       | 100%<br><b>Note:</b> This value must not be changed.  | N/A             | N/A          | N/A       |

Table 27. Configuration Worksheet – Duplex Models (continued)

| Item  | Available Values  | Selected Values |              |           |
|---|---|-----------------|--------------|-----------|
|   |   | Duplex          | Dual Simplex |           |
|   |   |                 | Printer 1    | Printer 2 |
| PQE boldness for printer 2  | 100%<br><b>Note:</b> This value must not be changed.  | N/A             | N/A          | N/A       |
| Printer 1 Counter   | (CE Change Only)<br>0 to 2 000 000 000  | N/A             | N/A          | N/A       |
| Printer 2 Counter   | (CE Change Only)<br>0 to 2 000 000 000  | N/A             | N/A          | N/A       |
| Printhead resolution (not all values are supported on all printers) | <ul style="list-style-type: none"> <li>• 480 DPI</li> <li>• 600 DPI</li> <li>• 480/600 DPI</li> </ul>   |                 |              |           |
| IPDS Resolution   | <ul style="list-style-type: none"> <li>• Automatic</li> <li>• 240 DPI</li> <li>• 300 DPI</li> <li>• 600 DPI</li> </ul>  |                 |              |           |
| Font Enhancement (Single-Byte Font / Double-Byte Font)              | Yes / No  |                 |              |           |
| Jam Recovery Type   | <ul style="list-style-type: none"> <li>• Use Normal Jam Repositioning</li> <li>• Suppress MICR Jam Repositioning</li> <li>• Suppress All Jam Repositioning</li> </ul> |                 |              |           |
| Font Usage  | Low / Medium / High   |                 |              |           |

Table 27. Configuration Worksheet – Duplex Models (continued)

| Item   | Available Values           | Selected Values |              |           |
|--|----------------------------|-----------------|--------------|-----------|
|  |                            | Duplex          | Dual Simplex |           |
|  |                            |                 | Printer 1    | Printer 2 |
| Page Segment Usage   | Low / Medium / High        |                 |              |           |
| Overlay Usage  | Low / Medium / High        |                 |              |           |
| Overlay Cache  | Yes / No                   |                 |              |           |
| Input Buffer Size  | Low / Medium / High        |                 |              |           |
| Output Buffer Size   | Low / Medium / High        |                 |              |           |
| Direct Attach  | Yes / No                   |                 |              |           |
| NPRO Length  | 0 to 1200 inches           |                 |              |           |
| Auto NPRO at EOF   | Yes / No                   |                 |              |           |
| Jam Recovery Point Distance                                | 0 to 500 inches            |                 |              |           |
| Form Feed Length (Duplex Mode Only)                        | 17 to 250 inches           |                 | N/A          | N/A       |
| Length of Forms Between Transfer Points (Duplex Mode Only) | 150 to 800 inches          |                 | N/A          | N/A       |
| Front Sheet Sequence (Duplex Mode Only)                    | Front First / Front Second |                 | N/A          | N/A       |
| Verification Marks (Duplex Mode Only)                      | Yes / No                   |                 | N/A          | N/A       |
| Logical Page Increment                                     | 0 to 20 pels               |                 |              |           |
| Clear Memory for Security                                  | Yes / No                   |                 |              |           |
| Screen Saver Timeout                                       | 0 to 60 minutes            |                 |              |           |
| Alarm Suppression  | Yes / No                   |                 |              |           |

Table 27. Configuration Worksheet – Duplex Models (continued)

| Item                                 | Available Values   | Selected Values |              |           |
|--------------------------------------|--|-----------------|--------------|-----------|
|                                      |  | Duplex          | Dual Simplex |           |
|                                      |  |                 | Printer 1    | Printer 2 |
| Fuser Inactivity Timer               | 0 to 9 hours   |                 |              |           |
| Eject to Front Facing                | Yes / No   |                 |              |           |
| Form Definition Order                | Yes / No   |                 |              |           |
| Stacker Enabled                      | Yes / No   |                 |              |           |
| Cut Sheet Emulation                  | <ul style="list-style-type: none"> <li>• None</li> <li>• Normal Left-to-Right</li> <li>• Normal Right-to-Left</li> <li>• Inverted Left-to-Right</li> <li>• Inverted Right-to-Left</li> </ul> |                 |              |           |
| BTS Installed                        | Yes / No   |                 |              |           |
| BTS Enabled                          | Yes / No   |                 |              |           |
| Offsetter Installed                  | Yes / No   |                 |              |           |
| Offsetter Enabled                    | Yes / No   |                 |              |           |
| Offset on Mark Forms                 | Yes / No   |                 |              |           |
| 3130 Bar Code Compatibility          | Yes / No   |                 |              |           |
| Printer Preheat Temperature          | 45 to 100°C  |                 |              |           |
| Scan Factory Adjust for Printer 1    | (CE Change Only)   | N/A             | N/A          | N/A       |
| Process Factory Adjust for Printer 1 | (CE Change Only)   | N/A             | N/A          | N/A       |
| Scan Factory Adjust for Printer 2    | (CE Change Only)   | N/A             | N/A          | N/A       |

Table 27. Configuration Worksheet – Duplex Models (continued)

| Item                                   | Available Values                          | Selected Values |              |           |
|--|---|-----------------|--------------|-----------|
|  |   | Duplex          | Dual Simplex |           |
|  |   |                 | Printer 1    | Printer 2 |
| Process Factory Adjust for Printer 2   | (CE Change Only)                          | N/A             | N/A          | N/A       |
| Beam 1 Offset Adjustment for Printer 1 | (CE Change Only) 0.0 to 15.9              | N/A             | N/A          | N/A       |
| Beam 2 Offset Adjustment for Printer 1 | (CE Change Only) 0.0 to 15.9              | N/A             | N/A          | N/A       |
| Beam 3 Offset Adjustment for Printer 1 | (CE Change Only) 0.0 to 15.9              | N/A             | N/A          | N/A       |
| Beam 4 Offset Adjustment for Printer 1 | (CE Change Only) 0.0 to 15.9              | N/A             | N/A          | N/A       |
| Beam 5 Offset Adjustment for Printer 1 | (CE Change Only) 0.0 to 15.9              | N/A             | N/A          | N/A       |
| Beam 1 Offset Adjustment for Printer 2 | (CE Change Only) 0.0 to 15.9              | N/A             | N/A          | N/A       |
| Beam 2 Offset Adjustment for Printer 2 | (CE Change Only) 0.0 to 15.9              | N/A             | N/A          | N/A       |
| Beam 3 Offset Adjustment for Printer 2 | (CE Change Only) 0.0 to 15.9              | N/A             | N/A          | N/A       |
| Beam 4 Offset Adjustment for Printer 2 | (CE Change Only) 0.0 to 15.9              | N/A             | N/A          | N/A       |
| Beam 5 Offset Adjustment for Printer 2 | (CE Change Only) 0.0 to 15.9              | N/A             | N/A          | N/A       |
| Machine Sequence for Printer 1         | (CE change on initial configuration only) | N/A             | N/A          | N/A       |
| Manufacturing Plant for Printer 1      | (CE change on initial configuration only) | N/A             | N/A          | N/A       |
| Machine Sequence for Printer 2         | (CE change on initial configuration only) | N/A             | N/A          | N/A       |
| Manufacturing Plant for Printer 2      | (CE change on initial configuration only) | N/A             | N/A          | N/A       |
| Date and Time                          | (CE Change Only)                          | N/A             | N/A          | N/A       |

Table 27. Configuration Worksheet – Duplex Models (continued)

| Item                                    | Available Values             | Selected Values |              |           |
|---|------------------------------|-----------------|--------------|-----------|
|   |                              | Duplex          | Dual Simplex |           |
|   |                              |                 | Printer 1    | Printer 2 |
| <b>HOST ATTACHMENTS CONFIGURATION:</b>  |                              |                 |              |           |
| <b>Parallel Channel Attachment:</b>     |                              |                 |              |           |
| Parallel Link A Installed               | Yes / No                     |                 |              |           |
| Parallel Link B Installed               | Yes / No                     |                 |              |           |
| Device Address                          | 00 to FF                     |                 |              |           |
| Second Channel                          | Static / Dynamic             |                 |              |           |
| Data Transfer Protocol                  | Interlocked / Data Streaming |                 |              |           |
| Data Streaming Rate                     | 1.9 / 2.7 / 3.4 / 4.5 MB/sec |                 |              |           |
| Card 1 Slot Position                    | 6 / 8 / Not Installed        | N/A             | N/A          | N/A       |
| Card 2 Slot Position                    | 6 / 8 / Not Installed        | N/A             | N/A          | N/A       |
| <b>ESCON Channel:</b>                   |                              |                 |              |           |
| ESCON Link A Installed                  | Yes / No                     |                 |              |           |
| ESCON Link B Installed                  | Yes / No                     |                 |              |           |
| Device Address                          | 00 to FF                     |                 |              |           |
| Multi-host Environmental Flag           | True / False                 |                 |              |           |
| Card 1 Slot Position                    | 6 / 8 / Not Installed        | N/A             | N/A          | N/A       |
| Card 2 Slot Position                    | 6 / 8 / Not Installed        | N/A             | N/A          | N/A       |
| <b>Token Ring TCP/IP Configuration:</b> |                              |                 |              |           |
| Installed                               | Yes/ No                      |                 |              |           |



Table 27. Configuration Worksheet – Duplex Models (continued)

| Item                                  | Available Values        | Selected Values |              |           |
|---------------------------------------|-------------------------|-----------------|--------------|-----------|
|                                       |                         | Duplex          | Dual Simplex |           |
|                                       |                         |                 | Printer 1    | Printer 2 |
| TCP Port                              | 5001 to 65536           |                 |              |           |
| IP Address                            | X.X.X.X where X ≤ 255   |                 |              |           |
| Subnet Mask                           | X.X.X.X where X ≤ 255   |                 |              |           |
| Default Gateway Address               | X.X.X.X where X ≤ 255   |                 |              |           |
| MTU Size                              | 60 to 4096              |                 |              |           |
| Hardware address                      | Cannot be changed       | N/A             | N/A          | N/A       |
| Alternate address                     | X'0' to X'FFFFFFFFFFFF' |                 |              |           |
| Ring Speed                            | 4 or 16                 |                 |              |           |
| Confine Broadcast                     | Yes/ No                 |                 |              |           |
| <b>Ethernet TCP/IP Configuration:</b> |                         |                 |              |           |
| Installed                             | Yes/ No                 |                 |              |           |
| TCP Port                              | 5001 to 65536           |                 |              |           |
| IP Address                            | X.X.X.X where X ≤ 255   |                 |              |           |
| Subnet Mask                           | X.X.X.X where X ≤ 255   |                 |              |           |
| Default Gateway Address               | X.X.X.X where X ≤ 255   |                 |              |           |
| Standard MTU Size                     | 60 to 1500              |                 |              |           |
| IEEE8023 MTU Size                     | 60 to 1492              |                 |              |           |
| Ethernet Type                         | Standard or IEEE8023    |                 |              |           |
| Hardware address                      | Cannot be changed       | N/A             | N/A          | N/A       |

Table 27. Configuration Worksheet – Duplex Models (continued)

| Item  | Available Values                                   | Selected Values |              |           |
|---|--|-----------------|--------------|-----------|
|   |  | Duplex          | Dual Simplex |           |
|   |  |                 | Printer 1    | Printer 2 |
| Alternate address   | X'0' to X'FFFFFFFFFFFF'                            |                 |              |           |
| Cable type  | 10Base2 or 10Base5                                 |                 |              |           |
| <b>FDDI TCP/IP Configuration:</b>                             |  |                 |              |           |
| Installed   | Yes / No   |                 |              |           |
| TCP Port  | 5001 to 65536                                      |                 |              |           |
| IP Address  | X.X.X.X where X ≤ 255                              |                 |              |           |
| Subnet Mask   | X.X.X.X where X ≤ 255                              |                 |              |           |
| Default Gateway Address                                       | X.X.X.X where X ≤ 255                              |                 |              |           |
| MTU Size  | 256 to 4352  |                 |              |           |
| Hardware address  | Cannot be changed                                  | N/A             | N/A          | N/A       |
| Alternate address   | X'0' to X'FFFFFFFFFFFF'                            |                 |              |           |
| Confine Broadcast   | Yes / No   |                 |              |           |
| <b>PREPROCESSING/POSTPROCESSING INTERFACE CONFIGURATIONS:</b> |  |                 |              |           |
| <b>DEVICE Number</b> _____                                    |  |                 |              |           |
| Printer Number  | 1 / 2  |                 | N/A          | N/A       |
| Port Number   | 1 / 2 / 3  |                 |              |           |
| Enabled   | Yes / No   |                 |              |           |
| Name  | 1 to 12 alphanumeric characters (including spaces) |                 |              |           |

Table 27. Configuration Worksheet – Duplex Models (continued)

| Item                                     | Available Values  | Selected Values |              |           |
|--|---|-----------------|--------------|-----------|
|  |   | Duplex          | Dual Simplex |           |
|  |   |                 | Printer 1    | Printer 2 |
| Type                                     | <ul style="list-style-type: none"> <li>Coupled Preprocessor</li> <li>Coupled Postprocessor</li> <li>Advanced Postprocessor - MICR</li> <li>Advanced Postprocessor - SMM (Select Medium Modification)</li> </ul> |                 |              |           |
| <b>Characteristics:</b>                  |   |                 |              |           |
| Pre/Postprocessor Extended NPRO:         | 0 to 800 inches   |                 |              |           |
| Pre/Postprocessor Busy Timer:            | 1 to 999 seconds  |                 |              |           |
| Postprocessor Tag Type:                  | <ul style="list-style-type: none"> <li>Coupled</li> <li>RSI Compatible</li> </ul>   |                 |              |           |
| Distance to Postprocessor                | <ul style="list-style-type: none"> <li>24 to 800 inches</li> <li>24 to 1200 inches</li> </ul>   |                 |              |           |
| Postprocessor Error Page Stop            | 0 to 50 pages   |                 |              |           |
| Postprocessor Verify Alignment Page Stop | 0 to 5000 pages   |                 |              |           |
| Pre/Postprocessor Baud Rate in Kbps      | 19.2 or 62.5  |                 |              |           |
| <b>DEVICE Number</b> _____               |   |                 |              |           |
| Printer Number                           | 1 / 2   |                 | N/A          | N/A       |
| Port Number                              | 1 / 2 / 3   |                 |              |           |

Table 27. Configuration Worksheet – Duplex Models (continued)

| Item                                     | Available Values  | Selected Values |              |           |
|--|---|-----------------|--------------|-----------|
|  |   | Duplex          | Dual Simplex |           |
|  |   |                 | Printer 1    | Printer 2 |
| Enabled                                  | Yes / No  |                 |              |           |
| Name                                     | 1 to 12 alphanumeric characters (including spaces)  |                 |              |           |
| Type                                     | <ul style="list-style-type: none"> <li>• Coupled Preprocessor</li> <li>• Coupled Postprocessor</li> <li>• Advanced Postprocessor - MICR</li> <li>• Advanced Postprocessor - SMM (Select Medium Modification)</li> </ul> |                 |              |           |
| <b>Characteristics:</b>                  |   |                 |              |           |
| Pre/Postprocessor Extended NPRO:         | 0 to 800 inches   |                 |              |           |
| Pre/Postprocessor Busy Timer:            | 1 to 999 seconds  |                 |              |           |
| Postprocessor Tag Type:                  | <ul style="list-style-type: none"> <li>• Coupled</li> <li>• RSI Compatible</li> <li>• Advanced</li> </ul>   |                 |              |           |
| Distance to Postprocessor                | <ul style="list-style-type: none"> <li>• 24 to 800 inches</li> <li>• 24 to 1200 inches</li> </ul>   |                 |              |           |
| Postprocessor Error Page Stop            | 0 to 50 pages   |                 |              |           |
| Postprocessor Verify Alignment Page Stop | 0 to 5000 pages   |                 |              |           |

Table 27. Configuration Worksheet – Duplex Models (continued)

| Item                                | Available Values  | Selected Values |              |           |
|-------------------------------------|---|-----------------|--------------|-----------|
|                                     |   | Duplex          | Dual Simplex |           |
|                                     |   |                 | Printer 1    | Printer 2 |
| Pre/Postprocessor Baud Rate in Kbps | 19.2 or 62.5  |                 |              |           |
| <b>DEVICE Number</b> _____          |   |                 |              |           |
| Printer Number                      | 1 / 2   |                 | N/A          | N/A       |
| Port Number                         | 1 / 2 / 3   |                 |              |           |
| Enabled                             | Yes / No  |                 |              |           |
| Name                                | 1 to 12 alphanumeric characters (including spaces)  |                 |              |           |
| Type                                | <ul style="list-style-type: none"> <li>• Coupled Preprocessor</li> <li>• Coupled Postprocessor</li> <li>• Advanced Postprocessor - MICR</li> <li>• Advanced Postprocessor - SMM (Select Medium Modification)</li> </ul> |                 |              |           |
| <b>Characteristics:</b>             |   |                 |              |           |
| Pre/Postprocessor Extended NPRO:    | 0 to 800 inches   |                 |              |           |
| Pre/Postprocessor Busy Timer:       | 1 to 999 seconds  |                 |              |           |
| Postprocessor Tag Type:             | <ul style="list-style-type: none"> <li>• Coupled</li> <li>• RSI Compatible</li> <li>• Advanced</li> </ul>   |                 |              |           |

Table 27. Configuration Worksheet – Duplex Models (continued)

| Item                                     | Available Values  | Selected Values |              |           |
|--|---|-----------------|--------------|-----------|
|  |   | Duplex          | Dual Simplex |           |
|  |   |                 | Printer 1    | Printer 2 |
| Distance to Postprocessor                | <ul style="list-style-type: none"> <li>• 24 to 800 inches</li> <li>• 24 to 1200 inches</li> </ul>   |                 |              |           |
| Postprocessor Error Page Stop            | 0 to 50 pages   |                 |              |           |
| Postprocessor Verify Alignment Page Stop | 0 to 5000 pages   |                 |              |           |
| Pre/Postprocessor Baud Rate in Kbps      | 19.2 or 62.5  |                 |              |           |
| <b>DEVICE Number</b> _____               |   |                 |              |           |
| Printer Number                           | 1 / 2   |                 | N/A          | N/A       |
| Port Number                              | 1 / 2 / 3   |                 |              |           |
| Enabled                                  | Yes / No  |                 |              |           |
| Name                                     | 1 to 12 alphanumeric characters (including spaces)  |                 |              |           |
| Type                                     | <ul style="list-style-type: none"> <li>• Coupled Preprocessor</li> <li>• Coupled Postprocessor</li> <li>• Advanced Postprocessor - MICR</li> <li>• Advanced Postprocessor - SMM (Select Medium Modification)</li> </ul> |                 |              |           |
| <b>Characteristics:</b>                  |   |                 |              |           |
| Pre/Postprocessor Extended NPRO:         | 0 to 800 inches   |                 |              |           |

Table 27. Configuration Worksheet – Duplex Models (continued)

| Item                                     | Available Values  | Selected Values |              |           |
|--|---|-----------------|--------------|-----------|
|  |   | Duplex          | Dual Simplex |           |
|  |   |                 | Printer 1    | Printer 2 |
| Pre/Postprocessor Busy Timer:            | 1 to 999 seconds  |                 |              |           |
| Postprocessor Tag Type:                  | <ul style="list-style-type: none"> <li>• Coupled</li> <li>• RSI Compatible</li> <li>• Advanced</li> </ul> |                 |              |           |
| Distance to Postprocessor                | <ul style="list-style-type: none"> <li>• 24 to 800 inches</li> <li>• 24 to 1200 inches</li> </ul>         |                 |              |           |
| Postprocessor Error Page Stop            | 0 to 50 pages   |                 |              |           |
| Postprocessor Verify Alignment Page Stop | 0 to 5000 pages   |                 |              |           |
| Pre/Postprocessor Baud Rate in Kbps      | 19.2 or 62.5  |                 |              |           |

---

## Chapter 9. Defining Forms

From the Configure pull-down menu **SELECT** the **Define Forms** procedure window.

Identify all forms used in the printer to the AFCCU before completing the Load Forms procedure. You can identify and store forms before you attempt to load them into the printer, or you can identify and store them during the Load Forms procedure. Identify forms with a name, page width (in inches or millimeters), and page length (in inches or millimeters). A short description of the form is optional.

Once you identify and store a form, all future uses of that form need only identify the form name during the Load Forms procedure.

---

### Simplex Printers

The printer can store 1024 form names. The following form names are supplied as defaults when the printer is shipped from the factory:

*Table 28. Default Forms – Model ES1*

| <b>Form Name</b> | <b>Description<br/>Length x Width (inches)</b> |
|------------------|--|
| Letter           | 8.5 x 12                                       |
| Standard         | 15 x 11  |
| 2-Up Letter      | 2-Up 8.5 x 11<br>18 x 11                       |
| 12 x 18          | 12 x 18  |



Table 28. Default Forms – Model ES1 (continued)

| Form Name | Description<br>Length x Width (inches) |
|-----------|--|
| 14 x 18   | B4<br>14 x 18                          |

## Duplex Systems

The printers can store 1024 form-name definitions in **Duplex** mode, and 1024 form-name definitions in each printer in **Simplex** mode for a total of 3072 form-name definitions for the complete system.

Select the Form Names you want in both **Duplex** and either Printer 1 or 2 **Simplex** modes, and record on all three Form Identification Work Sheets all of the definition data for each form. The following form names are supplied as defaults in each printer when the printer is shipped from the factory:

Table 29. Default Forms –Models ED1/ED2

| Form Name | Description<br>Length x Width (inches) |
|-----------|--|
| Letter    | 8.5 x 11<br>8.5 x 12 (form)            |
| Legal     | 8.5 x 14<br>8.5 x 15 (form)            |
| Half1     | Half Letter Size<br>5.5 x 9.5          |
| Fullsize  | 11 x 14 Large<br>11 x 15 (form)        |
| Half2     | Half Fullsize<br>7 x 11                |

Most selectable fields on the **Define Forms** window are self-explanatory, but the following fields are not:

### Width

Specify the total physical form widths (including the 0.5 inch tractor hole carrier strips on either side of the form). For information about the form widths supported by different printer models, see Table 1 on page 26.

When entering a value in inches, use a decimal for fractional dimensions (for example, 13.5). When entering a value in millimeters, do not use a decimal point.

### Length

Specify the length dimension of the printed output as measured in the process direction (parallel to the

tractor holes). You can specify this dimension in millimeters or inches and in lengths from 76 to 432 millimeters (3 to 17 inches). (For InfoPrint 3000, the length can be from 76 to 635 millimeters (3 to 25 inches).)

**Note:** The printer can stack only forms that are prefolded at lengths between 178 to 356 mm (7 to 14 inches) between fold perforations. To stack printed forms lengths of less than 7 inches or greater than 14 inches, see “Stacking Forms” on page 196.

Specify the length either in millimeters as a whole number or in inches to two decimal places. The printer rounds to the nearest  $\frac{1}{6}$ -inch the length you enter and displays it on the screen.

---

## Preheat Temperature

One step of the Define Forms procedure is setting the temperature of the preheat platen for optimum fusing of different types of forms, such as labels or heavy-stock forms, in addition to the most commonly-used types of forms. This temperature can be adjusted in increments of 5° from a minimum of 45°C to a maximum of 100°C. This allows fine tuning of the preheat temperature for each form defined for the InfoPrint 3000.

**Note:** The default temperature is set during printer configuration. The default temperature is used when 0 (zero) is entered when a form is being defined.

---

# Using the Forms Identification Worksheet

Use this sheet to record form identification names with their associated lengths, widths, description, and characteristics. If you are going to be defining numerous forms, copy this worksheet before you begin.

You can define up to 1024 different forms on a simplex printer. On a **duplex system** you can define up to 3072 forms:

- 1024 in duplex mode
- 1024 for each printer in simplex mode.

If you are defining more than 22 forms, make copies of the tables before you fill them out.

You can also use this worksheet to make notes about loading techniques, **Forms Select** settings, adjust print values for both simplex and duplex, and other information you discover as you work with a particular form.

# Form Identification Worksheet

Table 30. Form Identification Worksheet

| Form Number: | Definition   | With This Value:              | Notes: |
|--------------|--|-------------------------------|--------|
|              | <b>Name</b><br><b>Width (in millimeters or inches)</b><br><b>Length (in millimeters or inches)</b><br><b>Description</b><br><b>Preheat temperature</b> | <hr/> <hr/> <hr/> <hr/> <hr/> |        |
|              | <b>Name</b><br><b>Width (in millimeters or inches)</b><br><b>Length (in millimeters or inches)</b><br><b>Description</b><br><b>Preheat temperature</b> | <hr/> <hr/> <hr/> <hr/> <hr/> |        |
|              | <b>Name</b><br><b>Width (in millimeters or inches)</b><br><b>Length (in millimeters or inches)</b><br><b>Description</b><br><b>Preheat temperature</b> | <hr/> <hr/> <hr/> <hr/> <hr/> |        |
|              | <b>Name</b><br><b>Width (in millimeters or inches)</b><br><b>Length (in millimeters or inches)</b><br><b>Description</b><br><b>Preheat temperature</b> | <hr/> <hr/> <hr/> <hr/> <hr/> |        |

Table 30. Form Identification Worksheet (continued)

| Form Number: | Definition   | With This Value:              | Notes: |
|--------------|--|-------------------------------|--------|
|              | <b>Name</b><br><b>Width (in millimeters or inches)</b><br><b>Length (in millimeters or inches)</b><br><b>Description</b><br><b>Preheat temperature</b> | <hr/> <hr/> <hr/> <hr/> <hr/> |        |
|              | <b>Name</b><br><b>Width (in millimeters or inches)</b><br><b>Length (in millimeters or inches)</b><br><b>Description</b><br><b>Preheat temperature</b> | <hr/> <hr/> <hr/> <hr/> <hr/> |        |
|              | <b>Name</b><br><b>Width (in millimeters or inches)</b><br><b>Length (in millimeters or inches)</b><br><b>Description</b><br><b>Preheat temperature</b> | <hr/> <hr/> <hr/> <hr/> <hr/> |        |
|              | <b>Name</b><br><b>Width (in millimeters or inches)</b><br><b>Length (in millimeters or inches)</b><br><b>Description</b><br><b>Preheat temperature</b> | <hr/> <hr/> <hr/> <hr/> <hr/> |        |
|              | <b>Name</b><br><b>Width (in millimeters or inches)</b><br><b>Length (in millimeters or inches)</b><br><b>Description</b><br><b>Preheat temperature</b> | <hr/> <hr/> <hr/> <hr/> <hr/> |        |

---

# Chapter 10. Obtaining Supplies

## Chapter Overview

This chapter describes the printer supplies, how you can order and store them, and estimates the quantity of forms (in feet) that each supply item can process.

---

## Supplies

For optimum reliability and print quality use IBM supplies, which are engineered specifically for IBM printers. Use the “IBM Supplies Worksheet” on page 192 to help you order supplies for the printer before the system is delivered, and to maintain a stock of supplies for continuous operation.

When a printer runs low on a supply item, it displays a status message on the Display Touch Screen screen, sounds an alarm, and turns on an operator intervention light on top of the printer.

IBM recommends that you keep the following quantities on hand per print engine:

| Item          | Suggested Quantity |
|---------------|--------------------|
| Toner         | 30 cartridges      |
| Developer mix | 4 bottles          |
| Fuser oil     | 4 bottles          |
| Oiler belt    | 2 belts            |
| Fine filter   | 2 filters          |
| Splicing tape | 72 rolls           |

The estimated quantities are approximations for planning purposes only, and do not represent a warranty, a guarantee, or a minimum. The actual consumption depends on variables such as machine toner settings, job-stream percent toner coverage, form characteristics, temperature, and humidity.

Also ensure that a toner-certified vacuum cleaner is available for printer operators to use when they clean the printer.

---

## IBM Supplies Worksheet

### Important Notes Concerning Supplies:

- Make sure to use the correct part numbers when you order new supplies. Using the wrong developer or toner, for example, can cause serious print quality problems and force a service call.
- Do not reuse waste toner or developer mix.
- The yields listed in Table 31 on page 193 are approximations. They are not a warranty or guarantee of minimum life; they are provided only to assist in supplies planning. Analyze your actual usage figures to determine how much of each supply item to stock.
- Toner yield is affected by several factors, including print coverage, contrast setting, form type, and environment.
- The Fine Filter processing yield is based on 4 square inches of toner coverage per foot of forms with the printer control panel Contrast switch in the center (4) position. More dense applications, such as extensive bar codes, images, solid area fill, or printing with a higher Contrast setting can expect to achieve yields lower than those achieved with the average text page.
- Your CE may install an oil pan and an absorbent pad in the pan if it is necessary for optimum printer operation. The **Oil Pan Absorbent Pad** life span varies according to the way you run the printer. In general, the more often the printer is idle, the more often you may need to replace the pad. IBM recommends that you check the absorbent pad weekly. The *InfoPrint 3000 Operator's Guide* contains instructions for checking the pad.  
Contact your CE for replacement pads.
- Table 31 on page 193 is a work sheet that lists IBM supplies and their part numbers. Make copies of this work sheet to use when you order supplies.



Table 31. IBM Supplies Worksheet

| IBM Supply Item                       | Approximate Forms Processed (In Feet)       | Part Number                    | Minimum Order Quantity  | Quantity Needed |
|---------------------------------------|---|--------------------------------|---|-----------------|
| Toner cartridge                       | 30 000 to 72 000 per cartridge <sup>1</sup> | 1402828                        | 1 carton (6 toner cartridges and 3 toner collector bags per carton) | _____           |
| Developer Mix                         | 850 000 per bottle                          | 1402829                        | 1 carton (2 bottles per carton)                                     | _____           |
| Fuser Oil: 1-kilogram (2.2-lb) bottle | 800 000 per bottle                          | 1372463                        | 1 carton (1 bottle per carton)                                      | _____           |
| Oiler Belt                            | 1 200 000 per belt                          | 1402827                        | 1 carton (1 belt per carton)  | _____           |
| Oil Pan Absorbent Pad                 | See note above                              | Contact Service Representative | 1 pad (1 pad per pack)  | _____           |
| Fine Filter                           | 1 200 000 per filter                        | 1402826                        | 1 carton (1 filter per carton)                                      | _____           |
| Splicing Tape                         | 45 feet of tape per roll                    | 4165880                        | 1 carton (72 rolls per carton)                                      | _____           |

<sup>1</sup> Yield depends on the contrast setting, print coverage form type, and environment.

---

# Ordering Supplies

You can order supplies directly from IBM or from your Lexmark representative. Your IBM representative can assist you in the procedure for placing your first order of supplies.

## Maintenance Supply Items

In the U.S.A., Latin America, and EMEA, the IBM Monthly Maintenance Charge includes the fuser oil, oiler belt, and fine filter. Approximately a 90-day stock of these items are supplied with each printer.

In the U.S.A., you can order these maintenance items by calling 1-800-793-5888 if you have an IBM Maintenance Contract.

## Customer-Replaceable Supply Items

You have these options for ordering supplies:

- You can purchase toner, developer, and other supplies through Lexmark. You can contact Lexmark at 1-800-438-2468 or through any Lexmark International authorized supply dealer.
- You can fax a completed order to Lexmark at 1-800-522-3422.

## Warranty Returns

If the supplies you receive are defective, return them to the place of purchase during the warranty period for a free replacement.

Include the following with the supplies you are returning:

- A copy of your invoice
- A description of the problem

- Print-quality samples
- An estimate of the amount of printing already done with that supply

This information applies only to supplies purchased in the U.S.A. In other countries, contact your point of purchase for returns information.

---

## Storing Supplies

Store printer supplies in the printer operating environment for at least one day before using them. At other times, you can store supplies in an environment that does not exceed the following requirements:

### Temperature

–25° to 40°C (–13° to 104°F)

### Relative Humidity

5% to 90%

Forms have different storage requirements. Store forms in an area where temperature and humidity are similar to the environment in which they will be used. If forms do not adapt to moisture changes, wrinkles and voids can occur during printing.

Avoid areas of extreme heat or humidity. Extended exposure to these extremes can damage the materials permanently. Relative humidity levels above 65% may reduce print quality.

---

# Chapter 11. Selecting and Testing Forms

## Chapter Overview

This chapter reviews the basic requirements for print materials intended for use on an InfoPrint 3000 printer.

To get maximum reliability and print quality from the printer, IBM recommends that you rely on the *Forms Design Reference for Continuous Forms Advanced Function Printers*, your forms supplier, and your IBM marketing representative to help you choose the best forms and special-purpose materials for your applications.

---

## Continuous Forms

The printer generally uses single-ply, fanfold forms with both edges punched for tractor feeding and with horizontal perforations between the sheets. Micro-perforated forms can be used for cleaner cuts between sheets. With appropriate pre-processing and post-processing devices attached, the printer can also use roll-feed forms.

## Stacking Forms

The printer can stack forms prefolded from 7 to 14 inches (178 to 356 mm) in length as measured in the process direction (parallel to the tractor holes).

### Notes:

1. The prefolded forms length does not have to be identical to the forms length printed (as specified in the defined forms). For example: A 3-inch form may have been prefolded with three forms between folds (a 9-inch prefolded length).

2. Roll forms cannot be stacked. For these and other applications you must have suitable postprocessing equipment installed and enabled on the printer, which disables the stacker.

Continuous forms are folded and stacked on a stacker table. As the height of the form stack increases, the stacker table lowers until the printing stops or until the stacker is full.

You can adjust the length and width of the stacker to fit the size of forms being used. The two shortest lengths of the common-use sizes, 3½ and 5½ inches, are prefolded two lengths at a time, in folds of 7 and 11 inches, respectively.

The two shortest lengths of ISO sizes, 3½ and 3 inches, are folded two and three lengths at a time, in folds of 7 and 9 inches, respectively. Forms that are 6 inches long are folded in 12-inch lengths.

---

## Special-Purpose Materials

Discuss your special-purpose applications with your forms suppliers and ensure that they understand that the forms are being run on a printer. Before you use new preprinted forms or adhesive labels for production runs, test the jobs that print them to ensure everything works well. Refer to the *Forms Design Reference for Continuous Forms Advanced Function Printers* for more information on labels that can be used with the printer.

Work closely with your IBM marketing representative while you are selecting what kinds of forms and special-purpose materials to use. Your marketing representative can give you technical help, share information from other successful printer users, and help you design your own labels and special materials.

## Preprinted Forms

If you are planning to use preprinted forms (for example, your company letterhead), ensure that the ink is designed for nonimpact printing. Certain inks are likely to rub off or smear after they have been heated by the fuser. Remember the following recommendations when selecting ink for preprinted forms:

- Use offset lithography to make preprinted forms for the printer.
- Choose inks that can tolerate the high temperatures in the fuser. Generally, oxidation-cured, oil-based inks withstand high temperatures better than latex inks.
- Allow plenty of drying time (from 1 to 2 weeks) before running preprinted forms through the printer. This is especially important when oil-based inks are used. Drying should take place in a mild environment of 15° to 27°C (60° to 80°F) and 35% to 50% relative humidity.
- Limit the amount of ink on the preprinted forms.
- Limit the use of oxidation retardants on the printing press when oxidation-cured inks are used.
- Choose forms with a surface that absorbs ink well. Avoid forms with a ribbed or heavy surface because they do not absorb ink well.

## Adhesive Labels

**Note: Adhesive labels cannot be used on duplex systems in duplex mode.**

The printer can print on many types of adhesive labels. Use only adhesive labels intended for electrostatic printing applications to prevent:

- Poor fusing
- Toner offsetting in the printed stock
- Peeling labels
- Unreliable feeding and stacking
- Printer contamination.

---

## Storing Print Materials

Store forms and special-purpose materials in an area where temperature and humidity are similar to the environment in which they are used. If forms are allowed to absorb too much moisture, wrinkles and blank spots may result.

Avoid areas with extreme heat or humidity. Extended exposure to these extremes can permanently damage the materials. Also, storing forms in an area where relative humidity is above 65% may result in reduced print quality.

---

## Testing Forms and Applications

An ideal application for the printer would print standard-font text and simple images on plain white paper, 75-g/m<sup>2</sup> (20-lb) bond. This paper would be manufactured specifically for use in nonimpact printers, and would be free of binder holes, cut-outs, and other cuts. The page layout would keep text and images away from perforations. After leaving the printer, output from an ideal application would be allowed to cool, and would receive minimal handling, rubbing, and creasing.

When it is processing an ideal application, the printer can deliver maximum print quality and reliability. With applications that deviate from the ideal, print quality may decrease, and the need for operator interventions may increase. This does *not* mean that the printer cannot be used for the application; it *does* mean that you need to test the application.

For detailed information on deciding what forms and applications to test and how to test them, refer to *Forms Design Reference for Continuous Forms Advanced Function Printers*, G544-3921.

---

# Glossary

The following terms are defined as they are used in printer documentation. If you do not find the term you need, refer to the index or to the *IBM Dictionary of Computing*, SC20-1699.

The following cross-references are used in this glossary:

- Contrast with. This refers to a term that has an opposed or substantively different meaning.
- Synonym for. This indicates that the term has the same meaning as another term, which is defined.
- Synonymous with. This identifies terms that are synonyms for the term that is defined.
- See. This refers to multiple-word terms that have the same last word.
- See also. This refers to related terms that have a similar, but not synonymous, meaning.

## A

**ABIC.** See *Adaptive Bi-Level Image Compression*.

**ac.** Alternating current.

**adaptive bi-level image compression (ABIC).** A 4-bit image capable of displaying up to 16 shades of gray.

**adhesive label.** Special-application material; typically consists of paper labels coated on one side with an adhesive mixture temporarily affixed to backing material. See also *carrier*.

**Advanced Function Common Control Unit (AFFCU).** An IBM RISC-based control unit with code common to all printers that use AFFCU.

**Advanced Function Image and Graphics.** A integral facility within the printer to directly process IOCA image and GOCA graphics data streams.

**AEA.** Alternate Exception Action.

**AFCCU.** See *Advanced Function Common Control Unit*.



**AFIG.** Advanced Function Image and Graphics.

**AFP.** Advanced Function Printing or Advanced Function Presentation.

**AFPF.** Advanced Function Print Finishing.

**AF Post.** Advanced Function Postprocessing.

**all-points addressability.** The capability to address, reference, and position text, overlays, and images at any defined point on the printable area of a page.

**ANSI.** American National Standards Institute.

**APA.** All-Points Addressable.

**application.** The use to which an information processing system is put; for example, a payroll application, an airline reservation application, a network application.

**application program.** A program written for or by a user that applies to the user's work, such as a program that does inventory control or payroll.

**application programmer.** A person who develops application programs. Contrast with *system programmer*.

**ARQ.** Active Record Queue.

**ASHRAE.** American Society of Heating, Refrigeration, and Air Conditioning Engineers.

## B

**bar code.** A code representing characters by sets of parallel bars of varying thickness and separation that are read optically by transverse scanning.

**basis weight.** The weight in pounds of a ream (500 sheets) of paper cut to a given standard size for that grade; for example, 25 x 38 inches for book papers, 17 x 22 inches for bond papers, and other sizes for other grades. The basis weight of continuous forms for computer output is based on the size for bond papers.

**BCOCA.** Bar Code Object Content Architecture. See also *bar code*.

**binder holes.** A series of holes or slots punched at set intervals that allows the form to be inserted in a loose-leaf or ring binder.

**bond (paper).** Paper formulated with at least 80% wood pulp. Bond-paper forms work best in the printer.

## C

**calender.** A process to make paper smooth or glossy by passing it through a series of metal rollers during the last steps of a paper-making machine.

**calender cut.** Slits, glazed lines, or discolored lines across the paper caused when wrinkles pass through the calender rollers.

**caliper.** The thickness of forms. This is usually expressed in thousandths of an inch.

**carrier.** The backing material for labels. Labels consist of the printable material, the adhesive, and the carrier.

**CCW.** Channel Command Word.

**CE.** Customer Engineer (IBM).

**CGPC.** Canadian Grocery Product Code.

**chad.** (1) The material separated from a data medium when punching a hole. (2) The residue separated from the carrier holes in continuous forms.

**change.** As used in printer action messages, instructs the printer operator to remove and discard a used component and then install a new one. For example, the CHANGE TONER COLLECTOR message indicates that the operator should take out the toner-collector bottle, throw it away, and put in a new one.

**channel command.** An instruction directing a data channel, control unit, or device to perform an operation or set of operations.

**character.** A letter, number, punctuation mark, or special graphic used for the production of text.

**character set.** (1) A finite set of different characters that is complete for a given purpose; for example, the character set in ISO Standard 646, "7-bit Coded Character Set of Information Processing Interchange." (2) A group of characters used for a specific reason; for example, the set of characters a printer can print.

**check.** As used in printer action messages, instructs the printer operator to inspect a component. For example, the CHECK TONER COLLECTOR message indicates that the operator should look at the toner-collector bottle and ensure that it is physically present, in the proper place, and correctly installed.

**clear.** As used in printer action messages, instructs the printer operator to remove jammed forms, paper scraps, and other debris from the printer. For example, the CLEAR UPPER TRACTOR message indicates that forms are wedged in the transfer station area, and the operator must remove them before the printer can operate.

**coated paper.** Paper that has had a surface coating applied to produce smoothness.

**Code Page Global Identifier (CPGID).** A unique code page identifier that can be expressed as either a two-byte binary or a five-digit decimal value.

**configuration.** (1) The arrangement of a computer system or network as defined by the nature, the number, and the chief characteristics of its functional units. More specifically, the term configuration may refer to a hardware configuration or a software configuration. (2) The devices and programs that make up a system, subsystem, or network.

**configure.** The procedure used to customize the printer to a specific operating and communication environment.

**connector.** A means of establishing electrical flow.

**constant data.** Data that does not change; for example, the company letterhead and standard text in form letters, or the headings and boxes on a preprinted form. Contrast with *variable data*.

**continuous forms.** A series of connected forms that feed continuously through a printing device. The connection between the forms can be perforated to allow the user to tear them apart or can be nonperforated for use with a burster/trimmer/stacker.

**controlled-access area.** An area where access is limited to authorized personnel.

**controlling computer.** The processing unit to which the printer is attached through a channel interface.

**controlling computer system.** The data-processing system to which a network is connected and with which the system can communicate.

**corner cut.** In a form, a cut or opening of any size containing one or more right angles.

**corona.** A small diameter wire (or wires, depending on the function) to which a high voltage is applied, causing ionization of the air. The ionization creates an electrical charge to perform various functions during the printing process.

**CPGID.** See *Code Page Global Identifier*.

**CSW.** Channel Status Word.

**cure.** The process of drying ink sufficiently for minimum transfer of the ink to any parts of the printer it contacts.

**cut.** The severed part of a perforation. Cuts are separated by ties. See also *perforation*.

**cutout.** A part of the form that has been eliminated or perforated for subsequent removal; for example, corner cuts and binder holes.

## D

**DASD.** Direct Access Storage Device.

**data streaming.** A non-interlocked method of data transfer used by the printer channel to decrease data transfer time during write operations.

**DBCS.** Double Byte Character Set.

**DCF.** See *Document Composition Facility*.

**developed image.** The image that has been exposed onto the photoconductor and covered with toner by the developer.

**developer mix.** A combination of carrier beads and toner in which the beads electrically charge the toner.

**diagnostic.** Pertaining to the detection and isolation of errors in programs and faults in equipment.

**diagnostic mode.** The operational mode in which the printer can check itself in case of a malfunction. When the printer is in diagnostic mode, it is not accepting information from the attached controlling computer system. In the printer, only service representatives can use diagnostic mode. Contrast with *print mode* and *test mode*.

**direct attach.** The environment in which an application program directly allocates the InfoPrint 3000 Printing Subsystem.

**dishing.** The curve a stack of forms takes when folded or refolded at the fold perforation.

**diskette.** A thin, flexible, magnetic disk enclosed in a protective jacket.

**Document Composition Facility (DCF).** An IBM licensed program that provides text formatting for the printer.

**down fold.** Fanfold forms are alternately folded. When fanfold forms are unfolded and held horizontally, a fold is a down fold if it points down from the horizontal surface.

**DPE.** Decompression Performance Enhancement.

**DPI.** Dots per inch.

**drag.** The resistance to forms feeding freely into the printer; for example, the form rubbing against the carton.

**duplex printing.** A mode of printing on both sides of a form. Contrast with *simplex printing*.

## E

**EAN.** European Article Numbers.

**EBCDIC.** Extended Binary-Coded Decimal Interchange Code.

**EC.** Engineering Change.

**electronic overlay.** A collection of constant data electronically composed in the controlling computer. Can be merged with variable data on a page during printing. An electronic overlay defines its own environment. It can be in coded form or raster pattern form. See also *preprinted form*.

**electrophotographic process.** The creation of an image on forms by uniformly charging the photoconductor, creating an electrostatic image on the photoconductor, attracting negatively charged toner to the discharged areas of the photoconductor, and transferring and fusing the toner to forms.

**emboss.** To press and raise the surface of paper into a design. Embossed paper appears thicker than non-embossed paper, can increase printer wear, and can degrade print quality.

**end-of-forms sensor.** A sensor that detects when the last sheet of a form enters the printer.

**error log.** (1) A data set or file in a product or system where error information is stored for later access. (2) A record of machine checks, device errors, and volume statistical data.

**ESCON.** Enterprise System Connection.

**ESCON channel.** A channel having an Enterprise Systems Connection channel-to-control unit I/O interface that uses serial-by-bit optical cable as a transmission medium.

**ESMM.** End Select Medium Modification.

**Ethernet.** A local area network that allows attachments to transmit on the network without prior coordination.

**exchange.** As used in the InfoPrint 3000 action messages, instructs the printer operator to remove a component and install a new one. For example, the EXCHANGE MAIN CHARGER message indicates that the operator should take out the main chager and put in a new one.

## F

**fanfold.** Continuous forms that are alternately folded at regular intervals, usually on a perforation.

**FDDI.** See *Fiber Distributed Data Interface*.

**FGID.** See *Font Typeface Global Identifier*.

**Fiber Distributed Data Interface (FDDI).** An ANSI standard for a 100 Mbps LAN using optical fiber cables.

**FLSF.** See *Font Library Service Facility*.

**FOCA.** Font Object Content Architecture.

**fold memory.** The ability of a form to refold at the fold perforation after exposure to heat during the fusing process.

**fold perforation.** The perforation on which a form is folded during manufacture and refolded after printing. See also *page perforation*.

**Font Library Service Facility (FLSF).** A licensed program that provides a way to make changes to a font while retaining its correct format, as defined by the architecture and as required by Print Services Facility.

**Font Typeface Global Identifier (FGID).** A unique font identifier that can be expressed as either a two-byte binary or a five-digit decimal value. The FGID is used to identify a type style and the following characteristics: posture, weight, and width.

**format.** (1) The arrangement or layout of data on a data medium. (2) The size, style, type of page, margins, printing requirements, and so on, of a printed page.

**FORMDEF.** See *form definition*.

**forms.** The material on which output data is printed, such as paper or adhesive labels. The area between perforations on continuous printer forms. See *electronic overlay* and *preprinted form*.

**forms path.** The entire route that forms travel during processing. The forms path usually begins where the forms are loaded and ends at the stacker. Synonym for *paper path*.

**form definition (FORMDEF).** A statement that specifies the attributes of a physical page, such as the number of copies and one-sided or two-sided printing.

**fuse.** In the printer, to use heat and pressure to blend toner onto forms to make a permanent bond.

## G

**GCSGID.** See *Graphic Character Set Global Identifier*.

**GDDM.** See *Graphical Data Display Manager*.

**GOCA.** Graphics Object Content Architecture.

**graphic.** A symbol produced by a process such as handwriting, drawing, or printing. See also *vector graphics*.

**Graphic Character Set Global Identifier (GCSGID).** A unique graphic character set identifier that can be expressed as either a two-byte binary or a five-digit decimal value.

**Graphical Data Display Manager (GDDM).** An IBM licensed program that allows pictures to be defined and displayed through function routines.

## I

**IBM branch office.** The local IBM sales office.

**IBM installation planning representative.** An IBM representative who assists customers in planning and meeting the requirements for installing hardware.

**IBM marketing representative.** An IBM representative who takes your order.

**IBM MMR.** Similar to MMR 2-dimensional image compression algorithm. See also *MMR* and *MR*.

**IBM service representative.** An IBM representative who services IBM products in the field.

**IBM World Trade Corporation.** A subsidiary of IBM that manufactures and markets IBM products outside of the United States of America.

**IEEE.** Institute of Electrical and Electronics Engineers.

**IHF.** Image Handling Facility.

**impact printer.** A printer in which printing is the result of mechanical impacts. Contrast with *nonimpact printer*.

**IML.** Initial Microcode Load.

**installation.** (1) In system development, preparing and placing a functional unit in position for use. (2) A particular computing system, including the work it does and the people who manage it, operate it, apply it to problems, service it, and use the results it produces.

**installation verification procedure.** A procedure distributed with IBM licensed programs that tests the newly installed IBM programs to verify that the basic facilities of the programs are functioning correctly.

**Intelligent Printer Data Stream (IPDS).** Information the system sends to printers that contains decision-making capability. Generally, this information contains basic formatting, error recovery, and character data.

**IOCA.** Image Object Content Architecture.

**IPDS.** See *Intelligent Printer Data Stream*.

**IPM.** Impressions per minute.

**ISO.** International Organization for Standardization.

**ISO sizes.** Pertaining to a set of paper sizes selected from those standardized by the International Organization for Standardization (ISO) for use in data processing.

## J

**jam.** In a printer, a condition where forms have become blocked or wedged in the forms path so the printer cannot operate.

**JAN.** Japanese Article Numbers.



**JES2.** An MVS subsystem that receives jobs into the system, converts them to internal format, selects them for running, processes their output, and purges them from the system. In an installation with more than one processor, each JES2 processor independently controls its job input, scheduling, and output processing. See also *JES3*.

**JES3.** An MVS subsystem that receives jobs into the system, converts them to internal format, selects them for running, processes their output, and purges them from the system. In complexes that have several loosely coupled processing units, the JES3 program manages processors so that the global processor exercises centralized control over the local processors and distributes jobs to them via a common job queue. See also *JES2*.

## K

**KB.** Kilobyte (1KB=1 024 bytes).

## L

**LAN.** Local Area Network.

**landscape orientation.** Text and images that are printed parallel to the longer side of the forms. Contrast with *portrait orientation*.

**laser (light amplification by stimulated emission of radiation).** A device that emits a beam of coherent light.

**latent image.** In a printer, the invisible image that exists in the sensitized material after exposure but before development.

**layout plan.** A list of requirements, such as electrical and space, that must be considered before installing an IBM printer.

**library.** A collection of related files. For example, one line of an invoice may form an item, a complete invoice may form a file, and the collection of inventory control files may form a library. The libraries used by an organization are known as the data bank.

**licensed program.** A separately priced program that bears an IBM copyright and is offered to customers under the terms and conditions of the Agreement for IBM Licensed Programs.

**line printer.** A printer that prints a line of characters as a unit. Contrast with *page printer*.

**logical page.** (1) The boundary for determining the limits of printing. (2) A presentation space in which the page data is presented. (3) A collection of data that can be printed on a sheet of paper or other type of form. Contrast with *physical page*.

**logo.** An identifying emblem, statement, or motto of a company.

## M

**MB.** Megabyte (1MB=1 048 576 bytes).

**MICR.** Magnetic Ink Character Recognition.

**microcode.** In the printer, refers to the microprogramming stored on the control unit hard disk. Microcode is used by the control unit to manage the printer and its functions.

**microperforation.** Extremely small perforations. After forms are separated, those with microperforations typically have smoother edges than those with regular perforations.

**MIH.** Missing-Interrupt Handler.

**MMR.** Modified-Modified READ; 2-dimensional image compression algorithm. Also referred to as TSS Group 4.

**MPC.** See *Multiple Printer Controller*.

**MR.** Modified READ. See *READ*. 2-dimensional image compression algorithm. Also referred to as TSS Group 3.

**Multiple Printer Controller (MPC).** Controller used with InfoPrint 3000 for on-demand printing. Sometimes referred to as a Print On Demand (POD) server.

**Multiple Virtual Storage/System Product (MVS/SP).** Consisting of MVS/System Product Version 1 and the MVS/370 Data Facility Product operating on a System/370 processor.

**MVS/SP.** See *Multiple Virtual Storage/System Product*.

## N

**nonimpact printer.** A printer in which printing is not the result of mechanical impacts. Contrast with *impact printer*.

**nonprocess runout (NPRO).** An operation that moves forms through the forms path without printing.

**NPRO.** See *nonprocess runout*.

## O

**OCR.** See *Optical Character Recognition*.

**offset paper.** In printing, a grade of paper to which sizing is added to resist moisture and which is treated on the surface to prevent lifting of the paper during printing by ink presses.

**OGL.** See *Overlay Generation Language*.

**operating environment.** The physical environment; for example, temperature, humidity, layout, or power requirements.

**operating requirements.** A list of requirements, such as environmental, electrical, and space, that must be satisfied before an IBM printer can be installed.

**Operating System/Virtual Storage (OS/VS).** A compatible extension of the IBM System/360 Operating System that supports hardware and the extended control facilities of System/370.

**optical character recognition (OCR).** Character recognition that uses optical means to identify graphic characters.

**orientation.** The number of degrees an object is rotated relative to a reference; for example, the orientation of an overlay relative to the page point of origin. See also *text orientation*.

**OS/VS.** See *Operating System/Virtual Storage*.

**overlay.** See *electronic overlay*.

**Overlay Generation Language/370 (OGL/370).** The licensed program that is used to create electronic overlays.

## P

**page.** An object that contains presentation data. See also *logical page* and *physical page*.

**page definition (PAGEDEF).** A statement that specifies attributes of a logical page, such as the width of its margins and the orientation of text.

**page perforation.** The perforation that defines the page of a form. It may or may not be at a fold in the form. A form may have several pages between each fold. See also *fold perforation*.

**page printer.** A device that prints one page as a unit. Contrast with *line printer*.

**Page Printer Formatting Aid/370 (PPFA/370).** A licensed program that creates form definitions (FORMDEFs) and page definitions (PAGEDEFs).

**pallet.** A portable platform for handling, storing, or moving materials.

**paper break.** A separation, either at a perforation or from a tear, of the continuous-forms paper.

**paper path.** The entire route that forms travel while they are being processed. The paper path usually begins where the forms are loaded and ends at the stacker. Because not all forms are paper, the term *forms path* is preferred.

**parallel channel.** A channel having a System/360 or System/370 channel-to-control unit interface that uses parallel cable bus-and-tag as a transmission medium. Contrast with *ESCON channel*.

**parameter.** A variable that is given a constant value for a specified application and that may denote the application.

**partition.** In Basic N\_Up printing, the division of the medium presentation space into a specified number of equal-sized areas in manner determined by the current physical medium.

**PC.** Photoconductor.

**PC drum.** A hollow cylinder that is covered with photoconductive material.

**pel (picture element).** (1) An element of a raster pattern; a point where a toned area on the photoconductor may appear. (2) On an all-points-addressable output medium, each pel is an addressable unit. On a row-column addressable output medium, the only pel addressable is the beginning of a character cell.

**PEM.** Print-Error Marker.

**perforation.** A linear series of unconnected cuts in the continuous-forms paper. The interval between cuts is referred to as a tie. The perforation defines either a fold or page boundary. See also *cut*, *fold perforation*, *microperforation*, and *page perforation*.

**photoconductor.** The material that is wrapped about the drum. The medium for transferring images to paper.

**physical page.** The form on which the printer is printing, such as an 11 x 8.5-in. sheet of paper. Contrast with *logical page*.

**physical planner.** The person in an organization who plans the environmental, electrical, and space requirements for your facility.

**pixel.** See *pel*.

**planning coordinator.** The person in your organization who is responsible for coordinating all the planning and installation activities for the printer.

**plant.** A manufacturing location.

**PMF.** See *Print Management Facility*.

**POD.** Print On Demand.

**point of origin.** The location of the first print position on a logical page. The point of origin is usually stated in terms of X and Y coordinates. The point of origin used by a printer can be affected by factors such as printable area and forms orientation. See also *logical page*.

**portrait orientation.** Pertaining to a display or hard copy with greater height than width. Contrast with *landscape orientation*.

**PPFA.** Page Printer Formatting Aid.

**PQE.** Print Quality Enhancement.

**preprinted form.** A sheet of forms containing a preprinted design of constant data with which variable data can be combined. See also *electronic overlay*.

**Print Management Facility (PMF).** An interactive menu-driven program that can be used to create and modify fonts and to define output formatting for data printed on the printer.

**print mode.** The operational mode in which information is received from the attached controlling computer system and printed output is produced. Contrast with *diagnostic mode* and *test mode*.

**print position.** The physical positions of the characters constituting a print line relative to the form.

**print quality.** The quality of printed output relative to existing standards and in comparison with jobs printed earlier.

**Print Services Access Facility (PSAF).** A menu-driven, print-parameter selection program for page printers controlled by PSF.

**print surface.** The side of a form that receives the printed image.

**PSAF.** See *Print Services Access Facility*.

**PSF.** Print Services Facility.

**PUM.** Printer Utility Module.

## R

**RAM.** Random Access Memory.

**RAS.** Reliability, availability, and serviceability.

**raster.** (1) In computer graphics, a predetermined pattern of lines that provides uniform coverage of a display space. (2) The coordinate grid that divides the display area of a display device. (3) In the printer Printer Subsystem, an on/off pattern of electrostatic images produced by the laser print head under control of the character generator.

**raster pattern.** A series of picture elements (pels) arranged in scan lines to form an image.

**READ.** Relative Element Address Designate.

**registration.** In printing, refers to the relative print positions of images that are printed at different times. For example, when you process preprinted forms, the registration is good if the new image printed by the printer aligns correctly with the preprinted image. Print that extends beyond box edges and text that overlaps other text are examples of poor registration.

**resource.** (1) People, equipment, or material used to perform a task or a project. (2) Any facility of a computing system or operating system required by a job or task, including main storage, input/output devices, processing units, data sets, and controller processing programs; for example, page printers use resources such as form definitions, page definitions, and fonts.

**reverse heading.** A heading where each character is highlighted by reversing the color of the character with its background; for example, changing a black character on a white background to a white character on a black background.

**RPQ.** Request for Price Quotation.

## S

**SBCS.** Single Byte Character Set.

**scanner.** A device that examines OCR, graphics, MICR, or bar-code patterns and generates electrical signals corresponding to the pattern. It sends the signals to a computing device for processing.

**screen or screening.** In document printing, a sheet of material, usually film, carrying a regular pattern of small dots. When printing, ink adheres only to the dots, and many dots close together appear solid. This method prints large areas of ink on paper but uses much less ink than printing the same area with solid ink.

**SCSW.** Subchannel Status Word.

**SDLC.** See *Synchronous Data Link Control*.

**security paper.** Specially formulated paper used for negotiable documents, such as checks, which improves the anti-fraud characteristics of the document.

**shift.** A scheduled work period. For example, a 24-hour day is often divided into three 8-hour shifts.

**simplex printing.** Pertaining to printing on only one side of a form. Contrast with *duplex printing*.

**sizing.** A process where paper is treated to give it resistance against penetration of liquids.

**SMM.** Select Medium Modification.

**SNA.** System Network Architecture.

**special-purpose materials.** Printable items other than blank forms; for example, adhesive labels and preprinted forms.

**SRC.** See *system reference code*.

**stack lean.** A measurable slope from the vertical of a stack of forms. Excessive stack lean can cause failures when feeding and refolding forms.

**Synchronous Data Link Control (SDLC).** For managing synchronous, code=transparent, serial=by=bit, information transfer over a link connection.

**system reference code.** A code that contains information, such as a failing field-replaceable unit, for a customer engineer.

**system programmer.** A programmer who plans, generates, maintains, extends, and controls the use of an operating system, with the aim of improving overall productivity of an installation. Contrast with *application programmer*.

**System/370.** An upward-compatible extension of the IBM System/360. A large collection of computing system devices that can be combined to produce a wide range of computing systems that share many characteristics, including a common machine language.

# T

**task.** A basic unit of work to be accomplished by a device or an operator.

**TCP/IP.** Transmission Control Protocol/Internet Protocol. A set of communication protocols that support peer-to-peer connectivity functions for both local and wide area networks.

**TCS.** See *Two-Channel Switch*.

**tensile strength.** A measure of the force that the paper forms can withstand without tearing.

**test mode.** The operational mode in which the printer can produce print samples, accept configuration changes, and control traces. When the printer is in test mode, it is not accepting information from the attached controlling computer system. Contrast with *diagnostic mode* and *print mode*.

**text orientation.** The position of text as a combination of print direction and baseline direction.

**token.** In a local area network (LAN), a particular message or bit pattern that is passed successively from one attaching device to another to indicate which attachment has permission to transmit.

**token ring.** A network with a ring topology that passes tokens from one attaching device to another.

**tie.** The interval between cuts of a perforation. See also *perforation*.

**toner.** The material that forms the image on the paper.

**trace.** (1) A record of the running of a computer program. It exhibits the sequences in which the instructions were executed. (2) To record a series of events as they occur. (3) In the printer, a service representative and customer analysis procedure.

**tractor.** The mechanism that controls movement of continuous forms by way of holes (see *tractor holes*).

**tractor holes.** The holes in the side margins on continuous forms. When placed on the tractor pins, the holes maintain printer alignment and registration, and control the movement of the paper.

**TSS.** Telecommunication Standardization Sector.

**Two-Channel Switch.** A device used with the System/370 channel attachment, that allows an input or output device to be attached to two channels.



## U

**up fold.** Fanfold forms are alternately folded. When fanfold forms are unfolded and held horizontally, a fold is an up fold if it points up from the horizontal surface.

**UPC.** Universal Product Code.

## V

**variable data.** The data that can vary; for example, the names and addresses in form letters.

**vector graphics.** Computer graphics in which display images are generated from display commands and coordinate data. Contrast with *raster pattern*.

**Virtual Storage Extended (VSE).** An operating system that is an extension of Disk Operating System/Virtual Storage.

**Virtual Storage Extended/Advanced Functions (VSE/AF).** The minimum operating system support for a VSE-controlled installation.

**void.** (1) The missing part of a printed character. (2) The missing piece of a continuous form.

**VSE.** See *Virtual Storage Extended*.

**VSE/AF.** See *Virtual Storage Extended/Advanced Functions*.

**VSE/SP.** Virtual Storage Extended/System Product.

---

# Index

## Numerics

- 2-up printing 45
- 3044 Fiber Optic Channel Extender 91
- 480/600 switchable printers 54
- 480 dpi font enhancement mode 56
- 600 dpi font enhancement mode 56
- 600 dpi IPDS resolution acceptance 55
- 600 dpi IPDS resolution mode 55

## A

- access 109
- Access, Configuring Remote 152
- adaptive bi-level image compression 200
- adhesive labels 198
- Advanced Function Image and Graphics 44
- Advanced Function Presentation (AFP) software
  - bar code 95
  - bar codes and optical character recognition fonts 98
  - BCOCA support 96
  - Document Composition Facility 98
  - functions 93
  - installing and verifying 98
  - licensed program numbers 93
  - optical character recognition 95

- Advanced Function Presentation (AFP) software (*continued*)
  - purpose 37
  - resource resolution 57
- AFCCU performance options 52
- all-points addressability 37
- application materials
  - adhesive labels 198
  - preprinted forms 197
- application programmer layout preparation 100
- responsibilities 76
- schedule 79
- applications
  - bar code 95
  - bar codes 58
  - combining text and images 38
  - converting to Advanced Function Printers 99
  - environment 64
  - OCR (Optical Character Recognition) 95
  - preprinted forms 49
  - testing forms 199
- ASHRAE 100
- attachment performance considerations 89
- attachments
  - channel 82
  - channel, performance consideration 89

- attachments (*continued*)
  - ESCON channel 68, 86
  - ethernet TCP/IP channel 88
  - FDDI 69
  - FDDI channel 88
  - LAN 69
  - local area networks 82
  - physical 114
  - System/370 channel 66, 84
  - token ring TCP/IP channel 88
- automatic IPDS resolution mode 56

## B

- bar code 95
- Bar Code Object Content Architecture (BCOCA) 95
  - BCOCA support 96, 98
- bar codes 58
  - BCOCA support 96, 98
  - fonts 98
- basis weight 52, 197
- belt, oiler 193
- buffer/flipper 29

## C

- cables
  - channel 86
  - connector 106
  - locations 109, 110
  - power 105

- cables (*continued*)
    - receptacle 106
  - CE toolkit 80, 108
  - channel
    - attachment 90
    - attachment to non-IBM equipment 91
    - attachments 82
    - attachments, performance
      - considerations 89
    - cable locations 109, 110
    - cables 86
    - ESCON attachment 68, 86
    - ethernet TCP/IP attachments 88
    - FDDI attachments 88
    - System/370 attachment 66, 84
    - token ring TCP/IP attachments 88
    - transfer modes 83
  - characteristics of AFP printers
    - detail 51, 73
    - printer 23
    - specifications 26
    - summary 23
    - system 23
  - checklists and work sheets
    - attachments 160, 171
    - forms 188
    - implementation plan 77
    - installation planning 117
    - physical planning 119
    - printer 160, 171
    - supplies 192
    - system configuration 160, 171
  - clearances, service 109, 110
  - collector, toner 193
  - combining text with images 38
  - concepts, page-printing 37
  - configuring remote access 152
  - configuring the system
    - changing the language of messages 121
    - configuring host attachments 137
    - configuring
      - preprocessing/postprocessing devices 154
    - configuring the printer 122
    - defining forms 184
    - worksheets 160, 171
  - connectors, electrical 107
  - continuous forms 196
  - control
    - power 61
  - control unit dimensions and weight 113
  - control unit processor memory 59
  - converting applications to the Advanced Function Printers 78, 99
  - coordinator, planning 74
  - Cut Sheet Emulation 47
- D**
- data chaining 91
  - data security 73
  - data streaming mode 84, 91
  - developer mix 193
  - dimensions, printer and control unit 113
  - direct attach, printer 92
  - Display Touch Screen 60
  - Document Composition Facility (DCF) 98
  - double-tag interlock mode 84
  - duplex models
    - changing the language of messages 121
  - configuration 170
    - configuration worksheets 171
    - defining forms 184
    - ESCON Channels 141
    - Ethernet TCP/IP 147
    - FDDI TCP/IP 150
    - host attachments 137
    - language of messages 121
    - parallel channels 137
    - preprocessing/postprocessing devices 154
    - Token Ring TCP/IP 144
  - configuration worksheets 171
  - configuring host attachments 137
  - configuring
    - preprocessing/postprocessing devices 154
  - configuring the printer 122
  - defining forms 184
  - heat, output 102
  - host attachment choices 65
  - physical layout 112
  - power control 61
  - space requirements 110
  - specifications, printer 26
  - system components 28

- E**
- electric
    - power requirements 105
  - electronic overlays 49
  - enable, remote channel 67
  - Enhanced N-Up (Power Positioning) 63
  - Enhanced N-Up Printing 46
  - environment, application 64
  - environmental requirements 100
  - error log 72
  - ESCON channel attachment 68, 86
  - Ethernet
    - channel attachments 88
- F**
- factors affecting performance 89
  - FDDI
    - attachments 69
    - local area network channel attachment 88
  - features, optional 50
    - mark perforations on perfless paper 50
    - move mark forms 50
  - filter, fine 193
  - fine filter 193
  - fire safety 105
  - folding requirements 197
  - font enhancement mode 56
  - fonts
    - bar code 98
- fonts (*continued*)
- optical character recognition (OCR) 98
  - resident 73
- forms
- basis weight 52, 197
  - definition (FORMDEF) 48
  - identification worksheets 188
  - preprinted 197, 198
  - requirements 196
  - selecting 196
  - sizes and types used 53
  - special-purpose materials 197
  - stacking 196
  - storage recommendations 199
  - testing 196
- fuser oil 193
- G**
- glossary 200
- H**
- hardware requirements 65
  - heat
    - dissipation 102
    - output 102
  - height, stack 197
  - host attachment 65
  - humidity 100
- I**
- IBM 3044 Fiber Optic Channel Extender 91
  - images 38
    - combining with text 38
    - orienting 39
  - implementation plan checklist 77
  - InfoPrint Manager 63
  - ink, suggestions for selection 197
  - installation
    - planning worksheet 117
    - requirements 115
    - verification procedures 82
  - installing licensed programs 98
  - intelligent printer data stream (IPDS) 64, 82
    - resolution acceptance
      - 600 dpi mode 55
      - 600 dpi only 55
      - automatic mode 56
  - interface, preprocessor and postprocessor 70
  - IPDS mode 62
- L**
- labels, adhesive 198
  - landscape orientation 41
  - languages, Display Touch Screen 72
  - layout considerations 113
  - levels, sound 104
  - Lexmark International 194
  - libraries, resource 48
  - line-printer data conversion 99

Local Area Network (LAN)  
  attachments 69, 82  
  ethernet TCP/IP channel attachment  
    88  
  FDDI channel attachment 88  
  token ring TCP/IP channel  
    attachment 88  
Local/Remote power control 61  
logical page 48

## M

margins, page 58  
mark perforations, perfless paper 50  
materials, special-purpose  
  adhesive labels 198  
  preprinted forms 197  
  storage 199  
measurements, clearance 109  
missing-interrupt handler (MIH) 91  
mix, developer 193  
modem, remote access 153  
move mark forms 50

## N

N-Up Positioning 63  
noise levels 104  
Normal and Tumble Duplex Printing  
  42

## O

obtaining supplies 191  
OCR (Optical Character Recognition)  
  applications 95

OCR (Optical Character Recognition)  
(*continued*)

  fonts 98  
  print area 58  
oil, fuser 193  
oiler belt 193  
operating requirements  
  electrical 105  
  environmental 100  
  space 109  
operator 77  
  console, languages 72  
  Display Touch Screen 60  
Optical Character Recognition (OCR)  
  applications 95  
  fonts 98  
  print area 58  
optional Advanced Function Image and  
  Graphics 44  
optional features 50  
  mark perforations on perfless paper  
    50  
  move mark forms 50  
ordering supplies 194  
orient text and images 39  
outlet, vacuum cleaner 108  
output, heat 102

## P

page  
  definition (PAGEDEF) 48  
  margins 58  
  orientation 39  
  physical and logical 48

page (*continued*)  
  segments 48  
page-printing concepts 37  
PAGEDEFs 48  
pallets, shipping 112  
pattern storage 59  
performance, printer 51, 100  
physical  
  attachment requirements 114  
  layout 111  
  page 48  
  planner  
    layout preparation 100  
    responsibilities 75  
    schedule 77  
  planning worksheet 119  
  requirements 105  
planner, physical 75  
planning coordinator 74  
planning team  
  application programmer 76  
  layout preparation 100  
  responsibilities 76  
  schedule 79  
organizing 74  
physical planner 75  
  layout preparation 100  
  responsibilities 76  
  schedule 78  
planning coordinator 74  
printer operator 77  
system programmer 76  
  layout preparation 100  
  responsibilities 76

- planning team (*continued*)
  - system programmer (*continued*)
    - schedule 78
- plug and connector requirements 107
- portrait orientation 40
- postprocessor interface 70
- power cable and receptacle 106
- power control 61
- Power Positioning (Enhanced N-Up)
  - 46, 63
- pre-installation tasks 115
- preparing the physical environment
  - 100
- preprinted forms 197
- preprocessor interface 70
- print
  - area 58
  - material 52
  - quality 53
  - quality enhancement 53
  - samples 72
- Print Services Facility (PSF) 63
- printer
  - configuration 159, 170
  - dimensions and weight 113
  - direct attach 92
  - operator 77
  - resolution 54
    - 480/600 switchable 54
    - 600 dpi IPDS mode 55
    - automatic IPDS mode 56
    - font enhancement mode 56
    - IPDS acceptance (600 dpi only)
      - 55

- printer characteristics 23
- printers
  - 480/600 switchable 54
- printing
  - basic N-up 45
  - basic page 37
  - cut sheet emulation 47
  - enhanced N-up 46
  - multiple-up 45
    - options 47
  - normal duplex 42
  - speed 51
  - tumbling duplex 42
- procedures, installation verification 82
- processor memory 59
- production print mode 62
- programmers, planning for AFP
  - programs 76

## R

- receptacle, electrical 107
- relative humidity, permitted values 100
- reliability, availability, and serviceability (RAS) 72
  - error log 72
  - message display 72
  - print samples 72
  - traces 72
- remote access, configuring 152
- remote channel enable 67
- Remote Management Interface (RMI)
  - 153

- requirements
  - Advanced Function Presentation (AFP) Licensed Programs 93
  - bar code 98
  - channel attachment 82
  - electrical 105
  - environmental 100
  - forms 196
  - forms folding 197
  - hardware 65
  - humidity 100
  - installation 115
  - pattern storage 59
  - physical attachment 114
  - power 105
  - software 62
  - sound levels 104
  - space 109
  - special-purpose materials 52
  - temperature 100
  - ventilation 100
- resident fonts 73
- resource libraries 48
- resource resolution, AFP 57
- resources
  - electronic overlays 49, 60
  - form definition (FORMDEF) 48
  - page definition (PAGEDEF) 48
  - page segments 48
- RMI (Remote Management Interface)
  - 153

- S**
- safety 105
  - security, data 73
  - Select Medium Modification (SMM) 63
    - , 70, 165, 166, 167, 168, 178, 180, 181, 182
  - selecting forms 196
  - service
    - access 109
    - cable locations 110
    - clearances 109, 110
  - serviceability 72
  - shipping pallets 112
  - Simple Network Management Protocol (SNMP) 153
  - simplex models
    - configuration 159
    - configuration worksheets 160
    - heat, output 102
    - host attachment choices 65
    - physical layout 112
    - power control 61
    - printer components 27
    - space requirements 109
    - specifications, printer 26
  - single simplex 32
  - SMM (Select Medium Modification) 63
    - , 70, 165, 166, 167, 168, 178, 180, 181, 182
  - SNMP (Simple Network Management Protocol) 153
  - software requirements 62
    - software requirements (*continued*)
      - IPDS mode (production print mode) 62
    - sound levels 104
    - space requirements 109
    - special-purpose materials
      - adhesive labels 198
      - preprinted forms 197
      - requirements 52
    - specifications, printer 26
    - stack height 197
    - stacking forms 196
    - storage
      - forms 199
      - processor 59
      - supplies 195
    - stored information, using 48
    - storing resources in libraries 48
    - structures, FORMDEF and PAGEDEF 48
    - supplies
      - customer-replaceable items 194
      - developer mix 193
      - fine filter 193
      - fuser oil 193
      - maintenance items 194
      - oiler belt 193
      - ordering 194
      - storing 195
      - suggested quantities 191
      - toner 193
      - toner collector 193
      - warranty return 194
      - worksheet 192
    - supplies, IBM
      - customer-replaceable items 194
      - developer mix 193
      - fine filter 193
      - fuser oil 193
      - maintenance items 194
      - oiler belt 193
      - ordering 194
      - storing 195
      - suggested quantities 191
      - toner 193
      - toner collector 193
      - warranty returns 194
      - worksheet 192
    - System/370 channel attachment 66, 84
    - system characteristics 23
    - system configurations and usage
      - dual simplex 30, 32
      - dual simplex printing 32
      - duplex printing 30
      - inline duplex 34
      - left angle dual simplex 36
      - left angle duplex 35
      - printer components 27
      - simplex 32
      - simplex models 33
      - simplex printing 27, 32
      - system components 28
    - system libraries 48
    - system programmer
      - layout preparation 100
      - responsibilities 76
      - schedule 78

## T

### TCP/IP

- ethernet channel attachments 88
  - token ring channel attachments 88
- temperature 100
- testing forms 196, 199

### text

- combining with images 38
- orienting 39

### token ring

- channel attachments 88

### toner 193

### toner collector 193

### toolkit, CE 80, 108

### traces 72

### transfer modes 83, 91

## U

### urge unit 29

### using stored information 48

## V

### vacuum cleaner 108, 192

### ventilation 100

### verification procedures, installation 82

### verifying licensed programs 98

### voltage requirements 105

## W

### weight and dimensions, crated 113

### wiring information 105

### worksheets and checklists

#### implementation plan 77

#### installation planning 117

#### physical planning 119

#### supplies 192

#### system configuration 160, 171

### Readers' Comments — We'd Like to Hear from You





File Number: S370/4300/9370-16



Printed in the United States of America  
on recycled paper containing 10%  
recovered post-consumer fiber.

6544-5563-01

