

# DB2 Connect Unlimited Edition for System z



## Version 9.7

## Quick Start Guide

This guide gets you started with a typical installation for DB2 Connect Unlimited Edition for System z.

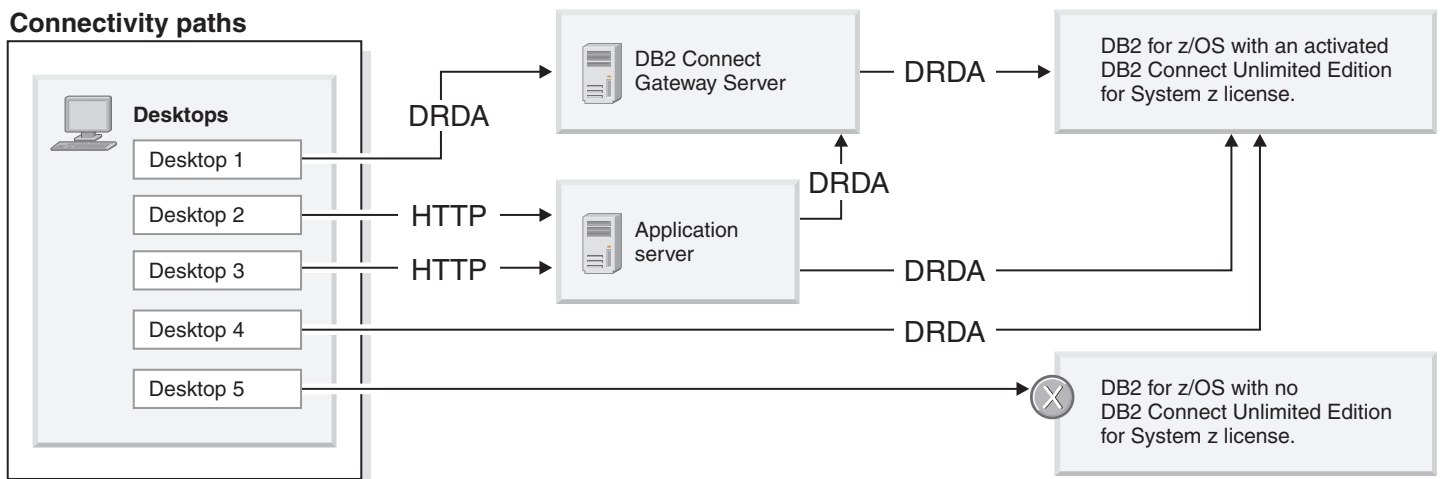


**Translated versions:** To obtain the Quick Start Guide in other languages, access the PDF files on the Quick Start CD or DVD.

### Product overview

DB2 Connect™ Unlimited Edition for System z® provides fast and robust connectivity to DB2® for z/OS® for e-business and other applications running on Linux®, UNIX®, and Windows® operating systems.

The following diagram shows possible connectivity paths when using DB2 Connect Unlimited Edition for System z. Direct connections from clients require the activation of one license on the target DB2 for z/OS subsystem.



### 1 Step 1: Access your software and documentation



The activation program is found on your product CD or it can be downloaded. If you download your activation program from IBM® Passport Advantage®, see the download document available at <http://www-01.ibm.com/software/howtobuy/passportadvantage/>.

For complete documentation, including activation instructions, see the DB2 for Linux, UNIX, and Windows Information Center at <http://publib.boulder.ibm.com/infocenter/db2luw/v9r7/index.jsp>

### 2 Step 2: Evaluate your hardware and system configuration



For license activation requirements on System z, see <http://publib.boulder.ibm.com/infocenter/db2luw/v9r7/topic/com.ibm.db2.luw.licensing.doc/doc/t0057375.html>.

If you plan to install the optional DB2 Connect gateway server, see the detailed system requirements for DB2 Connect at <http://publib.boulder.ibm.com/infocenter/db2luw/v9r7/topic/com.ibm.db2.luw.qb.server.doc/doc/r0025127.html>.

### 3 Step 3: Read the license terms

Ensure that you understand and agree to the license conditions on the Quick Start and Activation CD before you activate the license key. The license terms are located on the Quick Start and Activation CDs in the /db2/license/Windows directory on Windows operating systems or the /db2/license/UNIX directory on the Linux and UNIX operating systems.

## 4 Step 4: Activate your license on the System z server



If you want to use DB2 Connect Unlimited Edition for System z to connect directly to DB2 for z/OS, activate the license key on the host server. You must activate your data sharing group one time. You can only activate a data sharing group for which this license was purchased. For more information about activating your license on a data sharing group, see <http://publib.boulder.ibm.com/infocenter/db2luw/v9r7/topic/com.ibm.db2.luw.licensing.doc/doc/t0057375.html>.

## 5 Step 5: Install IBM data server client packages on your clients



In order to establish a direct connection to DB2 for z/OS, each client requires an IBM data server client or driver package. For details on the different IBM data server clients and drivers, see <http://publib.boulder.ibm.com/infocenter/db2luw/v9r7/topic/com.ibm.swg.im.dbclient.install.doc/doc/c0022612.html>. For details on installing these clients and drivers on Windows, see <http://publib.boulder.ibm.com/infocenter/db2luw/v9r7/topic/com.ibm.swg.im.dbclient.install.doc/doc/t0007315.html>. For details on installing these clients and drivers on UNIX and Linux, see <http://publib.boulder.ibm.com/infocenter/db2luw/v9r7/topic/com.ibm.swg.im.dbclient.install.doc/doc/t0007317.html>.

In some circumstances, an optional DB2 Connect gateway instance can help you support and scale large numbers of connections to your DB2 for z/OS partition. For example, if you are not using an application server to control the number of concurrent connections to DB2 for z/OS, then a DB2 Connect gateway instance running connection concentrator can provide this control for you. For details on how to create the optional DB2 Connect gateway instance, see <http://publib.boulder.ibm.com/infocenter/db2luw/v9r7/topic/com.ibm.db2.luw.qb.dbconn.doc/doc/c0008452.html>.

## 6 Step 6: Configure your environment



You have activated the DB2 Connect Unlimited Edition for System z license and installed required clients. You can now configure and establish connections from your clients to DB2 for z/OS. To configure and establish a connection using the Configuration Assistant (CA), see <http://publib.boulder.ibm.com/infocenter/db2luw/v9r7/topic/com.ibm.db2.luw.qb.dbconn.doc/doc/t0023531.html>. To configure and establish a connection using the command line processor (CLP), see <http://publib.boulder.ibm.com/infocenter/db2luw/v9r7/topic/com.ibm.db2.luw.qb.dbconn.doc/doc/t0022681.html>.

## More information



For more information, see the following resources:

- Information Roadmap at: <http://www.ibm.com/developerworks/data/roadmaps/roadmap-dw-db2-luw.html>.
- Product support at: [http://www-947.ibm.com/support/entry/portal/Overview/Software/Information\\_Management/DB2\\_for\\_Linux,\\_UNIX\\_and\\_Windows](http://www-947.ibm.com/support/entry/portal/Overview/Software/Information_Management/DB2_for_Linux,_UNIX_and_Windows)
- IBM User Communities at: <http://www.ibm.com/community/>

