

Quick Start Guide

This guide assists you with a typical installation of Sterling B2B Integrator.

Translated versions: To obtain the Quick Start Guide in other languages, access the PDF files on the Quick Start Guide DVD or compressed file.

Product overview

IBM® Sterling B2B Integrator is a transaction engine that runs the processes you define and manages them according to your business requirements. Its platform supports high-volume electronic message exchange, complex routing, translation, and flexible interaction with multiple internal systems and external business partners. Together, these features allow you to configure the components that enable you to meet your evolving application integration requirements.

1 Step 1: Access the software and documentation



If you download Sterling B2B Integrator from IBM Passport Advantage, follow the instructions in the download document available at <http://www.ibm.com/support/docview.wss?uid=swg24040961>.

This product offering includes:

- IBM Sterling B2B Integrator Quick Start Guide
- IBM Sterling B2B Integrator V5.2.6 for HP-UX, IBM AIX, IBM i, Linux, Oracle Solaris, Windows
 - IBM Sterling File Gateway V2.2.6 for HP-UX, IBM AIX, IBM i, Linux, Oracle Solaris, Windows
 - IBM Global High Availability Mailbox V1.0.0 for Red Hat Linux, SUSE Linux, Windows
- IBM B2B Advanced Communications V1.0.0.3 for Red Hat Linux, SUSE Linux, Windows
- DB2 Advanced Workgroup Server Edition V10.5 for HP-UX, IBM AIX, IBM i, Linux, Oracle Solaris, Windows
- IBM WebSphere® MQ V8.0 for HP-UX, IBM AIX, IBM i, Linux, Oracle Solaris, Windows
- IBM Sterling External Authentication Server V2.4.2 for HP-UX, IBM AIX, Linux, Oracle Solaris, Windows
- IBM Aspera Enterprise Server V3.5.5 for Linux, Windows

For complete documentation, including release notes and installation instructions, see the IBM Knowledge Center at http://www.ibm.com/support/knowledgecenter/SS3JSW_5.2.0/.

2 Step 2: Evaluate the hardware and system requirements



See detailed system requirements at the following links:

- Sterling B2B Integrator, Sterling File Gateway, and Global Mailbox: <http://www.ibm.com/support/docview.wss?uid=swg27043950>
- B2B Advanced Communications: <http://www.ibm.com/support/docview.wss?uid=swg27041799>
- DB2 Advanced Workgroup Server Edition: <http://www.ibm.com/support/docview.wss?uid=swg27038033>
- WebSphere MQ: <http://www.ibm.com/support/docview.wss?uid=swg27041395>
- Sterling External Authentication Server: <http://www.ibm.com/support/docview.wss?uid=swg27043915>

3 Step 3: Install Sterling B2B Integrator



To install a new or upgraded version of Sterling B2B Integrator, see installation instructions for your particular operating system.

Additionally, users can install IBM Global High Availability Mailbox as an add-on with Sterling B2B Integrator. This decision should be made before your installation. Read the Implementation Overview that is found at http://www.ibm.com/support/knowledgecenter/SS3JSW_5.2.0/com.ibm.help.overview.doc/com.ibm.help.overview.doc_plugin-gentopic6.html.

Installation instructions can be found at http://www.ibm.com/support/knowledgecenter/SS3JSW_5.2.0/com.ibm.help.sb2bi_install_upgrade_526.doc/b2bi_installing_upgrading_overview.html.

4 Step 4: Understand the relationship between B2B software components

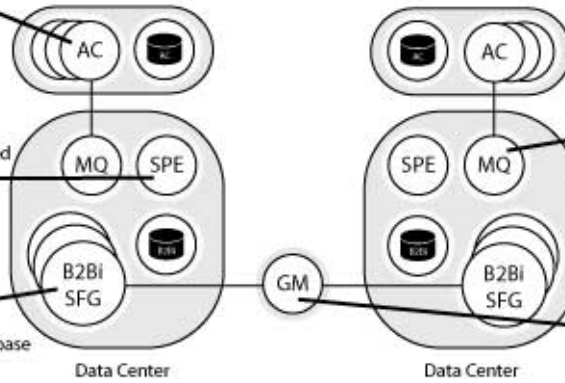


IBM B2B Suite Architecture

B2B Advanced Communications provides secure and reliable transmission of B2B messages over the internet

When installed, Standards Processing Engine is contained within Sterling B2B Integrator

Multiple instances of Sterling B2B Integrator and Sterling File Gateway connect to a database



WebSphere MQ connects Sterling B2B Advanced Communications with Sterling B2B Integrator

Global High Availability Mailbox provides a consistent view of mailbox data across geographically distant data centers

More information



For more information, see the following resources:

- IBM Support Portal at <http://www.ibm.com/support/knowledgecenter/SS3JSW/welcome>
- IBM DeveloperWorks at <https://www.ibm.com/developerworks/community/blogs/SterlingB2BIntegrator?lang=en>

