

WebSphere software



IBM WebSphere Data Interchange

Technical Overview

Dave Schwartz

WW Technical Sales Support

Data Transformation Development and Integration

IBM Software Group

- **New Name!**

- As of Jan. 2002, IBM DataInterchange (formerly an IBM Global Services product) joins the IBM Software Group and becomes part of the WebSphere family of products

DataInterchange >>> WebSphere Data Interchange

WebSphere Data Interchange Early 2002

- **1Q2002**
- **DataInterchange v4.1**
 - Platforms: **OS/390 or z/OS**
 - Announced: October 23, 2001
 - G.A.: Feb. 1, 2002
 - Announcement Letter 201-300
- **2Q2002**
- **WebSphere Data Interchange for Multiplatforms v3.1**
 - Platforms: **AIX and Windows 2000**
 - Announced: April 2, 2002
 - GA Date: April 26, 2002
 - Announcement Letter 202-067

4Q2002

- **WebSphere Data Interchange for Multiplatforms v3.2**
 - Platforms: **AIX and Windows 2000**
 - Announced: 4Q2002
 - GA Date: 4Q2002
 - Announcement Letter:
 - **New DI Client; Any to Any Data Transformation**

1Q2003

- **WebSphere Data Interchange for z/OS v3.2**
 - Platforms: **OS/390 or z/OS**
 - Announced: 4Q2002
 - G.A.: 1Q2003
 - Announcement Letter:
 - **Rename**

- <http://www2.ibm.link.ibm.com>
 - announcements



WebSphere software



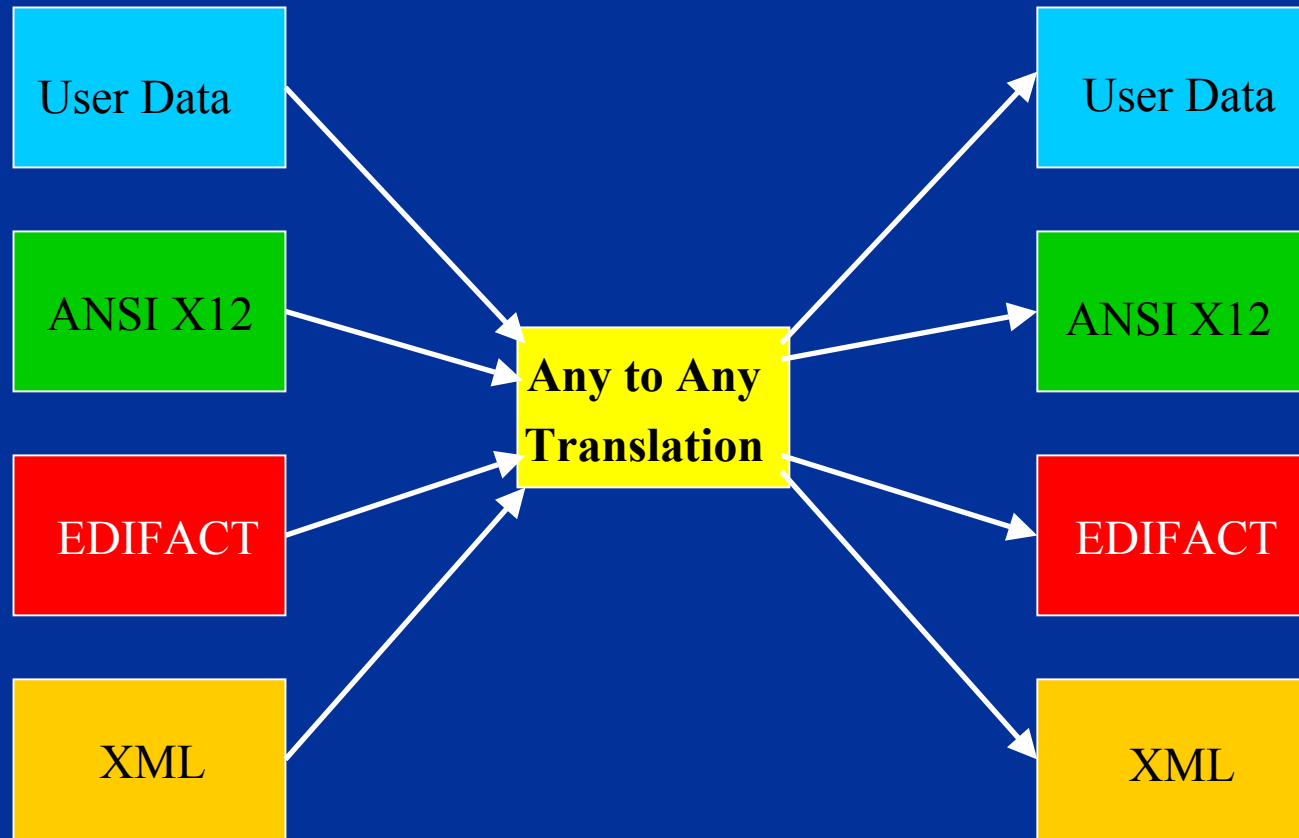
 e-business software

What's New?

IBM Software Group



■ **Any-to-Any Data Translation Application** WDI v3.2



WebSphere Data Interchange Traditional

- **Supported formats include:**
 - Data formats (user data)
 - EDI standards (U.S., International and industry subsets)
 - XML formats (DTDs)

- **SAP R/3™ certified**
 - v3.1h, IDOC rel 3
 - v4.0b, IDOC rel 4
 - SAP can produce a Cobol Copy Book to be imported to DI Client

WebSphere Data Interchange Industry Specific Implementation (HIPAA Enablement)

- **HIPAA** (Health Insurance Portability and Accountability Act)
 - support for HIPAA consists of two parts:
 - **1. Availability of an import standards file**
 - includes the specified subsets of each ASC ANSI X12 transaction currently approved by the U.S. Department of Health and Human Services to comply with HIPAA, based on **Version 4, Release 1, Sub-release 0 (004010)**
 - **2. Use of validation maps**
 - provides **SNIP (Strategic National Implementation Process)** compliance
 - Level 1 - Data Integrity Testing WDI Complies
 - Level 2 - Requirement Testing WDI Complies
 - Level 3 - Balance Testing WDI Complies
 - Level 4 - Situation Testing WDI Complies
 - Level 5 - Code Set Testing WDI Complies

WebSphere Data Interchange Industry Specific Implementation (HIPAA)

- **HIPAA** (Health Insurance Portability and Accountability Act)
 - Available Downloads
 - 270/271 Eligibility Benefit Inquiry & Response
 - 276/277 Claim Status Request & Response
 - 278/278 Referral Certification & Authorization
 - 820 Premium Payment order/Remittance Advice
 - 834 Enrollment & Disenrollment in a Health Plan
 - 835 Payment and Remittance Advice
 - 837 **P** (Professional) Claims / Coor'd of Benefits (COB)
 - 837 **I** (Institutional) “
 - 837 **D** (Dental) “
 - 275 **3Q03** Patient Information/Attachments
 - 148 **4Q03** First Report of Injury
 - <http://ibm.com/websphere/datainterchange>

WebSphere software



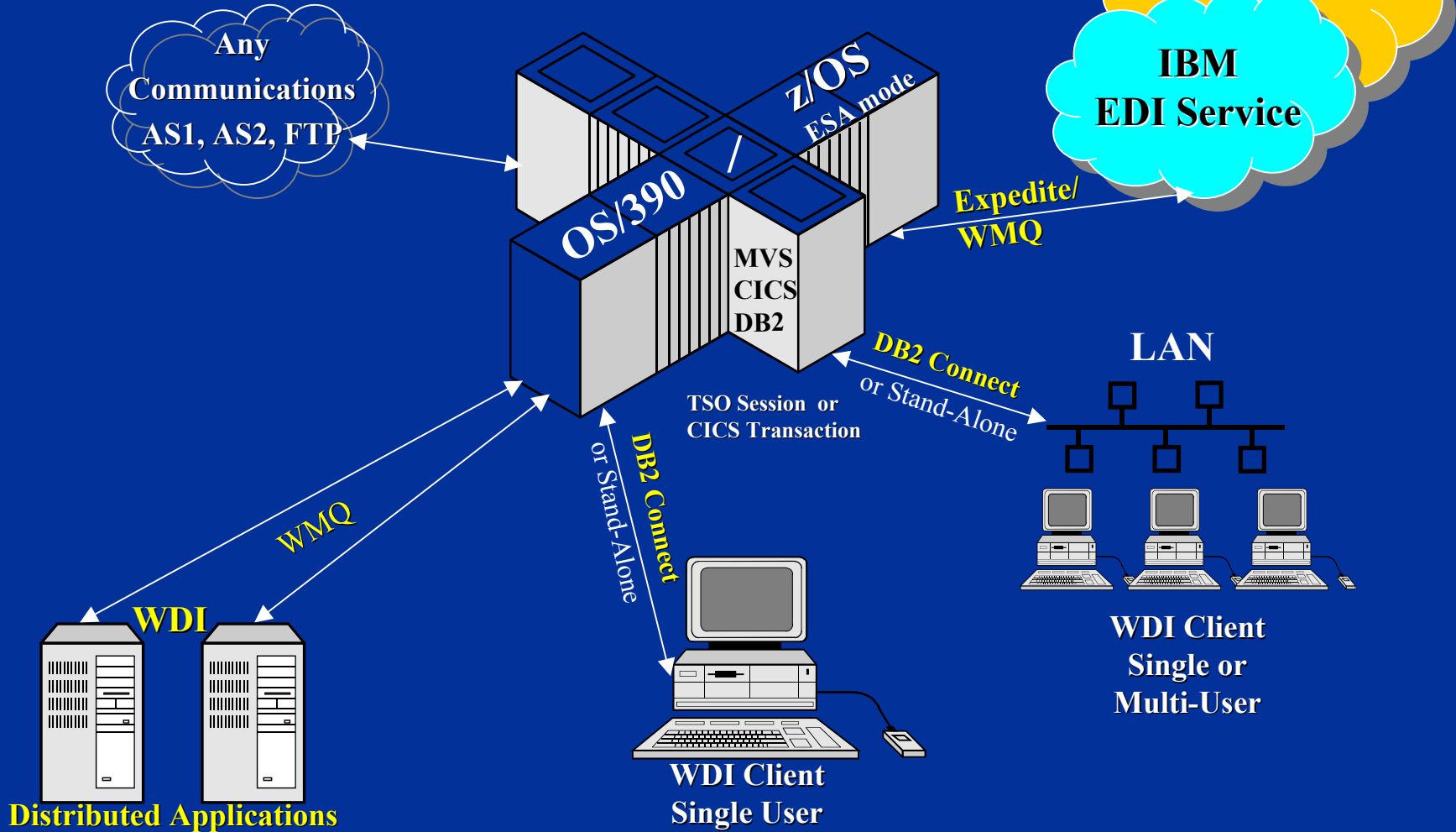
 e-business software

WebSphere Data Interchange

(runtime)

IBM Software Group

WebSphere Data Interchange OS/390 & z/OS



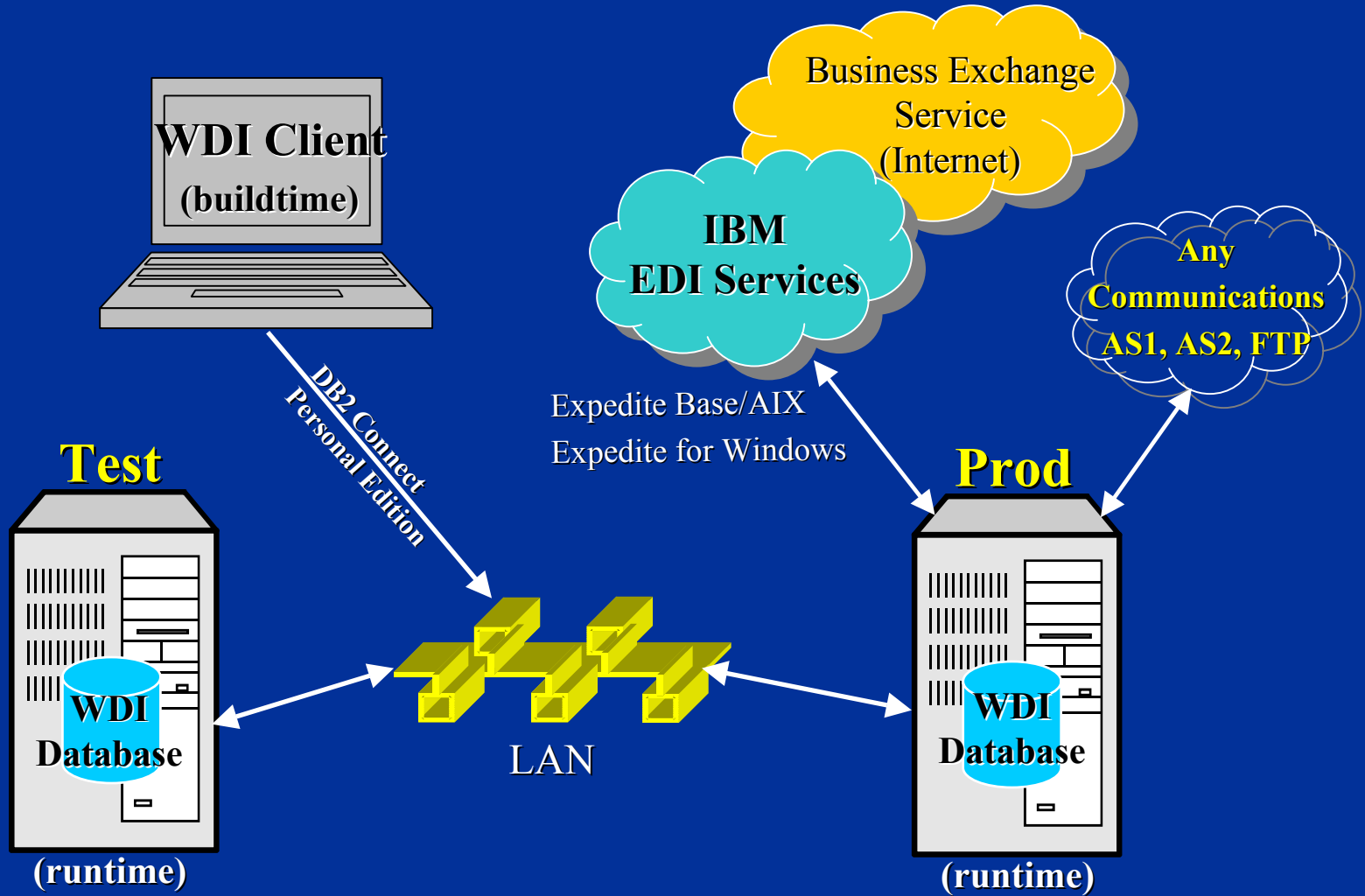
- **Operating Systems:**

- **OS/390 v2r7** (5647-A01) or higher
- **z/OS v1** (ESA/390 mode) (5694-A01) or higher
- **CICS Transaction Server for OS/390 Version 1.2 or later** (5655-147)
- **CICS Transaction Server for z/OS Version 2** (5697-E93)
- DB2 required
 - DB2 Connect v7.1+ required for remote client/server mode

- **XML Toolkit for z/OS & OS/390 v1r2** (5655-D44)

- download at
 - <http://www.ibm.com/servers/eserver/zseries/software/xml/>

WebSphere Data Interchange for Multiplatforms



WebSphere Data Interchange for Multiplatforms (cont'd)

- **Distribution materials include**
 - WDI Client
 - WebSphere Data Interchange

 - WebSphere MQ v5.2 for Windows2000 and AIX
 - provides communications with WMQI via WMQ queues.
 - DB2 v7.2 Workgroup Edition (**Stand-Alone Server**)
 - uses DB2 Enterprise if on same server as WMQI
 - plug-n-play interface to WMQI
 - full support for the **mqrth2** header for routing and formatting
 - selected EDI standards
 - **also available on web site**
 - softcopy publications

WebSphere software



 e-business software



(buildtime)

IBM Software Group

WebSphere Data Interchange WDI Client

- **Primary user interface to WDI**
 - windows based, GUI application
 - 32-bit Windows 98, NT or 2000 operating system
 - provides separation of function...
 - WDI Client = buildtime
 - Server = runtime
 - Single User or Multi-User environment
 - Use in Stand-Alone or Client/Server mode

WebSphere Data Interchange

WDI Client (cont'd)



- **Create Map Wizard**



- **New Common Database**

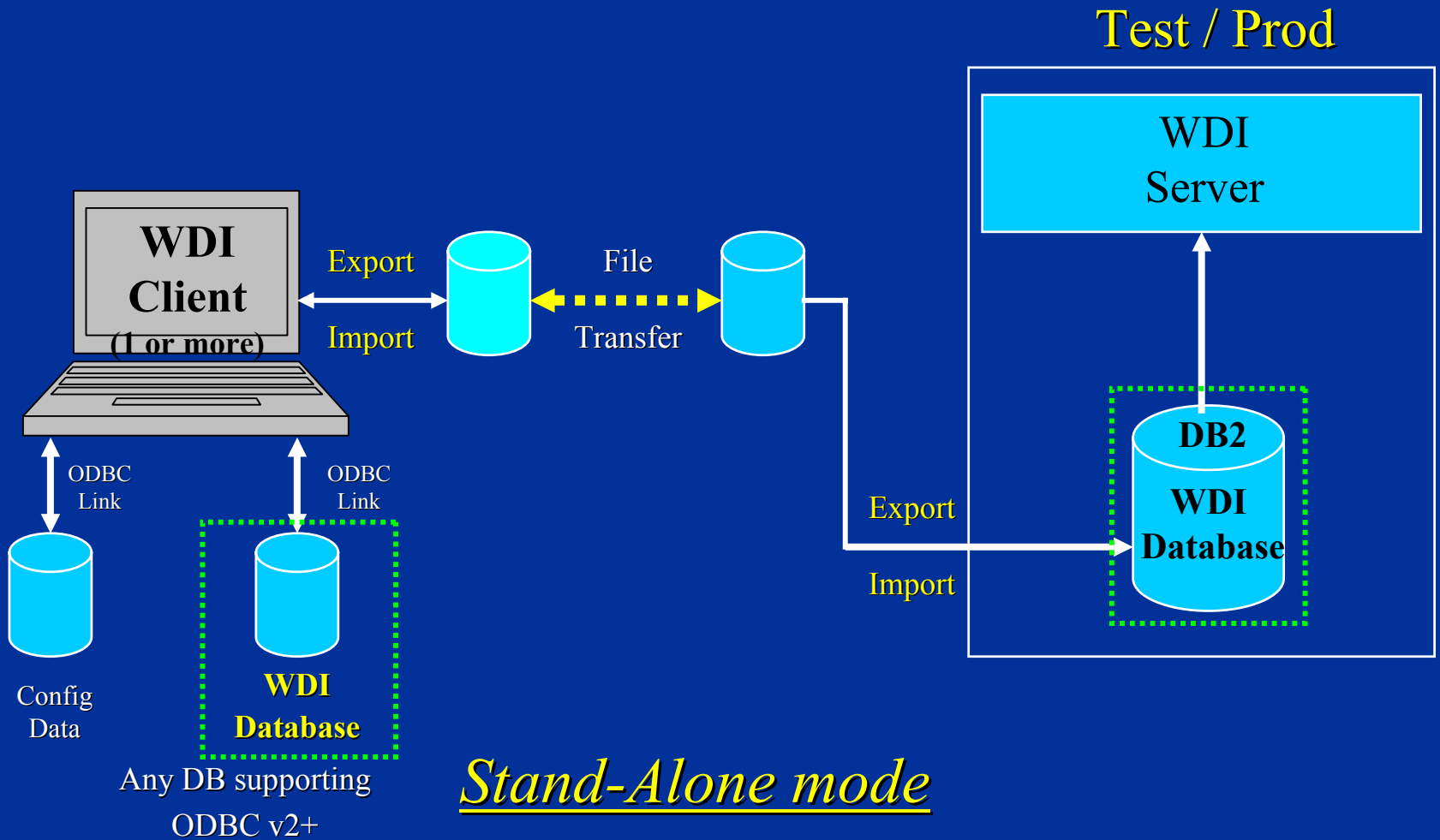


- **Enhanced WDI Client** As you'll see soon!



WebSphere Data Interchange

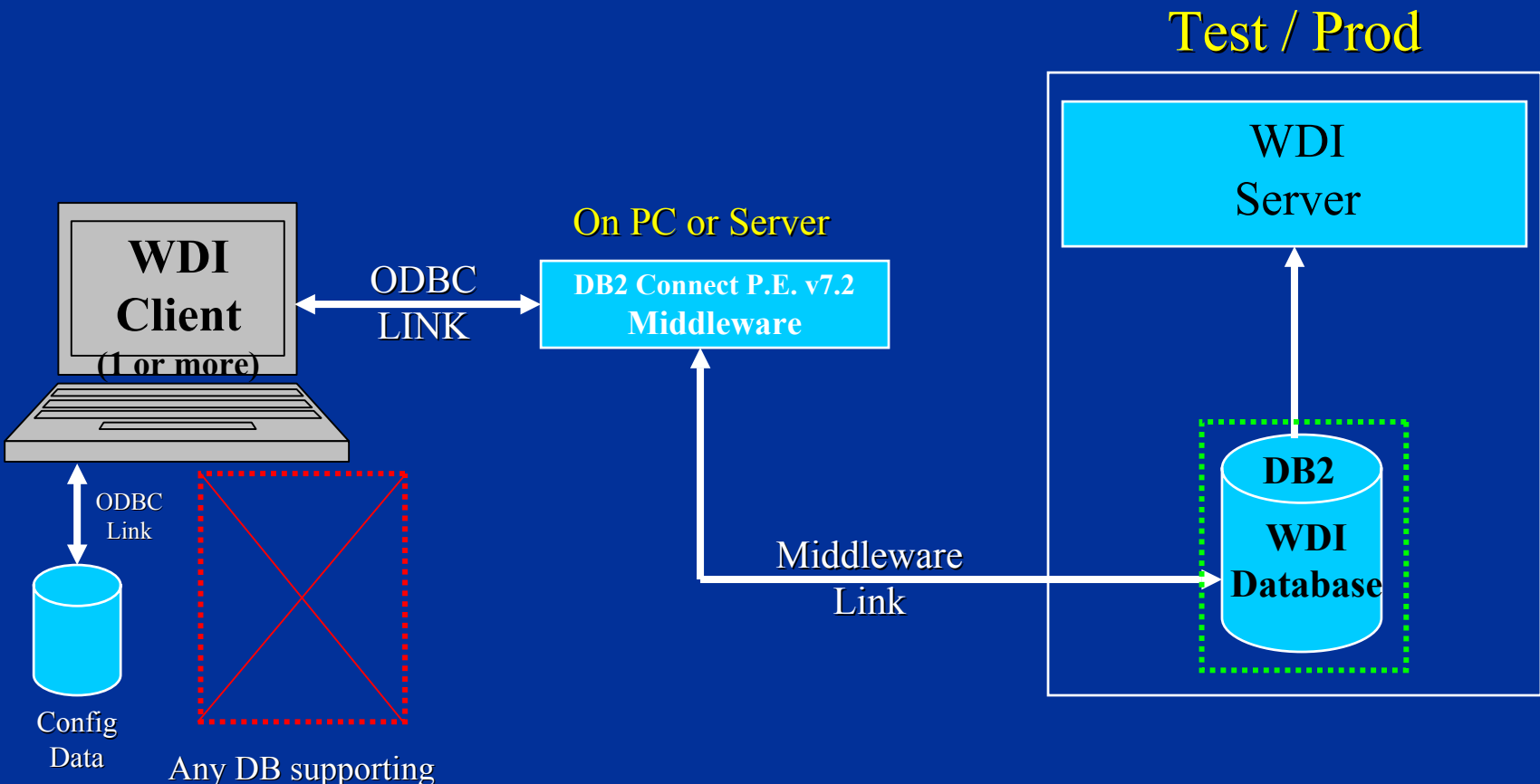
WDI Client (cont'd)



Stand-Alone mode

WebSphere Data Interchange

DI Client (cont'd)



Client / Server mode

WebSphere software



 e-business software

WebSphere Data Interchange & WebSphere MQ (message routing)

IBM Software Group

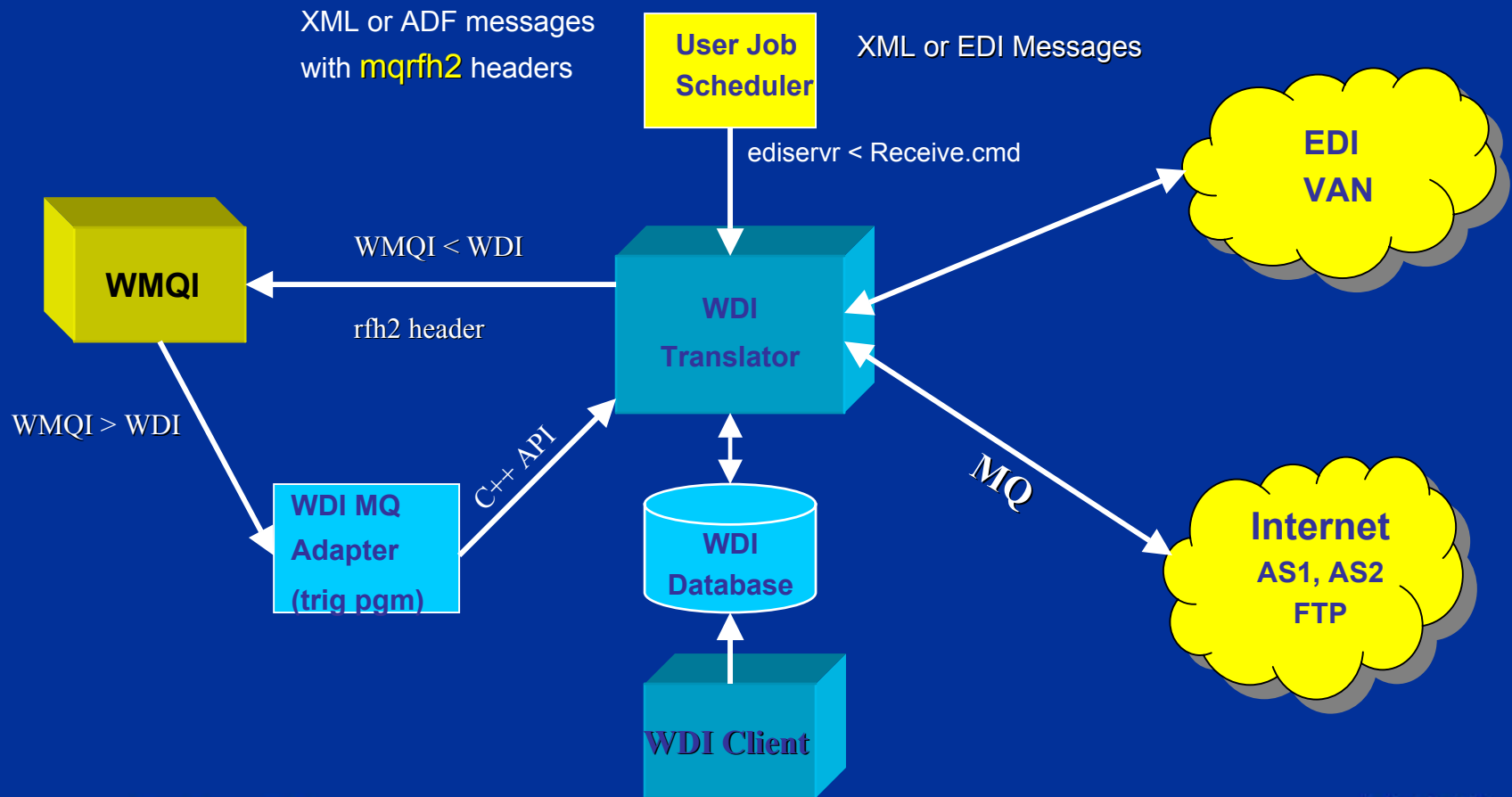
WebSphere Data Interchange

WebSphere MQ Support

- **WMQ support allows reading from and writing to WMQ queues directly**
 - Inbound and outbound files can be sent to WMQ message queues
- Use MQ monitor program and **provided Trigger Program** to monitor a queue and start WDI when a message arrives on a queue
 - Windows 2000, AIX and CICS

- **WMQI adapter included with WDI v3.1 Multiplatforms**
 - communicates with WMQI using WMQ queues
 - Supports the **mqrhf2 header** for routing and format
 - This message header uses an XML-like syntax to carry information about the message itself
 - The **mqrhf2** structure contains information about the structure and intended consumers of a message that allows an MQSeries Integrator broker to process it and to deliver or publish it to those consumers.

WebSphere Data Interchange WebSphere MQ Integrator Support



WebSphere Data Interchange - Platform Feature Comparison

Platform / Feature(s)	WDI v3.2 Win 2000	WDI v3.2 AIX	DI v3.1 OS/390	WDI v3.2 OS/390 & z/OS
Uses Multi-System DI Client	X	X	X	X
Supports U.S. and International Stds.	X	X	X	X
Supports XML	X	X	X	X
Import DTD	X	X	X	X
Fixed Format Translation	X	X	X	X
Multi-threaded processing	X	X	X	X
Supports Any-to-Any Transformation	X	X	NA	X
Extensive Mapping Vocabulary	X	X	X	X
Reporting	X	X	X	X
MQ Communication Interface	X	X	X	X
WMQI Plug-In Program	X	X	NA	NA
Database Used	DB2	DB2	VSAM or DB2	DB2
Provided Y / N	Y	Y	N	N

WebSphere software



 e-business software

??? Questions ???

WDI web site:

<http://ibm.com/websphere/datainterchange>

IBM Software Group