



IBM ECM UK UserGroup 2008
**Connecting the
ECM Community**

IBM Content Manager Family Product Upgrades

John Clifton – IBM ECM & BPM Consultant



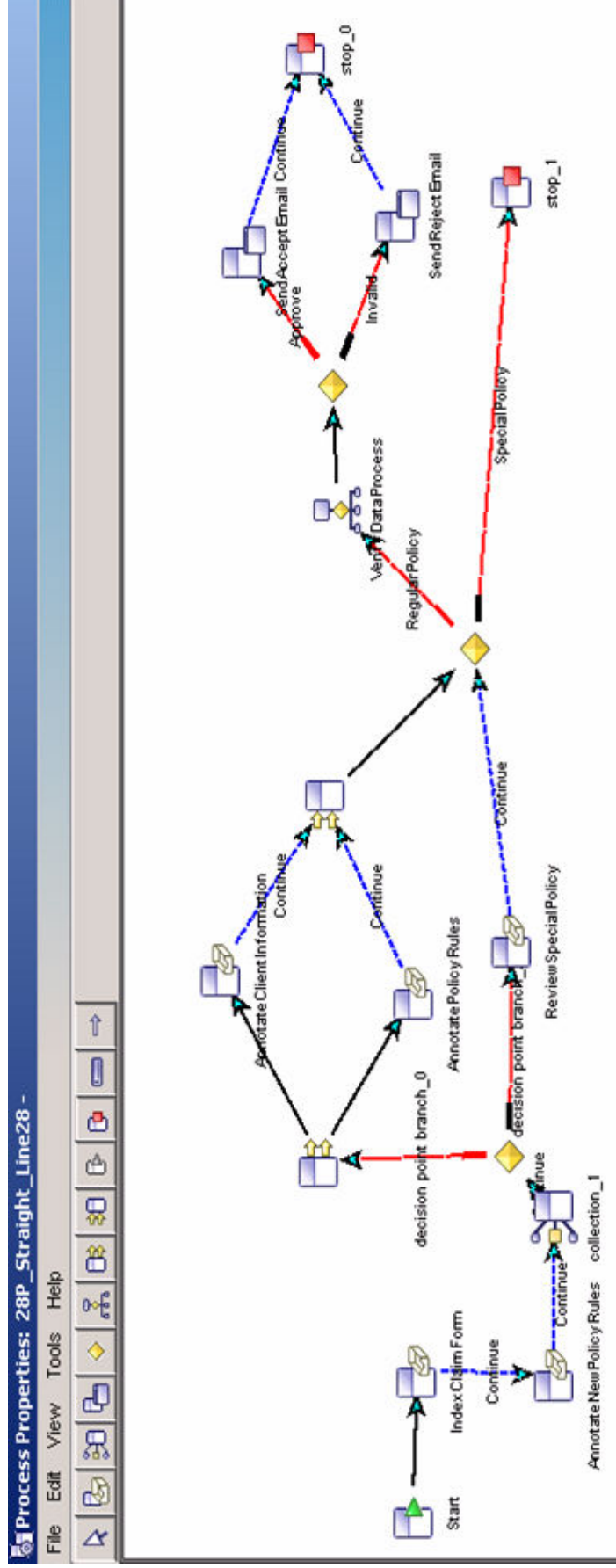
Agenda

- **Content Manager**
- **Document Manager**
- **Records Manager**
- **Commonstore**
- **Content Manager OnDemand**

Content Manager

- **Current versions**
 - V8.3
 - Web services support
 - Graphical workflow builder and other major enhancements to document routing: decision points; parallel routing; application integration; action lists
 - XML Schema mapping utility
 - Dynamic records management framework, including deeper integration with Records Manager and touchless automatic declaration ('zero-click' ☺)
 - V8.4
 - Support for 64-bit operating systems
 - Web 2.0 client – IBM WEBi
 - IPv6 support
 - Office 2007 XML file support
 - User and Group management improvements with LDAP
 - Core API enhancements
 - eClient enhancements

Content Manager v8.3 Graphical Workflow Builder



IBM Web Interface for Content Management (IBM WEBi)

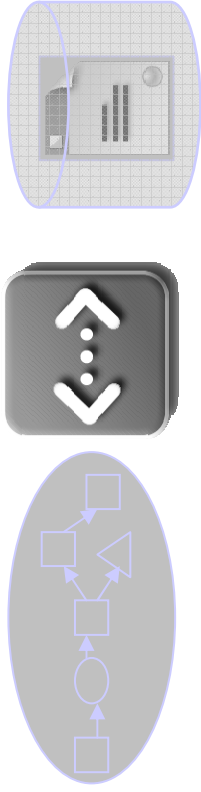
The screenshot displays the IBM Web Interface for Content Management (IBM WEBi) running in a Microsoft Internet Explorer browser. The browser title is "IBM Web Interface for Content Management Version 1.0.2 - Microsoft Internet Explorer". The address bar shows the URL: <http://ibm-hjdszjrb12:9081/wccommonservices/>. The page is titled "Web Interface for Content Management Version 1.0.2" and indicates the user is logged in as "icmadmi".

The interface is divided into several sections:

- Navigation:** Includes a search bar and a "Workflow" button. A tree view shows the following structure:
 - CM
 - Find
 - All
 - Recent
 - Insurance claims
 - State Forms
 - Sample Item Type
 - NOINDEX
 - On Demand
- Search Results:** Titled "Search results for Insurance claims", it shows a table of results with columns: Title, Claim Number, Policy Owner, Approved by, and FileN. The results are:

Title	Claim Number	Policy Owner	Approved by	FileN
Insurance Claims				
A11167543 Accident photo	C5783563	Adam McDoogle	Barney Wilson	3main
A11167543 Accident claim form	C5783563	Adam McDoogle	Barney Wilson	Skysc
Insurance report	0120200130	Gregory Twain	Ben Herman	01202
Insurance report	4852369	George Tolstoy	Alison McBRoom	4-8523
Insurance report	00013468	Erin McCarley	John Sams	10274
- Context Menu:** A context menu is open over the first result, showing options: View, Edit Document, Edit Properties, Send Link by E-mail, Send Document by E-mail, Download, Check Out, Cancel Check Out, Check in, and Start on Workflow.

BPM for CM8



A solution for IBM Content Manager v8 (CM8) customers who need to better automate, streamline, and optimize their content-centric processes – through the integration of CM8 with IBM FileNet Business Process Manager



Benefits

- Enhances business process automation, optimization, and flexibility
- Extends the reach of CM8 investments
- Provides interoperability across IBM software portfolio

Document Manager

- **Current versions**
 - V8.3
 - Integration with Records Manager
 - Declaration through: Manual desktop action; business process; quick declare via DM class
 - Performance enhancements
 - Single sign-on
 - Accessibility
 - V8.4
 - Improved Microsoft Office integration
 - Tighter integration with Content Manager
 - Improved document control providing better compliance

Records Manager

- **Current releases**
 - V4.1.4
 - Functional Enhancements
 - Improved installer
 - Performance improvements
 - Compatibility
 - Support for CM 8.3 Fix Pack 4 or CM 8.3 Fix Pack 7
 - V8.4
 - Consumability and Performance Improvements
 - New Platform Support
 - Internet Protocol Version 6 (IPv6) compliant with dual-stack support
 - IBM Tivoli License Manager (ITLM) Enablement
 - Common Criteria Readiness
 - Federal Desktop Core Configuration (FDCC) compliance

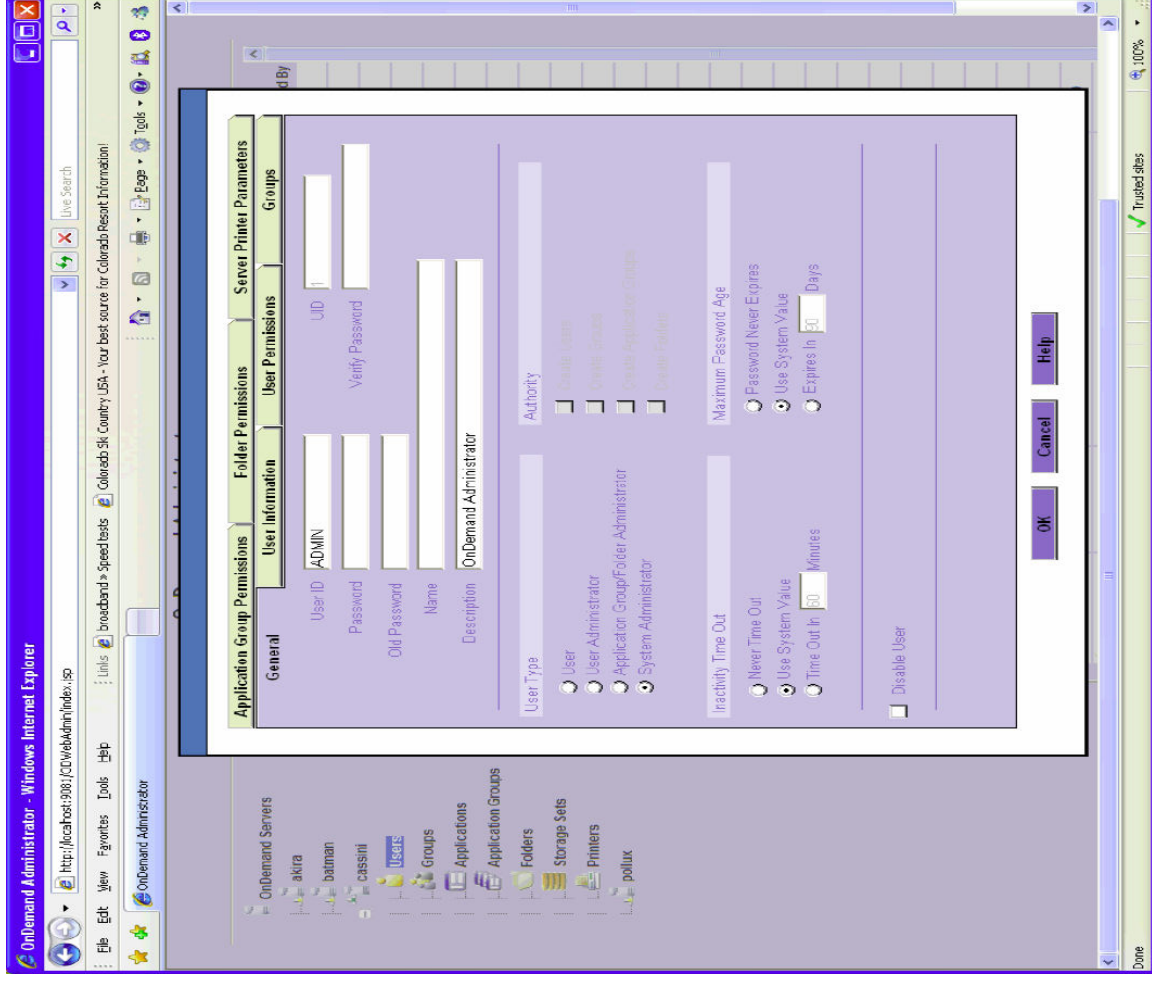
Commonstore

- **V8.4**
 - Allows for auto-discovery of local Microsoft email files (PST) which provides for retention and eDiscovery in CS 8.4
 - Enhanced end user experience for searching Emails with Email Search option (eMS)
 - Supports the latest version of Lotus Notes Domino 8.0 and Microsoft Exchange 2007

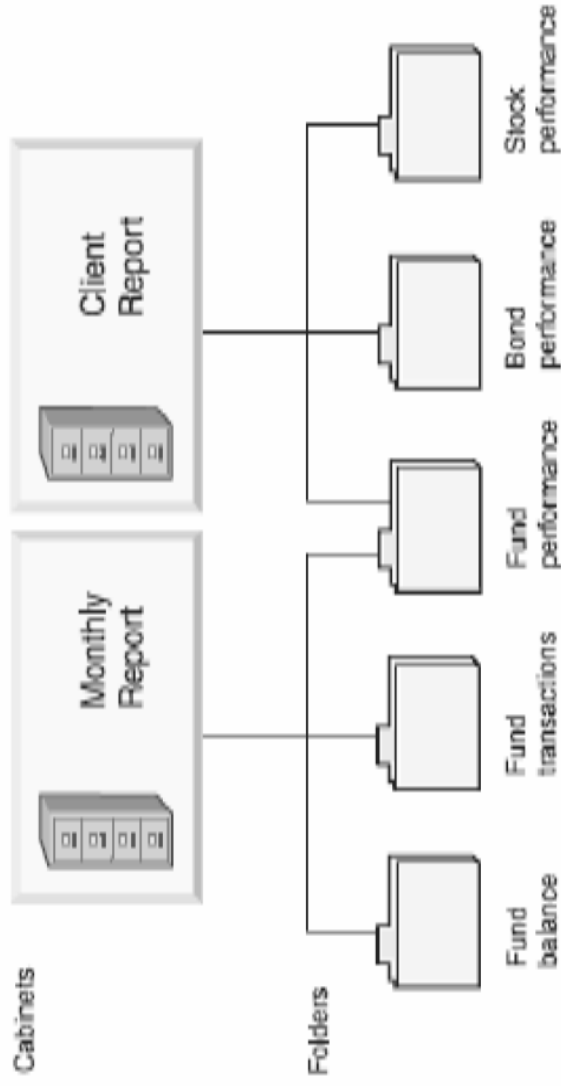
Content Manager OnDemand

- **Current releases**
 - V8.3
 - Linux Support
 - Ad hoc CD creation ; includes viewer
 - Export applications: improved system maintenance
 - Inclusion of ODWEK in base product
 - V8.4
 - Web administration client – de-centralized administration
 - Native LDAP support
 - 64-bit platform support
 - Cabinet support – for the grouping of folders

OnDemand Web Administration client



OnDemand cabinets



Folders can belong to more than one cabinet.

1