

SESSION	Building e-Business Applications with WebSphere
NUMBER	<i>E419311</i>
SPEAKER	Paul Ilechko
TITLE	Principal Architect
AFFILIATION	Torry Harris Business Solutions paul_ilechko@thbs.com

websphere2001 

Objectives

- Define Phases of an e-Business application
 - Checklist of items to be considered
 - Varies widely depending on customer and project type
 - Focus on Internet applications, not Intranet
- Detailed Focus on Architecture Phase
 - RAS
 - Security
 - Data
 - Application

websphere2001



Web Development Phases

Strategy	Requirements	Architecture	Implementation
•Business Strategy	•Functional Analysis	•Physical	(Iterative)
•Web Strategy	•Technical Analysis	•Security	•Programming
•Competitive Analysis		•Data	•Testing
•Project Planning		•Application	•Migration/Rollout
		•Tools	
		•Systems Mgmt	
		•Information	
		•Creative	

websphere2001

IBM
CORPORATE

Strategy Phase

- Clearly Define Business Strategy
- Develop Web Strategy in support of Business Strategy
 - Determine Marketing and Branding plans
 - Determine Personalization strategy
 - Determine Revenue Sharing and Advertising strategy
 - Determine Content Needs
 - Determine Customer Service needs
- Perform Competitive Analysis
 - What are best-of-breed doing ?
 - Perform Gap Analysis vs. Best Practices

websphere2001

IBM
CORPORATE

Requirements Phase

- Functional Analysis
 - Use Cases
 - Business Rules
- Technical Analysis
 - Technical Audit for existing systems
 - Constraints and Mandates
 - Data Sources

websphere2001

IBM
CORPORATE

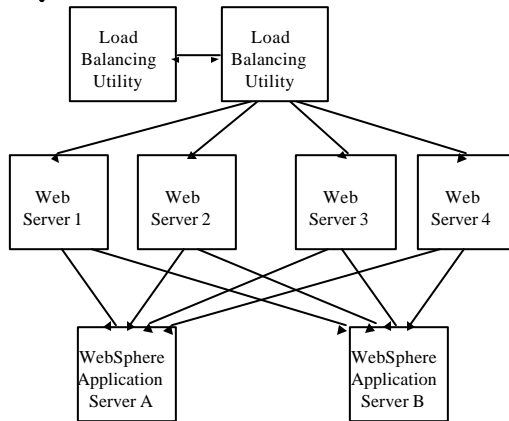
Architecture Phase

- Physical Architecture
 - Determine Hosting Location
 - Design Network Infrastructure
 - Design/Size Hardware Environment
 - Design Test Environments
 - Design High Availability Solution

websphere2001

IBM
CORPORATE

WebSphere Topology Option 1



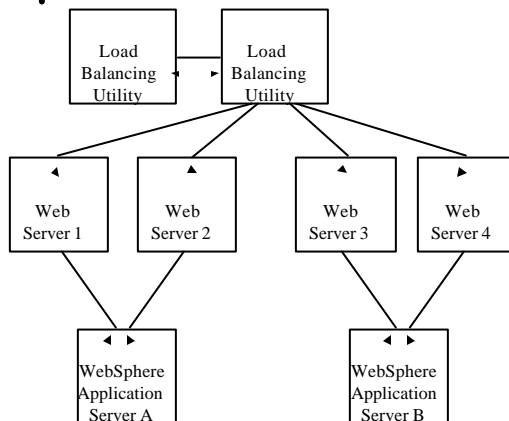
Pros and Cons:

- Maximum Fault Tolerance
- Simplest Configuration
- Less Flexible for Versioning

websphere2001

IBM

WebSphere Topology Option 2



Pros and Cons:

- Simpler Version Control
- More Configuration Effort
- App Server Failure requires Load Balancing re-configuration

websphere2001

IBM

Architecture Phase

- Security Architecture
 - Design Authentication Scheme
 - Design Authorization Scheme
 - Design Privacy Solution
 - Design Firewall Configuration
 - Design Single Signon Solution

websphere2001

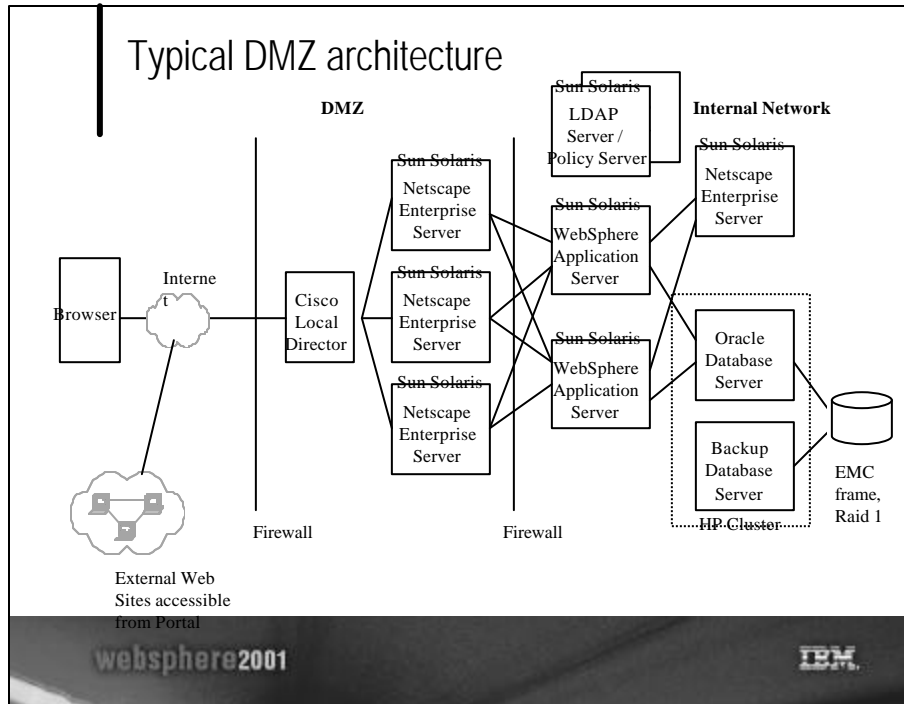
IBM
CORPORATE

WebSphere Issues

- Is WebSphere Security sufficient ?
 - Single Signon - single domain vs. Portal Security
 - Authorization Levels - need for data authorization
 - Row Level
 - Column Level
 - Dynamic Screen configuration based on role

websphere2001

IBM
CORPORATE



DMZ Options for WebSphere connectivity

- Remote OSE
 - No WebSphere components in DMZ
 - Relatively Firewall Friendly - no NAT issues
 - No SSL on connection
- Servlet Redirector
 - Secure Connection
 - Not Firewall Friendly - RMI/IIOP
- Proxy Server
 - Firewall Friendly
 - No WebSphere Components in DMZ
 - HTTP(S) through inner Firewall

websphere2001

IBM

Architecture Phase, cont.

- Data Architecture
 - Design Logical Model
 - Design Physical Model
 - Design Initial Data Loads
 - Design Ongoing Data Feeds
 - Design High Availability Scheme
 - Design Audit, Backup and Recovery Schemes
 - Design Data Warehouse / DataMart

websphere2001

IBM
CORPORATE

WebSphere Databases

- Session Database
 - High Volume of Reads and Updates
 - High Availability Requirements
 - Minimal Recovery Requirements
- Admin Database
 - Low volume, mainly reads
 - High Availability, High Recoverability
- Application Database
 - Application specific requirements

websphere2001

IBM
CORPORATE

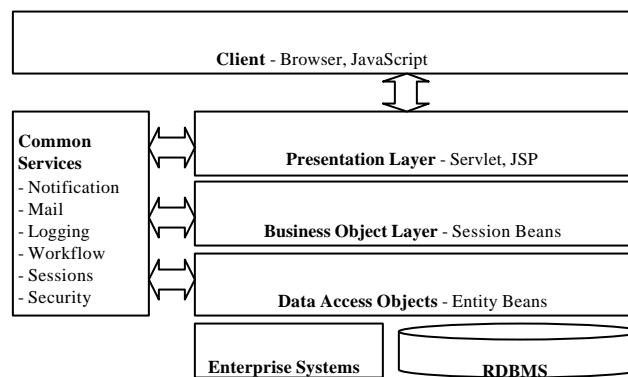
Architecture Phase, cont.

- Application Architecture
 - Design Object Model
 - Class and Sequence Diagrams
 - Design Web Components
 - Servlets and JSPs, EJB access
 - Design Business Components
 - Java Beans or EJBs; Session vs. Entity Beans
 - Design Data Access Components
 - Entity Bean usage, Searching, Caching
 - Design/Select Framework Components
 - Logging, Messaging, Error Handling

websphere2001

IBM

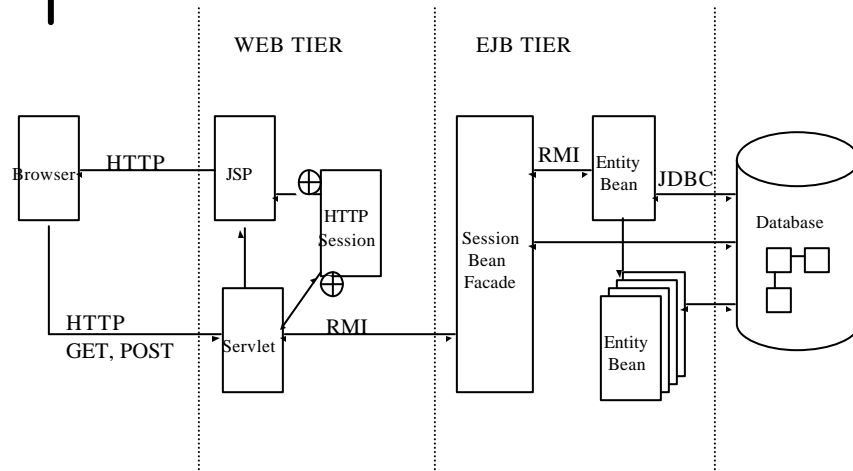
Typical Application Architecture - MVC



websphere2001

IBM

Application Architecture - Components



websphere2001

IBM

Application Design Issues

- Mapping “Post” variables to Bean variables
 - hard coded, or some key/value scheme
- Mapping Bean variable to EJBs
 - using copies of EJBs in web tier ?
- Web Tier to EJB Tier “transport layer”
 - Flat (e.g. XML) vs.. Structured (serialized beans)
- Where to cache data
 - HTTP Session, Stateful Beans, Entity Beans, Database

websphere2001

IBM

Passing Data - Web Tier to EJB

- XML
 - Simple, Consistent Interface with Flat Data Structures
 - Independent of both Database and Presentation
- Value/Detail Objects
 - Copies of Entity Beans
 - Type Checking
 - Client Side Cache
- Page Specific Beans
 - Independent of Data Layer
 - View specific logic in EJB layer - requires stateful beans

websphere2001

IBM
CORPORATE

Searching and Data Caching

- Cache in HTTP Session
 - Managing Pagination
 - Persistent Sessions
 - Session cleanup
- Cache in Stateful Session Beans
 - Issues with lack of clustering
- Cache in Entity Beans
 - WebSphere Entity Beans - no option "B" cache
- Cache in Database (no explicit cache)
 - Performance Issues

websphere2001

IBM
CORPORATE

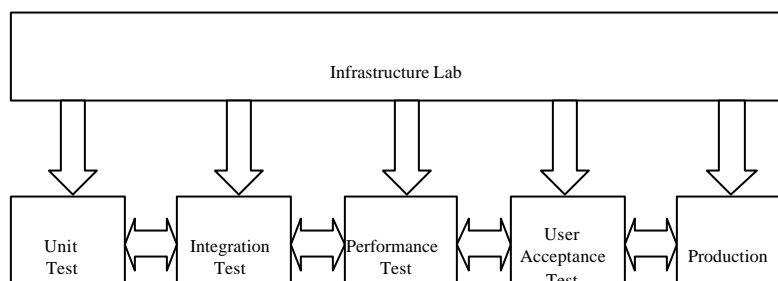
Architecture Phase, cont.

- Tools
 - Select Development Tools
 - Select Modeling Tools
 - Select Testing Tools
 - Select Code Management Tools
 - Install and Configure Tools
- Testing
 - Setup Test Environments
 - Develop Test Plans
 - Develop Test Scripts

websphere2001

IBM

Typical Environments Needed



websphere2001

IBM

Architecture Phase, cont.

- Systems Management
 - Integration with Systems/Network Management
 - Performance Monitoring
- Analytics
 - Site Analysis
 - Clickstream Analysis
 - Link Validity
 - Warehouse Analysis - Data Mining

websphere2001

IBM
CORPORATE

Architecture Phase, cont.

- Information Architecture
 - Develop Site Map
 - Develop Page Layout and Navigation
- Graphic Design
 - Develop Creative Concepts
 - Select Creative Approach
- Help/Training
 - Develop Online Help
 - Develop Education and Training Materials

websphere2001

IBM
CORPORATE

Architecture Phase, cont.

- Customer Service
 - Determine Channels - Web, IVR, Email etc.
 - Determine Content Requirements - Help, FAQ etc.
- Content Management
 - Develop Content Management Solution
 - Develop Personalization Solution
- Advertising & Marketing
 - Banner Ad Management
 - Click-through Revenue Sharing
 - Customer Tracking (e.g. Doubleclick)

websphere2001

IBM
CORPORATE

Implementation Phase

- Programming
 - Develop Framework Components
 - Develop Web Tier - HTML, JSP, Servlets
 - Develop EJBs
 - Develop Batch/Messaging Components
- Database
 - Create Physical Model
 - Develop Stored Procedures
 - Build and Load Test Databases
 - Implement Backup and Recovery Scheme

websphere2001

IBM
CORPORATE

Implementation Phase, cont.

- Customer Service
 - Develop Customer Service Facility
 - Implement CRM/CSR solution
- Content Management
 - Implement Content Management Solution
 - Develop Content Approval Workflow rules
 - Develop Promotion, Rollback and Backup scripts
- Help/Training
 - Refine Online Help
 - Refine Education and Training Materials

websphere2001

IBM
CORPORATE

Implementation Phase, cont.

- Testing
 - Perform Unit Tests
 - Perform Integration Test
 - Perform Load Test
 - Perform User Acceptance Test
- Implementation
 - Build Production Environment
 - Migrate Code and Content to Production
 - Build and Load Production Databases
 - Implement System Management Scripts

websphere2001

IBM
CORPORATE