

IBM TotalStorage™ IP Storage 200i



Installation Guide

IBM TotalStorage™ IP Storage 200i



Installation Guide

NOTE

Before using this information and the product it supports, read "Appendix A. Notices" on page 27 and "Safety and environmental notices" on page 28.

First Edition (June 2001)

This edition applies to the IBM TotalStorage IP Storage 200i Model 100 and Model 200 and to all subsequent releases and modifications until otherwise indicated in new editions.

Order publications through your IBM representative or the IBM branch office servicing your locality. Publications are not stocked at the address below.

IBM welcomes your comments. A form for reader's comments is provided at the back of this publication. If the form has been removed, you may address your comments to:

International Business Machines Corporation
Design & Information Development
Department CGFA
PO Box 12195
Research Triangle Park, NC 27709-9990
U.S.A.

You can also submit comments to www.ibm.com/networking/support/feedback.nsf/docsoverall.

When you send information to IBM, you grant IBM a nonexclusive right to use or distribute the information in any way it believes appropriate without incurring any obligation to you.

© Copyright International Business Machines Corporation 2001. All rights reserved.

US Government Users Restricted Rights – Use, duplication or disclosure restricted by GSA ADP Schedule Contract with IBM Corp.

Contents

Figures	v
Tables	vii
About this guide	ix
Who should read this guide	ix
Safety precautions	ix
Frequently used terms.	x
Publications	xi
Hardcopy publications shipped with the IBM IP Storage	xi
Softcopy publications	xi
Web site	xi
Chapter 1. Introduction to IBM IP Storage hardware	1
The IBM IP Storage appliance.	1
iSCSI client	1
Standard features	1
Optional features	2
Specifications	3
Dimensions	3
Weight	3
Operating environment	3
Nonoperating (power-off) environment	3
Heat output	3
Power requirements	3
Chapter 2. Installation procedures	5
Preinstallation checklist	5
Setting up the appliance	5
Setting up the Model 100	5
Setting up the Model 200	6
Setting up the Model 200 in a rack	6
Installing optional features	11
Installing a storage unit	11
Installing a hot-swap hard drive	13
Installing memory modules (DIMMs)	14
Installing the Tower-to-Rack Kit	20
Cabling.	21
Starting the appliance	23
Performing initial configuration	24
Prerequisites.	24
Logging in to the appliance management utility	24
Obtaining the initial IP address	25
Configuring the network	26
Assigning virtual disks	26
Appendix A. Notices	27
Safety and environmental notices	28
Safety notices	28
Environmental notices	63
Trademarks	65
Appendix B. Getting help, service, and information	67

Service support	67
Before you call for service	68
Getting customer support and service	68
Getting help online: www.ibm.com/storage/support/nas	68
Getting help by telephone	69
Appendix C. Purchasing additional services	71
Warranty and repair services	71
Appendix D. Product warranties and notices	73
Warranty Statements	73
IBM Statement of Limited Warranty for United States, Puerto Rico, and Canada (Part 1 - General Terms)	73
IBM Statement of Warranty Worldwide except Canada, Puerto Rico, Turkey, United States (Part 1 – General Terms)	76
Part 2 - Worldwide Country-Unique Terms	78
Power cords	82
Index	85

Figures

1. Front and back of the rack mounting template	7
2. Rack mounting instructions	8
3. ServeRAID-4H channel connector locations	11
4. Installing a hot-swap hard drive	13
5. Removing the cover of the Model 100	15
6. Removing the cover of the Model 200	16
7. Installing a DIMM.	18
8. Replacing the Model 100 cover	19
9. Replacing the Model 200 cover	20
10. Cabling the appliance	21
11. Routing cables through cable-management assembly	22
12. Locations of the Information LED, System Error LED, POST Complete (OK) LED, and Power-on LED	23

Tables

1.	Standard Features of the Model 100 and Model 200	1
2.	Optional Features of Model 100 and Model 200	2
3.	Product Information	5
4.	IBM Web sites for help, services, and information	67
5.	Telephone numbers for warranted help and information.	69

About this guide

This guide provides information necessary to install the hardware for the IBM TotalStorage™ IP Storage 200i appliance.

Who should read this guide

This guide is intended for anyone responsible for planning or performing IBM IP Storage hardware installations.

Safety precautions

Be sure to read all caution and danger statements in this publication before performing any of the instructions.

Leia todas as instruções de cuidado e perigo antes de executar qualquer operação.

注意和危险声明 (简体中文)

重要事项:

本书中的所有注意和危险声明之前都有编号。该编号用于英语的注意或危险声明与 *Safety Information* 一书中可以找到的翻译版本的注意或危险声明进行交叉引用。

例如，如果一个注意声明以编号 1 开始，那么对该注意声明的翻译出现在 *Safety Information* 一书中的声明 1 中。

在按说明执行任何操作前，请务必阅读所有注意和危险声明。

注意及危險聲明 (中文)

重要資訊：

本書中所有「注意」及「危險」的聲明均以數字開始。此一數字是用來作為交互參考之用，英文「注意」或「危險」聲明可在「安全資訊」(Safety Information) 一書中找到相同內容的「注意」或「危險」聲明的譯文。

例如，有一「危險」聲明以數字 1 開始，則該「危險」聲明的譯文將出現在「安全資訊」(Safety Information) 一書的「聲明」1 中。

執行任何指示之前，請詳讀所有「注意」及「危險」的聲明。

Prenez connaissance de toutes les consignes de type Attention et Danger avant de procéder aux opérations décrites par les instructions.

Lesen Sie alle Sicherheitshinweise, bevor Sie eine Anweisung ausführen.

Accertarsi di leggere tutti gli avvisi di attenzione e di pericolo prima di effettuare qualsiasi operazione.

주의 및 위험 경고문(한글)

중요:

이 책에 나오는 모든 주의 및 위험 경고문은 번호로 시작됩니다. 이 번호는 *Safety Information* 책에 나오는 영문판 주의 및 위험 경고문과 한글판 주의 및 위험 경고문을 상호 참조하는데 사용됩니다.

예를 들어 주의 경고문이 번호 1로 시작되면 *Safety Information* 책에서 이 주의 경고문은 경고문 1번 아래에 나옵니다.

지시를 따라 수행하기 전에 먼저 모든 주의 및 위험 경고문을 읽도록 하십시오.

Lea atentamente todas las declaraciones de precaución y peligro ante de llevar a cabo cualquier operación.

Frequently used terms

The following list of terms, used within this document, have these specific meanings:

Term	Definition in this document
Drive bay	A receptacle into which you insert a hard disk drive in an appliance. The bays could be physically located in a separate rack from the appliance.
Engine	The processor that responds to requests for data from clients. This is where the operating software for the IBM IP Storage appliance resides.
Storage unit	Hardware that contains one or more drive bays, power supplies, and a network interface.
Notes	These notices provide important tips, guidance, or advice.
Attention	These notices indicate possible damage to programs, devices, or data. An attention notice is placed just before the instruction or situation in which damage could occur.
Caution	These notices indicate situations that can be potentially hazardous to you. A caution notice is placed just before descriptions of potentially hazardous procedure steps or situations.
Danger	These notices indicate situations that can be potentially lethal or extremely hazardous to you. A danger notice is placed just before descriptions of potentially lethal or extremely hazardous procedure steps or situations.

Publications

Hardcopy publications shipped with the IBM IP Storage

The following publications are shipped in hardcopy. They are also provided in softcopy on the Publications and Code CD that came with your appliance and at www.ibm.com/storage/support/nas.

- *IBM TotalStorage IP Storage 200i Installation Guide, GA27-4273*
This publication provides detailed procedures for setting up and cabling components of the IBM IP Storage and for performing initial configuration.
- *Release Notes*
This document provides any changes that were not available at the time this publication was produced.
- *IBM TotalStorage IP Storage 200i Quick Start Instructions*
This document provides a brief list of procedures for setting up, cabling, and configuring the IBM IP Storage.

Softcopy publications

The following publications support the IBM IP Storage appliance. They are available in softcopy on the Publications and Code CD that came with your appliance and at www.ibm.com/storage/support/nas.

- *IBM TotalStorage IP Storage 200i Administrator's Guide*
This publication describes instructions for configuring, maintaining, recovering, and troubleshooting the appliance.
- *IBM TotalStorage IP Storage 200i Service Guide*
This publication describes instructions for troubleshooting, recovering, and servicing the IBM IP Storage appliance.
- *IBM TotalStorage IP Storage 200i Storage Unit Installation Guide*
This publication provides instructions for installing, replacing, and troubleshooting components in the Model EXP (storage unit).
- *IBM TotalStorage 5Ux24D Tower-to-Rack Kit Installation Guide*
This publication describes how to convert the Model 100 into a rack-mountable unit.
- *IBM TotalStorage Gigabit Ethernet Copper Adapter Quick Installation Guide*
This publication describes how to quickly install the Gigabit Ethernet Copper Adapter.
- *Netfinity Gigabit Ethernet SX Adapter User's Guide*
This publication describes how to quickly install the Gigabit Ethernet SX Adapter.

Web site

You can obtain complete FAQs, parts information, technical hints and tips, technical publications, and downloadable files from:

www.ibm.com/storage/support/nas

Chapter 1. Introduction to IBM IP Storage hardware

The IBM TotalStorage™ IP Storage 200i is a series of products identified as the IBM 4125 IP Storage Models 100 and 200. It is designed for workgroups, departments, and solution providers that have storage area network requirements across heterogeneous Microsoft® Windows NT®, Windows® 2000, and Linux clients (iSCSI clients). It includes preloaded code, and offers virtually 'plug and go' IP-based storage.

The Model 100 is a tower unit that requires only power and network connections for setup. For the Model 100, a conversion kit is available to convert the tower for rack mounting. The Model 200 can be mounted in a 5U rack drawer. The Model 200 has external SCSI ports as well as power and network connections.

For additional storage, a Model EXP can be added to the Model 200. The Model EXP is a storage unit that supports up to 14 Ultra160 SCSI drives. It delivers fast, high-volume data transfer, retrieval, and storage functions across multiple drives. The Model EXP supports IBM Ultra160 SCSI for the host and drive interfaces. After you review the introductory information provided in this chapter, refer to "Installing a storage unit" on page 11 to begin the installation process.

The IBM IP Storage appliance

As an appliance with redundant power supplies, the IBM IP Storage is shipped with three power cords. It does not come with a mouse, keyboard, or monitor. The appliance is already configured; aside from initial configuration to determine the IP address, you do not need to configure hardware or install code for the base model configurations. The Models 100 and 200 require two connections: power and network.

iSCSI client

The Models 100 and 200 serve out local storage to iSCSI clients' requests. The IBM IP Storage acts as a single server to the physical disk drives on behalf of the iSCSI client. The physical disk drive storage is partitioned into multiple virtual logical units of storage (VLUNs) for storage assignments to individual iSCSI client. iSCSI clients use an assigned client ID and password to access assigned LUNs.

Standard features

Table 1 lists the standard features of the Model 100 and Model 200.

Table 1. Standard Features of the Model 100 and Model 200

Hardware	Model 100	Model 200
System	<ul style="list-style-type: none">• One 800-MHz Intel Pentium® III with MMX™ technology and SIMD extensions• 256 MB Level-2 cache• Integrated 10/100 Ethernet (used only for configuration and servicing)	<ul style="list-style-type: none">• Two 800-MHz Intel Pentium III with MMX technology and SIMD extensions• 256 MB Level-2 cache• Integrated 10/100 Ethernet (used only for configuration and servicing)

Table 1. Standard Features of the Model 100 and Model 200 (continued)

Memory	<ul style="list-style-type: none"> • 256 MB • Type: 133-MHz, ECC, SDRAM, registered DIMMs • Maximum: 2 GB 	<ul style="list-style-type: none"> • 1 GB • Type: 133-MHz, ECC, SDRAM, registered DIMMs • Maximum: 2 GB
Internal hard drives	20.4-GB IDE	20.4-GB IDE
Expansion bays	<ul style="list-style-type: none"> • Hot-swap: six slim-high • Non-hot-swap: two 5.25-inch, one for CD-ROM drive and one for IDE drive 	<ul style="list-style-type: none"> • Hot-swap: six slim-high • Non-hot-swap: two 5.25-inch, one for CD-ROM drive and one for IDE drive
Hot-swap hard drives	Three Ultra160 10000 rpm 36.4 GB Total: 108 GB	Six Ultra160 10000 rpm 36.4 GB Total: 216 GB
RAID controller	ServeRAID™-4L 16 MB cache	ServeRAID-4H 128 MB cache
Network	Gigabit Ethernet SX Adapter or Gigabit Ethernet Copper Adapter	Gigabit Ethernet SX Adapter or Gigabit Ethernet Copper Adapter
Power Supplies	Three 250 W (115-230 V)	Three 250 W (115-230 V)

Optional features

Table 2 lists the optional features of the Models 100 and 200.

Table 2. Optional Features of Model 100 and Model 200

Feature	Model 100	Model 200
Up to three additional IBM IP Storage storage units, each containing up to 14 Ultra160 36.4-GB hard drives		X
36.4 GB 10K-4 Ultra160 SCSI Hot-Swap SL HDD	X	X
256 MB 133-MHz ECC SDRAM RDIMM	X	
512 MB 133-MHz ECC SDRAM RDIMM	X	X
1 GB 133-MHz ECC SDRAM RDIMM	X	X
5Ux24D Tower-to-Rack Kit	X	

Specifications

Dimensions

	Model 100	Model 200	Model EXP
Front	217.3 mm (8.6 in)	426.5 mm (16.8 in)	444.0 mm (17.5 in)
Side	659.3 mm (26.0 in)	629.3 mm (24.8 in)	519.0 mm (20.4 in)
Height	426.5 mm (16.8 in)	217.3 mm (8.6 in)	127.5 mm (5.0 in)

Weight

Model 100	Model 200	Model EXP
Approx. 26.6 kg (58.6 lb) without extra hard drives Approx. 37.5 kg (82.7 lb) when fully configured	Approx. 25.2 kg (55.7 lb) without extra hard drives Approx. 36.2 kg (79.8 lb) when fully configured	Approx. with all hard drives: 34.5 kg (76 lb)

Operating environment

	Models 100 and 200
Air temperature	
at altitudes up to 914 m (2999 ft.)	10° - 35° C (50.0° - 95.0° F)
at altitudes from 914 m (2999 ft. to 2133 m (6998 ft)	10° - 32° C (50.0° - 89.6° F).
Humidity	8% - 80%

Nonoperating (power-off) environment

	Models 100 and 200
Temperature (at max. altitude of 2133 m [6998 ft])	10° - 43° C (50.0° - 109.4° F)
Humidity	8% - 80%

Heat output

Approximate heat output for Models 100 and 200:	
Minimum configuration	683 BTU (200 watts)
Maximum configuration	2048 BTU (600 watts)

Power requirements

Voltage low range	100 - 127 V ac, 50 - 60 Hz
Voltage high range	200 - 240 V ac, 50 - 60 Hz
Power consumption	0.08 - 0.52 kVA

Chapter 2. Installation procedures

This chapter provides information about how to install the Models 100 and 200.

Preinstallation checklist

Before beginning installation, record your product information in Table 3. Refer to this information when service is necessary.

Table 3. Product Information

Record your product information in this table.	
Product name	_____
Machine type	_____
Model number	_____
Serial number	_____

In addition to this *IBM TotalStorage IP Storage 200i Installation Guide*, make sure that you have the following items: In addition to this *IBM TotalStorage IP Storage 200i Installation Guide*, make sure that you have the following items:

- Model 100 or Model 200
- Power cords (3)
- Recovery CD
- Rack-mounting kit (for Model 200)
- *Safety Information*, IBM Part Number 44L2247

If you ordered options for the appliance, this package might contain additional hardware, code, or publications for those options.

If an item is missing or damaged, contact your place of purchase.

Setting up the appliance

This section provides information about the initial installation and setup for the Models 100 and 200.

Setting up the Model 100

The initial installation of the Model 100 consists of the following steps:

1. Installing optional features (see “Installing optional features” on page 11).
2. Connecting the power cords and communication cables (see “Cabling” on page 21).
3. Starting the appliance and verifying that the power-on diagnostics completed successfully (see “Starting the appliance” on page 23).
4. Performing the initial configuration (see “Performing initial configuration” on page 24).

Setting up the Model 200

The initial installation of a Model 200 consists of the following steps:

1. Installing in a rack (see “Setting up the Model 200 in a rack”).
2. Installing optional features (see “Installing optional features” on page 11 and “Installing a storage unit” on page 11).
3. Connecting the power cords and communication cables (see “Cabling” on page 21).
4. Starting the appliance and verifying that the power-on diagnostics completed successfully (see “Starting the appliance” on page 23).
5. Performing the initial configuration (see “Performing initial configuration” on page 24).

Setting up the Model 200 in a rack

For Model 200, you must first install the appliance in a rack, using the rack-mounting kit provided.

The following reduced-size illustration of the front and the back of the rack mounting template shows where to place the clip nuts or cage nuts when installing your appliance in a rack.

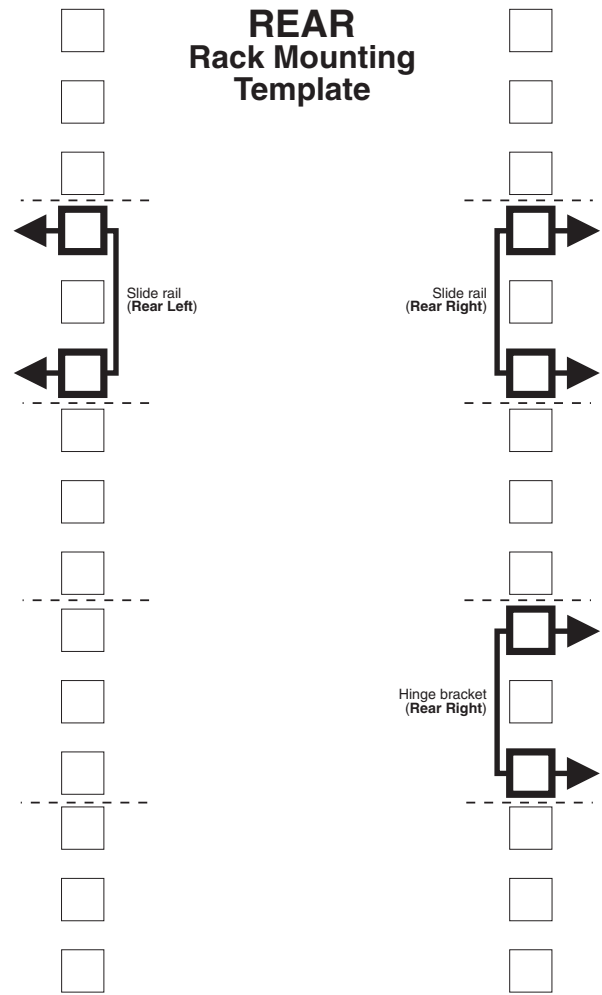
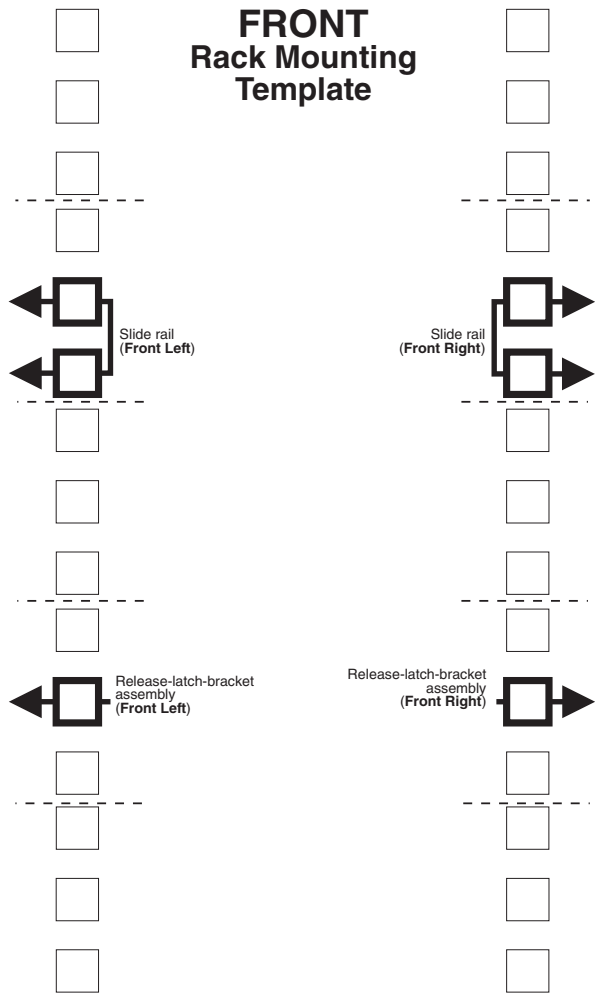
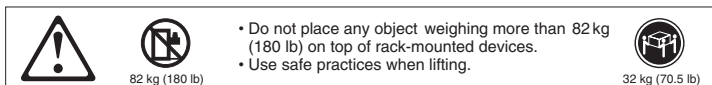


Figure 1. Front and back of the rack mounting template

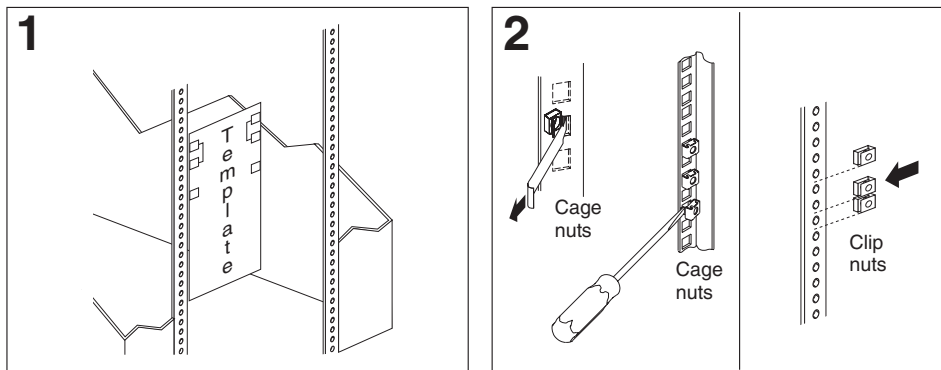
Rack Mounting Instructions

- Review the documentation that comes with your rack enclosure.
- Maintain 15 cm (6 in.) of clearance around your appliance for air circulation.
- Ensure the room air temperature is below 35°C (95°F).
- Plan the appliance installation working from the bottom of the rack up.
- Remove the rack doors and the side panels during the installation, if necessary.
- Position the template to the rack so that the edges of the template do not overlap any other devices to be installed.
- Connect all power cords on the appliance and on other devices to properly wired and grounded electrical outlets.
- Take precautions to prevent the rack from overloading the power outlets when you install multiple devices in a rack.



The following is a list of items shipped in your rack installation kit. If any items are missing or damaged, contact your place of purchase.

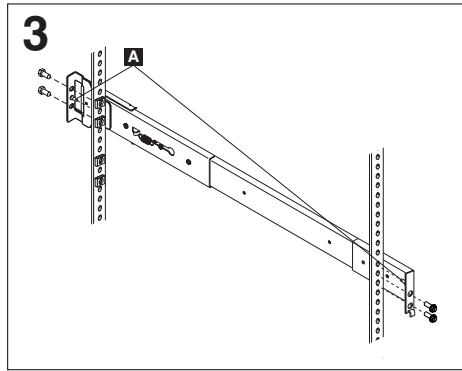
- Cable-management assembly
- Cable straps (7)
- Cable ties (10)
- Cage nuts (12)
- Clip nuts (12)
- Screw packages (2)
- Slide rails (2)



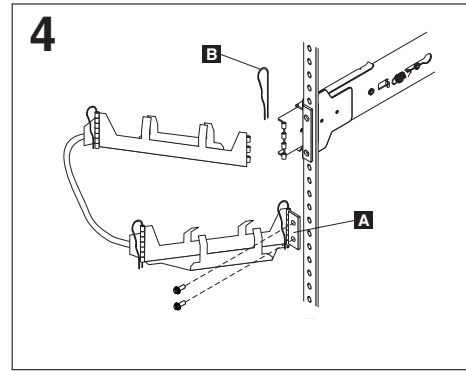
Use the attached stickers to mark the holes on the front and the rear of the rack in the locations indicated by the arrows on the template.

Use a screwdriver or the cage-nut-insertion tool to insert the cage nuts, or slide on the clip nuts, as required for your rack, into all the marked holes.

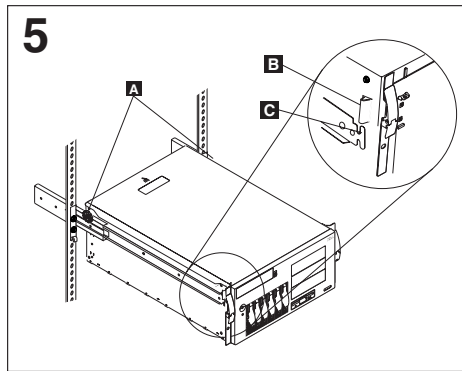
Figure 2. Rack mounting instructions



Use the pins **A** on the slide rail to align the slide rail to the rack. Use the M6 screws to bolt the slide rail to the rack (left front of rack shown here). Repeat this step for the other slide rail.



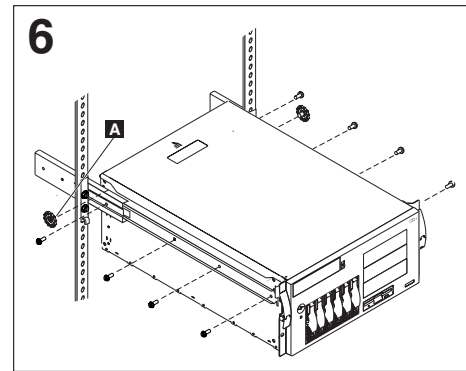
Use the M6 screws to attach the hinge bracket **A** to the rear of the rack. Then, use the hinge pin **B** to attach the cable-management assembly to the slide rail. (Right rear of rack shown here).



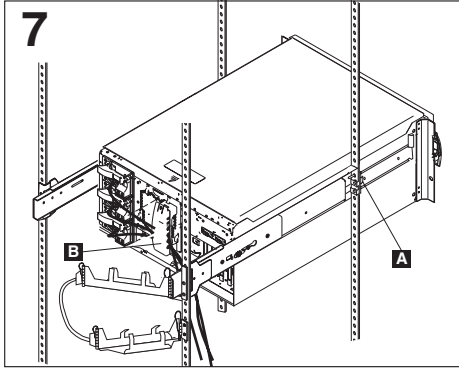
Caution: To avoid injury, do not place your fingers around the rack-support wheels when lowering the appliance onto the rails.

Fully extend the slide rails out of the rack. Lift the appliance above the rails; then, rest the rack-support wheels **A** located on the rear of the appliance on the slide rails. Lower the front of the appliance onto the slide rails.

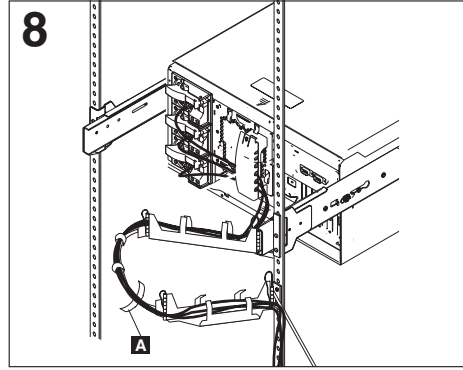
Note: Be sure the bracket notches **B** on the front of the appliance fit securely on the tabs **C** located on the front of the slide rails.



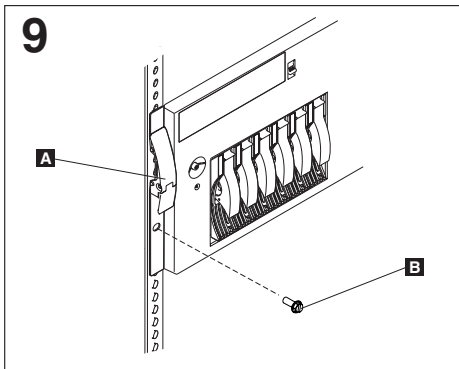
Use the M4 screws to secure the appliance to the rails. Unscrew the rack-support wheels **A** and store them in a safe place.



7 Press in on the safety latches **A** and slide the appliance halfway into the rack. Attach the power, keyboard, mouse, and monitor cables (if required) to the appliance and route them through the cable restraint bracket **B**. Then, attach all other required cables to the appliance.



8 Route all the cables through the cable-management assembly as shown. Then, use the cable straps **A** or the cable ties to secure the cables to the cable-management assembly.



9 Slide the appliance into the rack until the release latches **A** snap shut. Then, insert the M6 screws **B** through the release-latch-bracket assembly.
Note: Inserting the M6 screws **B** is optional, unless you are moving the rack or the rack is in a vibration-prone area.

Installing optional features

The appliance has several optional features available.

Installing a storage unit

The Model 200 includes the option of installing up to three additional storage units, or Model EXPs. The internal hot-swap SCSI disks are connected internally to Channel 1 for both the ServeRAID-4H and ServeRAID-4L adapters. You cannot attach a storage unit to a Model 100 because ServeRAID-4L has only one channel connector.

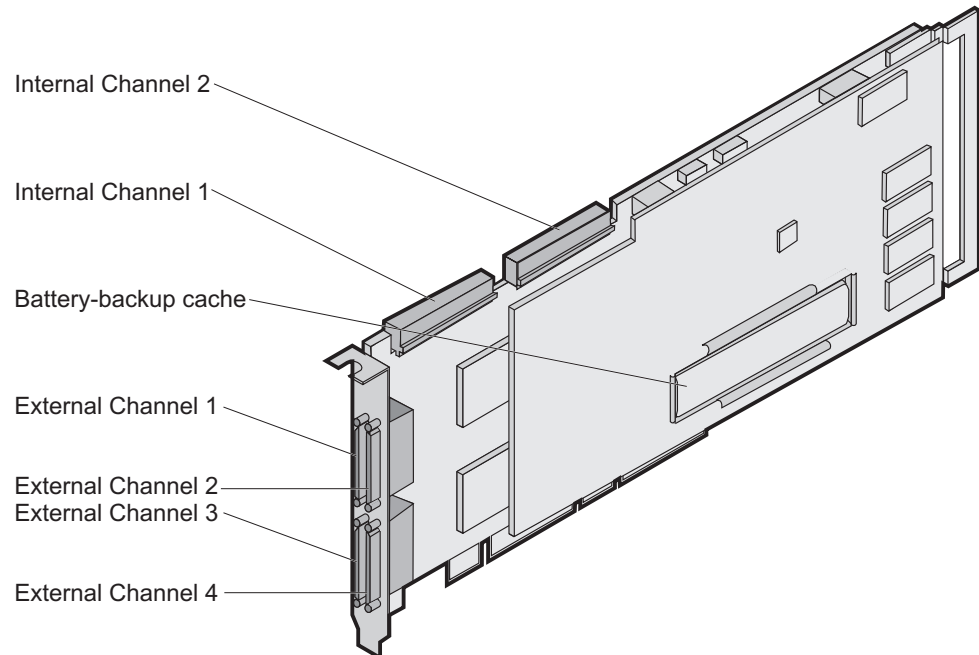


Figure 3. ServeRAID-4H channel connector locations

Important: When adding storage units to the Model 200, connect the first additional storage unit to Channel 2, the second to Channel 3, and so forth.

Notes:

1. The ServeRAID-4L and ServeRAID-4H adapters do not support configurations that use both the internal and external connectors on the same channel *concurrently*. For example, you cannot use both external Channel 1 and internal Channel 1.
2. The battery-backup cache protects the data stored in the ServeRAID cache memory during a power outage or failure when using the write-back mode.
3. The ServeRAID-4H controller uses the module (part number 38L3386) containing a lithium battery.

Statement 2



CAUTION:

When replacing the lithium battery, use only IBM Part Number 33F8354 or an equivalent type battery recommended by the manufacturer. If your system has a module containing a lithium battery, replace it only with the same module type made by the same manufacturer. The battery contains lithium and can explode if not properly used, handled, or disposed of.

Do not:

- Throw or immerse into water
- Heat to more than 100°C (212°F)
- Repair or disassemble

Dispose of the battery as required by local ordinances or regulations.

Note: For translations of the safety notices that are included in this guide, refer to *Safety Information*.

To connect storage units to an external channel connector on the ServeRAID-4H controller:

1. Connect one end of a 68-pin very high density connector interface (VHDCI) SCSI cable to an external channel connector on the ServeRAID-4H adapter.

Note: See Figure 3 on page 11 for the channel connector locations.

2. Connect the other end of the SCSI cable to the storage unit. For detailed installation and cabling instructions for the storage unit, refer to the *IBM TotalStorage IP Storage 200i Storage Unit Installation Guide*.

Installing a hot-swap hard drive

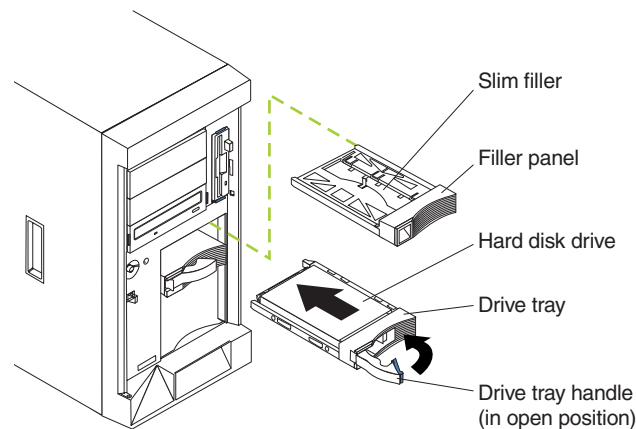


Figure 4. Installing a hot-swap hard drive

Attention:

- To maintain proper system cooling, do not operate the appliance for more than two minutes without either a drive or a filler panel installed for each bay.
- You do not need to switch off the Models 100 and 200 or remove covers to install or replace hot-swap power supplies or hot-swap hard drives.
- Back up all important data before you make changes to hard drives.
- When you handle electrostatic discharge-sensitive devices (ESDs), take precautions to avoid damage from static electricity. For details on handling these devices, refer to “Handling electrostatic discharge-sensitive devices” on page 31.

To install a hard disk drive in a hot-swap drive bay:

1. Review the safety precautions in “Safety precautions” on page ix.
2. Remove the filler panel from one of the empty hot-swap bays by inserting your finger into the depression at the left side of the filler panel and pulling it away from the appliance.
3. Install the hard disk drive in the hot-swap bay:
 - a. Ensure the tray handle is open (that is, perpendicular to the drive).
 - b. Align the rails on the drive assembly with the guide rails in the drive bay.
 - c. Gently push the drive assembly into the bay until the drive connects to the planar.
 - d. Push the tray handle toward the closed position until it locks the drive in place.
4. Check the hard disk drive status indicators to verify that the hard disk drives are operating properly :
 - When the amber LED is on continuously, the drive has failed.
 - When the green LED flashes slowly (one flash per second), the drive is being rebuilt.
 - When the green LED flashes rapidly (three flashes per second), the controller is identifying the drive.

Installing memory modules (DIMMs)

You can increase the amount of memory in your appliance by installing options called *memory-module kits*. Each kit contains one industry-standard, dual-inline memory module (DIMM). Your appliance uses a noninterleaved memory configuration.

Your appliance comes with one or more dual inline memory modules (DIMM) installed on the system board in the DIMM connectors.

This section describes how to replace a memory module. It consists of four steps:

1. Prepare to install the memory module (see “Preparing to install a memory module”).
2. Remove the cover (see “Removing the cover” on page 15).
3. Install the memory module (see “Adding the memory module” on page 17).
4. Replace the cover (see “Replacing the cover” on page 19).

Preparing to install a memory module

Read these notes before installing a memory module.

Note:

- Become familiar with the safety and handling guidelines specified under “Handling electrostatic discharge-sensitive devices” on page 31.
- The blue color on components and labels inside your Models 100 and 200 identifies touch points where a component can be gripped, a latch moved, and so on. The only exception to this is the power supplies, which are orange.
- Make sure that you have an adequate number of properly grounded electrical outlets for Models 100 and 200 and any other options that you intend to install.
- Have a small, flat-blade screwdriver available.
- Before you begin installing components, read the safety information found in “Translated safety notices” on page 31.
- For translations of the safety notices that are included in this guide, refer to *Safety Information*.

Removing the cover

Removing the Model 100 cover:

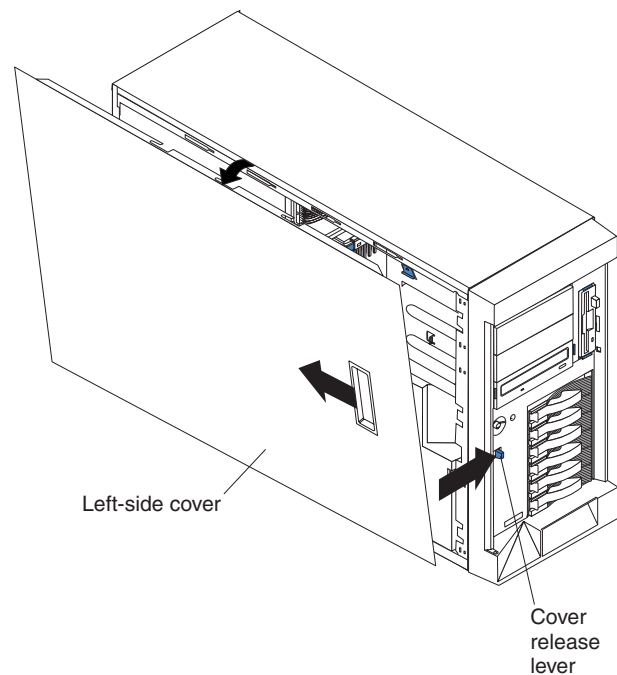


Figure 5. Removing the cover of the Model 100

To remove the left-side cover of the Model 100:

1. Review the information in “Preparing to install a memory module” on page 14.
2. Switch off the appliance and all attached devices and disconnect all external cables and power cords.
3. Slide the cover-release lever on the front of the appliance to release the cover; then, slide the cover toward the rear of the appliance about 25 mm (1 in.). Move the top edge of the cover out from the appliance; then, lift the cover off the appliance. Set the cover aside.

Attention: For proper cooling and airflow, replace the cover before switching on the appliance. Operating the appliance for extended periods of time (over 30 minutes) with the cover removed might damage appliance components.

Removing the Model 200 cover:

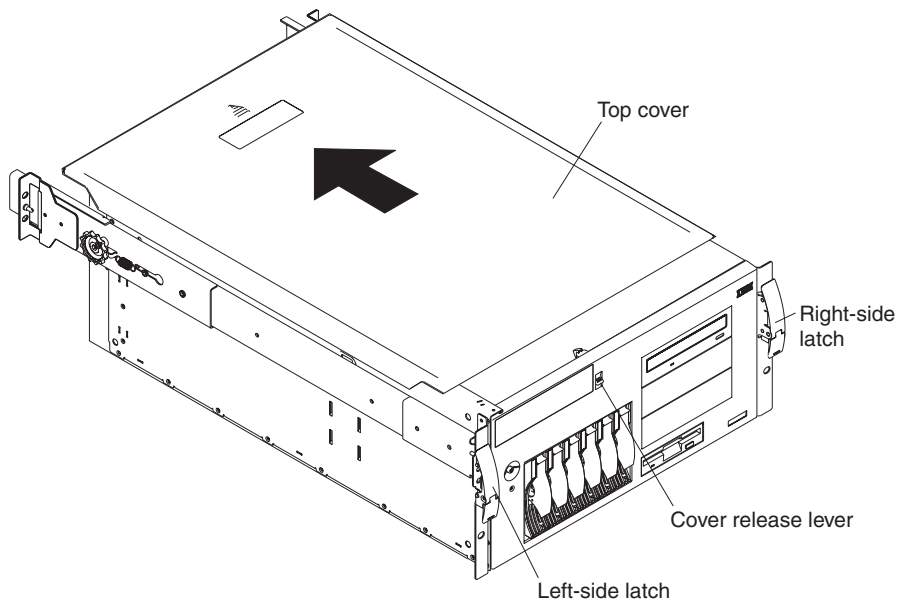


Figure 6. Removing the cover of the Model 200

To remove the appliance top cover:

1. Review the information in “Preparing to install a memory module” on page 14.
2. Switch OFF the appliance and all attached devices and disconnect all external cables and power cords.
3. Release the left and right side latches and pull the appliance out of the rack enclosure until both slide rails lock.

Note: When the appliance is in the locked position, you can reach the cables on the back of the appliance.

4. Move the cover-release lever down while sliding the top cover toward the rear of the appliance about 25 mm (1 in.). Lift the cover off the appliance and set the cover aside.

Attention: For proper cooling and airflow, replace the cover before switching on the appliance. Operating the appliance for extended periods of time (over 30 minutes) with the cover removed might damage appliance components.

Adding the memory module

Read these notes before adding the memory module.

Note: The Model 100 supports additional 256-MB, 512-MB, and 1-GB DIMMs. The Model 200 supports additional 512-MB DIMMs. Both models support a maximum of 2-GB of memory.

To install a memory module (DIMM):

Attention: When you handle electrostatic discharge-sensitive devices (ESDs), take precautions to avoid damage from static electricity. For details on handling these devices, refer to “Handling electrostatic discharge-sensitive devices” on page 31.

1. Review the safety precautions listed in Statement 1 and Statement 5 in “Translated safety notices” on page 31.
2. Review the documentation that comes with your option.
3. Switch off the appliance and peripheral devices and disconnect all external cables and power cords.
4. Touch the static-protective package containing the DIMM to any unpainted metal surface on the appliance. Then, remove the DIMM from the package.

Note: To avoid breaking the retaining clips or damaging the DIMM connectors, handle the clips gently.

5. Install the DIMM:
 - a. Turn the DIMM so that the pins align correctly with the connector.
 - b. Insert the DIMM into the connector by pressing on one edge of the DIMM and then on the other edge of the DIMM. Be sure to press straight into the connector. Be sure that the retaining clips snap into the closed positions.
 - c. Make sure the retaining clips are in the closed position. If a gap exists between the DIMM and the retaining clips, the DIMM has not been properly installed. In this case, open the retaining clips and remove the DIMM; then, reinsert the DIMM.

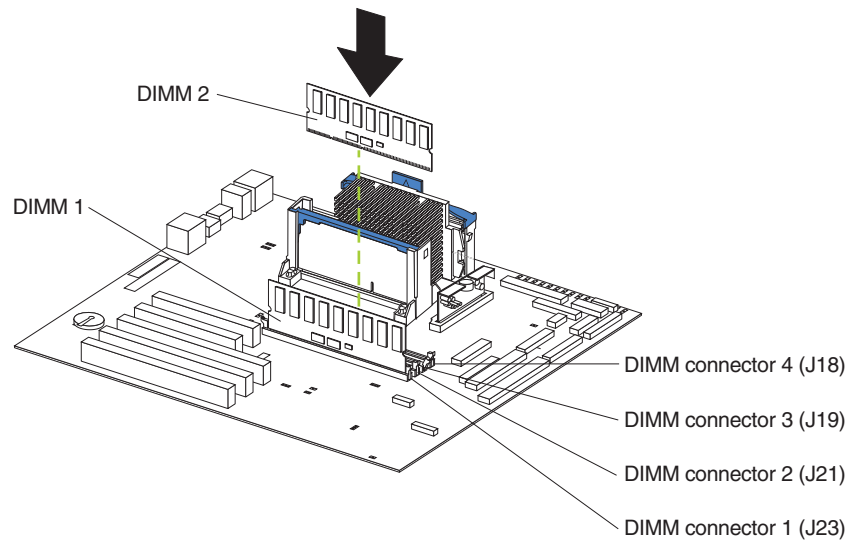


Figure 7. Installing a DIMM

6. Install additional DIMMs in the order specified in the documentation that comes with your option. (See Figure 7 for memory connector locations.)
7. Continue with “Replacing the cover” on page 19.

Replacing the cover

Replacing the Model 100 cover:

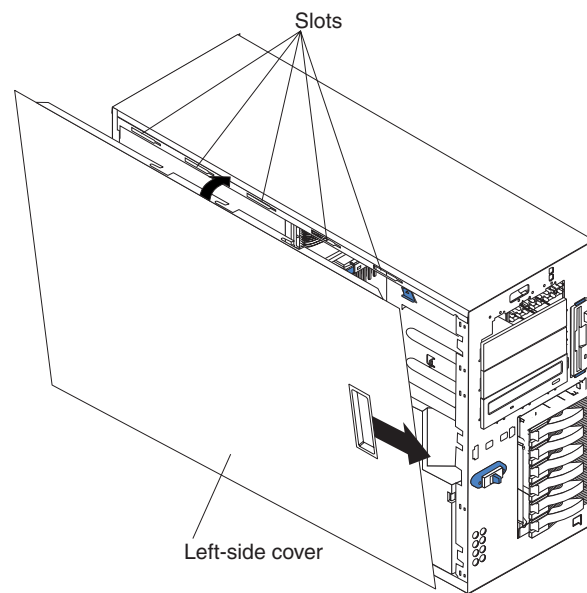


Figure 8. Replacing the Model 100 cover

To replace the appliance left-side cover:

1. Align the cover with the left side of the appliance, about 25 mm (1 in.) from the front of the appliance; place the bottom of the cover on the bottom rail of the chassis.
2. Insert the tabs at the top of the cover into the slots at the top of the appliance.
3. Hold the cover against the appliance and slide the cover toward the front of the appliance until the cover clicks into place.
4. Connect a keyboard and monitor to the appliance.
5. Switch on the appliance.
6. The system displays a message indicating that a configuration error occurred. Follow the onscreen prompts to review and save the new memory configuration. After you save changes and exit the **Configuration/Setup Utility** program, the appliance will restart.
7. Disconnect the keyboard and monitor.

Replacing the Model 200 cover:

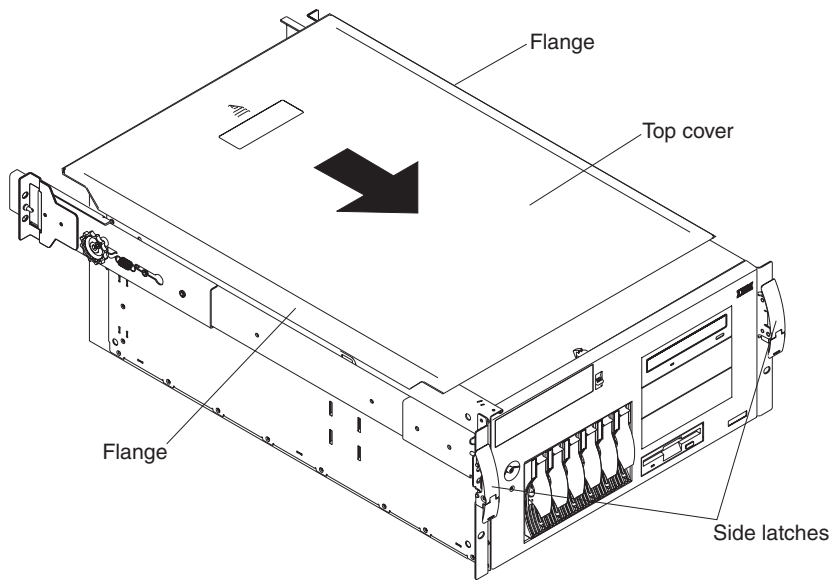


Figure 9. Replacing the Model 200 cover

To replace the appliance top cover:

1. Align the top cover with the top of the appliance, about 25 mm (1 in.) from the front of the appliance; the flanges on the left and right sides of the cover should be on the outside of the appliance chassis.
2. Hold the cover against the appliance and slide the cover toward the front of the appliance until the cover clicks into place.
3. Connect a keyboard and monitor to the appliance.
4. Switch on the appliance.
5. The system displays a message indicating that a configuration error occurred. Follow the onscreen prompts to review and save the new memory configuration. After you save changes and exit the **Configuration/Setup Utility** program, the appliance will restart.
6. Disconnect the keyboard and monitor.

Installing the Tower-to-Rack Kit

Refer to the instructions that come with your Tower-to-Rack Kit for information on converting a tower to a rack.

Cabling

For each of the three power supplies, connect one end of the power cord to the power supply and the other end to an appropriate outlet. Connect one end of the Gigabit Ethernet cable to the Gigabit Ethernet Adapter located in one of the expansion slots (see Figure 10) and the other to the system network.

Note: You may use a 10/100 Ethernet cable if your network does not support Gigabit Ethernet.

When you cable the appliance, be sure to route the power and network cables through the cable-restraint bracket on the rear of the appliance.

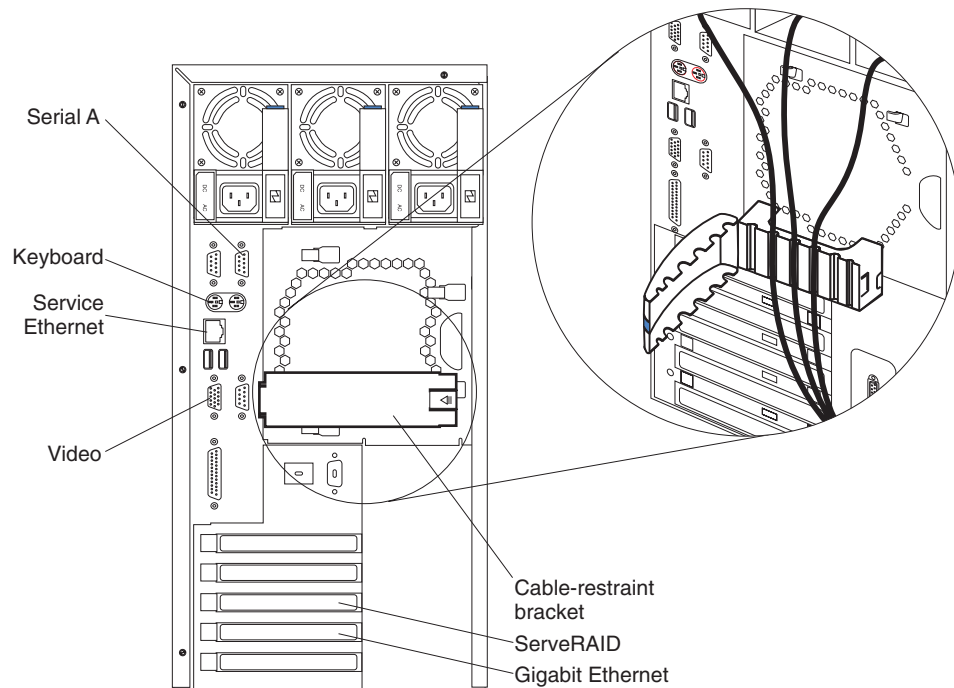


Figure 10. Cabling the appliance

Additionally, for Model 200, be sure to thread the cables through the cable-restraint bracket and then route the cables through the cable-management assembly on the rack (see Figure 11).

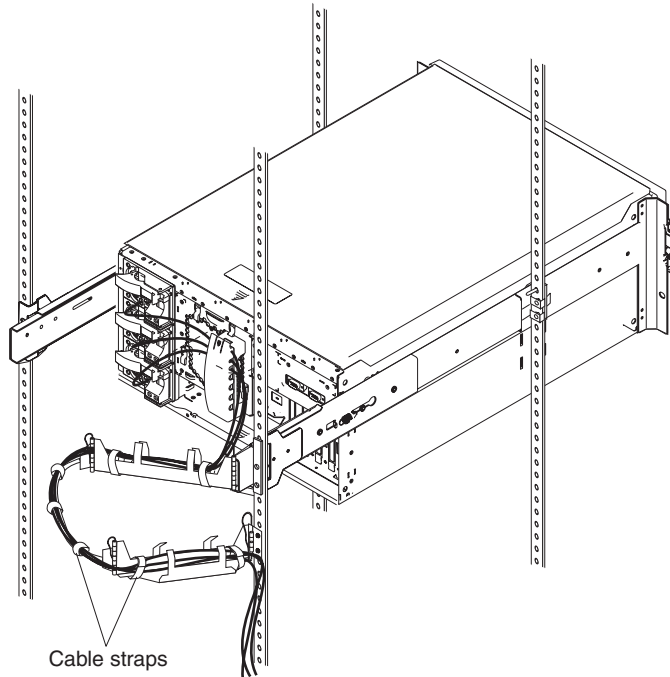


Figure 11. Routing cables through cable-management assembly

Starting the appliance

Complete the installation by switching on the appliance and running the power-on diagnostics. Each time the appliance is switched on, it runs a self-testing program to ensure that it is running correctly. If the power-on diagnostics complete successfully, the Information LED and the System Error LED are off; the POST Complete (OK) LED and Power-on LED are on. See Figure 12 for the locations of the Information LED, System Error LED, POST Complete (OK) LED, and Power-on LED.

Note: Depending on the system status, other LEDs may be on.

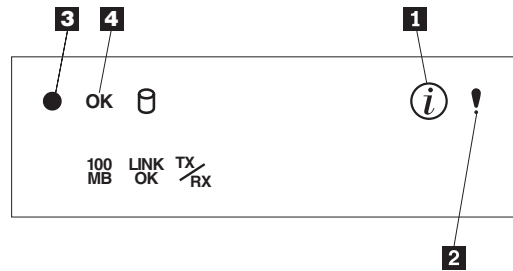


Figure 12. Locations of the Information LED, System Error LED, POST Complete (OK) LED, and Power-on LED

- 1** Information LED
- 2** System Error LED
- 3** Power-on LED
- 4** POST Complete (OK) LED

If a problem is detected during the diagnostics, refer to the *IBM TotalStorage IP Storage 200i Administrator's Guide*.

After you plug the power cord of the appliance into the power supply and an electrical outlet, start the appliance by pressing the power button on the front of the appliance.

Note: After you plug the power cord of the appliance into an electrical outlet, wait approximately 20 seconds before pressing the power button. During this time, the system-management processor is initializing and the power button does not respond.

Attention: The operating system undergoes a series of initialization operations upon start up. The first time you start the appliance, a series of configuration and system preparation programs are run automatically. These programs must finish running before you use any included applications to connect to or configure your appliance. Wait at least 5 minutes to connect to or configure the appliance after the initial system start.

Performing initial configuration

The IBM IP Storage is configured and managed through the Web-based appliance management utility. This utility can be accessed through a Web browser, either Netscape 4.5+ or Internet Explorer 5.x. The browser must be configured to connect to the Internet directly rather than through a proxy appliance. Because the appliance is headless, configuration must be completed from another machine, known as the *management workstation*.

Note: The appliance is equipped with two Ethernet ports: the Gigabit Ethernet and the Service Ethernet. The Gigabit Ethernet is used primarily for storage traffic but can also be used for configuration purposes. The Service Ethernet is used only for service and configuration purposes; no storage traffic occurs over the Service Ethernet. It is recommended that you use the Gigabit Ethernet for configuring the appliance; the Service Ethernet is provided as a backup method.

Prerequisites

The IBM TotalStorage IP Storage 200i supports the following browsers to access the appliance management utility:

- Microsoft Internet Explorer 5.0 only
- Netscape 4.7 - 4.76 only
- Java™ Swing 2
- Sun's Java Plug-in 1.3 (available at www.java.sun.com/j2se/1.3/jre)

Because the appliance management utility uses frames, some views might appear different depending on the browser that you use.

Note: Some panels in the appliance management utility require Java Swing support in your browser. At your first visit to these panels, your browser will be checked for this plug-in. If it is not present, you are presented with a dialog that allows you to download the appropriate software from the Internet.

Logging in to the appliance management utility

To log into the appliance management utility, use the following user ID and password. Note that these fields are case-sensitive.

User ID administrator

Password password

Obtaining the initial IP address

You can obtain the initial IP address through two different ways:

Obtaining the IP address through the Gigabit Ethernet (ARP Find)

Before the IP Storage can be fully functional as an iSCSI server, you must complete a set of required configuration tasks using the appliance management utility. To configure the IP address:

1. Launch the Web browser from the management workstation.

Note: For information on browser requirements, see the *IBM TotalStorage IP Storage 200i Administrator's Guide*.

2. Point the browser to the appliance you are configuring using the following URL:

http://IP_address:3939/

where *IP_address* is the unique IP address you wish to assign to the appliance. For example:

http://128.1.3.1:3939/

3. When the workstation connects successfully to the appliance, a pop-up window appears for login and password. (See “Logging in to the appliance management utility” on page 24 and the *IBM TotalStorage IP Storage 200i Administrator's Guide* for more for instructions on logging into the appliance management utility and configuring the IBM IP Storage.)

Note: If the browser times out, the IP-address assignment was not successful. Go to a command line in the management workstation. Type **arp -a [n]** (where **n** is the desired IP address) and press **Enter**. If the corresponding MAC address does not match the appliance's MAC address, then the IP address is used by another host; repeat this step using another IP address. If the ARP entry is resolved to the correct appliance:

- a. Delete the resolved entry by typing **arp -d IP_address**.
- b. Press **Enter**.
- c. Retry step 3.

If multiple appliances are being set up simultaneously, retry with a different address after deleting the resolved entry.

After you configure the IP address through the appliance management utility, use port number 1959 to access the appliance management utility. For example:

http://128.1.3.1:1959/IBM200i

Obtaining the IP Address through the Service Ethernet

The Service Ethernet is preconfigured with IP address:

192.9.200.1:1959/IBM200i

The management workstation must be configured on the 192.9.200 subnet. To use the Service Ethernet to launch the appliance management utility from the management workstation, point the browser to:

http://192.9.200.1

A popup window appears for login and password. Refer to “Logging in to the appliance management utility” on page 24 and the *IBM TotalStorage IP Storage 200i Administrator's Guide* for instructions for logging into the appliance management utility and configuring the IBM IP Storage.

Configuring the network

To configure the network:

1. Click **System** → **Date and time**, and set the date and time on the appliance. Then, click **Apply**.
2. Click **Network** → **Data Ports**. A Ports window will appear; select the port you want to edit and click **Edit**. Set the IP address, network mask, and host name. Then, click **Apply**.
3. Click **Network** → **Settings**. Set the domain name server (DNS) address, domain and the gateway address. Then, click **Apply**.

Note: After completing the installation, back up your configuration. See the *IBM TotalStorage IP Storage 200i Administrator's Guide* for details on configuring the network and backing up the configuration.

4. Continue with “Assigning virtual disks”.

Assigning virtual disks

The IBM IP Storage is partitioned into virtual disks that are assigned to clients. The iSCSI client code installed on the client machines allows clients to access the virtual disks as directly attached devices.

To create and assign virtual disks:

1. Click **Storage** → **Virtualization**.
2. Select a logical disk, and click **Add VLUN**.
3. Specify the size and number of the virtual disks, and then click **Add**.
4. Click a virtual disk, and then click **Assign Client**.
5. Specify a client identifier and password, and click **Add**.
6. Click **Apply**.
7. Click **System** → **Reset**, and then click **Reboot** to reboot the appliance and activate the configuration changes.

See the *IBM TotalStorage IP Storage 200i Administrator's Guide* for more information about assigning virtual disks.

Appendix A. Notices

This information was developed for products and services offered in the U.S.A.

IBM may not offer the products, services, or features discussed in this document in other countries. Consult your local IBM representative for information on the products and services currently available in your area. Any reference to an IBM product, program, or service is not intended to state or imply that only that IBM product, program, or service may be used. Any functionally equivalent product, program, or service that does not infringe any IBM intellectual property right may be used instead. However, it is the user's responsibility to evaluate and verify the operation of any non-IBM product, program, or service.

IBM may have patents or pending patent applications covering the subject matter in this document. The furnishing of this document does not give you any license to these patents. You can send license inquiries, in writing, to:

IBM Director of Licensing
IBM Corporation
North Castle Drive
Armonk, NY 10504-1785
U.S.A.

The following paragraph does not apply to the United Kingdom or any other country where such provisions are inconsistent with local law: INTERNATIONAL BUSINESS MACHINES CORPORATION PROVIDES THIS PUBLICATION "AS IS" WITHOUT WARRANTY OF ANY KIND, EITHER EXPRESS OR IMPLIED, INCLUDING, BUT NOT LIMITED TO, THE IMPLIED WARRANTIES OF NON-INFRINGEMENT, MERCHANTABILITY, OR FITNESS FOR A PARTICULAR PURPOSE. Some states do not allow disclaimer of express or implied warranties in certain transactions, therefore, this statement may not apply to you.

This information could include technical inaccuracies or typographical errors. Changes are periodically made to the information herein; these changes will be incorporated in new editions of the publication. IBM may make improvements and/or changes in the product(s) and/or program(s) described in this publication at any time without notice.

Any references in this information to non-IBM Web sites are provided for convenience only and do not in any manner serve as an endorsement of those Web sites. The materials at those Web sites are not part of the materials for this IBM product and use of those Web sites is at your own risk.

IBM may use or distribute any of the information you supply in any way it believes appropriate without incurring any obligation to you.

Information concerning non-IBM products was obtained from the suppliers of those products, their published announcements or other publicly available sources. IBM has not tested those products and cannot confirm the accuracy of performance, compatibility or any other claims related to non-IBM products. Questions on the capabilities of non-IBM products should be addressed to the suppliers of those products.

All statements regarding IBM's future direction or intent are subject to change or withdrawal without notice, and represent goals and objectives only.

Safety and environmental notices

The following sections describe the safety and environmental items you must consider for an IBM Network Attached Storage Appliance.

Safety notices

General safety

Follow these rules to ensure general safety:

- Observe good housekeeping in the area of the machines during and after maintenance.
- When lifting any heavy object:
 1. Ensure you can stand safely without slipping.
 2. Distribute the weight of the object equally between your feet.
 3. Use a slow lifting force. Never move suddenly or twist when you attempt to lift.
 4. Lift by standing or by pushing up with your leg muscles; this action removes the strain from the muscles in your back. *Do not attempt to lift any objects that weigh more than 16 kg (35 lb.) or objects that you think are too heavy for you.*
- Do not perform any action that causes hazards to the customer, or that makes the equipment unsafe.
- Before you start the machine, ensure that other service representatives and the customer's personnel are not in a hazardous position.
- Place removed covers and other parts in a safe place, away from all personnel, while you are servicing the machine.
- Keep your tool case away from walk areas so that other people will not trip over it.
- Do not wear loose clothing that can be trapped in the moving parts of a machine. Ensure that your sleeves are fastened or rolled up above your elbows. If your hair is long, fasten it.
- Insert the ends of your necktie or scarf inside clothing or fasten it with a nonconductive clip, approximately 8 centimeters (3 inches) from the end.
- Do not wear jewelry, chains, metal-frame eyeglasses, or metal fasteners for your clothing.

Remember: Metal objects are good electrical conductors.
- Wear safety glasses when you are: hammering, drilling soldering, cutting wire, attaching springs, using solvents, or working in any other conditions that might be hazardous to your eyes.
- After service, reinstall all safety shields, guards, labels, and ground wires. Replace any safety device that is worn or defective.
- Reinstall all covers correctly before returning the machine to the customer.

Electrical safety



Caution:

Electrical current from power, telephone, and communication cables can be hazardous. To avoid personal injury or equipment damage, disconnect the attached power cords, telecommunication systems, networks, and modems before you open the appliance covers, unless instructed otherwise in the installation and configuration procedures.

Observe the following rules when working on electrical equipment.

Important: Use only approved tools and test equipment. Some hand tools have handles covered with a soft material that does not insulate you when working with live electrical currents.

Many customers have, near their equipment, rubber floor mats that contain small conductive fibers to decrease electrostatic discharges. Do not use this type of mat to protect yourself from electrical shock.

- Find the room emergency power-off (EPO) switch, disconnecting switch, or electrical outlet. If an electrical accident occurs, you can then operate the switch or unplug the power cord quickly.
- Do not work alone under hazardous conditions or near equipment that has hazardous voltages.
- Disconnect all power before:
 - Performing a mechanical inspection
 - Working near power supplies
 - Removing or installing main units
- Before you start to work on the machine, unplug the power cord. If you cannot unplug it, ask the customer to power-off the wall box that supplies power to the machine and to lock the wall box in the off position.
- If you need to work on a machine that has exposed electrical circuits, observe the following precautions:
 - Ensure that another person, familiar with the power-off controls, is near you.
Remember: Another person must be there to switch off the power, if necessary.
 - Use only one hand when working with powered-on electrical equipment; keep the other hand in your pocket or behind your back.
Remember: There must be a complete circuit to cause electrical shock. By observing the above rule, you may prevent a current from passing through your body.
 - When using testers, set the controls correctly and use the approved probe leads and accessories for that tester.
 - Stand on suitable rubber mats (obtained locally, if necessary) to insulate you from grounds such as metal floor strips and machine frames.

Observe the special safety precautions when you work with very high voltages; these instructions are in the safety sections of maintenance information. Use extreme care when measuring high voltages.

- Regularly inspect and maintain your electrical hand tools for safe operational condition.
- Do not use worn or broken tools and testers.
- *Never assume* that power has been disconnected from a circuit. First, *check* that it has been powered-off.
- Always look carefully for possible hazards in your work area. Examples of these hazards are moist floors, nongrounded power extension cables, power surges, and missing safety grounds.
- Do not touch live electrical circuits with the reflective surface of a plastic dental mirror. The surface is conductive; such touching can cause personal injury and machine damage.
- Do not service the following parts with the power on when they are removed from their normal operating places in a machine:
 - Power supply units
 - Pumps
 - Blowers and fans
 - Motor generators
 - Similar units

This practice ensures correct grounding of the units.

- If an electrical accident occurs:
 - Use caution; do not become a victim yourself.
 - Switch off power.
 - Send another person to get medical aid.

Safety inspection guide

The intent of this inspection guide is to assist you in identifying potentially unsafe conditions on these products. Each machine, as it was designed and built, had required safety items installed to protect users and service personnel from injury. This guide addresses only those items. However, good judgment should be used to identify potential safety hazards due to attachment of non-IBM features or options not covered by this inspection guide.

If any unsafe conditions are present, you must determine how serious the apparent hazard could be and whether you can continue without first correcting the problem.

Consider these conditions and the safety hazards they present:

- Electrical hazards, especially primary power (primary voltage on the frame can cause serious or fatal electrical shock).
- Explosive hazards, such as a damaged CRT face or bulging capacitor
- Mechanical hazards, such as loose or missing hardware

The guide consists of a series of steps presented in a checklist. Begin the checks with the power off, and the power cord disconnected.

Checklist:

1. Check exterior covers for damage (loose, broken, or sharp edges).
2. Power-off the computer. Disconnect the power cord.
3. Check the power cord for:
 - a. A third-wire ground connector in good condition. Use a meter to measure third-wire ground continuity for 0.1 ohm or less between the external ground pin and frame ground.

- b. The power cord should be the appropriate type as specified in the parts listings.
- c. Insulation must not be frayed or worn.
4. Remove the cover.
5. Check for any obvious non-IBM alterations. Use good judgment as to the safety of any non-IBM alterations.
6. Check inside the unit for any obvious unsafe conditions, such as metal filings, contamination, water or other liquids, or signs of fire or smoke damage.
7. Check for worn, frayed, or pinched cables.
8. Check that the power-supply cover fasteners (screws or rivets) have not been removed or tampered with.

Handling electrostatic discharge-sensitive devices

Any computer part containing transistors or integrated circuits (ICs) should be considered sensitive to electrostatic discharge (ESD). ESD damage can occur when there is a difference in charge between objects. Protect against ESD damage by equalizing the charge so that the machine, the part, the work mat, and the person handling the part are all at the same charge.

Notes:

1. Use product-specific ESD procedures when they exceed the requirements noted here.
2. Make sure that the ESD protective devices you use have been certified (ISO 9000) as fully effective.

When handling ESD-sensitive parts:

- Keep the parts in protective packages until they are inserted into the product.
- Avoid contact with other people.
- Wear a grounded wrist strap against your skin to eliminate static on your body.
- Prevent the part from touching your clothing. Most clothing is insulative and retains a charge even when you are wearing a wrist strap.
- Use the black side of a grounded work mat to provide a static-free work surface. The mat is especially useful when handling ESD-sensitive devices.
- Select a grounding system, such as those listed below, to provide protection that meets the specific service requirement.

Note: The use of a grounding system is desirable but not required to protect against ESD damage.

- Attach the ESD ground clip to any frame ground, ground braid, or green-wire ground.
- Use an ESD common ground or reference point when working on a double-insulated or battery-operated system. You can use coax or connector-outside shells on these systems.
- Use the round ground-prong of the AC plug on AC-operated computers.

Grounding requirements

Electrical grounding of the computer is required for operator safety and correct system function. Proper grounding of the electrical outlet can be verified by a certified electrician.

Translated safety notices

The safety notices in this section are provided in the following languages:

- English

- Brazilian Portuguese
- Chinese
- French
- German
- Italian
- Korean
- Spanish

Important: All safety notices in the *Appliance Library* begin with a number. This number is used to cross-reference an English caution or danger notice with translated versions of the caution or danger notice in this section.

Be sure to read all safety notices before performing any of the instructions.

Statement 1



DANGER

Electrical current from power, telephone and communication cables is hazardous.

To avoid a shock hazard:

- **Do not connect or disconnect any cables or perform installation, maintenance, or reconfiguration of this product during an electrical storm.**
- **Connect all power cords to a properly wired and grounded electrical outlet.**
- **Connect to properly wired outlets any equipment that will be attached to this product.**
- **When possible, use one hand only to connect or disconnect signal cables.**
- **Never turn on any equipment when there is evidence of fire, water, or structural damage.**
- **Disconnect the attached power cords, telecommunications systems, networks, and modems before you open the device covers, unless instructed otherwise in the installation and configuration procedures.**
- **Connect and disconnect cables as described in the following table when installing, moving, or opening covers on this product or attached devices.**

To Connect

1. Turn everything OFF.
2. First, attach all cables to devices.
3. Attach signal cables to connectors.
4. Attach power cords to outlet.
5. Turn device ON.

To Disconnect

1. Turn everything OFF.
2. First, remove power cords from outlet.
3. Remove signal cables from connectors.
4. Remove all cables from devices.

Statement 2



CAUTION:

When replacing the lithium battery, use only IBM Part Number 33F8354 or an equivalent type battery recommended by the manufacturer. If your system has a module containing a lithium battery, replace it only with the same module type made by the same manufacturer. The battery contains lithium and can explode if not properly used, handled, or disposed of.

Do not:

- Throw or immerse into water
- Heat to more than 100°C (212°F)
- Repair or disassemble

Dispose of the battery as required by local ordinances or regulations.

Statement 3



CAUTION:

When laser products (such as CD-ROMs, DVD-ROM drives, fiber optic devices, or transmitters) are installed, note the following:

- Do not remove the covers. Removing the covers of the laser product could result in exposure to hazardous laser radiation. There are no serviceable parts inside the device.
- Use of controls or adjustments or performance of procedures other than those specified herein might result in hazardous radiation exposure.



DANGER

Some laser products contain an embedded Class 3A or Class 3B laser diode. Note the following.

Laser radiation when open. Do not stare into the beam, do not view directly with optical instruments, and avoid direct exposure to the beam.

Some laser products contain an embedded Class 3A or Class 3B laser diode. Note the following:

Laser radiation when open. Do not stare into the beam, do not view directly with optical instruments, and avoid direct exposure to the beam.

Statement 4



≥18 kg (37 lbs)



≥32 kg (70.5 lbs)



≥55 kg (121.2 lbs)

CAUTION:
Use safe practices when lifting.

- Statement 5



CAUTION:
The power control button on the device and the power switch on the power supply do not turn off the electrical current supplied to the device. The device also might have more than one power cord. To remove all electrical current from the device, ensure that all power cords are disconnected from the power source.



Statement 10



CAUTION:
Do not place any object weighing more than 82 kg (180 lb.) on top of rack-mounted devices.



Importante:

Todas as instruções de cuidado e perigo da *appliance Library* começam com um número. Este número é utilizado para fazer referência cruzada de uma instrução de cuidado ou perigo no idioma inglês com as versões traduzidas das instruções de cuidado ou perigo encontradas nesta seção.

Por exemplo, se uma instrução de cuidado é iniciada com o número 1, as traduções para aquela instrução de cuidado aparecem nesta seção sob a instrução 1.

Certifique-se de ler todas as instruções de cuidado e perigo antes de executar qualquer operação.

Instrução 1



PERIGO

A corrente elétrica proveniente de cabos de alimentação, de telefone e de comunicações é perigosa.

Para evitar risco de choque:

- Não conecte ou desconecte cabos e não realize instalação, manutenção ou reconfiguração deste produto durante uma tempestade com raios.
- Conecte todos os cabos de alimentação a tomadas elétricas corretamente instaladas e aterradas.
- Conecte todos os equipamentos ao qual esse produto será conectado a tomadas corretamente instaladas.
- Sempre que possível, utilize apenas uma das mãos para conectar ou desconectar cabos de sinal.
- Nunca ligue qualquer equipamento quando existir evidência de danos por fogo, água ou na estrutura.
- Desconecte cabos de alimentação, sistemas de telecomunicação, redes e modems antes de abrir as tampas dos dispositivos, a menos que especificado de maneira diferente nos procedimentos de instalação e configuração.
- Conecte e desconecte cabos conforme descrito na seguinte tabela, ao instalar ou movimentar este produto ou os dispositivos conectados, ou ao abrir suas tampas.

Para Conectar:	Para Desconectar:
<ol style="list-style-type: none"> 1. DESLIGUE Tudo. 2. Primeiramente, conecte todos os cabos aos dispositivos. 3. Conecte os cabos de sinal aos conectores. 4. Conecte os cabos de alimentação às tomadas. 5. LIGUE os dispositivos. 	<ol style="list-style-type: none"> 1. DESLIGUE Tudo. 2. Primeiramente, remova os cabos de alimentação das tomadas. 3. Remova os cabos de sinal dos conectores. 4. Remova todos os cabos dos dispositivos.

Instrução 2



CUIDADO:

Ao substituir a bateria de lítio, utilize apenas uma bateria IBM, Número de Peça 33F8354 ou uma bateria de tipo equivalente, recomendada pelo fabricante. Se o seu sistema possui um módulo com uma bateria de lítio, substitua-o apenas pelo mesmo tipo de módulo, do mesmo fabricante. A bateria contém lítio e pode explodir se não for utilizada, manuseada e descartada de maneira correta.

Não:

- Jogue ou coloque na água
- Aqueça a mais de 100°C (212°F)
- Conserte nem desmonte

Para descartar a bateria, entre em contato com a área de atendimento a clientes IBM, pelo telefone (011) 889-8986, para obter informações sobre como enviar a bateria pelo correio para a IBM.

Instrução 3



PRECAUCIÓN:

Quando produtos a laser (unidades de CD-ROM, unidades de DVD, dispositivos de fibra ótica, transmissores, etc.) estiverem instalados, observe o seguinte:

- Não remova as tampas. A remoção das tampas de um produto a laser pode resultar em exposição prejudicial à radiação de laser. Nenhuma peça localizada no interior do dispositivo pode ser consertada.
- A utilização de controles ou ajustes ou a execução de procedimentos diferentes dos especificados aqui pode resultar em exposição prejudicial à radiação.

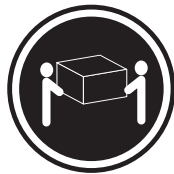


PERIGO

Alguns produtos a laser contêm um diodo laser da Classe 3A ou Classe 3B embutido. Observe o seguinte:

Radiação de laser quando aberto. Não olhe diretamente para o raio a olho nu ou com instrumentos óticos, e evite exposição direta ao raio.

Instrução 4



≥18 kg (37 lbs)



≥32 kg (70,5 lbs)



≥55 kg (121,2 lbs)

CUIDADO:

Ao levantar a máquina, faça-o com segurança.

Instrução 5



CUIDADO:

Os botões Liga/Desliga localizados no dispositivo e na fonte de alimentação não desligam a corrente elétrica fornecida ao dispositivo. O dispositivo também pode ter mais de um cabo de alimentação. Para remover toda a corrente elétrica do dispositivo, assegure que todos os cabos de alimentação estejam desconectados da fonte de energia elétrica.



CUIDADO:

Instrução 10



CUIDADO:



Não coloque nenhum objeto com peso superior a 82 kg (180 lbs.) sobre dispositivos montados em rack.

重要:

Netfinity Server Library 中的所有提醒和危险条款前都有一个数字标识。该数字是用来交叉引用一个英文的提醒和危险条款及本部分中的与之对应的已翻译成其它文字的提醒和危险条款。

例如，如果一个提醒条款前的数字为 1，则本部分中相应的译文也带有标号 1。

在执行任何指示的操作之前，请确保您已经阅读了全部提醒和危险条款。

声明 1



危险

电源、电话和通信电缆中带有危险电流。

为避免电击：

雷电期间不要拆接电缆或安装、维修及重新配置本产品。

将所有电源线连接至正确布线并已安全接地的电源插座上。

将与本产品连接的所有设备连接至正确布线的插座上。

尽量只使用单手拆接信号电缆。

有水、火及结构损坏迹象时，请勿打开任何设备。

除非在安装配置过程中有明确指示，否则，打开设备机盖前应先断开与电源线、远程通信系统、网络和调制解调器的所有连接。

安装、移动或打开本产品及其附带设备的机盖时，应按下表所述连接和断开电缆。

连接时：

1. 关闭所有设备。
2. 首先将所有电缆连接至设备。
3. 将信号电缆连接至接口。
4. 将电源线连接至插座。

断开连接时：

1. 关闭所有设备。
2. 首先从插座中拔出电源线。
3. 从接口上拔下信号电缆。

声明 2



警告:

更换锂电池时,只能使用 IBM 产品号 33F8354 或者是厂商推荐的等同类型的电池。

如果系统模块中含有锂电池,则只能使用同一厂商制造的同一类型的模块进行更换。电池中含有锂,如果使用、拿放或处理不当,可能会发生爆炸。

请勿对电池进行下列操作:
扔入或浸入水中
加热超过 100 (212 F)
进行修理或分解
请按本地法规要求处理电池。

声明 3



警告:

安装激光产品(如 CD-ROM、DVD 驱动器、光纤设备或送话器)时,应注意以下事项:

不要拆除外盖。拆除激光产品的外盖可能会导致激光辐射的危险,本设备中没有用户可维修的部件。

非此处指定的其它控制、调整或与性能有关的操作都有可能致激光辐射的危险。



危险

某些激光产品中包含内嵌的 3A 级或 3B 级激光二极管。请注意以下事项。
打开时会产生激光辐射。不要直视光束,不要使用光学仪器直接观看光束,避免直接暴露于光束之下。

声明 4



≥18 kg (37 磅)



≥32 kg (70.5 磅)



≥55 kg (121.2 磅)

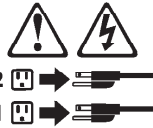
警告：
抬起时请采用安全操作方法。

声明 5



警告：

使用设备上的电源控制按钮和电源上的开关都不能断开本设备上的电流。
另外，本设备可能带有多条电源线。如果要断开设备上的所有电流，请确
保所有电源线均已与电源断开连接。



声明 6



警告：

如果在电源线连接设备的一端安装了固定松紧夹，则必须将电源线的另一端连接至
使用方便的电源。

声明 7



警告:

如果设备带有外门，则在移动或抬起设备前应将其拆除或固定以避免造成人员伤害。外门支撑不了设备的重量。

声明 8



警告:

不要拆除电源外盖或贴有下列标签的任何部件。



贴有此标签的组件内部存在高电压、高电流的危险。这些组件中没有用户可维修的部件。如果怀疑其中的部件存在问题，应与服务技术人员联系。

声明 9



警告:

为避免人员伤害，拆除设备上的风扇前应拨下热插拔风扇电缆。

声明 10



警告:

机柜安装的设备上面不能放置重于 82kg (180 磅) 的物品。



> 82 kg (180 磅)

声明 11



警告：

下面的标签表明附近有锋利的边、角或接头。



声明 12



警告：

下面的标签表明附近有高热表面。



重要資訊：

Netfinity Server Library 中所有「注意」及「危險」的聲明均以數字開始。此一數字是用來作為交互參考之用，英文「注意」或「危險」聲明可在本節中找到相同內容的「注意」或「危險」聲明的譯文。

例如，有一「危險」聲明以數字 1 開始，則該「危險」聲明的譯文將出現在本節的「聲明」1 中。

執行任何指示之前，請詳讀所有「注意」及「危險」的聲明。

聲明 1



危險

電源、電話及通信電纜上所產生的電流均有危險性。

欲避免電擊危險：

- 在雷雨期間，請勿連接或切斷本產品上的任何電纜線，或安裝、維修及重新架構本產品。
- 請將電源線接至接線及接地正確的電源插座。
- 請將本產品隨附的設備連接至接線正確的插座。
- 儘可能使用單手來連接或切斷信號電纜線。
- 當設備有火燒或洩水的痕跡，或有結構性損害時，請勿開啓該設備的電源。
- 在安裝及架構之時，若非非常熟悉，在開啓裝置蓋子之前，請切斷電源線、電信系統、網路及數據機。
- 在安裝、移動本產品或附加裝置，或開啓其蓋子時，請依照下表中「連接」及「切斷」電纜線的步驟執行。

連接：

1. 關閉所有開關。
2. 先將所有電纜線接上裝置。
3. 將信號電纜接上接頭。
4. 再將電源線接上電源插座。
5. 開啓裝置的電源。

切斷：

1. 關閉所有開關。
2. 先自電源插座拔掉電源線。
3. 拔掉接頭上的所有信號電纜。
4. 再拔掉裝置上的所有電纜線。

聲明 2



注意：

更換電池時，只可使用 IBM 零件編號 33F8354 的電池，或製造商建議之相當類型的電池。若系統中具有包含鋰電池的模組，在更換此模組時，請使用相同廠商製造的相同模組類型。如未正確使用、處理或丟棄含有鋰的電池時，可能會引發爆炸。

請勿將電池：

- 丟入或浸入水中
- 加熱超過 100 °C (212 °F)
- 修理或拆開

請遵照當地法令規章處理廢棄電池。

聲明 3



注意：

安裝雷射產品(如 CD-ROM、DVD 光碟機、光纖裝置或發射器)時，請注意下列事項：

- 請勿移開蓋子。移開雷射產品的蓋子，您可能會暴露於危險的雷射輻射之下。裝置中沒有需要維修的組件。
- 不依此處所指示的控制、調整或處理步驟，您可能會暴露於危險的輻射之下。



危險

有些雷射產品含有內嵌式 Class 3A 或 Class 3B 雷射二極體。請注意下列事項：

開啓時會產生雷射輻射。請勿凝視光束，不要使用光學儀器直接觀察，且應避免直接暴露在光束下。

聲明 4



≥ 18 公斤 (37 磅)



≥ 32 公斤 (70.5 磅)

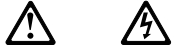


≥ 55 公斤 (121.2 磅)

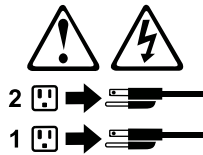
注意：

抬起裝置時，請注意安全措施。

聲明 5



注意：
裝置上的電源控制按鈕及電源供應器上的電源開關均無法關閉裝置上的電流。
本裝置可能有一條以上的電源線。如要移除裝置上的所有電流，請確認所有電源線已與電源分離。



聲明 10



注意：
請勿將任何重量超過 82 公斤 (180 磅) 的物品置於已安裝機架的裝置上方。



> 82 公斤 (180 磅)

Important:

Toutes les consignes Attention et Danger indiquées dans la bibliothèque *appliance* sont précédées d'un numéro. Ce dernier permet de mettre en correspondance la consigne en anglais avec ses versions traduites dans la présente section.

Par exemple, si une consigne de type Attention est précédée du chiffre 1, ses traductions sont également précédées du chiffre 1 dans la présente section.

Prenez connaissance de toutes les consignes de type Attention et Danger avant de procéder aux opérations décrites par les instructions.



DANGER

Le courant électrique passant dans les câbles de communication, ou les cordons téléphoniques et d'alimentation peut être dangereux.

Pour éviter tout risque de choc électrique:

- **Ne manipulez aucun câble et n'effectuez aucune opération d'installation, d'entretien ou de reconfiguration de ce produit au cours d'un orage.**
- **Branchez tous les cordons d'alimentation sur un socle de prise de courant correctement câblé et mis à la terre.**
- **Branchez sur des socles de prise de courant correctement câblés tout équipement connecté à ce produit.**
- **Lorsque cela est possible, n'utilisez qu'une seule main pour connecter ou déconnecter les câbles d'interface.**
- **Ne mettez jamais un équipement sous tension en cas d'incendie ou d'inondation, ou en présence de dommages matériels.**
- **Avant de retirer les carters de l'unité, mettez celle-ci hors tension et déconnectez ses cordons d'alimentation, ainsi que les câbles qui la relie aux réseaux, aux systèmes de télécommunication et aux modems (sauf instruction contraire mentionnée dans les procédures d'installation et de configuration).**
- **Lorsque vous installez ou que vous déplacez le présent produit ou des périphériques qui lui sont raccordés, reportez-vous aux instructions ci-dessous pour connecter et déconnecter les différents cordons.**

Connexion	Déconnexion
<ol style="list-style-type: none">1. Mettez les unités hors tension.2. Commencez par brancher tous les cordons sur les unités.3. Branchez les câbles d'interface sur des connecteurs.4. Branchez les cordons d'alimentation sur des prises.5. Mettez les unités sous tension.	<ol style="list-style-type: none">1. Mettez les unités hors tension.2. Débranchez les cordons d'alimentation des prises.3. Débranchez les câbles d'interface des connecteurs.4. Débranchez tous les câbles des unités.



Notice n° 2

ATTENTION:

Remplacez la pile au lithium usagée par une pile de référence identique exclusivement - voir la référence IBM - ou par une pile équivalente recommandée par le fabricant. Si votre système est doté d'un module contenant une pile au lithium, vous devez le remplacer uniquement par un module identique, produit par le même fabricant. La pile contient du lithium et présente donc un risque d'explosion en cas de mauvaise manipulation ou utilisation.

- **Ne la jetez pas à l'eau.**
- **Ne l'exposez pas à une température supérieure à 100 °C.**
- **Ne cherchez pas à la réparer ou à la démonter.**

Pour la mise au rebut, reportez-vous à la réglementation en vigueur.



Notice n° 3

ATTENTION:

Si des produits laser sont installés (tels que des unités de CD-ROM ou de DVD, des périphériques contenant des fibres optiques ou des émetteurs-récepteurs), prenez connaissance des informations suivantes:

- **N'ouvrez pas ces produits pour éviter une exposition directe au rayon laser. Vous ne pouvez effectuer aucune opération de maintenance à l'intérieur.**
- **Pour éviter tout risque d'exposition au rayon laser, respectez les consignes de réglage et d'utilisation des commandes, ainsi que les procédures décrites dans le présent document.**



DANGER

Certains produits laser contiennent une diode laser de classe 3A ou 3B.
Prenez connaissance des informations suivantes:

Rayonnement laser lorsque le carter est ouvert. Évitez de regarder fixement le faisceau ou de l'observer à l'aide d'instruments optiques. Évitez une exposition directe au rayon.

Notice n° 4



≥18 kg



≥32 kg



≥55 kg

ATTENTION:

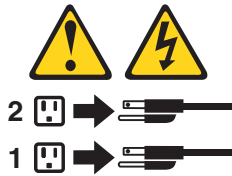
Faites-vous aider pour soulever ce produit.

Notice n° 5



ATTENTION:

Le bouton de mise sous tension/hors tension de l'unité et l'interrupteur d'alimentation du bloc d'alimentation ne coupent pas l'arrivée de courant électrique à l'intérieur de la machine. Il se peut que votre unité dispose de plusieurs cordons d'alimentation. Pour isoler totalement l'unité du réseau électrique, débranchez tous les cordons d'alimentation des socles de prise de courant.



Notice n° 10



ATTENTION:

Ne posez pas d'objet dont le poids dépasse 82 kg sur les unités montées en armoire.

Wichtig:

Alle Sicherheitshinweise in dieser *server-Bibliothek* beginnen mit einer Nummer. Diese Nummer verweist auf einen englischen Sicherheitshinweis mit den übersetzten Versionen dieses Hinweises in diesem Abschnitt.

Wenn z. B. ein Sicherheitshinweis mit der Nummer 1 beginnt, so erscheint die Übersetzung für diesen Sicherheitshinweis in diesem Abschnitt unter dem Hinweis 1.

Lesen Sie alle Sicherheitshinweise, bevor Sie eine Anweisung ausführen.

Hinweis 1



VORSICHT

Elektrische Spannungen von Netz-, Telefon- und Datenübertragungsleitungen sind gefährlich.

Aus Sicherheitsgründen:

- Bei Gewitter an diesem Gerät keine Kabel anschließen oder lösen. Ferner keine Installations-, Wartungs- oder Rekonfigurationsarbeiten durchführen.

- Gerät nur an eine Schutzkontaktsteckdose mit ordnungsgemäß geerdetem Schutzkontakt anschließen.
- Alle angeschlossenen Geräte ebenfalls an Schutzkontaktsteckdosen mit ordnungsgemäß geerdetem Schutzkontakt anschließen.
- Signalkabel möglichst einhändig anschließen oder lösen.
- Keine Geräte einschalten, wenn die Gefahr einer Beschädigung durch Feuer, Wasser oder andere Einflüsse besteht.
- Die Verbindung zu den angeschlossenen Netzkabeln, Telekommunikationssystemen, Netzwerken und Modems ist vor dem öffnen des Gehäuses zu unterbrechen. Es sei denn, dies ist in den zugehörigen Installations- und Konfigurationsprozeduren anders angegeben.
- Nur nach den nachfolgend aufgeführten Anweisungen arbeiten, die für Installation, Transport oder öffnen von Gehäusen von Personal Computern oder angeschlossenen Einheiten gelten.

Kabel anschließen:	Kabel lösen:
<ol style="list-style-type: none"> 1. Alle Geräte ausschalten und Netzstecker ziehen. 2. Zuerst alle Kabel an Einheiten anschließen. 3. Signalkabel an Anschlußbuchsen anschließen. 4. Netzstecker an Steckdose anschließen. 5. Gerät einschalten. 	<ol style="list-style-type: none"> 1. Alle Geräte ausschalten. 2. Zuerst Netzstecker von Steckdose lösen. 3. Signalkabel von Anschlußbuchsen lösen. 4. Alle Kabel von Einheiten lösen.

Hinweis 2



ACHTUNG:

Eine verbrauchte Batterie nur durch eine Batterie mit der IBM Teilenummer 33F8354 oder durch eine vom Hersteller empfohlene Batterie ersetzen. Wenn Ihr System ein Modul mit einer Lithium-Batterie enthält, ersetzen Sie es immer mit dem selben Modultyp vom selben Hersteller. Die Batterie enthält Lithium und kann bei unsachgemäßer Verwendung, Handhabung oder Entsorgung explodieren.

Die Batterie nicht:

- mit Wasser in Berührung bringen.
- über 100° C erhitzen.
- reparieren oder zerlegen.

Die örtlichen Bestimmungen für die Entsorgung von Sondermüll beachten.

Hinweis 3



ACHTUNG:

Wenn ein Laserprodukt (z. B. CD-ROM-Laufwerke, DVD-Laufwerke, Einheiten mit Glasfaserkabeln oder Transmitter) installiert ist, beachten Sie Folgendes:

- Das Entfernen der Abdeckungen des CD-ROM-Laufwerks kann zu gefährlicher Laserstrahlung führen. Es befinden sich keine Teile innerhalb des CD-ROM-Laufwerks, die vom Benutzer gewartet werden müssen. Die Verkleidung des CD-ROM-Laufwerks nicht öffnen.
- Steuer- und Einstellelemente sowie Verfahren nur entsprechend den Anweisungen im vorliegenden Handbuch einsetzen. Andernfalls kann gefährliche Laserstrahlung auftreten.



VORSICHT

Manche CD-ROM-Laufwerke enthalten eine eingebaute Laserdiode der Klasse 3A oder 3B. Die nachfolgend aufgeführten Punkte beachten.

Laserstrahlung bei geöffneter Tür. Niemals direkt in den Laserstrahl sehen, nicht direkt mit optischen Instrumenten betrachten und den Strahlungsbereich meiden.

Hinweis 4



≥18 kg



≥32 kg



≥55 kg

ACHTUNG:

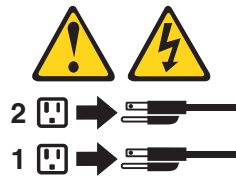
Beim Anheben der Maschine die vorgeschriebenen Sicherheitsbestimmungen beachten.

Hinweis 5



ACHTUNG:

Mit dem Betriebsspannungsschalter an der Vorderseite des Gerätes und dem Betriebsspannungsschalter am Netzteil wird die Stromversorgung für das Gerät nicht unterbrochen. Das Gerät könnte auch mehr als ein Netzkabel aufweisen. Um die gesamte Stromversorgung des Gerätes auszuschalten, muß sichergestellt werden, daß alle Netzkabel aus den Netzsteckdosen herausgezogen wurden.



Hinweis 10



ACHTUNG:



Keine Gegenstände, die mehr als 82 kg wiegen, auf Rack-Einheiten ablegen.

Importante:

Tutti gli avvisi di attenzione e di pericolo riportati nella pubblicazione *appliance Library* iniziano con un numero. Questo numero viene utilizzato per confrontare avvisi di attenzione o di pericolo in inglese con le versioni tradotte riportate in questa sezione.

Ad esempio, se un avviso di attenzione inizia con il numero 1, la relativa versione tradotta è presente in questa sezione con la stessa numerazione.

Prima di eseguire una qualsiasi istruzione, accertarsi di leggere tutti gli avvisi di attenzione e di pericolo.

Avviso 1



PERICOLO

La corrente elettrica circolante nei cavi di alimentazione, del telefono e di segnale è pericolosa.

Per evitare il pericolo di scosse elettriche:

- Non collegare o scollegare i cavi, non effettuare l'installazione, la manutenzione o la riconfigurazione di questo prodotto durante i temporali.
- Collegare tutti i cavi di alimentazione ad una presa elettrica correttamente cablata e munita di terra di sicurezza.
- Collegare qualsiasi apparecchiatura collegata a questo prodotto ad una presa elettrica correttamente cablata e munita di terra di sicurezza.
- Quando possibile, collegare o scollegare i cavi di segnale con una sola mano.
- Non accendere qualsiasi apparecchiatura in presenza di fuoco, acqua o se sono presenti danni all'apparecchiatura stessa.
- Scollegare i cavi di alimentazione, i sistemi di telecomunicazioni, le reti e i modem prima di aprire i coperchi delle unità, se non diversamente indicato nelle procedure di installazione e configurazione.
- Collegare e scollegare i cavi come descritto nella seguente tabella quando si effettuano l'installazione, la rimozione o l'apertura dei coperchi di questo prodotto o delle unità collegate.

Per collegare:	Per scollegare:
<ol style="list-style-type: none">1. SPEGNERE tutti i dispositivi.2. Collegare prima tutti i cavi alle unità.3. Collegare i cavi di segnale ai connettori.4. Collegare i cavi di alimentazione alle prese elettriche.5. ACCENDERE le unità.	<ol style="list-style-type: none">1. SPEGNERE tutti i dispositivi.2. Rimuovere prima i cavi di alimentazione dalle prese elettriche.3. Rimuovere i cavi di segnale dai connettori.4. Rimuovere tutti i cavi dalle unità.

Avviso 2



ATTENZIONE:

Quando si sostituisce la batteria al litio, utilizzare solo una batteria IBM con numero parte 33F8354 o batterie dello stesso tipo o di tipo equivalente consigliate dal produttore. Se il sistema di cui si dispone è provvisto di un modulo contenente una batteria al litio, sostituire tale batteria solo con un tipo di modulo uguale a quello fornito dal produttore. La batteria contiene litio e può esplodere se utilizzata, maneggiata o smaltita impropriamente.

Evitare di:

- Gettarla o immergerla in acqua
- Riscaldarla ad una temperatura superiore ai 100°C
- Cercare di ripararla o smontarla

Smaltire secondo la normativa in vigore (D.Lgs 22 del 5/2/9) e successive disposizioni nazionali e locali.

Avviso 3



ATTENZIONE:

Quando si installano prodotti laser come, ad esempio, le unità DVD, CD-ROM, a fibre ottiche o trasmettitori, prestare attenzione a quanto segue:

- Non rimuovere i coperchi. L'apertura dei coperchi di prodotti laser può determinare l'esposizione a radiazioni laser pericolose. All'interno delle unità non vi sono parti su cui effettuare l'assistenza tecnica.
- L'utilizzo di controlli, regolazioni o l'esecuzione di procedure non descritti nel presente manuale possono provocare l'esposizione a radiazioni pericolose.



PERICOLO

Alcuni prodotti laser contengono all'interno un diodo laser di Classe 3A o Classe 3B. Prestare attenzione a quanto segue:

Aperto l'unità vengono emesse radiazioni laser. Non fissare il fascio, non guardarlo direttamente con strumenti ottici ed evitare l'esposizione diretta al fascio.

Avviso 4



≥18 kg



≥32 kg



≥55 kg

ATTENZIONE:

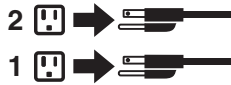
Durante il sollevamento della macchina seguire delle norme di sicurezza.

Avviso 5



ATTENZIONE:

Il pulsante del controllo dell'alimentazione situato sull'unità e l'interruttore di alimentazione posto sull'alimentatore non disattiva la corrente elettrica fornita all'unità. L'unità potrebbe disporre di più di un cavo di alimentazione. Per disattivare la corrente elettrica dall'unità, accertarsi che tutti i cavi di alimentazione siano scollegati dalla sorgente di alimentazione.



Avviso 10



ATTENZIONE:



Non poggiare oggetti che pesano più di 82 kg sulla parte superiore delle unità montate in rack.

중요:

본 *Netfinity Server Library*에 있는 모든 주의 및 위험 경고문은 번호로 시작합니다. 이 번호는 영문 주의 혹은 위험 경고문과 이 절에 나오는 번역된 버전의 주의 혹은 위험 경고문을 상호 참조하는 데 사용됩니다.

예를 들어, 주의 경고문이 번호 1로 시작하면, 번역된 해당 주의 경고문을 본 절의 경고문 1에서 찾아볼 수 있습니다.

모든 지시사항을 수행하기 전에 반드시 모든 주의 및 위험 경고문을 읽으십시오.

경고문 1



위험

전원, 전향 및 통신 케이블로부터 흘러 나오는 전류는 위험합니다.

전기 충격을 피하려면:

- 뇌우를 동반할 때는 케이블의 연결이나 철수, 이 제품의 설치, 유지보수 또는 재구성을 하지 마십시오.
- 모든 전원 코드를 적절히 배선 및 접지해야 합니다.
- 이 제품에 연결될 모든 장비를 적절하게 배선된 콘센트에 연결하십시오.
- 가능한 한 신호 케이블을 한 손으로 연결하거나 끊으십시오.
- 화재, 수해 또는 구조상의 손상이 있을 경우 장비를 켜지 마십시오.
- 설치 및 구성 프로시저에 다른 설명이 없는 한, 장치 덮개를 열기 전에 연결된 전원 코드, 원거리 통신 시스템, 네트워크 및 모뎀을 끊어 주십시오.
- 제품 또는 접속된 장치를 설치, 이동 및 덮개를 열 때 다음 설명에 따라 케이블을 연결하거나 끊도록 하십시오.

연결하려면:

1. 모든 스위치를 끕니다.
2. 먼저 모든 케이블을 장치에 연결합니다.
3. 신호 케이블을 커넥터에 연결합니다.
4. 콘센트에 전원 코드를 연결합니다.
5. 장치 스위치를 켭니다.

연결을 끊으려면:

1. 모든 스위치를 끕니다.
2. 먼저 콘센트에서 전원 코드를 뽑습니다.
3. 신호 케이블을 커넥터에서 제거합니다.
4. 장치에서 모든 케이블을 제거합니다.

경고문 2



주의:

리튬 배터리를 교체할 때는 IBM 부품 번호 33F8354 또는 제조업체에서 권장하는 동등한 유형의 배터리를 사용하십시오. 시스템에 리튬 배터리를 갖고 있는 모듈이 있으면 동일한 제조업체에서 생산된 동일한 모듈 유형으로 교체하십시오. 배터리에 리튬이 있을 경우 제대로 사용, 처리 또는 처분하지 않으면 폭발할 수 있습니다.

다음은 주의하십시오.

- 던지거나 물에 담그지 않도록 하십시오.
- 100°C(212°F) 이상으로 가열하지 마십시오.
- 수리하거나 분해하지 마십시오.

지역 법령이나 규정의 요구에 따라 배터리를 처분하십시오.

경고문 3



주의:

레이저 제품(CD-ROMs, DVD 드라이브, 광 장치 또는 트랜스미터 등과 같은)이 설치되어 있을 경우 다음을 유의하십시오.

- 덮개를 제거하지 마십시오. 레이저 제품의 덮개를 제거했을 경우 위험한 레이저 광선에 노출될 수 있습니다. 이 장치 안에는 서비스를 받을 수 있는 부품이 없습니다.

- 여기에서 지정하지 않은 방식의 제어, 조절 또는 실행으로 인해 위험한 레이저 광선에 노출될 수 있습니다.



위험

일부 레이저 제품에는 클래스 3A 또는 클래스 3B 레이저 다이오드가 들어 있습니다. 다음을 주의하십시오.

열면 레이저 광선에 노출됩니다. 광선을 주시하거나 광학 기계를 직접 쳐다보지 않도록 하고 광선에 노출되지 않도록 하십시오.

경고문 4



≥ 18 kg (37 lbs)



≥ 32 kg (70.5 lbs)



≥ 55 kg (121.2 lbs)

주의:

기계를 들 때는 안전하게 들어 올리십시오.

경고문 5



주의:

장치의 전원 제어 버튼 및 전원 공급기의 전원 스위치는 장치에 공급되는 전류를 차단하지 않습니다. 장치에 둘 이상의 전원 코드가 연결되어 있을 수도 있습니다. 장치에서 모든 전류를 차단하려면 모든 전원 코드가 전원으로부터 차단되어 있는지 확인하십시오.





주의:

서랍형 모델의 장치 상단에 82 kg(180 lbs.)이 넘는 물체를 올려 놓지 마십시오.



> 82 kg (180 lbs)

Importante:

Todas las declaraciones de precaución de esta *Biblioteca del servidor* empiezan con un número. Dicho número se emplea para establecer una referencia cruzada de una declaración de precaución o peligro en inglés con las versiones traducidas que de dichas declaraciones pueden encontrarse en esta sección.

Por ejemplo, si una declaración de peligro empieza con el número 1, las traducciones de esta declaración de precaución aparecen en esta sección bajo Declaración 1.

Lea atentamente todas las declaraciones de precaución y peligro antes de llevar a cabo cualquier operación.

Declaración 1



PELIGRO

La corriente eléctrica de los cables telefónicos, de alimentación y de comunicaciones es perjudicial.

Para evitar una descarga eléctrica:

- No conecte ni desconecte ningún cable ni realice las operaciones de instalación, mantenimiento o reconfiguración de este producto durante una tormenta.
- Conecte cada cable de alimentación a una toma de alimentación eléctrica con conexión a tierra y cableado correctos.
- Conecte a tomas de alimentación con un cableado correcto cualquier equipo que vaya a estar conectado a este producto.
- Si es posible, utilice una sola mano cuando conecte o desconecte los cables de sent.al.
- No encienda nunca un equipo cuando haya riesgos de incendio, de inundación o de daños estructurales.
- Desconecte los cables de alimentación, sistemas de telecomunicaciones, redes y módems conectados antes de abrir las cubiertas del dispositivo a menos que se indique lo contrario en los procedimientos de instalación y configuración.

- Conecte y desconecte los cables tal como se describe en la tabla siguiente cuando desee realizar una operación de instalación, de traslado o de apertura de las cubiertas para este producto o para los dispositivos conectados.

Para la conexión	Para la desconexión
<ol style="list-style-type: none"> 1. APÁGUELO todo. 2. En primer lugar, conecte los cables a los dispositivos. 3. Conecte los cables de señal a los conectores. 4. Conecte cada cable de alimentación a la toma de alimentación. 5. ENCIENDA el dispositivo. 	<ol style="list-style-type: none"> 1. APÁGUELO todo. 2. En primer lugar, retire cada cable de alimentación de la toma de alimentación. 3. Retire los cables de señal de los conectores. 4. Retire los cables de los dispositivos.

Declaración 2



PRECAUCIÓN:

Cuando desee sustituir la batería de litio, utilice únicamente el número de pieza 33F8354 de IBM o cualquier tipo de batería equivalente que recomiende el fabricante. Si el sistema tiene un módulo que contiene una batería de litio, sustitúyalo únicamente por el mismo tipo de módulo, que ha de estar creado por el mismo fabricante. La batería contiene litio y puede explotar si el usuario no la utiliza ni la maneja de forma adecuada o si no se desprende de la misma como corresponde.

No realice las acciones siguientes:

- Arrojarla al agua o sumergirla
- Calentarla a una temperatura que supere los 100°C (212°F)
- Repararla o desmontarla

Despréndase de la batería siguiendo los requisitos que exija el reglamento o la legislación local.

Declaración 3



PRECAUCIÓN:

Cuando instale productos láser (como, por ejemplo, CD-ROM, unidades DVD, dispositivos de fibra óptica o transmisores), tenga en cuenta las advertencias siguientes:

- No retire las cubiertas. Si retira las cubiertas del producto láser, puede quedar expuesto a radiación láser perjudicial. Dentro del dispositivo no existe ninguna pieza que requiera mantenimiento.
- El uso de controles o ajustes o la realización de procedimientos que no sean los que se han especificado aquí pueden dar como resultado una exposición perjudicial a las radiaciones.

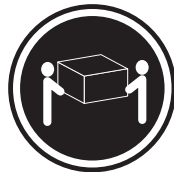


PELIGRO

Algunos productos láser contienen un diodo de láser incorporado de Clase 3A o de Clase 3B. Tenga en cuenta la advertencia siguiente.

Cuando se abre, hay radiación láser. No mire fijamente el rayo ni lleve a cabo ningún examen directamente con instrumentos ópticos; evite la exposición directa al rayo.

Declaración 4



≥18 kg (37 libras)



≥32 kg (70,5 libras)



≥55 kg (121,2 libras)

PRECAUCIÓN:

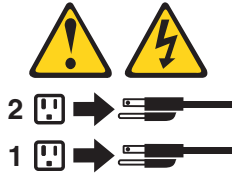
Tome medidas de seguridad al levantar el producto.

Declaración 5



PRECAUCIÓN:

El botón de control de alimentación del dispositivo y el interruptor de alimentación de la fuente de alimentación no apagan la corriente eléctrica suministrada al dispositivo. Es posible también que el dispositivo tenga más de un cable de alimentación. Para eliminar la corriente eléctrica del dispositivo, asegúrese de desconectar todos los cables de alimentación de la fuente de alimentación.



Declaración 10



PRECAUCIÓN:



No coloque ningún objeto que pese más de 82 kg (180 libras) encima de los dispositivos montados en bastidor.

Environmental notices

Electronic emission notices

Federal Communications Commission (FCC) Statement: Federal Communications Commission (FCC) Class A Statement

Note: This equipment has been tested and found to comply with the limits for a Class A digital device, pursuant to Part 15 of the FCC Rules. These limits are designed to provide reasonable protection against harmful interference when the equipment is operated in a commercial environment. This equipment generates, uses, and can radiate radio frequency energy and, if not installed and used in accordance with the instruction manual, may cause harmful interference to radio communications. Operation of this equipment in a residential area is likely to cause harmful interference, in which case the user will be required to correct the interference at his own expense.

Properly shielded and grounded cables and connectors must be used in order to meet FCC emission limits. Properly shielded and grounded cables and connectors must be used in order to meet FCC emission limits. IBM is not responsible for any radio or television interference caused by using other than recommended cables and connectors or by unauthorized changes or modifications to this equipment. Unauthorized changes or modifications could void the user's authority to operate the equipment.

This device complies with Part 15 of the FCC Rules. Operation is subject to the following two conditions: (1) this device may not cause harmful interference, and (2) this device must accept any interference received, including interference that may cause undesired operation.

Industry Canada Class A emission compliance statement: This digital apparatus does not exceed the Class A limits for radio noise emissions from digital apparatus as set out in the interference-causing equipment standard entitled *Digital Apparatus*, ICES-003 of Industry Canada.

Avis de Conformité aux normes d'Industrie Canada: Cet appareil numérique respecte les limites de bruits radioélectriques applicables aux appareils numériques de Classe A prescrites dans la norme sur le matériel brouiller : *Appareils Numériques*, NMB-003 édictée par Industrie Canada.

Australia and New Zealand Class A statement: Attention: This is a Class A product. In a domestic environment this product may cause radio interference in which case the user may be required to take adequate measures.

United Kingdom telecommunications safety requirement: Notice to Customers

This apparatus is approved under approval number NS/G/1234/J/100003 for indirect connection to public telecommunication systems in the United Kingdom.

European Union (EU) conformity statement: This product has been tested and found to comply with the limits for Class A Information Technology Equipment according to European Standard EN 55022. The limits for Class A equipment were derived for commercial and industrial environments to provide reasonable protection against interference with licensed communication equipment.

Warning: This is a Class A product. In a domestic environment this product may cause radio interference in which case the user may be required to take adequate measures.

Properly shielded and grounded cables and connectors must be used in order to reduce the potential for causing interference to radio and TV communications and to other electrical or electronic equipment. Such cables and connectors are available from IBM authorized dealers. IBM cannot accept responsibility for any interference caused by using other than recommended cables and connectors.

EMC directive 89/336/EEC statements: This product is in conformity with the protection requirements of EU Council Directive 89/336/EEC on the approximation of the laws of the Member States relating to electromagnetic compatibility.

IBM cannot accept responsibility for any failure to satisfy the protection requirements resulting from a non-recommended modification of the product, including the fitting of non-IBM option cards.

FCCA (Text für alle in Deutschland vertriebenen EN 55022 Klasse A Geräte.): Zulassungsbescheinigung laut dem Deutschen Gesetz über die elektromagnetische Verträglichkeit von Geräten (EMVG) vom 30. August 1995 (bzw. der EMC EG Richtlinie 89/336)

Dieses Gerät ist berechtigt, in Übereinstimmung mit dem Deutschen EMVG das EG-Konformitätszeichen - CE - zu führen.

Verantwortlich für die Konformitätserklärung nach Paragraph 5 des EMVG ist Scott Enke, Director, Worldwide Manufacturing Operations, PO Box 12195, 3039 Cornwallis, Research Triangle Park, NC U.S.A. 27709–2195.

Das Gerät erfüllt die Schutzanforderungen nach EN 50082-1 und EN 55022 Klasse A.

EN 55022 Klasse A Geräte müssen mit folgendem Warnhinweis versehen werden:

“Warnung: Dies ist eine Einrichtung der Klasse A. Diese Einrichtung kann im Wohnbereich Funkstörungen verursachen; in diesem Fall kann vom Betreiber verlangt werden, angemessene Maßnahmen durchzuführen und dafür aufzukommen.”

EN 50082-1 Hinweis:

“Wird dieses Gerät in einer industriellen Umgebung betrieben (wie in EN 50082-2 festgelegt), dann kann es dabei eventuell gestört werden. In solch einem Fall ist der Abstand bzw. die Abschirmung zu der industriellen Störquelle zu vergrößern.”

Anmerkung:

Um die Einhaltung des EMVG sicherzustellen, sind die Geräte, wie in den IBM Handbüchern angegeben, zu installieren und zu betreiben.

Taiwan electrical emission statement:

警告使用者：
這是甲類的資訊產品，在
居住的環境中使用時，可
能會造成射頻干擾，在這
種情況下，使用者會被要
求採取某些適當的對策。

Japanese Voluntary Control Council for Interference (VCCI) statement:

この装置は、情報処理装置等電波障害自主規制協議会（VCCI）の基準に
基づくクラスA情報技術装置です。この装置を家庭環境で使用すると電波妨害を
引き起こすことがあります。この場合には使用者が適切な対策を講ずるよう要求
されることがあります。

Trademarks

The following terms and logo are trademarks of International Business Machines Corporation in the United States or other countries or both:

IBM
ServeRAID
ServerProven

IBM logo
TotalStorage

Lotus and Domino are trademarks of Lotus Development Corporation in the United States, other countries, or both.

Tivoli and NetView are trademarks of Tivoli Systems Inc. in the United States, other countries, or both.

Intel, MMX, LANDesk, Pentium, Pentium II Xeon, and Pentium III Xeon are trademarks or registered trademarks of Intel Corporation in the United States, other countries, or both.

Microsoft, Windows, and Windows NT are trademarks or registered trademarks of Microsoft Corporation.

UNIX is a registered trademark in the United States and other countries and is licensed exclusively through The Open Group.

Java and all Java-based trademarks and logos are trademarks or registered trademarks of Sun Microsystems, Inc. in the United States, other countries, or both.

Other company, product, and service names may be trademarks or service marks of others.

Appendix B. Getting help, service, and information

If you need help, service, technical assistance, or just want more information about IBM products, you will find a wide variety of sources available from IBM to assist you.

IBM maintains pages on the World Wide Web where you can get information about IBM products and services and find the latest technical information.

Table 4 lists some of these pages.

Table 4. IBM Web sites for help, services, and information

www.ibm.com	Main IBM home page
www.ibm.com/storage	IBM Storage home page
www.ibm.com/storage/support/nas	IBM NAS Support home page

You might also want to visit the Web pages of other companies for information about other operating systems, software, and accessories. The following are some other Web sites you might find helpful:

www.tivoli.com
www.cdpi.com

Services available and telephone numbers listed are subject to change without notice.

Service support

With the original purchase of an IBM hardware product, you have access to extensive support coverage. During the IBM hardware product warranty period, you may call the IBM Support Center (1-800-426-7378 in the U.S.) for hardware product assistance covered under the terms of the IBM hardware warranty. See “Getting help by telephone” on page 69 for Support Center telephone numbers in other countries.

The following services are available during the warranty period:

- Problem determination - Trained personnel are available to assist you with determining if you have a hardware problem and deciding what action is necessary to fix the problem.
- IBM hardware repair - If the problem is determined to be caused by IBM hardware under warranty, trained service personnel are available to provide the applicable level of service.
- Engineering change management - Occasionally, there might be changes that are required after a product has been sold. IBM or your reseller, if authorized by IBM, will make Engineering Changes (ECs) available that apply to your hardware.

Be sure to retain your proof of purchase to obtain warranty service.

Please have the following information ready when you call:

- Machine Type and Model
- Serial numbers of your IBM hardware products

- Description of the problem
- Exact wording of any error messages
- Hardware and software configuration information

If possible, be at your computer when you call.

A compatible monitor, keyboard, and mouse may be required for some service activities.

The following items are not covered:

- Replacement or use of non-IBM parts or nonwarranted IBM parts

Note: All warranted parts contain a 7-character identification in the format IBM FRU XXXXXXX.

- Identification of software problem sources
- Configuration of BIOS as part of an installation or upgrade
- Changes, modifications, or upgrades to device drivers
- Installation and maintenance of network operating systems (NOS)
- Installation and maintenance of application programs

Refer to your IBM hardware warranty for a full explanation of IBM's warranty terms.

Before you call for service

Many computer problems can be solved without outside assistance, by using the online help or by looking in the online or printed documentation that comes with your Network Attached Server appliance. Also, be sure to read the information in any README files that come with your software.

Your Network Attached Server appliance comes with documentation that contains troubleshooting procedures and explanations of error messages. The documentation that comes with your appliance also contains information about the diagnostic tests you can perform.

If you receive a POST error code or beep code when you turn on your Network Attached Server appliance, refer to the POST error-message charts in your hardware documentation. If you do not receive a POST error code or beep code, but suspect a hardware problem, refer to the troubleshooting information in your hardware documentation or run the diagnostic tests.

If you suspect a software problem, consult the documentation (including any README files) for the operating system or application program.

Getting customer support and service

Purchasing an IBM Network Attached Storage appliance entitles you to standard help and support during the warranty period. If you need additional support and services, a wide variety of extended services are available for purchase that address almost any need.

Getting help online: www.ibm.com/storage/support/nas

Here you can visit a support page that is specific to your hardware, complete with FAQs, parts information, technical hints and tips, technical publications, and downloadable files, if applicable.

Getting help by telephone

During the warranty period, you can get help and information by telephone through the IBM Support Center. Expert technical-support representatives are available to assist you with questions you might have on the following:

- Setting up your Network Attached Storage appliance
- Arranging for service
- Arranging for overnight shipment of customer-replaceable parts

In addition, if you purchased a Network Attached Storage appliance, you are eligible for IBM up and running support for 90 days after installation. This service provides assistance for:

- Setting up your Network Attached Server appliance
- Limited configuration assistance

Please have the following information ready when you call:

- Machine Type and Model
- Serial numbers of your appliance and other components, or your proof of purchase
- Description of the problem
- Exact wording of any error messages
- Hardware and software configuration information for your system

If possible, be at your computer when you call.

In the U.S. and Canada, these services are available 24 hours a day, 7 days a week. In the U.K., these services are available Monday through Friday, from 9:00 a.m. to 6:00 p.m.¹

Table 5 provides the telephone numbers.

Table 5. Telephone numbers for warranted help and information

Country		Number
Austria	Österreich	1-546 585 075
Belgium - Dutch	Belgie	02-717-2504
Belgium - French	Belgique	02-717-2503
Canada	Canada	1-800-565-3344
Denmark	Danmark	03-525-6905
Finland	Suomi	9-22-931805
France	France	01-69-32-40-03
Germany	Deutschland	069-6654-9003
Ireland	Ireland	01-815-9207
Italy	Italia	02-4827-5003
Luxembourg	Luxembourg	298-977-5060
Netherlands	Nederland	020-504-0531
Norway	Norge	2-305-3203
Portugal	Portugal	01-791-5147
Spain	España	091-662-4270

¹ Response time will vary depending on the number and complexity of incoming calls.

Table 5. Telephone numbers for warranted help and information (continued)

Sweden	Sverige	08-632-0063
Switzerland - German	Schweiz	01-212-1810
Switzerland - French	Suisse	022-310-0418
Switzerland - Italian	Svizzera	091-971-0523
United Kingdom	United Kingdom	01475-555555
U.S.A. and Puerto Rico	U.S.A. and Puerto Rico	1-800-426-7378

In all other countries, contact your IBM reseller or IBM marketing representative.

Appendix C. Purchasing additional services

During and after the warranty period, you can purchase additional services, such as support for IBM and non-IBM hardware, operating systems, and application programs; network setup and configuration; upgraded or extended hardware repair services; and custom installations. Service availability and name might vary by country.

Warranty and repair services

You can upgrade your standard hardware warranty service or extend the service beyond the warranty period.

Warranty upgrades in the U.S. include:

- On-site service to premium on-site service

If your warranty provides for on-site service, you can upgrade to premium on-site service (4-hour average on-site response, 24 hours a day, 7 days a week).

You also can extend your warranty. Warranty and Repair Services offers a variety of post-warranty maintenance options. Availability of the services varies by product.

For more information about warranty upgrades and extensions:

- In the U.S., call 1-800-426-4343.
- In Canada, call 1-800-465-7999.
- In all other countries, contact your IBM reseller or IBM marketing representative.

Appendix D. Product warranties and notices

This chapter contains warranty and emission notices. It also contains trademarks and general-information notices.

Warranty Statements

The warranty statements consist of two parts: Part 1 and Part 2. Part 1 varies by country. Part 2 is the same for all countries. Be sure to read both the Part 1 that applies to your country and Part 2.

- **United States, Puerto Rico, and Canada (Z125-4753-05 11/97)**
("Part 1 - General Terms")
- **Worldwide except Canada, Puerto Rico, Turkey, and United States (Z125-5697-01 11/97)**
("Part 1 - General Terms" on page 76)
- **Worldwide Country-Unique Terms**
("Part 2 - Worldwide Country-Unique Terms" on page 78)

IBM Statement of Limited Warranty for United States, Puerto Rico, and Canada (Part 1 - General Terms)

This Statement of Limited Warranty includes Part 1 - General Terms and Part 2 - Country-unique Terms. **The terms of Part 2 may replace or modify those of Part 1.** The warranties provided by IBM in this Statement of Limited Warranty apply only to Machines you purchase for your use, and not for resale, from IBM or your reseller. The term "Machine" means an IBM machine, its features, conversions, upgrades, elements, or accessories, or any combination of them. The term "Machine" does not include any software programs, whether pre-loaded with the Machine, installed subsequently or otherwise. Unless IBM specifies otherwise, the following warranties apply only in the country where you acquire the Machine. Nothing in this Statement of Warranty affects any statutory rights of consumers that cannot be waived or limited by contract. If you have any questions, contact IBM or your reseller.

Machine- IP Storage 200i

Warranty Period - One Year

The IBM Warranty for Machines

IBM warrants that each Machine 1) is free from defects in materials and workmanship and 2) conforms to IBM's Official Published Specifications. The warranty period for a Machine is a specified, fixed period commencing on its Date of Installation. The date on your sales receipt is the Date of Installation, unless IBM or your reseller informs you otherwise.

During the warranty period IBM or your reseller, if approved by IBM to provide warranty service, will provide repair and exchange service for the Machine, without charge, under the type of service designated for the Machine and will manage and install engineering changes that apply to the Machine.

If a Machine does not function as warranted during the warranty period, and IBM or your reseller are unable to either 1) make it do so or 2) replace it with one that is at

least functionally equivalent, you may return it to your place of purchase and your money will be refunded. The replacement may not be new, but will be in good working order.

Extent of Warranty

The warranty does not cover the repair or exchange of a Machine resulting from misuse, accident, modification, unsuitable physical or operating environment, improper maintenance by you, or failure caused by a product for which IBM is not responsible. The warranty is voided by removal or alteration of Machine or parts identification labels.

THESE WARRANTIES ARE YOUR EXCLUSIVE WARRANTIES AND REPLACE ALL OTHER WARRANTIES OR CONDITIONS, EXPRESS OR IMPLIED, INCLUDING, BUT NOT LIMITED TO, THE IMPLIED WARRANTIES OR CONDITIONS OF MERCHANTABILITY AND FITNESS FOR A PARTICULAR PURPOSE. THESE WARRANTIES GIVE YOU SPECIFIC LEGAL RIGHTS AND YOU MAY ALSO HAVE OTHER RIGHTS WHICH VARY FROM JURISDICTION TO JURISDICTION. SOME JURISDICTIONS DO NOT ALLOW THE EXCLUSION OR LIMITATION OF EXPRESS OR IMPLIED WARRANTIES, SO THE ABOVE EXCLUSION OR LIMITATION MAY NOT APPLY TO YOU. IN THAT EVENT, SUCH WARRANTIES ARE LIMITED IN DURATION TO THE WARRANTY PERIOD. NO WARRANTIES APPLY AFTER THAT PERIOD.

Items Not Covered by Warranty

IBM does not warrant uninterrupted or error-free operation of a Machine.

Unless specified otherwise, IBM provides non-IBM machines **WITHOUT WARRANTIES OF ANY KIND.**

Any technical or other support provided for a Machine under warranty, such as assistance via telephone with "how-to" questions and those regarding Machine set-up and installation, will be provided **WITHOUT WARRANTIES OF ANY KIND.**

Warranty Service

To obtain warranty service for the Machine, contact your reseller or IBM. In the United States, call IBM at 1-800-426-7378. In Canada, call IBM at 1-800-565-3344. You may be required to present proof of purchase.

IBM or your reseller provides certain types of repair and exchange service, either at your location or at a service center, to keep Machines in, or restore them to, conformance with their Specifications. IBM or your reseller will inform you of the available types of service for a Machine based on its country of installation. IBM may repair the failing Machine or exchange it at its discretion.

When warranty service involves the exchange of a Machine or part, the item IBM or your reseller replaces becomes its property and the replacement becomes yours. You represent that all removed items are genuine and unaltered. The replacement may not be new, but will be in good working order and at least functionally equivalent to the item replaced. The replacement assumes the warranty service status of the replaced item.

Any feature, conversion, or upgrade IBM or your reseller services must be installed on a Machine which is 1) for certain Machines, the designated, serial-numbered Machine and 2) at an engineering-change level compatible with the feature, conversion, or upgrade. Many features, conversions, or upgrades involve the

removal of parts and their return to IBM. A part that replaces a removed part will assume the warranty service status of the removed part.

Before IBM or your reseller exchanges a Machine or part, you agree to remove all features, parts, options, alterations, and attachments not under warranty service.

You also agree to

1. ensure that the Machine is free of any legal obligations or restrictions that prevent its exchange;
2. obtain authorization from the owner to have IBM or your reseller service a Machine that you do not own; and
3. where applicable, before service is provided
 - a. follow the problem determination, problem analysis, and service request procedures that IBM or your reseller provides,
 - b. secure all programs, data, and funds contained in a Machine,
 - c. provide IBM or your reseller with sufficient, free, and safe access to your facilities to permit them to fulfill their obligations, and
 - d. inform IBM or your reseller of changes in a Machine's location.

IBM is responsible for loss of, or damage to, your Machine while it is 1) in IBM's possession or 2) in transit in those cases where IBM is responsible for the transportation charges.

Neither IBM nor your reseller is responsible for any of your confidential, proprietary or personal information contained in a Machine which you return to IBM or your reseller for any reason. You should remove all such information from the Machine prior to its return.

Production Status

Each IBM Machine is manufactured from new parts, or new and used parts. In some cases, the Machine may not be new and may have been previously installed. Regardless of the Machine's production status, IBM's appropriate warranty terms apply.

Limitation of Liability

Circumstances may arise where, because of a default on IBM's part or other liability, you are entitled to recover damages from IBM. In each such instance, regardless of the basis on which you are entitled to claim damages from IBM (including fundamental breach, negligence, misrepresentation, or other contract or tort claim), IBM is liable for no more than

1. damages for bodily injury (including death) and damage to real property and tangible personal property; and
2. the amount of any other actual direct damages, up to the greater of U.S. \$100,000 (or equivalent in local currency) or the charges (if recurring, 12 months' charges apply) for the Machine that is the subject of the claim.

This limit also applies to IBM's suppliers and your reseller. It is the maximum for which IBM, its suppliers, and your reseller are collectively responsible.

UNDER NO CIRCUMSTANCES IS IBM LIABLE FOR ANY OF THE FOLLOWING: 1) THIRD-PARTY CLAIMS AGAINST YOU FOR DAMAGES (OTHER THAN THOSE UNDER THE FIRST ITEM LISTED ABOVE); 2) LOSS OF, OR DAMAGE TO, YOUR RECORDS OR DATA; OR 3) SPECIAL, INCIDENTAL, OR INDIRECT DAMAGES OR FOR ANY ECONOMIC CONSEQUENTIAL DAMAGES

(INCLUDING LOST PROFITS OR SAVINGS), EVEN IF IBM, ITS SUPPLIERS OR YOUR RESELLER IS INFORMED OF THEIR POSSIBILITY. SOME JURISDICTIONS DO NOT ALLOW THE EXCLUSION OR LIMITATION OF INCIDENTAL OR CONSEQUENTIAL DAMAGES, SO THE ABOVE LIMITATION OR EXCLUSION MAY NOT APPLY TO YOU.

IBM Statement of Warranty Worldwide except Canada, Puerto Rico, Turkey, United States (Part 1 – General Terms)

This Statement of Warranty includes Part 1 - General Terms and Part 2 - Country-unique Terms. ***The terms of Part 2 may replace or modify those of Part 1.*** The warranties provided by IBM in this Statement of Warranty apply only to Machines you purchase for your use, and not for resale, from IBM or your reseller. The term "Machine" means an IBM machine, its features, conversions, upgrades, elements, or accessories, or any combination of them. The term "Machine" does not include any software programs, whether pre-loaded with the Machine, installed subsequently or otherwise. Unless IBM specifies otherwise, the following warranties apply only in the country where you acquire the Machine. Nothing in this Statement of Warranty affects any statutory rights of consumers that cannot be waived or limited by contract. If you have any questions, contact IBM or your reseller.

Machine-IP Storage 200i

Warranty Period - One Year

The IBM Warranty for Machines

IBM warrants that each Machine 1) is free from defects in materials and workmanship and 2) conforms to IBM's Official Published Specifications. The warranty period for a Machine is a specified, fixed period commencing on its Date of Installation. The date on your sales receipt is the Date of Installation, unless IBM or your reseller informs you otherwise.

During the warranty period IBM or your reseller, if approved by IBM to provide warranty service, will provide repair and exchange service for the Machine, without charge, under the type of service designated for the Machine and will manage and install engineering changes that apply to the Machine.

If a Machine does not function as warranted during the warranty period, and IBM or your reseller are unable to either 1) make it do so or 2) replace it with one that is at least functionally equivalent, you may return it to your place of purchase and your money will be refunded. The replacement may not be new, but will be in good working order.

Extent of Warranty

The warranty does not cover the repair or exchange of a Machine resulting from misuse, accident, modification, unsuitable physical or operating environment, improper maintenance by you, or failure caused by a product for which IBM is not responsible. The warranty is voided by removal or alteration of Machine or parts identification labels.

THESE WARRANTIES ARE YOUR EXCLUSIVE WARRANTIES AND REPLACE ALL OTHER WARRANTIES OR CONDITIONS, EXPRESS OR IMPLIED, INCLUDING, BUT NOT LIMITED TO, THE IMPLIED WARRANTIES OR CONDITIONS OF MERCHANTABILITY AND FITNESS FOR A PARTICULAR PURPOSE. THESE WARRANTIES GIVE YOU SPECIFIC LEGAL RIGHTS AND YOU MAY ALSO HAVE OTHER RIGHTS WHICH VARY FROM JURISDICTION TO

JURISDICTION. SOME JURISDICTIONS DO NOT ALLOW THE EXCLUSION OR LIMITATION OF EXPRESS OR IMPLIED WARRANTIES, SO THE ABOVE EXCLUSION OR LIMITATION MAY NOT APPLY TO YOU. IN THAT EVENT, SUCH WARRANTIES ARE LIMITED IN DURATION TO THE WARRANTY PERIOD. NO WARRANTIES APPLY AFTER THAT PERIOD.

Items Not Covered by Warranty

IBM does not warrant uninterrupted or error-free operation of a Machine.

Unless specified otherwise, IBM provides non-IBM machines **WITHOUT WARRANTIES OF ANY KIND.**

Any technical or other support provided for a Machine under warranty, such as assistance via telephone with "how-to" questions and those regarding Machine set-up and installation, will be provided **WITHOUT WARRANTIES OF ANY KIND.**

Warranty Service

To obtain warranty service for the Machine, contact your reseller or IBM. You may be required to present proof of purchase.

IBM or your reseller provides certain types of repair and exchange service, either at your location or at a service center, to keep Machines in, or restore them to, conformance with their Specifications. IBM or your reseller will inform you of the available types of service for a Machine based on its country of installation. IBM may repair the failing Machine or exchange it at its discretion.

When warranty service involves the exchange of a Machine or part, the item IBM or your reseller replaces becomes its property and the replacement becomes yours. You represent that all removed items are genuine and unaltered. The replacement may not be new, but will be in good working order and at least functionally equivalent to the item replaced. The replacement assumes the warranty service status of the replaced item.

Any feature, conversion, or upgrade IBM or your reseller services must be installed on a Machine which is 1) for certain Machines, the designated, serial-numbered Machine and 2) at an engineering-change level compatible with the feature, conversion, or upgrade. Many features, conversions, or upgrades involve the removal of parts and their return to IBM. A part that replaces a removed part will assume the warranty service status of the removed part.

Before IBM or your reseller exchanges a Machine or part, you agree to remove all features, parts, options, alterations, and attachments not under warranty service.

You also agree to

1. ensure that the Machine is free of any legal obligations or restrictions that prevent its exchange;
2. obtain authorization from the owner to have IBM or your reseller service a Machine that you do not own; and
3. where applicable, before service is provided
 - a. follow the problem determination, problem analysis, and service request procedures that IBM or your reseller provides,
 - b. secure all programs, data, and funds contained in a Machine,
 - c. provide IBM or your reseller with sufficient, free, and safe access to your facilities to permit them to fulfill their obligations, and

- d. inform IBM or your reseller of changes in a Machine's location.

IBM is responsible for loss of, or damage to, your Machine while it is 1) in IBM's possession or 2) in transit in those cases where IBM is responsible for the transportation charges.

Neither IBM nor your reseller is responsible for any of your confidential, proprietary or personal information contained in a Machine which you return to IBM or your reseller for any reason. You should remove all such information from the Machine prior to its return.

Production Status

Each IBM Machine is manufactured from new parts, or new and used parts. In some cases, the Machine may not be new and may have been previously installed. Regardless of the Machine's production status, IBM's appropriate warranty terms apply.

Limitation of Liability

Circumstances may arise where, because of a default on IBM's part or other liability, you are entitled to recover damages from IBM. In each such instance, regardless of the basis on which you are entitled to claim damages from IBM (including fundamental breach, negligence, misrepresentation, or other contract or tort claim), IBM is liable for no more than

1. damages for bodily injury (including death) and damage to real property and tangible personal property; and
2. the amount of any other actual direct damages, up to the greater of U.S. \$100,000 (or equivalent in local currency) or the charges (if recurring, 12 months' charges apply) for the Machine that is the subject of the claim.

This limit also applies to IBM's suppliers and your reseller. It is the maximum for which IBM, its suppliers, and your reseller are collectively responsible.

UNDER NO CIRCUMSTANCES IS IBM LIABLE FOR ANY OF THE FOLLOWING: 1) THIRD-PARTY CLAIMS AGAINST YOU FOR DAMAGES (OTHER THAN THOSE UNDER THE FIRST ITEM LISTED ABOVE); 2) LOSS OF, OR DAMAGE TO, YOUR RECORDS OR DATA; OR 3) SPECIAL, INCIDENTAL, OR INDIRECT DAMAGES OR FOR ANY ECONOMIC CONSEQUENTIAL DAMAGES (INCLUDING LOST PROFITS OR SAVINGS), EVEN IF IBM, ITS SUPPLIERS OR YOUR RESELLER IS INFORMED OF THEIR POSSIBILITY. SOME JURISDICTIONS DO NOT ALLOW THE EXCLUSION OR LIMITATION OF INCIDENTAL OR CONSEQUENTIAL DAMAGES, SO THE ABOVE LIMITATION OR EXCLUSION MAY NOT APPLY TO YOU.

Part 2 - Worldwide Country-Unique Terms

ASIA PACIFIC

AUSTRALIA: The IBM Warranty for Machines: The following paragraph is added to this Section:

The warranties specified in this Section are in addition to any rights you may have under the Trade Practices Act 1974 or other legislation and are only limited to the extent permitted by the applicable legislation.

Extent of Warranty: The following replaces the first and second sentences of this Section:

The warranty does not cover the repair or exchange of a Machine resulting from misuse, accident, modification, unsuitable physical or operating environment,

operation in other than the Specified Operating Environment, improper maintenance by you, or failure caused by a product for which IBM is not responsible.

Limitation of Liability: The following is added to this Section:

Where IBM is in breach of a condition or warranty implied by the Trade Practices Act 1974, IBM's liability is limited to the repair or replacement of the goods or the supply of equivalent goods. Where that condition or warranty relates to right to sell, quiet possession or clear title, or the goods are of a kind ordinarily acquired for personal, domestic or household use or consumption, then none of the limitations in this paragraph apply.

PEOPLE'S REPUBLIC OF CHINA: Governing Law: The following is added to this Statement:

The laws of the State of New York govern this Statement.

INDIA: Limitation of Liability: The following replaces items 1 and 2 of this Section:

1. liability for bodily injury (including death) or damage to real property and tangible personal property will be limited to that caused by IBM's negligence;
2. as to any other actual damage arising in any situation involving nonperformance by IBM pursuant to, or in any way related to the subject of this Statement of Warranty, IBM's liability will be limited to the charge paid by you for the individual Machine that is the subject of the claim.

NEW ZEALAND: The IBM Warranty for Machines: The following paragraph is added to this Section:

The warranties specified in this Section are in addition to any rights you may have under the Consumer Guarantees Act 1993 or other legislation which cannot be excluded or limited. The Consumer Guarantees Act 1993 will not apply in respect of any goods which IBM provides, if you require the goods for the purposes of a business as defined in that Act.

Limitation of Liability: The following is added to this Section:

Where Machines are not acquired for the purposes of a business as defined in the Consumer Guarantees Act 1993, the limitations in this Section are subject to the limitations in that Act.

EUROPE, MIDDLE EAST, AFRICA (EMEA)

The following terms apply to all EMEA countries.

The terms of this Statement of Warranty apply to Machines purchased from an IBM reseller. If you purchased this Machine from IBM, the terms and conditions of the applicable IBM agreement prevail over this warranty statement.

Warranty Service

If you purchased an IBM Machine in Austria, Belgium, Denmark, Estonia, Finland, France, Germany, Greece, Iceland, Ireland, Italy, Latvia, Lithuania, Luxembourg, Netherlands, Norway, Portugal, Spain, Sweden, Switzerland or United Kingdom, you may obtain warranty service for that Machine in any of those countries from either (1) an IBM reseller approved to perform warranty service or (2) from IBM.

If you purchased an IBM Personal Computer Machine in Albania, Armenia, Belarus, Bosnia and Herzegovina, Bulgaria, Croatia, Czech Republic, Georgia, Hungary, Kazakhstan, Kirghizia, Federal Republic of Yugoslavia, Former Yugoslav Republic of

Macedonia (FYROM), Moldova, Poland, Romania, Russia, Slovak Republic, Slovenia, or Ukraine, you may obtain warranty service for that Machine in any of those countries from either (1) an IBM reseller approved to perform warranty service or (2) from IBM.

The applicable laws, Country-unique terms and competent court for this Statement are those of the country in which the warranty service is being provided. However, the laws of Austria govern this Statement if the warranty service is provided in Albania, Armenia, Belarus, Bosnia and Herzegovina, Bulgaria, Croatia, Czech Republic, Federal Republic of Yugoslavia, Georgia, Hungary, Kazakhstan, Kirghizia, Former Yugoslav Republic of Macedonia (FYROM), Moldova, Poland, Romania, Russia, Slovak Republic, Slovenia, and Ukraine.

The following terms apply to the country specified:

EGYPT: Limitation of Liability: The following replaces item 2 in this Section:
2. as to any other actual direct damages, IBM's liability will be limited to the total amount you paid for the Machine that is the subject of the claim.

Applicability of suppliers and resellers (unchanged).

FRANCE: Limitation of Liability: The following replaces the second sentence of the first paragraph of this Section:

In such instances, regardless of the basis on which you are entitled to claim damages from IBM, IBM is liable for no more than: (items 1 and 2 unchanged).

GERMANY: The IBM Warranty for Machines: The following replaces the first sentence of the first paragraph of this Section:

The warranty for an IBM Machine covers the functionality of the Machine for its normal use and the Machine's conformity to its Specifications.

The following paragraphs are added to this Section:

The minimum warranty period for Machines is six months.

In case IBM or your reseller are unable to repair an IBM Machine, you can alternatively ask for a partial refund as far as justified by the reduced value of the unrepaired Machine or ask for a cancellation of the respective agreement for such Machine and get your money refunded.

Extent of Warranty: The second paragraph does not apply.

Warranty Service: The following is added to this Section:

During the warranty period, transportation for delivery of the failing Machine to IBM will be at IBM's expense.

Production Status: The following paragraph replaces this Section:

Each Machine is newly manufactured. It may incorporate in addition to new parts, re-used parts as well.

Limitation of Liability: The following is added to this Section:

The limitations and exclusions specified in the Statement of Warranty will not apply to damages caused by IBM with fraud or gross negligence and for express warranty.

In item 2, replace "U.S. \$100,000" with "1.000.000 DEM."

The following sentence is added to the end of the first paragraph of item 2:
IBM's liability under this item is limited to the violation of essential contractual terms in cases of ordinary negligence.

IRELAND: Extent of Warranty: The following is added to this Section:
Except as expressly provided in these terms and conditions, all statutory conditions, including all warranties implied, but without prejudice to the generality of the foregoing all warranties implied by the Sale of Goods Act 1893 or the Sale of Goods and Supply of Services Act 1980 are hereby excluded.

Limitation of Liability: The following replaces items one and two of the first paragraph of this Section:

1. death or personal injury or physical damage to your real property solely caused by IBM's negligence; and 2. the amount of any other actual direct damages, up to the greater of Irish Pounds 75,000 or 125 percent of the charges (if recurring, the 12 months' charges apply) for the Machine that is the subject of the claim or which otherwise gives rise to the claim.

Applicability of suppliers and resellers (unchanged).

The following paragraph is added at the end of this Section:
IBM's entire liability and your sole remedy, whether in contract or in tort, in respect of any default shall be limited to damages.

ITALY: Limitation of Liability: The following replaces the second sentence in the first paragraph:

In each such instance unless otherwise provided by mandatory law, IBM is liable for no more than: (item 1 unchanged) 2) as to any other actual damage arising in all situations involving non-performance by IBM pursuant to, or in any way related to the subject matter of this Statement of Warranty, IBM's liability, will be limited to the total amount you paid for the Machine that is the subject of the claim.

Applicability of suppliers and resellers (unchanged).

The following replaces the second paragraph of this Section:

Unless otherwise provided by mandatory law, IBM and your reseller are not liable for any of the following: (items 1 and 2 unchanged) 3) indirect damages, even if IBM or your reseller is informed of their possibility.

SOUTH AFRICA, NAMIBIA, BOTSWANA, LESOTHO AND SWAZILAND:

Limitation of Liability: The following is added to this Section:

IBM's entire liability to you for actual damages arising in all situations involving nonperformance by IBM in respect of the subject matter of this Statement of Warranty will be limited to the charge paid by you for the individual Machine that is the subject of your claim from IBM.

TURKIYE: Production Status: The following replaces this Section:

IBM fulfills customer orders for IBM Machines as newly manufactured in accordance with IBM's production standards.

UNITED KINGDOM: Limitation of Liability: The following replaces items 1 and 2 of the first paragraph of this Section:

1. death or personal injury or physical damage to your real property solely caused by IBM's negligence; 2. the amount of any other actual direct damages or loss, up to the greater of Pounds Sterling 150,000 or 125 percent of the charges (if

recurring, the 12 months' charges apply) for the Machine that is the subject of the claim or which otherwise gives rise to the claim.

The following item is added to this paragraph:

3. breach of IBM's obligations implied by Section 12 of the Sale of Goods Act 1979 or Section 2 of the Supply of Goods and Services Act 1982.

Applicability of suppliers and resellers (unchanged).

The following is added to the end of this Section:

IBM's entire liability and your sole remedy, whether in contract or in tort, in respect of any default will be limited to damages.

NORTH AMERICA

CANADA: Warranty Service: The following is added to this section:

To obtain warranty service from IBM, call **1-800-565-3344**.

UNITED STATES OF AMERICA: Warranty Service: The following is added to this section:

To obtain warranty service from IBM, call **1-800-772-2227**.

Power cords

For your safety, IBM provides a power cord with a grounded attachment plug to use with this IBM product. To avoid electrical shock, always use the power cord and plug with a properly grounded outlet.

IBM power cords used in the United States and Canada are listed by Underwriter's Laboratories (UL) and certified by the Canadian Standards Association (CSA).

For units intended to be operated at 115 volts: Use a UL-listed and CSA-certified cord set consisting of a minimum 18 AWG, Type SVT or SJT, three-conductor cord, a maximum of 15 feet in length and a parallel blade, grounding-type attachment plug rated 15 amperes, 125 volts.

For units intended to be operated at 230 volts (U.S. use): Use a UL-listed and CSA-certified cord set consisting of a minimum 18 AWG, Type SVT or SJT, three-conductor cord, a maximum of 15 feet in length and a tandem blade, grounding-type attachment plug rated 15 amperes, 250 volts.

For units intended to be operated at 230 volts (outside the U.S.): Use a cord set with a grounding-type attachment plug. The cord set should have the appropriate safety approvals for the country in which the equipment will be installed.

IBM power cords for a specific country or region are usually available only in that country or region.

IBM power cord part number	Used in these countries and regions
13F9940	Argentina, Australia, China (PRC), New Zealand, Papua New Guinea, Paraguay, Uruguay, Western Samoa

IBM power cord part number	Used in these countries and regions
13F9979	Afghanistan, Algeria, Andorra, Angola, Austria, Belgium, Benin, Bulgaria, Burkina Faso, Burundi, Cameroon, Central African Rep., Chad, Czech Republic, Egypt, Finland, France, French Guiana, Germany, Greece, Guinea, Hungary, Iceland, Indonesia, Iran, Ivory Coast, Jordan, Lebanon, Luxembourg, Macau, Malagasy, Mali, Martinique, Mauritania, Mauritius, Monaco, Morocco, Mozambique, Netherlands, New Caledonia, Niger, Norway, Poland, Portugal, Romania, Senegal, Slovakia, Spain, Sudan, Sweden, Syria, Togo, Tunisia, Turkey, former USSR, Vietnam, former Yugoslavia, Zaire, Zimbabwe
13F9997	Denmark
14F0015	Bangladesh, Burma, Pakistan, South Africa, Sri Lanka
14F0033	Antigua, Bahrain, Brunei, Channel Islands, Cyprus, Dubai, Fiji, Ghana, Hong Kong, India, Iraq, Ireland, Kenya, Kuwait, Malawi, Malaysia, Malta, Nepal, Nigeria, Polynesia, Qatar, Sierra Leone, Singapore, Tanzania, Uganda, United Kingdom, Yemen, Zambia
14F0051	Liechtenstein, Switzerland
14F0069	Chile, Ethiopia, Italy, Libya, Somalia
14F0087	Israel
1838574	Thailand
62X1045	Bahamas, Barbados, Bermuda, Bolivia, Brazil, Canada, Cayman Islands, Colombia, Costa Rica, Dominican Republic, Ecuador, El Salvador, Guatemala, Guyana, Haiti, Honduras, Jamaica, Japan, Korea (South), Liberia, Mexico, Netherlands Antilles, Nicaragua, Panama, Peru, Philippines, Saudi Arabia, Suriname, Taiwan, Trinidad (West Indies), United States of America, Venezuela

Index

A

- additional services
 - purchasing 71
- appliance
 - setting up 5
 - Model 100 5
 - Model 200 6
 - rack 6
 - setup 5
 - starting 23
- appliance management utility
 - logging in 24
- assigning
 - virtual disks 26

C

- cable-management arm 21
- cabling
 - external 21
 - rack model 21
 - routing on back 21
- checklist 5
 - preinstallation 5
- client, iSCSI 1
- configuration, initial 24
- configuring
 - network 26

D

- DIMM See memory module 14
- drives See hot-swap or non-hot-swap 13

E

- electrical input 3
- Ethernet, Gigabit 25
- Ethernet, Service 26
- expansion slots 1

F

- features
 - optional 2, 11
 - standard 1

G

- Gigabit Ethernet 25

H

- hard drive See hot-swap hard drive 13
- help
 - online 68

- help (*continued*)
 - telephone 69
- hot-swap hard drive
 - installing 13
 - specifications 13

I

- I/O ports 21
- initial configuration 24
- install 5
- installation
 - procedures 5
- installing
 - hot-swap hard drive 13
 - memory module 14, 17
 - preparing 14
 - removing the cover 15
 - replacing the cover 19
 - optional features 11
 - storage unit 11
 - tower-to-rack kit 20
- iSCSI client 1

L

- login
 - appliance management utility 24

M

- memory
 - configuration changes 14
 - specifications 1
- memory module
 - installing 14
 - order of installation 14
 - specifications 1
 - supported 14
- microprocessor
 - specifications 1
- Model 200
 - setting up in a rack 6

N

- network
 - configuring 26
- notices 27

O

- online help 68
- online sources 67
- optional features 2
 - installing 11

P

- power cords 82
- power supply
 - specifications 1
- preinstallation 5
- prerequisites 24
- procedures 5

R

- rack
 - setup 6
- rack installation 21

S

- service
 - before you call 68
 - support 67
- Service Ethernet 26
- setup
 - appliance 5
 - Model 100 5
 - Model 200 6
- standard features 1
- starting
 - appliance 23
- storage unit 11
 - installing 11
- support, service 67

T

- telephone help 69
- tower-to-rack kit
 - installing 20
- trademarks 65

V

- virtual disks, assigning 26

W

- warranties and notices
 - product 73
- warranty and repair 71
- warranty statement 73

Readers' Comments — We'd Like to Hear from You

IBM TotalStorage™ IP Storage 200i
Installation Guide

Part Number 38P7761

Overall, how satisfied are you with the information in this book?

	Very Satisfied	Satisfied	Neutral	Dissatisfied	Very Dissatisfied
Overall satisfaction	<input type="checkbox"/>	<input type="checkbox"/>	<input type="checkbox"/>	<input type="checkbox"/>	<input type="checkbox"/>

How satisfied are you that the information in this book is:

	Very Satisfied	Satisfied	Neutral	Dissatisfied	Very Dissatisfied
Accurate	<input type="checkbox"/>	<input type="checkbox"/>	<input type="checkbox"/>	<input type="checkbox"/>	<input type="checkbox"/>
Complete	<input type="checkbox"/>	<input type="checkbox"/>	<input type="checkbox"/>	<input type="checkbox"/>	<input type="checkbox"/>
Easy to find	<input type="checkbox"/>	<input type="checkbox"/>	<input type="checkbox"/>	<input type="checkbox"/>	<input type="checkbox"/>
Easy to understand	<input type="checkbox"/>	<input type="checkbox"/>	<input type="checkbox"/>	<input type="checkbox"/>	<input type="checkbox"/>
Well organized	<input type="checkbox"/>	<input type="checkbox"/>	<input type="checkbox"/>	<input type="checkbox"/>	<input type="checkbox"/>
Applicable to your tasks	<input type="checkbox"/>	<input type="checkbox"/>	<input type="checkbox"/>	<input type="checkbox"/>	<input type="checkbox"/>

Please tell us how we can improve this book:

Thank you for your responses. May we contact you? Yes No

When you send comments to IBM, you grant IBM a nonexclusive right to use or distribute your comments in any way it believes appropriate without incurring any obligation to you.

Name

Address

Company or Organization

Phone No.



Fold and Tape

Please do not staple

Fold and Tape



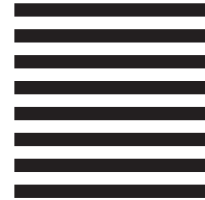
NO POSTAGE
NECESSARY
IF MAILED IN THE
UNITED STATES

BUSINESS REPLY MAIL

FIRST-CLASS MAIL PERMIT NO. 40 ARMONK, NEW YORK

POSTAGE WILL BE PAID BY ADDRESSEE

IBM Corp.
Dept. CFGA
PO Box 12195
Research Triangle Park, NC 27709-9990



Fold and Tape

Please do not staple

Fold and Tape



Part Number: 38P7761



Printed in the United States of America
on recycled paper containing 10%
recovered post-consumer fiber.

(1P) P/N: 38P7761

