

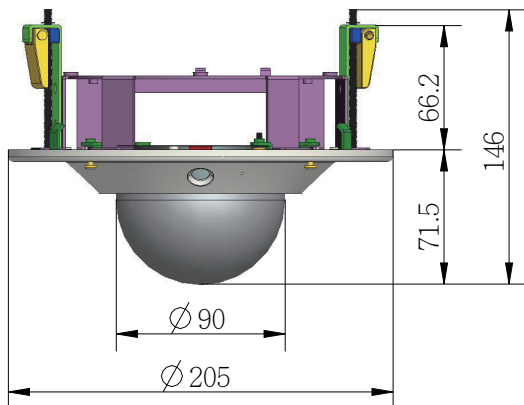
VIVOTEK Fixed Dome Series

AM-102 Recessed-mount Bracket

User's Manual

Rev. 1.0

AM-102 Recessed-mount Bracket Mechanical Drawing



Package Contents

- Recessed-mount bracket
- Screws: 2x Roundhead M4x12 with captive washers
- Screwdriver: T10 stardriver
- Alignment sticker
- Cable tie

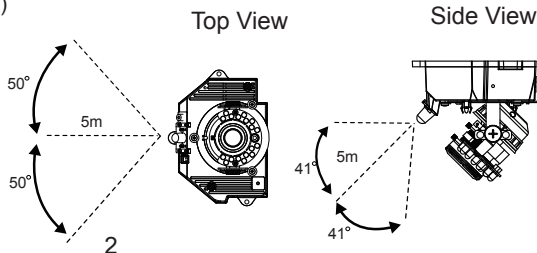
Compatible VIVOTEK Cameras

Fixed Dome series	FD8162, FD8135H
-------------------	-----------------

You may also refer to VIVOTEK's website for the list of supported models. Support for other models can be available through time.

IMPORTANT:

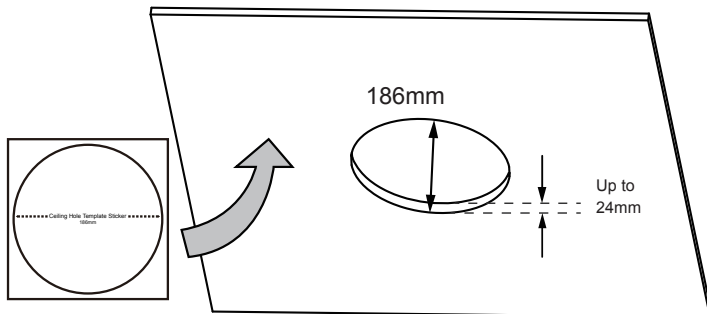
Before installing your camera, make sure the built-in PIR (Passive Infrared Sensor) can be directed toward the area of interest, where possible intrusion may occur. (The sensitivity of PIR sensor depends on the object size and temperature differences between the object and the background environment.)



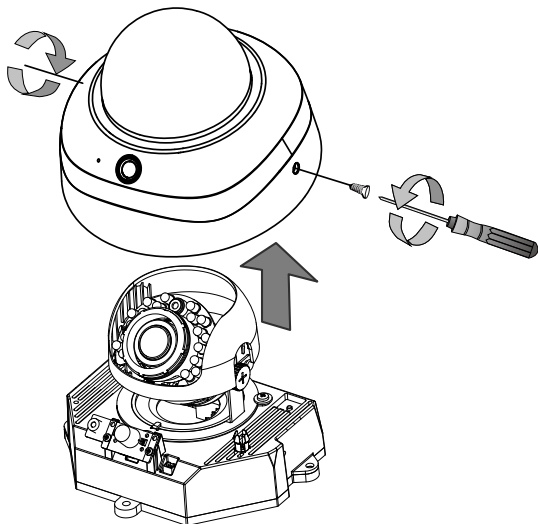
II Installation

Mounting Hole Definitions

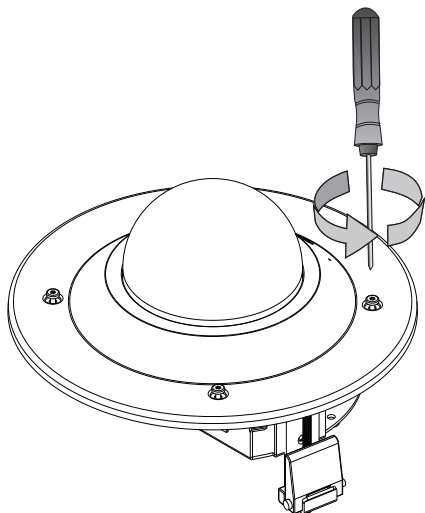
1. Determine a secure location for the recessed-mount bracket.
2. Drill or cut a 186mm hole (in diameter). The maximum thickness of the ceiling/board is 24mm. The ceiling should be able sustain at least a weight of 1.4kg.



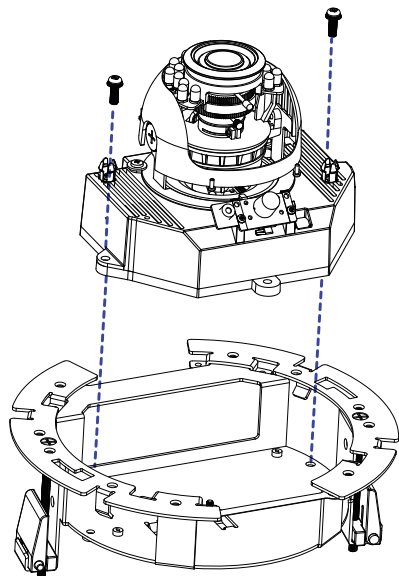
3. Remove dome cover from the camera using the stardriver included in kit.



4. Use the included stardriver to detach the dome cover from the recessed mount.



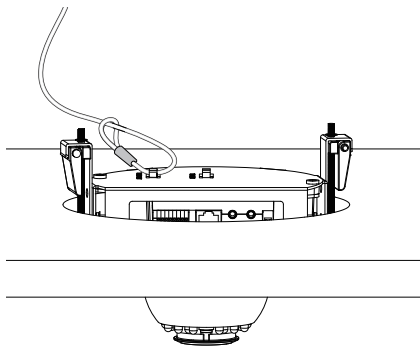
5. Install camera to the recessed-mount bracket by driving 2 screws.



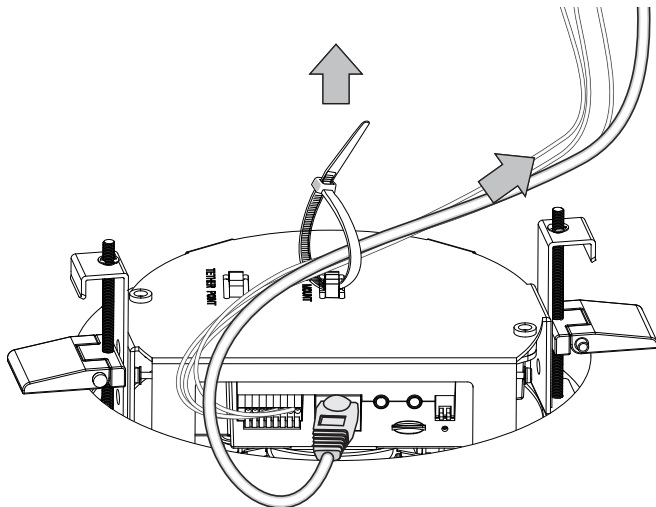
**NOTE:**

1. Connect and route cables before you secure the recessed-mount bracket to a ceiling.
2. For details on the cable connections with each camera, please refer to their Quick Installation Guide.

Optional: You can tie up a tether line to the top of the bracket in case the bracket may fall during the installation.

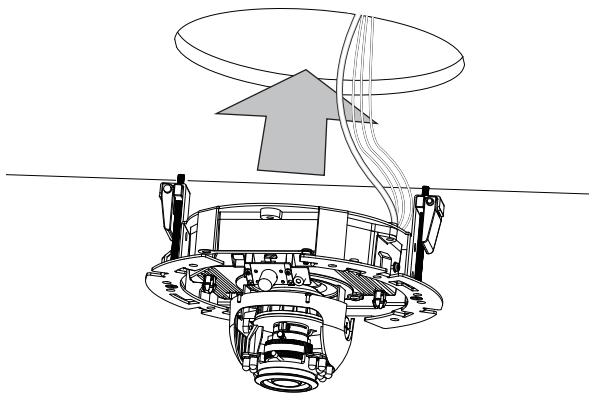


You may also use a cable tie to secure cables to the anchor point on top.

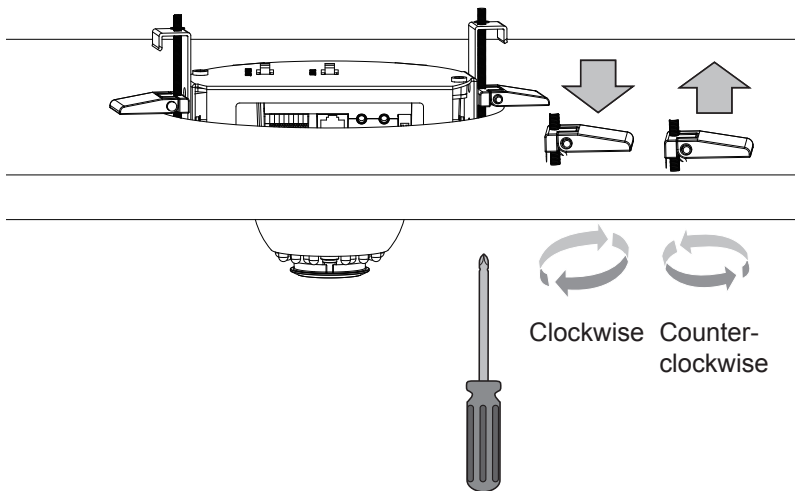


6. Connect cables to the camera.

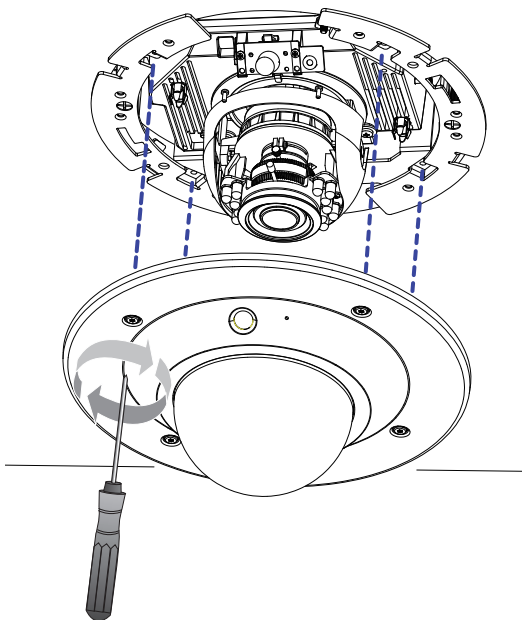
7. Use a #2 Phillips screwdriver to loosen the clamping plates (see drawing below) and insert the recessed-mount bracket through the hole in the ceiling.



8. Use a #2 Phillips screwdriver to move the clamping plates down so that the ceiling/board is caught between the clamps and the flange on the other side of the ceiling.



9. Adjust shooting angle and check for a satisfactory image over a web session. When you have a satisfactory live view, secure the dome cover from below the ceiling using a T10 star driver.



10. You are done with the installation.

