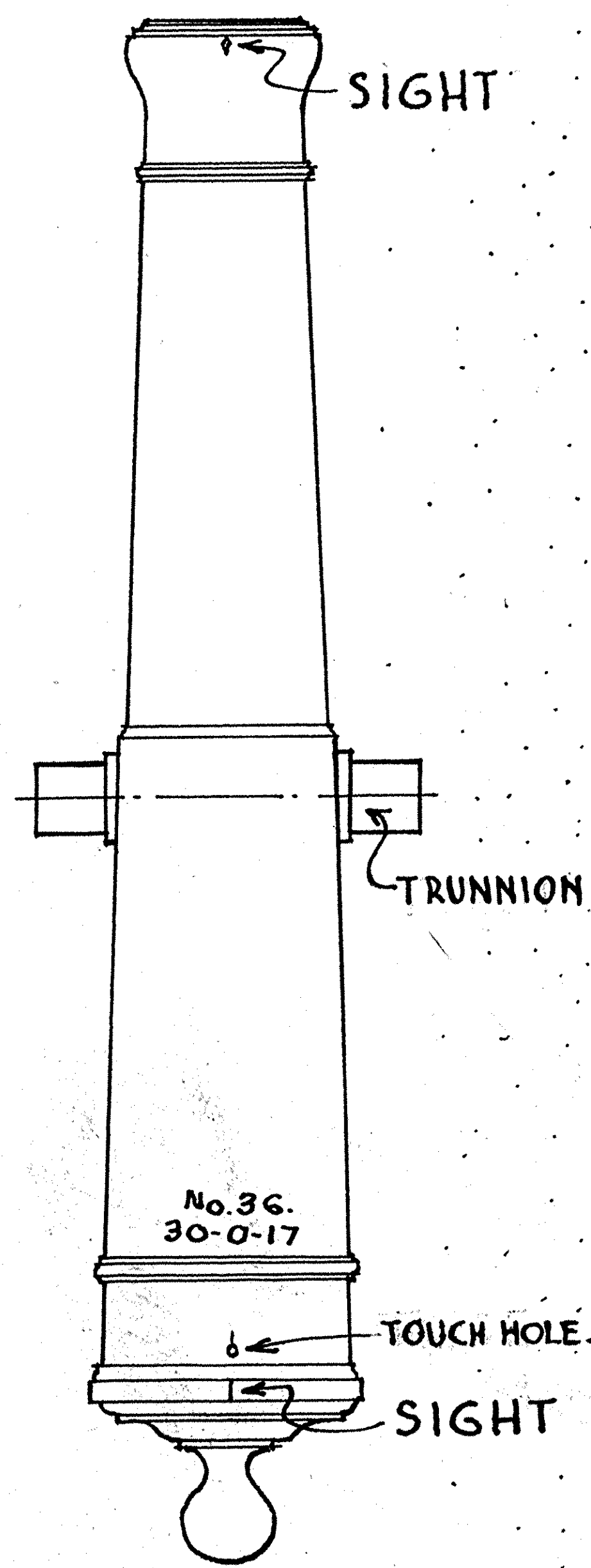
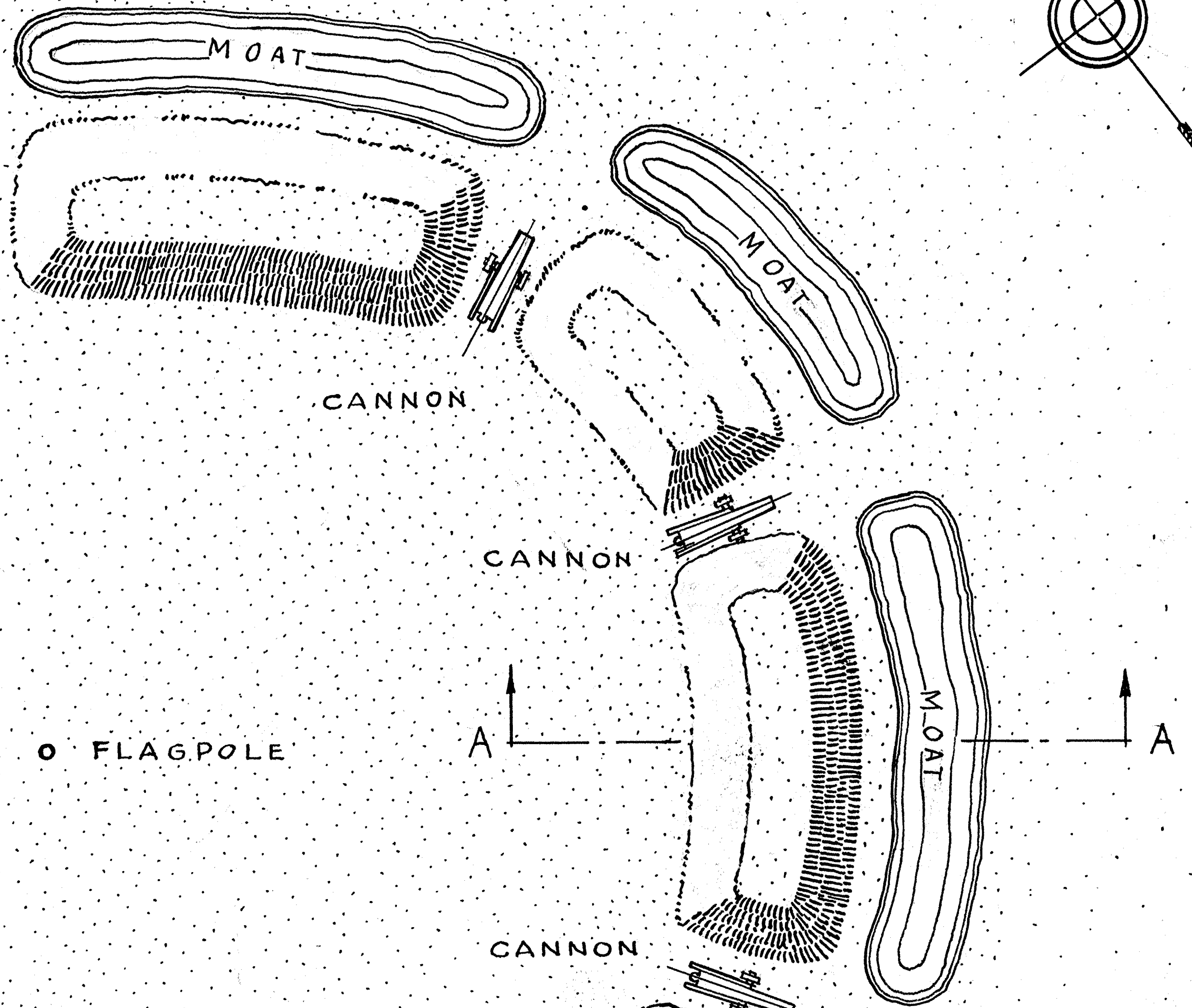


TAKEN FROM A MAP COMPILED TO SHOW THE PAROLE LIMITS OF BURGOYNE'S OFFICERS IN 1777.

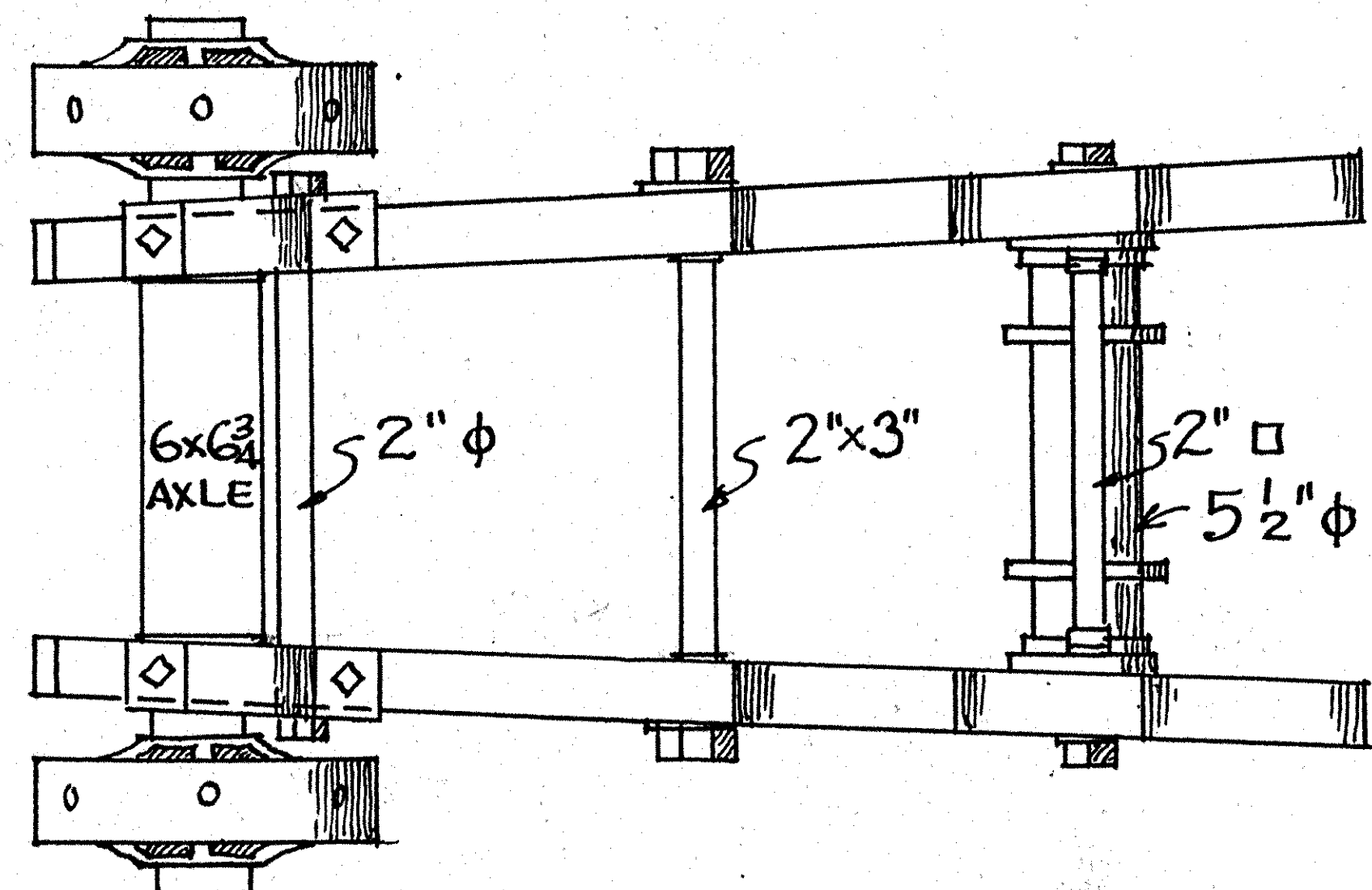


CANNON PLAN

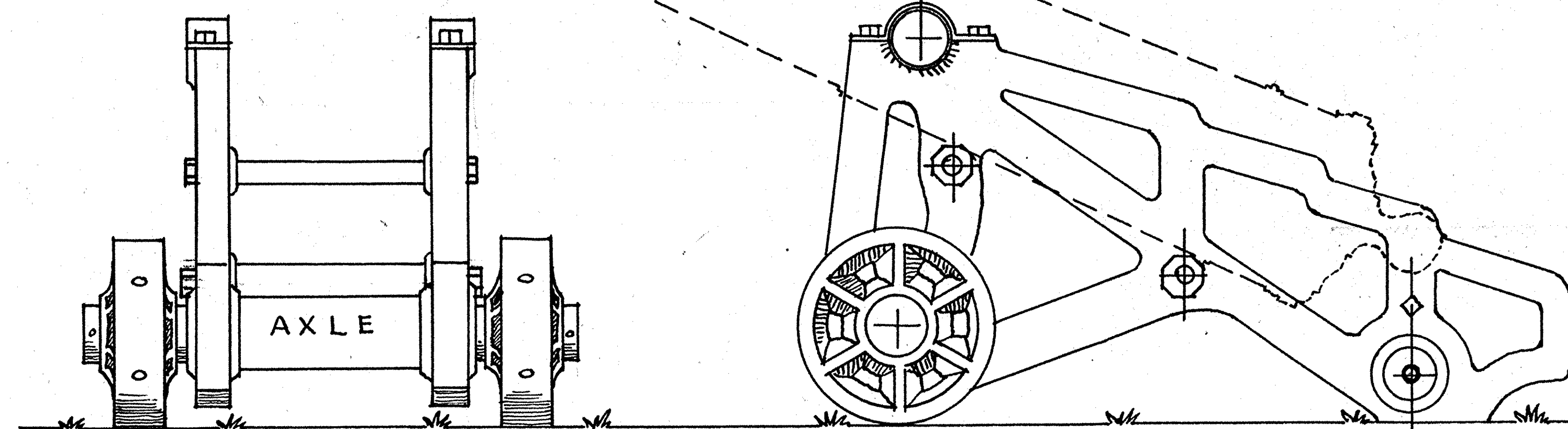


PLAN OF FORT

DETAILS OF CANNON AND CARRIAGE

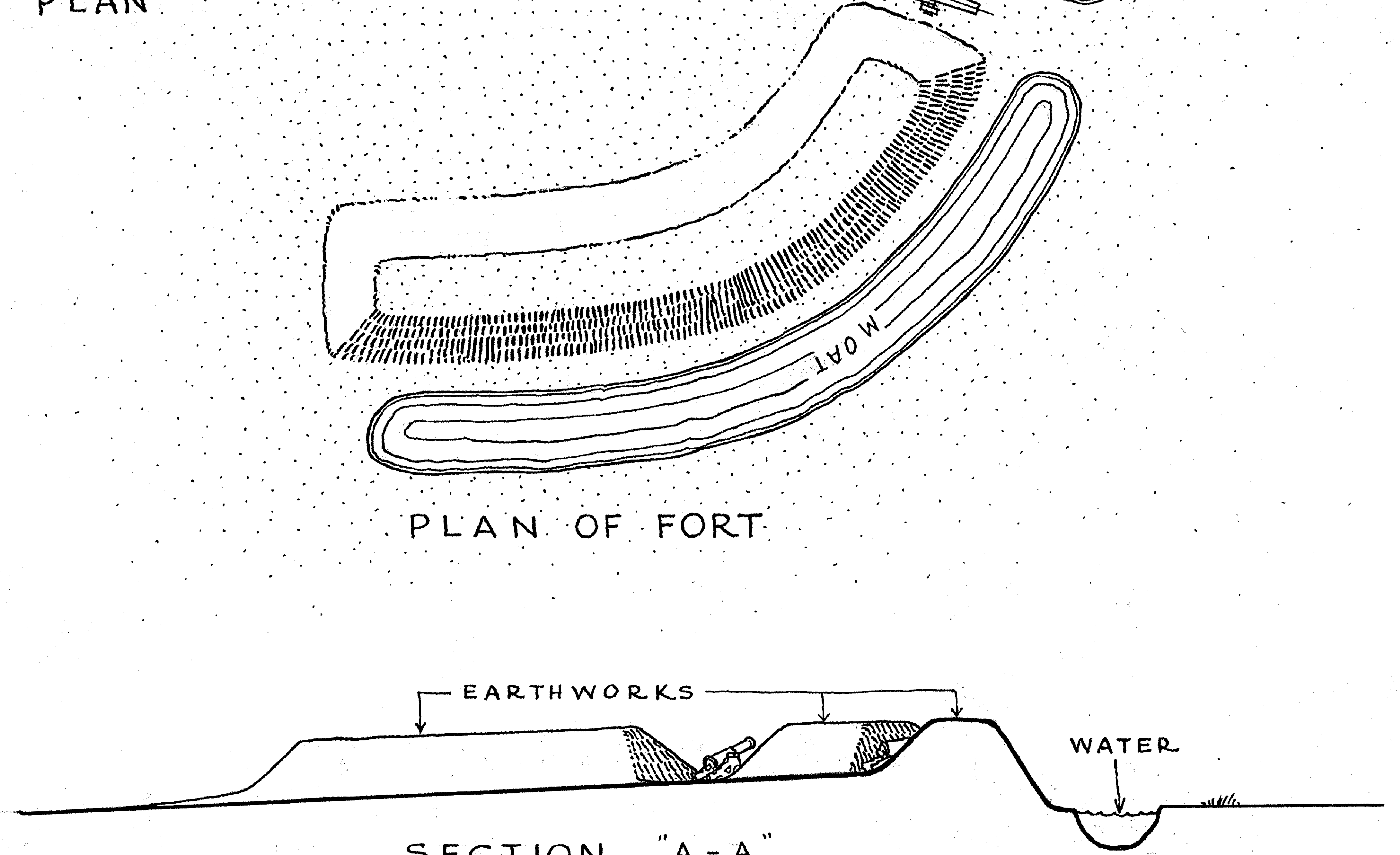


PLAN OF GUN CARRIAGE

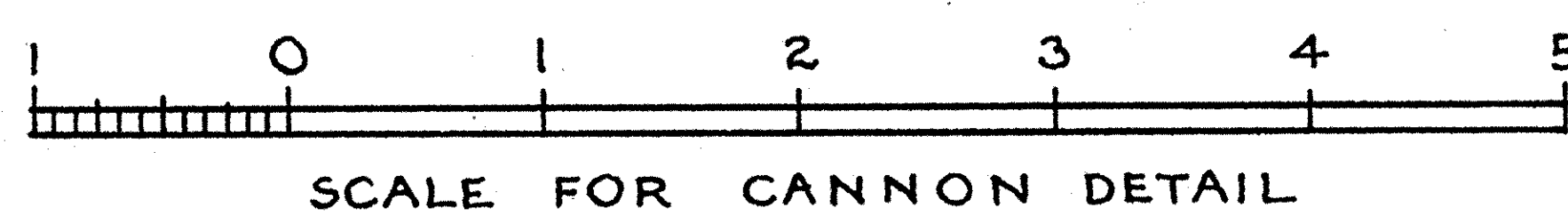


FRONT ELEVATION

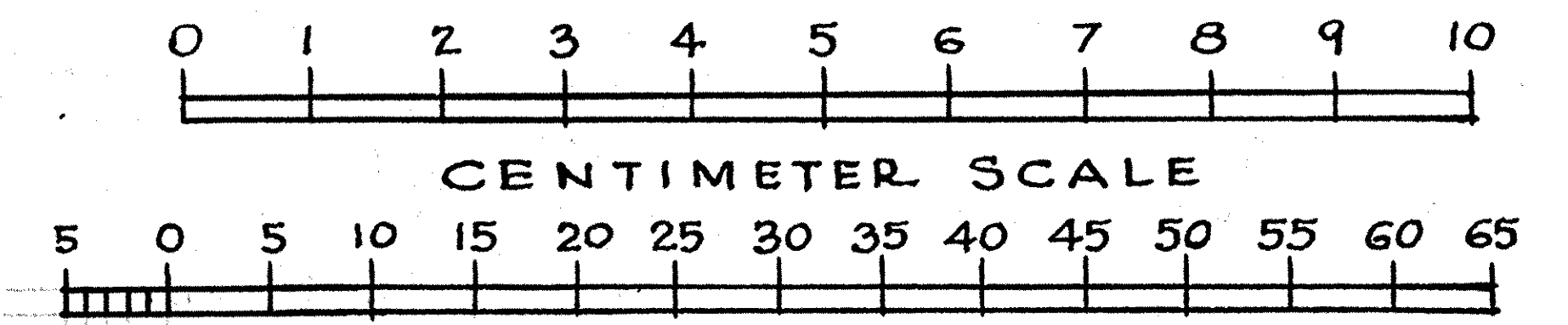
SIDE ELEVATION



SECTION "A-A"



SCALE FOR CANNON DETAIL



CENTIMETER SCALE

SCALE OF FEET FOR FORT

JOHN LATIMER TURNER DEL.



BUILT IN 1775

NAME OF STRUCTURE

· FORT WASHINGTON · CAMBRIDGE · MIDDLESEX CO · MASS ·

SURVEY NO.

2-48

HISTORIC AMERICAN BUILDINGS SURVEY SHEET 1 OF 3 SHEETS

INDEX NO. MASS. 9-CAMP 5